

# 2001 JEEP GRAND CHEROKEE (WG)

## PARTS CATALOG

ILLUSTRATION AND TEXT  
(CHASSIS - BODY - TRIM)

November 2002

**SUPERSEDES**  
**December 2001**  
**ENGLISH**



Jeep

CHRYSLER • PLYMOUTH • DODGE • JEEP

**THE MOPAR DIFFERENCE**

## INDEX TO INFORMATION PAGES

The use of this Parts Catalog and the arrangement of information herein is explained in the General Information Section as indexed below.

Abbreviations .....	INF-13
Alphabetic Index .....	INF-10
Body Code Plate Interpretation .....	INF-12
Catalog Groups - Titles & Contents .....	INF-2
How to Use This Catalog and Locate Parts .....	INF-8
Illustration Index .....	INF-10
Illustration Numbering Index .....	INF-9
Index.....	INF-1
Logical Illustration Index.....	INF-3
Logical Illustrations .....	INF-9
Numerical Index .....	INF-10
Page Numbering.....	INF-9
Part Packages .....	INF-10
Standard Parts.....	INF-10
Symbols Used in this Catalog.....	INF-9
VIN Plate Decoding Information .....	INF-11

## CATALOG GROUPS - TITLES & CONTENT

Group	Content
002	Front Suspension & Drive
003	Rear Axle
004	Parking Brake
005	Service Brakes
007	Cooling
008	Electrical
009	Engine Mounting
011	Exhaust
013	Frames and Bumpers
014	Fuel
016	Propeller Shafts and U-Joints
017	Rear Suspension
019	Steering
022	Wheels, Covers and Jacks
024	Air Conditioning & Heater
025	Emission Systems
08A	Instrument Panel and Radios and Consoles
23D	Wiper/Lock Cylinder and Keys
247	Transfer Case Model 247
3.1L	Engine 3.1L Five Cylinder(Turbo Diesel)
4.0L	Engine 4.0L Six Cylinder
4.7L	Engine 4.7L Eight Cylinder
42RE	Automatic Transmission 4 Speed
44RE	Automatic Transmission 4 Speed
45RFE	Automatic Transmission Multi-Speed
DWG	Doors and Related Parts
EWG	Exterior Ornamentation
IWG	Interior Trim
SWG	Body Sheet Metal Except Doors

## LOGICAL ILLUSTRATION INDEX

Group	Logical Illustration	Logical Illustration Name
002	100	Front Suspension
002	200	Front Axle Drive Shafts
002	300	Front Axle Housing
002	400	Front Axle Assembly
002	600	Front Axle Differential
002	800	Front Axle Skid Plate
003	100	Rear Axle
003	200	Differential and Housing
003	300	Rear Axle Vent
003	400	Rear Axle Shafts
004	100	Parking Brake Lever and Cables
005	100	Front Brakes
005	200	Rear Brakes
005	300	Power Brake Booster
005	400	Brake Master Cylinder
005	500	Brake Lines and Hoses
005	600	Brake Pedals
007	100	Radiator and Related Parts
007	200	Water Pump and Related Parts
007	300	Tank, Coolant Engine
007	400	Pulleys and Related Parts
007	500	Drive Belts
007	600	Lines, Transmission Oil Cooler
007	700	Grilles
008	100	Starters
008	1000	Battery Tray and Cables
008	1100	Lamps - Front, Rear and Courtesy
008	1200	Wiring-Engine & Related Parts
008	1300	Wiring-Headlamp to Dash
008	1400	Wiring-Instrument Panel
008	1500	Wiring-Body & Accessories
008	1600	Wiring Repair
008	1900	Spark Plugs-Cables-Coils

008	200	Alternators
008	400	Modules
008	500	Relays
008	600	Sensors
008	700	Single Board Engine Controllers
008	800	Switches
008	900	Horns
009	100	Engine Mounting
011	100	Exhaust System
011	200	Heat Shields
013	200	Front Bumper and Fascia
013	300	Rear Bumper and Fascia
013	600	Trailer Tow
014	100	Tank, Fuel
014	1000	Speed Control
014	1100	Accelerator Pedal
014	200	Fuel Tank Filler Tube
014	300	Fuel Lines
014	400	Fuel Rail
014	500	Fuel Pump and Sending Unit
014	600	Throttle Body
014	700	Throttle Controls
014	800	Air Cleaner
014	900	Air Intake System
016	100	Propeller Shaft
017	100	Rear Suspension
017	200	Rear Stabilizer
019	100	Steering Wheel
019	200	Steering Column
019	300	Steering Gear
019	400	Steering Linkage
019	500	Power Steering Pump
019	700	Power Steering Hoses
022	100	Wheels and Hardware
022	200	Wheel Covers and Center Caps
022	300	Jack Stowage

022	400	Spare Tire Stowage
024	100	Air Conditioner and Heater Units
024	200	Air Conditioner and Heater Plumbing
024	300	Air Conditioner and Heater Controls
024	400	Air Conditioning Compressor
024	500	Air Conditioning Compressor Mounting
024	600	Air Ducts and Outlets
025	100	Emission Labels
025	200	EGR System
025	300	Vacuum Canister
025	400	Emission Harness
08A	100	Instrument Panel
08A	200	Instrument Panel Cluster
08A	300	Radio, Antenna, and Speakers
08A	400	Consoles
23D	100	Lock Cylinders and Keys
23D	200	Windshield Wiper and Washer Systems
23D	300	Rear Wiper and Washer System
247	100	Transfer Case Assembly
247	1200	Gearshift Controls
247	200	Case and Related Parts
247	400	Gear Train
247	900	Fork and Rails
3.1L	200	Cylinder Head
3.1L	300	Cylinder Block
3.1L	400	Crankshaft, Piston and Torque Converter
3.1L	500	Camshafts and Valves
3.1L	600	Timing Belt and Cover
3.1L	700	Engine Oiling
3.1L	800	Manifolds
3.1L	900	Crankcase Ventilation
4.0L	200	Cylinder Head
4.0L	300	Cylinder Block
4.0L	400	Crankshaft, Piston and Torque Converter
4.0L	500	Camshafts & Valves
4.0L	600	Timing Belt and Cover

4.0L	700	Engine Oiling
4.0L	800	Manifolds
4.0L	900	Crankcase Ventilation
4.7L	200	Cylinder Head
4.7L	300	Cylinder Block
4.7L	400	Crankshaft, Pistons and Torque Converter
4.7L	500	Camshafts and Valves
4.7L	600	Timing Belt and Cover
4.7L	700	Engine Oiling
4.7L	800	Manifolds
4.7L	900	Crankcase Ventilation
42RE	100	Transmission Assembly
42RE	1000	Overdrive Gear Train
42RE	1200	Gearshift Controls
42RE	200	Case and Extension
42RE	300	Oil Pump
42RE	400	Gear Train
42RE	500	Bands, Reverse and Kickdown
42RE	700	Valve Body
44RE	100	Transmission Assembly
44RE	1000	Overdrive Gear Train
44RE	1200	Gearshift Controls
44RE	200	Case and Extension
44RE	300	Oil Pump
44RE	400	Gear Train
44RE	500	Bands, Reverse and Kickdown
44RE	700	Valve Body
45RFE	100	Transmission Assembly
45RFE	1200	Gearshift Controls
45RFE	1300	Seal and Shim Packages
45RFE	200	Case and Extension
45RFE	300	Oil Pump
45RFE	400	Gear Train
45RFE	700	Valve Body
DWG	100	Front Door
DWG	200	Rear Door

DWG	500	Exterior Mirror
DWG	600	Weatherstrips and Seals
EWG	100	Nameplates
EWG	200	Moldings and Ornamentation
EWG	300	Decals and Tapestripes
IWG	100	Headliner and Visor
IWG	1000	Lift Gate Trim
IWG	200	Panel - Mouldings, Scuff Plates
IWG	300	Carpet and Tonneau Cover
IWG	400	Door Trim Panels
IWG	500	Front Seats and Attaching Parts
IWG	600	Rear Seats and Attaching Parts
IWG	700	Seat Belts - Front and Rear
IWG	800	Adjusters, Covers, Shields and Risers
SWG	1100	Roof Panels
SWG	1200	Sunroof
SWG	1300	Liftgate Panel
SWG	1600	Luggage Rack
SWG	200	Floor Pans
SWG	300	Plugs
SWG	400	Front Fenders
SWG	500	Hood and Hood Release
SWG	600	Cowl and Dash Panel
SWG	700	Glass and Rear View Mirror
SWG	800	Aperture Panel
SWG	900	Quarter Panel and Pillars



## HOW TO USE THIS CATALOG AND LOCATE PARTS

**This Catalog is divided into Part Groups in which illustrations for parts of a similar function and/or location are published. The Group contents listing on the next page shows the type of parts contained in each group. Tabs are provided or available to separate each group.**

Several methods may be used to locate a specific part:

**Option 1:** From the Group Contents listing. Select the group which would most logically contain the part to be found. Open the catalog to the beginning of that group. The first page of the group will contain the part. Turn to the selected illustration and locate the part by reviewing the illustration item numbers and associated text information following the illustration.

**Option 2:** If the "noun" name of the part you seek is known, an alphabetical index of Nouns and illustration titles is provided to assist in finding the part. Several keys may be found in this index.

RESERVOIR, Power Steering Oil Pump Group 19	Group Reference
ALTERNATOR All Engines 8-210	Illustration Reference
BELT, Front Seat Imdl/710/3	Illustration/Item Reference

Group by Model _____	}
Illustration Number _____	
Item _____	

**Option 3:** If the part number is known but the applications need to be determined, refer to the numerical index. This index shows the group, illustration number and each part listed in the catalog. Multiple references mean the part is listed more than once.

**Option 4:** Other options such as group identifiers exist in these catalogs. For Example, Group 23 Body has been broken in sections, i.e. 23A Sheet Metal now is S(model code). Example: SGS for model GS. Group 23C Doors now is D(model code) ex. DGS. Group 23 Exterior Ornamentation now is E(model code). This same logic applies to the Interior Trim Section (ex. IGS).

The Group 9 Engine sections in prior parts catalogs had been numbered 9A, 9B, 9C, etc. There was no real meaning to this numbering scheme. In this new MACS produced catalog the group numbering scheme is as follows: 2.5LD means 2.5 Liter Diesel Engine; 2.0L means 2.0 Liter Four Cylinder Gas Engine; 3.3L6T means 3.3 Liter Six Cylinder Transverse Mounted Engine; and 3.8L means 3.8 Liter Six Cylinder Engine. Also note that Engine Mounting parts are located in Group 9.

## PAGE NUMBERING

Two-part page numbers are used throughout this catalog. The first part of the page designation indicates one major group or section. The second part indicates the actual page number in the group. For example:

2-1 indicates Group 2, Front Suspension, Page 1  
3-4 indicates Group 3, Axle Rear, Page 4

In the maintenance of the Loose Leaf Parts Catalog Revision Service, it may become necessary to add information beyond the capacity of the page. In this event, an "A" page will be used. For example, if it becomes necessary, because of change, to add several part numbers to page 2-1 and space does not permit the addition, you will be given Page 2-1A. Page 2-1A should be filed immediately following Page 2-1.

Figure and Item Numbers are also commonly used to identify locations in the Catalog, i.e., 14-910/8 refers to Group 14, illustration 910, Item Number 8. Illustration Numbers are always ascending sequential within the Groups.

## SYMBOLS USED IN THIS CATALOG

The Following symbols are commonly used with Part Number and Quantity information in this Catalog:

AR - Indicates the quantity required may vary or is to be determined by the user.

PAR - Indicates "Paint As Required"

BLANK - Indicates "All Condition"

- = "Not Illustrated"

## LOGICAL ILLUSTRATIONS

Refer to Illustration in front of each group. This will give assistance to as how each group is broken down and what Specific Illustration should be referenced.

## ILLUSTRATION NUMBERING INDEX

Illustration numbers in this Catalog are Group standards. This indicates group and consistent content. EXAMPLE: 8-100 is a Logical Illustration for Starters. 8-101 to 8-199 are Specific Illustrations used for Starters for all Catalogs. 8-200 will contain Alternators for all Catalogs and so on. Always refer to group index in front of each group.

## ILLUSTRATION INDEX

This index is a compilation of catalog parts description data with reference to illustrations, figures and key numbers as shown:

Fender ie; Model.....Group: S(Model) .....Illustration 410  
(Fender is located in Sheet Metal Section (S) in Illustration 410)

The first page of each group contains a listing of all illustrations and group breakdown within that group. Also refer to illustrations alphabetically listed in information section.

## ALPHABETIC INDEX

This index is a compilation of catalog parts description data with a reference to the location of the item by Group, Figure, and Key Number as shown in the following example:

Housing, w/Pump.....Group 7 Illustration 210 Item 10  
(Housing, w/Pump.....7-210/10)

The index will be expanded progressively as data is added to computer files. To locate a part by name refer to the Alphabetical Index. This index indicates the group and illustration and item number where the part is located. Alphabetical Index can be found in INF section of this Catalog.

## NUMERICAL INDEX

A listing of Part Numbers contained in the catalog. The numbers are in numerical sequence with reference to the group and Illustration and item number where the part is located.

## PARTS PACKAGES

Service Parts Packages, containing all parts needed for specific service operation, are listed in their respective groups with related parts. The listing will show adaptability and model application.

## STANDARD PARTS

Important attaching standard parts such as bolts, nuts, etc, are generally listed in the text of the respective major parts groups.

## VIN PLATE DECODING INFORMATION

<b>1</b>	<b>2</b>	<b>3</b>	<b>4</b>	<b>5</b>	<b>6</b>	<b>7</b>	<b>8</b>	<b>9</b>	<b>10</b>	<b>11</b>	<b>12 thru 17</b>
Country	Make	Vehicle Type	Other	Line	Series	Body Style	Engine	Check Digit	Model Year	Assy. Plant	Sequence No.

The following table interprets the VIN Plate positions shown above.

Position	Interpretation	Codes = Description
1	Country of Origin	Austria
2	Assembler	J = Jeep
3	Vehicle type	4 = Multipurpose Passenger Vehicle
4	GVWR & Pass. Safety	D = 1 - 3000lbs      0-1360KGS E = 3001-4000lbs      1361-1814KGS F = 4001-5000lbs      1815-2267KGS G = 5001-6000lbs      2268-2721KGS H = 6001-7000lbs      2722-3175KGS J = 7001-8000lbs      3176-3628KGS K = 8001-9000lbs      3629-4082KGS L = 9001-10000lbs      4083-4535KGS M = 10001-14000lbs      4536-6350KGS
5	Vehicle Line	W = Grand Cherokee 4x4 (LHD) 8 = Grand Cherokee 4x4 (RHD)
6	Series	4 = Laredo 5 = Limited
7	Body Style	8 = 4 Dr. Sport Utility
8	Engine	S = 4.0L 6 Cyl Gas (ERH) N = 4.7Liters 8 Cyl (EVA) 4 = 3.1L 5 Cyl Turbo Diesel (EXA)
9	Check Digit	
10	Model Year	1 = 2001
11	Assembly Plant	Y = Chrysler Steyr Assembly
12 thru 17	Vehicle Build Sequence	Model Year Assembly Sequence

## BODY CODE PLATE INTERPRETATION

The Body Code Plate is located on the Left Front Side Shield or Wheel Housing or the Upper Radiator Support. The Plate contains 7 rows of data. The bottom 3 rows are reserved for the specific information as depicted below. Starting at the fourth row (following the reserved portion), other Sales Codes used to build a specific vehicle are listed in the ascending order by ALPHA sequence.

1	2	3	4	5	6	7	8	9	10	11	12	13	14	15	16	17	18	19	20	21
22	23	24	25	26	27	28	29	30	31	32	33	34	35	36	37	38	39			
40	41	42	43	44	45	46	47	48	49	50	51	52	53	54	55	56	57	58	59	60

1-12	VEHICLE ORDER NUMBER
13-15	VINYL ROOF CODE/DOOR COMBO CODES
16-18	VEHICLE SHELL CAR LINE
19	PRICE CLASS
20-21	BODY TYPE
22-24	PAINT PROCEDURE
25-28	PRIMARY PAINT
29-32	SECONDARY PAINT
33-36	INTERIOR TRIM CODE
37-39	ENGINE CODES
40-42	TRANSMISSION CODES
43	MARKET CODES
44-46	VEHICLE IDENTIFICATION NUMBER (VIN) For definition of the Elements and the individual position see Vin Plate Defined.

## ABBREVIATIONS

A/C	Air Conditioner
ABS	Anti-Lock Brakes System
AR	As Required
ATC	Automatic Temperature Control
AWD	All Wheel Drive
BUX	Built Up Export
CV	Constant Velocity
DOHC	Dual (or Double) OverHead Cam
EFI	Electronic Fuel Injection
EGR	Exhaust Gas Recirculation
ECU	Electronic Control Unit
FWD	Front Wheel Drive
HEX	HEXagon
HCU	Hydraulic Control Unit
I/D	Inside Diameter
L	Liter
LED	Light Emitting Diode
MAP	Manifold Absolute Pressure
MPH	Miles Per Hour
O/D	Outside Diameter
P/S	Power Steering
PSI	Pounds per Square Inch
PSF	Pounds per Square Foot
PRNODL	Park, Reverse, Neutral, Overdrive, Drive, Low
PRNDL	Park, Reverse, Neutral, Drive, Low
PTO	Power Take Off
RFI	Radio Frequency Interference
RPM	Revolutions Per Minute
RTV	Room Temperature Vulcanizer (sealant)
T/BODY	Throttle BODY
U/BODY	Under BODY
SOHC	Single OverHead Cam
PAR	Paint As Required

# Group – 002

## Front Suspension & Drive

### GROUP 2 - Front Suspension & Drive

Illustration Title

Group-Fig. No.

#### Front Suspension

Front Stabilizer Bar and Track Bar ..... Fig. 002-110

Suspension, Front Springs with Control Arms and Shocks ..... Fig. 002-120

#### Front Axle Drive Shafts

Front Axle Shafts ..... Fig. 002-210

#### Front Axle Housing

Housing,Front Axle,4 Wheel Drive ..... Fig. 002-320

#### Front Axle Assembly

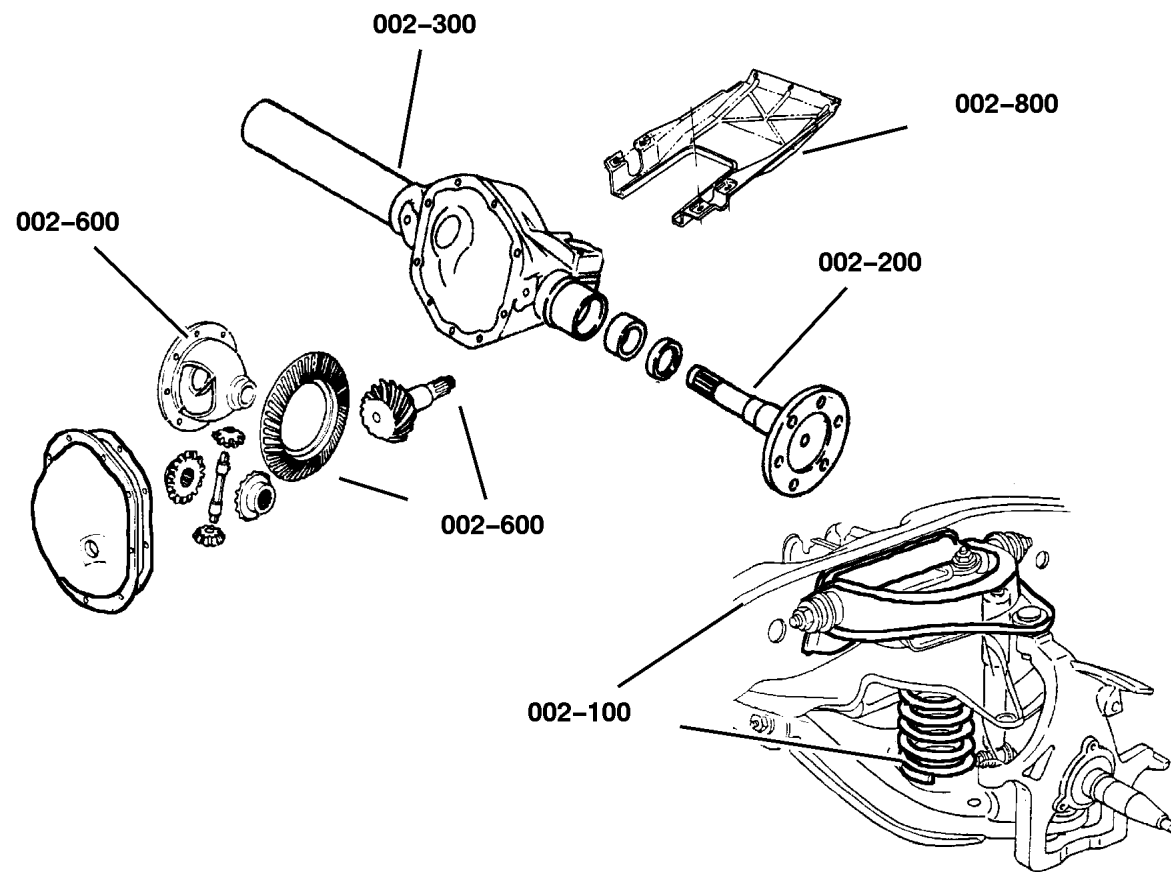
Front Axle Assembly ..... Fig. 002-410

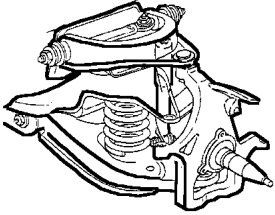
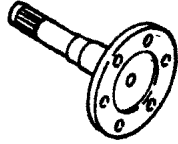
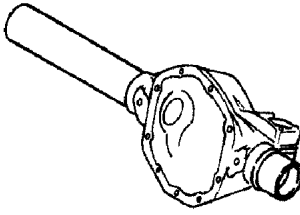
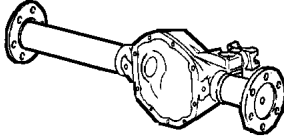
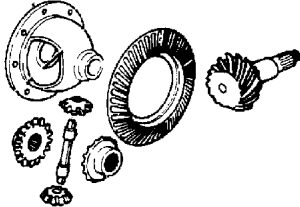
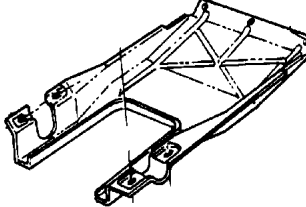
#### Front Axle Differential

Differential, Front Axle ..... Fig. 002-610

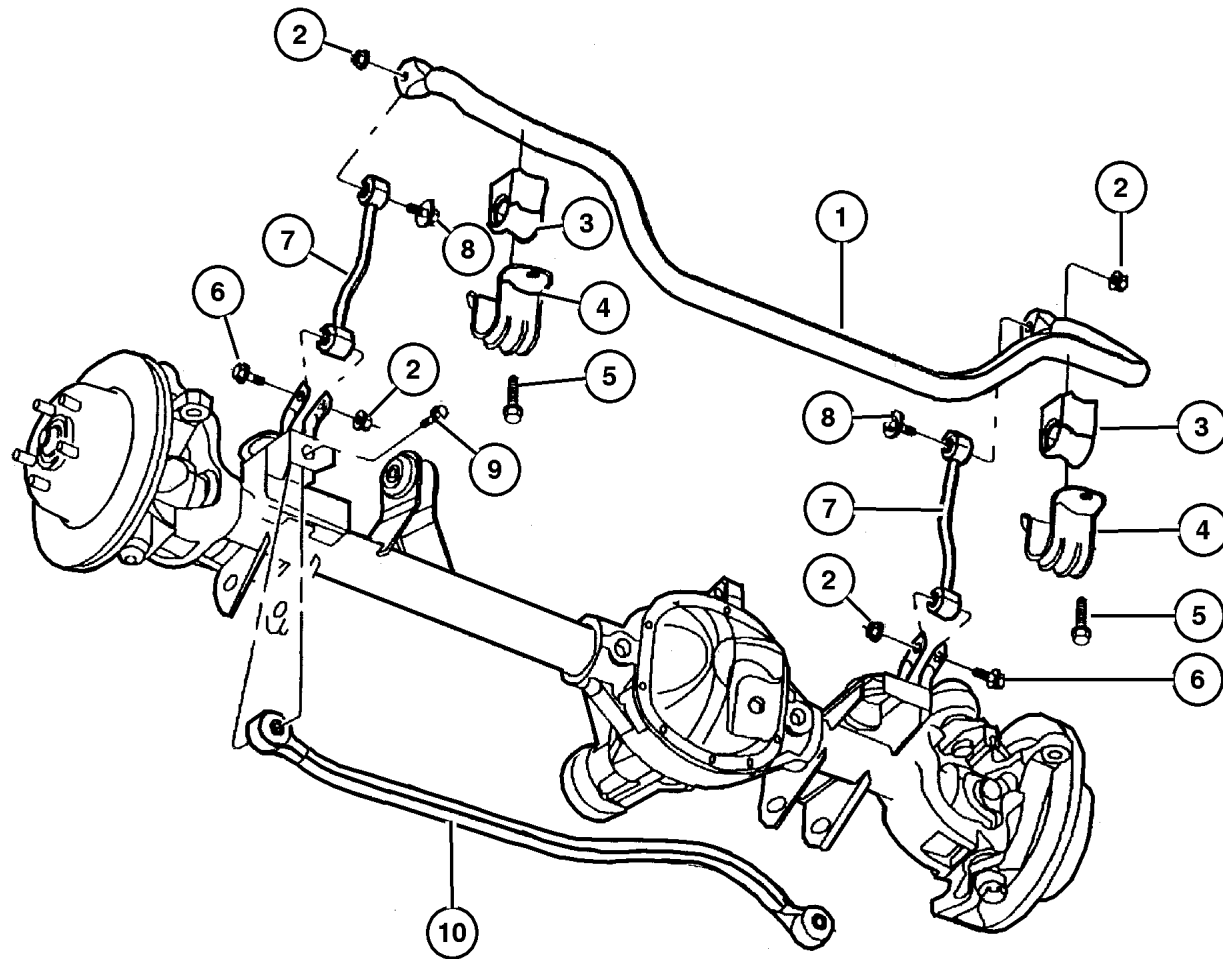
#### Front Axle Skid Plate

Skid Plate, Front Axle ..... Fig. 002-810



<p><b>002-100</b> Front Suspension</p> 	<p><b>002-200</b> Front Axle Drive Shafts</p> 	<p><b>002-300</b> Front Axle Housing</p> 	<p><b>002-400</b> Front Axle Assembly</p> 
<p><b>002-600</b> Front Axle Differential</p> 	<p><b>002-800</b> Front Axle Skid Plate</p> 		

**Front Stabilizer Bar and Track Bar  
Figure 002-110**



ITEM	PART NUMBER	QTY	LINE	SERIES	BODY	ENGINE	TRANS	DESCRIPTION
Note:								
ER0=All 4.0L Engine 6 Cyl Gas								
EVO=All 4.7L Engine Gas								
EX0=All 3.0/3.1L Turbo Diesel Engines								
J=4 WD-Left Hand Drive								
T=2 WD-Left Hand Drive								
1	5208 8281	1				ER0, EVO		BAR, Front Sway ALL 4.0L 6 CYL GAS ALL 4.7L GAS
2	5208 8587	1				EX0		ALL 3.0 TURBO DIESELS
	6502 697	4						NUT, Hex Flange Lock, M12x1.75 FRT CUSHION TO BLK BRACKETS ALL
3	52088 284AC	1				ER0, EVO		BUSHING, Sway Bar, FRT SWAY TO STILL
		2						
4	5208 8285	2						RETAINER, Sway Bar
5	6502 936	4						SCREW AND WASHER, Hex Head Pilot Point, M12x1.75x45
6	6502 473	2						BOLT, Hex Flange Head, M12x1.75x65, FRT SWAY BAR TO AXLE
7	5208 8283	2						LINK, Sway Eliminator, STA BAR TO FRT AXLE
8	6505 353AA	2						SCREW AND WASHER, M12x1.75x60, END LINK UPR END TO STABILIZE BAR
9	6506 147AA	1					J	SCREW, Hex Flange Head, M12x1.75x80
		1					U	
10	52088 305AB	1					J	TRACK BAR, Front

**JEEP GRAND CHEROKEE (WG)**

SERIES	LINE	BODY	ENGINE	TRANSMISSION
H = Laredo	J = 4WD	74 = 4 Door	ER0, ERH = 4.0L, Power Tech	DGK = 4 Speed Autm, 42RE
P = Limited	U = 4WD, RHD		EVO, EVA = 4.7L, Power Tech	DGQ = 5 Speed Automatic
			EXO, EXA = 3.1L 5 Cyl Turbo Diesel	- 5-45RFE
				DGW = 4 Speed Autm, 44RE

AR = Use as required - = Non illustrated part # = New this model year

October 31, 2002

## Suspension, Front Springs with Control Arms and Shocks Figure 002-120

ITEM	PART NUMBER	QTY	LINE	SERIES	BODY	ENGINE	TRANS	DESCRIPTION
------	-------------	-----	------	--------	------	--------	-------	-------------

**NOTES:**

ER0=4.0L 6 Cyl Gas Engine  
 EV0=All 4.7L Gas Engines  
 SDA=Quadra Coil Suspension(Standard)  
 SDJ=Firm Suspension  
 SDU=Heavy Duty Suspension  
 Markets:U=United States---C=Canada---M=Mexico,and B=Export  
 LCA=Lower Control Arm  
 UCA=Upper Control Arm

Check Vin Number For the 'Z' Code on Front Springs

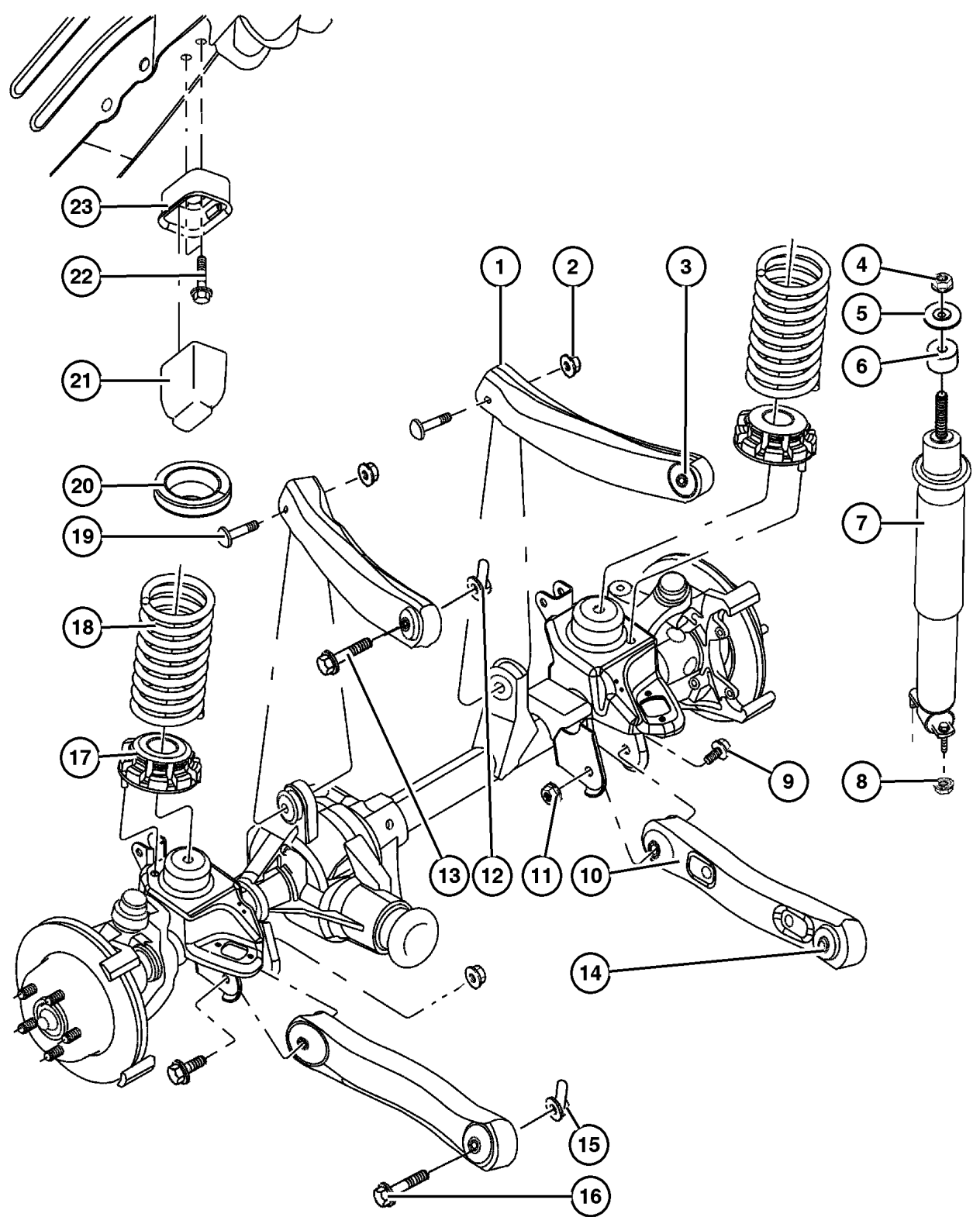
1	52088 208AC	2						ARM, Control, with Bushing, Upper
2	6502 696	2						NUT, Hex Flange Lock, M10x1.5
3	5208 8214	2						BUSHING, Control Arm
4	6503 073	2						NUT, Nylock Hex, M10x1.5, Shock Mounting, Upper
5	5208 8517	2						RETAINER, Shock Absorber, Upper
6	5208 8289	2						GROMMET, Shock Absorber, Upper
7								SHOCK ABSORBER PACKAGE, Suspension, Front
	5014 175AB	2						FRT MONOTUBE
	5014 731AD	2						FRT STD
8	6101 695	4						NUT, Hex Flange Lock, M8x1.25, Shock Mounting, Lower
9	6505 214AA	2						SCREW, Hex Flange Head, M14x2.00x114, LCA to Axle Mounting
10	52088 217AB	2						ARM, Control, with Bushing, Lower
11	6502 698	4						NUT, Hex Flange Lock
12	6502 698	4						NUT, Hex Flange Lock
13	6506 033AA	2						BOLT, Hex Flange Head, M14x2.0x105
14	5208 8220	2						BUSHING, Control Arm, UCA to Sill
15	6502 698	4						NUT, Hex Flange Lock
16	6506 033AA	2						BOLT, Hex Flange Head, M14x2.0x105, LCA to Sill
17								ISOLATOR, Front Suspension Spring
	5208 8401	2						Lower
	52088 257AB	2						Upper
18								SPRING, Front Coil
	5208 8262	1						[ZKE,ZYE]
	5208 8263	1						[ZKF,ZYF]
	5208 8264	1						[ZKG,ZYG]
	5208 8265	1						[ZKH,ZYH]
	5208 8267	1						[ZLE,ZZE]

**JEEP GRAND CHEROKEE (WG)**

SERIES	LINE	BODY	ENGINE	TRANSMISSION
H = Laredo	J = 4WD	74 = 4 Door	ER0, ERH = 4.0L, Power Tech	DGK = 4 Speed Autm, 42RE
P = Limited	U = 4WD, RHD		EV0, EVA = 4.7L, Power Tech	DGQ = 5 Speed Automatic
			EXO, EXA = 3.1L 5 Cyl Turbo Diesel	- 5-45RFE
				DGW = 4 Speed Autm, 44RE

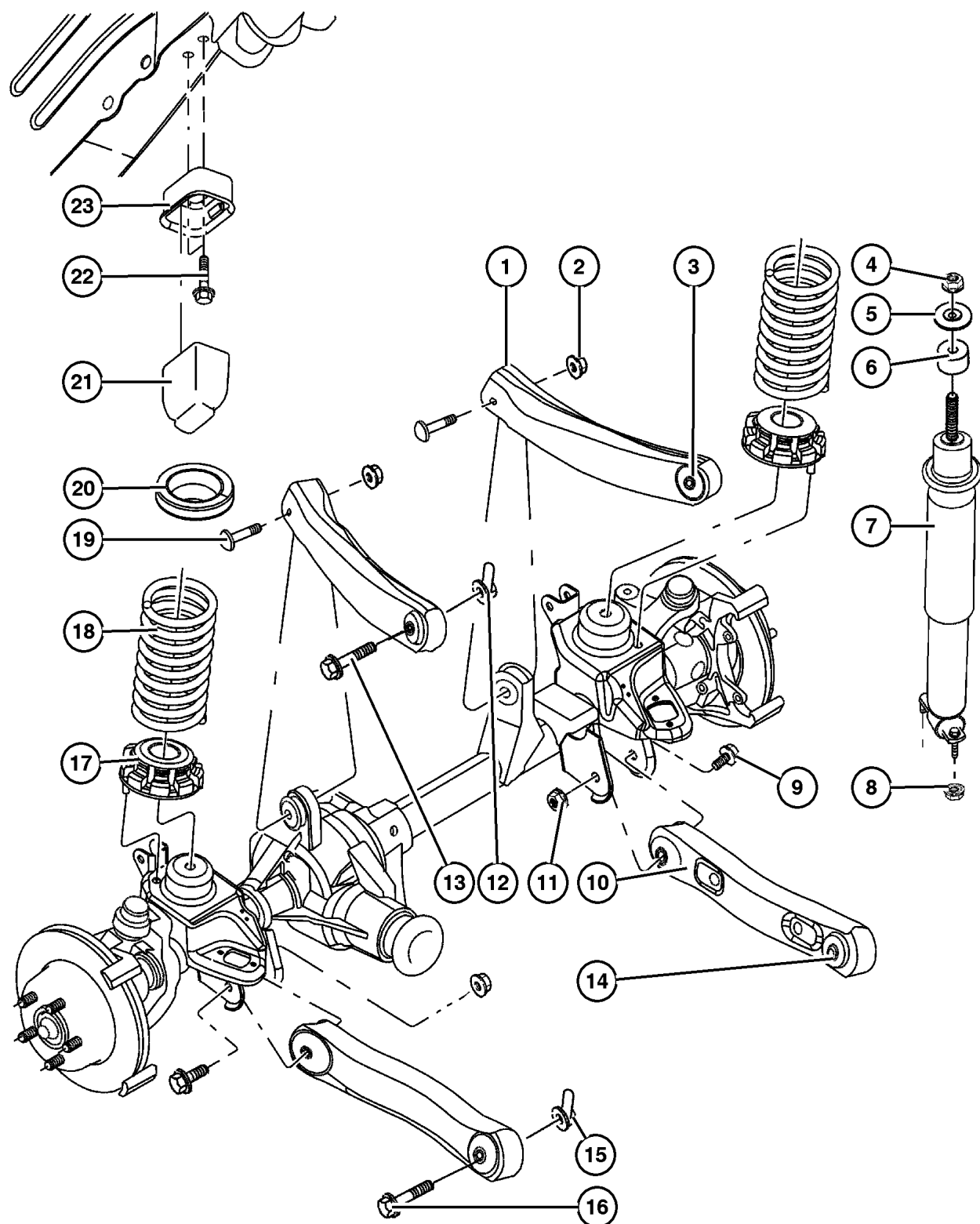
AR = Use as required - = Non illustrated part # = New this model year

October 31, 2002



## Suspension, Front Springs with Control Arms and Shocks Figure 002-120

ITEM	PART NUMBER	QTY	LINE	SERIES	BODY	ENGINE	TRANS	DESCRIPTION
	5208 8268	1						[ZLF,ZZF]
	5208 8269	1						[ZK1,ZY1]
	5208 9421	1						[ZLG,ZZG]
19	6505 306AA	2						SCREW, Truss Head, M10x1.5x70, UCA to Axle Mounting
20								ISOLATOR, Front Suspension Spring
	52088 257AB	2						Upper
	5208 8401	2						Lower
21	5208 8256	2						BUMPER, Jounce, Upper
22	6100 584	4				ER0, EVO		BOLT AND CONED WASHER, Hex Head, M8x30x20, Upper
23	5208 8254	2						CUP, Jounce Bumper, Upper

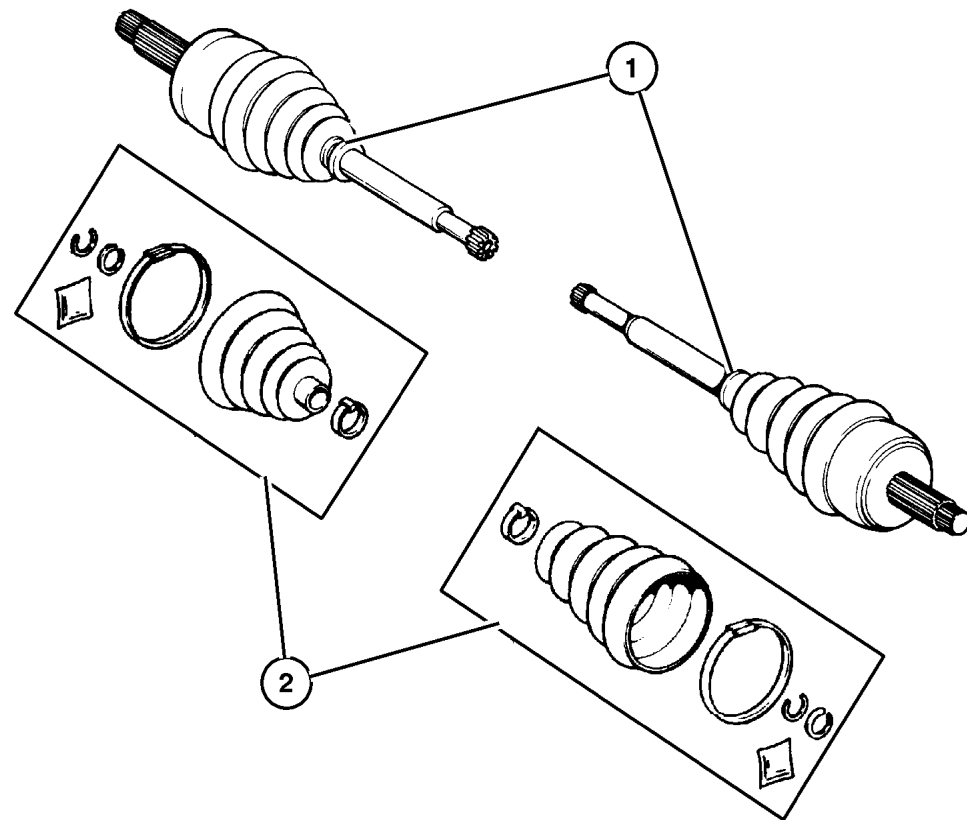


<b>JEEP GRAND CHEROKEE (WG)</b>				
SERIES	LINE	BODY	ENGINE	TRANSMISSION
H = Laredo	J = 4WD	74 = 4 Door	ER0, ERH = 4.0L, Power Tech	DGK = 4 Speed Autm, 42RE
P = Limited	U = 4WD, RHD		EVO, EVA = 4.7L, Power Tech	DGQ = 5 Speed Automatic
			EXO, EXA = 3.1L 5 Cyl Turbo Diesel	- 5-45RFE
				DGW = 4 Speed Autm, 44RE

AR = Use as required - = Non illustrated part # = New this model year

October 31, 2002

Front Axle Shafts  
Figure 002-210



ITEM	PART NUMBER	QTY	LINE	SERIES	BODY	ENGINE	TRANS	DESCRIPTION
NOTE: DSB=Vari-Lok Progressive Axle EX0=All 3.0/3.1L Turbo Diesel Engines J=4 Wheel Drive-Left Hand Drive								
1								SHAFT, Axle
	5012 456AA	1	J					Left
	5012 457AA	1	J					W/O DSB, Left
	5012 748AA	1	J			EVC, EX0		Left
	5012 749AA	1	J			EVC, EX0		W/DSB, Left
		1	U					Right
	5012 748AA	1	U					W/DSB, Right
	5012 457AA	1	U					W/O DSB, Right
	5012 456AA	1	U					-DSB, Right
2								BOOT KIT, Half Shaft
	4796 233	1	J					
		1	U					

**JEEP GRAND CHEROKEE (WG)**

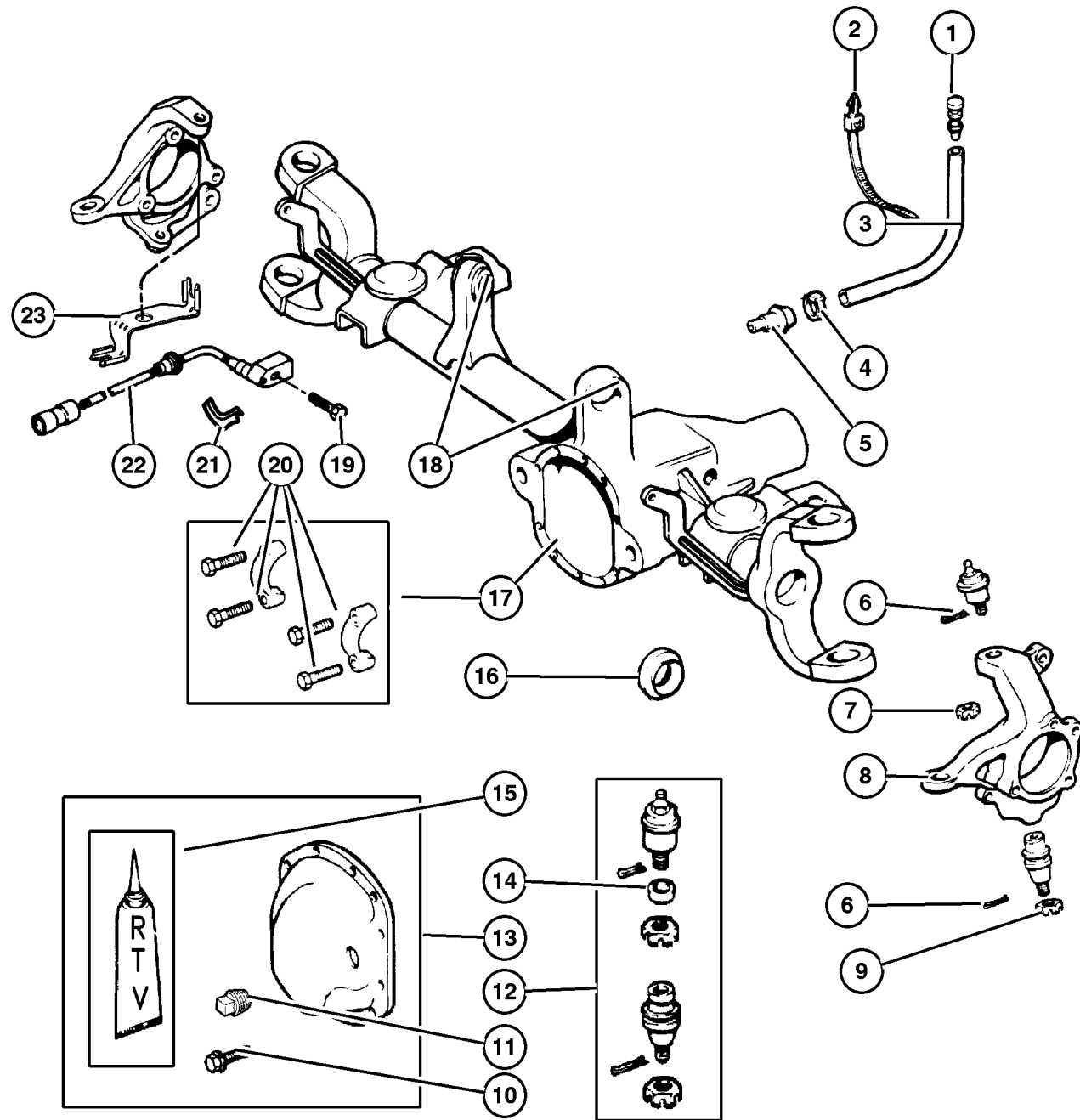
SERIES	LINE	BODY	ENGINE	TRANSMISSION
H = Laredo	J = 4WD	74 = 4 Door	ER0, ERH = 4.0L, Power Tech	DGK = 4 Speed Autm, 42RE
P = Limited	U = 4WD, RHD		EVO, EVA = 4.7L, Power Tech	DGQ = 5 Speed Automatic
			EXO, EXA = 3.1L 5 Cyl Turbo Diesel	- 5-45RFE
				DGW = 4 Speed Autm, 44RE

AR = Use as required - = Non illustrated part # = New this model year

October 31, 2002



### Housing,Front Axle,4 Wheel Drive Figure 002-320



ITEM	PART NUMBER	QTY	LINE	SERIES	BODY	ENGINE	TRANS	DESCRIPTION
NOTE: ERO=All 4.0L 6 Cyl Gas EVC=4.7L HO V8 EX0=All 3.0/3.1L Turbo Diesel Engines J=4 Wheel Drive-Left Hand Drive								
1								VENT, Axle, [Cap]
	8350 4653	1	J					
		1	U					
2	J417 5376	1				EX0		STRAP, Tie
3	HFV0 0516	AR				ERO		HOSE, Fuel And Vapor, 25 Foot Roll 5/16"
4	6503 573	1						CLIP, Lower
5								VENT, Axle
	8350 4653	1	J					
		1	U					
6	1101 0069	2	J					PIN, Cotter, M4x40.00, Upper And Lower
7	J012 5258	1	U					NUT, Hex Slotted
8								KNUCKLE, Front
	5011 977AA	1	J					Left
	5011 976AA	1	J					Right
9								NUT
	J812 3318	1	J			EVC, EX0		
		1	U					
10								BOLT, Differential Cover
	2954 031	10	J			EVC, EX0		
		10	U					
11								PLUG, Differential Cover
	J400 4751	1	J					
		1	U					
12								BALL JOINT KIT, Knuckle
	5012 432AA	2	J					
		2	U					
13								COVER, Differential
	5012 451AA	1	J					
		1	U					
14								RING, Ball Joint
	8350 0203	1	J			EVC, EX0		
		1	U					
15	4318 025	1						SEALANT, RTV
16								SEAL, Axle Drive Shaft

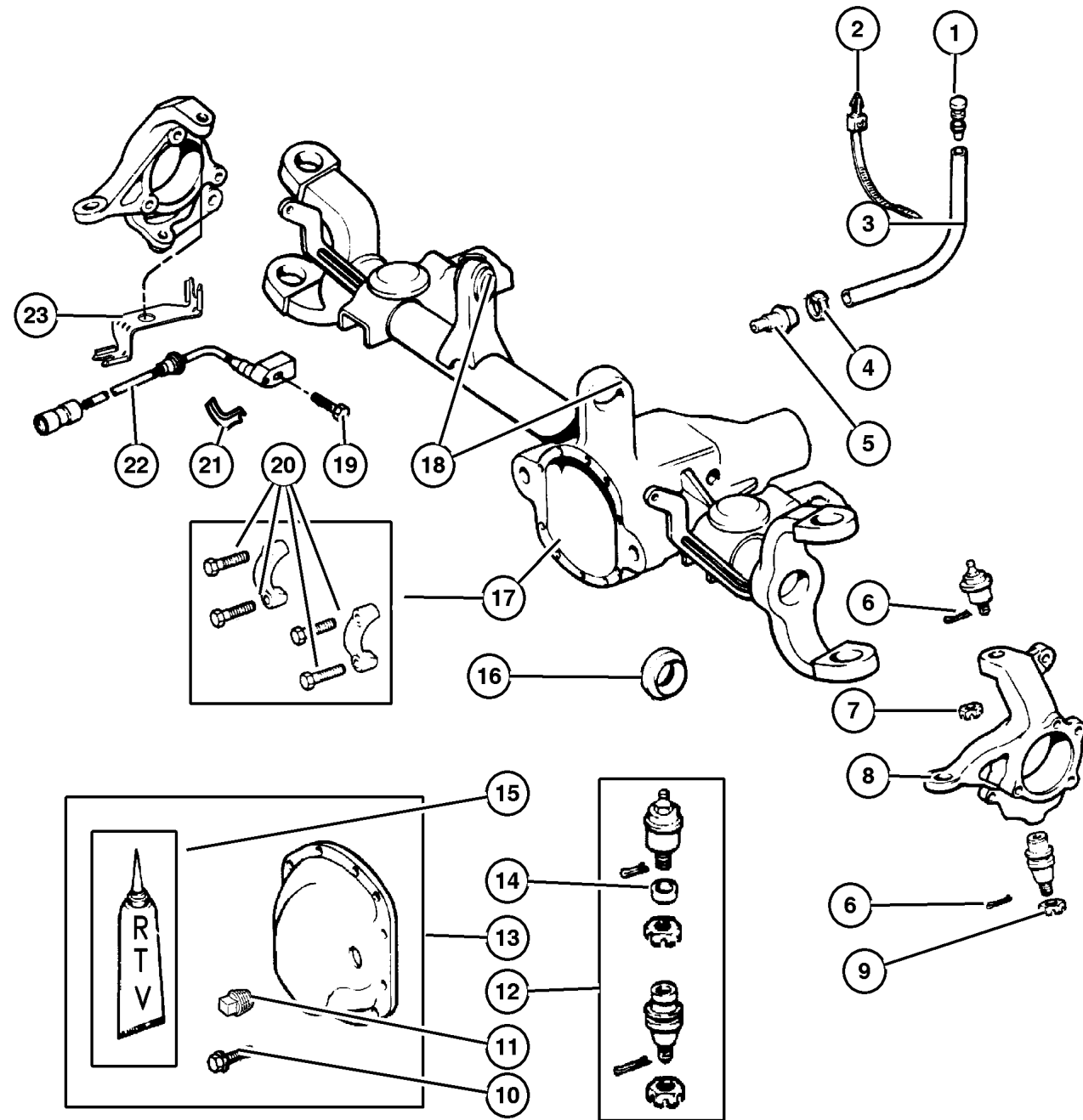
**JEEP GRAND CHEROKEE (WG)**

SERIES	LINE	BODY	ENGINE	TRANSMISSION
H = Laredo	J = 4WD	74 = 4 Door	ER0, ERH = 4.0L, Power Tech	DGK = 4 Speed Autm, 42RE
P = Limited	U = 4WD, RHD		EVO, EVA = 4.7L, Power Tech	DGQ = 5 Speed Automatic
			EXO, EXA = 3.1L 5 Cyl Turbo Diesel	- 5-45RFE
				DGW = 4 Speed Autm, 44RE

AR = Use as required - = Non illustrated part # = New this model year

October 31, 2002

Housing,Front Axle,4 Wheel Drive  
Figure 002-320



ITEM	PART NUMBER	QTY	LINE	SERIES	BODY	ENGINE	TRANS	DESCRIPTION
	4874 477	2	J					
		2	U					
17								HOUSING, Axle
	5012 445AA	1	J					
	5012 512AA	1	U					
18	5208 8214	2						BUSHING, Control Arm
19	5012 434AA	2	J					BOLT, Sensor Mounting
20								BOLT, Differential
	4897 482AB	4	J					
		4	U					
21								BRACKET, Brake Sensor Wire
	5014 324AA	1	J					Right
	5014 325AA	1	J					Left
	5014 324AA	1	U					Right
	5014 325AA	1	U					Left
22								SENSOR, Wheel Speed
	56041 316AB	1	J					Right
	56041 317AB	1	J					Left
		1	U					Left
	56041 316AB	1	U					Right
23								BRACKET, Brake Sensor
	5602 6766	1	J					Right
	5602 6767	1	J					Left
	5602 6766	1	U					Right
	5602 6767	1	U					Left

JEEP GRAND CHEROKEE (WG)

SERIES	LINE	BODY	ENGINE	TRANSMISSION
H = Laredo	J = 4WD	74 = 4 Door	ER0, ERH = 4.0L, Power Tech	DGK = 4 Speed Autm, 42RE
P = Limited	U = 4WD, RHD		EVO, EVA = 4.7L, Power Tech	DGQ = 5 Speed Automatic
			EXO, EXA = 3.1L 5 Cyl Turbo Diesel	- 5-45RFE
				DGW = 4 Speed Autm, 44RE

AR = Use as required - = Non illustrated part # = New this model year

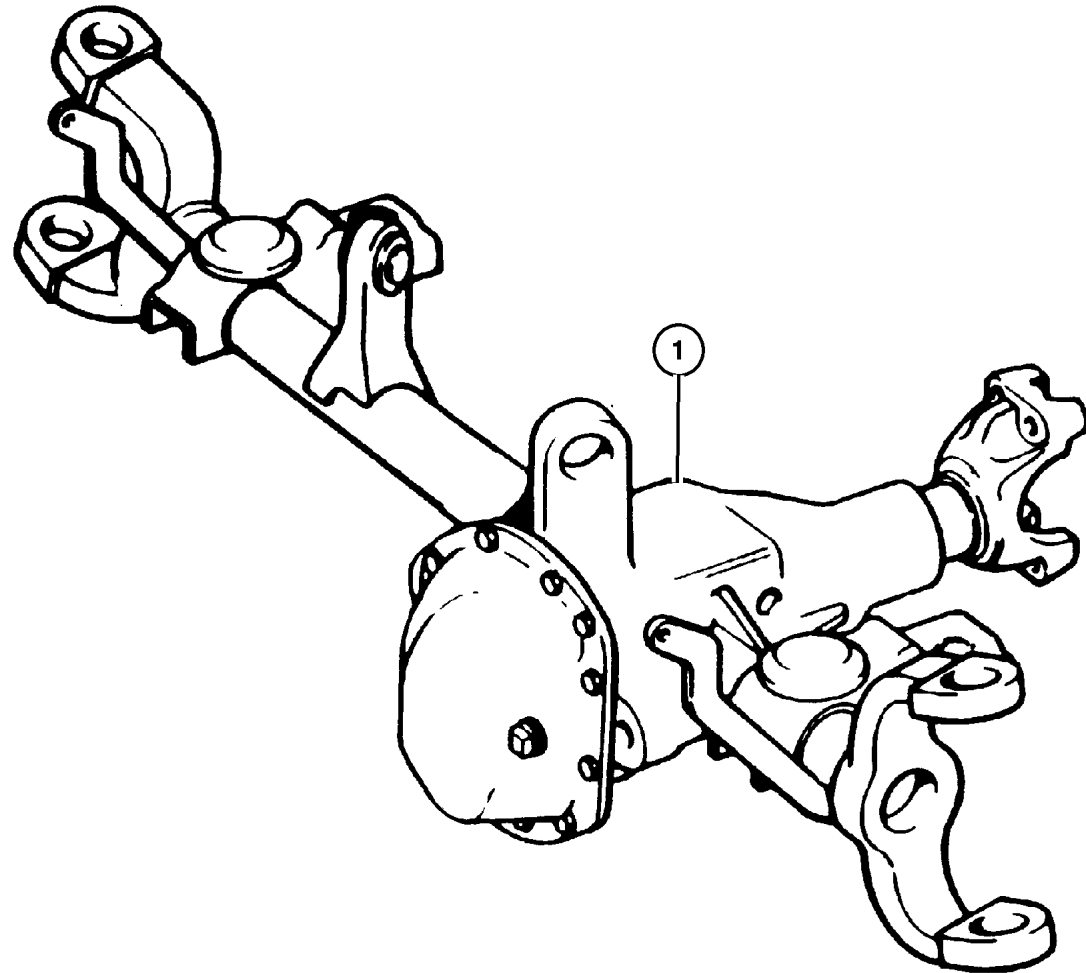
October 31, 2002

Front Axle Assembly  
Figure 002-410

ITEM	PART NUMBER	QTY	LINE	SERIES	BODY	ENGINE	TRANS	DESCRIPTION
------	-------------	-----	------	--------	------	--------	-------	-------------

NOTE:DSB=Vari-Lok Progressive Axle---DHF=Quadra-Trac II on Demand 4 Wheel Drive System---DHP=Selec-Trac Full Time 4 Wheel Drive System---DME=3.73 Ratio---DMD=3.55 Ratio---DMT=3.91 Ratio

1								AXLE, Service Front
	#5012 446AB	1	J					[DME]
	#5012 520AB	1	J					[DME,DSB]
	#5014 403AB	1	J					[DMT]
	#5014 404AB	1	J					[DMT,DSB]
	#5012 513AB	1	U					[DME]
	#5012 774AB	1	U					[DME,DSB]
	#5016 423AB	1	U					[DMT]
	#5016 425AB	1	U					[DMT,DSB]

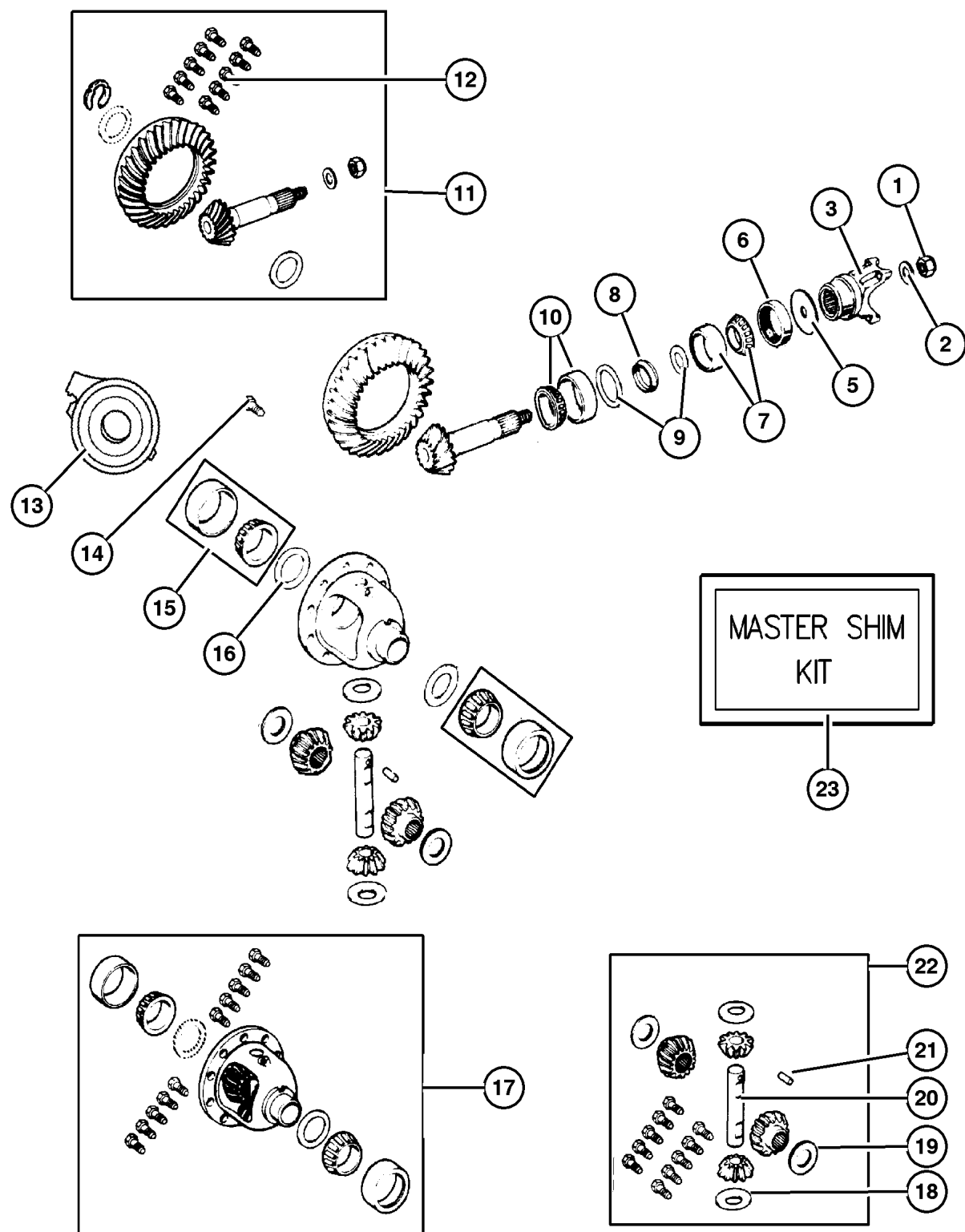


JEEP GRAND CHEROKEE (WG)			
SERIES	LINE	BODY	TRANSMISSION
H = Laredo	J = 4WD	74 = 4 Door	DGK = 4 Speed Autm, 42RE
P = Limited	U = 4WD, RHD		DGQ = 5 Speed Automatic - 5-45RFE
			DGW = 4 Speed Autm, 44RE

AR = Use as required - = Non illustrated part # = New this model year

October 31, 2002

## Differential, Front Axle Figure 002-610



ITEM	PART NUMBER	QTY	LINE	SERIES	BODY	ENGINE	TRANS	DESCRIPTION
Note: Sales Codes;								
[DME]=Axle Ratio 3.73								
[DMT]=Axle Ratio 3.91								
[DSB]=Axle - Vari-Lok Progressive Front								
1								NUT, Pinion Yoke
	1791 575	1	J					
		1	U					
2								WASHER, Pinion Yoke
	1791 576	1	J					
		1	U					
3								YOKE, Axle
	5012 444AA	1	J					
		1	U					
-4								O RING, Pinion Flange Fits Over Hub of Axle Yoke
	5012 453AA	1	J					
		1	U					Fits Over Hub of Axle Yoke
5								SLINGER, Drive Pinion
	4031 974	1	J					
		1	U					
6								SEAL, Drive Pinion
	#5066 446AA	1	J					
		1	U					
7								BEARING, Drive Pinion Bearing and Cup, Front
	5252 508	1	J					
		1	U					Bearing and Cup, Front
8								SPACER Crush Crush
	4864 845AB	1	J					
		1	U					
9								SHIM, Drive Pinion Bearing, Replacement Individual PINION Shims for Master Shim Kit 5017134AA.
	5017 139AA	1	J					[.052]
	5017 143AA	1	U					[.056]
	5017 144AA	1	J					[.057]
		1	U					[.057]
	5017 145AA	1	J					[.058]
		1	U					[.058]
	5017 146AA	1	J					[.059]
		1	U					[.059]
	5017 149AA	1	J					[.060]
		1	U					[.060]
	5017 150AA	1	J					[.061]

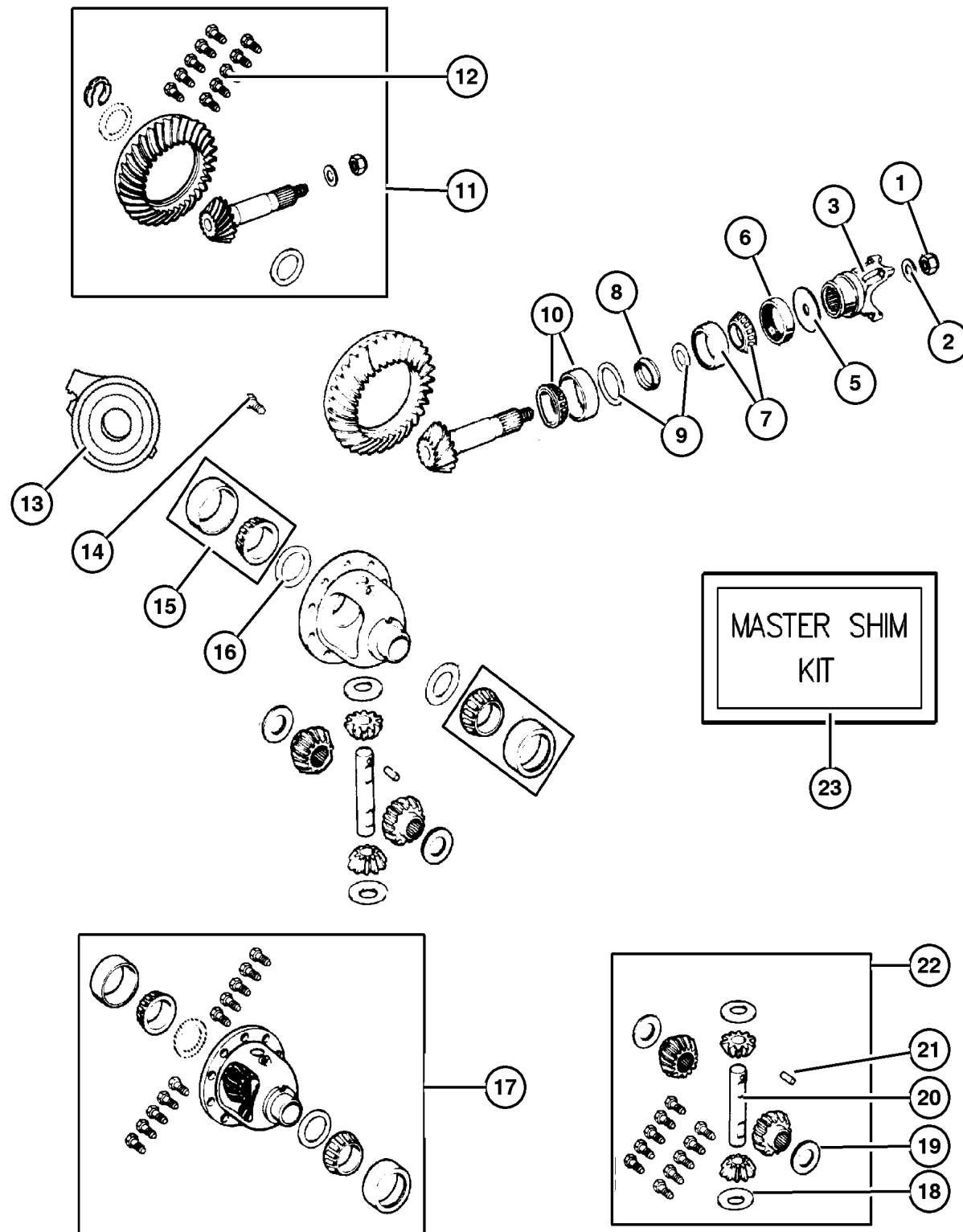
### JEEP GRAND CHEROKEE (WG)

SERIES	LINE	BODY	ENGINE	TRANSMISSION
H = Laredo	J = 4WD	74 = 4 Door	ER0, ERH = 4.0L, Power Tech	DGK = 4 Speed Autm, 42RE
P = Limited	U = 4WD, RHD		EVO, EVA = 4.7L, Power Tech	DGQ = 5 Speed Automatic
			EXO, EXA = 3.1L 5 Cyl Turbo Diesel	- 5-45RFE
				DGW = 4 Speed Autm, 44RE

AR = Use as required - = Non illustrated part # = New this model year

October 31, 2002

## Differential, Front Axle Figure 002-610



ITEM	PART NUMBER	QTY	LINE	SERIES	BODY	ENGINE	TRANS	DESCRIPTION
	5017 139AA	1	U					[.052]
	5017 150AA	1	U					[.061]
	5017 151AA	1	J					[.062]
		1	U					[.062]
	5017 152AA	1	J					[.063]
		1	U					[.063]
	5017 153AA	1	J					[.064]
		1	U					[.064]
	5017 154AA	1	J					[.065]
		1	U					[.065]
	5017 155AA	1	J					[.066]
	5017 140AA	1	J					[.053]
	5017 155AA	1	U					[.066]
	5017 156AA	1	J					[.067]
		1	U					[.067]
	5017 140AA	1	U					[.053]
	5017 141AA	1	J					[.054]
		1	U					[.054]
	5017 142AA	1	J					[.055]
		1	U					[.055]
	5017 143AA	1	J					[.056]
10								BEARING, Drive Pinion
	J812 6499	1	J					Bearing and Cup, Rear
		1	U					Bearing and Cup, Rear
11								GEAR KIT, Ring And Pinion
	5012 447AB	1	J					[DME]
	5012 447AA	1	U					[DME]
	5014 402AA	1	J					[DMT]
		1	U					[DMT]
12								BOLT KIT
	4720 891	1	J					
		1	U					
13								PLENUM, Differential
	5012 725AA	1	J					[DSB]
		1	U					[DSB]
14								SCREW, Drive Gear
	5252 503	10	J					
		10	U					
15								BEARING, Differential
	J812 6500	1	J					Consists of 2 Bearings and 2 Cups
		1	U					Consists of 2 Bearings and 2 Cups

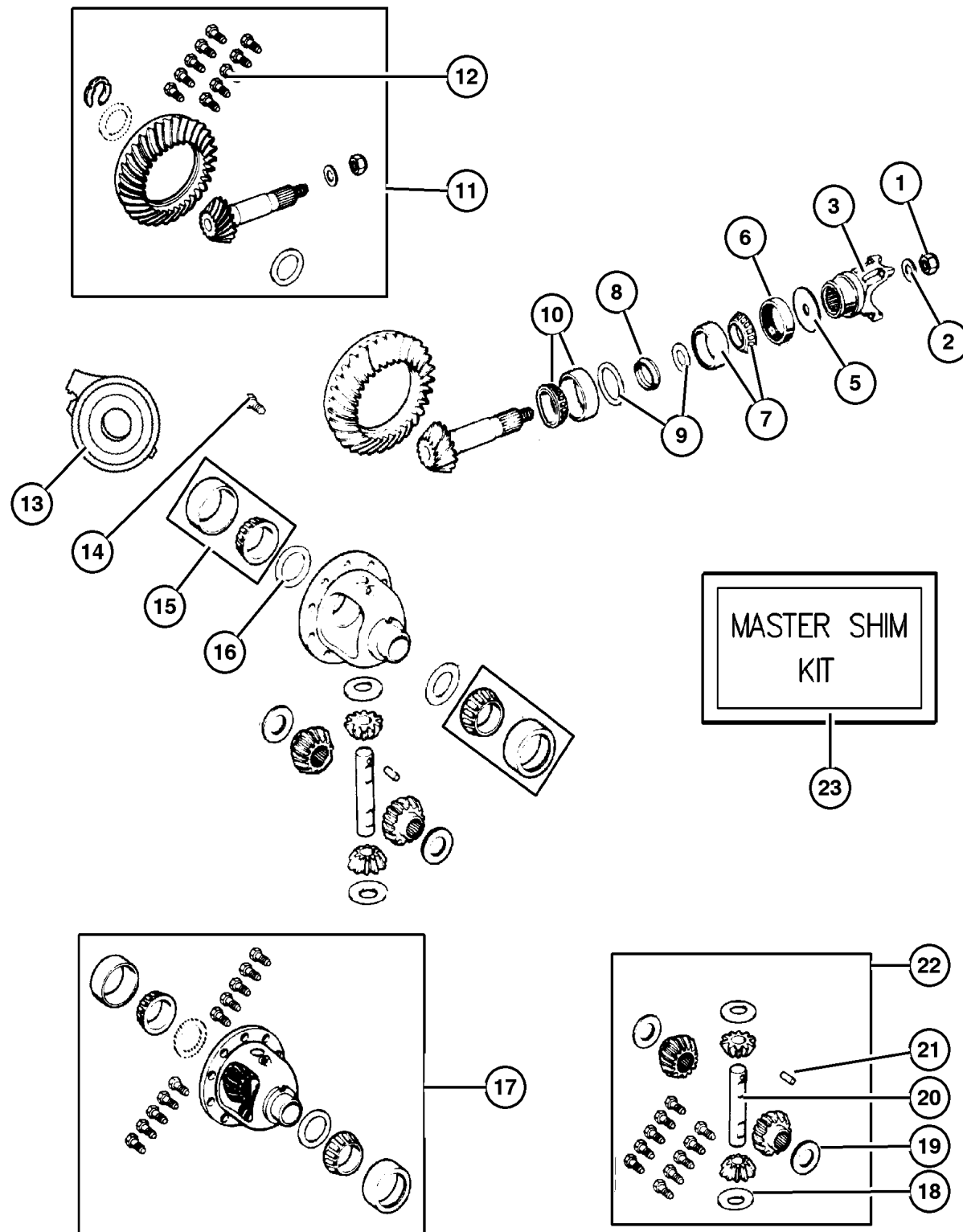
### JEEP GRAND CHEROKEE (WG)

SERIES	LINE	BODY	ENGINE	TRANSMISSION
H = Laredo	J = 4WD	74 = 4 Door	ER0, ERH = 4.0L, Power Tech	DGK = 4 Speed Autm, 42RE
P = Limited	U = 4WD, RHD		EVO, EVA = 4.7L, Power Tech	DGQ = 5 Speed Automatic
			EXO, EXA = 3.1L 5 Cyl Turbo Diesel	- 5-45RFE
				DGW = 4 Speed Autm, 44RE

AR = Use as required - = Non illustrated part # = New this model year

October 31, 2002

## Differential, Front Axle Figure 002-610



ITEM	PART NUMBER	QTY	LINE	SERIES	BODY	ENGINE	TRANS	DESCRIPTION
16								SHIM, Differential Bearing, Replacement Individual DIFFERENTIAL Shims for Master Kit 5017134AA
	5017 218AA	1	J					[.109]
	5017 222AA	1	U					[.113]
	5017 223AA	1	J					[.114]
	5017 224AA	1	U					[.114]
	5017 224AA	1	J					[.115]
	5017 224AA	1	U					[.115]
	5017 225AA	1	J					[.116]
	5017 225AA	1	U					[.116]
	5017 226AA	1	J					[.117]
	5017 226AA	1	U					[.117]
	5017 227AA	1	J					[.118]
	5017 218AA	1	U					[.109]
	5017 227AA	1	U					[.118]
	5017 228AA	1	J					[.119]
	5017 228AA	1	U					[.119]
	5017 229AA	1	J					[.120]
	5017 229AA	1	U					[.120]
	5017 230AA	1	J					[.121]
	5017 230AA	1	U					[.121]
	5017 231AA	1	J					[.122]
	5017 231AA	1	U					[.122]
	5017 232AA	1	J					[.123]
	5017 219AA	1	J					[.110]
	5017 232AA	1	U					[.123]
	5017 233AA	1	J					[.124]
	5017 233AA	1	U					[.124]
	5017 234AA	1	J					[.125]
	5017 234AA	1	U					[.125]
	5017 235AA	1	J					[.126]
	5017 235AA	1	U					[.126]
	5017 236AA	1	J					[.127]
	5017 236AA	1	U					[.127]
	5017 237AA	1	J					[.128]
	5017 219AA	1	U					[.110]
	5017 237AA	1	U					[.128]
	5017 238AA	1	J					[.129]
	5017 238AA	1	U					[.129]
	5017 239AA	1	J					[.130]
	5017 239AA	1	U					[.130]

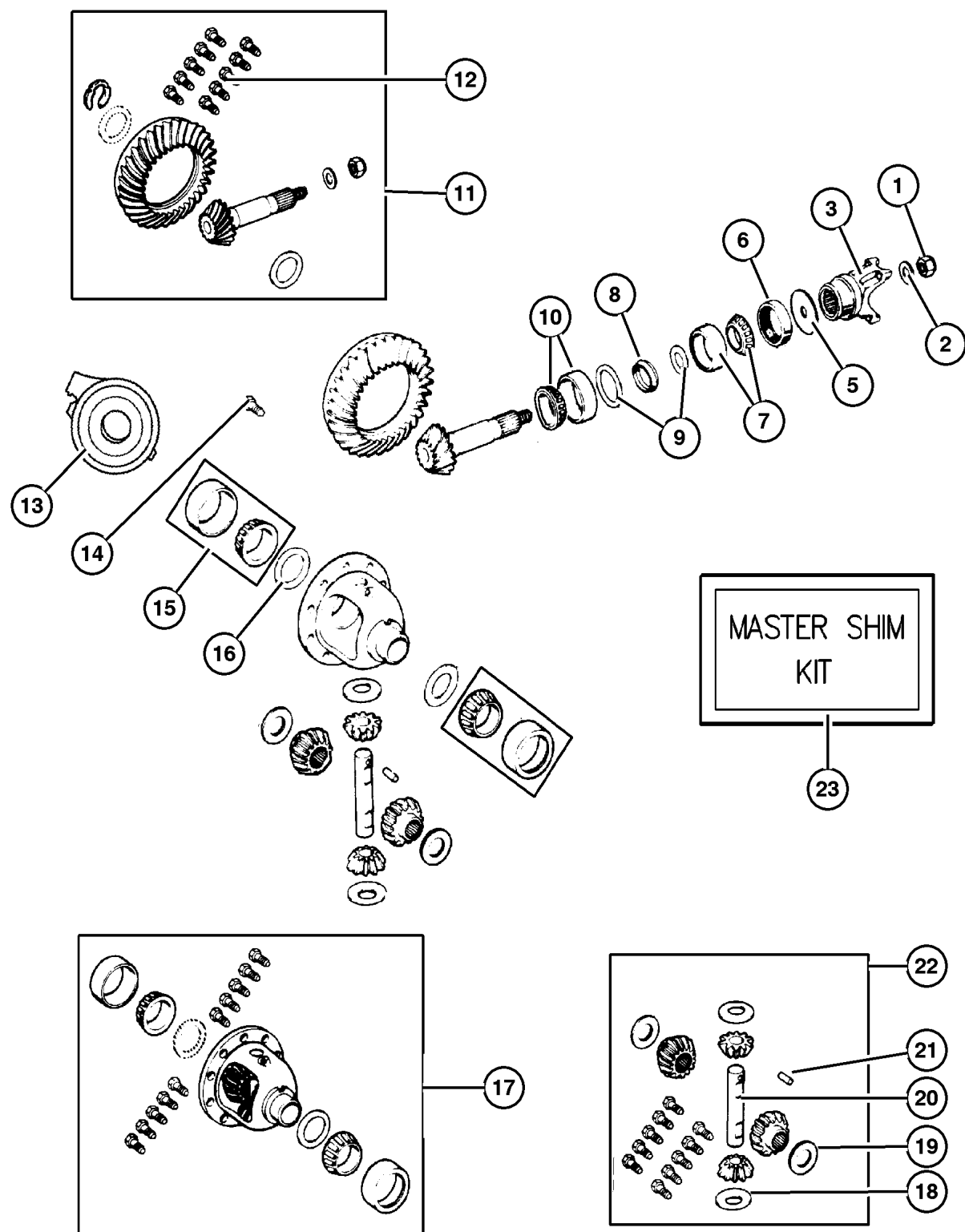
**JEEP GRAND CHEROKEE (WG)**

SERIES	LINE	BODY	ENGINE	TRANSMISSION
H = Laredo	J = 4WD	74 = 4 Door	ER0, ERH = 4.0L, Power Tech	DGK = 4 Speed Autm, 42RE
P = Limited	U = 4WD, RHD		EVO, EVA = 4.7L, Power Tech	DGQ = 5 Speed Automatic
			EXO, EXA = 3.1L 5 Cyl Turbo Diesel	- 5-45RFE
				DGW = 4 Speed Autm, 44RE

AR = Use as required - = Non illustrated part # = New this model year

October 31, 2002

## Differential, Front Axle Figure 002-610



ITEM	PART NUMBER	QTY	LINE	SERIES	BODY	ENGINE	TRANS	DESCRIPTION
	5017 240AA	1	J					[.131]
		1	U					[.131]
	5017 241AA	1	J					[.132]
		1	U					[.132]
	5017 242AA	1	J					[.133]
	5017 220AA	1	J					[.111]
	5017 242AA	1	U					[.133]
	5017 243AA	1	J					[.134]
		1	U					[.134]
	5017 244AA	1	J					[.135]
		1	U					[.135]
	5017 245AA	1	J					[.136]
		1	U					[.136]
	5017 246AA	1	J					[.137]
		1	U					[.137]
	5017 247AA	1	J					[.138]
	5017 220AA	1	U					[.111]
	5017 247AA	1	U					[.138]
	5017 248AA	1	J					[.139]
		1	U					[.139]
	5017 249AA	1	J					[.140]
		1	U					[.140]
	5017 250AA	1	J					[.141]
		1	U					[.141]
	5017 251AA	1	J					[.142]
		1	U					[.142]
	5017 252AA	1	J					[.143]
	5017 221AA	1	J					[.112]
	5017 252AA	1	U					[.143]
	5017 253AA	1	J					[.144]
		1	U					[.144]
	5017 254AA	1	J					[.145]
		1	U					[.145]
	5017 255AA	1	J					[.146]
		1	U					[.146]
	5017 256AA	1	J					[.147]
		1	U					[.147]
	5017 257AA	1	J					[.148]
	5017 221AA	1	U					[.112]
	5017 257AA	1	U					[.148]
	5017 222AA	1	J					[.113]
17								CASE, Differential

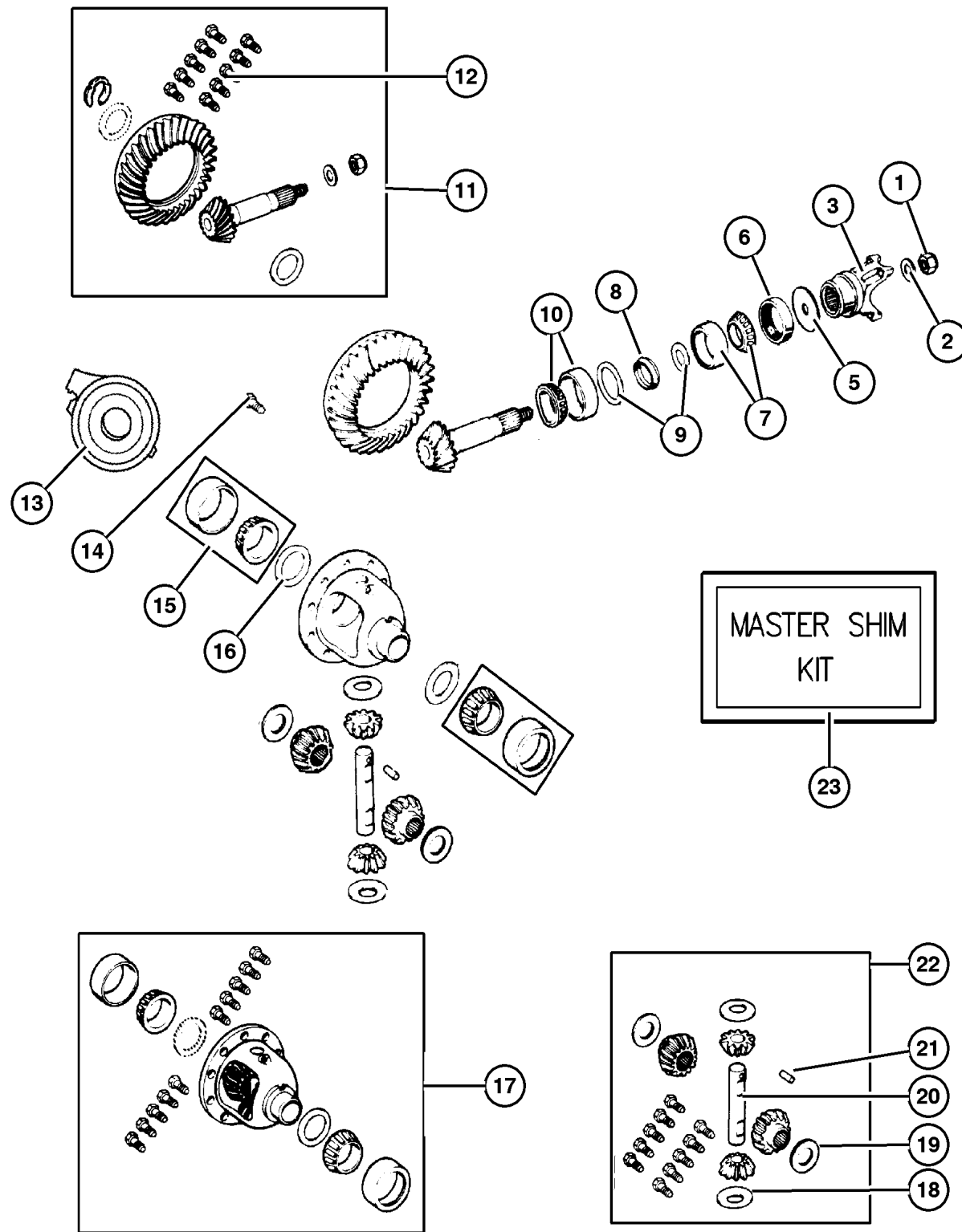
### JEEP GRAND CHEROKEE (WG)

SERIES	LINE	BODY	ENGINE	TRANSMISSION
H = Laredo	J = 4WD	74 = 4 Door	ER0, ERH = 4.0L, Power Tech	DGK = 4 Speed Autm, 42RE
P = Limited	U = 4WD, RHD		EVO, EVA = 4.7L, Power Tech	DGQ = 5 Speed Automatic
			EXO, EXA = 3.1L 5 Cyl Turbo Diesel	- 5-45RFE
				DGW = 4 Speed Autm, 44RE

AR = Use as required - = Non illustrated part # = New this model year

October 31, 2002

**Differential, Front Axle  
Figure 002-610**



ITEM	PART NUMBER	QTY	LINE	SERIES	BODY	ENGINE	TRANS	DESCRIPTION
	5252 590	1	J					[DME,DMT] With Internal Parts
		1	U					[DME,DMT] With Internal Parts
	5012 519AA	1	J					[DME,DMT,DSB] With Internal Parts
		1	U					[DME,DMT,DSB] With Internal Parts
18								WASHER, Flat
	J812 0831	2	J					Pinion Gear-Without [DSB], Thrust
		2	U					Pinion Gear-Without [DSB], Thrust
19								WASHER, Flat
	J813 3724	2	J					Side Gear-Without [DSB], Thrust
		2	U					Side Gear-Without [DSB], Thrust
20								SHAFT, Differential
	5003 840AA	1	J					Without [DSB]
		1	U					Without [DSB]
21								PIN, Differential Shaft
	1791 563	1	J					Without [DSB]
		1	U					Without [DSB]
22								GEAR KIT, Center Differential
	5252 591	1	J					
		1	U					
23								SHIM KIT, Differential, Master Shim Kit for the Complete Differential including All PINION Shims and all DIFFERENTIAL Shims.
	5017 134AA	1	J					
		1	U					

**JEEP GRAND CHEROKEE (WG)**

SERIES	LINE	BODY	ENGINE	TRANSMISSION
H = Laredo	J = 4WD	74 = 4 Door	ER0, ERH = 4.0L, Power Tech	DGK = 4 Speed Autm, 42RE
P = Limited	U = 4WD, RHD		EVO, EVA = 4.7L, Power Tech	DGQ = 5 Speed Automatic
			EXO, EXA = 3.1L 5 Cyl Turbo Diesel	- 5-45RFE
				DGW = 4 Speed Autm, 44RE

AR = Use as required - = Non illustrated part # = New this model year

October 31, 2002



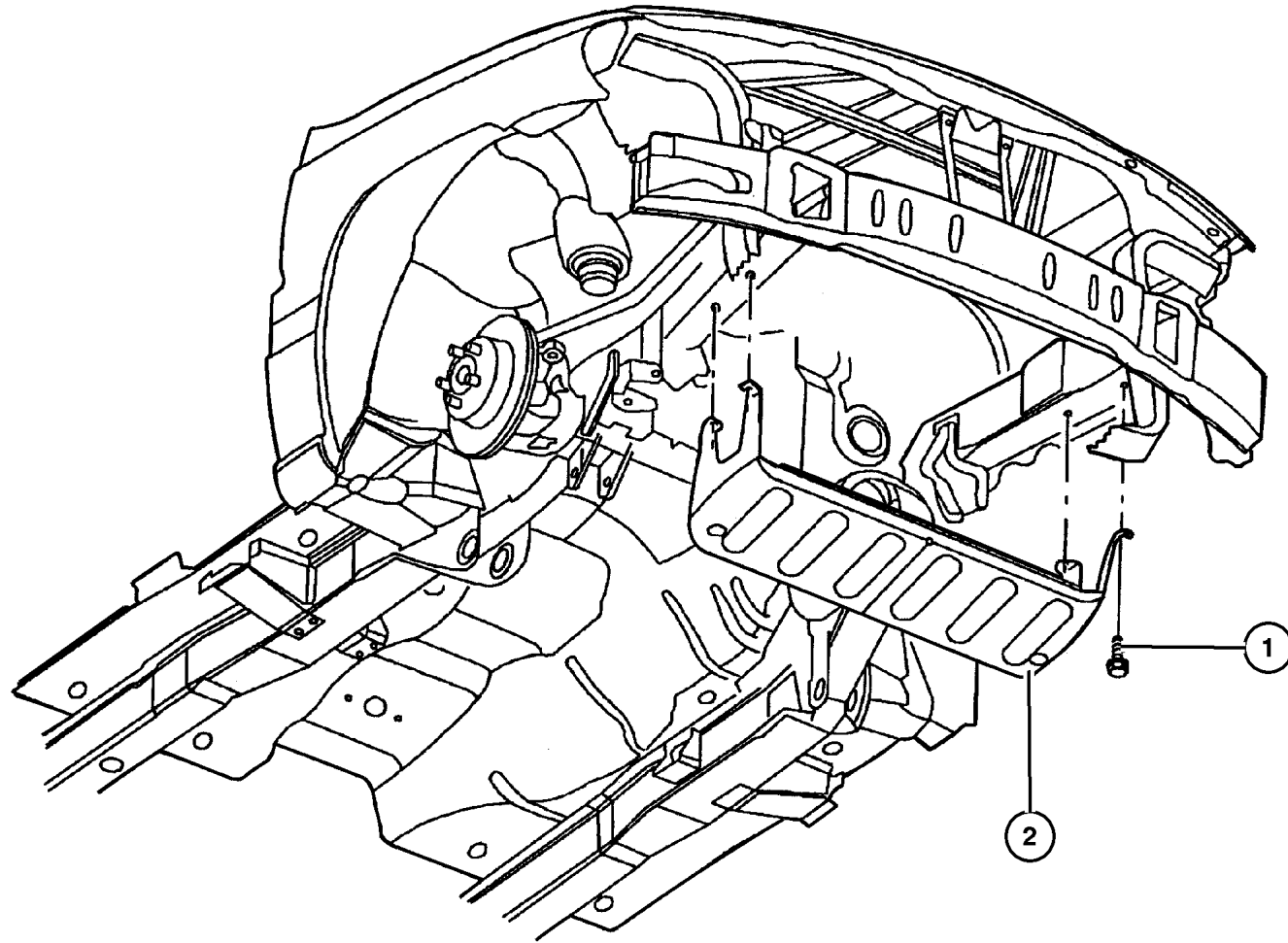
**Skid Plate, Front Axle  
Figure 002-810**

ITEM	PART NUMBER	QTY	LINE	SERIES	BODY	ENGINE	TRANS	DESCRIPTION
------	-------------	-----	------	--------	------	--------	-------	-------------

NOTES:

ERO = All 4.0L 6 Cyl Gas Engine  
 EVO = All 4.7L Engine Gas Engine  
 EX0 = All 3.0/3.1L Turbo Diesel Engines  
 J = 4WD - Left Hand Drive

1	6505 961AA	4						SCREW AND WASHER, Hex Head, M10x1.5x40
2	52059 165AA	1				EX0		SKID PLATE, Front



JEEP GRAND CHEROKEE (WG)				
SERIES	LINE	BODY	ENGINE	TRANSMISSION
H = Laredo	J = 4WD	74 = 4 Door	ER0, ERH = 4.0L, Power Tech	DGK = 4 Speed Autm, 42RE
P = Limited	U = 4WD, RHD		EVO, EVA = 4.7L, Power Tech	DGQ = 5 Speed Automatic
			EXO, EXA = 3.1L 5 Cyl Turbo Diesel	- 5-45RFE
				DGW = 4 Speed Autm, 44RE

AR = Use as required - = Non illustrated part # = New this model year

October 31, 2002

# Group – 003

## Rear Axle

### GROUP 3 - Rear Axle

Illustration Title

Group-Fig. No.

#### Rear Axle

Axle Assembly,Rear ..... Fig. 003-110

#### Differential and Housing

Housing,Rear Axle,Dana Model 44/226MM ..... Fig. 003-210

Differential,Without Vari-Lok Progressive [DSC],Dana Model 44/226MM ..... Fig. 003-220

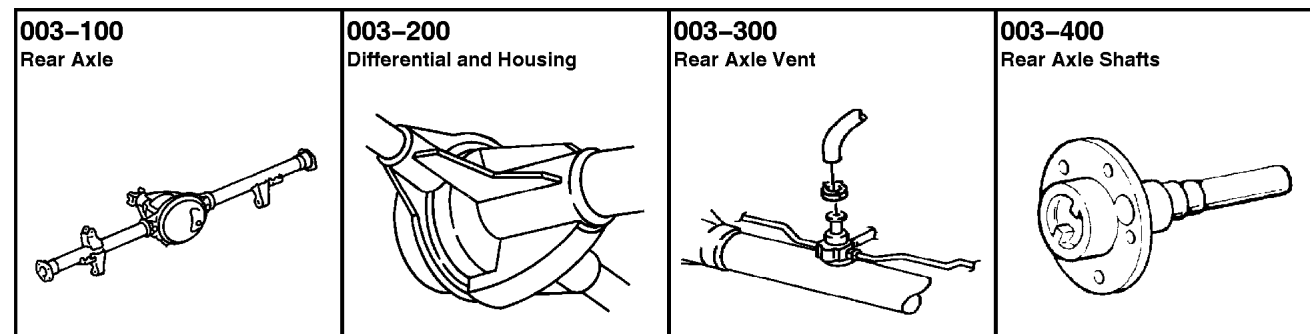
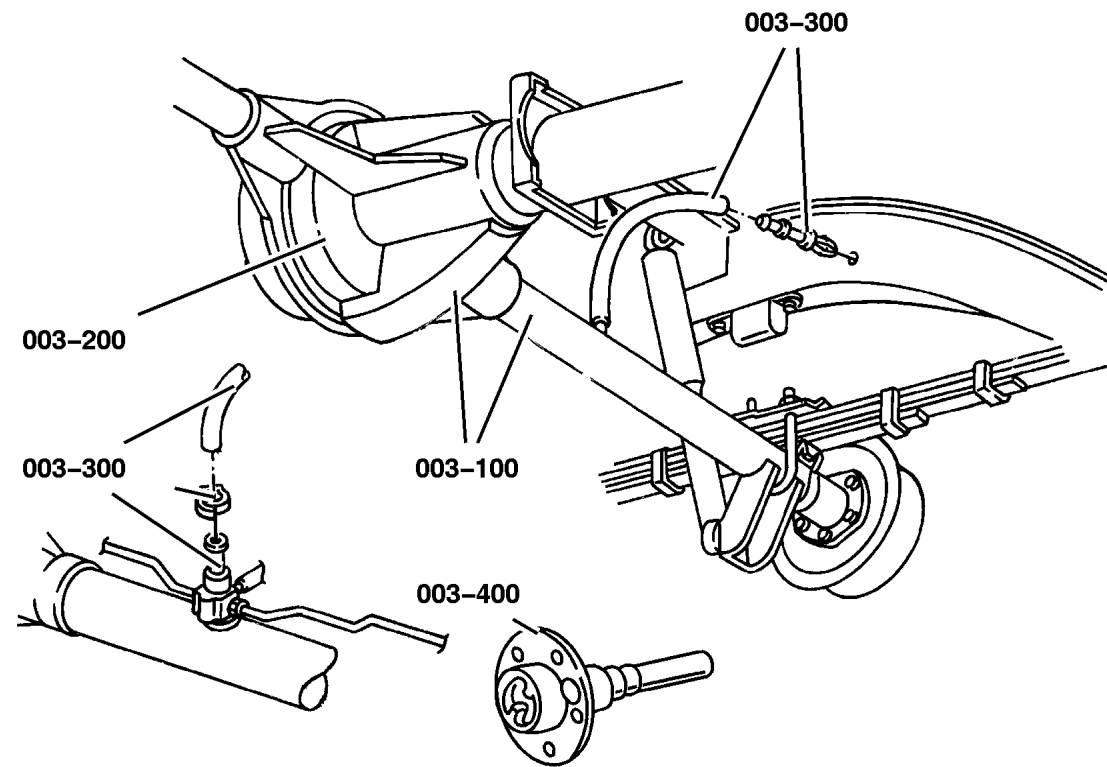
Differential,With Vari-Lok Progressive [DSC],Dana Model 44/226MM ..... Fig. 003-230

#### Rear Axle Vent

Rear Axle Vent ..... Fig. 003-310

#### Rear Axle Shafts

Shaft , Rear Axle ..... Fig. 003-410

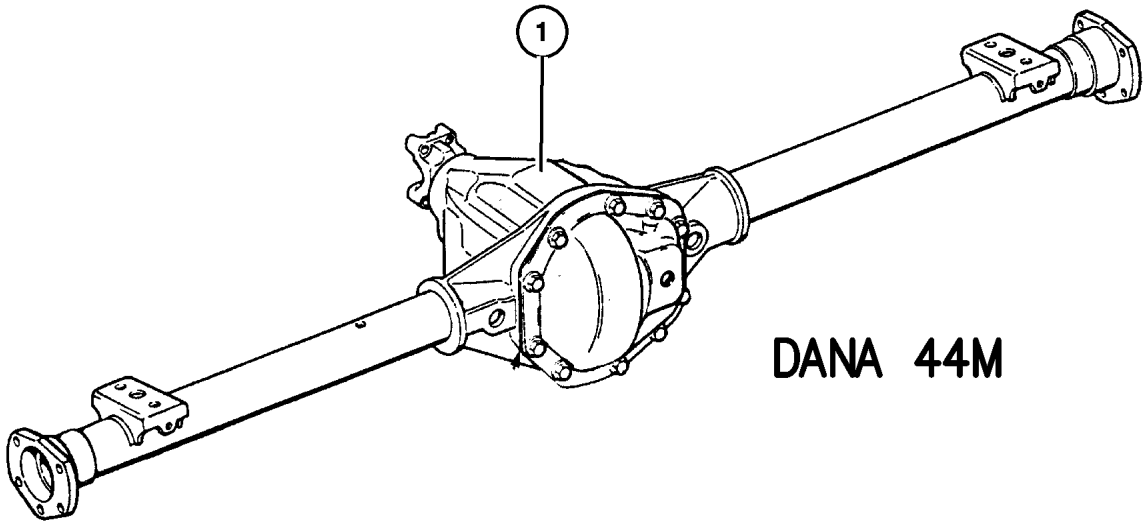


**Axle Assembly,Rear  
Figure 003-110**

ITEM	PART NUMBER	QTY	LINE	SERIES	BODY	ENGINE	TRANS	DESCRIPTION
------	-------------	-----	------	--------	------	--------	-------	-------------

Note:Sales Codes;  
 [DME]=Axle Ratio - 3.73  
 [DMT]=Axle Ratio [3.91]  
 [DRK]=Axle,Rear,Dana 44/226MM  
 [DSC]=Vari-Lok Progressive Axle

1								AXLE, Service Rear
	5012 868AA	1						[DRK,DME,DSC] Tag 52099426AC
	5012 843AA	1						[DRK,DME] Tag 52099129AC
	5014 364AA	1						[DRK,DMT,DSC] Tag 52111202AB
	5015 075AA	1						[DRK,DMT] Tag 52111203AA



**DANA 44M**

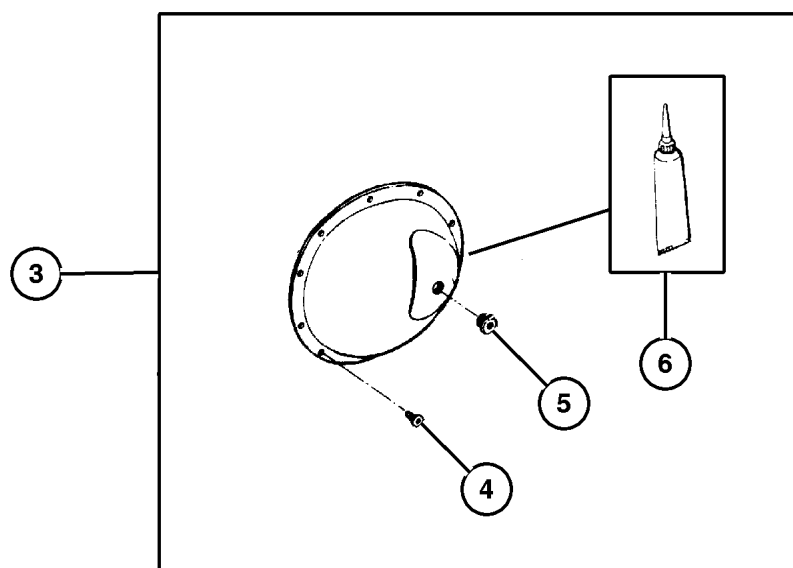
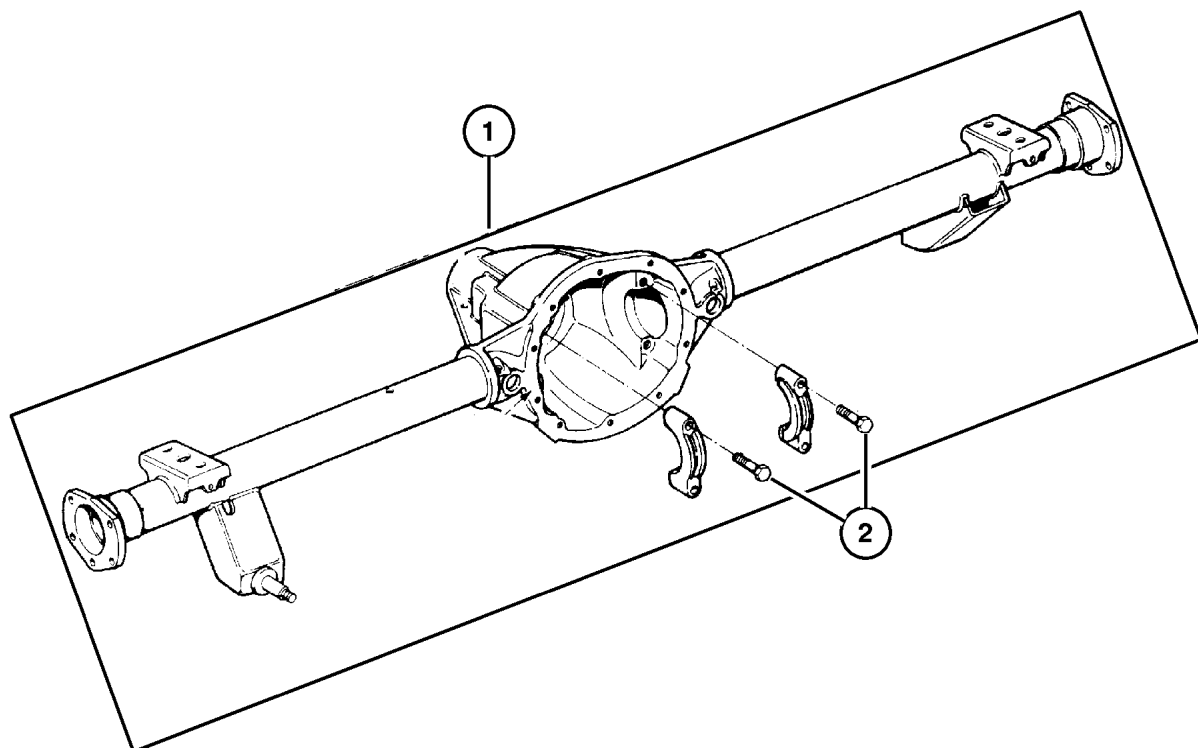
JEEP GRAND CHEROKEE (WG)			
SERIES	LINE	BODY	TRANSMISSION
H = Laredo	J = 4WD	74 = 4 Door	DGK = 4 Speed Autm, 42RE
P = Limited	U = 4WD, RHD		DGQ = 5 Speed Automatic - 5-45RFE
			DGW = 4 Speed Autm, 44RE

AR = Use as required - = Non illustrated part # = New this model year

October 31, 2002

Housing,Rear Axle,Dana Model 44/226MM  
Figure 003-210

ITEM	PART NUMBER	QTY	LINE	SERIES	BODY	ENGINE	TRANS	DESCRIPTION
1	5012 837AA	1						HOUSING, Axle
2	J400 6553	4						BOLT, Differential
3	5012 842AA	1						COVER, Differential
4	J400 6708	10						SCREW, Pan Head, .312-18x.56
5	5252 504	1						PLUG, Differential Cover
6	4318 025	1						SEALANT, RTV

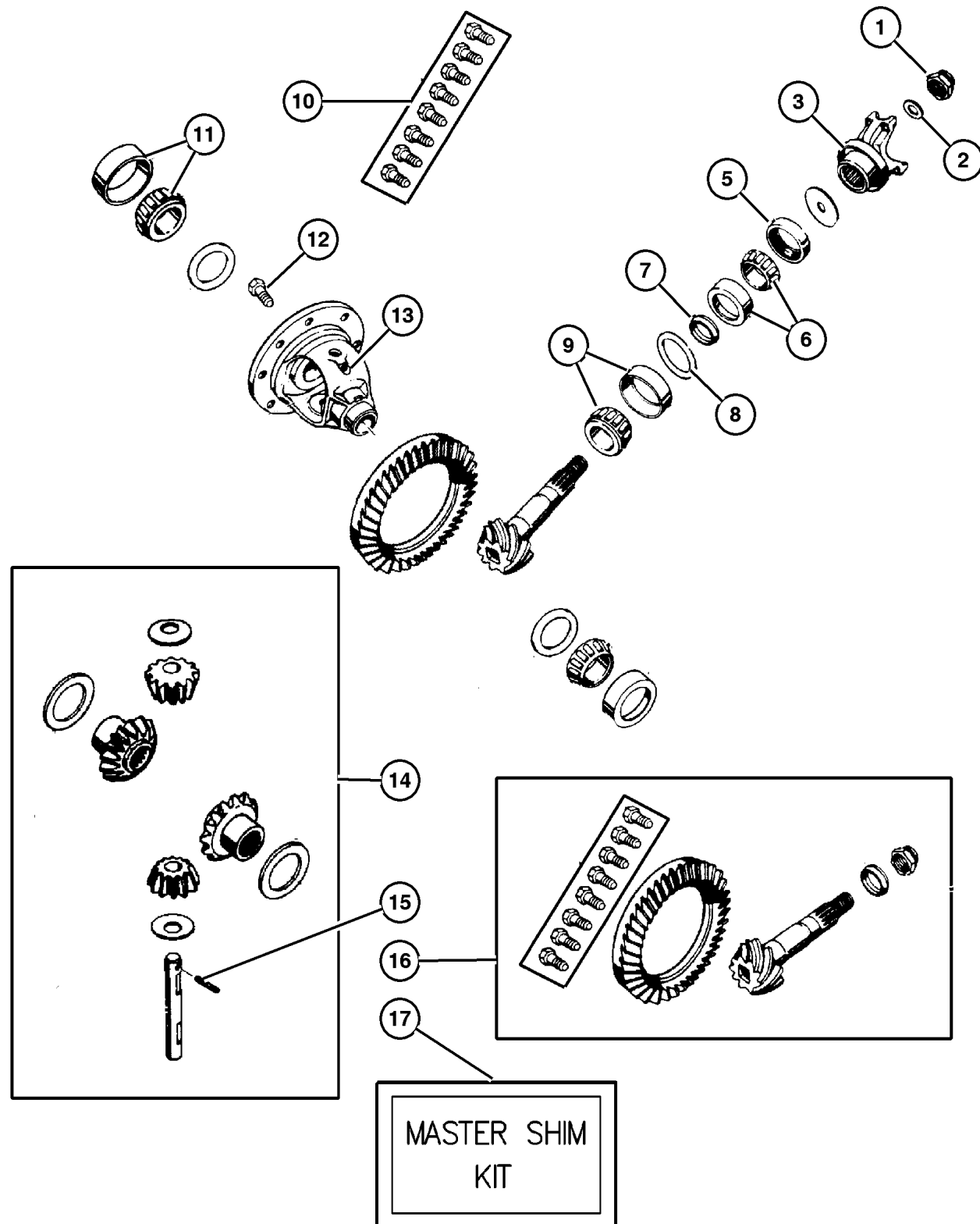


<b>JEEP GRAND CHEROKEE (WG)</b>				
SERIES	LINE	BODY	ENGINE	TRANSMISSION
H = Laredo	J = 4WD	74 = 4 Door	ER0, ERH = 4.0L, Power Tech	DGK = 4 Speed Autm, 42RE
P = Limited	U = 4WD, RHD		EVO, EVA = 4.7L, Power Tech	DGQ = 5 Speed Automatic
			EXO, EXA = 3.1L 5 Cyl Turbo Diesel	- 5-45RFE
				DGW = 4 Speed Autm, 44RE

AR = Use as required - = Non illustrated part # = New this model year

October 31, 2002

Differential, Without Vari-Lok Progressive [DSC], Dana Model 44/226MM  
Figure 003-220



ITEM	PART NUMBER	QTY	LINE	SERIES	BODY	ENGINE	TRANS	DESCRIPTION
Note: Sales Codes;								
[DME]=Axle Ratio - 3.73								
[DMT]=Axle Ratio [3.91]								
[DRK]=Axle, Rear, Dana 44/226MM								
[DSC]=Vari-Lok Progressive Axle								
1	1795 173	1						NUT, Pinion Yoke
2	1795 175	1						WASHER, Pinion Yoke
3								YOKE, Axle
	5012 840AA	1						
	5015 003AA	1						[EX0]
-4	5012 847AA	1						O RING, Pinion Flange, Fits Over Hub of Axle Yoke
5	5012 846AA	1						SEAL, Drive Pinion
6	4864 210	1						BEARING, Drive Pinion, Bearing and Cup, Front
7	4864 214	1						SPACER, Crush
8								SHIM KIT, Pinion Shaft
	4856 368	1						.035' TO .039
	4856 369	1						.040' TO .044'
	4856 370	1						.045' TO .049'
	4856 371	1						.050' TO .054'
9	#4746 979	1						BEARING, Drive Pinion, Bearing and Cup, Rear
10	5012 810AC	1						BOLT KIT, 7/16-20 x.750' Ring Gear Bolts
11	4864 213	1						BEARING, Differential Case, Consists of 2 Bearing and 2 Cups
12	5252 503	10						SCREW, Drive Gear, 3/8-24x.827' Ring Gear Bolts
13								CASE, Differential
	4856 357	1						With 7/16-20 x.750' Ring Gear Bolts- Includes Items 12,14,15
	5019 855AA	1						With 3/8-24x.827' Ring Gear Bolts- Includes Items 10,14,15
14	4856 366	1						GEAR KIT, Center Differential
15	5015 223AA	1						PIN, Differential Shaft
16								GEAR KIT, Ring And Pinion
	5012 841AA	1						[DME] With 3/8-24x.827' Ring Gear Bolts
	5019 854AB	1						[DME] With 7/16-20 x.750' Ring Gear Bolts
	5014 357AA	1						[DMT] With 3/8-24x.827' Ring Gear Bolts

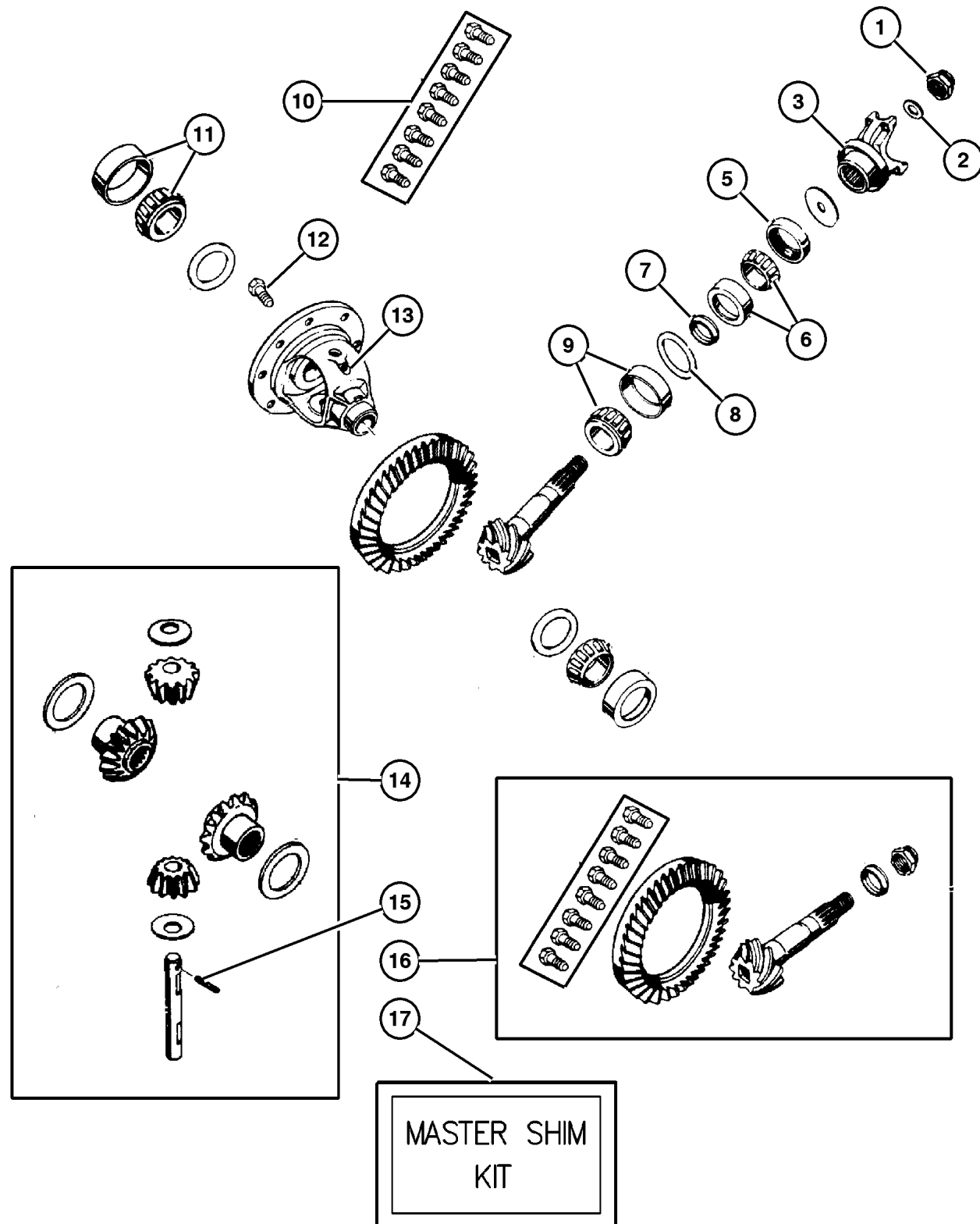
JEEP GRAND CHEROKEE (WG)

SERIES	LINE	BODY	ENGINE	TRANSMISSION
H = Laredo	J = 4WD	74 = 4 Door	ER0, ERH = 4.0L, Power Tech	DGK = 4 Speed Autm, 42RE
P = Limited	U = 4WD, RHD		EVO, EVA = 4.7L, Power Tech	DGQ = 5 Speed Automatic
			EXO, EXA = 3.1L 5 Cyl Turbo Diesel	- 5-45RFE
				DGW = 4 Speed Autm, 44RE

AR = Use as required - = Non illustrated part # = New this model year

October 31, 2002

Differential, Without Vari-Lok Progressive [DSC], Dana Model 44/226MM  
Figure 003-220



ITEM	PART NUMBER	QTY	LINE	SERIES	BODY	ENGINE	TRANS	DESCRIPTION
	5019 869AB	1						[DMT]] With 7/16-20 x.750' Ring Gear Bolts
17	5010 911AA	1						SHIM KIT, Differential 0.111' TO 0.123
	5010 913AA	1						0.126' TO 0.138
	5010 916AA	1						0.141' TO 0.153

JEEP GRAND CHEROKEE (WG)		BODY	ENGINE	TRANSMISSION
SERIES	LINE	74 = 4 Door	ER0, ERH = 4.0L, Power Tech	DGK = 4 Speed Autm, 42RE
H = Laredo	J = 4WD		EVO, EVA = 4.7L, Power Tech	DGQ = 5 Speed Automatic
P = Limited	U = 4WD, RHD		EXO, EXA = 3.1L 5 Cyl Turbo Diesel	- 5-45RFE
				DGW = 4 Speed Autm, 44RE

AR = Use as required - = Non illustrated part # = New this model year

October 31, 2002

Differential,With Vari-Lok Progressive [DSC],Dana Model 44/226MM  
Figure 003-230

ITEM	PART NUMBER	QTY	LINE	SERIES	BODY	ENGINE	TRANS	DESCRIPTION
------	-------------	-----	------	--------	------	--------	-------	-------------

Note:Sales Codes;

[DME]=Axle Ratio - 3.73

[DMT]=Axle Ratio [3.91]

[DRK]=Axle,Rear,Dana 44/226MM

[DSC]=Vari-Lok Progressive Axle

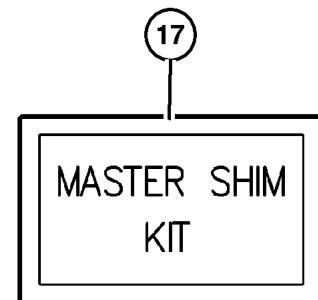
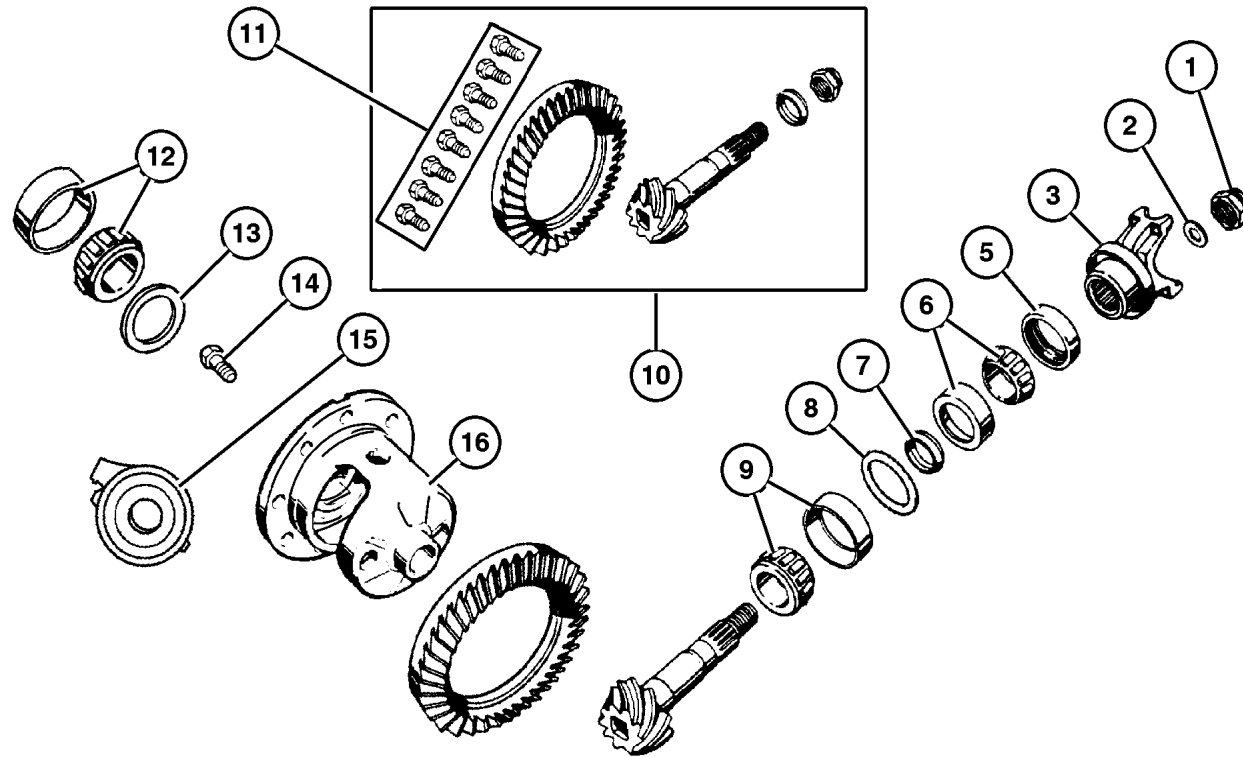
1	1795 173	1						NUT, Pinion Yoke
2	1795 175	1						WASHER, Pinion Yoke
3								YOKE, Axle
	5012 840AA	1						[ER0,EV0]
	5015 003AA	1						EX0]
-4	5012 847AA	1						O RING, Pinion Flange, Fits Over Hub of Axle Yoke
5	5012 846AA	1						SEAL, Drive Pinion
6	4864 210	1						BEARING, Drive Pinion, Bearing and Cup, Front
7	4864 214	1						SPACER, Crush
8								SHIM KIT, Pinion Shaft
	4856 368	1						.035' TO .039
	4856 369	1						.040' TO .044
	4856 370	1						.045 TO .049
	4856 371	1						.050' TO .054
9	#4746 979	1						BEARING, Drive Pinion, Bearing and Cup, Rear
10								GEAR KIT, Ring And Pinion
	5012 841AA	1						[DME] With 3/8-24 x .827' Ring Gear Bolts
	5019 854AB	1						[DME] With 7/16-20 x .750' ring gear bolt
	5014 357AA	1						[DMT] With 3/8-24 x .827' Ring Gear Bolts
	5019 869AB	1						[DMT] With 7/16-20 x .750' ring gear bolt
11	5012 810AC	1						BOLT KIT, 7/16-20 x .750' ring gear bolt
12	4864 213	1						BEARING, Differential Case, Contains 2 Bearings and 2 Cups
13								SHIM KIT, Differential, Replacement Individual DIFFERENTIAL Shims for Master Shim Kit 5017215AA
	5010 911AA	1						0.111' TO 0.123
	5010 913AA	1						0.126' TO 0.138
	5010 916AA	1						0.141' TO 0.153'
14	5252 503	10						SCREW, Drive Gear, 3/8-24 x .827' Ring Gear Bolts

JEEP GRAND CHEROKEE (WG)

SERIES	LINE	BODY	ENGINE	TRANSMISSION
H = Laredo	J = 4WD	74 = 4 Door	ER0, ERH = 4.0L, Power Tech	DGK = 4 Speed Autm, 42RE
P = Limited	U = 4WD, RHD		EVO, EVA = 4.7L, Power Tech	DGQ = 5 Speed Automatic
			EXO, EXA = 3.1L 5 Cyl Turbo Diesel	- 5-45RFE
				DGW = 4 Speed Autm, 44RE

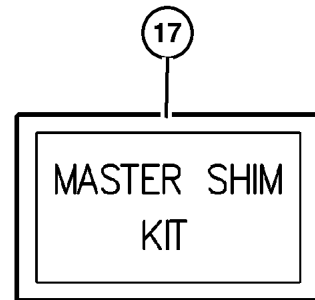
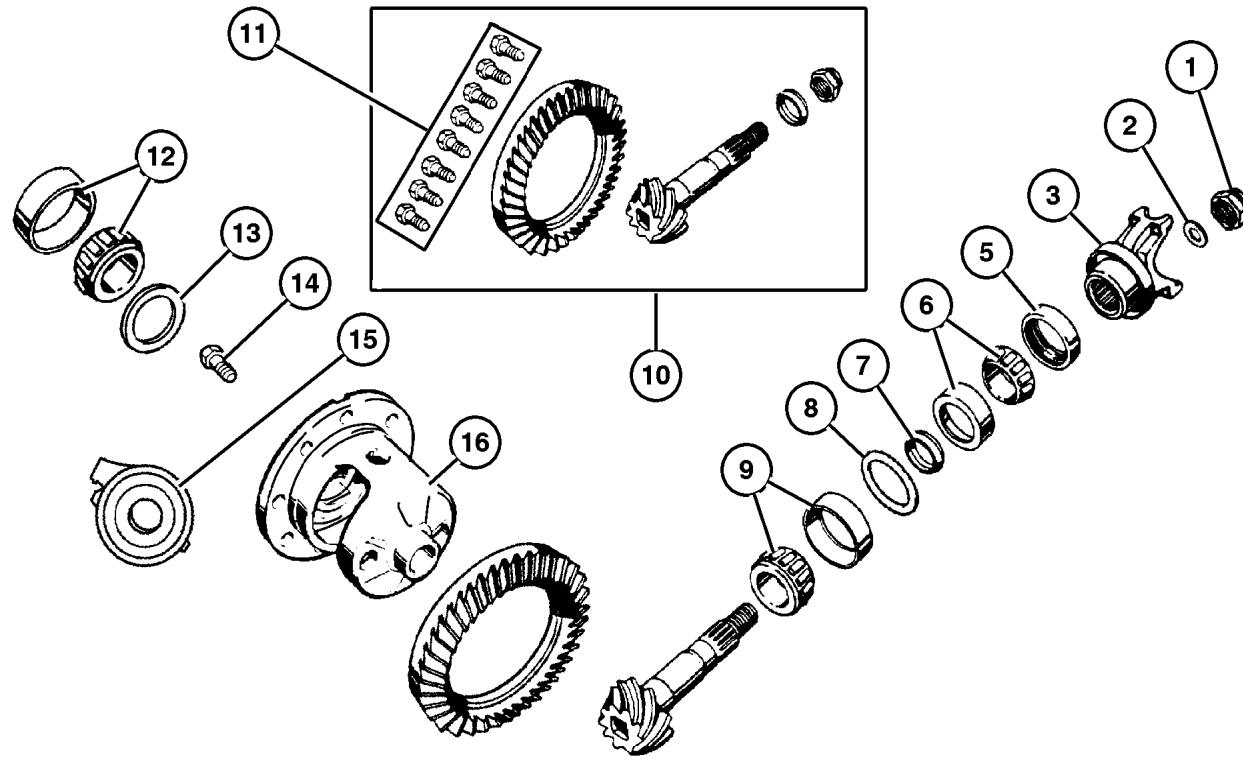
AR = Use as required - = Non illustrated part # = New this model year

October 31, 2002



Differential, With Vari-Lok Progressive [DSC], Dana Model 44/226MM  
Figure 003-230

ITEM	PART NUMBER	QTY	LINE	SERIES	BODY	ENGINE	TRANS	DESCRIPTION
15	5012 870AA	1						PLENUM, Differential
16	5012 869AA	1						CASE, Differential
	5019 867AA	1						With 3/8-24 x .827' Ring Gear Bolts
	5017 215AA	1						With 7/16-20 x .750' Ring Gear Bolts
17	5017 215AA	1						SHIM KIT, Differential, Contains All Shims in Items 8,13
-18	5015 223AA	1						PIN, Differential Shaft



<b>JEEP GRAND CHEROKEE (WG)</b>				
SERIES	LINE	BODY	ENGINE	TRANSMISSION
H = Laredo	J = 4WD	74 = 4 Door	ER0, ERH = 4.0L, Power Tech	DGK = 4 Speed Autm, 42RE
P = Limited	U = 4WD, RHD		EVO, EVA = 4.7L, Power Tech	DGQ = 5 Speed Automatic
			EXO, EXA = 3.1L 5 Cyl Turbo Diesel	- 5-45RFE
				DGW = 4 Speed Autm, 44RE

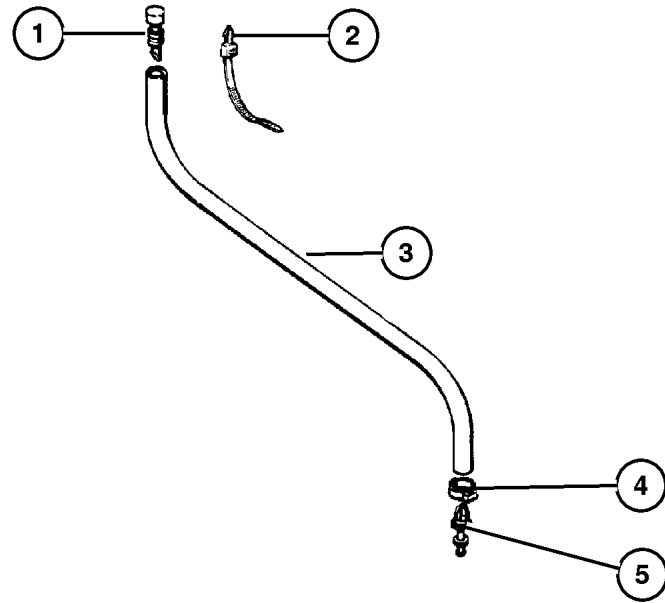
AR = Use as required - = Non illustrated part # = New this model year

October 31, 2002



# Rear Axle Vent Figure 003-310

ITEM	PART NUMBER	QTY	LINE	SERIES	BODY	ENGINE	TRANS	DESCRIPTION
NOTES:ER0=4.0L 6 Cylinder Engine---EV0=4.7L Gas Engine								
1	8350 4653	1	J					VENT, Axle
		1	U					
2	6016 076	1						TIE STRAP
3	52098 655AB	1						HOSE, Axle Vent
4	6503 573	1						CLIP, Lower Clamp to Screw
5	4137 696	1						SCREW, Brake Tee, .437-20x2.07, Double Ended Stud



<b>JEEP GRAND CHEROKEE (WG)</b>				
SERIES	LINE	BODY	ENGINE	TRANSMISSION
H = Laredo	J = 4WD	74 = 4 Door	ER0, ERH = 4.0L, Power Tech	DGK = 4 Speed Autm, 42RE
P = Limited	U = 4WD, RHD		EV0, EVA = 4.7L, Power Tech	DGQ = 5 Speed Automatic
			EXO, EXA = 3.1L 5 Cyl Turbo Diesel	- 5-45RFE
				DGW = 4 Speed Autm, 44RE

AR = Use as required - = Non illustrated part # = New this model year

October 31, 2002

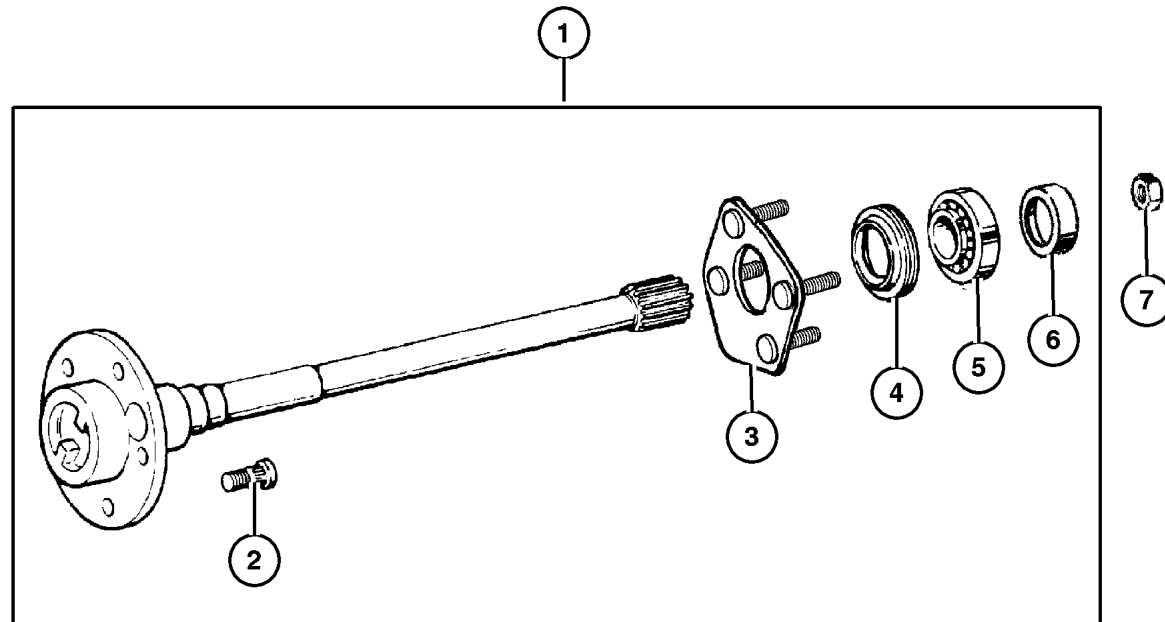
Shaft , Rear Axle  
Figure 003-410

ITEM	PART NUMBER	QTY	LINE	SERIES	BODY	ENGINE	TRANS	DESCRIPTION
------	-------------	-----	------	--------	------	--------	-------	-------------

NOTES:

DME = Axle - Ratio 3.73  
 DMT = Axle - Ratio 3.91  
 DRK = Rear Axle, 2950# Dana 44/226MM  
 DSC = Vari-Lok Differential

1								SHAFT, Axle
	5012 872AA	1						[DRK,+DSC], Right
	5012 873AA	1						[DRK,+DSC], Left
	5012 850AA	1						[DRK+DME-DSC]
	5012 851AA	1						[DRK+DMT-DSC]
2	5209 8680	5						BOLT, Hub and Rotor
3	5012 827AA	1						RETAINER, Axle Shaft Seal
4	5012 824AA	1						SEAL, Axle Drive Shaft
5	5012 825AA	1						BEARING, Axle Shaft
6	5012 826AA	1						RING, Axle Shaft
7	J941 1783	8						NUT, Hex Flange Lock



JEEP GRAND CHEROKEE (WG)

SERIES	LINE	BODY	ENGINE	TRANSMISSION
H = Laredo	J = 4WD	74 = 4 Door	ER0, ERH = 4.0L, Power Tech	DGK = 4 Speed Autm, 42RE
P = Limited	U = 4WD, RHD		EVO, EVA = 4.7L, Power Tech	DGQ = 5 Speed Automatic
			EXO, EXA = 3.1L 5 Cyl Turbo Diesel	- 5-45RFE
				DGW = 4 Speed Autm, 44RE

AR = Use as required - = Non illustrated part # = New this model year

October 31, 2002

# Group – 004

## Parking Brake

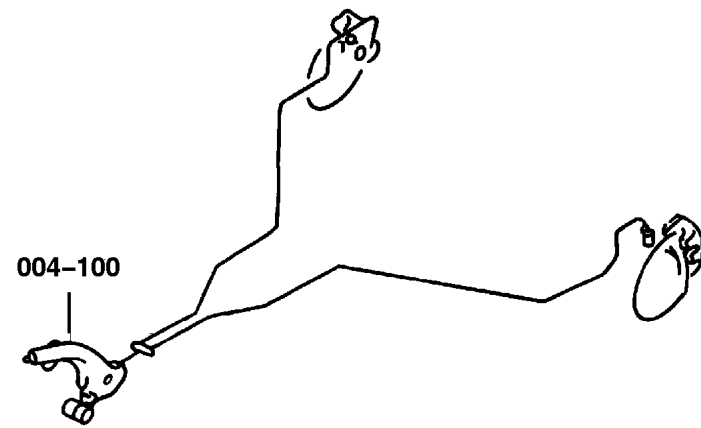
### GROUP 4 - Parking Brake


Illustration Title

Group-Fig. No.

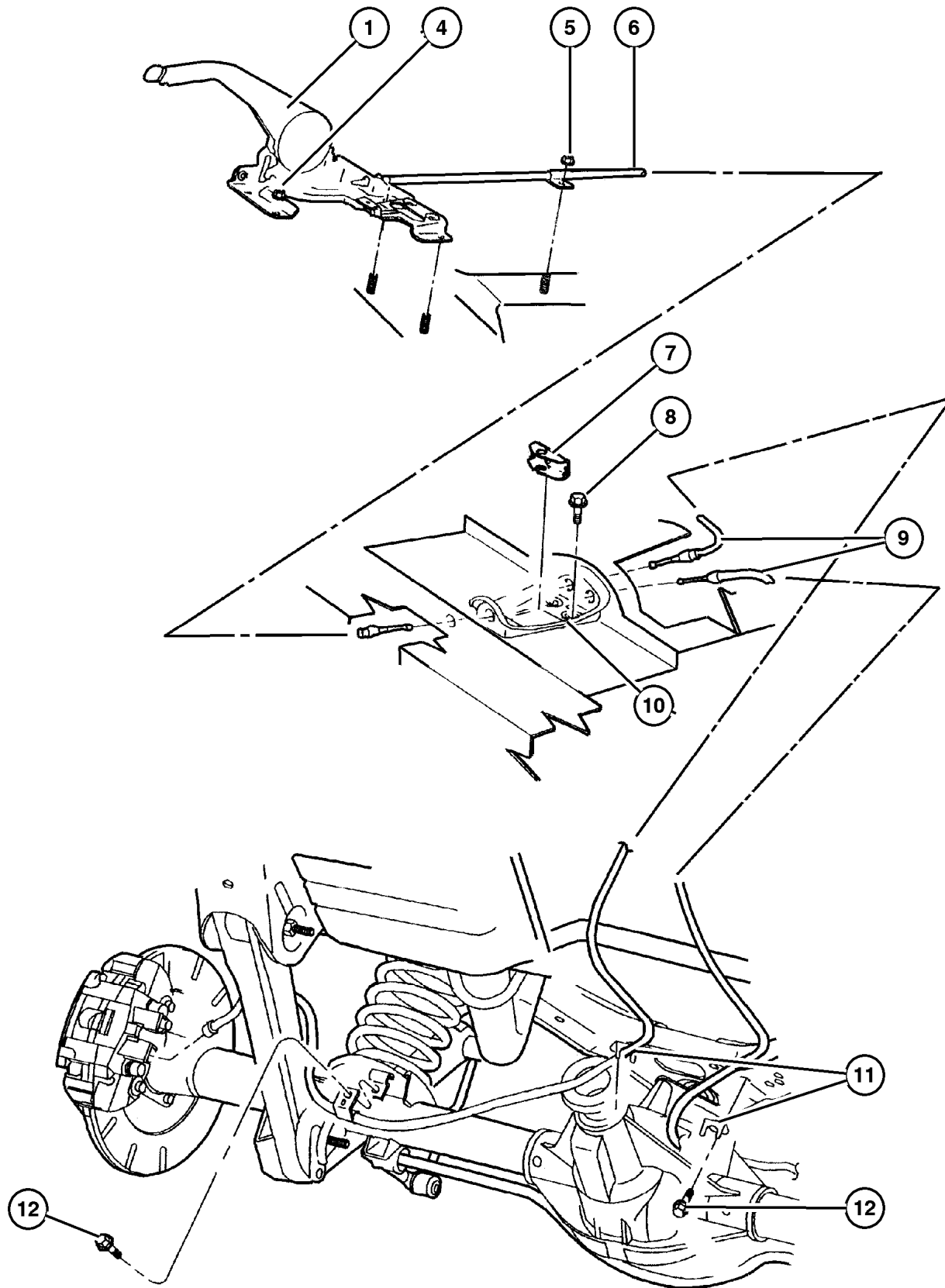
#### Parking Brake Lever and Cables

Lever And Cable - Parking Brake ..... Fig. 004-110



<b>004-100</b> Parking Brake Lever and Cables			
			

Lever And Cable - Parking Brake  
Figure 004-110



ITEM	PART NUMBER	QTY	LINE	SERIES	BODY	ENGINE	TRANS	DESCRIPTION
1	52128 246AF	1						LEVER, Park Brake
-2	5212 7960	1						SWITCH, Parking Brake
-3	5016 265AA	1						COVER, Parking Brake
4	6505 245AA	4						NUT, M8x1.25
5								NUT AND WASHER, M6x1.00, (NOT SERVICED) (Not Serviced)
6	52128 243AA	1						CABLE, Parking Brake, Front
7	5212 8126	1						EQUALIZER, Parking Brake Cable
8	6502 734	3						SCREW, M6x1x20
9								CABLE, Parking Brake
	52128 118AC	1						Right,Rear
	52128 119AC	1						Left,Rear
10	52128 236AB	1						BRACKET, Cable
11	52128 224AB	2						BRACKET, Cable
12								SCREW, Hex Flange Head, M8x1.25x25.00, (NOT SERVICED) (Not Serviced)
-13	#55196 859AB	1						BRACKET, Console

JEEP GRAND CHEROKEE (WG)  
 SERIES LINE BODY ENGINE TRANSMISSION  
 H = Laredo J = 4WD 74 = 4 Door ER0, ERH = 4.0L, Power Tech DGK = 4 Speed Autm, 42RE  
 P = Limited U = 4WD, RHD EVO, EVA = 4.7L, Power Tech DGQ = 5 Speed Automatic  
 EXO, EXA = 3.1L 5 Cyl Turbo Diesel - 5-45RFE  
 DGW = 4 Speed Autm, 44RE

# Group – 005

## Service Brakes

### GROUP 5 - Service Brakes

Illustration Title

Group-Fig. No.

#### Front Brakes

Front Disc Brake Caliper 'Continental Teves'and Rotor ..... Fig. 005-110

Front Disc Brake Caliper 'Akebono'and Rotor ..... Fig. 005-120

#### Rear Brakes

Rear Disc Brake Caliper ..... Fig. 005-210

Rear Parking Brake Assy ..... Fig. 005-220

#### Brake Master Cylinder

Master Cylinder & Booster ..... Fig. 005-410

Hydraulic Control Unit ..... Fig. 005-420

#### Brake Lines and Hoses

Brakes Lines,Front,Right ..... Fig. 005-510

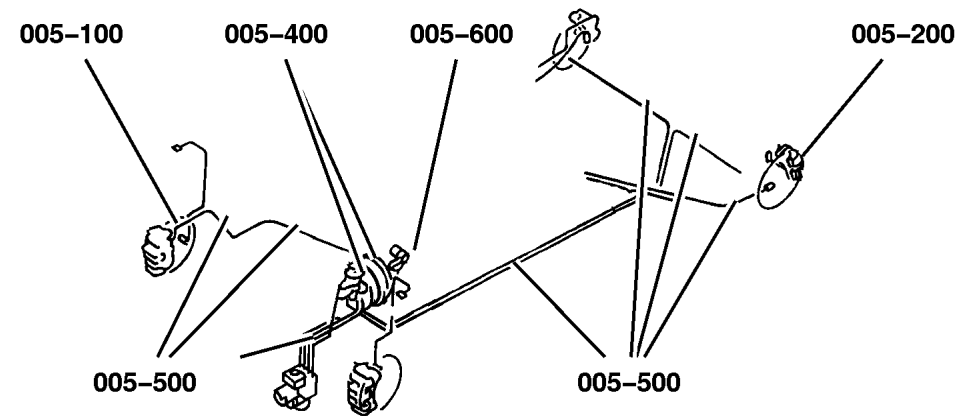
Brakes Lines,Front,Left,and Rear ..... Fig. 005-520

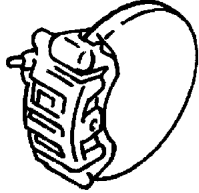
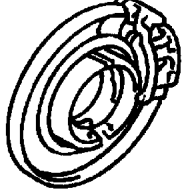
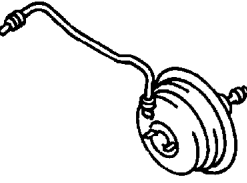
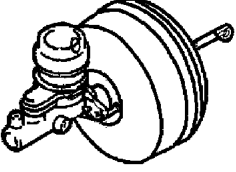
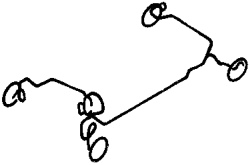

Front Brake Hose at Caliper ..... Fig. 005-530

Rear Brake Lines and Hoses ..... Fig. 005-540

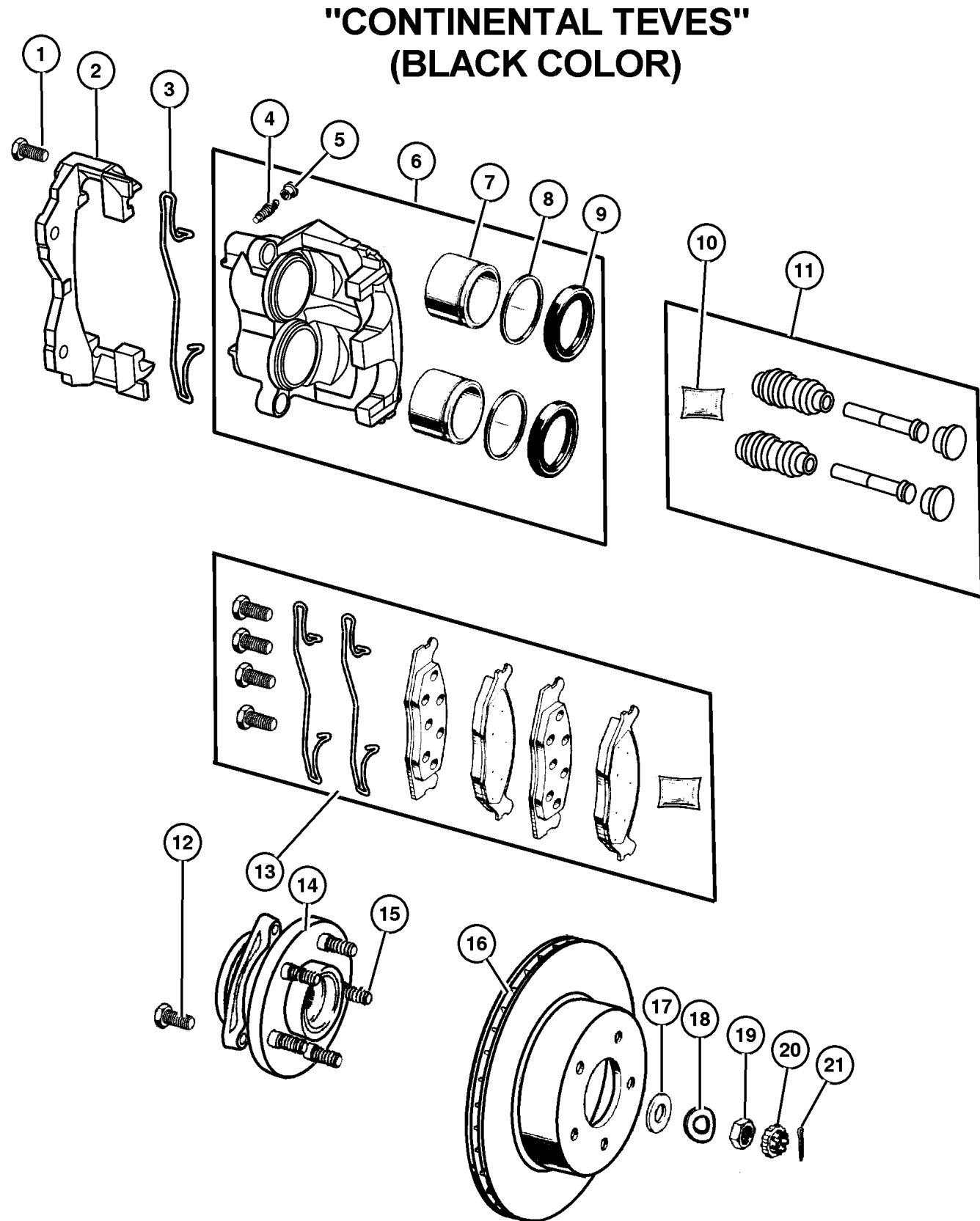
#### Brake Pedals

Brake Pedal & Bracket ..... Fig. 005-605



<p><b>005-100</b> Front Brakes</p> 	<p><b>005-200</b> Rear Brakes</p> 	<p><b>005-300</b> Power Brake Booster</p> 	<p><b>005-400</b> Brake Master Cylinder</p> 
<p><b>005-500</b> Brake Lines and Hoses</p> 	<p><b>005-600</b> Brake Pedals</p> 		

**Front Disc Brake Caliper 'Continental Teves' and Rotor  
Figure 005-110**



**"CONTINENTAL TEVES"  
(BLACK COLOR)**

ITEM	PART NUMBER	QTY	LINE	SERIES	BODY	ENGINE	TRANS	DESCRIPTION
1								BOLT
	5012 437AA	4	J					Caliper Bracket, Mounting
		4	U					Caliper Bracket, Mounting
2								BRACKET
	5011 979AA	1	J					Caliper, Mounting
		1	U					Caliper, Mounting
3								SPRING, Brake Shoe Hold Down
	5011 971AA	1	J					
		1	U					
4								BLEEDER SCREW, Brake
	4126 879	1	J					
		1	U					
5								CAP, Bleeder
	4126 733	1	J					
		1	U					
6								CALIPER, Disc Brake
	5011 972AA	1	J					Right
	5011 973AA	1	J					Left
	5011 972AA	1	U					Right
	5011 973AA	1	U					Left
7								PISTON, Brake
	5011 983AA	2	J					
		2	U					
8								SEAL, Caliper Piston
	5011 984AA	2	J					
		2	U					
9								BOOT, Brake Piston
	5011 985AA	2	J					
		2	U					
10								GREASE, Packet
11								PIN KIT, Disc Brake
	5011 981AA	1	J					
		1	U					
12								BOLT
	5012 436AA	6	J					Hub and Bearing, Mounting
		6	U					Hub and Bearing, Mounting
13								PAD KIT, Front Disc Brake
	5018 592AA	1	J					
		1	U					
14								HUB AND BEARING, Brake
	52098 679AD	2	J					
		2	U					
15								BOLT, Hub and Rotor

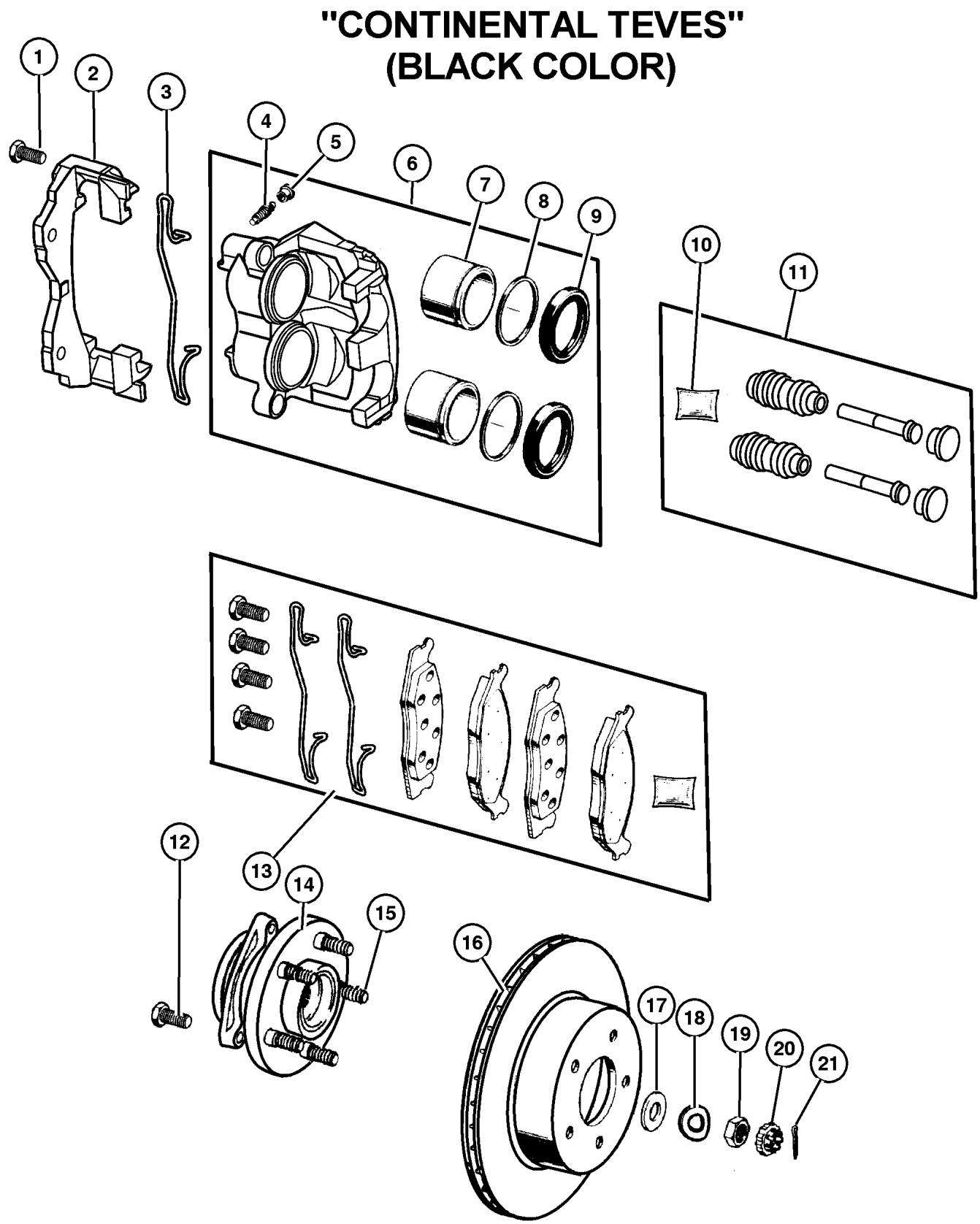
**JEEP GRAND CHEROKEE (WG)**

SERIES	LINE	BODY	ENGINE	TRANSMISSION
H = Laredo	J = 4WD	74 = 4 Door	ER0, ERH = 4.0L, Power Tech	DGK = 4 Speed Autm, 42RE
P = Limited	U = 4WD, RHD		EVO, EVA = 4.7L, Power Tech	DGQ = 5 Speed Automatic
			EXO, EXA = 3.1L 5 Cyl Turbo Diesel	- 5-45RFE
				DGW = 4 Speed Autm, 44RE

AR = Use as required - = Non illustrated part # = New this model year

October 31, 2002

**Front Disc Brake Caliper 'Continental Teves' and Rotor  
Figure 005-110**

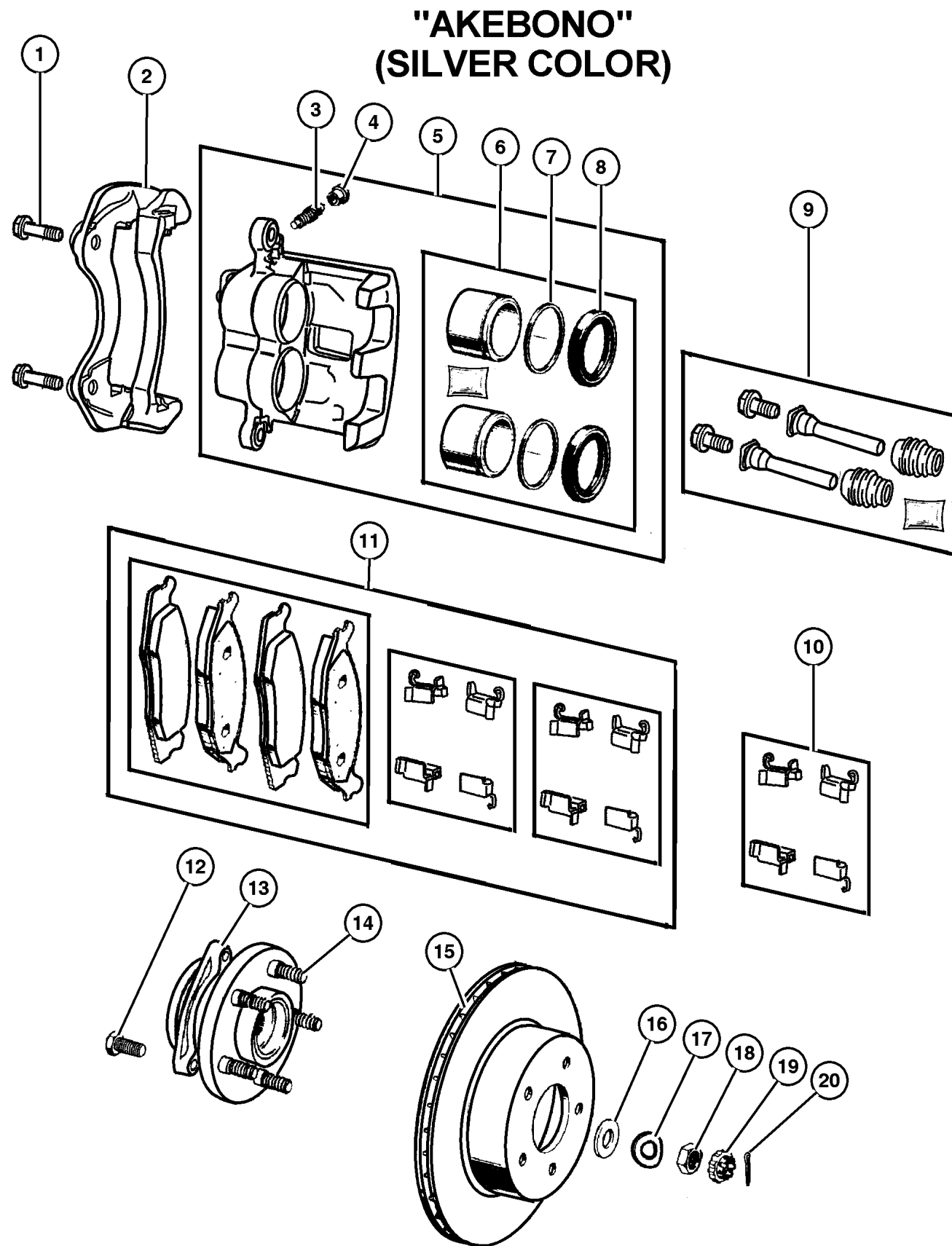


ITEM	PART NUMBER	QTY	LINE	SERIES	BODY	ENGINE	TRANS	DESCRIPTION
	#6036 424AA	5	J					Wheel, Mounting
		5	U					Wheel, Mounting
16	5209 8672	2	J					ROTOR, Brake
		2	U					
17	J420 0096	2	J					WASHER, Flat
		2	U					
18								WASHER, Wave
	4740 749	2	J					
		2	U					
19	J420 0095	2	J					NUT, Hex
		2	U					
20	J420 0097	2	J					RETAINER, Hub Nut
		2	U					
21	1101 0069	2	J					PIN, Cotter, M4x40.00
		2	U					

**JEEP GRAND CHEROKEE (WG)**

SERIES	LINE	BODY	ENGINE	TRANSMISSION
H = Laredo	J = 4WD	74 = 4 Door	ER0, ERH = 4.0L, Power Tech	DGK = 4 Speed Autm, 42RE
P = Limited	U = 4WD, RHD		EVO, EVA = 4.7L, Power Tech	DGQ = 5 Speed Automatic
			EXO, EXA = 3.1L 5 Cyl Turbo Diesel	- 5-45RFE
				DGW = 4 Speed Autm, 44RE

**Front Disc Brake Caliper 'Akebono' and Rotor  
Figure 005-120**



ITEM	PART NUMBER	QTY	LINE	SERIES	BODY	ENGINE	TRANS	DESCRIPTION
1								BOLT
	5012 437AA	4	J					Caliper Bracket, Mounting
		4	U					Caliper Bracket, Mounting
2	5093 182AA	1	J					BRACKET
		1	U					Caliper, Mounting
3	5093 189AA	1	J					BLEEDER SCREW, Brake
		1	U					
4	5093 190AA	1	J					CAP, Bleeder
		1	U					
5								CALIPER, Disc Brake
	5093 180AA	1	J					Right
	5093 181AA	1	J					Left
	5093 180AA	1	U					Right
	5093 181AA	1	U					Left
6								PISTON KIT, Front Brake
	5093 186AA	1	J					
		1	U					
7								SEAL, Caliper Piston
	5093 187AA	2	J					
		2	U					
8								BOOT, Brake Piston
	5093 188AA	2	J					
		2	U					
9								PIN KIT, Disc Brake
	5093 184AA	1	J					
		1	U					
10								SPRING KIT, Brake Shoe Hold Down
	5093 185AA	2	J					
		2	U					
11								PAD KIT, Front Disc Brake
	5093 260AA	1	J					
		1	U					
12								BOLT
	5012 436AA	6	J					Hub and Bearing, Mounting
		6	U					Hub and Bearing, Mounting
13								HUB AND BEARING, Brake
	52098 679AB	2	J					
		2	U					
14								BOLT, Hub and Rotor

**JEEP GRAND CHEROKEE (WG)**

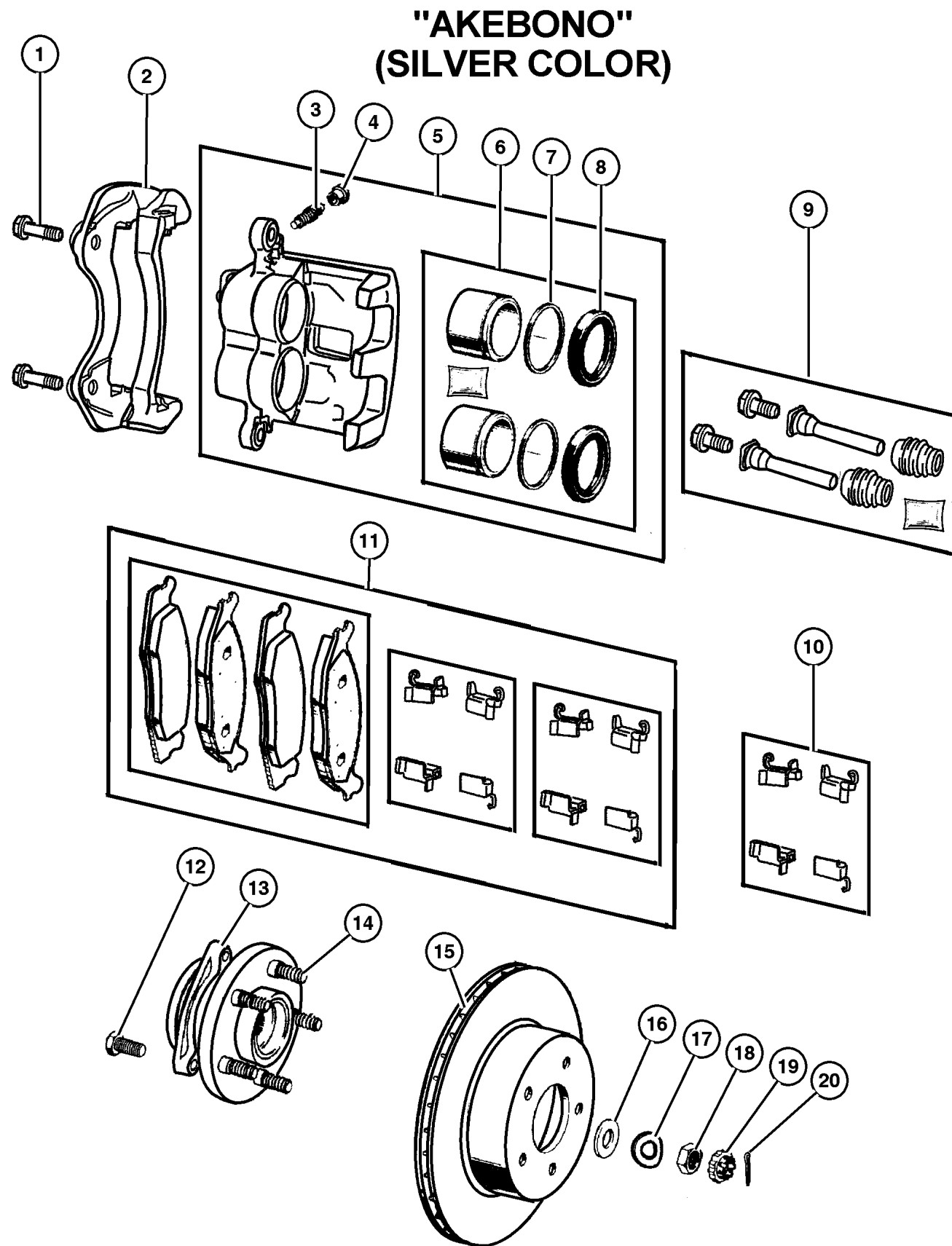
SERIES	LINE	BODY	ENGINE	TRANSMISSION
H = Laredo	J = 4WD	74 = 4 Door	ER0, ERH = 4.0L, Power Tech	DGK = 4 Speed Autm, 42RE
P = Limited	U = 4WD, RHD		EVO, EVA = 4.7L, Power Tech	DGQ = 5 Speed Automatic
			EXO, EXA = 3.1L 5 Cyl Turbo Diesel	- 5-45RFE
				DGW = 4 Speed Autm, 44RE

AR = Use as required - = Non illustrated part # = New this model year

October 31, 2002



**Front Disc Brake Caliper 'Akebono' and Rotor  
Figure 005-120**



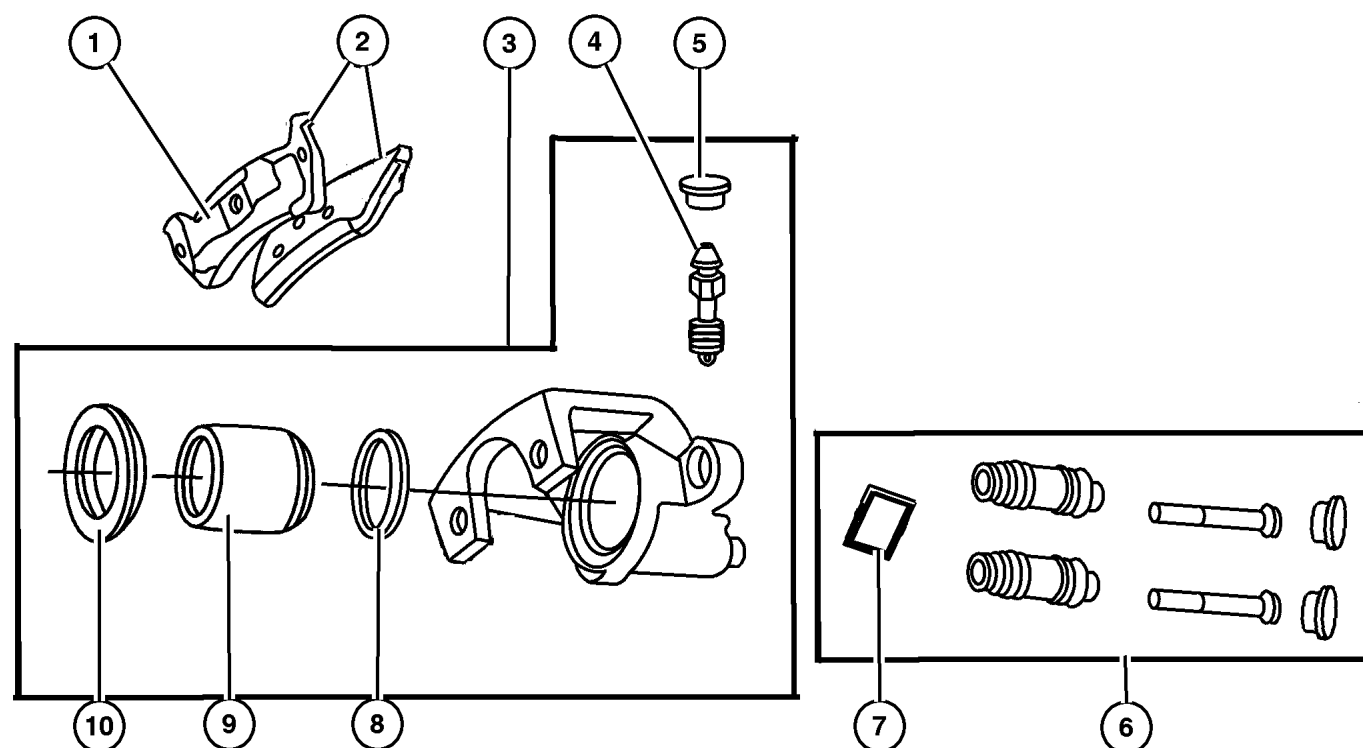
ITEM	PART NUMBER	QTY	LINE	SERIES	BODY	ENGINE	TRANS	DESCRIPTION
	#6036 424AA	5	J					Wheel, Mounting
		5	U					Wheel, Mounting
15								ROTOR, Brake
	5209 8672	2	J					
		2	U					
16								WASHER, Flat
	J420 0096	2	J					
		2	U					
17								WASHER, Wave
	4740 749	2	J					
		2	U					
18								NUT, Hex
	J420 0095	2	J					
		2	U					
19								RETAINER, Hub Nut
	J420 0097	2	J					
		2	U					
20								PIN, Cotter, M4x40.00
	1101 0069	2	J					
		2	U					

<b>JEEP GRAND CHEROKEE (WG)</b>				
SERIES	LINE	BODY	ENGINE	TRANSMISSION
H = Laredo	J = 4WD	74 = 4 Door	ER0, ERH = 4.0L, Power Tech	DGK = 4 Speed Autm, 42RE
P = Limited	U = 4WD, RHD		EVO, EVA = 4.7L, Power Tech	DGQ = 5 Speed Automatic
			EXO, EXA = 3.1L 5 Cyl Turbo Diesel	- 5-45RFE
				DGW = 4 Speed Autm, 44RE

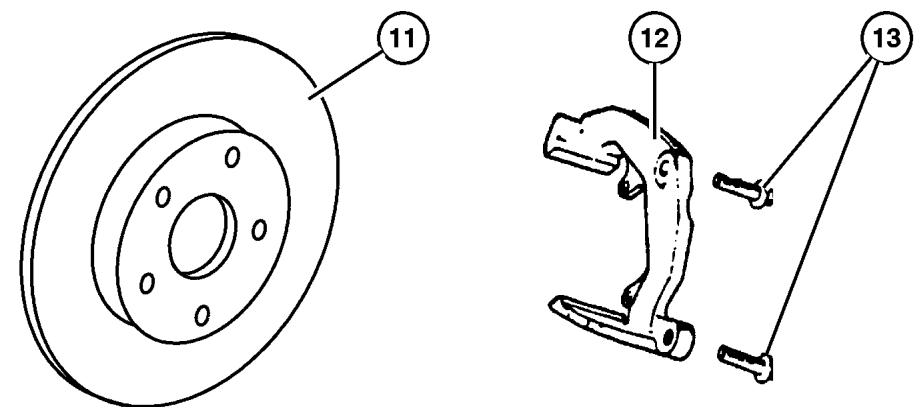
AR = Use as required - = Non illustrated part # = New this model year

October 31, 2002

## Rear Disc Brake Caliper Figure 005-210



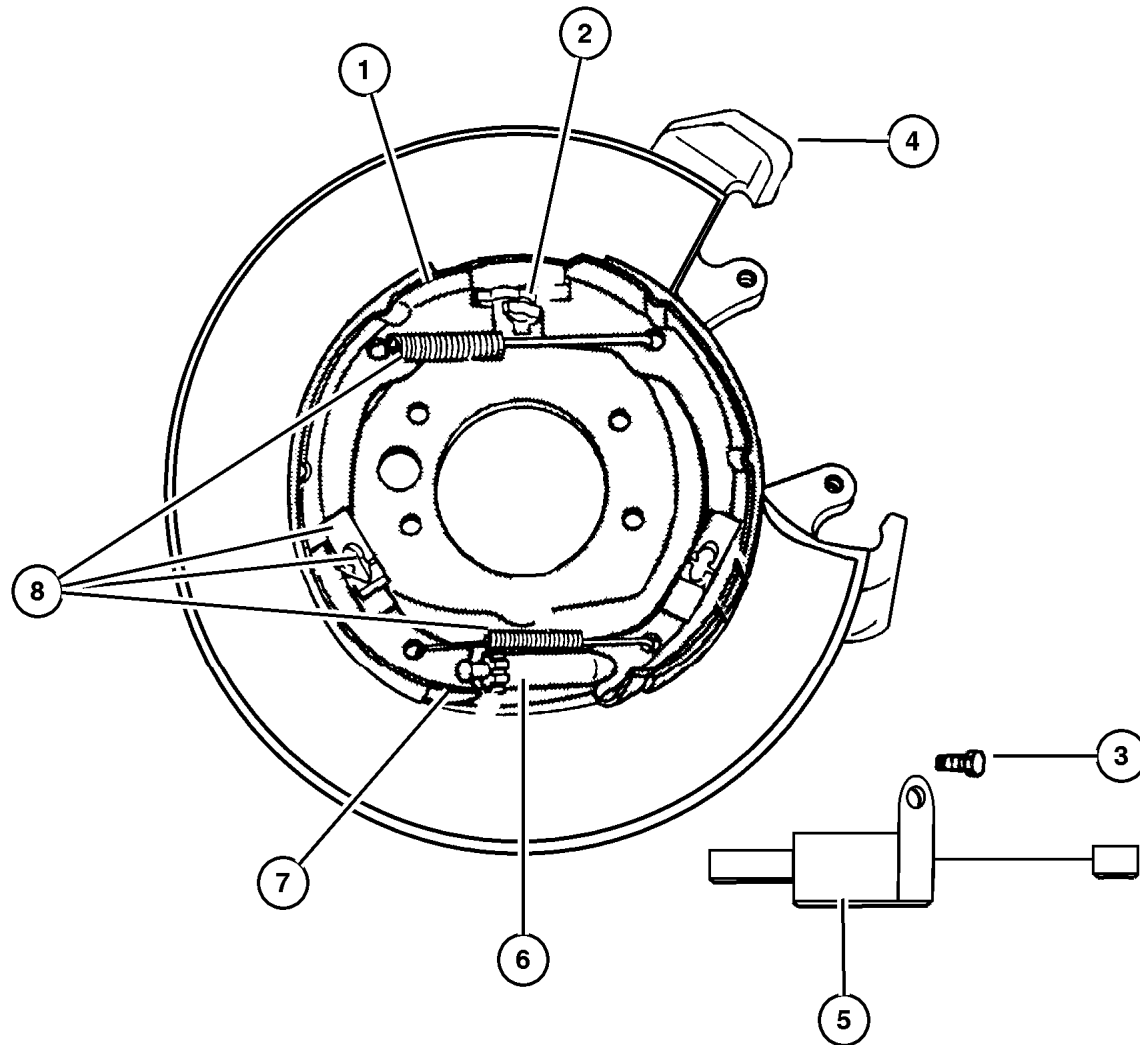
ITEM	PART NUMBER	QTY	LINE	SERIES	BODY	ENGINE	TRANS	DESCRIPTION
Note:ER0= All 4.0L 6 Cylinder Engines---EV0= All 4.7L V-8 Gas Engines								
1	5011 978AA	1						SPRING, Brake Shoe Hold Down
2	5011 970AA	1						PAD KIT, Rear Disc Brake
3	5011 975AA	1						CALIPER, Disc Brake
4	4126 879	1						BLEEDER SCREW, Brake
5	4126 733	1						CAP, Bleeder
6	5011 981AA	1						PIN KIT, Disc Brake
7	5011 987AA	1						GREASE, Packet
8	5011 984AA	1						SEAL, Caliper Piston
9	5011 983AA	1						PISTON, Brake
10	5011 985AA	1						BOOT, Brake Piston
11	5209 8666	2						ROTOR, Brake
12								BRACKET
	5011 979AA	1			J			
		1			U			
13	5012 437AA	4						BOLT



<b>JEEP GRAND CHEROKEE (WG)</b>				
SERIES	LINE	BODY	ENGINE	TRANSMISSION
H = Laredo	J = 4WD	74 = 4 Door	ER0, ERH = 4.0L, Power Tech	DGK = 4 Speed Autm, 42RE
P = Limited	U = 4WD, RHD		EV0, EVA = 4.7L, Power Tech	DGQ = 5 Speed Automatic
			EXO, EXA = 3.1L 5 Cyl Turbo Diesel	- 5-45RFE
				DGW = 4 Speed Autm, 44RE

## Rear Parking Brake Assy Figure 005-220

ITEM	PART NUMBER	QTY	LINE	SERIES	BODY	ENGINE	TRANS	DESCRIPTION
Note: 5014038AA Spring Kit , contains 2 Brake Shoe Hold Down Pins, 2 Parking Brake Hold Down Clips,1 Park Brake Shoe Return Spring Upper and 1 Park Brake Shoe Return Spring Lower.								
1	5011 988AA	1						SHOE AND LINING KIT, Parking Brake
2	5011 994AA	1						LEVER, Park Brake
3	5012 814AA	2						BOLT, ABS Sensor
4	5011 982AA	2						PLATE, Brake Backing
5								SENSOR, Wheel Speed
	56041 308AA	1						Right
	56041 509AA	1						Left
6	5011 993AA	1						ADJUSTER, Parking Brake
7	5012 354AA	1						PLUG, Brake Adjusting Hole
8	5014 038AA	1						SPRING KIT, Brake Shoe Hold Down, See Note at Top of Page

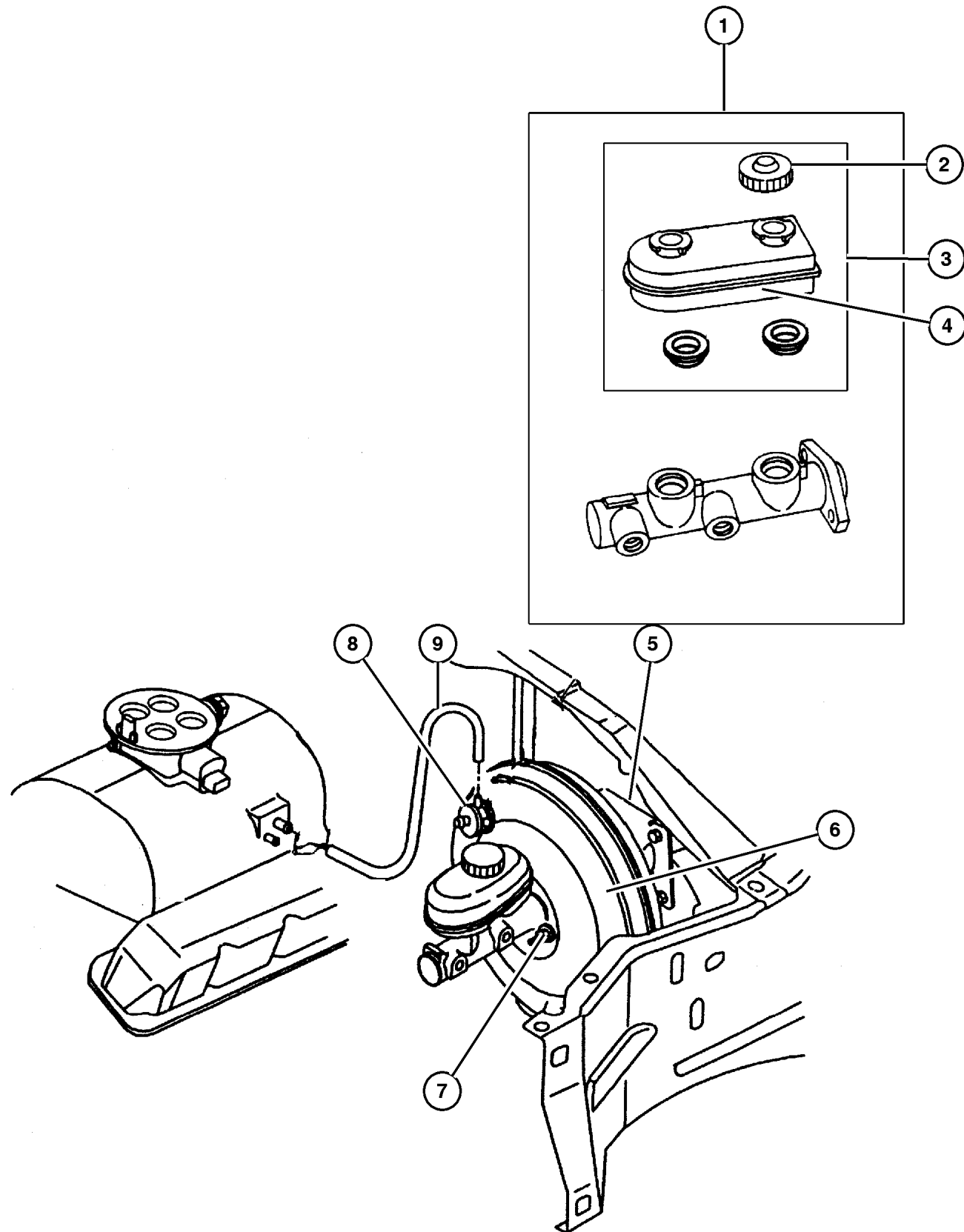


<b>JEEP GRAND CHEROKEE (WG)</b>				
SERIES	LINE	BODY	ENGINE	TRANSMISSION
H = Laredo	J = 4WD	74 = 4 Door	ER0, ERH = 4.0L, Power Tech	DGK = 4 Speed Autm, 42RE
P = Limited	U = 4WD, RHD		EVO, EVA = 4.7L, Power Tech	DGQ = 5 Speed Automatic
			EXO, EXA = 3.1L 5 Cyl Turbo Diesel	- 5-45RFE
				DGW = 4 Speed Autm, 44RE

AR = Use as required - = Non illustrated part # = New this model year

October 31, 2002

**Master Cylinder & Booster  
Figure 005-410**



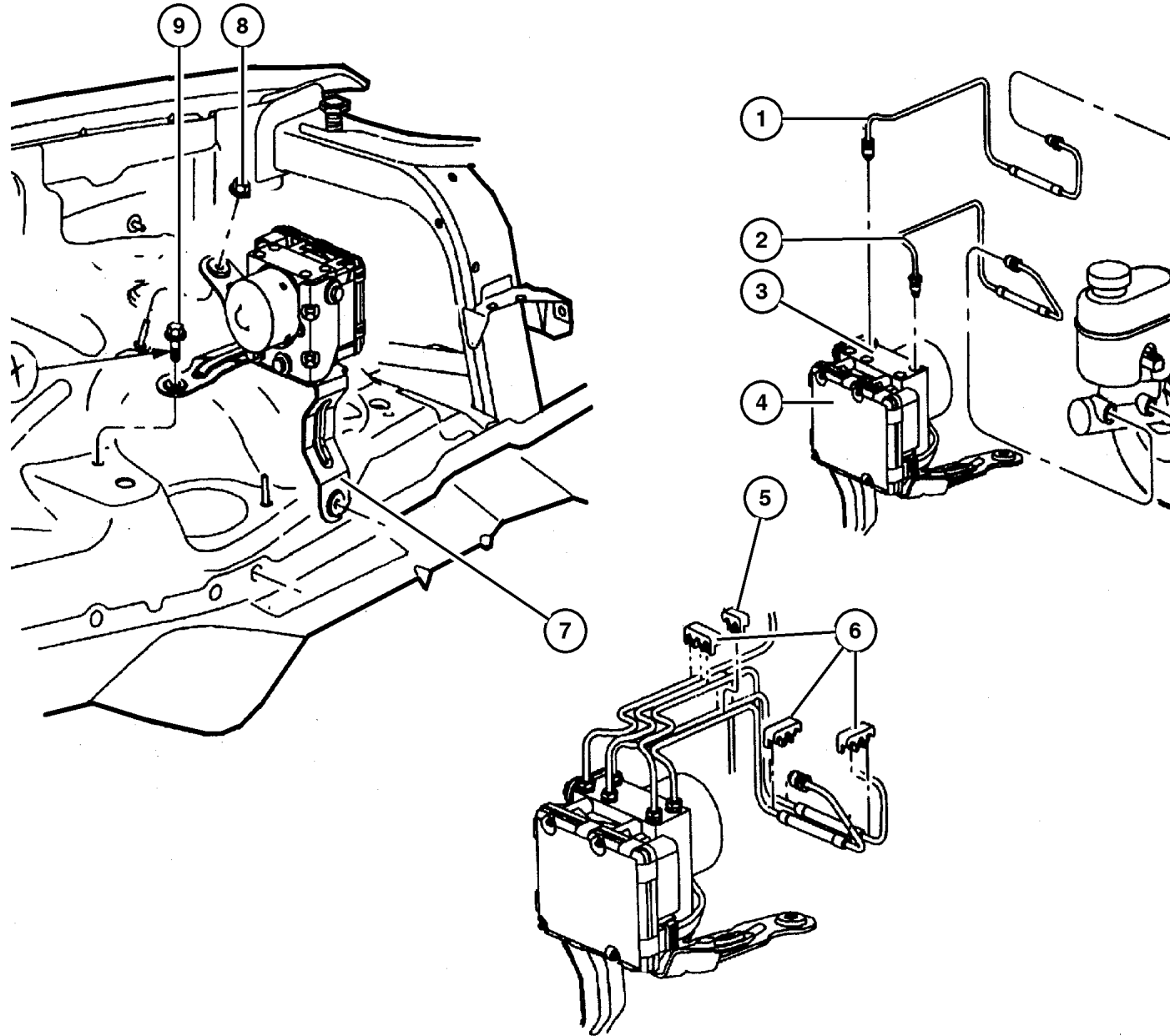
ITEM	PART NUMBER	QTY	LINE	SERIES	BODY	ENGINE	TRANS	DESCRIPTION
NOTES: ERO=4.0L Engine 6 Cylinder Gas, EVO=4.7L Gas								
1	5011 260AA	1						MASTER CYLINDER, Brake
2	5014 518AA	1						CAP, Master Cylinder Reservoir
3	5011 262AA	1						RESERVOIR, Brake Master Cylinder
4	5013 903AA	1						SENSOR, Brake Fluid Level
5	5012 506AA	1						GASKET, Booster to Dash Mounting
6	5011 261AA	1						BOOSTER, Power Brake
7	6101 467	2						NUT, Hex Flange, M8x1.25, Master Cylinder to Booster
8	5011 263AA	1						VALVE, Check, Elbow
9	5212 8097	1	J					HOSE, Brake Vacuum 4.0L
	5212 8098	1	J					4.7L
-10	6100 517	4						NUT, Hex Flange Lock, M8 Phosphate, Booster to Dash Mounting

<b>JEEP GRAND CHEROKEE (WG)</b>				
SERIES	LINE	BODY	ENGINE	TRANSMISSION
H = Laredo	J = 4WD	74 = 4 Door	ER0, ERH = 4.0L, Power Tech	DGK = 4 Speed Autm, 42RE
P = Limited	U = 4WD, RHD		EVO, EVA = 4.7L, Power Tech	DGQ = 5 Speed Automatic
			EXO, EXA = 3.1L 5 Cyl Turbo Diesel	- 5-45RFE
				DGW = 4 Speed Autm, 44RE

AR = Use as required - = Non illustrated part # = New this model year

October 31, 2002

## Hydraulic Control Unit Figure 005-420



ITEM	PART NUMBER	QTY	LINE	SERIES	BODY	ENGINE	TRANS	DESCRIPTION
Notes: ER0=4.0L 6 Cylinder Gas Engine---EV0=4.7L Gas Engine---ICU=Intergrated Control Unit								
1	5212 8086	1	J					HOSE, Brake, Primary
2	5212 8087	1	J					HOSE, Brake, Secondary
3	5011 259AA	1						CONTROL UNIT, Anti-Lock Brake
4	56041 022AH	1						MODULE, Anti-lock Brakes
5	5200 8940	1						CLIP, Brake Line, 2-Way Brake Tube
6	5200 8940	1						CLIP, Brake Line, 3-Way Brake Tube Separation at ICU
7	5011 257AA	1						BRACKET, Hydraulic Control Unit
8	3420 1711	1						NUT, Hex Flange, M8x1.25, ICU Bracket Attaching
9	6505 923AA	2						BOLT, ICU Bracket Attaching

JEEP GRAND CHEROKEE (WG)				
SERIES	LINE	BODY	ENGINE	TRANSMISSION
H = Laredo	J = 4WD	74 = 4 Door	ER0, ERH = 4.0L, Power Tech	DGK = 4 Speed Autm, 42RE
P = Limited	U = 4WD, RHD		EV0, EVA = 4.7L, Power Tech	DGQ = 5 Speed Automatic
			EXO, EXA = 3.1L 5 Cyl Turbo Diesel	- 5-45RFE
				DGW = 4 Speed Autm, 44RE

AR = Use as required - = Non illustrated part # = New this model year

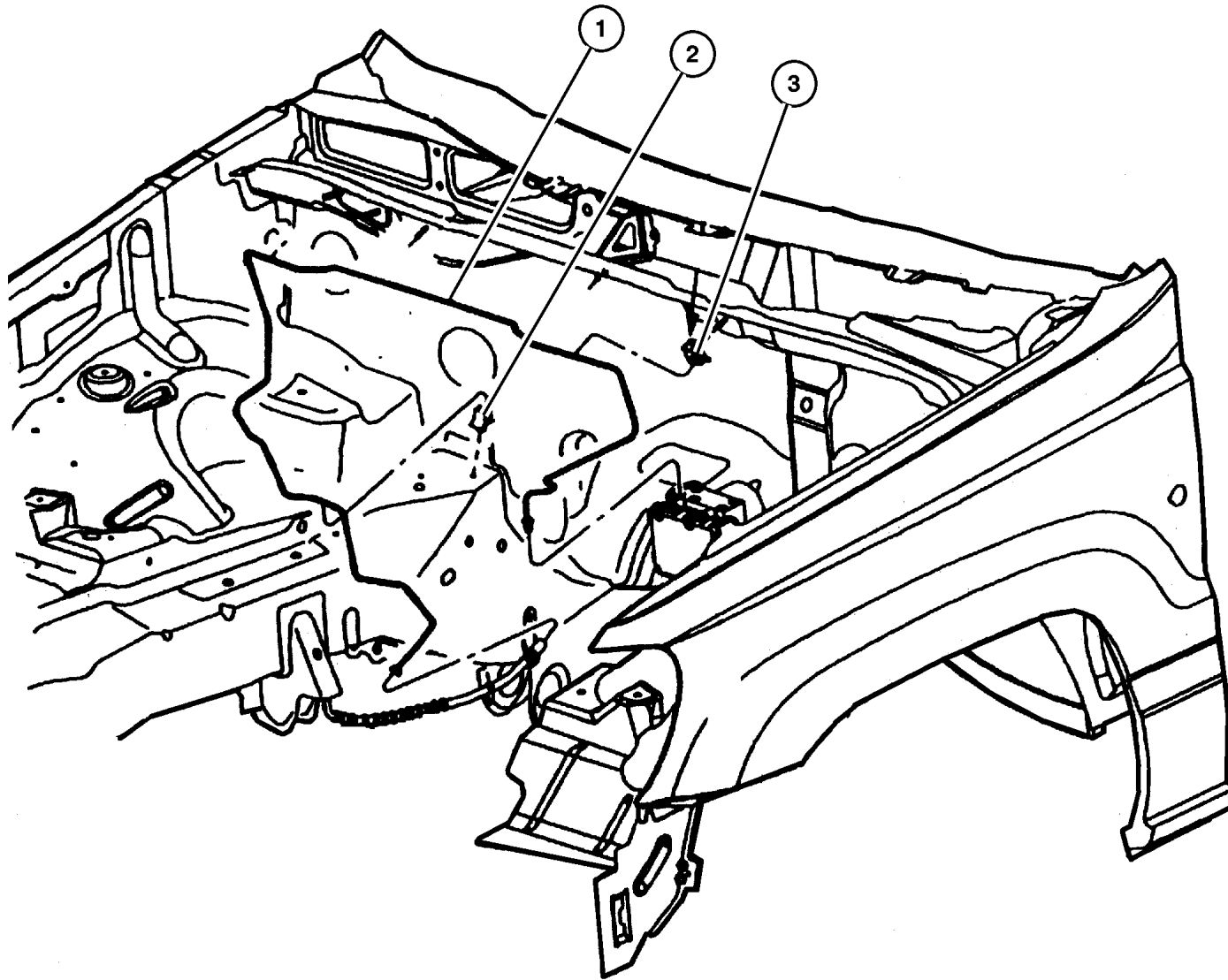
October 31, 2002

**Brakes Lines,Front,Right**  
**Figure 005-510**

ITEM	PART NUMBER	QTY	LINE	SERIES	BODY	ENGINE	TRANS	DESCRIPTION
------	-------------	-----	------	--------	------	--------	-------	-------------

Note:ER0=4.0L 6 Cylinder Gas---EV0=4.7L Engine Gas

1	52128 212AD	1	U					TUBE, Brake
2	5200 9234	3						FASTENER, Push Pin
3	5212 8214	1	U					CLIP, Brake Line



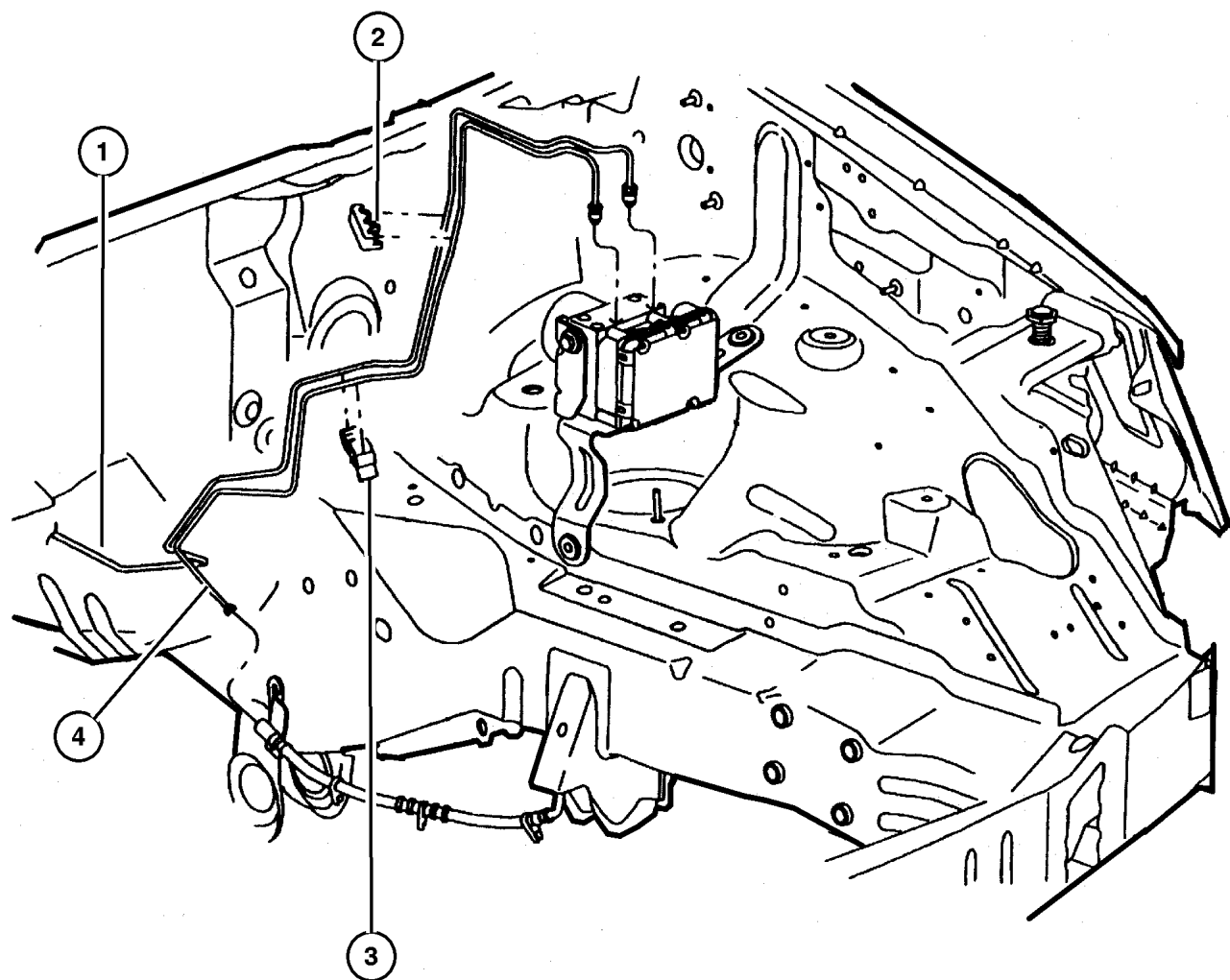
<b>JEEP GRAND CHEROKEE (WG)</b>				
SERIES	LINE	BODY	ENGINE	TRANSMISSION
H = Laredo	J = 4WD	74 = 4 Door	ER0, ERH = 4.0L, Power Tech	DGK = 4 Speed Autm, 42RE
P = Limited	U = 4WD, RHD		EV0, EVA = 4.7L, Power Tech	DGQ = 5 Speed Automatic
			EXO, EXA = 3.1L 5 Cyl Turbo Diesel	- 5-45RFE
				DGW = 4 Speed Autm, 44RE

AR = Use as required - = Non illustrated part # = New this model year

October 31, 2002

**Brakes Lines,Front,Left,and Rear  
Figure 005-520**

ITEM	PART NUMBER	QTY	LINE	SERIES	BODY	ENGINE	TRANS	DESCRIPTION
Note: ER0=4.0L 6 Cylinder Gas---EV0=4.7L Engine Gas								
1	52128 074AB	1						TUBE, Brake, Rear
2	5200 9163	1	J					CLIP, Brake Line
3	52128 244AA	1						CLIP, Brake Line
4	52128 077AC	1						TUBE, Brake, Frt, Left

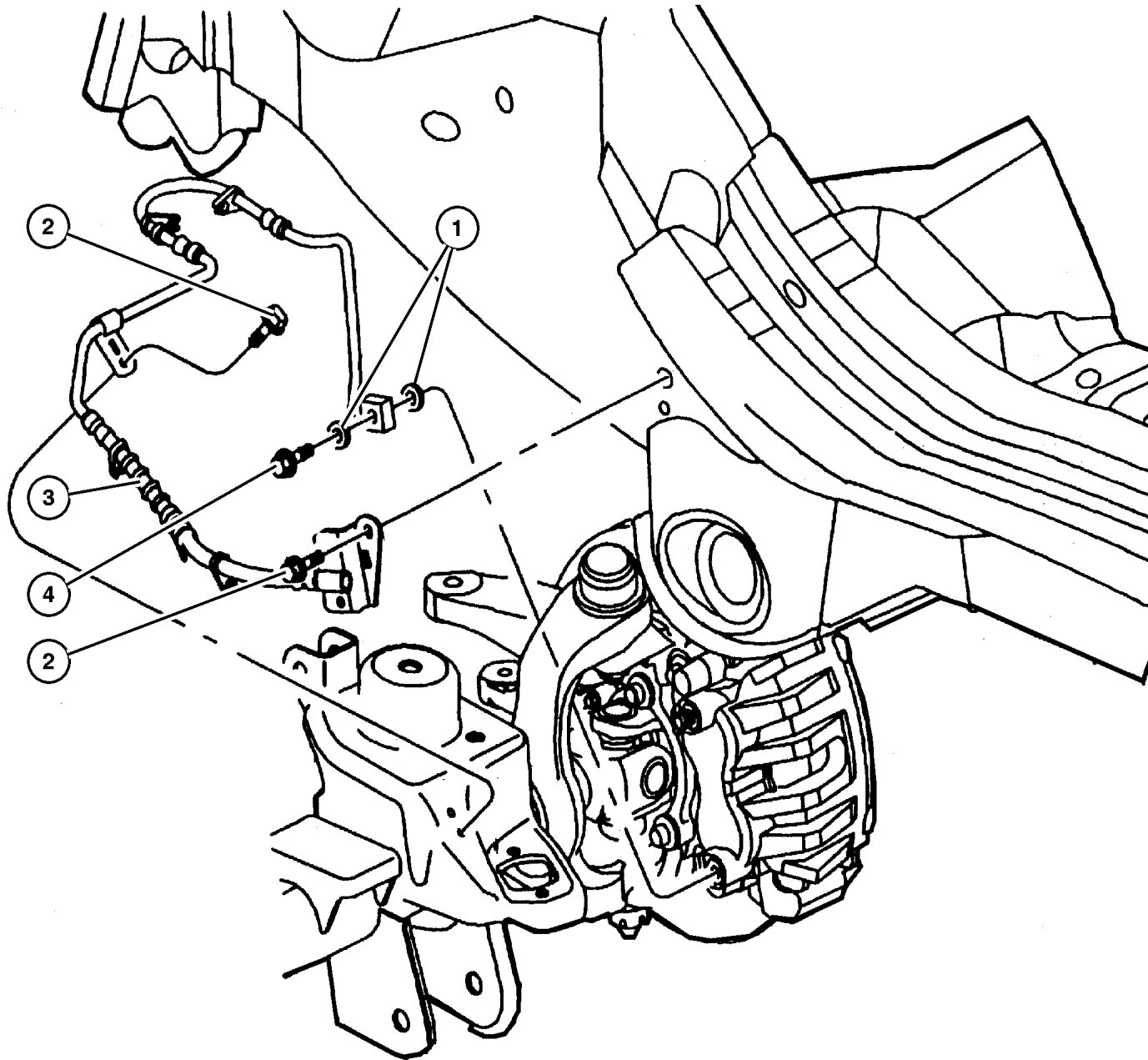


<b>JEEP GRAND CHEROKEE (WG)</b>				
SERIES	LINE	BODY	ENGINE	TRANSMISSION
H = Laredo	J = 4WD	74 = 4 Door	ER0, ERH = 4.0L, Power Tech	DGK = 4 Speed Autm, 42RE
P = Limited	U = 4WD, RHD		EV0, EVA = 4.7L, Power Tech	DGQ = 5 Speed Automatic
			EXO, EXA = 3.1L 5 Cyl Turbo Diesel	- 5-45RFE
				DGW = 4 Speed Autm, 44RE

AR = Use as required - = Non illustrated part # = New this model year

October 31, 2002

**Front Brake Hose at Caliper**  
**Figure 005-530**



ITEM	PART NUMBER	QTY	LINE	SERIES	BODY	ENGINE	TRANS	DESCRIPTION
1	J323 7672	8						GASKET, Brake Hose To Caliper
2								SCREW, Hex Flange Head, M6x1.00x20.00, (NOT SERVICED) (Not Serviced)
3								HOSE, Brake
	52128 092AB	1						Right
	52128 093AB	1						Left
4	J400 6700	4						BOLT, Banjo

**JEEP GRAND CHEROKEE (WG)**

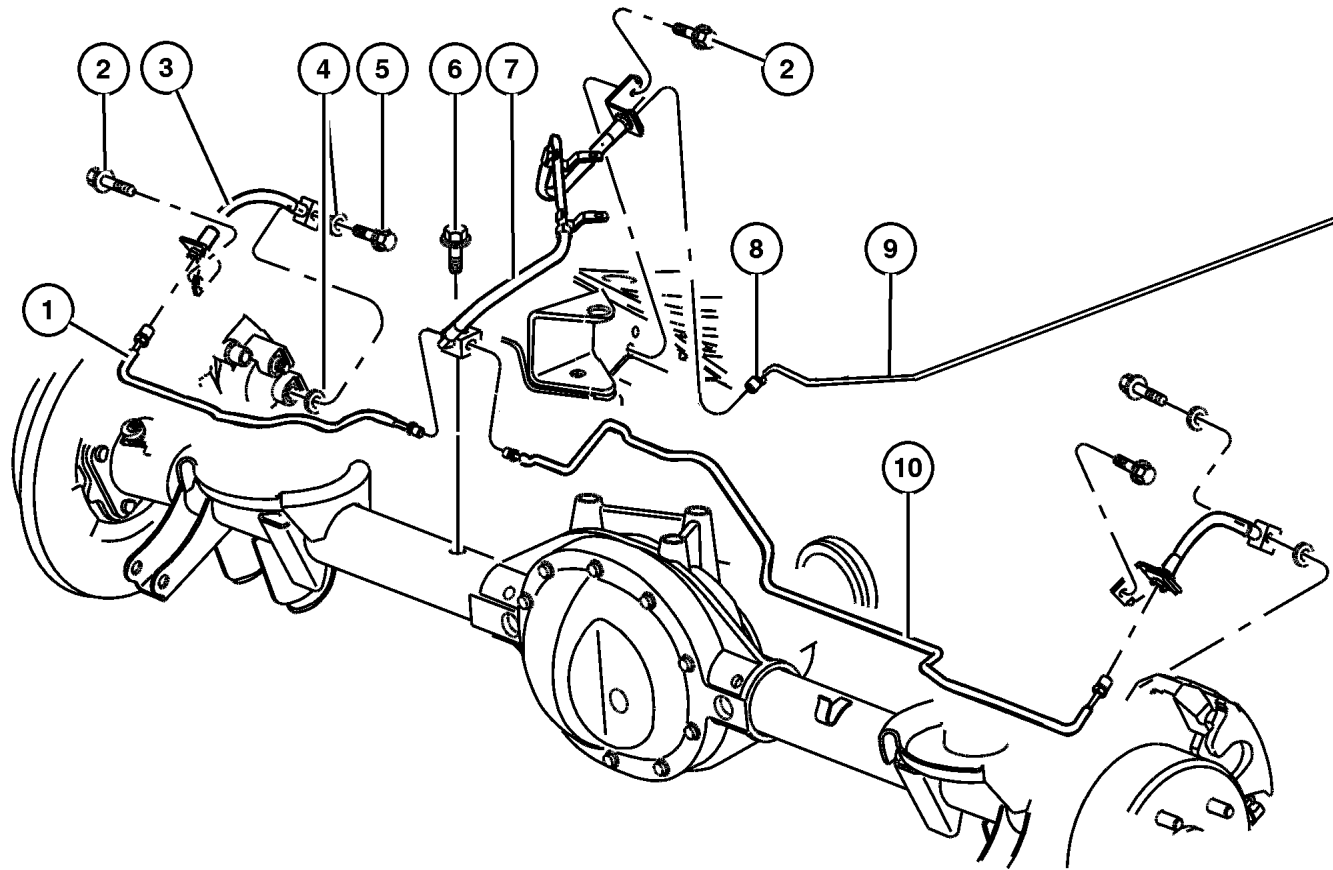
<b>SERIES</b>	<b>LINE</b>	<b>BODY</b>	<b>ENGINE</b>	<b>TRANSMISSION</b>
H = Laredo	J = 4WD	74 = 4 Door	ER0, ERH = 4.0L, Power Tech	DGK = 4 Speed Autm, 42RE
P = Limited	U = 4WD, RHD		EVO, EVA = 4.7L, Power Tech	DGQ = 5 Speed Automatic
			EXO, EXA = 3.1L 5 Cyl Turbo Diesel	- 5-45RFE
				DGW = 4 Speed Autm, 44RE

AR = Use as required - = Non illustrated part # = New this model year

October 31, 2002



## Rear Brake Lines and Hoses Figure 005-540



ITEM	PART NUMBER	QTY	LINE	SERIES	BODY	ENGINE	TRANS	DESCRIPTION
Note: DRM=Dana 35 Axle---DRK= Dana 44 Axle								
1	52009 353AB	1						TUBE, Brake, Rear Axle,Left Dana 44
2								SCREW, Hex Flange Head, M6x1.00x20.00, Right and Left, (NOT SERVICED) (Not Serviced)
3								HOSE, Brake
	5212 8094	1						Right
	5212 8095	1						Left
4	J323 7672	8						GASKET, Brake Hose To Caliper, Right & Left
5	J400 6700	4						BOLT, Banjo, Right & Left
6	4137 696	1						SCREW, Brake Tee, .437-20x2.07
7	52128 096AB	1						HOSE, Brake, with Tee, Rear
8	6503 707	1						NUT, Brake Line, Rear
9	52128 074AB	1						TUBE, Brake, Rear on Sill 4.0L/4.7L Engine, Rear
10	52128 439AA	1						TUBE, Brake, RR Axle Tee to Brake RT
-11								SENSOR, Wheel Speed
	56041 308AA	2						Right
	56041 509AA	1						Left

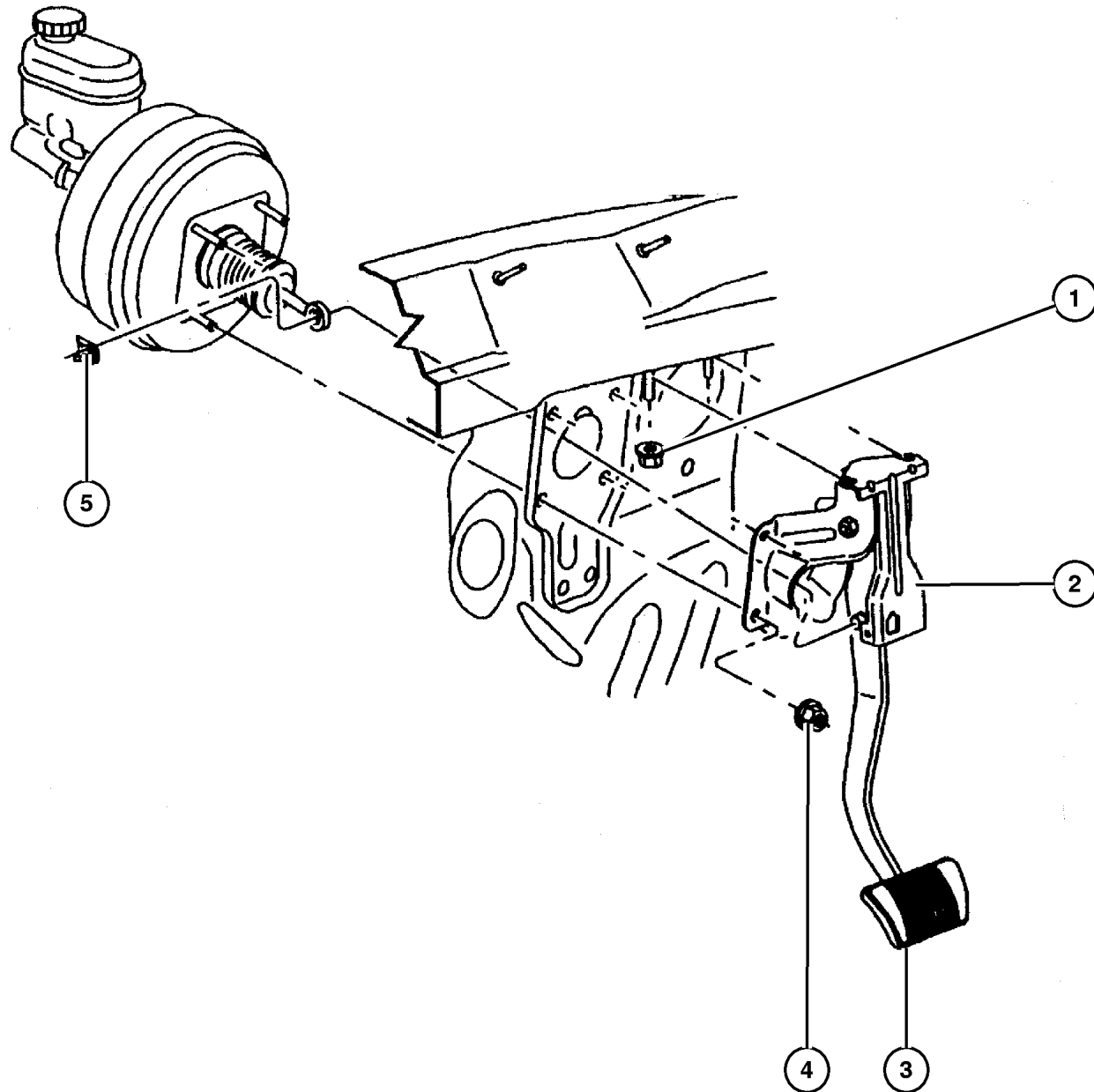
<b>JEEP GRAND CHEROKEE (WG)</b>				
SERIES	LINE	BODY	ENGINE	TRANSMISSION
H = Laredo	J = 4WD	74 = 4 Door	ER0, ERH = 4.0L, Power Tech	DGK = 4 Speed Autm, 42RE
P = Limited	U = 4WD, RHD		EVO, EVA = 4.7L, Power Tech	DGQ = 5 Speed Automatic
			EXO, EXA = 3.1L 5 Cyl Turbo Diesel	- 5-45RFE
				DGW = 4 Speed Autm, 44RE

AR = Use as required - = Non illustrated part # = New this model year

October 31, 2002

## Brake Pedal & Bracket Figure 005-605

ITEM	PART NUMBER	QTY	LINE	SERIES	BODY	ENGINE	TRANS	DESCRIPTION
Note: T=2 Wheel Drive Left Hand Drive---J=4 Wheel Drive Left Hand Drive---U=4 Wheel Drive Right Hand Drive								
1	6100 517	2						NUT, Hex Flange Lock, M8 Phosphate
2								PEDAL, Brake
	52128 148AC	1	J					LHD
	52128 274AC	1	U					RHD
3								PAD, Pedal
	4779 027	1	J					RHD
	5200 9562	1	U					LHD
4	6100 517	4						NUT, Hex Flange Lock, M8 Phosphate, Booster Mounting
5	6035 334	1						CLIP, Brake Push Rod



<b>JEEP GRAND CHEROKEE (WG)</b>				
SERIES	LINE	BODY	ENGINE	TRANSMISSION
H = Laredo	J = 4WD	74 = 4 Door	ER0, ERH = 4.0L, Power Tech	DGK = 4 Speed Autm, 42RE
P = Limited	U = 4WD, RHD		EVO, EVA = 4.7L, Power Tech	DGQ = 5 Speed Automatic
			EXO, EXA = 3.1L 5 Cyl Turbo Diesel	- 5-45RFE
				DGW = 4 Speed Autm, 44RE

AR = Use as required - = Non illustrated part # = New this model year

October 31, 2002

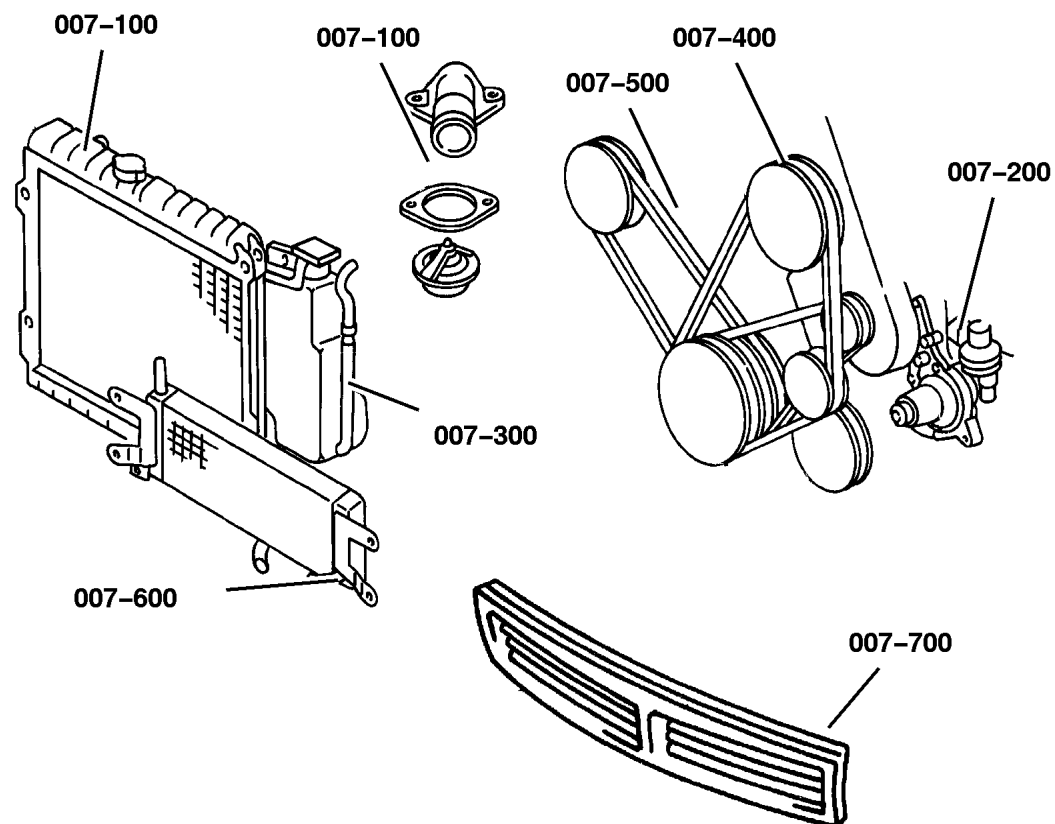
# Group – 007

## Cooling

### GROUP 7 - Cooling

Illustration Title

Group-Fig. No.



#### Radiator and Related Parts

Radiator and Related Parts 4.0L Engine .....	Fig. 007-150
Radiator and Related Parts 4.7L Engine .....	Fig. 007-160
Radiator and Related Parts, 3.1L Diesel Engine .....	Fig. 007-165
Radiator Upper Support .....	Fig. 007-170

#### Water Pump and Related Parts

Water Pump and Related Parts 4.0L Engine .....	Fig. 007-210
Water Pump and Related Parts 4.7L Engine .....	Fig. 007-220
Water Pump and Related Parts, 3.1L Diesel Engine .....	Fig. 007-230

#### Tank, Coolant Engine

Coolant Tank, 4.0,4.7L Engine .....	Fig. 007-310
Coolant Tank, 3.1 Diesel Engine .....	Fig. 007-320

#### Pulleys and Related Parts

Drive Pulleys 4.0L Engine .....	Fig. 007-420
Drive Pulleys 4.7L Engine .....	Fig. 007-430
Drive Pulleys, 3.1L Diesel Engine .....	Fig. 007-440

#### Drive Belts

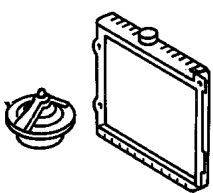
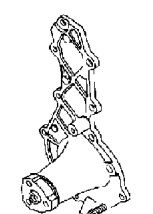
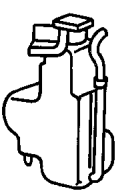
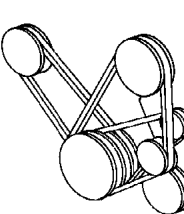
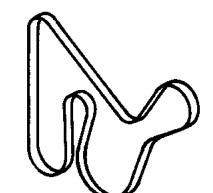
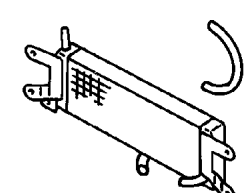
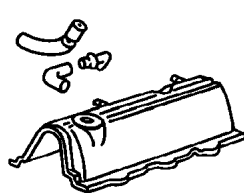
Drive Belts 4.0L and 4.7L Engines .....	Fig. 007-520
Drive Belts, 3.1L Diesel Engine .....	Fig. 007-530

#### Lines, Transmission Oil Cooler

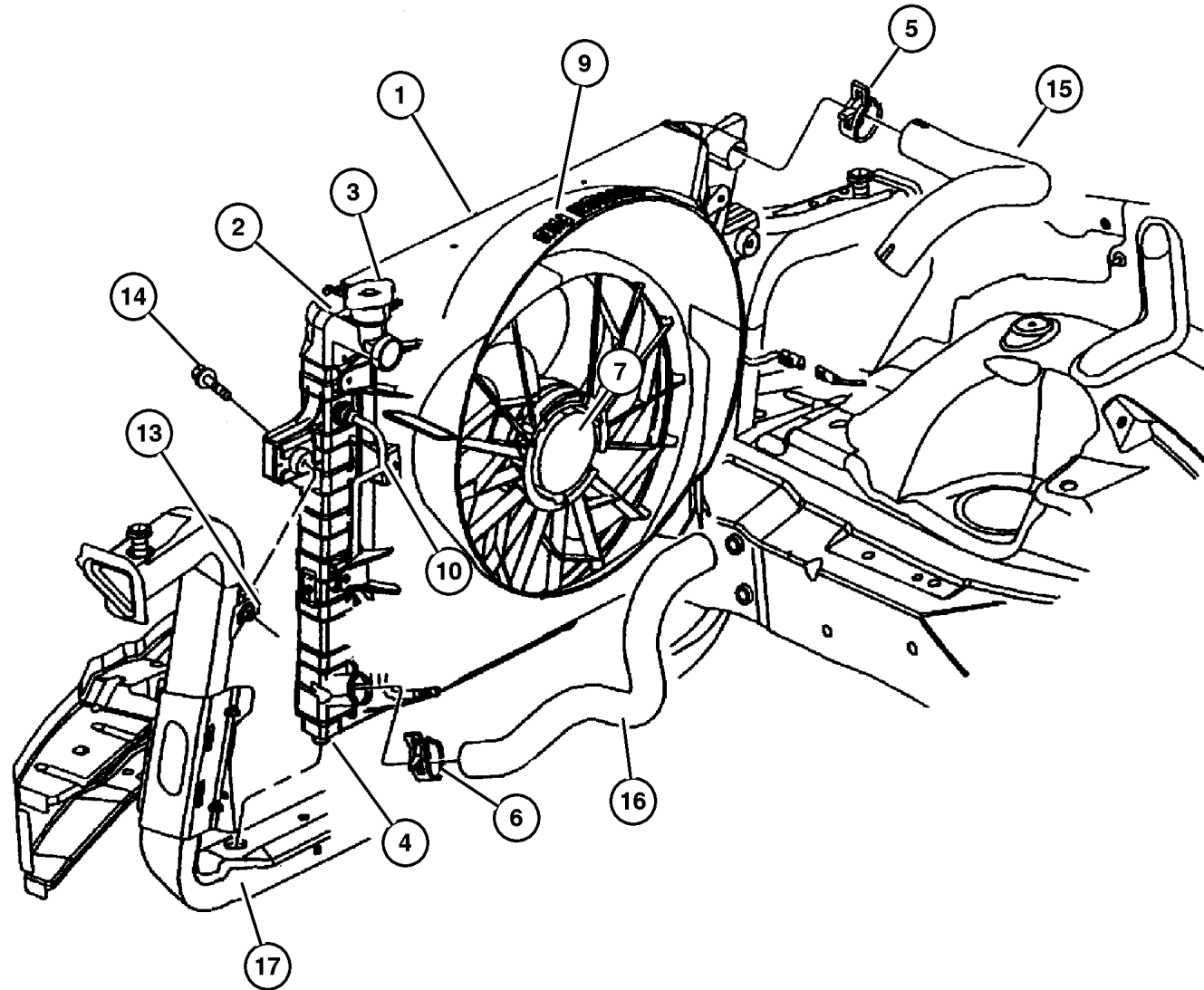
Oil Cooler and Lines 3.1, 4.0L Engines .....	Fig. 007-610
Oil Cooler and Lines 4.7L Engine .....	Fig. 007-620

#### Grilles

Grille and Related Parts .....	Fig. 007-720
--------------------------------	--------------

<p><b>007-100</b> Radiator and Related Parts</p> 	<p><b>007-200</b> Water Pump and Related Parts</p> 	<p><b>007-300</b> Tank, Coolant Engine</p> 	<p><b>007-400</b> Pulleys and Related Parts</p> 
<p><b>007-500</b> Drive Belts</p> 	<p><b>007-600</b> Lines, Transmission Oil Cooler</p> 	<p><b>007-700</b> Grilles</p> 	

## Radiator and Related Parts 4.0L Engine Figure 007-150



ITEM	PART NUMBER	QTY	LINE	SERIES	BODY	ENGINE	TRANS	DESCRIPTION
Note:								
DGQ = 5 Speed Automatic Transmission 5-45RFE								
DG0 = All Automatic Transmissions								
DG4 = Multi-Speed Automatic Transmission 45RFE								
ER0 = All 4.0L 6 Cyl Gas Engines								
1	55115 918AB	1	U			ER0	DG0	CONDENSER, Air Conditioning
		1	J			ER0	DG0	
2	52079 428AB	1	J			ER0	DG0	RADIATOR, Engine Cooling
		1	U			ER0	DG0	
3	52079 799AA	1	J			ER0	DG0	CAP, Radiator
		1	U			ER0	DG0	
4	5207 9418	2	J			ER0	DG0	ISOLATOR, Radiator
		2	U			ER0	DG0	Right
	5207 9419	2	J			ER0	DG0	Left
		2	U			ER0	DG0	Left
5	52079 632AA	1					DGQ	CLAMP, Oil Cooler Tube
6	52079 632AA	1					DG4	CLAMP, Oil Cooler Tube
7	52079 528AB	1	U			ER0	DG0	FAN, Cooling
		1	J			ER0	DG0	
	52079 984AA	1				ER0		
-8	5207 9443	1				ER0		VISCOUS CLUTCH, Fan Drive
9	52079 489AB	1	J			ER0	DG0	SHROUD, Fan
		1	U			ER0	DG0	
10	52079 432AB	1	J			ER0	DG0	TUBE, Oil Cooler
		1	U			ER0	DG0	Pressure
	52079 753AB	1	J			ER0	DG0	Pressure
		1	U			ER0	DG0	Return
		1	U			ER0	DG0	Return
-11	5207 9430	1	J			ER0	DG0	SEAL, Radiator Condenser
		1	U			ER0	DG0	
-12	5511 5922	1	J			ER0	DG0	SEAL, Radiator
		1	U			ER0	DG0	Right
	5511 5923	1	J			ER0	DG0	Right
		1	U			ER0	DG0	Left
		1	U			ER0	DG0	Left
13								U-NUT, M6x1.00

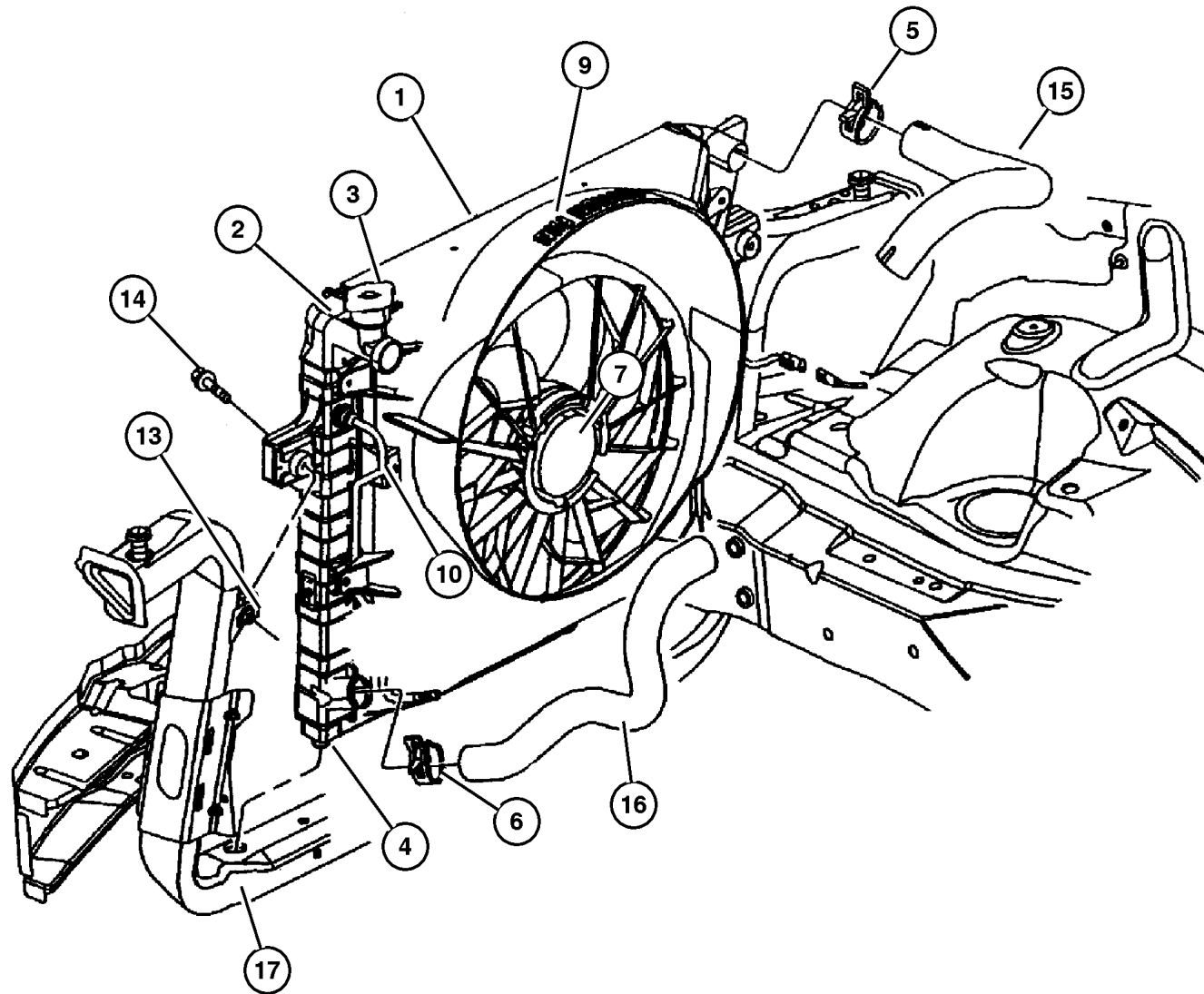
### JEEP GRAND CHEROKEE (WG)

SERIES	LINE	BODY	ENGINE	TRANSMISSION
H = Laredo	J = 4WD	74 = 4 Door	ER0, ERH = 4.0L, Power Tech	DGK = 4 Speed Autm, 42RE
P = Limited	U = 4WD, RHD		EVO, EVA = 4.7L, Power Tech	DGQ = 5 Speed Automatic
			EXO, EXA = 3.1L 5 Cyl Turbo Diesel	- 5-45RFE
				DGW = 4 Speed Autm, 44RE

AR = Use as required - = Non illustrated part # = New this model year

October 31, 2002

**Radiator and Related Parts 4.0L Engine  
Figure 007-150**



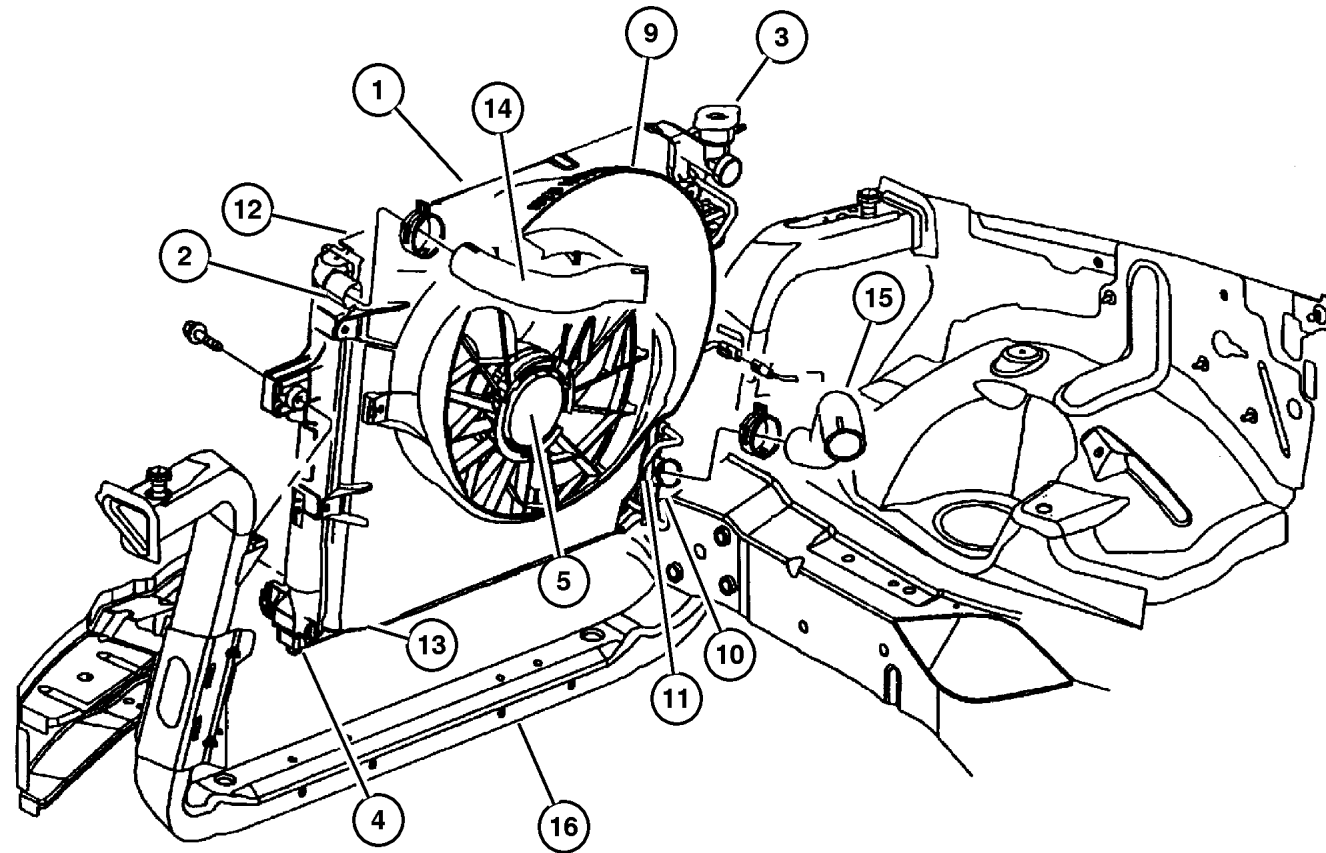
ITEM	PART NUMBER	QTY	LINE	SERIES	BODY	ENGINE	TRANS	DESCRIPTION
	6505 172AA	3	J			ER0	DG0	
		2	U			ER0	DG0	
14								SCREW AND WASHER, Hex Head, M6x1x20
	6102 117AA	2	J			ER0	DG0	
		2	U			ER0	DG0	
15	52079 406AC	1				ER0		HOSE, Radiator Inlet
16	52079 401AB	1				ER0		HOSE, Radiator Outlet
17	55136 992AC	1						CROSSMEMBER, Radiator
-18	53020 547AB	1				ER0		GASKET, Thermostat
-19	5300 6192	1				ER0		HOUSING, Thermostat
-20	5202 8186	1				ER0		THERMOSTAT, 195 Degrees

<b>JEEP GRAND CHEROKEE (WG)</b>				
SERIES	LINE	BODY	ENGINE	TRANSMISSION
H = Laredo	J = 4WD	74 = 4 Door	ER0, ERH = 4.0L, Power Tech	DGK = 4 Speed Autm, 42RE
P = Limited	U = 4WD, RHD		EVO, EVA = 4.7L, Power Tech	DGQ = 5 Speed Automatic
			EXO, EXA = 3.1L 5 Cyl Turbo Diesel	- 5-45RFE
				DGW = 4 Speed Autm, 44RE

AR = Use as required - = Non illustrated part # = New this model year

October 31, 2002

## Radiator and Related Parts 4.7L Engine Figure 007-160



ITEM	PART NUMBER	QTY	LINE	SERIES	BODY	ENGINE	TRANS	DESCRIPTION
Note:								
DG0 = All Automatic Transmissions								
DG4 = Multi-Speed Automatic Transmission 45RFE								
ER0 = All 4.0L 6 Cyl Gas Engines								
EVO = All 4.7L Gas Engines								
EX0 = All 3.0/3.1L Turbo Diesel Engines								
1								CONDENSER, Air Conditioning
	55115 918AB	1	J			EVO		
		1	U			EVO		
2								RADIATOR, Engine Cooling
	#52079 883AB	1	U			EVO		
		1	J			EVO		
3								CAP, Radiator
	52079 778AA	1	J			EVO		
		1	U			EVO		
4								ISOLATOR, Radiator
	5207 9419	1	U			EVO		Left
		1	J			EVO		Left
	5207 9418	2	J			ER0	DG0	Right
		2	U			ER0	DG0	Right
5								FAN, Cooling
	52079 528AB	1	J			ER0	DG0	
		1	U			ER0	DG0	
-6								VISCOUS CLUTCH, Fan Drive
	5207 9443	1				ER0		
	5207 9507	1				EX0		
-7	52079 631AA	1					DG4	CLAMP, Oil Cooler Tube
-8	52079 631AA	1	U			EVO		CLAMP, Oil Cooler Tube
9								SHROUD, Fan
	#52079 860AA	1	U			EVO		
		1	J			EVO		
10								TUBE, Oil Cooler
	#52079 893AB	1	U			EVO		
		1	J			EVO		
11								TUBE, Oil Cooler
	#52079 861AA	1	U			EVO		Pressure
		1	J			EVO		Pressure
	#52079 862AA	1	U			EVO		Return
		1	J			EVO		Return
12								SEAL, Radiator Condenser
	#52079 886AA	1	J			EVO		
		1	U			EVO		
13								SEAL, Radiator

### JEEP GRAND CHEROKEE (WG)

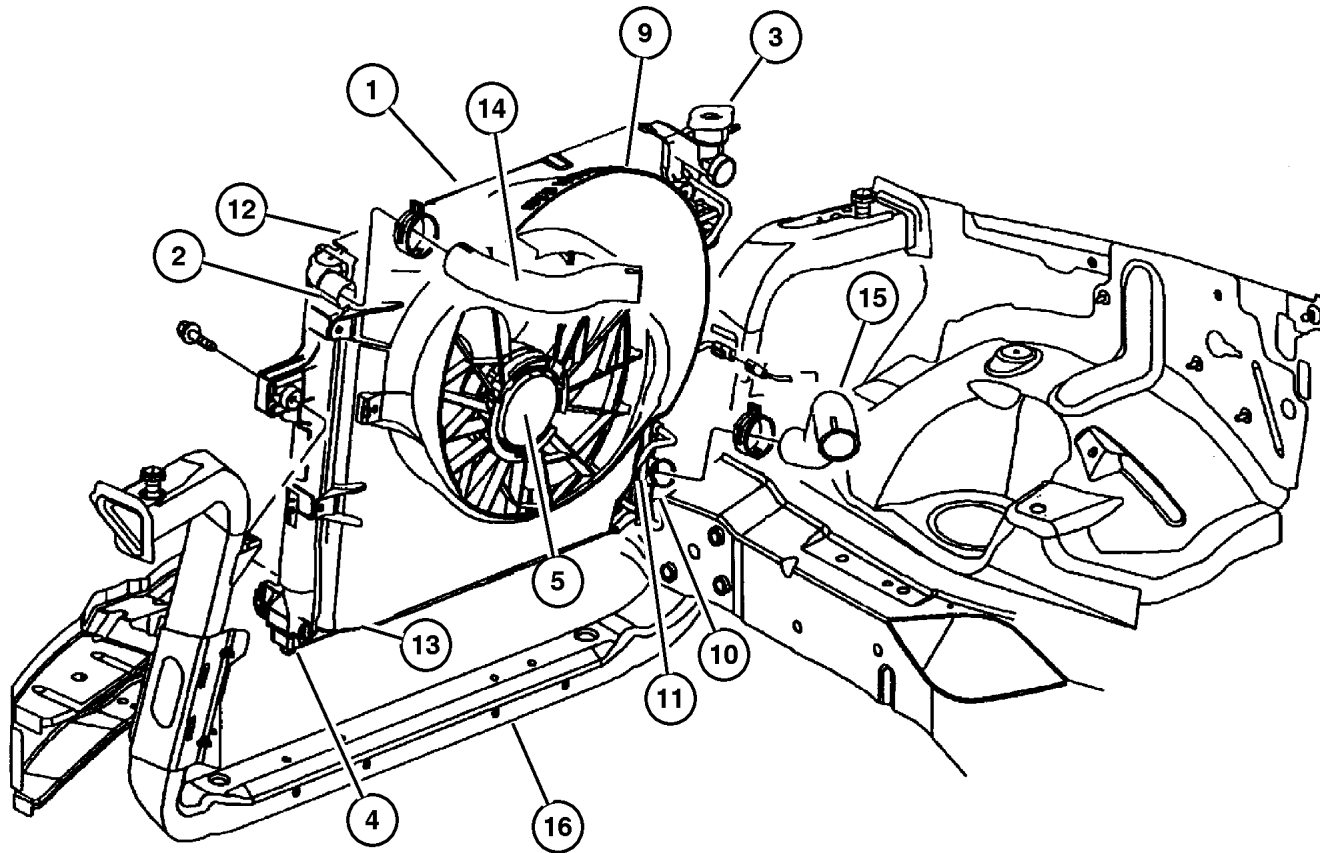
SERIES	LINE	BODY	ENGINE	TRANSMISSION
H = Laredo	J = 4WD	74 = 4 Door	ER0, ERH = 4.0L, Power Tech	DGK = 4 Speed Autm, 42RE
P = Limited	U = 4WD, RHD		EVO, EVA = 4.7L, Power Tech	DGQ = 5 Speed Automatic
			EXO, EXA = 3.1L 5 Cyl Turbo Diesel	- 5-45RFE
				DGW = 4 Speed Autm, 44RE

AR = Use as required - = Non illustrated part # = New this model year

October 31, 2002

Radiator and Related Parts 4.7L Engine  
Figure 007-160

ITEM	PART NUMBER	QTY	LINE	SERIES	BODY	ENGINE	TRANS	DESCRIPTION
	#52079 887AA	1	U			EVO		Left
		1	J			EVO		Left
	#52079 888AA	1	U			EVO		Right
		1	J			EVO		Right
14	#52079 872AA	1				EVO		HOSE, Radiator Inlet
15	#52079 873AA	1				EVO		HOSE, Radiator Outlet
16	55136 992AC	1						CROSSMEMBER, Radiator
-17								DRAINCOCK, Radiator, 52028466
	5202 8466	1	U			EVO		
		1	J			EVO		



<b>JEEP GRAND CHEROKEE (WG)</b>				
SERIES	LINE	BODY	ENGINE	TRANSMISSION
H = Laredo	J = 4WD	74 = 4 Door	ER0, ERH = 4.0L, Power Tech	DGK = 4 Speed Autm, 42RE
P = Limited	U = 4WD, RHD		EVO, EVA = 4.7L, Power Tech	DGQ = 5 Speed Automatic
			EXO, EXA = 3.1L 5 Cyl Turbo Diesel	- 5-45RFE
				DGW = 4 Speed Autm, 44RE

AR = Use as required - = Non illustrated part # = New this model year

October 31, 2002

## Radiator and Related Parts, 3.1L Diesel Engine Figure 007-165

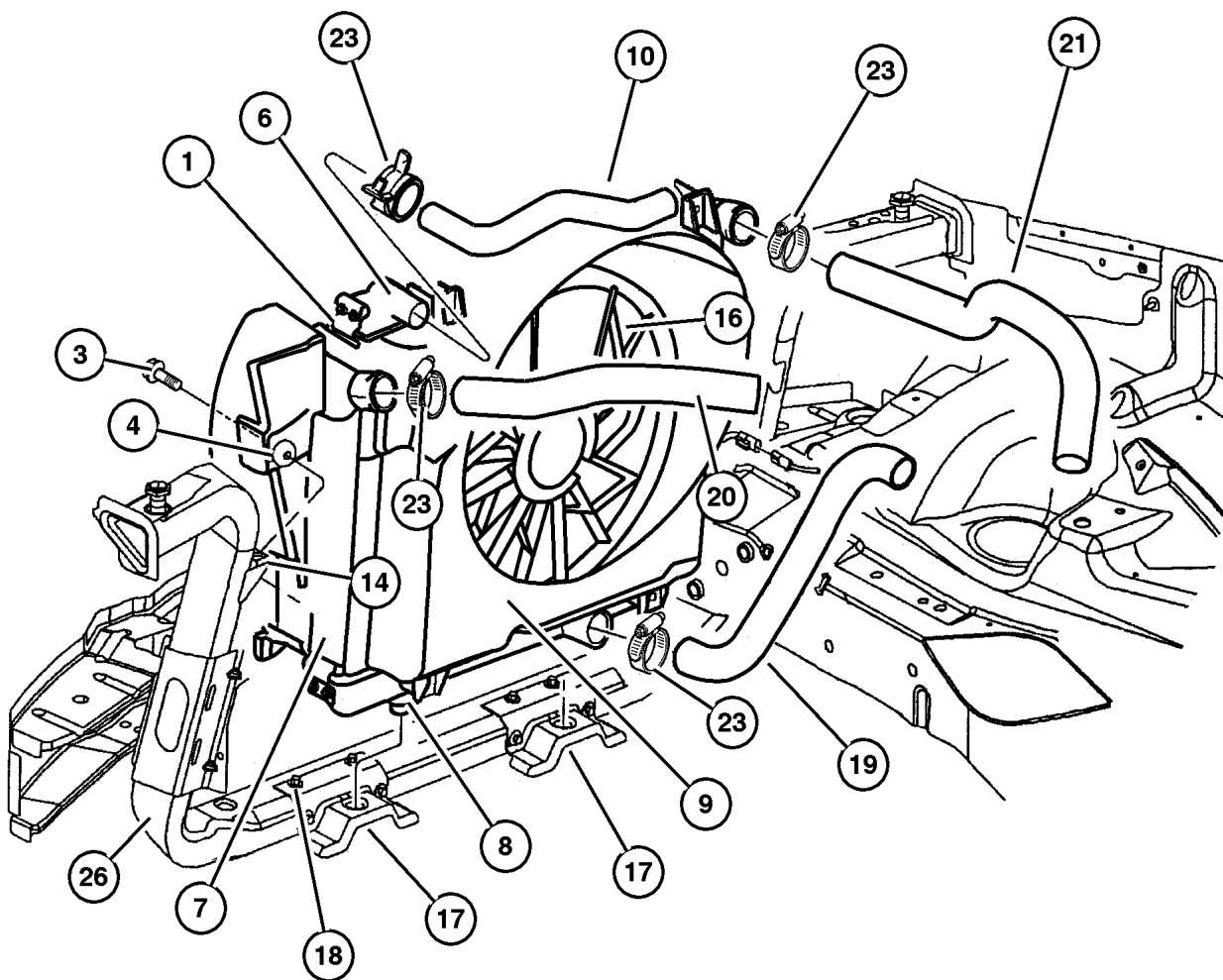
ITEM	PART NUMBER	QTY	LINE	SERIES	BODY	ENGINE	TRANS	DESCRIPTION
Note:								
DGW = 4 Speed Automatic Transmission 44RE								
DG4 = Multi-Speed Automatic Transmission 45RFE								
EX0 = All 3.0/3.1L Turbo Diesel Engines								
1								CONDENSER, Air Conditioning
	55115 918AB	1	U			EX0		
		1	J			EX0		
-2								ISOLATOR, A/C Condenser
	53054 593AA	2	U			EX0		
		2	J			EX0		
3								SCREW AND WASHER, Hex Head, M6x1x25
	6504 851AA	2	U			EX0		
		2	J			EX0		
4								U-NUT, Module
	4546 552	2	U			EX0		
		2	J			EX0		
-5								COOLER, Charge Air
	52079 499AC	1	J			EX0		
		1	U			EX0		
6								RADIATOR, Engine Cooling
	52079 498AB	1	U			EX0		
		1	J			EX0		
7								SEAL, Radiator Right
	52079 568AB	1	U			EX0		
		1	J			EX0		Right
	52079 569AB	1	U			EX0		Left
		1	J			EX0		Left
8								ISOLATOR, Radiator Lower
	5207 9536	1	U			EX0		
		2	J			EX0		
9								SHROUD, Fan
	5207 9508	1	J			EX0		
	52079 516AC	1	U			EX0		
10	5207 9502	1				EX0		HOSE, Radiator Inlet
-11								SLEEVE, Braided
	4592 145	1	U			EX0		
		1	J			EX0		
-12	52079 631AA	1					DG4	CLAMP, Oil Cooler Tube
-13	6102 117AA	4	U			EX0		SCREW AND WASHER, Hex Head, M6x1x20
14								U-NUT, M6x1.00

**JEEP GRAND CHEROKEE (WG)**

SERIES	LINE	BODY	ENGINE	TRANSMISSION
H = Laredo	J = 4WD	74 = 4 Door	ER0, ERH = 4.0L, Power Tech	DGK = 4 Speed Autm, 42RE
P = Limited	U = 4WD, RHD		EVO, EVA = 4.7L, Power Tech	DGQ = 5 Speed Automatic
			EXO, EXA = 3.1L 5 Cyl Turbo Diesel	- 5-45RFE
				DGW = 4 Speed Autm, 44RE

AR = Use as required - = Non illustrated part # = New this model year

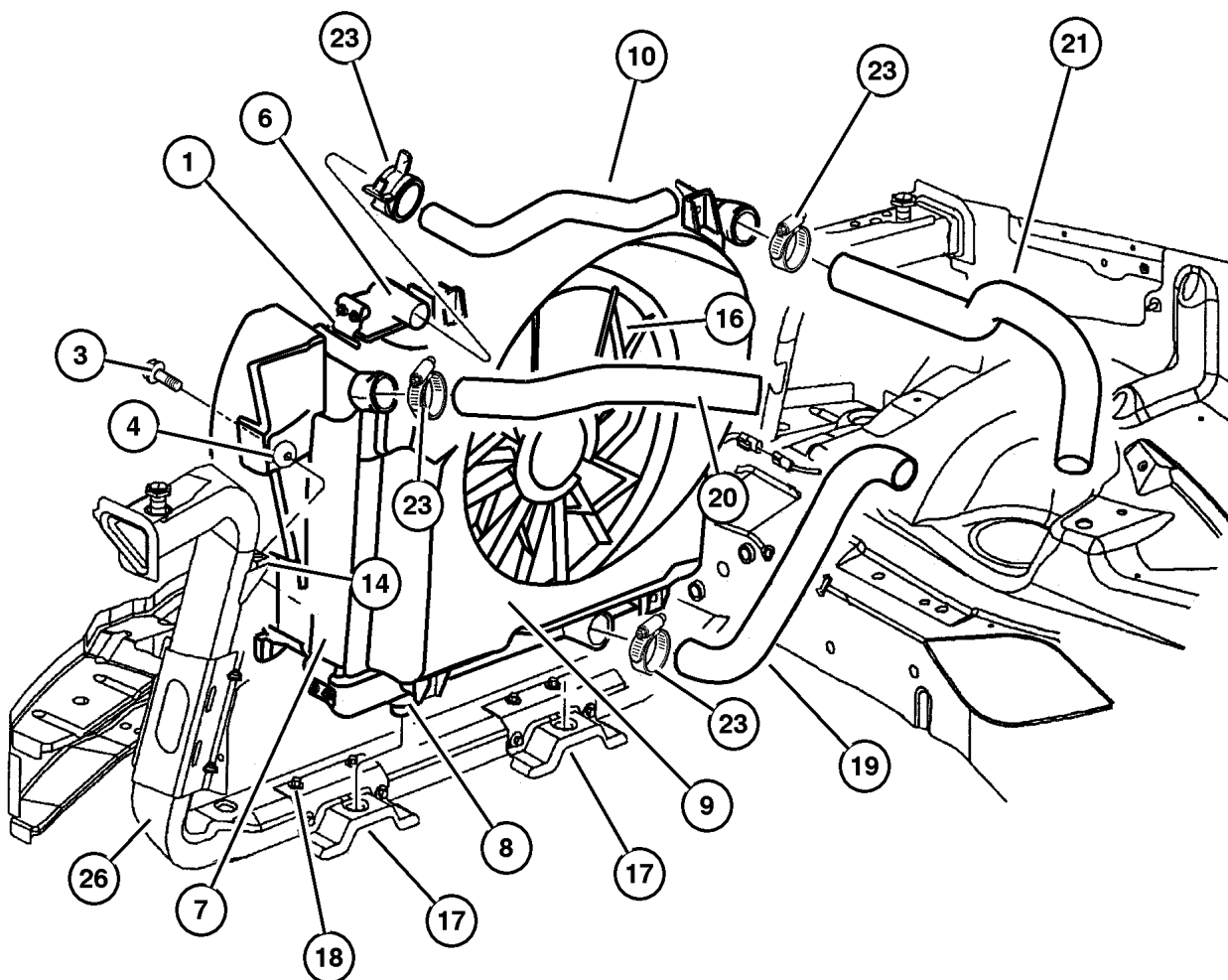
October 31, 2002





**Radiator and Related Parts, 3.1L Diesel Engine**  
**Figure 007-165**

ITEM	PART NUMBER	QTY	LINE	SERIES	BODY	ENGINE	TRANS	DESCRIPTION
	6505 172AA	3	U			EX0		
		4	J			EX0		
-15								LABEL, Belt Routing
	5207 9544	1	U			EX0		
		1	J			EX0		
16								FAN, Cooling
	52079 555AC	1	J			EX0		
		1	U			EX0		
17								BRACKET, Radiator
	5207 9564	1				EX0		Right
	52079 617AA	1				EX0		Left
18	0154 867AA	8				EX0	DGW	SCREW, M6x1.00x55.00
19	5207 9503	1				EX0		HOSE, Radiator Outlet
20	5207 9501	1				EX0		HOSE, Charge Air Cooler
21	5207 9500	1				EX0		HOSE, Charge Air Cooler
-22	6034 860	4				EVO,		BOLT AND WASHER, Implement
						EX0		Attaching
23	6033 135	4				EX0		CLAMP
-24	5207 9506	1				EX0		FAN, Cooling
-25	5207 9507	1				EX0		VISCOUS CLUTCH, Fan Drive
26	55136 992AC	1						CROSSMEMBER, Radiator

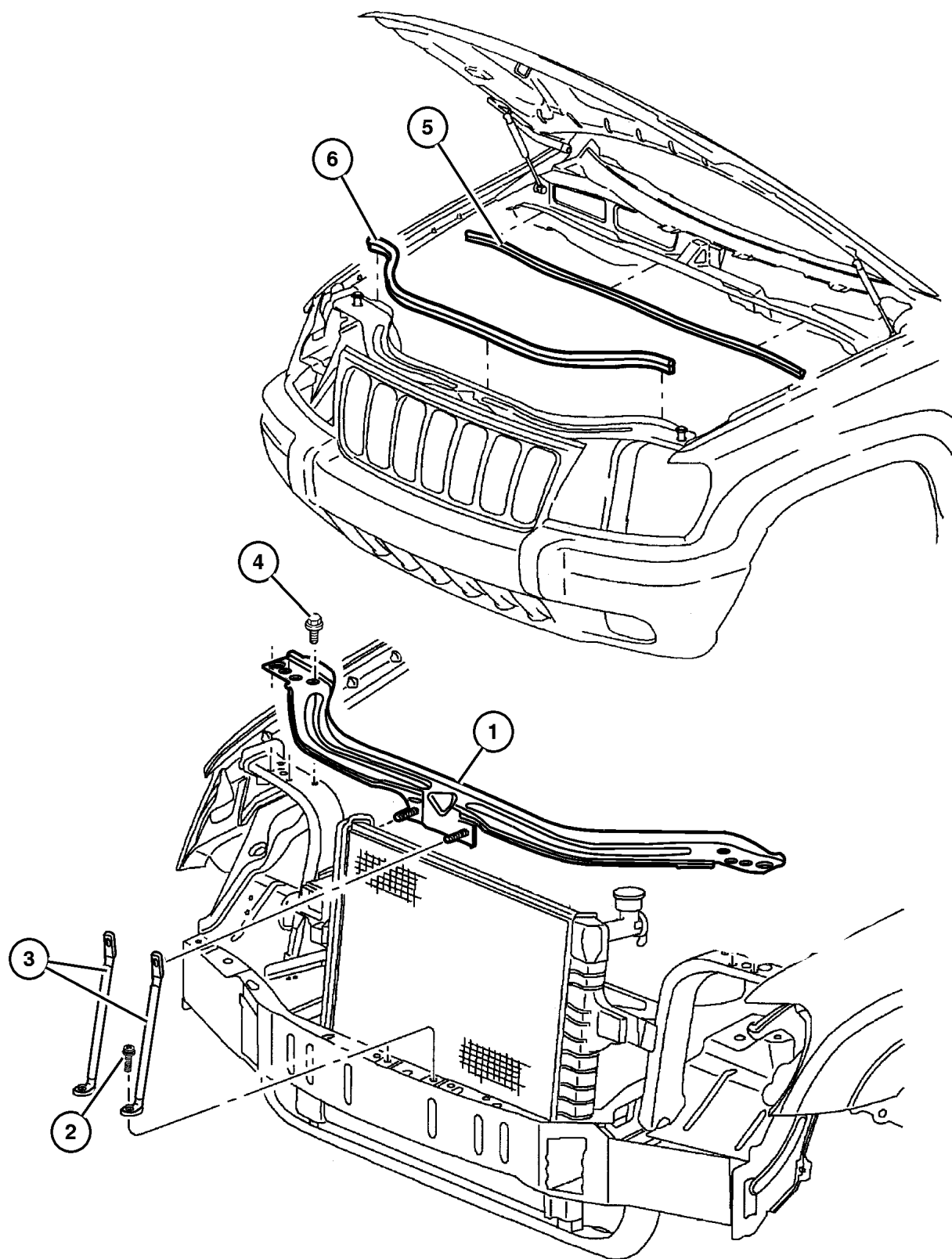


<b>JEEP GRAND CHEROKEE (WG)</b>				
SERIES	LINE	BODY	ENGINE	TRANSMISSION
H = Laredo	J = 4WD	74 = 4 Door	ER0, ERH = 4.0L, Power Tech	DGK = 4 Speed Autm, 42RE
P = Limited	U = 4WD, RHD		EVO, EVA = 4.7L, Power Tech	DGQ = 5 Speed Automatic
			EXO, EXA = 3.1L 5 Cyl Turbo Diesel	- 5-45RFE
				DGW = 4 Speed Autm, 44RE

AR = Use as required - = Non illustrated part # = New this model year

October 31, 2002

## Radiator Upper Support Figure 007-170



ITEM	PART NUMBER	QTY	LINE	SERIES	BODY	ENGINE	TRANS	DESCRIPTION
1	5207 9416	1						CROSSMEMBER, Radiator
2	6503 267	2						SCREW, Round Head, M6x1x25
3	5513 6273	2						BRACE, Radiator Crossmember
4	6505 814AA	4						SCREW, M8x1.25x20
5	55135 392AB	1						SEAL, Hood To Plenum
6	55135 398AB	1						SEAL, Hood

<b>JEEP GRAND CHEROKEE (WG)</b>				
SERIES	LINE	BODY	ENGINE	TRANSMISSION
H = Laredo	J = 4WD	74 = 4 Door	ER0, ERH = 4.0L, Power Tech	DGK = 4 Speed Autm, 42RE
P = Limited	U = 4WD, RHD		EVO, EVA = 4.7L, Power Tech	DGQ = 5 Speed Automatic
			EXO, EXA = 3.1L 5 Cyl Turbo Diesel	- 5-45RFE
				DGW = 4 Speed Autm, 44RE

AR = Use as required - = Non illustrated part # = New this model year

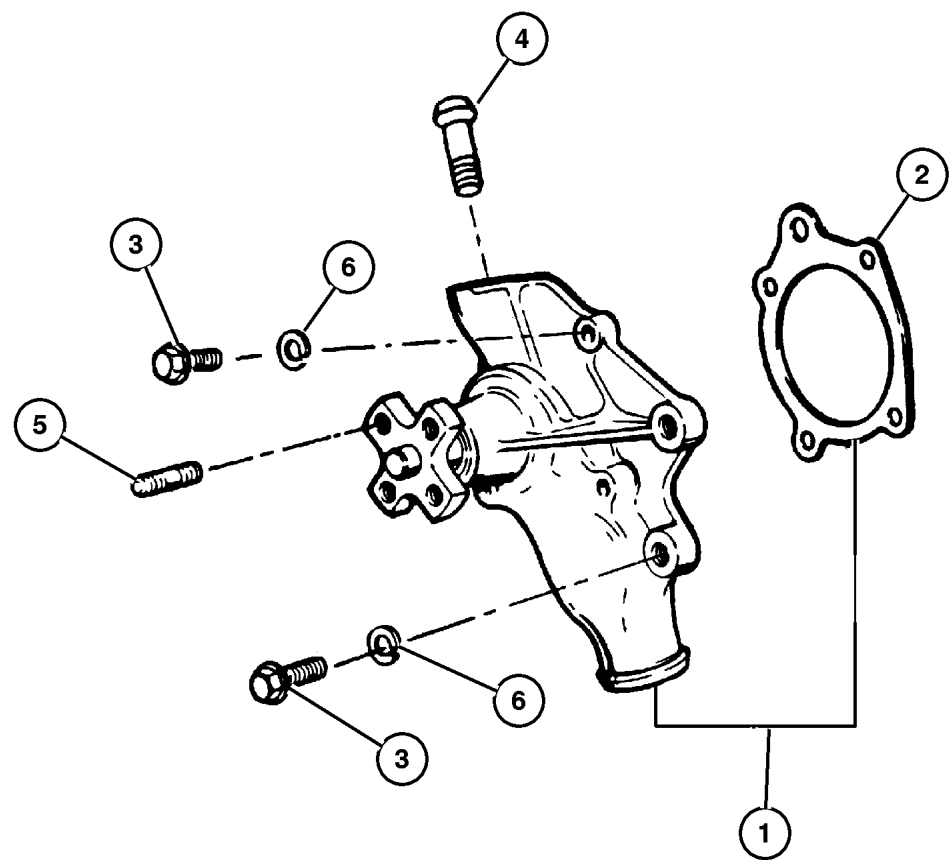
October 31, 2002

**Water Pump and Related Parts 4.0L Engine  
Figure 007-210**

ITEM	PART NUMBER	QTY	LINE	SERIES	BODY	ENGINE	TRANS	DESCRIPTION
------	-------------	-----	------	--------	------	--------	-------	-------------

Note: Sales Code ER0 = 4.0L Engine

1	5012 366AA	1				ER0		PUMP PACKAGE, Water
2	5301 0419	1				ER0		GASKET, Water Pump
3								SCREW AND WASHER, Hex Head, .312-18x1.75, (NOT SERVICED) (Not Serviced)
4	5300 7978	1				ER0		TUBE, Water Pump Heater Return
5								STUD, .312-18/.312-24x1.250, (NOT SERVICED) (Not Serviced)
6	5013 014AA	1				ER0		WASHER



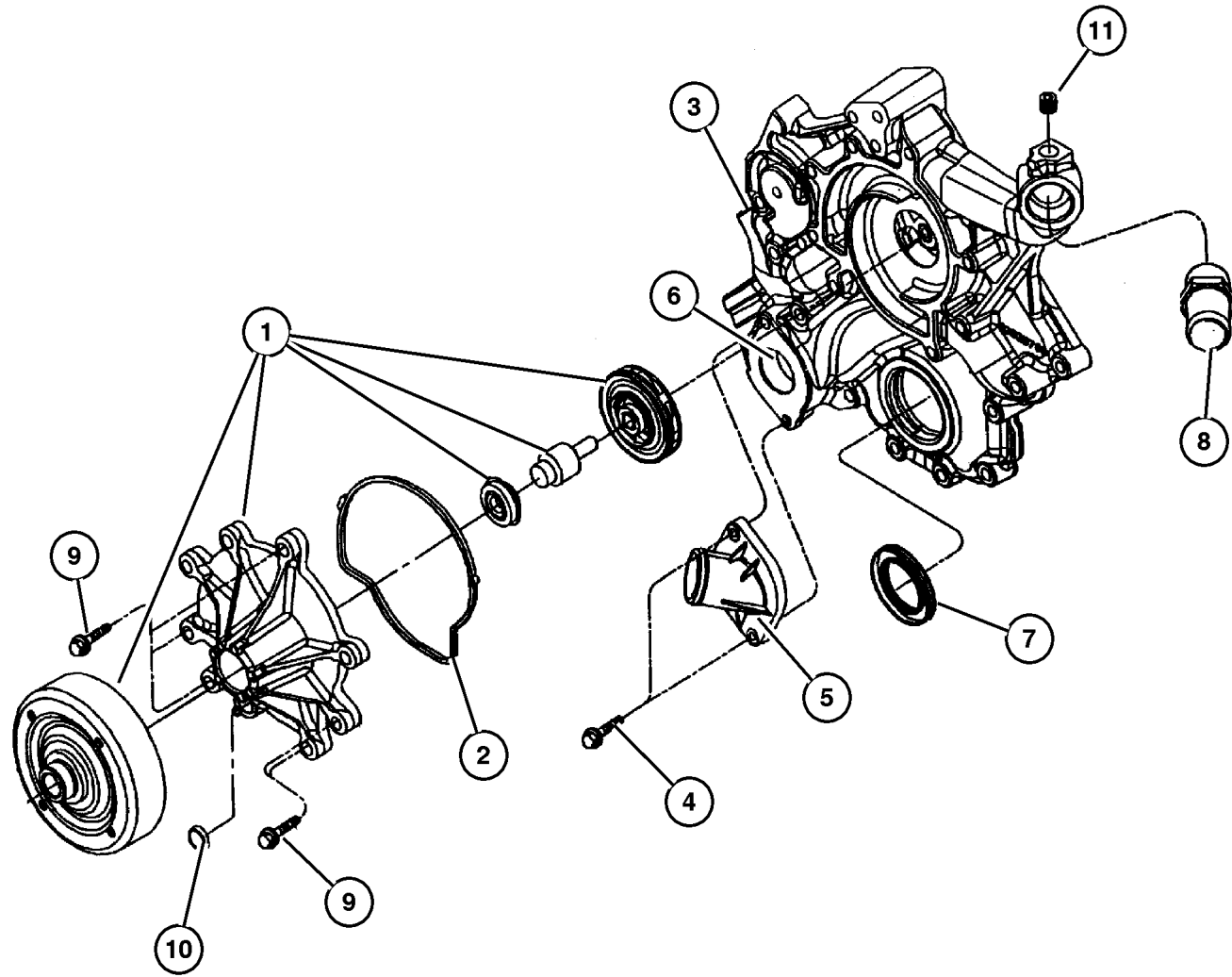
<b>JEEP GRAND CHEROKEE (WG)</b>				
SERIES	LINE	BODY	ENGINE	TRANSMISSION
H = Laredo	J = 4WD	74 = 4 Door	ER0, ERH = 4.0L, Power Tech	DGK = 4 Speed Autm, 42RE
P = Limited	U = 4WD, RHD		EVO, EVA = 4.7L, Power Tech	DGQ = 5 Speed Automatic
			EXO, EXA = 3.1L 5 Cyl Turbo Diesel	- 5-45RFE
				DGW = 4 Speed Autm, 44RE

AR = Use as required - = Non illustrated part # = New this model year

October 31, 2002

**Water Pump and Related Parts 4.7L Engine**  
**Figure 007-220**

ITEM	PART NUMBER	QTY	LINE	SERIES	BODY	ENGINE	TRANS	DESCRIPTION
Note: Sales Code EVO = 4.7L Engine								
1	53020 873AC	1				EVO		PUMP, Water
2	5302 0865	1				EVO		GASKET, Water Pump
3	6035 854	2				EVO		FITTING, Y-Style
4	6505 502AA	2				EVO		SCREW
5	53020 887AB	1				EVO		HOUSING, Thermostat
6	52079 476AB	1				EVO		THERMOSTAT, with Seal
7	53021 313AA	1				EVO		SEAL, Crankshaft Oil, Front
8	6035 961AA	1				EVO		PIPE FITTING, Chain Case Cover, .375-18x2
9	6102 141AA	5						SCREW, M6x1x25
10	5018 919AA	1				EVO		PLUG
11	5018 919AA	1				EVO		PLUG



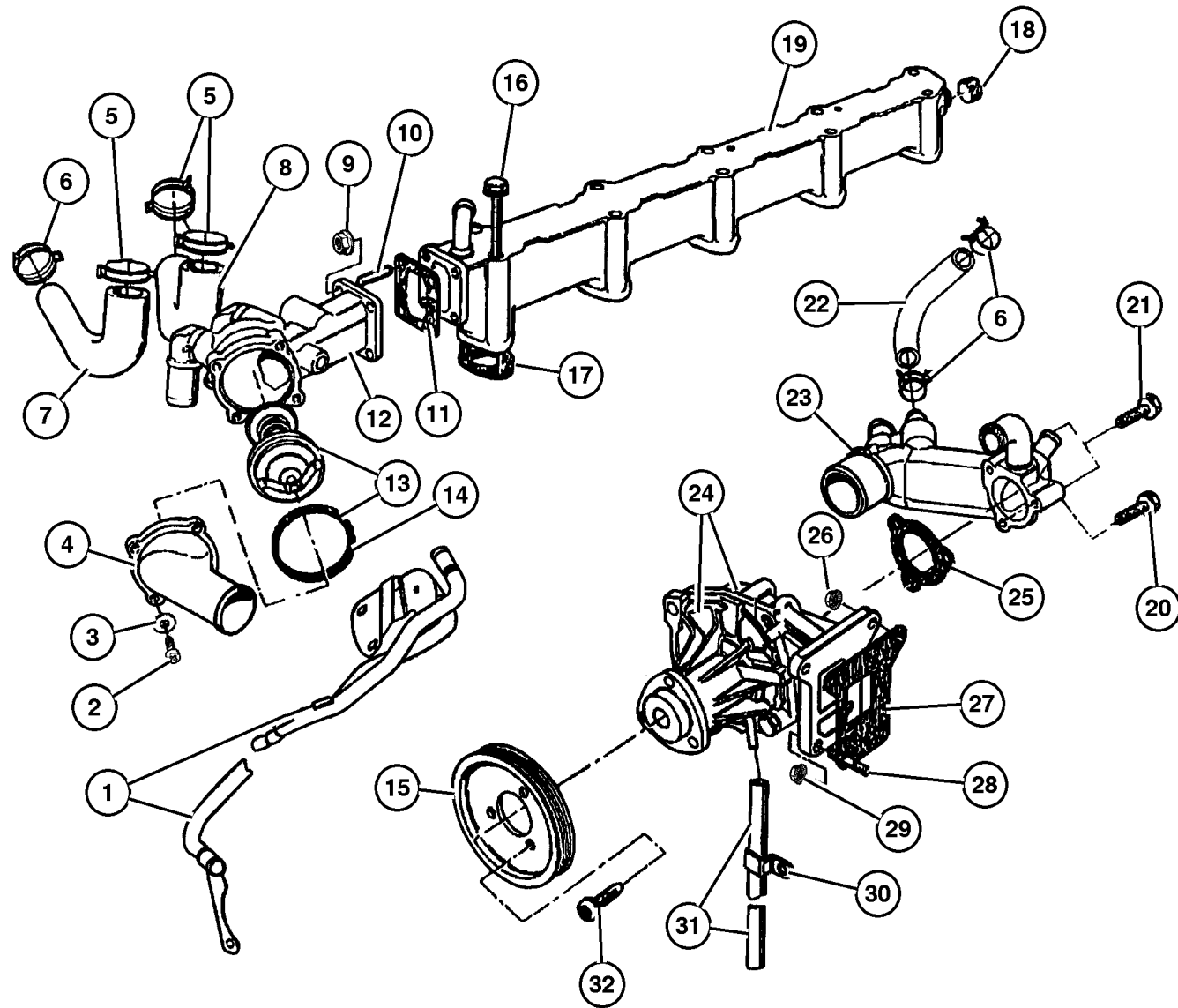
**JEEP GRAND CHEROKEE (WG)**

SERIES	LINE	BODY	ENGINE	TRANSMISSION
H = Laredo	J = 4WD	74 = 4 Door	ER0, ERH = 4.0L, Power Tech	DGK = 4 Speed Autm, 42RE
P = Limited	U = 4WD, RHD		EVO, EVA = 4.7L, Power Tech	DGQ = 5 Speed Automatic
			EXO, EXA = 3.1L 5 Cyl Turbo Diesel	- 5-45RFE
				DGW = 4 Speed Autm, 44RE

AR = Use as required - = Non illustrated part # = New this model year

October 31, 2002

## Water Pump and Related Parts, 3.1L Diesel Engine Figure 007-230



ITEM	PART NUMBER	QTY	LINE	SERIES	BODY	ENGINE	TRANS	DESCRIPTION
Note: Sales Code EX0 = 3.1L Engine								
Note: Sales Code DG0 = All Auto Trans								
1	5015 054AA	1				EX0	DG0	TUBE, Heater
2	4720 658	4				EX0	DG0	SCREW, Intake Manifold Elbow
3	4723 204	8				EX0	DG0	WASHER, Implement Attaching
4	4778 976	1				EX0	DG0	COVER, Thermostat Housing
5	4886 050AA	4				EX0	DG0	CLAMP, Heater Hose
6	4883 924AA	5				EX0	DG0	CLAMP, Heater Hose
7	4883 431AA	1				EX0	DG0	HOSE, Heater Feed
8	4778 977	1				EX0	DG0	HOSE, Water Pump Bypass
9	4778 936	4				EX0	DG0	NUT, Suction Pipe Attaching
10	4797 764	4				EX0	DG0	STUD, M6x14
11	4778 971	1				EX0	DG0	GASKET, Thermostat
12	4778 974AB	1				EX0	DG0	HOUSING, Thermostat
13	4778 975	1				EX0	DG0	THERMOSTAT
14	4778 971	1				EX0	DG0	GASKET, Thermostat
15	4864 567	1				EX0	DG0	PULLEY, Water Pump
16	5003 571AA	10				EX0	DG0	SCREW, Hex Head
17	4720 450	5				EX0	DG0	GASKET, Water Manifold
18	4864 753	2				EX0	DG0	PLUG
19	5015 033AA	1				EX0	DG0	MANIFOLD, Water
20	5003 556AA	1				EX0	DG0	BOLT
21	5003 555AA	2				EX0	DG0	BOLT
22	5015 055AA	1				EX0	DG0	HOSE, Heater
23	4864 576	1				EX0	DG0	ADAPTER, Water Pump
24	4864 566	1				EX0	DG0	PUMP, Water
25	4864 575	1				EX0	DG0	GASKET, Water Pump
26	4720 699	1				EX0	DG0	NUT, Hex Lock, M8
27	4720 451	1				EX0	DG0	GASKET, Water Pump
28	4720 550	10				EX0	DG0	STUD, Water Pump To Block
29	4778 961	22				EX0	DG0	NUT
30	4720 446	1				EX0	DG0	CLIP, Drain Pipe
31	4720 438	1				EX0	DG0	PIPE, Water Pump Drain
32	5003 554AA	3				EX0	DG0	SCREW

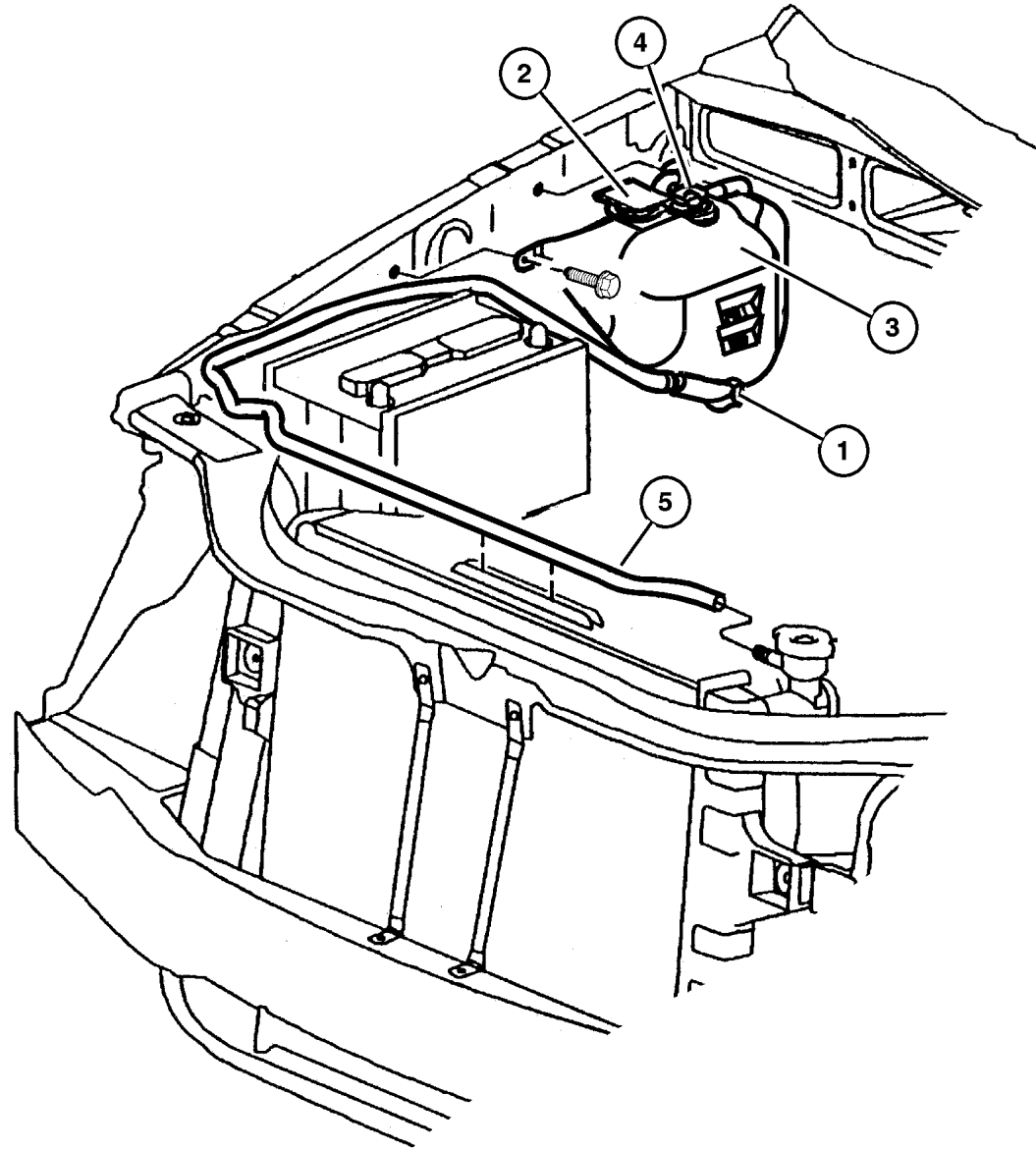
### JEEP GRAND CHEROKEE (WG)

SERIES	LINE	BODY	ENGINE	TRANSMISSION
H = Laredo	J = 4WD	74 = 4 Door	ER0, ERH = 4.0L, Power Tech	DGK = 4 Speed Autm, 42RE
P = Limited	U = 4WD, RHD		EVO, EVA = 4.7L, Power Tech	DGQ = 5 Speed Automatic
			EXO, EXA = 3.1L 5 Cyl Turbo Diesel	- 5-45RFE
				DGW = 4 Speed Autm, 44RE

AR = Use as required - = Non illustrated part # = New this model year

October 31, 2002

**Coolant Tank, 4.0,4.7L Engine  
Figure 007-310**



ITEM	PART NUMBER	QTY	LINE	SERIES	BODY	ENGINE	TRANS	DESCRIPTION
------	-------------	-----	------	--------	------	--------	-------	-------------

Note: Sales Code ER0 = 4.0L Engine  
 Note: Sales Code EV0 = 4.7L Engine

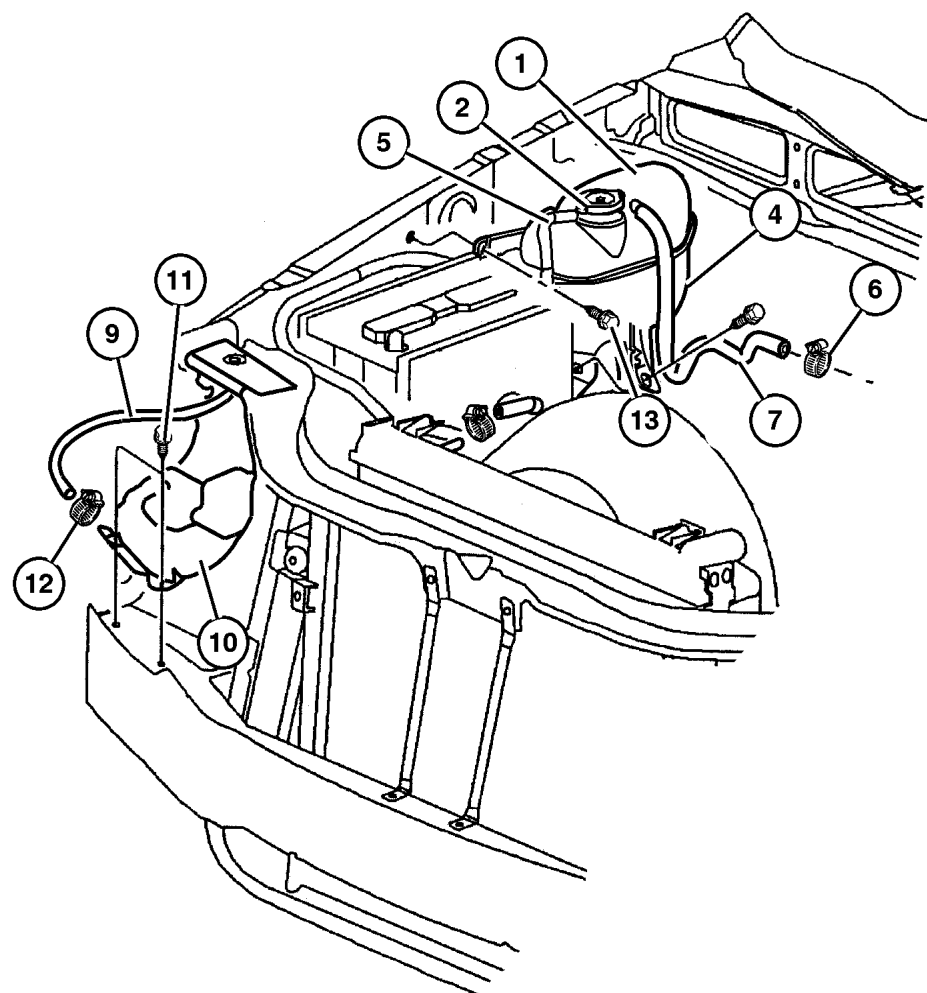
1	5202 8254	1				EV0 ER0		GROMMET
2	5207 9331	1				EV0 ER0		CAP, Coolant Reserve Tank
3	52079 461AB	1				EV0 ER0		BOTTLE, Coolant Recovery
4	5207 9468	1				EV0 ER0		SENSOR, Coolant Level
5	4026 148	1				ER0 EV0		HOSE, Coolant Reserve Tank

<b>JEEP GRAND CHEROKEE (WG)</b>				
SERIES	LINE	BODY	ENGINE	TRANSMISSION
H = Laredo	J = 4WD	74 = 4 Door	ER0, ERH = 4.0L, Power Tech	DGK = 4 Speed Autm, 42RE
P = Limited	U = 4WD, RHD		EV0, EVA = 4.7L, Power Tech	DGQ = 5 Speed Automatic
			EXO, EXA = 3.1L 5 Cyl Turbo Diesel	- 5-45RFE
				DGW = 4 Speed Autm, 44RE

AR = Use as required - = Non illustrated part # = New this model year

October 31, 2002

**Coolant Tank, 3.1 Diesel Engine  
Figure 007-320**



ITEM	PART NUMBER	QTY	LINE	SERIES	BODY	ENGINE	TRANS	DESCRIPTION
Note:								
DGW = 4 Speed Automatic Transmission 44RE								
DG0 = All Automatic Transmissions								
EXO = All 3.0/3.1L Turbo Diesel Engines								
1	52079 505AB	1				EX0		BOTTLE, Degasser
2	4596 198	1				EX0		CAP, Pressurized Coolant
-3	5202 8399	1				EX0		LABEL, Coolant Warning
4	52079 881AA	1				EX0		SENSOR, Coolant Level
5	5207 9571	1				EX0		HOSE, Coolant Recovery Bottle
6	6502 018	2				EX0		CLAMP, Hose, M28.9 x 1.60
7	4443 176	1				EX0		HOSE, Fuel, .31 I.D. 50 Foot Roll
-8	52079 631AA	1				EX0	DGW	CLAMP, Oil Cooler Tube
9	4266 423	1				EX0		HOSE, Overflow, Roll Stock
10	52079 798AB	1				EX0		BOTTLE, Coolant Recovery
11	5003 571AA	10				EX0	DG0	SCREW, Hex Head
12	6502 081	2				EX0		CLAMP, Oil Cooler Line
13								SCREW, Tapping, M8x1.25x16.00, (NOT SERVICED) (Not Serviced)

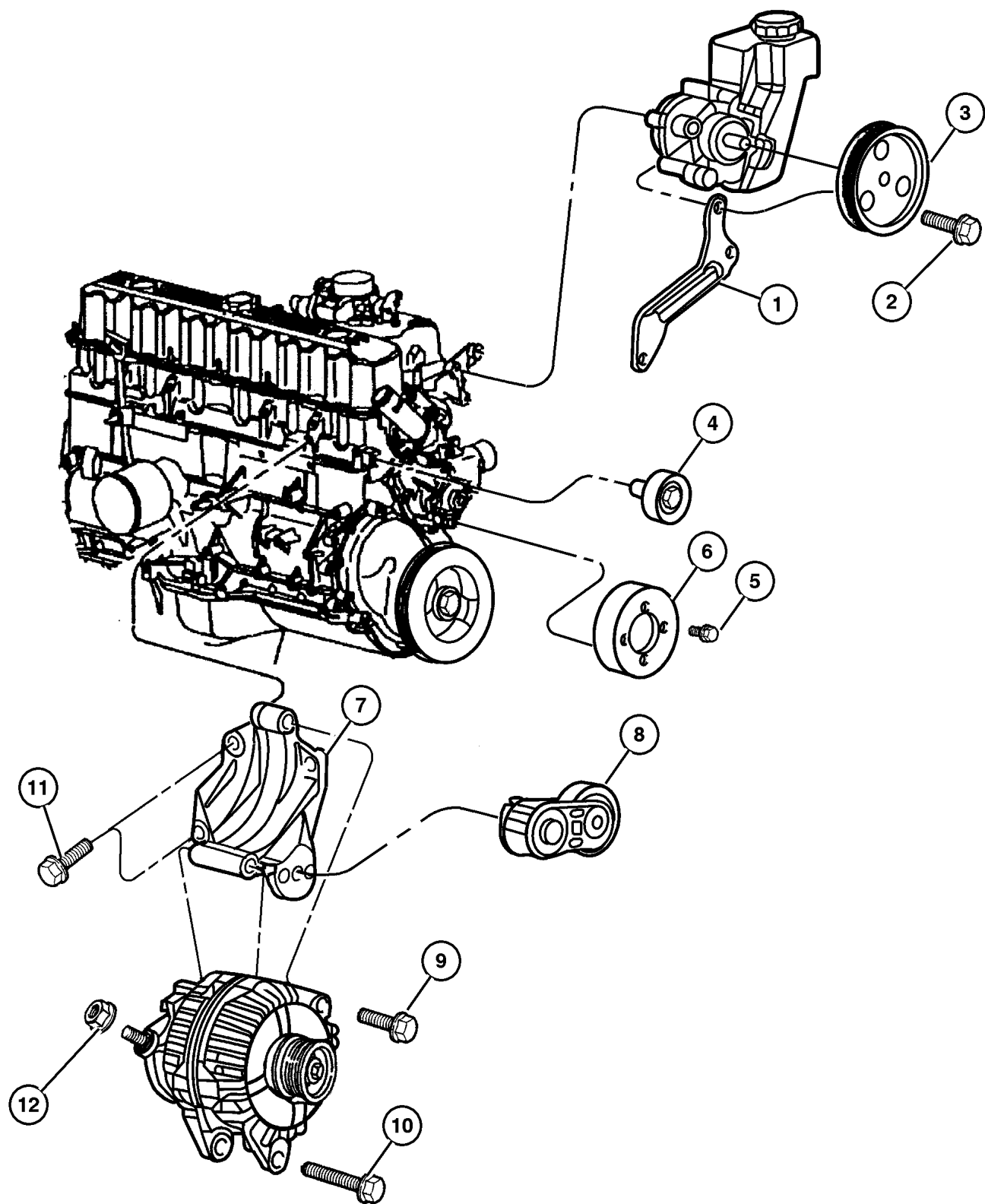
**JEEP GRAND CHEROKEE (WG)**

SERIES	LINE	BODY	ENGINE	TRANSMISSION
H = Laredo	J = 4WD	74 = 4 Door	ER0, ERH = 4.0L, Power Tech	DGK = 4 Speed Autm, 42RE
P = Limited	U = 4WD, RHD		EVO, EVA = 4.7L, Power Tech	DGQ = 5 Speed Automatic
			EXO, EXA = 3.1L 5 Cyl Turbo Diesel	- 5-45RFE
				DGW = 4 Speed Autm, 44RE

AR = Use as required - = Non illustrated part # = New this model year

October 31, 2002

Drive Pulleys 4.0L Engine  
Figure 007-420



ITEM	PART NUMBER	QTY	LINE	SERIES	BODY	ENGINE	TRANS	DESCRIPTION
Note: Sales Code ER0 = 4.0L Engine								
1	4854 157	1				ER0		BRACE, Power Steering Pump
2	6502 425	3				ER0		SCREW AND WASHER, Hex Head, M8x1.25x95
3	53010 258AB	1				ER0, EVO		PULLEY, Power Steering Pump
4	4854 092	1				ER0		PULLEY, Idler
5	6034 860	4				ER0		BOLT AND WASHER, Implement Attaching
6	4854 032	1				ER0		PULLEY, Water Pump
7	4854 026	1				ER0		BRACKET, Alternator
8	4854 089	1				ER0		TENSIONER, Alternator Belt
9	6505 488AA	1				ER0		SCREW AND WASHER, Hex
10	6504 344	1				ER0		SCREW AND WASHER, Hex Head
11	0154 854AA	4				ER0		SCREW AND WASHER, Hex
12								NUT, Hex Flange Lock, M6x1, (NOT SERVICED) (Not Serviced)

JEEP GRAND CHEROKEE (WG)		BODY	ENGINE	TRANSMISSION
SERIES	LINE	74 = 4 Door	ER0, ERH = 4.0L, Power Tech	DGK = 4 Speed Autm, 42RE
H = Laredo	J = 4WD		EVO, EVA = 4.7L, Power Tech	DGQ = 5 Speed Automatic
P = Limited	U = 4WD, RHD		EXO, EXA = 3.1L 5 Cyl Turbo Diesel	- 5-45RFE
				DGW = 4 Speed Autm, 44RE

AR = Use as required - = Non illustrated part # = New this model year

October 31, 2002

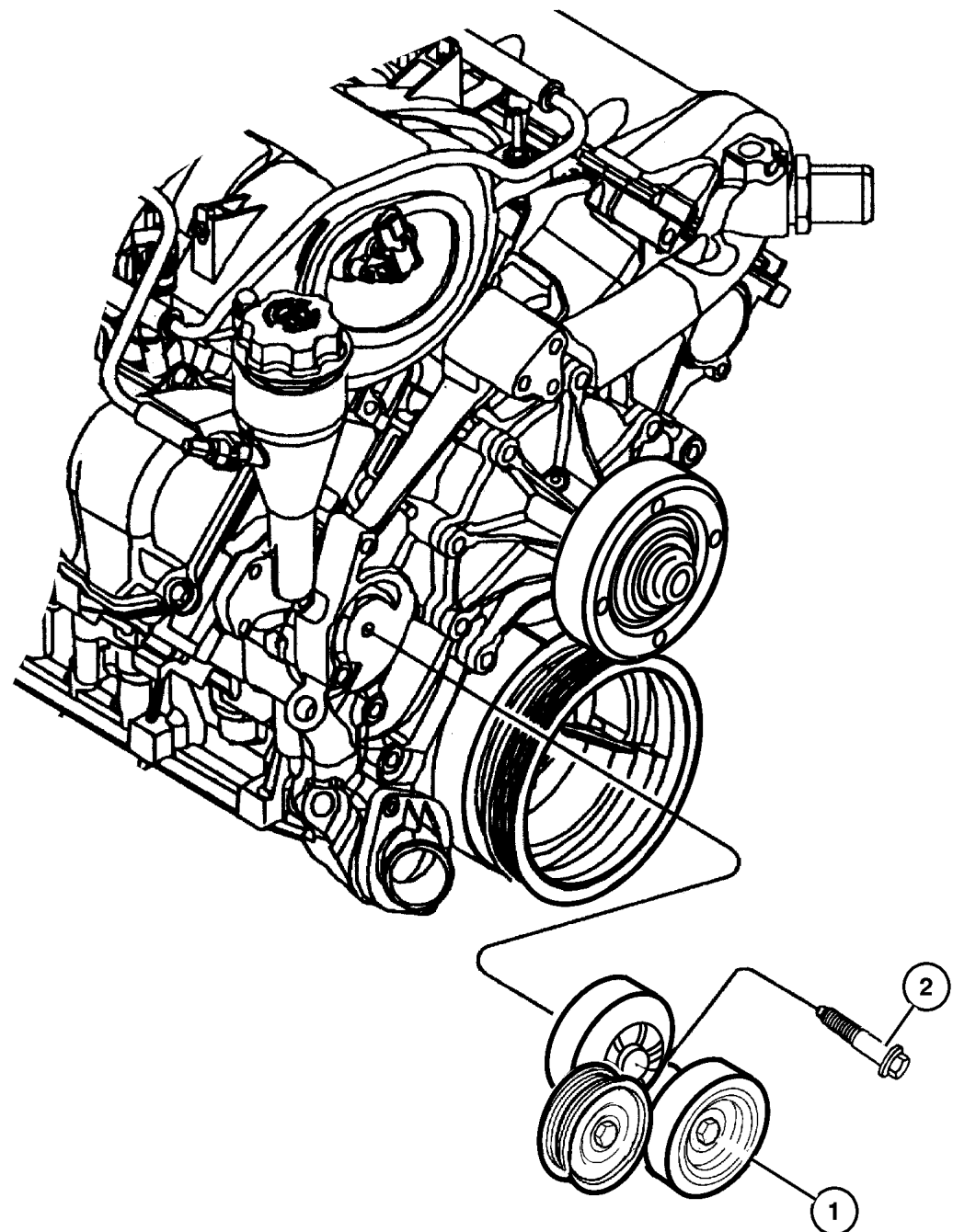


Drive Pulleys 4.7L Engine  
Figure 007-430

ITEM	PART NUMBER	QTY	LINE	SERIES	BODY	ENGINE	TRANS	DESCRIPTION
------	-------------	-----	------	--------	------	--------	-------	-------------

Note: Sales Code EVO = 4.7L Engine

1	5303 0958	1				EVO		TENSIONER, Alternator Belt
2	6504 930AA	1				EVO		SCREW AND WASHER, Hex Head, M10x1.5x70

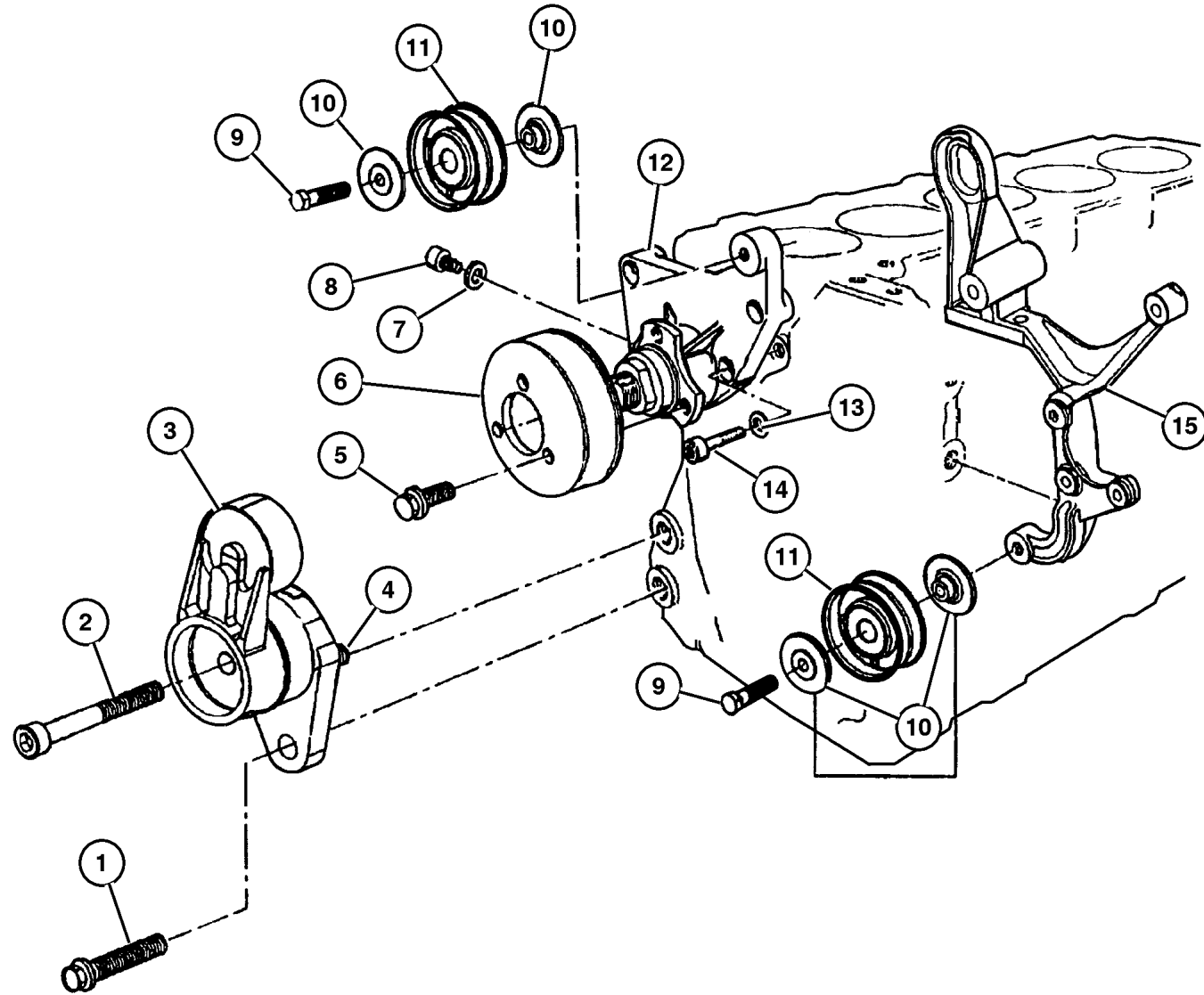


JEEP GRAND CHEROKEE (WG)				
SERIES	LINE	BODY	ENGINE	TRANSMISSION
H = Laredo	J = 4WD	74 = 4 Door	ER0, ERH = 4.0L, Power Tech	DGK = 4 Speed Autm, 42RE
P = Limited	U = 4WD, RHD		EVO, EVA = 4.7L, Power Tech	DGQ = 5 Speed Automatic
			EXO, EXA = 3.1L 5 Cyl Turbo Diesel	- 5-45RFE
				DGW = 4 Speed Autm, 44RE

AR = Use as required - = Non illustrated part # = New this model year

October 31, 2002

Drive Pulleys, 3.1L Diesel Engine  
Figure 007-440



ITEM	PART NUMBER	QTY	LINE	SERIES	BODY	ENGINE	TRANS	DESCRIPTION
Note:								
DG0 = All Automatic Transmissions								
EX0 = All 3.0/3.1L Turbo Diesel Engines								
1	5003 536AA	1				EX0	DG0	BOLT, Belt Tensioner
2	4886 053AA	1				EX0	DG0	BOLT, Belt Tensioner
3	4897 159AB	1				EX0	DG0	TENSIONER, Belt
4	4883 528AA	1				EX0	DG0	BOLT, Adaptor Plate
5	5003 554AA	3				EX0	DG0	SCREW
6	4883 491AA	1				EX0	DG0	PULLEY, Fan
7	4723 200	1				EX0	DG0	WASHER, Flat
8	4796 030	1				EX0	DG0	SCREW, Fan Bearing
9	4797 773	1				EX0	DG0	BOLT, Left Hand Thread, M10x50
10	5015 071AA	2				EX0	DG0	FLANGE, Accessory Drive
11	4796 016	1				EX0	DG0	PULLEY, Idler
12	5003 566AA	1				EX0	DG0	BRACKET, Fan
13	4720 688	4				EX0	DG0	WASHER, Flat
14	4797 768	4				EX0	DG0	BOLT, Vacuum Pump Bracket, M10x35
15	5015 072AA	1				EX0	DG0	BRACKET, Alternator

JEEP GRAND CHEROKEE (WG)				
SERIES	LINE	BODY	ENGINE	TRANSMISSION
H = Laredo	J = 4WD	74 = 4 Door	ER0, ERH = 4.0L, Power Tech	DGK = 4 Speed Autm, 42RE
P = Limited	U = 4WD, RHD		EVO, EVA = 4.7L, Power Tech	DGQ = 5 Speed Automatic
			EXO, EXA = 3.1L 5 Cyl Turbo Diesel	- 5-45RFE
				DGW = 4 Speed Autm, 44RE

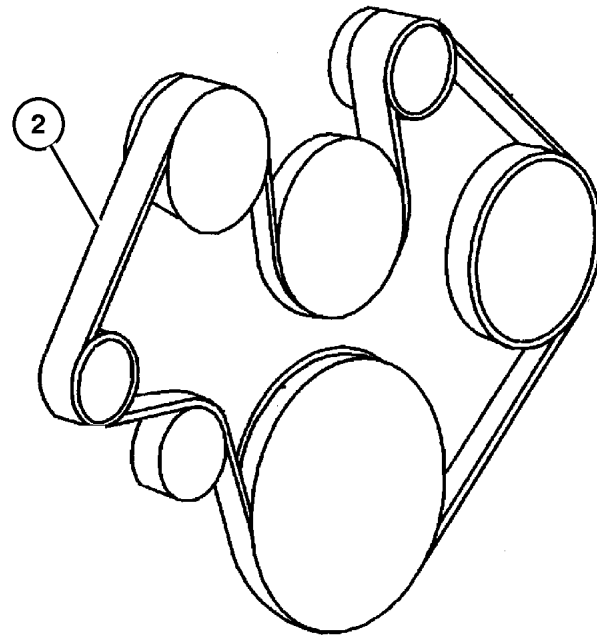
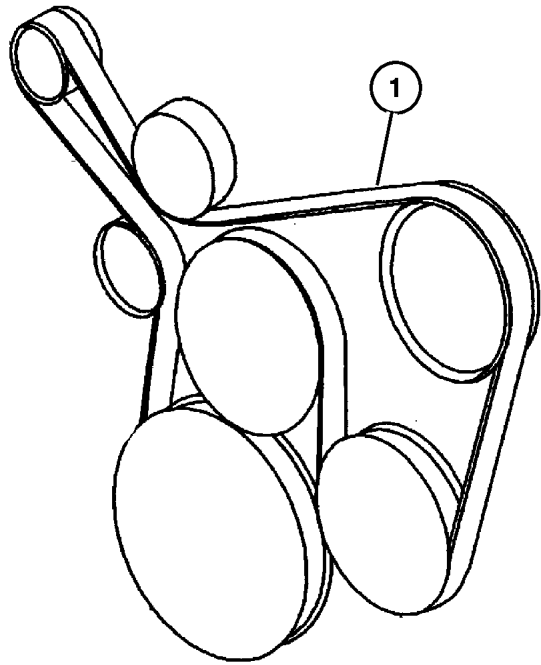
**Drive Belts 4.0L and 4.7L Engines  
Figure 007-520**

ITEM	PART NUMBER	QTY	LINE	SERIES	BODY	ENGINE	TRANS	DESCRIPTION
------	-------------	-----	------	--------	------	--------	-------	-------------

Note: Sales Code ER0 = 4.0L Engine

Note: Sales Code EV0 = 4.7L Engine

1	4854 033	1				ER0		BELT, Accessory Drive
2	53032 037AC	1				EV0		BELT, Accessory Drive



**JEEP GRAND CHEROKEE (WG)**

SERIES	LINE	BODY	ENGINE	TRANSMISSION
H = Laredo	J = 4WD	74 = 4 Door	ER0, ERH = 4.0L, Power Tech	DGK = 4 Speed Autm, 42RE
P = Limited	U = 4WD, RHD		EV0, EVA = 4.7L, Power Tech	DGQ = 5 Speed Automatic
			EXO, EXA = 3.1L 5 Cyl Turbo Diesel	- 5-45RFE
				DGW = 4 Speed Autm, 44RE

AR = Use as required - = Non illustrated part # = New this model year

October 31, 2002

Drive Belts, 3.1L Diesel Engine  
Figure 007-530

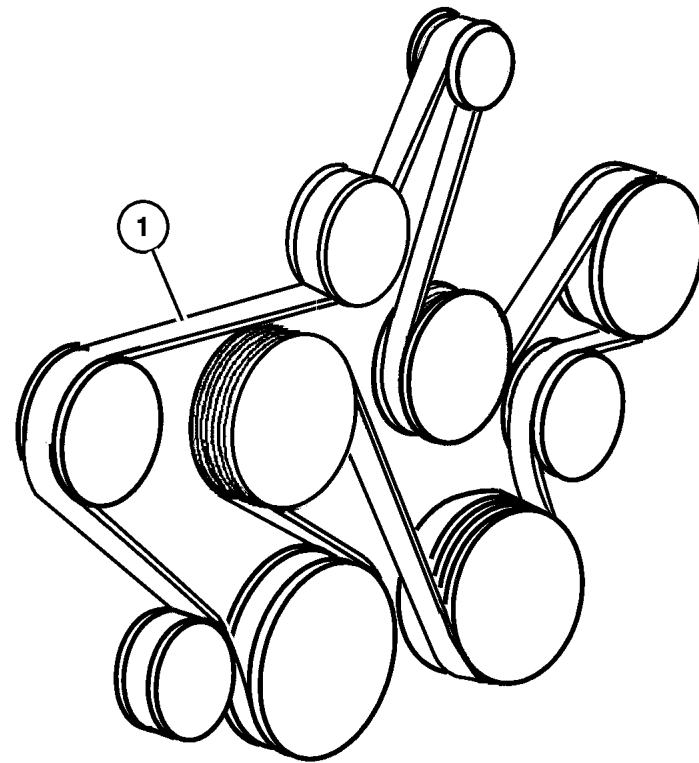
ITEM	PART NUMBER	QTY	LINE	SERIES	BODY	ENGINE	TRANS	DESCRIPTION
------	-------------	-----	------	--------	------	--------	-------	-------------

Note:

DG0 = All Automatic Transmissions

EX0 = All 3.0/3.1L Turbo Diesel Engines

1	5015 962AA	1				EX0	DG0	BELT, Alternator
---	------------	---	--	--	--	-----	-----	------------------



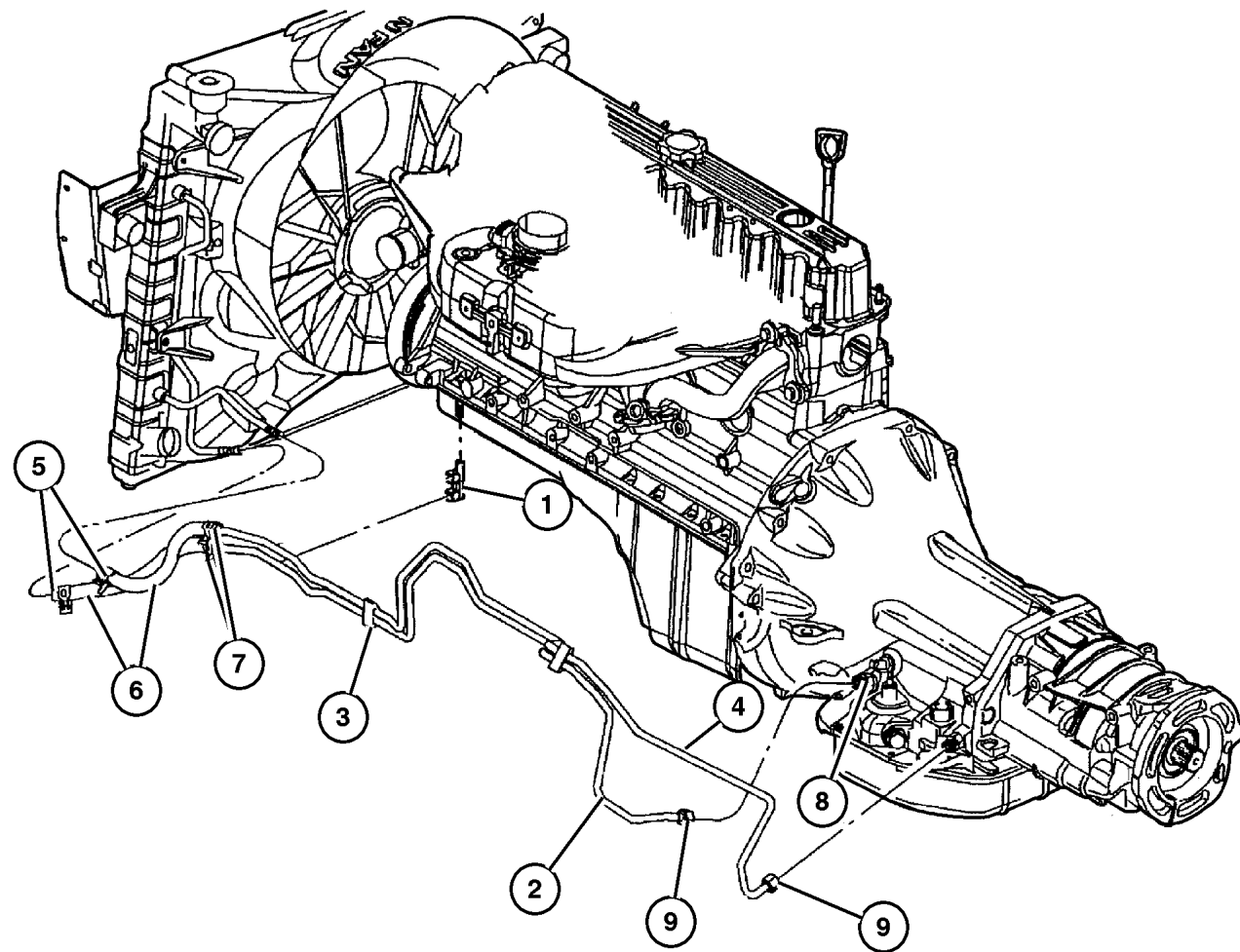
JEEP GRAND CHEROKEE (WG)

SERIES	LINE	BODY	ENGINE	TRANSMISSION
H = Laredo	J = 4WD	74 = 4 Door	ER0, ERH = 4.0L, Power Tech	DGK = 4 Speed Autm, 42RE
P = Limited	U = 4WD, RHD		EVO, EVA = 4.7L, Power Tech	DGQ = 5 Speed Automatic
			EXO, EXA = 3.1L 5 Cyl Turbo Diesel	- 5-45RFE
				DGW = 4 Speed Autm, 44RE

AR = Use as required - = Non illustrated part # = New this model year

October 31, 2002

**Oil Cooler and Lines 3.1, 4.0L Engines**  
**Figure 007-610**



ITEM	PART NUMBER	QTY	LINE	SERIES	BODY	ENGINE	TRANS	DESCRIPTION
Note:								
DGK = 4 Speed Automatic Transmission 42RE								
DGW = 4 Speed Automatic Transmission 44RE								
DG0 = All Automatic Transmissions								
DG4 = Multi-Speed Automatic Transmission 45RFE								
ER0 = All 4.0L 6 Cyl Gas Engin								
EV0 = All 4.7L Gas Engines								
EX0 = All 3.0/3.1L Turbo Diesel Engines								
1								BRACKET, Transmission Oil Cooler
	52079 894AA	1					DGW	
	52079 789AA	1					DGK, DG4	
2								TUBE, Oil Cooler
	52079 623AC	1				EX0	DGW	
	5207 9369	1					DGK	
3	4815 987AA	2					DG4	CLIP, Power Steering Hose
4								TUBE, Oil Cooler
	52079 665AC	1				EX0	DGW	
	52079 782AB	1					DGK	
5								CLAMP, Oil Cooler Tube
	52079 631AA	1	J			EV0		
		1	U			ER0	DG0	
6								HOSE, Oil Cooler
	4026 139	1	J			EV0		
	53054 592AA	1	J			EX0		
7								CLAMP, Oil Cooler Tube
	52079 631AA	1				EX0	DGW	
	52079 632AA	1	J			ER0	DG0	
8	52028 463AB	1				EX0	DGW	VALVE, Oil Cooler Pressure
9	6035 503	3					DGK	NUT, .625-18

**JEEP GRAND CHEROKEE (WG)**

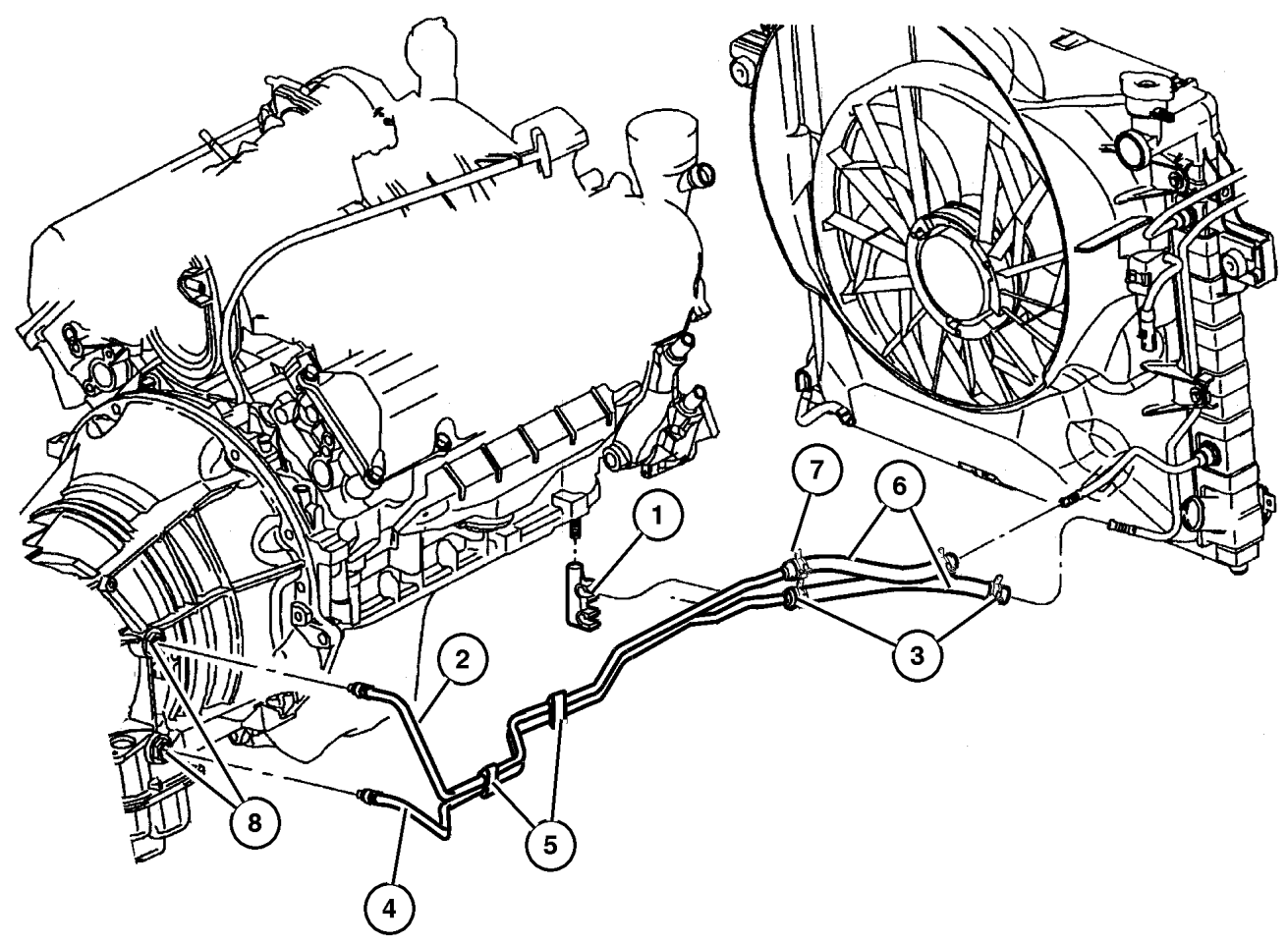
SERIES	LINE	BODY	ENGINE	TRANSMISSION
H = Laredo	J = 4WD	74 = 4 Door	ER0, ERH = 4.0L, Power Tech	DGK = 4 Speed Autm, 42RE
P = Limited	U = 4WD, RHD		EV0, EVA = 4.7L, Power Tech	DGQ = 5 Speed Automatic - 5-45RFE
			EX0, EXA = 3.1L 5 Cyl Turbo Diesel	DGW = 4 Speed Autm, 44RE

AR = Use as required - = Non illustrated part # = New this model year

October 31, 2002

## Oil Cooler and Lines 4.7L Engine Figure 007-620

ITEM	PART NUMBER	QTY	LINE	SERIES	BODY	ENGINE	TRANS	DESCRIPTION
Note:								
DGK = 4 Speed Automatic Transmission 42RE								
DGQ = 5 Speed Automatic Transmission 5-45RFE								
DG4 = Multi-Speed Automatic Transmission 45RFE								
1	52079 789AA	1					DGK,	BRACKET, Transmission Oil Cooler
							DG4	
2	5207 9375	1					DGQ	TUBE, Oil Cooler
3	4815 987AA	2					DG4	CLIP, Power Steering Hose
4	52079 783AA	1					DGQ	TUBE, Oil Cooler
5	52079 631AA	1					DG4	CLAMP, Oil Cooler Tube
6	4026 139	1					DGK	HOSE, Oil Cooler
7	52079 632AA	1					DG4	CLAMP, Oil Cooler Tube
8	4799 433AB	2					DG4	NUT, Transmission Case



**JEEP GRAND CHEROKEE (WG)**

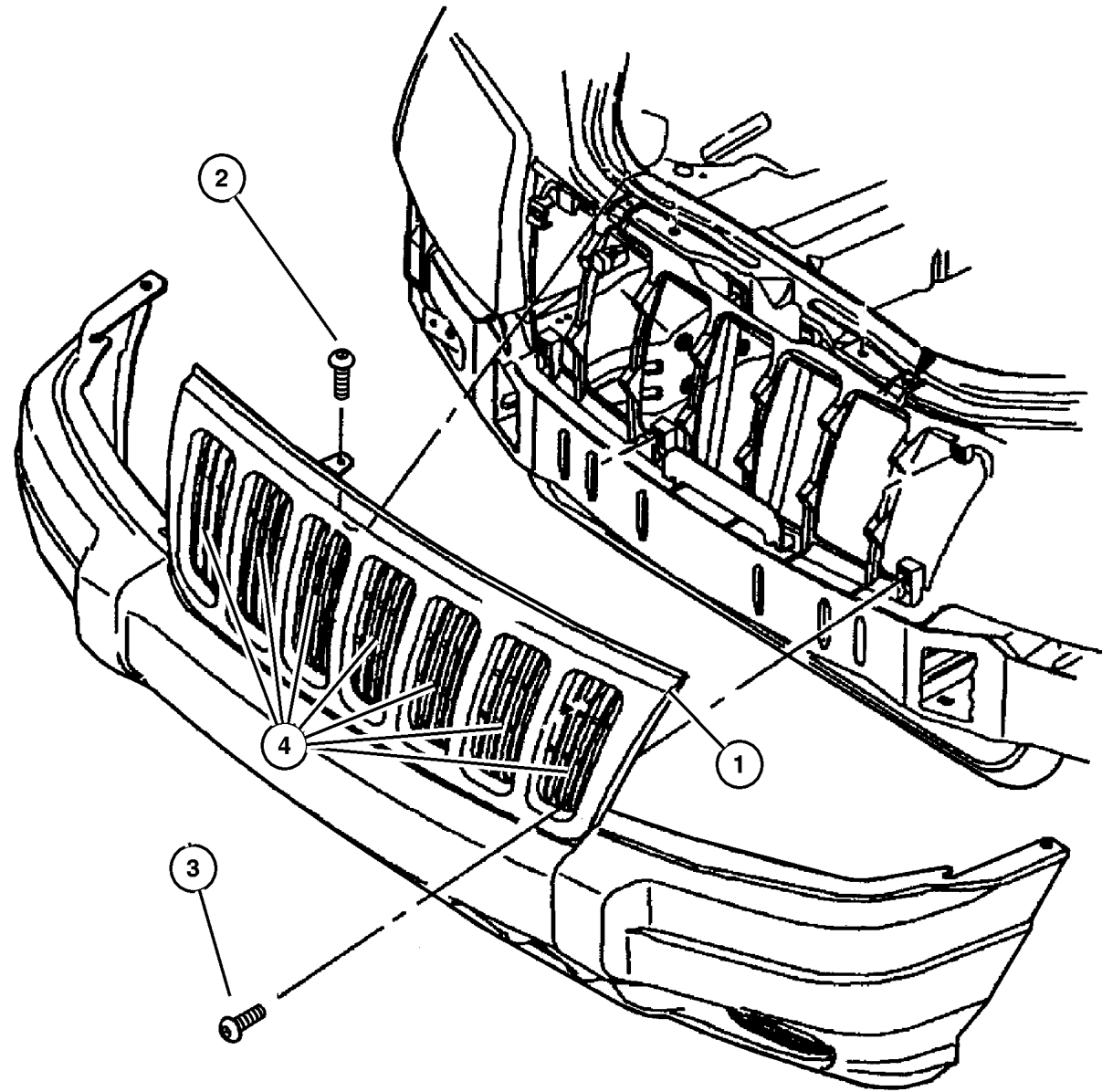
SERIES	LINE	BODY	ENGINE	TRANSMISSION
H = Laredo	J = 4WD	74 = 4 Door	ER0, ERH = 4.0L, Power Tech	DGK = 4 Speed Autm, 42RE
P = Limited	U = 4WD, RHD		EVO, EVA = 4.7L, Power Tech	DGQ = 5 Speed Automatic
			EXO, EXA = 3.1L 5 Cyl Turbo Diesel	- 5-45RFE
				DGW = 4 Speed Autm, 44RE

AR = Use as required   - = Non illustrated part   # = New this model year

October 31, 2002

**Grille and Related Parts**  
**Figure 007-720**

ITEM	PART NUMBER	QTY	LINE	SERIES	BODY	ENGINE	TRANS	DESCRIPTION
1	55155 921AA	1						GRILLE, Fascia, Laredo,Chrome
2	6503 267	2						SCREW, Round Head, M6x1x25
3								SCREW, (NOT SERVICED) (Not Serviced)
4	5GA71 DX9AA	1						GRILLE, Texture



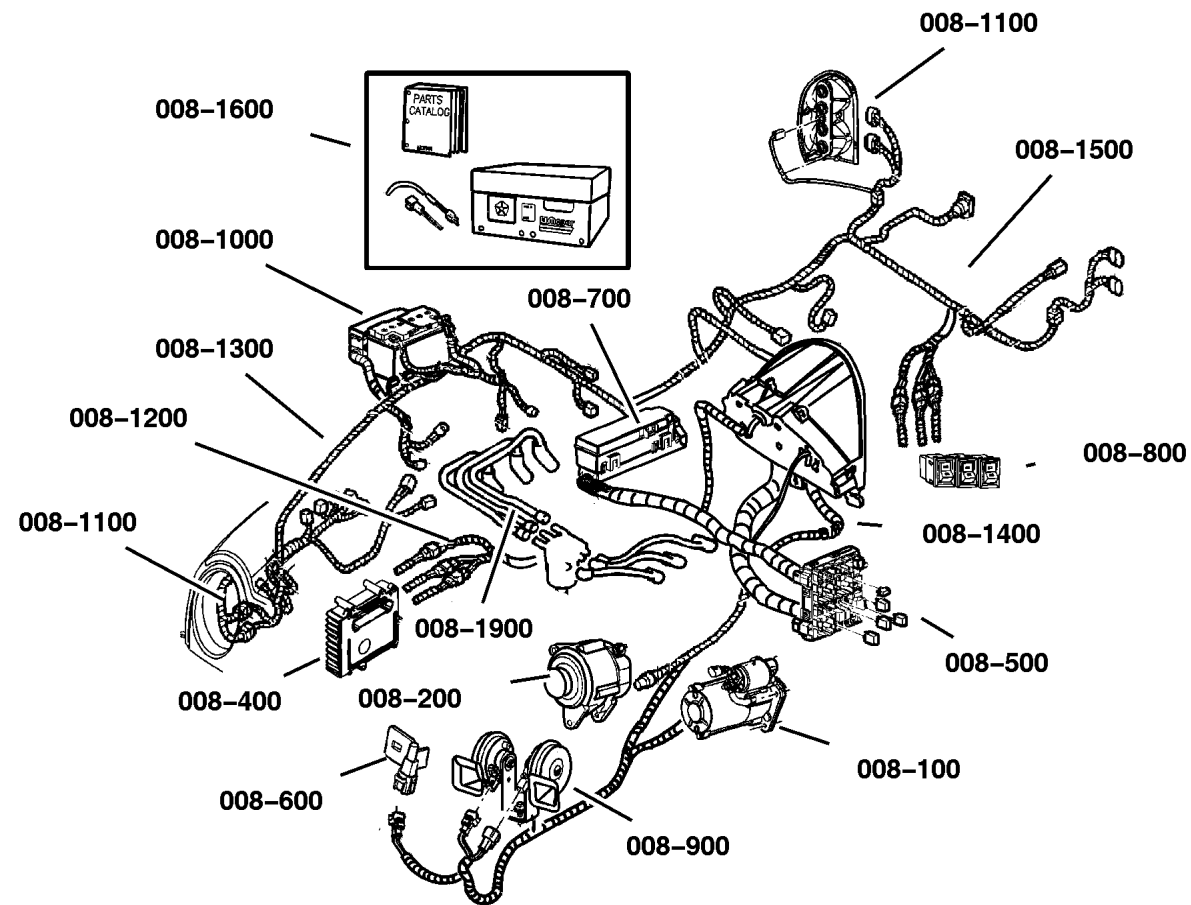
<b>JEEP GRAND CHEROKEE (WG)</b>				
SERIES	LINE	BODY	ENGINE	TRANSMISSION
H = Laredo	J = 4WD	74 = 4 Door	ER0, ERH = 4.0L, Power Tech	DGK = 4 Speed Autm, 42RE
P = Limited	U = 4WD, RHD		EVO, EVA = 4.7L, Power Tech	DGQ = 5 Speed Automatic - 5-45RFE
			EXO, EXA = 3.1L 5 Cyl Turbo Diesel	DGW = 4 Speed Autm, 44RE

AR = Use as required   - = Non illustrated part   # = New this model year

October 31, 2002

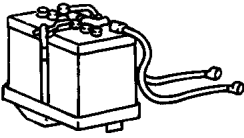
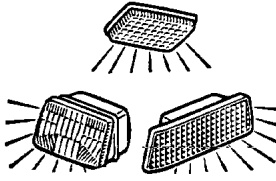
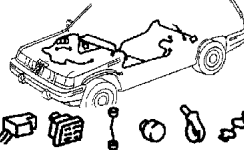


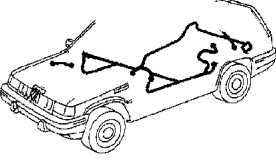
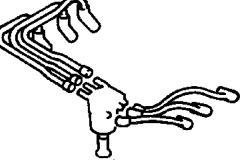
# Group – 008

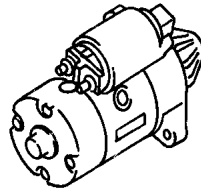
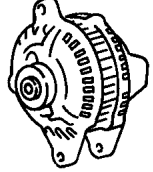
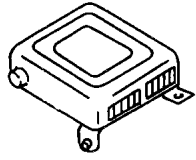
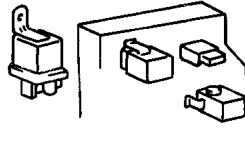
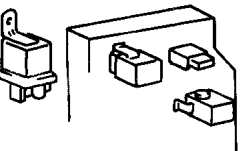
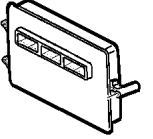
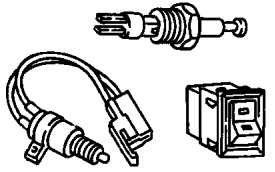
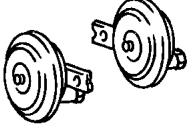
## Electrical



# Group – 008

## Electrical

<b>008-1000</b> Battery Tray and Cables 	<b>008-1100</b> Lamps – Front, Rear and Courtesy 	<b>008-1200</b> Wiring-Engine & Related Parts 	<b>008-1300</b> Wiring-Headlamp to Dash 
<b>008-1400</b> Wiring-Instrument Panel 	<b>008-1500</b> Wiring-Body & Accessories 	<b>008-1600</b> Wiring Repair <p style="text-align: center;">WIRING REPAIR PKG.</p>	<b>008-1900</b> Spark Plugs-Cables-Coils 

<b>008-100</b> Starters 	<b>008-200</b> Alternators 	<b>008-400</b> Modules 	<b>008-500</b> Relays 
<b>008-600</b> Sensors 	<b>008-700</b> Single Board Engine Controllers 	<b>008-800</b> Switches 	<b>008-900</b> Horns 





---

**GROUP 8 - Electrical**

Illustration Title	Group-Fig. No.
<b>Starters</b>	
Starters .....	Fig. 008-110
<b>Alternators</b>	
Alternator & Mounting .....	Fig. 008-210
Alternator & Alternator Mounting (EXA) .....	Fig. 008-220
<b>Modules</b>	
Modules .....	Fig. 008-405
<b>Relays</b>	
Power Distribution Center Relays and Fuses .....	Fig. 008-505
Junction Block Relays and Fuses .....	Fig. 008-510
<b>Sensors</b>	
Sensors Engine 4.0L Engine .....	Fig. 008-605
Sensors Engine 4.7L .....	Fig. 008-610
Sensors Engine 3.1L Diesel .....	Fig. 008-615
Sensors Drivetrain .....	Fig. 008-620
Sensors Body .....	Fig. 008-625
<b>Single Board Engine Controllers</b>	
JTEC Modules and Solenoids .....	Fig. 008-710
<b>Switches</b>	
Switches Instrument Panel and Console .....	Fig. 008-805
Switches Drivetrain .....	Fig. 008-810
Switches Body .....	Fig. 008-815
<b>Horns</b>	
Horns .....	Fig. 008-910
<b>Battery Tray and Cables</b>	
Battery Tray & Cables .....	Fig. 008-1010
<b>Lamps - Front, Rear and Courtesy</b>	
Lamp - Front End .....	Fig. 008-1110
Lamp - Rear End .....	Fig. 008-1120
Lamp - Courtesy - Dome - Reading .....	Fig. 008-1130
Bulbs & Sockets .....	Fig. 008-1140
<b>Wiring-Engine &amp; Related Parts</b>	
Wiring - Engine & Related Parts .....	Fig. 008-1210
<b>Wiring-Headlamp to Dash</b>	
Wiring - Headlamp / Dash .....	Fig. 008-1310
<b>Wiring-Instrument Panel</b>	
Wiring - Instrument Panel .....	Fig. 008-1410

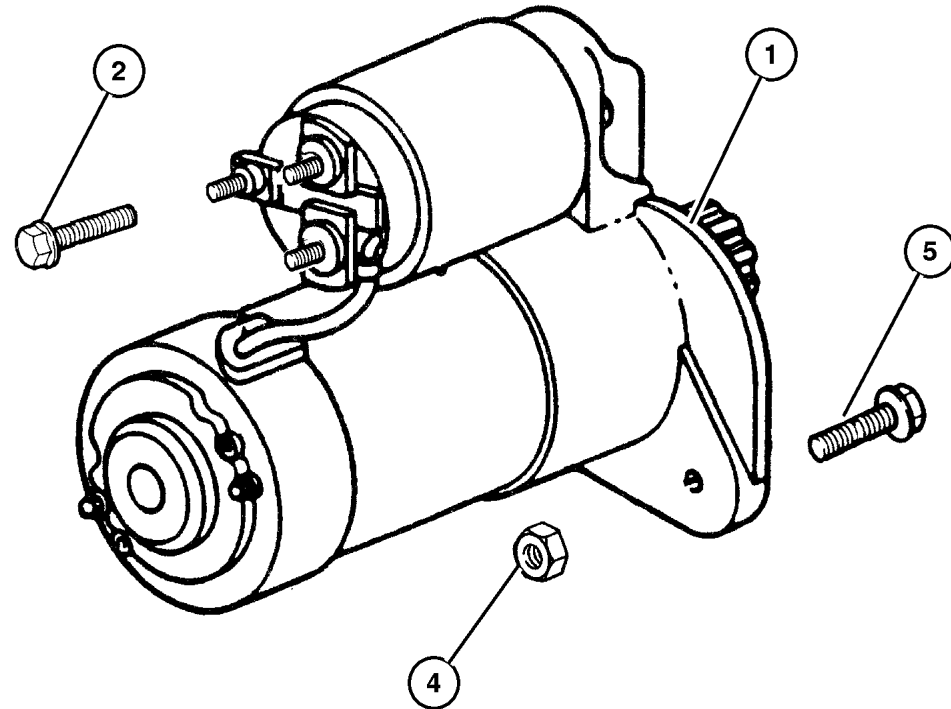
**GROUP 8 - Electrical**

Illustration Title	Group-Fig. No.
<b>Wiring-Body &amp; Accessories</b>	
Wiring - Body & Accessories .....	Fig. 008-1510
<b>Wiring Repair</b>	
Wiring Repair Packages .....	Fig. 008-1605
<b>Spark Plugs-Cables-Coils</b>	
Spark Plugs - Coils .....	Fig. 008-1910



**Starters  
Figure 008-110**

ITEM	PART NUMBER	QTY	LINE	SERIES	BODY	ENGINE	TRANS	DESCRIPTION
Note:								
DG4=Multi-Speed Automatic Transmission 45RFE								
ER0=4.0L Engine								
EVO=4.7L Engine								
EX0=3.0L/3.1L Turbo Diesel Engine								
1								STARTER
	56041 012AB	1				ER0		
	56041 207AB	1				EVO		
	56041 563AA	1				EX0		
2	J400 6192	1				ER0		BOLT AND WASHER, Hex Head, .375-16x1.75
-3	6102 084AA	2				EVO		SCREW
4	6505 245AA	4						NUT, M8x1.25
5								SCREW AND WASHER, Hex Head, M10x1.5x28
	6503 699	1				ER0		
		8				EVO,		
						EX0		
-6	5210 4133	1					DG4	COVER, Transmission Dust, Starter to Transmission



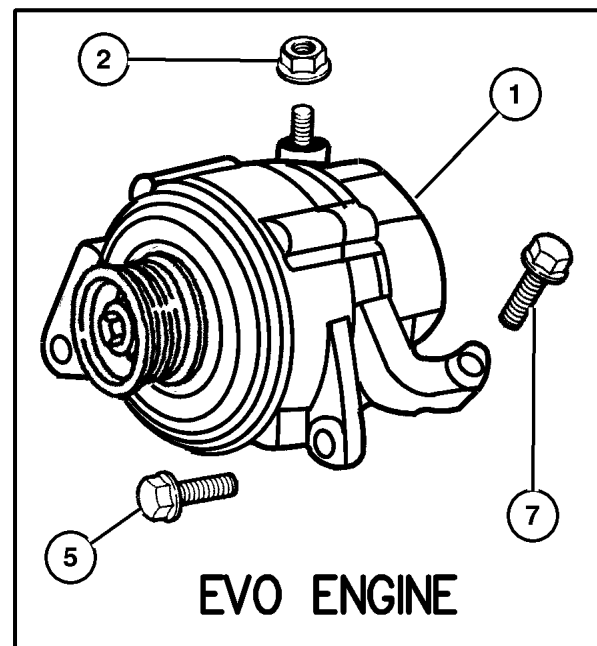
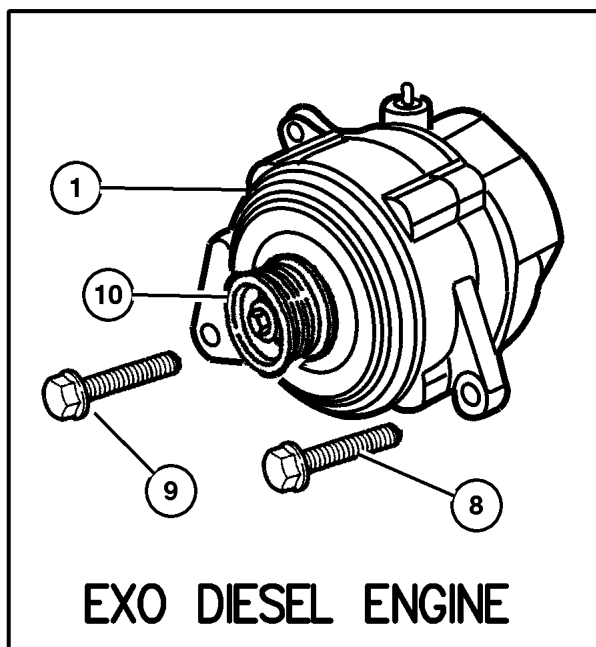
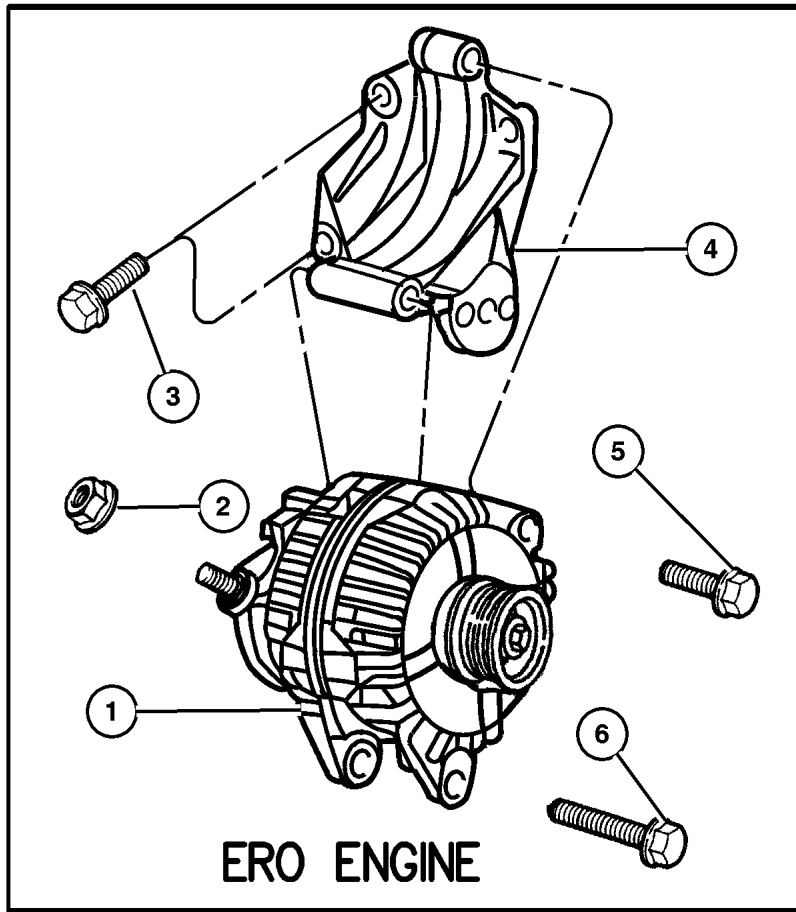
**JEEP GRAND CHEROKEE (WG)**

SERIES	LINE	BODY	ENGINE	TRANSMISSION
H = Laredo	J = 4WD	74 = 4 Door	ER0, ERH = 4.0L, Power Tech	DGK = 4 Speed Autm, 42RE
P = Limited	U = 4WD, RHD		EVO, EVA = 4.7L, Power Tech	DGQ = 5 Speed Automatic
			EXO, EXA = 3.1L 5 Cyl Turbo Diesel	- 5-45RFE
				DGW = 4 Speed Autm, 44RE

AR = Use as required - = Non illustrated part # = New this model year

October 31, 2002

**Alternator & Mounting  
Figure 008-210**



ITEM	PART NUMBER	QTY	LINE	SERIES	BODY	ENGINE	TRANS	DESCRIPTION
ER0=4.0L Engine								
EVO=4.7L Engine								
EX0=3.1L Diesel Engine								
EX0=3.0L/3.1L Turbo Diesel Engine								
DG0=Automatic Transmission								
DGW=44RE 4 Speed Automatic Transmission								
HA0=Air Conditioning								
1								ALTERNATOR
	5015 066AA	1				EX0	DG0	
	#56041 120AC	1				EVO		136 Amp
	#56041 322AB	1				ER0		136 Amp
2	6502 691	1				EX0	DG0	NUT, Hex Flange Lock, M6x1
3								SCREW AND WASHER, Hex
	0154 854AA	4				ER0		
	6505 488AA	1				EVO		
4								BRACKET, Alternator
	4854 026	1				ER0		
	5015 072AA	1				EX0	DG0	
5								SCREW AND WASHER, Hex
	6505 488AA	1				EVO		
		1				ER0		
6	6504 344	1				ER0, EVO		SCREW AND WASHER, Hex Head
7	6505 482AA	1				EVO		SCREW AND WASHER, Hex Head, M8x1.25x50
8	4897 253AA	1				EX0	DG0	BOLT, Hex Flange Head, M10x35
9	5015 067AA	1				EX0	DG0	BOLT, Hex Flange Head
10	#5019 860AA	1				EX0	DG0	PULLEY, Alternator

**JEEP GRAND CHEROKEE (WG)**

SERIES	LINE	BODY	ENGINE	TRANSMISSION
H = Laredo	J = 4WD	74 = 4 Door	ER0, ERH = 4.0L, Power Tech	DGK = 4 Speed Autm, 42RE
P = Limited	U = 4WD, RHD		EVO, EVA = 4.7L, Power Tech	DGQ = 5 Speed Automatic
			EXO, EXA = 3.1L 5 Cyl Turbo Diesel	- 5-45RFE
				DGW = 4 Speed Autm, 44RE

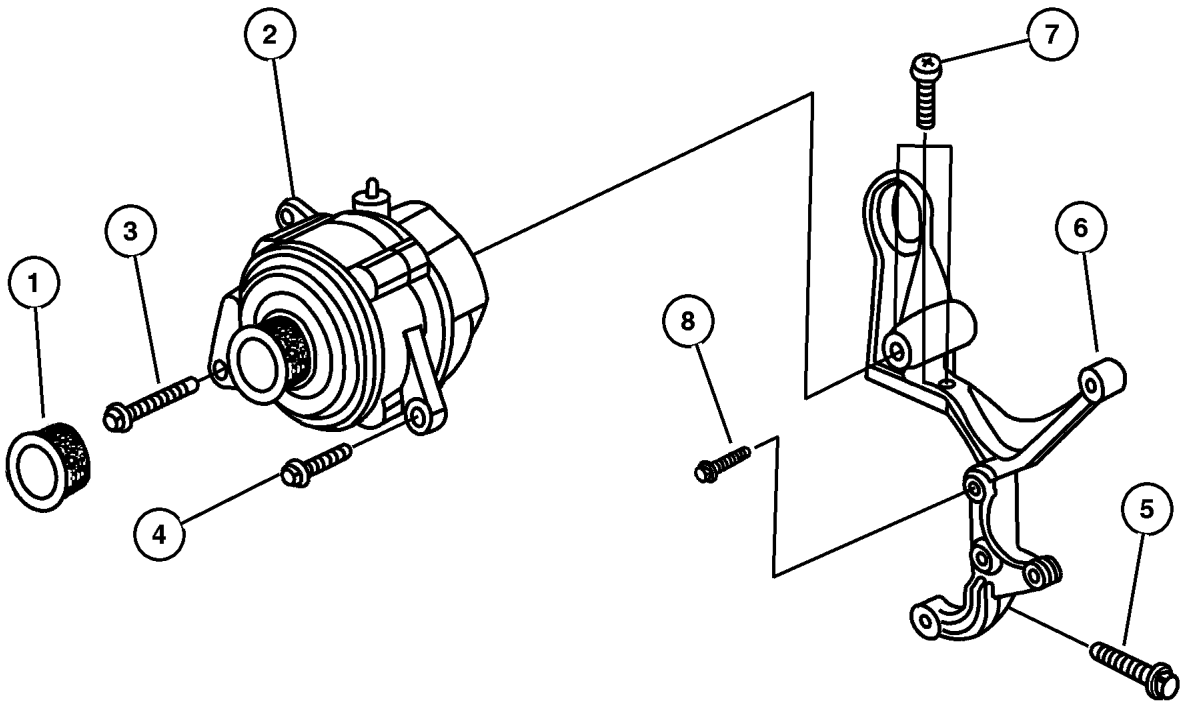
AR = Use as required - = Non illustrated part # = New this model year

October 31, 2002

**Alternator & Alternator Mounting (EXA)**

**Figure 008-220**

ITEM	PART NUMBER	QTY	LINE	SERIES	BODY	ENGINE	TRANS	DESCRIPTION
1	#5019 860AA	1				EX0	DG0	PULLEY, Alternator
2	5015 066AB	1				EX0	DG0	ALTERNATOR
3	5015 067AA	1				EX0	DG0	BOLT, Hex Flange Head
4	4897 253AA	1				EX0	DG0	BOLT, Hex Flange Head, M10x35
5	5015 074AA	1				EX0	DG0	BOLT
6	5015 072AA	1				EX0	DG0	BRACKET, Alternator
7	5015 073AA	3				EX0	DG0	BOLT
8	4864 534	2				EX0	DG0	BOLT, Adaptor Plate




---



---



---



---



---



---



---



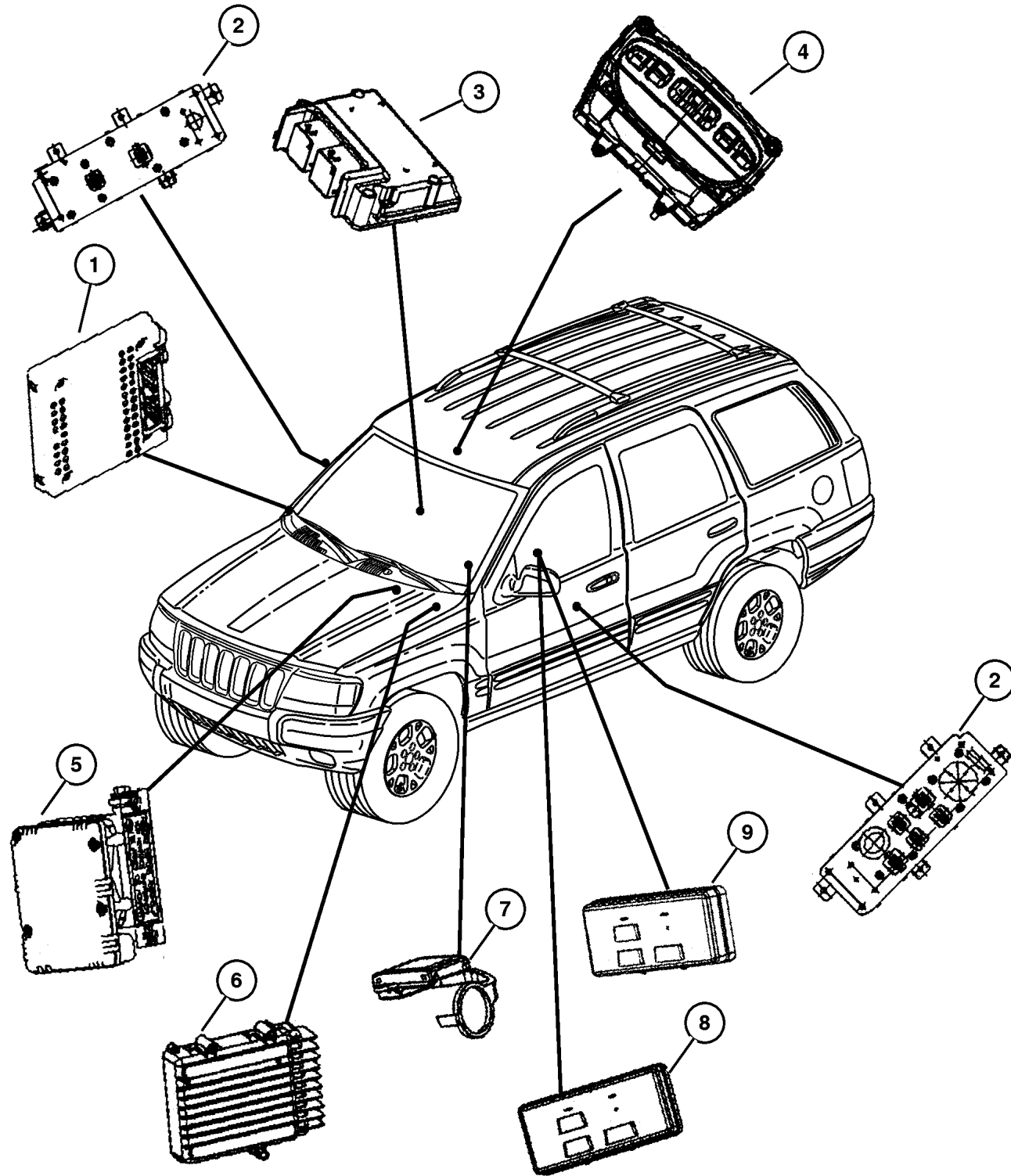
---



---

**JEEP GRAND CHEROKEE (WG)**  
 SERIES LINE BODY ENGINE TRANSMISSION  
 H = Laredo J = 4WD 74 = 4 Door ER0, ERH = 4.0L, Power Tech DGK = 4 Speed Autm, 42RE  
 P = Limited U = 4WD, RHD EV0, EVA = 4.7L, Power Tech DGQ = 5 Speed Automatic  
 EXO, EXA = 3.1L 5 Cyl Turbo Diesel - 5-45RFE  
 DGW = 4 Speed Autm, 44RE

**Modules**  
**Figure 008-405**



ITEM	PART NUMBER	QTY	LINE	SERIES	BODY	ENGINE	TRANS	DESCRIPTION
Notes:								
[EN0]=All 4/5 Cylinder Turbo Engine								
[ER0]=4.0L Engine								
[EV0]=4.7L Engine								
[DGJ]=5 Speed Automatic Transmission								
[DGQ]=5 Speed Automatic Transmission								
1	56042 498AM	1						MODULE, Body Controller
2								SWITCH, Door Module
	#5HB63 DX9AA	1	J	P				Drivers Side
	#5HB65 XT5AA	1	U	H				[T5], Passenger Side,Right Hand Drive
	#5HB66 DX9AA	1	U	P				Drivers Side,Right Hand Drive
		1	U	H				Drivers Side,Right Hand Drive
	#5HB66 XT5AA	1	U	P				[T5], Drivers Side,Right Hand Drive
		1	U	H				[T5], Drivers Side,Right Hand Drive
	#5HB70 DX9AA	1	U	P				Japan, Drivers Side
		1	U	H				Japan, Drivers Side
	#5HB70 XT5AA	1	U	P				[T5] Japan, Drivers Side
		1	U	H				[T5] Japan, Drivers Side
	#5HB73 DX9AA	1	U	P				Passenger Side
	#5HB63 DX9AA	1	J	H				Drivers Side
	#5HB73 DX9AA	1	U	H				Passenger Side
	#5HB73 XT5AA	1	U	H				[T5] Japan, Passenger Side
		1	U	P				[T5] Japan, Passenger Side
	#5HB63 XT5AA	1	J	P				[T5], Drivers Side
	#5HB64 DX9AA	1	J	P				Passenger Side
		1	J	H				Passenger Side
	#5HB64 XT5AA	1	J	P				[T5], Passenger Side
	#5HB65 DX9AA	1	U	P				Passenger Side,Right Hand Drive
		1	U	H				Passenger Side,Right Hand Drive
	#5HB65 XT5AA	1	U	P				[T5], Passenger Side,Right Hand Drive
3	56042 047AC	1						MODULE, Air Bag Control
4								MODULE, Compass Temperature
	#56042 754AA	1	U					
		1	J					
5	56041 022AH	1				ER0, EV0		MODULE, Anti-lock Brakes
6	#56041 504AG	1				EV0	DGQ	MODULE, Transmission Control
7	#4686 665AA	1						MODULE, Immobilizer
8								MODULE, Seat Memory
	#56042 304AG	1	J					
		1	U					
	56042 305AF	1	J					Up to 09/18/00, with Heated Seat

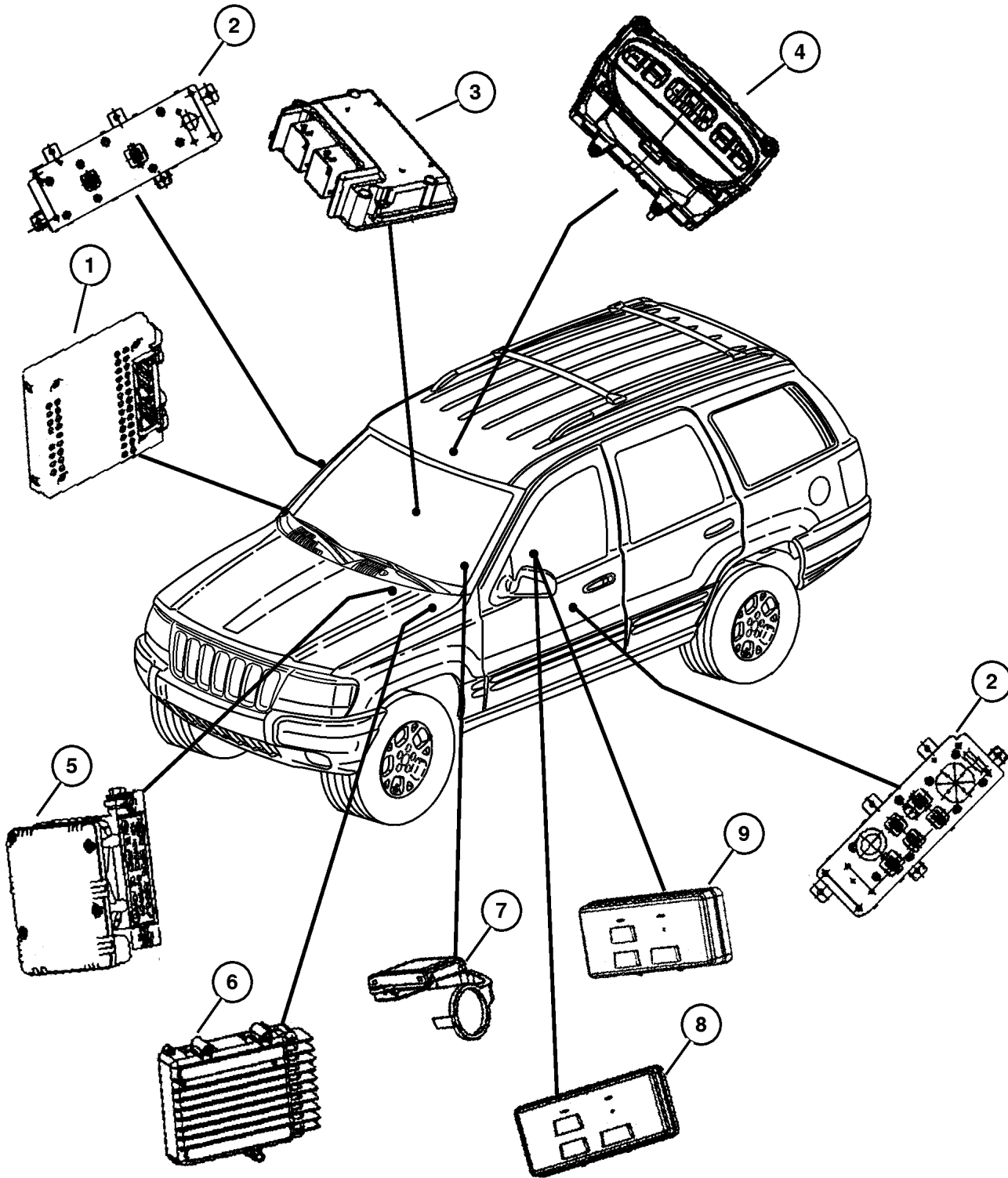
**JEEP GRAND CHEROKEE (WG)**

<b>SERIES</b>	<b>LINE</b>	<b>BODY</b>	<b>ENGINE</b>	<b>TRANSMISSION</b>
H = Laredo	J = 4WD	74 = 4 Door	ER0, ERH = 4.0L, Power Tech	DGK = 4 Speed Autm, 42RE
P = Limited	U = 4WD, RHD		EV0, EVA = 4.7L, Power Tech	DGQ = 5 Speed Automatic
			EXO, EXA = 3.1L 5 Cyl Turbo Diesel	- 5-45RFE
				DGW = 4 Speed Autm, 44RE

AR = Use as required - = Non illustrated part # = New this model year

October 31, 2002

Modules  
Figure 008-405



ITEM	PART NUMBER	QTY	LINE	SERIES	BODY	ENGINE	TRANS	DESCRIPTION
		1	U					Up to 09/18/00, with Heated Seat
	#56050 151AA	1	J					After 09/18/00 , with Heated Seat
9		1	U					After 09/18/00 , with Heated Seat MODULE, Heated Seat Control, (NOT REQUIRED)
-10	4595 746AA	1						LABEL, Air Bag Warning

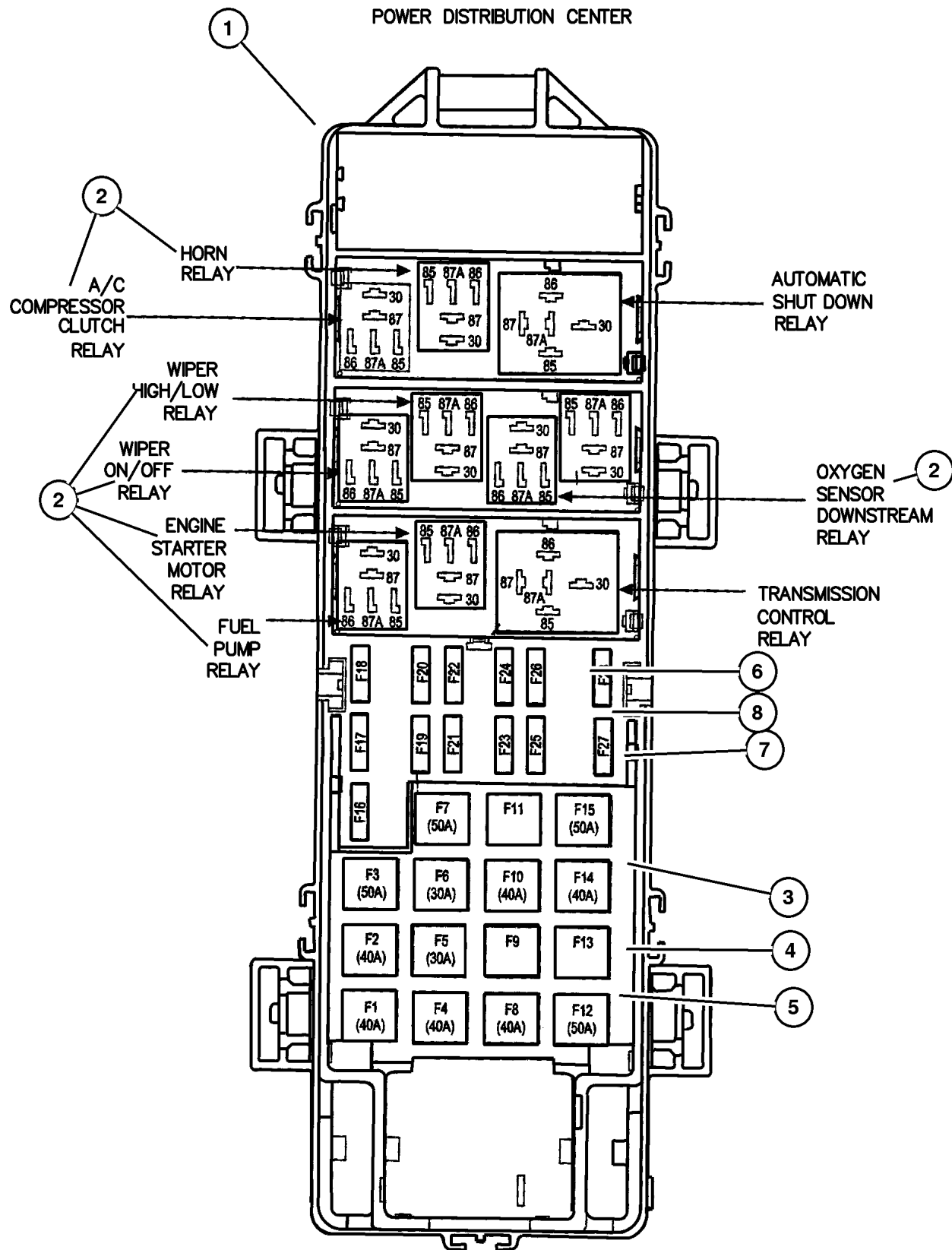
JEEP GRAND CHEROKEE (WG)  
 SERIES LINE BODY ENGINE TRANSMISSION  
 H = Laredo J = 4WD 74 = 4 Door ER0, ERH = 4.0L, Power Tech DGK = 4 Speed Autm, 42RE  
 P = Limited U = 4WD, RHD EV0, EVA = 4.7L, Power Tech DGQ = 5 Speed Automatic  
 EXO, EXA = 3.1L 5 Cyl Turbo Diesel - 5-45RFE  
 DGW = 4 Speed Autm, 44RE

AR = Use as required - = Non illustrated part # = New this model year

October 31, 2002

**Power Distribution Center Relays and Fuses**  
**Figure 008-505**

ITEM	PART NUMBER	QTY	LINE	SERIES	BODY	ENGINE	TRANS	DESCRIPTION
1								POWER DISTRIBUTION CENTER, see Headlamp to Dash Wiring, (NOT SERVICED) (Not Serviced)
2	4671 168	8	J			ER0		RELAY, Mini
		8	U			ER0		
3	6102 076AA	2	J			ER0		FUSE CARTRIDGE, 30 Amp
		2	U			ER0		
4	6102 077AA	6	J			ER0		FUSE CARTRIDGE, 40 Amp
		6	U			ER0		
5	6102 078AA	3	J			ER0		FUSE CARTRIDGE, 50 Amp
		3	U			ER0		
6	00AT M10	2	U					FUSE, Mini, 10 AMP, Red
		2	J					
7	00AT M15	1	J					FUSE, Mini, 15 AMP, Light Blue
		1	U					
8	00AT M20	1	J					FUSE, Mini, 20 AMP, Yellow
		1	U					



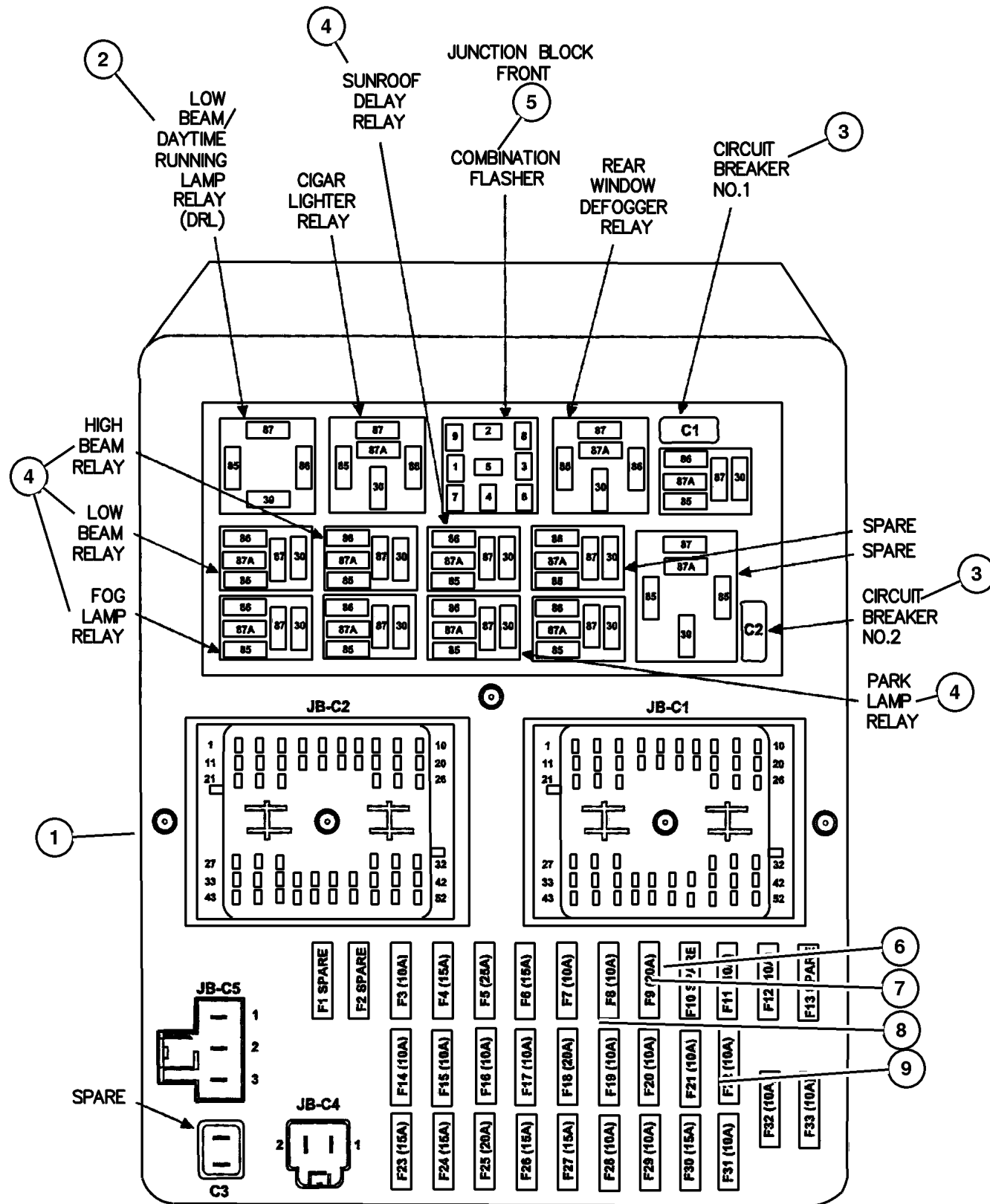
**JEEP GRAND CHEROKEE (WG)**

<b>SERIES</b>	<b>LINE</b>	<b>BODY</b>	<b>ENGINE</b>	<b>TRANSMISSION</b>
H = Laredo	J = 4WD	74 = 4 Door	ER0, ERH = 4.0L, Power Tech	DGK = 4 Speed Autm, 42RE
P = Limited	U = 4WD, RHD		EVO, EVA = 4.7L, Power Tech	DGQ = 5 Speed Automatic
			EXO, EXA = 3.1L 5 Cyl Turbo Diesel	- 5-45RFE
				DGW = 4 Speed Autm, 44RE

AR = Use as required - = Non illustrated part # = New this model year

October 31, 2002

Junction Block Relays and Fuses  
Figure 008-510



ITEM	PART NUMBER	QTY	LINE	SERIES	BODY	ENGINE	TRANS	DESCRIPTION
1	#5018 536AA	1						JUNCTION BLOCK, Relay
2								RELAY, (NOT REQUIRED)
3	4604 235	2						BREAKER, Circuit
4	56042 677AA	1						RELAY, Mini, Foglamp, Headlamp High and Low Beam, Park Lamp, Sunroof
5	4686 130	1						FLASHER
6								FUSE, Mini, 10 AMP, Red
	00AT M10	2	U					
		2	J					
7								FUSE, Mini, 15 AMP, Light Blue
	00AT M15	1	J					
		1	U					
8								FUSE, Mini, 20 AMP, Yellow
	00AT M20	1	J					
		1	U					
9								FUSE, Mini, 25 Amp, Natural
	4687 835	1	U					
		1	J					
-10	4707 286AF	1						RELAY, Radiator Fan

JEEP GRAND CHEROKEE (WG)

SERIES	LINE	BODY	ENGINE	TRANSMISSION
H = Laredo	J = 4WD	74 = 4 Door	ER0, ERH = 4.0L, Power Tech	DGK = 4 Speed Autm, 42RE
P = Limited	U = 4WD, RHD		EVO, EVA = 4.7L, Power Tech	DGQ = 5 Speed Automatic
			EXO, EXA = 3.1L 5 Cyl Turbo Diesel	- 5-45RFE
				DGW = 4 Speed Autm, 44RE

AR = Use as required - = Non illustrated part # = New this model year

October 31, 2002



Sensors Engine 4.0L Engine  
Figure 008-605

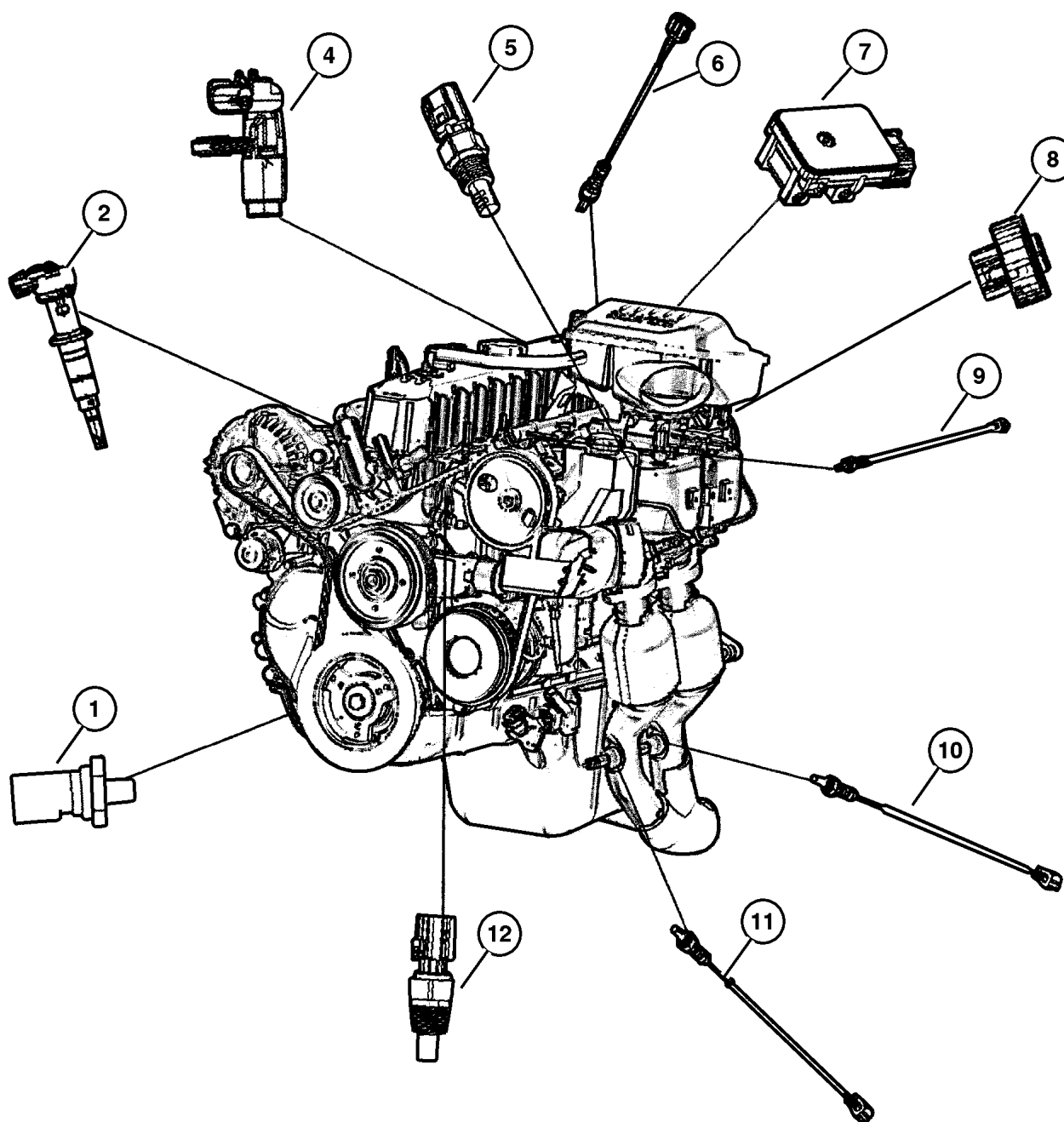
ITEM	PART NUMBER	QTY	LINE	SERIES	BODY	ENGINE	TRANS	DESCRIPTION
------	-------------	-----	------	--------	------	--------	-------	-------------

Notes:

[ER0]=All 4.0L Engine

[DG0]=All Automatic Transmissions

1	56028 807AA	1				ER0		SENDING UNIT, Oil Pressure
2	4897 023AA	1				ER0		SENSOR, Camshaft
-3	5083 881AA	1				ER0		DRIVE, OIL PUMP
4	4897 321AA	1				ER0	DG0	SENSOR PACKAGE, Crankshaft Position
5	5602 7872	1				ER0		SENSOR, Air Temperature
6	#56041 887AA	1				ER0		SENSOR, Oxygen, Before Catalyst
7	5602 9405	1				ER0		SENSOR, Map
8	4874 371AC	1				ER0		SENSOR, Throttle Position
9								SENSOR, Oxygen, (NOT REQUIRED)
10	#56041 953AA	1				ER0		SENSOR, Oxygen, After Catalyst
11								SENSOR, Oxygen, (NOT REQUIRED)
12	5602 7873	1				ER0		SENSOR, Coolant Temperature



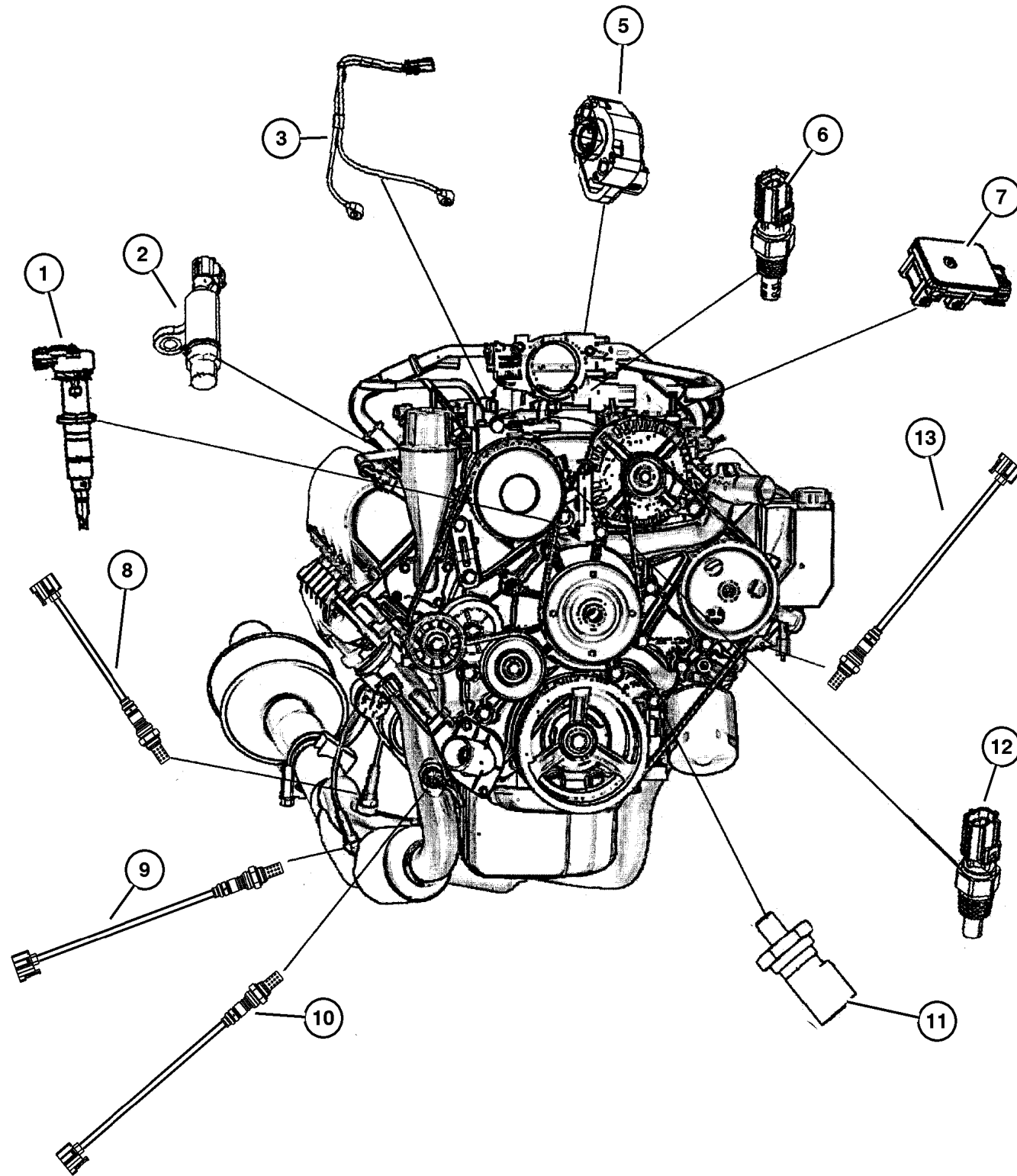
JEEP GRAND CHEROKEE (WG)

SERIES	LINE	BODY	ENGINE	TRANSMISSION
H = Laredo	J = 4WD	74 = 4 Door	ER0, ERH = 4.0L, Power Tech	DGK = 4 Speed Autm, 42RE
P = Limited	U = 4WD, RHD		EVO, EVA = 4.7L, Power Tech	DGQ = 5 Speed Automatic
			EXO, EXA = 3.1L 5 Cyl Turbo Diesel	- 5-45RFE
				DGW = 4 Speed Autm, 44RE

AR = Use as required - = Non illustrated part # = New this model year

October 31, 2002

Sensors Engine 4.7L  
Figure 008-610

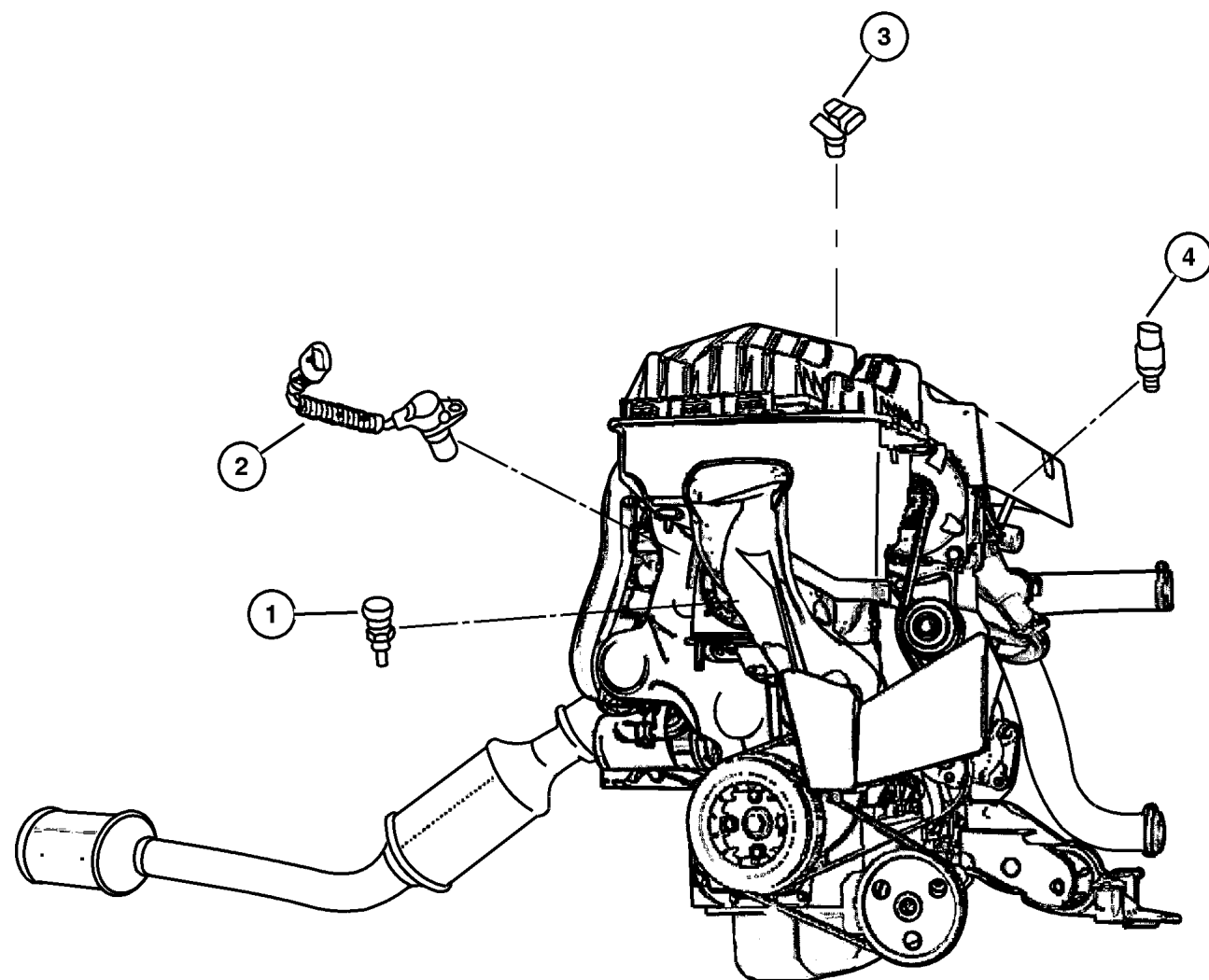


ITEM	PART NUMBER	QTY	LINE	SERIES	BODY	ENGINE	TRANS	DESCRIPTION
Notes:								
[EV0] = All 4.7L Gas Engine								
[EVC] = 4.7L Power Tech HO V8								
1	56028 133AD	1				EV0		SENSOR, Camshaft
2	56028 136AC	1				EV0		SENSOR, Crankshaft Position
3								SENSOR, Knock, (NOT REQUIRED)
-4								BRACKET, Knock Sensor, (NOT REQUIRED)
5	4882 219	1				EV0		SENSOR, Throttle Position
6	#56028 364AA	1				EV0		SENSOR, Air Temperature
7	5604 1018	1				EV0		SENSOR, Map
8	#56041 345AE	1				EV0		SENSOR, Oxygen, After Catalyst Left
9	#56041 731AA	1				EV0		SENSOR, Oxygen, After Catalyst Right
10	#56041 941AA	1				EV0		SENSOR, Oxygen, Before Catalyst Right
11	56028 807AA	1				EV0		SENDING UNIT, Oil Pressure
12	5602 7873	1				EV0		SENSOR, Coolant Temperature
13	#56041 942AA	1				EV0		SENSOR, Oxygen, Before Catalyst Left
-14								BRACKET, Oxygen Sensor
	56041 434AA	1				EV0		Front
	#56041 478AB	1				EV0		

JEEP GRAND CHEROKEE (WG)  
 SERIES LINE BODY ENGINE TRANSMISSION  
 H = Laredo J = 4WD 74 = 4 Door ER0, ERH = 4.0L, Power Tech DGK = 4 Speed Autm, 42RE  
 P = Limited U = 4WD, RHD EV0, EVA = 4.7L, Power Tech DGQ = 5 Speed Automatic  
 EXO, EXA = 3.1L 5 Cyl Turbo Diesel - 5-45RFE  
 DGW = 4 Speed Autm, 44RE

**Sensors Engine 3.1L Diesel  
Figure 008-615**

ITEM	PART NUMBER	QTY	LINE	SERIES	BODY	ENGINE	TRANS	DESCRIPTION
1	5014 067AA	2				EX0	DG0	SENSOR, Temperature Sending Unit
2	56041 080AB	1				EX0		SENSOR, Engine Speed
3	5003 734AA	1				EX0	DG0	SENSOR, Air Temperature
4	56028 807AA	1				EX0		SENDING UNIT, Oil Pressure

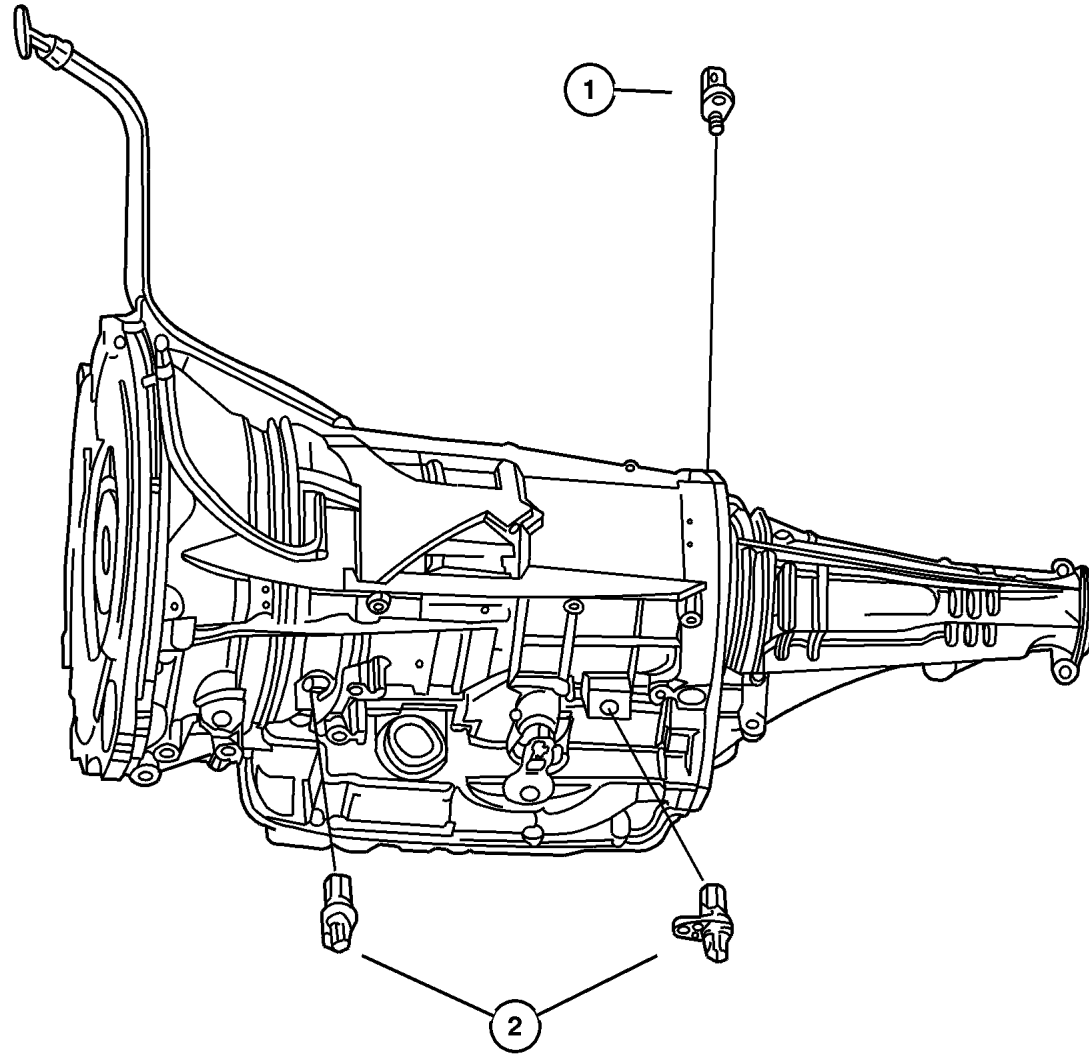


<b>JEEP GRAND CHEROKEE (WG)</b>				
SERIES	LINE	BODY	ENGINE	TRANSMISSION
H = Laredo	J = 4WD	74 = 4 Door	ER0, ERH = 4.0L, Power Tech	DGK = 4 Speed Autm, 42RE
P = Limited	U = 4WD, RHD		EVO, EVA = 4.7L, Power Tech	DGQ = 5 Speed Automatic
			EXO, EXA = 3.1L 5 Cyl Turbo Diesel	- 5-45RFE
				DGW = 4 Speed Autm, 44RE

AR = Use as required - = Non illustrated part # = New this model year

October 31, 2002

Sensors Drivetrain  
Figure 008-620



ITEM	PART NUMBER	QTY	LINE	SERIES	BODY	ENGINE	TRANS	DESCRIPTION
------	-------------	-----	------	--------	------	--------	-------	-------------

Notes:

[DGK]=4 Speed Automatic Transmission

[DGQ]=5 Speed Automatic Transmission

1	4799 758	1					DG4	TRANSDUCER, Pressure Sensor
		1					DGQ	
2	4412 879	1					DGK	SENSOR, Transmission Output Speed
		1					DGW	
	4799 061	2					DG4	Input/Output
		2					DGQ	Input/Output

JEEP GRAND CHEROKEE (WG)

SERIES	LINE	BODY	ENGINE	TRANSMISSION
H = Laredo	J = 4WD	74 = 4 Door	ER0, ERH = 4.0L, Power Tech	DGK = 4 Speed Autm, 42RE
P = Limited	U = 4WD, RHD		EVO, EVA = 4.7L, Power Tech	DGQ = 5 Speed Automatic
			EXO, EXA = 3.1L 5 Cyl Turbo Diesel	- 5-45RFE
				DGW = 4 Speed Autm, 44RE

AR = Use as required - = Non illustrated part # = New this model year

October 31, 2002

## Sensors Body Figure 008-625

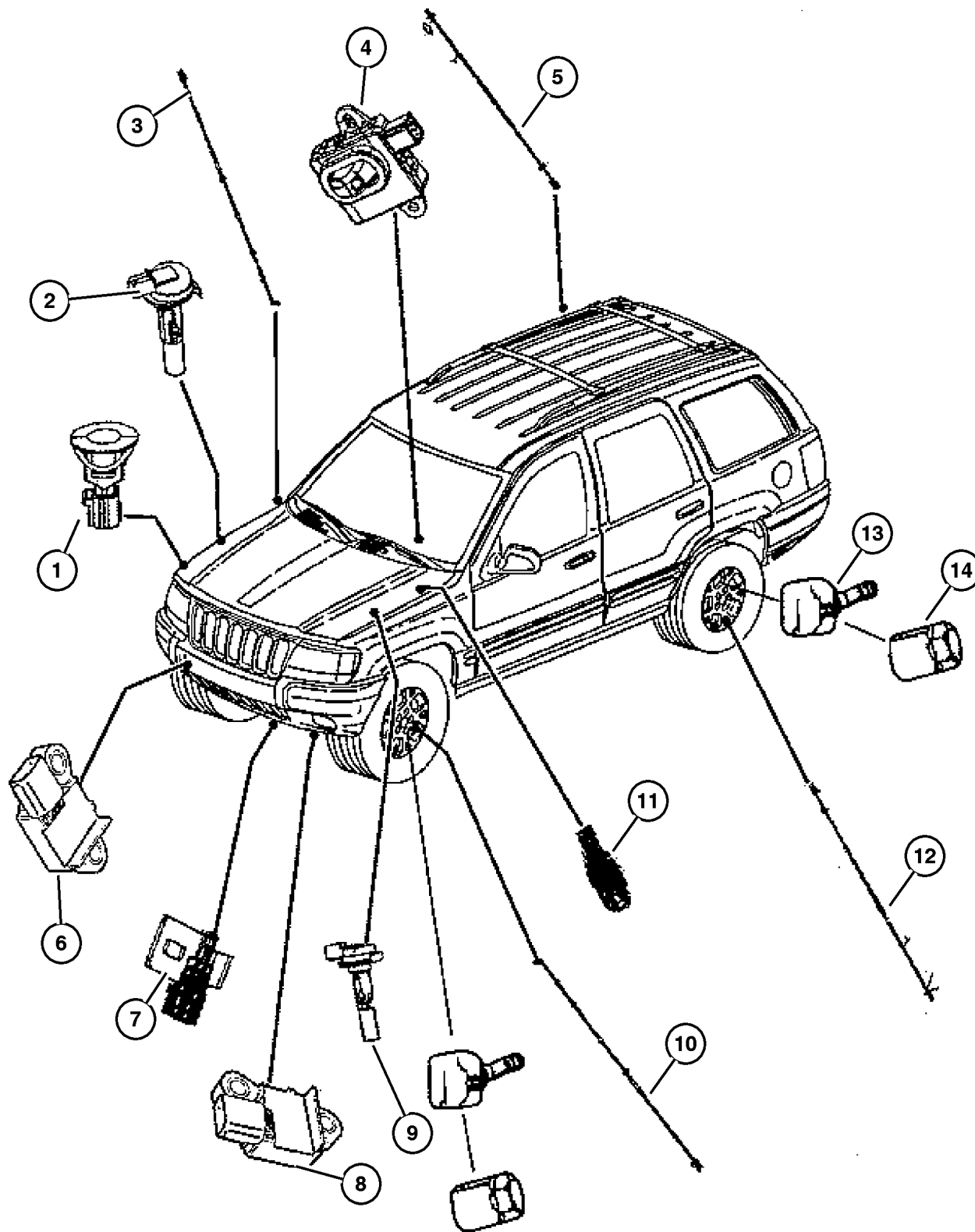
ITEM	PART NUMBER	QTY	LINE	SERIES	BODY	ENGINE	TRANS	DESCRIPTION
------	-------------	-----	------	--------	------	--------	-------	-------------

**Notes:**

[ER0] = 4.0L Engine

[EV0] = 4.7L Engine

1	5604 1053	1				EX0		SENSOR, Battery Temperature
2								SENSOR, Coolant Level
	5207 9468	1				EV0		
		1				ER0		
3								SENSOR, Wheel Speed
	56041 316AB	1	J					
		1	U					
4	56042 584AA	1						SENSOR, Headlamp
5	56041 308AA	1				ER0, EV0		SENSOR, Wheel Speed
6								SENSOR, Air Bag, (NOT REQUIRED)
7								SENSOR, Ambient Temperature
	5604 2395	1	U	P				
		1	J	P				
		1	U	H				
		1	J	H				
8								SENSOR, Air Bag, (NOT REQUIRED)
9	4882 797	1						SENSOR, Washer Fluid Level
10								SENSOR, Wheel Speed
	56041 317AB	1	J					
		1	U					
11	5013 903AA	1						SENSOR, Brake Fluid Level
12	56041 308AA	1				ER0, EV0		SENSOR, Wheel Speed
13								SENSOR, Tire Pressure, valve stem, (NOT REQUIRED)
14								NUT, (NOT REQUIRED)



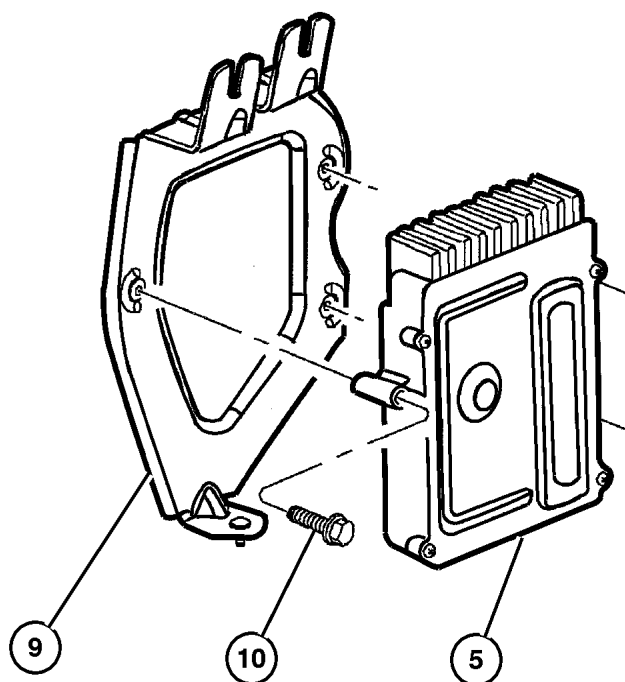
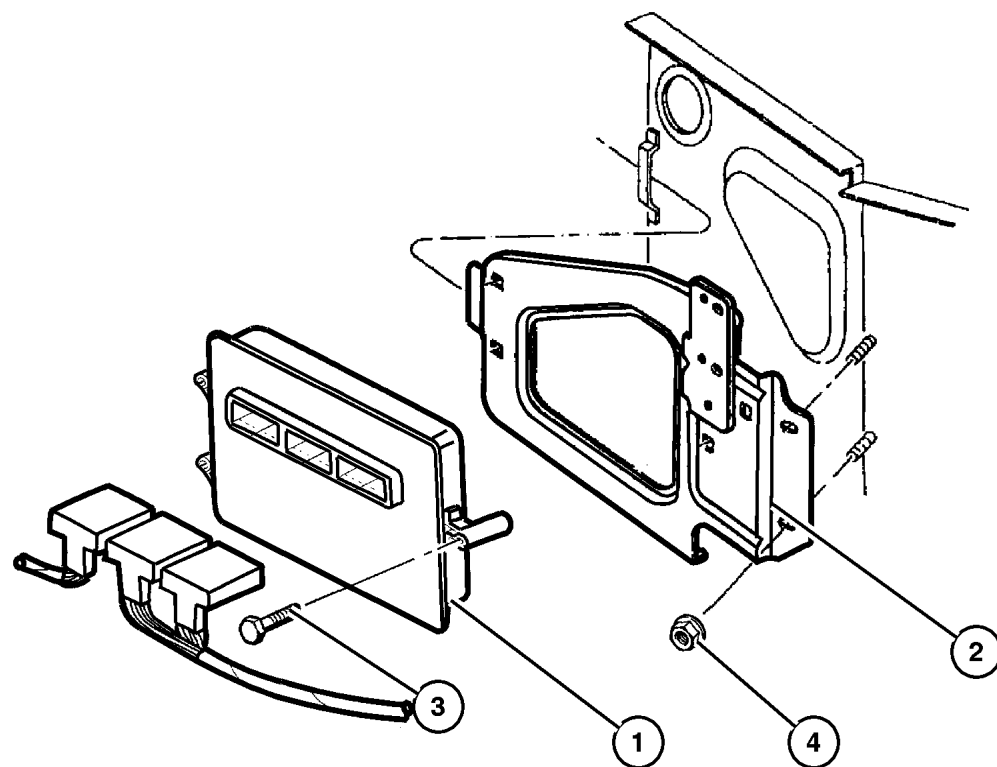
**JEEP GRAND CHEROKEE (WG)**

SERIES	LINE	BODY	ENGINE	TRANSMISSION
H = Laredo	J = 4WD	74 = 4 Door	ER0, ERH = 4.0L, Power Tech	DGK = 4 Speed Autm, 42RE
P = Limited	U = 4WD, RHD		EV0, EVA = 4.7L, Power Tech	DGQ = 5 Speed Automatic
			EXO, EXA = 3.1L 5 Cyl Turbo Diesel	- 5-45RFE
				DGW = 4 Speed Autm, 44RE

AR = Use as required - = Non illustrated part # = New this model year

October 31, 2002

**JTEC Modules and Solenoids**  
**Figure 008-710**



ITEM	PART NUMBER	QTY	LINE	SERIES	BODY	ENGINE	TRANS	DESCRIPTION
Note:								
DGK = 4 Speed Automatic Transmission 42RE								
DGQ = 5 Speed Automatic Transmission 5-45RFE								
DGW = 4 Speed Automatic Transmission 44RE								
DG0 = All Automatic Transmissions								
ER0 = All 4.0L 6 Cyl Gas Engin								
EVA = 4.7L Power Tech V8 Engine								
EVO = All 4.7L Gas Engines								
EX0 = All 3.0/3.1L Turbo Diesel Engines								
1								MODULE, Powertrain Control
	56041 642AD	1				EX0	DG0	
	#56041 787AA	1				ER0	DG0	Leaded Fuel Emissions
	#56041 896AA	1				EVO	DG0	Leaded Fuel Emissions
	#56041 895AF	1				EVO	DG0	European III Emissions
	#56041 785AA	1				ER0	DG0	European III Emissions
2								BRACKET, Control Unit
	56028 139AB	1	J			ER0,	DG0	
						EVO		
	#56028 140AB	1	U			ER0,	DG0	
						EVO		
						EX0	DG0	
3	6035 884	3						SCREW
4	6503 102	2						NUT AND WASHER, Hex Nut-Coned Washer, M6 x 1.00
5	#56041 504AE	1				EVO	DGQ	MODULE, Transmission Control
-6	#4799 934AD	1					DGQ	SOLENOID, Transmission
-7								SOLENOID, Transmission Governor
	4617 210	1					DGK	
							DGW	
-8								SOLENOID, Transmission Overdrive
	52118 500AB	1					DGK	
							DGW	
9	5604 1045	1	J				DGQ	BRACKET, Control Unit
10	6035 884	3						SCREW
-11	6503 825	3						NUT AND WASHER, Hex Nut-Coned Washer, M6 x 1.00
-12	6100 515	4				EX0		NUT, Hex Flange Lock, M5
-13	6503 846	2				EX0	DG0	STUD, Single Ended, Knurled, Pilot Point, M6x1.00x20.00
-14	#56044 590AA	1	J			EX0		MODULE, Engine Controller
-15	5604 1070	1				EX0	DG0	BRACKET, Control Unit

**JEEP GRAND CHEROKEE (WG)**

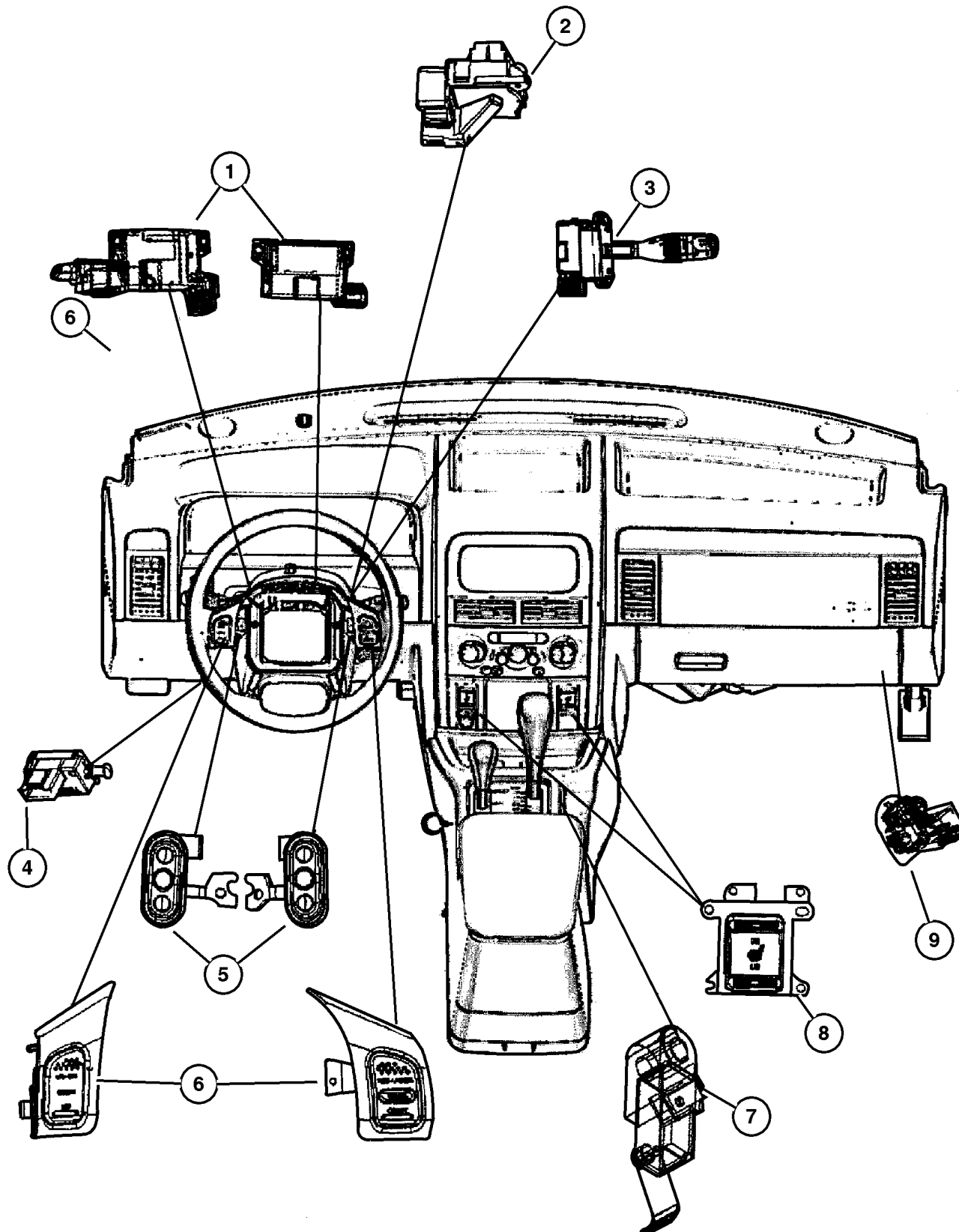
SERIES	LINE	BODY	ENGINE	TRANSMISSION
H = Laredo	J = 4WD	74 = 4 Door	ER0, ERH = 4.0L, Power Tech	DGK = 4 Speed Autm, 42RE
P = Limited	U = 4WD, RHD		EVO, EVA = 4.7L, Power Tech	DGQ = 5 Speed Automatic
			EX0, EXA = 3.1L 5 Cyl Turbo Diesel	- 5-45RFE
				DGW = 4 Speed Autm, 44RE

AR = Use as required - = Non illustrated part # = New this model year

October 31, 2002

### Switches Instrument Panel and Console Figure 008-805

ITEM	PART NUMBER	QTY	LINE	SERIES	BODY	ENGINE	TRANS	DESCRIPTION
1								SWITCH, Multifunction
	56042 303AD	1						Right
	#56042 433AI	1						Left
	#56042 434AI	1						With Fog Lamps, Left
2	56042 476AC	1						SWITCH, Ignition
3								SWITCH, Wiper and Washer, Serviced in Multifunction Switch, (NOT SERVICED) (Not Serviced)
4	4671 336	1						SWITCH, Stop Lamp
5								SWITCH, Remote Radio
	56042 312AB	1		P				Right
		1		H				Right
	56042 313AB	1		H				Left
		1		P				Left
6								SWITCH, Speed Control
	56042 310AC	1						Right
	56042 311AC	1						Left
7	5212 7960	1						SWITCH, Parking Brake
8								SWITCH, Heated Seat
	56033 017AB	1		P				Right
	56033 019AB	1		P				Left
9	4565 022	1						SWITCH AND LAMP, Glove Box



**JEEP GRAND CHEROKEE (WG)**  
 SERIES LINE BODY ENGINE TRANSMISSION  
 H = Laredo J = 4WD 74 = 4 Door ER0, ERH = 4.0L, Power Tech DGK = 4 Speed Autm, 42RE  
 P = Limited U = 4WD, RHD EVO, EVA = 4.7L, Power Tech DGQ = 5 Speed Automatic  
 EXO, EXA = 3.1L 5 Cyl Turbo Diesel - 5-45RFE  
 DGW = 4 Speed Autm, 44RE

Switches Drivetrain  
Figure 008-810

ITEM	PART NUMBER	QTY	LINE	SERIES	BODY	ENGINE	TRANS	DESCRIPTION
------	-------------	-----	------	--------	------	--------	-------	-------------

Notes:

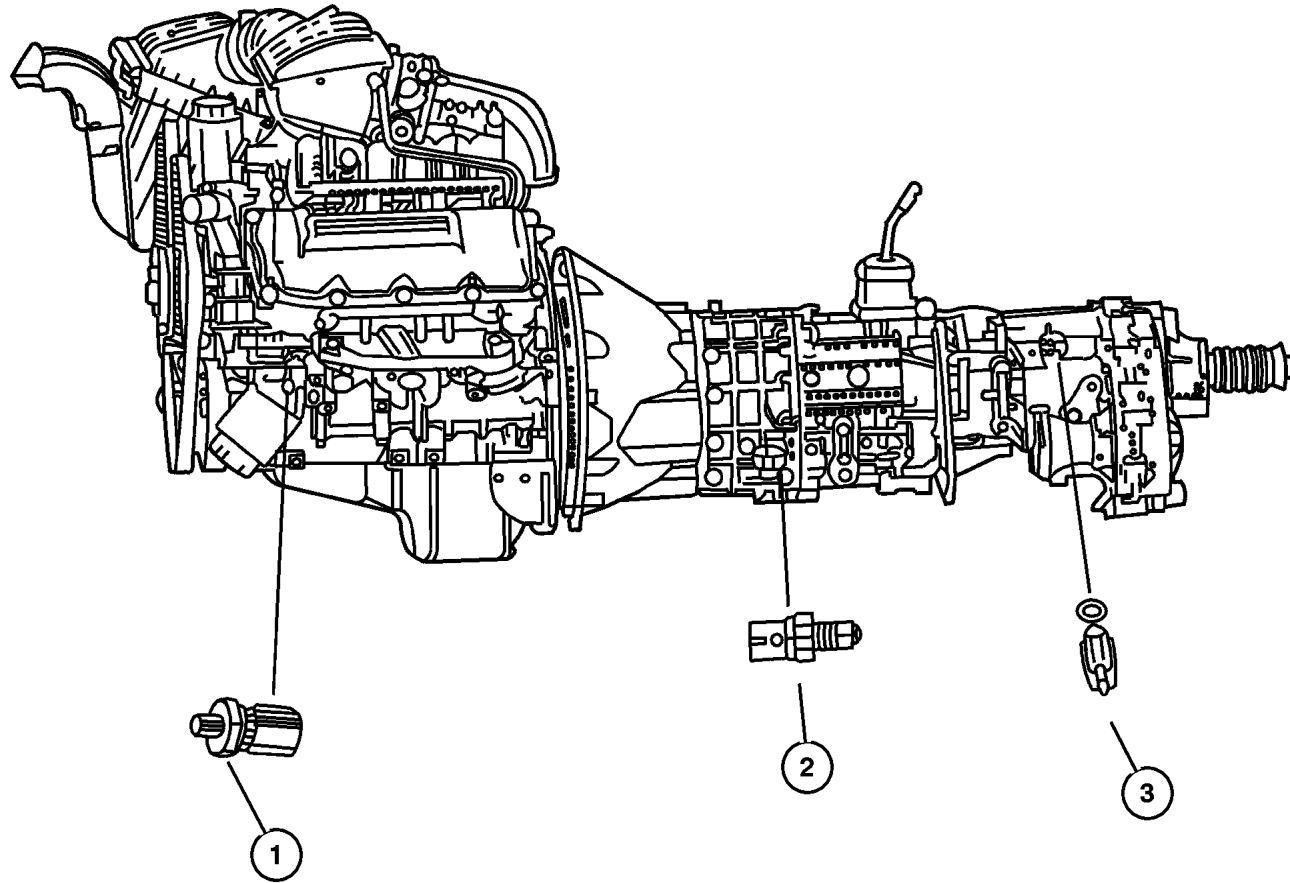
[EN0] = All 4/5 Cylinder Turbo Diesel Engine

[ER0] = All 4.0L 6 Cylinder Gas Engine

[EV0] = All 4.7L Gas Engine

[DGK] = 4 Speed Automatic Transmission

1	56028 807AA	1				ER0 EV0 EX0		SENDING UNIT, Oil Pressure
2	3747 361	1					DGK	SWITCH, Neutral, Safety, Back Up
3								SWITCH, Transfer Case Mode, (NOT REQUIRED)



JEEP GRAND CHEROKEE (WG)

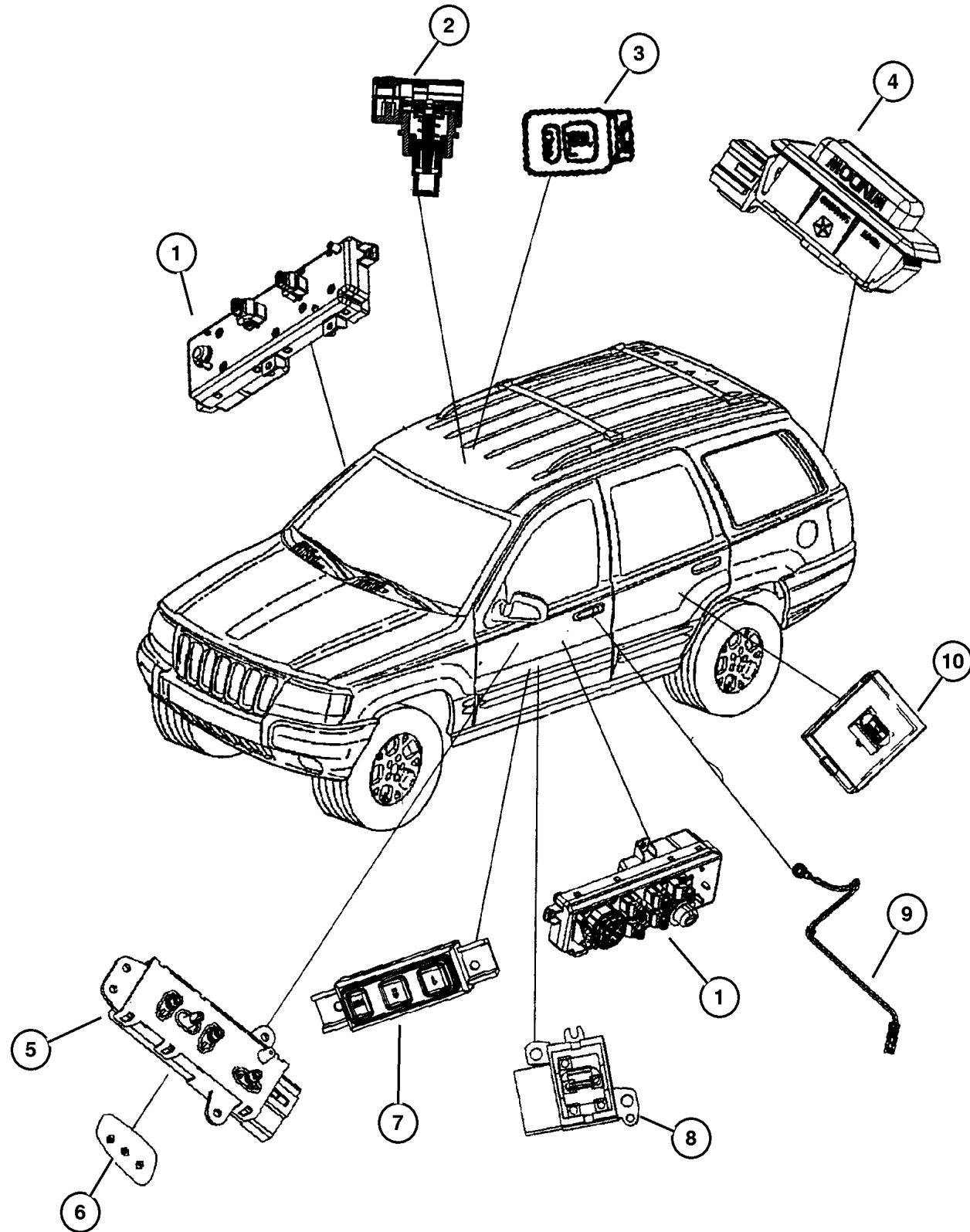
SERIES	LINE	BODY	ENGINE	TRANSMISSION
H = Laredo	J = 4WD	74 = 4 Door	ER0, ERH = 4.0L, Power Tech	DGK = 4 Speed Autm, 42RE
P = Limited	U = 4WD, RHD		EV0, EVA = 4.7L, Power Tech	DGQ = 5 Speed Automatic
			EXO, EXA = 3.1L 5 Cyl Turbo Diesel	- 5-45RFE
				DGW = 4 Speed Autm, 44RE

AR = Use as required - = Non illustrated part # = New this model year

October 31, 2002



Switches Body  
Figure 008-815



ITEM	PART NUMBER	QTY	LINE	SERIES	BODY	ENGINE	TRANS	DESCRIPTION
1								SWITCH, Door Module
	#5HB63 DX9AA	1	J	P				Black, Drivers Side
	#5HB65 DX9AA	1	U	H				Black, Passenger Side
	#5HB65 XT5AA	1	U	P				[T5], Passenger Side
		1	U	H				[T5], Passenger Side
	#5HB66 DX9AA	1	U	P				Drivers Side
		1	U	H				Drivers Side
	#5HB66 XT5AA	1	U	P				[T5], Drivers Side
		1	U	H				[T5], Drivers Side
	#5HB70 DX9AA	1	U	P				Japan, Drivers Side
		1	U	H				Japan, Drivers Side
	#5HB70 XT5AA	1	U	P				[T5] Japan, Drivers Side
	#5HB63 DX9AA	1	J	H				Black, Drivers Side
	#5HB70 XT5AA	1	U	H				[T5] Japan, Drivers Side
	#5HB73 DX9AA	1	U	P				Japan, Passenger Side
	#5HB73 XT5AA	1	U	P				[T5] Japan, Passenger Side
		1	U	H				[T5] Japan, Passenger Side
	#5HB73 DX9AA	1	U	H				Japan, Passenger Side
	#5HB63 XT5AA	1	J	P				[T5], Drivers Side
		1	J	H				[T5], Drivers Side
	#5HB64 DX9AA	1	J	P				Passenger Side
		1	J	H				Passenger Side
	#5HB64 XT5AA	1	J	P				[T5], Passenger Side
		1	J	H				[T5], Passenger Side
	#5HB65 DX9AA	1	U	P				Black, Passenger Side
2	4685 445	1	U					SWITCH, Reading Lamp
3								SWITCH, 1 Gang
	5604 2064	1	J					
		1	U					
4								SWITCH, Flipper Window
	56042 450AB	1		P				
		1		H				
5								SWITCH, Seat
	4373 666	2	J					
		2	U					
	4601 756AB	1	J					With Heated Seats, Right
		1	U					With Heated Seats, Right
	4601 757AB	1	J					With Heated Seats, Left
		1	U					With Heated Seats, Left
6								KNOB, Power Seat Switch
	4607 042	1	J					Right
		1	U					Right

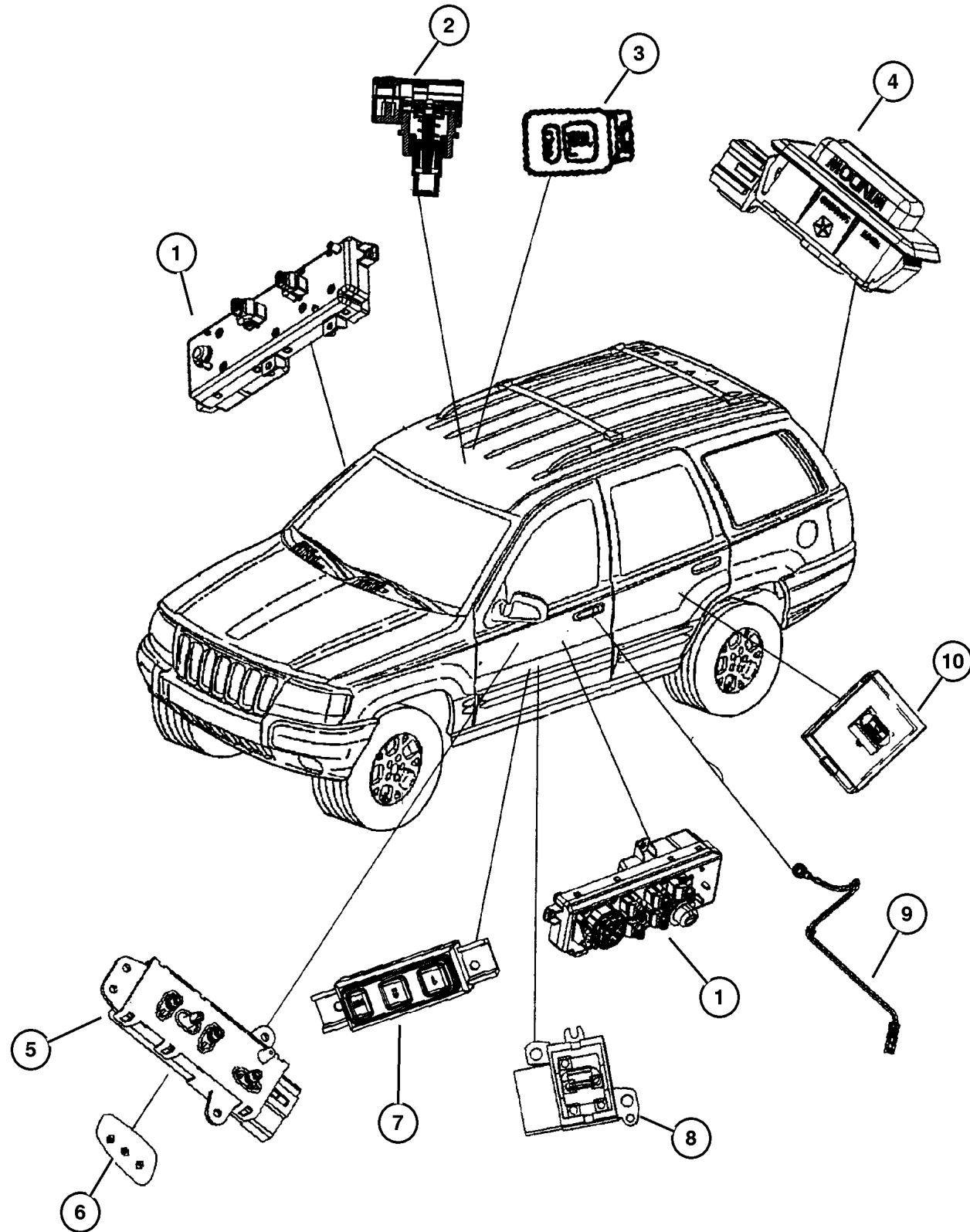
JEEP GRAND CHEROKEE (WG)

SERIES	LINE	BODY	ENGINE	TRANSMISSION
H = Laredo	J = 4WD	74 = 4 Door	ER0, ERH = 4.0L, Power Tech	DGK = 4 Speed Autm, 42RE
P = Limited	U = 4WD, RHD		EVO, EVA = 4.7L, Power Tech	DGQ = 5 Speed Automatic
			EXO, EXA = 3.1L 5 Cyl Turbo Diesel	- 5-45RFE
				DGW = 4 Speed Autm, 44RE

AR = Use as required - = Non illustrated part # = New this model year

October 31, 2002

# Switches Body Figure 008-815

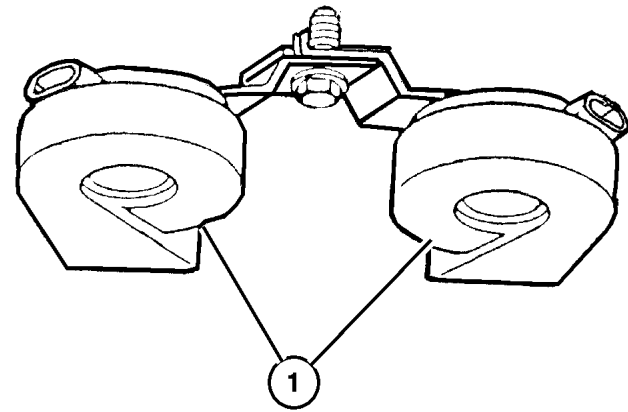


ITEM	PART NUMBER	QTY	LINE	SERIES	BODY	ENGINE	TRANS	DESCRIPTION
	4607 043	1	J					Left
		1	U					Left
	4607 044	1	U					Recliner, Right
		1	J					Recliner, Right
	4607 045	1	J					Recliner, Left
		1	U					Recliner, Left
7								SWITCH, Memory Selector
	56042 291AB	1	J	P				
	56042 292AB	1	U	P				
8								SWITCH
	5604 2387	2	J					Lumbar Control
		2	U					Lumbar Control
9								SWITCH, Security Alarm
	55136 557AA	1	U					
		1	J					
10								SWITCH, Power Window
	5519 6424	1		H				Right or Left
	#5HB57 DX9AA	1		P				Black, Right or Left
	#5HB57 XT5AA	1		P				[T5], Right or Left

**JEEP GRAND CHEROKEE (WG)**  
 SERIES LINE BODY ENGINE TRANSMISSION  
 H = Laredo J = 4WD 74 = 4 Door ER0, ERH = 4.0L, Power Tech DGK = 4 Speed Autm, 42RE  
 P = Limited U = 4WD, RHD EVO, EVA = 4.7L, Power Tech DGQ = 5 Speed Automatic  
 EXO, EXA = 3.1L 5 Cyl Turbo Diesel - 5-45RFE  
 DGW = 4 Speed Autm, 44RE

Horns  
Figure 008-910

ITEM	PART NUMBER	QTY	LINE	SERIES	BODY	ENGINE	TRANS	DESCRIPTION
1	56042 315AE	1						HORN, Duel

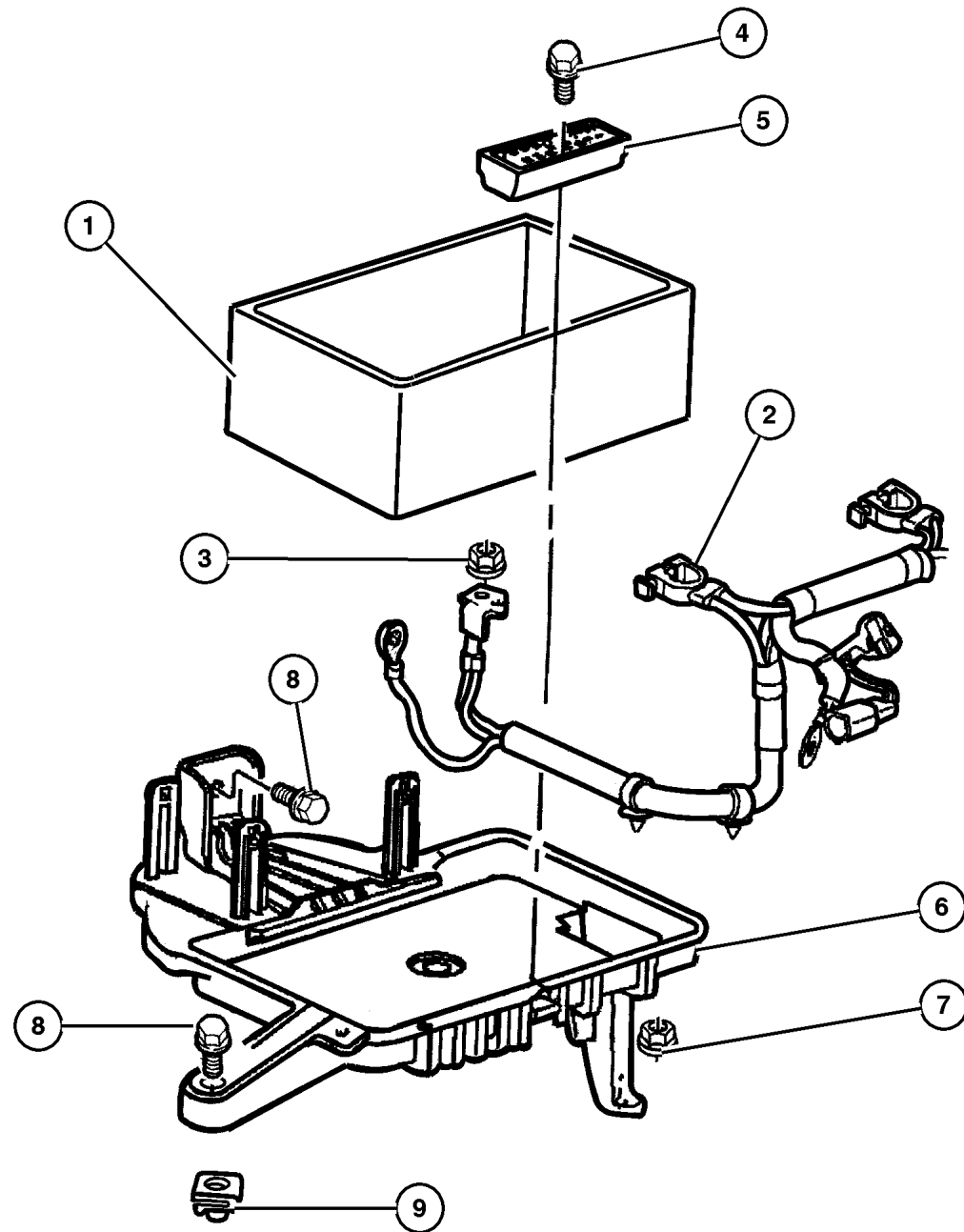


<b>JEEP GRAND CHEROKEE (WG)</b>				
SERIES	LINE	BODY	ENGINE	TRANSMISSION
H = Laredo	J = 4WD	74 = 4 Door	ER0, ERH = 4.0L, Power Tech	DGK = 4 Speed Autm, 42RE
P = Limited	U = 4WD, RHD		EVO, EVA = 4.7L, Power Tech	DGQ = 5 Speed Automatic
			EXO, EXA = 3.1L 5 Cyl Turbo Diesel	- 5-45RFE
				DGW = 4 Speed Autm, 44RE

AR = Use as required - = Non illustrated part # = New this model year

October 31, 2002

## Battery Tray & Cables Figure 008-1010



ITEM	PART NUMBER	QTY	LINE	SERIES	BODY	ENGINE	TRANS	DESCRIPTION
ER0=4.0L Engine EVO=4.7L Engine EX0=3.0L/3.1L Turbo Diesel Engine								
1	56041 375AA	1				ER0, EVO		COVER, Battery
2	56041 813AA	1				EX0		WIRING, Alternator and Battery
3	56038 422AE	1				EX0		NUT, Hex, M6x1
	6101 808	2				ER0, EVO, EX0		
4	6505 671AA	4						SCREW AND WASHER
5	55136 570AA	1				ER0, EVO		BRACKET, Battery Hold Down
	55136 959AB	1				EX0		
6	55137 184AC	1				ER0, EVO		SUPPORT, Battery
7	6100 516	2	U			EVO		NUT, Hex Flange Lock, M6 Phosphate
8	6100 568	4						BOLT AND WASHER, Implement Attaching
9	6101 712	2						NUT, U, M6x1

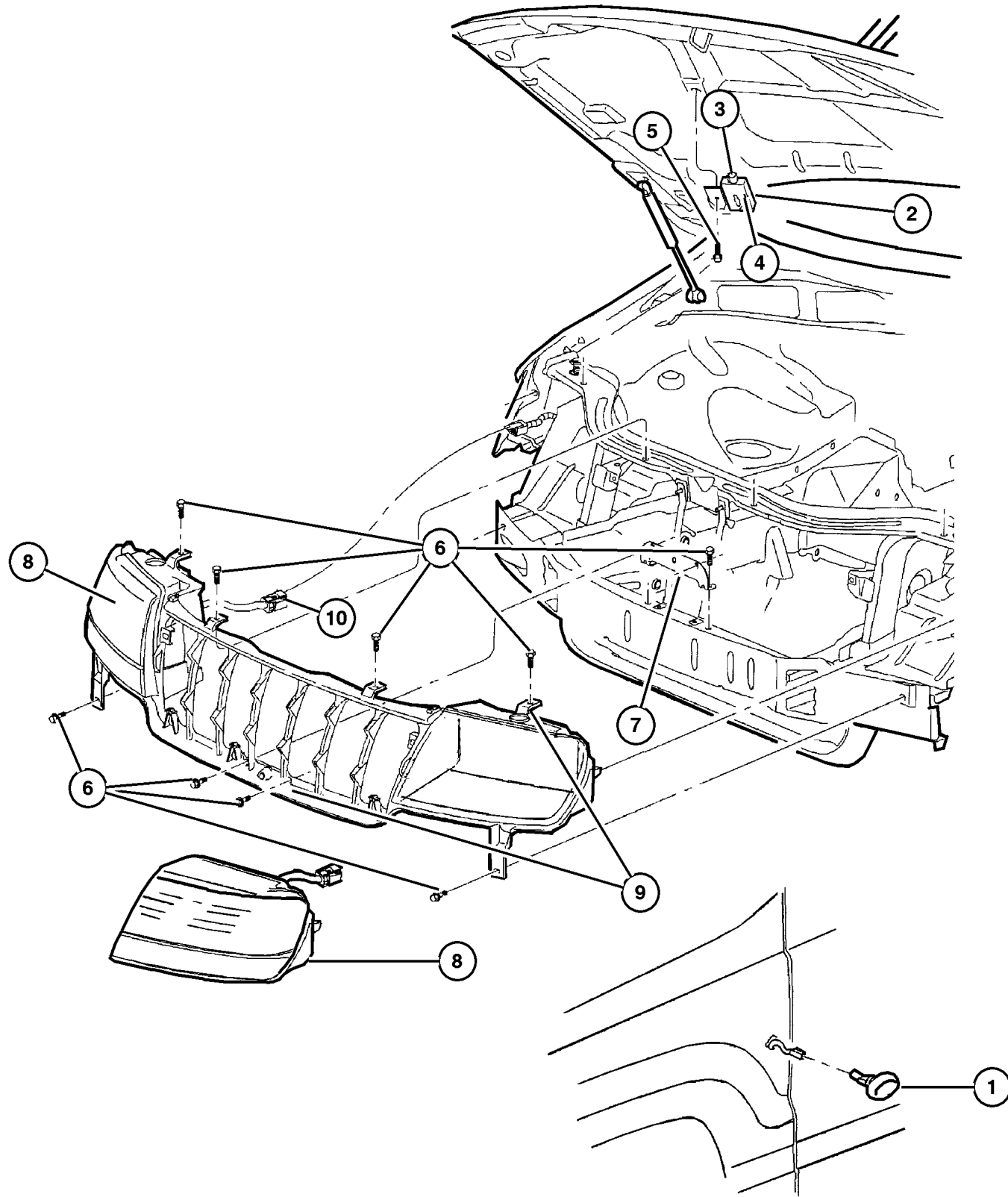
### JEEP GRAND CHEROKEE (WG)

SERIES	LINE	BODY	ENGINE	TRANSMISSION
H = Laredo	J = 4WD	74 = 4 Door	ER0, ERH = 4.0L, Power Tech	DGK = 4 Speed Autm, 42RE
P = Limited	U = 4WD, RHD		EVO, EVA = 4.7L, Power Tech	DGQ = 5 Speed Automatic
			EX0, EXA = 3.1L 5 Cyl Turbo Diesel	- 5-45RFE
				DGW = 4 Speed Autm, 44RE

AR = Use as required - = Non illustrated part # = New this model year

October 31, 2002

Lamp - Front End  
Figure 008-1110



ITEM	PART NUMBER	QTY	LINE	SERIES	BODY	ENGINE	TRANS	DESCRIPTION
1	4676 565	2						LAMP, Front Fender
2	5602 1441	1						LAMP, Underhood
3	L000 0561	1						BULB, 561
4	4897 446AA	1						LENS, Lamp Module
5								SCREW, Self Piercing, .25-14x.625, (NOT SERVICED) (Not Serviced)
6	6503 259	6						SCREW, Tapping, M6x1x20
7	55155 706AB	1						BRACKET, Headlamp Panel
8								LAMP, Headlamp Park And Turn
	55155 144AB	1	J	H				Laredo w/ Headlamp Leveling System, Right
	55155 577AB	1	J	P				Limited w/o Headlamp Leveling System, Left
	55155 578AB	1	U	H				Laredo w/o Headlamp Leveling System, Right
	55155 579AB	1	U	H				Laredo w/o Headlamp Leveling System, Left
	55155 582AB	1	U	P				Limited w/o Headlamp Leveling System, Right
	55155 583AB	1	U	P				Limited w/o Headlamp Leveling System, Left
	55155 942AB	1	J	P				Limited w/ Headlamp Leveling System, Right
	55155 943AB	1	J	P				Limited w/ Headlamp Leveling System, Left
	55155 145AB	1	J	H				Laredo w/ Headlamp Leveling System, Left
	55155 146AB	1	U	H				Laredo w/ Headlamp Leveling System, Right
	55155 147AB	1	U	H				Laredo w/ Headlamp Leveling System, Left
	55155 556AB	1	U	P				Limited w/ Headlamp Leveling System, Right
	55155 557AB	1	U	P				Limited w/ Headlamp Leveling System, Left
	55155 574AB	1	J	H				Laredo w/o Headlamp Leveling System, Right
	55155 575AB	1	J	H				Laredo w/o Headlamp Leveling System, Left
	55155 576AB	1	J	P				Limited w/o Headlamp Leveling System, Right
9								SUPPORT, Headlamp Panel

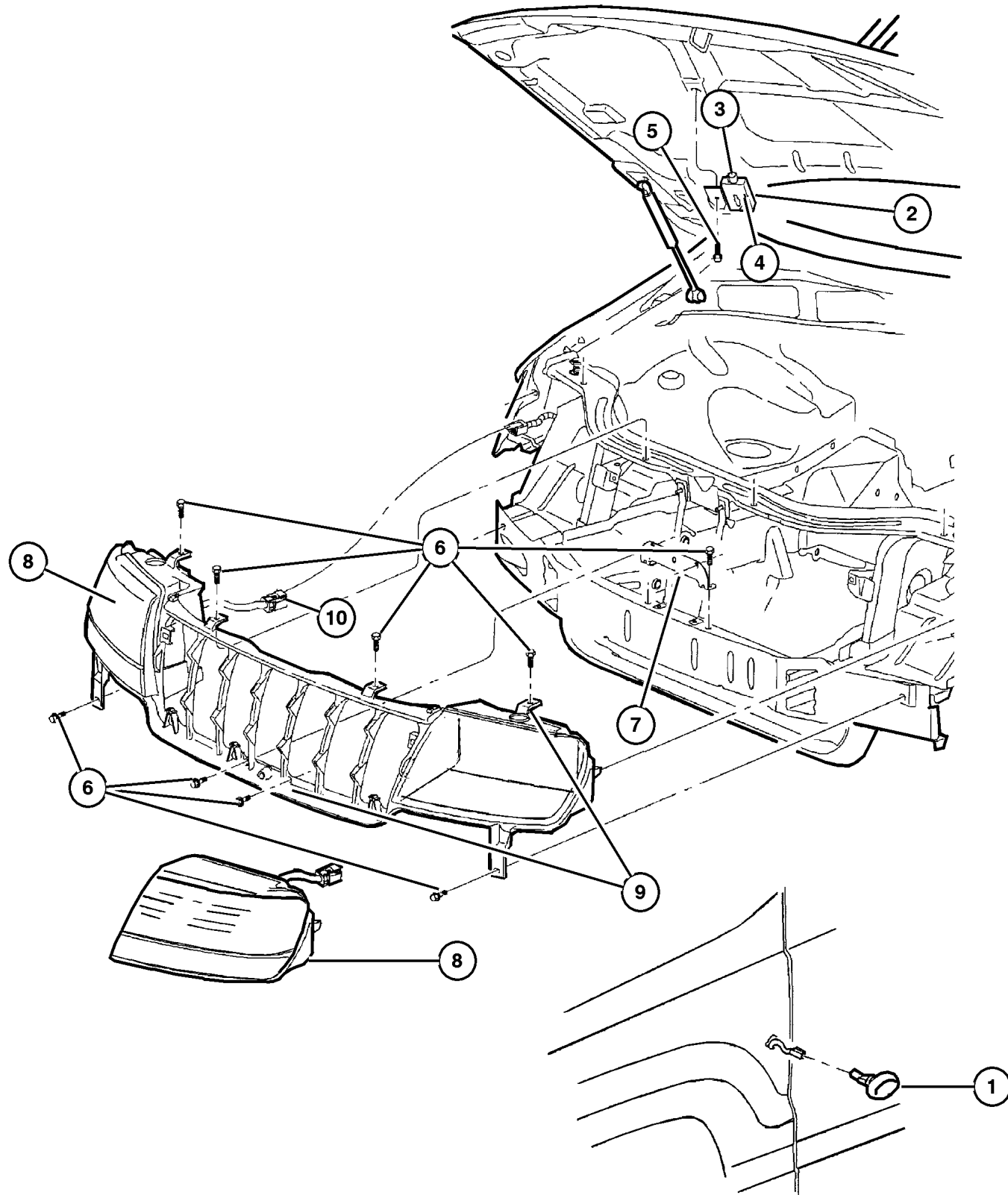
JEEP GRAND CHEROKEE (WG)

SERIES	LINE	BODY	ENGINE	TRANSMISSION
H = Laredo	J = 4WD	74 = 4 Door	ER0, ERH = 4.0L, Power Tech	DGK = 4 Speed Autm, 42RE
P = Limited	U = 4WD, RHD		EVO, EVA = 4.7L, Power Tech	DGQ = 5 Speed Automatic
			EXO, EXA = 3.1L 5 Cyl Turbo Diesel	- 5-45RFE
				DGW = 4 Speed Autm, 44RE

AR = Use as required - = Non illustrated part # = New this model year

October 31, 2002

Lamp - Front End  
Figure 008-1110



ITEM	PART NUMBER	QTY	LINE	SERIES	BODY	ENGINE	TRANS	DESCRIPTION
	5515 5498	1	J	H				
		1	U	H				
10	5013 841AA	1	J	P				WIRING, Headlamp w / Headlamp Leveling System
		1	U	H				w / Headlamp Leveling System
	5013 842AA	1	J	P				w/o Headlamp Leveling System
		1	U	H				w/o Headlamp Leveling System
-11								SENSOR, Ambient Temperature
	5604 2395	1	J	H				
		1	U	H				
-12								RETAINER, Headlamp Receptical
	5012 684AA	1	J	H				Right
		1	U	H				Right
	5012 685AA	1	J	H				Left
		1	U	H				Left
-13								SCREW, Large Round Washer Head
	6504 483	2	J	H				
		2	U	H				
-14								NUT
	6033 014	1	J	H				
		1	U	H				
-15								BULB, Headlamp, 9006XS
	L0009 006XS	1	U	H				
		1	J	H				
-16	L000 9005	AR						BULB, Headlamp
-17	L000 3157	4						BULB, 3157
-18	L000 0194	1						BULB, 194
-19								LAMP, Fog
	5515 5136	1		H				Right
	55155 137AB	1		H				Left
-20	L000 9055	AR						BULB, 9055
-21	4676 801	2						GASKET, Side Marker Lamp

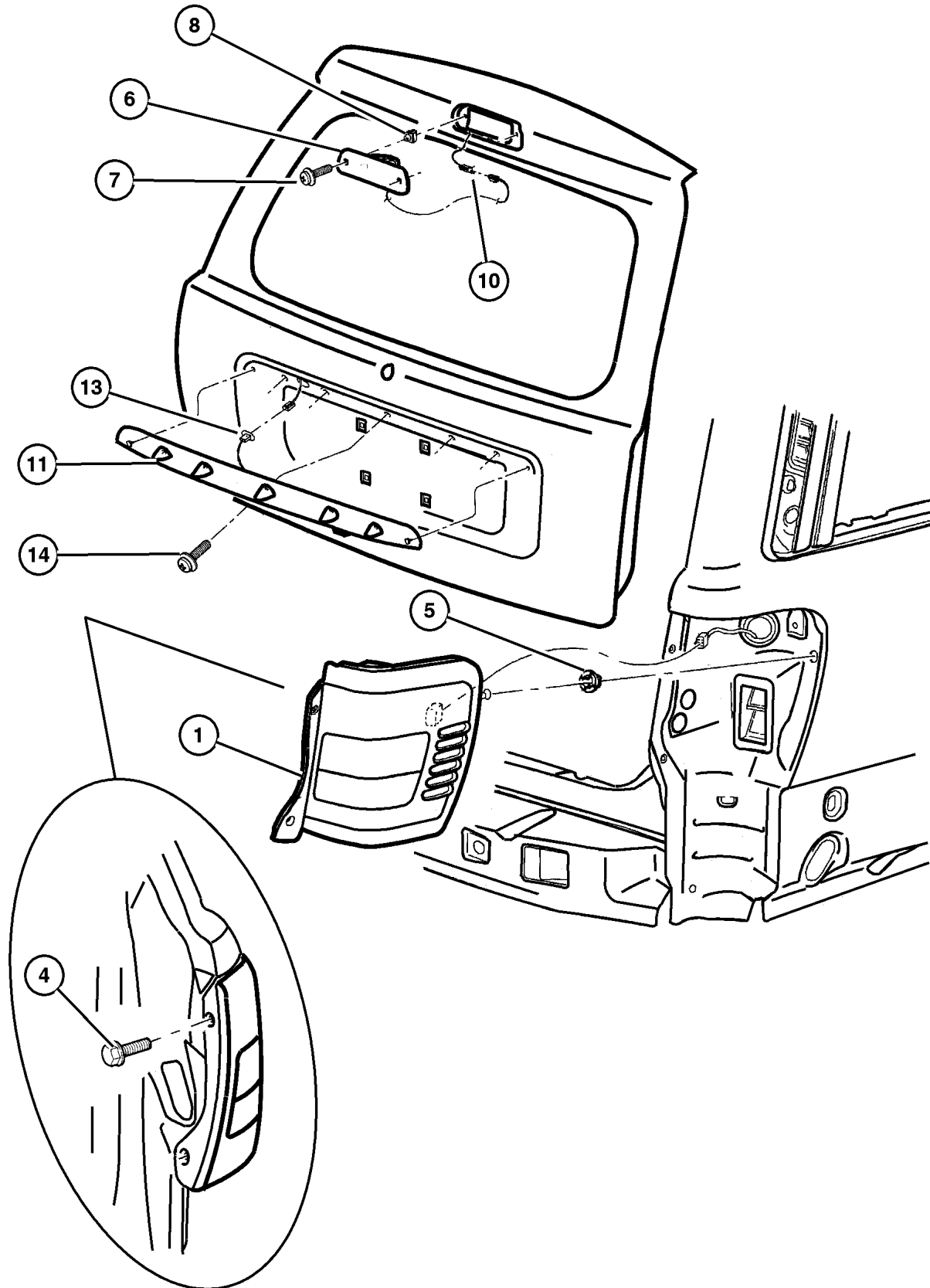
JEEP GRAND CHEROKEE (WG)

SERIES	LINE	BODY	ENGINE	TRANSMISSION
H = Laredo	J = 4WD	74 = 4 Door	ER0, ERH = 4.0L, Power Tech	DGK = 4 Speed Autm, 42RE
P = Limited	U = 4WD, RHD		EVO, EVA = 4.7L, Power Tech	DGQ = 5 Speed Automatic
			EXO, EXA = 3.1L 5 Cyl Turbo Diesel	- 5-45RFE
				DGW = 4 Speed Autm, 44RE

AR = Use as required - = Non illustrated part # = New this model year

October 31, 2002

Lamp - Rear End  
Figure 008-1120



ITEM	PART NUMBER	QTY	LINE	SERIES	BODY	ENGINE	TRANS	DESCRIPTION
1								LAMP, Tail Stop Turn
	55155 142AC	1						Right
	55155 143AC	1						Left
-2	L000 3157	4						BULB, 3157
-3	4676 589	4						SOCKET, Board
4								SCREW, .190-16 X .750, (NOT SERVICED) (Not Serviced)
5	6503 339	2						NUT, Plastic
6	5515 5140	1						LAMP, High Mounted Stop
7	6036 163AA	2						SCREW, .19-16x1.00
8	6505 703AA	2						NUT, Plastic Snap-in
-9	L000 921E	1						BULB, 921
10	5604 2544	1						WIRING, High Mounted Stop Lamp
11								HOUSING, Lamp
	5012 553AB	1		H				Left
	5012 554AA	1		P				Right
-12								LAMP, License
	5012 548AA	1		H				
		1		P				
13								WIRING, License Lamp
	56042 545AD	1		H				
		1		P				
14	0154 228	5						SCREW, Tapping, .19-16x.625
-15								SWITCH, Flipper Window
	56042 450AB	1		P				
		1		H				
-16								BULB, 168, (L0000168) , (NOT SERVICED) (Not Serviced)
-17								BULB, W10/5
	0153 625	2		P				
		2		H				

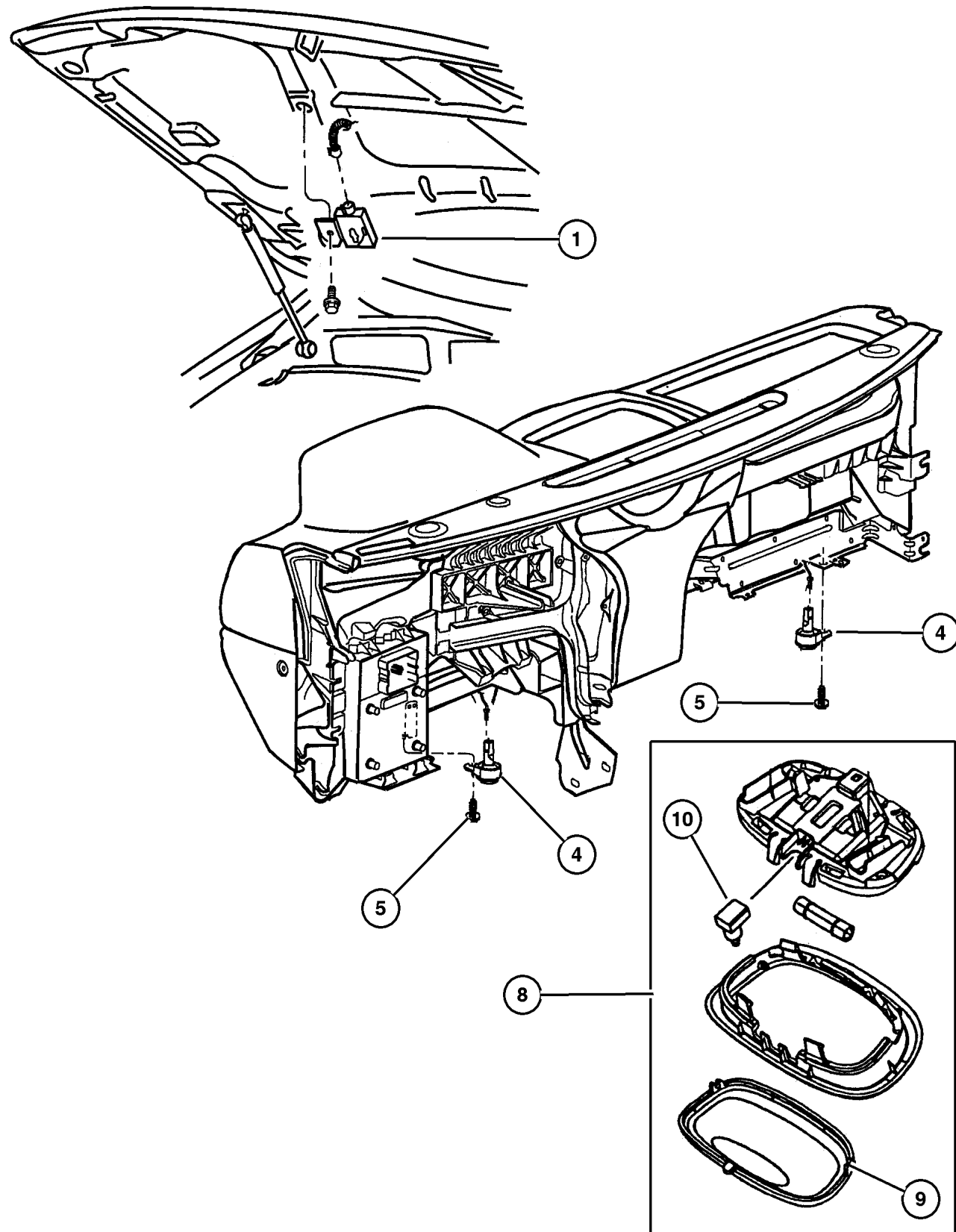
JEEP GRAND CHEROKEE (WG)

SERIES	LINE	BODY	ENGINE	TRANSMISSION
H = Laredo	J = 4WD	74 = 4 Door	ER0, ERH = 4.0L, Power Tech	DGK = 4 Speed Autm, 42RE
P = Limited	U = 4WD, RHD		EVO, EVA = 4.7L, Power Tech	DGQ = 5 Speed Automatic
			EXO, EXA = 3.1L 5 Cyl Turbo Diesel	- 5-45RFE
				DGW = 4 Speed Autm, 44RE

AR = Use as required - = Non illustrated part # = New this model year

October 31, 2002

Lamp - Courtesy - Dome - Reading  
Figure 008-1130



ITEM	PART NUMBER	QTY	LINE	SERIES	BODY	ENGINE	TRANS	DESCRIPTION
1	5602 1441	1						LAMP, Underhood, w/Switch
-2	4897 446AA	1						LENS, Lamp Module, Underhood
-3	L000 0561	1						BULB, 561
4	56042 559AA	2						LAMP, Courtesy, I/panel Lower
5	6101 946	3						SCREW, Tapping
-6	L000 0161	1						BULB, 161, Ash Receiver
-7	4778 794	1	J					LENS, Illuminated Visor
		1	U					
8								LAMP, Cargo
	5FT1 0TL2	1	J					
		1	U					
9								LENS, Cargo Lamp
	55196 755AA	1	J					
		1	U					
10	4897 446AA	1						LENS, Lamp Module, Grab Handle
-11	4685 445	1	U					SWITCH, Reading Lamp

JEEP GRAND CHEROKEE (WG)  
 SERIES LINE BODY ENGINE TRANSMISSION  
 H = Laredo J = 4WD 74 = 4 Door ER0, ERH = 4.0L, Power Tech DGK = 4 Speed Autm, 42RE  
 P = Limited U = 4WD, RHD EV0, EVA = 4.7L, Power Tech DGQ = 5 Speed Automatic  
 EXO, EXA = 3.1L 5 Cyl Turbo Diesel - 5-45RFE  
 DGW = 4 Speed Autm, 44RE

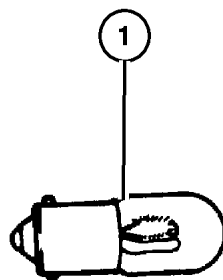
AR = Use as required - = Non illustrated part # = New this model year

October 31, 2002



**Bulbs & Sockets**  
**Figure 008-1140**

ITEM	PART NUMBER	QTY	LINE	SERIES	BODY	ENGINE	TRANS	DESCRIPTION
Note:								
ERO = All 4.0L 6 Cyl Gas Engin								
EVA = 4.7L Power Tech V8 Engine								
1	0153 620	2						BULB, 8/4
-2	L000 3157	4						BULB, 3157
-3	0154 883AA	1						BULB, 921
-4								BULB, 561
	L000 0561	1						Underhood
	9433 040	1						
-5	L000 0194	1						BULB, 194
-6	L0009 006XS	1	J	H				BULB, Headlamp, 9006XS
-7	0154 846AA	1	J	P				BULB, Headlamp
-8	L000 0161	1						BULB, 161, Ash Receiver
-9	L000 0906	2						BULB, 906
-10								BULB, 74
	6501 966	1	J					
		1	U					
-11								BULB, 192
	L000 0192	2	J					
		2	U					
-12	5012 591AA	1		P				BULB AND SOCKET
-13								BULB, PY21W Amber
	0154 742	1	J	P				
		1	U	H				
-14	L000 PC74	16		P		ERO, EVA		BULB, PC74



**JEEP GRAND CHEROKEE (WG)**

SERIES	LINE	BODY	ENGINE	TRANSMISSION
H = Laredo	J = 4WD	74 = 4 Door	ERO, ERH = 4.0L, Power Tech	DGK = 4 Speed Autm, 42RE
P = Limited	U = 4WD, RHD		EVO, EVA = 4.7L, Power Tech	DGQ = 5 Speed Automatic
			EXO, EXA = 3.1L 5 Cyl Turbo Diesel	- 5-45RFE
				DGW = 4 Speed Autm, 44RE

AR = Use as required - = Non illustrated part # = New this model year

October 31, 2002

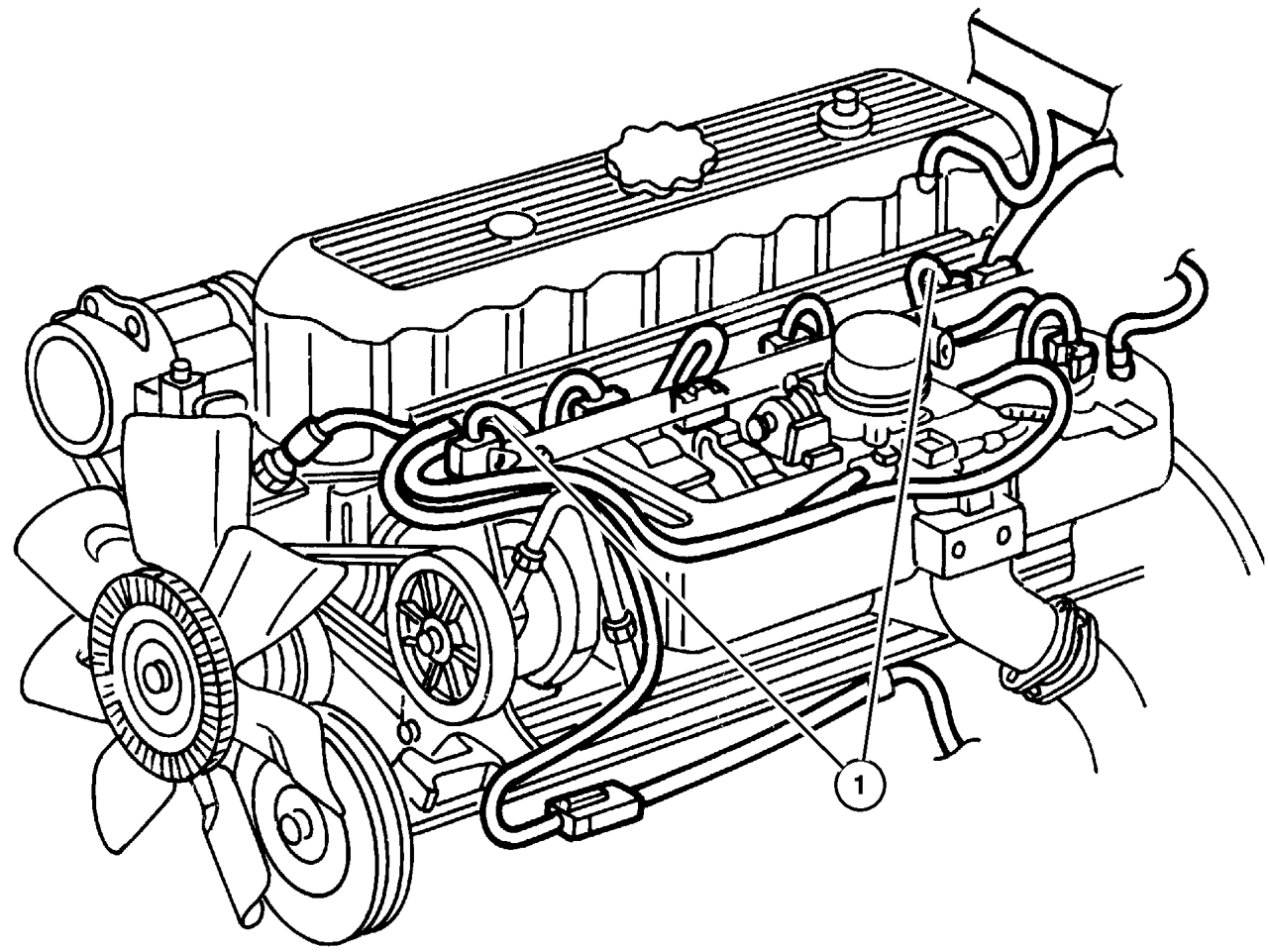
**Wiring - Engine & Related Parts  
Figure 008-1210**

ITEM	PART NUMBER	QTY	LINE	SERIES	BODY	ENGINE	TRANS	DESCRIPTION
------	-------------	-----	------	--------	------	--------	-------	-------------

**NOTE**

Sales Code:  
 EV0=4.7L Engine  
 EX0=3.0L/3.1L Turbo Diesel Engine  
 ER0=4.0L Engine  
 EVA=4.7L Power Tech Engine  
 DG0=Automatic Transmission

1								WIRING, Injector
	#56041 967AC	1	J			ER0	DG0	
	56042 202AF	1				EX0	DG0	Diesel Emission
	#56044 770AC	1	J			EVA	DG0	
	#56044 995AC	1	U			ER0	DG0	
	#56044 996AC	1	U			EV0	DG0	
-2								BRACKET, Wiring
	56041 381AB	1				EX0		
	56041 631AA	1				EX0		Diesel Emission

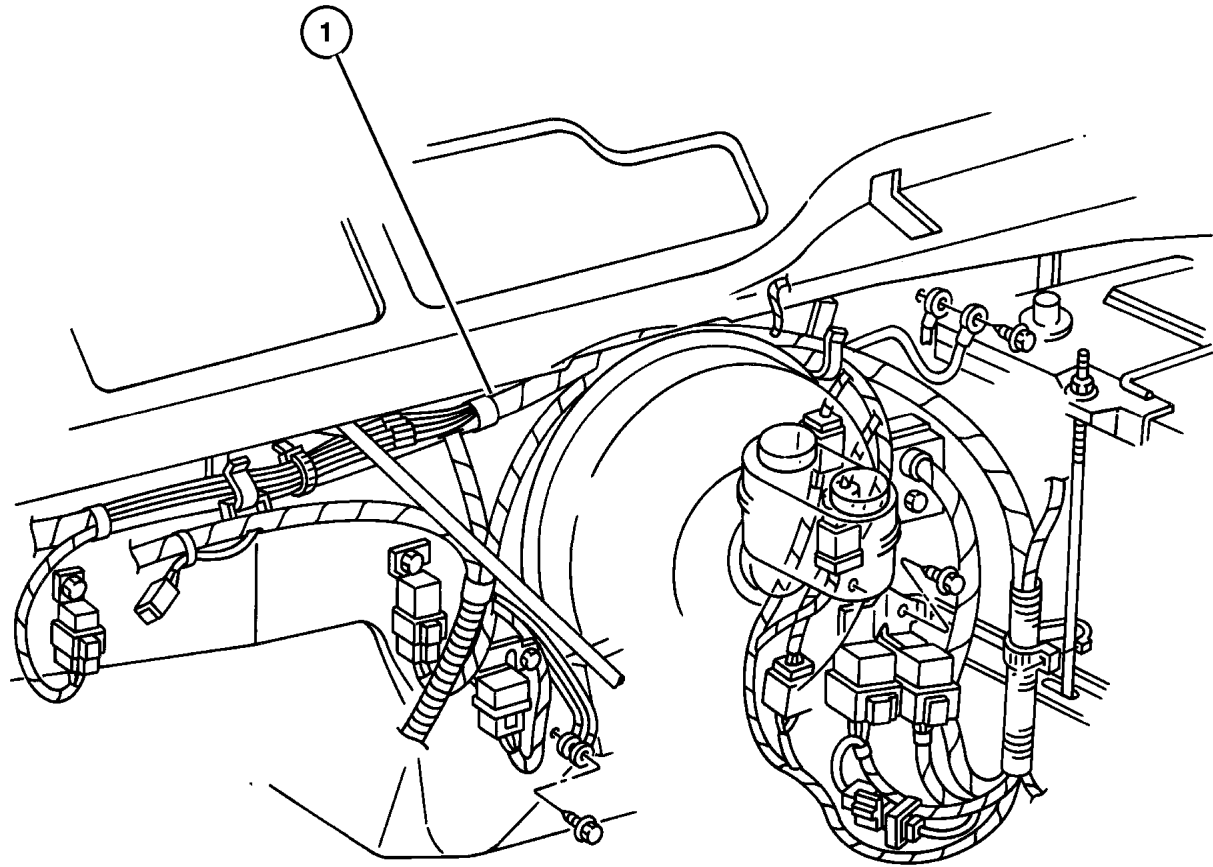


<b>JEEP GRAND CHEROKEE (WG)</b>				
SERIES	LINE	BODY	ENGINE	TRANSMISSION
H = Laredo	J = 4WD	74 = 4 Door	ER0, ERH = 4.0L, Power Tech	DGK = 4 Speed Autm, 42RE
P = Limited	U = 4WD, RHD		EV0, EVA = 4.7L, Power Tech	DGQ = 5 Speed Automatic
			EX0, EXA = 3.1L 5 Cyl Turbo Diesel	- 5-45RFE
				DGW = 4 Speed Autm, 44RE

AR = Use as required - = Non illustrated part # = New this model year

October 31, 2002

**Wiring - Headlamp / Dash  
Figure 008-1310**



ITEM	PART NUMBER	QTY	LINE	SERIES	BODY	ENGINE	TRANS	DESCRIPTION
ER0=4.0L Engine								
EVO=4.7L Engine								
EX0=3.0L/3.1L Turbo Diesel Engine								
1								WIRING, Headlamp to Dash
	56042 208AH	1	J			EX0		Right
	56042 209AJ	1	J			EX0		Up to 01/25/00, Left
	56042 212AI	1	U			EX0		Right
	56042 213AJ	1	U			EX0		Left
	#56042 833AB	1	U			EVO		Left
	#56042 836AC	1	U			ER0		Right
	#56042 857AC	1	U			ER0		Left
	#56042 209AK	1	J			EX0		01/25/00 & After
	#56042 832AE	1	J			EVO		Right
-2	4604 235	2						BREAKER, Circuit
-3								COVER, Power Distribution Center
	5016 947AA	1	J			EX0		
	#5018 470AA	1	J			ER0		
		1	J			EVO		
-4	4671 168	2						RELAY, Mini
-5	4848 879AA	4	J			ER0		RELAY, Electrical
-6	00AT M10	16						FUSE, Mini, 10 AMP, Red
-7	00AT M15	8						FUSE, Mini, 15 AMP, Light Blue
-8	00AT M20	3						FUSE, Mini, 20 AMP, Yellow
-9								FUSE CARTRIDGE, 30 Amp
	6102 076AA	2	J			ER0		
		2	J			EVO		
		2	U			EX0		
-10								FUSE CARTRIDGE, 40 Amp
	6102 077AA	6	J			ER0		
		6	J			EVO		
		6	U			EX0		
-11								FUSE CARTRIDGE, 50 Amp
	6102 078AA	3	J			ER0		
		3	J			EVO		
		3	U			EX0		
-12								PULLER, Fuse
	55196 762AA	1	U					
		1	J					

**JEEP GRAND CHEROKEE (WG)**

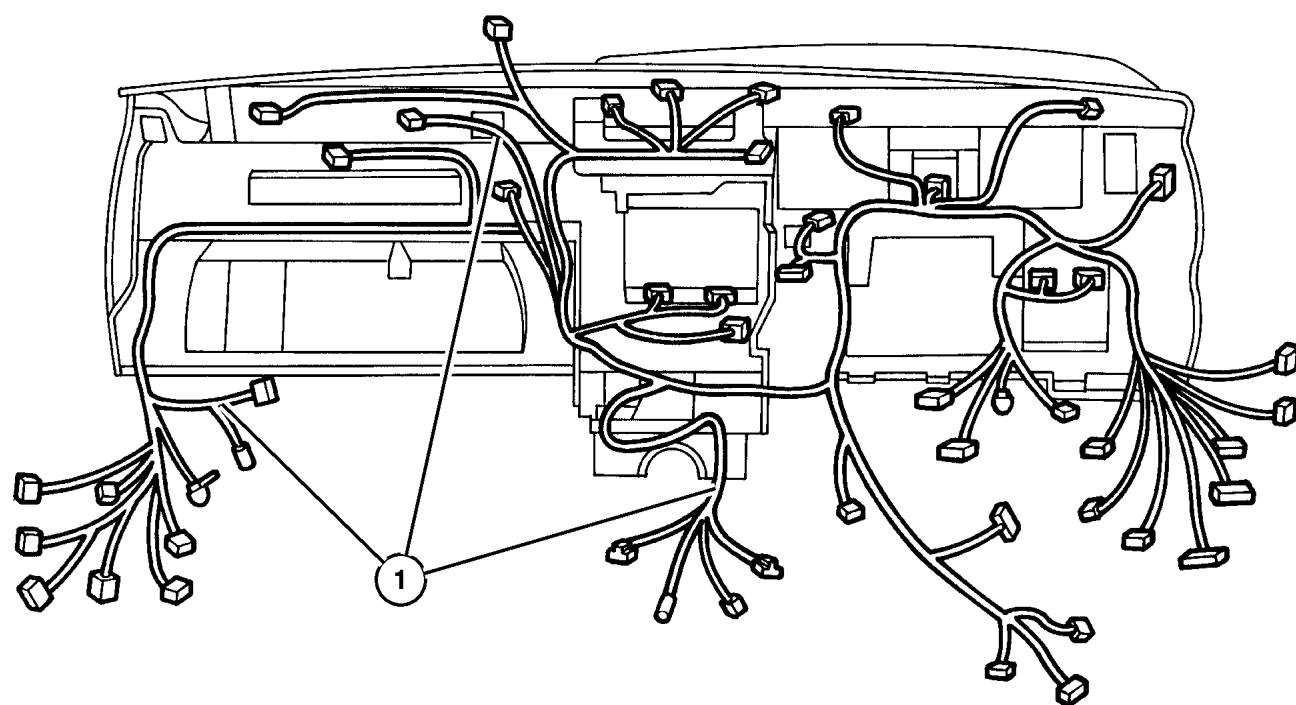
SERIES	LINE	BODY	ENGINE	TRANSMISSION
H = Laredo	J = 4WD	74 = 4 Door	ER0, ERH = 4.0L, Power Tech	DGK = 4 Speed Autm, 42RE
P = Limited	U = 4WD, RHD		EVO, EVA = 4.7L, Power Tech	DGQ = 5 Speed Automatic
			EX0, EXA = 3.1L 5 Cyl Turbo Diesel	- 5-45RFE
				DGW = 4 Speed Autm, 44RE

AR = Use as required - = Non illustrated part # = New this model year

October 31, 2002

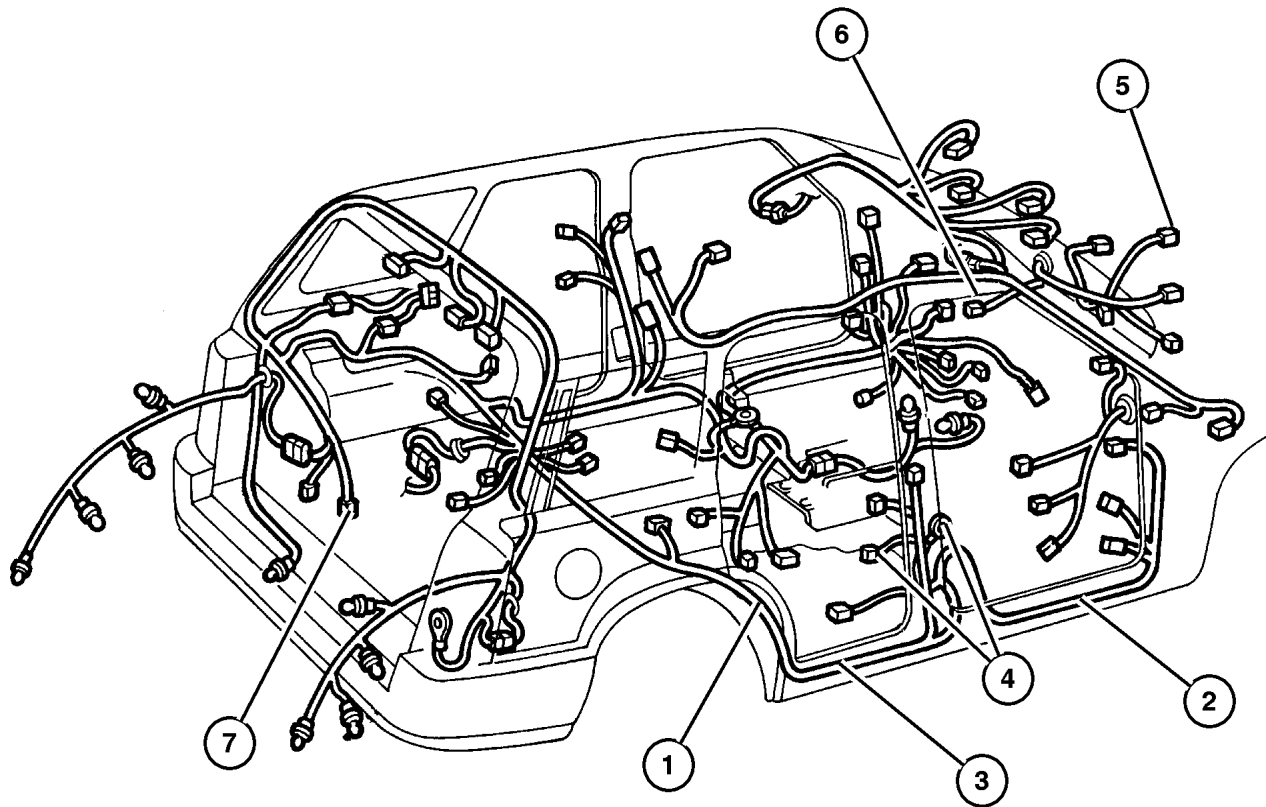
**Wiring - Instrument Panel**  
**Figure 008-1410**

ITEM	PART NUMBER	QTY	LINE	SERIES	BODY	ENGINE	TRANS	DESCRIPTION
1								WIRING, Instrument Panel
	56042 945AC	1	J					w/ Air Condition
	56042 947AC	1	J					Air Condition w/ Dual Zone Control
	56042 949AC	1	U					w/ Air Condition
	56042 950AC	1	U					Air Condition w/ Dual Zone Control
-2								NUT AND WASHER, M6x1.00, (NOT SERVICED) (Not Serviced)
-3	4274 258	1						TAPE, Radio Connector, Foam
-4	#5018 536AA	1						JUNCTION BLOCK, Relay
-5	00AT M10	16						FUSE, Mini, 10 AMP, Red
-6	00AT M15	8						FUSE, Mini, 15 AMP, Light Blue
-7	00AT M20	3						FUSE, Mini, 20 AMP, Yellow
-8	4687 835	1						FUSE, Mini, 25 Amp, Natural
-9	55196 762AA	1	J					PULLER, Fuse
-10								COVER, Fuse Access
	55116 293AB	1	U					
	#55116 564AA	1	J					
-11	4604 235	2						BREAKER, Circuit



<b>JEEP GRAND CHEROKEE (WG)</b>				
SERIES	LINE	BODY	ENGINE	TRANSMISSION
H = Laredo	J = 4WD	74 = 4 Door	ER0, ERH = 4.0L, Power Tech	DGK = 4 Speed Autm, 42RE
P = Limited	U = 4WD, RHD		EVO, EVA = 4.7L, Power Tech	DGQ = 5 Speed Automatic
			EXO, EXA = 3.1L 5 Cyl Turbo Diesel	- 5-45RFE
				DGW = 4 Speed Autm, 44RE

**Wiring - Body & Accessories**  
**Figure 008-1510**



ITEM	PART NUMBER	QTY	LINE	SERIES	BODY	ENGINE	TRANS	DESCRIPTION
ER0=4.0L Engine								
EVO=4.7L Engine								
EX0=3.0L/3.1L Turbo Diesel Engine								
1								WIRING, Body
	#56042 843AA	1	J			EX0		Left
	#56042 883AA	1	U			ER0, EVO		CD Changer-10 Disc Remote, Left
	#56042 888AA	1	U					w/o CD Changer-10 Disc Remote, Right
	#56042 891AA	1	U					CD Changer-10 Disc Remote, Right
	#56042 855AA	1	J			EX0		w/o CD Changer-10 Disc Remote, Right
	#56042 845AA	1	J			EX0		CD Changer-10 Disc Remote, Right
	#56042 842AA	1	U			EX0		CD Changer-10 Disc Remote, Left
	#56042 859AA	1	U			EX0		w/o CD Changer-10 Disc Remote, Left
	#56042 880AA	1	J			ER0, EVO		Left
	#56042 886AA	1	J			ER0, EVO		CD Changer-10 Disc Remote, Right
	#56042 885AA	1	J			ER0, EVO		w/o CD Changer-10 Disc Remote, Right
	#56042 882AA	1	U			ER0, EVO		w/o CD Changer-10 Disc Remote, Left
2								WIRING, Front Door
	56042 220AE	1						Passenger Side, Front Door
	56042 219AE	1						w/Security Alarm , Driver Side
	56042 221AE	1						w/o Security Alarm , Driver Side
	56042 824AF	1	U					European w/Japan Market Requirements , Driver Side
3	56042 538AG	2						WIRING, Rear Door
4								WIRING, Door Jumper
	56042 525AE	1	J	P				Left
	56042 526AE	1	J	P				Right
	56042 569AE	1	U	P				w/ Japan Equipment, Left
	56042 570AE	1	U	P				w/ Japan Equipment, Right
	56042 571AE	1	J	H				w/ Infinity Speaker System
		1	U	H				
5	56042 574AD	1						WIRING, Underhood Lamp
6								WIRING, Steering Wheel
	56042 592AB	1		H				
	56042 595AB	1						
7	56042 800AB	1						WIRING, Liftgate
-8								WIRING, Headliner
	#56050 008AA	1	U					w/o Sunroof

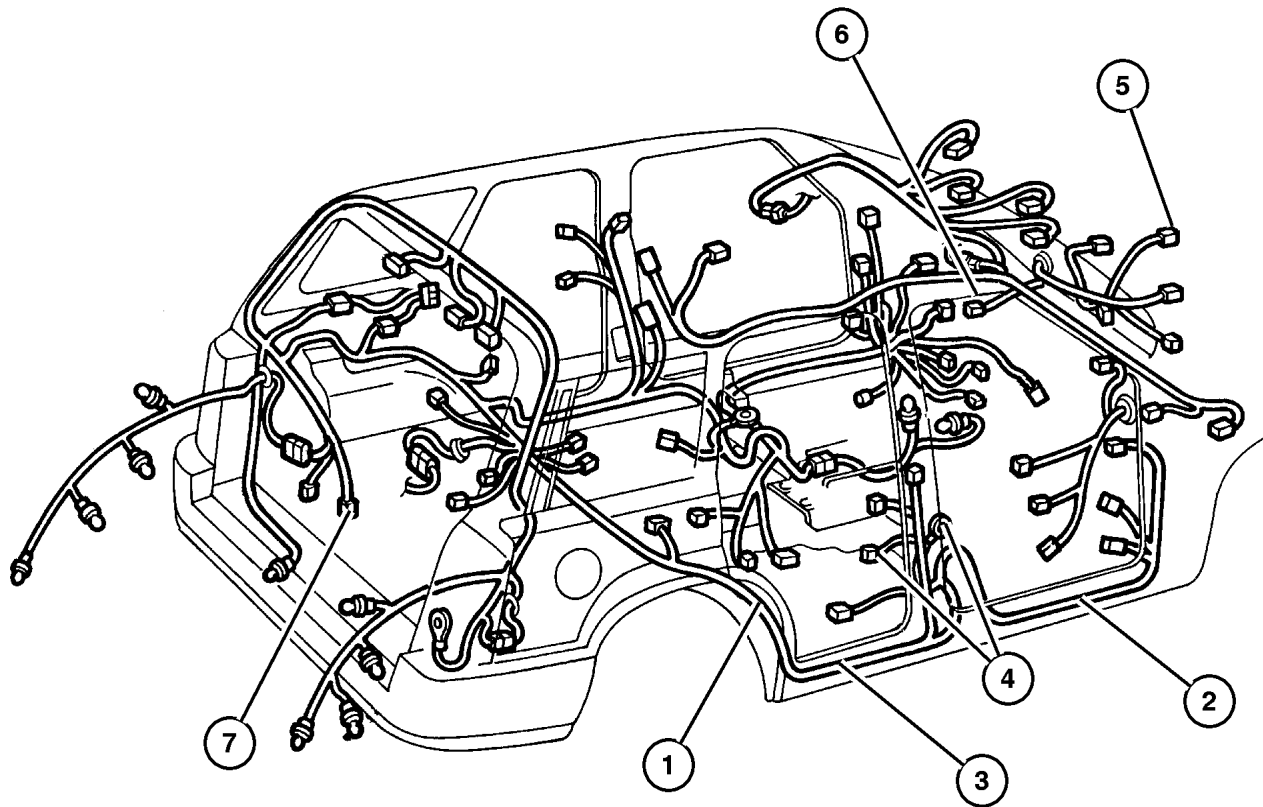
**JEEP GRAND CHEROKEE (WG)**

SERIES	LINE	BODY	ENGINE	TRANSMISSION
H = Laredo	J = 4WD	74 = 4 Door	ER0, ERH = 4.0L, Power Tech	DGK = 4 Speed Autm, 42RE
P = Limited	U = 4WD, RHD		EVO, EVA = 4.7L, Power Tech	DGQ = 5 Speed Automatic
			EX0, EXA = 3.1L 5 Cyl Turbo Diesel	- 5-45RFE
				DGW = 4 Speed Autm, 44RE

AR = Use as required - = Non illustrated part # = New this model year

October 31, 2002

**Wiring - Body & Accessories**  
**Figure 008-1510**



ITEM	PART NUMBER	QTY	LINE	SERIES	BODY	ENGINE	TRANS	DESCRIPTION
	#56050 009AA	1	J					w/ Sunroof
		1	U					w/ Sunroof
	#56050 007AA	1	J					w/o Sunroof
-9								WIRING, Overhead Lighting
	55196 753AA	1	J					w/o Sunroof
		1	U					w/o Sunroof
	55196 754AA	1	J					w/ Sunroof
		1	U					w/ Sunroof
-10	4481 618	2						WIRING, Side Repeater Lamp
-11	4793 554	1						POWER OUTLET, Cigar Lighter, Quarter Trim Panel
-12	4685 591	1						CAP, Cigar Lighter, Quarter Trim Panel
-13								WIRING, Seat
	5015 743AB	1	U					w/Power Seat / 10 Way Memory / Heated, Left
	#5066 095AA	1	J					w/Power Seat / 10 Way Memory / Heated, Left
	#5066 096AA	1	U					w/Power Seat 10 Way Memory, Right
	#5066 097AA	1	U					w/Power Seat 10 Way Memory, Left
	5015 747AA	1	J					w/Power Seat & 10 Way Memory, Right
	5016 145AB	1	U					w/Power Seat / 10 Way Memory / Heated, Right
	5016 148AA	1	U					w/Power Seats, Right
	5016 149AA	1	U					w/Power Seats, Left
	5016 154AA	1	J					w/Power Seats, Left
	5017 929AA	1	J					w/Power Seat / 10 Way Memory / Heated, Right
	5017 930AA	1	J					w/Power Seat 10 Way Memory, Right
	#5066 094AA	1	J					w/Power Seat 10 Way Memory, Left
-14	5016 560AA	1						WIRING, Sunroof

**JEEP GRAND CHEROKEE (WG)**

SERIES	LINE	BODY	ENGINE	TRANSMISSION
H = Laredo	J = 4WD	74 = 4 Door	ER0, ERH = 4.0L, Power Tech	DGK = 4 Speed Autm, 42RE
P = Limited	U = 4WD, RHD		EVO, EVA = 4.7L, Power Tech	DGQ = 5 Speed Automatic
			EXO, EXA = 3.1L 5 Cyl Turbo Diesel	- 5-45RFE
				DGW = 4 Speed Autm, 44RE

AR = Use as required - = Non illustrated part # = New this model year

October 31, 2002

**Wiring Repair Packages**  
**Figure 008-1605**

ITEM	PART NUMBER	QTY	LINE	SERIES	BODY	ENGINE	TRANS	DESCRIPTION
------	-------------	-----	------	--------	------	--------	-------	-------------

Note:

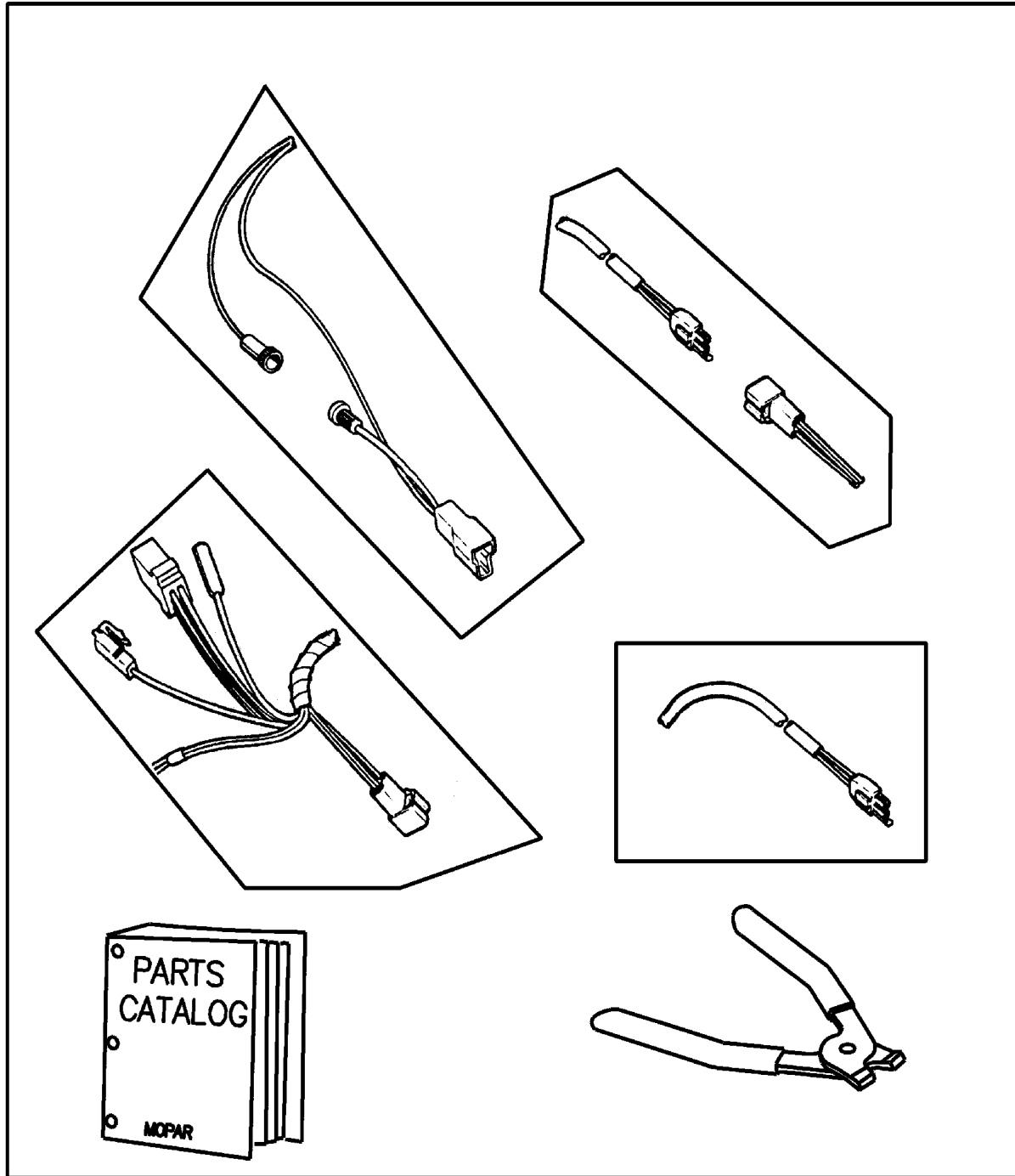
ER0 = All 4.0L 6 Cyl Gas Engin

EVA = 4.7L Power Tech V8 Engine

EVO = All 4.7L Gas Engines

EX0 = All 3.0/3.1L Turbo Diesel Engines

1	5013 930AB	1						WIRING PACKAGE, Underhood Connector Repair
-2	4364 392	1				ER0		TUBE, Convoluted
-3	J417 5376	2				ER0, EVA		STRAP, Tie



**JEEP GRAND CHEROKEE (WG)**

SERIES	LINE	BODY	ENGINE	TRANSMISSION
H = Laredo	J = 4WD	74 = 4 Door	ER0, ERH = 4.0L, Power Tech	DGK = 4 Speed Autm, 42RE
P = Limited	U = 4WD, RHD		EVO, EVA = 4.7L, Power Tech	DGQ = 5 Speed Automatic
			EXO, EXA = 3.1L 5 Cyl Turbo Diesel	- 5-45RFE
				DGW = 4 Speed Autm, 44RE

AR = Use as required   - = Non illustrated part   # = New this model year

October 31, 2002

## Spark Plugs - Coils Figure 008-1910

ITEM	PART NUMBER	QTY	LINE	SERIES	BODY	ENGINE	TRANS	DESCRIPTION
------	-------------	-----	------	--------	------	--------	-------	-------------

Note:

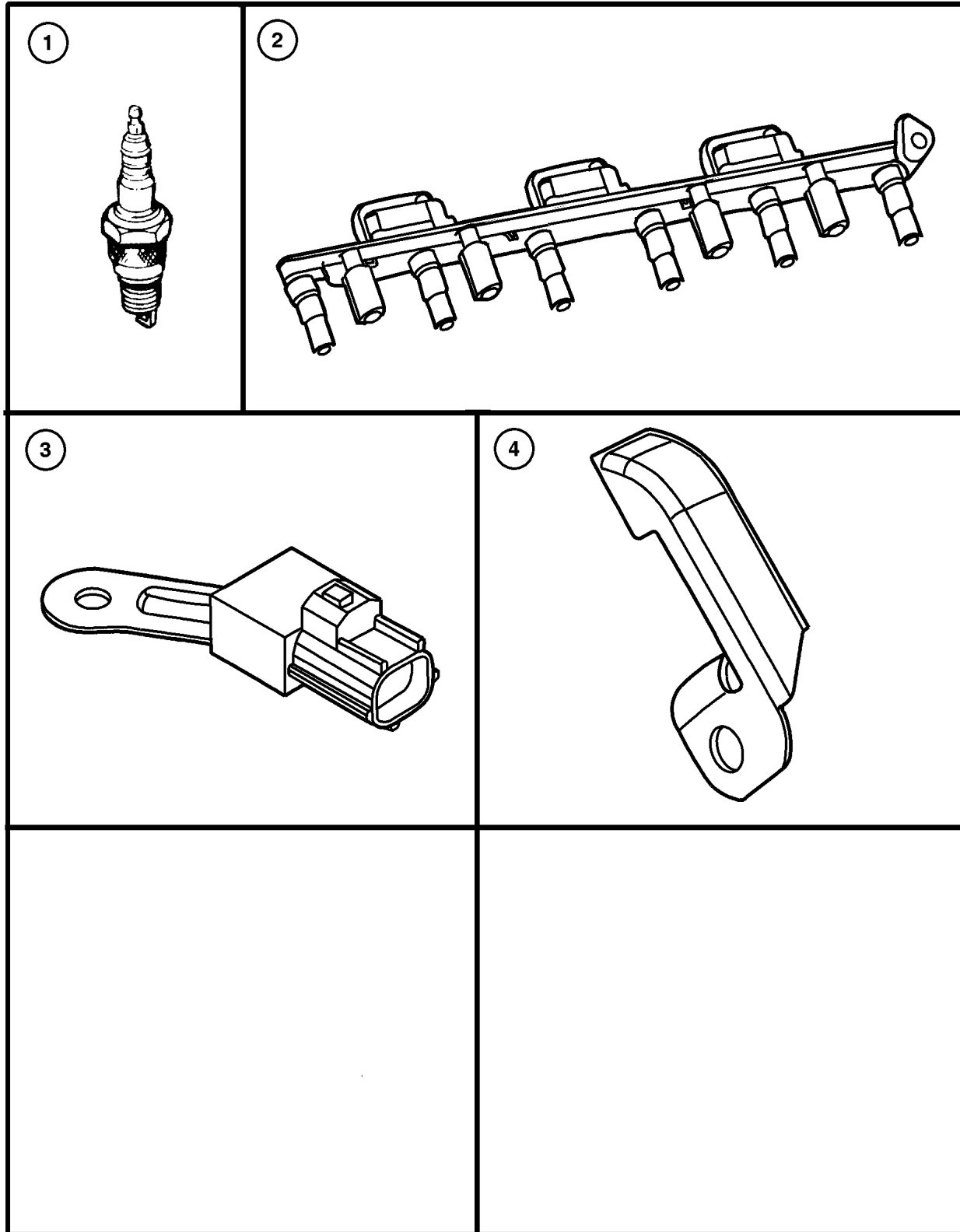
DG0 = All Automatic Transmissions

ER0 = All 4.0L 6 Cyl Gas Engin

EVA = 4.7L Power Tech V8 Engine

EVO = All 4.7L Gas Engines

1								SPARK PLUG
	SP0RC 12ECC	6				ER0		
	SPRC1 2MCC4	8				EVA		
2								COIL, Ignition
	56041 476AA	1				ER0		ERO (4.0L GAS)
	#56028 138AD	8				EVO		
3								CAPACITOR, Ignition
	56041 396AA	2				EVO		
	56041 915AA	1				ERH		
4	56041 388AA	1				ER0	DG0	SHIELD, Wiring
-5	5015 297AA	8				EVO		O RING, Coil Pack



**JEEP GRAND CHEROKEE (WG)**

SERIES	LINE	BODY	ENGINE	TRANSMISSION
H = Laredo	J = 4WD	74 = 4 Door	ER0, ERH = 4.0L, Power Tech	DGK = 4 Speed Autm, 42RE
P = Limited	U = 4WD, RHD		EVO, EVA = 4.7L, Power Tech	DGQ = 5 Speed Automatic
			EXO, EXA = 3.1L 5 Cyl Turbo Diesel	- 5-45RFE
				DGW = 4 Speed Autm, 44RE

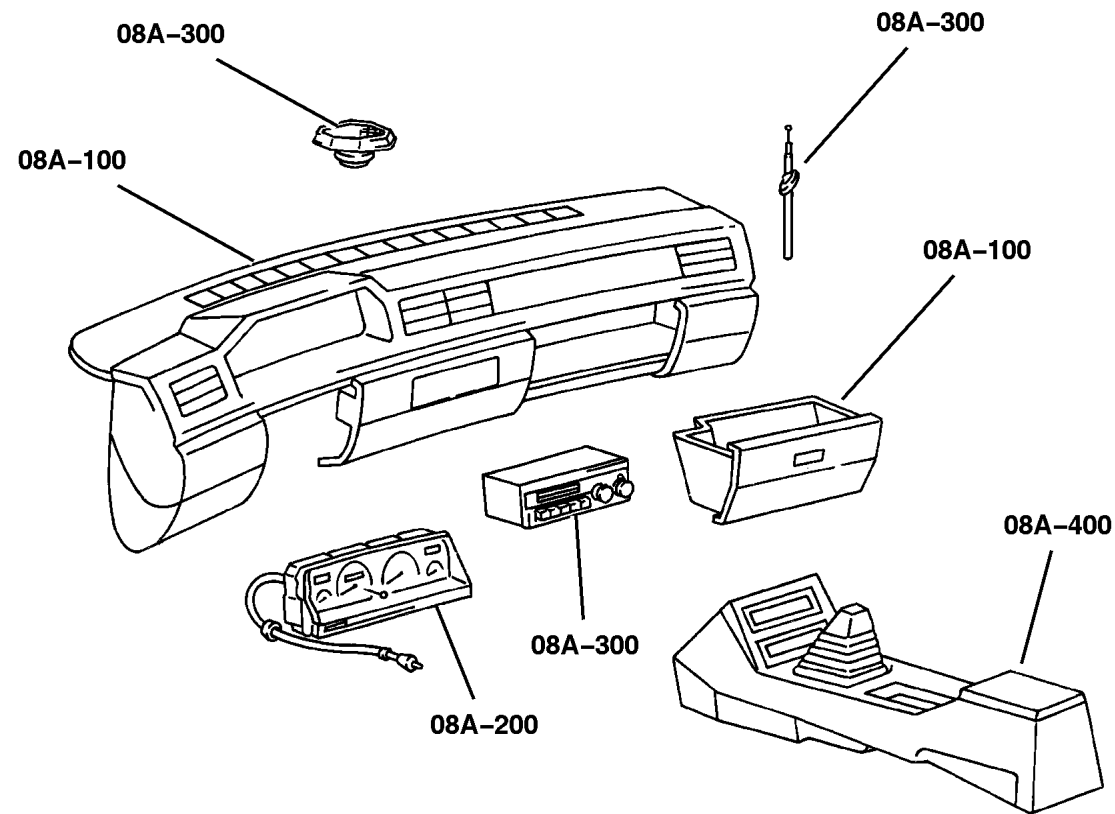
AR = Use as required - = Non illustrated part # = New this model year

October 31, 2002



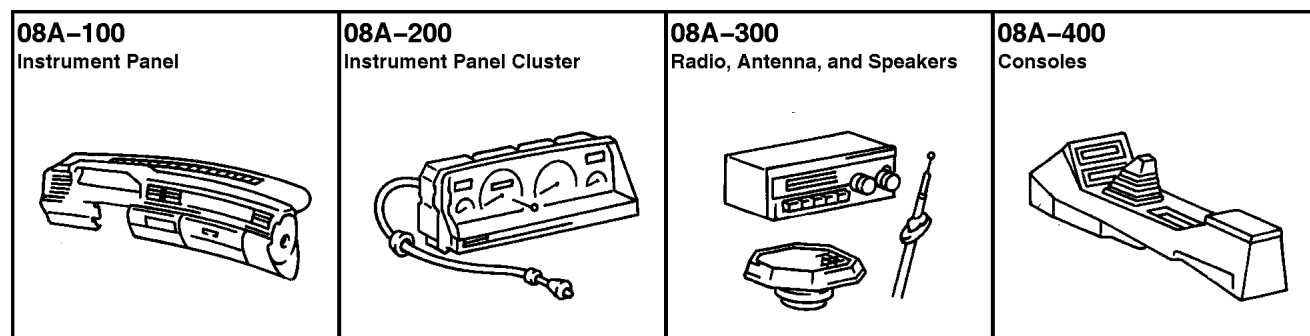
# Group – 08A

## Instrument Panel and Radios and Consoles

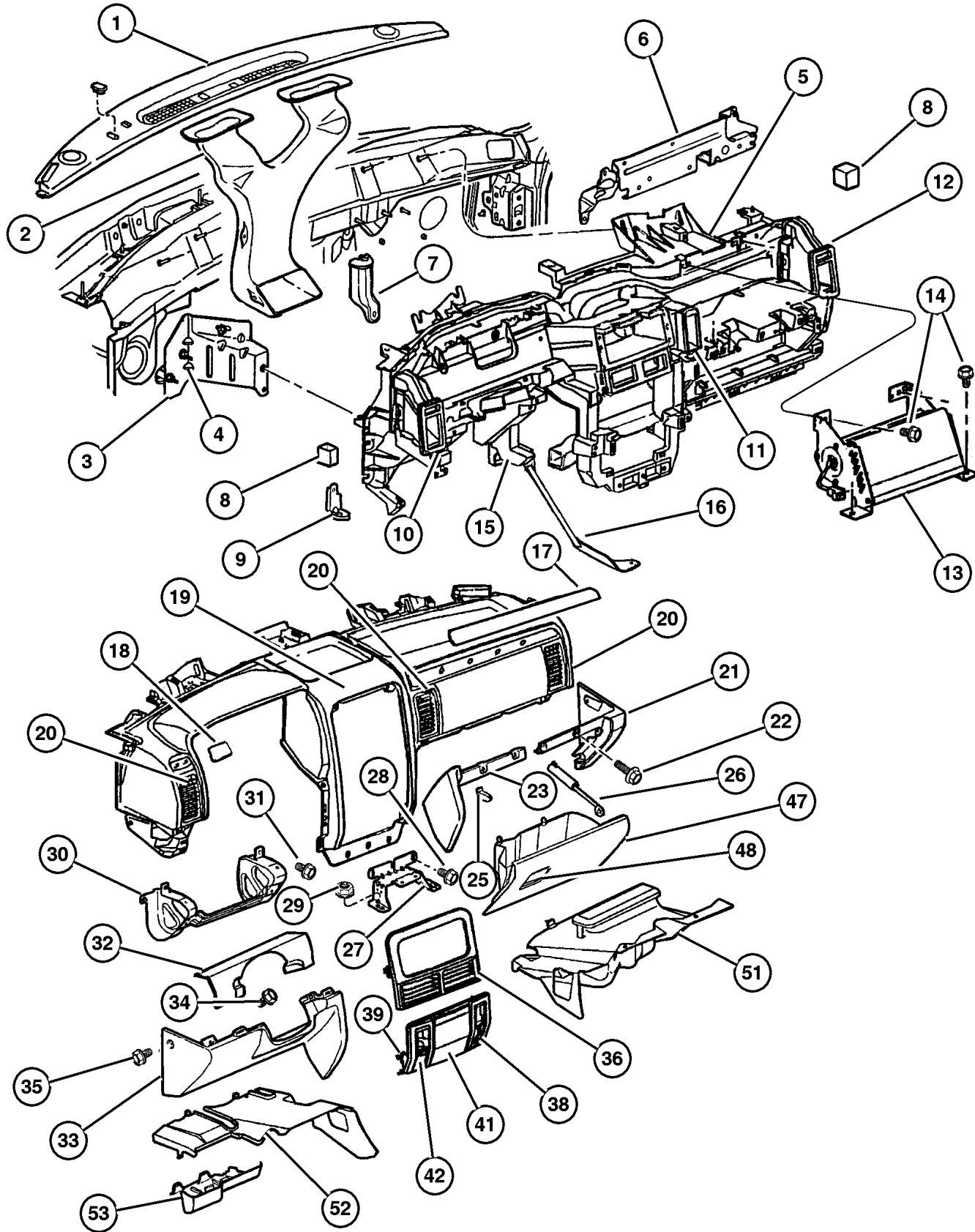


## GROUP 8A - Instrument Panel and Radios and Consoles

Illustration Title	Group-Fig. No.
<b>Instrument Panel</b>	
Instrument Panel .....	Fig. 08A-110
<b>Instrument Panel Cluster</b>	
Instrument Cluster .....	Fig. 08A-210
<b>Radio, Antenna, and Speakers</b>	
Radio .....	Fig. 08A-310
Antenna .....	Fig. 08A-320
Speakers .....	Fig. 08A-325
<b>Consoles</b>	
Floor Console .....	Fig. 08A-410
Overhead Console .....	Fig. 08A-420



## Instrument Panel Figure 08A-110



ITEM	PART NUMBER	QTY	LINE	SERIES	BODY	ENGINE	TRANS	DESCRIPTION
1	QR20 LAZAD	1						COVER, Instrument Panel [AZ]
	QR20 XTMAAD	1						[T5]
2	5511 6014	1	J					DUCT, Defroster
	55116 394AA	1	U					
3	55116 395AC	1	J					BRACKET, Instrument Panel
	55116 396AA	1	U					
4								NUT, M6x1, (NOT SERVICED) (Not Serviced)
								DUCT, Instrument Panel, Structural
5	55116 295AC	1	U					
	55116 407AC	1	J					
6								BRACKET, Instrument Panel, C-Channel Cover
	55116 373AB	1	J					
7	55116 376AB	1	U					
	55116 397AA	1						BRACKET, Instrument Panel
8								SPACER
	52850 582AA	1						Right
9	52850 583AA	1						Left
	55116 390AB	1	J					BRACKET, Instrument Panel, Courtesy Lamp
10	55116 418AA	1	U					
	55116 287AB	1						DUCT, Instrument Panel, Extension Left
11								DUCT, Instrument Panel, Extension In Board
	55116 285AA	1	J					
12	55116 439AA	1	U					
	55116 286AB	1						DUCT, Instrument Panel, Extension Right
13	55115 945AD	1					AIR BAG, Passenger	
14	6101 838	2					SCREW, Hex Head	
15	55116 391AA	1					BRACKET, Instrument Panel, Steering Column Support	
16								STRAP, Serviced in Assembly, (NOT SERVICED) (Not Serviced)
17								BEZEL, Instrument Panel
	55116 481AA	1	U					Passenger
18	55116 482AA	1	J					Passenger
								BEZEL, Instrument Panel, Armature Assembly & A/C Outlet Bezel Included

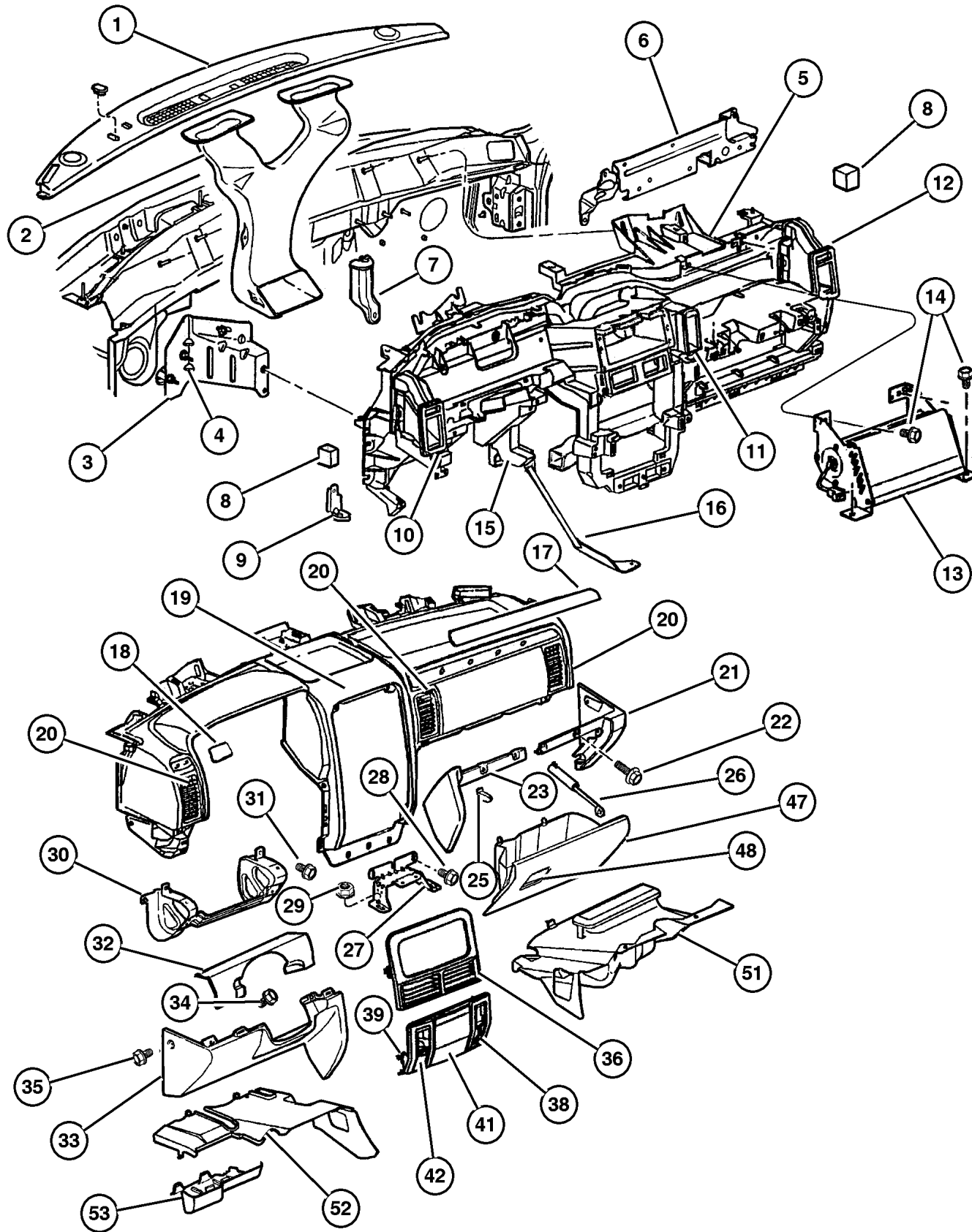
**JEEP GRAND CHEROKEE (WG)**

SERIES	LINE	BODY	ENGINE	TRANSMISSION
H = Laredo	J = 4WD	74 = 4 Door	ER0, ERH = 4.0L, Power Tech	DGK = 4 Speed Autm, 42RE
P = Limited	U = 4WD, RHD		EVO, EVA = 4.7L, Power Tech	DGQ = 5 Speed Automatic
			EXO, EXA = 3.1L 5 Cyl Turbo Diesel	- 5-45RFE
				DGW = 4 Speed Autm, 44RE

AR = Use as required - = Non illustrated part # = New this model year

October 31, 2002

## Instrument Panel Figure 08A-110



ITEM	PART NUMBER	QTY	LINE	SERIES	BODY	ENGINE	TRANS	DESCRIPTION
	55116 475AA	1	J					Driver
	55116 476AA	1	U					Driver
19								PAD, Instrument Panel
	5GZ11 1AZAB	1	U					[AZ]
	5GZ11 1TMAB	1	U					[T5]
	#5HK98 1AZAA	1	J					[AZ]
	#5HK98 1TMAA	1	J					[T5]
20								OUTLET, Air Conditioning & Heater
	5GZ12 1AZAB	1	J					[AZ], Inboard
	5GZ14 1TMAB	1	J					[T5], Right Side
	5GZ15 1AZAB	1	U					[AZ], Inboard
	5GZ15 1T5AB	1	U					[T5], Inboard
	5GZ12 1TMAB	1	J					[T5], Inboard
	5GZ13 1AZAB	1	U					[AZ], Left Side
		1	J					[AZ], Left Side
	5GZ13 1TMAB	1	U					[T5], Left Side
		1	J					[T5], Left Side
	5GZ14 1AZAB	1	U					[AZ], Right Side
		1	J					[AZ], Right Side
	5GZ14 1TMAB	1	U					[T5], Right Side
21								CAP, Instrument Panel End
	5EY42 LAZAB	1	J					[AZ]
	5EY42 XT5AB	1	J					[T5]
	5FX24 LAZAB	1	U					[AZ]
	5FX24 XT5AB	1	U					[T5]
22	6032 723	3						SCREW, Self Tapping, M4.2x1.69x19.05
23								BEZEL, Instrument Panel
	5FU66 LAZAB	1	J					[AZ]
	5FU66 XT5AB	1	J					[T5]
	5FX20 LAZAB	1	U					[AZ]
	5FX20 XT5AB	1	U					[T5]
-24	6101 946	3						SCREW, Tapping
25								STRIKER, Glove Box Door Latch
	55116 374AA	1						Right
	55116 375AA	1						Left
26	55116 424AA	1						DAMPENER, Glove Box Door
27								BRACKET, Instrument Panel
	5511 6041	1						Up to 02/19/01
	#55116 041AB	1						02/19/01 & After
28	0154 867AA	8						SCREW, M6X1X25
29	6504 572	2						NUT AND WASHER, Hex Nut-Coned
								Washer, M8 x 1.25
30	55116 391AA	1						BRACKET, Instrument Panel

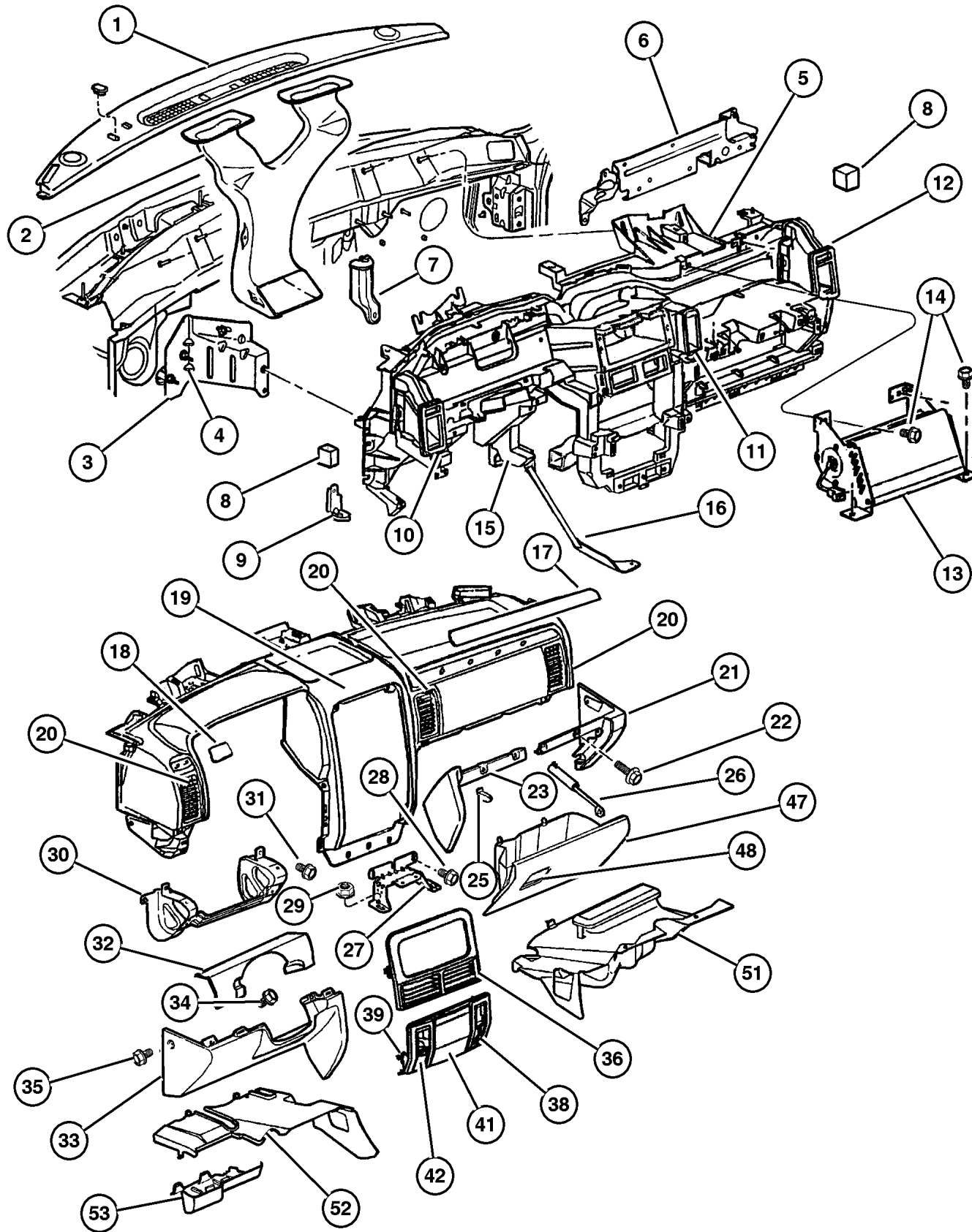
### JEEP GRAND CHEROKEE (WG)

SERIES	LINE	BODY	ENGINE	TRANSMISSION
H = Laredo	J = 4WD	74 = 4 Door	ER0, ERH = 4.0L, Power Tech	DGK = 4 Speed Autm, 42RE
P = Limited	U = 4WD, RHD		EVO, EVA = 4.7L, Power Tech	DGQ = 5 Speed Automatic
			EXO, EXA = 3.1L 5 Cyl Turbo Diesel	- 5-45RFE
				DGW = 4 Speed Autm, 44RE

AR = Use as required - = Non illustrated part # = New this model year

October 31, 2002

## Instrument Panel Figure 08A-110



ITEM	PART NUMBER	QTY	LINE	SERIES	BODY	ENGINE	TRANS	DESCRIPTION
31								SCREW, Self Tapping, M6x1x15, (NOT SERVICED) (Not Serviced)
32								BEZEL, Instrument Cluster
	5FZ23 LAZAD	1	J					w/o Headlamp Leveling System, [AZ]
	5FZ23 XT MAD	1	J					w/o Headlamp Leveling System, [T5]
	#5FZ26 LAZAE	1	J					W/ Headlamp Leveling System, [AZ]
	#5FZ28 LAZAD	1	U					W/o Headlamp Leveling System, [AZ]
	#5FZ28 XT MAD	1	U					W/o Headlamp Leveling System, [T5]
	#5FZ31 LAZAD	1	U					W/ Headlamp Leveling System, [AZ]
	#5FZ31 XT MAD	1	U					W/ Headlamp Leveling System, [T5]
	#5FZ26 XT MAE	1	J					W/ Headlamp Leveling System, [T5]
33								COVER, Instrument Panel, Steering Column Opening, 5EY40TRMAE (LHD)
	5EY40 LAZAE	1	J					[AZ]
	5EY40 XT5AE	1	J					[T5]
	5FN60 LAZAB	1	U					[AZ]
	5FN60 XT5AB	1	U					[T5]
34	6101 946	3						SCREW, Tapping
35	6032 723	3						SCREW, Self Tapping, M4.2x1.69x19.05
36	55116 479AB	1						BEZEL, Instrument Panel, Upper, Radio Bezel Opening
-37								ADAPTER, A/C And Heater Unit
	55116 366AB	1	J					
	55116 368AB	1	U					
38	5019 799AA	1						BEZEL, Instrument Panel, Lower, Limited w/10 Way Power Heated Seats (Sparta Burl) (Ash Reciever Assembly, Cigar & Power Outlet Assembly Included)
39	55116 372AB	1						PIN, Pivot
-40	6504 664	4						CLIP, Instrument Panel
41	5511 6061	1						RECEPTACLE, Ash Receiver
42	55116 273AA	1						DOOR, Power Outlet
-43	5269 360	1						HOOD, Ash Receiver Lamp
-44	4793 554	1						POWER OUTLET, Cigar Lighter
-45	4793 551	1						BASE, Cigar Lighter
-46	4793 555	2						RING, Cigar Lighter Mounting
47								GLOVE BOX, Instrument Panel
	5EY38 1AZAB	1	J					[AZ]
	5EY38 1T5AB	1	J					[T5]
	5FN64 1AZAB	1	U					[AZ]
	5FN64 1T5AB	1	U					[T5]
48								LATCH, Glovebox Door

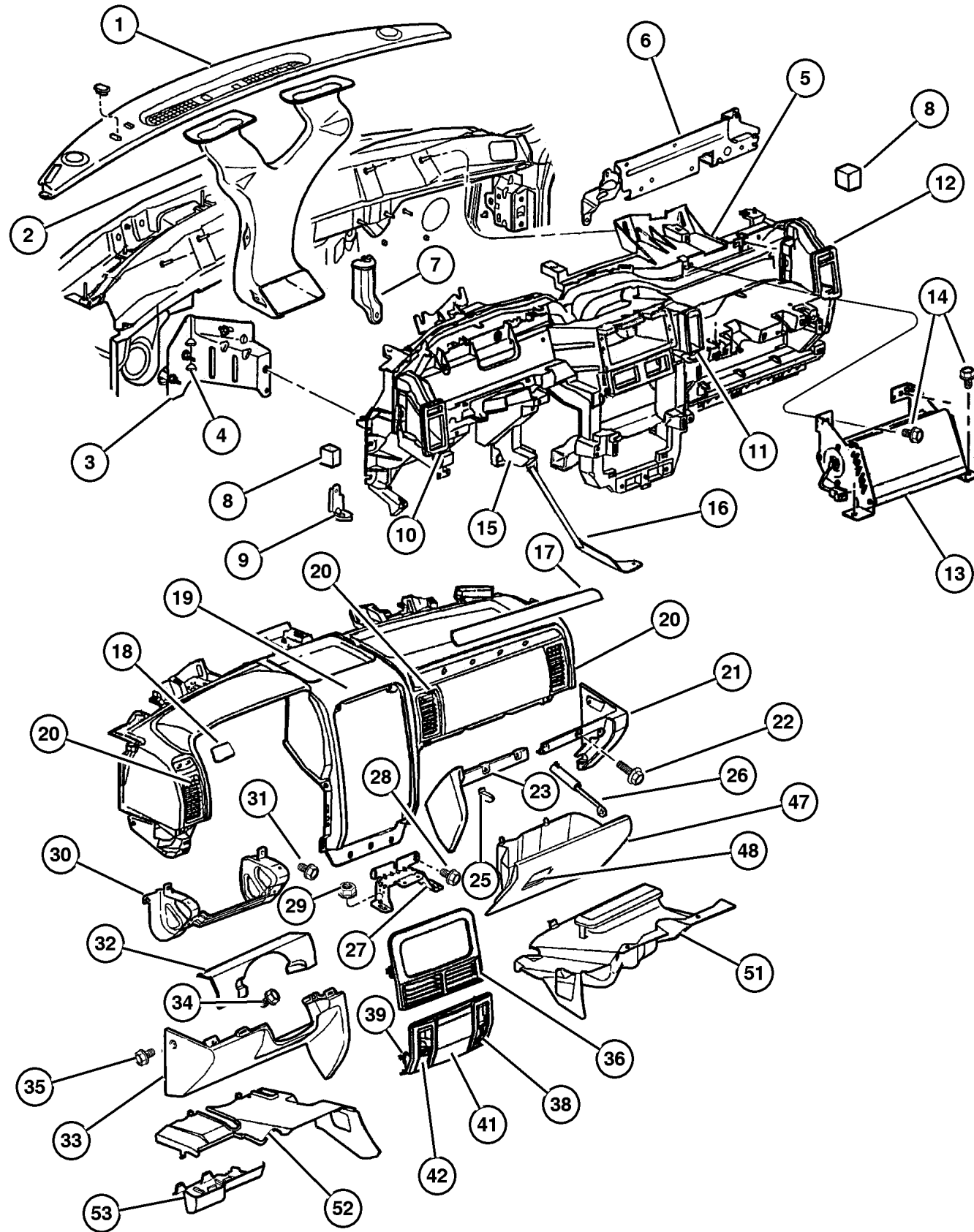
### JEEP GRAND CHEROKEE (WG)

SERIES	LINE	BODY	ENGINE	TRANSMISSION
H = Laredo	J = 4WD	74 = 4 Door	ER0, ERH = 4.0L, Power Tech	DGK = 4 Speed Autm, 42RE
P = Limited	U = 4WD, RHD		EVO, EVA = 4.7L, Power Tech	DGQ = 5 Speed Automatic
			EXO, EXA = 3.1L 5 Cyl Turbo Diesel	- 5-45RFE
				DGW = 4 Speed Autm, 44RE

AR = Use as required - = Non illustrated part # = New this model year

October 31, 2002

# Instrument Panel Figure 08A-110



ITEM	PART NUMBER	QTY	LINE	SERIES	BODY	ENGINE	TRANS	DESCRIPTION
	5FK9 41T5	1	J					[T5]
	5FK9 4LAZ	1	J					[AZ]
	5FN6 61T5	1	U					[T5]
	5FN6 6LAZ	1	U					[AZ]
-49								BUMPER, Glove Box Door
	4524 343	1	J					
	55116 440AA	1	U					
-50	4565 022	1						SWITCH AND LAMP, Glove Box
51								PANEL, Instrument Closure
	55196 850AC	1	J					Right
	55196 851AC	1	J					Left
52								PANEL, Instrument Closure
	55196 852AB	1	U					Right
	55196 853AB	1	U					Left
53								COVER, Fuse Access
	5511 6229	1	J					
	55116 293AB	1	U					
-54								PULLER, Fuse
	55196 762AA	1	U					
		1	J					
-55	4595 746AA	1						LABEL, Air Bag Warning
-56	4793 554	1						POWER OUTLET, Cigar Lighter, Quarter Trim Panel
-57	4685 370	1						KNOB AND ELEMENT, Cigar Lighter
-58	4685 591	1						CAP, Cigar Lighter, Cap/Tether & Mount Ring (Cigar Lighter)

**JEEP GRAND CHEROKEE (WG)**

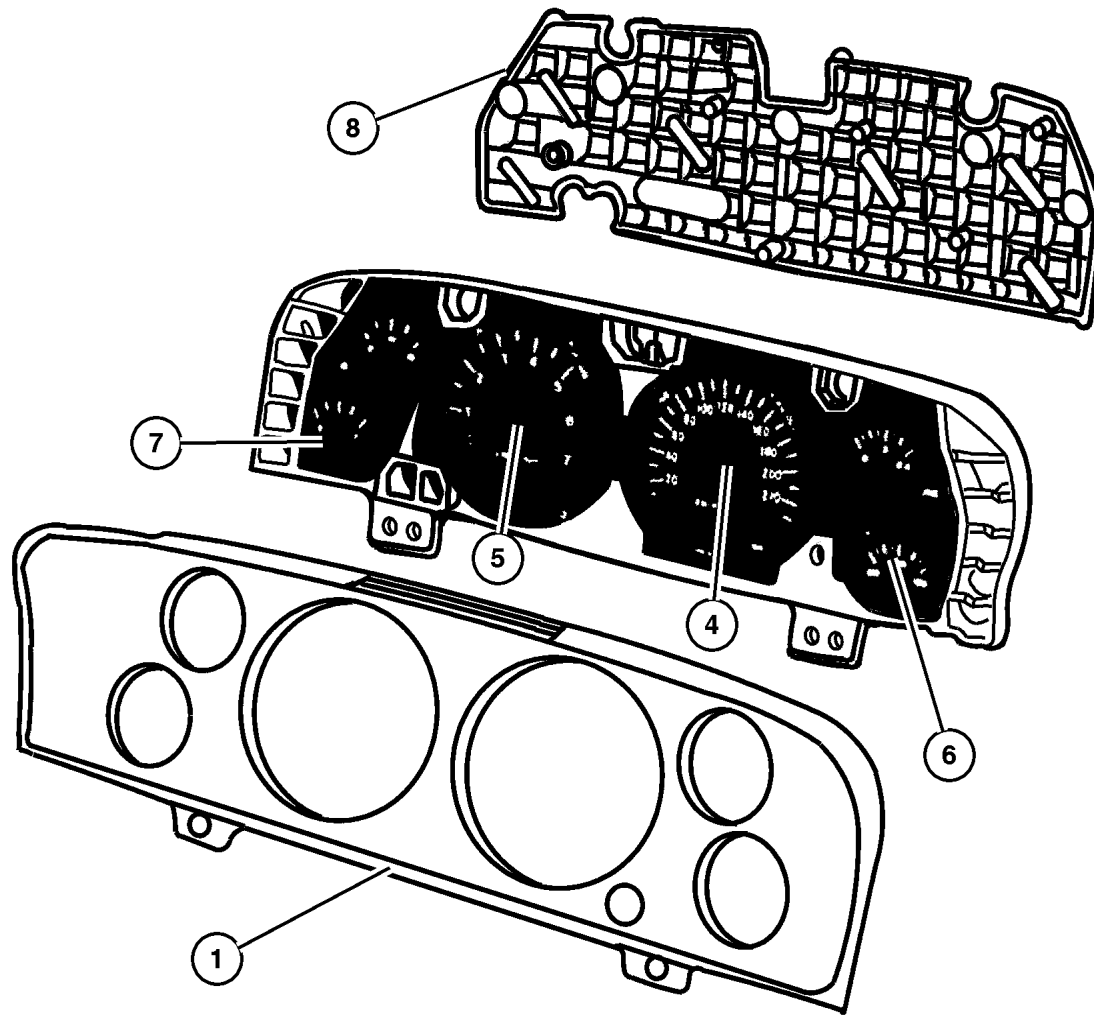
SERIES	LINE	BODY	ENGINE	TRANSMISSION
H = Laredo	J = 4WD	74 = 4 Door	ER0, ERH = 4.0L, Power Tech	DGK = 4 Speed Autm, 42RE
P = Limited	U = 4WD, RHD		EVO, EVA = 4.7L, Power Tech	DGQ = 5 Speed Automatic
			EXO, EXA = 3.1L 5 Cyl Turbo Diesel	- 5-45RFE
				DGW = 4 Speed Autm, 44RE

AR = Use as required - = Non illustrated part # = New this model year

October 31, 2002

**Instrument Cluster  
Figure 08A-210**

ITEM	PART NUMBER	QTY	LINE	SERIES	BODY	ENGINE	TRANS	DESCRIPTION
1	5016 245AA	1						LENS, Cluster
-2	L000 PC74	16						BULB, PC74
-3	L00P C121	1						BULB, PC121
4	#5018 112AA	1						GAUGE, Speedometer 230 KPH
	#5018 164AA	1	U					120 MPH
	#5018 166AA	1	U					200 KPH
5	#5018 113AA	1						GAUGE, Tachometer
6	#5018 168AA	1						GAUGE, Temperature And Oil
7	#5018 115AA	1						GAUGE, Fuel And Volt
8	#5018 170AA	1						BOARD, Circuit
-9	4638 220	1						KNOB, Odometer Reset
-10	6101 946	3						SCREW, Tapping
-11	6032 723	6						SCREW, Self Tapping, M4.2x1.69x19.05

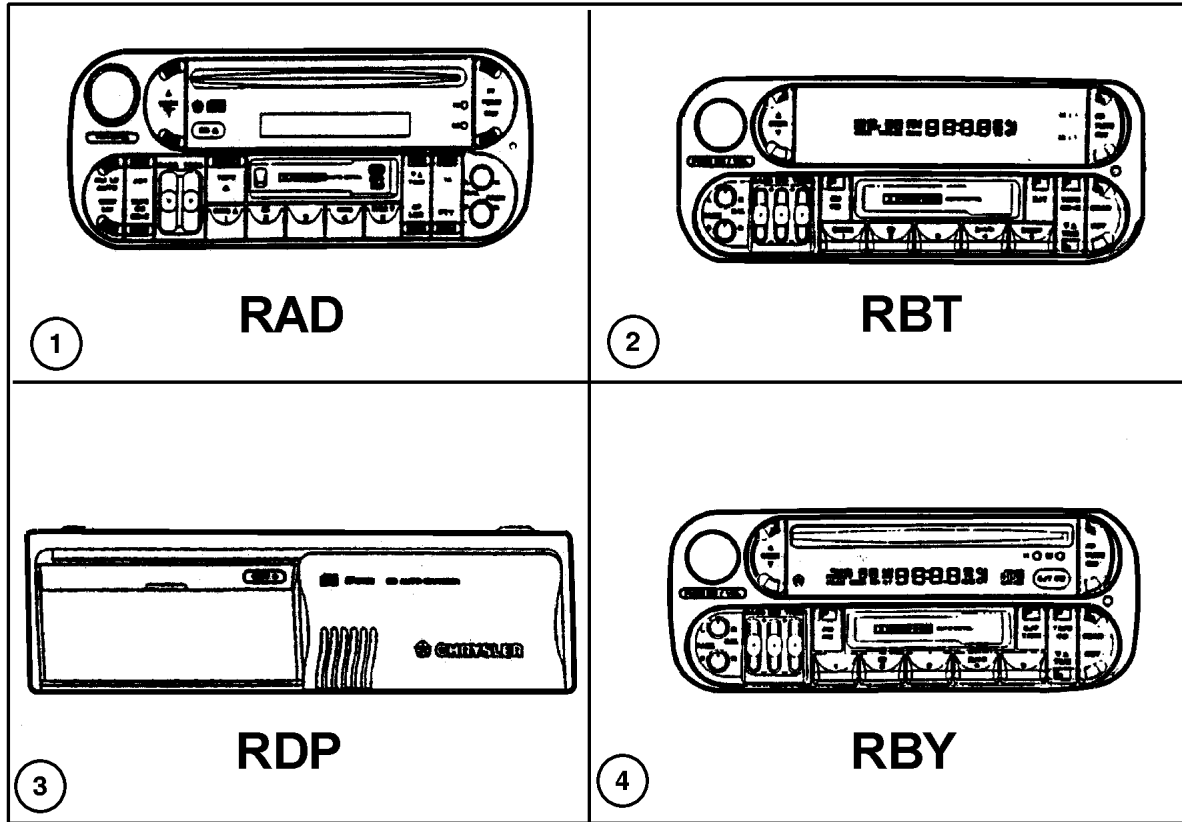


<b>JEEP GRAND CHEROKEE (WG)</b>				
SERIES	LINE	BODY	ENGINE	TRANSMISSION
H = Laredo	J = 4WD	74 = 4 Door	ER0, ERH = 4.0L, Power Tech	DGK = 4 Speed Autm, 42RE
P = Limited	U = 4WD, RHD		EVO, EVA = 4.7L, Power Tech	DGQ = 5 Speed Automatic
			EXO, EXA = 3.1L 5 Cyl Turbo Diesel	- 5-45RFE
				DGW = 4 Speed Autm, 44RE

AR = Use as required - = Non illustrated part # = New this model year

October 31, 2002

**Radio**  
**Figure 08A-310**



ITEM	PART NUMBER	QTY	LINE	SERIES	BODY	ENGINE	TRANS	DESCRIPTION
------	-------------	-----	------	--------	------	--------	-------	-------------

**NOTE**

SALES CODES:RAD=AM/FM Cassette /CD,RDS  
RBT=AM/FM Cassette , Compact Disc  
RBY=AM/FM Cassette , CD  
RDP=CD Changer 10 Disc Remote

1	#4858 543AE	1						RADIO, AM/FM/Cassette With CD
2	#4858 542AD	1						RADIO, AM/FM/Cassette With CD
3	56038 579AC	1						CHANGER, CD
4	#4858 541AD	1						RADIO, AM/FM with CD and Cassette
-5	6100 047	4						NUT AND WASHER, Hex Nut-Coned Washer, M6 x 1.00
-6	0154 552	1						SCREW, Hex Head, .190-16x.625
-7	6035 081	1						NUT, .25-20
-8	56038 499AB	1						STRAP, Radio Noise Suppression Up to 8/27/00, 4.0L Engine
	56038 402AB	1						Up to 8/27/00, 4.7L Engine
	#56038 402AC	1						8/27/00 & After, 4.7L Engine
	#56038 499AC	1						8/27/00 & After, 4.0L Engine
-9	6035 081	1						NUT, .25-20
-10	56038 407AD	1						AMPLIFIER, Radio, (RCE) Infinity

**JEEP GRAND CHEROKEE (WG)**

SERIES	LINE	BODY	ENGINE	TRANSMISSION
H = Laredo	J = 4WD	74 = 4 Door	ER0, ERH = 4.0L, Power Tech	DGK = 4 Speed Autm, 42RE
P = Limited	U = 4WD, RHD		EVO, EVA = 4.7L, Power Tech	DGQ = 5 Speed Automatic
			EXO, EXA = 3.1L 5 Cyl Turbo Diesel	- 5-45RFE
				DGW = 4 Speed Autm, 44RE

AR = Use as required - = Non illustrated part # = New this model year

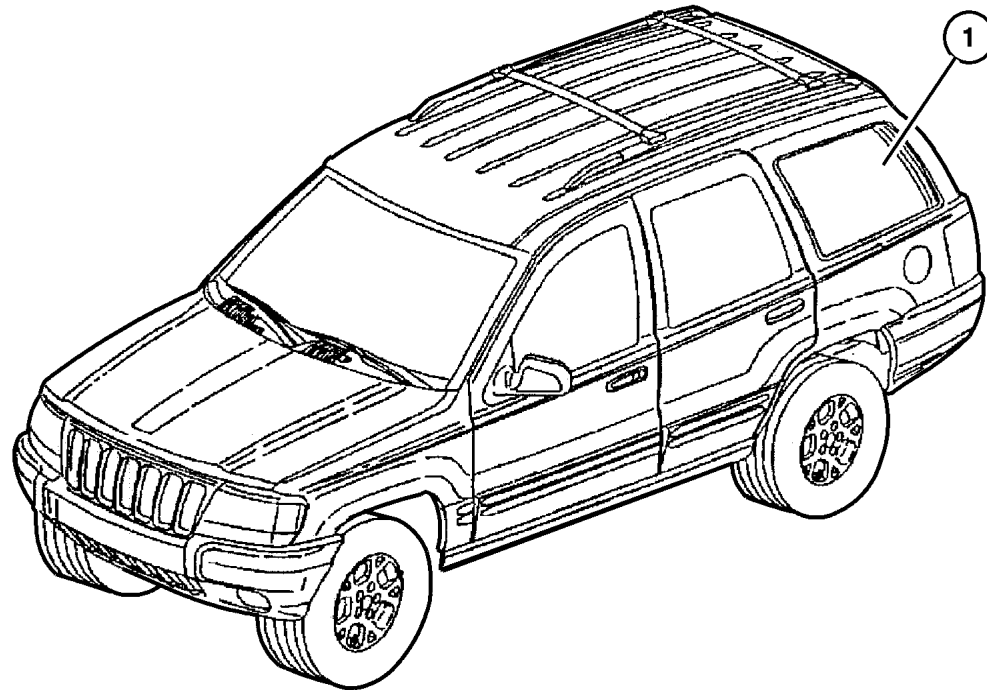
October 31, 2002

**Antenna  
Figure 08A-320**

ITEM	PART NUMBER	QTY	LINE	SERIES	BODY	ENGINE	TRANS	DESCRIPTION
------	-------------	-----	------	--------	------	--------	-------	-------------

NOTE: ANTENNA INTEGRATED IN REAR GLASS

1	5604 2134	1						AMPLIFIER, Radio
-2	56038 514AA	1						CABLE, Antenna
-3	56038 515AD	1	U					CABLE, Antenna
-4	56038 516AD	1	J					CABLE, Antenna
-5	0154 552	2						SCREW, Hex Head, .190-16x.625
-6	4373 728	1						PLUG



**JEEP GRAND CHEROKEE (WG)**

SERIES	LINE	BODY	ENGINE	TRANSMISSION
H = Laredo	J = 4WD	74 = 4 Door	ER0, ERH = 4.0L, Power Tech	DGK = 4 Speed Autm, 42RE
P = Limited	U = 4WD, RHD		EVO, EVA = 4.7L, Power Tech	DGQ = 5 Speed Automatic
			EXO, EXA = 3.1L 5 Cyl Turbo Diesel	- 5-45RFE
				DGW = 4 Speed Autm, 44RE

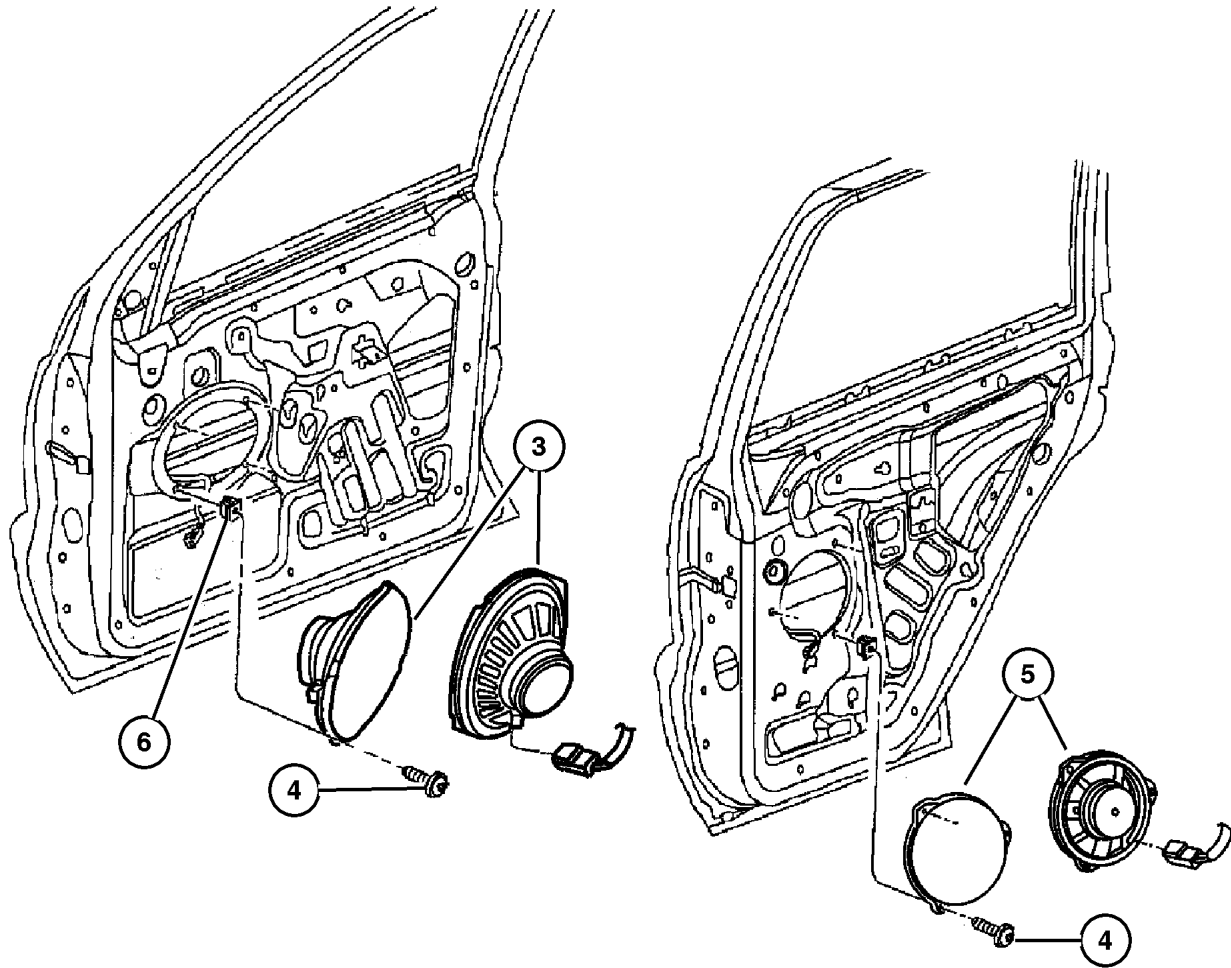
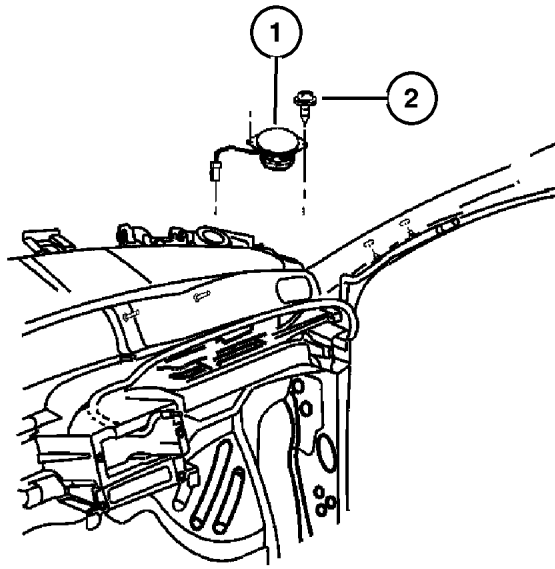
AR = Use as required - = Non illustrated part # = New this model year

October 31, 2002



## Speakers Figure 08A-325

ITEM	PART NUMBER	QTY	LINE	SERIES	BODY	ENGINE	TRANS	DESCRIPTION
Note:								
RCE = Infinity Speaker System								
1	56038 411AC	2						SPEAKER, Instrument Panel, (RCE) Infinity
2	6101 946	3						SCREW, Tapping
3	56038 409AC	2						SPEAKER, 6"X9", (RCE) Infinity
4	6034 949	6						SCREW
5	56038 410AC	2						SPEAKER, 6.5", (RCE) Infinity
6	6036 098AA	8						NUT, Plastic Snap-in

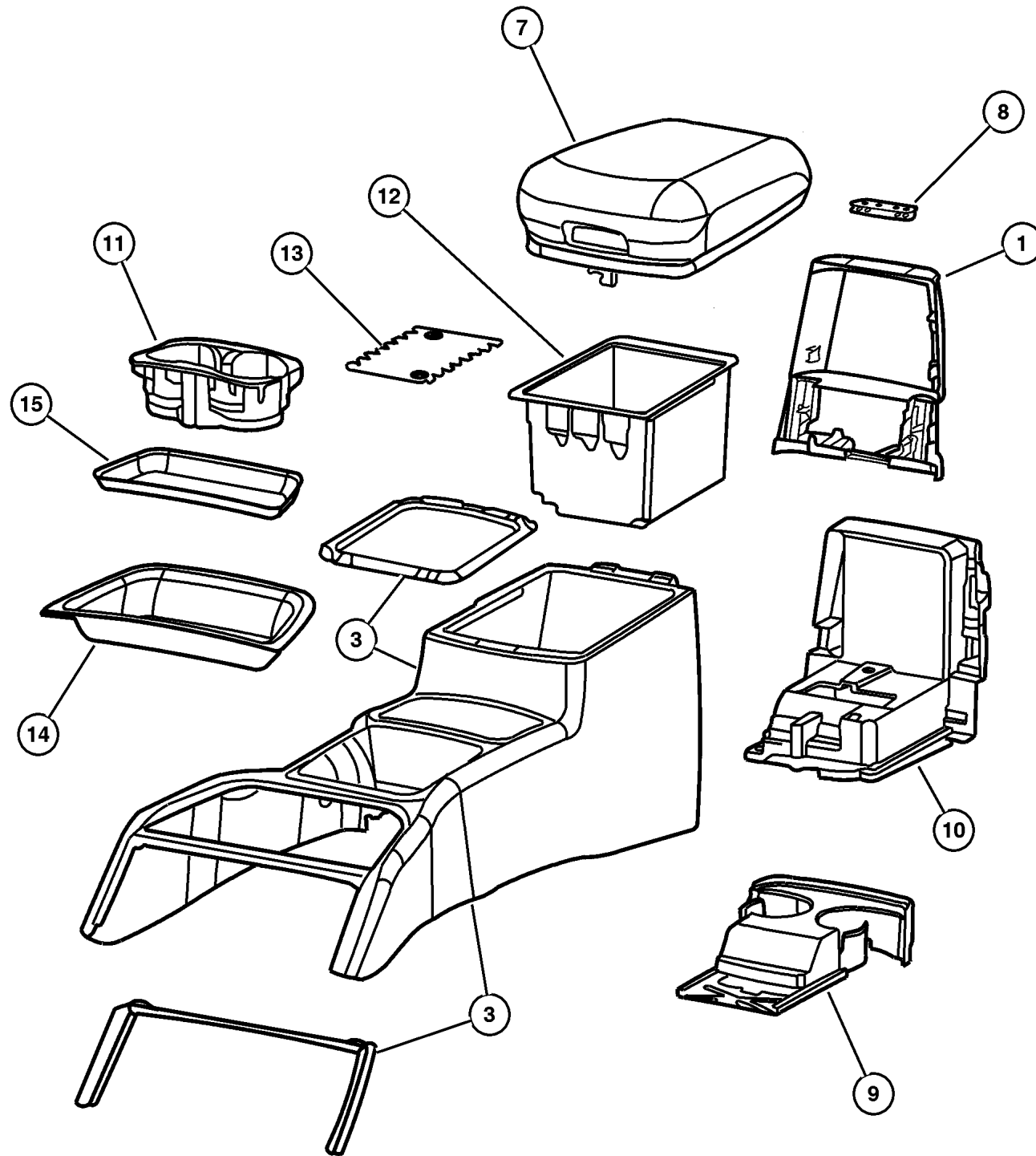


<b>JEEP GRAND CHEROKEE (WG)</b>				
SERIES	LINE	BODY	ENGINE	TRANSMISSION
H = Laredo	J = 4WD	74 = 4 Door	ER0, ERH = 4.0L, Power Tech	DGK = 4 Speed Autm, 42RE
P = Limited	U = 4WD, RHD		EVO, EVA = 4.7L, Power Tech	DGQ = 5 Speed Automatic
			EXO, EXA = 3.1L 5 Cyl Turbo Diesel	- 5-45RFE
				DGW = 4 Speed Autm, 44RE

AR = Use as required - = Non illustrated part # = New this model year

October 31, 2002

**Floor Console  
Figure 08A-410**



ITEM	PART NUMBER	QTY	LINE	SERIES	BODY	ENGINE	TRANS	DESCRIPTION
1								PANEL, Console
	QP97 LAZAA	1	U					[AZ]
		1	J					[AZ]
	QP97 XT5AA	1	U					[T5]
		1	J					[T5]
-2	5014 295AA	1	J					LATCH, Console Lock
3								CONSOLE, Base
	SH13 1AZAB	1	J					[AZ]
	SH13 1T5AB	1	J					[T5]
-4	6032 452	2	J					SCREW, Self Piercing, .164-15x.625
-5	6032 838	2	U					CLIP, .500x.417x.500
-6	6034 319	2	J					CLIP, .453Wx.528LGx.017THK
7								LID, Floor Console Bin
	5FW58 1AZAB	1	U					[AZ]
		1	J					[AZ]
	5FW58 1T5AB	1	U					[T5]
		1	J					[T5]
8								HINGE, Floor Console Lid
	55196 773AA	1	U					
		1	J					
9								CUPHOLDER, Floor Console
	5GL54 1AZAB	1	U					[AZ]
		1	J					[AZ]
	5GL54 1T5AB	1	U					[T5]
		1	J					[T5]
10								PLATE, Floor Console
	55196 718AB	1	U					
		1	J					
11								CUPHOLDER, Floor Console
	55196 713AA	1	U					
		1	J					
12	55196 664AB	1						BIN, Floor Console, w/Mat
13	5519 6665	1						MAT, Storage Tray
14	55196 664AB	1						BIN, Floor Console
15	5519 6665	1						MAT, Storage Tray
-16								SCREW, .164-18x.50, (NOT SERVICED) (Not Serviced)

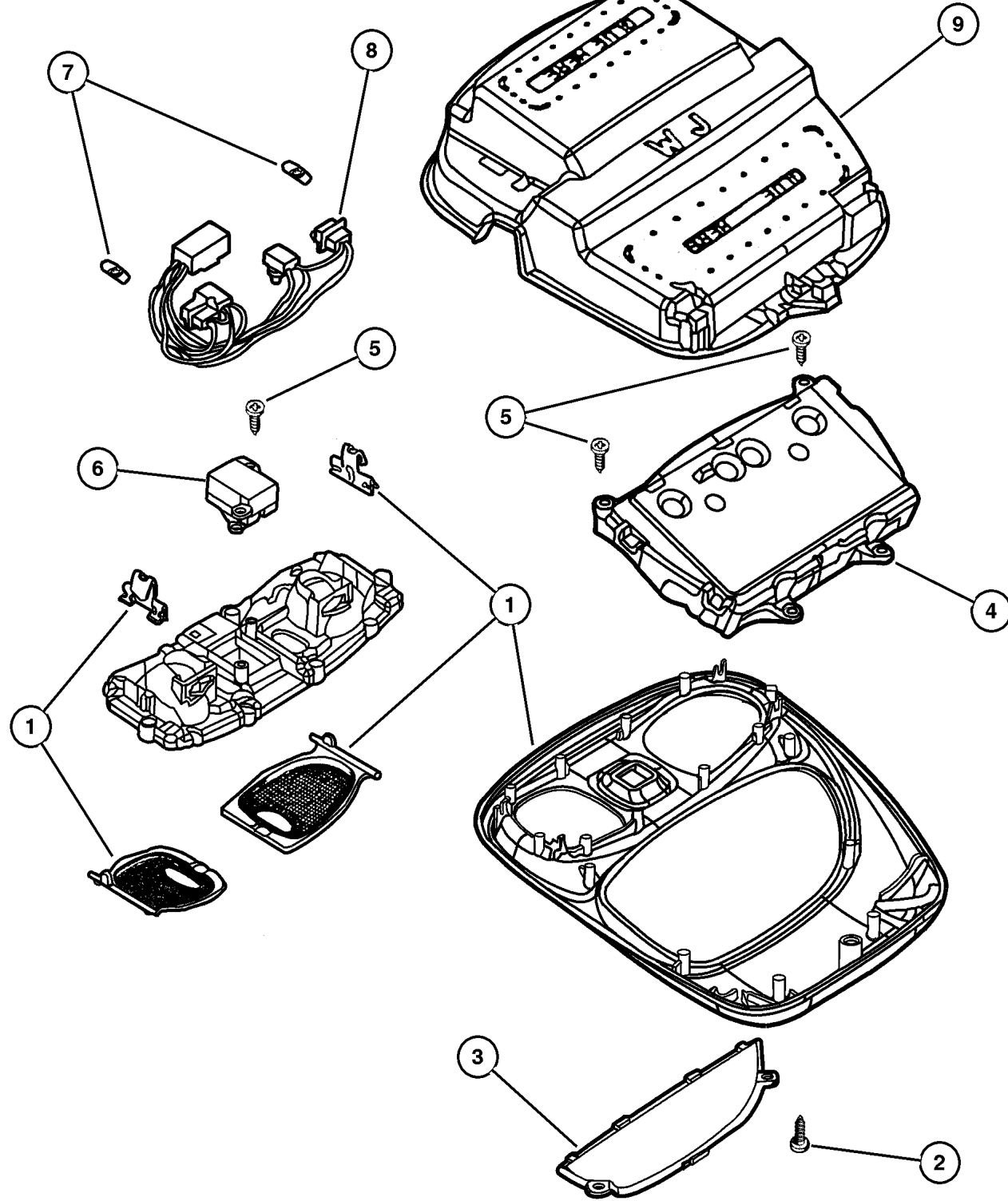
**JEEP GRAND CHEROKEE (WG)**

SERIES	LINE	BODY	ENGINE	TRANSMISSION
H = Laredo	J = 4WD	74 = 4 Door	ER0, ERH = 4.0L, Power Tech	DGK = 4 Speed Autm, 42RE
P = Limited	U = 4WD, RHD		EVO, EVA = 4.7L, Power Tech	DGQ = 5 Speed Automatic
			EXO, EXA = 3.1L 5 Cyl Turbo Diesel	- 5-45RFE
				DGW = 4 Speed Autm, 44RE

AR = Use as required - = Non illustrated part # = New this model year

October 31, 2002

Overhead Console  
Figure 08A-420



ITEM	PART NUMBER	QTY	LINE	SERIES	BODY	ENGINE	TRANS	DESCRIPTION
1								CONSOLE, Overhead Mini, Less Electronics
	SF61 1L2AA	1	U					[AZ], w/Illuminated Visor , w/o Sunroof
		1	J					[AZ], w/Illuminated Visor , w/o Sunroof
	SF61 1T5AA	1	U					[T5], w/Illuminated Visor , w/o Sunroof
		1	J					[T5], w/Illuminated Visor , w/o Sunroof
	SF62 1L2AA	1	J					[AZ] , w/ Illuminated Visor , w/Sunroof
		1	U					[AZ] , w/ Illuminated Visor , w/Sunroof
	SF62 1T5AA	1	J					[T5], w/ Illuminated Visor , w/Sunroof
		1	U					[T5] , w/ Illuminated Visor , w/Sunroof
2								SCREW, .164-18x.500, (NOT SERVICED) (Not Serviced)
3								LENS, Message Center
	5012 882AA	1	U					
		1	J					
4								MODULE, Compass Temperature
	#56042 754AA	1	J					
		1	U					
5	0154 867AA	8						SCREW
6	5604 2064	1	J					SWITCH, 1 Gang
7	0154 537	2	J					BULB, 192
8								WIRING, Overhead Lighting
	55196 754AA	1	J					
		1	U					
9								RETAINER, Headliner
	55196 782AB	1	J					
		1	U					

JEEP GRAND CHEROKEE (WG)

SERIES	LINE	BODY	ENGINE	TRANSMISSION
H = Laredo	J = 4WD	74 = 4 Door	ER0, ERH = 4.0L, Power Tech	DGK = 4 Speed Autm, 42RE
P = Limited	U = 4WD, RHD		EVO, EVA = 4.7L, Power Tech	DGQ = 5 Speed Automatic
			EXO, EXA = 3.1L 5 Cyl Turbo Diesel	- 5-45RFE
				DGW = 4 Speed Autm, 44RE

AR = Use as required - = Non illustrated part # = New this model year

October 31, 2002

# Group – 009

## Engine Mounting

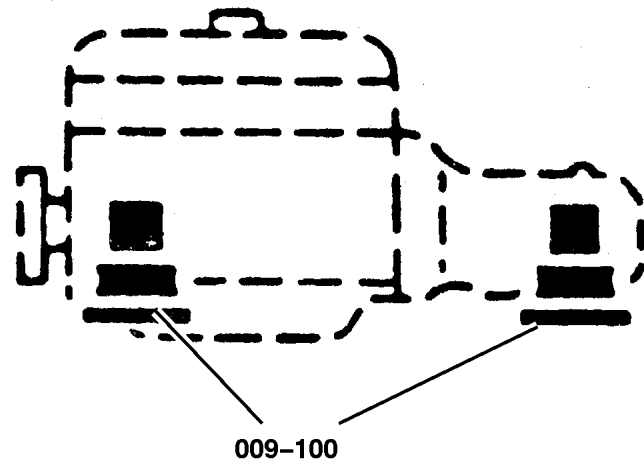
### GROUP 9 - Engine Mounting

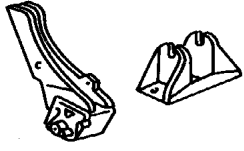
Illustration Title

Group-Fig. No.

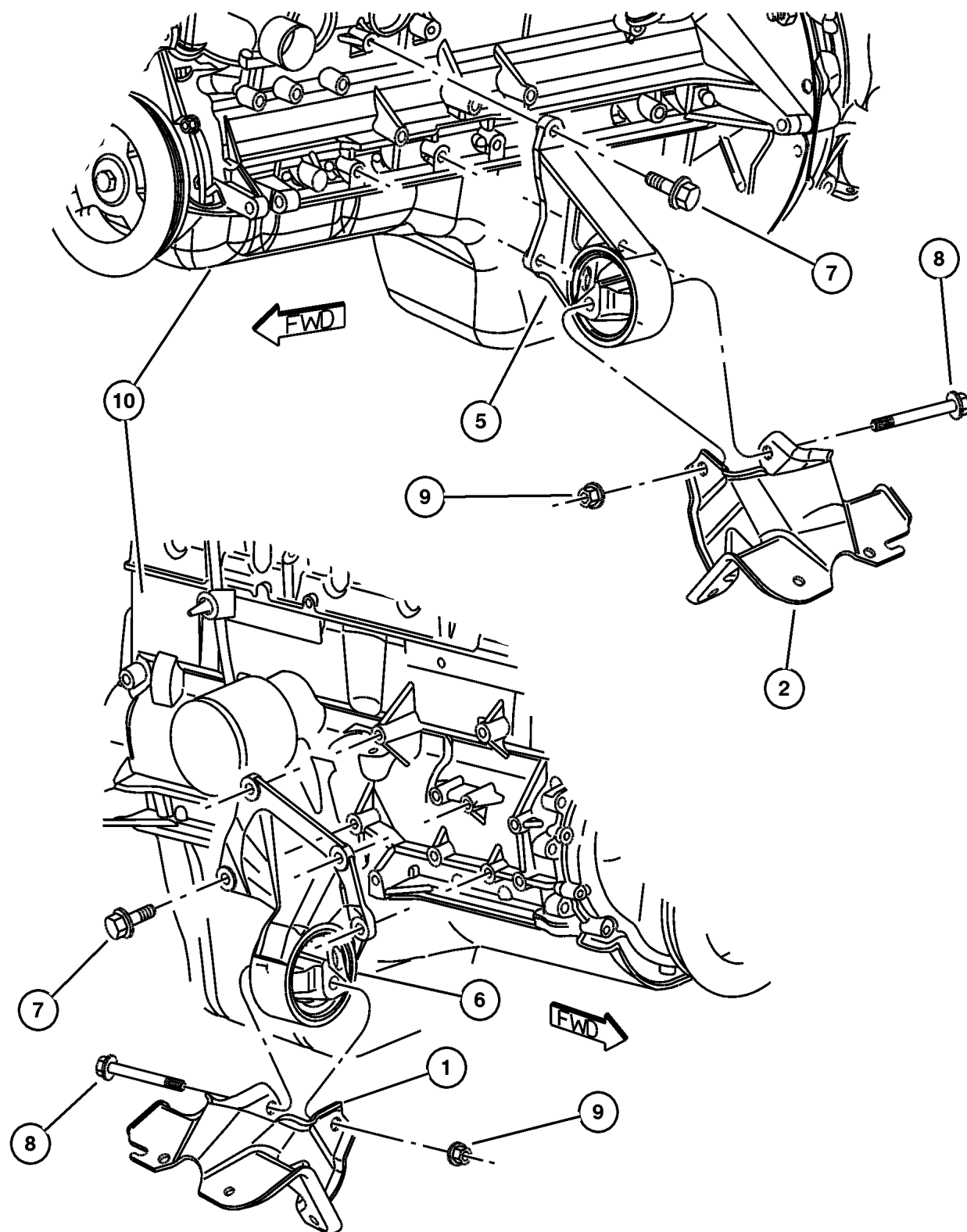
#### Engine Mounting

Engine Mounting, Front (EXA) 3.1L Diesel .....	Fig. 009-110
Engine Mounting, Rear (EXA) 3.1L Diesel .....	Fig. 009-120
Engine Mounting, Front (ERH) 4.0L .....	Fig. 009-130
Engine, Mounting Brace (ERH) 4.0L .....	Fig. 009-140
Engine Mounting, Rear (ERH) 4.0L .....	Fig. 009-150
Engine Mounting, Front (EVA) 4.7L .....	Fig. 009-160
Engine Mounting, Rear (EVA) 4.7L .....	Fig. 009-170



<p><b>009-100</b> Engine Mounting</p> 			
---	--	--	--

## Engine Mounting, Front (EXA) 3.1L Diesel Figure 009-110



ITEM	PART NUMBER	QTY	LINE	SERIES	BODY	ENGINE	TRANS	DESCRIPTION
Note:								
EVO = All 4.7L Gas Engines								
EXA = 3.1L 5 Cyl Diesel Engine								
EXO = All 3.0/3.1L Turbo Diesel Engines								
1	5205 9052	1				EX0		BRACKET, Sill
2	5205 9053	1				EX0		BRACKET, Sill
-3	6503 119	4						SCREW AND WASHER, Hex Head, M10x1.5x40, Bracket To Rail
-4	6506 134AA	2				EX0		SCREW AND WASHER, Rail To Engine Bracket
5	5205 9050	1				EX0		INSULATOR, Engine Mount
6	5205 9051	1				EX0		INSULATOR, Engine Mount
7	6503 699	8				EVO, EX0		SCREW AND WASHER, Hex Head, M10x1.5x28
8	3420 2606	2						BOLT, Hex Head
9	6502 697	2						NUT, Hex Flange Lock, M12x1.75
10								ENGINE, Short, See Group 9 For Short Block Or Engine Components, (NOT SERVICED) (Not Serviced)

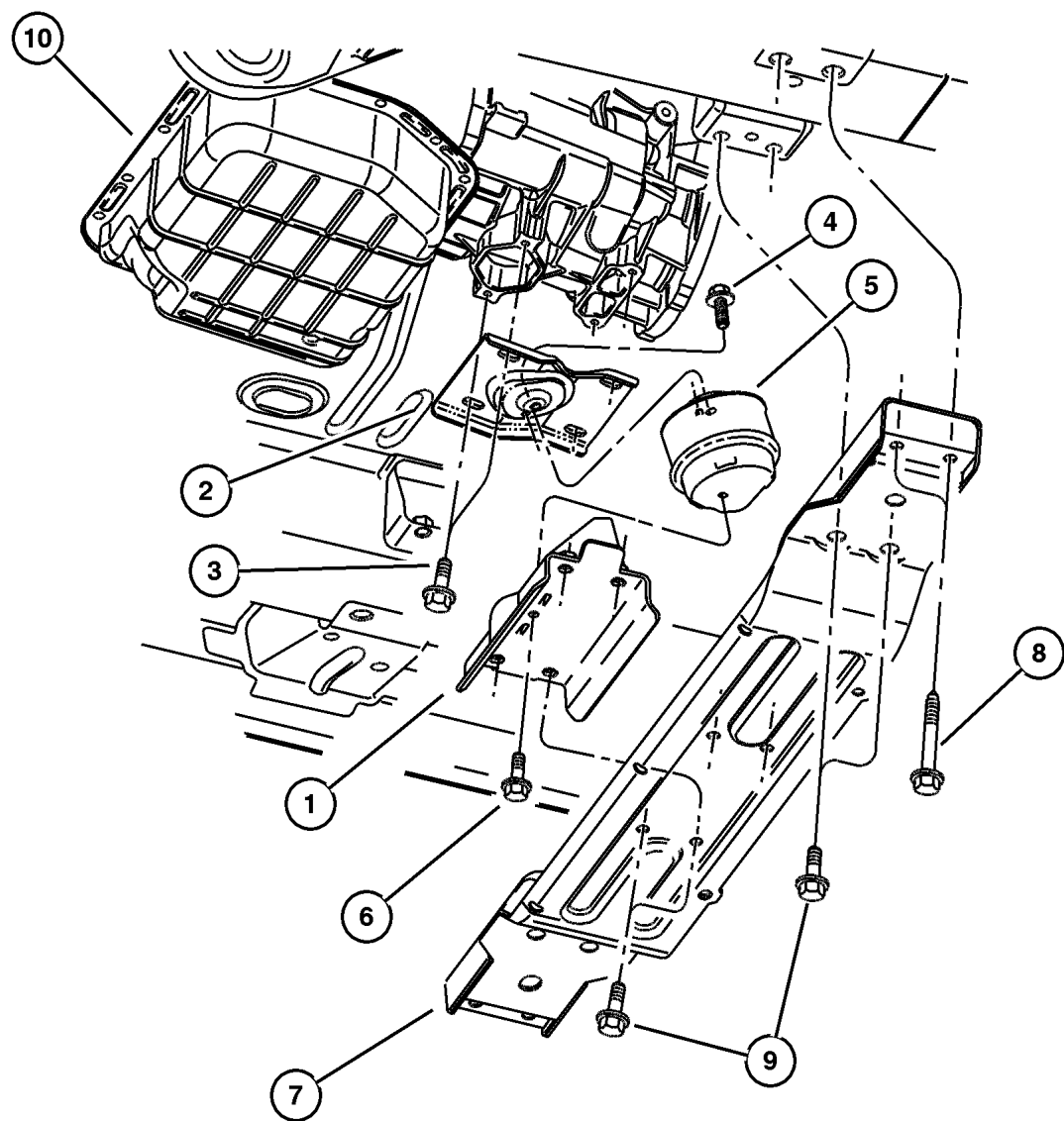
<b>JEEP GRAND CHEROKEE (WG)</b>				
SERIES	LINE	BODY	ENGINE	TRANSMISSION
H = Laredo	J = 4WD	74 = 4 Door	ER0, ERH = 4.0L, Power Tech	DGK = 4 Speed Autm, 42RE
P = Limited	U = 4WD, RHD		EVO, EVA = 4.7L, Power Tech	DGQ = 5 Speed Automatic
			EXO, EXA = 3.1L 5 Cyl Turbo Diesel	- 5-45RFE
				DGW = 4 Speed Autm, 44RE

AR = Use as required - = Non illustrated part # = New this model year

October 31, 2002

**Engine Mounting, Rear (EXA) 3.1L Diesel  
Figure 009-120**

ITEM	PART NUMBER	QTY	LINE	SERIES	BODY	ENGINE	TRANS	DESCRIPTION
Note:								
DG0 = All Automatic Transmissions								
ER0 = All 4.0L 6 Cyl Gas Engines								
EXA = 3.1L 5 Cyl Diesel Engine								
EX0 = All 3.0/3.1L Turbo Diesel Engines								
1	53054 630AB	1				EX0	DG0	BRACKET, Transmission Mount, Lower
2	53054 631AB	1				EX0	DG0	BRACKET, Transmission Mount, Upper Bracket
3	6033 358	4				ER0, EX0	DG0	SCREW AND WASHER, Hex Head Locking, .437-14x1.25
4								SCREW, (NOT SERVICED) (Not Serviced)
5	53054 629AA	1				EX0	DG0	MOUNT, Transmission
6	6101 542	1				EX0		SCREW, Hex Head, M8-1.25 x 20
7	52059 303AA	1				EX0	DG0	CROSSMEMBER, Transmission
8	6505 671AA	4						SCREW AND WASHER
9	6506 000AA	4						SCREW AND WASHER, Inner
10								PAN, Transmission Oil, See Transmission Group, (NOT SERVICED) (Not Serviced)



<b>JEEP GRAND CHEROKEE (WG)</b>				
SERIES	LINE	BODY	ENGINE	TRANSMISSION
H = Laredo	J = 4WD	74 = 4 Door	ER0, ERH = 4.0L, Power Tech	DGK = 4 Speed Autm, 42RE
P = Limited	U = 4WD, RHD		EVO, EVA = 4.7L, Power Tech	DGQ = 5 Speed Automatic
			EXO, EXA = 3.1L 5 Cyl Turbo Diesel	- 5-45RFE
				DGW = 4 Speed Autm, 44RE

AR = Use as required - = Non illustrated part # = New this model year

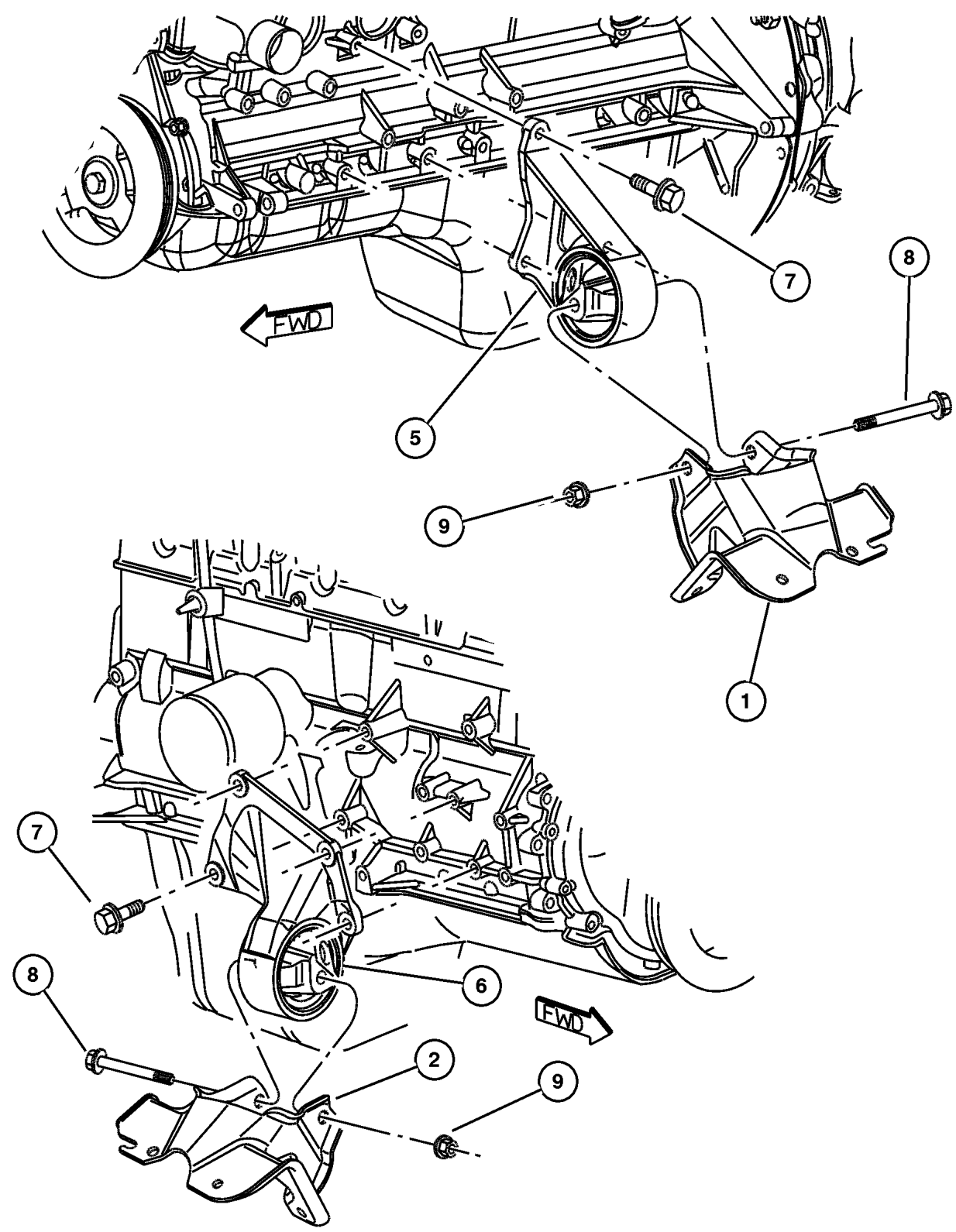
October 31, 2002

## Engine Mounting, Front (ERH) 4.0L Figure 009-130

ITEM	PART NUMBER	QTY	LINE	SERIES	BODY	ENGINE	TRANS	DESCRIPTION
------	-------------	-----	------	--------	------	--------	-------	-------------

Note:  
 DG0 = All Automatic Transmissions  
 ERH = 4.0L Power Tech I-6  
 ER0 = All 4.0L 6 Cyl Gas Engines  
 EV0 = All 4.7L Gas Engines

1	52058 931AC	1				ER0, EV0		BRACKET, Engine Mount, Left
2	52058 930AB	1				ER0, EV0		BRACKET, Engine Mount, Right
-3	6503 119	4						SCREW AND WASHER, Hex Head, M10x1.5x40, Bracket To Rail
-4	6506 134AA	4				ER0, EV0		SCREW AND WASHER, Rail To Bracket
5	52058 929AB	1				ER0		INSULATOR, Engine Mount, Left
6	5205 8928	1				ER0		INSULATOR, Engine Mount, Right
7	6503 699	7				ER0		SCREW AND WASHER, Hex Head, M10x1.5x28
8	3420 2606	2						BOLT, Hex Head
9	6502 697	2				ER0	DG0	NUT, Hex Flange Lock, M12x1.75

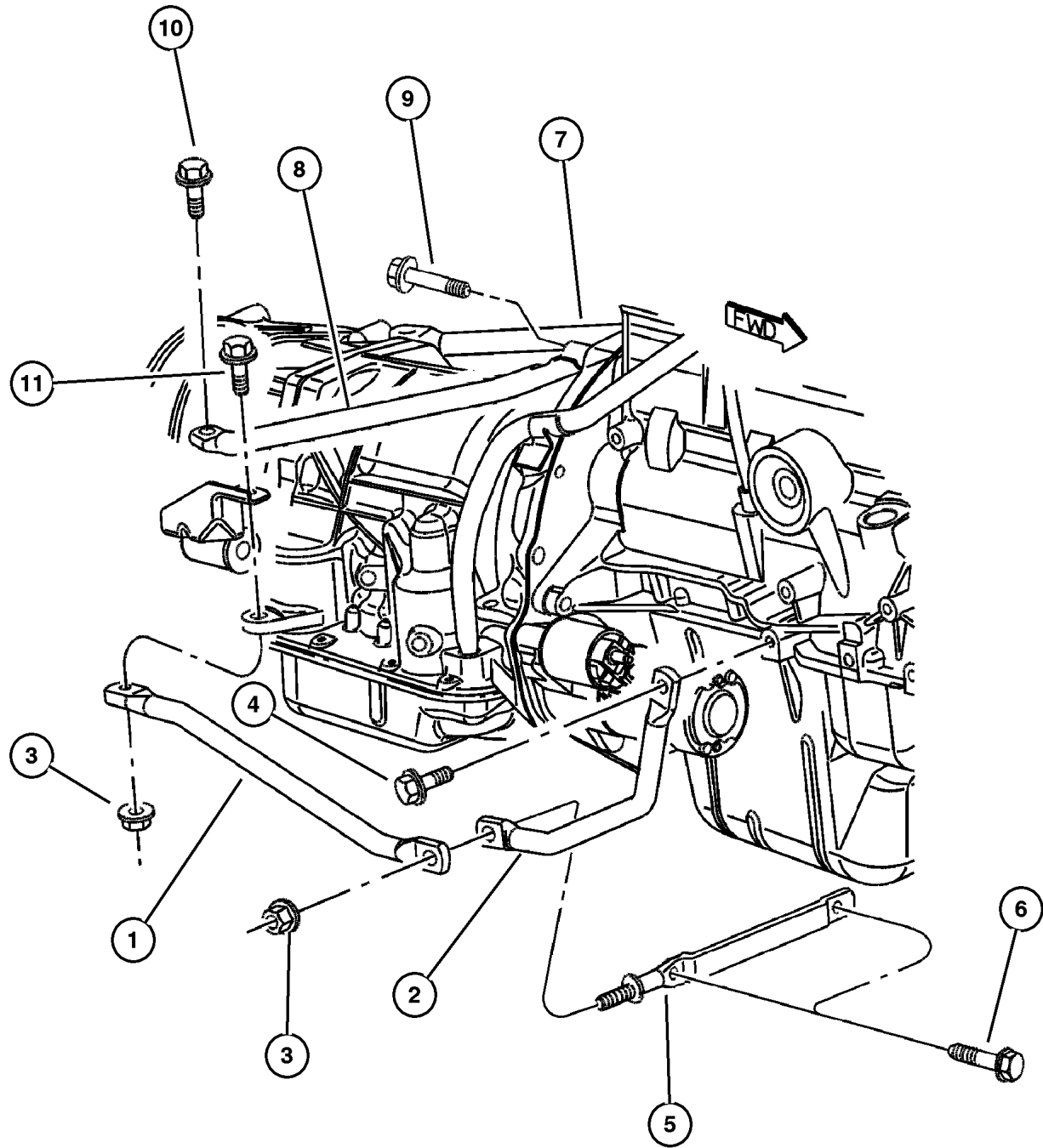


<b>JEEP GRAND CHEROKEE (WG)</b>				
SERIES	LINE	BODY	ENGINE	TRANSMISSION
H = Laredo	J = 4WD	74 = 4 Door	ER0, ERH = 4.0L, Power Tech	DGK = 4 Speed Autm, 42RE
P = Limited	U = 4WD, RHD		EV0, EVA = 4.7L, Power Tech	DGQ = 5 Speed Automatic
			EXO, EXA = 3.1L 5 Cyl Turbo Diesel	- 5-45RFE
				DGW = 4 Speed Autm, 44RE

AR = Use as required - = Non illustrated part # = New this model year

October 31, 2002

**Engine, Mounting Brace (ERH) 4.0L  
Figure 009-140**



ITEM	PART NUMBER	QTY	LINE	SERIES	BODY	ENGINE	TRANS	DESCRIPTION
------	-------------	-----	------	--------	------	--------	-------	-------------

Note:

DG0 = All Automatic Transmissions  
 DG4 = Multi-Speed Automatic Transmission  
 ERH = 4.0L Power Tech I-6  
 ER0 = All 4.0L 6 Cyl Gas Engines

1	5210 4202	1				ER0	DG0	BRACE, Bending Transmission, Bottom
2	5210 4204	1				ER0	DG0	BRACE, Bending Transmission
3	6502 697	2						NUT, Hex Flange Lock, M12x1.75
4	6025 063	1				ER0	DG0	SCREW AND WASHER, .375-16x1.125
5	52104 250AA	1				ER0	DG0	BRACE, Bell Housing
6	6034 498	2				ER0	DG0	SCREW AND WASHER, Hex Head, .312-18x1.25
7	5210 4201	1				ER0	DG0	BRACE, Bending Transmission, Top Left, Left
8	5210 4200	1				ER0	DG0	BRACE, Bending Transmission, Top Right, Right, Right
9	6034 242	2				ER0	DG0	SCREW AND WASHER
10	6027 865	2				ER0	DG0	SCREW, .375-16x1.375
11	6022 266	1					DG4	SCREW, Hex Head, .375-16x1.5

**JEEP GRAND CHEROKEE (WG)**

SERIES	LINE	BODY	ENGINE	TRANSMISSION
H = Laredo	J = 4WD	74 = 4 Door	ER0, ERH = 4.0L, Power Tech	DGK = 4 Speed Autm, 42RE
P = Limited	U = 4WD, RHD		EVO, EVA = 4.7L, Power Tech	DGQ = 5 Speed Automatic
			EXO, EXA = 3.1L 5 Cyl Turbo Diesel	- 5-45RFE
				DGW = 4 Speed Autm, 44RE

AR = Use as required - = Non illustrated part # = New this model year

October 31, 2002



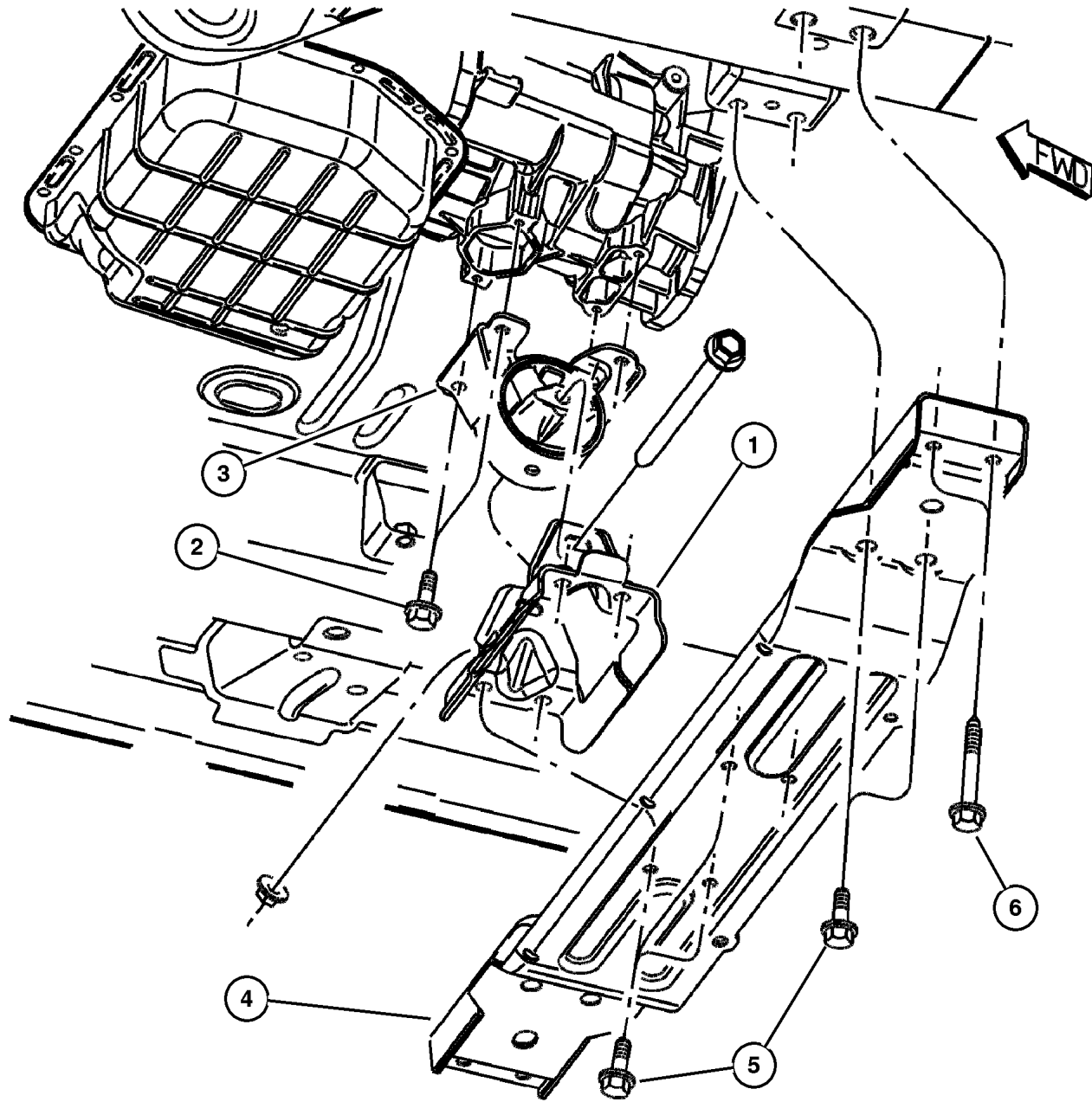
**Engine Mounting, Rear (ERH) 4.0L  
Figure 009-150**

ITEM	PART NUMBER	QTY	LINE	SERIES	BODY	ENGINE	TRANS	DESCRIPTION
------	-------------	-----	------	--------	------	--------	-------	-------------

**NOTE:**

Sales Codes:  
 ER0=All 4.0L In-Line 6 Engine  
 EX0=All 3.1L Turbo Diesel Engines  
 EV0=All 4.7L V-8 Engines  
 DGK=4 Speed Automatic Transmission  
 DG0=All Automatic Transmissions

1	5205 8988	1				ER0, EV0	DGK	BRACKET, Insulator
2	6033 358	4				ER0, EX0	DG0	SCREW AND WASHER, Hex Head Locking, .437-14x1.25
3	5205 8994	1				ER0	DGK	MOUNT, Transmission
4	52058 940AB	1				ER0, EV0		CROSSMEMBER, Transmission
5	6506 000AA	4						SCREW AND WASHER, Inner
6	6505 671AA	4						SCREW AND WASHER, Outer



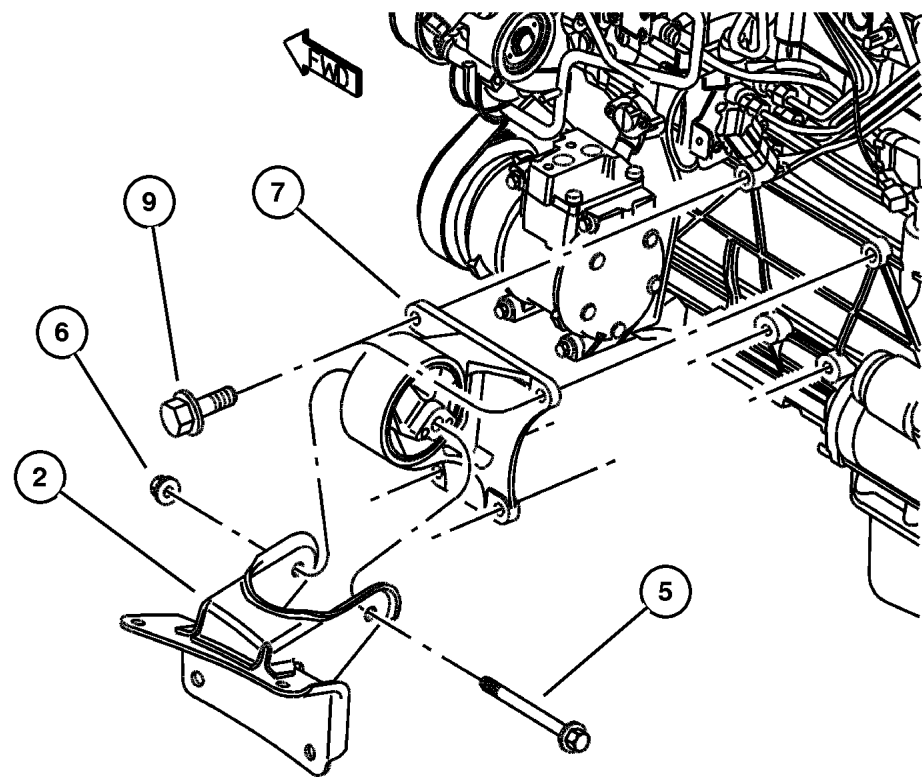
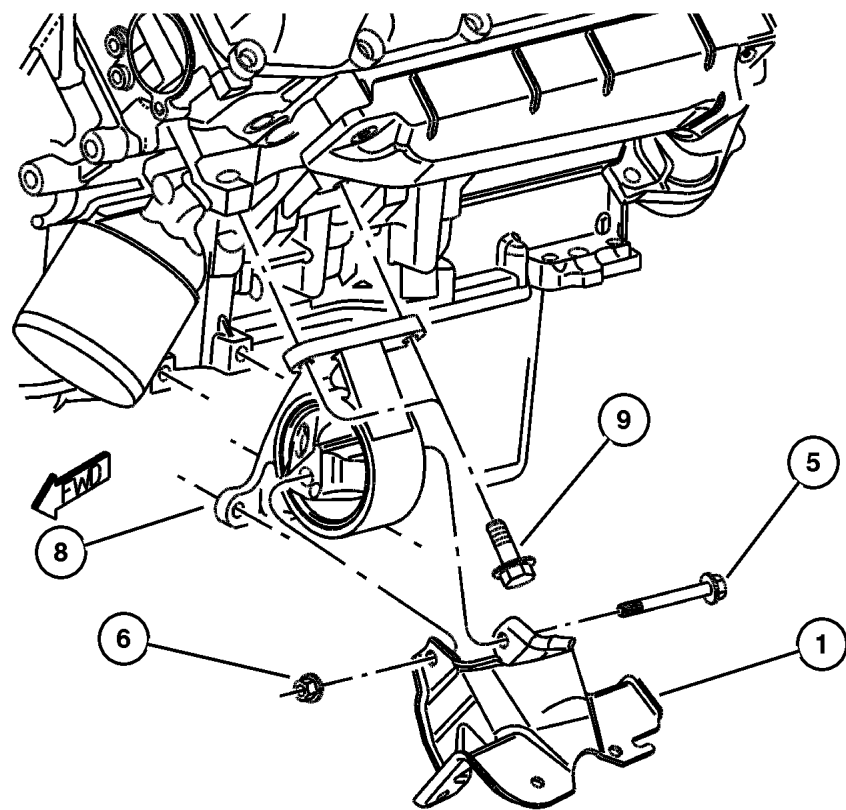
**JEEP GRAND CHEROKEE (WG)**

SERIES	LINE	BODY	ENGINE	TRANSMISSION
H = Laredo	J = 4WD	74 = 4 Door	ER0, ERH = 4.0L, Power Tech	DGK = 4 Speed Autm, 42RE
P = Limited	U = 4WD, RHD		EV0, EVA = 4.7L, Power Tech	DGQ = 5 Speed Automatic
			EXO, EXA = 3.1L 5 Cyl Turbo Diesel	- 5-45RFE
				DGW = 4 Speed Autm, 44RE

AR = Use as required - = Non illustrated part # = New this model year

October 31, 2002

**Engine Mounting, Front (EVA) 4.7L  
Figure 009-160**



ITEM	PART NUMBER	QTY	LINE	SERIES	BODY	ENGINE	TRANS	DESCRIPTION
NOTE:								
Sales Codes:								
ER0=All 4.0L In-Line 6 Engine								
EX0=All 3.1L Turbo Diesel Engines								
EVO=All 4.7L V-8 Engines								
1	52058 931AC	1				ER0, EVO		BRACKET, Engine Mount, Left
2	52058 930AB	1				ER0, EVO		BRACKET, Engine Mount, Right
-3	6503 119	4						SCREW AND WASHER, Hex Head, M10x1.5x40, Bracket To Rail
-4	6506 134AA	4				ER0, EVO		SCREW AND WASHER, Rail To Bracket
5	3420 2606	2						BOLT, Hex Head
6	6502 697	2						NUT, Hex Flange Lock, M12x1.75
7	52058 936AC	1	J			EVO		INSULATOR, Engine Mount, Right
8	52058 937AC	1	J			EVO		INSULATOR, Engine Mount, Left
9	6503 699	8				EVO, EX0		SCREW AND WASHER, Hex Head, M10x1.5x28

JEEP GRAND CHEROKEE (WG)				
SERIES	LINE	BODY	ENGINE	TRANSMISSION
H = Laredo	J = 4WD	74 = 4 Door	ER0, ERH = 4.0L, Power Tech	DGK = 4 Speed Autm, 42RE
P = Limited	U = 4WD, RHD		EVO, EVA = 4.7L, Power Tech	DGQ = 5 Speed Automatic
			EXO, EXA = 3.1L 5 Cyl Turbo Diesel	- 5-45RFE
				DGW = 4 Speed Autm, 44RE

AR = Use as required - = Non illustrated part # = New this model year

October 31, 2002

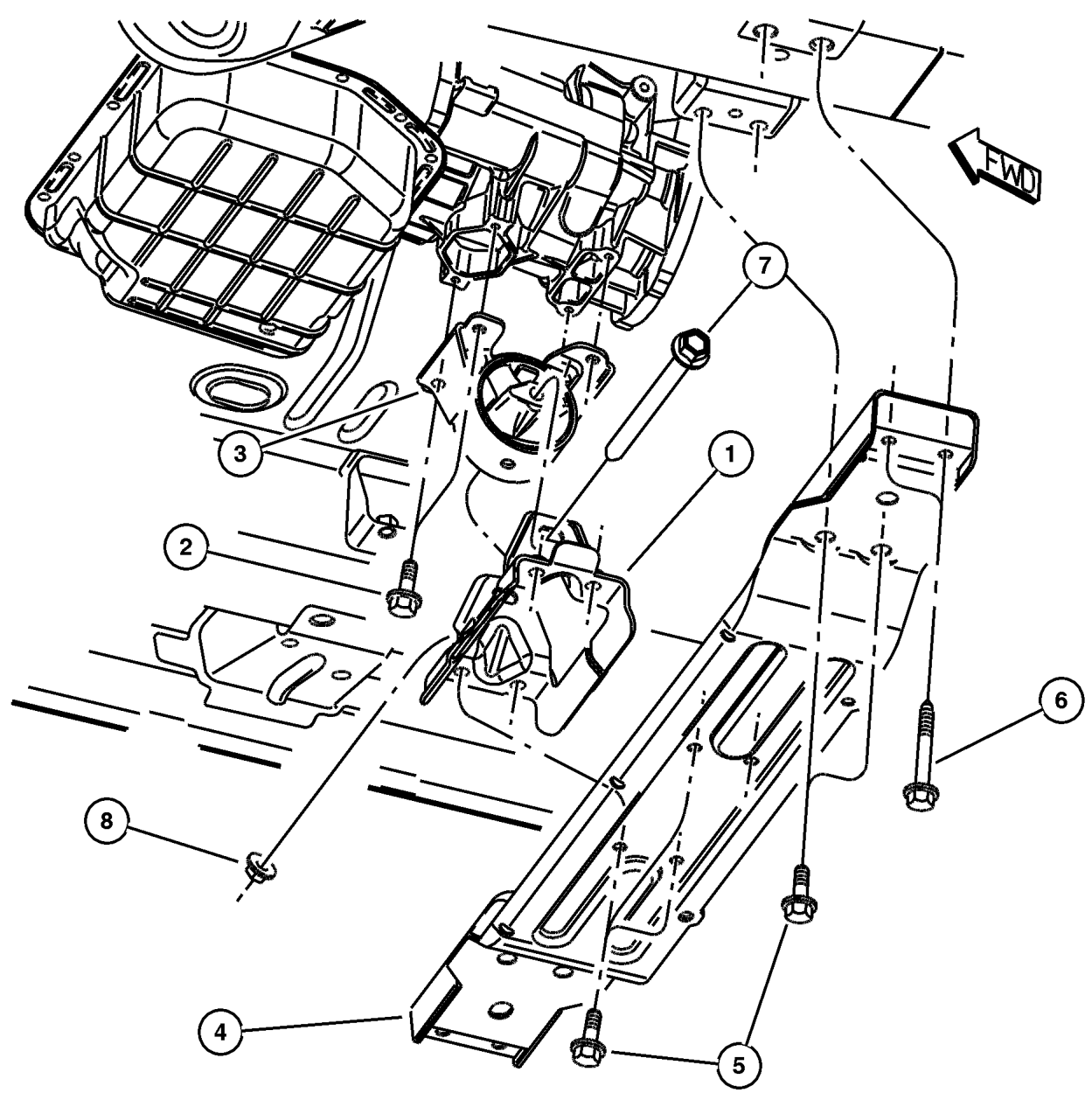
**Engine Mounting, Rear (EVA) 4.7L  
Figure 009-170**

ITEM	PART NUMBER	QTY	LINE	SERIES	BODY	ENGINE	TRANS	DESCRIPTION
------	-------------	-----	------	--------	------	--------	-------	-------------

**NOTE:**

Sales Codes:  
 ER0=All 4.0L In-Line 6 Engine  
 EX0=All 3.1L Turbo Diesel Engines  
 EV0=All 4.7L V-8 Engines  
 DG4=Multi Speed Automatic Transmission  
 DG0=All Automatic Transmissions

1	5205 8988	1				EV0	DG4	BRACKET, Insulator
2	6033 358	4				ER0,	DG0	SCREW AND WASHER, Hex Head
						EX0		Locking, .437-14x1.25
3	5205 8996	1				EV0	DG4	MOUNT, Transmission
4	52058 940AB	1				ER0,		CROSSMEMBER, Transmission
						EV0		
5	6506 000AA	4						SCREW AND WASHER, Inner
6	6505 671AA	4						SCREW AND WASHER, Outer
7	6504 681	1				EV0		BOLT
8	6502 697	1				ER0,		NUT, Hex Flange Lock, M12x1.75
						EV0		



<b>JEEP GRAND CHEROKEE (WG)</b>				
SERIES	LINE	BODY	ENGINE	TRANSMISSION
H = Laredo	J = 4WD	74 = 4 Door	ER0, ERH = 4.0L, Power Tech	DGK = 4 Speed Autm, 42RE
P = Limited	U = 4WD, RHD		EV0, EVA = 4.7L, Power Tech	DGQ = 5 Speed Automatic
			EX0, EXA = 3.1L 5 Cyl Turbo Diesel	- 5-45RFE
				DGW = 4 Speed Autm, 44RE

AR = Use as required - = Non illustrated part # = New this model year

October 31, 2002

# Group – 4.0L

## Engine 4.0L Six Cylinder

### GROUP 4.0L - Engine 4.0L Six Cylinder

Illustration Title

Group-Fig. No.

#### Cylinder Head

Cylinder Head, 4.0 (ERH) ..... Fig. 4.0L-210

#### Cylinder Block

Cylinder Block, 4.0 (ERH) ..... Fig. 4.0L-310

#### Crankshaft, Piston and Torque Converter

Crankshaft, Piston and Torque Converter, 4.0 (ERH) ..... Fig. 4.0L-410

#### Camshafts & Valves

Camshaft & Valves, 4.0 (ERH) ..... Fig. 4.0L-510

#### Timing Belt and Cover

Timing Belt and Cover, 4.0 (ERH) ..... Fig. 4.0L-610

#### Engine Oiling

Engine Oiling, 4.0 (ERH) ..... Fig. 4.0L-710

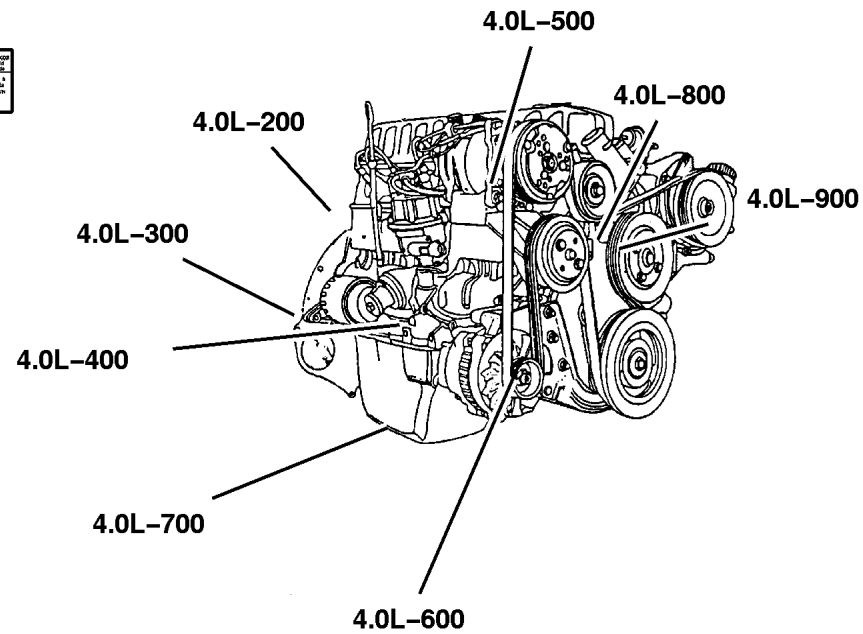
#### Manifolds

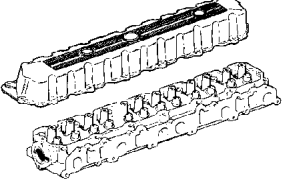
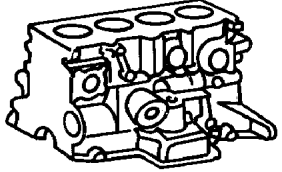
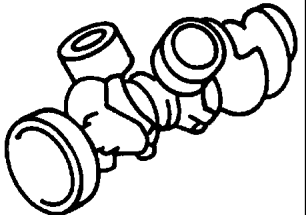
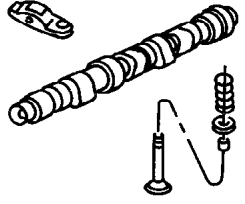
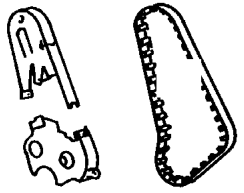
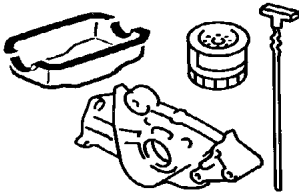
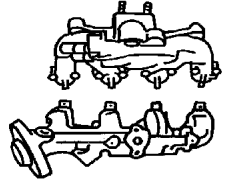
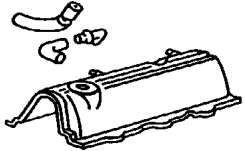
Manifold, Intake and Exhaust, 4.0 (ERH) ..... Fig. 4.0L-810

#### Crankcase Ventilation

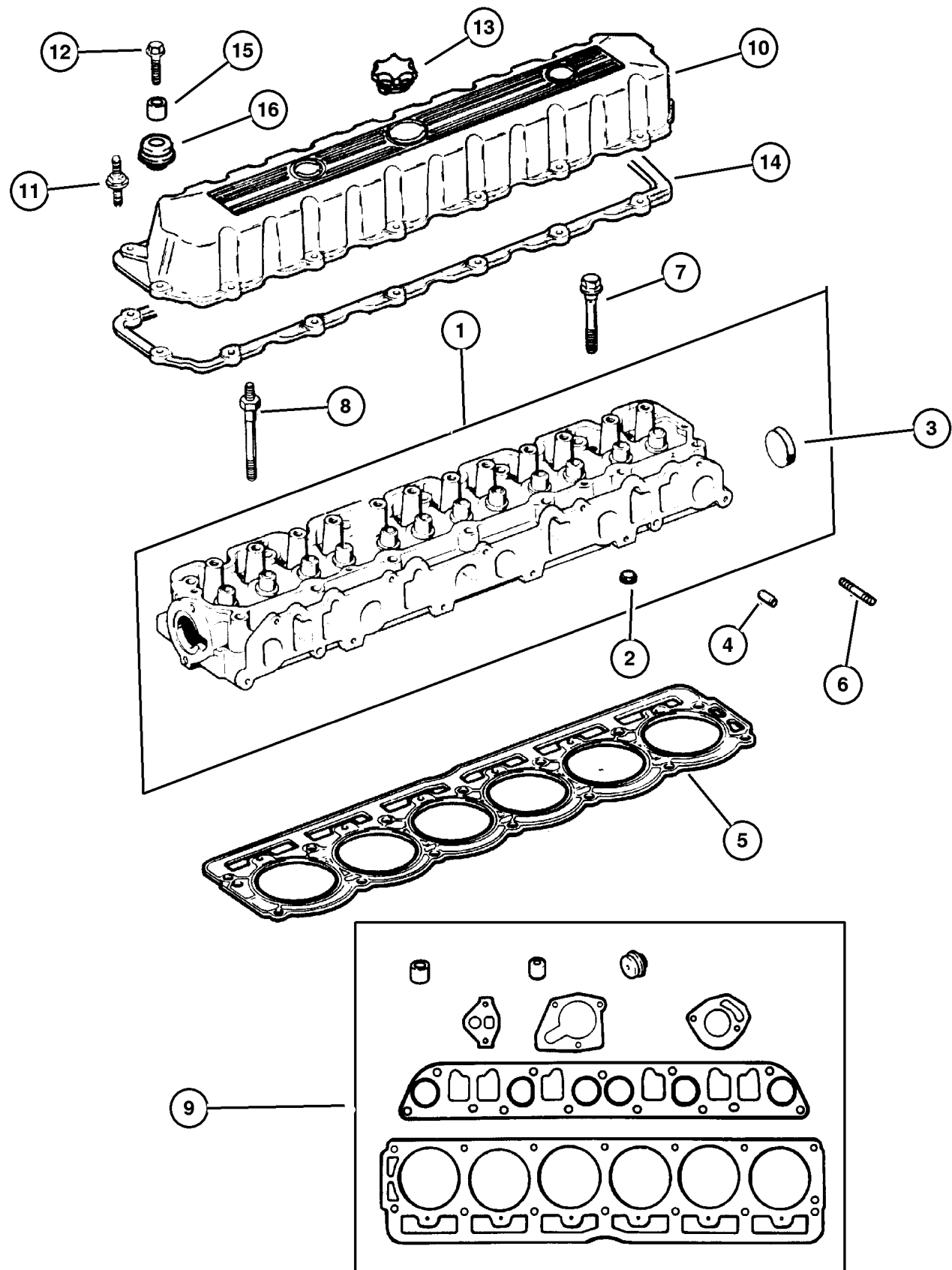
Crankcase Ventilation, 4.0 (ERH) ..... Fig. 4.0L-910

REV.	DATE	BY	CHKD.	DESCRIPTION



<b>4.0L-200</b> Cylinder Head 	<b>4.0L-300</b> Cylinder Block 	<b>4.0L-400</b> Crankshaft, Piston and Torque Converter 	<b>4.0L-500</b> Camshafts & Valves 
<b>4.0L-600</b> Timing Belt and Cover 	<b>4.0L-700</b> Engine Oiling 	<b>4.0L-800</b> Manifolds 	<b>4.0L-900</b> Crankcase Ventilation 

**Cylinder Head, 4.0 (ERH)  
Figure 4.0L-210**



ITEM	PART NUMBER	QTY	LINE	SERIES	BODY	ENGINE	TRANS	DESCRIPTION
<b>NOTE:</b>								
Sales Codes:								
ER0=All 4.0L Engines								
1	5301 0334	1				ER0		HEAD, Cylinder
2	J400 7434	4				ER0		PLUG, Cylinder Block Oil Hole
3	J310 5394	1				ER0		PLUG, Cylinder Block Oil Hole
4	J317 2318	2				ER0		DOWEL, Cylinder Head To Intake
5	53020 754AB	1				ER0		GASKET, Cylinder Head
6	6036 193AA	2				ER0		STUD, .375-16/.375-24x1.75
7								BOLT, Cylinder Head
	6035 514	5				ER0		
	6035 515	2				ER0		
8	6035 516	6				ER0		STUD, Double Ended, .50-13/.437-14x6.00
9	#5012 365AC	1				ER0		GASKET PACKAGE, Engine Upper
10	5302 0323	1				ER0		COVER, Cylinder Head
11	6035 968AA	7				ER0		STUD, .250-20x2.00
12	6035 566	8				ER0		BOLT, Hex Flange Head, .250-20x1.00
13	4777 536	1				ER0		CAP, Oil Filler
14	53020 758AC	1				ER0		GASKET, Valve Cover
15	53020 598AB	15				ER0		SLEEVE, Torque Limiter
16	53010 424AB	15				ER0		GROMMET, Insulator
-17	5301 0419	1				ER0		GASKET, Water Pump

JEEP GRAND CHEROKEE (WG)				
SERIES	LINE	BODY	ENGINE	TRANSMISSION
H = Laredo	J = 4WD	74 = 4 Door	ER0, ERH = 4.0L, Power Tech	DGK = 4 Speed Autm, 42RE
P = Limited	U = 4WD, RHD		EVO, EVA = 4.7L, Power Tech	DGQ = 5 Speed Automatic
			EXO, EXA = 3.1L 5 Cyl Turbo Diesel	- 5-45RFE
				DGW = 4 Speed Autm, 44RE

AR = Use as required - = Non illustrated part # = New this model year

October 31, 2002

**Cylinder Block, 4.0 (ERH)  
Figure 4.0L-310**

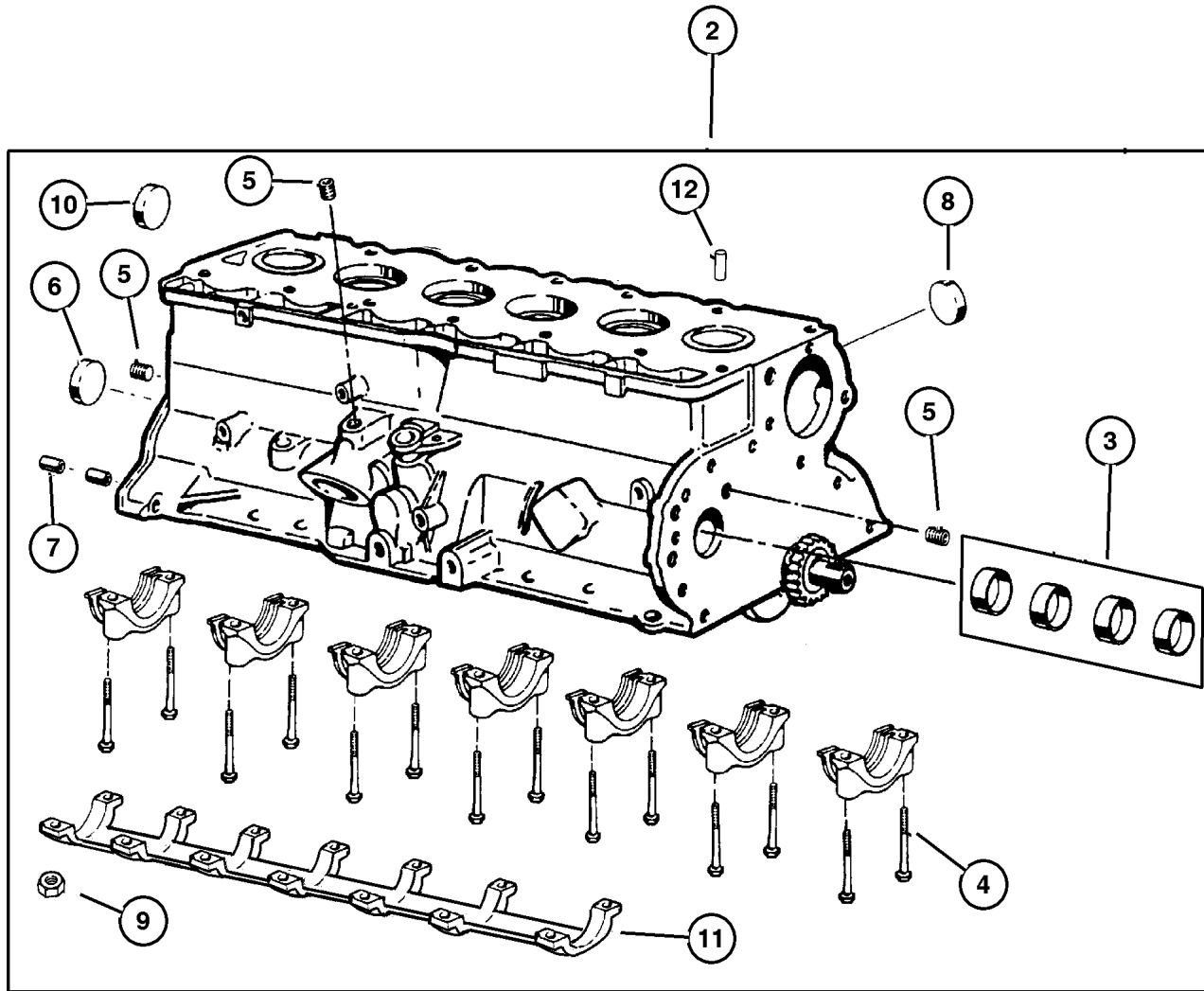
ITEM	PART NUMBER	QTY	LINE	SERIES	BODY	ENGINE	TRANS	DESCRIPTION
------	-------------	-----	------	--------	------	--------	-------	-------------

**NOTE:**

Sales Codes:

ER0=All 4.0L Engines

-1	5017 432AA	1				ER0		GASKET PACKAGE, Engine Lower
2	5013 161AC	1				ER0		BLOCK, Short, Contains: Crank, Rods, Pistons, Rings, Cam Bearings, Timing Chain, Sprockets
3	4636 985AB	1				ER0		BEARING PACKAGE, Camshaft, Standard Size
4	6035 207	14				ER0		STUD, .500-13/.375-16x3.97
5	6034 166	3				ER0		PLUG, Cylinder Block Oil Hole
6	J317 2313	1				ER0		PLUG, Camshaft
7	J400 5148	2				ER0		DOWEL, Transmission
8	J310 5394	6				ER0		PLUG, Cylinder Block Oil Hole
9	0152 474	14				ER0		NUT, Hex Flange Lock, .375-16
10	5302 0465	1				ER0		PLUG, Cylinder Block
11	5302 0566	1				ER0		BRACE, Main Bearing Cap
12	0141 215	2				ER0		DOWEL, .312 x .500



**JEEP GRAND CHEROKEE (WG)**

SERIES	LINE	BODY	ENGINE	TRANSMISSION
H = Laredo	J = 4WD	74 = 4 Door	ER0, ERH = 4.0L, Power Tech	DGK = 4 Speed Autm, 42RE
P = Limited	U = 4WD, RHD		EVO, EVA = 4.7L, Power Tech	DGQ = 5 Speed Automatic
			EXO, EXA = 3.1L 5 Cyl Turbo Diesel	- 5-45RFE
				DGW = 4 Speed Autm, 44RE

AR = Use as required - = Non illustrated part # = New this model year

October 31, 2002

**Crankshaft, Piston and Torque Converter, 4.0 (ERH)**  
**Figure 4.0L-410**

ITEM	PART NUMBER	QTY	LINE	SERIES	BODY	ENGINE	TRANS	DESCRIPTION
------	-------------	-----	------	--------	------	--------	-------	-------------

NOTE: Piston Size Marked Outside Of Engine Block By Individual Cylinder.

Sales Codes:

ER0=All 4.0L Engines

DG0=All Automatic Transmissions

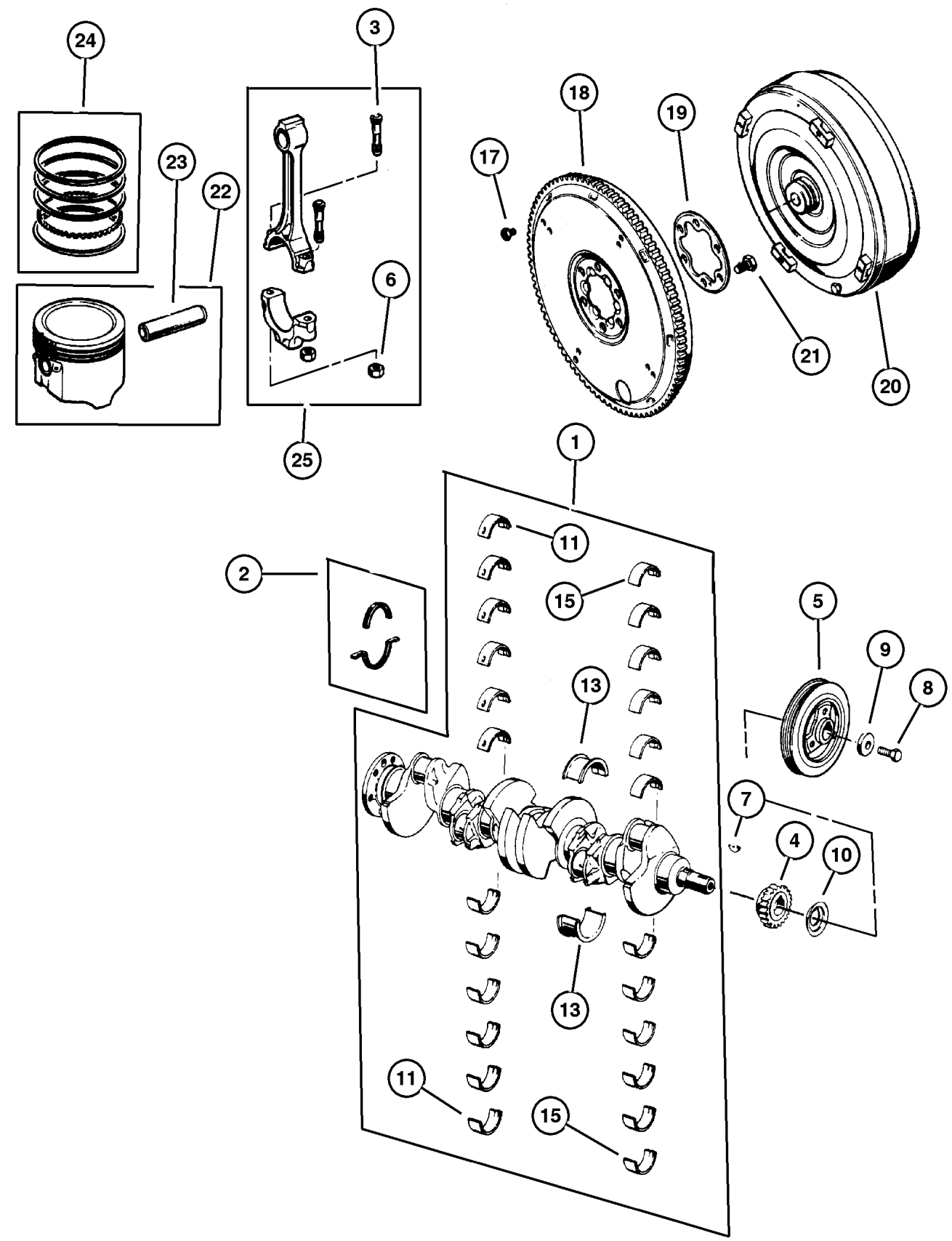
1	4864 726AB	1				ER0	DG0	CRANKSHAFT
2	53020 599AB	2				ER0		SEAL, Rear Main Crankshaft
3	5302 0123	12				ER0		BOLT, Connecting Rod
4	5302 0443	1				ER0		GEAR, Crankshaft
5	33002 920AB	1				ER0		DAMPER, Crankshaft
6	J400 6385	12				ER0		NUT, Hex Flange, .3437-24
7	6034 749	1				ER0		KEY, Crankshaft Sprocket
8	0182 776	1				ER0		BOLT
9	J323 0155	1				ER0		WASHER, Plain
10	J317 3076	1				ER0		SLINGER, Oil
11	8350 7079	6				ER0		BEARING PACKAGE, Crankshaft, Standard
-12	8350 7080	AR				ER0		BEARING PACKAGE, Crankshaft, .001 Undersize
13	8350 7084	1				ER0		BEARING PACKAGE, Crankshaft Thrust, Standard Size
-14	8350 7086	AR				ER0		BEARING PACKAGE, Crankshaft Thrust, .001" Undersize
15	83500 300AB	6				ER0		BEARING KIT, Connecting Rod, Standard
-16	83501 397AB	AR				ER0		BEARING KIT, Connecting Rod, .001 Undersize
17	1949 765	4					DG0	SCREW, Hex Head Header Point, .312-24x.44
18	5211 8257	1				ER0	DG0	PLATE, Drive Plate
19	J321 4094	1				ER0	DG0	PLATE, Drive Plate Backing
20	K473 6596	1				ER0	DG0	TORQUE CONVERTER
21	J315 1407	6				ER0	DG0	BOLT, Hex Head, .50-20x.56
22	#4798 329AC	6				ER0		PISTON PIN AND ROD Size (B) 3.8742
	#4798 330AC	6				ER0		Size (C) 3.8746
	#4798 331AC	6				ER0		Size (D) 3.8750
	#4798 332AC	6				ER0		Size (E) 3.8754
	#4798 333AC	6				ER0		Size (F) 3.8758
23								PIN, Piston, Serviced in Piston Assembly, (NOT SERVICED) (Not Serviced)
24	4798 878	1				ER0		RING PACKAGE, Piston, Standard Size Complete Engine

**JEEP GRAND CHEROKEE (WG)**

SERIES	LINE	BODY	ENGINE	TRANSMISSION
H = Laredo	J = 4WD	74 = 4 Door	ER0, ERH = 4.0L, Power Tech	DGK = 4 Speed Autm, 42RE
P = Limited	U = 4WD, RHD		EVO, EVA = 4.7L, Power Tech	DGQ = 5 Speed Automatic
			EXO, EXA = 3.1L 5 Cyl Turbo Diesel	- 5-45RFE
				DGW = 4 Speed Autm, 44RE

AR = Use as required - = Non illustrated part # = New this model year

October 31, 2002



**Crankshaft, Piston and Torque Converter, 4.0 (ERH)  
Figure 4.0L-410**

ITEM	PART NUMBER	QTY	LINE	SERIES	BODY	ENGINE	TRANS	DESCRIPTION
------	-------------	-----	------	--------	------	--------	-------	-------------

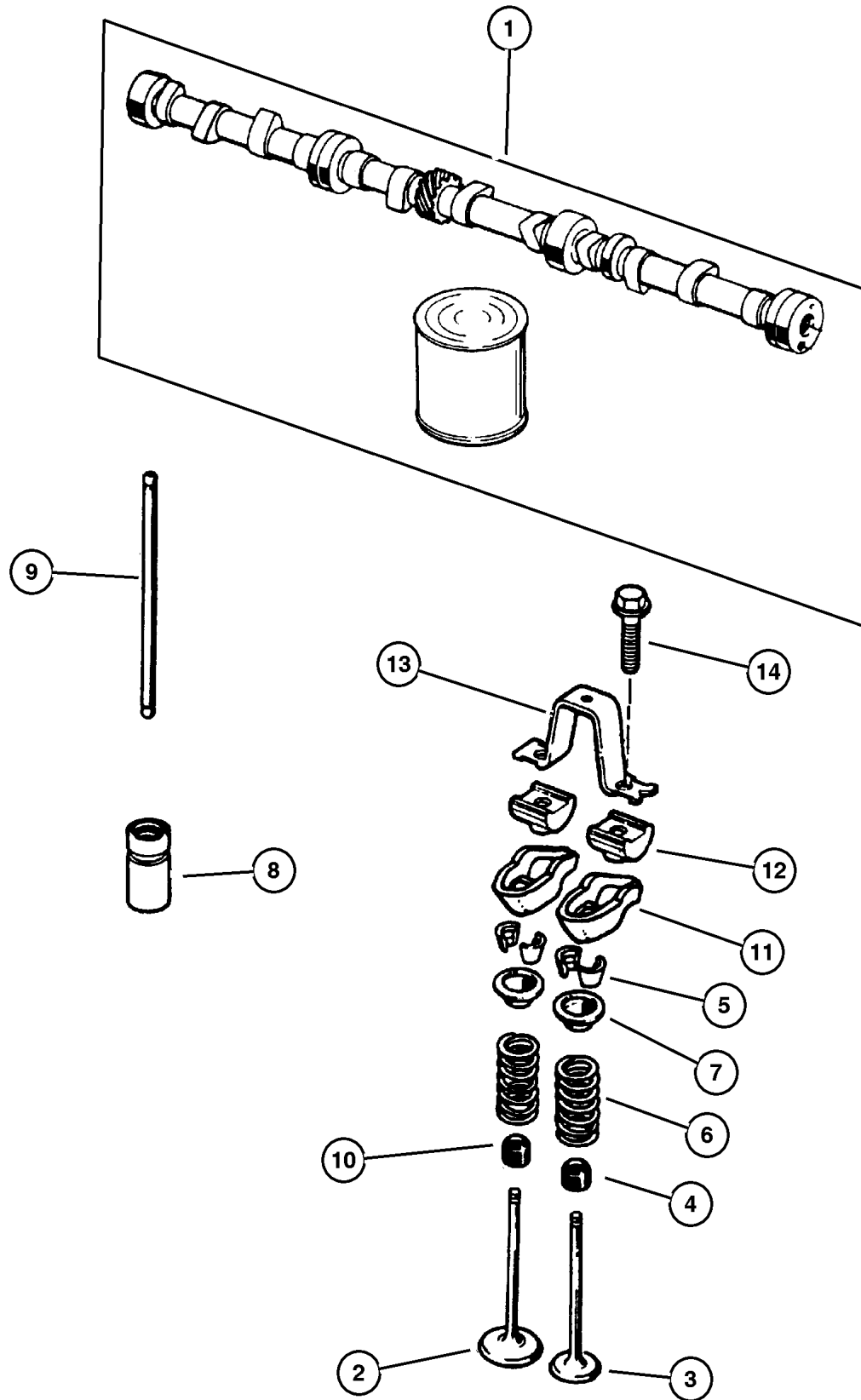
25								ROD, Connecting, Serviced in Piston Assembly, (NOT SERVICED) (Not Serviced)
----	--	--	--	--	--	--	--	---


<b>JEEP GRAND CHEROKEE (WG)</b>				
<b>SERIES</b>	<b>LINE</b>	<b>BODY</b>	<b>ENGINE</b>	<b>TRANSMISSION</b>
H = Laredo	J = 4WD	74 = 4 Door	ER0, ERH = 4.0L, Power Tech	DGK = 4 Speed Autm, 42RE
P = Limited	U = 4WD, RHD		EVO, EVA = 4.7L, Power Tech	DGQ = 5 Speed Automatic
			EXO, EXA = 3.1L 5 Cyl Turbo Diesel	- 5-45RFE
				DGW = 4 Speed Autm, 44RE

AR = Use as required - = Non illustrated part # = New this model year October 31, 2002



Camshaft & Valves, 4.0 (ERH)  
Figure 4.0L-510



ITEM	PART NUMBER	QTY	LINE	SERIES	BODY	ENGINE	TRANS	DESCRIPTION
NOTE: ER0=All 4.0L Engines								
1	53010 448AA	1				ER0		CAMSHAFT
2	53010 512AA	6				ER0		VALVE, Intake, Standard
3	53010 513AA	6				ER0		VALVE, Exhaust, Standard
4	5300 9887	6				ER0		SEAL, Valve Guide
5	53010 515AA	24				ER0		LOCK, Valve Spring Retainer
6	5301 0388	12				ER0		SPRING, Valve
7	53010 514AA	12				ER0		RETAINER, Valve Spring
8	4740 269	12				ER0		TAPPET, Valve
9	3300 2986	12				ER0		PUSH ROD, Valve
10	5300 9886	6				ER0		SEAL, Valve Guide
11	J324 2393	12				ER0		ROCKER ARM, Valve
12	J323 5090	12				ER0		PIVOT, Rocker Arm
13	J323 6513	6				ER0		BRIDGE, Rocker Arm
14	J942 5708	12				ER0		BOLT, Hex Flange Head, .312-18x1.25

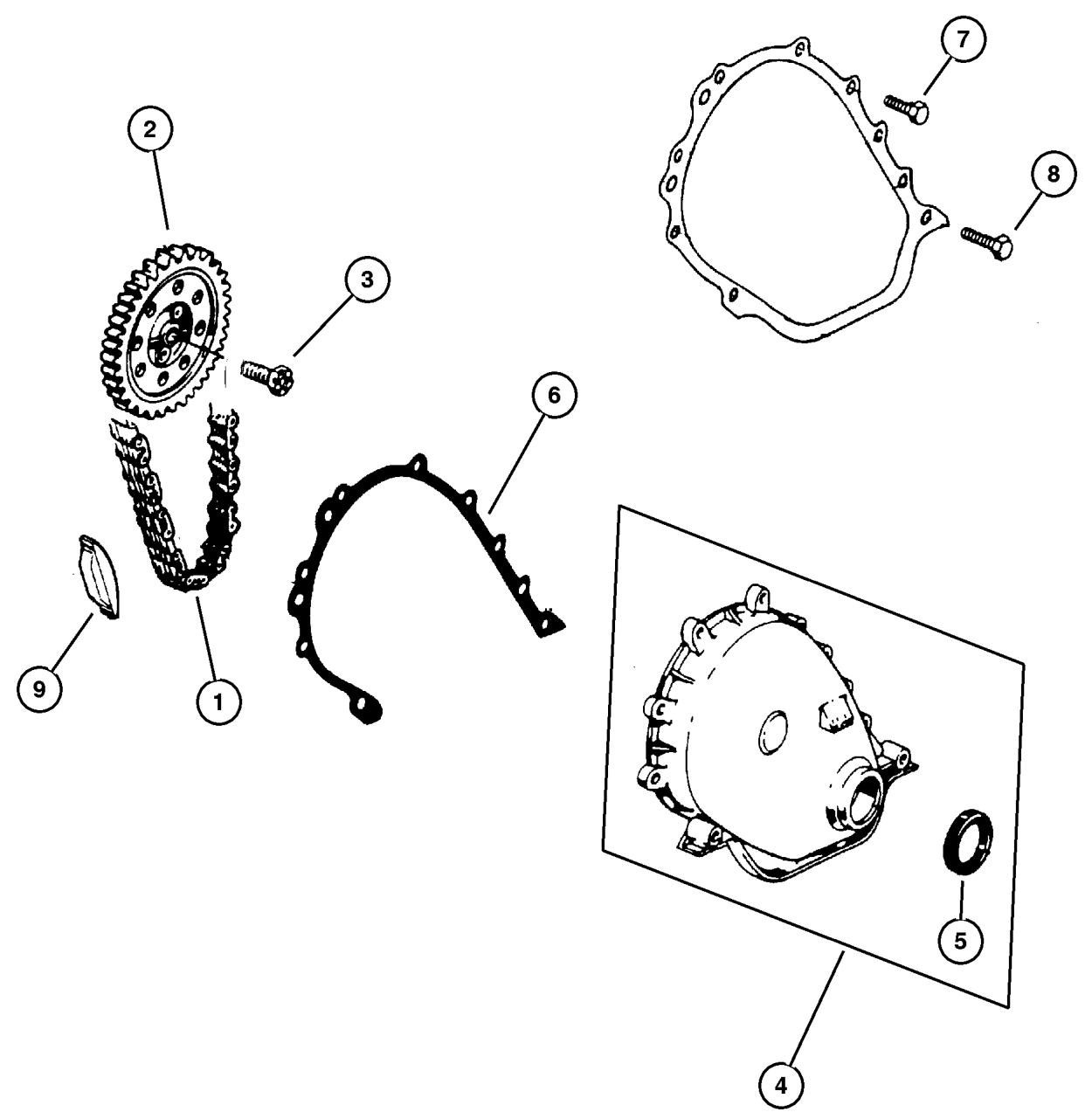
JEEP GRAND CHEROKEE (WG)				
SERIES	LINE	BODY	ENGINE	TRANSMISSION
H = Laredo	J = 4WD	74 = 4 Door	ER0, ERH = 4.0L, Power Tech	DGK = 4 Speed Autm, 42RE
P = Limited	U = 4WD, RHD		EVO, EVA = 4.7L, Power Tech	DGQ = 5 Speed Automatic
			EXO, EXA = 3.1L 5 Cyl Turbo Diesel	- 5-45RFE
				DGW = 4 Speed Autm, 44RE

AR = Use as required - = Non illustrated part # = New this model year

October 31, 2002

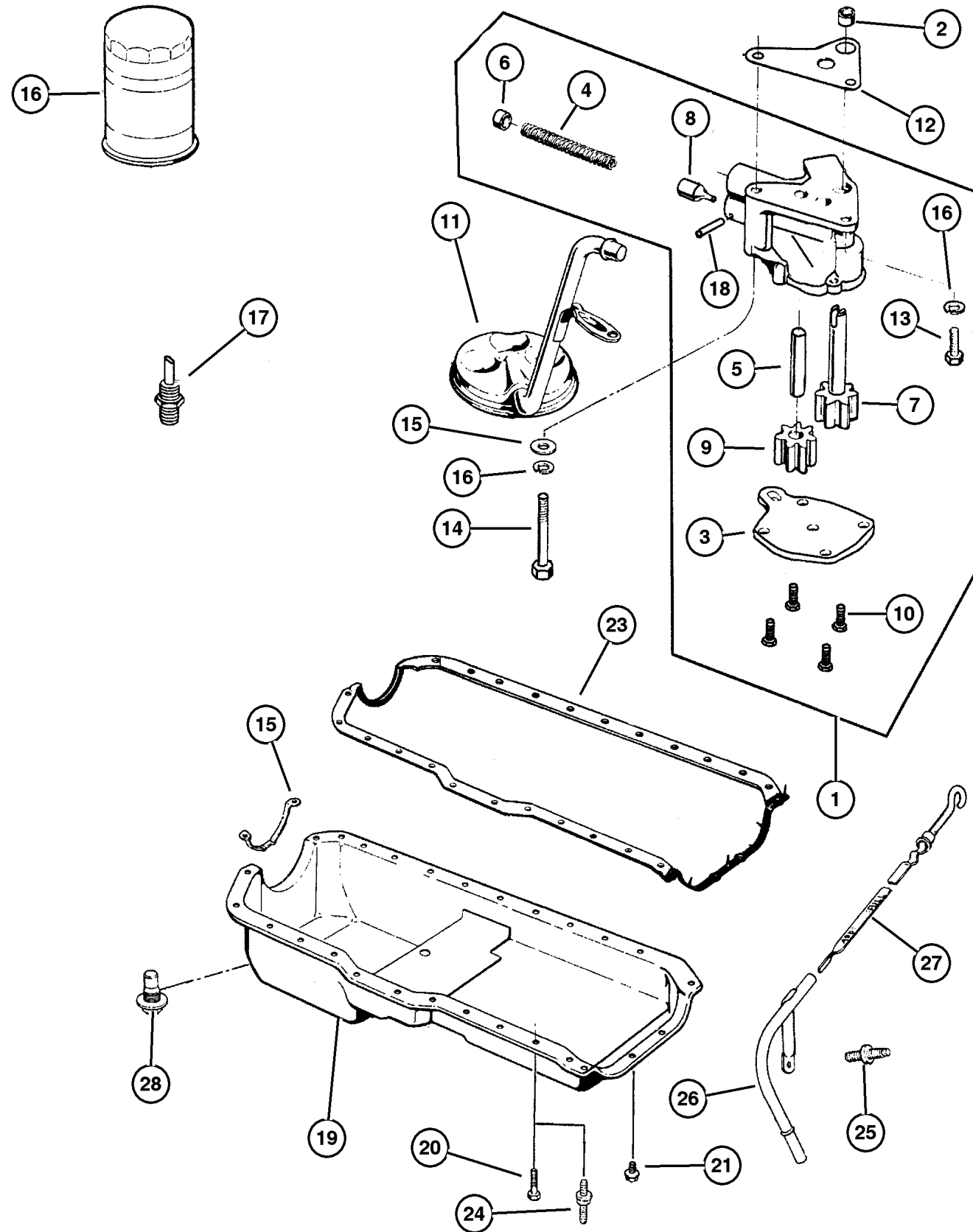
**Timing Belt and Cover, 4.0 (ERH)  
Figure 4.0L-610**

ITEM	PART NUMBER	QTY	LINE	SERIES	BODY	ENGINE	TRANS	DESCRIPTION
NOTE: ER0=All 4.0L Engines								
1	5302 0444	1				ER0		CHAIN, Timing
2	53010 557AA	1				ER0		SPROCKET, Camshaft
3	6024 030	1				ER0		SCREW AND WASHER, Hex
4	5301 0421	1				ER0		COVER, Timing Belt
5	3300 4681	1				ER0		SEAL, Front Main Crankshaft
6	5302 0487	1				ER0		GASKET, Front Cover
7	6035 893	5				ER0		BOLT, Hex
8								SCREW
	6035 894	2				ER0		.312-18x1.56
	6035 895	2				ER0		.250-20x1.240
9	3300 3446	1				ER0		SNUBBER, Timing Chain



<b>JEEP GRAND CHEROKEE (WG)</b>				
SERIES	LINE	BODY	ENGINE	TRANSMISSION
H = Laredo	J = 4WD	74 = 4 Door	ER0, ERH = 4.0L, Power Tech	DGK = 4 Speed Autm, 42RE
P = Limited	U = 4WD, RHD		EVO, EVA = 4.7L, Power Tech	DGQ = 5 Speed Automatic
			EXO, EXA = 3.1L 5 Cyl Turbo Diesel	- 5-45RFE
				DGW = 4 Speed Autm, 44RE

**Engine Oiling, 4.0 (ERH)  
Figure 4.0L-710**



ITEM	PART NUMBER	QTY	LINE	SERIES	BODY	ENGINE	TRANS	DESCRIPTION
NOTE: ER0=All 4.0L Engines								
1	J324 1399	1				ER0		PUMP, Engine Oil
2	J400 5149	1				ER0		DOWEL, Oil Pump
3	J324 1733	1				ER0		COVER, Engine Oil Pump
4	J323 9668	1				ER0		SPRING, Oil Pressure Relief Valve
5	J317 1956	1				ER0		SHAFT, Oil Pump
6	J317 1958	1				ER0		RETAINER, Oil Release Valve
7	J317 2334	1				ER0		GEAR, Oil Pump
8	J318 8661	1				ER0		PLUNGER, Oil Pressure Relief Valve
9	J319 6843	1				ER0		GEAR, Oil Pump Driven
10	J941 6852	4				ER0		SCREW, Hex Flange Head, .25-20x.50
11	3300 2696	1				ER0		TUBE, Oil Pump Inlet
12	J317 2332	1				ER0		GASKET, Oil Pump
13	6022 235	1				ER0		BOLT AND WASHER, Hex Head, .312-18x1.00
14	0154 593	1				ER0		SCREW, Hex Head Coned, .312-18x2.625
15	53010 511AA	1				ER0		SUPPORT, Engine Oil Pan
16	5281 090	1				ER0		FILTER, Engine Oil
17	5300 7563	1				ER0		CONNECTOR, Oil Filter
18	J027 1448	1				ER0		PIN, Roll, 5/32" x 1.00"
19	5301 0340	1				ER0		PAN, Engine Oil
20	6034 732	14				ER0		SCREW AND WASHER, Hex Head, .25-20x.545
21	6034 483	3				ER0		SCREW, Hex Head Coned, .312-18x.875
22	6034 733	1				ER0		STUD, .312-18/.250-20x1.680
23	53007 568AC	1				ER0		GASKET, Oil Pan
24	6034 734	10				ER0		BOLT, Double Stud Hex, .250-20x1.437 & .250-20 x.700
25	6035 664	1				ER0		STUD, .312-18x1.560
26	5302 0782	1				ER0		TUBE, Oil Filler
27	5301 0445	1				ER0		INDICATOR, Engine Oil Level
28	6035 417	1				ER0		PLUG, Oil Drain
29	5083 881AA	1				ER0		DRIVE, OIL PUMP

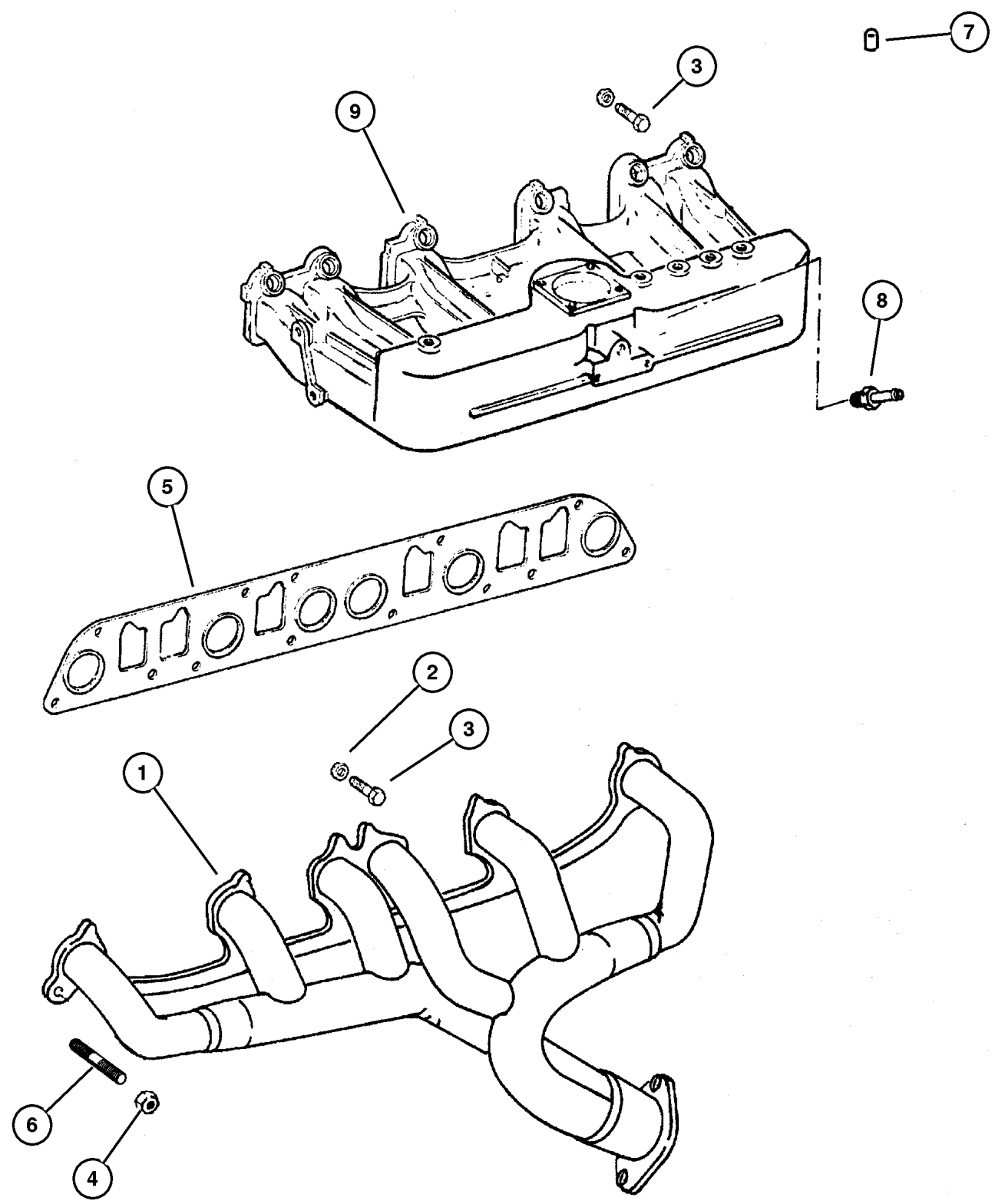
**JEEP GRAND CHEROKEE (WG)**

SERIES	LINE	BODY	ENGINE	TRANSMISSION
H = Laredo	J = 4WD	74 = 4 Door	ER0, ERH = 4.0L, Power Tech	DGK = 4 Speed Autm, 42RE
P = Limited	U = 4WD, RHD		EVO, EVA = 4.7L, Power Tech	DGQ = 5 Speed Automatic
			EXO, EXA = 3.1L 5 Cyl Turbo Diesel	- 5-45RFE
				DGW = 4 Speed Autm, 44RE

AR = Use as required - = Non illustrated part # = New this model year

October 31, 2002

**Manifold, Intake and Exhaust, 4.0 (ERH)  
Figure 4.0L-810**



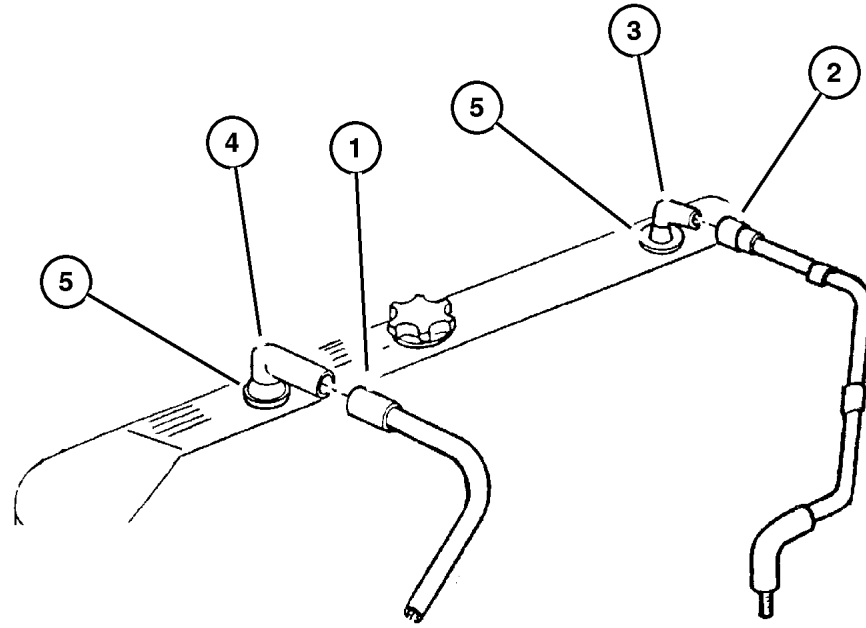
ITEM	PART NUMBER	QTY	LINE	SERIES	BODY	ENGINE	TRANS	DESCRIPTION
NOTE: ER0=All 4.0L Engines								
1	5301 0196	1				ER0		MANIFOLD, Exhaust Front
	5301 0199	1				ER0		Rear
2	6036 171AA	2				ER0		NUT AND WASHER
3	6036 045AA	1				ER0		BOLT AND RETAINER, Hex Head
4	6036 171AA	2				ER0		NUT AND WASHER
5	4854 038	1				ER0		GASKET, Intake/Exhaust Manifold
6	6036 193AA	2				ER0		STUD, .375-16/.375-24x1.75
7	3580 172	1				ER0		CAP, Vacuum
8	4854 194	1				ER0		FITTING, Vacuum
9	4854 197AA	1				ER0		MANIFOLD, Intake

JEEP GRAND CHEROKEE (WG)				
SERIES	LINE	BODY	ENGINE	TRANSMISSION
H = Laredo	J = 4WD	74 = 4 Door	ER0, ERH = 4.0L, Power Tech	DGK = 4 Speed Autm, 42RE
P = Limited	U = 4WD, RHD		EVO, EVA = 4.7L, Power Tech	DGQ = 5 Speed Automatic
			EXO, EXA = 3.1L 5 Cyl Turbo Diesel	- 5-45RFE
				DGW = 4 Speed Autm, 44RE

AR = Use as required - = Non illustrated part # = New this model year

October 31, 2002

**Crankcase Ventilation, 4.0 (ERH)  
Figure 4.0L-910**



ITEM	PART NUMBER	QTY	LINE	SERIES	BODY	ENGINE	TRANS	DESCRIPTION
------	-------------	-----	------	--------	------	--------	-------	-------------

NOTE: ER0=All 4.0L Engines

1	4854 119	1				ER0		TUBE, Crankcase Vent To Air Cleaner
2	4854 265	1				ER0		TUBE, Crankcase Vent To Intake Manifold
3	53013 360AA	1				ER0		TUBE, Crankcase Vent To Air Cleaner
4	5303 0497	1				ER0		FITTING, Crankcase Vent Tube
5	2946 079	2				ER0		GROMMET, Crankcase Vent

**JEEP GRAND CHEROKEE (WG)**

SERIES	LINE	BODY	ENGINE	TRANSMISSION
H = Laredo	J = 4WD	74 = 4 Door	ER0, ERH = 4.0L, Power Tech	DGK = 4 Speed Autm, 42RE
P = Limited	U = 4WD, RHD		EVO, EVA = 4.7L, Power Tech	DGQ = 5 Speed Automatic
			EXO, EXA = 3.1L 5 Cyl Turbo Diesel	- 5-45RFE
				DGW = 4 Speed Autm, 44RE

AR = Use as required - = Non illustrated part # = New this model year

October 31, 2002

# Group – 4.7L

## Engine 4.7L Eight Cylinder

### GROUP 4.7L - Engine 4.7L Eight Cylinder

Illustration Title

Group-Fig. No.

#### Cylinder Head

Cylinder Head, 4.7 (EVA) ..... Fig. 4.7L-210

#### Cylinder Block

Cylinder Block, 4.7 (EVA) ..... Fig. 4.7L-310

#### Crankshaft, Pistons and Torque Converter

Crankshaft, Piston and Torque Converter, 4.7 (EVA) ..... Fig. 4.7L-410

#### Camshafts and Valves

Camshaft and Valves, 4.7 (EVA) ..... Fig. 4.7L-510

#### Timing Belt and Cover

Timing Cover, 4.7 (EVA) ..... Fig. 4.7L-610

Timing Chain and Guides, 4.7 (EVA) ..... Fig. 4.7L-620

#### Engine Oiling

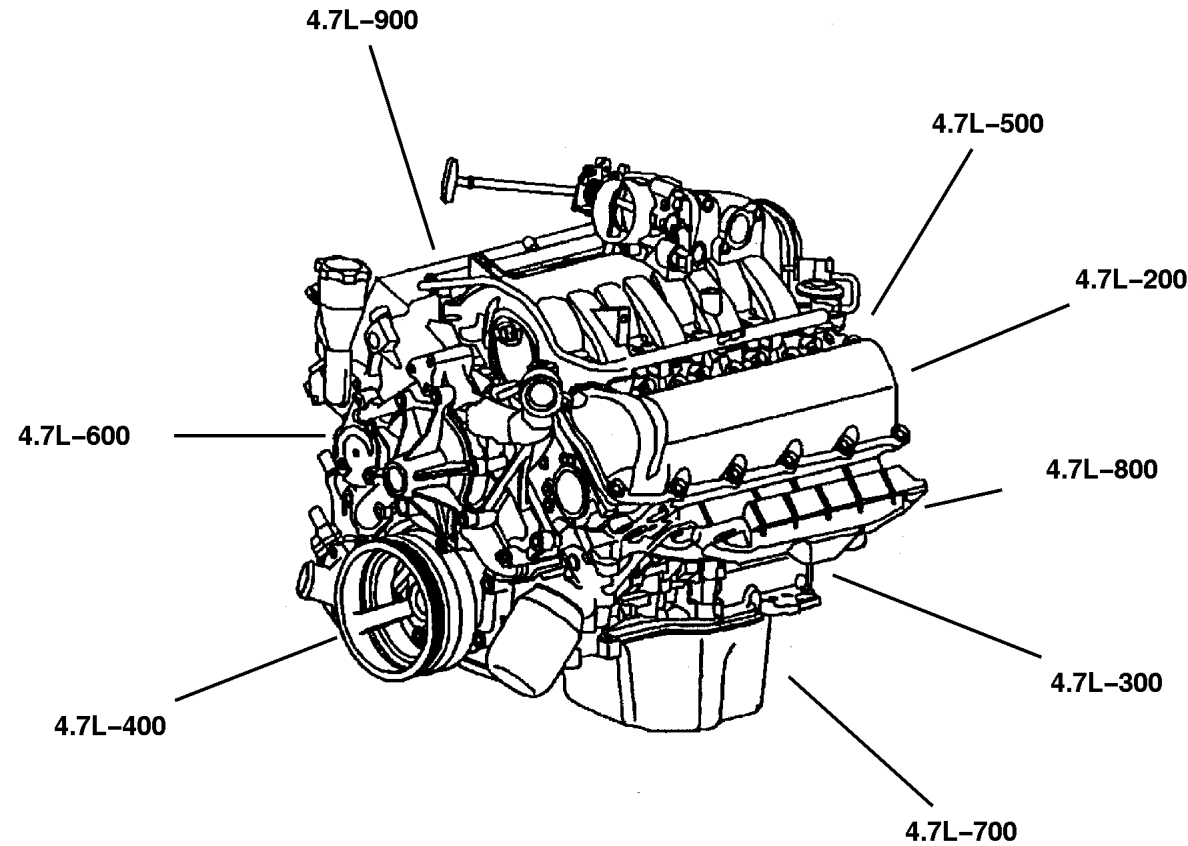
Engine Oiling, 4.7 (EVA) ..... Fig. 4.7L-710

#### Manifolds

Manifold, Intake and Exhaust, 4.7 (EVA) ..... Fig. 4.7L-810

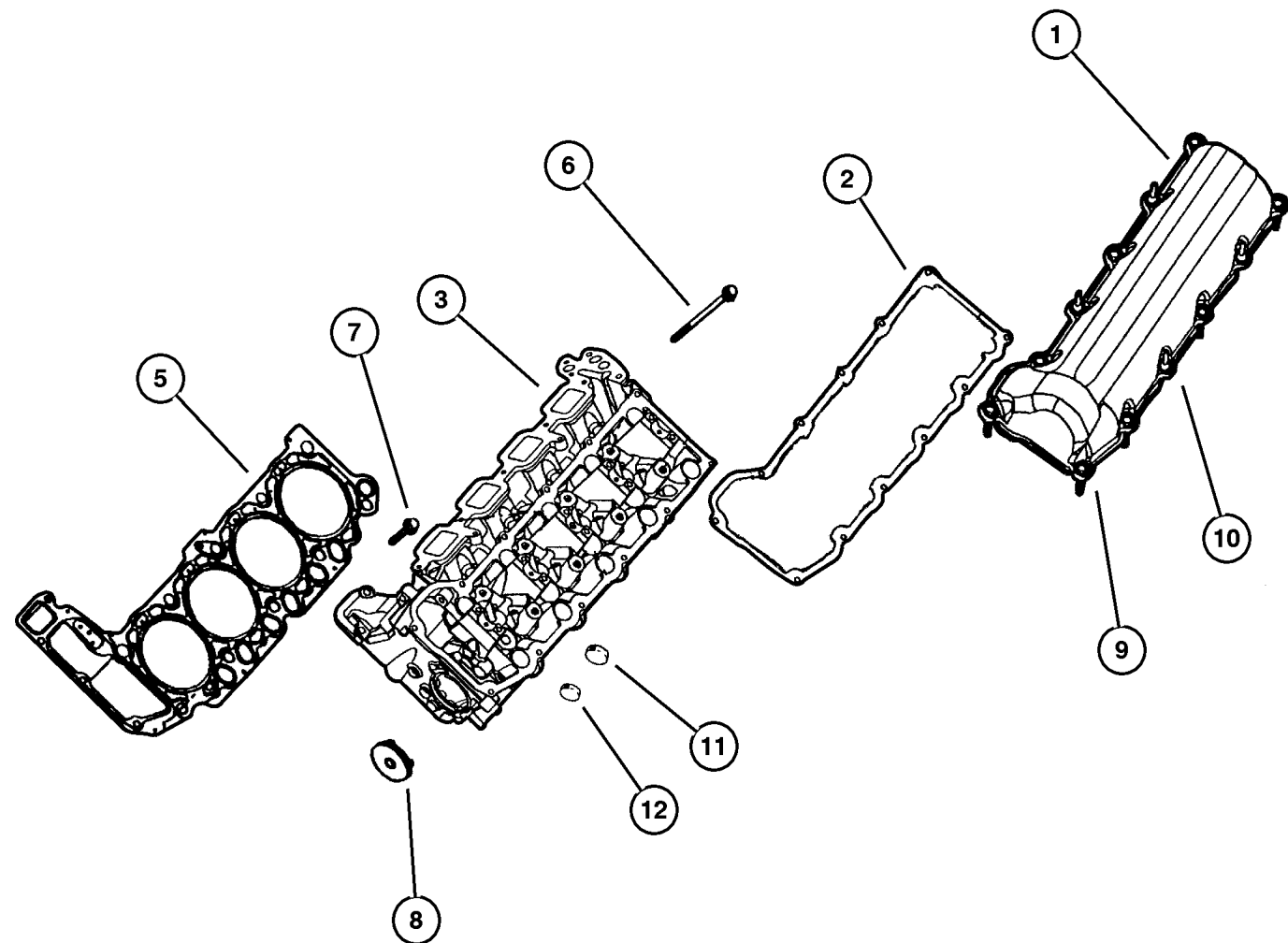
#### Crankcase Ventilation

Crankcase Ventilation, 4.7 (EVA) ..... Fig. 4.7L-910



<p><b>4.7L-200</b> Cylinder Head</p>	<p><b>4.7L-300</b> Cylinder Block</p>	<p><b>4.7L-400</b> Crankshaft, Pistons and Torque Converter</p>	<p><b>4.7L-500</b> Camshafts and Valves</p>
<p><b>4.7L-600</b> Timing Belt and Cover</p>	<p><b>4.7L-700</b> Engine Oiling</p>	<p><b>4.7L-800</b> Manifolds</p>	<p><b>4.7L-900</b> Crankcase Ventilation</p>

**Cylinder Head, 4.7 (EVA)  
Figure 4.7L-210**



ITEM	PART NUMBER	QTY	LINE	SERIES	BODY	ENGINE	TRANS	DESCRIPTION
Note:								
EVA = 4.7L Power Tech V8 Engine								
EVO = All 4.7L Gas Engines								
1								COVER, Cylinder Head
	53020 657AD	1				EVO		Left
	53020 874AD	1				EVO		Right
2								GASKET, Valve Cover
	5302 0877	1				EVO		Left
	5302 0878	1				EVO		Right
3	5302 0797	1				EVA		HEAD, Cylinder, Left
-4	5302 0798	4				EVA		HEAD, Cylinder, Right
5	53020 673AB	2				EVO		GASKET, Cylinder Head
6	6504 939AA	20				EVO		SCREW AND WASHER, Hex Head
7	6504 985AA	8				EVO		SCREW AND WASHER, Hex Head
8	5302 1031	1				EVO		PLUG, Access Hole
9								SCREW, Serviced in Cylinder Head
								Cover, (NOT SERVICED) (Not Serviced)
10								STUD, Serviced in Cylinder Head Cover,
								(NOT SERVICED) (Not Serviced)
11	4556 020	2				EVA		PLUG, Core, 1.25 Diameter
12	4556 017	1				EVA		PLUG, Core

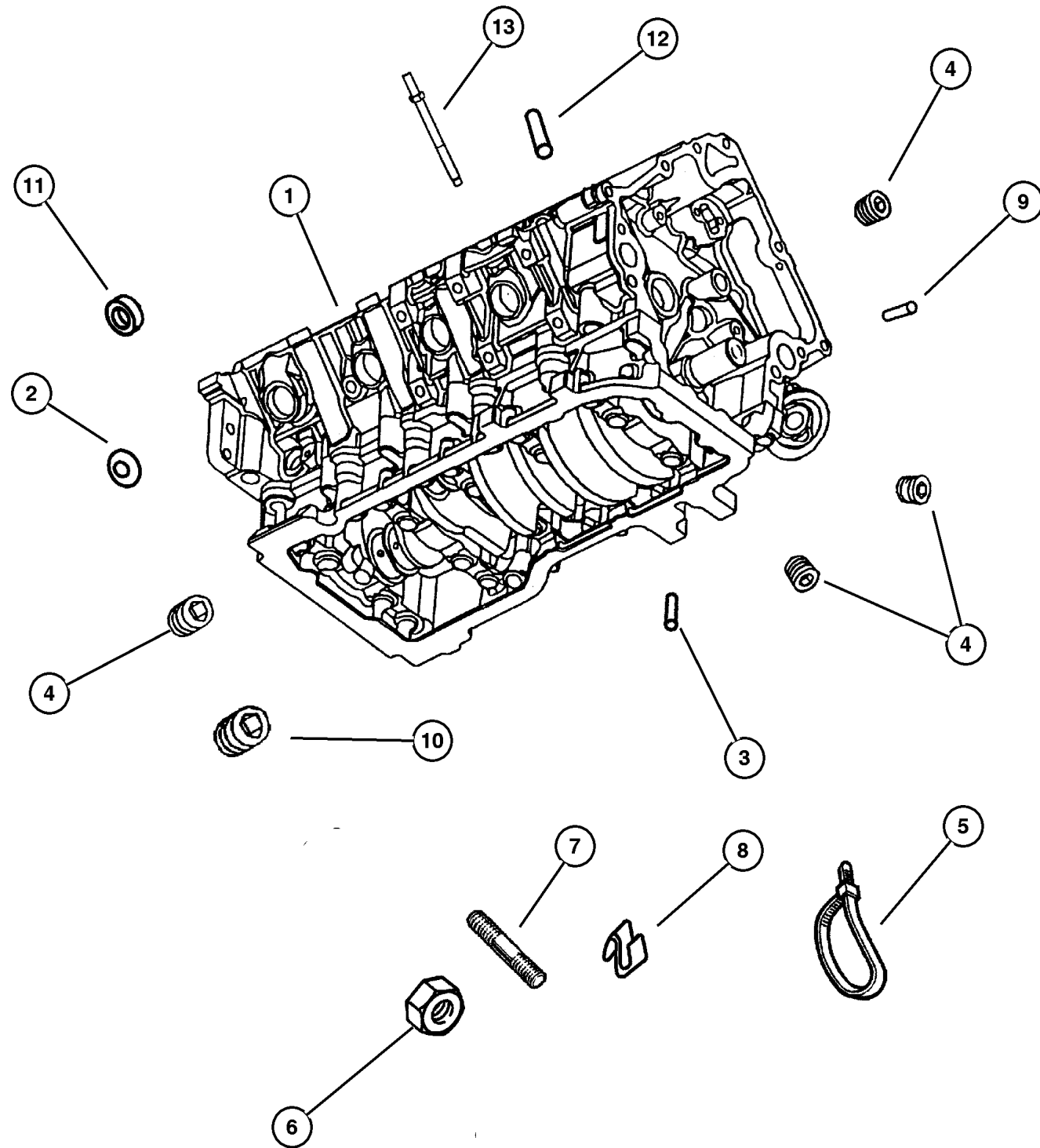
**JEEP GRAND CHEROKEE (WG)**

SERIES	LINE	BODY	ENGINE	TRANSMISSION
H = Laredo	J = 4WD	74 = 4 Door	ER0, ERH = 4.0L, Power Tech	DGK = 4 Speed Autm, 42RE
P = Limited	U = 4WD, RHD		EVO, EVA = 4.7L, Power Tech	DGQ = 5 Speed Automatic
			EXO, EXA = 3.1L 5 Cyl Turbo Diesel	- 5-45RFE
				DGW = 4 Speed Autm, 44RE

AR = Use as required - = Non illustrated part # = New this model year

October 31, 2002

**Cylinder Block, 4.7 (EVA)  
Figure 4.7L-310**



ITEM	PART NUMBER	QTY	LINE	SERIES	BODY	ENGINE	TRANS	DESCRIPTION
NOTE:								
Sales Codes:								
[EV0]=All 4.7L Engines								
[DG0]=All Automatic Transmissions								
1	5011 499AD	1				EVA		BLOCK, Short, Contains: Block, Bed Plate, Crank, Rods, Pistons, Rings, Oil Pump, Oil Pan
2	6034 804	10				EVO		PLUG, Core, 1.39 Diameter
3	6505 457AA	3				EVO		PIN
4	6036 114AA	4				EVO		PLUG, Pipe
5	5600 8876	1				EX0		STRAP, Tie
6								NUT, Hex Flange Lock, .375-16, (NOT SERVICED) (Not Serviced)
7								SCREW, [.375-16x.625], (NOT SERVICED) (Not Serviced)
8								CLIP, (NOT SERVICED) (Not Serviced)
9	53010 533AA	2				EVO		DOWEL
10	6034 366	2				EVO		SCREW
11	4556 019	1				EVO		PLUG, Cylinder Block Oil Hole
12	6505 457AA	3				EVO		PIN
13	6505 274AA	2				EVO		STUD

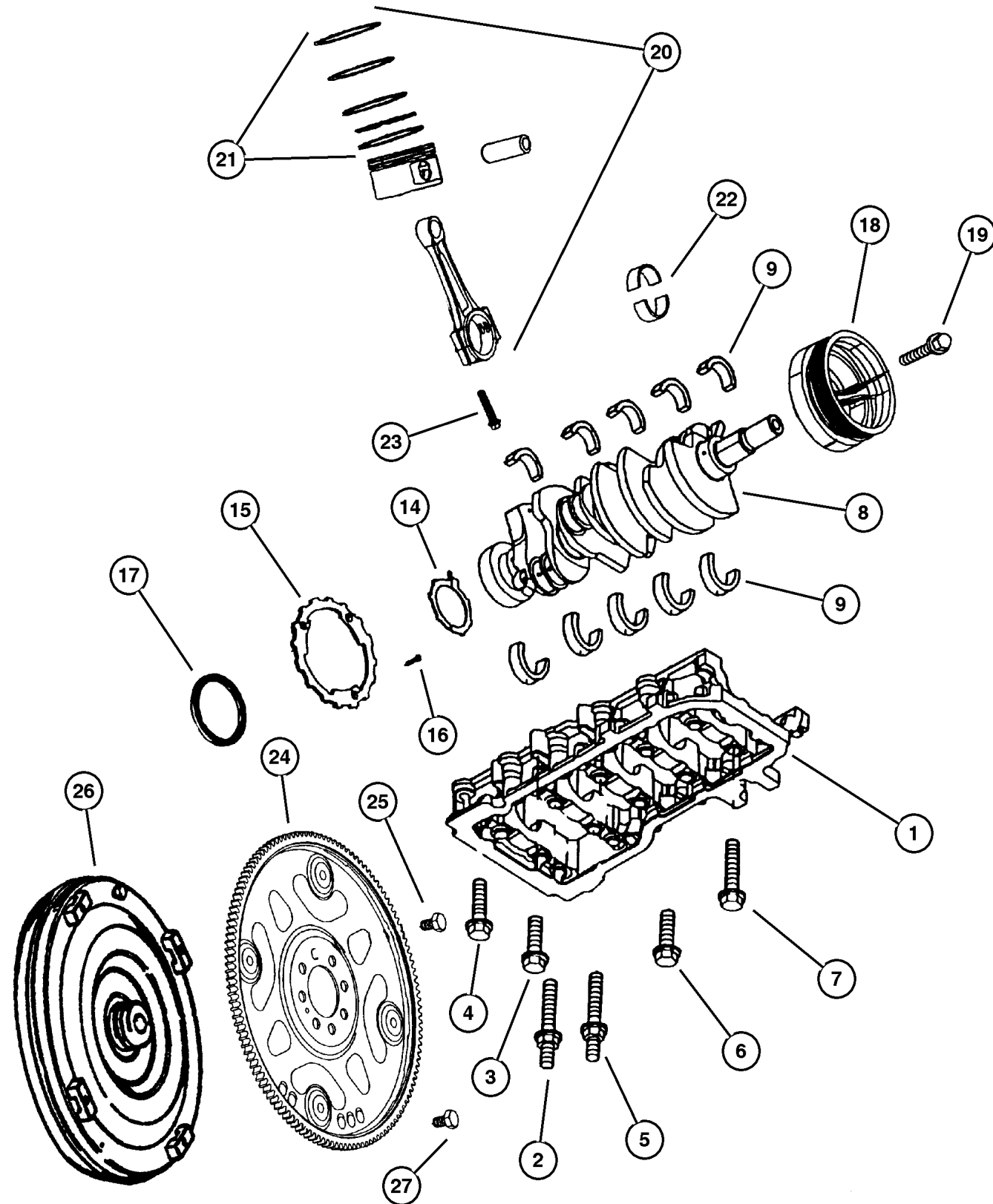
<b>JEEP GRAND CHEROKEE (WG)</b>				
SERIES	LINE	BODY	ENGINE	TRANSMISSION
H = Laredo	J = 4WD	74 = 4 Door	ER0, ERH = 4.0L, Power Tech	DGK = 4 Speed Autm, 42RE
P = Limited	U = 4WD, RHD		EVO, EVA = 4.7L, Power Tech	DGQ = 5 Speed Automatic
			EXO, EXA = 3.1L 5 Cyl Turbo Diesel	- 5-45RFE
				DGW = 4 Speed Autm, 44RE

AR = Use as required - = Non illustrated part # = New this model year

October 31, 2002



**Crankshaft, Piston and Torque Converter, 4.7 (EVA)  
Figure 4.7L-410**



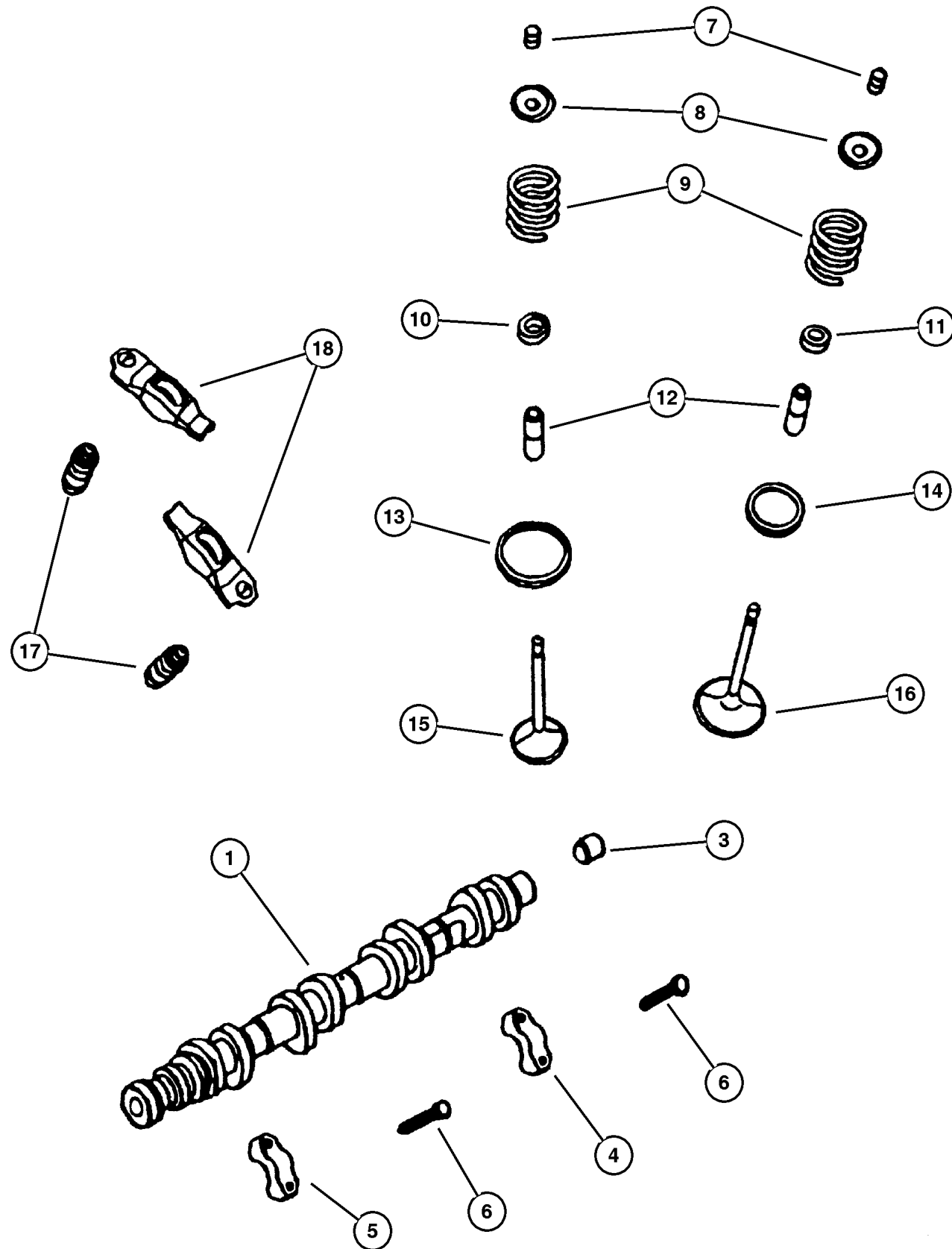
ITEM	PART NUMBER	QTY	LINE	SERIES	BODY	ENGINE	TRANS	DESCRIPTION
NOTE:								
Sales Code:								
EVO=All 4.7L V-8 Engines								
EVA=4.7L V-8 Engine								
DG4=Multi Speed Automatic Transmission								
DG0=All Automatic Transmissions								
1								BEDPLATE, Serviced in Short Block, (NOT SERVICED) (Not Serviced)
2	6506 187AA	2				EVO		STUD
3	6102 047AA	6				EVO		SCREW, Hex Head, M8x1.25x50
4	6504 411	7				EVO		SCREW
5	6506 186AA	1				EVO		STUD
6	6504 410	5				EVO		SCREW, Hex Head
7	6505 394AA	7				EVO		SCREW AND WASHER
8	53020 939AB	1				EVA	DG0	CRANKSHAFT
9	5013 586AB	5				EVO		BEARING PACKAGE, Crankshaft, B Grade
-10	5013 587AA	5				EVO		BEARING PACKAGE, Crankshaft, .025mm Undersize
-11	5013 588AA	5				EVO		BEARING PACKAGE, Crankshaft, .25mm Undersize
-12	5014 183AA	5				EVO		BEARING PACKAGE, Crankshaft, A Grade
-13	5014 186AA	5				EVO		BEARING PACKAGE, Crankshaft, C Grade
14	5012 356AB	1				EVO		WASHER PACKAGE, Washer
15								TONE RING, Sensor, Serviced in Crankshaft, (NOT SERVICED) (Not Serviced)
16	6504 480	3				EVA	DG0	SCREW, M6x1x25
17	5302 0788	1				EVO		SEAL, Crankshaft Bearing Oil
18	53020 689AB	1				EVA		DAMPER, Crankshaft
19	6504 415	1				EVO		SCREW AND WASHER
20	5012 362AC	8				EVA		PISTON PIN AND ROD, STD
21	5012 364AC	8				EVA		RING PACKAGE, Piston, Standard Size
22	5012 363AB	8				EVA		BEARING PACKAGE, Connecting Rod, Standard
23	6504 720	16				EVA		BOLT, Connecting Rod
24	5210 4048	1				EVO	DG0	PLATE, Torque Converter Drive
25	6503 465	8				EVO	DG0	BOLT, Drive Plate and Flywheel
26	4736 582	1					DG4	TORQUE CONVERTER
27	1949 765	4					DG0	SCREW, Hex Head Header Point, .312-24x.44

<b>JEEP GRAND CHEROKEE (WG)</b>				
SERIES	LINE	BODY	ENGINE	TRANSMISSION
H = Laredo	J = 4WD	74 = 4 Door	ER0, ERH = 4.0L, Power Tech	DGK = 4 Speed Autm, 42RE
P = Limited	U = 4WD, RHD		EVO, EVA = 4.7L, Power Tech	DGQ = 5 Speed Automatic
			EXO, EXA = 3.1L 5 Cyl Turbo Diesel	- 5-45RFE
				DGW = 4 Speed Autm, 44RE

AR = Use as required - = Non illustrated part # = New this model year

October 31, 2002

Camshaft and Valves, 4.7 (EVA)  
Figure 4.7L-510



ITEM	PART NUMBER	QTY	LINE	SERIES	BODY	ENGINE	TRANS	DESCRIPTION
Note:								
EVA = 4.7L Power Tech V8 Engine								
EVO = All 4.7L Gas Engines								
1	53021 159AA	1				EVA		CAMSHAFT, Engine, Left
-2	53021 160AA	1				EVA		CAMSHAFT, Engine, Right
3	53021 161AA	1				EVA		PLUG, Camshaft
4								CAP, Serviced in Cylinder Head, (NOT SERVICED) (Not Serviced)
5								CAP, Serviced in Cylinder Head, (NOT SERVICED) (Not Serviced)
6	6505 034AA	10				EVA		SCREW, M6x1x40
7	4536 513	32				EVO		LOCK, Valve Spring Retainer
8	5302 0750	16				EVA		RETAINER, Valve Spring
9	53020 749AB	16				EVA		SPRING, Valve
10	#53020 752AD	16				EVO		SEAL, Valve Guide
11	#53020 752AD	16				EVO		SEAL, Valve Guide
12								GUIDE, Intake/Exhaust Valve, Standard Size, Serviced in Cylinder Head, (NOT SERVICED) (Not Serviced)
13								INSERT, Intake Valve, Serviced in Cylinder Head, (NOT SERVICED) (Not Serviced)
14								INSERT, Exhaust Valve, Serviced in Cylinder Head, (NOT SERVICED) (Not Serviced)
15	53020 747AB	8				EVO		VALVE, Intake, Standard
16	5302 0748	8				EVA		VALVE, Exhaust, Standard
17	5302 1077	16				EVO		ADJUSTER, Valve Lash
18	5302 0742	16				EVO		ROCKER ARM, Valve

JEEP GRAND CHEROKEE (WG)				
SERIES	LINE	BODY	ENGINE	TRANSMISSION
H = Laredo	J = 4WD	74 = 4 Door	ER0, ERH = 4.0L, Power Tech	DGK = 4 Speed Autm, 42RE
P = Limited	U = 4WD, RHD		EVO, EVA = 4.7L, Power Tech	DGQ = 5 Speed Automatic
			EXO, EXA = 3.1L 5 Cyl Turbo Diesel	- 5-45RFE
				DGW = 4 Speed Autm, 44RE

AR = Use as required - = Non illustrated part # = New this model year

October 31, 2002

Timing Cover, 4.7 (EVA)  
Figure 4.7L-610

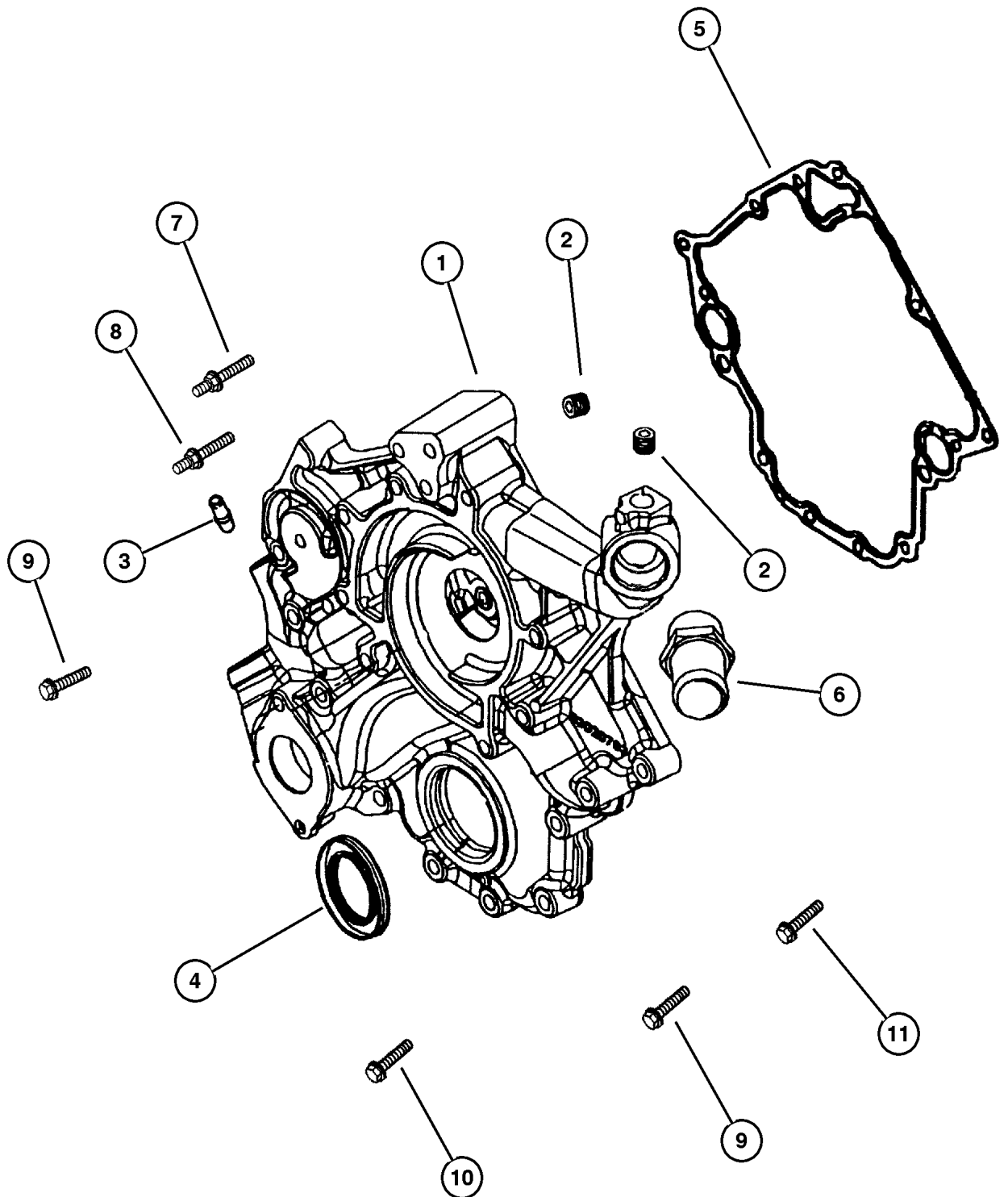
ITEM	PART NUMBER	QTY	LINE	SERIES	BODY	ENGINE	TRANS	DESCRIPTION
------	-------------	-----	------	--------	------	--------	-------	-------------

Note:

EVA = 4.7L Power Tech V8 Engine

EVO = All 4.7L Gas Engines

1	53020 791AB	1				EVO		COVER, Timing Case
2	6034 331	3				EVO		PLUG, Hex Socket, 3/8-18NPTx.475
3	6035 854	2				EVO		FITTING, Y-Style
4	5302 0790	1				EVA		SEAL, Crankshaft Oil, Front
5	5302 0862	1				EVO		GASKET, Chain Case Cover
6	6035 961AA	1				EVO		PIPE FITTING, Chain Case Cover, .375-18x2
7	6505 293AA	1				EVO		STUD
8	6505 019AA	1				EVO		STUD
9	6101 998	5				EVO		SCREW AND WASHER, Hex
10	6101 985	8				EVO		SCREW AND WASHER, M10x1.50x45.00
11	6505 579AA	2				EVO		SCREW AND WASHER



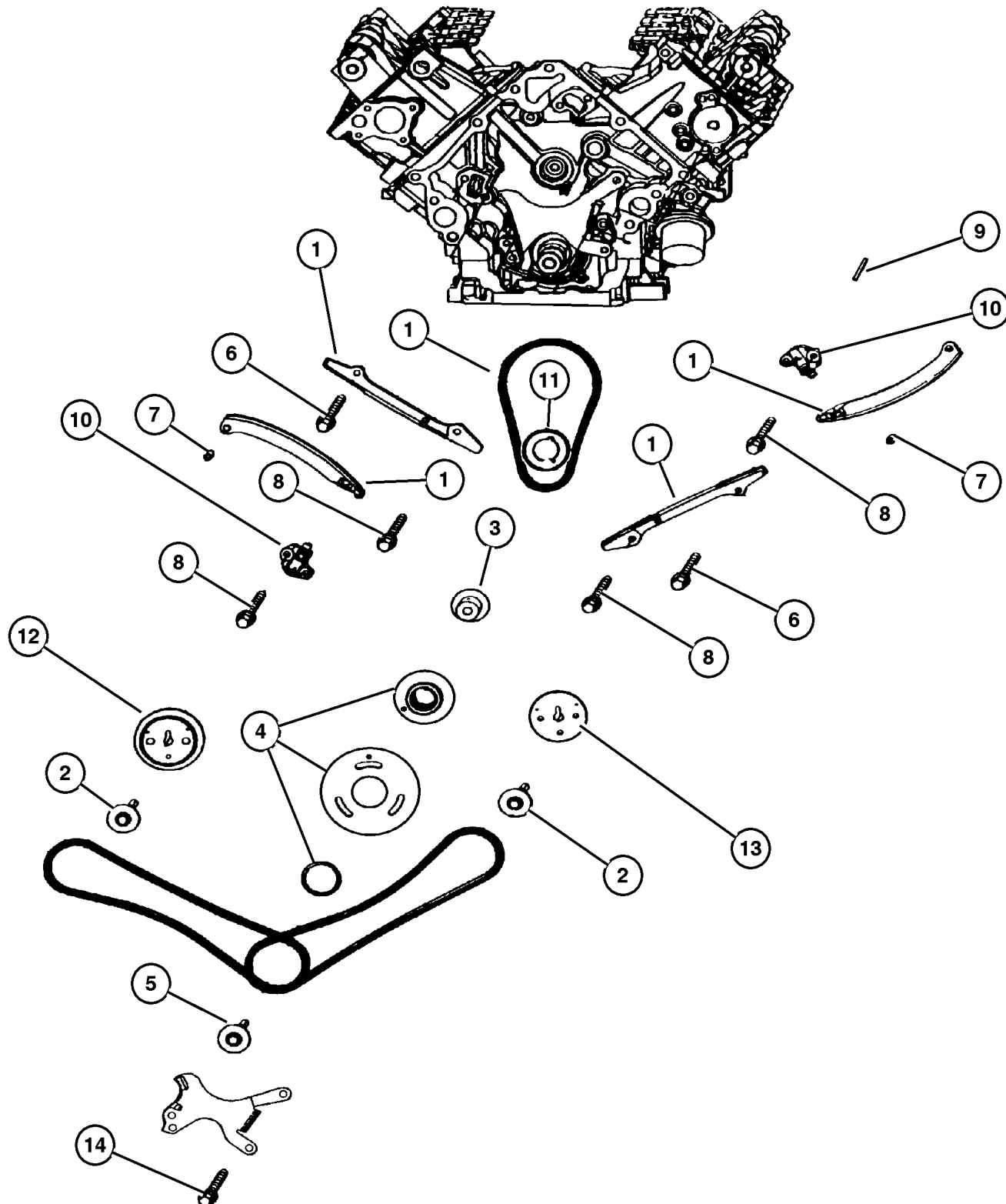
JEEP GRAND CHEROKEE (WG)

SERIES	LINE	BODY	ENGINE	TRANSMISSION
H = Laredo	J = 4WD	74 = 4 Door	ER0, ERH = 4.0L, Power Tech	DGK = 4 Speed Autm, 42RE
P = Limited	U = 4WD, RHD		EVO, EVA = 4.7L, Power Tech	DGQ = 5 Speed Automatic
			EXO, EXA = 3.1L 5 Cyl Turbo Diesel	- 5-45RFE
				DGW = 4 Speed Autm, 44RE

AR = Use as required - = Non illustrated part # = New this model year

October 31, 2002

Timing Chain and Guides, 4.7 (EVA)  
Figure 4.7L-620



ITEM	PART NUMBER	QTY	LINE	SERIES	BODY	ENGINE	TRANS	DESCRIPTION
NOTE:								
Sales Codes:								
EVO=All 4.7L Engines								
1	5013 867AB	1				EVO		TIMING DRIVE PACKAGE, Engine
2	6504 429	2				EVO		SCREW AND WASHER, Hex
3	5302 0835	1				EVO		SHAFT, Idler
4	5012 319AA	2				EVO		SPROCKET, Drive
5	6504 370	1				EVO		SCREW AND WASHER, Hex
6	6102 111AA	2				EVO		SCREW AND WASHER
7	6504 440	2				EVO		SCREW
8	6503 257	6				EVO		BOLT, Hex Head, M8x1.25x37.50
9	6504 471	1				EVO		KEY, Woodruff
10								TENSIONER, Chain
	5302 0779	1				EVO		Right
	53021 168AA	1				EVO		Left
11	5302 0679	1				EVO		SPROCKET, Crankshaft
12	53021 169AA	1				EVO		SPROCKET, Camshaft, Right
13	5302 0938	1				EVO		SPROCKET, Camshaft, Left
14	6100 932	2				EVO		BOLT, Hex
-15	5302 0781	2				EVO		GUIDE, Timing Chain
-16	5302 0681	1				EVO		TENSIONER, Chain, Primary

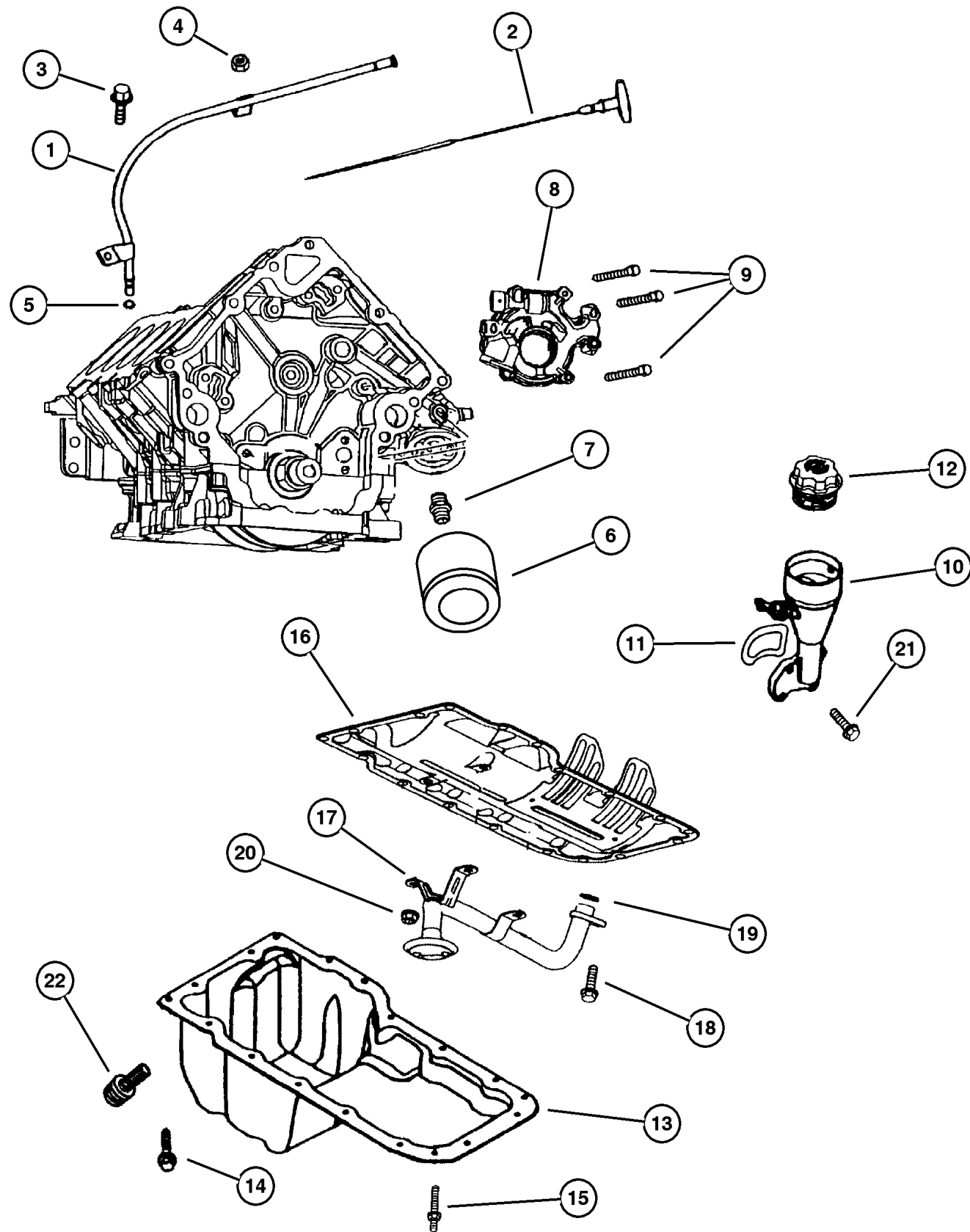
JEEP GRAND CHEROKEE (WG)

SERIES	LINE	BODY	ENGINE	TRANSMISSION
H = Laredo	J = 4WD	74 = 4 Door	ER0, ERH = 4.0L, Power Tech	DGK = 4 Speed Autm, 42RE
P = Limited	U = 4WD, RHD		EVO, EVA = 4.7L, Power Tech	DGQ = 5 Speed Automatic
			EXO, EXA = 3.1L 5 Cyl Turbo Diesel	- 5-45RFE
				DGW = 4 Speed Autm, 44RE

AR = Use as required - = Non illustrated part # = New this model year

October 31, 2002

Engine Oiling, 4.7 (EVA)  
Figure 4.7L-710



ITEM	PART NUMBER	QTY	LINE	SERIES	BODY	ENGINE	TRANS	DESCRIPTION
Note:								
ERO = All 4.0L 6 Cyl Gas Engines								
EVA = 4.7L Power Tech V8 Engine								
EVO = All 4.7L Gas Engines								
1	5302 1024	1				EVO		TUBE, Engine Oil Indicator
2	53020 859AB	1				EVO		INDICATOR, Engine Oil Level
3	6504 810AA	1				EVO		SCREW AND WASHER, Hex
4								NUT, M6x1.00, (NOT SERVICED) (Not Serviced)
5	53021 144AA	1				EVO		O RING, Engine Oil Indicator
6	5281 090	1				EVO		FILTER, Engine Oil
7	5300 7563	1				EVO		CONNECTOR, Oil Filter
8	5302 0827	1				EVO		PUMP, Engine Oil
9	6100 932	2				EVO		BOLT, Hex
10	5302 0890	1				EVO		HOUSING, Oil Fill
11	5302 0889	1				EVO		GASKET, Oil Fill Housing
12	5302 0880	1				EVO		CAP, Oil Filler
13	53020 678AB	1				EVO		PAN, Engine Oil
14	6504 810AA	1				EVO		SCREW AND WASHER, Hex
15	6502 647	2				ERO		STUD, M6x1.00x44
16	#53020 675AC	1				EVO		GASKET, Oil Pan
17	5302 0828	1				EVO		TUBE, Oil Pickup
18	6102 046AA	1				EVO		SCREW AND WASHER
19	5302 0861	1				EVO		SEAL, Oil Pick Up Tube
20	6502 756	3				EVO		NUT, Hex Lock, M8x1.25
21	6505 504AA	4				EVO		SCREW
22	6504 894AA	1				EVO		SCREW, Oil sump

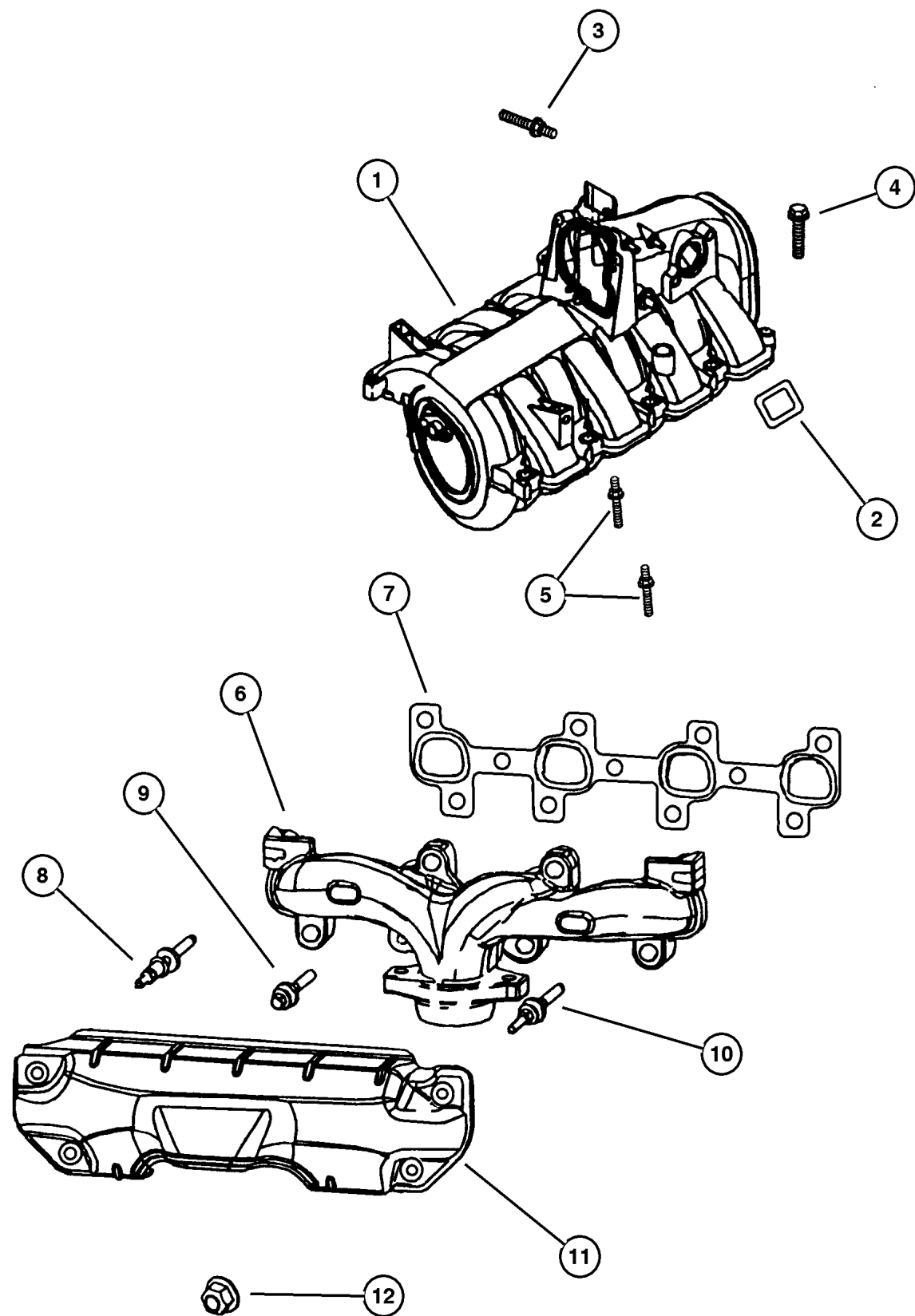
JEEP GRAND CHEROKEE (WG)

SERIES	LINE	BODY	ENGINE	TRANSMISSION
H = Laredo	J = 4WD	74 = 4 Door	ERO, ERH = 4.0L, Power Tech	DGK = 4 Speed Autm, 42RE
P = Limited	U = 4WD, RHD		EVO, EVA = 4.7L, Power Tech	DGQ = 5 Speed Automatic
			EXO, EXA = 3.1L 5 Cyl Turbo Diesel	- 5-45RFE
				DGW = 4 Speed Autm, 44RE

AR = Use as required - = Non illustrated part # = New this model year

October 31, 2002

**Manifold, Intake and Exhaust, 4.7 (EVA)  
Figure 4.7L-810**



ITEM	PART NUMBER	QTY	LINE	SERIES	BODY	ENGINE	TRANS	DESCRIPTION
Note:								
EVA = 4.7L Power Tech V8 Engine								
EVO = All 4.7L Gas Engines								
1	53030 951AB	1				EVA		MANIFOLD, Intake
2	5301 0310	8				EVA		SEAL, Intake Manifold
3	6505 498AA	1				EVA		STUD
4	6505 499AA	2				EVO		SCREW
5	6505 500AA	8				EVO		STUD
6								MANIFOLD, Exhaust
	5303 0933	1				EVO		Left
	5303 0934	1				EVO		Right
7								GASKET, Exhaust Manifold
	5303 0812	1				EVO		Left
	5303 0813	1				EVO		Right
8	6505 257AA	4				EVO		STUD
9	6504 340	8				EVO		SCREW AND WASHER, Hex
10	6504 331	4				EVO		STUD
11								SHIELD, Exhaust Manifold
	5303 0815	1				EVO		Left
	5303 0940	1				EVO		Right
12	6505 316AA	8				EVO		NUT

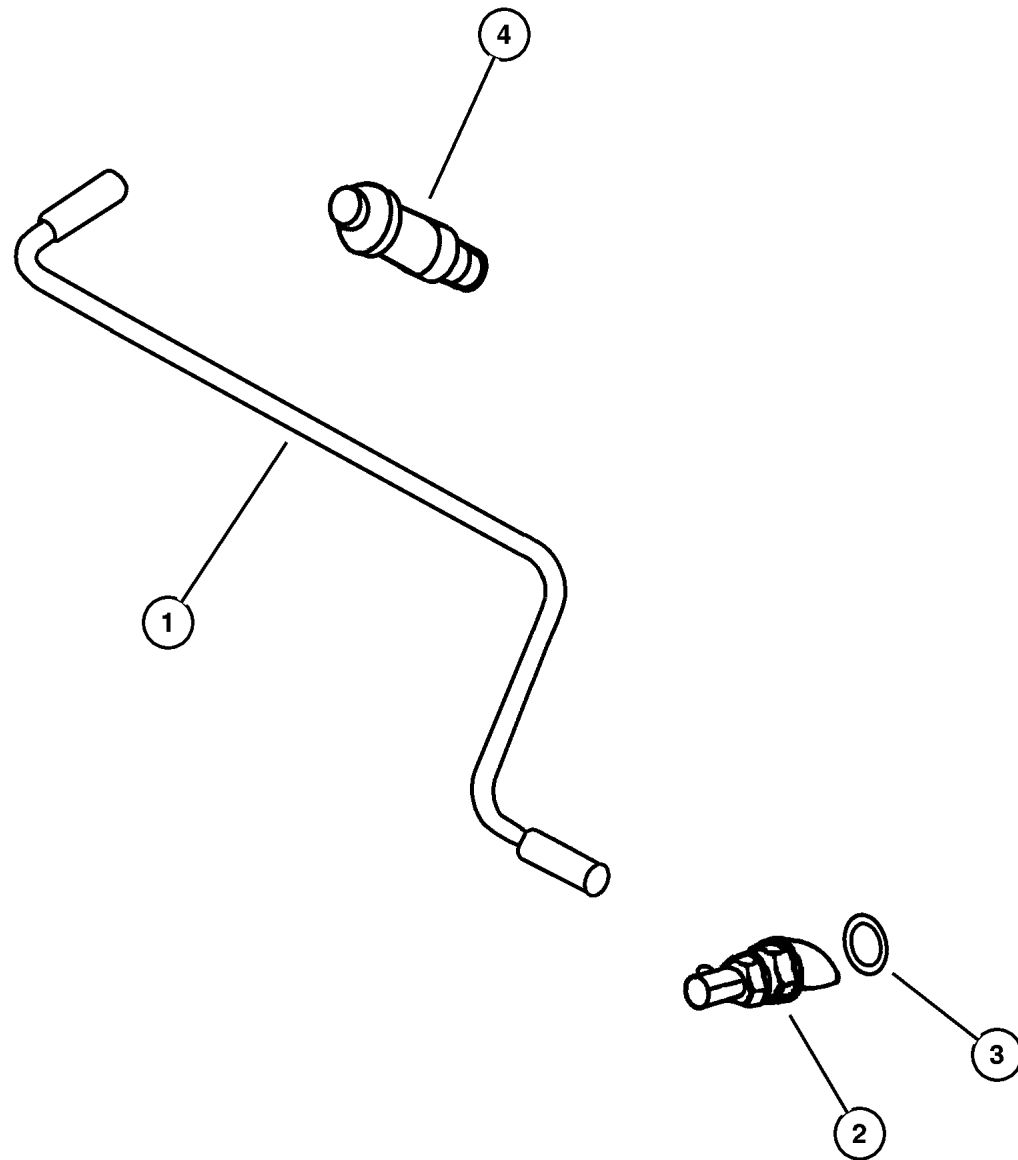
**JEEP GRAND CHEROKEE (WG)**

SERIES	LINE	BODY	ENGINE	TRANSMISSION
H = Laredo	J = 4WD	74 = 4 Door	ER0, ERH = 4.0L, Power Tech	DGK = 4 Speed Autm, 42RE
P = Limited	U = 4WD, RHD		EVO, EVA = 4.7L, Power Tech	DGQ = 5 Speed Automatic
			EXO, EXA = 3.1L 5 Cyl Turbo Diesel	- 5-45RFE
				DGW = 4 Speed Autm, 44RE

AR = Use as required - = Non illustrated part # = New this model year

October 31, 2002

**Crankcase Ventilation, 4.7 (EVA)  
Figure 4.7L-910**



ITEM	PART NUMBER	QTY	LINE	SERIES	BODY	ENGINE	TRANS	DESCRIPTION
------	-------------	-----	------	--------	------	--------	-------	-------------

NOTE:

Sales Code:

EVO=All 4.7L Engines

1	5303 0851	1				EVO		TUBE, PCV Valve
2	53031 777AA	1				EVO		VALVE, Crankcase Vent
3	53031 711AA	1				EVO		O RING
4	5303 0850	2				EVO		BREATHER, Crankcase
	#53030 850AB	2				EVO		With [CVV] Harness
-5	53031 667AA	1				EVO		TUBE, Breather
	#53031 667AB	1				EVO		With [CVV] Harness

**JEEP GRAND CHEROKEE (WG)**

SERIES	LINE	BODY	ENGINE	TRANSMISSION
H = Laredo	J = 4WD	74 = 4 Door	ER0, ERH = 4.0L, Power Tech	DGK = 4 Speed Autm, 42RE
P = Limited	U = 4WD, RHD		EVO, EVA = 4.7L, Power Tech	DGQ = 5 Speed Automatic
			EXO, EXA = 3.1L 5 Cyl Turbo Diesel	- 5-45RFE
				DGW = 4 Speed Autm, 44RE

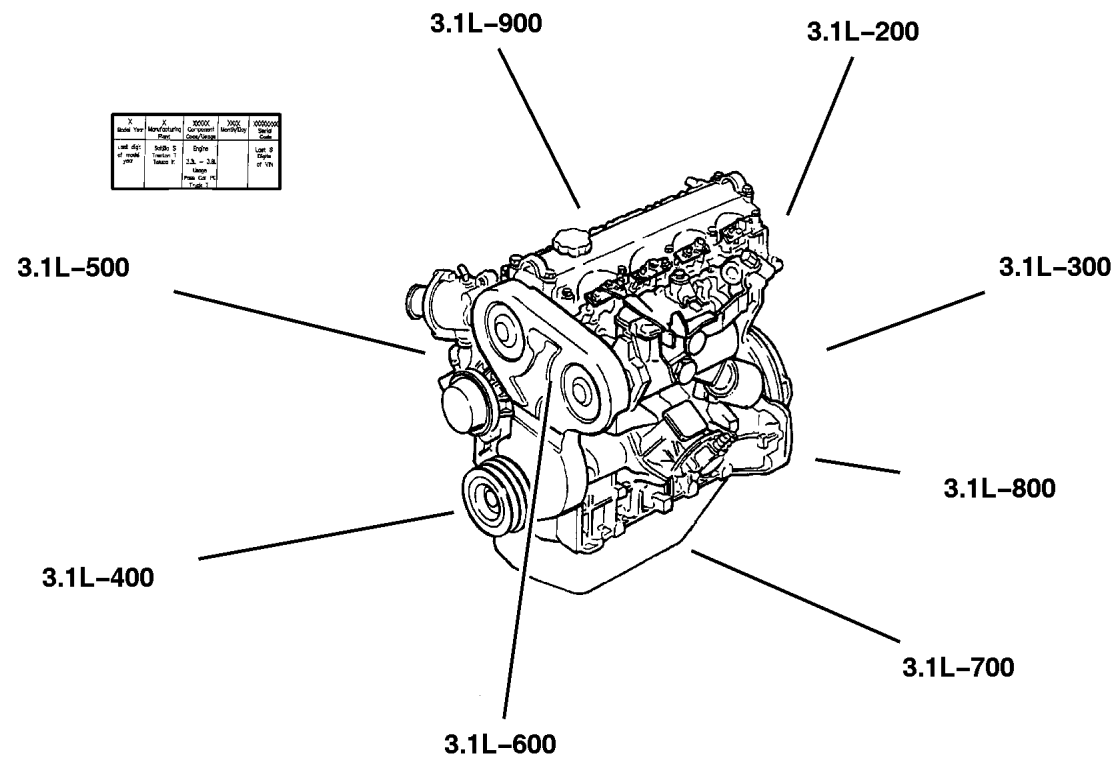
AR = Use as required - = Non illustrated part # = New this model year

October 31, 2002

# Group – 3.1L

## Engine 3.1L Five Cylinder(Turbo Diesel)

### GROUP 3.1L - Engine 3.1L Five Cylinder(Turbo Diesel)



3	4	50000	30000	20000
Year	Model	Displacement	Power	Speed
1998	3.1L	3.1L	120	2000
1999	3.1L	3.1L	120	2000
2000	3.1L	3.1L	120	2000
2001	3.1L	3.1L	120	2000
2002	3.1L	3.1L	120	2000

Illustration Title

Group-Fig. No.

#### Cylinder Head

Cylinder Head (EXA) ..... Fig. 3.1L-210

#### Cylinder Block

Cylinder Block (EXA) ..... Fig. 3.1L-310

#### Crankshaft, Piston and Torque Converter

Crankshaft, Pistons & Torque Converter (EXA) ..... Fig. 3.1L-410

#### Camshafts and Valves

Camshaft & Valves (EXA) ..... Fig. 3.1L-510

#### Timing Belt and Cover

Timing Gear & Cover (EXA) ..... Fig. 3.1L-610

#### Engine Oiling

Engine Oiling (EXA) ..... Fig. 3.1L-710

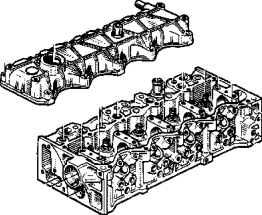
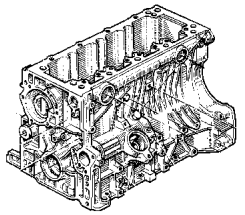
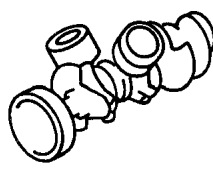
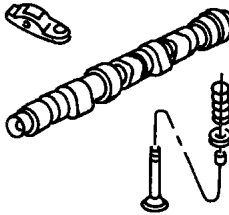
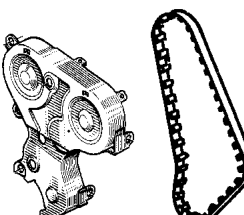
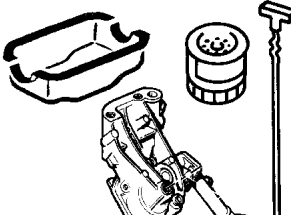
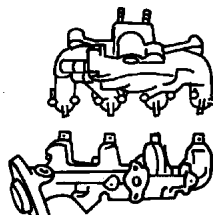
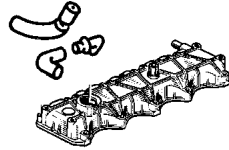
Oil Lines (EXA) ..... Fig. 3.1L-720

#### Manifolds

Manifold, Intake & Exhaust (EXA) ..... Fig. 3.1L-810

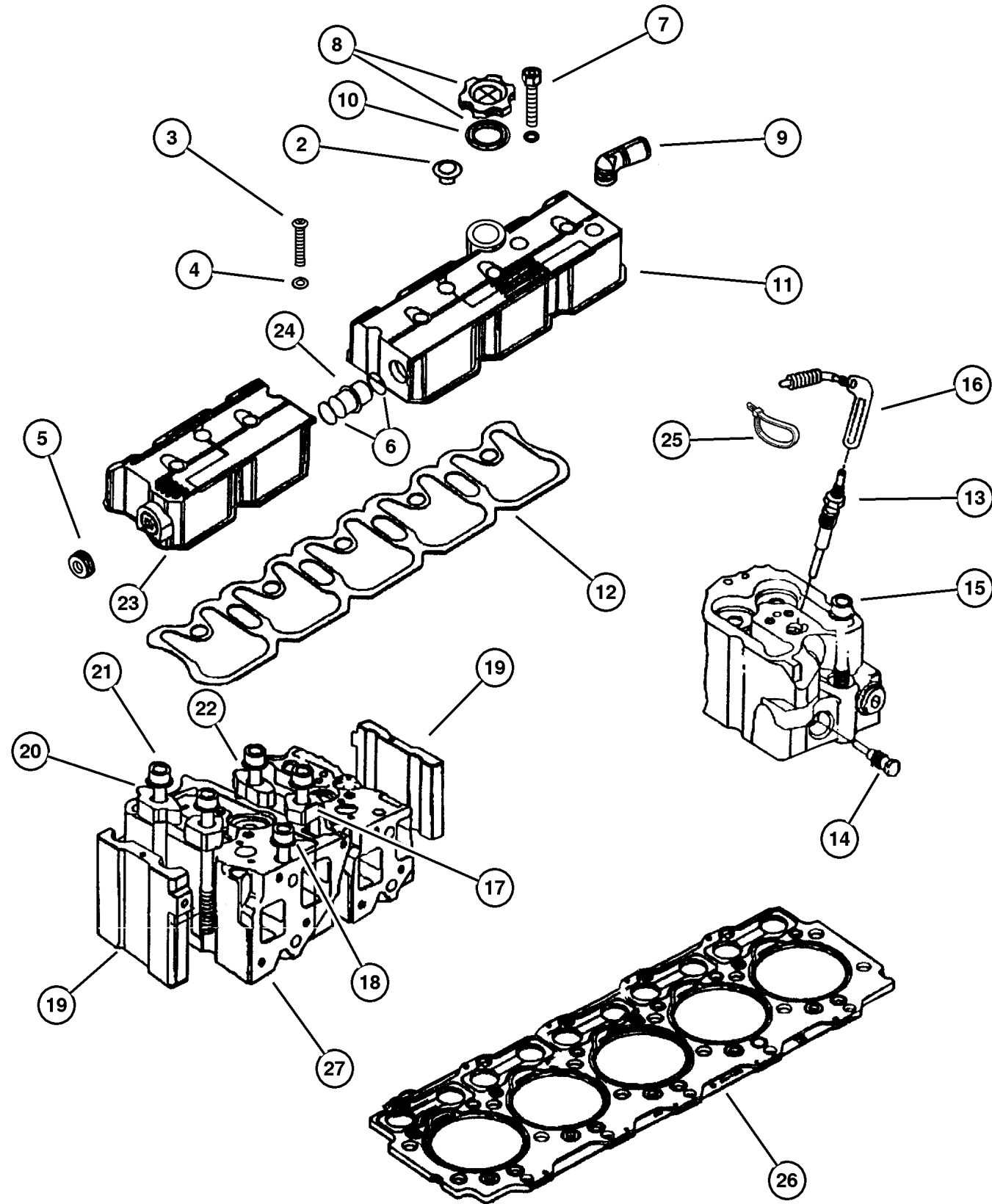
#### Crankcase Ventilation

Crankcase Ventilation (EXA) ..... Fig. 3.1L-910

<p><b>3.1L-200</b> Cylinder Head</p> 	<p><b>3.1L-300</b> Cylinder Block</p> 	<p><b>3.1L-400</b> Crankshaft, Piston and Torque Converter</p> 	<p><b>3.1L-500</b> Camshafts and Valves</p> 
<p><b>3.1L-600</b> Timing Belt and Cover</p> 	<p><b>3.1L-700</b> Engine Oiling</p> 	<p><b>3.1L-800</b> Manifolds</p> 	<p><b>3.1L-900</b> Crankcase Ventilation</p> 



**Cylinder Head (EXA)  
Figure 3.1L-210**



ITEM	PART NUMBER	QTY	LINE	SERIES	BODY	ENGINE	TRANS	DESCRIPTION
NOTE:								
EX0=All 3.1L Engines								
DG0=All Automatic Transmissions								
-1	5015 077AA	1				EX0	DG0	GASKET KIT, Cylinder Head Overhall
2	4864 555	4				EX0	DG0	PLUG, Cylinder Block
3	5003 565AA	3				EX0	DG0	BOLT
4	4864 554	5				EX0	DG0	SEAL, Valve Cover Bolt
5	4723 169	1				EX0	DG0	PLUG, Cylinder Block Oil Hole
6	5014 987AA	2				EX0	DG0	O RING
7	4863 752	2				EX0	DG0	SCREW
8	4863 741	1				EX0	DG0	CAP, Oil Filler
9	5015 080AA	2				EX0	DG0	ADAPTER, Crankcase Vent
10	4720 300	1				EX0	DG0	GASKET, Oil Filler Cap
11	5015 078AA	1				EX0	DG0	COVER, Cylinder Head
12	5014 986AA	1				EX0	DG0	GASKET, Valve Cover
13	4863 826	1				EX0	DG0	GLOW PLUG
14	4863 770	1				EX0	DG0	PLUG, Dummy
15	4720 671AB	5				EX0	DG0	BOLT, Cylinder Head
16	5019 341AA	1				EX0	DG0	WIRING, Glow Plug
17	4864 038	6				EX0	DG0	CLAMP, Cylinder Head
18	4720 233AB	5				EX0	DG0	BOLT, Cylinder Head
19	4882 407	1				EX0	DG0	CLAMP, Cylinder Head
20	4864 039	2				EX0	DG0	CLAMP, Cylinder Head
21	4720 235AC	12				EX0	DG0	BOLT, Cylinder Head
22	4864 040	4				EX0	DG0	CLAMP, Cylinder Head
23	5015 079AA	1				EX0	DG0	COVER, Cylinder Head
24	5014 985AA	1				EX0	DG0	SLEEVE, Insert
25	4728 184	3				EX0	DG0	CLIP, Spill Return Pipe
26								GASKET, Cylinder Head
	5014 982AA	1				EX0	DG0	Size (1.14)
	5014 983AA	1				EX0	DG0	Size (1.51)
	5014 984AA	1				EX0	DG0	Size (1.61)
27	4883 416AB	1				EX0	DG0	HEAD, Cylinder

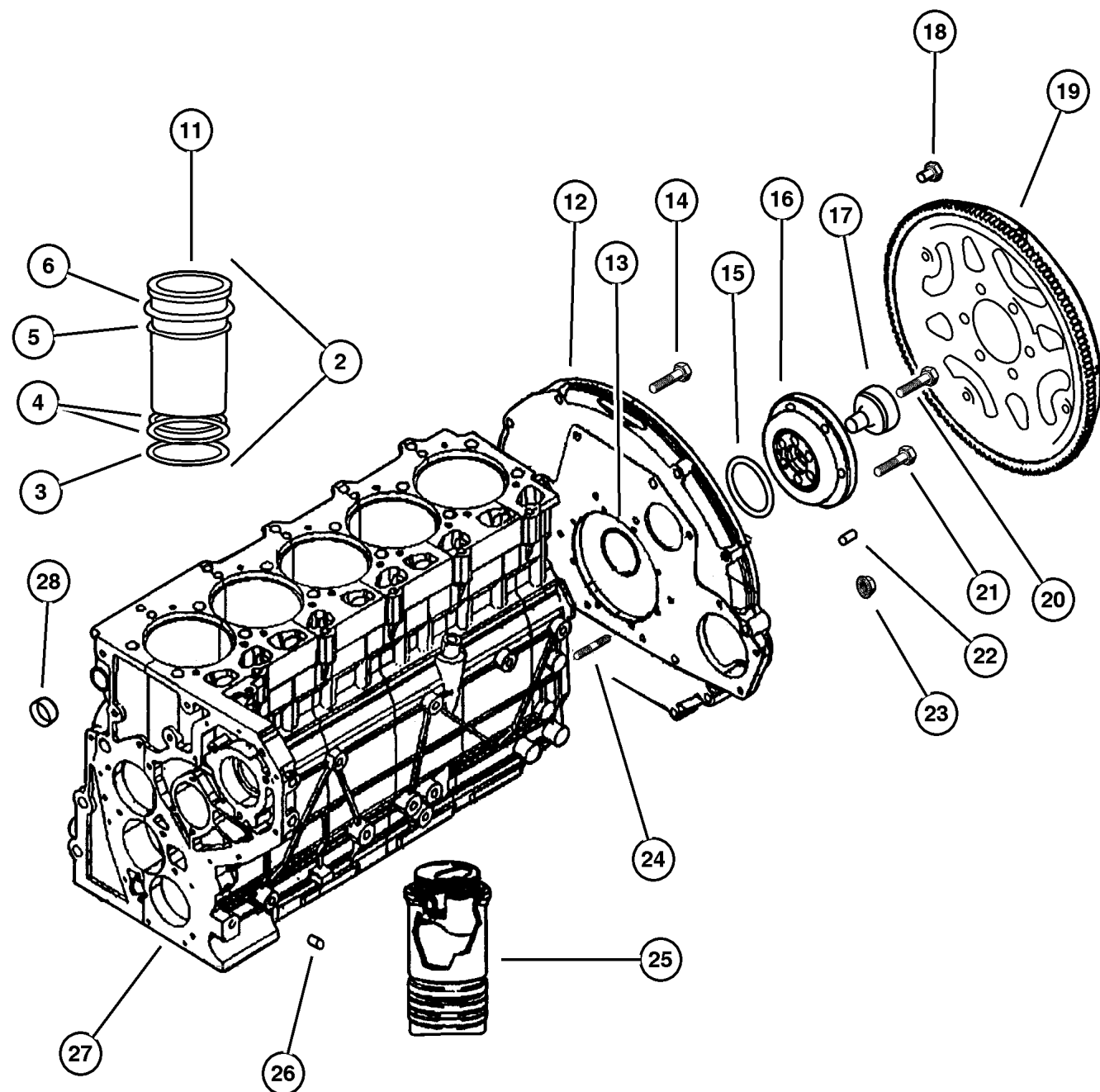
**JEEP GRAND CHEROKEE (WG)**

SERIES	LINE	BODY	ENGINE	TRANSMISSION
H = Laredo	J = 4WD	74 = 4 Door	ER0, ERH = 4.0L, Power Tech	DGK = 4 Speed Autm, 42RE
P = Limited	U = 4WD, RHD		EVO, EVA = 4.7L, Power Tech	DGQ = 5 Speed Automatic
			EXO, EXA = 3.1L 5 Cyl Turbo Diesel	- 5-45RFE
				DGW = 4 Speed Autm, 44RE

AR = Use as required - = Non illustrated part # = New this model year

October 31, 2002

**Cylinder Block (EXA)  
Figure 3.1L-310**



ITEM	PART NUMBER	QTY	LINE	SERIES	BODY	ENGINE	TRANS	DESCRIPTION
NOTE:								
Sales Codes:								
EXA=3.1L Turbo Diesel Engine								
EX0=All 3.1L Engines								
DG0=All Automatic Transmissions								
-1	5015 077AA	1				EX0	DG0	GASKET KIT, Cylinder Head Overhall
2	4723 118	5				EX0	DG0	SHIM KIT, Cylinder Liner
3	4720 625	5				EX0	DG0	O RING, Cylinder Liner
4	4720 627	10				EX0	DG0	O RING, Cylinder Liner
5	4720 626	5				EX0	DG0	O RING, Cylinder Liner
6	4720 622	1				EX0	DG0	SHIM, Cylinder Liner, 0.25mm
-7	4720 623	1				EX0	DG0	SHIM, Cylinder Liner, 0.23mm
-8	4720 621	1				EX0	DG0	SHIM, Cylinder Liner, 0.20mm
-9	4720 624	3				EX0	DG0	SHIM, Cylinder Liner, 0.17mm
-10	4720 620	5				EX0	DG0	SHIM, Cylinder Liner, 0.15mm
11	5014 328AA	5				EX0	DG0	LINER, Cylinder
12	5015 044AA	1				EX0	DG0	PLATE
13	4863 833	1				EX0	DG0	O RING
14	5003 532AA	4				EX0	DG0	BOLT, Adaptor Plate
15	5014 970AA	1				EX0	DG0	O RING
16	5014 967AA	1				EX0	DG0	HUB, Torque Converter
17	5014 974AA	1				EX0	DG0	SHAFT, Torque
18	5014 969AA	6				EX0	DG0	BOLT, Flexplate
19	5014 968AA	1				EX0	DG0	PLATE, Torque Converter Drive
20	4720 232AB	6				EX0	DG0	BOLT, Flywheel
21	4864 537	3				EX0	DG0	BOLT, 8Mx20
22	5015 045AA	2				EX0	DG0	DOWEL, Transmission Adapter
23	4778 961	22				EX0	DG0	NUT
24	4720 550	10				EX0	DG0	STUD, Water Pump To Block
25	5014 329AA	5				EX0	DG0	LINER AND PISTON, Cylinder
26	4883 425AA	1				EX0	DG0	PLUG
27	5014 965AA	1				EX0	DG0	BLOCK, Cylinder
28	4778 887	1				EX0	DG0	PLUG, Cylinder Block Oil Hole

**JEEP GRAND CHEROKEE (WG)**

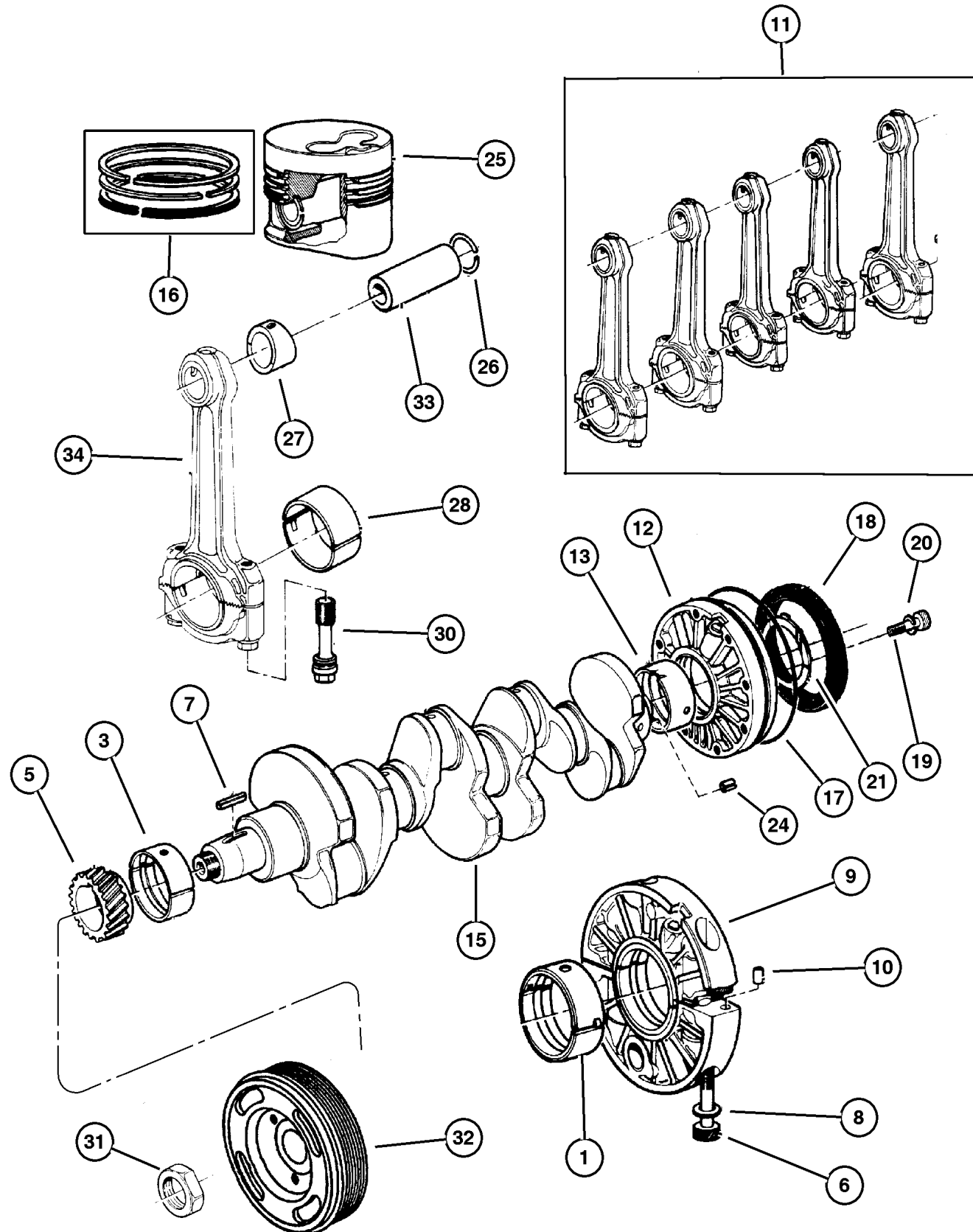
SERIES	LINE	BODY	ENGINE	TRANSMISSION
H = Laredo	J = 4WD	74 = 4 Door	ER0, ERH = 4.0L, Power Tech	DGK = 4 Speed Autm, 42RE
P = Limited	U = 4WD, RHD		EVO, EVA = 4.7L, Power Tech	DGQ = 5 Speed Automatic
			EXO, EXA = 3.1L 5 Cyl Turbo Diesel	- 5-45RFE
				DGW = 4 Speed Autm, 44RE

AR = Use as required - = Non illustrated part # = New this model year

October 31, 2002

# Crankshaft, Pistons & Torque Converter (EXA)

## Figure 3.1L-410



### NOTE:

Sales Codes:

EXA=3.1L Turbo Diesel

EX0=All 3.1L Engines

DG0=All Automatic Transmission

ITEM	PART NUMBER	QTY	LINE	SERIES	BODY	ENGINE	TRANS	DESCRIPTION
1	4720 892	AR				EX0	DG0	BEARING, Crankshaft
-2	4720 889	AR				EX0	DG0	BEARING, Crankshaft
3	4720 887	AR				EX0	DG0	BEARING, Crankshaft
-4	4720 885	1				EX0	DG0	BEARING, Crankshaft
5	4882 402	1				EX0	DG0	GEAR, Crankshaft
6	4720 242	2				EX0	DG0	SCREW
7	5014 980AA	1				EX0	DG0	KEY, Woodruff
8	4720 243	2				EX0	DG0	WASHER, Lock, M10
9	4863 711	1				EX0	DG0	HOUSING, Crankshaft Bearing
10	4720 241	2				EX0	DG0	DOWEL, Center Bearing Housing
11	5015 002AA	1				EX0	DG0	ROD, Connecting
12	5014 975AA	1				EX0	DG0	HOUSING, Rear Bearing
13	4864 539	1				EX0	DG0	BEARING, Crankshaft
-14	4864 541	AR				EX0	DG0	BEARING, Crankshaft
15	5014 971AA	1				EX0	DG0	CRANKSHAFT
16	5014 333AA	1				EX0	DG0	RING KIT, Piston, Standard
17	4720 277	1				EX0	DG0	O RING, Crankshaft Rear Support
18	5010 817AA	1				EX0	DG0	SEAL, Rear Main Crankshaft
19	4720 284	8				EX0	DG0	SCREW, Rear Crankshaft Support
20	4723 204	8				EX0	DG0	WASHER, Implement Attaching
21	4864 046	1				EX0	DG0	WASHER, Thrust
-22	4864 543	AR				EX0	DG0	WASHER, Thrust, 0.10 Oversize
-23	4864 544	AR				EX0	DG0	WASHER, Thrust, 0.20 Oversize
24	4723 158AB	1				EX0	DG0	PIN, Dowel
25	5014 332AA	1				EX0	DG0	PISTON
26	4720 099	2				EX0	DG0	RING, Piston Pin
27	4720 877	5				EX0	DG0	BUSHING, Connecting Rod
28	4720 877	5				EX0	DG0	BUSHING, Connecting Rod
-29	4720 883	5				EX0	DG0	BEARING, Connecting Rod, .25 mm U/S
30	4883 386AB	2				EX0	DG0	BOLT, Connecting Rod
31	4720 273	1				EX0	DG0	NUT, Damper Pulley
32	5014 979AA	1				EX0	DG0	DAMPER, Crankshaft
33								PIN, Piston, Serviced in Piston, (NOT SERVICED) (Not Serviced)
34								ROD, Connecting, Serviced in Piston, (NOT SERVICED) (Not Serviced)

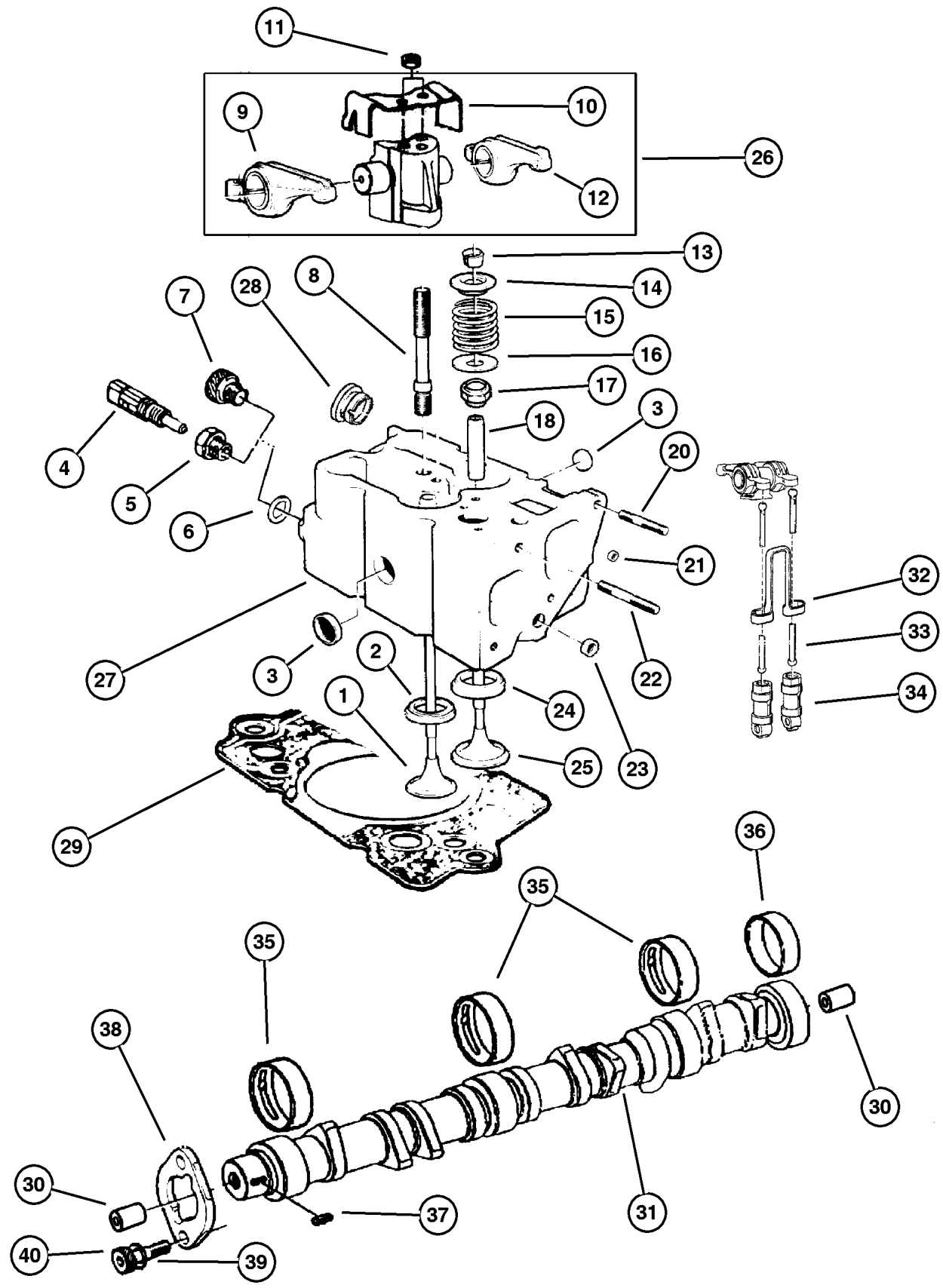
### JEEP GRAND CHEROKEE (WG)

SERIES	LINE	BODY	ENGINE	TRANSMISSION
H = Laredo	J = 4WD	74 = 4 Door	ER0, ERH = 4.0L, Power Tech	DGK = 4 Speed Autm, 42RE
P = Limited	U = 4WD, RHD		EVO, EVA = 4.7L, Power Tech	DGQ = 5 Speed Automatic
			EXO, EXA = 3.1L 5 Cyl Turbo Diesel	- 5-45RFE
				DGW = 4 Speed Autm, 44RE

AR = Use as required - = Non illustrated part # = New this model year

October 31, 2002

## Camshaft & Valves (EXA) Figure 3.1L-510



ITEM	PART NUMBER	QTY	LINE	SERIES	BODY	ENGINE	TRANS	DESCRIPTION
------	-------------	-----	------	--------	------	--------	-------	-------------

**NOTE:**

Sales Codes:

EX0=All 3.1L Engines

DG0=All Automatic Transmissions

1	4720 148	1				EX0	DG0	VALVE, Exhaust, Standard
2	4723 244	5				EX0	DG0	SEAT, Exhaust Valve, 0.30mm Oversize
3	4723 228	2				EX0	DG0	PLUG, Cylinder Block Oil Hole
4	5014 067AA	2				EX0	DG0	SENSOR, Temperature Sending Unit
5	5014 065AA	2				EX0	DG0	ADAPTER, Temperature Sensor
6	4723 246	2				EX0	DG0	WASHER, Plain
7	4720 159	1				EX0	DG0	PLUG, Cylinder Block Oil Hole
8	4897 831AA	2				EX0	DG0	STUD
9	4883 399AA	1				EX0	DG0	ROCKER ARM, Exhaust
10	4863 861	5				EX0	DG0	SPRING, Valve
11	4883 396AA	10				EX0	DG0	NUT
12	4883 398AA	1				EX0	DG0	ROCKER ARM, Intake
13	4720 155	4				EX0	DG0	LOCK, Valve Spring Retainer
14	4720 152	2				EX0	DG0	RETAINER, Valve Spring
15	4720 158	2				EX0	DG0	SPRING, Valve
16	4720 153	2				EX0	DG0	WASHER, Plain
17	4883 821AA	2				EX0	DG0	SEAL, Valve Guide
18	4883 417AA	2				EX0	DG0	GUIDE, Intake/Exhaust Valve, Standard Size
-19	4883 820AA	10				EX0	DG0	GUIDE, Intake/Exhaust Valve, 0.10mm Oversize
20	4723 241	3				EX0	DG0	STUD
21	4723 196AB	2				EX0	DG0	PLUG, Camshaft
22	4882 405	2				EX0	DG0	STUD
23	4723 210	1				EX0	DG0	PLUG, Cylinder Block Oil Hole
24	4723 245	5				EX0	DG0	SEAT, Intake Valve, 0.30mm Oversize
25	4720 146	1				EX0	DG0	VALVE, Intake, Standard
26	4883 397AA	5				EX0	DG0	ROCKER ARM, Inlet and Exhaust Valve
27	4883 416AB	1				EX0	DG0	HEAD, Cylinder
28	4863 769	1				EX0	DG0	PLUG
29								GASKET, Cylinder Head
	5014 982AA	1				EX0	DG0	Size (1.41)
	5014 983AA	1				EX0	DG0	Size (1.51)
	5014 984AA	1				EX0	DG0	Size (1.61)
30	4723 196AB	2				EX0	DG0	PLUG, Camshaft
31	5014 981AA	1				EX0	DG0	CAMSHAFT, Engine
32	4773 701	5				EX0	DG0	BRACKET, Antirotation
33	4883 395AA	10				EX0	DG0	PUSH ROD, Valve

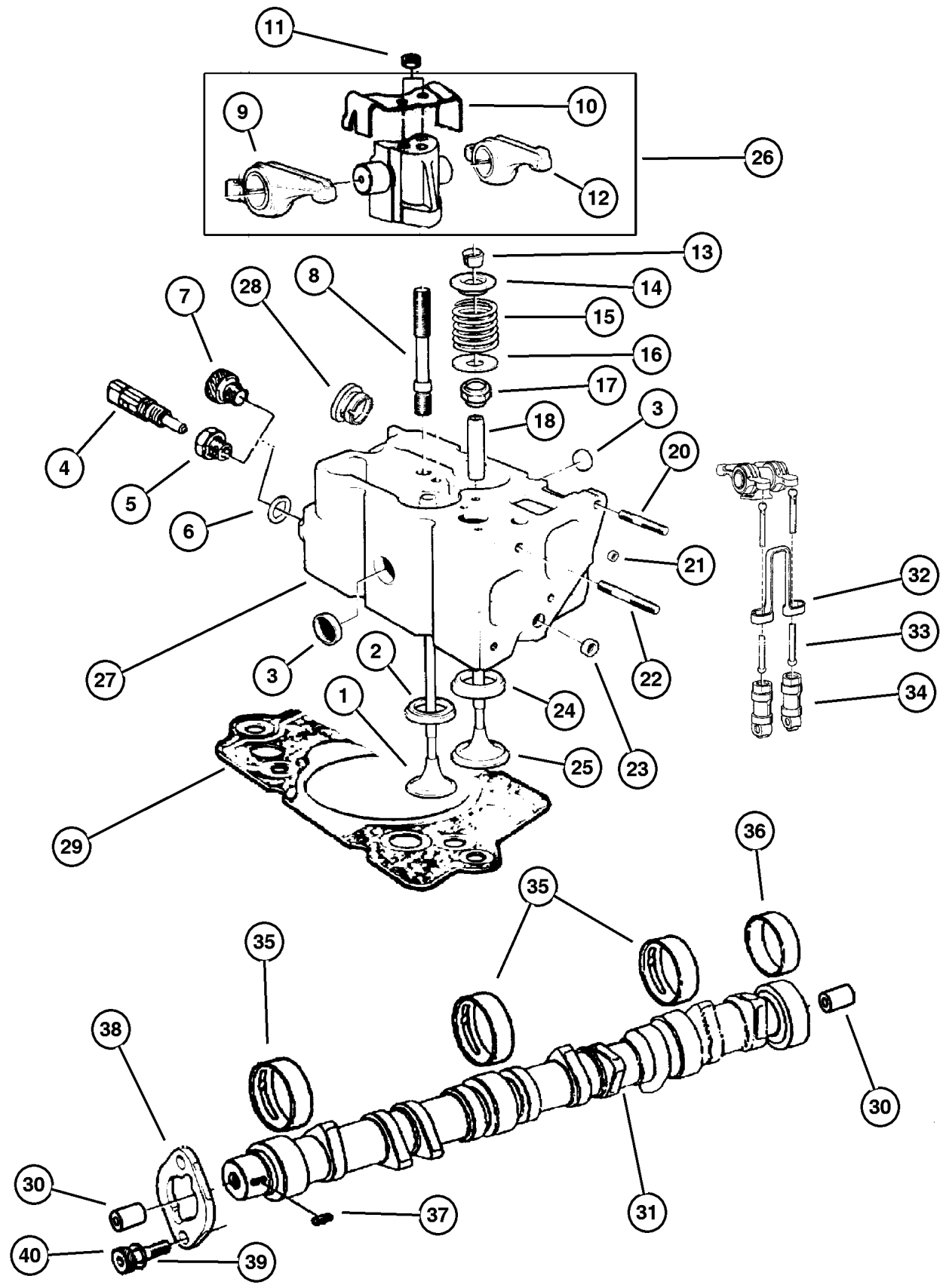
**JEEP GRAND CHEROKEE (WG)**

SERIES	LINE	BODY	ENGINE	TRANSMISSION
H = Laredo	J = 4WD	74 = 4 Door	ER0, ERH = 4.0L, Power Tech	DGK = 4 Speed Autm, 42RE
P = Limited	U = 4WD, RHD		EVO, EVA = 4.7L, Power Tech	DGQ = 5 Speed Automatic
			EXO, EXA = 3.1L 5 Cyl Turbo Diesel	- 5-45RFE
				DGW = 4 Speed Autm, 44RE

AR = Use as required - = Non illustrated part # = New this model year

October 31, 2002

Camshaft & Valves (EXA)  
Figure 3.1L-510

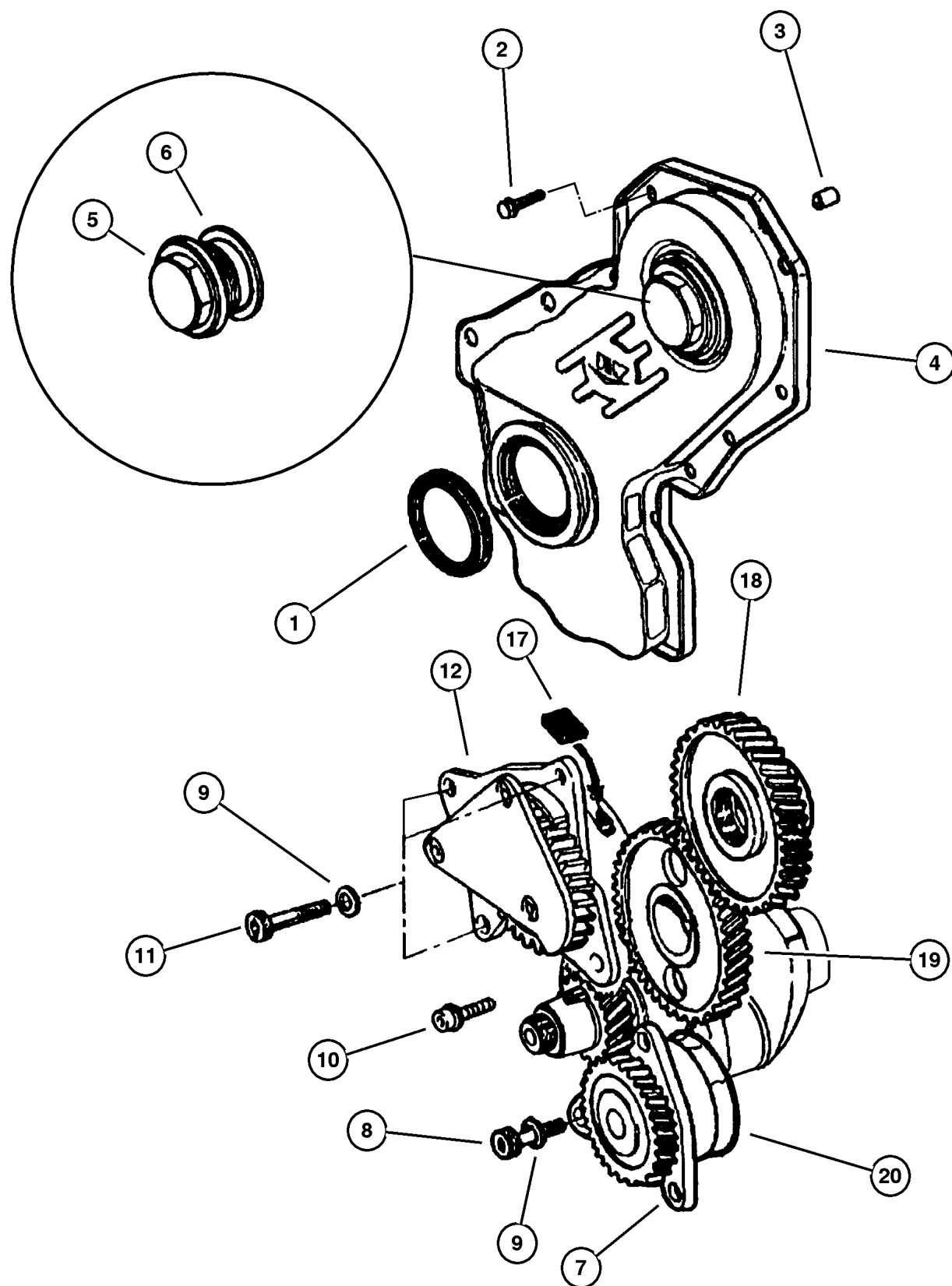


ITEM	PART NUMBER	QTY	LINE	SERIES	BODY	ENGINE	TRANS	DESCRIPTION
34	4773 712	1				EX0	DG0	TAPPET, Valve
35	4720 220	3				EX0	DG0	BEARING, Camshaft
36	5014 966AA	1				EX0	DG0	BEARING, Camshaft
37	4720 137	1				EX0	DG0	KEY, Camshaft Sprocket
38	4723 163	1				EX0	DG0	PLATE, Camshaft Thrust
39	4723 165	2				EX0	DG0	WASHER, P Clip
40	4720 135	5				EX0	DG0	BOLT, Hex Head, M8x18

JEEP GRAND CHEROKEE (WG)  
 SERIES LINE BODY ENGINE TRANSMISSION  
 H = Laredo J = 4WD 74 = 4 Door ER0, ERH = 4.0L, Power Tech DGK = 4 Speed Autm, 42RE  
 P = Limited U = 4WD, RHD EV0, EVA = 4.7L, Power Tech DGQ = 5 Speed Automatic  
 EXO, EXA = 3.1L 5 Cyl Turbo Diesel - 5-45RFE  
 DGW = 4 Speed Autm, 44RE

AR = Use as required - = Non illustrated part # = New this model year

Timing Gear & Cover (EXA)  
Figure 3.1L-610



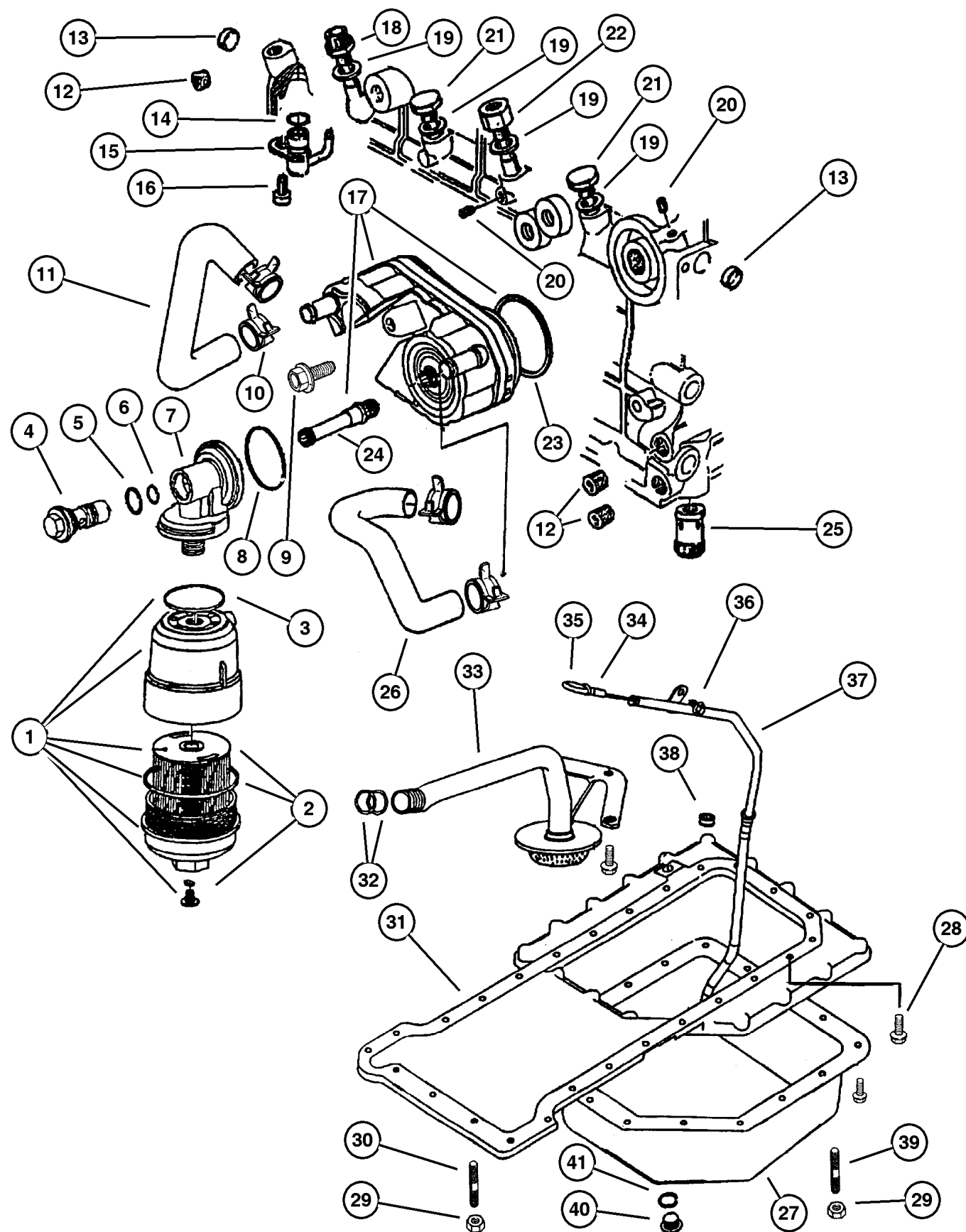
ITEM	PART NUMBER	QTY	LINE	SERIES	BODY	ENGINE	TRANS	DESCRIPTION
NOTE:								
Sales Codes:								
EX0=All 3.1L Engines								
DG0=All Automatic Transmissions								
1	5010 856AA	1				EX0	DG0	SEAL, Timing Belt Cover
2	5003 554AA	3				EX0	DG0	SCREW
3	4720 304	2				EX0	DG0	DOWEL, Front Cover
4	5010 853AB	1				EX0	DG0	COVER, Timing Belt
5	4778 839	1				EX0	DG0	COVER, Timing Belt
6	4720 290	1				EX0	DG0	GASKET, Engine Oil Plug
7	5015 006AA	1				EX0	DG0	PUMP, Engine Oil
8	4720 135	5				EX0	DG0	BOLT, Hex Head, M8x18
9	4720 565	6				EX0	DG0	WASHER, Tube Bolt
10	5003 539AA	1				EX0	DG0	BOLT
11	4720 136	3				EX0	DG0	BOLT, Hex Head, M8x20
12	5003 716AB	1				EX0	DG0	PUMP, Vacuum
-13	4863 779	1				EX0	DG0	GASKET, Vacuum Pump, .
-14	5015 037AA	1				EX0	DG0	VALVE, Vacuum Pump
-15	4720 153	2				EX0	DG0	WASHER, Plain
-16	5015 035AA	1				EX0	DG0	TUBE, Vacuum
17	5010 821AA	3				EX0	DG0	INSERT, Vacuum Pump Rotor
18	4882 412	1				EX0	DG0	GEAR, Injection Pump
19	4882 403	1				EX0	DG0	GEAR, Camshaft
20	4720 239	1				EX0	DG0	O RING, Adaptor Plate

JEEP GRAND CHEROKEE (WG)		BODY	ENGINE	TRANSMISSION
SERIES	LINE	74 = 4 Door	ER0, ERH = 4.0L, Power Tech	DGK = 4 Speed Autm, 42RE
H = Laredo	J = 4WD		EVO, EVA = 4.7L, Power Tech	DGQ = 5 Speed Automatic
P = Limited	U = 4WD, RHD		EXO, EXA = 3.1L 5 Cyl Turbo Diesel	- 5-45RFE
				DGW = 4 Speed Autm, 44RE

AR = Use as required - = Non illustrated part # = New this model year

October 31, 2002

## Engine Oiling (EXA) Figure 3.1L-710



ITEM	PART NUMBER	QTY	LINE	SERIES	BODY	ENGINE	TRANS	DESCRIPTION
NOTE:								
Sales Codes:								
EX0=All 3.1L Engines								
DG0=All Automatic Transmissions								
1	5015 064AA	1				EX0	DG0	FILTER, Engine Oil
2	5015 171AA	1				EX0	DG0	FILTER, Engine Oil
3	5015 172AA	1				EX0	DG0	GASKET, Oil Filter Head
4	5015 063AA	1				EX0	DG0	BOLT
5	4723 334	1				EX0	DG0	GASKET, Valve
6	4886 305AA	1				EX0	DG0	O RING, Oil Filter Adapter
7	4883 526AA	1				EX0	DG0	BASE, Oil Filter
8	4720 375	1				EX0	DG0	O RING, Oil Filter Base
9	5003 724AA	1				EX0	DG0	SCREW
10	4883 924AA	5				EX0	DG0	CLAMP, Heater Hose
11	5015 052AA	1				EX0	DG0	HOSE, Engine Oil Cooler
12	4864 753	1				EX0	DG0	PLUG
13	4723 211	2				EX0	DG0	PLUG, Cylinder Block Oil Hole
14	4864 689	5				EX0	DG0	O RING
15	4864 041AB	5				EX0	DG0	JET, Valve Body
16	4882 620	5				EX0	DG0	SCREW
17	5014 360AA	1				EX0	DG0	COOLER, Engine Oil
18	4720 709	1				EX0	DG0	BOLT, Turbo Oil Feed Adapter
19	4720 704	5				EX0	DG0	WASHER, Oil Pressure Transducer
20	4883 424AA	2				EX0	DG0	PLUG, Cylinder Block
21	4720 726	2				EX0	DG0	BOLT, Oil Feed To Turbo Adapter
22	5015 007AA	1				EX0	DG0	PIN
23	4723 217	1				EX0	DG0	O RING, Oil Cooler
24	5015 178AA	1				EX0	DG0	FITTING, Engine Oil Cooler
25	5003 543AA	1				EX0	DG0	VALVE, Oil Pressure Relief
26	5014 358AA	1				EX0	DG0	HOSE, Engine Oil Cooler
27	5015 059AA	1				EX0	DG0	PAN, Oil
28	4864 551	23				EX0	DG0	SCREW
29	4778 936	4				EX0	DG0	NUT, Suction Pipe Attaching
30	5015 062AA	3				EX0	DG0	STUD
31	5015 060AA	1				EX0	DG0	PAN, Engine Oil
32	4720 374	2				EX0	DG0	O RING, Oil Suction Tube
33	5015 061AA	1				EX0	DG0	PICKUP, Engine Oil
34	4720 373	1				EX0	DG0	O RING, Engine Oil Indicator
35	5015 051AA	1				EX0	DG0	INDICATOR, Engine Oil Level
36	5003 551AA	15				EX0	DG0	BOLT, M6x10
37	5015 053AA	1				EX0	DG0	TUBE, Oil Gauge
38	4720 362	1				EX0	DG0	GASKET, Engine Oil Indicator Pipe

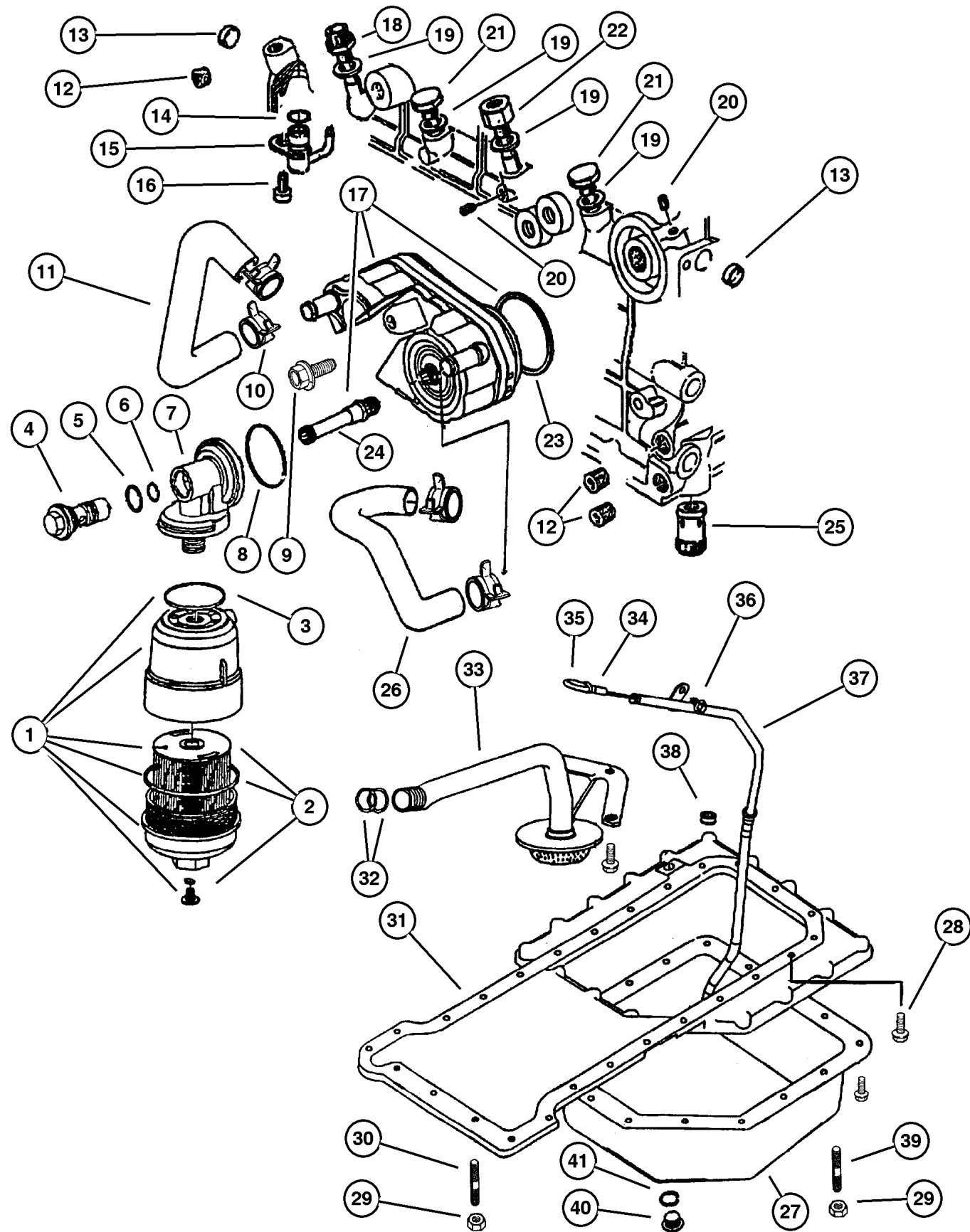
### JEEP GRAND CHEROKEE (WG)

SERIES	LINE	BODY	ENGINE	TRANSMISSION
H = Laredo	J = 4WD	74 = 4 Door	ER0, ERH = 4.0L, Power Tech	DGK = 4 Speed Autm, 42RE
P = Limited	U = 4WD, RHD		EVO, EVA = 4.7L, Power Tech	DGQ = 5 Speed Automatic
			EXO, EXA = 3.1L 5 Cyl Turbo Diesel	- 5-45RFE
				DGW = 4 Speed Autm, 44RE

AR = Use as required - = Non illustrated part # = New this model year

October 31, 2002

Engine Oiling (EXA)  
Figure 3.1L-710



ITEM	PART NUMBER	QTY	LINE	SERIES	BODY	ENGINE	TRANS	DESCRIPTION
39	4864 745	1				EX0	DG0	BOLT
40	4720 352	1				EX0	DG0	PLUG, Oil Drain
41	4720 353	1				EX0	DG0	WASHER, Plain

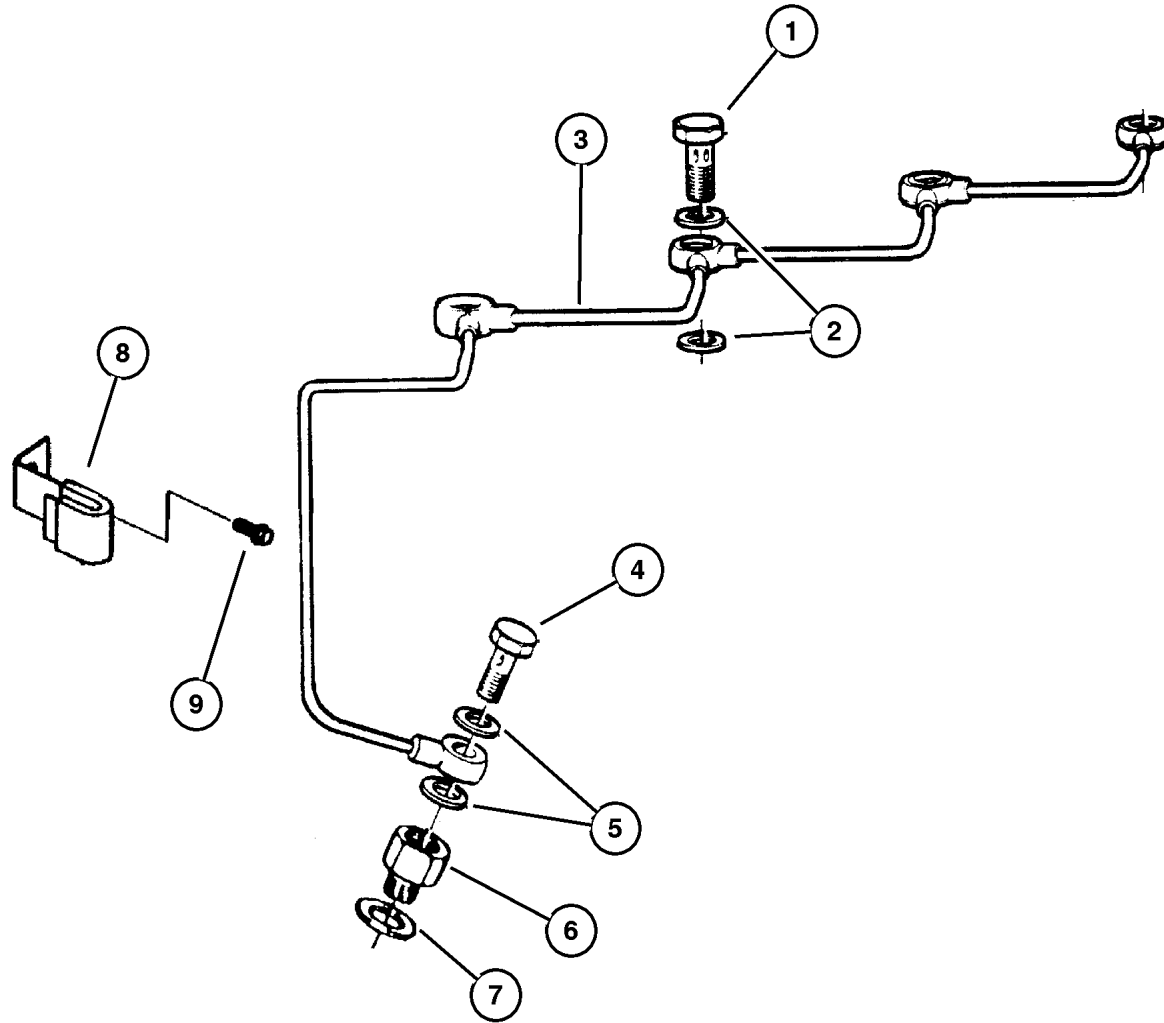
<b>JEEP GRAND CHEROKEE (WG)</b>				
SERIES	LINE	BODY	ENGINE	TRANSMISSION
H = Laredo	J = 4WD	74 = 4 Door	ER0, ERH = 4.0L, Power Tech	DGK = 4 Speed Autm, 42RE
P = Limited	U = 4WD, RHD		EVO, EVA = 4.7L, Power Tech	DGQ = 5 Speed Automatic
			EXO, EXA = 3.1L 5 Cyl Turbo Diesel	- 5-45RFE
				DGW = 4 Speed Autm, 44RE

AR = Use as required - = Non illustrated part # = New this model year

October 31, 2002



**Oil Lines (EXA)  
Figure 3.1L-720**



ITEM	PART NUMBER	QTY	LINE	SERIES	BODY	ENGINE	TRANS	DESCRIPTION
------	-------------	-----	------	--------	------	--------	-------	-------------

**NOTE:**

Sales Codes:

EX0=All 3.1L Engines

DG0=All Automatic Transmissions

1	4720 358	6				EX0	DG0	BOLT, Banjo
2	4720 554	12				EX0	DG0	WASHER, Banjo
3	5015 005AA	1				EX0	DG0	TUBE, Oil Feed
4	4720 358	6				EX0	DG0	BOLT, Banjo
5	4720 554	12				EX0	DG0	WASHER, Banjo
6	4863 777	1				EX0	DG0	UNION
7	4720 704	5				EX0	DG0	WASHER, Oil Pressure Transducer
8	5013 828AB	1				EX0	DG0	BRACKET, Tube
9	5014 071AA	1				EX0	DG0	BOLT, M5x10

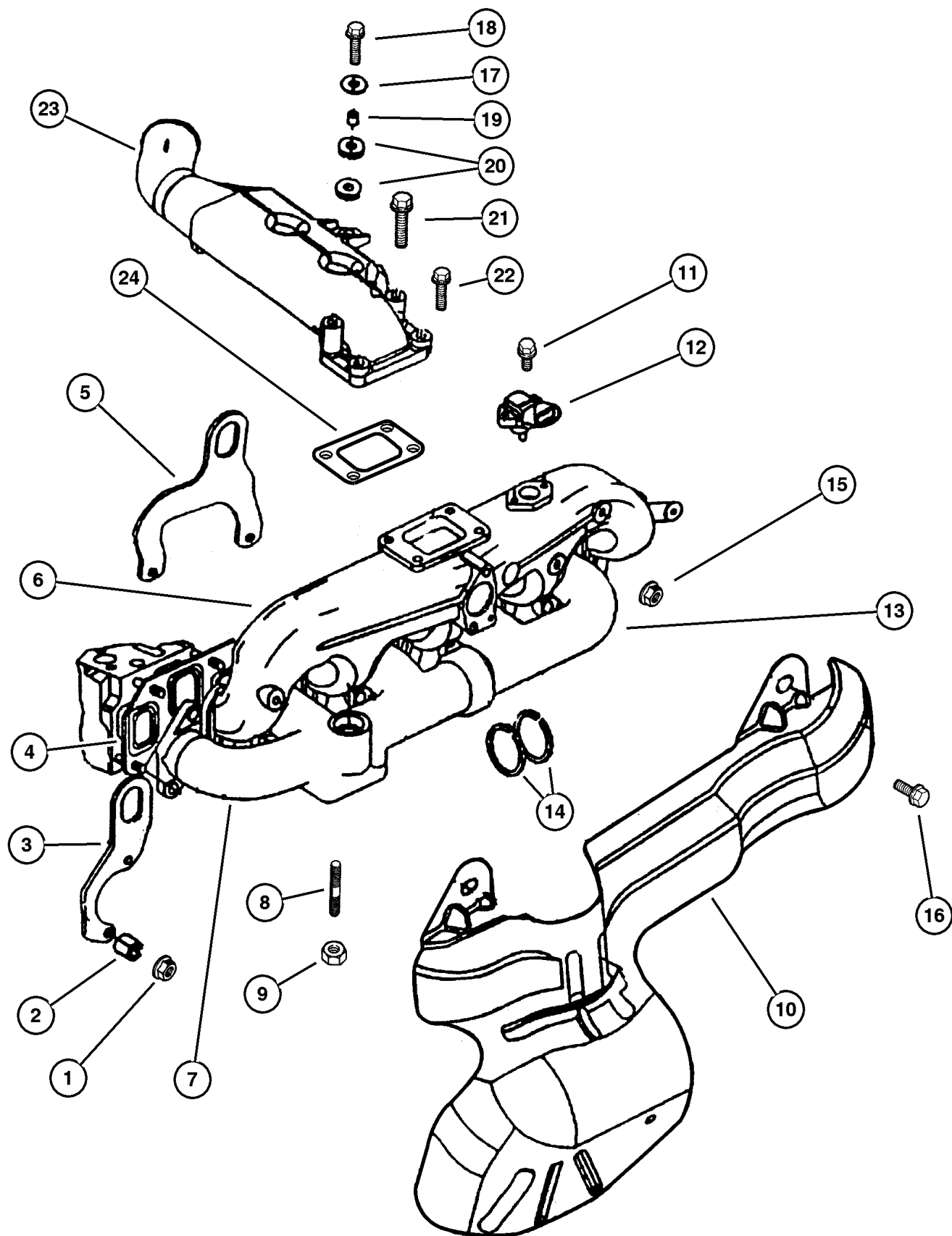
**JEEP GRAND CHEROKEE (WG)**

SERIES	LINE	BODY	ENGINE	TRANSMISSION
H = Laredo	J = 4WD	74 = 4 Door	ER0, ERH = 4.0L, Power Tech	DGK = 4 Speed Autm, 42RE
P = Limited	U = 4WD, RHD		EVO, EVA = 4.7L, Power Tech	DGQ = 5 Speed Automatic
			EXO, EXA = 3.1L 5 Cyl Turbo Diesel	- 5-45RFE
				DGW = 4 Speed Autm, 44RE

AR = Use as required - = Non illustrated part # = New this model year

October 31, 2002

**Manifold, Intake & Exhaust (EXA)  
Figure 3.1L-810**



ITEM	PART NUMBER	QTY	LINE	SERIES	BODY	ENGINE	TRANS	DESCRIPTION
NOTE:								
Sales Codes:								
EX0=All 3.1L Engines								
DG0=All Automatic Transmissions								
1	4882 611	10				EX0	DG0	NUT, Lock
2	5014 348AA	10				EX0	DG0	SPACER
3	5014 073AA	1				EX0	DG0	BRACKET, Engine Lift
4	5015 016AA	1				EX0	DG0	GASKET, Intake/Exhaust Manifold
5	5015 056AA	1				EX0	DG0	BRACKET, Engine Lift
6	5015 009AA	1				EX0	DG0	MANIFOLD, Intake
7	5015 058AA	1				EX0	DG0	MANIFOLD, Exhaust
8	4882 606	4				EX0	DG0	STUD, Turbo Elbow
9	4882 610	2				EX0	DG0	NUT, Lock
10	5015 029AA	1				EX0	DG0	SHIELD, Heat
11	5014 066AA	2				EX0	DG0	BOLT
12	5003 734AA	1				EX0	DG0	SENSOR, Air Temperature
13	5015 057AA	1				EX0	DG0	MANIFOLD, Exhaust
14	4720 214	2				EX0	DG0	CIRCLIP, Exhaust Manifold
15	4778 961	22				EX0	DG0	NUT
16	5003 553AA	4				EX0	DG0	SCREW
17	5013 014AA	1				EX0		WASHER
18	4864 551	1				EX0	DG0	SCREW
19	5015 011AA	1				EX0	DG0	SPACER
20	5015 112AA	2				EX0	DG0	GROMMET
21	5015 113AA	2				EX0	DG0	BOLT
22	4864 534	2				EX0	DG0	BOLT, Adaptor Plate
23	5015 010AA	1				EX0	DG0	ELBOW, Intake Manifold Vacuum
24	5015 015AA	1				EX0	DG0	GASKET, Intake Connector

**JEEP GRAND CHEROKEE (WG)**

SERIES	LINE	BODY	ENGINE	TRANSMISSION
H = Laredo	J = 4WD	74 = 4 Door	ER0, ERH = 4.0L, Power Tech	DGK = 4 Speed Autm, 42RE
P = Limited	U = 4WD, RHD		EVO, EVA = 4.7L, Power Tech	DGQ = 5 Speed Automatic
			EXO, EXA = 3.1L 5 Cyl Turbo Diesel	- 5-45RFE
				DGW = 4 Speed Autm, 44RE

AR = Use as required - = Non illustrated part # = New this model year

October 31, 2002

**Crankcase Ventilation (EXA)  
Figure 3.1L-910**

ITEM	PART NUMBER	QTY	LINE	SERIES	BODY	ENGINE	TRANS	DESCRIPTION
------	-------------	-----	------	--------	------	--------	-------	-------------

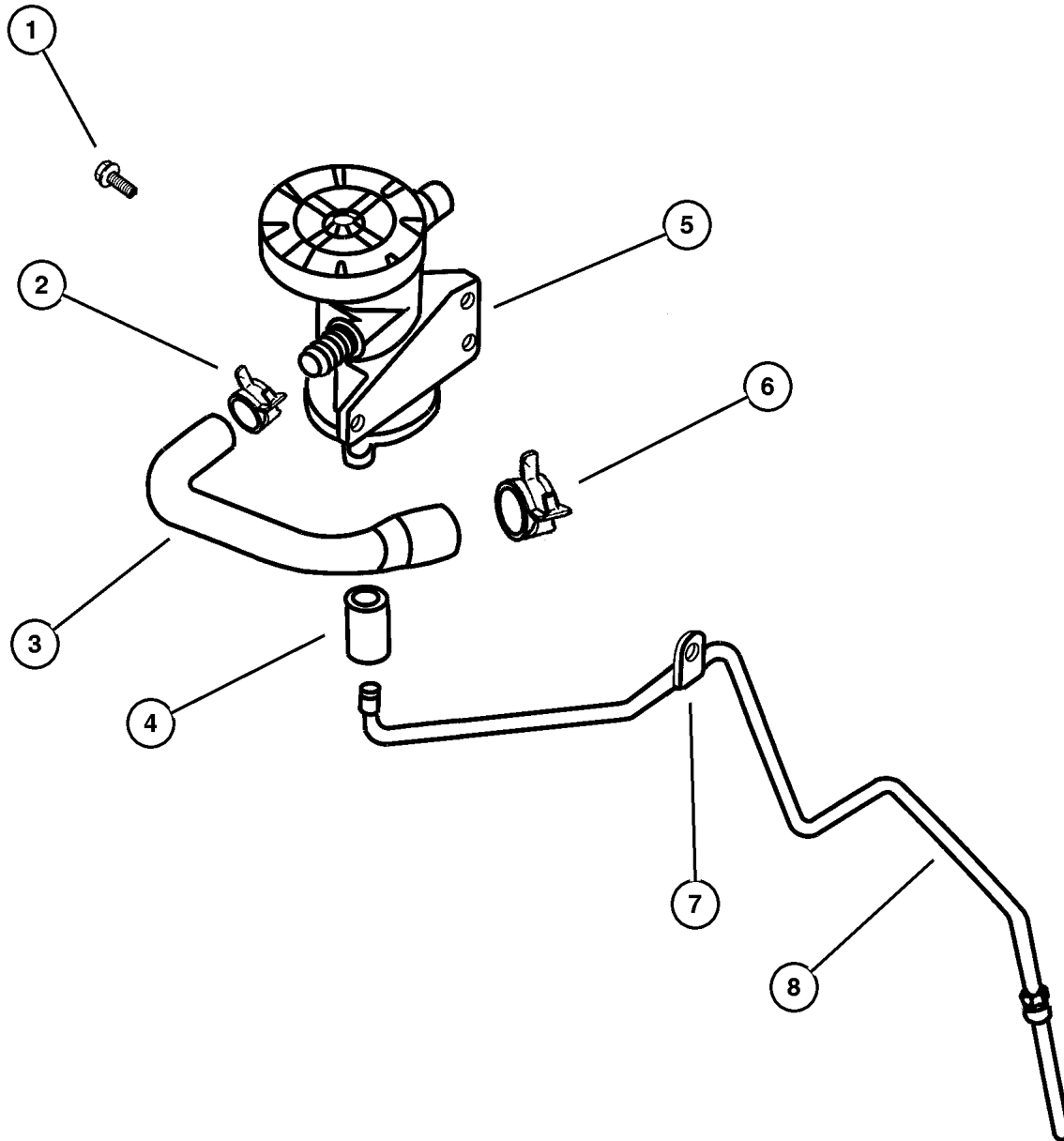
**NOTE:**

Sales Codes:

EX0=All 3.1L Engines

DG0=All Automatic Transmissions

1	5003 553AA	4				EX0	DG0	SCREW
2	4883 924AA	5				EX0	DG0	CLAMP, Heater Hose
3	5015 048AA	1				EX0	DG0	HOSE, Oil Separator
4	5015 049AA	1				EX0	DG0	HOSE, Oil Separator
5	4741 769	1				EX0	DG0	SEPERATOR, Oil
6	4886 050AA	4				EX0	DG0	CLAMP, Heater Hose
7	5015 050AA	1				EX0	DG0	CLIP
8	5015 047AA	1				EX0	DG0	TUBE, Oil Drain



**JEEP GRAND CHEROKEE (WG)**

SERIES	LINE	BODY	ENGINE	TRANSMISSION
H = Laredo	J = 4WD	74 = 4 Door	ER0, ERH = 4.0L, Power Tech	DGK = 4 Speed Autm, 42RE
P = Limited	U = 4WD, RHD		EVO, EVA = 4.7L, Power Tech	DGQ = 5 Speed Automatic
			EXO, EXA = 3.1L 5 Cyl Turbo Diesel	- 5-45RFE
				DGW = 4 Speed Autm, 44RE

AR = Use as required - = Non illustrated part # = New this model year

October 31, 2002

# Group – 011

## Exhaust

### GROUP 11 - Exhaust

Illustration Title

Group-Fig. No.

#### Exhaust System

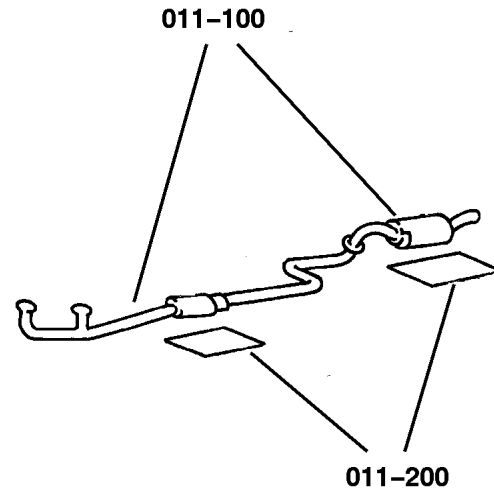
Exhaust System, (EXA) 3.1L Diesel ..... Fig. 011-110

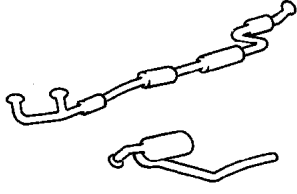
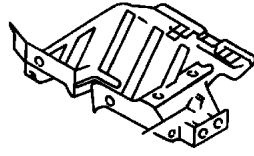
Exhaust System, (ERH) 4.0L In-Line 6 ..... Fig. 011-120

Exhaust System, (EVA) 4.7L V8 ..... Fig. 011-130

#### Heat Shields

Heat Shields, 4.0 (ERH), 4.7 (EVA) ..... Fig. 011-210



<p><b>011-100</b> Exhaust System</p> 	<p><b>011-200</b> Heat Shields</p> 		
--	--	--	--

**Exhaust System, (EXA) 3.1L Diesel  
Figure 011-110**

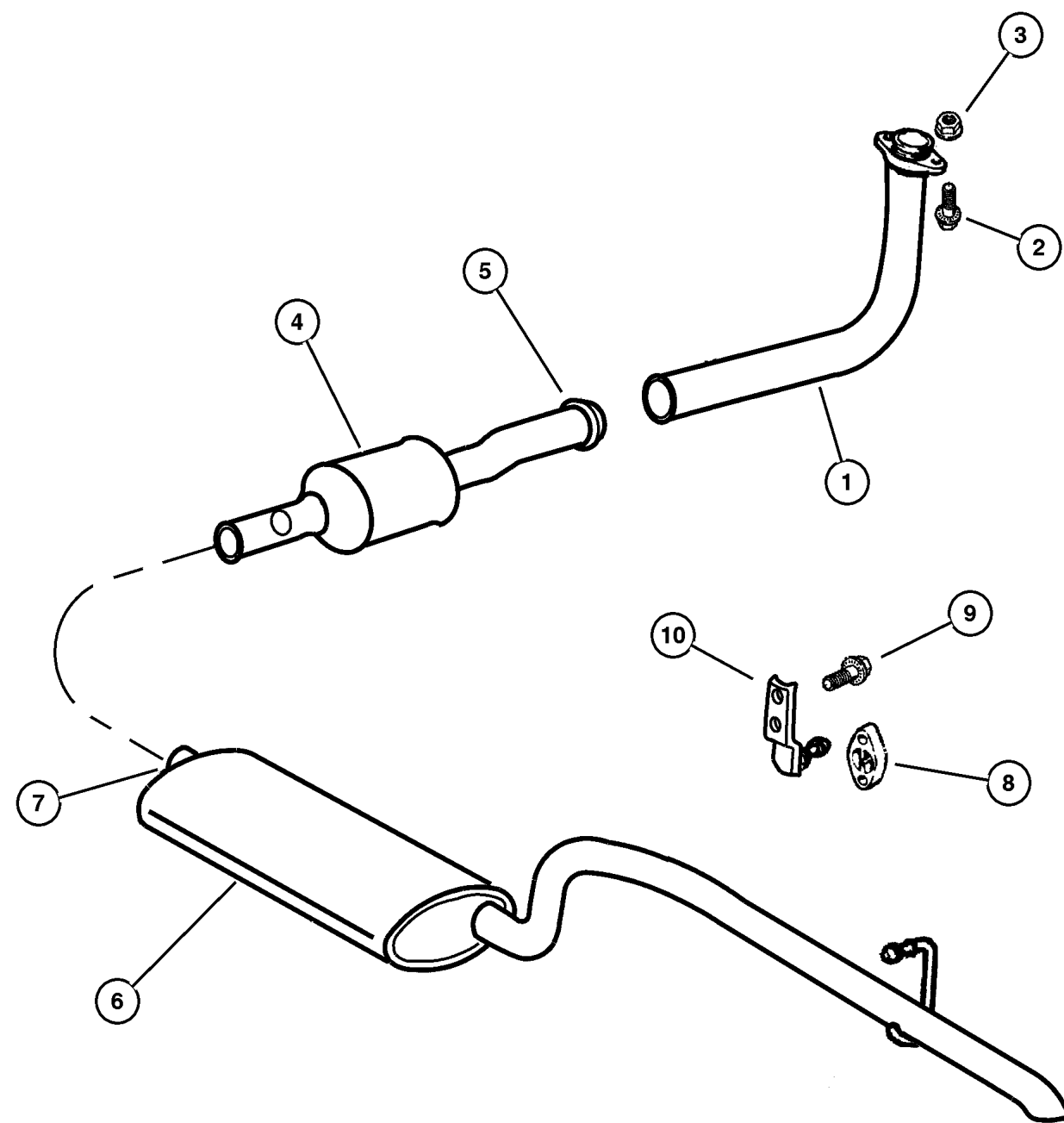
ITEM	PART NUMBER	QTY	LINE	SERIES	BODY	ENGINE	TRANS	DESCRIPTION
------	-------------	-----	------	--------	------	--------	-------	-------------

**NOTE:**

Sales Codes:

EX0= 3.1L Turbo Diesel Engine

1	5210 1037	1				EX0		PIPE, Exhaust, Front
2	6505 495AA	2				EX0		SCREW, M10x1.50x60.00
3	6503 231	2				EX0		NUT, Brake Line
4	52101 394AC	1				EX0		CONVERTER, Catalytic
5								CLAMP, Serviced in Converter assembly, (NOT SERVICED) (Not Serviced)
6	52101 043AC	1				EX0		MUFFLER AND TAILPIPE, Exhaust
7	5210 1040	1				EX0		CLAMP, Exhaust
8	52101 068AA	1						INSULATOR, Exhaust
9	6101 542	1				EX0		SCREW, Hex Head, M8-1.25 x 20
10	52101 141AD	1				EX0		HANGER, Tailpipe



**JEEP GRAND CHEROKEE (WG)**

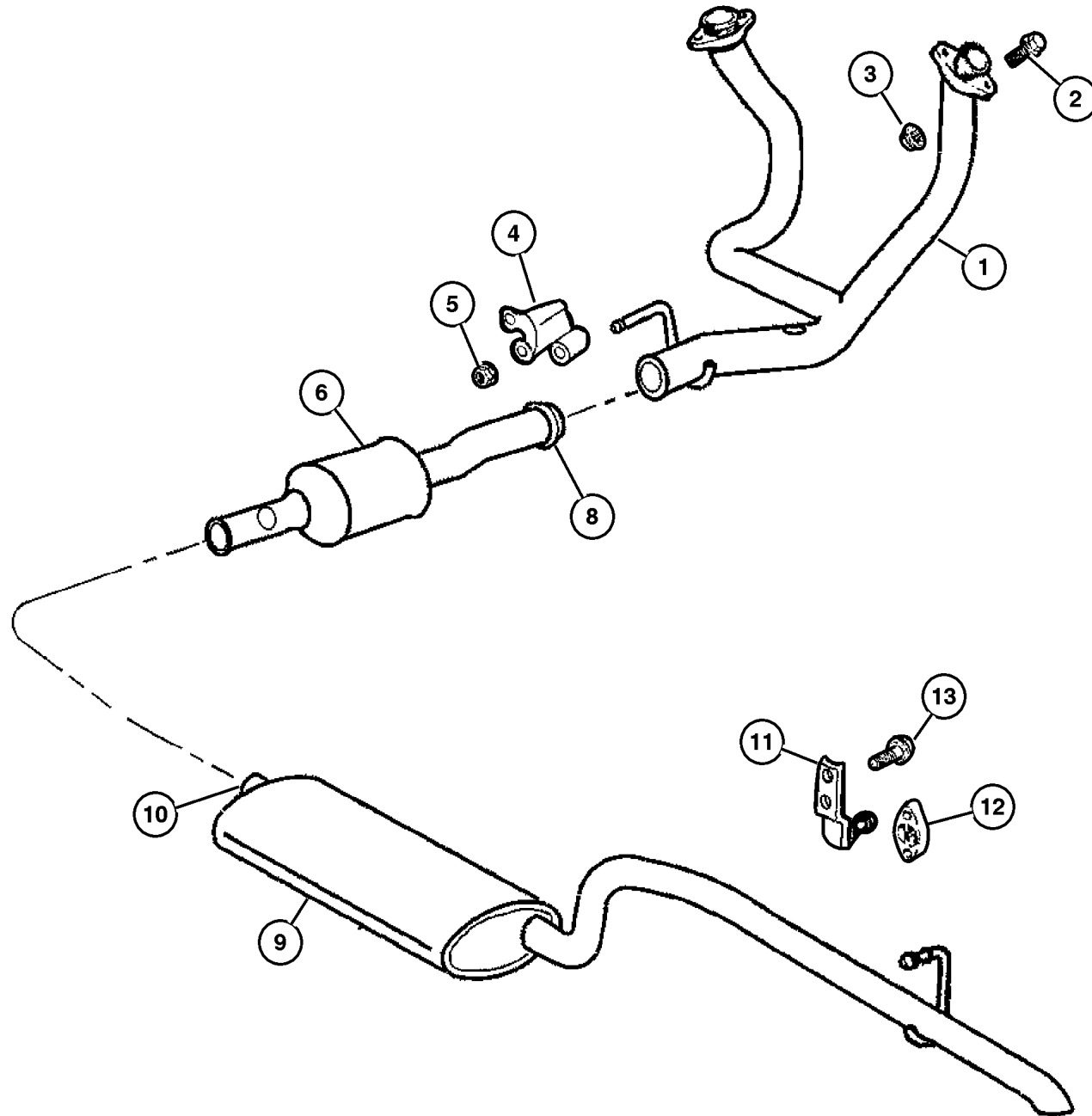
SERIES	LINE	BODY	ENGINE	TRANSMISSION
H = Laredo	J = 4WD	74 = 4 Door	ER0, ERH = 4.0L, Power Tech	DGK = 4 Speed Autm, 42RE
P = Limited	U = 4WD, RHD		EVO, EVA = 4.7L, Power Tech	DGQ = 5 Speed Automatic
			EXO, EXA = 3.1L 5 Cyl Turbo Diesel	- 5-45RFE
				DGW = 4 Speed Autm, 44RE

AR = Use as required - = Non illustrated part # = New this model year

October 31, 2002

**Exhaust System, (ERH) 4.0L In-Line 6  
Figure 011-120**

ITEM	PART NUMBER	QTY	LINE	SERIES	BODY	ENGINE	TRANS	DESCRIPTION
Note:								
ERH = 4.0L Power Tech I-6								
ER0 = All 4.0L 6 Cyl Gas Engines								
EVO = All 4.7L Gas Engines								
EXO = All 3.0/3.1L Turbo Diesel Engines								
1	#52101 302AA	1				ER0		PIPE, Exhaust
2	#6507 051AA	4				ER0		SCREW, Hex Head
3	6503 231	1					DGK, DGW	NUT, Brake Line
4	52101 017AB	1				ER0		HANGER, Exhaust
5	6502 696	2						NUT, Hex Flange Lock, M10x1.5
6	5210 1390	1				ER0		CONVERTER, Catalytic
-7	52101 122AA	1				ER0, EVO		RESONATOR, Exhaust
8								CLAMP, (NOT SERVICED) (Not Serviced)
9	52101 094AB	1				ER0		MUFFLER AND TAILPIPE, Exhaust
10	5210 1040	1				ER0		CLAMP, Exhaust
11	52101 017AB	1				ER0		HANGER, Exhaust
12	52101 068AA	1						INSULATOR, Exhaust
13	6022 266	1				ER0		SCREW, Hex Head, .375-16x1.5



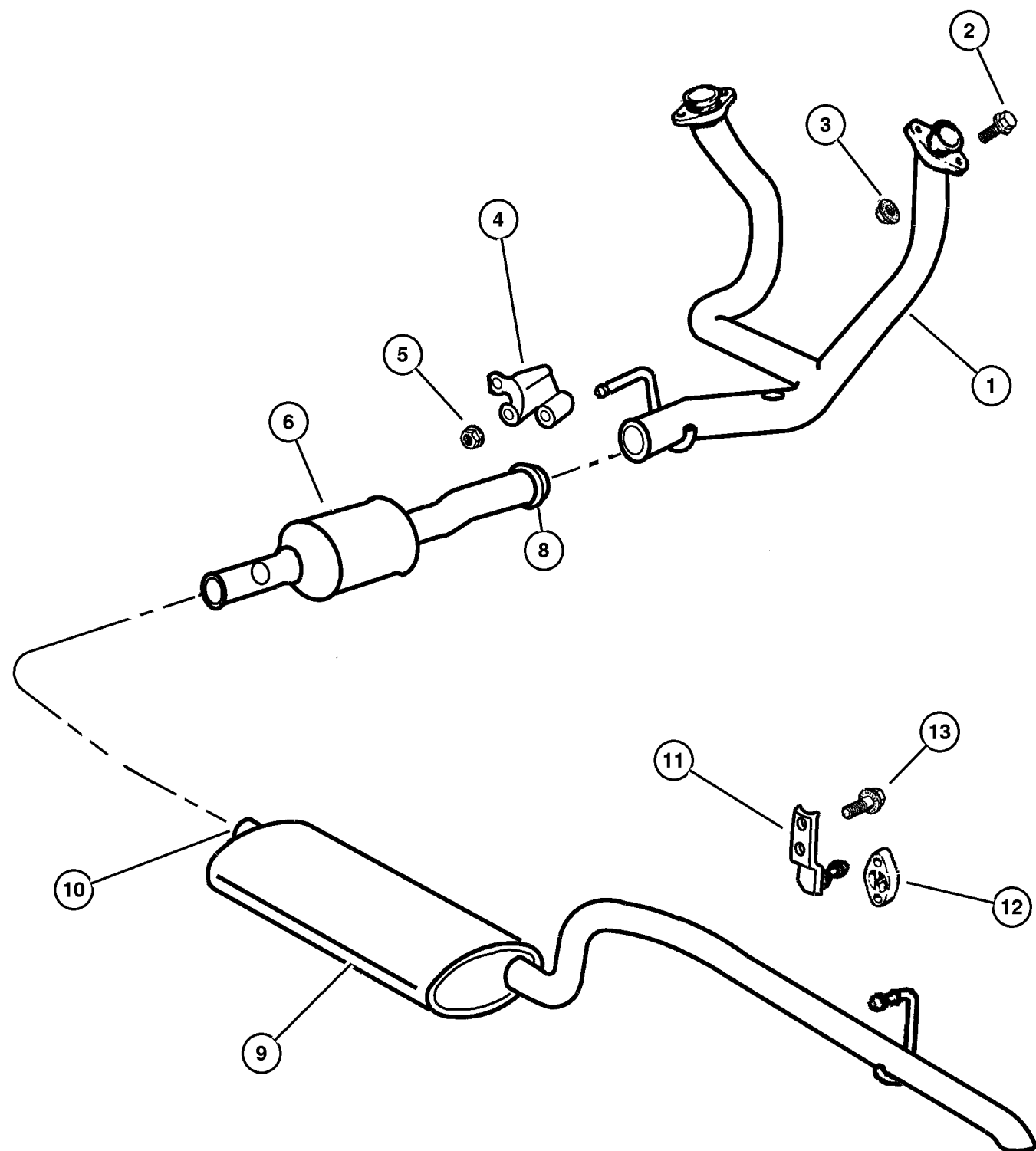
**JEEP GRAND CHEROKEE (WG)**

SERIES	LINE	BODY	ENGINE	TRANSMISSION
H = Laredo	J = 4WD	74 = 4 Door	ER0, ERH = 4.0L, Power Tech	DGK = 4 Speed Autm, 42RE
P = Limited	U = 4WD, RHD		EVO, EVA = 4.7L, Power Tech	DGQ = 5 Speed Automatic
			EXO, EXA = 3.1L 5 Cyl Turbo Diesel	- 5-45RFE
				DGW = 4 Speed Autm, 44RE

AR = Use as required - = Non illustrated part # = New this model year

October 31, 2002

**Exhaust System, (EVA) 4.7L V8**  
**Figure 011-130**



ITEM	PART NUMBER	QTY	LINE	SERIES	BODY	ENGINE	TRANS	DESCRIPTION
Note:								
ER0 = All 4.0L 6 Cyl Gas Engines								
EVA = 4.7L Power Tech V8 Engine								
EVO = All 4.7L Gas Engines								
EX0 = All 3.0/3.1L Turbo Diesel Engines								
1	52101 092AB	1				EVO		PIPE, Exhaust
2	6506 012AA	4				EVO		SCREW, Hex Head
3	6503 231	4				EVO		NUT, Brake Line
4	52101 018AB	1				EVO		HANGER, Exhaust
5	6502 696	2				EVO		NUT, Hex Flange Lock, M10x1.5
6	5210 1393	1				EVO		CONVERTER, Catalytic, With [NAB] Sales Codes
-7	52101 122AA	1				ER0, EVO		RESONATOR, Exhaust, With [NAB] Sales Codes
8								CLAMP, Serviced in Converter Assembly, (NOT SERVICED) (Not Serviced)
9	52101 095AB	1				EVA		MUFFLER AND TAILPIPE, Exhaust
10	5210 1040	1				EVA		CLAMP, Exhaust
11	52101 018AB	1				EVO		HANGER, Exhaust
12	52101 068AA	1						INSULATOR, Exhaust
13	6101 542	1				EX0		SCREW, Hex Head, M8-1.25 x 20

**JEEP GRAND CHEROKEE (WG)**

SERIES	LINE	BODY	ENGINE	TRANSMISSION
H = Laredo	J = 4WD	74 = 4 Door	ER0, ERH = 4.0L, Power Tech	DGK = 4 Speed Autm, 42RE
P = Limited	U = 4WD, RHD		EVO, EVA = 4.7L, Power Tech	DGQ = 5 Speed Automatic
			EXO, EXA = 3.1L 5 Cyl Turbo Diesel	- 5-45RFE
				DGW = 4 Speed Autm, 44RE

AR = Use as required - = Non illustrated part # = New this model year

October 31, 2002

**Heat Shields, 4.0 (ERH), 4.7 (EVA)  
Figure 011-210**

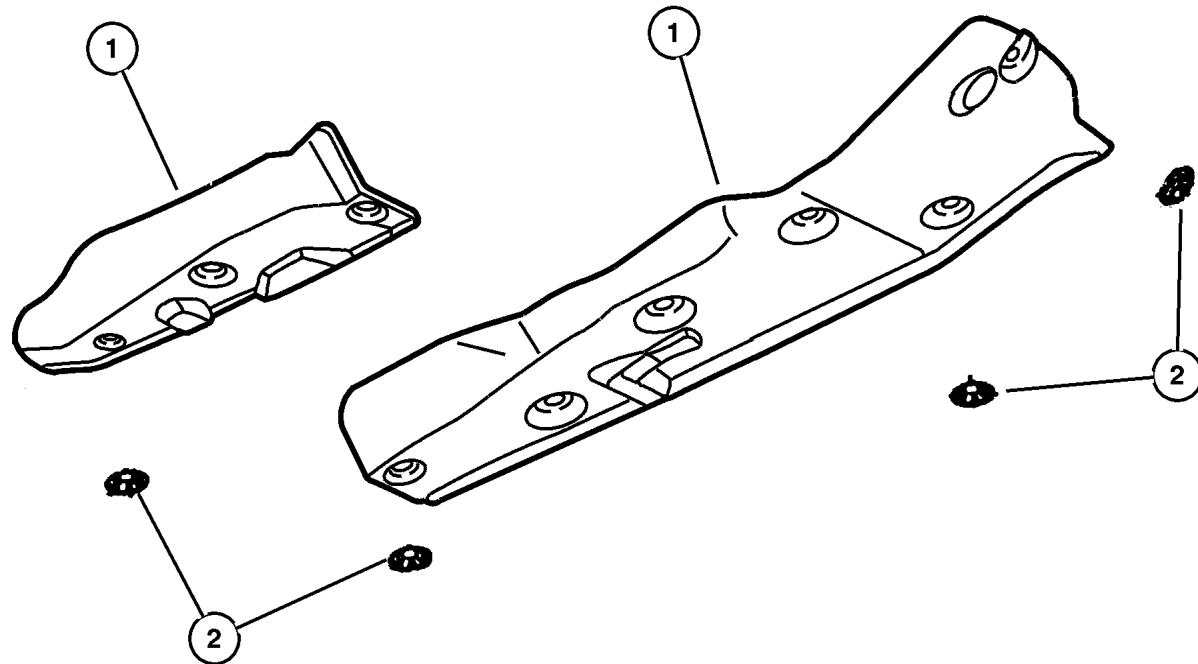
ITEM	PART NUMBER	QTY	LINE	SERIES	BODY	ENGINE	TRANS	DESCRIPTION
------	-------------	-----	------	--------	------	--------	-------	-------------

Note:

ERH = 4.0L Power Tech I-6

EVA = 4.7L Power Tech V8 Engine

1	55135 709AC	1						SHIELD, Heat SHIELD- HEAT FLOOR
	55135 712AD	1						SHIELD- HEAT TUNNEL
2								NUT, Heat Shield Attach, M5x1.60, (NOT SERVICED) (Not Serviced)



**JEEP GRAND CHEROKEE (WG)**

SERIES	LINE	BODY	ENGINE	TRANSMISSION
H = Laredo	J = 4WD	74 = 4 Door	ER0, ERH = 4.0L, Power Tech	DGK = 4 Speed Autm, 42RE
P = Limited	U = 4WD, RHD		EVA, EVA = 4.7L, Power Tech	DGQ = 5 Speed Automatic
			EXO, EXA = 3.1L 5 Cyl Turbo Diesel	- 5-45RFE
				DGW = 4 Speed Autm, 44RE

AR = Use as required - = Non illustrated part # = New this model year

October 31, 2002



# Group – 013

## Frames and Bumpers

### GROUP 13 - Frames and Bumpers

Illustration Title

Group-Fig. No.

**Front Bumper and Fascia**

Bumper, Front ..... Fig. 013-240

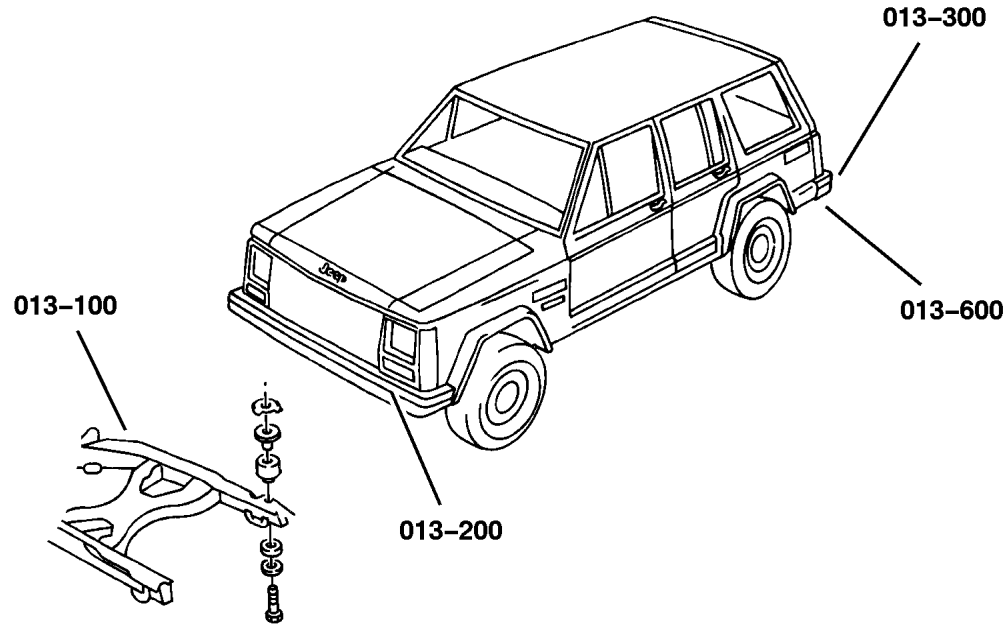
**Rear Bumper and Fascia**

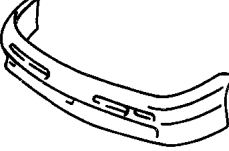


Bumper, Rear ..... Fig. 013-340

**Trailer Tow**

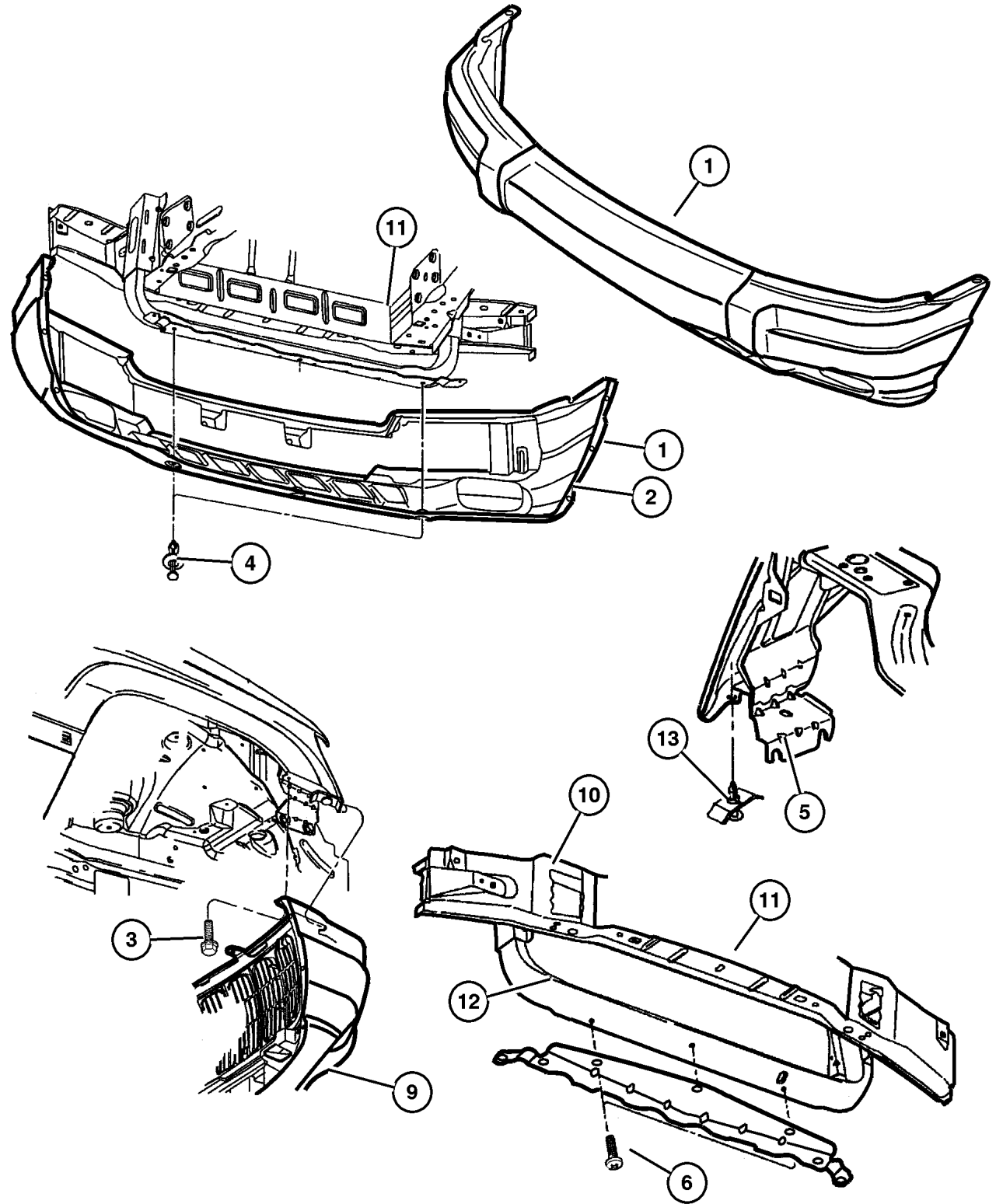
Tow Eye ..... Fig. 013-610

Rear Hitch ..... Fig. 013-620



<p><b>013-200</b> Front Bumper and Fascia</p> 	<p><b>013-300</b> Rear Bumper and Fascia</p> 	<p><b>013-600</b> Trailer Tow</p> 	
---	--	---	--

## Bumper, Front Figure 013-240



ITEM	PART NUMBER	QTY	LINE	SERIES	BODY	ENGINE	TRANS	DESCRIPTION
1	5FN3 3XS9	1		H				FASCIA, Front
2								FASCIA, Front Bumper
	#5HG54 DX8AA	1		P				Black
	#5HG54 YU2AA	1		P				Woodland Brown
	#5HG54 SW1AA	1		P				Stone White
	#5HG54 VAWAA	1		P				Deep Slate
	#5HG54 VTEAA	1		P				Champagne Pearl
	#5HG54 WB7AA	1		P				Patriot Blue
	#5HG54 WURAA	1		P				Sienna
	#5HG54 XBQAA	1		P				Steel Blue
	#5HG54 XGRAA	1		P				Shale Green
	#5HG54 XSHAA	1		P				Silverstone
3	6505 813AA	2						SCREW, Hex Flange Head
4	5517 6248	3						PIN, Push
5	55296 138AA	1						BRACKET, Fascia
6	5517 6248	3						PIN, Push
-7	0154 867AA	8						SCREW
-8	6503 267	2						SCREW, Round Head, M6x1x25
9	55155 995AA	1						LICENSE PLATE KIT
10	5513 5880	1						CROSSMEMBER, Radiator, Front Lower Front
11	5513 6113	1						CROSSMEMBER, Radiator, Front Lower Rear
12	5207 9416	1						CROSSMEMBER, Radiator, Upper
13	6505 361AA	2						PIN, Push
-14								BUMPER, Fascia, Front
	55155 953AA	1		P				
	55155 954AA	1		H				
-15								GRILLE, Texture
	5GA71 DX9AA	1		P				
		1		H				

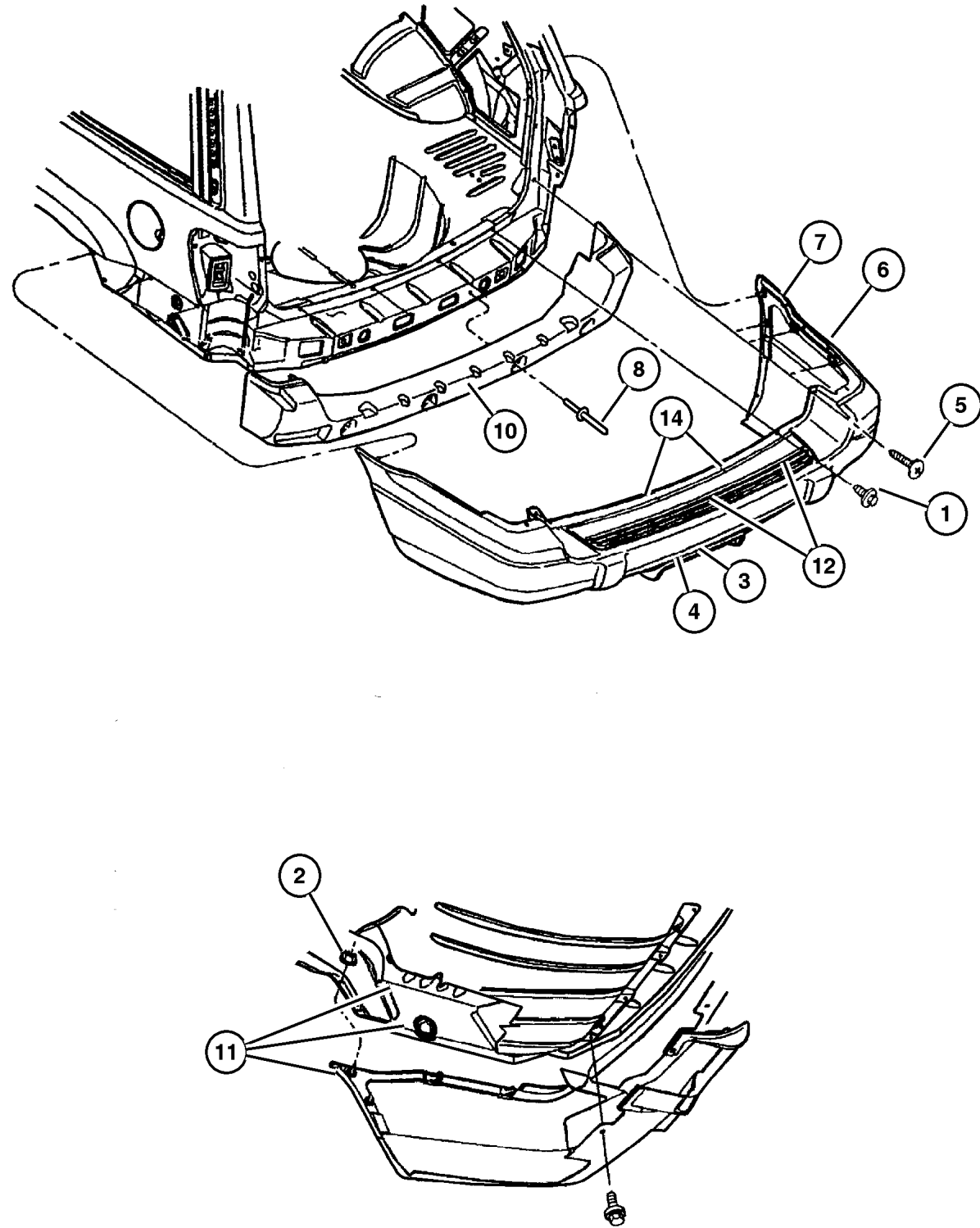
**JEEP GRAND CHEROKEE (WG)**

SERIES	LINE	BODY	ENGINE	TRANSMISSION
H = Laredo	J = 4WD	74 = 4 Door	ER0, ERH = 4.0L, Power Tech	DGK = 4 Speed Autm, 42RE
P = Limited	U = 4WD, RHD		EVO, EVA = 4.7L, Power Tech	DGQ = 5 Speed Automatic
			EXO, EXA = 3.1L 5 Cyl Turbo Diesel	- 5-45RFE
				DGW = 4 Speed Autm, 44RE

AR = Use as required - = Non illustrated part # = New this model year

October 31, 2002

## Bumper, Rear Figure 013-340



ITEM	PART NUMBER	QTY	LINE	SERIES	BODY	ENGINE	TRANS	DESCRIPTION
1	5517 6248	3						PIN, Push
2	6101 444	4		P				NUT AND WASHER, Hex, M6x1.0
3	3420 1631	6						RIVET, M6.25x28 Black
4	0154 228	5						SCREW, Tapping, .19-16x.625
5	6035 412	1						SCREW
6								FASCIA, Rear
	5FF7 5DX8	1		P				[X8]
	5FF7 5YU2	1		P				[U2]
	5FF7 5SW1	1		P				[W1]
	5FF7 5VAW	1		P				[AW]
	5FF7 5VTE	1		P				[TE]
	5FF7 5WB7	1		P				[B7]
	5FF7 5WUR	1		P				[UR]
	5FF7 5XBQ	1		P				[BQ]
	5FF7 5XGR	1		P				[GR]
	5FF7 5XSH	1		P				[SH]
7	5FF9 9XS9	1		H				FASCIA, Rear, Primed
8	6505 704AA	2						RIVET
-9	55155 695AA	1						CROSSMEMBER, Bumper, Rear
10								ABSORBER, Rear Energy
	55155 774AA	1		P				
	55155 779AA	1		H				
11								RETAINER, Rear Fascia
	55155 775AB	1		P				Left
	55155 776AB	1		P				Right
	55155 775AB	1		H				Left
	55155 776AB	1		H				Right
12								STEP PAD, Rear Fascia
	55155 773AA	1		P				
		1		H				
-13	6101 447	4						NUT, PACKAGE
14	6503 106	8						RETAINER, Push In Type M6.3 Hole

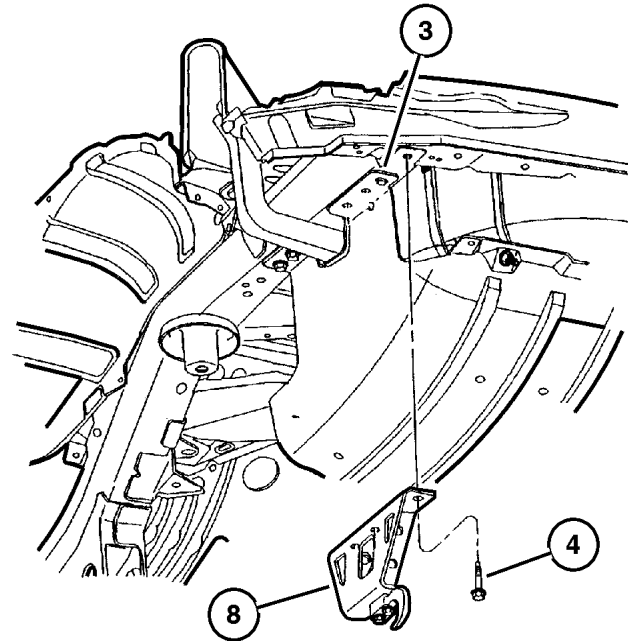
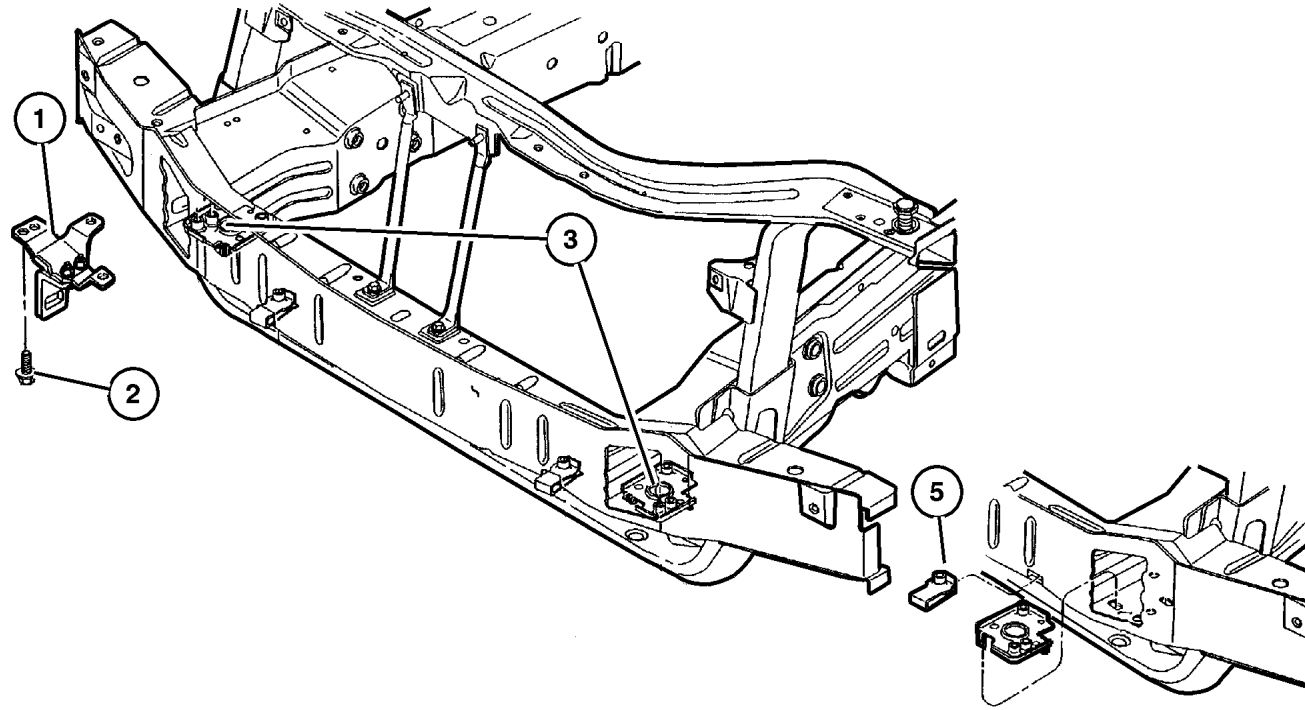
### JEEP GRAND CHEROKEE (WG)

SERIES	LINE	BODY	ENGINE	TRANSMISSION
H = Laredo	J = 4WD	74 = 4 Door	ER0, ERH = 4.0L, Power Tech	DGK = 4 Speed Autm, 42RE
P = Limited	U = 4WD, RHD		EVO, EVA = 4.7L, Power Tech	DGQ = 5 Speed Automatic
			EXO, EXA = 3.1L 5 Cyl Turbo Diesel	- 5-45RFE
				DGW = 4 Speed Autm, 44RE

AR = Use as required - = Non illustrated part # = New this model year

October 31, 2002

## Tow Eye Figure 013-610



ITEM	PART NUMBER	QTY	LINE	SERIES	BODY	ENGINE	TRANS	DESCRIPTION
1	52059 158AB	1						EYE, Tow, Towing Front Right
2	6101 102	7						BOLT, Hex Head, M12x1.75x45
3	52059 156AA	1						TAPPING PLATE, Tow Hook
4	6502 557	2						BOLT, Hex Flange Head, M12x1.75x40
5	6504 818AA	1						NUT, M10x1.50
-6	52059 238AA	1						BRACE, Tow Hook
-7	52059 366AA	1						CAP, Tow Hook
8	52059 159AA	1						EYE, Tow, Towing Rear

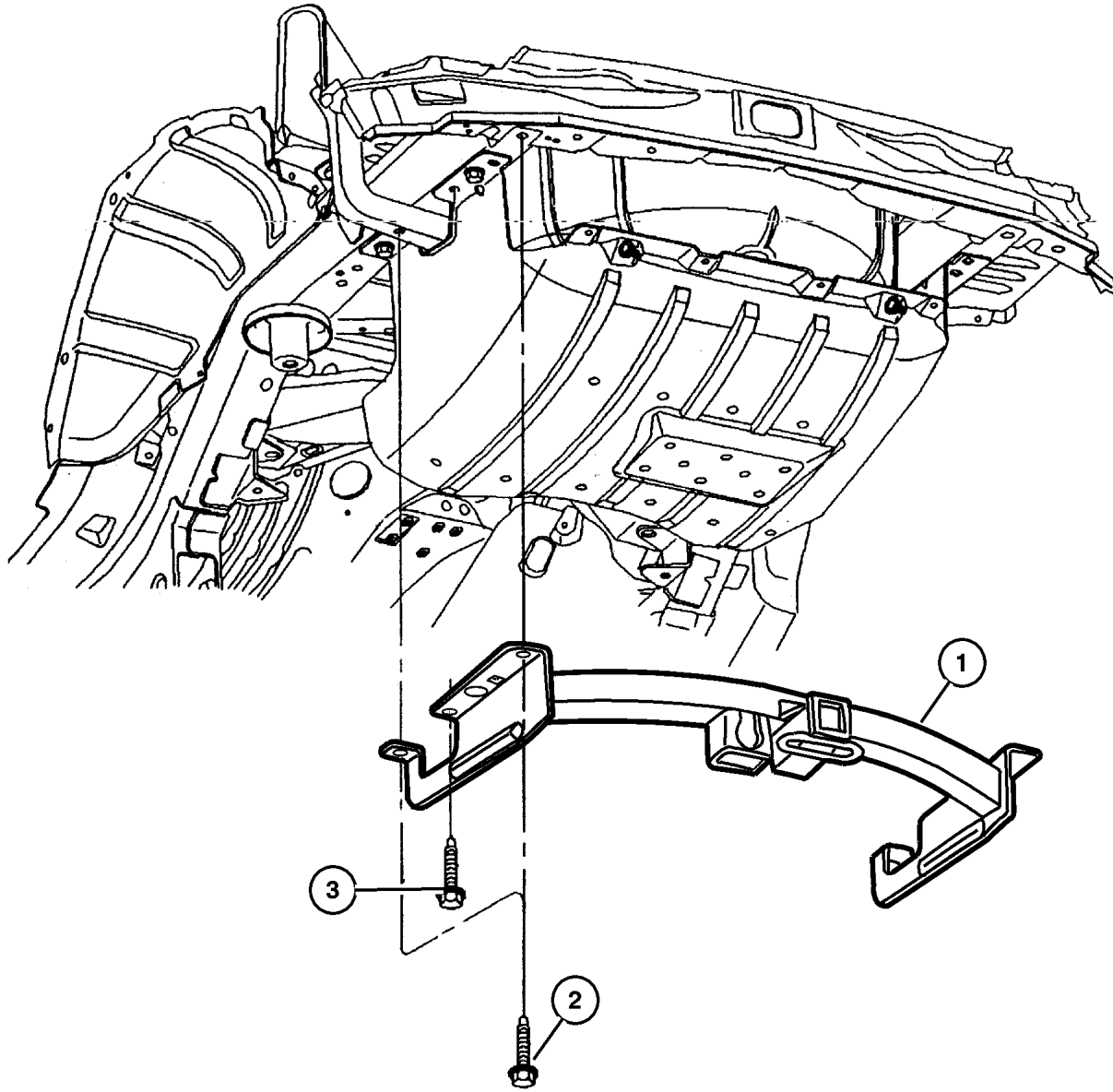
<b>JEEP GRAND CHEROKEE (WG)</b>				
SERIES	LINE	BODY	ENGINE	TRANSMISSION
H = Laredo	J = 4WD	74 = 4 Door	ER0, ERH = 4.0L, Power Tech	DGK = 4 Speed Autm, 42RE
P = Limited	U = 4WD, RHD		EVO, EVA = 4.7L, Power Tech	DGQ = 5 Speed Automatic
			EXO, EXA = 3.1L 5 Cyl Turbo Diesel	- 5-45RFE
				DGW = 4 Speed Autm, 44RE

AR = Use as required - = Non illustrated part # = New this model year

October 31, 2002

Rear Hitch  
Figure 013-620

ITEM	PART NUMBER	QTY	LINE	SERIES	BODY	ENGINE	TRANS	DESCRIPTION
1								RECEIVER KIT, Trailer Tow
	8220 4494	1	J, U	H, P	74			Detachable Ball Mount
	8220 4495	1	J, U	H, P	74			Fixed Ball Mount
2	6101 102	8						BOLT, Hex Head, M12x1.75x45
3	6503 571	4						SCREW AND WASHER, M10x1.50x35



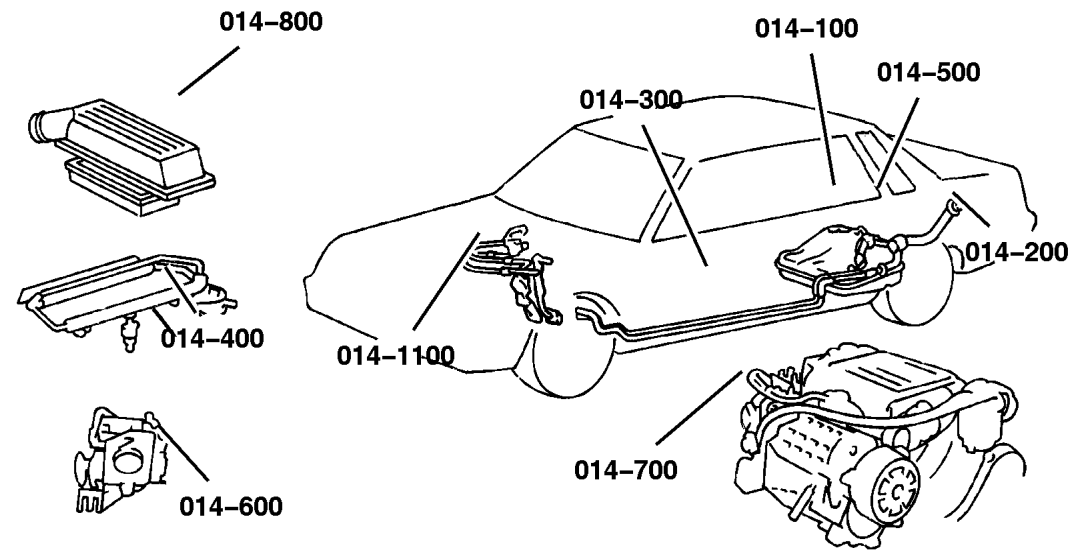
<b>JEEP GRAND CHEROKEE (WG)</b>				
SERIES	LINE	BODY	ENGINE	TRANSMISSION
H = Laredo	J = 4WD	74 = 4 Door	ER0, ERH = 4.0L, Power Tech	DGK = 4 Speed Autm, 42RE
P = Limited	U = 4WD, RHD		EVO, EVA = 4.7L, Power Tech	DGQ = 5 Speed Automatic
			EXO, EXA = 3.1L 5 Cyl Turbo Diesel	- 5-45RFE
				DGW = 4 Speed Autm, 44RE

AR = Use as required - = Non illustrated part # = New this model year

October 31, 2002

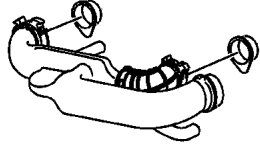
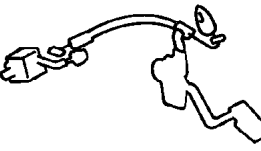

# Group – 014

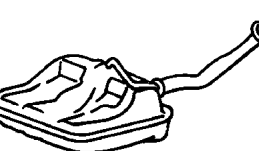
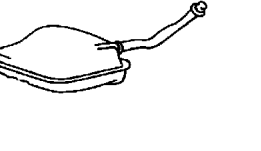
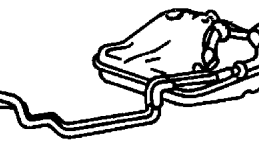
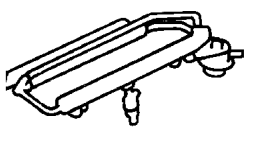
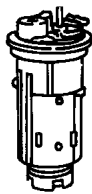

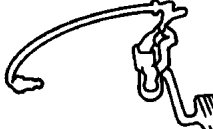
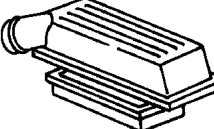
## Fuel



# Group – 014

## Fuel

<p><b>014-900</b> Air Intake System</p> 	<p><b>014-1000</b> Speed Control</p> 	<p><b>014-1100</b> Accelerator Pedal</p> 	
---	--	--	--

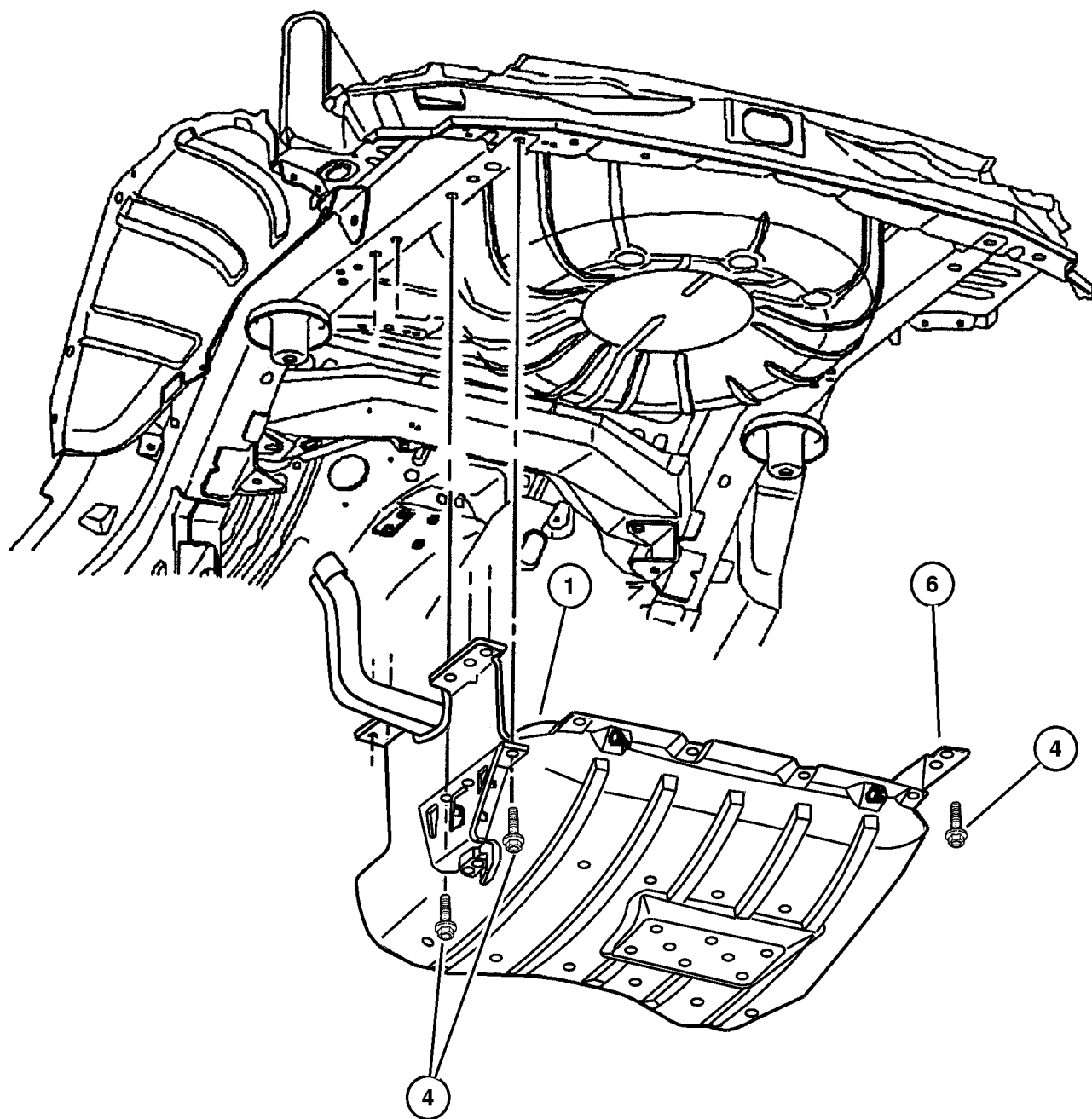
<p><b>014-100</b> Tank, Fuel</p> 	<p><b>014-200</b> Fuel Tank Filler Tube</p> 	<p><b>014-300</b> Fuel Lines</p> 	<p><b>014-400</b> Fuel Rail</p> 
<p><b>014-500</b> Fuel Pump and Sending Unit</p> 	<p><b>014-600</b> Throttle Body</p> 	<p><b>014-700</b> Throttle Controls</p> 	<p><b>014-800</b> Air Cleaner</p> 

---

## GROUP 14 - Fuel

Illustration Title	Group-Fig. No.
<b>Tank, Fuel</b>	
Fuel Tank 4.0 (ERH), 4.7 (EVA), 3.1 (EXA) .....	Fig. 014-110
<b>Fuel Tank Filler Tube</b>	
Fuel Tank Filler Tube .....	Fig. 014-210
<b>Fuel Lines</b>	
Front, Fuel Lines & Fuel Separator (EXA) 3.1L Diesel .....	Fig. 014-310
Fuel Lines, Rear (EXA) 3.1L Diesel .....	Fig. 014-320
Fuel Lines, Front, 4.0 (ERH) .....	Fig. 014-330
Fuel Lines, Rear, 4.0 (ERH) .....	Fig. 014-340
Fuel Lines, Front, 4.7 (EVA) .....	Fig. 014-350
Fuel Lines, Rear, 4.7 (EVA) .....	Fig. 014-360
<b>Fuel Rail</b>	
Injection System (EXA) 3.1L Diesel .....	Fig. 014-410
Fuel Injection Pump (EXA) 3.1L Diesel .....	Fig. 014-420
Fuel Rail, (ERH) 4.0L In-line 6 .....	Fig. 014-430
Fuel Rail, (EVA) .....	Fig. 014-440
<b>Fuel Pump and Sending Unit</b>	
Fuel Pump & Sending Unit (EXA), (ERH) & (EVA) .....	Fig. 014-510
<b>Throttle Body</b>	
Throttle Body, (ERH) 4.0L In-Line 6 .....	Fig. 014-610
Throttle Body (EVA) 4.7L V-8 .....	Fig. 014-620
Turbo Charger (EXA) .....	Fig. 014-630
<b>Throttle Controls</b>	
Throttle Controls, 3.1 (EXA) .....	Fig. 014-710
Throttle Controls, 4.0 (ERH) .....	Fig. 014-720
Throttle Controls, 4.7 (EVA) .....	Fig. 014-730
Throttle Controls, Transmission (EXA) (ERH) (EVA) .....	Fig. 014-740
<b>Air Cleaner</b>	
Air Cleaner, (EXA) 3.1L Diesel .....	Fig. 014-810
Air Cleaner, (ERH) 4.0L In-Line 6 .....	Fig. 014-820
Air Cleaner, (EVA) 4.7L V-8 .....	Fig. 014-830
<b>Air Intake System</b>	
Air Intake (EVA, EXA, ERH) .....	Fig. 014-910
<b>Speed Control</b>	
Speed Control (EXA) (ERH) (EVA) .....	Fig. 014-1010
<b>Accelerator Pedal</b>	
Accelerator Pedal, 4.0 (ERH), 4.7 (EVA) & 3.1 (EXA) .....	Fig. 014-1110

Fuel Tank 4.0 (ERH), 4.7 (EVA), 3.1 (EXA)  
Figure 014-110



ITEM	PART NUMBER	QTY	LINE	SERIES	BODY	ENGINE	TRANS	DESCRIPTION
NOTE:								
Sales Codes:								
ERH=4.0L Engine								
ER0=All 4.0L 6 Cyl Gas Engines								
EVA=4.7L V-8 Engine								
EXA=3.1L Turbo Diesel Engine								
EX0=All 3.0/3.1L Turbo Diesel Engines								
1	52100 364AA	1				ER0, EVA		TANK, Fuel - Plastic
-2	6504 171	2				ER0, EVA EX0		SCREW, Hex Flange Head, M8x1.25x32
-3	5210 0216	2				EX0		STRAP, Fuel Tank
4	6101 102	7				ER0, EVA		BOLT, Hex Head, M12x1.75x45
-5	6101 467	2						NUT, Hex Flange, M8x1.25
6	52100 376AB	1				EX0 ER0, EVA		SKID PLATE, Fuel Tank
-7	55136 160AE	1						SHIELD, Fuel Tank
-8	3420 1631	6						RIVET, M6.25x28 Black
-9								NUT, Heat Shield Attach, (NOT SERVICED) (Not Serviced)

JEEP GRAND CHEROKEE (WG)

SERIES	LINE	BODY	ENGINE	TRANSMISSION
H = Laredo	J = 4WD	74 = 4 Door	ER0, ERH = 4.0L, Power Tech	DGK = 4 Speed Autm, 42RE
P = Limited	U = 4WD, RHD		EVA, EXA = 4.7L, Power Tech	DGQ = 5 Speed Automatic
			EX0, EXA = 3.1L 5 Cyl Turbo Diesel	- 5-45RFE
				DGW = 4 Speed Autm, 44RE

AR = Use as required - = Non illustrated part # = New this model year

October 31, 2002



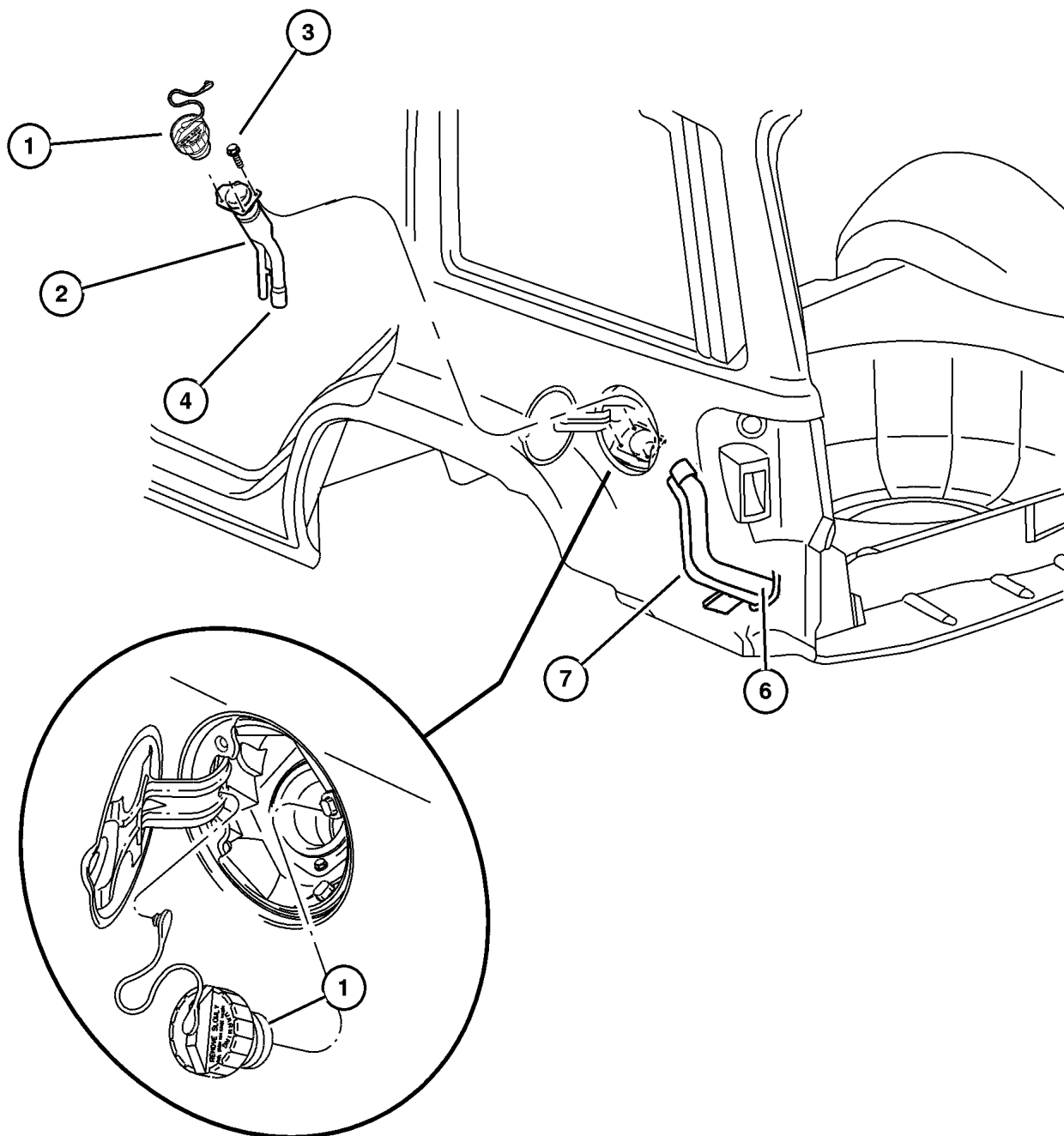
## Fuel Tank Filler Tube Figure 014-210

ITEM	PART NUMBER	QTY	LINE	SERIES	BODY	ENGINE	TRANS	DESCRIPTION
------	-------------	-----	------	--------	------	--------	-------	-------------

**Note:**

ER0 = All 4.0L 6 Cyl Gas Engines  
 EVA = 4.7L Power Tech V8 Engine  
 EV0 = All 4.7L Gas Engines  
 EX0 = All 3.0/3.1L Turbo Diesel Engines  
 NAB = Leaded Fuel Emissions  
 NA3 = European III Emissions

	1	5278 679AA	1					CAP, Fuel Filler TUBE, Fuel Filler
	2							With Sales Code [NA3]
		52100 064AD	1			ER0, EVO		With Sales Code [NAB]
		52100 267AD	1			ER0, EVO		With Sales Code [NAB]
						EX0		Diesel Only
	3	0154 236	3					SCREW, Stake, .19-24
	4							CLAMP, Hose, (NOT SERVICED) (Not Serviced)
	-5							CLAMP, Hose, (NOT SERVICED) (Not Serviced)
	6							HOSE, Fuel Filler
		52100 072AC	1			EX0		
						ER0, EVA		
	7							HOSE, Fuel Tank Vent
		52100 073AC	1			EX0		
						ER0, EVA		



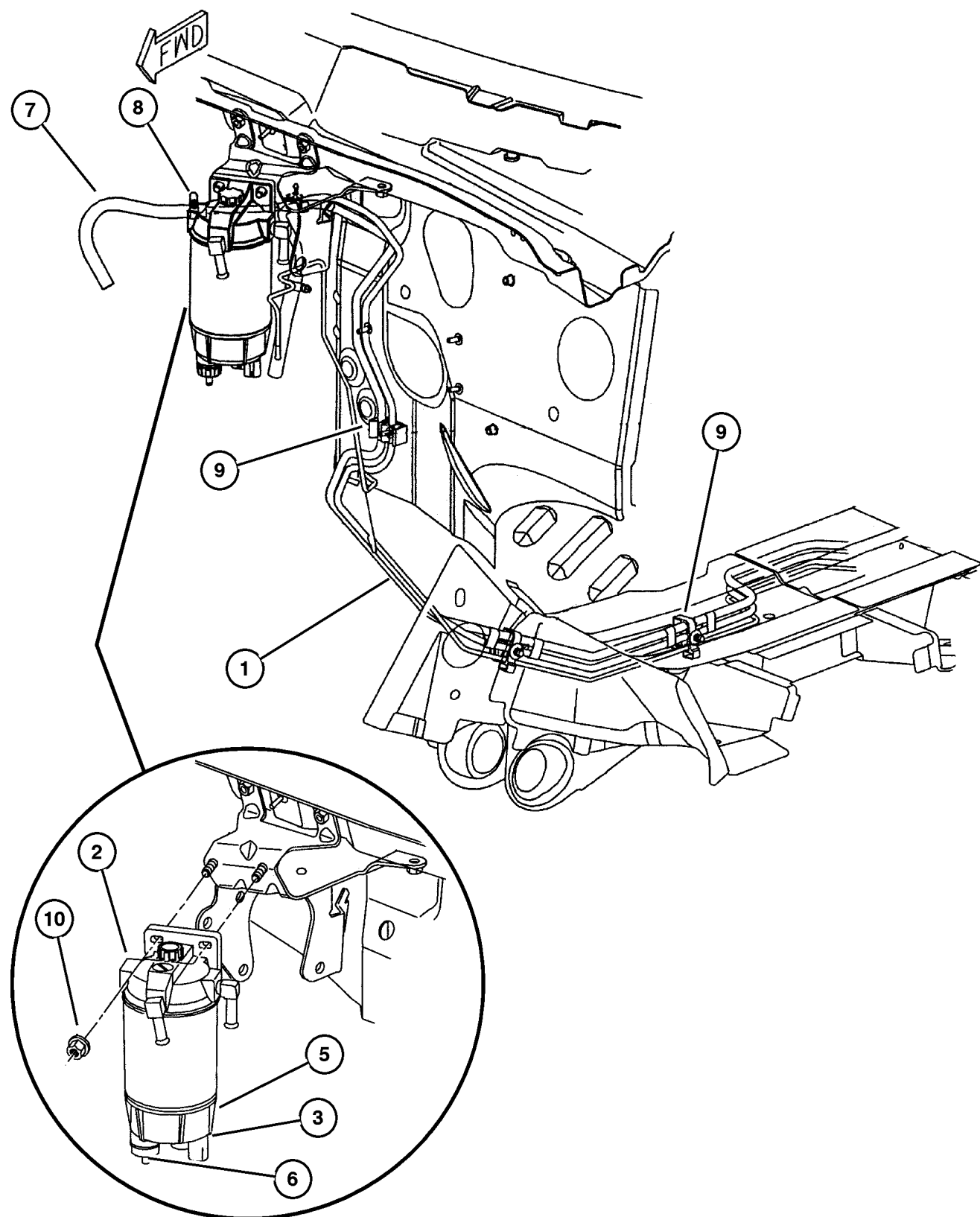
**JEEP GRAND CHEROKEE (WG)**

SERIES	LINE	BODY	ENGINE	TRANSMISSION
H = Laredo	J = 4WD	74 = 4 Door	ER0, ERH = 4.0L, Power Tech	DGK = 4 Speed Autm, 42RE
P = Limited	U = 4WD, RHD		EV0, EVA = 4.7L, Power Tech	DGQ = 5 Speed Automatic
			EXO, EXA = 3.1L 5 Cyl Turbo Diesel	- 5-45RFE
				DGW = 4 Speed Autm, 44RE

AR = Use as required - = Non illustrated part # = New this model year

October 31, 2002

**Front, Fuel Lines & Fuel Separator (EXA) 3.1L Diesel  
Figure 014-310**



ITEM	PART NUMBER	QTY	LINE	SERIES	BODY	ENGINE	TRANS	DESCRIPTION
------	-------------	-----	------	--------	------	--------	-------	-------------

**NOTE:**

Sales Codes:

EX0=All Diesel Engines

1	52100 189AD	1				EX0		BUNDLE, Fuel Line
2	5014 017AA	1				EX0		HEAD, Fuel Filter
3	4723 901	1				EX0		VALVE KIT, Fuel Filter Check
-4	4723 905	1				EX0		FILTER, Fuel
5	5014 018AA	1				EX0		BOWL, Fuel Filter
6	4723 907	1				EX0		DRAIN, Fuel Filter Bowl
7	HFV00 038AB	1				EX0		HOSE 1FT, Fuel & Vapor, 3/8"
8	52079 632AA	1				EX0		CLAMP, Oil Cooler Tube
9								CLAMP, Fuel Line, (NOT SERVICED) (Not Serviced)
10	6101 675	2				EX0		NUT, Hex Flange Lock, M8x1.25

**JEEP GRAND CHEROKEE (WG)**

SERIES	LINE	BODY	ENGINE	TRANSMISSION
H = Laredo	J = 4WD	74 = 4 Door	ER0, ERH = 4.0L, Power Tech	DGK = 4 Speed Autm, 42RE
P = Limited	U = 4WD, RHD		EVO, EVA = 4.7L, Power Tech	DGQ = 5 Speed Automatic
			EXO, EXA = 3.1L 5 Cyl Turbo Diesel	- 5-45RFE
				DGW = 4 Speed Autm, 44RE

AR = Use as required - = Non illustrated part # = New this model year

October 31, 2002

**Fuel Lines, Rear (EXA) 3.1L Diesel  
Figure 014-320**

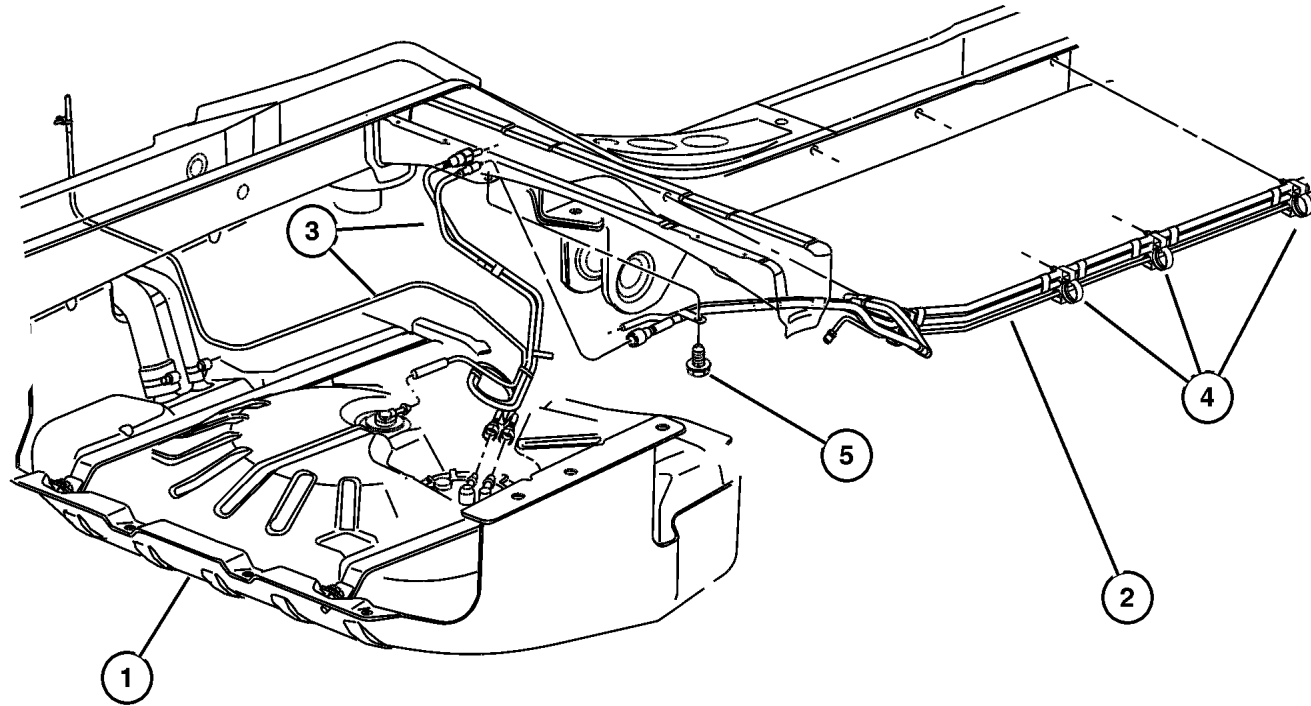
ITEM	PART NUMBER	QTY	LINE	SERIES	BODY	ENGINE	TRANS	DESCRIPTION
------	-------------	-----	------	--------	------	--------	-------	-------------

NOTE:

Sales Codes:

EX0=All Diesel Engines

1								TANK, Fuel, See Group 14 Ilustracion # 110, (NOT SERVICED) (Not Serviced)
2	52100 189AD	1				EX0		BUNDLE, Fuel Line
3	#52100 258AC	1				EX0		TUBE, Fuel
4								CLIP, Fuel Line, (NOT SERVICED) (Not Serviced)
5	6102 132AA	1				EX0		SCREW, Hex Head, M6x1x20



**JEEP GRAND CHEROKEE (WG)**

SERIES	LINE	BODY	ENGINE	TRANSMISSION
H = Laredo	J = 4WD	74 = 4 Door	ER0, ERH = 4.0L, Power Tech	DGK = 4 Speed Autm, 42RE
P = Limited	U = 4WD, RHD		EVO, EVA = 4.7L, Power Tech	DGQ = 5 Speed Automatic
			EXO, EXA = 3.1L 5 Cyl Turbo Diesel	- 5-45RFE
				DGW = 4 Speed Autm, 44RE

AR = Use as required - = Non illustrated part # = New this model year

October 31, 2002

**Fuel Lines, Front, 4.0 (ERH)  
Figure 014-330**

ITEM	PART NUMBER	QTY	LINE	SERIES	BODY	ENGINE	TRANS	DESCRIPTION
------	-------------	-----	------	--------	------	--------	-------	-------------

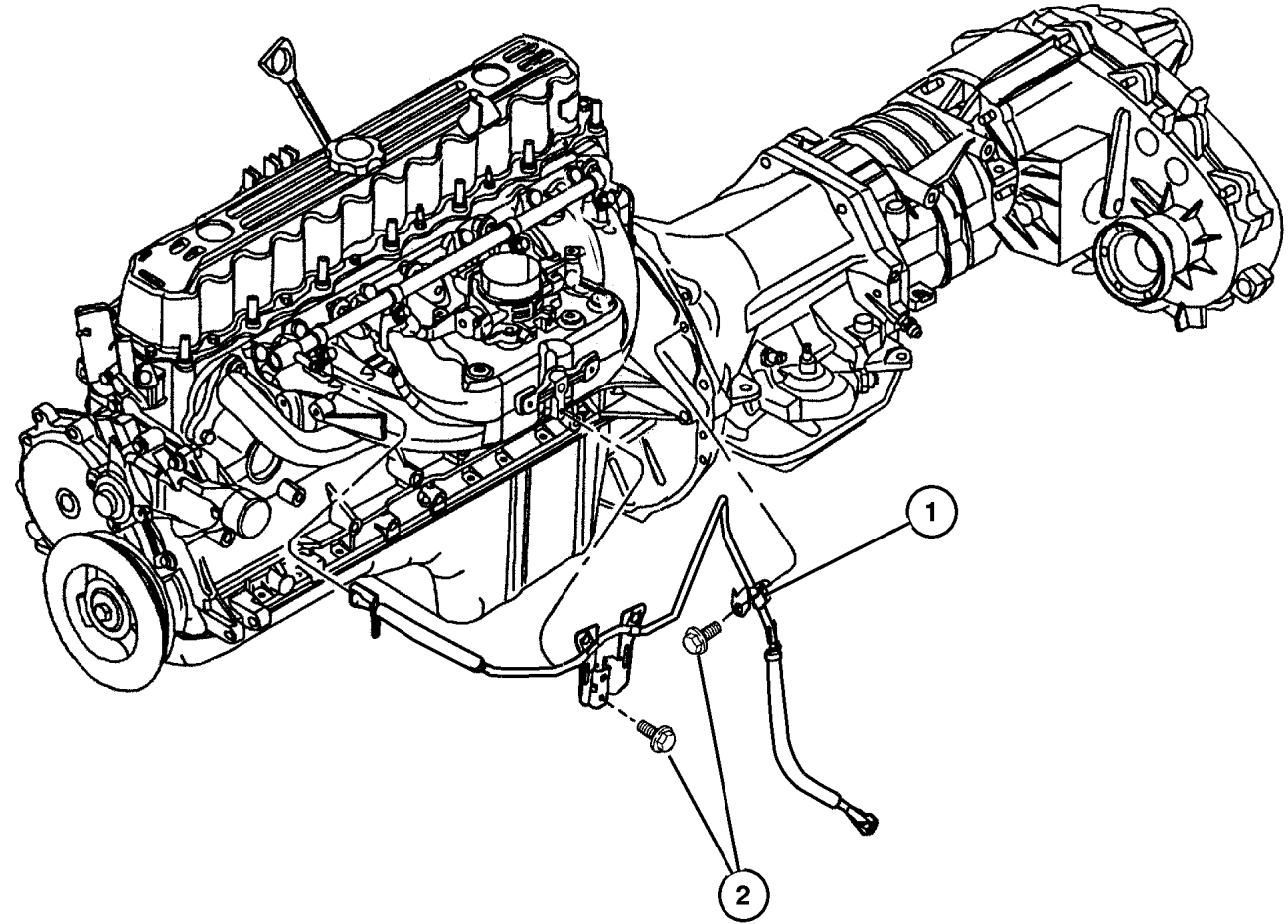
**NOTE:**

Sales Codes:

ERH=4.0L Power Tech I-6

ER0=All 4.0L In Line 6 Engines

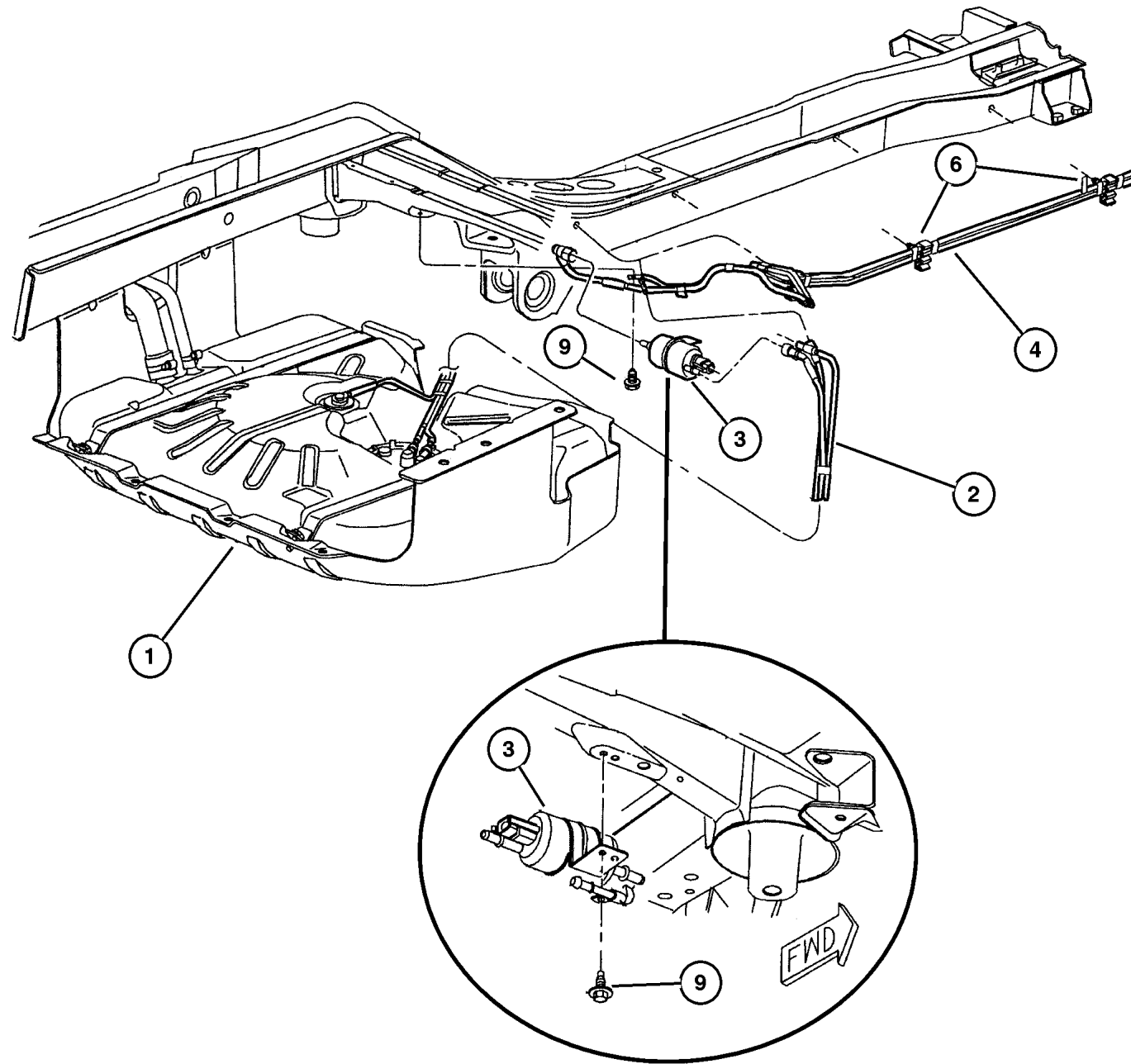
1	52100 041AG	1				ER0		BUNDLE, Fuel Line
2	6501 979	2				ER0		SCREW AND WASHER, Hex Head, M6x1x17



JEEP GRAND CHEROKEE (WG)				
SERIES	LINE	BODY	ENGINE	TRANSMISSION
H = Laredo	J = 4WD	74 = 4 Door	ER0, ERH = 4.0L, Power Tech	DGK = 4 Speed Autm, 42RE
P = Limited	U = 4WD, RHD		EVO, EVA = 4.7L, Power Tech	DGQ = 5 Speed Automatic
			EXO, EXA = 3.1L 5 Cyl Turbo Diesel	- 5-45RFE
				DGW = 4 Speed Autm, 44RE

AR = Use as required - = Non illustrated part # = New this model year

Fuel Lines, Rear, 4.0 (ERH)  
Figure 014-340



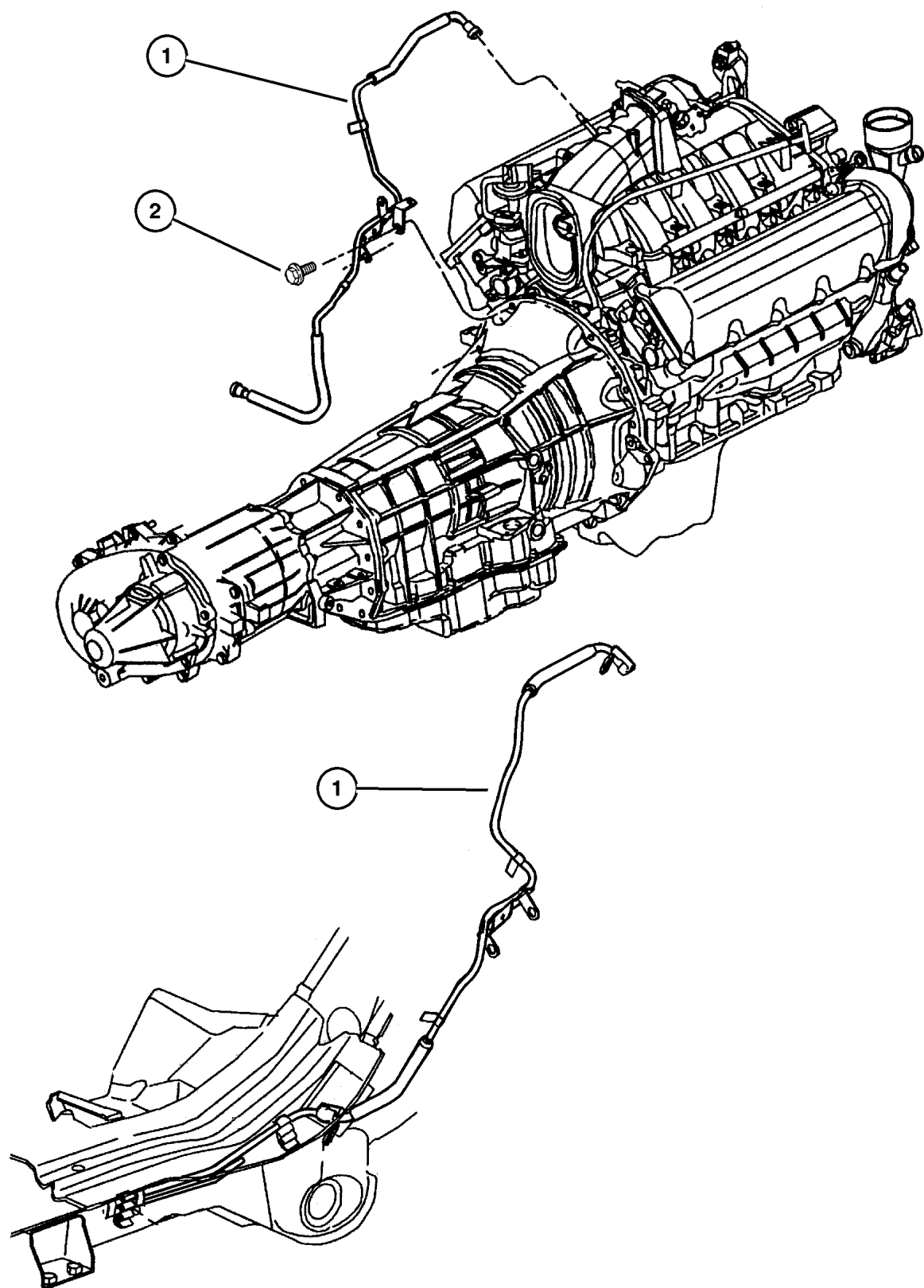
ITEM	PART NUMBER	QTY	LINE	SERIES	BODY	ENGINE	TRANS	DESCRIPTION
NOTE:								
Sales Codes:								
ERH=4.0L Power Tech I-6								
ER0=All 4.0L In Line 6 Engines								
EVO=All 4.7L Gas Engines								
1								TANK, Fuel, See Group 14 Illustration # 110, (NOT SERVICED) (Not Serviced)
2	#52100 196AE	1				ER0, EVA		TUBE, Fuel
3	52100 283AC	1				ER0, EVO		FILTER AND REGULATOR, Fuel
4	52100 249AD	1				ER0, EVO		TUBE, Fuel Supply
-5	52100 395AB	1	U			ER0, EVO		TUBE, Fuel Vapor, TUBE ASSY- FUEL VAPOR FRT
6	4695 819	6				ER0, EVO		CLIP, Fuel Bundle
-7	3420 2997	1				ER0, EVO		CLIP, Wrap Around Sealing
-8	0120 526	1				ER0, EVO		CLIP, Fuel
9	6102 132AA	2				ER0, EVO		SCREW, Hex Head, M6x1x20

JEEP GRAND CHEROKEE (WG)  
 SERIES LINE BODY ENGINE TRANSMISSION  
 H = Laredo J = 4WD 74 = 4 Door ER0, ERH = 4.0L, Power Tech DGK = 4 Speed Autm, 42RE  
 P = Limited U = 4WD, RHD EVO, EVA = 4.7L, Power Tech DGQ = 5 Speed Automatic  
 EXO, EXA = 3.1L 5 Cyl Turbo Diesel - 5-45RFE  
 DGW = 4 Speed Autm, 44RE

AR = Use as required - = Non illustrated part # = New this model year

October 31, 2002

Fuel Lines, Front, 4.7 (EVA)  
Figure 014-350



ITEM	PART NUMBER	QTY	LINE	SERIES	BODY	ENGINE	TRANS	DESCRIPTION
------	-------------	-----	------	--------	------	--------	-------	-------------

NOTE:

Sales Codes:

DG4=Multi-Speed Automatic Transmission 45RFE

EVA=4.7L V-8 Engine

EV0=All 4.7L Gas Engines

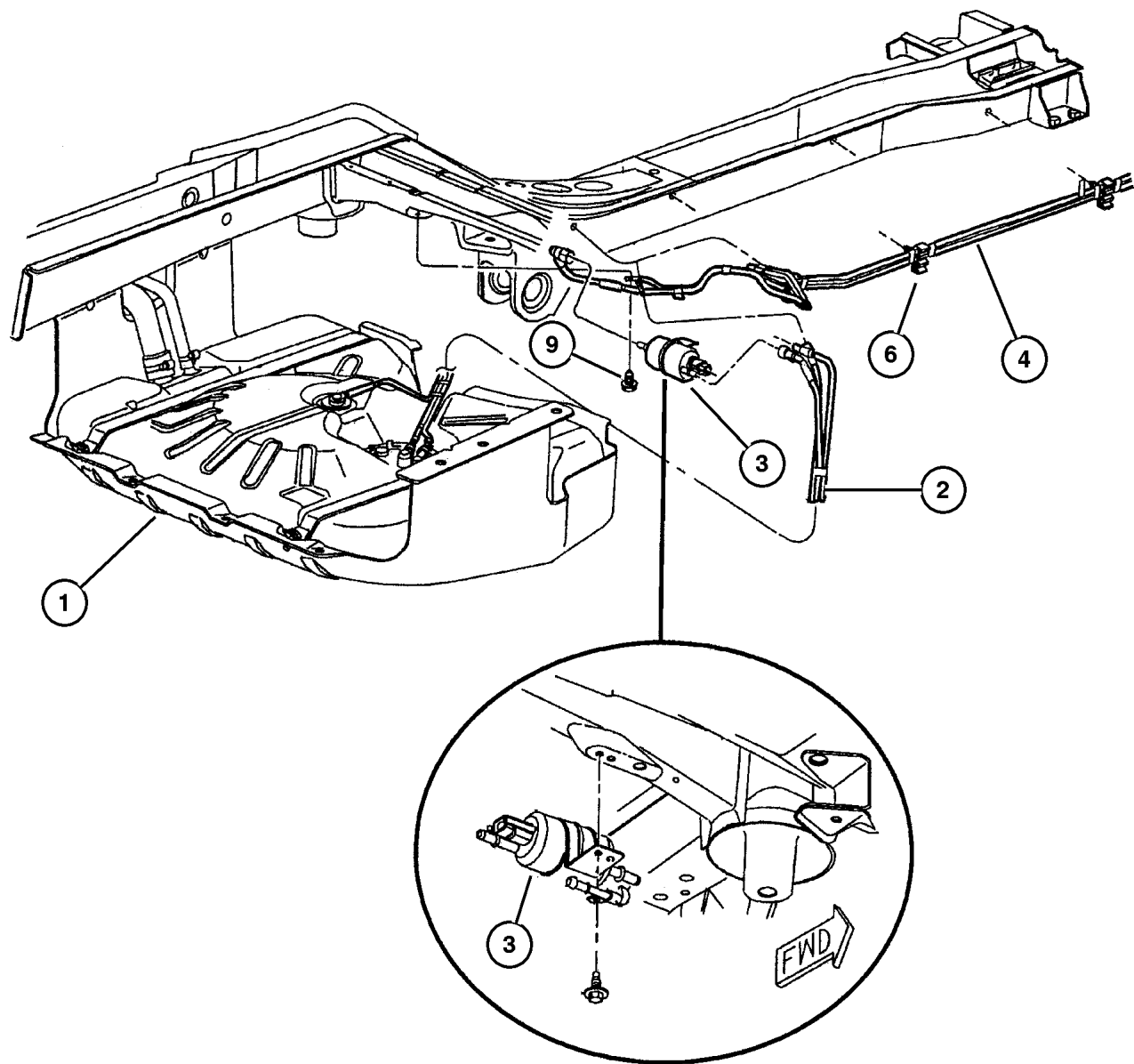
1	52100 043AE	1				EV0		BUNDLE, Fuel Line
2	6022 266	1					DG4	SCREW, Hex Head, .375-16x1.5

JEEP GRAND CHEROKEE (WG)				
SERIES	LINE	BODY	ENGINE	TRANSMISSION
H = Laredo	J = 4WD	74 = 4 Door	ER0, ERH = 4.0L, Power Tech	DGK = 4 Speed Autm, 42RE
P = Limited	U = 4WD, RHD		EV0, EVA = 4.7L, Power Tech	DGQ = 5 Speed Automatic
			EXO, EXA = 3.1L 5 Cyl Turbo Diesel	- 5-45RFE
				DGW = 4 Speed Autm, 44RE

AR = Use as required - = Non illustrated part # = New this model year

October 31, 2002

Fuel Lines, Rear, 4.7 (EVA)  
Figure 014-360



ITEM	PART NUMBER	QTY	LINE	SERIES	BODY	ENGINE	TRANS	DESCRIPTION
------	-------------	-----	------	--------	------	--------	-------	-------------

NOTE:

Sales Codes:

ER0=All 4.0L 6 Cyl Gas Engines

EVA=4.7L V-8 Engine

EVO=All 4.7L Gas Engines

1								TANK, Fuel, See Group 14 Illustration # 110, (NOT SERVICED) (Not Serviced)
2	#52100 196AE	1				ER0, EVA		TUBE, Fuel
3	52100 283AC	1				ER0, EVO		FILTER AND REGULATOR, Fuel
4	52100 249AD	1				ER0, EVO		TUBE, Fuel Supply
-5	52100 395AB	1	U			ER0, EVO		TUBE, Fuel Vapor
6	4695 819	6				ER0, EVO		CLIP, Fuel Bundle
-7	3420 2997	1				ER0, EVO		CLIP, Wrap Around Sealing
-8	0120 526	1				ER0, EVO		CLIP, Fuel
9	6102 132AA	1						SCREW, Hex Head, M6x1x20

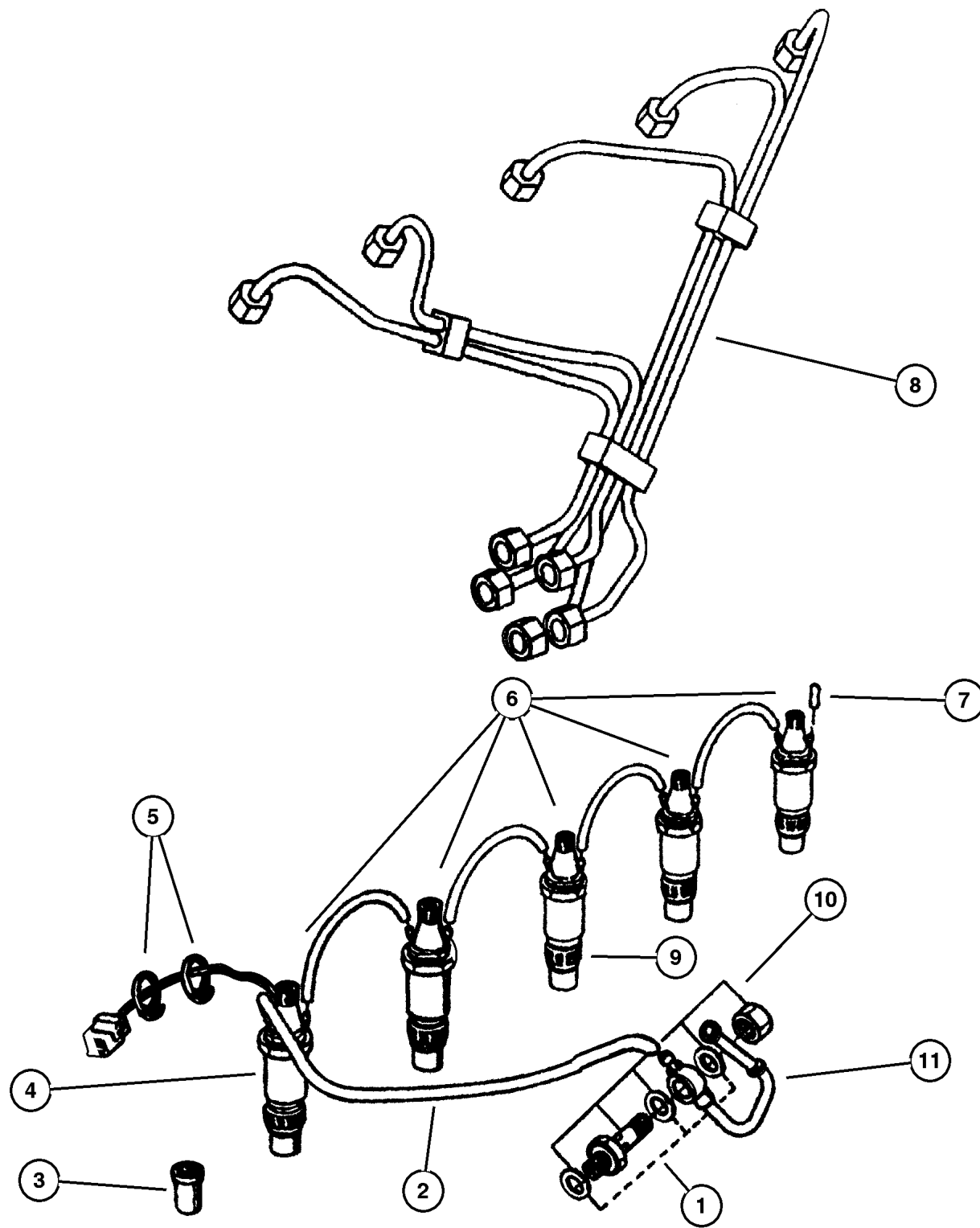
JEEP GRAND CHEROKEE (WG)

SERIES	LINE	BODY	ENGINE	TRANSMISSION
H = Laredo	J = 4WD	74 = 4 Door	ER0, ERH = 4.0L, Power Tech	DGK = 4 Speed Autm, 42RE
P = Limited	U = 4WD, RHD		EVO, EVA = 4.7L, Power Tech	DGQ = 5 Speed Automatic
			EXO, EXA = 3.1L 5 Cyl Turbo Diesel	- 5-45RFE
				DGW = 4 Speed Autm, 44RE

AR = Use as required - = Non illustrated part # = New this model year

October 31, 2002

## Injection System (EXA) 3.1L Diesel Figure 014-410



ITEM	PART NUMBER	QTY	LINE	SERIES	BODY	ENGINE	TRANS	DESCRIPTION
------	-------------	-----	------	--------	------	--------	-------	-------------

Note:  
 DG0 = All Automatic Transmissions  
 EXA = 3.1L 5 Cyl Turbo Diesel  
 EX0 = All 3.0/3.1L Turbo Diesels

1	4720 703	2				EX0	DG0	WASHER, Plain
2	4720 190AB	1				EX0	DG0	PIPE, Fuel Spill Return
3	4723 346	5				EX0	DG0	NOZZLE, Fuel Injector
4	5014 990AA	1				EX0	DG0	INJECTOR, Fuel
5	4728 184	3				EX0	DG0	CLIP, Spill Return Pipe
6	4720 189AB	4				EX0	DG0	PIPE, Fuel Spill Return
7	4720 197AB	1				EX0	DG0	PLUG, Cylinder Block Oil Hole
8	5014 988AA	1				EX0	DG0	TUBE, Fuel Injector Supply
9	5014 989AA	4				EX0	DG0	INJECTOR, Fuel
10	4874 444	1				EX0	DG0	VALVE, Flow Control
11	4864 579	1				EX0	DG0	BANJO, Fuel

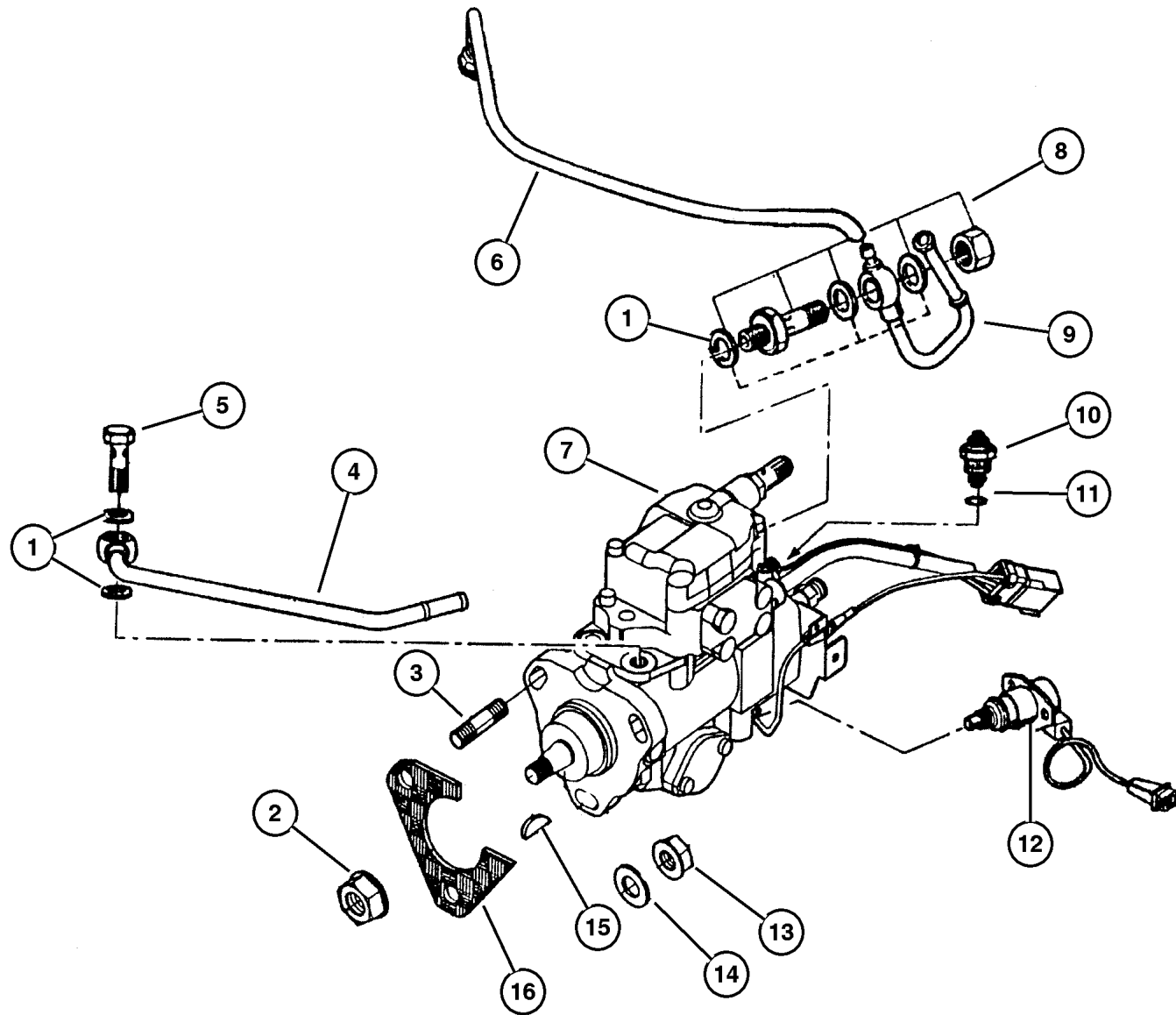
<b>JEEP GRAND CHEROKEE (WG)</b>				
SERIES	LINE	BODY	ENGINE	TRANSMISSION
H = Laredo	J = 4WD	74 = 4 Door	ER0, ERH = 4.0L, Power Tech	DGK = 4 Speed Autm, 42RE
P = Limited	U = 4WD, RHD		EVO, EVA = 4.7L, Power Tech	DGQ = 5 Speed Automatic
			EXO, EXA = 3.1L 5 Cyl Turbo Diesel	- 5-45RFE
				DGW = 4 Speed Autm, 44RE

AR = Use as required - = Non illustrated part # = New this model year

October 31, 2002



**Fuel Injection Pump (EXA) 3.1L Diesel  
Figure 014-420**



ITEM	PART NUMBER	QTY	LINE	SERIES	BODY	ENGINE	TRANS	DESCRIPTION
NOTE:								
Sales Codes:								
EX0=All Diesel Engine								
DG0=Automatic Transmission								
1	4720 703	2				EX0	DG0	WASHER, Plain
2	4883 402AA	1				EX0	DG0	NUT
3	4723 241	3				EX0	DG0	STUD
4	5014 991AA	1				EX0	DG0	BANJO, Fuel
5	4720 367	1				EX0	DG0	BOLT, Banjo
6	4720 190AB	1				EX0	DG0	PIPE, Fuel Spill Return
7	5014 992AA	1				EX0	DG0	PUMP, Fuel Injection
8	4874 444	1				EX0	DG0	VALVE, Flow Control
9	4864 579	1				EX0	DG0	BANJO, Fuel
10	4723 264	1				EX0	DG0	SOLENOID, Fuel Shut Off Valve
11	4723 266	1				EX0	DG0	O RING, Fuel Solenoid
12	4797 786	1				EX0	DG0	ADVANCE, Automatic Injection
13	4778 961	22				EX0	DG0	NUT
14	4720 193	3				EX0	DG0	WASHER, Flat
15	4720 198	1				EX0	DG0	KEY, Fuel Injection Pump
16	4720 196	1				EX0	DG0	GASKET, Injection Pump

**JEEP GRAND CHEROKEE (WG)**

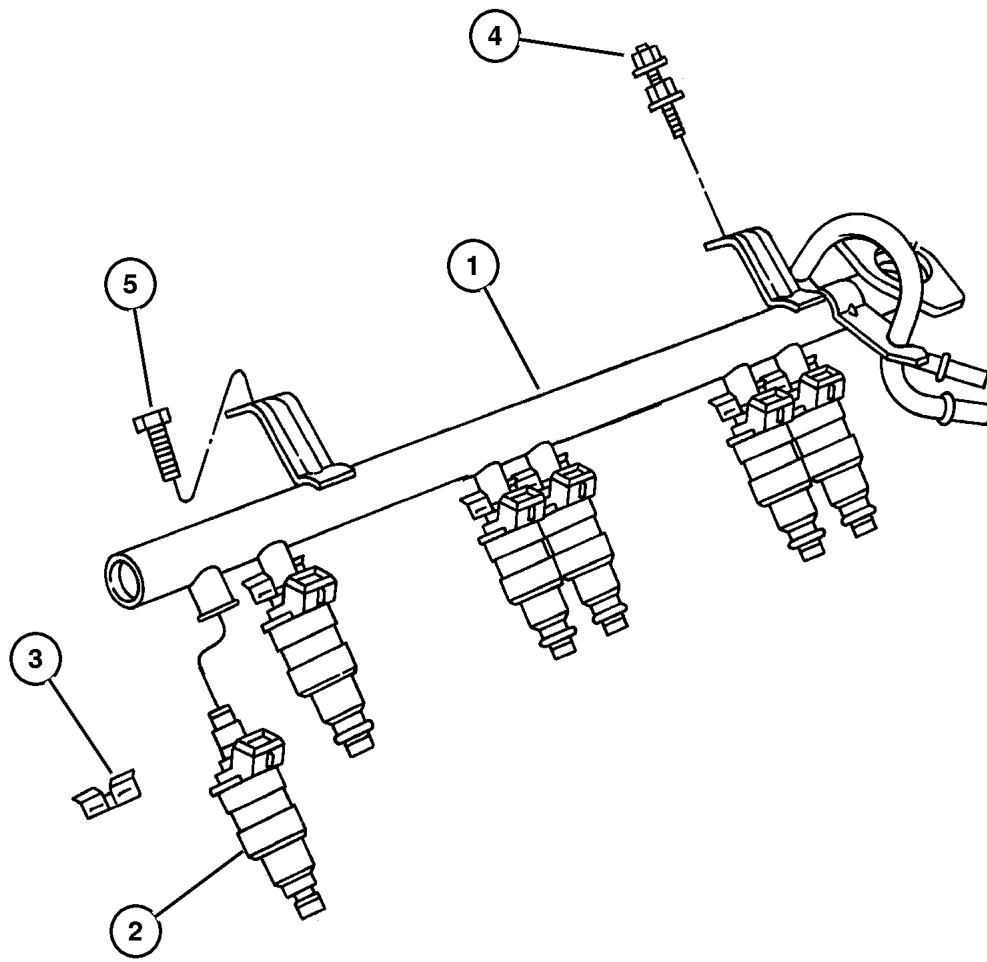
SERIES	LINE	BODY	ENGINE	TRANSMISSION
H = Laredo	J = 4WD	74 = 4 Door	ER0, ERH = 4.0L, Power Tech	DGK = 4 Speed Autm, 42RE
P = Limited	U = 4WD, RHD		EVO, EVA = 4.7L, Power Tech	DGQ = 5 Speed Automatic
			EXO, EXA = 3.1L 5 Cyl Turbo Diesel	- 5-45RFE
				DGW = 4 Speed Autm, 44RE

AR = Use as required - = Non illustrated part # = New this model year

October 31, 2002

Fuel Rail, (ERH) 4.0L In-line 6  
Figure 014-430

ITEM	PART NUMBER	QTY	LINE	SERIES	BODY	ENGINE	TRANS	DESCRIPTION
Note:								
ERH = 4.0L Power Tech I-6								
ER0 = All 4.0L 6 Cyl Gas Engines								
EVO = All 4.7L Gas Engines								
1	5014 496AA	1				ER0		RAIL, Fuel
2	4854 181	6				ER0		INJECTOR, Fuel
3	4418 257	6				ER0		CLIP, Fuel Injector
4	6502 647	2				ER0		STUD, M6x1.00x44
5	6505 504AA	4				EVO		SCREW

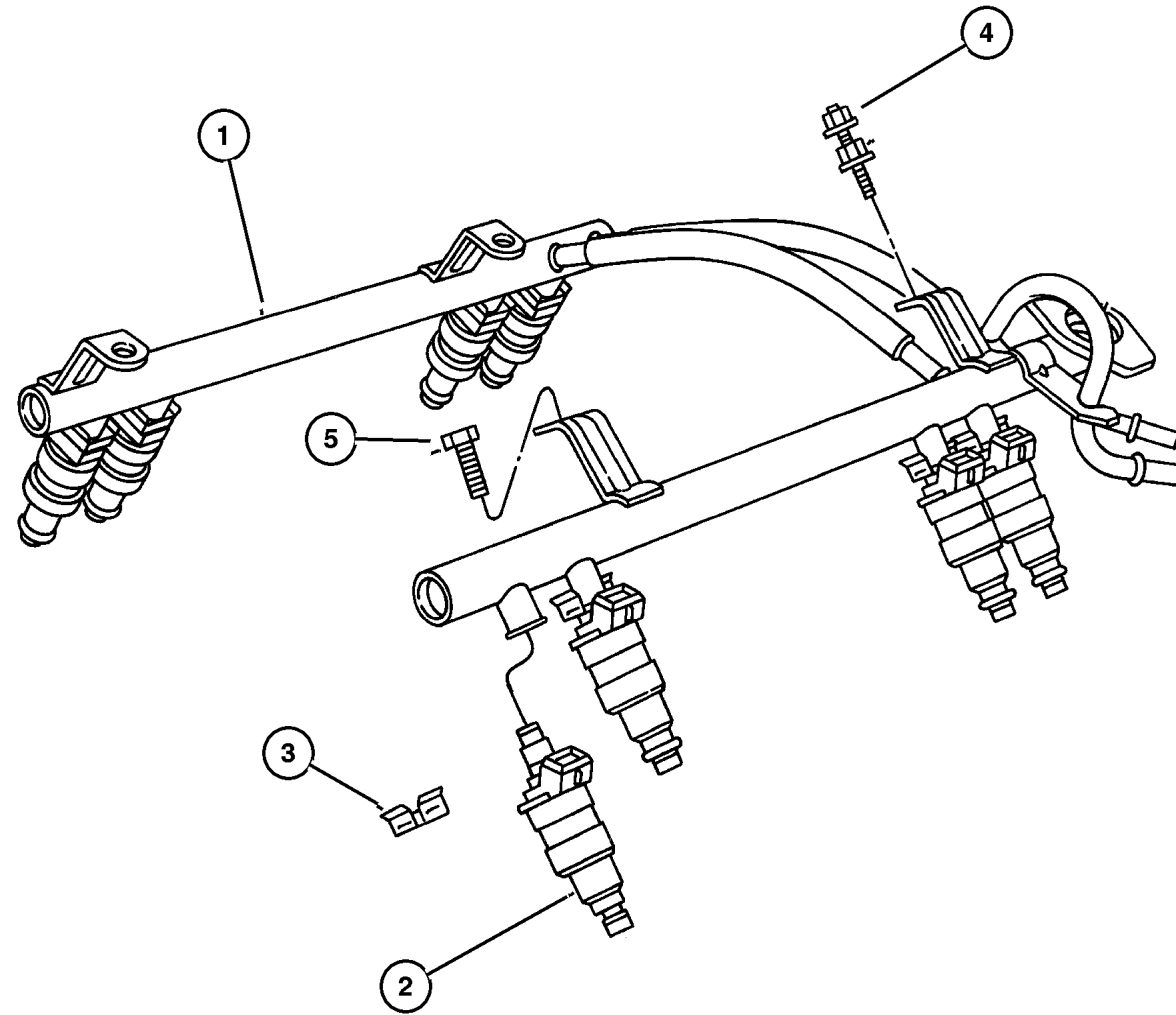


JEEP GRAND CHEROKEE (WG)				
SERIES	LINE	BODY	ENGINE	TRANSMISSION
H = Laredo	J = 4WD	74 = 4 Door	ER0, ERH = 4.0L, Power Tech	DGK = 4 Speed Autm, 42RE
P = Limited	U = 4WD, RHD		EVO, EVA = 4.7L, Power Tech	DGQ = 5 Speed Automatic
			EXO, EXA = 3.1L 5 Cyl Turbo Diesel	- 5-45RFE
				DGW = 4 Speed Autm, 44RE

AR = Use as required - = Non illustrated part # = New this model year

October 31, 2002

**Fuel Rail, (EVA)  
Figure 014-440**



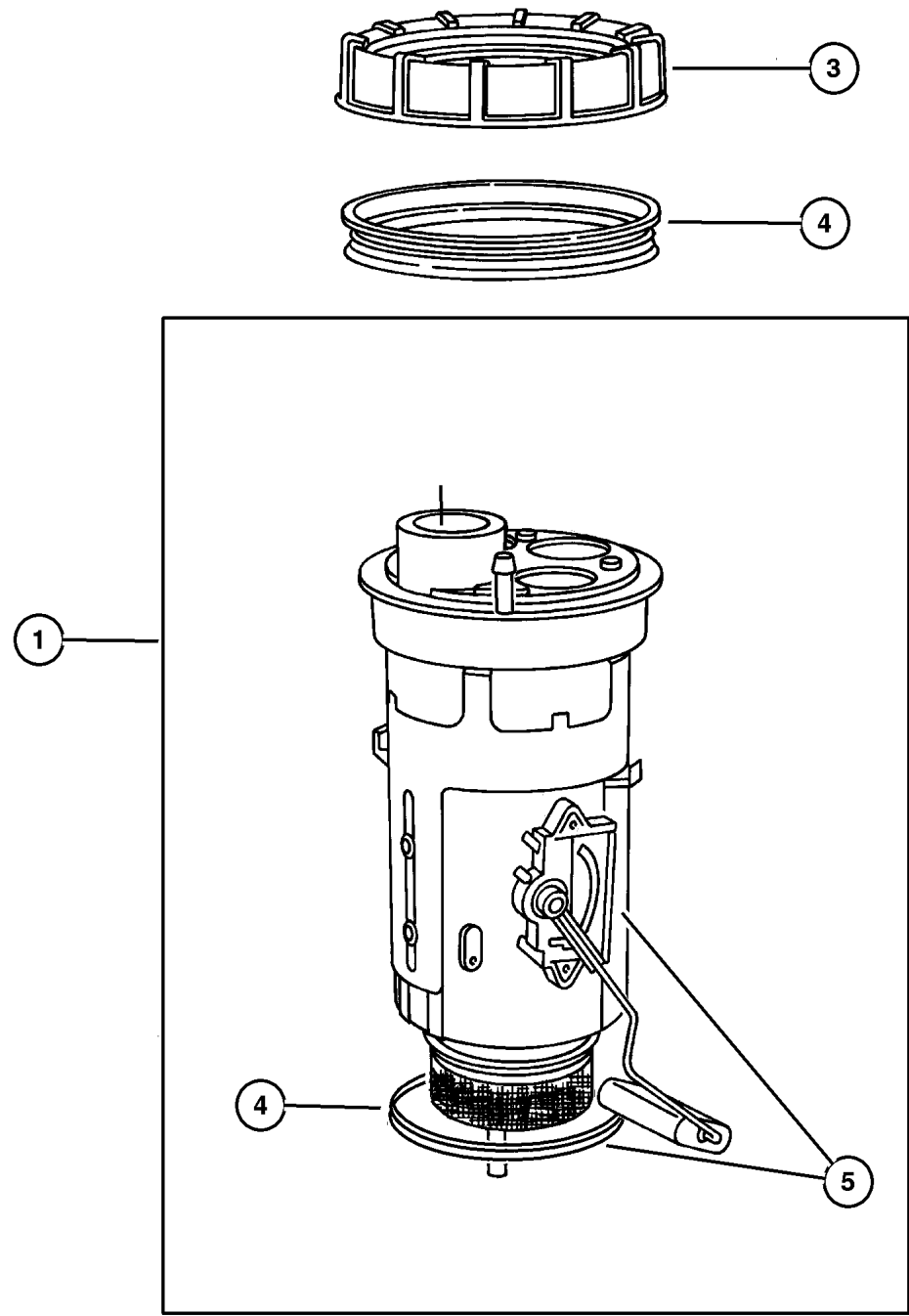
ITEM	PART NUMBER	QTY	LINE	SERIES	BODY	ENGINE	TRANS	DESCRIPTION
Note:								
ERO = All 4.0L 6 Cyl Gas Engines								
EVA = 4.7L Power Tech V8 Engine								
EVO = All 4.7L Gas Engines								
1	#53030 848AB	1				EVO		RAIL, Fuel
2	#53032 145AA	8				EVO		INJECTOR, Fuel
3	4418 257AB	8				EVO		CLIP, Fuel Injector
4	6502 647	2				ERO		STUD, M6x1.00x44
5	6505 504AA	4				EVO		SCREW

JEEP GRAND CHEROKEE (WG)				
SERIES	LINE	BODY	ENGINE	TRANSMISSION
H = Laredo	J = 4WD	74 = 4 Door	ERO, ERH = 4.0L, Power Tech	DGK = 4 Speed Autm, 42RE
P = Limited	U = 4WD, RHD		EVO, EVA = 4.7L, Power Tech	DGQ = 5 Speed Automatic
			EXO, EXA = 3.1L 5 Cyl Turbo Diesel	- 5-45RFE
				DGW = 4 Speed Autm, 44RE

AR = Use as required - = Non illustrated part # = New this model year

October 31, 2002

**Fuel Pump & Sending Unit (EXA), (ERH) & (EVA)  
Figure 014-510**



ITEM	PART NUMBER	QTY	LINE	SERIES	BODY	ENGINE	TRANS	DESCRIPTION
------	-------------	-----	------	--------	------	--------	-------	-------------

Note:

ER0 = All 4.0L 6 Cyl Gas Engines

EVA = 4.7L Power Tech V8 Engine

EX0 = All 3.0/3.1L Turbo Diesel Engines

1	#5018 056AB	1				ER0, EVA		MODULE PACKAGE, Fuel Pump/Level Unit
-2	#5018 952AB	1				EX0		MODULE PACKAGE, Fuel Tank NUT, Fuel Pump Module
3	5200 5389	1				ER0, EVA		
4	5201 8808	1				EX0		SEAL, Fuel Pump and Level Unit
5	#5018 057AA	1				ER0, EVA		LEVEL UNIT PACKAGE, Fuel
		1				EX0		

**JEEP GRAND CHEROKEE (WG)**

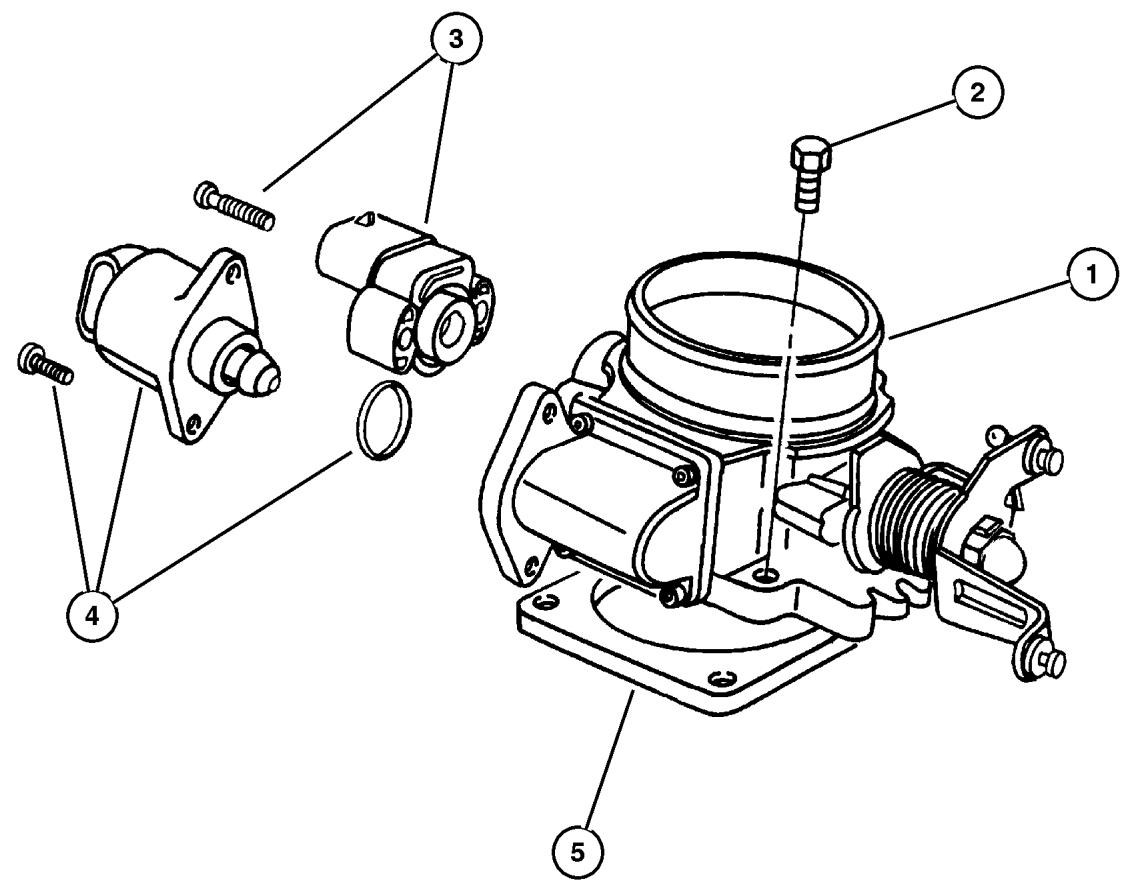
SERIES	LINE	BODY	ENGINE	TRANSMISSION
H = Laredo	J = 4WD	74 = 4 Door	ER0, ERH = 4.0L, Power Tech	DGK = 4 Speed Autm, 42RE
P = Limited	U = 4WD, RHD		EVA, EVA = 4.7L, Power Tech	DGQ = 5 Speed Automatic
			EX0, EXA = 3.1L 5 Cyl Turbo Diesel	- 5-45RFE
				DGW = 4 Speed Autm, 44RE

AR = Use as required - = Non illustrated part # = New this model year

October 31, 2002

**Throttle Body, (ERH) 4.0L In-Line 6  
Figure 014-610**

ITEM	PART NUMBER	QTY	LINE	SERIES	BODY	ENGINE	TRANS	DESCRIPTION
Note:								
ER0 = All 4.0L 6 Cyl Gas Engines								
1	53032 023AC	1				ER0		THROTTLE BODY
2	6503 929	4				ER0		SCREW AND WASHER, Coned Pilot, M6x1x30
3	4874 371AC	1				ER0		SENSOR, Throttle Position
4	4874 373AB	1				ER0		MOTOR, Air Idle Speed
5	5300 7543	1				ER0		GASKET, Throttle Body



<b>JEEP GRAND CHEROKEE (WG)</b>				
SERIES	LINE	BODY	ENGINE	TRANSMISSION
H = Laredo	J = 4WD	74 = 4 Door	ER0, ERH = 4.0L, Power Tech	DGK = 4 Speed Autm, 42RE
P = Limited	U = 4WD, RHD		EVO, EVA = 4.7L, Power Tech	DGQ = 5 Speed Automatic
			EXO, EXA = 3.1L 5 Cyl Turbo Diesel	- 5-45RFE
				DGW = 4 Speed Autm, 44RE

AR = Use as required - = Non illustrated part # = New this model year

October 31, 2002

**Throttle Body (EVA) 4.7L V-8  
Figure 014-620**

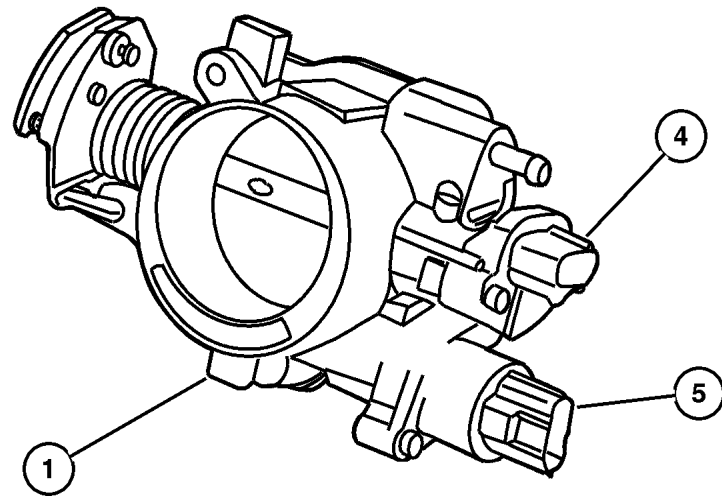
ITEM	PART NUMBER	QTY	LINE	SERIES	BODY	ENGINE	TRANS	DESCRIPTION
------	-------------	-----	------	--------	------	--------	-------	-------------

Note:

EVA = 4.7L Power Tech V8 Engine

EVO = All 4.7L Gas Engines

1	#53013 163AA	1				EVO		THROTTLE BODY
-2	5303 0952	1				EVA		GASKET, Throttle Body To Intake
-3								SCREW AND WASHER, Coned Pilot, M6x1x30, (NOT SERVICED) (Not Serviced)
4	4882 219	1				EVO		SENSOR, Throttle Position
5	5303 0840	1				EVO		MOTOR, Air Idle Speed



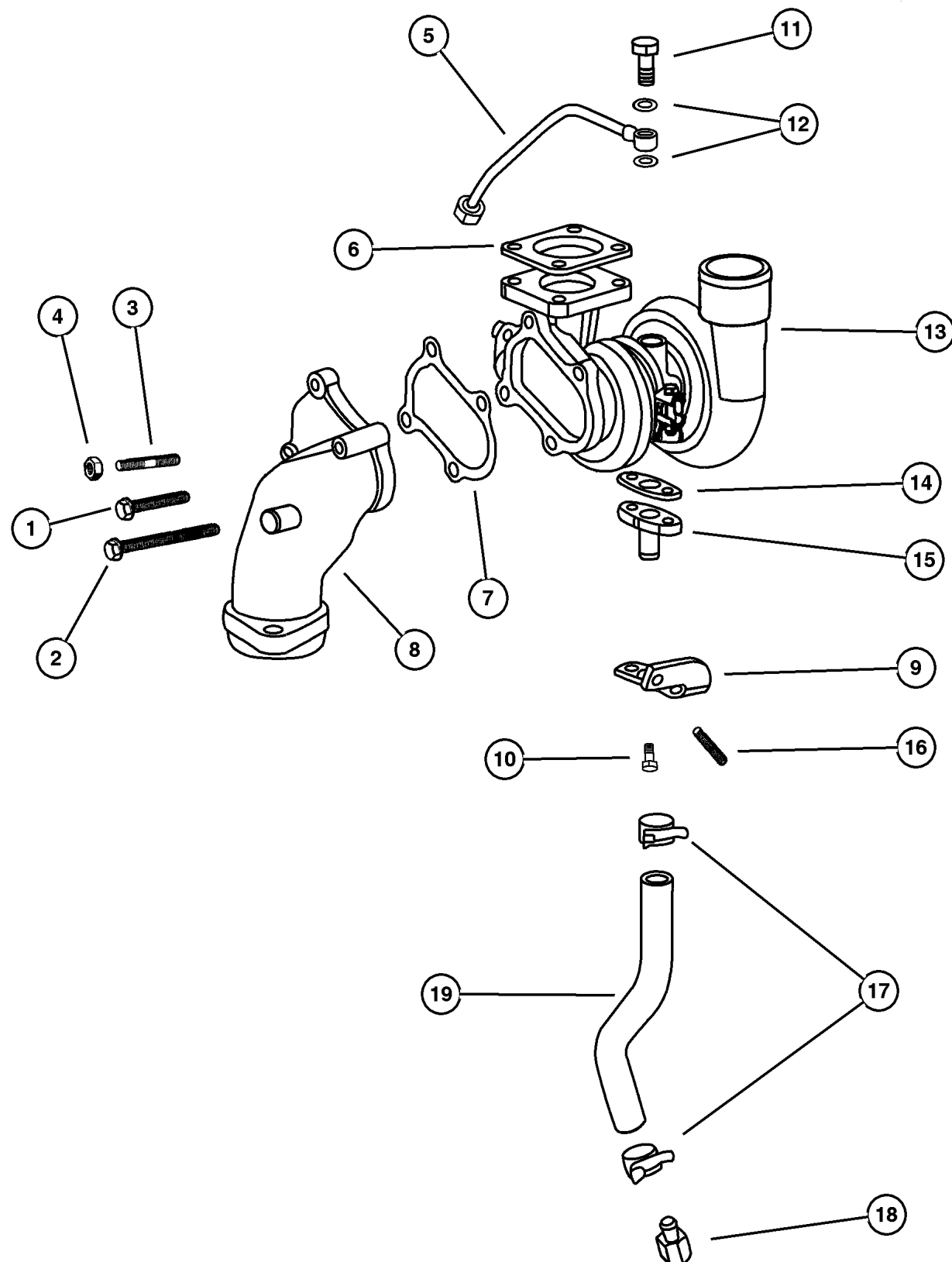
**JEEP GRAND CHEROKEE (WG)**

SERIES	LINE	BODY	ENGINE	TRANSMISSION
H = Laredo	J = 4WD	74 = 4 Door	ER0, ERH = 4.0L, Power Tech	DGK = 4 Speed Autm, 42RE
P = Limited	U = 4WD, RHD		EVO, EVA = 4.7L, Power Tech	DGQ = 5 Speed Automatic
			EXO, EXA = 3.1L 5 Cyl Turbo Diesel	- 5-45RFE
				DGW = 4 Speed Autm, 44RE

AR = Use as required - = Non illustrated part # = New this model year

October 31, 2002

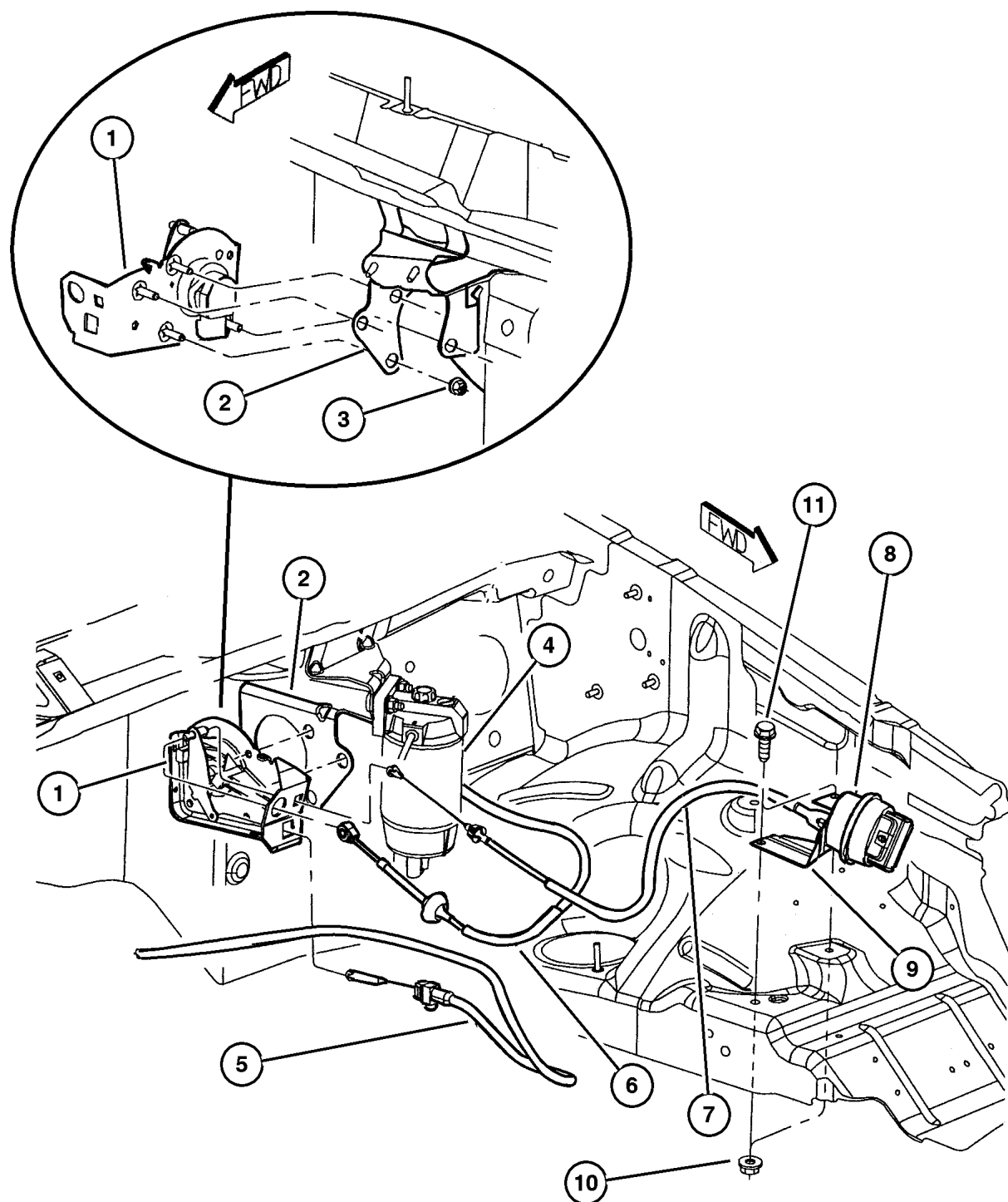
## Turbo Charger (EXA) Figure 014-630



ITEM	PART NUMBER	QTY	LINE	SERIES	BODY	ENGINE	TRANS	DESCRIPTION
NOTE:								
Sales Codes:								
EX0=Diesel Engine								
DG0=Automatic Transmission								
1	5015 031AA	1				EX0	DG0	SCREW
2	5015 032AA	1				EX0	DG0	SCREW
3	4863 803	2				EX0	DG0	STUD
4	4882 610	2				EX0	DG0	NUT, Lock
5	5015 023AA	1				EX0	DG0	TUBE, Turbo Oil Feed
6	5015 027AA	1				EX0	DG0	GASKET, Manifold To Turbo
7	5015 028AA	1				EX0	DG0	GASKET, Turbo Exhaust Outlet
8	5015 022AA	1				EX0	DG0	ELBOW, Turbo Exhaust Outlet
9	5015 021AA	1				EX0	DG0	BRACKET
10	4864 551	1				EX0	DG0	SCREW
11	4720 367	1				EX0	DG0	BOLT, Banjo
12	4720 703	2				EX0	DG0	WASHER, Plain
13	5015 030AA	1				EX0	DG0	TURBOCHARGER
14	4796 007AB	1				EX0	DG0	GASKET, Turbo Oil Return Pipe
15	5015 024AA	1				EX0	DG0	TUBE, Oil Drain
16	4886 035AA	1				EX0	DG0	STUD, M6x1.0x30
17	5019 342AA	2				EX0	DG0	CLAMP, Heater Hose
18	5015 026AA	1				EX0	DG0	ADAPTER, Oil Drain Pipe
19	5015 025AA	1				EX0	DG0	PIPE, Oil Return

JEEP GRAND CHEROKEE (WG)				
SERIES	LINE	BODY	ENGINE	TRANSMISSION
H = Laredo	J = 4WD	74 = 4 Door	ER0, ERH = 4.0L, Power Tech	DGK = 4 Speed Autm, 42RE
P = Limited	U = 4WD, RHD		EVO, EVA = 4.7L, Power Tech	DGQ = 5 Speed Automatic
			EXO, EXA = 3.1L 5 Cyl Turbo Diesel	- 5-45RFE
				DGW = 4 Speed Autm, 44RE

## Throttle Controls, 3.1 (EXA) Figure 014-710



ITEM	PART NUMBER	QTY	LINE	SERIES	BODY	ENGINE	TRANS	DESCRIPTION
Note:								
DGW = 4 Speed Automatic Transmission 44RE								
ER0 = All 4.0L 6 Cyl Gas Engines								
EVO = All 4.7L Gas Engines								
EX0 = All 3.0/3.1L Turbo Diesel Engines								
1	53031 575AD	1				EX0	DGW	BELLCRANK, Accelerator and Cruise
2	53013 049AA	1				EX0	DGW	BRACKET, Bellcrank
3	6502 756	4				EX0	DGW	NUT, Hex Lock, M8x1.25
4								SEPARATOR, Fuel, See Group 14 Illustration 310, (NOT SERVICED) (Not Serviced)
5	52104 232AA	1				EX0	DGW	CABLE, Throttle Valve
6								CABLE, Accelerator
	4854 254AB	1	J			EX0		
	4854 260AD	1	U			EX0		
7	4854 201AA	1				EX0		CABLE, Speed Control
8	4669 979	1				EX0		SERVO, Speed Control
9	4854 200AB	1				EX0		BRACKET, Cruise Control Servo
10	6101 446	2				EX0		NUT AND WASHER
11								SCREW, (NOT SERVICED) (Not Serviced)

### JEEP GRAND CHEROKEE (WG)

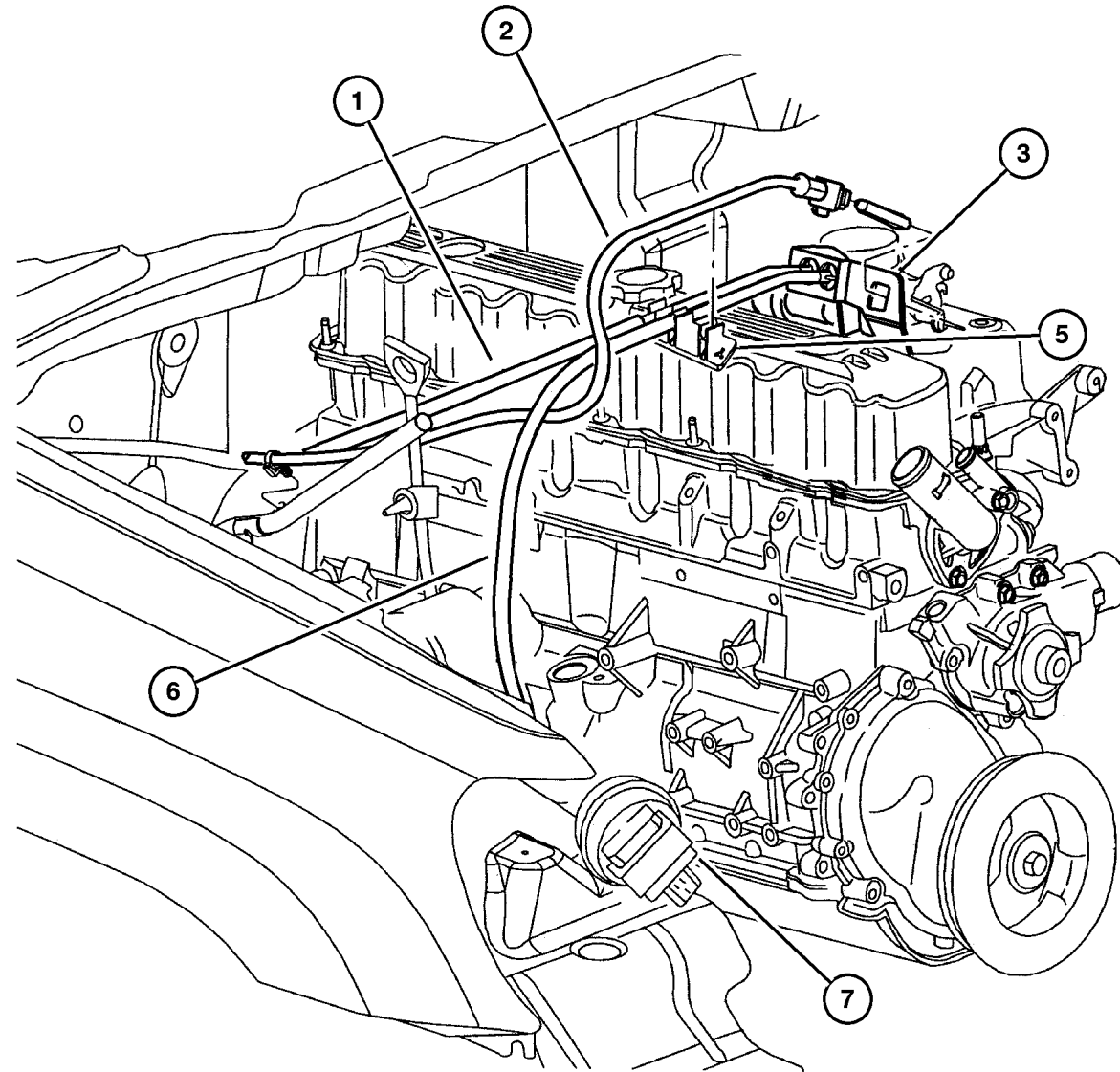
SERIES	LINE	BODY	ENGINE	TRANSMISSION
H = Laredo	J = 4WD	74 = 4 Door	ER0, ERH = 4.0L, Power Tech	DGK = 4 Speed Autm, 42RE
P = Limited	U = 4WD, RHD		EVO, EVA = 4.7L, Power Tech	DGQ = 5 Speed Automatic - 5-45RFE
			EX0, EXA = 3.1L 5 Cyl Turbo Diesel	DGW = 4 Speed Autm, 44RE

AR = Use as required - = Non illustrated part # = New this model year

October 31, 2002



Throttle Controls, 4.0 (ERH)  
Figure 014-720



ITEM	PART NUMBER	QTY	LINE	SERIES	BODY	ENGINE	TRANS	DESCRIPTION
NOTE:								
Sales Codes:								
ER0=All 4.0L In-Line 6 Engines								
DGK=4 Speed Automatic Transmission								
1								CABLE, Accelerator
	4854 117	1	U			ER0		
	4854 150AB	1	J			ER0		
2	52104 284AA	1					DGK	CABLE, Throttle Valve
3	53013 160AA	1				ER0		BRACKET, Accelerator Cable
-4	6501 979	2				ER0		SCREW AND WASHER, Hex Head, M6x1x17
5	5207 9029	1				ER0		GUIDE, Accelerator Cable
6	4854 058	1				ER0		CABLE, Speed Control
7	4669 979	1				ER0		SERVO, Speed Control
-8	4854 057AH	1				ER0		BRACKET, Cruise Control Servo
-9	6502 493	2				ER0		NUT, Hex Flange Serration, M6x1
-10	6025 867	1				ER0		CLIP, Cable to Servo Attach

JEEP GRAND CHEROKEE (WG)

SERIES	LINE	BODY	ENGINE	TRANSMISSION
H = Laredo	J = 4WD	74 = 4 Door	ER0, ERH = 4.0L, Power Tech	DGK = 4 Speed Autm, 42RE
P = Limited	U = 4WD, RHD		EVO, EVA = 4.7L, Power Tech	DGQ = 5 Speed Automatic
			EXO, EXA = 3.1L 5 Cyl Turbo Diesel	- 5-45RFE
				DGW = 4 Speed Autm, 44RE

AR = Use as required - = Non illustrated part # = New this model year

October 31, 2002

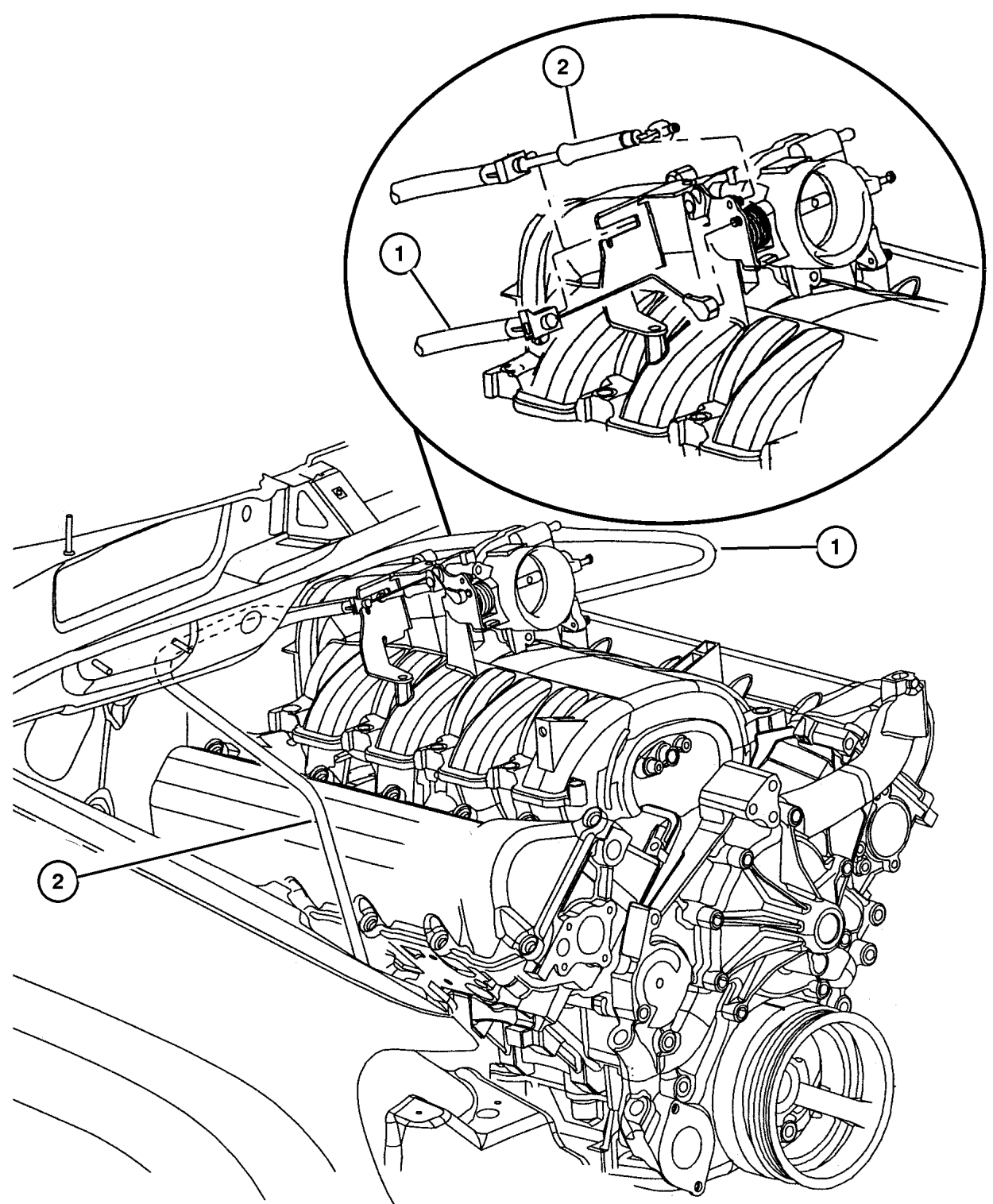
Throttle Controls, 4.7 (EVA)  
Figure 014-730

ITEM	PART NUMBER	QTY	LINE	SERIES	BODY	ENGINE	TRANS	DESCRIPTION
------	-------------	-----	------	--------	------	--------	-------	-------------

Note:

EVO = All 4.7L Gas Engines

1	4854 061AD	1	J			EVO		CABLE, Accelerator
	4854 162AC	1	U			EVO		
2	4854 055AB	1				EVO		CABLE, Speed Control
-3	4669 979	1				EVO		SERVO, Speed Control
-4	4854 057AH	1				EVO		BRACKET, Cruise Control Servo
-5	6025 867	1				EVO		CLIP, Cable to Servo Attach
-6	6502 493	2				EVO		NUT, Hex Flange Serration, M6x1



<b>JEEP GRAND CHEROKEE (WG)</b>				
SERIES	LINE	BODY	ENGINE	TRANSMISSION
H = Laredo	J = 4WD	74 = 4 Door	ER0, ERH = 4.0L, Power Tech	DGK = 4 Speed Autm, 42RE
P = Limited	U = 4WD, RHD		EVO, EVA = 4.7L, Power Tech	DGQ = 5 Speed Automatic
			EXO, EXA = 3.1L 5 Cyl Turbo Diesel	- 5-45RFE
				DGW = 4 Speed Autm, 44RE

AR = Use as required - = Non illustrated part # = New this model year

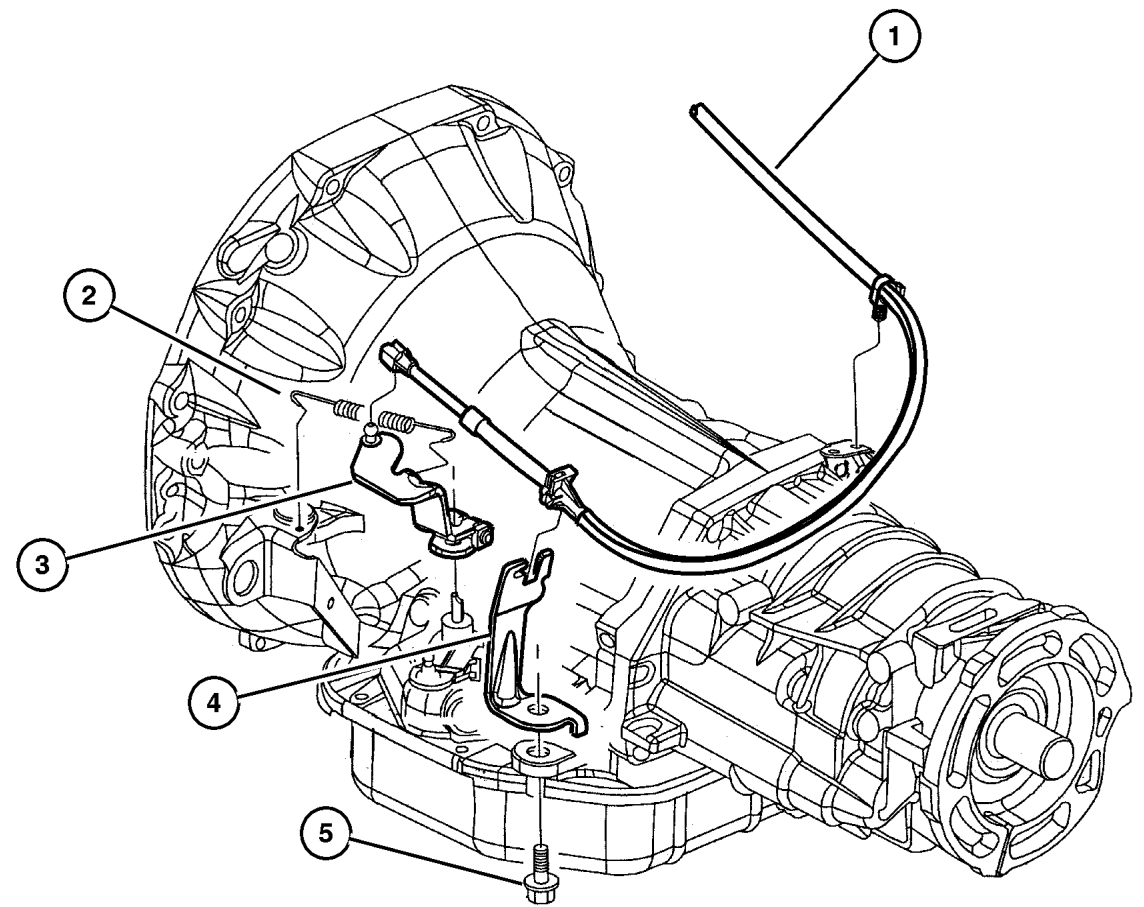
October 31, 2002

**Throttle Controls, Transmission (EXA) (ERH) (EVA)  
Figure 014-740**

ITEM	PART NUMBER	QTY	LINE	SERIES	BODY	ENGINE	TRANS	DESCRIPTION
------	-------------	-----	------	--------	------	--------	-------	-------------

NOTE:  
Sales Codes:  
ER0=All 4.0L In-Line 6 Engines  
EX0=All 3.1L Diesel Engines  
DGK=4 Speed Automatic Transmission  
DGW=4 Speed Automatic Transmission

1								CABLE, Throttle Valve
	52104 232AA	1				EX0	DGW	
	52104 284AA	1					DGK	
2	5300 9055	1					DGK, DGW	SPRING, Throttle Valve Return
3	52078 723AB	1				ER0, EX0		LEVER, Throttle Valve
4	5207 8867	1				ER0, EX0		BRACKET, Cable
5								SCREW AND WASHER, Hex Head, .375-16x1.00, 06022258, (NOT SERVICED) (Not Serviced)



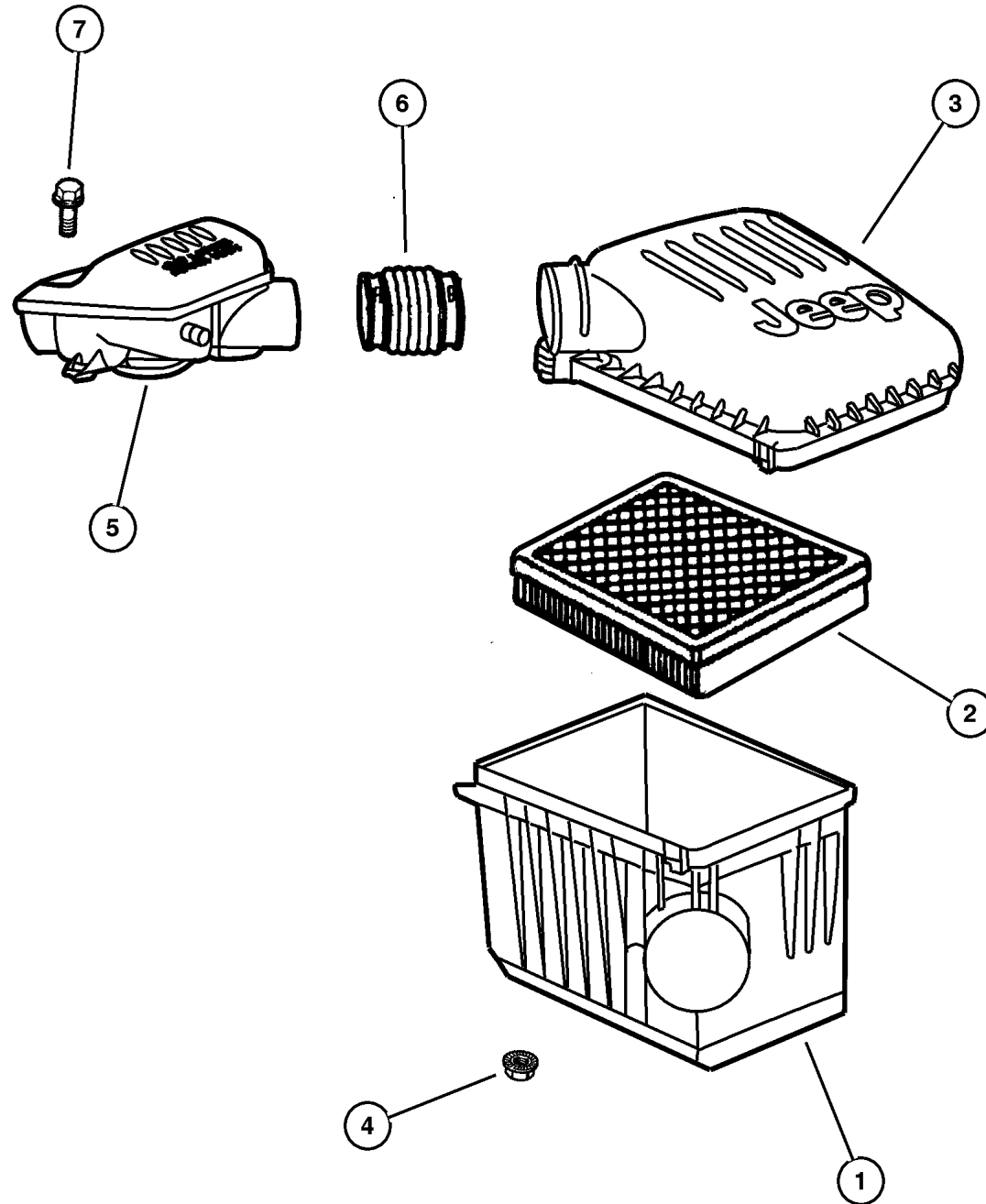
JEEP GRAND CHEROKEE (WG)				
SERIES	LINE	BODY	ENGINE	TRANSMISSION
H = Laredo	J = 4WD	74 = 4 Door	ER0, ERH = 4.0L, Power Tech	DGK = 4 Speed Autm, 42RE
P = Limited	U = 4WD, RHD		EVO, EVA = 4.7L, Power Tech	DGQ = 5 Speed Automatic - 5-45RFE
			EXO, EXA = 3.1L 5 Cyl Turbo Diesel	DGW = 4 Speed Autm, 44RE

AR = Use as required - = Non illustrated part # = New this model year

October 31, 2002



**Air Cleaner, (ERH) 4.0L In-Line 6  
Figure 014-820**



ITEM	PART NUMBER	QTY	LINE	SERIES	BODY	ENGINE	TRANS	DESCRIPTION
------	-------------	-----	------	--------	------	--------	-------	-------------

**NOTE:**

Sales Codes:

ER0=All 4.0L Engines

1	5013 462AA	1				ER0		BODY, Air Cleaner
2	5300 7386	1				ER0		FILTER, Air
3	5013 461AA	1				ER0		COVER, Air Cleaner
4								NUT, M8x1.25, (NOT SERVICED) (Not Serviced)
5	4854 013	1				ER0		RESONATOR, Air Cleaner
6	4854 014	1				ER0		HOSE, Air Cleaner
7	6504 041	1				ER0		SCREW AND WASHER, Hex Head, M6x1x30

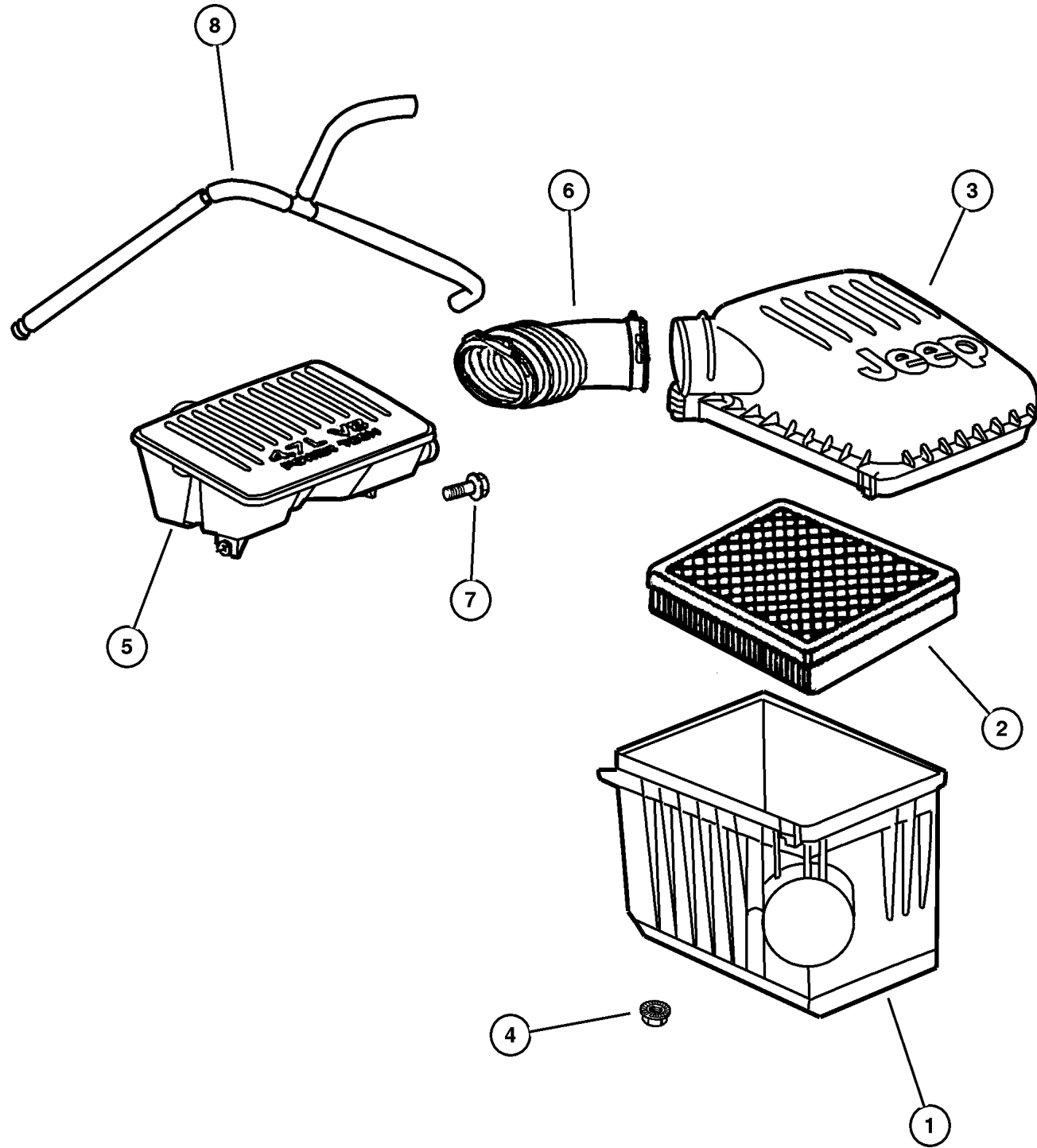
**JEEP GRAND CHEROKEE (WG)**

SERIES	LINE	BODY	ENGINE	TRANSMISSION
H = Laredo	J = 4WD	74 = 4 Door	ER0, ERH = 4.0L, Power Tech	DGK = 4 Speed Autm, 42RE
P = Limited	U = 4WD, RHD		EVO, EVA = 4.7L, Power Tech	DGQ = 5 Speed Automatic
			EXO, EXA = 3.1L 5 Cyl Turbo Diesel	- 5-45RFE
				DGW = 4 Speed Autm, 44RE

AR = Use as required - = Non illustrated part # = New this model year

October 31, 2002

**Air Cleaner, (EVA) 4.7L V-8  
Figure 014-830**



ITEM	PART NUMBER	QTY	LINE	SERIES	BODY	ENGINE	TRANS	DESCRIPTION
Note:								
EVA = 4.7L Power Tech V8 Engine								
EVO = All 4.7L Gas Engines								
1	5013 462AA	1				EVA		BODY, Air Cleaner
2	5300 7386	1				EVA		FILTER, Air
3	5013 461AA	1				EVA		COVER, Air Cleaner
4								NUT, M8x1.25, (NOT SERVICED) (Not Serviced)
5	4854 011	1				EVA		RESONATOR, Air Cleaner
6	4854 012	1				EVA		DUCT, Air Cleaner
7	6101 769	2				EVO		SCREW, Hex Head, M6x1x35
8	53031 667AA	1				EVO		TUBE, Breather

JEEP GRAND CHEROKEE (WG)		BODY	ENGINE	TRANSMISSION
SERIES	LINE	74 = 4 Door	ER0, ERH = 4.0L, Power Tech	DGK = 4 Speed Autm, 42RE
H = Laredo	J = 4WD		EVO, EVA = 4.7L, Power Tech	DGQ = 5 Speed Automatic
P = Limited	U = 4WD, RHD		EXO, EXA = 3.1L 5 Cyl Turbo Diesel	- 5-45RFE
				DGW = 4 Speed Autm, 44RE

AR = Use as required - = Non illustrated part # = New this model year

October 31, 2002

**Air Intake (EVA, EXA, ERH)  
Figure 014-910**

ITEM	PART NUMBER	QTY	LINE	SERIES	BODY	ENGINE	TRANS	DESCRIPTION
------	-------------	-----	------	--------	------	--------	-------	-------------

NOTE:

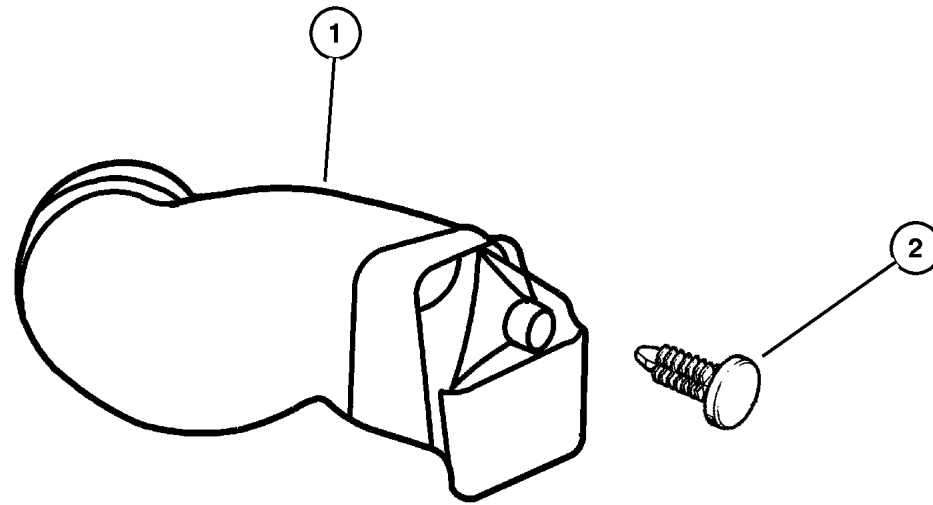
Sales Codes:

ER0=All 4.0L In-Line 6 Engines

EVO=All 4.7L V-8 Engines

EX0=All Turbo Diesel Engines

1	4854 015	1				ER0, EVA		DUCT, Ambient Air
	4854 218	1				EX0		
2	6031 321	2						PIN, Retainer



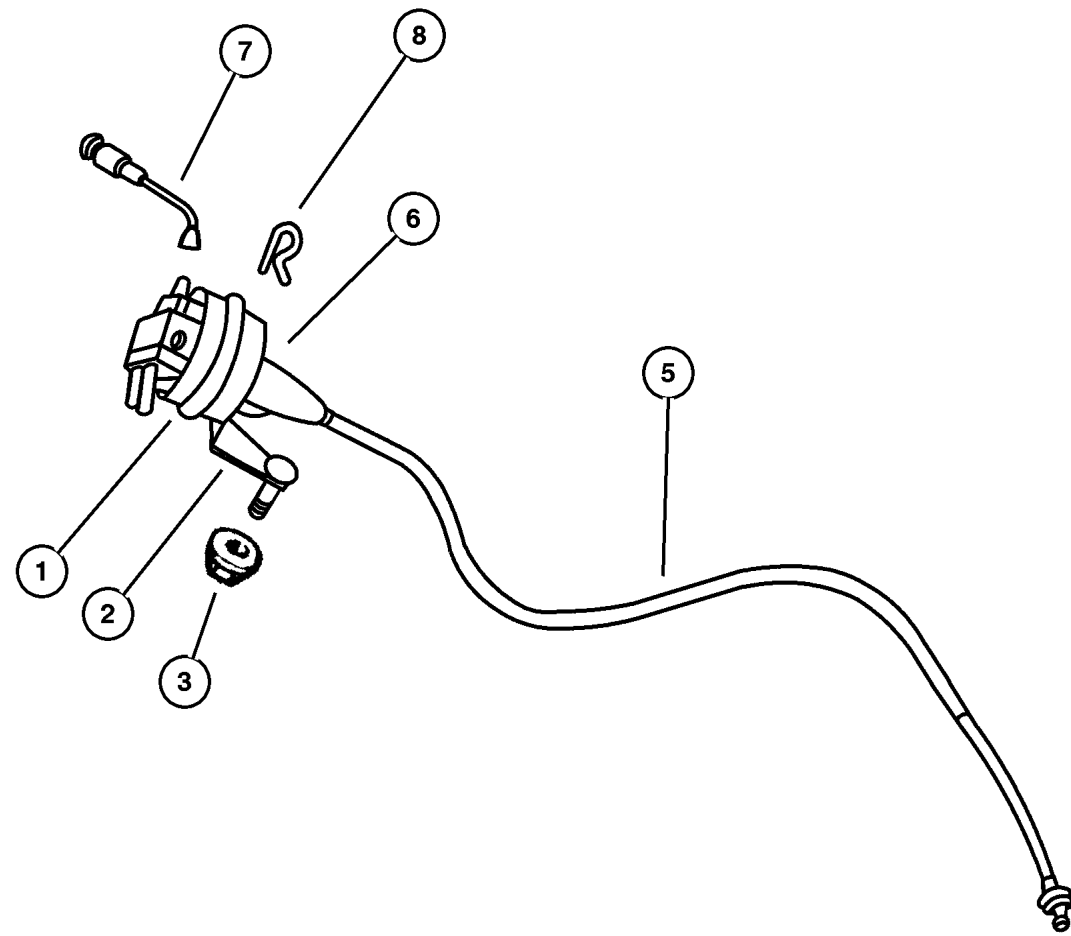
**JEEP GRAND CHEROKEE (WG)**

SERIES	LINE	BODY	ENGINE	TRANSMISSION
H = Laredo	J = 4WD	74 = 4 Door	ER0, ERH = 4.0L, Power Tech	DGK = 4 Speed Autm, 42RE
P = Limited	U = 4WD, RHD		EVO, EVA = 4.7L, Power Tech	DGQ = 5 Speed Automatic
			EXO, EXA = 3.1L 5 Cyl Turbo Diesel	- 5-45RFE
				DGW = 4 Speed Autm, 44RE

AR = Use as required - = Non illustrated part # = New this model year

October 31, 2002

**Speed Control (EXA) (ERH) (EVA)  
Figure 014-1010**



ITEM	PART NUMBER	QTY	LINE	SERIES	BODY	ENGINE	TRANS	DESCRIPTION
NOTE:								
Sales Codes:								
EX0=All 3.1L Diesel Engines								
ER0=All 4.0L In-Line 6 Engines								
EVO=All 4.7L V-8 Engines								
1	4669 979	1				ER0		SERVO, Speed Control
		1				EX0		
		1				EVO		
2	4854 057AD	1				EVO		BRACKET, Cruise Control Servo
		1				ER0		
	4854 200AB	1				EX0		
3	6100 051	2				EX0		NUT AND WASHER, Hex Nut-Coned Washer, M8 x 1.25
-4	6101 820	2				ER0, EVO		NUT, Hex Flange Lock
5	4854 055AB	1				EVO		CABLE, Speed Control
	4854 058	1				ER0		
	4854 201AA	1				EX0		
6	6502 493	2				ER0		NUT, Hex Flange Serration, M6x1
		2				EVO		
7	4854 202AD	1				EX0		HARNESS, Vacuum Speed Control
8	6025 867	1				ER0		CLIP, Cable to Servo Attach
		1				EVO		
-9	4549 209	1	J			EX0		VALVE PACKAGE, Check
		1	U			EX0		

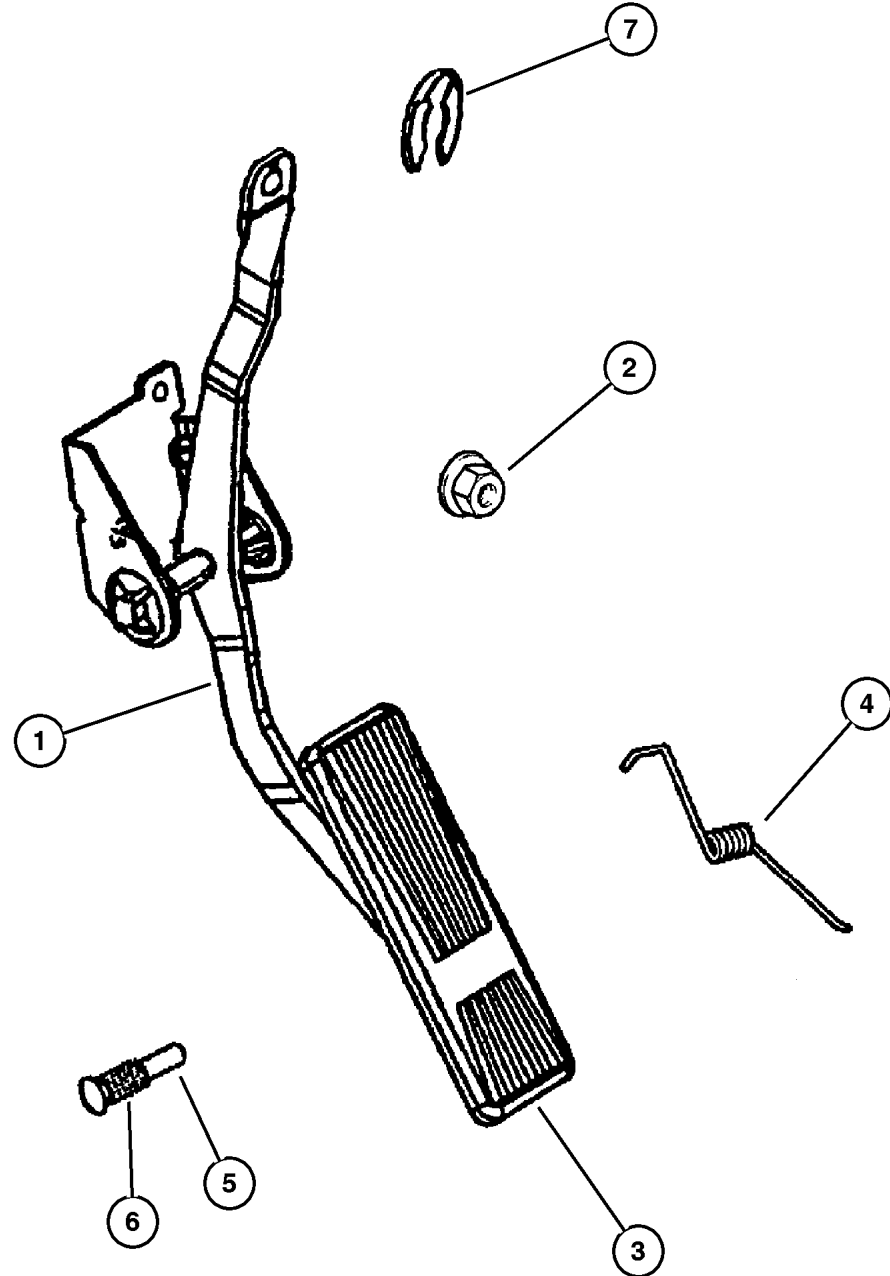
<b>JEEP GRAND CHEROKEE (WG)</b>				
SERIES	LINE	BODY	ENGINE	TRANSMISSION
H = Laredo	J = 4WD	74 = 4 Door	ER0, ERH = 4.0L, Power Tech	DGK = 4 Speed Autm, 42RE
P = Limited	U = 4WD, RHD		EVO, EVA = 4.7L, Power Tech	DGQ = 5 Speed Automatic
			EXO, EXA = 3.1L 5 Cyl Turbo Diesel	- 5-45RFE
				DGW = 4 Speed Autm, 44RE

AR = Use as required - = Non illustrated part # = New this model year

October 31, 2002



**Accelerator Pedal, 4.0 (ERH), 4.7 (EVA) & 3.1 (EXA)  
Figure 014-1110**



ITEM	PART NUMBER	QTY	LINE	SERIES	BODY	ENGINE	TRANS	DESCRIPTION
1								PEDAL, Accelerator
	4854 131AB	1	U					
	4854 130AB	1	J					
2	3420 1680	2						NUT, Hex Flange, M6x1
3								PAD, Accelerator Pedal
	53003 932AB	1	J					
		1	U					
4								SPRING, Accelerator Pedal Return
	5207 8168	1	J					
		1	U					
5								PIN, Accelerator Pedal Mtg.
	J322 0231	1	J					
		1	U					
6								BUSHING, Accelerator Pedal
	5207 8653	2	U					
		2	J					
7	5214 613	1						CLIP, Cable

**JEEP GRAND CHEROKEE (WG)**

SERIES	LINE	BODY	ENGINE	TRANSMISSION
H = Laredo	J = 4WD	74 = 4 Door	ER0, ERH = 4.0L, Power Tech	DGK = 4 Speed Autm, 42RE
P = Limited	U = 4WD, RHD		EVO, EVA = 4.7L, Power Tech	DGQ = 5 Speed Automatic
			EXO, EXA = 3.1L 5 Cyl Turbo Diesel	- 5-45RFE
				DGW = 4 Speed Autm, 44RE

AR = Use as required - = Non illustrated part # = New this model year

October 31, 2002

# Group – 016

## Propeller Shafts and U-Joints

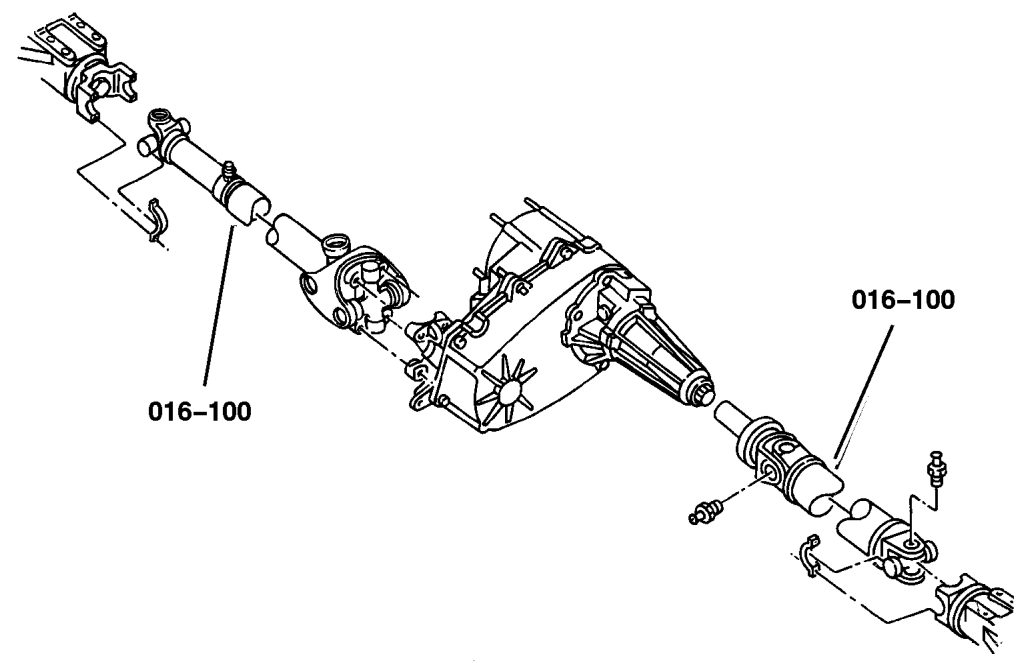
### GROUP 16 - Propeller Shafts and U-Joints

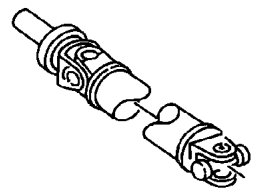
Illustration Title

Group-Fig. No.

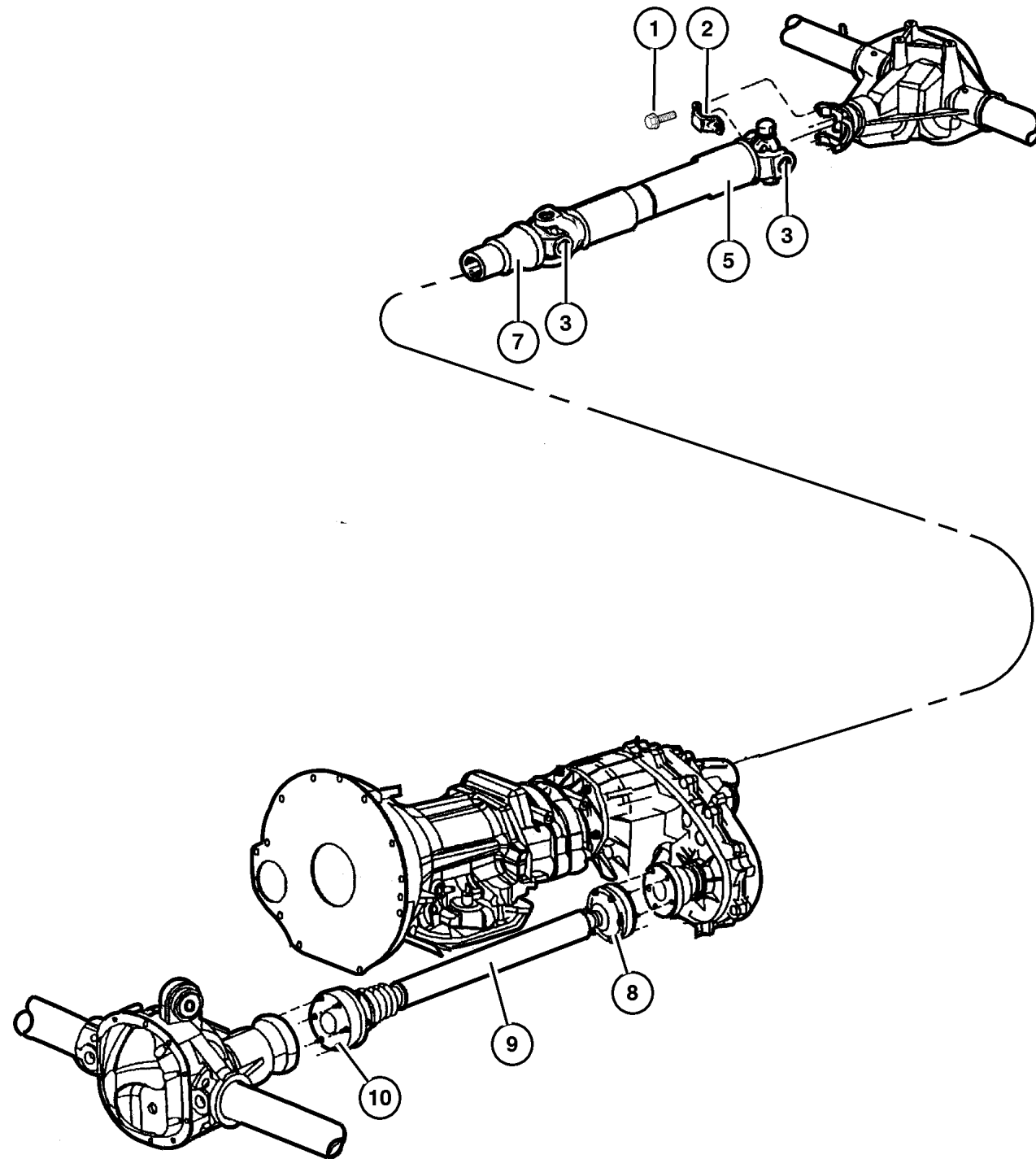
#### Propeller Shaft

Propeller Shafts, Front and Rear ..... Fig. 016-110



<p><b>016-100</b> Propeller Shaft</p> 			
---	--	--	--

## Propeller Shafts, Front and Rear Figure 016-110



ITEM	PART NUMBER	QTY	LINE	SERIES	BODY	ENGINE	TRANS	DESCRIPTION
Note: Sales Codes;								
Note: Item 6,7 and 9, that one part number consists of 2 Bolts and 1 Strap								
Note: There are NO parts released for REAR DRIVE SHAFT 52111489AA								
[DGW]=Transmission - 4 Speed Automatic, 44RE								
[ER0]=Engines - All 4.0L 6 Cylinder Gas								
[EV0]=Engines - All 4.7L Gas								
[EX0]=Engines - All 3.0/3.1L Turbo Diesel								
1	J400 6928	4				ER0, EV0		BOLT
2	J324 0553	2				ER0, EV0		STRAP, Prop Shaft
3	4882 793	2				ER0		U JOINT Front or Rear
		2				EV0		Front or Rear
-4	J320 7886	4				ER0		RING, U Joint Front or Rear
		4				EV0		Front or Rear
5								SHAFT, Drive, Rear 1-Piece
	52111 483AB	1				ER0		
	52099 487AC	1				EV0		
	52111 489AA	1				EX0		
-6	5096 080AA	3				EX0		BOLT AND WASHER For 52111489AA Drive Shaft, Transmission, End
	5096 081AA	3				EX0		For 52111489AA Drive Shaft, Rear Axle, End
7	#5073 608AA	1				ER0		YOKE, Drive Shaft
		1				EV0		
8	5015 109AA	3				ER0		BOLT AND WASHER Mounting
		3				EV0		Mounting
		3				EX0	DGW	Mounting
9	52099 497AE	1				ER0		SHAFT, Drive, Front
	52099 498AE	1				EV0		
	52099 499AD	1				EX0		
10	5015 996AA	3				ER0		BOLT AND WASHER Mounting
		3				EV0		Mounting
		3				EX0	DGW	Mounting

### JEEP GRAND CHEROKEE (WG)

SERIES	LINE	BODY	ENGINE	TRANSMISSION
H = Laredo	J = 4WD	74 = 4 Door	ER0, ERH = 4.0L, Power Tech	DGK = 4 Speed Autm, 42RE
P = Limited	U = 4WD, RHD		EV0, EVA = 4.7L, Power Tech	DGQ = 5 Speed Automatic
			EX0, EXA = 3.1L 5 Cyl Turbo Diesel	- 5-45RFE
				DGW = 4 Speed Autm, 44RE

AR = Use as required - = Non illustrated part # = New this model year

October 31, 2002

# Group - 017

## Rear Suspension

### GROUP 17 - Rear Suspension

Illustration Title

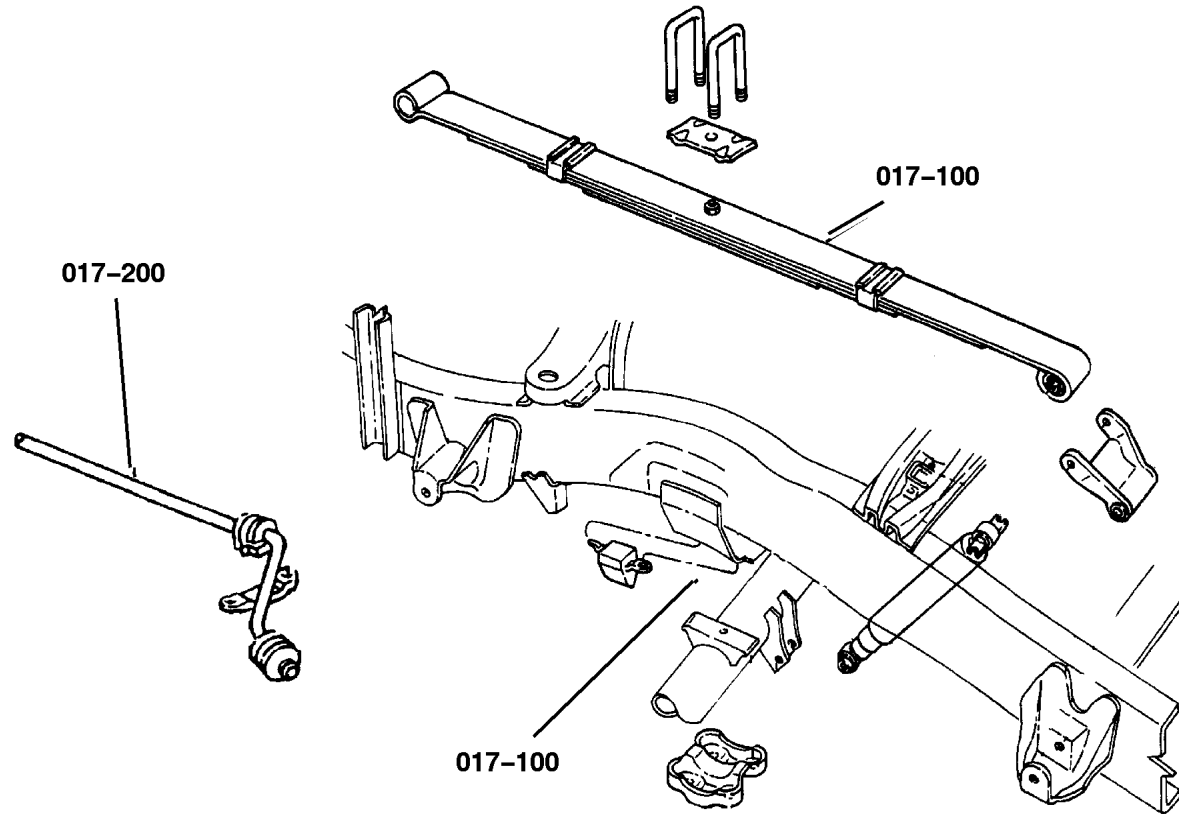
Group-Fig. No.

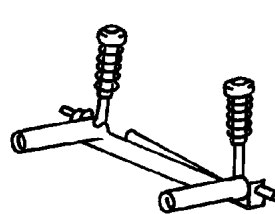
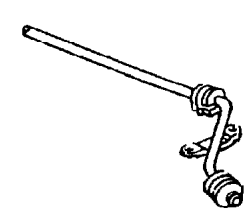
#### Rear Suspension

Supension, Rear w/Shock Absorber ..... Fig. 017-130

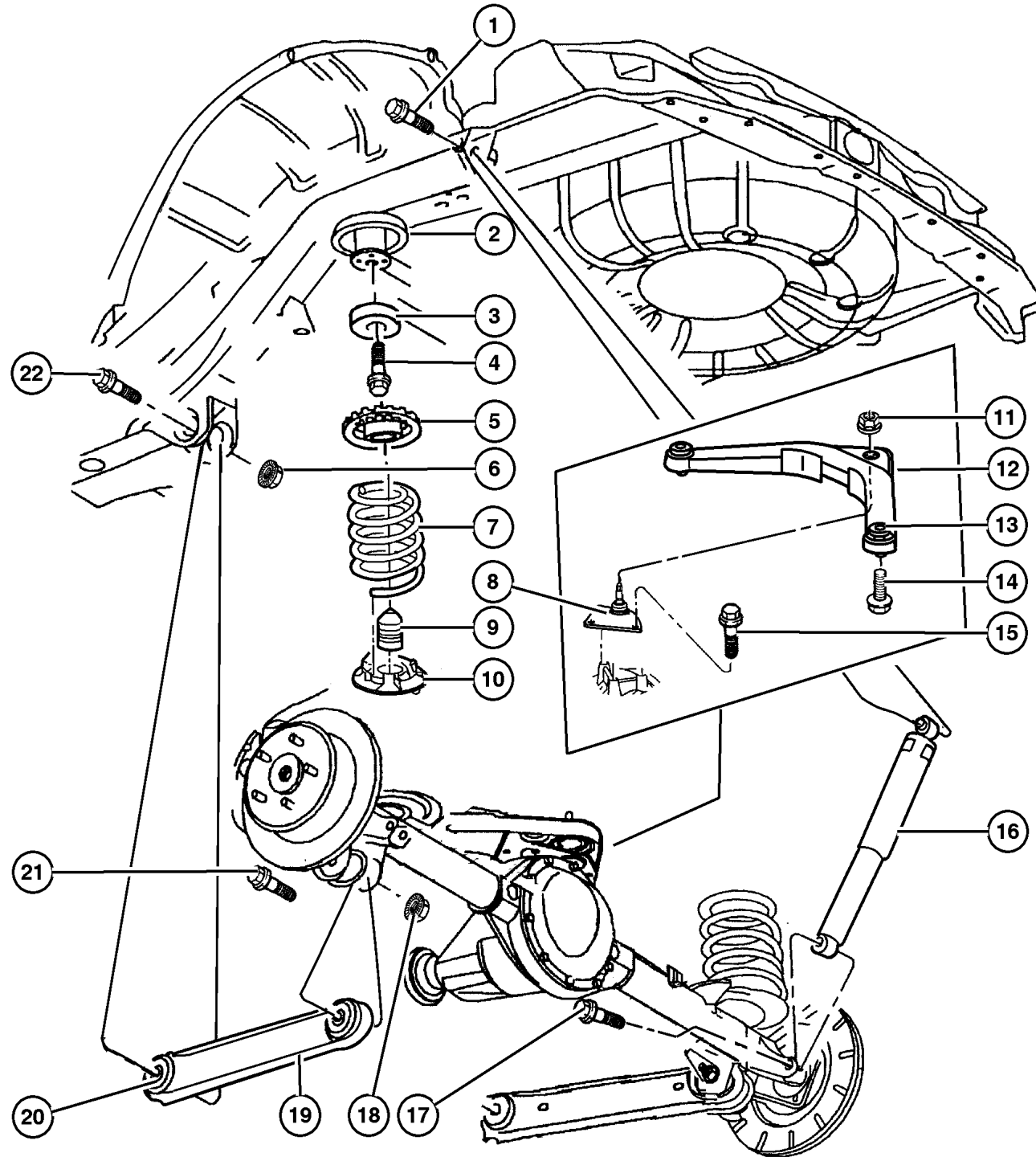
#### Rear Stabilizer

Stabilizer Bar, Rear ..... Fig. 017-210



<p><b>017-100</b> Rear Suspension</p> 	<p><b>017-200</b> Rear Stabilizer</p> 		
---	---	--	--

**Suspension, Rear w/Shock Absorber  
Figure 017-130**



ITEM	PART NUMBER	QTY	LINE	SERIES	BODY	ENGINE	TRANS	DESCRIPTION
Note: SDA=Quadra Coil Suspension---SDU=Heavy Duty Suspension---SDJ=Firm Feel Suspension (EXPORT)---The 'Z' Sales Codes for the Coil Springs will be found in the VIN number								
1	6506 147AA	2						SCREW, Hex Flange Head, M12x1.75x80, Shock Mounting, Upper
2	5014 781AA	2						GUIDE, Rear Spring, None
3	5208 8350	2						SPACER, Jounce Bumper, Upper
4	6505 378AA	2						SCREW, Hex Flange Head, M10x1.5x40, Jounce Bumper Spacer Attaching, Upper
5	5208 8346	2						ISOLATOR, Spring, RR UPR, Upper
6	6502 698	4						NUT, Hex Flange Lock
7	5208 8343	1						SPRING, Suspension, Rear [ZKW,ZYW]
	5208 8344	1						[ZLV,ZZV]
	5208 8345	1						[ZLW,ZZW]
	5208 8404	1						[ZKY,ZYY]
	5208 8550	1						[ZKX,ZYX]
	5208 8551	1						[ZLU,ZZU]
	52089 500AA	1						[ZKZ,ZYZ]
8	52088 808AB	1						BALL JOINT ASSEMBLY, UPPER CONTROL ARM, REAR
9	5208 8352	2						BUMPER, Jounce, Lower
10	52088 402AB	2						ISOLATOR, Spring, RR LWR, Lower
11	6505 688AA	1						NUT, Hex Flange Lock, M14x2, UCA to Axle Ball Joint
12	52088 422AB	1						ARM, Upper Control, Rear, with 2-Bushings
13	5208 8425	2						BUSHING, Control Arm, Upper
14	6504 748	2						SCREW, Hex Flange Head, M12x1.75x117, Control Arm to Body Mounting, Upper
15	6505 445AA	3						SCREW, Hex Flange Head, M14x2x36, Ball Joint to Axle Mounting, Upper
16	52088 735AA	2						SHOCK ABSORBER, Suspension, Rear HEAVY DUTY W/GAS SHOCKS
	52088 736AC	2						NORMAL DUTY
	52088 950AC	2						FIRM
17	6505 935AA	2						SCREW, Shock Mounting, Lower
18	6502 698	4						NUT, Hex Flange Lock
19	52088 355AB	2						ARM, Control, with 2-Bushings, Lower
20	5208 8220	2						BUSHING, Control Arm, Control Arm to Body, Lower

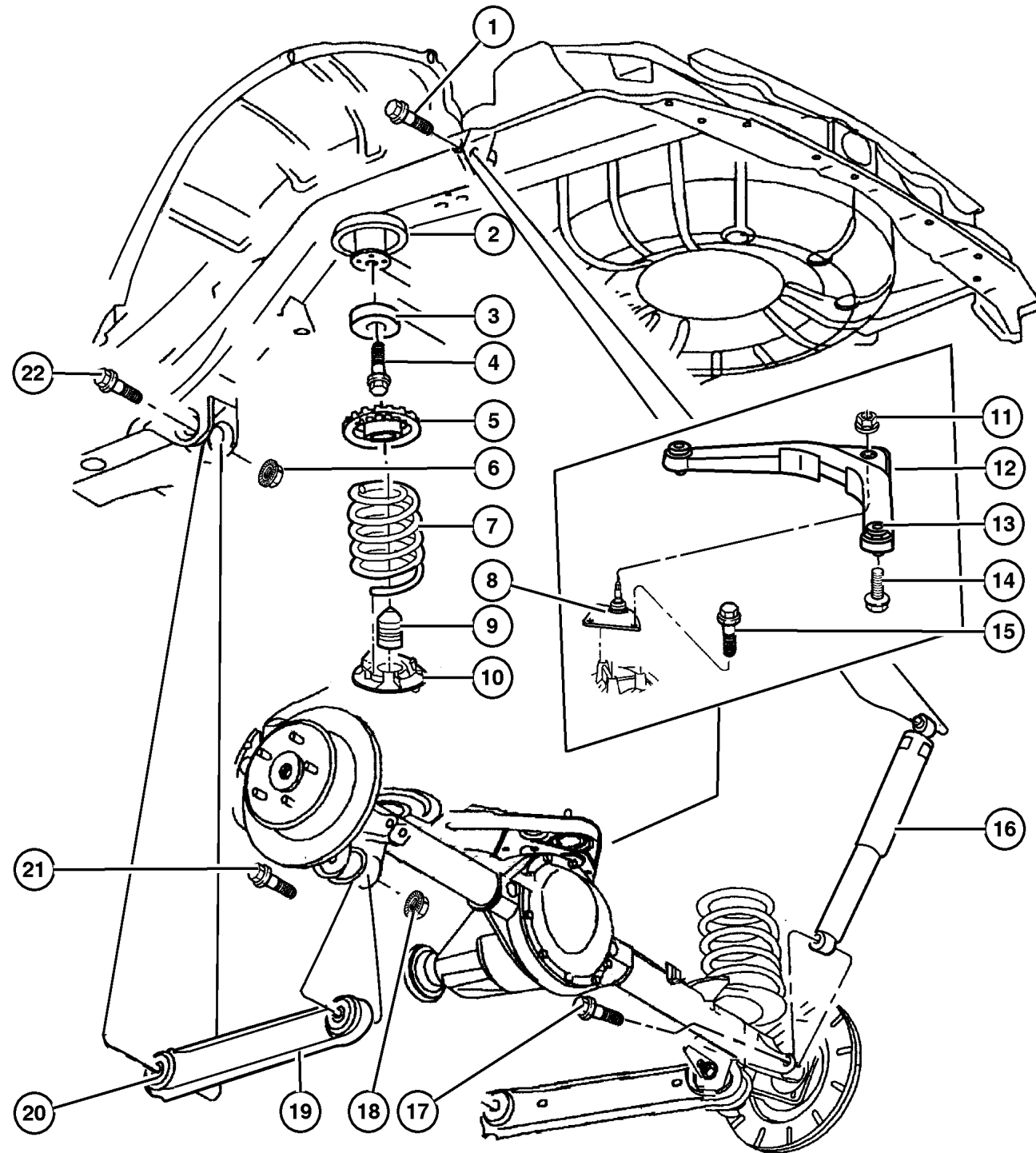
**JEEP GRAND CHEROKEE (WG)**

SERIES	LINE	BODY	ENGINE	TRANSMISSION
H = Laredo	J = 4WD	74 = 4 Door	ER0, ERH = 4.0L, Power Tech	DGK = 4 Speed Autm, 42RE
P = Limited	U = 4WD, RHD		EVO, EVA = 4.7L, Power Tech	DGQ = 5 Speed Automatic
			EXO, EXA = 3.1L 5 Cyl Turbo Diesel	- 5-45RFE
				DGW = 4 Speed Autm, 44RE

AR = Use as required - = Non illustrated part # = New this model year

October 31, 2002

**Suspension, Rear w/Shock Absorber  
Figure 017-130**



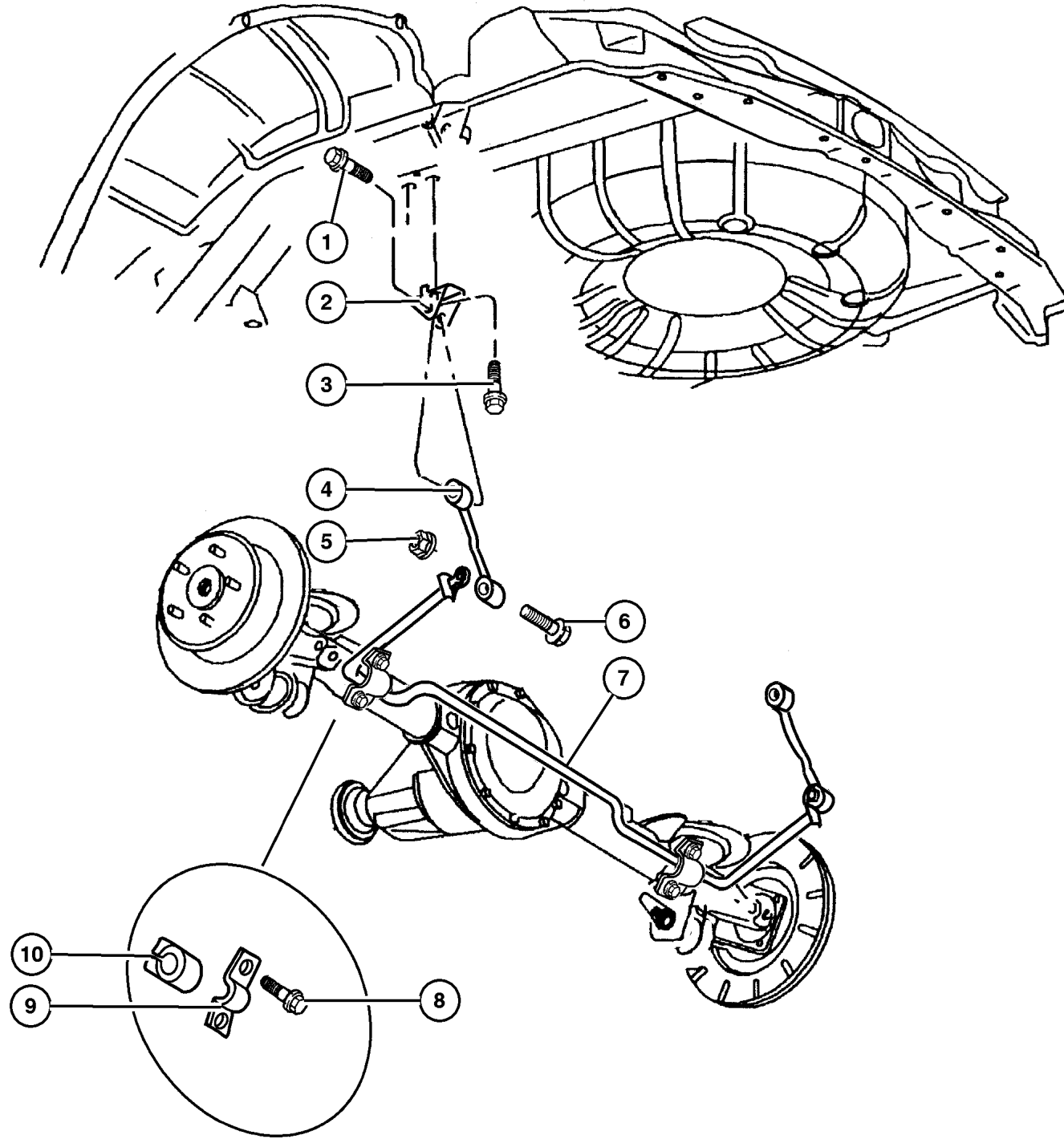
ITEM	PART NUMBER	QTY	LINE	SERIES	BODY	ENGINE	TRANS	DESCRIPTION
21	6505 214AA	2						SCREW, Hex Flange Head, M14x2.00x114, Control Arm to Axle Mounting, Lower
22	6506 033AA	2						BOLT, Hex Flange Head, M14x2.0x105, Control Arm to Body Mounting, Lower
-23	6502 698	4						NUT, Hex Flange Lock

<b>JEEP GRAND CHEROKEE (WG)</b>				
SERIES	LINE	BODY	ENGINE	TRANSMISSION
H = Laredo	J = 4WD	74 = 4 Door	ER0, ERH = 4.0L, Power Tech	DGK = 4 Speed Autm, 42RE
P = Limited	U = 4WD, RHD		EVO, EVA = 4.7L, Power Tech	DGQ = 5 Speed Automatic
			EXO, EXA = 3.1L 5 Cyl Turbo Diesel	- 5-45RFE
				DGW = 4 Speed Autm, 44RE

AR = Use as required - = Non illustrated part # = New this model year

October 31, 2002

## Stabilizer Bar, Rear Figure 017-210



ITEM	PART NUMBER	QTY	LINE	SERIES	BODY	ENGINE	TRANS	DESCRIPTION
1	6505 935AA	2						SCREW, Sway Bar Link to Sill Bracket
2	52088 525AB	2						BRACKET, Suspension
3	6503 571	4						SCREW AND WASHER, M10x1.50x35, Link Bracket to Sill Mounting
4	52088 319AB	2						LINK, Sway Eliminator
5	6502 696	2						NUT, Hex Flange Lock, M10x1.5
6	6503 726	2						SCREW, Shoulder, Sway Bar Link to Sway Bar Mounting
7	52088 739AB	1						STABILIZER BAR, Rear Suspension
8	6503 571	4						SCREW AND WASHER, M10x1.50x35
9	5208 7865	2						RETAINER, Sway Bar
10	52088 738AC	2						BUSHING, Sway Bar

**JEEP GRAND CHEROKEE (WG)**

SERIES	LINE	BODY	ENGINE	TRANSMISSION
H = Laredo	J = 4WD	74 = 4 Door	ER0, ERH = 4.0L, Power Tech	DGK = 4 Speed Autm, 42RE
P = Limited	U = 4WD, RHD		EVO, EVA = 4.7L, Power Tech	DGQ = 5 Speed Automatic
			EXO, EXA = 3.1L 5 Cyl Turbo Diesel	- 5-45RFE
				DGW = 4 Speed Autm, 44RE

AR = Use as required - = Non illustrated part # = New this model year

October 31, 2002

# Group – 019

## Steering

### GROUP 19 - Steering

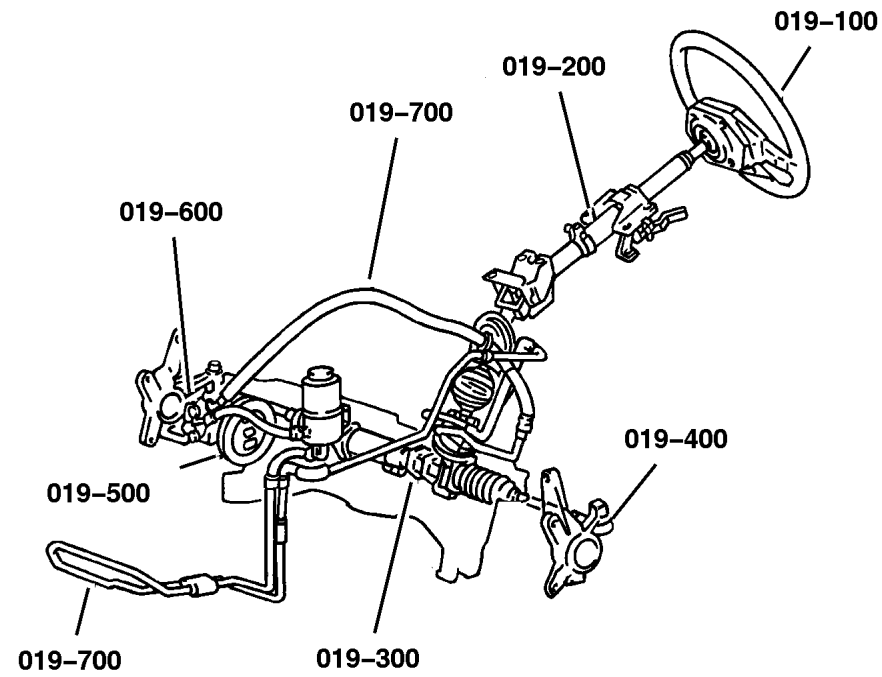


Illustration Title

Group-Fig. No.

#### Steering Wheel

Steering Wheel Assembly ..... Fig. 019-110

#### Steering Column

Steering Column Assy ..... Fig. 019-210

#### Steering Gear

Steering Gear -Left Hand Drive ..... Fig. 019-310

Steering Gear -Right Hand Drive ..... Fig. 019-320

#### Steering Linkage

Steering Linkage,Left Hand Drive ..... Fig. 019-410

Steering Linkage,Right Hand Drive ..... Fig. 019-420

#### Power Steering Pump

Power Steering Pumps-Gas ..... Fig. 019-510

Power Steering Pump - Diesel ..... Fig. 019-520

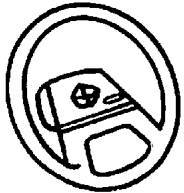
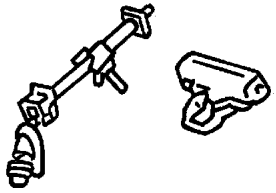
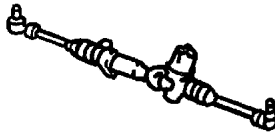
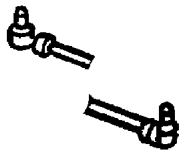
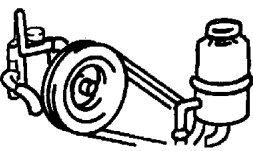
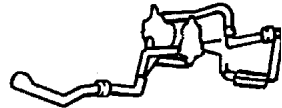
#### Power Steering Hoses

Power Steering Hoses-Gas-Left Hand Drive ..... Fig. 019-710

Power Steering Hoses-Diesel-Left Hand Drive ..... Fig. 019-720

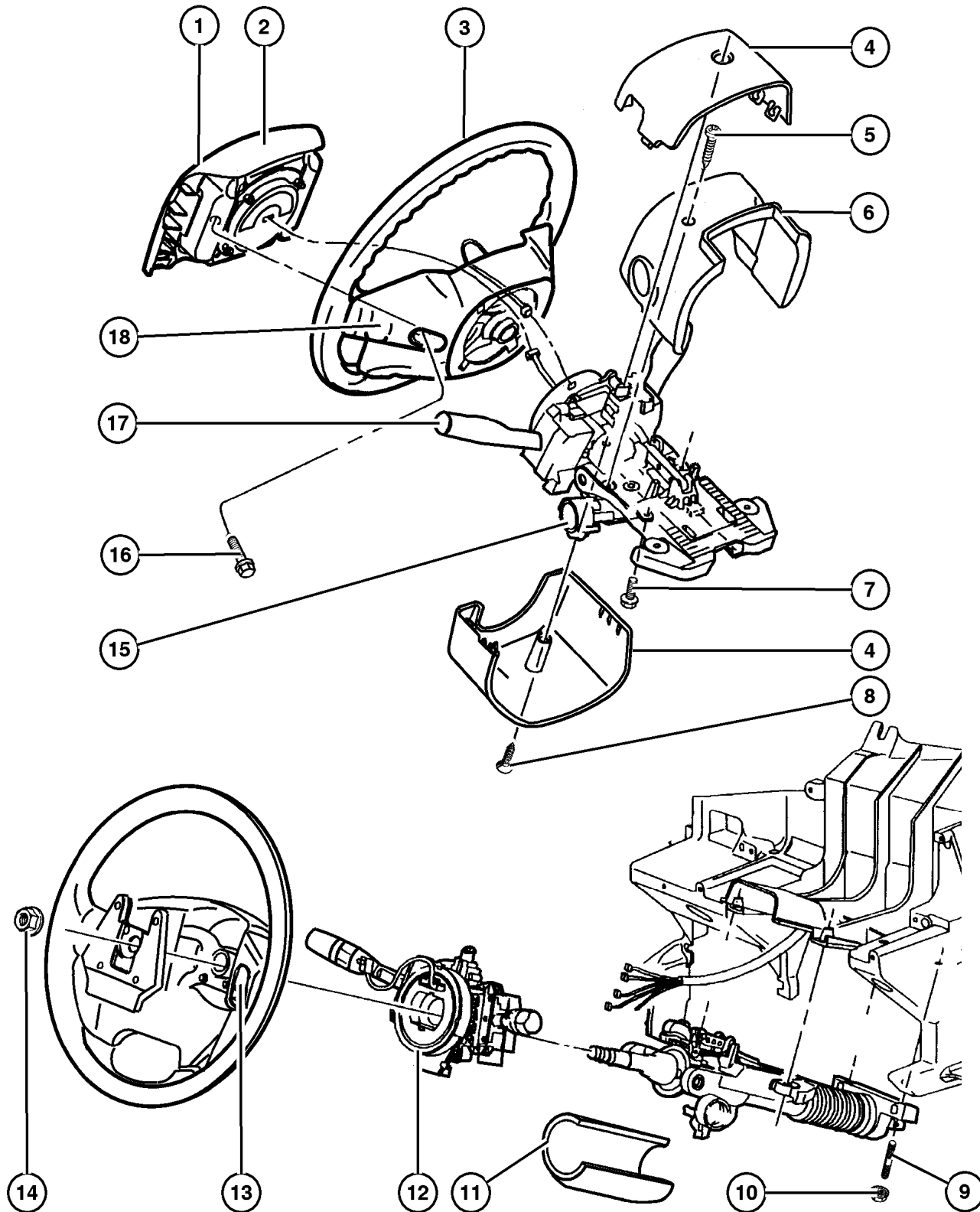
Power Steering Hoses-Gas-Right Hand Drive ..... Fig. 019-730

Power Steering Hoses-Diesel-Right Hand Drive ..... Fig. 019-740

<p><b>019-100</b> Steering Wheel</p> 	<p><b>019-200</b> Steering Column</p> 	<p><b>019-300</b> Steering Gear</p> 	<p><b>019-400</b> Steering Linkage</p> 
<p><b>019-500</b> Power Steering Pump</p> 	<p><b>019-700</b> Power Steering Hoses</p> 		



## Steering Wheel Assembly Figure 019-110



ITEM	PART NUMBER	QTY	LINE	SERIES	BODY	ENGINE	TRANS	DESCRIPTION
Note: Sales Codes:								
DG0=All Automatic Transmissions								
SCA=Vinyl Steering Wheel								
SCL =Leather Wrapped Steering Wheel								
1								AIR BAG, Driver
	#5GT61 LAZAA	1		H				Agate
		1		P				Agate
	#5GT61 XTMAA	1		P				Black
2								COVER, Air Bag Module
	#WH20 LAZAA	1		H				Includes Horn Switch-Agate
		1		P				Includes Horn Switch-Agate
	#WH20 XTMAA	1		P				Includes Horn Switch-Black
3								WHEEL, Steering
	5HM23 1AZAA	1						[SCA]
	5HM24 1AZAA	1		H				[SCL]
		1		P				[SCL] [AZ]
	5HM24 1TMAA	1		P				[SCL] [T5]
4								SHROUD, Steering Column
	5GE40 LAZAA	1		H				Agate, Upper And Lower
		1		P				Agate, Upper And Lower
	5GE40 XTMAA	1		P				Black, Upper And Lower
5	6035 142	2						SCREW, .164-32x1.00, Shroud to Column
6								SHROUD, Steering Column
	5GE39 LAZAA	1		H			DG0	Fixed-Agate, Upper
		1		P			DG0	Fixed-Agate, Upper
	5GE39 XTMAA	1		P			DG0	Fixed-Black, Upper
7	6505 513AA	1						SCREW, Tapping, M4x0.7x14, Smart Key Immobilizer Module Mounting
8	6034 678	1						SCREW, Self Piercing, .164-15-1, Shroud to Shroud
9								STUD, M6x1.00mmx48.80mm, (NOT SERVICED) (Not Serviced)
10	6503 014	4						NUT AND WASHER, Hex, M6x1, Steering Column Mounting
11	4690 413	2						COVER, Steering Wheel
12	56042 341AE	1						CLOCKSPRING
13								SWITCH, Speed Control
	56042 310AC	1						[SCA], Right
	56042 311AC	1						[SCA], Left
	5GY38 1AZAA	1		P				[SCL] Agate, Right
	5GY38 1TMAA	1		P				[SCL] Black, Right
	5GY39 1AZAA	1		P				[SCL] Agate, Left

### JEEP GRAND CHEROKEE (WG)

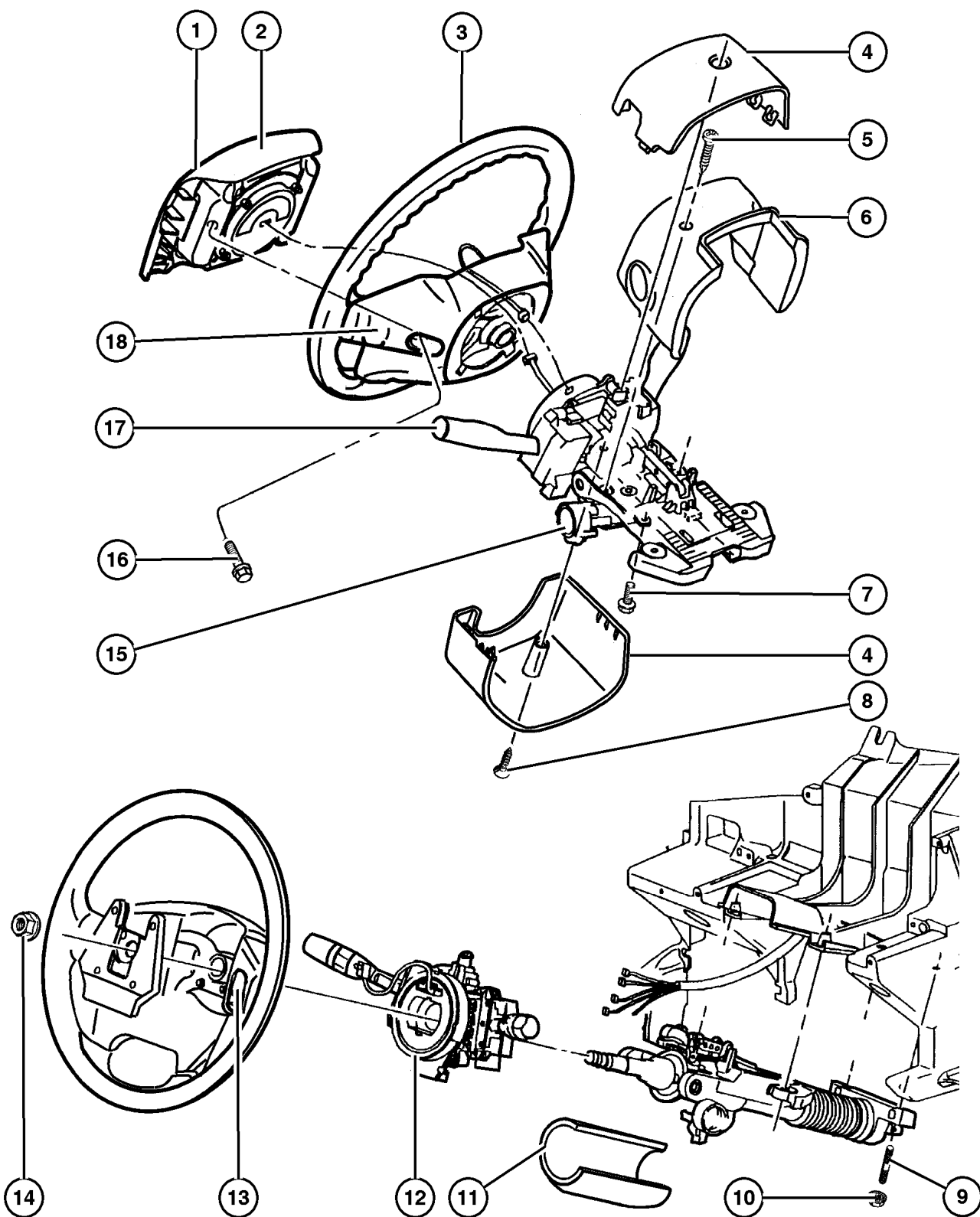
SERIES	LINE	BODY	ENGINE	TRANSMISSION
H = Laredo	J = 4WD	74 = 4 Door	ER0, ERH = 4.0L, Power Tech	DGK = 4 Speed Autm, 42RE
P = Limited	U = 4WD, RHD		EVO, EVA = 4.7L, Power Tech	DGQ = 5 Speed Automatic
			EXO, EXA = 3.1L 5 Cyl Turbo Diesel	- 5-45RFE
				DGW = 4 Speed Autm, 44RE

AR = Use as required - = Non illustrated part # = New this model year

October 31, 2002

## Steering Wheel Assembly Figure 019-110

ITEM	PART NUMBER	QTY	LINE	SERIES	BODY	ENGINE	TRANS	DESCRIPTION
	5GY39 1TMAA	1		P				[SCL] Black, Left
14	6505 248AA	1						NUT, Hex Flange Lock
15	#4686 665AB	1						MODULE, Immobilizer
16	6506 091AA	2						SCREW, M6x1x25, Air Bag to Steering Wheel Mounting
17	4690 595AA	1						LEVER, Steering Column
18								SWITCH, Steering Wheel Remote
	56042 312AB	1		H				Radio Control, Right
	56042 313AB	1		H				Radio Control, Left
	56042 312AB	1		P				Radio Control, Right
	56042 313AB	1		P				Radio Control, Left
-19	4595 746AA	1						LABEL, Air Bag Warning
-20								WIRING, Steering Wheel
	56042 595AB	1						[SCA]
	56042 592AB	1		H				[SCL]



**JEEP GRAND CHEROKEE (WG)**

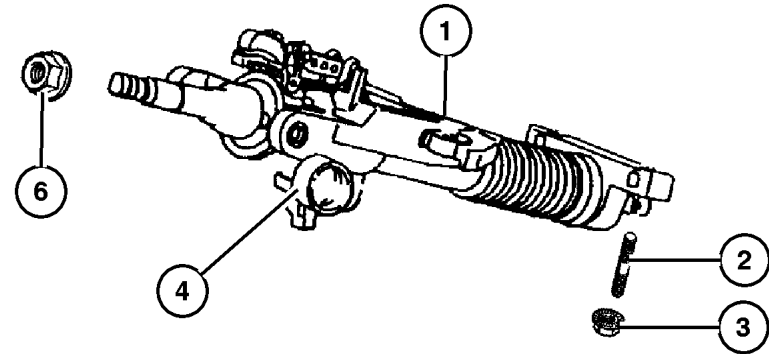
SERIES	LINE	BODY	ENGINE	TRANSMISSION
H = Laredo	J = 4WD	74 = 4 Door	ER0, ERH = 4.0L, Power Tech	DGK = 4 Speed Autm, 42RE
P = Limited	U = 4WD, RHD		EVO, EVA = 4.7L, Power Tech	DGQ = 5 Speed Automatic
			EXO, EXA = 3.1L 5 Cyl Turbo Diesel	- 5-45RFE
				DGW = 4 Speed Autm, 44RE

AR = Use as required - = Non illustrated part # = New this model year

October 31, 2002

**Steering Column Assy  
Figure 019-210**

ITEM	PART NUMBER	QTY	LINE	SERIES	BODY	ENGINE	TRANS	DESCRIPTION
1	55116 975AE	1						COLUMN, Steering, Tilt
2								STUD, M6x1.00mmx48.80mm, (NOT SERVICED) (Not Serviced)
3	6503 014	4						NUT AND WASHER, Hex, M6x1, Steering Column Mounting
4	4690 488	1						HOUSING, Steering Column Lock, Holds Cylinder and Key
-5	4690 023	2						SCREW, Pan Head, .25-20x.62, Ignition Lock Housing Mounting
6	6505 248AA	1						NUT, Hex Flange Lock, Steering Wheel Attaching



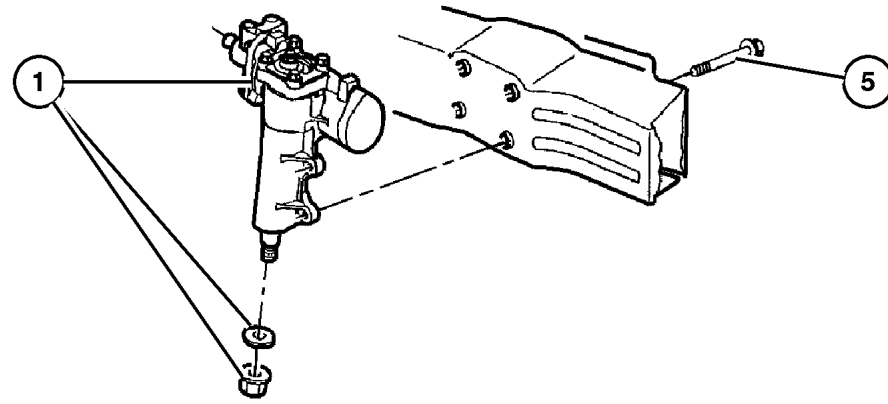
<b>JEEP GRAND CHEROKEE (WG)</b>				
SERIES	LINE	BODY	ENGINE	TRANSMISSION
H = Laredo	J = 4WD	74 = 4 Door	ER0, ERH = 4.0L, Power Tech	DGK = 4 Speed Autm, 42RE
P = Limited	U = 4WD, RHD		EVO, EVA = 4.7L, Power Tech	DGQ = 5 Speed Automatic
			EXO, EXA = 3.1L 5 Cyl Turbo Diesel	- 5-45RFE
				DGW = 4 Speed Autm, 44RE

AR = Use as required - = Non illustrated part # = New this model year

October 31, 2002

## Steering Gear -Left Hand Drive Figure 019-310

ITEM	PART NUMBER	QTY	LINE	SERIES	BODY	ENGINE	TRANS	DESCRIPTION
Note: T=2 Wheel Drive Left Hand Drive---J=4 Wheel Drive Left Hand Drive								
1	52088 273AC	1	J					GEAR, Power Steering
-2	5014 667AA	1	J					SEAL KIT, Steering Gear Housing
-3	5014 665AA	1	J					SEAL KIT, Steering Gear
-4	5014 671AA	1	J					SEAL KIT, Steering gear pitman shaft
5	6504 965AA	4						SCREW, Hex Head, Steering Gear to Sill Mounting



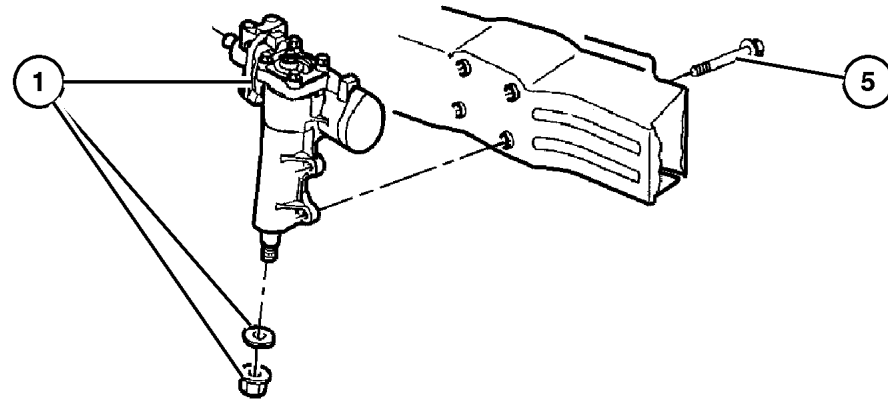
<b>JEEP GRAND CHEROKEE (WG)</b>				
SERIES	LINE	BODY	ENGINE	TRANSMISSION
H = Laredo	J = 4WD	74 = 4 Door	ER0, ERH = 4.0L, Power Tech	DGK = 4 Speed Autm, 42RE
P = Limited	U = 4WD, RHD		EVO, EVA = 4.7L, Power Tech	DGQ = 5 Speed Automatic
			EXO, EXA = 3.1L 5 Cyl Turbo Diesel	- 5-45RFE
				DGW = 4 Speed Autm, 44RE

AR = Use as required - = Non illustrated part # = New this model year

October 31, 2002

## Steering Gear -Right Hand Drive Figure 019-320

ITEM	PART NUMBER	QTY	LINE	SERIES	BODY	ENGINE	TRANS	DESCRIPTION
Note: T=2 Wheel Drive Left Hand Drive---J=4 Wheel Drive Left Hand Drive								
1	52088 471AC	1	U					GEAR, Power Steering
-2	5014 668AA	1	U					SEAL KIT, Steering Gear Housing
-3	5014 665AA	1	U					SEAL KIT, Steering Gear
-4	5014 674AA	1	U					SEAL KIT, Steering gear pitman shaft
5	6504 965AA	4						SCREW, Hex Head, Steering Gear to Sill Mounting

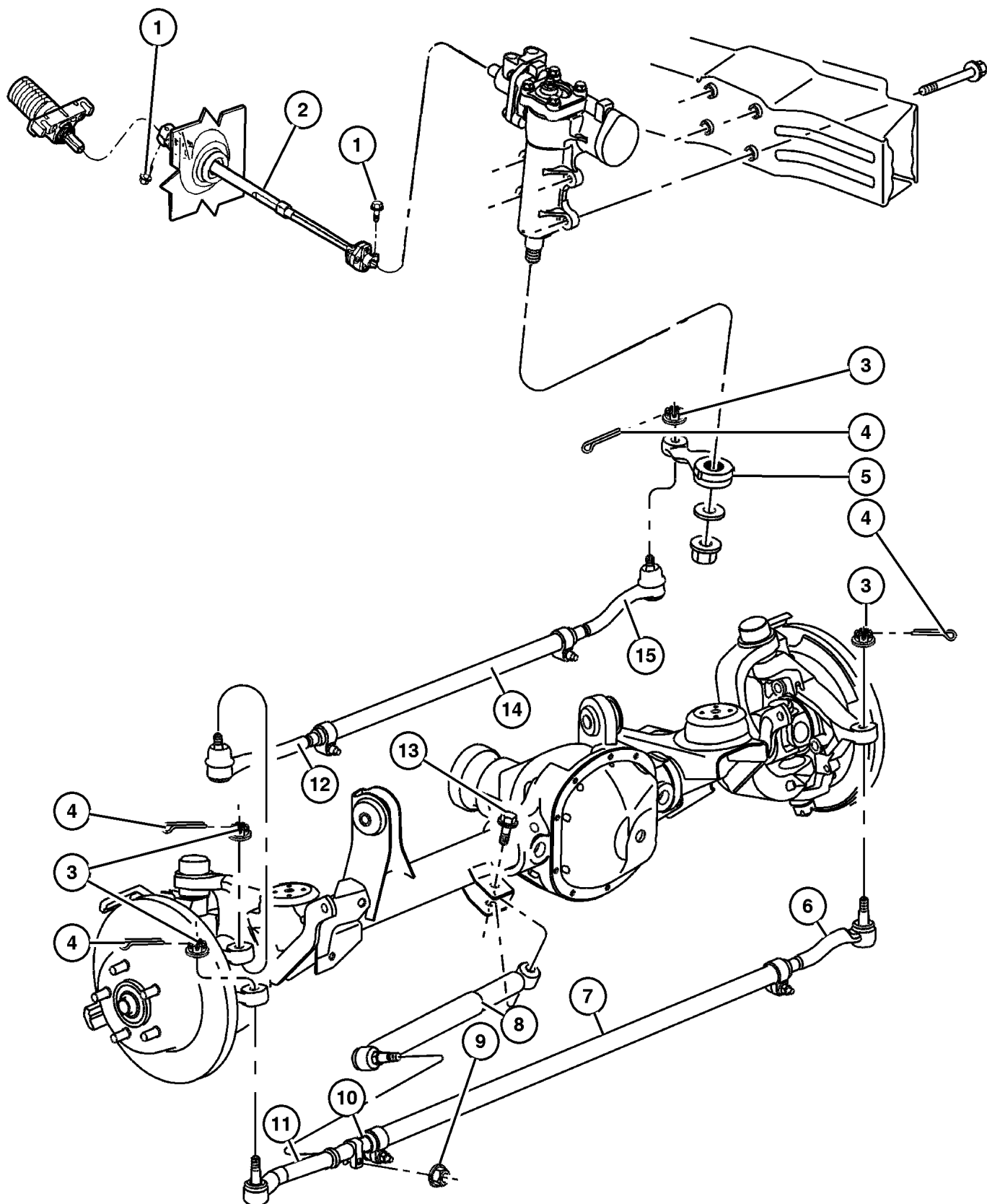


<b>JEEP GRAND CHEROKEE (WG)</b>				
SERIES	LINE	BODY	ENGINE	TRANSMISSION
H = Laredo	J = 4WD	74 = 4 Door	ER0, ERH = 4.0L, Power Tech	DGK = 4 Speed Autm, 42RE
P = Limited	U = 4WD, RHD		EVO, EVA = 4.7L, Power Tech	DGQ = 5 Speed Automatic
			EXO, EXA = 3.1L 5 Cyl Turbo Diesel	- 5-45RFE
				DGW = 4 Speed Autm, 44RE

AR = Use as required - = Non illustrated part # = New this model year

October 31, 2002

## Steering Linkage, Left Hand Drive Figure 019-410



ITEM	PART NUMBER	QTY	LINE	SERIES	BODY	ENGINE	TRANS	DESCRIPTION
1	6504 926AA	2						SCREW, Hex Flange Head, M10x1.5x40, Intermediate Shaft to Steering Column/ Gear Box, Mounting
2	52088 253AG	1	J					SHAFT, Intermediate
3	6034 358	2						NUT, Hex, .50-20
4		1						Tie Rod to Knuckle, Mounting
		1						Drag Link to Pitman Arm, Mounting
		1						Drag Link to Knuckle, Mounting
4								PIN, Cotter
	3420 2101	2						Tie Rod to Knuckle, Mounting
		1						Drag Link to Pitman Arm, Mounting
		1						Drag Link to Knuckle, Mounting
5	5208 8242	1	J					ARM, Pitman
6	52088 869AA	1						SOCKET, Tie Rod, Outer, To Knuckle, Left
7	52088 871AB	1						LINK, Steering, Adjuster Tube with Clamps
8	52088 251AB	1						DAMPER, Steering
9	6505 822AA	1						NUT, Steering Damper Stud to Tie Rod, Mounting
10	52088 872AA	1						CLAMP, Steering Damper, To Tie Rod Assembly, Mounting
11	52088 870AA	1						SOCKET, Tie Rod, Outer, To Knuckle, Right
12	5208 8461	1	J					SOCKET, Tie Rod, Drag Link to Knuckle
13	6502 473	1						BOLT, Hex Flange Head, M12x1.75x65, Steering Damper to Axle Bracket, Mounting
14	52088 463AB	1	J					LINK, Steering, Adjuster Tube with Clamps
15	5208 8511	1	J					SOCKET, Tie Rod, Drag Link to Pitman Arm

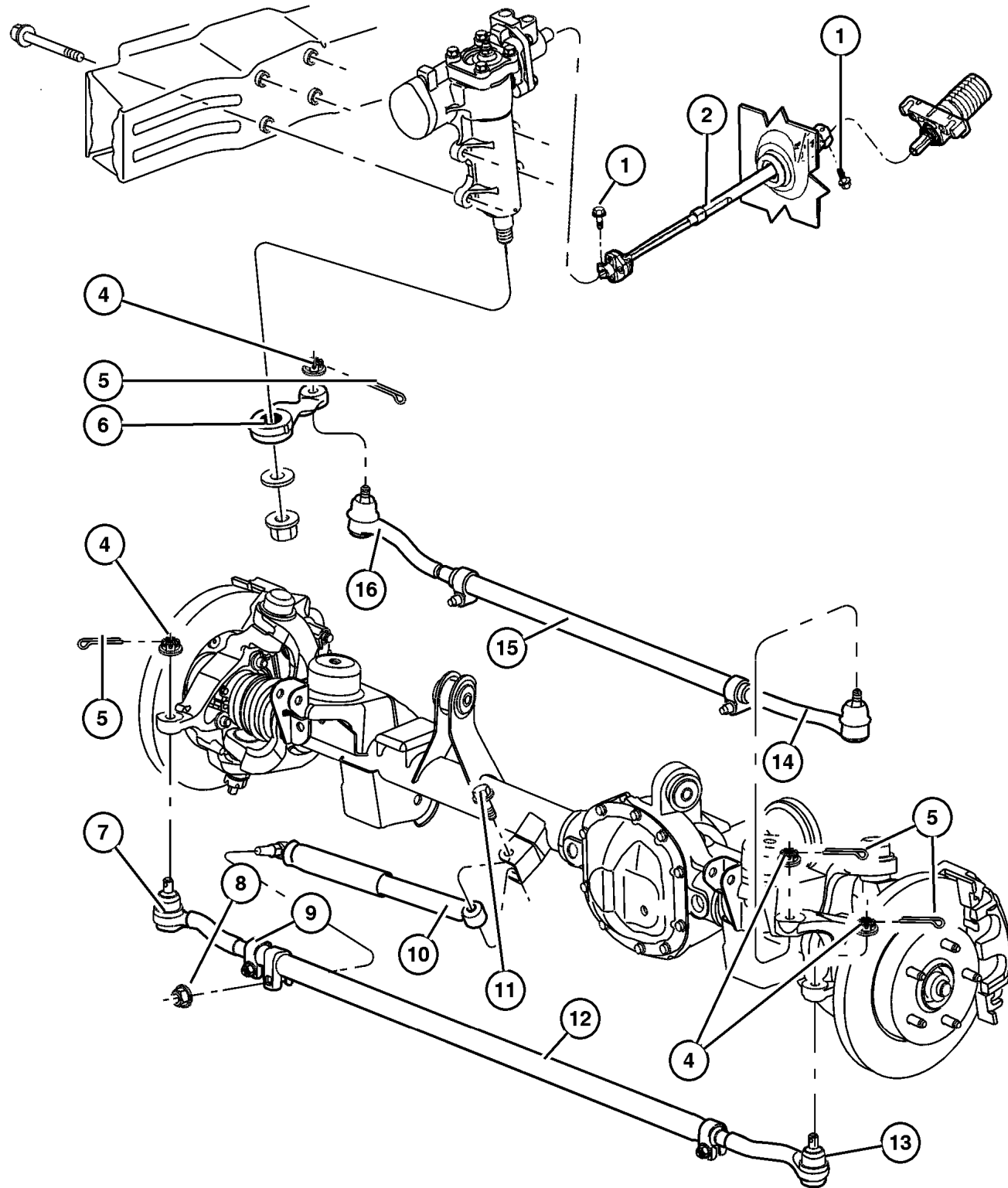
### JEEP GRAND CHEROKEE (WG)

SERIES	LINE	BODY	ENGINE	TRANSMISSION
H = Laredo	J = 4WD	74 = 4 Door	ER0, ERH = 4.0L, Power Tech	DGK = 4 Speed Autm, 42RE
P = Limited	U = 4WD, RHD		EVO, EVA = 4.7L, Power Tech	DGQ = 5 Speed Automatic
			EXO, EXA = 3.1L 5 Cyl Turbo Diesel	- 5-45RFE
				DGW = 4 Speed Autm, 44RE

AR = Use as required - = Non illustrated part # = New this model year

October 31, 2002

## Steering Linkage, Right Hand Drive Figure 019-420



ITEM	PART NUMBER	QTY	LINE	SERIES	BODY	ENGINE	TRANS	DESCRIPTION
Note: Sales Codes								
[EN0]=Engines - All 4/5 Cylinder Turbo Diesel								
[ER0]=Engines - All 4.0L 6 Cylinder Gas								
[EV0]=Engines - All 4.7L Gas								
1	6504 926AA	2						SCREW, Hex Flange Head, M10x1.5x40, Intermediate Shaft to Steering Column/ Gearbox, Mounting
2	52088 253AG	1	U			ER0, EX0		SHAFT, Intermediate
	#55116 336AE	1	U			EVO		
-3	6100 516	2	U			EVO		NUT, Hex Flange Lock, M6 Phosphate, Intermediate Shaft to Center Bearing
4	6034 358	2						Bracket, Mounting
		1						NUT, Hex, .50-20
		1						Tie Rod to Knuckle, Mounting
		1						Drag Link to Pitman Arm, Mounting
5	3420 2101	2						PIN, Cotter
		1						Tie Rod to Knuckle, Mounting
		1						Drag Link to Pitman Arm, Mounting
		1						Drag Link to Knuckle, Mounting
6	5208 8243	1	U					ARM, Pitman
7	52088 870AA	1						SOCKET, Tie Rod, Outer, To Knuckle, Right
8	6505 822AA	1						NUT, Steering Damper Stud to Tie Rod, Mounting
9	52088 872AA	1						CLAMP, Steering Damper, To Tie Rod Assembly
10	52088 251AB	1						DAMPER, Steering
11	6502 473	1						BOLT, Hex Flange Head, M12x1.75x65, Steering Damper to Axle Bracket, Mounting
12	52088 871AB	1						LINK, Steering, Adjuster Tube with Clamps
13	52088 869AA	1						SOCKET, Tie Rod, Outer, To Knuckle, Left
14	5208 8512	1	U					SOCKET, Tie Rod, Drag Link to Knuckle
15	52088 728AB	1	U					LINK, Steering, Adjuster Tube with Clamps
16	5208 8511	1	U					SOCKET, Tie Rod, Drag Link to Pitman Arm

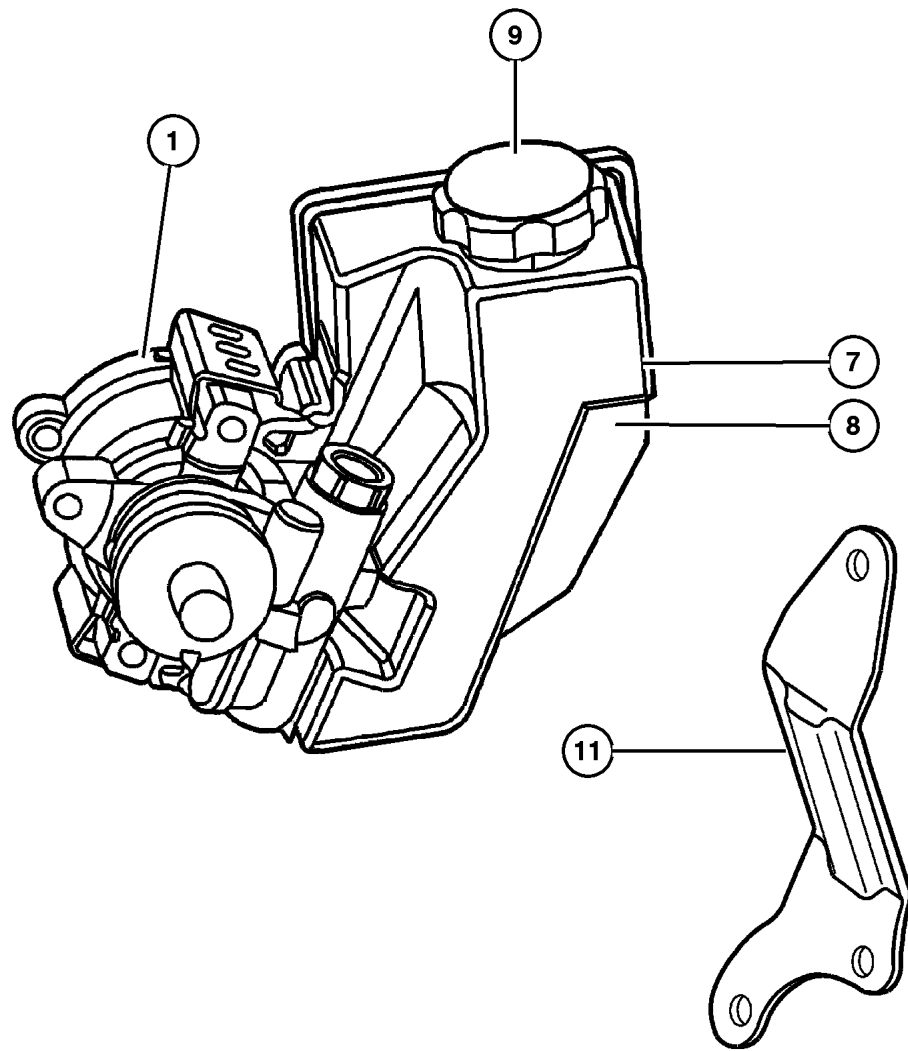
### JEEP GRAND CHEROKEE (WG)

SERIES	LINE	BODY	ENGINE	TRANSMISSION
H = Laredo	J = 4WD	74 = 4 Door	ER0, ERH = 4.0L, Power Tech	DGK = 4 Speed Autm, 42RE
P = Limited	U = 4WD, RHD		EV0, EVA = 4.7L, Power Tech	DGQ = 5 Speed Automatic
			EXO, EXA = 3.1L 5 Cyl Turbo Diesel	- 5-45RFE
				DGW = 4 Speed Autm, 44RE

AR = Use as required - = Non illustrated part # = New this model year

October 31, 2002

**Power Steering Pumps-Gas**  
**Figure 019-510**



ITEM	PART NUMBER	QTY	LINE	SERIES	BODY	ENGINE	TRANS	DESCRIPTION
Note: ER0=4.0L 6 Cyl Engine---EV0 = 4.7L Gas Engine								
1								PUMP, Power Steering
	52088 278AC	1				ER0		
	#52089 300AB	1				EV0		
-2	4728 247	1				ER0		SEAL, Power Steering Pump Shaft
-3	4778 797AB	1				EV0		SEAL, Power Steering Pump
-4	#5019 705AA	1				EV0		O RING
-5	2537 833	1				EV0		SPRING, Power Steering Pump Flow
-6	#52088 914AA	1				EV0		FITTING, Quick Disconnect
7	5016 184AA	1				ER0		RESERVOIR KIT, power steering pump
8	#5093 219AA	1				EV0		RESERVOIR, Power Steering Pump
9								CAP, Power Steering Reservoir
	4897 287AA	1				ER0		
	#5073 626AA	1				EV0		
-10	53010 258AB	1				ER0, EV0		PULLEY, Power Steering Pump
11	4854 157	1				ER0		BRACE, Power Steering Pump
-12	6502 425	3				ER0		SCREW AND WASHER, Hex Head, M8x1.25x95, Power Steering Pump and Brace, Mounting
-13	6102 045AA	3				EV0		SCREW AND WASHER, Hex Head, Power Steering Pump, Mounting

**JEEP GRAND CHEROKEE (WG)**

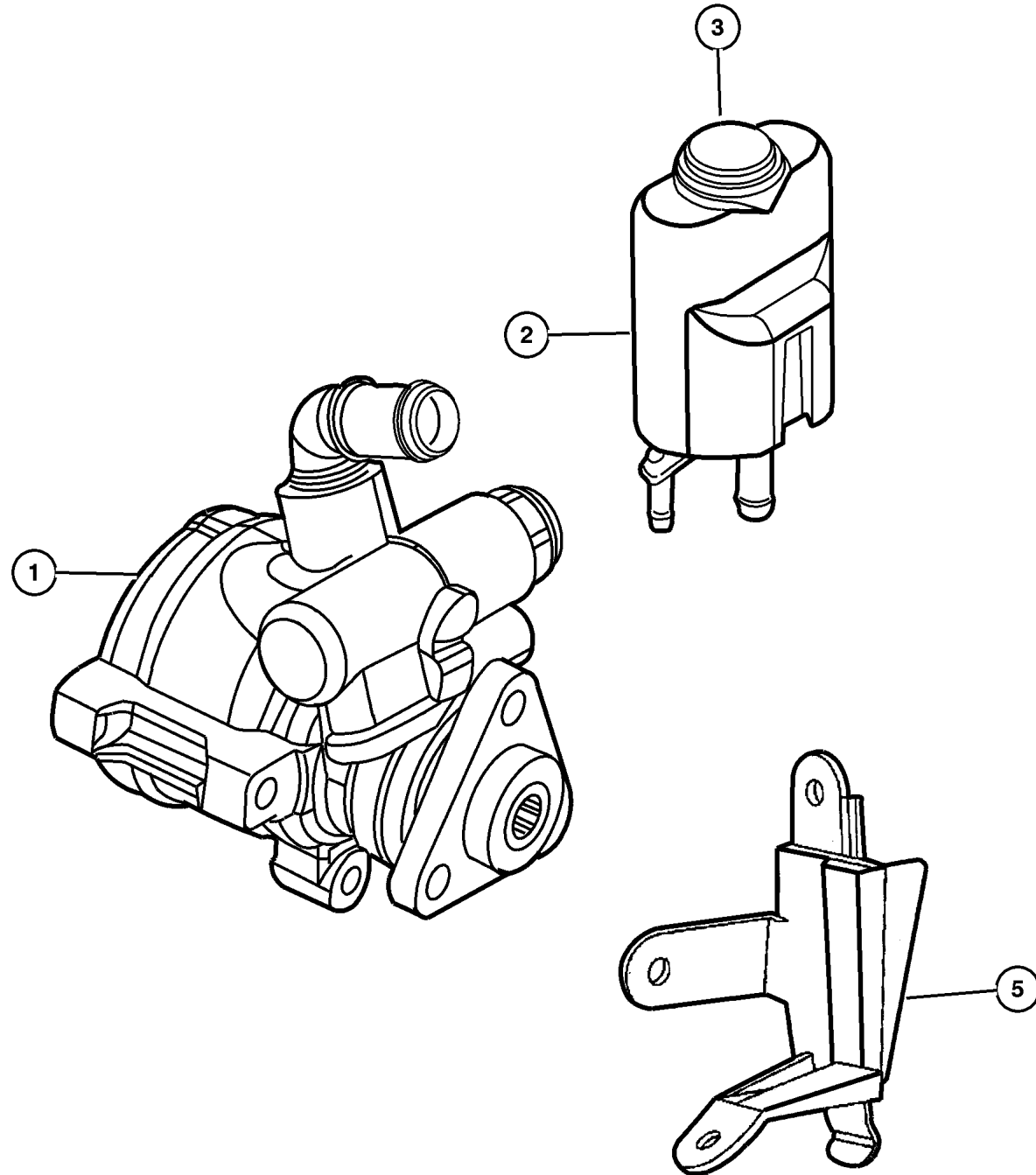
SERIES	LINE	BODY	ENGINE	TRANSMISSION
H = Laredo	J = 4WD	74 = 4 Door	ER0, ERH = 4.0L, Power Tech	DGK = 4 Speed Autm, 42RE
P = Limited	U = 4WD, RHD		EV0, EVA = 4.7L, Power Tech	DGQ = 5 Speed Automatic
			EXO, EXA = 3.1L 5 Cyl Turbo Diesel	- 5-45RFE
				DGW = 4 Speed Autm, 44RE

AR = Use as required - = Non illustrated part # = New this model year

October 31, 2002



**Power Steering Pump - Diesel**  
**Figure 019-520**



ITEM	PART NUMBER	QTY	LINE	SERIES	BODY	ENGINE	TRANS	DESCRIPTION
------	-------------	-----	------	--------	------	--------	-------	-------------

NOTES:

Sales Code:

DG0 = All Automatic Transmissions

EXO = All 3.0/3.1L Turbo Diesel Engine

1	52088 582AC	1				EXO	DG0	PUMP, Power Steering
2	52087 713AD	1				EXO		RESERVOIR, Power Steering Pump
3	4694 766	1				EXO		CAP, Power Steering Pump
-4								HOSE, Power Steering Reservoir, (See Illustration 710), (NOT SERVICED) (Not Serviced)
5	52088 529AA	1				EXO		BRACKET, Power Steering Reservoir
-6	5015 034AA	1				EXO	DG0	PULLEY, Power Steering Pump
-7	6102 132AA	3				EXO		SCREW, Hex Head, M6x1x20

**JEEP GRAND CHEROKEE (WG)**

SERIES	LINE	BODY	ENGINE	TRANSMISSION
H = Laredo	J = 4WD	74 = 4 Door	ER0, ERH = 4.0L, Power Tech	DGK = 4 Speed Autm, 42RE
P = Limited	U = 4WD, RHD		EVO, EVA = 4.7L, Power Tech	DGQ = 5 Speed Automatic
			EXO, EXA = 3.1L 5 Cyl Turbo Diesel	- 5-45RFE
				DGW = 4 Speed Autm, 44RE

AR = Use as required - = Non illustrated part # = New this model year

October 31, 2002

**Power Steering Hoses-Gas-Left Hand Drive  
Figure 019-710**

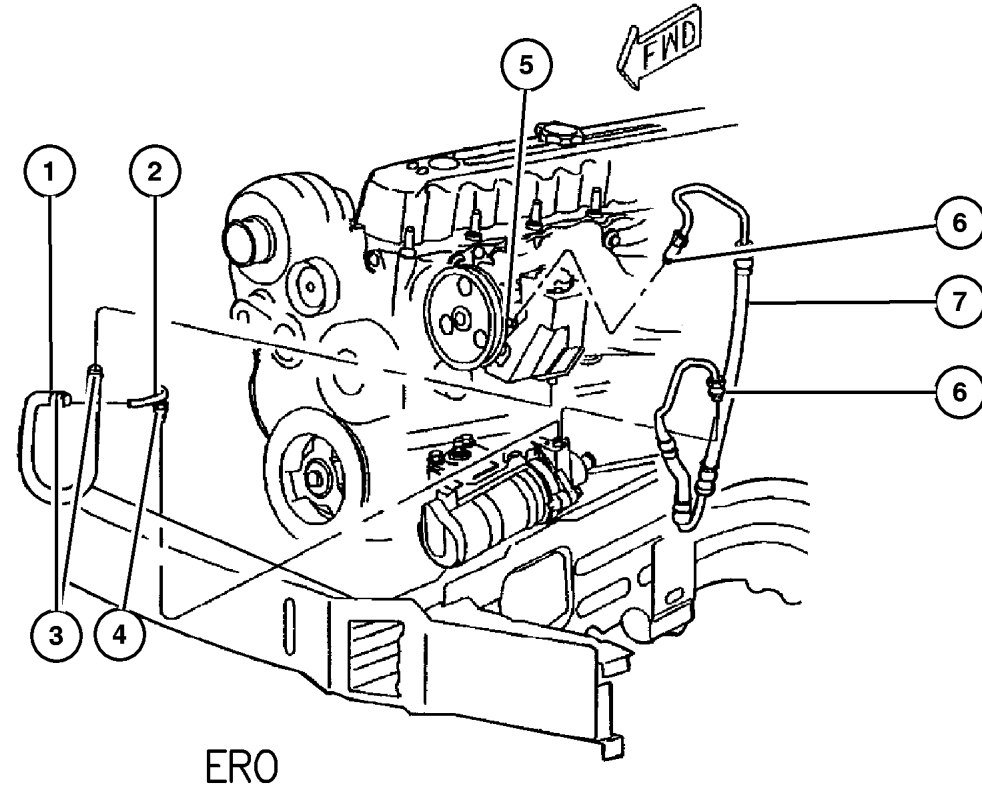
ITEM	PART NUMBER	QTY	LINE	SERIES	BODY	ENGINE	TRANS	DESCRIPTION
------	-------------	-----	------	--------	------	--------	-------	-------------

Note:

ER0 = All 4.0L 6 Cylinder Gas Engine

EVO = All 4.7L Gas Engines

1	52088 774AA	1	J			ER0		HOSE, Power Steering Return
2	52088 775AA	1	J					TUBE, Power Steering Return
3	2448 761	2	J			ER0		CLAMP, Hose
4	5205 254	2	J			EVO		O RING, Power Steering Hose
5	#52088 914AA	1				ER0, EVO		FITTING, Quick Disconnect
6	5205 254	1				ER0, EVO		O RING, Power Steering Hose
7	#52089 505AB	1	J			EVO		HOSE, Power Steering Pressure



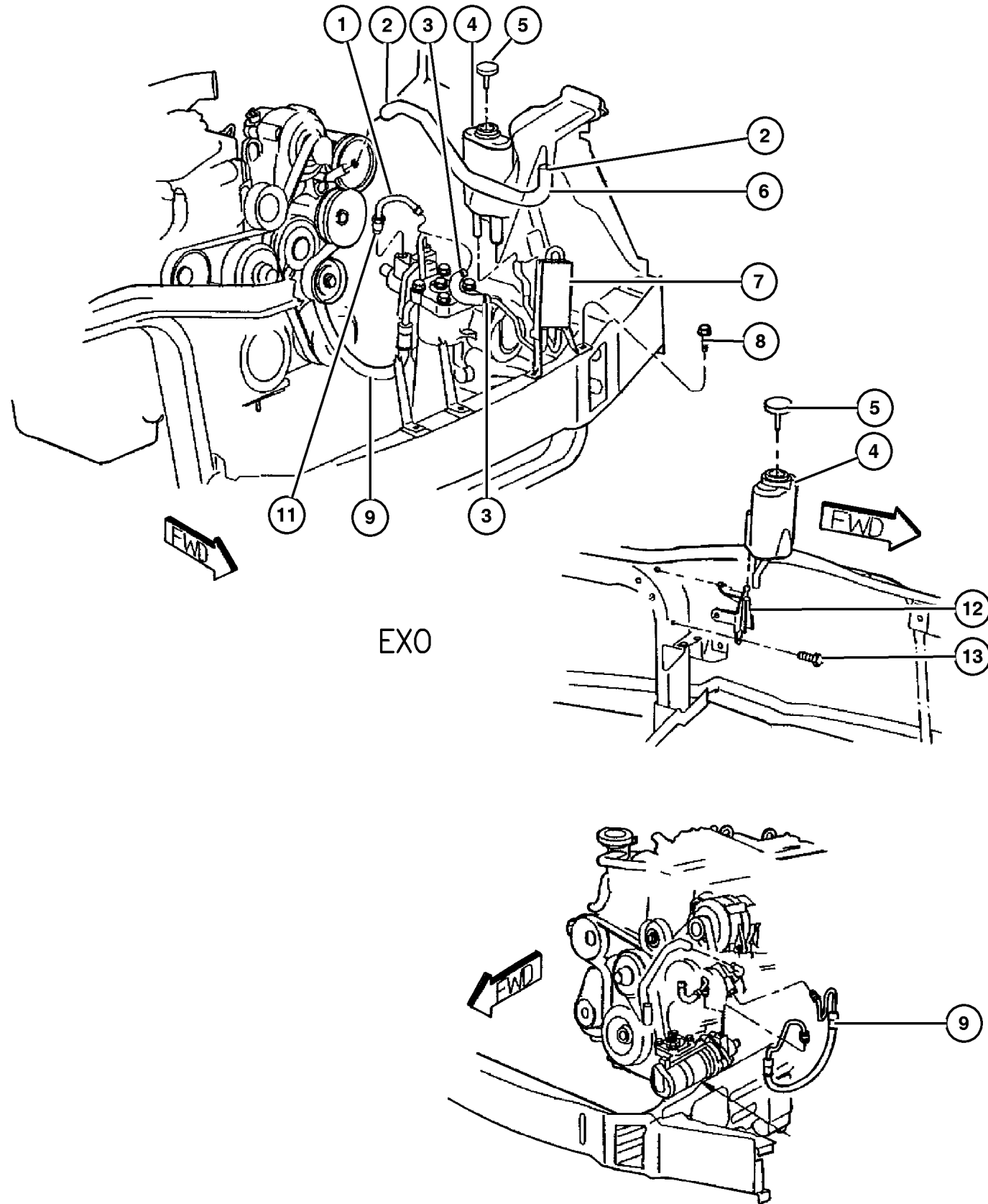
**JEEP GRAND CHEROKEE (WG)**

SERIES	LINE	BODY	ENGINE	TRANSMISSION
H = Laredo	J = 4WD	74 = 4 Door	ER0, ERH = 4.0L, Power Tech	DGK = 4 Speed Autm, 42RE
P = Limited	U = 4WD, RHD		EVO, EVA = 4.7L, Power Tech	DGQ = 5 Speed Automatic
			EXO, EXA = 3.1L 5 Cyl Turbo Diesel	- 5-45RFE
				DGW = 4 Speed Autm, 44RE

AR = Use as required - = Non illustrated part # = New this model year

October 31, 2002

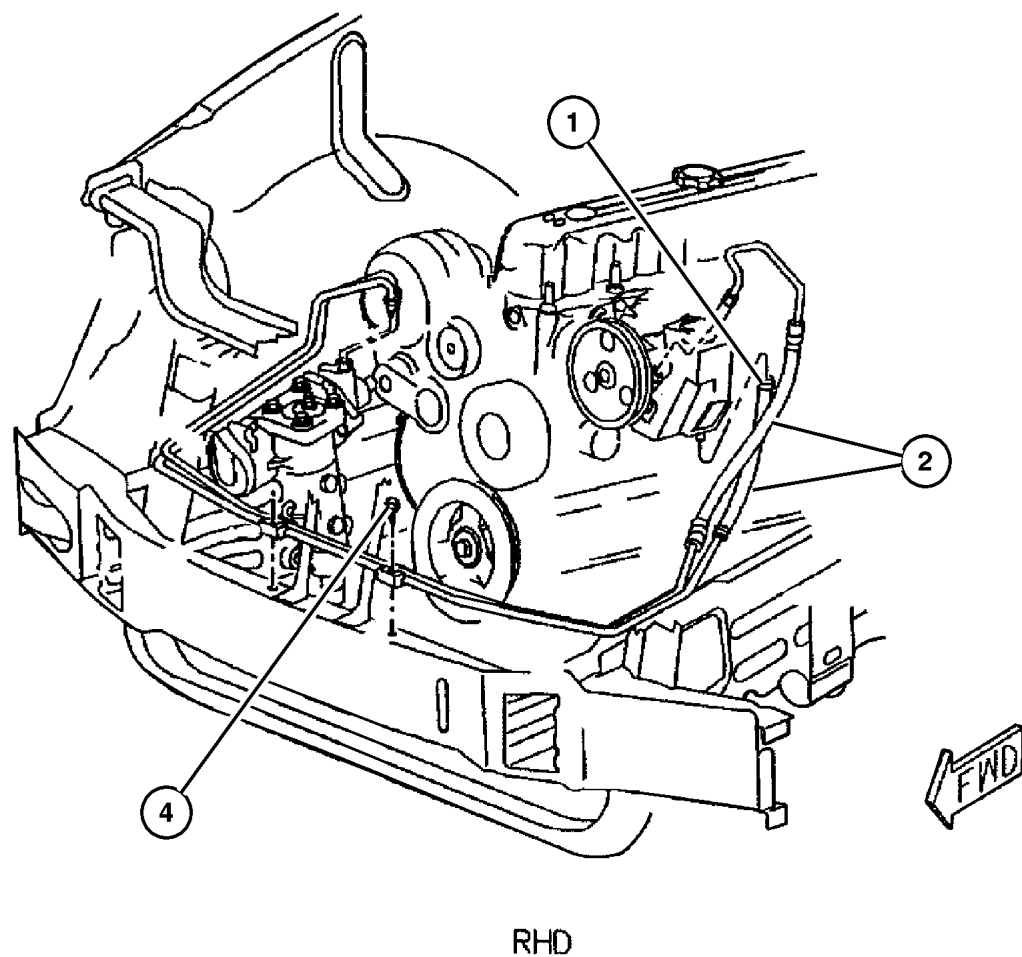
**Power Steering Hoses-Diesel-Left Hand Drive  
Figure 019-720**



ITEM	PART NUMBER	QTY	LINE	SERIES	BODY	ENGINE	TRANS	DESCRIPTION
Note: EX0=3.0/3.1L Turbo Diesel								
1	52088 775AA	1	J					TUBE, Power Steering Return
2	2448 761	1	J			EX0		CLAMP, Hose
3	2448 761	1	J			EX0		CLAMP, Hose
4	52087 713AD	1				EX0		RESERVOIR, Power Steering Pump
5	4694 766	1				EX0		CAP, Power Steering Pump
6	52088 530AA	1				EX0		HOSE, Power Steering Reservoir
7	52088 618AB	1	J			EX0		COOLER, Power Steering
8	6102 132AA	1				EX0		SCREW, Hex Head, M6x1x20
9	52088 666AB	1	J			EX0		HOSE, Power Steering Pressure
-10	5205 254	2	J			EX0		O RING, Power Steering Hose
11	5205 254	2	J			EX0		O RING, Power Steering Hose
12	52088 529AA	1				EX0		BRACKET, Power Steering Reservoir
13	6102 132AA	4						SCREW, Hex Head, M6x1x20

<b>JEEP GRAND CHEROKEE (WG)</b>				
SERIES	LINE	BODY	ENGINE	TRANSMISSION
H = Laredo	J = 4WD	74 = 4 Door	ER0, ERH = 4.0L, Power Tech	DGK = 4 Speed Autm, 42RE
P = Limited	U = 4WD, RHD		EVO, EVA = 4.7L, Power Tech	DGQ = 5 Speed Automatic
			EXO, EXA = 3.1L 5 Cyl Turbo Diesel	- 5-45RFE
				DGW = 4 Speed Autm, 44RE

**Power Steering Hoses-Gas-Right Hand Drive  
Figure 019-730**



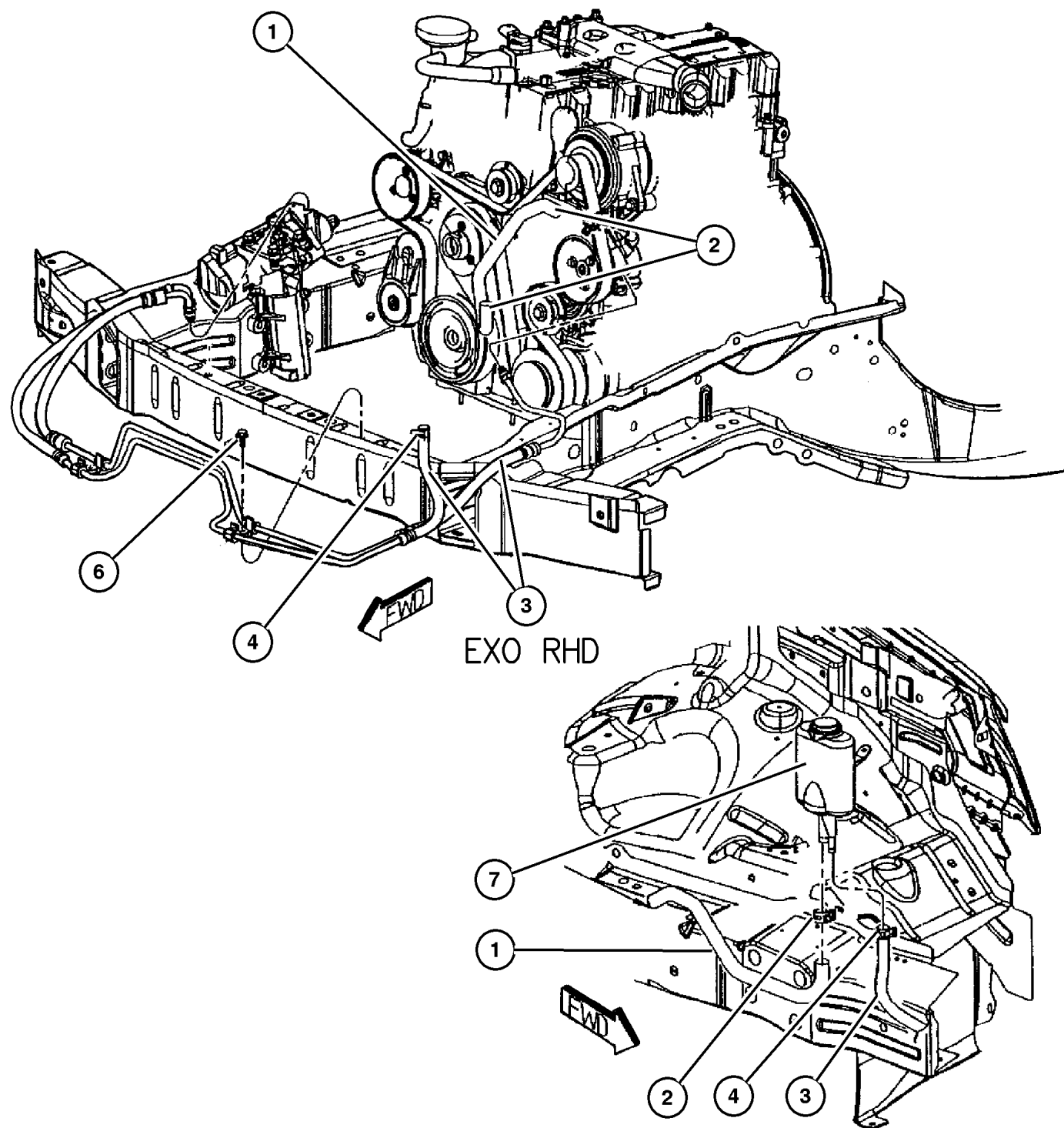
ITEM	PART NUMBER	QTY	LINE	SERIES	BODY	ENGINE	TRANS	DESCRIPTION
Note:								
DG0 = All Automatic Transmissions								
ER0 = All 4.0L 6 Cylinder Gas Engines								
EVA = 4.7L Power Tech V-8 Engine								
EV0 = All 4.7L Gas Engine								
1	2448 770	1				ER0, EV0		CLAMP, Hose
2	52088 620AD	1	U			ER0, EV0		HOSE, Power Steering
-3	5205 254	1				ER0, EV0		O RING, Power Steering Hose
4	6504 480	3				EVA	DG0	SCREW, M6x1x25

JEEP GRAND CHEROKEE (WG)				
SERIES	LINE	BODY	ENGINE	TRANSMISSION
H = Laredo	J = 4WD	74 = 4 Door	ER0, ERH = 4.0L, Power Tech	DGK = 4 Speed Autm, 42RE
P = Limited	U = 4WD, RHD		EV0, EVA = 4.7L, Power Tech	DGQ = 5 Speed Automatic - 5-45RFE
			EXO, EXA = 3.1L 5 Cyl Turbo Diesel	DGW = 4 Speed Autm, 44RE

AR = Use as required - = Non illustrated part # = New this model year

October 31, 2002

**Power Steering Hoses-Diesel-Right Hand Drive  
Figure 019-740**



ITEM	PART NUMBER	QTY	LINE	SERIES	BODY	ENGINE	TRANS	DESCRIPTION
------	-------------	-----	------	--------	------	--------	-------	-------------

Note:

ER0 = All 4.0L 6 Cyl Gas Engines

EVO = All 4.7L Gas Engines

EX0 = All 3.0/3.1L Turbo Diesel Engines

1	52088 530AA	1				EX0		HOSE, Power Steering Reservoir
2	2448 770	1	U			EX0		CLAMP, Hose
3	52088 622AB	1	U			EX0		HOSE ASSEMBLY, P/S PRESSURE AND RETURN
4	2448 770	3				ER0, EVO		CLAMP, Hose
-5	5205 254	1	U			EX0		O RING, Power Steering Hose, For Return Hose Fitting
6	6102 132AA	1				EX0		SCREW, Hex Head, M6x1x20
7	52087 713AD	1				EX0		RESERVOIR, Power Steering Pump

**JEEP GRAND CHEROKEE (WG)**

SERIES	LINE	BODY	ENGINE	TRANSMISSION
H = Laredo	J = 4WD	74 = 4 Door	ER0, ERH = 4.0L, Power Tech	DGK = 4 Speed Autm, 42RE
P = Limited	U = 4WD, RHD		EVO, EVA = 4.7L, Power Tech	DGQ = 5 Speed Automatic - 5-45RFE
			EXO, EXA = 3.1L 5 Cyl Turbo Diesel	DGW = 4 Speed Autm, 44RE

AR = Use as required - = Non illustrated part # = New this model year

October 31, 2002

# Group – 42RE

## Automatic Transmission 4 Speed

### GROUP 42RE - Automatic Transmission 4 Speed

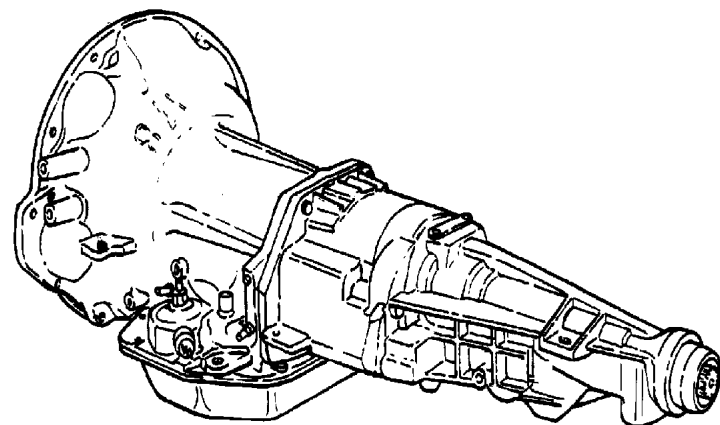


Illustration Title

Group-Fig. No.

#### Transmission Assembly

Transmission 42RE [DGK] ..... Fig. 42RE-110

#### Case and Extension

Case & Related Parts 42RE (DGK) ..... Fig. 42RE-210

Case Rear 42RE (DGK) ..... Fig. 42RE-220

#### Oil Pump

Oil Pump 42RE (DGK) ..... Fig. 42RE-310

#### Gear Train

Clutch, Front & Rear (DGK) ..... Fig. 42RE-410

Gear Train and Intermediate Shaft 42RE (DGK) ..... Fig. 42RE-420

Output Shaft 42RE (DGK) ..... Fig. 42RE-430

#### Bands, Reverse and Kickdown

Bands 42RE (DGK) ..... Fig. 42RE-510

#### Valve Body

Valve Body 42RE (DGK) ..... Fig. 42RE-710

Servos 42RE (DGK) ..... Fig. 42RE-720

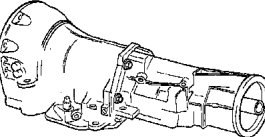
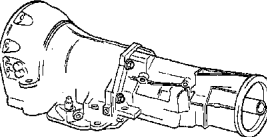

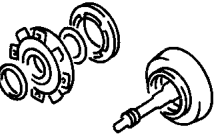
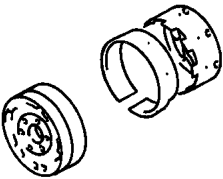
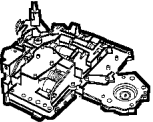
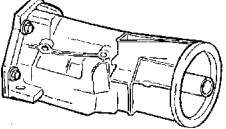
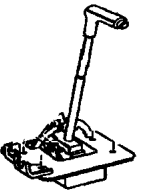
Parking Sprag 42RE (DGK) ..... Fig. 42RE-730

#### Overdrive Gear Train

Overdrive Gear Train 42RE (DGK) ..... Fig. 42RE-1010

#### Gearshift Controls

Gearshift Controls 42RE (DGK) ..... Fig. 42RE-1210

<p><b>42RE-100</b> Transmission Assembly</p> 	<p><b>42RE-200</b> Case and Extension</p> 	<p><b>42RE-300</b> Oil Pump</p> 	<p><b>42RE-400</b> Gear Train</p> 
<p><b>42RE-500</b> Bands, Reverse and Kickdown</p> 	<p><b>42RE-700</b> Valve Body</p> 	<p><b>42RE-1000</b> Overdrive Gear Train</p> 	<p><b>42RE-1200</b> Gearshift Controls</p> 

Transmission 42RE [DGK]  
Figure 42RE-110

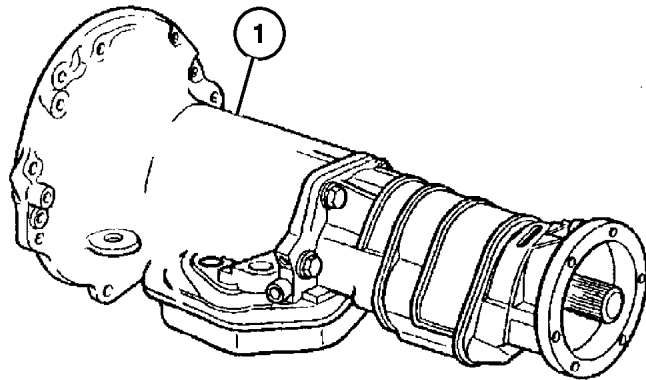
ITEM	PART NUMBER	QTY	LINE	SERIES	BODY	ENGINE	TRANS	DESCRIPTION
------	-------------	-----	------	--------	------	--------	-------	-------------

NOTE:

Sales Code:

DGK=4 Speed Automatic Transmission (42RE)

1	5015 274AA	1					DGK	TRANSMISSION PACKAGE
-2	52118 783AB	1					DGK	OVERDRIVE



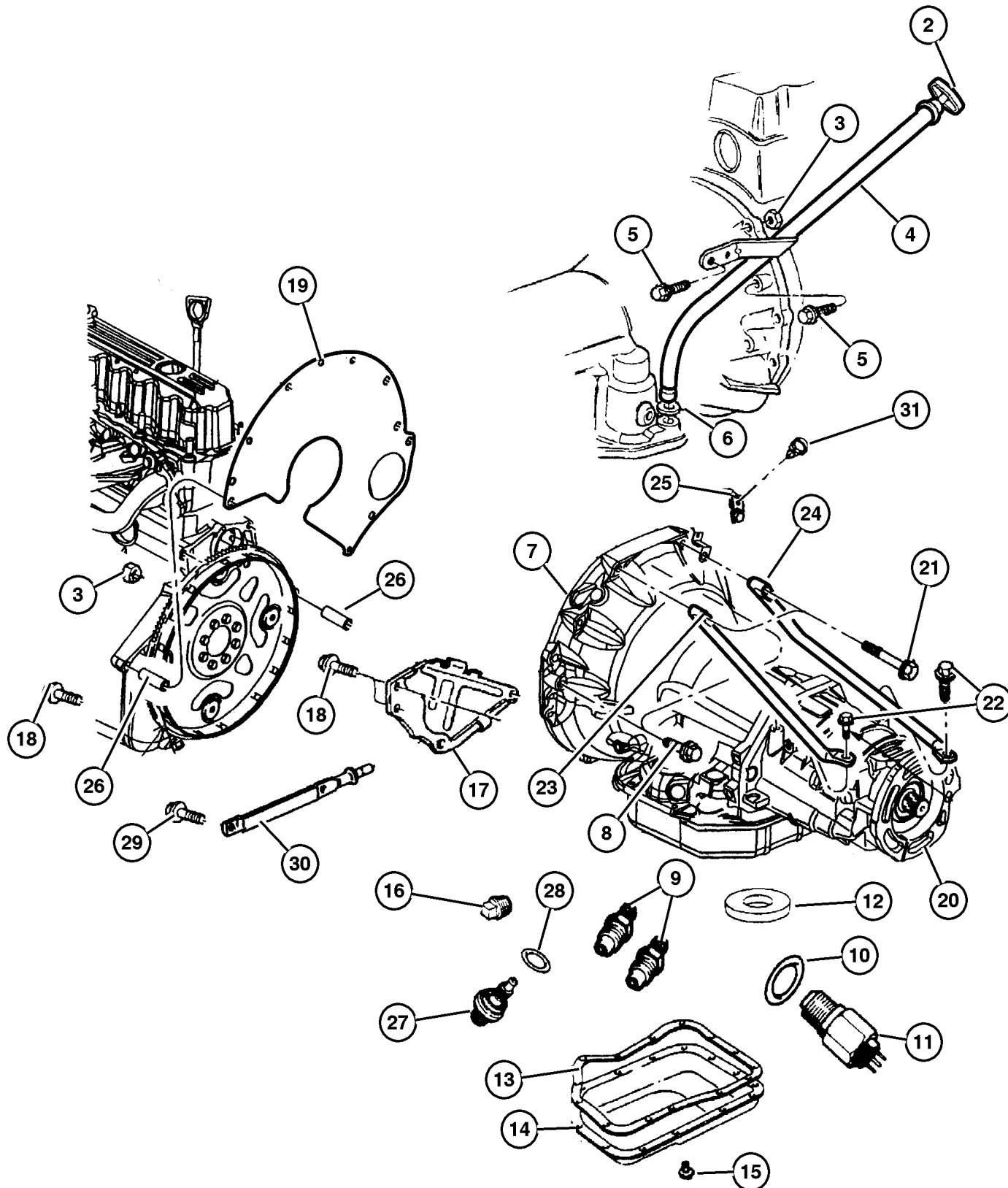
JEEP GRAND CHEROKEE (WG)

SERIES	LINE	BODY	ENGINE	TRANSMISSION
H = Laredo	J = 4WD	74 = 4 Door	ER0, ERH = 4.0L, Power Tech	DGK = 4 Speed Autm, 42RE
P = Limited	U = 4WD, RHD		EVO, EVA = 4.7L, Power Tech	DGQ = 5 Speed Automatic
			EXO, EXA = 3.1L 5 Cyl Turbo Diesel	- 5-45RFE
				DGW = 4 Speed Autm, 44RE

AR = Use as required - = Non illustrated part # = New this model year

October 31, 2002

Case & Related Parts 42RE (DGK)  
Figure 42RE-210

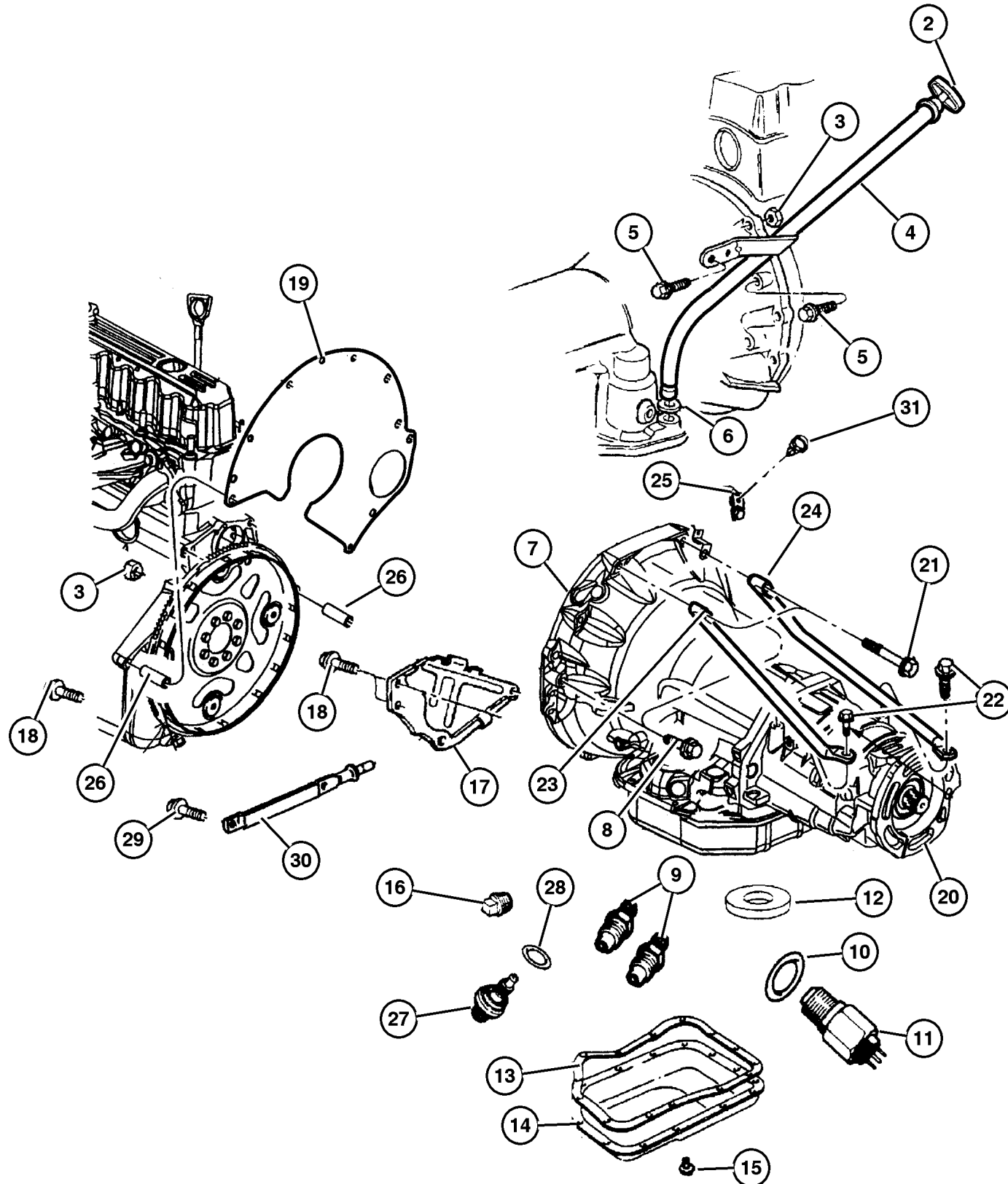


ITEM	PART NUMBER	QTY	LINE	SERIES	BODY	ENGINE	TRANS	DESCRIPTION
NOTE:								
Sales Code								
ER0=All 4.0L In-Line 6 Engines								
EX0=All 3.1L Turbo Diesel Engines								
DGK=4 Speed Automatic Transmission (42RE)								
DG0=All 4 Speed Automatic Transmissions								
-1	4863 907AD	1					DGK	SEAL AND GASKET PACKAGE, Transmission
2	#52118 641AC	1				ER0, EX0	DG0	INDICATOR, Transmission Fluid Level
3	J021 9422	1					DGK	NUT, Hex
4	5210 4247	1					DGK	TUBE, Transmission Oil Filler
5	0153 371	1					DGK	BOLT, Hex Head, .375-16x2.25
6	52118 629AB	1					DG0	SEAL, Oil Filler Tube
7	5211 8291	1					DGK	CASE, Transmission
8	J400 4370	2					DGK	BOLT AND WASHER, Hex Head, .437-14x2.75
9	6033 879	2					DGK	NUT, Inverted Flare, .62-18
10	2408 143	1					DGK	WASHER, Switch
11	3747 361	1					DGK	SWITCH, Neutral, Safety, Back Up
12	3681 601	1					DGK	MAGNET, Transmission
13	4295 875	1					DGK	GASKET, Oil Pan
14	52118 779AB	1					DGK	PAN, Transmission Oil
15	4723 548	12					DGK	SCREW AND WASHER, Hex Head, .312-18x.625
16	6028 095	1					DGK	PLUG, Pressure Check
17	52118 136AB	1					DGK	COVER, Converter
18	4723 548	12					DGK	SCREW AND WASHER, Hex Head, .312-18x.625
19	J323 7847	1				ER0	DG0	SPACER, Clutch Housing
20	5012 428AA	1					DGK	ADAPTER, Transfer Case
21	6034 242	2				ER0	DG0	SCREW AND WASHER
22	6027 865	2				ER0	DG0	SCREW, .375-16x1.375, 06025677
23	5210 4201	1				ER0	DG0	BRACE, Bending Transmission, Top Left
24	5210 4200	1				ER0	DG0	BRACE, Bending Transmission, Top Right
25	5209 8522	1				ER0, EX0		BRACKET, Tube
26	J400 5148	2				ER0		DOWEL, Transmission
27	4412 879	1					DGK	SENSOR, Transmission Output Speed
28	6501 701	1					DGK	O RING, Trans Speed Sensor
29	6034 498	2				ER0	DG0	SCREW AND WASHER, Hex Head, .312-18x1.25

JEEP GRAND CHEROKEE (WG)  
 SERIES LINE BODY ENGINE TRANSMISSION  
 H = Laredo J = 4WD 74 = 4 Door ER0, ERH = 4.0L, Power Tech DGK = 4 Speed Autm, 42RE  
 P = Limited U = 4WD, RHD EV0, EVA = 4.7L, Power Tech DGQ = 5 Speed Automatic  
 - 5-45RFE  
 EXO, EXA = 3.1L 5 Cyl Turbo Diesel DGW = 4 Speed Autm, 44RE



Case & Related Parts 42RE (DGK)  
Figure 42RE-210



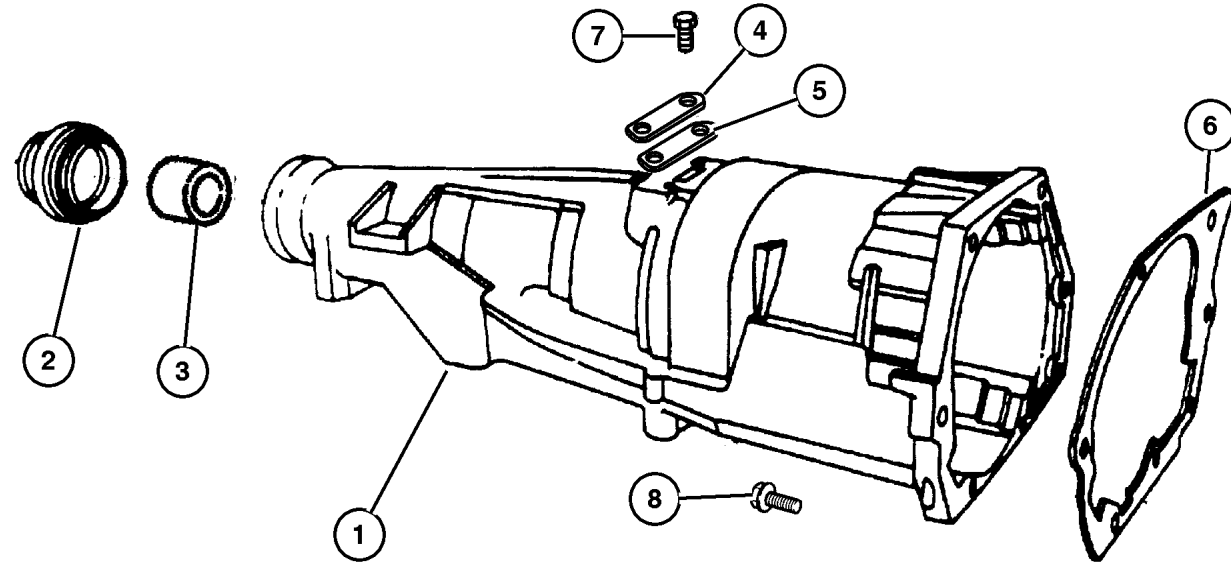
ITEM	PART NUMBER	QTY	LINE	SERIES	BODY	ENGINE	TRANS	DESCRIPTION
30	52104 250AA	1				ER0	DG0	BRACE, Bell Housing
31	J400 5701	1						CLIP

<b>JEEP GRAND CHEROKEE (WG)</b>				
SERIES	LINE	BODY	ENGINE	TRANSMISSION
H = Laredo	J = 4WD	74 = 4 Door	ER0, ERH = 4.0L, Power Tech	DGK = 4 Speed Autm, 42RE
P = Limited	U = 4WD, RHD		EVO, EVA = 4.7L, Power Tech	DGQ = 5 Speed Automatic
			EXO, EXA = 3.1L 5 Cyl Turbo Diesel	- 5-45RFE
				DGW = 4 Speed Autm, 44RE

AR = Use as required - = Non illustrated part # = New this model year

October 31, 2002

Case Rear 42RE (DGK)  
Figure 42RE-220



ITEM	PART NUMBER	QTY	LINE	SERIES	BODY	ENGINE	TRANS	DESCRIPTION
------	-------------	-----	------	--------	------	--------	-------	-------------

NOTE:

Sales Code:

DGK=4 Speed Automatic Transmission (42RE)

1	5012 428AA	1					DGK	ADAPTER, Transfer Case
2	4269 956	1					DGK	SEAL, Adapter
3								BUSHING, Serviced With # 1, (NOT SERVICED) (Not Serviced)
4	2466 957	1					DGK	COVER, Transmission Converter
5	2801 398	1					DGK	GASKET, Transmission
6	4471 564	1					DGK	GASKET, Overdrive Piston Retainer
7								SCREW, (NOT SERVICED) (Not Serviced)
8	6036 046AA	7					DGK	SCREW, Hex Flange Head, .375-16x1.38

JEEP GRAND CHEROKEE (WG)

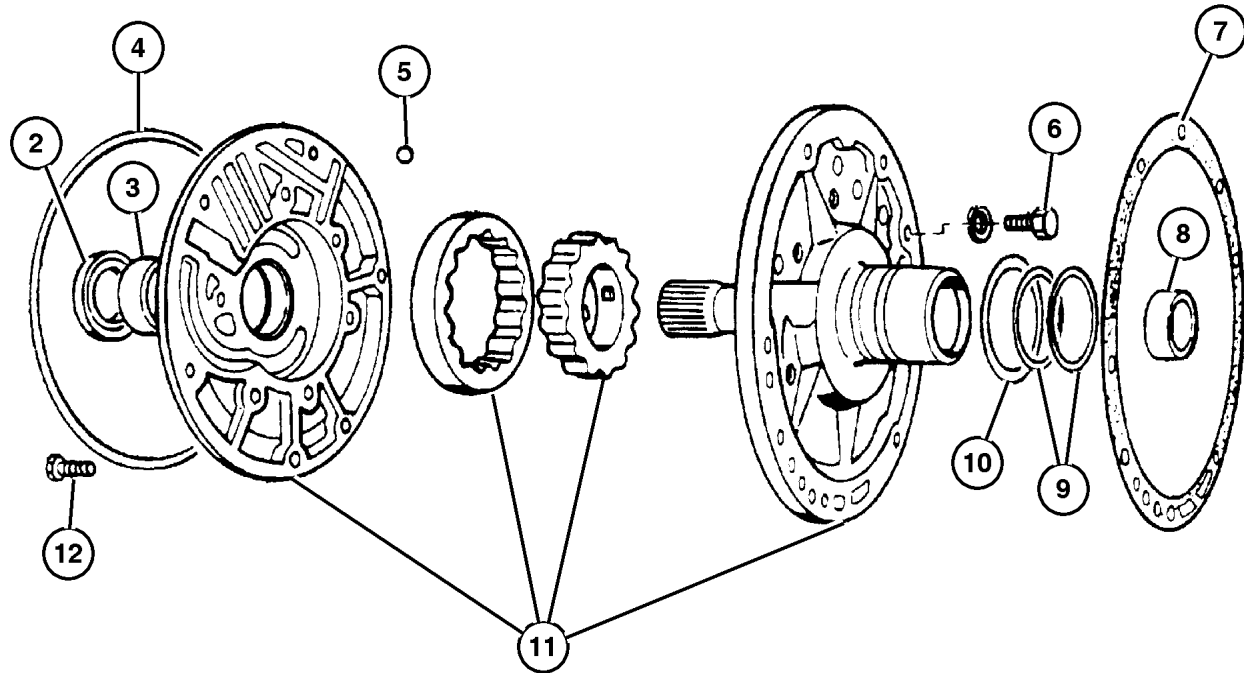
SERIES	LINE	BODY	ENGINE	TRANSMISSION
H = Laredo	J = 4WD	74 = 4 Door	ER0, ERH = 4.0L, Power Tech	DGK = 4 Speed Autm, 42RE
P = Limited	U = 4WD, RHD		EVO, EVA = 4.7L, Power Tech	DGQ = 5 Speed Automatic
			EXO, EXA = 3.1L 5 Cyl Turbo Diesel	- 5-45RFE
				DGW = 4 Speed Autm, 44RE

AR = Use as required - = Non illustrated part # = New this model year

October 31, 2002

**Oil Pump 42RE (DGK)  
Figure 42RE-310**

ITEM	PART NUMBER	QTY	LINE	SERIES	BODY	ENGINE	TRANS	DESCRIPTION
NOTE:								
Sales Code:								
DGK=4 Speed Automatic Transmission (42RE)								
-1	4713 108AB	1					DGK	GASKET AND SEAL PACKAGE, Transmission Oil Pump
2	4412 475	1					DGK	SEAL, Impeller Hub, 57.25mm OD
3	2466 796	1					DGK	BUSHING, Front Pump
4	2204 709	1					DGK	SEAL, Front Pump Housing
5	0104 918	1					DGK	BALL, Valve Body Check
6	0179 815	6					DGK	SCREW, Hex Head, .312-18x.687
7	5211 8266	1					DGK	GASKET, Transmission Oil Pump
8	4058 635	1					DGK	BUSHING, Reaction Shaft
9	4471 874	2					DGK	SEAL, Ring Reaction Support, 2 1/16 O.D.
10	4617 786	1					DGK	THRUST WASHER, Front Clutch
11	52118 267AB	1					DGK	PUMP, Transmission Oil
12	6023 943	6					DGK	SCREW AND WASHER, Hex Flange Head, .312-18x1.375

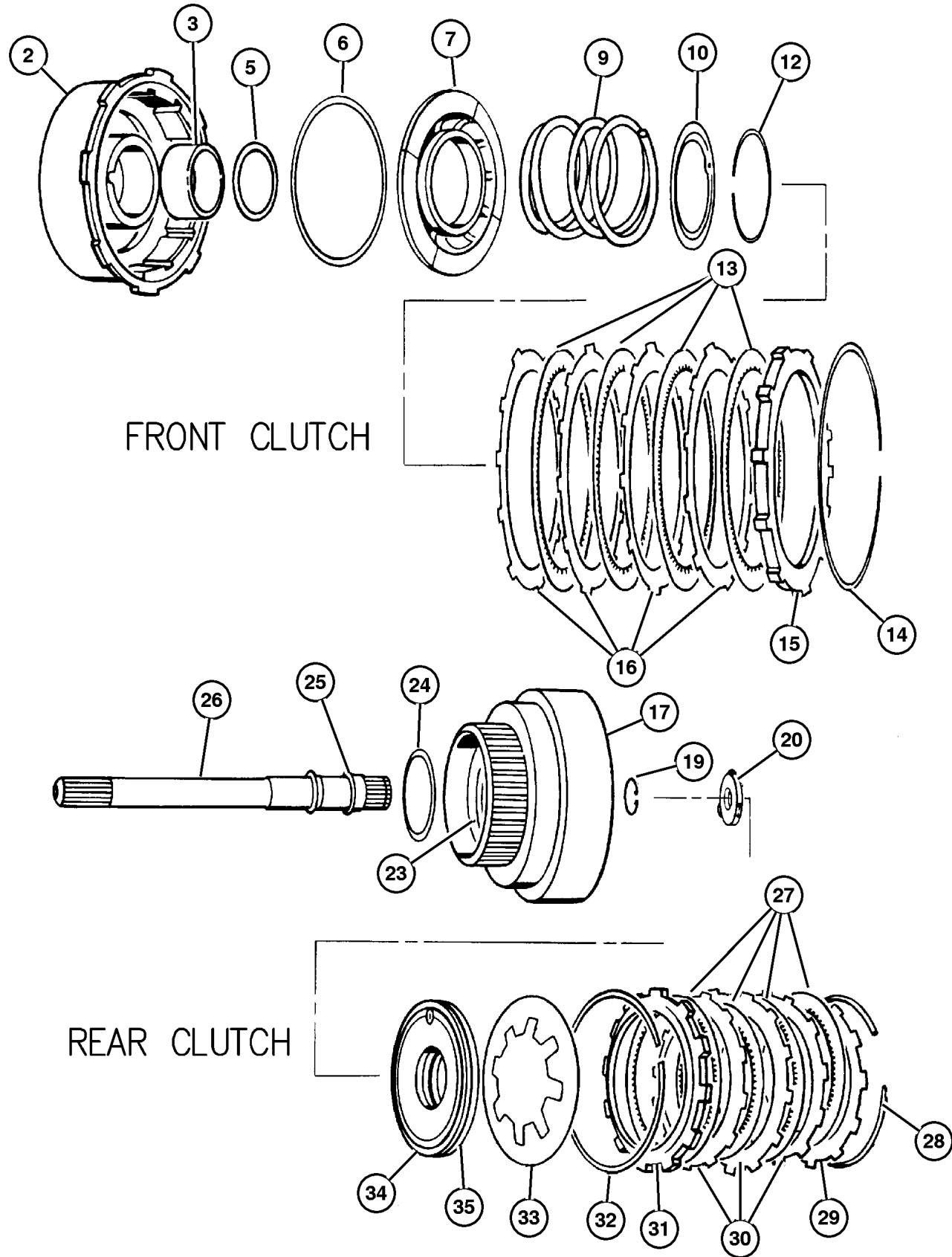


<b>JEEP GRAND CHEROKEE (WG)</b>				
SERIES	LINE	BODY	ENGINE	TRANSMISSION
H = Laredo	J = 4WD	74 = 4 Door	ER0, ERH = 4.0L, Power Tech	DGK = 4 Speed Autm, 42RE
P = Limited	U = 4WD, RHD		EVO, EVA = 4.7L, Power Tech	DGQ = 5 Speed Automatic
			EXO, EXA = 3.1L 5 Cyl Turbo Diesel	- 5-45RFE
				DGW = 4 Speed Autm, 44RE

AR = Use as required - = Non illustrated part # = New this model year

October 31, 2002

**Clutch, Front & Rear (DGK)**  
**Figure 42RE-410**



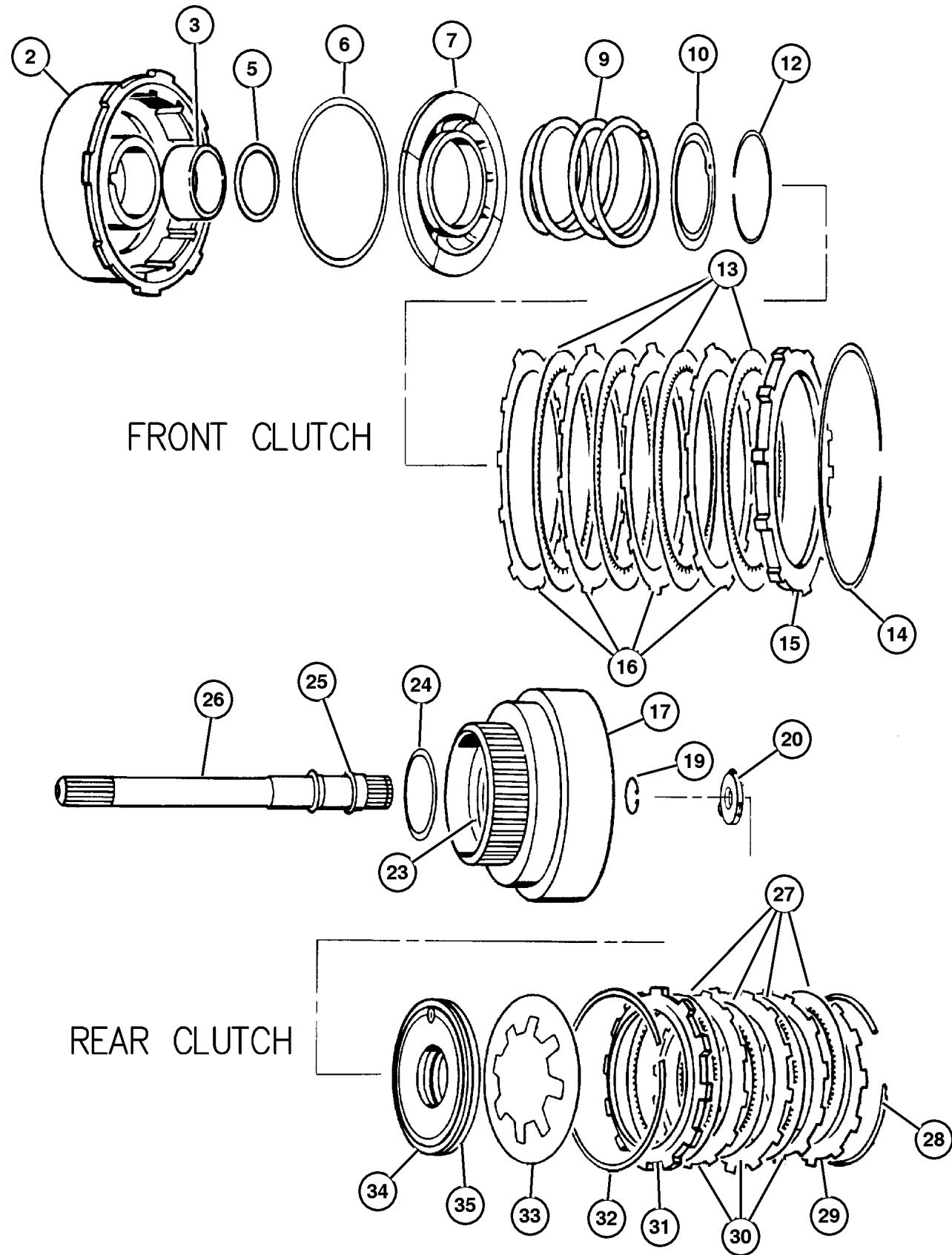
ITEM	PART NUMBER	QTY	LINE	SERIES	BODY	ENGINE	TRANS	DESCRIPTION
<b>NOTE:</b>								
Sales Codes:								
DGK=4 Speed Automatic Transmission (42RE)								
-1	5252 926AB	1					DGK	SEAL PACKAGE, Transmission Clutch
2	4531 285AB	1					DGK	RETAINER AND BUSHING, Transmission Front Clutch
3	4617 157	1					DGK	BUSHING, Front Clutch
-4	4617 159	1					DGK	BUSHING, Rear Clutch
5	3515 176	1					DGK	SEAL, Front Clutch Piston
6	4058 487AB	1					DGK	SEAL, Front Piston Clutch
7	3515 716	1					DGK	PISTON, Clutch
-8	0147 483	1					DGK	CHECK BALL, Dia-.187
9	3515 054	1					DGK	SPRING, Front Clutch
10	4617 516AC	1					DGK	RETAINER, Transmission Front Clutch Piston Spring
-11	0147 483	1					DGK	CHECK BALL, Dia-.187
12	3410 571	1					DGK	SNAP RING
13	4617 362	4					DGK	DISC, Direct Clutch
14	3410 571	1					DGK	SNAP RING
15	4617 176	1					DGK	PLATE, Transmission Clutch Reaction
16	1942 403AB	3					DGK	PLATE, Clutch Separator
17	4505 199	1					DGK	RETAINER, Transmission Rear Clutch
-18	0147 483	1					DGK	CHECK BALL, Dia-.187
19	6022 859	1					DGK	SNAP RING, .890625
20	4505 185	1					DGK	THRUST WASHER, Output Shaft, Gray .052
-21	4505 186	1					DGK	THRUST WASHER, Output Shaft, Red .068
-22	4505 187	1					DGK	THRUST WASHER, Output Shaft, Green .083
23	4617 063	1					DGK	SEAL, Rear Clutch Retainer
24	4617 786	1					DGK	THRUST WASHER, Front Clutch
25	1401 221AB	1					DGK	SEAL, Input Shaft
26	4505 189	1					DGK	INPUT SHAFT, Transmission
27	4713 880	4					DGK	DISC, Clutch
28	4130 761	1					DGK	SNAP RING
29	4617 176AB	1					DGK	PLATE, Transmission Clutch Reaction
30	1942 403AB	3					DGK	PLATE, Clutch Separator
31	2466 281	1					DGK	PLATE, Clutch Pressure
32	2466 283	1					DGK	SPRING, Rear Clutch
33	4728 487	1					DGK	SPRING, Rear Clutch Piston
34	2538 695	1					DGK	SEAL, Rear Clutch Piston

**JEEP GRAND CHEROKEE (WG)**  
 SERIES LINE BODY ENGINE TRANSMISSION  
 H = Laredo J = 4WD 74 = 4 Door ER0, ERH = 4.0L, Power Tech DGK = 4 Speed Autm, 42RE  
 P = Limited U = 4WD, RHD EV0, EVA = 4.7L, Power Tech DGQ = 5 Speed Automatic  
 - 5-45RFE  
 EXO, EXA = 3.1L 5 Cyl Turbo Diesel  
 DGW = 4 Speed Autm, 44RE

AR = Use as required - = Non illustrated part # = New this model year

October 31, 2002

Clutch, Front & Rear (DGK)  
Figure 42RE-410



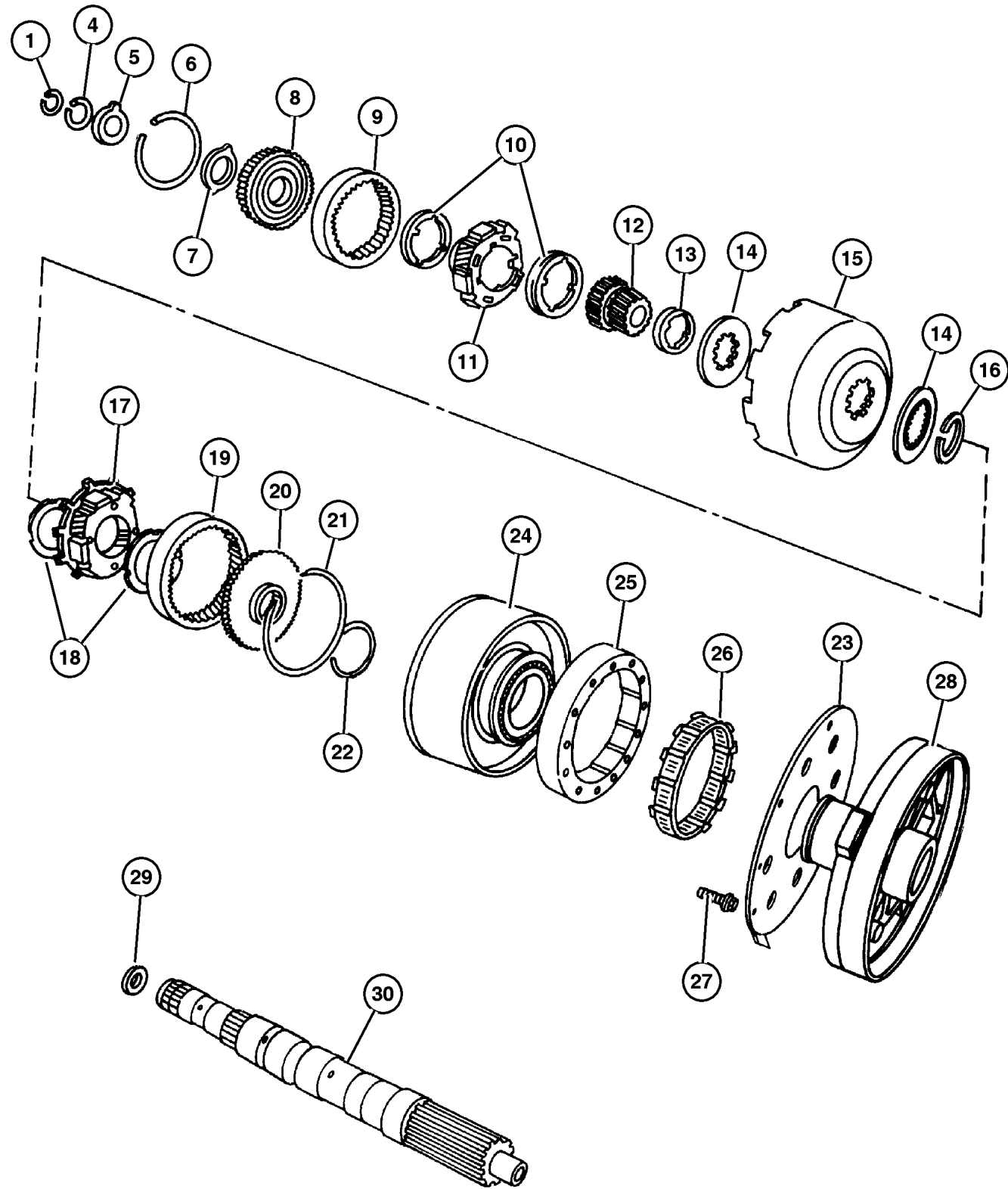
ITEM	PART NUMBER	QTY	LINE	SERIES	BODY	ENGINE	TRANS	DESCRIPTION
35	3515 716	1					DGK	PISTON, Clutch

<b>JEEP GRAND CHEROKEE (WG)</b>				
SERIES	LINE	BODY	ENGINE	TRANSMISSION
H = Laredo	J = 4WD	74 = 4 Door	ER0, ERH = 4.0L, Power Tech	DGK = 4 Speed Autm, 42RE
P = Limited	U = 4WD, RHD		EVO, EVA = 4.7L, Power Tech	DGQ = 5 Speed Automatic
			EXO, EXA = 3.1L 5 Cyl Turbo Diesel	- 5-45RFE
				DGW = 4 Speed Autm, 44RE

AR = Use as required - = Non illustrated part # = New this model year

October 31, 2002

**Gear Train and Intermediate Shaft 42RE (DGK)  
Figure 42RE-420**



ITEM	PART NUMBER	QTY	LINE	SERIES	BODY	ENGINE	TRANS	DESCRIPTION
------	-------------	-----	------	--------	------	--------	-------	-------------

**NOTE:**

Sales Codes:

DGK=4 Speed Automatic Transmission (42RE)

1	6026 289	1					DGK	SNAP RING, .946 ID
-2	6030 938	1					DGK	SNAP RING
-3	6030 404	1					DGK	SNAP RING, Output Shaft, 1.029 OD
4	6030 576	1					DGK	SNAP RING, Annulus Gear, 1.375 ID
5	3681 969	1					DGK	THRUST WASHER, Annulus Gear
6	6030 938	1					DGK	SNAP RING
7	4617 775	1					DGK	PLATE, Annulus Gear Thrust
8	4617 774	1					DGK	SUPPORT, Annulus Gear
9	4130 512	1					DGK	GEAR, Front Annulus
10	4130 518	2					DGK	THRUST WASHER, Planetary Carrier
11	4130 514	1					DGK	CARRIER, Planetary Pinion
12	4130 685	1					DGK	GEAR, Sun
13	4130 736	1					DGK	SPACER, Sun Gear
14	4471 566	2					DGK	PLATE, Transmission Module
15	4531 288	1					DGK	SHELL, Sun Gear
16	1942 439	1					DGK	SNAP RING, Sun Gear Shell
17	4431 438	1					DGK	CARRIER, Planetary Pinion
18	3681 935	1					DGK	THRUST WASHER, Planetary Carrier
19	3743 184	1					DGK	GEAR, Rear Annulus
20	3515 501	1					DGK	SUPPORT, Annulus Gear
21	1942 444	1					DGK	SNAP RING
22	6033 480	1					DGK	SNAP RING, Reverse Drum
23	4471 564	1					DGK	GASKET, Overdrive Piston Retainer
24	4637 956	1					DGK	DRUM PACKAGE, Transmission
25	4431 690	1					DGK	CAM, Overrunning Clutch
26	4431 432	1					DGK	CLUTCH, Overrunning
27	6033 616	5					DGK	SCREW, Hex Flange Head, .25-28x.875
28	4617 246	1					DGK	RETAINER, Transmission Overdrive Clutch Piston
29	4471 566	2					DGK	PLATE, Transmission Module
30	4617 604	1					DGK	INTERMEDIATE SHAFT, Transmission

**JEEP GRAND CHEROKEE (WG)**

SERIES	LINE	BODY	ENGINE	TRANSMISSION
H = Laredo	J = 4WD	74 = 4 Door	ER0, ERH = 4.0L, Power Tech	DGK = 4 Speed Autm, 42RE
P = Limited	U = 4WD, RHD		EVO, EVA = 4.7L, Power Tech	DGQ = 5 Speed Automatic
			EXO, EXA = 3.1L 5 Cyl Turbo Diesel	- 5-45RFE
				DGW = 4 Speed Autm, 44RE

AR = Use as required - = Non illustrated part # = New this model year

October 31, 2002

**Output Shaft 42RE (DGK)  
Figure 42RE-430**

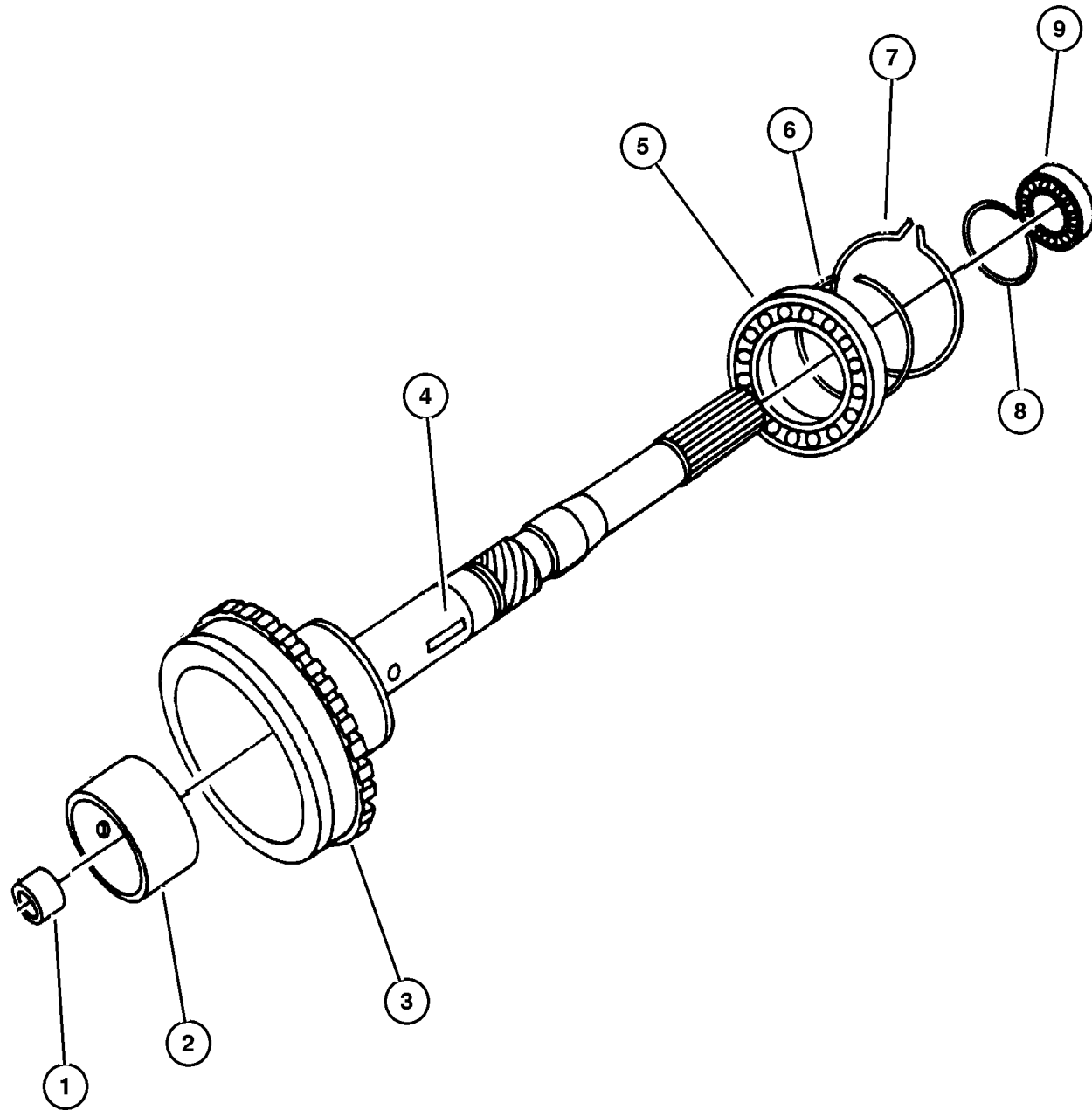
ITEM	PART NUMBER	QTY	LINE	SERIES	BODY	ENGINE	TRANS	DESCRIPTION
------	-------------	-----	------	--------	------	--------	-------	-------------

NOTE:

Sales Code:

DGK=4 Speed Automatic Transmission (42RE)

1								BUSHING, (NOT SERVICED) (Not Serviced)
2								BUSHING, (NOT SERVICED) (Not Serviced)
3	4798 536	1					DGK	SHAFT, Output
4								KEY, Shaft, (NOT SERVICED) (Not Serviced)
5	4461 008	1					DGK	BEARING, Output Shaft
6	6026 289	1					DGK	SNAP RING, .946 ID
7	6030 404	1					DGK	SNAP RING, Output Shaft, 1.029 OD
8	6030 938	1					DGK	SNAP RING
9	4461 008	1					DGK	BEARING, Output Shaft



**JEEP GRAND CHEROKEE (WG)**

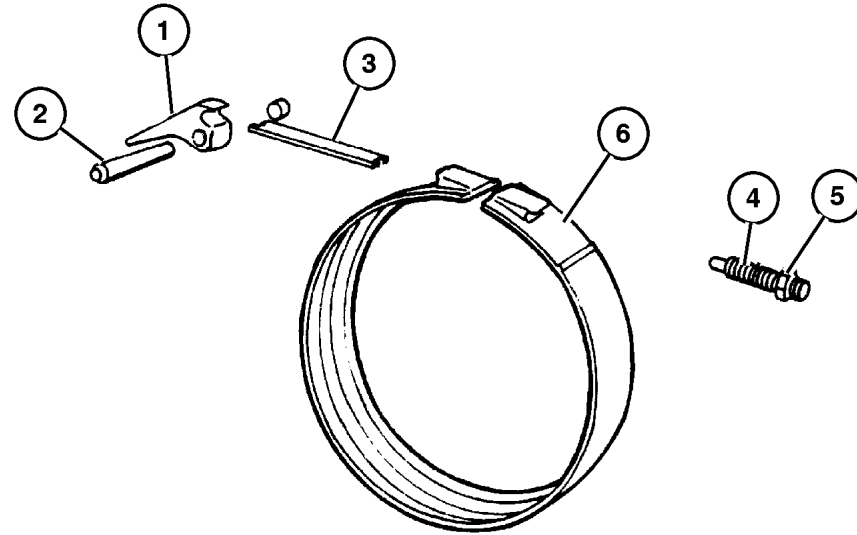
SERIES	LINE	BODY	ENGINE	TRANSMISSION
H = Laredo	J = 4WD	74 = 4 Door	ER0, ERH = 4.0L, Power Tech	DGK = 4 Speed Autm, 42RE
P = Limited	U = 4WD, RHD		EVO, EVA = 4.7L, Power Tech	DGQ = 5 Speed Automatic
			EXO, EXA = 3.1L 5 Cyl Turbo Diesel	- 5-45RFE
				DGW = 4 Speed Autm, 44RE

AR = Use as required - = Non illustrated part # = New this model year

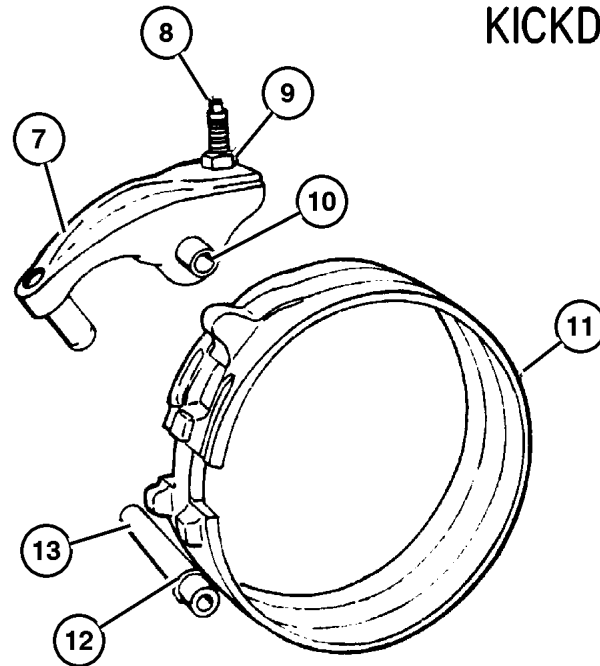
October 31, 2002

**Bands 42RE (DGK)  
Figure 42RE-510**

ITEM	PART NUMBER	QTY	LINE	SERIES	BODY	ENGINE	TRANS	DESCRIPTION
NOTE:								
Sales Code:								
DGK=4 Speed Automatic Transmission (42RE)								
1	5211 8264	1					DGK	LEVER, Kickdown
2	4531 181	1					DGK	SHAFT, Band Lever
3	3515 084	1					DGK	STRUT, Kickdown Band
4	6036 141AA	1					DGK	SCREW
5	0124 934	1					DGK	NUT, Hex Jam, .50-20
6	4617 849	1					DGK	BAND, Kickdown
7	4202 764AB	1					DGK	LEVER, Reverse Band
8	2538 472	1					DGK	SCREW, Trans Reverse Band Adjusting, .375-24-1.88
9	0114 942	1					DGK	NUT, Hex, .375-24
10	3410 102	1					DGK	SHAFT, Reverse Band
11	4431 406	1					DGK	BAND, Reverse
12	6030 657	1					DGK	O RING, Steering Gear
13	3410 102	1					DGK	SHAFT, Reverse Band



**KICKDOWN BAND**



**DOUBLE WRAP REVERSE BAND**

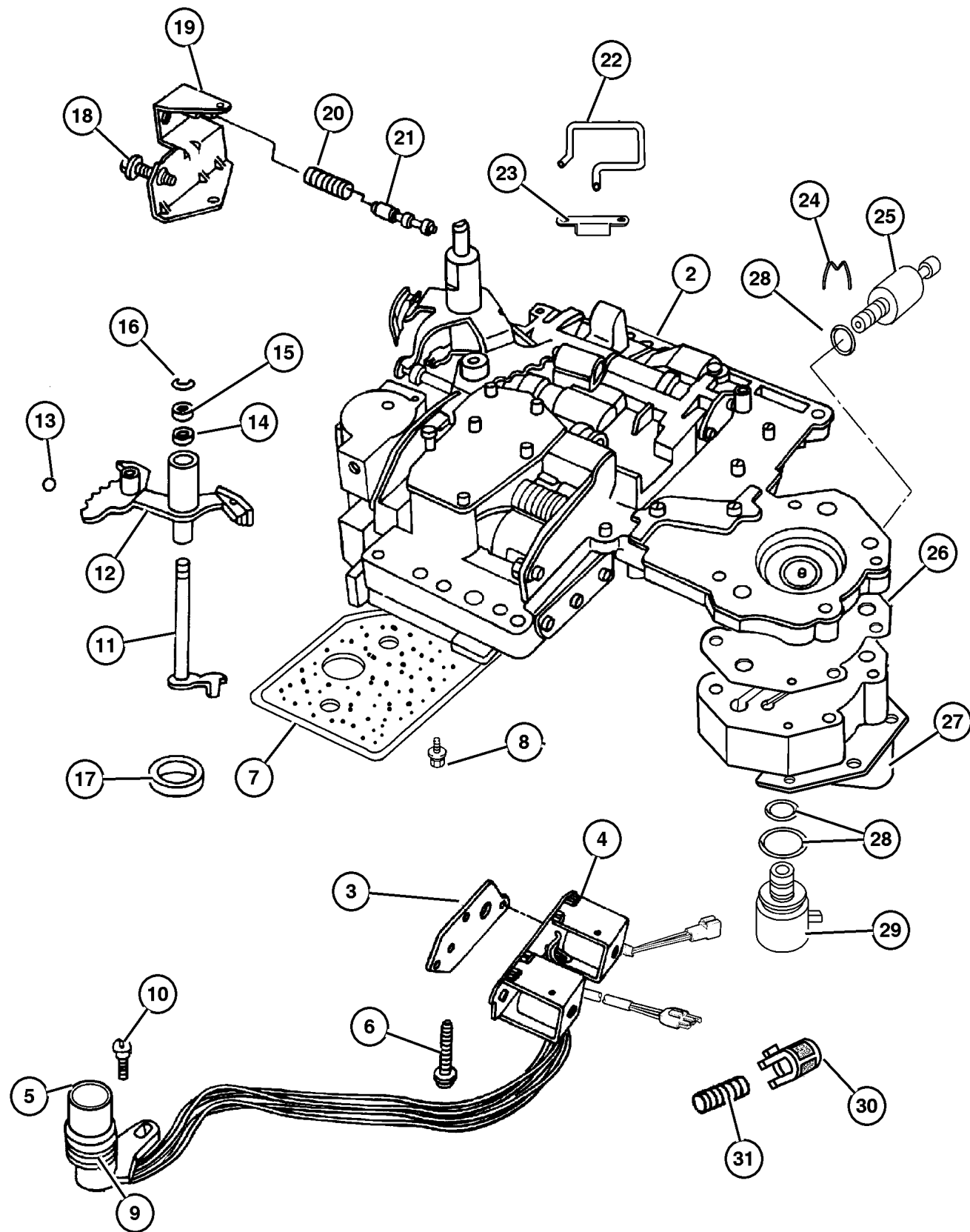
<b>JEEP GRAND CHEROKEE (WG)</b>				
SERIES	LINE	BODY	ENGINE	TRANSMISSION
H = Laredo	J = 4WD	74 = 4 Door	ER0, ERH = 4.0L, Power Tech	DGK = 4 Speed Autm, 42RE
P = Limited	U = 4WD, RHD		EVO, EVA = 4.7L, Power Tech	DGQ = 5 Speed Automatic
			EXO, EXA = 3.1L 5 Cyl Turbo Diesel	- 5-45RFE
				DGW = 4 Speed Autm, 44RE

AR = Use as required - = Non illustrated part # = New this model year

October 31, 2002



**Valve Body 42RE (DGK)  
Figure 42RE-710**



ITEM	PART NUMBER	QTY	LINE	SERIES	BODY	ENGINE	TRANS	DESCRIPTION
<b>NOTE:</b>								
Sales Codes:								
DGK=4 Speed Automatic Transmission (42RE)								
-1	4863 933AB	1					DGK	SEAL AND GASKET PACKAGE, Valve Body and Servo
2	52119 633AB	1					DGK	BODY, Transfer Plate
3	4617 216	1					DGK	GASKET, Transmission Solenoid
4	52118 500AB	1					DGK	SOLENOID, Transmission Overdrive
5	56028 196AA	1					DGK	TRANSDUCER, Pressure Sensor
6	0181 071	3					DGK	BOLT, Valve Body, .25-20x1.75
7	5211 8789	1					DGK	FILTER, Valve Body
8	6033 826	3					DGK	SCREW AND WASHER, Oil Filter Mounting, Fillester Head .190-24x2.500
9	6034 748	1					DGK	O RING, Solenoid Wiring, Transmission
10	6033 985	1					DGK	SCREW, Tapping, .19-24x.75
11	3681 227	1					DGK	LEVER, Throttle Valve
12	4617 437	1					DGK	LEVER, Manual Valve
13	0147 488	1					DGK	BALL, Manual Lever Detent, .343 Diameter
14	2466 548	1					DGK	SEAL, Valve Lever Shift
15	2538 062	1					DGK	WASHER, Manual Valve Lever
16	6035 208	2					DGK	SNAP RING
17	4505 098	1					DGK	SEAL, Manual Shift Valve, 1.25 OD
18	6030 609	1					DGK	SCREW, Cap Head Lock, .312-24x1.25
19	4617 010	1					DGK	BRACKET, Valve Body Switch
20	4130 492	1					DGK	SPRING, Switch Valve
21	4505 036	1					DGK	VALVE, Trans Lockup Switch
22	4617 008	1					DGK	TUBE, Boost Valve
23	5211 7958	1					DGK	RETAINER, Boost Valve Oil Supply Tube
24	4617 219	1					DGK	CLIP, Transmission Governor Transducer
25	56028 196AA	1					DGK	TRANSDUCER, Pressure Sensor
26	4617 216	1					DGK	GASKET, Transmission Solenoid
27	4617 211AB	1					DGK	RETAINER, Transmission Governor Solenoid
28	4723 549	1					DGK	O RING PACKAGE, Valve Body, Transmission
29	4617 210	1					DGK	SOLENOID, Transmission Governor
30	3878 313	1					DGK	SCREEN, Transmission Regulator Valve
31	4348 907	1					DGK	SPRING, Limit Valve

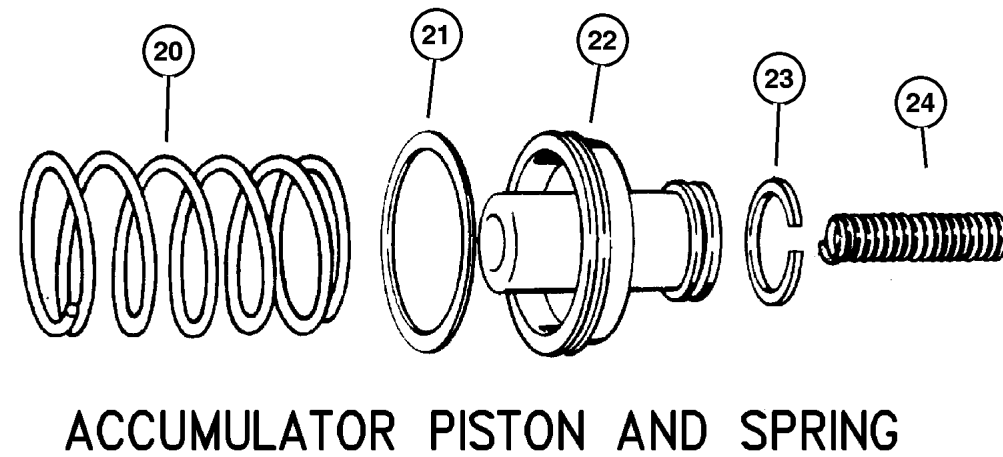
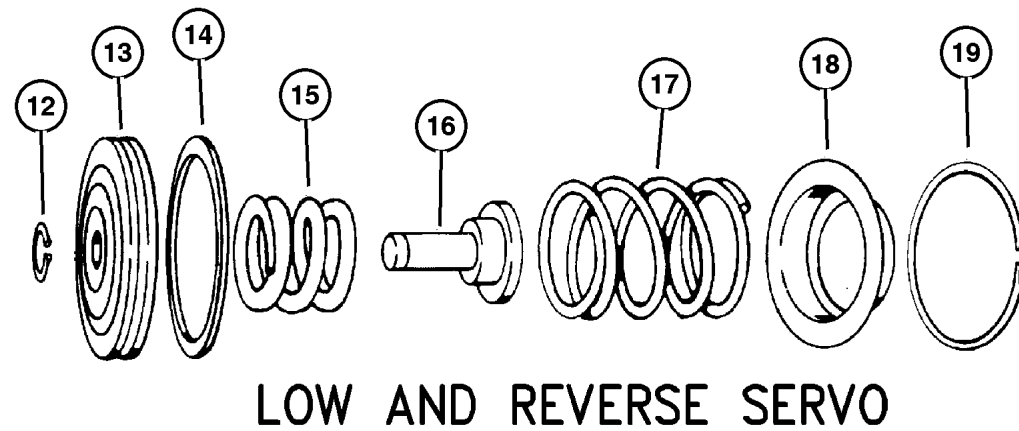
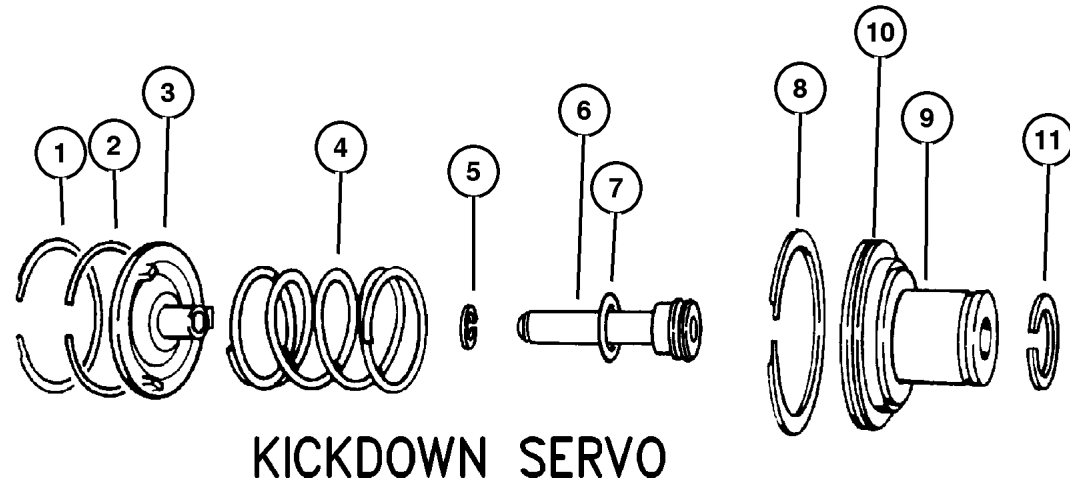
**JEEP GRAND CHEROKEE (WG)**

SERIES	LINE	BODY	ENGINE	TRANSMISSION
H = Laredo	J = 4WD	74 = 4 Door	ER0, ERH = 4.0L, Power Tech	DGK = 4 Speed Autm, 42RE
P = Limited	U = 4WD, RHD		EVO, EVA = 4.7L, Power Tech	DGQ = 5 Speed Automatic
			EXO, EXA = 3.1L 5 Cyl Turbo Diesel	- 5-45RFE
				DGW = 4 Speed Autm, 44RE

AR = Use as required - = Non illustrated part # = New this model year

October 31, 2002

Servos 42RE (DGK)  
Figure 42RE-720



ITEM	PART NUMBER	QTY	LINE	SERIES	BODY	ENGINE	TRANS	DESCRIPTION
NOTE:								
Sales Code:								
DGK=4 Speed Automatic Transmission (42RE)								
1	6028 863	1					DGK	SNAP RING, Kickdown, 2.377
2	3410 372	1					DGK	SEAL, Servo Guide
3	3410 332	1					DGK	GUIDE, Kickdown Servo
4	4058 885	1					DGK	SPRING, Kickdown Servo Piston
5	6031 392	1					DGK	SNAP RING, Brake Master Cylinder
6	4058 780	1					DGK	ROD, Kickdown Servo Piston
7	6028 864	1					DGK	O RING, Kick Down Servo
8	4295 966	1					DGK	SEAL, Servo Guide
9	4058 777	1					DGK	PISTON, Kickdown Servo
10	6028 864	1					DGK	O RING, Kick Down Servo
11	3743 033	1					DGK	SEAL, Kickdown Servo
12	6027 153	1					DGK	SNAP RING, .435 ID
13	5211 8744	1					DGK	PISTON, Reverse Servo
14	4202 864	1					DGW	SEAL, Reverse Servo Piston
15	2801 274	1					DGK	SPRING, Reverse Servo Piston
16	52118 740AB	1					DGK	PLUG, Reverse Servo Piston
17	2801 274	1					DGK	SPRING, Reverse Servo Piston
18	2464 463	1					DGK	RETAINER, Transmission Rear Clutch
19	2464 464	1					DGK	SNAP RING
20	4531 259	1					DGK	SPRING, Transmission Accumulator
21	3743 010	1					DGK	SEAL, Piston Accumulator
22	3743 650	1					DGK	PISTON, Accumulator
23	3743 010	1					DGK	SEAL, Piston Accumulator
24	4617 529	1					DGK	SPRING, Accumulator Piston

JEEP GRAND CHEROKEE (WG)

SERIES	LINE	BODY	ENGINE	TRANSMISSION
H = Laredo	J = 4WD	74 = 4 Door	ER0, ERH = 4.0L, Power Tech	DGK = 4 Speed Autm, 42RE
P = Limited	U = 4WD, RHD		EVO, EVA = 4.7L, Power Tech	DGQ = 5 Speed Automatic
			EXO, EXA = 3.1L 5 Cyl Turbo Diesel	- 5-45RFE
				DGW = 4 Speed Autm, 44RE

**Parking Sprag 42RE (DGK)  
Figure 42RE-730**

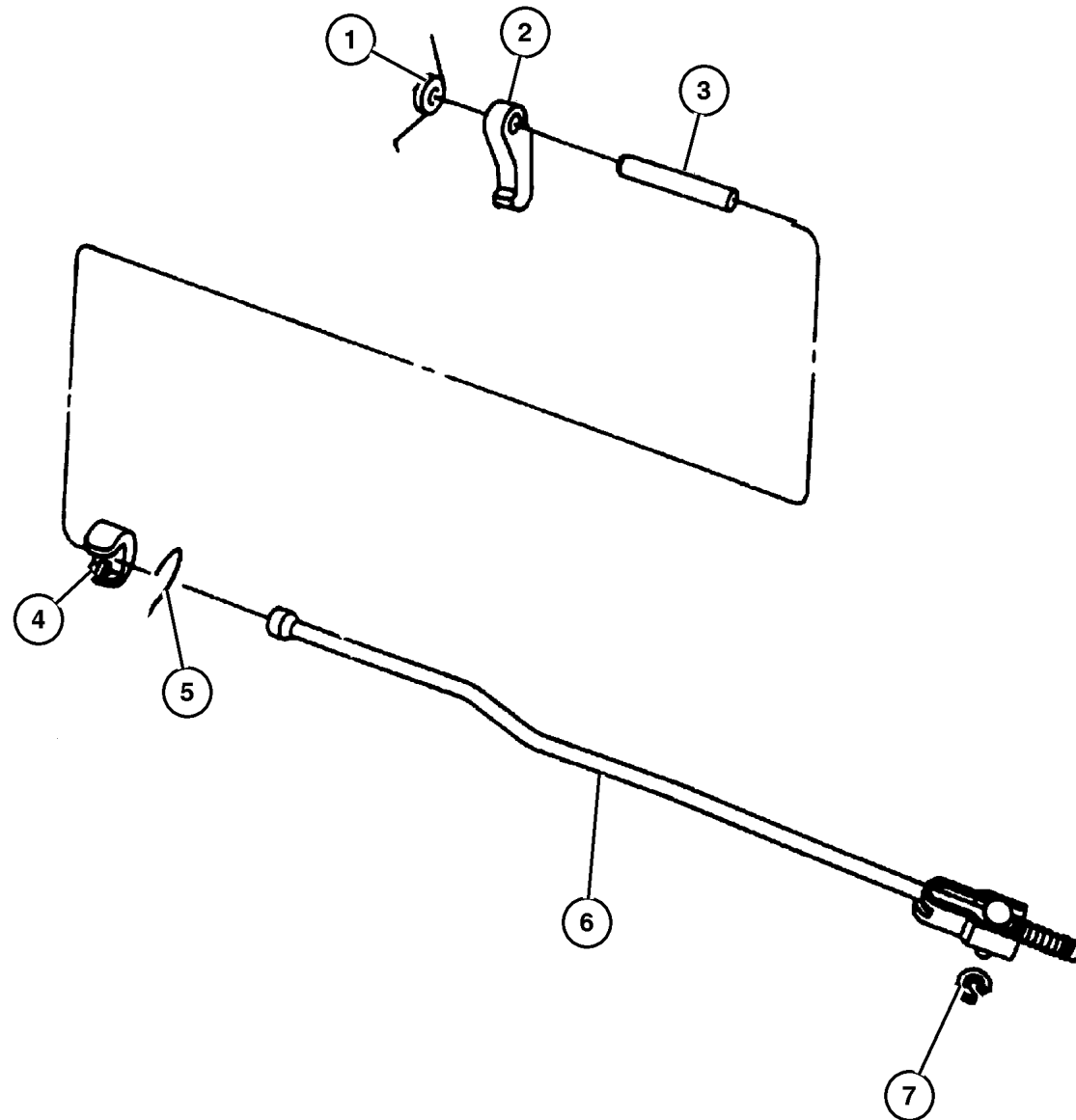
ITEM	PART NUMBER	QTY	LINE	SERIES	BODY	ENGINE	TRANS	DESCRIPTION
------	-------------	-----	------	--------	------	--------	-------	-------------

NOTE:

Sales Code:

DGK=4 Speed Automatic Transmission (42RE)

1	2466 909	1					DGK	SPRING, Parking Sprag
2	4471 415	1					DGK	SPRAG, Transmission Parking
3	2466 892	1					DGK	SHAFT, Parking Sprag
4	2538 042	1					DGK	PLUG, Parking Sprag
5	2538 034	1					DGK	SNAP RING, Transmission
6	4431 748	1					DGK	ROD, Parking Sprag
7	6035 256	1					DGK	SNAP RING, Rod



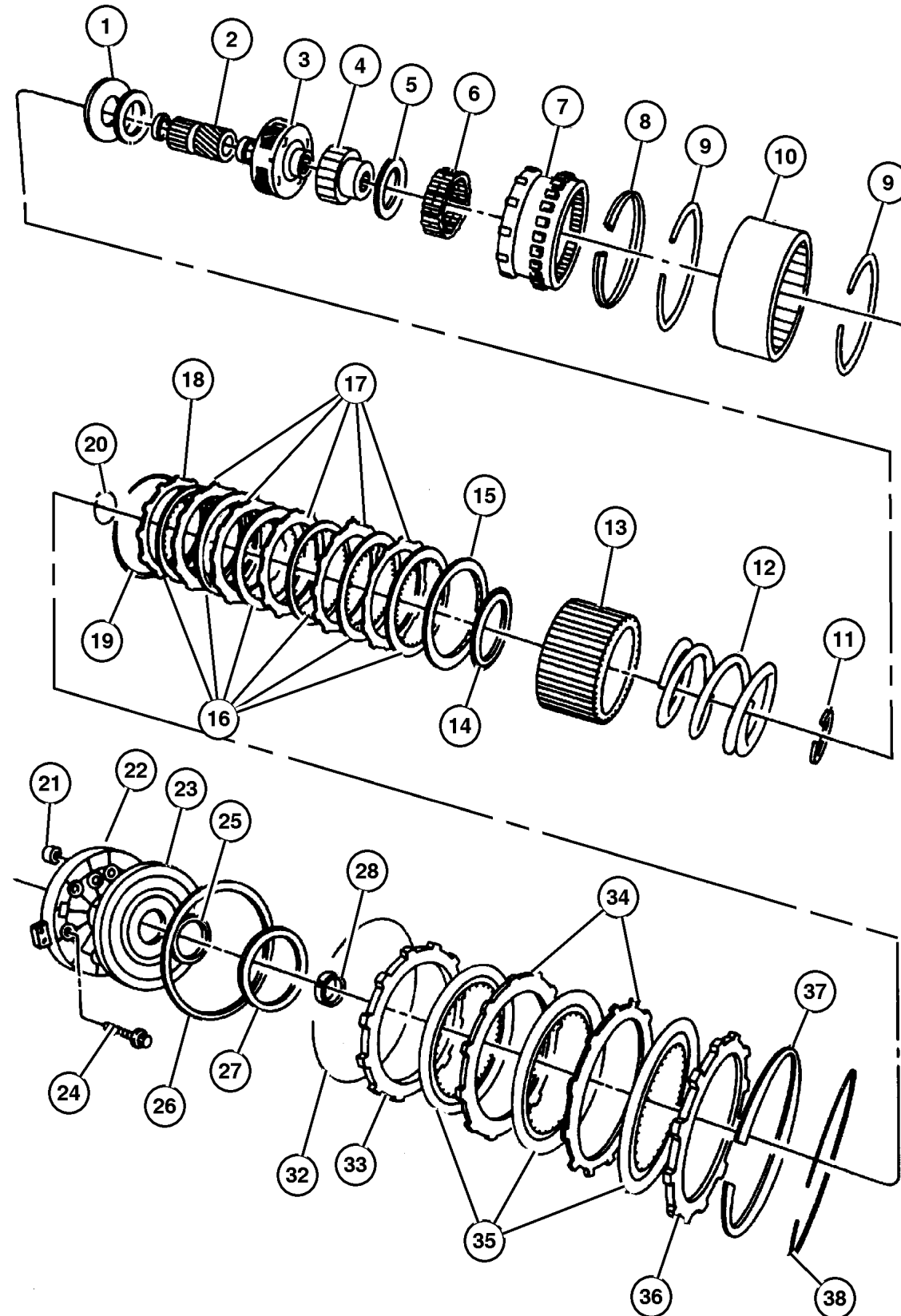
**JEEP GRAND CHEROKEE (WG)**

SERIES	LINE	BODY	ENGINE	TRANSMISSION
H = Laredo	J = 4WD	74 = 4 Door	ER0, ERH = 4.0L, Power Tech	DGK = 4 Speed Autm, 42RE
P = Limited	U = 4WD, RHD		EVO, EVA = 4.7L, Power Tech	DGQ = 5 Speed Automatic
			EXO, EXA = 3.1L 5 Cyl Turbo Diesel	- 5-45RFE
				DGW = 4 Speed Autm, 44RE

AR = Use as required - = Non illustrated part # = New this model year

October 31, 2002

**Overdrive Gear Train 42RE (DGK)  
Figure 42RE-1010**



ITEM	PART NUMBER	QTY	LINE	SERIES	BODY	ENGINE	TRANS	DESCRIPTION
<b>NOTE:</b>								
Sales Code:								
DGK=4 Speed Automatic Transmission (42RE)								
1	4740 774	1					DGK	PLATE PACKAGE, Transmission Module
2	5015 107AA	1					DGK	GEAR, Overdrive Sun
3	4798 520	1					DGK	CARRIER, O/Drive Planet Pinion
4	4461 124	1					DGK	RACE, Overrunning Clutch
5	4461 014	1					DGK	THRUST BEARING, Ovedrive Third Position
6	4461 015	1					DGK	CLUTCH, Overdrive Overrunning
7	4761 010	1					DGK	GEAR, Overdrive Annulus
8	4461 059	1					DGK	SNAP RING, 5.25 OD
9	4461 060	2					DGK	SNAP RING, 6.00 OD
10	4461 040	1					DGK	DRUM, Automatic Transmission
11	4461 063	1					DGK	SNAP RING, 2.1875 OD
12	4461 032	1					DGK	SPRING, Direct Clutch
13	4461 072	1					DGK	HUB, Direct Clutch
14	4446 724	1					DGK	THRUST BEARING, Overdrive
15	4461 030	1					DGK	PLATE, Transmission Clutch Reaction
16	4461 042	6					DGK	DISC, Direct Clutch
17	4461 054	5					DGK	PLATE, Transmission Clutch Reaction
18	4461 030	1					DGK	PLATE, Transmission Clutch Reaction
19	4461 032	1					DGK	SPRING, Direct Clutch
20	4461 064	1					DGK	SNAP RING, 1.875" OD
21	4412 583	1					DGK	FILTER, Overdrive Clutch
22	4617 246	1					DGK	RETAINER, Transmission Overdrive Clutch Piston
23	5211 8599	1					DGK	PISTON, Overdrive Clutch
24	6033 479	6					DGK	BOLT, Hex Head, .25-28x1-5/8
25	4431 696	1					DGK	SEAL, Overdrive Clutch Piston
26	4431 696	1					DGK	SEAL, Overdrive Clutch Piston
27	4431 585	1					DGK	PLATE, Transmission O/Drive Clutch
							DGK	.123 - .125
							DGK	.108 - .110
							DGK	.153 - .155
							DGK	.183 - .185
							DGK	.213 - .215
							DGK	.243 - .245
							DGK	.138 - .140
							DGK	.168 - .170
							DGK	.198 - .200
							DGK	.228 - .245

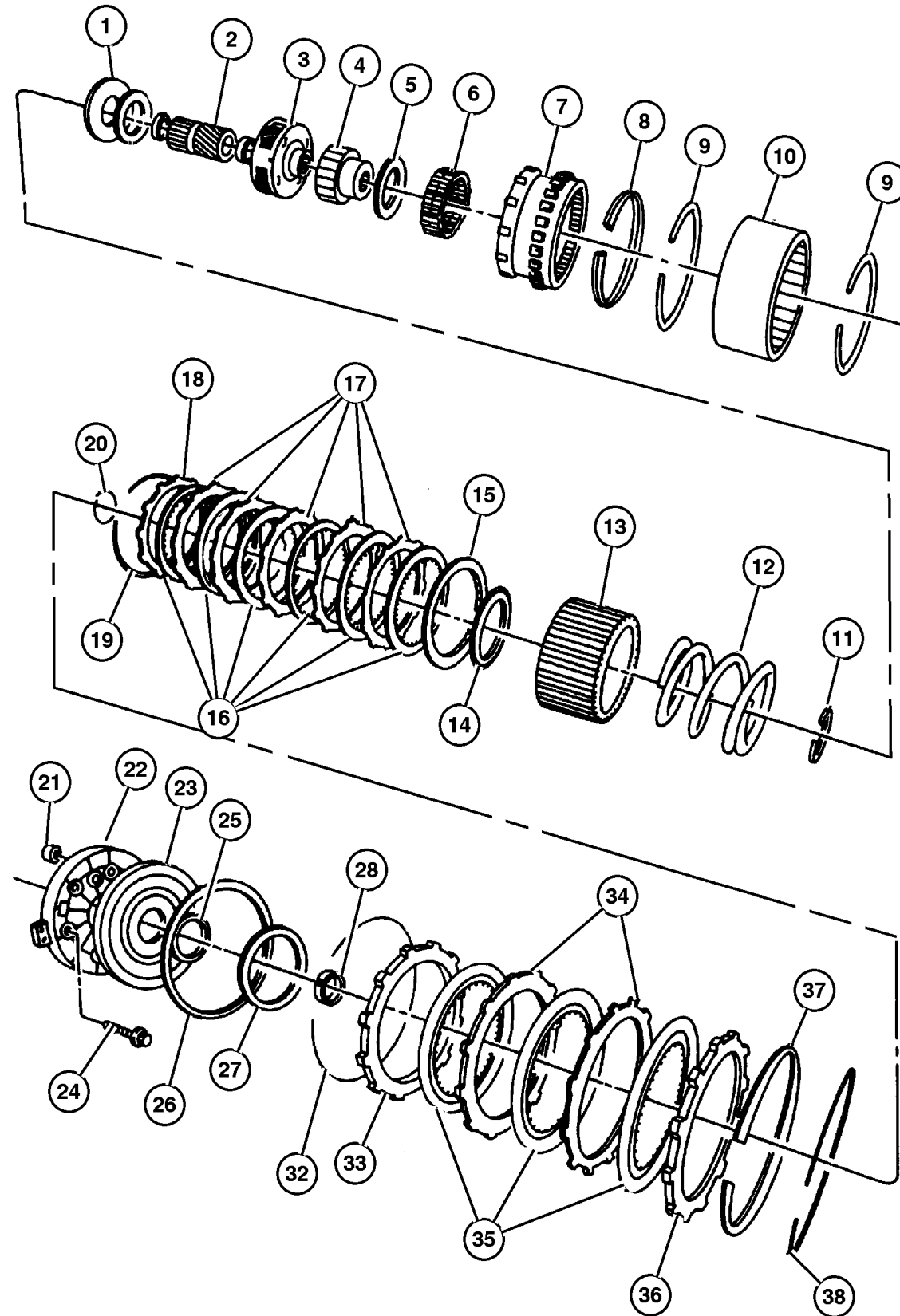
**JEEP GRAND CHEROKEE (WG)**

SERIES	LINE	BODY	ENGINE	TRANSMISSION
H = Laredo	J = 4WD	74 = 4 Door	ER0, ERH = 4.0L, Power Tech	DGK = 4 Speed Autm, 42RE
P = Limited	U = 4WD, RHD		EVO, EVA = 4.7L, Power Tech	DGQ = 5 Speed Automatic - 5-45RFE
			EXO, EXA = 3.1L 5 Cyl Turbo Diesel	DGW = 4 Speed Autm, 44RE

AR = Use as required - = Non illustrated part # = New this model year

October 31, 2002

Overdrive Gear Train 42RE (DGK)  
Figure 42RE-1010



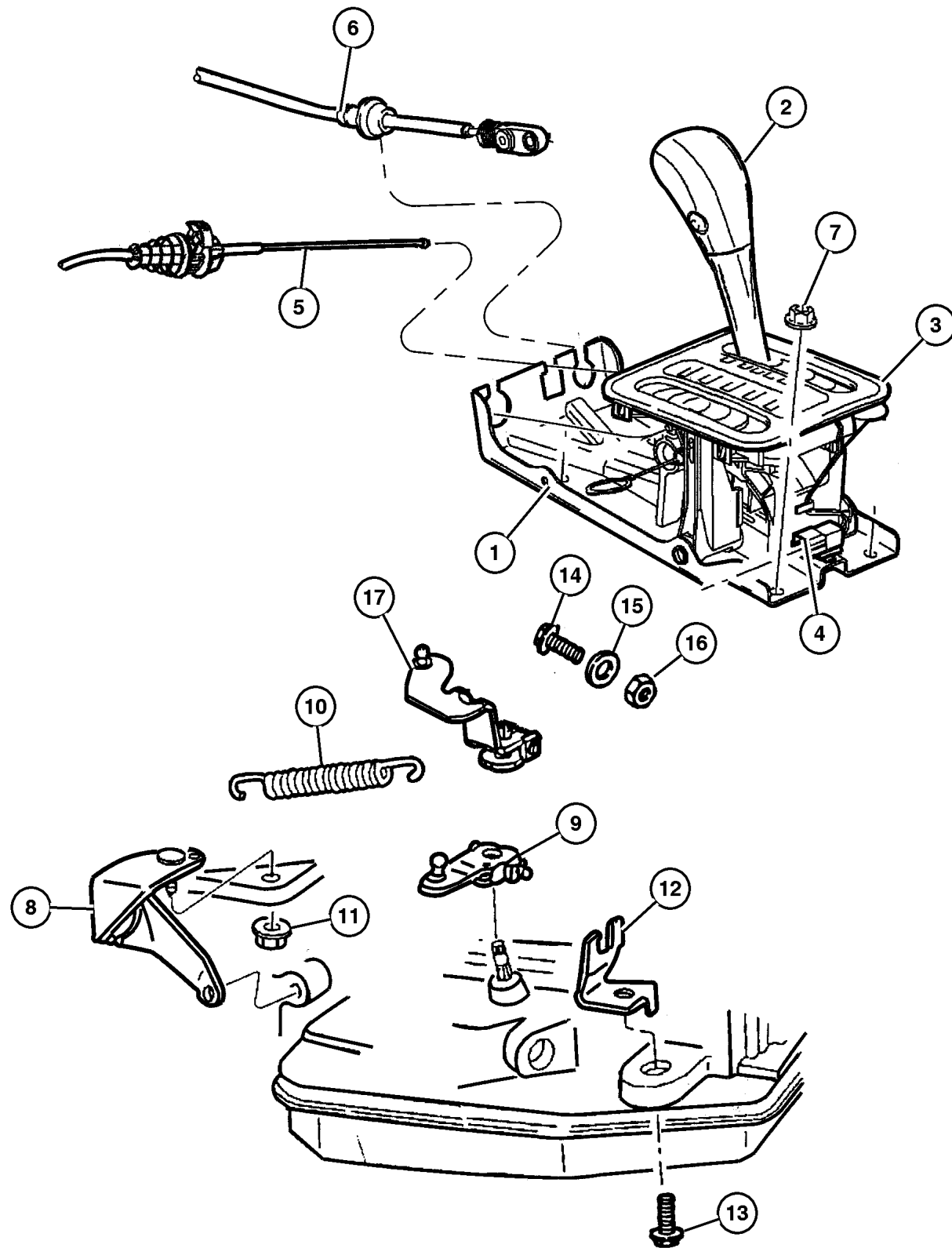
ITEM	PART NUMBER	QTY	LINE	SERIES	BODY	ENGINE	TRANS	DESCRIPTION
28	4431 916	1					DGK	SPACER, Intermediate Shaft, 1.58mm
-29	4431 917	1					DGK	SPACER, Intermediate Shaft, .175
-30	4431 918	1					DGK	SPACER, Intermediate Shaft, .193
-31	4431 919	1					DGK	SPACER, Intermediate Shaft, .211
32	4461 082	1					DGK	SNAP RING, Overdrive Clutch
33	4461 048	1					DGK	PLATE, Transmission Clutch Reaction
34	4461 047	2					DGK	PLATE, Transmission Clutch Reaction
35	4461 042	6					DGK	DISC, Direct Clutch
36	4461 033	1					DGK	PLATE, Transmission Clutch Reaction
37	4461 066	1					DGK	SPRING, Overdrive Clutch
38	4461 065	1					DGK	SNAP RING, 6.50 OD

JEEP GRAND CHEROKEE (WG)  
 SERIES LINE BODY ENGINE TRANSMISSION  
 H = Laredo J = 4WD 74 = 4 Door ER0, ERH = 4.0L, Power Tech DGK = 4 Speed Autm, 42RE  
 P = Limited U = 4WD, RHD EVO, EVA = 4.7L, Power Tech DGQ = 5 Speed Automatic  
 EXO, EXA = 3.1L 5 Cyl Turbo Diesel - 5-45RFE  
 DGW = 4 Speed Autm, 44RE

AR = Use as required - = Non illustrated part # = New this model year

October 31, 2002

**Gearshift Controls 42RE (DGK)  
Figure 42RE-1210**



ITEM	PART NUMBER	QTY	LINE	SERIES	BODY	ENGINE	TRANS	DESCRIPTION
------	-------------	-----	------	--------	------	--------	-------	-------------

Note:

DGK = 4 Speed Automatic Transmission 42RE  
 DGQ = 5 Speed Automatic Transmission 5-45RFE  
 DGW = 4 Speed Automatic Transmission 44RE  
 DG0 = All Automatic Transmissions  
 DSB = Vari-Lok Progressive Front Axle  
 ER0 = All 4.0L 6 Cyl Gas Engines  
 EX0 = All 3.0/3.1L Turbo Diesel Engines

1								HOUSING AND LEVER, Shifter
	52104 151AB	1	J				DG0	With out [DSB]
	52104 152AC	1	U				DG0	With out [DSB]
	52104 374AB	1	J				DG0	With [DSB]
	52104 375AB	1	U				DG0	With [DSB]
2								KNOB, Gearshift, Serviced With # 1 , (NOT SERVICED) (Not Serviced)
3								BEZEL, Gear Shift Indicator
	5012 471AA	1	J				DG0	Without [DSB]
		1	U				DG0	Without [DSB]
	5014 661AA	1	J				DG0	With [DSB]
		1	U				DG0	With [DSB]
4								CONNECTOR, Wiring
	5013 117AA	1	J				DG0	
		1	U				DG0	
5	5210 4054	1					DG0	CABLE, Park Interlock
6	52104 060AC	1					DGK, DGQ	CABLE, Gearshift Control
7	6101 695	4						NUT, Hex Flange Lock, M8x1.25
8	5210 4057	1					DGK	BRACKET, Shift Cable
9	5210 4058	1					DGK	LEVER, Manual Control
10	5300 9055	1					DGK, DGW	SPRING, Throttle Valve Return
11	6028 114	1					DGK, DGW	NUT, Hex, .437-14
12	5207 8867	1				ER0, EX0		BRACKET, Cable
13	0181 112	1					DGK, DGW	SCREW AND WASHER, .375-16x1.00
14	0181 065	1				ER0, EX0		BOLT, Hex Head, .25-20x1.00
15	0138 165	1				ER0, EX0		WASHER, Lock
16	J012 0375	1					DGW	NUT, Hex, .250-20

**JEEP GRAND CHEROKEE (WG)**

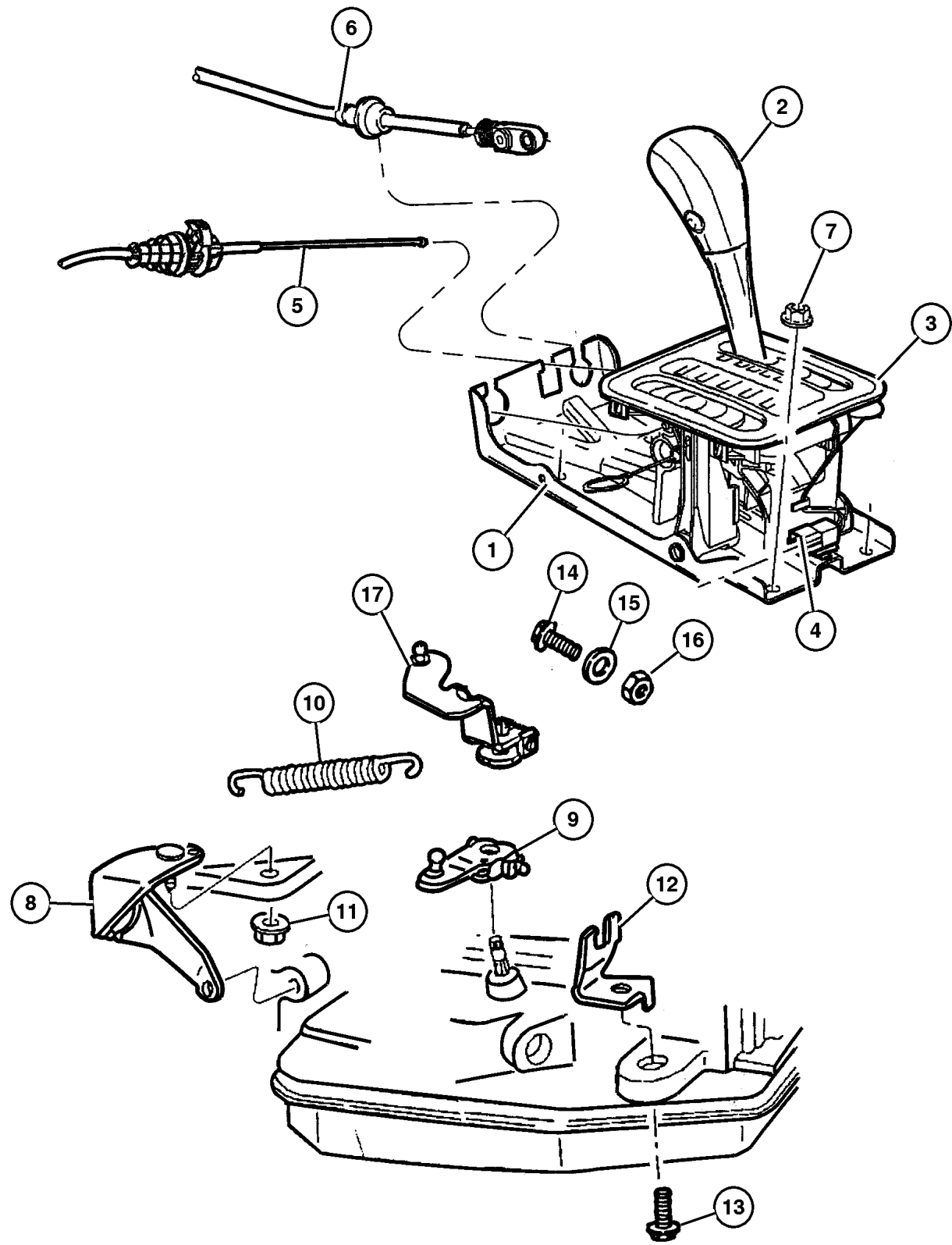
SERIES	LINE	BODY	ENGINE	TRANSMISSION
H = Laredo	J = 4WD	74 = 4 Door	ER0, ERH = 4.0L, Power Tech	DGK = 4 Speed Autm, 42RE
P = Limited	U = 4WD, RHD		EVO, EVA = 4.7L, Power Tech	DGQ = 5 Speed Automatic - 5-45RFE
			EXO, EXA = 3.1L 5 Cyl Turbo Diesel	DGW = 4 Speed Autm, 44RE

AR = Use as required - = Non illustrated part # = New this model year

October 31, 2002

**Gearshift Controls 42RE (DGK)  
Figure 42RE-1210**

ITEM	PART NUMBER	QTY	LINE	SERIES	BODY	ENGINE	TRANS	DESCRIPTION
17	3681 227	1					DGK	LEVER, Throttle Valve



<b>JEEP GRAND CHEROKEE (WG)</b>				
SERIES	LINE	BODY	ENGINE	TRANSMISSION
H = Laredo	J = 4WD	74 = 4 Door	ER0, ERH = 4.0L, Power Tech	DGK = 4 Speed Autm, 42RE
P = Limited	U = 4WD, RHD		EVO, EVA = 4.7L, Power Tech	DGQ = 5 Speed Automatic
			EXO, EXA = 3.1L 5 Cyl Turbo Diesel	- 5-45RFE
				DGW = 4 Speed Autm, 44RE

AR = Use as required - = Non illustrated part # = New this model year

October 31, 2002

# Group – 44RE

## Automatic Transmission 4 Speed

### GROUP 44RE - Automatic Transmission 4 Speed

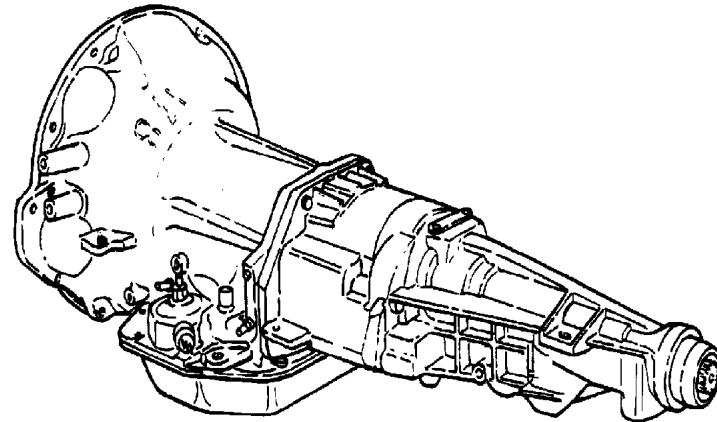


Illustration Title

Group-Fig. No.

#### Transmission Assembly

Transmission 44RE (DGW) ..... Fig. 44RE-110

#### Case and Extension

Case and Related Parts 44RE (DGW) ..... Fig. 44RE-210

Extension 44RE (DGW) ..... Fig. 44RE-220

#### Oil Pump

Oil Pump 44RE (DGW) ..... Fig. 44RE-310

#### Gear Train

Clutch Front and Rear 44RE (DGW) ..... Fig. 44RE-410

Gear Train and Intermediate Shaft 44RE (DGW) ..... Fig. 44RE-420

Output Shaft 44RE (DGW) ..... Fig. 44RE-430

#### Bands, Reverse and Kickdown

Bands 44RE (DGW) ..... Fig. 44RE-510

#### Valve Body

Valve Body 44RE (DGW) ..... Fig. 44RE-710

Servos 44RE (DGW) ..... Fig. 44RE-720

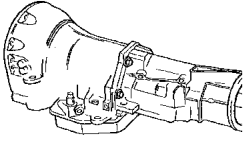
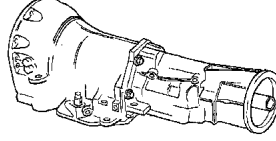

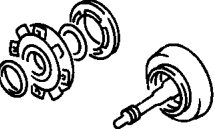
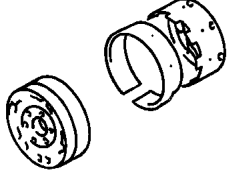
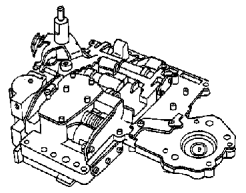
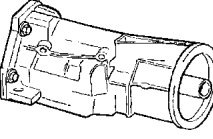
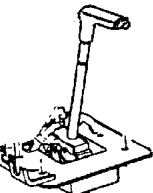
Parking Sprag 44RE (DGW) ..... Fig. 44RE-730

#### Overdrive Gear Train

Overdrive Gear Train 44RE (DGW) ..... Fig. 44RE-1010

#### Gearshift Controls

Gearshift Controls 44RE (DGW) ..... Fig. 44RE-1210

<p><b>44RE-100</b> Transmission Assembly</p> 	<p><b>44RE-200</b> Case and Extension</p> 	<p><b>44RE-300</b> Oil Pump</p> 	<p><b>44RE-400</b> Gear Train</p> 
<p><b>44RE-500</b> Bands, Reverse and Kickdown</p> 	<p><b>44RE-700</b> Valve Body</p> 	<p><b>44RE-1000</b> Overdrive Gear Train</p> 	<p><b>44RE-1200</b> Gearshift Controls</p> 



**Transmission 44RE (DGW)  
Figure 44RE-110**

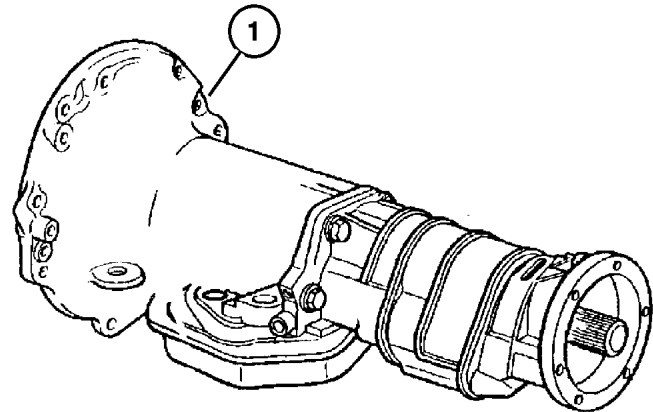
ITEM	PART NUMBER	QTY	LINE	SERIES	BODY	ENGINE	TRANS	DESCRIPTION
------	-------------	-----	------	--------	------	--------	-------	-------------

NOTE:

Sales Codes:

DGW=4 Speed Automatic Transmission (44RE)

1	5015 275AA	1					DGW	TRANSMISSION PACKAGE
-2	52118 155AB	1					DGW	OVERDRIVE ASSEMBLY, Transmission Rear Unit w/Extension



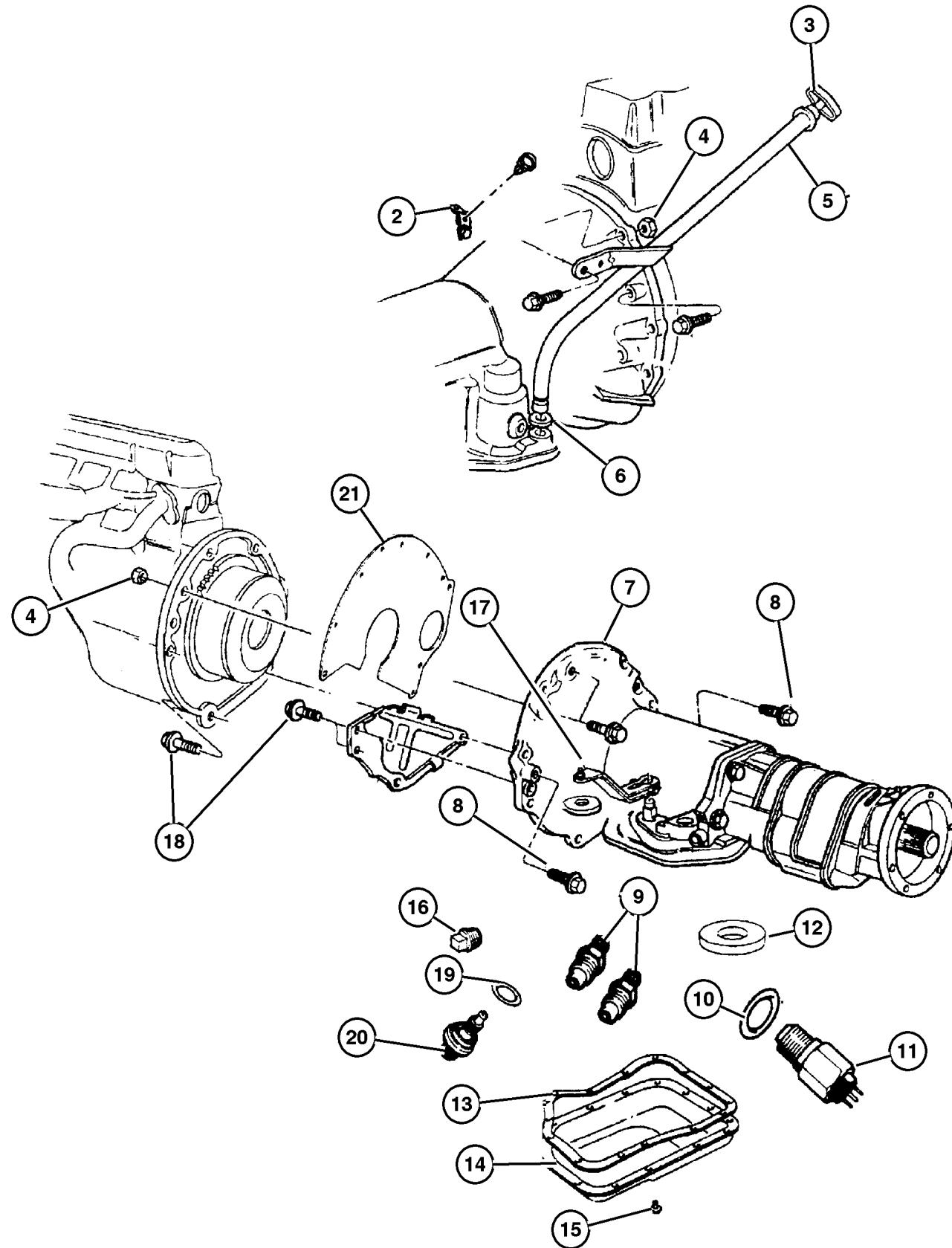
**JEEP GRAND CHEROKEE (WG)**

SERIES	LINE	BODY	ENGINE	TRANSMISSION
H = Laredo	J = 4WD	74 = 4 Door	ER0, ERH = 4.0L, Power Tech	DGK = 4 Speed Autm, 42RE
P = Limited	U = 4WD, RHD		EVO, EVA = 4.7L, Power Tech	DGQ = 5 Speed Automatic
			EXO, EXA = 3.1L 5 Cyl Turbo Diesel	- 5-45RFE
				DGW = 4 Speed Autm, 44RE

AR = Use as required - = Non illustrated part # = New this model year

October 31, 2002

**Case and Related Parts 44RE (DGW)  
Figure 44RE-210**



ITEM	PART NUMBER	QTY	LINE	SERIES	BODY	ENGINE	TRANS	DESCRIPTION
------	-------------	-----	------	--------	------	--------	-------	-------------

**NOTE:**

Sales Codes  
 ER0=All 4.0L In-Line 6 Engines  
 EX0=All 3.1L Turbo Diesel Engines  
 DGK=4 Speed Automatic Transmission  
 DGW=4 Speed Automatic Transmission  
 DG0=All 4 Speed Automatic Transmission

-1	4863 907AD	1					DGW	SEAL AND GASKET PACKAGE, Transmission
2	5209 8522	1				ER0, EX0		BRACKET, Tube
3	#52118 641AC	1				ER0, EX0	DG0	INDICATOR, Transmission Fluid Level
4	J021 9422	1					DGK	NUT, Hex
5	5211 8800	1				EX0	DGW	TUBE, Transmission Oil Filler
6	52118 629AB	1					DG0	SEAL, Oil Filler Tube
7	52118 816AA	1					DGW	CASE, Transmission
8	J400 4370	2					DGK	BOLT AND WASHER, Hex Head, .437-14x2.75
9	6033 879	2					DGW	NUT, Inverted Flare, .62-18
10	2408 143	1					DGW	WASHER, Switch
11	3747 361	1					DGW	SWITCH, Neutral, Safety, Back Up
12	3681 601	1					DGW	MAGNET, Transmission
13	4295 875	1					DGW	GASKET, Oil Pan
14	52118 779AB	1					DGW	PAN, Transmission Oil
15	4723 548	12					DGW	SCREW AND WASHER, Hex Head, .312-18x.625
16	6028 095	1					DGW	PLUG, Pressure Check
17	52104 276AA	1					DGW	LEVER, Manual Control
18	4723 548	2					DGW	SCREW AND WASHER, Hex Head, .312-18x.625
19	6501 701	1					DGW	O RING, Trans Speed Sensor
20	4412 879	1					DGW	SENSOR, Transmission Output Speed
21	J323 7847	1				ER0	DG0	SPACER, Clutch Housing

**JEEP GRAND CHEROKEE (WG)**

SERIES	LINE	BODY	ENGINE	TRANSMISSION
H = Laredo	J = 4WD	74 = 4 Door	ER0, ERH = 4.0L, Power Tech	DGK = 4 Speed Autm, 42RE
P = Limited	U = 4WD, RHD		EVO, EVA = 4.7L, Power Tech	DGQ = 5 Speed Automatic - 5-45RFE
			EXO, EXA = 3.1L 5 Cyl Turbo Diesel	DGW = 4 Speed Autm, 44RE

AR = Use as required - = Non illustrated part # = New this model year

October 31, 2002

Extension 44RE (DGW)  
Figure 44RE-220

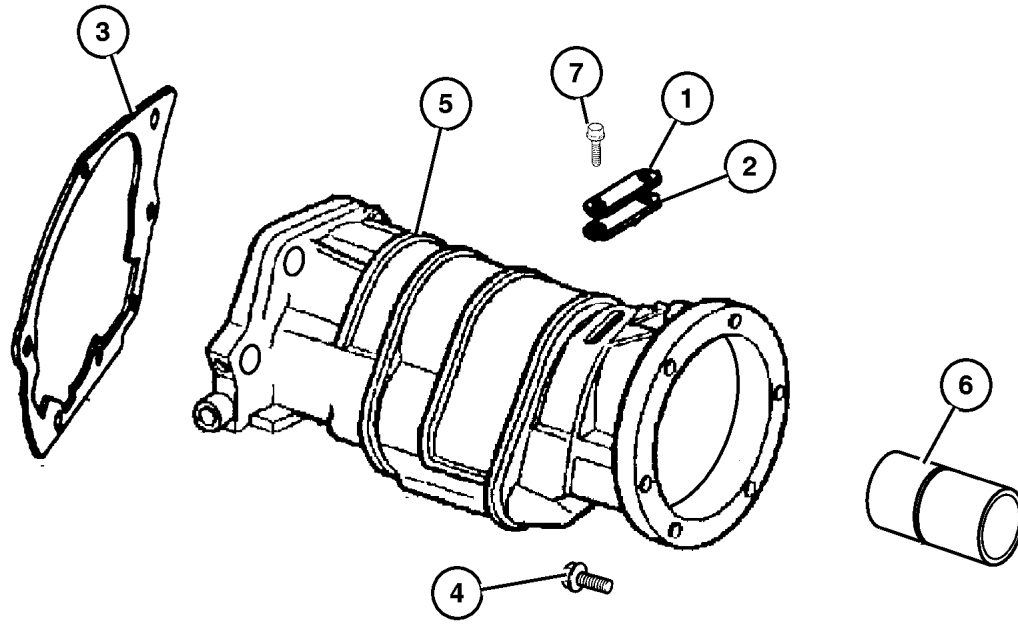
ITEM	PART NUMBER	QTY	LINE	SERIES	BODY	ENGINE	TRANS	DESCRIPTION
------	-------------	-----	------	--------	------	--------	-------	-------------

NOTE:

Sales Codes:

DGW=4 Speed Automatic Transmission (44RE)

1	2466 957	1					DGW	COVER, Transmission Converter
2	2801 398	1					DGW	GASKET, Transmission
3	4471 564	1					DGW	GASKET, Overdrive Piston Retainer
4	6036 046AA	7					DGW	SCREW, Hex Flange Head, .375-16x1.38
5	5012 428AA	1					DGW	ADAPTER, Transfer Case
6	4269 956	1					DGW	SEAL, Adapter
7								SCREW, (NOT SERVICED) (Not Serviced)



JEEP GRAND CHEROKEE (WG)

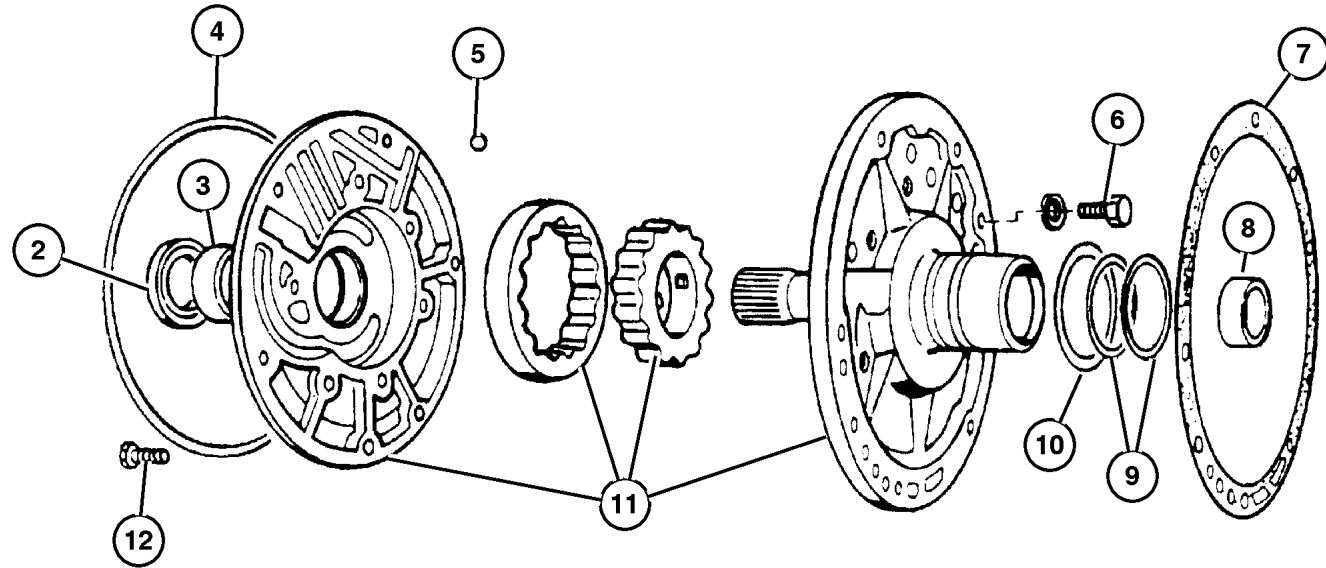
SERIES	LINE	BODY	ENGINE	TRANSMISSION
H = Laredo	J = 4WD	74 = 4 Door	ER0, ERH = 4.0L, Power Tech	DGK = 4 Speed Autm, 42RE
P = Limited	U = 4WD, RHD		EVO, EVA = 4.7L, Power Tech	DGQ = 5 Speed Automatic
			EXO, EXA = 3.1L 5 Cyl Turbo Diesel	- 5-45RFE
				DGW = 4 Speed Autm, 44RE

AR = Use as required - = Non illustrated part # = New this model year

October 31, 2002

**Oil Pump 44RE (DGW)  
Figure 44RE-310**

ITEM	PART NUMBER	QTY	LINE	SERIES	BODY	ENGINE	TRANS	DESCRIPTION
<b>NOTE:</b>								
Sales Code:								
DGW=4 Speed Automatic Transmission (44RE)								
-1	4713 108AB	1					DGW	GASKET AND SEAL PACKAGE, Transmission Oil Pump
2	4412 475	1					DGW	SEAL, Impeller Hub, 57.25mm OD
3	2466 796	1					DGW	BUSHING, Front Pump
4	2204 709	1					DGW	SEAL, Front Pump Housing
5	0104 918	1					DGW	BALL, Valve Body Check
6	0179 815	6					DGW	SCREW, Hex Head, .312-18x.687
7	5211 8266	1					DGW	GASKET, Transmission Oil Pump
8	4058 635	1					DGW	BUSHING, Reaction Shaft
9	4471 874	2					DGW	SEAL, Ring Reaction Support, 2 1/16 O.D.
10	4617 786	1					DGW	THRUST WASHER, Front Clutch
11	52118 267AB	1					DGW	PUMP, Transmission Oil
12	6023 943	7					DGW	SCREW AND WASHER, Hex Flange Head, .312-18x1.375



<b>JEEP GRAND CHEROKEE (WG)</b>				
SERIES	LINE	BODY	ENGINE	TRANSMISSION
H = Laredo	J = 4WD	74 = 4 Door	ER0, ERH = 4.0L, Power Tech	DGK = 4 Speed Autm, 42RE
P = Limited	U = 4WD, RHD		EVO, EVA = 4.7L, Power Tech	DGQ = 5 Speed Automatic
			EXO, EXA = 3.1L 5 Cyl Turbo Diesel	- 5-45RFE
				DGW = 4 Speed Autm, 44RE

AR = Use as required - = Non illustrated part # = New this model year

October 31, 2002

**Clutch Front and Rear 44RE (DGW)  
Figure 44RE-410**

ITEM	PART NUMBER	QTY	LINE	SERIES	BODY	ENGINE	TRANS	DESCRIPTION
------	-------------	-----	------	--------	------	--------	-------	-------------

**NOTE:**

Sales Codes:

DGW=4 Speed Automatic Transmission (44RE)

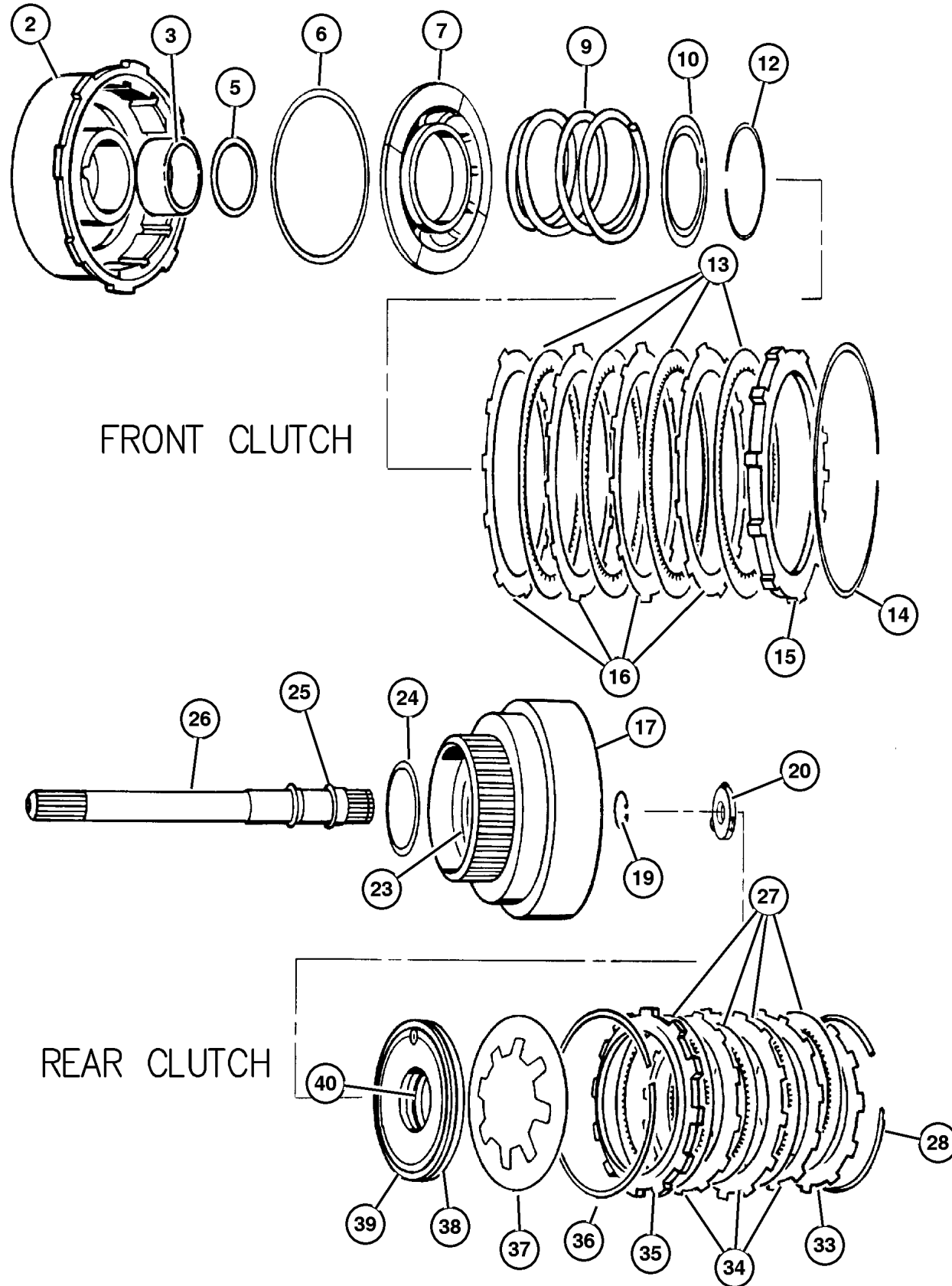
-1	5252 926AB	1					DGW	SEAL PACKAGE, Transmission Clutch
2	4617 153AB	1					DGW	RETAINER, Transmission Front Clutch
3	4617 157	1					DGW	BUSHING, Front Clutch
-4	4617 159	1					DGW	BUSHING, Rear Clutch
5	3515 176	1					DGW	SEAL, Front Clutch Piston
6	4058 487AB	1					DGW	SEAL, Front Piston Clutch
7	3515 716	1					DGW	PISTON, Clutch
-8	0147 483	1					DGW	CHECK BALL, Dia-.187
9	4329 809	1					DGW	SPRING, Front Clutch
10	4617 516AB	1					DGW	RETAINER, Transmission Front Clutch
								Piston Spring
-11	0147 483	1					DGW	CHECK BALL, Dia-.187
12	1942 400	1					DGW	SNAP RING
13	4617 362	5					DGW	DISC, Direct Clutch
14	3410 571	1					DGW	SNAP RING
15	4617 176AB	1					DGW	PLATE, Transmission Clutch Reaction
16	1942 403AB	3					DGW	PLATE, Clutch Separator
17	4505 199	1					DGW	RETAINER, Transmission Rear Clutch
-18	0147 483	1					DGW	CHECK BALL, Dia-.187
19	6022 859	1					DGW	SNAP RING, .890625
20	4505 185	1					DGW	THRUST WASHER, Output Shaft, Gray .052
-21	4505 186	1					DGW	THRUST WASHER, Output Shaft, Red .068
-22	4505 187	1					DGW	THRUST WASHER, Output Shaft, Green .083
23	4028 333	1					DGW	SEAL, Rear Clutch, 1.50 ODx.009 Thk
24	4617 786	1					DGW	THRUST WASHER, Front Clutch
25	1401 221AB	1					DGW	SEAL, Input Shaft
26	5211 8478	1					DGW	SHAFT, Input
27	4713 880	1					DGW	DISC, Clutch
28	4130 761	1					DGW	SNAP RING
-29	4539 121	1					DGW	SNAP RING, Rear Clutch, .076
-30	4539 122	1					DGW	SNAP RING, Rear Clutch, .098
-31	4539 123	1					DGW	SNAP RING, Rear Clutch, .095
-32	4539 124	1					DGW	SNAP RING, Rear Clutch, .107
33	4617 176	1					DGK	PLATE, Transmission Clutch Reaction
34	1942 403AB	3					DGW	PLATE, Clutch Separator
35	2466 281	1					DGW	PLATE, Clutch Pressure

**JEEP GRAND CHEROKEE (WG)**

SERIES	LINE	BODY	ENGINE	TRANSMISSION
H = Laredo	J = 4WD	74 = 4 Door	ER0, ERH = 4.0L, Power Tech	DGK = 4 Speed Autm, 42RE
P = Limited	U = 4WD, RHD		EVO, EVA = 4.7L, Power Tech	DGQ = 5 Speed Automatic
			EXO, EXA = 3.1L 5 Cyl Turbo Diesel	- 5-45RFE
				DGW = 4 Speed Autm, 44RE

AR = Use as required - = Non illustrated part # = New this model year

October 31, 2002

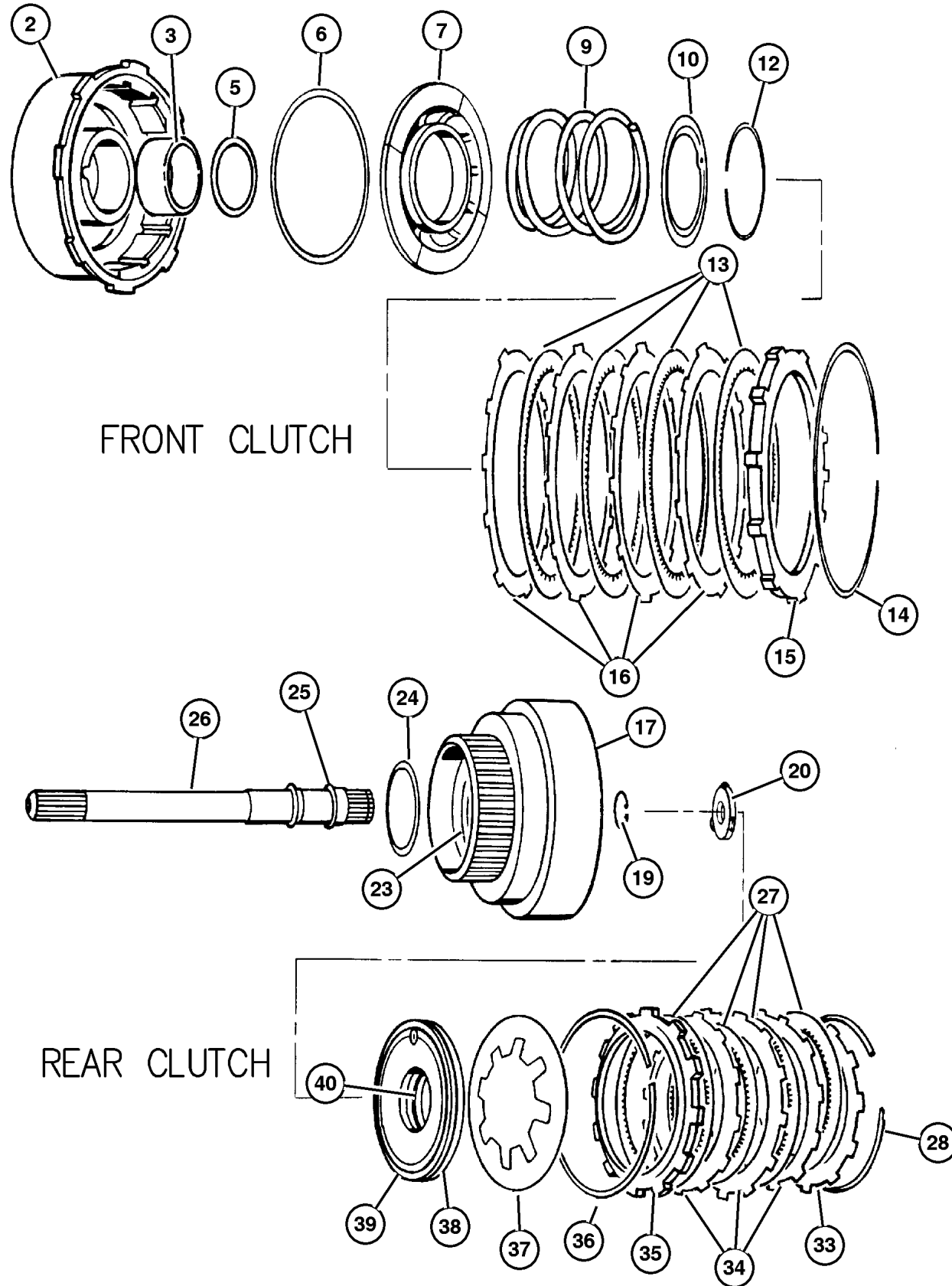


FRONT CLUTCH

REAR CLUTCH

**Clutch Front and Rear 44RE (DGW)  
Figure 44RE-410**

ITEM	PART NUMBER	QTY	LINE	SERIES	BODY	ENGINE	TRANS	DESCRIPTION
36	2466 283	1					DGW	SPRING, Rear Clutch
37	4269 623	1					DGW	SPRING, Rear Clutch Piston
38	2538 510	1					DGW	SEAL, Rear Clutch Piston
39	3515 716	1					DGW	PISTON, Clutch
40	2538 510	1					DGW	SEAL, Rear Clutch Piston

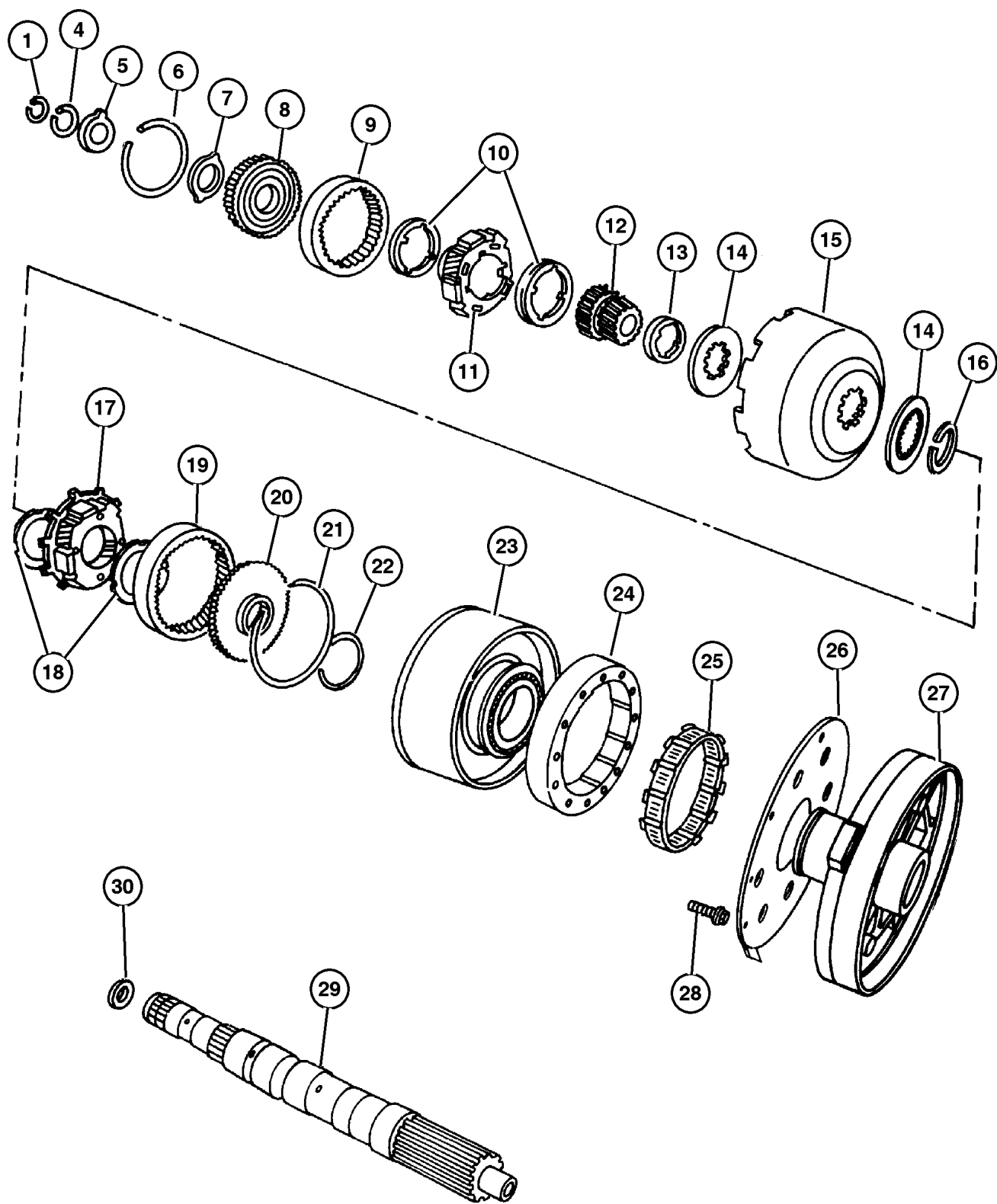


FRONT CLUTCH

REAR CLUTCH

**JEEP GRAND CHEROKEE (WG)**  
 SERIES LINE BODY ENGINE TRANSMISSION  
 H = Laredo J = 4WD 74 = 4 Door ER0, ERH = 4.0L, Power Tech DGK = 4 Speed Autm, 42RE  
 P = Limited U = 4WD, RHD EV0, EVA = 4.7L, Power Tech DGQ = 5 Speed Automatic  
 EXO, EXA = 3.1L 5 Cyl Turbo Diesel - 5-45RFE  
 DGW = 4 Speed Autm, 44RE

**Gear Train and Intermediate Shaft 44RE (DGW)**  
**Figure 44RE-420**



ITEM	PART NUMBER	QTY	LINE	SERIES	BODY	ENGINE	TRANS	DESCRIPTION
NOTE:								
Sales Codes:								
DGW=4 Speed Automatic Transmission (44RE)								
1	6026 289	1					DGW	SNAP RING, .946 ID
-2	6030 938	1					DGW	SNAP RING
-3	6030 404	1					DGW	SNAP RING, Output Shaft, 1.029 OD
4	6030 576	1					DGW	SNAP RING, Annulus Gear, 1.375 ID
5	3681 969	1					DGW	THRUST WASHER, Annulus Gear
6	6035 238	1					DGW	SNAP RING
7	4617 775	1					DGW	PLATE, Annulus Gear Thrust
8	4617 774	1					DGW	SUPPORT, Annulus Gear
9	4130 512	1					DGW	GEAR, Front Annulus
10	4130 518	2					DGW	THRUST WASHER, Planetary Carrier
11	5211 8476	1					DGW	CARRIER, Planetary Pinion
12	4130 685	1					DGW	GEAR, Sun
13	4130 736	1					DGW	SPACER, Sun Gear
14	4471 566	2					DGW	PLATE, Transmission Module
15	4531 288	1					DGW	SHELL, Sun Gear
16	1942 439	1					DGW	SNAP RING, Sun Gear Shell
17	4431 438	1					DGW	CARRIER, Planetary Pinion
18	3681 935	1					DGW	THRUST WASHER, Planetary Carrier
19	3743 184	1					DGW	GEAR, Rear Annulus
20	3515 501	1					DGW	SUPPORT, Annulus Gear
21	1942 444	1					DGW	SNAP RING
22	6033 480	1					DGW	SNAP RING, Reverse Drum
23	4637 956	1					DGW	DRUM PACKAGE, Transmission
24	4431 690	1					DGW	CAM, Overrunning Clutch
25	4431 432	1					DGW	CLUTCH, Overrunning
26	4471 564	1					DGW	GASKET, Overdrive Piston Retainer
27	4617 246	1					DGW	RETAINER, Transmission Overdrive Clutch Piston
28	6033 616	5					DGW	SCREW, Hex Flange Head, .25-28x.875
29	4617 604	1					DGW	INTERMEDIATE SHAFT, Transmission
30	4505 188	1					DGW	PLATE, Transmission Module

<b>JEEP GRAND CHEROKEE (WG)</b>				
SERIES	LINE	BODY	ENGINE	TRANSMISSION
H = Laredo	J = 4WD	74 = 4 Door	ER0, ERH = 4.0L, Power Tech	DGK = 4 Speed Autm, 42RE
P = Limited	U = 4WD, RHD		EVO, EVA = 4.7L, Power Tech	DGQ = 5 Speed Automatic
			EXO, EXA = 3.1L 5 Cyl Turbo Diesel	- 5-45RFE
				DGW = 4 Speed Autm, 44RE

AR = Use as required - = Non illustrated part # = New this model year

October 31, 2002

**Output Shaft 44RE (DGW)  
Figure 44RE-430**

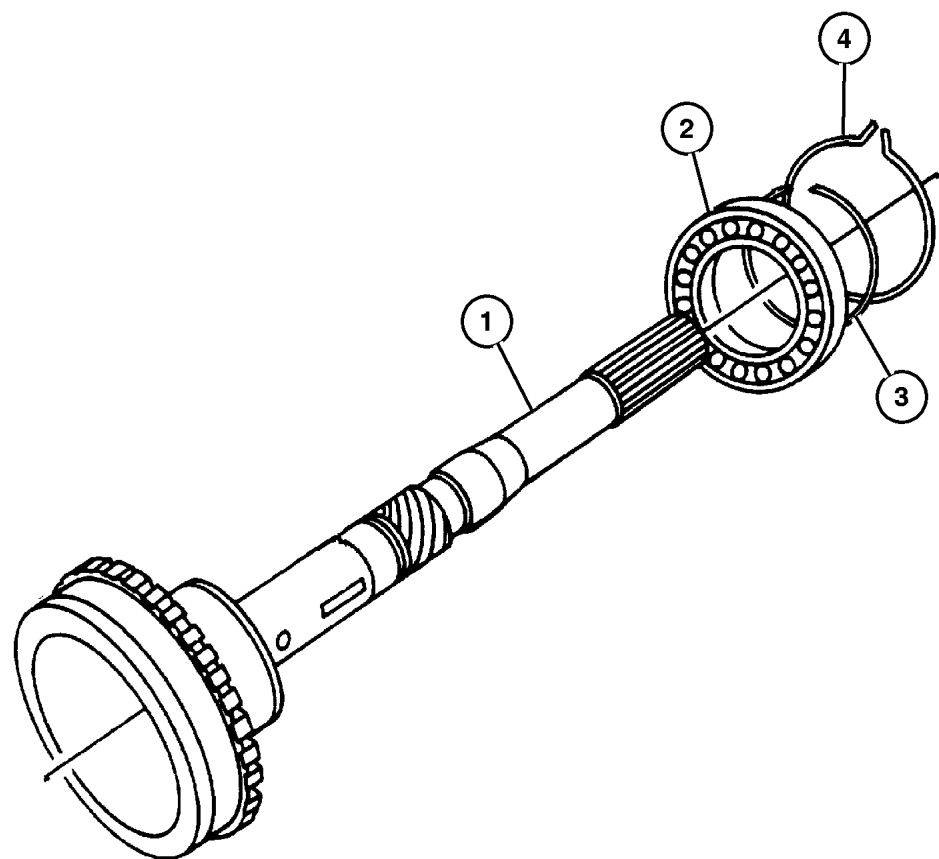
ITEM	PART NUMBER	QTY	LINE	SERIES	BODY	ENGINE	TRANS	DESCRIPTION
------	-------------	-----	------	--------	------	--------	-------	-------------

NOTE:

Sales Code:

DGW=4 Speed Automatic Transmission (44RE)

1	4798 536	1					DGW	SHAFT, Output
2	4461 008	1					DGW	BEARING, Output Shaft
3	4461 068	1					DGW	SNAP RING
4	4461 057	1					DGW	SNAP RING



**JEEP GRAND CHEROKEE (WG)**

SERIES	LINE	BODY	ENGINE	TRANSMISSION
H = Laredo	J = 4WD	74 = 4 Door	ER0, ERH = 4.0L, Power Tech	DGK = 4 Speed Autm, 42RE
P = Limited	U = 4WD, RHD		EVO, EVA = 4.7L, Power Tech	DGQ = 5 Speed Automatic - 5-45RFE
			EXO, EXA = 3.1L 5 Cyl Turbo Diesel	DGW = 4 Speed Autm, 44RE

AR = Use as required - = Non illustrated part # = New this model year

October 31, 2002



**Bands 44RE (DGW)  
Figure 44RE-510**

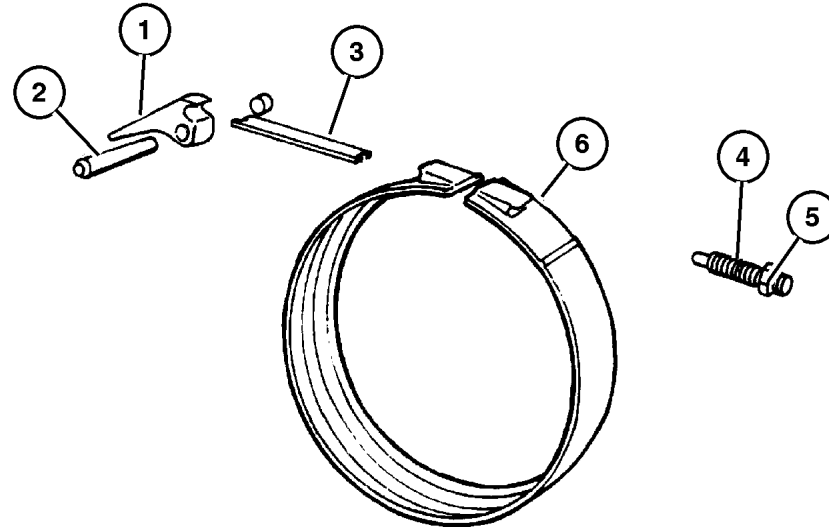
ITEM	PART NUMBER	QTY	LINE	SERIES	BODY	ENGINE	TRANS	DESCRIPTION
------	-------------	-----	------	--------	------	--------	-------	-------------

NOTE:

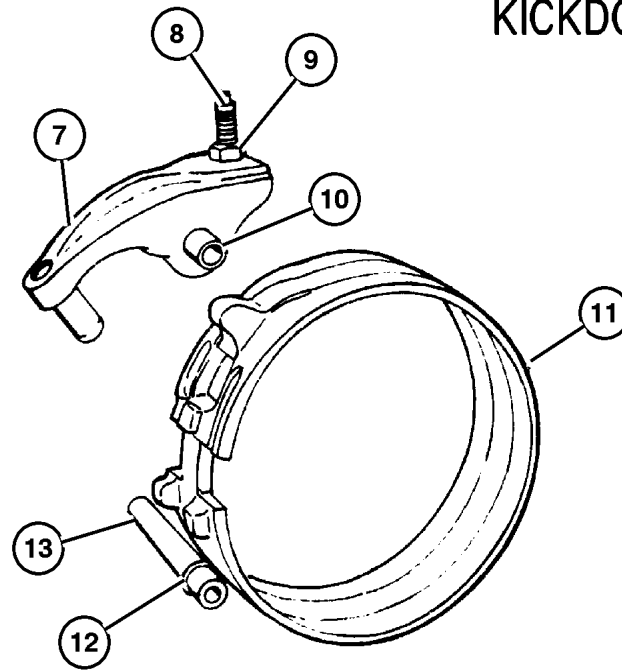
Sales Codes:

DGW=4 Speed Automatic Transmission (44RE)

1	2125 067	1					DGW	LEVER, Kickdown
2	4531 181	1					DGW	SHAFT, Band Lever
3	3515 084	1					DGW	STRUT, Kickdown Band
4	6036 141AA	1					DGW	SCREW
5	0124 934	1					DGW	NUT, Hex Jam, .50-20
6	4617 899	1					DGW	BAND, Kickdown
7								LEVER, Reverse Band
	4202 764AB	1					DGW	
	4202 765	1					DGW	With Stem
8	2538 472	1					DGW	SCREW, Trans Reverse Band Adjusting, .375-24-1.88
9	0114 942	1					DGW	NUT, Hex, .375-24
10	3410 102	1					DGW	SHAFT, Reverse Band
11	4431 406	1					DGW	BAND, Reverse
12	6030 657	1					DGW	O RING, Steering Gear
13	3410 102	1					DGW	SHAFT, Reverse Band



**KICKDOWN BAND**



**DOUBLE WRAP REVERSE BAND**

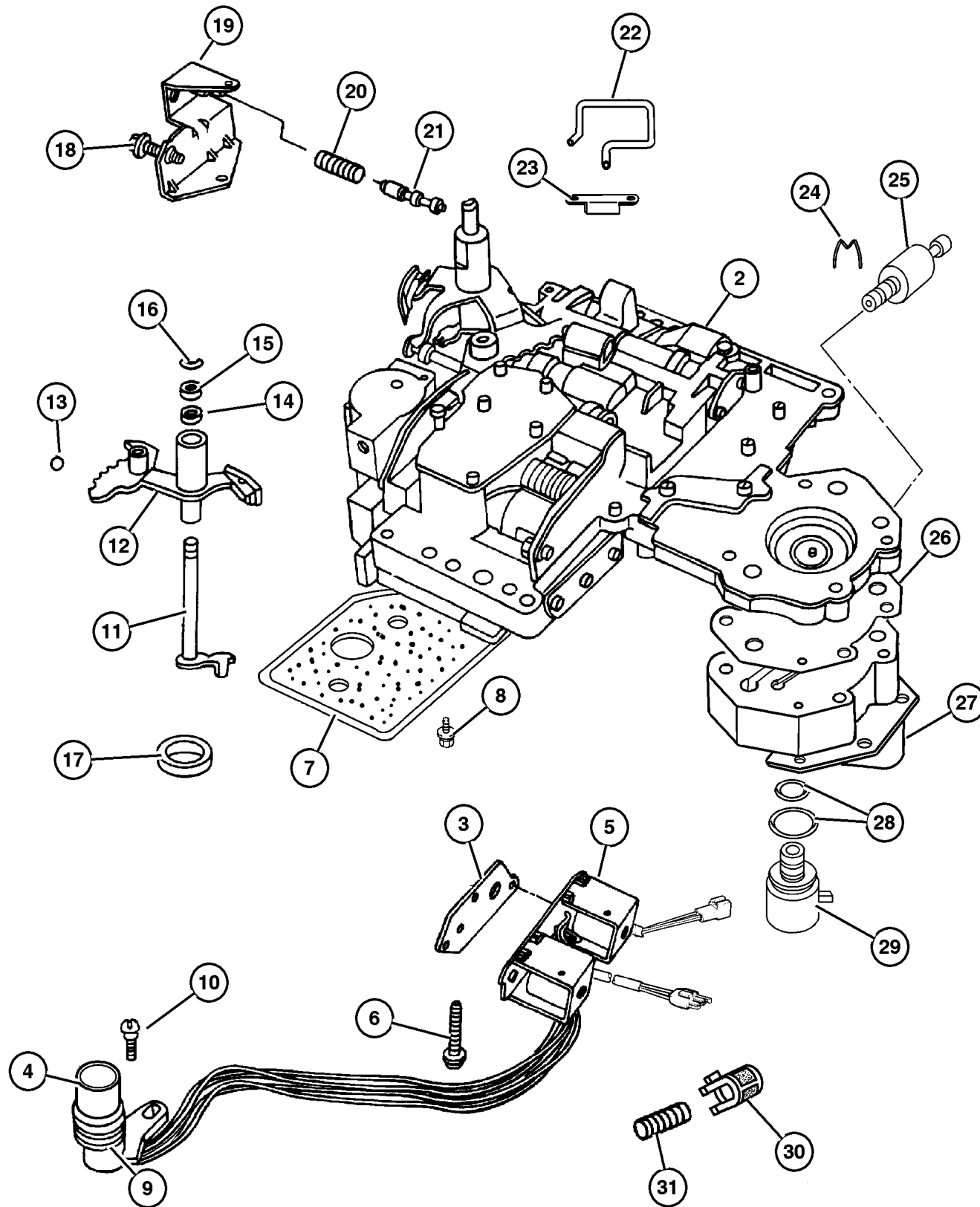
JEEP GRAND CHEROKEE (WG)

SERIES	LINE	BODY	ENGINE	TRANSMISSION
H = Laredo	J = 4WD	74 = 4 Door	ER0, ERH = 4.0L, Power Tech	DGK = 4 Speed Autm, 42RE
P = Limited	U = 4WD, RHD		EVO, EVA = 4.7L, Power Tech	DGQ = 5 Speed Automatic
			EXO, EXA = 3.1L 5 Cyl Turbo Diesel	- 5-45RFE
				DGW = 4 Speed Autm, 44RE

AR = Use as required - = Non illustrated part # = New this model year

October 31, 2002

**Valve Body 44RE (DGW)  
Figure 44RE-710**

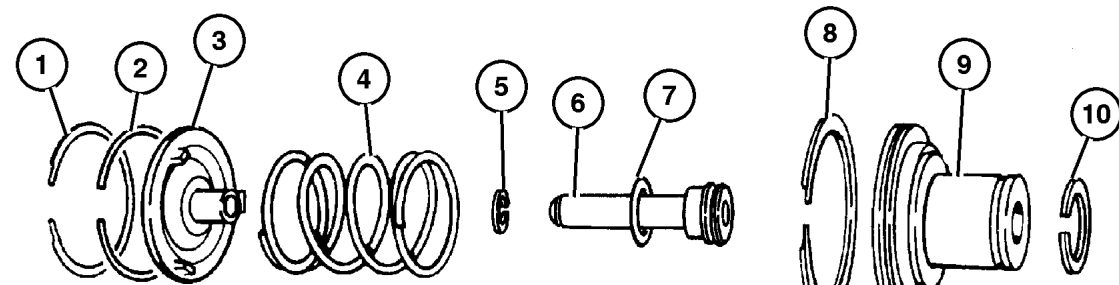


ITEM	PART NUMBER	QTY	LINE	SERIES	BODY	ENGINE	TRANS	DESCRIPTION
<b>NOTE:</b>								
Sales Codes:								
DGW=4 Speed Automatic Transmission (44RE)								
-1	4863 933AC	1					DGW	SEAL AND GASKET PACKAGE, Valve Body and Servo
2	52119 634AB	1					DGW	BODY, Transfer Plate
3	4617 216	1					DGW	GASKET, Transmission Solenoid
4	52118 500AB	1					DGW	SOLENOID, Transmission Overdrive
5	56028 196AA	1					DGW	TRANSDUCER, Pressure Sensor
6	0181 071	3					DGW	BOLT, Valve Body, .25-20x1.75
7	5211 8789	1					DGW	FILTER, Valve Body
8	6033 826	3					DGW	SCREW AND WASHER, Oil Filter Mounting, Fillester Head .190-24x2.500
9	6034 748	1					DGW	O RING, Solenoid Wiring, Transmission
10	6033 985	1					DGW	SCREW, Tapping, .19-24x.75
11	3681 227	1					DGW	LEVER, Throttle Valve
12	4617 439	1					DGW	LEVER, Manual Valve
13	0147 488	4					DGW	BALL, Manual Lever Detent, .343 Diameter
14	2466 548	1					DGW	SEAL, Valve Lever Shift
15	2538 062	1					DGW	WASHER, Manual Valve Lever
16	6035 208	1					DGW	SNAP RING
17	4505 098	1					DGW	SEAL, Manual Shift Valve, 1.25 OD
18	6030 609	1					DGW	SCREW, Cap Head Lock, .312-24x1.25
19	4617 010	1					DGW	BRACKET, Valve Body Switch
20	4130 492	1					DGW	SPRING, Switch Valve
21	4505 036	1					DGW	VALVE, Trans Lockup Switch
22	4617 008	1					DGW	TUBE, Boost Valve
23	5211 7958	1					DGW	RETAINER, Boost Valve Oil Supply Tube
24	4617 219	1					DGW	CLIP, Transmission Governor Transducer
25	56028 196AA	1					DGW	TRANSDUCER, Pressure Sensor
26	4617 216	1					DGW	GASKET, Transmission Solenoid
27	4617 211AB	1					DGW	RETAINER, Transmission Governor Solenoid
28	6034 748	1					DGW	O RING, Solenoid Wiring, Transmission
29	4617 210	1					DGW	SOLENOID, Transmission Governor
30	3878 313	1					DGW	SCREEN, Transmission Regulator Valve
31	4348 907	1					DGW	SPRING, Limit Valve

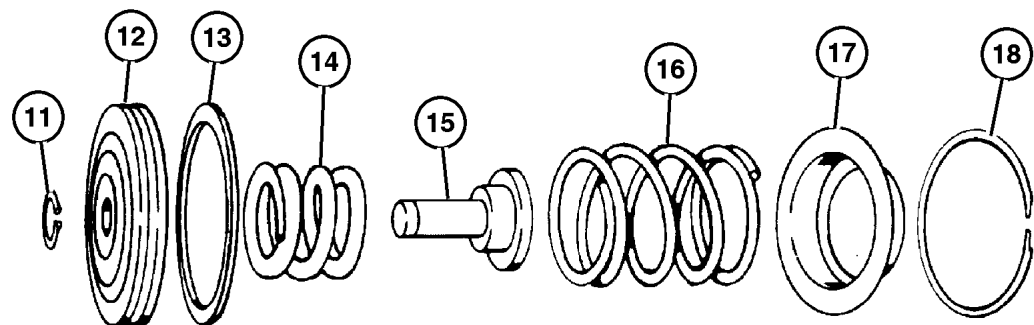
**JEEP GRAND CHEROKEE (WG)**

SERIES	LINE	BODY	ENGINE	TRANSMISSION
H = Laredo	J = 4WD	74 = 4 Door	ER0, ERH = 4.0L, Power Tech	DGK = 4 Speed Autm, 42RE
P = Limited	U = 4WD, RHD		EVO, EVA = 4.7L, Power Tech	DGQ = 5 Speed Automatic - 5-45RFE
			EXO, EXA = 3.1L 5 Cyl Turbo Diesel	DGW = 4 Speed Autm, 44RE

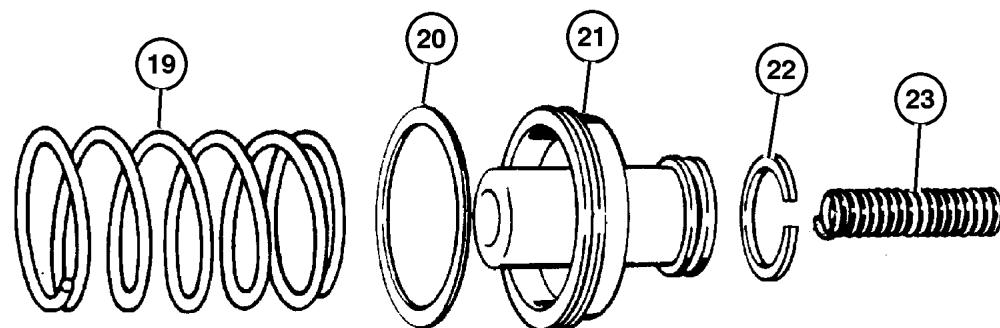
Servos 44RE (DGW)  
Figure 44RE-720



KICKDOWN SERVO



LOW AND REVERSE SERVO



ACCUMULATOR PISTON AND SPRING

ITEM	PART NUMBER	QTY	LINE	SERIES	BODY	ENGINE	TRANS	DESCRIPTION
NOTE:								
Sales Codes:								
DGW=4 Speed Automatic Transmission (44RE)								
1	6028 863	1					DGW	SNAP RING, Kickdown, 2.377
2	4295 966	1					DGW	SEAL, Servo Guide
3	3410 332	1					DGW	GUIDE, Kickdown Servo
4	4531 119	1					DGW	SPRING, Kickdown Servo Piston
5	6031 392	1					DGW	SNAP RING, Brake Master Cylinder
6	4058 780	1					DGW	ROD, Kickdown Servo Piston
7	6028 864	1					DGW	O RING, Kick Down Servo
8	4295 966	1					DGW	SEAL, Servo Guide
9	4058 777	1					DGW	PISTON, Kickdown Servo
10	3743 033	1					DGW	SEAL, Kickdown Servo
11	6027 153	1					DGW	SNAP RING, .435 ID
12	5211 8744	1					DGW	PISTON, Reverse Servo
13	4202 864	1					DGW	SEAL, Reverse Servo Piston
14	4130 824	1					DGW	SPRING, Reverse Servo Piston
15	52118 740AB	1					DGW	PLUG, Reverse Servo Piston
16	2801 274	1					DGW	SPRING, Reverse Servo Piston
17	2464 463	1					DGW	RETAINER, Transmission Rear Clutch
18	2464 464	1					DGW	SNAP RING
19	5211 8710	1					DGW	SPRING, Transmission Accumulator
20	3743 013	1					DGW	SEAL, Piston Accumulator
21	3743 650	1					DGW	PISTON, Accumulator
22	3743 010	1					DGW	SEAL, Piston Accumulator
23	4617 529	1					DGW	SPRING, Accumulator Piston

JEEP GRAND CHEROKEE (WG)

SERIES	LINE	BODY	ENGINE	TRANSMISSION
H = Laredo	J = 4WD	74 = 4 Door	ER0, ERH = 4.0L, Power Tech	DGK = 4 Speed Autm, 42RE
P = Limited	U = 4WD, RHD		EVO, EVA = 4.7L, Power Tech	DGQ = 5 Speed Automatic
			EXO, EXA = 3.1L 5 Cyl Turbo Diesel	- 5-45RFE
				DGW = 4 Speed Autm, 44RE

AR = Use as required - = Non illustrated part # = New this model year

October 31, 2002

**Parking Sprag 44RE (DGW)  
Figure 44RE-730**

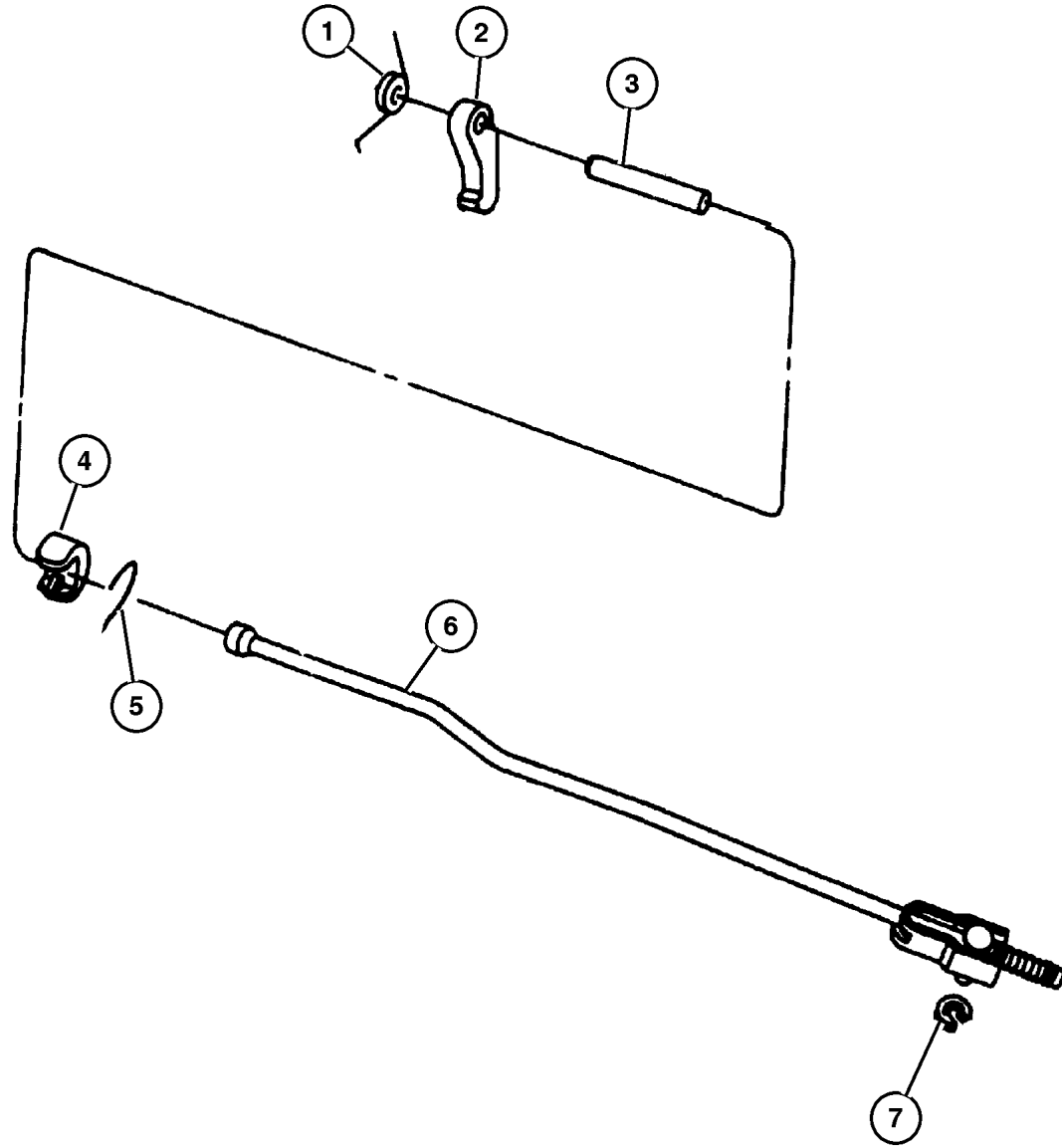
ITEM	PART NUMBER	QTY	LINE	SERIES	BODY	ENGINE	TRANS	DESCRIPTION
------	-------------	-----	------	--------	------	--------	-------	-------------

**NOTE:**

Sales Codes:

DGW=4 Speed Automatic Transmission (44RE)

1	2466 909	1					DGW	SPRING, Parking Sprag
2	4471 415	1					DGW	SPRAG, Transmission Parking
3	2466 892	1					DGW	SHAFT, Parking Sprag
4	2538 042	1					DGW	PLUG, Parking Sprag
5	2538 034	1					DGW	SNAP RING, Transmission
6	4431 748	1					DGW	ROD, Parking Sprag
7	6035 256	1					DGW	SNAP RING, Rod



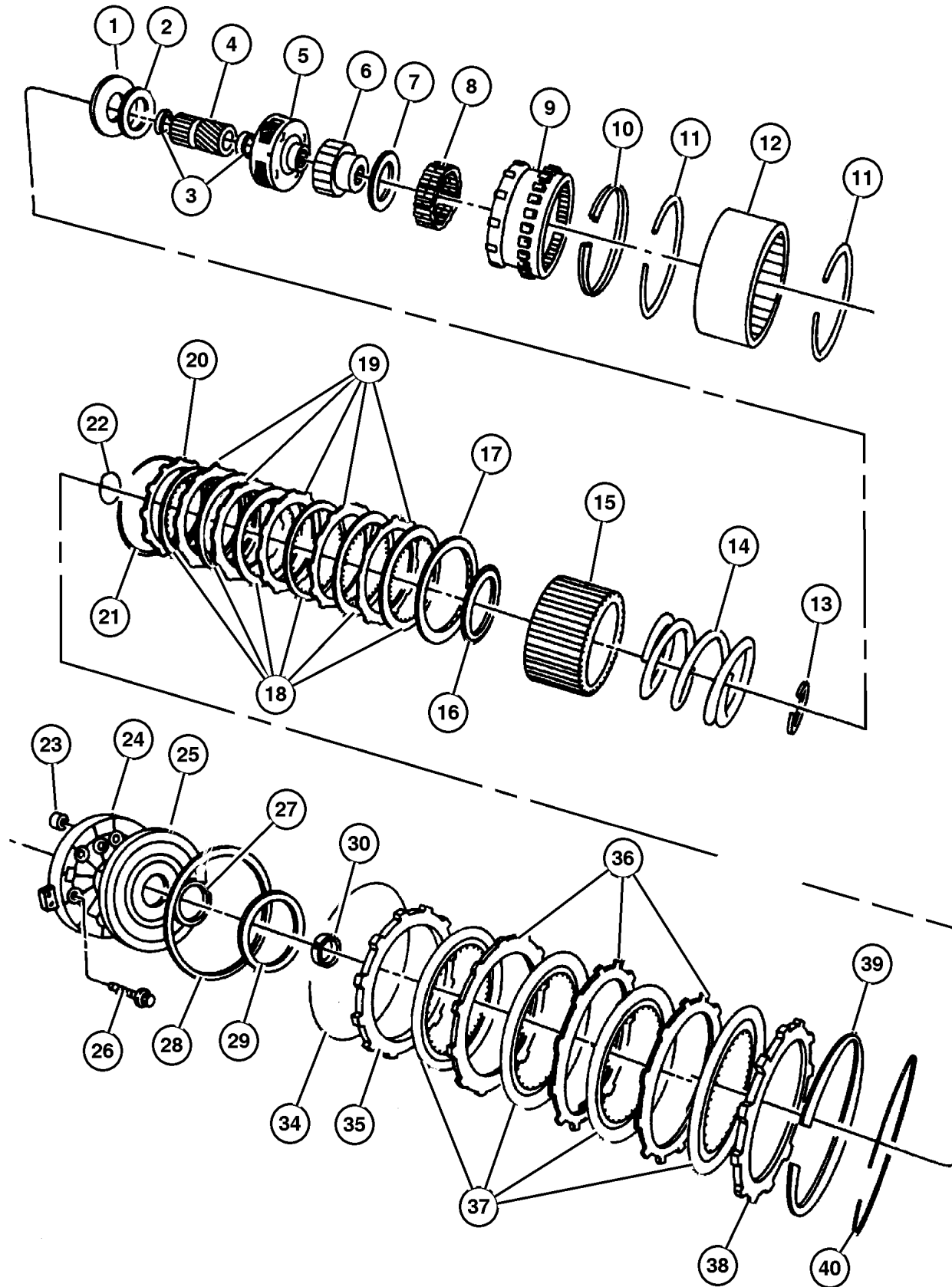
**JEEP GRAND CHEROKEE (WG)**

SERIES	LINE	BODY	ENGINE	TRANSMISSION
H = Laredo	J = 4WD	74 = 4 Door	ER0, ERH = 4.0L, Power Tech	DGK = 4 Speed Autm, 42RE
P = Limited	U = 4WD, RHD		EVO, EVA = 4.7L, Power Tech	DGQ = 5 Speed Automatic
			EXO, EXA = 3.1L 5 Cyl Turbo Diesel	- 5-45RFE
				DGW = 4 Speed Autm, 44RE

AR = Use as required - = Non illustrated part # = New this model year

October 31, 2002

**Overdrive Gear Train 44RE (DGW)  
Figure 44RE-1010**

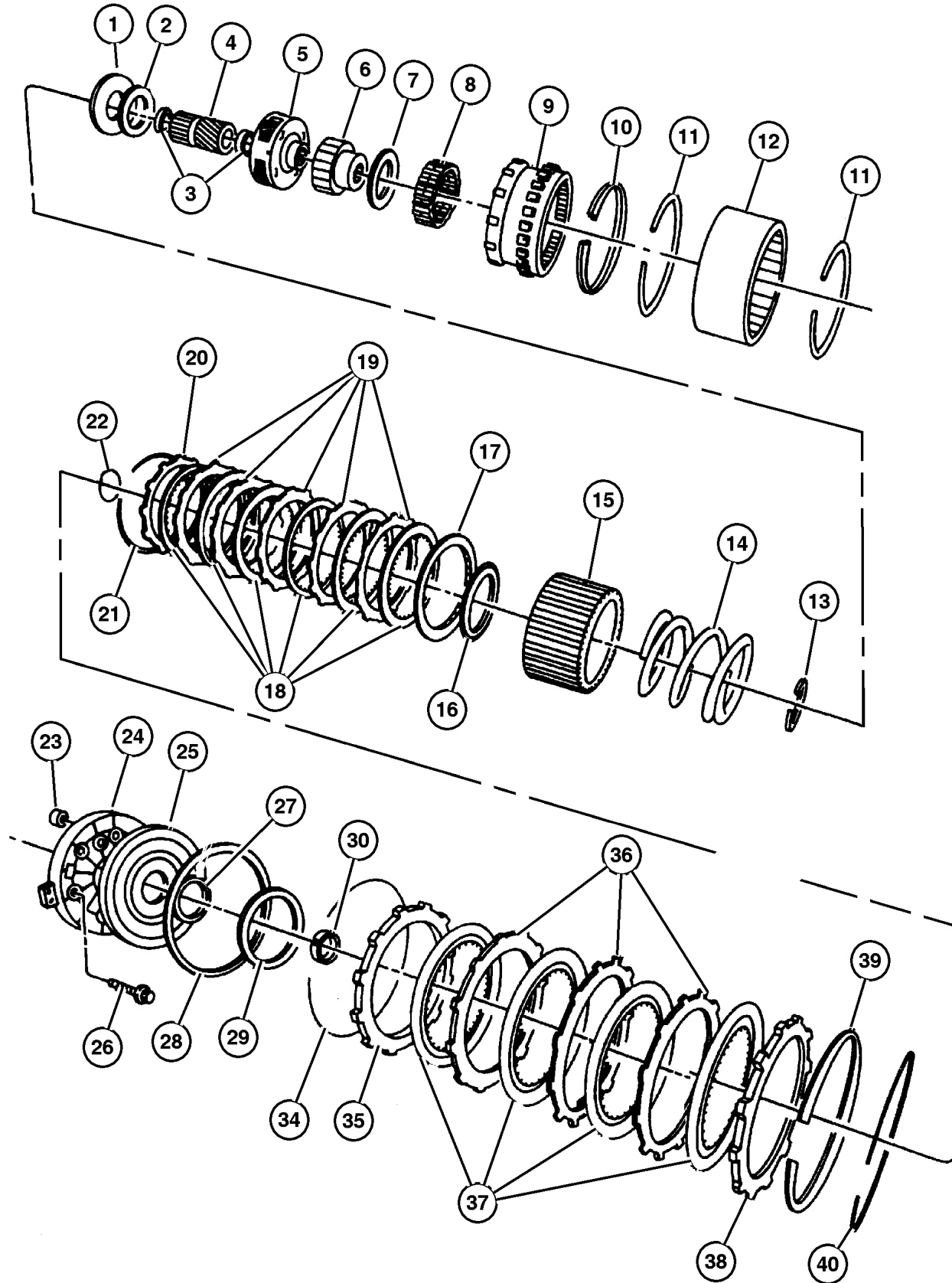


ITEM	PART NUMBER	QTY	LINE	SERIES	BODY	ENGINE	TRANS	DESCRIPTION
NOTE:								
Sales Codes:								
DGK=4 Speed Automatic Transmission (42RE)								
DGW=4 Speed Automatic Transmission (44RE)								
1	4740 774	1					DGW	PLATE PACKAGE, Transmission Module
2								BEARING, (NOT SERVICED) (Not Serviced)
3								BEARING, (NOT SERVICED) (Not Serviced)
4	5015 107AA	1					DGK	GEAR, Overdrive Sun
5	4798 520	1					DGW	CARRIER, O/Drive Planet Pinion
6	4461 124	1					DGW	RACE, Overrunning Clutch
7	4461 014	1					DGW	THRUST BEARING, Ovedrive Third Position
8	4461 015	1					DGW	CLUTCH, Overdrive Overrunning
9	4761 010	1					DGW	GEAR, Overdrive Annulus
10	4461 059	1					DGW	SNAP RING, 5.25 OD
11	4461 060	2					DGW	SNAP RING, 6.00 OD
12	4461 089	1					DGW	DRUM, Automatic Transmission
13	4461 063	1					DGK	SNAP RING, 2.1875 OD
14	4461 027	1					DGW	SPRING, Direct Clutch
15	4461 072	1					DGW	HUB, Direct Clutch
16	4446 724	1					DGW	THRUST BEARING, Overdrive
17	4461 030	1					DGW	PLATE, Transmission Clutch Reaction
18	4461 042	8					DGW	DISC, Direct Clutch
19	4461 054	7					DGW	PLATE, Transmission Clutch Reaction
20	4461 030	1					DGW	PLATE, Transmission Clutch Reaction
21	4461 032	1					DGW	SPRING, Direct Clutch
22	4461 064	1					DGW	SNAP RING, 1.875" OD
23	4412 583	1					DGW	FILTER, Overdrive Clutch
24	4617 246	1					DGW	RETAINER, Transmission Overdrive Clutch Piston
25	5211 8599	1					DGW	PISTON, Overdrive Clutch
26	6033 479	6					DGW	BOLT, Hex Head, .25-28x1-5/8
27	4431 696	1					DGW	SEAL, Overdrive Clutch Piston
28	4431 696	1					DGW	SEAL, Overdrive Clutch Piston
29								PLATE, Transmission O/Drive Clutch
	4431 585	1					DGW	.153 - .155
	4431 587	1					DGW	.183 - .185
	4431 588	1					DGW	.213 - .215
	4431 590	1					DGW	.243 - .245
	4431 731	1					DGW	.135 - .140

**JEEP GRAND CHEROKEE (WG)**

SERIES	LINE	BODY	ENGINE	TRANSMISSION
H = Laredo	J = 4WD	74 = 4 Door	ER0, ERH = 4.0L, Power Tech	DGK = 4 Speed Autm, 42RE
P = Limited	U = 4WD, RHD		EVO, EVA = 4.7L, Power Tech	DGQ = 5 Speed Automatic
			EXO, EXA = 3.1L 5 Cyl Turbo Diesel	- 5-45RFE
				DGW = 4 Speed Autm, 44RE

**Overdrive Gear Train 44RE (DGW)**  
**Figure 44RE-1010**



ITEM	PART NUMBER	QTY	LINE	SERIES	BODY	ENGINE	TRANS	DESCRIPTION
	4431 732	1					DGW	.168 - .170
	4431 733	1					DGW	.198 - .200
	4431 734	1					DGW	.228 - .230
	4431 735	1					DGW	.108 - .110
30	4431 916	1					DGW	SPACER, Intermediate Shaft, 1.58mm
-31	4431 917	1					DGW	SPACER, Intermediate Shaft, .175
-32	4431 918	1					DGW	SPACER, Intermediate Shaft, .193
-33	4431 919	1					DGW	SPACER, Intermediate Shaft, .211
34	4461 082	1					DGW	SNAP RING, Overdrive Clutch
35	4461 033	1					DGK	PLATE, Transmission Clutch Reaction
36	4461 047	3					DGW	PLATE, Transmission Clutch Reaction
37	4461 181	4					DGW	DISC, Direct Clutch
38	4461 033	2					DGW	PLATE, Transmission Clutch Reaction
39	4461 066	1					DGW	SPRING, Overdrive Clutch
40	4461 065	1					DGW	SNAP RING, 6.50 OD

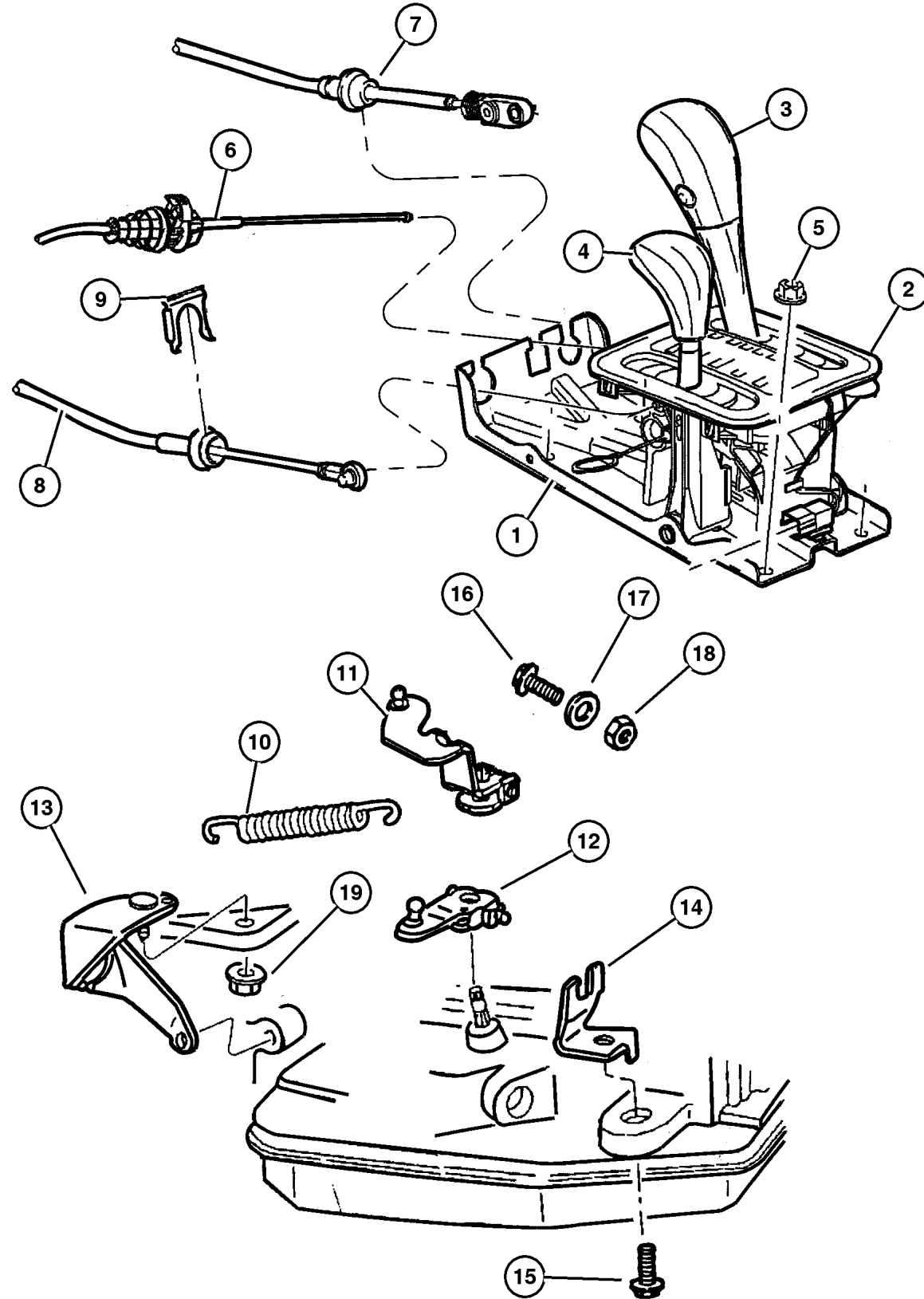
**JEEP GRAND CHEROKEE (WG)**

SERIES	LINE	BODY	ENGINE	TRANSMISSION
H = Laredo	J = 4WD	74 = 4 Door	ER0, ERH = 4.0L, Power Tech	DGK = 4 Speed Autm, 42RE
P = Limited	U = 4WD, RHD		EVO, EVA = 4.7L, Power Tech	DGQ = 5 Speed Automatic
			EXO, EXA = 3.1L 5 Cyl Turbo Diesel	- 5-45RFE
				DGW = 4 Speed Autm, 44RE

AR = Use as required - = Non illustrated part # = New this model year

October 31, 2002

**Gearshift Controls 44RE (DGW)**  
**Figure 44RE-1210**



ITEM	PART NUMBER	QTY	LINE	SERIES	BODY	ENGINE	TRANS	DESCRIPTION
------	-------------	-----	------	--------	------	--------	-------	-------------

**NOTE:**

Sales Codes:

EX0=All 3.1L Turbo Diesel Engines

ER0=All 4.0L In-Line 6 Engines

DGK=4 Speed Automatic Transmission (42RE)

DGW=4 Speed Automatic Transmission (44RE)

DG0=All 4 Speed Automatic Transmissions

DSB=Vari-Lok Progressive Front Axle

1								HOUSING AND LEVER, Shifter
	52104 151AB	1	J				DG0	Without [DSB]
	52104 152AC	1	U				DG0	Without [DSB]
	52104 374AB	1	J				DG0	With [DSB]
	52104 375AB	1	U				DG0	With [DSB]
2								BEZEL, Gear Shift Indicator
	5012 471AA	1	J				DG0	Without [DSB]
		1	U				DG0	Without [DSB]
	5014 661AA	1	J				DG0	With [DSB]
		1	U				DG0	With [DSB]
3								KNOB, Gearshift, Serviced With # 1 , (NOT SERVICED) (Not Serviced)
4								KNOB, Gearshift, Serviced With # 1 , (NOT SERVICED) (Not Serviced)
5	6101 675	2				EX0		NUT, Hex Flange Lock, M8x1.25
6	5210 4054	1					DG0	CABLE, Park Interlock
7	52104 218AB	1					DG0	CABLE, Gearshift Control
8	52104 418AB	1					DGW	CABLE, Gearshift Control
9	4269 830	2						CLIP, Cable
10	5300 9055	1					DGK, DGW	SPRING, Throttle Valve Return
11	3681 227	1					DGW	LEVER, Throttle Valve
12	52104 276AA	1					DGW	LEVER, Manual Control
13	52104 275AA	1					DGW	BRACKET, Shift Cable
14	5207 8867	1				ER0, EX0		BRACKET, Cable
15	0181 112	1					DGK, DGW	SCREW AND WASHER, .375-16x1.00
16	0181 065	1				ER0, EX0		BOLT, Hex Head, .25-20x1.00
17	0138 165	1				ER0, EX0		WASHER, Lock
18	J012 0375	1					DGW	NUT, Hex, .250-20

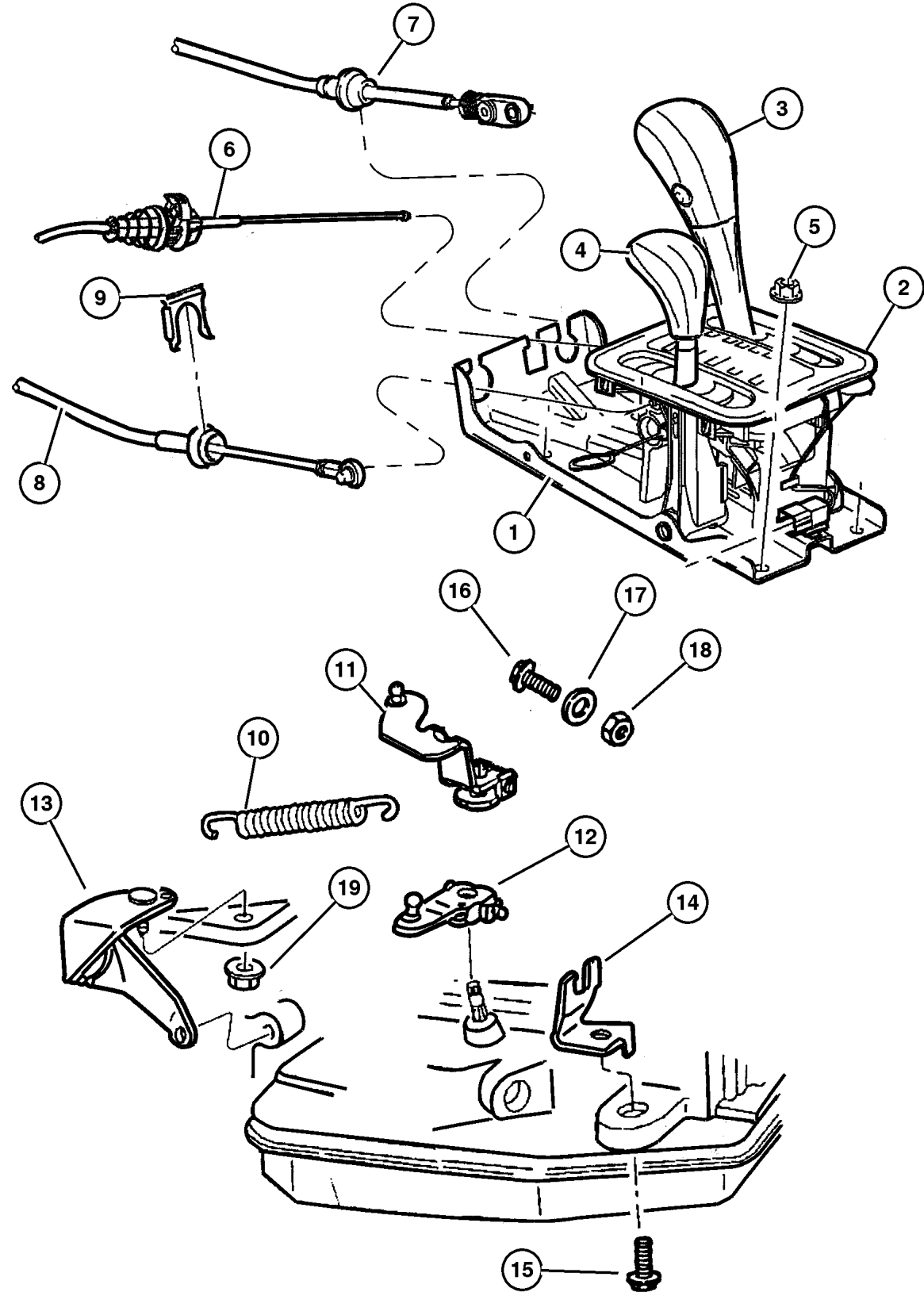
**JEEP GRAND CHEROKEE (WG)**

SERIES	LINE	BODY	ENGINE	TRANSMISSION
H = Laredo	J = 4WD	74 = 4 Door	ER0, ERH = 4.0L, Power Tech	DGK = 4 Speed Autm, 42RE
P = Limited	U = 4WD, RHD		EVO, EVA = 4.7L, Power Tech	DGQ = 5 Speed Automatic
			EXO, EXA = 3.1L 5 Cyl Turbo Diesel	- 5-45RFE
				DGW = 4 Speed Autm, 44RE

AR = Use as required - = Non illustrated part # = New this model year

October 31, 2002

**Gearshift Controls 44RE (DGW)  
Figure 44RE-1210**



ITEM	PART NUMBER	QTY	LINE	SERIES	BODY	ENGINE	TRANS	DESCRIPTION
19	6028 114	1					DGK, DGW	NUT, Hex, .437-14

<b>JEEP GRAND CHEROKEE (WG)</b>				
SERIES	LINE	BODY	ENGINE	TRANSMISSION
H = Laredo	J = 4WD	74 = 4 Door	ER0, ERH = 4.0L, Power Tech	DGK = 4 Speed Autm, 42RE
P = Limited	U = 4WD, RHD		EVO, EVA = 4.7L, Power Tech	DGQ = 5 Speed Automatic
			EXO, EXA = 3.1L 5 Cyl Turbo Diesel	- 5-45RFE
				DGW = 4 Speed Autm, 44RE

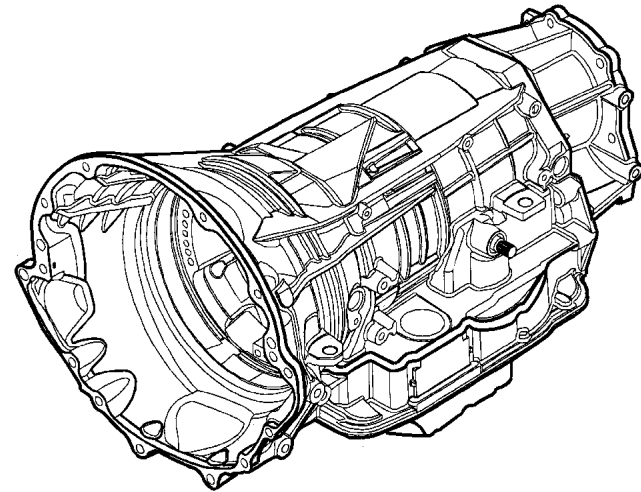
AR = Use as required - = Non illustrated part # = New this model year

October 31, 2002



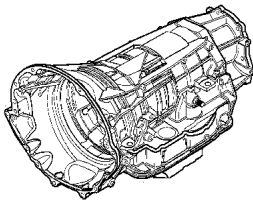
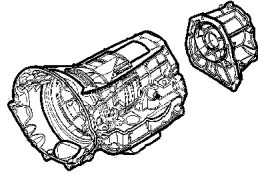
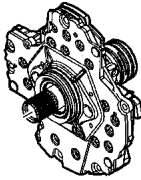
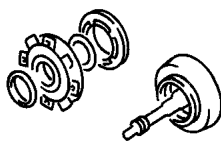
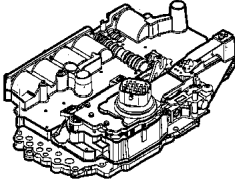
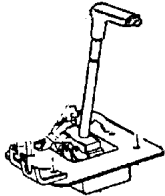
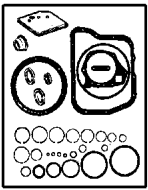
# Group – 45RFE

## Automatic Transmission Multi-Speed



### GROUP 45RFE - Automatic Transmission Multi-Speed

Illustration Title	Group-Fig. No.
<b>Transmission Assembly</b>	
Transmission 45RFE (DGQ) .....	Fig. 45RFE-110
<b>Case and Extension</b>	
Case and Related Parts 45RFE (DGQ) .....	Fig. 45RFE-210
Adapter 45RFE (DGQ) .....	Fig. 45RFE-220
<b>Oil Pump</b>	
Oil Pump [45RFE] [DGQ] .....	Fig. 45RFE-310
<b>Gear Train</b>	
Input Shaft 45RFE (DGQ) .....	Fig. 45RFE-410
Underdrive 45RFE (DGQ) .....	Fig. 45RFE-420
Overdrive 45RFE (DGQ) .....	Fig. 45RFE-430
2/4 Clutch Retainer 45RFE (DGQ) .....	Fig. 45RFE-440
Input/Reverse Planetary 45RFE (DGQ) .....	Fig. 45RFE-450
Reaction Annulus/Sun Gear 45RFE (DGQ) .....	Fig. 45RFE-460
<b>Valve Body</b>	
Valve Body 45RFE (DGQ) .....	Fig. 45RFE-710
Parking Sprag 45RFE (DGQ) .....	Fig. 45RFE-730
<b>Gearshift Controls</b>	
Gearshift Controls 45RFE (DGQ) .....	Fig. 45RFE-1210
<b>Seal and Shim Packages</b>	
LR Clutch 45RFE (DGQ) .....	Fig. 45RFE-1310
Input Clutch Plate 45RFE (DGQ) .....	Fig. 45RFE-1320
O/H 45RFE (DGQ) .....	Fig. 45RFE-1330
Input Clutch 45RFE (DGQ) .....	Fig. 45RFE-1340
Planetary Plate 45RFE (DGQ) .....	Fig. 45RFE-1350
2&4 Clutch (DGQ) .....	Fig. 45RFE-1360

<b>45RFE-100</b> Transmission Assembly 	<b>45RFE-200</b> Case and Extension 	<b>45RFE-300</b> Oil Pump 	<b>45RFE-400</b> Gear Train 
<b>45RFE-700</b> Valve Body 	<b>45RFE-1200</b> Gearshift Controls 	<b>45RFE-1300</b> Seal and Shim Packages 	

**Transmission 45RFE (DGQ)  
Figure 45RFE-110**

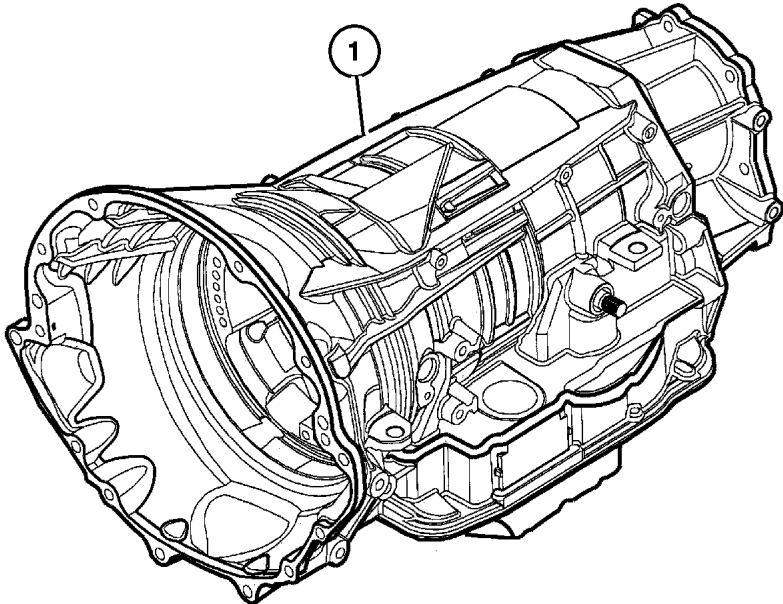
ITEM	PART NUMBER	QTY	LINE	SERIES	BODY	ENGINE	TRANS	DESCRIPTION
------	-------------	-----	------	--------	------	--------	-------	-------------

NOTE:

Sales Codes:

DGQ=Multi Speed Automatic Transmission

1	#5019 249AA	1					DGQ	TRANSMISSION KIT, Automatic
---	-------------	---	--	--	--	--	-----	-----------------------------



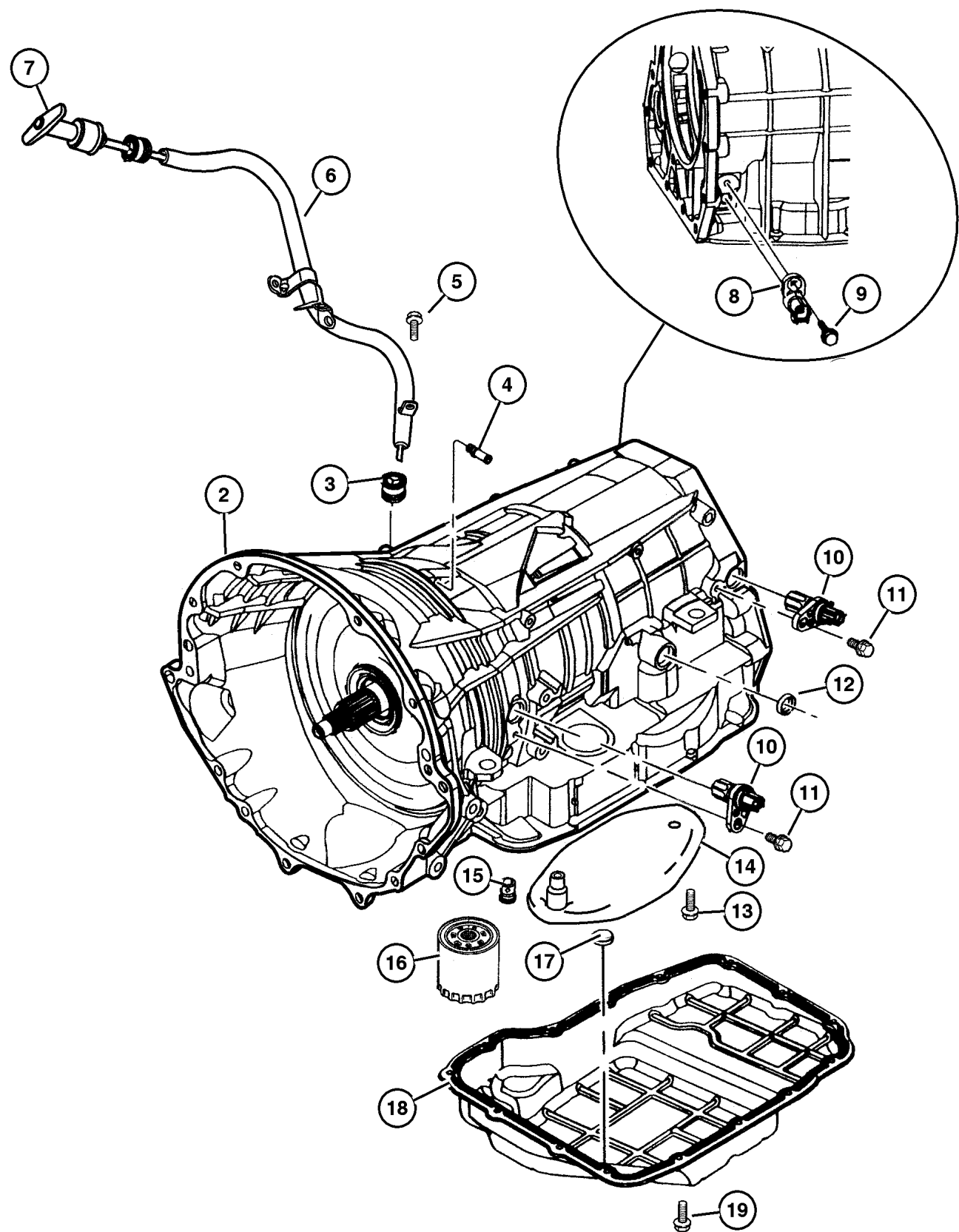
<b>JEEP GRAND CHEROKEE (WG)</b>				
SERIES	LINE	BODY	ENGINE	TRANSMISSION
H = Laredo	J = 4WD	74 = 4 Door	ER0, ERH = 4.0L, Power Tech	DGK = 4 Speed Autm, 42RE
P = Limited	U = 4WD, RHD		EVO, EVA = 4.7L, Power Tech	DGQ = 5 Speed Automatic
			EXO, EXA = 3.1L 5 Cyl Turbo Diesel	- 5-45RFE
				DGW = 4 Speed Autm, 44RE

AR = Use as required - = Non illustrated part # = New this model year

October 31, 2002

**Case and Related Parts 45RFE (DGQ)  
Figure 45RFE-210**

ITEM	PART NUMBER	QTY	LINE	SERIES	BODY	ENGINE	TRANS	DESCRIPTION
NOTE:								
Sales Codes:								
DGQ=Multi Speed Automatic Transmission								
DG4=Multi Speed Automatic Transmission								
DG0=All Automatic Transmissions								
-1	5014 221AG	1					DGQ	OVERHAUL PACKAGE, Transmission
2	4799 613	1					DGQ	CASE, Transmission
3	4810 021	1					DGQ	GROMMET
4	4799 861AA	1					DGQ	VENT, Transmission
5	6501 979	1					DG4	SCREW AND WASHER, Hex Head, M6x1x17
6	52104 134AC	1					DGQ	TUBE, Transmission Oil Filler
7	#52104 137AB	1					DGQ	INDICATOR, Transmission Fluid Level
8	4799 758	1					DGQ	TRANSDUCER, Pressure Sensor
9	6101 331	1					DGQ	BOLT, M6x1.00x20
10	4799 061	2					DGQ	SENSOR, Transmission Output Speed
11	6101 331	1					DGQ	BOLT, M6x1.00x20
12	4799 346	1					DGQ	SEAL
13	6503 232	2					DGQ	SCREW, Pan Head, M5 x 0.8 x 12.60
14	4799 662	1					DGQ	FILTER, Transmission Oil
15	4799 681	1					DGQ	VALVE, Flow Control
16	4799 662	1					DGQ	FILTER, Transmission Oil
17	4446 728	1					DGQ	MAGNET, Transmission
18	5013 681AA	1					DGQ	PAN, Transmission Oil
19	6101 221	15					DGQ	SCREW



**JEEP GRAND CHEROKEE (WG)**  
 SERIES LINE BODY ENGINE TRANSMISSION  
 H = Laredo J = 4WD 74 = 4 Door ER0, ERH = 4.0L, Power Tech DGK = 4 Speed Autm, 42RE  
 P = Limited U = 4WD, RHD EV0, EVA = 4.7L, Power Tech DGQ = 5 Speed Automatic  
 - 5-45RFE  
 EXO, EXA = 3.1L 5 Cyl Turbo Diesel DGW = 4 Speed Autm, 44RE

**Adapter 45RFE (DGQ)**  
**Figure 45RFE-220**

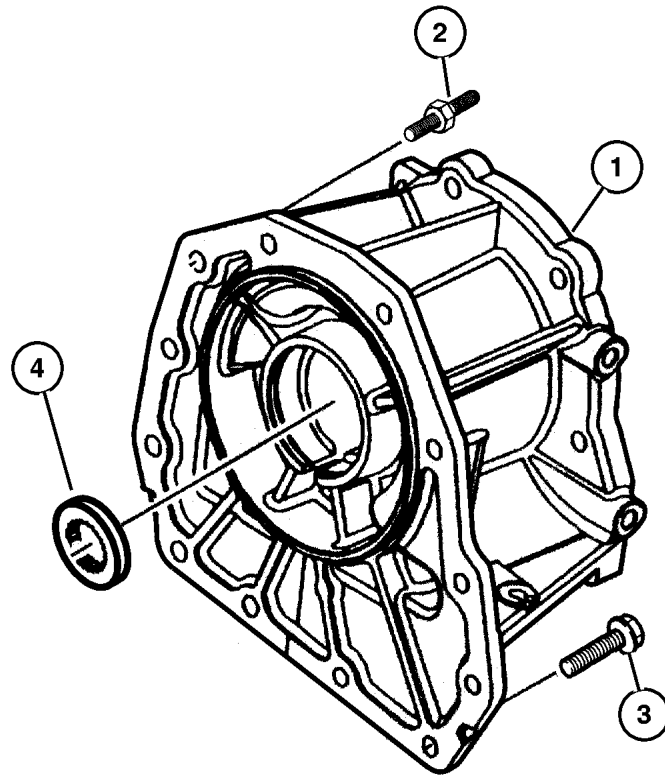
ITEM	PART NUMBER	QTY	LINE	SERIES	BODY	ENGINE	TRANS	DESCRIPTION
------	-------------	-----	------	--------	------	--------	-------	-------------

NOTES:

Sales Codes:

DGQ=Multi Speed Automatic Transmission

1	5209 8690	1					DGQ	ADAPTER, Transfer Case
2	6505 064AA	2					DGQ	STUD, M10x1.5x62
3	6504 774	10					DGQ	SCREW AND WASHER, Hex Head, M10x1.5x37
4	4167 929	1					DGQ	SEAL, Input Gear



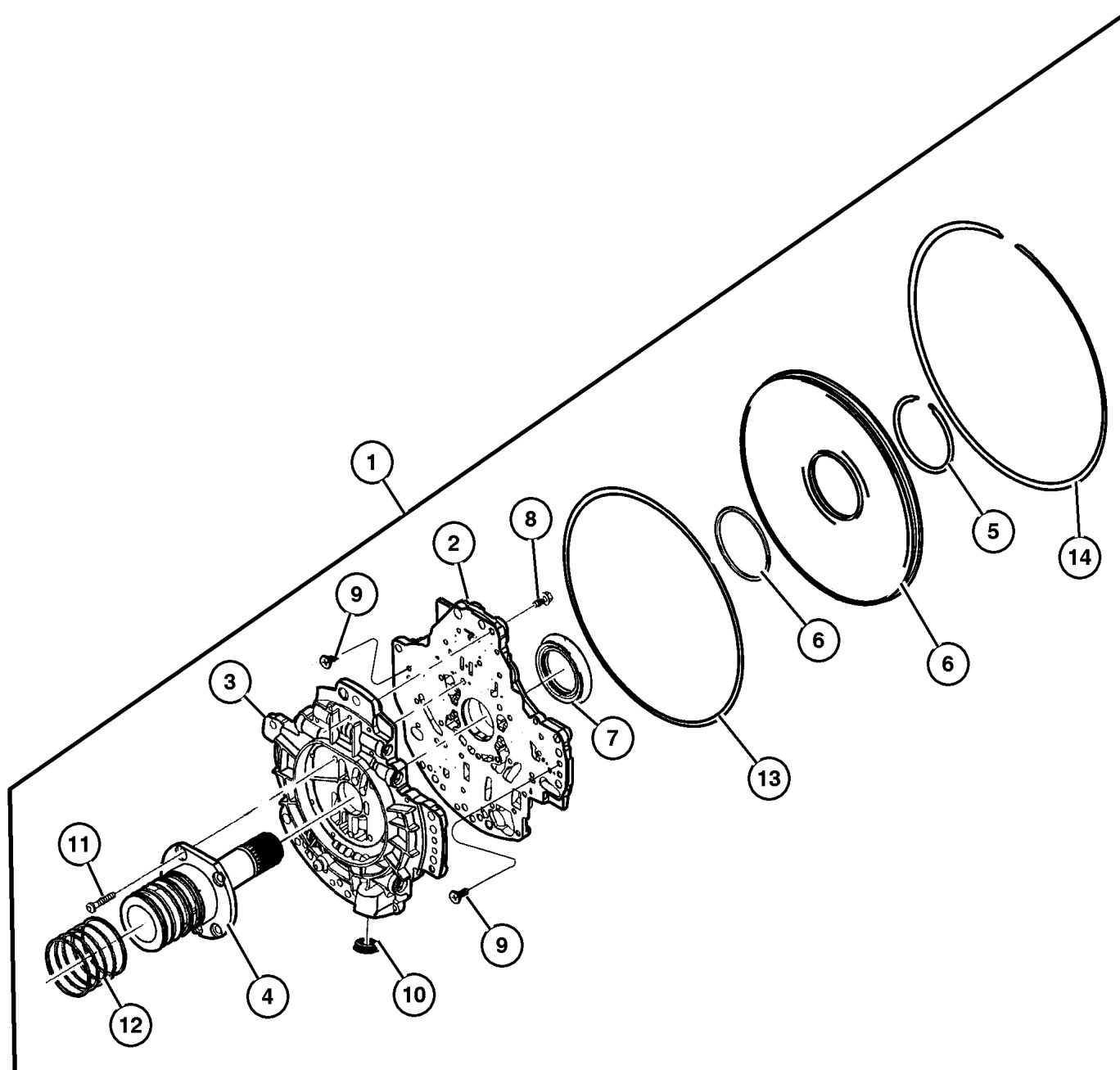
**JEEP GRAND CHEROKEE (WG)**

SERIES	LINE	BODY	ENGINE	TRANSMISSION
H = Laredo	J = 4WD	74 = 4 Door	ER0, ERH = 4.0L, Power Tech	DGK = 4 Speed Autm, 42RE
P = Limited	U = 4WD, RHD		EVO, EVA = 4.7L, Power Tech	DGQ = 5 Speed Automatic
			EXO, EXA = 3.1L 5 Cyl Turbo Diesel	- 5-45RFE
				DGW = 4 Speed Autm, 44RE

AR = Use as required - = Non illustrated part # = New this model year

October 31, 2002

**Oil Pump [45RFE] [DGQ]  
Figure 45RFE-310**



ITEM	PART NUMBER	QTY	LINE	SERIES	BODY	ENGINE	TRANS	DESCRIPTION
1	5072 589AA	1					DGQ	PUMP PACKAGE, Transmission
2								HOUSING, Pump, (NOT SERVICED) (Not Serviced)
3								BODY, Oil Pump Valve, (NOT SERVICED) (Not Serviced)
4								SUPPORT, Reaction Shaft, (NOT SERVICED) (Not Serviced)
5	4799 082	1					DGQ	SNAP RING, Transmission
6	4799 609	1					DGQ	COVER, Oil Pump
7	4617 919	1					DGQ	SEAL, Transmission Oil Pump
8	6500 215	24					DGQ	SCREW AND WASHER, Pan Head, M5x.8x25
9	6503 232	7					DGQ	SCREW, Pan Head, M5 x 0.8 x 12.60
10	4799 964AB	1					DGQ	SEAL, Oil Pump
11	6504 661	5					DGQ	SCREW, Button Head
12	4799 056	5					DGQ	RING, Transmission
13	4799 003	1					DGQ	O RING, Oil Pump, .
14	4799 005	1					DGQ	SNAP RING, Transmission

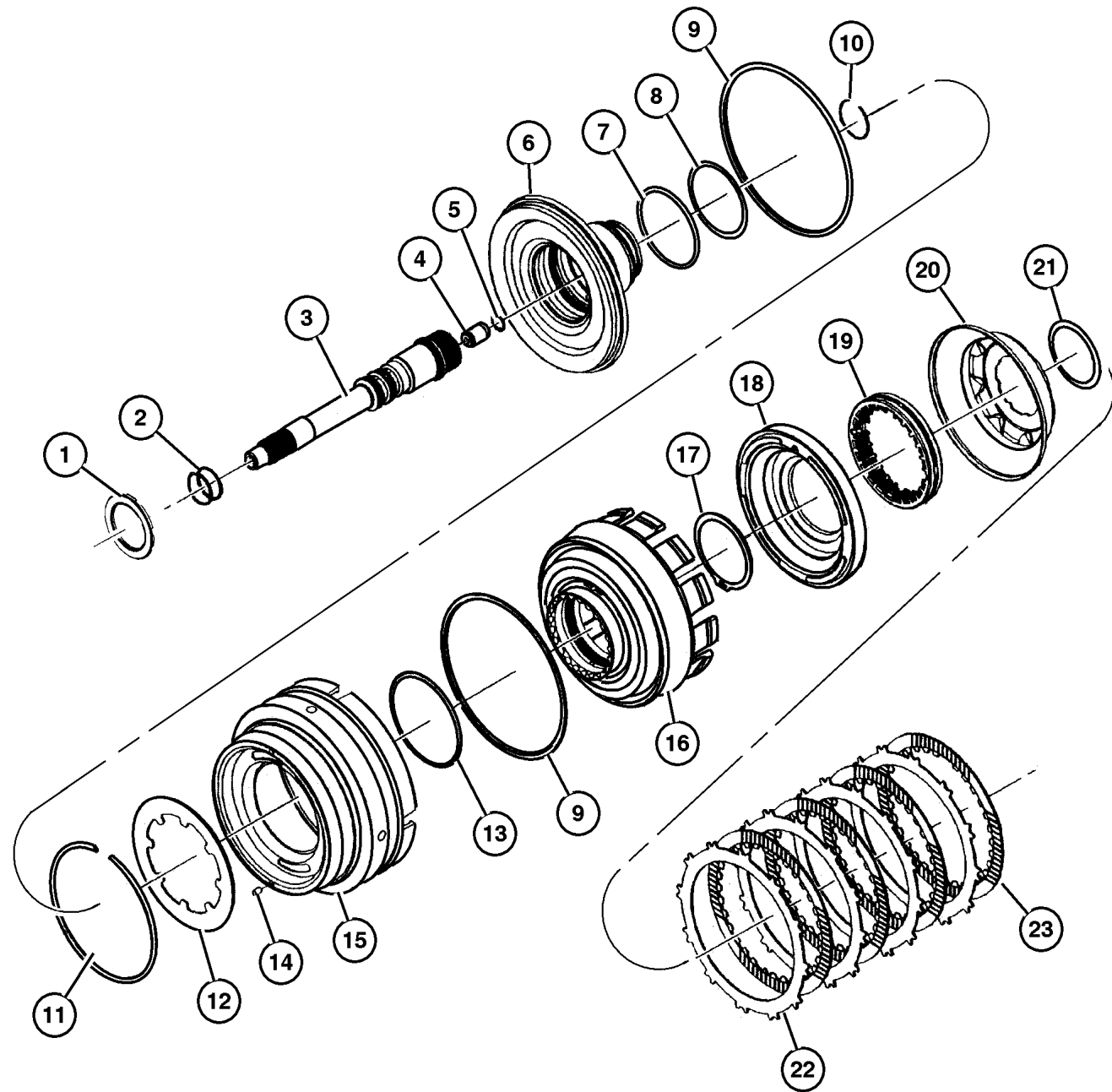
**JEEP GRAND CHEROKEE (WG)**

SERIES	LINE	BODY	ENGINE	TRANSMISSION
H = Laredo	J = 4WD	74 = 4 Door	ER0, ERH = 4.0L, Power Tech	DGK = 4 Speed Autm, 42RE
P = Limited	U = 4WD, RHD		EVO, EVA = 4.7L, Power Tech	DGQ = 5 Speed Automatic
			EXO, EXA = 3.1L 5 Cyl Turbo Diesel	- 5-45RFE
				DGW = 4 Speed Autm, 44RE

AR = Use as required - = Non illustrated part # = New this model year

October 31, 2002

**Input Shaft 45RFE (DGQ)  
Figure 45RFE-410**



ITEM	PART NUMBER	QTY	LINE	SERIES	BODY	ENGINE	TRANS	DESCRIPTION
<b>NOTES</b>								
Sales Codes:								
DGQ=Multi Speed Automatic Transmission								
1	4799 469	1					DGQ	THRUST BEARING, Needle Roller
2	4799 539	2					DGQ	SEAL, Input Shaft, Also Serviced In Pkg. 05013090AA
3	4799 537	1					DGQ	SHAFT, Input
4	4799 974AA	1					DGQ	CHECK VALVE, Transmission
5	4799 978AA	1					DGQ	SNAP RING
6	4799 536AC	1					DGQ	HUB, Input Clutch
7	4799 073	1					DGQ	O RING, Transmission Clutch, Also Serviced In Pkg. 05013090AA
8	4799 755	1					DGQ	O RING, Transmission Clutch, Also Serviced In Pkg. 05013090AA
9	4799 090	1					DGQ	SEAL, Input
10	4799 538	1					DGQ	SNAP RING, Input Shaft
11	4799 088	1					DGQ	SNAP RING, Transmission
12	4799 087	1					DGQ	SPRING, Piston Return
13	4799 089	1					DGQ	O RING, Reverse & O/Drive Clutch Piston, Transmission, Also Serviced In Pkg. 05013090AA
14	4531 903	1					DGQ	FILTER, Reverse And O/D Clutch
15	4799 645	1					DGQ	PISTON, Reverse and Overdrive
16	4799 648	1					DGQ	RETAINER, Transmission Input Clutch
17	4799 247	1					DGQ	SNAP RING
18	4799 650	1					DGQ	PISTON, Underdrive
19	4799 101	1					DGQ	SPRING, Undredrive Piston, Also Serviced In Pkg. 05013090AA
20	4799 652	1					DGQ	PISTON, Underdrive
21	4799 103	1					DGQ	SNAP RING, Transmission, Also Serviced In Pkg. 05013090AA
22								PLATE, Serviced in Pkg. 05013090AA, (NOT SERVICED) (Not Serviced)
23								DISC, Clutch, Serviced In Pkg. 05013090AA, (NOT SERVICED) (Not Serviced)

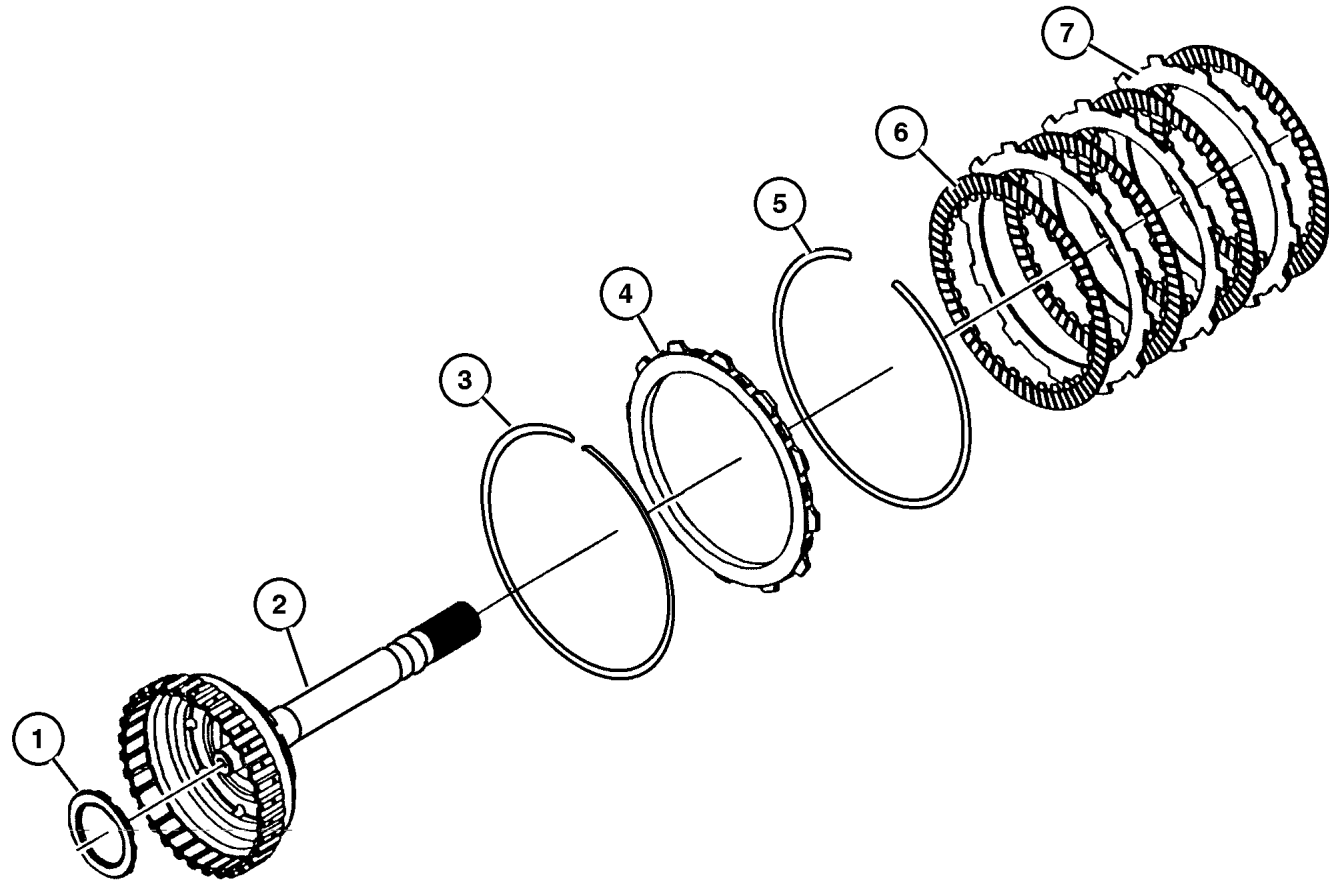
**JEEP GRAND CHEROKEE (WG)**

SERIES	LINE	BODY	ENGINE	TRANSMISSION
H = Laredo	J = 4WD	74 = 4 Door	ER0, ERH = 4.0L, Power Tech	DGK = 4 Speed Autm, 42RE
P = Limited	U = 4WD, RHD		EVO, EVA = 4.7L, Power Tech	DGQ = 5 Speed Automatic
			EXO, EXA = 3.1L 5 Cyl Turbo Diesel	- 5-45RFE
				DGW = 4 Speed Autm, 44RE

AR = Use as required - = Non illustrated part # = New this model year

October 31, 2002

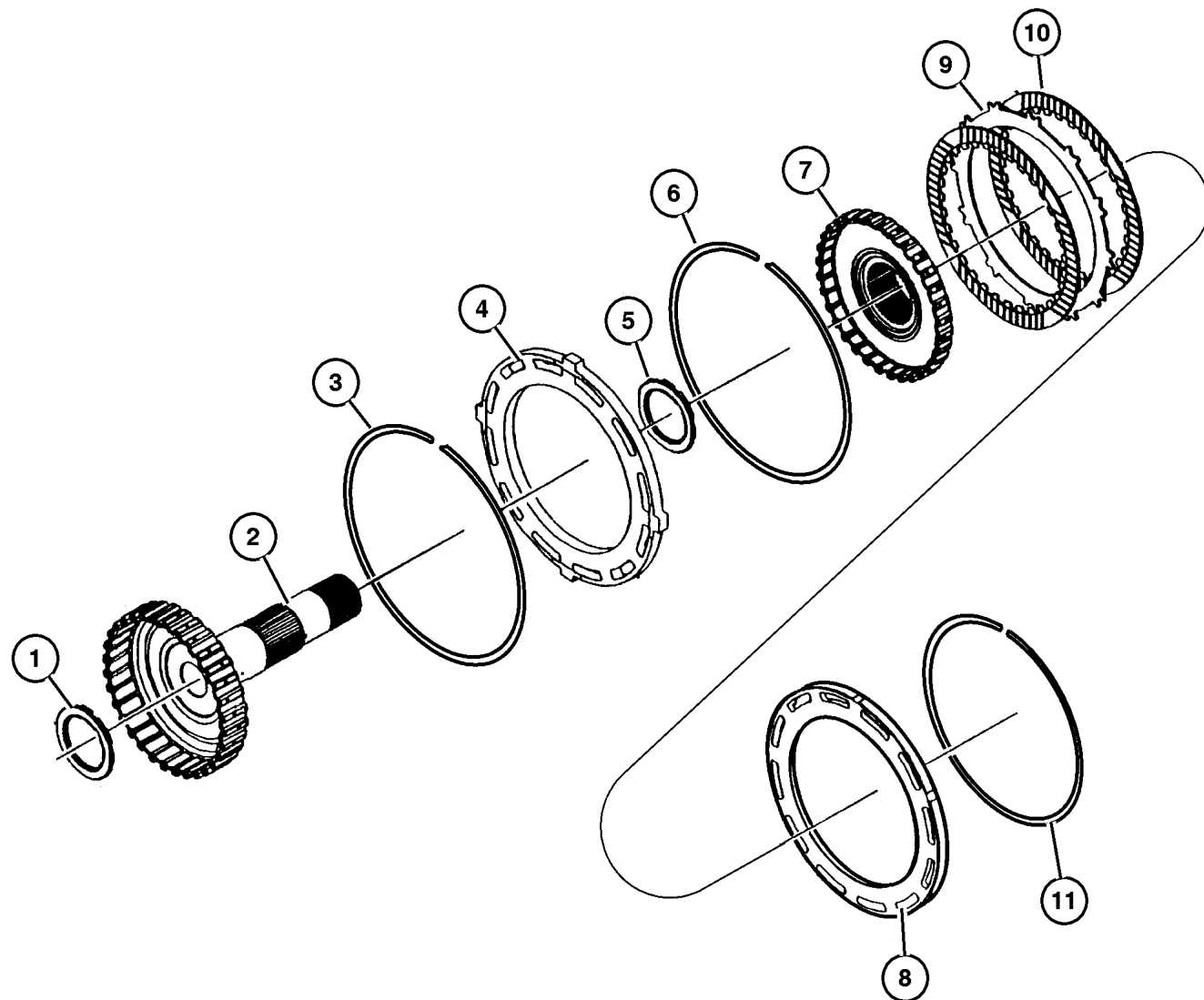
**Underdrive 45RFE (DGQ)  
Figure 45RFE-420**



ITEM	PART NUMBER	QTY	LINE	SERIES	BODY	ENGINE	TRANS	DESCRIPTION
NOTES:								
Sales codes:								
DGQ=Multi Speed Automatic Transmission								
1	4799 459	1					DGQ	THRUST BEARING, Needle Roller
2	4799 546	1					DGQ	HUB AND SHAFT, Underdrive Clutch
3	4799 760	1					DGQ	SNAP RING, Transmission
4								PLATE, Transmission Clutch Reaction
	4799 107AB	AR					DGQ	(7.05 / 7.16)
	4799 108AB	AR					DGQ	(3.05 / 3.21)
	4799 109AB	AR					DGQ	(3.37 / 3.60)
5								SNAP RING, Serviced In Pkg. (05013090AA), (NOT SERVICED) (Not Serviced)
6								DISC, Clutch, Serviced In Pkg. (05013090AA), (NOT SERVICED) (Not Serviced)
7								PLATE, Serviced In Pkg. (05013090AA), (NOT SERVICED) (Not Serviced)

JEEP GRAND CHEROKEE (WG)				
SERIES	LINE	BODY	ENGINE	TRANSMISSION
H = Laredo	J = 4WD	74 = 4 Door	ER0, ERH = 4.0L, Power Tech	DGK = 4 Speed Autm, 42RE
P = Limited	U = 4WD, RHD		EVO, EVA = 4.7L, Power Tech	DGQ = 5 Speed Automatic
			EXO, EXA = 3.1L 5 Cyl Turbo Diesel	- 5-45RFE
				DGW = 4 Speed Autm, 44RE

Overdrive 45RFE (DGQ)  
Figure 45RFE-430



ITEM	PART NUMBER	QTY	LINE	SERIES	BODY	ENGINE	TRANS	DESCRIPTION
NOTE:								
Sales Codes:								
DGQ=Multi Speed Automatic Transmission								
1	4799 459	1					DGQ	THRUST BEARING, Needle Roller
2	4799 550	1					DGQ	HUB AND SHAFT, Overdrive Clutch
3	4799 118	1					DGQ	SNAP RING, Overdrive Clutch
4	4799 116	1					DGQ	PLATE, Clutch Pressure
5	4799 459	1					DGQ	THRUST BEARING, Needle Roller
6	4799 117	1					DGQ	SNAP RING, Transmission
7	4799 556	1					DGQ	HUB AND SHAFT, Reverse Clutch
8	4799 121	1					DGQ	PLATE, Transmission Clutch Reaction
9								PLATE, Serviced In Pkg. (05013090AA), (NOT SERVICED) (Not Serviced)
10								DISC, Clutch, Serviced In Pkg. (05013090AA), (NOT SERVICED) (Not Serviced)
11								SNAP RING, Serviced In Pkg. (05013090AA), (NOT SERVICED) (Not Serviced)

JEEP GRAND CHEROKEE (WG)				
SERIES	LINE	BODY	ENGINE	TRANSMISSION
H = Laredo	J = 4WD	74 = 4 Door	ER0, ERH = 4.0L, Power Tech	DGK = 4 Speed Autm, 42RE
P = Limited	U = 4WD, RHD		EVO, EVA = 4.7L, Power Tech	DGQ = 5 Speed Automatic
			EXO, EXA = 3.1L 5 Cyl Turbo Diesel	- 5-45RFE
				DGW = 4 Speed Autm, 44RE

AR = Use as required - = Non illustrated part # = New this model year

October 31, 2002



**2/4 Clutch Retainer 45RFE (DGQ)  
Figure 45RFE-440**

ITEM	PART NUMBER	QTY	LINE	SERIES	BODY	ENGINE	TRANS	DESCRIPTION
------	-------------	-----	------	--------	------	--------	-------	-------------

**NOTES:**

Sales Codes:

DGQ=Multi Speed Automatic Transmission

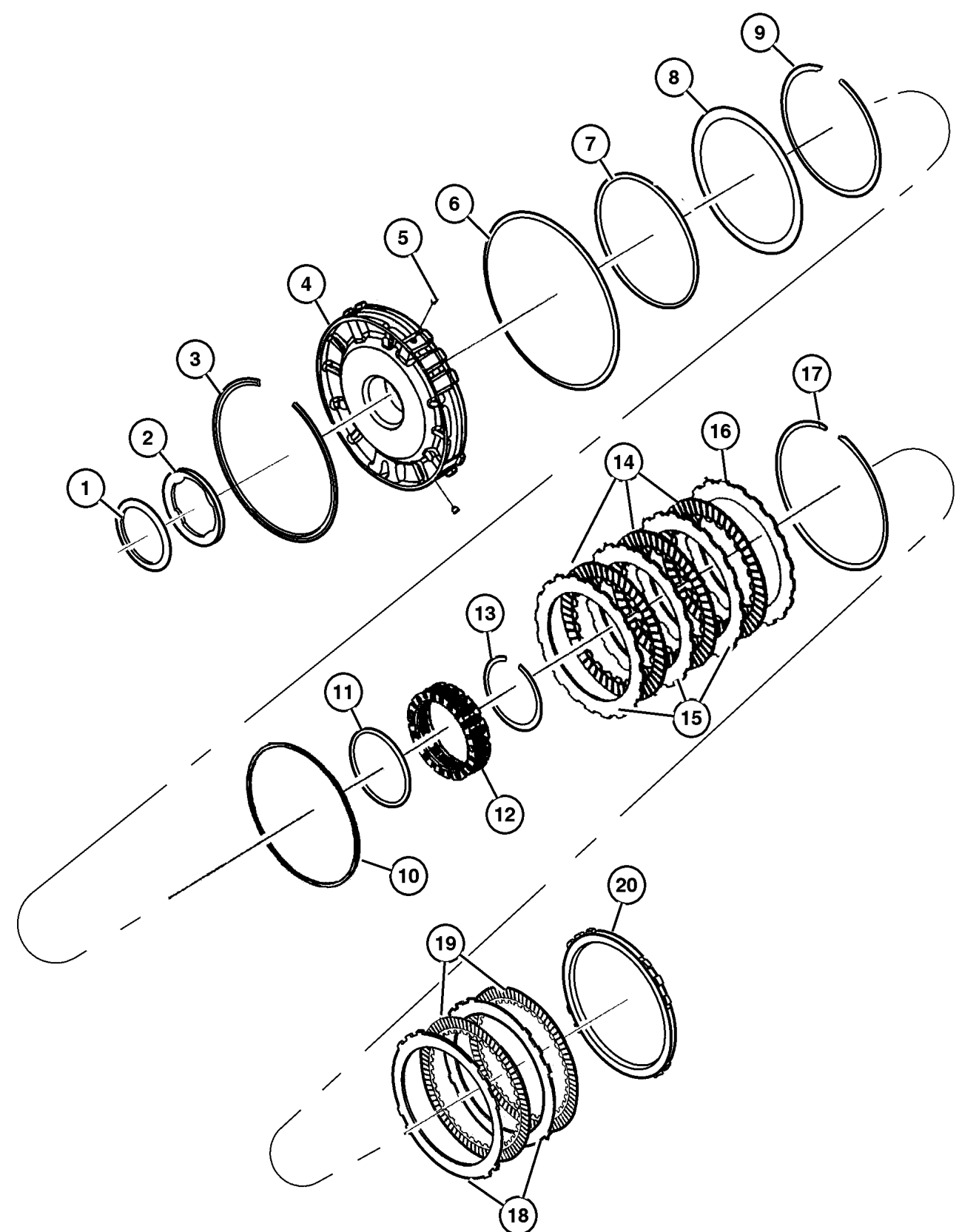
1	4799 936AB	1					DGQ	THRUST BEARING, Needle Roller PLATE, Clutch Hub Thrust, Serviced In Pkg. (05013093AB), (NOT SERVICED) (Not Serviced)
2								
3	4799 680	1					DGQ	SNAP RING, Transmission
4	4799 498	1					DGQ	RETAINER, Transmission 2nd and 4th Clutch Piston
5	4799 086	2					DGQ	BLEED ORIFICE, Transmission
6	4799 174	1					DGQ	SNAP RING, Transmission
7								RING, Serviced In Pkg. (05013093AB), (NOT SERVICED) (Not Serviced)
8	4799 521	1					DGQ	SPRING, 2nd And 4th Clutch Piston
9	4799 522AB	1					DGQ	SNAP RING, Transmission
10								RING, Serviced In Pkg. (05013093AB), (NOT SERVICED) (Not Serviced)
11								RING, Serviced In Pkg. (05013093AB), (NOT SERVICED) (Not Serviced)
12	4799 527	1					DGQ	SPRING, 2nd And 4th Clutch Piston
13	4799 528AB	1					DGQ	SNAP RING, Transmission
14								DISC, Clutch, Serviced In Pkg. (05013087AA), (NOT SERVICED) (Not Serviced)
15								PLATE, Clutch Separator, Serviced In Pkg. (05013087AA), (NOT SERVICED) (Not Serviced)
16	4799 533	1					DGQ	PLATE, Transmission Clutch Reaction
17								SNAP RING, Transmission, Serviced In Pkg. (05013087AA), (NOT SERVICED) (Not Serviced)
18								PLATE, Serviced In Pkg. (05013087AA), (NOT SERVICED) (Not Serviced)
19								DISC, Clutch, Serviced In Pkg. (05013087AA), (NOT SERVICED) (Not Serviced)
20								PLATE, Serviced In. Pkg. (05013087AA), (NOT SERVICED) (Not Serviced)

**JEEP GRAND CHEROKEE (WG)**

SERIES	LINE	BODY	ENGINE	TRANSMISSION
H = Laredo	J = 4WD	74 = 4 Door	ER0, ERH = 4.0L, Power Tech	DGK = 4 Speed Autm, 42RE
P = Limited	U = 4WD, RHD		EVO, EVA = 4.7L, Power Tech	DGQ = 5 Speed Automatic
			EXO, EXA = 3.1L 5 Cyl Turbo Diesel	- 5-45RFE
				DGW = 4 Speed Autm, 44RE

AR = Use as required - = Non illustrated part # = New this model year

October 31, 2002



**Input/Reverse Planetary 45RFE (DGQ)  
Figure 45RFE-450**

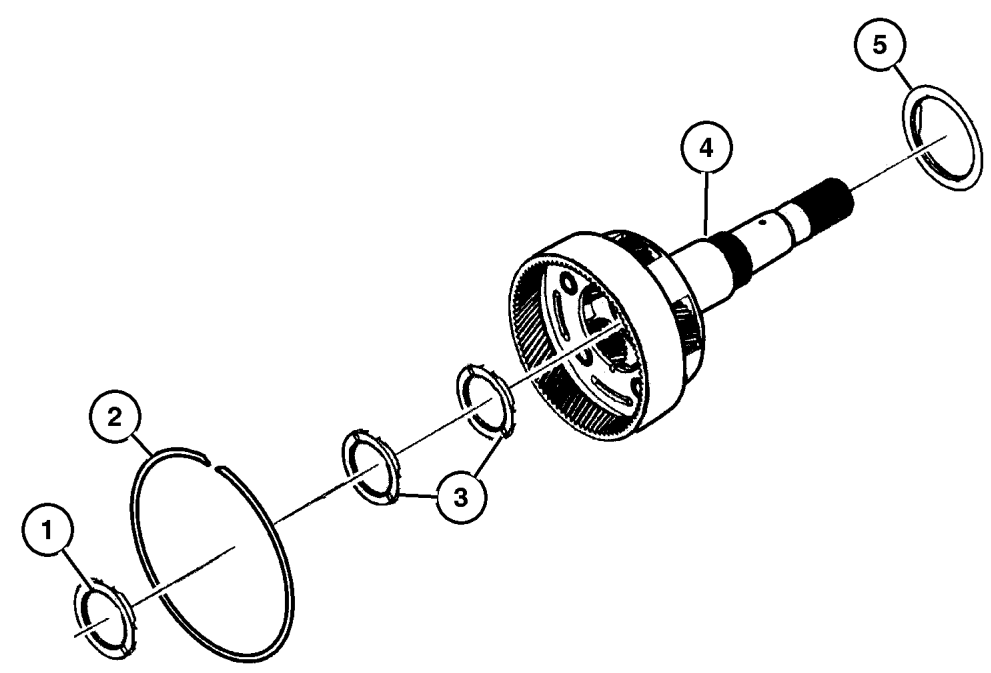
ITEM	PART NUMBER	QTY	LINE	SERIES	BODY	ENGINE	TRANS	DESCRIPTION
------	-------------	-----	------	--------	------	--------	-------	-------------

NOTE:

Sales Codes:

DGQ=Multi Speed Automatic Transmission

1	4799 469	1					DGQ	THRUST BEARING, Needle Roller
2	4799 247	1					DGQ	SNAP RING
3	4799 459	1					DGQ	THRUST BEARING, Needle Roller
4	4799 500	1					DGQ	CARRIER, Input Complete
5	4799 459	1					DGQ	THRUST BEARING, Needle Roller



**JEEP GRAND CHEROKEE (WG)**

SERIES	LINE	BODY	ENGINE	TRANSMISSION
H = Laredo	J = 4WD	74 = 4 Door	ER0, ERH = 4.0L, Power Tech	DGK = 4 Speed Autm, 42RE
P = Limited	U = 4WD, RHD		EVO, EVA = 4.7L, Power Tech	DGQ = 5 Speed Automatic
			EXO, EXA = 3.1L 5 Cyl Turbo Diesel	- 5-45RFE
				DGW = 4 Speed Autm, 44RE

AR = Use as required - = Non illustrated part # = New this model year

October 31, 2002

**Reaction Annulus/Sun Gear 45RFE (DGQ)  
Figure 45RFE-460**

ITEM	PART NUMBER	QTY	LINE	SERIES	BODY	ENGINE	TRANS	DESCRIPTION
------	-------------	-----	------	--------	------	--------	-------	-------------

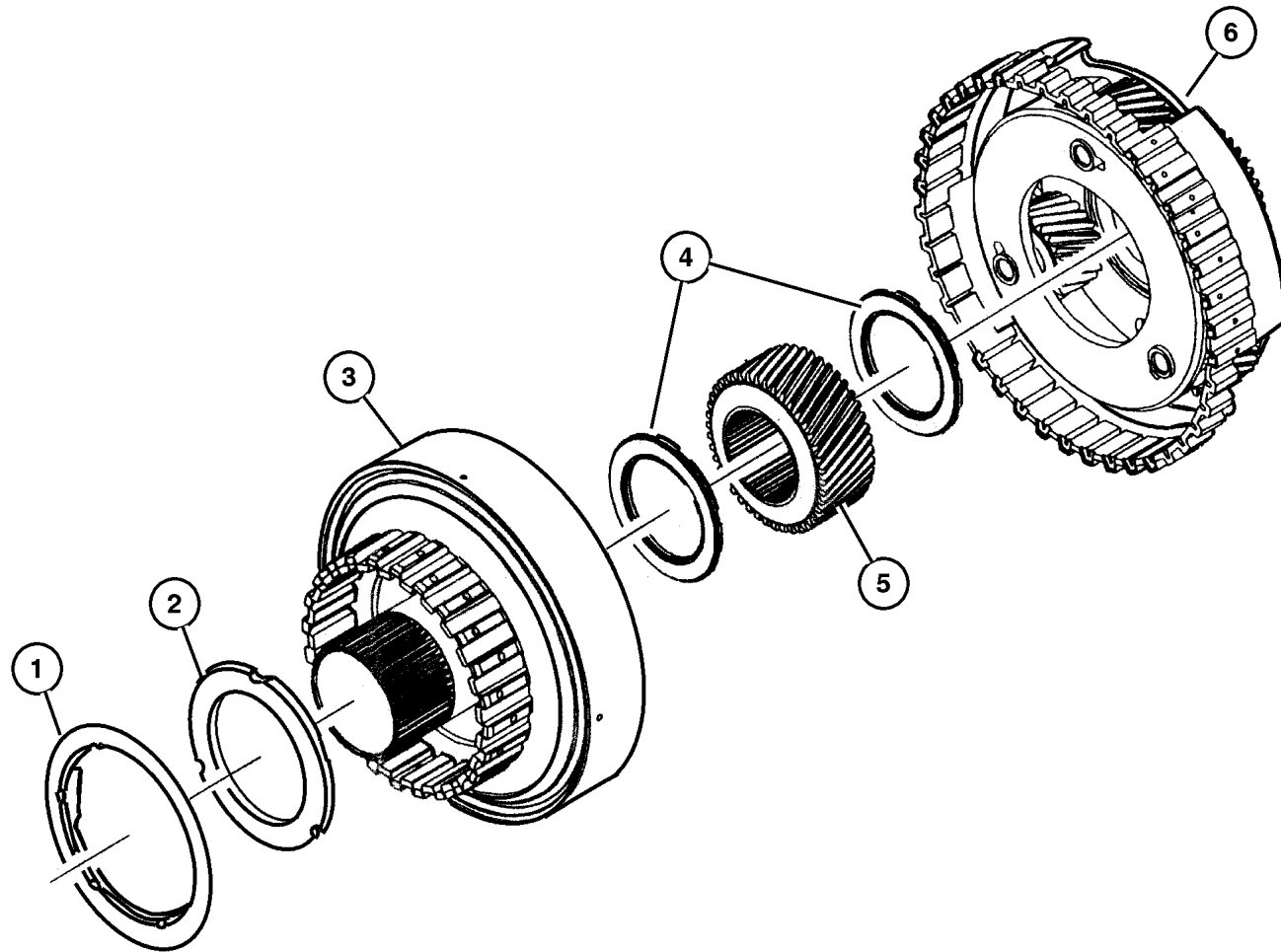
NOTE:

Sales Codes:

DGQ=Multi Speed Automatic Transmission

DG4=Multi Speed Automatic Transmission 45RFE

1	4799 459	1					DGQ	THRUST BEARING, Needle Roller
2								THRUST WASHER, Planetary Carrier, Serviced In Pkg. (05013092AA), (NOT SERVICED) (Not Serviced)
3	4799 501	1					DGQ	GEAR, Annulus
4	4799 469	1					DGQ	THRUST BEARING, Needle Roller
5	4799 602	1					DGQ	GEAR, Reaction Sun
6	4799 619	1					DG4	CARRIER, Reaction Complete



JEEP GRAND CHEROKEE (WG)

SERIES	LINE	BODY	ENGINE	TRANSMISSION
H = Laredo	J = 4WD	74 = 4 Door	ER0, ERH = 4.0L, Power Tech	DGK = 4 Speed Autm, 42RE
P = Limited	U = 4WD, RHD		EVO, EVA = 4.7L, Power Tech	DGQ = 5 Speed Automatic
			EXO, EXA = 3.1L 5 Cyl Turbo Diesel	- 5-45RFE
				DGW = 4 Speed Autm, 44RE

AR = Use as required - = Non illustrated part # = New this model year

October 31, 2002

Valve Body 45RFE (DGQ)  
Figure 45RFE-710

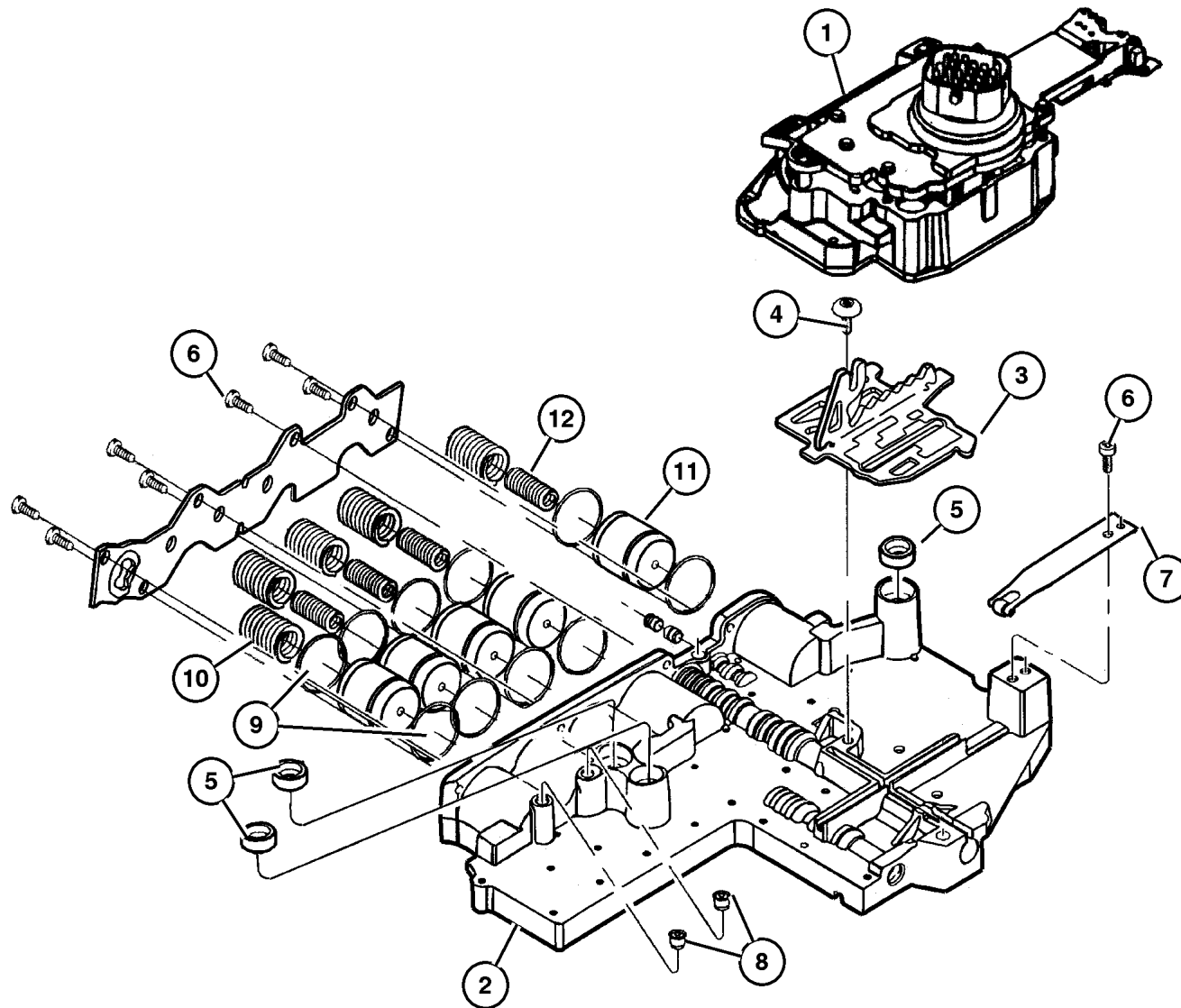
ITEM	PART NUMBER	QTY	LINE	SERIES	BODY	ENGINE	TRANS	DESCRIPTION
------	-------------	-----	------	--------	------	--------	-------	-------------

NOTES:

Sales Codes:

DGQ=Multi Speed Automatic Transmission

1	4799 934AC	1					DGQ	SOLENOID, Transmission
2	4799 588	1					DGQ	VALVE BODY, Transfer Plate and Valve
3	4799 654	1					DGQ	PLATE, Manual Valve Cam
4	6501 710	1					DGQ	SCREW, Shoulder/Truss, M5x.8x12.5
5	4799 778	3					DGQ	SEAL, Clutch Feed
6	6503 232	2					DGQ	SCREW, Pan Head, M5 x 0.8 x 12.60
7	4799 593	1					DGQ	DETENT, Valve Body
8	4799 086	1					DGQ	BLEED ORIFICE, Transmission
9	4446 544	10					DGQ	SEAL, Accumulator
10	4471 880	5					DGQ	SPRING, Accumulator
11	4446 620	5					DGQ	PISTON, 2nd and 4th Accumulator
12	4567 575	4					DGQ	SPRING, Accumulator
-13	4446 602	7					DGQ	BALL, Check



JEEP GRAND CHEROKEE (WG)

SERIES	LINE	BODY	ENGINE	TRANSMISSION
H = Laredo	J = 4WD	74 = 4 Door	ER0, ERH = 4.0L, Power Tech	DGK = 4 Speed Autm, 42RE
P = Limited	U = 4WD, RHD		EVO, EVA = 4.7L, Power Tech	DGQ = 5 Speed Automatic
			EXO, EXA = 3.1L 5 Cyl Turbo Diesel	- 5-45RFE
				DGW = 4 Speed Autm, 44RE

AR = Use as required - = Non illustrated part # = New this model year

October 31, 2002

**Parking Sprag 45RFE (DGQ)  
Figure 45RFE-730**

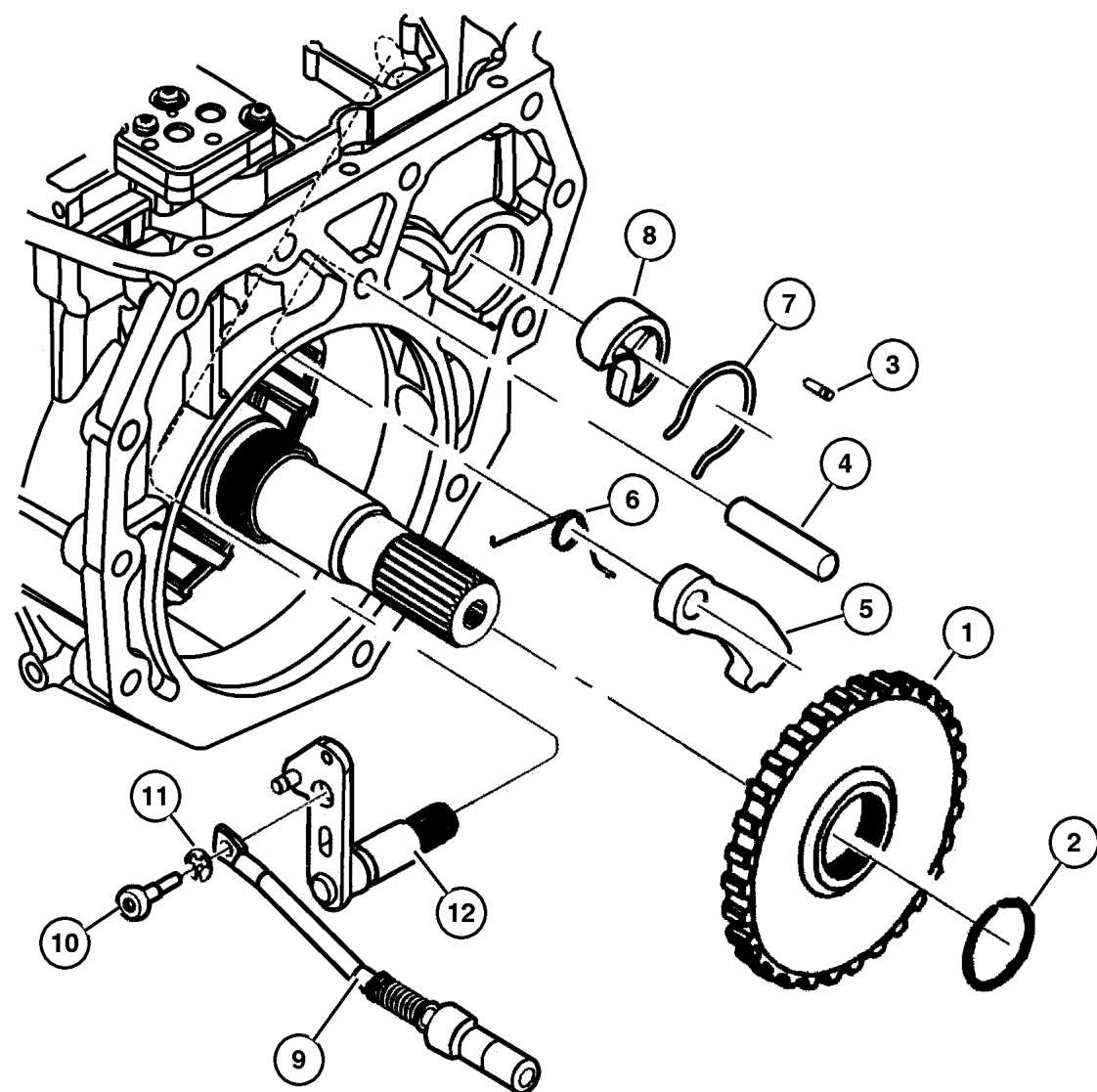
ITEM	PART NUMBER	QTY	LINE	SERIES	BODY	ENGINE	TRANS	DESCRIPTION
------	-------------	-----	------	--------	------	--------	-------	-------------

NOTES:

Sales Codes:

DGQ=Multi Speed Automatic Transmission

1	4799 493	1					DGQ	SPRAG, Transmission Parking
2	4799 704	1					DGQ	SNAP RING, Transmission
3	0456 636	1					DGQ	PIN
4	4799 450	1					DGQ	SHAFT, Parking Pawl
5	4799 744AC	1					DGQ	PAWL, Parking Sprag
6	4799 451	1					DGQ	SPRING, Torsion
7	4799 313	1					DGQ	SNAP RING
8	4799 774	1					DGQ	GUIDE, Parking Sprag Pawl
9	4799 611	1					DGQ	ROD, Parking Sprag
10	6504 548	1					DGQ	SCREW, M6x1x30
11	6035 256	1					DGQ	SNAP RING, Rod
12	4799 453	1					DGQ	LEVER, Shift Shaft



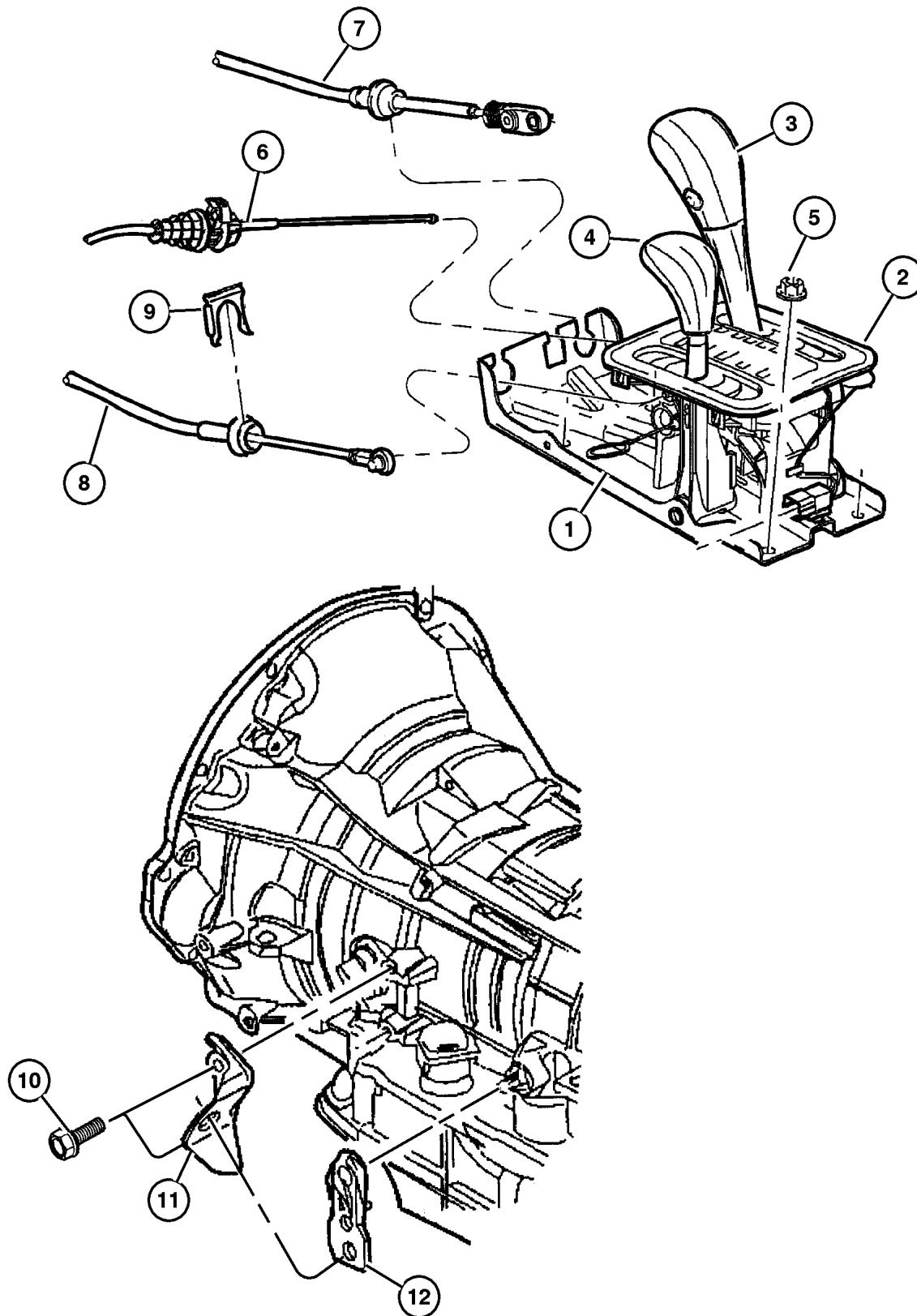
JEEP GRAND CHEROKEE (WG)

SERIES	LINE	BODY	ENGINE	TRANSMISSION
H = Laredo	J = 4WD	74 = 4 Door	ER0, ERH = 4.0L, Power Tech	DGK = 4 Speed Autm, 42RE
P = Limited	U = 4WD, RHD		EVO, EVA = 4.7L, Power Tech	DGQ = 5 Speed Automatic
			EXO, EXA = 3.1L 5 Cyl Turbo Diesel	- 5-45RFE
				DGW = 4 Speed Autm, 44RE

AR = Use as required - = Non illustrated part # = New this model year

October 31, 2002

**Gearshift Controls 45RFE (DGQ)  
Figure 45RFE-1210**



ITEM	PART NUMBER	QTY	LINE	SERIES	BODY	ENGINE	TRANS	DESCRIPTION
------	-------------	-----	------	--------	------	--------	-------	-------------

**NOTE:**

**Sales Codes:**

DGQ=Multi Speed Automatic Transmission

DGK=4 Speed Automatic Transmission

DG0=All Automatic Transmissions

DG4=Multi-Speed Automatic Transmission 45RFE

DSB=Vari-Lok Progressive Front Axle

1								HOUSING AND LEVER, Shifter
	52104 151AB	1	J				DG0	Without [DSB]
	52104 152AC	1	U				DG0	Without [DSB]
	52104 374AB	1	J				DG0	With [DSB]
	52104 375AB	1	U				DG0	With [DSB]
2								BEZEL, Gear Shift Indicator
	5012 471AA	1	J				DG0	Without [DSB]
		1	U				DG0	Without [DSB]
	5014 661AA	1	J				DG0	With [DSB]
		1	U				DG0	With [DSB]
3								KNOB, Gearshift, Serviced With # 1, (NOT SERVICED) (Not Serviced)
4								KNOB, Gearshift, Serviced With # 1, (NOT SERVICED) (Not Serviced)
5	6101 695	4						NUT, Hex Flange Lock, M8x1.25
6	5210 4054	1					DG0	CABLE, Park Interlock
7	52104 218AB	1					DG0	CABLE, Gearshift Control
8	52104 060AC	1					DGK, DGQ	CABLE, Gearshift Control
9	4269 830	2						CLIP, Cable
10	6101 758	2					DG4	SCREW, Hex Head, M8x1.25x20
11	52104 371AB	1					DGQ	BRACKET, Shift Cable
12	5210 4177	1					DGQ	LEVER, Manual Control

**JEEP GRAND CHEROKEE (WG)**

SERIES	LINE	BODY	ENGINE	TRANSMISSION
H = Laredo	J = 4WD	74 = 4 Door	ER0, ERH = 4.0L, Power Tech	DGK = 4 Speed Autm, 42RE
P = Limited	U = 4WD, RHD		EVO, EVA = 4.7L, Power Tech	DGQ = 5 Speed Automatic
			EXO, EXA = 3.1L 5 Cyl Turbo Diesel	- 5-45RFE
				DGW = 4 Speed Autm, 44RE

AR = Use as required - = Non illustrated part # = New this model year

October 31, 2002

**LR Clutch 45RFE (DGQ)  
Figure 45RFE-1310**

**LR CLUTCH PACKAGE 05013091aa**

1

	D-ring, external (L/R piston outer)
	D-ring, internal (L/R piston inner)
(6)	Plate, clutch separator (1.74mm thk)
(6)	Disc assy, clutch (L/R)
	Snap ring, flat (1.5/1.6 thk)
	Snap ring, flat (2.03/2.13 thk)
	Snap ring, flat (2.54/2.68 thk)
(2)	Retainer, c-clip

ITEM	PART NUMBER	QTY	LINE	SERIES	BODY	ENGINE	TRANS	DESCRIPTION
------	-------------	-----	------	--------	------	--------	-------	-------------

NOTE:

Sales Codes:

DGQ=Multi Speed Automatic Transmission

1 5013 091AA 1

DGQ CLUTCH PACKAGE, Automatic  
Transmission, Low/Reverse


JEEP GRAND CHEROKEE (WG)				
SERIES	LINE	BODY	ENGINE	TRANSMISSION
H = Laredo	J = 4WD	74 = 4 Door	ER0, ERH = 4.0L, Power Tech	DGK = 4 Speed Autm, 42RE
P = Limited	U = 4WD, RHD		EVO, EVA = 4.7L, Power Tech	DGQ = 5 Speed Automatic
			EXO, EXA = 3.1L 5 Cyl Turbo Diesel	- 5-45RFE
				DGW = 4 Speed Autm, 44RE





O/H 45RFE (DGQ)  
Figure 45RFE-1330

O/H seal/gasket package

05014221ac

1

	2&4 clutch package	
	Input clutch package	
	L/R clutch package	
	Sump filter & seal package	
	Cooler filter	
	fill tube sea	
	Frt pmp cover o-ring/seal assy	
	Rotating shaft seal,pmp hsg	
	Adapter seal, 4x4	
	Extension seal,4x2	
	Manual lever seal	
(2)	Speed sensor seal	
	Reaction supt ring seal	
	Rev O/D clutch filter	
(10)	Accumulator ring seal	
(3)	Valve body seal	
	Check valve o-ring	
	Solenoid insulator seal	
	T/C seal	

ITEM	PART NUMBER	QTY	LINE	SERIES	BODY	ENGINE	TRANS	DESCRIPTION
------	-------------	-----	------	--------	------	--------	-------	-------------

NOTE:

Sales Codes:

DGQ=Multi Speed Automatic Transmission

1 5014 221AG 1

DGQ OVERHAUL PACKAGE, Transmission

JEEP GRAND CHEROKEE (WG)

SERIES	LINE	BODY	ENGINE	TRANSMISSION
H = Laredo	J = 4WD	74 = 4 Door	ER0, ERH = 4.0L, Power Tech	DGK = 4 Speed Autm, 42RE
P = Limited	U = 4WD, RHD		EVO, EVA = 4.7L, Power Tech	DGQ = 5 Speed Automatic
			EXO, EXA = 3.1L 5 Cyl Turbo Diesel	- 5-45RFE
				DGW = 4 Speed Autm, 44RE

AR = Use as required - = Non illustrated part # = New this model year

October 31, 2002

**Input Clutch 45RFE (DGQ)  
Figure 45RFE-1340**

**INPUT CLUTCH PACKAGE**

**05013090aa**

1

	O-ring, large (2.62mm x 79.84 ID,gm)
	O-ring, small (2.62mm x 70.56 ID,red)
(2)	Seal, internal lip
(2)	Ring seal, l-shaft
	O-ring, piston inner (2.62mm x 93.54 ID)
(5)	Plate, clutch separator (1.74mm thk)
(4)	Disc assy, clutch (u/d clutch)
(4)	Disc assy, clutch (o/d clutch)
(3)	PLate, clutch separator (2.21mm thk, O/D)
(2)	Disc assy, clutch (rev clutch)
	Snap ring,tapered, internal butterfly end
	Snap ring, flat (1.5/1.6 thk)
	Snap ring, flat (1.80/1.90 thk)
	Snap ring, flat (2.15/2.25 thk)
	Piston & seal, underdrive
	Piston & seal, underdrive balance

ITEM	PART NUMBER	QTY	LINE	SERIES	BODY	ENGINE	TRANS	DESCRIPTION
------	-------------	-----	------	--------	------	--------	-------	-------------

NOTE:

Sales Codes:

DGQ=Multi Speed Automatic Transmission

1 5013 090AB 1

DGQ CLUTCH PACKAGE, Automatic  
Transmission, Input

**JEEP GRAND CHEROKEE (WG)**

SERIES	LINE	BODY	ENGINE	TRANSMISSION
H = Laredo	J = 4WD	74 = 4 Door	ER0, ERH = 4.0L, Power Tech	DGK = 4 Speed Autm, 42RE
P = Limited	U = 4WD, RHD		EVO, EVA = 4.7L, Power Tech	DGQ = 5 Speed Automatic
			EXO, EXA = 3.1L 5 Cyl Turbo Diesel	- 5-45RFE
				DGW = 4 Speed Autm, 44RE

AR = Use as required - = Non illustrated part # = New this model year

October 31, 2002

**Planetary Plate 45RFE (DGQ)  
Figure 45RFE-1350**

**SELECTIVE THRUST PLATES  
PLANETARY THRUST PLATE PKG 05013092aa**

	Thrust plate, planetary	1.62 / 1.75
	Thrust plate, planetary	1.81 / 1.94
	Thrust plate, planetary	1.96 / 2.09
	Thrust plate, planetary	2.11 / 2.24
	Thrust plate, planetary	2.26 / 2.39
	Thrust plate, planetary	2.41 / 2.54
	Thrust plate, planetary	2.56 / 2.69
	Thrust plate, planetary	2.71 / 2.84
	Thrust plate, planetary	2.86 / 2.99
	Thrust plate, planetary	3.01 / 3.14
	Thrust plate, planetary	3.16 / 3.29
	Thrust plate, planetary	3.31 / 3.44
	Thrust plate, planetary	3.46 / 3.59
	Thrust plate, planetary	3.61 / 3.74
	Thrust plate, planetary	3.76 / 3.89
	Thrust plate, planetary	3.91 / 4.04
	Thrust plate, planetary	4.06 / 4.19
	Thrust plate, planetary	4.21 / 4.34
	Thrust plate, planetary	4.36 / 4.49

①

ITEM	PART NUMBER	QTY	LINE	SERIES	BODY	ENGINE	TRANS	DESCRIPTION
------	-------------	-----	------	--------	------	--------	-------	-------------

NOTES:

Sales Codes:

DGQ=Multi Speed Automatic Transmission

1 5013 092AA 1

DGQ PLATE PACKAGE, Planetary Thrust

JEEP GRAND CHEROKEE (WG)

SERIES	LINE	BODY	ENGINE	TRANSMISSION
H = Laredo	J = 4WD	74 = 4 Door	ER0, ERH = 4.0L, Power Tech	DGK = 4 Speed Autm, 42RE
P = Limited	U = 4WD, RHD		EVO, EVA = 4.7L, Power Tech	DGQ = 5 Speed Automatic
			EXO, EXA = 3.1L 5 Cyl Turbo Diesel	- 5-45RFE
				DGW = 4 Speed Autm, 44RE

AR = Use as required - = Non illustrated part # = New this model year

October 31, 2002

2&4 Clutch (DGQ)  
Figure 45RFE-1360

**2&4 CLUTCH PACKAGE 05013087aa**

1

(2)	Disc assy, clutch (2nd clutch)
(2)	Plate, clutch separator
	D-ring, external (2nd outer)
	D-ring, internal (2nd inner)
	D-ring, internal (4th outer)
	D-ring, internal (4th inner)
(3)	Plate, clutch separator (4th clutch)
(3)	Disc assy, clutch (4th clutch)
	Snap ring (4th, 1.74/1.84 thk)
	Snap ring (4th, 2.15/2.25 thk)
	Snap ring (4th, 2.56/2.66 thk)

ITEM	PART NUMBER	QTY	LINE	SERIES	BODY	ENGINE	TRANS	DESCRIPTION
------	-------------	-----	------	--------	------	--------	-------	-------------

NOTES:

Sales Codes:

DGQ=Multi Speed Automatic Transmission

1 5013 087AB 1

DGQ CLUTCH PACKAGE, Automatic  
Transmission, 2/4

JEEP GRAND CHEROKEE (WG)

SERIES	LINE	BODY	ENGINE	TRANSMISSION
H = Laredo	J = 4WD	74 = 4 Door	ER0, ERH = 4.0L, Power Tech	DGK = 4 Speed Autm, 42RE
P = Limited	U = 4WD, RHD		EVO, EVA = 4.7L, Power Tech	DGQ = 5 Speed Automatic
			EXO, EXA = 3.1L 5 Cyl Turbo Diesel	- 5-45RFE
				DGW = 4 Speed Autm, 44RE

AR = Use as required - = Non illustrated part # = New this model year

October 31, 2002

# Group – 247

## Transfer Case Model 247

### GROUP 247 - Transfer Case Model 247

Illustration Title

Group-Fig. No.

#### Transfer Case Assembly

Transfer Case Quadra Trac II on Demand [DHF] ..... Fig. 247-110

#### Case and Related Parts

Case & Related Parts [DHF] ..... Fig. 247-210

#### Gear Train

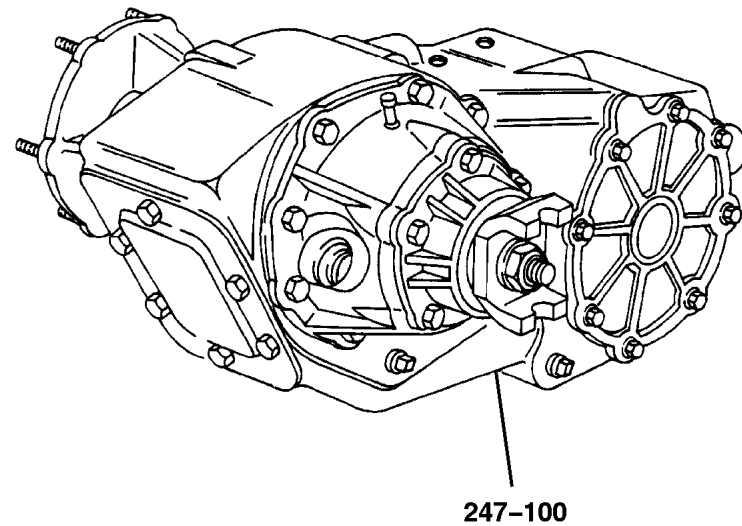
Gear Train Quadra Trac II on Demand [DHF] ..... Fig. 247-410

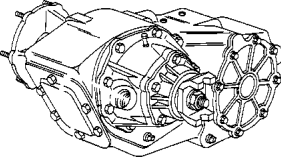
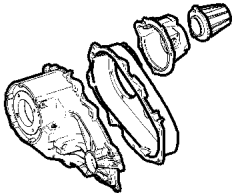
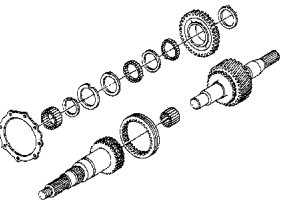
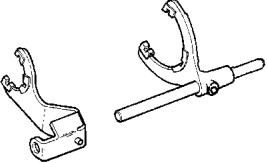

#### Fork and Rails

Fork & Rails [DHF] ..... Fig. 247-910

#### Gearshift Controls

Gearshift Controls Quadra Trac II on Demand [DHF] ..... Fig. 247-1210



<p><b>247-100</b> Transfer Case Assembly</p> 	<p><b>247-200</b> Case and Related Parts</p> 	<p><b>247-400</b> Gear Train</p> 	<p><b>247-900</b> Fork and Rails</p> 
<p><b>247-1200</b> Gearshift Controls</p> 			

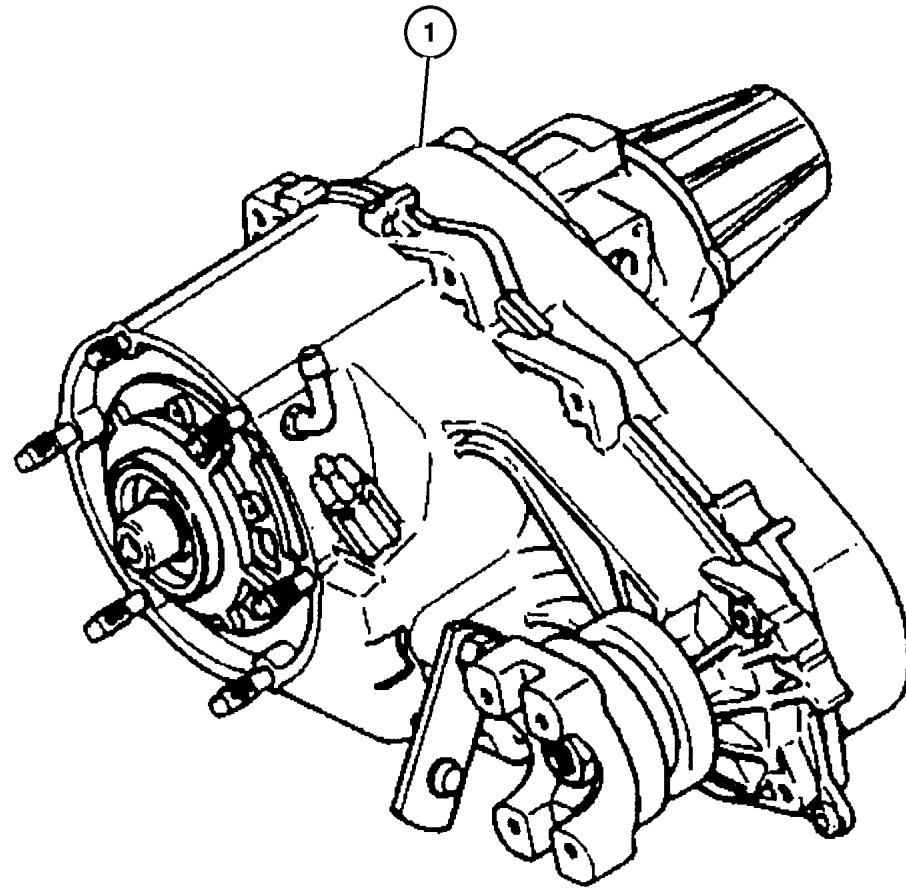
**Transfer Case Quadra Trac II on Demand [DHF]  
Figure 247-110**

ITEM	PART NUMBER	QTY	LINE	SERIES	BODY	ENGINE	TRANS	DESCRIPTION
------	-------------	-----	------	--------	------	--------	-------	-------------

Note:

ERH = 4.0L Power Tech I-6  
 ER0 = All 4.0L 6 Cyl Gas Engines  
 EVA = 4.7L Power Tech V8 Engine  
 EV0 = All 4.7L Gas Engines  
 EXA = 3.1L 5 Cyl Diesel Engine  
 EX0 = All 3.0/3.1L Turbo Diesel Engines

1								TRANSFER CASE, NP247
	52098 873AC	1				EX0		
	52098 871AC	1				ER0		
	52098 872AC	1				EV0		



JEEP GRAND CHEROKEE (WG)				
SERIES	LINE	BODY	ENGINE	TRANSMISSION
H = Laredo	J = 4WD	74 = 4 Door	ER0, ERH = 4.0L, Power Tech	DGK = 4 Speed Autm, 42RE
P = Limited	U = 4WD, RHD		EV0, EVA = 4.7L, Power Tech	DGQ = 5 Speed Automatic
			EX0, EXA = 3.1L 5 Cyl Turbo Diesel	- 5-45RFE
				DGW = 4 Speed Autm, 44RE

AR = Use as required - = Non illustrated part # = New this model year

October 31, 2002

Case & Related Parts [DHF]  
Figure 247-210

ITEM	PART NUMBER	QTY	LINE	SERIES	BODY	ENGINE	TRANS	DESCRIPTION
------	-------------	-----	------	--------	------	--------	-------	-------------

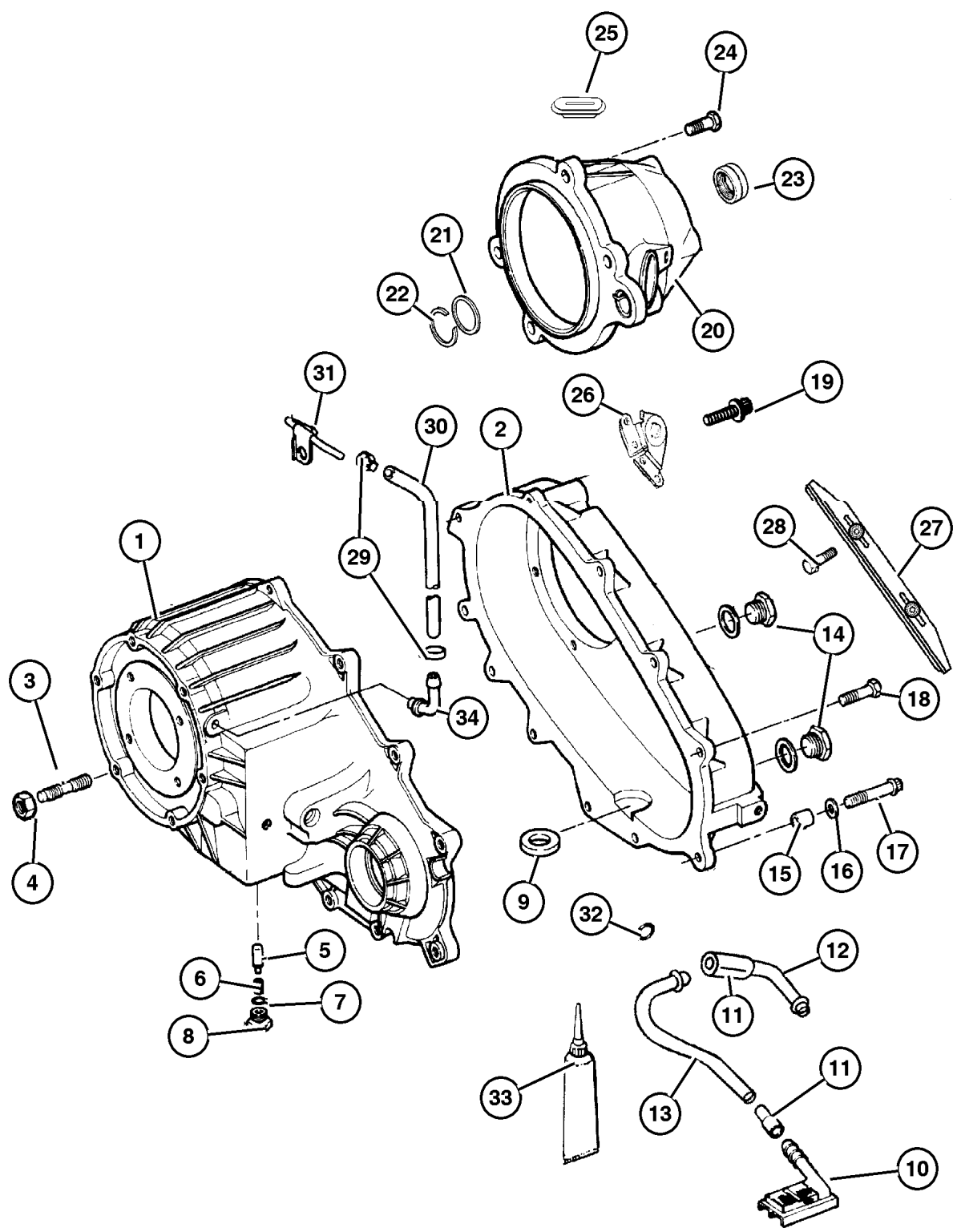
NOTE:

Sales Codes:  
 ERH = 4.0L Power Tech Engine.  
 EVA = 4.7L Power Tech Engine.  
 EXA = 3.1L 5 Cyl Turbo Diesel Engine.  
 ER0=All 4.0L Engines  
 EV0=All 4.7L Engines  
 EX0=All 3.1L Turbo Diesel

1								CASE, Transfer Front
	5012 341AA	1				EX0		
	5012 309AA	1				ER0		
		1				EV0		
2								CASE, Transfer Case Rear
	5013 010AA	1				EX0		
	5012 323AA	1				ER0		
		1				EV0		
3								STUD
	4505 365	6				EX0		
		6				ER0		
	5012 310AA	6				EV0		
4	J400 6681	6						NUT AND CONED WASHER, Hex, .375-24
5								PLUNGER
	5300 8217	1				EX0		
		1				ER0		
		1				EV0		
6								SPRING, Shift Detent
	4638 497	1				EX0		
		1				ER0		
		1				EV0		
7								SEAL, Vacuum Switch
	4338 956	1				EX0		
		1				ER0		
		1				EV0		
8								SCREW
	4886 473AA	1				EX0		
		1				ER0		
		1				EV0		
9								MAGNET, Transmission
	3681 601	1				EX0		
		1				ER0		
		1				EV0		
10								FILTER, Transfer Case Oil

JEEP GRAND CHEROKEE (WG)

SERIES	LINE	BODY	ENGINE	TRANSMISSION
H = Laredo	J = 4WD	74 = 4 Door	ER0, ERH = 4.0L, Power Tech	DGK = 4 Speed Autm, 42RE
P = Limited	U = 4WD, RHD		EV0, EVA = 4.7L, Power Tech	DGQ = 5 Speed Automatic
			EX0, EXA = 3.1L 5 Cyl Turbo Diesel	- 5-45RFE
				DGW = 4 Speed Autm, 44RE

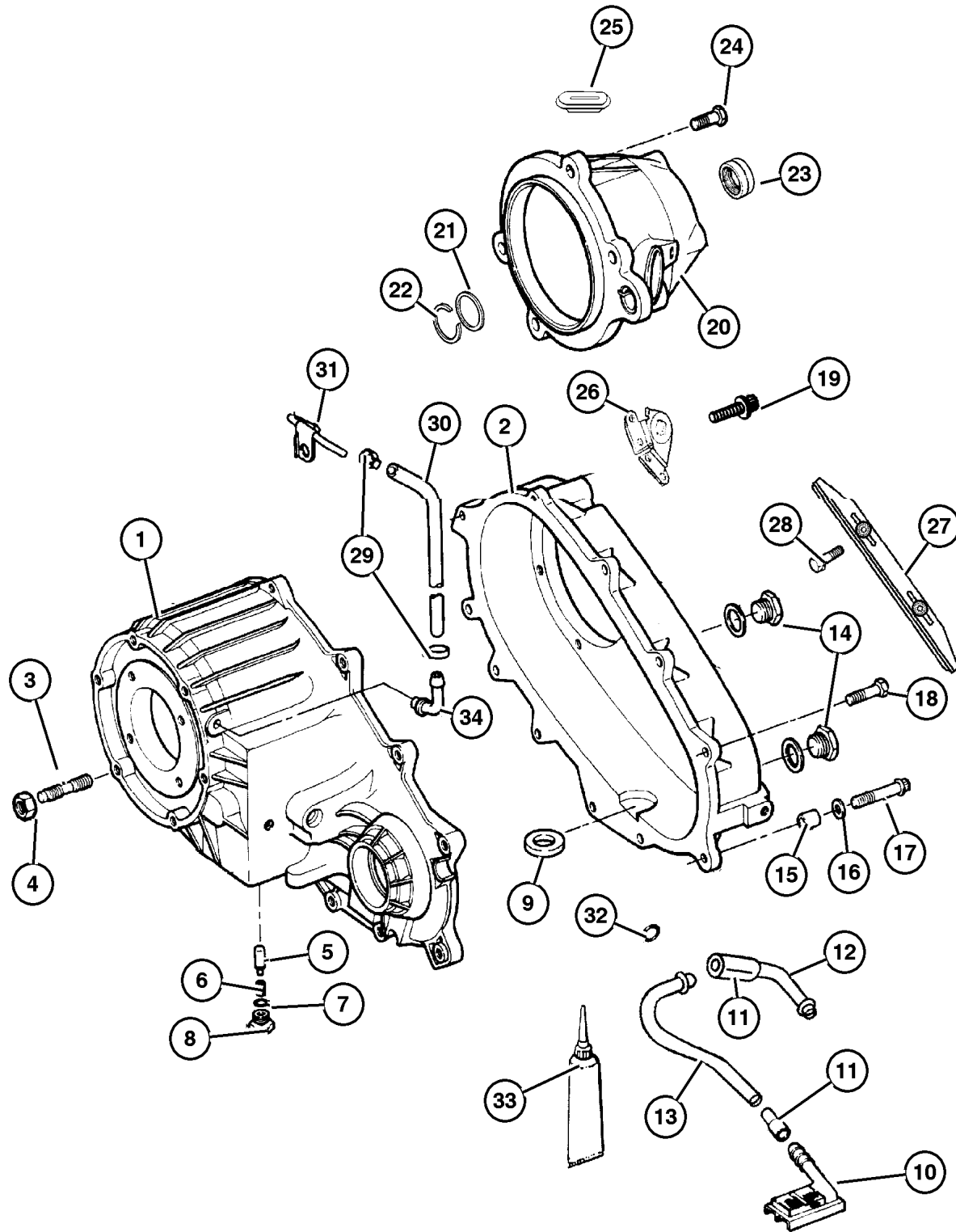


AR = Use as required - = Non illustrated part # = New this model year

October 31, 2002

Case & Related Parts [DHF]  
Figure 247-210

ITEM	PART NUMBER	QTY	LINE	SERIES	BODY	ENGINE	TRANS	DESCRIPTION
	5013 011AA	1				EX0		
	5012 326AA	1				ER0		
11		1				EVO		CONNECTOR, Oil Tube Pickup
	5012 327AA	1				EX0		
		1				ER0		
		1				EVO		
12								TUBE, Oil Pickup
	5013 012AA	1				EX0		
	5013 018AA	1				ER0		
		1				EVO		
13								TUBE, Oil Pickup
	5013 012AA	1				EX0		
	5012 328AA	1				ER0		
		1				EVO		
14								PLUG, Oil Fill
	4856 641	2				EX0		
		1				ER0		
		1				EVO		
15								DOWEL, Transfer Case
	4116 310	2				ER0		
		2				EVO		
16								WASHER, Flat
	4446 487	1				EX0		
	4210 983	2				ER0		
		2				EVO		
17								BOLT, Hex Flange Head
	4210 614	2				ER0		
		2				EVO		
18								BOLT, Transfer Case
	4210 617	6				ER0		
		6				EVO		
19								BOLT, Twelve Point Head, M10x1.5x48
	J813 0979	3				ER0		
		3				EVO		
20								RETAINER, Transfer Case Rear
	#5066 086AA	1				ER0		
		1				EVO		
21								BUSHING, Extension Housing
	4638 902	1				ER0		
		1				EVO		
22								SNAP RING



JEEP GRAND CHEROKEE (WG)

SERIES	LINE	BODY	ENGINE	TRANSMISSION
H = Laredo	J = 4WD	74 = 4 Door	ER0, ERH = 4.0L, Power Tech	DGK = 4 Speed Autm, 42RE
P = Limited	U = 4WD, RHD		EVO, EVA = 4.7L, Power Tech	DGQ = 5 Speed Automatic
			EXO, EXA = 3.1L 5 Cyl Turbo Diesel	- 5-45RFE
				DGW = 4 Speed Autm, 44RE

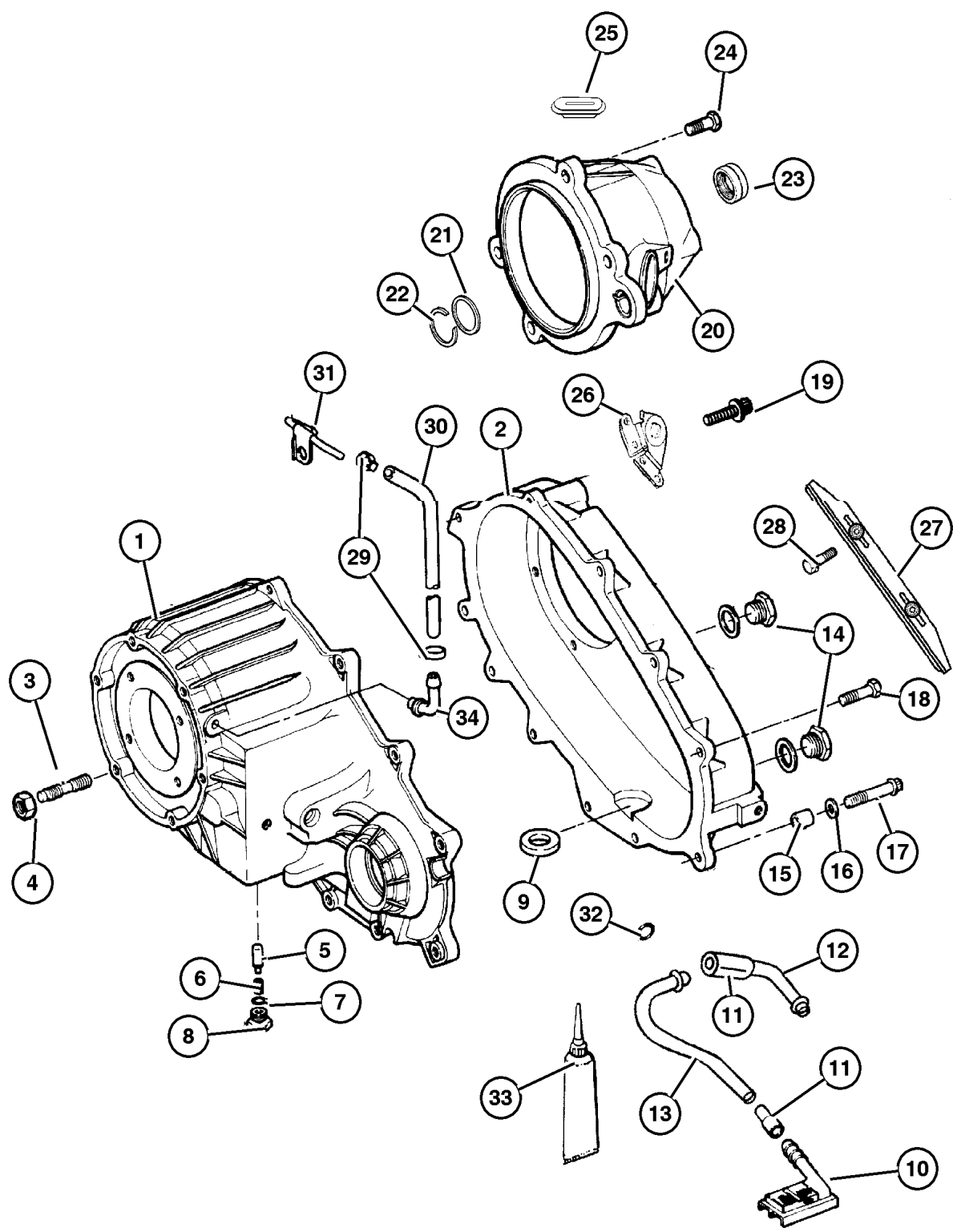
AR = Use as required - = Non illustrated part # = New this model year

October 31, 2002



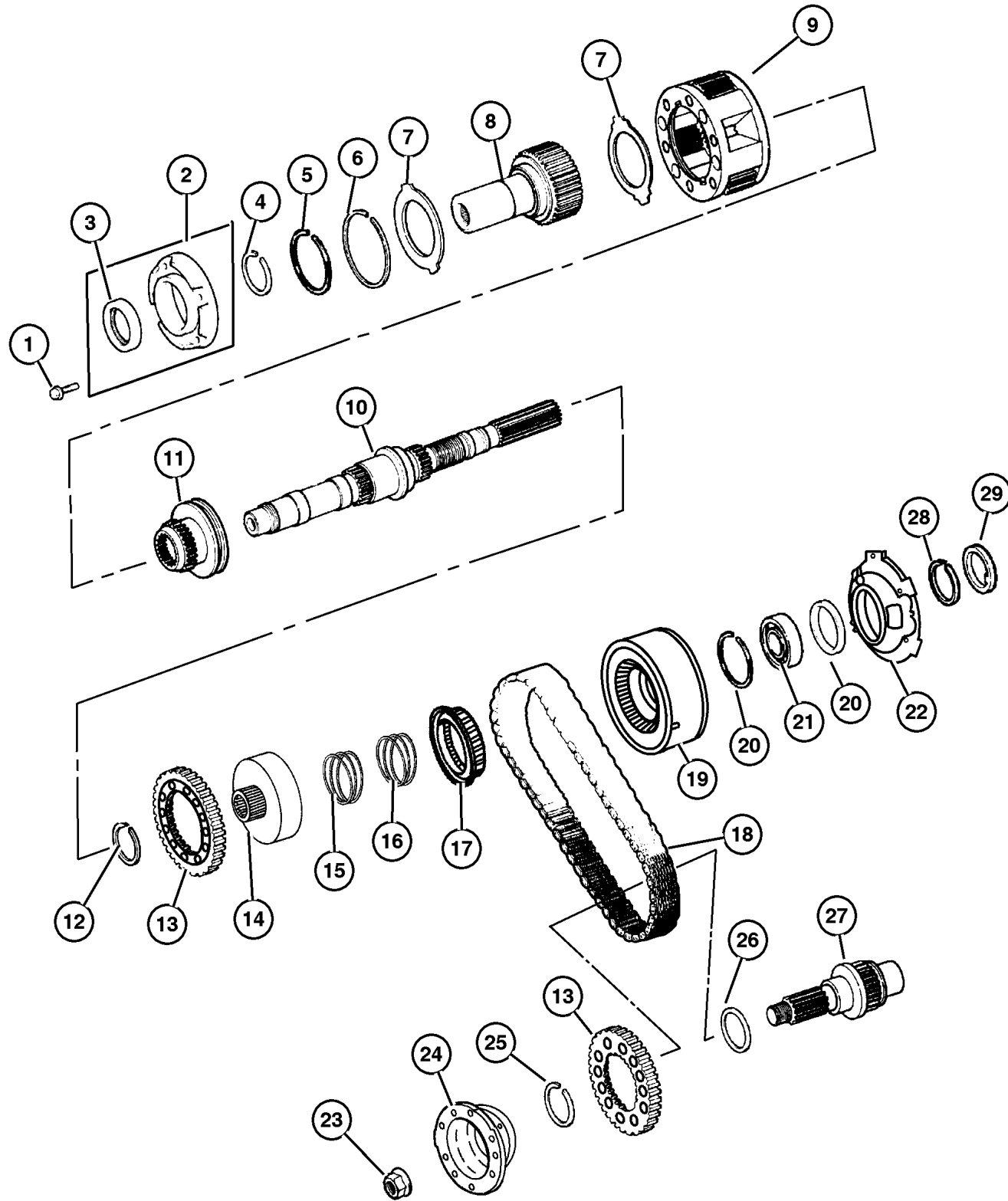
Case & Related Parts [DHF]  
Figure 247-210

ITEM	PART NUMBER	QTY	LINE	SERIES	BODY	ENGINE	TRANS	DESCRIPTION
	0893 31A	1				ER0		
		1				EVO		
23	5013 019AA	1				EX0		SEAL, Output Shaft
	4897 298AA	1				ER0		
		1				EVO		
24	6501 371	6				EX0		BOLT, Retainer
		4				ER0		
		4				EVO		
25	5018 919AA	1				ER0		PLUG
		1				EVO		
26								CLIP, (NOT REQUIRED)
27	5012 324AA	1				EX0		SNUBBER, Drive Chain
		1				ER0		
		1				EVO		
28	5012 325AA	2				ER0		BOLT
		2				EVO		
29	6502 081	2						CLAMP, Oil Cooler Line
30	4443 176	1				EX0		HOSE, Fuel, .31 I.D. 50 Foot Roll
31	5300 7494	1						VENT, Transfer Case
32								SEAL, Transfer Case
	5013 016AB	1				EX0		
		1				ER0		
		1				EVO		
33	4318 025	1						SEALANT, RTV
34	4796 910	1				EVO		VENT, Transfer Case
		1				EX0		
		1				ER0		



JEEP GRAND CHEROKEE (WG)  
 SERIES LINE BODY ENGINE TRANSMISSION  
 H = Laredo J = 4WD 74 = 4 Door ER0, ERH = 4.0L, Power Tech DGK = 4 Speed Autm, 42RE  
 P = Limited U = 4WD, RHD EVO, EVA = 4.7L, Power Tech DGQ = 5 Speed Automatic  
 EXO, EXA = 3.1L 5 Cyl Turbo Diesel - 5-45RFE  
 DGW = 4 Speed Autm, 44RE

**Gear Train Quadra Trac II on Demand [DHF]  
Figure 247-410**



ITEM	PART NUMBER	QTY	LINE	SERIES	BODY	ENGINE	TRANS	DESCRIPTION
Note:								
ERH = 4.0L Power Tech I-6								
ER0 = All 4.0L 6 Cyl Gas Engines								
EVA = 4.7L Power Tech V8 Engine								
EV0 = All 4.7L Gas Engines								
EXA = 3.1L 5 Cyl Diesel Engine								
EX0 = All 3.0/3.1L Turbo Diesel Engines								
1								BOLT
	6500 318	4				ER0		
		4				EV0		
2						ER0		EXTENSION, Transfer Case
	4864 782	1				EV0		
		1						
3						ER0		SEAL, Input Gear
	#5019 020AA	1				EV0		
		1				EX0		
4								SNAP RING
	3821 558	1				EX0		
		1				ER0		
		1				EV0		
5								SNAP RING
	4338 910	1				EX0		
		1				ER0		
		1				EV0		
6						EX0		RING
	4338 909	1				ER0		
		1				EV0		
		1						
7						EX0		THRUST WASHER, Planetary Carrier
	4338 908	2				ER0		
		2				EV0		
		2						
8						EX0		GEAR, Input
	4798 126	1				ER0		
	5012 311AA	1				EV0		
9								PLANETARY, Transfer Case
	4796 903AB	1				EV0		
		1				ER0		
	#4797 030AB	1				EX0		
10								MAINSHAFT, Transfer Case

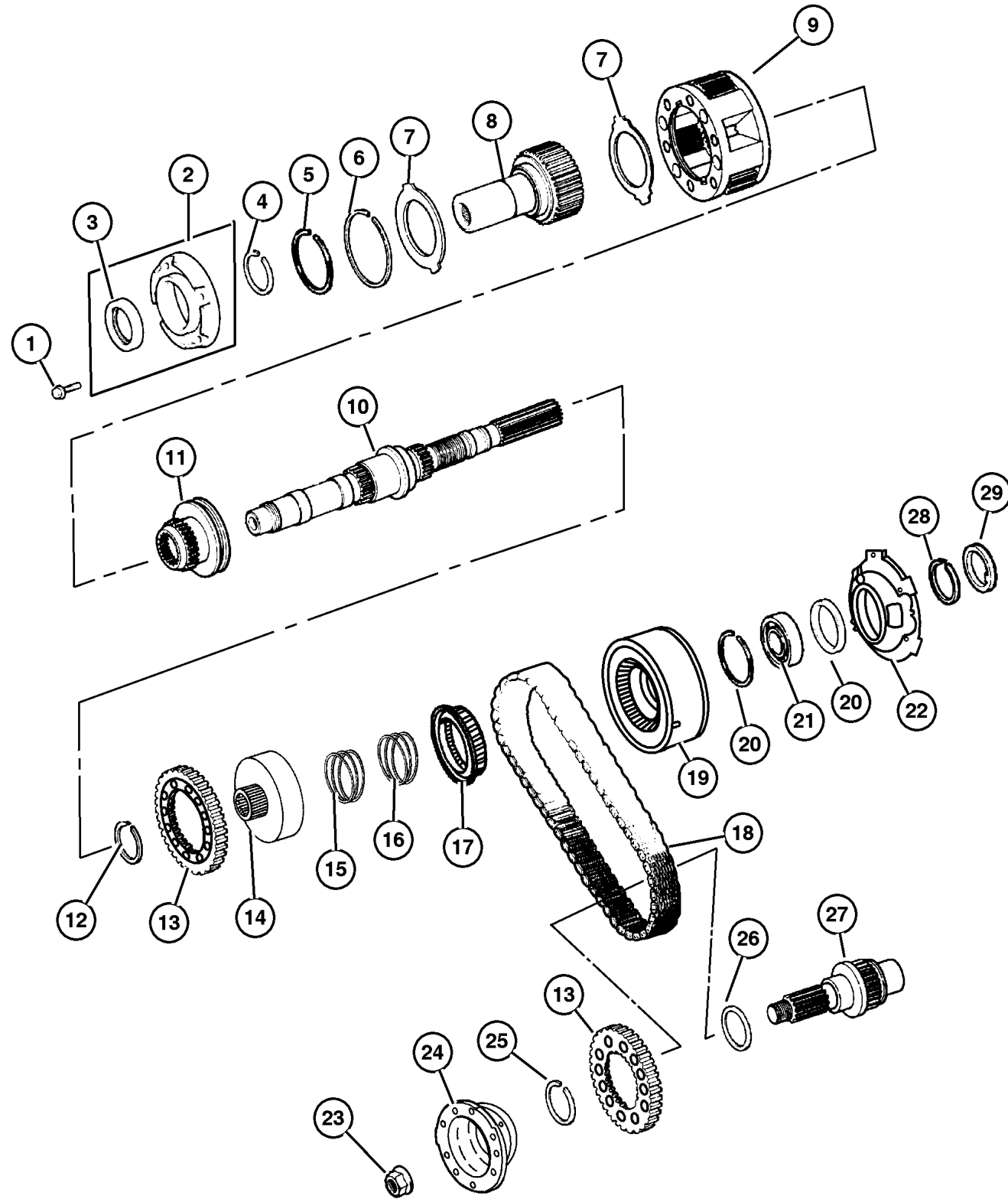
**JEEP GRAND CHEROKEE (WG)**

SERIES	LINE	BODY	ENGINE	TRANSMISSION
H = Laredo	J = 4WD	74 = 4 Door	ER0, ERH = 4.0L, Power Tech	DGK = 4 Speed Autm, 42RE
P = Limited	U = 4WD, RHD		EV0, EVA = 4.7L, Power Tech	DGQ = 5 Speed Automatic
			EX0, EXA = 3.1L 5 Cyl Turbo Diesel	- 5-45RFE
				DGW = 4 Speed Autm, 44RE

AR = Use as required - = Non illustrated part # = New this model year

October 31, 2002

**Gear Train Quadra Trac II on Demand [DHF]  
Figure 247-410**



ITEM	PART NUMBER	QTY	LINE	SERIES	BODY	ENGINE	TRANS	DESCRIPTION
	5012 999AA	1				EX0		
	5012 313AA	1				ER0		
11	5012 314AA	1				EVO		SLEEVE, Shift Range
	5012 314AA	1				EX0		
		1				ER0		
12		1				EVO		SNAP RING
	4798 130	1				EX0		
		1				ER0		
13		1				EX0		SPROCKET, Drive
	5012 319AA	2				EX0		
		1				ER0		
		1				EVO		
14								CARRIER, Sprocket
	5012 315AA	1				EX0		
		1				ER0		
		1				EVO		
15								SPRING, Clutch
	4798 131	1				EX0		
		1				ER0		
		1				EVO		
16								SPRING, Clutch
	4897 521AA	1				EX0		
		1				ER0		
		1				EVO		
17								CLUTCH, Oneway
	4897 520AA	1				EX0		
		1				ER0		
		1				EVO		
18								CHAIN, Transfer Case
	5012 322AA	1				EX0		
	5012 322AB	1				ER0		
		1				EVO		
19								PUMP, Transfer Case Gear Rotor
	5012 329AA	1				EX0		
		1				ER0		
		1				EVO		
20								SNAP RING
	4446 478	1				EX0		
		2				ER0		

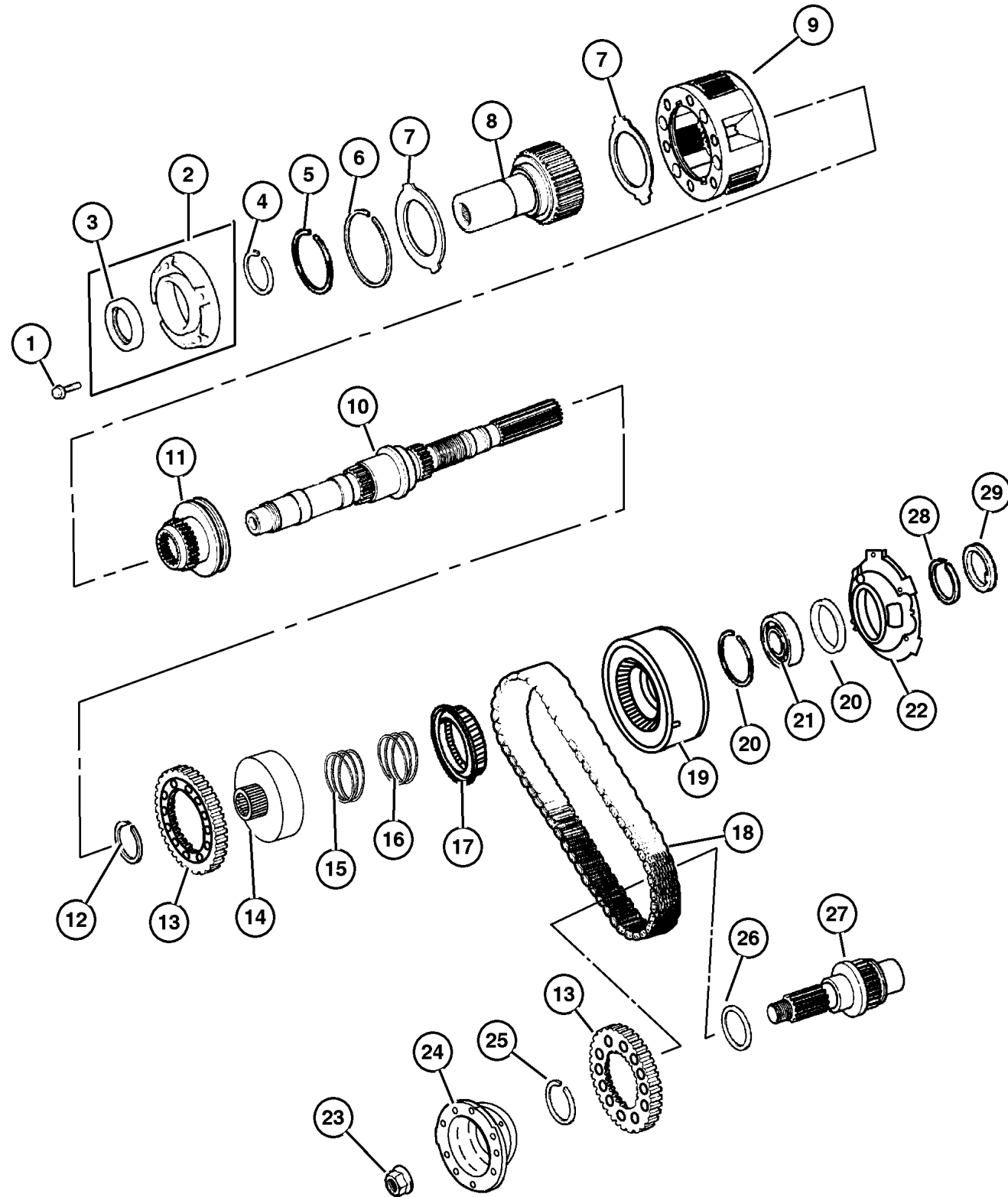
**JEEP GRAND CHEROKEE (WG)**

SERIES	LINE	BODY	ENGINE	TRANSMISSION
H = Laredo	J = 4WD	74 = 4 Door	ER0, ERH = 4.0L, Power Tech	DGK = 4 Speed Autm, 42RE
P = Limited	U = 4WD, RHD		EVO, EVA = 4.7L, Power Tech	DGQ = 5 Speed Automatic
			EXO, EXA = 3.1L 5 Cyl Turbo Diesel	- 5-45RFE
				DGW = 4 Speed Autm, 44RE

AR = Use as required - = Non illustrated part # = New this model year

October 31, 2002

**Gear Train Quadra Trac II on Demand [DHF]  
Figure 247-410**



ITEM	PART NUMBER	QTY	LINE	SERIES	BODY	ENGINE	TRANS	DESCRIPTION
		2				EVO		
21	4638 899	1				EX0		BEARING, Output Shaft
		1				ER0		
		1				EVO		
22	5013 017AB	1				EX0		PUMP, Transfer Case Oil
		1				ER0		
		1				EVO		
23	4167 924	1				EX0		NUT, Transfer Case Yoke
		1				ER0		
		1				EVO		
24	5012 308AA	1				EX0		YOKE, Transfer Case
		1				ER0		
		1				EVO		
25	5012 320AA	2				EX0		SNAP RING
	5013 015AA	2				ER0		
		2				EVO		
26	4210 973	1				EX0		WASHER, Transfer Case Yoke
		1				ER0		
		1				EVO		
27	5012 321AA	1				EX0		OUTPUT SHAFT, Transfer Case
		1				ER0		
		1				EVO		
28	5013 014AA	1				EX0		WASHER
		1				ER0		
		1				EVO		
29	5013 015AA	2				EX0		SNAP RING
		2				ER0		
		2				EVO		

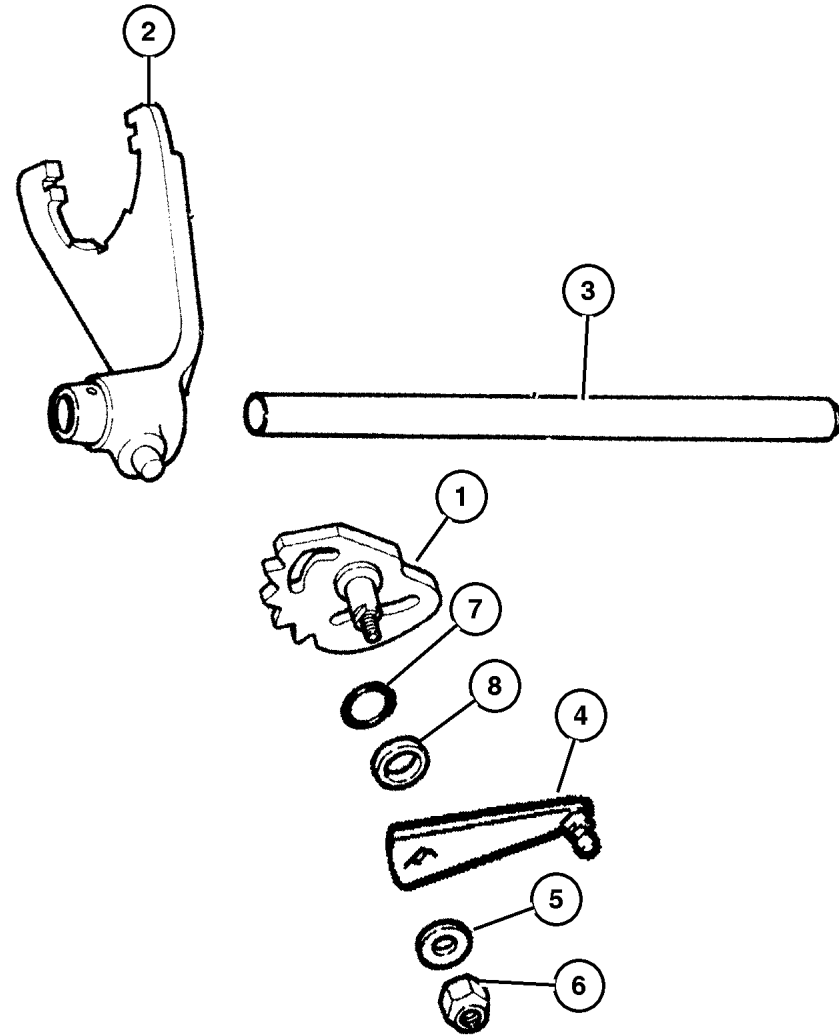
**JEEP GRAND CHEROKEE (WG)**

SERIES	LINE	BODY	ENGINE	TRANSMISSION
H = Laredo	J = 4WD	74 = 4 Door	ER0, ERH = 4.0L, Power Tech	DGK = 4 Speed Autm, 42RE
P = Limited	U = 4WD, RHD		EVO, EVA = 4.7L, Power Tech	DGQ = 5 Speed Automatic
			EXO, EXA = 3.1L 5 Cyl Turbo Diesel	- 5-45RFE
				DGW = 4 Speed Autm, 44RE

AR = Use as required - = Non illustrated part # = New this model year

October 31, 2002

Fork & Rails [DHF]  
Figure 247-910



ITEM	PART NUMBER	QTY	LINE	SERIES	BODY	ENGINE	TRANS	DESCRIPTION
Note:								
ERH = 4.0L Power Tech I-6								
ER0 = All 4.0L 6 Cyl Gas Engines								
EVA = 4.7L Power Tech V8 Engine								
EVO = All 4.7L Gas Engines								
EXA = 3.1L 5 Cyl Diesel Engine								
EX0 = All 3.0/3.1L Turbo Diesel Engines								
1	5012 312AA	1				EX0		SECTOR, Transfer Case
		1				ER0		
		1				EVO		
2	4798 136	1				EX0		FORK, Range
		1				ER0		
		1				EVO		
3	5013 003AA	1				EX0		RAIL, Transfer Case
	4798 135	1				ER0		
		1				EVO		
4	5012 333AA	1				EX0		LEVER, Transfer Case
		1				ER0		
		1				EVO		
5	S243 6163	1				EX0		WASHER, Flat
		1				ER0		
		1				EVO		
6	0152 345	8				EVO		NUT, Hex Flange Lock
		8				ER0		
		8				EX0		
7	4167 963	1				EX0		SEAL, O-Ring
		1				ER0		
		1				EVO		
8	4167 964	1				EX0		SEAL, O-Ring
		1				ER0		
		1				EVO		

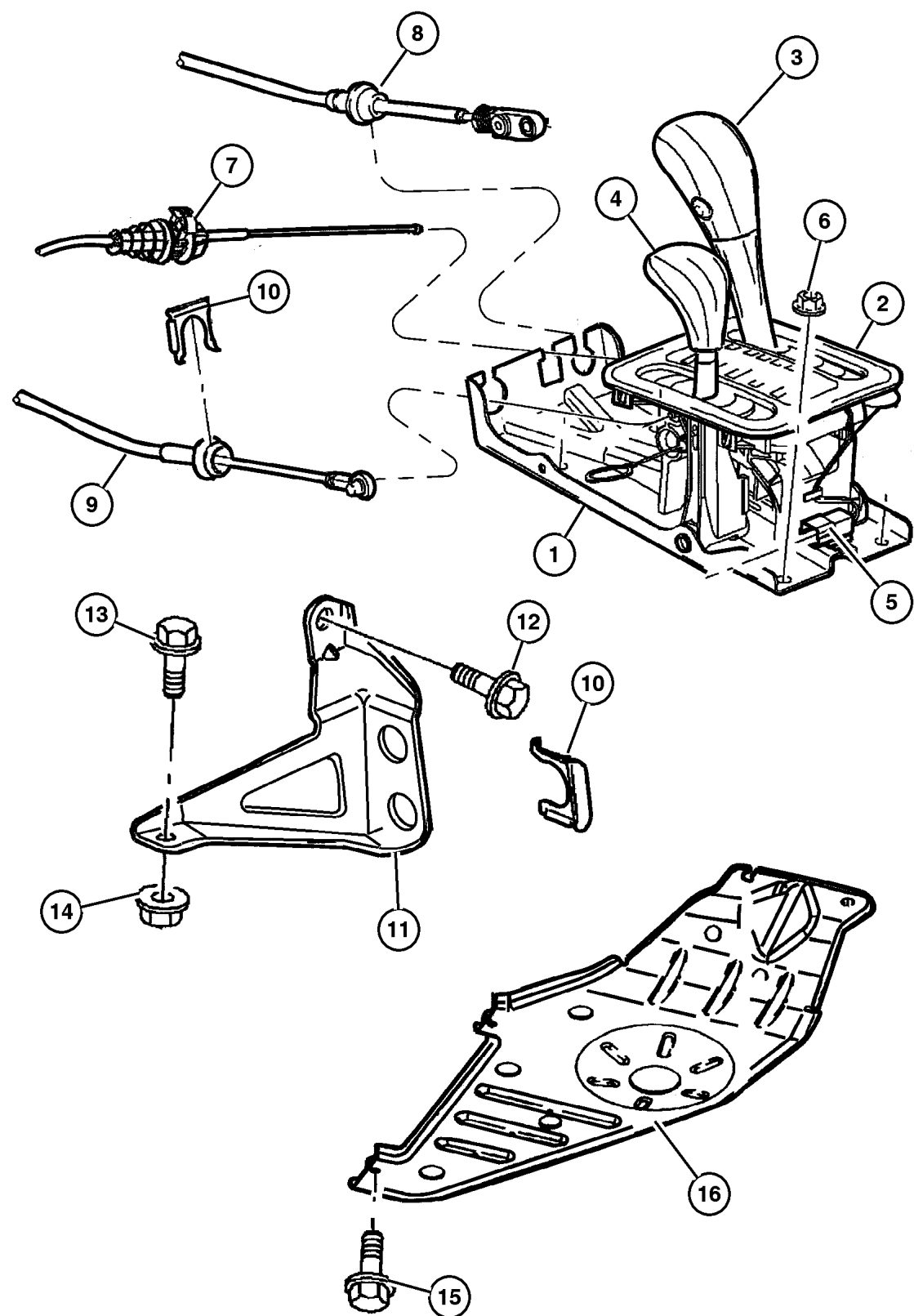
**JEEP GRAND CHEROKEE (WG)**

SERIES	LINE	BODY	ENGINE	TRANSMISSION
H = Laredo	J = 4WD	74 = 4 Door	ER0, ERH = 4.0L, Power Tech	DGK = 4 Speed Autm, 42RE
P = Limited	U = 4WD, RHD		EVO, EVA = 4.7L, Power Tech	DGQ = 5 Speed Automatic
			EX0, EXA = 3.1L 5 Cyl Turbo Diesel	- 5-45RFE
				DGW = 4 Speed Autm, 44RE

AR = Use as required - = Non illustrated part # = New this model year

October 31, 2002

**Gearshift Controls Quadra Trac II on Demand [DHF]  
Figure 247-1210**



ITEM	PART NUMBER	QTY	LINE	SERIES	BODY	ENGINE	TRANS	DESCRIPTION
------	-------------	-----	------	--------	------	--------	-------	-------------

**NOTE:**

**Sales Codes:**

DG0 = All Automatic Transmissions

DGK = 4 Speed Automatic Transmission 42RE

DGQ = 5 Speed Automatic Transmission 5-45RFE

DSB =VARI- LOK

ERH = 4.0L Power Tech Engine

ER0 = All 4.0L 6 Cyl Gas Engines

EVA = 4.7L Power Tech Engine

EVO = All 4.7L Gas Engines

EXA = 3.1L 5 Cyl Turbo Diesel Engine

EX0 = All 3.0/3.1L Turbo Diesel Engines

1								HOUSING AND LEVER, Shifter
	52104 151AB	1	J				DG0	Without [DSB]
	52104 374AB	1	J				DG0	With [DSB]
	52104 152AC	1	U				DG0	Without [DSB], Right Hand Drive
	52104 375AB	1	U				DG0	With [DSB], Right Hand Drive
2								BEZEL, Gear Shift Indicator
	5012 471AA	1	J				DG0	Without [DSB]
	5014 661AA	1	J				DG0	With [DSB]
	5012 471AA	1	U				DG0	Without [DSB], Right Hand Drive
	5014 661AA	1	U				DG0	With [DSB], Right Hand Drive
3								KNOB, Gearshift, Serviced in Item#1, (NOT SERVICED) (Not Serviced)
4								KNOB, Gearshift, Serviced in Item#1, (NOT SERVICED) (Not Serviced)
5								CONNECTOR, Wiring
	5013 117AA	1	J				DG0	
		1	U				DG0	
6	6101 695	4						NUT, Hex Flange Lock, M8x1.25
7	52104 054AB	1					DG0	CABLE, Park Interlock
8	52104 060AC	1					DGK, DGQ	CABLE, Gearshift Control
9	52104 218AB	1					DG0	CABLE, Gearshift Control
10	4269 830	2						CLIP, Cable
11	5210 4219	1					DGK, DGW	BRACKET, Torque Shaft
12	6503 119	4						SCREW AND WASHER, Hex Head, M10x1.5x40
13	6101 054	1					DGK, DGW	BOLT AND WASHER, Hex Head, M10x1. 5x40

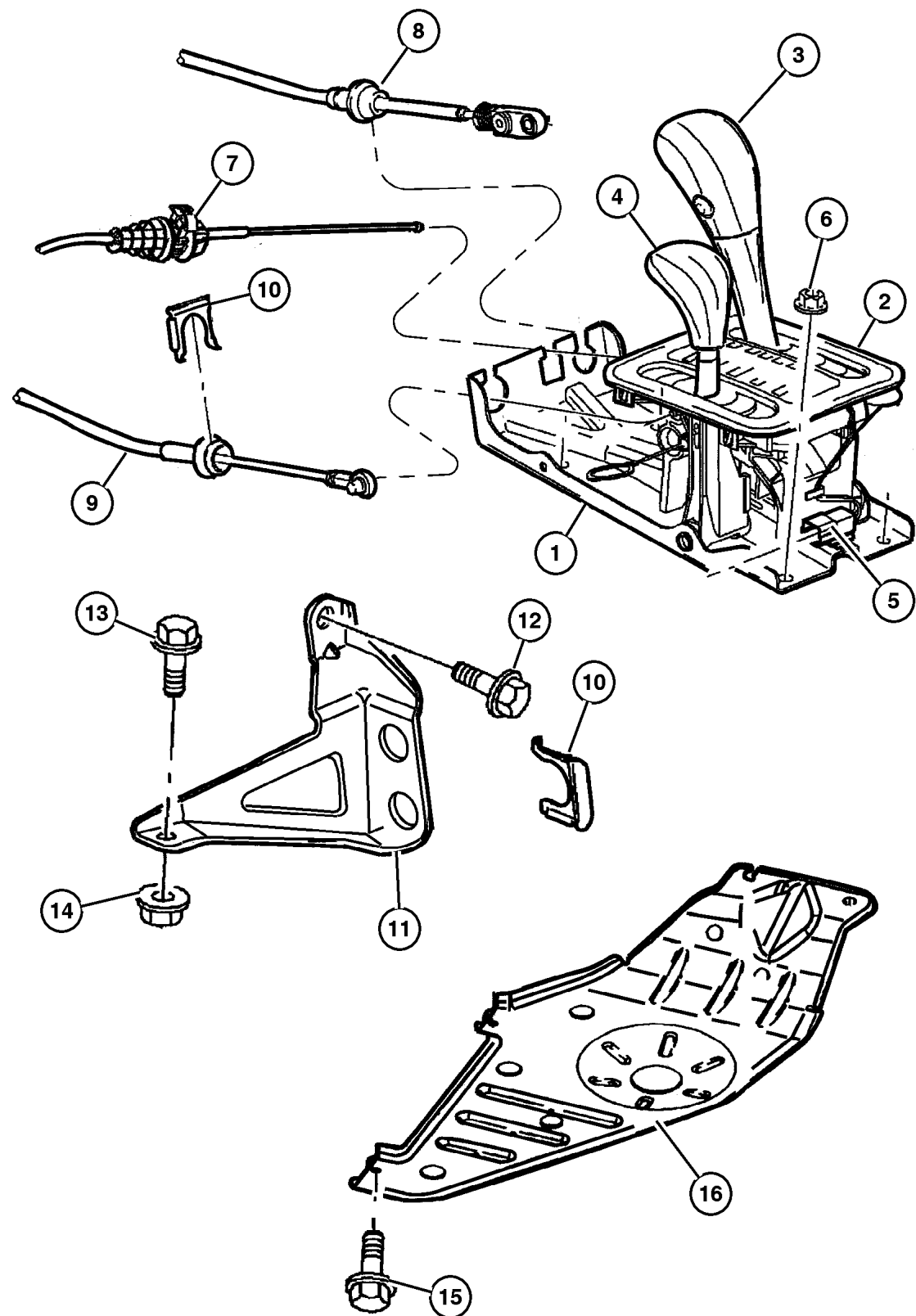
**JEEP GRAND CHEROKEE (WG)**

SERIES	LINE	BODY	ENGINE	TRANSMISSION
H = Laredo	J = 4WD	74 = 4 Door	ER0, ERH = 4.0L, Power Tech	DGK = 4 Speed Autm, 42RE
P = Limited	U = 4WD, RHD		EVO, EVA = 4.7L, Power Tech	DGQ = 5 Speed Automatic
			EXO, EXA = 3.1L 5 Cyl Turbo Diesel	- 5-45RFE
				DGW = 4 Speed Autm, 44RE

AR = Use as required - = Non illustrated part # = New this model year

October 31, 2002

**Gearshift Controls Quadra Trac II on Demand [DHF]  
Figure 247-1210**



ITEM	PART NUMBER	QTY	LINE	SERIES	BODY	ENGINE	TRANS	DESCRIPTION
14	0115 984	1				ER0, EX0		NUT, Brake Line
15	6503 571	4				EX0		SCREW AND WASHER, M10x1.50x35
16	52059 302AB	1				EX0		SKID PLATE, Front
-17	5205 8922	1				ER0, EVO		SKID PLATE, Transfer Case

<b>JEEP GRAND CHEROKEE (WG)</b>				
SERIES	LINE	BODY	ENGINE	TRANSMISSION
H = Laredo	J = 4WD	74 = 4 Door	ER0, ERH = 4.0L, Power Tech	DGK = 4 Speed Autm, 42RE
P = Limited	U = 4WD, RHD		EVO, EVA = 4.7L, Power Tech	DGQ = 5 Speed Automatic
			EXO, EXA = 3.1L 5 Cyl Turbo Diesel	- 5-45RFE
				DGW = 4 Speed Autm, 44RE

AR = Use as required - = Non illustrated part # = New this model year

October 31, 2002

# Group – 022

## Wheels, Covers and Jacks

### GROUP 22 - Wheels, Covers and Jacks

Illustration Title

Group-Fig. No.

#### Wheels and Hardware

Wheels and Hardware ..... Fig. 022-130

#### Wheel Covers and Center Caps

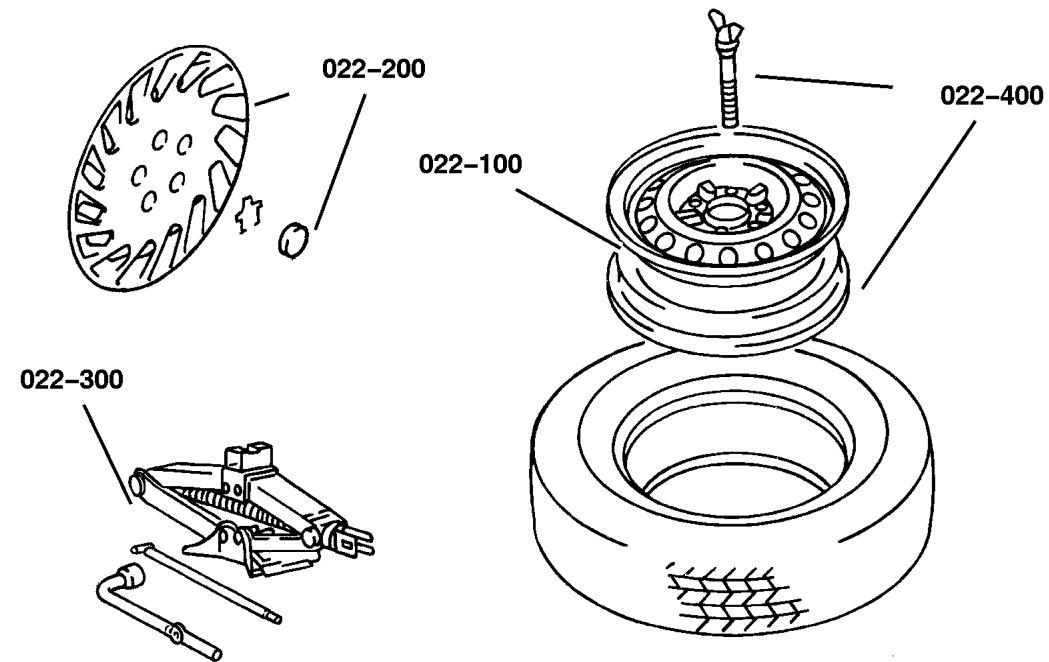
Caps, Wheel Cover and center ..... Fig. 022-230


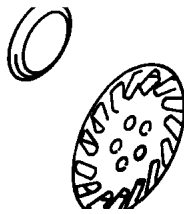
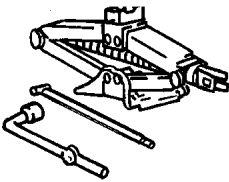
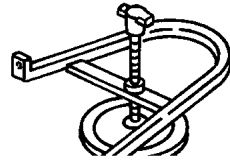
#### Jack Stowage

Jack Stowage ..... Fig. 022-330

#### Spare Tire Stowage

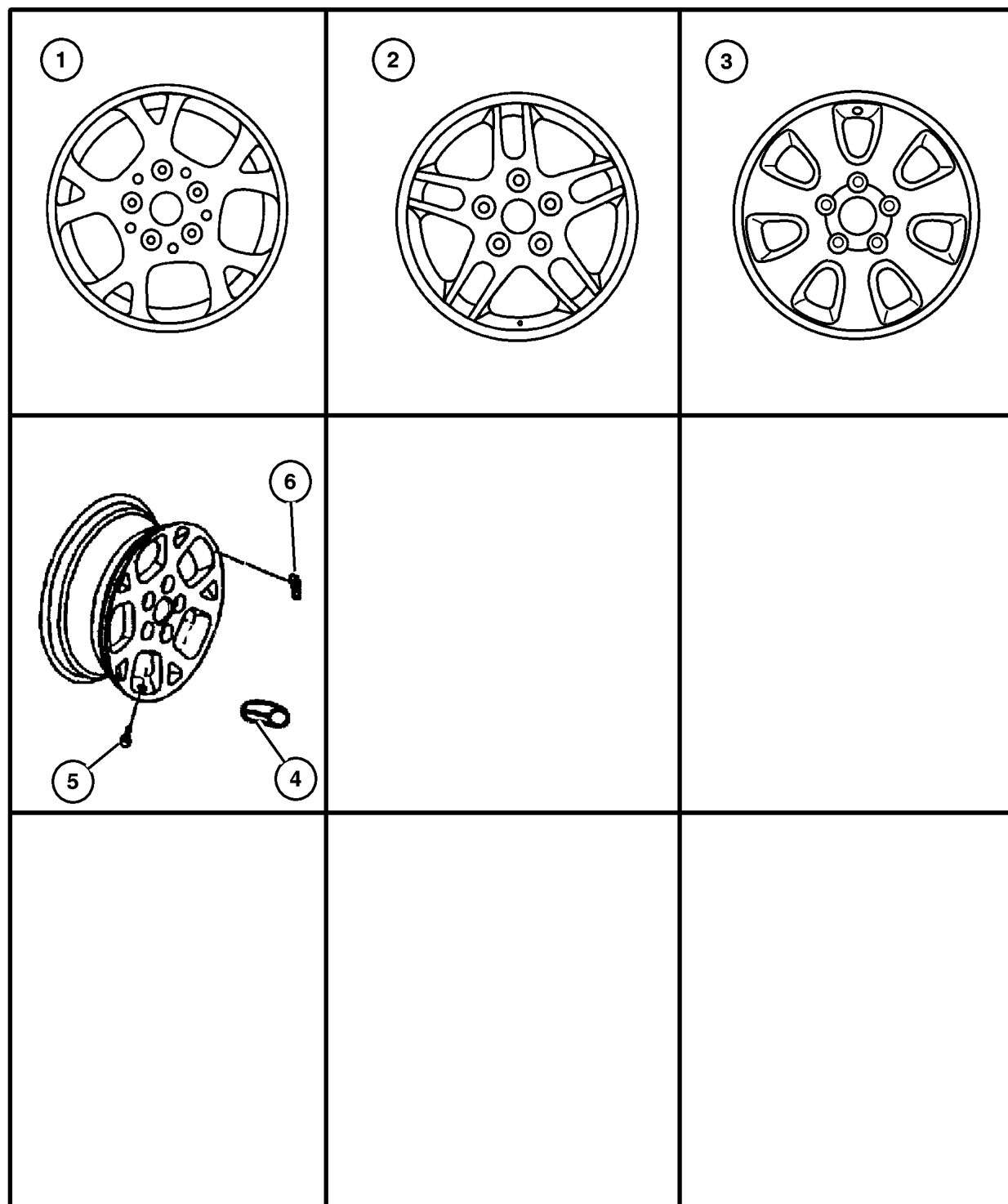
Spare Wheel Stowage ..... Fig. 022-460



<p><b>022-100</b> Wheels and Hardware</p> 	<p><b>022-200</b> Wheel Covers and Center Caps</p> 	<p><b>022-300</b> Jack Stowage</p> 	<p><b>022-400</b> Spare Tire Stowage</p> 
---	--	---	--



## Wheels and Hardware Figure 022-130



ITEM	PART NUMBER	QTY	LINE	SERIES	BODY	ENGINE	TRANS	DESCRIPTION
------	-------------	-----	------	--------	------	--------	-------	-------------

Note: Sales Code WDS = 16x7.0 Aluminum Wheel

Note: Sales Code WFK = 17x7.5 Aluminum Silver

Note: Sales Code WGF = 17x7.5 Aluminum Sparkle

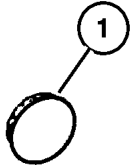
1	5GT99 PAKAA	4						WHEEL, Aluminum
2	#5HB15 PAKAA	1						WHEEL, Aluminum
3	#5HB17 PAKAA	1						WHEEL, Aluminum
4	6036 310AA	20						NUT, Wheel, .50x20
5	2073 355	4						STEM, Wheel Valve
6								WEIGHT, Wheel Balance Tape, (NOT SERVICED) (Not Serviced)

JEEP GRAND CHEROKEE (WG)				
SERIES	LINE	BODY	ENGINE	TRANSMISSION
H = Laredo	J = 4WD	74 = 4 Door	ER0, ERH = 4.0L, Power Tech	DGK = 4 Speed Autm, 42RE
P = Limited	U = 4WD, RHD		EVO, EVA = 4.7L, Power Tech	DGQ = 5 Speed Automatic
			EXO, EXA = 3.1L 5 Cyl Turbo Diesel	- 5-45RFE
				DGW = 4 Speed Autm, 44RE

AR = Use as required - = Non illustrated part # = New this model year

October 31, 2002

**Caps, Wheel Cover and center  
Figure 022-230**

ITEM	PART NUMBER	QTY	LINE	SERIES	BODY	ENGINE	TRANS	DESCRIPTION
------	-------------	-----	------	--------	------	--------	-------	-------------

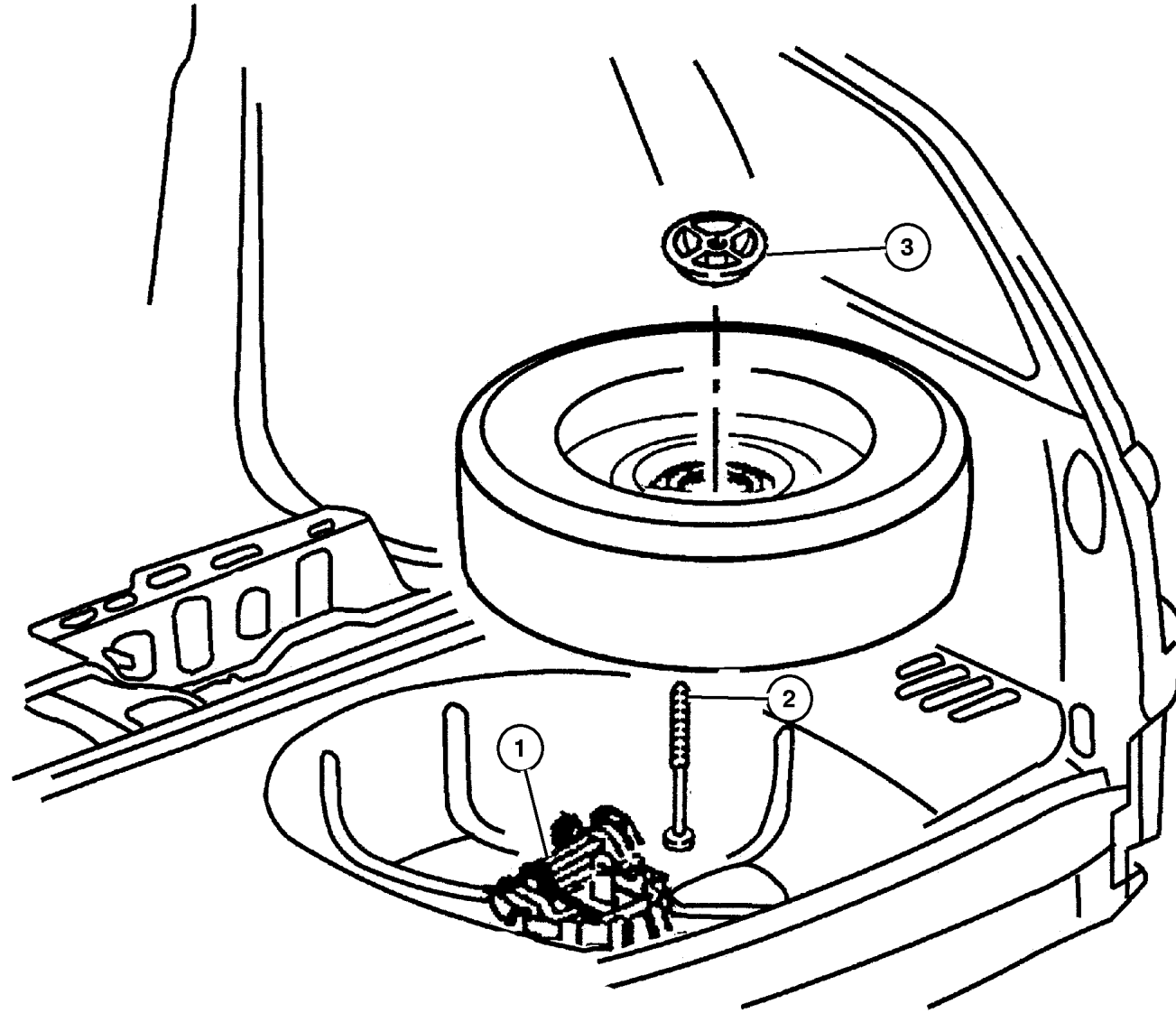
NOTE  
 SALES CODE: WGF= 17X7.5 ALUMINUM SPARKLE  
 WFK= 17X7.5 ALUMINUM SILVER

1	5CF9 7L3X	4						CAP, Wheel Center, Brushed Aluminum "Jeep" Name
-2	#5FA5 1PAK	4						CAP, Wheel Center [WGF]
	5GJ46 PAKAA	4						[WFK]

**JEEP GRAND CHEROKEE (WG)**

SERIES	LINE	BODY	ENGINE	TRANSMISSION
H = Laredo	J = 4WD	74 = 4 Door	ER0, ERH = 4.0L, Power Tech	DGK = 4 Speed Autm, 42RE
P = Limited	U = 4WD, RHD		EVO, EVA = 4.7L, Power Tech	DGQ = 5 Speed Automatic
			EXO, EXA = 3.1L 5 Cyl Turbo Diesel	- 5-45RFE
				DGW = 4 Speed Autm, 44RE

Jack Stowage  
Figure 022-330



ITEM	PART NUMBER	QTY	LINE	SERIES	BODY	ENGINE	TRANS	DESCRIPTION
1	5205 9104	1						JACK
2								J BOLT, Spare Tire Hold Down, (NOT SERVICED) (Not Serviced)
3	52059 414AB	1						CUP, Spare Tire Retention
-4	5205 9121	1						EXTENSION, Jack Handle
-5	52059 122AB	1						EXTENSION, Jack Handle
-6	52059 134AA	2						BRACKET, Tool Hold Down
-7	6100 048	1						NUT, Hex, M6x1.00
-8	5205 9105	1						WRENCH, Wheel Lug Nut
-9	52059 148AA	1						CLIP

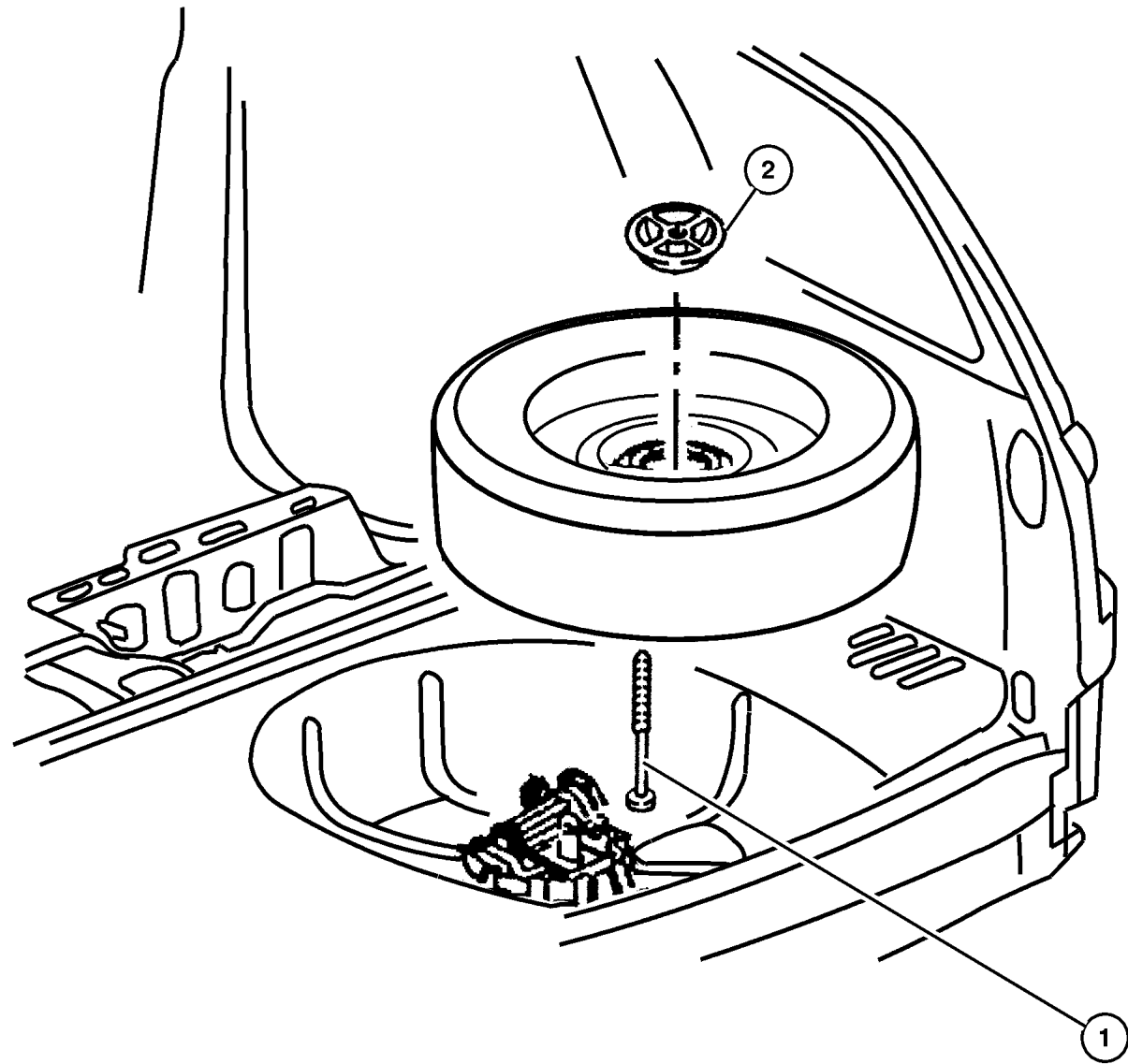
<b>JEEP GRAND CHEROKEE (WG)</b>				
SERIES	LINE	BODY	ENGINE	TRANSMISSION
H = Laredo	J = 4WD	74 = 4 Door	ER0, ERH = 4.0L, Power Tech	DGK = 4 Speed Autm, 42RE
P = Limited	U = 4WD, RHD		EVO, EVA = 4.7L, Power Tech	DGQ = 5 Speed Automatic
			EXO, EXA = 3.1L 5 Cyl Turbo Diesel	- 5-45RFE
				DGW = 4 Speed Autm, 44RE

AR = Use as required - = Non illustrated part # = New this model year

October 31, 2002

**Spare Wheel Stowage**  
**Figure 022-460**

ITEM	PART NUMBER	QTY	LINE	SERIES	BODY	ENGINE	TRANS	DESCRIPTION
1	52059 169AB	1						BOLT, J, M10x1.5x150
2	52059 414AB	1						CUP, Spare Tire Retention
-3	52088 806AA	1						SILENCER, Wheelhouse



<b>JEEP GRAND CHEROKEE (WG)</b>				
SERIES	LINE	BODY	ENGINE	TRANSMISSION
H = Laredo	J = 4WD	74 = 4 Door	ER0, ERH = 4.0L, Power Tech	DGK = 4 Speed Autm, 42RE
P = Limited	U = 4WD, RHD		EVO, EVA = 4.7L, Power Tech	DGQ = 5 Speed Automatic
			EXO, EXA = 3.1L 5 Cyl Turbo Diesel	- 5-45RFE
				DGW = 4 Speed Autm, 44RE

AR = Use as required - = Non illustrated part # = New this model year

October 31, 2002

# Group – 23D

## Wiper/Lock Cylinder and Keys

### GROUP 23D - Wiper/Lock Cylinder and Keys

Illustration Title

Group-Fig. No.

#### Lock Cylinders and Keys

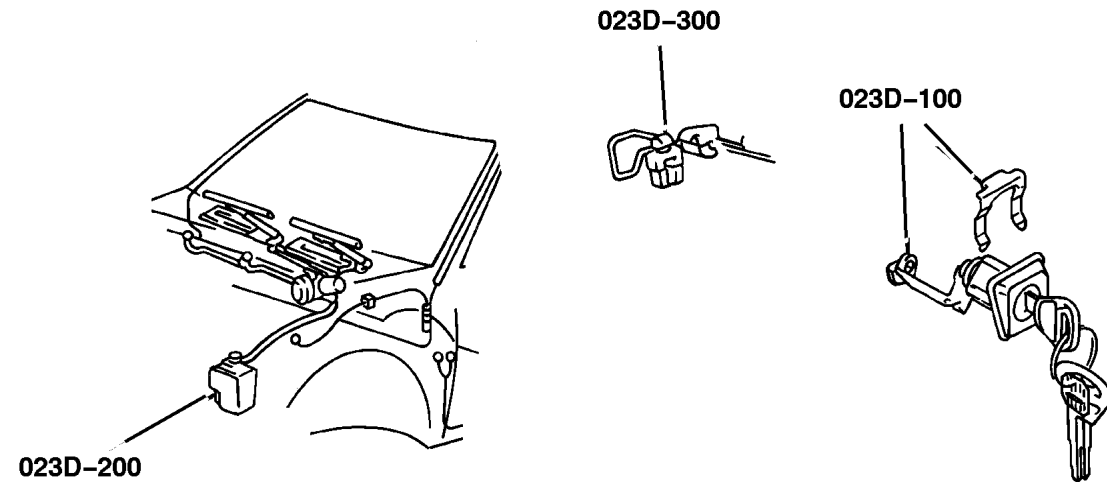
Lock Cylinder & Keys ..... Fig. 23D-130

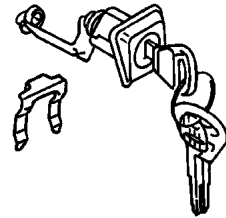
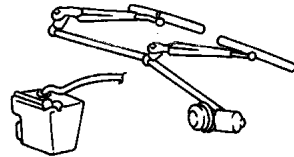
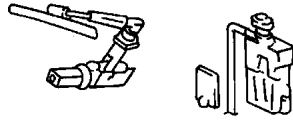
#### Windshield Wiper and Washer Systems

Windshield Wiper & Washer ..... Fig. 23D-230

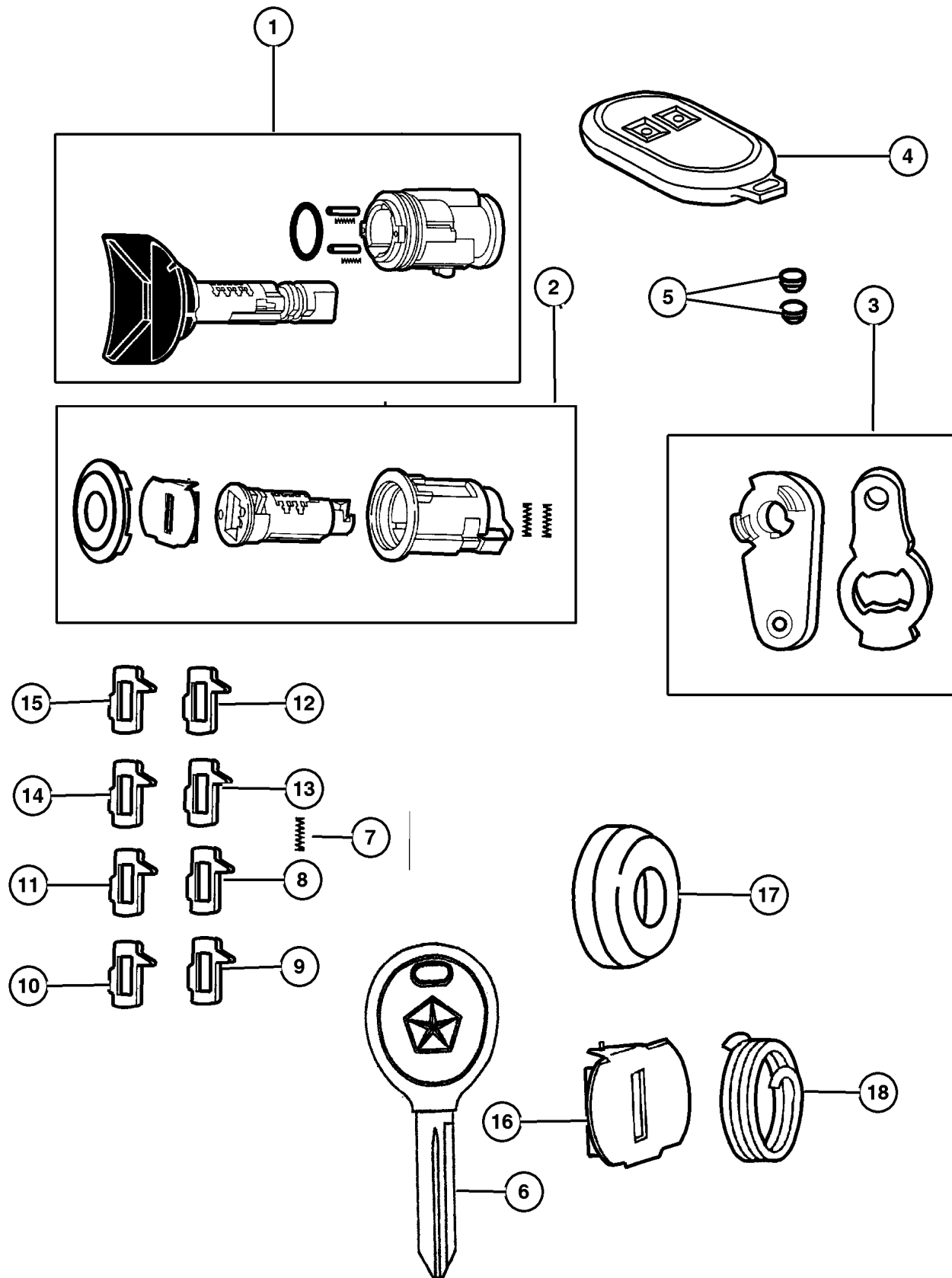
#### Rear Wiper and Washer System

Rear Wiper & Washer System ..... Fig. 23D-330



<p><b>23D-100</b> Lock Cylinders and Keys</p> 	<p><b>23D-200</b> Windshield Wiper and Washer Systems</p> 	<p><b>23D-300</b> Rear Wiper and Washer System</p> 	
---	---	---	--

## Lock Cylinder & Keys Figure 23D-130



ITEM	PART NUMBER	QTY	LINE	SERIES	BODY	ENGINE	TRANS	DESCRIPTION
1								CYLINDER, Ignition Lock
	5003 843AB	1	U					
		1	J					
2								CYLINDER, Door Lock
	5013 682AA	1	J					
		1	U					
3								LEVER, Door Lock Cylinder
	55136 554AA	1	J					
		1	U					
4								TRANSMITTER, Keyless Entry
	56036 857AB	1						#1, Japan
	56036 858AB	1						#2, Japan
	56036 862AC	1						#1
	56036 863AC	1						#2
5	8350 4802	2						BATTERY, Transmitter
6	#5018 699AA	2	U					KEY, Master
7								SPRING, Ignition Tumbler, Sidebar
	5010 883AB	1	U					
		1	J					
8	4778 117	1						TUMBLER, Door and Deck Number 1, Wide
9	4778 118	1						TUMBLER, Door and Deck Number 2, Wide
10	4778 119	1						TUMBLER, Door and Deck Number 3, Wide
11	4778 120	1						TUMBLER, Door and Deck Number 4, Wide
12								TUMBLER, Ignition Number 1, Sidebar
	5010 879AA	1	U					
		1	J					
13								TUMBLER, Ignition Number 2, Sidebar
	5010 880AA	1	U					
		1	J					
14								TUMBLER, Ignition Number 3, Sidebar
	5010 881AA	1	U					
		1	J					
15								TUMBLER, Ignition Number 4, Sidebar
	5010 882AA	1	U					
		1	J					
16	4778 150	1						SHUTTER, Door, Deck and Liftgate, Bright
17	4778 149	1						CAP, Door Lock Cylinder, Bright
18	4778 121	1						SPRING, Door and Deck Tumbler

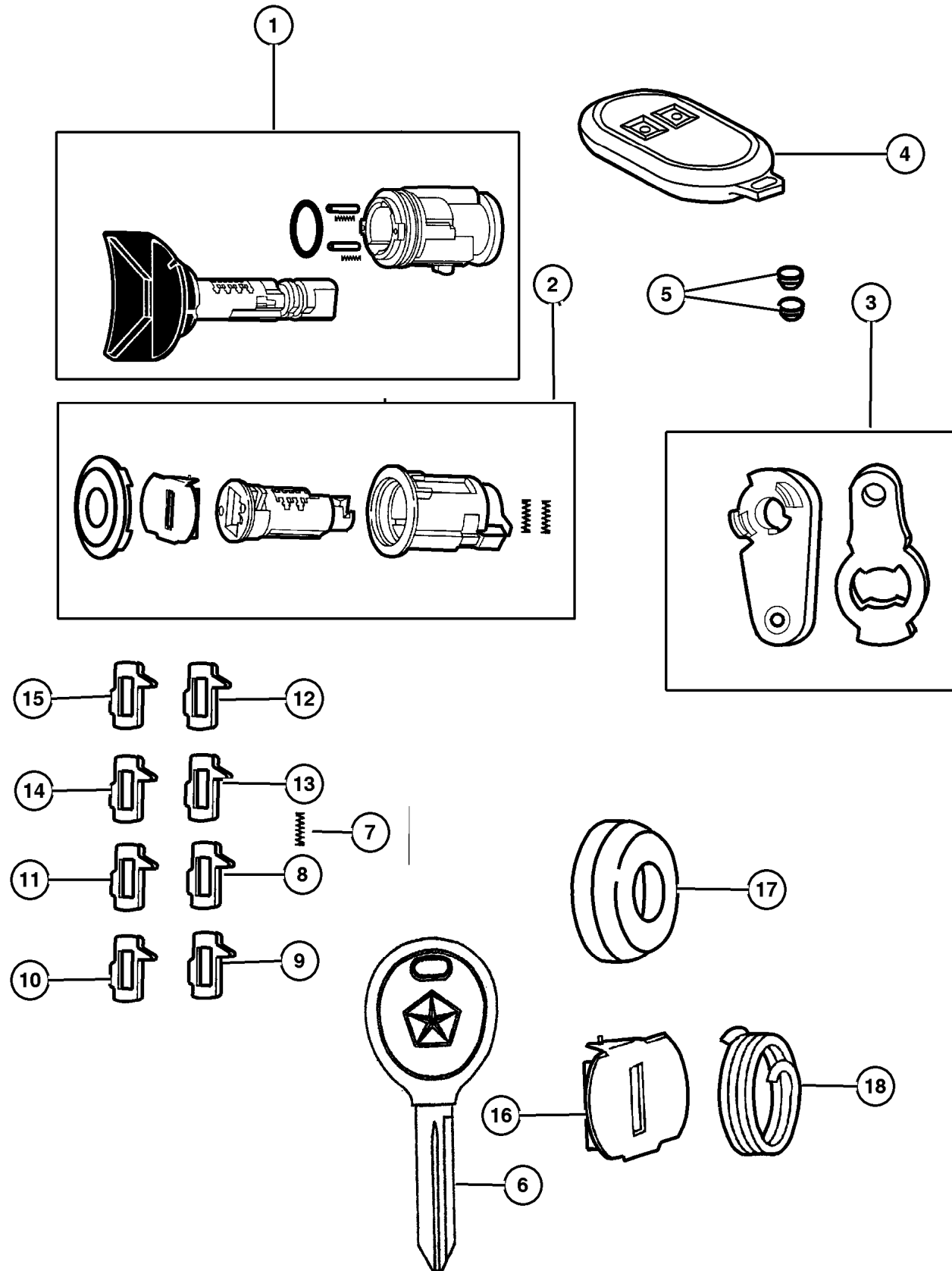
### JEEP GRAND CHEROKEE (WG)

SERIES	LINE	BODY	ENGINE	TRANSMISSION
H = Laredo	J = 4WD	74 = 4 Door	ER0, ERH = 4.0L, Power Tech	DGK = 4 Speed Autm, 42RE
P = Limited	U = 4WD, RHD		EVO, EVA = 4.7L, Power Tech	DGQ = 5 Speed Automatic
			EXO, EXA = 3.1L 5 Cyl Turbo Diesel	- 5-45RFE
				DGW = 4 Speed Autm, 44RE

AR = Use as required - = Non illustrated part # = New this model year

October 31, 2002

# Lock Cylinder & Keys Figure 23D-130



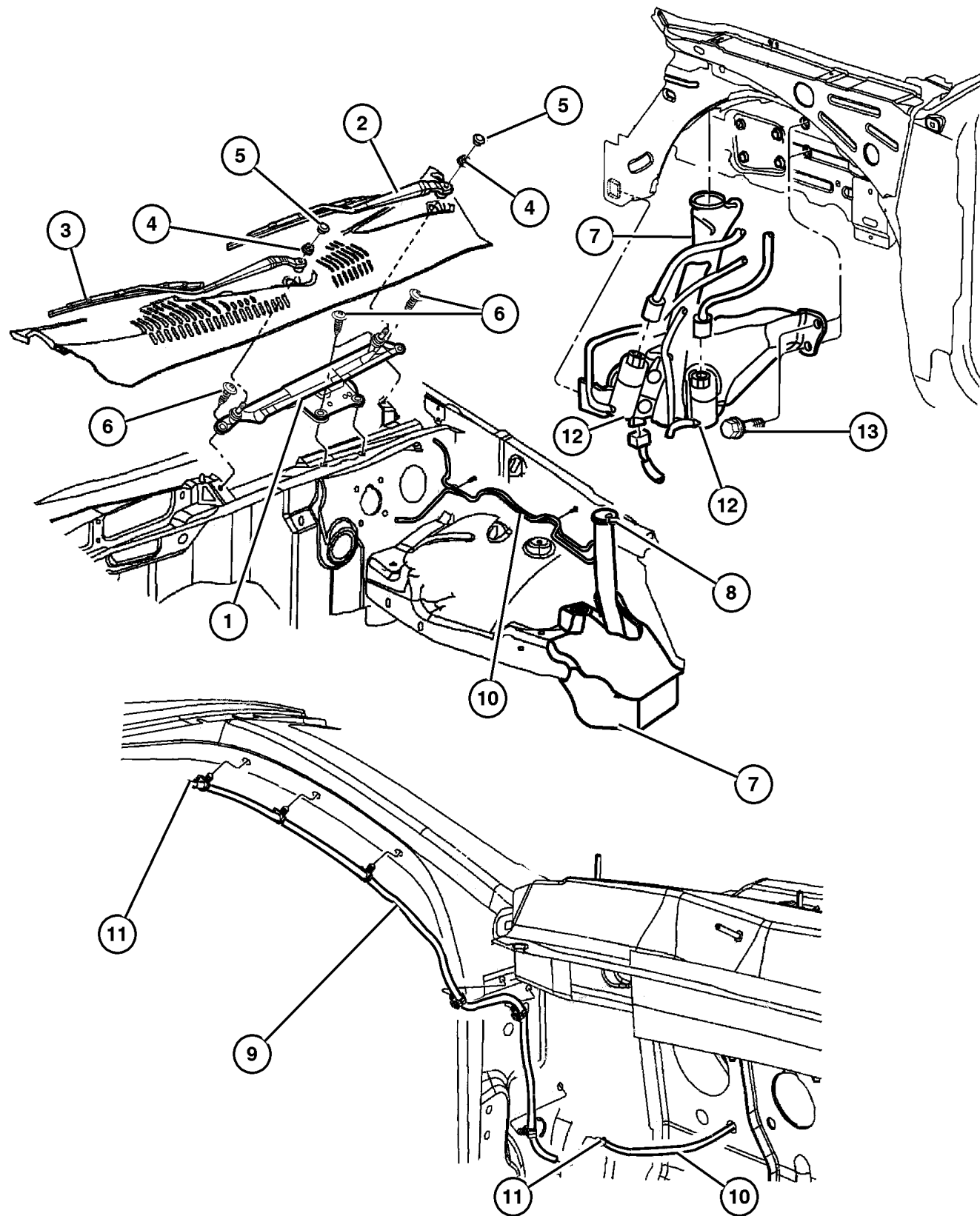
ITEM	PART NUMBER	QTY	LINE	SERIES	BODY	ENGINE	TRANS	DESCRIPTION
-19	5014 397AA	1						CLIP, Latch
-20	55136 557AA	1	J					SWITCH, Security Alarm
		1	U					
-21	55136 762AA	1	U					BRACKET, Security
	55136 763AA	1	J					

<b>JEEP GRAND CHEROKEE (WG)</b>				
SERIES	LINE	BODY	ENGINE	TRANSMISSION
H = Laredo	J = 4WD	74 = 4 Door	ER0, ERH = 4.0L, Power Tech	DGK = 4 Speed Autm, 42RE
P = Limited	U = 4WD, RHD		EVO, EVA = 4.7L, Power Tech	DGQ = 5 Speed Automatic
			EXO, EXA = 3.1L 5 Cyl Turbo Diesel	- 5-45RFE
				DGW = 4 Speed Autm, 44RE

AR = Use as required - = Non illustrated part # = New this model year

October 31, 2002

## Windshield Wiper & Washer Figure 23D-230



ITEM	PART NUMBER	QTY	LINE	SERIES	BODY	ENGINE	TRANS	DESCRIPTION
1								MODULE, Wiper
	5515 5352	1	U					
	55155 656AA	1	J					
2								ARM, Wiper
	5012 605AA	1	J					Passenger Side
	5012 606AA	1	J					Driver Side
	5012 608AA	1	U					Passenger Side
	5012 609AA	1	U					Driver Side
3								BLADE, Wiper
	5012 613AA	1	U					Driver Side
	5012 614AA	1	U					Passenger Side
	5012 611AB	1	J					Passenger Side
	5012 612AA	1	J					Driver Side
4	6503 335	2						NUT, Hex, M10X1.25
5	55155 765AA	2						CAP, Wiper Arm Nut
6	6100 568	4						BOLT AND WASHER, Implement Attaching
7	5012 594AA	1						RESERVOIR, Washer
8	5012 603AA	1						CAP, Washer Reservoir
9	55155 522AC	1						HOSE, Windshield Washer
10	4439 003	2						HOSE, Windshield Washer, 0156 ID=4MM
11	4778 224	1						CONNECTOR, Washer Hose, In Line
12	55077 301AB	1						PUMP, Washer, Windshield
13								SCREW, .250-14x.875, (NOT SERVICED) (Not Serviced)
-14								NOZZLE, Washer, Windshield
	5515 5199	2	J					Front
		2	U					Front
-15	4882 797	1						SENSOR, Washer Fluid Level
-16	4798 779	1						GROMMET, Windshield Washer Pump, Sensor Grommet
-17	5011 809AA	1						GROMMET, Windshield Washer Pump, Pump Grommet
-18								GROMMET, Hose to Reservoir
	3799 520	1	J					
		1	U					
-19								HOSE, Washer Reservoir
	55155 694AB	1	J					
	55155 797AB	1	U					

### JEEP GRAND CHEROKEE (WG)

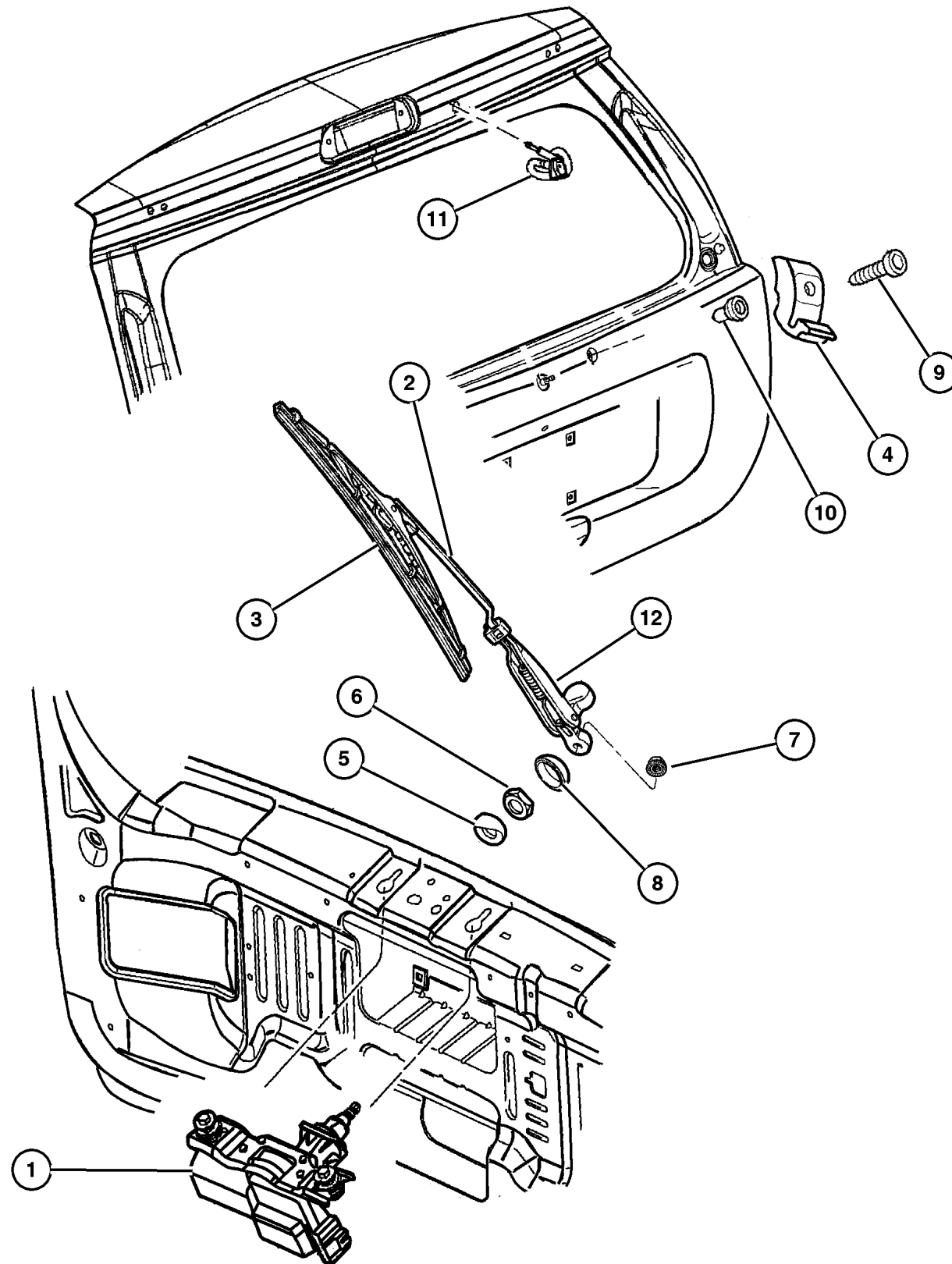
SERIES	LINE	BODY	ENGINE	TRANSMISSION
H = Laredo	J = 4WD	74 = 4 Door	ER0, ERH = 4.0L, Power Tech	DGK = 4 Speed Autm, 42RE
P = Limited	U = 4WD, RHD		EVO, EVA = 4.7L, Power Tech	DGQ = 5 Speed Automatic
			EXO, EXA = 3.1L 5 Cyl Turbo Diesel	- 5-45RFE
				DGW = 4 Speed Autm, 44RE

AR = Use as required - = Non illustrated part # = New this model year

October 31, 2002



## Rear Wiper & Washer System Figure 23D-330



ITEM	PART NUMBER	QTY	LINE	SERIES	BODY	ENGINE	TRANS	DESCRIPTION
1	55155 122AC	1						MOTOR, Wiper
2	5012 610AB	1						ARM, Liftgate Wiper
3	5012 615AB	1						BLADE, Wiper
4	5515 5124	1						RAMP, Wiper Park
5	5515 5358	1						BEZEL, Wiper Motor
6	6502 263	1						NUT, Hex, M20x1.00
7	6500 165	1						NUT, Wiper Arm
8	5507 6650	1						COVER, Rear Wiper Motor, Nut
9	6505 062AA	1						SCREW, Pilot Point
10	6503 245	1						NUT/RIVET, Cooler To Closure Panel
11	55155 201AC	1						NOZZLE, Washer, Windshield
12	5014 217AA	1						COVER, Rear Wiper Motor
-13	55077 301AB	1						PUMP, Washer, Windshield

### JEEP GRAND CHEROKEE (WG)

SERIES	LINE	BODY	ENGINE	TRANSMISSION
H = Laredo	J = 4WD	74 = 4 Door	ER0, ERH = 4.0L, Power Tech	DGK = 4 Speed Autm, 42RE
P = Limited	U = 4WD, RHD		EVO, EVA = 4.7L, Power Tech	DGQ = 5 Speed Automatic
			EXO, EXA = 3.1L 5 Cyl Turbo Diesel	- 5-45RFE
				DGW = 4 Speed Autm, 44RE

AR = Use as required - = Non illustrated part # = New this model year

October 31, 2002

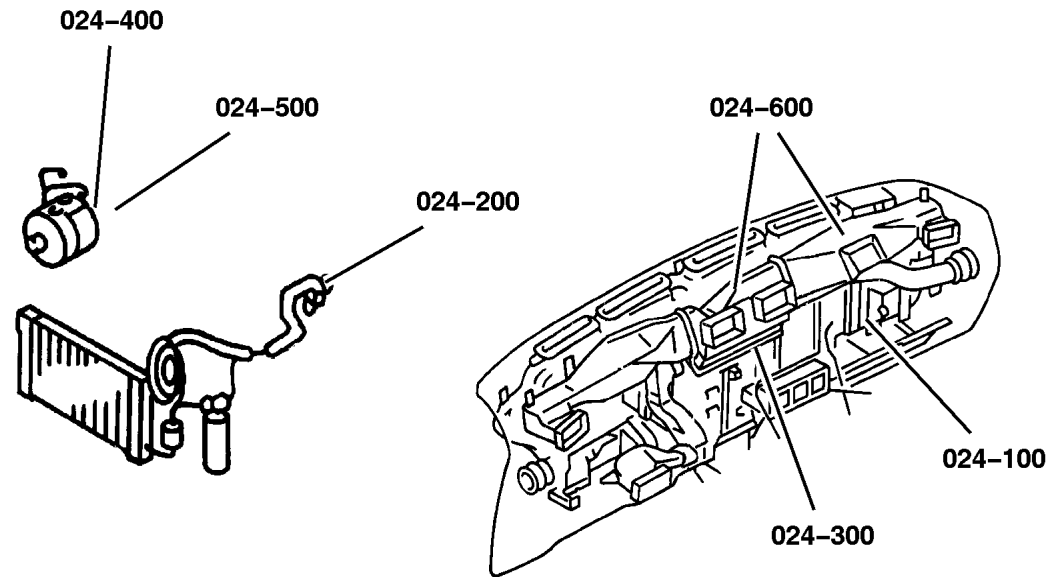
# Group – 024

## Air Conditioning & Heater

### GROUP 24 - Air Conditioning & Heater

Illustration Title

Group-Fig. No.



#### Air Conditioner and Heater Units

HEVAC with Auto Temp Control, LHD .....	Fig. 024-150
HEVAC with Auto Temp Control, RHD .....	Fig. 024-160
HEVAC with Manual Control, LHD .....	Fig. 024-170
HEVAC with Manual Control, RHD .....	Fig. 024-180

#### Air Conditioner and Heater Plumbing

Hoses, Heater 3.1, 4.0L Engines .....	Fig. 024-240
Hoses, Heater 4.7L Engine .....	Fig. 024-245
Accumulator, Condenser and Lines 3.1, 4.0L Engines .....	Fig. 024-250
Accumulator, Condenser and Lines 4.7L Engine .....	Fig. 024-255
Hevac Vacuum Engine Lines and Controls .....	Fig. 024-260

#### Air Conditioner and Heater Controls

Control, Heater and Air Conditioner .....	Fig. 024-330
---	--------------

#### Air Conditioning Compressor

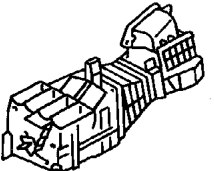
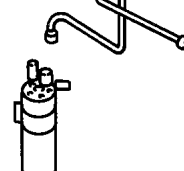
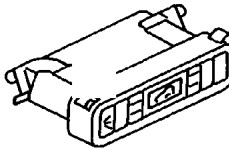
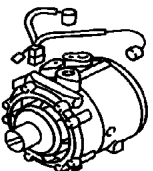
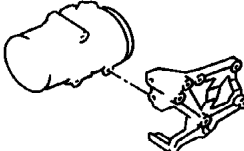
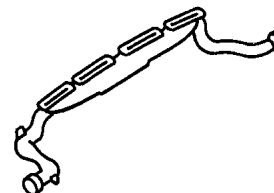
Compressor, Air Conditioning 4.0L Engine .....	Fig. 024-410
Compressor, Air Conditioning 4.7L Engine .....	Fig. 024-420
Compressor, Air Conditioning 3.1L Engine .....	Fig. 024-430

#### Air Conditioning Compressor Mounting

Compressor, Mounting 4.0L Engine .....	Fig. 024-510
Compressor, Mounting 4.7L Engine .....	Fig. 024-520
Compressor Mounting (EXA) 3.1L Turbo Diesel Engin .....	Fig. 024-530

#### Air Ducts and Outlets

Air Ducts and Outlets .....	Fig. 024-610
-----------------------------	--------------

<p><b>024-100</b> Air Conditioner and Heater Units</p> 	<p><b>024-200</b> Air Conditioner and Heater Plumbing</p> 	<p><b>024-300</b> Air Conditioner and Heater Controls</p> 	<p><b>024-400</b> Air Conditioning Compressor</p> 
<p><b>024-500</b> Air Conditioning Compressor Mounting</p> 	<p><b>024-600</b> Air Ducts and Outlets</p> 		

**HEVAC with Auto Temp Control, LHD**  
**Figure 024-150**

ITEM	PART NUMBER	QTY	LINE	SERIES	BODY	ENGINE	TRANS	DESCRIPTION
------	-------------	-----	------	--------	------	--------	-------	-------------

Note:

EVO = All 4.7L Gas Engines

EX0 = All 3.0/3.1L Turbo Diesel Engines

HAF = Auto Temp Control

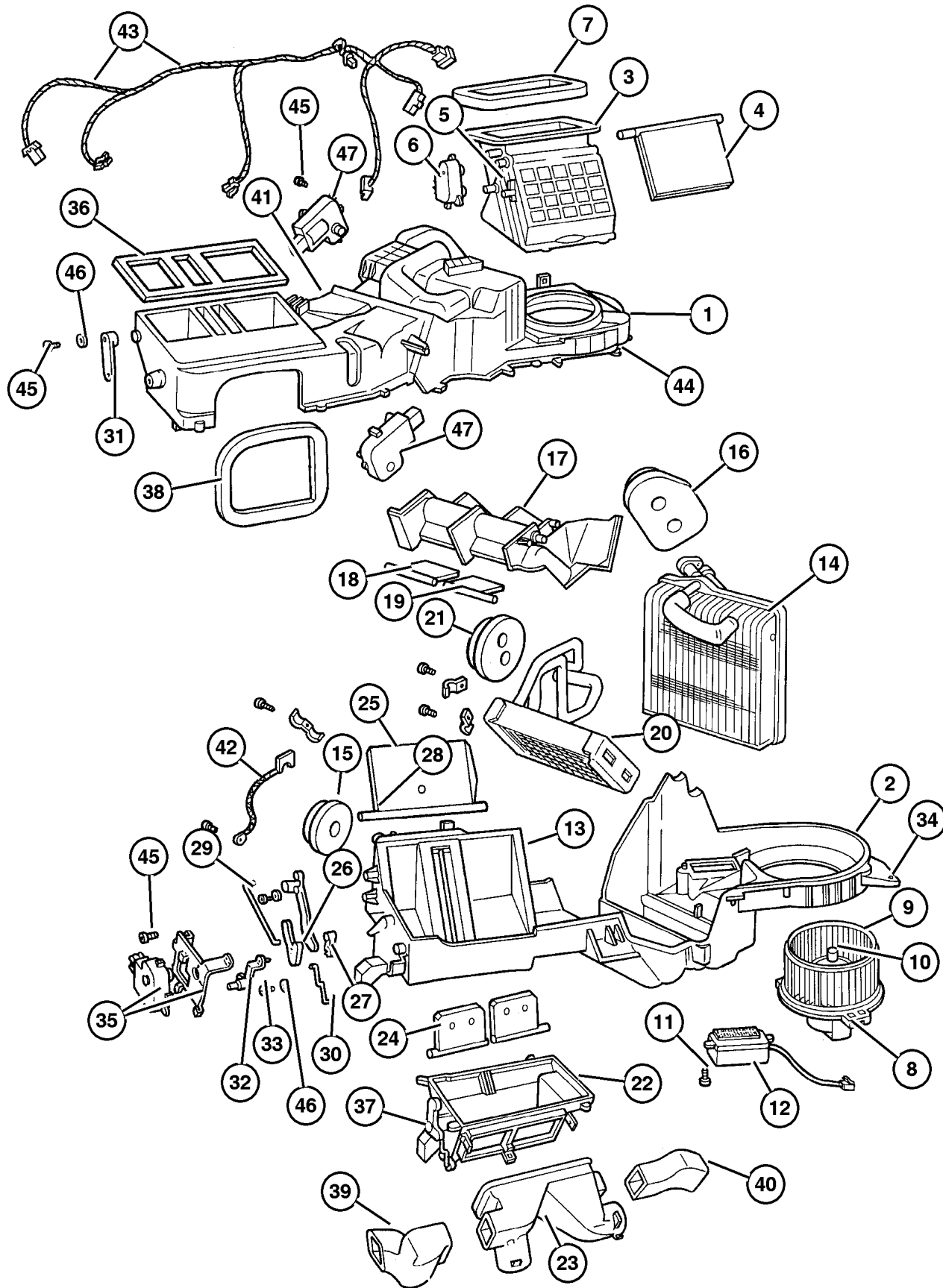
1	5012 715AD	1	J					HOUSING, A/C Upper
2	5012 714AC	1	J					HOUSING, A/C Lower
3	5012 713AB	1	J					HOUSING, Air Recirculating
4	5012 712AA	1	J					DOOR, Air Inlet
5	5012 711AA	3	J					LINK, Heater and Damper Control
6	5012 710AA	2	J					SERVO, A/C Temperature Door
7	5012 709AA	1	J					SEAL, Air Inlet
8	5012 708AA	1	J					MOTOR, Blower
9	5012 701AB	1	J					FAN, Blower Motor
10	2837 680	1	J					CLAMP, Blower Motor Wheel
11	5012 700AA	3	J					SCREW, Tapping
12	5012 699AA	1	J					RESISTOR, Blower Motor
13	5012 698AB	1	J					INSULATOR, Air Conditioning
14	5012 697AB	1	J					EVAPORATOR, Air Conditioning
15	5012 696AA	1	J					SEAL, Evaporator Drain
16	5014 741AA	1	J					SEAL, A/C Evaporator
17	5012 694AB	1	J					HOUSING, A/C Unit
18	5012 693AA	1	J					DOOR, Blend Air
19	5012 692AA	1	J					DOOR, Blend Air
20	5012 691AC	1	J					CORE, Heater
21	5012 744AA	1	J					SEAL, Heater Tubes
22	5012 743AA	1	J					HOUSING, A/C Unit
23	5012 742AA	1	J					COVER, Heater
24	5012 740AA	1	J					DOOR, Distribution Duct
25	5012 739AA	1	J					DOOR, Floor Defroster Duct
26	5012 738AA	1	J					LEVER, Panel Door
27	5012 735AA	1	J					LEVER, Panel Door
28	5012 734AA	1	J					SHAFT, A/C and Heater Door
29	5012 733AA	1	J					LINK, Heater and Defroster Door
30	5012 732AA	1	J					SHAFT, Defroster Door
31	5012 731AA	1	J					LEVER, A/C Vent Defrost Door
32	5012 730AA	1	J					LEVER, Panel Door
33	5012 700AA	3	J					SCREW, Tapping
34	6101 442	1	J			EX0		U-NUT, M6 x 1.00, M6x1.00
35	5012 728AA	1	J					SERVO, Mode Door
36	5012 727AA	1	J					SEAL, Demister
37	5012 726AA	1	J					SEAL, Defroster Duct
38	5015 354AA	1	J					SEAL, Panel

JEEP GRAND CHEROKEE (WG)

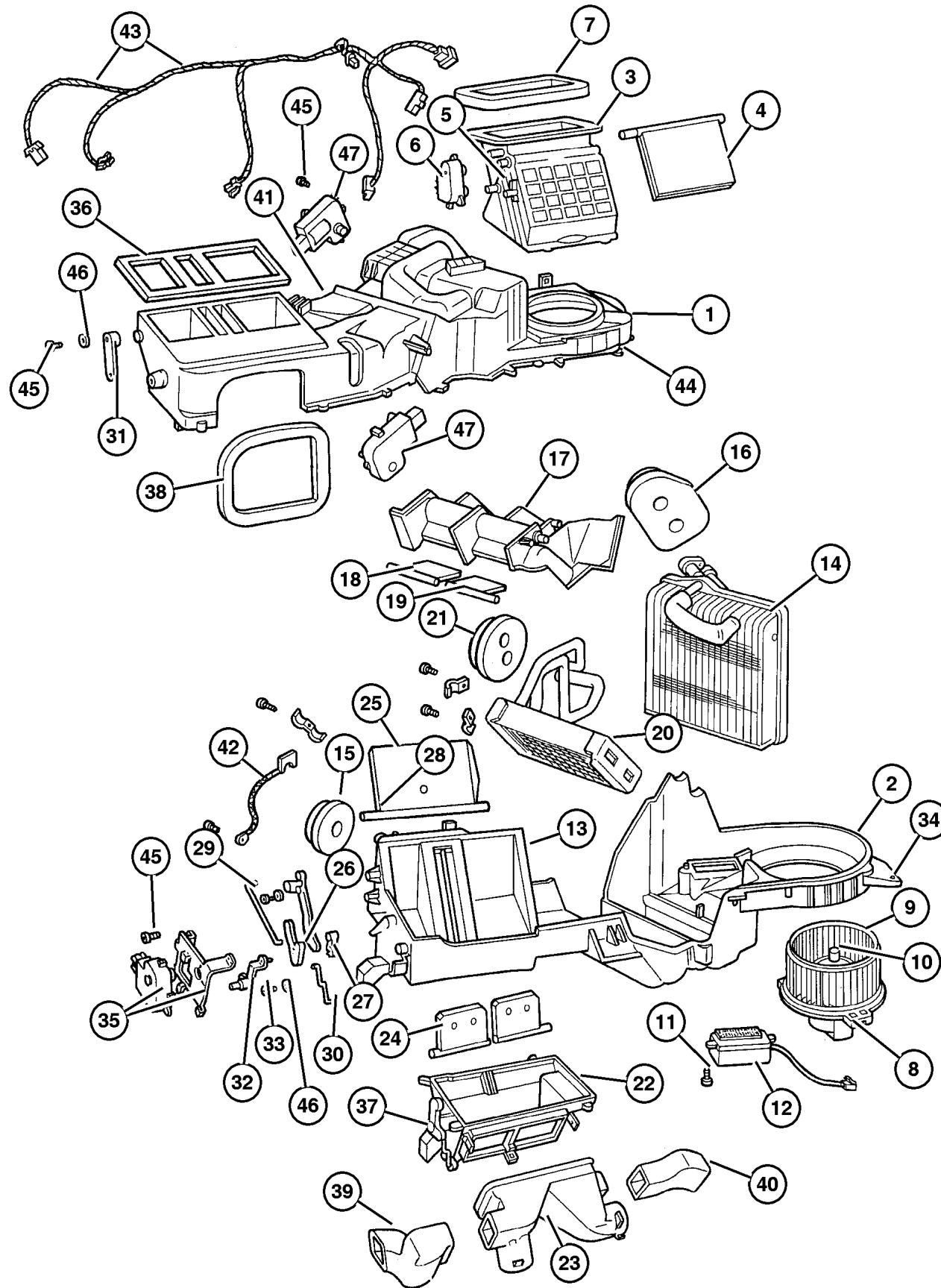
SERIES	LINE	BODY	ENGINE	TRANSMISSION
H = Laredo	J = 4WD	74 = 4 Door	ER0, ERH = 4.0L, Power Tech	DGK = 4 Speed Autm, 42RE
P = Limited	U = 4WD, RHD		EVO, EVA = 4.7L, Power Tech	DGQ = 5 Speed Automatic
			EXO, EXA = 3.1L 5 Cyl Turbo Diesel	- 5-45RFE
				DGW = 4 Speed Autm, 44RE

AR = Use as required - = Non illustrated part # = New this model year

October 31, 2002



HEVAC with Auto Temp Control, LHD  
Figure 024-150



ITEM	PART NUMBER	QTY	LINE	SERIES	BODY	ENGINE	TRANS	DESCRIPTION
39	5012 722AD	1	J					DUCT, Floor Distribution
40	5017 464AA	1	J					DUCT, Floor Distribution
41	5012 721AA	1	J					SEAL, Air Conditioning Unit
42	56038 591AB	1				EVO		STRAP, Ground
43	5012 758AA	1	J					HARNESSE, Air Conditioning Control
44	4720 533	26	J					SCREW, Heater Housing
45	4720 534	6	J					SCREW, Pan Head
46	5012 756AA	5	J					SPRING
47	5012 710AA	1	J					SERVO, A/C Temperature Door

JEEP GRAND CHEROKEE (WG)  
 SERIES LINE BODY ENGINE TRANSMISSION  
 H = Laredo J = 4WD 74 = 4 Door ER0, ERH = 4.0L, Power Tech DGK = 4 Speed Autm, 42RE  
 P = Limited U = 4WD, RHD EVO, EVA = 4.7L, Power Tech DGQ = 5 Speed Automatic  
 EXO, EXA = 3.1L 5 Cyl Turbo Diesel - 5-45RFE  
 DGW = 4 Speed Autm, 44RE

AR = Use as required - = Non illustrated part # = New this model year

October 31, 2002

**HEVAC with Auto Temp Control, RHD**  
**Figure 024-160**

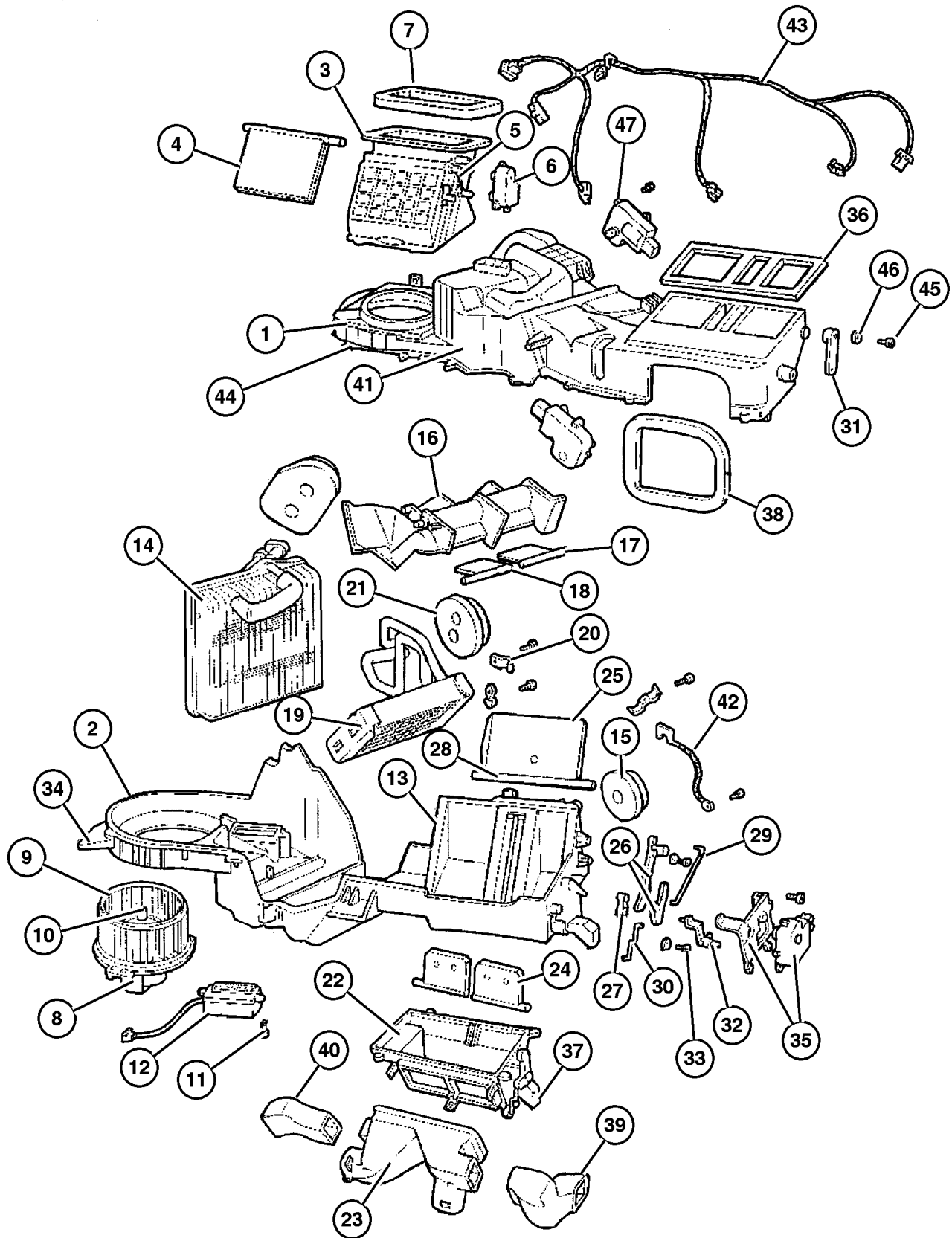
ITEM	PART NUMBER	QTY	LINE	SERIES	BODY	ENGINE	TRANS	DESCRIPTION
Note:								
EVO = All 4.7L Gas Engines								
HAF = Auto Temp Control								
1	5013 552AB	1	U					HOUSING, A/C Upper
2	5013 499AA	1	U					HOUSING, A/C Lower
3	5013 568AB	1	U					HOUSING, Air Recirculating
4	5012 712AA	1	U					DOOR, Air Inlet
5	5013 559AA	1	U					LINK, Heater and Damper Control
6	5012 710AA	3	U					SERVO, A/C Temperature Door
7	5012 709AA	1	U					SEAL, Air Inlet
8	5015 862AA	1	U					MOTOR, Blower with Wheel
9	5013 565AC	1	U					FAN, Blower Motor
10	2837 680	1	U					CLAMP, Blower Motor Wheel
11	5012 700AA	3	U					SCREW, Tapping
12	5012 699AA	1	U					RESISTOR, Blower Motor
13	5013 564AB	1	U					INSULATOR, Air Conditioning
14	5013 563AB	1	U					EVAPORATOR, Air Conditioning
15	5012 696AA	1	U					SEAL, Evaporator Drain
16	5013 560AA	1	U					HOUSING, A/C Unit
17	5013 557AA	1	U					DOOR, Blend Air
18	5012 692AA	1	U					DOOR, Blend Air
19	5014 420AA	1	U					CORE, Heater
20	5013 554AA	1	U					CLIP, Heater Core
21	5013 553AA	1	U					SEAL, Heater Tubes
22	5013 560AA	1	U					HOUSING, A/C Unit
23	5013 496AA	1	U					COVER, Heater
24	5013 579AB	1	U					DOOR, Distribution Duct
25	5012 739AA	1	U					DOOR, Floor Defroster Duct
26	5013 578AA	1	U					LEVER, Panel Door
27	5013 577AB	1	U					LEVER, Panel Door
28	5012 734AA	1	U					SHAFT, A/C and Heater Door
29	5013 576AA	1	U					LINK, Heater and Defroster Door
30	5012 732AA	1	U					SHAFT, Defroster Door
31	5013 575AA	1	U					LEVER, A/C Vent Defrost Door
32	5013 573AA	1	U					LEVER, Panel Door
33	5012 729AA	1	U					SCREW, Tapping
34	6101 442	4	U					U-NUT, M6 x 1.00, M6x1.00
35	5013 572AA	1	U					SERVO, Mode Door
36	5012 727AA	1	U					SEAL, Demister
37	5012 726AA	1	U					SEAL, Defroster Duct
38	5015 354AA	1	U					SEAL, Panel
39	5013 571AA	1	U					DUCT, Floor Distribution

**JEEP GRAND CHEROKEE (WG)**

SERIES	LINE	BODY	ENGINE	TRANSMISSION
H = Laredo	J = 4WD	74 = 4 Door	ER0, ERH = 4.0L, Power Tech	DGK = 4 Speed Autm, 42RE
P = Limited	U = 4WD, RHD		EVO, EVA = 4.7L, Power Tech	DGQ = 5 Speed Automatic
			EXO, EXA = 3.1L 5 Cyl Turbo Diesel	- 5-45RFE
				DGW = 4 Speed Autm, 44RE

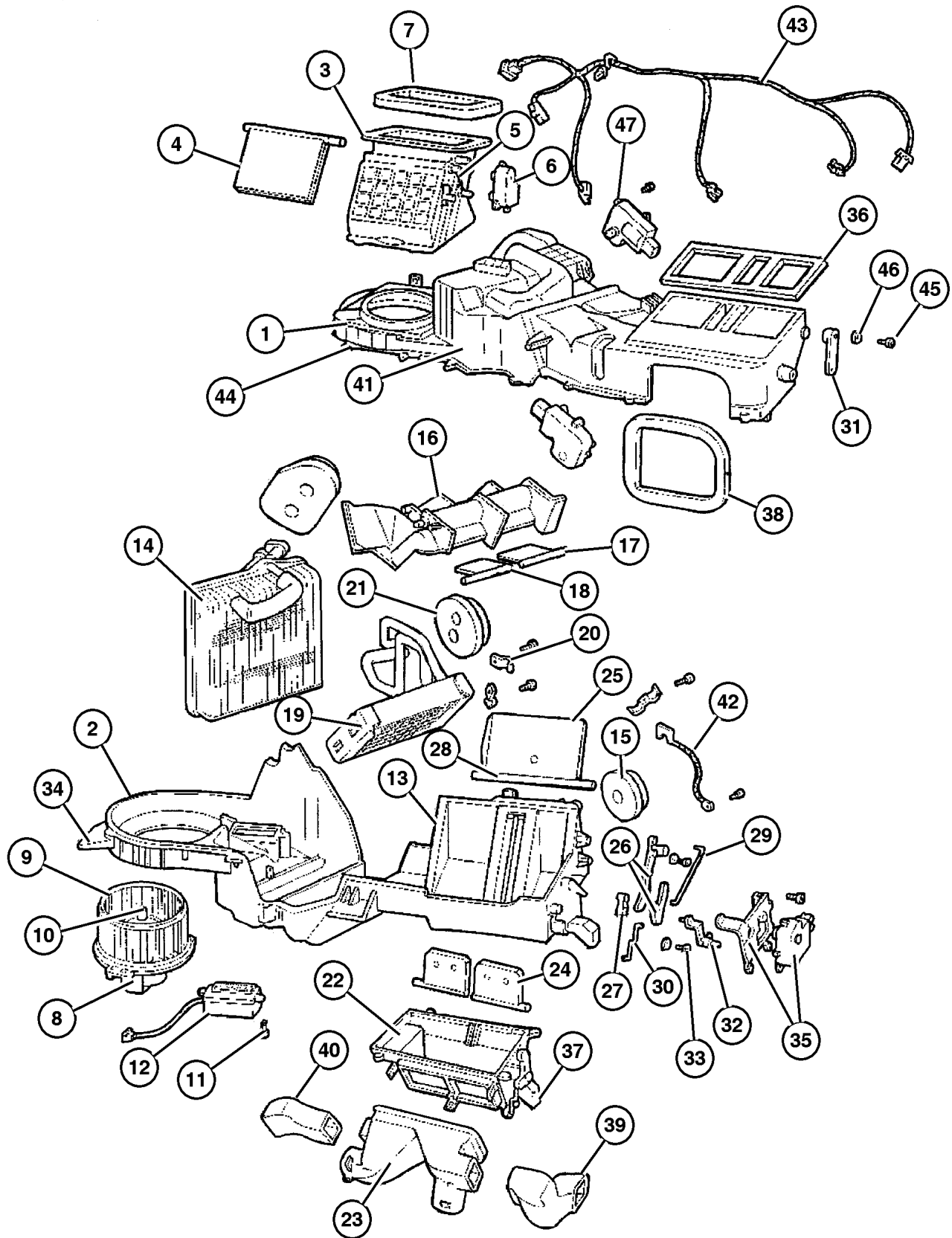
AR = Use as required - = Non illustrated part # = New this model year

October 31, 2002



HEVAC with Auto Temp Control, RHD  
Figure 024-160

ITEM	PART NUMBER	QTY	LINE	SERIES	BODY	ENGINE	TRANS	DESCRIPTION
40	5013 570AB	1	U					DUCT, Floor Distribution
41	5012 721AA	1	U					SEAL, Air Conditioning Unit
42	56038 591AB	1				EVO		STRAP, Ground
43	5014 421AA	1	U					HARNES, Air Conditioning Control
44	4720 533	32	U					SCREW, Heater Housing
45	4720 534	3	U					SCREW, Pan Head
46	5012 756AA	5	U					SPRING
47	5015 339AA	1	U					SEAL, A/C Evaporator



JEEP GRAND CHEROKEE (WG)  
 SERIES LINE BODY ENGINE TRANSMISSION  
 H = Laredo J = 4WD 74 = 4 Door ER0, ERH = 4.0L, Power Tech DGK = 4 Speed Autm, 42RE  
 P = Limited U = 4WD, RHD EVO, EVA = 4.7L, Power Tech DGQ = 5 Speed Automatic  
 EXO, EXA = 3.1L 5 Cyl Turbo Diesel - 5-45RFE  
 DGW = 4 Speed Autm, 44RE

HEVAC with Manual Control, LHD  
Figure 024-170

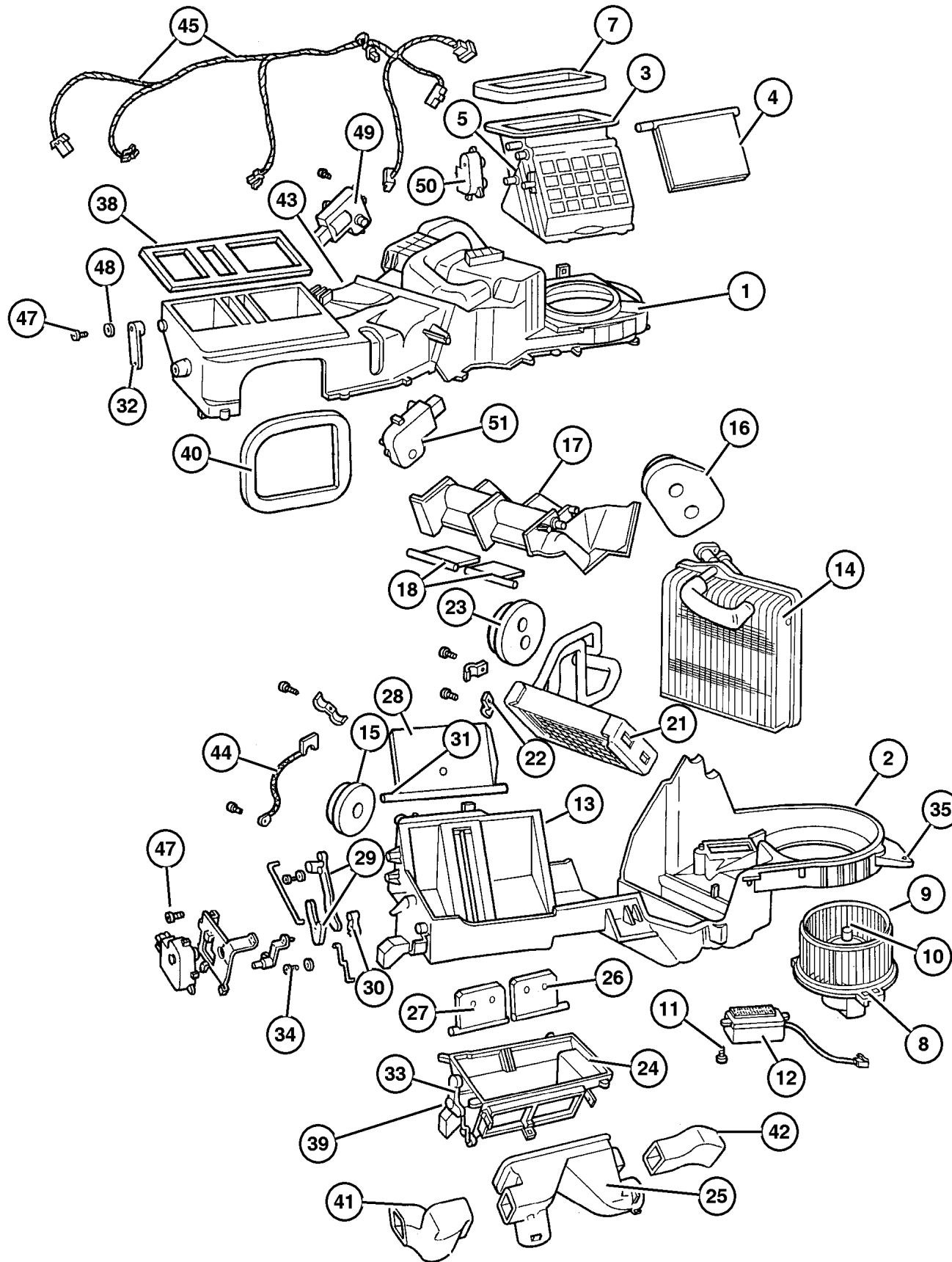
ITEM	PART NUMBER	QTY	LINE	SERIES	BODY	ENGINE	TRANS	DESCRIPTION
Note:								
EVO = All 4.7L Gas Engines								
EX0 = All 3.0/3.1L Turbo Diesel Engines								
HAA = Air Conditioning								
1	5012 715AD	1	J					HOUSING, A/C Upper
2	5012 714AC	1	J					HOUSING, A/C Lower
3	5012 713AB	1	J					HOUSING, Air Recirculating
4	5012 712AA	1	J					DOOR, Air Inlet
5	5012 753AA	1	J					LEVER, A/C Recirculation Door
-6	5012 752AA	1	J					DIAPHRAGM, Heater and A/C Unit
7	5012 709AA	1	J					SEAL, Air Inlet
8	5012 708AA	1	J					MOTOR, Blower
9	5012 701AB	1	J					FAN, Blower Motor
10	2837 680	1	J					CLAMP, Blower Motor Wheel
11	5012 700AA	3	J					SCREW, Tapping
12	5012 699AA	1	J					RESISTOR, Blower Motor
13	5012 698AB	1	J					INSULATOR, Air Conditioning
14	5012 697AA	1	J					EVAPORATOR, Air Conditioning
15	5012 696AA	1	J					SEAL, Evaporator Drain
16	5014 744AA	1	J					SEAL, A/C Evaporator
17	5012 694AB	1	J					HOUSING, A/C Unit
18	5012 751AA	1	J					DOOR, Blend Air
-19	5012 711AA	3	J					LINK, Heater and Damper Contrl
-20	5012 750AA	1	J					SERVO, A/C Temperature Door
21	5012 691AC	1	J					CORE, Heater
22	5012 745AA	2	J					CLAMP, Heater
23	5012 744AA	1	J					SEAL, Heater Tubes
24	5012 762AA	1	J					HOUSING, A/C Unit
25	5012 742AA	1	J					COVER, Heater
26	5012 741AA	1	J					DOOR, Panel
27	5012 740AA	1	J					DOOR, Distribution Duct
28	5012 739AA	1	J					DOOR, Floor Defroster Duct
29	5012 738AA	1	J					LEVER, Panel Door
30	5012 735AA	1	J					LEVER, Panel Door
31	5012 734AA	1	J					SHAFT, A/C and Heater Door
32	5012 731AA	1	J					LEVER, A/C Vent Defrost Door
33	5012 761AA	1	J					LEVER, Panel Door
34	5012 700AA	3	J					SCREW, Tapping
35	6101 442	1	J			EX0		U-NUT, M6 x 1.00, M6x1.00
-36	5012 760AA	1	J					DIAPHRAGM, Heater and A/C Unit
-37	5012 759AA	1	J					DIAPHRAGM, Heater and A/C Unit
38	5012 727AA	1	J					SEAL, Demister

JEEP GRAND CHEROKEE (WG)

SERIES	LINE	BODY	ENGINE	TRANSMISSION
H = Laredo	J = 4WD	74 = 4 Door	ER0, ERH = 4.0L, Power Tech	DGK = 4 Speed Autm, 42RE
P = Limited	U = 4WD, RHD		EVO, EVA = 4.7L, Power Tech	DGQ = 5 Speed Automatic
			EXO, EXA = 3.1L 5 Cyl Turbo Diesel	- 5-45RFE
				DGW = 4 Speed Autm, 44RE

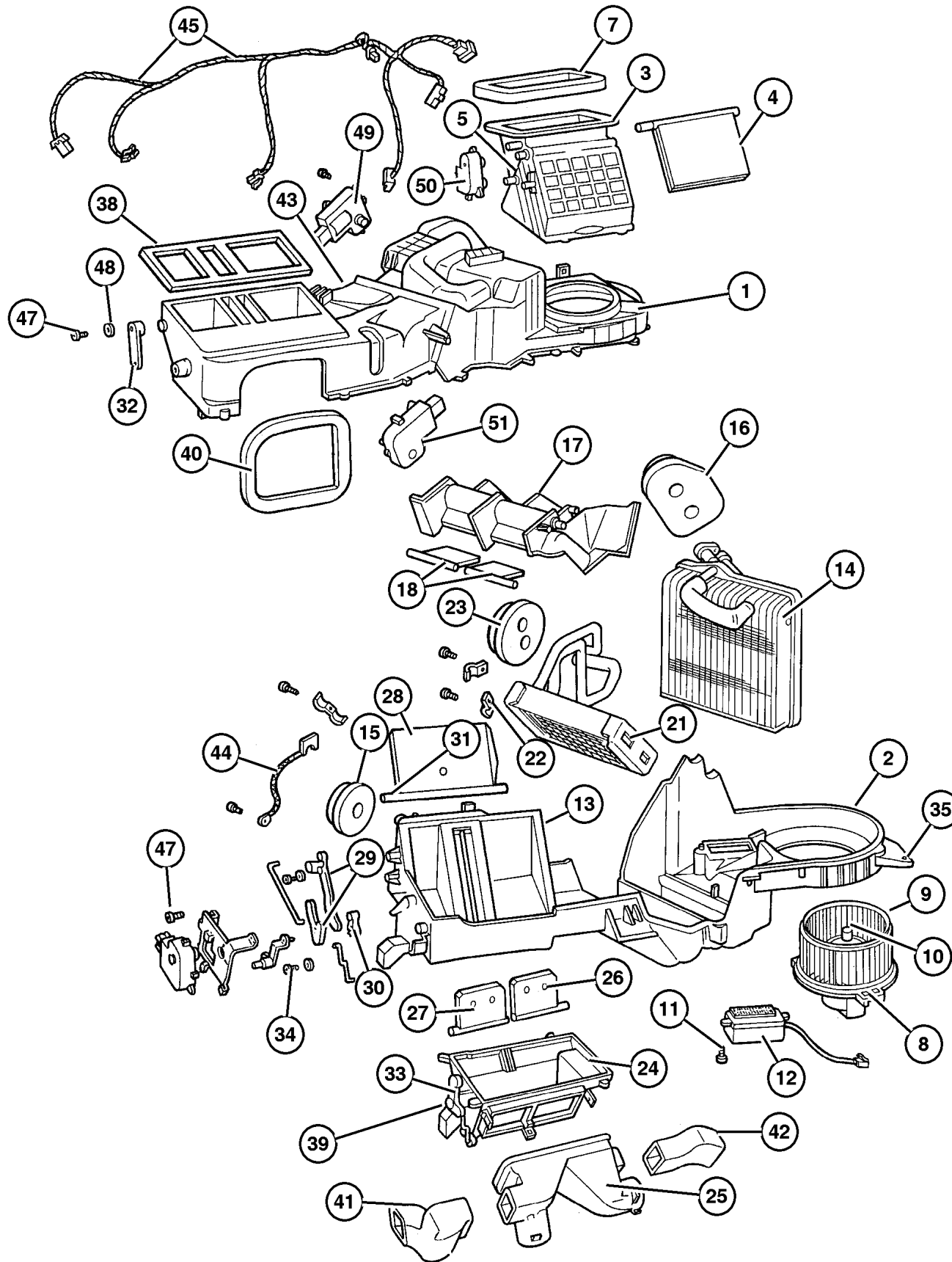
AR = Use as required - = Non illustrated part # = New this model year

October 31, 2002



HEVAC with Manual Control, LHD  
Figure 024-170

ITEM	PART NUMBER	QTY	LINE	SERIES	BODY	ENGINE	TRANS	DESCRIPTION
39	5012 726AA	1	J					SEAL, Defroster Duct
40	5015 354AA	1	J					SEAL, Panel
41	5017 464AA	1	J					DUCT, Floor Distribution
42	5012 722AD	1	J					DUCT, Floor Distribution
43	5012 721AA	1	J					SEAL, Air Conditioning Unit
44	56038 591AB	1				EVO		STRAP, Ground
45	5012 758AA	1	J					HARNES, Air Conditioning Control
46	5012 757AC	1	J					TUBE, Vacuum
47	4720 533	26	J					SCREW, Heater Housing
48	4720 534	3	J					SCREW, Pan Head
49	5012 756AA	5	J					SPRING
50	5012 750AA	1	J					SERVO, A/C Temperature Door
51	5012 750AA	1	J					SERVO, A/C Temperature Door



JEEP GRAND CHEROKEE (WG)  
 SERIES LINE BODY ENGINE TRANSMISSION  
 H = Laredo J = 4WD 74 = 4 Door ER0, ERH = 4.0L, Power Tech DGK = 4 Speed Autm, 42RE  
 P = Limited U = 4WD, RHD EVO, EVA = 4.7L, Power Tech DGQ = 5 Speed Automatic  
 EXO, EXA = 3.1L 5 Cyl Turbo Diesel - 5-45RFE  
 DGW = 4 Speed Autm, 44RE

AR = Use as required - = Non illustrated part # = New this model year

October 31, 2002



HEVAC with Manual Control, RHD  
Figure 024-180

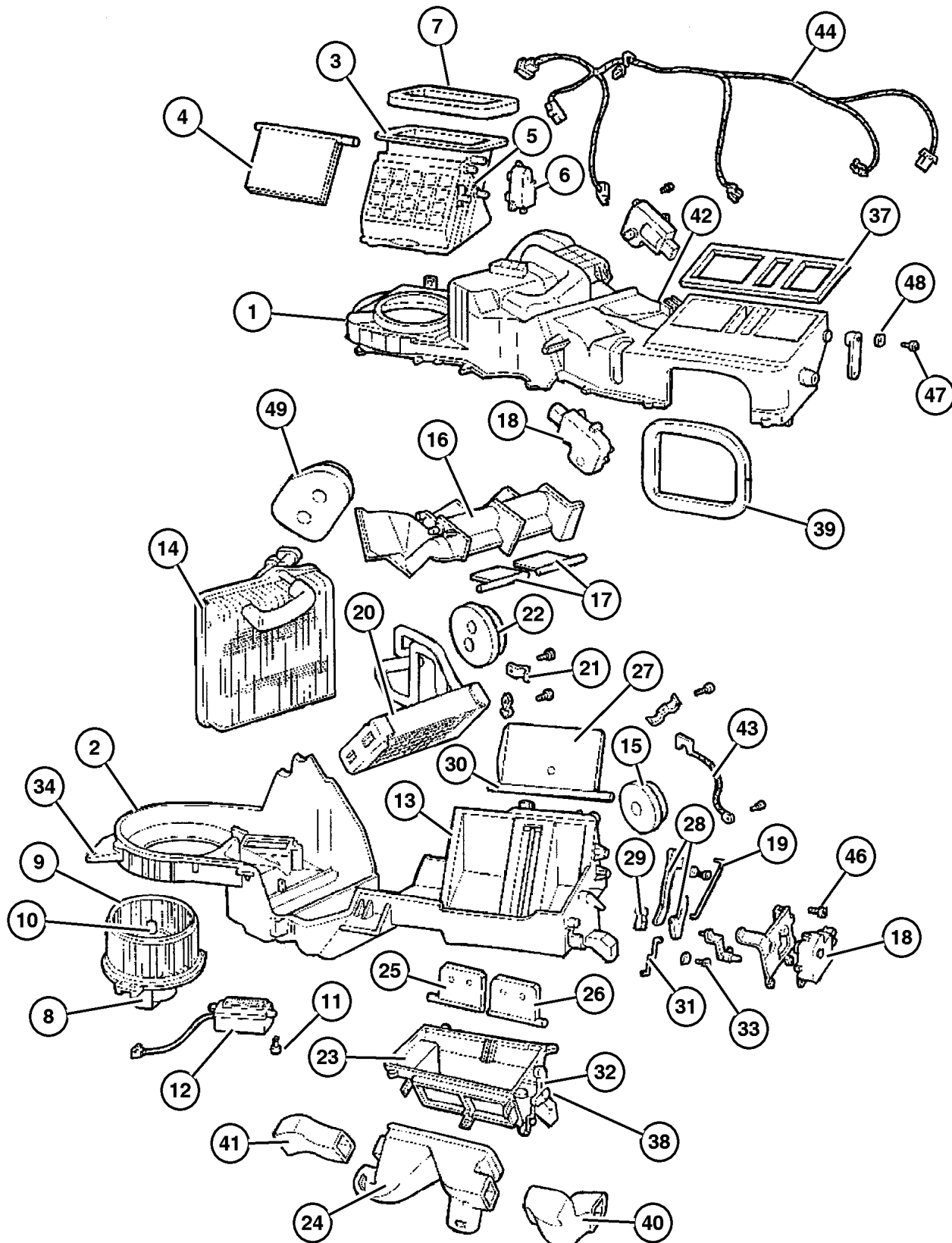
ITEM	PART NUMBER	QTY	LINE	SERIES	BODY	ENGINE	TRANS	DESCRIPTION
Note:								
EVO = All 4.7L Gas Engines								
HAA = Air Conditioning								
1	5013 552AB	1	U					HOUSING, A/C Upper
2	5013 499AA	1	U					HOUSING, A/C Lower
3	5013 569AB	1	U					HOUSING, Air Recirculating
4	5012 712AA	1	U					DOOR, Air Inlet
5	5013 567AA	1	U					LEVER, A/C Recirculation Door
6	5012 752AA	1	U					DIAPHRAGM, Heater and A/C Unit
7	5012 709AA	1	U					SEAL, Air Inlet
8	5015 862AA	1	U					MOTOR, Blower with Wheel
9	5013 565AC	1	U					FAN, Blower Motor
10	2837 680	1	U					CLAMP, Blower Motor Wheel
11	5012 700AA	3	U					SCREW, Tapping
12	5014 212AA	1	U					RESISTOR, Blower Motor
13	5013 564AB	1	U					INSULATOR, Air Conditioning
14	5013 563AA	1	U					EVAPORATOR, Air Conditioning
15	5012 696AA	1	U					SEAL, Evaporator Drain
16	5013 560AA	1	U					HOUSING, A/C Unit
17	5013 558AA	1	U					DOOR, Blend Air
18	5013 561AA	1	U					SERVO, A/C Temperature Door
19	5013 559AA	1	U					LINK, Heater and Damper Control
20	5014 420AB	1	U					CORE, Heater
21	5013 554AA	1	U					CLIP, Heater Core
22	5013 553AA	1	U					SEAL, Heater Tubes
23	5013 498AA	1	U					HOUSING, A/C Unit
24	5013 496AA	1	U					COVER, Heater
25	5012 741AA	1	U					DOOR, Panel
26	5013 579AB	1	U					DOOR, Distribution Duct
27	5012 739AA	1	U					DOOR, Floor Defroster Duct
28	5013 578AA	1	U					LEVER, Panel Door
29	5013 577AB	1	U					LEVER, Panel Door
30	5012 734AA	1	U					SHAFT, A/C and Heater Door
31	5013 575AA	1	U					LEVER, A/C Vent Defrost Door
32	5013 574AA	1	U					LEVER, Panel Door
33	5012 729AA	1	U					SCREW, Tapping
34	6101 442	4	U					U-NUT, M6 x 1.00, M6x1.00
-35	5014 422AA	1	U					DIAPHRAGM, Heater and A/C Unit
-36	5014 423AA	1	U					DIAPHRAGM, Heater and A/C Unit
37	5012 727AA	1	U					SEAL, Demister
38	5012 726AA	1	U					SEAL, Defroster Duct
39	5015 355AA	1	U					SEAL, Panel

JEEP GRAND CHEROKEE (WG)

SERIES	LINE	BODY	ENGINE	TRANSMISSION
H = Laredo	J = 4WD	74 = 4 Door	ER0, ERH = 4.0L, Power Tech	DGK = 4 Speed Autm, 42RE
P = Limited	U = 4WD, RHD		EVO, EVA = 4.7L, Power Tech	DGQ = 5 Speed Automatic
			EXO, EXA = 3.1L 5 Cyl Turbo Diesel	- 5-45RFE
				DGW = 4 Speed Autm, 44RE

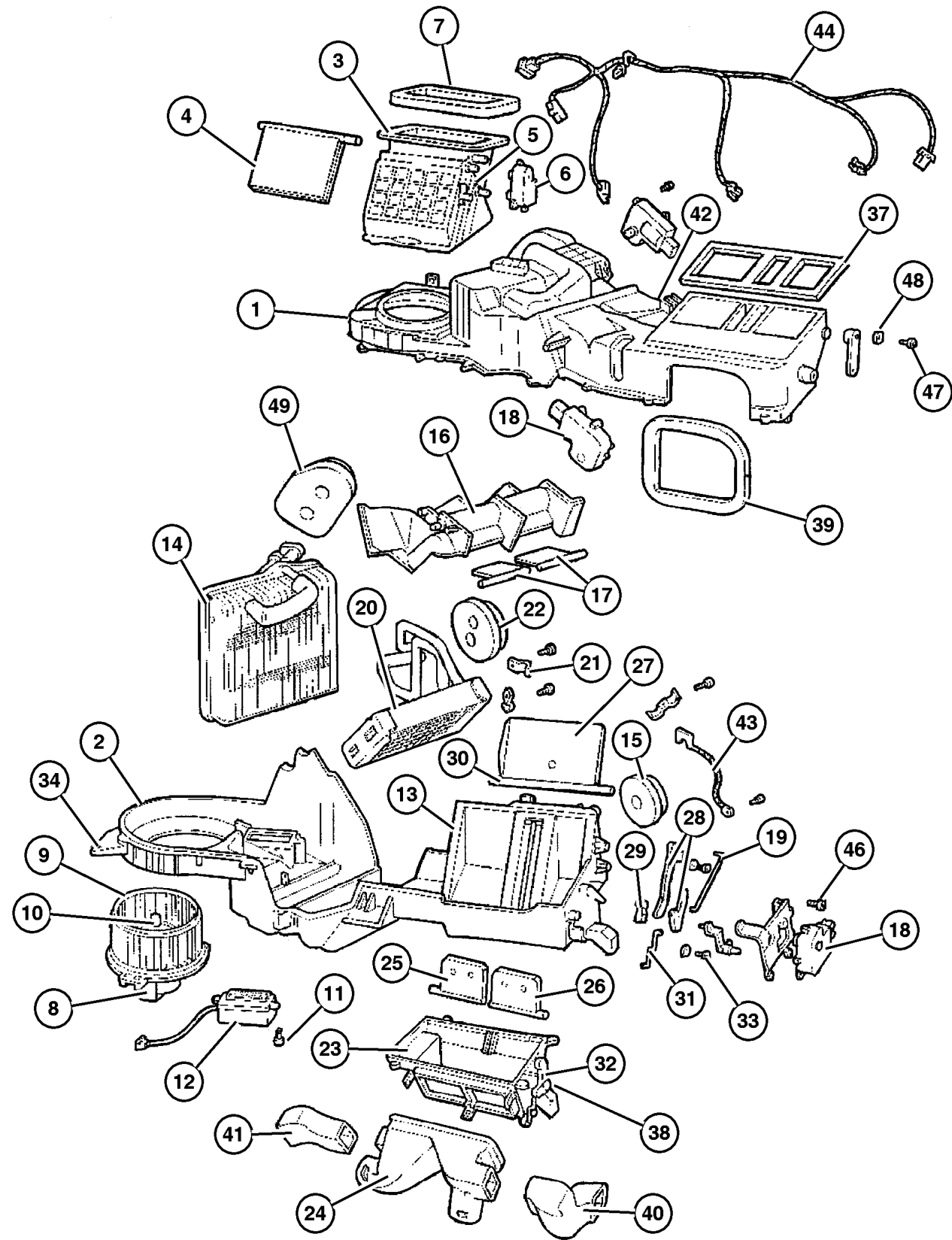
AR = Use as required - = Non illustrated part # = New this model year

October 31, 2002



HEVAC with Manual Control, RHD  
Figure 024-180

ITEM	PART NUMBER	QTY	LINE	SERIES	BODY	ENGINE	TRANS	DESCRIPTION
40	5013 571AA	1	U					DUCT, Floor Distribution
41	5013 570AB	1	U					DUCT, Floor Distribution
42	5012 721AA	1	U					SEAL, Air Conditioning Unit
43	56038 591AB	1				EVO		STRAP, Ground
44	5012 758AA	1	U					HARNASS, Air Conditioning Control
45	5012 757AB	1	U					TUBE, Vacuum
46	4720 533	32	U					SCREW, Heater Housing
47	4720 534	6	U					SCREW, Pan Head
48	5012 756AA	5	U					SPRING
49	5013 562AB	1	U					SEAL, A/C Evaporator

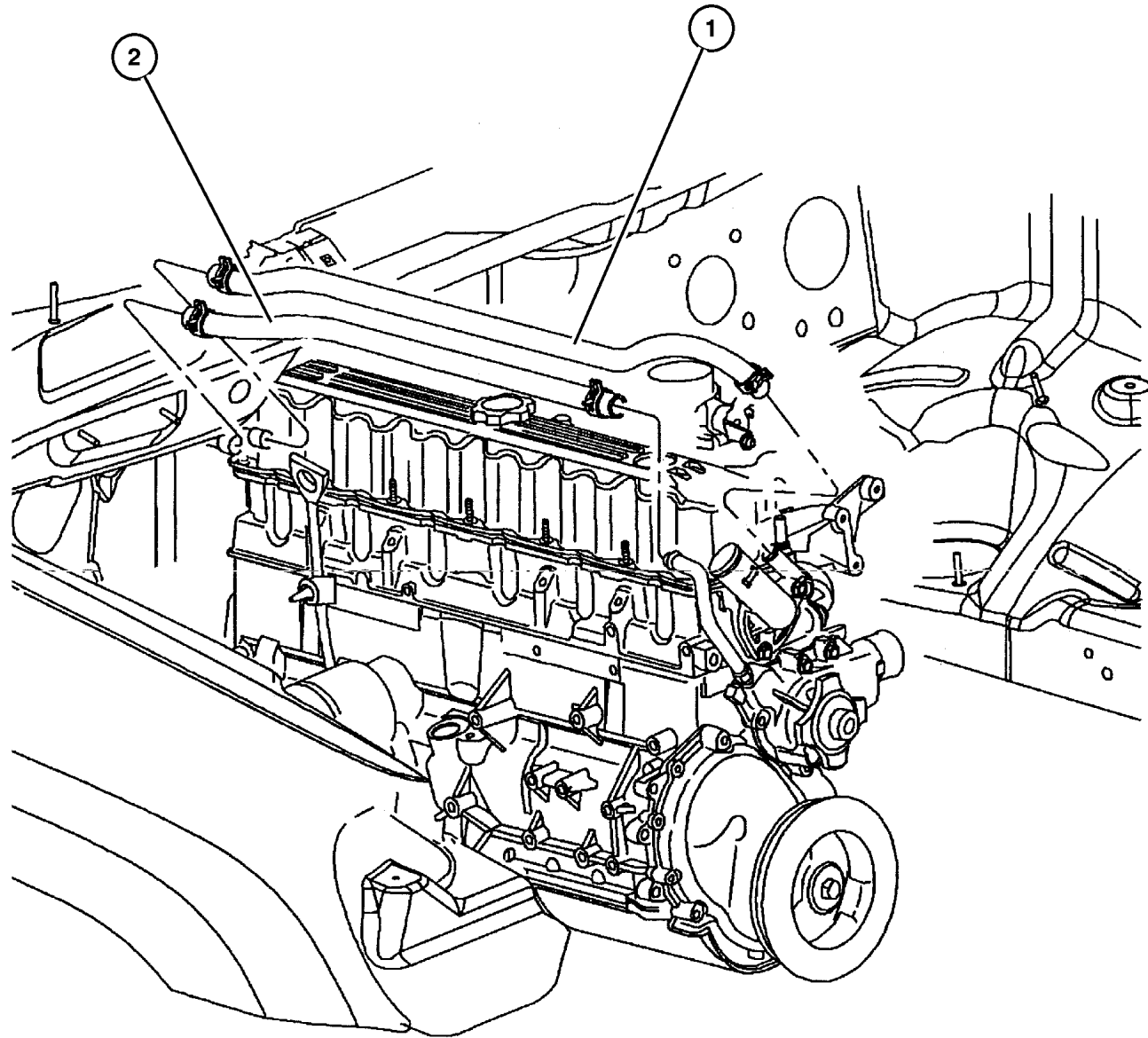


JEEP GRAND CHEROKEE (WG)  
 SERIES LINE BODY ENGINE TRANSMISSION  
 H = Laredo J = 4WD 74 = 4 Door ER0, ERH = 4.0L, Power Tech DGK = 4 Speed Autm, 42RE  
 P = Limited U = 4WD, RHD EVO, EVA = 4.7L, Power Tech DGQ = 5 Speed Automatic  
 EXO, EXA = 3.1L 5 Cyl Turbo Diesel - 5-45RFE  
 DGW = 4 Speed Autm, 44RE

AR = Use as required - = Non illustrated part # = New this model year

October 31, 2002

Hoses, Heater 3.1, 4.0L Engines  
Figure 024-240



ITEM	PART NUMBER	QTY	LINE	SERIES	BODY	ENGINE	TRANS	DESCRIPTION
------	-------------	-----	------	--------	------	--------	-------	-------------

Note: Sales Code ER0 = 4.0 L Engine

Note: Sales Code EX0 = 3.1 L Engine

1								HOSE, Heater Supply
	5511 5889	1	U			ER0		
	5511 5890	1	J			ER0		
	5511 7081	1	J			EX0		
	5511 7083	1	U			EX0		
2								HOSE, Heater Return
	5511 5892	1	U			ER0		
	5511 5897	1	J			ER0		
	5511 7082	1	J			EX0		
	5511 7084	1	U			EX0		

JEEP GRAND CHEROKEE (WG)

SERIES	LINE	BODY	ENGINE	TRANSMISSION
H = Laredo	J = 4WD	74 = 4 Door	ER0, ERH = 4.0L, Power Tech	DGK = 4 Speed Autm, 42RE
P = Limited	U = 4WD, RHD		EVO, EVA = 4.7L, Power Tech	DGQ = 5 Speed Automatic
			EXO, EXA = 3.1L 5 Cyl Turbo Diesel	- 5-45RFE
				DGW = 4 Speed Autm, 44RE

AR = Use as required - = Non illustrated part # = New this model year

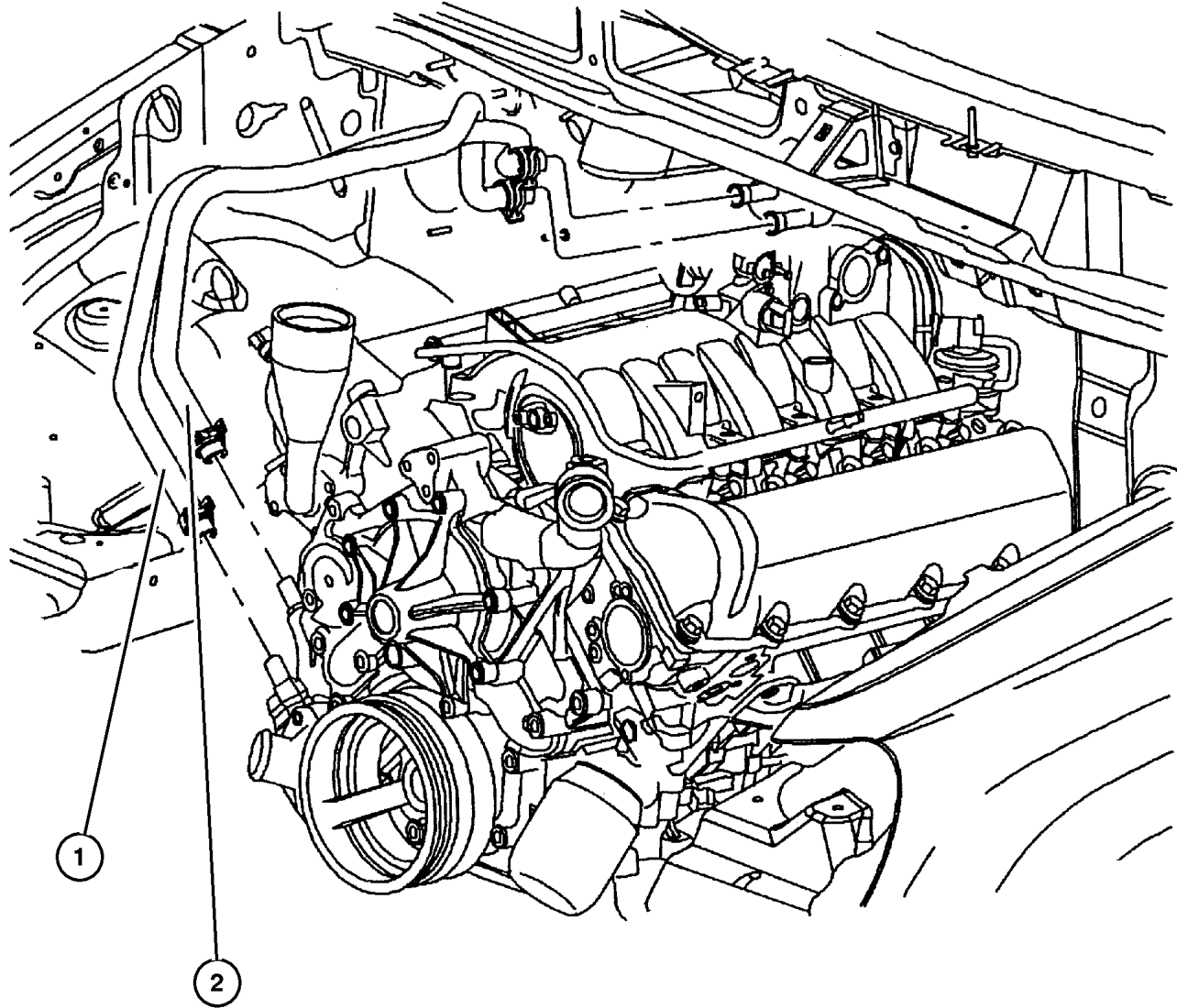
October 31, 2002

## Hoses, Heater 4.7L Engine Figure 024-245

ITEM	PART NUMBER	QTY	LINE	SERIES	BODY	ENGINE	TRANS	DESCRIPTION
------	-------------	-----	------	--------	------	--------	-------	-------------

Note: Sales Code EV0 = 4.7 L Engine

1	55115 895AB	1	J			EV0		TUBE AND HOSE, Supply
	55116 352AB	1	U			EV0		
2	55115 896AB	1	J			EV0		TUBE AND HOSE, Return
	55116 353AB	1	U			EV0		



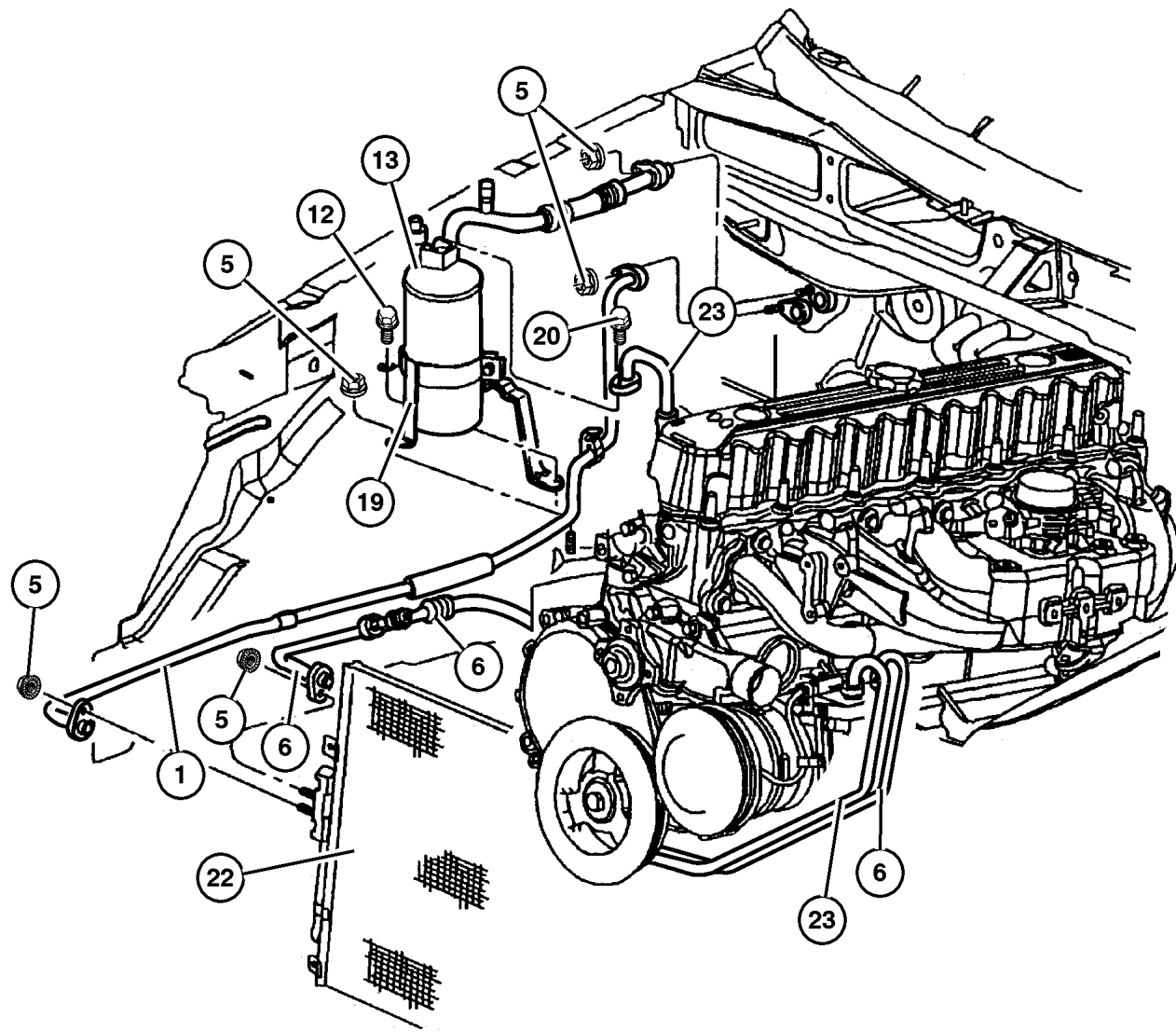
**JEEP GRAND CHEROKEE (WG)**

SERIES	LINE	BODY	ENGINE	TRANSMISSION
H = Laredo	J = 4WD	74 = 4 Door	ER0, ERH = 4.0L, Power Tech	DGK = 4 Speed Autm, 42RE
P = Limited	U = 4WD, RHD		EV0, EVA = 4.7L, Power Tech	DGQ = 5 Speed Automatic
			EXO, EXA = 3.1L 5 Cyl Turbo Diesel	- 5-45RFE
				DGW = 4 Speed Autm, 44RE

AR = Use as required - = Non illustrated part # = New this model year

October 31, 2002

**Accumulator, Condenser and Lines 3.1, 4.0L Engines  
Figure 024-250**



ITEM	PART NUMBER	QTY	LINE	SERIES	BODY	ENGINE	TRANS	DESCRIPTION
Note:								
ERO = All 4.0L 6 Cyl Gas Engines								
EVO = All 4.7L Gas Engines								
EXO = All 3.0/3.1L Turbo Diesel Engines								
1								LINE, A/C Liquid
	53054 567AB	1	U			EX0		
	53054 569AB	1	J			EX0		
	55115 914AD	1	J			ER0, EVO		
	55116 161AE	1	U			ER0, EVO		
-2								O RING, A/C Discharge Line
	4796 565	2	J			ER0		
		1	U			EX0		
-3	1942 389	2						O RING, A/C Liquid Line
-4	55116 339AA	1				EX0		RETAINER, A/C Supply Line
5	6101 445	1				ER0, EVO		NUT AND WASHER, Hex Nut-Coned Washer, M8 x 1.25
6								LINE, A/C Discharge
	55116 162AB	1	J			ER0		
	55116 163AD	1	U			ER0		
	5511 7086	1	J			EX0		
	5511 7089	1	U			EX0		
-7								O RING, A/C Discharge Line
	4796 565	2	J			ER0		
		1	U			EX0		
-8	1942 389	2						O RING, A/C Liquid Line
-9								VALVE CORE, Service Port
	5011 346AA	1	J			ER0		
		1	U			EX0		
-10	5012 988AA	1	J			ER0		BRACKET, A/C Line
-11								SWITCH, A/C High Pressure Cut Off
	4897 617AA	1	J			ER0		
		1	U			ER0		
12	6502 064	6						SCREW, Tapping, M6x1x20
13								ACCUMULATOR, Suction Line
	55115 909AC	1	U			ER0, EVO		
	55117 088AB	1	J			EX0		
-14	5012 979AA	1				EX0		O RING, A/C Suction Line
-15								O RING, Low Pressure Cutout Switc
	4728 705	1	U			EX0		

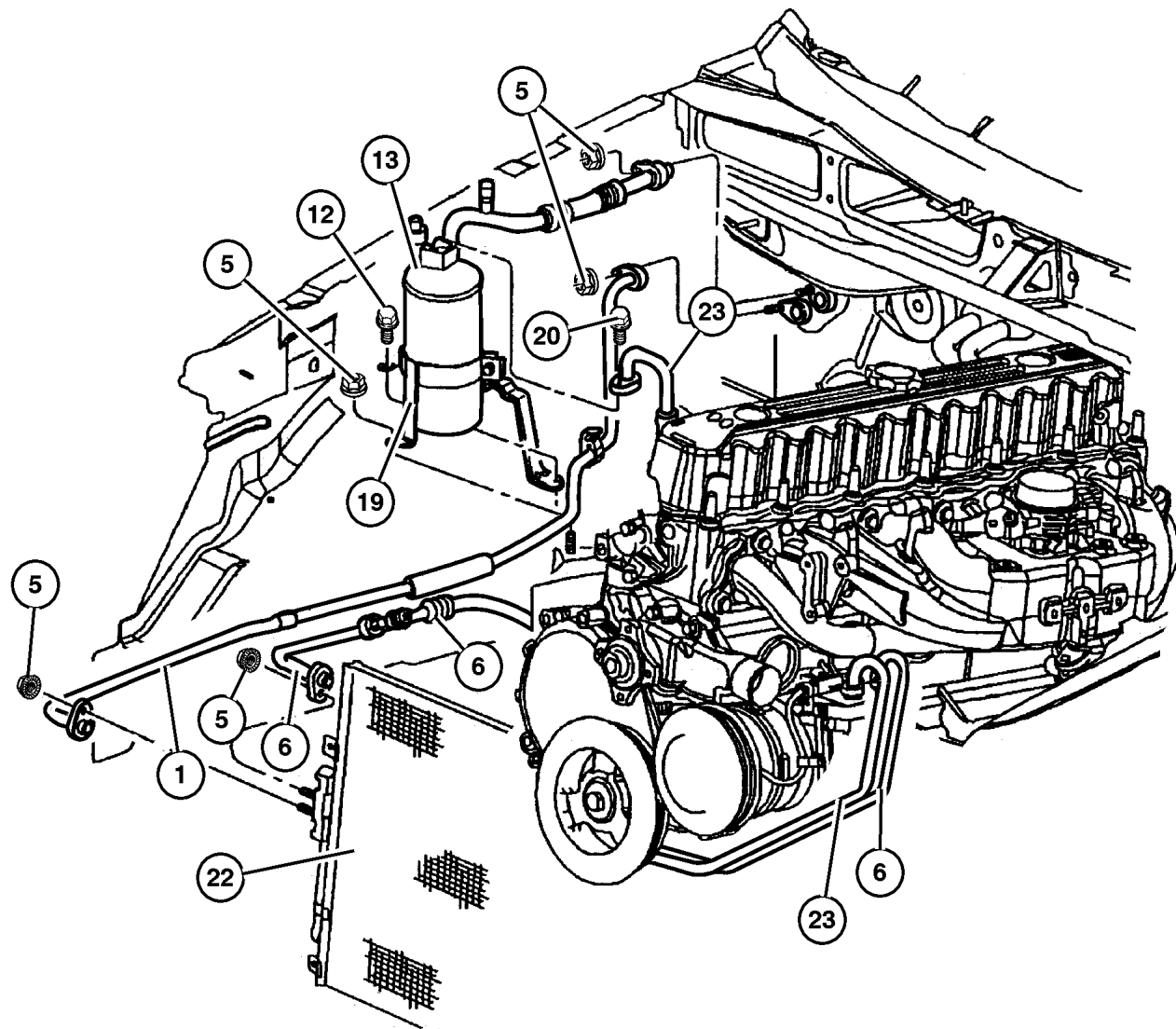
**JEEP GRAND CHEROKEE (WG)**

SERIES	LINE	BODY	ENGINE	TRANSMISSION
H = Laredo	J = 4WD	74 = 4 Door	ER0, ERH = 4.0L, Power Tech	DGK = 4 Speed Autm, 42RE
P = Limited	U = 4WD, RHD		EVO, EVA = 4.7L, Power Tech	DGQ = 5 Speed Automatic
			EXO, EXA = 3.1L 5 Cyl Turbo Diesel	- 5-45RFE
				DGW = 4 Speed Autm, 44RE

AR = Use as required - = Non illustrated part # = New this model year

October 31, 2002

**Accumulator, Condenser and Lines 3.1, 4.0L Engines  
Figure 024-250**



ITEM	PART NUMBER	QTY	LINE	SERIES	BODY	ENGINE	TRANS	DESCRIPTION
		1	J			ER0		
-16	4897 613AA	1	U			EX0		SWITCH, A/C Cycling
		1	J			ER0		
-17	5011 346AA	1	J			ER0		VALVE CORE, Service Port
		1	U			EX0		
-18	5015 568AA	1	U			EX0		CAP, A/C Charge Valve
		1	J			ER0		
19	53054 571AA	1	J			EX0		BRACKET, Accumulator
		1	U			EX0		
20								SCREW, Hex Flange Head, M8x1.25x25.00
	6501 648	1	J			ER0		
		1				EX0		
-21	55116 446AA	1						LABEL, Refrigerant
22	55115 918AB	1	J			ER0		CONDENSER, Air Conditioning
		1	U			EX0		
23	5511 7087	1				EX0		LINE, A/C Suction
-24	5012 979AA	1	U			ER0		O RING, A/C Suction Line
		1				EX0		
-25	5012 981AA	1	U			ER0		O RING, A/C Suction Line
		1				EX0		
-26	5503 5784	1				EX0		CLIP, Tube
-27								BOLT, .312-24x1.170, (NOT SERVICED) (Not Serviced)

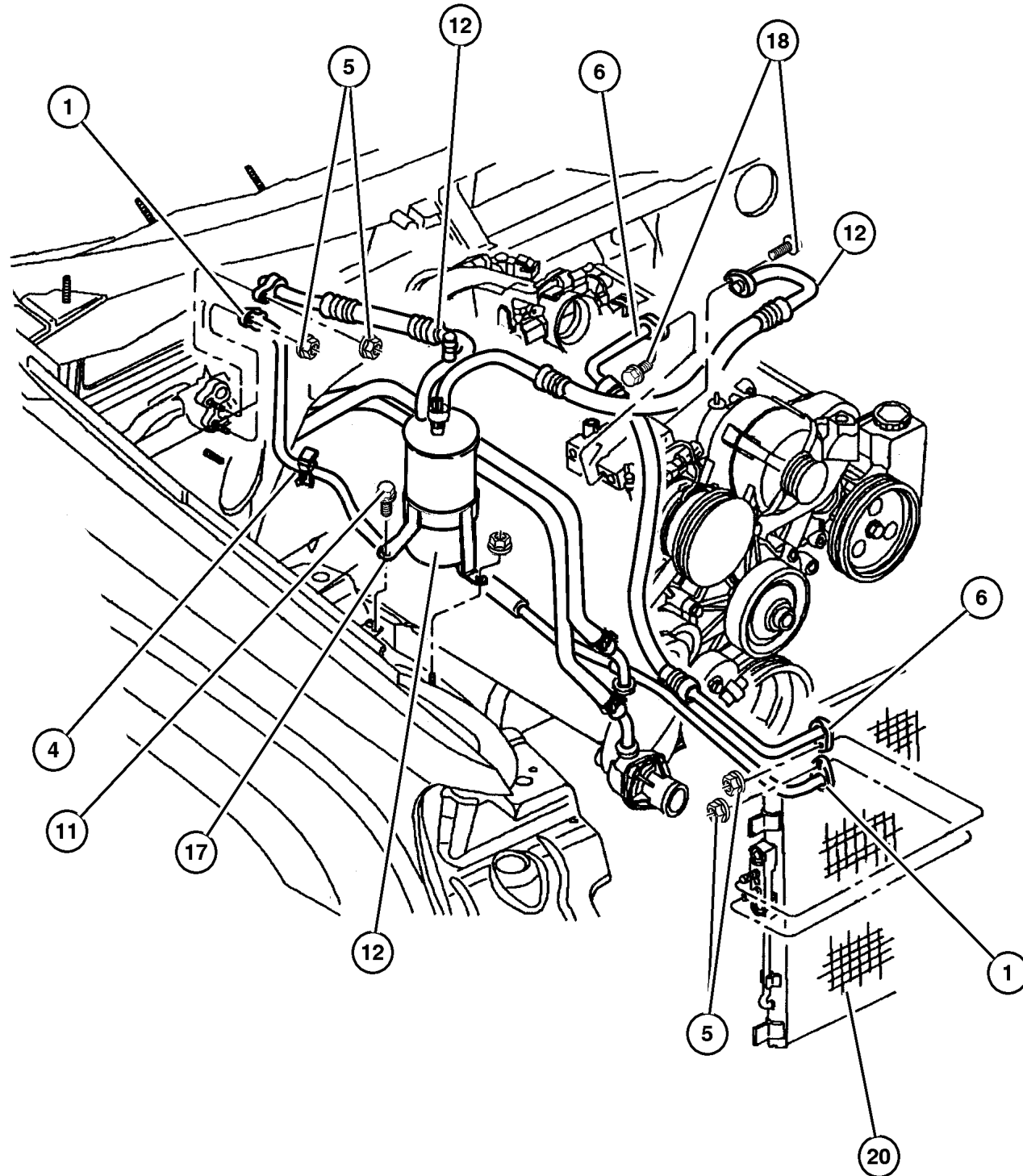
**JEEP GRAND CHEROKEE (WG)**

SERIES	LINE	BODY	ENGINE	TRANSMISSION
H = Laredo	J = 4WD	74 = 4 Door	ER0, ERH = 4.0L, Power Tech	DGK = 4 Speed Autm, 42RE
P = Limited	U = 4WD, RHD		EVO, EVA = 4.7L, Power Tech	DGQ = 5 Speed Automatic
			EXO, EXA = 3.1L 5 Cyl Turbo Diesel	- 5-45RFE
				DGW = 4 Speed Autm, 44RE

AR = Use as required - = Non illustrated part # = New this model year

October 31, 2002

## Accumulator, Condenser and Lines 4.7L Engine Figure 024-255



ITEM	PART NUMBER	QTY	LINE	SERIES	BODY	ENGINE	TRANS	DESCRIPTION
Note:								
ER0 = All 4.0L 6 Cyl Gas Engines								
EVO = All 4.7L Gas Engines								
EX0 = All 3.0/3.1L Turbo Diesel Engines								
1								LINE, A/C Liquid
	55115 914AD	1	J			ER0, EVO		
	55116 161AE	1	U			ER0, EVO		
-2								O RING, A/C Discharge Line
	4796 565	1	J			ER0, EVO		
		1	U			ER0, EVO		
-3								O RING, A/C Liquid Line
	5012 980AA	1	J			ER0, EVO		
		1	U			ER0, EVO		
4								RETAINER, A/C Supply Line
	55116 339AA	1	J			ER0, EVO		
		1	U			ER0, EVO		
5	6101 445	1				ER0, EVO		NUT AND WASHER, Hex Nut-Coned Washer, M8 x 1.25
6	#55116 567AA	1	J			EVO		LINE, A/C Discharge
-7								O RING, A/C Discharge Line
	4796 565	1	J			ER0, EVO		
		1	U			ER0, EVO		
-8	1942 389	2						O RING, A/C Liquid Line
-9								VALVE CORE, Service Port
	5011 346AA	1	J			ER0		
		2	U			ER0		
-10								SWITCH, A/C High Pressure Cut Off
	4897 617AA	1	J			ER0		
		1	U			ER0		
11	6502 064	6						SCREW, Tapping, M6x1x20
12								ACCUMULATOR, Suction Line
	55115 911AD	1	J			EVO		

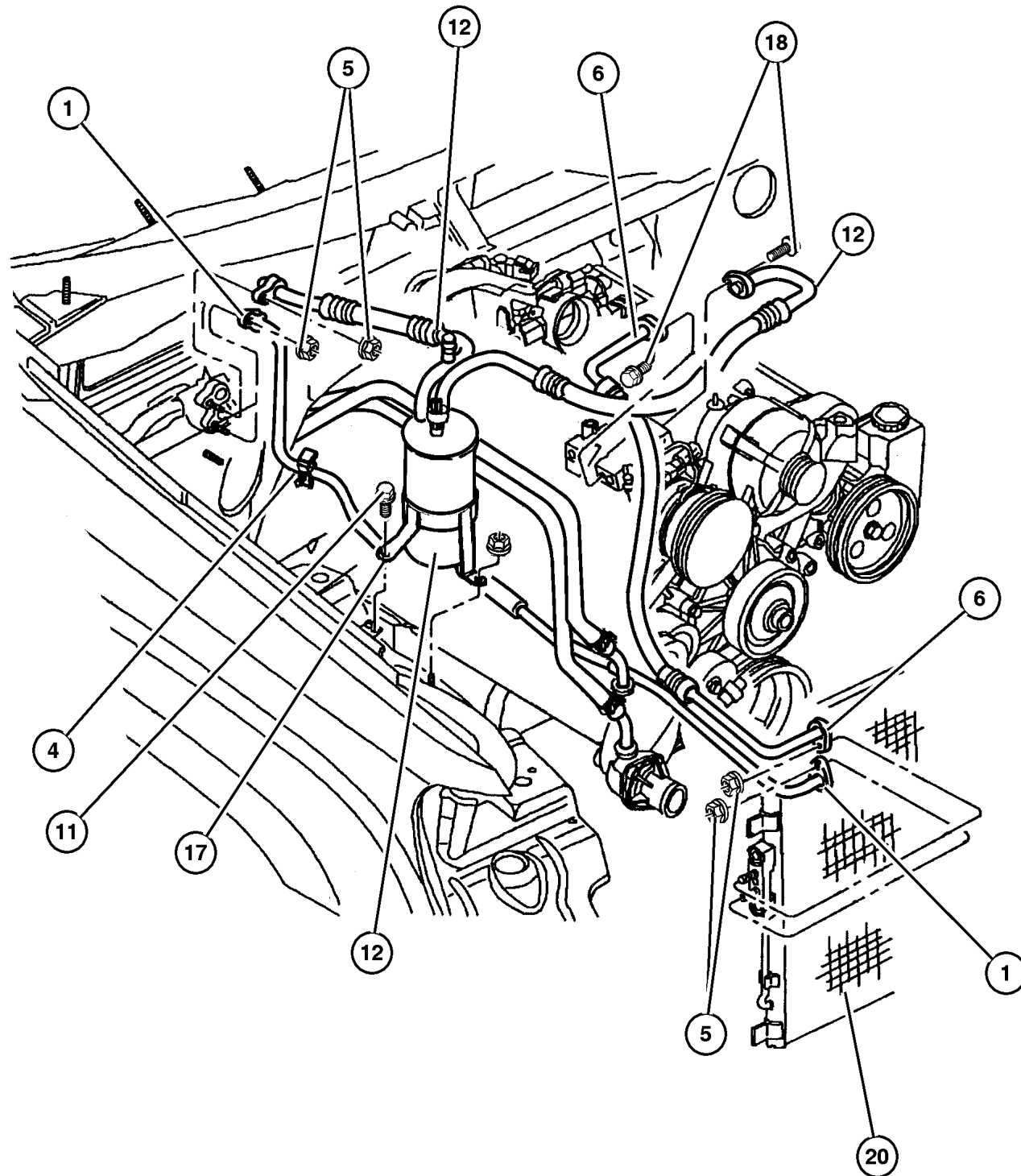
**JEEP GRAND CHEROKEE (WG)**

SERIES	LINE	BODY	ENGINE	TRANSMISSION
H = Laredo	J = 4WD	74 = 4 Door	ER0, ERH = 4.0L, Power Tech	DGK = 4 Speed Autm, 42RE
P = Limited	U = 4WD, RHD		EVO, EVA = 4.7L, Power Tech	DGQ = 5 Speed Automatic
			EX0, EXA = 3.1L 5 Cyl Turbo Diesel	- 5-45RFE
				DGW = 4 Speed Autm, 44RE

AR = Use as required - = Non illustrated part # = New this model year

October 31, 2002

## Accumulator, Condenser and Lines 4.7L Engine Figure 024-255



ITEM	PART NUMBER	QTY	LINE	SERIES	BODY	ENGINE	TRANS	DESCRIPTION
	55115 909AC	1	U			ER0, EVO		
-13	5012 979AA	1	U			ER0, EVO		O RING, A/C Suction Line
		1	J			EVO		
-14	4728 705	1	U			ER0, EVO		O RING, Low Pressure Cutout Switc
		1	J			EVO		
-15	4897 613AA	1	J			EVO		SWITCH, A/C Cycling
		1	U			ER0, EVO		
-16	5011 346AA	1	J			EVO		VALVE CORE, Service Port
		1	U			ER0, EVO		
17	5012 985AA	1	U			ER0, EVO		BRACKET, Accumulator
	5012 986AA	1	J			EVO		
18	6501 648	1				EX0		SCREW, Hex Flange Head, M8x1.25x25.00
-19	55116 446AA	1						LABEL, Refrigerant
20	55115 918AB	1	J			EVO		CONDENSER, Air Conditioning
		1	U			EVO		

**JEEP GRAND CHEROKEE (WG)**

SERIES	LINE	BODY	ENGINE	TRANSMISSION
H = Laredo	J = 4WD	74 = 4 Door	ER0, ERH = 4.0L, Power Tech	DGK = 4 Speed Autm, 42RE
P = Limited	U = 4WD, RHD		EVO, EVA = 4.7L, Power Tech	DGQ = 5 Speed Automatic
			EXO, EXA = 3.1L 5 Cyl Turbo Diesel	- 5-45RFE
				DGW = 4 Speed Autm, 44RE



## Hevac Vacuum Engine Lines and Controls Figure 024-260

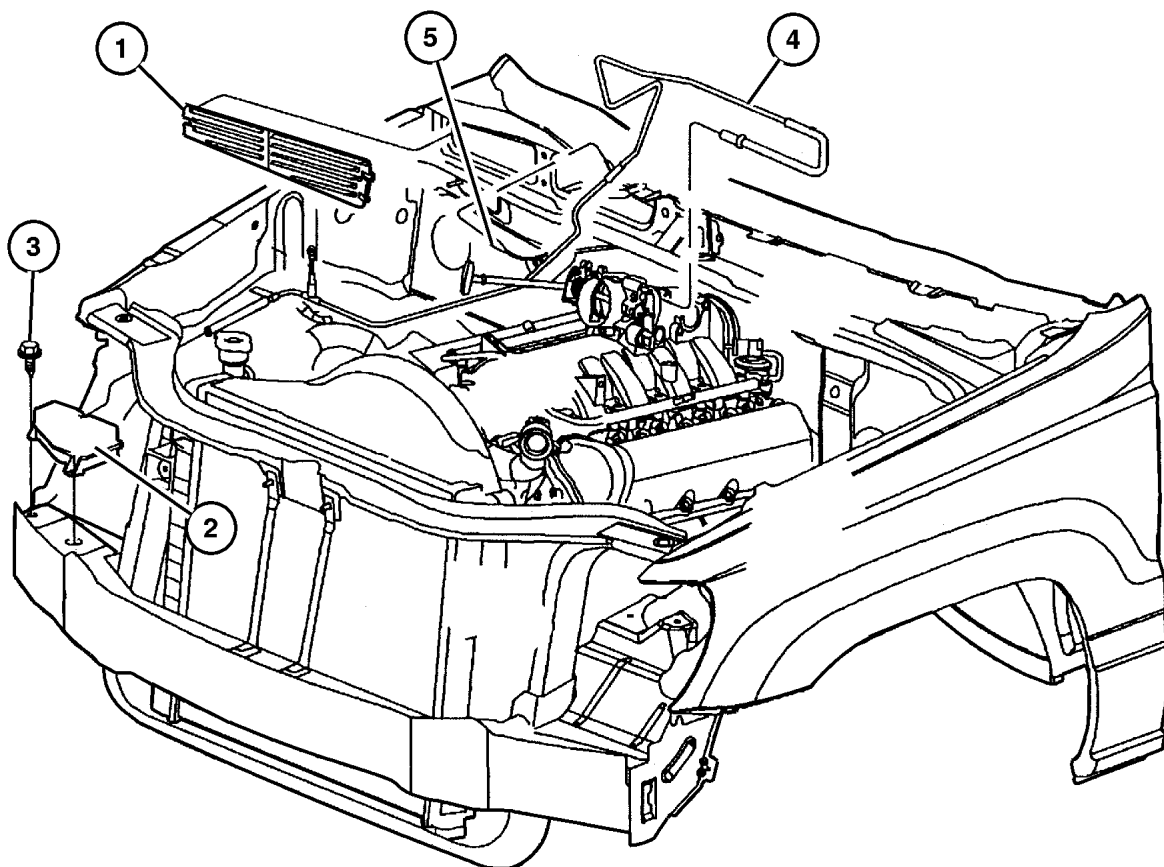
ITEM	PART NUMBER	QTY	LINE	SERIES	BODY	ENGINE	TRANS	DESCRIPTION
------	-------------	-----	------	--------	------	--------	-------	-------------

Note: Sales Code ER0 = 4.0 L Engine

Note: Sales Code EX0 = 3.1 L Engine

Note: Sales Code EV0 = 4.7 L Engine

1								BAFFLE, Air
	5511 5885	1	J					
	5511 5886	1	U					
2	5511 5899	1				ER0, EVO		RESERVOIR, Vacuum
3								SCREW, Hex Flange Head Tapping, M4.8 x 1.59 x 14.00, (NOT SERVICED) (Not Serviced)
4								VACUUM HARNESS, Heater and A/C
	55115 900AC	1	J			EVO		
	55115 901AC	1	J			ER0		
	55116 158AB	1	J			EX0		
	55116 489AB	1	U			EVO		
	55116 490AB	1	U			ER0		
5	3580 172	1						CAP, Vacuum



**JEEP GRAND CHEROKEE (WG)**

SERIES	LINE	BODY	ENGINE	TRANSMISSION
H = Laredo	J = 4WD	74 = 4 Door	ER0, ERH = 4.0L, Power Tech	DGK = 4 Speed Autm, 42RE
P = Limited	U = 4WD, RHD		EVO, EVA = 4.7L, Power Tech	DGQ = 5 Speed Automatic
			EXO, EXA = 3.1L 5 Cyl Turbo Diesel	- 5-45RFE
				DGW = 4 Speed Autm, 44RE

AR = Use as required - = Non illustrated part # = New this model year

October 31, 2002

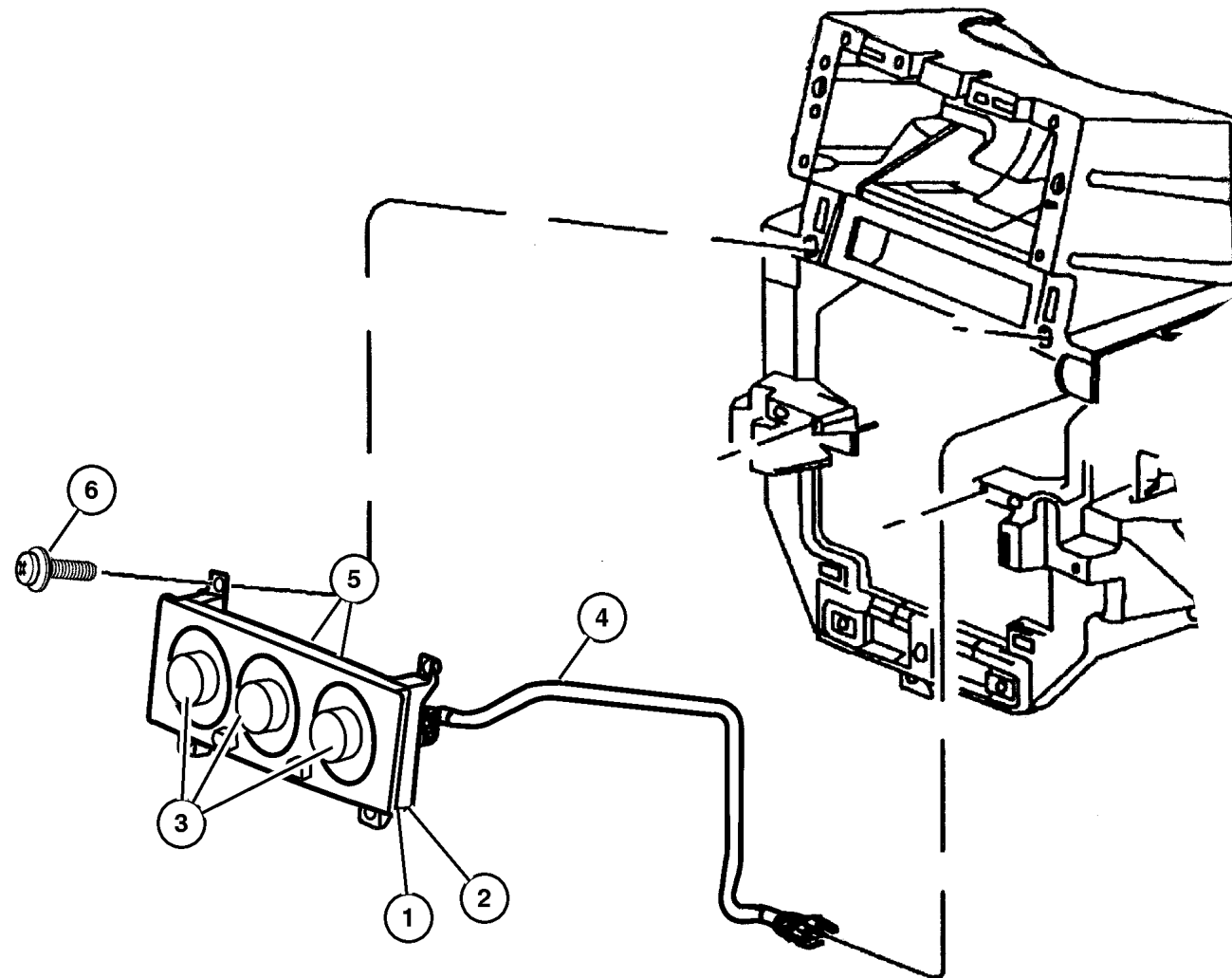
**Control, Heater and Air Conditioner**  
**Figure 024-330**

ITEM	PART NUMBER	QTY	LINE	SERIES	BODY	ENGINE	TRANS	DESCRIPTION
------	-------------	-----	------	--------	------	--------	-------	-------------

Note: Sales Code HAA = Air Conditioning

Note: Sales Code HAF = Auto Temp Control

1	5511 5904	1						CONTROL, A/C And Heater
2	55115 903AC	1						CONTROL, Auto Temp Control
3	5012 976AA	2						KNOB, ATC Control
4	5012 977AA	1						HARNES, A/C And Heater Vacuum
5	5013 123AA	4						BULB, Heater and A/C Control
6	6101 946	3						SCREW, Tapping



**JEEP GRAND CHEROKEE (WG)**

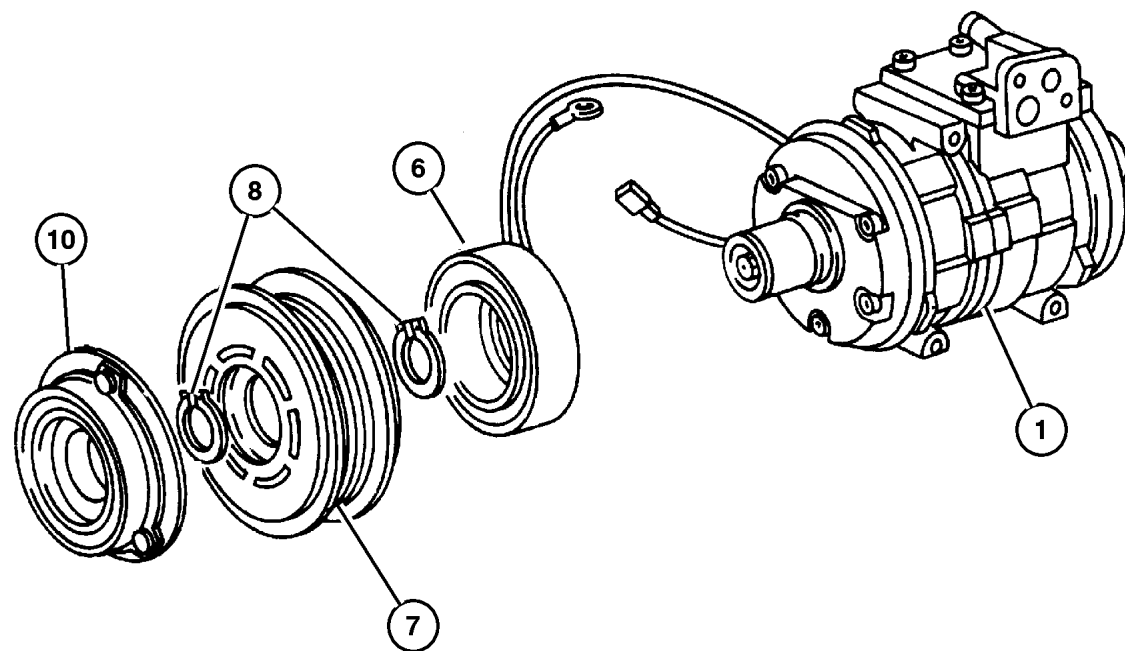
SERIES	LINE	BODY	ENGINE	TRANSMISSION
H = Laredo	J = 4WD	74 = 4 Door	ER0, ERH = 4.0L, Power Tech	DGK = 4 Speed Autm, 42RE
P = Limited	U = 4WD, RHD		EVO, EVA = 4.7L, Power Tech	DGQ = 5 Speed Automatic
			EXO, EXA = 3.1L 5 Cyl Turbo Diesel	- 5-45RFE
				DGW = 4 Speed Autm, 44RE

AR = Use as required - = Non illustrated part # = New this model year

October 31, 2002

**Compressor, Air Conditioning 4.0L Engine  
Figure 024-410**

ITEM	PART NUMBER	QTY	LINE	SERIES	BODY	ENGINE	TRANS	DESCRIPTION
Note:								
ER0 = All 4.0L 6 Cyl Gas Engines								
EVO = All 4.7L Gas Engines								
1	55117 244AA	1				ER0		COMPRESSOR, Air Conditioning
-2	5014 413AA	1				ER0		MANIFOLD KIT, A/C Compressor
-3	4728 854	1				ER0		SEAL, Manifold To Compressor
-4	55116 423AA	1				ER0		BOLT, A/C Line Mounting
-5	5264 457	1				EVO		BOLT KIT, A/C Compressor Manifold
6	5003 681AA	1				ER0		COIL, Air Conditioning Clutch
7	5016 376AA	1				ER0		PULLEY, A/C Compressor
8	5264 454	1				ER0		SNAP RING KIT, A/C Clutch
-9	8230 0102	1				EVO		LUBRICANT, Oil, 75w90
10	5014 415AA	1				ER0		CLUTCH, A/C Compressor



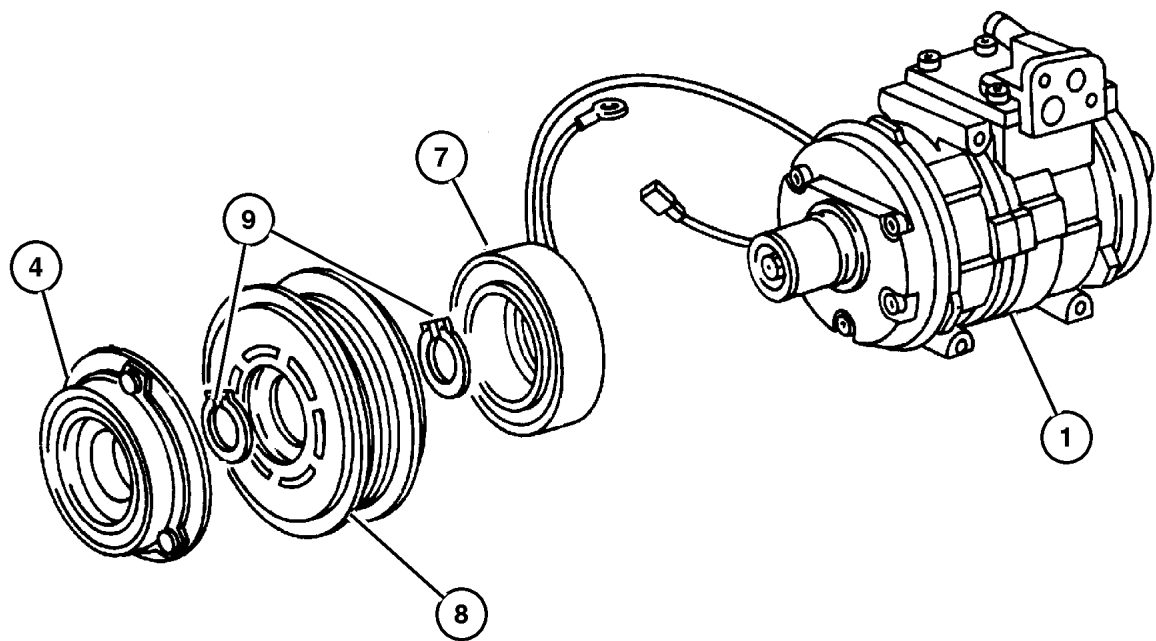
JEEP GRAND CHEROKEE (WG)				
SERIES	LINE	BODY	ENGINE	TRANSMISSION
H = Laredo	J = 4WD	74 = 4 Door	ER0, ERH = 4.0L, Power Tech	DGK = 4 Speed Autm, 42RE
P = Limited	U = 4WD, RHD		EVO, EVA = 4.7L, Power Tech	DGQ = 5 Speed Automatic
			EXO, EXA = 3.1L 5 Cyl Turbo Diesel	- 5-45RFE
				DGW = 4 Speed Autm, 44RE

AR = Use as required - = Non illustrated part # = New this model year

October 31, 2002

**Compressor, Air Conditioning 4.7L Engine  
Figure 024-420**

ITEM	PART NUMBER	QTY	LINE	SERIES	BODY	ENGINE	TRANS	DESCRIPTION
Note: Sales Code EVO = 4.7 L Engine								
1	55116 906AA	1				EVO		COMPRESSOR, Air Conditioning
-2	5014 414AA	1				EVO		MANIFOLD KIT, A/C Compressor
-3	4728 854	1				EVO		SEAL, Manifold To Compressor
4	5014 416AA	1				EVO		CLUTCH, A/C Compressor
-5	55116 423AA	1				EVO		BOLT, A/C Line Mounting
-6	5264 457	1				EVO		BOLT KIT, A/C Compressor Manifold
7	5003 681AA	1				EVO		COIL, Air Conditioning Clutch
8	5016 376AA	1				EVO		PULLEY, A/C Compressor
9	5264 454	1				EVO		SNAP RING KIT, A/C Clutch
-10	8230 0102	1				EVO		LUBRICANT, Oil, 75w90



<b>JEEP GRAND CHEROKEE (WG)</b>				
SERIES	LINE	BODY	ENGINE	TRANSMISSION
H = Laredo	J = 4WD	74 = 4 Door	ER0, ERH = 4.0L, Power Tech	DGK = 4 Speed Autm, 42RE
P = Limited	U = 4WD, RHD		EVO, EVA = 4.7L, Power Tech	DGQ = 5 Speed Automatic
			EXO, EXA = 3.1L 5 Cyl Turbo Diesel	- 5-45RFE
				DGW = 4 Speed Autm, 44RE

AR = Use as required - = Non illustrated part # = New this model year

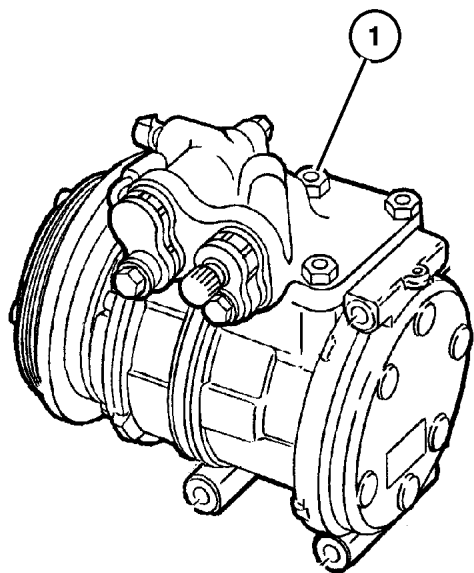
October 31, 2002

**Compressor, Air Conditioning 3.1L Engine  
Figure 024-430**

ITEM	PART NUMBER	QTY	LINE	SERIES	BODY	ENGINE	TRANS	DESCRIPTION
------	-------------	-----	------	--------	------	--------	-------	-------------

Note: Sales Code EX0 = 3.1 L Engine

1	5015 042AA	1				EX0		COMPRESSOR, Air Conditioning
---	------------	---	--	--	--	-----	--	------------------------------



JEEP GRAND CHEROKEE (WG)				
SERIES	LINE	BODY	ENGINE	TRANSMISSION
H = Laredo	J = 4WD	74 = 4 Door	ER0, ERH = 4.0L, Power Tech	DGK = 4 Speed Autm, 42RE
P = Limited	U = 4WD, RHD		EVO, EVA = 4.7L, Power Tech	DGQ = 5 Speed Automatic
			EXO, EXA = 3.1L 5 Cyl Turbo Diesel	- 5-45RFE
				DGW = 4 Speed Autm, 44RE

AR = Use as required - = Non illustrated part # = New this model year

October 31, 2002

**Compressor, Mounting 4.0L Engine  
Figure 024-510**

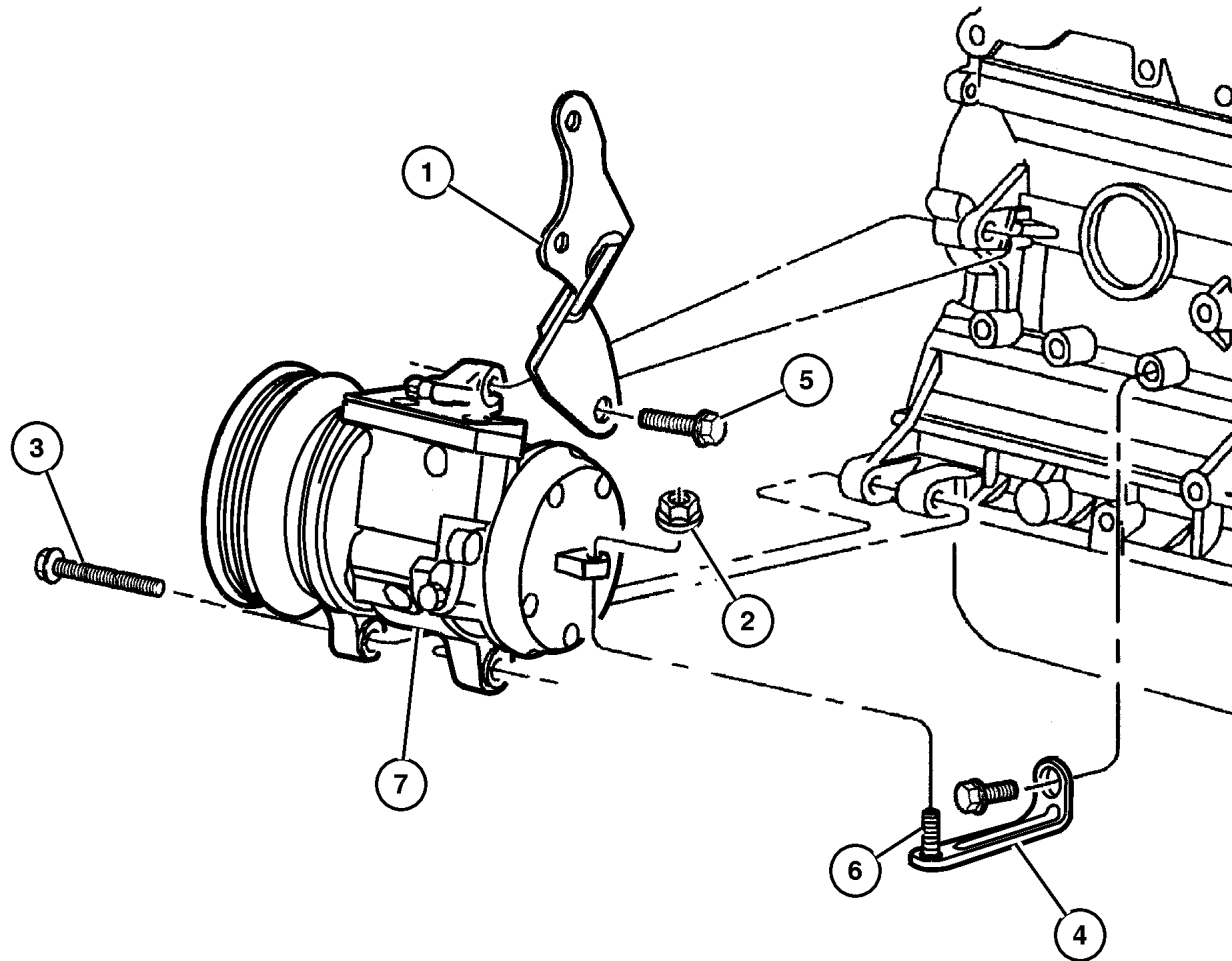
ITEM	PART NUMBER	QTY	LINE	SERIES	BODY	ENGINE	TRANS	DESCRIPTION
------	-------------	-----	------	--------	------	--------	-------	-------------

Note:

ER0 = All 4.0L 6 Cyl Gas Engines

EVO = All 4.7L Gas Engines

1	4854 157	1				ER0		BRACE, Power Steering Pump
2	6101 695	4						NUT, Hex Flange Lock, M8x1.25
3	6504 344	1				ER0		SCREW AND WASHER, Hex Head
4	53013 053AA	1				ER0		BRACE, A/C Compressor
5	6101 985	5				EVO		SCREW AND WASHER, M10x1.50x45.00
6								SCREW AND WASHER, Hex Head, (NOT SERVICED) (Not Serviced)
7	55117 244AA	1				ER0		COMPRESSOR, Air Conditioning



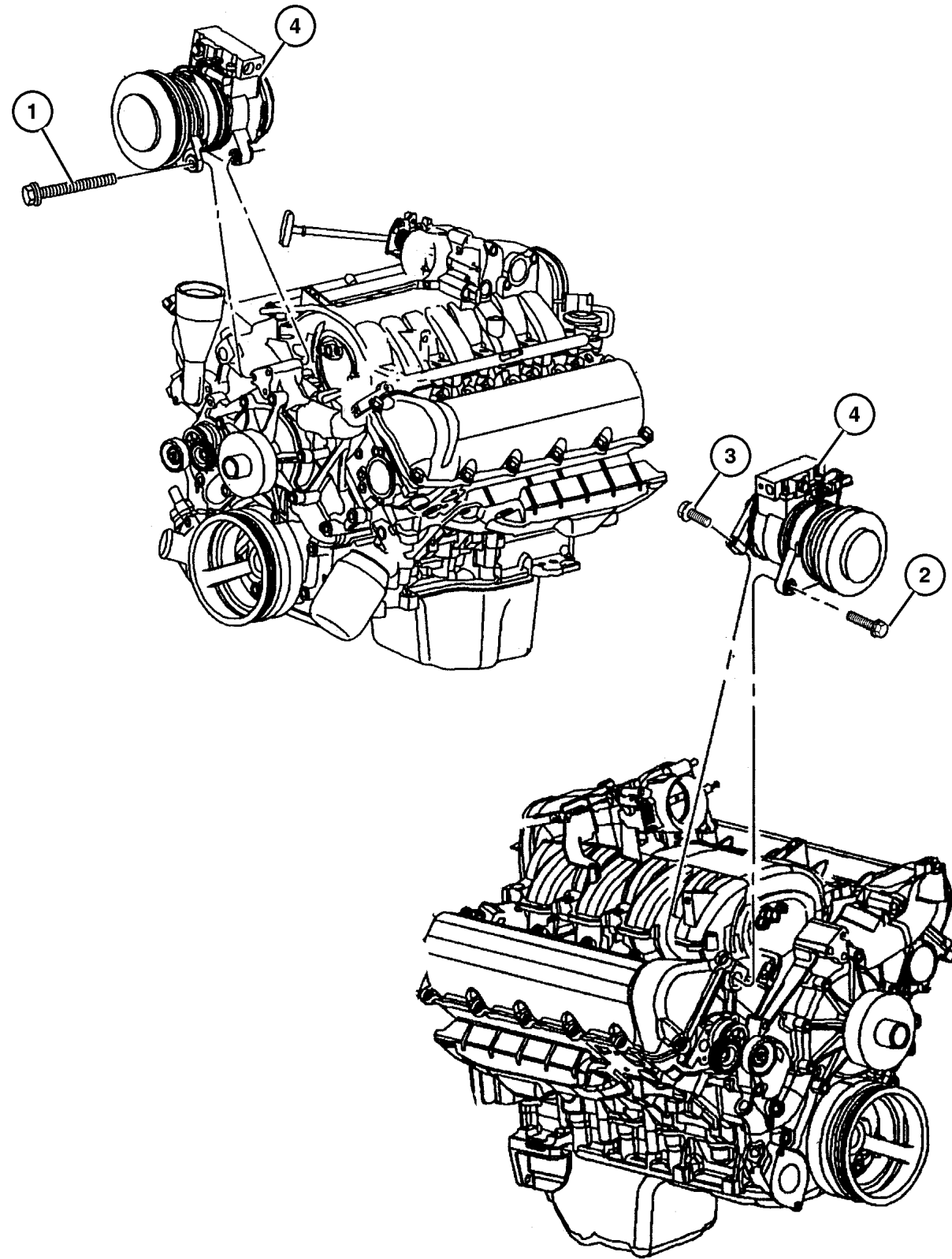
**JEEP GRAND CHEROKEE (WG)**

SERIES	LINE	BODY	ENGINE	TRANSMISSION
H = Laredo	J = 4WD	74 = 4 Door	ER0, ERH = 4.0L, Power Tech	DGK = 4 Speed Autm, 42RE
P = Limited	U = 4WD, RHD		EVO, EVA = 4.7L, Power Tech	DGQ = 5 Speed Automatic
			EXO, EXA = 3.1L 5 Cyl Turbo Diesel	- 5-45RFE
				DGW = 4 Speed Autm, 44RE

AR = Use as required - = Non illustrated part # = New this model year

October 31, 2002

**Compressor, Mounting 4.7L Engine  
Figure 024-520**



ITEM	PART NUMBER	QTY	LINE	SERIES	BODY	ENGINE	TRANS	DESCRIPTION
------	-------------	-----	------	--------	------	--------	-------	-------------

Note:

EVO = All 4.7L Gas Engines

EXO = All 3.0/3.1L Turbo Diesel Engines

1	0154 877AA	2				EX0		SCREW AND WASHER, Hex Head
2	6101 985	5				EVO		SCREW AND WASHER, M10x1.50x45.00
3	6102 047AA	6				EVO		SCREW, Hex Head, M8x1.25x50
4	55116 906AA	1				EVO		COMPRESSOR, Air Conditioning

**JEEP GRAND CHEROKEE (WG)**

SERIES	LINE	BODY	ENGINE	TRANSMISSION
H = Laredo	J = 4WD	74 = 4 Door	ER0, ERH = 4.0L, Power Tech	DGK = 4 Speed Autm, 42RE
P = Limited	U = 4WD, RHD		EVO, EVA = 4.7L, Power Tech	DGQ = 5 Speed Automatic
			EXO, EXA = 3.1L 5 Cyl Turbo Diesel	- 5-45RFE
				DGW = 4 Speed Autm, 44RE

AR = Use as required - = Non illustrated part # = New this model year

October 31, 2002

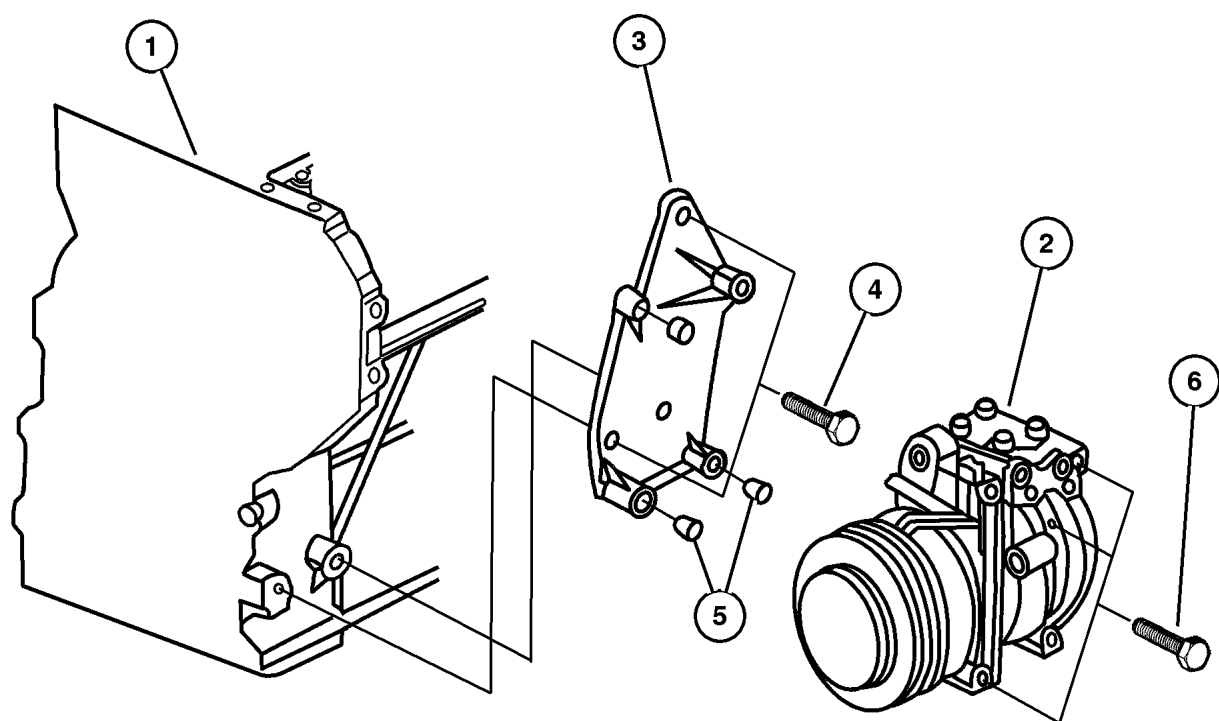
## Compressor Mounting (EXA) 3.1L Turbo Diesel Engin Figure 024-530

ITEM	PART NUMBER	QTY	LINE	SERIES	BODY	ENGINE	TRANS	DESCRIPTION
------	-------------	-----	------	--------	------	--------	-------	-------------

**NOTE:**

Sales Codes:  
 [DG0]=All Automatic Transmissions  
 [EX0]=All 3.1L Turbo Diesel Engines

1								ENGINE, Complete, (NOT SERVICED) (Not Serviced)
2	5015 042AA	1				EX0		COMPRESSOR, Air Conditioning
3	#5015 041AB	1				EX0		BRACKET, A/C Compressor
4	5015 074AA	1				EX0		BOLT
5	5072 767AA	2				EX0		SPACER
6	5015 043AA	4				EX0		BOLT



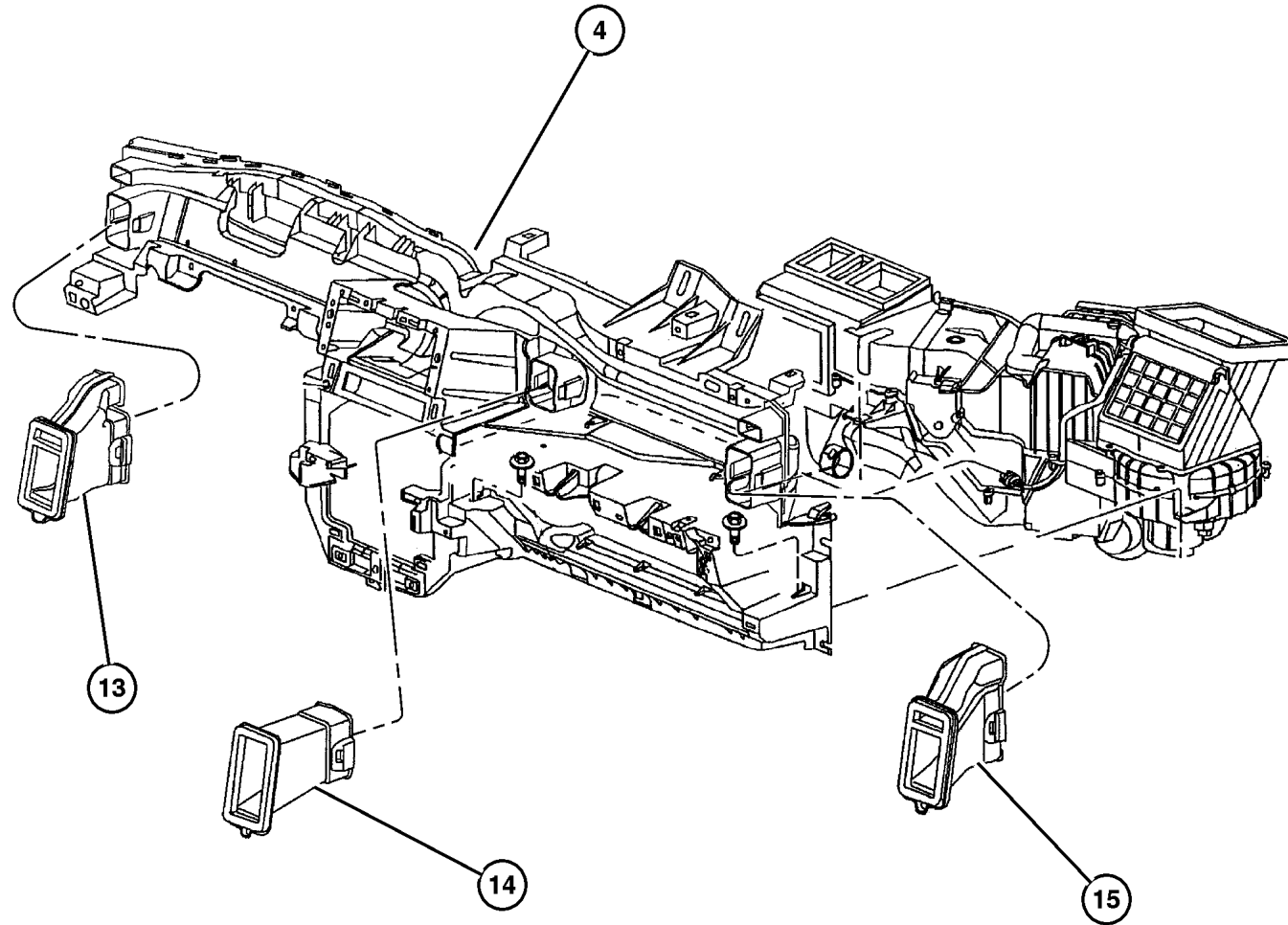
JEEP GRAND CHEROKEE (WG)				
SERIES	LINE	BODY	ENGINE	TRANSMISSION
H = Laredo	J = 4WD	74 = 4 Door	ER0, ERH = 4.0L, Power Tech	DGK = 4 Speed Autm, 42RE
P = Limited	U = 4WD, RHD		EVO, EVA = 4.7L, Power Tech	DGQ = 5 Speed Automatic
			EXO, EXA = 3.1L 5 Cyl Turbo Diesel	- 5-45RFE
				DGW = 4 Speed Autm, 44RE

AR = Use as required - = Non illustrated part # = New this model year

October 31, 2002



## Air Ducts and Outlets Figure 024-610



ITEM	PART NUMBER	QTY	LINE	SERIES	BODY	ENGINE	TRANS	DESCRIPTION
-1	5511 6041	1						BRACKET, Instrument Panel, Steering Column Support
-2	6101 442	4	U					U-NUT, M6 x 1.00, M6x1.00
-3	6102 141AA	5						SCREW, M6x1x25
4	55116 295AC	1	U					DUCT, Instrument Panel, Structural
-5								CLIP, .453Wx.528LGx.017THK
	6034 319	2	U					
		2	J					
-6								CLIP, Push, .164-7.5
	6034 833	12	J					
		12	U					
-7	55116 391AA	1						BRACKET, Instrument Panel, C/Channel Cover
-8	6101 946	3						SCREW, Tapping
-9	55116 418AA	1	U					BRACKET, Instrument Panel, Courtesy Lamp
-10	5511 6041	1						BRACKET, Instrument Panel, Center to Floor
-11								SCREW, Self Tapping, M6x1x15, (NOT SERVICED) (Not Serviced)
-12	5511 6014	1	J					DUCT, Defroster
13	55116 287AB	1						DUCT, Instrument Panel
14								DUCT, Instrument Panel
	55116 285AA	1	J					
	55116 439AA	1	U					
15	55116 286AB	1						DUCT, Instrument Panel

### JEEP GRAND CHEROKEE (WG)

SERIES	LINE	BODY	ENGINE	TRANSMISSION
H = Laredo	J = 4WD	74 = 4 Door	ER0, ERH = 4.0L, Power Tech	DGK = 4 Speed Autm, 42RE
P = Limited	U = 4WD, RHD		EVO, EVA = 4.7L, Power Tech	DGQ = 5 Speed Automatic
			EXO, EXA = 3.1L 5 Cyl Turbo Diesel	- 5-45RFE
				DGW = 4 Speed Autm, 44RE

AR = Use as required - = Non illustrated part # = New this model year

October 31, 2002

# Group – 025

## Emission Systems

### GROUP 25 - Emission Systems

Illustration Title

Group-Fig. No.

#### Emission Labels

Emission Labels, 4.0 (ERH), 4.7 (EVA) ..... Fig. 025-110

#### EGR System

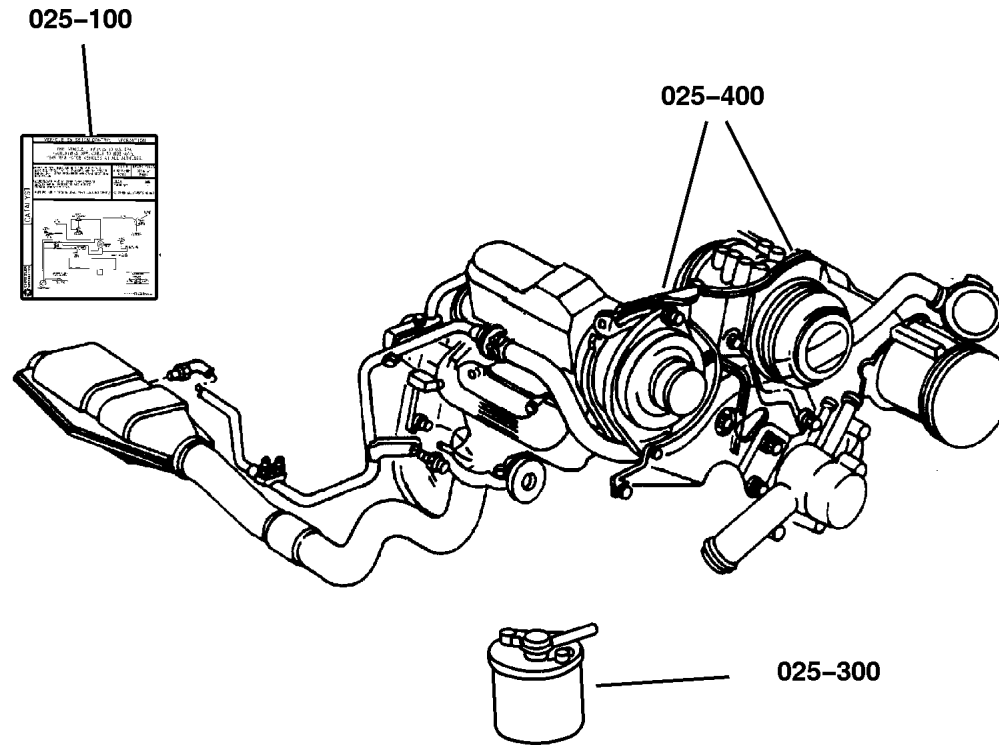
EGR, System ..... Fig. 025-210

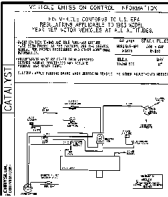
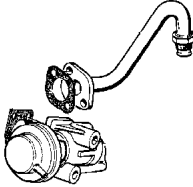
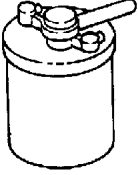
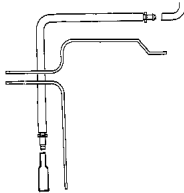
#### Vacuum Canister

Vacuum Canister, 4.0 (ERH), 4.7 (EVA) ..... Fig. 025-310

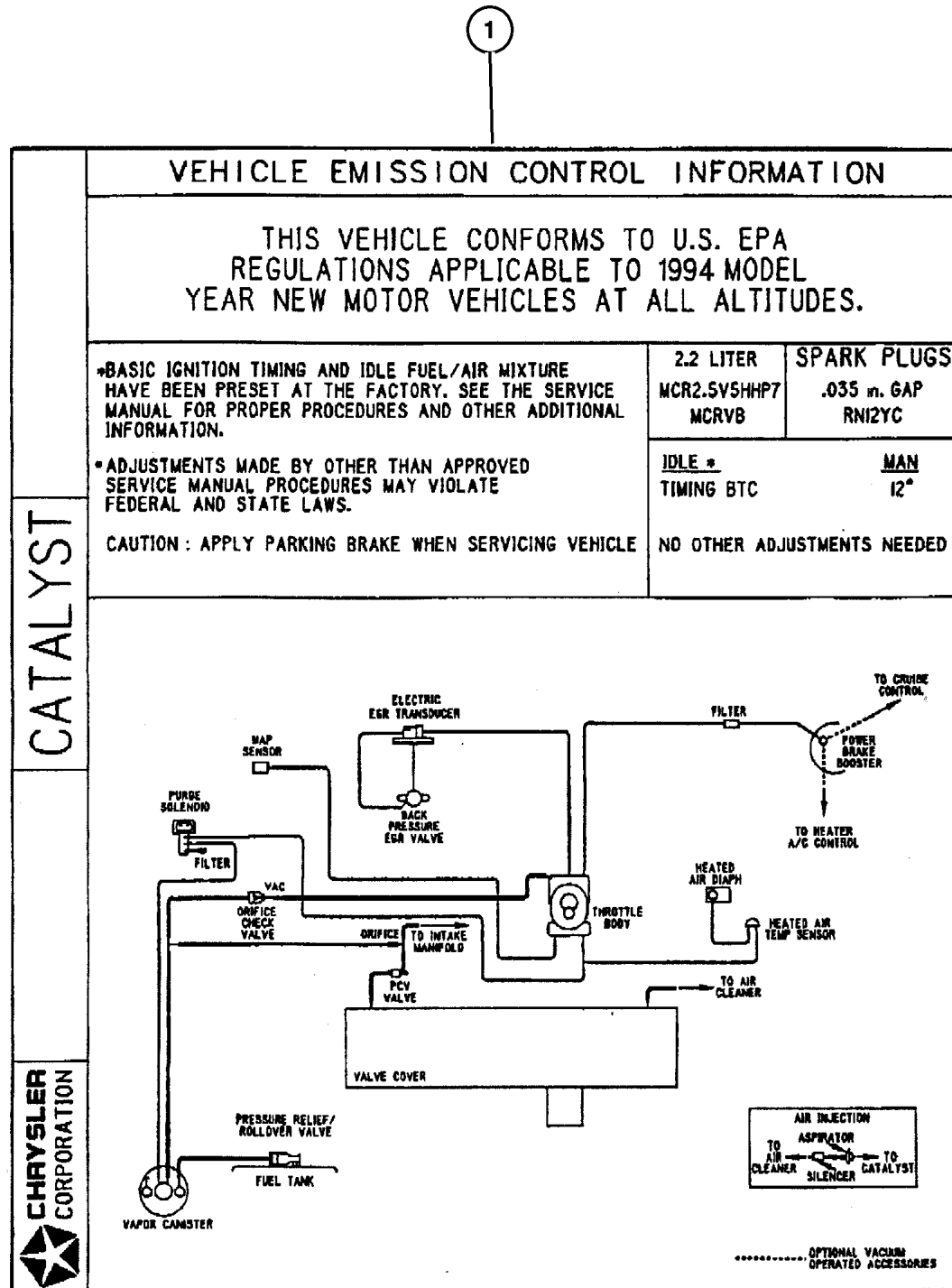
#### Emission Harness

Emission Control Vacuum Harness, 4.0 (ERH), 4.7 (EVA) ..... Fig. 025-410



<p><b>025-100</b> Emission Labels</p> 	<p><b>025-200</b> EGR System</p> 	<p><b>025-300</b> Vacuum Canister</p> 	<p><b>025-400</b> Emission Harness</p> 
---	--	---	--

Emission Labels, 4.0 (ERH), 4.7 (EVA)  
Figure 025-110



ITEM	PART NUMBER	QTY	LINE	SERIES	BODY	ENGINE	TRANS	DESCRIPTION
------	-------------	-----	------	--------	------	--------	-------	-------------

Note:

- ERH = 4.0L Power Tech I-6
- ER0 = All 4.0L 6 Cyl Gas Engines
- EVA = 4.7L Power Tech V8 Engine
- EVO = All 4.7L Gas Engines
- EX0 = All 3.0/3.1L Turbo Diesel Engines

1								LABEL, Emission
	53013 445AB	1				EVO		
	53013 459AA	1				ER0		
	53014 004AA	1	J			EX0		

JEEP GRAND CHEROKEE (WG)

SERIES	LINE	BODY	ENGINE	TRANSMISSION
H = Laredo	J = 4WD	74 = 4 Door	ER0, ERH = 4.0L, Power Tech	DGK = 4 Speed Autm, 42RE
P = Limited	U = 4WD, RHD		EVO, EVA = 4.7L, Power Tech	DGQ = 5 Speed Automatic
			EXO, EXA = 3.1L 5 Cyl Turbo Diesel	- 5-45RFE
				DGW = 4 Speed Autm, 44RE

AR = Use as required - = Non illustrated part # = New this model year

October 31, 2002

## EGR, System Figure 025-210

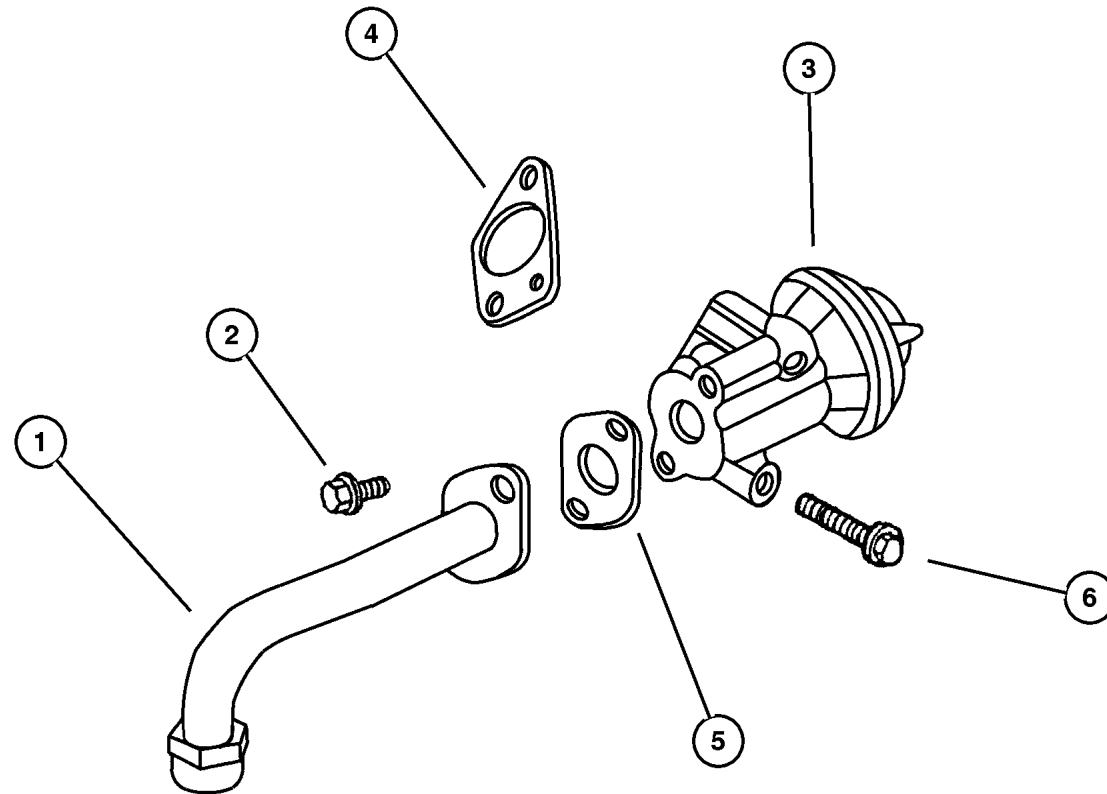
ITEM	PART NUMBER	QTY	LINE	SERIES	BODY	ENGINE	TRANS	DESCRIPTION
------	-------------	-----	------	--------	------	--------	-------	-------------

**NOTE:**

EX0=All 3.1L Engines

DG0=All Automatic Transmissions

1								TUBE, EGR
	5015 069AA	1				EX0	DG0	
	53013 021AC	1				EX0		EGR To EVR
2	4864 537	3				EX0	DG0	BOLT, 8Mx20
3	4720 662	1				EX0	DG0	VALVE, EGR
4	5017 196AA	1				EX0	DG0	GASKET, EGR Tube
5	4720 208	1				EX0	DG0	GASKET, EGR Tube Flange
6	5015 070AA	2				EX0	DG0	BOLT



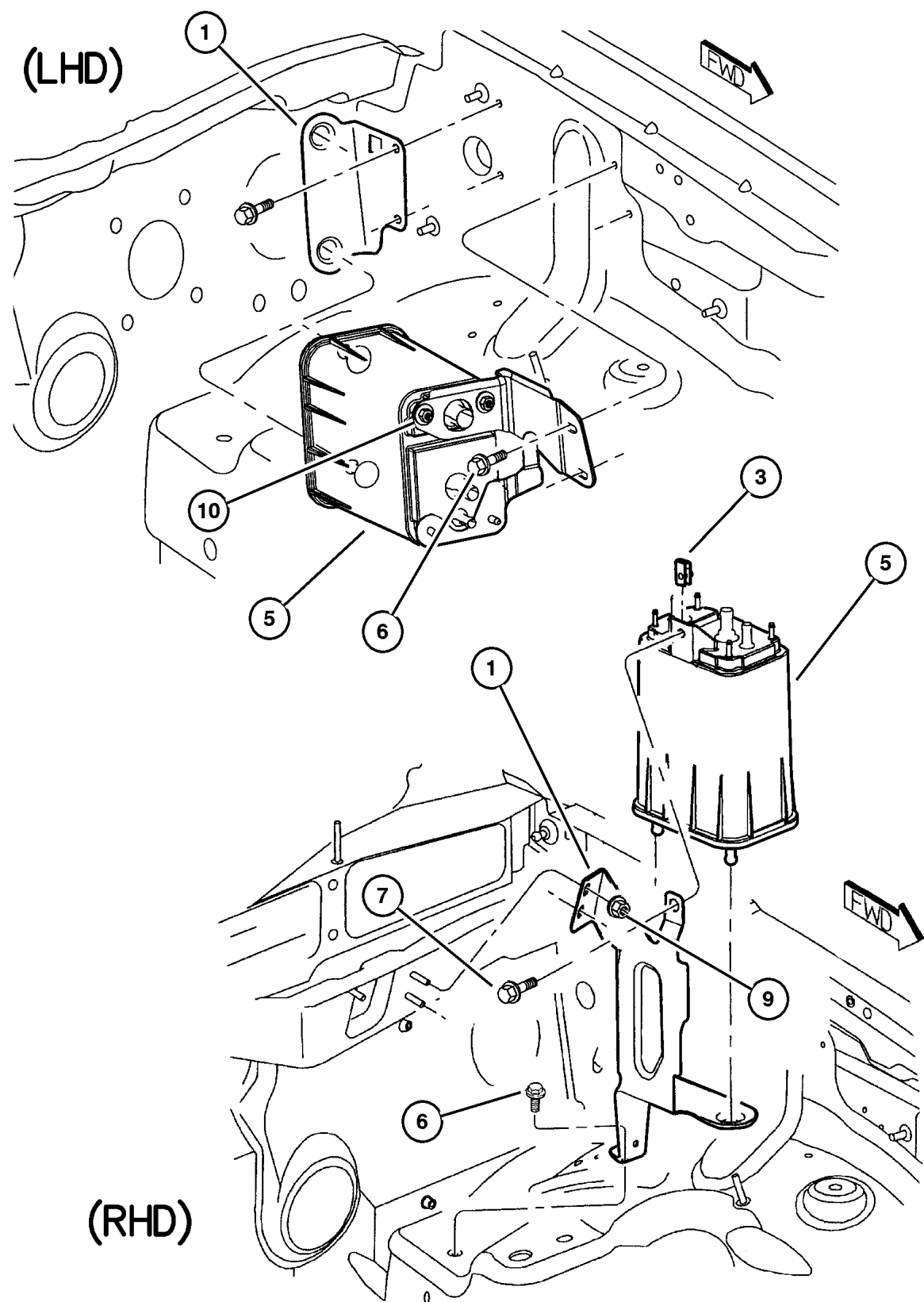
**JEEP GRAND CHEROKEE (WG)**

SERIES	LINE	BODY	ENGINE	TRANSMISSION
H = Laredo	J = 4WD	74 = 4 Door	ER0, ERH = 4.0L, Power Tech	DGK = 4 Speed Autm, 42RE
P = Limited	U = 4WD, RHD		EVO, EVA = 4.7L, Power Tech	DGQ = 5 Speed Automatic
			EXO, EXA = 3.1L 5 Cyl Turbo Diesel	- 5-45RFE
				DGW = 4 Speed Autm, 44RE

AR = Use as required - = Non illustrated part # = New this model year

October 31, 2002

Vacuum Canister, 4.0 (ERH), 4.7 (EVA)  
Figure 025-310



ITEM	PART NUMBER	QTY	LINE	SERIES	BODY	ENGINE	TRANS	DESCRIPTION
Note:								
DGK = 4 Speed Automatic Transmission 42RE								
DGW = 4 Speed Automatic Transmission 44RE								
ERH = 4.0L Power Tech I-6								
ER0 = All 4.0L 6 Cyl Gas Engines								
EVA = 4.7L Power Tech V8 Engine								
EVO = All 4.7L Gas Engines								
NAB=Leaded Fuel Emissions								
NA3=European III Emissions								
1								BRACKET, Vapor Canister With Sales Code [NA3]
	4854 159AB	1	J			ER0, EVO		With Sales Code [NA3]
	53013 065AB	1	J			ER0, EVO		With Sales Code [NAB]
	53013 067AA	1	U			ER0, EVO		With Sales Code [NAB]
	53013 169AB	1	U			ER0, EVO		With Sales Code [NA3]
-2								GROMMET, Air Cleaner Bracket
	4669 177	2	U			ER0, EVO		
			2	J		ER0, EVO		
3								U-NUT, .25-20
	6034 671	1	J			ER0, EVO		
			1	U		ER0, EVO		
-4	6101 442	1	U			ER0, EVO		U-NUT, M6 x 1.00, M6x1.00
5								CANISTER, Vapor With Sales Code [NA3]
	4854 208AE	1	J			ER0, EVO		With Sales Code [NAB]
	53013 628AA	1				ER0, EVO		With Sales Code [NA3]
	5303 0838	1	U			ER0, EVO		With Sales Code [NA3]
6	6505 815AA	1						SCREW, Canister Bracket To Body
7	6101 939	1	U			ER0, EVO		SCREW AND WASHER, Hex Head, M6x1x30, Canister To Bracket
-8	0154 566	1				ER0, EVO		SCREW AND WASHER, Hex Head, .25- 20x1.625, Canister To Bracket

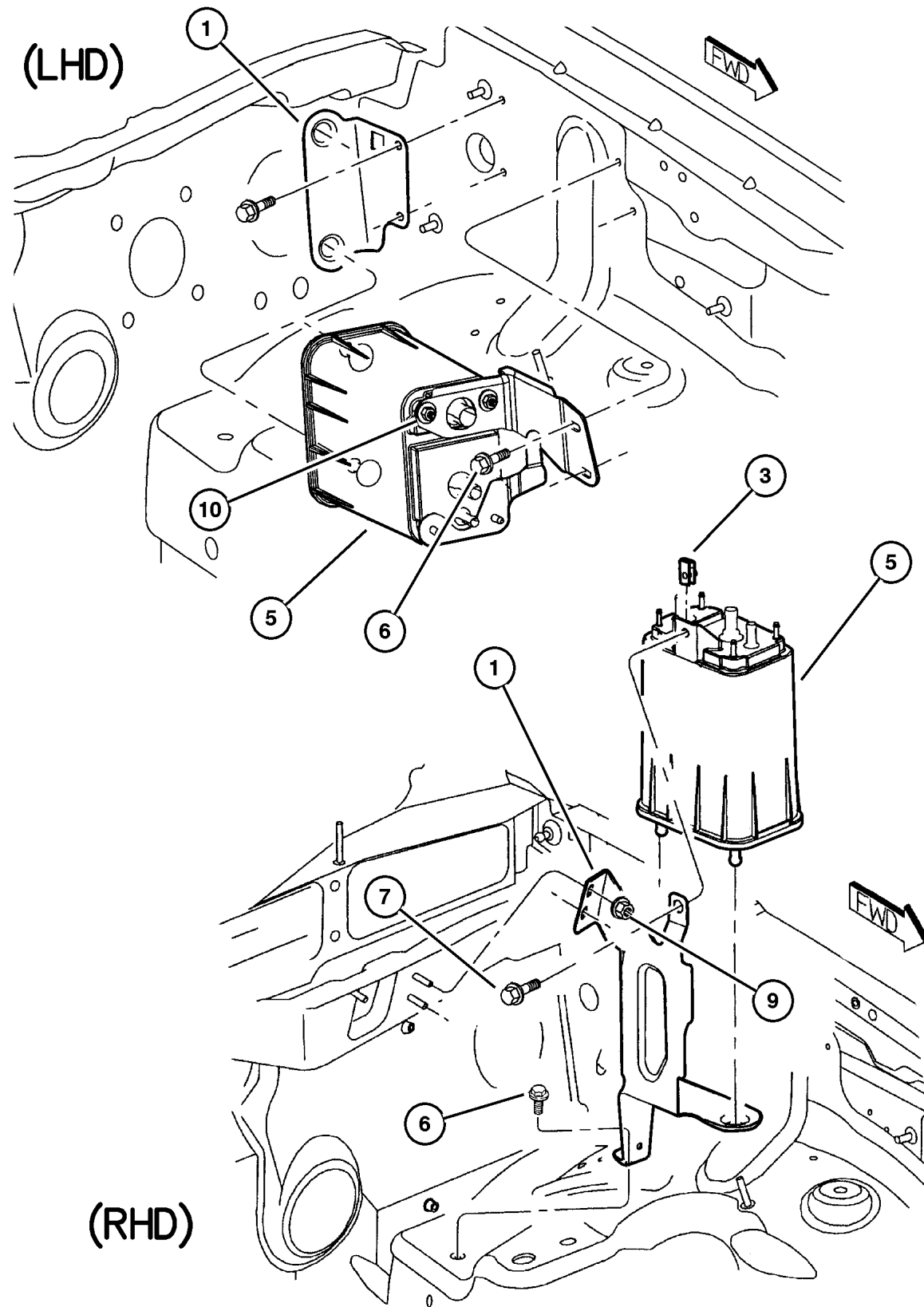
JEEP GRAND CHEROKEE (WG)

SERIES	LINE	BODY	ENGINE	TRANSMISSION
H = Laredo	J = 4WD	74 = 4 Door	ER0, ERH = 4.0L, Power Tech	DGK = 4 Speed Autm, 42RE
P = Limited	U = 4WD, RHD		EVO, EVA = 4.7L, Power Tech	DGQ = 5 Speed Automatic
			EXO, EXA = 3.1L 5 Cyl Turbo Diesel	- 5-45RFE
				DGW = 4 Speed Autm, 44RE

AR = Use as required - = Non illustrated part # = New this model year

October 31, 2002

Vacuum Canister, 4.0 (ERH), 4.7 (EVA)  
Figure 025-310



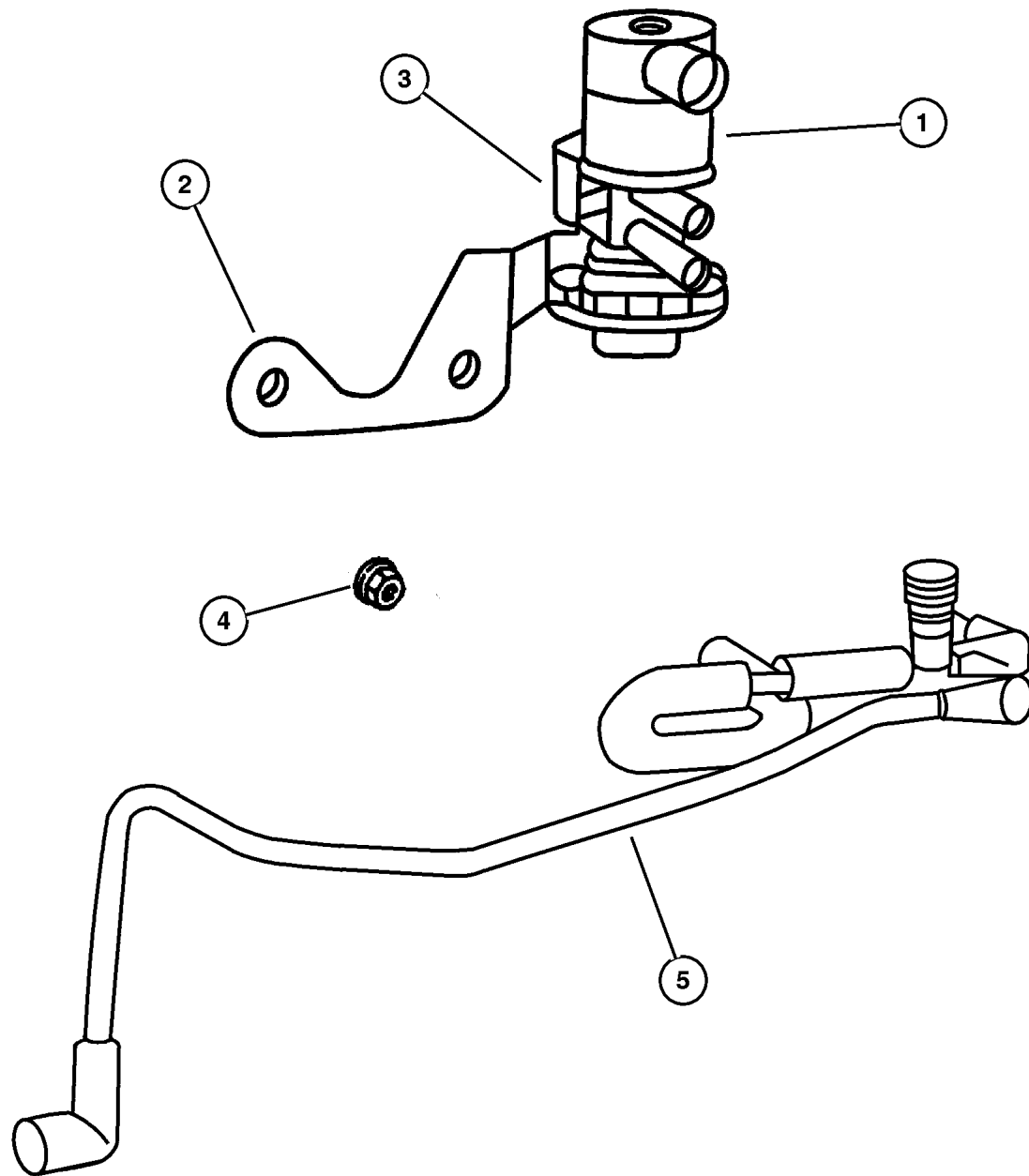
ITEM	PART NUMBER	QTY	LINE	SERIES	BODY	ENGINE	TRANS	DESCRIPTION
9	6101 447	2	U			ER0, EVO		NUT, Bracket To Body
10	6100 048	1					DGK, DGW	NUT, Hex, M6x1.00, Vapor Canister

<b>JEEP GRAND CHEROKEE (WG)</b>				
SERIES	LINE	BODY	ENGINE	TRANSMISSION
H = Laredo	J = 4WD	74 = 4 Door	ER0, ERH = 4.0L, Power Tech	DGK = 4 Speed Autm, 42RE
P = Limited	U = 4WD, RHD		EVO, EVA = 4.7L, Power Tech	DGQ = 5 Speed Automatic
			EXO, EXA = 3.1L 5 Cyl Turbo Diesel	- 5-45RFE
				DGW = 4 Speed Autm, 44RE

AR = Use as required - = Non illustrated part # = New this model year

October 31, 2002

**Emission Control Vacuum Harness, 4.0 (ERH), 4.7 (EVA)  
Figure 025-410**



ITEM	PART NUMBER	QTY	LINE	SERIES	BODY	ENGINE	TRANS	DESCRIPTION
NOTE:								
Sales Codes:								
ER0=All 4.0L Engines								
EVO=All 4.7L Engines								
NAC=European II Emissions								
NAB=Leaded Fuel Emissions								
NA3=European III Emissions								
1								SOLENOID, Duty Cycle Purge
	4669 475AB	1	U			ER0,		
		1	J			EVO,		
						ER0,		
						EVO		
2								BRACKET, Duty Cycle Purge Solenoid
	53013 158AA	1	J			ER0,		With Sales Code [NAC]
						EVO		
	53013 159AA	1	U			ER0,		With Sales Code [NAB]
						EVO		
	53013 211AA	1	U			ER0,		With Sales Code [NA3]
						EVO		
	56022 716AA	1	J			ER0,		Isolation
						EVO		
		1	U			ER0,		Isolation
						EVO		
3								BUSHING, Isolator
	5303 0987	1	U			ER0,		
						EVO		
						ER0,		
						EVO		
4	6100 048	2				ER0,		NUT, Hex, M6x1.00
						EVO		
5								HARNESS, Vapor Purge
	4854 100	1	J			ER0		With Sales Code [NA3]
	53013 228AA	1	U			ER0		With Sales Code [NAB & NAC]
	53013 327AB	1	J			ER0		With Sales Code [NAB & NAC]
	4854 105	1	J			EVO		With Sales Code [NA3]
	53013 173AB	1	U			EVO		With Sales Code [NA3]
	53013 229AA	1	J			EVO		With Sales Code [NAB]
	53013 230AB	1	U			EVO		With Sales Code [NAB]
-6	53013 254AB	1	U			ER0		HARNESS, Vapor, With Sales Code [NA3]

**JEEP GRAND CHEROKEE (WG)**

SERIES	LINE	BODY	ENGINE	TRANSMISSION
H = Laredo	J = 4WD	74 = 4 Door	ER0, ERH = 4.0L, Power Tech	DGK = 4 Speed Autm, 42RE
P = Limited	U = 4WD, RHD		EVO, EVA = 4.7L, Power Tech	DGQ = 5 Speed Automatic
			EXO, EXA = 3.1L 5 Cyl Turbo Diesel	- 5-45RFE
				DGW = 4 Speed Autm, 44RE

AR = Use as required - = Non illustrated part # = New this model year

October 31, 2002

# Group – DWG

## Doors and Related Parts

### GROUP DWG - Doors and Related Parts

Illustration Title

Group-Fig. No.

#### Front Door

Door,Front Shell and Hinges .....	Fig. DWG-110
Door,Front Glass and Regulator .....	Fig. DWG-120
Door,Front Lock and Control .....	Fig. DWG-130

#### Rear Door

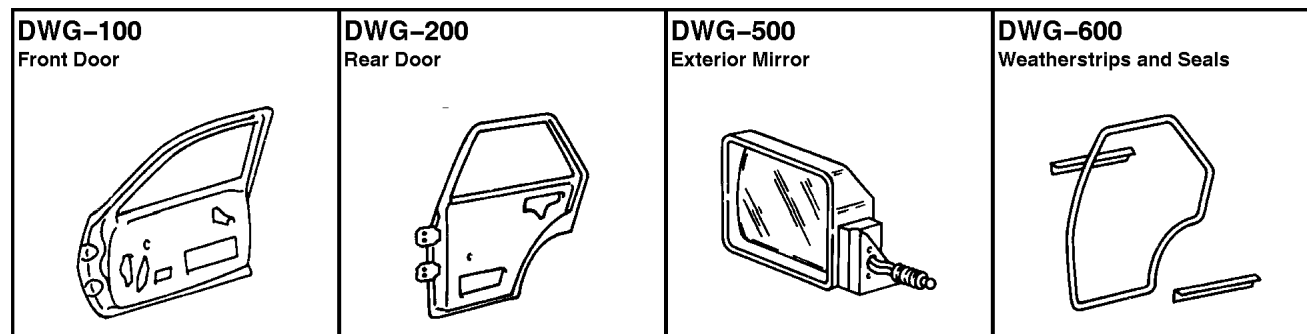
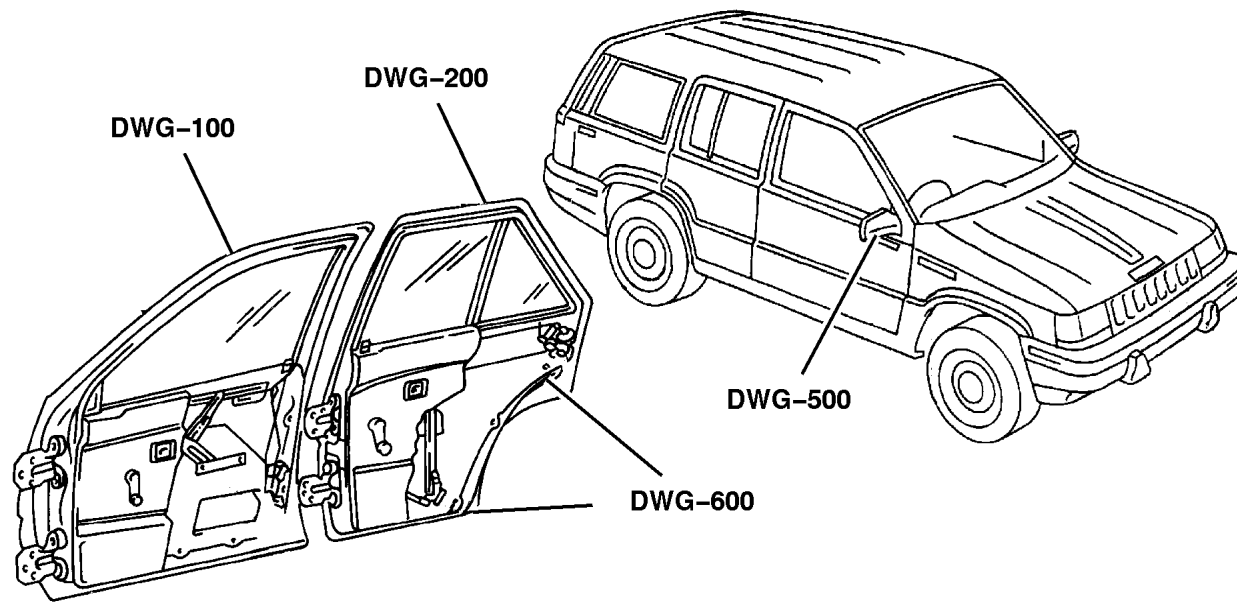
Door,Rear Shell and Hinges .....	Fig. DWG-210
Door,Rear Glass and Regulators .....	Fig. DWG-220
Door,Rear Lock and Controls .....	Fig. DWG-230

#### Exterior Mirror

Mirrors,Exterior .....	Fig. DWG-510
------------------------	--------------

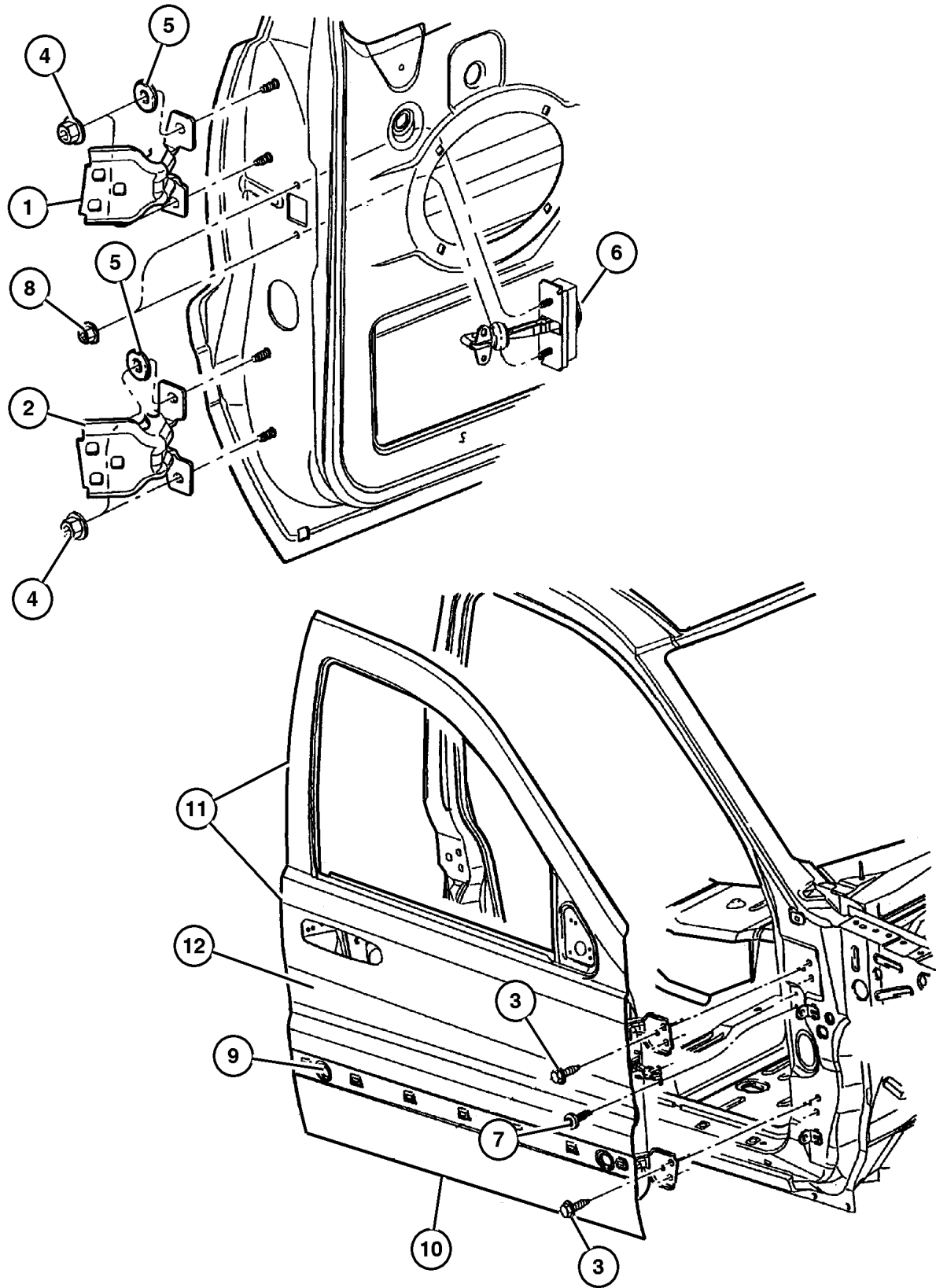
#### Weatherstrips and Seals

Door,Front Weatherstrips and Seals .....	Fig. DWG-610
Door,Rear Weatherstrips and Seals .....	Fig. DWG-620
Door,Rear Tailgate Weatherstrips .....	Fig. DWG-630





Door,Front Shell and Hinges  
Figure DWG-110



ITEM	PART NUMBER	QTY	LINE	SERIES	BODY	ENGINE	TRANS	DESCRIPTION
1								HINGE, Door Half, Upper
	55136 480AD	2						Right
	55136 481AD	2						Left
2								HINGE, Door Half, Lower
	55136 480AD	2						Left
	55136 481AD	2						Right
3								SCREW, Hex Head, M8x1.25x30, (NOT SERVICED) (Not Serviced)
4	6101 809	1						NUT AND WASHER, Hex, M8x1.25
5	55136 971AC	4						WASHER, Flat
6								CHECK, Front Door
	55135 590AC	1						Right
	55135 591AC	1						Left
7								SCREW, Torx Round Head, M6-1.0x20.0, (NOT SERVICED) (Not Serviced)
8	6503 504	2						NUT AND WASHER, Hex, M6x1
9	55257 380AA	12						PLUG
10	2860 332	4						PLUG, Anti-Rattle
11								DOOR, Front
	55137 058AB	1						Right
	55137 059AB	1						Left
12								PANEL, Front Door Outer Repair
	55137 060AA	1						Right
	55137 061AA	1						Left
-13								NUT, Rivet Round, M5x0.80x11.09, (NOT SERVICED) (Not Serviced)

JEEP GRAND CHEROKEE (WG)

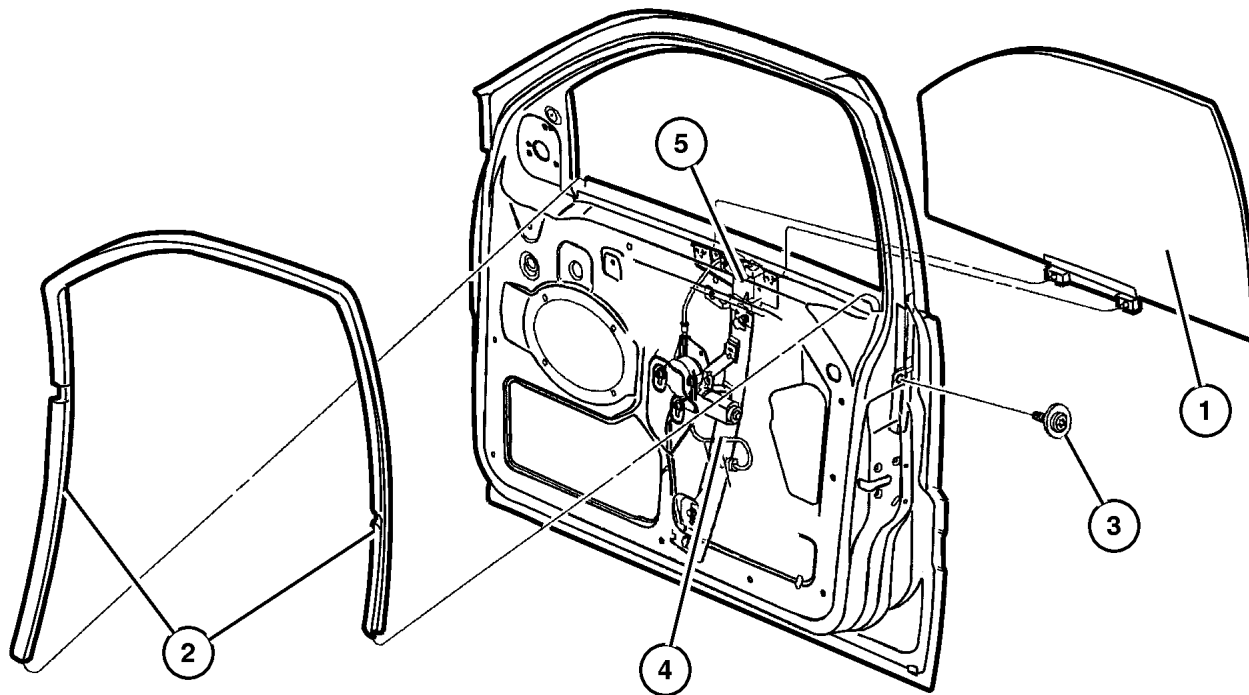
SERIES	LINE	BODY	ENGINE	TRANSMISSION
H = Laredo	J = 4WD	74 = 4 Door	ER0, ERH = 4.0L, Power Tech	DGK = 4 Speed Autm, 42RE
P = Limited	U = 4WD, RHD		EVO, EVA = 4.7L, Power Tech	DGQ = 5 Speed Automatic
			EXO, EXA = 3.1L 5 Cyl Turbo Diesel	- 5-45RFE
				DGW = 4 Speed Autm, 44RE

AR = Use as required - = Non illustrated part # = New this model year

October 31, 2002

**Door,Front Glass and Regulator**  
**Figure DWG-120**

ITEM	PART NUMBER	QTY	LINE	SERIES	BODY	ENGINE	TRANS	DESCRIPTION
1								GLASS, Front Door
	55136 002AC	1						Right
	55136 003AC	1						Left
2								SEAL, Front Door Glass
	55136 024AE	1						Right
	55136 025AE	1						Left
3	6504 987AA	2						SCREW AND WASHER, Tapping, M6-1.0x20.0
4								REGULATOR, Front Door Window
	55363 286AA	1						Right
	55363 287AA	1						Left
5								SCREW, M6X1.00X16.00, (NOT SERVICED) (Not Serviced)
-6								CHANNEL, Front Door Glass Lower
	5513 6016	1						Front
	5513 6017	1						Rear
-7	5086 563AA	1						CLIP, Regulator



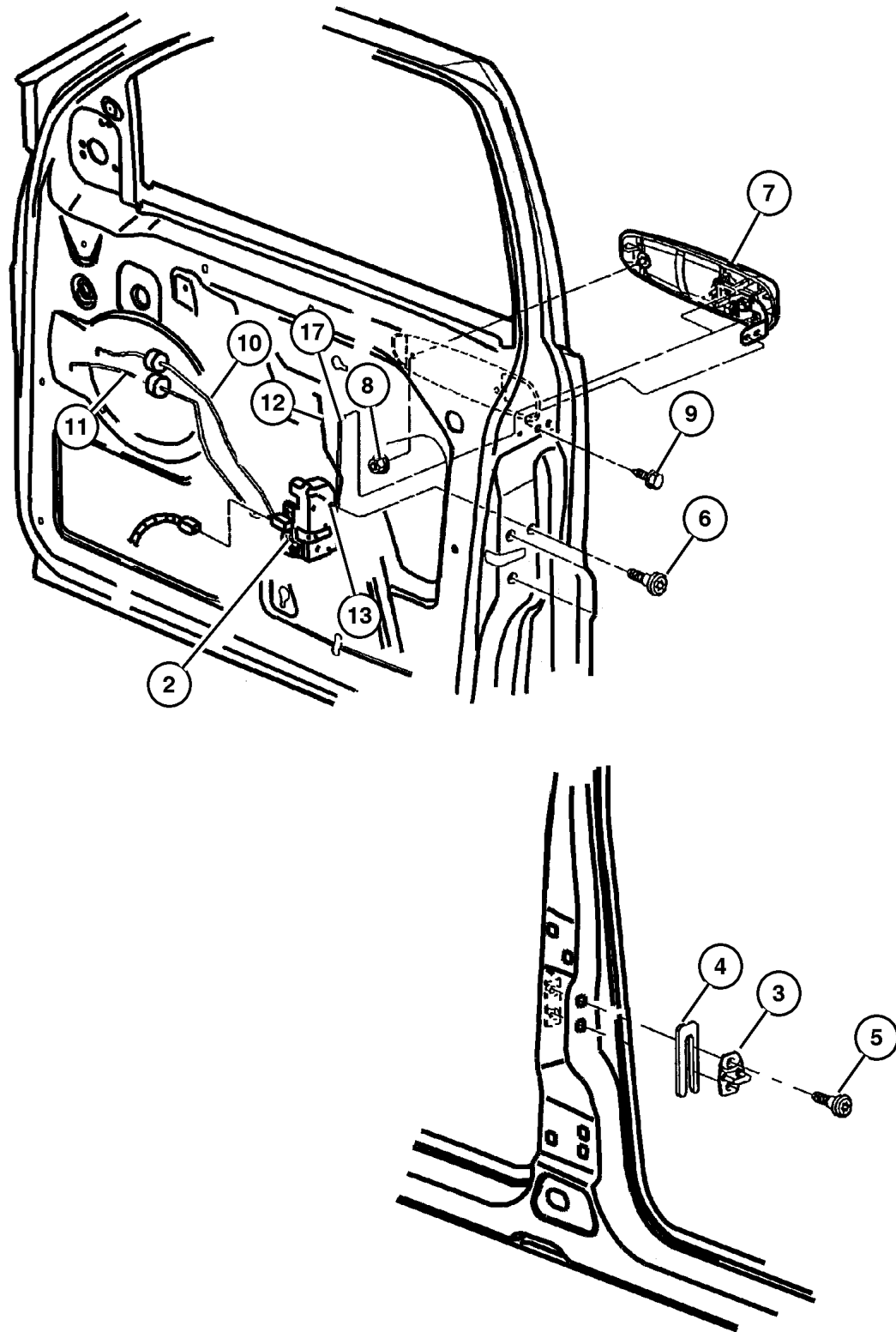
**JEEP GRAND CHEROKEE (WG)**

SERIES	LINE	BODY	ENGINE	TRANSMISSION
H = Laredo	J = 4WD	74 = 4 Door	ER0, ERH = 4.0L, Power Tech	DGK = 4 Speed Autm, 42RE
P = Limited	U = 4WD, RHD		EVO, EVA = 4.7L, Power Tech	DGQ = 5 Speed Automatic
			EXO, EXA = 3.1L 5 Cyl Turbo Diesel	- 5-45RFE
				DGW = 4 Speed Autm, 44RE

AR = Use as required - = Non illustrated part # = New this model year

October 31, 2002

**Door,Front Lock and Control**  
**Figure DWG-130**



ITEM	PART NUMBER	QTY	LINE	SERIES	BODY	ENGINE	TRANS	DESCRIPTION
-1								HANDLE, Door Interior
	5FX74 1AZAD	1		P				Agate , Limited, Right
		1		H				Agate , Laredo, Right
	5FX74 1T5AD	1		P				Taupe , Limited, Right
		1		H				Taupe , Laredo, Right
	5FX75 1AZAD	1		P				Agate , Limited, Left
		1		H				Agate , Laredo, Left
	5FX75 1T5AD	1		P				Taupe , Limited, Left
		1		H				Taupe , Laredo, Left
2								LATCH, Front Door
	55135 606AB	1	J					w/o Cylinder
	55135 607AB	1	U					w/o Cylinder
	55136 346AB	1	U					w Cylinder
	55136 347AB	1	J					w Cylinder
3	#4780 607AA	2						STRIKER, Door
4	4520 289	AR						SPACER, Door Latch Striker
5	6504 573	4						SCREW, Oval Head, SCREW
6	6033 876	6						SCREW, Tapping, M6.3x1.8x38.1
7								HANDLE, Exterior Door
	55135 838AB	1		H				Right
	QR38 XGRAB	1	J	P				Share Green w/o Cylinder, Right
	QR38 XSHAB	1	J	P				Silverstone w/o Cylinder, Right
	QR38 YU2AB	1	J	P				Woodland Brown w/o Cylinder, Right
	QR39 DX8AB	1	U	P				Black Clear Coated w/o Cylinder, Left
	QR39 SW1AB	1	U	P				Stone White w/o Cylinder, Left
	QR39 VAWAB	1	U	P				Deep Slate w/o Cylinder, Left
	QR39 VTEAB	1	U	P				Champagne Pearl Metallic w/o Cylinder, Left
	QR39 WB7AB	1	U	P				Patriot Blue w/o Cylinder, Left
	QR39 WURAB	1	U	P				Sienna w/o Cylinder, Left
	QR39 XBQAB	1	U	P				Steel Blue w/o Cylinder, Left
	55135 839AB	1		H				Left
	QR39 XGRAB	1	U	P				Share Green w/o Cylinder, Left
	QR39 XSHAB	1	U	P				Silverstone w/o Cylinder, Left
	QR39 YU2AB	1	U	P				Woodland Brown w/o Cylinder, Left
	5FW46 DX8AB	1		P				Black Clear Coated, Right
	5FW46 SW1AB	1		P				Stone White, Right
	5FW46 VAWAB	1		P				Deep Slate, Right
	5FW46 VTEAB	1		P				Champagne Pearl Metallic, Right
	5FW46 WB7AB	1		P				Patriot Blue, Right
	5FW46 WURAB	1		P				Sienna, Right
	5FW46 XBQAB	1		P				Steel Blue, Right

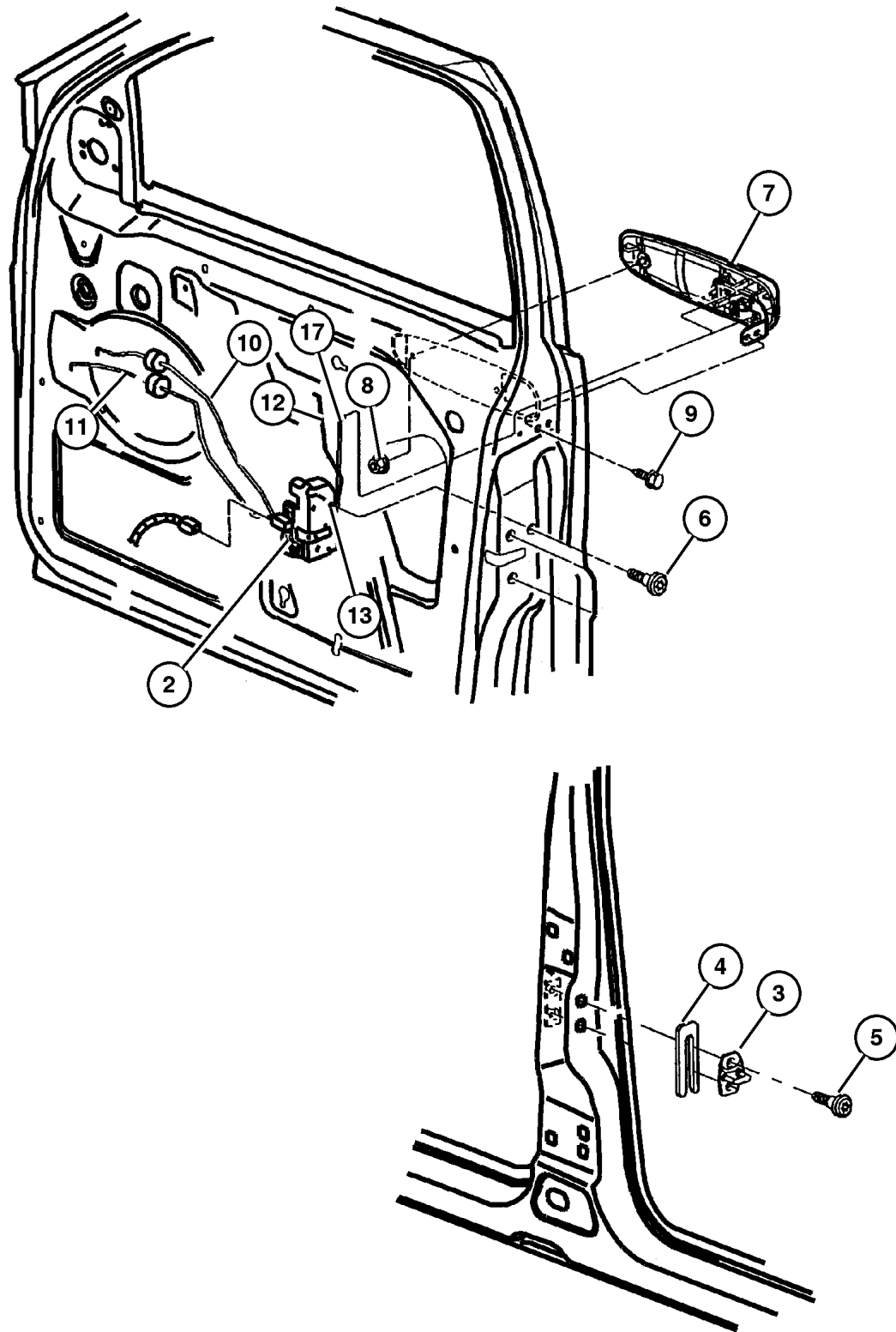
**JEEP GRAND CHEROKEE (WG)**

SERIES	LINE	BODY	ENGINE	TRANSMISSION
H = Laredo	J = 4WD	74 = 4 Door	ER0, ERH = 4.0L, Power Tech	DGK = 4 Speed Autm, 42RE
P = Limited	U = 4WD, RHD		EVO, EVA = 4.7L, Power Tech	DGQ = 5 Speed Automatic
			EXO, EXA = 3.1L 5 Cyl Turbo Diesel	- 5-45RFE
				DGW = 4 Speed Autm, 44RE

AR = Use as required - = Non illustrated part # = New this model year

October 31, 2002

Door,Front Lock and Control  
Figure DWG-130



ITEM	PART NUMBER	QTY	LINE	SERIES	BODY	ENGINE	TRANS	DESCRIPTION
	QR38 DX8AB	1	J	P				Black Clear Coated w/o Cylinder, Right
	5FW46 XGRAB	1		P				Share Green, Right
	5FW46 XSHAB	1		P				Silverstone, Right
	5FW46 YU2AB	1		P				Woodland Brown, Right
	5FW47 DX8AB	1		P				Black Clear Coated, Left
	5FW47 SW1AB	1		P				Stone White, Left
	5FW47 VAWAB	1		P				Deep Slate, Left
	5FW47 VTEAB	1		P				Champange Pearl Metallic, Left
	5FW47 WB7AB	1		P				Patriot Blue, Left
	5FW47 WURAB	1		P				Sienna, Left
	5FW47 XBQAB	1		P				Steel Blue, Left
	QR38 SW1AB	1	J	P				Stone White w/o Cylinder, Right
	5FW47 XGRAB	1		P				Share Green, Left
	5FW47 XSHAB	1		P				Silverstone, Left
	5FW47 YU2AB	1		P				Woodland Brown, Left
	5GG26 DX8AA	1	U	P				Black Clear Coated , Limited w/ Cylinder, Right
	5GG26 SW1AA	1	U	P				Stone White , Limited w/Cylinder, Right
	5GG26 VAWAA	1	U	P				Deep Slate , Limited w/Cylinder, Right
	5GG26 VTEAA	1	U	P				Champange Pearl Majic , Limited w/ Cylinder, Right
	5GG26 WB7AA	1	U	P				Patriot Blue , Limited w/Cylinder, Right
	5GG26 WURAA	1	U	P				Sienna , Limited w/Cylinder, Right
	5GG26 XGRAA	1	U	P				Share Green , Limited w/Cylinder, Right
	QR38 VAWAB	1	J	P				Deep Slate w/o Cylinder, Right
	5GG26 XSHAA	1	U	P				Silverstone , Limited w/Cylinder, Right
	5GG27 DX8AA	1	J	P				Black Clear Coated , Limited w/ Cylinder, Left
	5GG27 SW1AA	1	J	P				Stone White , Limited w/Cylinder, Left
	5GG27 VAWAA	1	J	P				Deep Slate , Limited w/Cylinder, Left
	5GG27 VTEAA	1	J	P				Champange Pearl Majic , Limited w/ Cylinder, Left
	5GG27 WB7AA	1	J	P				Patriot Blue , Limited w/Cylinder, Left
	5GG27 WURAA	1	J	P				Sienna , Limited w/Cylinder, Left
	5GG27 XGRAA	1	J	P				Share Green , Limited w/Cylinder, Left
	5GG27 XSHAA	1	J	P				Silverstone , Limited w/Cylinder, Left
	QR38 VTEAB	1	J	P				Champange Pearl Metallic w/o Cylinder, Right
	QR38 WB7AB	1	J	P				Patriot Blue w/o Cylinder, Right
	QR38 WURAB	1	J	P				Sienna w/o Cylinder, Right
	QR38 XBQAB	1	J	P				Steel Blue w/o Cylinder, Right
8	6503 226	4						NUT, Hex Flange, M5x.8
9	6505 365AA	2						SCREW

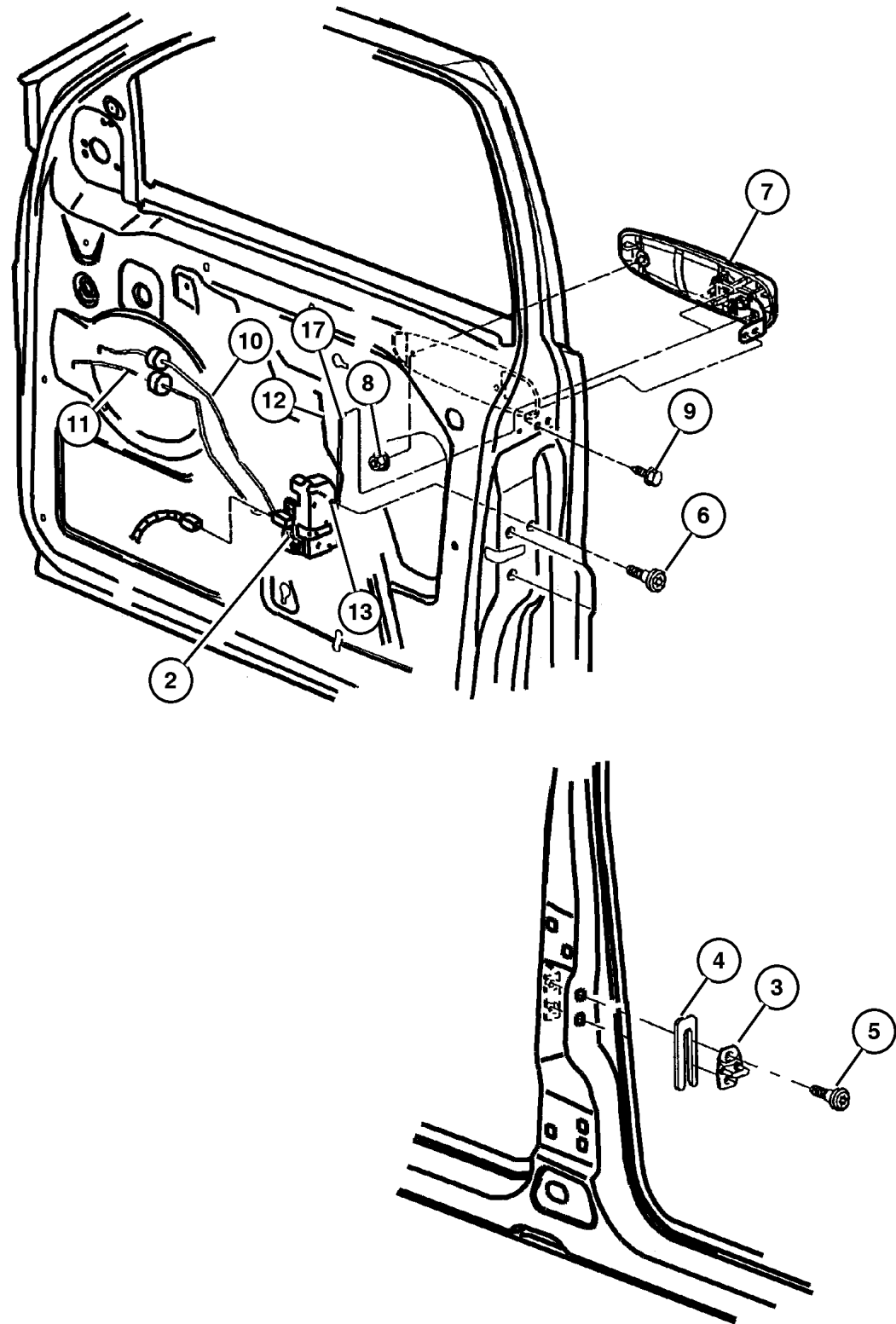
JEEP GRAND CHEROKEE (WG)

SERIES	LINE	BODY	ENGINE	TRANSMISSION
H = Laredo	J = 4WD	74 = 4 Door	ER0, ERH = 4.0L, Power Tech	DGK = 4 Speed Autm, 42RE
P = Limited	U = 4WD, RHD		EVO, EVA = 4.7L, Power Tech	DGQ = 5 Speed Automatic
			EXO, EXA = 3.1L 5 Cyl Turbo Diesel	- 5-45RFE
				DGW = 4 Speed Autm, 44RE

AR = Use as required - = Non illustrated part # = New this model year

October 31, 2002

Door,Front Lock and Control  
Figure DWG-130



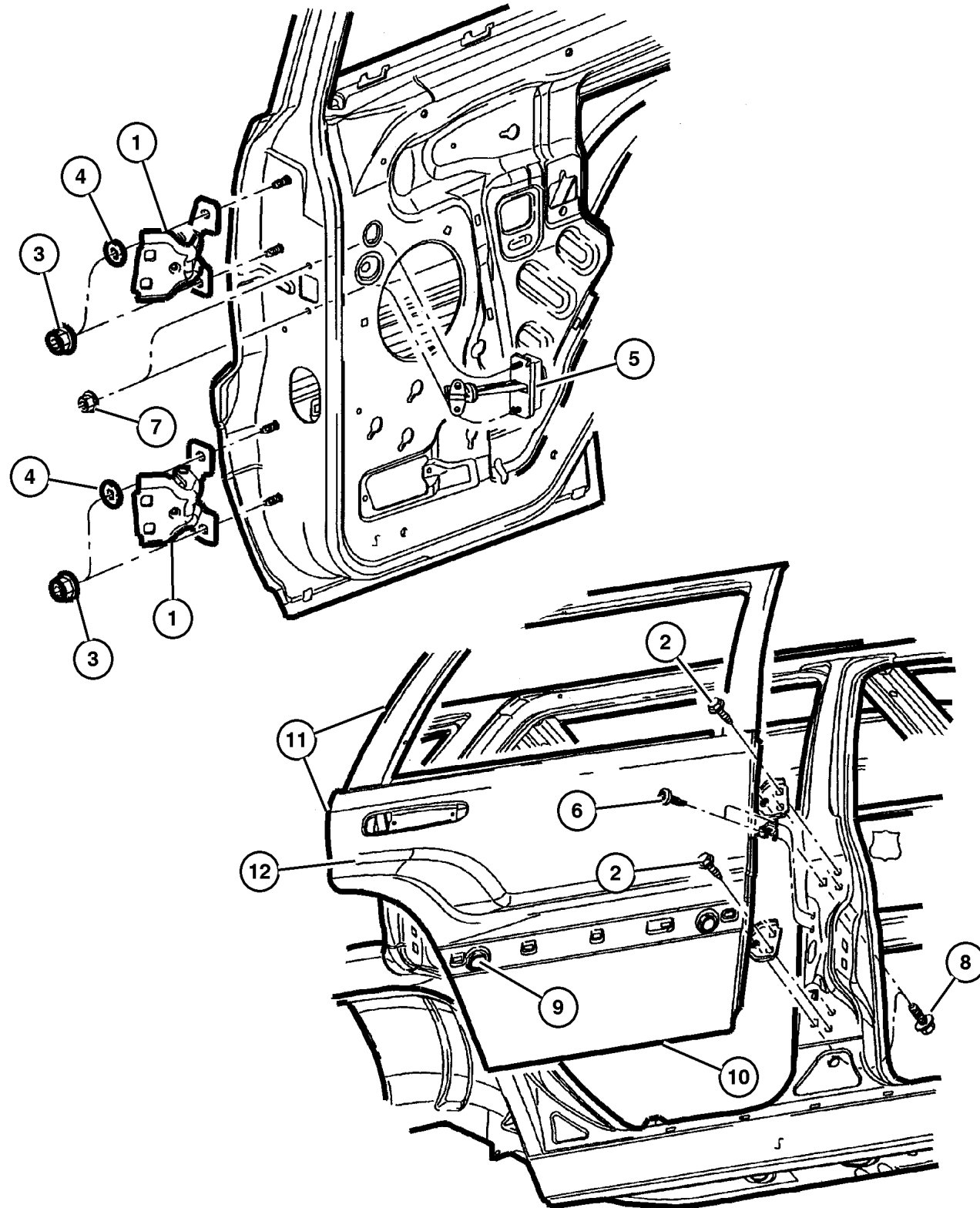
ITEM	PART NUMBER	QTY	LINE	SERIES	BODY	ENGINE	TRANS	DESCRIPTION
10								ROD, Inside Handle to Latch
	5014 384AA	1						Right
	5014 385AA	1						Left
11								ROD, Inside Lock to Latch
	5014 382AA	1						Right
	5014 383AA	1						Left
12								LINK, Exterior Door Handle
	5014 376AA	1						Right
	5014 377AA	1						Left
13								COVER, Latch-Anti Theft
	5014 395AA	1						Right
	5014 396AA	1						Left
-14								CLIP, Latch
	5014 397AA	1						Purple, Right
	5014 398AA	1						Orange, Left
-15								CLIP, Latch Link, (NOT SERVICED) (Not Serviced)
-16	5014 397AA	1						CLIP, Latch
17	5014 387AA	1	J					LINK, Key Cylinder To Latch

JEEP GRAND CHEROKEE (WG)  
 SERIES LINE BODY ENGINE TRANSMISSION  
 H = Laredo J = 4WD 74 = 4 Door ER0, ERH = 4.0L, Power Tech DGK = 4 Speed Autm, 42RE  
 P = Limited U = 4WD, RHD EV0, EVA = 4.7L, Power Tech DGQ = 5 Speed Automatic  
 EXO, EXA = 3.1L 5 Cyl Turbo Diesel - 5-45RFE  
 DGW = 4 Speed Autm, 44RE

AR = Use as required - = Non illustrated part # = New this model year

October 31, 2002

Door,Rear Shell and Hinges  
Figure DWG-210



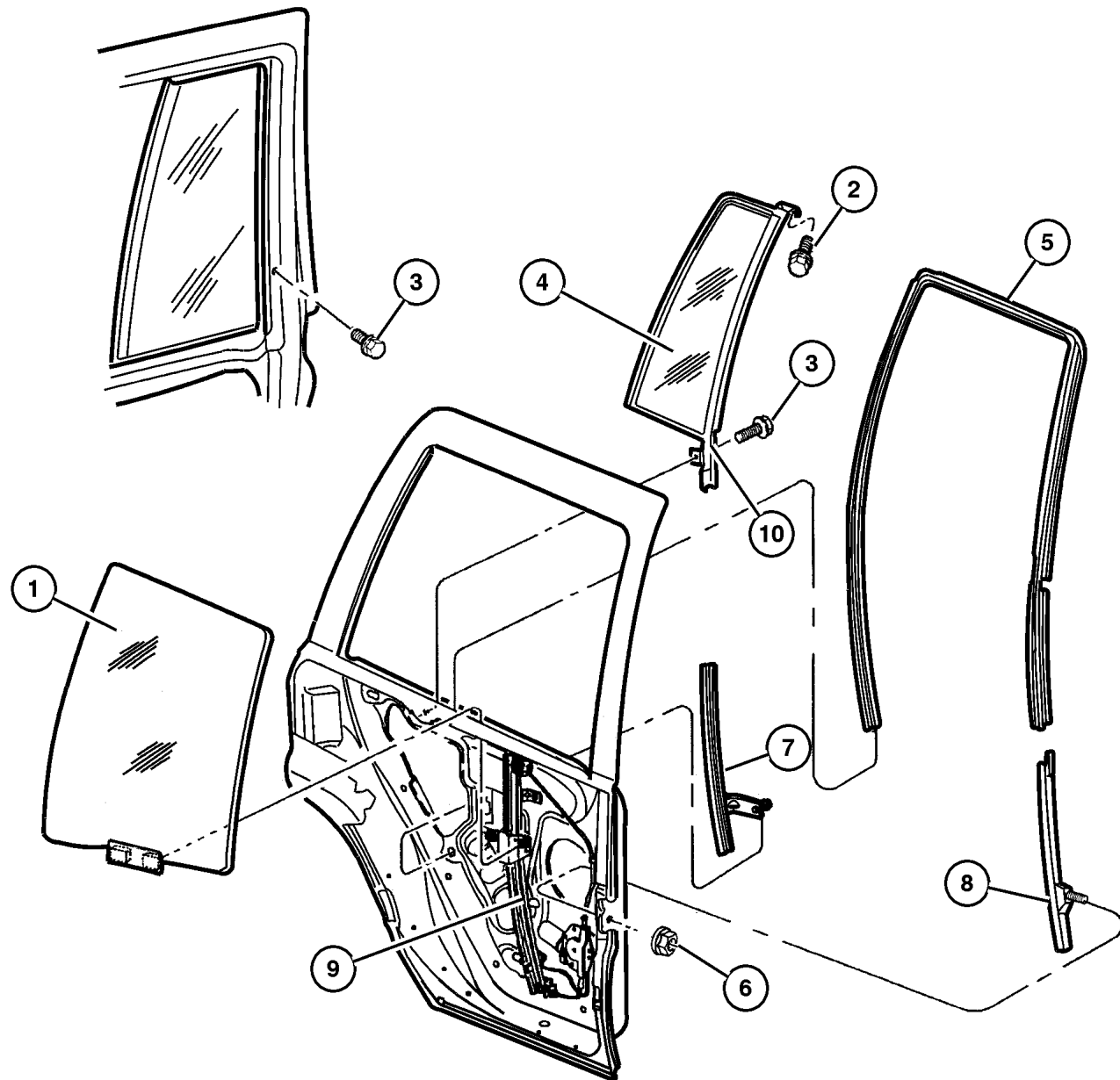
ITEM	PART NUMBER	QTY	LINE	SERIES	BODY	ENGINE	TRANS	DESCRIPTION
1								HINGE, Door Half
	#55135 574AD	2						Right
	#55135 575AD	2						Left
2								SCREW, Hex Head, M8x1.25x30, (NOT SERVICED) (Not Serviced)
3	6101 809	1						NUT AND WASHER, Hex, M8x1.25
4	4210 983	2						WASHER, Flat
5								CHECK, Rear Door
	55135 658AB	1						Right
	55135 659AB	1						Left
6								SCREW, Torx Head, M6x1.0x16, (NOT SERVICED) (Not Serviced)
7	6503 504	2						NUT AND WASHER, Hex, M6x1
8	6503 538	4						SCREW AND WASHER, Hex Head, M8x1.25x30
9	55257 380AA	12						PLUG
10	2860 332	4						PLUG, Anti-Rattle
11								DOOR, Rear
	#55137 064AB	1						Right
	#55137 065AB	1						Left
12								PANEL, Rear Door
	55137 066AA	1						Right
	55137 067AA	1						Left
-13								NUT, Rivet, M5x.080x26.41, (NOT SERVICED) (Not Serviced)

JEEP GRAND CHEROKEE (WG)  
 SERIES LINE BODY ENGINE TRANSMISSION  
 H = Laredo J = 4WD 74 = 4 Door ER0, ERH = 4.0L, Power Tech DGK = 4 Speed Autm, 42RE  
 P = Limited U = 4WD, RHD EV0, EVA = 4.7L, Power Tech DGQ = 5 Speed Automatic  
 EXO, EXA = 3.1L 5 Cyl Turbo Diesel - 5-45RFE  
 DGW = 4 Speed Autm, 44RE

AR = Use as required - = Non illustrated part # = New this model year

October 31, 2002

**Door,Rear Glass and Regulators**  
**Figure DWG-220**



ITEM	PART NUMBER	QTY	LINE	SERIES	BODY	ENGINE	TRANS	DESCRIPTION
1								GLASS, Rear Door
	5513 6064	1						Sunscreen, Right
	5513 6065	1						Sunscreen, Left
	5513 6036	1						Tinted, Right
	5513 6037	1						Tinted, Left
	5019 706AA	1						Euro , Tinted, Right
	5019 707AA	1						Euro , Tinted, Left
2								SCREW, Tapping, .164-15x.75, (NOT SERVICED) (Not Serviced)
3	6505 813AA	2						SCREW, Hex Flange Head, [.164-18x.75]
4								GLASS, Rear Door, Fixed
	55136 892AE	1						Tinted, Right
	55136 893AE	1						Tinted, Left
	55136 894AE	1						Sunscreen, Right
	55136 895AE	1						Sunscreen, Left
5								SEAL, Rear Door Glass
	55136 080AF	1						Right
	55136 081AF	1						Left
6	6503 504	2						NUT AND WASHER, Hex, M6x1
7								CHANNEL, Rear Door Glass Lower
	55137 102AA	1						Right
	55137 103AA	1						Left
8								CHANNEL, Rear Door Glass Lower
	5513 6716	1						Right
	5513 6717	1						Left
9								REGULATOR, Rear Door Window
	#55363 284AA	1						Right
	#55363 285AA	1						Left
10	55137 006AB	1						CLIP
-11	5086 563AA	1						CLIP, Regulator

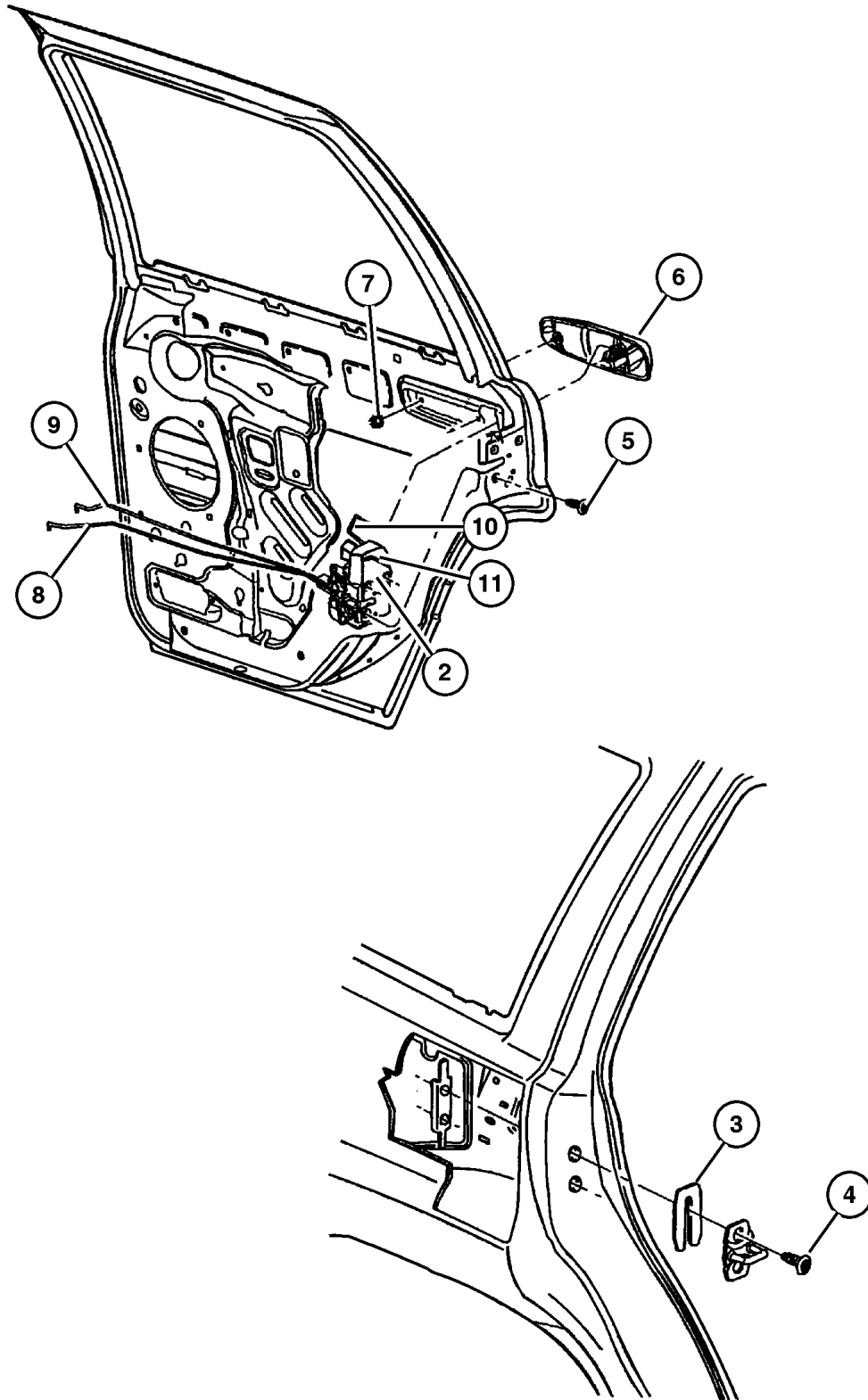
**JEEP GRAND CHEROKEE (WG)**

SERIES	LINE	BODY	ENGINE	TRANSMISSION
H = Laredo	J = 4WD	74 = 4 Door	ER0, ERH = 4.0L, Power Tech	DGK = 4 Speed Autm, 42RE
P = Limited	U = 4WD, RHD		EVO, EVA = 4.7L, Power Tech	DGQ = 5 Speed Automatic
			EXO, EXA = 3.1L 5 Cyl Turbo Diesel	- 5-45RFE
				DGW = 4 Speed Autm, 44RE

AR = Use as required - = Non illustrated part # = New this model year

October 31, 2002

**Door,Rear Lock and Controls**  
**Figure DWG-230**



ITEM	PART NUMBER	QTY	LINE	SERIES	BODY	ENGINE	TRANS	DESCRIPTION
-1								HANDLE, Door Interior
	5FX74 1AZAD	1		P				Agate , Limited, Right
		1		H				Agate , Laredo, Right
	5FX74 1T5AD	1		P				Taupe , Limited, Right
		1		H				Taupe , Laredo, Right
	5FX75 1AZAD	1		P				Agate , Limited, Left
		1		H				Agate , Laredo, Left
	5FX75 1T5AD	1		P				Taupe , Limited, Left
		1		H				Taupe ,Laredo, Left
2								LATCH, Rear Door
	55135 620AB	1						Right
	55135 621AB	1						Left
3	4520 289	AR						SPACER, Door Latch Striker
4	6504 573	4						SCREW, Oval Head, SCREW
5	6033 876	6						SCREW, Tapping, M6.3x1.8x38.1
6								HANDLE, Exterior Door
	55135 838AB	1		H				Right
	5FW46 XBQAB	1		P				Steel Blue, Right
	5FW46 XSHAB	1		P				Silverstone, Right
	5FW46 YU2AB	1		P				Woodland Brown, Right
	5FW47 DX8AB	1		P				Black Clear Coat, Left
	5FW47 SW1AB	1		P				Stone White Clear Coat, Left
	5FW47 XGRAB	1		P				Shale Green, Left
	5FW47 VAWAB	1		P				Deep Slate, Left
	5FW47 VTEAB	1		P				Champange Pearl Metallic, Left
	5FW47 WB7AB	1		P				Patriot Blue, Left
	5FW47 WURAB	1		P				Sienna, Left
	55135 839AB	1		H				Left
	5FW47 XBQAB	1		P				Steel Blue, Left
	5FW47 XSHAB	1		P				Silverstone, Left
	5FW47 YU2AB	1		P				Woodland Brown, Left
	QR38 DX8AB	1	J	P				Black Clear Coated , w/o Cylinder, Right
	QR38 SW1AB	1	J	P				Stone White , w/o Cylinder, Right
	QR38 VAWAB	1	J	P				Deep Slate , w/o Cylinder, Right
	QR38 VTEAB	1	J	P				Champange Pearl Metallic , w/o Cylinder, Right
	QR38 WB7AB	1	J	P				Patriot Blue , w/o Cylinder, Right
	QR38 WURAB	1	J	P				Sienna , w/o Cylinder, Right
	QR38 XBQAB	1	J	P				Steel Blue , w/o Cylinder, Right
	5FW46 DX8AB	1		P				Black Clear Coat, Right
	QR38 XGRAB	1	J	P				Share Green , w/o Cylinder, Right

**JEEP GRAND CHEROKEE (WG)**

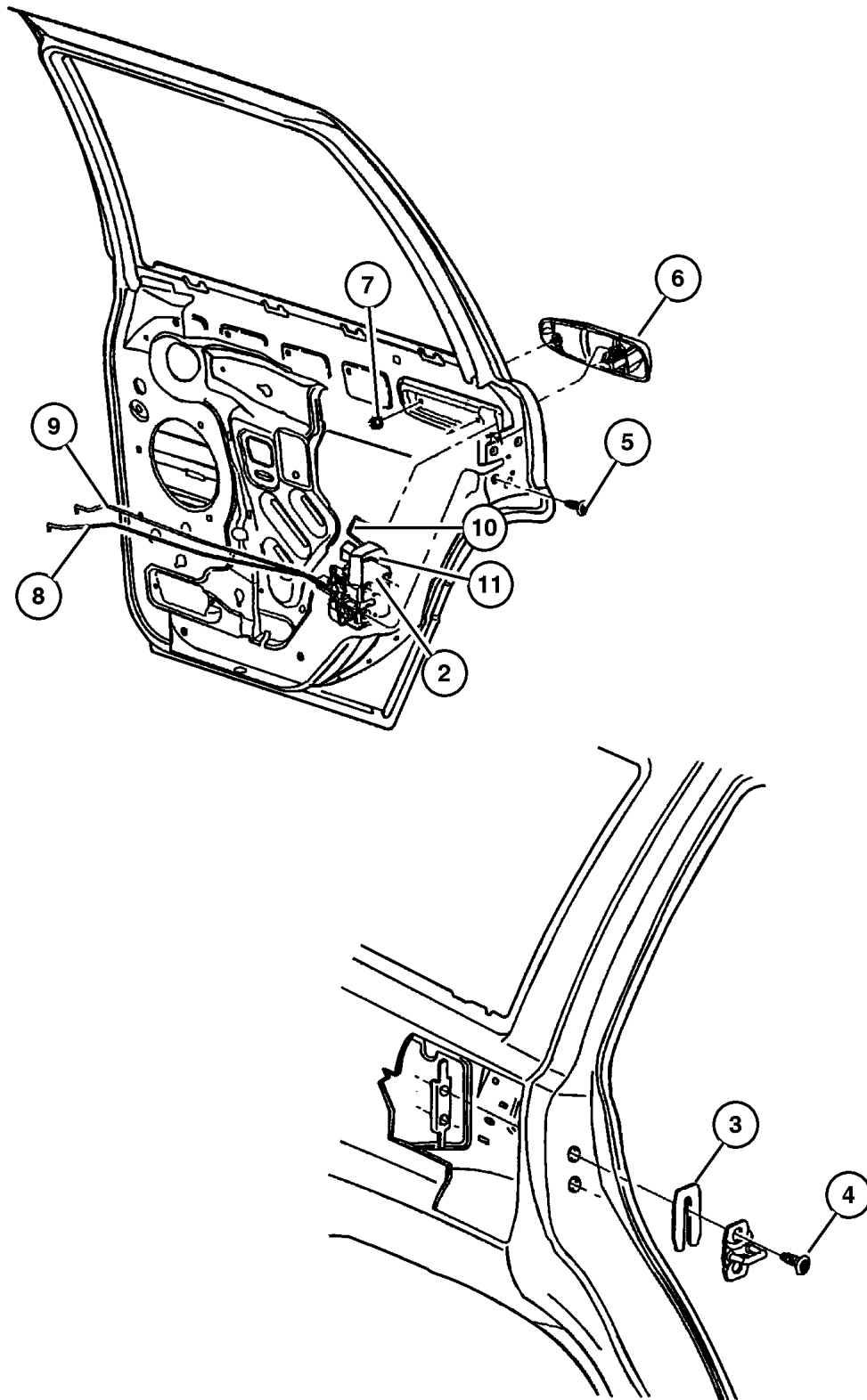
SERIES	LINE	BODY	ENGINE	TRANSMISSION
H = Laredo	J = 4WD	74 = 4 Door	ER0, ERH = 4.0L, Power Tech	DGK = 4 Speed Autm, 42RE
P = Limited	U = 4WD, RHD		EVO, EVA = 4.7L, Power Tech	DGQ = 5 Speed Automatic
			EXO, EXA = 3.1L 5 Cyl Turbo Diesel	- 5-45RFE
				DGW = 4 Speed Autm, 44RE

AR = Use as required - = Non illustrated part # = New this model year

October 31, 2002



**Door,Rear Lock and Controls**  
**Figure DWG-230**



ITEM	PART NUMBER	QTY	LINE	SERIES	BODY	ENGINE	TRANS	DESCRIPTION
	QR38 XSHAB	1	J	P				Silverstone . w/o Cylinder, Right
	QR38 YU2AB	1	J	P				Woodland Brown , w/o Cylinder, Right
	QR39 DX8AB	1	U	P				Black Clear Coated , w/o Cylinder, Left
	QR39 SW1AB	1	U	P				Stone White , w/o Cylinder, Left
	QR39 VAWAB	1	U	P				Deep Slate , w/o Cylinder, Left
	QR39 VTEAB	1	U	P				Champange Pearl Metallic , w/o Cylinder, Left
	QR39 WB7AB	1	U	P				Patriot Blue , w/o Cylinder, Left
	QR39 WURAB	1	U	P				Sienna , w/o Cylinder, Left
	QR39 XBQAB	1	U	P				Steel Blue , w/o Cylinder, Left
	5FW46 SW1AB	1		P				Stone White Clear Coat,, Right
	QR39 XGRAB	1	U	P				Share Green , w/o Cylinder, Left
	QR39 XSHAB	1	U	P				Silverstone . w/o Cylinder, Left
	QR39 YU2AB	1	U	P				Woodland Brown w/o Cylinder, Left
	5GG26 DX8AA	1	U	P				Black Clear Coated , w/ Cylinder, Right
	5GG26 SW1AA	1	U	P				Stone White , w/ Cylinder, Right
	5GG26 VAWAA	1	U	P				Deep Slate , w/ Cylinder, Right
	5GG26 VTEAA	1	U	P				Champange Pearl Metallic , w/ Cylinder, Right
	5GG26 WB7AA	1	U	P				Patriot Blue , w/ Cylinder, Right
	5GG26 WURAA	1	U	P				Sienna , w/ Cylinder, Right
	5GG26 XBQAA	1	U	P				Steel Blue , w/ Cylinder, Right
	5FW46 XGRAB	1		P				Shale Green, Right
	5GG26 XGRAA	1	U	P				Share Green , w/ Cylinder, Right
	5GG26 XSHAA	1	U	P				Silverstone . w/ Cylinder, Right
	5GG26 YU2AA	1	U	P				Woodland Brown w/ Cylinder, Right
	5GG27 DX8AA	1	J	P				Black Clear Coated , w/ Cylinder, Left
	5GG27 SW1AA	1	J	P				Stone White , w/ Cylinder, Left
	5GG27 VAWAA	1	J	P				Deep Slate , w/ Cylinder, Left
	5GG27 VTEAA	1	J	P				Champange Pearl Metallic , w/ Cylinder, Left
	5GG27 WB7AA	1	J	P				Patriot Blue , w/ Cylinder, Left
	5GG27 WURAA	1	J	P				Sienna , w/ Cylinder, Left
	5GG27 XGRAA	1	J	P				Share Green , w/ Cylinder, Left
	5FW46 VAWAB	1		P				Deep Slate, Right
	5GG27 XSHAA	1	J	P				Silverstone . w/ Cylinder, Left
	5FW46 VTEAB	1		P				Champange Pearl Metallic, Right
	5FW46 WB7AB	1		P				Patriot Blue, Right
	5FW46 WURAB	1		P				Sienna, Right
7	6503 226	4						NUT, Hex Flange, M5x.8
8								ROD, Inside Handle to Latch
	5014 384AA	1						Right
	5014 385AA	1						Left

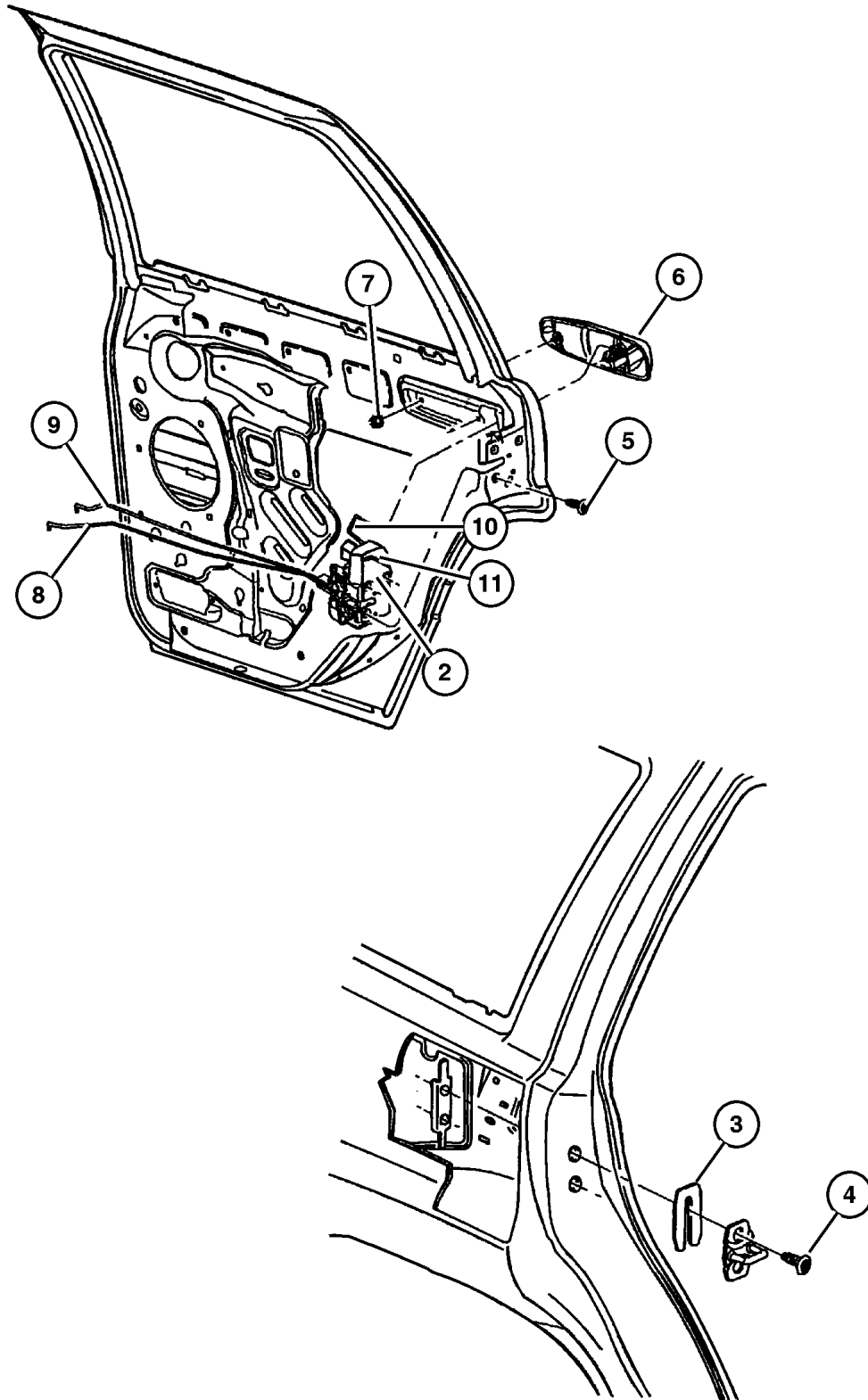
**JEEP GRAND CHEROKEE (WG)**

SERIES	LINE	BODY	ENGINE	TRANSMISSION
H = Laredo	J = 4WD	74 = 4 Door	ER0, ERH = 4.0L, Power Tech	DGK = 4 Speed Autm, 42RE
P = Limited	U = 4WD, RHD		EVO, EVA = 4.7L, Power Tech	DGQ = 5 Speed Automatic
			EXO, EXA = 3.1L 5 Cyl Turbo Diesel	- 5-45RFE
				DGW = 4 Speed Autm, 44RE

AR = Use as required - = Non illustrated part # = New this model year

October 31, 2002

**Door,Rear Lock and Controls**  
**Figure DWG-230**



ITEM	PART NUMBER	QTY	LINE	SERIES	BODY	ENGINE	TRANS	DESCRIPTION
9								ROD, Inside Lock to Latch
	5014 382AA	1						Right
	5014 383AA	1						Left
10								LINK, Exterior Door Handle
	5014 376AA	1						Right
	5014 377AA	1						Left
11								COVER, Latch-Anti Theft
	5014 395AA	1						Right
	5014 396AA	1						Left
-12	5014 397AA	1						CLIP, Latch, Purple
-13	5014 398AA	1						CLIP, Latch, Orange
-14	4658 445	1	U					CLIP, Latch
-15								CLIP, Latch
	4658 444	1	J					Right
	4658 445	1	U					Left

**JEEP GRAND CHEROKEE (WG)**

SERIES	LINE	BODY	ENGINE	TRANSMISSION
H = Laredo	J = 4WD	74 = 4 Door	ER0, ERH = 4.0L, Power Tech	DGK = 4 Speed Autm, 42RE
P = Limited	U = 4WD, RHD		EVO, EVA = 4.7L, Power Tech	DGQ = 5 Speed Automatic
			EXO, EXA = 3.1L 5 Cyl Turbo Diesel	- 5-45RFE
				DGW = 4 Speed Autm, 44RE

AR = Use as required - = Non illustrated part # = New this model year

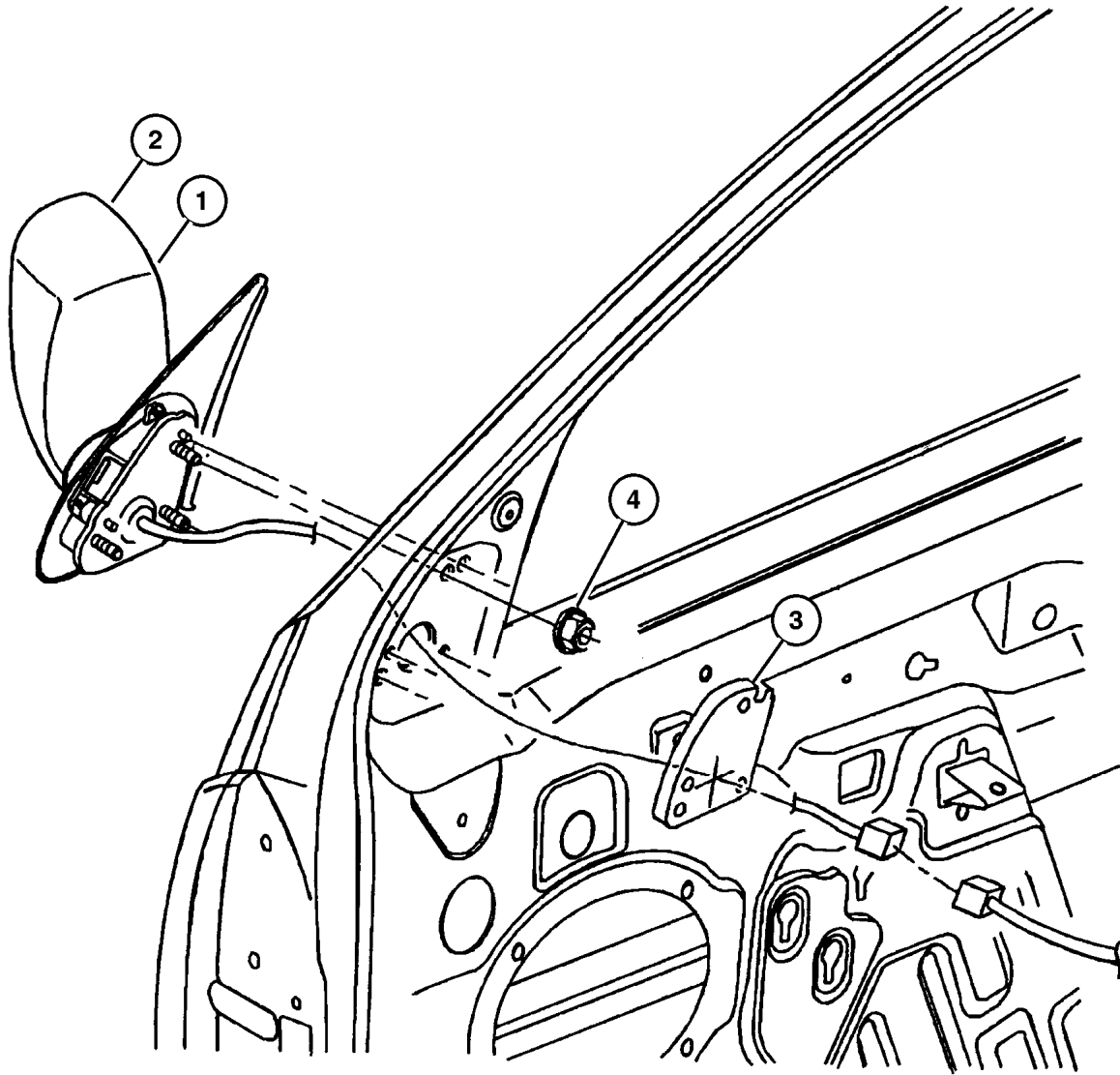
October 31, 2002

**Mirrors,Exterior**  
**Figure DWG-510**

ITEM	PART NUMBER	QTY	LINE	SERIES	BODY	ENGINE	TRANS	DESCRIPTION
------	-------------	-----	------	--------	------	--------	-------	-------------

Note: Sales Code GTF = Power Fold-Away  
 Note: Sales Code GTX=Power Fold-Away  
 Note: Sales Code GTR = Power Fold-Away  
 Note: Sales Code GTW = Power Fold-Away Black

1								MIRROR, Outside, Rearview, Electric, Heated
	53054 460AB	1	U					[GTF], Right
	53054 461AB	1	U					[GTF], Left
	55155 224AB	1	J					[GTF], Right
	55155 225AB	1	J					[GTF,GTX], Left
2								MIRROR, Outside Rearview Electric Foldaway
	55155 790AB	1	J					[GTR], Right
	55155 791AB	1	J					[GTF,GTW], Left
	55155 792AB	1	U					[GTR], Right
	55155 793AB	1	U					[GTR], Left
	55155 804AB	1	J					[GTW], Right
	55155 806AB	1	J					[GTX], Right
3								SEAL, Mirror
	55136 274AB	1						Right
	55136 275AB	1						Left
4	J420 0408	6						NUT AND WASHER, Hex Nut-Coned Washer, M5 x 0.80
-5								GLASS, Mirror Replacement
	5017 090AA	1	U					[GTF], Right
	5017 087AA	1	J					[GTX], Right
	5017 091AA	1	U					[GTF], Left
	5017 082AA	1	J					[GTR], Right
	5017 083AA	1	J					[GTF,GTW], Left
	5017 084AA	1	J					[GTF], Right
	5017 085AA	1	J					[GTF,GTX], Left
	5017 088AA	1	U					[GTR], Right
	5017 089AA	1	U					[GTR], Left
	5017 086AA	1	J					[GTW], Right



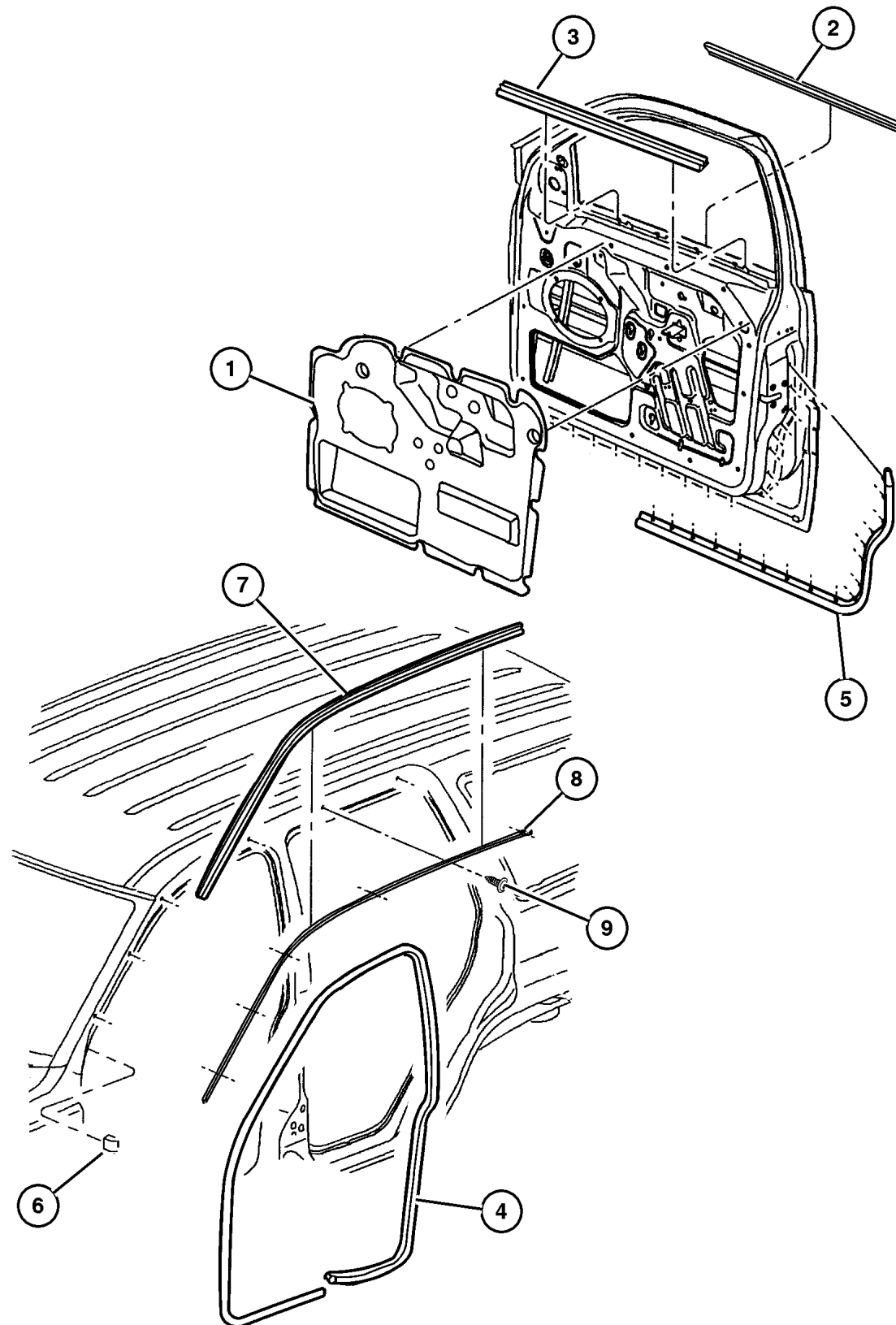
**JEEP GRAND CHEROKEE (WG)**

SERIES	LINE	BODY	ENGINE	TRANSMISSION
H = Laredo	J = 4WD	74 = 4 Door	ER0, ERH = 4.0L, Power Tech	DGK = 4 Speed Autm, 42RE
P = Limited	U = 4WD, RHD		EVO, EVA = 4.7L, Power Tech	DGQ = 5 Speed Automatic
			EXO, EXA = 3.1L 5 Cyl Turbo Diesel	- 5-45RFE
				DGW = 4 Speed Autm, 44RE

AR = Use as required - = Non illustrated part # = New this model year

October 31, 2002

**Door,Front Weatherstrips and Seals  
Figure DWG-610**



ITEM	PART NUMBER	QTY	LINE	SERIES	BODY	ENGINE	TRANS	DESCRIPTION
1	55135 874AD	1						INSULATOR, Front Door Right
	55135 875AD	1						Left
2	55135 878AC	1						WEATHERSTRIP, Front Door Belt Right
	55135 879AC	1						Left
3	55135 898AC	1						WEATHERSTRIP, Front Door Belt Right
	55135 899AC	1						Left
4	55135 918AD	1						SEAL, Front Door Right
	55135 919AD	1						Left
5	55136 114AB	1						SEAL, Front Door Right
	55136 115AB	1						Left
6	5513 5678	2					BLOCKER, Seal Exterior A Pillar	
7	55135 869AC	1					SEAL, Body Side	
8	55136 902AD	1						MOLDING, Windshield Right
	55136 903AD	1						Left
9							SCREW, Tapping, .164-18x.437, 06033605, (NOT SERVICED) (Not Serviced)	

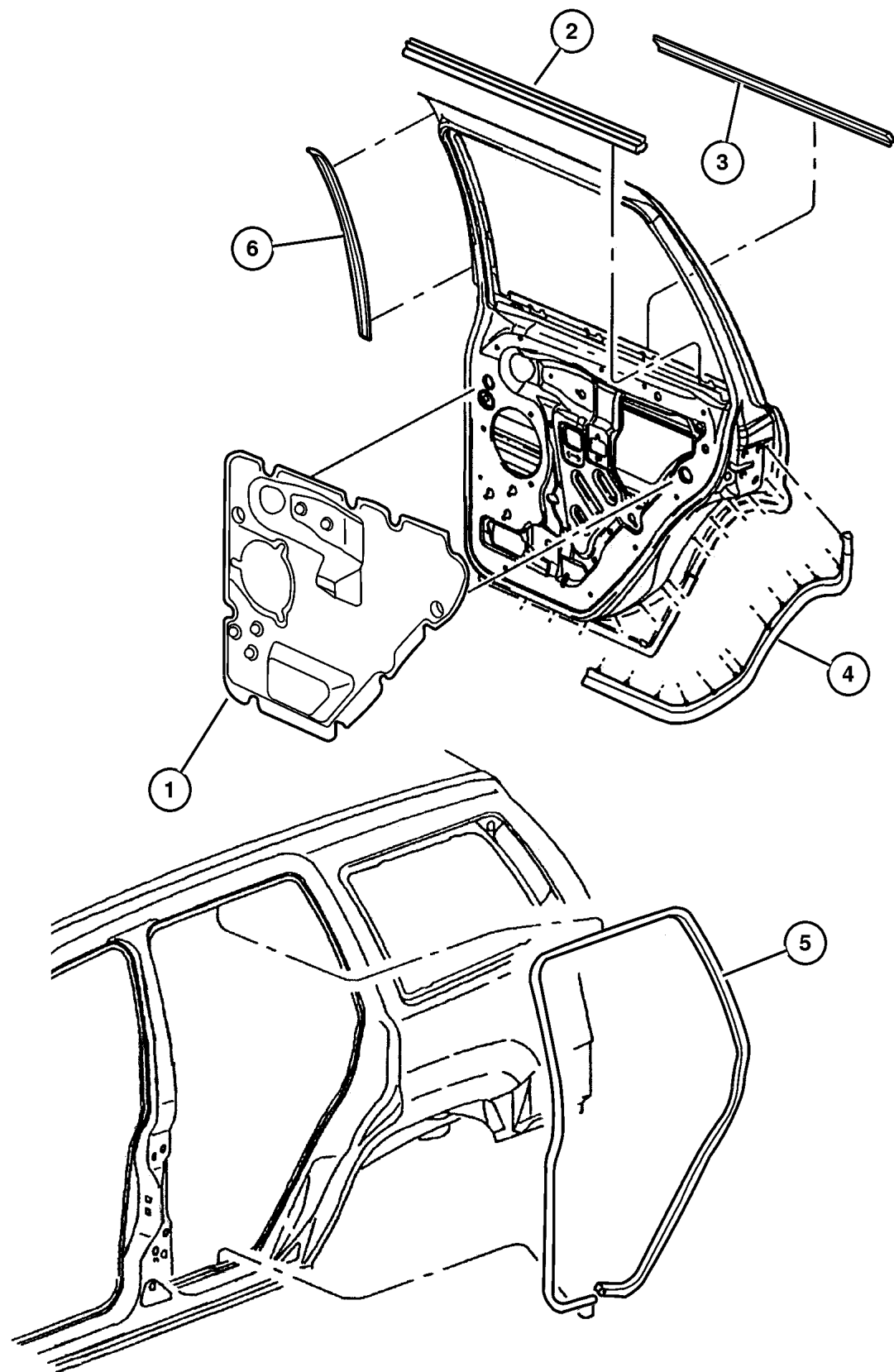
**JEEP GRAND CHEROKEE (WG)**

SERIES	LINE	BODY	ENGINE	TRANSMISSION
H = Laredo	J = 4WD	74 = 4 Door	ER0, ERH = 4.0L, Power Tech	DGK = 4 Speed Autm, 42RE
P = Limited	U = 4WD, RHD		EVO, EVA = 4.7L, Power Tech	DGQ = 5 Speed Automatic
			EXO, EXA = 3.1L 5 Cyl Turbo Diesel	- 5-45RFE
				DGW = 4 Speed Autm, 44RE

AR = Use as required - = Non illustrated part # = New this model year

October 31, 2002

## Door,Rear Weatherstrips and Seals Figure DWG-620



ITEM	PART NUMBER	QTY	LINE	SERIES	BODY	ENGINE	TRANS	DESCRIPTION
1	55135 876AD	1						INSULATOR, Rear Door Right
	55135 877AD	1						Left
2	55135 888AC	1						WEATHERSTRIP, Rear Door Belt Inner, Right
	55135 889AC	1						Inner, Left
3	55135 890AC	1						WEATHERSTRIP, Rear Door Belt Outer, Right
	55135 891AC	1						Outer, Left
4	55136 116AB	1						SEAL, Rear Door Lower, Right
	55136 117AB	1						Lower, Left
5	55135 958AD	1						SEAL, Rear Door Right
	55135 959AD	1						Left
6	55136 118AB	1						SEAL, B-Pillar Right
	55136 119AB	1						Left

### JEEP GRAND CHEROKEE (WG)

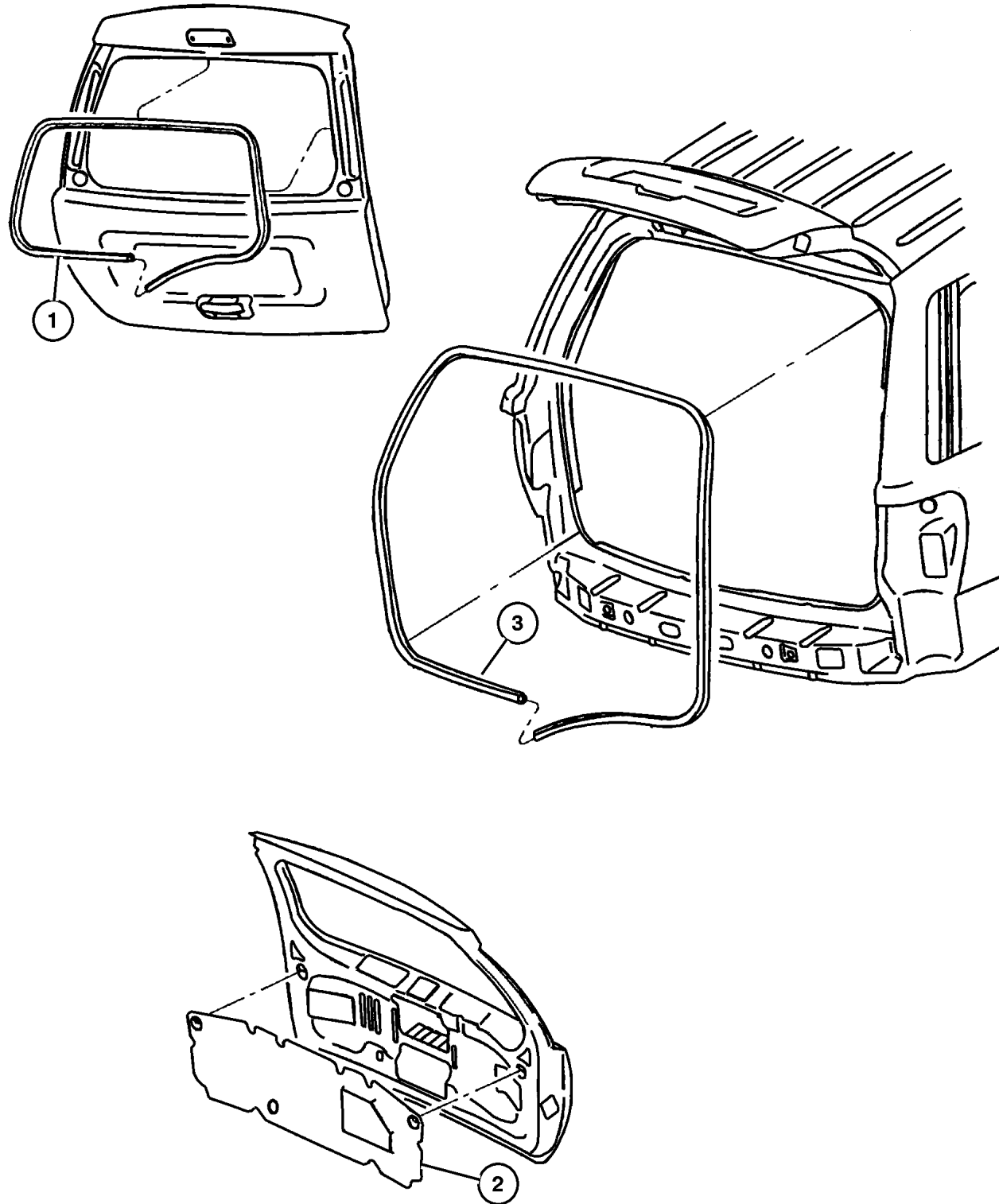
SERIES	LINE	BODY	ENGINE	TRANSMISSION
H = Laredo	J = 4WD	74 = 4 Door	ER0, ERH = 4.0L, Power Tech	DGK = 4 Speed Autm, 42RE
P = Limited	U = 4WD, RHD		EVO, EVA = 4.7L, Power Tech	DGQ = 5 Speed Automatic
			EXO, EXA = 3.1L 5 Cyl Turbo Diesel	- 5-45RFE
				DGW = 4 Speed Autm, 44RE

AR = Use as required - = Non illustrated part # = New this model year

October 31, 2002

**Door,Rear Tailgate Weatherstrips  
Figure DWG-630**

ITEM	PART NUMBER	QTY	LINE	SERIES	BODY	ENGINE	TRANS	DESCRIPTION
1	55136 053AC	1						WEATHERSTRIP, Liftgate Glass
2	55136 185AC	1						INSULATION, liftgate
3	55135 388AB	1						SEAL, Liftgate



<b>JEEP GRAND CHEROKEE (WG)</b>				
SERIES	LINE	BODY	ENGINE	TRANSMISSION
H = Laredo	J = 4WD	74 = 4 Door	ER0, ERH = 4.0L, Power Tech	DGK = 4 Speed Autm, 42RE
P = Limited	U = 4WD, RHD		EVO, EVA = 4.7L, Power Tech	DGQ = 5 Speed Automatic
			EXO, EXA = 3.1L 5 Cyl Turbo Diesel	- 5-45RFE
				DGW = 4 Speed Autm, 44RE

AR = Use as required - = Non illustrated part # = New this model year

October 31, 2002

# Group – EWG

## Exterior Ornamentation

### GROUP EWG - Exterior Ornamentation

Illustration Title

Group-Fig. No.

#### Nameplates

Nameplates ..... Fig. EWG-110

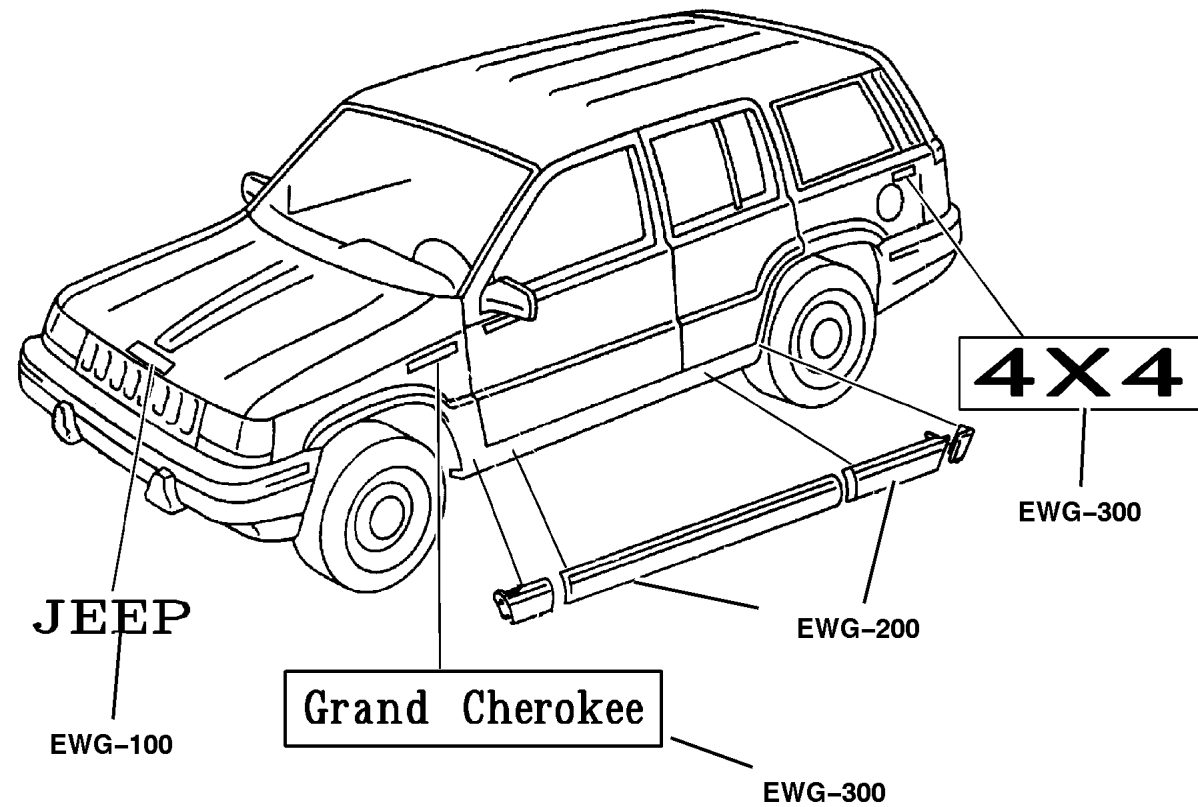
#### Moldings and Ornamentation

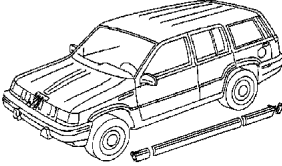
Moldings, Upper ..... Fig. EWG-210

Cladding and Sill Moldings ..... Fig. EWG-220

#### Decals and Tapestripes

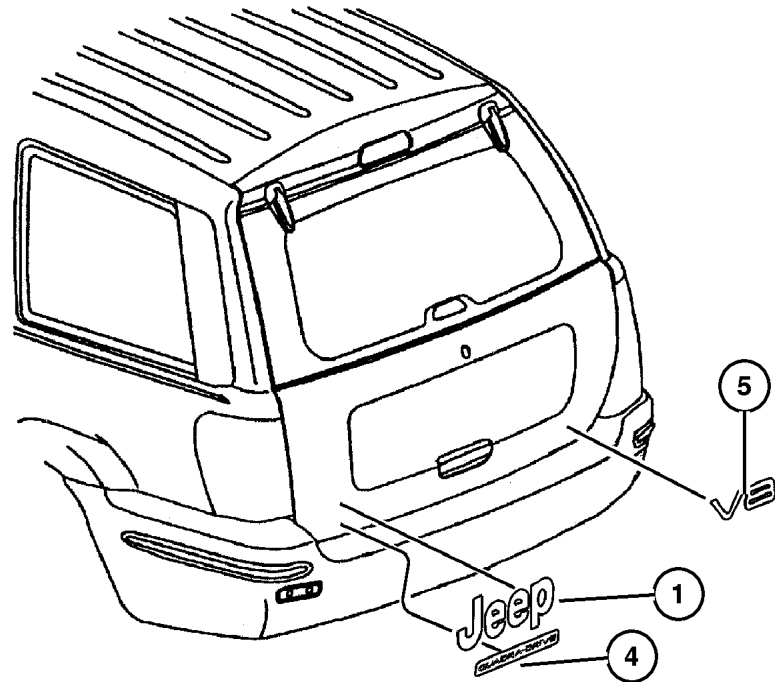
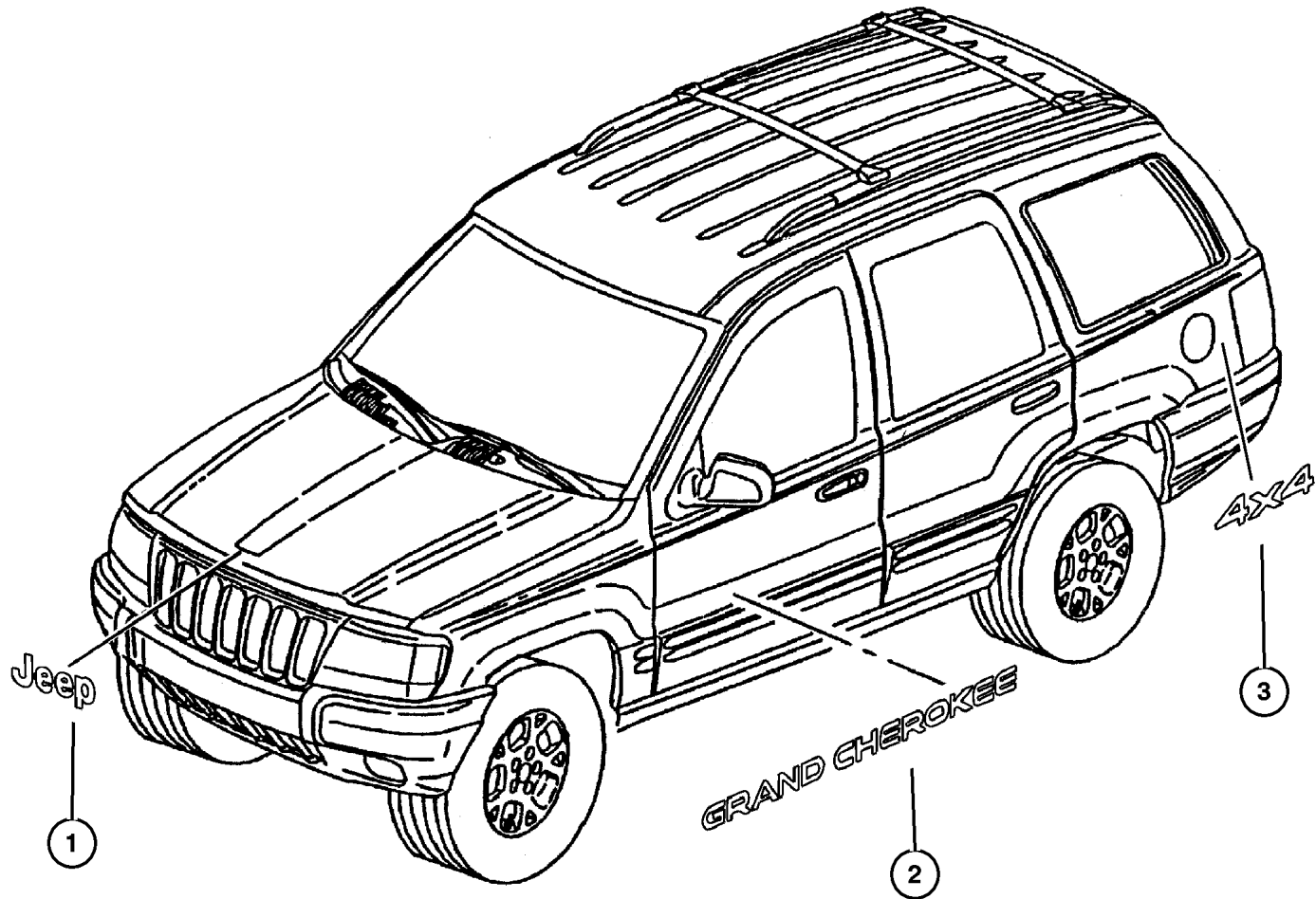
Decals ..... Fig. EWG-310



EWG-100 Nameplates	EWG-200 Moldings and Ornamentation	EWG-300 Decals and Tapestripes	
<p>Grand Cherokee JEEP</p>		<p>4X4</p> <p>V6</p>	

Nameplates  
Figure EWG-110

ITEM	PART NUMBER	QTY	LINE	SERIES	BODY	ENGINE	TRANS	DESCRIPTION
1	5515 5622	2						NAMEPLATE, Jeep
2	5515 5621	2						NAMEPLATE, Grand Cherokee
3	5515 5623	2						NAMEPLATE, 4 X 4
4	55155 994AA	1						NAMEPLATE, Quadra Drive
5	5515 5620	1						NAMEPLATE, V 8



JEEP GRAND CHEROKEE (WG)

SERIES	LINE	BODY	ENGINE	TRANSMISSION
H = Laredo	J = 4WD	74 = 4 Door	ER0, ERH = 4.0L, Power Tech	DGK = 4 Speed Autm, 42RE
P = Limited	U = 4WD, RHD		EVO, EVA = 4.7L, Power Tech	DGQ = 5 Speed Automatic
			EXO, EXA = 3.1L 5 Cyl Turbo Diesel	- 5-45RFE
				DGW = 4 Speed Autm, 44RE

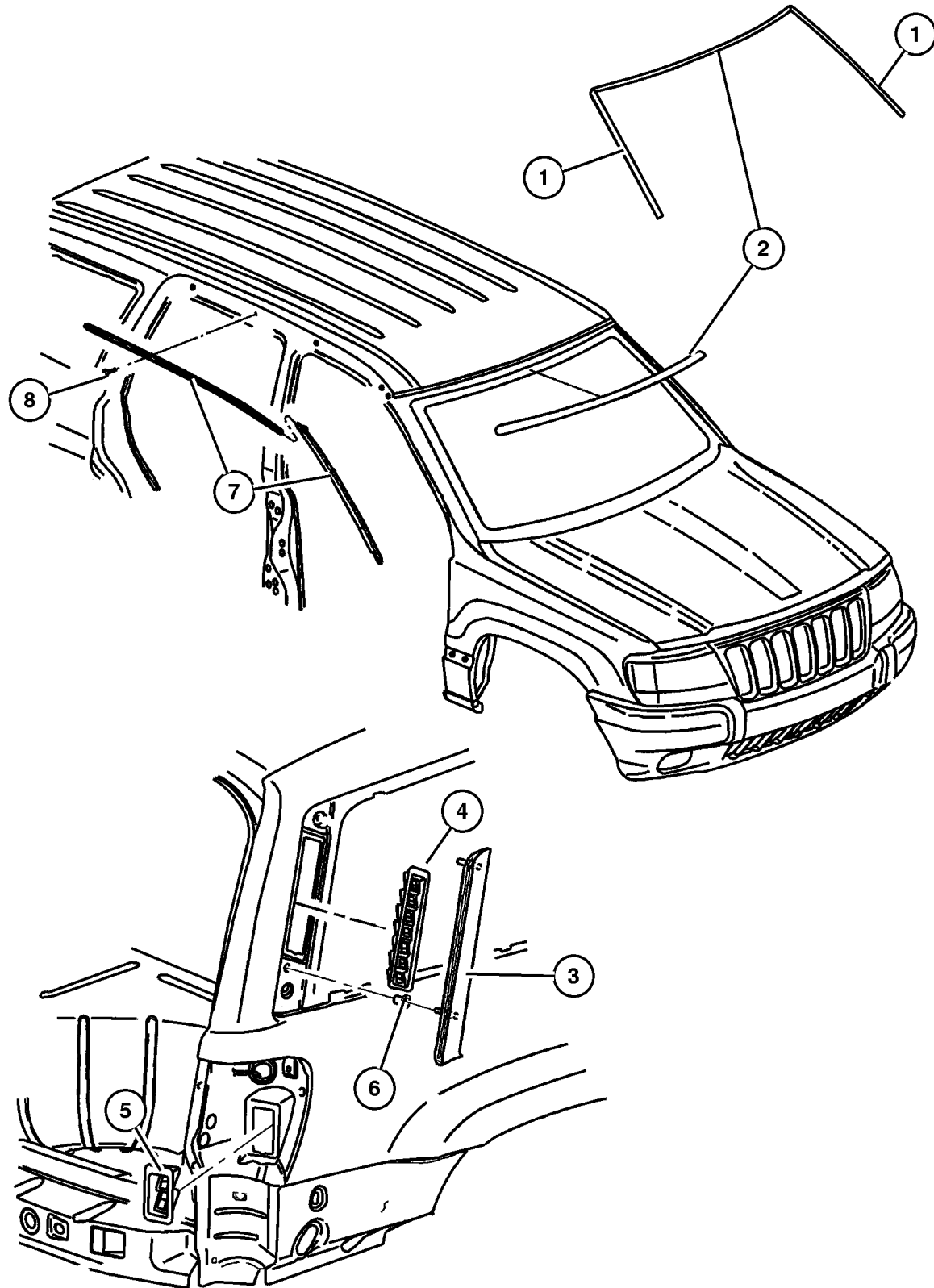
AR = Use as required - = Non illustrated part # = New this model year

October 31, 2002



**Moldings, Upper**  
**Figure EWG-210**

ITEM	PART NUMBER	QTY	LINE	SERIES	BODY	ENGINE	TRANS	DESCRIPTION
1								MOLDING, Windshield
	55136 902AD	1						Right
	55136 903AD	1						Left
2	55135 592AC	1						MOLDING, Windshield, Upper
3								APPLIQUE, D Pillar
	5EZ20 DX8AB	1						Black Clear Coat, Right
	5EZ20 YU2AB	1						Woodland Brown, Right
	5EZ21 DX8AB	1						Black Clear Coat, Left
	5EZ21 SW1AB	1						Stone White Clear Coat, Left
	5EZ21 XGRAB	1						Shale Green, Left
	5EZ21 VTEAB	1						Champagne Pearl Metallic, Left
	5EZ21 VAWAB	1						Deep Slate, Left
	5EZ21 WB7AB	1						Patriot Blue, Left
	5EZ21 WURAB	1						Sienna, Left
	5EZ21 XBQAB	1						Steel Blue, Left
	5EZ21 XSHAB	1						Silverstone, Left
	5EZ20 SW1AB	1						Stone White Clear Coat, Right
	5EZ21 YU2AB	1						Woodland Brown, Left
	5EZ20 XGRAB	1						Shale Green, Right
	5EZ20 VAWAB	1						Deep Slate, Right
	5EZ20 VTEAB	1						Champagne Pearl Metallic, Right
	5EZ20 WB7AB	1						Patriot Blue, Right
	5EZ20 WURAB	1						Sienna, Right
	5EZ20 XBQAB	1						Steel Blue, Right
	5EZ20 XSHAB	1						Silverstone, Right
4								EXHAUSTER, Quarter Panel
	55136 278AF	1						Right
	55136 279AF	1						Left
5	55136 280AB	2						EXHAUSTER, Quarter Panel
6	6004 512	4						CLIP, D Pillar Exhauster
7	55135 869AC	1						SEAL, Body Side
8								SCREW, Tapping, .164-18x.437, 06033605, (NOT SERVICED) (Not Serviced)



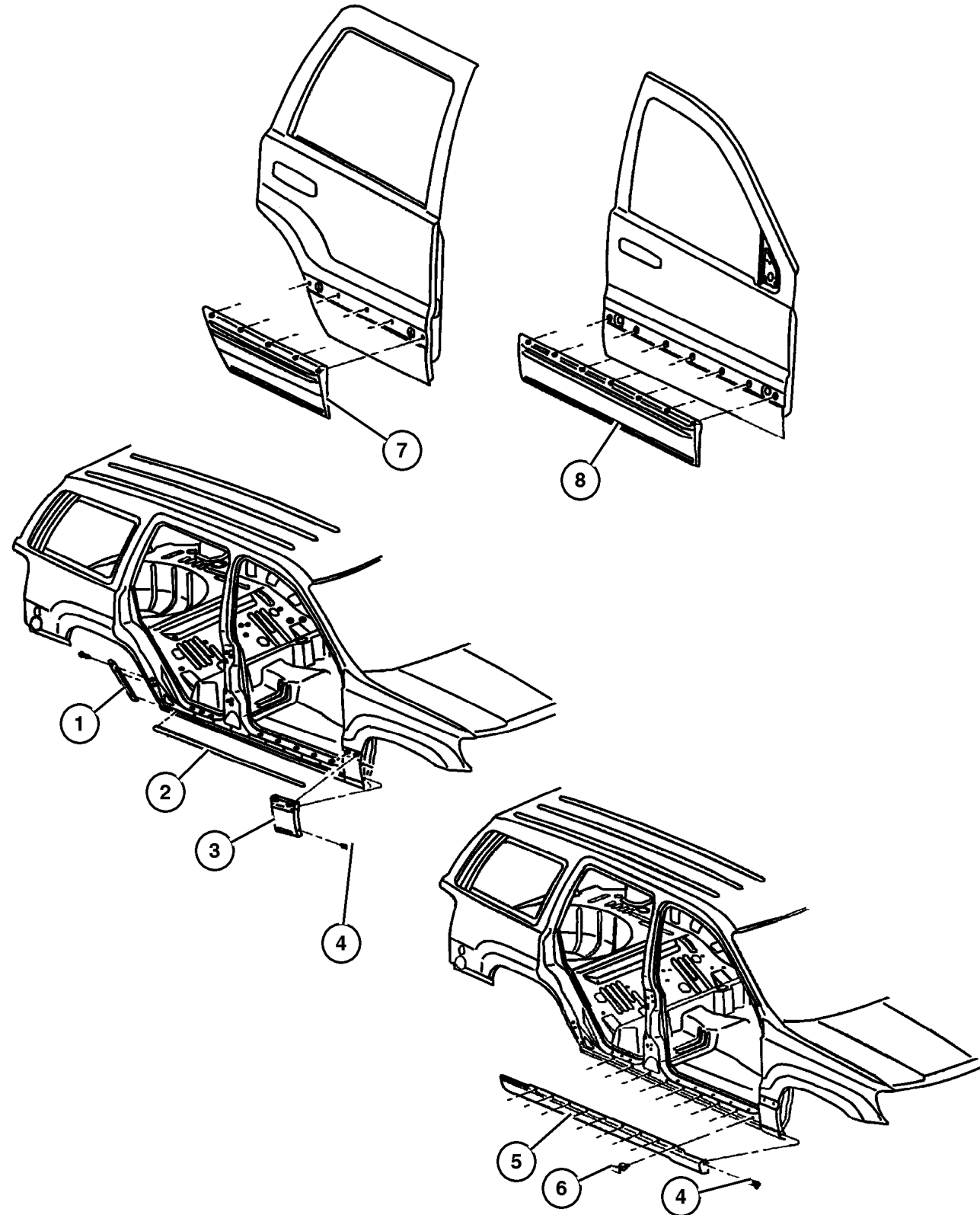
**JEEP GRAND CHEROKEE (WG)**

SERIES	LINE	BODY	ENGINE	TRANSMISSION
H = Laredo	J = 4WD	74 = 4 Door	ER0, ERH = 4.0L, Power Tech	DGK = 4 Speed Autm, 42RE
P = Limited	U = 4WD, RHD		EVO, EVA = 4.7L, Power Tech	DGQ = 5 Speed Automatic
			EXO, EXA = 3.1L 5 Cyl Turbo Diesel	- 5-45RFE
				DGW = 4 Speed Autm, 44RE

AR = Use as required - = Non illustrated part # = New this model year

October 31, 2002

## Cladding and Sill Moldings Figure EWG-220



ITEM	PART NUMBER	QTY	LINE	SERIES	BODY	ENGINE	TRANS	DESCRIPTION
Note: Laredo Cladding Colors, Order with Paint Codes. (Gray HS5= AW, BT, PT, R4, X8) (Brownstone VF7= S4, S5, TH, TK, UL, W1)								
1	5EY7 8XS9	1		H				CLADDING, Quarter Panel Dark Gray. Laredo, S9, Right
	5EY7 9XS9	1		H				Dark Gray. Laredo, S9, Left
2	5EY6 4XS9	1		P				MOLDING, Sill Cover Charcoal, Right
	5EY6 5XS9	1		P				Charcoal, Left
3	5015 766AA	1		P				CLADDING, Fender Service Dealer Paint, Right
	5015 767AA	1		P				Service Dealer Paint, Left
	5FR1 6XS9	1		H				Charcoal, Right
	5FR1 7XS9	1		H				Charcoal, Left
4	6035 217	4						SCREW, Round Head, .164-18.5
5	5EY6 4XS9	1		H				MOLDING, Sill Cover Dark Gray, S9, Right
	5EY6 5XS9	1		H				Dark Gray, S9, Left
6	5FR5 6DX9	18		H, P				RETAINER
7	5015 772AA	1		P				CLADDING, Rear Door Service Dealer Paint, Right
	5015 773AA	1		P				Service Dealer Paint, Left
	5EY74 XS9AB	1		H				Dark Gray. Laredo, S9, Right
	5EY75 XS9AB	1		H				Dark Gray. Laredo, S9, Left
8	5015 770AA	1		P				CLADDING, Front Door Service Dealer Paint, Right
	5015 771AA	1		P				Service Dealer Paint, Left
	5FR20 XS9AB	1		H				Dark Gray. Laredo, S9, Right
	5FR21 XS9AB	1		H				Dark Gray. Laredo, S9, Left

### JEEP GRAND CHEROKEE (WG)

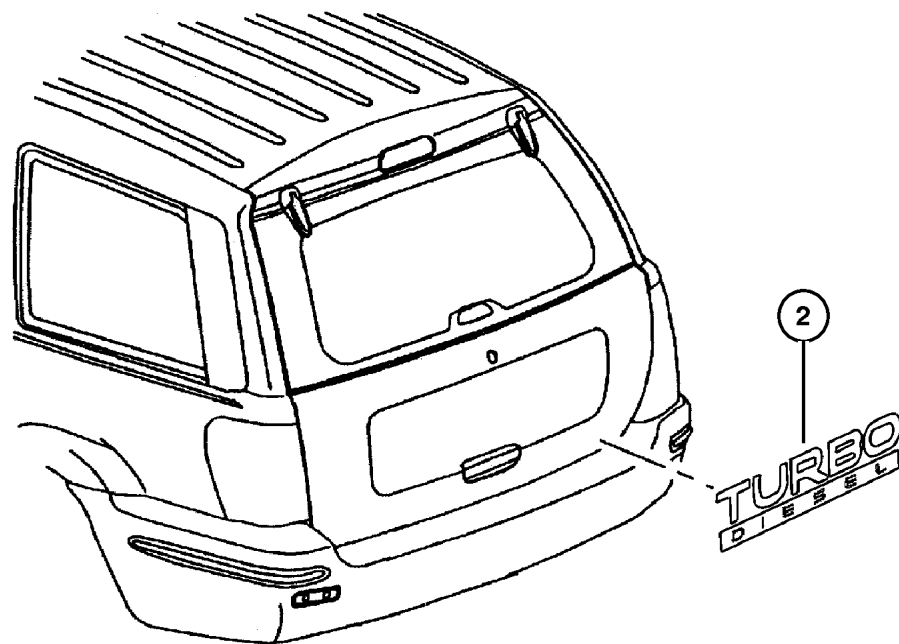
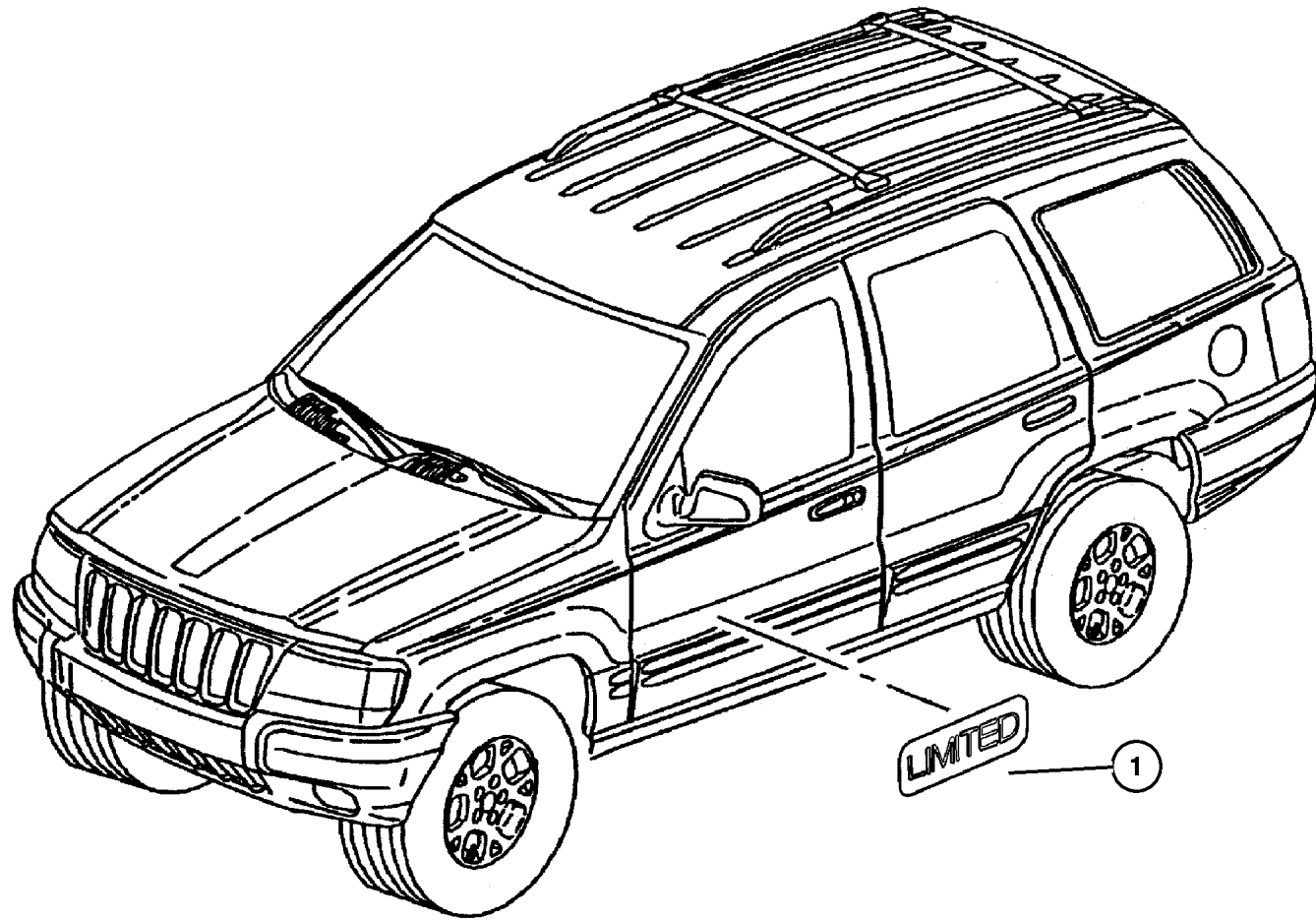
SERIES	LINE	BODY	ENGINE	TRANSMISSION
H = Laredo	J = 4WD	74 = 4 Door	ER0, ERH = 4.0L, Power Tech	DGK = 4 Speed Autm, 42RE
P = Limited	U = 4WD, RHD		EVO, EVA = 4.7L, Power Tech	DGQ = 5 Speed Automatic
			EXO, EXA = 3.1L 5 Cyl Turbo Diesel	- 5-45RFE
				DGW = 4 Speed Autm, 44RE

AR = Use as required - = Non illustrated part # = New this model year

October 31, 2002

Decals  
Figure EWG-310

ITEM	PART NUMBER	QTY	LINE	SERIES	BODY	ENGINE	TRANS	DESCRIPTION
1	55156 043AA	2						DIMENSIONAL GRAPHIC, LIMITED
2	55156 044AA	1						DECAL, Turbo Diesel



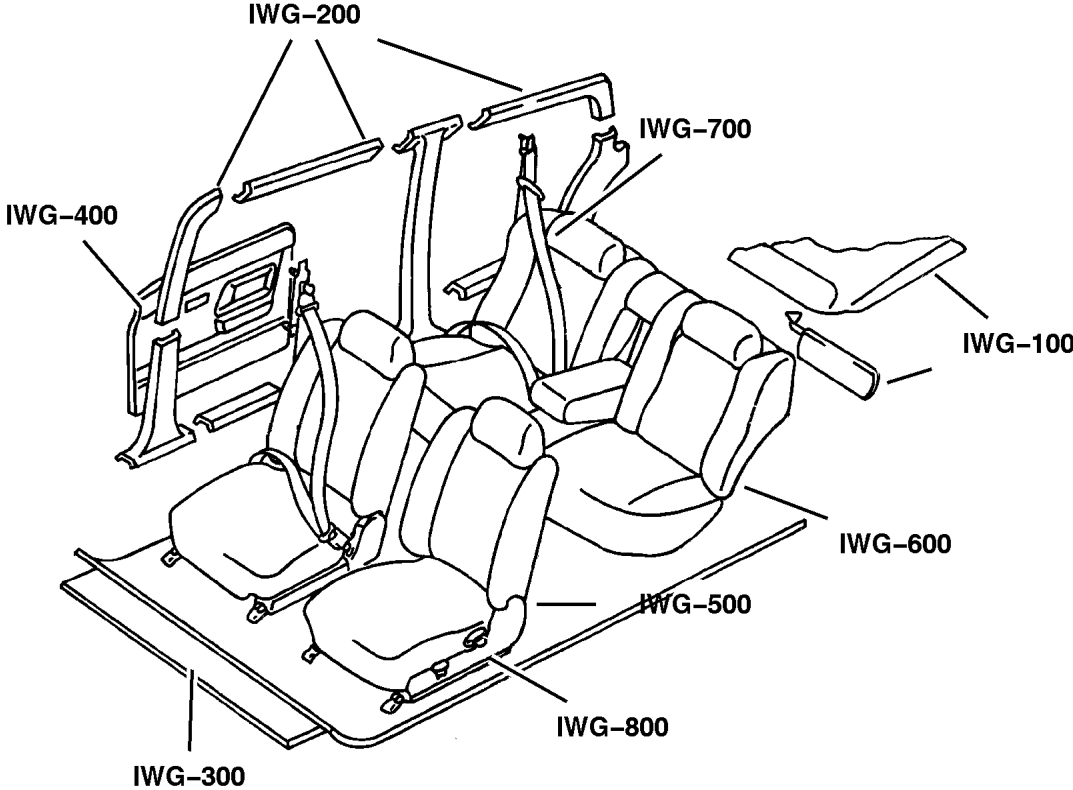
<b>JEEP GRAND CHEROKEE (WG)</b>				
SERIES	LINE	BODY	ENGINE	TRANSMISSION
H = Laredo	J = 4WD	74 = 4 Door	ER0, ERH = 4.0L, Power Tech	DGK = 4 Speed Autm, 42RE
P = Limited	U = 4WD, RHD		EVO, EVA = 4.7L, Power Tech	DGQ = 5 Speed Automatic
			EXO, EXA = 3.1L 5 Cyl Turbo Diesel	- 5-45RFE
				DGW = 4 Speed Autm, 44RE

AR = Use as required - = Non illustrated part # = New this model year

October 31, 2002

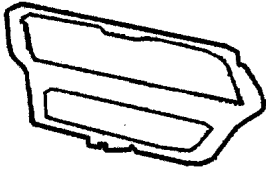
# Group – IWG

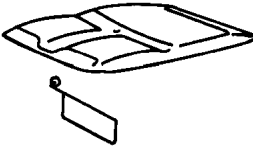
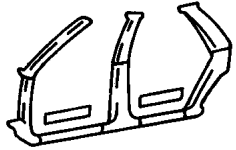
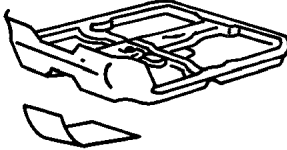
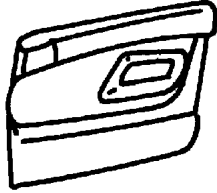

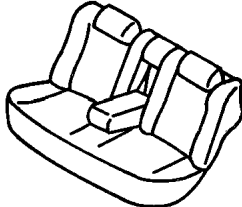
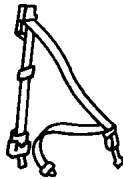
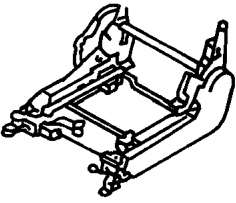
## Interior Trim



# Group – IWG

## Interior Trim

<p><b>IWG-1000</b> Lift Gate Trim</p> 			
---	--	--	--

<p><b>IWG-100</b> Headliner and Visor</p> 	<p><b>IWG-200</b> Panel – Mouldings, Scuff Plates</p> 	<p><b>IWG-300</b> Carpet and Tonneau Cover</p> 	<p><b>IWG-400</b> Door Trim Panels</p> 
<p><b>IWG-500</b> Front Seats and Attaching Parts</p> 	<p><b>IWG-600</b> Rear Seats and Attaching Parts</p> 	<p><b>IWG-700</b> Seat Belts – Front and Rear</p> 	<p><b>IWG-800</b> Adjusters, Covers, Shields and Risers</p> 



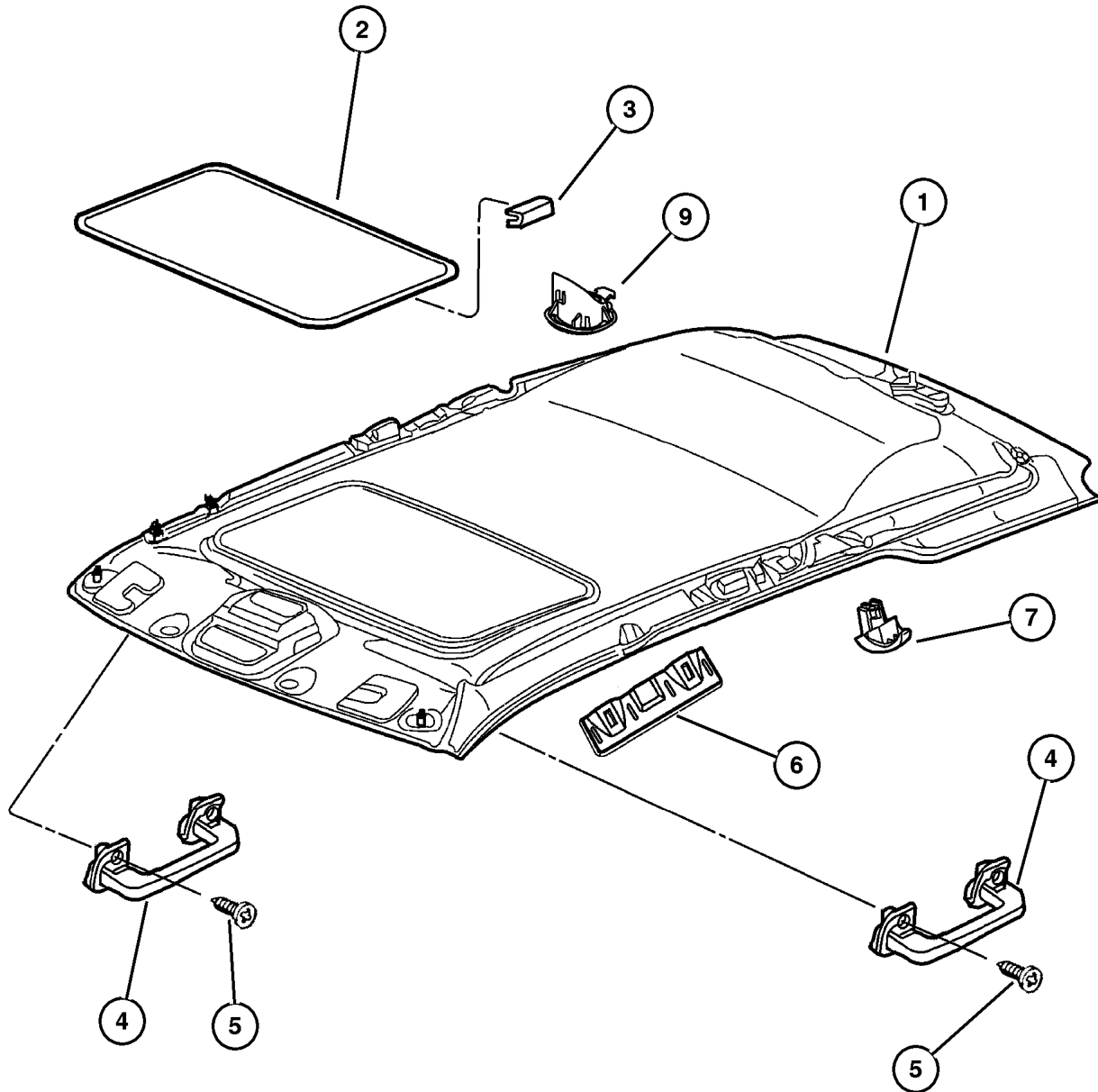
---

## GROUP IWG - Interior Trim

Illustration Title	Group-Fig. No.
<b>Headliner and Visor</b>	
Headliner and Assist Handle .....	Fig. IWG-110
Sunvisor .....	Fig. IWG-120
<b>Panel - Mouldings, Scuff Plates</b>	
Front Trim Panels and Scuff Plates .....	Fig. IWG-210
Rear Trim Panels .....	Fig. IWG-220
<b>Carpet and Tonneau Cover</b>	
Carpet and Insulation .....	Fig. IWG-310
<b>Door Trim Panels</b>	
Door Trim Panel .....	Fig. IWG-410
<b>Front Seats and Attaching Parts</b>	
Front Seat,Cloth,Trim H7 .....	Fig. IWG-510
Front Seat,Leather,Trim Code EL .....	Fig. IWG-520
<b>Rear Seats and Attaching Parts</b>	
Rear Seat,Trim Code H7 .....	Fig. IWG-610
Rear Seat,Trim Code EL .....	Fig. IWG-630
<b>Seat Belts - Front and Rear</b>	
Front Seat Belt .....	Fig. IWG-710
Rear Seat Belt .....	Fig. IWG-720
<b>Adjusters, Covers, Shields and Risers</b>	
Recliners and Adjusters .....	Fig. IWG-810
<b>Lift Gate Trim</b>	
Liftgate Panel and Scuff Plate .....	Fig. IWG-1010

## Headliner and Assist Handle Figure IWG-110

ITEM	PART NUMBER	QTY	LINE	SERIES	BODY	ENGINE	TRANS	DESCRIPTION
Sales Code [ABA] = Australia								
1								HEADLINER
	#5GE19 TL2AC	1	U					[AZ],With Illuminated Visor Vanity , With Sunroof, Without [ABA]
	#5GR07 TL2AC	1	J					[A2],With Illuminated Visor Vanity , With Sunroof
		1	J					[AZ],With Illuminated Visor Vanity , With Sunroof
	#5GR07 XT5AC	1	J					[T5],With Illuminated Visor Vanity , With Sunroof
	#5GX24 TL2AC	1	U					[AZ],With Vanity Mirror ,With [ABA], Without Sunroof
	#5GX24 XT5AC	1	U					[T5],With Vanity Mirror ,With [ABA], Without Sunroof
	#5GX25 TL2AC	1	U					[AZ],With Illuminated Visor Vanity , With Sunroof, With [ABA]
		1	U					[A2],With Illuminated Visor Vanity , With Sunroof, With [ABA]
	#5GX25 XT5AC	1	U					[T5],With Illuminated Visor Vanity , With Sunroof, With [ABA]
	#5HE07 TL2AB	1	J					[AZ],With Vanity Mirror , Without Sunroof
	#5HE07 XT5AB	1	J					[T5],With Vanity Mirror , Without Sunroof
	#5GE19 TL2AC	1	U					[A2],With Illuminated Visor Vanity , With Sunroof, Without [ABA]
	#5HE08 TL2AB	1	U					[AZ],With Vanity Mirror , Without Sunroof
	#5HE08 XT5AB	1	U					[T5],With Vanity Mirror , Without Sunroof
	#5HE09 TL2AB	1	U					[AZ],With Illuminated Visor Vanity , Without Sunroof, With [ABA]
		1	U					[A2],With Illuminated Visor Vanity , Without Sunroof, With [ABA]
	#5HE09 XT5AB	1	U					[T5],With Illuminated Visor Vanity , Without Sunroof, With [ABA]
	#5GE19 XT5AC	1	U					[T5],With Illuminated Visor Vanity , With Sunroof, Without [ABA]
	#5GE20 TL2AC	1	U					[AZ],With Illuminated Visor Vanity , Without Sunroof, Without [ABA]
		1	U					[A2],With Illuminated Visor Vanity , Without Sunroof, Without [ABA]



### JEEP GRAND CHEROKEE (WG)

SERIES	LINE	BODY	ENGINE	TRANSMISSION
H = Laredo	J = 4WD	74 = 4 Door	ER0, ERH = 4.0L, Power Tech	DGK = 4 Speed Autm, 42RE
P = Limited	U = 4WD, RHD		EVO, EVA = 4.7L, Power Tech	DGQ = 5 Speed Automatic
			EXO, EXA = 3.1L 5 Cyl Turbo Diesel	- 5-45RFE
				DGW = 4 Speed Autm, 44RE

AR = Use as required - = Non illustrated part # = New this model year

October 31, 2002

## Headliner and Assist Handle Figure IWG-110

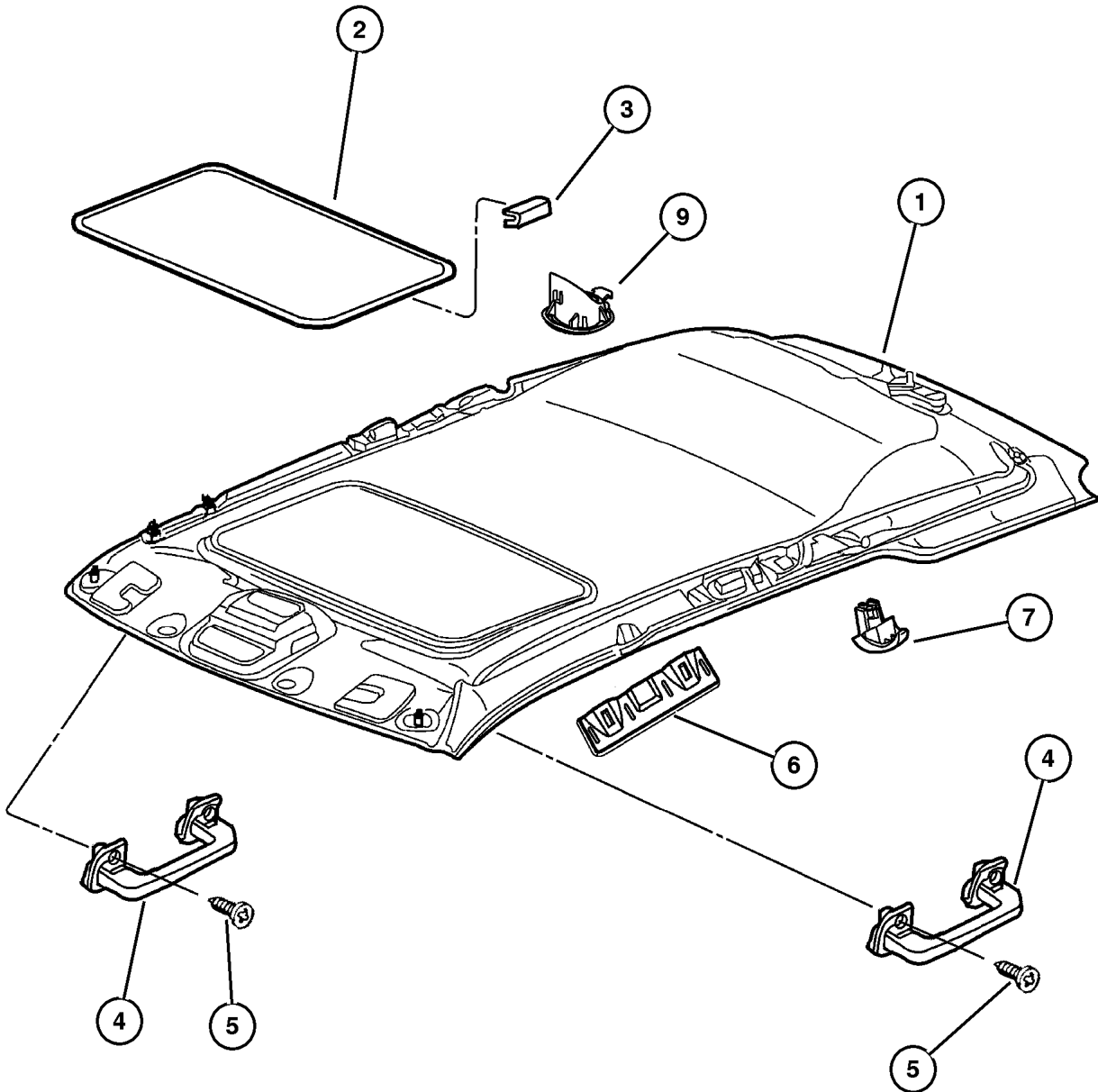
ITEM	PART NUMBER	QTY	LINE	SERIES	BODY	ENGINE	TRANS	DESCRIPTION
	#5GE20 XT5AC	1	U					[T5],With Illuminated Visor Vanity , Without Sunroof, Without [ABA]
	#5GR05 TL2AC	1	J					[AZ],With Illuminated Visor Vanity , Without Sunroof
		1	J					[A2],With Illuminated Visor Vanity , Without Sunroof
	#5GR05 XT5AC	1	J					[T5],With Illuminated Visor Vanity , Without Sunroof
2								WELT, Headliner
	5FW36 TL2AA	1						[AZ]
	5FW36 XT5AA	1						[T5]
	5FW36 TL2AA	1						[A2]
3	5GD77 TL2AA	1						RETAINER, Sunroof Welt, [AZ]
4								HANDLE, Roof Grab
	5FS41 TL2AB	1	J					[AZ], Front,Right
	5FS6 0XT5	1	J					[T5], Rear,Right
	5FS6 1TL2	1	J					[AZ], Rear,Left
		1	U					[AZ], Rear,Left
	5FS6 1XT5	1	U					[T5], Rear,Left
		1	J					[T5], Rear,Left
	5FS6 0TL2	1	U					[A2], Rear,Right
		1	J					[A2], Rear,Right
	5FS6 1TL2	1	U					[A2], Rear,Left
		1	J					[A2], Rear,Left
	5FS41 TL2AB	1	U					[AZ], Front,Right
	5FS41 XT5AB	1	U					[T5], Front,Right
		1	J					[T5], Front,Right
	5FS41 TL2AB	1	U					[A2], Front,Right
		1	J					[A2], Front,Right
	5FS6 0TL2	1	J					[AZ], Rear,Right
		1	U					[AZ], Rear,Right
	5FS6 0XT5	1	U					[T5], Rear,Right
5								SCREW, .164-18x.75
	6035 324	2	J					
		2	U					
6	55196 739AB	1	U					BRACKET, Grab Handle
7								HOOK, Coat
	5FS5 2TL2	2	J					[AZ, A2]
		1	U					[AZ, A2]
	5FS5 2XT5	2	U					[T5]
		2	J					[T5]
-8								CLIP, Headliner Mounting

### JEEP GRAND CHEROKEE (WG)

SERIES	LINE	BODY	ENGINE	TRANSMISSION
H = Laredo	J = 4WD	74 = 4 Door	ER0, ERH = 4.0L, Power Tech	DGK = 4 Speed Autm, 42RE
P = Limited	U = 4WD, RHD		EVO, EVA = 4.7L, Power Tech	DGQ = 5 Speed Automatic
			EXO, EXA = 3.1L 5 Cyl Turbo Diesel	- 5-45RFE
				DGW = 4 Speed Autm, 44RE

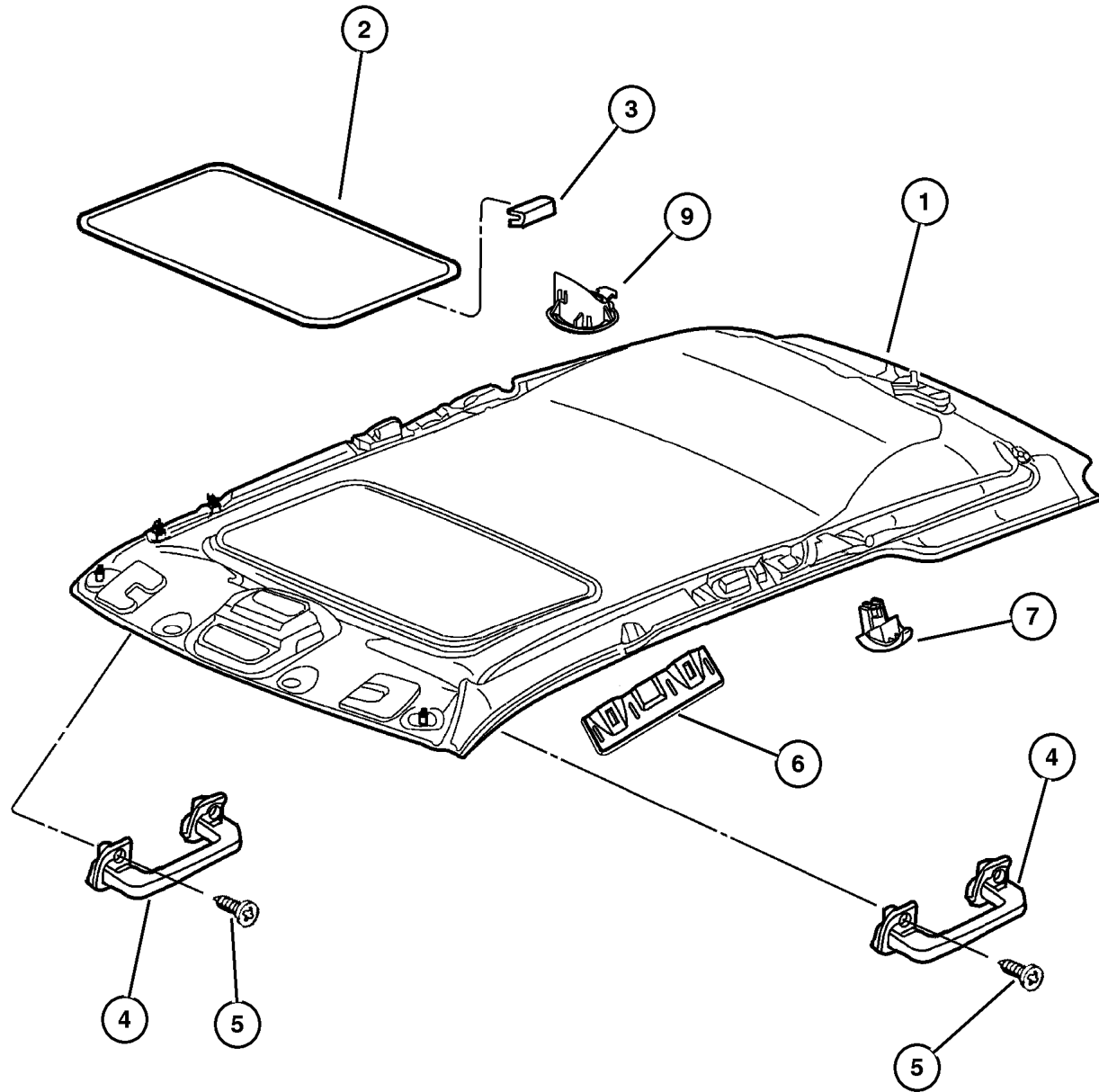
AR = Use as required - = Non illustrated part # = New this model year

October 31, 2002



## Headliner and Assist Handle Figure IWG-110

ITEM	PART NUMBER	QTY	LINE	SERIES	BODY	ENGINE	TRANS	DESCRIPTION
	5016 132AA	1	J					
		1	U					
9								BEZEL, tether anchor
	#5GX26 TL2AB	1	U					[AZ], Right
	#5GX27 TL2AB	1	J					[A2], Left
	#5GX27 XT5AB	1	U					[T5], Left
		1	J					[T5], Left
	#5GX26 TL2AB	1	J					[AZ], Right
		1	J					[A2], Right
		1	U					[A2], Right
	#5GX26 XT5AB	1	U					[T5], Right
		1	J					[T5], Right
	#5GX27 TL2AB	1	U					[AZ], Left
		1	J					[AZ], Left
		1	U					[A2], Left
-10	55196 862AA	1						SPACER



**JEEP GRAND CHEROKEE (WG)**

SERIES	LINE	BODY	ENGINE	TRANSMISSION
H = Laredo	J = 4WD	74 = 4 Door	ER0, ERH = 4.0L, Power Tech	DGK = 4 Speed Autm, 42RE
P = Limited	U = 4WD, RHD		EVO, EVA = 4.7L, Power Tech	DGQ = 5 Speed Automatic
			EXO, EXA = 3.1L 5 Cyl Turbo Diesel	- 5-45RFE
				DGW = 4 Speed Autm, 44RE

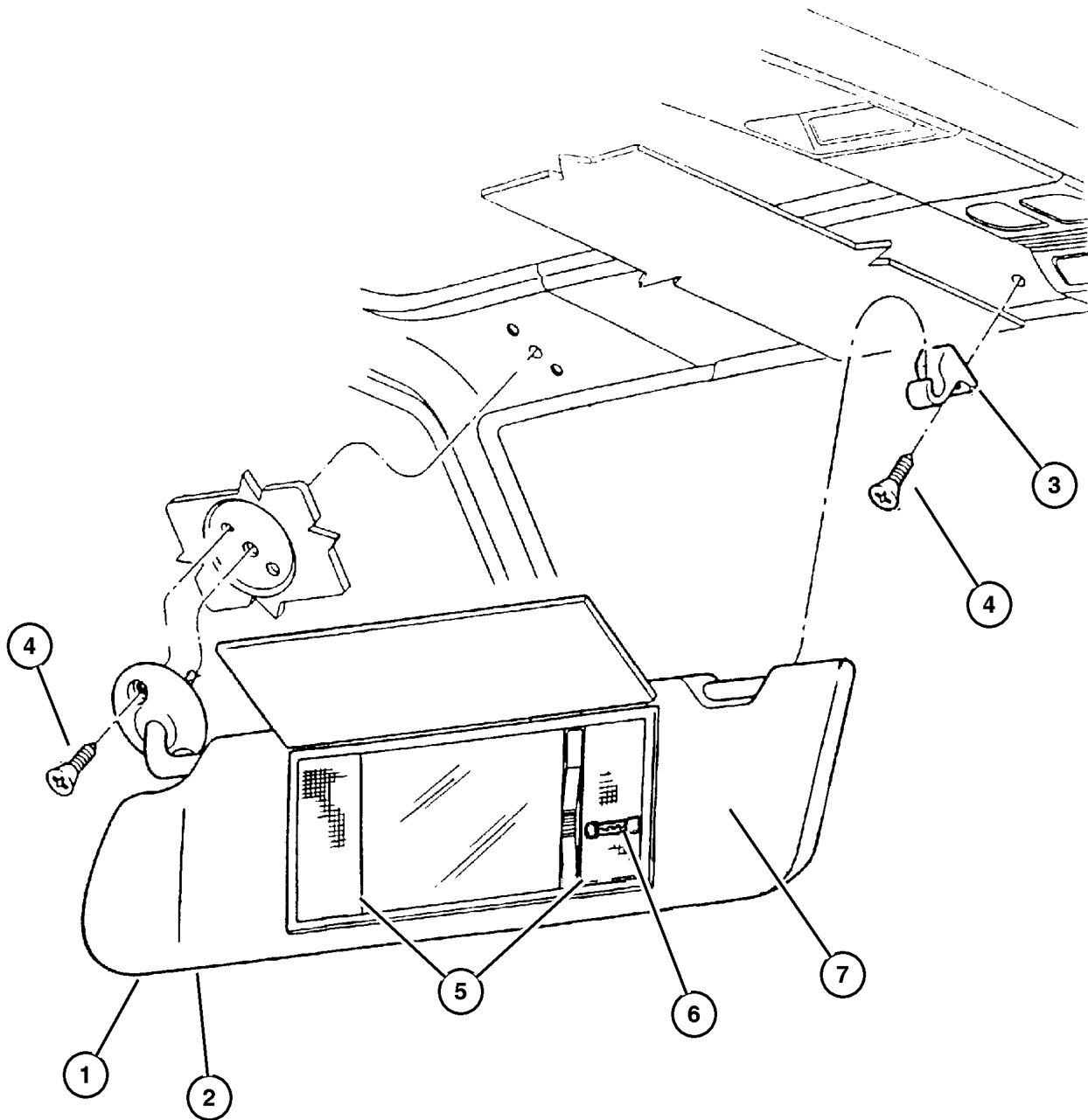
AR = Use as required - = Non illustrated part # = New this model year

October 31, 2002



**Sunvisor  
Figure IWG-120**

ITEM	PART NUMBER	QTY	LINE	SERIES	BODY	ENGINE	TRANS	DESCRIPTION
1								VISOR, Illuminated
	5HB42 TL2AB	1	U					[AZ, A2], Right
	5HB43 TL2AA	1	U					[AZ], Left
	5HB43 XT5AA	1	U					[T5], Left
	5HB94 TL2AA	1	J					[AZ], Right
	5HB94 XT5AA	1	J					[T5], Right
	5HB95 TL2AB	1	J					[AZ], Left
	5HB95 XT5AB	1	J					[T5], Left
2								VISOR, W/Mirror
	5HB92 TL2AA	1	J					[AZ], Right
	5HB92 XT5AA	1	J					[T5], Right
	5HB93 TL2AB	1	J					[AZ], Left
	5HB93 XT5AB	1	J					[T5], Left
3								SUPPORT, Visor
	5GH37 TL2AA	2	J					[AZ]
		1	U					[AZ]
	5GH37 XT5AA	2	J					[T5]
		2	U					[T5]
4								SCREW, .164-18x.75
	6035 324	2	J					
		2	U					
5								LENS, Illuminated Visor
	4778 794	1	J					
		1	U					
6								BULB, 74
	6501 966	1	J					
		1	U					
7								LABEL, Air Bag Warning
	4595 746AA	1						



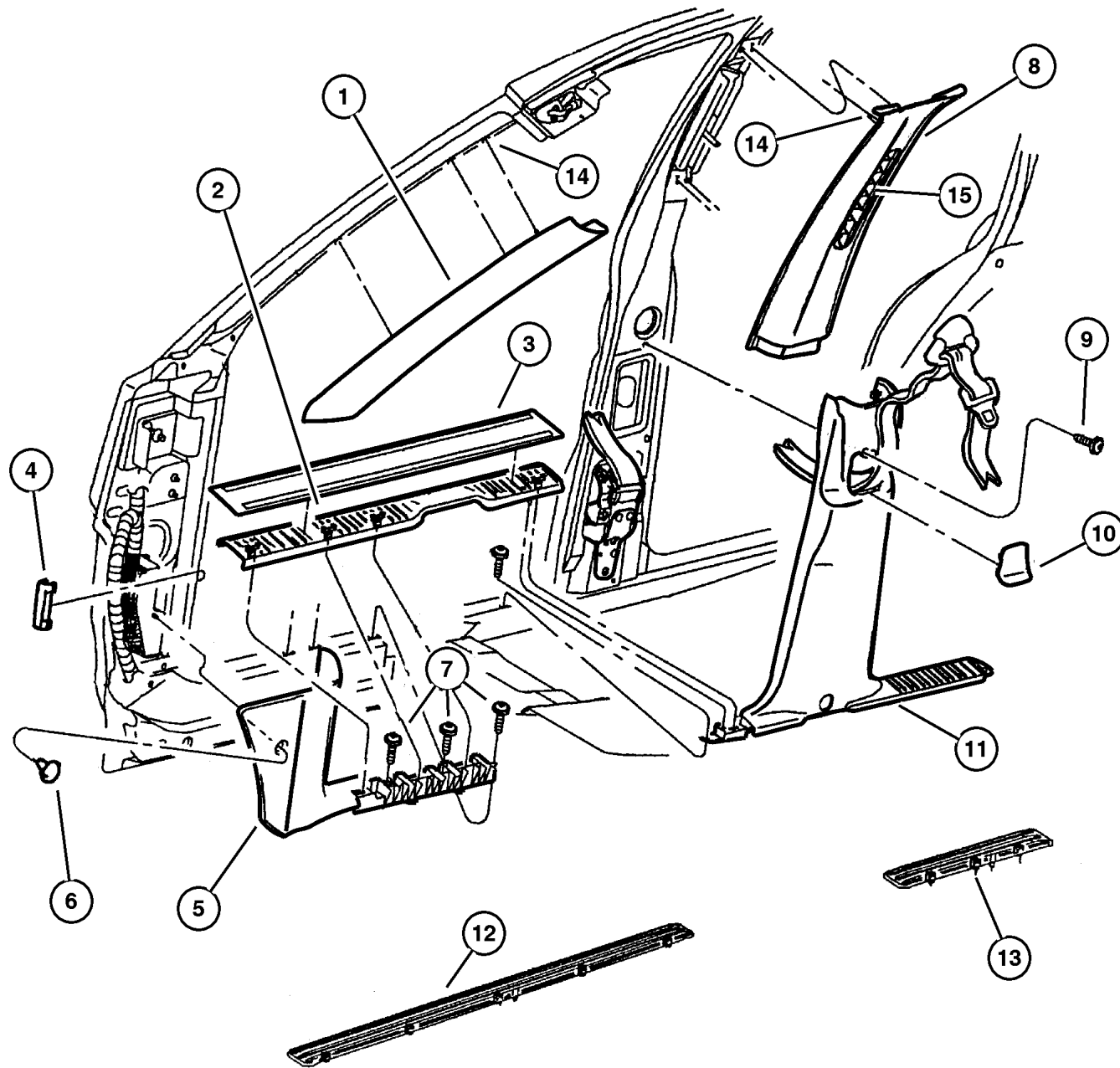
**JEEP GRAND CHEROKEE (WG)**

SERIES	LINE	BODY	ENGINE	TRANSMISSION
H = Laredo	J = 4WD	74 = 4 Door	ER0, ERH = 4.0L, Power Tech	DGK = 4 Speed Autm, 42RE
P = Limited	U = 4WD, RHD		EVO, EVA = 4.7L, Power Tech	DGQ = 5 Speed Automatic
			EXO, EXA = 3.1L 5 Cyl Turbo Diesel	- 5-45RFE
				DGW = 4 Speed Autm, 44RE

AR = Use as required - = Non illustrated part # = New this model year

October 31, 2002

**Front Trim Panels and Scuff Plates**  
**Figure IWG-210**



ITEM	PART NUMBER	QTY	LINE	SERIES	BODY	ENGINE	TRANS	DESCRIPTION
1	5FA52 LAZAD	1						MOLDING, Windshield Garnish [AZ]
	5FA52 XT MAD	1						[T5]
	5FA53 LAZAD	1						[AZ], Left
	5FA53 XT MAD	1						[T5], Left
2	5FX10 LAZAC	1						SILL COVER, Interior [AZ]
	5FX10 XT5AC	1						[T5]
	5FX11 LAZAC	1						[AZ], Left
	5FX11 XT5AC	1						[T5], Left
3							PROTECTOR, Door Opening, (NOT SERVICED) (Not Serviced)	
4	55196 878AB	2						CLIP, Trim Panel
5	55135 442AE	1	J					PANEL, Cowl Right
	5GE27 XT5AC	1	U					[T5], Left
	55135 443AE	1	J					Left
	5FA60 LAZAD	1	J					[AZ], Right
	5FA60 XT5AD	1	J					[T5], Right
	5HM22 LAZAA	1	J					[AZ], Left
	5HM22 XT5AA	1	J					[T5], Left
	5GE26 LAZAC	1	U					[A2, AZ], Right
	5GE26 XT5AC	1	U					[T5], Right
5GE27 LAZAC	1	U					[A2, AZ], Left	
6	6503 339	2						NUT, Plastic
								SCREW, .164-18x.625, (NOT SERVICED) (Not Serviced)
7								
8	5FA56 LAZAB	1						PANEL, B Pillar [AZ], Upper,Right
	5FA57 LAZAB	1						[AZ], Upper,Left
	5FA56 XT5AB	1						[T5], Upper,Right
	5FA57 XT5AB	1						[T5], Upper,Left
9	6032 723	6						SCREW, Self Tapping, M4.2x1.69x19.05
10	5FP8 6LAZ	2						COVER, B Pillar Trim Panel [AZ]
	5FP8 6XT5	2						[T5]
11	#5FW54 LAZAB	1						PANEL, B Pillar Lower Trim [AZ], Right
	#5FW54 XT5AB	1						[T5], Right
	5FW55 LAZAB	1						[AZ], Left
	5FW55 XT5AB	1						[T5], Left
12	5GH22 DX9AA	2						PLATE, Front Door Scuff
13	5GH23 DX9AA	2						PLATE, Rear Door Scuff

**JEEP GRAND CHEROKEE (WG)**

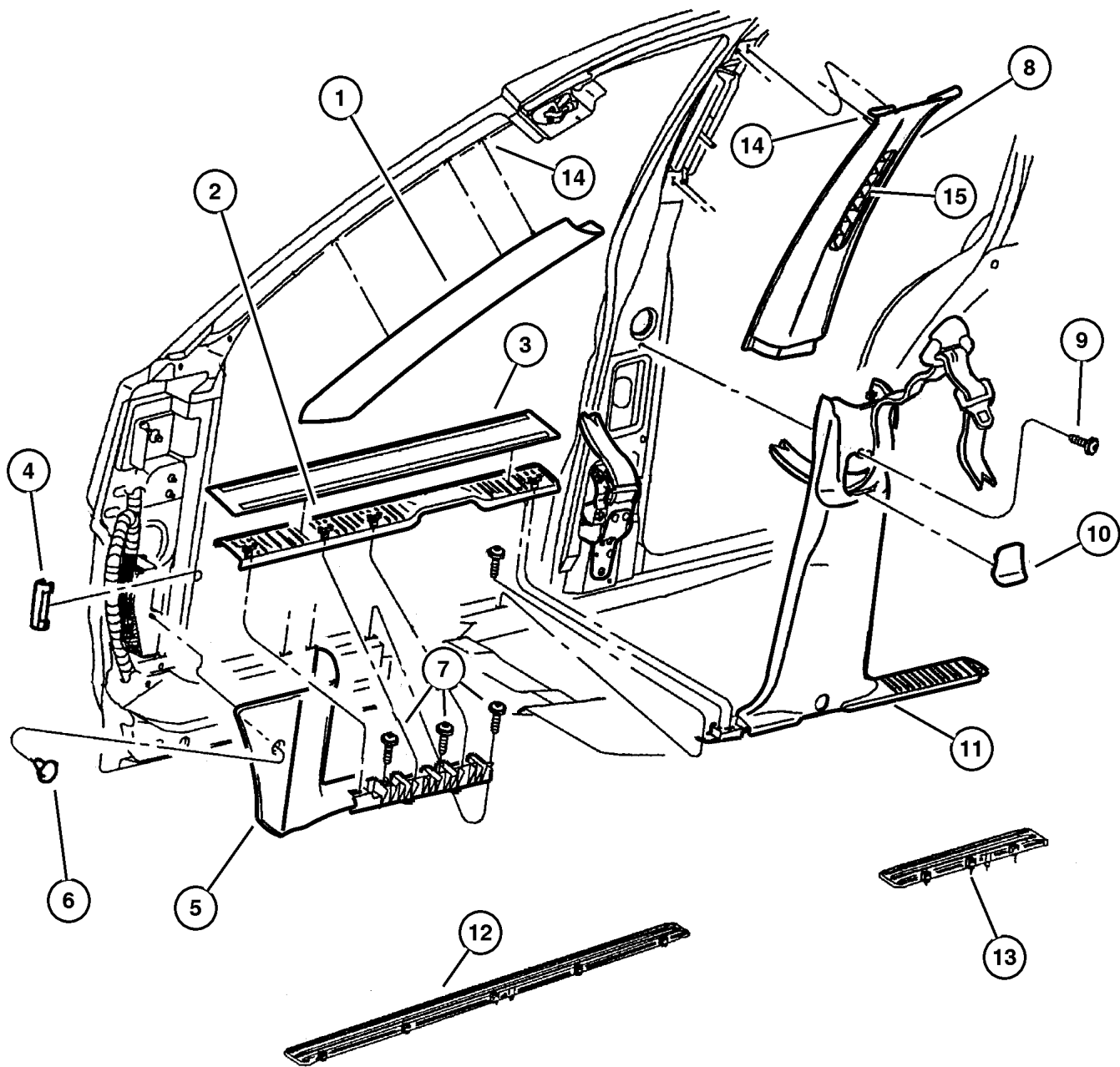
SERIES	LINE	BODY	ENGINE	TRANSMISSION
H = Laredo	J = 4WD	74 = 4 Door	ER0, ERH = 4.0L, Power Tech	DGK = 4 Speed Autm, 42RE
P = Limited	U = 4WD, RHD		EVO, EVA = 4.7L, Power Tech	DGQ = 5 Speed Automatic
			EXO, EXA = 3.1L 5 Cyl Turbo Diesel	- 5-45RFE
				DGW = 4 Speed Autm, 44RE

AR = Use as required - = Non illustrated part # = New this model year

October 31, 2002

## Front Trim Panels and Scuff Plates Figure IWG-210

ITEM	PART NUMBER	QTY	LINE	SERIES	BODY	ENGINE	TRANS	DESCRIPTION
14	5521 4846	2						CLIP, Trim Panel
15								ADJUSTER, Seat Belt Turning Loop, Slider, Also serviced in B Trim Panel, Item #8
	5FS1 9LAZ	1						[AZ]
	5FS1 9XT5	1						[T5]



**JEEP GRAND CHEROKEE (WG)**

SERIES	LINE	BODY	ENGINE	TRANSMISSION
H = Laredo	J = 4WD	74 = 4 Door	ER0, ERH = 4.0L, Power Tech	DGK = 4 Speed Autm, 42RE
P = Limited	U = 4WD, RHD		EVO, EVA = 4.7L, Power Tech	DGQ = 5 Speed Automatic
			EXO, EXA = 3.1L 5 Cyl Turbo Diesel	- 5-45RFE
				DGW = 4 Speed Autm, 44RE

AR = Use as required - = Non illustrated part # = New this model year

October 31, 2002

## Rear Trim Panels Figure IWG-220

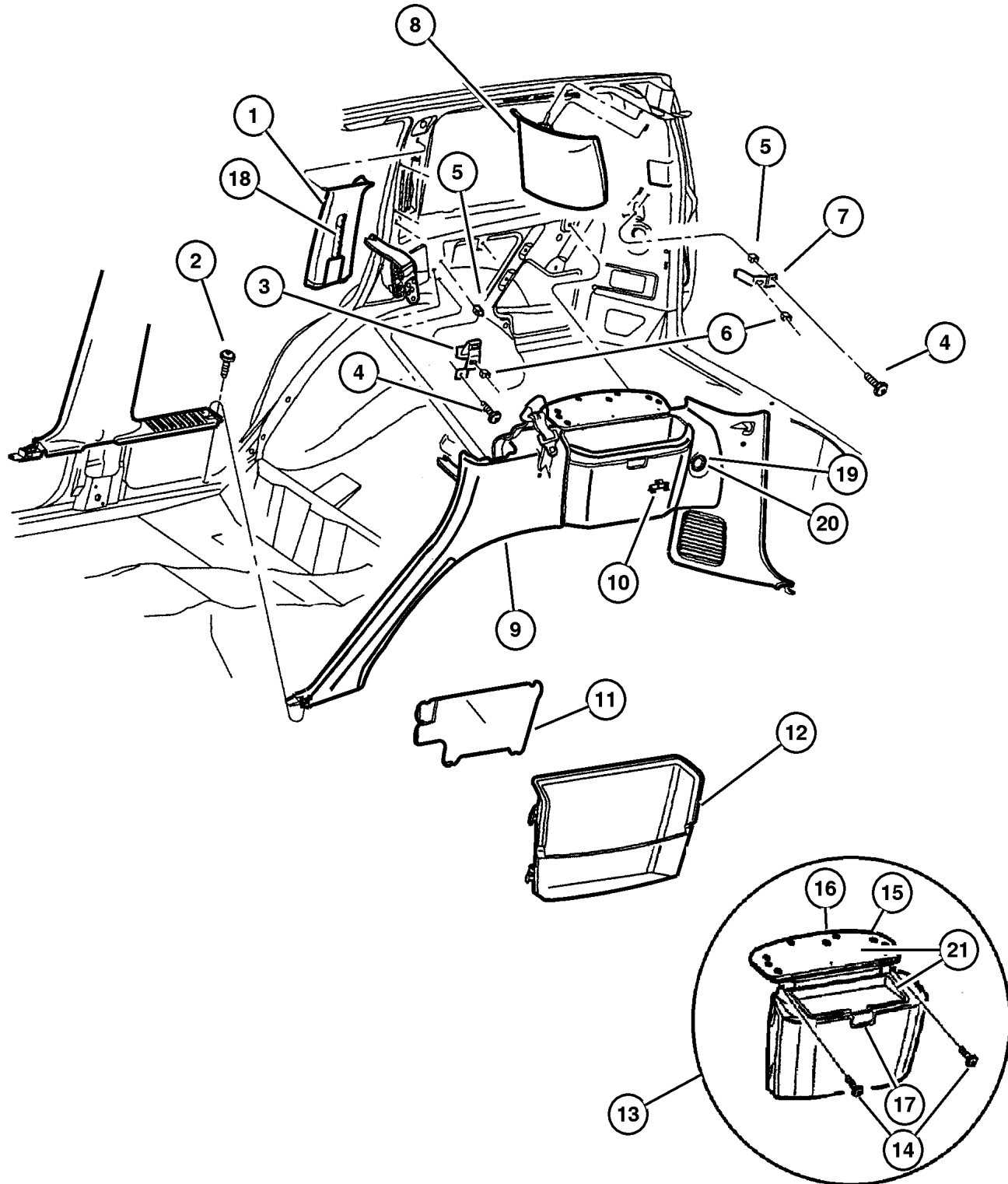
ITEM	PART NUMBER	QTY	LINE	SERIES	BODY	ENGINE	TRANS	DESCRIPTION
1								PANEL, C Pillar
	5FA78 LAZAE	1						[AZ], Right
	5FA78 XT5AE	1						[T5], Right
	5FA79 LAZAE	1						[AZ], Left
	5FA79 XT5AE	1						[T5], Left
2								SCREW, .164-18x.625, (NOT SERVICED) (Not Serviced)
3	55196 742AB	2						BRACKET, Quarter Trim, Front
4	0154 806	2						SCREW, Round Head, .164-15x1.00
5	6035 498	2						NUT, Spring Type, .164-7.5
6	6035 773	2						NUT
7	55196 744AB	2						BRACKET, Quarter Trim, Rear
8								PANEL, D Pillar Trim
	5FA72 LAZAB	1						[AZ], Right
	5FA73 LAZAB	1						[AZ], Left
	5FA72 XT5AB	1						[T5], Right
	5FA73 XT5AB	1						[T5], Left
9								PANEL, Quarter Trim
	5FA62 1AZAF	1						[AZ], Right
	5FA62 1T5AF	1						[T5], Right
	#5GK21 1AZAA	1						[AZ],w/Cargo Net, Left
	#5GK21 XT5AA	1						[T5],w/Crago Net, Left
10	#55196 901AB	4						LOOP, Cargo Tie Down
11								COVER, Bolt
	5FY38 LAZAA	1						[AZ]
	5FY38 XT5AA	1						[T5]
12								BIN, Storage
	5FS1 4LAZ	1						[AZ]
	5FS1 4XT5	1						[T5]
13								BIN, Storage
	5FW37 1AZAD	1						[AZ]
	5FW37 1T5AD	1						[T5]
14	0154 867AA	8						SCREW, [.164-15X.500]~~
15	4754 478	4						BUMPER, Armrest Lid
16								DOOR
	5FS2 0LAZ	1						[AZ]
	5FS2 0XT5	1						[T5]
17	5519 6620	1						LATCH, Storage Bin Lid
18								ADJUSTER, Seat Belt Turning Loop, Sider, Also sevcid in Item #1
	5FS1 9LAZ	1						[AZ]
	5FS1 9XT5	1						[T5]
19	4685 591	1						CAP, Cigar Lighter, Power Outlet, Rear

### JEEP GRAND CHEROKEE (WG)

SERIES	LINE	BODY	ENGINE	TRANSMISSION
H = Laredo	J = 4WD	74 = 4 Door	ER0, ERH = 4.0L, Power Tech	DGK = 4 Speed Autm, 42RE
P = Limited	U = 4WD, RHD		EVO, EVA = 4.7L, Power Tech	DGQ = 5 Speed Automatic
			EXO, EXA = 3.1L 5 Cyl Turbo Diesel	- 5-45RFE
				DGW = 4 Speed Autm, 44RE

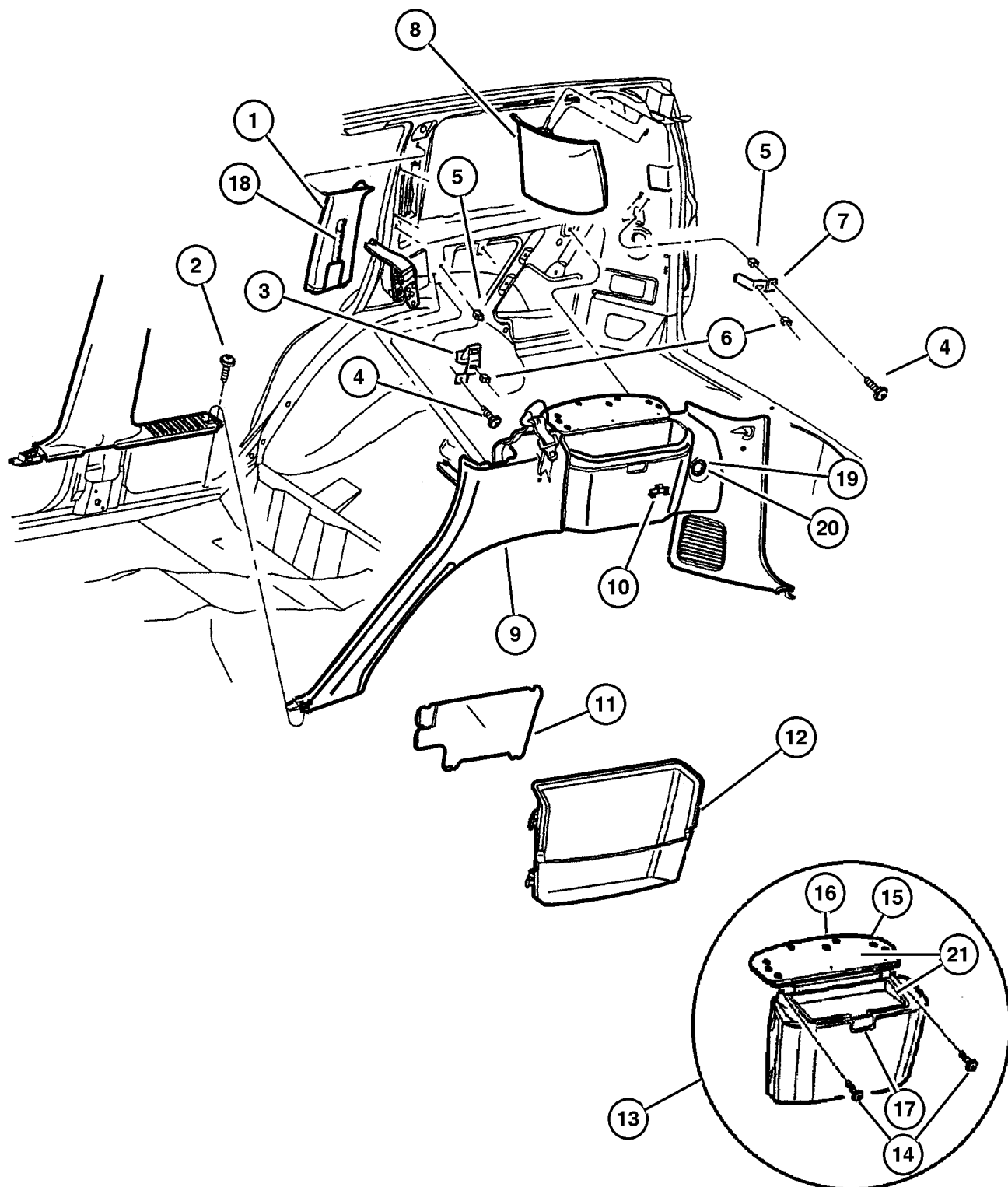
AR = Use as required - = Non illustrated part # = New this model year

October 31, 2002



## Rear Trim Panels Figure IWG-220

ITEM	PART NUMBER	QTY	LINE	SERIES	BODY	ENGINE	TRANS	DESCRIPTION
20	HX32 DX9AB	1						PLUG, 12 V-Outlet
		1						[AZ]
		1						[T5]
21	5FS21 DX9AC	1						LID, Storage Bin
		1						[T5]
		1						[AZ]



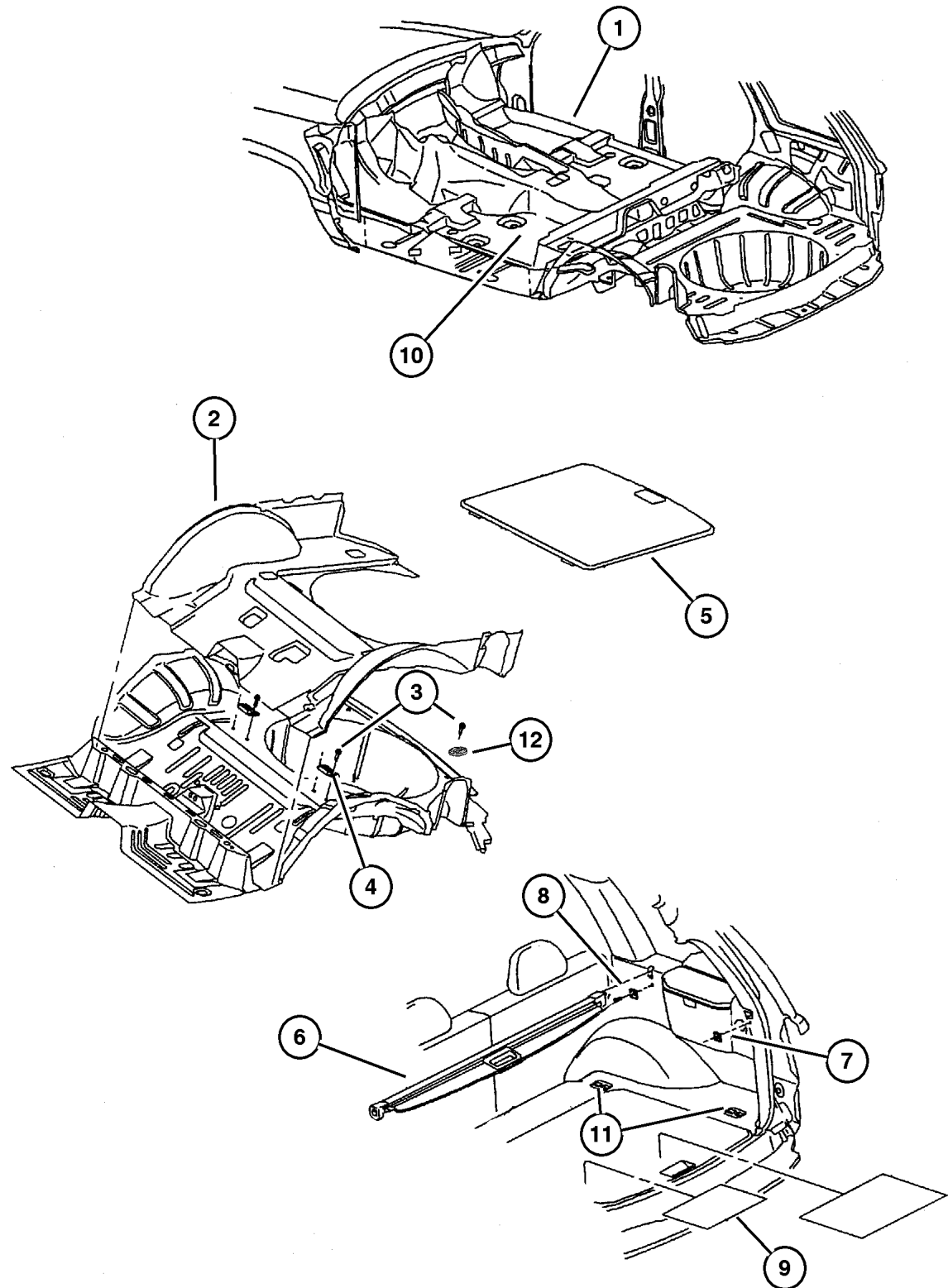
**JEEP GRAND CHEROKEE (WG)**

SERIES	LINE	BODY	ENGINE	TRANSMISSION
H = Laredo	J = 4WD	74 = 4 Door	ER0, ERH = 4.0L, Power Tech	DGK = 4 Speed Autm, 42RE
P = Limited	U = 4WD, RHD		EVO, EVA = 4.7L, Power Tech	DGQ = 5 Speed Automatic
			EXO, EXA = 3.1L 5 Cyl Turbo Diesel	- 5-45RFE
				DGW = 4 Speed Autm, 44RE

AR = Use as required - = Non illustrated part # = New this model year

October 31, 2002

Carpet and Insulation  
Figure IWG-310



ITEM	PART NUMBER	QTY	LINE	SERIES	BODY	ENGINE	TRANS	DESCRIPTION
1								CARPET, Front Floor
	5FA2 0LAZ	1	U					[AZ]
	5FA2 0XTM	1	U					[T5]
	5GC66 LAZAA	1	J					[AZ]
	5GC66 XTMAA	1	J					[T5]
2								CARPET, Cargo Floor
	5GA92 LAZAB	1						[AZ]
	5GA92 XTMAAB	1						[T5]
3	6035 122	8						RIVET, .187x.70 Black
4	55196 748AA	2						BRACKET, Spare Tire
5								COVER, Spare Tire
	#5HB55 1AZAA	1						[AZ]
	#5HB55 1TMAA	1						[T5]
6								COVER, Cargo Compartment
	5FS27 1AZAB	1						[AZ]
	5FS27 1T5AB	1						[T5]
7	#55196 901AB	4						LOOP, Cargo Tie Down
8	0154 867AA	8						SCREW, [.164-18x1.625]
9	55196 839AB	1						NET, Cargo
10	8220 3303	1	J, U	H, P	74			MAT KIT, Floor - Rear
11	#55196 901AB	4						LOOP, Cargo Tie Down
12	55196 832AA	2						RETAINER
-13								MAT KIT, Floor
	#5JB35 1AZAA	1	J					[60TH] Anniversary
	#5HK35 LAZAB	1	U					[AZ],60TH Anniversary
	#5HK35 XTMAAB	1	U					[T5],60TH Anniversary
-14								CLIP, Carpet
	55196 834AA	1	J					
		1	U					

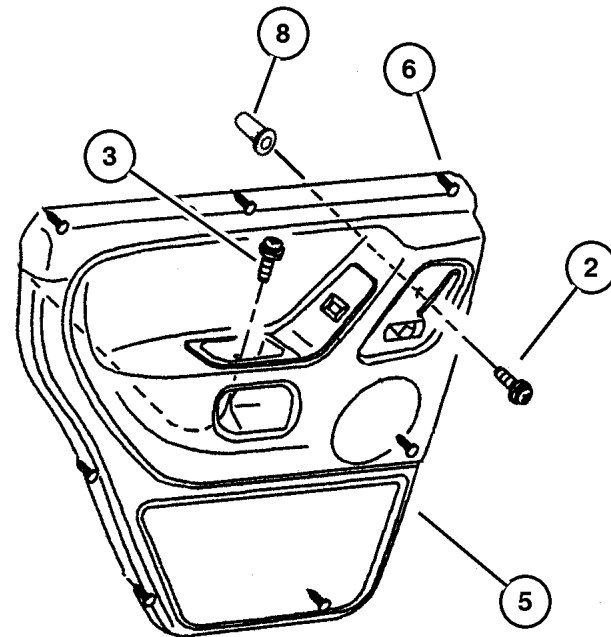
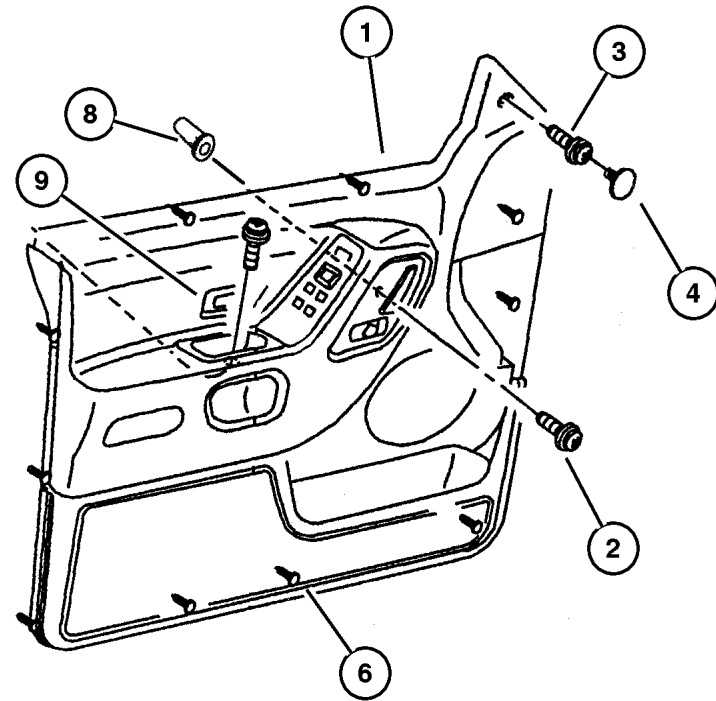
JEEP GRAND CHEROKEE (WG)

SERIES	LINE	BODY	ENGINE	TRANSMISSION
H = Laredo	J = 4WD	74 = 4 Door	ER0, ERH = 4.0L, Power Tech	DGK = 4 Speed Autm, 42RE
P = Limited	U = 4WD, RHD		EVO, EVA = 4.7L, Power Tech	DGQ = 5 Speed Automatic
			EXO, EXA = 3.1L 5 Cyl Turbo Diesel	- 5-45RFE
				DGW = 4 Speed Autm, 44RE

AR = Use as required - = Non illustrated part # = New this model year

October 31, 2002

Door Trim Panel  
Figure IWG-410



ITEM	PART NUMBER	QTY	LINE	SERIES	BODY	ENGINE	TRANS	DESCRIPTION
1								PANEL, Front Door Trim
	TM04 1AZAA	1	J	H				[AZ],With Infinity Speakers, Right
	#UG52 1T5AA	1	J	P				[T5], Right
	#UG57 1AZAA	1	J	P				[AZ], Left
	#UG57 1T5AA	1	J	P				[T5], Left
	#UG60 1AZAA	1	U	P				[AZ], Right
	#UG60 1T5AA	1	U	P				[T5], Right
	UG61 1AZAA	1	U	P				[AZ], Left
	UG61 1T5AA	1	U	P				[T5], Left
	TM04 1T5AA	1	J	H				[T5],With Infinity Speakers, Right
	TM05 1AZAA	1	J	H				[AZ],With Infinity Speakers, Left
	TM05 1T5AA	1	J	H				[T5],With Infinity Speakers, Left
	TM06 1AZAA	1	U	H				[AZ],With Infinity Speakers, Right
	TM06 1T5AA	1	U	H				[T5],With Infinity Speakers, Right
	TM07 1AZAA	1	U	H				[AZ],With Infinity Speakers, Left
	TM07 1T5AA	1	U	H				[T5],With Infinity Speakers, Left
	#UG52 1AZAA	1	J	P				[AZ], Right
2	0154 867AA	8						SCREW, M5X0.8X16.00~~
3	6032 723	6						SCREW, Self Tapping, M4.2x1.69x19.05
4								PLUG, Door Trim Panel
	5FC1 1LAZ	2						[AZ]
	5FC1 1XTM	2						[T5]
5								PANEL, Rear Door Trim
	TM08 1AZAA	1		H				[AZ], Right
	TM08 1T5AA	1		H				[T5], Right
	TM09 1AZAA	1		H				[AZ], Left
	TM09 1T5AA	1		H				[T5], Left
	#UD66 1AZAA	1		P				[AZ], Right
	#UD66 1T5AA	1		P				[T5], Right
	#UD67 1AZAA	1		P				[AZ], Left
	#UD67 1T5AA	1		P				[T5], Left
6								FASTENER, Door Trim Panel
	6505 539AA	9		P				Rear Door
		9		H				Rear Door
		11		P				Front Door
		11		H				Front Door
-7								RETAINER, Trim Panel, Pin portion of
								6505539AA
	5012 874AA	1		P				Front & Rear Doors
		9		H				Front & Rear Doors
8	6505 201AA	2						NUT
9								BEZEL, Switch, Memory Seats

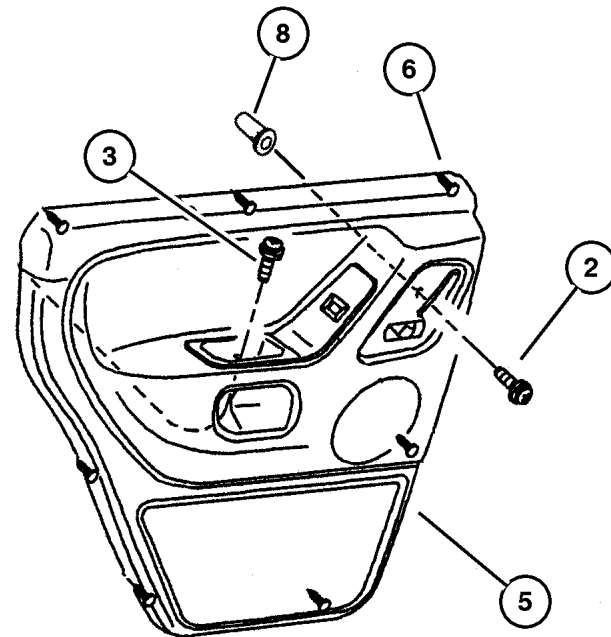
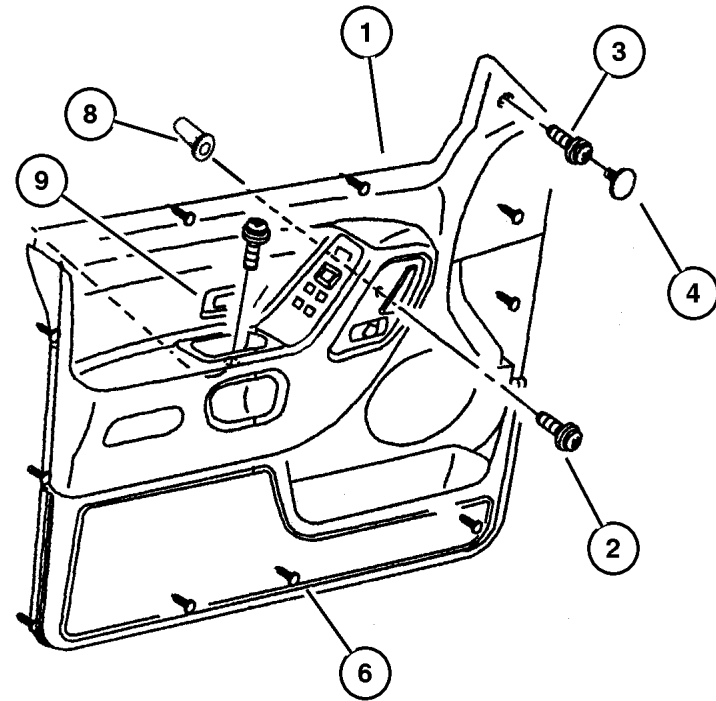
JEEP GRAND CHEROKEE (WG)

SERIES	LINE	BODY	ENGINE	TRANSMISSION
H = Laredo	J = 4WD	74 = 4 Door	ER0, ERH = 4.0L, Power Tech	DGK = 4 Speed Autm, 42RE
P = Limited	U = 4WD, RHD		EVO, EVA = 4.7L, Power Tech	DGQ = 5 Speed Automatic
			EXO, EXA = 3.1L 5 Cyl Turbo Diesel	- 5-45RFE
				DGW = 4 Speed Autm, 44RE

AR = Use as required - = Non illustrated part # = New this model year

October 31, 2002

Door Trim Panel  
Figure IWG-410



ITEM	PART NUMBER	QTY	LINE	SERIES	BODY	ENGINE	TRANS	DESCRIPTION
	#UH62 1AZAA	1	U	P				[A2, AZ]
	#UH62 1T5AA	1	U	P				[T5]
	#UH63 1AZAA	1	J	P				[A2, AZ]
	#UH63 1T5AA	1	J	P				[T5]

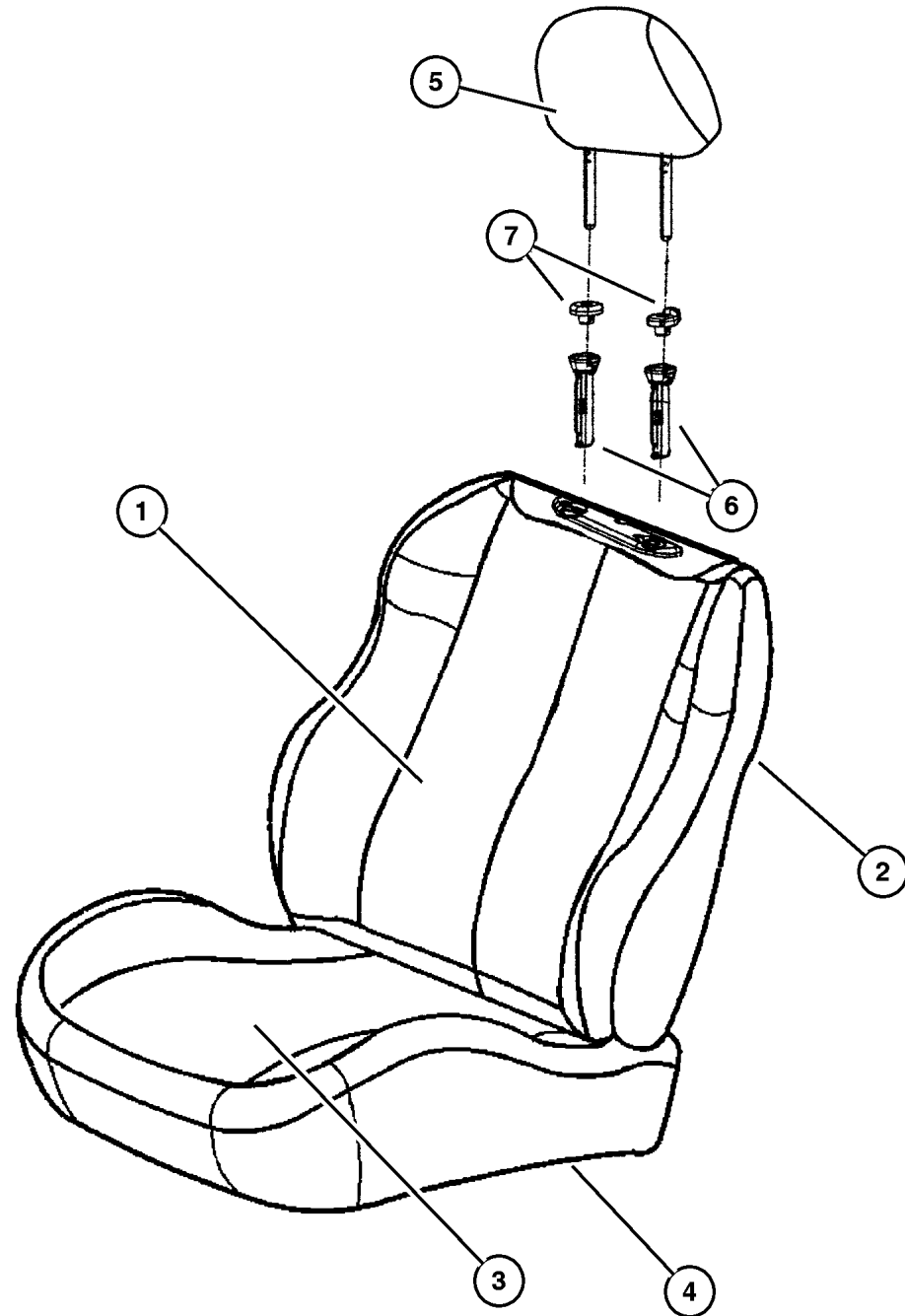
<b>JEEP GRAND CHEROKEE (WG)</b>				
SERIES	LINE	BODY	ENGINE	TRANSMISSION
H = Laredo	J = 4WD	74 = 4 Door	ER0, ERH = 4.0L, Power Tech	DGK = 4 Speed Autm, 42RE
P = Limited	U = 4WD, RHD		EVO, EVA = 4.7L, Power Tech	DGQ = 5 Speed Automatic
			EXO, EXA = 3.1L 5 Cyl Turbo Diesel	- 5-45RFE
				DGW = 4 Speed Autm, 44RE

AR = Use as required - = Non illustrated part # = New this model year

October 31, 2002



Front Seat,Cloth,Trim H7  
Figure IWG-510



ITEM	PART NUMBER	QTY	LINE	SERIES	BODY	ENGINE	TRANS	DESCRIPTION
1								COVER, Front Seat Back
	SK31 1AZAA	1	U					[AZ]
		1	J					[AZ]
	SK31 1T5AA	1	U					[T5]
		1	J					[T5]
2								BACK, Front Seat
	SK40 1AZAA	1	U					[AZ], Right
		1	J					[AZ], Right
	SK40 1T5AA	1	U					[T5], Right
		1	J					[T5], Right
	SK41 1AZAA	1	U					[AZ], Left
		1	J					[AZ], Left
	SK41 1T5AA	1	U					[T5], Left
	1	J					[T5], Left	
3								COVER AND PAD, Cushion
	#UQ08 1AZAA	1	J					[AZ], Right
		1	U					[AZ], Right
	#UQ08 1T5AA	1	J					[T5], Right
		1	U					[T5], Right
	#UQ09 1AZAA	1	U					[AZ], Left
	1	J					[AZ], Left	
#UQ09 1T5AA	1	J					[T5], Left	
	1	U					[T5], Left	
4								FRAME, Front Seat
	4856 470	1	U					Right
		1	J					Right
	4856 471	1	U					Left
	1	J					Left	
5								HEADREST, Front
	#UQ14 1AZAA	1	U					[AZ]
		1	J					[AZ]
	#UQ14 1T5AA	1	U					[T5]
	1	J					[T5]	
6								CYLINDER, Headrest
	5013 152AA	2	U					
		2	J					
7								COVER, Headrest Sleeve
	#UQ15 1AZAA	2	U					[AZ]
	#UQ15 1T5AA	2	U					[T5]

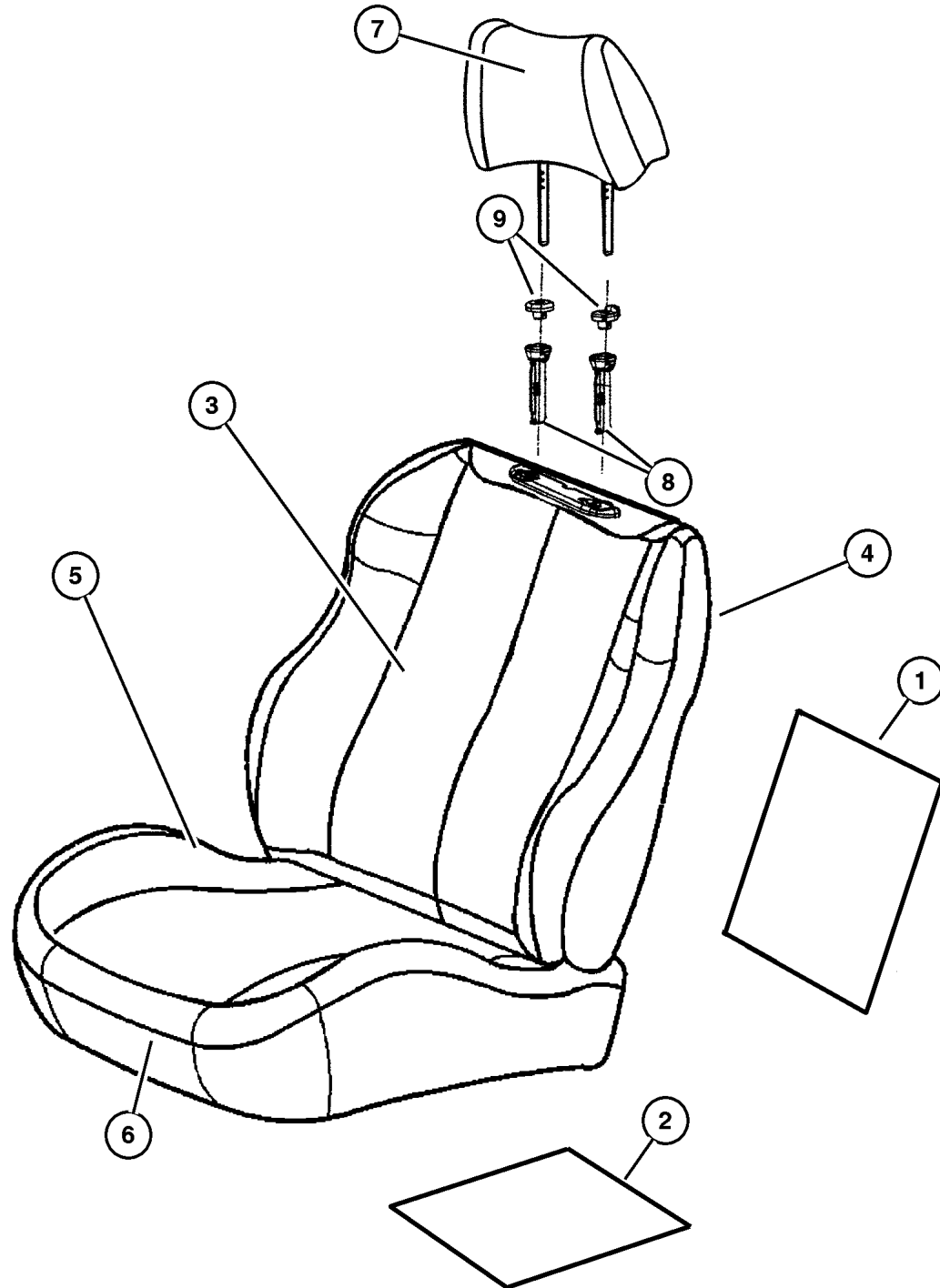
JEEP GRAND CHEROKEE (WG)

SERIES	LINE	BODY	ENGINE	TRANSMISSION
H = Laredo	J = 4WD	74 = 4 Door	ER0, ERH = 4.0L, Power Tech	DGK = 4 Speed Autm, 42RE
P = Limited	U = 4WD, RHD		EVO, EVA = 4.7L, Power Tech	DGQ = 5 Speed Automatic
			EXO, EXA = 3.1L 5 Cyl Turbo Diesel	- 5-45RFE
				DGW = 4 Speed Autm, 44RE

AR = Use as required - = Non illustrated part # = New this model year

October 31, 2002

**Front Seat,Leather,Trim Code EL  
Figure IWG-520**



ITEM	PART NUMBER	QTY	LINE	SERIES	BODY	ENGINE	TRANS	DESCRIPTION
[JTC] = Power 10-Way Memory. [JTF] = Power 10-Way Heated Memory.								
1	#5072 485AA	1	U					HEATER, Pad Peel and Stick, Seat Back
		1	J					Peel and Stick, Seat Back
2	#5072 486AA	1	U					HEATER, Pad Peel and Stick, Cushion
		1	J					Peel and Stick, Cushion
3	#UK06 1AZAA	1	J					COVER, Front Seat Back [AZ] , Heated, Sales Code[JTF], Up to 10/01/00
	#WN52 1AZAA	1	U					[AZ] , Non-Heated, Sales Code [JTC] and Heated, Sales Code [JTF]. After 4/2/01
	#WN52 1T5AA	1	J					[T5] , Non-Heated, Sales Code [JTC] and Heated, Sales Code [JTF]. After 4/2/01
		1	U					[T5] , Non-Heated, Sales Code [JTC] and Heated, Sales Code [JTF]. After 4/2/01
	#WN52 TL2AA	1	J					[A2] , Non-Heated, Sales Code [JTC] and Heated, Sales Code [JTF]. After 4/2/01
		1	U					[A2] , Non-Heated, Sales Code [JTC] and Heated, Sales Code [JTF]. After 4/2/01
	#UK06 1AZAA	1	U					[AZ] , Heated, Sales Code[JTF], Up to 10/01/00
	#UK06 1T5AA	1	J					[T5] , Heated, Sales Code[JTF], Up to 10/01/00
		1	U					[T5] , Heated, Sales Code[JTF], Up to 10/01/00
	#UK23 1AZAA	1	J					[AZ] , Non-Heated, Sales Code [JTC], Up to 10/01/00, Heated and Non-Heated From 10/1/00 to 4/2/01
		1	U					[AZ] , Non-Heated, Sales Code [JTC], Up to 10/01/00, Heated and Non-Heated From 10/1/00 to 4/2/01
	#UK23 1T5AA	1	J					[T5] , Non-Heated, Sales Code [JTC], Up to 10/01/00, Heated and Non-Heated From 10/1/00 to 4/2/01

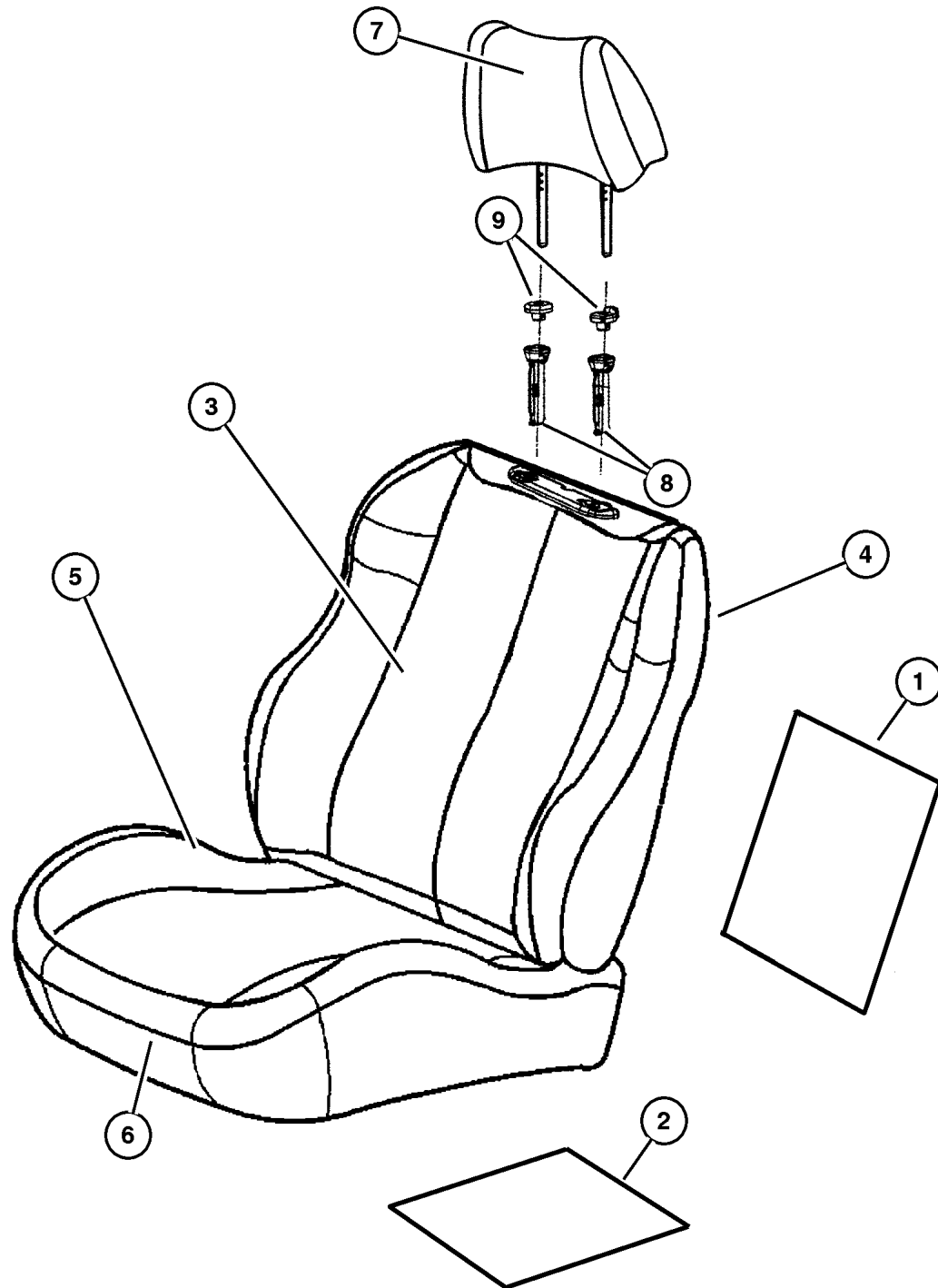
**JEEP GRAND CHEROKEE (WG)**

SERIES	LINE	BODY	ENGINE	TRANSMISSION
H = Laredo	J = 4WD	74 = 4 Door	ER0, ERH = 4.0L, Power Tech	DGK = 4 Speed Autm, 42RE
P = Limited	U = 4WD, RHD		EVO, EVA = 4.7L, Power Tech	DGQ = 5 Speed Automatic
			EXO, EXA = 3.1L 5 Cyl Turbo Diesel	- 5-45RFE
				DGW = 4 Speed Autm, 44RE

AR = Use as required - = Non illustrated part # = New this model year

October 31, 2002

**Front Seat,Leather,Trim Code EL  
Figure IWG-520**



ITEM	PART NUMBER	QTY	LINE	SERIES	BODY	ENGINE	TRANS	DESCRIPTION
		1	U					[T5] , Non-Heated, Sales Code [JTC], Up to 10/01/00, Heated and Non- Heated From 10/1/00 to 4/2/01
	#WN52 1AZAA	1	J					[AZ] , Non-Heated, Sales Code [JTC] and Heated, Sales Code [JTF]. After 4/2/01
4	#UK02 1AZAA	1	J					BACK, Front Seat [AZ], Heated, Sales Code [JTF], Up to 10/01/00, Right
	#WB15 1AZAA	1	J					[AZ], Heated, Sales Code [JTF], After 10/01/00, Up to 4/02/01, Left
	#WN51 1AZAA	1	U					[AZ], Heated, Sales Code [JTF], After 4/ 02/01, Left
		1	J					[AZ], Heated, Sales Code [JTF], After 4/ 02/01, Left
	#UK02 1T5AA	1	J					[T5], Heated, Sales Code [JTF], Up to 10/01/00, Right
		1	U					[T5], Heated, Sales Code [JTF], Up to 10/01/00, Right
	#WB14 1T5AA	1	U					[T5], Heated, Sales Code [JTF], After 10/01/00, Up to 4/02/01, Right
		1	J					[T5], Heated, Sales Code [JTF], After 10/01/00, Up to 4/02/01, Right
	#WN50 1T5AA	1	U					[T5], Heated, Sales Code [JTF], After 4/ 02/01, Right
		1	J					[T5], Heated, Sales Code [JTF], After 4/ 02/01, Right
	#UK03 1T5AA	1	J					[T5], Heated, Sales Code [JTF], Up to 10/01/00, Left
	#UK02 1AZAA	1	U					[AZ], Heated, Sales Code [JTF], Up to 10/01/00, Right
	#UK03 1T5AA	1	U					[T5], Heated, Sales Code [JTF], Up to 10/01/00, Left
	#WB15 1T5AA	1	U					[T5], Heated, Sales Code [JTF], After 10/01/00, Up to 4/02/01, Left
		1	J					[T5], Heated, Sales Code [JTF], After 10/01/00, Up to 4/02/01, Left
	#WN51 1T5AA	1	U					[T5], Heated, Sales Code [JTF], After 4/ 02/01, Left
		1	J					[T5], Heated, Sales Code [JTF], After 4/ 02/01, Left
	#UK20 1AZAA	1	J					[AZ], Non-Heated, Sales Code [JTC], Up to 4/02/01, Right

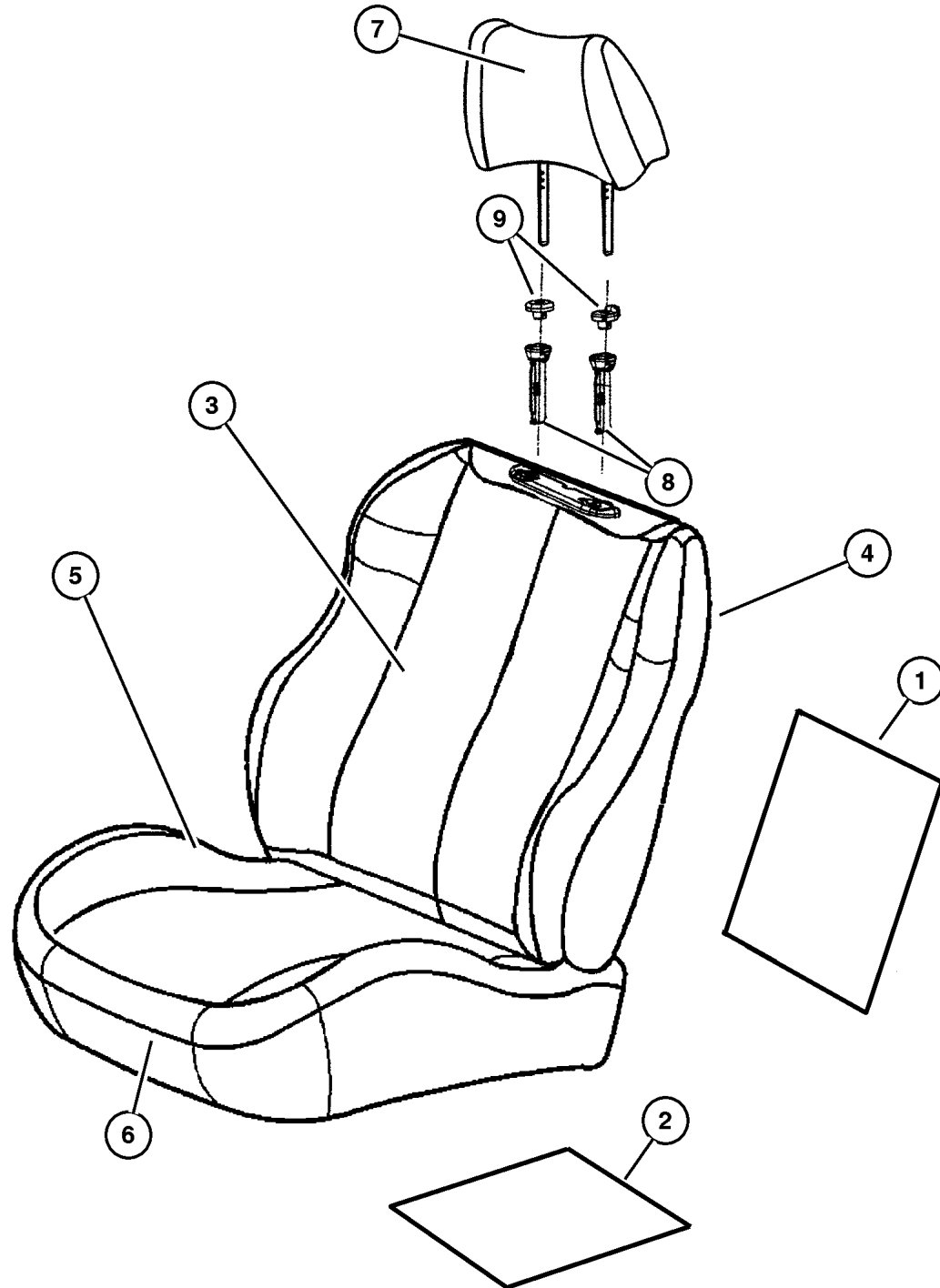
**JEEP GRAND CHEROKEE (WG)**

SERIES	LINE	BODY	ENGINE	TRANSMISSION
H = Laredo	J = 4WD	74 = 4 Door	ER0, ERH = 4.0L, Power Tech	DGK = 4 Speed Autm, 42RE
P = Limited	U = 4WD, RHD		EVO, EVA = 4.7L, Power Tech	DGQ = 5 Speed Automatic
			EXO, EXA = 3.1L 5 Cyl Turbo Diesel	- 5-45RFE
				DGW = 4 Speed Autm, 44RE

AR = Use as required - = Non illustrated part # = New this model year

October 31, 2002

Front Seat,Leather,Trim Code EL  
Figure IWG-520



ITEM	PART NUMBER	QTY	LINE	SERIES	BODY	ENGINE	TRANS	DESCRIPTION
		1	U					[AZ], Non-Heated, Sales Code [JTC], Up to 4/02/01, Right
	#WN48 1AZAA	1	J					[AZ], Non-Heated, Sales Code [JTC], After 4/02/01, Right
		1	U					[AZ], Non-Heated, Sales Code [JTC], After 4/02/01, Right
	#UK21 1AZAA	1	J					[AZ], Non-Heated, Sales Code [JTC], Up to 4/02/01, Left
	#WB14 1AZAA	1	J					[AZ], Heated, Sales Code [JTF], After 10/01/00, Up to 4/02/01, Right
	#UK21 1AZAA	1	U					[AZ], Non-Heated, Sales Code [JTC], Up to 4/02/01, Left
	#WN49 1AZAA	1	J					[AZ], Non-Heated, Sales Code [JTC], After 4/2/01, Left
		1	U					[AZ], Non-Heated, Sales Code [JTC], After 4/2/01, Left
	#UK20 1T5AA	1	J					[T5], Non-Heated, Sales Code [JTC], Up to 4/2/01, Right
		1	U					[T5], Non-Heated, Sales Code [JTC], Up to 4/2/01, Right
	#WN48 1T5AA	1	J					[T5], Non-Heated, Sales Code [JTC], After 4/2/01, Right
		1	U					[T5], Non-Heated, Sales Code [JTC], After 4/2/01, Right
	#UK21 1T5AA	1	J					[T5], Non-Heated, Sales Code [JTC], Up to 4/2/01, Left
		1	U					[T5], Non-Heated, Sales Code [JTC], Up to 4/2/01, Left
	#WN49 1T5AA	1	J					[T5], Non-Heated, Sales Code [JTC], After 4/2/01, Left
	#WB14 1AZAA	1	U					[AZ], Heated, Sales Code [JTF], After 10/01/00, Up to 4/02/01, Right
	#WN49 1T5AA	1	U					[T5], Non-Heated, Sales Code [JTC], After 4/2/01, Left
	#WN48 TL2AA	1	J					[A2], Non-Heated, Sales Code [JTC], Right
		1	U					[A2], Non-Heated, Sales Code [JTC], Right
	#WN49 TL2AA	1	J					[A2], Non-Heated, Sales Code [JTC], Left
		1	U					[A2], Non-Heated, Sales Code [JTC], Left

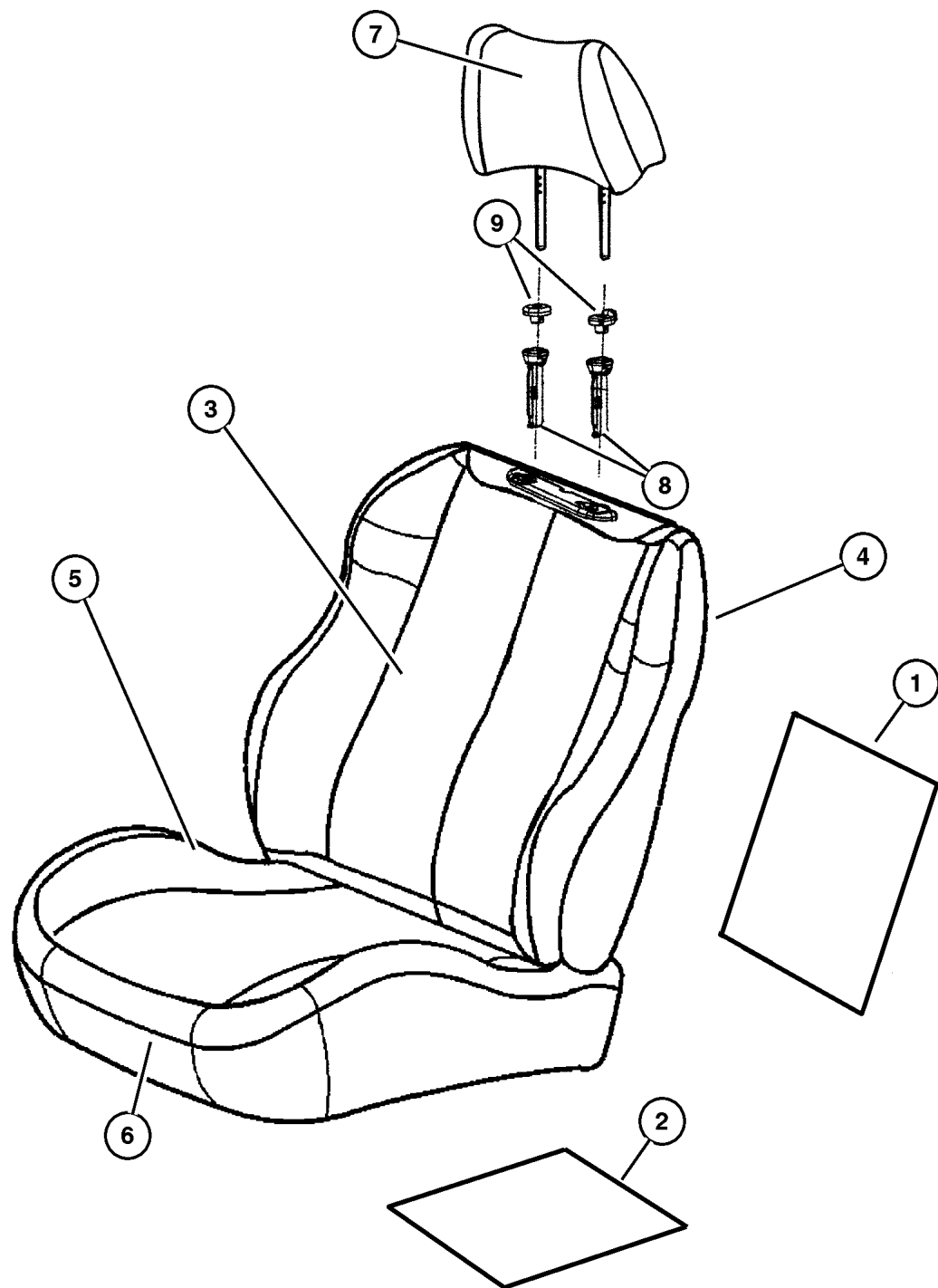
JEEP GRAND CHEROKEE (WG)

SERIES	LINE	BODY	ENGINE	TRANSMISSION
H = Laredo	J = 4WD	74 = 4 Door	ER0, ERH = 4.0L, Power Tech	DGK = 4 Speed Autm, 42RE
P = Limited	U = 4WD, RHD		EVO, EVA = 4.7L, Power Tech	DGQ = 5 Speed Automatic
			EXO, EXA = 3.1L 5 Cyl Turbo Diesel	- 5-45RFE
				DGW = 4 Speed Autm, 44RE

AR = Use as required - = Non illustrated part # = New this model year

October 31, 2002

**Front Seat,Leather,Trim Code EL  
Figure IWG-520**



ITEM	PART NUMBER	QTY	LINE	SERIES	BODY	ENGINE	TRANS	DESCRIPTION
	#WN50 TL2AA	1	U					[A2], Heated, Sales Code [JTF], Right
		1	J					[A2], Heated, Sales Code [JTF], Right
	#WN51 TL2AA	1	U					[A2], Heated, Sales Code [JTF], Left
		1	J					[A2], Heated, Sales Code [JTF], Left
	#WN50 1AZAA	1	U					[AZ], Heated, Sales Code [JTF], After 4/02/01, Right
		1	J					[AZ], Heated, Sales Code [JTF], After 4/02/01, Right
	#UK03 1AZAA	1	J					[AZ], Heated, Sales Code [JTF], Up to 10/01/00, Left
		1	U					[AZ], Heated, Sales Code [JTF], Up to 10/01/00, Left
	#WB15 1AZAA	1	U					[AZ], Heated, Sales Code [JTF], After 10/01/00, Up to 4/02/01, Left
5	#UK00 1AZAA	1	J					COVER AND PAD, Cushion [AZ], Heated, Sales Code [JTF], Up to 10/01/00, Right
	#WB13 1AZAA	1	J					[AZ], Heated, Sales Code [JTF], After 10/01/00, Up to 4/02/01, Left
	#WN47 1AZAA	1	U					[AZ], Heated, Sales Code [JTF], After 4/02/01, Left
		1	J					[AZ], Heated, Sales Code [JTF], After 4/02/01, Left
	#UK00 1T5AA	1	J					[T5], Heated, Sales Code [JTF], Up to 10/01/00, Right
		1	U					[T5], Heated, Sales Code [JTF], Up to 10/01/00, Right
	#WB12 1T5AA	1	U					[T5], Heated, Sales Code [JTF], After 10/01/00, Up to 4/02/01, Right
		1	J					[T5], Heated, Sales Code [JTF], After 10/01/00, Up to 4/02/01, Right
	#WN46 1T5AA	1	U					[T5], Heated, Sales Code [JTF], After 4/02/01, Right
		1	J					[T5], Heated, Sales Code [JTF], After 4/02/01, Right
	#UK01 1T5AA	1	J					[T5], Heated, Sales Code [JTF], Up to 10/01/00, Left
	#UK00 1AZAA	1	U					[AZ], Heated, Sales Code [JTF], Up to 10/01/00, Right
	#UK01 1T5AA	1	U					[T5], Heated, Sales Code [JTF], Up to 10/01/00, Left
	#WB13 1T5AA	1	U					[T5], Heated, Sales Code [JTF], After 10/01/00, Up to 4/02/01, Left

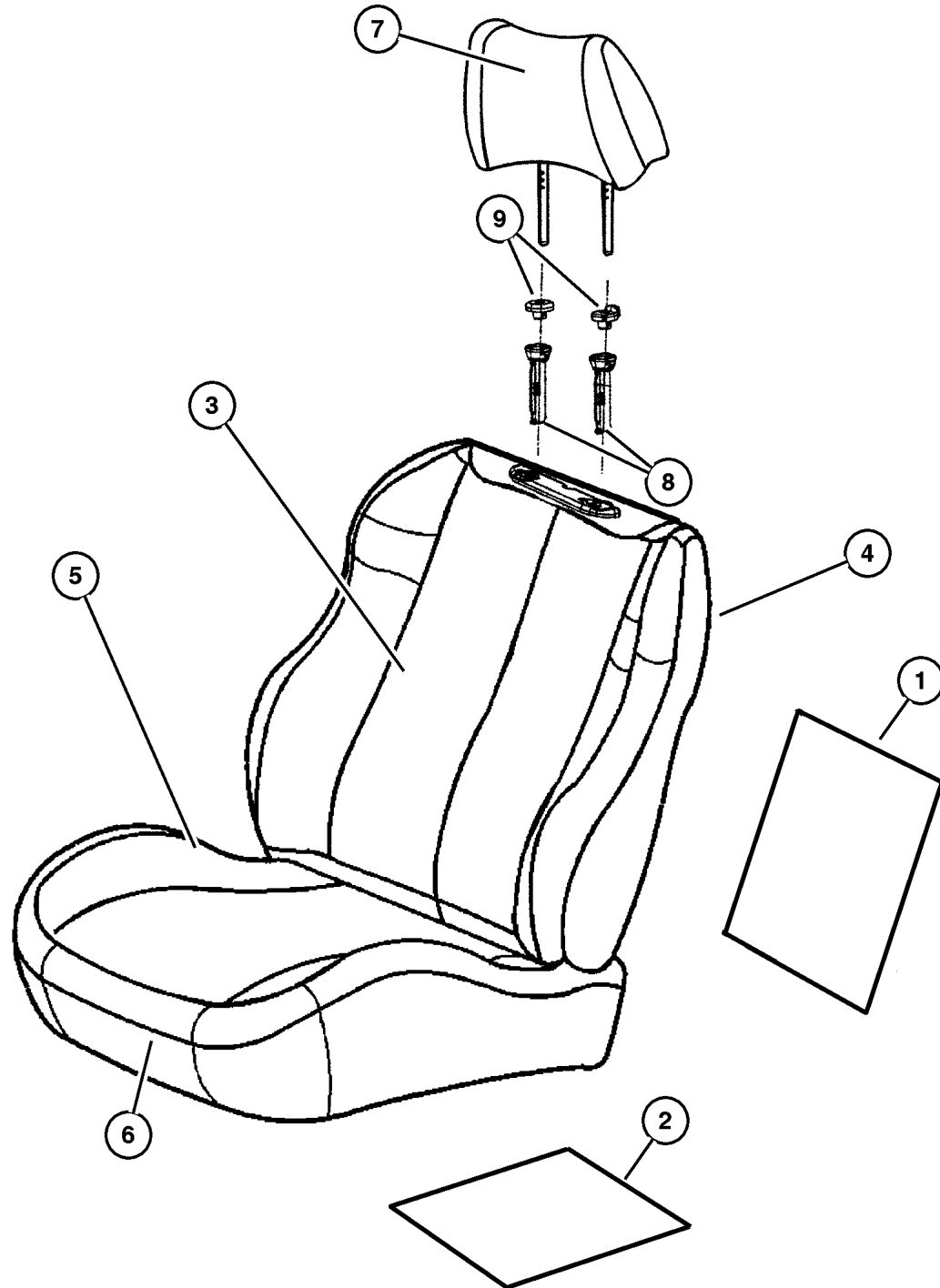
**JEEP GRAND CHEROKEE (WG)**

SERIES	LINE	BODY	ENGINE	TRANSMISSION
H = Laredo	J = 4WD	74 = 4 Door	ER0, ERH = 4.0L, Power Tech	DGK = 4 Speed Autm, 42RE
P = Limited	U = 4WD, RHD		EVO, EVA = 4.7L, Power Tech	DGQ = 5 Speed Automatic
			EXO, EXA = 3.1L 5 Cyl Turbo Diesel	- 5-45RFE
				DGW = 4 Speed Autm, 44RE

AR = Use as required - = Non illustrated part # = New this model year

October 31, 2002

Front Seat,Leather,Trim Code EL  
Figure IWG-520



ITEM	PART NUMBER	QTY	LINE	SERIES	BODY	ENGINE	TRANS	DESCRIPTION
		1	J					[T5], Heated, Sales Code [JTF], After 10/01/00, Up to 4/02/01, Left
	#WN47 1T5AA	1	U					[T5], Heated, Sales Code [JTF], After 4/02/01, Left
		1	J					[T5], Heated, Sales Code [JTF], After 4/02/01, Left
	#UK18 1AZAA	1	J					[AZ], Non-Heated, Sales Code [JTC], Up to 4/02/01, Right
		1	U					[AZ], Non-Heated, Sales Code [JTC], Up to 4/02/01, Right
	#WN44 1AZAA	1	J					[AZ], Non-Heated, Sales Code [JTC], After 4/02/01, Right
		1	U					[AZ], Non-Heated, Sales Code [JTC], After 4/02/01, Right
	#UK19 1AZAA	1	J					[AZ], Non-Heated, Sales Code [JTC], Up to 4/02/01, Left
	#WB12 1AZAA	1	U					[AZ], Heated, Sales Code [JTF], After 10/01/00, Up to 4/02/01, Right
	#UK19 1AZAA	1	U					[AZ], Non-Heated, Sales Code [JTC], Up to 4/02/01, Left
	#WN45 1AZAA	1	J					[AZ], Non-Heated, Sales Code [JTC], After 4/02/01, Left
		1	U					[AZ], Non-Heated, Sales Code [JTC], After 4/02/01, Left
	#UK18 1T5AA	1	J					[T5], Non-Heated, Sales Code [JTC], Up to 4/02/01, Right
		1	U					[T5], Non-Heated, Sales Code [JTC], Up to 4/02/01, Right
	#WN44 1T5AA	1	J					[T5], Non-Heated, Sales Code [JTC], After 4/02/01, Right
		1	U					[T5], Non-Heated, Sales Code [JTC], After 4/02/01, Right
	#UK19 1T5AA	1	J					[T5], Non-Heated, Sales Code [JTC], Up to 4/02/01, Left
		1	U					[T5], Non-Heated, Sales Code [JTC], Up to 4/02/01, Left
	#WN45 1T5AA	1	J					[T5], Non-Heated, Sales Code [JTC], After 4/02/01, Left
	#WB12 1AZAA	1	J					[AZ], Heated, Sales Code [JTF], After 10/01/00, Up to 4/02/01, Right
	#WN45 1T5AA	1	U					[T5], Non-Heated, Sales Code [JTC], After 4/02/01, Left

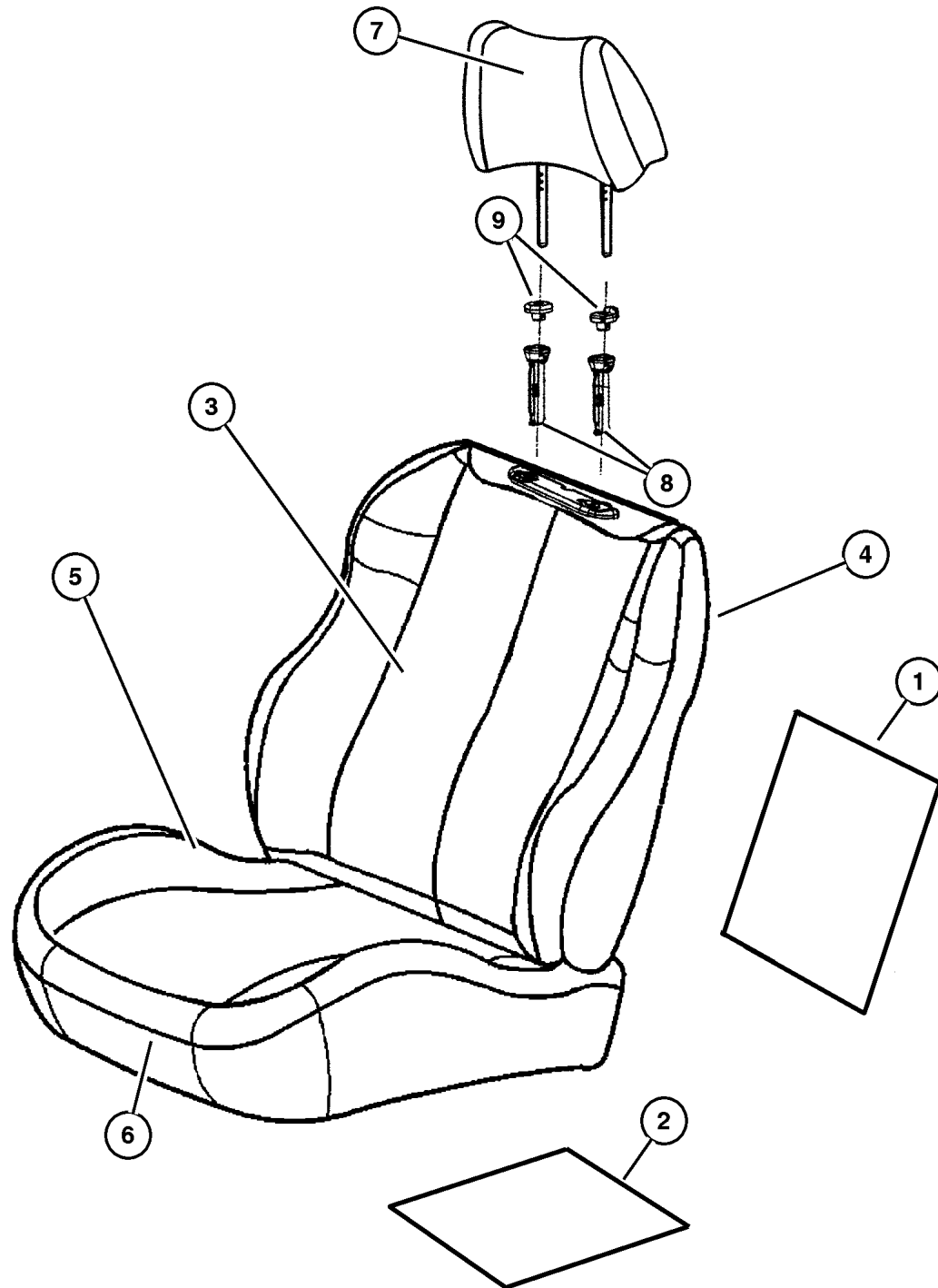
JEEP GRAND CHEROKEE (WG)

SERIES	LINE	BODY	ENGINE	TRANSMISSION
H = Laredo	J = 4WD	74 = 4 Door	ER0, ERH = 4.0L, Power Tech	DGK = 4 Speed Autm, 42RE
P = Limited	U = 4WD, RHD		EVO, EVA = 4.7L, Power Tech	DGQ = 5 Speed Automatic
			EXO, EXA = 3.1L 5 Cyl Turbo Diesel	- 5-45RFE
				DGW = 4 Speed Autm, 44RE

AR = Use as required - = Non illustrated part # = New this model year

October 31, 2002

Front Seat,Leather,Trim Code EL  
Figure IWG-520



ITEM	PART NUMBER	QTY	LINE	SERIES	BODY	ENGINE	TRANS	DESCRIPTION
	#WN44 TL2AA	1	J					[A2], Non-Heated, Sales Code [JTC], Right
		1	U					[A2], Non-Heated, Sales Code [JTC], Right
	#WN45 TL2AA	1	J					[A2], Non-Heated, Sales Code [JTC], Left
		1	U					[A2], Non-Heated, Sales Code [JTC], Left
	#WN46 TL2AA	1	U					[A2], Heated, Sales Code [JTF], Right
		1	J					[A2], Heated, Sales Code [JTF], Right
	#WN47 TL2AA	1	U					[A2], Heated, Sales Code [JTF], Left
		1	J					[A2], Heated, Sales Code [JTF], Left
	#WN46 1AZAA	1	U					[AZ], Heated, Sales Code [JTF], After 4/02/01, Right
		1	J					[AZ], Heated, Sales Code [JTF], After 4/02/01, Right
	#UK01 1AZAA	1	J					[AZ], Heated, Sales Code [JTF], Up to 10/01/00, Left
		1	U					[AZ], Heated, Sales Code [JTF], Up to 10/01/00, Left
	#WB13 1AZAA	1	U					[AZ], Heated, Sales Code [JTF], After 10/01/00, Up to 4/02/01, Left
6								FRAME, Front Seat
	4856 470	1	J					Right
		1	U					Right
	4856 471	1	J					Left
		1	U					Left
7								HEADREST, Front
	#UQ06 1AZAA	1	J					[AZ]
		1	U					[AZ]
	#UQ06 1T5AA	1	J					[T5]
		1	U					[T5]
	#UQ06 TL2AA	1	U					[A2]
8								CYLINDER, Headrest
	5013 152AA	2	J					
		2	U					
9								COVER, Headrest Sleeve
	#UQ15 1AZAA	2	J					[AZ]
	#UQ15 1T5AA	2	J					[T5]
	#UQ15 1AZAA	2	U					[AZ]
	#UQ15 1T5AA	2	U					[T5]
	#UQ15 TL2AA	2	J					[A2]

JEEP GRAND CHEROKEE (WG)

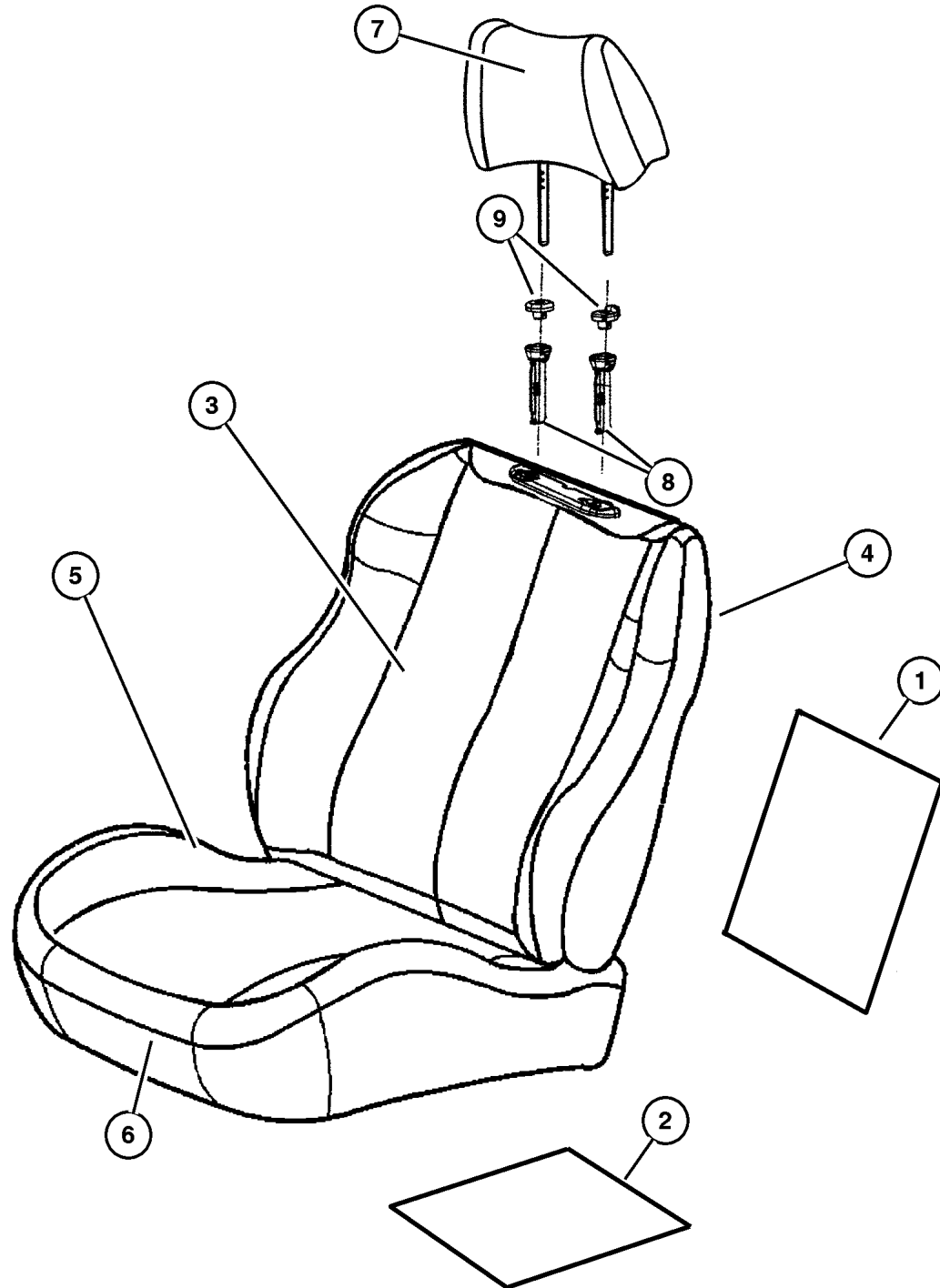
SERIES	LINE	BODY	ENGINE	TRANSMISSION
H = Laredo	J = 4WD	74 = 4 Door	ER0, ERH = 4.0L, Power Tech	DGK = 4 Speed Autm, 42RE
P = Limited	U = 4WD, RHD		EVO, EVA = 4.7L, Power Tech	DGQ = 5 Speed Automatic
			EXO, EXA = 3.1L 5 Cyl Turbo Diesel	- 5-45RFE
				DGW = 4 Speed Autm, 44RE

AR = Use as required - = Non illustrated part # = New this model year

October 31, 2002

Front Seat,Leather,Trim Code EL  
Figure IWG-520

ITEM	PART NUMBER	QTY	LINE	SERIES	BODY	ENGINE	TRANS	DESCRIPTION
		2	U					[A2]



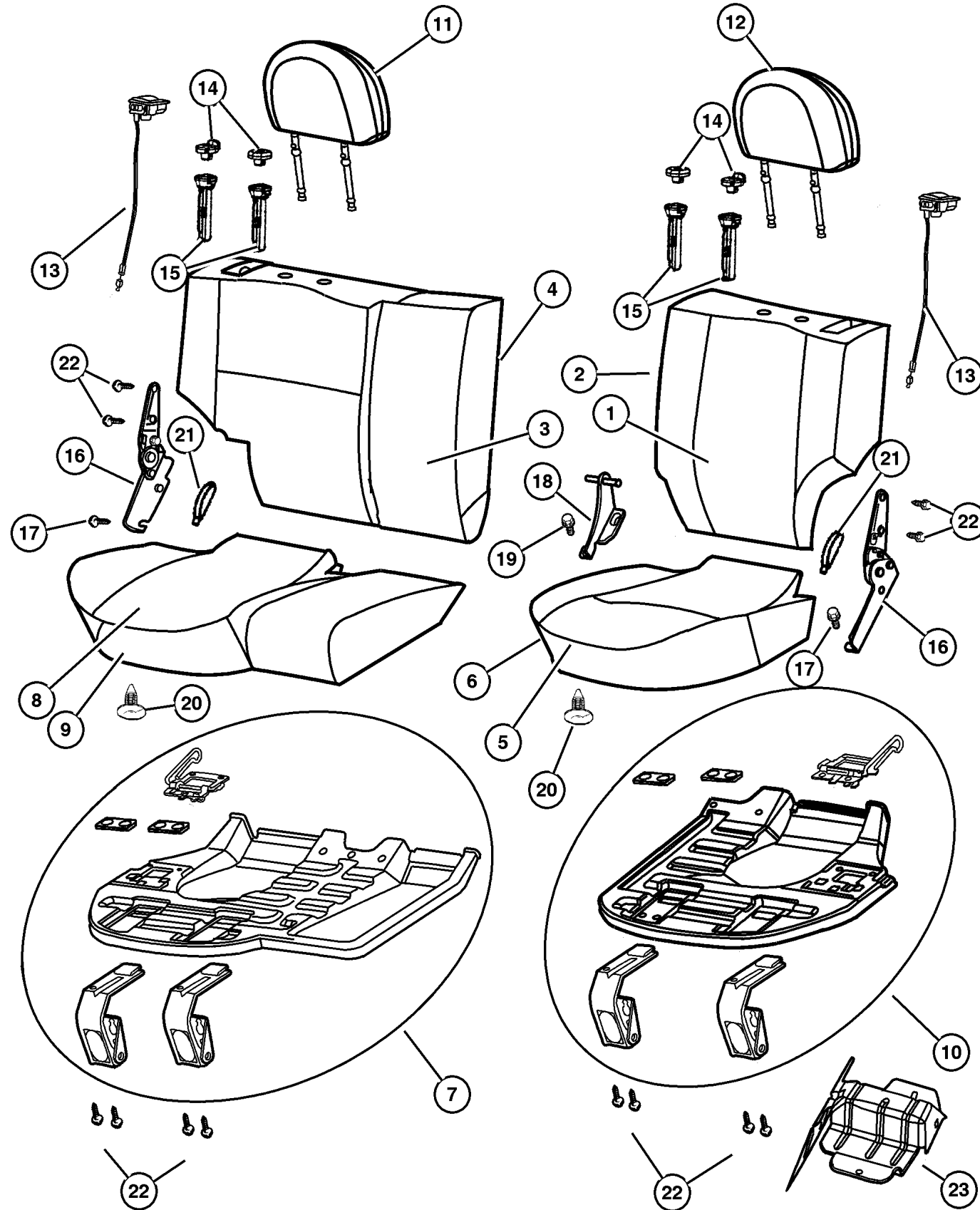
JEEP GRAND CHEROKEE (WG)  
 SERIES LINE BODY ENGINE TRANSMISSION  
 H = Laredo J = 4WD 74 = 4 Door ER0, ERH = 4.0L, Power Tech DGK = 4 Speed Autm, 42RE  
 P = Limited U = 4WD, RHD EVO, EVA = 4.7L, Power Tech DGQ = 5 Speed Automatic  
 EXO, EXA = 3.1L 5 Cyl Turbo Diesel - 5-45RFE  
 DGW = 4 Speed Autm, 44RE

AR = Use as required - = Non illustrated part # = New this model year

October 31, 2002



Rear Seat, Trim Code H7  
Figure IWG-610

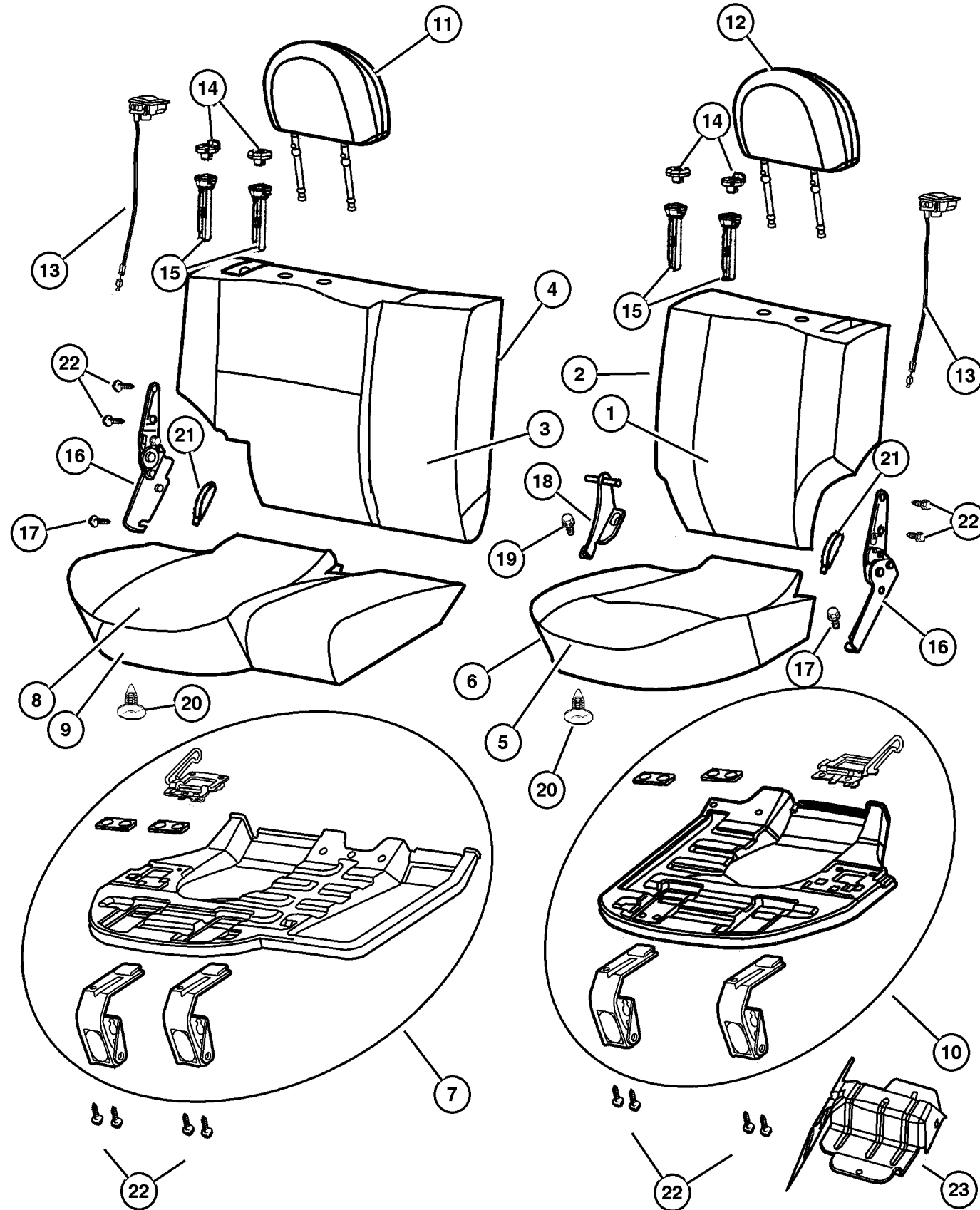


ITEM	PART NUMBER	QTY	LINE	SERIES	BODY	ENGINE	TRANS	DESCRIPTION
1								COVER, Rear Seat Back, 40%
	UN59 1AZAA	1	U					[AZ]
		1	J					[AZ]
	UN59 1T5AA	1	U					[T5]
								[T5]
2								SEAT BACK, Rear, 40%
	#UQ11 1AZAA	1	U					[AZ]
		1	J					[AZ]
	#UQ11 1T5AA	1	U					[T5]
								[T5]
3								COVER, Rear Seat Back, 60%
	UN58 1AZAA	1	U					[AZ]
		1	J					[AZ]
	UN58 1T5AA	1	U					[T5]
								[T5]
4								SEAT BACK, Rear, 60%
	#UQ10 1AZAA	1	U					[AZ]
		1	J					[AZ]
	#UQ10 1T5AA	1	U					[T5]
								[T5]
5								COVER, Rear Seat Cushion, 40%
	SK44 1AZAA	1	U					[AZ]
		1	J					[AZ]
	SK44 1T5AA	1	U					[T5]
								[T5]
6								CUSHION, Rear Seat, 40%
	#UQ13 1AZAA	1	U					[AZ]
		1	J					[AZ]
	#UQ13 1T5AA	1	U					[T5]
								[T5]
7								PANEL, Seat Cushion Base, 60%
	#5066 090AA	1	U					
8								COVER, Rear Seat Cushion, 60%
	SK44 1AZAA	1	U					[AZ]
		1	J					[AZ]
	SK44 1T5AA	1	U					[T5]
								[T5]
9								CUSHION, Rear Seat, 60%
	#UQ12 1AZAA	1	U					[AZ]
		1	J					[AZ]
	#UQ12 1T5AA	1	U					[T5]

**JEEP GRAND CHEROKEE (WG)**  
 SERIES LINE BODY ENGINE TRANSMISSION  
 H = Laredo J = 4WD 74 = 4 Door ER0, ERH = 4.0L, Power Tech DGK = 4 Speed Autm, 42RE  
 P = Limited U = 4WD, RHD EVO, EVA = 4.7L, Power Tech DGQ = 5 Speed Automatic  
 EXO, EXA = 3.1L 5 Cyl Turbo Diesel - 5-45RFE  
 DGW = 4 Speed Autm, 44RE

AR = Use as required - = Non illustrated part # = New this model year

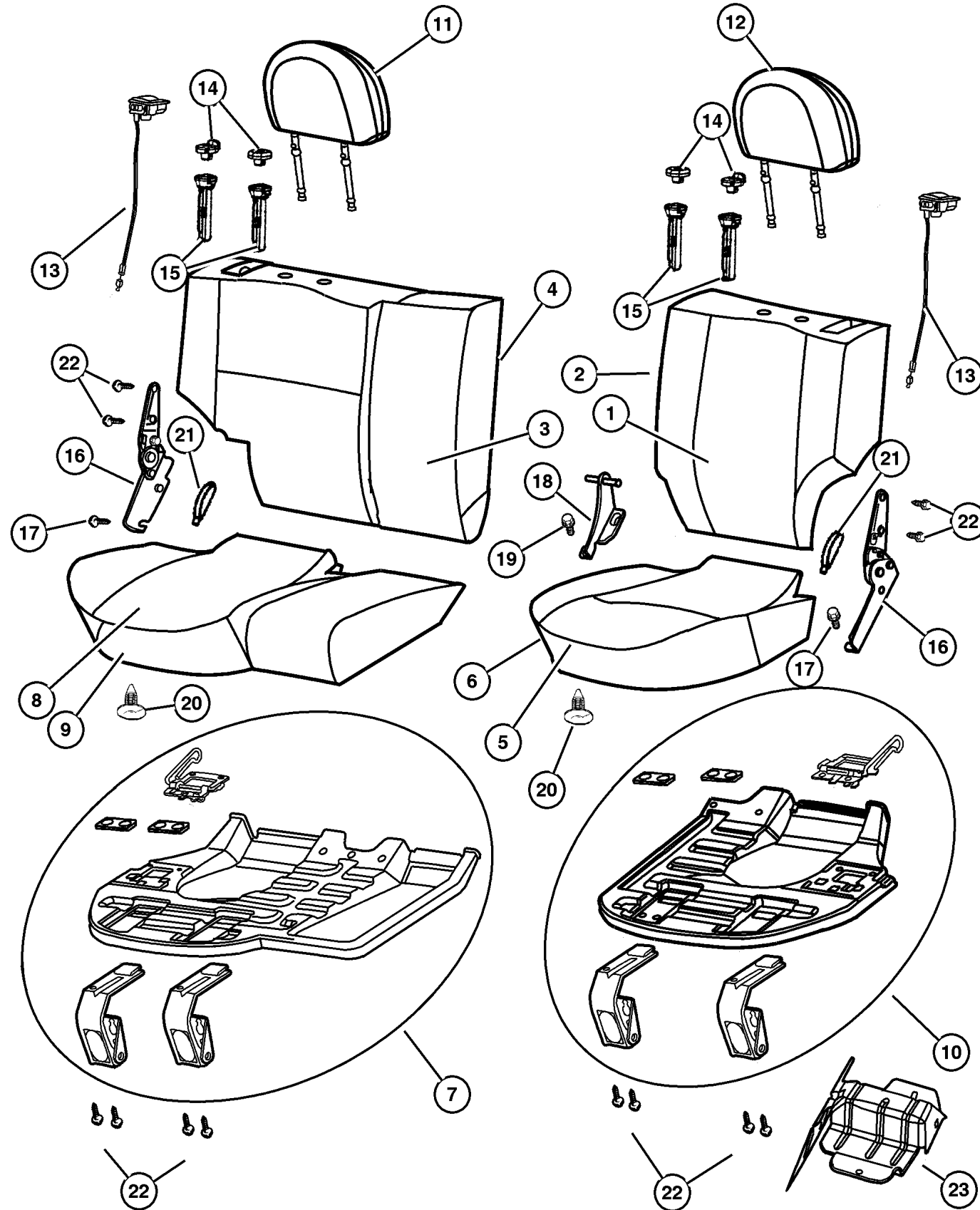
Rear Seat, Trim Code H7  
Figure IWG-610



ITEM	PART NUMBER	QTY	LINE	SERIES	BODY	ENGINE	TRANS	DESCRIPTION
								[T5]
10	#5066 091AA	1	J					PANEL, Seat Cushion Base, 40%
		1	U					
		1	J					
11	#UQ07 1AZAA	1	U					HEADREST, Rear, Right
		1	J					[AZ]
		1	J					[AZ]
	#UQ07 1T5AA	1	U					[T5]
		1	J					[T5]
12	#UQ07 1AZAA	1	U					HEADREST, Rear, Left
		1	J					[AZ]
		1	J					[AZ]
	#UQ07 1T5AA	1	U					[T5]
		1	J					[T5]
13	SX64 1AZAA	2	U					CONTROL, SEAT RELEASE
		2	J					[AZ]
	SX64 1T5AA	2	U					[T5]
		2	J					[T5]
14	#UK04 1AZAA	1	U					COVER, Headrest Sleeve
		1	J					[AZ] , Without Button
	#UK04 1T5AA	1	U					[AZ] , Without Button
		1	J					[T5] , Without Button
	#UK05 1AZAA	1	U					[T5] , Without Button
		1	J					[AZ] ,With Button
	#UK05 1T5AA	1	U					[AZ] ,With Button
		1	J					[T5] , With Buttn
		1	J					[T5] , With Buttn
15	#UQ16 1AZAA	1	U					CYLINDER, Headrest
		1	J					[AZ], Right
	#UQ16 1T5AA	1	U					[AZ], Right
		1	J					[T5], Right
	#UQ17 1AZAA	1	U					[AZ], Left
		1	J					[AZ], Left
	#UQ17 1T5AA	1	U					[T5], Left
		1	J					[T5], Left
16	5013 150AA	1	U					LATCH, Seat
		1	J					Right
	5013 151AA	1	U					Right
		1	J					Left
		1	J					Left
17	4864 559	3						SCREW
18	5013 145AA	1	U					BRACKET, Pivot
		1	J					
19	4720 242	2						SCREW

JEEP GRAND CHEROKEE (WG)  
 SERIES LINE BODY ENGINE TRANSMISSION  
 H = Laredo J = 4WD 74 = 4 Door ER0, ERH = 4.0L, Power Tech DGK = 4 Speed Autm, 42RE  
 P = Limited U = 4WD, RHD EV0, EVA = 4.7L, Power Tech DGQ = 5 Speed Automatic  
 - 5-45RFE  
 EXO, EXA = 3.1L 5 Cyl Turbo Diesel DGW = 4 Speed Autm, 44RE

Rear Seat, Trim Code H7  
Figure IWG-610



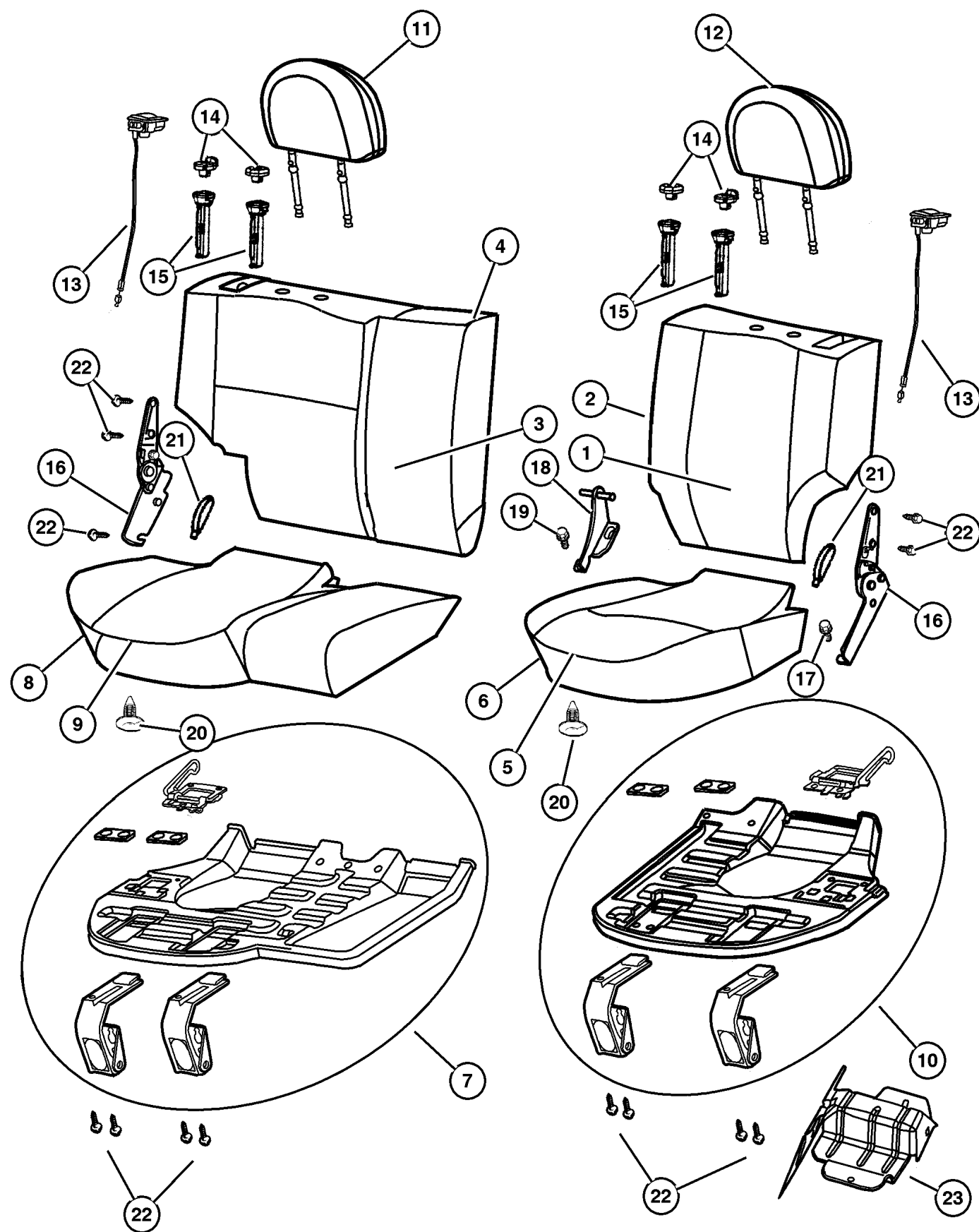
ITEM	PART NUMBER	QTY	LINE	SERIES	BODY	ENGINE	TRANS	DESCRIPTION
20								RETAINER, Cushion Cover
	#5019 522AA	11	U					
		11	J					
21								STRAP, Seat Pull
	SL00 1AZAA	2	U					[AZ]
		2	J					[AZ]
	SL00 1T5AA	2	U					[T5]
		2	J					[T5]
22	6100 558	8						BOLT AND CONED WASHER, Hex
								Head, M6x25x14
23								BRACKET, Seat
	55196 740AB	1						Rear Seat Cushion Latch, Right
	55196 741AD	1						Rear Seat Cushion Latch, Left

JEEP GRAND CHEROKEE (WG)  
 SERIES LINE BODY ENGINE TRANSMISSION  
 H = Laredo J = 4WD 74 = 4 Door ER0, ERH = 4.0L, Power Tech DGK = 4 Speed Autm, 42RE  
 P = Limited U = 4WD, RHD EV0, EVA = 4.7L, Power Tech DGQ = 5 Speed Automatic  
 EXO, EXA = 3.1L 5 Cyl Turbo Diesel - 5-45RFE  
 DGW = 4 Speed Autm, 44RE

AR = Use as required - = Non illustrated part # = New this model year

October 31, 2002

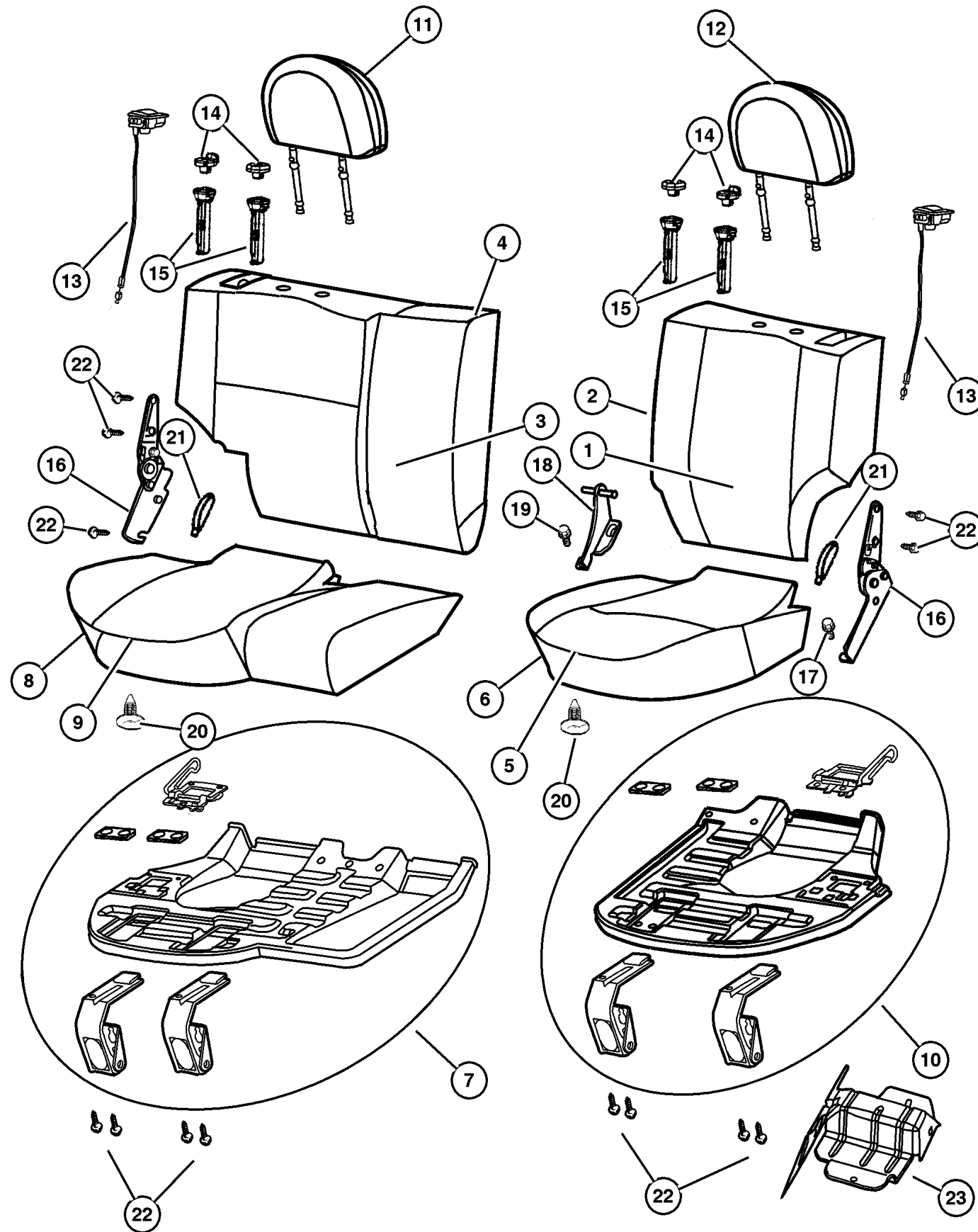
Rear Seat, Trim Code EL  
Figure IWG-630



ITEM	PART NUMBER	QTY	LINE	SERIES	BODY	ENGINE	TRANS	DESCRIPTION
1								COVER, Rear Seat Back, 40%
	UK15 1AZAA	1	J					[AZ]
		1	U					[AZ]
	UK15 1T5AA	1	U					[T5]
2								SEAT BACK, Rear, 40%
	#UQ03 1AZAA	1	J					[AZ]
		1	U					[AZ]
	#UQ03 1T5AA	1	J					[T5]
3								COVER, Rear Seat Back, 60%
	UK14 1AZAA	1	J					[AZ]
		1	U					[AZ]
	UK14 1T5AA	1	J					[T5]
4								SEAT BACK, Rear, 60%
	#UQ02 1AZAA	1	J					[AZ]
		1	U					[AZ]
	#UQ02 1T5AA	1	J					[T5]
5								COVER, Rear Seat Cushion, 40%
	#UK11 1AZAA	1	J					[AZ]
		1	U					[AZ]
	#UK11 1T5AA	1	J					[T5]
6								CUSHION, Rear Seat, 40%
	#UQ04 1AZAA	1	J					[AZ]
		1	U					[AZ]
	#UQ04 1T5AA	1	J					[T5]
7								PANEL, Seat Cushion Base, 60%
	#5066 090AA	1	J					
		1	U					
8								COVER, Rear Seat Cushion, 60%
	#UK10 1AZAA	1	J					[AZ]
		1	U					[AZ]
	#UK10 1T5AA	1	J					[T5]
9								CUSHION, Rear Seat, 60%
	#UQ04 1AZAA	1	J					[AZ]
		1	U					[AZ]
	#UQ04 1T5AA	1	J					[T5]

JEEP GRAND CHEROKEE (WG)  
 SERIES LINE BODY ENGINE TRANSMISSION  
 H = Laredo J = 4WD 74 = 4 Door ER0, ERH = 4.0L, Power Tech DGK = 4 Speed Autm, 42RE  
 P = Limited U = 4WD, RHD EVO, EVA = 4.7L, Power Tech DGQ = 5 Speed Automatic  
 EXO, EXA = 3.1L 5 Cyl Turbo Diesel - 5-45RFE  
 DGW = 4 Speed Autm, 44RE

Rear Seat, Trim Code EL  
Figure IWG-630



ITEM	PART NUMBER	QTY	LINE	SERIES	BODY	ENGINE	TRANS	DESCRIPTION
								[T5]
10	#5066 091AA	1	U					PANEL, Seat Cushion Base, 40%
		1	J					
		1	U					
11	#UQ00 1AZAA	1	J					HEADREST, Rear, Right
		1	U					[AZ]
		1	U					[AZ]
	#UQ00 1T5AA	1	J					[T5]
		1	U					[T5]
12	#UQ00 1AZAA	1	J					HEADREST, Rear, Left
		1	U					[AZ]
		1	U					[AZ]
	#UQ00 1T5AA	1	J					[T5]
		1	U					[T5]
13	SX64 1AZAA	2	J					CONTROL, SEAT RELEASE
		2	U					[AZ]
	SX64 1T5AA	2	J					[T5]
		2	U					[T5]
14	#UK04 1AZAA	1	J					COVER, Headrest Sleeve
		1	U					[AZ] , Without Button
	#UK04 1T5AA	1	J					[AZ] , Without Button
		1	U					[T5] , Without Button
	#UK05 1AZAA	1	J					[T5] , Without Button
		1	U					[AZ] , With Button
	#UK05 1T5AA	1	J					[AZ] , With Button
		1	U					[T5] , With Button
		1	U					[T5] , With Button
15	#UQ16 1AZAA	1	J					CYLINDER, Headrest
		1	U					[AZ], Right
	#UQ16 1T5AA	1	J					[T5], Right
	#UQ17 1AZAA	1	J					[AZ], Left
	#UQ17 1T5AA	1	J					[T5], Left
16	5013 150AA	1	J					LATCH, Seat
		1	U					Right
	5013 151AA	1	J					Right
		1	U					Left
		1	U					Left
17	6506 959AA	4						SCREW AND WASHER, Hex Head, M8x1.25x40
18	5013 145AA	1	J					BRACKET, Pivot

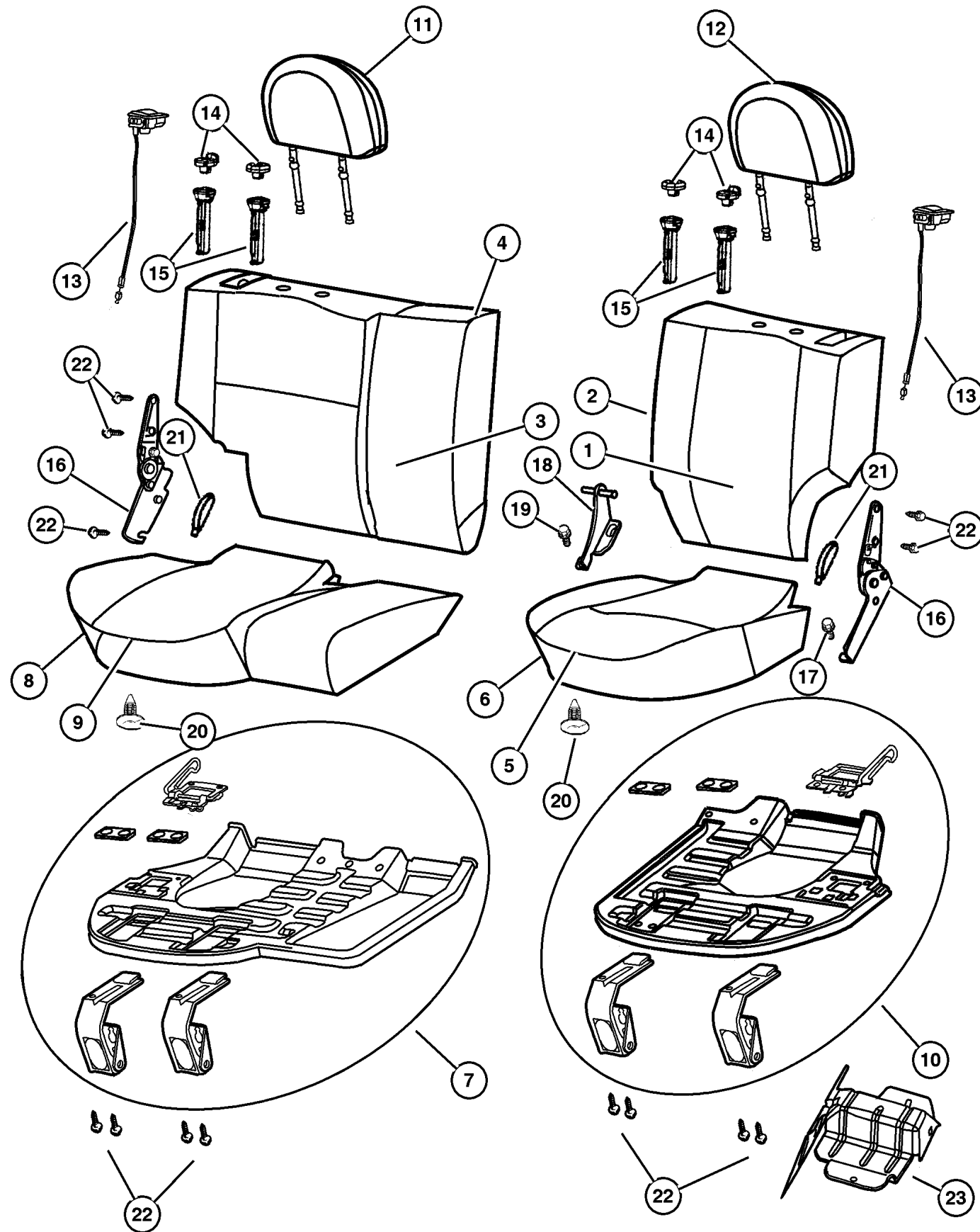
JEEP GRAND CHEROKEE (WG)

SERIES	LINE	BODY	ENGINE	TRANSMISSION
H = Laredo	J = 4WD	74 = 4 Door	ER0, ERH = 4.0L, Power Tech	DGK = 4 Speed Autm, 42RE
P = Limited	U = 4WD, RHD		EVO, EVA = 4.7L, Power Tech	DGQ = 5 Speed Automatic
			EXO, EXA = 3.1L 5 Cyl Turbo Diesel	- 5-45RFE
				DGW = 4 Speed Autm, 44RE

AR = Use as required - = Non illustrated part # = New this model year

October 31, 2002

Rear Seat, Trim Code EL  
Figure IWG-630



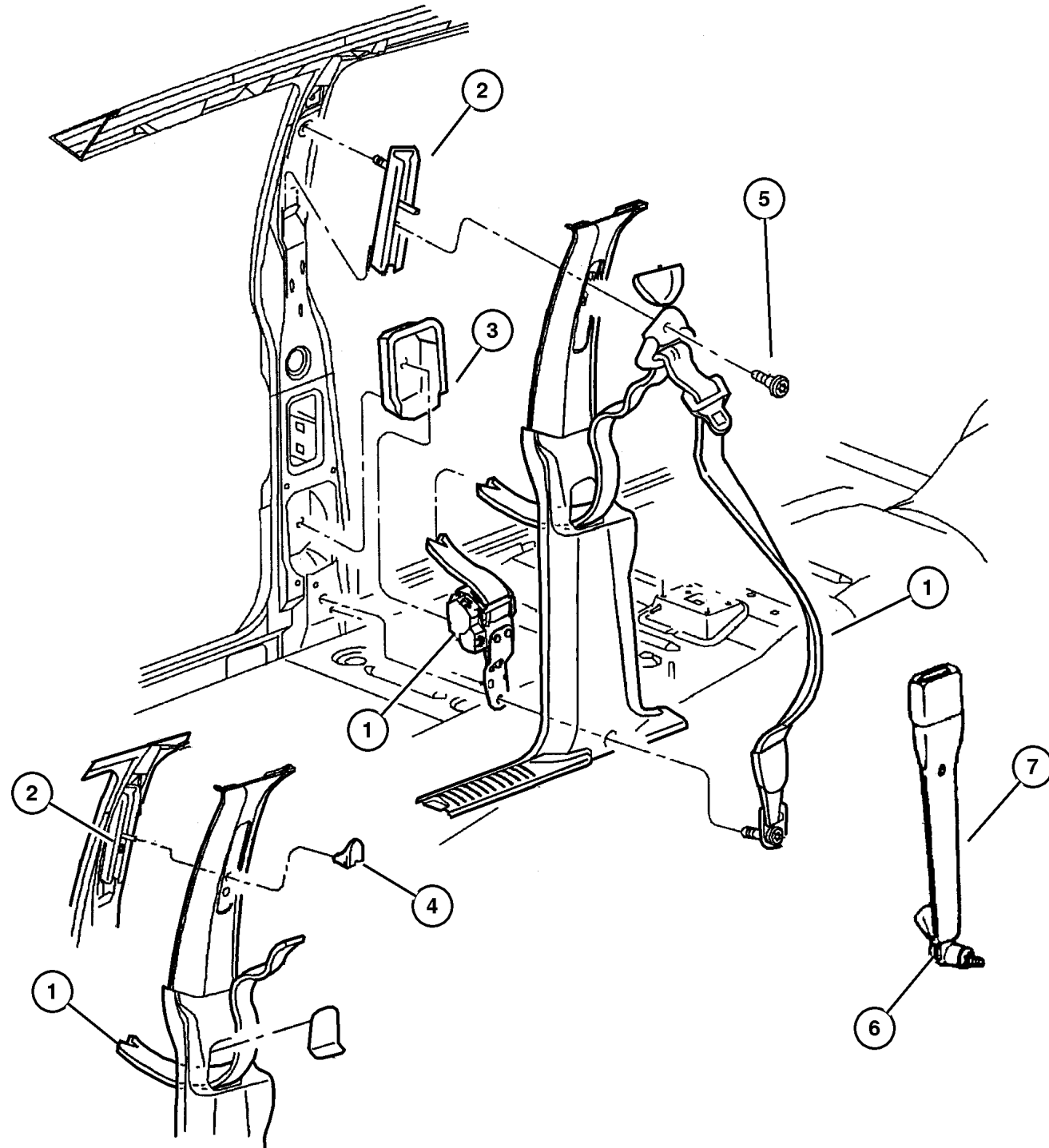
ITEM	PART NUMBER	QTY	LINE	SERIES	BODY	ENGINE	TRANS	DESCRIPTION
		1	U					
19	4720 242	2						SCREW
20	#5019 522AA	11	J					RETAINER, Cushion Cover
		11	U					
21	SL00 1AZAA	2	J					STRAP, Seat Pull
		2	U					[AZ]
	SL00 1T5AA	2	J					[T5]
		2	U					[T5]
22	6100 558	8						BOLT AND CONED WASHER, Hex Head, M6x25x14
23								BRACKET, Seat
	55196 740AB	1						Rear Seat Cushion Latch, Right
	55196 741AD	1						Rear Seat Cushion Latch, Left

JEEP GRAND CHEROKEE (WG)  
 SERIES LINE BODY ENGINE TRANSMISSION  
 H = Laredo J = 4WD 74 = 4 Door ER0, ERH = 4.0L, Power Tech DGK = 4 Speed Autm, 42RE  
 P = Limited U = 4WD, RHD EV0, EVA = 4.7L, Power Tech DGQ = 5 Speed Automatic  
 EXO, EXA = 3.1L 5 Cyl Turbo Diesel - 5-45RFE  
 DGW = 4 Speed Autm, 44RE

AR = Use as required - = Non illustrated part # = New this model year

October 31, 2002

Front Seat Belt  
Figure IWG-710



ITEM	PART NUMBER	QTY	LINE	SERIES	BODY	ENGINE	TRANS	DESCRIPTION
1								SEAT BELT, Front Outer
	55196 786AE	1						Right
	55196 787AE	1						Left
2	55196 689AB	2						ADJUSTER, Seat Belt Turning Loop
3								SHIELD, Seat Belt Retractor
	55196 734AD	1						Right
	55196 735AD	1						Left
4	55196 860AA	2						BUTTON, Adjuster
5	6035 888	2						SCREW, Shoulder
6	6504 867AA	1						SCREW
7								SEAT BELT, Front Inner
	55196 778AA	1	U					[H7], Right
		1	U					[EL], Right
	55196 779AA	1	J					[H7], Left
		1	J					[EL], Left
	5531 4894	1	J					[H7], Right
		1	J					[EL], Right
	5531 4895	1	U					[H7], Left
		1	U					[EL], Left

JEEP GRAND CHEROKEE (WG)

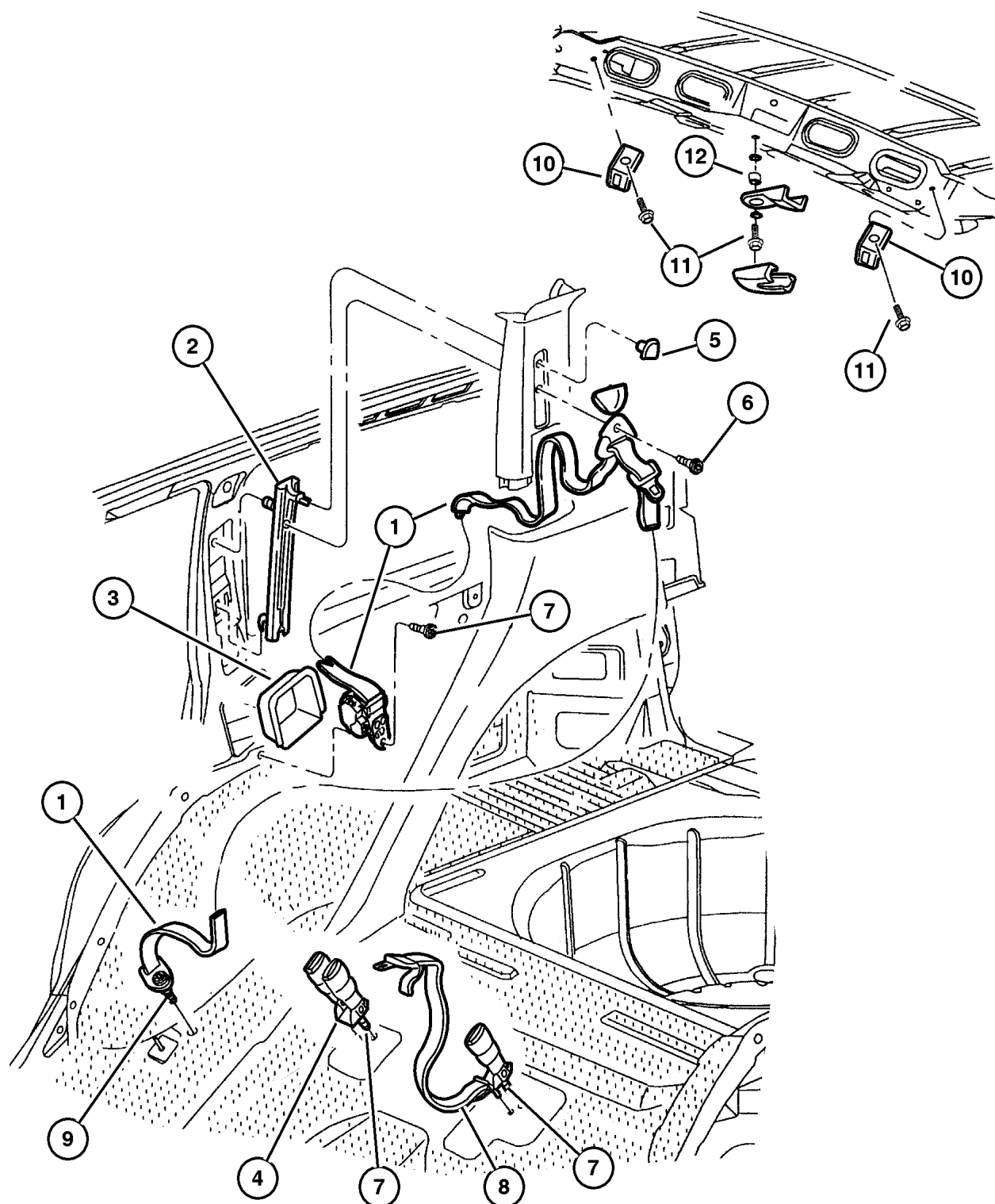
SERIES	LINE	BODY	ENGINE	TRANSMISSION
H = Laredo	J = 4WD	74 = 4 Door	ER0, ERH = 4.0L, Power Tech	DGK = 4 Speed Autm, 42RE
P = Limited	U = 4WD, RHD		EVO, EVA = 4.7L, Power Tech	DGQ = 5 Speed Automatic
			EXO, EXA = 3.1L 5 Cyl Turbo Diesel	- 5-45RFE
				DGW = 4 Speed Autm, 44RE

AR = Use as required - = Non illustrated part # = New this model year

October 31, 2002

## Rear Seat Belt Figure IWG-720

ITEM	PART NUMBER	QTY	LINE	SERIES	BODY	ENGINE	TRANS	DESCRIPTION
1								SEAT BELT, Rear Outer
	55196 788AF	1						Right
	55196 789AF	1						Left
2	55196 689AB	2						ADJUSTER, Seat Belt Turning Loop
3	55196 733AD	2						SHIELD, Seat Belt Retractor
4	5519 6586	1						SEAT BELT, Rear Inner, Right
5	55196 860AA	2						BUTTON, Adjuster
6	6035 888	2						SCREW, Shoulder
7	6505 286AA	2						SCREW
8	5519 6587	1						SEAT BELT, Rear Inner, Left
9	4886 473AA	1						SCREW
10	55196 861AB	2						BRACKET
11	6503 257	6						BOLT, Hex Head, M8x1.25x37.50
12	55196 862AA	1						SPACER
-13								BEZEL, tether anchor
	5GX26 TL2AA	1			U			[AZ], Right
		1			J			[AZ], Right
	5GX26 XT5AA	1			U			[T5], Right
		1			J			[T5], Right
	5GX27 TL2AA	1			U			[AZ], Left
		1			J			[AZ], Left
	5GX27 XT5AA	1			J			[T5], Left
		1			U			[T5], Left



**JEEP GRAND CHEROKEE (WG)**

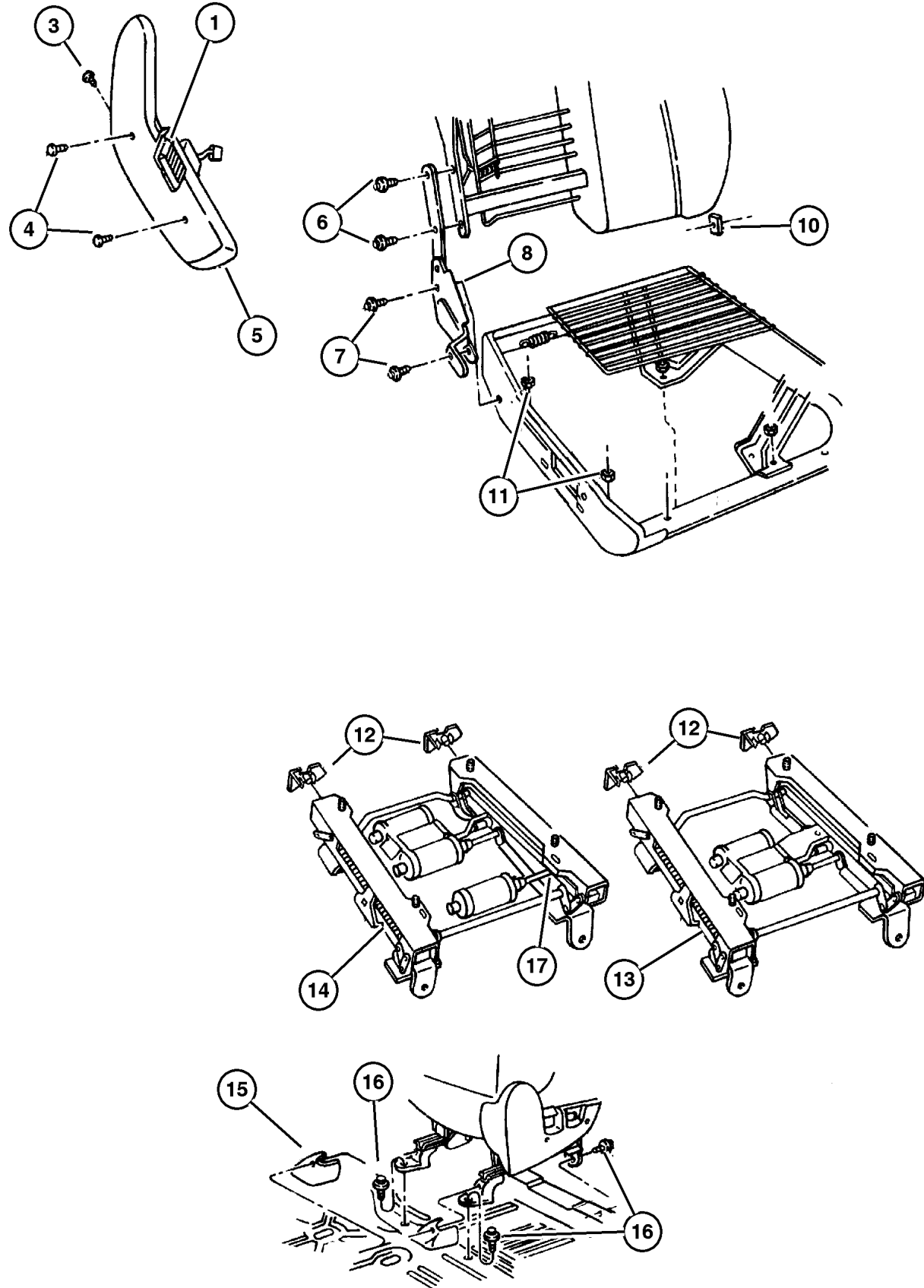
SERIES	LINE	BODY	ENGINE	TRANSMISSION
H = Laredo	J = 4WD	74 = 4 Door	ER0, ERH = 4.0L, Power Tech	DGK = 4 Speed Autm, 42RE
P = Limited	U = 4WD, RHD		EVO, EVA = 4.7L, Power Tech	DGQ = 5 Speed Automatic
			EXO, EXA = 3.1L 5 Cyl Turbo Diesel	- 5-45RFE
				DGW = 4 Speed Autm, 44RE

AR = Use as required - = Non illustrated part # = New this model year

October 31, 2002



## Recliners and Adjusters Figure IWG-810



ITEM	PART NUMBER	QTY	LINE	SERIES	BODY	ENGINE	TRANS	DESCRIPTION
1	4373 666	2	J					SWITCH, Seat 6 Way Power
		2	U					6 Way Power
	4601 756AB	1	J					10 Way Power, Right
		1	U					10 Way Power, Right
-2	4601 757AB	1	J					10 Way Power, Left
		1	U					10 Way Power, Left
	4607 042	1	J					KNOB, Power Seat Switch Right
		1	U					Right
3	4607 043	1	J					Left
		1	U					Left
		1	U					Left
		1	U					Left
4	4720 769	1	J					SCREW, Trim
		1	U					
		1	U					
		6	J					
5	4720 770	4	J					SCREW, Trim
		4	U					
		4	U					
		4	J					
	SL04 1AZAA	1	J					SHIELD, Seat Adjuster [AZ] , 10 Way Power, Right
	SL06 1AZAA	1	J					[AZ] , 6 Way Power, Right
	SL06 1T5AA	1	U					[T5] , 6 Way Power, Right
		1	J					[T5] , 6 Way Power, Right
	SL07 1AZAA	1	U					[AZ] , 6 Way Power, Left
		1	J					[AZ] , 6 Way Power, Left
	SL07 1T5AA	1	U					[T5] , 6 Way Power, Left
		1	J					[T5] , 6 Way Power, Left
6	SL04 1AZAA	1	U					[AZ] , 10 Way Power, Right
	SL04 1T5AA	1	J					[T5] , 10 Way Power, Right
		1	U					[T5] , 10 Way Power, Right
	SL05 1AZAA	1	J					[AZ] , 10 Way Power, Left
		1	U					[AZ] , 10 Way Power, Left
	SL05 1T5AA	1	J					[T5] , 10 Way Power, Left
		1	U					[T5] , 10 Way Power, Left
	SL06 1AZAA	1	U					[AZ] , 6 Way Power, Right
		1	U					[AZ] , 6 Way Power, Right
	4864 745	1						BOLT, Power Recliner
		1						BOLT, Recliner To Cushion, Front Seat, (NOT SERVICED) (Not Serviced)
	8							RECLINER, Seat Back

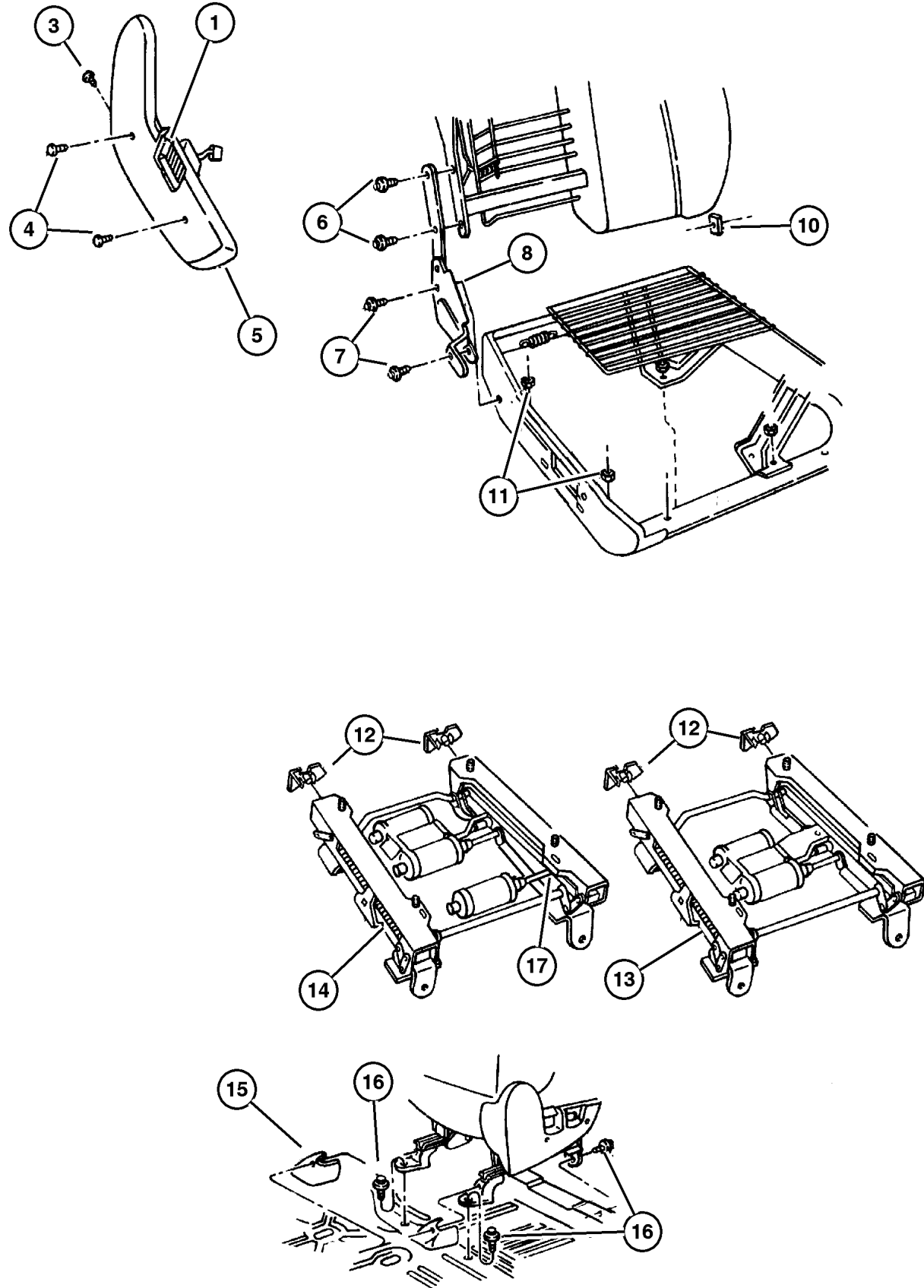
### JEEP GRAND CHEROKEE (WG)

SERIES	LINE	BODY	ENGINE	TRANSMISSION
H = Laredo	J = 4WD	74 = 4 Door	ER0, ERH = 4.0L, Power Tech	DGK = 4 Speed Autm, 42RE
P = Limited	U = 4WD, RHD		EVO, EVA = 4.7L, Power Tech	DGQ = 5 Speed Automatic
			EXO, EXA = 3.1L 5 Cyl Turbo Diesel	- 5-45RFE
				DGW = 4 Speed Autm, 44RE

AR = Use as required - = Non illustrated part # = New this model year

October 31, 2002

Recliners and Adjusters  
Figure IWG-810



ITEM	PART NUMBER	QTY	LINE	SERIES	BODY	ENGINE	TRANS	DESCRIPTION
	4796 714	1	U					Includes Handle, Right
		1	J					Includes Handle, Right
	4796 715	1	U					Includes Handle, Left
		1	J					Includes Handle, Left
-9								KNOB, Power Seat Switch, Power
								Recliner
	4607 044	1	J					Right
		1	U					Right
	4607 045	1	J					Left
		1	U					Left
10								U-NUT, Seat Back
	4713 982	1	J					
		1	U					
		1	U					
		1	J					
11	6101 467	2						NUT, Hex Flange, M8x1.25
12								SHIELD, Seat Adjuster
	4723 888	1	J					Driver Inboard, Passenger Outboard
		1	U					Driver Inboard, Passenger Outboard
	4723 889	1	J					Driver Outboard, Passenger Inboard
		1	U					Driver Outboard, Passenger Inboard
	4723 888	1	U					Driver Inboard, Passenger Outboard
		1	J					Driver Inboard, Passenger Outboard
	4723 889	1	U					Driver Outboard, Passenger Inboard
		1	J					Driver Outboard, Passenger Inboard
13								ADJUSTER, Power Seat, Without Memory
	5017 484AA	1	J					Right
		1	J					Right
	5017 485AA	1	U					Left
		1	J					Left
14								ADJUSTER, Power Seat, With Memory
	5017 486AA	1	U					Right
	5017 487AA	1	J					Left
15								COVER, Power Seat Track
	5FZ19 LAZAA	4						[AZ]
	5FZ19 XTMAA	4						[T5]
16	6505 040AA	8						SCREW, Hex Head, M10x1.5x40
17								BRACKET, Module, With Memory
	5013 125AA	2	J					
		2	U					
		2	U					

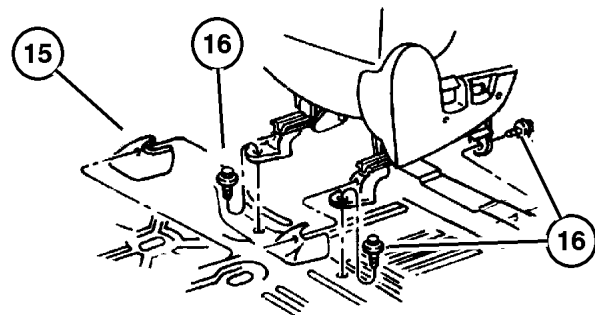
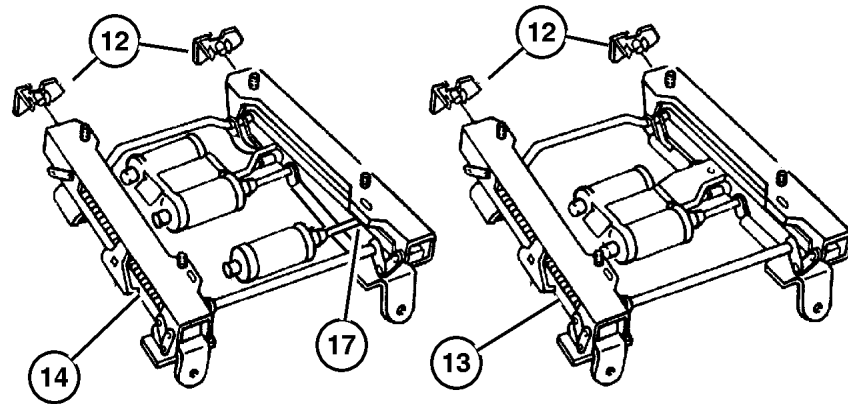
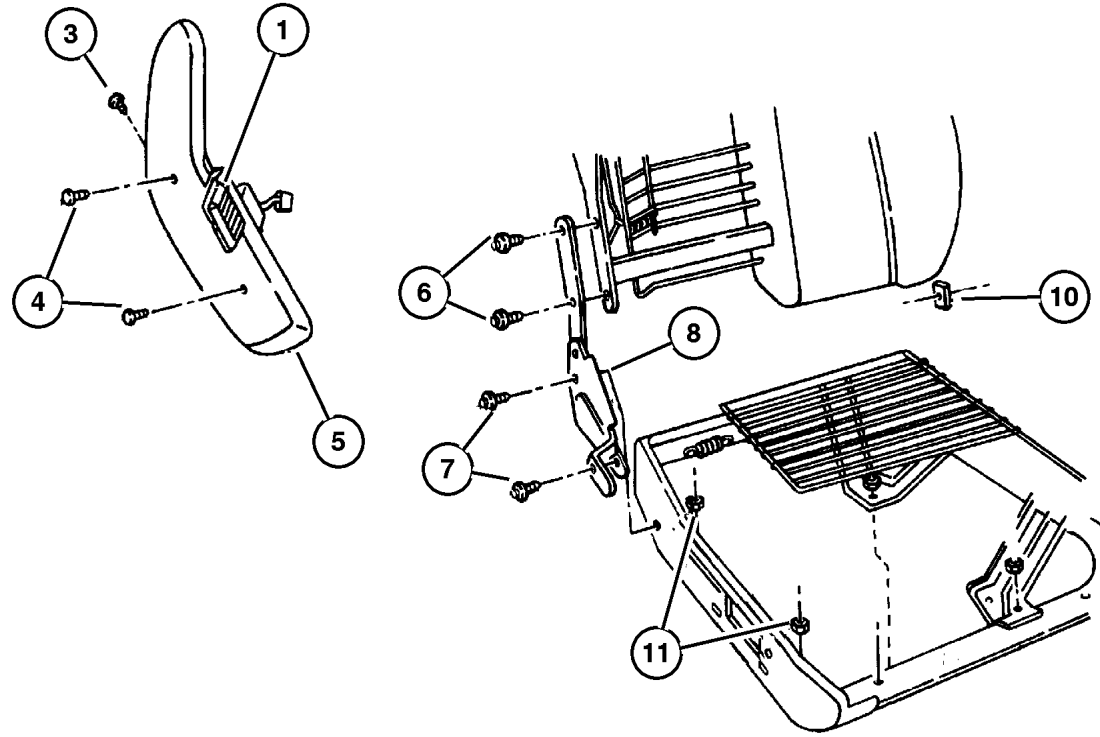
JEEP GRAND CHEROKEE (WG)

SERIES	LINE	BODY	ENGINE	TRANSMISSION
H = Laredo	J = 4WD	74 = 4 Door	ER0, ERH = 4.0L, Power Tech	DGK = 4 Speed Autm, 42RE
P = Limited	U = 4WD, RHD		EVO, EVA = 4.7L, Power Tech	DGQ = 5 Speed Automatic
			EXO, EXA = 3.1L 5 Cyl Turbo Diesel	- 5-45RFE
				DGW = 4 Speed Autm, 44RE

AR = Use as required - = Non illustrated part # = New this model year

October 31, 2002

# Recliners and Adjusters Figure IWG-810



ITEM	PART NUMBER	QTY	LINE	SERIES	BODY	ENGINE	TRANS	DESCRIPTION
------	-------------	-----	------	--------	------	--------	-------	-------------

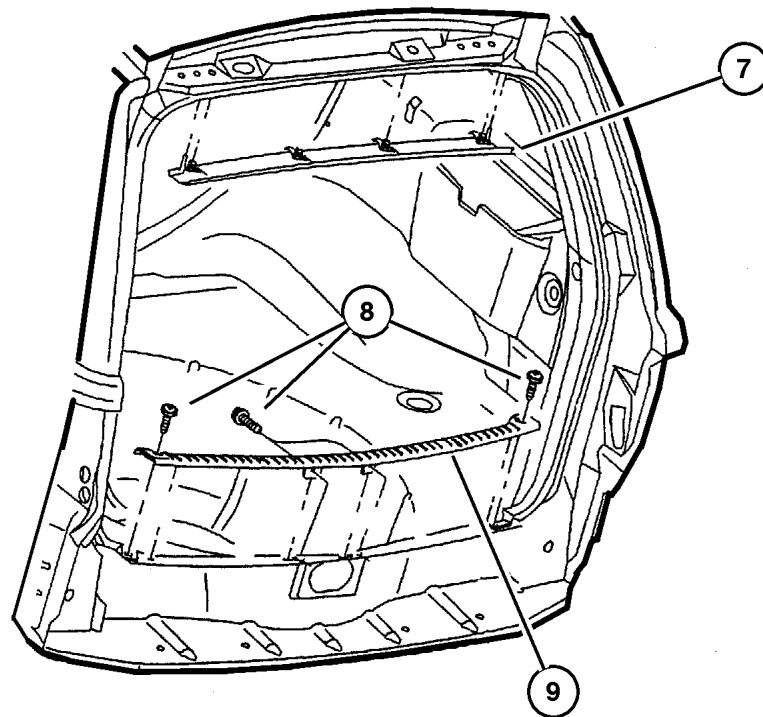
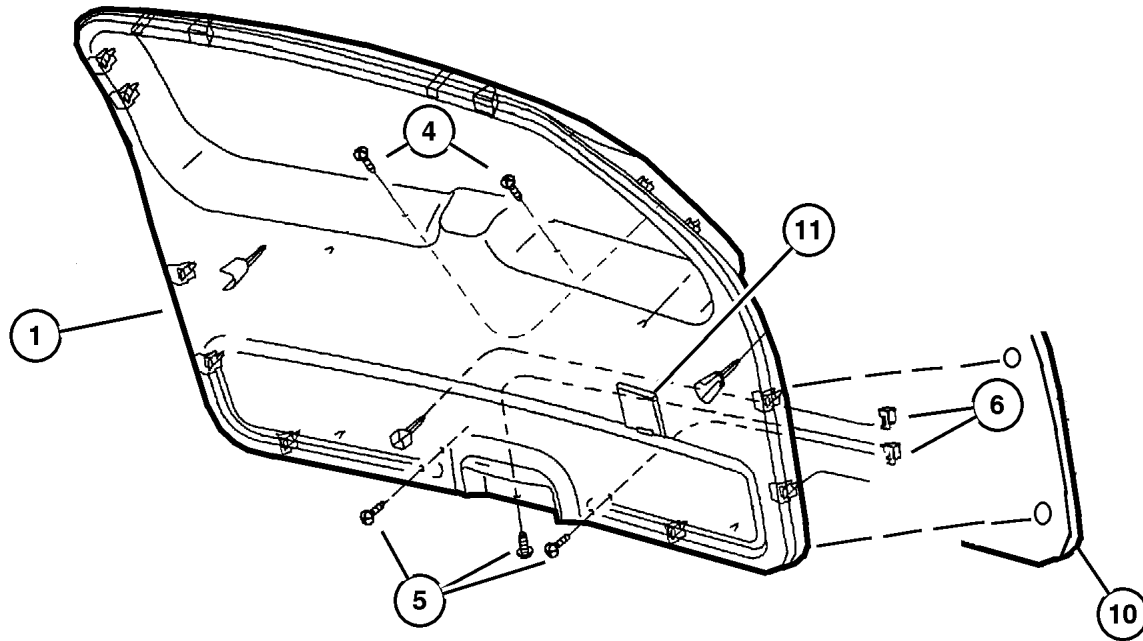
2 J

<b>JEEP GRAND CHEROKEE (WG)</b>				
SERIES	LINE	BODY	ENGINE	TRANSMISSION
H = Laredo	J = 4WD	74 = 4 Door	ER0, ERH = 4.0L, Power Tech	DGK = 4 Speed Autm, 42RE
P = Limited	U = 4WD, RHD		EVO, EVA = 4.7L, Power Tech	DGQ = 5 Speed Automatic
			EXO, EXA = 3.1L 5 Cyl Turbo Diesel	- 5-45RFE
				DGW = 4 Speed Autm, 44RE

AR = Use as required - = Non illustrated part # = New this model year

October 31, 2002

Liftgate Panel and Scuff Plate  
Figure IWG-1010



ITEM	PART NUMBER	QTY	LINE	SERIES	BODY	ENGINE	TRANS	DESCRIPTION
1								PANEL, Liftgate
	5FS80 LAZAE	1						[AZ]
	5FS80 XT5AE	1						[T5]
-2	6502 991	6						FASTENER, M7.1 Hole Push In, For M7.1 Hole
-3	6503 709	4						PIN, Door Panel
4								SCREW AND WASHER, M4.2X1.41X52.80~~, (NOT SERVICED) (Not Serviced)
5	6032 723	3						SCREW, Self Tapping, M4.2x1.69x19.05
6								NUT, M4.2X1.70 ~~, (NOT SERVICED) (Not Serviced)
7								PANEL, Liftgate
	5FA67 LAZAC	1						[AZ]
	5FA67 XT5AC	1						[T5]
8								SCREW, [.164-18X.625]~~, (NOT SERVICED) (Not Serviced)
9								PLATE, Liftgate Scuff
	5FS82 LAZAC	1						[AZ]
	5FS82 XT5AC	1						[T5]
10	55136 185AC	1						INSULATION, liftgate
11								COVER, Liftgate
	TH63 LAZAA	1						[AZ]
	TH63 XT5AA	1						[T5]

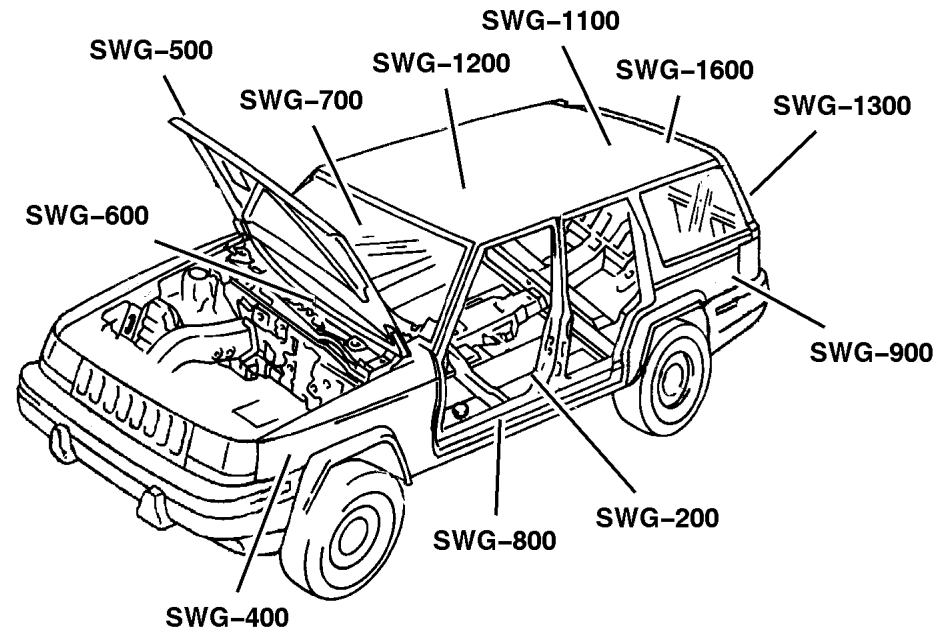
JEEP GRAND CHEROKEE (WG)  
 SERIES LINE BODY ENGINE TRANSMISSION  
 H = Laredo J = 4WD 74 = 4 Door ER0, ERH = 4.0L, Power Tech DGK = 4 Speed Autm, 42RE  
 P = Limited U = 4WD, RHD EVO, EVA = 4.7L, Power Tech DGQ = 5 Speed Automatic  
 EXO, EXA = 3.1L 5 Cyl Turbo Diesel - 5-45RFE  
 DGW = 4 Speed Autm, 44RE

AR = Use as required - = Non illustrated part # = New this model year

October 31, 2002

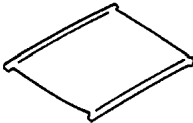

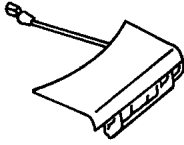

# Group – SWG

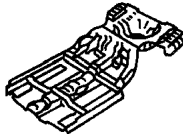

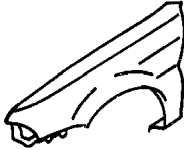
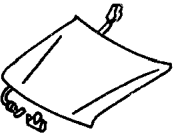
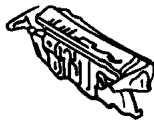

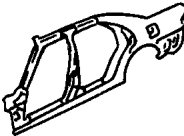
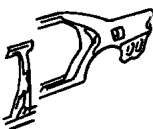
## Body Sheet Metal Except Doors



# Group – SWG

## Body Sheet Metal Except Doors

<p><b>SWG-1100</b> Roof Panels</p> 	<p><b>SWG-1200</b> Sunroof</p> 	<p><b>SWG-1300</b> Liftgate Panel</p> 	<p><b>SWG-1600</b> Luggage Rack</p> 
--	--	---	---

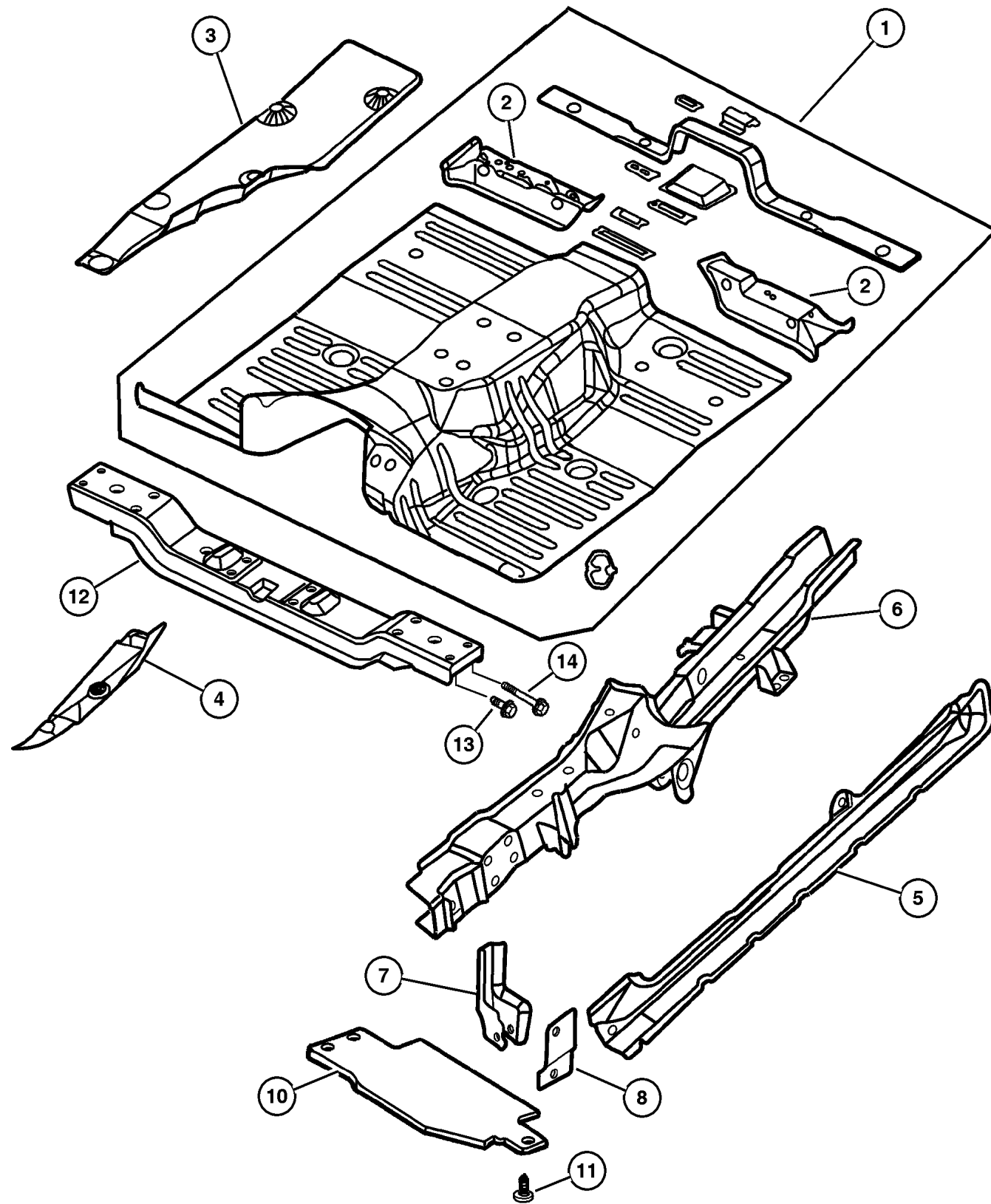
<p><b>SWG-200</b> Floor Pans</p> 	<p><b>SWG-300</b> Plugs</p> 	<p><b>SWG-400</b> Front Fenders</p> 	<p><b>SWG-500</b> Hood and Hood Release</p> 
<p><b>SWG-600</b> Cowl and Dash Panel</p> 	<p><b>SWG-700</b> Glass and Rear View Mirror</p> 	<p><b>SWG-800</b> Aperture Panel</p> 	<p><b>SWG-900</b> Quarter Panel and Pillars</p> 

---

## GROUP SWG - Body Sheet Metal Except Doors

Illustration Title	Group-Fig. No.
<b>Floor Pans</b>	
Front Floor Pan .....	Fig. SWG-210
Center and Rear Floor Pan .....	Fig. SWG-220
<b>Plugs</b>	
Plugs .....	Fig. SWG-310
<b>Front Fenders</b>	
Front Fenders .....	Fig. SWG-410
<b>Hood and Hood Release</b>	
Hood,Latch,Hinges .....	Fig. SWG-510
<b>Cowl and Dash Panel</b>	
Panels,Cowl and Dash .....	Fig. SWG-610
Insulation,Dash and Cowl .....	Fig. SWG-620
<b>Glass and Rear View Mirror</b>	
Glass,Windshield,Backlite,Quarter Window,Rear View Mirror .....	Fig. SWG-710
<b>Aperture Panel</b>	
Panel,Body Side .....	Fig. SWG-810
<b>Quarter Panel and Pillars</b>	
Panels,Rear Quater .....	Fig. SWG-910
<b>Roof Panels</b>	
Panels,Roof .....	Fig. SWG-1110
<b>Sunroof</b>	
Sunroof .....	Fig. SWG-1210
<b>Liftgate Panel</b>	
Liftgate,Latch and Hinges .....	Fig. SWG-1310
<b>Luggage Rack</b>	
Roof Rack .....	Fig. SWG-1610

Front Floor Pan  
Figure SWG-210



ITEM	PART NUMBER	QTY	LINE	SERIES	BODY	ENGINE	TRANS	DESCRIPTION
1	55136 940AE	1						PAN, Floor
2	55136 340AD	1	J					REINFORCEMENT, Front Seat Right
	55136 341AD	1	J					Left
	55136 340AB	1	U					Right
	55136 341AB	1	U					Left
3	55135 709AC	1						SHIELD, Heat
4	55135 712AD	1						SHIELD, Heat
5	55135 802AC	1						SILL, Body Side Right
	55135 803AC	1						Left
6	5014 708AC	1						RAIL, Frame Side Right
	5014 709AC	1						Left
7	5513 6316	1	U					BRACKET, Track Bar Inner
	5513 6317	1	J					Inner
8	5513 6319	1						BRACKET, Track Bar, Outer
-9	6101 916	2						NUT, Hex Weld, M8x1.25
10	5513 5781	1						SHIELD, Splash
11	6034 608	4						PIN, Headline
12	52058 940AB	1						CROSSMEMBER, Transmission
13	6506 000AA	4						SCREW AND WASHER
14	6505 671AA	4						SCREW AND WASHER

JEEP GRAND CHEROKEE (WG)

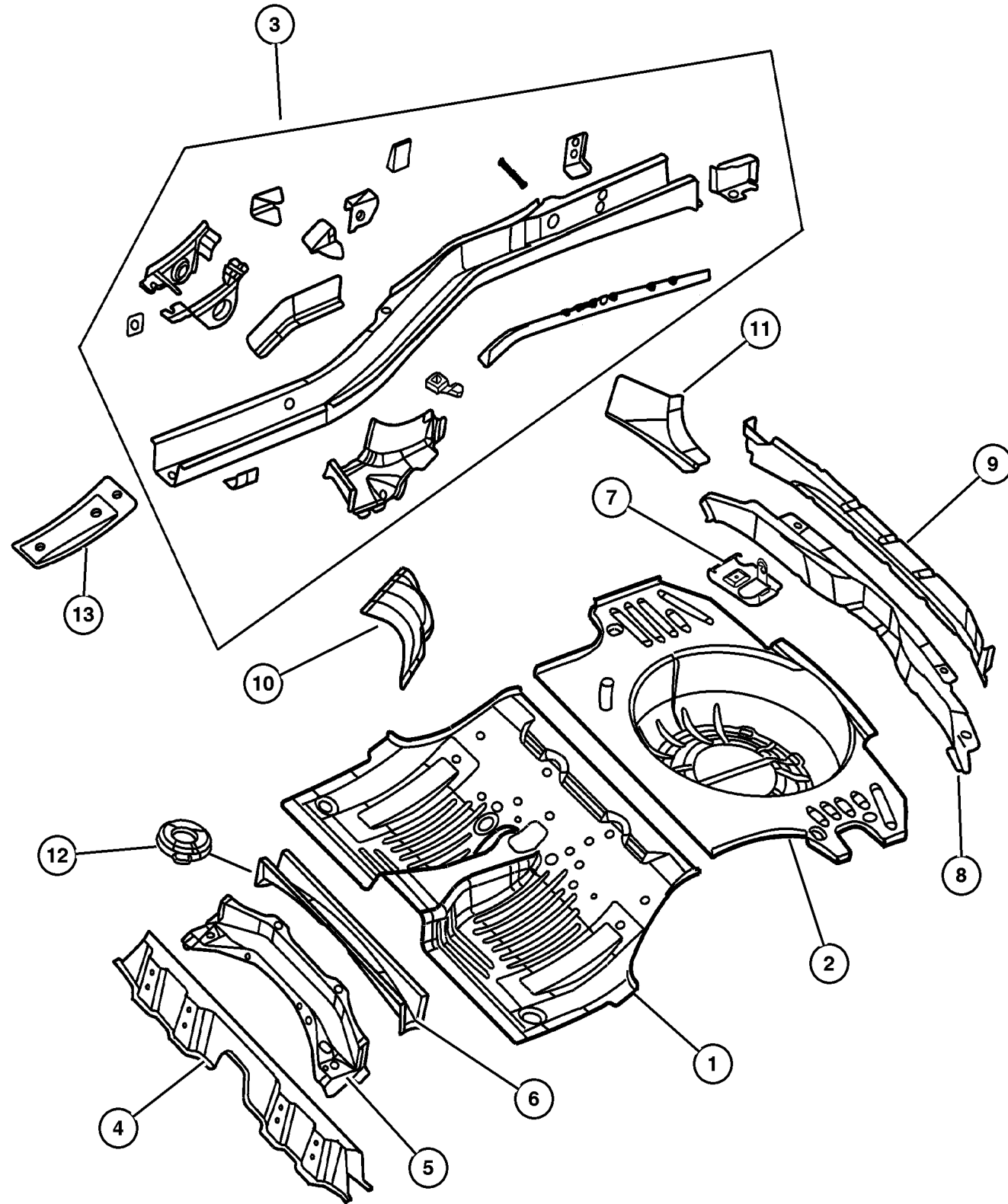
SERIES	LINE	BODY	ENGINE	TRANSMISSION
H = Laredo	J = 4WD	74 = 4 Door	ER0, ERH = 4.0L, Power Tech	DGK = 4 Speed Autm, 42RE
P = Limited	U = 4WD, RHD		EVO, EVA = 4.7L, Power Tech	DGQ = 5 Speed Automatic
			EXO, EXA = 3.1L 5 Cyl Turbo Diesel	- 5-45RFE
				DGW = 4 Speed Autm, 44RE

AR = Use as required - = Non illustrated part # = New this model year

October 31, 2002

**Center and Rear Floor Pan  
Figure SWG-220**

ITEM	PART NUMBER	QTY	LINE	SERIES	BODY	ENGINE	TRANS	DESCRIPTION
1	55136 940AE	1						PAN, Floor
2	55136 377AE	1						PAN, Rear Floor
3								RAIL, Rear Floor Pan Side
	5014 932AC	1						Right
	5014 933AC	1						Left
4	55136 163AE	1						CROSSMEMBER, Rear Floor
5	55137 279AC	1						CROSSMEMBER, Rear Floor Pan Front
6	55136 511AD	1						CROSSMEMBER, Rear Floor
7	55295 800AD	1						BRACKET, Jack
8	55136 558AE	1						CROSSMEMBER, Rear Floor
9	55136 179AD	1						CROSSMEMBER, Rear Floor
10	55136 160AE	1						SHIELD, Fuel Tank
11								GUSSET, Side Member
	55135 504AC	1						Right
	55135 505AC	1						Left
12	5014 781AA	2						GUIDE, Rear Spring, None
13	55136 164AE	2						REINFORCEMENT, Rear Floor Pan Rear Rail



**JEEP GRAND CHEROKEE (WG)**

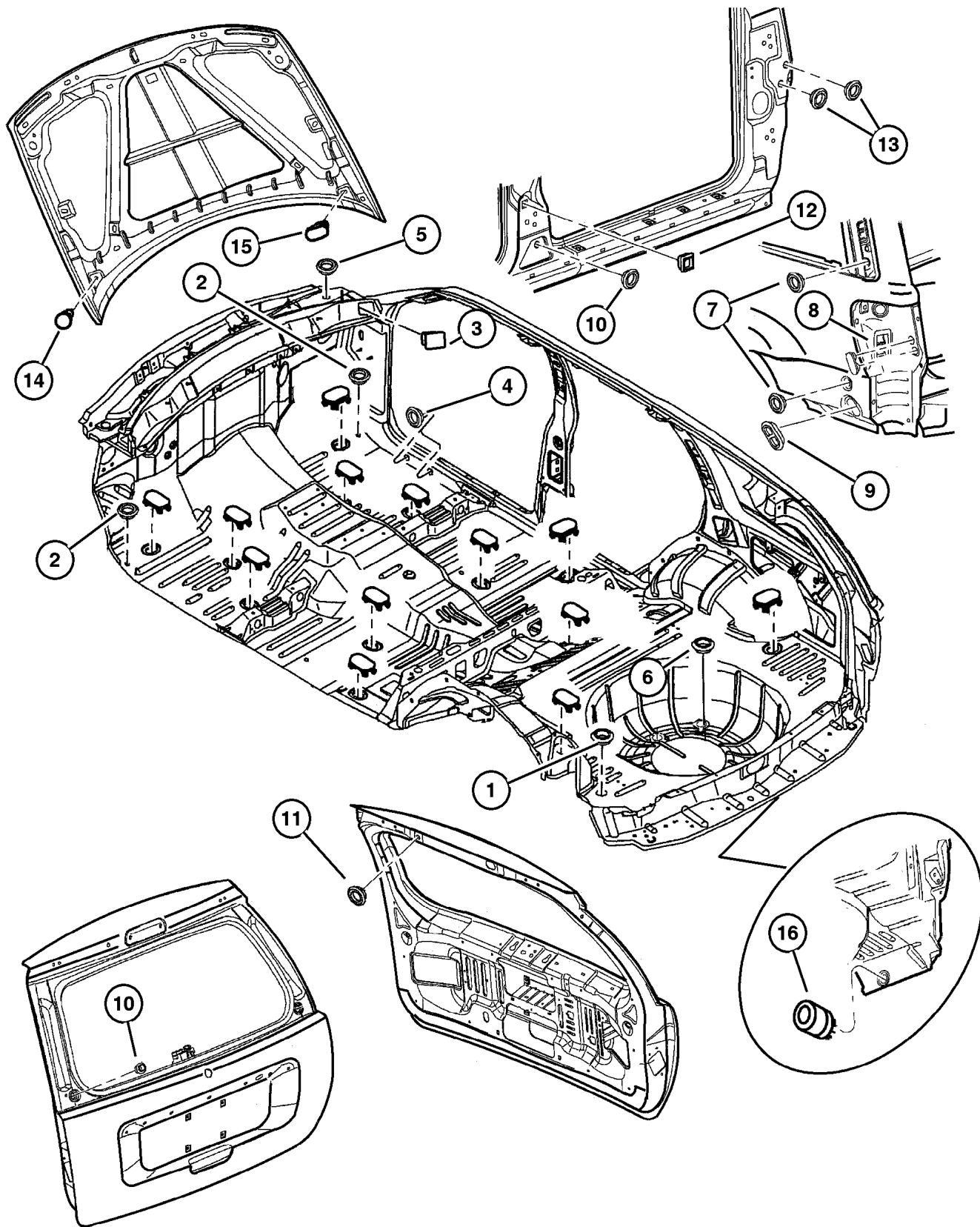
SERIES	LINE	BODY	ENGINE	TRANSMISSION
H = Laredo	J = 4WD	74 = 4 Door	ER0, ERH = 4.0L, Power Tech	DGK = 4 Speed Autm, 42RE
P = Limited	U = 4WD, RHD		EVO, EVA = 4.7L, Power Tech	DGQ = 5 Speed Automatic
			EXO, EXA = 3.1L 5 Cyl Turbo Diesel	- 5-45RFE
				DGW = 4 Speed Autm, 44RE

AR = Use as required - = Non illustrated part # = New this model year

October 31, 2002



Plugs  
Figure SWG-310



ITEM	PART NUMBER	QTY	LINE	SERIES	BODY	ENGINE	TRANS	DESCRIPTION
1	2424 864	1						PLUG, Body, 1.75 Diameter
2	2860 332	4						PLUG, Anti-Rattle
3	55136 507AB	1						PLUG, Body, Cowl Top
4	55257 380AA	12						PLUG
5	55136 456AB	1						PLUG, Body
6	55136 594AA	1						PLUG, Body
7	4440 294	7						PLUG, Rear Fascia
8	55136 948AA	2						TAPE, Body Side
9	55136 562AB	2						PLUG, Body
10	4674 441	1						PLUG, Body, .75 Diameter
11	5255 217	1						PLUG, Dash Panel
12	55136 566AA	4						PLUG, Body
13	55136 859AA	2						PLUG
14	55136 755AA	1						PLUG, Body
15	55136 752AA	1						PLUG, Body
16	55135 856AB	2						PLUG, Body
-17	55136 844AE	1						PLUG, Floor

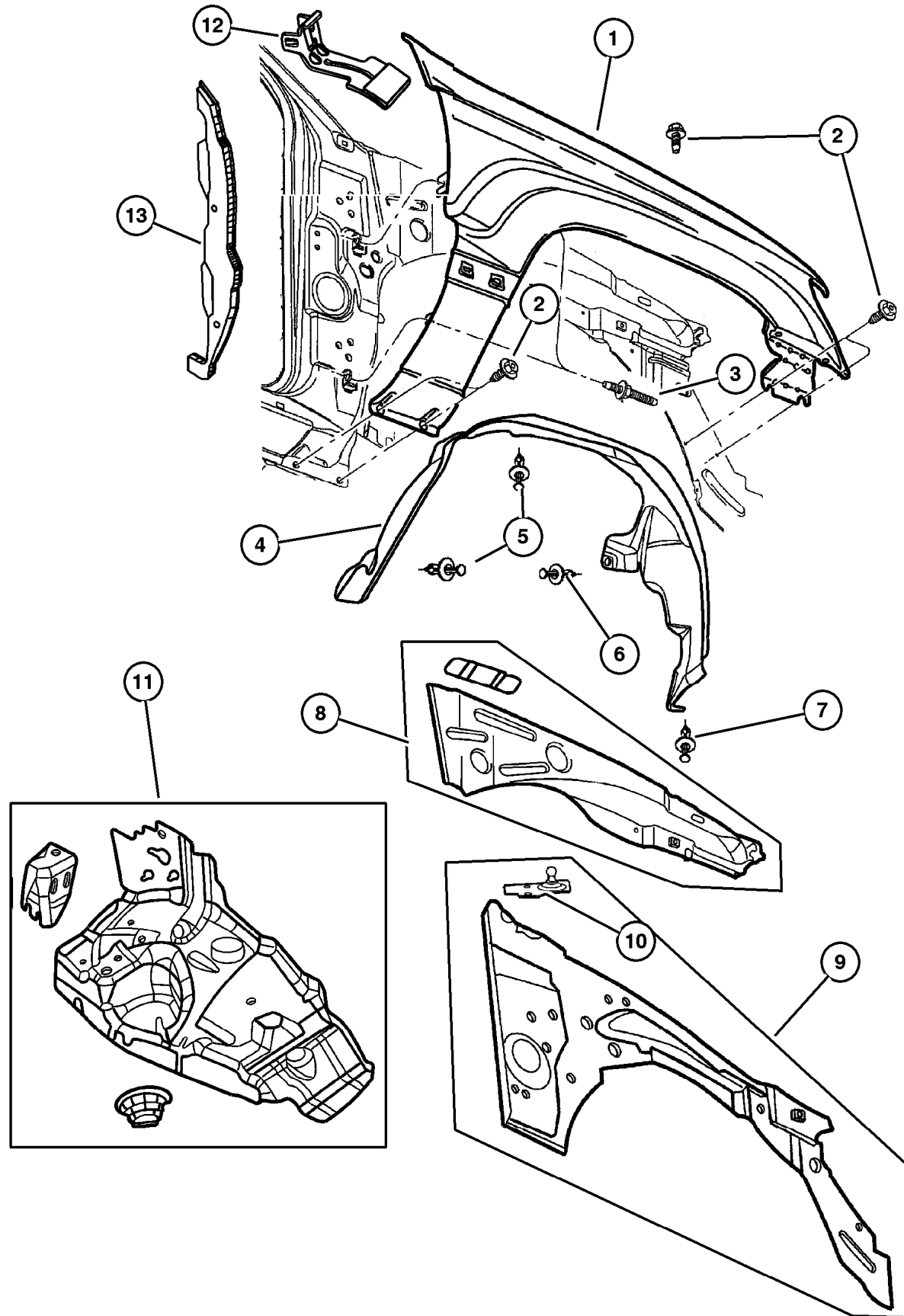
JEEP GRAND CHEROKEE (WG)

SERIES	LINE	BODY	ENGINE	TRANSMISSION
H = Laredo	J = 4WD	74 = 4 Door	ER0, ERH = 4.0L, Power Tech	DGK = 4 Speed Autm, 42RE
P = Limited	U = 4WD, RHD		EVO, EVA = 4.7L, Power Tech	DGQ = 5 Speed Automatic
			EXO, EXA = 3.1L 5 Cyl Turbo Diesel	- 5-45RFE
				DGW = 4 Speed Autm, 44RE

AR = Use as required - = Non illustrated part # = New this model year

October 31, 2002

Front Fenders  
Figure SWG-410



ITEM	PART NUMBER	QTY	LINE	SERIES	BODY	ENGINE	TRANS	DESCRIPTION
1								FENDER, Front
	55136 582AC	1						Right
	55136 583AC	1						Left
2	0154 867AA	8						SCREW, M6X1.00X15.00~~
3	6036 162AA	1						STUD, Double Ended, M6X1.00X57.00~~
4								LINER, Front Fender
	55136 228AB	1						Right
	55136 229AB	1						Left
5	6034 608	4						PIN, Headline
6	3420 1631	6						RIVET, M6.25x28 Black
7	6506 293AA	12						PIN, Push
8								REINFORCEMENT, Cowl Side
	55136 354AH	1						Right
	55136 355AH	1						Left
9								PANEL, Cowl
	55135 442AE	1	J					Right
	55135 443AE	1	J					Left
	55136 852AD	1	U					Right
	55136 853AD	1	U					Left
10								BRACKET, Ball to Body
	5513 6434	1	J					Right
	5513 6435	1	J					Left
	5513 6434	1	U					Right
	5513 6435	1	U					Left
11								SUPPORT, Front Suspension
	#55135 718AJ	1						Right
	#55135 719AJ	1						Left
12	55136 774AA	2						BRACKET, Fender
13								FILLER, Fender to Wheelhouse
	55135 793AC	1						Left
	55135 866AC	1						Right

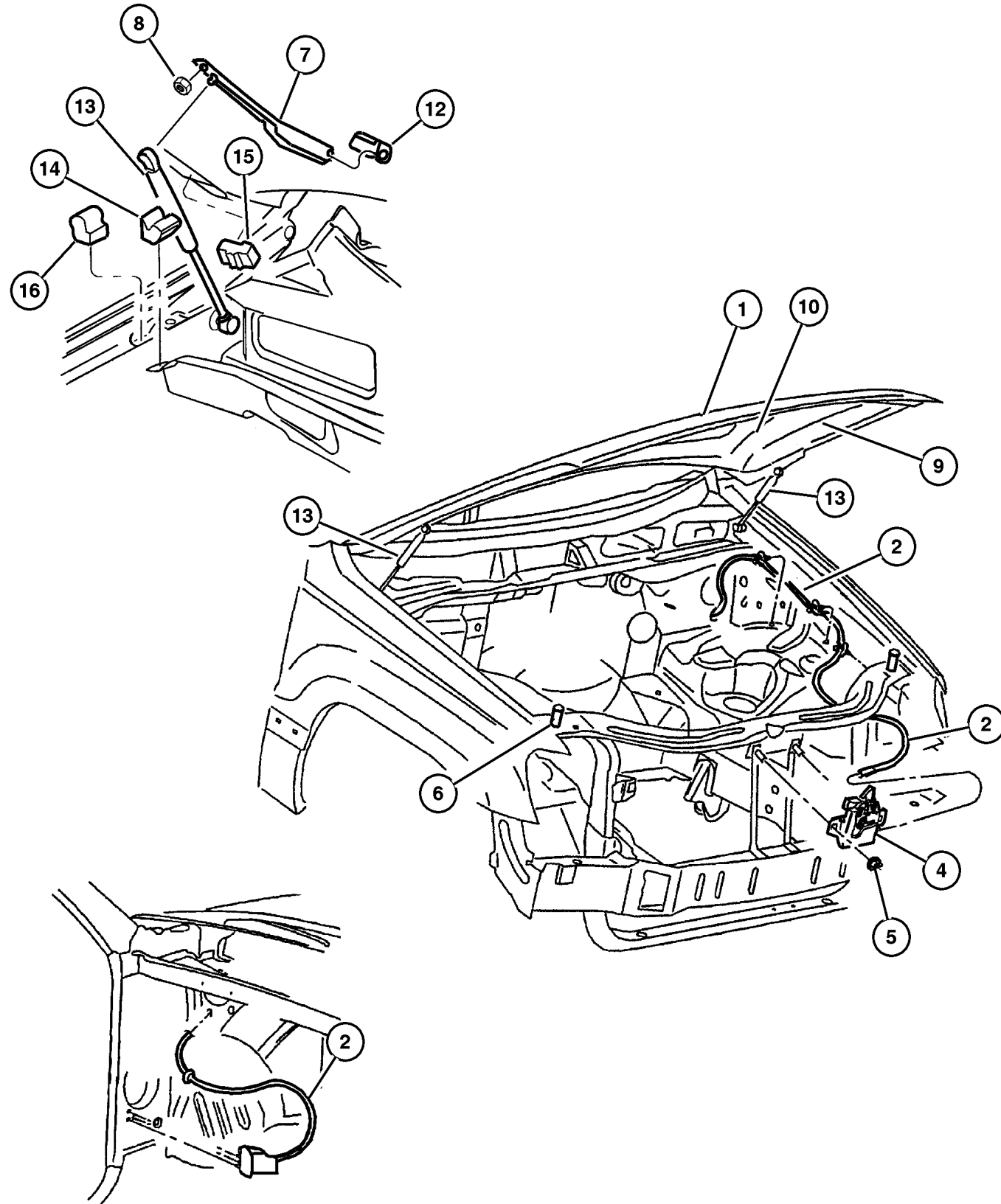
JEEP GRAND CHEROKEE (WG)

SERIES	LINE	BODY	ENGINE	TRANSMISSION
H = Laredo	J = 4WD	74 = 4 Door	ER0, ERH = 4.0L, Power Tech	DGK = 4 Speed Autm, 42RE
P = Limited	U = 4WD, RHD		EVO, EVA = 4.7L, Power Tech	DGQ = 5 Speed Automatic
			EXO, EXA = 3.1L 5 Cyl Turbo Diesel	- 5-45RFE
				DGW = 4 Speed Autm, 44RE

AR = Use as required - = Non illustrated part # = New this model year

October 31, 2002

Hood,Latch,Hinges  
Figure SWG-510



ITEM	PART NUMBER	QTY	LINE	SERIES	BODY	ENGINE	TRANS	DESCRIPTION
1	#55076 470AE	1						HOOD
2								CABLE, Hood Release
	5513 5532	1	J					
	5513 6454	1	U					
-3								CLIP, M6.3x11.2
	6503 794	3	U					
		3	J					
4	5513 5600	1						LATCH, Hood
5	6101 446	2						NUT AND WASHER
6	4103 165	2						BUMPER, Hood
7	55256 196AB	1						HINGE, Hood
8	6503 664	4						NUT AND WASHER, Hex Nut-Coned Washer, M6 x 1.00
9	55196 298AC	1						INSULATION, Hood
10	55116 446AA	1						LABEL, Refrigerant
-11	6003 351	12						RETAINER, Hood Insulation, .415x.690
12								COVER, Hinge
	55156 110AB	1						Right
	55156 111AB	1						Left
13	55136 764AA	2						PROP, Hood
14	55363 119AA	2						SEAL, Hood, Lower
15	55136 549AA	2						SEAL, Hood, Upper
16	55136 550AA	2						SEAL, Hood, Outer

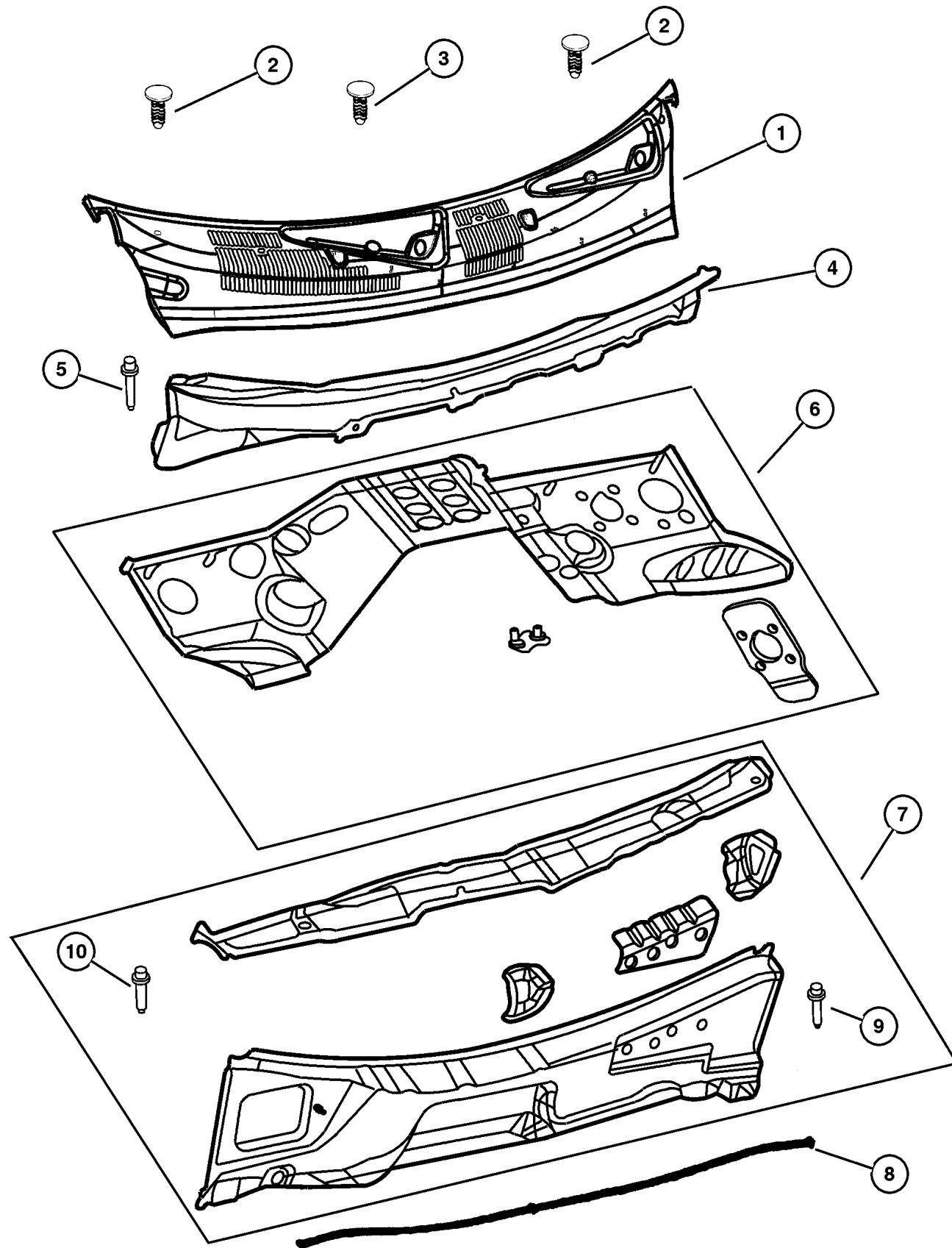
JEEP GRAND CHEROKEE (WG)

SERIES	LINE	BODY	ENGINE	TRANSMISSION
H = Laredo	J = 4WD	74 = 4 Door	ER0, ERH = 4.0L, Power Tech	DGK = 4 Speed Autm, 42RE
P = Limited	U = 4WD, RHD		EVO, EVA = 4.7L, Power Tech	DGQ = 5 Speed Automatic
			EXO, EXA = 3.1L 5 Cyl Turbo Diesel	- 5-45RFE
				DGW = 4 Speed Autm, 44RE

AR = Use as required - = Non illustrated part # = New this model year

October 31, 2002

**Panels,Cowl and Dash**  
**Figure SWG-610**



ITEM	PART NUMBER	QTY	LINE	SERIES	BODY	ENGINE	TRANS	DESCRIPTION
1								COVER, Cowl Grille
	55155 355AB	1	J					
	55155 356AB	1	U					
2	6505 319AA	4						NUT, M6x1.00
3	6503 339	2						NUT, Plastic
4								PANEL, Cowl Top
	#55135 369AC	1	J					
	55135 373AB	1	U					
5								STUD
	6505 511AA	4	U					
		4	J					
6								PANEL, Dash
	55135 358AB	1	J					
	55135 364AB	1	U					
7								PANEL, Cowl And Plenum
	55135 451AB	1	J					
	55136 540AB	1	J					Export
	55135 486AB	1	U					
8	55135 392AB	1						SEAL, Hood To Plenum
9								STUD, M8x
	6504 758	3	J					
		3	U					
10								STUD
	6504 952AA	4	U					
		3	J					

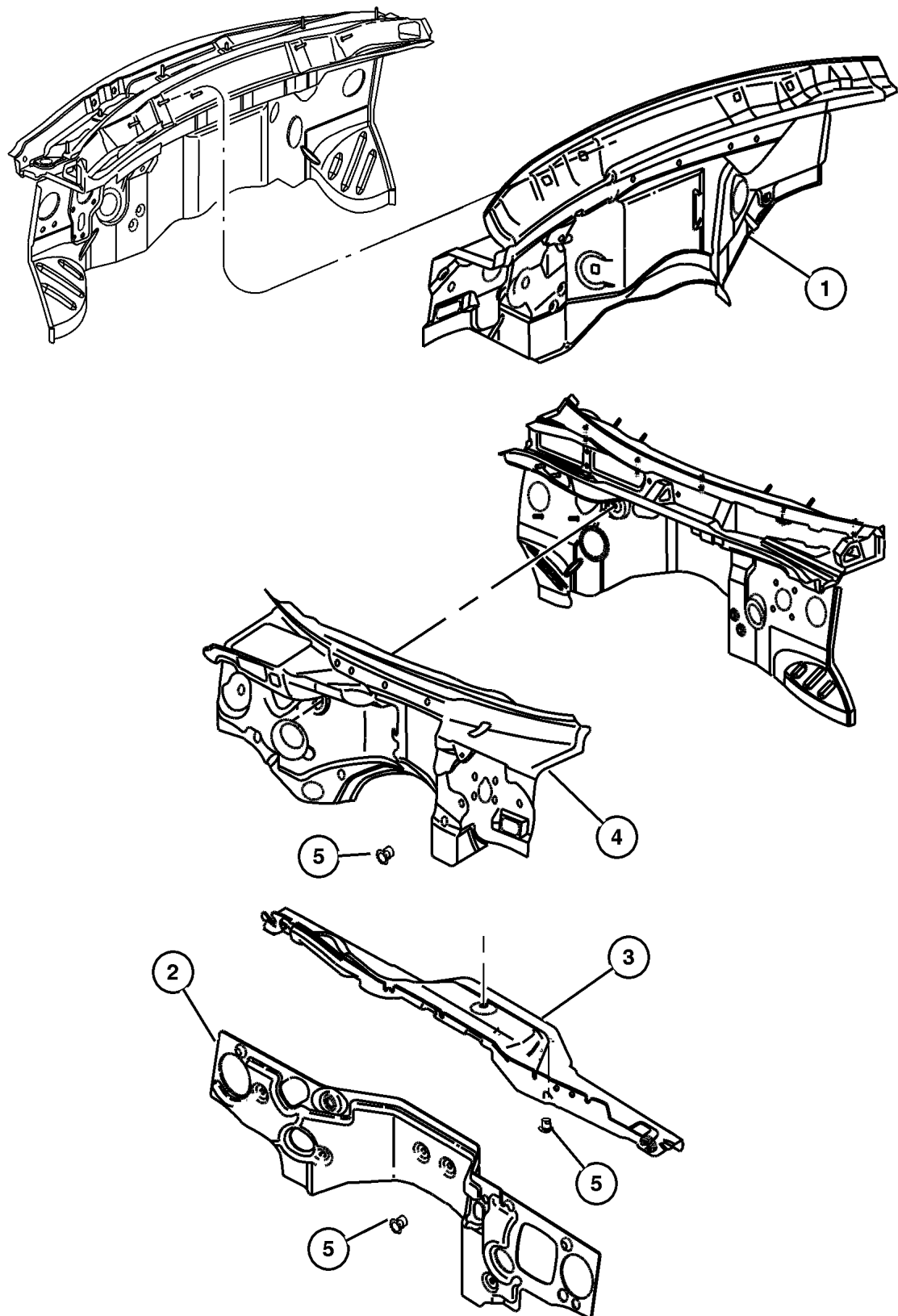
**JEEP GRAND CHEROKEE (WG)**

SERIES	LINE	BODY	ENGINE	TRANSMISSION
H = Laredo	J = 4WD	74 = 4 Door	ER0, ERH = 4.0L, Power Tech	DGK = 4 Speed Autm, 42RE
P = Limited	U = 4WD, RHD		EVO, EVA = 4.7L, Power Tech	DGQ = 5 Speed Automatic
			EXO, EXA = 3.1L 5 Cyl Turbo Diesel	- 5-45RFE
				DGW = 4 Speed Autm, 44RE

AR = Use as required - = Non illustrated part # = New this model year

October 31, 2002

**Insulation,Dash and Cowl  
Figure SWG-620**



ITEM	PART NUMBER	QTY	LINE	SERIES	BODY	ENGINE	TRANS	DESCRIPTION
1								INSULATION, Dash Panel
	55196 277AB	1	U					
	#55196 892AA	1	J					Export
	#55196 893AA	1	J					
2								INSULATION, Dash Panel
	55196 703AC	1	J					
	55196 704AB	1	U					
3	55196 705AB	1	J					INSULATION, Dash Panel
4								INSULATION, Dash Panel
	55196 836AA	1	J					
	55196 848AC	1	U					
5	6503 274	4						NUT, Push On

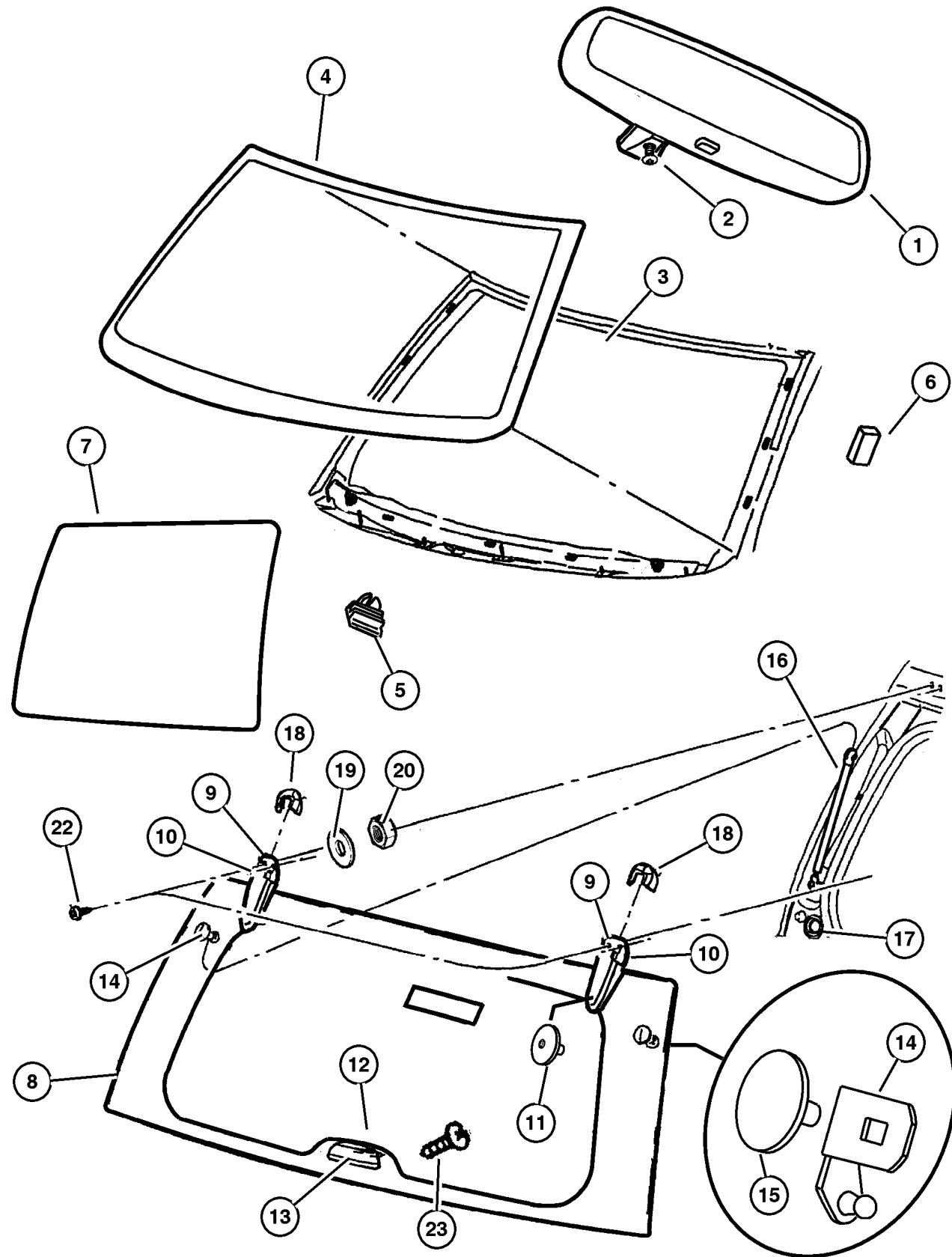
**JEEP GRAND CHEROKEE (WG)**

SERIES	LINE	BODY	ENGINE	TRANSMISSION
H = Laredo	J = 4WD	74 = 4 Door	ER0, ERH = 4.0L, Power Tech	DGK = 4 Speed Autm, 42RE
P = Limited	U = 4WD, RHD		EVO, EVA = 4.7L, Power Tech	DGQ = 5 Speed Automatic
			EXO, EXA = 3.1L 5 Cyl Turbo Diesel	- 5-45RFE
				DGW = 4 Speed Autm, 44RE

AR = Use as required - = Non illustrated part # = New this model year

October 31, 2002

**Glass,Windshield,Backlite,Quarter Window,Rear View Mirror**  
**Figure SWG-710**



ITEM	PART NUMBER	QTY	LINE	SERIES	BODY	ENGINE	TRANS	DESCRIPTION
------	-------------	-----	------	--------	------	--------	-------	-------------

**NOTE**

Sales Codes:GNK=Mirror-Rear View,Auto Day/Night  
 GNA=Mirror-Day/Night Rear View  
 GED=Glass-Tinted Rr Drs/Qtr/Liftgate  
 GEP=Glass-Flipper Liftgate  
 GFA=Defroster-Rear Window  
 GEG=Glass-Deep Tint Sunscreen

1	55155 380AB	1						MIRROR, Inside Rear View [GNK]
	4805 332AB	1						[GNA]
2								SCREW, Pan Head Tapping, .19-16x.375, (NOT SERVICED) (Not Serviced)
3	5507 6401	1						BUTTON, Rear View Mirror
4	55136 944AB	1						WINDSHIELD
5	5502 8214	9						SPACER, Windshield
6	55275 388AC	2						SPACER, Windshield
7								GLASS, Quarter Window
	55135 796AC	1						[GED], Right
	55135 797AC	1						[GED], Left
	55135 816AC	1						[GEG], Right
	55135 817AC	1						[GEG], Left
8	55136 035AC	1						GLASS, Liftgate Flipper [GED+GEP+GFA]
	55136 050AC	1						[GEG+GFA+GEP]
9								HINGE, Liftglass
	5019 418AA	1						Right
	5019 419AA	1						Left
10	5507 5164	4						GASKET, Liftgate Hinge
11	6502 900	2						SCREW, Special Head, M6x1x12.7
12	5513 6045	1						GASKET, Liftgate Handle
13	5513 6048	1						HANDLE, Flipper Window
14								BALL STUD, Liftgate Glass
	55136 968AA	1						Right
	55136 969AA	1						Left
15	6506 200AA	2						FASTENER
16	55136 965AA	2						GAS CYLINDER, Liftgate Glass
17	55136 845AA	2						BUMPER, Liftgate Glass
18								COVER, Hinge
	4717 486AB	1						Right
	4717 487AB	1						Left
19	5529 5914	4						GASKET, Ball Stud
20	6504 513	2						NUT AND WASHER, Hex Nut-Coned Washer, M6 x 1.00

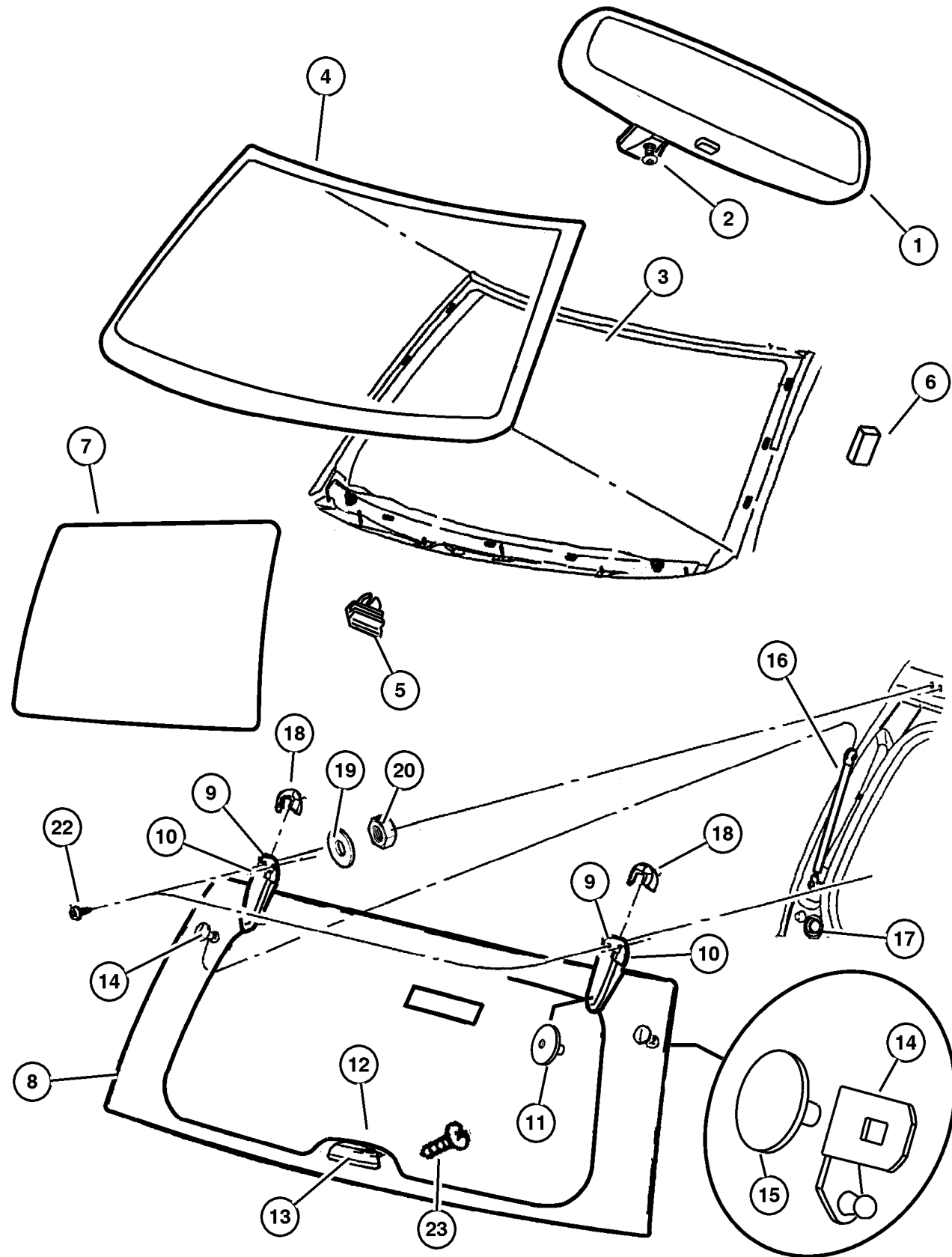
**JEEP GRAND CHEROKEE (WG)**

SERIES	LINE	BODY	ENGINE	TRANSMISSION
H = Laredo	J = 4WD	74 = 4 Door	ER0, ERH = 4.0L, Power Tech	DGK = 4 Speed Autm, 42RE
P = Limited	U = 4WD, RHD		EVO, EVA = 4.7L, Power Tech	DGQ = 5 Speed Automatic
			EXO, EXA = 3.1L 5 Cyl Turbo Diesel	- 5-45RFE
				DGW = 4 Speed Autm, 44RE

AR = Use as required - = Non illustrated part # = New this model year

October 31, 2002

**Glass, Windshield, Backlite, Quarter Window, Rear View Mirror**  
**Figure SWG-710**



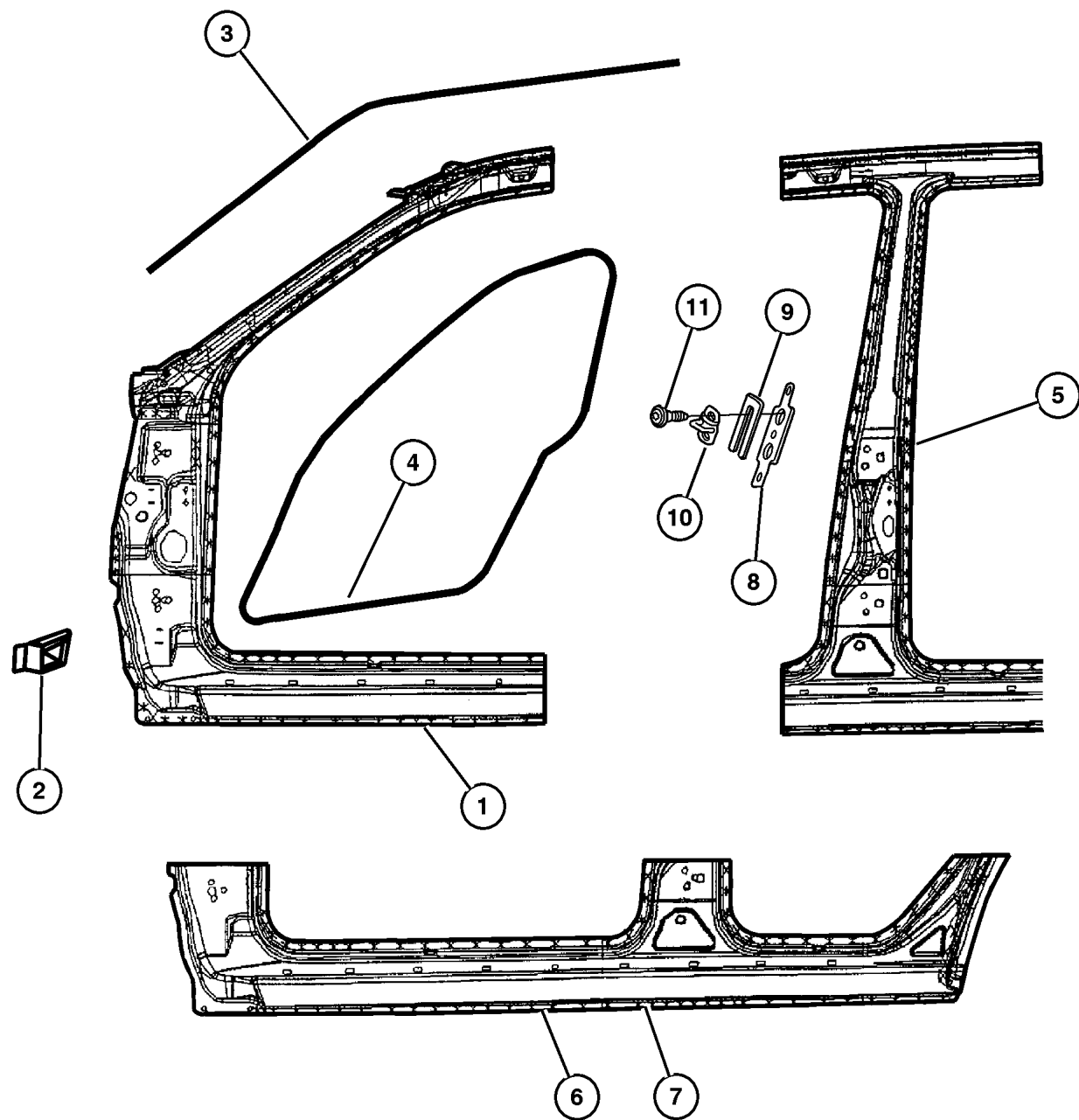
ITEM	PART NUMBER	QTY	LINE	SERIES	BODY	ENGINE	TRANS	DESCRIPTION
-21	5513 6044	1						STRIKER, Liftgate Glass
22	6505 440AA	4						SCREW
23	6035 479	2						SCREW AND WASHER

<b>JEEP GRAND CHEROKEE (WG)</b>				
SERIES	LINE	BODY	ENGINE	TRANSMISSION
H = Laredo	J = 4WD	74 = 4 Door	ER0, ERH = 4.0L, Power Tech	DGK = 4 Speed Autm, 42RE
P = Limited	U = 4WD, RHD		EVO, EVA = 4.7L, Power Tech	DGQ = 5 Speed Automatic
			EXO, EXA = 3.1L 5 Cyl Turbo Diesel	- 5-45RFE
				DGW = 4 Speed Autm, 44RE

AR = Use as required - = Non illustrated part # = New this model year

October 31, 2002

Panel,Body Side  
Figure SWG-810



ITEM	PART NUMBER	QTY	LINE	SERIES	BODY	ENGINE	TRANS	DESCRIPTION
1	5013 006AA	1						PANEL, Body Side Aperture Front
2								TAPPING PLATE, Door Hinge, Also serviced in Item #1
	55136 436AB	1						Right
	55136 437AB	1						Left
3	55135 869AC	1						SEAL, Body Side
4								SEAL, Front Door
	55135 918AD	1						Right
	55135 919AD	1						Left
5								PANEL, Body Side Aperture Center
	5013 008AB	1						Right
	5013 009AB	1						Left
6								SILL, Body Side, Complete
	55135 802AC	1						Right
	55135 803AC	1						Left
7								PANEL, Side Sill, Outer Only
	5017 868AA	1						Right
	5017 869AA	1						Left
8	55135 503AB	2						TAPPING PLATE, Striker
9	4520 289	AR						SPACER, Door Latch Striker
10	#4780 607AA	2						STRIKER, Door
11	6504 542	2						SCREW, 6 Lobed

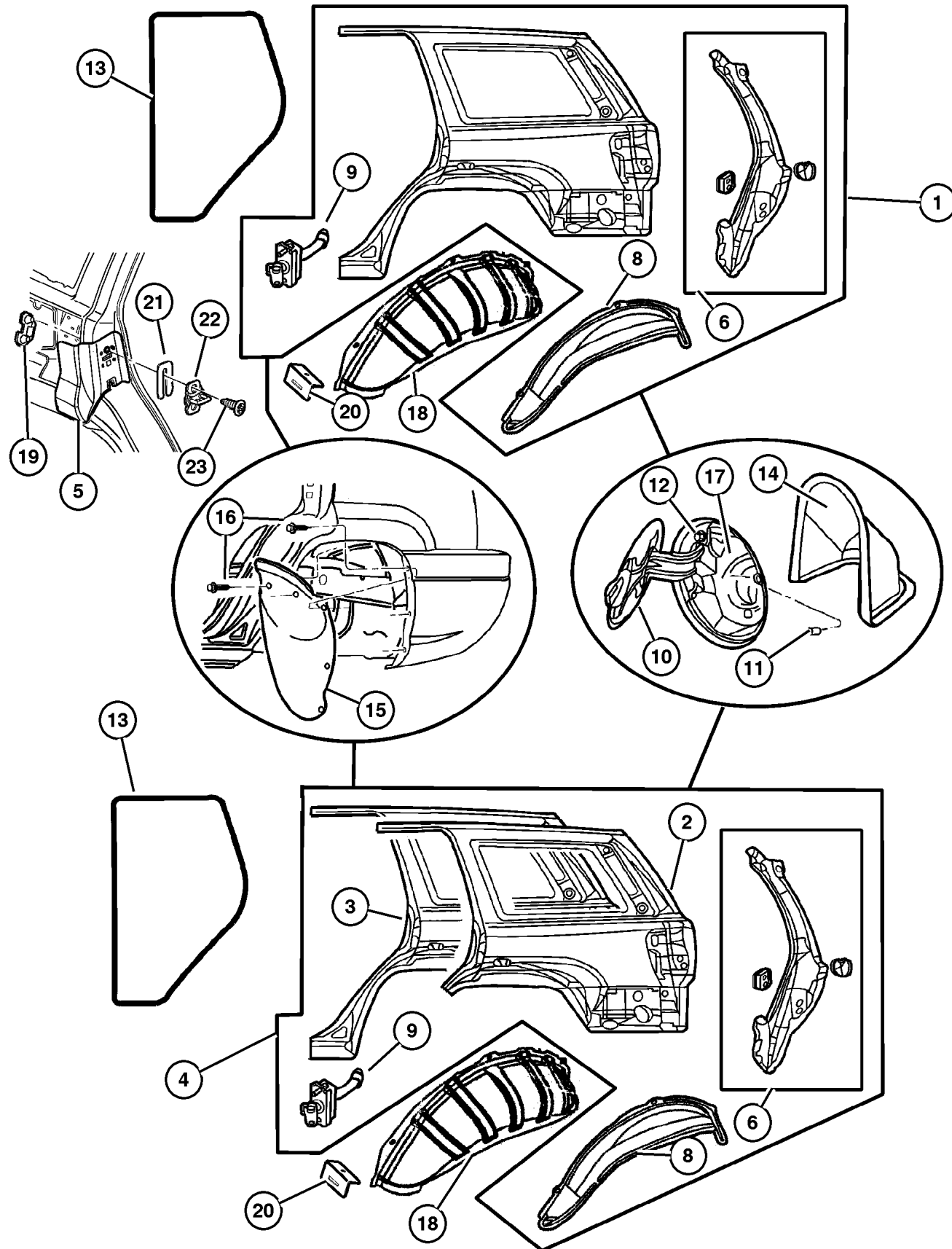
**JEEP GRAND CHEROKEE (WG)**  
 SERIES LINE BODY ENGINE TRANSMISSION  
 H = Laredo J = 4WD 74 = 4 Door ER0, ERH = 4.0L, Power Tech DGK = 4 Speed Autm, 42RE  
 P = Limited U = 4WD, RHD EV0, EVA = 4.7L, Power Tech DGQ = 5 Speed Automatic  
 EXO, EXA = 3.1L 5 Cyl Turbo Diesel - 5-45RFE  
 DGW = 4 Speed Autm, 44RE

AR = Use as required - = Non illustrated part # = New this model year

October 31, 2002



**Panels,Rear Quater  
Figure SWG-910**



ITEM	PART NUMBER	QTY	LINE	SERIES	BODY	ENGINE	TRANS	DESCRIPTION
The difference between item #1 and item #2 is the cut of the Quarter Panel. Item #1 contains part of the bottom sill.								
1								PANEL, Body Side Aperture Rear, Complete, Includes Tailamp Pocket
	5013 058AB	1						Right
	5013 059AB	1						Left
2								PANEL, Quarter, Outer Only, Without a Dog Leg
	5017 866AA	1						Right
	5017 867AA	1						Left
3								PANEL, Quarter, Outer Only, With a Dog Leg, (NOT SERVICED) (Not Serviced)
4								PANEL, Quarter Corner, Includes Tailamp Pocket
	5013 060AB	1						Right
	5013 061AB	1						Left
5								REINFORCEMENT, Door Striker
	55135 508AC	1						Right
	55135 509AC	1						Left
6	55135 429AC	1						TROUGH, Liftgate Opening, Left
-7	6503 526	2	J					SCREW, Truss Head, M6x1x15
8								PANEL, Rear Wheelhouse
	55136 546AB	1						Right
	55136 547AB	1						Left
9								CHECK, Rear Door
	55135 658AB	1						Right
	55135 659AB	1						Left
10	55135 514AB	1						DOOR, Fuel Fill
11	55135 519AB	2						BUMPER, Fuel Door
12	6504 946AA	2						SCREW, Hex Flange Head, M6x1.0x16.0
13								SEAL, Rear Door
	55135 958AD	1						Right
	55135 959AD	1						Left
14	55136 178AB	1						REINFORCEMENT, Fuel Filler Door
15								SHIELD, Splash
	55136 636AE	1						Right
	55136 637AD	1						Left
16	3420 1631	4						RIVET, M6.25x28 Black
17	55135 511AB	1						HOUSING, Fuel Filler
18								WHEELHOUSE, Rear Inner
	55136 996AA	1						Right
	55136 997AA	1						Left
19	4674 669	2						PLATE, Liftgate Striker

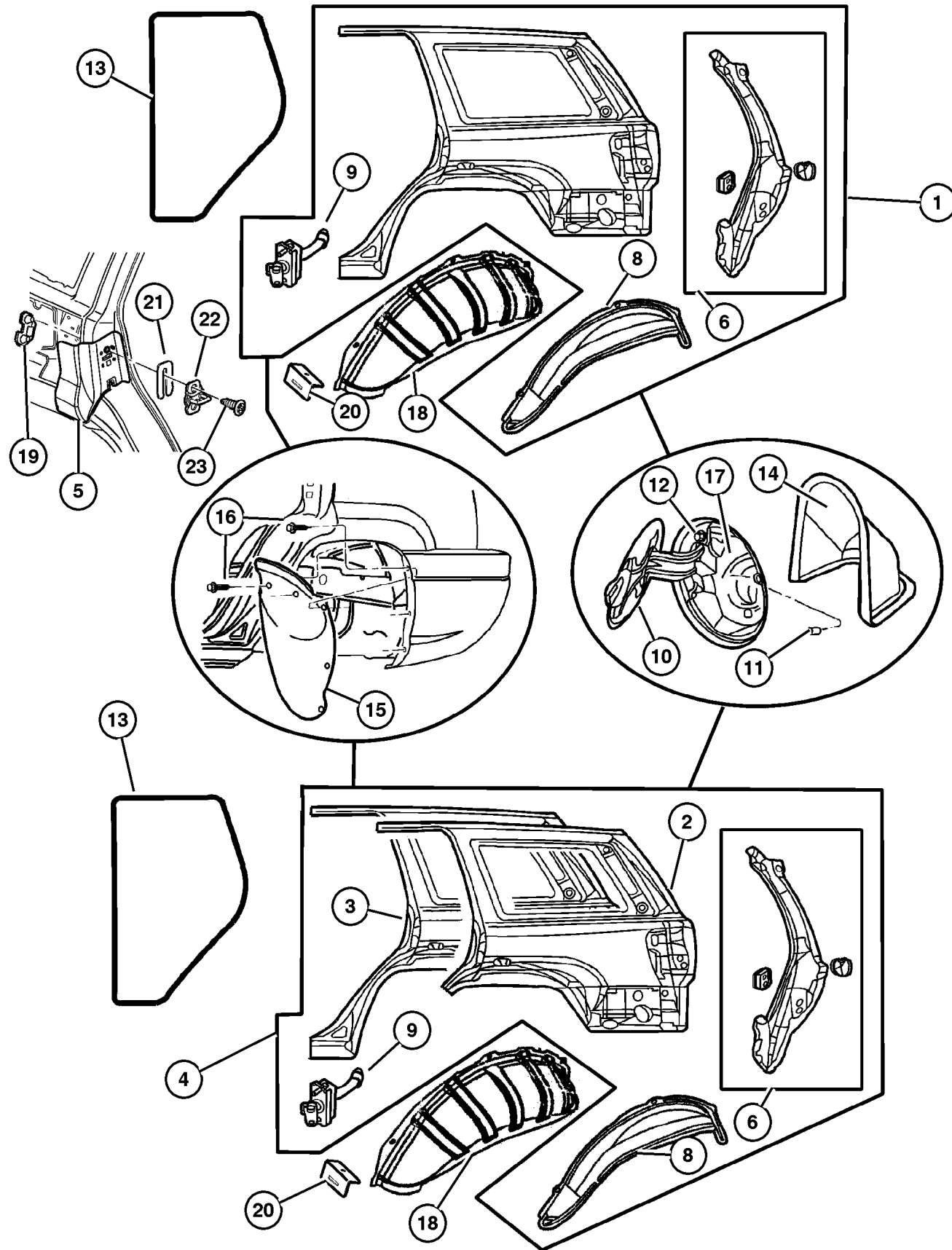
**JEEP GRAND CHEROKEE (WG)**

SERIES	LINE	BODY	ENGINE	TRANSMISSION
H = Laredo	J = 4WD	74 = 4 Door	ER0, ERH = 4.0L, Power Tech	DGK = 4 Speed Autm, 42RE
P = Limited	U = 4WD, RHD		EVO, EVA = 4.7L, Power Tech	DGQ = 5 Speed Automatic
			EXO, EXA = 3.1L 5 Cyl Turbo Diesel	- 5-45RFE
				DGW = 4 Speed Autm, 44RE

AR = Use as required - = Non illustrated part # = New this model year

October 31, 2002

**Panels,Rear Quarter  
Figure SWG-910**



ITEM	PART NUMBER	QTY	LINE	SERIES	BODY	ENGINE	TRANS	DESCRIPTION
20	55136 998AA	2						BRACKET, Wheel House, Trim Panel
21	4520 289	AR						Attach SPACER, Door Latch Striker 3.5 Thick
	5507 5483	AR						2.0 to 2.5 Thick
22	#4780 607AA	2						STRIKER, Door
23	6504 573	4						SCREW, Oval Head, SCREW

**JEEP GRAND CHEROKEE (WG)**

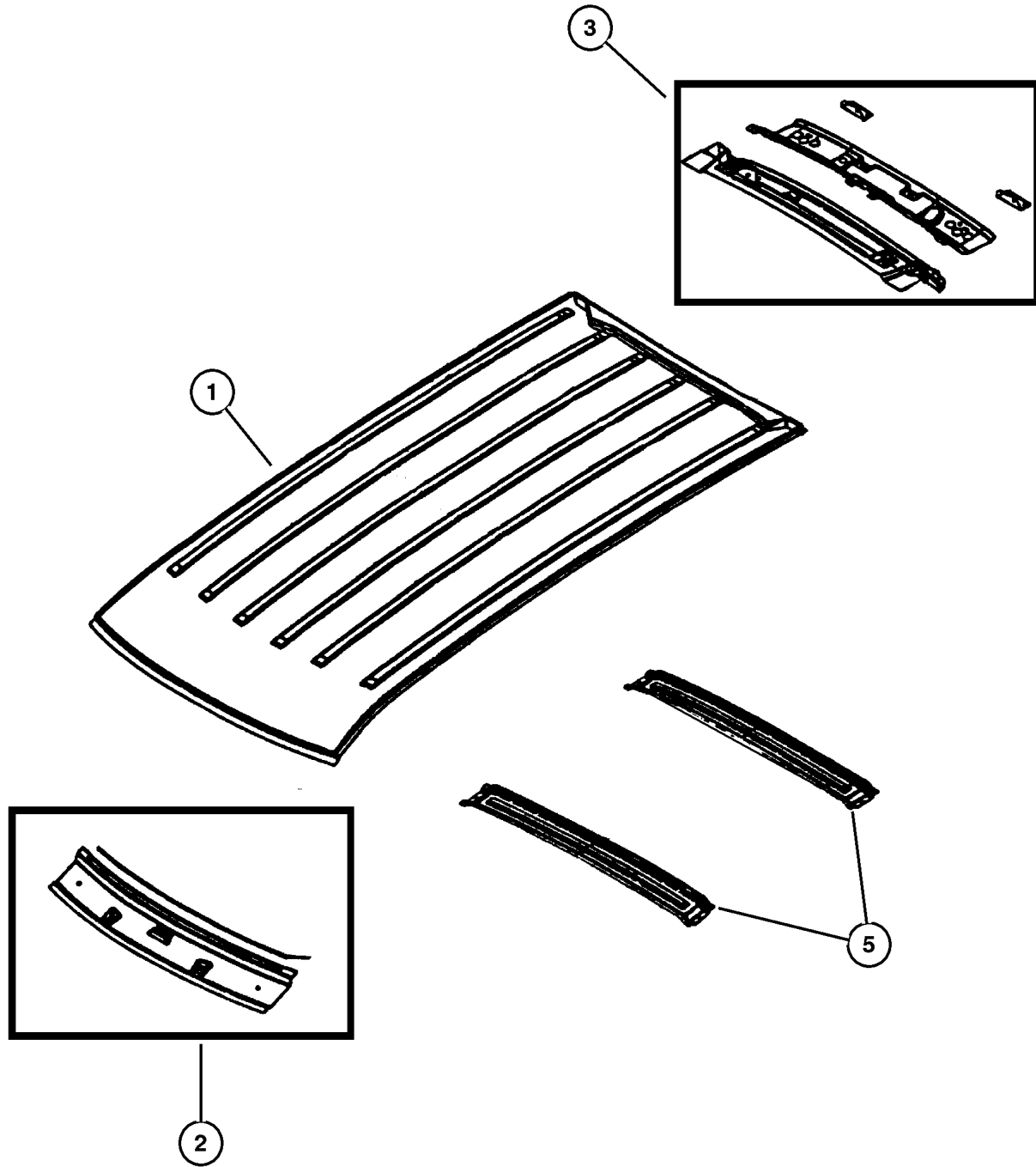
SERIES	LINE	BODY	ENGINE	TRANSMISSION
H = Laredo	J = 4WD	74 = 4 Door	ER0, ERH = 4.0L, Power Tech	DGK = 4 Speed Autm, 42RE
P = Limited	U = 4WD, RHD		EVO, EVA = 4.7L, Power Tech	DGQ = 5 Speed Automatic
			EXO, EXA = 3.1L 5 Cyl Turbo Diesel	- 5-45RFE
				DGW = 4 Speed Autm, 44RE

AR = Use as required - = Non illustrated part # = New this model year

October 31, 2002

**Panels, Roof**  
**Figure SWG-1110**

ITEM	PART NUMBER	QTY	LINE	SERIES	BODY	ENGINE	TRANS	DESCRIPTION
1								PANEL, Roof
	55135 461AC	1						With Sunroof
	55136 918AA	1						w/o Sunroof
2	55135 545AB	1						HEADER, Roof Front
3	55135 523AD	1						HEADER, Panel
-4								RIVET, Blind, .25xM4/M7, (NOT SERVICED) (Not Serviced)
5	55135 424AD	2						BOW, Roof



**JEEP GRAND CHEROKEE (WG)**

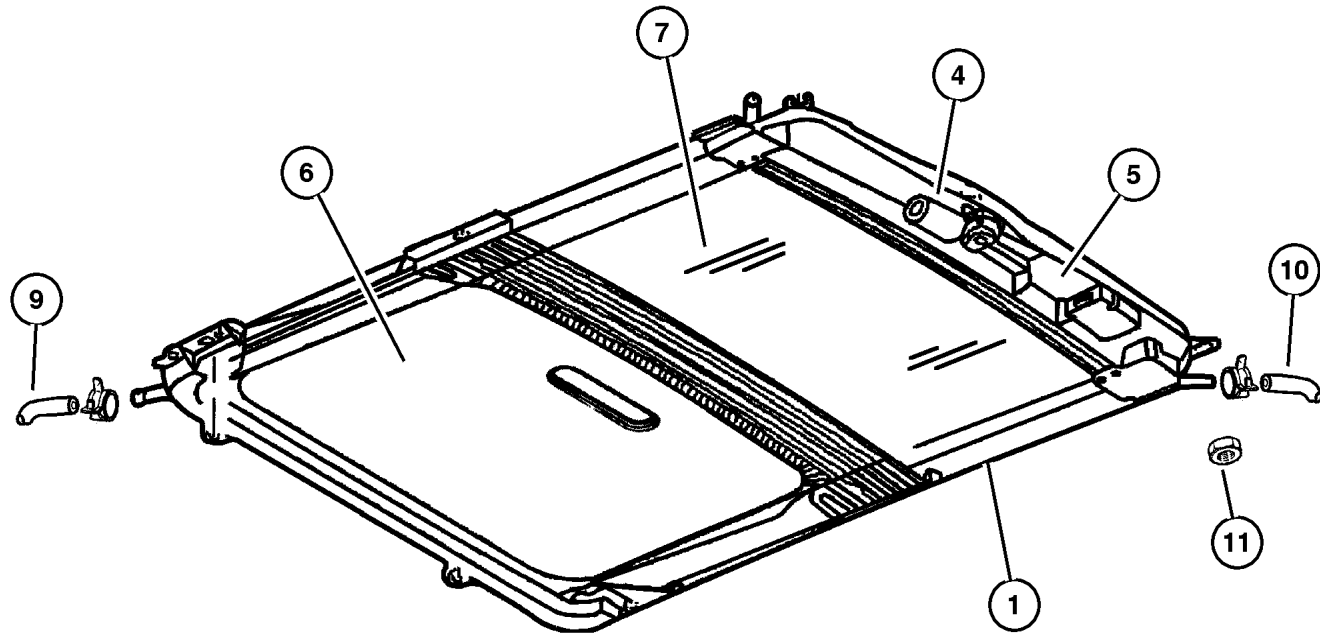
<b>SERIES</b>	<b>LINE</b>	<b>BODY</b>	<b>ENGINE</b>	<b>TRANSMISSION</b>
H = Laredo	J = 4WD	74 = 4 Door	ER0, ERH = 4.0L, Power Tech	DGK = 4 Speed Autm, 42RE
P = Limited	U = 4WD, RHD		EVO, EVA = 4.7L, Power Tech	DGQ = 5 Speed Automatic
			EXO, EXA = 3.1L 5 Cyl Turbo Diesel	- 5-45RFE
				DGW = 4 Speed Autm, 44RE

AR = Use as required - = Non illustrated part # = New this model year

October 31, 2002

**Sunroof  
Figure SWG-1210**

ITEM	PART NUMBER	QTY	LINE	SERIES	BODY	ENGINE	TRANS	DESCRIPTION
1	5012 772AA	1						MODULE, Sunroof
-2	5012 765AA	1						DEFLECTOR, Sunroof Wind
-3	5012 769AA	1						CHANNEL, Sunroof Drain
4	5012 768AA	1						MOTOR, Sunroof
5	5012 771AB	1						CONTROL UNIT, Sunroof
6	5EZ11 TL2AB	1						SUNSHADE, Sunroof, [AZ]
7	55135 858AB	1						GLASS, Sunroof
-8	5012 773AA	1						GUIDE, Sunroof Lid
9								HOSE, Sunroof Drain
	55136 966AC	1						Front,Right
	55136 967AD	1						Front,Left
10	55135 851AE	1						HOSE, Sunroof Drain, Rear
11	6503 504	2						NUT AND WASHER, Hex, M6x1
-12	4814 215	1						GROMMET, Tube, Sunroof Drain
-13	6502 843	9						NUT AND WASHER, Hex Nut-Coned Washer, M6 x 1.00, Sunroof to Roof Reinforcement Attach
-14	4805 378AB	2						CLIP, Tube

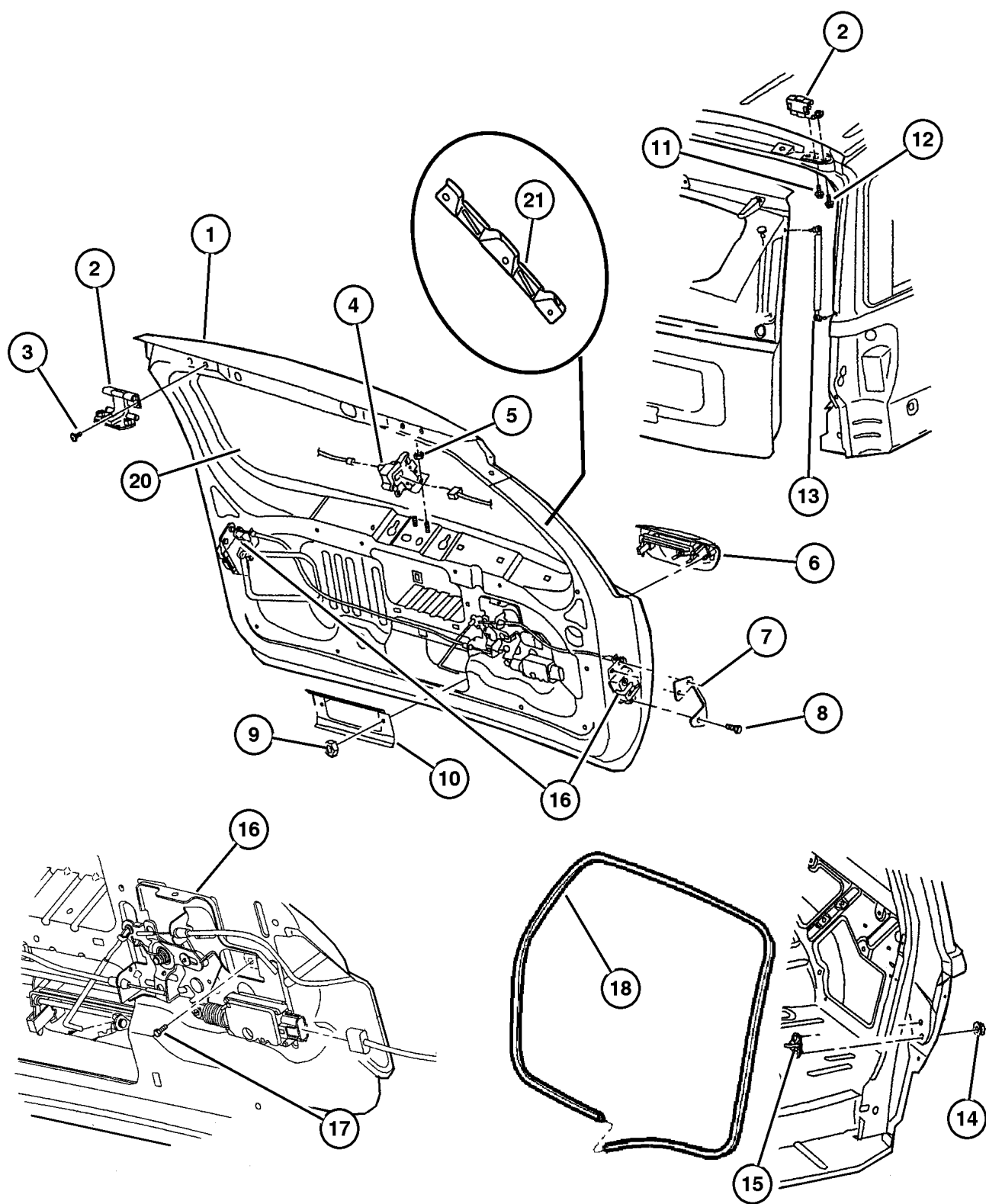


<b>JEEP GRAND CHEROKEE (WG)</b>				
SERIES	LINE	BODY	ENGINE	TRANSMISSION
H = Laredo	J = 4WD	74 = 4 Door	ER0, ERH = 4.0L, Power Tech	DGK = 4 Speed Autm, 42RE
P = Limited	U = 4WD, RHD		EVO, EVA = 4.7L, Power Tech	DGQ = 5 Speed Automatic
			EXO, EXA = 3.1L 5 Cyl Turbo Diesel	- 5-45RFE
				DGW = 4 Speed Autm, 44RE

AR = Use as required - = Non illustrated part # = New this model year

October 31, 2002

## Liftgate, Latch and Hinges Figure SWG-1310



ITEM	PART NUMBER	QTY	LINE	SERIES	BODY	ENGINE	TRANS	DESCRIPTION
[ARN]= Laredo								
[ARP]= Limited								
1	55256 177AC	1						PANEL, Liftgate
2	55257 015AB	2						HINGE, Liftgate
3								SCREW AND WASHER, Hex Head, M8-1.25x30, (NOT SERVICED) (Not Serviced)
4	55136 740AA	1						LATCH, Liftgate Glass
5	6503 102	2						NUT AND WASHER, Hex Nut-Coned Washer, M6 x 1.00
6								HANDLE, Liftgate
	55136 699AB	1						Black, [X8]
	5GD47 DX8AB	1						Stone White, [W1]
	5GD47 SW1AB	1						Deep Slate, [AW]
	5GD47 VAWAB	1						Champagne Pearl Metallic, [TE]
	5GD47 VTEAB	1						Patroit Blue, Steyr Built, [B7]
	5GD47 WB7AB	1						Sienna Pearl Coat, [UR]
	5GD47 WURAB	1						Shalle Green Metallic, [GR]
	5GD47 XGRAB	1						Silvertone Pearl Coat, [SH]
7								PLATE, Liftgate Latch
	55136 910AB	1						Right
	55136 911AB	1						Left
8	6503 259	6						SCREW, Tapping, M6x1x20
9	6505 316AA	8						NUT
10	55136 696AB	1						BRACKET, Outside Door Handle
11	6505 337AA	2						SCREW AND WASHER, Hex Head
12	6507 002AA	4						SCREW AND WASHER, Hex Head, M8x1.25x25
13								SUPPORT, Liftgate Strut
	55137 022AB	1						Right
	55137 023AB	1						Left
14	6503 533	4						SCREW, Flange Head, M8x1.25x26
15								STRIKER, Liftgate
	55136 912AB	1						Right
	55136 913AB	1						Left
16	55136 742AC	1						LATCH, Liftgate
17	6501 979	1						SCREW AND WASHER, Hex Head, M6x1x17
18	55135 388AB	1						SEAL, Liftgate
-19	6505 435AA	4						NUT, Plastic, License Plate Ataching
20	55136 053AC	1						WEATHERSTRIP, Liftgate Glass
21	55136 655AB	1						BRACKET, Liftgate, Left

### JEEP GRAND CHEROKEE (WG)

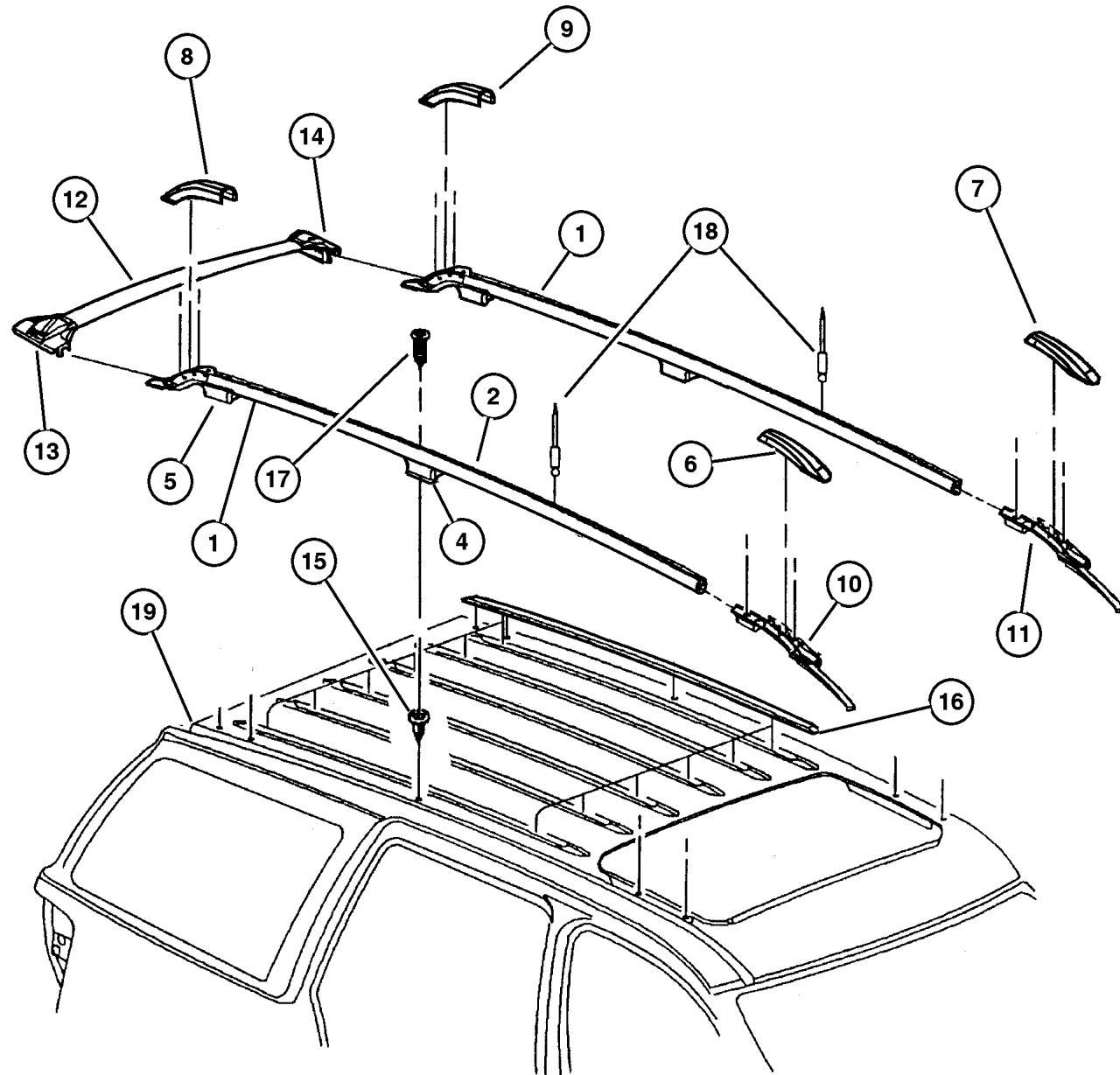
SERIES	LINE	BODY	ENGINE	TRANSMISSION
H = Laredo	J = 4WD	74 = 4 Door	ER0, ERH = 4.0L, Power Tech	DGK = 4 Speed Autm, 42RE
P = Limited	U = 4WD, RHD		EVO, EVA = 4.7L, Power Tech	DGQ = 5 Speed Automatic
			EXO, EXA = 3.1L 5 Cyl Turbo Diesel	- 5-45RFE
				DGW = 4 Speed Autm, 44RE

AR = Use as required - = Non illustrated part # = New this model year

October 31, 2002

## Roof Rack Figure SWG-1610

ITEM	PART NUMBER	QTY	LINE	SERIES	BODY	ENGINE	TRANS	DESCRIPTION
1								RAIL, Luggage Rack Side
	55136 848AB	1						Right
	55136 849AB	1						Left
2								SPACER
	55136 838AA	1						Right
	55136 839AA	1						Left
-3	55136 842AA	1						GASKET
4								SUPPORT, Luggage Rack
	55136 854AA	1						Right,Center
	55136 855AA	1						Left,Center
5								SUPPORT, Roof Rack
	55136 836AA	1						Right,Rear
	55136 837AA	1						Left,Rear
6	55135 970AB	1						CAP, Side Rail, Front,Right
7	55135 971AB	1						CAP, Side Rail, Front,Left
8	55136 576AA	1						CAP, Side Rail, Right,Rear
9	55136 577AA	1						CAP, Side Rail, Left,Rear
10	55136 952AB	1						SUPPORT, Roof Rack, Front,Right
11	55136 953AB	1						SUPPORT, Roof Rack, Front,Left
12	5017 213AA	2						CROSS RAIL, Roof Rack
13	55136 850AA	2						STANCHION, LUGG RACK CROSS
								RAIL, Right
14	55136 851AA	2						STANCHION, LUGG RACK CROSS RAIL, Left
15	6506 104AA	10						NUT
16	55136 961AA	6						SKID STRIP, Roof Rack
17	6035 975AA	2						SCREW, Pan Head, M6x1.00x45.00
18	6034 212	1						RIVET, .125x.283
19	55136 526AC	2						MOLDING, Roof Joint



### JEEP GRAND CHEROKEE (WG)

SERIES	LINE	BODY	ENGINE	TRANSMISSION
H = Laredo	J = 4WD	74 = 4 Door	ER0, ERH = 4.0L, Power Tech	DGK = 4 Speed Autm, 42RE
P = Limited	U = 4WD, RHD		EVO, EVA = 4.7L, Power Tech	DGQ = 5 Speed Automatic
			EXO, EXA = 3.1L 5 Cyl Turbo Diesel	- 5-45RFE
				DGW = 4 Speed Autm, 44RE

AR = Use as required - = Non illustrated part # = New this model year

October 31, 2002