

# 2000 JEEP GRAND CHEROKEE (WJ)

## PARTS CATALOG

ILLUSTRATION AND TEXT  
(CHASSIS - BODY - TRIM)

April 2002

SUPERSEDES  
February 2002  
ENGLISH



Jeep

CHRYSLER • PLYMOUTH • DODGE • JEEP

**THE MOPAR DIFFERENCE**

## INDEX TO INFORMATION PAGES

The use of this Parts Catalog and the arrangement of information herein is explained in the General Information Section as indexed below.

Abbreviations .....	INF-14
Alphabetic Index .....	INF-11
Body Code Plate Interpretation .....	INF-13
Catalog Groups - Titles & Contents .....	INF-2
How to Use This Catalog and Locate Parts .....	INF-9
Illustration Index .....	INF-11
Illustration Numbering Index .....	INF-10
Index.....	INF-1
Logical Illustration Index.....	INF-3
Logical Illustrations .....	INF-10
Numerical Index .....	INF-11
Page Numbering.....	INF-10
Part Packages .....	INF-11
Standard Parts.....	INF-11
Symbols Used in this Catalog.....	INF-10
VIN Plate Decoding Information .....	INF-12

## CATALOG GROUPS - TITLES & CONTENT

Group	Content
001	Mopar Accessories
002	Front Suspension & Drive
003	Rear Axle
004	Parking Brake
005	Service Brakes
007	Cooling
008	Electrical
009	Engine Mounting
011	Exhaust
013	Frames and Bumpers
014	Fuel
016	Propeller Shafts and U-Joints
017	Rear Suspension
019	Steering
022	Wheels, Covers and Jacks
024	Air Conditioning & Heater
025	Emission Systems
08A	Instrument Panel and Radios and Consoles
23D	Wiper/Lock Cylinder and Keys
242	Transfer Case Model 242
247	Transfer Case Model 247
3.1L	Engine 3.1L Five Cylinder(Turbo Diesel)
4.0L	Engine 4.0L Six Cylinder
4.7L	Engine 4.7L Eight Cylinder
42RE	Automatic Transmission 4 Speed
44RE	Automatic Transmission 4 Speed
45RFE	Automatic Transmission Multi-Speed
DWJ	Doors and Related Parts
EWJ	Exterior Ornamentation
IWJ	Interior Trim
SWJ	Body Sheet Metal Except Doors

## LOGICAL ILLUSTRATION INDEX

Group	Logical Illustration	Logical Illustration Name
001	100	Audio & Electronics
001	1000	4 - Wheeling & Off Road
001	200	Carriers & Cargo Hauling
001	300	Driving Convenience
001	400	Exterior Appearance
001	500	Exterior Protection
001	600	Fog Lights & Electrical
001	800	Interior Storage
001	900	Security
002	100	Front Suspension & Strut
002	200	Front Axle Drive Shafts
002	300	Front Axle Housing
002	400	Front Axle Assembly
002	600	Front Axle Differential
002	800	Front Axle Skid Plate
003	100	Rear Axle
003	200	Differential and Housing
003	300	Rear Axle Vent
003	400	Rear Axle Shafts
004	100	Parking Brake Lever and Cables
005	100	Front Brakes
005	200	Rear Brakes
005	400	Brake Master Cylinder
005	500	Brake Lines and Hoses
005	600	Brake Pedals
007	100	Radiator and Related Parts
007	200	Water Pump and Related Parts
007	300	Tank, Coolant Engine
007	400	Pulleys and Related Parts
007	500	Drive Belts
007	600	Lines, Transmission Oil Cooler
007	700	Grilles
008	100	Starters

008	1000	Battery Tray and Cables
008	1100	Lamps - Front, Rear and Courtesy
008	1200	Wiring-Engine & Related Parts
008	1300	Wiring-Headlamp to Dash
008	1400	Wiring-Instrument Panel
008	1500	Wiring-Body & Accessories
008	1600	Wiring Repair
008	1900	Spark Plugs-Cables-Coils
008	200	Alternators
008	400	Modules
008	500	Relays
008	600	Sensors
008	700	Single Board Engine Controllers
008	800	Switches
008	900	Horns
009	100	Engine Mounting
011	100	Exhaust System
011	200	Heat Shields
013	200	Front Bumper and Fascia
013	300	Rear Bumper and Fascia
013	600	Trailer Tow
014	100	Tank, Fuel
014	1000	Speed Control
014	1100	Accelerator Pedal
014	200	Fuel Tank Filler Tube
014	300	Fuel Lines
014	400	Fuel Rail
014	500	Fuel Pump and Sending Unit
014	600	Throttle Body
014	700	Throttle Controls
014	800	Air Cleaner
014	900	Air Intake System
016	100	Propeller Shaft
017	100	Rear Suspension
017	200	Rear Stabilizer
019	100	Steering Wheel

019	200	Steering Column
019	300	Steering Gear
019	400	Steering Linkage
019	500	Power Steering Pump
019	700	Power Steering Hoses
022	100	Wheels and Hardware
022	200	Wheel Covers and Center Caps
022	300	Jack Stowage
022	400	Spare Tire Stowage
024	100	Air Conditioner and Heater Units
024	200	Air Conditioner and Heater Plumbing
024	300	Air Conditioner and Heater Controls
024	400	Air Conditioning Compressor
024	500	Air Conditioning Compressor Mounting
024	600	Air Ducts and Outlets
025	100	Emission Labels
025	200	EGR System
025	300	Vacuum Canister
025	400	Emission Harness
08A	100	Instrument Panel
08A	200	Instrument Panel Cluster
08A	300	Radio, Antenna, and Speakers
08A	400	Consoles
23D	100	Lock Cylinders and Keys
23D	200	Windshield Wiper and Washer Systems
23D	300	Rear Wiper and Washer System
242	100	Transfer Case Assembly
242	1200	Gearshift Controls
242	200	Case and Related Parts
242	400	Gear Train
242	900	Fork and Rails
247	100	Transfer Case Assembly
247	1200	Gearshift Controls
247	200	Case and Related Parts
247	400	Gear Train
247	900	Fork and Rails

3.1L	200	Cylinder Head
3.1L	300	Cylinder Block
3.1L	400	Crankshaft, Piston and Torque Converter
3.1L	500	Camshafts and Valves
3.1L	600	Timing Belt and Cover
3.1L	700	Engine Oiling
3.1L	800	Manifolds
3.1L	900	Crankcase Ventilation
4.0L	200	Cylinder Head
4.0L	300	Cylinder Block
4.0L	400	Crankshaft, Piston and Torque Converter
4.0L	500	Camshafts & Valves
4.0L	600	Timing Belt and Cover
4.0L	700	Engine Oiling
4.0L	800	Manifolds
4.0L	900	Crankcase Ventilation
4.7L	200	Cylinder Head
4.7L	300	Cylinder Block
4.7L	400	Crankshaft, Pistons and Torque Converter
4.7L	500	Camshafts and Valves
4.7L	600	Timing Belt and Cover
4.7L	700	Engine Oiling
4.7L	800	Manifolds
4.7L	900	Crankcase Ventilation
42RE	100	Transmission Assembly
42RE	1000	Overdrive Gear Train
42RE	1200	Gearshift Controls
42RE	200	Case and Extension
42RE	300	Oil Pump
42RE	400	Gear Train
42RE	500	Bands, Reverse and Kickdown
42RE	700	Valve Body
44RE	100	Transmission Assembly
44RE	1000	Overdrive Gear Train
44RE	1200	Gearshift Controls
44RE	200	Case and Extension

44RE	300	Oil Pump
44RE	400	Gear Train
44RE	500	Bands, Reverse and Kickdown
44RE	700	Valve Body
45RFE	100	Transmission Assembly
45RFE	1200	Gearshift Controls
45RFE	1300	Seal and Shim Packages
45RFE	200	Case and Extension
45RFE	300	Oil Pump
45RFE	400	Gear Train
45RFE	700	Valve Body
DWJ	100	Front Door
DWJ	200	Rear Door
DWJ	500	Exterior Mirror
DWJ	600	Weatherstrips and Seals
EWJ	100	Nameplates
EWJ	200	Moldings and Ornamentation
EWJ	300	Decals and Tapestripes
IWJ	100	Headliner and Visor
IWJ	1000	Lift Gate Trim
IWJ	200	Panel - Mouldings, Scuff Plates
IWJ	300	Carpet and Tonneau Cover
IWJ	400	Door Trim Panels
IWJ	500	Front Seats and Attaching Parts
IWJ	600	Rear Seats and Attaching Parts
IWJ	700	Seat Belts - Front and Rear
IWJ	800	Adjusters, Covers, Shields and Risers
SWJ	1100	Roof Panels
SWJ	1200	Sunroof
SWJ	1300	Liftgate Panel
SWJ	1600	Luggage Rack
SWJ	200	Floor Pans
SWJ	300	Plugs
SWJ	400	Front Fenders
SWJ	500	Hood and Hood Release
SWJ	600	Cowl and Dash Panel



SWJ	700	Glass and Rear View Mirror
SWJ	800	Aperture Panel
SWJ	900	Quarter Panel and Pillars

## HOW TO USE THIS CATALOG AND LOCATE PARTS

**This Catalog is divided into Part Groups in which illustrations for parts of a similar function and/or location are published. The Group contents listing on the next page shows the type of parts contained in each group. Tabs are provided or available to separate each group.**

Several methods may be used to locate a specific part:

**Option 1:** From the Group Contents listing. Select the group which would most logically contain the part to be found. Open the catalog to the beginning of that group. The first page of the group will contain the part. Turn to the selected illustration and locate the part by reviewing the illustration item numbers and associated text information following the illustration.

**Option 2:** If the "noun" name of the part you seek is known, an alphabetical index of Nouns and illustration titles is provided to assist in finding the part. Several keys may be found in this index.

RESERVOIR, Power Steering Oil Pump Group 19	Group Reference
ALTERNATOR All Engines 8-210	Illustration Reference
BELT, Front Seat Imdl/710/3	Illustration/Item Reference
Group by Model _____	
Illustration Number _____	
Item _____	

**Option 3:** If the part number is known but the applications need to be determined, refer to the numerical index. This index shows the group, illustration number and each part listed in the catalog. Multiple references mean the part is listed more than once.

**Option 4:** Other options such as group identifiers exist in these catalogs. For Example, Group 23 Body has been broken in sections, i.e. 23A Sheet Metal now is S(model code). Example: SGS for model GS. Group 23C Doors now is D(model code) ex. DGS. Group 23 Exterior Ornamentation now is E(model code). This same logic applies to the Interior Trim Section (ex. IGS).

The Group 9 Engine sections in prior parts catalogs had been numbered 9A, 9B, 9C, etc. There was no real meaning to this numbering scheme. In this new MACS produced catalog the group numbering scheme is as follows: 2.5LD means 2.5 Liter Diesel Engine; 2.0L means 2.0 Liter Four Cylinder Gas Engine; 3.3L6T means 3.3 Liter Six Cylinder Transverse Mounted Engine; and 3.8L means 3.8 Liter Six Cylinder Engine. Also note that Engine Mounting parts are located in Group 9.

## PAGE NUMBERING

Two-part page numbers are used throughout this catalog. The first part of the page designation indicates one major group or section. The second part indicates the actual page number in the group. For example:

2-1 indicates Group 2, Front Suspension, Page 1  
3-4 indicates Group 3, Axle Rear, Page 4

In the maintenance of the Loose Leaf Parts Catalog Revision Service, it may become necessary to add information beyond the capacity of the page. In this event, an "A" page will be used. For example, if it becomes necessary, because of change, to add several part numbers to page 2-1 and space does not permit the addition, you will be given Page 2-1A. Page 2-1A should be filed immediately following Page 2-1.

Figure and Item Numbers are also commonly used to identify locations in the Catalog, ie., 14-910/8 refers to Group 14, illustration 910, Item Number 8. Illustration Numbers are always ascending sequential within the Groups.

## SYMBOLS USED IN THIS CATALOG

The Following symbols are commonly used with Part Number and Quantity information in this Catalog:

AR - Indicates the quantity required may vary or is to be determined by the user.

PAR - Indicates "Paint As Required"

BLANK - Indicates "All Condition

- = "Not Illustrated"

## LOGICAL ILLUSTRATIONS

Refer to Illustration in front of each group. This will give assistance to as how each group is broken down and what Specific Illustration should be referenced.

## ILLUSTRATION NUMBERING INDEX

Illustration numbers in this Catalog are Group standards. This indicates group and consistent content. EXAMPLE: 8-100 is a Logical Illustration for Starters. 8-101 to 8-199 are Specific Illustrations used for Starters for all Catalogs. 8-200 will contain Alternators for all Catalogs and so on. Always refer to group index in front of each group.

## ILLUSTRATION INDEX

This index is a compilation of catalog parts description data with reference to illustrations, figures and key numbers as shown:

Fender ic; Model.....Group: S(Model) .....Illustration 410  
(Fender is located in Sheet Metal Section (S) in Illustration 410)

The first page of each group contains a listing of all illustrations and group breakdown within that group. Also refer to illustrations alphabetically listed in information section.

## ALPHABETIC INDEX

This index is a compilation of catalog parts description data with a reference to the location of the item by Group, Figure, and Key Number as shown in the following example:

Housing, w/Pump.....Group 7 Illustration 210 Item 10  
(Housing, w/Pump.....7-210/10)

The index will be expanded progressively as data is added to computer files. To locate a part by name refer to the Alphabetical Index. This index indicates the group and illustration and item number where the part is located. Alphabetical Index can be found in INF section of this Catalog.

## NUMERICAL INDEX

A listing of Part Numbers contained in the catalog. The numbers are in numerical sequence with reference to the group and Illustration and item number where the part is located.

## PARTS PACKAGES

Service Parts Packages, containing all parts needed for specific service operation, are listed in their respective groups with related parts. The listing will show adaptability and model application.

## STANDARD PARTS

Important attaching standard parts such as bolts, nuts, etc, are generally listed in the text of the respective major parts groups.

## VIN PLATE DECODING INFORMATION

<b>1</b>	<b>2</b>	<b>3</b>	<b>4</b>	<b>5</b>	<b>6</b>	<b>7</b>	<b>8</b>	<b>9</b>	<b>10</b>	<b>11</b>	<b>12 thru 17</b>
Country	Make	Vehicle Type	Other	Line	Series	Body Style	Engine	Check Digit	Model Year	Assy. Plant	Sequence No.

The following table interprets the VIN Plate positions shown above.

Position	Interpretation	Codes = Description
1	Country of Origin	United States
2	Assembler	J = Jeep
3	Vehicle type	4 = Multipurpose Passenger Vehicle
4	GVWR & Pass. Safety	D = 1 - 3000lbs (0-1360KGS) E = 3001-4000lbs (1361-1814KGS) F = 4001-5000lb (1815-2267KGS) G = 5001-6000lbs (2268-2721KGS) H = 6001-7000lbs (2722-3175KGS) J = 7001-8000lbs (3176-3628KGS) K = 8001-9000lbs (3629-4082KGS) L = 9001-10000lbs (4083-4535KGS) M = 10001-14000lbs (4536-6350KGS)
5	Vehicle Line	2 = Grand Cherokee 4x2 (LHD) W = Grand Cherokee 4x4 (LHD) 7 = Grand Cherokee 4x2 (RHD) 8 = Grand Cherokee 4x4 (RHD)
6	Series	4 = Laredo - High Line 5 = Limited - Premium
7	Body Style	8 = 4 Dr. Sport Utility
8	Engine	S = 4.0L 6 Cyl. Gas (MPI) Unleaded (ERH) N = 4.7L 8 Cyl Gasoline (MPI) (EVA) 4 = 3.1L 5 Cyl Turbo Diesel (EXA)
9	Check Didgit	
10	Model Year	Y = 2000
11	Assembly Plant	C = Jefferson Assembl Y = Steyr Assembly
12 thru17	Vehicle Build Sequence	Model Year Assembly Sequence

## BODY CODE PLATE INTERPRETATION

The Body Code Plate is located on the Left Front Side Shield or Wheel Housing or the Upper Radiator Support. The Plate contains 7 rows of data. The bottom 3 rows are reserved for the specific information as depicted below. Starting at the fourth row (following the reserved portion), other Sales Codes used to build a specific vehicle are listed in the ascending order by ALPHA sequence.

<b>1</b>	<b>2</b>	<b>3</b>	<b>4</b>	<b>5</b>	<b>6</b>	<b>7</b>	<b>8</b>	<b>9</b>	<b>10</b>	<b>11</b>	<b>12</b>	<b>13</b>	<b>14</b>	<b>15</b>	<b>16</b>	<b>17</b>	<b>18</b>	<b>19</b>	<b>20</b>	<b>21</b>
<b>22</b>	<b>23</b>	<b>24</b>	<b>25</b>	<b>26</b>	<b>27</b>	<b>28</b>	<b>29</b>	<b>30</b>	<b>31</b>	<b>32</b>	<b>33</b>	<b>34</b>	<b>35</b>	<b>36</b>	<b>37</b>	<b>38</b>	<b>39</b>			
<b>40</b>	<b>41</b>	<b>42</b>	<b>43</b>	<b>44</b>	<b>45</b>	<b>46</b>	<b>47</b>	<b>48</b>	<b>49</b>	<b>50</b>	<b>51</b>	<b>52</b>	<b>53</b>	<b>54</b>	<b>55</b>	<b>56</b>	<b>57</b>	<b>58</b>	<b>59</b>	<b>60</b>

1-12	VEHICLE ORDER NUMBER
13-15	VINYL ROOF CODE/DOOR COMBO CODES
16-18	VEHICLE SHELL CAR LINE
19	PRICE CLASS
20-21	BODY TYPE
22-24	PAINT PROCEDURE
25-28	PRIMARY PAINT
29-32	SECONDARY PAINT
33-36	INTERIOR TRIM CODE
37-39	ENGINE CODES
40-42	TRANSMISSION CODES
43	MARKET CODES
44-46	VEHICLE IDENTIFICATION NUMBER (VIN) For definition of the Elements and the individual position see Vin Plate Defined.

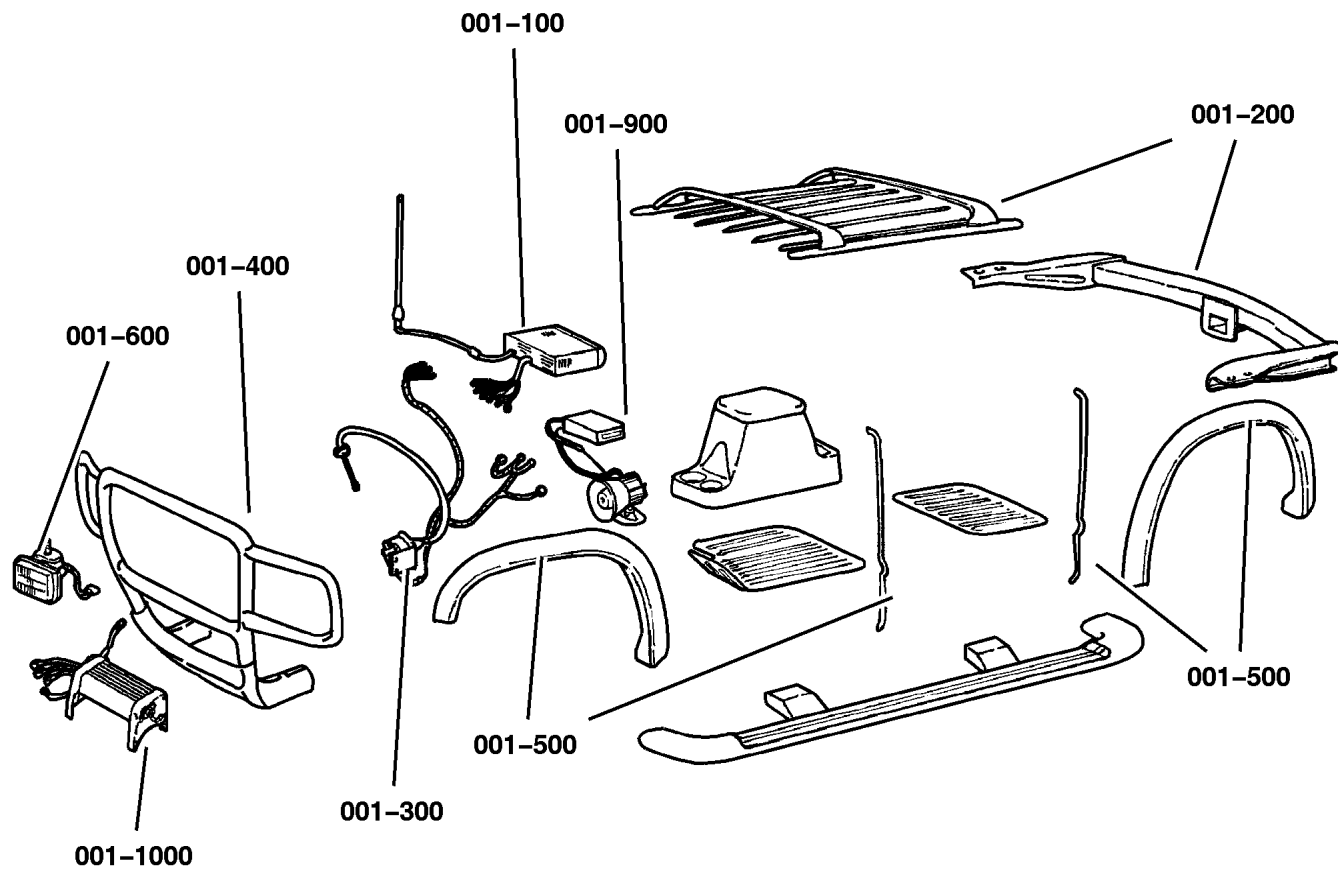
---

## ABBREVIATIONS

A/C	Air Conditioner
ABS	Anti-Lock Brakes System
AR	As Required
ATC	Automatic Temperature Control
AWD	All Wheel Drive
BUX	Built Up Export
CV	Constant Velocity
DOHC	Dual (or Double) OverHead Cam
EFI	Electronic Fuel Injection
EGR	Exhaust Gas Recirculation
ECU	Electronic Control Unit
FWD	Front Wheel Drive
HEX	HEXagon
HCU	Hydraulic Control Unit
I/D	Inside Diameter
L	Liter
LED	Light Emitting Diode
MAP	Manifold Absolute Pressure
MPH	Miles Per Hour
O/D	Outside Diameter
P/S	Power Steering
PSI	Pounds per Square Inch
PSF	Pounds per Square Foot
PRNODL	Park, Reverse, Neutral, Overdrive, Drive, Low
PRNDL	Park, Reverse, Neutral, Drive, Low
PTO	Power Take Off
RFI	Radio Frequency Interference
RPM	Revolutions Per Minute
RTV	Room Temperature Vulcanizer (sealant)
T/BODY	Throttle BODY
U/BODY	Under BODY
SOHC	Single OverHead Cam
PAR	Paint As Required

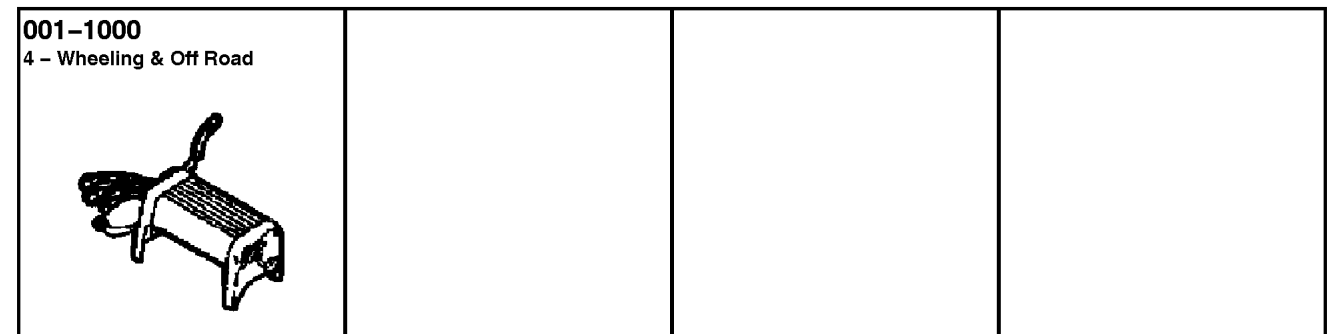
# Group – 001

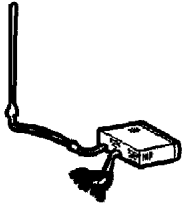

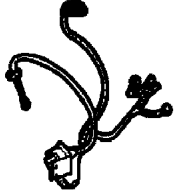
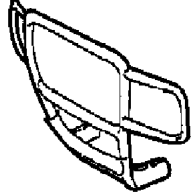
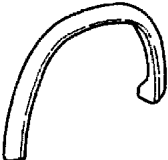
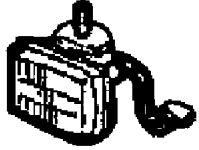


## Component Parts for Mopar Accessories



# Group – 001

## Component Parts for Mopar Accessories



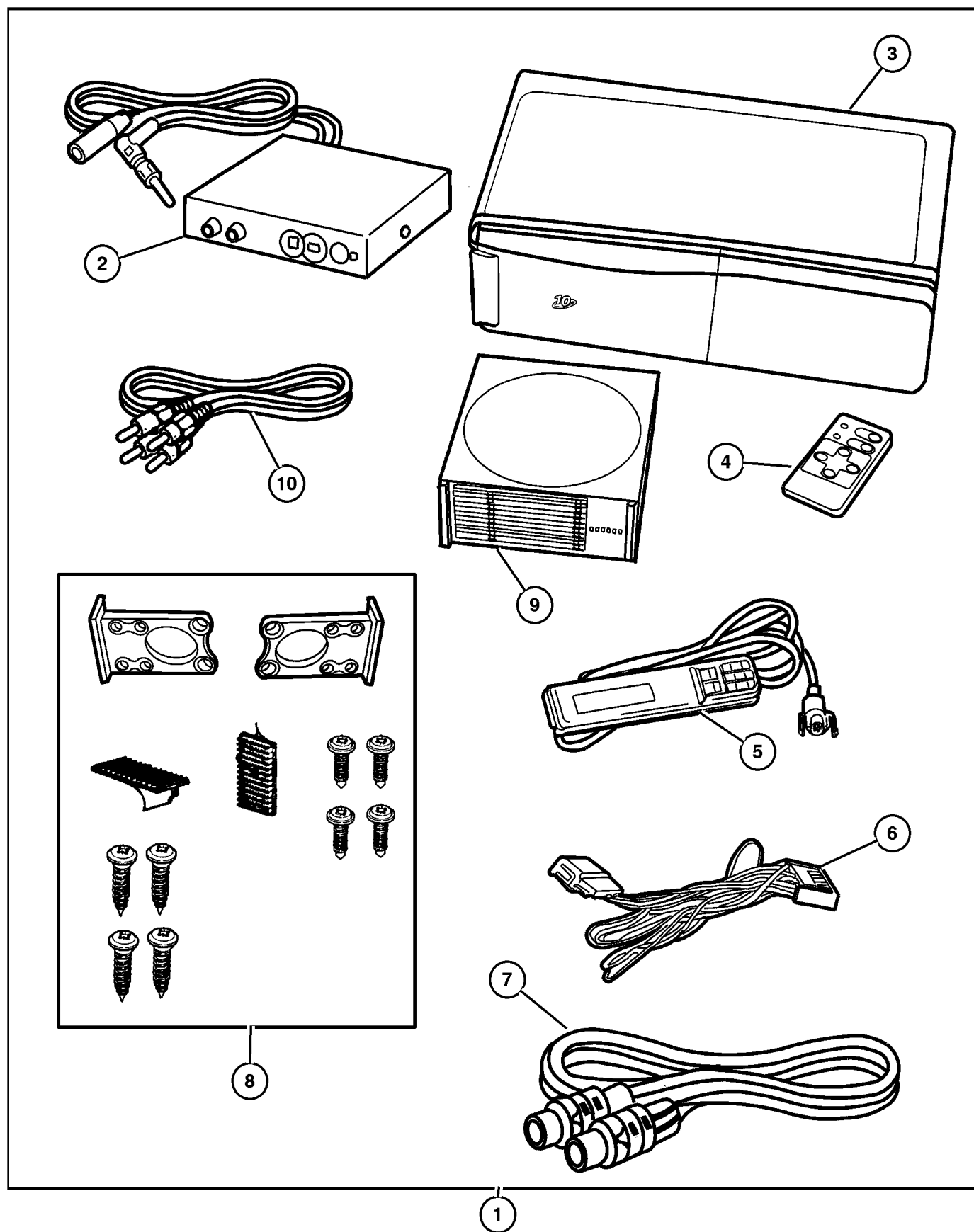
<p>001-100 Audio &amp; Electronics</p> 	<p>001-200 Carriers &amp; Cargo Hauling</p> 	<p>001-300 Driving Convenience</p> 	<p>001-400 Exterior Appearance</p> 
<p>001-500 Exterior Protection</p> 	<p>001-600 Fog Lights &amp; Electrical</p> 	<p>001-800 Interior Storage</p> 	<p>001-900 Security</p> 

---

## GROUP 1 - Component Parts for Mopar Accessories

Illustration Title	Group-Fig. No.
<b>Audio &amp; Electronics</b>	
Player Kit - FM Modulated .....	Fig. 001-110
Player Kit .....	Fig. 001-115
Navigation Kit Vehicle .....	Fig. 001-140
<b>Carriers &amp; Cargo Hauling</b>	
Carrier Kit - Basket Type .....	Fig. 001-210
Carrier Kit - Multipurpose .....	Fig. 001-215
Carrier Kit - Canoe .....	Fig. 001-220
Carrier Kit - Water Sports .....	Fig. 001-222
Bike Carrier - Roof Mount Fork Mount Style .....	Fig. 001-230
Bike Carrier - Roof Mount Upright Style .....	Fig. 001-235
Bike Carrier - Fold Down Mount 2 Bike .....	Fig. 001-240
Bike Carrier - Hitch Mount 4 Bike .....	Fig. 001-245
Carrier Kit - Ski (4 Pair) .....	Fig. 001-250
Wiring Package (Trailer Tow) .....	Fig. 001-255
Box Kit - Storage (Interior) .....	Fig. 001-260
Cooler Package - Power Steering .....	Fig. 001-265
Luggage Carrier - Roof Mount .....	Fig. 001-274
<b>Driving Convenience</b>	
Mounting Kit - Cellular Phone .....	Fig. 001-310
Filter Kit - Cabin Air .....	Fig. 001-315
<b>Exterior Appearance</b>	
Brush Guards .....	Fig. 001-410
Grille Guards .....	Fig. 001-412
Running Boards .....	Fig. 001-430
Side Step Kit .....	Fig. 001-432
<b>Exterior Protection</b>	
Shield Kit, Air Front .....	Fig. 001-510
Plate Package - Skid .....	Fig. 001-515
<b>Fog Lights &amp; Electrical</b>	
Heater Kit .....	Fig. 001-610
Light Pkg - Fog .....	Fig. 001-615
<b>Interior Storage</b>	
Console Package - Rear .....	Fig. 001-810
<b>Security</b>	
Module - Security Alarm .....	Fig. 001-910
<b>4 - Wheeling &amp; Off Road</b>	
Guard, Rock Rails .....	Fig. 001-1010

**Player Kit - FM Modulated**  
**Figure 001-110**



ITEM	PART NUMBER	QTY	LINE	SERIES	BODY	ENGINE	TRANS	DESCRIPTION
NOTE: CD Changer sold only in Player Kit # 82204094								
1	8220 4094	1	J, T		74			PLAYER KIT, CD Changer - 10 Disc, Consists of: RF Modulator, Power Cord w/Suppression, NIN Cord, RCA Cords, Hand Held Remote, Brackets with Mounting Hardware and Operating Manual, 10 Disc Magazine, FM Modulated
2	4883 248	1	J, T		74			MODULATOR, FM Changer
3								CHANGER, CD, (NOT SERVICED) (Not Serviced)
4	4883 250	1	J, T		74			CONTROLLER, CD Wireless
5	4883 249	1	J, T		74			CONTROLLER, CD Wired
6	4465 117AB	1	J, T		74			ADAPTOR, A/C
7	4883 251	1	J, T		74			CABLE, Din, 5-Meter Length
8	4883 253	1	J, T		74			HARDWARE KIT, Mounting, Consists of: 2-Multi-Position Mounting Brackets, 4-Machine Screws, 4-Self-Tapping Screws, 1-Adhesive Backed Velcro Pad (Hook Side), 1-Adhesive Backed Velcro Pad (Loop Side), 1-Double -Sided Foam Tape
9	4882 371AB	1	J, T		74			MAGAZINE, CD Changer, 10 Disc
10	4883 252	1	J, T		74			CABLE, CD Changer, RCA 5-Meter Length

**JEEP GRAND CHEROKEE (WJ)**

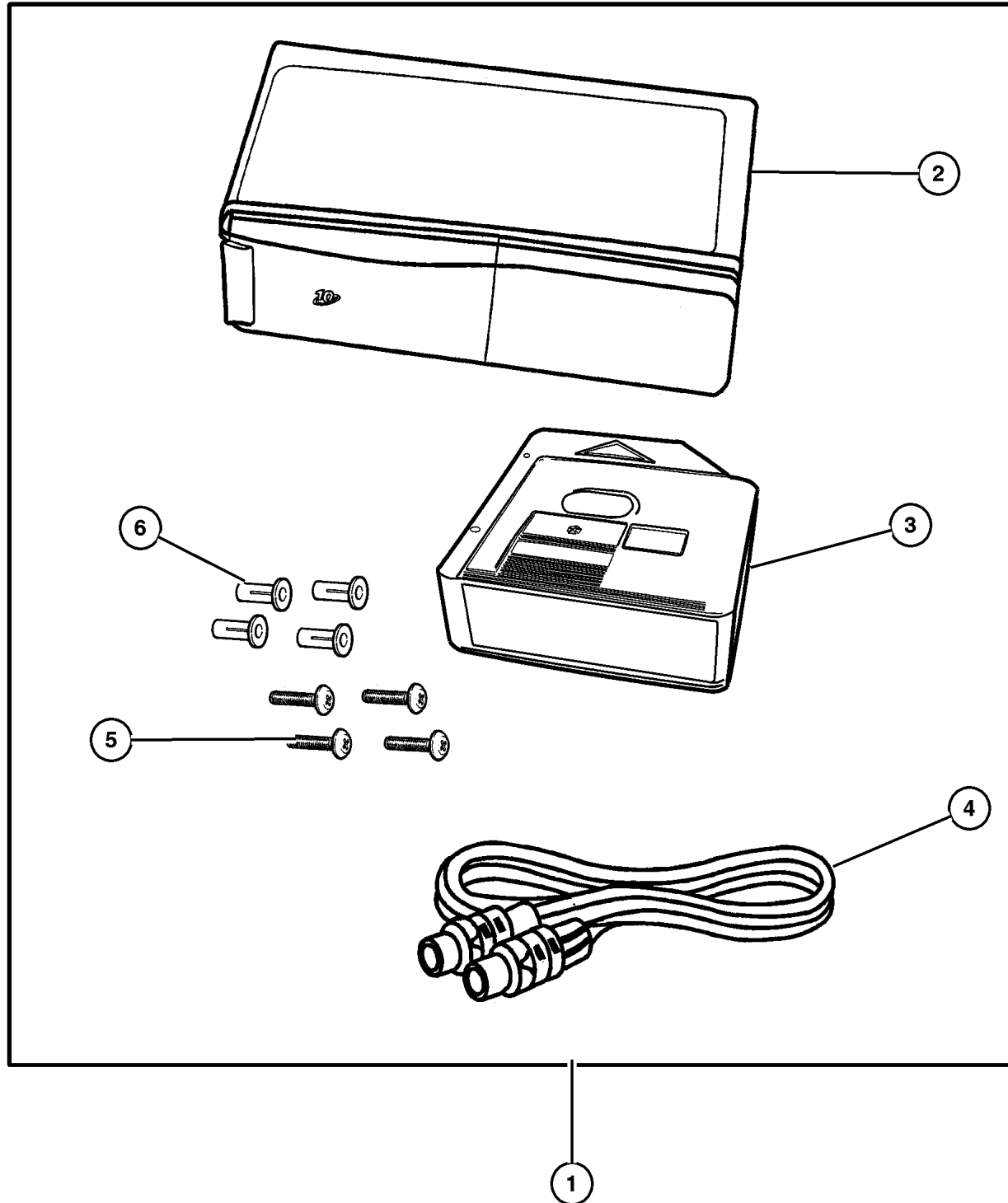
SERIES	LINE	BODY	ENGINE	TRANSMISSION
H=Laredo	J = 4WD	74 = 4 Door(105.9 WB)	ER0, ERH = 4.0L, Power Tech I-6	DGK = 4 Speed Autm, 42RE
P=Limited	T = 2WD		EVO, EVA = 4.7L, Power Tech V8	DGW = 4 Speed Automatic, -44RE
	U = 4WD (RHD)		EXA, EX0 = 3.1L, 5 Cyl Turbo Diesel	DG4 = Multi Speed Automatic, -45RFE
				DGO = All Automatic

AR = Use as required - = Non illustrated part # = New this model year

September 14, 2002

Player Kit  
Figure 001-115

ITEM	PART NUMBER	QTY	LINE	SERIES	BODY	ENGINE	TRANS	DESCRIPTION
1	8220 4627	1	J, T		74			PLAYER KIT, CD Changer - 10 Disc, Consists of: Items 2 thru 6
2	56042 129AC	1	J, T		74			CHANGER, CD
3	4858 564	1	J, T		74			MAGAZINE, CD Changer, 10 Disc
4	5013 661AA	1	J, T		74			CABLE, Din
5	6100 047	4						NUT AND WASHER, Hex Nut-Coned Washer, M6 x 1.00
6	6505 002AA	4						STUD



JEEP GRAND CHEROKEE (WJ)

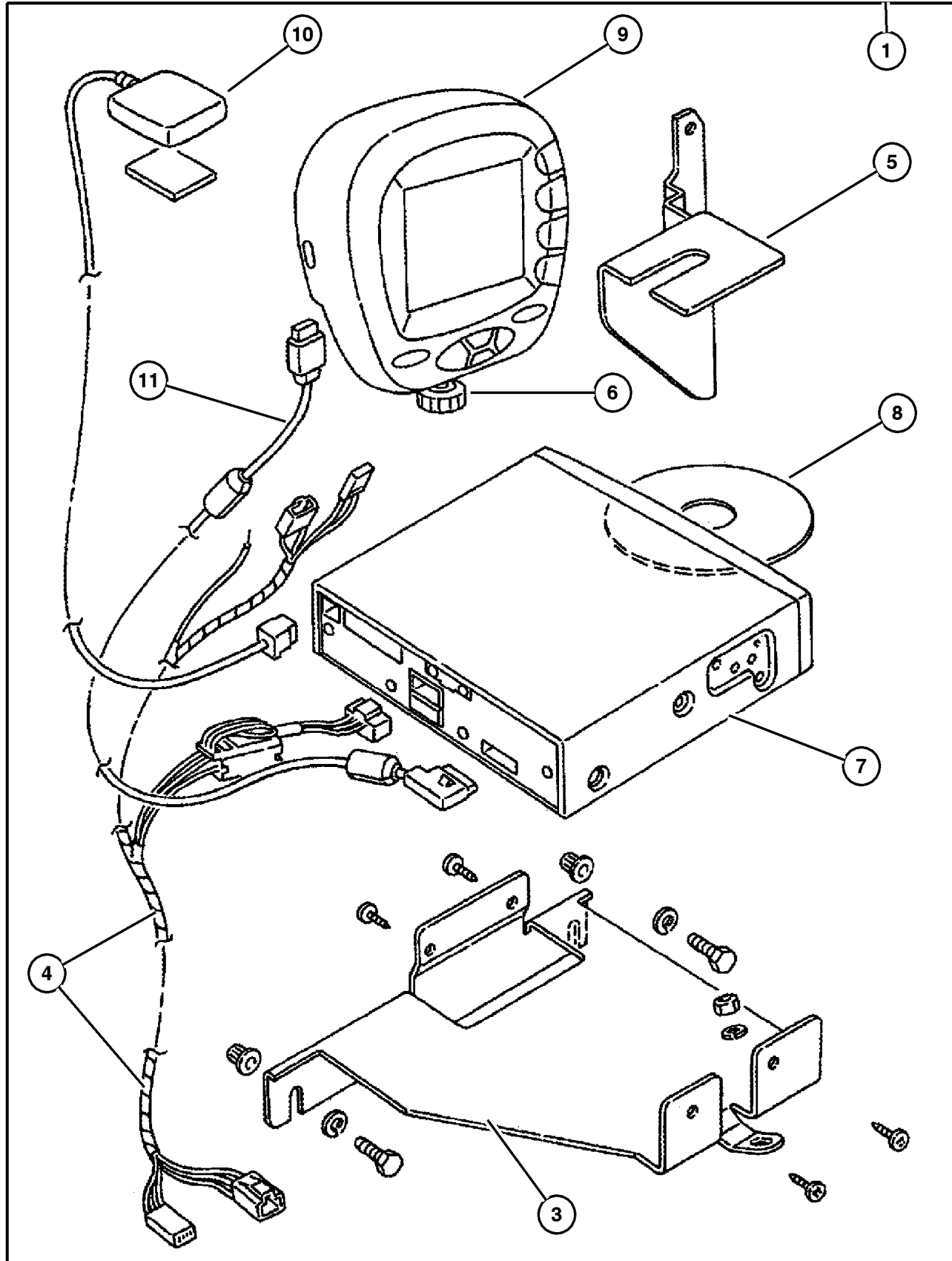
SERIES	LINE	BODY	ENGINE	TRANSMISSION
H=Laredo	J = 4WD	74 = 4 Door(105.9 WB)	ER0, ERH = 4.0L, Power Tech I-6	DGK = 4 Speed Autm, 42RE
P=Limited	T = 2WD		EVO, EVA = 4.7L, Power Tech V8	DGW = 4 Speed Automatic, -44RE
	U = 4WD (RHD)		EXA, EX0 = 3.1L, 5 Cyl Turbo Diesel	DG4 = Multi Speed Automatic, -45RFE
				DGO = All Automatic

AR = Use as required - = Non illustrated part # = New this model year

September 14, 2002



**Navigation Kit Vehicle  
Figure 001-140**



ITEM	PART NUMBER	QTY	LINE	SERIES	BODY	ENGINE	TRANS	DESCRIPTION
1								NAVIGATION KIT, Vehicle
	8220 5773	1	J, T		74			Western U.S.
	8220 5774	1	J, T		74			Central U.S.
	8220 5775	1	J, T		74			Eastern U.S.
-2	8220 3459	1	J, T		74			INSTALL KIT, Vehicle Navigation System, Also in Navigation Kit - Consists of: Bracket Display, Bracket Navigation Controller, Wiring, plus Mounting Hardware, Thumb Screw and Instructions
3	5017 423AA	1	J, T		74			BRACKET, Navigation Controller, (Also Serviced in Install Kit)
4	5017 421AA	1	J, T		74			WIRING, Navigation System, (Also Serviced in Install Kit)
5	5017 422AA	1	J, T		74			BRACKET, Navigation Display, (Also Serviced in Install Kit)
6	5017 434AA	1	J, T		74			SCREW, Thumb, (Also Serviced in Install Kit)
7	5017 419AA	1	J, T		74			CONTROLLER, Vehicle Navigation
8	5017 415AA	1	J, T		74			COMPACT DISC, Navigation Western U.S.
	5017 416AA	1	J, T		74			Central U.S.
	5017 417AA	1	J, T		74			Eastern U.S.
9	5017 418AA	1	J, T		74			MODULE, Navigation Display
10	5017 420AA	1	J, T		74			ANTENNA, Global Positioning
11	5017 433AA	1	J, T		74			WIRING, Navigation Display

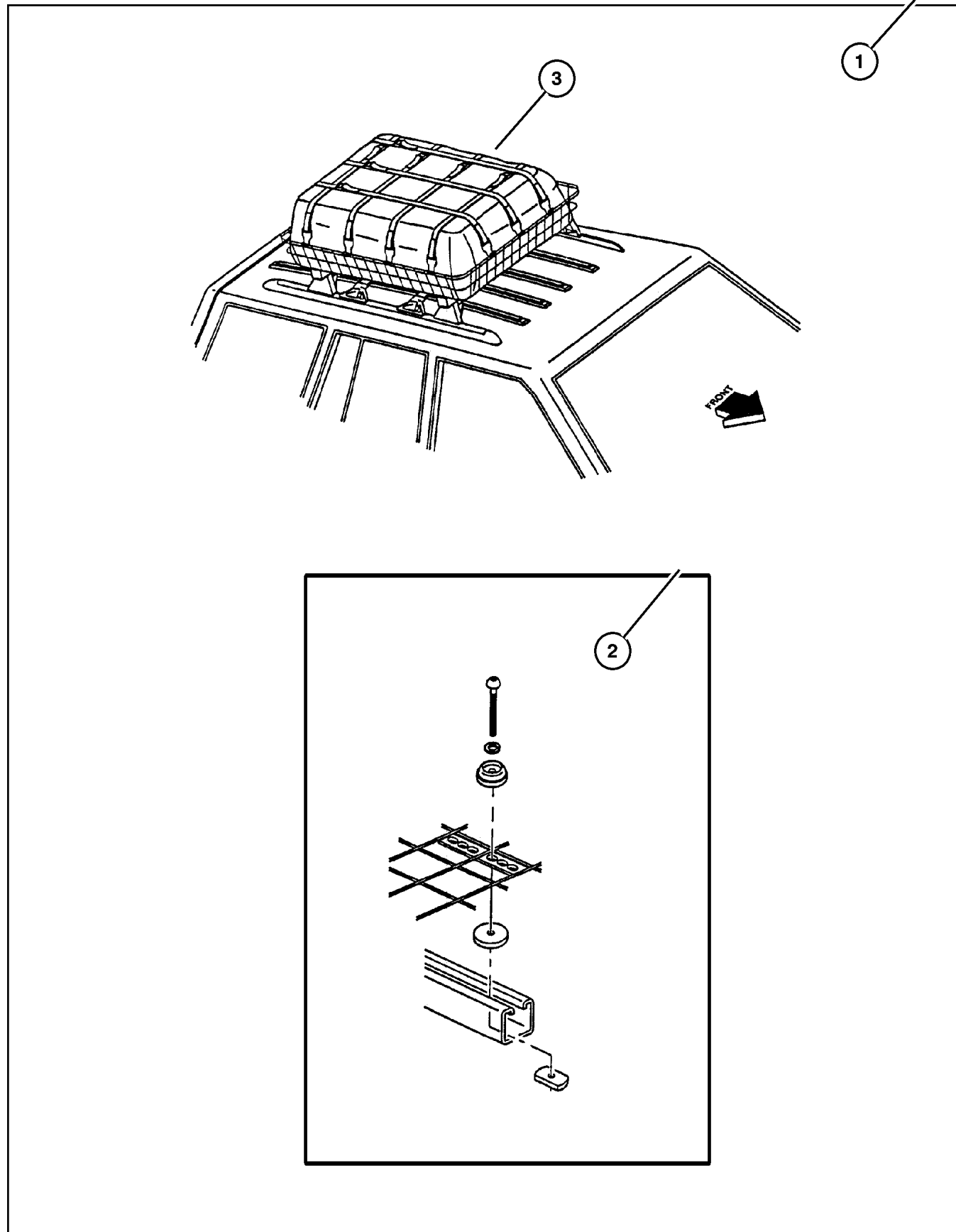
**JEEP GRAND CHEROKEE (WJ)**

SERIES	LINE	BODY	ENGINE	TRANSMISSION
H=Laredo	J = 4WD	74 = 4 Door(105.9 WB)	ER0, ERH = 4.0L, Power Tech I-6	DGK = 4 Speed Autm, 42RE
P=Limited	T = 2WD		EVO, EVA = 4.7L, Power Tech V8	DGW = 4 Speed Automatic, -44RE
	U = 4WD (RHD)		EXA, EX0 = 3.1L, 5 Cyl Turbo Diesel	DG4 = Multi Speed Automatic, -45RFE
				DGO = All Automatic

AR = Use as required - = Non illustrated part # = New this model year

September 14, 2002

Carrier Kit - Basket Type  
Figure 001-210



ITEM	PART NUMBER	QTY	LINE	SERIES	BODY	ENGINE	TRANS	DESCRIPTION
------	-------------	-----	------	--------	------	--------	-------	-------------

NOTE: Use only with Sport Utility Bar  
NOTE: Hardware Kit also contained in Carrier Kit.

1	8220 4697	1	J, T		74			CARRIER KIT, Basket
2	5016 389AA	1	J, T		74			HARDWARE KIT, Accessory
3	8220 4857	1	J, T		74			NET KIT, Cargo

JEEP GRAND CHEROKEE (WJ)		BODY	ENGINE	TRANSMISSION
SERIES	LINE	74 = 4 Door(105.9 WB)	ER0, ERH = 4.0L, Power Tech I-6	DGK = 4 Speed Autm, 42RE
H=Laredo	J = 4WD		EVO, EVA = 4.7L, Power Tech V8	DGW = 4 Speed Automatic, -44RE
P=Limited	T = 2WD		EXA, EX0 = 3.1L, 5 Cyl Turbo Diesel	DG4 = Multi Speed Automatic, -45RFE
	U = 4WD (RHD)			DGO = All Automatic

AR = Use as required - = Non illustrated part # = New this model year

September 14, 2002

**Carrier Kit - Multipurpose  
Figure 001-215**

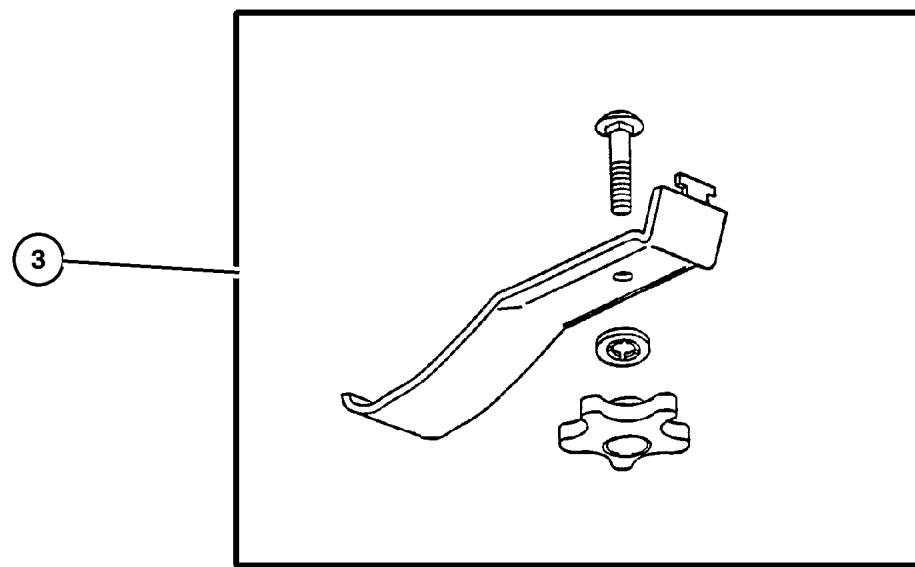
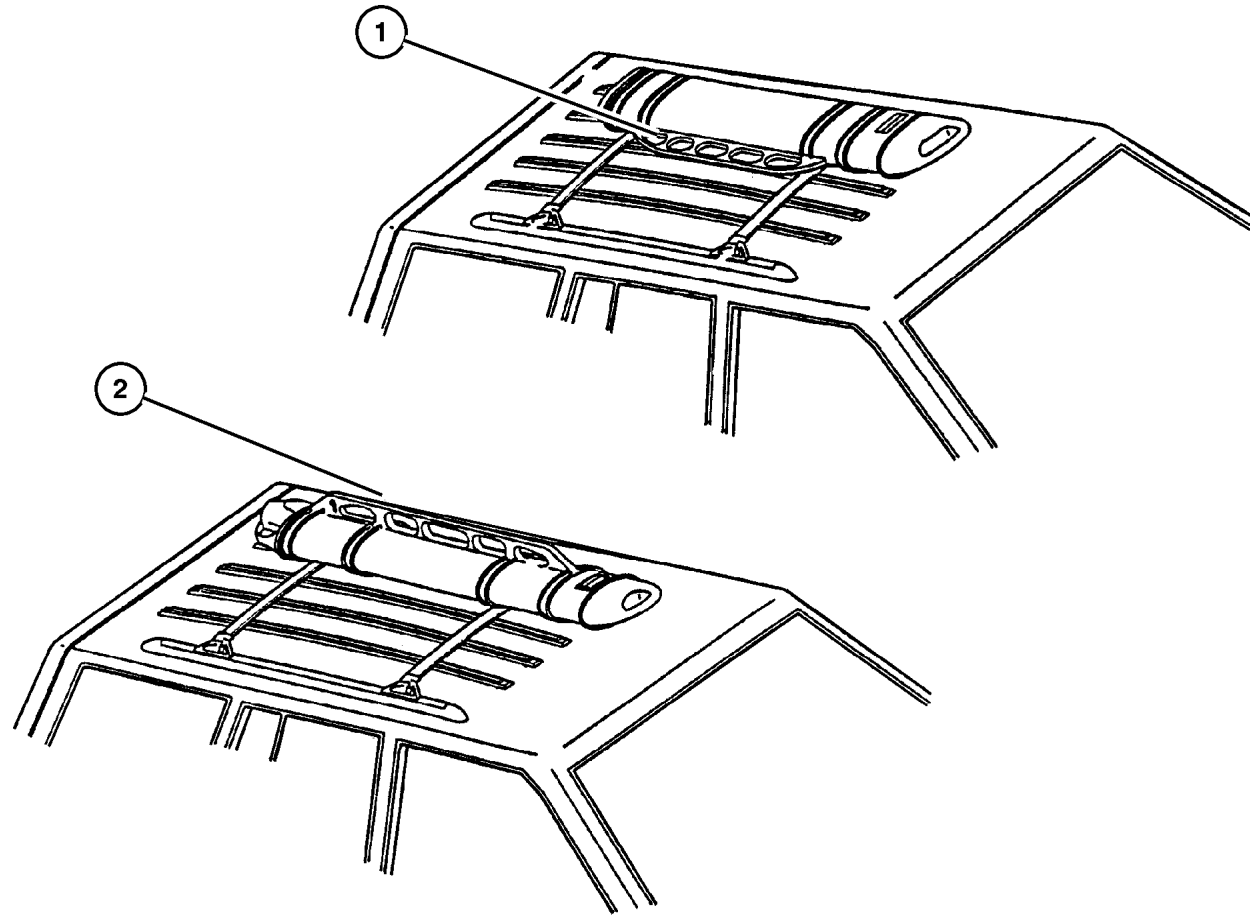
ITEM	PART NUMBER	QTY	LINE	SERIES	BODY	ENGINE	TRANS	DESCRIPTION
------	-------------	-----	------	--------	------	--------	-------	-------------

NOTE: Use only with Sport Utility Bar

NOTE: Carrier Kits - Multipurpose: Skis or Fishing Pole  
Snow Board or Surfboard

NOTE: Hardware Kit also contained in Carrier Kit

1	8220 4699	1	J, T		74			CARRIER KIT, Wind/Surf Boards, For Snowboard or Surfboard
2	8220 4698	1	J, T		74			CARRIER KIT, Ski, For Skis, Fishing Poles
3	5016 509AA	1	J, T		74			HARDWARE KIT, Accessory, Consists of: 1-Carriage Bolt, 1-Retaining Knob, 1-Retaining Washer, 1-Attachment Bracket
-4	5016 617AA	1	J, T		74			LOCK KIT, Carrier, Consists of: 2-Locks keyed the same



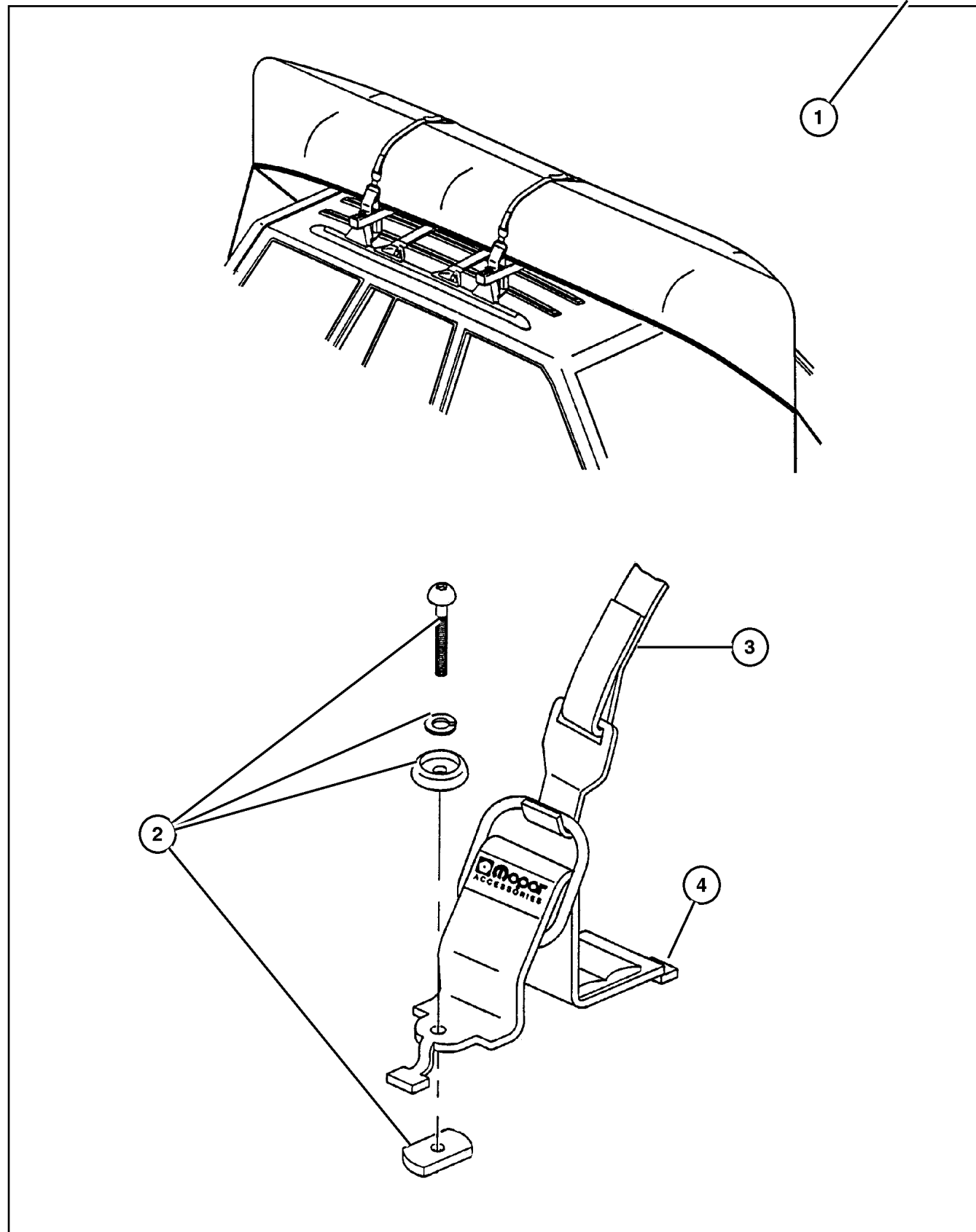
**JEEP GRAND CHEROKEE (WJ)**

SERIES	LINE	BODY	ENGINE	TRANSMISSION
H=Laredo	J = 4WD	74 = 4 Door(105.9 WB)	ER0, ERH = 4.0L, Power Tech I-6	DGK = 4 Speed Autm, 42RE
P=Limited	T = 2WD		EVO, EVA = 4.7L, Power Tech V8	DGW = 4 Speed Automatic, -44RE
	U = 4WD (RHD)		EXA, EX0 = 3.1L, 5 Cyl Turbo Diesel	DG4 = Multi Speed Automatic, -45RFE
				DGO = All Automatic

AR = Use as required - = Non illustrated part # = New this model year

September 14, 2002

**Carrier Kit - Canoe**  
**Figure 001-220**



ITEM	PART NUMBER	QTY	LINE	SERIES	BODY	ENGINE	TRANS	DESCRIPTION
------	-------------	-----	------	--------	------	--------	-------	-------------

NOTE: Use only with Sport Utility Bar

NOTE: Hardware Kit also contained in Carrier Kit

1	8220 4700	1	J, T		74			CARRIER KIT, Water Sports
2	5016 389AA	1	J, T		74			HARDWARE KIT, Accessory, Consists of: 4-25MM Button Head Screws, 4-30MM Button Head Screws, 4-Lock Washers, 4-Dome Washers, 4-Rubber Washers, 4- T-Nuts
3	5016 511AA	1	J, T		74			STRAP, Cargo Tie Down
4	5016 510AA	1	J, T		74			BRACKET, Cargo Tie Down

**JEEP GRAND CHEROKEE (WJ)**

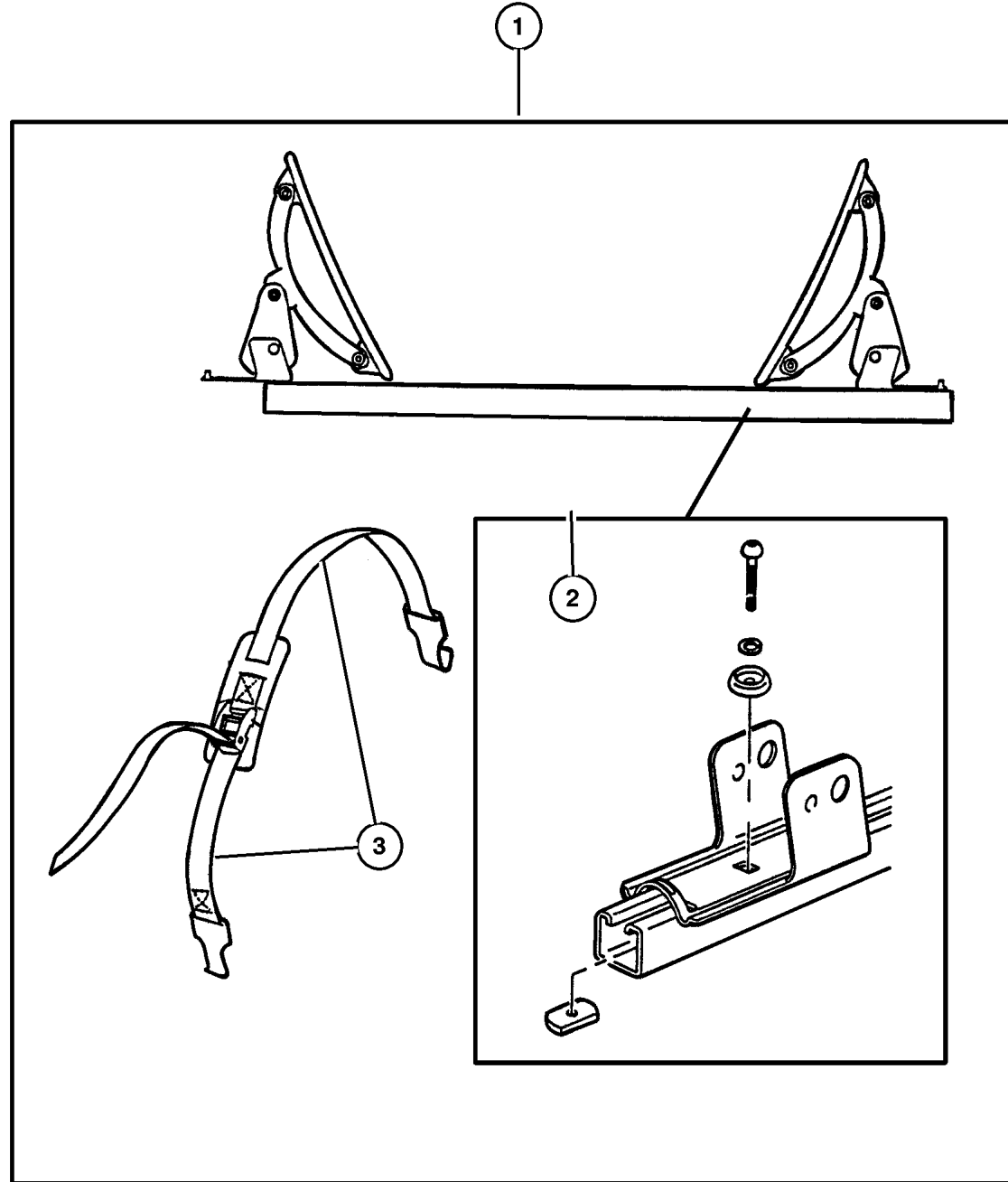
SERIES	LINE	BODY	ENGINE	TRANSMISSION
H=Laredo	J = 4WD	74 = 4 Door(105.9 WB)	ER0, ERH = 4.0L, Power Tech I-6	DGK = 4 Speed Autm, 42RE
P=Limited	T = 2WD		EVO, EVA = 4.7L, Power Tech V8	DGW = 4 Speed Automatic, -44RE
	U = 4WD (RHD)		EXA, EX0 = 3.1L, 5 Cyl Turbo Diesel	DG4 = Multi Speed Automatic, -45RFE
				DGO = All Automatic

AR = Use as required - = Non illustrated part # = New this model year

September 14, 2002

**Carrier Kit - Water Sports**  
**Figure 001-222**

ITEM	PART NUMBER	QTY	LINE	SERIES	BODY	ENGINE	TRANS	DESCRIPTION
1	8220 4701	1	J, T		74			CARRIER KIT, Water Sports
2	5016 389AA	1	J, T		74			HARDWARE KIT, Accessory, Consists of: 4- 25MM Button Head Screws, 4-30MM Button Head Screws, 4-Lock Washers, 4-Dome Washers, 4-Rubber Washers and 4- T-Nuts.
3	5016 511AA	1	J, T		74			STRAP, Cargo Tie Down



**JEEP GRAND CHEROKEE (WJ)**

SERIES	LINE	BODY	ENGINE	TRANSMISSION
H=Laredo	J = 4WD	74 = 4 Door(105.9 WB)	ER0, ERH = 4.0L, Power Tech I-6	DGK = 4 Speed Autm, 42RE
P=Limited	T = 2WD		EVA, EVA = 4.7L, Power Tech V8	DGW = 4 Speed Automatic, -44RE
	U = 4WD (RHD)		EXA, EX0 = 3.1L, 5 Cyl Turbo Diesel	DG4 = Multi Speed Automatic, -45RFE
				DGO = All Automatic

AR = Use as required - = Non illustrated part # = New this model year

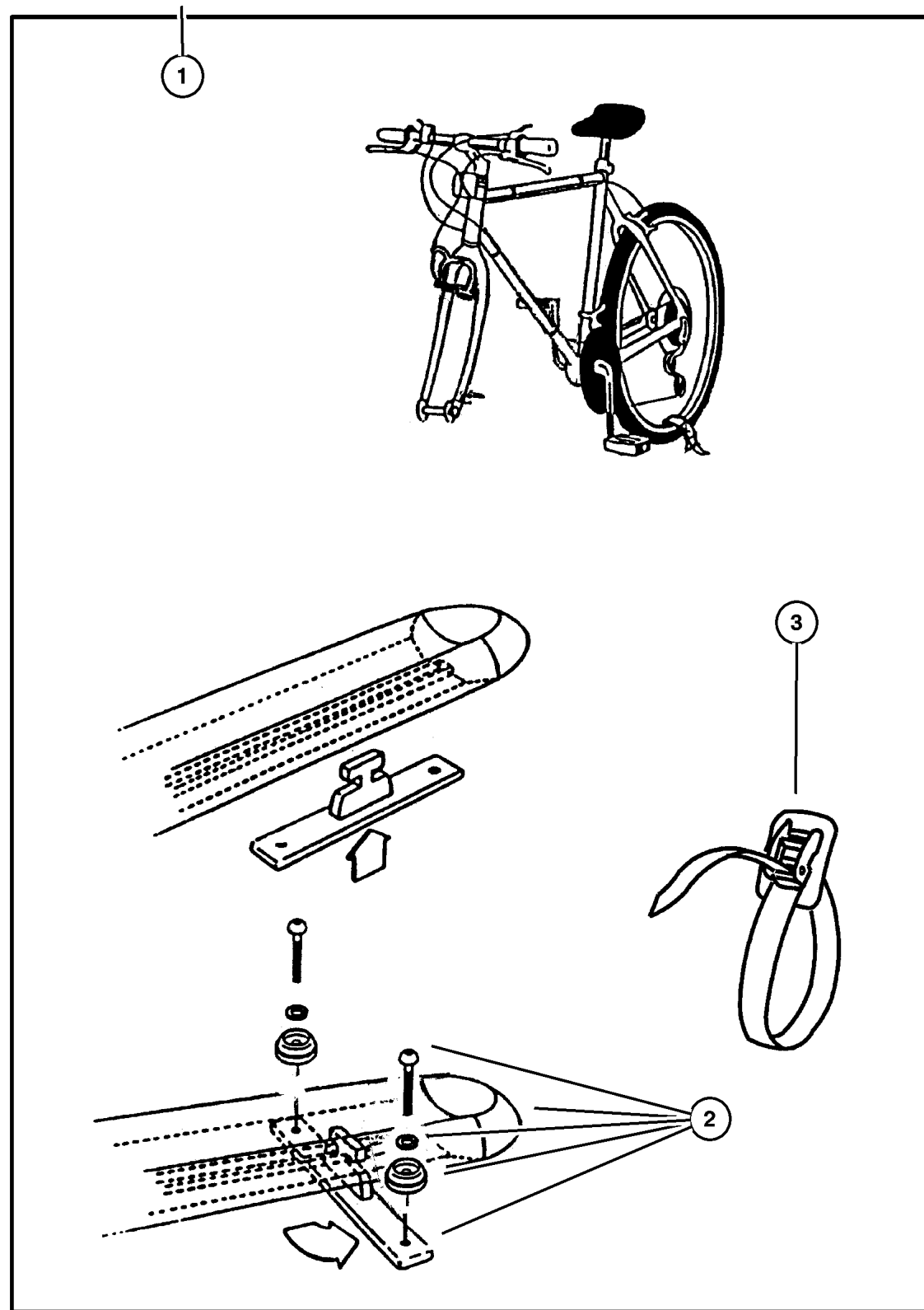
September 14, 2002

**Bike Carrier - Roof Mount Fork Mount Style  
Figure 001-230**

ITEM	PART NUMBER	QTY	LINE	SERIES	BODY	ENGINE	TRANS	DESCRIPTION
------	-------------	-----	------	--------	------	--------	-------	-------------

NOTE: Hardware Kit also contained in Carrier Kit.

1	8230 0585	1	J, T		74			CARRIER KIT, Bike, Fork - Mount
2	5016 512AA	1	J, T		74			HARDWARE KIT, Accessory, Contains: 2 T-Slot Bars, 4 Round Dome Washers, 4 M6x1.00x16MM Machine Screws, 2 M6 Lockwashers
3	5016 513AA	1	J, T		74			STRAP, Cargo Tie Down, Contains: 2 Straps



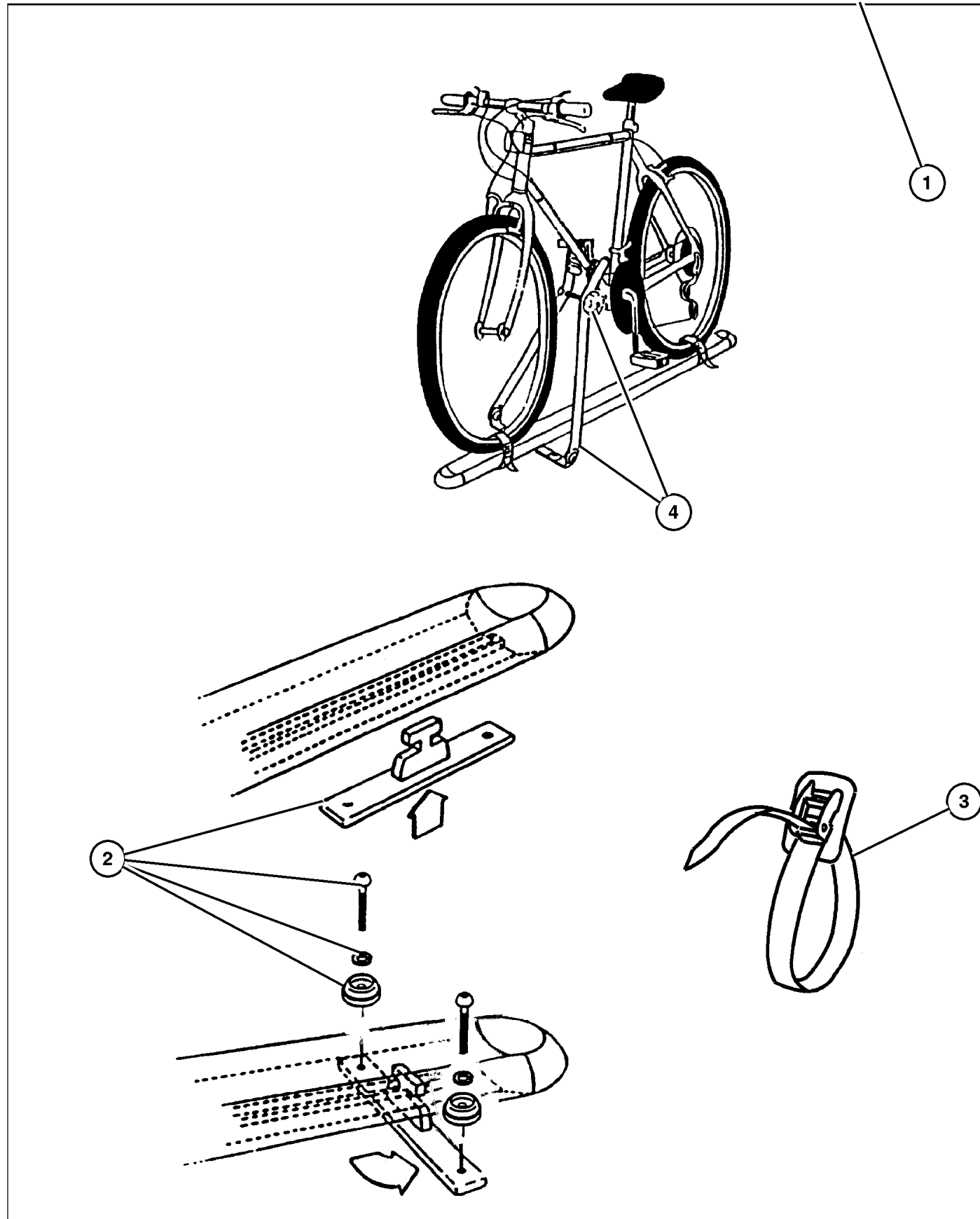
**JEEP GRAND CHEROKEE (WJ)**

SERIES	LINE	BODY	ENGINE	TRANSMISSION
H=Laredo	J = 4WD	74 = 4 Door(105.9 WB)	ER0, ERH = 4.0L, Power Tech I-6	DGK = 4 Speed Autm, 42RE
P=Limited	T = 2WD		EVO, EVA = 4.7L, Power Tech V8	DGW = 4 Speed Automatic, -44RE
	U = 4WD (RHD)		EXA, EX0 = 3.1L, 5 Cyl Turbo Diesel	DG4 = Multi Speed Automatic, -45RFE
				DGO = All Automatic

AR = Use as required - = Non illustrated part # = New this model year

September 14, 2002

**Bike Carrier - Roof Mount Upright Style  
Figure 001-235**



ITEM	PART NUMBER	QTY	LINE	SERIES	BODY	ENGINE	TRANS	DESCRIPTION
------	-------------	-----	------	--------	------	--------	-------	-------------

NOTE: Hardware Kit also contained in Carrier Kit.

1	8220 3471	1	J, T		74			CARRIER KIT, Bike
2	5016 512AA	1	J, T		74			HARDWARE KIT, Accessory, Consists of: 2-T-Slot Bars, 4-Round Dome Washers, 4-M6x1.00x16MM Machine Screws, 2-M6 Lockwashers
3	5016 513AA	1	J, T		74			STRAP, Cargo Tie Down, Consists of: 2- Adjustable Straps, this carrier only requires one.
4	5018 194AA	1	J, T		74			HARDWARE KIT, Bike Carrier

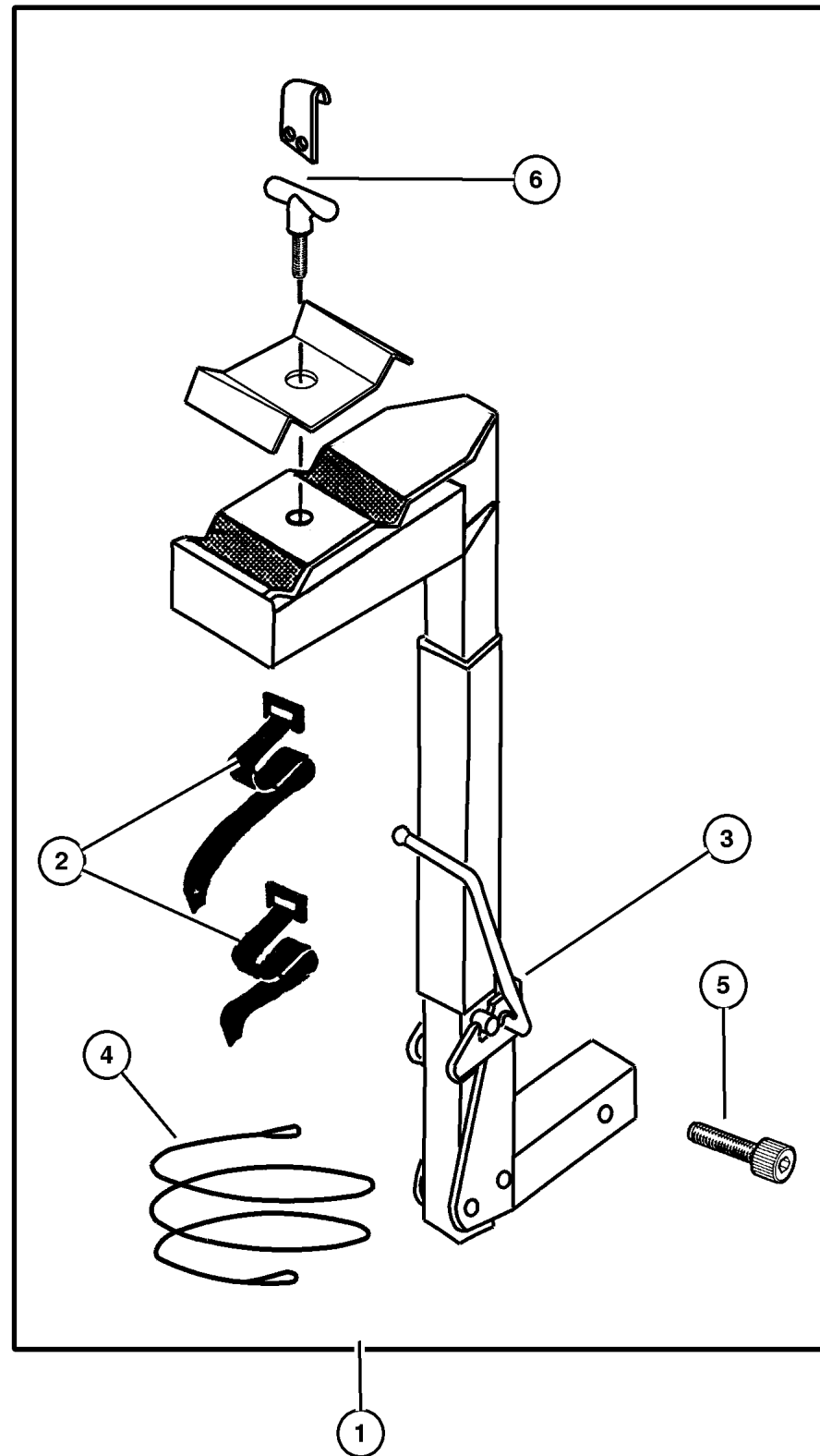
**JEEP GRAND CHEROKEE (WJ)**

SERIES	LINE	BODY	ENGINE	TRANSMISSION
H=Laredo	J = 4WD	74 = 4 Door(105.9 WB)	ER0, ERH = 4.0L, Power Tech I-6	DGK = 4 Speed Autm, 42RE
P=Limited	T = 2WD		EV0, EVA = 4.7L, Power Tech V8	DGW = 4 Speed Automatic, -44RE
	U = 4WD (RHD)		EXA, EX0 = 3.1L, 5 Cyl Turbo Diesel	DG4 = Multi Speed Automatic, -45RFE
				DGO = All Automatic

AR = Use as required - = Non illustrated part # = New this model year

September 14, 2002

**Bike Carrier - Fold Down Mount 2 Bike  
Figure 001-240**



ITEM	PART NUMBER	QTY	LINE	SERIES	BODY	ENGINE	TRANS	DESCRIPTION
NOTE: Folds down for access to rear hatch, has anti theft bolts.								
1	8220 4453	1	J, T		74			CARRIER KIT, Bike, 2-Bike
2	4762 880	1						STRAP KIT, Velcro, Consists of 1-Long and 1-Short Strap
3	4762 881	1						STRAP KIT, Bike Carrier Latch, Consists of 1-Rubber Strap
4	4762 882	1						LOCK KIT, Bike Carrier Handle
5	5016 776AA	1	J, T		74			BOLT KIT, Security
6	5016 610AA	1	J, T		74			HARDWARE KIT, Accessory, T-Handle

**JEEP GRAND CHEROKEE (WJ)**

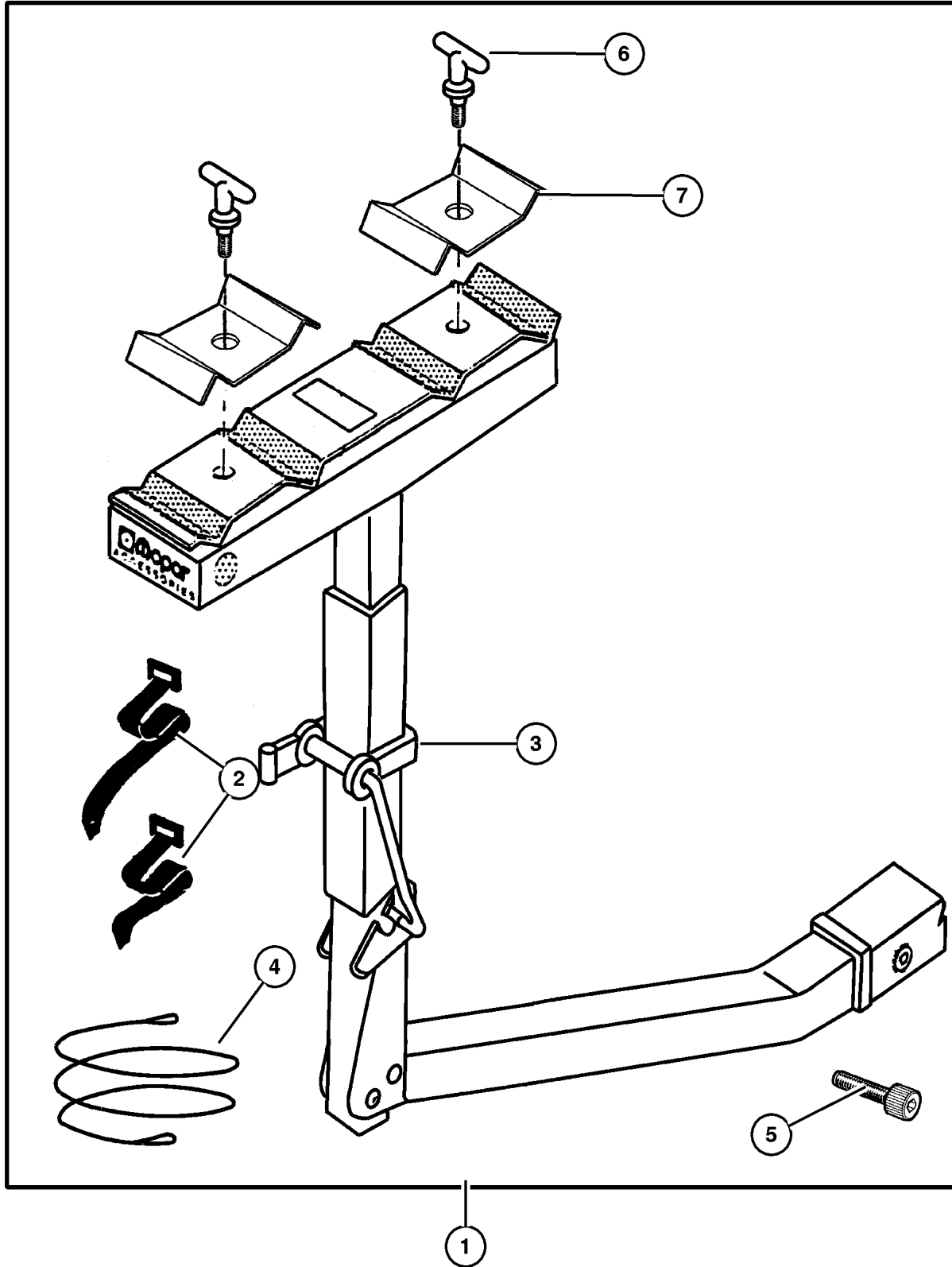
SERIES	LINE	BODY	ENGINE	TRANSMISSION
H=Laredo	J = 4WD	74 = 4 Door(105.9 WB)	ER0, ERH = 4.0L, Power Tech I-6	DGK = 4 Speed Autm, 42RE
P=Limited	T = 2WD		EVO, EVA = 4.7L, Power Tech V8	DGW = 4 Speed Automatic, -44RE
	U = 4WD (RHD)		EXA, EX0 = 3.1L, 5 Cyl Turbo Diesel	DG4 = Multi Speed Automatic, -45RFE
				DGO = All Automatic

AR = Use as required - = Non illustrated part # = New this model year

September 14, 2002



**Bike Carrier - Hitch Mount 4 Bike**  
**Figure 001-245**



ITEM	PART NUMBER	QTY	LINE	SERIES	BODY	ENGINE	TRANS	DESCRIPTION
1	8220 4328	1	J, T		74			CARRIER KIT, Bike, Consists of: Items 2 thru 7
2	4762 880	1	J, T		74			STRAP KIT, Velcro, Consists of: 1-Long and 1-Short Strap
3	4762 881	1						STRAP KIT, Bike Carrier Latch, Consists of: 1-Rubber Strap
4	4762 882	1						LOCK KIT, Bike Carrier Handle
5	5016 776AA	1	J, T		74			BOLT KIT, Security, Bolt & Wrench
6	5016 610AA	1	J, T		74			HARDWARE KIT, Accessory, T-Handle
7	5016 657AA	1	J, T		74			HARDWARE KIT, Accessory, 2 Clamps Required

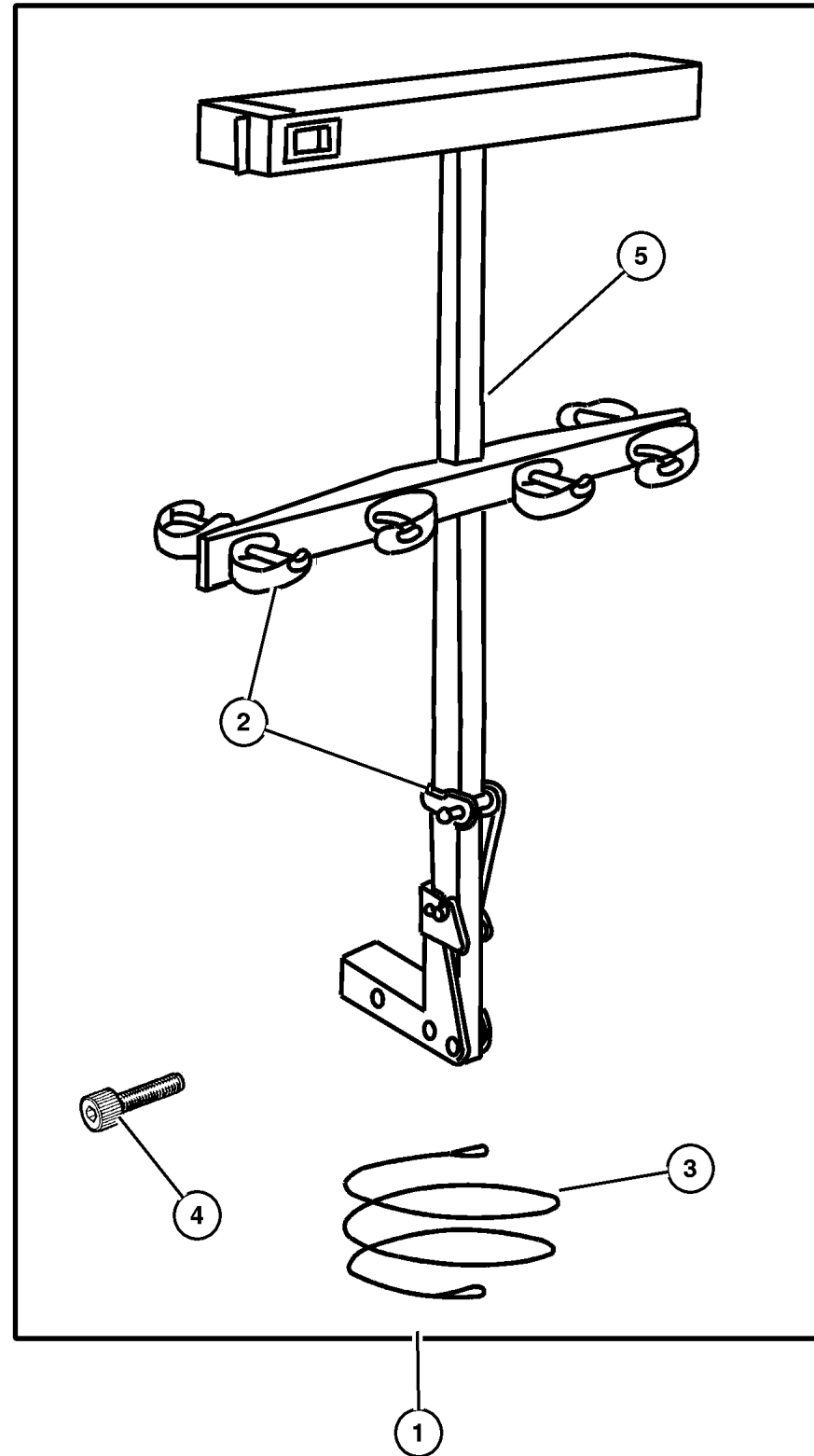
**JEEP GRAND CHEROKEE (WJ)**

SERIES	LINE	BODY	ENGINE	TRANSMISSION
H=Laredo	J = 4WD	74 = 4 Door(105.9 WB)	ER0, ERH = 4.0L, Power Tech I-6	DGK = 4 Speed Autm, 42RE
P=Limited	T = 2WD		EVO, EVA = 4.7L, Power Tech V8	DGW = 4 Speed Automatic, -44RE
	U = 4WD (RHD)		EXA, EX0 = 3.1L, 5 Cyl Turbo Diesel	DG4 = Multi Speed Automatic, -45RFE
				DGO = All Automatic

AR = Use as required - = Non illustrated part # = New this model year

September 14, 2002

**Carrier Kit - Ski (4 Pair)**  
**Figure 001-250**



ITEM	PART NUMBER	QTY	LINE	SERIES	BODY	ENGINE	TRANS	DESCRIPTION
1								CARRIER KIT, Ski - 4 Pair
	8220 4454	1	J, T		74			1.25' Receiver
	8220 4455	1	J, T		74			2' Receiver
2	5016 775AA	1	J, T		74			STRAP KIT, Bike Carrier Latch
3	4762 882	1						LOCK KIT, Bike Carrier Handle
4	5016 776AA	1	J, T		74			BOLT KIT, Security
5	5016 610AA	1	J, T		74			HARDWARE KIT, Accessory

**JEEP GRAND CHEROKEE (WJ)**

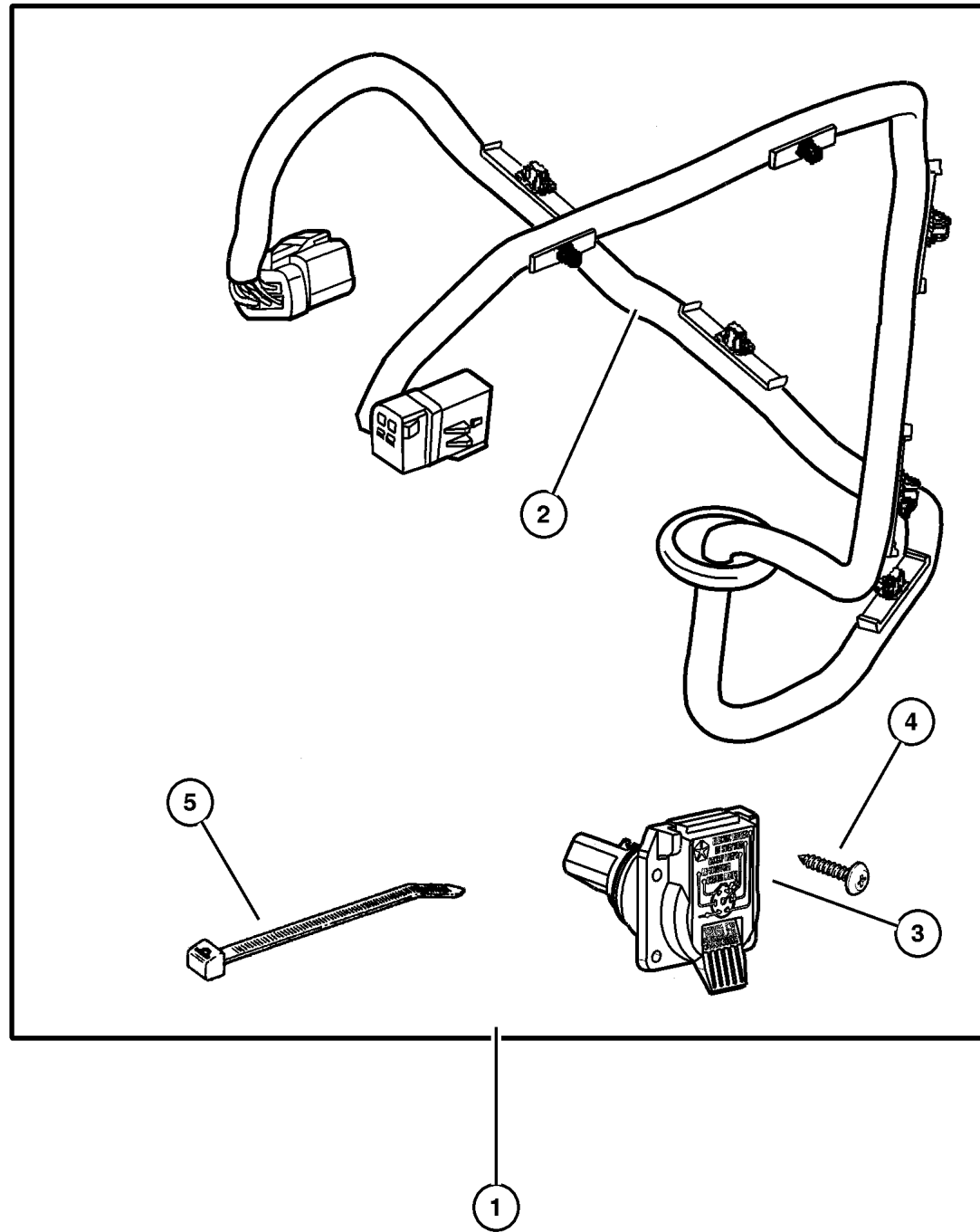
SERIES	LINE	BODY	ENGINE	TRANSMISSION
H=Laredo	J = 4WD	74 = 4 Door(105.9 WB)	ER0, ERH = 4.0L, Power Tech I-6	DGK = 4 Speed Autm, 42RE
P=Limited	T = 2WD		EVO, EVA = 4.7L, Power Tech V8	DGW = 4 Speed Automatic, -44RE
	U = 4WD (RHD)		EXA, EX0 = 3.1L, 5 Cyl Turbo Diesel	DG4 = Multi Speed Automatic, -45RFE
				DGO = All Automatic

AR = Use as required - = Non illustrated part # = New this model year

September 14, 2002

**Wiring Package (Trailer Tow)  
Figure 001-255**

ITEM	PART NUMBER	QTY	LINE	SERIES	BODY	ENGINE	TRANS	DESCRIPTION
NOTE: Trailer Tow Wire Harness Kit: 7-way round trailer connector, plugs into 10-way connector.								
NOTE: Trailer Tow Wiring Package 82204725 consists of Items 1 thru 4.								
1	8220 4725	1	J, T		74			WIRING PACKAGE, Trailer Tow, Consists of: Items 2 thru 5
2	56042 239AE	1	J, T		74			WIRING, Trailer Tow
3	56038 366AB	1	J, T		74			CONNECTOR, 7 Way
4	0154 633	1	J, T		74			SCREW, .164-18x.625
5	6016 155	1	J, T		74			STRAP, Tie



<b>JEEP GRAND CHEROKEE (WJ)</b>				
SERIES	LINE	BODY	ENGINE	TRANSMISSION
H=Laredo	J = 4WD	74 = 4 Door(105.9 WB)	ER0, ERH = 4.0L, Power Tech I-6	DGK = 4 Speed Autm, 42RE
P=Limited	T = 2WD		EV0, EVA = 4.7L, Power Tech V8	DGW = 4 Speed Automatic, -44RE
	U = 4WD (RHD)		EXA, EX0 = 3.1L, 5 Cyl Turbo Diesel	DG4 = Multi Speed Automatic, -45RFE
				DGO = All Automatic

AR = Use as required - = Non illustrated part # = New this model year

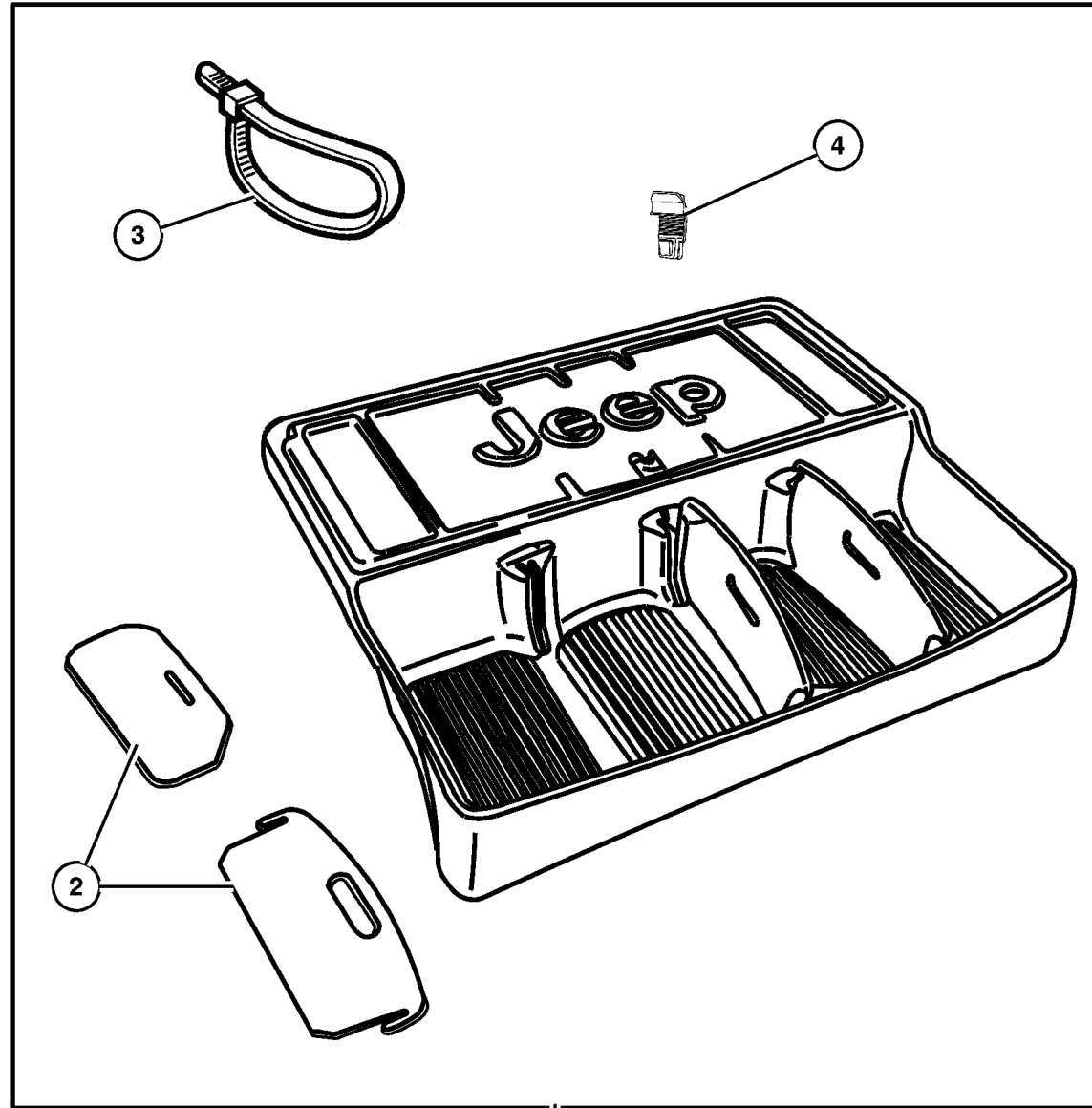
September 14, 2002

**Box Kit - Storage (Interior)  
Figure 001-260**

ITEM	PART NUMBER	QTY	LINE	SERIES	BODY	ENGINE	TRANS	DESCRIPTION
------	-------------	-----	------	--------	------	--------	-------	-------------

NOTE: Mounts Behind Rear Seat. Box is approximately 45" W/18"D/8"H. The tray is located between the box & liftgate - Molded unit has lockable area.

1	8220 5010	1	J, T		74			BOX KIT, Storage-Interior, Consists of: Items 2 thru 4
2	5016 544AA	1	J, T		74			DIVIDER KIT, Cargo, Drop-in Dividers: 4 Total: 2-Front, 2-Rear
3	5016 545AA	1	J, T		74			STRAP, Cargo Tie Down, Used to Attach Box to Load Floor
4	5016 546AA	1	J, T		74			LOCK KIT, Storage, Consists of: Keys & Cylinder



1

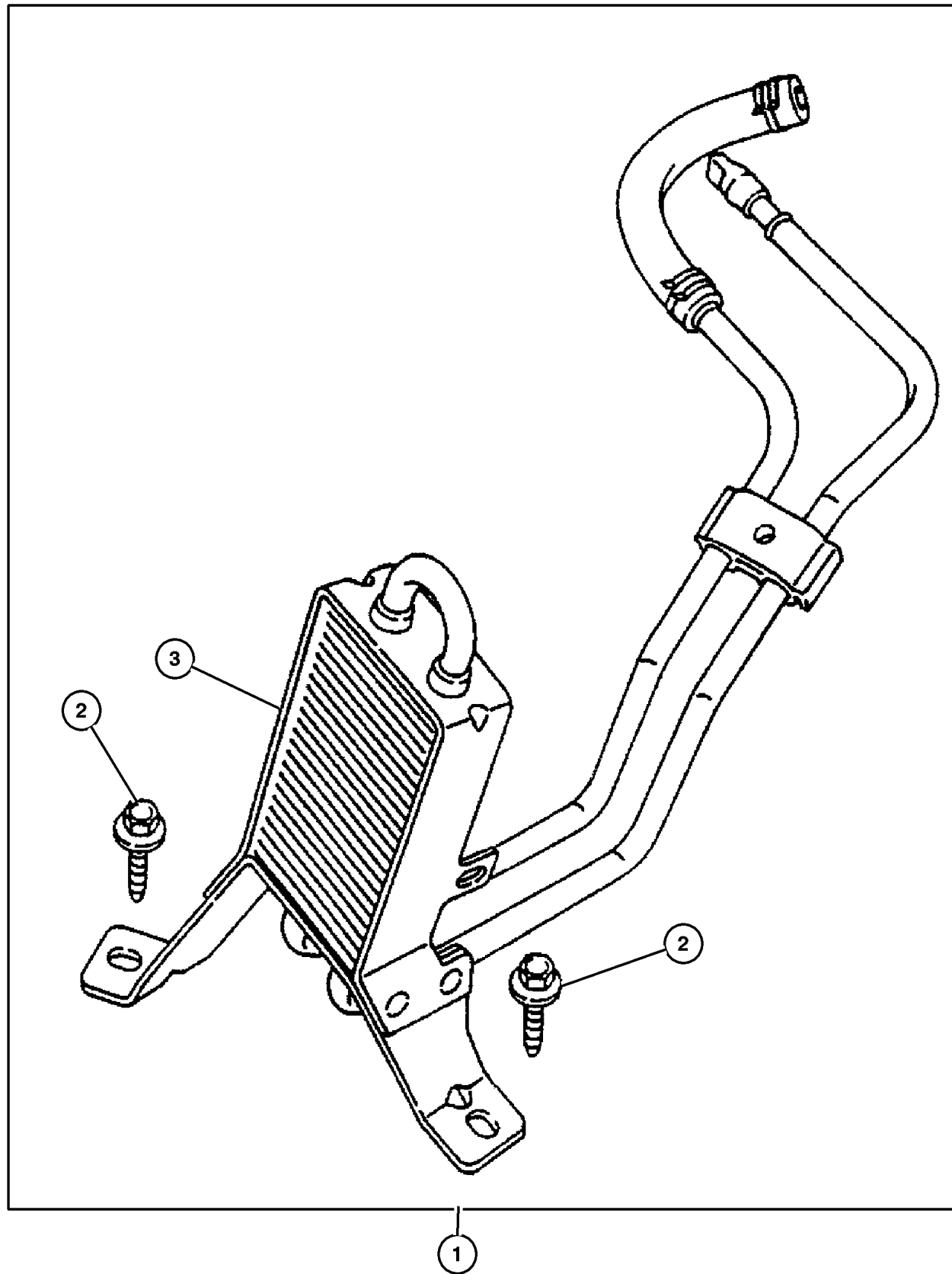
**JEEP GRAND CHEROKEE (WJ)**

SERIES	LINE	BODY	ENGINE	TRANSMISSION
H=Laredo	J = 4WD	74 = 4 Door(105.9 WB)	ER0, ERH = 4.0L, Power Tech I-6	DGK = 4 Speed Autm, 42RE
P=Limited	T = 2WD		EVO, EVA = 4.7L, Power Tech V8	DGW = 4 Speed Automatic, -44RE
	U = 4WD (RHD)		EXA, EX0 = 3.1L, 5 Cyl Turbo Diesel	DG4 = Multi Speed Automatic, -45RFE
				DGO = All Automatic

AR = Use as required - = Non illustrated part # = New this model year

September 14, 2002

## Cooler Package - Power Steering Figure 001-265



ITEM	PART NUMBER	QTY	LINE	SERIES	BODY	ENGINE	TRANS	DESCRIPTION
------	-------------	-----	------	--------	------	--------	-------	-------------

NOTE: Required for Trailer Towing with 4.7L Engine

1	8220 4498	1	J, T		74			COOLER PACKAGE, Power Steering
2	6101 777	1	J, T		74			SCREW, Hex Flange Head Tapping, M6x1.00x20.00
3	52088 618AB	1	J, T		74			COOLER, Power Steering

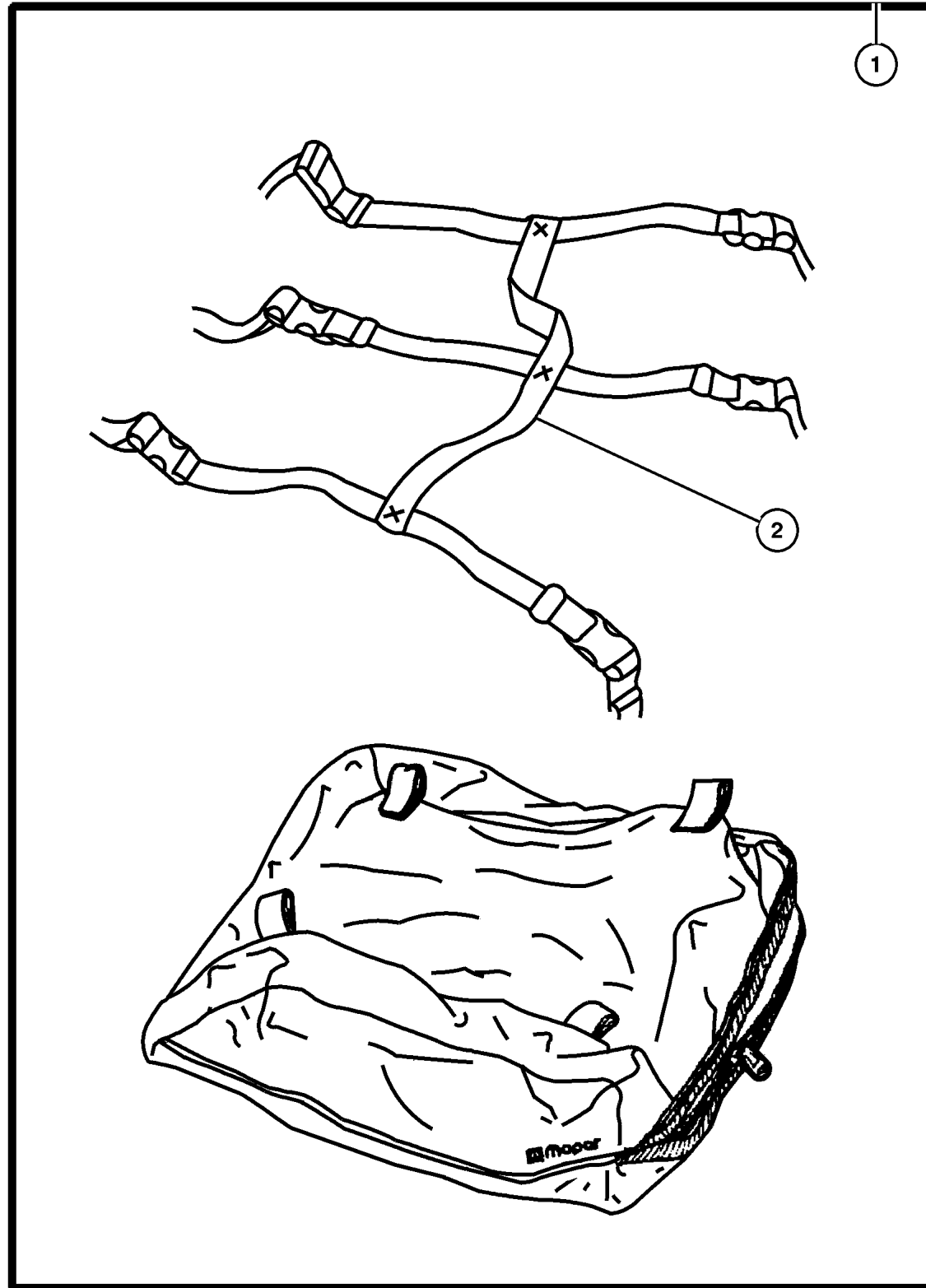
### JEEP GRAND CHEROKEE (WJ)

SERIES	LINE	BODY	ENGINE	TRANSMISSION
H=Laredo	J = 4WD	74 = 4 Door(105.9 WB)	ER0, ERH = 4.0L, Power Tech I-6	DGK = 4 Speed Autm, 42RE
P=Limited	T = 2WD		EV0, EVA = 4.7L, Power Tech V8	DGW = 4 Speed Automatic, -44RE
	U = 4WD (RHD)		EXA, EX0 = 3.1L, 5 Cyl Turbo Diesel	DG4 = Multi Speed Automatic, -45RFE
				DGO = All Automatic

AR = Use as required - = Non illustrated part # = New this model year

September 14, 2002

Luggage Carrier - Roof Mount  
Figure 001-274



ITEM	PART NUMBER	QTY	LINE	SERIES	BODY	ENGINE	TRANS	DESCRIPTION
------	-------------	-----	------	--------	------	--------	-------	-------------

NOTE: Requires Roof Rack.

1	8220 4344	1	J, T		74			CARRIER KIT, Luggage
2	5066 332AA	1	J, T		74			STRAP KIT, Luggage Carrier

JEEP GRAND CHEROKEE (WJ)

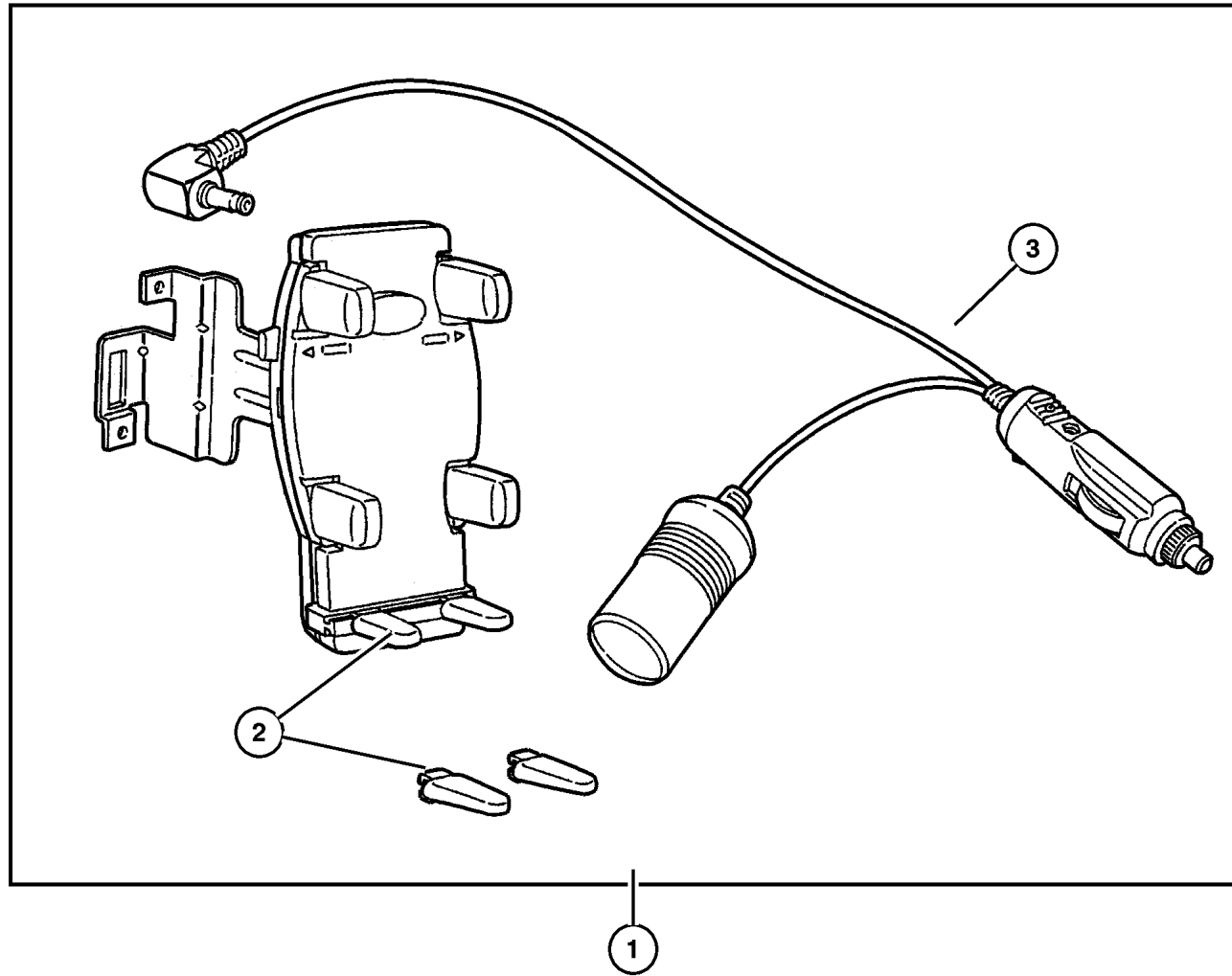
SERIES	LINE	BODY	ENGINE	TRANSMISSION
H=Laredo	J = 4WD	74 = 4 Door(105.9 WB)	ER0, ERH = 4.0L, Power Tech I-6	DGK = 4 Speed Autm, 42RE
P=Limited	T = 2WD		EVO, EVA = 4.7L, Power Tech V8	DGW = 4 Speed Automatic, -44RE
	U = 4WD (RHD)		EXA, EX0 = 3.1L, 5 Cyl Turbo Diesel	DG4 = Multi Speed Automatic, -45RFE
				DGO = All Automatic

AR = Use as required - = Non illustrated part # = New this model year

September 14, 2002

## Mounting Kit - Cellular Phone Figure 001-310

ITEM	PART NUMBER	QTY	LINE	SERIES	BODY	ENGINE	TRANS	DESCRIPTION
NOTE; Smart Holder and Bracket Assy. with Jeep Logo, Bracket to be black powder coated low gloss.								
NOTE: Holds any wireless handset. Installs to instrument panel.								
1	8220 4332	1						MOUNTING KIT, Cellular Phone, Consists of: Smart Holder, Bracket Assy., Power Cord, Extra Set of Long Support Feet.
2	5016 520AA	1	J, T		74			HARDWARE KIT, Accessory, Consists of: Long & Short Support Feet.
3	5016 536AA	1						CORD, Cellular Phone, 18' Long 'Y' Accessory Feed to Plug in another 12V Accessory.



JEEP GRAND CHEROKEE (WJ)				
SERIES	LINE	BODY	ENGINE	TRANSMISSION
H=Laredo	J = 4WD	74 = 4 Door(105.9 WB)	ER0, ERH = 4.0L, Power Tech I-6	DGK = 4 Speed Autm, 42RE
P=Limited	T = 2WD		EVO, EVA = 4.7L, Power Tech V8	DGW = 4 Speed Automatic, -44RE
	U = 4WD (RHD)		EXA, EX0 = 3.1L, 5 Cyl Turbo Diesel	DG4 = Multi Speed Automatic, -45RFE
				DGO = All Automatic

AR = Use as required - = Non illustrated part # = New this model year

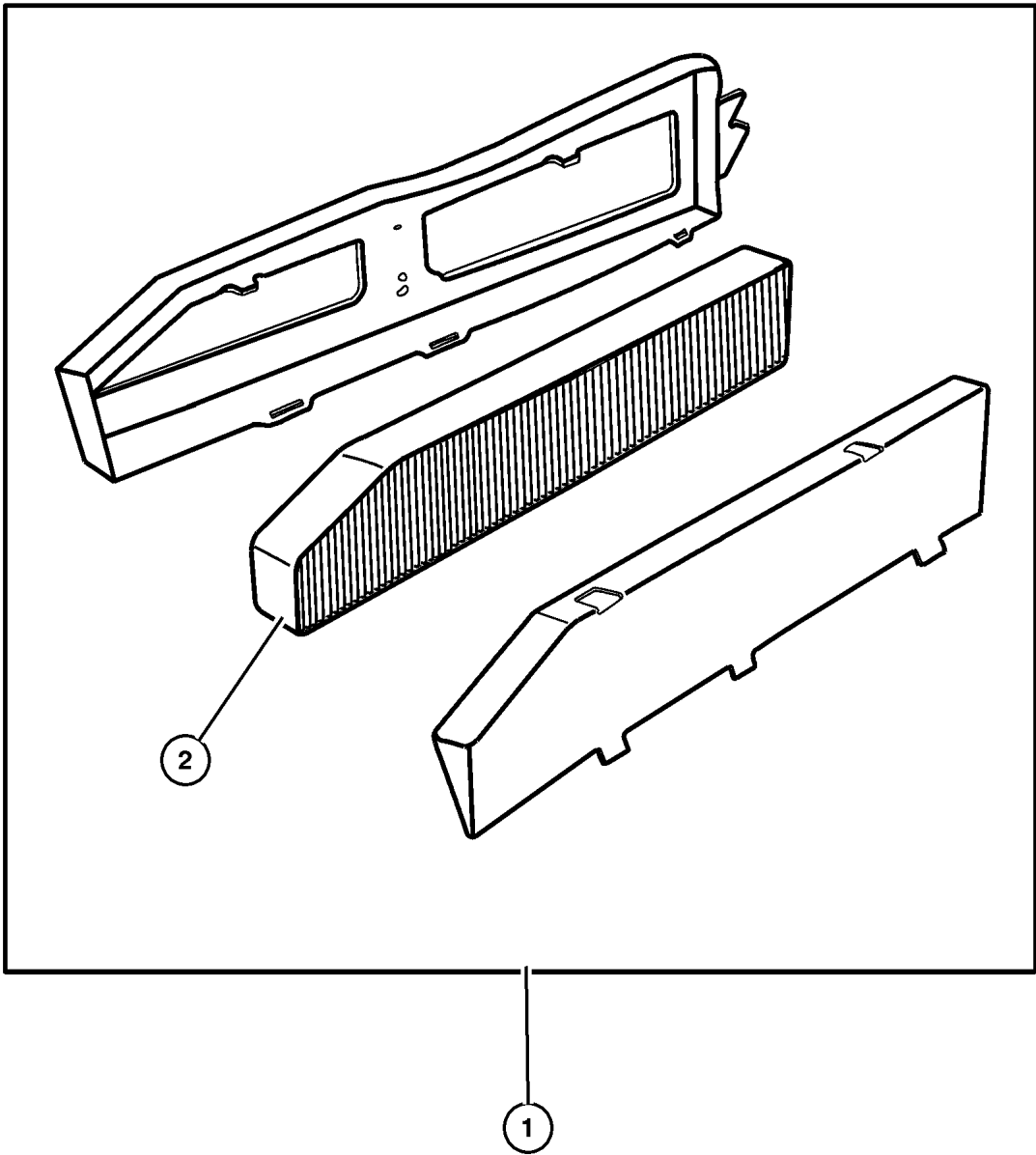
September 14, 2002

**Filter Kit - Cabin Air**  
**Figure 001-315**

ITEM	PART NUMBER	QTY	LINE	SERIES	BODY	ENGINE	TRANS	DESCRIPTION
------	-------------	-----	------	--------	------	--------	-------	-------------

NOTE: Triple layer filters install in the fresh air intake within the plenum area. Reduces pollen, mold & other allergens.  
 NOTE: Heating, ventilating & air conditioning continue to function as designed. Recommended service 2yrs/24,000 miles.

1	8220 4691	1	J, T		74			FILTER KIT, Cabin Air
2	5013 595AA	1	J, T		74			FILTER, Air



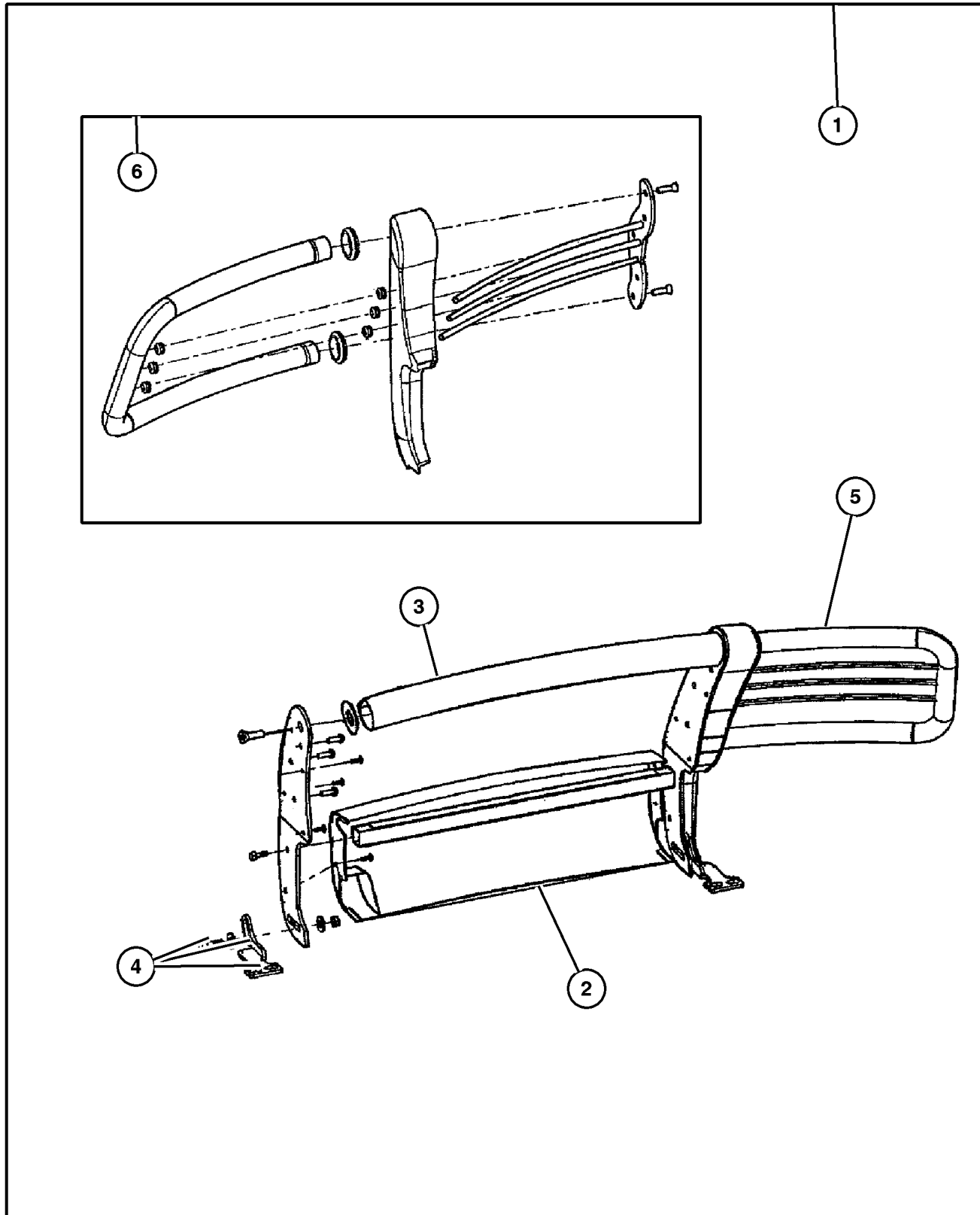
JEEP GRAND CHEROKEE (WJ)				
SERIES	LINE	BODY	ENGINE	TRANSMISSION
H=Laredo	J = 4WD	74 = 4 Door(105.9 WB)	ER0, ERH = 4.0L, Power Tech I-6	DGK = 4 Speed Autm, 42RE
P=Limited	T = 2WD		EVO, EVA = 4.7L, Power Tech V8	DGW = 4 Speed Automatic, -44RE
	U = 4WD (RHD)		EXA, EX0 = 3.1L, 5 Cyl Turbo Diesel	DG4 = Multi Speed Automatic, -45RFE
				DGO = All Automatic

AR = Use as required - = Non illustrated part # = New this model year

September 14, 2002



**Brush Guards  
Figure 001-410**



ITEM	PART NUMBER	QTY	LINE	SERIES	BODY	ENGINE	TRANS	DESCRIPTION
1								GUARD KIT, Brush
	8220 5161	1	J, T		74			Medium Driftwood
	8220 5162	1	J, T		74			Black Steel
	8220 5163	1	J, T		74			Natural Aluminum
	8220 5164	1	J, T		74			Chromed Steel
	#8220 5223	1	J, T		74			Dark Gray [XS9]
2								COVER, Grille Guard Lower
	5016 829AA	1	J, T		74			Black
	5016 830AA	1	J, T		74			Driftwood
	#5016 832AA	1	J, T		74			Dark Gray
3	5016 833AA	1	J, T		74			CROSS BAR, Grille Guard, Chrome
4	5016 849AA	1	J, T		74			BRACKET KIT, Brush/Grille Guard
5								GUARD, Brush - Right Side
	5016 858AA	1	J, T		74			Medium Driftwood
	5016 860AA	1	J, T		74			Black
	5016 862AA	1	J, T		74			Natural Aluminum
	5016 864AA	1	J, T		74			Chromed
	#5016 866AA	1	J, T		74			Dark Gray [XS9]
6								GUARD, Brush - Left Side
	5016 861AA	1	J, T		74			Black
	5016 863AA	1	J, T		74			Natural Aluminum
	5016 865AA	1	J, T		74			Chromed
	#5016 867AA	1	J, T		74			Dark Gray [XS9]

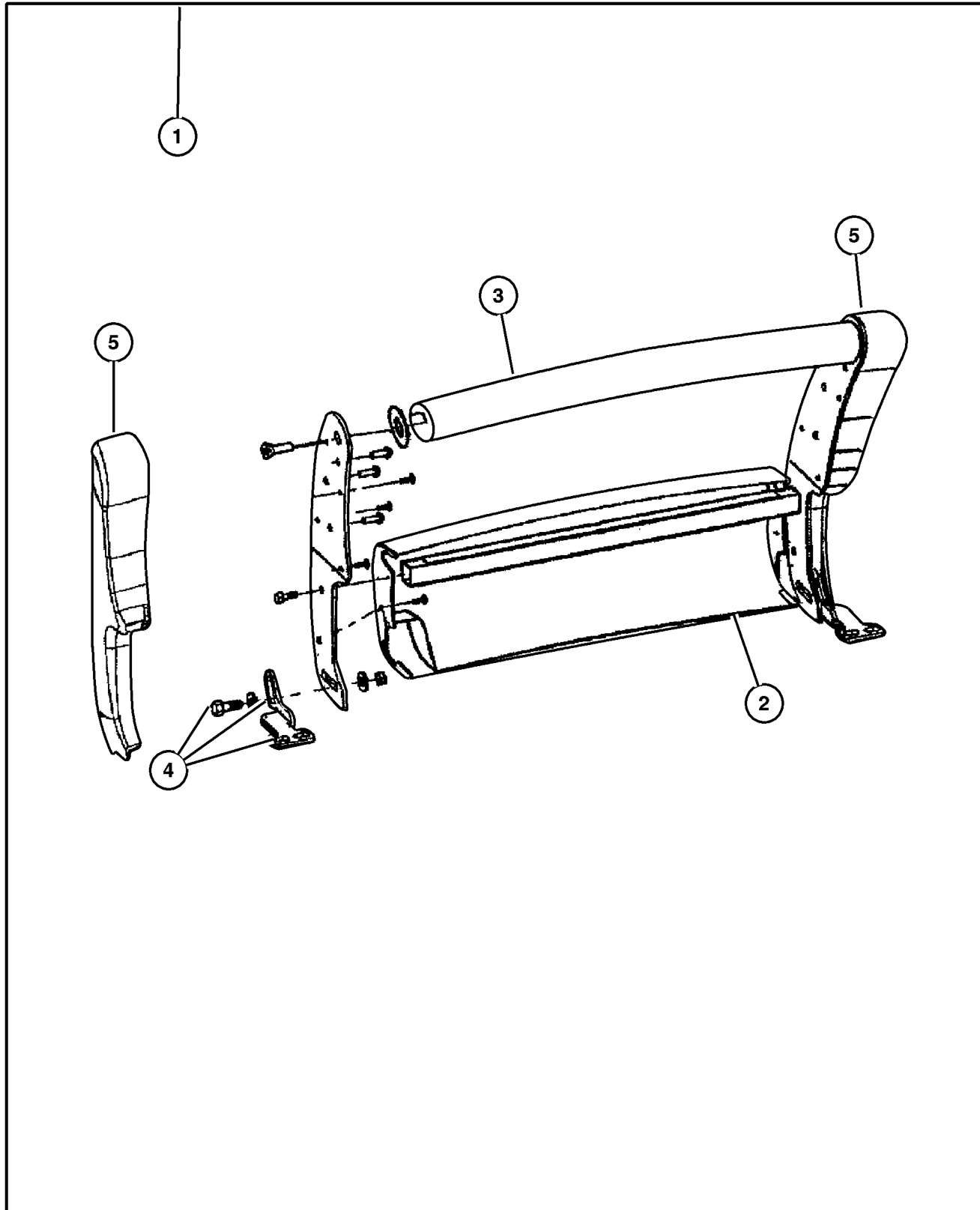
**JEEP GRAND CHEROKEE (WJ)**

SERIES	LINE	BODY	ENGINE	TRANSMISSION
H=Laredo	J = 4WD	74 = 4 Door(105.9 WB)	ER0, ERH = 4.0L, Power Tech I-6	DGK = 4 Speed Autm, 42RE
P=Limited	T = 2WD		EV0, EVA = 4.7L, Power Tech V8	DGW = 4 Speed Automatic, -44RE
	U = 4WD (RHD)		EXA, EX0 = 3.1L, 5 Cyl Turbo Diesel	DG4 = Multi Speed Automatic, -45RFE
				DGO = All Automatic

AR = Use as required - = Non illustrated part # = New this model year

September 14, 2002

**Grille Guards  
Figure 001-412**



ITEM	PART NUMBER	QTY	LINE	SERIES	BODY	ENGINE	TRANS	DESCRIPTION
NOTE: Bracket Kit also includes 2-Upper Stiffener Brackets.								
1	8220 4590	1	J, T		74			GUARD KIT, Grille Chromed Steel
	8220 4591	1	J, T		74			Natural Aluminum
	8220 4592	1	J, T		74			Black Steel
	8220 4594	1	J, T		74			Medium Driftwood
	#8220 5222	1	J, T		74			Dark Gray
2	5016 829AA	1	J, T		74			COVER, Grille Guard Lower Black
	5016 830AA	1	J, T		74			Driftwood
	#5016 832AA	1	J, T		74			Dark Gray
3	5016 833AA	1	J, T		74			CROSS BAR, Grille Guard, Chrome
4	5016 849AA	1	J, T		74			BRACKET KIT, Brush/Grille Guard
5	5016 834AA	1	J, T		74			COVER, Grille Guard Side Black, Right
	5016 835AA	1	J, T		74			Black, Left
	5016 836AA	1	J, T		74			Driftwood, Right
	5016 837AA	1	J, T		74			Driftwood, Left
	#5016 840AA	1	J, T		74			Dark Gray, Right
	#5016 841AA	1	J, T		74			Dark Gray, Left

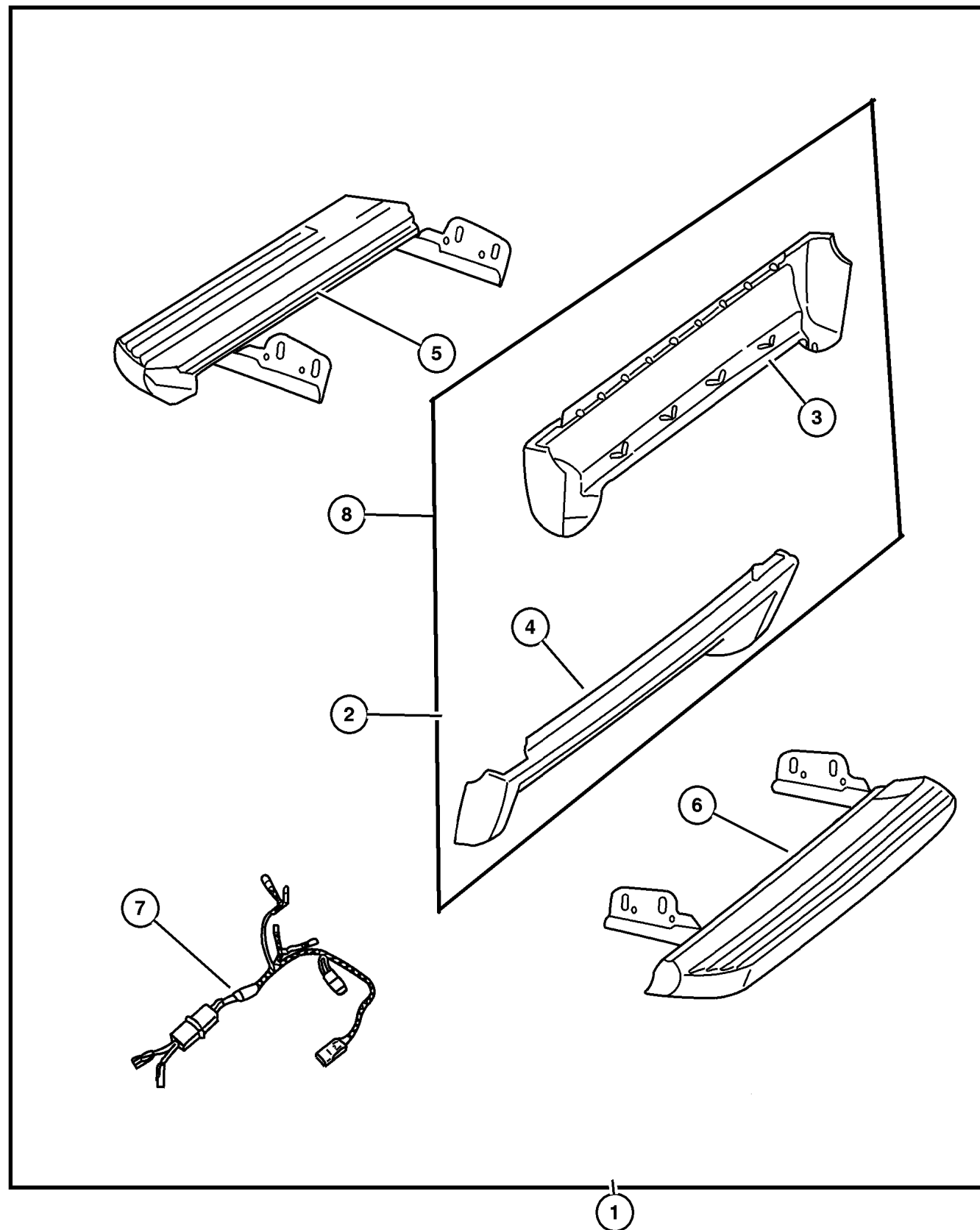
**JEEP GRAND CHEROKEE (WJ)**

SERIES	LINE	BODY	ENGINE	TRANSMISSION
H=Laredo	J = 4WD	74 = 4 Door(105.9 WB)	ER0, ERH = 4.0L, Power Tech I-6	DGK = 4 Speed Autm, 42RE
P=Limited	T = 2WD		EVO, EVA = 4.7L, Power Tech V8	DGW = 4 Speed Automatic, -44RE
	U = 4WD (RHD)		EXA, EX0 = 3.1L, 5 Cyl Turbo Diesel	DG4 = Multi Speed Automatic, -45RFE
				DGO = All Automatic

AR = Use as required - = Non illustrated part # = New this model year

September 14, 2002

Running Boards  
Figure 001-430



ITEM	PART NUMBER	QTY	LINE	SERIES	BODY	ENGINE	TRANS	DESCRIPTION
1	8220 4577	1	J, T		74			RUNNING BOARD KIT, Full
2	#8220 5219	1			74			CLADDING KIT, Running Board, Laredo, without Lights
3								CLADDING, Running Board, Right Side
	#5016 586AA	1	J, T		74			Right Hand, without Lights, Laredo
	#5016 592AA	1	J, T		74			Right Hand, with Lights, Laredo
	5016 348AA	1	J, T		74			Right Hand, without Lights, Limited
	5016 350AA	1	J, T		74			Right Hand, with Lights, Limited
4								CLADDING, Running Board, Left Side
	#5016 587AA	1	J, T		74			Left Hand, without Lights, Laredo
	#5016 593AA	1	J, T		74			Left Hand, with Lights, Laredo
	5016 349AA	1	J, T		74			Left Hand without Lights, Limited
	5016 351AA	1	J, T		74			Left Hand with Lights, Limited
5	5016 364AA	1	J, T		74			RUNNING BOARD, Right Side
6	5016 365AA	1	J, T		74			RUNNING BOARD, Left Side
7	5016 347AA	1	J, T		74			MODULE, Running Board Light
8								CLADDING KIT, Underside
	#8220 5723	1	J, T		74			Limited, with Lights (Shale Green)
	#8220 5725	1	J, T		74			Limited, without Lights, (Shale Green)
	#8220 5724	1	J, T		74			Limited, with Lights, (Silverstone)
	#8220 5726	1	J, T		74			Limited, without Lights, (Silverstone)

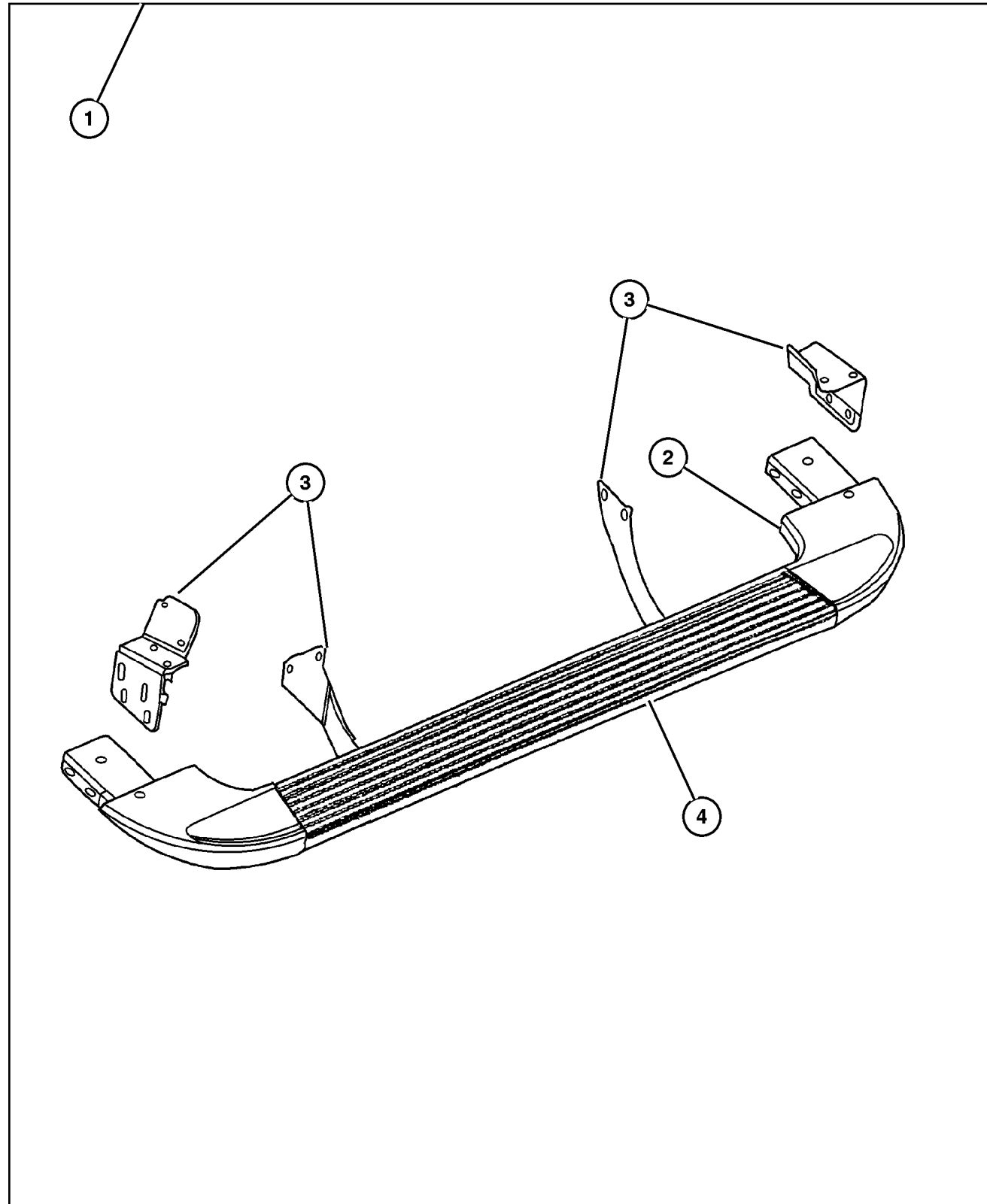
JEEP GRAND CHEROKEE (WJ)

SERIES	LINE	BODY	ENGINE	TRANSMISSION
H=Laredo	J = 4WD	74 = 4 Door(105.9 WB)	ER0, ERH = 4.0L, Power Tech I-6	DGK = 4 Speed Autm, 42RE
P=Limited	T = 2WD		EV0, EVA = 4.7L, Power Tech V8	DGW = 4 Speed Automatic, -44RE
	U = 4WD (RHD)		EXA, EX0 = 3.1L, 5 Cyl Turbo Diesel	DG4 = Multi Speed Automatic, -45RFE
				DGO = All Automatic

AR = Use as required - = Non illustrated part # = New this model year

September 14, 2002

## Side Step Kit Figure 001-432



ITEM	PART NUMBER	QTY	LINE	SERIES	BODY	ENGINE	TRANS	DESCRIPTION
------	-------------	-----	------	--------	------	--------	-------	-------------

NOTE: Step Kit will service either Right or Left Side. Support Brackets vary from side to side and by Trim Level and must be ordered separately if needed.

1	8220 4595	1	J, T		74			STEP KIT, Tubular Side Laredo only (Chrome)
	8220 4596	1	J, T		74			Laredo only (Driftwood)
	8220 4598	1	J, T		74			Laredo only (Black)
	8220 4599	1	J, T		74			Laredo only (Aluminum)
	8220 4767	1	J, T		74			Limited only (Chrome)
	8220 4768	1	J, T		74			Limited only (Black)
	8220 4769	1	J, T		74			Limited only (Aluminum)
2								STEP KIT, Side, Must Order Support Brackets Separately
	5016 656AA	1	J, T		74			Use with 82204595, 82204767 (Chrome)
	5016 658AA	1	J, T		74			Use with 82204598, 82204768 (Black)
	5016 659AA	1	J, T		74			Use with 82204596 (Driftwood)
	5016 660AA	1	J, T		74			Use with 82204599, 82204769 (Aluminum)
3								BRACKET KIT, Side Step
	5016 662AA	1	J, T		74			Use with 82204767, 82204768, 82204769 Limited only
	5016 663AA	1	J, T		74			Use with 82204767, 82204769 82204768 Limited only
	5016 664AA	1	J, T		74			Use with 82204595, 82204596, 82204598, 82204599 Laredo only
	5016 665AA	1	J, T		74			Use with 82204595, 82204596, 82204598, 82204599 Laredo only.
4	5016 655AA	1	J, T		74			STEP PAD, Side Step, Fits Both Sides

### JEEP GRAND CHEROKEE (WJ)

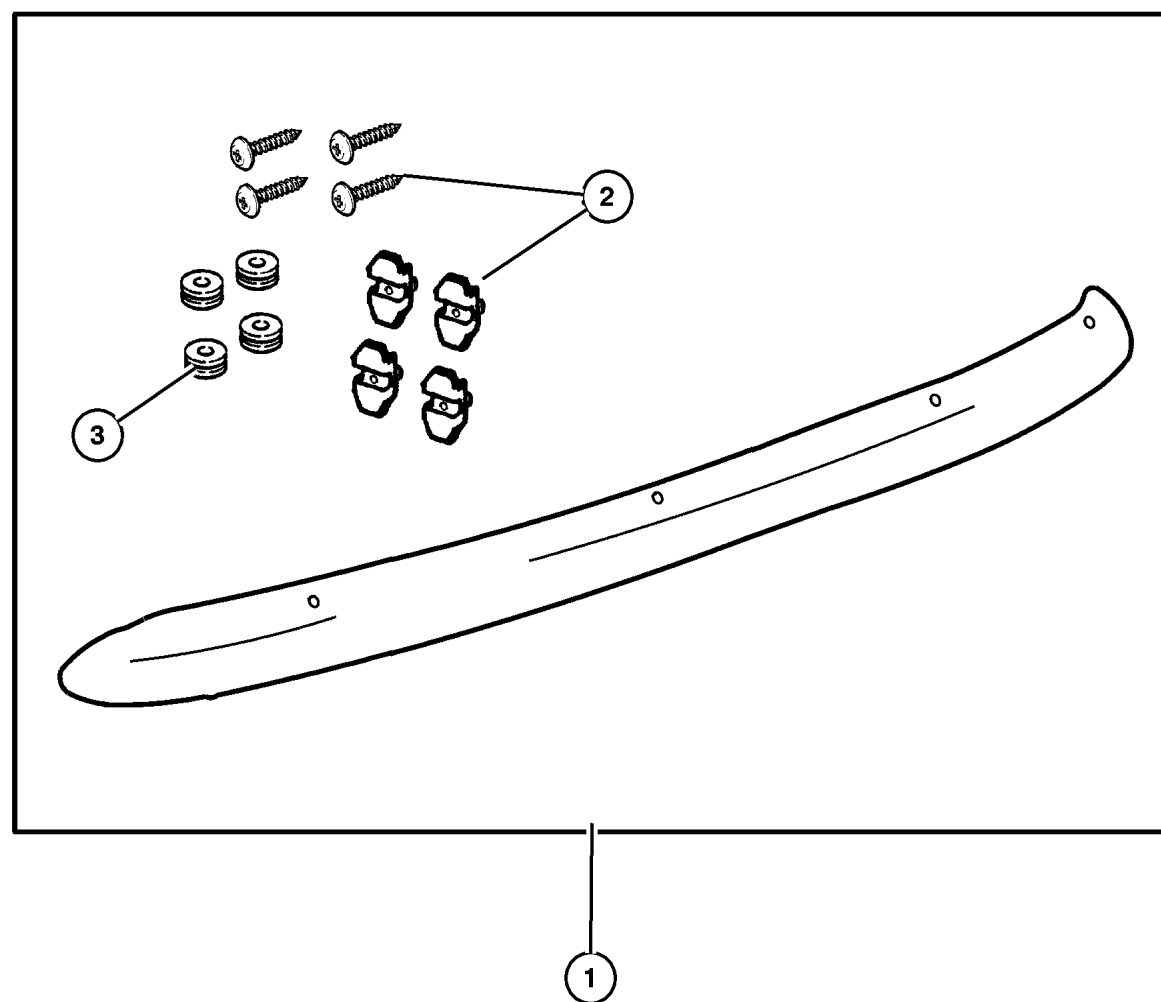
SERIES	LINE	BODY	ENGINE	TRANSMISSION
H=Laredo	J = 4WD	74 = 4 Door(105.9 WB)	ER0, ERH = 4.0L, Power Tech I-6	DGK = 4 Speed Autm, 42RE
P=Limited	T = 2WD		EVO, EVA = 4.7L, Power Tech V8	DGW = 4 Speed Automatic, -44RE
	U = 4WD (RHD)		EXA, EX0 = 3.1L, 5 Cyl Turbo Diesel	DG4 = Multi Speed Automatic, -45RFE
				DGO = All Automatic

AR = Use as required - = Non illustrated part # = New this model year

September 14, 2002

**Shield Kit, Air Front  
Figure 001-510**

ITEM	PART NUMBER	QTY	LINE	SERIES	BODY	ENGINE	TRANS	DESCRIPTION
NOTE: Shield Kit - Color Smoke, Material Lexan.								
1	8220 4314	1	J, T		74			SHIELD KIT, Air - Front
2	5016 373AA	1	J, T		74			RETAINER, Accessories, Consists of: 4- Plastic Retainers, 4-Screws to hold deflector to underside of sheet metal of hood
3	5014 754AA	1	J, T		74			SPACER, Air Deflector



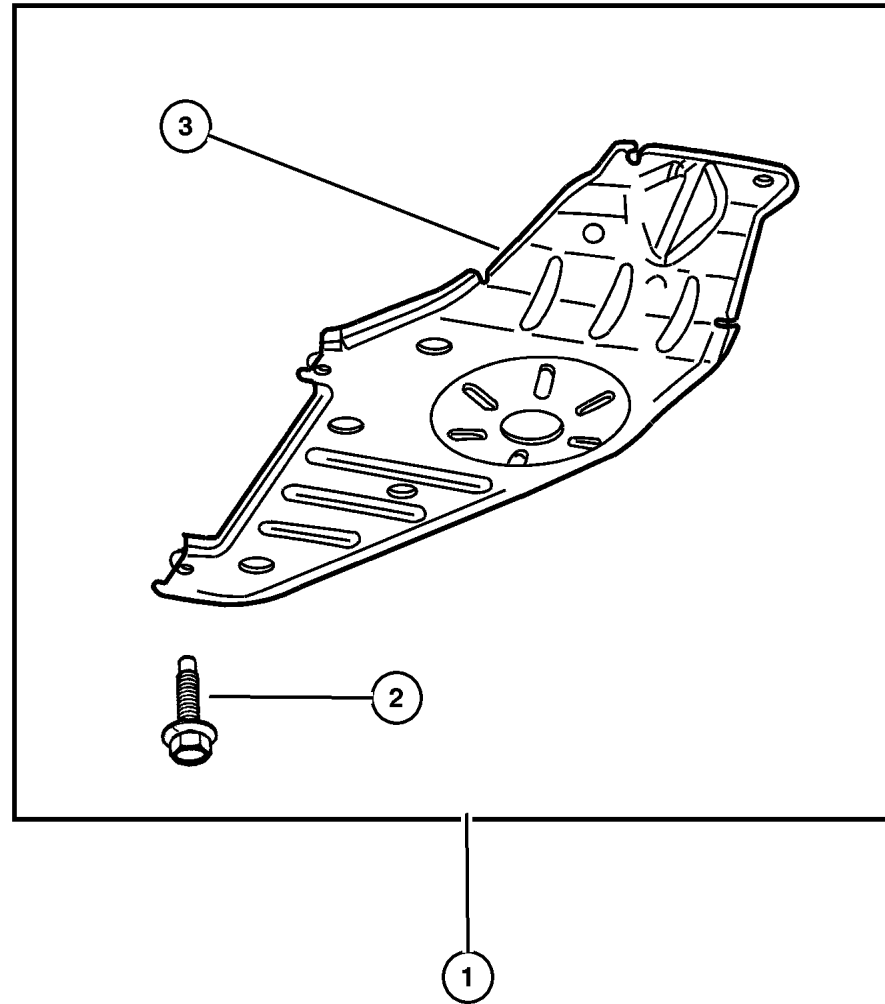
<b>JEEP GRAND CHEROKEE (WJ)</b>				
SERIES	LINE	BODY	ENGINE	TRANSMISSION
H=Laredo	J = 4WD	74 = 4 Door(105.9 WB)	ER0, ERH = 4.0L, Power Tech I-6	DGK = 4 Speed Autm, 42RE
P=Limited	T = 2WD		EVO, EVA = 4.7L, Power Tech V8	DGW = 4 Speed Automatic, -44RE
	U = 4WD (RHD)		EXA, EX0 = 3.1L, 5 Cyl Turbo Diesel	DG4 = Multi Speed Automatic, -45RFE
				DGO = All Automatic

AR = Use as required - = Non illustrated part # = New this model year

September 14, 2002

Plate Package - Skid  
Figure 001-515

ITEM	PART NUMBER	QTY	LINE	SERIES	BODY	ENGINE	TRANS	DESCRIPTION
1	8220 4489	1	J		74			PLATE PACKAGE, Skid - Transfer Case
2	6503 571	1	J		74			SCREW AND WASHER, M10x1.50x35
3	5205 8922	1	J		74			SKID PLATE, Transfer Case
-4	52100 376AB	1	J, T		74			SKID PLATE, Fuel Tank
-5	8220 4488	1	J, T		74			PLATE PACKAGE, Skid - Front



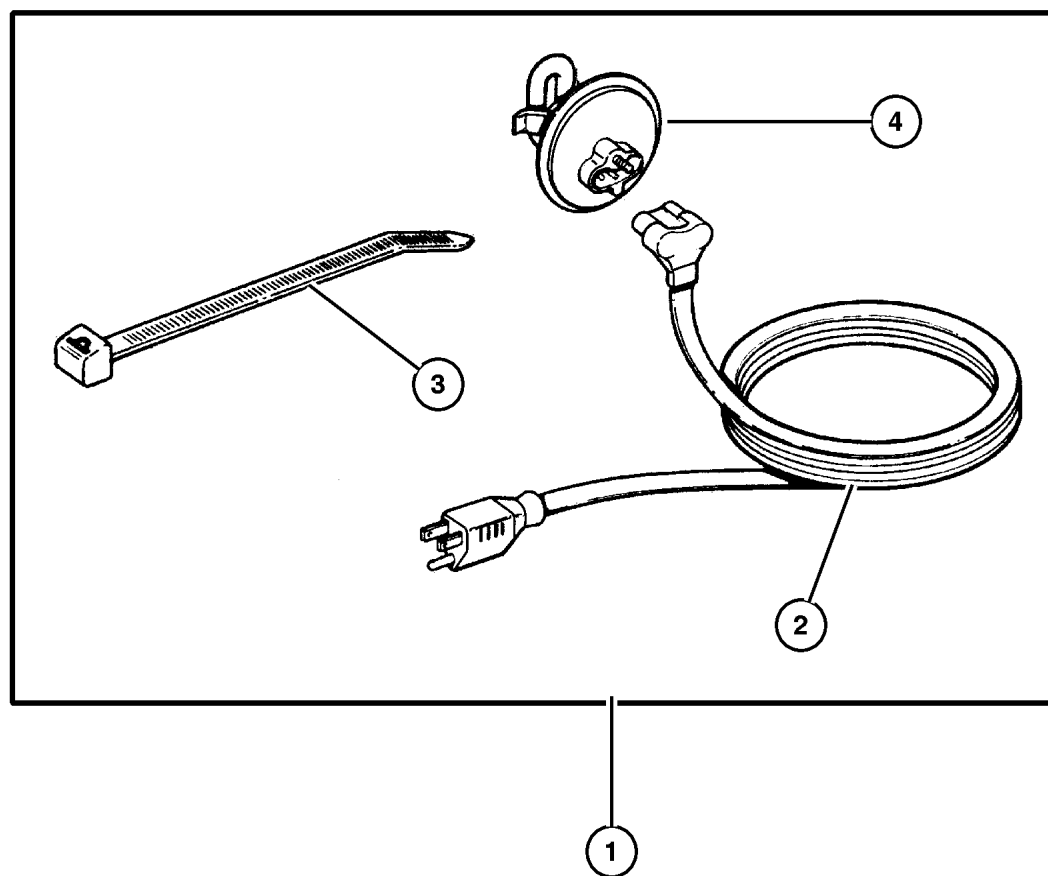
<b>JEEP GRAND CHEROKEE (WJ)</b>				
SERIES	LINE	BODY	ENGINE	TRANSMISSION
H=Laredo	J = 4WD	74 = 4 Door(105.9 WB)	ER0, ERH = 4.0L, Power Tech I-6	DGK = 4 Speed Autm, 42RE
P=Limited	T = 2WD		EV0, EVA = 4.7L, Power Tech V8	DGW = 4 Speed Automatic, -44RE
	U = 4WD (RHD)		EXA, EX0 = 3.1L, 5 Cyl Turbo Diesel	DG4 = Multi Speed Automatic, -45RFE
				DGO = All Automatic

AR = Use as required - = Non illustrated part # = New this model year

September 14, 2002

## Heater Kit Figure 001-610

ITEM	PART NUMBER	QTY	LINE	SERIES	BODY	ENGINE	TRANS	DESCRIPTION
1	8220 1506	1	J, T		74			HEATER PACKAGE, Engine Block Consists of: Block Heater & Cord Set. Fits all 4.0L V6 Engines
	8220 3640	1	J, T		74			Consists of: Block Heater & Cord Set. Fits all 4.7L V8 Engines
2	J575 2677	1	J, T		74			CORD, Engine Block Heater 4.0L V6 Engines
	5602 7117	1	J, T		74			4.7L V8 Engines
3	4641 780	1	J, T		74			STRAP, Tie 4.0L V6 Engines
	5600 8876	1	J, T		74			4.7L V8 Engines
4	5300 9803	1	J, T		74			HEATER, Engine Block 4.0L V6 Engines
	56041 304AB	1	J, T		74			4.7L V8 Engines



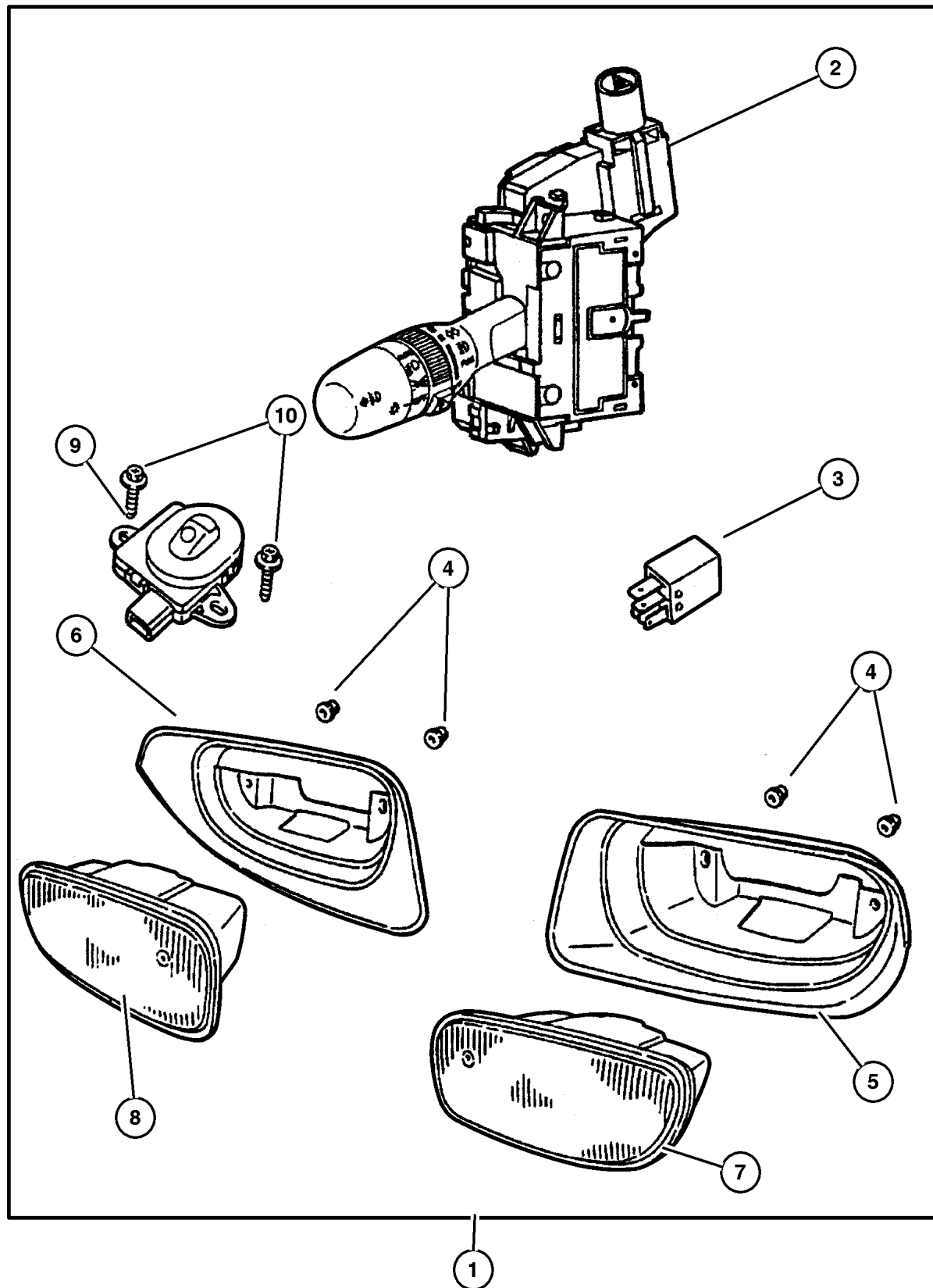
### JEEP GRAND CHEROKEE (WJ)

SERIES	LINE	BODY	ENGINE	TRANSMISSION
H=Laredo	J = 4WD	74 = 4 Door(105.9 WB)	ER0, ERH = 4.0L, Power Tech I-6	DGK = 4 Speed Autm, 42RE
P=Limited	T = 2WD		EV0, EVA = 4.7L, Power Tech V8	DGW = 4 Speed Automatic, -44RE
	U = 4WD (RHD)		EXA, EX0 = 3.1L, 5 Cyl Turbo Diesel	DG4 = Multi Speed Automatic, -45RFE
				DGO = All Automatic

AR = Use as required - = Non illustrated part # = New this model year

September 14, 2002

Light Pkg - Fog  
Figure 001-615



ITEM	PART NUMBER	QTY	LINE	SERIES	BODY	ENGINE	TRANS	DESCRIPTION
1	8220 4837	1	J, T		74			LIGHT PACKAGE, Fog
2	56042 302AE	1	J, T		74			SWITCH, Multifunction
3	4671 168	1	J, T		74			RELAY, Mini
4	3420 1358	4	J, T		74			NUT AND WASHER, Hex Nut-Sealing Washer, M6 x 1.00
5	8220 5214	1	J, T		74			BEZEL, Fog Lamp, Right Hand
6	8220 5215	1	J, T		74			BEZEL, Fog Lamp, Left Hand
7	5515 5137	1	J, T		74			LAMP, Fog, Use Replacement Bulb 00154834, Left
8	5515 5136	1	J, T		74			LAMP, Fog, Use Replacement Bulb 00154834, Right
9	56042 584AA	1	J, T		74			SENSOR, Headlamp
10	6101 946	1	J, T		74			SCREW, Tapping
-11	00AT M20	1	J, T		74			FUSE, Mini, 20 AMP, Yellow

JEEP GRAND CHEROKEE (WJ)

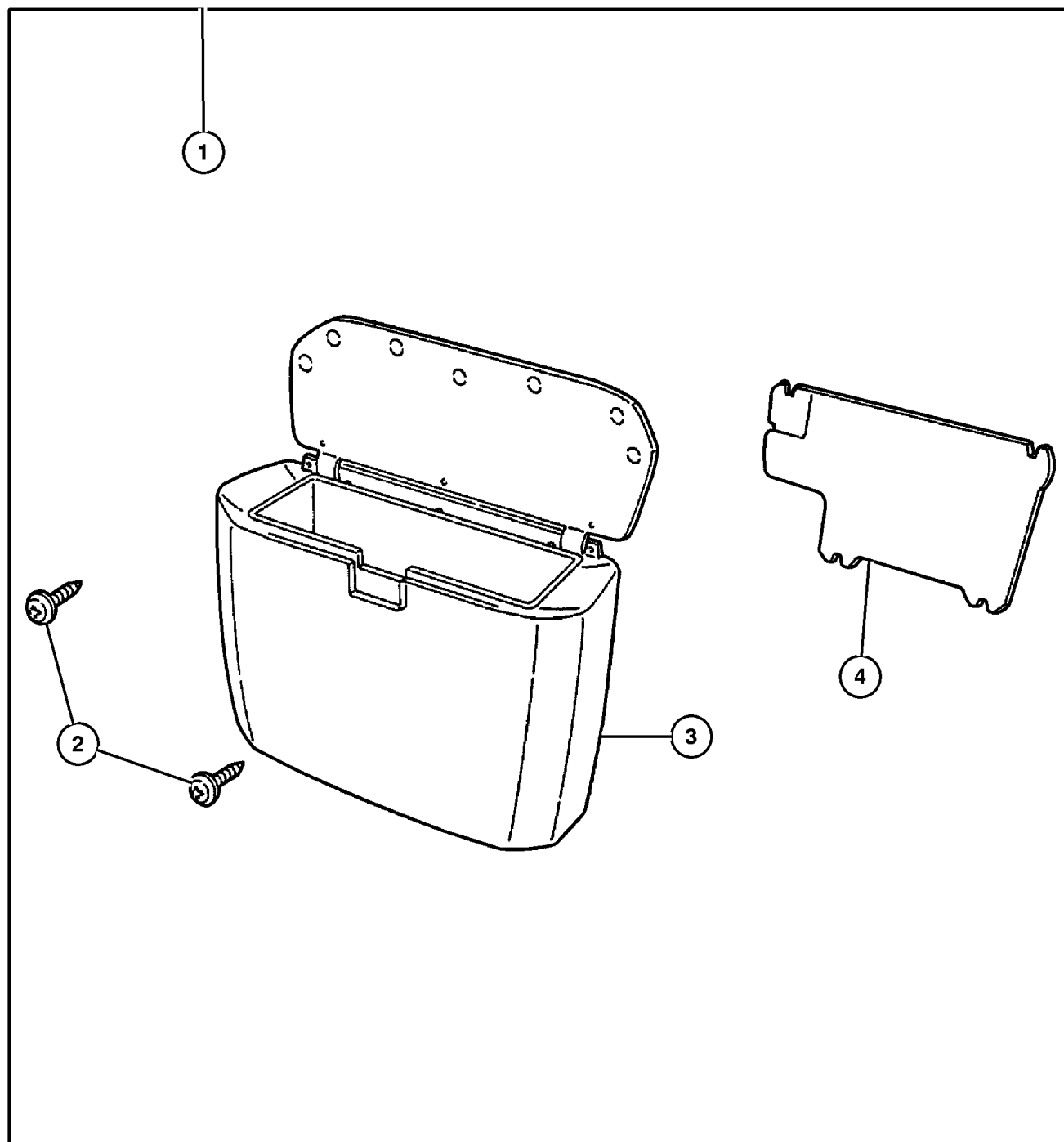
SERIES	LINE	BODY	ENGINE	TRANSMISSION
H=Laredo	J = 4WD	74 = 4 Door(105.9 WB)	ER0, ERH = 4.0L, Power Tech I-6	DGK = 4 Speed Autm, 42RE
P=Limited	T = 2WD		EVO, EVA = 4.7L, Power Tech V8	DGW = 4 Speed Automatic, -44RE
	U = 4WD (RHD)		EXA, EX0 = 3.1L, 5 Cyl Turbo Diesel	DG4 = Multi Speed Automatic, -45RFE
				DGO = All Automatic

AR = Use as required - = Non illustrated part # = New this model year

September 14, 2002



Console Package - Rear  
Figure 001-810



ITEM	PART NUMBER	QTY	LINE	SERIES	BODY	ENGINE	TRANS	DESCRIPTION
NOTE: For CD Changer. Rear Right Quarter Panel.								
1								CONSOLE PACKAGE, Rear
	8220 4624	1	J, T		74			Taupe
	8220 4626	1	J, T		74			Agate
	8220 4625	1	J, T		74			Camel
2	0153 921	1	J, T		74			SCREW
3								BIN, Storage
	5FW37 1AZAD	1						Agate
	5FW37 1K5AB	1	J, T		74			Camel
	5FW37 1L5AD	1						Taupe
4								COVER, Bolt
	5FY38 LAZAA	1						Agate
	5FY38 RK5AA	1						Camel
	5FY38 WL5AA	1						Taupe

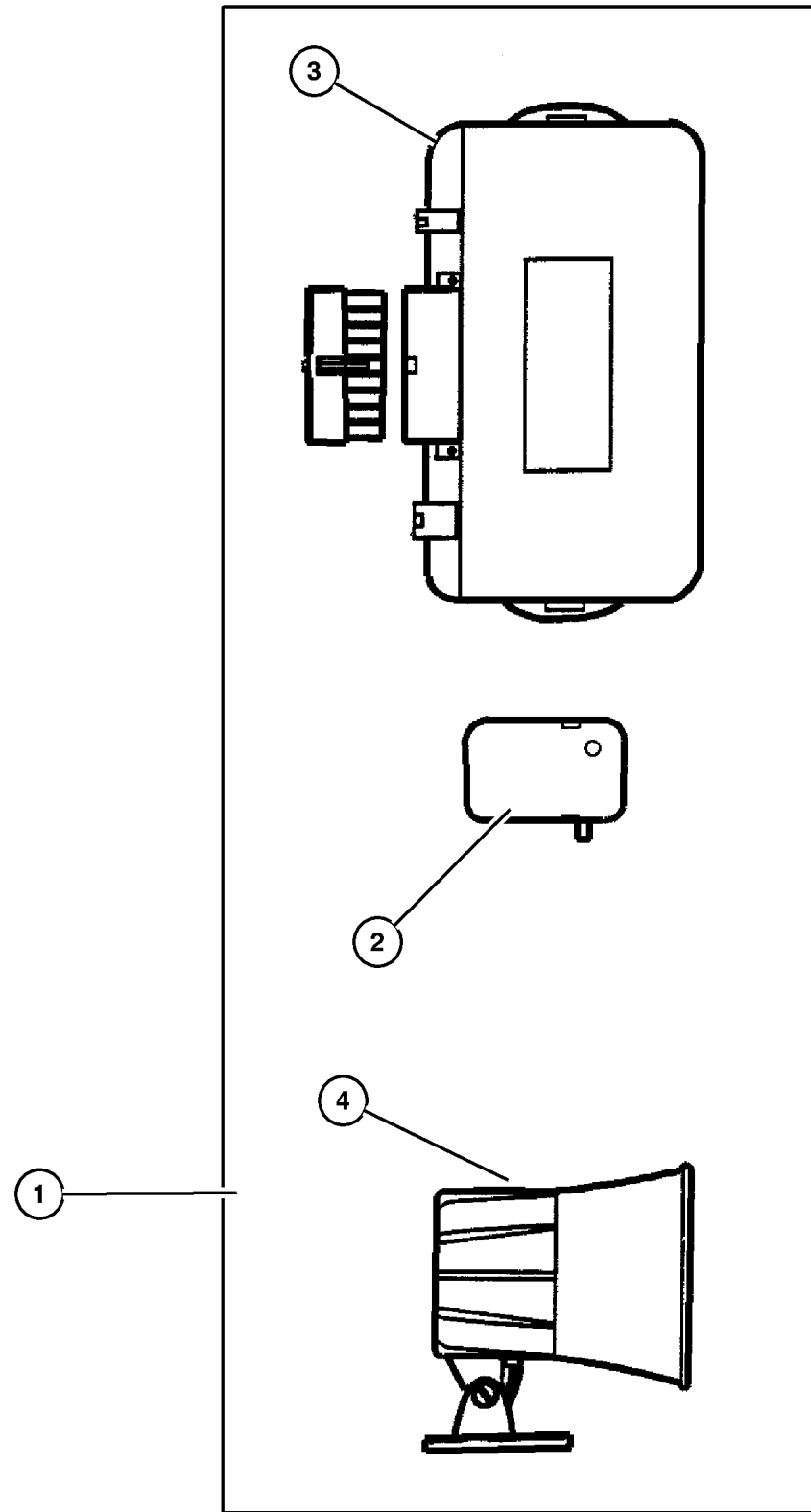
JEEP GRAND CHEROKEE (WJ)

SERIES	LINE	BODY	ENGINE	TRANSMISSION
H=Laredo	J = 4WD	74 = 4 Door(105.9 WB)	ER0, ERH = 4.0L, Power Tech I-6	DGK = 4 Speed Autm, 42RE
P=Limited	T = 2WD		EVO, EVA = 4.7L, Power Tech V8	DGW = 4 Speed Automatic, -44RE
	U = 4WD (RHD)		EXA, EX0 = 3.1L, 5 Cyl Turbo Diesel	DG4 = Multi Speed Automatic, -45RFE
				DGO = All Automatic

AR = Use as required - = Non illustrated part # = New this model year

September 14, 2002

**Module - Security Alarm  
Figure 001-910**



ITEM	PART NUMBER	QTY	LINE	SERIES	BODY	ENGINE	TRANS	DESCRIPTION
NOTE; Order Wiring separately.								
1	8220 4268	1	J, T		74			MODULE, Security Alarm
2	4886 261AB	1	J, T		74			SENSOR, Shock, With Connector
3	5011 619AA	1	J, T		74			MODULE, Security Alarm
4	8220 3198	1	J, T		74			SIREN, Alarm

**JEEP GRAND CHEROKEE (WJ)**

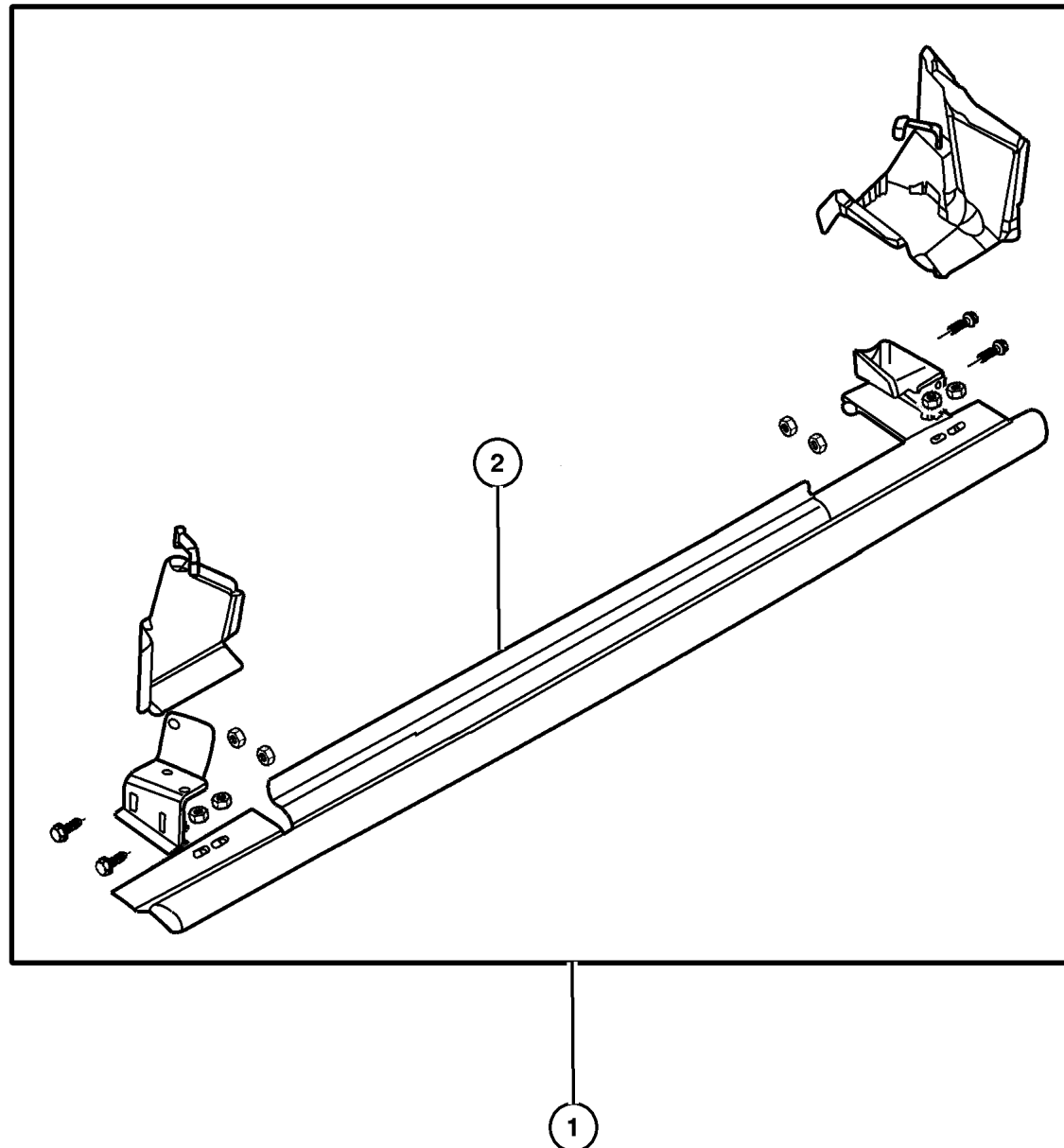
SERIES	LINE	BODY	ENGINE	TRANSMISSION
H=Laredo	J = 4WD	74 = 4 Door(105.9 WB)	ER0, ERH = 4.0L, Power Tech I-6	DGK = 4 Speed Autm, 42RE
P=Limited	T = 2WD		EVO, EVA = 4.7L, Power Tech V8	DGW = 4 Speed Automatic, -44RE
	U = 4WD (RHD)		EXA, EX0 = 3.1L, 5 Cyl Turbo Diesel	DG4 = Multi Speed Automatic, -45RFE
				DGO = All Automatic

AR = Use as required - = Non illustrated part # = New this model year

September 14, 2002

**Guard, Rock Rails**  
**Figure 001-1010**

ITEM	PART NUMBER	QTY	LINE	SERIES	BODY	ENGINE	TRANS	DESCRIPTION
NOTE: Brackets and Mounting Hardware Included.								
1	8220 4660	1	J, T		74			GUARD KIT, Bodyside Laredo
	8220 4661	1	J, T		74			Limited
2								GUARD, Bodyside
	5016 850AA	1	J, T		74			Laredo, Right Hand
	5016 851AA	1	J, T		74			Laredo, Left Hand
	5017 516AA	1	J, T		74			Limited, Right Hand
	5017 517AA	1	J, T		74			Limited, Left Hand



<b>JEEP GRAND CHEROKEE (WJ)</b>				
SERIES	LINE	BODY	ENGINE	TRANSMISSION
H=Laredo	J = 4WD	74 = 4 Door(105.9 WB)	ER0, ERH = 4.0L, Power Tech I-6	DGK = 4 Speed Autm, 42RE
P=Limited	T = 2WD		EVO, EVA = 4.7L, Power Tech V8	DGW = 4 Speed Automatic, -44RE
	U = 4WD (RHD)		EXA, EX0 = 3.1L, 5 Cyl Turbo Diesel	DG4 = Multi Speed Automatic, -45RFE
				DGO = All Automatic

AR = Use as required - = Non illustrated part # = New this model year

September 14, 2002

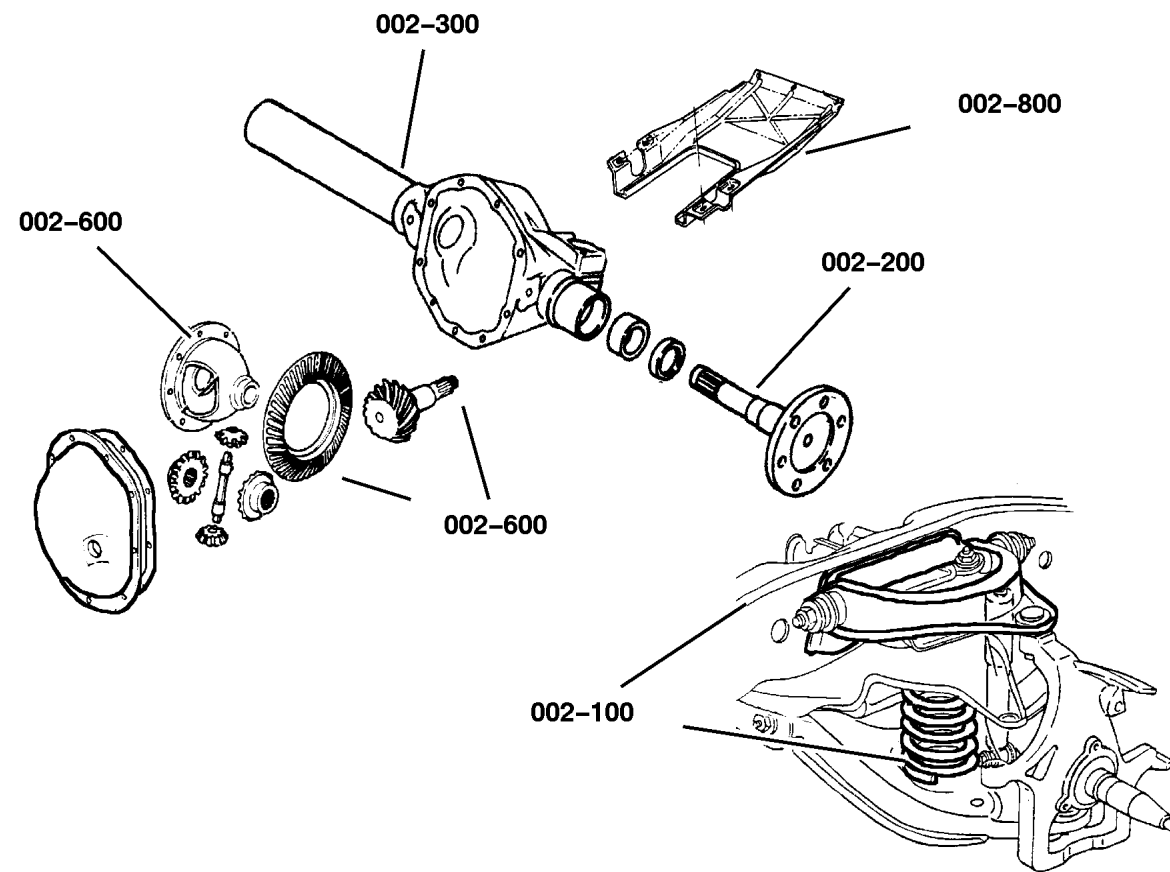
# Group – 002

## Front Suspension & Drive

### GROUP 2 - Front Suspension & Drive

Illustration Title

Group-Fig. No.



#### Front Suspension

Front Stabilizer Bar and Track Bar ..... Fig. 002-110

Suspension, Front Springs with Control Arms and Shocks ..... Fig. 002-160

#### Front Axle Drive Shafts

Front Axle Shafts ..... Fig. 002-210

#### Front Axle Housing

Housing Front Axle 2 Wheel Drive ..... Fig. 002-310

Housing Front Axle 4 Wheel Drive ..... Fig. 002-320

#### Front Axle Assembly

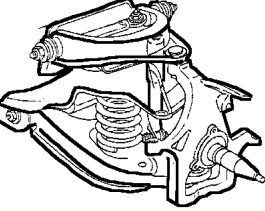
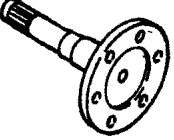
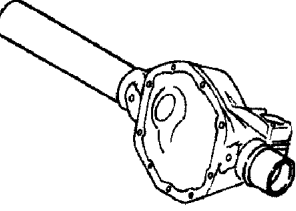
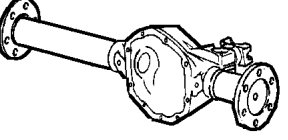
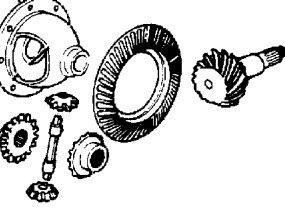
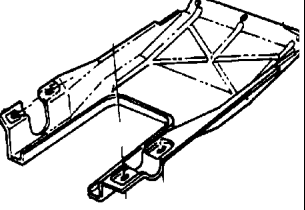
Front Axle Assembly ..... Fig. 002-410

#### Front Axle Differential

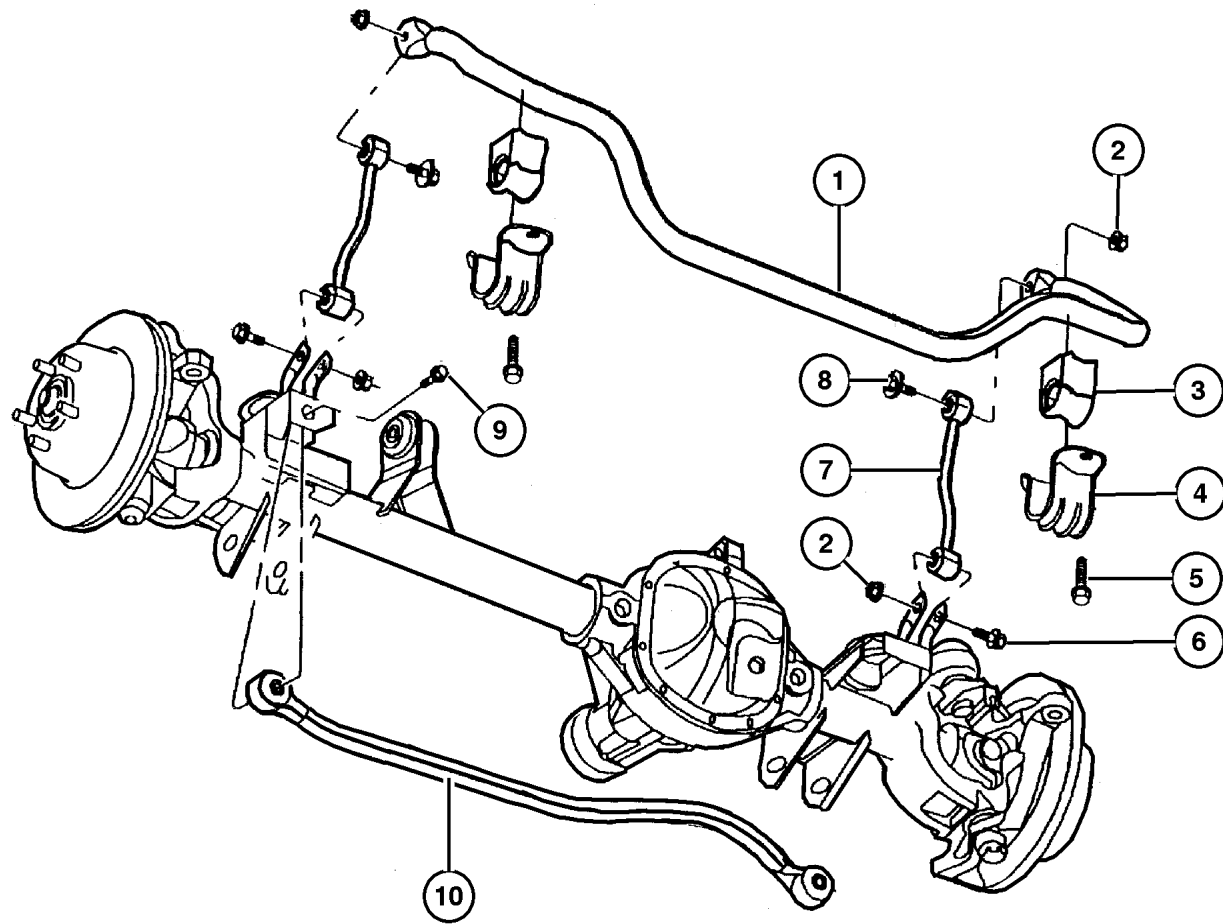
Differential, Front Axle ..... Fig. 002-610

#### Front Axle Skid Plate

Skid Plate, Front Axle ..... Fig. 002-810

<p><b>002-100</b> Front Suspension</p> 	<p><b>002-200</b> Front Axle Drive Shafts</p> 	<p><b>002-300</b> Front Axle Housing</p> 	<p><b>002-400</b> Front Axle Assembly</p> 
<p><b>002-600</b> Front Axle Differential</p> 	<p><b>002-800</b> Front Axle Skid Plate</p> 		

**Front Stabilizer Bar and Track Bar  
Figure 002-110**



ITEM	PART NUMBER	QTY	LINE	SERIES	BODY	ENGINE	TRANS	DESCRIPTION
ER0=ALL 4.0L Engine 6 Cyl Gas---EV0=4.7L Engine Gas---EX0 = ALL 3.0/3.1L Turbo Diesel Engine---J=4 WD-Left Hand Drive---T=2 WD-Left Hand Drive---U=4 WD-Right Hand Drive---B=2 WD-Right Hand Drive								
1	5208 8281	1				ER0, EV0		BAR, Front Sway
	5208 8587	1				EX0		
2	6502 697	4						NUT, Hex Flange Lock, M12x1.75
3	#52088 284AC	2						BUSHING, Sway Bar
4	5208 8285	2						RETAINER, Sway Bar
5	6502 936	4						SCREW AND WASHER, Hex Head Pilot Point, M12x1.75x45
6	6502 473	2						BOLT, Hex Flange Head, M12x1.75x65
7	5208 8283	2						LINK, Sway Eliminator
8	6505 353AA	2						SCREW AND WASHER, M12x1.75x60
9	6503 982	1		J, T				SCREW, Hex Flange Head, M12x1.75x80
		1		U				Track Bar to Axle, Mounting
10	52088 305AB	1		J				TRACK BAR, Front
	5208 8296	1		T				
		1		U				
-11	6505 324AA	1						BOLT AND RETAINER, M12x1.75x80, Track Bar to Body, Mounting
-12	6502 697	1						NUT, Hex Flange Lock, M12x1.75, Track Bar to Body, Mounting

**JEEP GRAND CHEROKEE (WJ)**

SERIES	LINE	BODY	ENGINE	TRANSMISSION
H=Laredo	J = 4WD	74 = 4 Door(105.9 WB)	ER0, ERH = 4.0L, Power Tech I-6	DGK = 4 Speed Autm, 42RE
P=Limited	T = 2WD		EV0, EVA = 4.7L, Power Tech V8	DGW = 4 Speed Automatic, -44RE
	U = 4WD (RHD)		EXA, EX0 = 3.1L, 5 Cyl Turbo Diesel	DG4 = Multi Speed Automatic, -45RFE
				DGO = All Automatic

AR = Use as required - = Non illustrated part # = New this model year

September 14, 2002

## Suspension, Front Springs with Control Arms and Shocks Figure 002-160

ITEM	PART NUMBER	QTY	LINE	SERIES	BODY	ENGINE	TRANS	DESCRIPTION
------	-------------	-----	------	--------	------	--------	-------	-------------

**NOTES:**

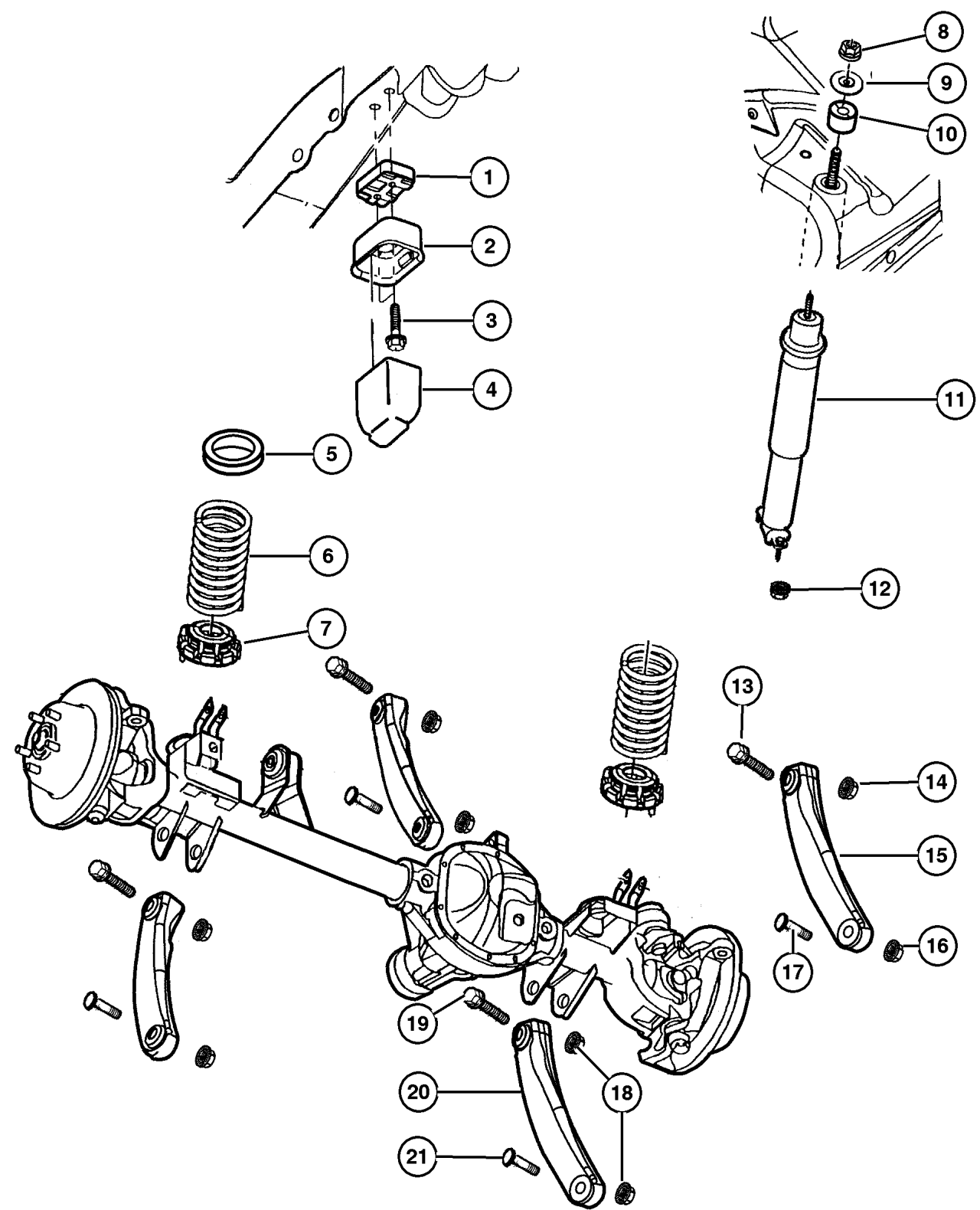
DG0 = All Automatic Transmissions  
 ER0 = All 4.0L 6 Cyl Gas Engines  
 EX0 = All Turbo Diesel Engines  
 EV0 = All 4.7L Gas Engines  
 SDA = Quadra Coil Suspension(Standard)  
 SDJ = Firm Suspension  
 SDU = Heavy Duty Suspension  
 LCA = Lower Control Arm  
 UCA = Upper Control Arm  
 Check Vin Number For the 'Z' Code on Front Springs  
 Markets:  
 U = United States  
 C = Canada  
 M = Mexico  
 B = Export

1	5208 8259	2	J, U			EX0		SPACER, Jounce Bumper, Upper
2	5208 8254	2						CUP, Jounce Bumper, Upper
3	6100 584	4				ER0, EV0		BOLT AND CONED WASHER, Hex Head, M8x30x20, Upper
4	5208 8256	2						BUMPER, Jounce, Upper
5	52088 257AB	2						ISOLATOR, Front Suspension Spring, (Upper), Upper
6								SPRING, Front Coil
	5208 8262	1						ZKE,ZYE
	5208 8263	1						ZKF,ZYF
	5208 8264	1						ZKG,ZYG
	5208 8265	1						ZKH,ZYH
	5208 8267	1						ZLE,ZZE
	5208 8268	1						ZLF,ZZF
	5208 8269	1						ZK1,ZY1
	5208 9421	1						ZLG,ZZG
7	5208 8401	2						ISOLATOR, Front Suspension Spring, (Lower), Lower
8	6503 073	2						NUT, Nylock Hex, M10x1.5, Upper Shock Mounting
9	5208 8517	2						RETAINER, Shock Absorber
10	5208 8289	2						GROMMET, Shock Absorber
11								SHOCK ABSORBER PACKAGE, Suspension, Front
	5014 730AB	2						SDA-U,C,M
	5014 732AB	2						SDU-U,C,M
	5014 731AB	2						SDA-Export

JEEP GRAND CHEROKEE (WJ)				ENGINE	TRANSMISSION
SERIES	LINE	BODY		ER0, ERH = 4.0L, Power Tech I-6	DGK = 4 Speed Autm, 42RE
H=Laredo	J = 4WD	74 = 4 Door(105.9 WB)		EV0, EVA = 4.7L, Power Tech V8	DGW = 4 Speed Automatic, -44RE
P=Limited	T = 2WD			EXA, EX0 = 3.1L, 5 Cyl Turbo Diesel	DG4 = Multi Speed Automatic, -45RFE
	U = 4WD (RHD)				DGO = All Automatic

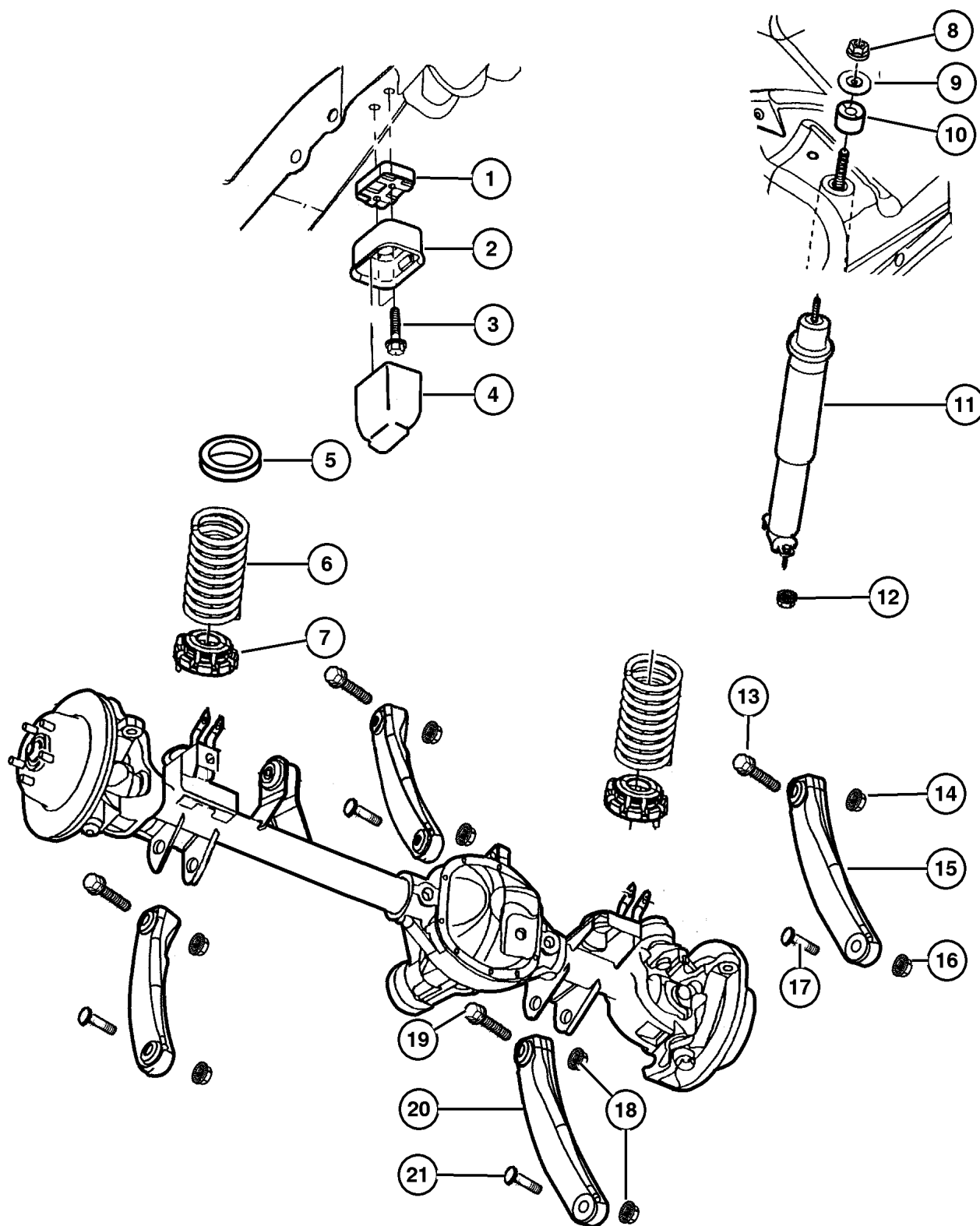
AR = Use as required - = Non illustrated part # = New this model year

September 14, 2002



## Suspension, Front Springs with Control Arms and Shocks Figure 002-160

ITEM	PART NUMBER	QTY	LINE	SERIES	BODY	ENGINE	TRANS	DESCRIPTION
	#5015 361AC	2						SDJ-Export
	5014 175AA	2						SDU-Export
12	6101 695	4					DGO	NUT, Hex Flange Lock, M8x1.25, Lower Shock Mounting
13	6505 306AA	2						SCREW, Truss Head, M10x1.5x70, UCA to Axle Mounting
14	6502 696	2						NUT, Hex Flange Lock, M10x1.5, UCA to Axle Mounting
15	52088 208AC	2						ARM, Control, Upper
16	6505 438AA	2						NUT, Hex, M10-1.5, UCA to Sill Mounting
17	6505 472AA	2						SCREW, Hex Flange Head, M10x1.50x81, UCA to Sill Mounting
18	6502 698	4						NUT, LCA to Axle Mounting
19	6505 214AA	2						SCREW, Hex Flange Head, M14x2.00x114, LCA to Axle Mounting
20	52088 217AB	2						ARM, Control, Lower
21	6506 033AA	2						BOLT, Hex Flange Head, M14x2.0x105, Lower Control Arm to Sill Mounting



### JEEP GRAND CHEROKEE (WJ)

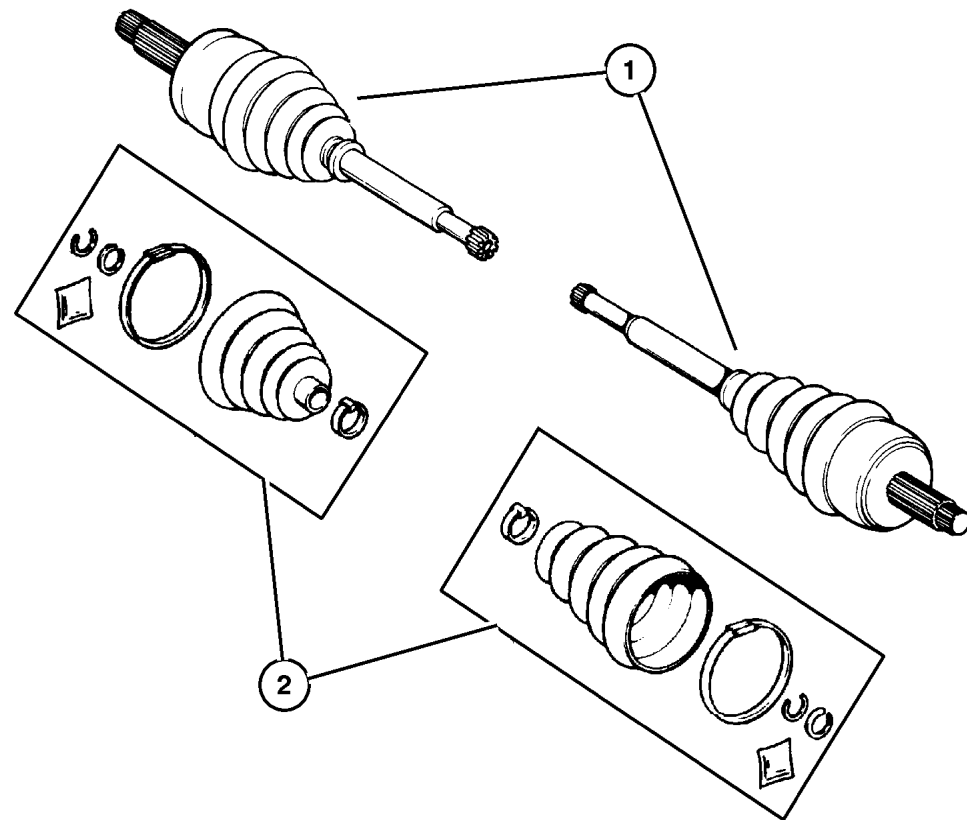
SERIES	LINE	BODY	ENGINE	TRANSMISSION
H=Laredo	J = 4WD	74 = 4 Door(105.9 WB)	ER0, ERH = 4.0L, Power Tech I-6	DGK = 4 Speed Autm, 42RE
P=Limited	T = 2WD		EV0, EVA = 4.7L, Power Tech V8	DGW = 4 Speed Automatic, -44RE
	U = 4WD (RHD)		EXA, EX0 = 3.1L, 5 Cyl Turbo Diesel	DG4 = Multi Speed Automatic, -45RFE
				DGO = All Automatic

AR = Use as required - = Non illustrated part # = New this model year

September 14, 2002

## Front Axle Shafts Figure 002-210

ITEM	PART NUMBER	QTY	LINE	SERIES	BODY	ENGINE	TRANS	DESCRIPTION
NOTE:DSB=Vari-Lok Progressive Axle---J=Left Hand Drive---U=Right Hand Drive								
1	5012 456AA	1	J					SHAFT, Axle -DSB, Right
	5012 457AA	1	J					-DSB, Left
	5012 748AA	1	J					+DSB, Right
	5012 749AA	1	J					+DSB, Left
	5012 456AA	1	U					-DSB, Right
	5012 457AA	1	U					-DSB, Left
	5012 748AA	1	U					+DSB, Right
	5012 749AA	1	U					+DSB, Left
	2	4796 233	1	J				
		1	U					



### JEEP GRAND CHEROKEE (WJ)

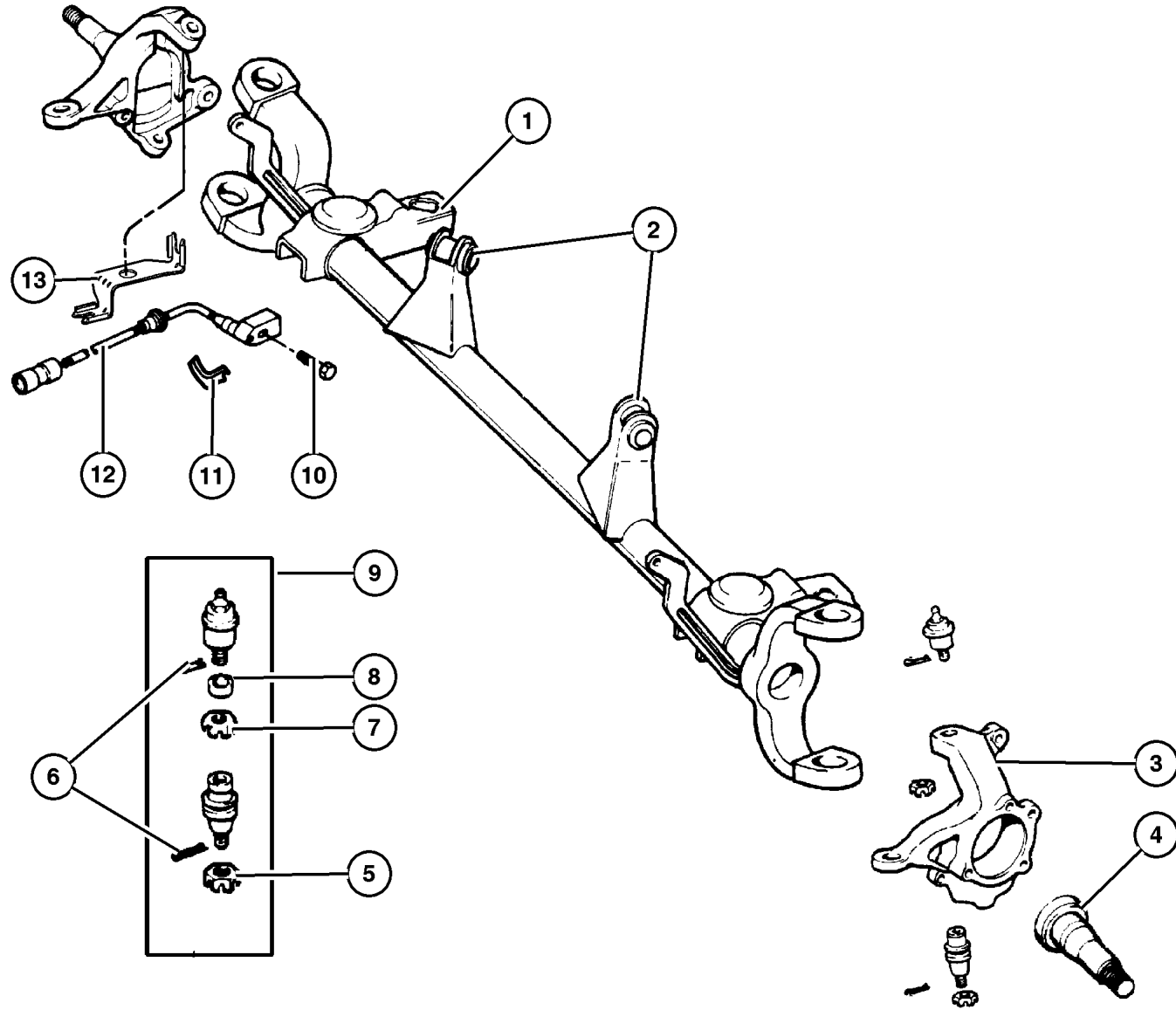
SERIES	LINE	BODY	ENGINE	TRANSMISSION
H=Laredo	J = 4WD	74 = 4 Door(105.9 WB)	ER0, ERH = 4.0L, Power Tech I-6	DGK = 4 Speed Autm, 42RE
P=Limited	T = 2WD		EVO, EVA = 4.7L, Power Tech V8	DGW = 4 Speed Automatic, -44RE
	U = 4WD (RHD)		EXA, EX0 = 3.1L, 5 Cyl Turbo Diesel	DG4 = Multi Speed Automatic, -45RFE
				DGO = All Automatic

AR = Use as required - = Non illustrated part # = New this model year

September 14, 2002



## Housing Front Axle 2 Wheel Drive Figure 002-310



ITEM	PART NUMBER	QTY	LINE	SERIES	BODY	ENGINE	TRANS	DESCRIPTION
T=LHD-2 Wheel Drive								
1	5012 433AA	1	T					HOUSING, Axle
2	5208 8214	2	T					BUSHING, Control Arm, Upper
3	5011 976AA	1	T					KNUCKLE, Front Right
	5011 977AA	1	T					Left
4	5012 438AA	2	T					SHAFT, Dummy, Includes ABS Tone Ring
5	J812 3318	2	T					NUT, Lower Ball Joint Mounting
6	1101 0069	2	T					PIN, Cotter, M4x40.00
7	J012 5258	2	T					NUT, Hex Slotted, Upper Ball Joint Mounting
8	8350 0203	1	T					RING, Ball Joint, Upper
9	5012 432AA	2	T					BALL JOINT KIT, Knuckle
10	5012 434AA	2	T					BOLT, Sensor Mounting
11	5014 324AA	1	T					BRACKET, Brake Sensor Wire Right
	5014 325AA	1	T					Left
12	56041 316AB	1	T					SENSOR, Wheel Speed Right
	56041 317AB	1	T					Left
13	5602 6766	1	T					BRACKET, Brake Sensor Right
	5602 6767	1	T					Left

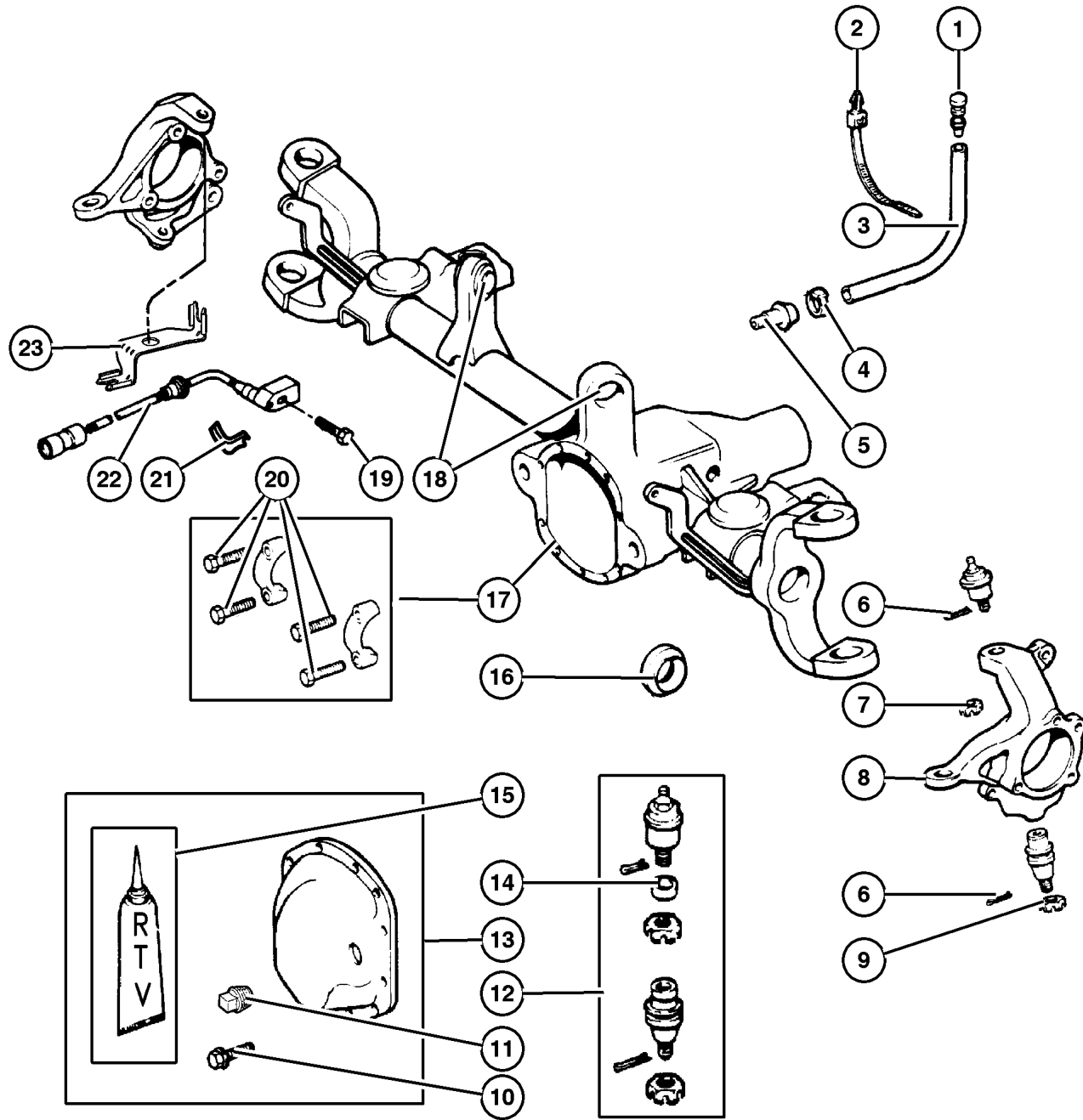
**JEEP GRAND CHEROKEE (WJ)**

SERIES	LINE	BODY	ENGINE	TRANSMISSION
H=Laredo	J = 4WD	74 = 4 Door(105.9 WB)	ER0, ERH = 4.0L, Power Tech I-6	DGK = 4 Speed Autm, 42RE
P=Limited	T = 2WD		EV0, EVA = 4.7L, Power Tech V8	DGW = 4 Speed Automatic, -44RE
	U = 4WD (RHD)		EXA, EX0 = 3.1L, 5 Cyl Turbo Diesel	DG4 = Multi Speed Automatic, -45RFE
				DGO = All Automatic

AR = Use as required - = Non illustrated part # = New this model year

September 14, 2002

### Housing Front Axle 4 Wheel Drive Figure 002-320



ITEM	PART NUMBER	QTY	LINE	SERIES	BODY	ENGINE	TRANS	DESCRIPTION
NOTE: J=Left Hand Drive-4 Wheel Drive---U=Right Hand Drive-4 Wheel Drive								
1	52099 257AA	1	J, U					VENT, Axle, (Cap), Upper
2	J417 5376	1	J, U					STRAP, Tie
3	HFV0 0516	1	J, U					HOSE, Fuel And Vapor, 25 Foot Roll 5/16"
4	6503 573	1						CLIP, Lower
5	5017 482AA	1	J					VENT, Axle Lower
		1	U					Lower
6	1101 0069	2	J					PIN, Cotter, M4x40.00 Upper And Lower
		2	U					Upper And Lower
7	J012 5258	1	J					NUT, Hex Slotted Upper Ball Joint Mounting
		1	U					Upper Ball Joint Mounting
8	5011 976AA	1	J					KNUCKLE, Front Right
	5011 977AA	1	J					Left
	5012 516AA	1	U					Right
	5012 517AA	1	U					Left
9	J812 3318	1	J					NUT Lower Ball Joint Mounting
		1	U					Lower Ball Joint Mounting
10	2954 031	10	J					BOLT, Differential Cover
		10	U					
11	J400 4751	1	J					PLUG, Differential Cover
		1	U					
12	5012 432AA	2	J					BALL JOINT KIT, Knuckle
		2	U					
13	5012 451AA	1	J					COVER, Differential Consist 1-Cover,10 Cover Screws
		1	U					Consist 1-Cover,10 Cover Screws
14	8350 0203	1	J					RING, Ball Joint Upper
		1	U					Upper
15	5010 884AA	1						SEALANT, RTV
16	4874 477	2	J					SEAL, Axle Drive Shaft
		2	U					
17								HOUSING, Axle

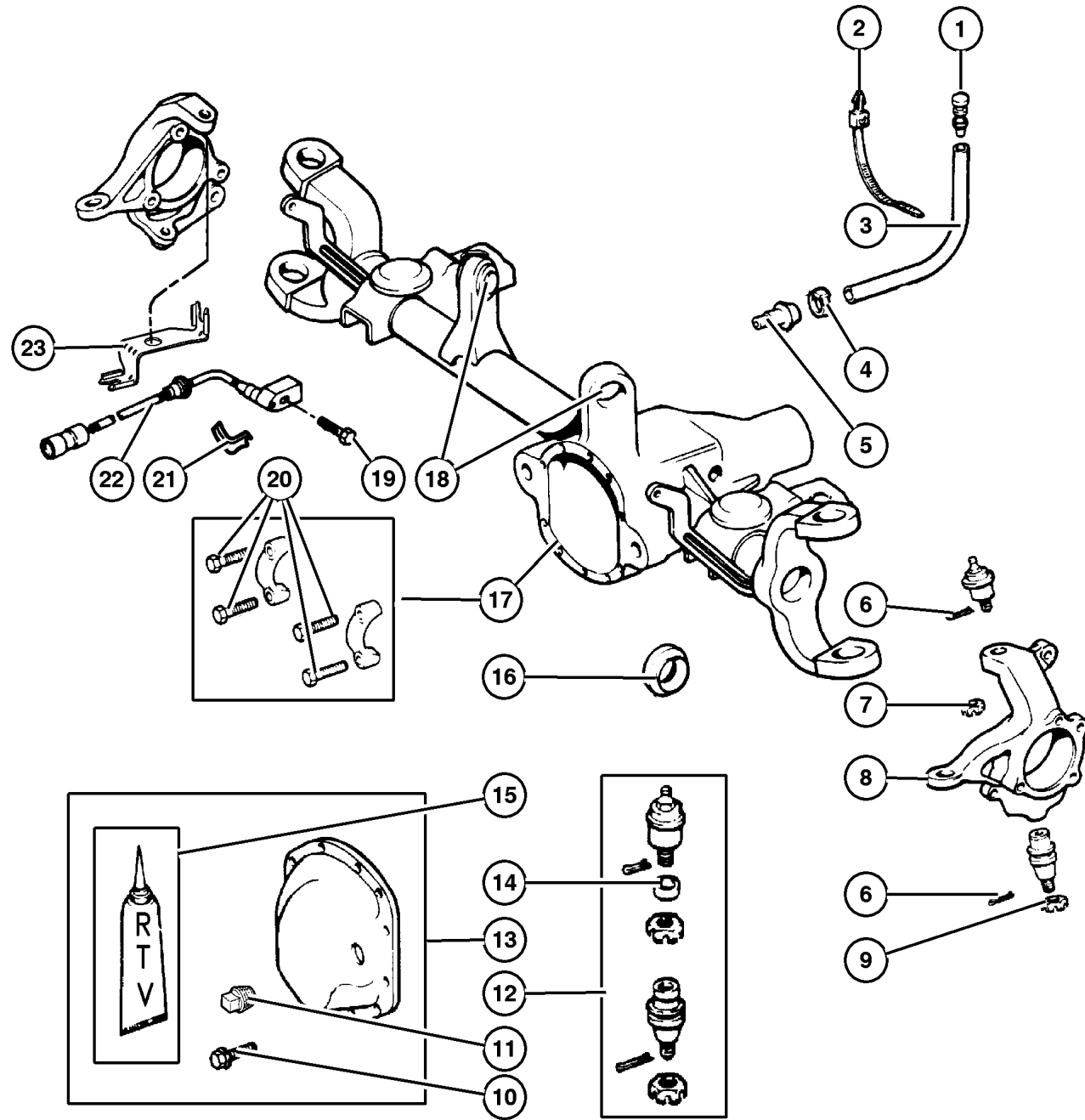
**JEEP GRAND CHEROKEE (WJ)**

SERIES	LINE	BODY	ENGINE	TRANSMISSION
H=Laredo	J = 4WD	74 = 4 Door(105.9 WB)	ER0, ERH = 4.0L, Power Tech I-6	DGK = 4 Speed Autm, 42RE
P=Limited	T = 2WD		EVO, EVA = 4.7L, Power Tech V8	DGW = 4 Speed Automatic, -44RE
	U = 4WD (RHD)		EXA, EX0 = 3.1L, 5 Cyl Turbo Diesel	DG4 = Multi Speed Automatic, -45RFE
				DGO = All Automatic

AR = Use as required - = Non illustrated part # = New this model year

September 14, 2002

## Housing Front Axle 4 Wheel Drive Figure 002-320



ITEM	PART NUMBER	QTY	LINE	SERIES	BODY	ENGINE	TRANS	DESCRIPTION
	5012 445AA	1	J					
	5012 512AA	1	U					
18	5208 8214	2						BUSHING, Control Arm, Upper
19								BOLT
	5012 434AA	2	J					Sensor Mounting
		2	U					Sensor Mounting
20	4897 482AB	4						BOLT, Differential, Side Bearing Cap Mounting
21								BRACKET, Brake Sensor Wire
	5014 324AA	1	J					Right
	5014 325AA	1	J					Left
	5014 324AA	1	U					Right
	5014 325AA	1	U					Left
22								SENSOR, Wheel Speed
	56041 316AB	1	J					Right
	56041 317AB	1	J					Left
	56041 316AB	1	U					Right
	56041 317AB	1	U					Left
23								BRACKET, Brake Sensor
	5602 6766	1	J					Right
	5602 6767	1	J					Left
	5602 6766	1	U					Right
	5602 6767	1	U					Left

**JEEP GRAND CHEROKEE (WJ)**

SERIES	LINE	BODY	ENGINE	TRANSMISSION
H=Laredo	J = 4WD	74 = 4 Door(105.9 WB)	ER0, ERH = 4.0L, Power Tech I-6	DGK = 4 Speed Autm, 42RE
P=Limited	T = 2WD		EVO, EVA = 4.7L, Power Tech V8	DGW = 4 Speed Automatic, -44RE
	U = 4WD (RHD)		EXA, EX0 = 3.1L, 5 Cyl Turbo Diesel	DG4 = Multi Speed Automatic, -45RFE
				DGO = All Automatic

AR = Use as required - = Non illustrated part # = New this model year

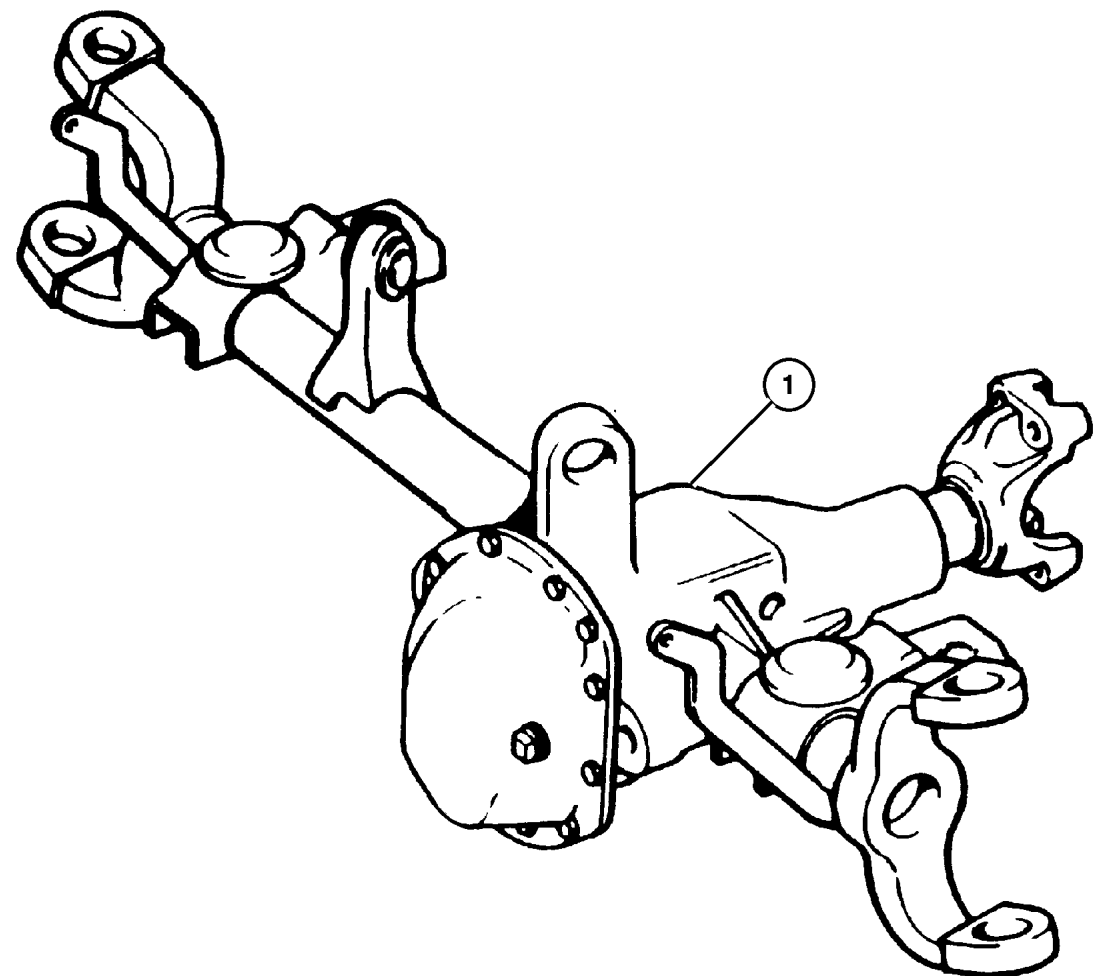
September 14, 2002

Front Axle Assembly  
Figure 002-410

ITEM	PART NUMBER	QTY	LINE	SERIES	BODY	ENGINE	TRANS	DESCRIPTION
------	-------------	-----	------	--------	------	--------	-------	-------------

NOTE: J=Left Hand Drive---U=Right Hand Drive---DSB=Vari-Lok Progressive Axle

1								AXLE, Service Front
	5014 404AA	1	J					3.91 Ratio+DSB
	5014 403AA	1	J					3.91 Ratio-DSB
	5012 520AA	1	J					3.73 Ratio+DSB
	5012 446AA	1	J					3.73 Ratio-DSB
	5012 480AA	1	J					3.55 Ratio-DSB
	5012 774AA	1	U					3.73 Ratio+DSB
	5012 513AA	1	U					3.73 Ratio-DSB
	#5016 423AA	1	U					3.91 Ratio-DSB
	#5016 425AA	1	U					3.91 Ratio+DSB

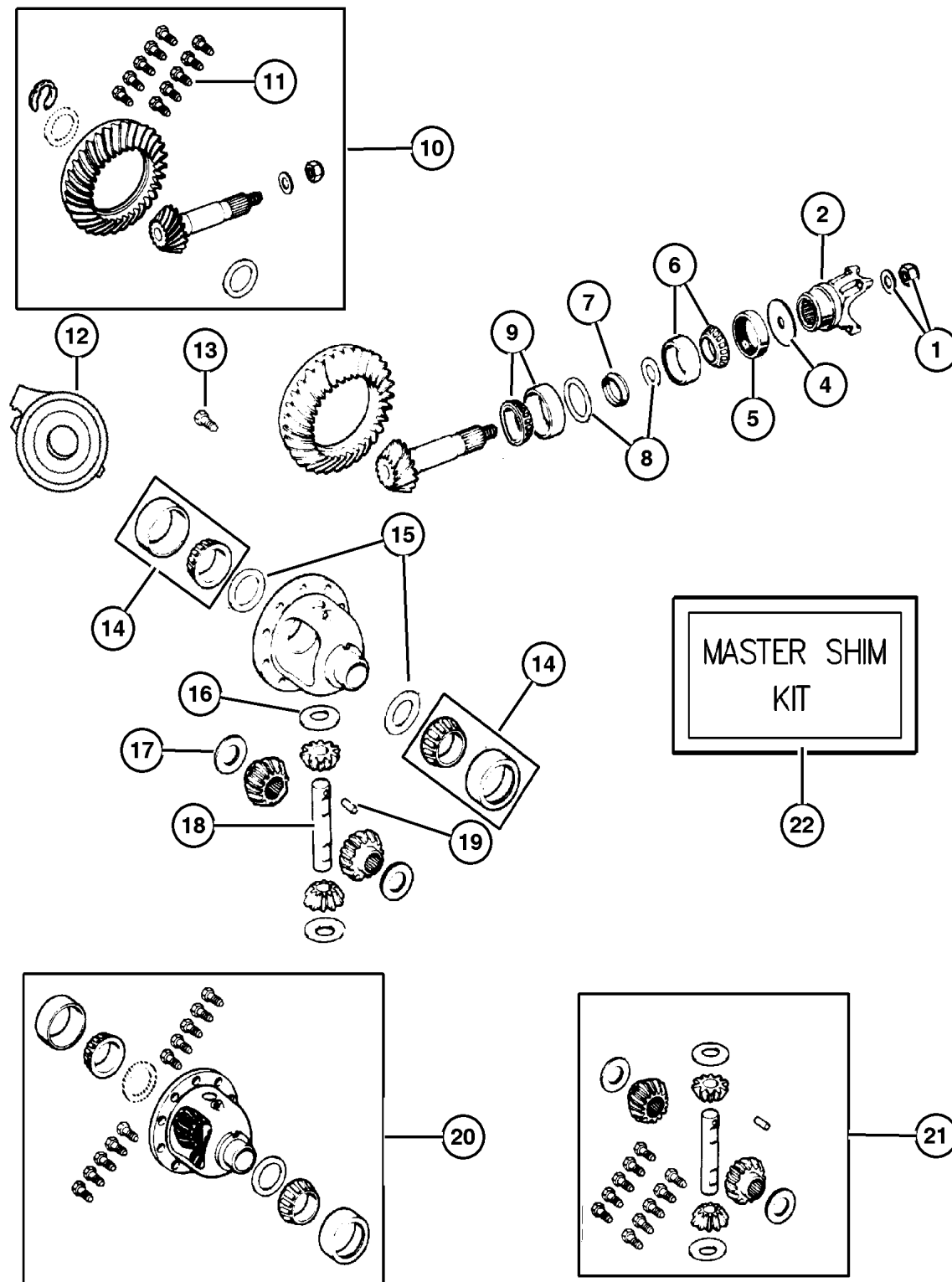


JEEP GRAND CHEROKEE (WJ)				
SERIES	LINE	BODY	ENGINE	TRANSMISSION
H=Laredo	J = 4WD	74 = 4 Door(105.9 WB)	ER0, ERH = 4.0L, Power Tech I-6	DGK = 4 Speed Autm, 42RE
P=Limited	T = 2WD		EV0, EVA = 4.7L, Power Tech V8	DGW = 4 Speed Automatic, -44RE
	U = 4WD (RHD)		EXA, EX0 = 3.1L, 5 Cyl Turbo Diesel	DG4 = Multi Speed Automatic, -45RFE
				DGO = All Automatic

AR = Use as required - = Non illustrated part # = New this model year

September 14, 2002

## Differential, Front Axle Figure 002-610



ITEM	PART NUMBER	QTY	LINE	SERIES	BODY	ENGINE	TRANS	DESCRIPTION
NOTE: J=Left Hand Drive---U=Right Hand Drive								
1	5017 755AA	1	J					NUT, Pinion Yoke
		1	U					
2	5012 444AA	1	J					YOKE, Axle
		1	U					
-3	5012 453AA	1	J					O RING, Pinion Flange Fits Over Hub of Axle Yoke
		1	U					Fits Over Hub of Axle Yoke
4	4031 974	1	J					SLINGER, Drive Pinion
		1	U					
5	5012 454AB	1	J					SEAL, Drive Pinion
		1	U					
6	5252 508	1	J					BEARING, Drive Pinion Bearing and Cup, Front
		1	U					Bearing and Cup, Front
7	4864 845	1	J					SPACER Crush
		1	U					Crush
8		1						SHIM, Drive Pinion Bearing, Replacement Individual PINION Shims for Master Shim Kit 5017134AA.
	5017 139AA	1	J					[.052']
	5017 143AA	1	U					[.056']
	5017 144AA	1	J					[.057']
		1	U					[.057']
	5017 145AA	1	J					[.058']
		1	U					[.058']
	5017 146AA	1	J					[.059']
		1	U					[.059']
	5017 149AA	1	J					[.060']
		1	U					[.060']
	5017 150AA	1	J					[.061']
	5017 139AA	1	U					[.052']
	5017 150AA	1	U					[.061']
	5017 151AA	1	J					[.062']
		1	U					[.062']
	5017 152AA	1	J					[.063']
		1	U					[.063']

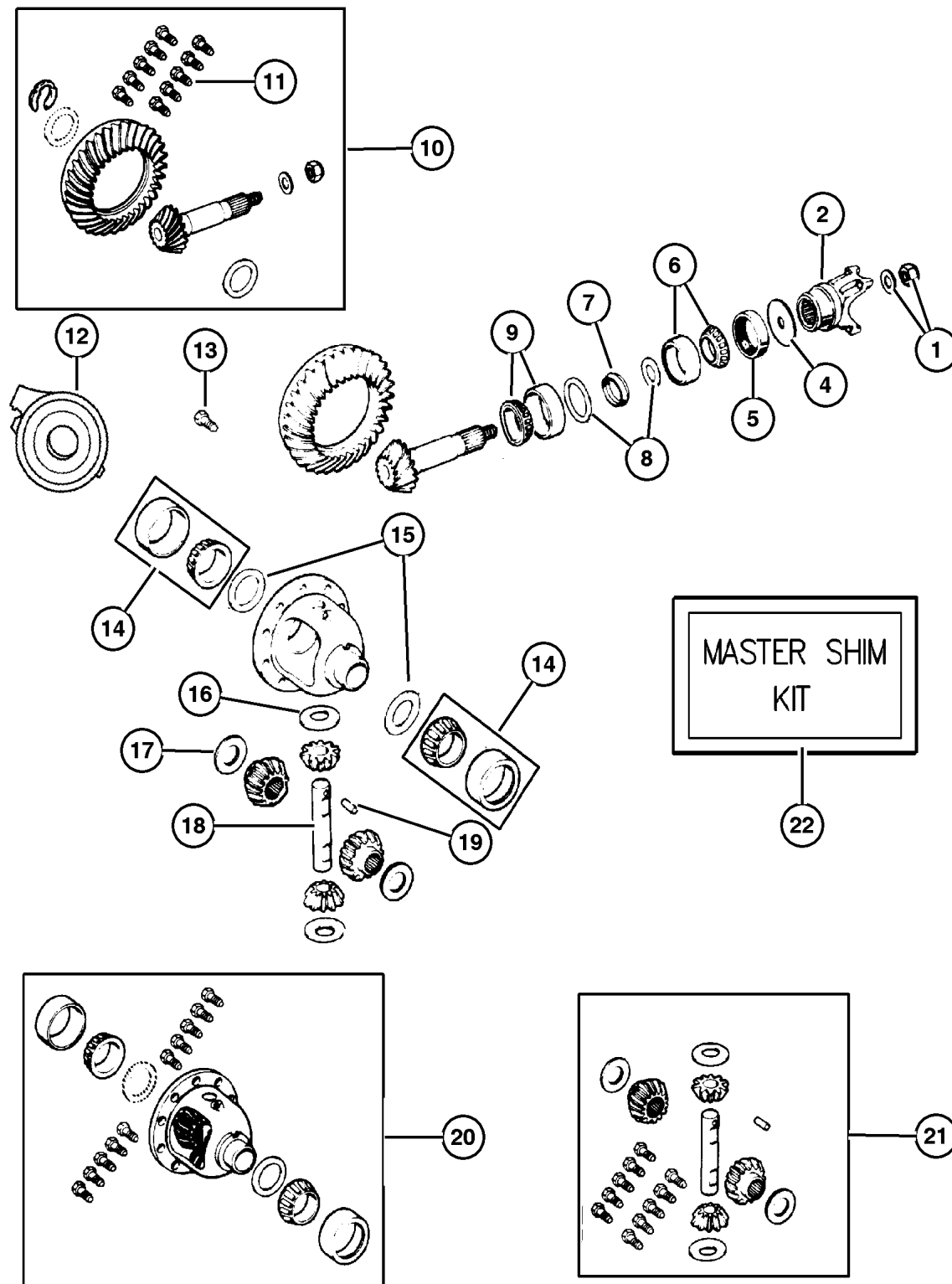
### JEEP GRAND CHEROKEE (WJ)

SERIES	LINE	BODY	ENGINE	TRANSMISSION
H=Laredo	J = 4WD	74 = 4 Door(105.9 WB)	ER0, ERH = 4.0L, Power Tech I-6	DGK = 4 Speed Autom, 42RE
P=Limited	T = 2WD		EV0, EVA = 4.7L, Power Tech V8	DGW = 4 Speed Automatic, -44RE
	U = 4WD (RHD)		EXA, EX0 = 3.1L, 5 Cyl Turbo Diesel	DG4 = Multi Speed Automatic, -45RFE
				DGO = All Automatic

AR = Use as required - = Non illustrated part # = New this model year

September 14, 2002

## Differential, Front Axle Figure 002-610



ITEM	PART NUMBER	QTY	LINE	SERIES	BODY	ENGINE	TRANS	DESCRIPTION
	5017 153AA	1	J					[.064']
		1	U					[.064']
	5017 154AA	1	J					[.065']
		1	U					[.065']
	5017 155AA	1	J					[.066']
	5017 140AA	1	J					[.053']
	5017 155AA	1	U					[.066']
	5017 156AA	1	J					[.067']
		1	U					[.067']
	5017 140AA	1	U					[.053']
	5017 141AA	1	J					[.054']
		1	U					[.054']
	5017 142AA	1	J					[.055']
		1	U					[.055']
9	5017 143AA	1	J					[.056']
		1	U					[.056']
	J812 6499	1	J					BEARING, Drive Pinion
		1	U					Bearing and Cup, Rear
10		1	U					Bearing and Cup, Rear
	5012 476AA	1	J					GEAR KIT, Ring And Pinion
	5012 447AA	1	J					3.55 Ratio
	5014 402AA	1	J					3.73 Ratio
	5012 447AA	1	U					3.91 Ratio
	5014 402AA	1	U					3.73 Ratio
	5014 402AA	1	U					3.91 Ratio
11	4720 891	1						BOLT KIT, Consists of 10-5252503
								Screws
12								PLENUM, Differential
	5012 725AA	1	J					
		1	U					
13								SCREW, Drive Gear
	5252 503	10	J					Ring Gear Mounting
		10	U					Ring Gear Mounting
14								BEARING, Differential
	J812 6500	1	J					Consists of 2 Bearings and 2 Cups
		1	U					Consists of 2 Bearings and 2 Cups
15								SHIM, Differential Bearing, Replacement
								Individual DIFFERENTIAL Shims for
								Master Kit 5017134AA
	5017 218AA	1	J					[.109']
	5017 222AA	1	U					[.113']
	5017 223AA	1	J					[.114']
		1	U					[.114']

### JEEP GRAND CHEROKEE (WJ)

SERIES  
H=Laredo  
P=Limited

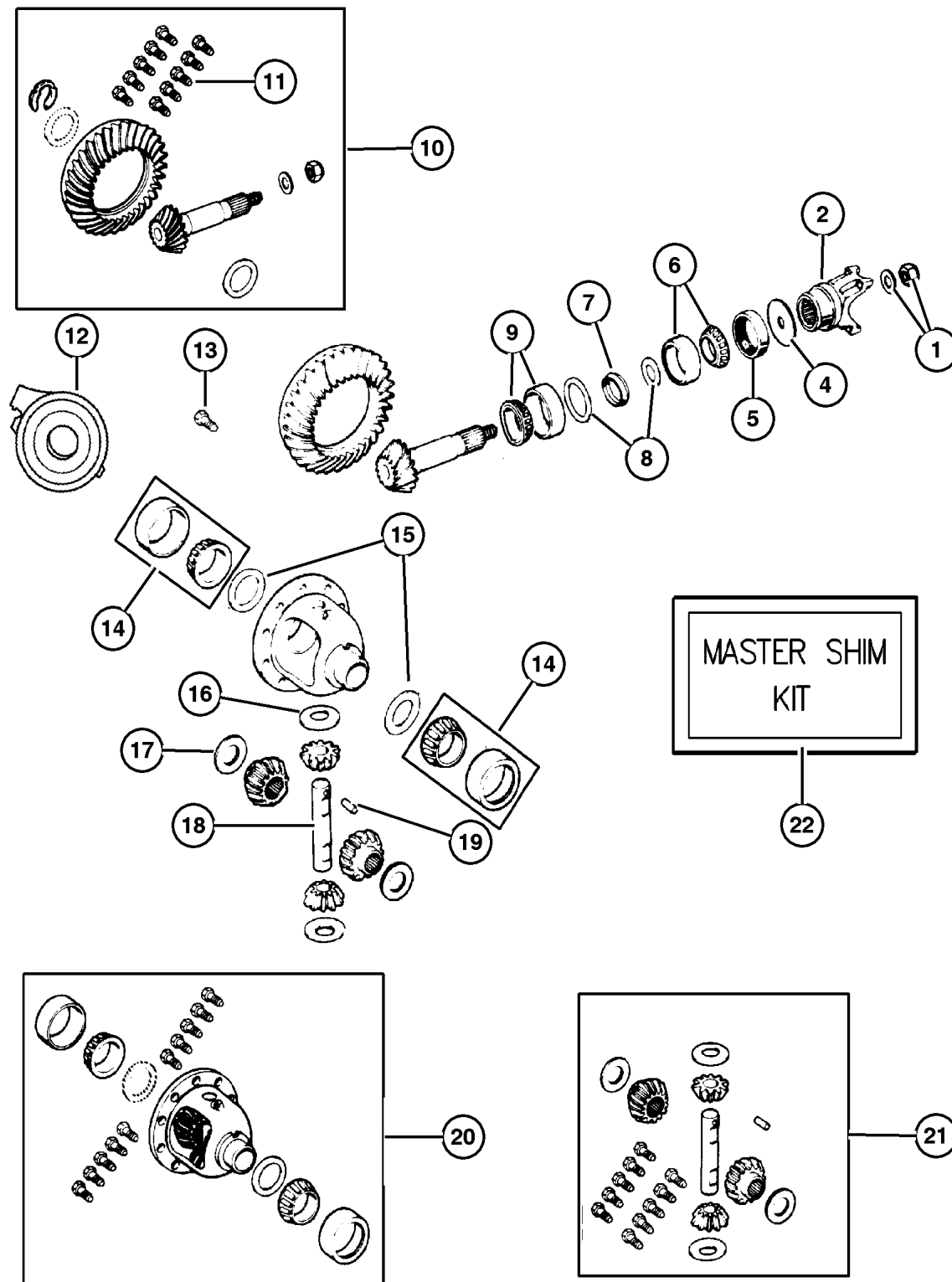
LINE  
J = 4WD  
T = 2WD  
U = 4WD (RHD)

BODY  
74 = 4 Door(105.9 WB)

ENGINE  
ER0, ERH = 4.0L, Power Tech I-6  
EV0, EVA = 4.7L, Power Tech V8  
EXA, EX0 = 3.1L, 5 Cyl Turbo Diesel

TRANSMISSION  
DGK = 4 Speed Autm, 42RE  
DGW = 4 Speed Automatic,  
-44RE  
DG4 = Multi Speed Automatic,  
-45RFE  
DGO = All Automatic

## Differential, Front Axle Figure 002-610



ITEM	PART NUMBER	QTY	LINE	SERIES	BODY	ENGINE	TRANS	DESCRIPTION
	5017 224AA	1	J					[.115']
		1	U					[.115']
	5017 225AA	1	J					[.116']
		1	U					[.116']
	5017 226AA	1	J					[.117']
		1	U					[.117']
	5017 227AA	1	J					[.118']
	5017 218AA	1	U					[.109']
	5017 227AA	1	U					[.118']
	5017 228AA	1	J					[.119']
		1	U					[.119']
	5017 229AA	1	J					[.120']
		1	U					[.120']
	5017 230AA	1	J					[.121']
		1	U					[.121']
	5017 231AA	1	J					[.122']
		1	U					[.122']
	5017 232AA	1	J					[.123']
	5017 219AA	1	J					[.110']
	5017 232AA	1	U					[.123']
	5017 233AA	1	J					[.124']
		1	U					[.124']
	5017 234AA	1	J					[.125']
		1	U					[.125']
	5017 235AA	1	J					[.126']
		1	U					[.126']
	5017 236AA	1	J					[.127']
		1	U					[.127']
	5017 237AA	1	J					[.128']
	5017 219AA	1	U					[.110']
	5017 237AA	1	U					[.128']
	5017 238AA	1	J					[.129']
		1	U					[.129']
	5017 239AA	1	J					[.130']
		1	U					[.130']
	5017 240AA	1	J					[.131']
		1	U					[.131']
	5017 241AA	1	J					[.132']
		1	U					[.132']
	5017 242AA	1	J					[.133']
	5017 220AA	1	J					[.111']
	5017 242AA	1	U					[.133']

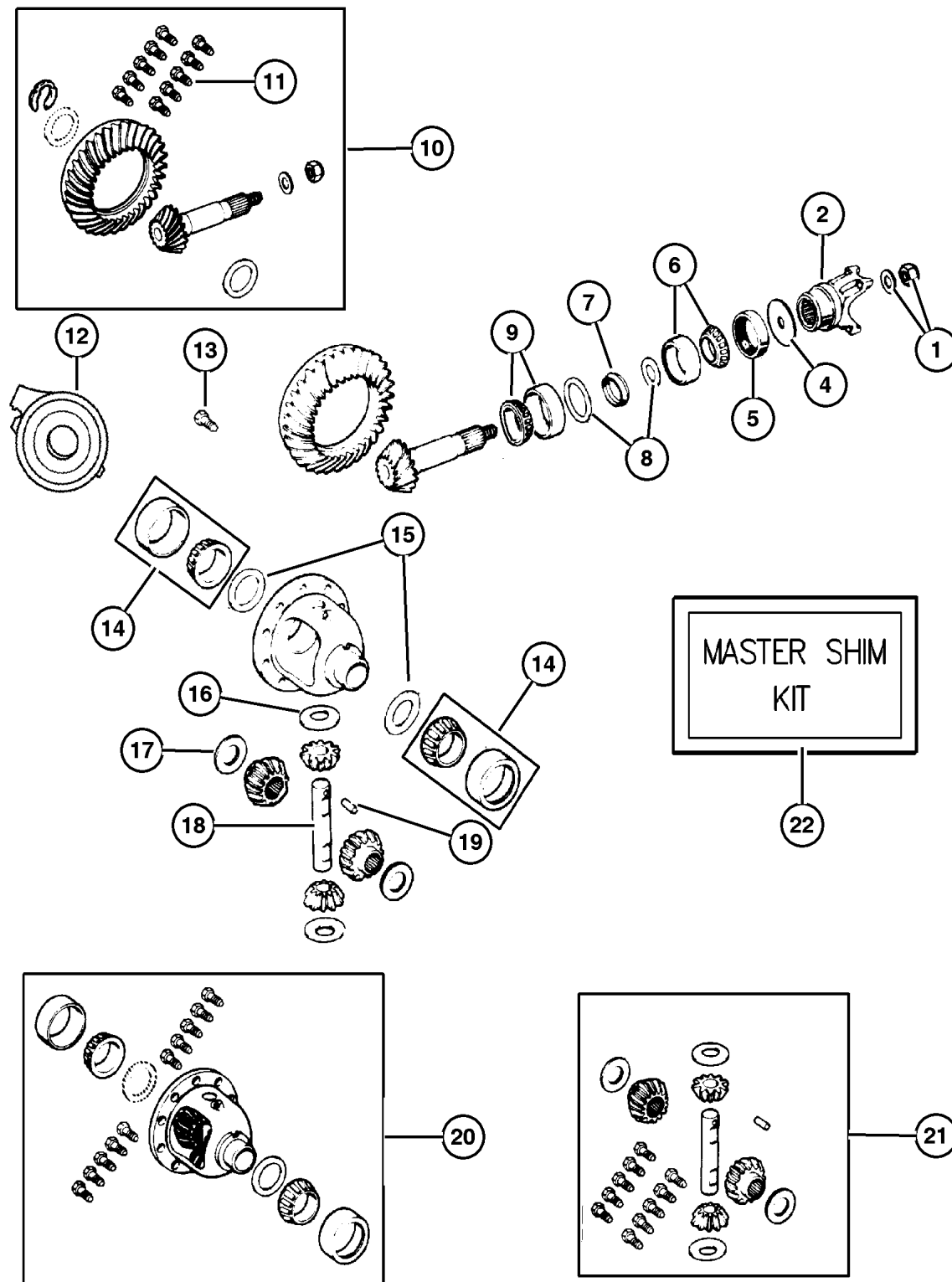
**JEEP GRAND CHEROKEE (WJ)**

SERIES	LINE	BODY	ENGINE	TRANSMISSION
H=Laredo	J = 4WD	74 = 4 Door(105.9 WB)	ER0, ERH = 4.0L, Power Tech I-6	DGK = 4 Speed Autm, 42RE
P=Limited	T = 2WD		EVO, EVA = 4.7L, Power Tech V8	DGW = 4 Speed Automatic, -44RE
	U = 4WD (RHD)		EXA, EX0 = 3.1L, 5 Cyl Turbo Diesel	DG4 = Multi Speed Automatic, -45RFE
				DGO = All Automatic

AR = Use as required - = Non illustrated part # = New this model year

September 14, 2002

## Differential, Front Axle Figure 002-610



ITEM	PART NUMBER	QTY	LINE	SERIES	BODY	ENGINE	TRANS	DESCRIPTION
	5017 243AA	1	J					[.134']
		1	U					[.134']
	5017 244AA	1	J					[.135']
		1	U					[.135']
	5017 245AA	1	J					[.136']
		1	U					[.136']
	5017 246AA	1	J					[.137']
		1	U					[.137']
	5017 247AA	1	J					[.138']
	5017 220AA	1	U					[.111']
	5017 247AA	1	U					[.138']
	5017 248AA	1	J					[.139']
		1	U					[.139']
	5017 249AA	1	J					[.140']
		1	U					[.140']
	5017 250AA	1	J					[.141']
		1	U					[.141']
	5017 251AA	1	J					[.142']
		1	U					[.142']
	5017 252AA	1	J					[.143']
	5017 221AA	1	J					[.112']
	5017 252AA	1	U					[.143']
	5017 253AA	1	J					[.144']
		1	U					[.144']
	5017 254AA	1	J					[.145']
		1	U					[.145']
	5017 255AA	1	J					[.146']
		1	U					[.146']
	5017 256AA	1	J					[.147']
		1	U					[.147']
	5017 257AA	1	J					[.148']
	5017 221AA	1	U					[.112']
	5017 257AA	1	U					[.148']
	5017 222AA	1	J					[.113']
16								WASHER, Flat
	J812 0831	2	J					Pinion Gear Thrust-Without DSB
		2	U					Pinion Gear Thrust-Without DSB
17								WASHER, Flat
	J813 3724	2	J					Side Gear Thrust-Without DSB
		2	U					Side Gear Thrust-Without DSB
18								SHAFT, Differential
	5003 840AA	1	J					Without DSB

**JEEP GRAND CHEROKEE (WJ)**

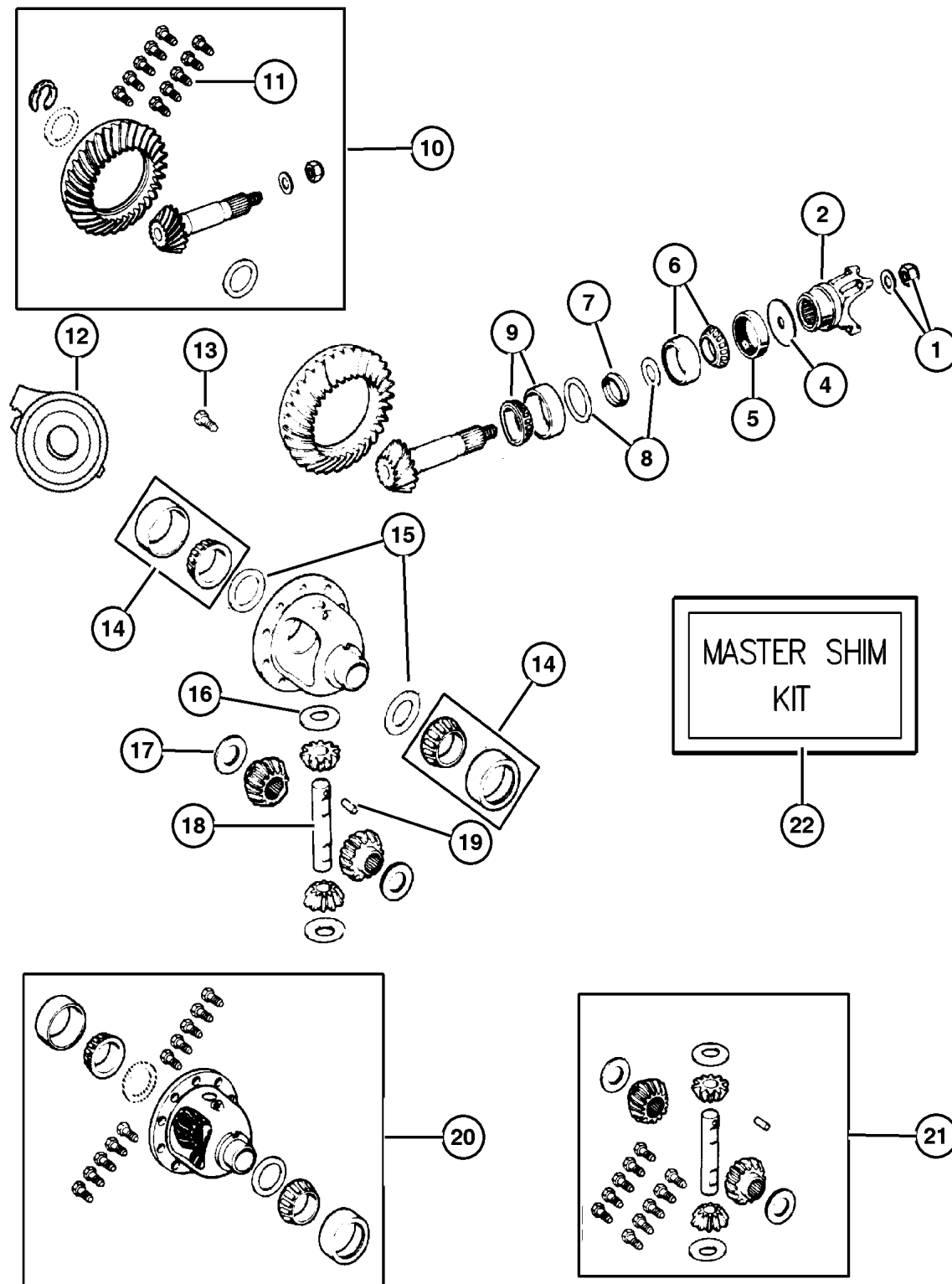
SERIES	LINE	BODY	ENGINE	TRANSMISSION
H=Laredo	J = 4WD	74 = 4 Door(105.9 WB)	ER0, ERH = 4.0L, Power Tech I-6	DGK = 4 Speed Autm, 42RE
P=Limited	T = 2WD		EVO, EVA = 4.7L, Power Tech V8	DGW = 4 Speed Automatic, -44RE
	U = 4WD (RHD)		EXA, EX0 = 3.1L, 5 Cyl Turbo Diesel	DG4 = Multi Speed Automatic, -45RFE
				DGO = All Automatic

AR = Use as required - = Non illustrated part # = New this model year

September 14, 2002



## Differential, Front Axle Figure 002-610



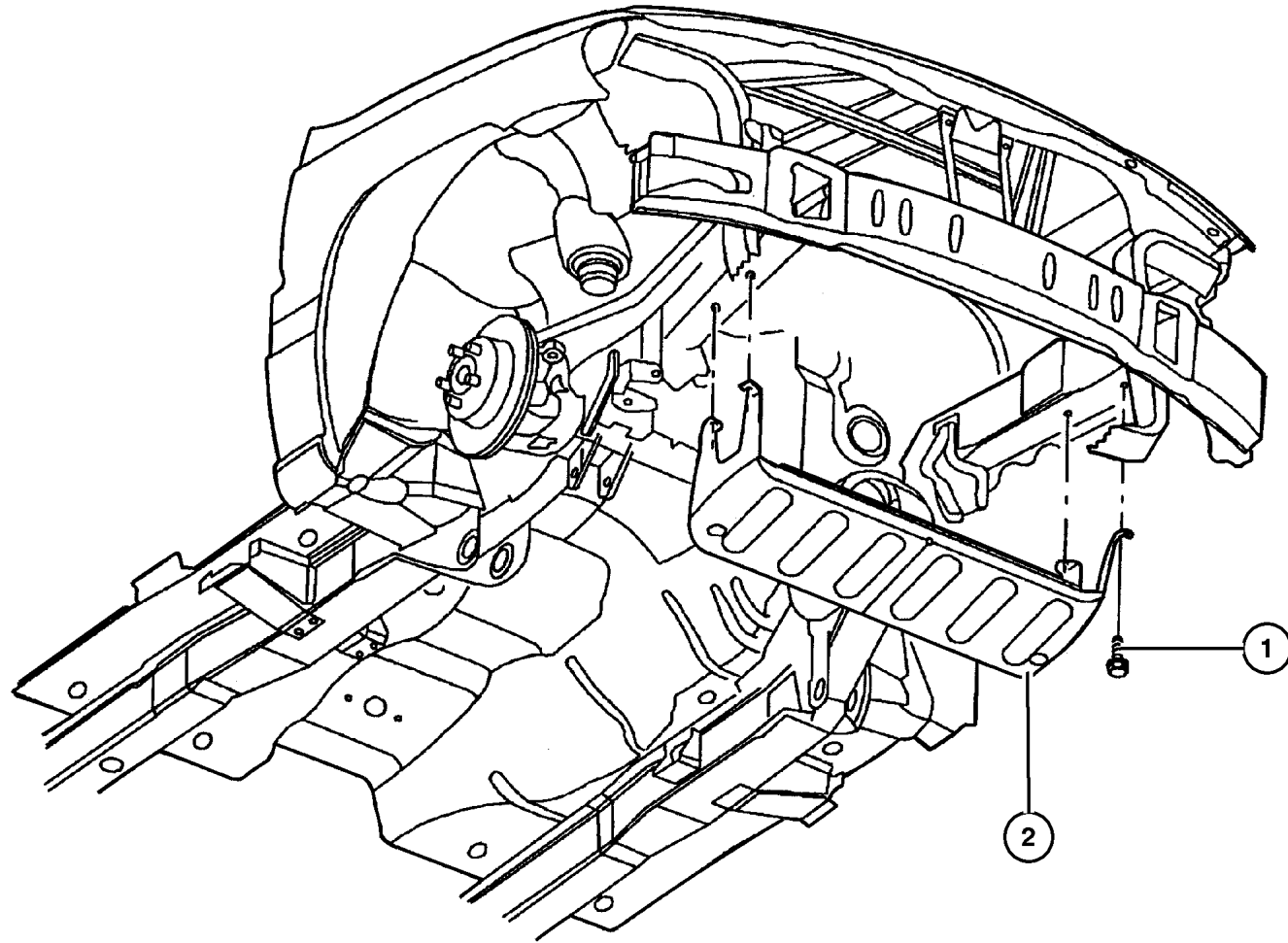
ITEM	PART NUMBER	QTY	LINE	SERIES	BODY	ENGINE	TRANS	DESCRIPTION
		1	U					Without DSB
19	1791 563	1	J					PIN, Differential Shaft
		1	U					Without DSB
20	5012 477AA	1	J					CASE, Differential
	5252 590	1	J					3.55 Ratio Without DSB without Carrier Bearings
	5012 519AA	1	J					3.73,3.91 Ratios Without DSB with Carrier Bearings
	5252 590	1	U					3.73,3.91 Ratios With DSB
	5012 519AA	1	U					3.73,3.91 Ratios Without DSB with Carrier Bearings
	5012 519AA	1	U					3.73,3.91 Ratios With DSB
21	5252 591	1	J					GEAR KIT, Center Differential
		1	U					Without DSB
22	5017 134AA	1	J					SHIM KIT, Differential, Master Shim Kit for the Complete Differential including All PINION Shims and all DIFFERENTIAL Shims.
		1	U					Master Shim Kit, Pinion and Differential-Contains 25 Pinion Shims in .001' increments from .048' to .072' and 45 Differential Case Shims from .109' to .153'.The Kit comes in a plastic box.
		1	U					Master Shim Kit, Pinion and Differential-Contains 25 Pinion Shims in .001' increments from .048' to .072' and 45 Differential Case Shims from .109' to .153'.The Kit comes in a plastic box.

### JEEP GRAND CHEROKEE (WJ)

SERIES	LINE	BODY	ENGINE	TRANSMISSION
H=Laredo	J = 4WD	74 = 4 Door(105.9 WB)	ER0, ERH = 4.0L, Power Tech I-6	DGK = 4 Speed Autm, 42RE
P=Limited	T = 2WD		EVO, EVA = 4.7L, Power Tech V8	DGW = 4 Speed Automatic, -44RE
	U = 4WD (RHD)		EXA, EX0 = 3.1L, 5 Cyl Turbo Diesel	DG4 = Multi Speed Automatic, -45RFE
				DGO = All Automatic

**Skid Plate, Front Axle  
Figure 002-810**

ITEM	PART NUMBER	QTY	LINE	SERIES	BODY	ENGINE	TRANS	DESCRIPTION
NOTES:ERO =4.0L 6Cyl Gas Engine--- EVO =4.7L Engine Gas Engine---E XO =3.0/3.1L Turbo Diesel Engine---J=Left Hand Drive---U=Right Hand Drive								
1	6505 961AA	4	J, U					SCREW AND WASHER, Hex Head, M10x1.5x40
2								SKID PLATE, Front
	5205 8923	1	J, U			ERO, EVO		
	52059 165AA	1	J, U			EXO		



<b>JEEP GRAND CHEROKEE (WJ)</b>				
SERIES	LINE	BODY	ENGINE	TRANSMISSION
H=Laredo	J = 4WD	74 = 4 Door(105.9 WB)	ERO, ERH = 4.0L, Power Tech I-6	DGK = 4 Speed Autm, 42RE
P=Limited	T = 2WD		EVO, EVA = 4.7L, Power Tech V8	DGW = 4 Speed Automatic, -44RE
	U = 4WD (RHD)		EXA, EXO = 3.1L, 5 Cyl Turbo Diesel	DG4 = Multi Speed Automatic, -45RFE
				DGO = All Automatic

AR = Use as required - = Non illustrated part # = New this model year

September 14, 2002

# Group – 003

## Rear Axle

### GROUP 3 - Rear Axle

Illustration Title

Group-Fig. No.

#### Rear Axle

Axle Assembly Rear ..... Fig. 003-130

#### Differential and Housing

Housing, Rear Axle Dana Model 35 ..... Fig. 003-250

Housing, Rear Axle Dana Model 44 ..... Fig. 003-255

Differential, Without Trac-Lok- Dana Model 35 ..... Fig. 003-260

Differential, With Trac-Lok- Dana Model 35 ..... Fig. 003-265

Differential, Without Trac-Lok- Dana Model 44 ..... Fig. 003-270

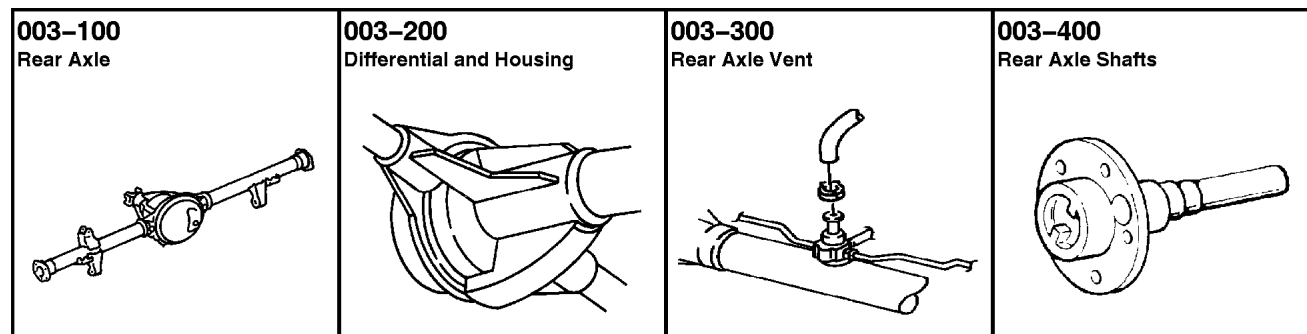
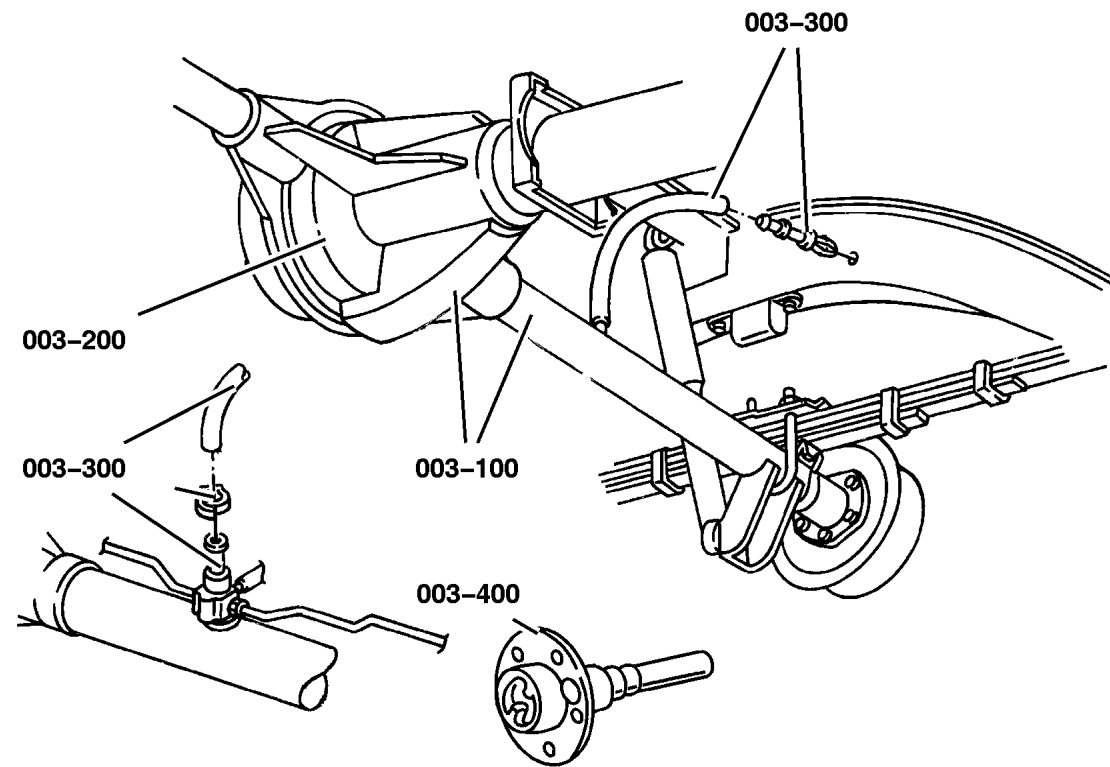
Differential, With Trac-Lok or Vari-Lok Progressive, Dana Model 44/226MM ..... Fig. 003-275

#### Rear Axle Vent

Rear Axle Vent ..... Fig. 003-310

#### Rear Axle Shafts

Shaft, Rear Axle ..... Fig. 003-410

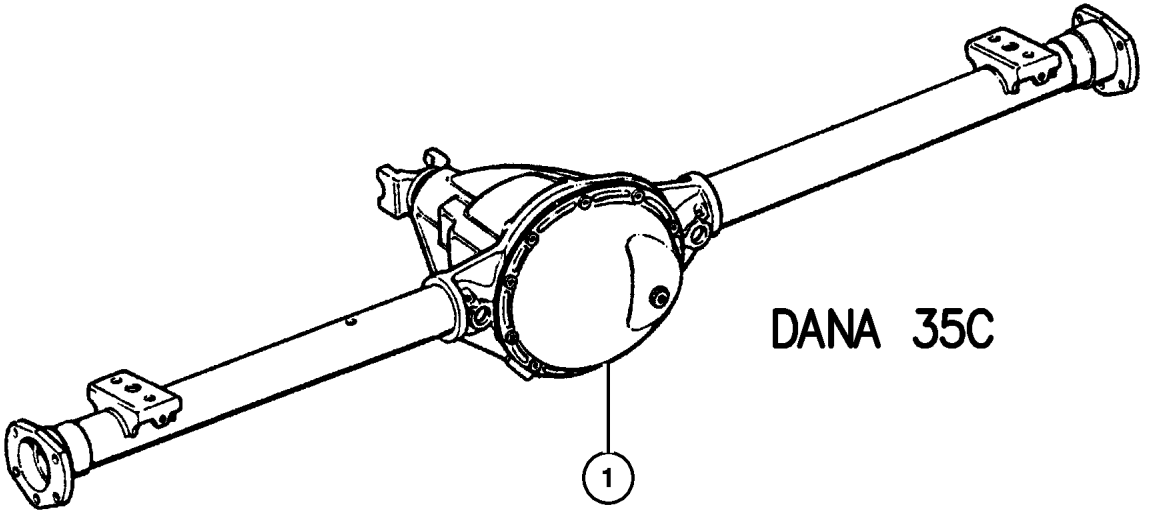


**Axle Assembly Rear  
Figure 003-130**

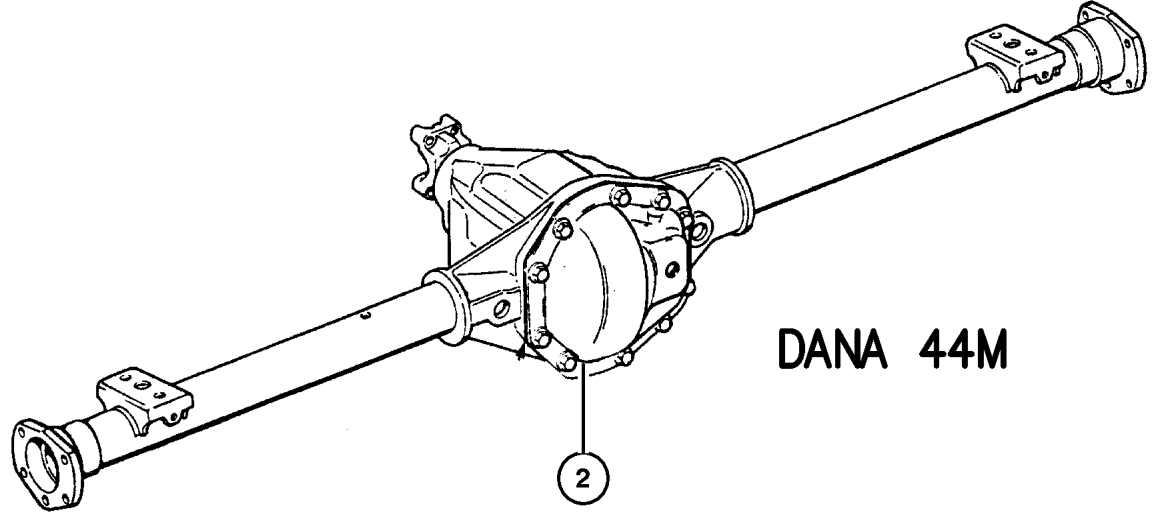
ITEM	PART NUMBER	QTY	LINE	SERIES	BODY	ENGINE	TRANS	DESCRIPTION
------	-------------	-----	------	--------	------	--------	-------	-------------

DRM = Dana 35C---DRK=Dana 44M---DMD=3.55 Ratio---DME=3.73 Ratio---DMT=3.91 Ratio---DSA=Trac-Lok Differential---  
DSC=Vari-Lok Progressive Axle

1								AXLE, Service Rear
	5012 829AA	1						[DRM,DMD] withTag# 52099433AC
	5012 812AA	1						[DRM,DME] withTag# 52099430AC
	5012 832AA	1						[DRM,DME,DSA] with Tag# 52111996AC
2								AXLE, Service Rear
	5012 843AA	1						[DRK,DME] withTag# 52099429AC
	5012 853AA	1						[DRK,DME,DSA] withTag# 52111995AC
	5012 868AA	1						[DRK,DME,DSC] withTag# 52099426AC
	5015 075AA	1						[DRK,DMT] with Tag# 52111203AA
	5014 364AA	1						[DRK,DMT,DSC] withTag# 52111202AB



**DANA 35C**



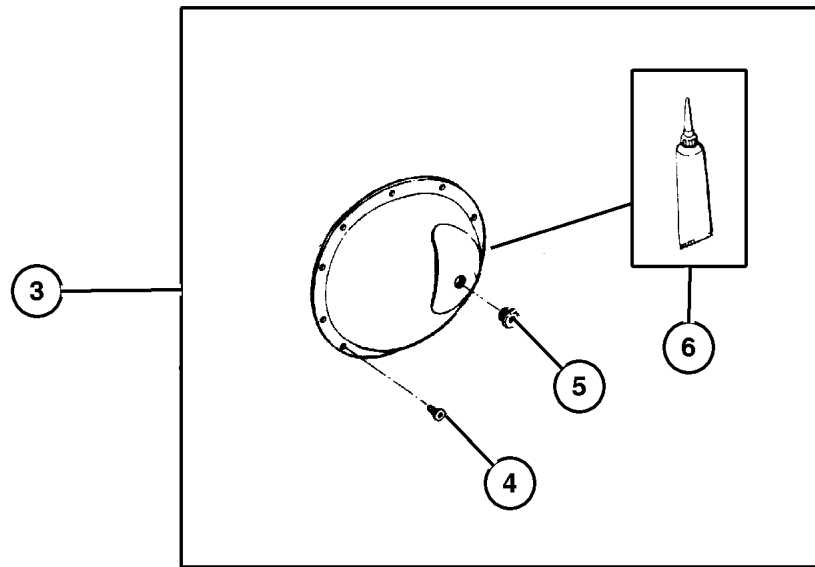
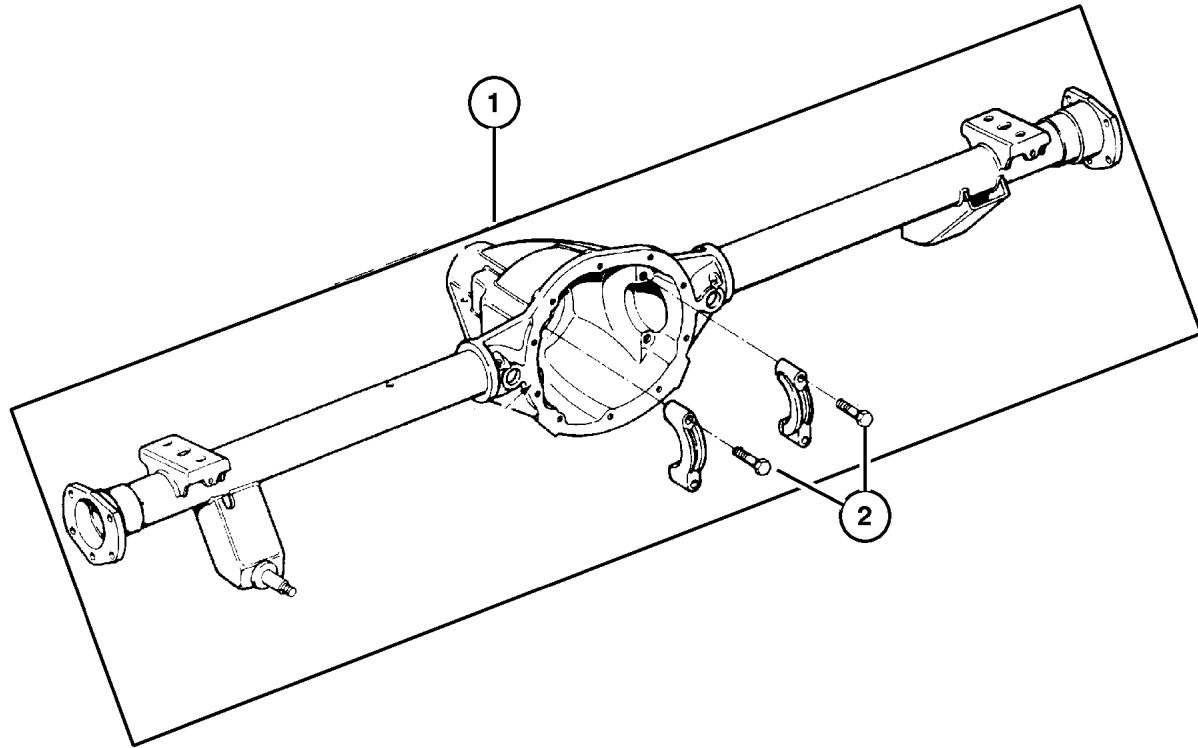
**DANA 44M**

JEEP GRAND CHEROKEE (WJ)				
SERIES	LINE	BODY	ENGINE	TRANSMISSION
H=Laredo	J = 4WD	74 = 4 Door(105.9 WB)	ER0, ERH = 4.0L, Power Tech I-6	DGK = 4 Speed Autm, 42RE
P=Limited	T = 2WD		EVO, EVA = 4.7L, Power Tech V8	DGW = 4 Speed Automatic, -44RE
	U = 4WD (RHD)		EXA, EX0 = 3.1L, 5 Cyl Turbo Diesel	DG4 = Multi Speed Automatic, -45RFE
				DGO = All Automatic

AR = Use as required - = Non illustrated part # = New this model year

Housing, Rear Axle Dana Model 35  
Figure 003-250

ITEM	PART NUMBER	QTY	LINE	SERIES	BODY	ENGINE	TRANS	DESCRIPTION
1	5012 805AA	1						HOUSING, Axle
2	4897 482AB	4						BOLT, Differential, Carrier Cap Retaining
3	5012 811AA	1						COVER, Differential, with Cover,Screws, Plug and Sealant
4	J400 6708	10						SCREW, Pan Head, .312-18x.56, Cover Attaching
5	5252 504	1						PLUG, Differential Cover
6	5010 884AA	1						SEALANT, RTV



JEEP GRAND CHEROKEE (WJ)

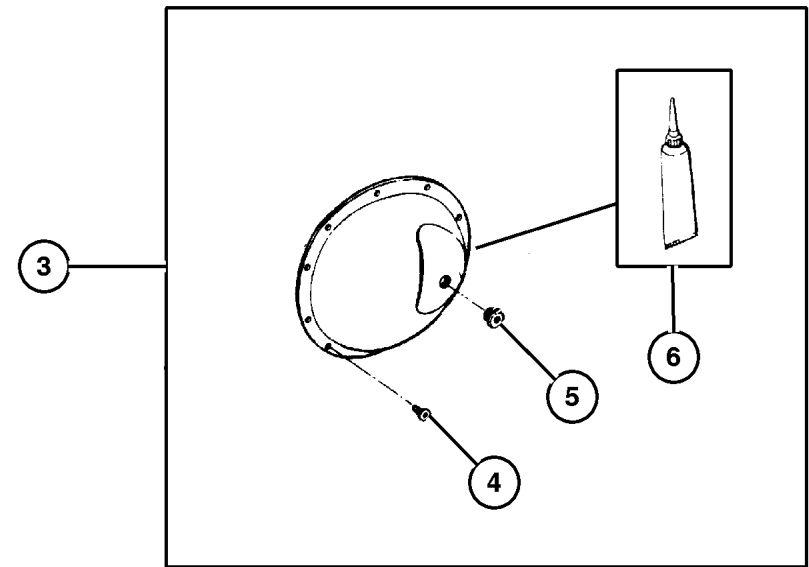
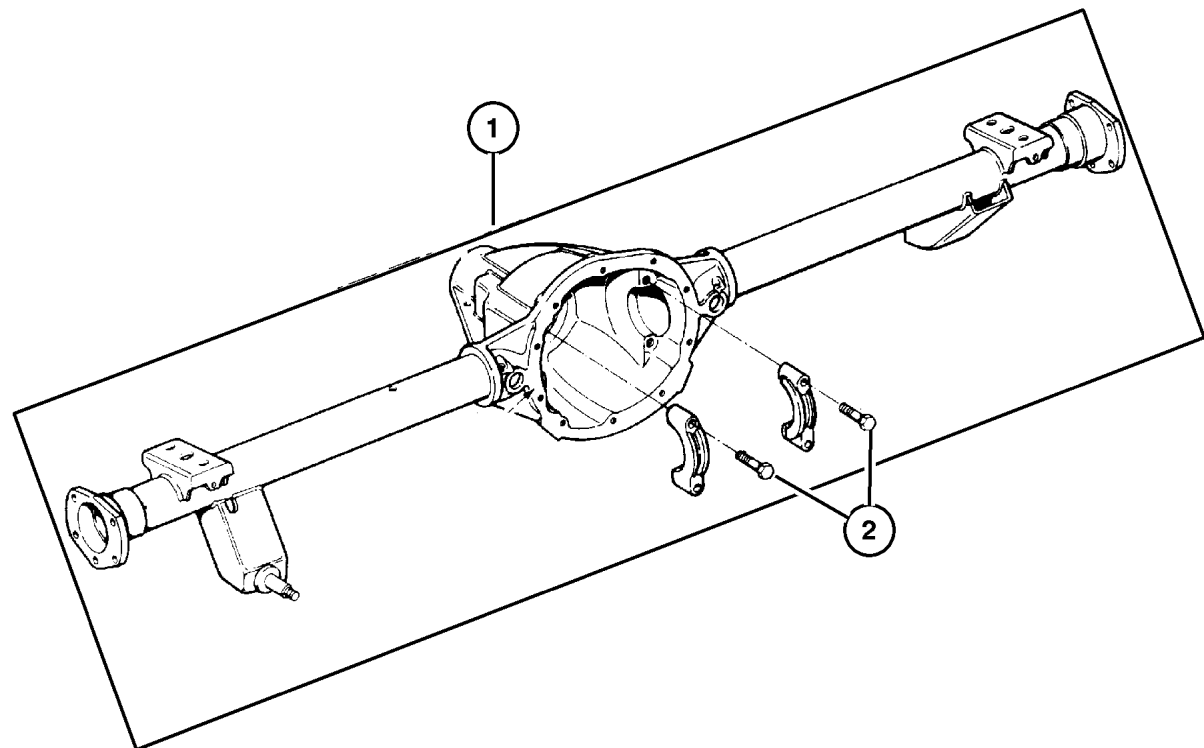
SERIES	LINE	BODY	ENGINE	TRANSMISSION
H=Laredo	J = 4WD	74 = 4 Door(105.9 WB)	ER0, ERH = 4.0L, Power Tech I-6	DGK = 4 Speed Autm, 42RE
P=Limited	T = 2WD		EVO, EVA = 4.7L, Power Tech V8	DGW = 4 Speed Automatic, -44RE
	U = 4WD (RHD)		EXA, EX0 = 3.1L, 5 Cyl Turbo Diesel	DG4 = Multi Speed Automatic, -45RFE
				DGO = All Automatic

AR = Use as required - = Non illustrated part # = New this model year

September 14, 2002

### Housing, Rear Axle Dana Model 44 Figure 003-255

ITEM	PART NUMBER	QTY	LINE	SERIES	BODY	ENGINE	TRANS	DESCRIPTION
1	5012 837AA	1						HOUSING, Axle
2	J400 6553	4						BOLT, Differential, Carrier Cap Retaining
3	5012 842AA	1						COVER, Differential, with Cover, Screws, Plug and Sealant
4	J400 6708	10						SCREW, Pan Head, .312-18x.56, Cover Attaching
5	5252 504	1						PLUG, Differential Cover
6	5010 884AA	1						SEALANT, RTV

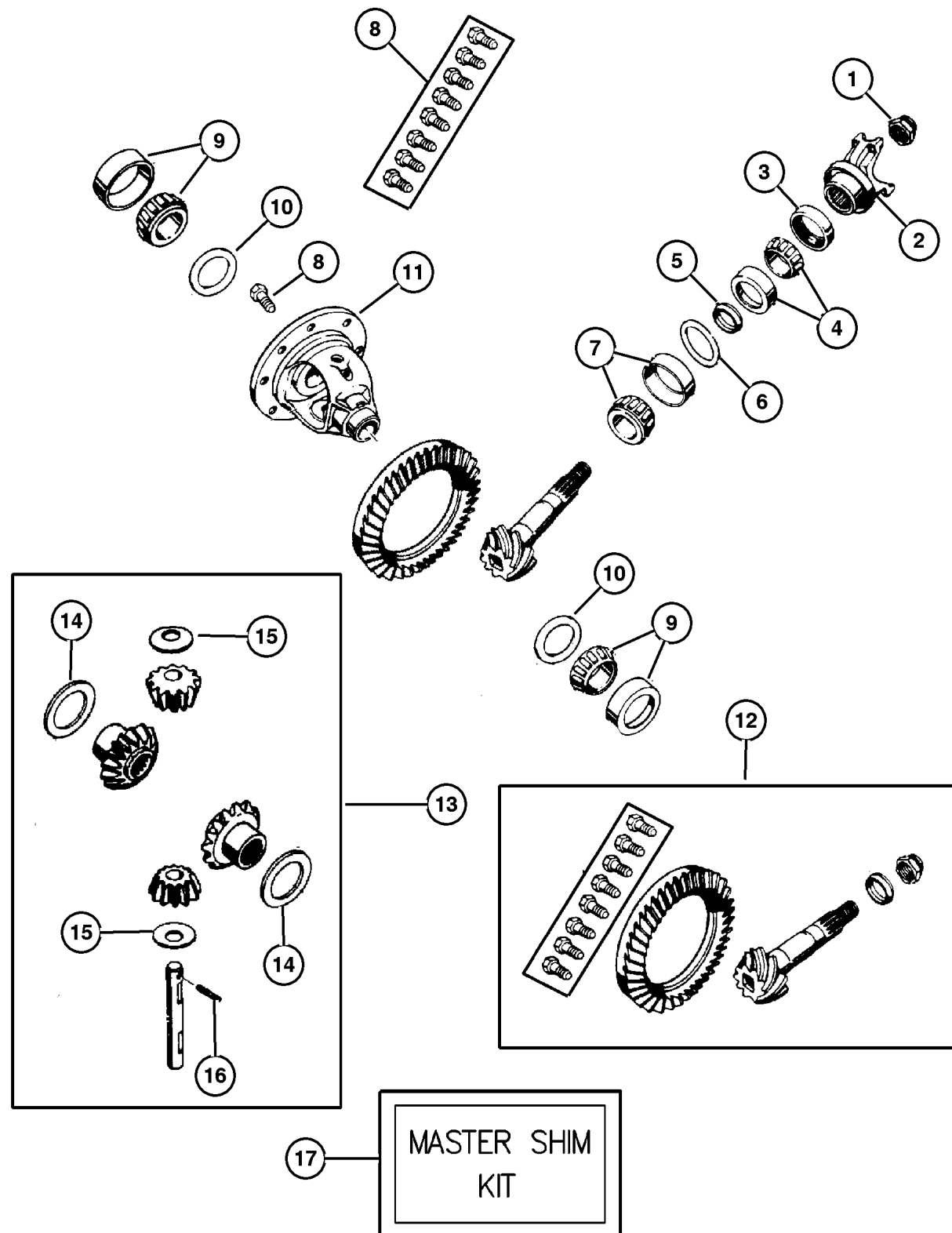


<b>JEEP GRAND CHEROKEE (WJ)</b>				
SERIES	LINE	BODY	ENGINE	TRANSMISSION
H=Laredo P=Limited	J = 4WD T = 2WD U = 4WD (RHD)	74 = 4 Door(105.9 WB)	ER0, ERH = 4.0L, Power Tech I-6 EV0, EVA = 4.7L, Power Tech V8 EXA, EX0 = 3.1L, 5 Cyl Turbo Diesel	DGK = 4 Speed Autm, 42RE DGW = 4 Speed Automatic, -44RE DG4 = Multi Speed Automatic, -45RFE DGO = All Automatic

AR = Use as required - = Non illustrated part # = New this model year

September 14, 2002

**Differential, Without Trac-Lok- Dana Model 35**  
**Figure 003-260**



ITEM	PART NUMBER	QTY	LINE	SERIES	BODY	ENGINE	TRANS	DESCRIPTION
1	4720 895	1						NUT, Pinion Yoke
2	5012 806AA	1						YOKE, Axle
3	5012 813AA	1						SEAL, Drive Pinion Inner
	4883 964AA	1						Outer
4	5252 508	1						BEARING, Drive Pinion, Bearing and Cup, Front
5	5012 809AA	1						SPACER, Drive Pinion Bearing, Crush
6								SHIM, Drive Pinion Bearing, Replacement
								Individual PINION Shims for Master Shim Kit 5017214AA
	5017 269AA	1						.036'
	5017 278AA	1						.045'
	5017 279AA	1						.046'
	5017 280AA	1						.047'
	5017 281AA	1						.048'
	5017 282AA	1						.049'
	5017 283AA	1						.050'
	5017 288AA	1						.021'
	5017 270AA	1						.037'
	5017 271AA	1						.038'
	5017 272AA	1						.039'
	5017 273AA	1						.040'
	5017 274AA	1						.041'
	5017 275AA	1						.042'
	5017 276AA	1						.043'
	5017 277AA	1						.044'
7	5252 507	1						BEARING, Drive Pinion, Bearing and Cup, Rear
8	5012 810AA	1						BOLT KIT, Consists of 10 Screws
9	J812 6500	1						BEARING, Differential, Consists of 2 Bearings and 2 Cups
10								SHIM, Differential Bearing, Replacement
								Individual DIFFERENTIAL Shims for Master Shim Kit 5017214AA
	5017 299AA	1						.151'
	5017 308AA	1						.160'
	5017 309AA	1						.161'
	5017 310AA	1						.162'
	5017 311AA	1						.163'
	5017 312AA	1						.164'
	5017 313AA	1						.165'
	5017 314AA	1						.166'

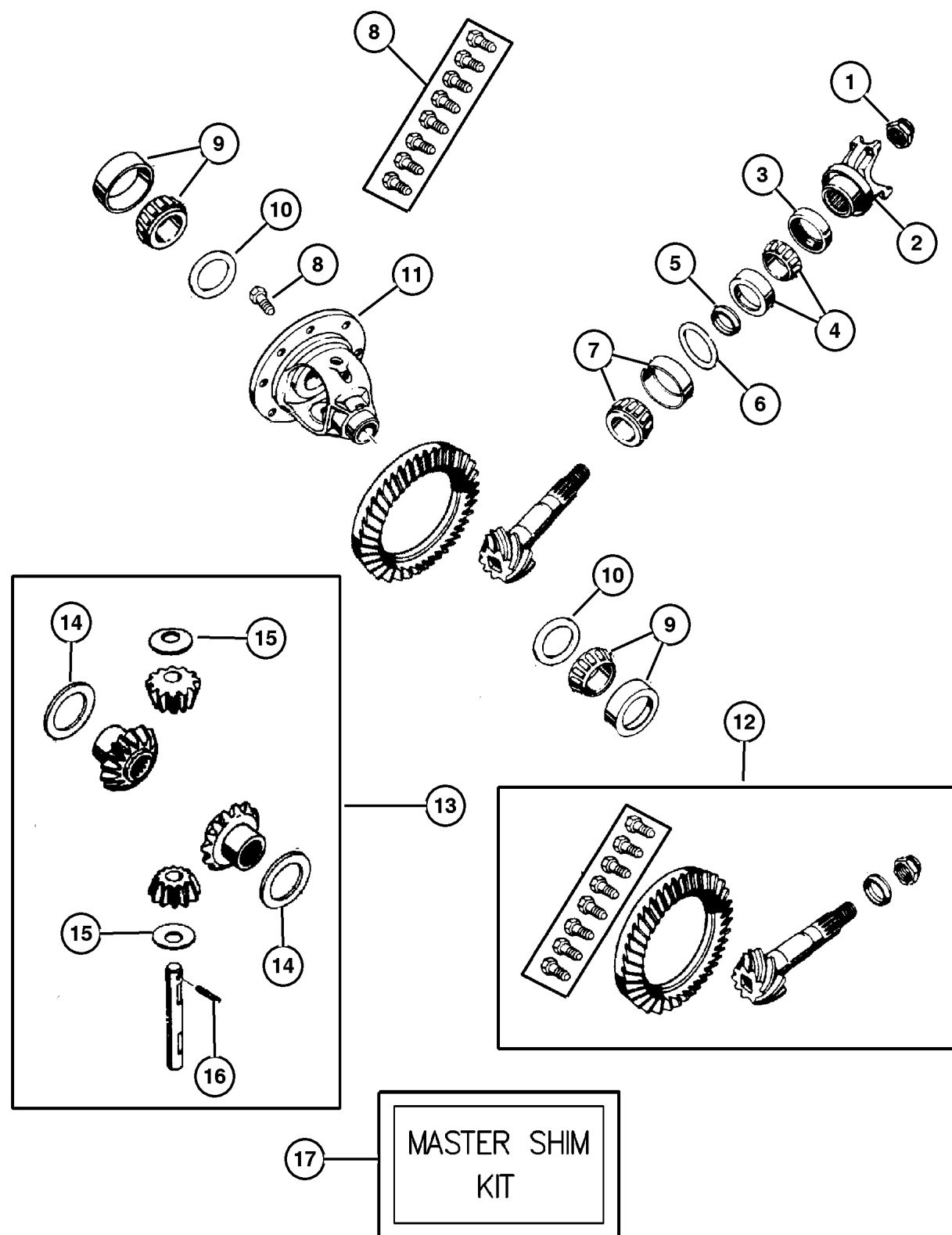
**JEEP GRAND CHEROKEE (WJ)**

SERIES	LINE	BODY	ENGINE	TRANSMISSION
H=Laredo	J = 4WD	74 = 4 Door(105.9 WB)	ER0, ERH = 4.0L, Power Tech I-6	DGK = 4 Speed Autm, 42RE
P=Limited	T = 2WD		EV0, EVA = 4.7L, Power Tech V8	DGW = 4 Speed Automatic, -44RE
	U = 4WD (RHD)		EXA, EX0 = 3.1L, 5 Cyl Turbo Diesel	DG4 = Multi Speed Automatic, -45RFE
				DGO = All Automatic

AR = Use as required - = Non illustrated part # = New this model year

September 14, 2002

**Differential, Without Trac-Lok- Dana Model 35**  
**Figure 003-260**



ITEM	PART NUMBER	QTY	LINE	SERIES	BODY	ENGINE	TRANS	DESCRIPTION
	5017 315AA	1						.167'
	5017 316AA	1						.168'
	5017 317AA	1						.169'
	5017 300AA	1						.152'
	5017 318AA	1						.170'
	5017 319AA	1						.171'
	5017 320AA	1						.172'
	5017 321AA	1						.173'
	5017 322AA	1						.174'
	5017 323AA	1						.175'
	5017 324AA	1						.176'
	5017 325AA	1						.177'
	5017 326AA	1						.178'
	5017 327AA	1						.179'
	5017 301AA	1						.153'
	5017 328AA	1						.180'
	5017 329AA	1						.181'
	5017 330AA	1						.182'
	5017 331AA	1						.183'
	5017 302AA	1						.154'
	5017 303AA	1						.155'
	5017 304AA	1						.156'
	5017 305AA	1						.157'
	5017 306AA	1						.158'
	5017 307AA	1						.159'
11	5012 808AA	1						CASE, Differential, with Internal Parts
12								GEAR KIT, Ring And Pinion
	5012 828AA	1						[DMD]
	5012 807AA	1						[DME]
13	4740 670	1						GEAR KIT, Center Differential
14	J812 0832	2						WASHER, Differential Side Gear, Thrust
15	J812 0831	2						WASHER, Flat, Pinion Thrust
16	5252 502	1						PIN, Differential Shaft
17	5017 214AA	1						SHIM KIT, Differential, Master Shim Kit
								For the Complete Differential containing
								16 PINION Shims and 33
								DIFFERENTIAL Shims., Master Shim
								Kit-Complete Pinion and Differential
								Shim Package

**JEEP GRAND CHEROKEE (WJ)**

SERIES	LINE	BODY	ENGINE	TRANSMISSION
H=Laredo	J = 4WD	74 = 4 Door(105.9 WB)	ER0, ERH = 4.0L, Power Tech I-6	DGK = 4 Speed Autm, 42RE
P=Limited	T = 2WD		EV0, EVA = 4.7L, Power Tech V8	DGW = 4 Speed Automatic,
	U = 4WD (RHD)		EXA, EX0 = 3.1L, 5 Cyl Turbo Diesel	-44RE
				DG4 = Multi Speed Automatic,
				-45RFE
				DGO = All Automatic

AR = Use as required - = Non illustrated part # = New this model year

September 14, 2002



Differential, With Trac-Lok-Dana Model 35  
Figure 003-265

ITEM	PART NUMBER	QTY	LINE	SERIES	BODY	ENGINE	TRANS	DESCRIPTION
1	4720 895	1						NUT, Pinion Yoke
2	5012 806AA	1						YOKE, Axle
3	5012 813AA	1						SEAL, Drive Pinion Inner
	4883 964AA	1						Outer
4	5252 508	1						BEARING, Drive Pinion, Bearing and Cup, Front
5	5012 809AA	1						SPACER, Drive Pinion Bearing, Crush
6								SHIM, Drive Pinion Bearing, Replacement Individual PINION Shims for Master Shim Kit 5014214AA.
	5017 288AA	1						.021'
	5017 277AA	1						.044'
	5017 278AA	1						.045'
	5017 279AA	1						.046'
	5017 280AA	1						.047'
	5017 281AA	1						.048'
	5017 282AA	1						.049'
	5017 283AA	1						.050'
	5017 269AA	1						.036'
	5017 270AA	1						.037'
	5017 271AA	1						.038'
	5017 272AA	1						.039'
	5017 273AA	1						.040'
	5017 274AA	1						.041'
	5017 275AA	1						.042'
	5017 276AA	1						.043'
7	5252 507	1						BEARING, Drive Pinion, Bearing and Cup, Rear
8	5012 807AA	1						GEAR KIT, Ring And Pinion, 3.73 Ratio
9	J812 6500	1						BEARING, Differential, Consists of 2 Bearings and 2 Cups
10								SHIM, Differential Bearing, Replacement Individual Differential Shims for Master Shim Kit 5014214AA
	5017 299AA	1						.151'
	5017 308AA	1						.160'
	5017 309AA	1						.161'
	5017 310AA	1						.162'
	5017 311AA	1						.163'
	5017 312AA	1						.164'
	5017 313AA	1						.165'
	5017 314AA	1						.166'

JEEP GRAND CHEROKEE (WJ)

SERIES  
H=Laredo  
P=Limited

LINE  
J = 4WD  
T = 2WD  
U = 4WD (RHD)

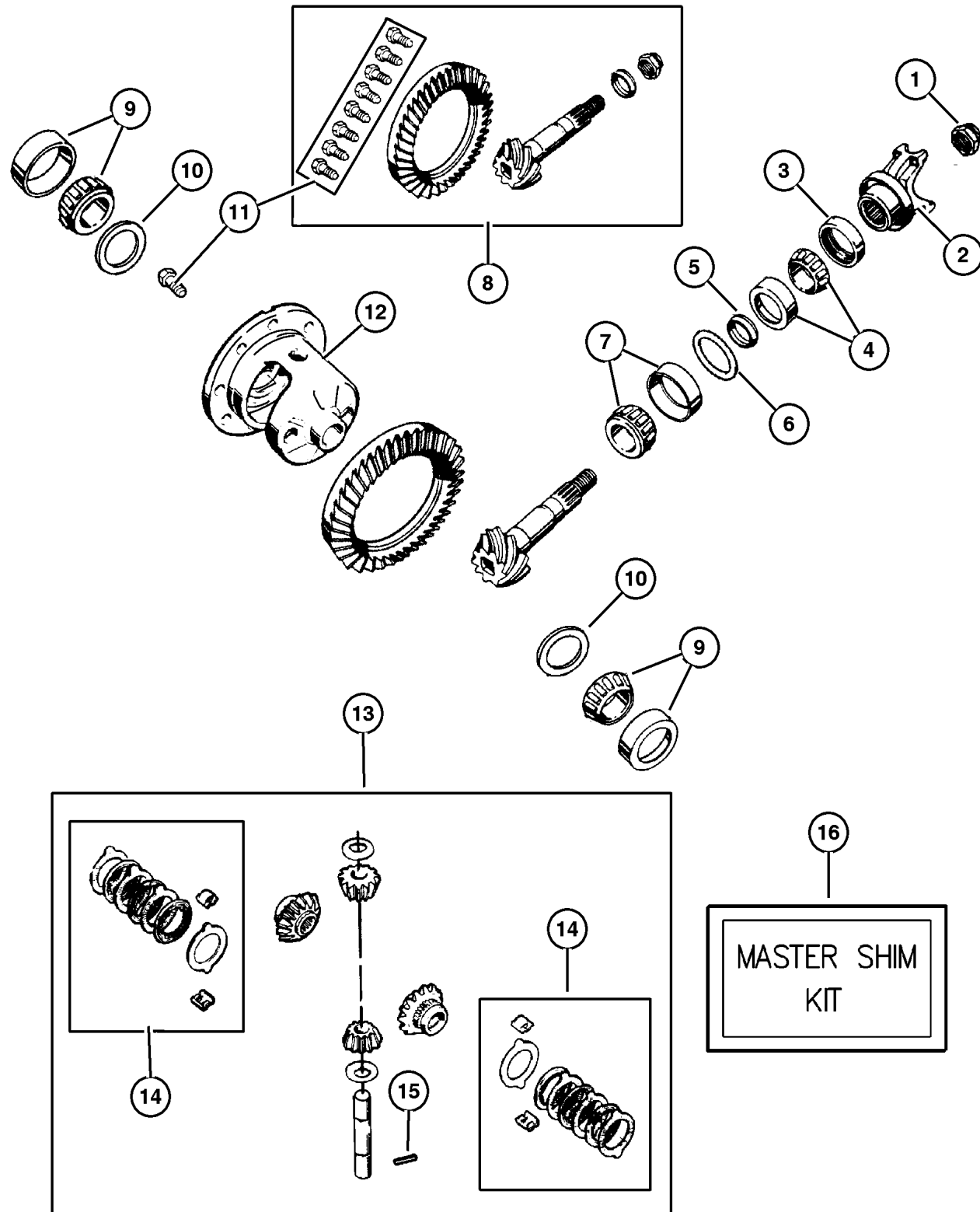
BODY  
74 = 4 Door(105.9 WB)

ENGINE  
ER0, ERH = 4.0L, Power Tech I-6  
EV0, EVA = 4.7L, Power Tech V8  
EXA, EX0 = 3.1L, 5 Cyl Turbo Diesel

TRANSMISSION  
DGK = 4 Speed Autm, 42RE  
DGW = 4 Speed Automatic,  
-44RE  
DG4 = Multi Speed Automatic,  
-45RFE  
DGO = All Automatic

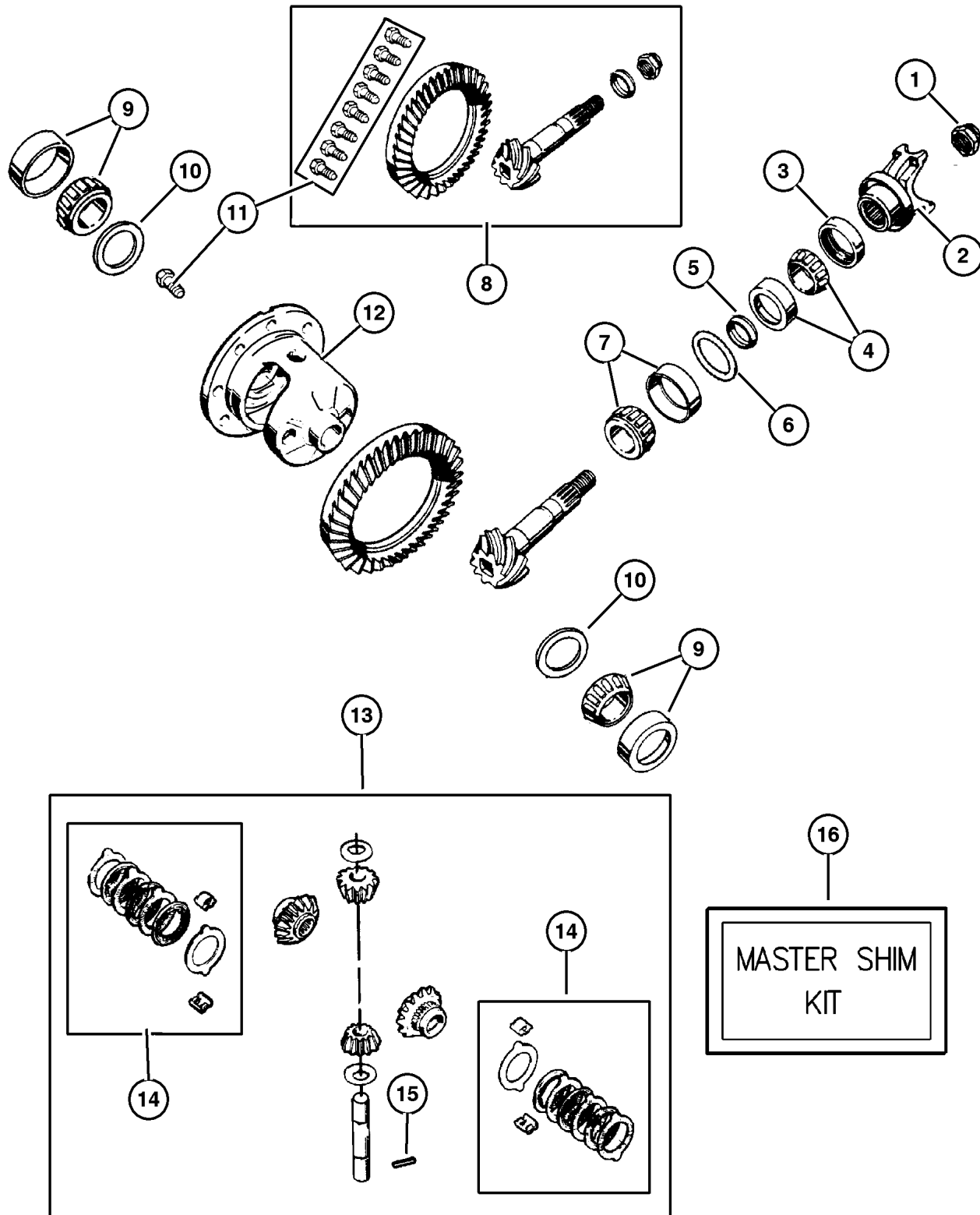
AR = Use as required - = Non illustrated part # = New this model year

September 14, 2002



Differential, With Trac-Lok-Dana Model 35  
Figure 003-265

ITEM	PART NUMBER	QTY	LINE	SERIES	BODY	ENGINE	TRANS	DESCRIPTION
	5017 315AA	1						.167'
	5017 316AA	1						.168'
	5017 317AA	1						.169'
	5017 300AA	1						.152'
	5017 318AA	1						.170'
	5017 319AA	1						.171'
	5017 320AA	1						.172'
	5017 321AA	1						.173'
	5017 322AA	1						.174'
	5017 323AA	1						.175'
	5017 324AA	1						.176'
	5017 325AA	1						.177'
	5017 326AA	1						.178'
	5017 327AA	1						.179'
	5017 301AA	1						.153'
	5017 328AA	1						.180'
	5017 329AA	1						.181'
	5017 330AA	1						.182'
	5017 331AA	1						.183'
	5017 302AA	1						.154'
	5017 303AA	1						.155'
	5017 304AA	1						.156'
	5017 305AA	1						.157'
	5017 306AA	1						.158'
	5017 307AA	1						.159'
11	5012 810AB	1						BOLT KIT
12	5012 831AA	1						CASE, Differential, with Internal Parts
13	4773 010	1						GEAR KIT, Center Differential
14	5252 506	1						DISC AND PLATE KIT, Differential
15	5252 502	1						PIN, Differential Shaft
16	5017 214AA	1						SHIM KIT, Differential, Master Shim Kit for the Complete Differential containing 16 PINION Shims and 33 DIFFERENTIAL Shims., Master Shim Kit-Complete Pinion and Differential Shim Kit



JEEP GRAND CHEROKEE (WJ)

SERIES  
H=Laredo  
P=Limited

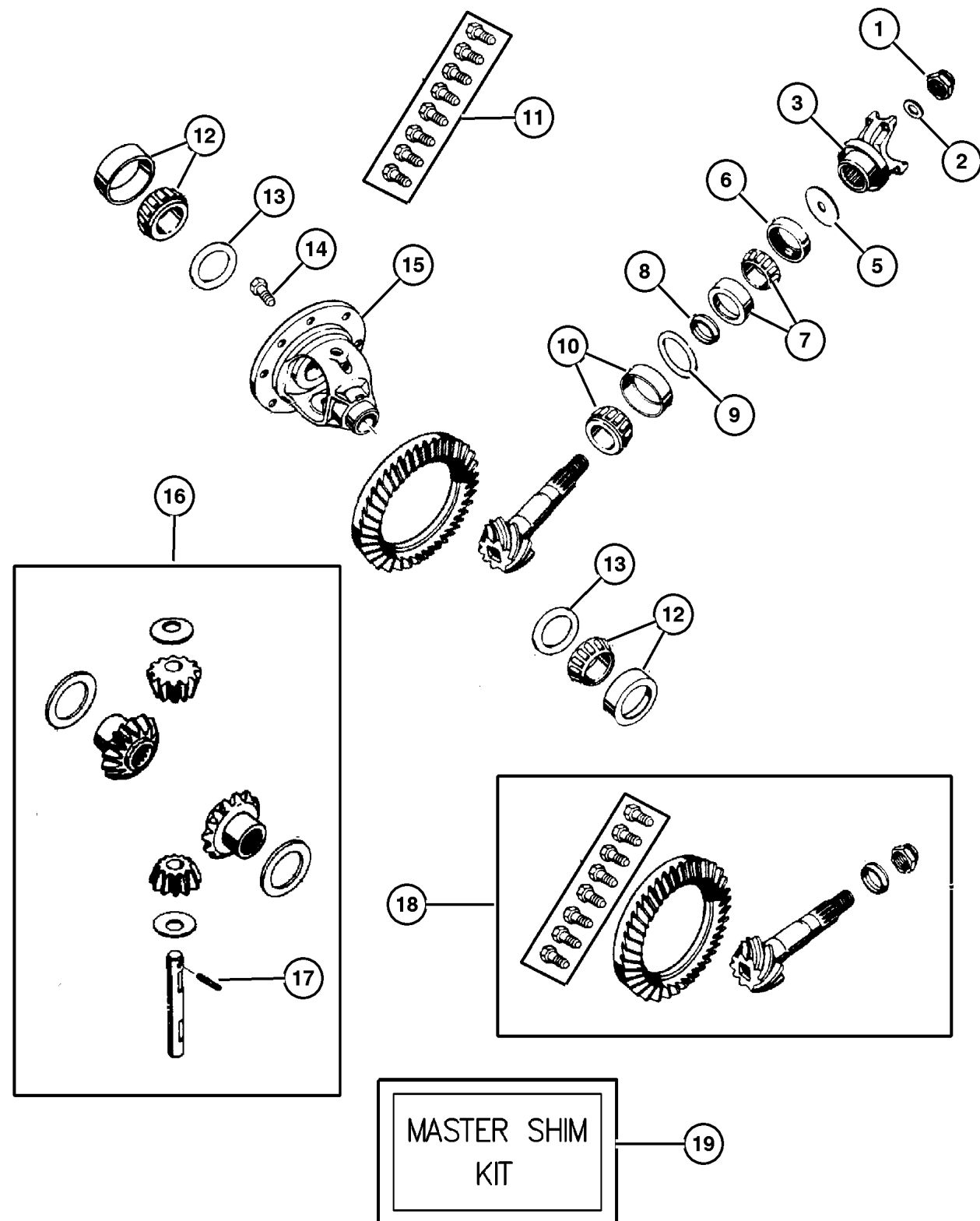
LINE  
J = 4WD  
T = 2WD  
U = 4WD (RHD)

BODY  
74 = 4 Door(105.9 WB)

ENGINE  
ER0, ERH = 4.0L, Power Tech I-6  
EV0, EVA = 4.7L, Power Tech V8  
EXA, EX0 = 3.1L, 5 Cyl Turbo Diesel

TRANSMISSION  
DGK = 4 Speed Autm, 42RE  
DGW = 4 Speed Automatic, -44RE  
DG4 = Multi Speed Automatic, -45RFE  
DGO = All Automatic

**Differential, Without Trac-Lok-Dana Model 44**  
**Figure 003-270**



ITEM	PART NUMBER	QTY	LINE	SERIES	BODY	ENGINE	TRANS	DESCRIPTION
1	1795 173	1						NUT, Pinion Yoke
2	1795 175	1						WASHER, Pinion Yoke
3	5012 840AA	1						YOKE, Axle [DME]
	5015 003AA	1						[DMT]
-4	5012 847AA	1						O RING, Pinion Flange, Fits Over Hub of Axle Yoke
5	4746 867	1						SLINGER, Drive Pinion
6	5012 846AA	1						SEAL, Drive Pinion
7	4746 979	1						BEARING, Drive Pinion, Bearing and Cup, Front
8	4864 214	1						SPACER, Crush
9	5017 332AA	1						.040'
	5017 341AA	1						.049'
	5017 342AA	1						.050'
	5017 343AA	1						.051'
	5017 344AA	1						.052'
	5017 345AA	1						.053'
	5017 346AA	1						.054'
	5017 333AA	1						.041'
	5017 334AA	1						.042'
	5017 335AA	1						.043'
	5017 336AA	1						.044'
	5017 337AA	1						.045'
	5017 338AA	1						.046'
	5017 339AA	1						.047'
	5017 340AA	1						.048'
10	4864 210	1						BEARING, Differential Shaft, Bearing and Cup, Rear
11	5012 810AC	1						BOLT KIT Contains 10- 7/16-20 x.750' Ring Gear Bolts
	4720 891	1						Contains 10- 3/8-24 x.827' Ring Gear Bolts
12	4864 213	1						BEARING, Differential Case, Consists of 2 Bearing and 2 Cups
13	5017 347AA	1						SHIM, Differential Bearing .103'
	5017 356AA	1						.112'
	5017 357AA	1						.113'
	5017 358AA	1						.114'
	5017 359AA	1						.115'

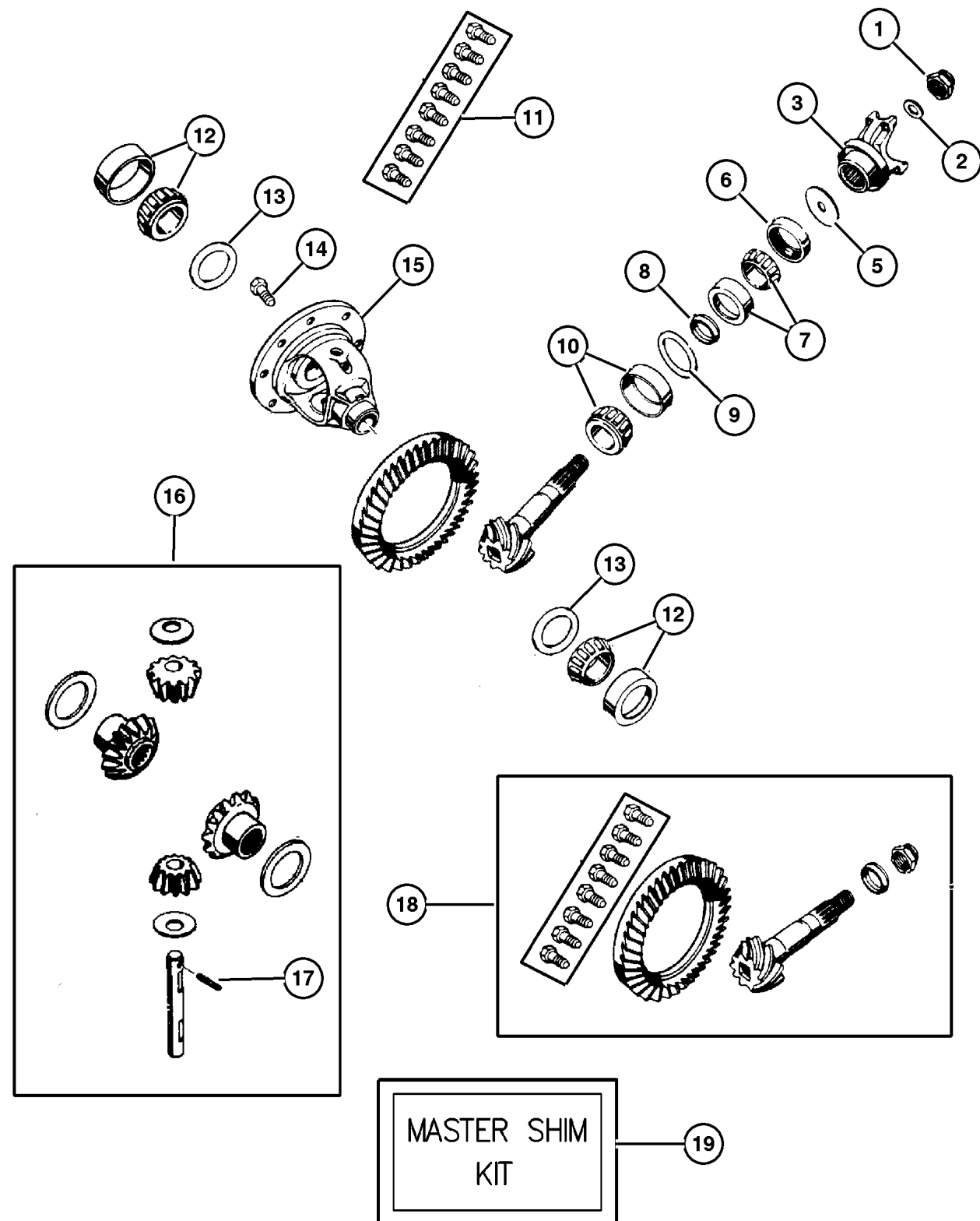
**JEEP GRAND CHEROKEE (WJ)**

SERIES	LINE	BODY	ENGINE	TRANSMISSION
H=Laredo	J = 4WD	74 = 4 Door(105.9 WB)	ER0, ERH = 4.0L, Power Tech I-6	DGK = 4 Speed Autm, 42RE
P=Limited	T = 2WD		EV0, EVA = 4.7L, Power Tech V8	DGW = 4 Speed Automatic, -44RE
	U = 4WD (RHD)		EXA, EX0 = 3.1L, 5 Cyl Turbo Diesel	DG4 = Multi Speed Automatic, -45RFE
				DGO = All Automatic

AR = Use as required - = Non illustrated part # = New this model year

September 14, 2002

**Differential, Without Trac-Lok-Dana Model 44**  
**Figure 003-270**



ITEM	PART NUMBER	QTY	LINE	SERIES	BODY	ENGINE	TRANS	DESCRIPTION
	5017 360AA	1						.116'
	5017 361AA	1						.117'
	5017 362AA	1						.118'
	5017 363AA	1						.119'
	5017 364AA	1						.120'
	5017 365AA	1						.121'
	5017 348AA	1						.104'
	5017 366AA	1						.122'
	5017 367AA	1						.123'
	5017 368AA	1						.124'
	5017 369AA	1						.125'
	5017 370AA	1						.126'
	5017 371AA	1						.127'
	5017 372AA	1						.128'
	5017 373AA	1						.129'
	5017 374AA	1						.130'
	5017 375AA	1						.131'
	5017 349AA	1						.105'
	5017 376AA	1						.132'
	5017 377AA	1						.133'
	5017 378AA	1						.134'
	5017 383AA	1						.135'
	5017 384AA	1						.136'
	5017 385AA	1						.137'
	5017 386AA	1						.138'
	5017 387AA	1						.139'
	5017 388AA	1						.140'
	5017 389AA	1						.141'
	5017 350AA	1						.106'
	5017 390AA	1						.142'
	5017 391AA	1						.143'
	5017 392AA	1						.144'
	5017 393AA	1						.145'
	5017 394AA	1						.146'
	5017 395AA	1						.147'
	5017 396AA	1						.148'
	5017 397AA	1						.149'
	5017 398AA	1						.150'
	5017 399AA	1						.151'
	5017 351AA	1						.107'
	5017 400AA	1						.152'
	5017 401AA	1						.153'
	5017 402AA	1						.154'

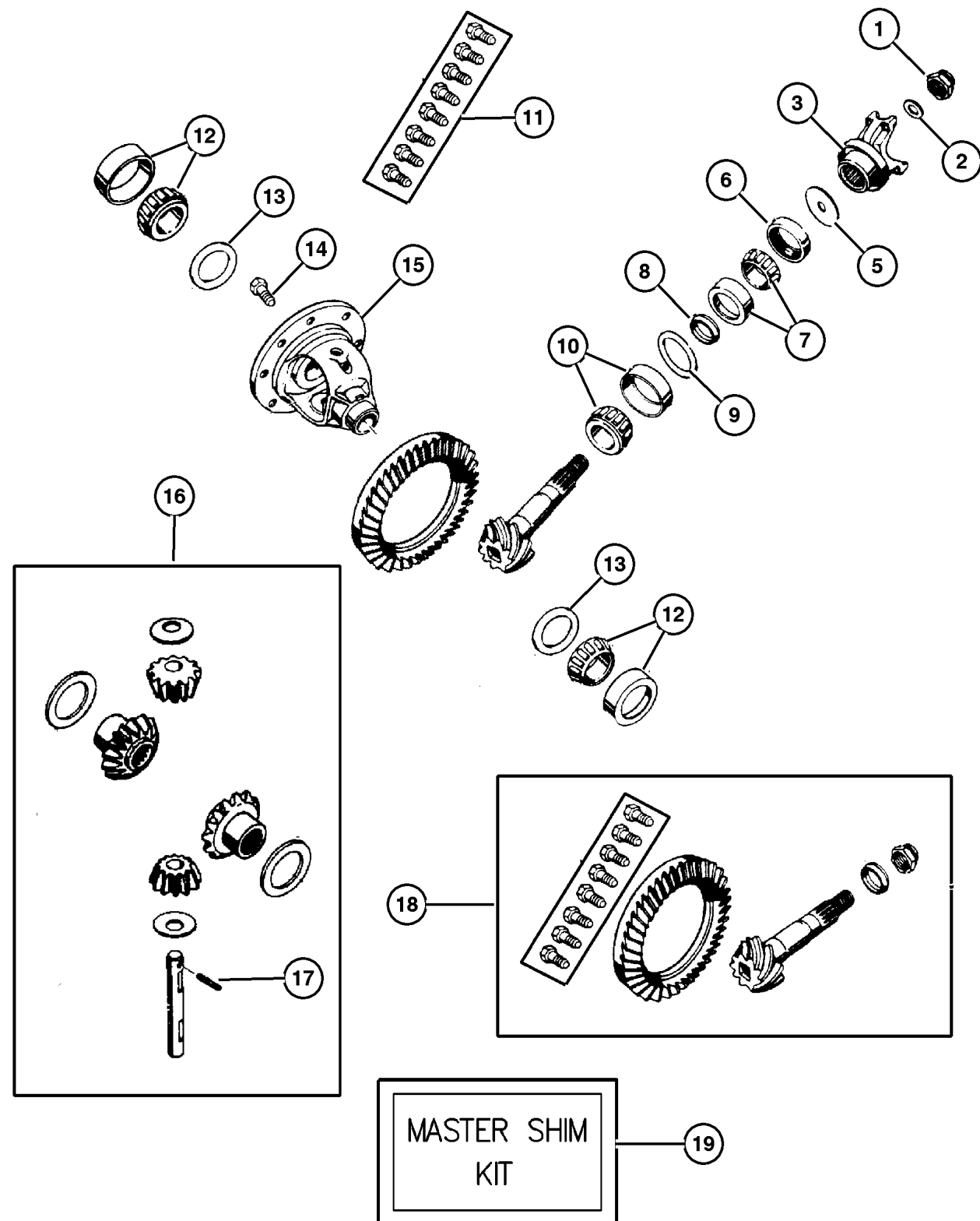
**JEEP GRAND CHEROKEE (WJ)**

SERIES	LINE	BODY	ENGINE	TRANSMISSION
H=Laredo	J = 4WD	74 = 4 Door(105.9 WB)	ER0, ERH = 4.0L, Power Tech I-6	DGK = 4 Speed Autm, 42RE
P=Limited	T = 2WD		EV0, EVA = 4.7L, Power Tech V8	DGW = 4 Speed Automatic, -44RE
	U = 4WD (RHD)		EXA, EX0 = 3.1L, 5 Cyl Turbo Diesel	DG4 = Multi Speed Automatic, -45RFE
				DGO = All Automatic

AR = Use as required - = Non illustrated part # = New this model year

September 14, 2002

**Differential, Without Trac-Lok-Dana Model 44  
Figure 003-270**



ITEM	PART NUMBER	QTY	LINE	SERIES	BODY	ENGINE	TRANS	DESCRIPTION
	5017 403AA	1						.155'
	5017 352AA	1						.108'
	5017 353AA	1						.109'
	5017 354AA	1						.110'
	5017 355AA	1						.111'
14	5252 503	1						SCREW, Drive Gear, 3/8-24 x.827' Ring Gear Bolt
15	4856 357	1						CASE, Differential Uses 3/8-24 x.827' Ring Gear Bolts-with Internal Parts
	#5019 855AA	1						Uses 7/16-20 x.750' Ring Gear Bolts-with Internal Parts
16	4856 366	1						GEAR KIT, Center Differential
17	5015 223AA	1						PIN, Differential Shaft
18	5012 841AA	1						GEAR KIT, Ring And Pinion 3.73 Ratio-with 3/8-24 x.827' Ring Gear Bolts
	#5019 854AA	1						3.73 Ratio-with 7/16-20 x.750' Ring Gear Bolts
	5014 357AA	1						3.91 Ratio-with 3/8-24 x.827' Ring Gear Bolts
	#5019 869AA	1						3.91 Ratio-with 7/16-20 x.750' Ring Gear Bolts
19	5017 215AA	1						SHIM KIT, Differential, Master Shim Kit-Complete PINION and DIFFERENTIAL Shim Kit

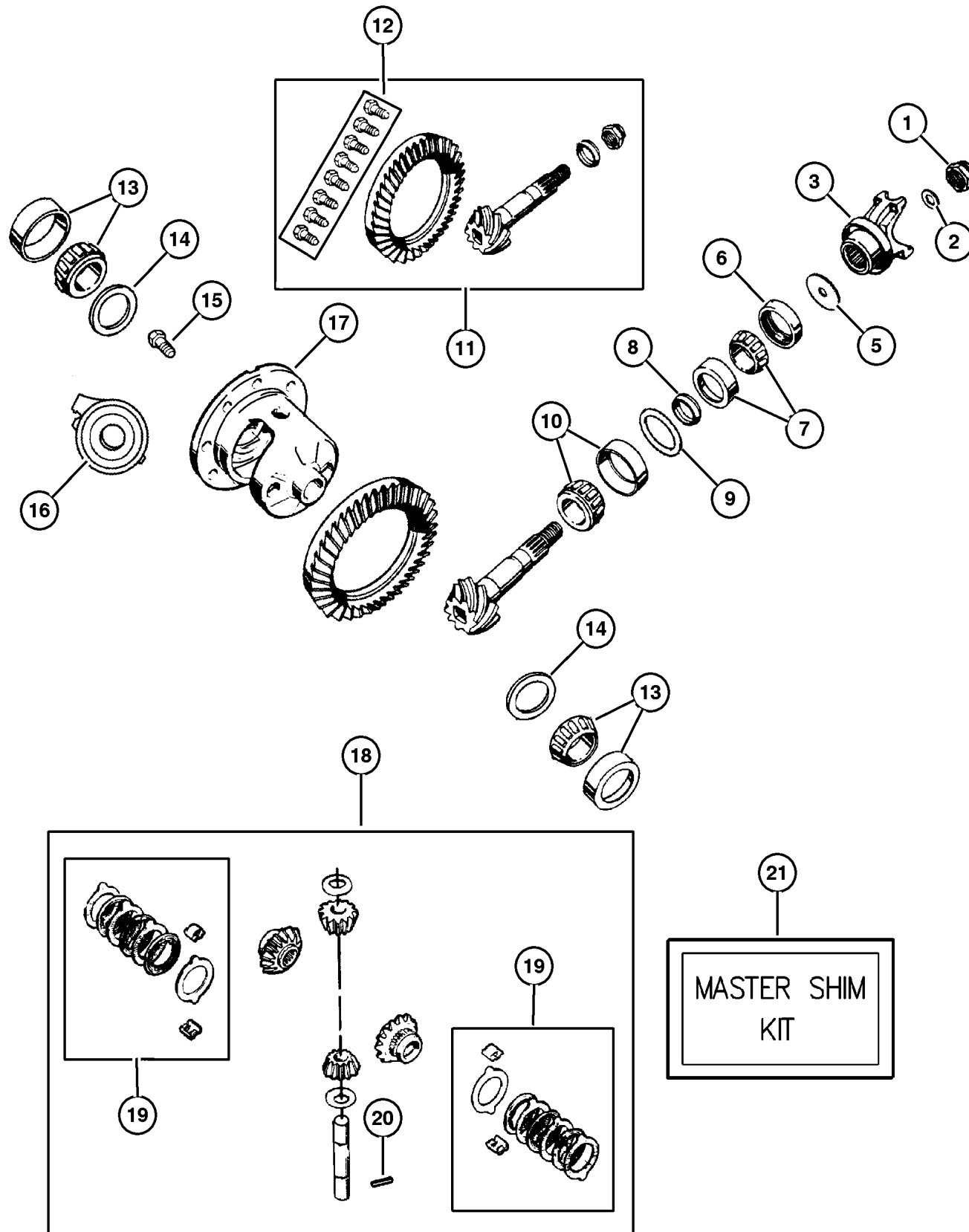
**JEEP GRAND CHEROKEE (WJ)**

SERIES	LINE	BODY	ENGINE	TRANSMISSION
H=Laredo	J = 4WD	74 = 4 Door(105.9 WB)	ER0, ERH = 4.0L, Power Tech I-6	DGK = 4 Speed Autm, 42RE
P=Limited	T = 2WD		EV0, EVA = 4.7L, Power Tech V8	DGW = 4 Speed Automatic, -44RE
	U = 4WD (RHD)		EXA, EX0 = 3.1L, 5 Cyl Turbo Diesel	DG4 = Multi Speed Automatic, -45RFE
				DGO = All Automatic

AR = Use as required - = Non illustrated part # = New this model year

September 14, 2002

**Differential, With Trac-Lok or Vari-Lok Progressive, Dana Model 44/226MM  
Figure 003-275**



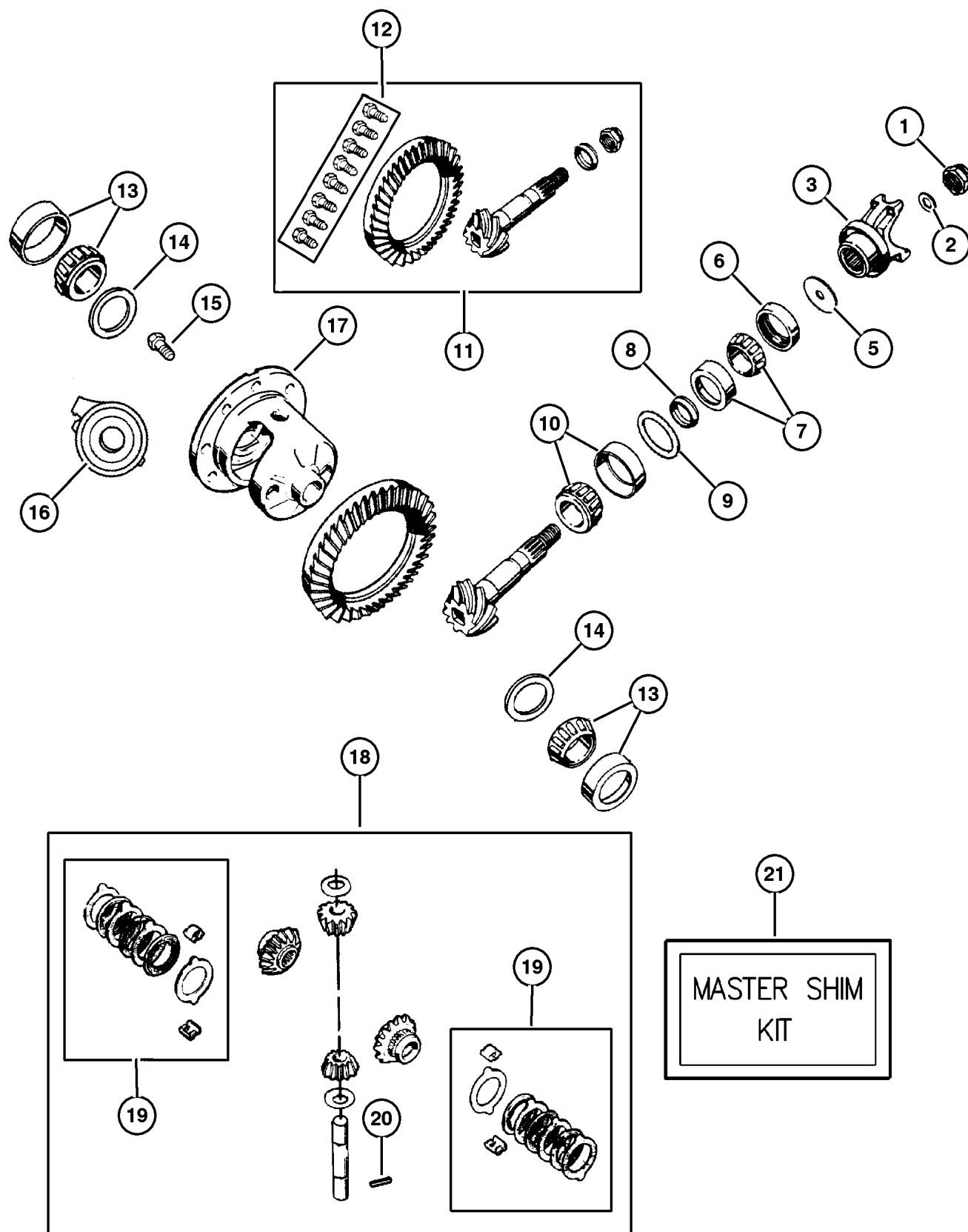
ITEM	PART NUMBER	QTY	LINE	SERIES	BODY	ENGINE	TRANS	DESCRIPTION
NOTES: DSA=Trac-Lok Differential----DSC=Vari-Lok Differential								
1	1795 173	1						NUT, Pinion Yoke
2	1795 175	1						WASHER, Pinion Yoke
3	5015 003AA	1						YOKE, Axle [DMT]
	5012 840AA	1						[DME]
-4	5012 847AA	1						O RING, Pinion Flange, Fits Over Hub of Axle Yoke
5	4746 867	1						SLINGER, Drive Pinion
6	5012 846AA	1						SEAL, Drive Pinion
7	4746 979	1						BEARING, Drive Pinion, Bearing and Cup, Front
8	4864 214	1						SPACER, Crush
9								SHIM, Drive Pinion Bearing, Replacement Individual PINION Shims for Master Shim Kit 5017215AA.
	5017 332AA	1						.040'
	5017 341AA	1						.049'
	5017 342AA	1						.050'
	5017 343AA	1						.051'
	5017 344AA	1						.052'
	5017 345AA	1						.053'
	5017 346AA	1						.054'
	5017 333AA	1						.041'
	5017 334AA	1						.042'
	5017 335AA	1						.043'
	5017 336AA	1						.044'
	5017 337AA	1						.045'
	5017 338AA	1						.046'
	5017 339AA	1						.047'
	5017 340AA	1						.048'
10	4864 210	1						BEARING, Differential Shaft, Bearing and Cup, Rear
11								GEAR KIT, Ring And Pinion
	5012 841AA	1						[DME] with 3/8-24 x .827' Ring Gear Bolts
	#5019 854AB	1						[DME] with 7/16-20 x .750' Ring Gear Bolts
	5014 357AA	1						[DMT] with 3/8-24 x .827' Ring Gear Bolts
	#5019 869AA	1						[DMT] with 7/16-20 x .750' Ring Gear Bolts
12								BOLT KIT

JEEP GRAND CHEROKEE (WJ)				
SERIES	LINE	BODY	ENGINE	TRANSMISSION
H=Laredo	J = 4WD	74 = 4 Door(105.9 WB)	ER0, ERH = 4.0L, Power Tech I-6	DGK = 4 Speed Autm, 42RE
P=Limited	T = 2WD		EVO, EVA = 4.7L, Power Tech V8	DGW = 4 Speed Automatic, -44RE
	U = 4WD (RHD)		EXA, EX0 = 3.1L, 5 Cyl Turbo Diesel	DG4 = Multi Speed Automatic, -45RFE
				DGO = All Automatic

AR = Use as required - = Non illustrated part # = New this model year

September 14, 2002

**Differential, With Trac-Lok or Vari-Lok Progressive, Dana Model 44/226MM  
Figure 003-275**



ITEM	PART NUMBER	QTY	LINE	SERIES	BODY	ENGINE	TRANS	DESCRIPTION
	4720 891	1						Contains 10- 3/8-24 x .827' Ring Gear Bolts
	5012 810AC	1						Contains 10- 7/16-20 x .750' Ring Gear Bolts
13	4864 213	1						BEARING, Differential Case, Consists of 2 Bearings and 2 Cups
14								SHIM, Differential Bearing, Replacement Individual DIFFERENTIAL Shims for Master Shim Kit 5017215AA
	5017 347AA	1						.103'
	5017 356AA	1						.112'
	5017 357AA	1						.113'
	5017 358AA	1						.114'
	5017 359AA	1						.115'
	5017 360AA	1						.116'
	5017 361AA	1						.117'
	5017 362AA	1						.118'
	5017 363AA	1						.119'
	5017 364AA	1						.120'
	5017 365AA	1						.121'
	5017 348AA	1						.104'
	5017 366AA	1						.122'
	5017 367AA	1						.123'
	5017 368AA	1						.124'
	5017 369AA	1						.125'
	5017 370AA	1						.126'
	5017 371AA	1						.127'
	5017 372AA	1						.128'
	5017 373AA	1						.129'
	5017 374AA	1						.130'
	5017 375AA	1						.131'
	5017 349AA	1						.105'
	5017 376AA	1						.132'
	5017 377AA	1						.133'
	5017 378AA	1						.134'
	5017 383AA	1						.135'
	5017 384AA	1						.136'
	5017 385AA	1						.137'
	5017 386AA	1						.138'
	5017 387AA	1						.139'
	5017 388AA	1						.140'
	5017 389AA	1						.141'
	5017 350AA	1						.106'

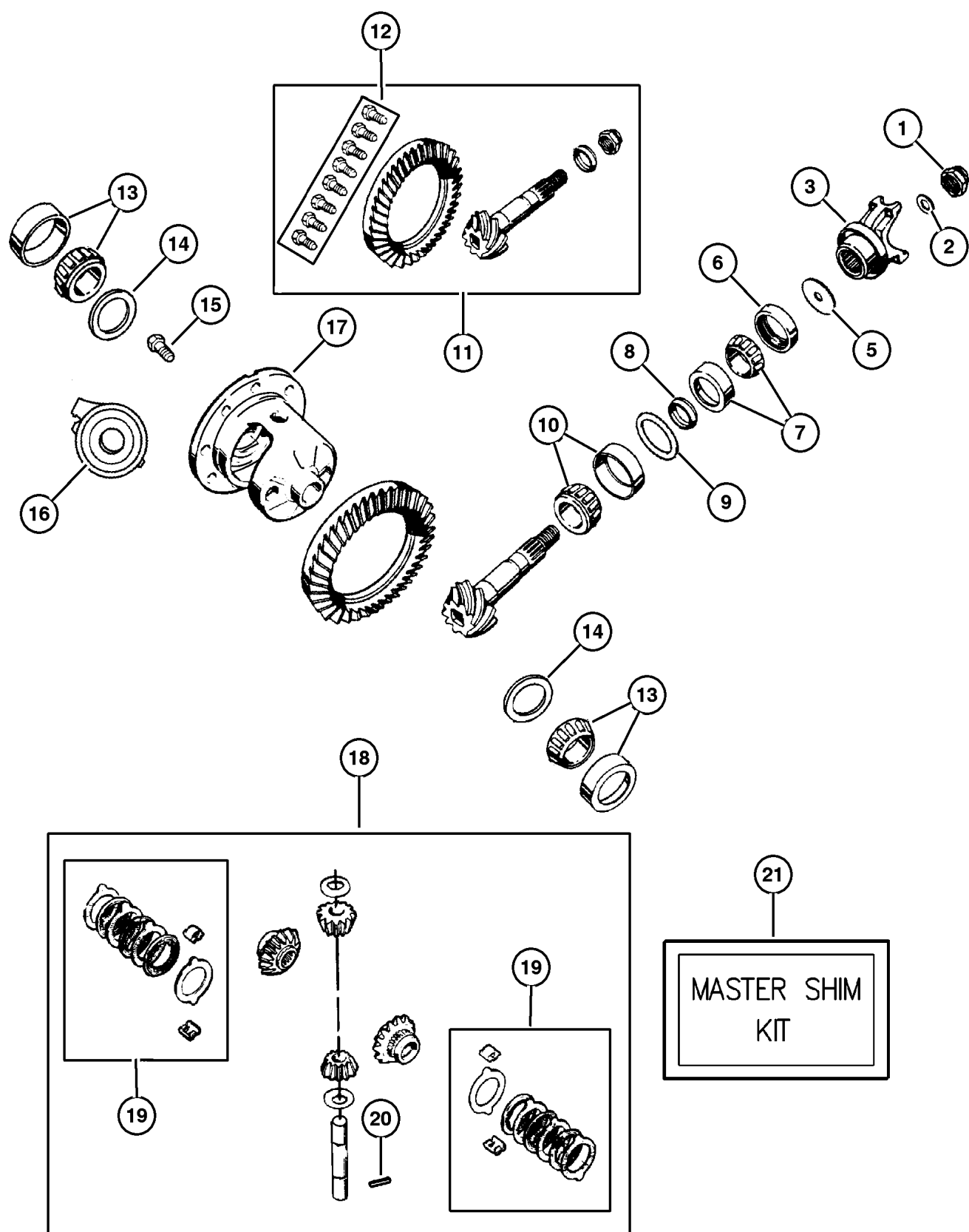
**JEEP GRAND CHEROKEE (WJ)**

SERIES	LINE	BODY	ENGINE	TRANSMISSION
H=Laredo	J = 4WD	74 = 4 Door(105.9 WB)	ER0, ERH = 4.0L, Power Tech I-6	DGK = 4 Speed Autm, 42RE
P=Limited	T = 2WD		EV0, EVA = 4.7L, Power Tech V8	DGW = 4 Speed Automatic, -44RE
	U = 4WD (RHD)		EXA, EX0 = 3.1L, 5 Cyl Turbo Diesel	DG4 = Multi Speed Automatic, -45RFE
				DGO = All Automatic

AR = Use as required - = Non illustrated part # = New this model year

September 14, 2002

Differential, With Trac-Lok or Vari-Lok Progressive, Dana Model 44/226MM  
Figure 003-275



ITEM	PART NUMBER	QTY	LINE	SERIES	BODY	ENGINE	TRANS	DESCRIPTION
	5017 390AA	1						.142'
	5017 391AA	1						.143'
	5017 392AA	1						.144'
	5017 393AA	1						.145'
	5017 394AA	1						.146'
	5017 395AA	1						.147'
	5017 396AA	1						.148'
	5017 397AA	1						.149'
	5017 398AA	1						.150'
	5017 399AA	1						.151'
	5017 351AA	1						.107'
	5017 400AA	1						.152'
	5017 401AA	1						.153'
	5017 402AA	1						.154'
	5017 403AA	1						.155'
	5017 352AA	1						.108'
	5017 353AA	1						.109'
	5017 354AA	1						.110'
	5017 355AA	1						.111'
15	5252 503	10						SCREW, Drive Gear, 3/8-24 x .827' Ring Gear Bolts
16	5012 870AA	1						PLENUM, Differential, [DSC]
17	4856 355	1						CASE, Differential [DSA]-Uses 3/8-24 x .827' Ring Gear Bolts-with Internal Parts
	#5019 868AA	1						[DSA]-Uses 7/16-20 x .750' Ring Gear Bolts-with Internal Parts
	5012 869AA	1						[DSC]-Uses 3/8-24 x .827' Ring Gear Bolts-with Internal Parts
	#5019 867AA	1						[DSC]-Uses 7/16-20 x .750' Ring Gear Bolts-with Internal Parts
18	4856 372	1						GEAR KIT, Center Differential, [DSA]
19	4626 720	1						DISC AND PLATE KIT, Differential, [DSA]
20	5015 223AA	1						PIN, Differential Shaft, [DSA]
21	5017 215AA	1						SHIM KIT, Differential, Master Shim Kit for the Complete Differential containing PINION Shims and DIFFERENTIAL Shims., Master Shim Kit-Complete PINION and DIFFERENTIAL Shim Package

JEEP GRAND CHEROKEE (WJ)

SERIES	LINE	BODY	ENGINE	TRANSMISSION
H=Laredo	J = 4WD	74 = 4 Door(105.9 WB)	ER0, ERH = 4.0L, Power Tech I-6	DGK = 4 Speed Autm, 42RE
P=Limited	T = 2WD		EV0, EVA = 4.7L, Power Tech V8	DGW = 4 Speed Automatic, -44RE
	U = 4WD (RHD)		EXA, EX0 = 3.1L, 5 Cyl Turbo Diesel	DG4 = Multi Speed Automatic, -45RFE
				DGO = All Automatic

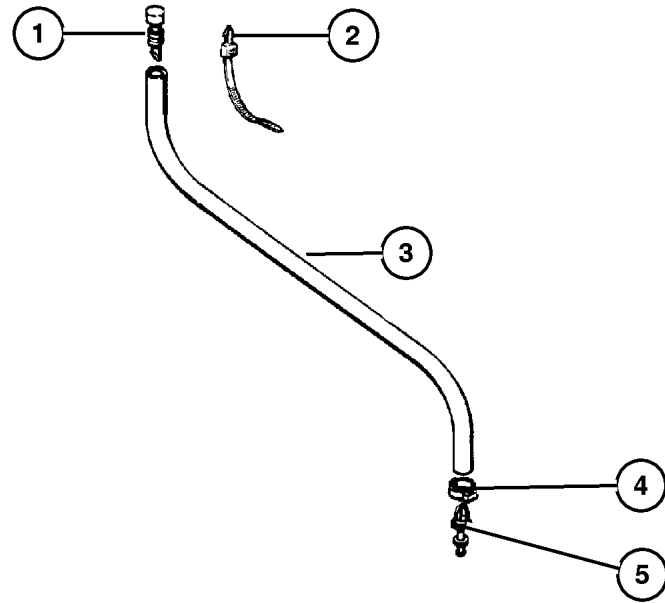
AR = Use as required - = Non illustrated part # = New this model year

September 14, 2002



# Rear Axle Vent Figure 003-310

ITEM	PART NUMBER	QTY	LINE	SERIES	BODY	ENGINE	TRANS	DESCRIPTION
NOTES:ER0=4.0L 6 Cylinder Engine---EV0=4.7L Gas Engine---EX0=3.0/3.1L Turbo Diesel								
1	J535 2955	1						VENT, Axle, Upper
2	6016 076	1						TIE STRAP
3	52098 655AB	1						HOSE, Axle Vent ER0,EV0
	52100 413AA	1						EX0
4	6503 573	1						CLIP, Lower Clamp to Screw
5	4137 696	1						SCREW, Brake Tee, .437-20x2.07, Double Ended Stud



### JEEP GRAND CHEROKEE (WJ)

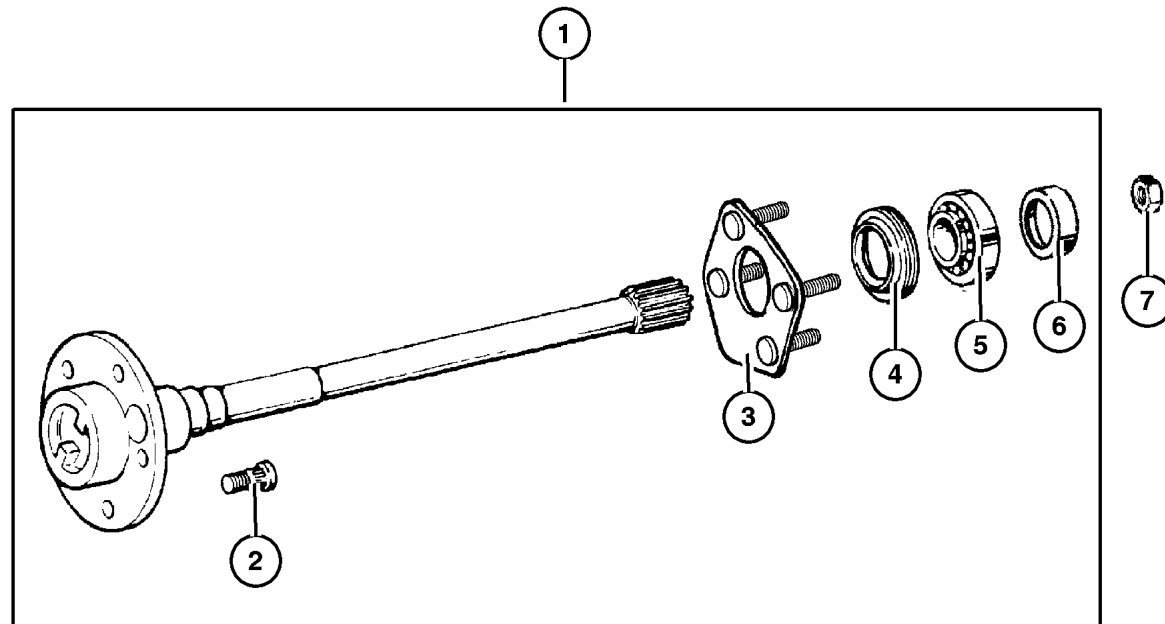
SERIES	LINE	BODY	ENGINE	TRANSMISSION
H=Laredo	J = 4WD	74 = 4 Door(105.9 WB)	ER0, ERH = 4.0L, Power Tech I-6	DGK = 4 Speed Autm, 42RE
P=Limited	T = 2WD		EV0, EVA = 4.7L, Power Tech V8	DGW = 4 Speed Automatic, -44RE
	U = 4WD (RHD)		EXA, EX0 = 3.1L, 5 Cyl Turbo Diesel	DG4 = Multi Speed Automatic, -45RFE
				DGO = All Automatic

AR = Use as required - = Non illustrated part # = New this model year

September 14, 2002

# Shaft,Rear Axle Figure 003-410

ITEM	PART NUMBER	QTY	LINE	SERIES	BODY	ENGINE	TRANS	DESCRIPTION
Note:Sales Codes;								
[DRK]=Axle - Rear,Dana 44/226MM								
[DRM]=Axle - Rear,Dana 35C/194MM								
[DSA]=Axle - Trac-Lok Differential								
[DSC]=Axles - Vari-Lok Progressive								
1								SHAFT, Axle
	5012 820AA	1						[DRM], Right
	5012 821AA	1						[DRM], Left
	5012 850AA	1						[DRK], Right
	5012 851AA	1						[DRK], Left
	5012 850AA	1						[DRK,DSA], Right
	5012 851AA	1						[DRK,DSA], Left
	5012 872AA	1						[DRK,DSC], Right
	5012 873AA	1						[DRK,DSC], Left
2	5209 8680	10						STUD, Wheel, Mounting
3	5012 827AA	2						RETAINER, Axle Shaft Seal
4	5012 824AA	2						SEAL, Axle Drive Shaft
5	5012 825AA	2						BEARING, Axle Shaft
6	8350 3054	2						RING, Axle Shaft
7	6034 988	8						NUT, Hex Lock, .375-24, Axle Shaft Seal Retainer, Mounting



### JEEP GRAND CHEROKEE (WJ)

SERIES	LINE	BODY	ENGINE	TRANSMISSION
H=Laredo	J = 4WD	74 = 4 Door(105.9 WB)	ER0, ERH = 4.0L, Power Tech I-6	DGK = 4 Speed Autm, 42RE
P=Limited	T = 2WD		EV0, EVA = 4.7L, Power Tech V8	DGW = 4 Speed Automatic, -44RE
	U = 4WD (RHD)		EXA, EX0 = 3.1L, 5 Cyl Turbo Diesel	DG4 = Multi Speed Automatic, -45RFE
				DGO = All Automatic

AR = Use as required - = Non illustrated part # = New this model year

September 14, 2002

# Group – 004

## Parking Brake

### GROUP 4 - Parking Brake

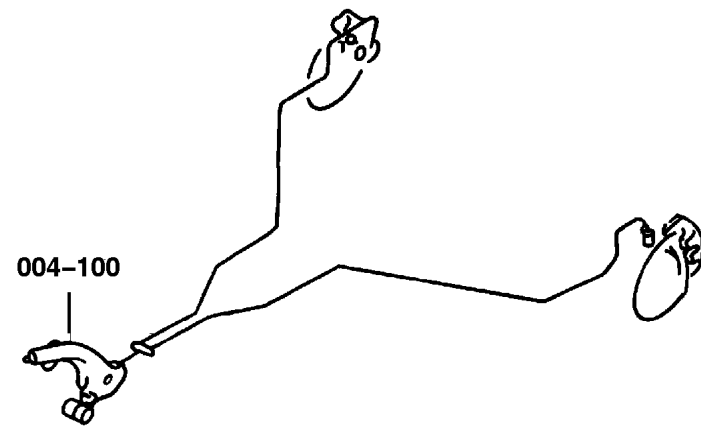
Illustration Title


Group-Fig. No.

#### Parking Brake Lever and Cables

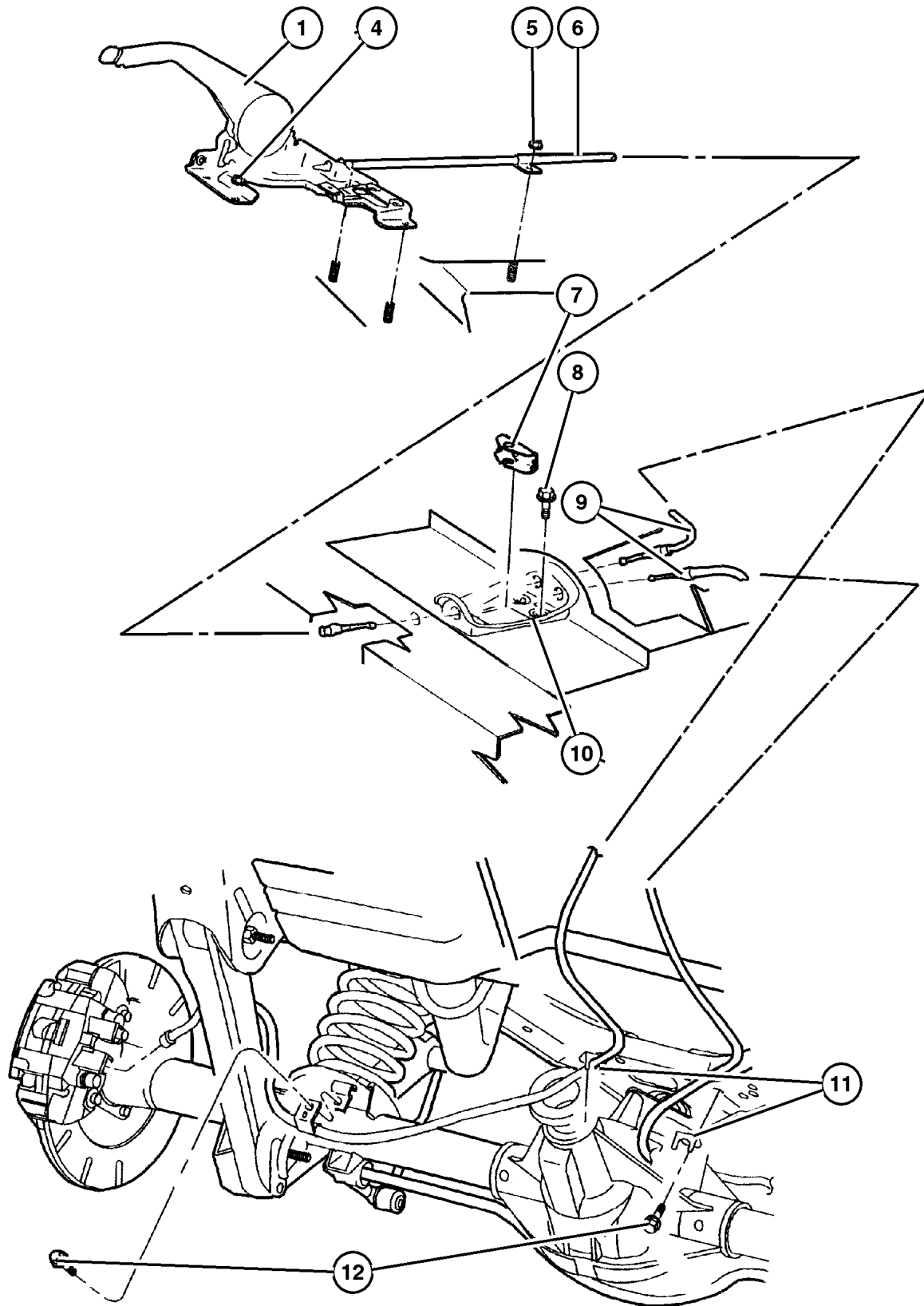
Lever And Cable - Parking Brake ..... Fig. 004-110

Rear Disc Parking Brake Assy ..... Fig. 004-120



<b>004-100</b> Parking Brake Lever and Cables			
			

Lever And Cable - Parking Brake  
Figure 004-110



ITEM	PART NUMBER	QTY	LINE	SERIES	BODY	ENGINE	TRANS	DESCRIPTION
1	52128 246AF	1						LEVER, Park Brake
-2	5212 7960	1						SWITCH, Parking Brake
-3	5016 265AA	1						COVER, Parking Brake
4	6505 245AA	4						NUT, M8x1.25
5								NUT AND WASHER, Hex Lock Nut- Coned Washer, M6 x 1.00, (NOT SERVICED) (Not Serviced)
6	52128 243AA	1						CABLE, Parking Brake, Front
7	5212 8126	1						EQUALIZER, Parking Brake Cable
8	6502 734	3						SCREW, M6x1x20
9								CABLE, Parking Brake Right,Rear Left,Rear
	52128 118AC	1						Right,Rear
	52128 119AC	1						Left,Rear
10	52128 236AB	1						BRACKET, Cable
11	52128 224AB	2						BRACKET, Cable
12								SCREW, Hex Head Tapping, M6x1x20, (NOT SERVICED) (Not Serviced)

JEEP GRAND CHEROKEE (WJ)

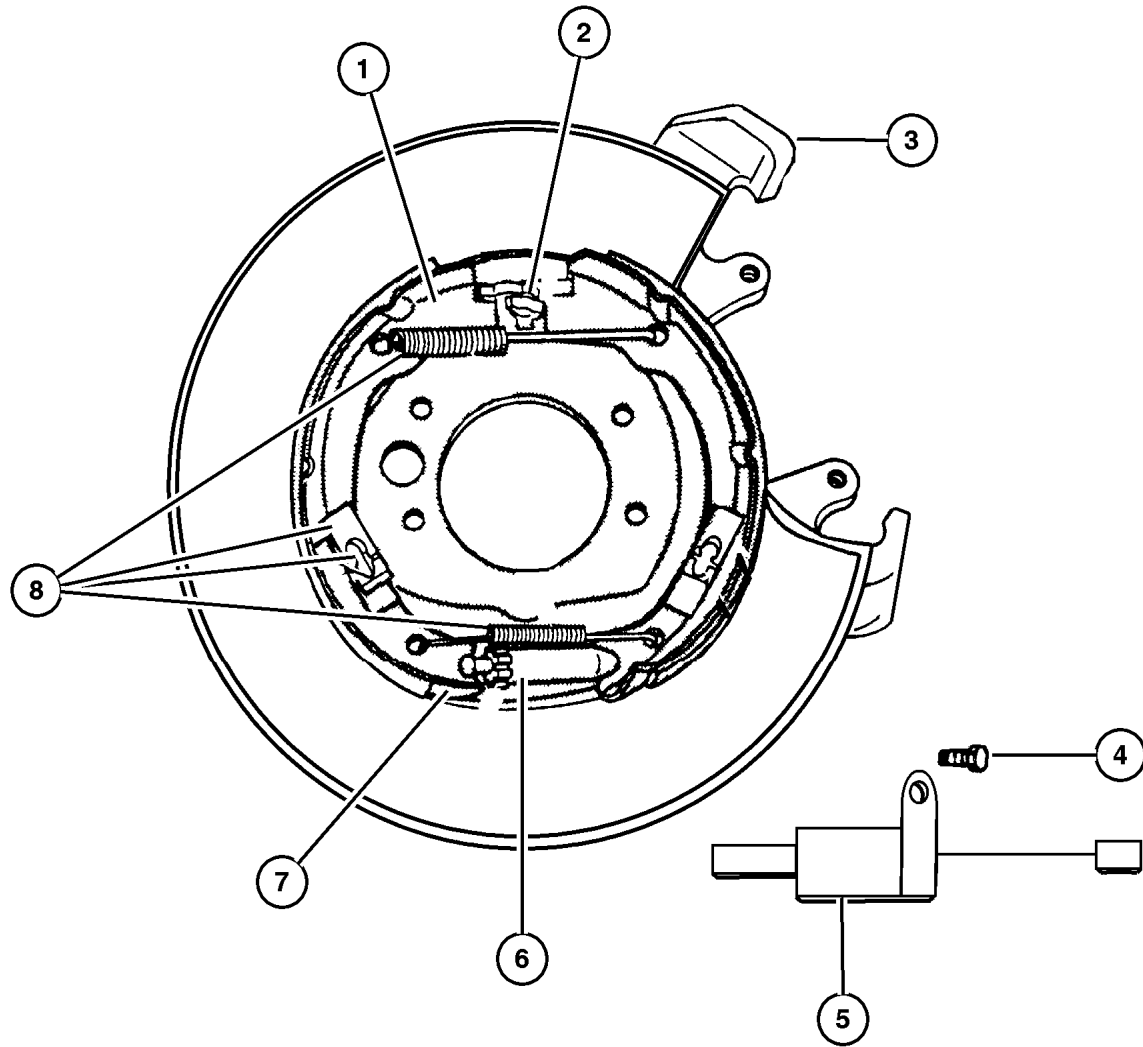
SERIES	LINE	BODY	ENGINE	TRANSMISSION
H=Laredo	J = 4WD	74 = 4 Door(105.9 WB)	ER0, ERH = 4.0L, Power Tech I-6	DGK = 4 Speed Autm, 42RE
P=Limited	T = 2WD		EV0, EVA = 4.7L, Power Tech V8	DGW = 4 Speed Automatic, -44RE
	U = 4WD (RHD)		EXA, EX0 = 3.1L, 5 Cyl Turbo Diesel	DG4 = Multi Speed Automatic, -45RFE
				DGO = All Automatic

AR = Use as required - = Non illustrated part # = New this model year

September 14, 2002

Rear Disc Parking Brake Assy  
Figure 004-120

ITEM	PART NUMBER	QTY	LINE	SERIES	BODY	ENGINE	TRANS	DESCRIPTION
1	5011 988AA	1						SHOE AND LINING KIT, Parking Brake
2	5011 994AA	1						LEVER, Park Brake
3	5011 982AA	2						PLATE, Brake Backing
4	5012 814AA	2						BOLT, ABS Sensor
5								SENSOR, Wheel Speed
	56041 308AA	1						Right
	56041 509AA	1						Left
6	5011 993AA	1						ADJUSTER, Parking Brake
7	5012 354AA	2						PLUG, Brake Adjusting Hole
8	5014 038AA	2						SPRING KIT, Brake Shoe Hold Down, Contains 2-Brake Shoe Hold Down Pins,2-Parking Brake Hold Down Clips, 1-Park Brake Shoe Return Spring Upper and 1-Park Brake Shoe Return Spring Lower.



JEEP GRAND CHEROKEE (WJ)

SERIES	LINE	BODY	ENGINE	TRANSMISSION
H=Laredo	J = 4WD	74 = 4 Door(105.9 WB)	ER0, ERH = 4.0L, Power Tech I-6	DGK = 4 Speed Autm, 42RE
P=Limited	T = 2WD		EV0, EVA = 4.7L, Power Tech V8	DGW = 4 Speed Automatic, -44RE
	U = 4WD (RHD)		EXA, EX0 = 3.1L, 5 Cyl Turbo Diesel	DG4 = Multi Speed Automatic, -45RFE
				DGO = All Automatic

AR = Use as required - = Non illustrated part # = New this model year

September 14, 2002

# Group – 005

## Service Brakes

### GROUP 5 - Service Brakes

Illustration Title

Group-Fig. No.

#### Front Brakes

Front Disc Brake Caliper 'Continental Teves' and Rotor ..... Fig. 005-110

Front Disc Brake Caliper 'Akebono' and Rotor ..... Fig. 005-120

#### Rear Brakes

Rear Disc Brake Caliper ..... Fig. 005-210

#### Brake Master Cylinder

Master Cylinder & Booster Wj ..... Fig. 005-405

Hydraulic Control Unit Wj ..... Fig. 005-410

#### Brake Lines and Hoses

Brake Lines and Hoses, Right Front, RHD ..... Fig. 005-510

Brake Lines, Right Front, LHD WJ ..... Fig. 005-550

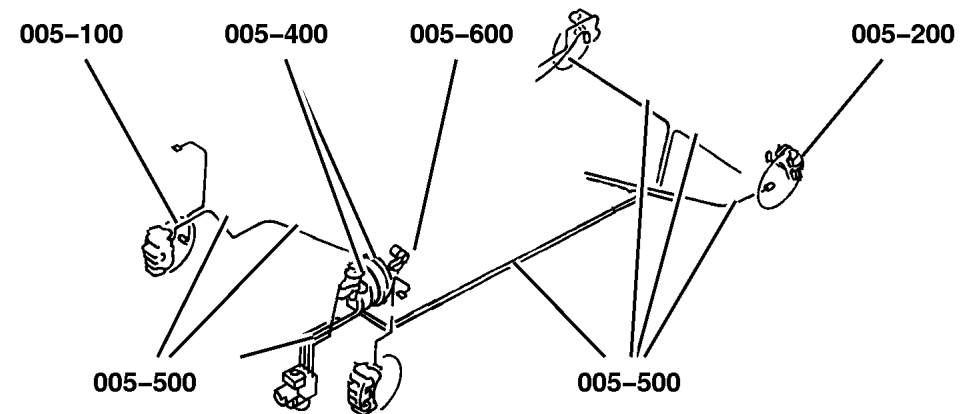
Brakes Lines, Left Front and Rear, RHD and LHD Wj ..... Fig. 005-560

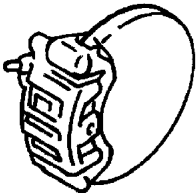
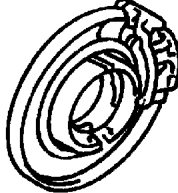
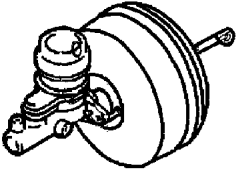
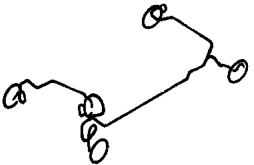

Front Brake Hose Wj ..... Fig. 005-570

Rear Brake Lines and Hoses Wj ..... Fig. 005-580

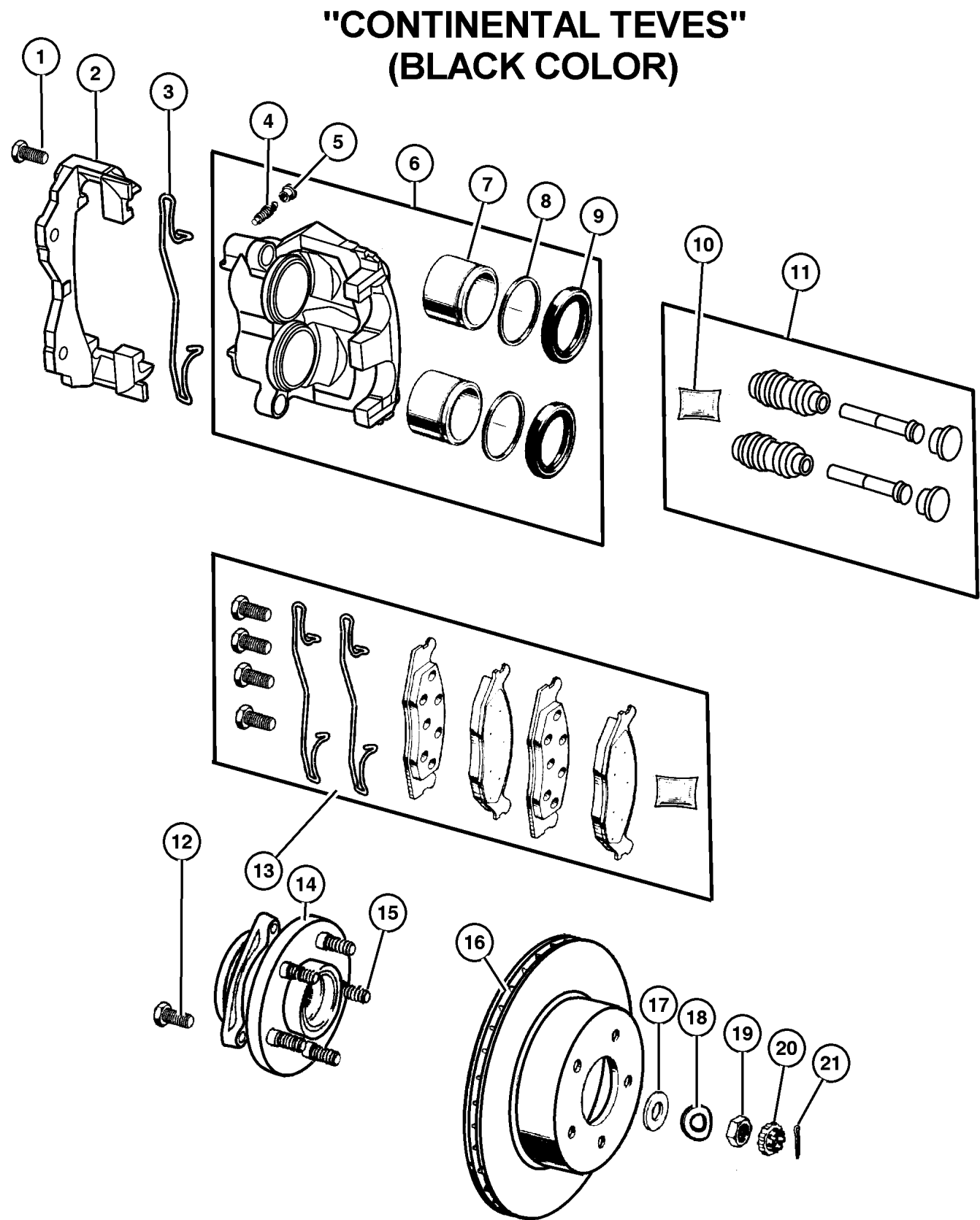
#### Brake Pedals

Brake Pedal & Bracket Wj ..... Fig. 005-605



<p><b>005-100</b> Front Brakes</p> 	<p><b>005-200</b> Rear Brakes</p> 	<p><b>005-400</b> Brake Master Cylinder</p> 	<p><b>005-500</b> Brake Lines and Hoses</p> 
<p><b>005-600</b> Brake Pedals</p> 			

**Front Disc Brake Caliper 'Continental Teves' and Rotor  
Figure 005-110**



ITEM	PART NUMBER	QTY	LINE	SERIES	BODY	ENGINE	TRANS	DESCRIPTION
1								BOLT
	5012 437AA	4	J					Caliper Bracket, Mounting
		4	T					Caliper Bracket, Mounting
		4	U					Caliper Bracket, Mounting
2								BRACKET
	5011 979AA	1	J					Caliper, Mounting
		1	T					Caliper, Mounting
		1	U					Caliper, Mounting
3								SPRING, Brake Shoe Hold Down
	5011 971AA	1	J					
		1	T					
		1	U					
4								BLEEDER SCREW, Brake
	4126 879	1	J					
		1	T					
		1	U					
5								CAP, Bleeder
	4126 733	1	J					
		1	T					
		1	U					
6								CALIPER, Disc Brake
	5011 972AA	1	J					Right
	5011 973AA	1	J					Left
	5011 972AA	1	T					Right
	5011 973AA	1	T					Left
	5011 972AA	1	U					Right
	5011 973AA	1	U					Left
7								PISTON, Brake
	5011 983AA	2	J					
		2	T					
		2	U					
8								SEAL, Caliper Piston
	5011 984AA	2	J					
		2	T					
		2	U					
9								BOOT, Brake Piston
	5011 985AA	2	J					
		2	T					
		2	U					
10	5011 987AA	1						GREASE, Packet
11								PIN KIT, Disc Brake
	5011 981AA	1	J					

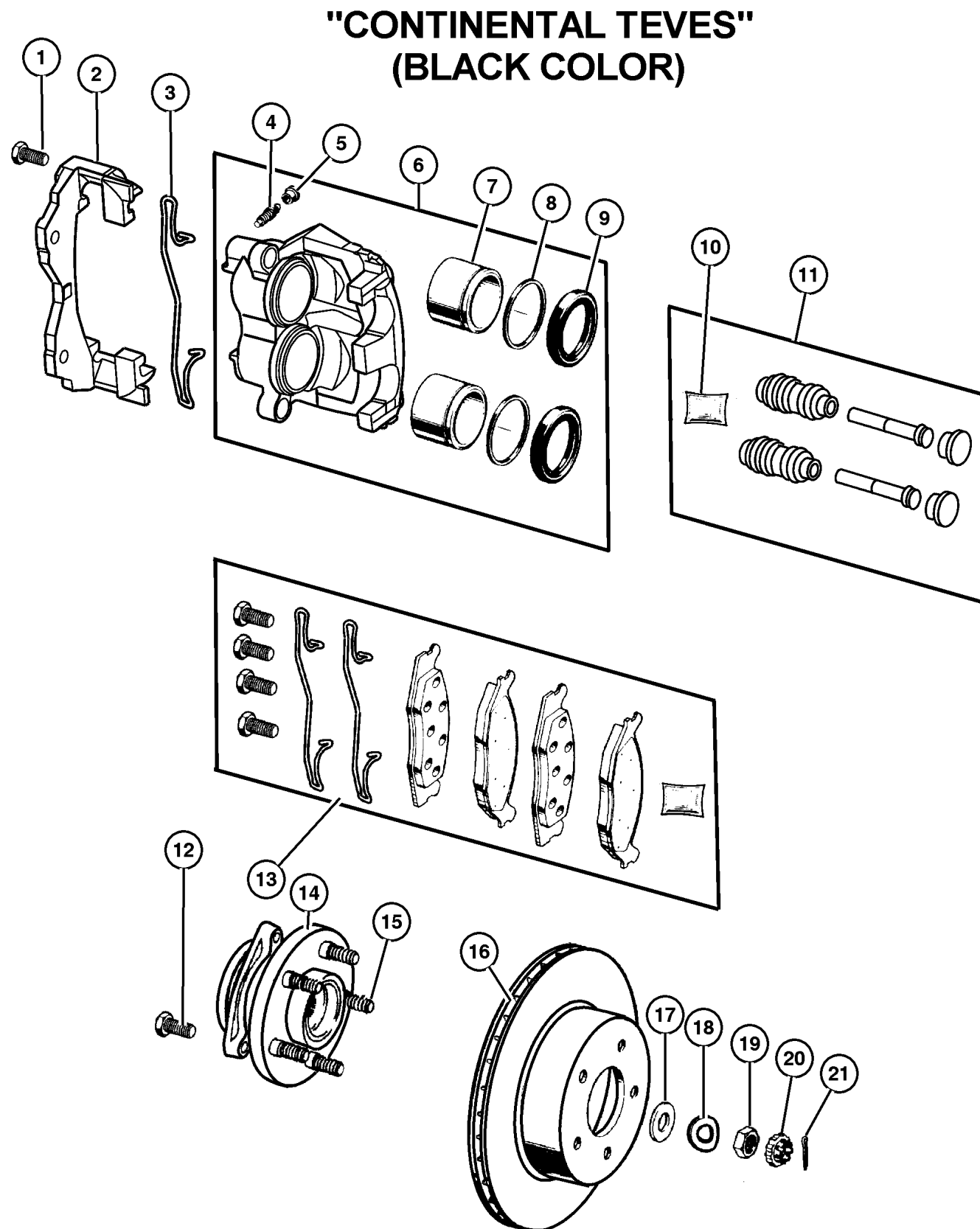
**JEEP GRAND CHEROKEE (WJ)**

SERIES	LINE	BODY	ENGINE	TRANSMISSION
H=Laredo	J = 4WD	74 = 4 Door(105.9 WB)	ER0, ERH = 4.0L, Power Tech I-6	DGK = 4 Speed Autm, 42RE
P=Limited	T = 2WD		EVO, EVA = 4.7L, Power Tech V8	DGW = 4 Speed Automatic, -44RE
	U = 4WD (RHD)		EXA, EX0 = 3.1L, 5 Cyl Turbo Diesel	DG4 = Multi Speed Automatic, -45RFE
				DGO = All Automatic

AR = Use as required - = Non illustrated part # = New this model year

September 14, 2002

**Front Disc Brake Caliper 'Continental Teves' and Rotor  
Figure 005-110**



ITEM	PART NUMBER	QTY	LINE	SERIES	BODY	ENGINE	TRANS	DESCRIPTION
		1	T					
		1	U					
12	5012 436AA	6	J					BOLT Hub and Bearing, Mounting
		6	T					Hub and Bearing, Mounting
		6	U					Hub and Bearing, Mounting
13	5018 592AA	1	J					PAD KIT, Front Disc Brake
		1	T					
		1	U					
14	52098 679AB	2	J					HUB AND BEARING, Brake
		2	T					
		2	U					
15	6036 388AA	5	J					BOLT, Hub and Rotor
		5	T					Wheel, Mounting
		5	U					Wheel, Mounting
16	5209 8672	2	J					ROTOR, Brake
		2	T					
		2	U					
17	J420 0096	2	J					WASHER, Flat
		2	T					
		2	U					
18	4740 749	2	J					WASHER, Wave
		2	T					
		2	U					
19	J420 0095	2	J					NUT, Hex
		2	T					
		2	U					
20	J420 0097	2	J					RETAINER, Hub Nut
		2	T					
		2	U					
21	1101 0069	2	J					PIN, Cotter, M4x40.00
		2	T					
		2	U					

**JEEP GRAND CHEROKEE (WJ)**

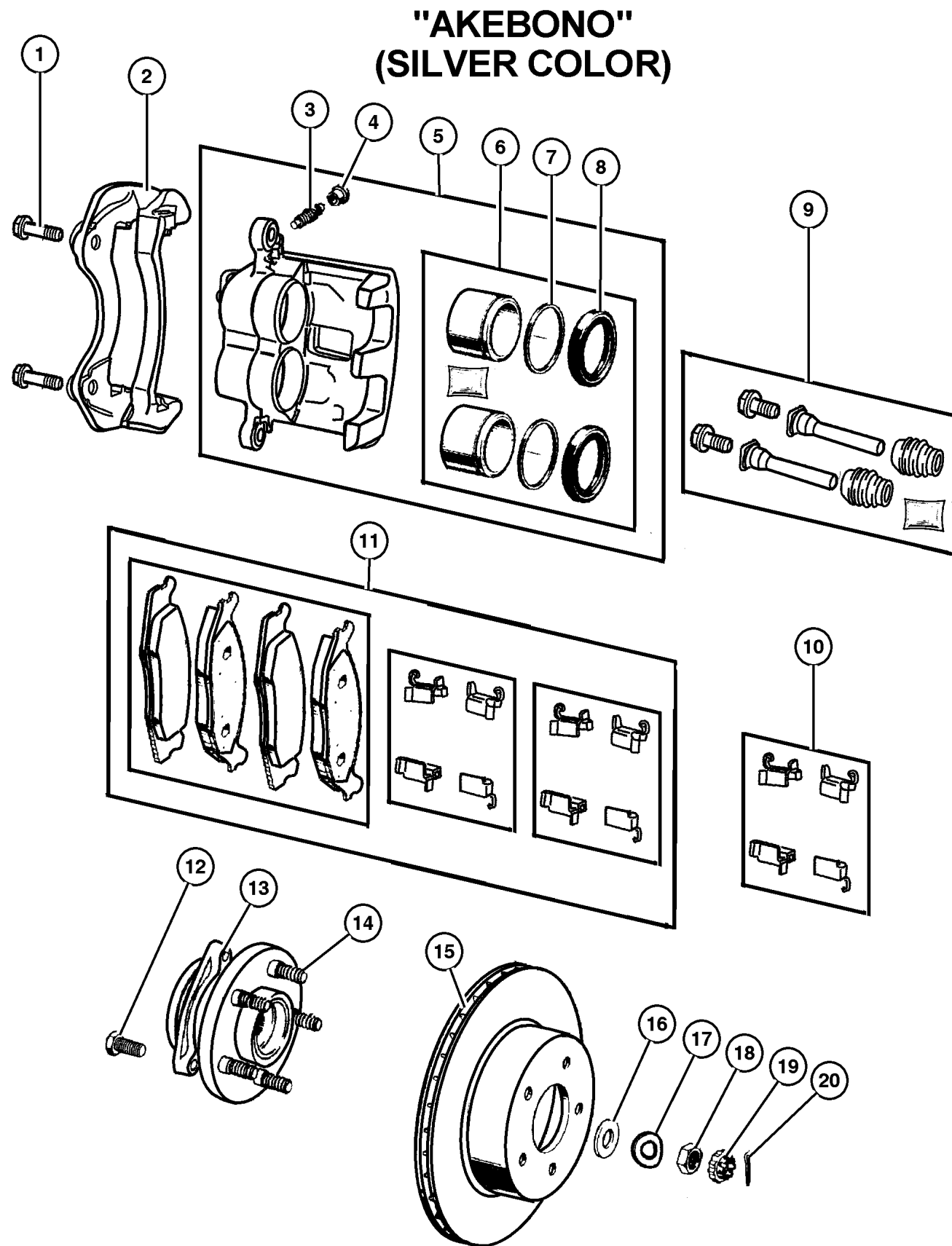
SERIES	LINE	BODY	ENGINE	TRANSMISSION
H=Laredo	J = 4WD	74 = 4 Door(105.9 WB)	ER0, ERH = 4.0L, Power Tech I-6	DGK = 4 Speed Autm, 42RE
P=Limited	T = 2WD		EVO, EVA = 4.7L, Power Tech V8	DGW = 4 Speed Automatic, -44RE
	U = 4WD (RHD)		EXA, EX0 = 3.1L, 5 Cyl Turbo Diesel	DG4 = Multi Speed Automatic, -45RFE
				DGO = All Automatic

AR = Use as required - = Non illustrated part # = New this model year

September 14, 2002



**Front Disc Brake Caliper 'Akebono' and Rotor  
Figure 005-120**



ITEM	PART NUMBER	QTY	LINE	SERIES	BODY	ENGINE	TRANS	DESCRIPTION
1								BOLT
	5012 437AA	4	J					Caliper Bracket, Mounting
		4	T					Caliper Bracket, Mounting
		4	U					Caliper Bracket, Mounting
2								BRACKET
	5093 182AA	1	J					Caliper, Mounting
		1	T					Caliper, Mounting
		1	U					Caliper, Mounting
3								BLEEDER SCREW, Brake
	5093 189AA	1	J					
		1	T					
		1	U					
4								CAP, Bleeder
	5093 190AA	1	J					
		1	T					
		1	U					
5								CALIPER, Disc Brake
	5093 180AA	1	J					Right
	5093 181AA	1	J					Left
	5093 180AA	1	T					Right
	5093 181AA	1	T					Left
	5093 180AA	1	U					Right
	5093 181AA	1	U					Left
6								PISTON KIT, Front Brake
	5093 186AA	1	J					
		1	T					
		1	U					
7								SEAL, Caliper Piston
	5093 187AA	2	J					
		2	T					
		2	U					
8								BOOT, Brake Piston
	5093 188AA	2	J					
		2	T					
		2	U					
9								PIN KIT, Disc Brake
	5093 184AA	1	J					
		1	T					
		1	U					
10								SPRING KIT, Brake Shoe Hold Down
	5093 185AA	2	J					
		2	T					

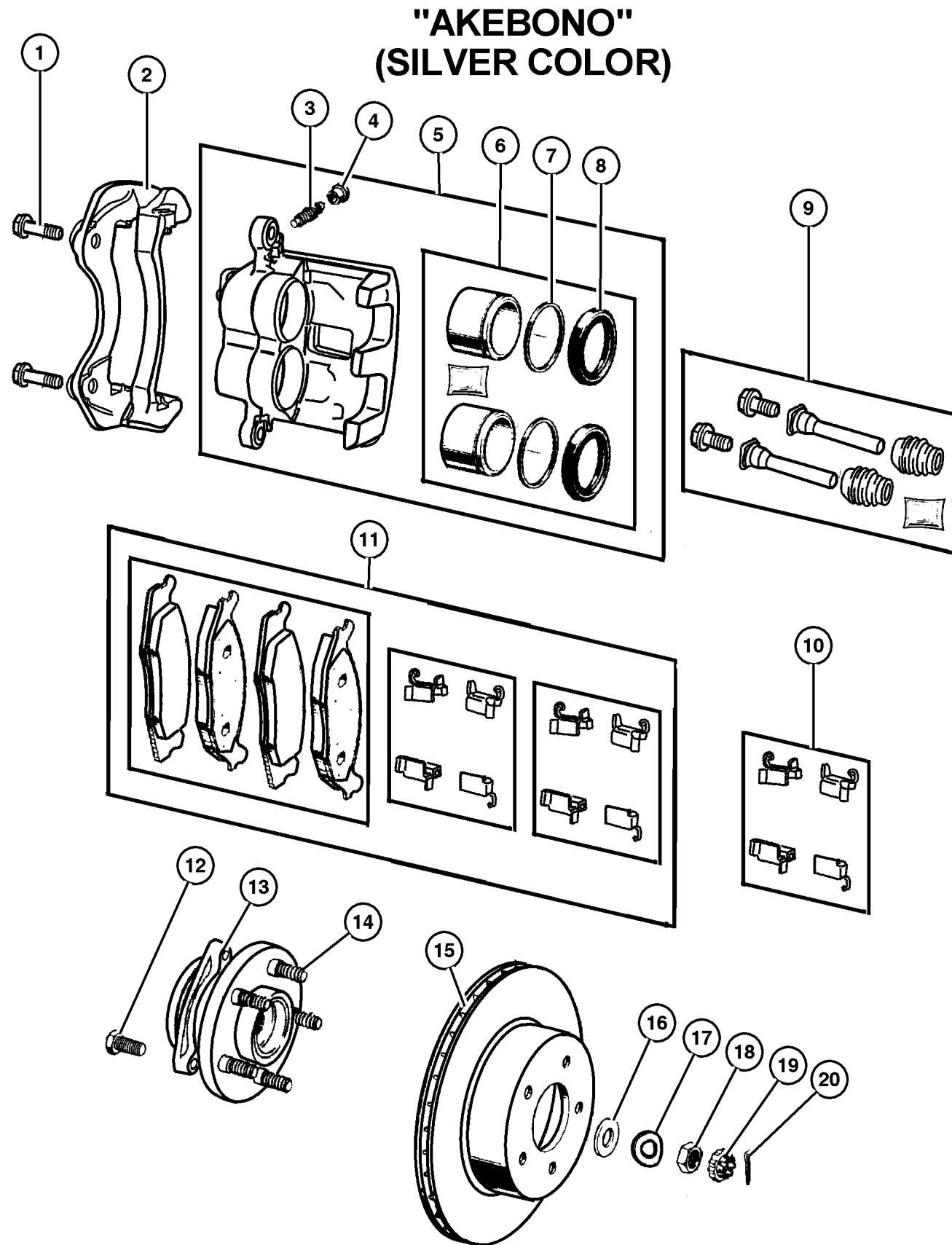
**JEEP GRAND CHEROKEE (WJ)**

SERIES	LINE	BODY	ENGINE	TRANSMISSION
H=Laredo	J = 4WD	74 = 4 Door(105.9 WB)	ER0, ERH = 4.0L, Power Tech I-6	DGK = 4 Speed Autm, 42RE
P=Limited	T = 2WD		EVO, EVA = 4.7L, Power Tech V8	DGW = 4 Speed Automatic, -44RE
	U = 4WD (RHD)		EXA, EX0 = 3.1L, 5 Cyl Turbo Diesel	DG4 = Multi Speed Automatic, -45RFE
				DGO = All Automatic

AR = Use as required - = Non illustrated part # = New this model year

September 14, 2002

**Front Disc Brake Caliper 'Akebono' and Rotor  
Figure 005-120**



ITEM	PART NUMBER	QTY	LINE	SERIES	BODY	ENGINE	TRANS	DESCRIPTION
		2	U					
11								PAD KIT, Front Disc Brake
	5093 183AA	1	J					
	5093 260AA	1	T					
		1	U					
12								BOLT
	5012 436AA	6	J					Hub and Bearing, Mounting
		6	T					Hub and Bearing, Mounting
		6	U					Hub and Bearing, Mounting
13								HUB AND BEARING, Brake
	52098 679AD	2	J					
		2	T					
		2	U					
14								BOLT, Hub and Rotor
	6036 388AA	5	J					Wheel, Mounting
		5	T					Wheel, Mounting
		2	U					Wheel, Mounting
15								ROTOR, Brake
	5209 8672	2	J					
		2	T					
		2	U					
16								WASHER, Flat
	J420 0096	2	J					
		2	T					
		2	U					
17								WASHER, Wave
	4740 749	2	J					
		2	T					
		2	U					
18								NUT, Hex
	J420 0095	2	J					
		2	T					
		2	U					
19								RETAINER, Hub Nut
	J420 0097	2	J					
		2	T					
		2	U					
20								PIN, Cotter, M4x40.00
	1101 0069	2	J					
		2	T					
		2	U					

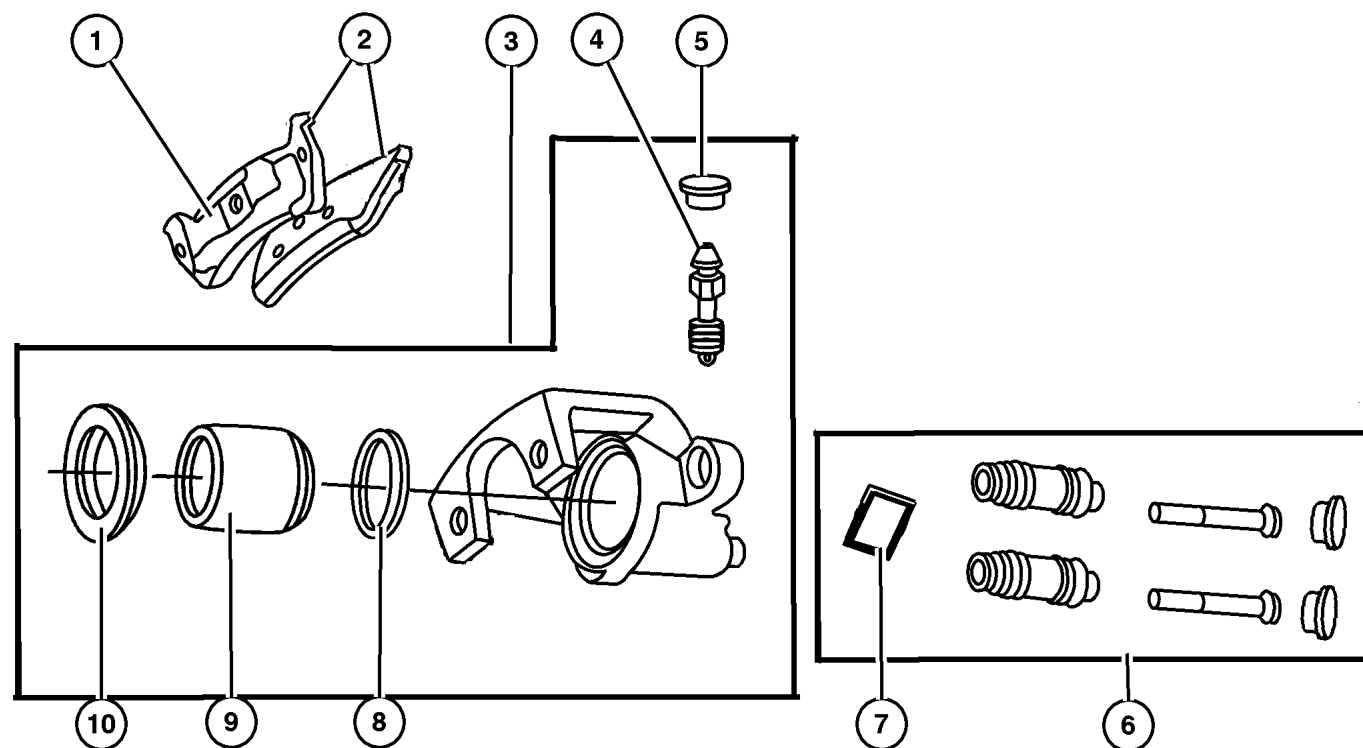
**JEEP GRAND CHEROKEE (WJ)**

SERIES	LINE	BODY	ENGINE	TRANSMISSION
H=Laredo	J = 4WD	74 = 4 Door(105.9 WB)	ER0, ERH = 4.0L, Power Tech I-6	DGK = 4 Speed Autm, 42RE
P=Limited	T = 2WD		EVO, EVA = 4.7L, Power Tech V8	DGW = 4 Speed Automatic, -44RE
	U = 4WD (RHD)		EXA, EX0 = 3.1L, 5 Cyl Turbo Diesel	DG4 = Multi Speed Automatic, -45RFE
				DGO = All Automatic

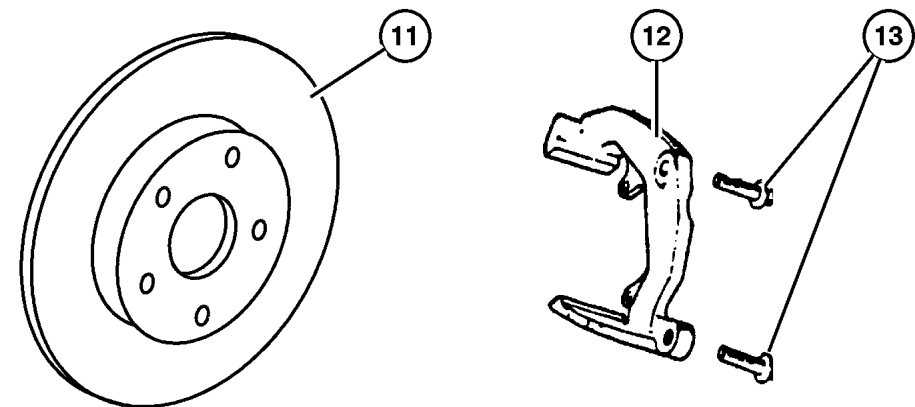
AR = Use as required - = Non illustrated part # = New this model year

September 14, 2002

## Rear Disc Brake Caliper Figure 005-210

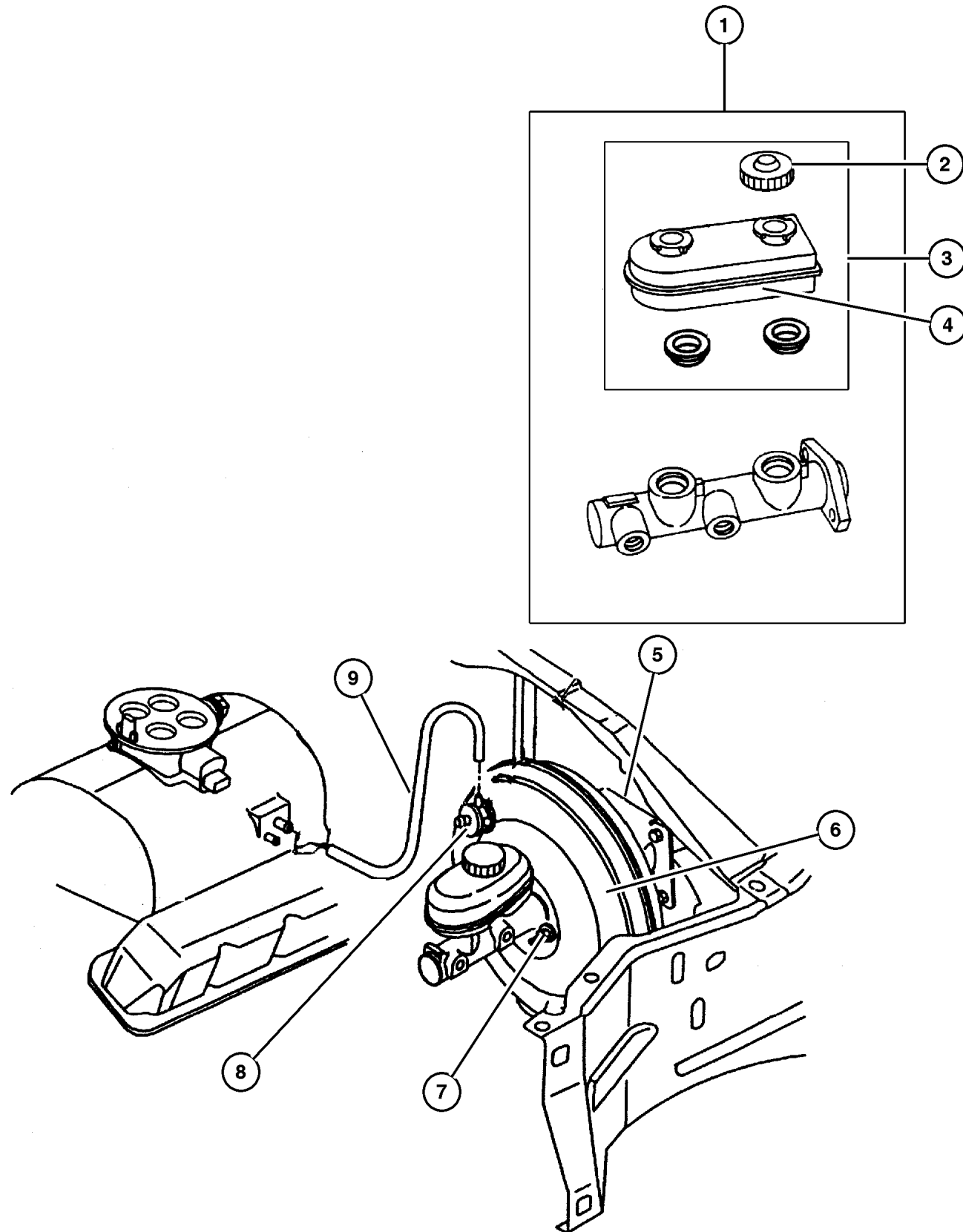


ITEM	PART NUMBER	QTY	LINE	SERIES	BODY	ENGINE	TRANS	DESCRIPTION
Note:ER0= All 4.0L 6 Cylinder Engines---EV0= All 4.7L V-8 Gas Engines								
1	5011 978AA	1						SPRING, Brake Shoe Hold Down
2	5011 970AA	1						PAD KIT, Rear Disc Brake
3	5011 974AA	1						CALIPER, Disc Brake Right
	5011 975AA	1						Left
4	4126 879	1						BLEEDER SCREW, Brake
5	4126 733	1						CAP, Bleeder
6	5011 981AA	1						PIN KIT, Disc Brake
7	5011 987AA	1						GREASE, Packet
8	5011 984AA	1						SEAL, Caliper Piston
9	5011 983AA	1						PISTON, Brake
10	5011 985AA	1						BOOT, Brake Piston
11	5209 8666	2						ROTOR, Brake
12	5011 980AA	2						BRACKET, Right or Left
13	5012 437AA	4						BOLT
-14								SENSOR, Wheel Speed
	56041 308AA	1						Right
	56041 509AA	1						Left



<b>JEEP GRAND CHEROKEE (WJ)</b>				
SERIES	LINE	BODY	ENGINE	TRANSMISSION
H=Laredo	J = 4WD	74 = 4 Door(105.9 WB)	ER0, ERH = 4.0L, Power Tech I-6	DGK = 4 Speed Autm, 42RE
P=Limited	T = 2WD		EV0, EVA = 4.7L, Power Tech V8	DGW = 4 Speed Automatic, -44RE
	U = 4WD (RHD)		EXA, EX0 = 3.1L, 5 Cyl Turbo Diesel	DG4 = Multi Speed Automatic, -45RFE
				DGO = All Automatic

## Master Cylinder & Booster Wj Figure 005-405



ITEM	PART NUMBER	QTY	LINE	SERIES	BODY	ENGINE	TRANS	DESCRIPTION
NOTES: ERO=4.0L Engine 6 Cylinder Gas, EVO=4.7L Gas, EXO =3.0/3.1L Turbo Diesel								
1	5011 260AA	1						MASTER CYLINDER, Brake
2	5014 518AA	1						CAP, Master Cylinder Reservoir
3	5011 262AA	1						RESERVOIR, Brake Master Cylinder
4	5013 903AA	1						SENSOR, Brake Fluid Level
5	5012 506AA	1						GASKET, Booster to Dash Mounting
6	5011 261AA	1						BOOSTER, Power Brake
7	6101 467	2						NUT, Hex Flange, M8x1.25, Master Cylinder to Booster attaching Nut
8	5011 263AA	1						VALVE, Check, Elbow
9								HOSE, Brake Vacuum
	5212 8097	1	J, T					4.0L
	5212 8098	1	J, T					4.7L
	52128 181AB	1	J, T					3.0/3.1L
	52009 350AB	1	U					4.0L
	52128 299AB	1	U					4.7L
	#52128 182AB	1	U					3.0/3.1L
-10								TEE, Brake Vacuum
	4343 852	1	J, T					
		1	U					
-11	6100 517	4						NUT, Hex Flange Lock, M8 Phosphate, Booster to Dash Mounting

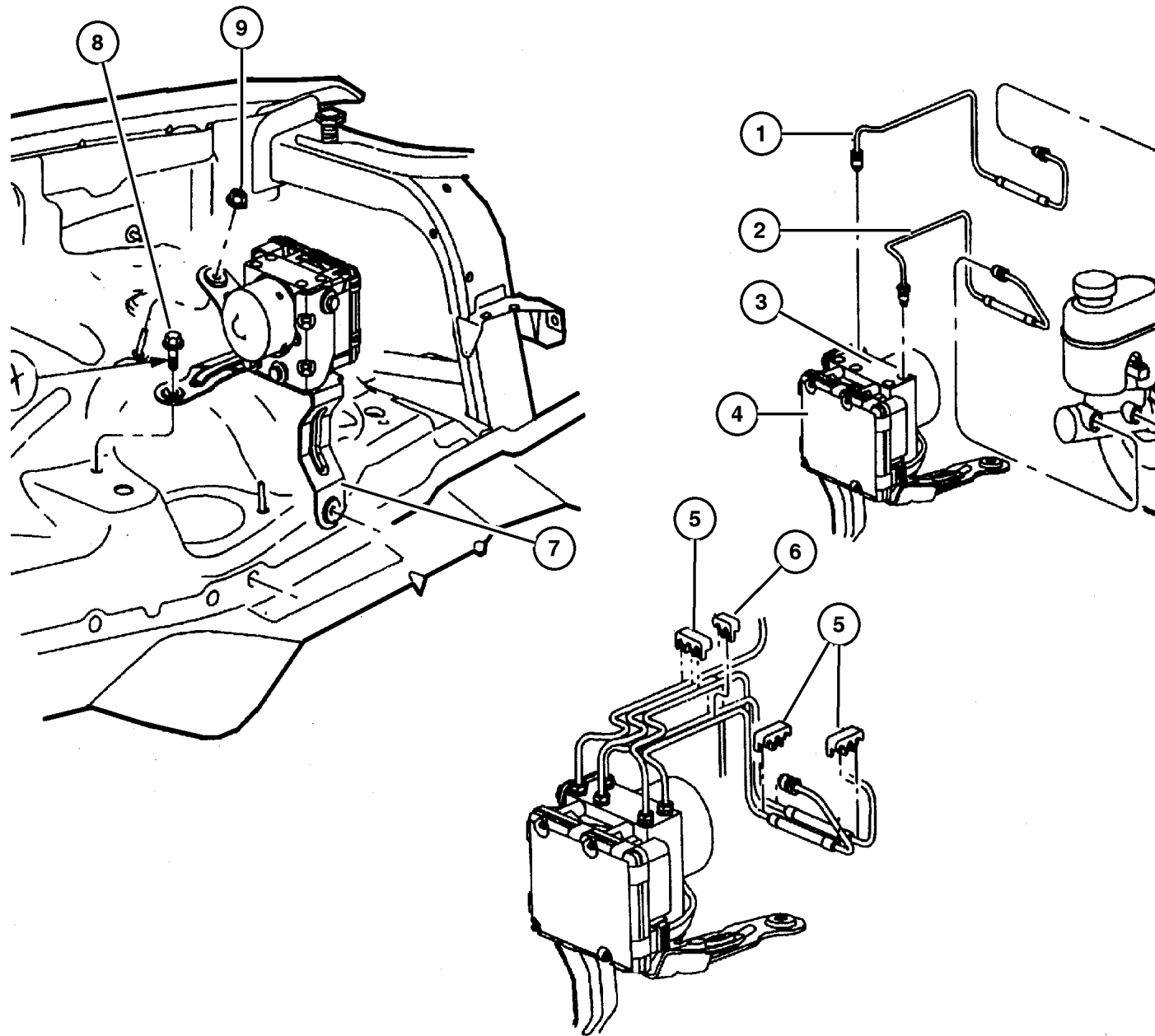
**JEEP GRAND CHEROKEE (WJ)**

SERIES	LINE	BODY	ENGINE	TRANSMISSION
H=Laredo	J = 4WD	74 = 4 Door(105.9 WB)	ER0, ERH = 4.0L, Power Tech I-6	DGK = 4 Speed Autm, 42RE
P=Limited	T = 2WD		EVO, EVA = 4.7L, Power Tech V8	DGW = 4 Speed Automatic, -44RE
	U = 4WD (RHD)		EXA, EX0 = 3.1L, 5 Cyl Turbo Diesel	DG4 = Multi Speed Automatic, -45RFE
				DGO = All Automatic

AR = Use as required - = Non illustrated part # = New this model year

September 14, 2002

## Hydraulic Control Unit Wj Figure 005-410



ITEM	PART NUMBER	QTY	LINE	SERIES	BODY	ENGINE	TRANS	DESCRIPTION
Notes: ER0=4.0L 6 Cylinder Gas Engine---EV0=4.7L Gas Engine---EX0=3.0/3.1L Turbo Diesel Engine---ICU=Intergrated Control Unit								
Unit								
1								HOSE, Brake
	5212 8086	1	J, T					ERO,EVO, Primary
	5212 8208	1	J, T					EXO, Primary
	5212 8106	1	U					ERO,EVO, Primary
	5200 9349	1	U					EXO, Primary
2								HOSE, Brake
	5212 8087	1	J, T					ERO,EVO, Secondary
	5212 8209	1	J, T					EXO, Secondary
	5212 8107	1	U					ERO,EVO, Secondary
	5200 9347	1	U					EXO, Secondary
3	5011 259AA	1						CONTROL UNIT, Anti-Lock Brake
4	56041 022AG	1						MODULE, Anti-lock Brakes
5								CLIP, Brake Line
	5200 9163	4	J, T					3-Way Brake Tube Separation at ICU
		3	U					3-Way Brake Tube Separation at ICU
6	5200 8940	1						CLIP, Brake Line, 2-Way Brake Tube Separation
7								BRACKET, Hydraulic Control Unit
	5011 257AA	1						ERO,EVO
	5011 258AA	1						EXO
8	6505 923AA	2						BOLT, ICU Bracket Attaching
9	3420 1711	1						NUT, Hex Flange, M8x1.25, ICU Bracket Attaching

### JEEP GRAND CHEROKEE (WJ)

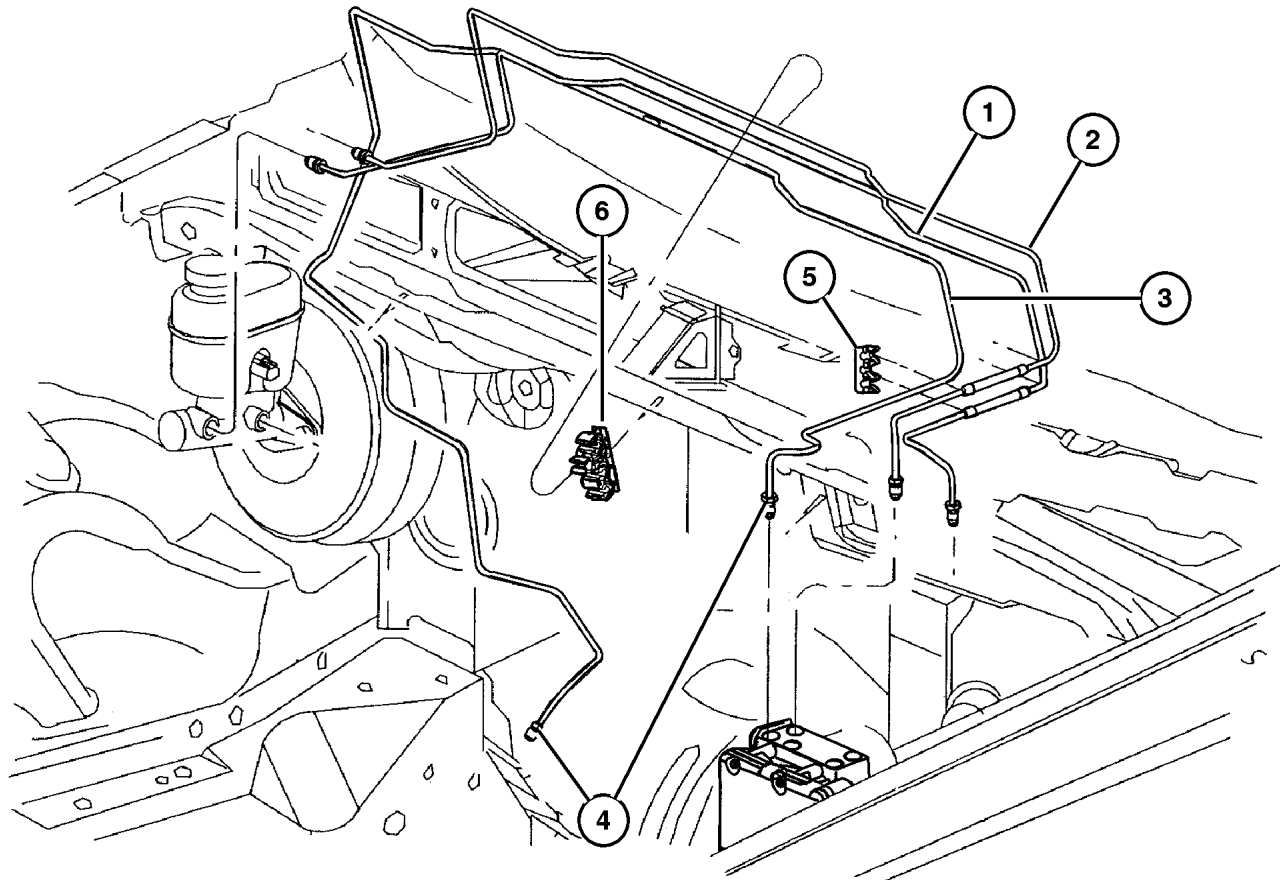
SERIES	LINE	BODY	ENGINE	TRANSMISSION
H=Laredo	J = 4WD	74 = 4 Door(105.9 WB)	ER0, ERH = 4.0L, Power Tech I-6	DGK = 4 Speed Autm, 42RE
P=Limited	T = 2WD		EV0, EVA = 4.7L, Power Tech V8	DGW = 4 Speed Automatic, -44RE
	U = 4WD (RHD)		EXA, EX0 = 3.1L, 5 Cyl Turbo Diesel	DG4 = Multi Speed Automatic, -45RFE
				DGO = All Automatic

AR = Use as required - = Non illustrated part # = New this model year

September 14, 2002

**Brake Lines and Hoses, Right Front, RHD**  
**Figure 005-510**

ITEM	PART NUMBER	QTY	LINE	SERIES	BODY	ENGINE	TRANS	DESCRIPTION
Note: ER0=4.0L 6 Cylinder---EV0=4.7L Gas Engine---EX0=3.0/3.01 Turbo Diesel								
1	5212 8106	1	U					HOSE, Brake ER0,EV0, Primary
	5200 9349	1	U					EX0, Primary
2	5212 8107	1	U					HOSE, Brake ER0,EV0, Secondary
	5200 9347	1	U					EX0, Secondary
3	52128 212AD	1	U					TUBE, Brake ER0,EV0, Right
	#52009 346AD	1	U					EX0, Right
4	6503 399	1	U					NUT, Brake Line
5	5200 9163	3	U					CLIP, Brake Line, Brake Tube Separation at ICU
6	5212 8211	3	U					CLIP, Brake Line, Brake Tube to Front Plenum



**JEEP GRAND CHEROKEE (WJ)**

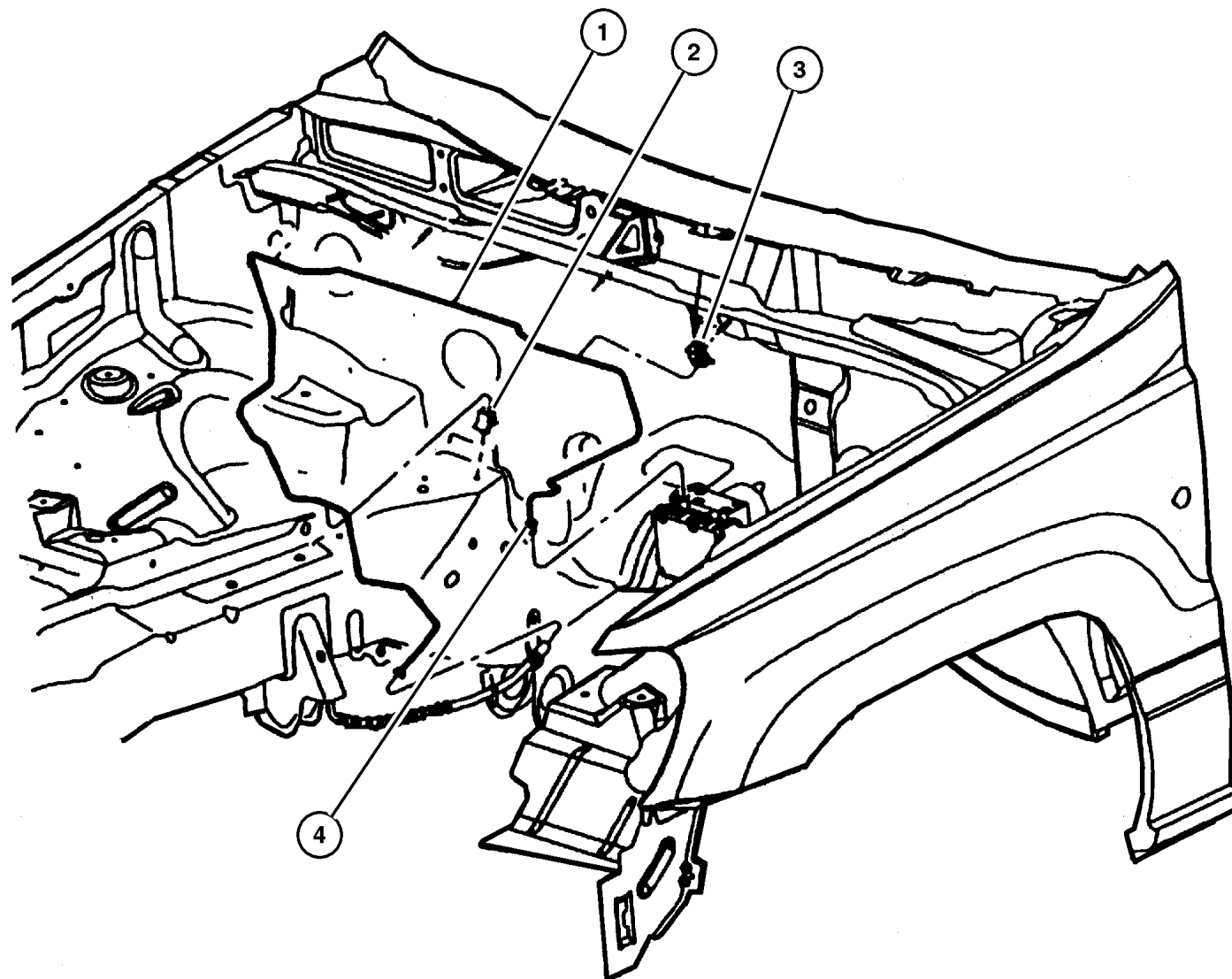
SERIES	LINE	BODY	ENGINE	TRANSMISSION
H=Laredo	J = 4WD	74 = 4 Door(105.9 WB)	ER0, ERH = 4.0L, Power Tech I-6	DGK = 4 Speed Autm, 42RE
P=Limited	T = 2WD		EV0, EVA = 4.7L, Power Tech V8	DGW = 4 Speed Automatic, -44RE
	U = 4WD (RHD)		EXA, EX0 = 3.1L, 5 Cyl Turbo Diesel	DG4 = Multi Speed Automatic, -45RFE
				DGO = All Automatic

AR = Use as required - = Non illustrated part # = New this model year

September 14, 2002

**Brake Lines, Right Front,LHD WJ**  
**Figure 005-550**

ITEM	PART NUMBER	QTY	LINE	SERIES	BODY	ENGINE	TRANS	DESCRIPTION
Note:ER0=4.0L 6 Cylinder Gas---EV0=4.7L Engine Gas--- EX0 =3.0/3.L Turbo Diesel								
1	52128 366AB	1	J, T					TUBE, Brake ER0,EV0, Right
	52128 367AB	1	J, T					EX0, Right
2	5200 9234	3						FASTENER, Push Pin
3	5212 8214	3	J, T					CLIP, Brake Line
4	6503 399	1	J, T					NUT, Brake Line



**JEEP GRAND CHEROKEE (WJ)**

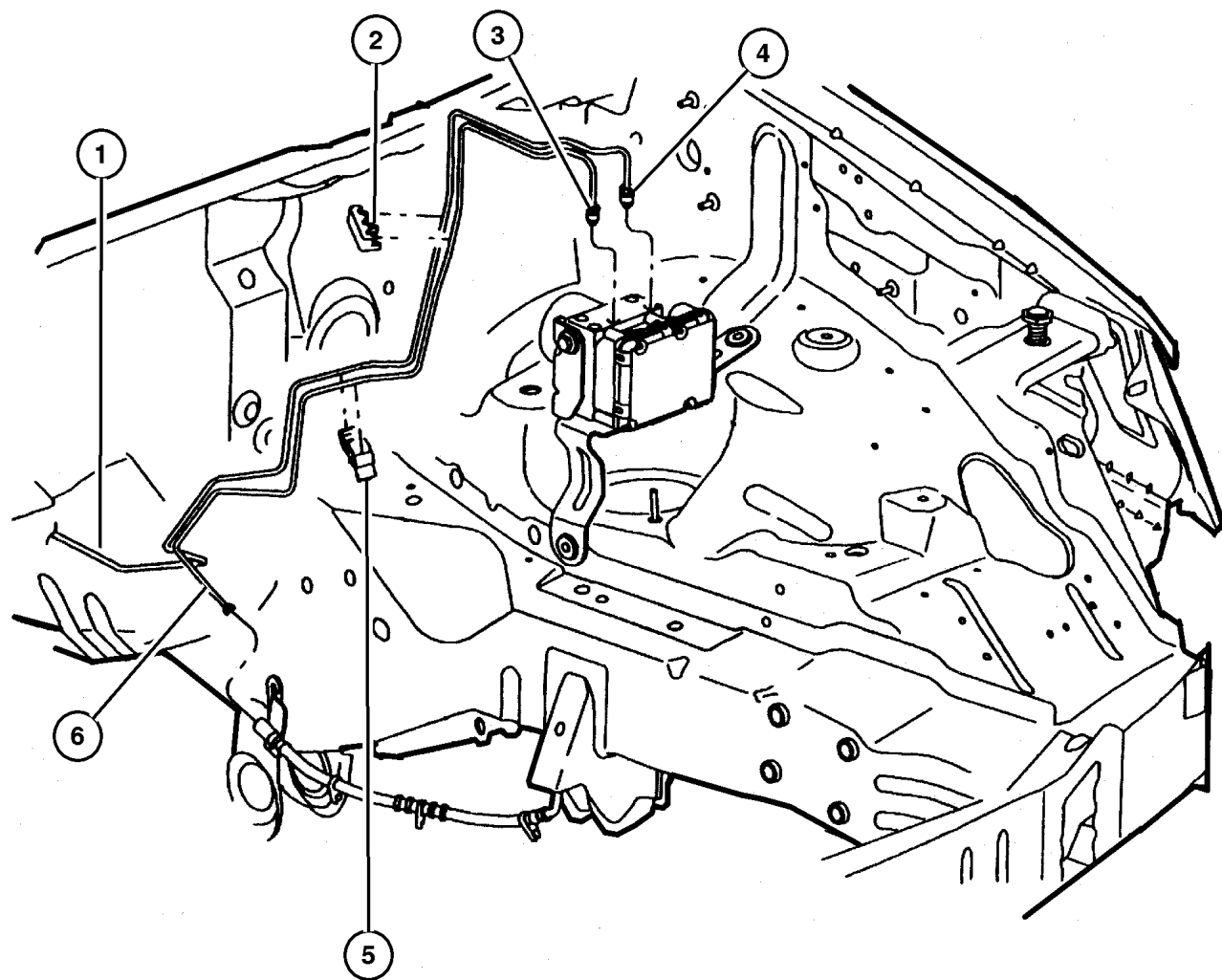
SERIES	LINE	BODY	ENGINE	TRANSMISSION
H=Laredo	J = 4WD	74 = 4 Door(105.9 WB)	ER0, ERH = 4.0L, Power Tech I-6	DGK = 4 Speed Autm, 42RE
P=Limited	T = 2WD		EV0, EVA = 4.7L, Power Tech V8	DGW = 4 Speed Automatic, -44RE
	U = 4WD (RHD)		EXA, EX0 = 3.1L, 5 Cyl Turbo Diesel	DG4 = Multi Speed Automatic, -45RFE
				DGO = All Automatic

AR = Use as required - = Non illustrated part # = New this model year

September 14, 2002

**Brakes Lines, Left Front and Rear, RHD and LHD Wj  
Figure 005-560**

ITEM	PART NUMBER	QTY	LINE	SERIES	BODY	ENGINE	TRANS	DESCRIPTION
Note: ER0=4.0L 6 Cylinder Gas---EV0=4.7L Engine Gas---EX0 = 3.0/3.L Turbo Diesel								
1	52128 074AB	1						TUBE, Brake ER0,EV0, Rear
	52128 202AB	1						EX0, Rear
2	5200 9163	4						CLIP, Brake Line
3	3200 0411	1						NUT, Brake Line
4	6503 707	1						NUT, Brake Line
5	52128 244AA	1						CLIP, Brake Line, ER0,EV0
6	52128 077AC	1						TUBE, Brake ER0,EV0, Left
	52009 341AC	1						EX0, Left



<b>JEEP GRAND CHEROKEE (WJ)</b>				
SERIES	LINE	BODY	ENGINE	TRANSMISSION
H=Laredo	J = 4WD	74 = 4 Door(105.9 WB)	ER0, ERH = 4.0L, Power Tech I-6	DGK = 4 Speed Autm, 42RE
P=Limited	T = 2WD		EV0, EVA = 4.7L, Power Tech V8	DGW = 4 Speed Automatic, -44RE
	U = 4WD (RHD)		EXA, EX0 = 3.1L, 5 Cyl Turbo Diesel	DG4 = Multi Speed Automatic, -45RFE
				DGO = All Automatic

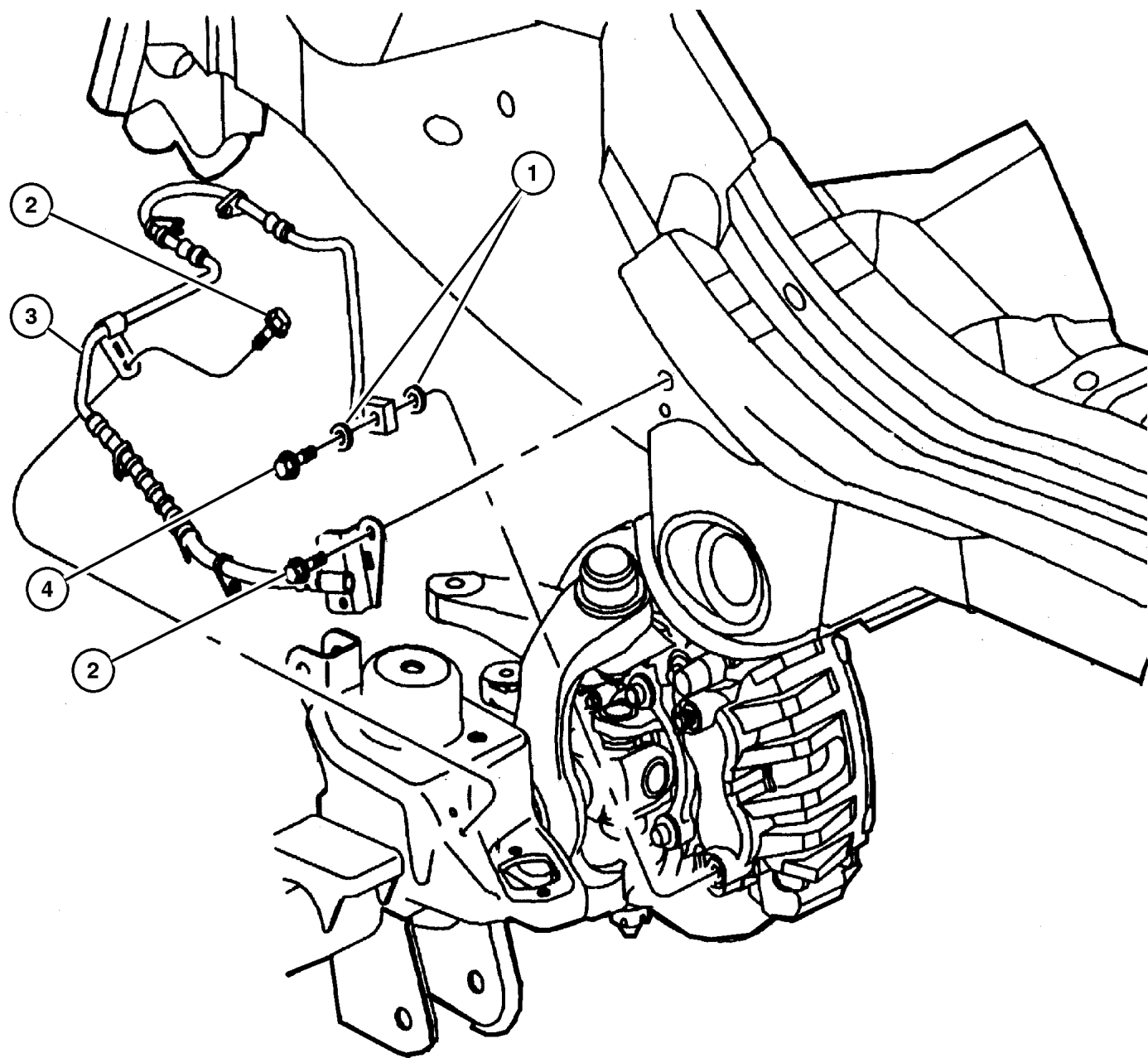
AR = Use as required - = Non illustrated part # = New this model year

September 14, 2002



**Front Brake Hose Wj  
Figure 005-570**

ITEM	PART NUMBER	QTY	LINE	SERIES	BODY	ENGINE	TRANS	DESCRIPTION
1	J323 7672	4						GASKET, Brake Hose To Caliper
2								SCREW, Hex Flange Head, M6x1.00x20.00, (NOT SERVICED) (Not Serviced)
3								HOSE, Brake
	52128 092AB	1						Right
	52128 093AB	1						Left
4	J400 6700	4						BOLT, Hex Head, .375-24x1.03 Grade 8, Brake Hose to Caliper Mounting



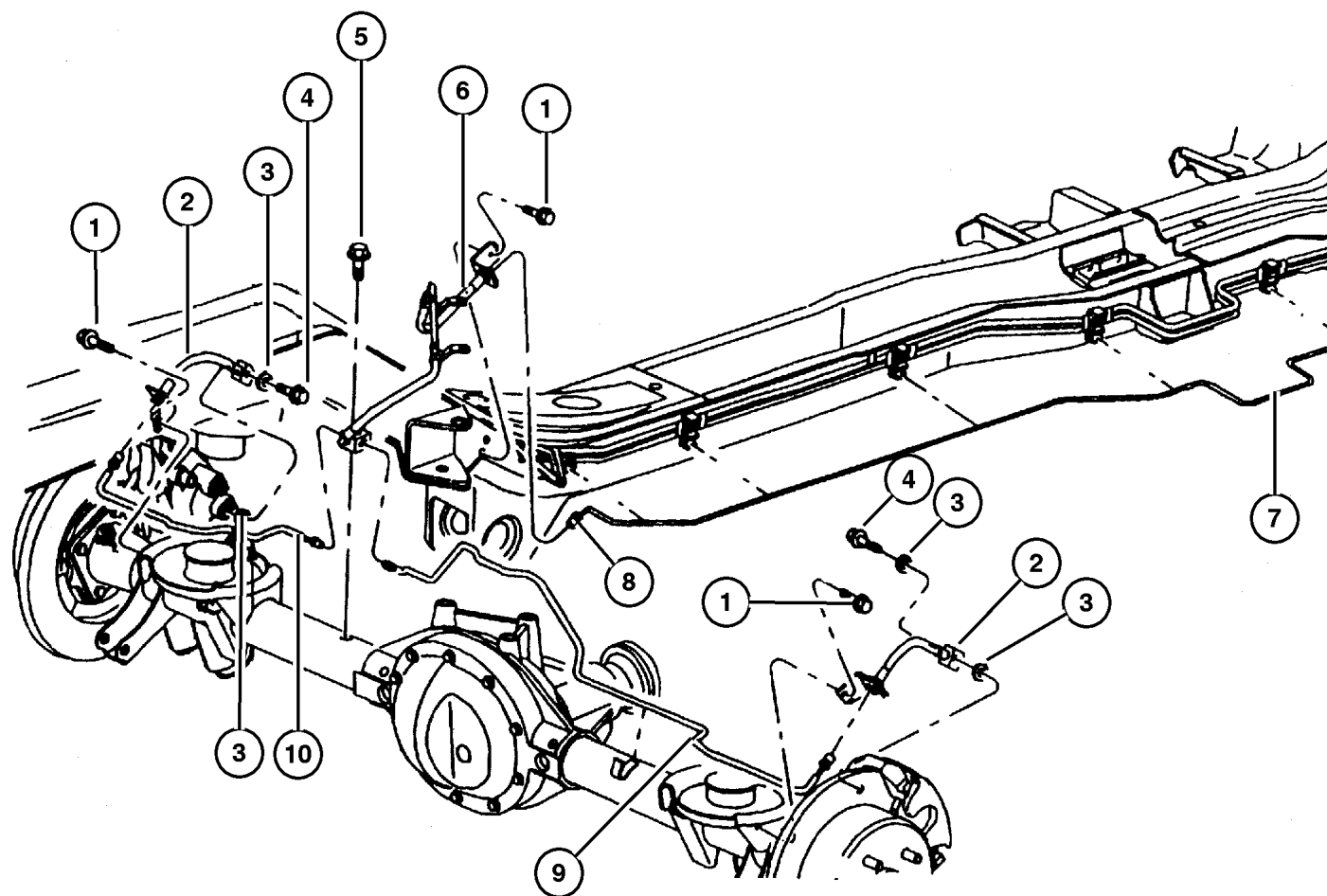
**JEEP GRAND CHEROKEE (WJ)**

SERIES	LINE	BODY	ENGINE	TRANSMISSION
H=Laredo	J = 4WD	74 = 4 Door(105.9 WB)	ER0, ERH = 4.0L, Power Tech I-6	DGK = 4 Speed Autm, 42RE
P=Limited	T = 2WD		EVO, EVA = 4.7L, Power Tech V8	DGW = 4 Speed Automatic, -44RE
	U = 4WD (RHD)		EXA, EX0 = 3.1L, 5 Cyl Turbo Diesel	DG4 = Multi Speed Automatic, -45RFE
				DGO = All Automatic

AR = Use as required - = Non illustrated part # = New this model year

September 14, 2002

## Rear Brake Lines and Hoses Wj Figure 005-580



ITEM	PART NUMBER	QTY	LINE	SERIES	BODY	ENGINE	TRANS	DESCRIPTION
Note: DRM=Dana 35 Axle---DRK= Dana 44 Axle								
1								SCREW, Hex Flange Head, M6x1.00x20.00, Rear Brake Hose Mounting, (NOT SERVICED) (Not Serviced)
2								HOSE, Brake
	5212 8094	1						Right
	5212 8095	1						Left
3	J323 7672	8						GASKET, Brake Hose To Caliper
4	J400 6700	4						BOLT, Hex Head, .375-24x1.03 Grade 8, Brake Hose to Caliper Mounting
5	4137 696	1						SCREW, Brake Tee, .437-20x2.07
6	52128 096AB	1						HOSE, Brake, with Tee to Rear Brake Tube, Rear
7								TUBE, Brake
	52128 202AB	1						EX0, Rear
	52128 074AB	1						ER0,EV0, Rear
8	6503 707	1						NUT, Brake Line
9								TUBE, Brake
	5212 8078	1						with DRM-Axle Tee to Right Brake (Upto and Including 03/12/00), Right
	52128 439AA	1						with DRM,DRK (03/13/00 and After, Right
	5200 9336	1						with DRK-Axle Tee to Right Brake, Right
10	52009 353AB	1						TUBE, Brake, Axle Tee to Left Brake, Left
-11								SENSOR, Wheel Speed
	56041 308AA	1						Right
	56041 509AA	1						Left

### JEEP GRAND CHEROKEE (WJ)

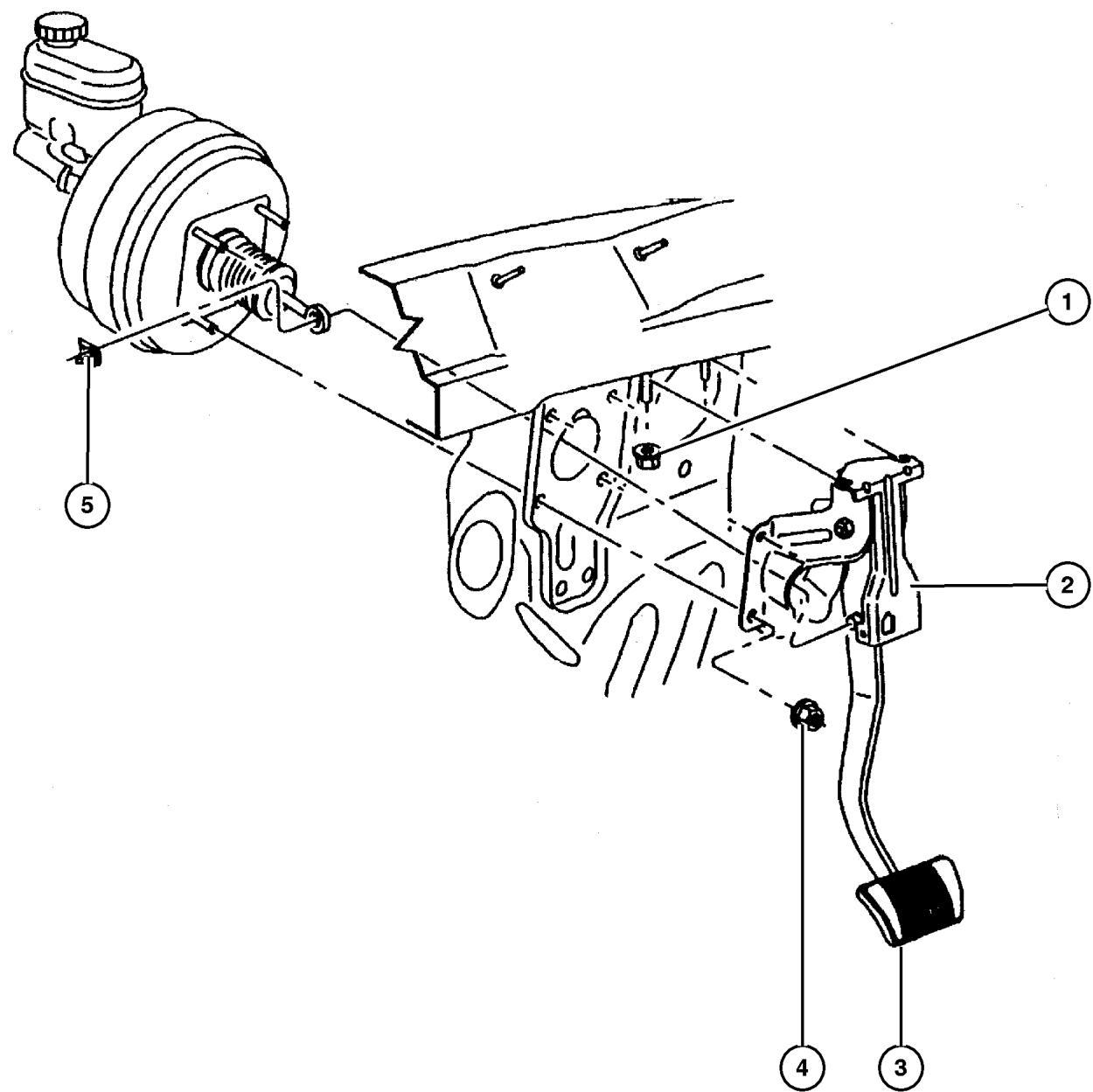
SERIES	LINE	BODY	ENGINE	TRANSMISSION
H=Laredo	J = 4WD	74 = 4 Door(105.9 WB)	ER0, ERH = 4.0L, Power Tech I-6	DGK = 4 Speed Autm, 42RE
P=Limited	T = 2WD		EV0, EVA = 4.7L, Power Tech V8	DGW = 4 Speed Automatic, -44RE
	U = 4WD (RHD)		EXA, EX0 = 3.1L, 5 Cyl Turbo Diesel	DG4 = Multi Speed Automatic, -45RFE
				DGO = All Automatic

AR = Use as required - = Non illustrated part # = New this model year

September 14, 2002

## Brake Pedal & Bracket Wj Figure 005-605

ITEM	PART NUMBER	QTY	LINE	SERIES	BODY	ENGINE	TRANS	DESCRIPTION
Note: T=2 Wheel Drive Left Hand Drive---J=4 Wheel Drive Left Hand Drive---U=4 Wheel Drive Right Hand Drive								
1	6100 517	2						NUT, Hex Flange Lock, M8 Phosphate, Pedal Braket to Dash Mounting
2	52128 148AC	1	J, T					PEDAL, Brake
	52128 274AC	1	U					
3	4779 027	1	J, T					PAD, Pedal
	5200 9562	1	U					
4	6100 517	4						NUT, Hex Flange Lock, M8 Phosphate, Booster Mounting
5	6035 334	1						CLIP, Brake Push Rod



<b>JEEP GRAND CHEROKEE (WJ)</b>				
SERIES	LINE	BODY	ENGINE	TRANSMISSION
H=Laredo	J = 4WD	74 = 4 Door(105.9 WB)	ER0, ERH = 4.0L, Power Tech I-6	DGK = 4 Speed Autm, 42RE
P=Limited	T = 2WD		EVO, EVA = 4.7L, Power Tech V8	DGW = 4 Speed Automatic, -44RE
	U = 4WD (RHD)		EXA, EX0 = 3.1L, 5 Cyl Turbo Diesel	DG4 = Multi Speed Automatic, -45RFE
				DGO = All Automatic

AR = Use as required - = Non illustrated part # = New this model year

September 14, 2002

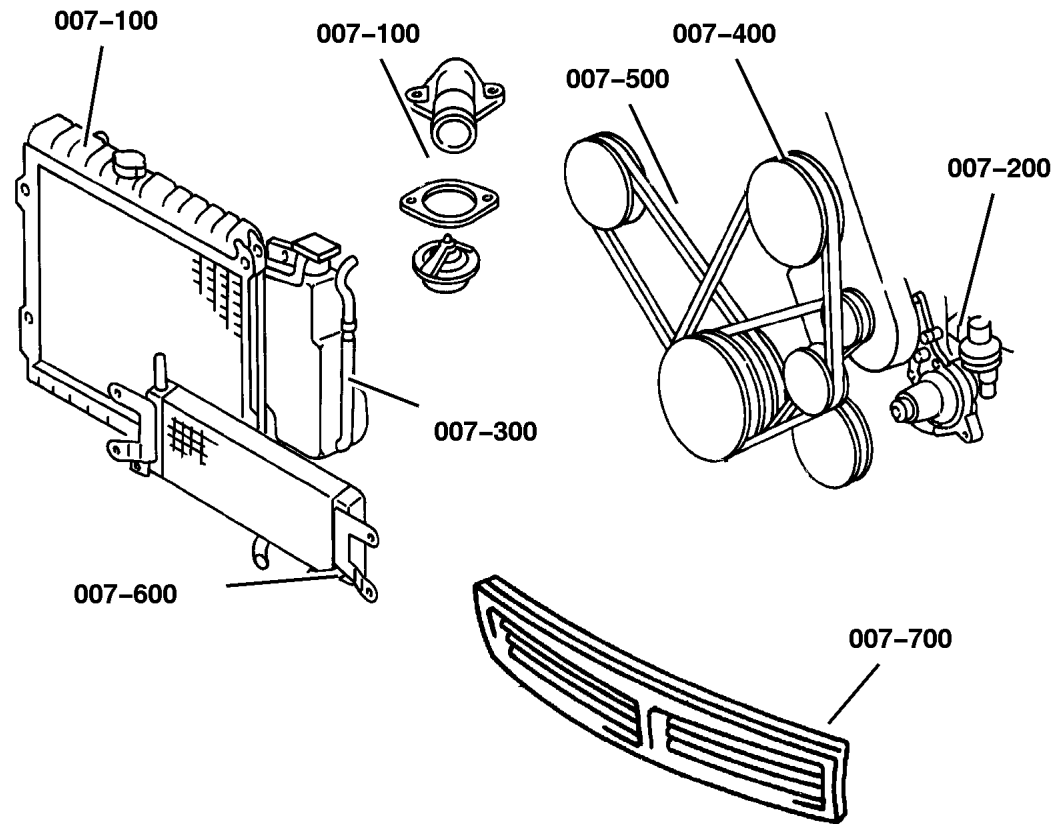
# Group – 007

## Cooling

### GROUP 7 - Cooling

Illustration Title

Group-Fig. No.



#### Radiator and Related Parts

Radiator and Related Parts 4.0L Engine .....	Fig. 007-150
Radiator and Related Parts 4.7L Engine .....	Fig. 007-160
Radiator and Related Parts, 3.1L Diesel Engine .....	Fig. 007-165
Radiator Upper Support .....	Fig. 007-170

#### Water Pump and Related Parts

Water Pump and Related Parts 4.0L Engine .....	Fig. 007-210
Water Pump and Related Parts 4.7L Engine .....	Fig. 007-220
Water Pump and Related Parts, 3.1L Diesel Engine .....	Fig. 007-230

#### Tank, Coolant Engine

Coolant Tank, 4.0,4.7L Engine .....	Fig. 007-310
Coolant Tank, 3.1 Diesel Engine .....	Fig. 007-320

#### Pulleys and Related Parts

Drive Pulleys 4.0L Engine .....	Fig. 007-420
Drive Pulleys 4.7L Engine .....	Fig. 007-430
Drive Pulleys, 3.1L Diesel Engine .....	Fig. 007-440

#### Drive Belts

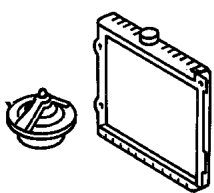
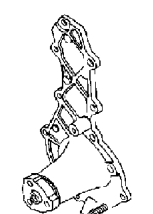
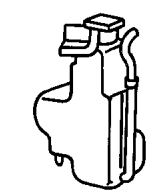
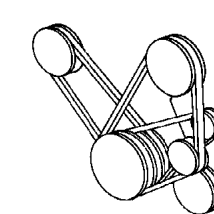
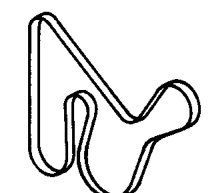
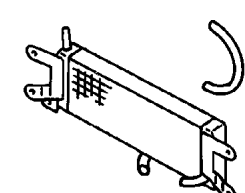
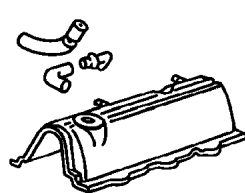
Drive Belts 4.0L and 4.7L Engines .....	Fig. 007-520
Drive Belts, 3.1L Diesel Engine .....	Fig. 007-530

#### Lines, Transmission Oil Cooler

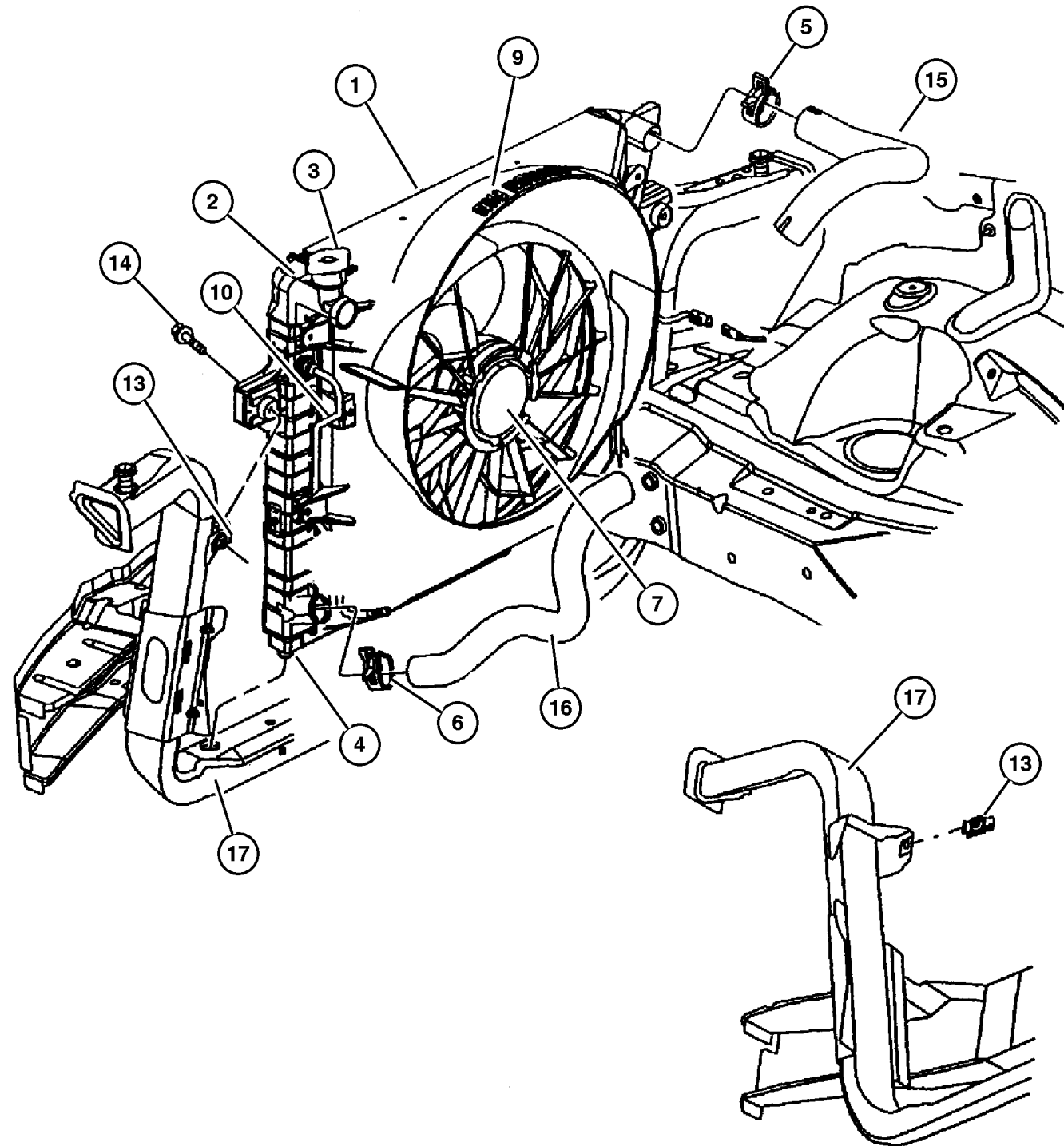
Oil Cooler and Lines 3.1, 4.0L Engines .....	Fig. 007-610
Oil Cooler and Lines 4.7L Engine .....	Fig. 007-620

#### Grilles

Grille and Related Parts .....	Fig. 007-720
--------------------------------	--------------

<p><b>007-100</b> Radiator and Related Parts</p> 	<p><b>007-200</b> Water Pump and Related Parts</p> 	<p><b>007-300</b> Tank, Coolant Engine</p> 	<p><b>007-400</b> Pulleys and Related Parts</p> 
<p><b>007-500</b> Drive Belts</p> 	<p><b>007-600</b> Lines, Transmission Oil Cooler</p> 	<p><b>007-700</b> Grilles</p> 	

## Radiator and Related Parts 4.0L Engine Figure 007-150



ITEM	PART NUMBER	QTY	LINE	SERIES	BODY	ENGINE	TRANS	DESCRIPTION
1	55115 918AB	1	U			ER0	DG0	CONDENSER, Air Conditioning
		1	J, T			ER0	DG0	
2	52079 428AB	1	U			ER0	DG0	RADIATOR, Engine Cooling
		1	J, T			ER0	DG0	
3	52079 799AA	1	U			ER0	DG0	CAP, Radiator
		1	J, T			ER0	DG0	
4	5207 9418	2	J, T			ER0	DG0	ISOLATOR, Radiator Right
		2	U			ER0	DG0	Right
	5207 9419	2	J, T			ER0	DG0	Left
		2	U			ER0	DG0	Left
5	52079 632AA	1	J, T			ER0	DG0	CLAMP, Oil Cooler Tube
		1	U			ER0	DG0	
6	52079 632AA	1	J, T			ER0	DG0	CLAMP, Oil Cooler Tube
		1	U			ER0	DG0	
7	5207 9528	1	J, T			ER0	DG0	FAN, Cooling Electric Module
		1	U			ER0	DG0	
	#52079 984AA	1				ER0		Engine Fan
-8	5207 9443	1				ER0		VISCOUS CLUTCH, Fan Drive
9	52079 489AB	1	J, T			ER0	DG0	SHROUD, Fan
		1	U			ER0	DG0	
10	52079 432AB	1	J, T			ER0	DG0	TUBE, Oil Cooler Pressure
		1	U			ER0	DG0	Pressure
	52079 753AB	1	J, T			ER0	DG0	Return
		1	U			ER0	DG0	Return
-11	5207 9430	1	J, T			ER0	DG0	SEAL, Radiator Condenser
		1	U			ER0	DG0	
-12	5511 5922	1	J, T			ER0	DG0	SEAL, Radiator Right
		1	U			ER0	DG0	Right
	5511 5923	1	J, T			ER0	DG0	Left

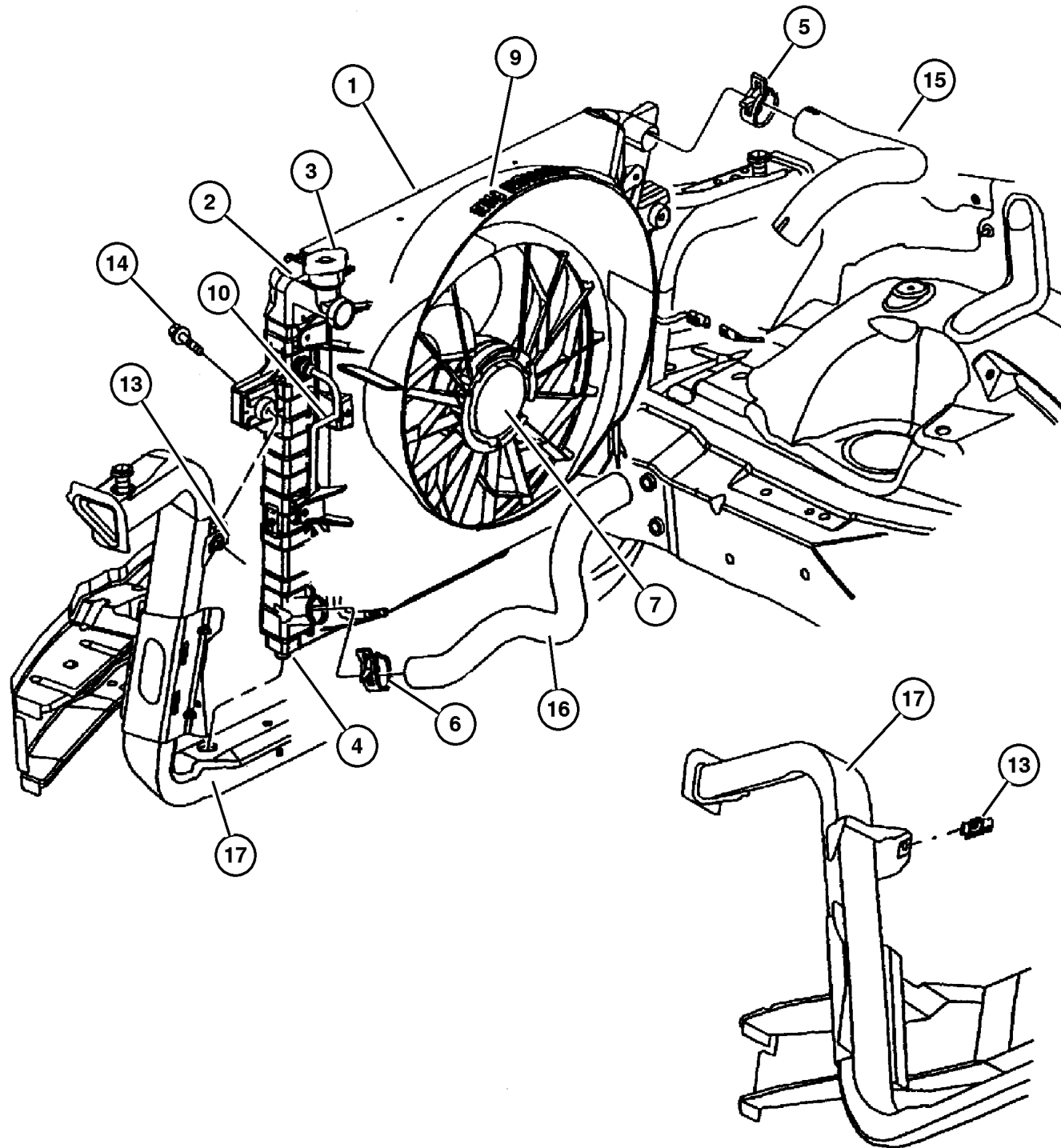
**JEEP GRAND CHEROKEE (WJ)**

SERIES	LINE	BODY	ENGINE	TRANSMISSION
H=Laredo	J = 4WD	74 = 4 Door(105.9 WB)	ER0, ERH = 4.0L, Power Tech I-6	DGK = 4 Speed Autm, 42RE
P=Limited	T = 2WD		EV0, EVA = 4.7L, Power Tech V8	DGW = 4 Speed Automatic, -44RE
	U = 4WD (RHD)		EXA, EX0 = 3.1L, 5 Cyl Turbo Diesel	DG4 = Multi Speed Automatic, -45RFE
				DGO = All Automatic

AR = Use as required - = Non illustrated part # = New this model year

September 14, 2002

## Radiator and Related Parts 4.0L Engine Figure 007-150



ITEM	PART NUMBER	QTY	LINE	SERIES	BODY	ENGINE	TRANS	DESCRIPTION
		1	U			ER0	DG0	Left
13	6505 172AA	4	J, T			ER0	DG0	U-NUT, M6x1.00
		4	U			ER0	DG0	
14	6102 117AA	4	J, T			ER0	DG0	SCREW AND WASHER, Hex Head, M6x1x20
		4	U			ER0	DG0	
15	52079 406AC	1				ER0		HOSE, Radiator Inlet
16	5207 9401	1				ER0		HOSE, Radiator Outlet
17	5513 5870	1						CROSSMEMBER, Radiator
-18	53020 547AB	1				ER0		GASKET, Thermostat
-19	5300 6192	1				ER0		HOUSING, Thermostat
-20	5202 8186	1				ER0		THERMOSTAT, 195 Degrees

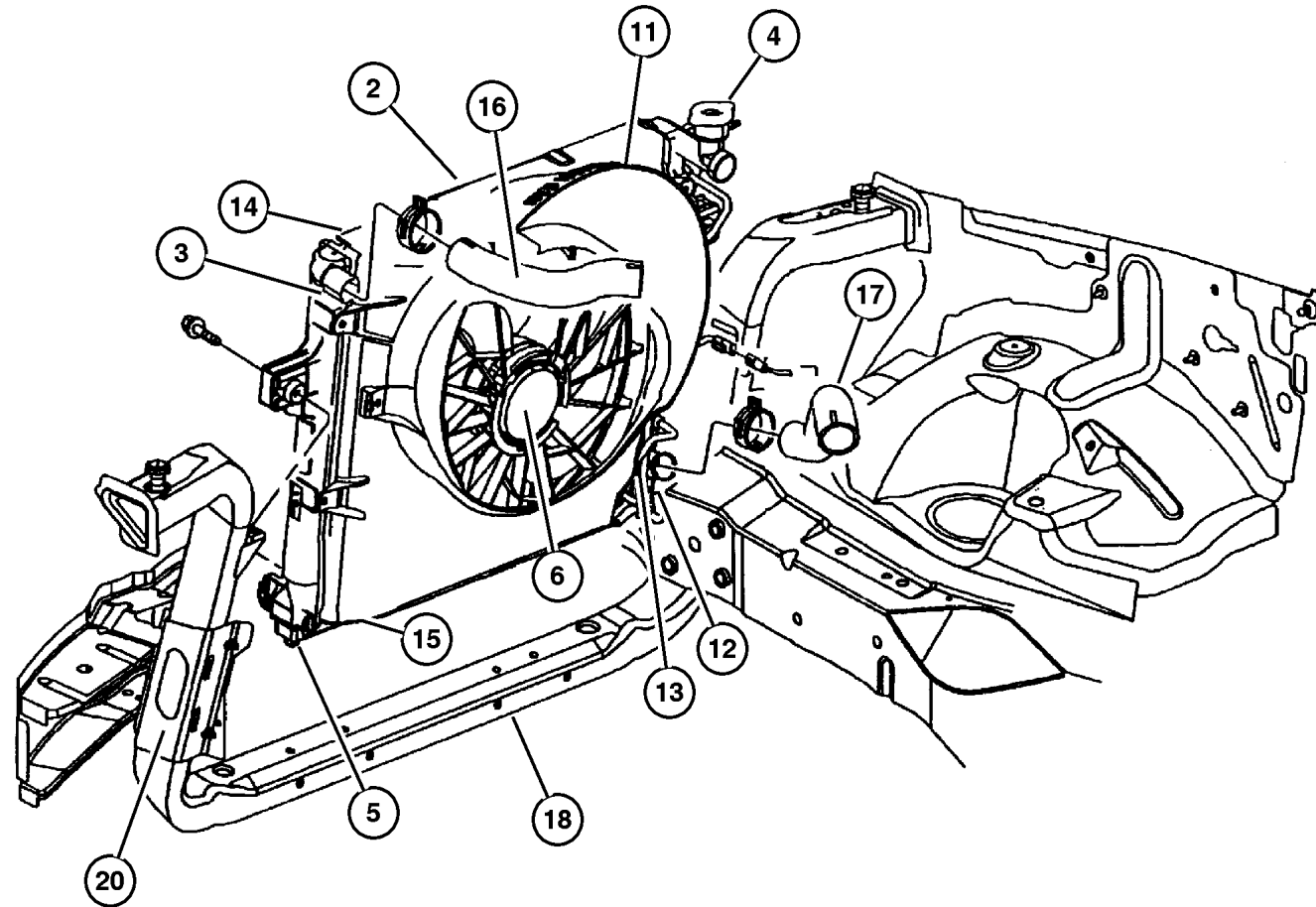
### JEEP GRAND CHEROKEE (WJ)

SERIES	LINE	BODY	ENGINE	TRANSMISSION
H=Laredo	J = 4WD	74 = 4 Door(105.9 WB)	ER0, ERH = 4.0L, Power Tech I-6	DGK = 4 Speed Autm, 42RE
P=Limited	T = 2WD		EV0, EVA = 4.7L, Power Tech V8	DGW = 4 Speed Automatic, -44RE
	U = 4WD (RHD)		EXA, EX0 = 3.1L, 5 Cyl Turbo Diesel	DG4 = Multi Speed Automatic, -45RFE
				DGO = All Automatic

AR = Use as required - = Non illustrated part # = New this model year

September 14, 2002

## Radiator and Related Parts 4.7L Engine Figure 007-160



ITEM	PART NUMBER	QTY	LINE	SERIES	BODY	ENGINE	TRANS	DESCRIPTION
-1	52079 414AB	1	J, T			EVO	DG0	COOLER, Auxiliary Oil
		1	U			EVO	DG0	
2	55115 918AB	1	J, T			EVO	DG0	CONDENSER, Air Conditioning
		1	U			EVO	DG0	
3	52079 425AB	1	J, T			EVO	DG0	RADIATOR, Engine Cooling
		1	U			EVO	DG0	
4	52079 778AA	1	J, T			EVO	DG0	CAP, Radiator
		1	U			EVO	DG0	
5	5207 9418	2	J, T			EVO	DG0	ISOLATOR, Radiator
		2	U			EVO	DG0	Right
	5207 9419	2	J, T			EVO	DG0	Right
		1	U			EVO	DG0	Left
		1	U			EVO	DG0	Left
6	5207 9528	1	J, T			EVO	DG0	FAN, Cooling
		1	U			EVO	DG0	Electric Module
	52080 500AA	1				EVO		Electric Module
						EVO		Engine Fan
-7	52079 438AB	1				EVO		VISCOUS CLUTCH, Fan Drive
-8	6034 860	4				EVO,		BOLT AND WASHER, Implement
						EX0		Attaching
-9	52079 632AA	1				EVO	DG4	CLAMP, Oil Cooler Tube
-10	52079 631AA	1				EVO	DG4	CLAMP, Oil Cooler Tube
11	52079 491AB	1	J, T			EVO	DG0	SHROUD, Fan
		1	U			EVO	DG0	
12	52079 436AC	1	J, T			EVO	DG0	TUBE, Oil Cooler
		1	U			EVO	DG0	
13	52079 433AB	1	J, T			EVO	DG0	TUBE, Oil Cooler
		1	U			EVO	DG0	Pressure
	52079 435AB	1	J, T			EVO	DG0	Pressure
		1	U			EVO	DG0	Return
		1	U			EVO	DG0	Return
14	5207 9430	1	J, T			EVO	DG0	SEAL, Radiator Condenser

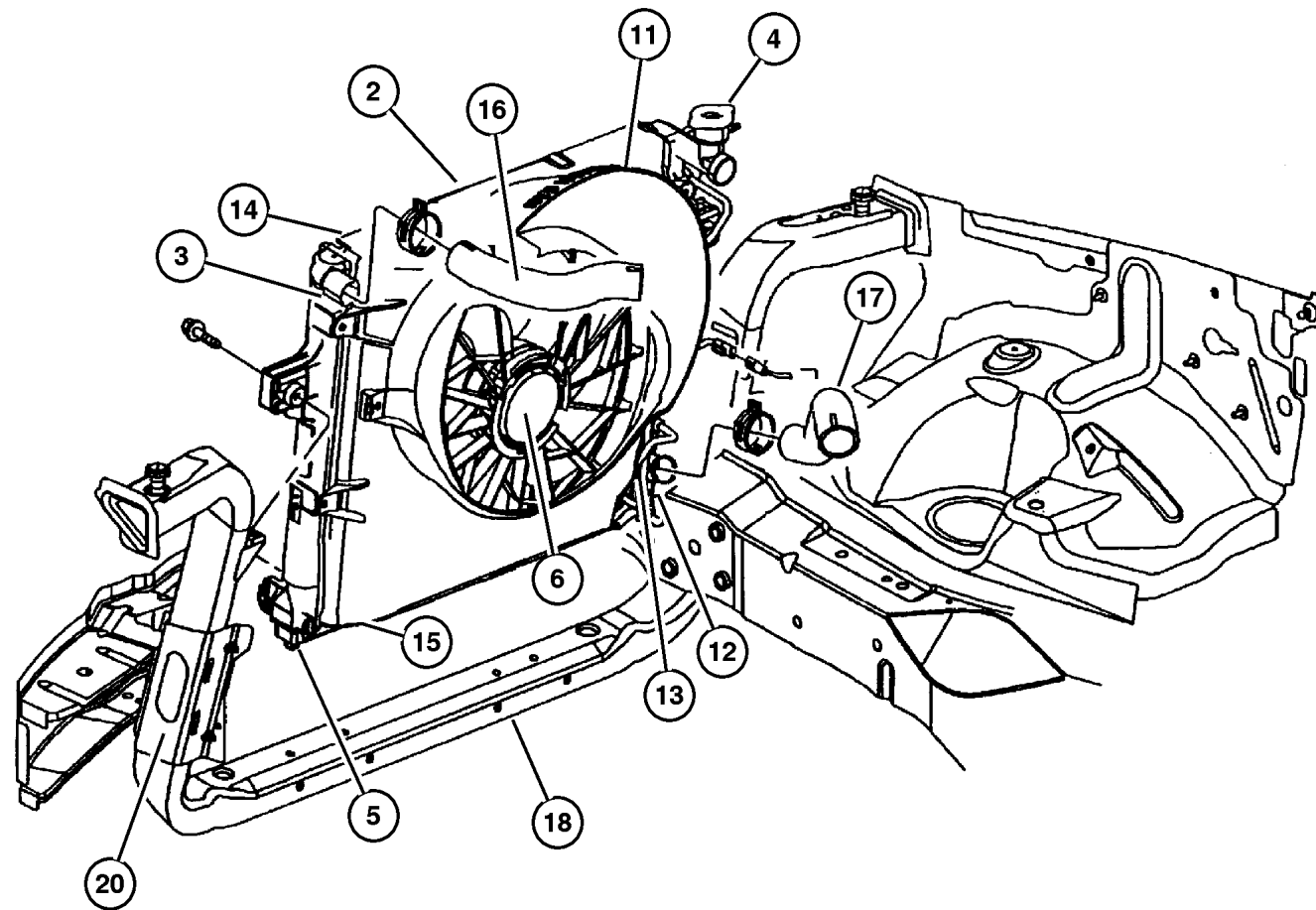
### JEEP GRAND CHEROKEE (WJ)

SERIES	LINE	BODY	ENGINE	TRANSMISSION
H=Laredo	J = 4WD	74 = 4 Door(105.9 WB)	ER0, ERH = 4.0L, Power Tech I-6	DGK = 4 Speed Autm, 42RE
P=Limited	T = 2WD		EVO, EVA = 4.7L, Power Tech V8	DGW = 4 Speed Automatic,
	U = 4WD (RHD)		EXA, EX0 = 3.1L, 5 Cyl Turbo Diesel	-44RE
				DG4 = Multi Speed Automatic,
				-45RFE
				DGO = All Automatic

AR = Use as required - = Non illustrated part # = New this model year

September 14, 2002

**Radiator and Related Parts 4.7L Engine  
Figure 007-160**



ITEM	PART NUMBER	QTY	LINE	SERIES	BODY	ENGINE	TRANS	DESCRIPTION
		1	U			EVO	DG0	
15								SEAL, Radiator
	#55115 920AC	1	J, T			EVO	DG0	Right
	52079 831AA	1	J, T			EVO	DG0	Left
	#55115 920AC	1	U			EVO	DG0	Right
	52079 831AA	1	U			EVO	DG0	Left
16	5207 9407	1				EVO		HOSE, Radiator Inlet
17								HOSE, Radiator Outlet
	5207 9409	1	J, T			EVO		
	5207 9403	1	U			EVO		
18	5513 5870	1						CROSSMEMBER, Radiator
-19								DRAINCOCK, Radiator, 52028466, (NOT SERVICED) (Not Serviced)
20								BRACKET, Radiator
	5513 6170	1						Right
	5513 6171	1						Left

**JEEP GRAND CHEROKEE (WJ)**

SERIES	LINE	BODY	ENGINE	TRANSMISSION
H=Laredo	J = 4WD	74 = 4 Door(105.9 WB)	ER0, ERH = 4.0L, Power Tech I-6	DGK = 4 Speed Autm, 42RE
P=Limited	T = 2WD		EVO, EVA = 4.7L, Power Tech V8	DGW = 4 Speed Automatic, -44RE
	U = 4WD (RHD)		EXA, EX0 = 3.1L, 5 Cyl Turbo Diesel	DG4 = Multi Speed Automatic, -45RFE
				DGO = All Automatic

AR = Use as required - = Non illustrated part # = New this model year

September 14, 2002



## Radiator and Related Parts, 3.1L Diesel Engine Figure 007-165

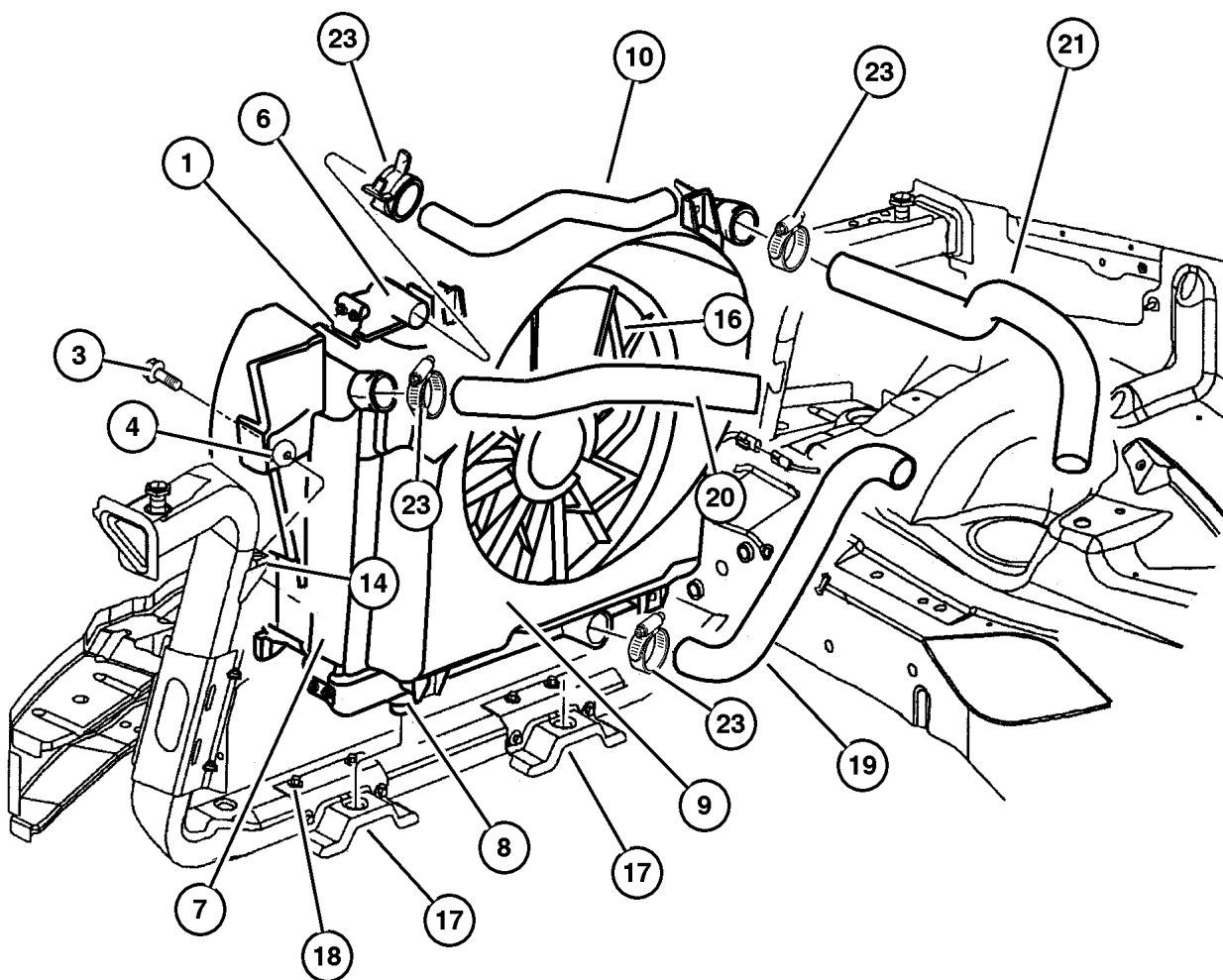
ITEM	PART NUMBER	QTY	LINE	SERIES	BODY	ENGINE	TRANS	DESCRIPTION
Note: Sales Code EX0 = 3.1L Engine								
Note: Sales Code DGO = All Auto Trans								
1	55115 918AB	1	J, T			EX0		CONDENSER, Air Conditioning
		1	U			EX0		
-2	53054 593AA	2	J, T			EX0		ISOLATOR, A/C Condenser
		2	U			EX0		
3	6504 851AA	2	J, T			EX0		SCREW AND WASHER, Hex Head, M6x1x25
		2	U			EX0		
4	4546 552	2	J, T			EX0		U-NUT, Module
		2	U			EX0		
-5	52079 499AB	1	J, T			EX0		COOLER, Charge Air
		1	U			EX0		
6	52079 498AB	1	J, T			EX0		RADIATOR, Engine Cooling
		1	U			EX0		
7	52079 568AB	1	J, T			EX0		SEAL, Radiator Right
	52079 569AB	1	J, T			EX0		Left
	52079 568AB	1	U			EX0		Right
	52079 569AB	1	U			EX0		Left
8	5207 9536	2	J, T			EX0		ISOLATOR, Radiator Lower
		1	U			EX0		Lower
9	5207 9508	1	J, T			EX0		SHROUD, Fan
	#52079 516AB	1	U			EX0		
10	5207 9502	1				EX0		HOSE, Radiator Inlet
-11	4592 145	1	J, T			EX0		SLEEVE, Braided
		1	U			EX0		
-12	52079 632AA	1				EX0		CLAMP, Oil Cooler Tube
-13	6102 117AA	4	J, T			EX0		SCREW AND WASHER, Hex Head, M6x1x20
		4	U			EX0		
14								U-NUT, M6x1.00

**JEEP GRAND CHEROKEE (WJ)**

SERIES	LINE	BODY	ENGINE	TRANSMISSION
H=Laredo	J = 4WD	74 = 4 Door(105.9 WB)	ER0, ERH = 4.0L, Power Tech I-6	DGK = 4 Speed Autm, 42RE
P=Limited	T = 2WD		EV0, EVA = 4.7L, Power Tech V8	DGW = 4 Speed Automatic, -44RE
	U = 4WD (RHD)		EXA, EX0 = 3.1L, 5 Cyl Turbo Diesel	DG4 = Multi Speed Automatic, -45RFE
				DGO = All Automatic

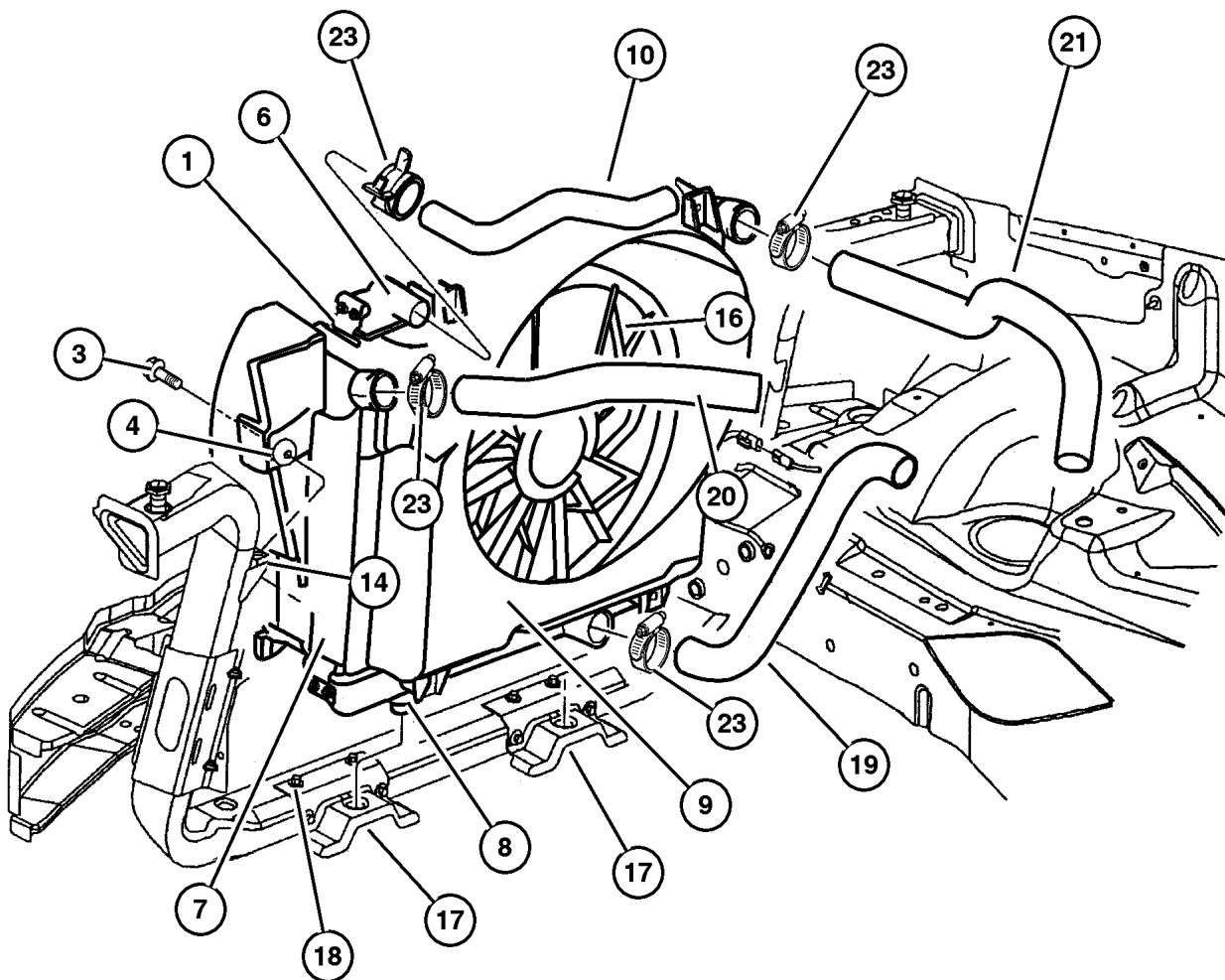
AR = Use as required - = Non illustrated part # = New this model year

September 14, 2002



**Radiator and Related Parts, 3.1L Diesel Engine**  
**Figure 007-165**

ITEM	PART NUMBER	QTY	LINE	SERIES	BODY	ENGINE	TRANS	DESCRIPTION
	6505 172AA	4	J, T			EX0		
		3	U			EX0		
-15								LABEL, Belt Routing
	5207 9544	1	J, T			EX0		
		1	U			EX0		
16								FAN, Cooling
	5207 9555	1	J, T			EX0		
		1	U			EX0		
17								BRACKET, Radiator
	5207 9564	1				EX0		Right
	52079 617AA	1				EX0		Left
18								SCREW, M6x1.00x55.00, (NOT SERVICED) (Not Serviced)
19	5207 9503	1				EX0		HOSE, Radiator Outlet
20	5207 9501	1				EX0		HOSE, Charge Air Cooler
21	5207 9500	1				EX0		HOSE, Charge Air Cooler
-22	6034 860	4				EVO,		BOLT AND WASHER, Implement
						EX0		Attaching
23	6033 135	4				EX0		CLAMP
-24	5207 9506	1				EX0		FAN, Cooling
-25	5207 9507	1				EX0		VISCOUS CLUTCH, Fan Drive



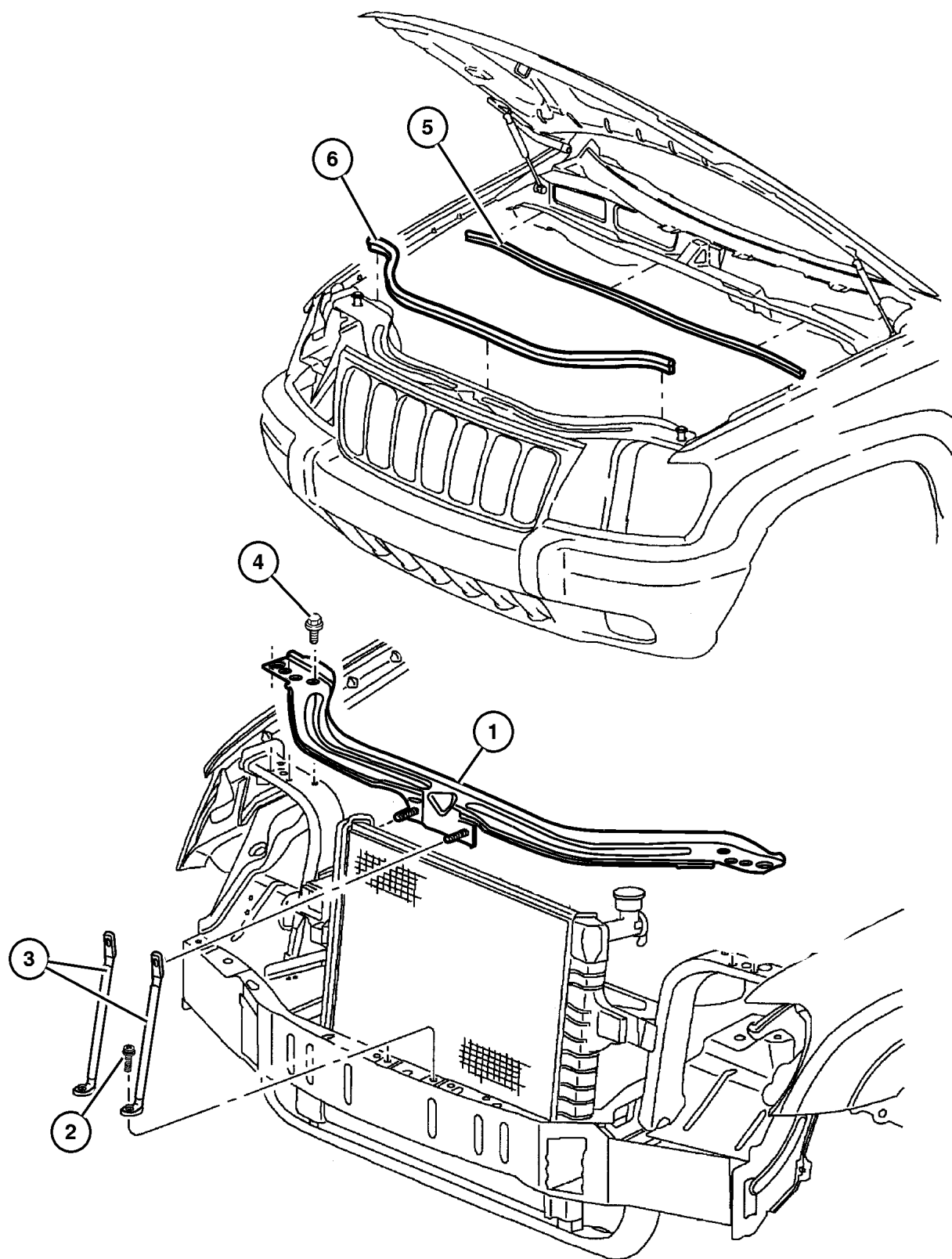
**JEEP GRAND CHEROKEE (WJ)**

SERIES	LINE	BODY	ENGINE	TRANSMISSION
H=Laredo	J = 4WD	74 = 4 Door(105.9 WB)	ER0, ERH = 4.0L, Power Tech I-6	DGK = 4 Speed Autm, 42RE
P=Limited	T = 2WD		EVO, EVA = 4.7L, Power Tech V8	DGW = 4 Speed Automatic, -44RE
	U = 4WD (RHD)		EXA, EX0 = 3.1L, 5 Cyl Turbo Diesel	DG4 = Multi Speed Automatic, -45RFE
				DGO = All Automatic

AR = Use as required - = Non illustrated part # = New this model year

September 14, 2002

## Radiator Upper Support Figure 007-170



ITEM	PART NUMBER	QTY	LINE	SERIES	BODY	ENGINE	TRANS	DESCRIPTION
1	5207 9416	1						CROSSMEMBER, Radiator
2	6503 267	2						SCREW, Round Head, M6x1x25
3	5513 6273	2						BRACE, Radiator Crossmember
4	6503 371	4						SCREW, M8x1.25x20
5	55135 392AB	1						SEAL, Hood To Plenum
6	55135 398AB	1						SEAL, Hood

### JEEP GRAND CHEROKEE (WJ)

SERIES	LINE	BODY	ENGINE	TRANSMISSION
H=Laredo	J = 4WD	74 = 4 Door(105.9 WB)	ER0, ERH = 4.0L, Power Tech I-6	DGK = 4 Speed Autm, 42RE
P=Limited	T = 2WD		EVO, EVA = 4.7L, Power Tech V8	DGW = 4 Speed Automatic, -44RE
	U = 4WD (RHD)		EXA, EX0 = 3.1L, 5 Cyl Turbo Diesel	DG4 = Multi Speed Automatic, -45RFE
				DGO = All Automatic

AR = Use as required - = Non illustrated part # = New this model year

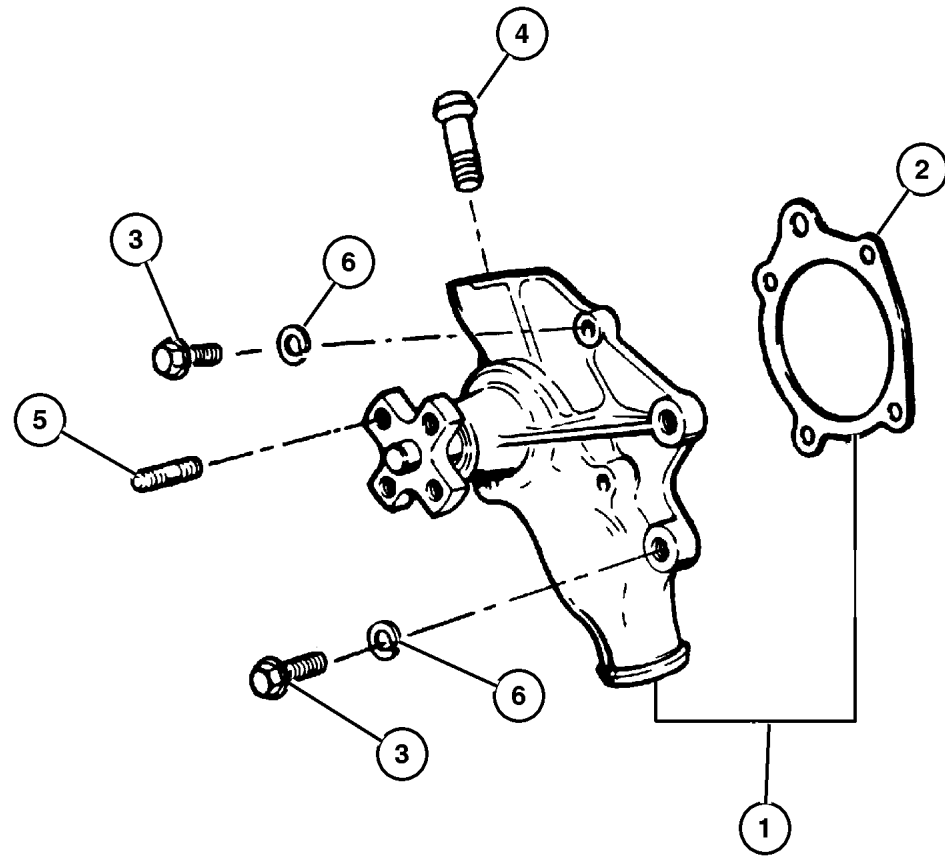
September 14, 2002

**Water Pump and Related Parts 4.0L Engine**  
**Figure 007-210**

ITEM	PART NUMBER	QTY	LINE	SERIES	BODY	ENGINE	TRANS	DESCRIPTION
------	-------------	-----	------	--------	------	--------	-------	-------------

Note: Sales Code ER0 = 4.0L Engine

1	5012 366AA	1				ER0		PUMP PACKAGE, Water
2	5301 0419	1				ER0		GASKET, Water Pump
3								SCREW AND WASHER, Hex Head, .312-18x1.75, (NOT SERVICED) (Not Serviced)
4	5300 7978	1				ER0		TUBE, Water Pump Heater Return
5								STUD, .312-18/.312-24x1.250, (NOT SERVICED) (Not Serviced)
6	4798 118	1	J, U			ER0		WASHER



**JEEP GRAND CHEROKEE (WJ)**

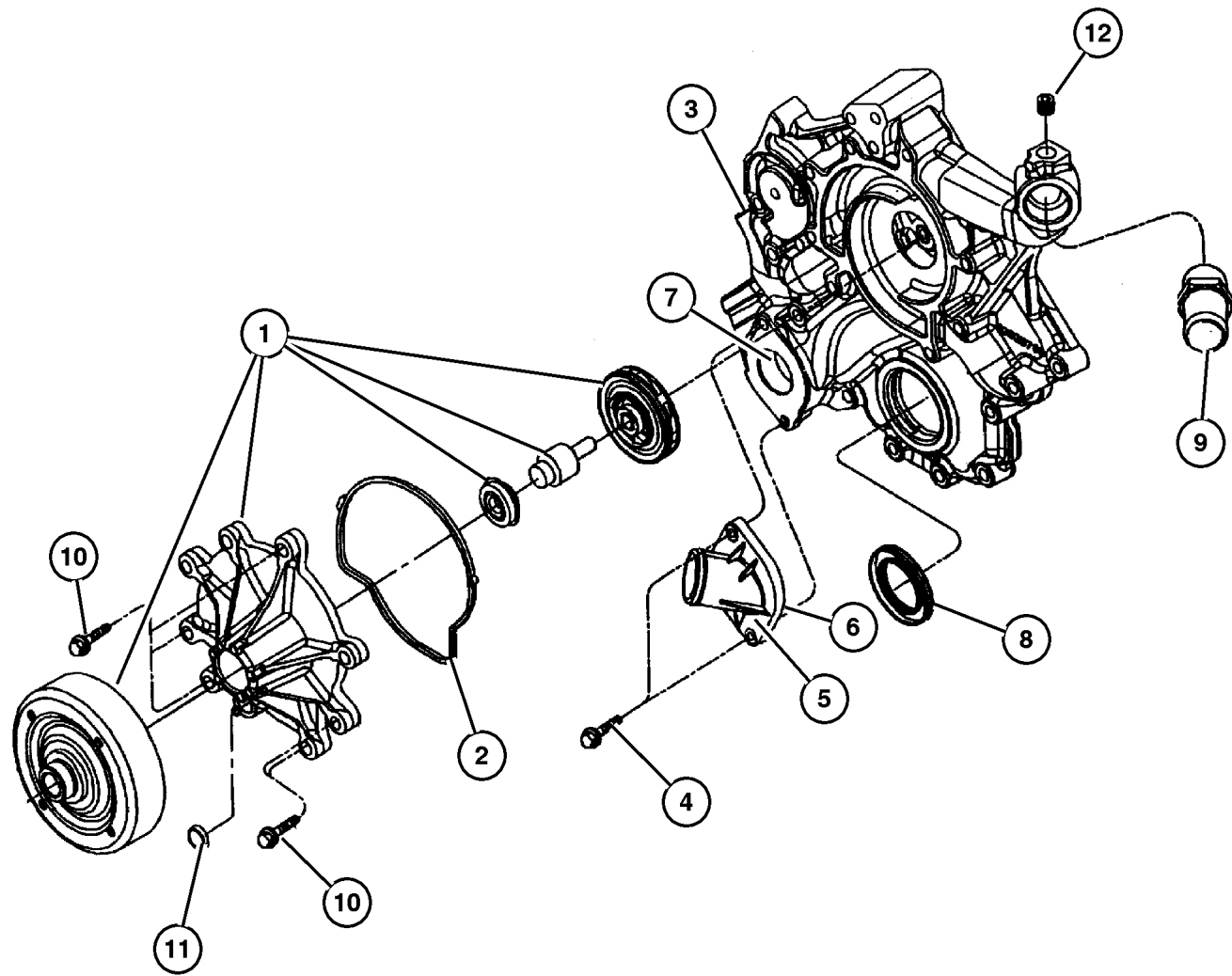
SERIES	LINE	BODY	ENGINE	TRANSMISSION
H=Laredo	J = 4WD	74 = 4 Door(105.9 WB)	ER0, ERH = 4.0L, Power Tech I-6	DGK = 4 Speed Autm, 42RE
P=Limited	T = 2WD		EV0, EVA = 4.7L, Power Tech V8	DGW = 4 Speed Automatic, -44RE
	U = 4WD (RHD)		EXA, EX0 = 3.1L, 5 Cyl Turbo Diesel	DG4 = Multi Speed Automatic, -45RFE
				DGO = All Automatic

AR = Use as required - = Non illustrated part # = New this model year

September 14, 2002

**Water Pump and Related Parts 4.7L Engine  
Figure 007-220**

ITEM	PART NUMBER	QTY	LINE	SERIES	BODY	ENGINE	TRANS	DESCRIPTION
Note: Sales Code EVO = 4.7L Engine								
1	53020 873AB	1				EVO		PUMP, Water
2	5302 0865	1				EVO		GASKET, Water Pump
3	6035 854	2				EVO		FITTING, Y-Style
4	6505 502AA	2				EVO		SCREW
5	53020 887AB	1				EVO		HOUSING, Thermostat
6								GASKET, Thermostat, Use RTV Sealer, (NOT SERVICED) (Not Serviced)
7	52079 476AB	1				EVO		THERMOSTAT
8	5302 0790	1				EVO		SEAL, Crankshaft Oil, Front
9	6035 961AA	1				EVO		PIPE FITTING, Chain Case Cover, .375- 18x2
10								SCREW, M6x1x25, (NOT SERVICED) (Not Serviced)
11								PLUG, (NOT SERVICED) (Not Serviced)
12								PLUG, (NOT SERVICED) (Not Serviced)



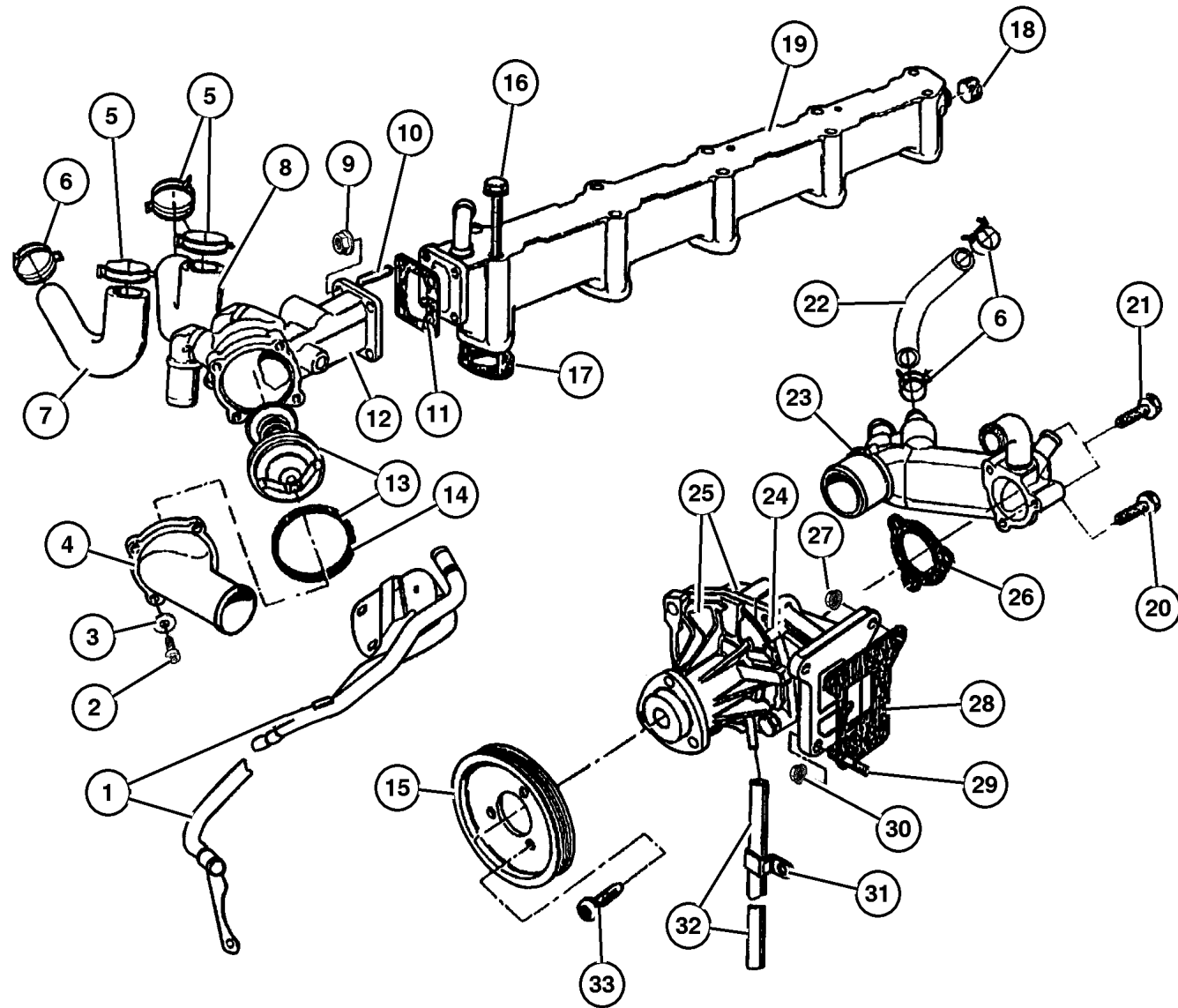
**JEEP GRAND CHEROKEE (WJ)**

SERIES	LINE	BODY	ENGINE	TRANSMISSION
H=Laredo	J = 4WD	74 = 4 Door(105.9 WB)	ER0, ERH = 4.0L, Power Tech I-6	DGK = 4 Speed Autm, 42RE
P=Limited	T = 2WD		EVO, EVA = 4.7L, Power Tech V8	DGW = 4 Speed Automatic, -44RE
	U = 4WD (RHD)		EXA, EX0 = 3.1L, 5 Cyl Turbo Diesel	DG4 = Multi Speed Automatic, -45RFE
				DGO = All Automatic

AR = Use as required - = Non illustrated part # = New this model year

September 14, 2002

## Water Pump and Related Parts, 3.1L Diesel Engine Figure 007-230



ITEM	PART NUMBER	QTY	LINE	SERIES	BODY	ENGINE	TRANS	DESCRIPTION
Note: Sales Code EX0 = 3.1L Engine								
Note: Sales Code DG0 = All Auto Trans								
1	5015 054AA	1				EX0	DG0	TUBE, Heater
2	4720 658	4				EX0	DG0	SCREW, Intake Manifold Elbow
3	4723 204	4				EX0	DG0	WASHER, Implement Attaching
4	4778 976	1				EX0	DG0	COVER, Thermostat Housing
5	4886 050AA	1				EX0	DG0	CLAMP, Heater Hose
6	4883 924AA	1				EX0	DG0	CLAMP, Heater Hose
7	4883 431AA	1				EX0	DG0	HOSE, Heater Feed
8	4778 977	1				EX0	DG0	HOSE, Water Pump Bypass
9	4778 936	4				EX0	DG0	NUT, Suction Pipe Attaching
10	4797 764	4				EX0	DG0	STUD, M6x14
11	4778 971	1				EX0	DG0	GASKET, Thermostat
12	4778 974AB	1				EX0	DG0	HOUSING, Thermostat
13	4778 975	1				EX0	DG0	THERMOSTAT
14	4797 803	1				EX0	DG0	GASKET, Thermostat
15	4864 567	1				EX0	DG0	PULLEY, Water Pump
16	5003 571AA	10				EX0	DG0	SCREW, Hex Head
17	4720 450	5				EX0	DG0	GASKET, Water Manifold
18	4864 753	1				EX0	DG0	PLUG
19	5015 033AA	1				EX0	DG0	MANIFOLD, Water
20	5003 556AA	1				EX0	DG0	BOLT
21	5003 555AA	2				EX0	DG0	BOLT
22	5015 055AA	1				EX0	DG0	HOSE, Heater
23	4864 576	1				EX0	DG0	ADAPTER, Water Pump
24	4723 198	1				EX0	DG0	O RING, Water Pump
25	4864 566	1				EX0	DG0	PUMP, Water
26	4864 575	1				EX0	DG0	GASKET, Water Pump
27	4720 699	1				EX0	DG0	NUT, Hex Lock, M8
28	4720 451	4				EX0	DG0	GASKET, Water Pump
29	4720 550	6				EX0	DG0	STUD, Water Pump To Block
30	4778 961	6				EX0	DG0	NUT
31	4720 446	1				EX0	DG0	CLIP, Drain Pipe
32	4720 438	1				EX0	DG0	PIPE, Water Pump Drain
33	5003 554AA	3				EX0	DG0	SCREW

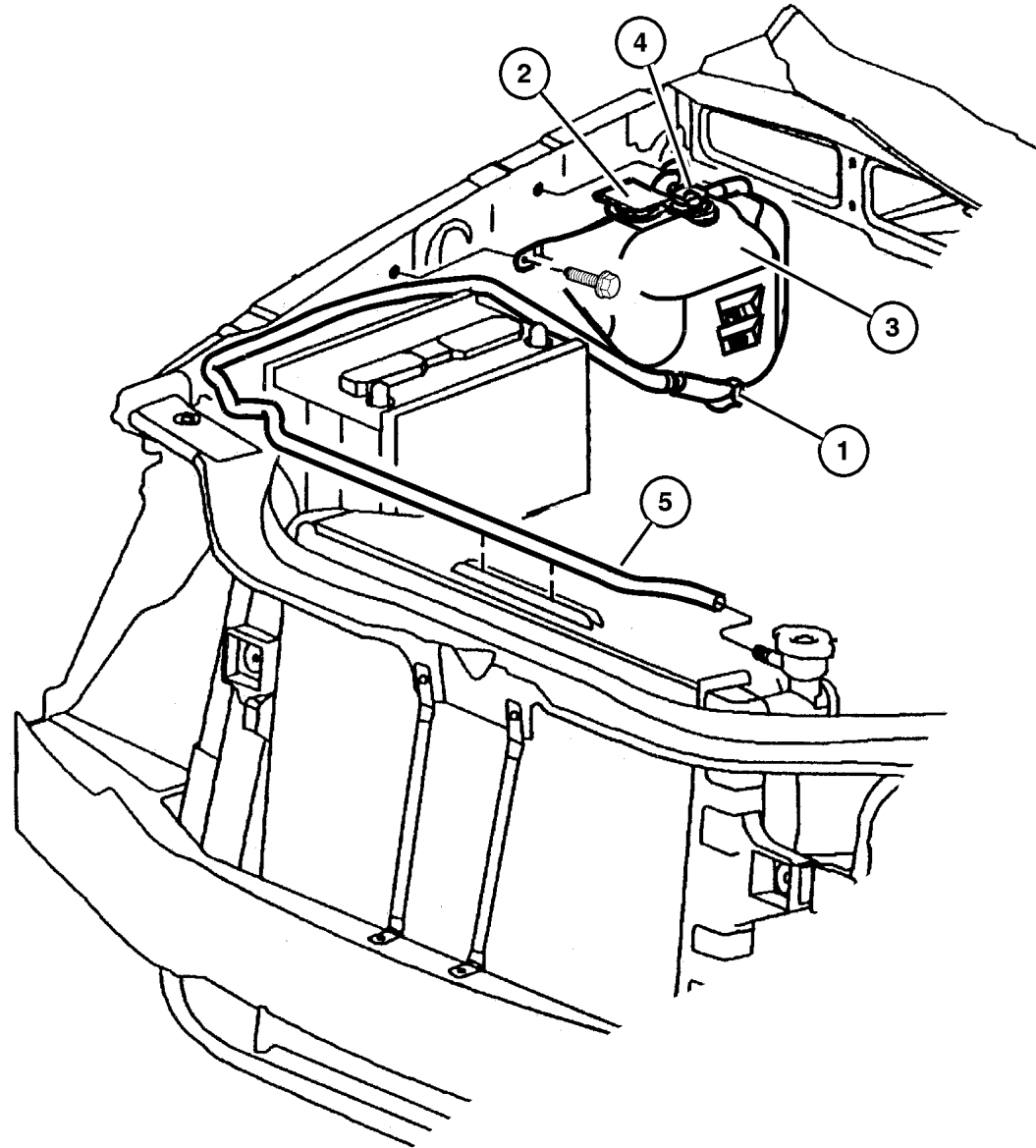
### JEEP GRAND CHEROKEE (WJ)

SERIES	LINE	BODY	ENGINE	TRANSMISSION
H=Laredo	J = 4WD	74 = 4 Door(105.9 WB)	ER0, ERH = 4.0L, Power Tech I-6	DGK = 4 Speed Autm, 42RE
P=Limited	T = 2WD		EV0, EVA = 4.7L, Power Tech V8	DGW = 4 Speed Automatic, -44RE
	U = 4WD (RHD)		EXA, EX0 = 3.1L, 5 Cyl Turbo Diesel	DG4 = Multi Speed Automatic, -45RFE
				DGO = All Automatic

AR = Use as required - = Non illustrated part # = New this model year

September 14, 2002

**Coolant Tank, 4.0,4.7L Engine  
Figure 007-310**



ITEM	PART NUMBER	QTY	LINE	SERIES	BODY	ENGINE	TRANS	DESCRIPTION
Note: Sales Code ER0 = 4.0L Engine								
Note: Sales Code EVO = 4.7L Engine								
1	5202 8254	1				EVO		GROMMET
		1				ER0		
2	5207 9331	1				EVO		CAP, Coolant Reserve Tank
		1				ER0		
3	52079 461AB	1				EVO		BOTTLE, Coolant Recovery
		1				ER0		
4	5207 9468	1				EVO		SENSOR, Coolant Level
		1				ER0		
5	4026 148	1				ER0		HOSE, Coolant Reserve Tank
		1				EVO		

**JEEP GRAND CHEROKEE (WJ)**

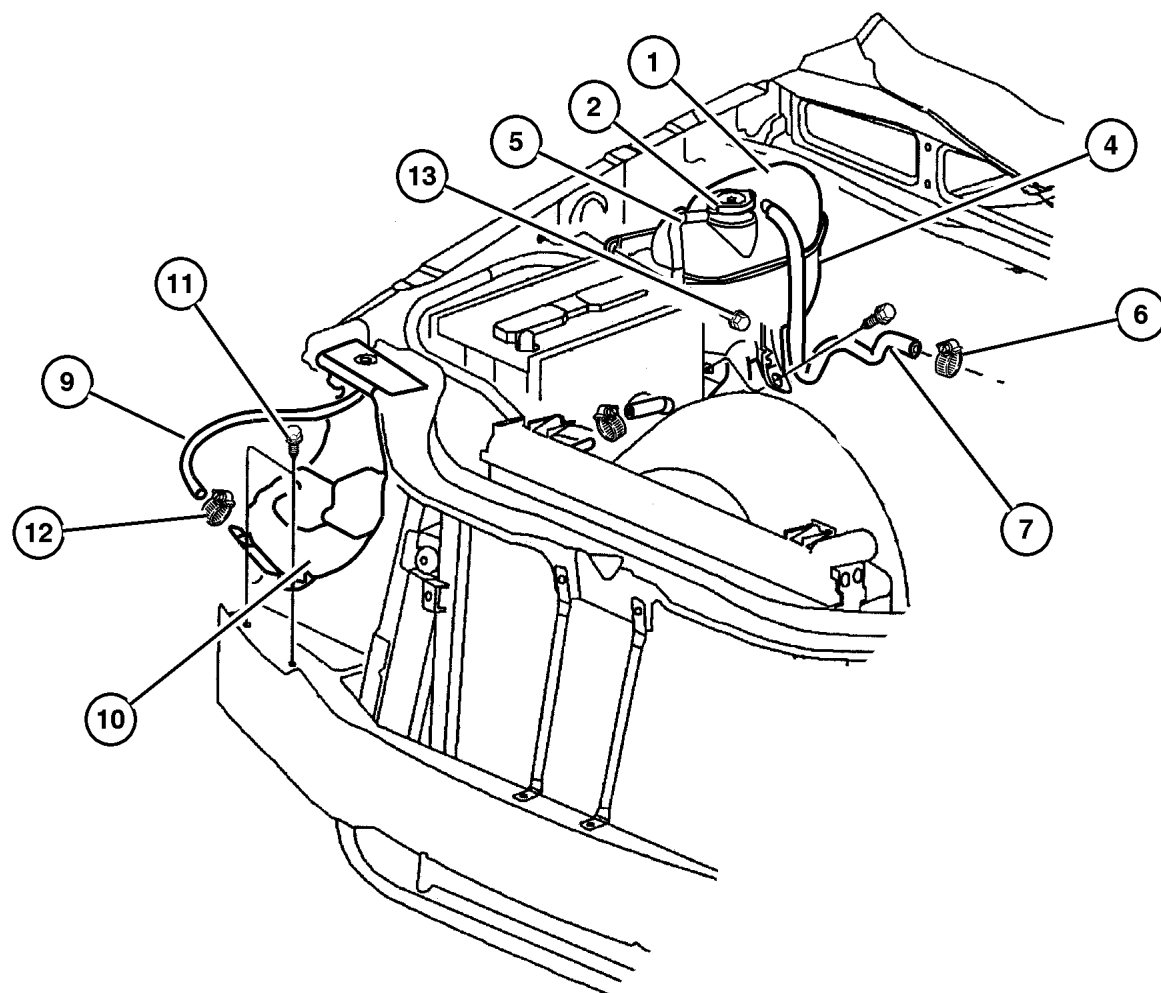
SERIES	LINE	BODY	ENGINE	TRANSMISSION
H=Laredo	J = 4WD	74 = 4 Door(105.9 WB)	ER0, ERH = 4.0L, Power Tech I-6	DGK = 4 Speed Autm, 42RE
P=Limited	T = 2WD		EVO, EVA = 4.7L, Power Tech V8	DGW = 4 Speed Automatic, -44RE
	U = 4WD (RHD)		EXA, EX0 = 3.1L, 5 Cyl Turbo Diesel	DG4 = Multi Speed Automatic, -45RFE
				DGO = All Automatic

AR = Use as required - = Non illustrated part # = New this model year

September 14, 2002

**Coolant Tank, 3.1 Diesel Engine  
Figure 007-320**

ITEM	PART NUMBER	QTY	LINE	SERIES	BODY	ENGINE	TRANS	DESCRIPTION
Note: Sales Code								
DG0 = All Automatic Transmissions								
EX0 = 3.1L Engine								
1	52079 505AB	1				EX0		BOTTLE, Degasser
2	4596 198	1				EX0		CAP, Pressurized Coolant
-3	5202 8399	1				EX0		LABEL, Coolant Warning
4	52079 881AA	1				EX0		SENSOR, Coolant Level
5	5207 9571	1				EX0		HOSE, Coolant Recovery Bottle
6	6502 018	2				EX0		CLAMP, Hose, M28.9 x 1.60
7	4443 176	1				EX0		HOSE, Fuel, .31 I.D. 50 Foot Roll
-8	52079 632AA	1				EX0		CLAMP, Oil Cooler Tube
9	4266 423	1				EX0		HOSE, Overflow, Roll Stock
10	52079 798AB	1				EX0		BOTTLE, Coolant Recovery
11	5003 571AA	10				EX0	DG0	SCREW, Hex Head
12	6502 081	2				EX0		CLAMP, Oil Cooler Line
13								SCREW, Tapping, M8x1.25x16.00, (NOT SERVICED) (Not Serviced)



**JEEP GRAND CHEROKEE (WJ)**

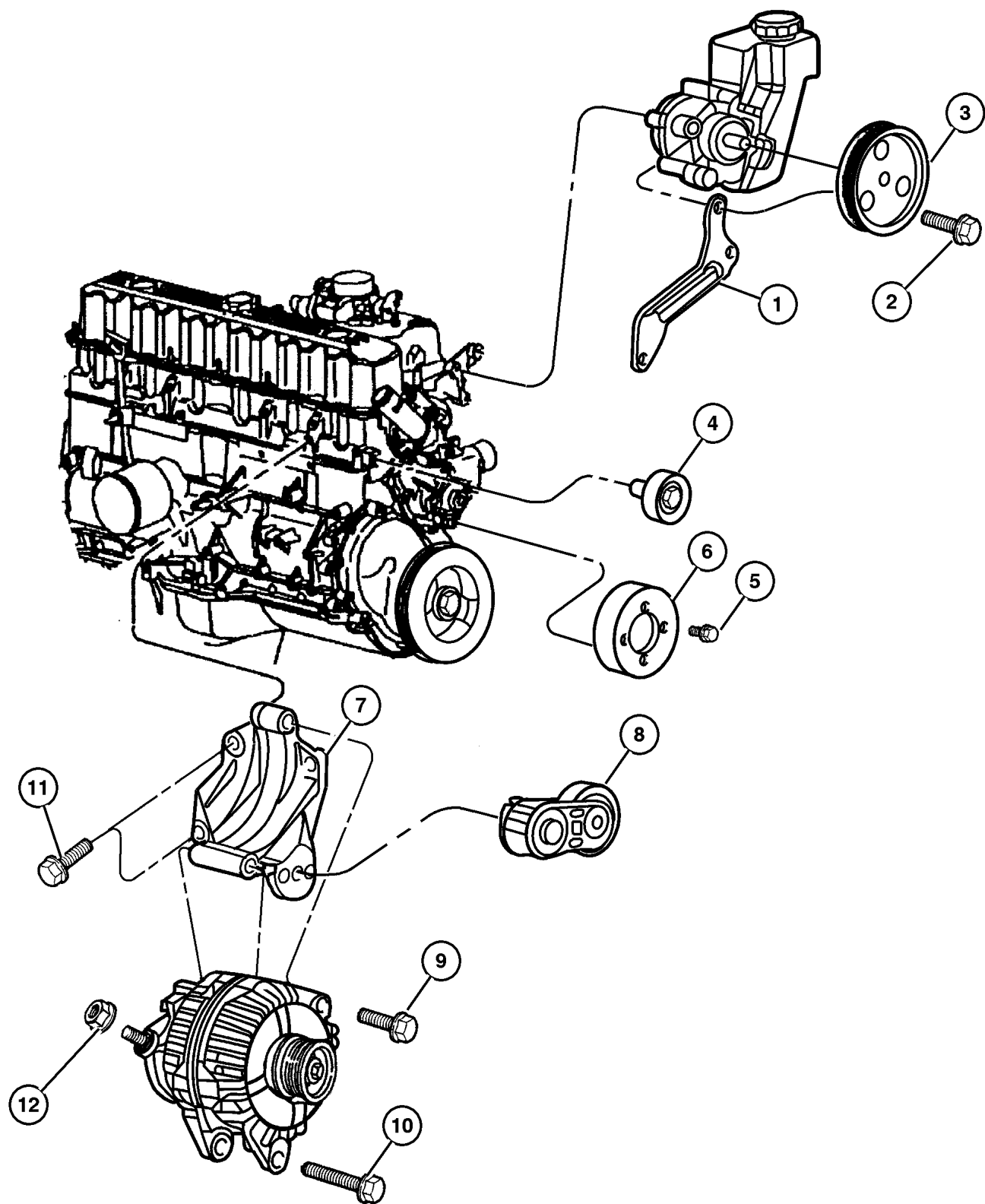
SERIES	LINE	BODY	ENGINE	TRANSMISSION
H=Laredo	J = 4WD	74 = 4 Door(105.9 WB)	ER0, ERH = 4.0L, Power Tech I-6	DGK = 4 Speed Autm, 42RE
P=Limited	T = 2WD		EV0, EVA = 4.7L, Power Tech V8	DGW = 4 Speed Automatic, -44RE
	U = 4WD (RHD)		EXA, EX0 = 3.1L, 5 Cyl Turbo Diesel	DG4 = Multi Speed Automatic, -45RFE
				DGO = All Automatic

AR = Use as required - = Non illustrated part # = New this model year

September 14, 2002



Drive Pulleys 4.0L Engine  
Figure 007-420



ITEM	PART NUMBER	QTY	LINE	SERIES	BODY	ENGINE	TRANS	DESCRIPTION
Note: Sales Code ER0 = 4.0L Engine								
1	4854 157	1				ER0		BRACE, Power Steering Pump
2	6502 425	3				ER0		SCREW AND WASHER, Hex Head, M8x1.25x95
3	53010 258AB	1				ER0,		PULLEY, Power Steering Pump
4	4854 092	1				EVO		PULLEY, Idler
5	6034 860	4				ER0		BOLT AND WASHER, Implement Attaching
6	4854 032	1				ER0		PULLEY, Water Pump
7	4854 026	1				ER0		BRACKET, Alternator
8	4854 089	1				ER0		TENSIONER, Alternator Belt
9	6505 488AA	1				ER0		SCREW AND WASHER, Hex
10	6504 344	1				ER0		SCREW AND WASHER, Hex Head
11	0154 854AA	4				ER0		SCREW AND WASHER, Hex
12	6502 691	1				ER0,		NUT, Hex Flange Lock, M6x1
						EVO,		
						EX0		

JEEP GRAND CHEROKEE (WJ)

SERIES	LINE	BODY	ENGINE	TRANSMISSION
H=Laredo	J = 4WD	74 = 4 Door(105.9 WB)	ER0, ERH = 4.0L, Power Tech I-6	DGK = 4 Speed Autm, 42RE
P=Limited	T = 2WD		EVO, EVA = 4.7L, Power Tech V8	DGW = 4 Speed Automatic, -44RE
	U = 4WD (RHD)		EXA, EX0 = 3.1L, 5 Cyl Turbo Diesel	DG4 = Multi Speed Automatic, -45RFE
				DGO = All Automatic

AR = Use as required - = Non illustrated part # = New this model year

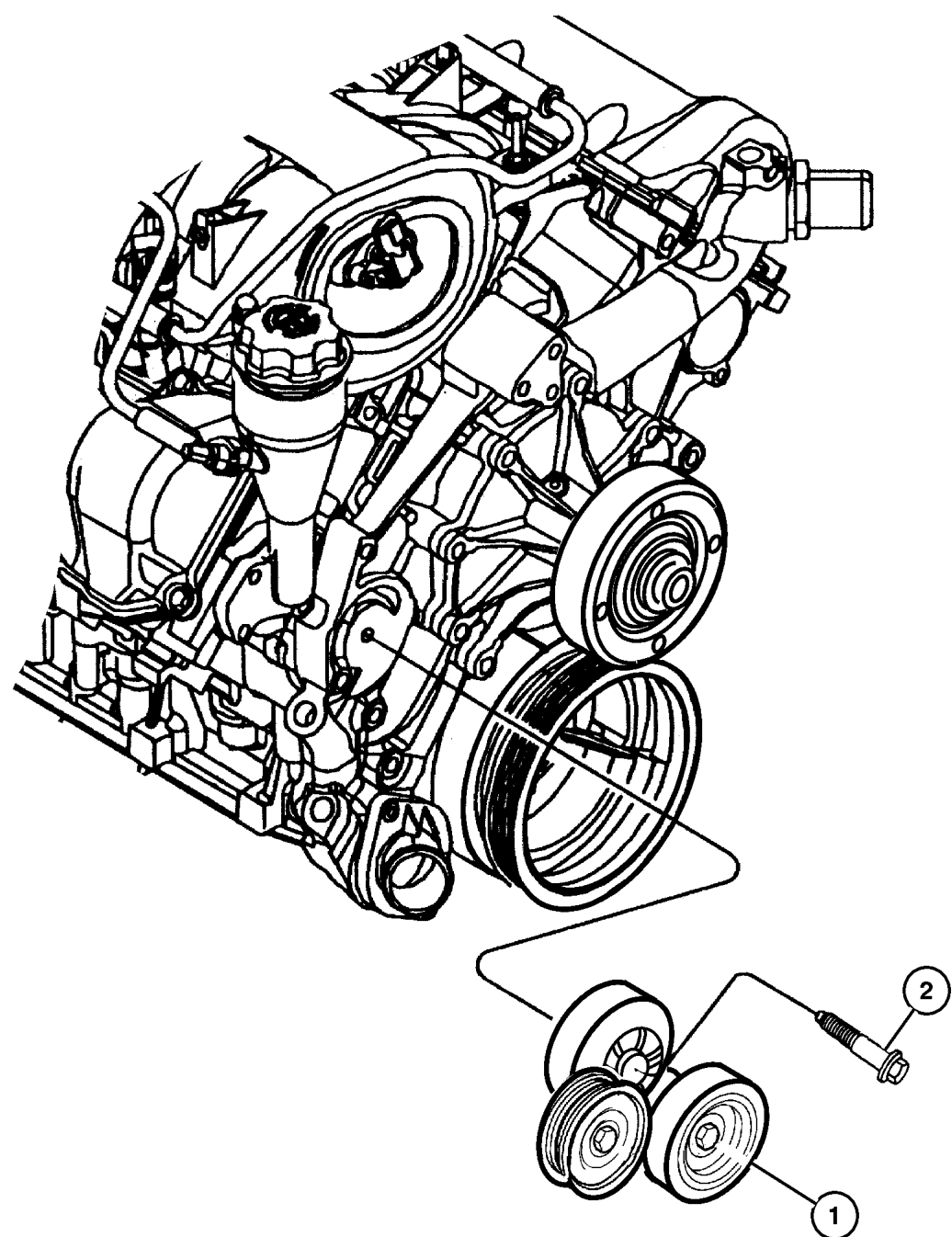
September 14, 2002

Drive Pulleys 4.7L Engine  
Figure 007-430

ITEM	PART NUMBER	QTY	LINE	SERIES	BODY	ENGINE	TRANS	DESCRIPTION
------	-------------	-----	------	--------	------	--------	-------	-------------

Note: Sales Code EV0 = 4.7L Engine

1	5303 0958	1				EVO		TENSIONER, Alternator Belt
2	6504 930AA	1				EVO		SCREW AND WASHER, Hex Head, M10x1.5x70

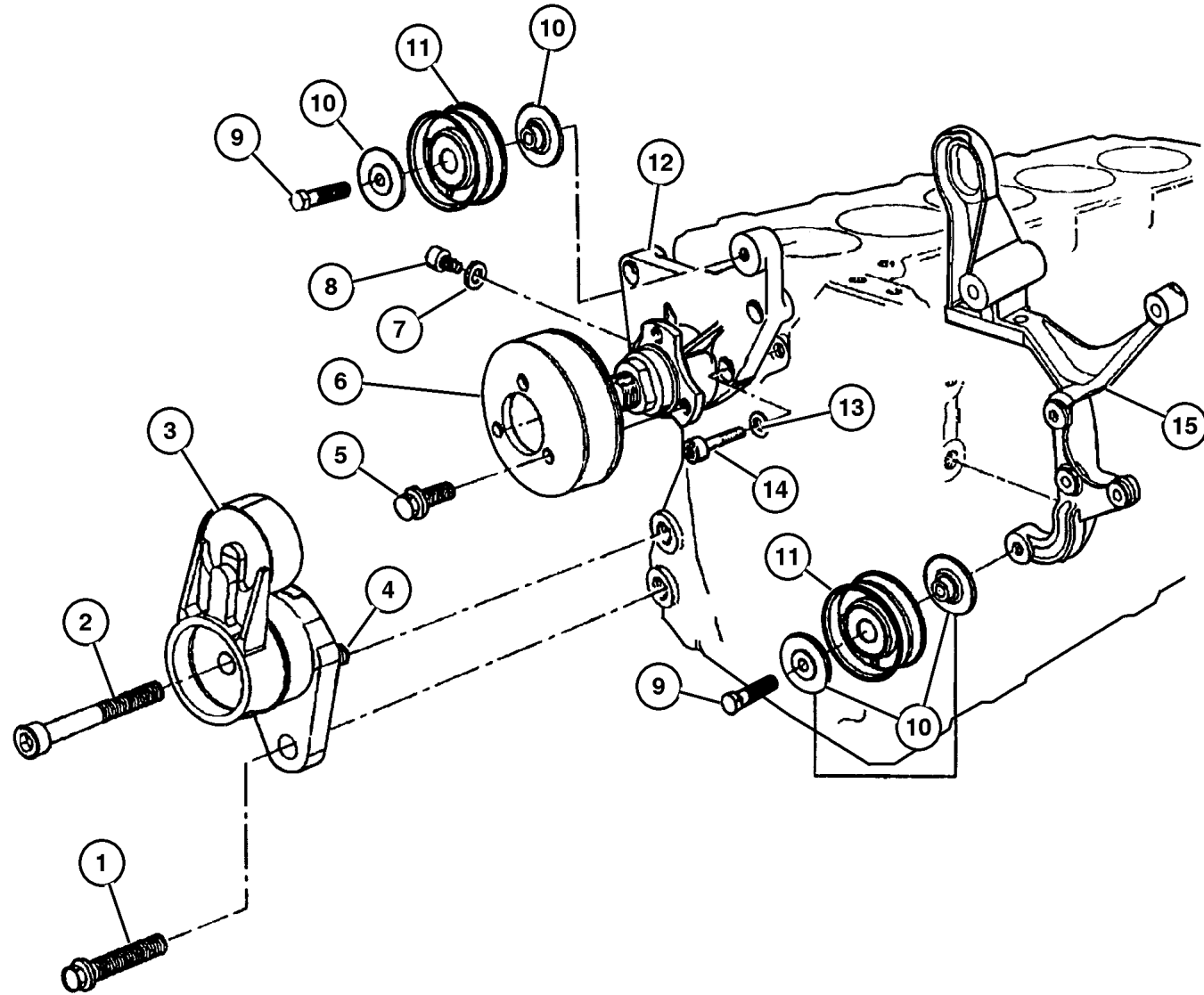


JEEP GRAND CHEROKEE (WJ)			ENGINE	TRANSMISSION
SERIES	LINE	BODY	ENGINE	TRANSMISSION
H=Laredo	J = 4WD	74 = 4 Door(105.9 WB)	ER0, ERH = 4.0L, Power Tech I-6	DGK = 4 Speed Autm, 42RE
P=Limited	T = 2WD		EVO, EVA = 4.7L, Power Tech V8	DGW = 4 Speed Automatic, -44RE
	U = 4WD (RHD)		EXA, EX0 = 3.1L, 5 Cyl Turbo Diesel	DG4 = Multi Speed Automatic, -45RFE
				DGO = All Automatic

AR = Use as required - = Non illustrated part # = New this model year

September 14, 2002

Drive Pulleys, 3.1L Diesel Engine  
Figure 007-440



ITEM	PART NUMBER	QTY	LINE	SERIES	BODY	ENGINE	TRANS	DESCRIPTION
Note: Sales Code								
DG0 = All Automatic Transmissions								
EX0 = 3.1L Engine								
1	5003 536AA	1				EX0	DG0	BOLT, Belt Tensioner
2	4886 053AA	1				EX0	DG0	BOLT, Belt Tensioner
3	4897 159AB	1				EX0	DG0	TENSIONER, Belt
4	4883 528AA	1				EX0	DG0	BOLT, Adaptor Plate
5	5003 554AA	3				EX0	DG0	SCREW
6	4883 491AA	1				EX0	DG0	PULLEY, Fan
7	4723 200	1				EX0	DG0	WASHER, Flat
8	4796 030	1				EX0	DG0	SCREW, Fan Bearing
9	4797 773	2				EX0	DG0	BOLT, Left Hand Thread, M10x50
10	5015 071AA	4				EX0	DG0	FLANGE, Accessory Drive
11	4796 016	2				EX0	DG0	PULLEY, Idler
12	5003 566AA	1				EX0	DG0	BRACKET, Fan
13	4720 688	4				EX0	DG0	WASHER, Flat
14	4797 768	4				EX0	DG0	BOLT, Vacuum Pump Bracket, M10x35
15	5015 072AA	1				EX0	DG0	BRACKET, Alternator

JEEP GRAND CHEROKEE (WJ)

SERIES	LINE	BODY	ENGINE	TRANSMISSION
H=Laredo	J = 4WD	74 = 4 Door(105.9 WB)	ER0, ERH = 4.0L, Power Tech I-6	DGK = 4 Speed Autm, 42RE
P=Limited	T = 2WD		EV0, EVA = 4.7L, Power Tech V8	DGW = 4 Speed Automatic, -44RE
	U = 4WD (RHD)		EXA, EX0 = 3.1L, 5 Cyl Turbo Diesel	DG4 = Multi Speed Automatic, -45RFE
				DGO = All Automatic

AR = Use as required - = Non illustrated part # = New this model year

September 14, 2002

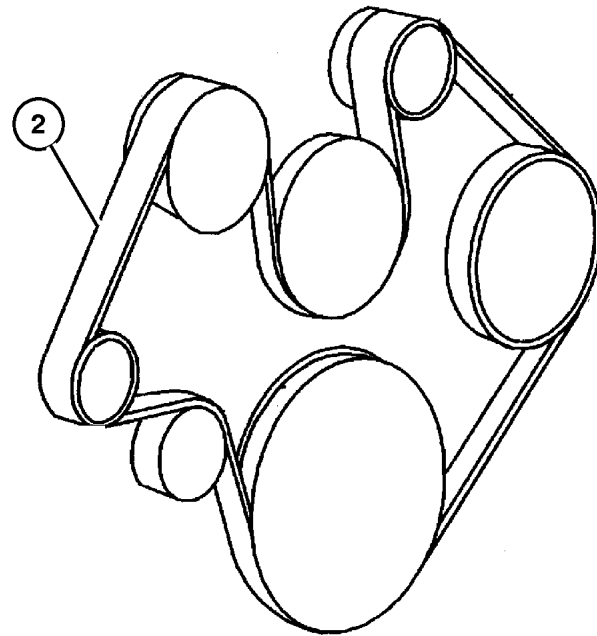
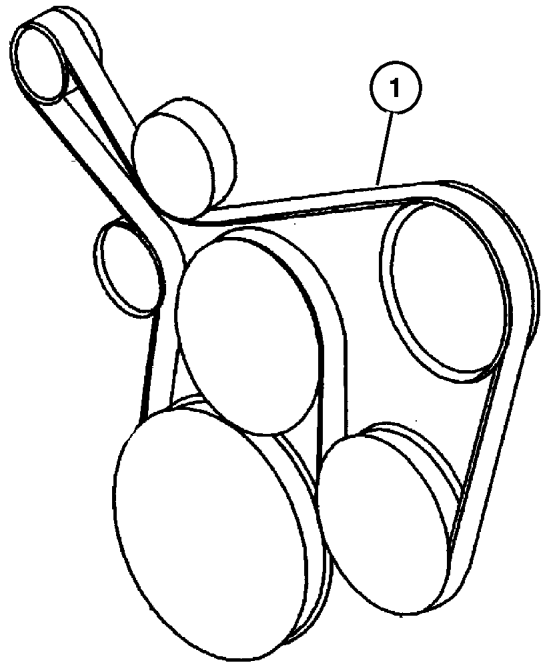
**Drive Belts 4.0L and 4.7L Engines  
Figure 007-520**

ITEM	PART NUMBER	QTY	LINE	SERIES	BODY	ENGINE	TRANS	DESCRIPTION
------	-------------	-----	------	--------	------	--------	-------	-------------

Note: Sales Code ER0 = 4.0L Engine

Note: Sales Code EV0 = 4.7L Engine

1	4854 033	1				ER0		BELT, Accessory Drive
2	53032 037AC	1				EV0		BELT, Accessory Drive



**JEEP GRAND CHEROKEE (WJ)**

SERIES	LINE	BODY	ENGINE	TRANSMISSION
H=Laredo	J = 4WD	74 = 4 Door(105.9 WB)	ER0, ERH = 4.0L, Power Tech I-6	DGK = 4 Speed Autm, 42RE
P=Limited	T = 2WD		EV0, EVA = 4.7L, Power Tech V8	DGW = 4 Speed Automatic, -44RE
	U = 4WD (RHD)		EXA, EX0 = 3.1L, 5 Cyl Turbo Diesel	DG4 = Multi Speed Automatic, -45RFE
				DGO = All Automatic

AR = Use as required - = Non illustrated part # = New this model year

September 14, 2002

Drive Belts, 3.1L Diesel Engine  
Figure 007-530

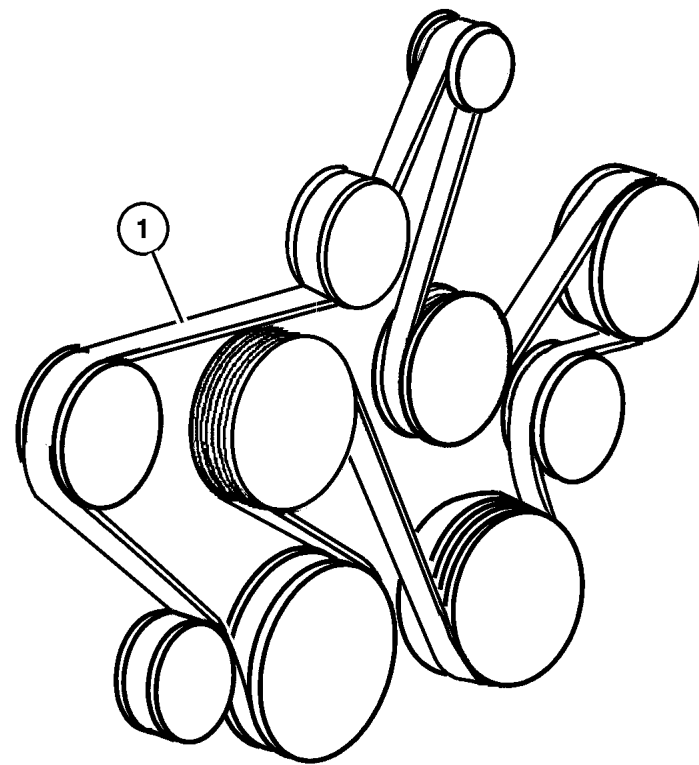
ITEM	PART NUMBER	QTY	LINE	SERIES	BODY	ENGINE	TRANS	DESCRIPTION
------	-------------	-----	------	--------	------	--------	-------	-------------

Note: Sales Code

DG0 = All Automatic Transmissions

EX0 = 3.1L Engine

1	5015 962AA	1				EX0	DG0	BELT, Alternator
---	------------	---	--	--	--	-----	-----	------------------



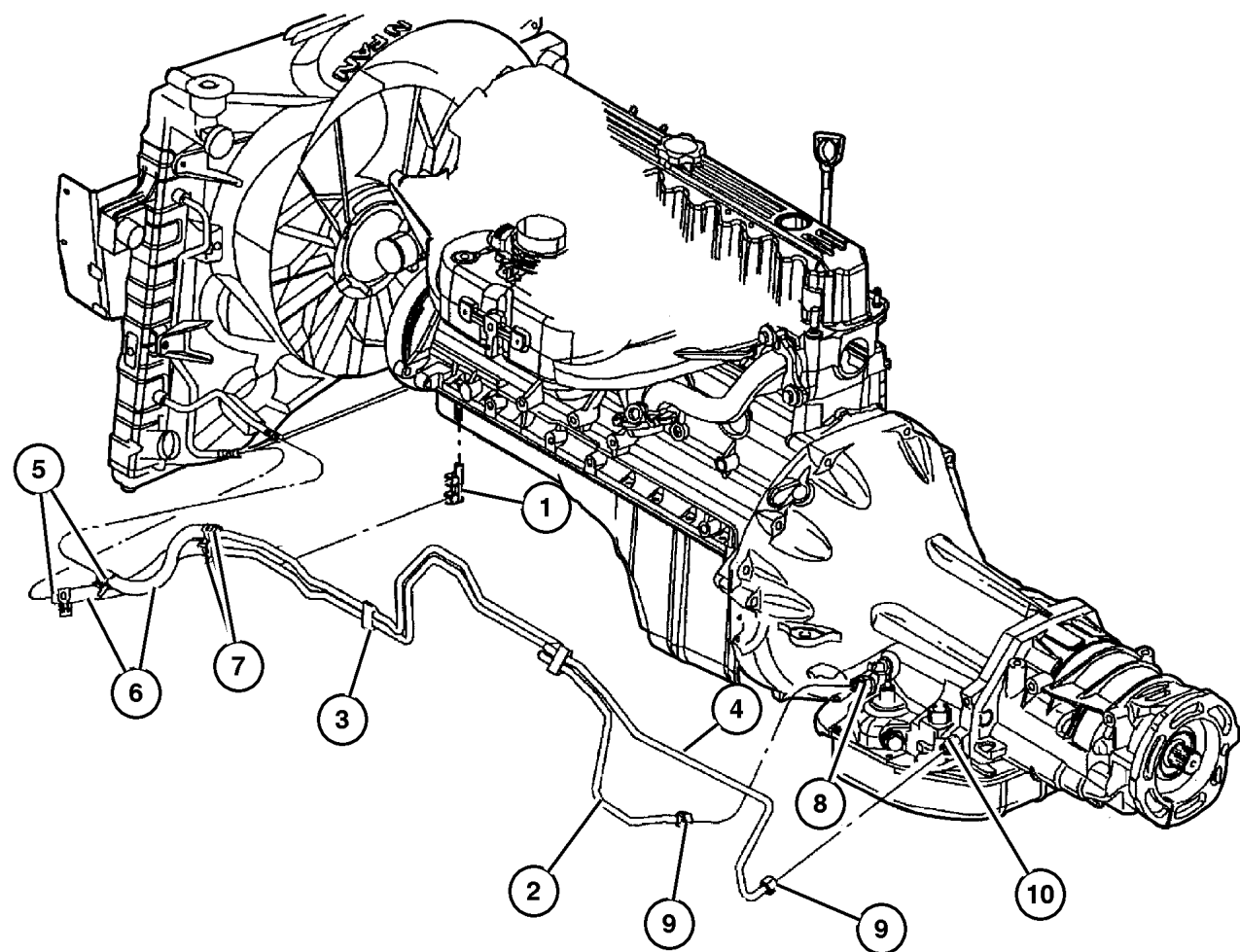
JEEP GRAND CHEROKEE (WJ)

SERIES	LINE	BODY	ENGINE	TRANSMISSION
H=Laredo	J = 4WD	74 = 4 Door(105.9 WB)	ER0, ERH = 4.0L, Power Tech I-6	DGK = 4 Speed Autm, 42RE
P=Limited	T = 2WD		EVO, EVA = 4.7L, Power Tech V8	DGW = 4 Speed Automatic, -44RE
	U = 4WD (RHD)		EXA, EX0 = 3.1L, 5 Cyl Turbo Diesel	DG4 = Multi Speed Automatic, -45RFE
				DGO = All Automatic

AR = Use as required - = Non illustrated part # = New this model year

September 14, 2002

## Oil Cooler and Lines 3.1, 4.0L Engines Figure 007-610



ITEM	PART NUMBER	QTY	LINE	SERIES	BODY	ENGINE	TRANS	DESCRIPTION
Note: Sales Code EX0 = 3.1 L Engine								
Note: Sales Code ER0 = 4.0L Engine								
Note: Sales Code DGW = 44RE, Auto Trans								
Note: Sales Code DGK = 42RE, Auto Trans								
Note: Sales Code DG4 = Multi-Speed Automatic Transmission								
1	52079 894AA	1					DGW	BRACKET, Transmission Oil Cooler
	52079 789AA	1					DGK, DG4	
2	5207 9369	1				ER0	DGK	TUBE, Oil Cooler
	52079 623AC	1				EX0	DGW	
3	4815 987AA	2				ER0	DGK	CLIP, Power Steering Hose
		3				EX0	DGW	
4	52079 665AC	1				EX0	DGW	TUBE, Oil Cooler
	#52079 782AB	1				ER0	DGK	
5	52079 631AA	1				ER0	DGK	CLAMP, Oil Cooler Tube
		2	J, T			EX0		
6	4026 139	1				ER0	DGK	HOSE, Oil Cooler
	53054 592AA	1	J, T			EX0		
7	52079 631AA	2	J, T			EX0		CLAMP, Oil Cooler Tube
	52079 632AA	1				ER0	DGK	
8	52028 463AB	1				EX0	DGW	VALVE, Oil Cooler Pressure
		1				ER0	DGK	
9	6035 503	3				ER0	DGK	NUT, .625-18
		3				EX0	DGW	
10	4799 433AB	2	T				DG4	NUT, Transmission Case
		2	J, U				DG4	

### JEEP GRAND CHEROKEE (WJ)

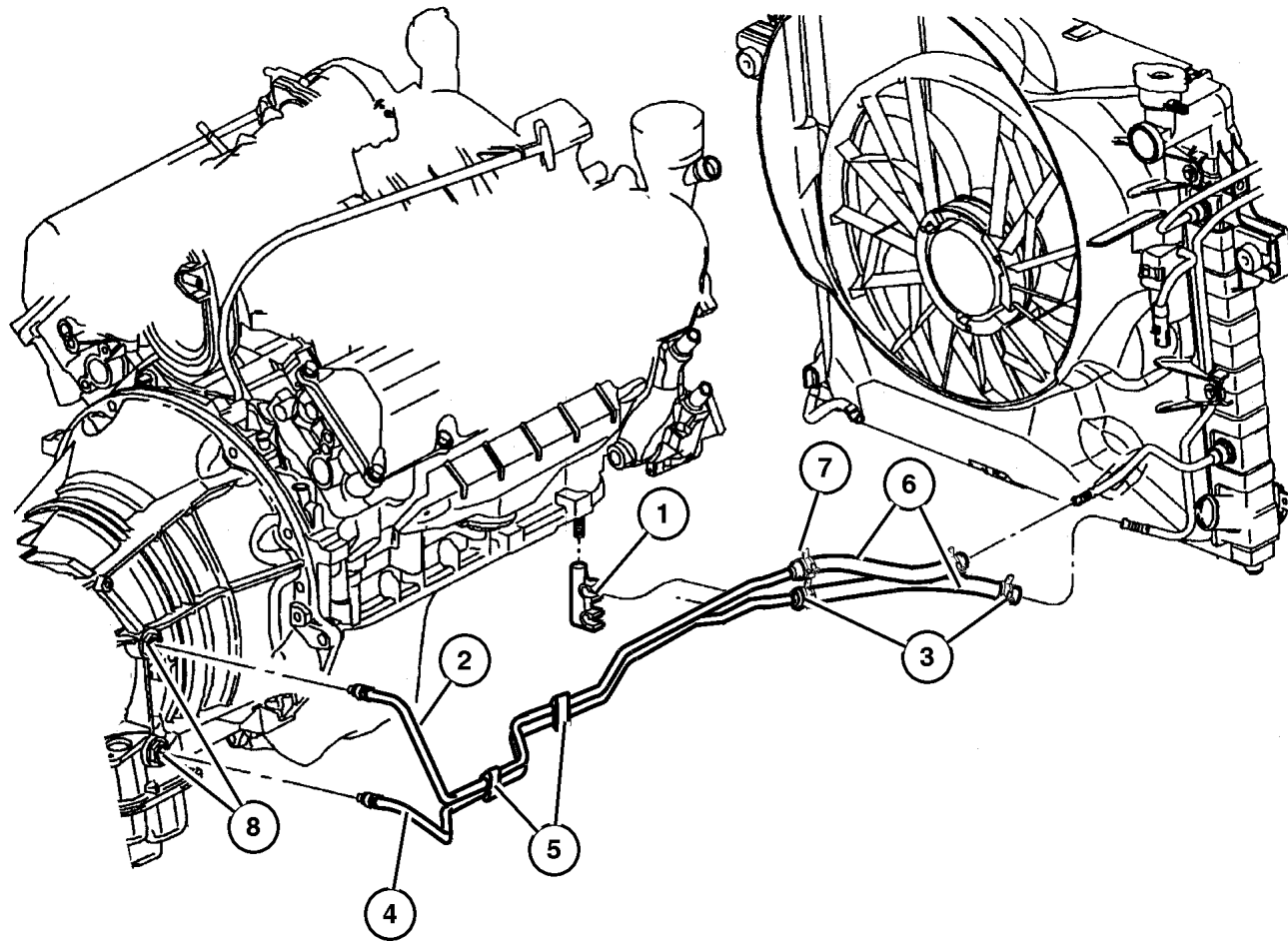
SERIES	LINE	BODY	ENGINE	TRANSMISSION
H=Laredo	J = 4WD	74 = 4 Door(105.9 WB)	ER0, ERH = 4.0L, Power Tech I-6	DGK = 4 Speed Autm, 42RE
P=Limited	T = 2WD		EV0, EVA = 4.7L, Power Tech V8	DGW = 4 Speed Automatic,
	U = 4WD (RHD)		EXA, EX0 = 3.1L, 5 Cyl Turbo Diesel	-44RE
				DG4 = Multi Speed Automatic,
				-45RFE
				DGO = All Automatic

AR = Use as required - = Non illustrated part # = New this model year

September 14, 2002

**Oil Cooler and Lines 4.7L Engine  
Figure 007-620**

ITEM	PART NUMBER	QTY	LINE	SERIES	BODY	ENGINE	TRANS	DESCRIPTION
Note: Sales Code EV0 = 4.7L Engine								
Note: Sales Code DGK = 4 Speed Automatic Transmission 42RE								
Note: Sales Code DG4 = Multi - Speed Auto Trans.								
1	52079 789AA	1					DGK, DG4	BRACKET, Transmission Oil Cooler
2	5207 9375	1				EV0	DG4	TUBE, Oil Cooler
3	4815 987AA	2				EV0	DG4	CLIP, Power Steering Hose
4	52079 783AA	1				EV0	DG4	TUBE, Oil Cooler
5	52079 631AA	1				EV0	DG4	CLAMP, Oil Cooler Tube
6	4026 139	1				EV0	DG4	HOSE, Oil Cooler
7	52079 632AA	1				EV0	DG4	CLAMP, Oil Cooler Tube
8								NUT, Transmission Case
	4799 433AB	2	J, U				DG4	
		2	T				DG4	



**JEEP GRAND CHEROKEE (WJ)**

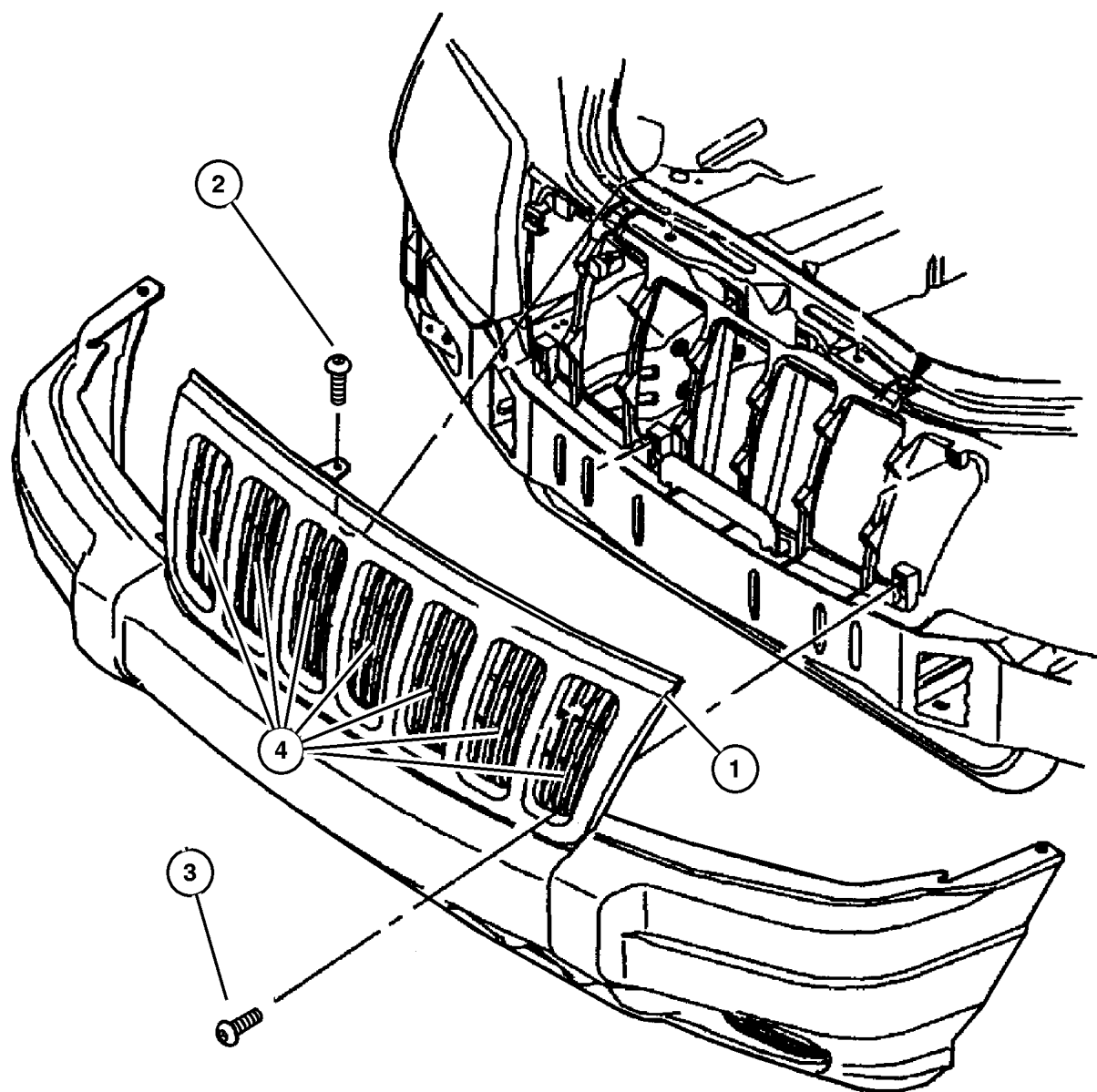
SERIES	LINE	BODY	ENGINE	TRANSMISSION
H=Laredo	J = 4WD	74 = 4 Door(105.9 WB)	ER0, ERH = 4.0L, Power Tech I-6	DGK = 4 Speed Autm, 42RE
P=Limited	T = 2WD		EV0, EVA = 4.7L, Power Tech V8	DGW = 4 Speed Automatic, -44RE
	U = 4WD (RHD)		EXA, EX0 = 3.1L, 5 Cyl Turbo Diesel	DG4 = Multi Speed Automatic, -45RFE
				DGO = All Automatic

AR = Use as required - = Non illustrated part # = New this model year

September 14, 2002

**Grille and Related Parts**  
**Figure 007-720**

ITEM	PART NUMBER	QTY	LINE	SERIES	BODY	ENGINE	TRANS	DESCRIPTION
1	55155 921AA	1						GRILLE, Fascia, Laredo, Chrome (Limited Serviced with Fascia)
2	6503 267	2						SCREW, Round Head, M6x1x25
3								SCREW, (NOT SERVICED) (Not Serviced)
4	5FT3 5DX9	1						GRILLE, Texture



**JEEP GRAND CHEROKEE (WJ)**

SERIES	LINE	BODY	ENGINE	TRANSMISSION
H=Laredo	J = 4WD	74 = 4 Door(105.9 WB)	ER0, ERH = 4.0L, Power Tech I-6	DGK = 4 Speed Autm, 42RE
P=Limited	T = 2WD		EVO, EVA = 4.7L, Power Tech V8	DGW = 4 Speed Automatic, -44RE
	U = 4WD (RHD)		EXA, EX0 = 3.1L, 5 Cyl Turbo Diesel	DG4 = Multi Speed Automatic, -45RFE
				DGO = All Automatic

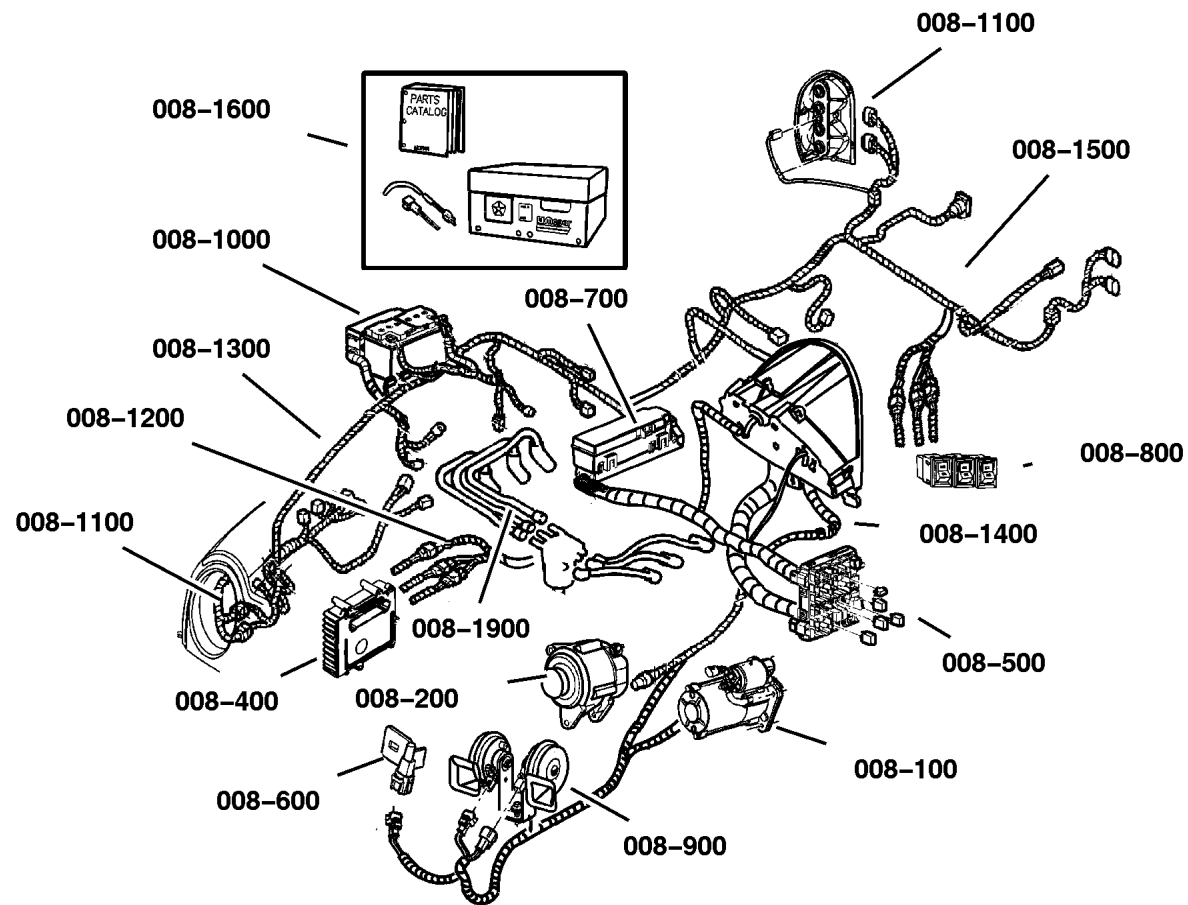
AR = Use as required - = Non illustrated part # = New this model year

September 14, 2002



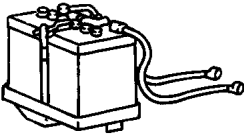
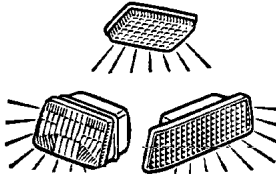
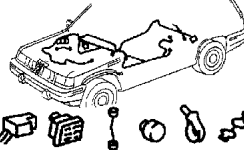


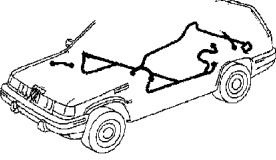
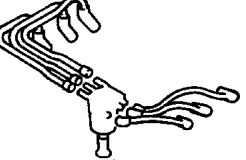
# Group – 008

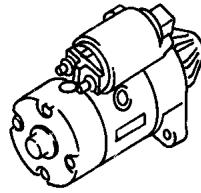
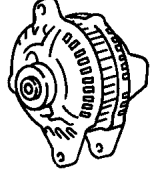
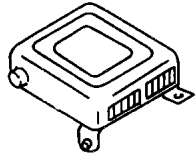
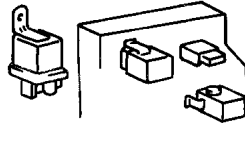
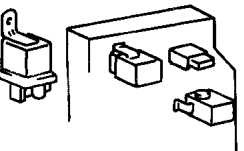
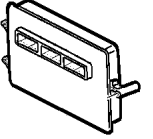
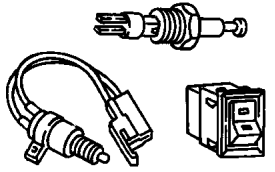
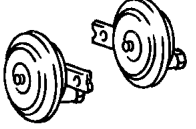
## Electrical



# Group – 008

## Electrical

<b>008-1000</b> Battery Tray and Cables 	<b>008-1100</b> Lamps – Front, Rear and Courtesy 	<b>008-1200</b> Wiring-Engine & Related Parts 	<b>008-1300</b> Wiring-Headlamp to Dash 
<b>008-1400</b> Wiring-Instrument Panel 	<b>008-1500</b> Wiring-Body & Accessories 	<b>008-1600</b> Wiring Repair <p style="text-align: center;">WIRING REPAIR PKG.</p>	<b>008-1900</b> Spark Plugs-Cables-Coils 

<b>008-100</b> Starters 	<b>008-200</b> Alternators 	<b>008-400</b> Modules 	<b>008-500</b> Relays 
<b>008-600</b> Sensors 	<b>008-700</b> Single Board Engine Controllers 	<b>008-800</b> Switches 	<b>008-900</b> Horns 



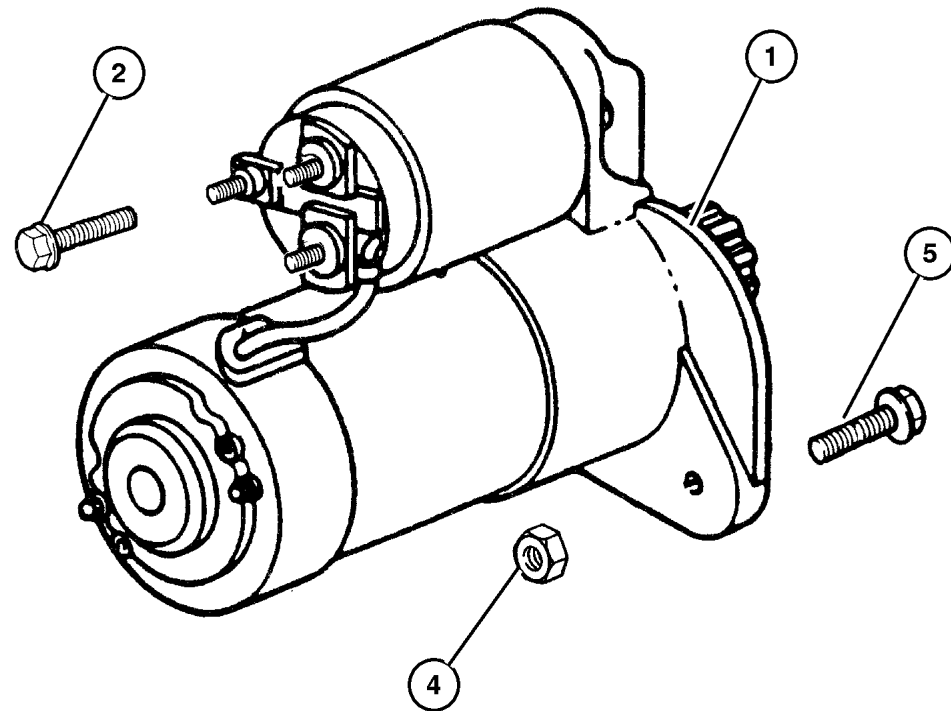
---

**GROUP 8 - Electrical****GROUP 8 - Electrical**

Illustration Title	Group-Fig. No.
<b>Starters</b>	
Starters .....	Fig. 008-110
<b>Alternators</b>	
Alternator & Mounting 3.1L ,4.0L & 4.7L Engine .....	Fig. 008-210
<b>Modules</b>	
Modules .....	Fig. 008-410
<b>Relays</b>	
Relays .....	Fig. 008-510
<b>Sensors</b>	
Sensors .....	Fig. 008-610
<b>Single Board Engine Controllers</b>	
JTEC Modules and Solenoids .....	Fig. 008-710
<b>Switches</b>	
Switches .....	Fig. 008-810
<b>Horns</b>	
Horns .....	Fig. 008-910
<b>Battery Tray and Cables</b>	
Battery Tray & Cables .....	Fig. 008-1010
<b>Lamps - Front, Rear and Courtesy</b>	
Lamp - Front End .....	Fig. 008-1110
Lamp - Rear End .....	Fig. 008-1120
Lamp - Courtesy - Dome - Reading .....	Fig. 008-1130
Bulbs & Sockets .....	Fig. 008-1140
<b>Wiring-Engine &amp; Related Parts</b>	
Wiring - Engine and Related Items 4.0L Engine, 3.0,3.1L Diesel .....	Fig. 008-1210
Wiring - Engine and Related Items 4.7L Engine .....	Fig. 008-1220
<b>Wiring-Headlamp to Dash</b>	
Wiring - Headlamp / Dash .....	Fig. 008-1310
<b>Wiring-Instrument Panel</b>	
Wiring - Instrument Panel .....	Fig. 008-1410
<b>Wiring-Body &amp; Accessories</b>	
Wiring - Body & Accessories .....	Fig. 008-1510
<b>Wiring Repair</b>	
Wiring Repair Packages .....	Fig. 008-1605
Power Distribution Center Repair .....	Fig. 008-1610

Illustration Title	Group-Fig. No.
<b>Spark Plugs-Cables-Coils</b>	
Spark Plugs - Coils .....	Fig. 008-1910

**Starters**  
**Figure 008-110**



ITEM	PART NUMBER	QTY	LINE	SERIES	BODY	ENGINE	TRANS	DESCRIPTION
DG4=Multi-Speed Automatic Transmission 45RFE								
ER0=4.0L Engine								
EV0=4.7L Engine								
EX0=3.0L/3.1L Turbo Diesel Engine								
1								STARTER
	56041 012AB	1				ER0		
	5604 1207	1				EV0		
	56041 563AA	1				EX0		
2	J400 6192	1				ER0		BOLT AND WASHER, Hex Head, .375-16x1.75
-3	6102 084AA	2				EV0		SCREW
4								NUT, M8x1.25, (NOT SERVICED) (Not Serviced)
5								SCREW AND WASHER, Hex Head, M10x1.5x28
	6503 699	1				ER0		
		8				EV0,		
						EX0		
		4	J, U			EV0	DG4	
-6	5210 4133	1					DG4	COVER, Transmission Dust, Starter to Transmission

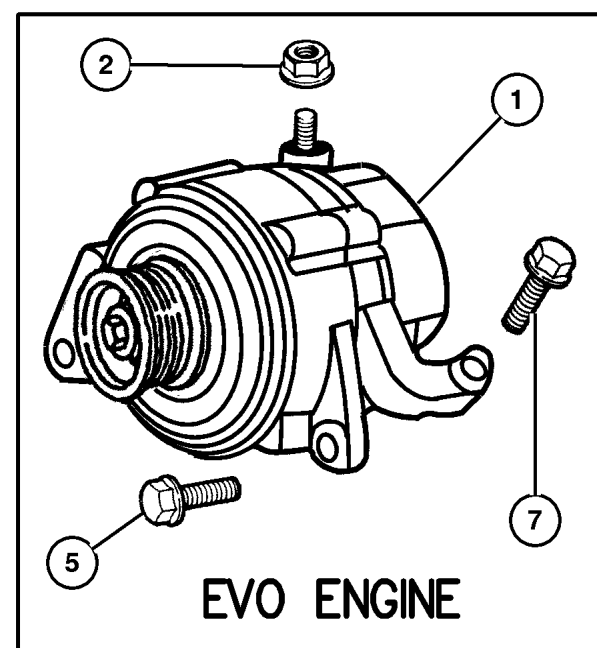
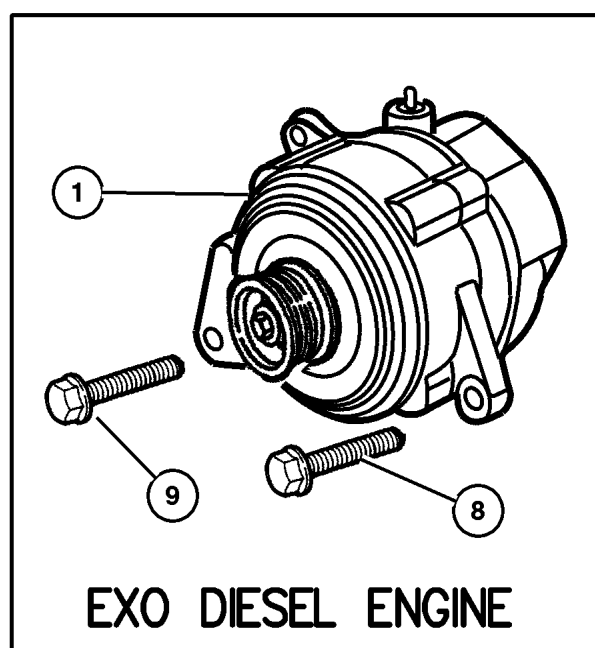
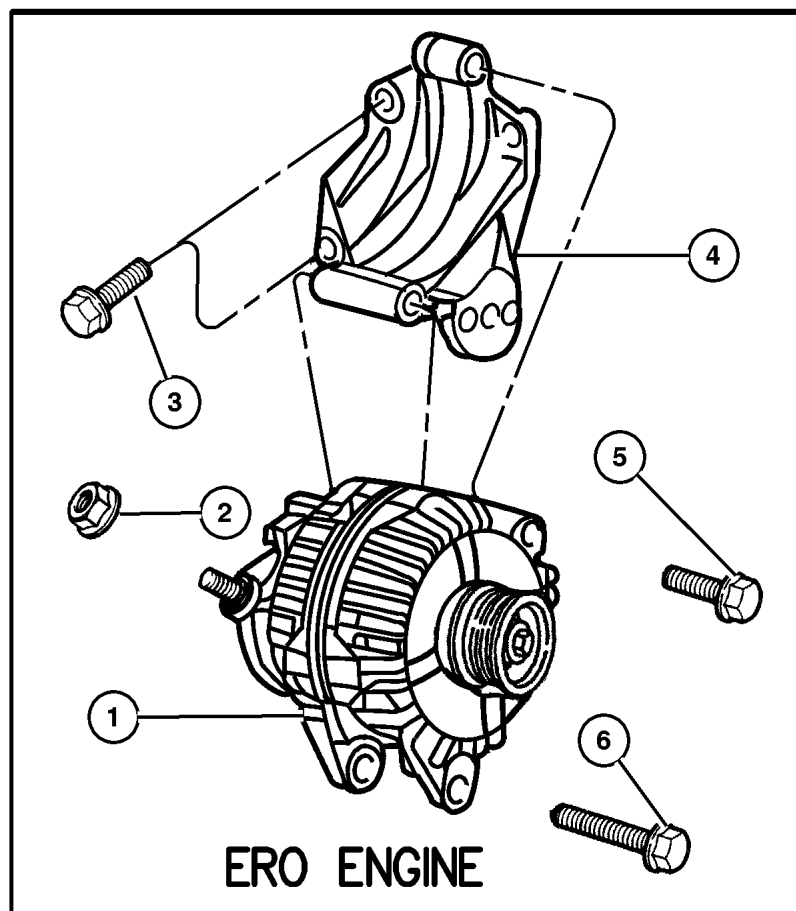
**JEEP GRAND CHEROKEE (WJ)**

SERIES	LINE	BODY	ENGINE	TRANSMISSION
H=Laredo	J = 4WD	74 = 4 Door(105.9 WB)	ER0, ERH = 4.0L, Power Tech I-6	DGK = 4 Speed Autm, 42RE
P=Limited	T = 2WD		EV0, EVA = 4.7L, Power Tech V8	DGW = 4 Speed Automatic, -44RE
	U = 4WD (RHD)		EXA, EX0 = 3.1L, 5 Cyl Turbo Diesel	DG4 = Multi Speed Automatic, -45RFE
				DGO = All Automatic

AR = Use as required - = Non illustrated part # = New this model year

September 14, 2002

**Alternator & Mounting 3.1L ,4.0L & 4.7L Engine  
Figure 008-210**



ITEM	PART NUMBER	QTY	LINE	SERIES	BODY	ENGINE	TRANS	DESCRIPTION
ER0=4.0L Engine								
EVO=4.7L Engine								
EX0=3.1L Diesel Engine								
EX0=3.0L/3.1L Turbo Diesel Engine								
DG0=Automatic Transmission								
DGW=44RE 4 Speed Automatic Transmission								
HA0=Air Conditioning								
1								ALTERNATOR 136 Amp
	5604 1322	1				ER0		
	5015 066AA	1				EX0	DG0	
	56041 120AB	1				EVO		136 Amp (Europe)
	#56041 324AC	1				EVO		136 Amp
2	6502 691	1				ER0,		NUT, Hex Flange Lock, M6x1
						EVO,		
						EX0		
3								SCREW AND WASHER, Hex
	0154 854AA	4				ER0		
	6505 488AA	1				EVO		
4								BRACKET, Alternator
	4854 026	1				ER0		
	5015 072AA	1				EX0	DG0	
5								SCREW AND WASHER, Hex
	6505 488AA	1				EVO		
		1				ER0		
6	6504 344	1				ER0,		SCREW AND WASHER, Hex Head
						EVO		
7	6505 482AA	1				EVO		SCREW AND WASHER, Hex Head, M8x1.25x50
8	4897 253AA	1				EX0	DG0	BOLT, Hex Flange Head, M10x35
9	5015 067AA	1				EX0	DG0	BOLT, Hex Flange Head

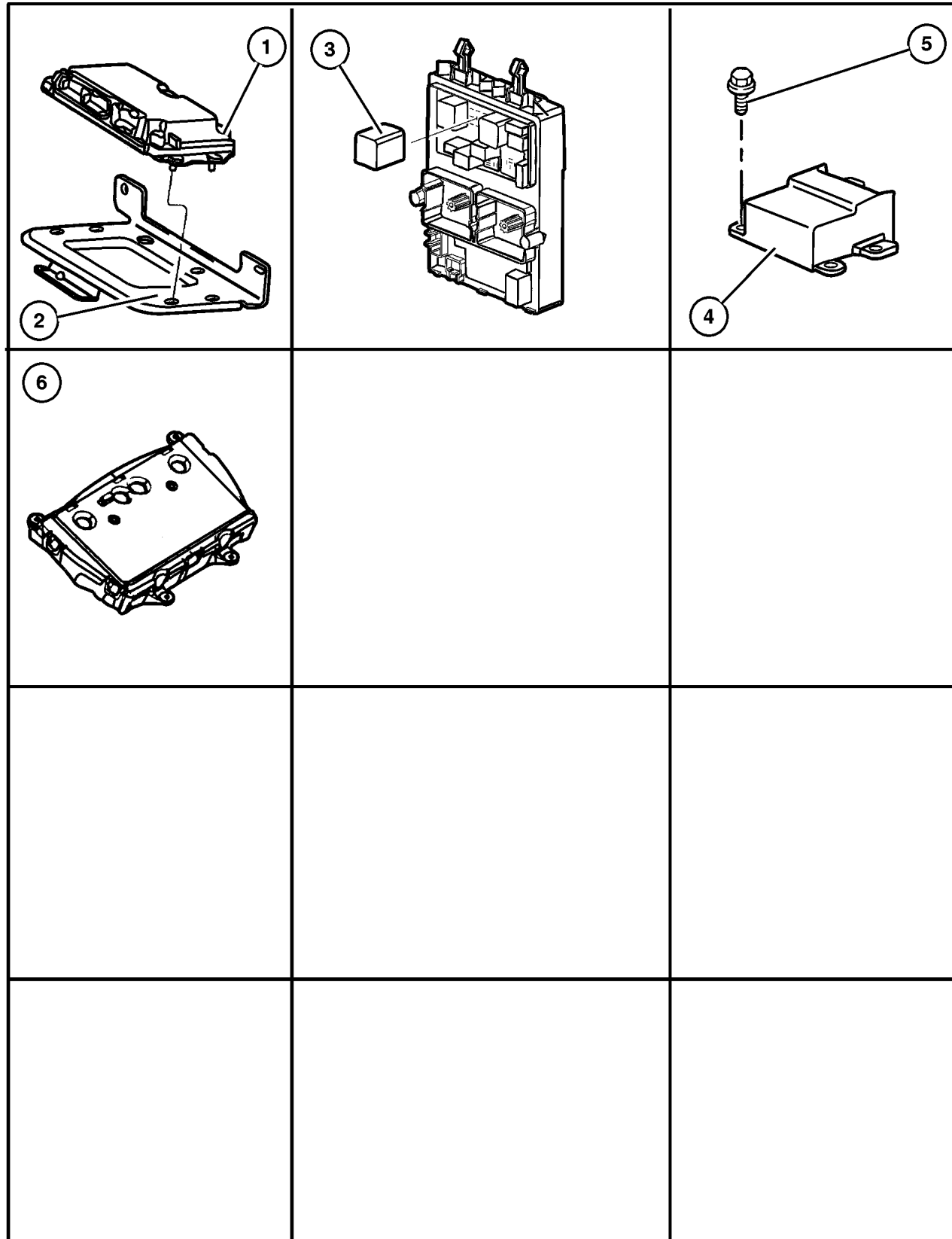
**JEEP GRAND CHEROKEE (WJ)**

SERIES	LINE	BODY	ENGINE	TRANSMISSION
H=Laredo	J = 4WD	74 = 4 Door(105.9 WB)	ER0, ERH = 4.0L, Power Tech I-6	DGK = 4 Speed Autm, 42RE
P=Limited	T = 2WD		EVO, EVA = 4.7L, Power Tech V8	DGW = 4 Speed Automatic, -44RE
	U = 4WD (RHD)		EXA, EX0 = 3.1L, 5 Cyl Turbo Diesel	DG4 = Multi Speed Automatic, -45RFE
				DGO = All Automatic

AR = Use as required - = Non illustrated part # = New this model year

September 14, 2002

**Modules**  
**Figure 008-410**



ITEM	PART NUMBER	QTY	LINE	SERIES	BODY	ENGINE	TRANS	DESCRIPTION
Note:								
DG0 = All Automatic Transmissions								
EM0 = All 5.9L 8 Cyl Gas Engines								
ER0 = All 4.0L 6 Cyl Gas Engines								
EVO = All 4.7L Gas Engines								
EX0 = All Turbo Diesel Engines								
HAA = Air Conditioning								
1	#56041 587AA	1				EX0		MODULE, Engine Controller
2	56028 139AB	1				ER0, EVO	DG0	BRACKET, Control Unit
3	5604 1070	1				EX0	DG0	FLASHER
	4686 130	1						EUROPE
	4686 094	1						USA
4	56042 047AC	1						MODULE, Air Bag Control
5								SCREW, Hex Flange Head Tapping, M6x1.00x20.00
	6101 777	1	J, T					
		2	U			ER0, EVO, EX0		
6	56042 271AD	1	J, T					MODULE, Compass Temperature w/Universal Garage Door Opener (USA/ CANADA)
	56042 273AC	1	J, T					w/o Universal Garage Door Opener (USA/CANADA)
		1	J, T					w/o Universal Garage Door Opener (EUROPE)
		1	U					w/o Universal Garage Door Opener (EUROPE)
-7	#5FA39 LAZAG	1		H				AIR BAG, Driver Agate
	#5FA39 VK9AG	1		P				Dark Suede
	#5FA39 WL8AG	1		P				Dark Brown
-8	4595 746AA	1						LABEL, Air Bag Warning, Right End Cap (English)
-9	55196 388AD	1	J, T	P				SWITCH, Door Module w/Limited Package (USA/CANADA), Right
	56042 497AC	1	J, T	P				EUROPE, Left
	56042 602AB	1	U	H				JAPAN, Driver Side

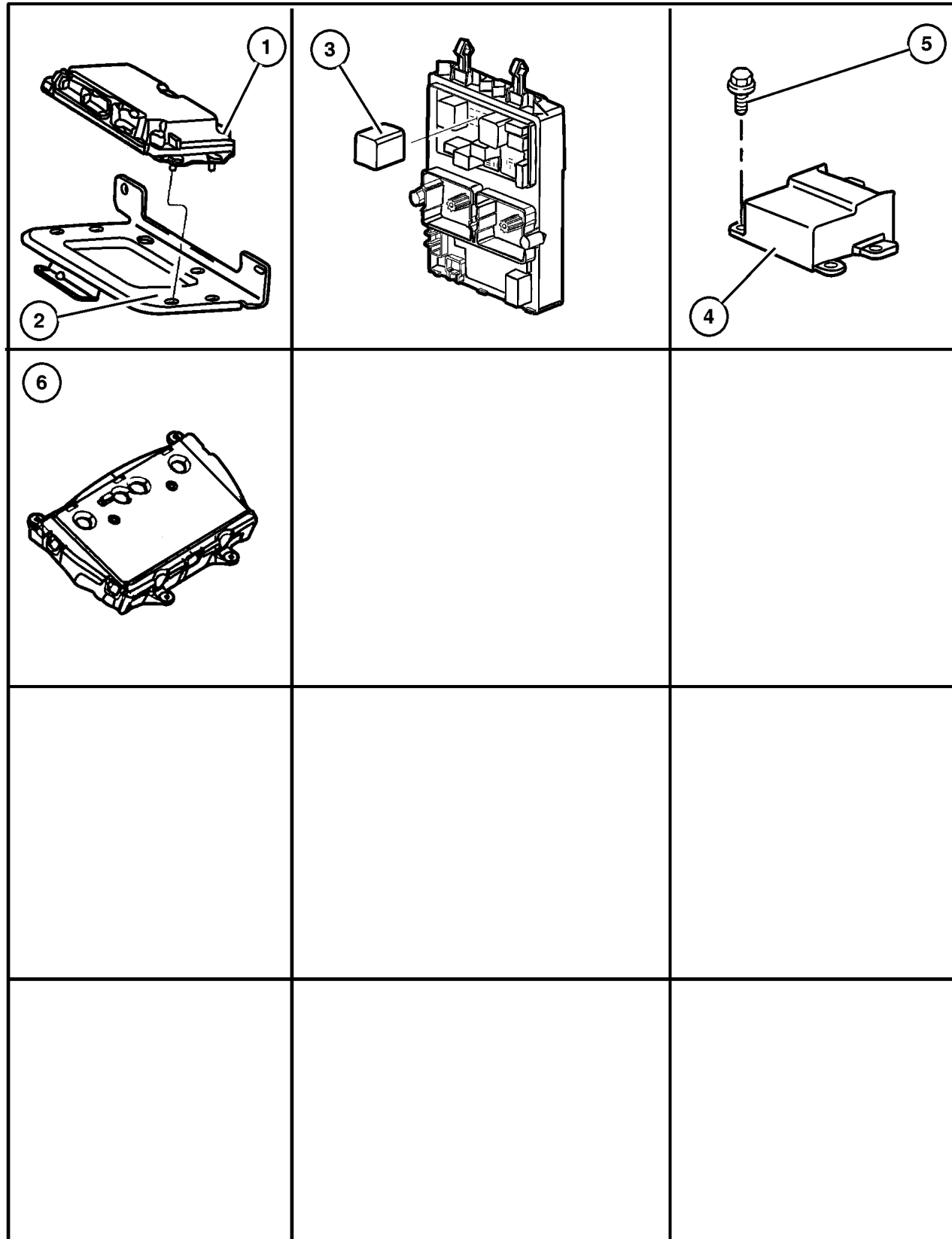
**JEEP GRAND CHEROKEE (WJ)**

SERIES	LINE	BODY	ENGINE	TRANSMISSION
H=Laredo	J = 4WD	74 = 4 Door(105.9 WB)	ER0, ERH = 4.0L, Power Tech I-6	DGK = 4 Speed Autm, 42RE
P=Limited	T = 2WD		EVO, EVA = 4.7L, Power Tech V8	DGW = 4 Speed Automatic, -44RE
	U = 4WD (RHD)		EXA, EX0 = 3.1L, 5 Cyl Turbo Diesel	DG4 = Multi Speed Automatic, -45RFE
				DGO = All Automatic

AR = Use as required - = Non illustrated part # = New this model year

September 14, 2002

**Modules**  
**Figure 008-410**



ITEM	PART NUMBER	QTY	LINE	SERIES	BODY	ENGINE	TRANS	DESCRIPTION
	56042 603AB	1	U	P				JAPAN, Passenger Side
	55196 388AD	1	J, T	H				w/Laredo Package & 6 Speaker System (USA/CANADA), Right
		1	J, T	H				w/Laredo Package & Infinity Speaker System (USA/CANADA), Right
	55196 389AD	1	J, T	P				w/Limited Package (USA/CANADA), Left
		1	J, T	H				w/Laredo Package & 6 Speaker System (USA/CANADA), Left
		1	J, T	H				w/Laredo Package & Infinity Speaker System (USA/CANADA), Left
	55196 391AC	1	U	H				EUROPE, Driver Side
	55196 398AC	1	U	H				EUROPE, Passenger Side
	56042 290AC	1	J, T	P				EUROPE, Right
-10	56042 612AA	1	U					MODULE, Keyless Entry, Keyless Entry Module Serviced w/Passenger Door Switch Module (Except JAPAN) , JAPAN
-11								MODULE, Seat Memory
	56042 304AF	1	J, T					W/O Heated Seats (USA/CANADA) [EL]
	56042 305AF	1	J, T					W/Heated Seats (USA/CANADA) [EL]
		1	U					W/Heated Seat (EUROPE) [EL]
		1	J, T					W/Heated Seat (EUROPE) [EL]
	56042 304AF	1	J, T					W/O Heated Seats (USA/CANADA) [DL]
		1	J, T					W/O Heated Seats (MEXICO) [DL]
	56042 305AF	1	J, T					W/Heated Seats (MEXICO) [DL]
		1	J, T					W/ Heated Seats (MEXICO) [DL]
		1	J, T					W/ Heated Seats (MEXICO) [EL]
-12	56042 493AF	1	J, T					MODULE, Heated Seat Control, W/Power Leather Seats [FL]
-13	#56042 498AK	1						MODULE, Body Controller
-14	#56041 328AK	1					DG4	MODULE, Transmission Control, w/Model # 45RFE Transmission

**JEEP GRAND CHEROKEE (WJ)**

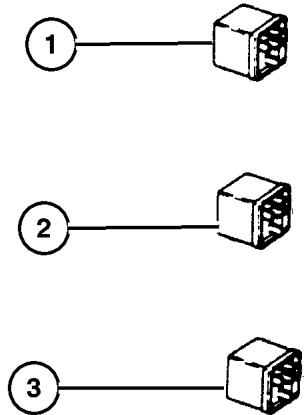
SERIES	LINE	BODY	ENGINE	TRANSMISSION
H=Laredo	J = 4WD	74 = 4 Door(105.9 WB)	ER0, ERH = 4.0L, Power Tech I-6	DGK = 4 Speed Autm, 42RE
P=Limited	T = 2WD		EVO, EVA = 4.7L, Power Tech V8	DGW = 4 Speed Automatic, -44RE
	U = 4WD (RHD)		EXA, EX0 = 3.1L, 5 Cyl Turbo Diesel	DG4 = Multi Speed Automatic, -45RFE
				DGO = All Automatic

AR = Use as required - = Non illustrated part # = New this model year

September 14, 2002

**Relays  
Figure 008-510**

ITEM	PART NUMBER	QTY	LINE	SERIES	BODY	ENGINE	TRANS	DESCRIPTION
1	4707 286AD	1						RELAY, Electrical, Fog Lamp, Headlamp, Sunroof & Rear Fog Lamp
2	56042 216AB	1	J, T					RELAY
3	4707 286AD	1						RELAY, Electrical
-4	4671 168	2						RELAY, Mini
-5	CEP0 7710	1						RELAY PACKAGE, Electrical, Radiator Fan



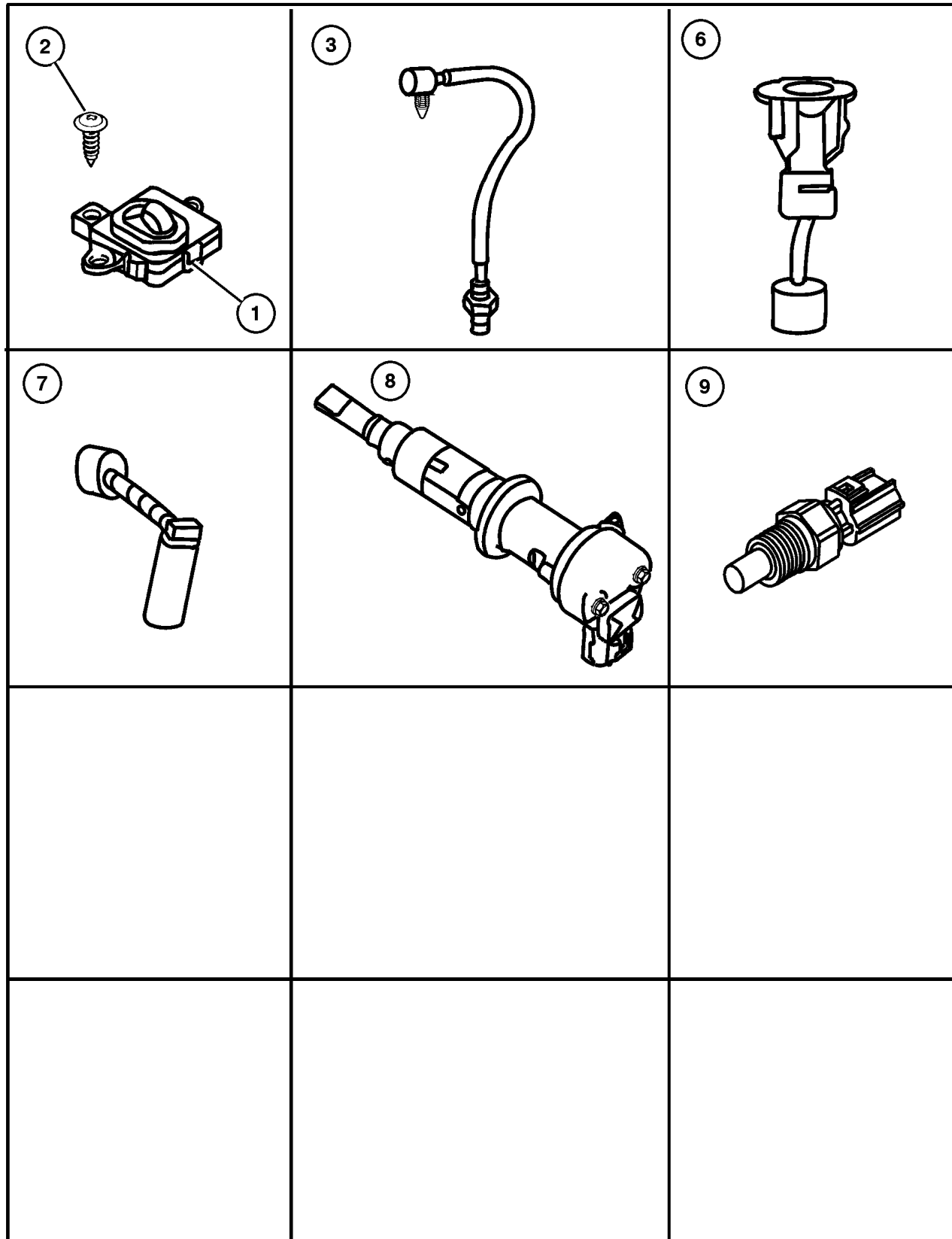
**JEEP GRAND CHEROKEE (WJ)**

SERIES	LINE	BODY	ENGINE	TRANSMISSION
H=Laredo	J = 4WD	74 = 4 Door(105.9 WB)	ER0, ERH = 4.0L, Power Tech I-6	DGK = 4 Speed Autm, 42RE
P=Limited	T = 2WD		EV0, EVA = 4.7L, Power Tech V8	DGW = 4 Speed Automatic, -44RE
	U = 4WD (RHD)		EXA, EX0 = 3.1L, 5 Cyl Turbo Diesel	DG4 = Multi Speed Automatic, -45RFE
				DGO = All Automatic

AR = Use as required - = Non illustrated part # = New this model year

September 14, 2002

**Sensors**  
**Figure 008-610**



ITEM	PART NUMBER	QTY	LINE	SERIES	BODY	ENGINE	TRANS	DESCRIPTION
ER0=4.0L Engine								
EVO=4.7L Engine								
EX0=3.0L/3.1L Turbo Diesel Engine								
DG0=Automatic Transmission								
DGW= Automatic Transmission 4 Speed Automatic 44RE								
DGK=Automatic Transmission 4 Speed								
DG4=Automatic Transmission Multi-Speed								
1	56042 584AA	1						SENSOR, Headlamp, Auto Headlamp
2	6101 946	3						SCREW, Tapping
3	56041 345AD	1	J, U			EVO		SENSOR, Oxygen 14' Pigtail w/Stud Clip (After Catalyst) European III Emission
	56041 676AA	1				ER0		10.5' Pigtail (Before Catalyst) Federal, European II & III Emission
		1				ER0		10.5' Pigtail (Before Catalyst) California & Export Emission
	56041 344AD	1	J, T			ER0		14' Pigtail (After Catalyst) Federal, Export Emission
	56041 212AE	1				ER0		18' Pigtail (After Catalyst) California/ European III Emission
	56041 212AF	2				ER0		12' Pigtail (After Catalyst) California, Export & European III Emission
	56028 235AA	1				EVO		12' Pigtail (After Catalyst) California/ European III Emission
	56028 232AA	1				EVO		18' Pigtail (Before Catalyst) California/ European III Emission
	56041 345AD	1	J, T			EVO		14' Pigtail (After Catalyst) California, Export & European III Emission
	56028 233AA	1				EVO		12' Pigtail (Before Catalyst) Federal, California, Export & European III Emission
-4	56041 675AA	1				ER0		SHIELD, Heat, Oxygen Sensor
-5	J420 0413	2				ER0, EVO		PLUG, Cylinder Block Oil Hole, Without Oxygen Upstream Sensor
6	5604 1053	1						SENSOR, Battery Temperature
7	56041 080AB	1				EX0		SENSOR, Engine Speed
8	5602 7873	1				ER0		SENSOR, Coolant Temperature
		1				EVO		
9	5602 7872	1				ER0		SENSOR, Air Temperature
		1				EVO		

**JEEP GRAND CHEROKEE (WJ)**

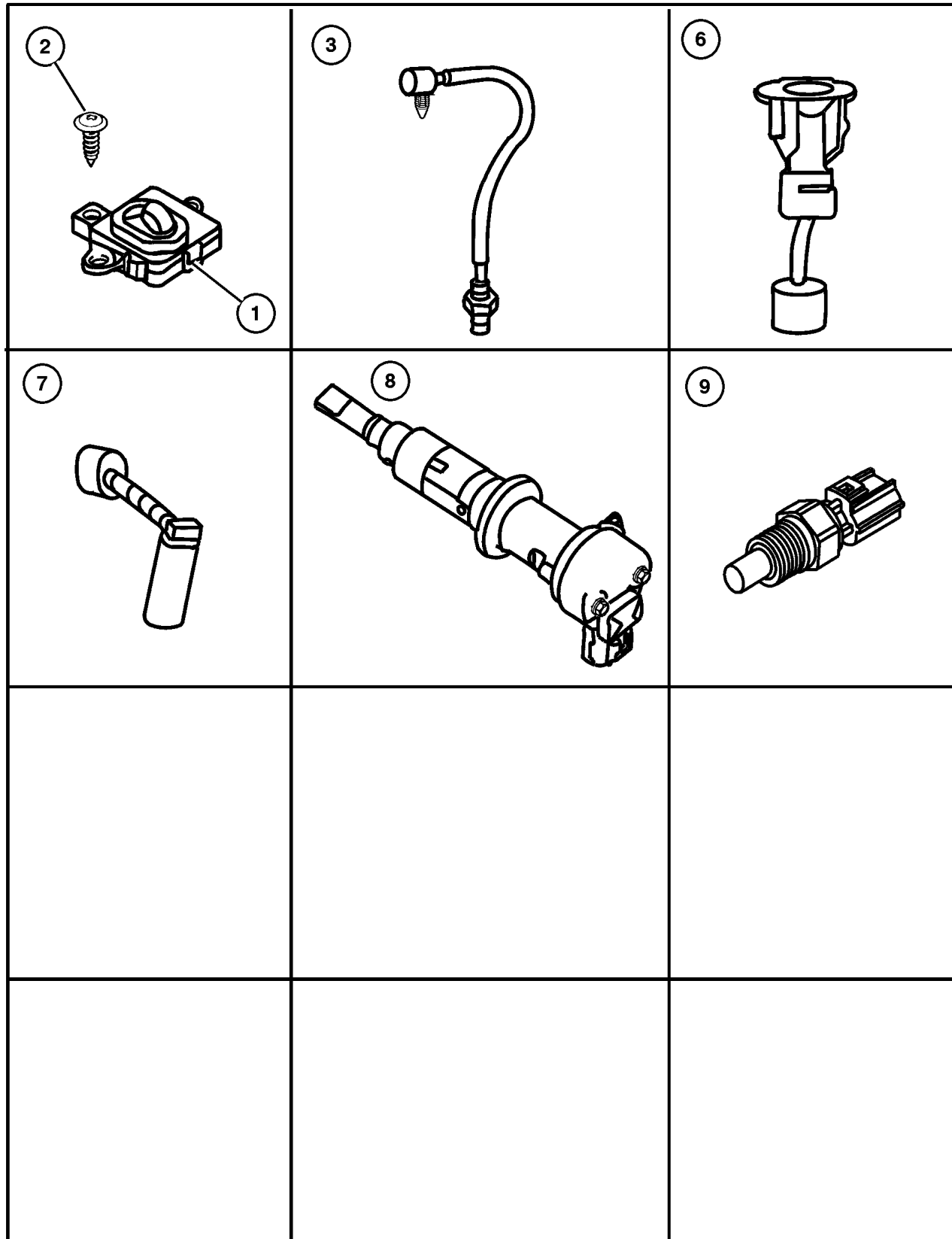
SERIES	LINE	BODY	ENGINE	TRANSMISSION
H=Laredo	J = 4WD	74 = 4 Door(105.9 WB)	ER0, ERH = 4.0L, Power Tech I-6	DGK = 4 Speed Autm, 42RE
P=Limited	T = 2WD		EVO, EVA = 4.7L, Power Tech V8	DGW = 4 Speed Automatic, -44RE
	U = 4WD (RHD)		EXA, EX0 = 3.1L, 5 Cyl Turbo Diesel	DG4 = Multi Speed Automatic, -45RFE
				DGO = All Automatic

AR = Use as required - = Non illustrated part # = New this model year

September 14, 2002



**Sensors**  
**Figure 008-610**



ITEM	PART NUMBER	QTY	LINE	SERIES	BODY	ENGINE	TRANS	DESCRIPTION
	5003 734AA	1				EX0	DG0	
-10	56028 133AC	1				EVO		SENSOR, Camshaft
	4897 023AA	1				ER0		
-11	5083 881AA	1				ER0		DRIVE, OIL PUMP
-12	J318 1288	1				ER0		GASKET, Distributor
-13	3300 4242	1				ER0		CLAMP, Distributor
-14	56028 136AB	1				EVO		SENSOR, Crankshaft Position
-15	4897 321AA	1				ER0	DG0	SENSOR PACKAGE, Crankshaft Position
-16								SENSOR, Throttle Position
	4874 371AC	1				ER0		
	4882 219AB	1				EVO		
-17								SENSOR, Ambient Temperature
	5604 2395	1	U	H				
		1	J, T	H				
-18	5602 9405	1				ER0		SENSOR, Map
	5604 1018	1				EVO		
-19	6505 501AA	2				EVO		SCREW, M4x16, Map Sensor Mounting
-20								SENSOR, Transmission Output Speed
	4799 061	2	J, U				DG4	
		2	T				DG4	
	4800 879	1	T				DGK	
		1	J, U				DGK	
		1	J, U				DGW	
-21								O RING
	4799 062	2	T				DG4	Speed Sensor
		2	J, U				DG4	Speed Sensor
-22								TRANSDUCER, Pressure Sensor
	4799 758AB	1	T				DG4	
		1	J, U				DG4	
	#56028 196AA	AR	T				DGK	
		AR	J, U				DGK	
		1	J, U				DGW	
-23	55077 244AA	1						SENSOR, Washer Fluid Level, Front & Rear
-24	8220 4688	1	J, T	H, P	74			SENSOR KIT, Shock
-25								SENDING UNIT, Oil Pressure
	56028 807AA	1				ER0		USA/CANADA
		1				EVO		USA/CANADA
		1				EX0		EUROPE
-26								BRACKET, Oxygen Sensor

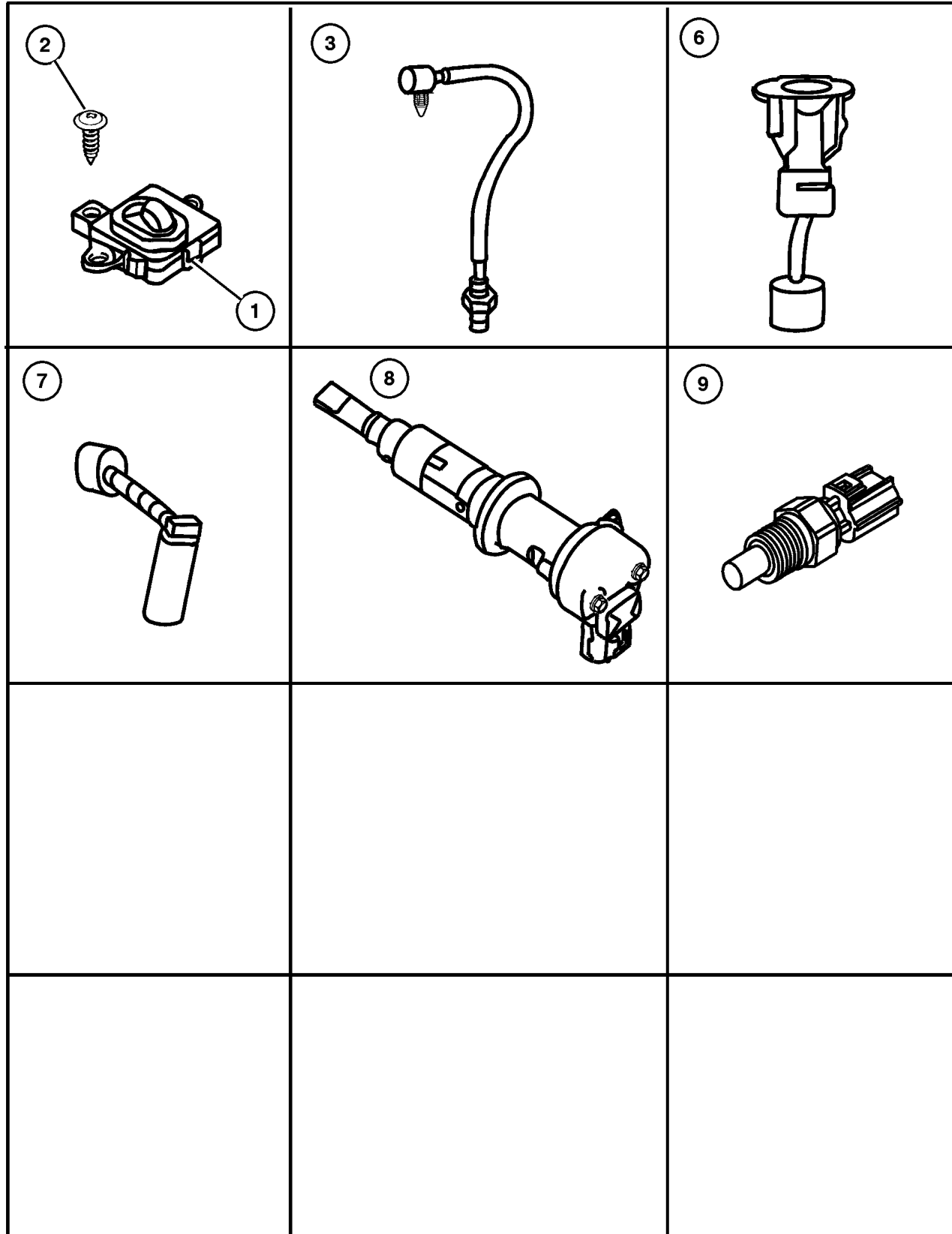
**JEEP GRAND CHEROKEE (WJ)**

SERIES	LINE	BODY	ENGINE	TRANSMISSION
H=Laredo	J = 4WD	74 = 4 Door(105.9 WB)	ER0, ERH = 4.0L, Power Tech I-6	DGK = 4 Speed Autm, 42RE
P=Limited	T = 2WD		EVO, EVA = 4.7L, Power Tech V8	DGW = 4 Speed Automatic, -44RE
	U = 4WD (RHD)		EXA, EX0 = 3.1L, 5 Cyl Turbo Diesel	DG4 = Multi Speed Automatic, -45RFE
				DGO = All Automatic

AR = Use as required - = Non illustrated part # = New this model year

September 14, 2002

Sensors  
Figure 008-610



ITEM	PART NUMBER	QTY	LINE	SERIES	BODY	ENGINE	TRANS	DESCRIPTION
	56041 478AA	1				EVO		Rear
	56041 400AA	2				ERO		Upper Fuel Rail
	56041 434AA	1				EVO		Lower Front Block
-27	56041 317AB	1	U					SENSOR, Wheel Speed Front Left
	56041 316AB	1	U					Front Right
	56041 308AA	1						Rear Right
	56041 509AA	1						Rear Left
	56041 316AB	1	J					Front Right
		1	T					Front Right
	56041 317AB	1	J					Front Left
		1	T					Front Left

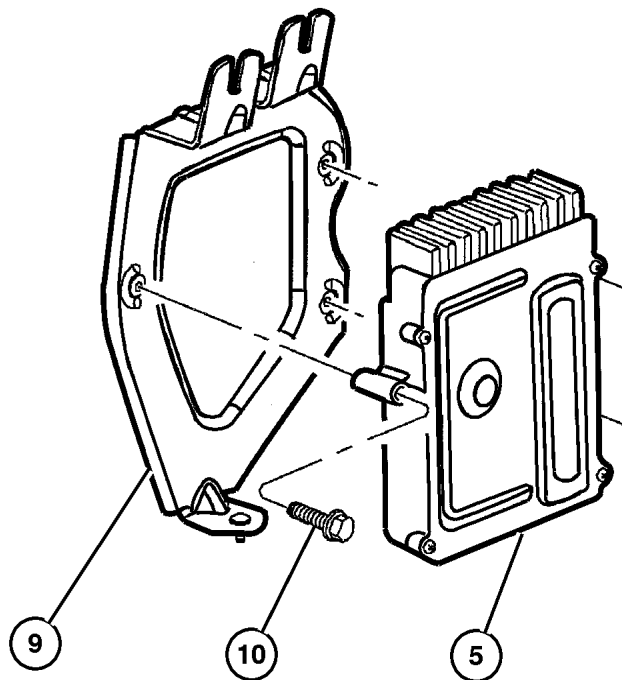
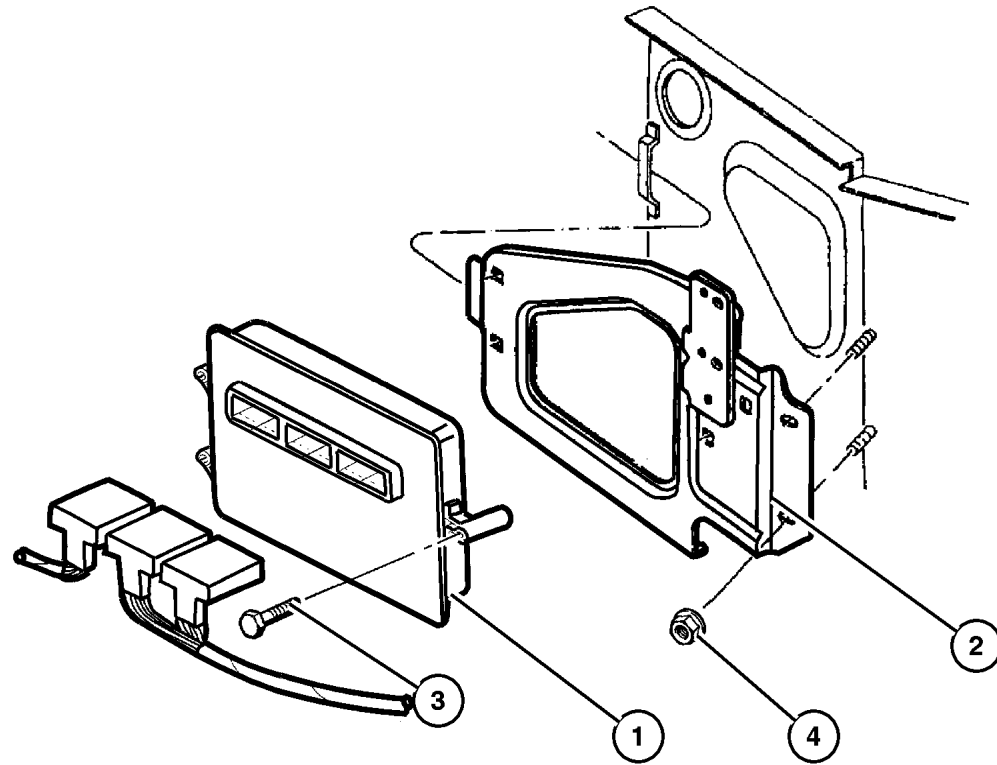
JEEP GRAND CHEROKEE (WJ)

SERIES	LINE	BODY	ENGINE	TRANSMISSION
H=Laredo	J = 4WD	74 = 4 Door(105.9 WB)	ERO, ERH = 4.0L, Power Tech I-6	DGK = 4 Speed Autm, 42RE
P=Limited	T = 2WD		EVO, EVA = 4.7L, Power Tech V8	DGW = 4 Speed Automatic, -44RE
	U = 4WD (RHD)		EXA, EX0 = 3.1L, 5 Cyl Turbo Diesel	DG4 = Multi Speed Automatic, -45RFE
				DGO = All Automatic

AR = Use as required - = Non illustrated part # = New this model year

September 14, 2002

**JTEC Modules and Solenoids**  
**Figure 008-710**



ITEM	PART NUMBER	QTY	LINE	SERIES	BODY	ENGINE	TRANS	DESCRIPTION
ER0=4.0L Engine								
EVO=4.7L Engine								
EX0=3.0L/3.1L Turbo Diesel Engine								
DG0=Automatic Transmission								
DGW= Automatic Transmission 4 Speed Automatic 44RE								
DGK=Automatic Transmission 4 Speed								
DG4=Automatic Transmission Multi-Speed								
1								MODULE, Powertrain Control
	#56041 637AC	1				ER0	DG0	Federal Emission
	#56044 684AC	1	T			EVO	DG0	Federal Emission
	#56044 687AC	1	T			EVO	DG0	California Emission
	#56041 638AC	1				ER0	DG0	California Emission
	#56041 642AB	1				EX0	DG0	
	#56041 688AB	1				ER0	DG0	European III Emission
	#56041 689AB	1				ER0	DG0	Export Emission Package w/o Japan Market Requirements
	#56041 690AB	1				ER0	DG0	Leaded Fuel Emission
	#56041 870AA	1				EVO	DG0	Leaded Fuel Emission
	#56044 668AC	1	J, U			EVO	DG0	California Emission
	#56044 683AC	1	J, U			EVO	DG0	Federal Emission
2								BRACKET, Control Unit
	5602 8140	1	U			ER0, EVO	DG0	JTEC Module
	56028 139AB	1				ER0, EVO	DG0	JTEC Module
	5602 8140	1				EX0	DG0	JTEC Module
3	6035 884	3						SCREW
4	6503 102	2						NUT AND WASHER, Hex Nut-Coned Washer, M6 x 1.00
5	#56041 328AK	1					DG4	MODULE, Transmission Control
-6								SOLENOID, Transmission
	4799 934AB	1	J, U				DG4	
		1	T				DG4	
-7								SOLENOID, Transmission Governor
	4617 210	1	T				DGK	
		1	J, U				DGK	
		1	J, U				DGW	
-8								SOLENOID, Transmission Overdrive
	#52118 500AB	1	T				DGK	
		1	J, U				DGK	
		1	J, U				DGW	
9	5604 1045	1	J, T				DG4	BRACKET, Control Unit, Transmission Control

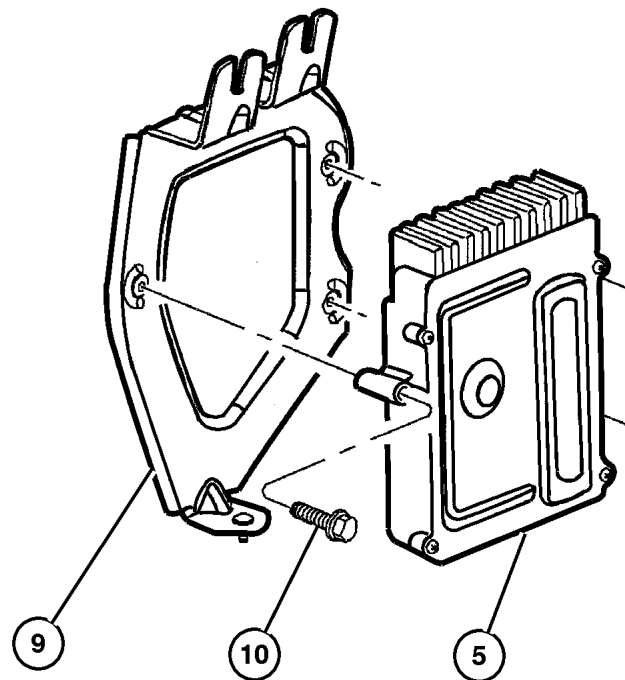
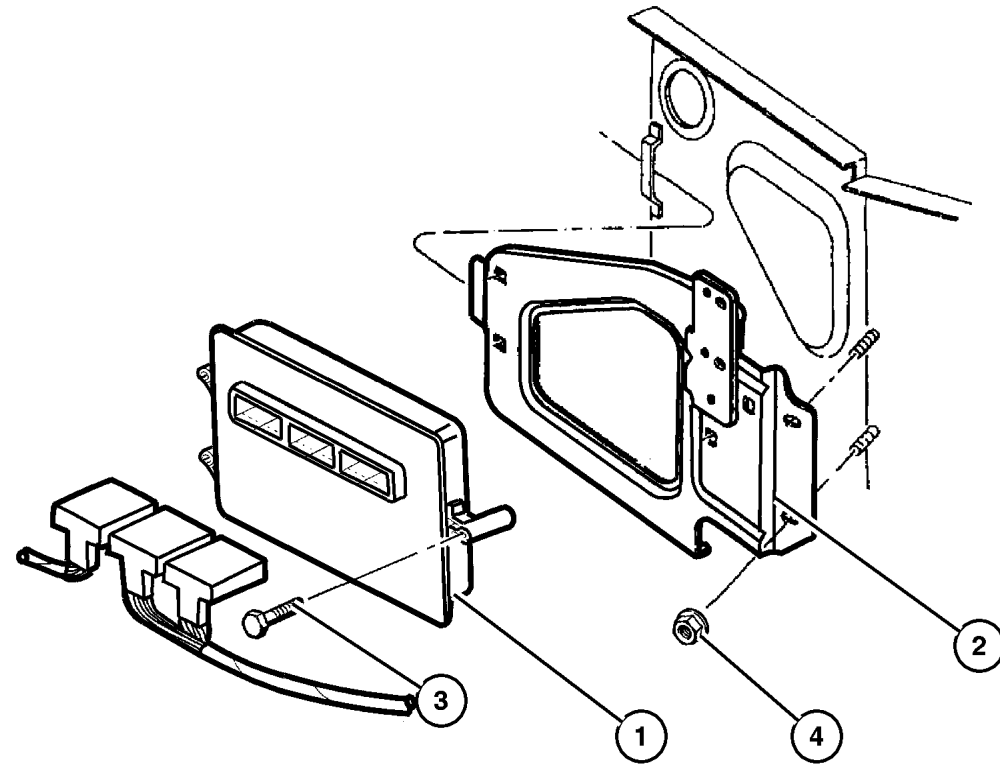
**JEEP GRAND CHEROKEE (WJ)**

SERIES	LINE	BODY	ENGINE	TRANSMISSION
H=Laredo	J = 4WD	74 = 4 Door(105.9 WB)	ER0, ERH = 4.0L, Power Tech I-6	DGK = 4 Speed Autm, 42RE
P=Limited	T = 2WD		EVO, EVA = 4.7L, Power Tech V8	DGW = 4 Speed Automatic, -44RE
	U = 4WD (RHD)		EXA, EX0 = 3.1L, 5 Cyl Turbo Diesel	DG4 = Multi Speed Automatic, -45RFE
				DGO = All Automatic

AR = Use as required - = Non illustrated part # = New this model year

September 14, 2002

**JTEC Modules and Solenoids**  
**Figure 008-710**



ITEM	PART NUMBER	QTY	LINE	SERIES	BODY	ENGINE	TRANS	DESCRIPTION
10	6035 884	3				EVO	DG4	SCREW
-11	6503 825	3						NUT AND WASHER, Hex Nut-Coned Washer, M6 x 1.00
-12	6100 515	4				EX0		NUT, Hex Flange Lock, M5
-13	6503 846	2				EX0	DG0	STUD, Single Ended, Knurled, Pilot Point, M6x1.00x20.00
-14	#56041 587AA	1				EX0		MODULE, Engine Controller
-15	5604 1070	1				EX0	DG0	BRACKET, Control Unit, Engine Controller

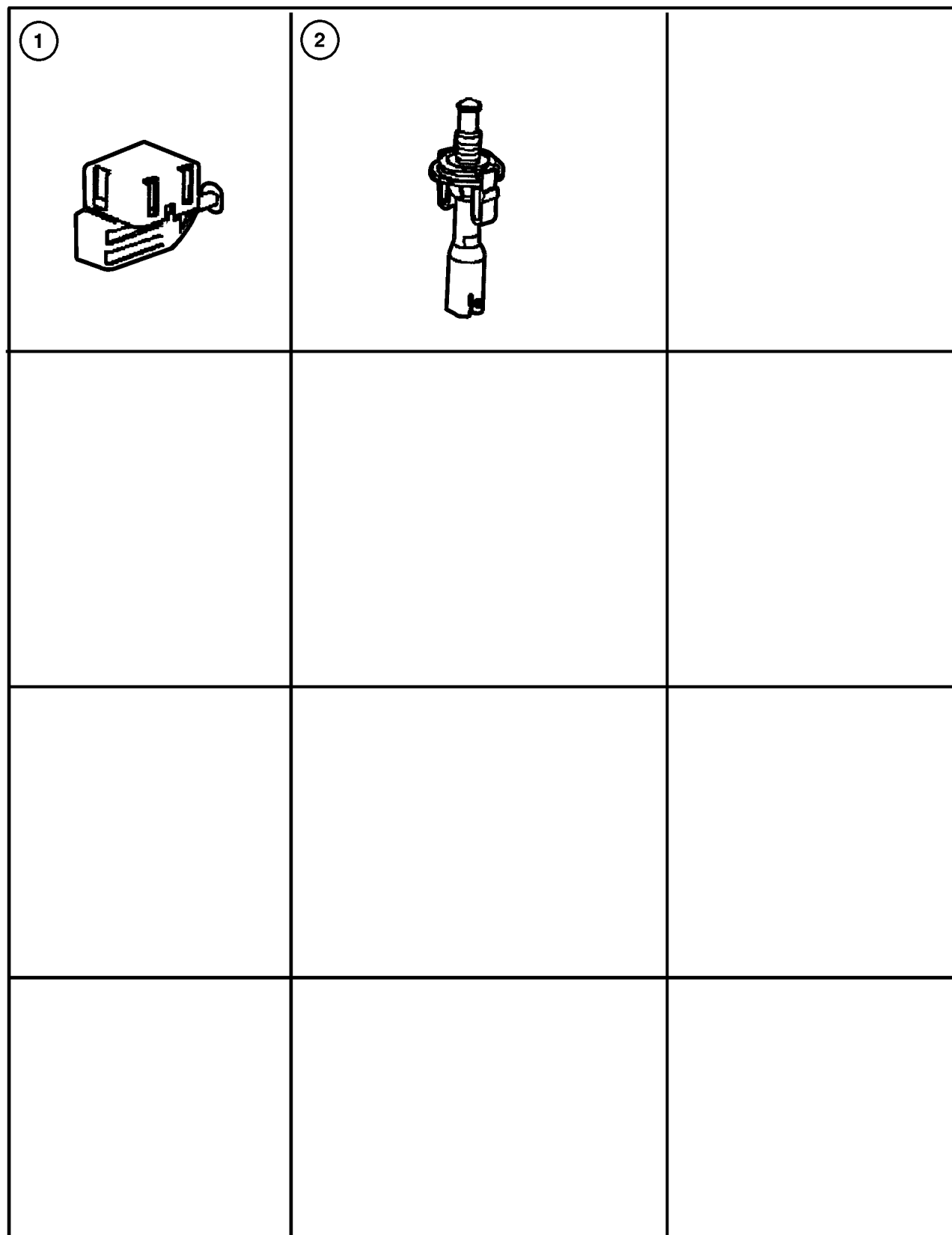
**JEEP GRAND CHEROKEE (WJ)**

SERIES	LINE	BODY	ENGINE	TRANSMISSION
H=Laredo	J = 4WD	74 = 4 Door(105.9 WB)	ER0, ERH = 4.0L, Power Tech I-6	DGK = 4 Speed Autm, 42RE
P=Limited	T = 2WD		EVO, EVA = 4.7L, Power Tech V8	DGW = 4 Speed Automatic, -44RE
	U = 4WD (RHD)		EXA, EX0 = 3.1L, 5 Cyl Turbo Diesel	DG4 = Multi Speed Automatic, -45RFE
				DGO = All Automatic

AR = Use as required - = Non illustrated part # = New this model year

September 14, 2002

## Switches Figure 008-810

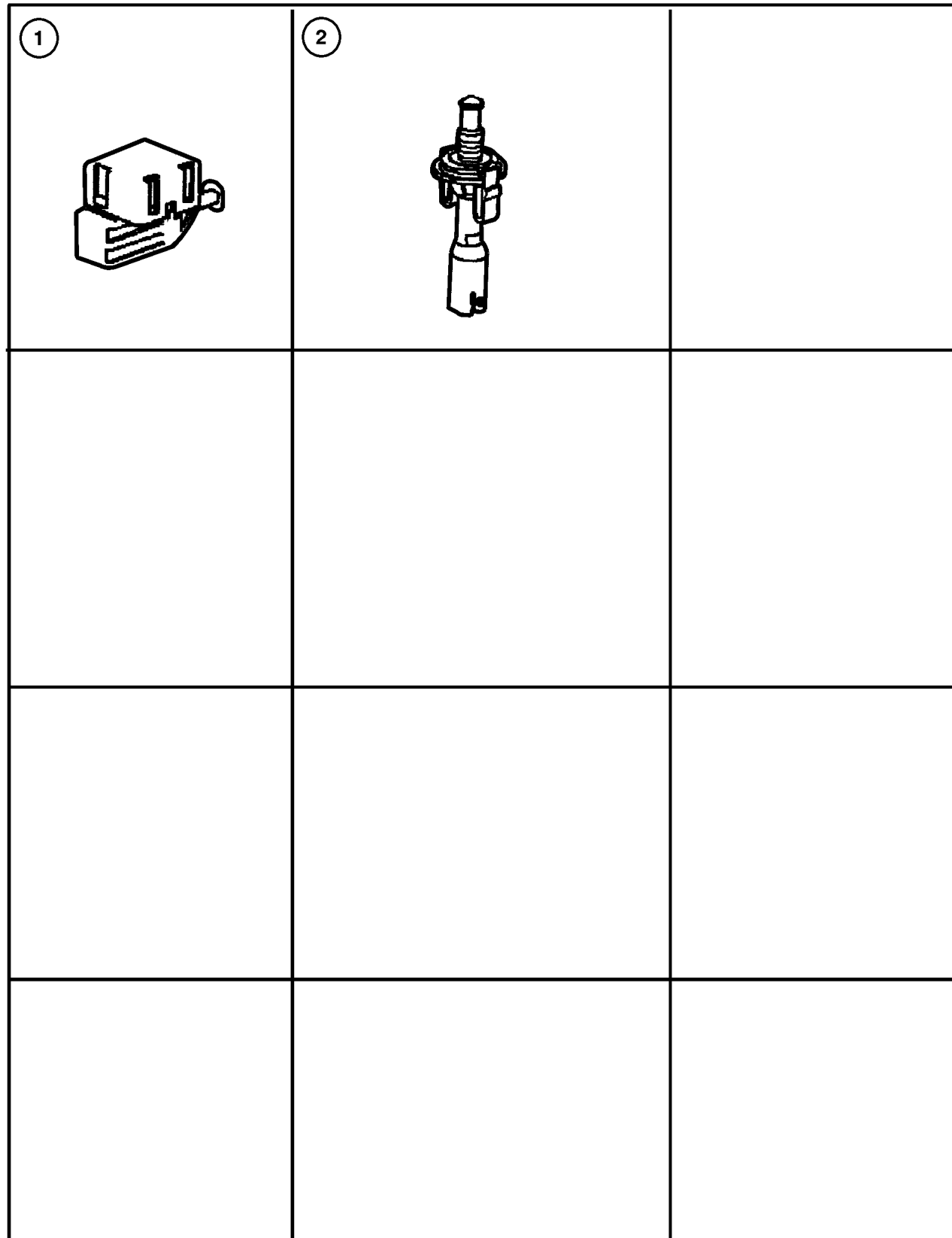


ITEM	PART NUMBER	QTY	LINE	SERIES	BODY	ENGINE	TRANS	DESCRIPTION
ER0=4.0L Engine								
EVO=4.7L Engine								
EX0=3.0L/3.1L Turbo Diesel Engine								
DG0=Automatic Transmission								
DGW= Automatic Transmission 4 Speed Automatic 44RE								
DGK=Automatic Transmission 4 Speed								
DG4=Automatic Transmission Multi-Speed								
1	4671 336	1						SWITCH, Stop Lamp
2	4707 875AB	1						SWITCH, Underhood
-3	56042 582AA	1						PLATE, Striker, Hood Switch (EUROPE)
-4								SWITCH, Speed Control
	#5GY38 1AZAA	1			H			Agate, Right
	#5GY38 1K9AA	1			P			Suede, Right
	#5GY38 1L8AA	1			P			Brown, Right
	#5GY39 1AZAA	1			H			Agate, Left
	#5GY39 1K9AA	1			P			Suede, Left
	#5GY39 1L8AA	1			P			Brown, Left
-5								SWITCH, Remote Radio
	56042 312AB	1			H			Right
	56042 313AB	1			H			Left
-6								SWITCH, Power Window
	5604 2057	1			H			
	5519 6424	1			P			
-7	56042 450AB	1			H			SWITCH, Flipper Window
-8								SWITCH, Memory Selector
	56042 291AB	1	J, T		P			
	56042 292AB	1	U		P			
-9								SWITCH
	5604 2387	2	J, T					Lumbar Control
		2	U					Lumbar Control
-10								SWITCH, Seat
	4373 666	2	U					
		2	J, T					
-11								KNOB, Power Seat Switch
	4607 042	1	J, T					Right
		1	U					Right
	4607 043	1	J, T					Left
		1	U					Left
-12								SWITCH, Neutral, Safety, Back Up
	3747 361	1	T				DGK	
		1	J, U				DGK	
		1	J, U				DGW	
-13								SWITCH, Security Alarm

**JEEP GRAND CHEROKEE (WJ)**

SERIES	LINE	BODY	ENGINE	TRANSMISSION
H=Laredo	J = 4WD	74 = 4 Door(105.9 WB)	ER0, ERH = 4.0L, Power Tech I-6	DGK = 4 Speed Autm, 42RE
P=Limited	T = 2WD		EVO, EVA = 4.7L, Power Tech V8	DGW = 4 Speed Automatic, -44RE
	U = 4WD (RHD)		EXA, EX0 = 3.1L, 5 Cyl Turbo Diesel	DG4 = Multi Speed Automatic, -45RFE
				DGO = All Automatic

## Switches Figure 008-810



ITEM	PART NUMBER	QTY	LINE	SERIES	BODY	ENGINE	TRANS	DESCRIPTION
	55136 557AA	1	J, T					
		1	U					
-14	4685 445	1	J, T					SWITCH, Reading Lamp
		1	U					
-15	56042 299AE	1	J, T					SWITCH, Multifunction Up to 4/27/99, Left H/Lamp, w/o Automatic H/Lamp & w/o Dual Road Foglamp (USA/CANADA)
	56042 433AE	1	J, U					Up to 4/27/99, Left H/Lamp, w/o Dual Road Foglamp (EUROPE)
	56042 434AE	1	J, U					Up to 4/27/99, Left H/Lamp, w/Dual Road Foglamp (EUROPE)
	#56042 299AF	1	J, T					4/27/99 & After, Left H/Lamp, w/o Automatic H/Lamp & w/o Dual Road Foglamp (USA/CANADA)
	#56042 300AF	1	J, T					4/27/99 & After, Left H/Lamp, w/o Automatic H/Lamp & w/Dual Road Foglamp (USA/CANADA)
	#56042 302AF	1	J, T					4/27/99 & After, Left H/Lamp, w/ Automatic H/Lamp & w/Dual Road Foglamp (USA/CANADA)
	#56042 433AF	1	J, U					4/27/99 & After, Left H/Lamp, w/o Dual Road Foglamp (EUROPE)
	#56042 434AF	1	J, U					4/27/99 & After, Left H/Lamp, w/Dual Road Foglamp (EUROPE)
	56042 300AE	1	J, T					Up to 4/27/99, Left H/Lamp, w/o Automatic H/Lamp & w/Dual Road Foglamp (USA/CANADA)
	56042 301AE	1	J, T					Left H/Lamp, w/Automatic H/Lamp & w/o Dual Road Foglamp (USA/CANADA)
	56042 302AE	1	J, T					Up to 4/27/99, Left H/Lamp, w/ Automatic H/Lamp & w/Dual Road Foglamp (USA/CANADA)
	56042 303AD	1	J, U					Right Wiper, w/Dual Road Foglamp (EUROPE)
		1	J, U					Right Wiper, w/o Dual Road Foglamp (EUROPE)
		1	J, T					Right Wiper, w/o Automatic H/Lamp & w/Dual Road Foglamp (USA/CANADA)

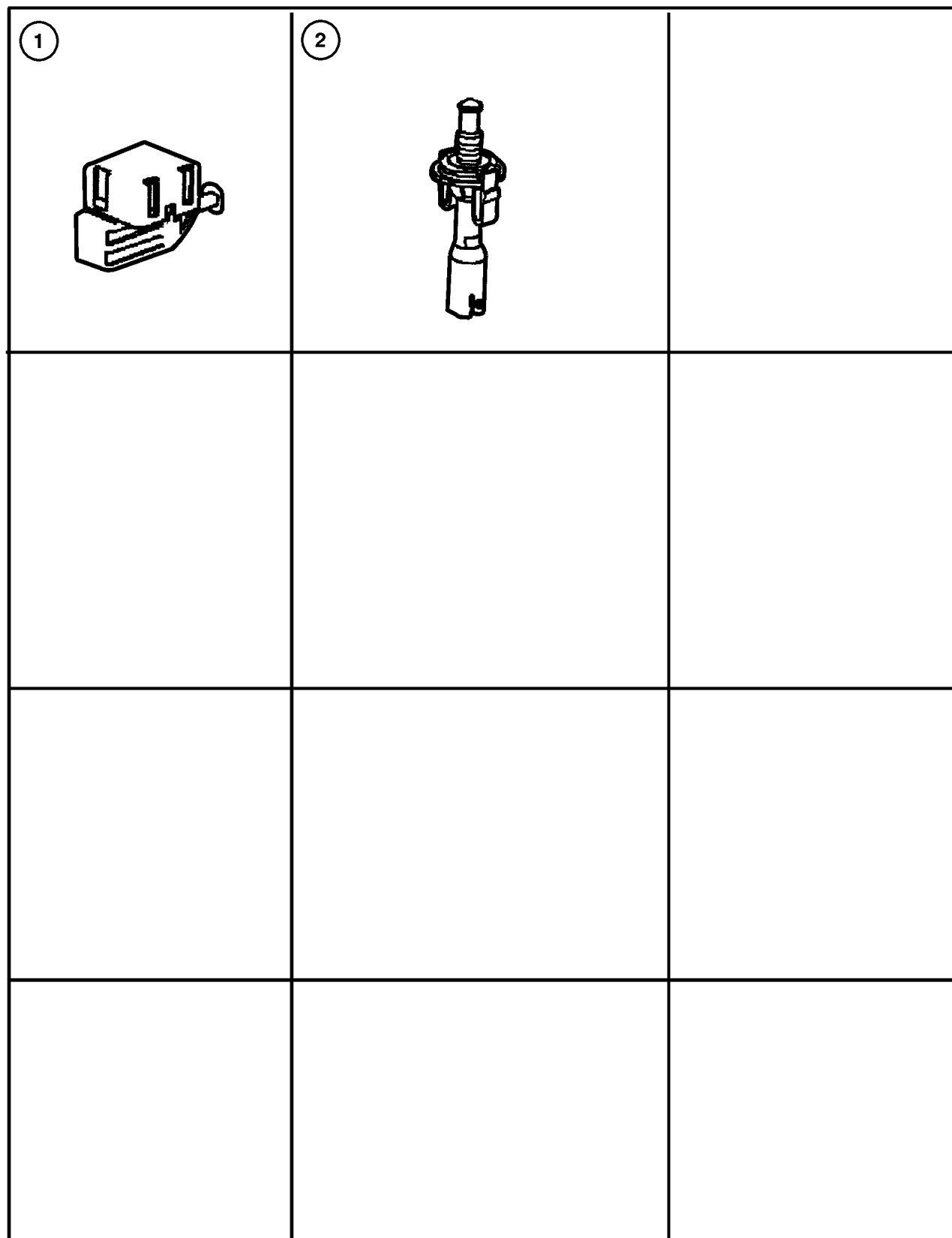
**JEEP GRAND CHEROKEE (WJ)**

SERIES	LINE	BODY	ENGINE	TRANSMISSION
H=Laredo P=Limited	J = 4WD T = 2WD U = 4WD (RHD)	74 = 4 Door(105.9 WB)	ER0, ERH = 4.0L, Power Tech I-6 EV0, EVA = 4.7L, Power Tech V8 EXA, EX0 = 3.1L, 5 Cyl Turbo Diesel	DGK = 4 Speed Autm, 42RE DGW = 4 Speed Automatic, -44RE DG4 = Multi Speed Automatic, -45RFE DGO = All Automatic

AR = Use as required - = Non illustrated part # = New this model year

September 14, 2002

**Switches**  
**Figure 008-810**



ITEM	PART NUMBER	QTY	LINE	SERIES	BODY	ENGINE	TRANS	DESCRIPTION
		1	J, T					Right Wiper, w/Automatic H/Lamp & w/o Dual Road Foglamp (USA/CANADA)
		1	J, T					Right Wiper, w/Automatic H/Lamp & w/ Dual Road Foglamp (USA/CANADA)
-16	56042 297AD	1	J, T					HOUSING, Switch
		1	J, U					Multi-fuction Switch Housing Serviced w/Turn Signal Canceling Cam (U.S. / Canada & Mexico)
-17	56033 017AB	1		P				Multi-fuction Switch Housing Serviced w/Turn Signal Canceling Cam (Europe)
	56033 019AB	1		P				SWITCH, Heated Seat Right
	56033 017AB	1		H				Left
	56033 017AB	1		H				Right
	56033 019AB	1		H				Left
-18	56033 015AD	1						SWITCH, Headlamp Leveling
-19	56006 315AB	1						SWITCH, Anti Lock Brake Accelarat
-20	56042 476AB	1						SWITCH, Ignition
-21	56042 634AB	1						BRACKET, Hood Ajar Disarm Switch
-22	5014 533AA	1		H				SWITCH, Horn
-23								SWITCH, Door Module, Keyless Entry Module Serviced w/Passenger Door Switch Module (Except JAPAN)
	55196 388AD	1	J, T	P				[# 315 MHZ] (Passenger Door)
	55196 391AC	1	U	H				Driver Door
	56042 290AC	1	J, T	P				[# 433 MHZ] (Passenger Door)
	56042 497AC	1	J, T	P				Driver Door, Export
	56042 602AB	1	U	H				Driver Door (JAPAN)
	55196 389AD	1	J, T	P				Driver Door MUX
	55196 398AC	1	U	H				[# 433 MHZ] Passenger Door
	56042 603AB	1	U	H				Passenger Door (JAPAN)
-24								SWITCH, Courtesy Lamp, Serviced w/ Door Latch, (NOT SERVICED) (Not Serviced)
-25								SWITCH, 1 Gang, Power Sunroof/Lumbar Control
	5604 2064	1	J, T					(This Switch is use for Power Sunroof or Lumbar Control)
		1	U					(This Switch is use for Power Sunroof or Lumbar Control)

**JEEP GRAND CHEROKEE (WJ)**

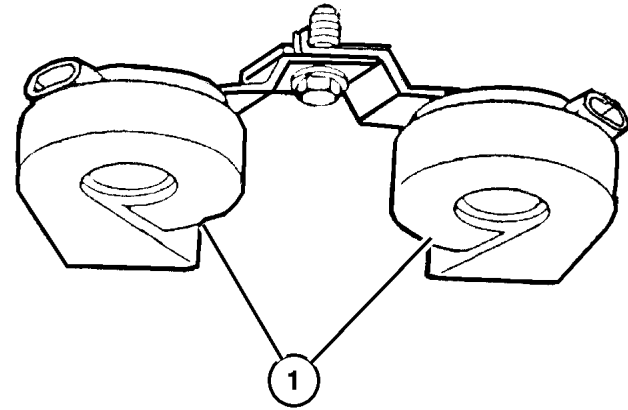
SERIES	LINE	BODY	ENGINE	TRANSMISSION
H=Laredo	J = 4WD	74 = 4 Door(105.9 WB)	ER0, ERH = 4.0L, Power Tech I-6	DGK = 4 Speed Autm, 42RE
P=Limited	T = 2WD		EVO, EVA = 4.7L, Power Tech V8	DGW = 4 Speed Automatic, -44RE
	U = 4WD (RHD)		EXA, EX0 = 3.1L, 5 Cyl Turbo Diesel	DG4 = Multi Speed Automatic, -45RFE
				DGO = All Automatic

AR = Use as required - = Non illustrated part # = New this model year

September 14, 2002

Horns  
Figure 008-910

ITEM	PART NUMBER	QTY	LINE	SERIES	BODY	ENGINE	TRANS	DESCRIPTION
1								HORN, Duel
	56042 315AE	1						EUROPE
	56042 315AD	1						USA, CANADA & MEXICO



JEEP GRAND CHEROKEE (WJ)

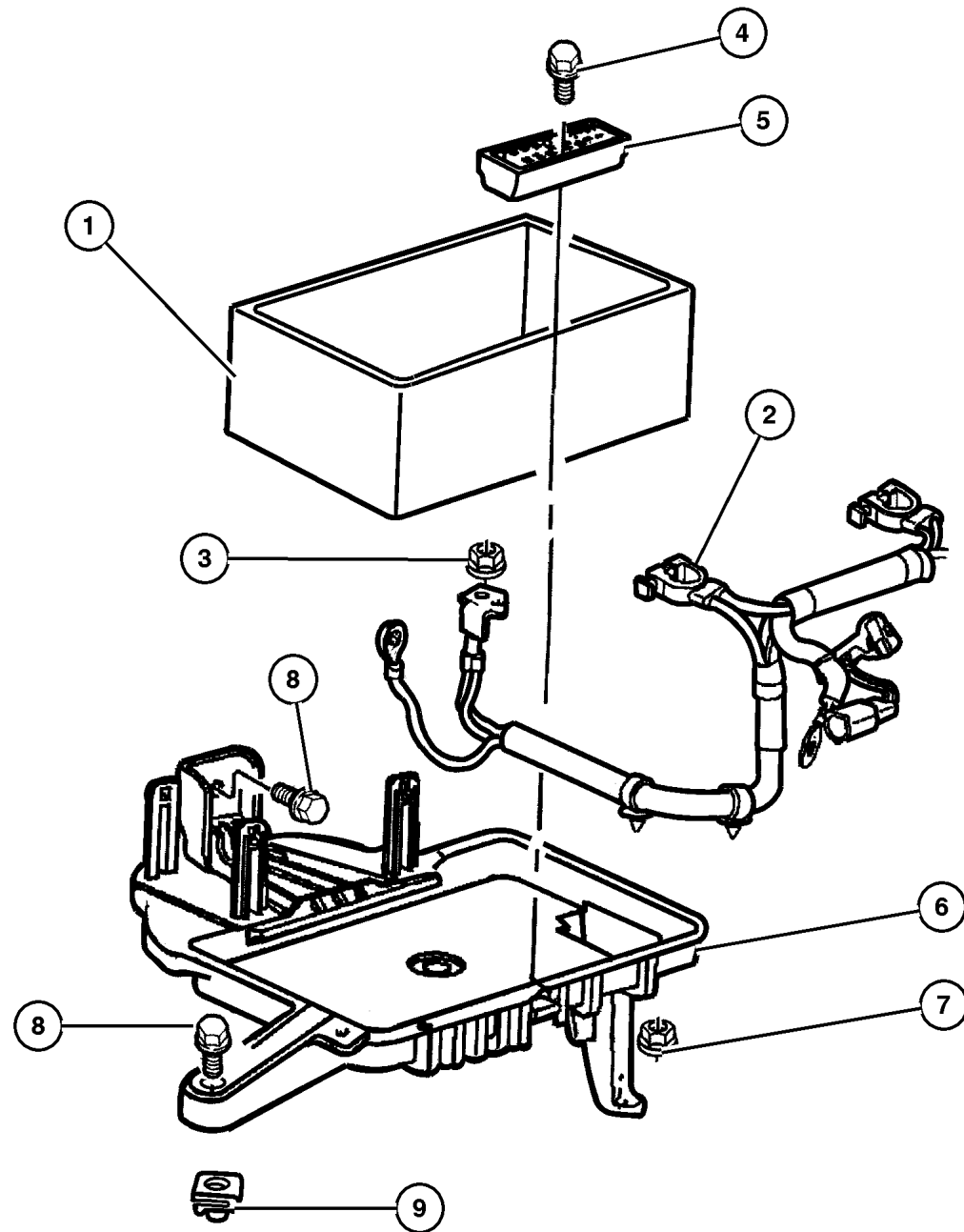
SERIES	LINE	BODY	ENGINE	TRANSMISSION
H=Laredo	J = 4WD	74 = 4 Door(105.9 WB)	ER0, ERH = 4.0L, Power Tech I-6	DGK = 4 Speed Autm, 42RE
P=Limited	T = 2WD		EVO, EVA = 4.7L, Power Tech V8	DGW = 4 Speed Automatic, -44RE
	U = 4WD (RHD)		EXA, EX0 = 3.1L, 5 Cyl Turbo Diesel	DG4 = Multi Speed Automatic, -45RFE
				DGO = All Automatic

AR = Use as required - = Non illustrated part # = New this model year

September 14, 2002



## Battery Tray & Cables Figure 008-1010



ITEM	PART NUMBER	QTY	LINE	SERIES	BODY	ENGINE	TRANS	DESCRIPTION
ER0=4.0L Engine EVO=4.7L Engine EX0=3.0L/3.1L Turbo Diesel Engine								
1	56041 375AA	1				ER0, EVO		COVER, Battery EUROPE
	5604 1035	1						USA/CANADA
	56041 813AA	1				EX0		
2	56038 421AE	1	J, T			ER0		WIRING, Alternator and Battery USA/CANADA
	56038 422AD	1	J, U			EX0		EUROPE
	56038 423AE	1	J, T			EVO		USA/CANADA
	56041 524AG	1				ER0		EUROPE
	56041 525AF	1				EVO		EUROPE
3	6101 808	2				ER0, EVO, EX0		NUT, Hex, M6x1
4	6101 766	1				ER0, EVO EX0		SCREW AND WASHER
5	55136 570AA	1				ER0, EVO		BRACKET, Battery Hold Down EUROPE
	55136 959AA	1				ER0, EVO EX0		
6	55135 690AD	1				ER0, EVO		SUPPORT, Battery USA/CANADA
	55137 044AB	1				ER0, EVO EVO		EUROPE
7	6100 516	2	U			EVO		NUT, Hex Flange Lock, M6 Phosphate
8	6100 568	4						BOLT AND WASHER, Implement Attaching
9	6101 712	1				ER0, EVO EX0		NUT, U, M6x1

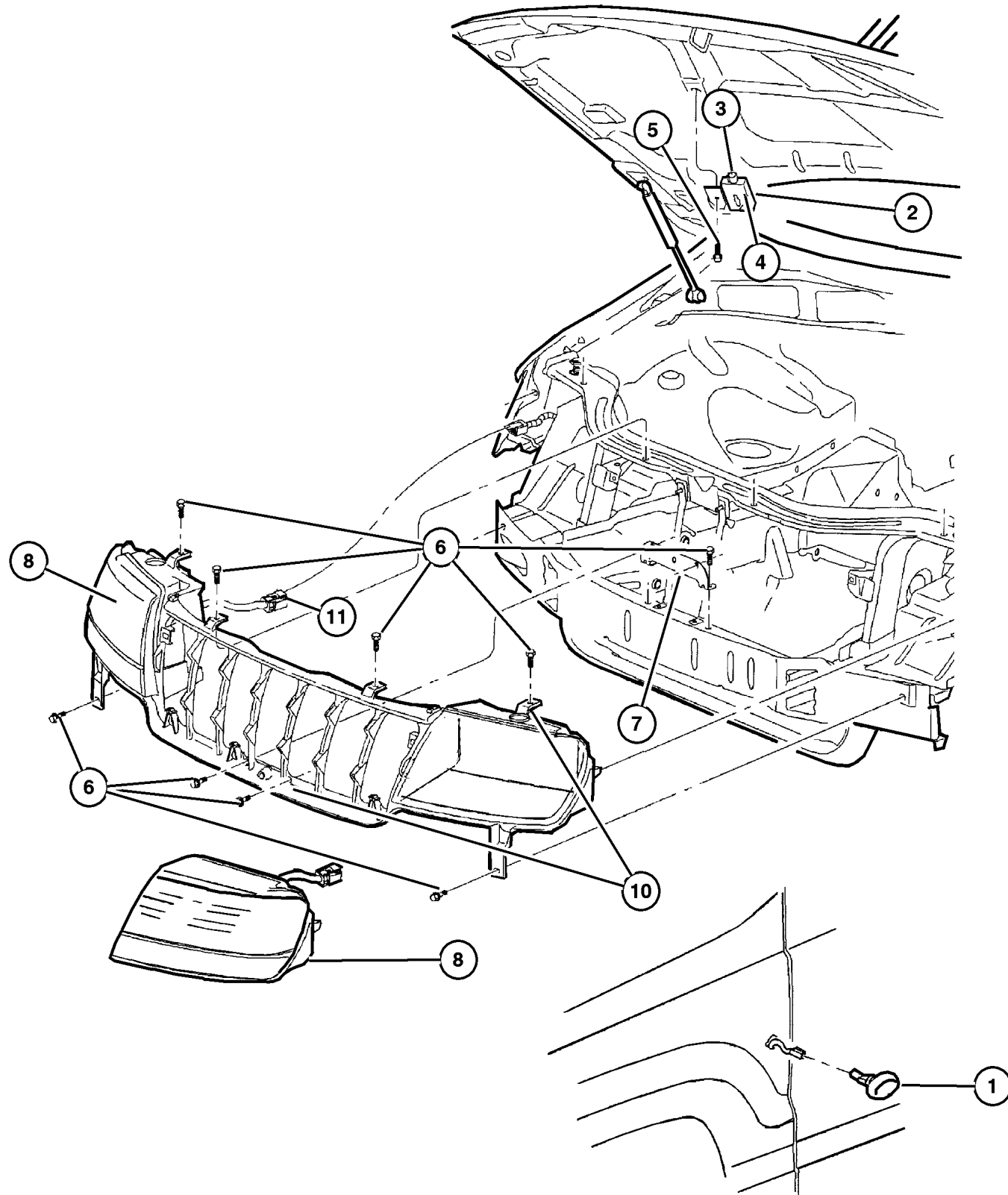
### JEEP GRAND CHEROKEE (WJ)

SERIES	LINE	BODY	ENGINE	TRANSMISSION
H=Laredo	J = 4WD	74 = 4 Door(105.9 WB)	ER0, ERH = 4.0L, Power Tech I-6	DGK = 4 Speed Autm, 42RE
P=Limited	T = 2WD		EVO, EVA = 4.7L, Power Tech V8	DGW = 4 Speed Automatic, -44RE
	U = 4WD (RHD)		EXA, EX0 = 3.1L, 5 Cyl Turbo Diesel	DG4 = Multi Speed Automatic, -45RFE
				DGO = All Automatic

AR = Use as required - = Non illustrated part # = New this model year

September 14, 2002

Lamp - Front End  
Figure 008-1110



ITEM	PART NUMBER	QTY	LINE	SERIES	BODY	ENGINE	TRANS	DESCRIPTION
1	4676 565	2						LAMP, Front Fender
2	5602 1441	1						LAMP, Underhood
3	L000 0561	1						BULB, 561
4	4897 446AA	1						LENS, Lamp Module
5	0154 554	1						SCREW, Self Piercing, .25-14x.625
6	6503 259	2						SCREW, Tapping, M6x1x20
7	55155 706AB	1						BRACKET, Headlamp Panel
8								LAMP, Headlamp Park And Turn
	5515 5128	1	J, T	H				Laredo w/o Headlamp Leveling (USA/ CANADA), Right
	5515 5557	1	U	P				Limited w/Headlamp Leveling (EUROPE), Left
	5515 5574	1	J, T	H				Laredo w/o Headlamp Leveling (EUROPE), Right
	5515 5575	1	J, T	H				Laredo w/o Headlamp Leveling (EUROPE), Left
	5515 5576	1	J, T	P				Limited w/o Headlamp Leveling (EUROPE), Right
	5515 5577	1	J, T	P				Limited w/o Headlamp Leveling (EUROPE), Left
	5515 5578	1	U	H				Laredo w/o Headlamp Leveling (EUROPE), Right
	5515 5579	1	U	H				Laredo w/o Headlamp Leveling (EUROPE), Left
	5515 5582	1	U	P				Limited w/o Headlamp Leveling (EUROPE), Right
	5515 5583	1	U	P				Limited w/o Headlamp Leveling (EUROPE), Left
	55155 942AA	1	J, T	P				Limited w/Headlamp Leveling (EUROPE), Right
	5515 5129	1	J, T	H				Laredo w/o Headlamp Leveling (USA/ CANADA), Left
	55155 943AA	1	J, T	P				Limited w/Headlamp Leveling (EUROPE), Left
	5515 5144	1	J, T	H				Laredo w/Headlamp Leveling (EUROPE), Right
	5515 5145	1	J, T	H				Laredo w/Headlamp Leveling (EUROPE), Left
	5515 5146	1	U	H				Laredo w/Headlamp Leveling (EUROPE), Right
	5515 5147	1	U	H				Laredo w/Headlamp Leveling (EUROPE), Left

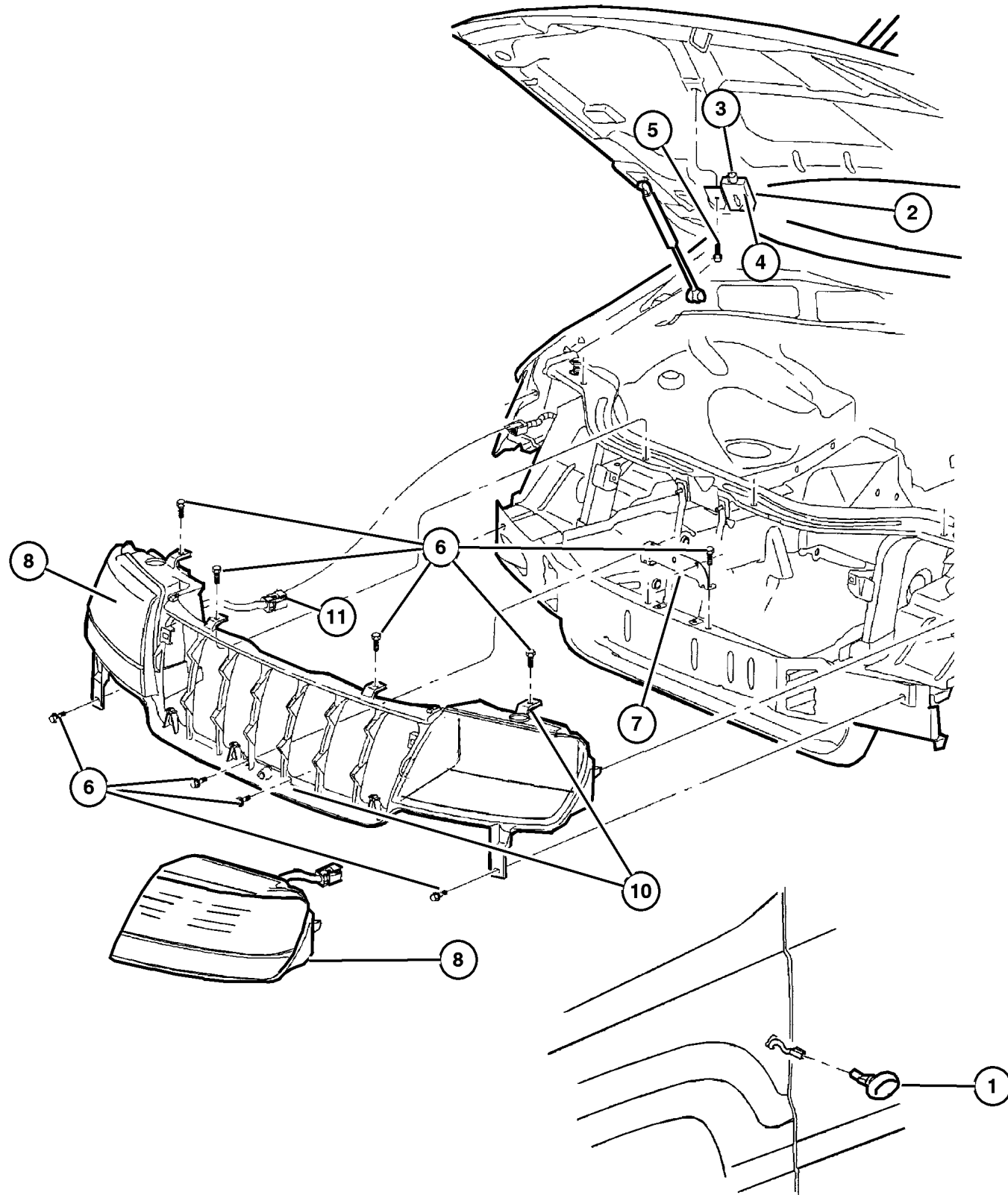
JEEP GRAND CHEROKEE (WJ)

SERIES	LINE	BODY	ENGINE	TRANSMISSION
H=Laredo	J = 4WD	74 = 4 Door(105.9 WB)	ER0, ERH = 4.0L, Power Tech I-6	DGK = 4 Speed Autm, 42RE
P=Limited	T = 2WD		EV0, EVA = 4.7L, Power Tech V8	DGW = 4 Speed Automatic, -44RE
	U = 4WD (RHD)		EXA, EX0 = 3.1L, 5 Cyl Turbo Diesel	DG4 = Multi Speed Automatic, -45RFE
				DGO = All Automatic

AR = Use as required - = Non illustrated part # = New this model year

September 14, 2002

Lamp - Front End  
Figure 008-1110



ITEM	PART NUMBER	QTY	LINE	SERIES	BODY	ENGINE	TRANS	DESCRIPTION
	5515 5552	1	J, T	P				Limited w/o Headlamp Leveling (USA/ CANADA), Right
	5515 5553	1	J, T	P				Limited w/o Headlamp Leveling (USA/ CANADA), Left
	5515 5556	1	U	P				Limited w/Headlamp Leveling (EUROPE), Right
-9	55136 788AA	1						PLATE, Headlamp Mounting SUPPORT, Headlamp Panel
10	5515 5498	1	J, T	H				
		1	U	H				
		1	J, T	P				
		1	U	P				
11								WIRING, Headlamp
	5012 604AA	1	J, T	H				USA/CANADA
	5013 841AA	2	J, T	P				w/Leveling (EUROPE)
		2	U	H				w/Leveling (EUROPE)
	5013 842AA	2	U	P				w/o Leveling (EUROPE)
		2	J, T	H				w/o Leveling (EUROPE)
-12								SENSOR, Ambient Temperature
	5604 2395	1	J, T	H				
		1	U	H				
-13								RETAINER, Headlamp Receptical
	5012 684AA	2	J, T	H				USA/CANADA, Right
		2	U	H				EUROPE, Right
	5012 685AA	4	J, T	P				USA/CANADA, Left
		4	U	H				EUROPE, Left
		4	J, T	H				EUROPE, Left
		4	J, T	H				EUROPE, Right
-14								SCREW, Large Round Washer Head
	6504 483	1	J, T	P				Headlamp Mounting Module (Jack Screw)
		1	U	H				Headlamp Mounting Module (Jack Screw)
-15								NUT
	6033 014	1	J, T	H				
		1	U	H				
-16								BULB, Headlamp, 9006XS
	0154 870AA	1	J, T	H				
		1	U	H				
-17								BULB, Headlamp
	0154 846AA	1	J, T	H				
		1	U	H				
-18	L000 3157	3						BULB, 3157

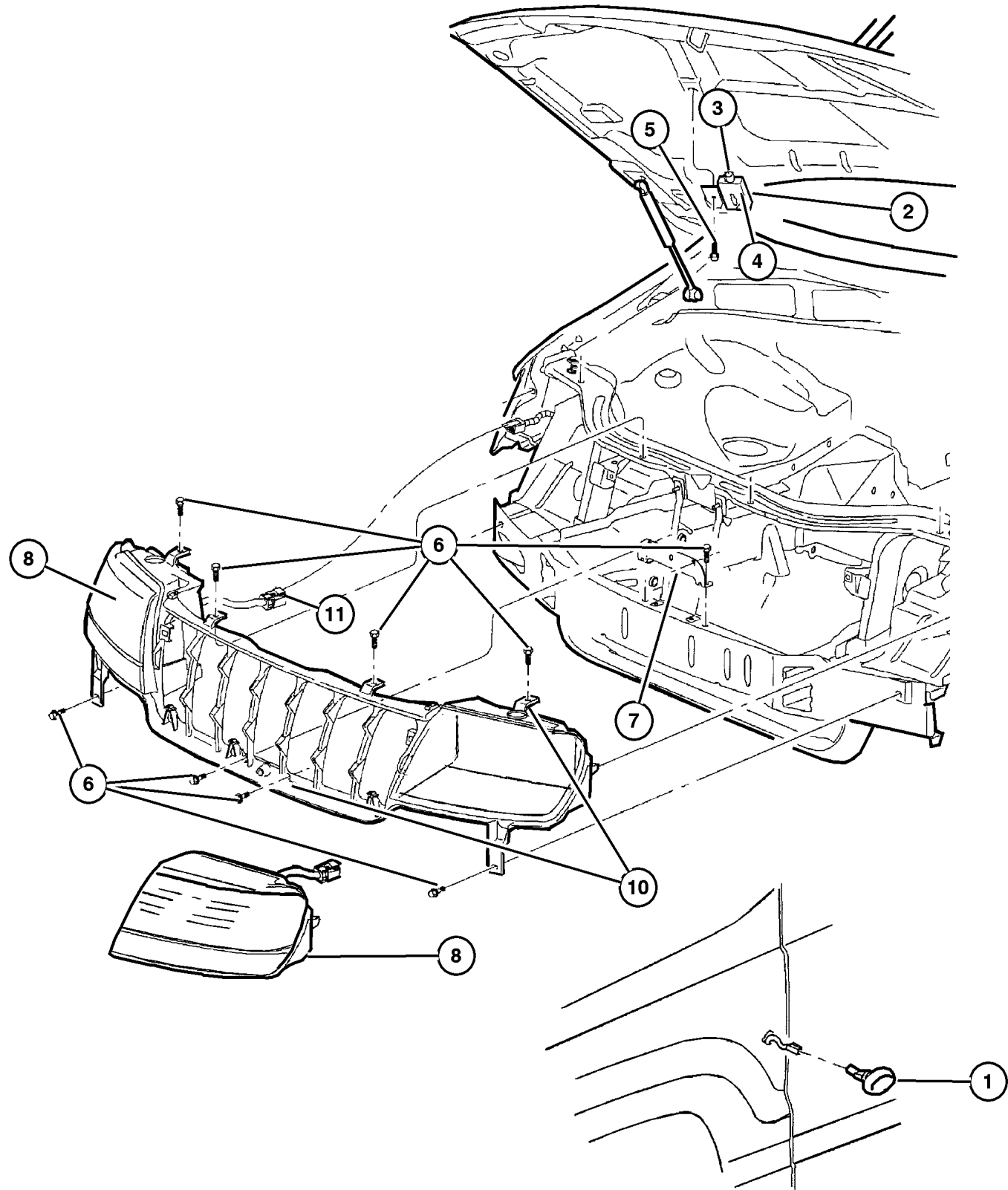
JEEP GRAND CHEROKEE (WJ)

SERIES	LINE	BODY	ENGINE	TRANSMISSION
H=Laredo	J = 4WD	74 = 4 Door(105.9 WB)	ER0, ERH = 4.0L, Power Tech I-6	DGK = 4 Speed Autm, 42RE
P=Limited	T = 2WD		EV0, EVA = 4.7L, Power Tech V8	DGW = 4 Speed Automatic, -44RE
	U = 4WD (RHD)		EXA, EX0 = 3.1L, 5 Cyl Turbo Diesel	DG4 = Multi Speed Automatic, -45RFE
				DGO = All Automatic

AR = Use as required - = Non illustrated part # = New this model year

September 14, 2002

Lamp - Front End  
Figure 008-1110



ITEM	PART NUMBER	QTY	LINE	SERIES	BODY	ENGINE	TRANS	DESCRIPTION
-19	9421 330	1	J, T	H				BULB, PC194
-20	0L00 194NA	1	J, T	P				BULB, 194NA
-21	L0003 157NA	4	J, T	P				BULB, 3157 NAK
-22								LAMP, Fog
	55155 136AB	1		H				EUROPE, Right
	55155 137AB	1		H				EUROPE, Left
	5515 5136	1		H				USA/CANADA, Right
	5515 5137	1		H				USA/CANADA, Left
	5515 5136	1		P				USA/CANADA, Right
	5515 5137	1		P				USA/CANADA, Left
-23	L000 9055	AR						BULB, 9055
-24	4676 801	2						GASKET, Side Marker Lamp, EUROPE

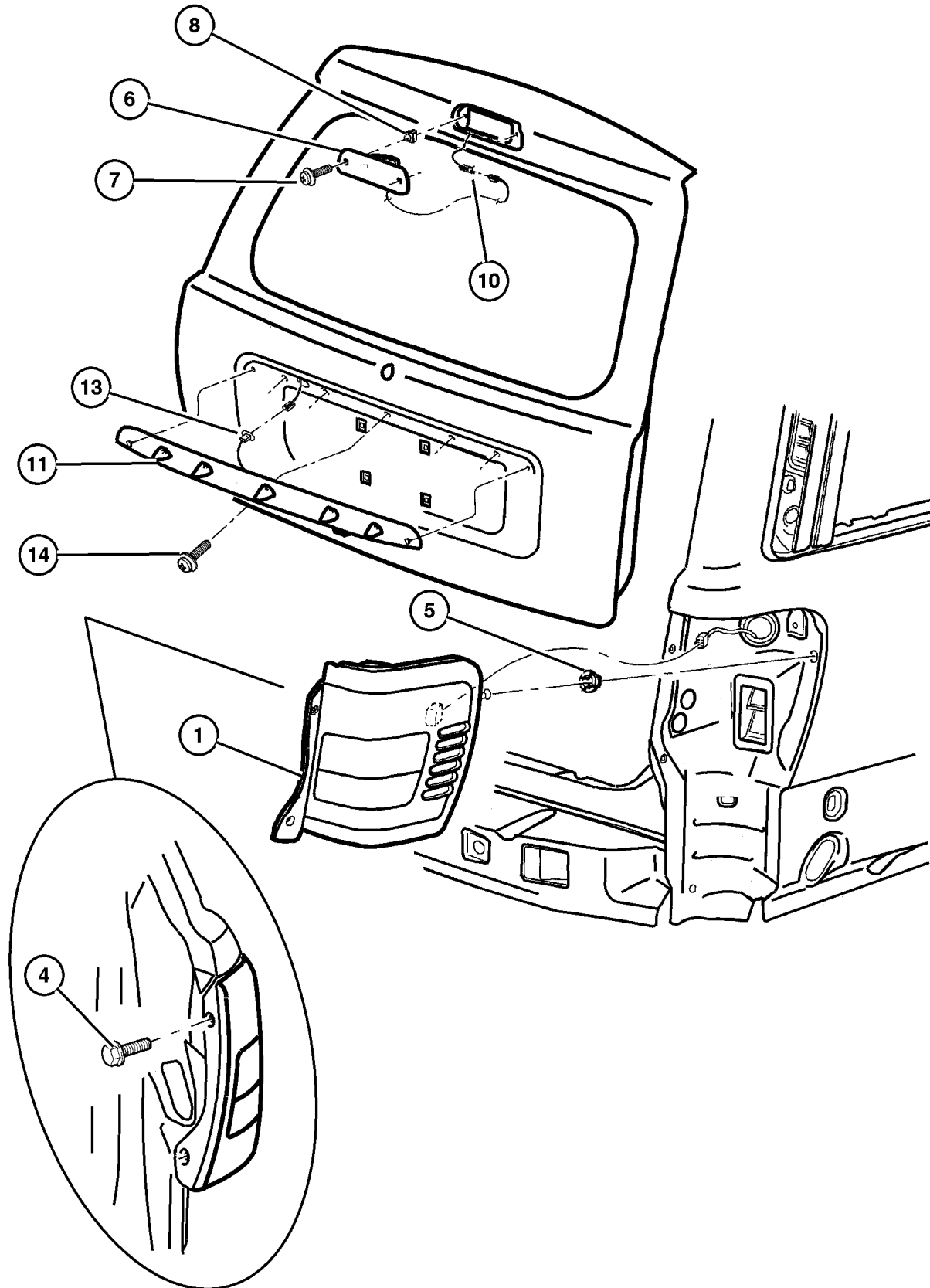
**JEEP GRAND CHEROKEE (WJ)**

SERIES	LINE	BODY	ENGINE	TRANSMISSION
H=Laredo	J = 4WD	74 = 4 Door(105.9 WB)	ER0, ERH = 4.0L, Power Tech I-6	DGK = 4 Speed Autm, 42RE
P=Limited	T = 2WD		EV0, EVA = 4.7L, Power Tech V8	DGW = 4 Speed Automatic, -44RE
	U = 4WD (RHD)		EXA, EX0 = 3.1L, 5 Cyl Turbo Diesel	DG4 = Multi Speed Automatic, -45RFE
				DGO = All Automatic

AR = Use as required - = Non illustrated part # = New this model year

September 14, 2002

Lamp - Rear End  
Figure 008-1120



ITEM	PART NUMBER	QTY	LINE	SERIES	BODY	ENGINE	TRANS	DESCRIPTION
1								LAMP, Tail Stop Turn
	55155 138AC	1						USA/CANADA, Right
	55155 139AC	1						USA/CANADA, Left
	55155 142AC	1						EUROPE, Right
	55155 143AC	1						EUROPE, Left
-2	L000 3157	3						BULB, 3157
-3	4676 589	3						SOCKET, Board
4								SCREW, .190-16 X .750, (NOT SERVICED) (Not Serviced)
5	6505 386AA	2						NUT, Plastic
6	5515 5140	1						LAMP, High Mounted Stop
7	6036 163AA	2						SCREW, .19-16x1.00
8	6505 703AA	2						NUT, Plastic Snap-in
-9	0154 883AA	1						BULB, 921
10	5604 2544	1						WIRING, High Mounted Stop Lamp
11								HOUSING, Lamp
	5012 553AB	1		H				Laredo
	5012 554AA	1		P				Limited
-12	5012 548AA	1		H				LAMP, License
13	56042 545AD	1		H				WIRING, License Lamp
14	0154 228	5						SCREW, Tapping, .19-16x.625
-15	56042 450AB	1		H				SWITCH, Flipper Window
-16	L000 0168	2						BULB, 168
-17	0153 625	2		P				BULB, W10/5

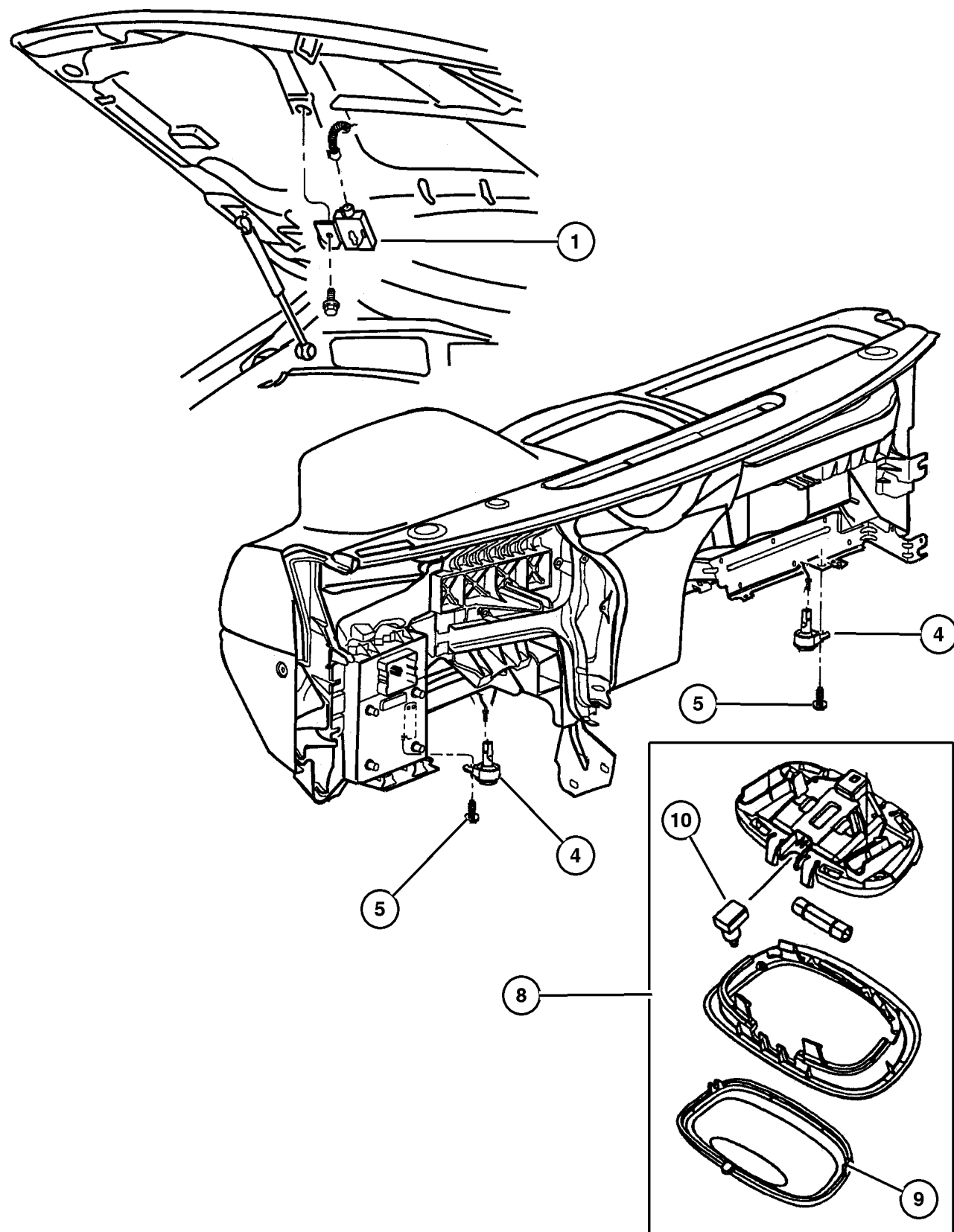
JEEP GRAND CHEROKEE (WJ)

SERIES	LINE	BODY	ENGINE	TRANSMISSION
H=Laredo	J = 4WD	74 = 4 Door(105.9 WB)	ER0, ERH = 4.0L, Power Tech I-6	DGK = 4 Speed Autm, 42RE
P=Limited	T = 2WD		EV0, EVA = 4.7L, Power Tech V8	DGW = 4 Speed Automatic, -44RE
	U = 4WD (RHD)		EXA, EX0 = 3.1L, 5 Cyl Turbo Diesel	DG4 = Multi Speed Automatic, -45RFE
				DGO = All Automatic

AR = Use as required - = Non illustrated part # = New this model year

September 14, 2002

Lamp - Courtesy - Dome - Reading  
Figure 008-1130



ITEM	PART NUMBER	QTY	LINE	SERIES	BODY	ENGINE	TRANS	DESCRIPTION
1	5602 1441	1						LAMP, Underhood, w/Switch
-2	4897 446AA	1						LENS, Lamp Module, Underhood
-3	L000 0561	1						BULB, 561
4	56042 559AA	2						LAMP, Courtesy, I/panel Lower
5	6101 946	3						SCREW, Tapping
-6	L000 0161	1						BULB, 161, Ash Receiver
-7	4778 794	1	J, T					LENS, Illuminated Visor Right And Left
		1	U					Right And Left
8	5FT1 0RK5	1	J, T					LAMP, Cargo Tan/Agate
		1	U					Tan/Agate
	5FT1 0TL2	1	J, T					Beige
		1	U					Beige
9	55196 755AA	1	J, T					LENS, Cargo Lamp
		1	U					
10	55196 759AA	1	J, T					LENS, Lamp Module, Grab Handle Left Rear
		1	U					Left Rear
	55196 760AA	1	J, T					Right Rear
		1	U					Right Rear
-11	4685 445	1	J, T					SWITCH, Reading Lamp Rear Cargo
		1	U					Rear Cargo
-12	5600 5076	1	J, T	P				LAMP, Door U.S., Mexico & Canada, Right
		1	J, T	P				Europe, Right
	5600 5077	1	J, T	P				U.S., Mexico & Canada, Left
		1	J, T	P				Europe, Left
	5600 5076	1	U	P				Europe, Right
	5600 5077	1	U	P				Europe, Left

JEEP GRAND CHEROKEE (WJ)

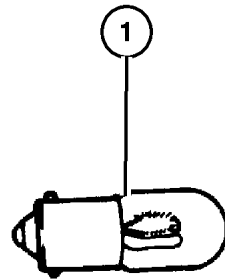
SERIES	LINE	BODY	ENGINE	TRANSMISSION
H=Laredo	J = 4WD	74 = 4 Door(105.9 WB)	ER0, ERH = 4.0L, Power Tech I-6	DGK = 4 Speed Autm, 42RE
P=Limited	T = 2WD		EV0, EVA = 4.7L, Power Tech V8	DGW = 4 Speed Automatic, -44RE
	U = 4WD (RHD)		EXA, EX0 = 3.1L, 5 Cyl Turbo Diesel	DG4 = Multi Speed Automatic, -45RFE
				DGO = All Automatic

AR = Use as required - = Non illustrated part # = New this model year

September 14, 2002

**Bulbs & Sockets**  
**Figure 008-1140**

ITEM	PART NUMBER	QTY	LINE	SERIES	BODY	ENGINE	TRANS	DESCRIPTION
ER0=4.0L Engine								
EVO=4.7L Engine								
EX0=3.0L/3.1L Turbo Diesel Engine								
1	0153 620	2						BULB, 8/4, Side Repeater
-2	L000 3157	3						BULB, 3157
-3	0154 883AA	1						BULB, 921
-4								BULB, 561
	L000 0561	1						Underhood
	9433 040	1						
-5	9421 330	1	J, T	H				BULB, PC194
-6	0154 870AA	1	J, T	H				BULB, Headlamp, 9006XS
-7	0154 846AA	1	J, T	H				BULB, Headlamp
-8	L000 0161	1						BULB, 161, Ash Receiver
-9	L000 0906	2						BULB, 906
-10								BULB, 74
	6501 966	1	J, T					
		1	U					
-11								BULB, 192
	L000 0192	2	J, T					
		1	U					
-12	5012 591AA	1		H				BULB AND SOCKET
-13								BULB, PY21W Amber
	0154 742	1	J, T	P				
		1	U	H				
-14	L000 PC74	16				ER0, EVO		BULB, PC74



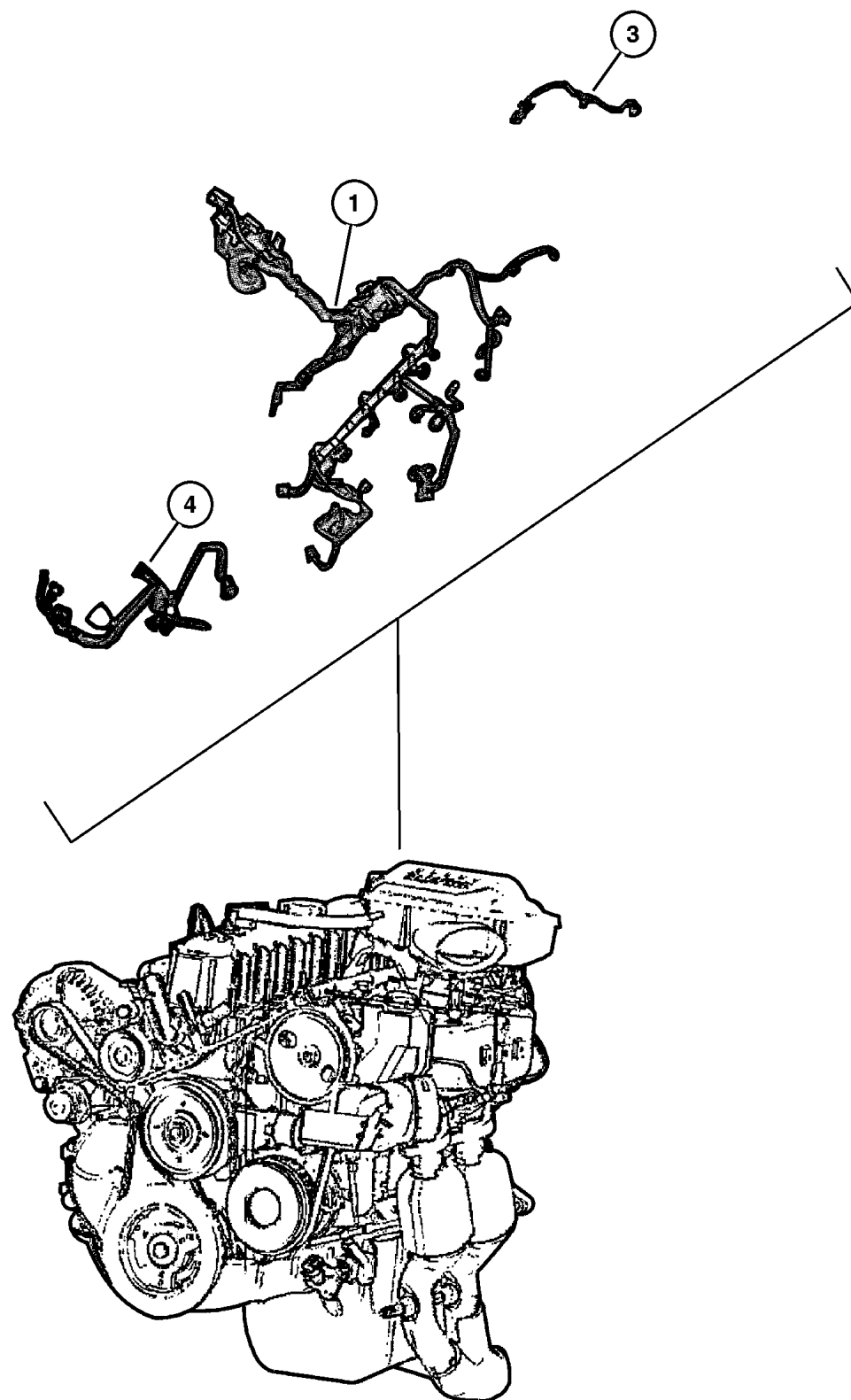
**JEEP GRAND CHEROKEE (WJ)**

SERIES	LINE	BODY	ENGINE	TRANSMISSION
H=Laredo	J = 4WD	74 = 4 Door(105.9 WB)	ER0, ERH = 4.0L, Power Tech I-6	DGK = 4 Speed Autm, 42RE
P=Limited	T = 2WD		EVO, EVA = 4.7L, Power Tech V8	DGW = 4 Speed Automatic, -44RE
	U = 4WD (RHD)		EXA, EX0 = 3.1L, 5 Cyl Turbo Diesel	DG4 = Multi Speed Automatic, -45RFE
				DGO = All Automatic

AR = Use as required - = Non illustrated part # = New this model year

September 14, 2002

**Wiring - Engine and Related Items 4.0L Engine, 3.0,3.1L Diesel  
Figure 008-1210**

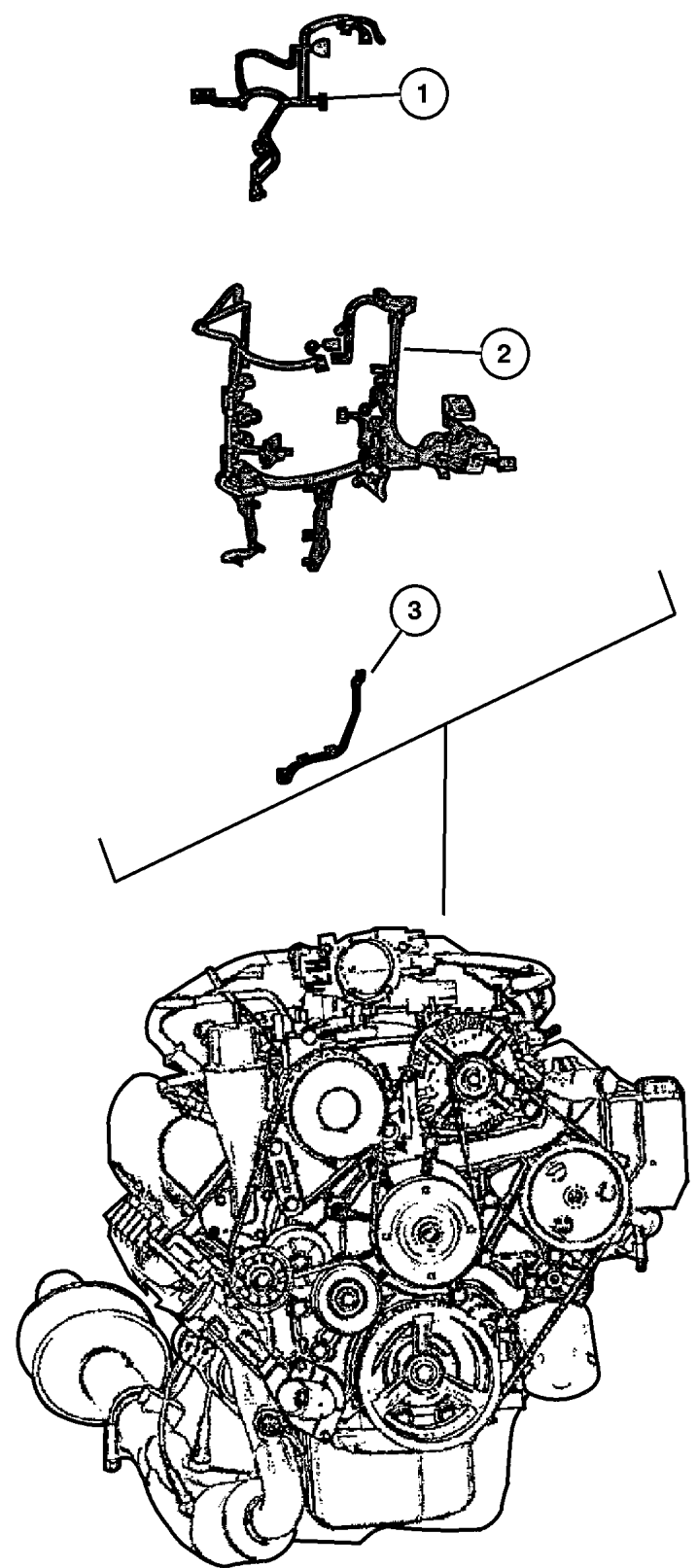


ITEM	PART NUMBER	QTY	LINE	SERIES	BODY	ENGINE	TRANS	DESCRIPTION
Notes:								
[ER0]=4.0L Engine								
[EX0]=3.0,3.1L Turbo Diesel								
[DG0]=Automatic Transmission								
1								WIRING, Injector
	56042 202AC	1	J, U			EX0	DG0	
	#56044 400AD	1	J, T			ER0	DG0	Export
	#56044 402AC	1	J, T			ER0	DG0	California
	#56044 410AC	1	U			ER0	DG0	
-2	4641 780	1						STRAP, Tie
3	56041 438AA	1	J			ER0	DG0	WIRING, Transfer Case Jumper
4								WIRING, Alternator and Battery
	56038 421AC	1	J, T			ER0		
	56038 422AD	1	J, U			EX0		

<b>JEEP GRAND CHEROKEE (WJ)</b>				
SERIES	LINE	BODY	ENGINE	TRANSMISSION
H=Laredo	J = 4WD	74 = 4 Door(105.9 WB)	ER0, ERH = 4.0L, Power Tech I-6	DGK = 4 Speed Autm, 42RE
P=Limited	T = 2WD		EV0, EVA = 4.7L, Power Tech V8	DGW = 4 Speed Automatic, -44RE
	U = 4WD (RHD)		EXA, EX0 = 3.1L, 5 Cyl Turbo Diesel	DG4 = Multi Speed Automatic, -45RFE
				DGO = All Automatic



**Wiring - Engine and Related Items 4.7L Engine  
Figure 008-1220**



ITEM	PART NUMBER	QTY	LINE	SERIES	BODY	ENGINE	TRANS	DESCRIPTION
------	-------------	-----	------	--------	------	--------	-------	-------------

Notes:  
 [EVA]=4.7L Power Tech Engine  
 [EVC]=4.7L Power Tech HO V-8  
 [EV0]=4.7L Engine  
 [DG0]=Automatic Transmission

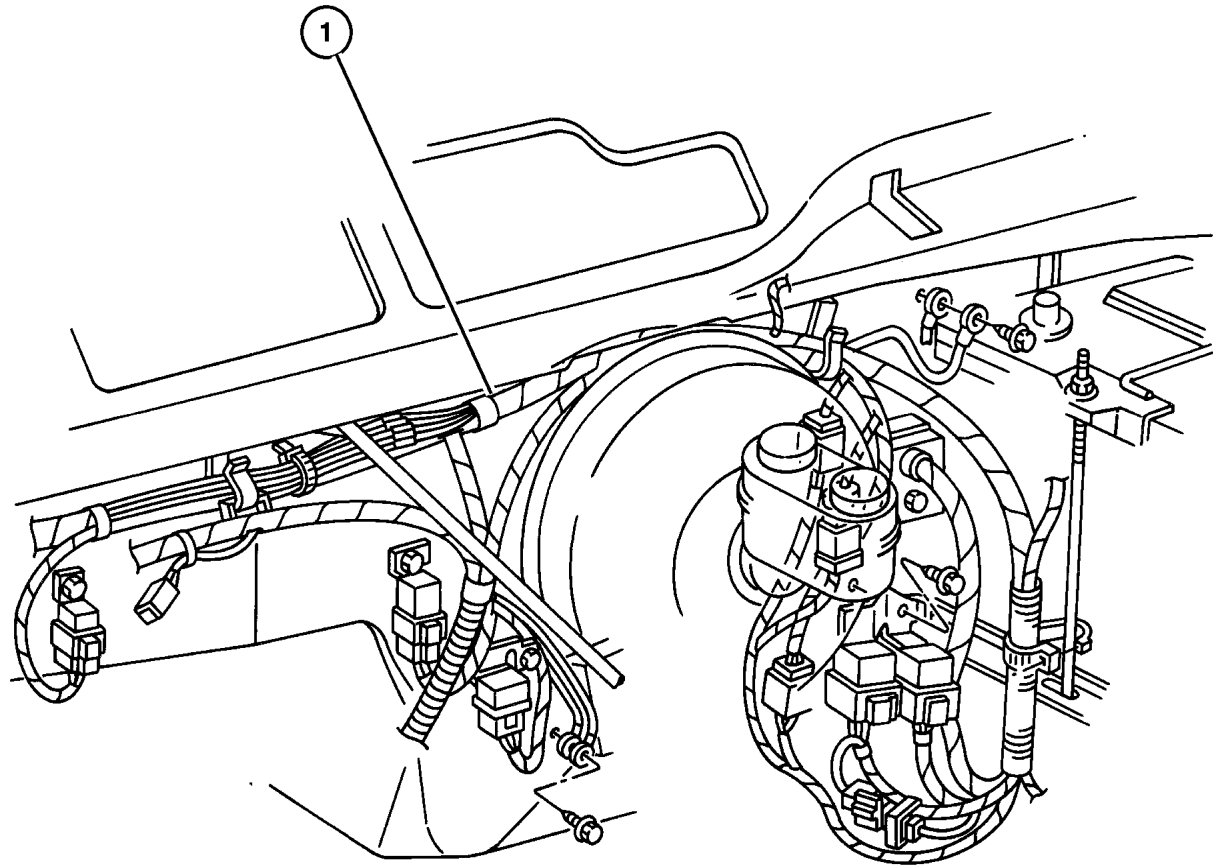
1								WIRING, Alternator and Battery
	56038 423AD	1	J, T			EVO		
	56041 525AD	1				EVO		Export
2								WIRING, Injector
	56042 406AG	1	J, T			EVO	DG0	
	56042 407AG	1	J, T			EVO	DG0	California
	#56044 411AB	1	U			EVO	DG0	Export
3	56041 438AA	1	J			ER0,	DG0	WIRING, Transfer Case Jumper
						EVO		
-4	4641 780	1						STRAP, Tie

<b>JEEP GRAND CHEROKEE (WJ)</b>				
SERIES	LINE	BODY	ENGINE	TRANSMISSION
H=Laredo	J = 4WD	74 = 4 Door(105.9 WB)	ER0, ERH = 4.0L, Power Tech I-6	DGK = 4 Speed Autm, 42RE
P=Limited	T = 2WD		EVO, EVA = 4.7L, Power Tech V8	DGW = 4 Speed Automatic, -44RE
	U = 4WD (RHD)		EXA, EX0 = 3.1L, 5 Cyl Turbo Diesel	DG4 = Multi Speed Automatic, -45RFE
				DGO = All Automatic

AR = Use as required - = Non illustrated part # = New this model year

September 14, 2002

**Wiring - Headlamp / Dash  
Figure 008-1310**



ITEM	PART NUMBER	QTY	LINE	SERIES	BODY	ENGINE	TRANS	DESCRIPTION
ER0=4.0L Engine EVO=4.7L Engine EX0=3.0L/3.1L Turbo Diesel Engine								
1	56042 207AG	1	J, T			ER0, EVO		WIRING, Headlamp to Dash Left
	#56042 709AC	1	J, T			ER0, EVO		California Emission, Right
	#56042 710AC	1	J, T			ER0, EVO		Federal Emission, Right
	#56042 820AC	1	U			ER0, EVO		European III Mission, Right
	#56042 828AC	1	J, T			ER0, EVO		European III Mission, Right
	#56042 839AB	1	J, T			ER0, EVO		European III Mission, Left
	#56042 840AC	1	U			ER0, EVO		European III Mission, Left
	56042 208AG	1	J, T			EX0		Right
	#56042 209AI	1	J, T			EX0		Left
	#56042 210AG	1	U			ER0, EVO		Export or Leaded Fuel Emission, Right
	#56042 211AJ	1	U			ER0, EVO		Export or Leaded Fuel Emission, Left
	#56042 212AH	1	U			EX0		Right
	#56042 213AI	1	U			EX0		Left
	#56042 500AH	1	J, T			ER0, EVO		Export or Leaded Fuel Emission, Right
	56042 501AG	1	J, T			ER0, EVO		Export or Leaded Fuel Emission, Left
-2	4604 235	2						BREAKER, Circuit
-3	#5016 946AA	1	U			ER0, EVO		COVER, Power Distribution Center Export or Leaded Fuel Emission
	#5016 947AA	1	J, T			ER0, EVO		Export or Leaded Fuel Emission
	#5016 947AA	1	J, T			EX0		
	#5016 947AA	1	U			EX0		
-4	4671 168	2						RELAY, Mini
-5	4707 286AD	1						RELAY, Electrical
-6	00AT M10	2	J, T					FUSE, Mini, 10 AMP, Red
-7	00AT M15	1	J, T					FUSE, Mini, 15 AMP, Light Blue

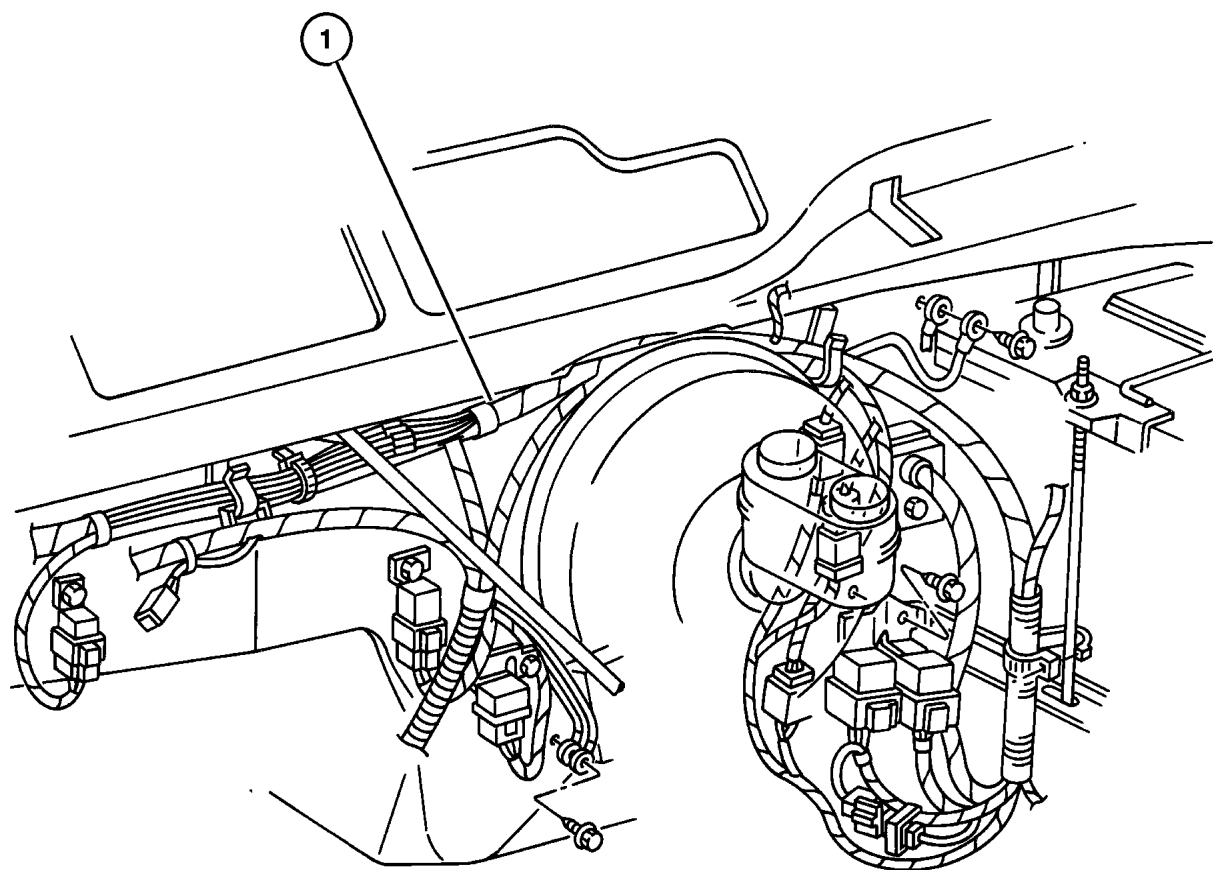
**JEEP GRAND CHEROKEE (WJ)**

SERIES	LINE	BODY	ENGINE	TRANSMISSION
H=Laredo	J = 4WD	74 = 4 Door(105.9 WB)	ER0, ERH = 4.0L, Power Tech I-6	DGK = 4 Speed Autm, 42RE
P=Limited	T = 2WD		EVO, EVA = 4.7L, Power Tech V8	DGW = 4 Speed Automatic, -44RE
	U = 4WD (RHD)		EXA, EX0 = 3.1L, 5 Cyl Turbo Diesel	DG4 = Multi Speed Automatic, -45RFE
				DGO = All Automatic

AR = Use as required - = Non illustrated part # = New this model year

September 14, 2002

**Wiring - Headlamp / Dash  
Figure 008-1310**



ITEM	PART NUMBER	QTY	LINE	SERIES	BODY	ENGINE	TRANS	DESCRIPTION
-8	00AT M20	1	J, T					FUSE, Mini, 20 AMP, Yellow
-9	6102 076AA	2	J, T			ER0, EVO		FUSE CARTRIDGE, 30 Amp
		2	U			ER0, EVO		
		2	U			EX0		
-10	6102 077AA	6	J, T			ER0, EVO		FUSE CARTRIDGE, 40 Amp
		6	U			ER0, EVO		
		6	U			EX0		
-11	6102 078AA	3	J, T			ER0, EVO		FUSE CARTRIDGE, 50 Amp
		3	U			ER0, EVO		
		3	U			EX0		
-12	55196 762AA	1	J, T					PULLER, Fuse
		1	U					

**JEEP GRAND CHEROKEE (WJ)**

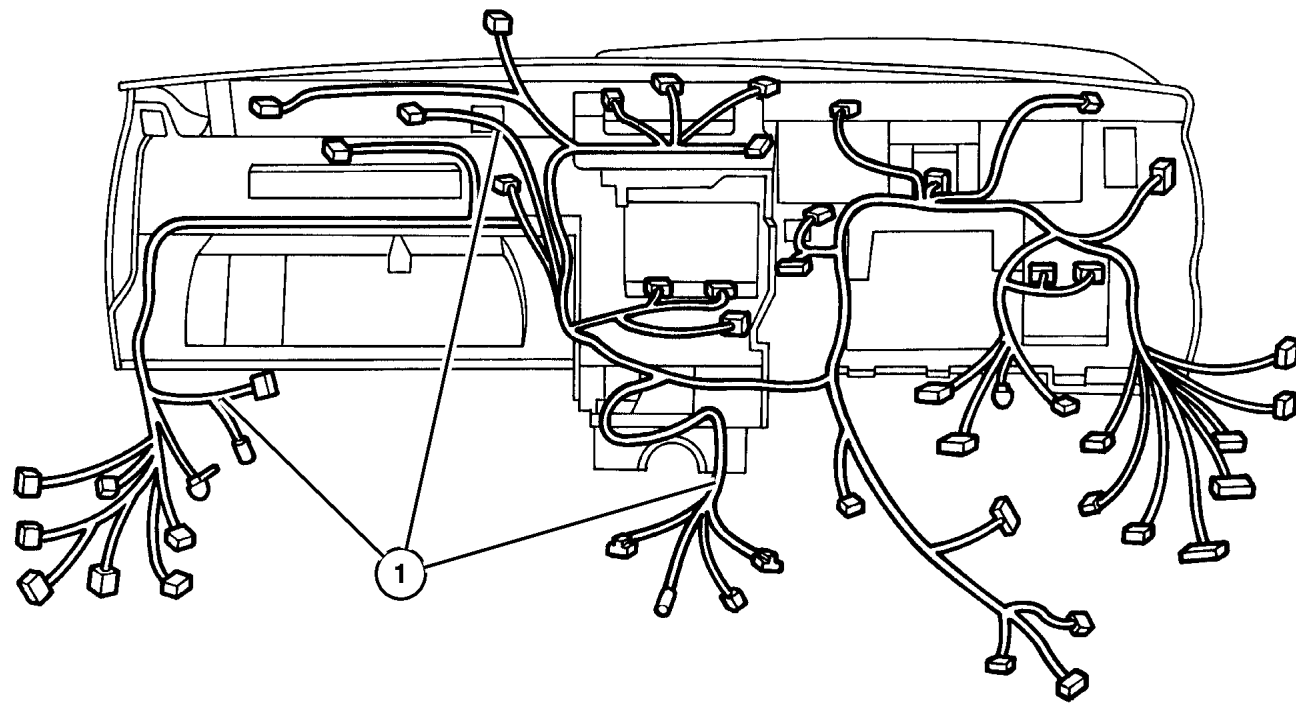
SERIES	LINE	BODY	ENGINE	TRANSMISSION
H=Laredo	J = 4WD	74 = 4 Door(105.9 WB)	ER0, ERH = 4.0L, Power Tech I-6	DGK = 4 Speed Autm, 42RE
P=Limited	T = 2WD		EVO, EVA = 4.7L, Power Tech V8	DGW = 4 Speed Automatic, -44RE
	U = 4WD (RHD)		EXA, EX0 = 3.1L, 5 Cyl Turbo Diesel	DG4 = Multi Speed Automatic, -45RFE
				DGO = All Automatic

AR = Use as required - = Non illustrated part # = New this model year

September 14, 2002

**Wiring - Instrument Panel**  
**Figure 008-1410**

ITEM	PART NUMBER	QTY	LINE	SERIES	BODY	ENGINE	TRANS	DESCRIPTION
Note:								
EVO = All 4.7L Gas Engines								
1								WIRING, Instrument Panel
	#56042 920AD	1	J, T					A/C w/Leather Wrap Steering Wheel & w/o 10 Disc CD Remote Changer
	#56042 922AD	1	J, T					A/C w/ATC Dual Zone, Automatic H/Lamp & Leather Wrap Steering Wheel
	#56042 925AD	1	J, T					A/C w/10 Disc CD Remote Changer, Automatic H/Lamp & Leather Wrap Steering Wheel
	#56042 940AD	1	J, T					A/C w/ATC Dual Zone, 10 Disc CD Remote Changer, Automatic H/Lamp & Leather Wrap Steering Wheel
	#56042 945AB	1	J, T					A/C w/Leather Wrap Steering Wheel
	#56042 947AB	1	J, T					A/C w/ATC Dual Zone, & Leather Wrap Steering Wheel
	#56042 949AB	1	U					A/C w/Leather Wrap Steering Wheel (EUROPE)
	#56042 950AB	1	U					A/C w/ATC Dual Zone, & Leather Wrap Steering Wheel (EUROPE)
-2	6101 802	1				EVO		NUT AND WASHER, M6x1.00
-3	4274 258	2						TAPE, Radio Connector, Foam
-4	#56042 148AG	1						JUNCTION BLOCK, Relay
-5	00AT M10	2	J, T					FUSE, Mini, 10 AMP, Red
-6	00AT M15	1	J, T					FUSE, Mini, 15 AMP, Light Blue
-7	00AT M20	1	J, T					FUSE, Mini, 20 AMP, Yellow
-8	4687 835	1	J, T					FUSE, Mini, 25 Amp, Natural
-9	55196 762AA	1	J, T					PULLER, Fuse
		1	U					
-10								COVER, Fuse Access
	55116 219AB	1	J, T					
	55116 293AB	1	U					
-11	4604 235	2						BREAKER, Circuit, 20 AMP
-12	5072 991AA	1						PLUG, Wiring, 10 Way (Plug/Cap/Shorting Bar)



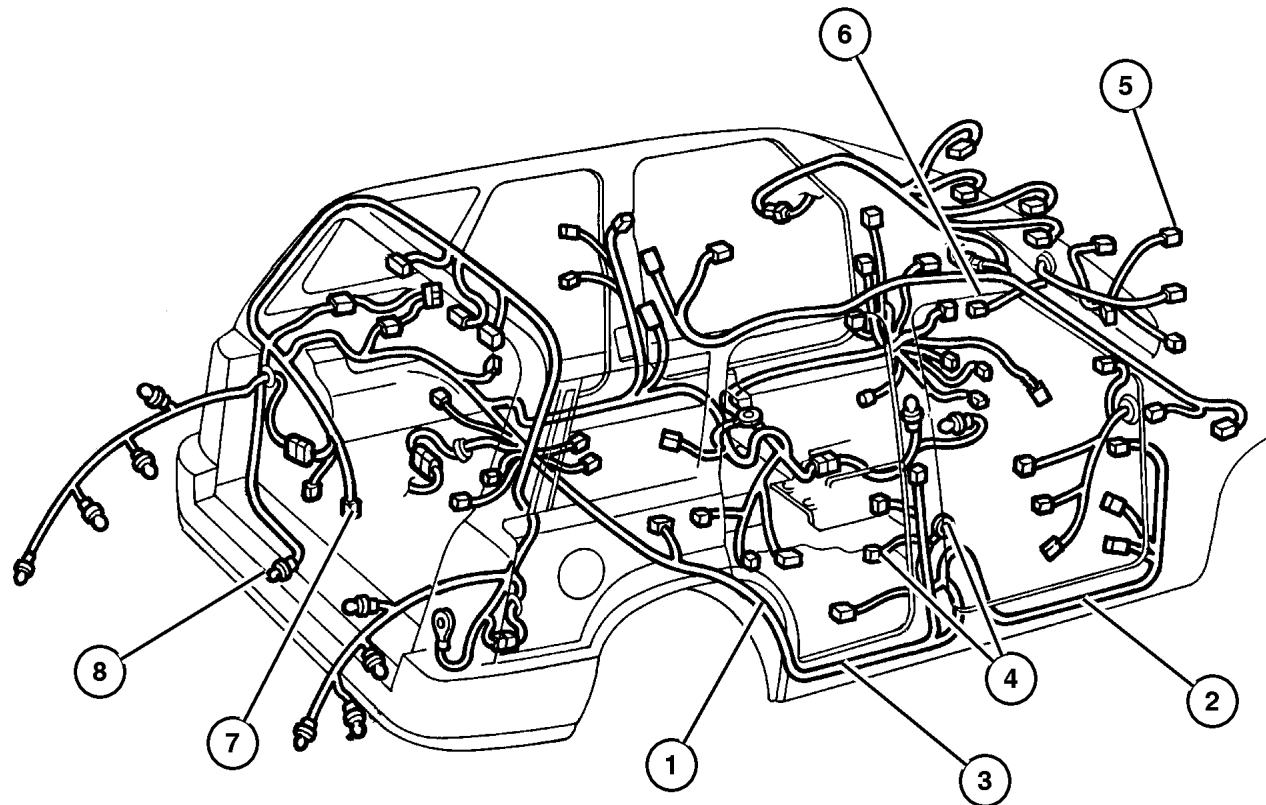
**JEEP GRAND CHEROKEE (WJ)**

SERIES	LINE	BODY	ENGINE	TRANSMISSION
H=Laredo	J = 4WD	74 = 4 Door(105.9 WB)	ER0, ERH = 4.0L, Power Tech I-6	DGK = 4 Speed Autm, 42RE
P=Limited	T = 2WD		EVO, EVA = 4.7L, Power Tech V8	DGW = 4 Speed Automatic, -44RE
	U = 4WD (RHD)		EXA, EX0 = 3.1L, 5 Cyl Turbo Diesel	DG4 = Multi Speed Automatic, -45RFE
				DGO = All Automatic

AR = Use as required - = Non illustrated part # = New this model year

September 14, 2002

**Wiring - Body & Accessories**  
**Figure 008-1510**



ITEM	PART NUMBER	QTY	LINE	SERIES	BODY	ENGINE	TRANS	DESCRIPTION
ER0=4.0L Engine EVO=4.7L Engine EX0=3.0L/3.1L Turbo Diesel Engine								
1	56042 428AE	1	J, T			ER0, EVO		WIRING, Body w/o 10 Disc Remote CD Changer, Right
	#56042 707AB	1	J, T					w/Power Seats & w/Infinity Speaker System, Right
	#56042 708AB	1	J, T					w/10 Disc Remote CD Changer, Right
	#56042 730AA	1	J, T			ER0, EVO		Left
	#56042 735AA	1	J, T			EX0		Left
	#56042 750AA	1	U			ER0, EVO		w/o 10 Disc Remote CD Changer, Left
	#56042 751AA	1	U			ER0, EVO		w/10 Disc Remote CD Changer, Left
	#56042 763AA	1	U					w/o 10 Disc Remote CD Changer, Right
	#56042 765AA	1	U					w/10 Disc Remote CD Changer, Right
	56042 458AE	1	J, T			EX0		w/o 10 Disc Remote CD Changer, Right
	#56042 567AE	1	U			EX0		w/o 10 Disc Remote CD Changer, Left
	#56042 586AE	1	U			EX0		w/10 Disc Remote CD Changer, Left
	56042 589AE	1	J, T			ER0, EVO		w/10 Disc Remote CD Changer, Right
	56042 590AE	1	J, T			EX0		w/10 Disc Remote CD Changer, Right
	#56042 700AB	1	J, T					w/Power Seats, Left
	#56042 705AB	1	J, T					w/o Power Seats, Left
	#56042 706AB	1	J, T					w/o Power Seats & w/o Infinity Speaker System, Right
2	56042 219AE	1						WIRING, Front Door w/Security Alarm (Driver Side), Front Door
	56042 220AE	1						(Passenger Side), Front Door
	56042 221AE	1						w/o Security Alarm (Driver Side), Front Door
	56042 824AE	1	U					EUROPE w/JAPAN Market Requirements (Driver Side), Front Door
3	56042 538AF	2						WIRING, Rear Door
4	#56042 527AD	1	J, T	H				WIRING, Door Jumper USA/CANADA w/o Infinity Speaker System (Laredo), Right
	#56042 526AD	1	J, T	P				USA/CANADA, Right

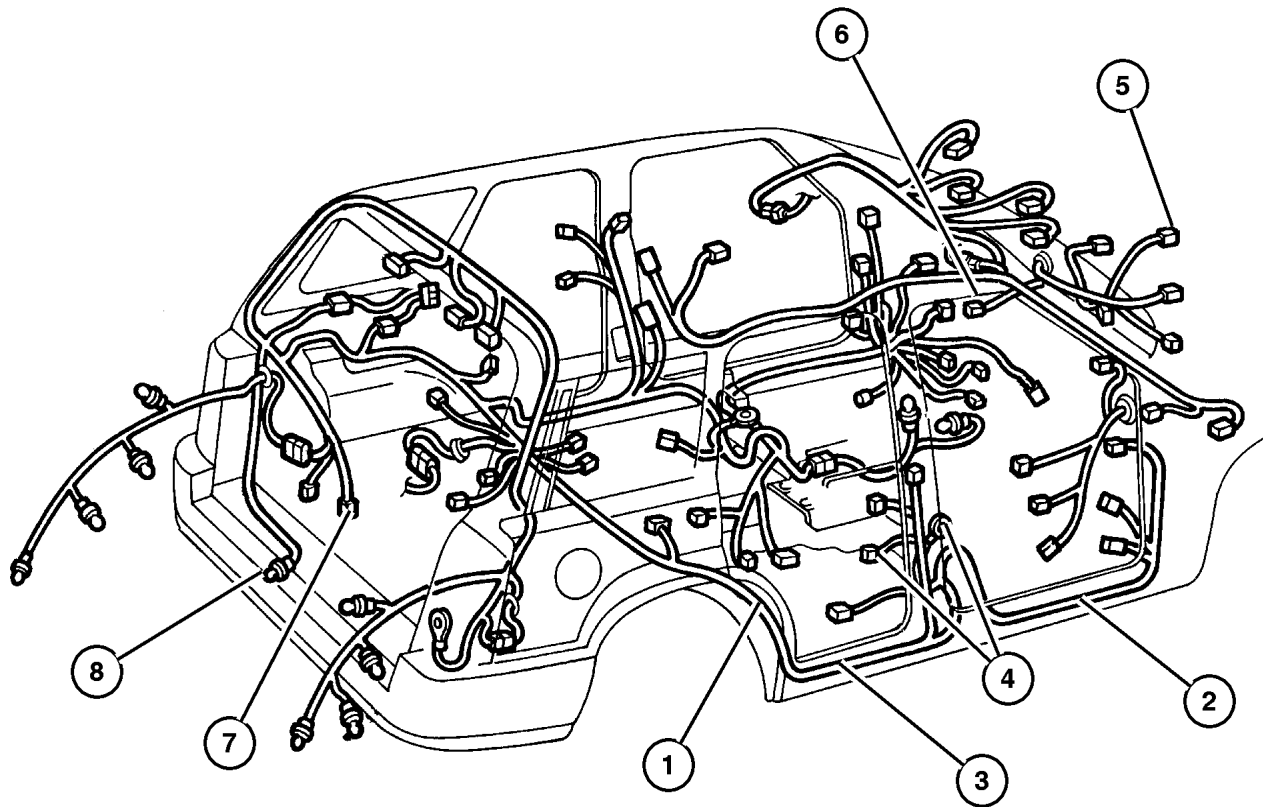
**JEEP GRAND CHEROKEE (WJ)**

SERIES	LINE	BODY	ENGINE	TRANSMISSION
H=Laredo	J = 4WD	74 = 4 Door(105.9 WB)	ER0, ERH = 4.0L, Power Tech I-6	DGK = 4 Speed Autm, 42RE
P=Limited	T = 2WD		EVO, EVA = 4.7L, Power Tech V8	DGW = 4 Speed Automatic, -44RE
	U = 4WD (RHD)		EXA, EX0 = 3.1L, 5 Cyl Turbo Diesel	DG4 = Multi Speed Automatic, -45RFE
				DGO = All Automatic

AR = Use as required - = Non illustrated part # = New this model year

September 14, 2002

**Wiring - Body & Accessories**  
**Figure 008-1510**



ITEM	PART NUMBER	QTY	LINE	SERIES	BODY	ENGINE	TRANS	DESCRIPTION
	56042 569AB	1	U	P				EUROPE w/Infinity Speaker System & JAPAN Market Requirements, Right
	#56042 570AD	1	U	P				EUROPE w/Infinity Speaker System, Left
	#56042 571AD	1	U	H				EUROPE w/Infinity Speaker System, Right & Left
	#56042 570AE	1	J, T	P				USA/CANADA w/o Infinity Speaker System (Limited), Right & Left
		1	U	P				USA/CANADA w/Infinity Speaker System (Limited), Right & Left
		1	U	P				EUROPE w/Infinity Speaker System (Limited), Right & Left
		1	U	P				EUROPE w/Infinity Speaker System & JAPAN Market Requirements (Limited), Right & Left
	#56042 527AD	1	J, T	H				USA/CANADA w/Infinity Speaker System (Laredo), Right
	#56042 569AD	1	J, T	P				EUROPE w/Infinity Speaker System, Left
		1	U	P				EUROPE w/Infinity Speaker System, Right
	#56042 570AD	1	U	P				EUROPE w/Infinity Speaker System & JAPAN Market Requirements, Left
		1	J, T	P				EUROPE, Right
	#56042 571AD	1	J, T	H				EUROPE w/Infinity Speaker System, Right & Left
		1	U	H				EUROPE w/Infinity Speaker System & JAPAN Market Requirements, Right & Left
	#56042 525AD	1	J, T	P				USA/CANADA, Left
5	56042 574AD	1						WIRING, Underhood Lamp
6								WIRING, Steering Wheel
	56042 592AB	1		H				
	56042 595AB	1						
7	#56042 800AA	1						WIRING, Liftgate
8	56042 239AE	1						WIRING, Trailer Tow
-9	56038 366AB	1						CONNECTOR, 7 Way
-10	5601 9823	1						ADAPTER, Trailer Tow
-11	8220 3600	1						COVER KIT, Trailer Tow
-12								WIRING, Headliner
	56042 235AE	1	U					w/o Sunroof
		1	J, T					w/o Sunroof

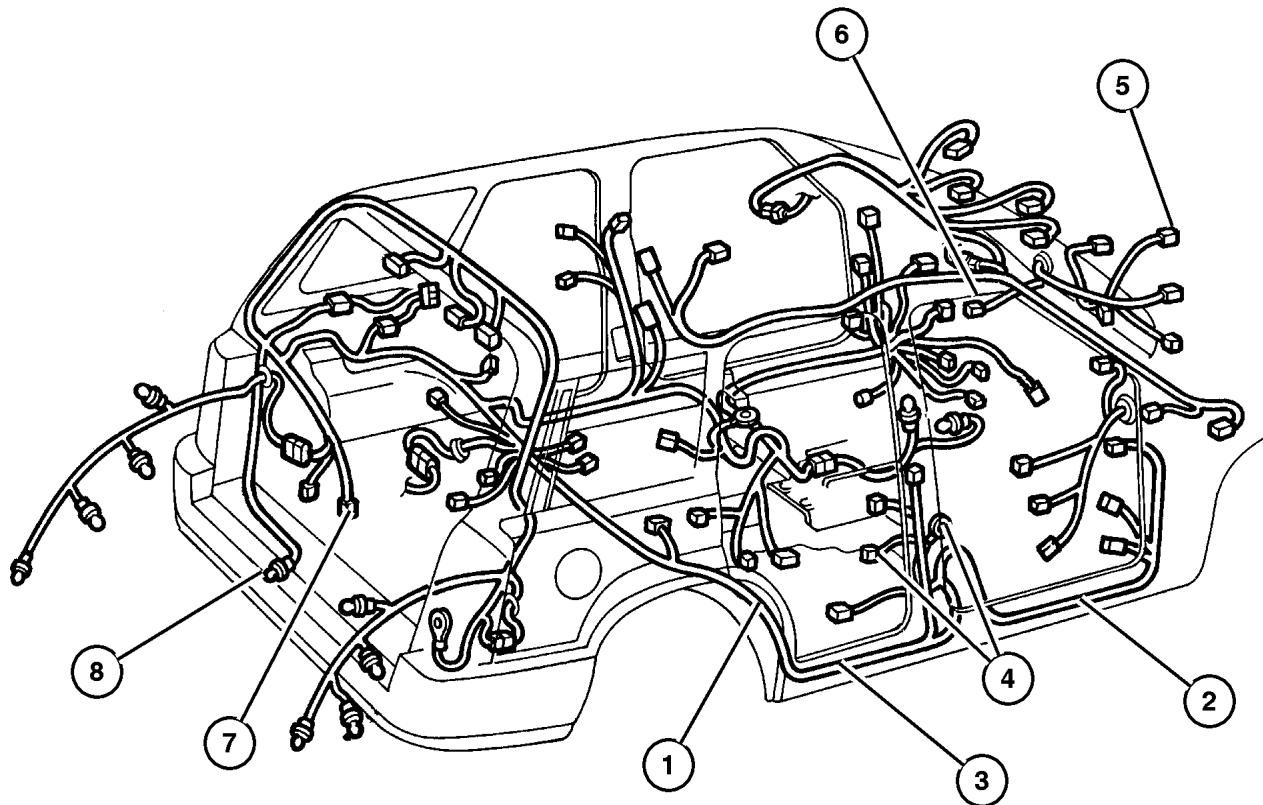
**JEEP GRAND CHEROKEE (WJ)**

SERIES	LINE	BODY	ENGINE	TRANSMISSION
H=Laredo	J = 4WD	74 = 4 Door(105.9 WB)	ER0, ERH = 4.0L, Power Tech I-6	DGK = 4 Speed Autm, 42RE
P=Limited	T = 2WD		EV0, EVA = 4.7L, Power Tech V8	DGW = 4 Speed Automatic, -44RE
	U = 4WD (RHD)		EXA, EX0 = 3.1L, 5 Cyl Turbo Diesel	DG4 = Multi Speed Automatic, -45RFE
				DGO = All Automatic

AR = Use as required - = Non illustrated part # = New this model year

September 14, 2002

**Wiring - Body & Accessories**  
**Figure 008-1510**



ITEM	PART NUMBER	QTY	LINE	SERIES	BODY	ENGINE	TRANS	DESCRIPTION
	56042 236AE	1	J, T					w/Sunroof
		1	U					w/Sunroof
-13	55196 753AA	1	J, T					WIRING, Overhead Lighting
		1	U					w/o Sunroof
	55196 754AA	1	J, T					w/Sunroof
		1	U					w/Sunroof
-14	4481 618	2						WIRING, Side Repeater Lamp, EUROPE
-15	4793 554	1						POWER OUTLET, Cigar Lighter, Quarter
								Trim Panel
-16	4685 591	1						CAP, Cigar Lighter
	5600 8852	1	J, T					Quarter Trim Panel
								w/o Cigar Lighter
-17								WIRING, Seat
	5015 741AA	1	J, T					Up to 01/17/00, 10 Way w/Memory [JTC], Left Seat
	5015 747AA	1	J, T					10 Way w/Memory [JTC], Right Seat
		1	J, T					Power Seat [JPT] EUROPE, Right Seat
	5015 748AA	1	J, T					Up to 01/17/00, Power Seat [JPT], Right Seat
	5016 145AA	1	U					10 Way w/Memory & Heated Seat [JTF], Right Seat
	5016 149AA	1	U					Power Seat [JPT] EUROPE, Left Seat
	5016 150AA	1	U					Up to 01/17/00, 10 Way w/Memory [JTC] EUROPE, Right Seat
	5016 151AA	1	U					Up to 01/17/01, 10 Way w/Memory [JTC] EUROPE, Left Seat
	5016 152AA	1	J, T					Up to 01/17/00, 10 Way w/Memory [JTC] EUROPE, Left Seat
	5016 153AA	1	J, T					10 Way w/Memory & Heated Seat [JTF] EUROPE, Left Seat
	5016 154AA	1	J, T					Power Seat [JPT] EUROPE, Left Seat
	5015 742AA	1	J, T					Up to 01/17/00, 10 Way w/Memory & Heated Seat [JTF], Left Seat
	#5016 150AB	1	U					01/17/00 & After, 10 Way w/Memory [JTC] EUROPE, Right Seat
	#5016 151AB	1	U					01/17/00 & After, 10 Way w/Memory [JTC] EUROPE, Left Seat
	#5015 743AB	1	U					01/17/00 & After, 10 Way w/Memory & Heated Seat [JTF], Left Seat
	#5017 925AA	1	J, T					01/17/00 & After, 10 Way w/Memory [JTC], Left Seat

**JEEP GRAND CHEROKEE (WJ)**

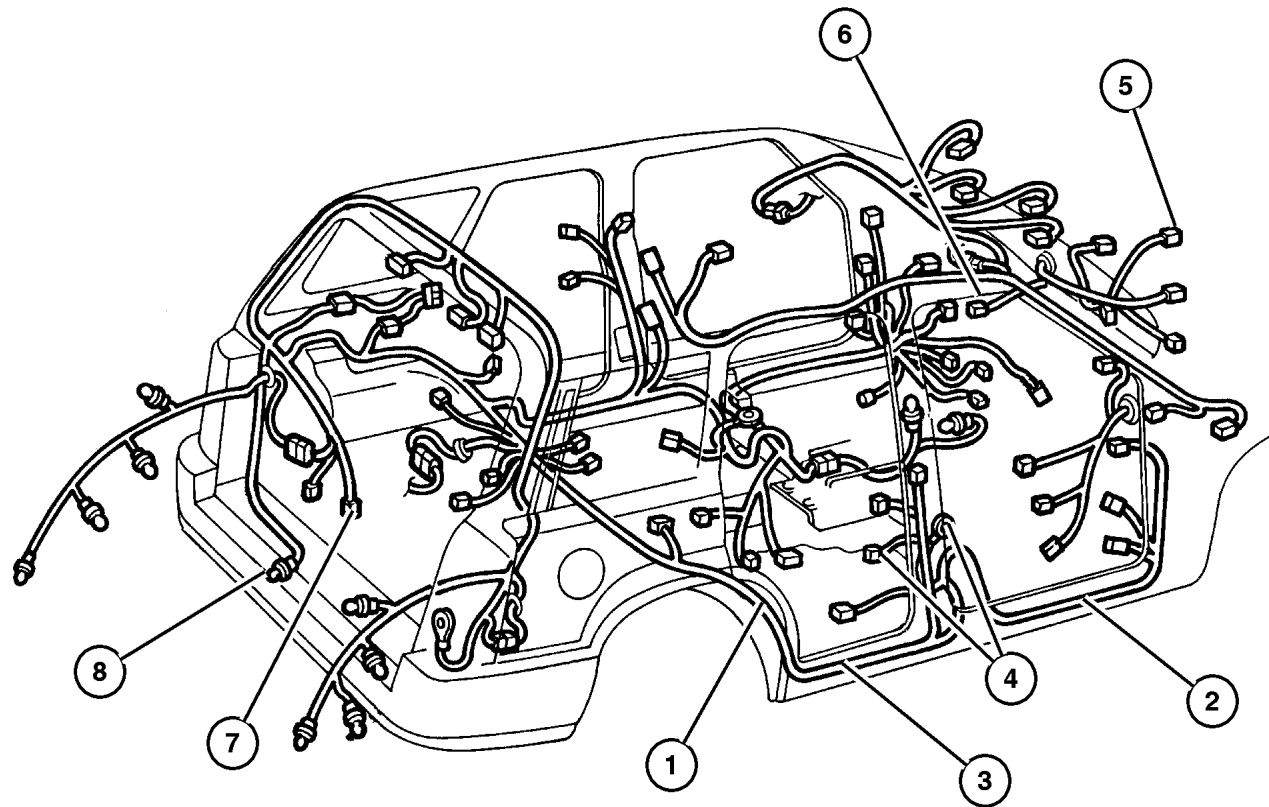
SERIES	LINE	BODY	ENGINE	TRANSMISSION
H=Laredo	J = 4WD	74 = 4 Door(105.9 WB)	ER0, ERH = 4.0L, Power Tech I-6	DGK = 4 Speed Autm, 42RE
P=Limited	T = 2WD		EVO, EVA = 4.7L, Power Tech V8	DGW = 4 Speed Automatic, -44RE
	U = 4WD (RHD)		EXA, EX0 = 3.1L, 5 Cyl Turbo Diesel	DG4 = Multi Speed Automatic, -45RFE
				DGO = All Automatic

AR = Use as required - = Non illustrated part # = New this model year

September 14, 2002

**Wiring - Body & Accessories**  
**Figure 008-1510**

ITEM	PART NUMBER	QTY	LINE	SERIES	BODY	ENGINE	TRANS	DESCRIPTION
	#5017 926AA	1	J, T					01/17/00 & After, 10 Way w/Memory & Heated Seat [JTF], Left Seat
	#5017 928AA	1	J, T					01/17/00 & After, 10 Way w/Map Pocket [JP2], Left Seat
	#5017 930AA	1	J, T					01/17/00 & After, Power Seat [JPT], Right Seat
	#5016 152AB	1	J, T					01/17/00 & After, 10 Way w/Memory [JTC] EUROPE, Left Seat
	5015 743AA	1	J, T					Power & Heated Seat [JPX], Left Seat
		1	U					Up to 01/17/00, 10 Way w/Memory & Heated Seat [JTF], Left Seat
	5015 744AA	1	J, T					Power Seat [JPT], Left Seat
	5015 745AA	1	J, T					Up to 01/17/00, 10 Way w/Map Pocket [JP2], Left Seat
	5015 746AA	1	J, T					Power & Heated Seat [JPX], Right Seat
		1	J, T					10 Way w/Memory & Heated Seat [JTF], Right Seat
	5015 747AA	1	J, T					10 Way w/Map Pocket [JP2], Right Seat
-18	5016 560AA	1						WIRING, Sunroof



**JEEP GRAND CHEROKEE (WJ)**

SERIES	LINE	BODY	ENGINE	TRANSMISSION
H=Laredo	J = 4WD	74 = 4 Door(105.9 WB)	ER0, ERH = 4.0L, Power Tech I-6	DGK = 4 Speed Autm, 42RE
P=Limited	T = 2WD		EV0, EVA = 4.7L, Power Tech V8	DGW = 4 Speed Automatic, -44RE
	U = 4WD (RHD)		EXA, EX0 = 3.1L, 5 Cyl Turbo Diesel	DG4 = Multi Speed Automatic, -45RFE
				DGO = All Automatic

AR = Use as required - = Non illustrated part # = New this model year

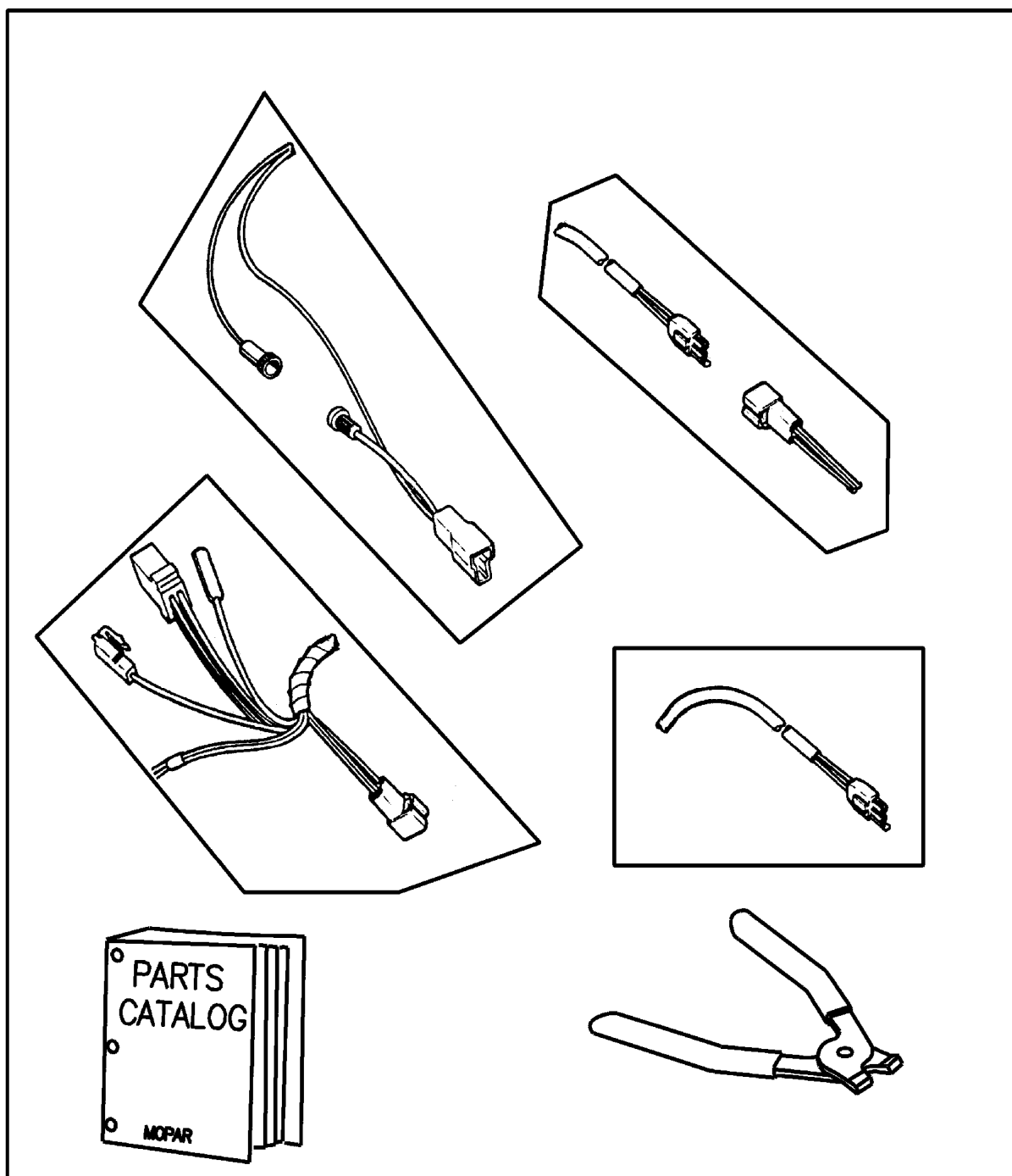
September 14, 2002



**Wiring Repair Packages**  
**Figure 008-1605**

ITEM	PART NUMBER	QTY	LINE	SERIES	BODY	ENGINE	TRANS	DESCRIPTION
------	-------------	-----	------	--------	------	--------	-------	-------------

ER0=4.0L Engine								
EVO=4.7L Engine								
EX0=3.0L/3.1L Turbo Diesel Engine								
1	5013 930AA	1						WIRING PACKAGE, Underhood Connector Repair
-2	4364 392	1				EX0		TUBE, Convoluted
-3	J417 5376	1	J, U					STRAP, Tie



1

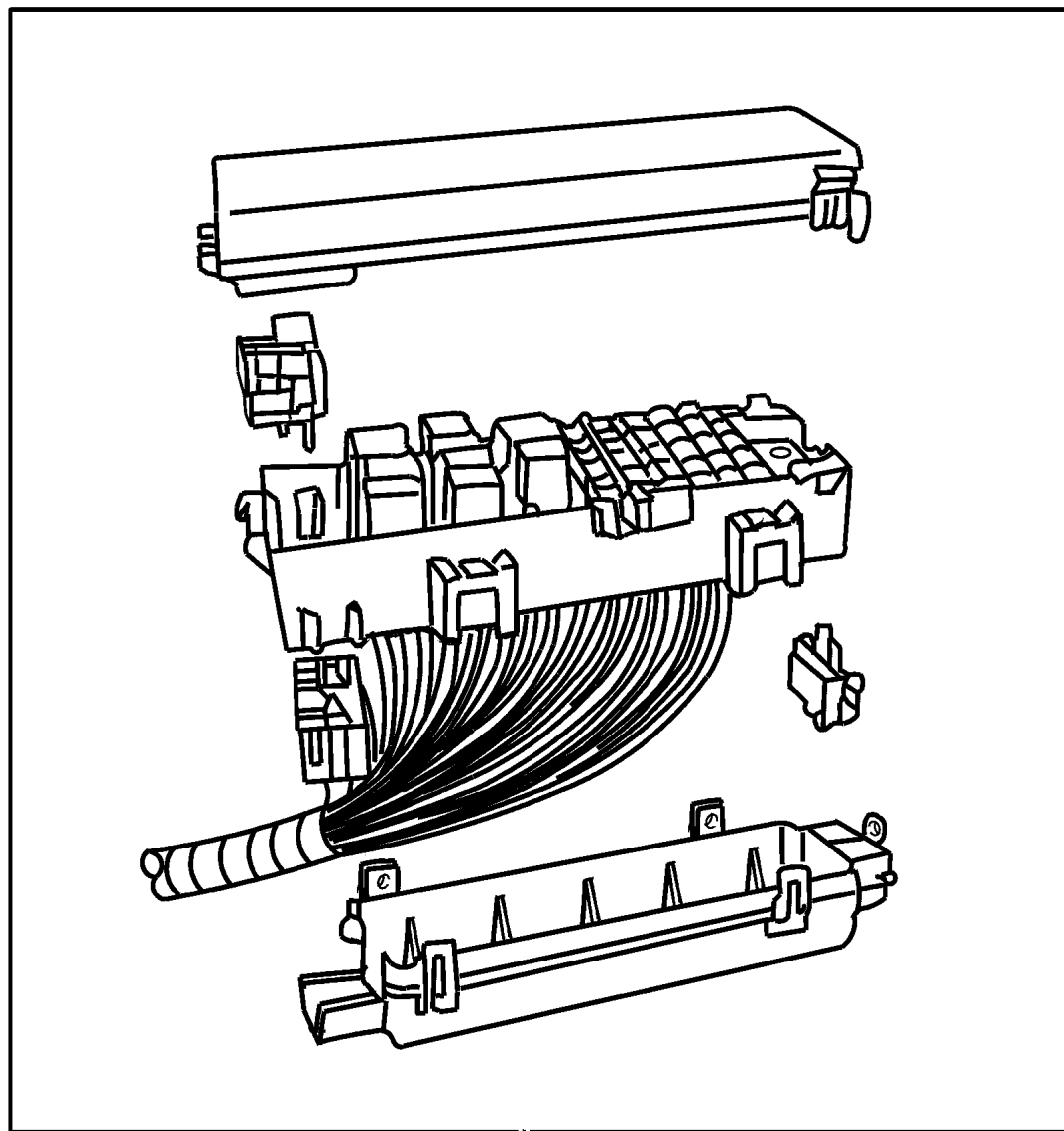
JEEP GRAND CHEROKEE (WJ)		BODY	ENGINE	TRANSMISSION
SERIES	LINE	74 = 4 Door(105.9 WB)	ER0, ERH = 4.0L, Power Tech I-6	DGK = 4 Speed Autm, 42RE
H=Laredo	J = 4WD		EVO, EVA = 4.7L, Power Tech V8	DGW = 4 Speed Automatic, -44RE
P=Limited	T = 2WD		EXA, EX0 = 3.1L, 5 Cyl Turbo Diesel	DG4 = Multi Speed Automatic, -45RFE
	U = 4WD (RHD)			DGO = All Automatic

AR = Use as required - = Non illustrated part # = New this model year

September 14, 2002

**Power Distribution Center Repair  
Figure 008-1610**

ITEM	PART NUMBER	QTY	LINE	SERIES	BODY	ENGINE	TRANS	DESCRIPTION
1								REPAIR KIT, Power Distribution Center, (NOT SERVICED) (Not Serviced)



1

**JEEP GRAND CHEROKEE (WJ)**

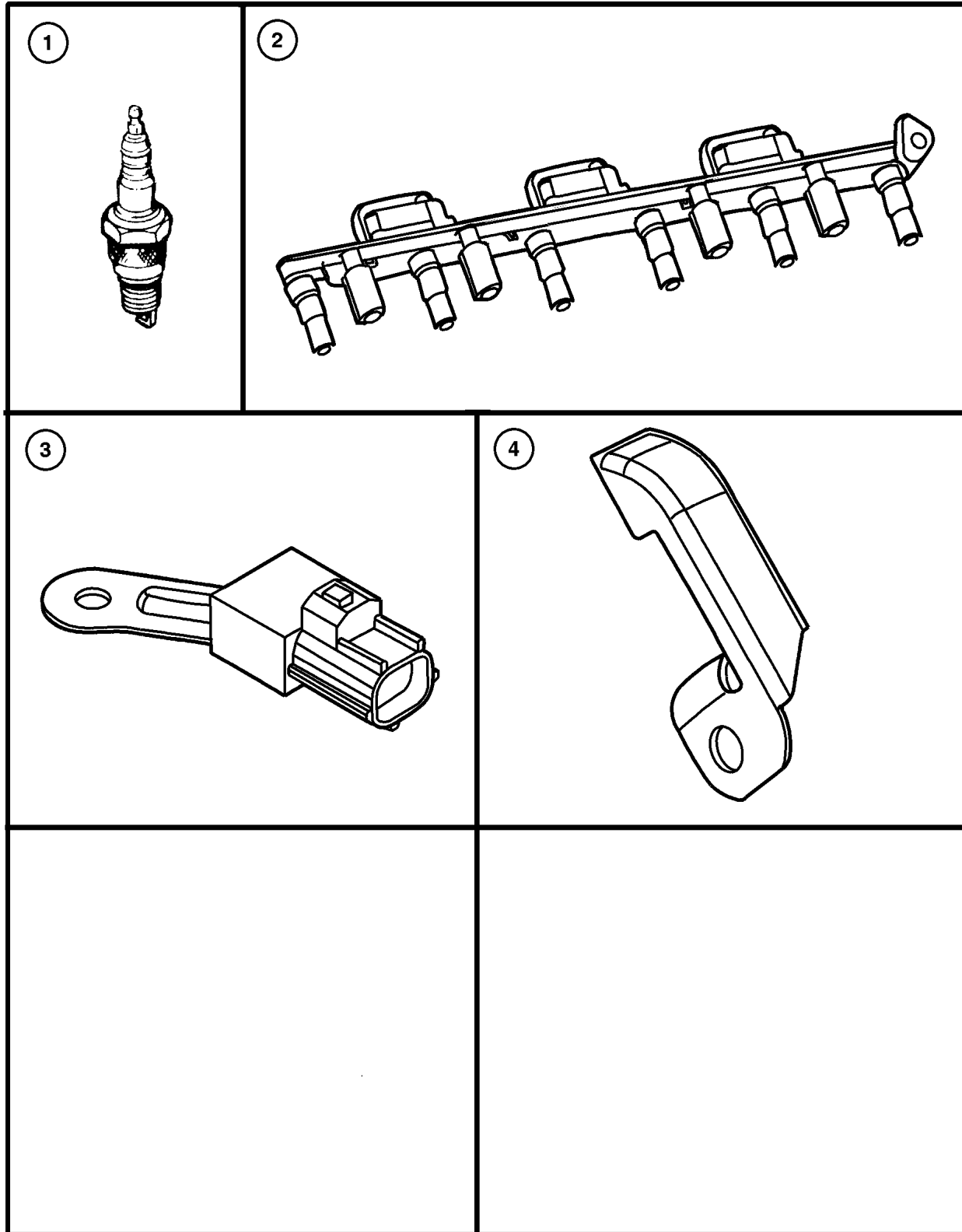
SERIES	LINE	BODY	ENGINE	TRANSMISSION
H=Laredo	J = 4WD	74 = 4 Door(105.9 WB)	ER0, ERH = 4.0L, Power Tech I-6	DGK = 4 Speed Autm, 42RE
P=Limited	T = 2WD		EVO, EVA = 4.7L, Power Tech V8	DGW = 4 Speed Automatic, -44RE
	U = 4WD (RHD)		EXA, EX0 = 3.1L, 5 Cyl Turbo Diesel	DG4 = Multi Speed Automatic, -45RFE
				DGO = All Automatic

AR = Use as required - = Non illustrated part # = New this model year

September 14, 2002

## Spark Plugs - Coils Figure 008-1910

ITEM	PART NUMBER	QTY	LINE	SERIES	BODY	ENGINE	TRANS	DESCRIPTION
ER0=4.0L Engine								
EVO=4.7L Engine								
EX0=3.0L/3.1L Turbo Diesel Engine								
DG0=Automatic Transmission								
DGW= Automatic Transmission 4 Speed Automatic 44RE								
DGK=Automatic Transmission 4 Speed								
DG4=Automatic Transmission Multi-Speed								
1								SPARK PLUG
	56028 236AA	8				EVO		RC12MCC4
	56041 402AB	6				ER0		RC12ECC
2								COIL, Ignition
	#56028 138AB	8				EVO		EVO (4.7L 6 Cyl GAS)
	#56041 476AA	1				ER0		ERO (4.0L GAS)
3	56041 396AA	2				EVO		CAPACITOR, Ignition
4	56041 388AA	1				ER0	DG0	SHIELD, Wiring
-5	5015 297AA	8				EVO		O RING, Coil Pack
-6	6102 146AA	4				ER0		SCREW AND WASHER, Ignition Coil Mounting



### JEEP GRAND CHEROKEE (WJ)

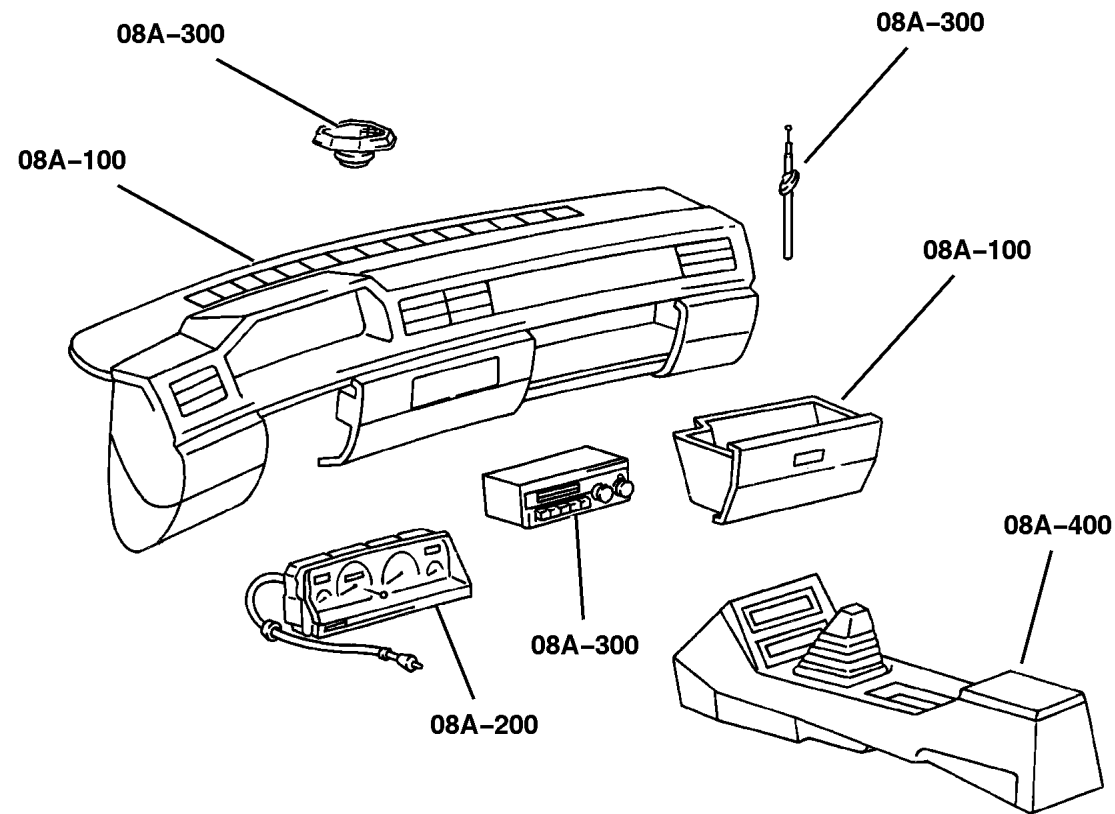
SERIES	LINE	BODY	ENGINE	TRANSMISSION
H=Laredo	J = 4WD	74 = 4 Door(105.9 WB)	ER0, ERH = 4.0L, Power Tech I-6	DGK = 4 Speed Autm, 42RE
P=Limited	T = 2WD		EVO, EVA = 4.7L, Power Tech V8	DGW = 4 Speed Automatic, -44RE
	U = 4WD (RHD)		EXA, EX0 = 3.1L, 5 Cyl Turbo Diesel	DG4 = Multi Speed Automatic, -45RFE
				DGO = All Automatic

AR = Use as required - = Non illustrated part # = New this model year

September 14, 2002

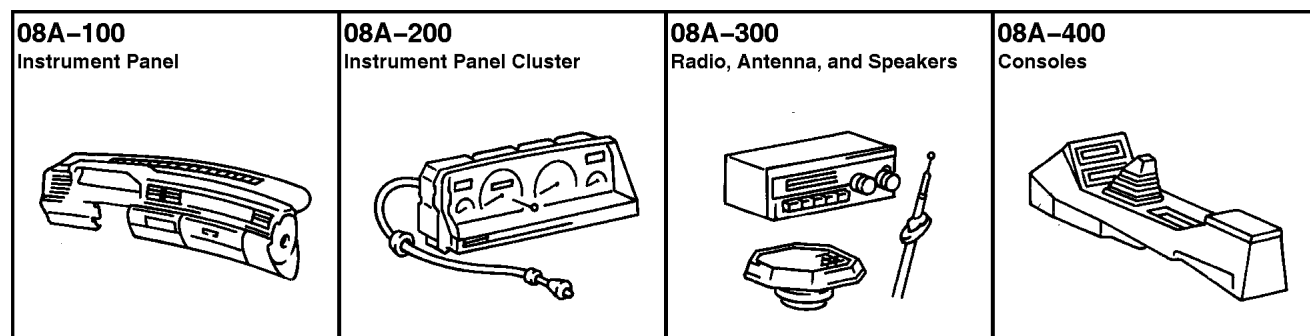
# Group – 08A

## Instrument Panel and Radios and Consoles

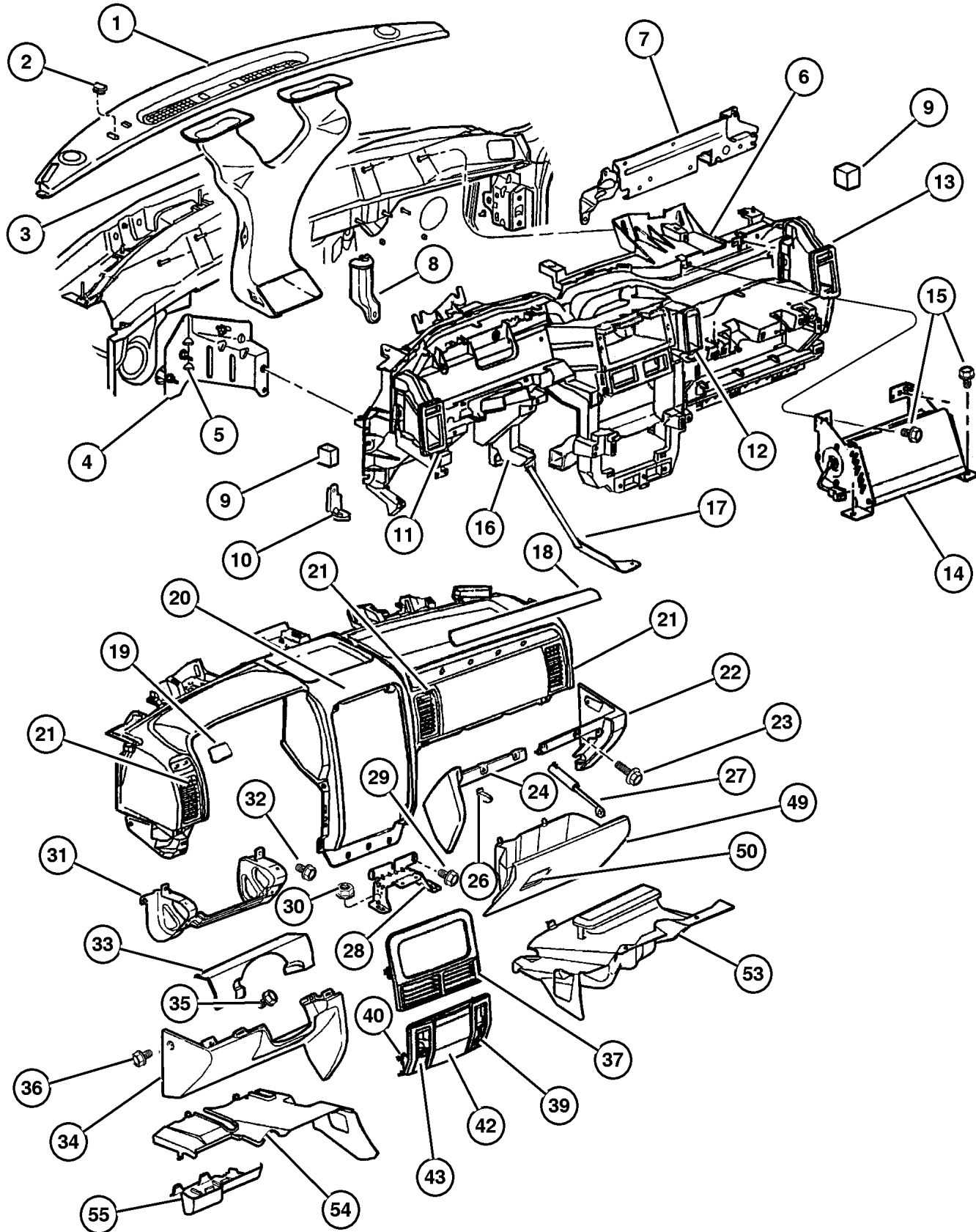


## GROUP 8A - Instrument Panel and Radios and Consoles

Illustration Title	Group-Fig. No.
<b>Instrument Panel</b>	
Instrument Panel .....	Fig. 08A-110
<b>Instrument Panel Cluster</b>	
Instrument Cluster .....	Fig. 08A-210
<b>Radio, Antenna, and Speakers</b>	
Radios .....	Fig. 08A-310
Antenna .....	Fig. 08A-320
Speakers .....	Fig. 08A-325
<b>Consoles</b>	
Floor Console .....	Fig. 08A-410
Overhead Console .....	Fig. 08A-420



**Instrument Panel  
Figure 08A-110**



ITEM	PART NUMBER	QTY	LINE	SERIES	BODY	ENGINE	TRANS	DESCRIPTION
1								COVER, Instrument Panel
	QR20 LAZAC	1						Agate
	QR20 VK9AC	1						Suede
	QR20 WL8AC	1						Brown
2	5EL1 1SAZ	1						PLUG, Solar Sensor, Agate
3								DUCT, Defroster
	5511 6014	1	J, T					
	55116 394AA	1	U					
4								BRACKET, Instrument Panel
	#55116 395AC	1	J, T					
	55116 396AA	1	U					
5								NUT, M6x1, (NOT SERVICED) (Not Serviced)
6								DUCT, Instrument Panel, Structural
	55116 295AC	1	U					
	55116 407AC	1	J, T					
7								BRACKET, Instrument Panel, C-Chanel Cover
	55116 373AB	1	J, T					
	55116 376AB	1	U					
8	55116 397AA	1						BRACKET, Instrument Panel
9								SPACER
	52850 582AA	1						Right
	52850 583AA	1						Left
10								BRACKET, Instrument Panel, Courtesy Lamp
	55116 390AB	1	J, T					
	55116 418AA	1	U					
11	55116 287AB	1						DUCT, Instrument Panel, Extension Left
12								DUCT, Instrument Panel, Extension In Board
	55116 285AA	1	J, T					
	55116 439AA	1	U					
13	55116 286AB	1						DUCT, Instrument Panel, Extension Right
14	#55115 945AD	1						AIR BAG, Passenger
15								SCREW, Hex Head, (NOT SERVICED) (Not Serviced)
16								BRACKET, Instrument Panel, Steering Column Support
	55116 032AC	1	J, T					
	55116 299AD	1	U					
17								STRAP, Serviced in Assembly, (NOT SERVICED) (Not Serviced)

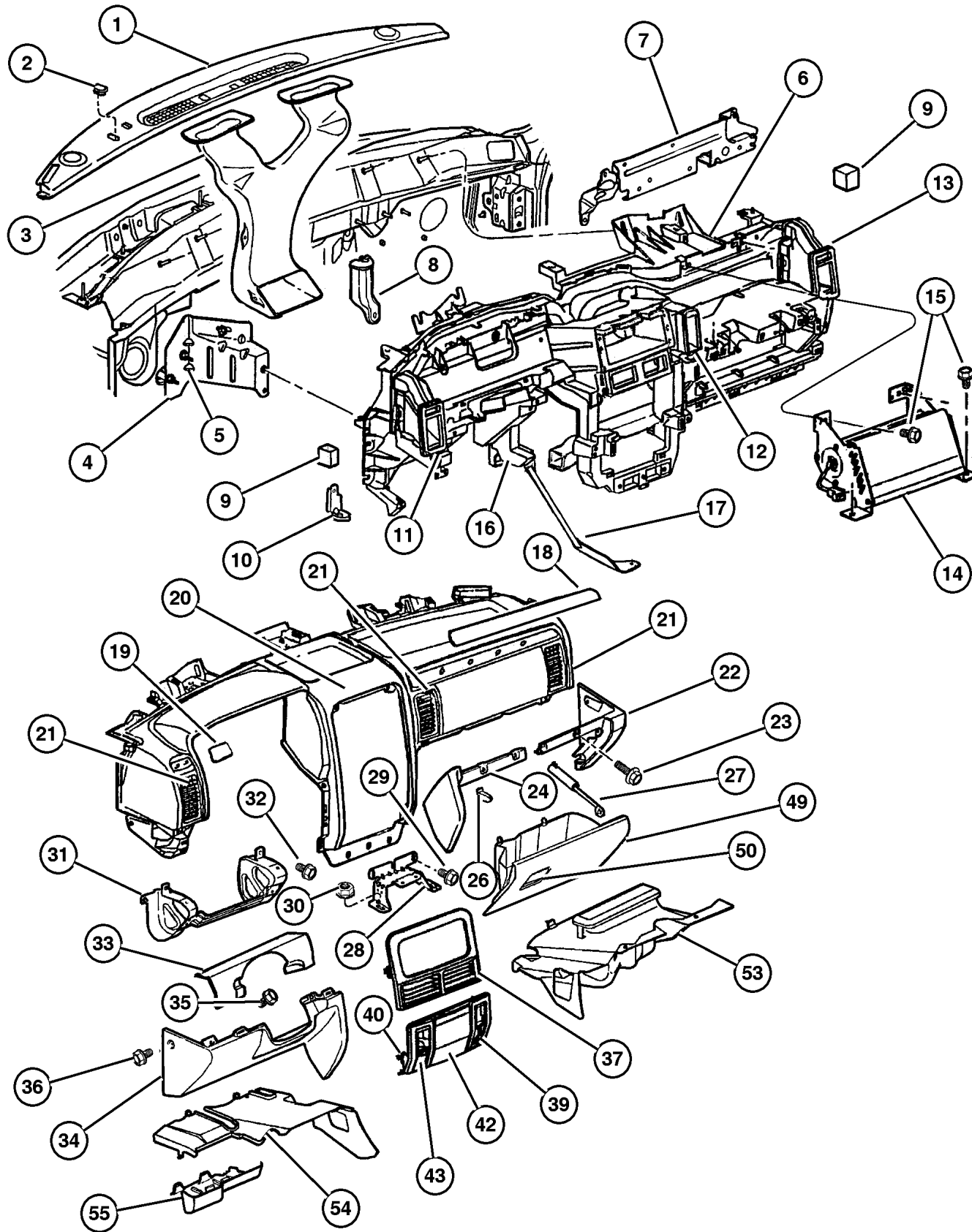
**JEEP GRAND CHEROKEE (WJ)**

SERIES	LINE	BODY	ENGINE	TRANSMISSION
H=Laredo	J = 4WD	74 = 4 Door(105.9 WB)	ER0, ERH = 4.0L, Power Tech I-6	DGK = 4 Speed Autm, 42RE
P=Limited	T = 2WD		EVO, EVA = 4.7L, Power Tech V8	DGW = 4 Speed Automatic, -44RE
	U = 4WD (RHD)		EXA, EX0 = 3.1L, 5 Cyl Turbo Diesel	DG4 = Multi Speed Automatic, -45RFE
				DGO = All Automatic

AR = Use as required - = Non illustrated part # = New this model year

September 14, 2002

## Instrument Panel Figure 08A-110



ITEM	PART NUMBER	QTY	LINE	SERIES	BODY	ENGINE	TRANS	DESCRIPTION
18								BEZEL, Instrument Panel
	#55116 481AA	1	U					Spartan Burl, Passenger Side
	#55116 482AA	1	J, T					Spartan Burl, Passenger Side
19								BEZEL, Instrument Panel, Armature Assembly & A/C Outlet Bezel Included
	#55116 475AA	1	J, T					Spartan Burl, Driver Side
	#55116 476AA	1	U					Spartan Burl, Drivers Side
20								PAD, Instrument Panel
	#5GZ10 1AZAA	1	J, T					Agate
	#5GZ10 1K9AA	1	J, T					Suede
	#5GZ10 1L8AA	1	J, T					Brown
	#5GZ11 1AZAA	1	U					Agate
	#5GZ11 1K9AA	1	U					Suede
21								OUTLET, Air Conditioning & Heater
	#5GZ12 1AZAA	1	J, T					Agate (Inboard)
	#5GZ14 1AZAA	1	U					Agate (Right Side)
	#5GZ14 1K9AA	1	J, T					Suede (Right Side)
		1	U					Suede (Right Side)
	#5GZ14 1L8AA	1	J, T					Brown (Right Side)
		1	U					Brown (Right Side)
	#5GZ15 1AZAA	1	U					Agate (Inboard)
	#5GZ15 1AZAB	1	U					Suede (Inboard)
	#5GZ12 1K9AA	1	J, T					Suede (Inboard)
	#5GZ12 1L8AA	1	J, T					Brown (Inboard)
	#5GZ13 1AZAA	1	J, T					Agate (Left Side)
		1	U					Agate (Left Side)
	#5GZ13 1K9AA	1	J, T					Suede (Left Side)
		1	U					Suede (Left Side)
	#5GZ13 1L8AA	1	J, T					Brown (Left Side)
	#5GZ14 1AZAA	1	J, T					Agate (Right Side)
22								CAP, Instrument Panel End
	5EY42 LAZAB	1	J, T					Agate
	5EY42 RK5AB	1	J, T					Tan/Agate
	5EY42 WL5AB	1	J, T					Taupe
	5FX24 LAZAB	1	U					Agate
	5FX24 RK5AB	1	U					Tan/Agate
23	6032 723	3						SCREW, Self Tapping, M4.2x1.69x19.05
24								BEZEL, Instrument Panel
	5FU66 LAZAB	1	J, T					Lower Right Center (Agate)
	5FU66 RK5AB	1	J, T					Lower Right Center (Tan/Agate)
	5FU66 WL5AB	1	J, T					Lower Right Center (Taupe)
	5FX20 LAZAB	1	U					Lower Left Center (Agate)

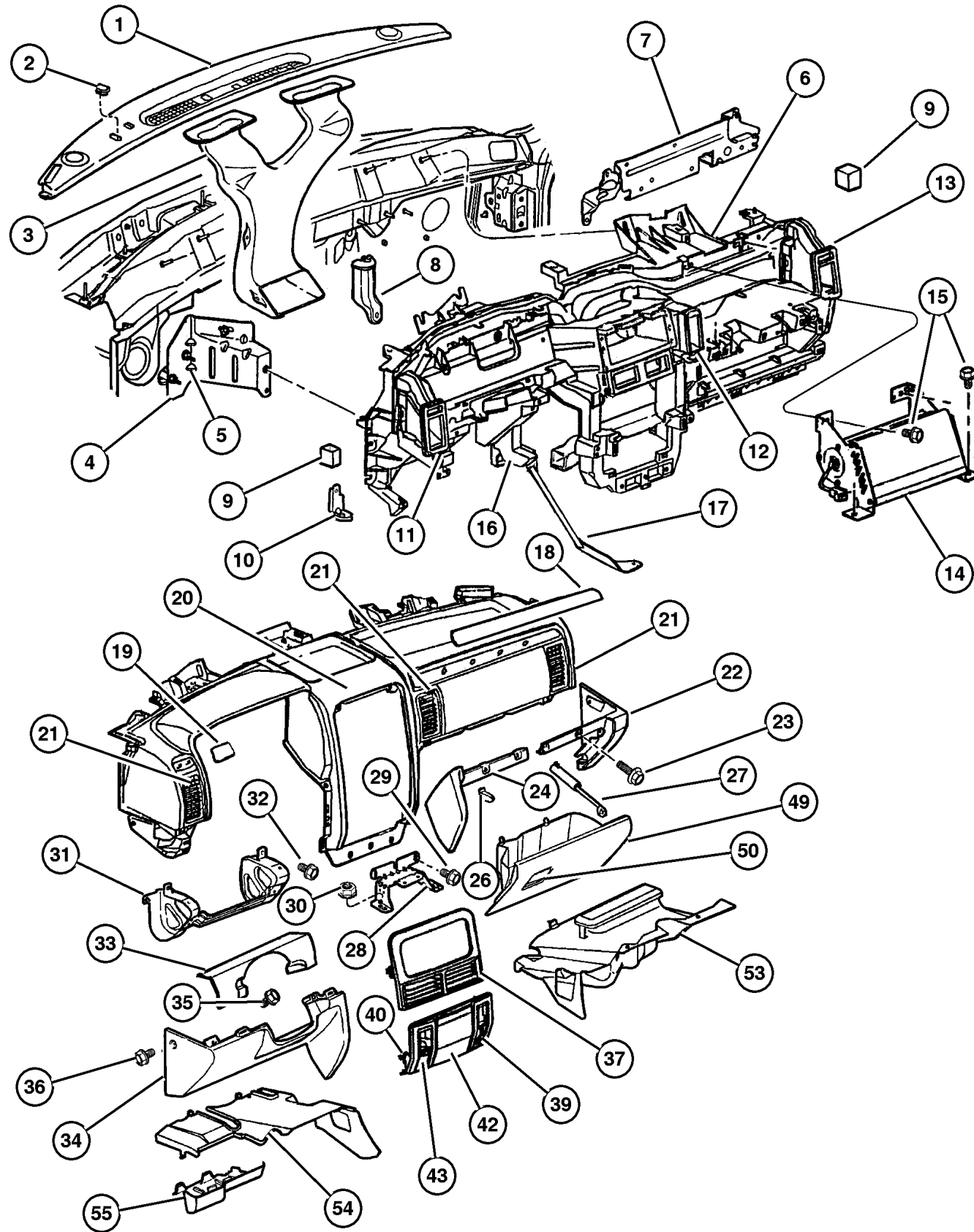
### JEEP GRAND CHEROKEE (WJ)

SERIES	LINE	BODY	ENGINE	TRANSMISSION
H=Laredo	J = 4WD	74 = 4 Door(105.9 WB)	ER0, ERH = 4.0L, Power Tech I-6	DGK = 4 Speed Autm, 42RE
P=Limited	T = 2WD		EVO, EVA = 4.7L, Power Tech V8	DGW = 4 Speed Automatic, -44RE
	U = 4WD (RHD)		EXA, EX0 = 3.1L, 5 Cyl Turbo Diesel	DG4 = Multi Speed Automatic, -45RFE
				DGO = All Automatic

AR = Use as required - = Non illustrated part # = New this model year

September 14, 2002

## Instrument Panel Figure 08A-110



ITEM	PART NUMBER	QTY	LINE	SERIES	BODY	ENGINE	TRANS	DESCRIPTION
	5FX20 RK5AB	1	U					Lower Left Center (Tan/Agate)
-25	6101 946	4						SCREW, Tapping
26								STRIKER, Glove Box Door Latch
	55116 374AA	1						Right
	55116 375AA	1						Left
27	55116 424AA	1						DAMPENER, Glove Box Door
28	5511 6041	1						BRACKET, Instrument Panel
29								SCREW, M6X1X25, (NOT SERVICED) (Not Serviced)
30	6504 572	2						NUT AND WASHER, Hex Nut-Coned Washer, M8 x 1.25
31	55116 391AA	1						BRACKET, Instrument Panel
32	6101 786	4						SCREW, Self Tapping, M6x1x15
33								BEZEL, Instrument Cluster
	5FZ23 LAZAD	1	J, T					w/o H/Lamp Leveling Switch (Agate)
	5FZ23 VK9AD	1	J, T					w/o H/Lamp Leveling Switch (Suede)
	5FZ23 WL8AD	1	J, T					w/o H/Lamp Leveling Switch (Brown)
	5FZ26 LAZAD	1	J, T					w/H/Lamp Leveling Switch (Agate)
	5FZ26 VK9AD	1	J, T					w/H/Lamp Leveling Switch (Suede)
	5FZ28 LAZAC	1	U					w/o H/Lamp Leveling Switch (Agate)
	5FZ28 VK9AC	1	U					w/o H/Lamp Leveling Switch (Suede)
	5FZ31 LAZAC	1	U					w/H/Lamp Leveling Switch (Agate)
	5FZ31 VK9AC	1	U					w/H/Lamp Leveling Switch (Suede)
34								COVER, Instrument Panel, Steering Column Opening, 5EY40TRMAE (LHD)
	5FN60 LAZAB	1	U					Agate
	5FN60 RK5AB	1	U					Tan/Agate
	5EY40 LAZAE	1	J, T					Agate
	5EY40 RK5AE	1	J, T					Tan/Agate
	5EY40 WL5AE	1	J, T					Taupe
35	6101 946	4						SCREW, Tapping
36	6032 723	3						SCREW, Self Tapping, M4.2x1.69x19.05
37								BEZEL, Instrument Panel, Upper, (Radio Bezel Opening)
	#55116 479AA	1						Sparta Burl
	55116 277AB	1						Black
-38								ADAPTER, A/C And Heater Unit
	55116 366AB	1	J, T					
	55116 368AB	1	U					
39								BEZEL, Instrument Panel, Lower

### JEEP GRAND CHEROKEE (WJ)

SERIES  
H=Laredo  
P=Limited

LINE  
J = 4WD  
T = 2WD  
U = 4WD (RHD)

BODY  
74 = 4 Door(105.9 WB)

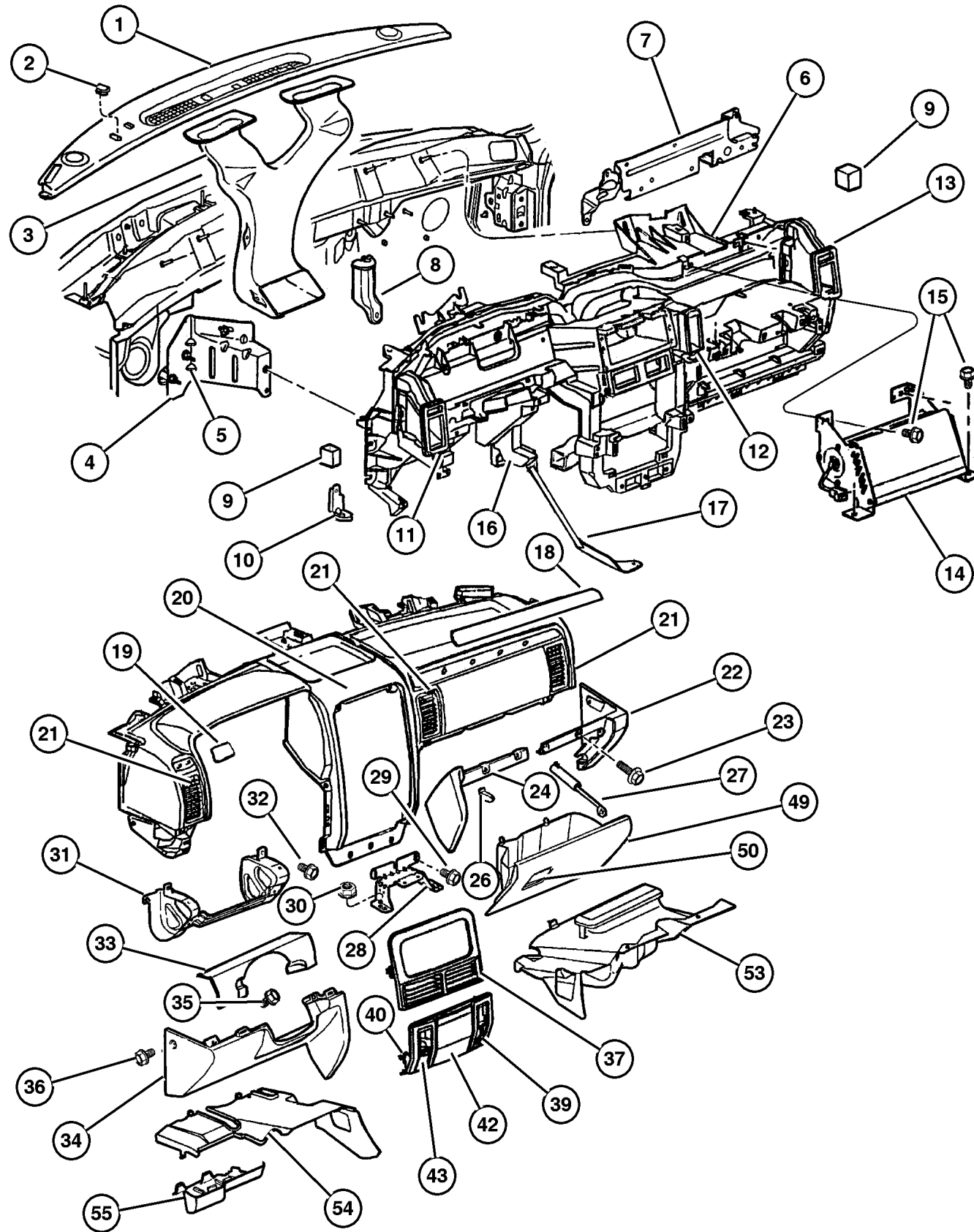
ENGINE  
ER0, ERH = 4.0L, Power Tech I-6  
EV0, EVA = 4.7L, Power Tech V8  
EXA, EX0 = 3.1L, 5 Cyl Turbo Diesel

TRANSMISSION  
DGK = 4 Speed Autm, 42RE  
DGW = 4 Speed Automatic,  
-44RE  
DG4 = Multi Speed Automatic,  
-45RFE  
DGO = All Automatic

AR = Use as required - = Non illustrated part # = New this model year

September 14, 2002

## Instrument Panel Figure 08A-110



ITEM	PART NUMBER	QTY	LINE	SERIES	BODY	ENGINE	TRANS	DESCRIPTION
	#5014 055AB	1						Laredo w/10 Way Power Heated Seats (Black) (Ash Reciever Assembly, Cigar & Power Outlet Assembly Included)
	#55116 280AB	1						Laredo w/Power Seats & w/o Heated Seats (Black) (Ash Reciever Assembly, Cigar & Power Outlet Assembly Included)
	#55116 483AA	1						Limited w/Power Seats & w/o Heated Seats (Sparta Burl) (Ash Reciever Assembly, Cigar & Power Outlet Assembly)
	#5019 799AA	1						Limited w/10 Way Power Heated Seats (Sparta Burl) (Ash Reciever Assembly, Cigar & Power Outlet Assembly Included)
40	55116 372AA	1						PIN, Pivot, Ash Tray Guide Pin
-41	6504 664	4						CLIP, Instrument Panel
42	5511 6061	1						RECEPTACLE, Ash Receiver
43	55116 273AA	1						DOOR, Power Outlet
-44	5269 360	1						HOOD, Ash Receiver Lamp
-45	4793 554	1						POWER OUTLET, Cigar Lighter
-46	4793 551	1						BASE, Cigar Lighter
-47	4793 555	2						RING, Cigar Lighter Mounting
-48	5012 496AA	1						SPRING, Return Assist
49								GLOVE BOX, Instrument Panel
	5FN64 1AZAB	1			U			Agate
	5FN64 1K5AB	1			U			Tan/Agate
	5EY38 1AZAB	1			J, T			Agate
	5EY38 1K5AB	1			J, T			Tan/Agate
	5EY38 1L5AB	1			J, T			Taupe
50								LATCH, Glovebox Door
	5FK9 4LAZ	1			J, T			Agate
	5FK9 4RK5	1			J, T			Tan/Agate
	5FK9 4WL5	1			J, T			Taupe
	5FN6 6LAZ	1			U			Agate
	5FN6 6RK5	1			U			Tan/Agate
-51								BUMPER, Glove Box Door
	4524 343	1			J, T			
	55116 440AA	1			U			
-52	4565 022	1						SWITCH AND LAMP, Glove Box
53	55196 850AC	1			J, T			PANEL, Instrument Closure, Right

### JEEP GRAND CHEROKEE (WJ)

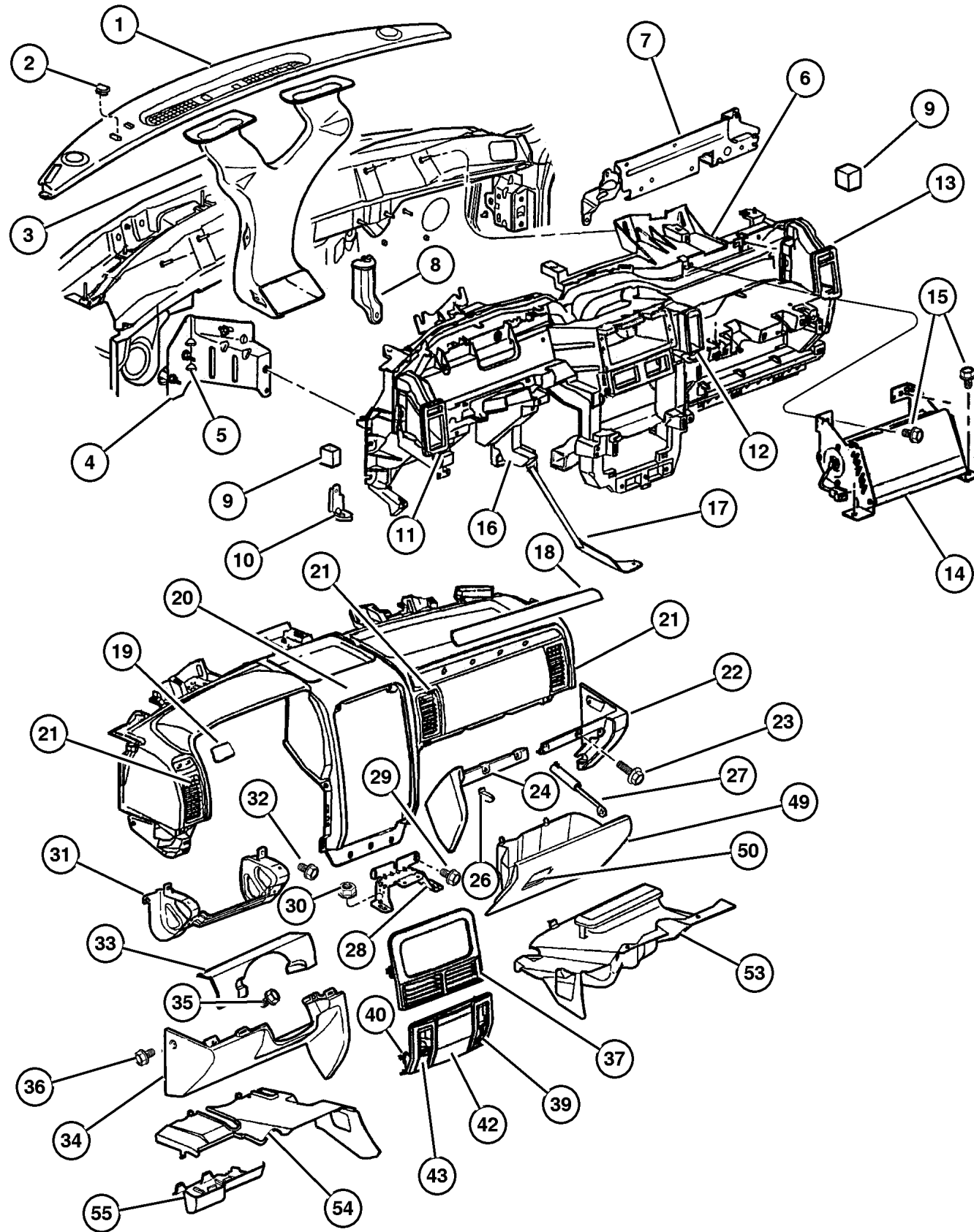
SERIES	LINE	BODY	ENGINE	TRANSMISSION
H=Laredo	J = 4WD	74 = 4 Door(105.9 WB)	ER0, ERH = 4.0L, Power Tech I-6	DGK = 4 Speed Autm, 42RE
P=Limited	T = 2WD		EVO, EVA = 4.7L, Power Tech V8	DGW = 4 Speed Automatic, -44RE
	U = 4WD (RHD)		EXA, EX0 = 3.1L, 5 Cyl Turbo Diesel	DG4 = Multi Speed Automatic, -45RFE
				DGO = All Automatic

AR = Use as required - = Non illustrated part # = New this model year

September 14, 2002



**Instrument Panel  
Figure 08A-110**



ITEM	PART NUMBER	QTY	LINE	SERIES	BODY	ENGINE	TRANS	DESCRIPTION
54	55196 851AC	1	J, T					PANEL, Instrument Closure, Left
55	55116 293AB	1	U					COVER, Fuse Access
	55116 219AB	1	J, T					
-56								PULLER, Fuse
	55196 762AA	1	J, T					
		1	U					
-57								LABEL, Air Bag Warning
	4595 748AA	1	J, T					Removable Dash Warning (Glovebox Door)
	4595 749AA	1	J, T					Bilingual Removable Dash Warning (Glovebox Door)
-58	4793 554	1						POWER OUTLET, Cigar Lighter, Quarter Trim Panel
-59	4685 370	1						KNOB AND ELEMENT, Cigar Lighter
-60	4685 591	1						CAP, Cigar Lighter
								Cap/Tether & Mount Ring (Cigar Lighter)
	5600 8852	1	J, T					Cap/Tether & Mount Ring (Power Outlet)

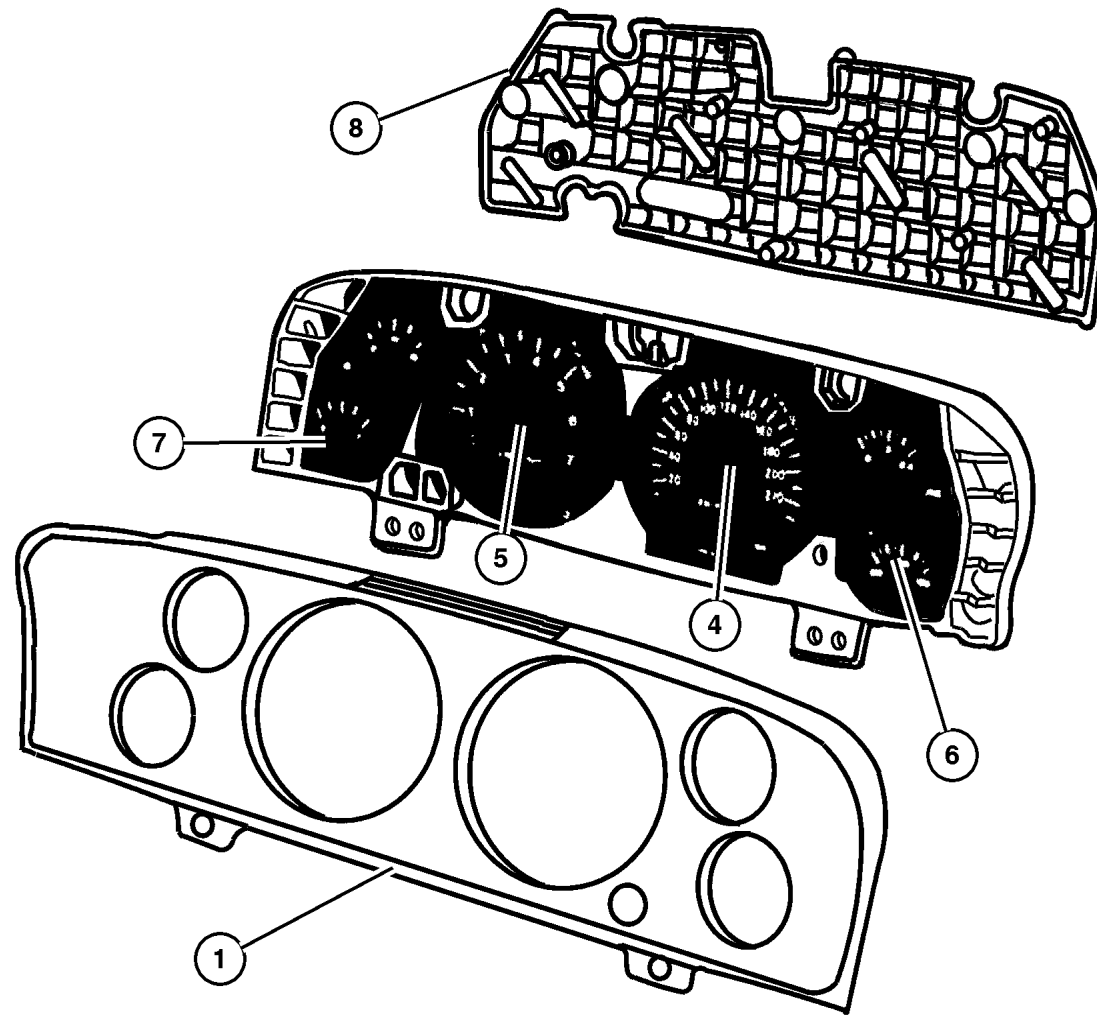
**JEEP GRAND CHEROKEE (WJ)**

SERIES	LINE	BODY	ENGINE	TRANSMISSION
H=Laredo	J = 4WD	74 = 4 Door(105.9 WB)	ER0, ERH = 4.0L, Power Tech I-6	DGK = 4 Speed Autm, 42RE
P=Limited	T = 2WD		EVO, EVA = 4.7L, Power Tech V8	DGW = 4 Speed Automatic, -44RE
	U = 4WD (RHD)		EXA, EX0 = 3.1L, 5 Cyl Turbo Diesel	DG4 = Multi Speed Automatic, -45RFE
				DGO = All Automatic

AR = Use as required - = Non illustrated part # = New this model year

September 14, 2002

**Instrument Cluster  
Figure 08A-210**



ITEM	PART NUMBER	QTY	LINE	SERIES	BODY	ENGINE	TRANS	DESCRIPTION
1								LENS, Cluster
	#5016 211AA	1	J, T					4.0L/4.7L Engine w/120 MPH Primary w/Tach
	#5016 245AA	1	U					4.0L/4.7L Engine w/120 MPH Primary w/Tach
		1	J, T					4.0L/4.7L Engine w/230 KPH Primary w/Tach
		1	U					Diesel Engine w/120 MPH Primary w/Tach
		1	U					Diesel Engine w/200 KPM w/Tach
-2		1	U					4.0L/4.7L Engine w/200 KPM w/Tach
	L000 PC74	19						BULB, PC74
		16						
-3		5						BULB, PC121
	5269 529	5						4.0L/4.7L Engine
		5						Diesel Engine
4								GAUGE, Speedometer
	#5016 247AA	1	J, T					4.0L/4.7L Engine w/230 KPH Primary w/Tach
	#5016 311AA	1	U					4.0L/4.7L Engine w/200 KPM w/Tach
	#5016 309AA	1	U					4.0L/4.7L Engine w/120MPH Primary w/Tach
	#5016 247AA	1						4.0L/4.7L Engine w/230 KPH Primary w/Tach
	#5015 438AA	1	J, T					4.0L/4.7L Engine w/120MPH Primary w/Tach
	#5016 311AA	1	U					Diesel Engine w/200 KPM w/Tach (w/Miles Secondary-Metric)
	#5016 309AA	1	U					Diesel Engine w/120/125 Miles Primary w/Tach
	#5016 247AA	1						Diesel Engine w/230 KPH Primary w/Tach
5								GAUGE, Tachometer
	#5015 433AA	1						Gasoline Engine
	#5016 304AA	1						Diesel Engine
6								GAUGE, Temperature And Oil
	#5015 434AA	1	J, T					4.0L/4.7L Engine w/120 MPH Primary w/Tach
	#5016 246AA	1	J, T					4.0L/4.7L Engine w/230 KPH Primary w/Tach
		1	U					4.0L/4.7L Engine w/120 MPH Primary w/Tach

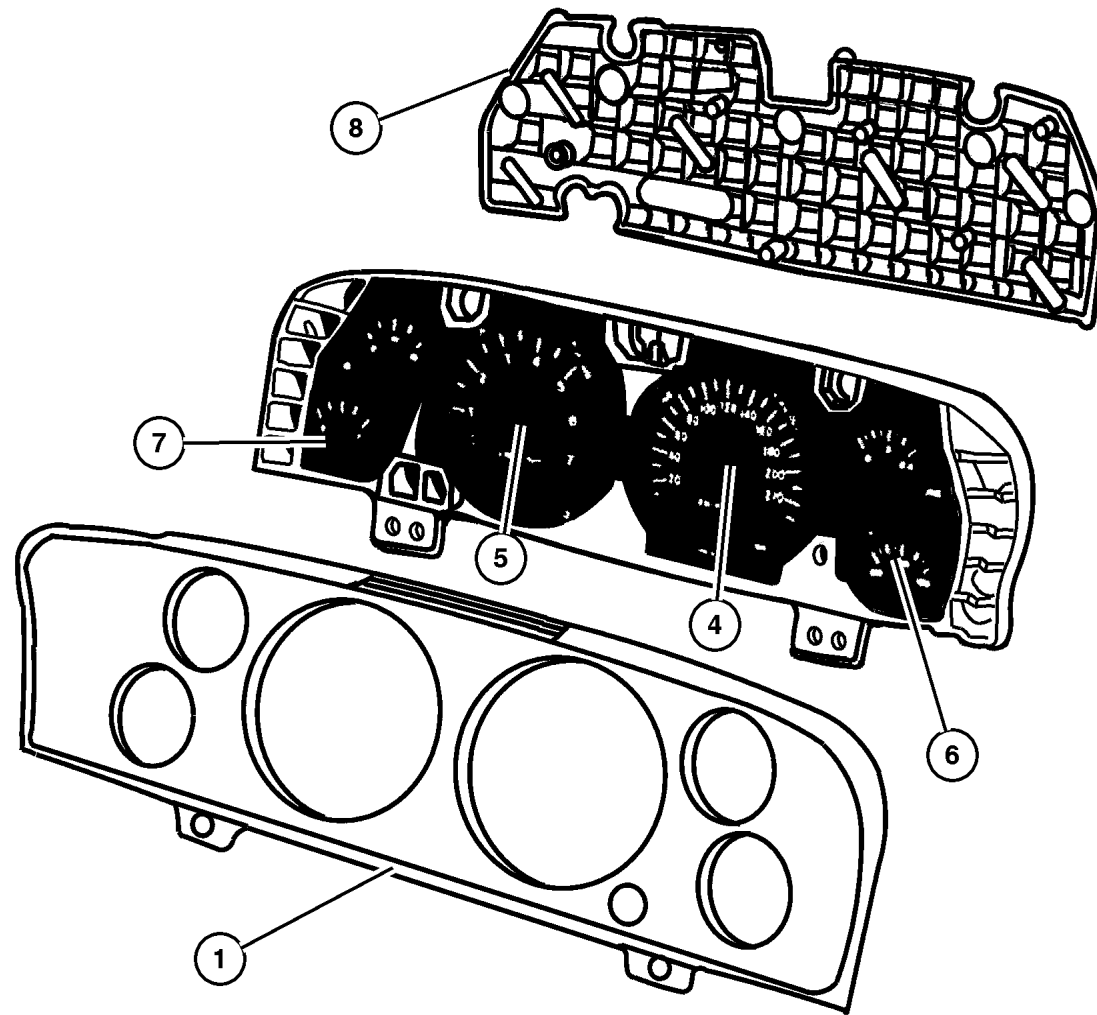
**JEEP GRAND CHEROKEE (WJ)**

SERIES	LINE	BODY	ENGINE	TRANSMISSION
H=Laredo	J = 4WD	74 = 4 Door(105.9 WB)	ER0, ERH = 4.0L, Power Tech I-6	DGK = 4 Speed Autm, 42RE
P=Limited	T = 2WD		EV0, EVA = 4.7L, Power Tech V8	DGW = 4 Speed Automatic, -44RE
	U = 4WD (RHD)		EXA, EX0 = 3.1L, 5 Cyl Turbo Diesel	DG4 = Multi Speed Automatic, -45RFE
				DGO = All Automatic

AR = Use as required - = Non illustrated part # = New this model year

September 14, 2002

**Instrument Cluster  
Figure 08A-210**



ITEM	PART NUMBER	QTY	LINE	SERIES	BODY	ENGINE	TRANS	DESCRIPTION
		1	U					4.0L/4.7L Engine w/200 KPM w/Tach
	#5016 307AA	1						Diesel Engine w/230 KPH Primary w/Tach
		1	U					Diesel Engine w/120 MPH Primary w/Tach
7		1	U					Diesel Engine w/200 KPM w/Tach GAUGE, Fuel And Volt
	#5015 436AA	1	J, T					4.0L/4.7L Engine w/120 MPH Primary w/Tach
		1	J, T					4.0L/4.7L Engine w/230 KPH Primary w/Tach
		1	U					4.0L/4.7L Engine w/120 MPH Primary w/Tach
		1	U					Diesel Engine w/120 MPH Primary w/Tach
		1	U					Diesel Engine w/200 KPM w/Tach
8		1	U					4.0L/4.7L Engine w/200 KPM w/Tach
		1	J, T					BOARD, Circuit, Cluster Housing & Back Cover Included w/Circuit Board
	#5015 437AA	1	J, T					4.0L/4.7L Engine w/120 MPH Primary w/Tach
	#5016 300AA	1	J, T					4.0L/4.7L Engine w/230 KPH Primary w/Tach
	#5016 308AA	1						Diesel Engine w/230 KPH Primary w/Tach
	#5016 310AA	1	U					Diesel Engine w/120 MPH Primary w/Tach
	#5016 312AA	1	U					Diesel Engine w/200 KPM w/Tach
	#5016 313AA	1	U					4.0L/4.7L Engine w/120 MPH Primary w/Tach
	#5016 317AA	1	U					4.0L/4.7L Engine w/200 KPM w/Tach
-9		1						KNOB, Odometer Reset
	4638 220	1						4.0L/4.7L Engine
-10		1						Diesel Engine
	6101 946	8	J, T					SCREW, Tapping
		2	U					
-11	6032 723	2						SCREW, Self Tapping, M4.2x1.69x19.05

**JEEP GRAND CHEROKEE (WJ)**

SERIES	LINE	BODY	ENGINE	TRANSMISSION
H=Laredo	J = 4WD	74 = 4 Door(105.9 WB)	ER0, ERH = 4.0L, Power Tech I-6	DGK = 4 Speed Autm, 42RE
P=Limited	T = 2WD		EVO, EVA = 4.7L, Power Tech V8	DGW = 4 Speed Automatic, -44RE
	U = 4WD (RHD)		EXA, EX0 = 3.1L, 5 Cyl Turbo Diesel	DG4 = Multi Speed Automatic, -45RFE
				DGO = All Automatic

AR = Use as required - = Non illustrated part # = New this model year

September 14, 2002

Radios  
Figure 08A-310

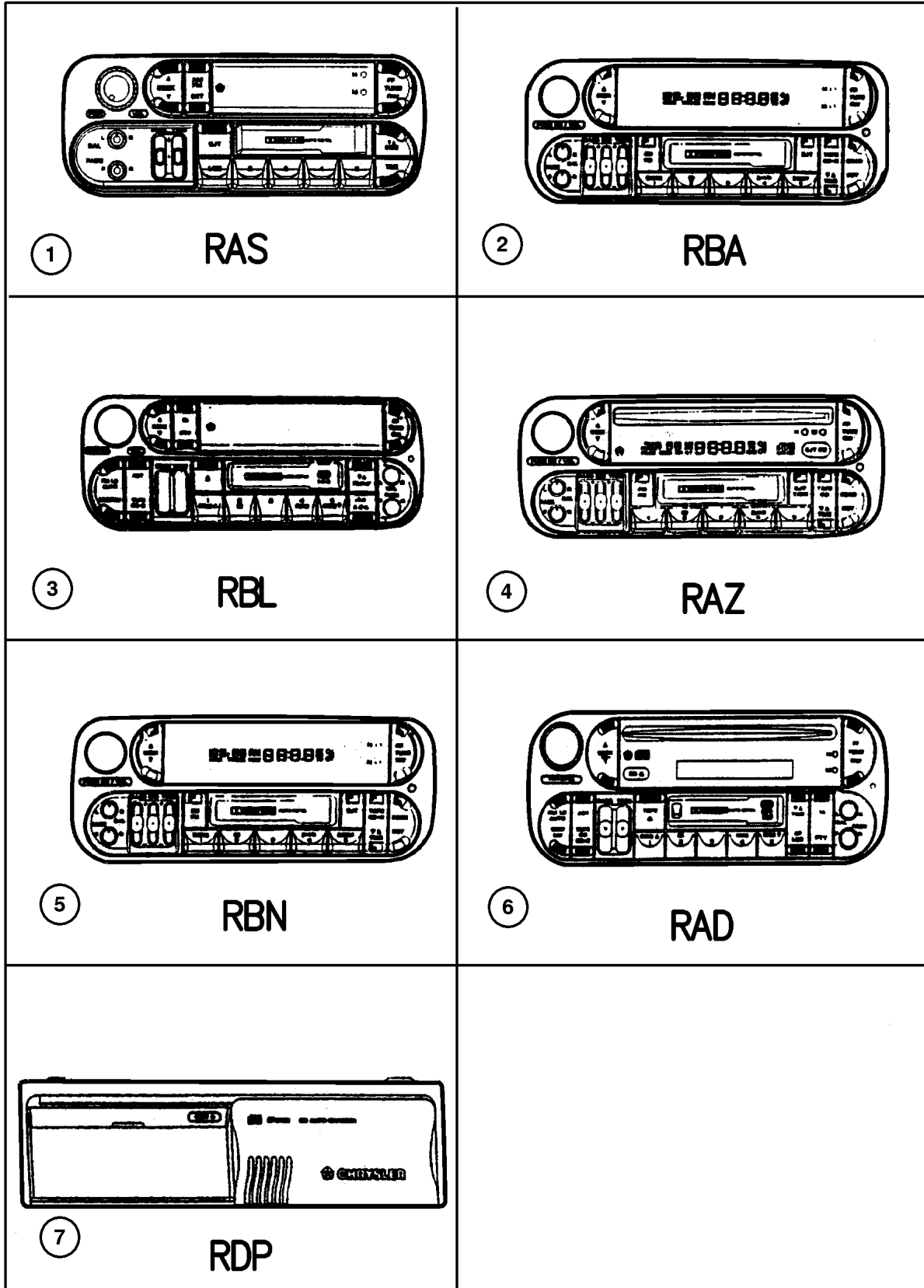
ITEM	PART NUMBER	QTY	LINE	SERIES	BODY	ENGINE	TRANS	DESCRIPTION
RAD=AM/FM Cassette w/CD (EUROPE)								
RAS=AM/FM Cassette								
RAZ=AM/FM w/CD & Cassette								
RBA=AM/FM w/CD								
RBL=AM/FM Cassette/CD Control (EUROPE)								
RBN=AM/FM Cassette w/Control								
RDP=Disc Changer								
1	56038 931AB	1	J, T		74			RADIO, AM/FM Cassette, (RAS)
2	#4858 516AD	1						RADIO, AM/FM/Cassette With CD Control, (RBA)
3	#4858 513AH	1						RADIO, AM/FM/Cassette With CD Control, (RBL)
4	4858 540AG	1	J, T		74			RADIO, AM/FM with CD and Cassette, (RAZ)
5	4858 584AG	1	J, T		74			RADIO, AM/FM Cassette with CD Control, (RBN)
6	#4858 543AB	1						RADIO, AM/FM/Cassette With CD, (RAD)
7								DISC, Compact, (NOT SERVICED) (Not Serviced)
-8	6100 047	4						NUT AND WASHER, Hex Nut-Coned Washer, M6 x 1.00
-9	0154 552	1						SCREW, Hex Head, .190-16x.625
-10	6035 081	1						NUT, .25-20
-11								STRAP, Radio Noise Suppression 4.0L Engine
	56038 499AB	1						
	56038 402AB	1						
-12	6035 081	1						NUT, .25-20
-13								AMPLIFIER, Radio [RCE] Infinity (Mounting Bracket Serviced with Amplifier)
	56038 407AD	1						[RDL] EUROPE w/Intgrated Antenna
	5604 2134	1						CHANGER, CD, 10 Disc [RDP]
-14	#56042 129AG	1						

JEEP GRAND CHEROKEE (WJ)

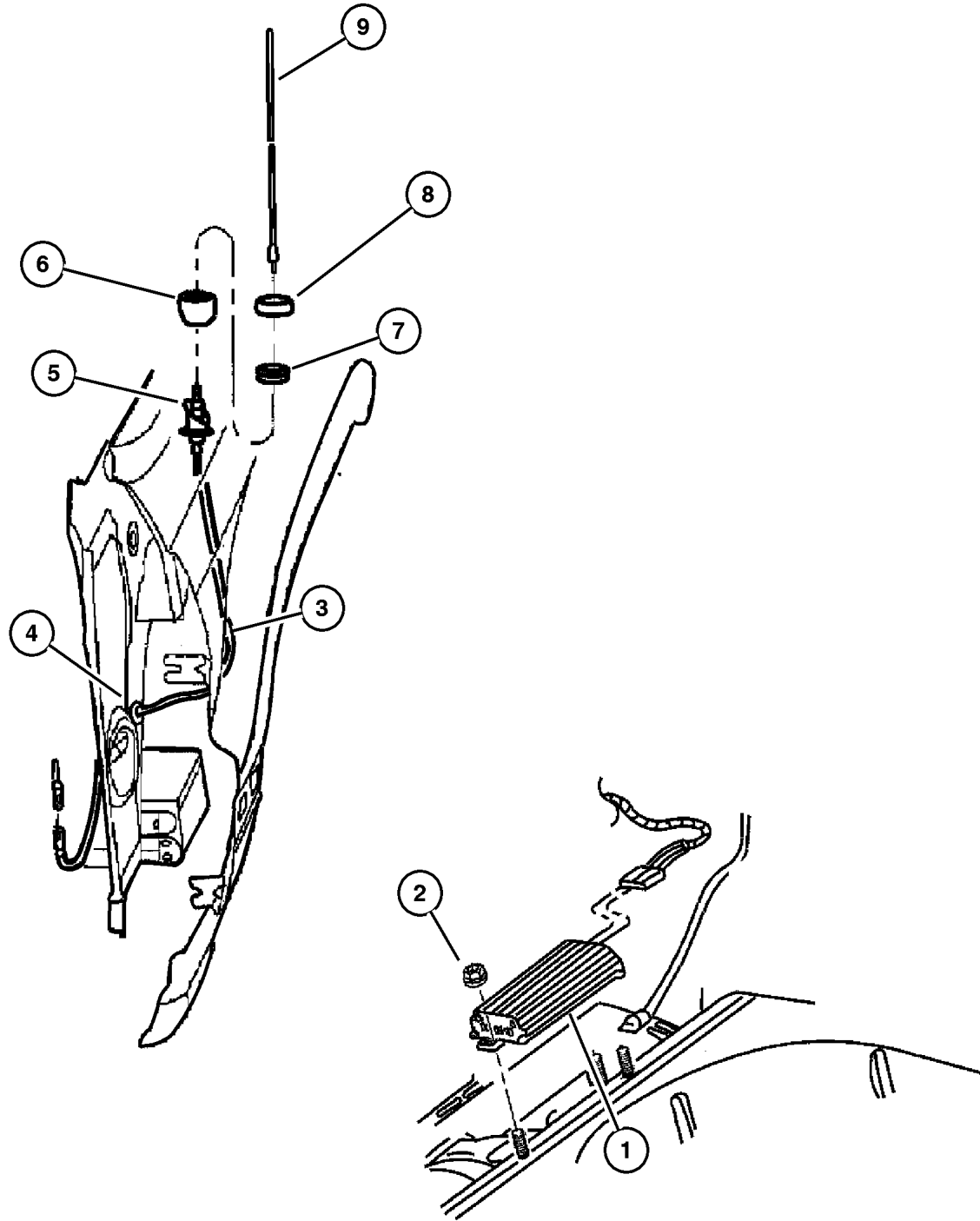
SERIES	LINE	BODY	ENGINE	TRANSMISSION
H=Laredo	J = 4WD	74 = 4 Door(105.9 WB)	ER0, ERH = 4.0L, Power Tech I-6	DGK = 4 Speed Autm, 42RE
P=Limited	T = 2WD		EVO, EVA = 4.7L, Power Tech V8	DGW = 4 Speed Automatic, -44RE
	U = 4WD (RHD)		EXA, EX0 = 3.1L, 5 Cyl Turbo Diesel	DG4 = Multi Speed Automatic, -45RFE
				DGO = All Automatic

AR = Use as required - = Non illustrated part # = New this model year

September 14, 2002



## Antenna Figure 08A-320



ITEM	PART NUMBER	QTY	LINE	SERIES	BODY	ENGINE	TRANS	DESCRIPTION
Note:								
RCE = Infinity Speaker System								
RDL = Rear Window Integrated Antenna								
1	56038 407AD	1						AMPLIFIER, Radio (RCE) Infinity
	5604 2134	1						(RDL) EUROPE w/Intigrated Antenna
2	6500 284	2						NUT, Hex, M6x1.00
3	56038 513AF	1	J, T					CABLE, Antenna w/Fixed Antenna
	56038 514AA	1						(RDL) EUROPE w/Intigrated Antenna
	56038 515AD	1	U					(RDL) EUROPE w/Intigrated Antenna
	56038 516AD	1	J, T					(RDL) EUROPE w/Intigrated Antenna
4	4373 728	1						PLUG
5	56038 412AB	1						BASE, Antenna
6	56009 375AB	1						ESCUTCHEON, Antenna
7	4685 301	1						CAP NUT, Antenna, Black
8	4685 498	1						SHROUD, Antenna Cap Nut
9	4685 574	1						MAST, Antenna, Black

### JEEP GRAND CHEROKEE (WJ)

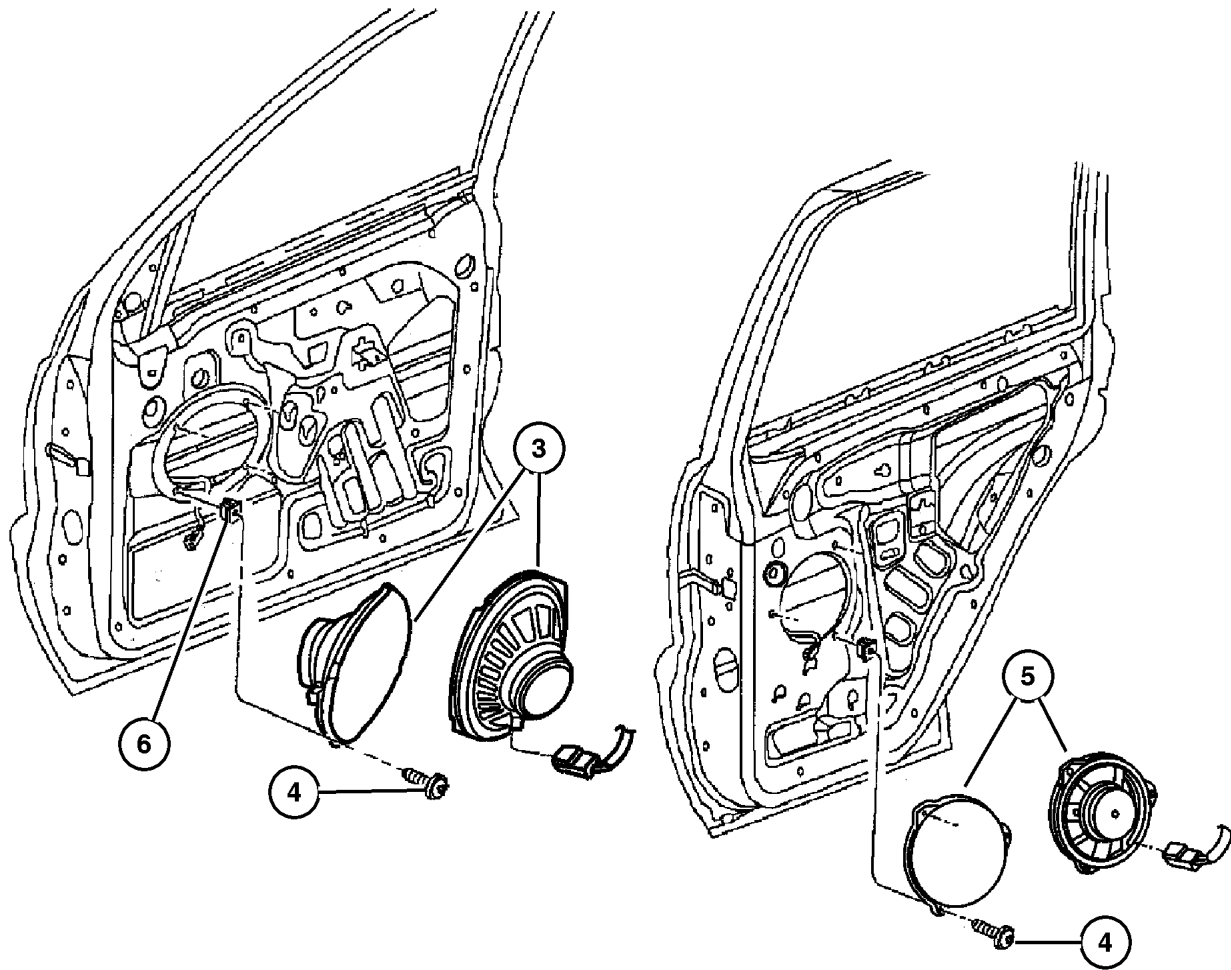
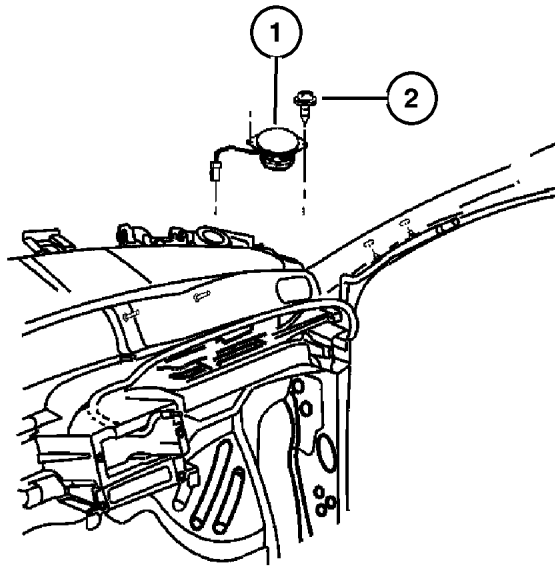
SERIES	LINE	BODY	ENGINE	TRANSMISSION
H=Laredo	J = 4WD	74 = 4 Door(105.9 WB)	ER0, ERH = 4.0L, Power Tech I-6	DGK = 4 Speed Autm, 42RE
P=Limited	T = 2WD		EVO, EVA = 4.7L, Power Tech V8	DGW = 4 Speed Automatic, -44RE
	U = 4WD (RHD)		EXA, EX0 = 3.1L, 5 Cyl Turbo Diesel	DG4 = Multi Speed Automatic, -45RFE
				DGO = All Automatic

AR = Use as required - = Non illustrated part # = New this model year

September 14, 2002

## Speakers Figure 08A-325

ITEM	PART NUMBER	QTY	LINE	SERIES	BODY	ENGINE	TRANS	DESCRIPTION
1	56038 411AC	2						SPEAKER, Instrument Panel, (RCE) Infinity
2	6101 946	3						SCREW, Tapping
3	#56038 409AC	2						SPEAKER, 6"X9" (RCE) Infinity
	56042 131AB	2						(RCG) Standard
4								SCREW, (NOT SERVICED) (Not Serviced)
5								SPEAKER, 6.5" (RCG) Standard
	56038 408AB	2						(RCE) Infinity
	56038 410AC	2						(RCE) Infinity
6	6036 098AA	8						NUT, Plastic Snap-in
-7	56038 612AA	2						SPEAKER, Tweeter, (RCG) Standard



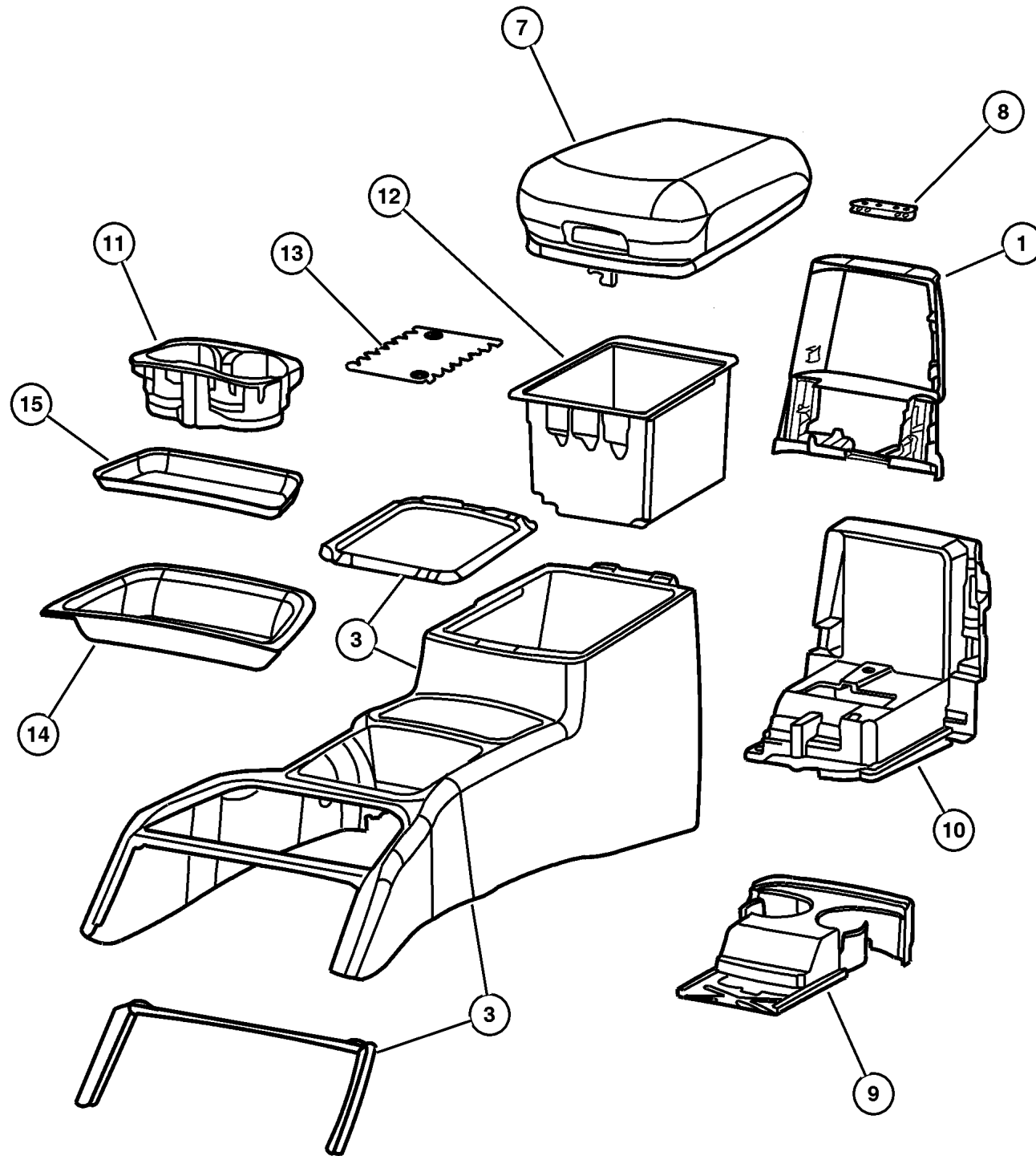
### JEEP GRAND CHEROKEE (WJ)

SERIES	LINE	BODY	ENGINE	TRANSMISSION
H=Laredo	J = 4WD	74 = 4 Door(105.9 WB)	ER0, ERH = 4.0L, Power Tech I-6	DGK = 4 Speed Autm, 42RE
P=Limited	T = 2WD		EV0, EVA = 4.7L, Power Tech V8	DGW = 4 Speed Automatic, -44RE
	U = 4WD (RHD)		EXA, EX0 = 3.1L, 5 Cyl Turbo Diesel	DG4 = Multi Speed Automatic, -45RFE
				DGO = All Automatic

AR = Use as required - = Non illustrated part # = New this model year

September 14, 2002

## Floor Console Figure 08A-410



ITEM	PART NUMBER	QTY	LINE	SERIES	BODY	ENGINE	TRANS	DESCRIPTION
1	QP97 1AZAA	1	U					PANEL, Console [AZ]
	QP97 1K5AA	1	U					[K5]
	QP97 LAZAA	1	J, T					[AZ]
	QP97 RK5AA	1	J, T					[K5]
	QP97 WL5AA	1	J, T					[L5]
-2	5014 295AA	1	J, T					LATCH, Console Lock
		1	U					
3	SH13 1AZAB	1	J, T					CONSOLE, Base [AZ]
	SH13 1K5AB	1	J, T					[K5]
	SH13 1L5AB	1	J, T					[L5]
	SH29 1AZAA	1	U					[AZ]
	SH29 1K5AA	1	U					[K5]
-4	6032 452	2	U					SCREW, Self Piercing, .164-15x.625
		2	J, T					
-5	6032 838	1	U					CLIP, .500x.417x.500
		1	J, T					
-6	6034 319	2	U					CLIP, .453Wx.528LGx.017THK
		2	J, T					
7	5FW58 1AZAB	1	U					LID, Floor Console Bin [AZ]
		1	J, T					[AZ]
	5FW58 1K5AB	1	U					[K5]
		1	J, T					[K5]
	5FW58 1L5AB	1	J, T					[L5]
8	55196 773AA	1	U					HINGE, Floor Console Lid
		1	J, T					
9	5GL54 1AZAA	1	U					CUPHOLDER, Floor Console [AZ]
		1	J, T					[AZ]
	5GL54 1K5AA	1	U					[K5]
		1	J, T					[K5]
10	5GL54 1L5AA	1	J, T					[L5]
	55196 718AB	1	U					PLATE, Floor Console
		1	J, T					
11								CUPHOLDER, Floor Console

**JEEP GRAND CHEROKEE (WJ)**

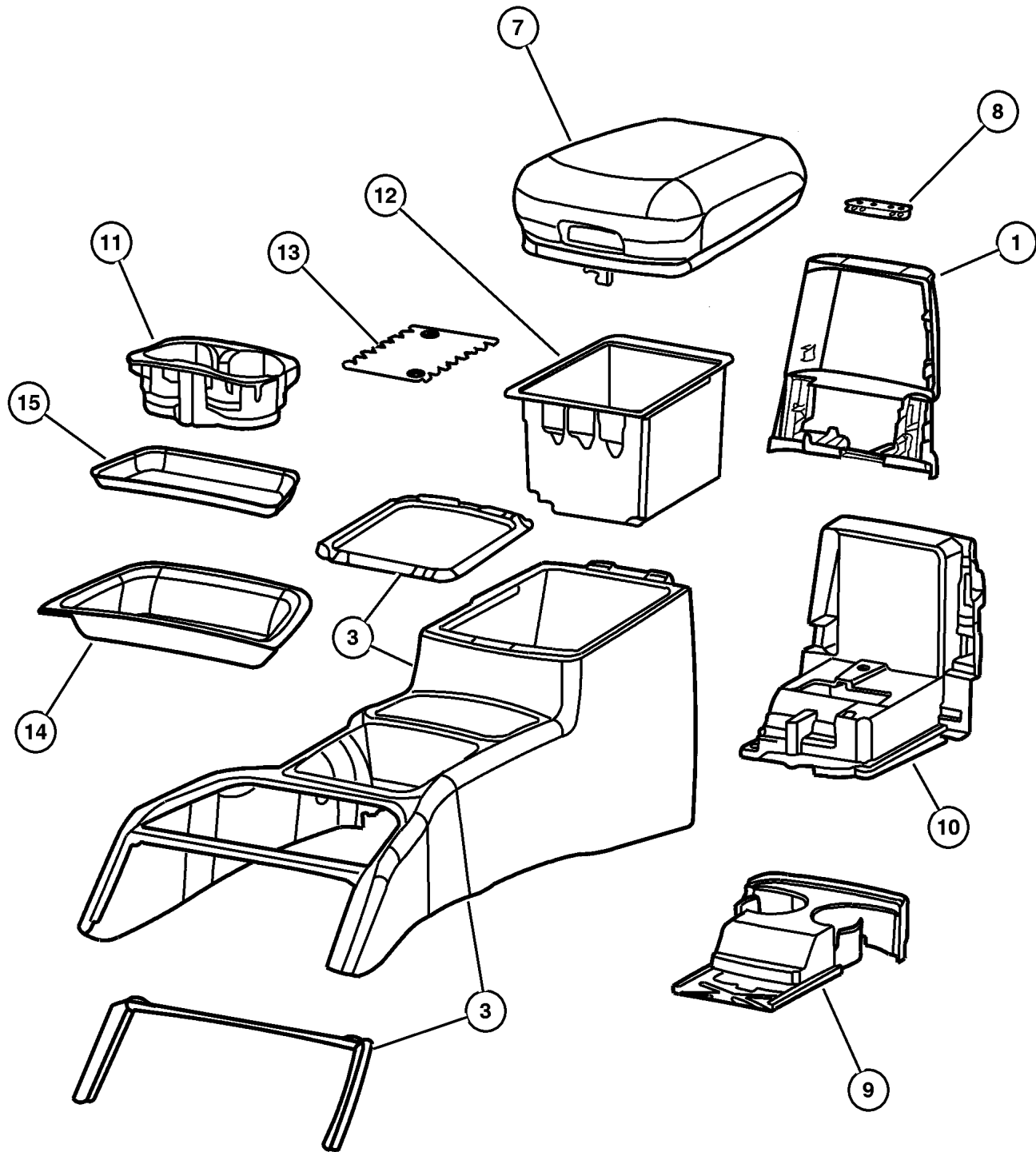
SERIES	LINE	BODY	ENGINE	TRANSMISSION
H=Laredo	J = 4WD	74 = 4 Door(105.9 WB)	ER0, ERH = 4.0L, Power Tech I-6	DGK = 4 Speed Autm, 42RE
P=Limited	T = 2WD		EVO, EVA = 4.7L, Power Tech V8	DGW = 4 Speed Automatic, -44RE
	U = 4WD (RHD)		EXA, EX0 = 3.1L, 5 Cyl Turbo Diesel	DG4 = Multi Speed Automatic, -45RFE
				DGO = All Automatic

AR = Use as required - = Non illustrated part # = New this model year

September 14, 2002

Floor Console  
Figure 08A-410

ITEM	PART NUMBER	QTY	LINE	SERIES	BODY	ENGINE	TRANS	DESCRIPTION
	55196 713AA	1	J, T					
		1	U					
12	55196 664AB	1						BIN, Floor Console, with Mat
13	5519 6665	1						MAT, Storage Tray
14								BIN, Floor Console
	5519 6667	1	J, T					Front Floor Console
	5519 6668	1	U					Front Floor Console
15								MAT, Storage Tray
	5519 6669	1	J, T					Left Hand Drive
	5519 6670	1	U					Right Hand Drive
-16								SCREW, .164-18x.50, (NOT SERVICED) (Not Serviced)
-17								BUMPER, Rubber
	5066 456AA	2	U					
		2	J, T					



JEEP GRAND CHEROKEE (WJ)

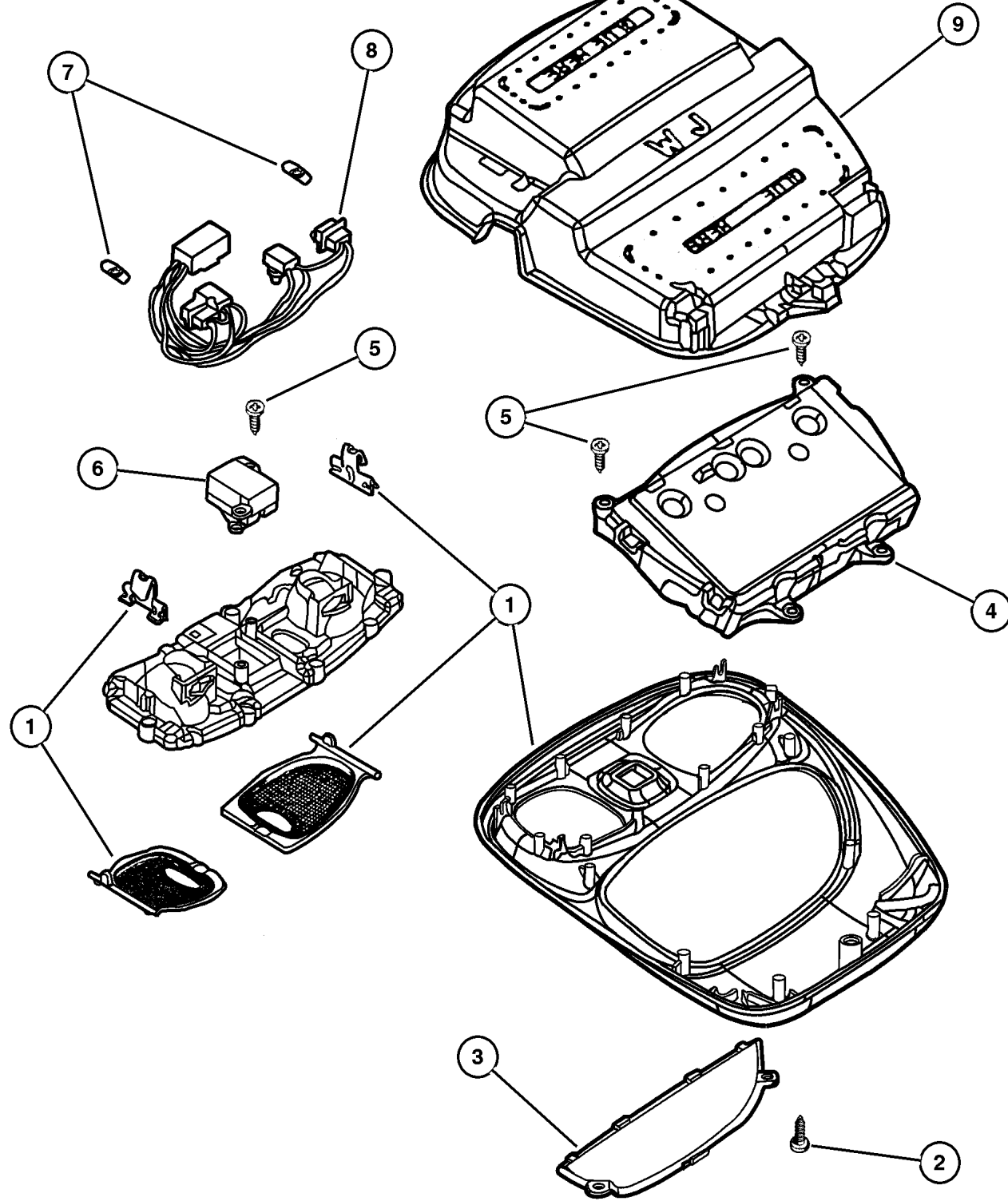
SERIES	LINE	BODY	ENGINE	TRANSMISSION
H=Laredo	J = 4WD	74 = 4 Door(105.9 WB)	ER0, ERH = 4.0L, Power Tech I-6	DGK = 4 Speed Autm, 42RE
P=Limited	T = 2WD		EVO, EVA = 4.7L, Power Tech V8	DGW = 4 Speed Automatic, -44RE
	U = 4WD (RHD)		EXA, EX0 = 3.1L, 5 Cyl Turbo Diesel	DG4 = Multi Speed Automatic, -45RFE
				DGO = All Automatic

AR = Use as required - = Non illustrated part # = New this model year

September 14, 2002



Overhead Console  
Figure 08A-420



ITEM	PART NUMBER	QTY	LINE	SERIES	BODY	ENGINE	TRANS	DESCRIPTION
1								CONSOLE, Overhead Mini, Less
	SF61 1K5AA	1	J, T					Electronics w/o Illuminated Visor & w/o Sunroof (Camel/Tan)
	SF61 1L2AA	1	J, T					w/o Illuminated Visor & w/o Sunroof (Beige)
	SF62 1K5AA	1	J, T					w/Illuminated Visor, Universal Garage Door Opener & w/Sunroof (Camel/ Tan)
	SF62 1L2AA	1	J, T					w/Illuminated Visor, Universal Garage Door Opener & w/Sunroof (Beige)
		1	U					w/Illuminated Visor & w/Sunroof (Beige)
	SF62 1K5AA	1	U					w/Illuminated Visor & w/Sunroof (Camel/Tan)
	SF61 1L2AA	1	U					w/Illuminated Visor & w/o Sunroof (Beige)
	SF61 1K5AA	1	U					w/Illuminated Visor & w/o Sunroof (Camel/Tan)
2								SCREW, .164-18x.500, (NOT SERVICED) (Not Serviced)
3								LENS, Message Center
	5012 882AA	1	J, T					
		1	U					
4								MODULE, Compass Temperature
	56042 271AD	1	J, T					w/Illuminated Visor, & w/Universal Garage Door Opener
	56042 273AC	1	J, T					w/Illuminated Visor, & w/o Universal Garage Door Opener
		1	U					
5								SCREW, (NOT SERVICED) (Not Serviced)
6								SWITCH, 1 Gang
	5604 2064	1	J, T					
		1	U					
7								BULB, 192
	L000 0192	2	J, T					
		1	U					
8								WIRING, Overhead Lighting
	55196 754AA	1	J, T					
		1	U					
9								RETAINER, Headliner

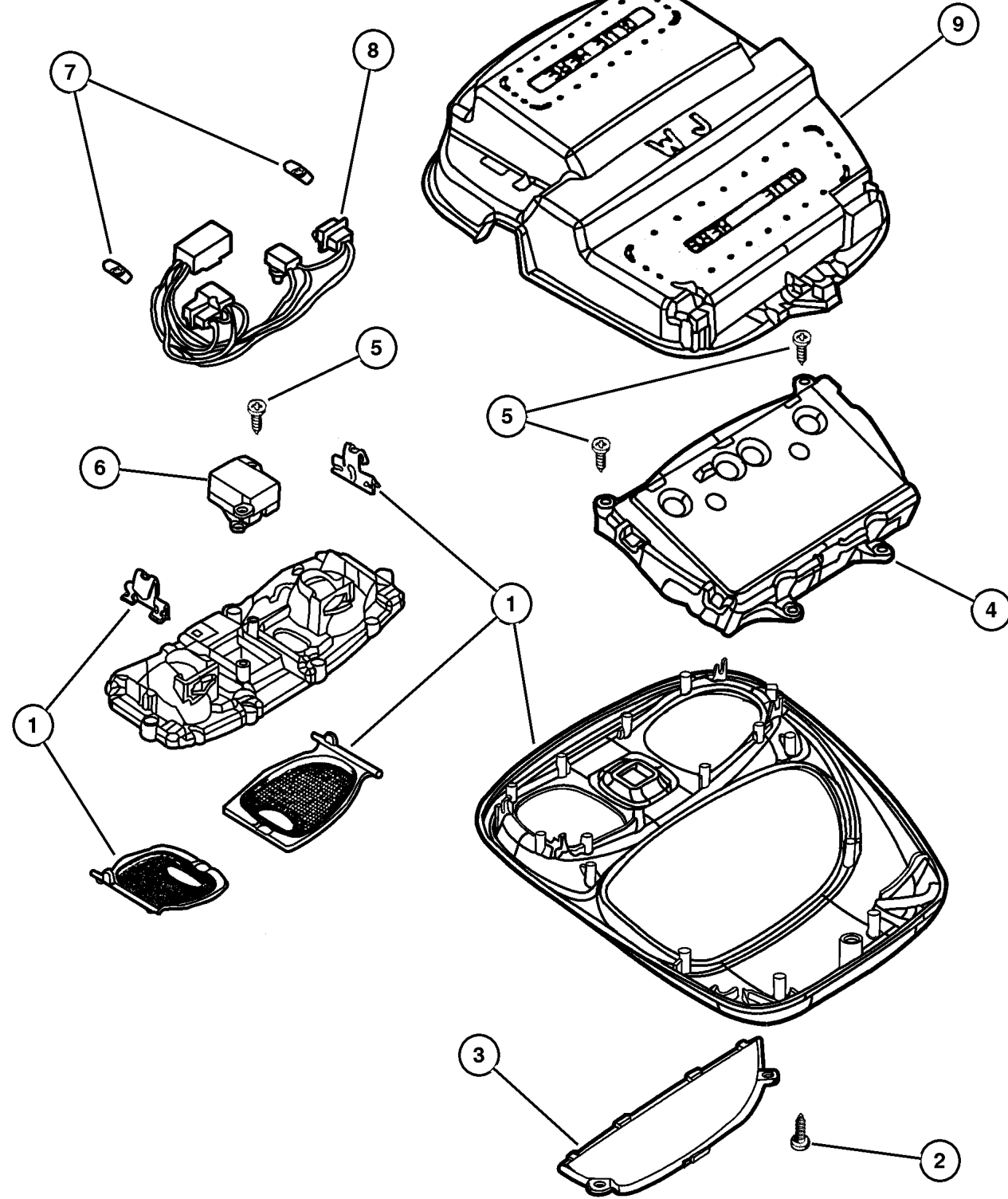
JEEP GRAND CHEROKEE (WJ)

SERIES	LINE	BODY	ENGINE	TRANSMISSION
H=Laredo	J = 4WD	74 = 4 Door(105.9 WB)	ER0, ERH = 4.0L, Power Tech I-6	DGK = 4 Speed Autm, 42RE
P=Limited	T = 2WD		EVO, EVA = 4.7L, Power Tech V8	DGW = 4 Speed Automatic, -44RE
	U = 4WD (RHD)		EXA, EX0 = 3.1L, 5 Cyl Turbo Diesel	DG4 = Multi Speed Automatic, -45RFE
				DGO = All Automatic

AR = Use as required - = Non illustrated part # = New this model year

September 14, 2002

Overhead Console  
Figure 08A-420



ITEM	PART NUMBER	QTY	LINE	SERIES	BODY	ENGINE	TRANS	DESCRIPTION
	55196 782AB	1	J, T					
		1	U					
-10	4437 661	4	J, T					LAMP, Message Center

JEEP GRAND CHEROKEE (WJ)

SERIES	LINE	BODY	ENGINE	TRANSMISSION
H=Laredo	J = 4WD	74 = 4 Door(105.9 WB)	ER0, ERH = 4.0L, Power Tech I-6	DGK = 4 Speed Autm, 42RE
P=Limited	T = 2WD		EVO, EVA = 4.7L, Power Tech V8	DGW = 4 Speed Automatic, -44RE
	U = 4WD (RHD)		EXA, EX0 = 3.1L, 5 Cyl Turbo Diesel	DG4 = Multi Speed Automatic, -45RFE
				DGO = All Automatic

AR = Use as required - = Non illustrated part # = New this model year

September 14, 2002

# Group – 009

## Engine Mounting

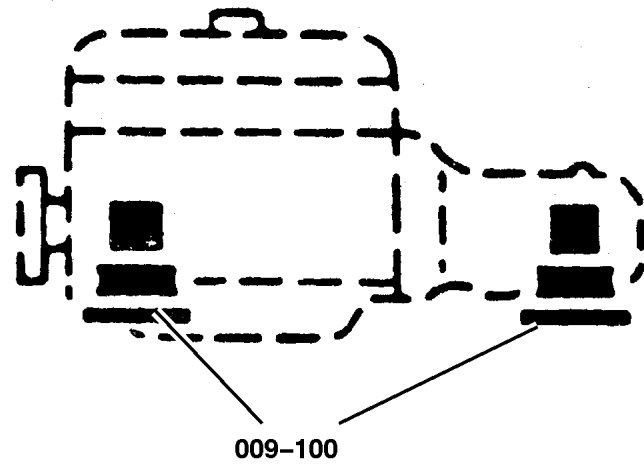
### GROUP 9 - Engine Mounting

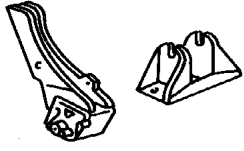
Illustration Title

Group-Fig. No.

#### Engine Mounting

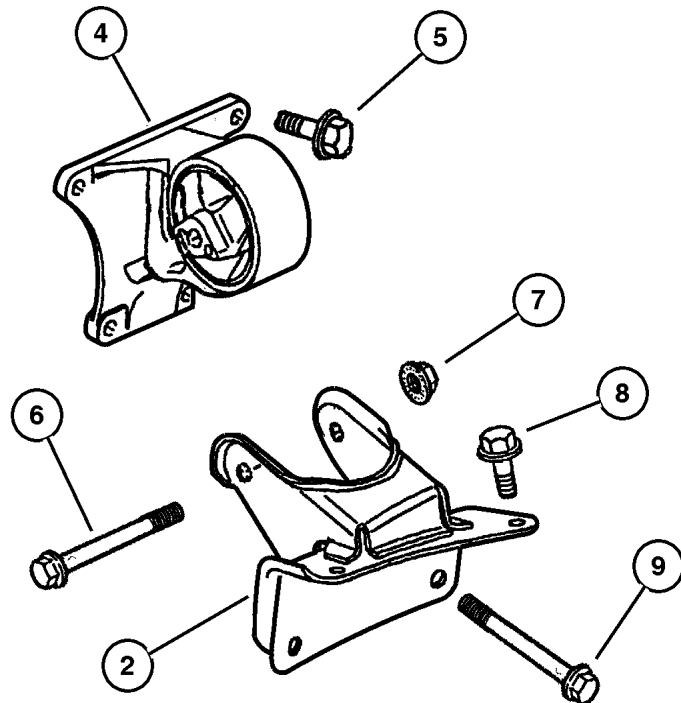
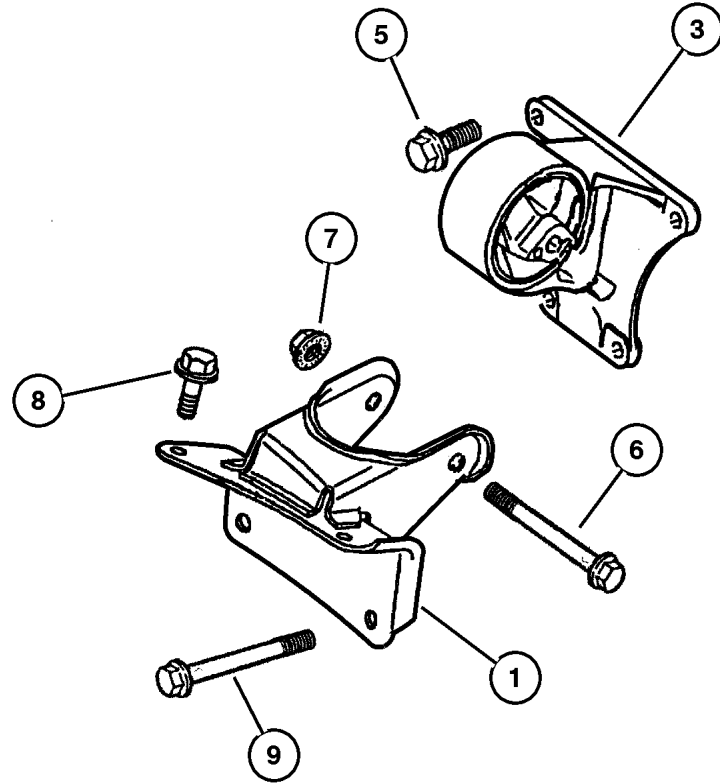
Engine Mounting, Front 3.1L (EXA) Diesel Engine .....	Fig. 009-110
Engine Mounting, Rear 3.1L (EXA) Diesel Engine .....	Fig. 009-120
Engine Mounting, Front 4.0L (ERH) Engine .....	Fig. 009-130
Engine Mounting, Rear 4.0L (ERH) Engine .....	Fig. 009-140
Engine Mounting, Front 4.7L (EVA) Engine .....	Fig. 009-150
Engine Mounting, Rear 4.7L (EVA) Engine .....	Fig. 009-160



<p><b>009-100</b> Engine Mounting</p> 			
---	--	--	--

**Engine Mounting, Front 3.1L (EXA) Diesel Engine  
Figure 009-110**

ITEM	PART NUMBER	QTY	LINE	SERIES	BODY	ENGINE	TRANS	DESCRIPTION
NOTE: EX0=All 3.1L Engines								
1	5205 9052	1				EX0		BRACKET, Sill, Right
2	5205 9053	1				EX0		BRACKET, Sill, Left
3	5205 9050	1				EX0		INSULATOR, Engine Mount, Right
4	5205 9051	1				EX0		INSULATOR, Engine Mount, Left
5	6503 699	8				EV0, EX0		SCREW AND WASHER, Hex Head, M10x1.5x28
6	3420 2606	2						BOLT, Hex Head
7	6502 697	2						NUT, Hex Flange Lock, M12x1.75
8	6503 119	4						SCREW AND WASHER, Hex Head, M10x1.5x40
9	6506 000AA	4						SCREW AND WASHER



**JEEP GRAND CHEROKEE (WJ)**

<b>SERIES</b>	<b>LINE</b>	<b>BODY</b>	<b>ENGINE</b>	<b>TRANSMISSION</b>
H=Laredo	J = 4WD	74 = 4 Door(105.9 WB)	ER0, ERH = 4.0L, Power Tech I-6	DGK = 4 Speed Autm, 42RE
P=Limited	T = 2WD		EV0, EVA = 4.7L, Power Tech V8	DGW = 4 Speed Automatic, -44RE
	U = 4WD (RHD)		EXA, EX0 = 3.1L, 5 Cyl Turbo Diesel	DG4 = Multi Speed Automatic, -45RFE
				DGO = All Automatic

AR = Use as required - = Non illustrated part # = New this model year

September 14, 2002

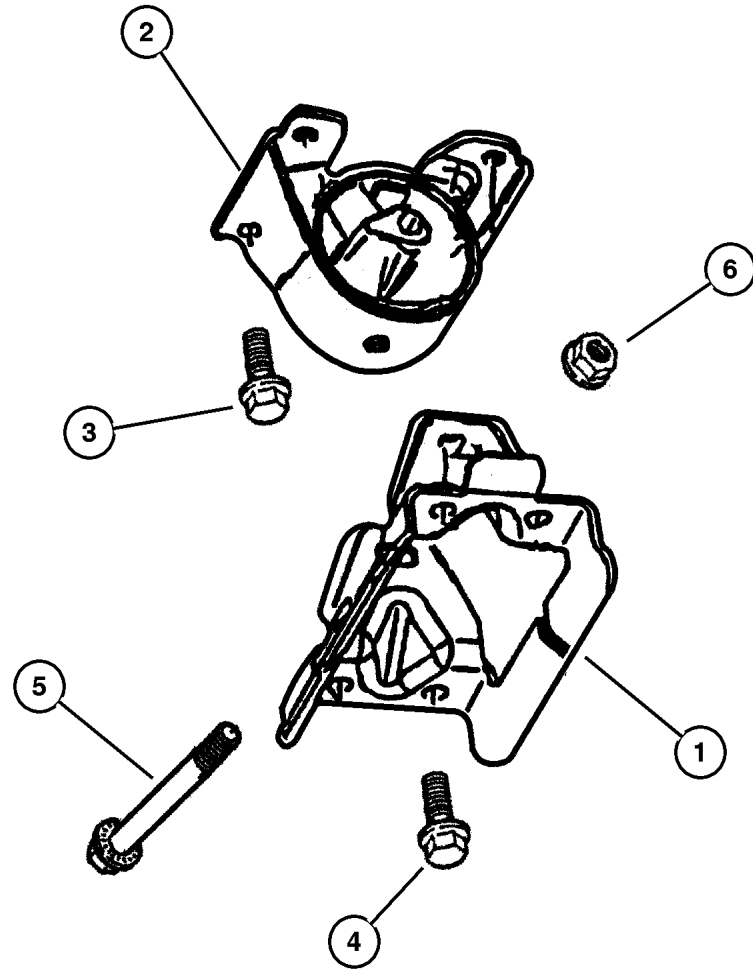
**Engine Mounting, Rear 3.1L (EXA) Diesel Engine  
Figure 009-120**

ITEM	PART NUMBER	QTY	LINE	SERIES	BODY	ENGINE	TRANS	DESCRIPTION
------	-------------	-----	------	--------	------	--------	-------	-------------

Note:

DGK = 4 Speed Automatic Transmission 42RE  
 DGW = 4 Speed Automatic Transmission 44RE  
 EM0 = All 5.9L 8 Cyl Gas Engines  
 ER0 = All 4.0L 6 Cyl Gas Engines  
 EV0 = All 4.7L Gas Engines  
 EX0 = All Turbo Diesel Engines

1	53054 630AB	1	J, U			EX0	DGW	BRACKET, Transmission Mount
2	53054 631AB	1	J, U			EX0	DGW	BRACKET, Transmission Mount
3	6033 358	4				EM0, ER0, EX0	DGK	SCREW AND WASHER, Hex Head Locking, .437-14x1.25
4	6506 000AA	4						SCREW AND WASHER
5	6504 681	1				EV0		BOLT
6	6502 697	1						NUT, Hex Flange Lock, M12x1.75



JEEP GRAND CHEROKEE (WJ)

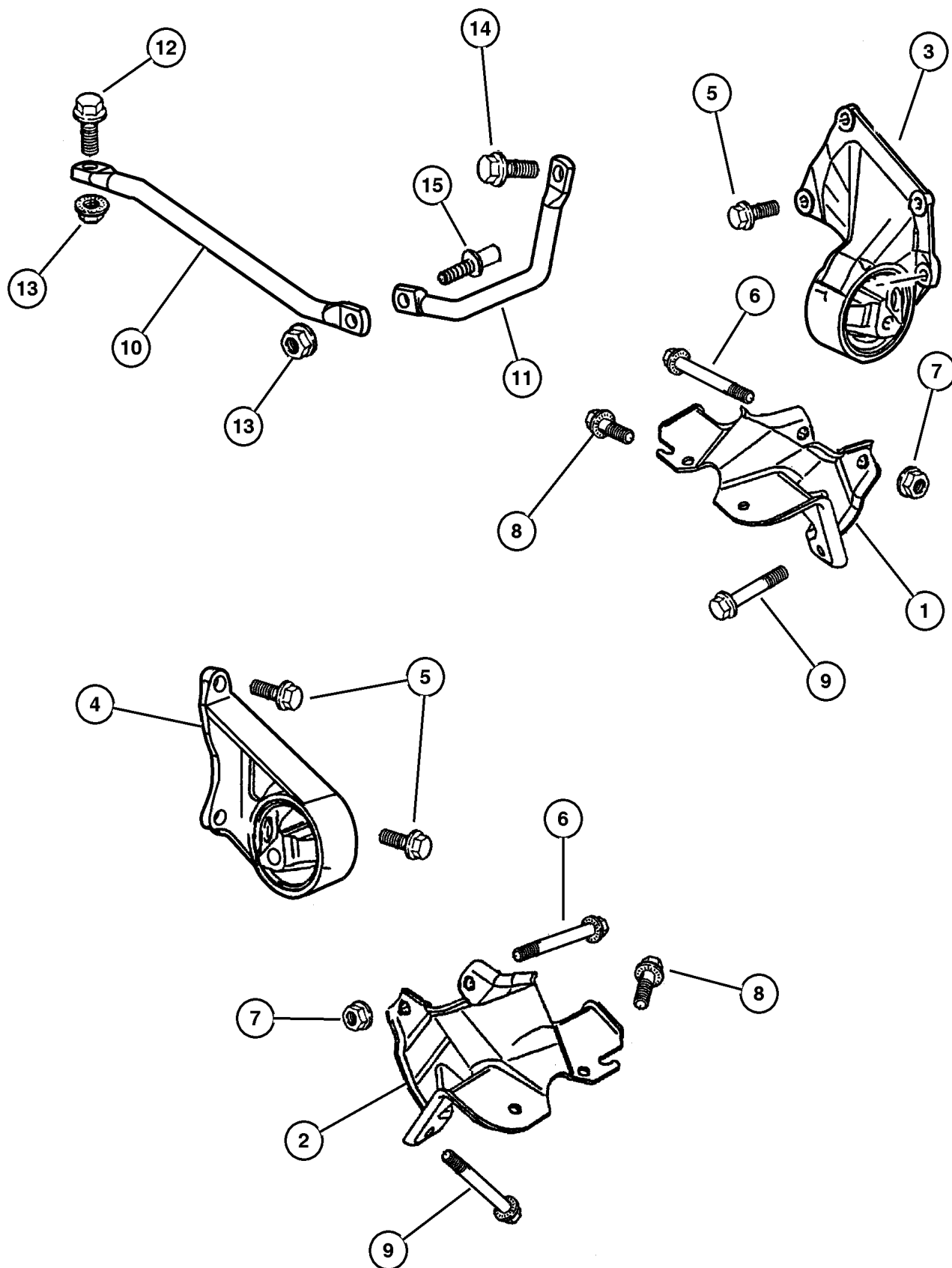
SERIES	LINE	BODY	ENGINE	TRANSMISSION
H=Laredo	J = 4WD	74 = 4 Door(105.9 WB)	ER0, ERH = 4.0L, Power Tech I-6	DGK = 4 Speed Autm, 42RE
P=Limited	T = 2WD		EV0, EVA = 4.7L, Power Tech V8	DGW = 4 Speed Automatic, -44RE
	U = 4WD (RHD)		EXA, EX0 = 3.1L, 5 Cyl Turbo Diesel	DG4 = Multi Speed Automatic, -45RFE
				DGO = All Automatic

AR = Use as required - = Non illustrated part # = New this model year

September 14, 2002

**Engine Mounting, Front 4.0L (ERH) Engine  
Figure 009-130**

ITEM	PART NUMBER	QTY	LINE	SERIES	BODY	ENGINE	TRANS	DESCRIPTION
NOTE: ER0=All 4.0L Engines DG0=All Automatic Transmissions								
1	52058 930AB	1				EM0, ER0, EVO		BRACKET, Engine Mount, Right
2	#52058 931AC	1				ER0, EVO		BRACKET, Engine Mount, Left
3	5205 8928	1				ER0		INSULATOR, Engine Mount, Right
4	5205 8929	1				ER0		INSULATOR, Engine Mount, Left
5	6503 699	7				ER0		SCREW AND WASHER, Hex Head, M10x1.5x28
6	3420 2606	2						BOLT, Hex Head
7	6502 697	2						NUT, Hex Flange Lock, M12x1.75
8	6503 119	4						SCREW AND WASHER, Hex Head, M10x1.5x40
9	6506 000AA	4						SCREW AND WASHER
10	5210 4202	1	J, U			ER0	DG0	BRACE, Bending Transmission, Bottom
11	5210 4204	1	J, U			ER0	DG0	BRACE, Bending Transmission
12	6022 266	1	J, U			ER0	DG0	SCREW, Hex Head, .375-16x1.5
13	6502 697	2						NUT, Hex Flange Lock, M12x1.75
14	6025 063	1	J, U			ER0	DG0	SCREW AND WASHER, .375-16x1.125
15	52104 250AA	1	J, U			ER0	DG0	BRACE, Bell Housing



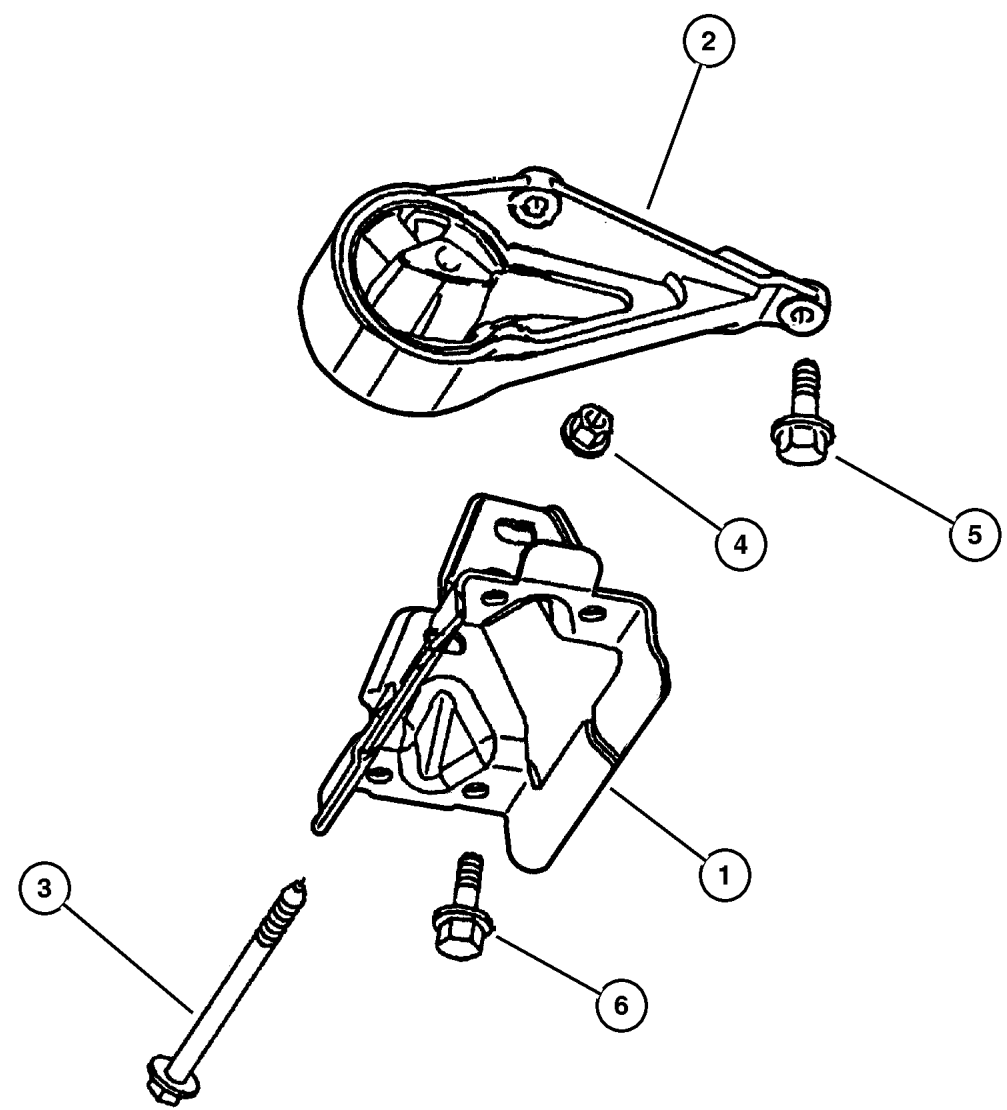
<b>JEEP GRAND CHEROKEE (WJ)</b>				
SERIES	LINE	BODY	ENGINE	TRANSMISSION
H=Laredo	J = 4WD	74 = 4 Door(105.9 WB)	ER0, ERH = 4.0L, Power Tech I-6	DGK = 4 Speed Autm, 42RE
P=Limited	T = 2WD		EVO, EVA = 4.7L, Power Tech V8	DGW = 4 Speed Automatic, -44RE
	U = 4WD (RHD)		EXA, EX0 = 3.1L, 5 Cyl Turbo Diesel	DG4 = Multi Speed Automatic, -45RFE
				DGO = All Automatic

AR = Use as required - = Non illustrated part # = New this model year

September 14, 2002

**Engine Mounting, Rear 4.0L (ERH) Engine  
Figure 009-140**

ITEM	PART NUMBER	QTY	LINE	SERIES	BODY	ENGINE	TRANS	DESCRIPTION
NOTE: ER0=All 4.0L Engines DGK=Automatic, 4 Speed								
1	5205 8988	1	T			ER0	DGK	BRACKET, Insulator
		1	J, U			ER0	DGK	
2	5205 8995	1	T			ER0	DGK	MOUNT, Transmission
	#52059 397AA	1	J, U			ER0	DGK	
3	6504 681	1				EM0, ER0, EVO		BOLT
4	6502 697	1						NUT, Hex Flange Lock, M12x1.75
5	6033 358	4				EM0, ER0, EX0	DGK	SCREW AND WASHER, Hex Head Locking, .437-14x1.25
6	6506 000AA	4						SCREW AND WASHER

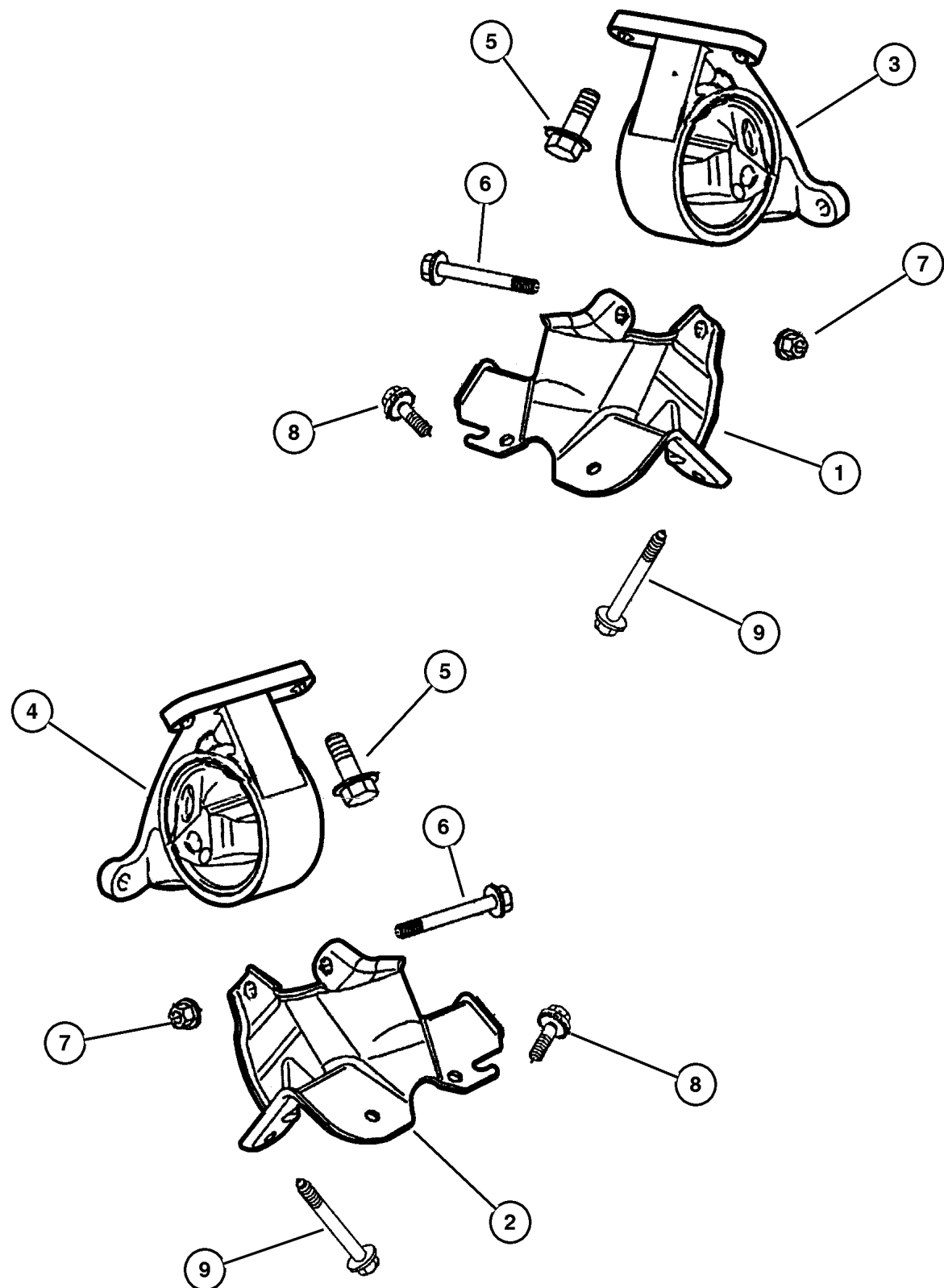


<b>JEEP GRAND CHEROKEE (WJ)</b>				
SERIES	LINE	BODY	ENGINE	TRANSMISSION
H=Laredo	J = 4WD	74 = 4 Door(105.9 WB)	ER0, ERH = 4.0L, Power Tech I-6	DGK = 4 Speed Autm, 42RE
P=Limited	T = 2WD		EVO, EVA = 4.7L, Power Tech V8	DGW = 4 Speed Automatic, -44RE
	U = 4WD (RHD)		EXA, EX0 = 3.1L, 5 Cyl Turbo Diesel	DG4 = Multi Speed Automatic, -45RFE
				DGO = All Automatic

AR = Use as required - = Non illustrated part # = New this model year

September 14, 2002

**Engine Mounting, Front 4.7L (EVA) Engine  
Figure 009-150**



ITEM	PART NUMBER	QTY	LINE	SERIES	BODY	ENGINE	TRANS	DESCRIPTION
Note:								
DG4 = Multi-Speed Automatic Transmission 45RFE								
EM0 = All 5.9L 8 Cyl Gas Engines								
ER0 = All 4.0L 6 Cyl Gas Engines								
EVO = All 4.7L Gas Engines								
1	52058 930AB	1				EM0, ER0, EVO		BRACKET, Engine Mount, Right
2	#52058 931AC	1				ER0, EVO		BRACKET, Engine Mount, Left
3	5205 8936	1	J, T			EVO		INSULATOR, Engine Mount Right
	52060 018AA	1	U			EVO		INSULATOR, Engine Mount Right
4	5205 8937	1	J, T			EVO		INSULATOR, Engine Mount Left
	52060 019AA	1	U			EVO		INSULATOR, Engine Mount Left
5	6503 699	4	J, U			EVO	DG4	SCREW AND WASHER, Hex Head, M10x1.5x28
6	3420 2606	2						BOLT, Hex Head
7	6502 697	2						NUT, Hex Flange Lock, M12x1.75
8	6503 119	4						SCREW AND WASHER, Hex Head, M10x1.5x40
9	6506 000AA	4						SCREW AND WASHER

**JEEP GRAND CHEROKEE (WJ)**

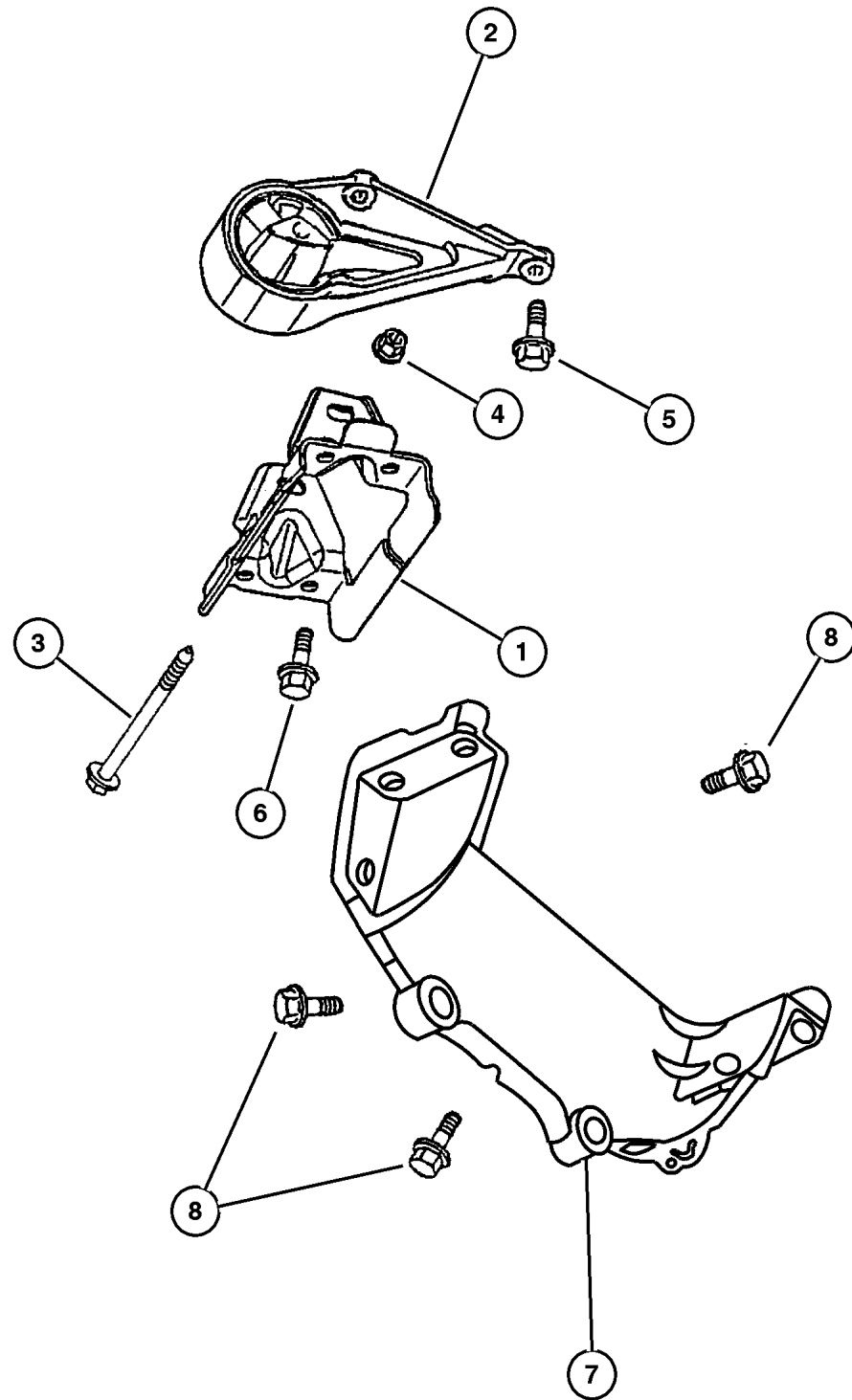
SERIES	LINE	BODY	ENGINE	TRANSMISSION
H=Laredo	J = 4WD	74 = 4 Door(105.9 WB)	ER0, ERH = 4.0L, Power Tech I-6	DGK = 4 Speed Autm, 42RE
P=Limited	T = 2WD		EVO, EVA = 4.7L, Power Tech V8	DGW = 4 Speed Automatic, -44RE
	U = 4WD (RHD)		EXA, EX0 = 3.1L, 5 Cyl Turbo Diesel	DG4 = Multi Speed Automatic, -45RFE
				DGO = All Automatic

AR = Use as required - = Non illustrated part # = New this model year

September 14, 2002



**Engine Mounting, Rear 4.7L (EVA) Engine  
Figure 009-160**



ITEM	PART NUMBER	QTY	LINE	SERIES	BODY	ENGINE	TRANS	DESCRIPTION
NOTE: EV0=All 4.7L Engines DG0=All Automatic Transmissions DG4=Automatic, Multi-Speed								
1	5205 8988	1	J, U			EV0	DG4	BRACKET, Insulator
2	5205 8996	1	J, U			EV0	DG4	MOUNT, Transmission
3	6504 681	1				EV0		BOLT
4	6502 697	1						NUT, Hex Flange Lock, M12x1.75
5	6503 699	4	J, U			EV0	DG4	SCREW AND WASHER, Hex Head, M10x1.5x28
6	6506 000AA	4						SCREW AND WASHER
7	5302 0885	1				EV0	DG0	COVER, Bedplate
8	6101 985	8				EV0		SCREW AND WASHER, M10x1.50x45.00

**JEEP GRAND CHEROKEE (WJ)**

SERIES	LINE	BODY	ENGINE	TRANSMISSION
H=Laredo	J = 4WD	74 = 4 Door(105.9 WB)	ER0, ERH = 4.0L, Power Tech I-6	DGK = 4 Speed Autm, 42RE
P=Limited	T = 2WD		EV0, EVA = 4.7L, Power Tech V8	DGW = 4 Speed Automatic, -44RE
	U = 4WD (RHD)		EXA, EX0 = 3.1L, 5 Cyl Turbo Diesel	DG4 = Multi Speed Automatic, -45RFE
				DGO = All Automatic

AR = Use as required - = Non illustrated part # = New this model year

September 14, 2002

# Group – 4.0L

## Engine 4.0L Six Cylinder

### GROUP 4.0L - Engine 4.0L Six Cylinder

Illustration Title

Group-Fig. No.

#### Cylinder Head

Cylinder Head 4.0L (ERH) Engine ..... Fig. 4.0L-210

#### Cylinder Block

Cylinder Block 4.0L (ERH) Engine ..... Fig. 4.0L-310

#### Crankshaft, Piston and Torque Converter

Crankshaft, Piston and Torque Converter 4.0L (ERH) Engine ..... Fig. 4.0L-410

#### Camshafts & Valves

Camshaft and Valves 4.0L (ERH) Engine ..... Fig. 4.0L-510

#### Timing Belt and Cover

Timing Belt and Cover 4.0L (ERH) Engine ..... Fig. 4.0L-610

#### Engine Oiling

Engine Oiling 4.0L (ERH) Engine ..... Fig. 4.0L-710

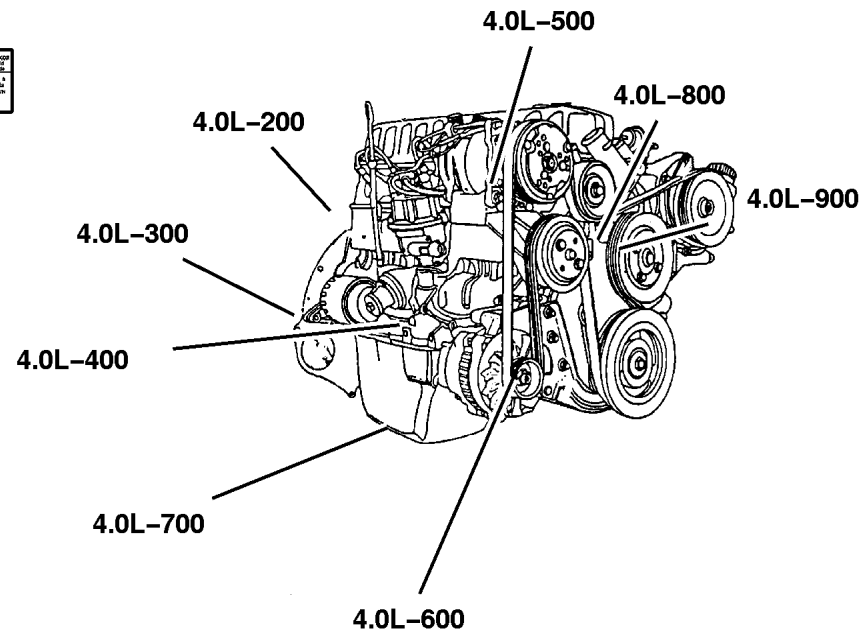
#### Manifolds

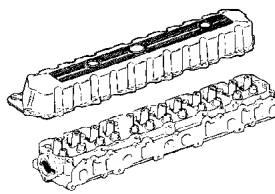
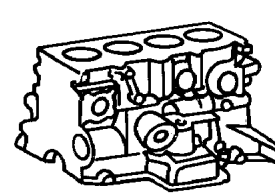
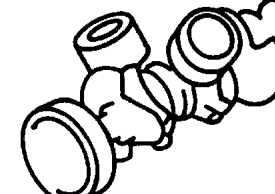
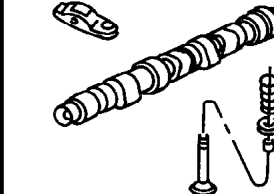
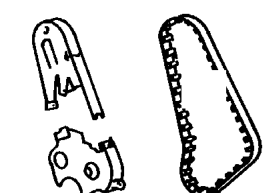
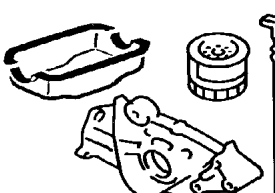
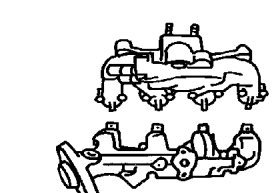
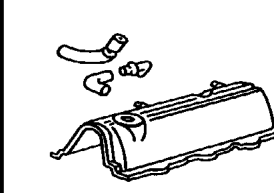
Manifold, Intake and Exhaust 4.0L (ERH) Engine ..... Fig. 4.0L-810

#### Crankcase Ventilation

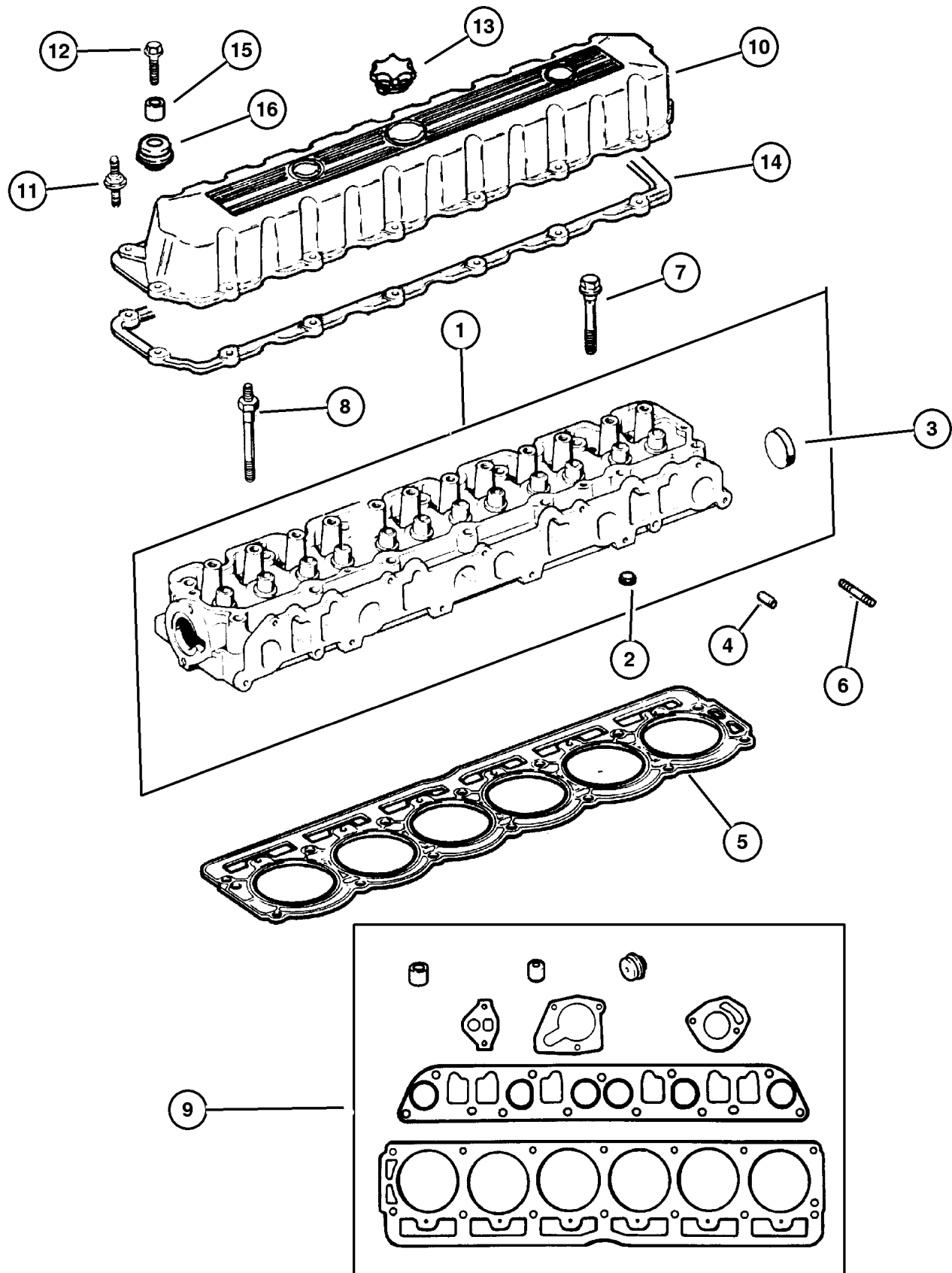
Crankcase Ventilation 4.0L (ERH) Engine ..... Fig. 4.0L-910

REV.	DATE	BY	CHKD.	DESCRIPTION



<b>4.0L-200</b> Cylinder Head 	<b>4.0L-300</b> Cylinder Block 	<b>4.0L-400</b> Crankshaft, Piston and Torque Converter 	<b>4.0L-500</b> Camshafts & Valves 
<b>4.0L-600</b> Timing Belt and Cover 	<b>4.0L-700</b> Engine Oiling 	<b>4.0L-800</b> Manifolds 	<b>4.0L-900</b> Crankcase Ventilation 

**Cylinder Head 4.0L (ERH) Engine  
Figure 4.0L-210**



ITEM	PART NUMBER	QTY	LINE	SERIES	BODY	ENGINE	TRANS	DESCRIPTION
NOTE: ER0=All 4.0L Engines								
1	5301 0334	1				ER0		HEAD, Cylinder
2	J400 7434	4				ER0		PLUG, Cylinder Block Oil Hole
3	J310 5394	1				ER0		PLUG, Cylinder Block Oil Hole
4	J317 2318	2				ER0		DOWEL, Cylinder Head To Intake
5	53020 754AB	1				ER0		GASKET, Cylinder Head
6	6036 193AA	2				ER0		STUD, .375-16/.375-24x1.75
7	6035 514	5				ER0		BOLT, Cylinder Head
8	6035 515	2				ER0		STUD, Double Ended, .50-13/.437-14x6.00
9	5012 365AA	1				ER0		GASKET PACKAGE, Engine Upper
10	5302 0323	1				ER0		COVER, Cylinder Head
11	6035 968AA	7				ER0		STUD, .250-20x2.00
12	6035 566	8				ER0		BOLT, Hex Flange Head, .250-20x1.00
13	4777 536	1				ER0		CAP, Oil Filler
14	53020 758AC	1				ER0		GASKET, Valve Cover
15	53020 598AB	15				ER0		SLEEVE, Torque Limiter
16	5301 0424	15				ER0		GROMMET, Insulator

**JEEP GRAND CHEROKEE (WJ)**

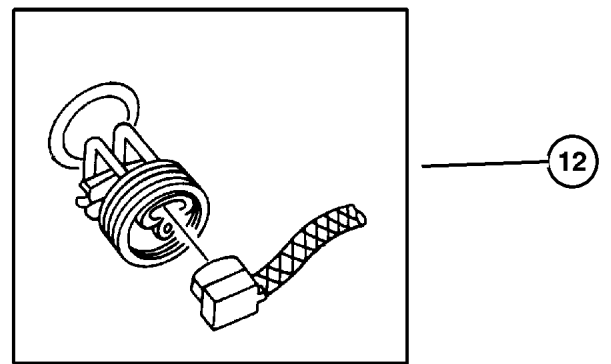
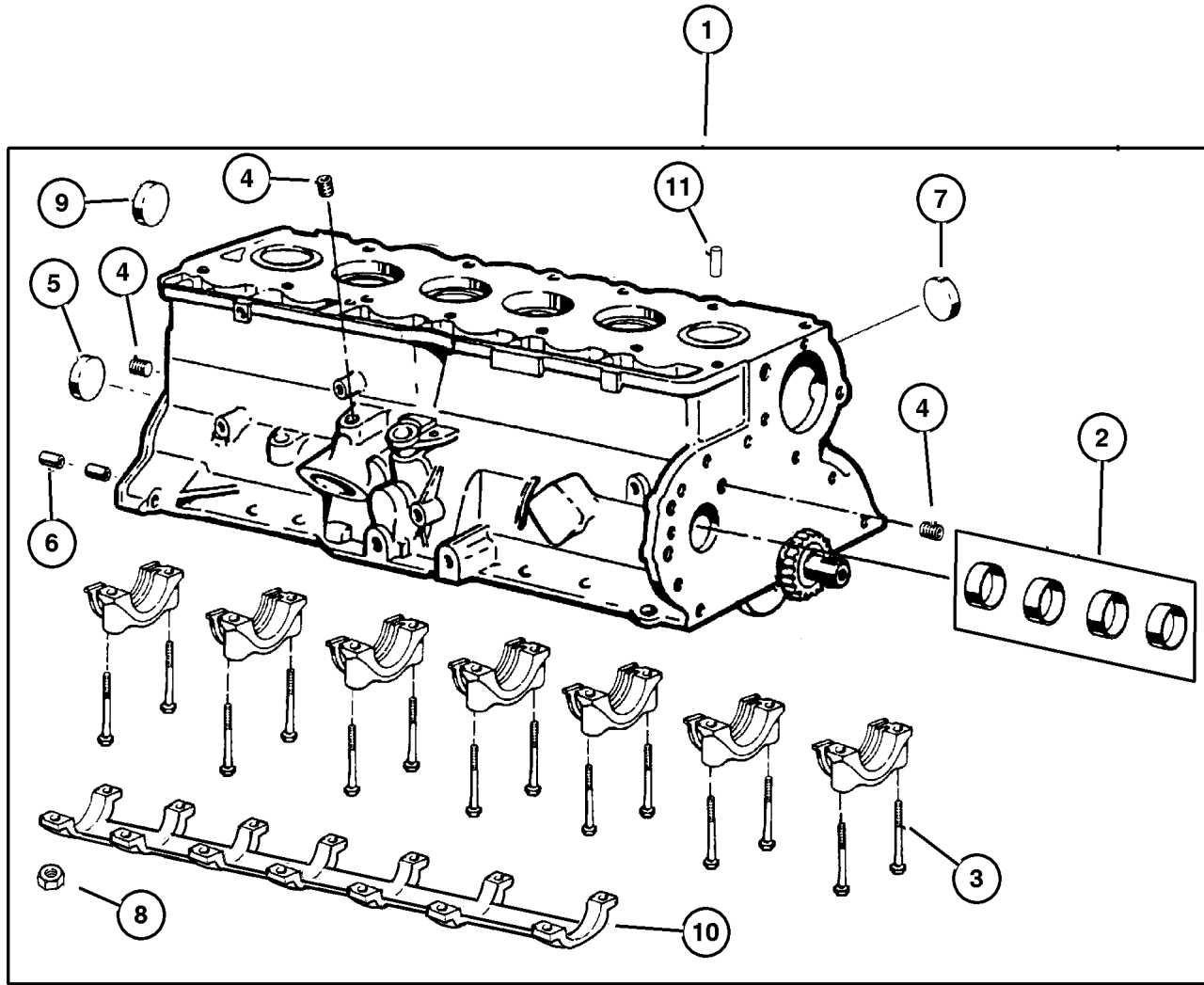
SERIES	LINE	BODY	ENGINE	TRANSMISSION
H=Laredo	J = 4WD	74 = 4 Door(105.9 WB)	ER0, ERH = 4.0L, Power Tech I-6	DGK = 4 Speed Autm, 42RE
P=Limited	T = 2WD		EVA, EVA = 4.7L, Power Tech V8	DGW = 4 Speed Automatic, -44RE
	U = 4WD (RHD)		EXA, EX0 = 3.1L, 5 Cyl Turbo Diesel	DG4 = Multi Speed Automatic, -45RFE
				DGO = All Automatic

AR = Use as required - = Non illustrated part # = New this model year

September 14, 2002

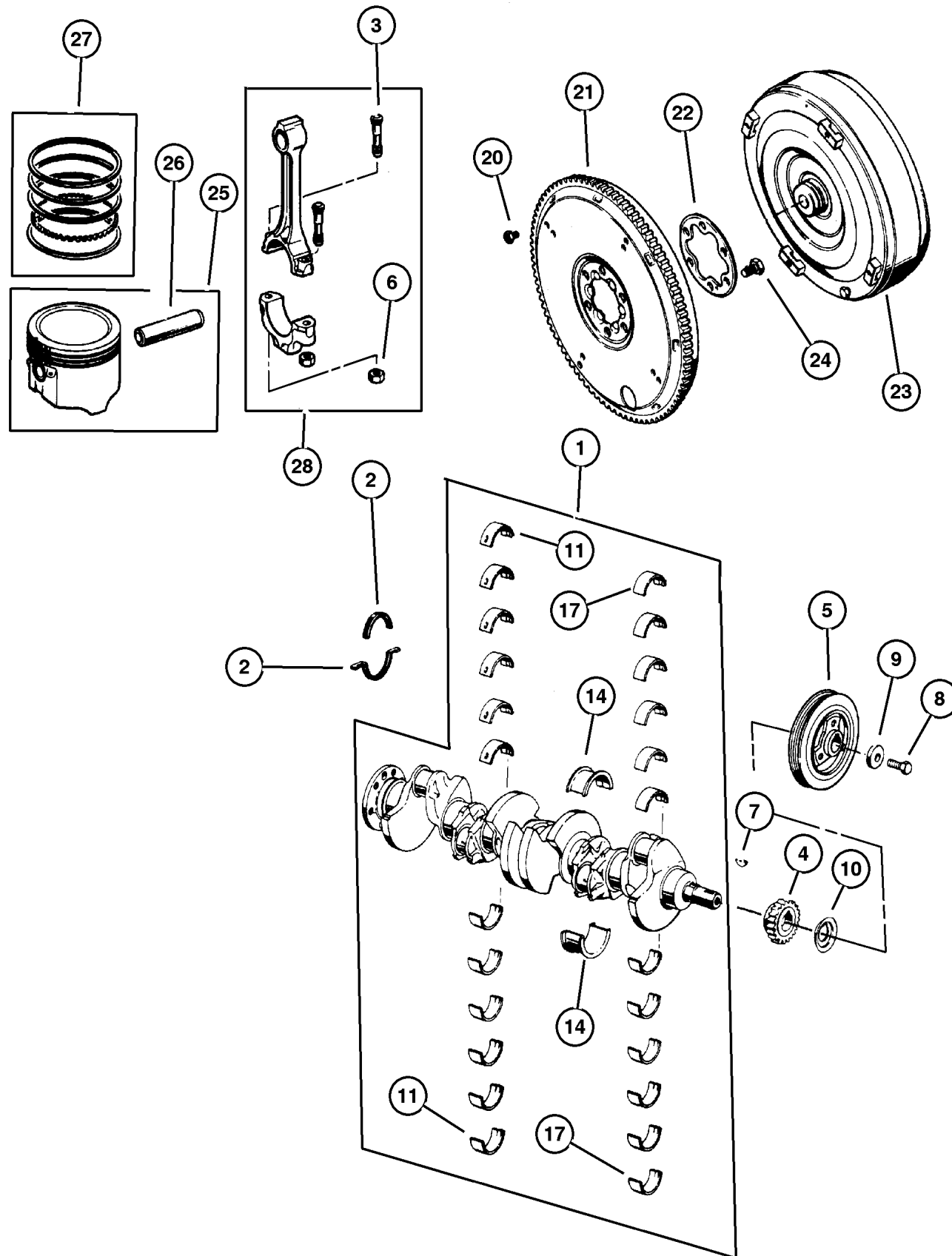
**Cylinder Block 4.0L (ERH) Engine  
Figure 4.0L-310**

ITEM	PART NUMBER	QTY	LINE	SERIES	BODY	ENGINE	TRANS	DESCRIPTION
GASKET PACKAGE, Engine Lower - 05017432AA								
NOTE: ER0=All 4.0L Engines								
1	5013 161AA	1				ER0		BLOCK, Short, Contains: Crank, Rods, Pistons, Rings, Cam Bearings, Timing Chain, Sprockets
2	4636 985AB	1				ER0		BEARING PACKAGE, Camshaft, Standard Size
3	6035 207	14				ER0		STUD, .500-13/.375-16x3.97
4	6034 166	3				ER0		PLUG, Cylinder Block Oil Hole
5	J317 2313	1				ER0		PLUG, Camshaft
6	J400 5148	2				ER0		DOWEL, Transmission
7	J310 5394	6				ER0		PLUG, Cylinder Block Oil Hole
8	0152 474	14				ER0		NUT, Hex Flange Lock, .375-16
9	5302 0465	1				ER0		PLUG, Cylinder Block
10	5302 0566	1				ER0		BRACE, Main Bearing Cap
11	0141 215	2				ER0		DOWEL, .312 x .500
12	8220 1506	1				ER0		HEATER PACKAGE, Engine Block



<b>JEEP GRAND CHEROKEE (WJ)</b>				
SERIES	LINE	BODY	ENGINE	TRANSMISSION
H=Laredo	J = 4WD	74 = 4 Door(105.9 WB)	ER0, ERH = 4.0L, Power Tech I-6	DGK = 4 Speed Autm, 42RE
P=Limited	T = 2WD		EVO, EVA = 4.7L, Power Tech V8	DGW = 4 Speed Automatic, -44RE
	U = 4WD (RHD)		EXA, EX0 = 3.1L, 5 Cyl Turbo Diesel	DG4 = Multi Speed Automatic, -45RFE
				DGO = All Automatic

## Crankshaft, Piston and Torque Converter 4.0L (ERH) Engine Figure 4.0L-410



ITEM	PART NUMBER	QTY	LINE	SERIES	BODY	ENGINE	TRANS	DESCRIPTION
NOTE: ER0=All 4.0L Engines DG0=All Automatic Transmissions								
1	4864 726	1				ER0	DG0	CRANKSHAFT
2	#53020 599AB	2				ER0		SEAL, Rear Main Crankshaft
3	5302 0123	12				ER0		BOLT, Connecting Rod
4	5302 0443	1				ER0		GEAR, Crankshaft
5	3300 2920	1				ER0		DAMPER, Crankshaft Use up to 2/11/00
	#33002 920AB	1				ER0		Use Up to 2/11/00
6	J400 6385	12				ER0		NUT, Hex Flange, .3437-24
7	6034 749	1				ER0		KEY, Crankshaft Sprocket
8	0182 776	1				ER0		BOLT
9	J323 0155	1				ER0		WASHER, Plain
10	J317 3076	1				ER0		SLINGER, Oil
11	8350 7079	6				ER0		BEARING PACKAGE, Crankshaft, Standard
-12	8350 7080	AR				ER0		BEARING PACKAGE, Crankshaft, .001 Undersize
-13	8350 7083	AR				ER0		BEARING PACKAGE, Crankshaft, .010 Undersize
14	8350 7084	1				ER0		BEARING PACKAGE, Crankshaft Thrust, Standard Size
-15	8350 7086	AR				ER0		BEARING PACKAGE, Crankshaft Thrust, .001" Undersize
-16	8350 7090	AR				ER0		BEARING PACKAGE, Crankshaft Thrust, .010" Undersize
17	8350 0300	12				ER0		BEARING KIT, Connecting Rod, Standard
-18	8350 1397	AR				ER0		BEARING KIT, Connecting Rod, .001 Undersize
-19	8350 0301	AR				ER0		BEARING KIT, Connecting Rod, .010 Undersize
20	1949 765	4					DG0	SCREW, Hex Head Header Point, .312- 24x.44
21	5211 8257	1				ER0	DG0	PLATE, Drive Plate
22	J321 4094	1				ER0	DG0	PLATE, Drive Plate Backing
23	4736 596	1				ER0	DG0	TORQUE CONVERTER
24	J315 1407	6				ER0	DG0	BOLT, Hex Head, .50-20x.56
25								PISTON PIN AND ROD
	4798 329	6				ER0		B Size, 3.8742
	4798 330	6				ER0		C Size, 3.8746
	4798 331	6				ER0		D Size, 3.8750
	4798 332	6				ER0		E Size, 3.8754
	4798 333	6				ER0		F Size, 3.8758

### JEEP GRAND CHEROKEE (WJ)

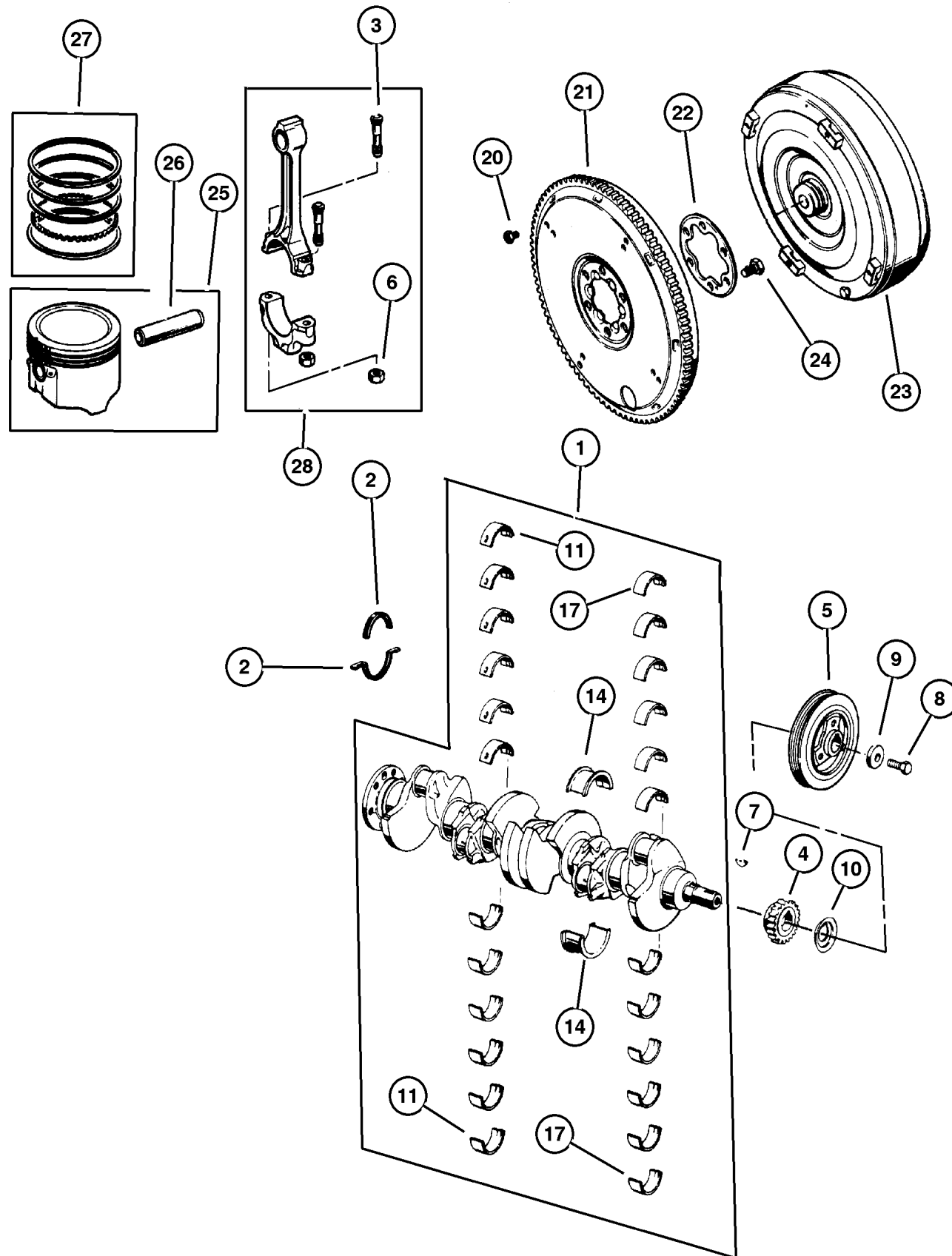
SERIES	LINE	BODY	ENGINE	TRANSMISSION
H=Laredo	J = 4WD	74 = 4 Door(105.9 WB)	ER0, ERH = 4.0L, Power Tech I-6	DGK = 4 Speed Autm, 42RE
P=Limited	T = 2WD		EV0, EVA = 4.7L, Power Tech V8	DGW = 4 Speed Automatic, -44RE
	U = 4WD (RHD)		EXA, EX0 = 3.1L, 5 Cyl Turbo Diesel	DG4 = Multi Speed Automatic, -45RFE
				DGO = All Automatic

AR = Use as required - = Non illustrated part # = New this model year

September 14, 2002

**Crankshaft, Piston and Torque Converter 4.0L (ERH) Engine  
Figure 4.0L-410**

ITEM	PART NUMBER	QTY	LINE	SERIES	BODY	ENGINE	TRANS	DESCRIPTION
26								PIN, Piston, Serviced in Piston, (NOT SERVICED) (Not Serviced)
27	4798 878	1				ER0		RING PACKAGE, Piston, Standard Size Complete Engine
28								ROD, Connecting, Serviced in Piston, (NOT SERVICED) (Not Serviced)



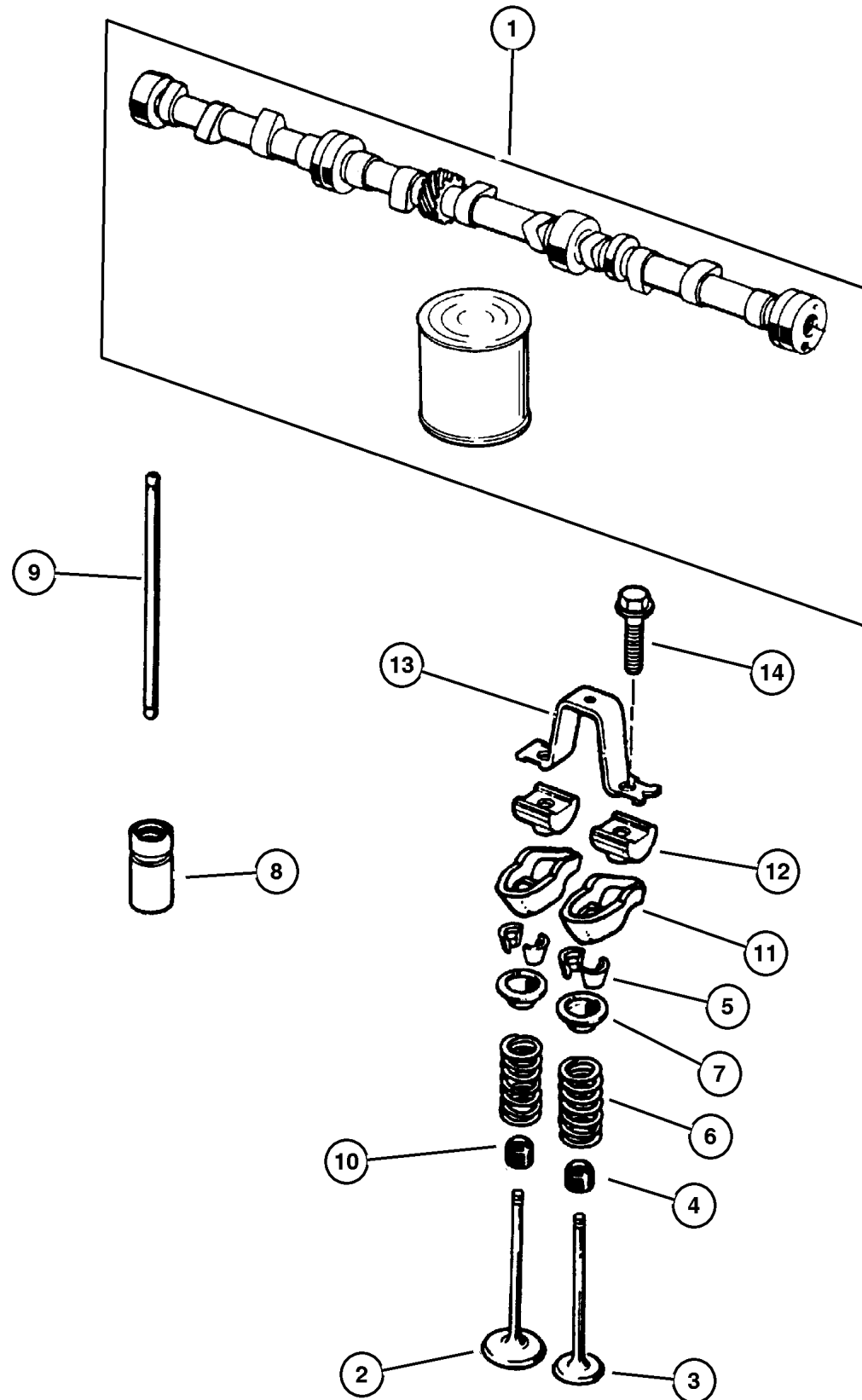
**JEEP GRAND CHEROKEE (WJ)**

<b>SERIES</b>	<b>LINE</b>	<b>BODY</b>	<b>ENGINE</b>	<b>TRANSMISSION</b>
H=Laredo	J = 4WD	74 = 4 Door(105.9 WB)	ER0, ERH = 4.0L, Power Tech I-6	DGK = 4 Speed Autm, 42RE
P=Limited	T = 2WD		EVO, EVA = 4.7L, Power Tech V8	DGW = 4 Speed Automatic, -44RE
	U = 4WD (RHD)		EXA, EX0 = 3.1L, 5 Cyl Turbo Diesel	DG4 = Multi Speed Automatic, -45RFE
				DGO = All Automatic

AR = Use as required - = Non illustrated part # = New this model year

September 14, 2002

**Camshaft and Valves 4.0L (ERH) Engine  
Figure 4.0L-510**



ITEM	PART NUMBER	QTY	LINE	SERIES	BODY	ENGINE	TRANS	DESCRIPTION
NOTE: ER0=All 4.0L Engines								
1	53010 448AA	1				ER0		CAMSHAFT
2	53010 512AA	6				ER0		VALVE, Intake, Standard
3	53010 513AA	6				ER0		VALVE, Exhaust, Standard
4	5300 9887	6				ER0		SEAL, Valve Guide
5	53010 515AA	24				ER0		LOCK, Valve Spring Retainer
6	5301 0388	12				ER0		SPRING, Valve
7	53010 514AA	12				ER0		RETAINER, Valve Spring
8	4740 269	12				ER0		TAPPET, Valve
9	3300 2986	12				ER0		PUSH ROD, Valve
10	5300 9886	6				ER0		SEAL, Valve Guide
11	J324 2393	12				ER0		ROCKER ARM, Valve
12	J323 5090	12				ER0		PIVOT, Rocker Arm
13	J323 6513	6				ER0		BRIDGE, Rocker Arm
14	J942 5708	12				ER0		BOLT, Hex Flange Head, .312-18x1.25

**JEEP GRAND CHEROKEE (WJ)**

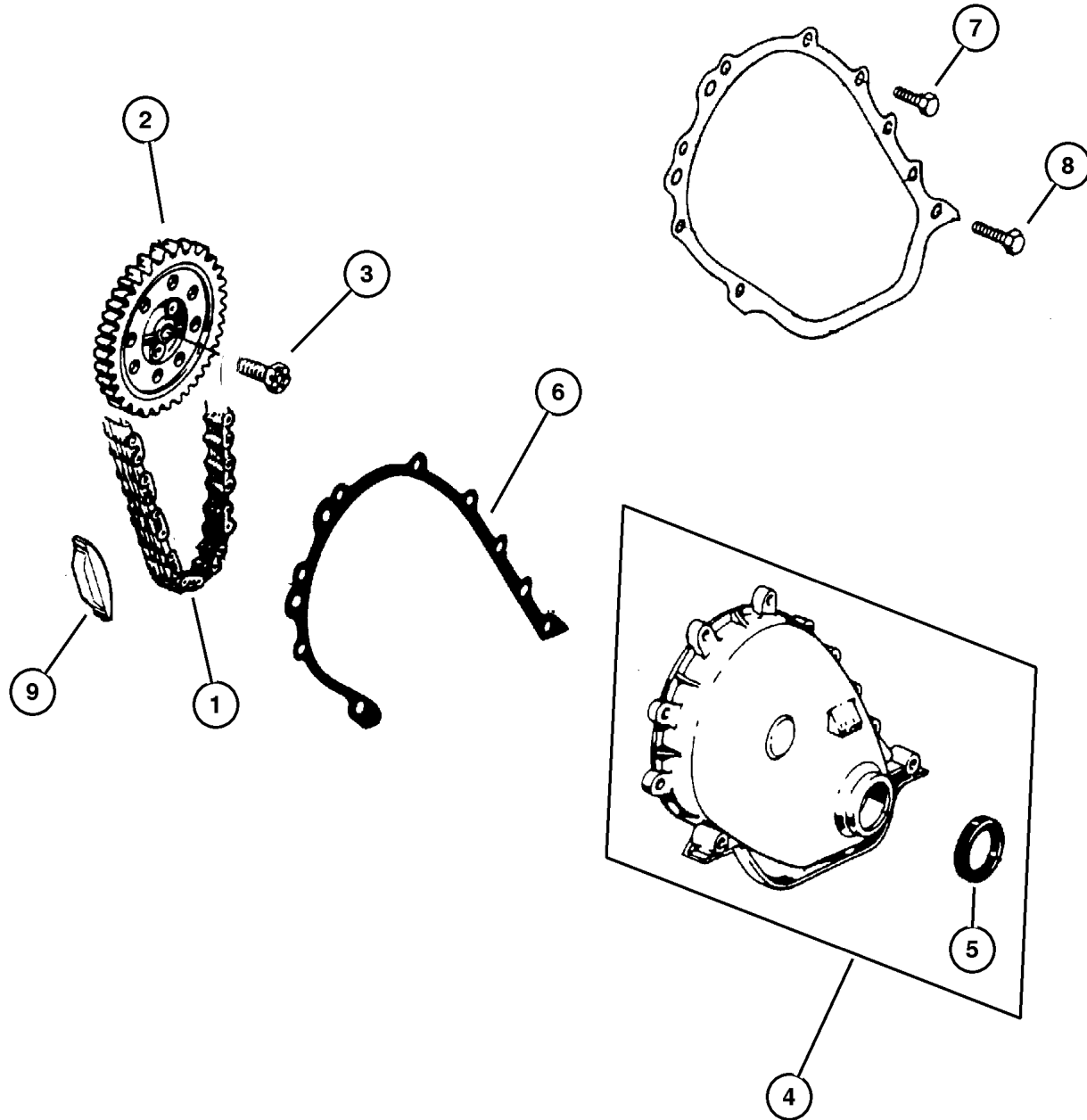
SERIES	LINE	BODY	ENGINE	TRANSMISSION
H=Laredo	J = 4WD	74 = 4 Door(105.9 WB)	ER0, ERH = 4.0L, Power Tech I-6	DGK = 4 Speed Autm, 42RE
P=Limited	T = 2WD		EVO, EVA = 4.7L, Power Tech V8	DGW = 4 Speed Automatic, -44RE
	U = 4WD (RHD)		EXA, EX0 = 3.1L, 5 Cyl Turbo Diesel	DG4 = Multi Speed Automatic, -45RFE
				DGO = All Automatic

AR = Use as required - = Non illustrated part # = New this model year

September 14, 2002

**Timing Belt and Cover 4.0L (ERH) Engine  
Figure 4.0L-610**

ITEM	PART NUMBER	QTY	LINE	SERIES	BODY	ENGINE	TRANS	DESCRIPTION
NOTE: ER0=All 4.0L Engines								
1	5302 0444	1				ER0		CHAIN, Timing
2	5301 0400	1				ER0		SPROCKET, Camshaft
3	6024 030	1				ER0		SCREW AND WASHER, Hex
4	5301 0421	1				ER0		COVER, Timing Belt
5	3300 4681	1				ER0		SEAL, Front Main Crankshaft
6	5302 0487	1				ER0		GASKET, Front Cover
7	6035 893	5				ER0		BOLT, Hex
8								SCREW
	6035 894	2				ER0		.312-18x1.56
	6035 895	2				ER0		.250-20x1.240
9	3300 3446	1				ER0		SNUBBER, Timing Chain
-10	5301 0401	1				ER0		PLATE, Camshaft Thrust
-11	6035 975AA	2				ER0		SCREW, Pan Head



**JEEP GRAND CHEROKEE (WJ)**

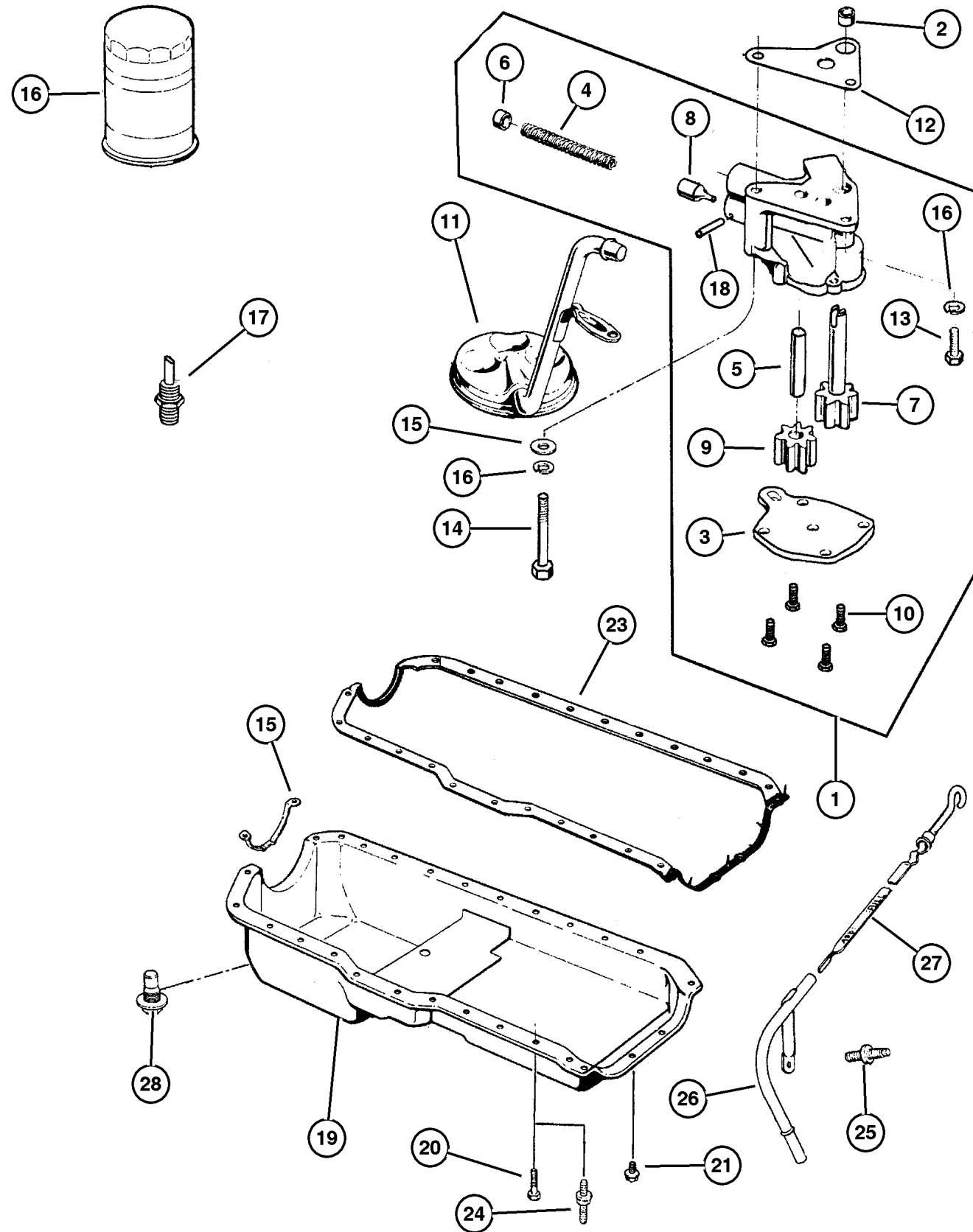
SERIES	LINE	BODY	ENGINE	TRANSMISSION
H=Laredo	J = 4WD	74 = 4 Door(105.9 WB)	ER0, ERH = 4.0L, Power Tech I-6	DGK = 4 Speed Autm, 42RE
P=Limited	T = 2WD		EVO, EVA = 4.7L, Power Tech V8	DGW = 4 Speed Automatic, -44RE
	U = 4WD (RHD)		EXA, EX0 = 3.1L, 5 Cyl Turbo Diesel	DG4 = Multi Speed Automatic, -45RFE
				DGO = All Automatic

AR = Use as required - = Non illustrated part # = New this model year

September 14, 2002



**Engine Oiling 4.0L (ERH) Engine  
Figure 4.0L-710**



ITEM	PART NUMBER	QTY	LINE	SERIES	BODY	ENGINE	TRANS	DESCRIPTION
NOTE: ER0=All 4.0L Engines								
1	J324 1399	1				ER0		PUMP, Engine Oil
2	J400 5149	1				ER0		DOWEL, Oil Pump
3	J324 1733	1				ER0		COVER, Engine Oil Pump
4	J323 9668	1				ER0		SPRING, Oil Pressure Relief Valve
5	J317 1956	1				ER0		SHAFT, Oil Pump
6	J317 1958	1				ER0		RETAINER, Oil Release Valve
7	J317 2334	1				ER0		GEAR, Oil Pump
8	J318 8661	1				ER0		PLUNGER, Oil Pressure Relief Valve
9	J319 6843	1				ER0		GEAR, Oil Pump Driven
10	J941 6852	4				ER0		SCREW, Hex Flange Head, .25-20x.50
11	3300 2696	1				ER0		TUBE, Oil Pump Inlet
12	J317 2332	1				ER0		GASKET, Oil Pump
13	6022 235	1				ER0		BOLT AND WASHER, Hex Head, .312-18x1.00
14	0154 593	1				ER0		SCREW, Hex Head Coned, .312-18x2.625
15	53010 511AA	1				ER0		SUPPORT, Engine Oil Pan
16	5281 090	1				ER0		FILTER, Engine Oil
17	5300 7563	1				ER0		CONNECTOR, Oil Filter
18	J027 1448	1				ER0		PIN, Roll, 5/32" x 1.00"
19	5301 0340	1				ER0		PAN, Engine Oil
20	6034 732	14				ER0		SCREW AND WASHER, Hex Head, .25-20x.545
21	6034 483	3				ER0		SCREW, Hex Head Coned, .312-18x.875
22	6034 733	1				ER0		STUD, .312-18/.250-20x1.680
23	#53007 568AC	1				ER0		GASKET, Oil Pan
24	6034 734	10				ER0		BOLT, Double Stud Hex, .250-20x1.437 & .250-20 x.700
25	6035 664	1				ER0		STUD, .312-18x1.560
26	5302 0782	1				ER0		TUBE, Oil Filler
27	5301 0445	1				ER0		INDICATOR, Engine Oil Level
28	6035 417	1				ER0		PLUG, Oil Drain
29	5083 881AA	1				ER0		DRIVE, OIL PUMP

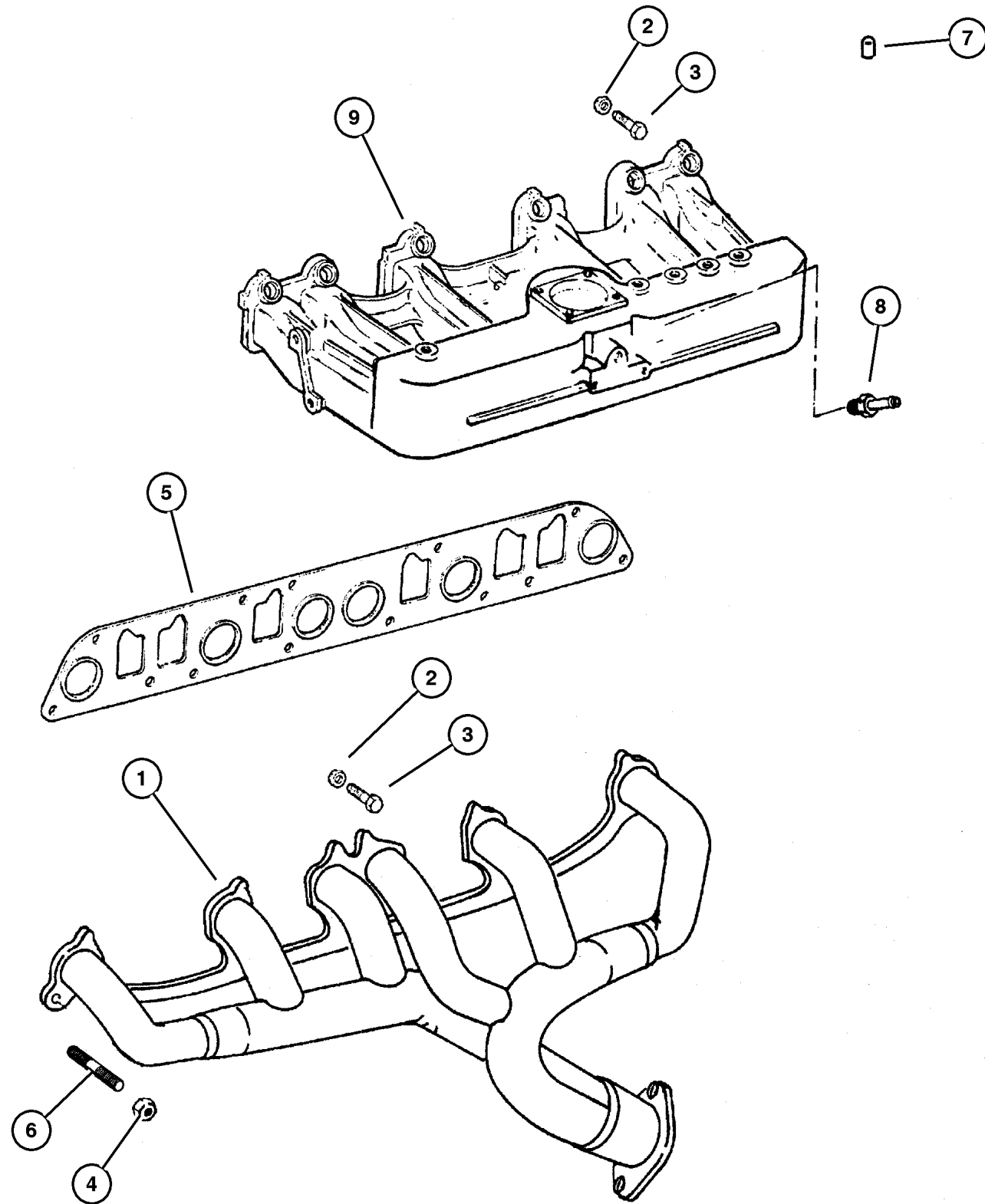
**JEEP GRAND CHEROKEE (WJ)**

SERIES	LINE	BODY	ENGINE	TRANSMISSION
H=Laredo	J = 4WD	74 = 4 Door(105.9 WB)	ER0, ERH = 4.0L, Power Tech I-6	DGK = 4 Speed Autm, 42RE
P=Limited	T = 2WD U = 4WD (RHD)		EV0, EVA = 4.7L, Power Tech V8	DGW = 4 Speed Automatic, -44RE
			EXA, EX0 = 3.1L, 5 Cyl Turbo Diesel	DG4 = Multi Speed Automatic, -45RFE
				DGO = All Automatic

AR = Use as required - = Non illustrated part # = New this model year

September 14, 2002

**Manifold, Intake and Exhaust 4.0L (ERH) Engine  
Figure 4.0L-810**



ITEM	PART NUMBER	QTY	LINE	SERIES	BODY	ENGINE	TRANS	DESCRIPTION
NOTE: ER0=All 4.0L Engines								
1	5301 0196	1				ER0		MANIFOLD, Exhaust Front
	5301 0199	1				ER0		Rear
2	6036 171AA	2				ER0		NUT AND WASHER
3	6036 045AA	1				ER0		BOLT AND RETAINER, Hex Head
4	6036 171AA	2				ER0		NUT AND WASHER
5	4854 038	1				ER0		GASKET, Intake/Exhaust Manifold
6	6036 193AA	2				ER0		STUD, .375-16/.375-24x1.75
7	3580 172	1				ER0		CAP, Vacuum
8	4854 194	1				ER0		FITTING, Vacuum
9	4854 197AA	1				ER0		MANIFOLD, Intake

JEEP GRAND CHEROKEE (WJ)				
SERIES	LINE	BODY	ENGINE	TRANSMISSION
H=Laredo	J = 4WD	74 = 4 Door(105.9 WB)	ER0, ERH = 4.0L, Power Tech I-6	DGK = 4 Speed Autm, 42RE
P=Limited	T = 2WD		EVO, EVA = 4.7L, Power Tech V8	DGW = 4 Speed Automatic, -44RE
	U = 4WD (RHD)		EXA, EX0 = 3.1L, 5 Cyl Turbo Diesel	DG4 = Multi Speed Automatic, -45RFE
				DGO = All Automatic

AR = Use as required - = Non illustrated part # = New this model year

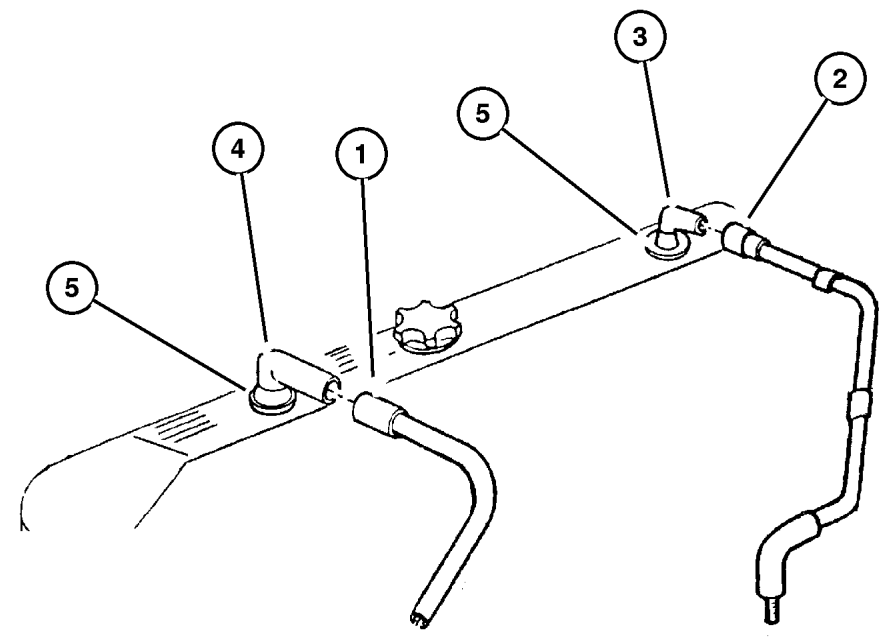
September 14, 2002

**Crankcase Ventilation 4.0L (ERH) Engine  
Figure 4.0L-910**

ITEM	PART NUMBER	QTY	LINE	SERIES	BODY	ENGINE	TRANS	DESCRIPTION
------	-------------	-----	------	--------	------	--------	-------	-------------

NOTE: ER0=All 4.0L Engines

1	4854 119	1				ER0		TUBE, Crankcase Vent To Air Cleaner
2	4854 265	1				ER0		TUBE, Crankcase Vent To Intake Manifold
3	53013 360AA	1				ER0		TUBE, Crankcase Vent To Air Cleaner
4	5303 0497	1				ER0		FITTING, Crankcase Vent Tube
5	2946 079	2				ER0		GROMMET, Crankcase Vent



JEEP GRAND CHEROKEE (WJ)				
SERIES	LINE	BODY	ENGINE	TRANSMISSION
H=Laredo	J = 4WD	74 = 4 Door(105.9 WB)	ER0, ERH = 4.0L, Power Tech I-6	DGK = 4 Speed Autm, 42RE
P=Limited	T = 2WD		EVO, EVA = 4.7L, Power Tech V8	DGW = 4 Speed Automatic, -44RE
	U = 4WD (RHD)		EXA, EX0 = 3.1L, 5 Cyl Turbo Diesel	DG4 = Multi Speed Automatic, -45RFE
				DGO = All Automatic

AR = Use as required - = Non illustrated part # = New this model year

September 14, 2002

# Group – 4.7L

## Engine 4.7L Eight Cylinder

### GROUP 4.7L - Engine 4.7L Eight Cylinder

Illustration Title

Group-Fig. No.

#### Cylinder Head

Cylinder Head 4.7L (EVA) Engine ..... Fig. 4.7L-210

#### Cylinder Block

Cylinder Block 4.7L (EVA) Engine ..... Fig. 4.7L-310

#### Crankshaft, Pistons and Torque Converter

Crankshaft, Piston and Torque Converter 4.7L (EVA) Engine ..... Fig. 4.7L-410

#### Camshafts and Valves

Camshaft and Valves 4.7L (EVA) Engine ..... Fig. 4.7L-510

#### Timing Belt and Cover

Timing Cover 4.7L (EVA) Engine ..... Fig. 4.7L-610

Timing Chain and Guides 4.7L (EVA) Engine ..... Fig. 4.7L-620

#### Engine Oiling

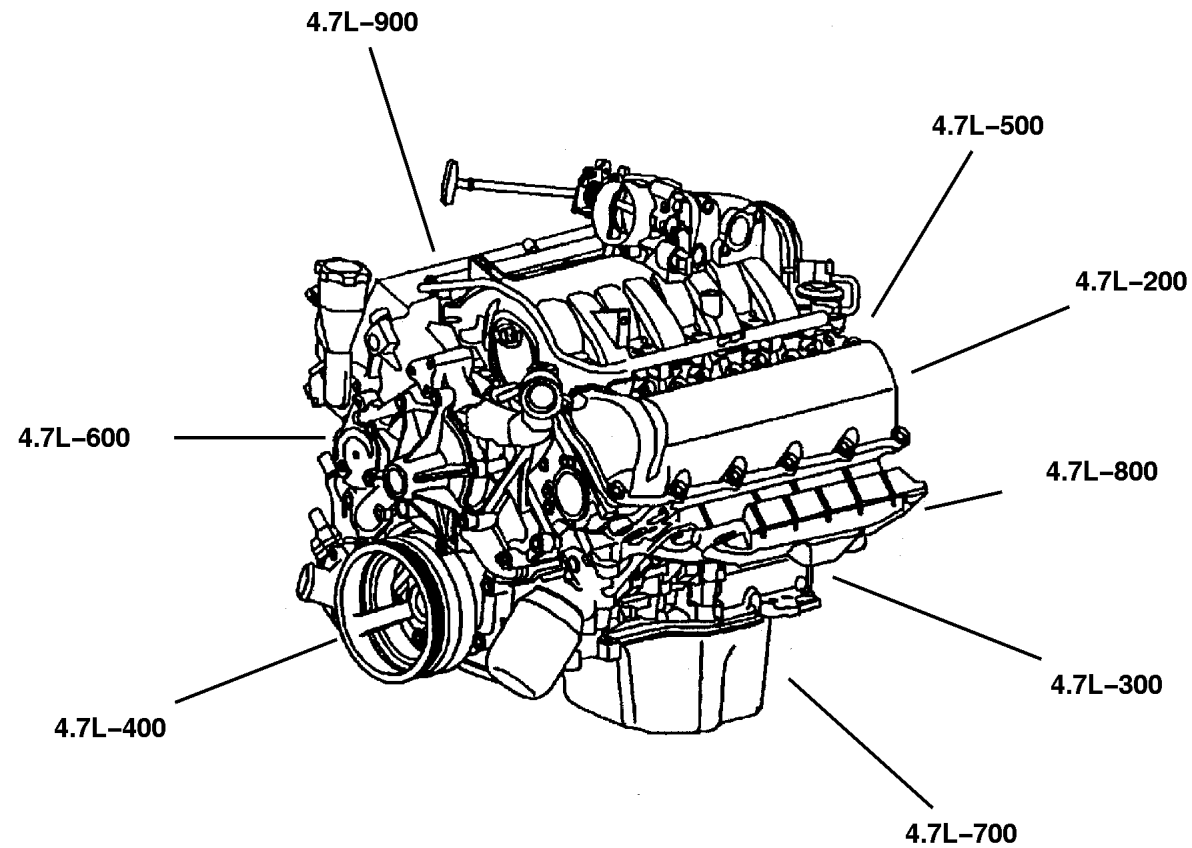
Engine Oiling 4.7L (EVA) Engine ..... Fig. 4.7L-710

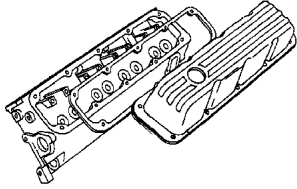
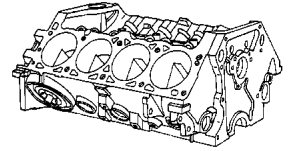
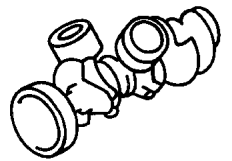
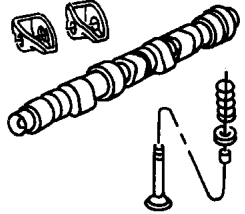
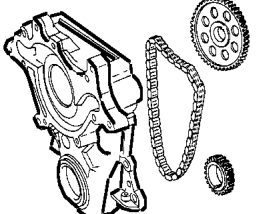
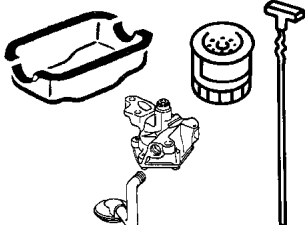
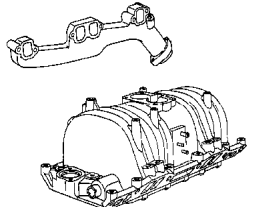
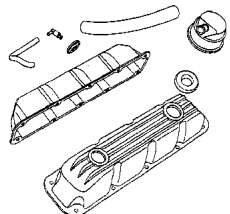
#### Manifolds

Manifold, Intake and Exhaust 4.7L (EVA) Engine ..... Fig. 4.7L-810

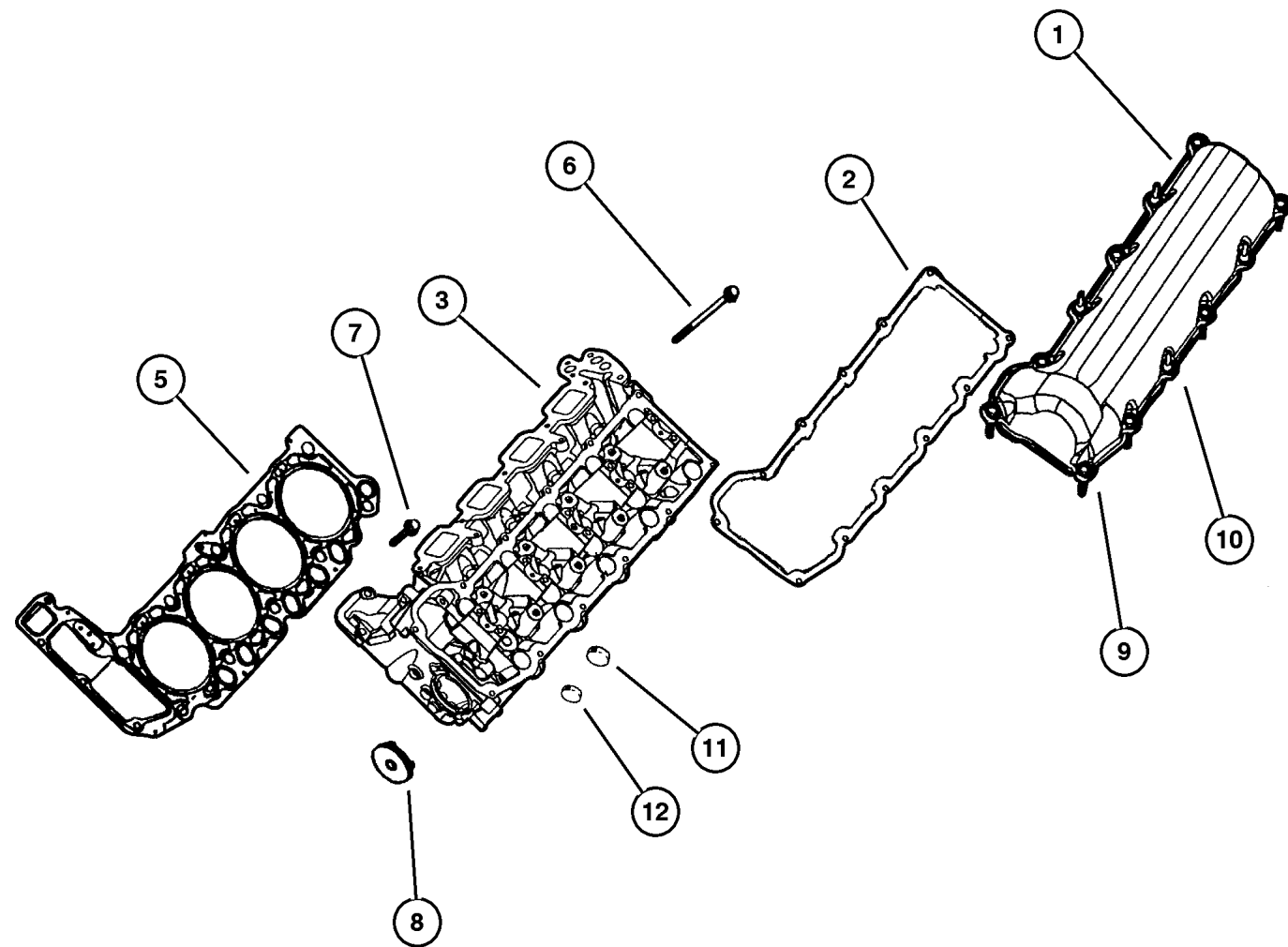
#### Crankcase Ventilation

Crankcase Ventilation 4.7L (EVA) Engine ..... Fig. 4.7L-910



<p><b>4.7L-200</b> Cylinder Head</p> 	<p><b>4.7L-300</b> Cylinder Block</p> 	<p><b>4.7L-400</b> Crankshaft, Pistons and Torque Converter</p> 	<p><b>4.7L-500</b> Camshafts and Valves</p> 
<p><b>4.7L-600</b> Timing Belt and Cover</p> 	<p><b>4.7L-700</b> Engine Oiling</p> 	<p><b>4.7L-800</b> Manifolds</p> 	<p><b>4.7L-900</b> Crankcase Ventilation</p> 

**Cylinder Head 4.7L (EVA) Engine  
Figure 4.7L-210**



ITEM	PART NUMBER	QTY	LINE	SERIES	BODY	ENGINE	TRANS	DESCRIPTION
NOTE: All 4.7L Engines								
Upper Engine Gasket Set- 05016163AB								
1								COVER, Cylinder Head
	53020 657AB	1				EVO		Left
	53020 874AB	1				EVO		Right
2								GASKET, Valve Cover
	5302 0877	1				EVO		Left
	5302 0878	1				EVO		Right
3	5012 522AA	1				EVO		HEAD, Cylinder, Left
-4	5012 529AA	1				EVO		HEAD, Cylinder, Right
5	5302 0673	2				EVO		GASKET, Cylinder Head
6	6504 939AA	20				EVO		SCREW AND WASHER, Hex Head
7	6504 985AA	8				EVO		SCREW AND WASHER, Hex Head
8	5302 1031	1				EVO		PLUG, Access Hole
9								SCREW, Serviced in Cylinder Head Cover, (NOT SERVICED) (Not Serviced)
10								STUD, Serviced in Cylinder Head Cover, (NOT SERVICED) (Not Serviced)
11	4556 020	2				EVO		PLUG, Core, 1.25 Diameter
12	4556 017	1				EVO		PLUG, Core

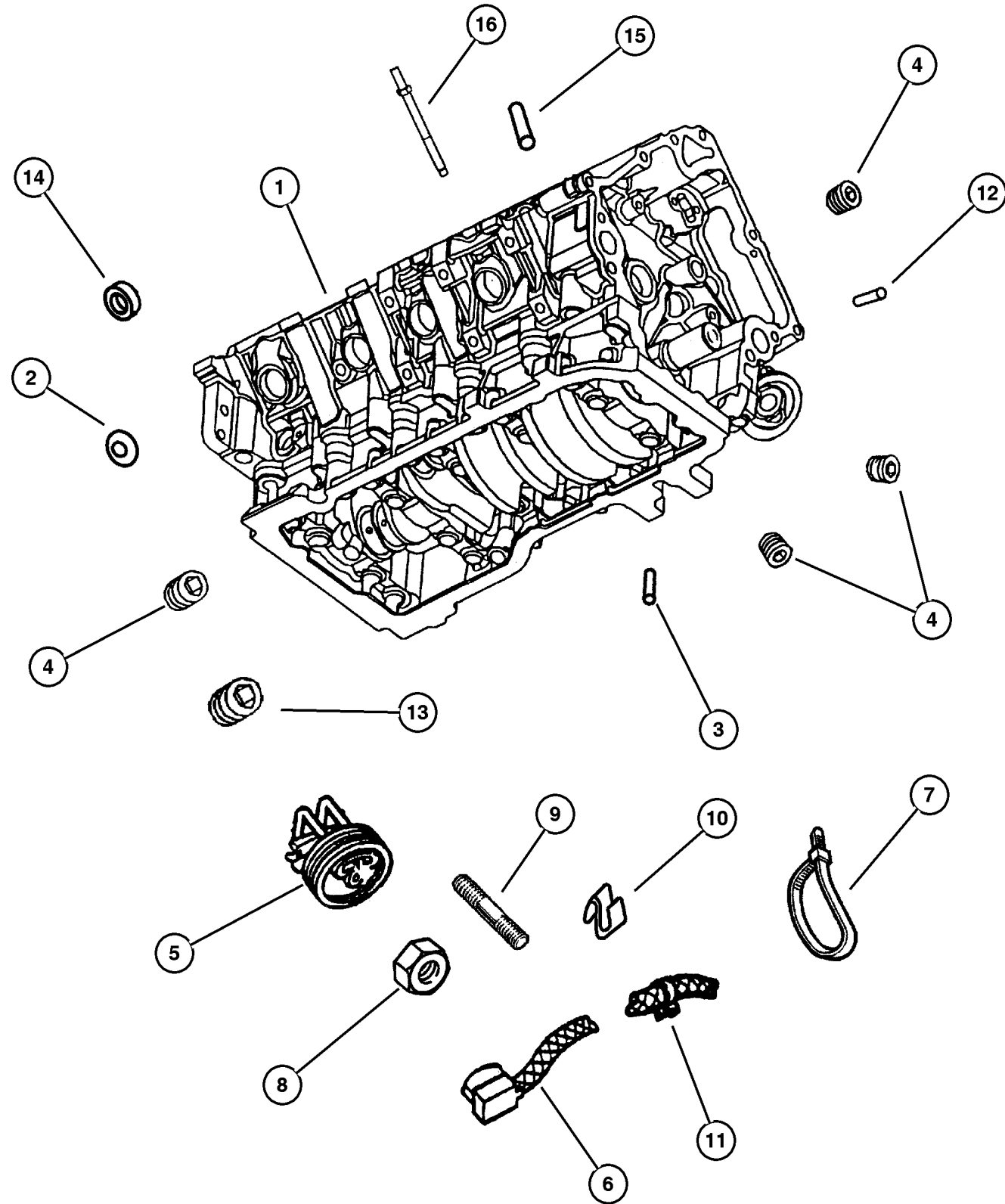
**JEEP GRAND CHEROKEE (WJ)**

SERIES	LINE	BODY	ENGINE	TRANSMISSION
H=Laredo	J = 4WD	74 = 4 Door(105.9 WB)	ER0, ERH = 4.0L, Power Tech I-6	DGK = 4 Speed Autm, 42RE
P=Limited	T = 2WD		EVO, EVA = 4.7L, Power Tech V8	DGW = 4 Speed Automatic, -44RE
	U = 4WD (RHD)		EXA, EX0 = 3.1L, 5 Cyl Turbo Diesel	DG4 = Multi Speed Automatic, -45RFE
				DGO = All Automatic

AR = Use as required - = Non illustrated part # = New this model year

September 14, 2002

## Cylinder Block 4.7L (EVA) Engine Figure 4.7L-310



ITEM	PART NUMBER	QTY	LINE	SERIES	BODY	ENGINE	TRANS	DESCRIPTION
NOTE: EV0=All 4.7L Engines DG0=All Automatic Transmissions								
1	5011 499AA	1				EV0		BLOCK, Short, Contains: Block, Bed Plate, Crank, Rods, Pistons, Rings, Oil Pump, Oil Pan
2	6034 804	10				EV0		PLUG, Core, 1.39 Diameter
3	6505 457AA	3				EV0		PIN
4	6036 114AA	4				EV0		PLUG, Pipe
5	56041 304AB	1				EV0		HEATER, Engine Block
6	5602 7117	1				EV0		CORD, Engine Block Heater
7	5600 8876	1						STRAP, Tie
8								NUT, Hex Flange Lock, .375-16, (NOT SERVICED) (Not Serviced)
9								SCREW, [.375-16x.625], (NOT SERVICED) (Not Serviced)
10								CLIP, (NOT SERVICED) (Not Serviced)
11								CLIP, (NOT SERVICED) (Not Serviced)
12	5302 1049	2				EV0		DOWEL
13	6034 366	2				EV0		SCREW
14	4556 019	1				EV0		PLUG, Cylinder Block Oil Hole
15	6505 458AA	4				EV0		PIN
16	6505 274AA	2				EV0		STUD
-17	5240 849	4				EV0		DOWEL, Block To Clutch Housing

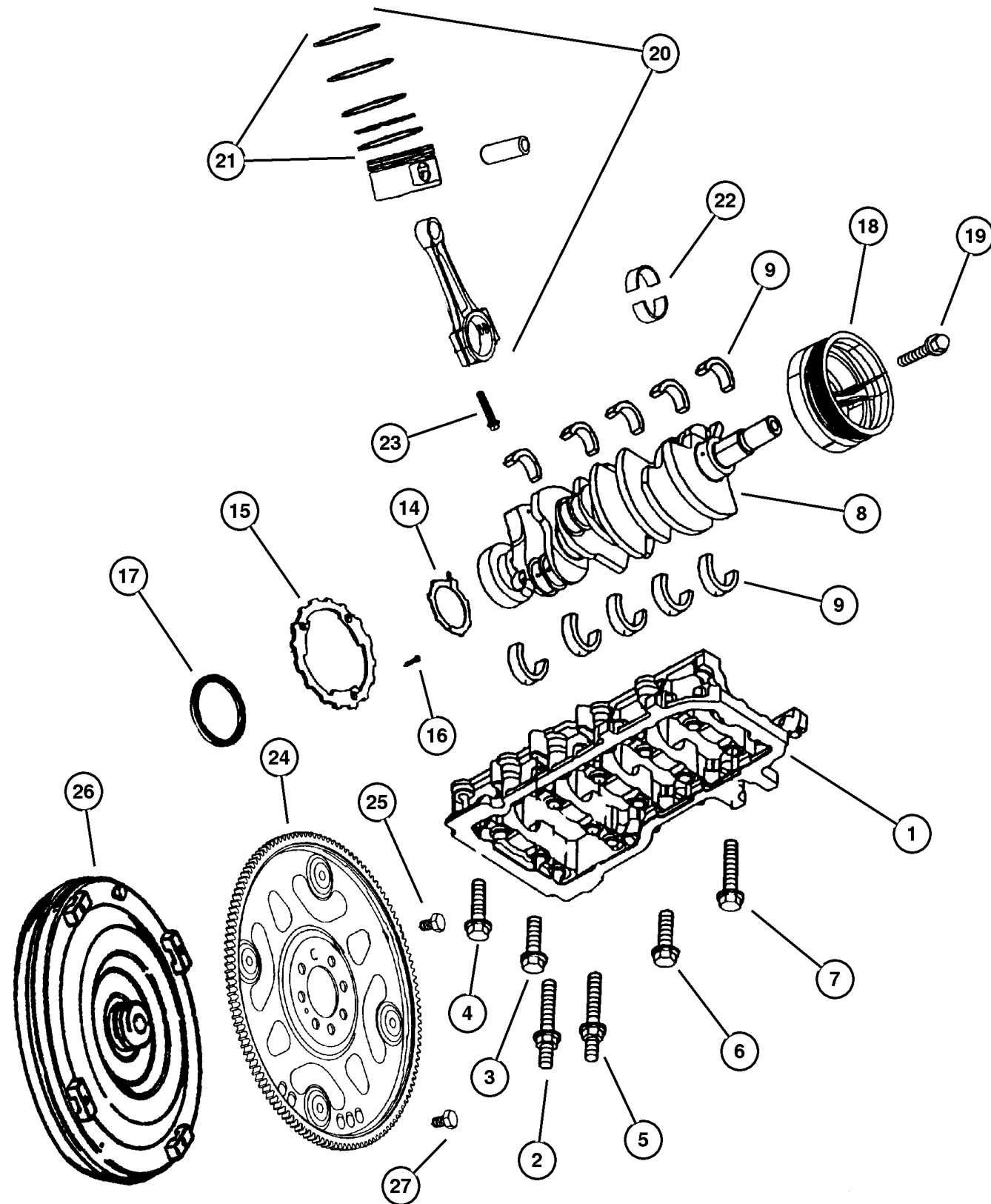
**JEEP GRAND CHEROKEE (WJ)**

SERIES	LINE	BODY	ENGINE	TRANSMISSION
H=Laredo	J = 4WD	74 = 4 Door(105.9 WB)	ER0, ERH = 4.0L, Power Tech I-6	DGK = 4 Speed Autm, 42RE
P=Limited	T = 2WD		EV0, EVA = 4.7L, Power Tech V8	DGW = 4 Speed Automatic, -44RE
	U = 4WD (RHD)		EXA, EX0 = 3.1L, 5 Cyl Turbo Diesel	DG4 = Multi Speed Automatic, -45RFE
				DGO = All Automatic

AR = Use as required - = Non illustrated part # = New this model year

September 14, 2002

## Crankshaft, Piston and Torque Converter 4.7L (EVA) Engine Figure 4.7L-410



ITEM	PART NUMBER	QTY	LINE	SERIES	BODY	ENGINE	TRANS	DESCRIPTION
NOTE: EV0=All 4.7L Engines DG0=All Automatic Transmissions DG4=Multi-Speed Transmission								
1								BEDPLATE, Serviced in Short Block, (NOT SERVICED) (Not Serviced)
2	6505 151AA	2				EV0		STUD
3	6102 047AA	6				EV0		SCREW, Hex Head, M8x1.25x50
4	6504 411	7				EV0		SCREW
5	6505 150AA	1				EV0		STUD
6	6504 410	5				EV0		SCREW, Hex Head
7	6505 394AA	7				EV0		SCREW AND WASHER
8	#53020 939AB	1				EV0		CRANKSHAFT
9	5013 586AB	5				EV0		BEARING PACKAGE, Crankshaft, B Grade
-10	5014 183AA	5				EV0		BEARING PACKAGE, Crankshaft, A Grade
-11	5014 186AA	5				EV0		BEARING PACKAGE, Crankshaft, C Grade
-12	5013 587AA	AR				EV0		BEARING PACKAGE, Crankshaft, .025mm Undersize
-13	5013 588AA	AR				EV0		BEARING PACKAGE, Crankshaft, .25mm Undersize
14	5012 356AB	1				EV0		WASHER PACKAGE, Washer
15								TONE RING, Sensor, Serviced in Crankshaft, (NOT SERVICED) (Not Serviced)
16	6504 480	3				EV0		SCREW, M6x1x25
17	5302 0788	1				EV0		SEAL, Crankshaft Bearing Oil
18	53020 689AB	1				EV0		DAMPER, Crankshaft
19	6504 415	1				EV0		SCREW AND WASHER
20	5012 362AB	8				EV0		PISTON PIN AND ROD, STD
21	5012 364AB	8				EV0		RING PACKAGE, Piston, Standard Size
22	5012 363AA	8				EV0		BEARING PACKAGE, Connecting Rod, Standard
23	6504 720	16				EV0		BOLT, Connecting Rod
24	5210 4048	1				EV0	DG0	PLATE, Torque Converter Drive
25	6503 465	8				EV0	DG0	BOLT, Drive Plate and Flywheel
26	4736 582	1	J, U				DG4	TORQUE CONVERTER
27	1949 765	4					DG0	SCREW, Hex Head Header Point, .312-24x.44
-28								SEAL, Torque Converter Hub
	4736 547	1	T				DG4	
		1	J, U				DG4	

### JEEP GRAND CHEROKEE (WJ)

SERIES  
H=Laredo  
P=Limited

LINE  
J = 4WD  
T = 2WD  
U = 4WD (RHD)

BODY  
74 = 4 Door(105.9 WB)

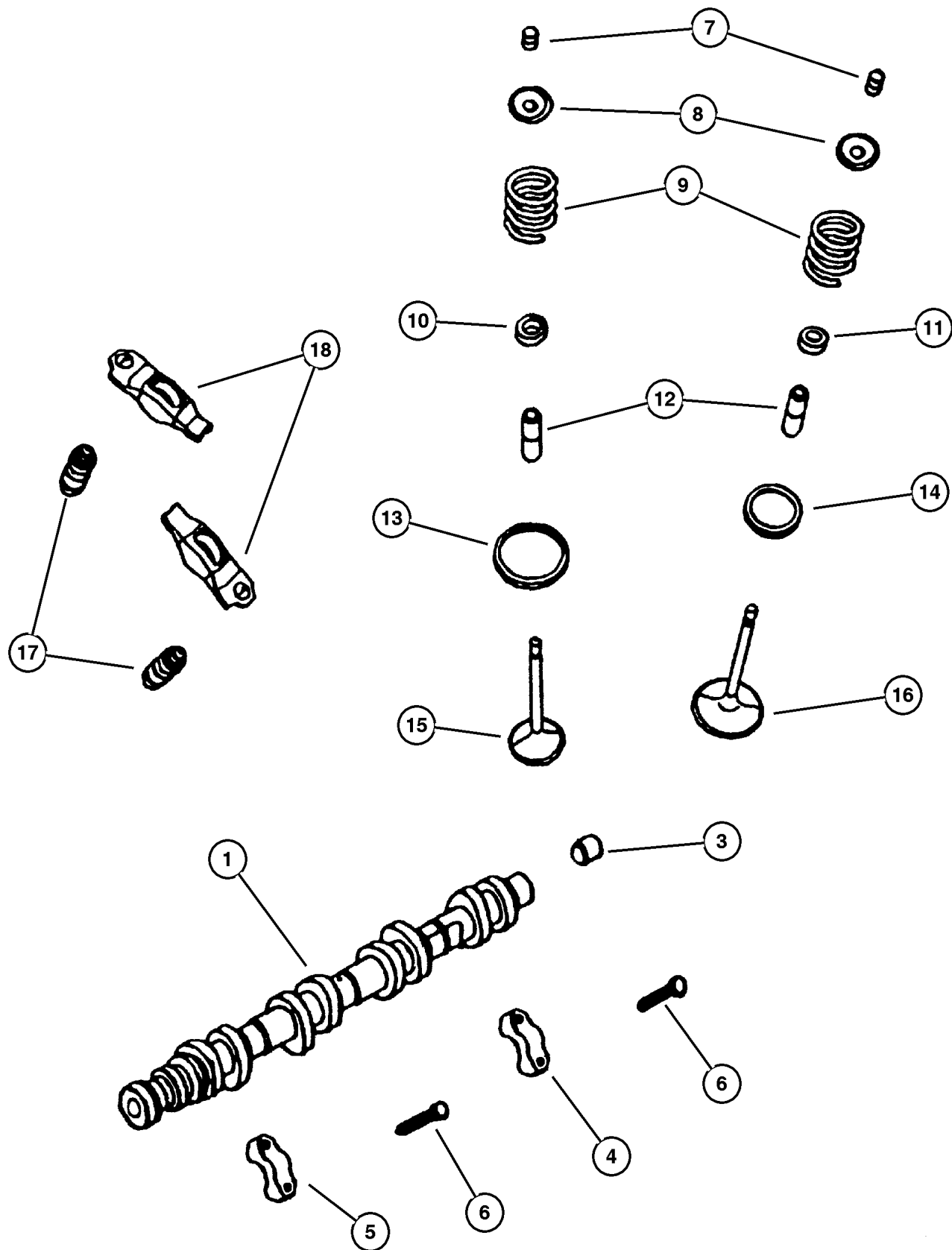
ENGINE  
ER0, ERH = 4.0L, Power Tech I-6  
EV0, EVA = 4.7L, Power Tech V8  
EXA, EX0 = 3.1L, 5 Cyl Turbo Diesel

TRANSMISSION  
DGK = 4 Speed Autm, 42RE  
DGW = 4 Speed Automatic, -44RE  
DG4 = Multi Speed Automatic, -45RFE  
DGO = All Automatic

AR = Use as required - = Non illustrated part # = New this model year

September 14, 2002

**Camshaft and Valves 4.7L (EVA) Engine  
Figure 4.7L-510**



ITEM	PART NUMBER	QTY	LINE	SERIES	BODY	ENGINE	TRANS	DESCRIPTION
NOTE: EVO=All 4.7L Engines								
1	53021 159AA	1				EVO		CAMSHAFT, Engine, Left
-2	53021 160AA	1				EVO		CAMSHAFT, Engine, Right
3	53021 161AA	1				EVO		PLUG, Camshaft
4								CAP, Serviced in Cylinder Head, (NOT SERVICED) (Not Serviced)
5								CAP, Serviced in Cylinder Head, (NOT SERVICED) (Not Serviced)
6	6505 034AA	10				EVO		SCREW, M6x1x40
7	4536 513	32				EVO		LOCK, Valve Spring Retainer
8	5302 0750	16				EVO		RETAINER, Valve Spring
9	53020 749AB	16				EVO		SPRING, Valve
10	#53020 752AC	16				EVO		SEAL, Valve Guide
11	#53020 752AC	16				EVO		SEAL, Valve Guide
12								GUIDE, Intake/Exhaust Valve, Standard Size, Serviced in Cylinder Head, (NOT SERVICED) (Not Serviced)
13								INSERT, Intake Valve, Serviced in Cylinder Head, (NOT SERVICED) (Not Serviced)
14								INSERT, Exhaust Valve, Serviced in Cylinder Head, (NOT SERVICED) (Not Serviced)
15	53020 747AB	8				EVO		VALVE, Intake, Standard
16	5302 0748	8				EVO		VALVE, Exhaust, Standard
17	5302 1077	16				EVO		ADJUSTER, Valve Lash
18	5302 0742	16				EVO		ROCKER ARM, Valve

**JEEP GRAND CHEROKEE (WJ)**

SERIES	LINE	BODY	ENGINE	TRANSMISSION
H=Laredo	J = 4WD	74 = 4 Door(105.9 WB)	ER0, ERH = 4.0L, Power Tech I-6	DGK = 4 Speed Autm, 42RE
P=Limited	T = 2WD		EVO, EVA = 4.7L, Power Tech V8	DGW = 4 Speed Automatic, -44RE
	U = 4WD (RHD)		EXA, EX0 = 3.1L, 5 Cyl Turbo Diesel	DG4 = Multi Speed Automatic, -45RFE
				DGO = All Automatic

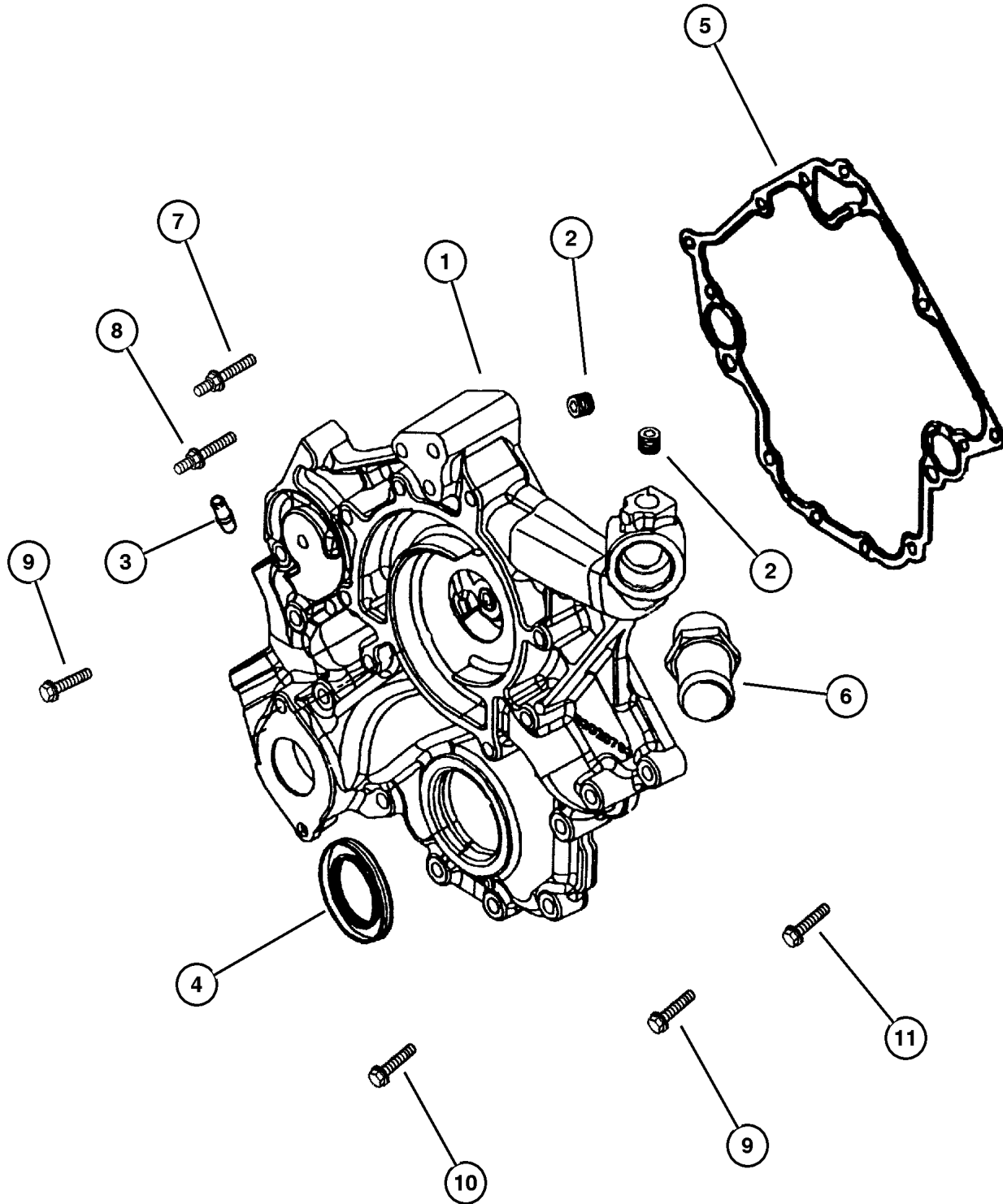
AR = Use as required - = Non illustrated part # = New this model year

September 14, 2002



**Timing Cover 4.7L (EVA) Engine  
Figure 4.7L-610**

ITEM	PART NUMBER	QTY	LINE	SERIES	BODY	ENGINE	TRANS	DESCRIPTION
NOTE: EV0=All 4.7L Engines								
1	5302 0791	1				EVO		COVER, Timing Case
2	6034 331	3				EVO		PLUG, Hex Socket, 3/8-18NPTx.475
3	6035 854	2				EVO		FITTING, Y-Style
4	5302 0790	1				EVO		SEAL, Crankshaft Oil, Front
5	5302 0862	1				EVO		GASKET, Chain Case Cover
6	6035 961AA	1				EVO		PIPE FITTING, Chain Case Cover, .375-18x2
7	6505 293AA	1				EVO		STUD
8	6505 019AA	1				EVO		STUD
9	6101 998	5				EVO		SCREW AND WASHER, Hex
10	6101 985	8				EVO		SCREW AND WASHER, M10x1.50x45.00
11	6505 579AA	2				EVO		SCREW AND WASHER



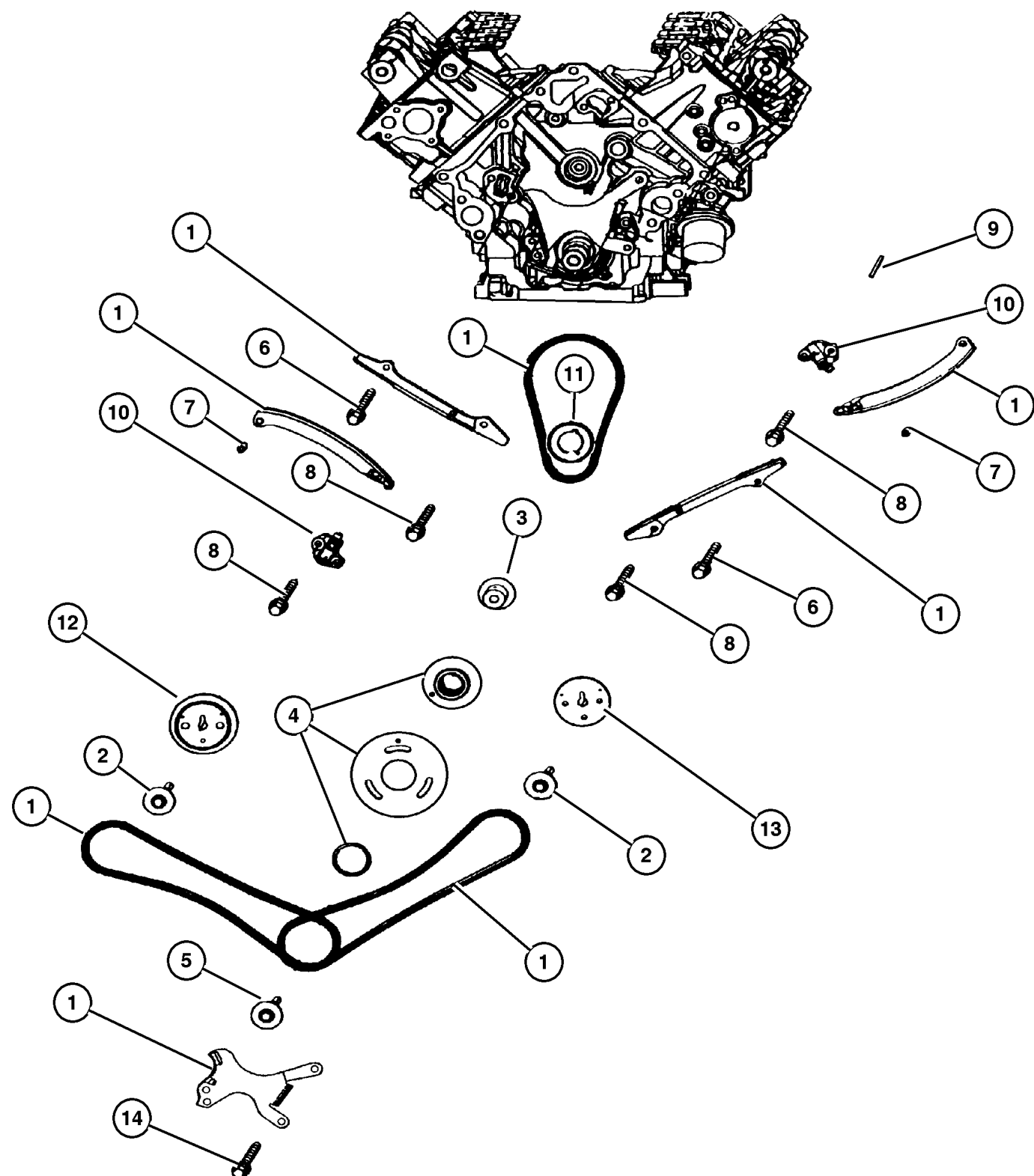
**JEEP GRAND CHEROKEE (WJ)**

SERIES	LINE	BODY	ENGINE	TRANSMISSION
H=Laredo	J = 4WD	74 = 4 Door(105.9 WB)	ER0, ERH = 4.0L, Power Tech I-6	DGK = 4 Speed Autm, 42RE
P=Limited	T = 2WD		EV0, EVA = 4.7L, Power Tech V8	DGW = 4 Speed Automatic, -44RE
	U = 4WD (RHD)		EXA, EX0 = 3.1L, 5 Cyl Turbo Diesel	DG4 = Multi Speed Automatic, -45RFE
				DGO = All Automatic

AR = Use as required - = Non illustrated part # = New this model year

September 14, 2002

## Timing Chain and Guides 4.7L (EVA) Engine Figure 4.7L-620



ITEM	PART NUMBER	QTY	LINE	SERIES	BODY	ENGINE	TRANS	DESCRIPTION
NOTE: EV0=All 4.7L Engines								
1	5013 867AA	1				EVO		TIMING DRIVE KIT, Engine
2	6504 429	2				EVO		SCREW AND WASHER, Hex
3	5302 0835	1				EVO		SHAFT, Idler
4	5013 868AA	1				EVO		SPROCKET, Idler
5	6504 370	1				EVO		SCREW AND WASHER, Hex
6	6102 111AA	2				EVO		SCREW AND WASHER
7	6504 440	2				EVO		SCREW
8	6503 257	6				EVO		BOLT, Hex Head, M8x1.25x37.50
9	6504 471	1				EVO		KEY, Woodruff
10								TENSIONER, Chain
	5302 0779	1				EVO		Right
	53021 168AA	1				EVO		Left
11	5302 0679	1				EVO		SPROCKET, Crankshaft
12	53021 169AA	1				EVO		SPROCKET, Camshaft, Right
13	5302 0938	1				EVO		SPROCKET, Camshaft, Left
14	6100 932	2				EVO		BOLT, Hex
-15	5302 0781	2				EVO		GUIDE, Timing Chain
-16	5302 0681	1				EVO		TENSIONER, Chain, Primary

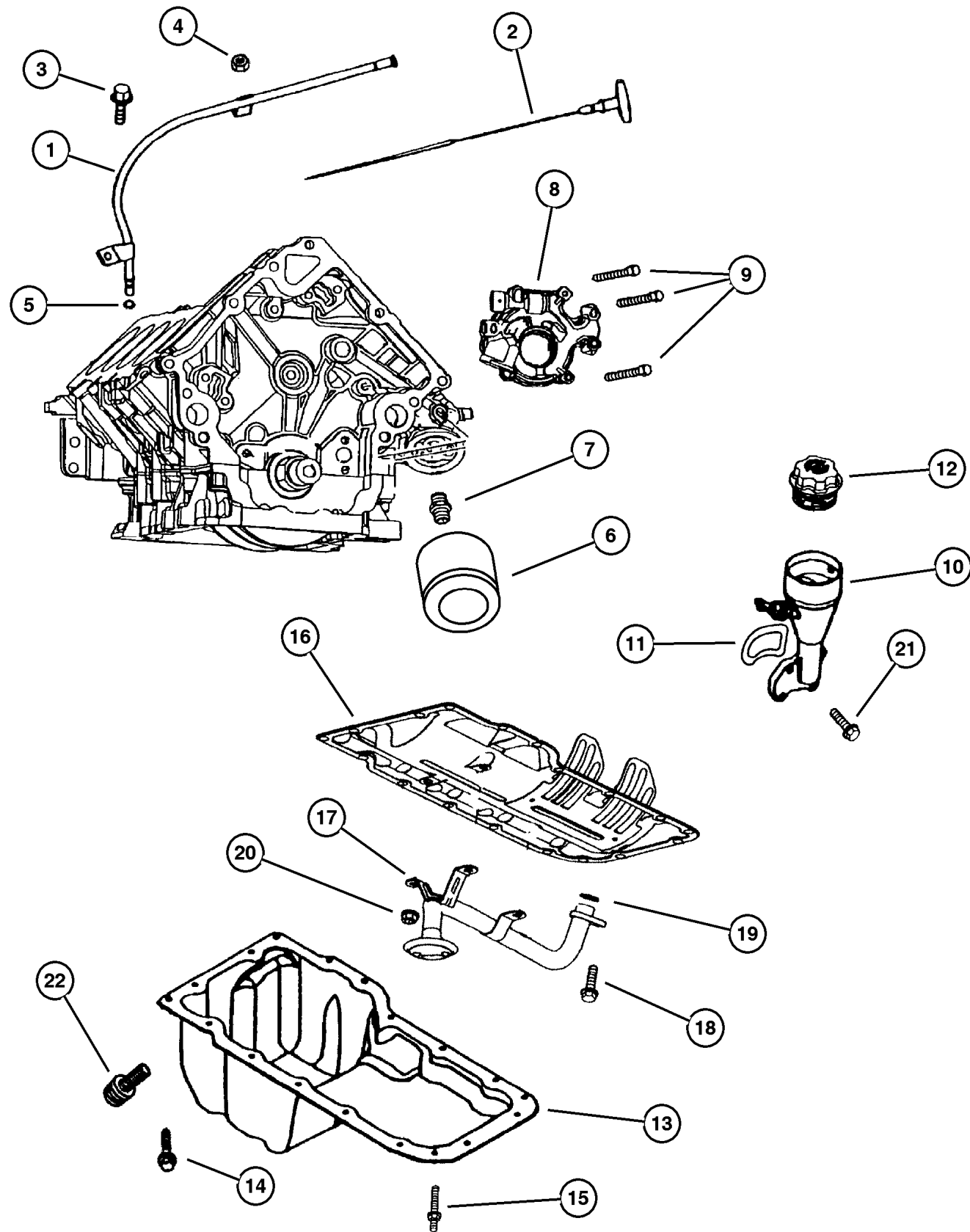
### JEEP GRAND CHEROKEE (WJ)

SERIES	LINE	BODY	ENGINE	TRANSMISSION
H=Laredo	J = 4WD	74 = 4 Door(105.9 WB)	ER0, ERH = 4.0L, Power Tech I-6	DGK = 4 Speed Autm, 42RE
P=Limited	T = 2WD		EV0, EVA = 4.7L, Power Tech V8	DGW = 4 Speed Automatic, -44RE
	U = 4WD (RHD)		EXA, EX0 = 3.1L, 5 Cyl Turbo Diesel	DG4 = Multi Speed Automatic, -45RFE
				DGO = All Automatic

AR = Use as required - = Non illustrated part # = New this model year

September 14, 2002

## Engine Oiling 4.7L (EVA) Engine Figure 4.7L-710



ITEM	PART NUMBER	QTY	LINE	SERIES	BODY	ENGINE	TRANS	DESCRIPTION
NOTE: EV0=All 4.7L Engines								
1	5302 1024	1				EVO		TUBE, Engine Oil Indicator
2	53020 859AB	1				EVO		INDICATOR, Engine Oil Level
3	6504 810AA	1				EVO		SCREW AND WASHER, Hex
4								NUT, M6x1.00, (NOT SERVICED) (Not Serviced)
5	53021 144AA	1				EVO		O RING, Engine Oil Indicator
6	5281 090	1				EVO		FILTER, Engine Oil
7	5300 7563	1				EVO		CONNECTOR, Oil Filter
8	5302 0827	1				EVO		PUMP, Engine Oil
9	6100 932	2				EVO		BOLT, Hex
10	5302 0890	1				EVO		HOUSING, Oil Fill
11	5302 0889	1				EVO		GASKET, Oil Fill Housing
12	5302 0880	1				EVO		CAP, Oil Filler
13	53020 678AB	1				EVO		PAN, Engine Oil
14	6504 810AA	17				EVO		SCREW AND WASHER, Hex
15	6502 647	2				ER0		STUD, M6x1.00x44
16	53020 675AB	1				EVO		GASKET, Oil Pan
17	5302 0828	1				EVO		TUBE, Oil Pickup
18	6102 046AA	1				EVO		SCREW AND WASHER
19	5302 0861	1				EVO		SEAL, Oil Pick Up Tube
20	6502 756	3				EVO		NUT, Hex Lock, M8x1.25
21	6505 504AA	4				EVO		SCREW
22	6504 894AA	1				EVO		SCREW, Oil sump

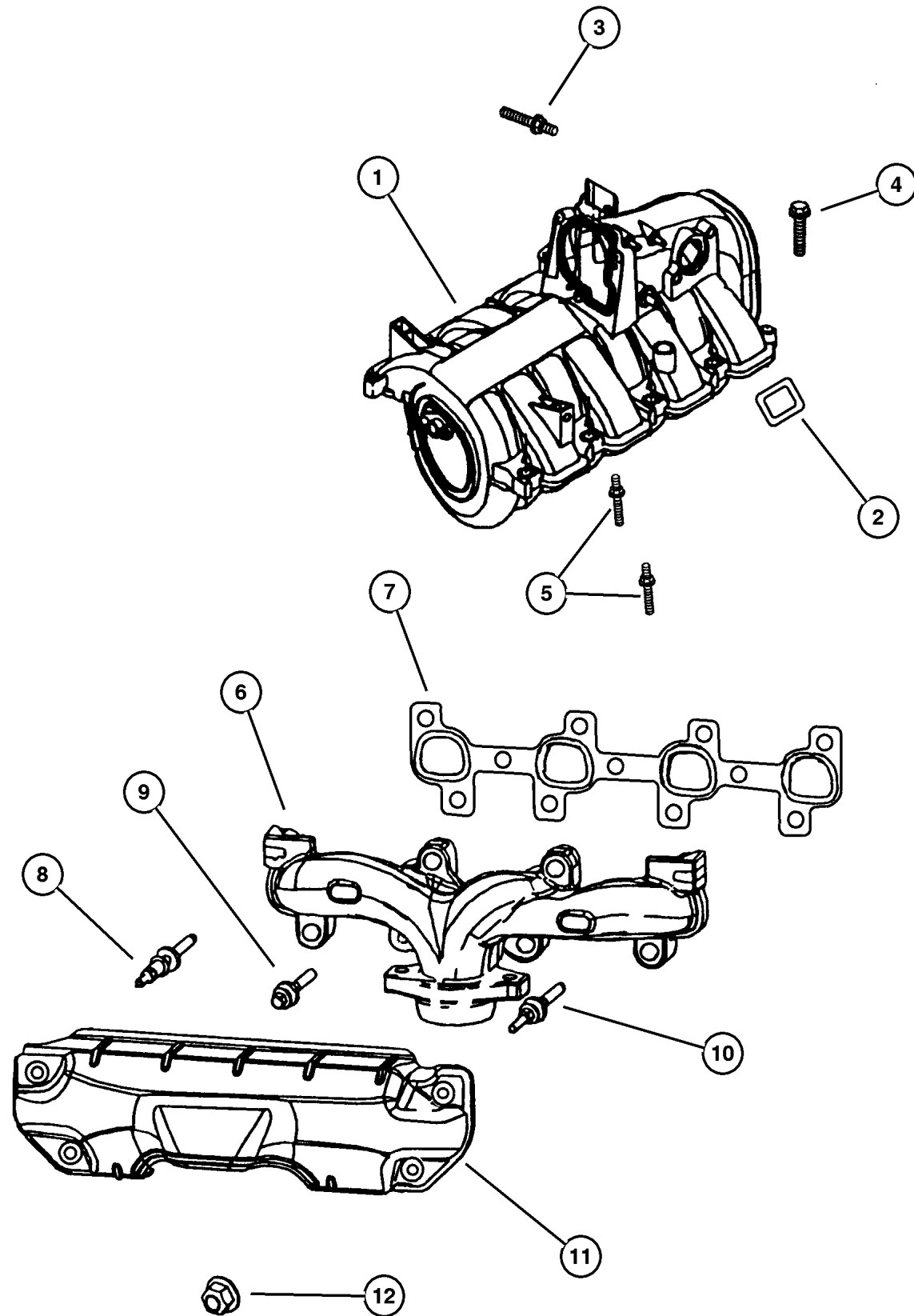
**JEEP GRAND CHEROKEE (WJ)**

SERIES	LINE	BODY	ENGINE	TRANSMISSION
H=Laredo	J = 4WD	74 = 4 Door(105.9 WB)	ER0, ERH = 4.0L, Power Tech I-6	DGK = 4 Speed Autm, 42RE
P=Limited	T = 2WD		EV0, EVA = 4.7L, Power Tech V8	DGW = 4 Speed Automatic, -44RE
	U = 4WD (RHD)		EXA, EX0 = 3.1L, 5 Cyl Turbo Diesel	DG4 = Multi Speed Automatic, -45RFE
				DGO = All Automatic

AR = Use as required - = Non illustrated part # = New this model year

September 14, 2002

**Manifold, Intake and Exhaust 4.7L (EVA) Engine  
Figure 4.7L-810**



ITEM	PART NUMBER	QTY	LINE	SERIES	BODY	ENGINE	TRANS	DESCRIPTION
NOTE: EV0=All 4.7L Engines								
1	53030 951AB	1				EVO		MANIFOLD, Intake
2	5301 0310	8				EVO		SEAL, Intake Manifold
3	6505 498AA	1				EVO		STUD
4	6505 499AA	2				EVO		SCREW
5	6505 500AA	8				EVO		STUD
6								MANIFOLD, Exhaust
	5303 0933	1				EVO		Left
	5303 0934	1				EVO		Right
7								GASKET, Exhaust Manifold
	5303 0812	1				EVO		Right
	5303 0813	1				EVO		Left
8	6505 257AA	4				EVO		STUD
9	6504 340	8				EVO		SCREW AND WASHER, Hex
10	6504 331	4				EVO		STUD
11								SHIELD, Exhaust Manifold
	5303 0815	1				EVO		Left
	5303 0940	1				EVO		Right
12	6505 316AA	8				EVO		NUT

**JEEP GRAND CHEROKEE (WJ)**

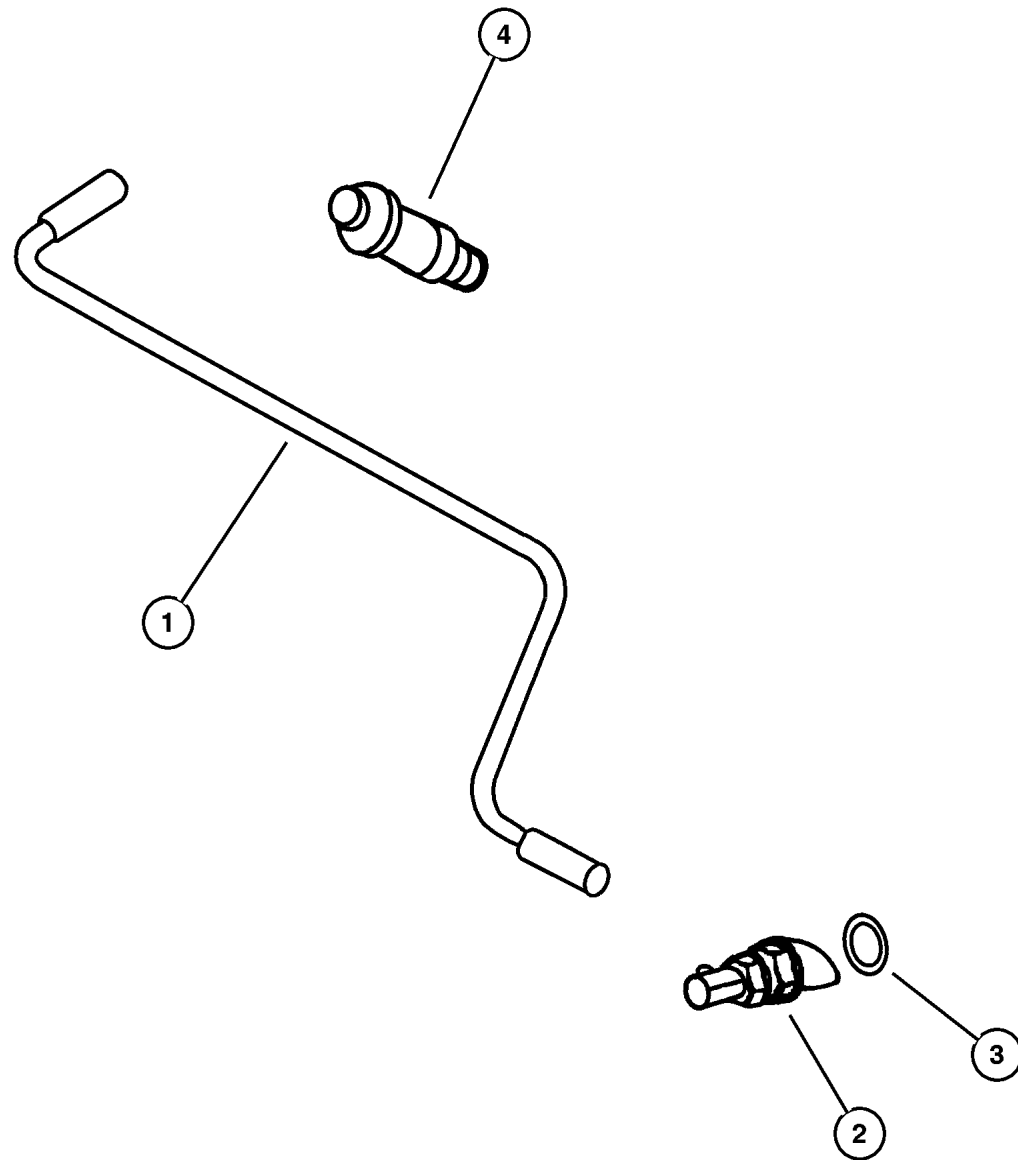
SERIES	LINE	BODY	ENGINE	TRANSMISSION
H=Laredo	J = 4WD	74 = 4 Door(105.9 WB)	ER0, ERH = 4.0L, Power Tech I-6	DGK = 4 Speed Autm, 42RE
P=Limited	T = 2WD		EV0, EVA = 4.7L, Power Tech V8	DGW = 4 Speed Automatic, -44RE
	U = 4WD (RHD)		EXA, EX0 = 3.1L, 5 Cyl Turbo Diesel	DG4 = Multi Speed Automatic, -45RFE
				DGO = All Automatic

AR = Use as required - = Non illustrated part # = New this model year

September 14, 2002

**Crankcase Ventilation 4.7L (EVA) Engine  
Figure 4.7L-910**

ITEM	PART NUMBER	QTY	LINE	SERIES	BODY	ENGINE	TRANS	DESCRIPTION
NOTE: EV0=All 4.7L Engines								
1	5303 0851	1				EVO		TUBE, PCV Valve
2	53031 777AA	1				EVO		VALVE, Crankcase Vent
3	53031 711AA	1				EVO		O RING
4	5303 0850	2				EVO		BREATHER, Crankcase



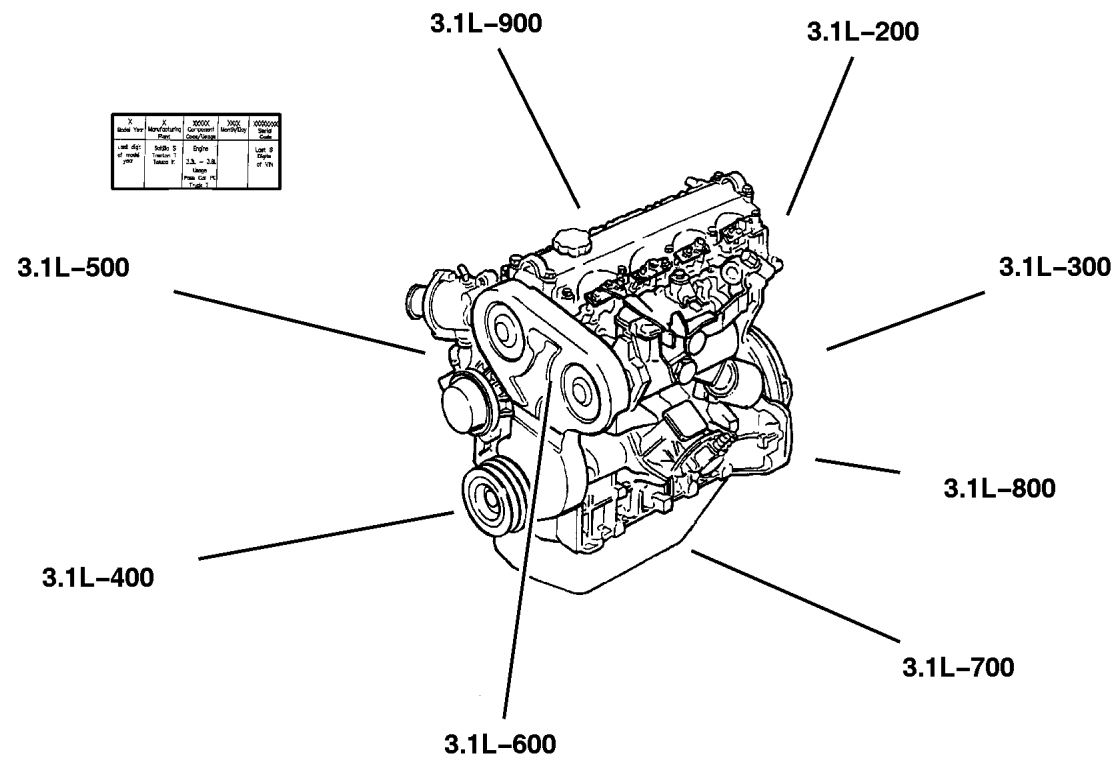
<b>JEEP GRAND CHEROKEE (WJ)</b>				
SERIES	LINE	BODY	ENGINE	TRANSMISSION
H=Laredo	J = 4WD	74 = 4 Door(105.9 WB)	ER0, ERH = 4.0L, Power Tech I-6	DGK = 4 Speed Autm, 42RE
P=Limited	T = 2WD		EV0, EVA = 4.7L, Power Tech V8	DGW = 4 Speed Automatic, -44RE
	U = 4WD (RHD)		EXA, EX0 = 3.1L, 5 Cyl Turbo Diesel	DG4 = Multi Speed Automatic, -45RFE
				DGO = All Automatic

AR = Use as required - = Non illustrated part # = New this model year

September 14, 2002

# Group – 3.1L

## Engine 3.1L Five Cylinder(Turbo Diesel)



3	2	30000	30000	300000
Year	Model	Code	Code	Code
1998	3.1L	3.1L	3.1L	3.1L
1999	3.1L	3.1L	3.1L	3.1L
2000	3.1L	3.1L	3.1L	3.1L
2001	3.1L	3.1L	3.1L	3.1L
2002	3.1L	3.1L	3.1L	3.1L

### GROUP 3.1L - Engine 3.1L Five Cylinder(Turbo Diesel)

Illustration Title

Group-Fig. No.

#### Cylinder Head

Cylinder Head 3.1L (EXA) Diesel Engine ..... Fig. 3.1L-210

#### Cylinder Block

Cylinder Block 3.1L (EXA) Diesel Engine ..... Fig. 3.1L-310

#### Crankshaft, Piston and Torque Converter

Crankshaft, Piston and Torque Converter 3.1L (EXA) Diesel Engine ..... Fig. 3.1L-410

#### Camshafts and Valves

Camshaft and Valves 3.1L (EXA) Diesel Engine ..... Fig. 3.1L-510

#### Timing Belt and Cover

Timing Gear and Cover 3.1L (EXA) Diesel Engine ..... Fig. 3.1L-610

#### Engine Oiling

Engine Oiling 3.1L (EXA) Diesel Engine ..... Fig. 3.1L-710

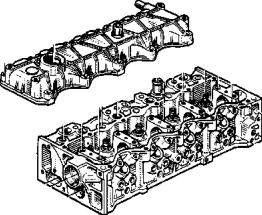
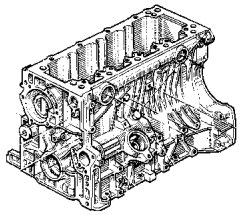
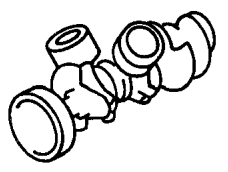
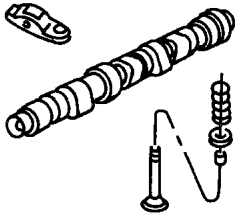
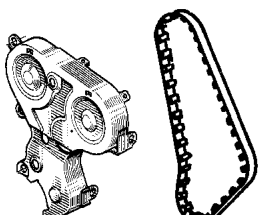
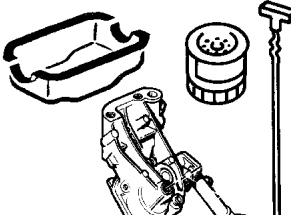
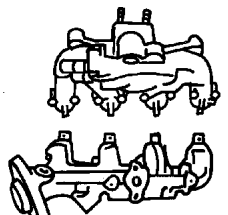
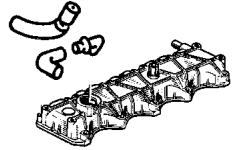
Oil Lines 3.1L (EXA) Diesel Engine ..... Fig. 3.1L-720

#### Manifolds

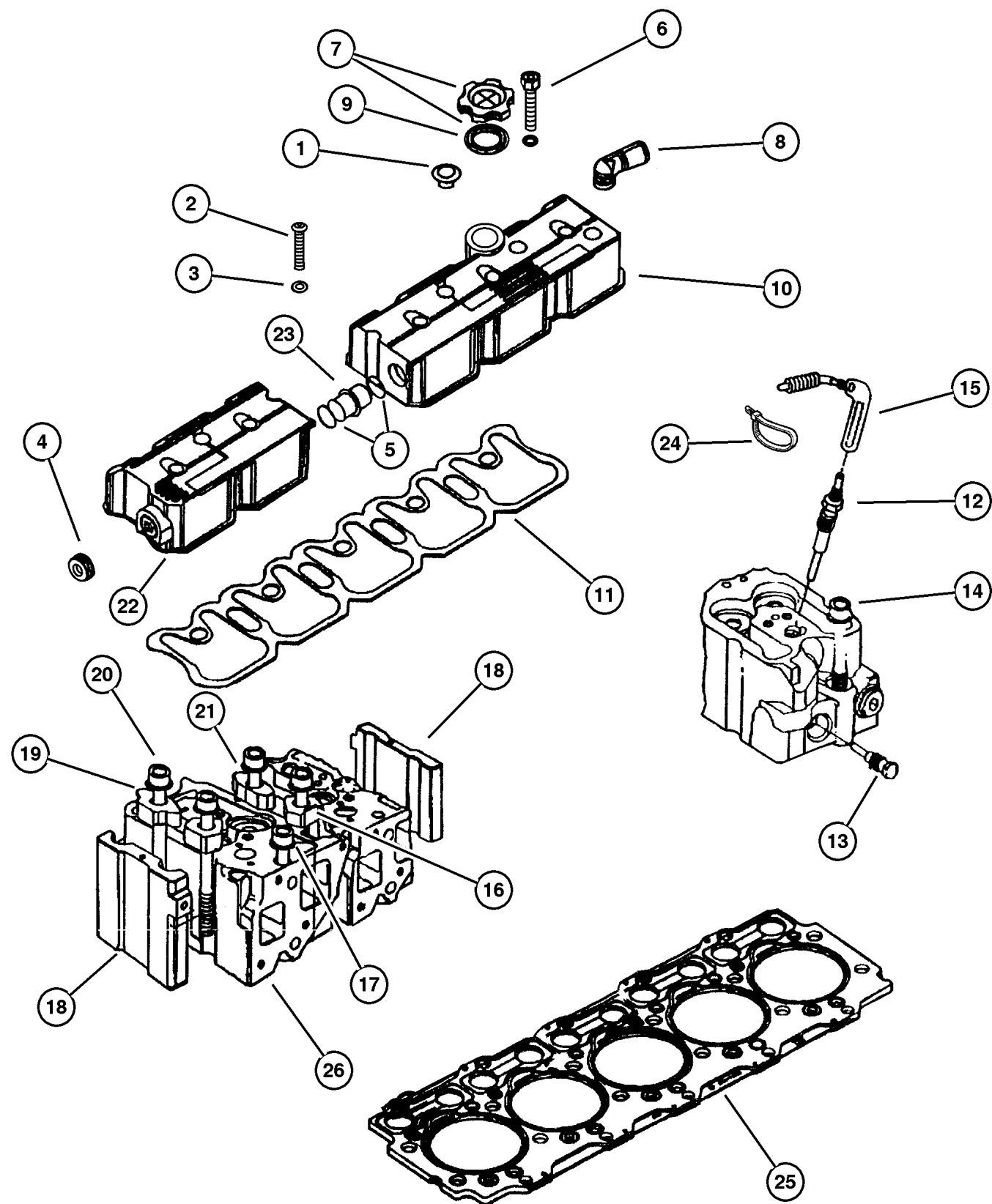
Manifold, Intake and Exhaust 3.1L (EXA) Diesel Engine ..... Fig. 3.1L-810

#### Crankcase Ventilation

Crankcase Ventilation 3.1L (EXA) Diesel Engine ..... Fig. 3.1L-910

<p><b>3.1L-200</b> Cylinder Head</p> 	<p><b>3.1L-300</b> Cylinder Block</p> 	<p><b>3.1L-400</b> Crankshaft, Piston and Torque Converter</p> 	<p><b>3.1L-500</b> Camshafts and Valves</p> 
<p><b>3.1L-600</b> Timing Belt and Cover</p> 	<p><b>3.1L-700</b> Engine Oiling</p> 	<p><b>3.1L-800</b> Manifolds</p> 	<p><b>3.1L-900</b> Crankcase Ventilation</p> 

**Cylinder Head 3.1L (EXA) Diesel Engine  
Figure 3.1L-210**



ITEM	PART NUMBER	QTY	LINE	SERIES	BODY	ENGINE	TRANS	DESCRIPTION
<b>GASKET PACKAGE, Engine Upper and Lower, w/o Head Gaskets - 05015077AA</b>								
NOTE: EX0=All 3.1L Engines DG0=All Automatic Transmissions								
1	4864 555	4				EX0	DG0	PLUG, Cylinder Block
2	5003 565AA	3				EX0	DG0	BOLT
3	4864 554	5				EX0	DG0	SEAL, Valve Cover Bolt
4	4723 169	1				EX0	DG0	PLUG, Cylinder Block Oil Hole
5	5014 987AA	2				EX0	DG0	O RING
6	4863 752	2				EX0	DG0	SCREW
7	4863 741	1				EX0	DG0	CAP, Oil Filler
8	5015 080AA	1				EX0	DG0	ADAPTER, Crankcase Vent
9	4720 300	1				EX0	DG0	GASKET, Oil Filler Cap
10	5015 078AA	1				EX0	DG0	COVER, Cylinder Head
11	5014 986AA	1				EX0	DG0	GASKET, Valve Cover
12	4863 826	5				EX0	DG0	GLOW PLUG
13	4863 770	5				EX0	DG0	PLUG, Dummy
14	4720 671AB	5				EX0	DG0	BOLT, Cylinder Head
15	5015 065AA	1				EX0	DG0	WIRING, Glow Plug
16	4864 038	6				EX0	DG0	CLAMP, Cylinder Head
17	4720 233AB	5				EX0	DG0	BOLT, Cylinder Head
18	4882 407	2				EX0	DG0	CLAMP, Cylinder Head
19	4864 039	2				EX0	DG0	CLAMP, Cylinder Head
20	4720 235AC	12				EX0	DG0	BOLT, Cylinder Head
21	4864 040	4				EX0	DG0	CLAMP, Cylinder Head
22	5015 079AA	1				EX0	DG0	COVER, Cylinder Head
23	5014 985AA	1				EX0	DG0	SLEEVE, Insert
24	4728 184	3				EX0	DG0	CLIP, Spill Return Pipe
25								GASKET, Cylinder Head
	5014 982AA	1				EX0	DG0	1.41
	5014 983AA	1				EX0	DG0	1.51
	5014 984AA	1				EX0	DG0	1.61
26	4883 416AB	5				EX0	DG0	HEAD, Cylinder

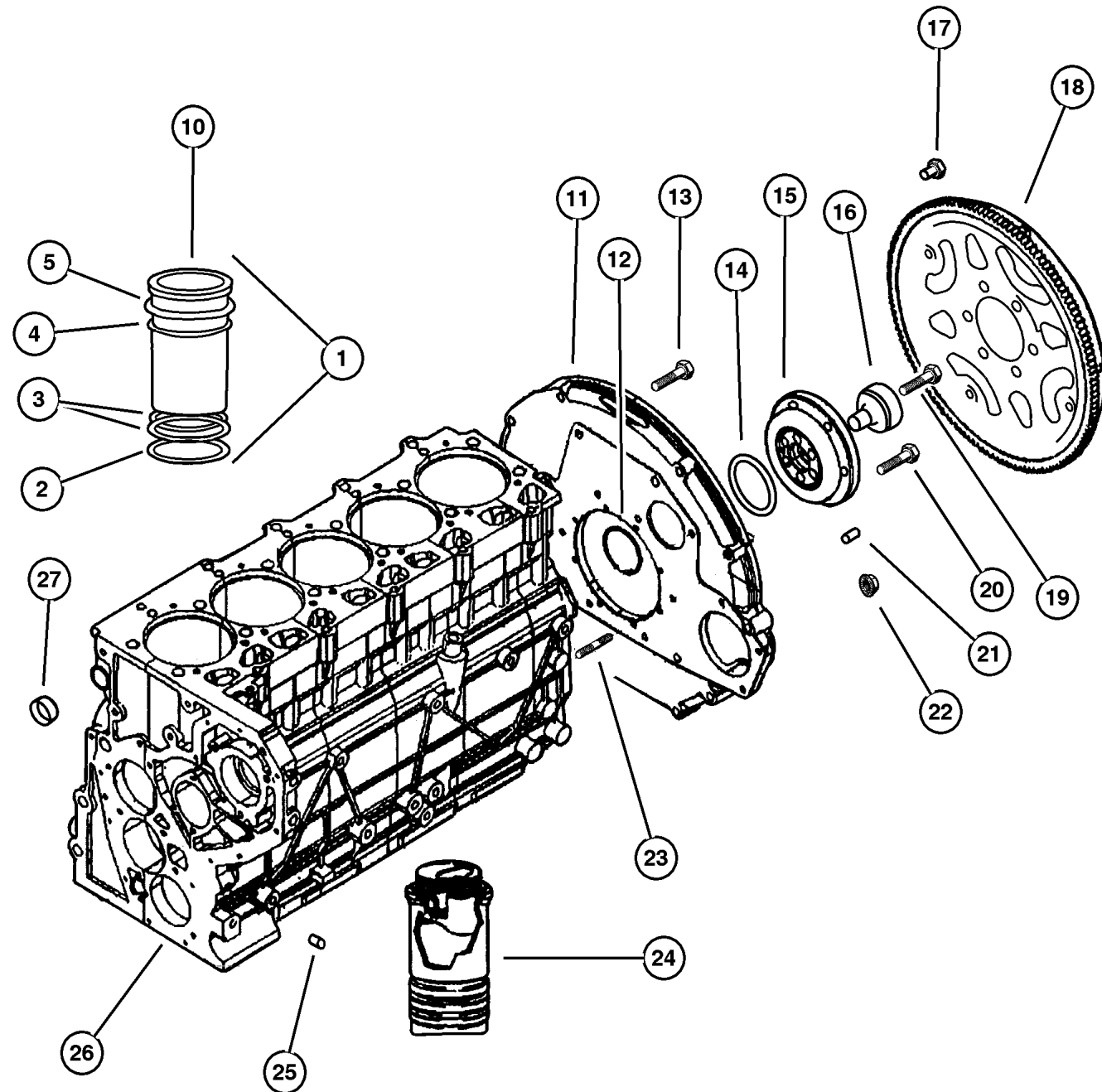
**JEEP GRAND CHEROKEE (WJ)**

SERIES	LINE	BODY	ENGINE	TRANSMISSION
H=Laredo	J = 4WD	74 = 4 Door(105.9 WB)	ER0, ERH = 4.0L, Power Tech I-6	DGK = 4 Speed Autm, 42RE
P=Limited	T = 2WD		EV0, EVA = 4.7L, Power Tech V8	DGW = 4 Speed Automatic, -44RE
	U = 4WD (RHD)		EXA, EX0 = 3.1L, 5 Cyl Turbo Diesel	DG4 = Multi Speed Automatic, -45RFE
				DGO = All Automatic

AR = Use as required - = Non illustrated part # = New this model year

September 14, 2002

**Cylinder Block 3.1L (EXA) Diesel Engine**  
**Figure 3.1L-310**



ITEM	PART NUMBER	QTY	LINE	SERIES	BODY	ENGINE	TRANS	DESCRIPTION
Note:								
DG0 = All Automatic Transmissions								
EX0 = All Turbo Diesel Engines								
GASKET PACKAGE, Engine Upper and Lower, w/o Head Gaskets - 05015077AA								
1	4723 118	5				EX0	DG0	SHIM KIT, Cylinder Liner
2	4720 625	5				EX0	DG0	O RING, Cylinder Liner
3	4720 627	10				EX0	DG0	O RING, Cylinder Liner
4	4720 626	5				EX0	DG0	O RING, Cylinder Liner
5	4720 622	5				EX0	DG0	SHIM, Cylinder Liner, 0.25mm
-6	4720 623	5				EX0	DG0	SHIM, Cylinder Liner, 0.23mm
-7	4720 621	5				EX0	DG0	SHIM, Cylinder Liner, 0.20mm
-8	4720 624	5				EX0	DG0	SHIM, Cylinder Liner, 0.17mm
-9	4720 620	5				EX0	DG0	SHIM, Cylinder Liner, 0.15mm
10	5014 328AA	5				EX0	DG0	LINER, Cylinder
11	5015 044AA	1				EX0	DG0	PLATE
12	4863 833	1				EX0	DG0	O RING
13	5003 532AA	4				EX0	DG0	BOLT, Adaptor Plate
14	5014 970AA	1				EX0	DG0	O RING
15	5014 967AA	1				EX0	DG0	HUB, Torque Converter
16	5014 974AA	1				EX0	DG0	SHAFT, Torque
17	5014 969AA	6				EX0	DG0	BOLT, Flexplate
18	5211 8776	1				EX0	DG0	PLATE, Torque Converter Drive
19	4720 232AB	6				EX0	DG0	BOLT, Flywheel
20	4864 537	1				EX0	DG0	BOLT, 8Mx20
21	5015 045AA	2				EX0	DG0	DOWEL, Transmission Adapter
22	4778 961	6				EX0	DG0	NUT
23	4720 550	6				EX0	DG0	STUD, Water Pump To Block
24	5014 329AA	5				EX0	DG0	LINER AND PISTON, Cylinder
25	4883 425AA	1				EX0	DG0	PLUG
26	5014 965AA	1				EX0	DG0	BLOCK, Cylinder
27	4778 887	1				EX0	DG0	PLUG, Cylinder Block Oil Hole

**JEEP GRAND CHEROKEE (WJ)**

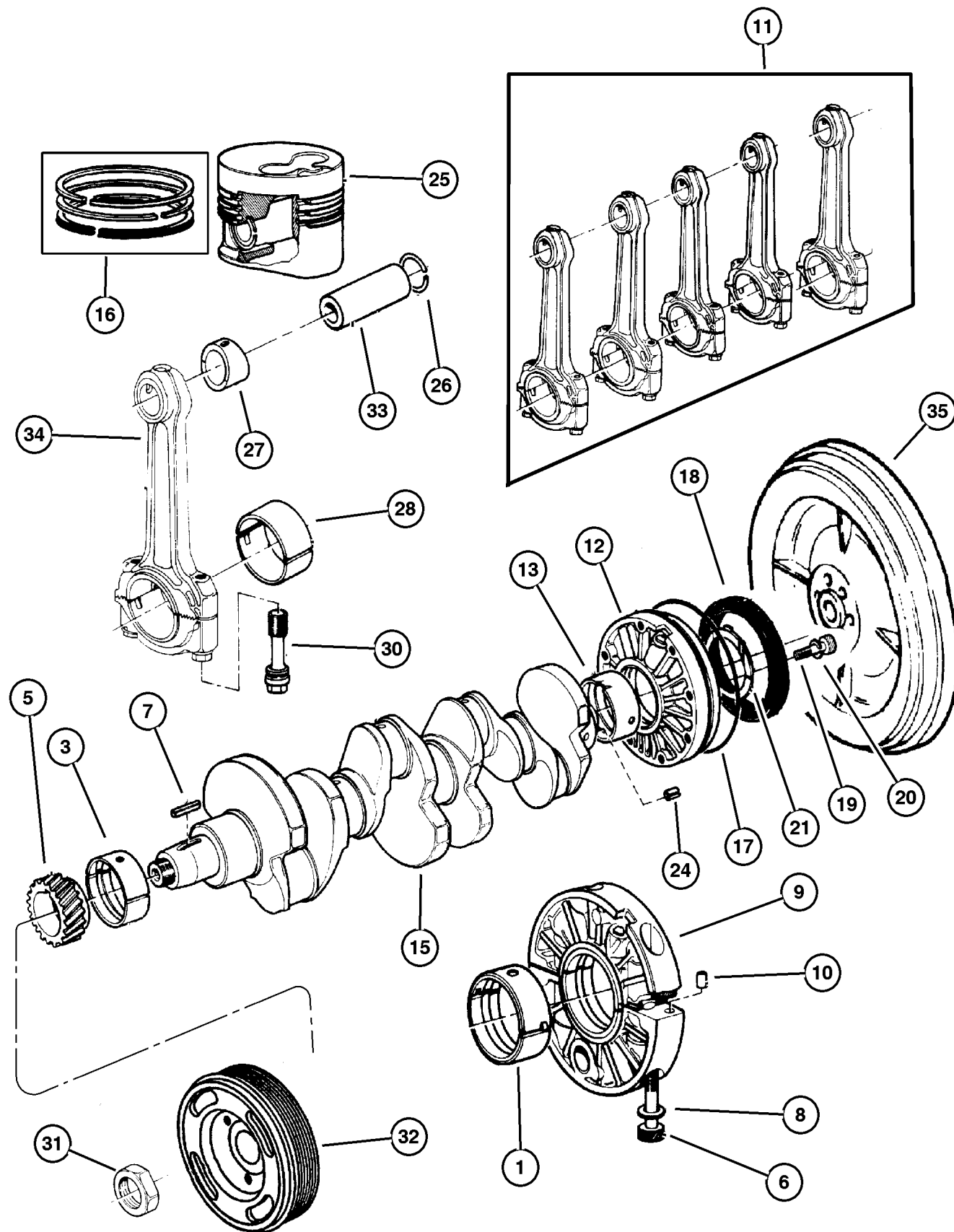
SERIES	LINE	BODY	ENGINE	TRANSMISSION
H=Laredo	J = 4WD	74 = 4 Door(105.9 WB)	ER0, ERH = 4.0L, Power Tech I-6	DGK = 4 Speed Autm, 42RE
P=Limited	T = 2WD		EV0, EVA = 4.7L, Power Tech V8	DGW = 4 Speed Automatic, -44RE
	U = 4WD (RHD)		EXA, EX0 = 3.1L, 5 Cyl Turbo Diesel	DG4 = Multi Speed Automatic, -45RFE
				DGO = All Automatic

AR = Use as required - = Non illustrated part # = New this model year

September 14, 2002



## Crankshaft, Piston and Torque Converter 3.1L (EXA) Diesel Engine Figure 3.1L-410



ITEM	PART NUMBER	QTY	LINE	SERIES	BODY	ENGINE	TRANS	DESCRIPTION
------	-------------	-----	------	--------	------	--------	-------	-------------

NOTE: EX0=All 3.1L Engines DG0=All Automatic Transmission

1	4720 892	4				EX0	DG0	BEARING, Crankshaft
-2	4720 889	4				EX0	DG0	BEARING, Crankshaft
3	4720 887	1				EX0	DG0	BEARING, Crankshaft
-4	4720 885	1				EX0	DG0	BEARING, Crankshaft
5	4882 402	1				EX0	DG0	GEAR, Crankshaft
6	4720 242	10				EX0	DG0	SCREW
7	5014 980AA	1				EX0	DG0	KEY, Woodruff
8	4720 243	10				EX0	DG0	WASHER, Lock, M10
9	4863 711	4				EX0	DG0	HOUSING, Crankshaft Bearing
10	4720 241	10				EX0	DG0	DOWEL, Center Bearing Housing
11	5015 002AA	1				EX0	DG0	ROD, Connecting
12	5014 975AA	1				EX0	DG0	HOUSING, Rear Bearing
13	4864 539	1				EX0	DG0	BEARING, Crankshaft
-14	4864 541	1				EX0	DG0	BEARING, Crankshaft
15	5014 971AA	1				EX0	DG0	CRANKSHAFT
16	5014 333AA	5				EX0	DG0	RING KIT, Piston, Standard
17	4720 277	1				EX0	DG0	O RING, Crankshaft Rear Support
18	5010 817AA	1				EX0	DG0	SEAL, Rear Main Crankshaft
19	4720 284	8				EX0	DG0	SCREW, Rear Crankshaft Support
20	4723 204	8				EX0	DG0	WASHER, Implement Attaching
21	4864 046	1				EX0	DG0	WASHER, Thrust
-22	4864 543	1				EX0	DG0	WASHER, Thrust, 0.10 Oversize
-23	4864 544	1				EX0	DG0	WASHER, Thrust, 0.20 Oversize
24	4723 158AB	1				EX0	DG0	PIN, Dowel
25	5014 332AA	5				EX0	DG0	PISTON
26	4720 099	10				EX0	DG0	RING, Piston Pin
27	5014 331AA	5				EX0	DG0	BUSHING, Connecting Rod
28	4720 877	5				EX0	DG0	BUSHING, Connecting Rod
-29	4720 883	5				EX0	DG0	BEARING, Connecting Rod, .25 mm U/S
30	4883 386AB	10				EX0	DG0	BOLT, Connecting Rod
31	4720 273	1				EX0	DG0	NUT, Damper Pulley
32								DAMPER, Crankshaft
	5014 979AA	1				EX0	DG0	
	3300 2920	1				ER0		Use Up to 2/11/00
	#33002 920AB	1				ER0		Use After 2/11/00
33								PIN, Piston, Serviced in Piston, (NOT SERVICED) (Not Serviced)
34								ROD, Connecting, Serviced in Piston, (NOT SERVICED) (Not Serviced)
35	5211 8861	1				EX0	DG0	CONVERTER, Torque

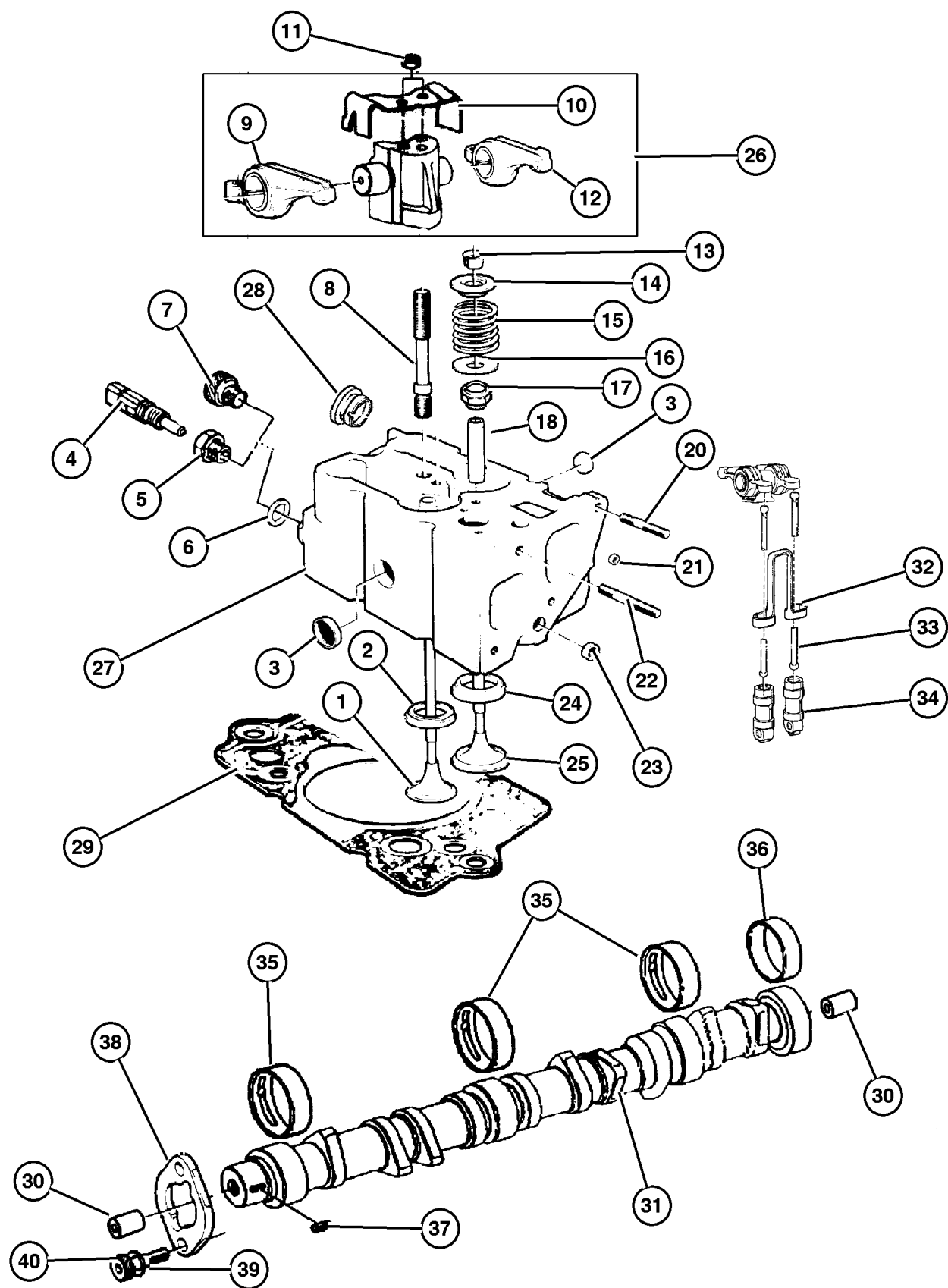
### JEEP GRAND CHEROKEE (WJ)

SERIES	LINE	BODY	ENGINE	TRANSMISSION
H=Laredo	J = 4WD	74 = 4 Door(105.9 WB)	ER0, ERH = 4.0L, Power Tech I-6	DGK = 4 Speed Autm, 42RE
P=Limited	T = 2WD		EV0, EVA = 4.7L, Power Tech V8	DGW = 4 Speed Automatic, -44RE
	U = 4WD (RHD)		EXA, EX0 = 3.1L, 5 Cyl Turbo Diesel	DG4 = Multi Speed Automatic, -45RFE
				DGO = All Automatic

AR = Use as required - = Non illustrated part # = New this model year

September 14, 2002

## Camshaft and Valves 3.1L (EXA) Diesel Engine Figure 3.1L-510



ITEM	PART NUMBER	QTY	LINE	SERIES	BODY	ENGINE	TRANS	DESCRIPTION
NOTE: EX0=All 3.1L Engines DG0=All Automatic Transmissions								
1	4720 148	5				EX0	DG0	VALVE, Exhaust, Standard
2	4723 244	5				EX0	DG0	SEAT, Exhaust Valve, 0.30mm Oversize
3	4723 228	10				EX0	DG0	PLUG, Cylinder Block Oil Hole
4	5014 067AA	2				EX0	DG0	SENSOR, Temperature Sending Unit
5	5014 065AA	2				EX0	DG0	ADAPTER, Temperature Sensor
6	4723 246	5				EX0	DG0	WASHER, Plain
7	4720 159	3				EX0	DG0	PLUG, Cylinder Block Oil Hole
8	4897 831AA	10				EX0	DG0	STUD
9	4883 399AA	5				EX0	DG0	ROCKER ARM, Exhaust
10	4863 861	5				EX0	DG0	SPRING, Valve
11	4883 396AA	10				EX0	DG0	NUT
12	4883 398AA	5				EX0	DG0	ROCKER ARM, Intake
13	4720 155	20				EX0	DG0	LOCK, Valve Spring Retainer
14	4720 152	10				EX0	DG0	RETAINER, Valve Spring
15	4720 158	10				EX0	DG0	SPRING, Valve
16	4720 153	10				EX0	DG0	WASHER, Plain
17	4883 821AA	10				EX0	DG0	SEAL, Valve Guide
18	4883 417AA	10				EX0	DG0	GUIDE, Intake/Exhaust Valve, Standard Size
19	4883 820AA	10				EX0	DG0	GUIDE, Intake/Exhaust Valve, 0.10mm Oversize
20	4723 241	10				EX0	DG0	STUD
21	4723 196AB	5				EX0	DG0	PLUG, Camshaft
22	4882 405	10				EX0	DG0	STUD
23	4723 210	5				EX0	DG0	PLUG, Cylinder Block Oil Hole
24	4723 245	5				EX0	DG0	SEAT, Intake Valve, 0.30mm Oversize
25	4720 146	5				EX0	DG0	VALVE, Intake, Standard
26	4883 397AA	5				EX0	DG0	ROCKER ARM, Inlet and Exhaust Valve
27	4883 416AB	5				EX0	DG0	HEAD, Cylinder
28	4863 769	5				EX0	DG0	PLUG
29								GASKET, Cylinder Head
	5014 982AA	1				EX0	DG0	1.41
	5014 983AA	1				EX0	DG0	1.51
	5014 984AA	1				EX0	DG0	1.61
30	4723 196AB	2				EX0	DG0	PLUG, Camshaft
31	5014 981AA	1				EX0	DG0	CAMSHAFT, Engine
32	#4773 701AB	5				EX0	DG0	BRACKET, Antirotation
33	4883 395AA	10				EX0	DG0	PUSH ROD, Valve
34	4773 712	10				EX0	DG0	TAPPET, Valve
35	4720 220	3				EX0	DG0	BEARING, Camshaft
36	5014 966AA	1				EX0	DG0	BEARING, Camshaft

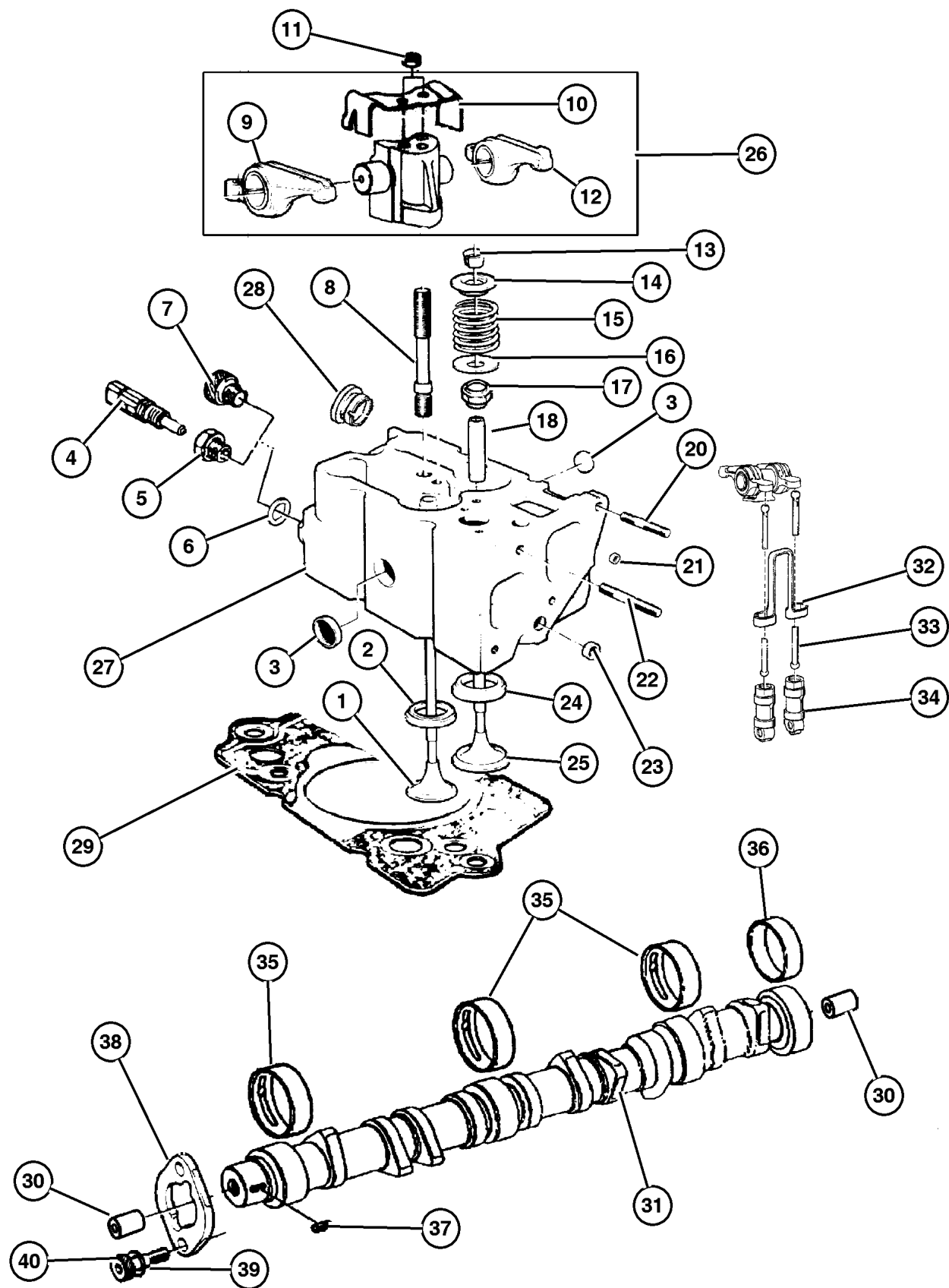
### JEEP GRAND CHEROKEE (WJ)

SERIES	LINE	BODY	ENGINE	TRANSMISSION
H=Laredo	J = 4WD	74 = 4 Door(105.9 WB)	ER0, ERH = 4.0L, Power Tech I-6	DGK = 4 Speed Autm, 42RE
P=Limited	T = 2WD		EV0, EVA = 4.7L, Power Tech V8	DGW = 4 Speed Automatic, -44RE
	U = 4WD (RHD)		EXA, EX0 = 3.1L, 5 Cyl Turbo Diesel	DG4 = Multi Speed Automatic, -45RFE
				DGO = All Automatic

AR = Use as required - = Non illustrated part # = New this model year

September 14, 2002

**Camshaft and Valves 3.1L (EXA) Diesel Engine**  
**Figure 3.1L-510**



ITEM	PART NUMBER	QTY	LINE	SERIES	BODY	ENGINE	TRANS	DESCRIPTION
37	4720 137	1				EX0	DG0	KEY, Camshaft Sprocket
38	4723 163	1				EX0	DG0	PLATE, Camshaft Thrust
39	4723 165	2				EX0	DG0	WASHER, P Clip
40	4720 135	5				EX0	DG0	BOLT, Hex Head, M8x18

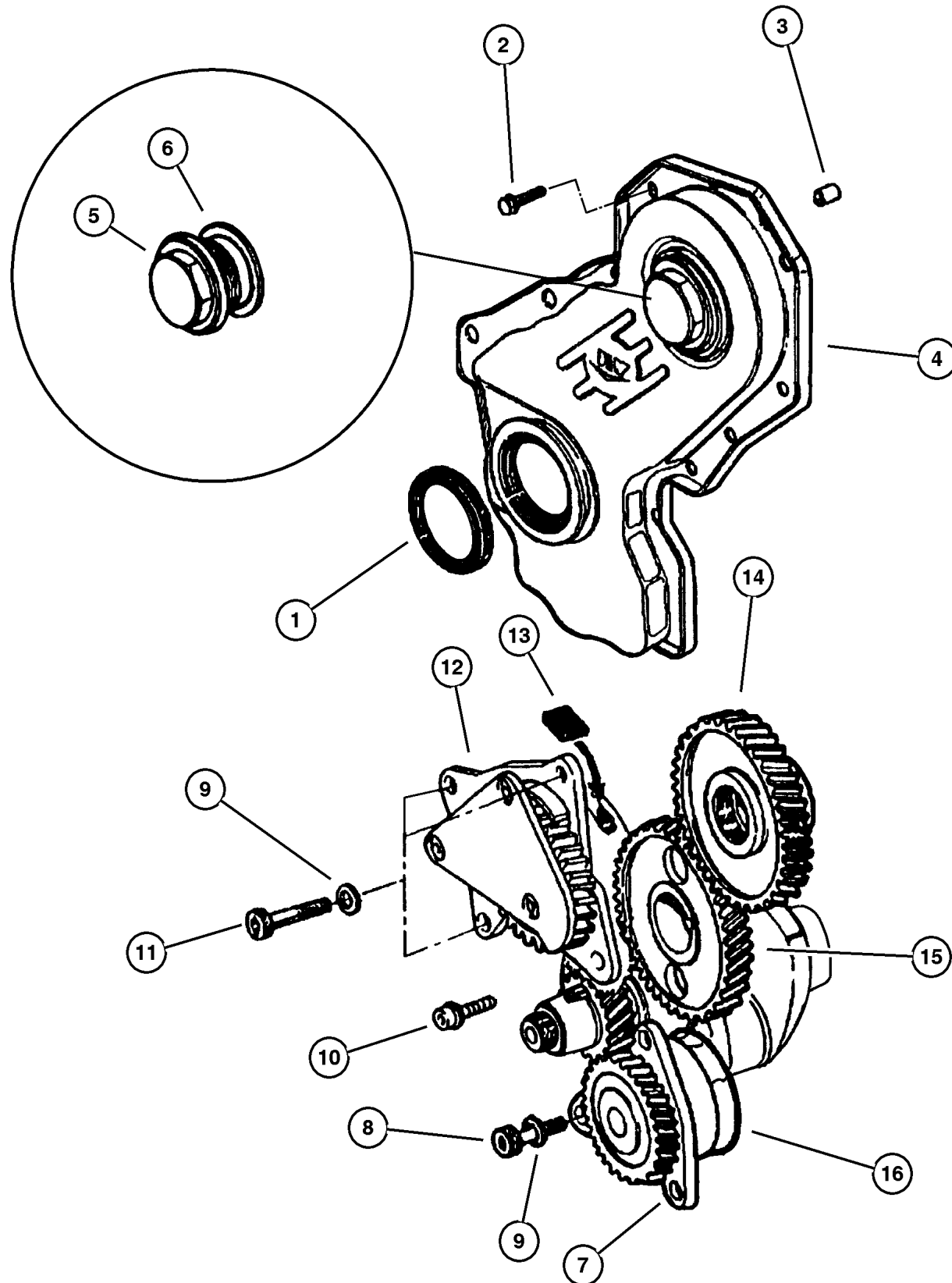
**JEEP GRAND CHEROKEE (WJ)**

SERIES	LINE	BODY	ENGINE	TRANSMISSION
H=Laredo	J = 4WD	74 = 4 Door(105.9 WB)	ER0, ERH = 4.0L, Power Tech I-6	DGK = 4 Speed Autm, 42RE
P=Limited	T = 2WD		EV0, EVA = 4.7L, Power Tech V8	DGW = 4 Speed Automatic, -44RE
	U = 4WD (RHD)		EXA, EX0 = 3.1L, 5 Cyl Turbo Diesel	DG4 = Multi Speed Automatic, -45RFE
				DGO = All Automatic

AR = Use as required - = Non illustrated part # = New this model year

September 14, 2002

**Timing Gear and Cover 3.1L (EXA) Diesel Engine  
Figure 3.1L-610**



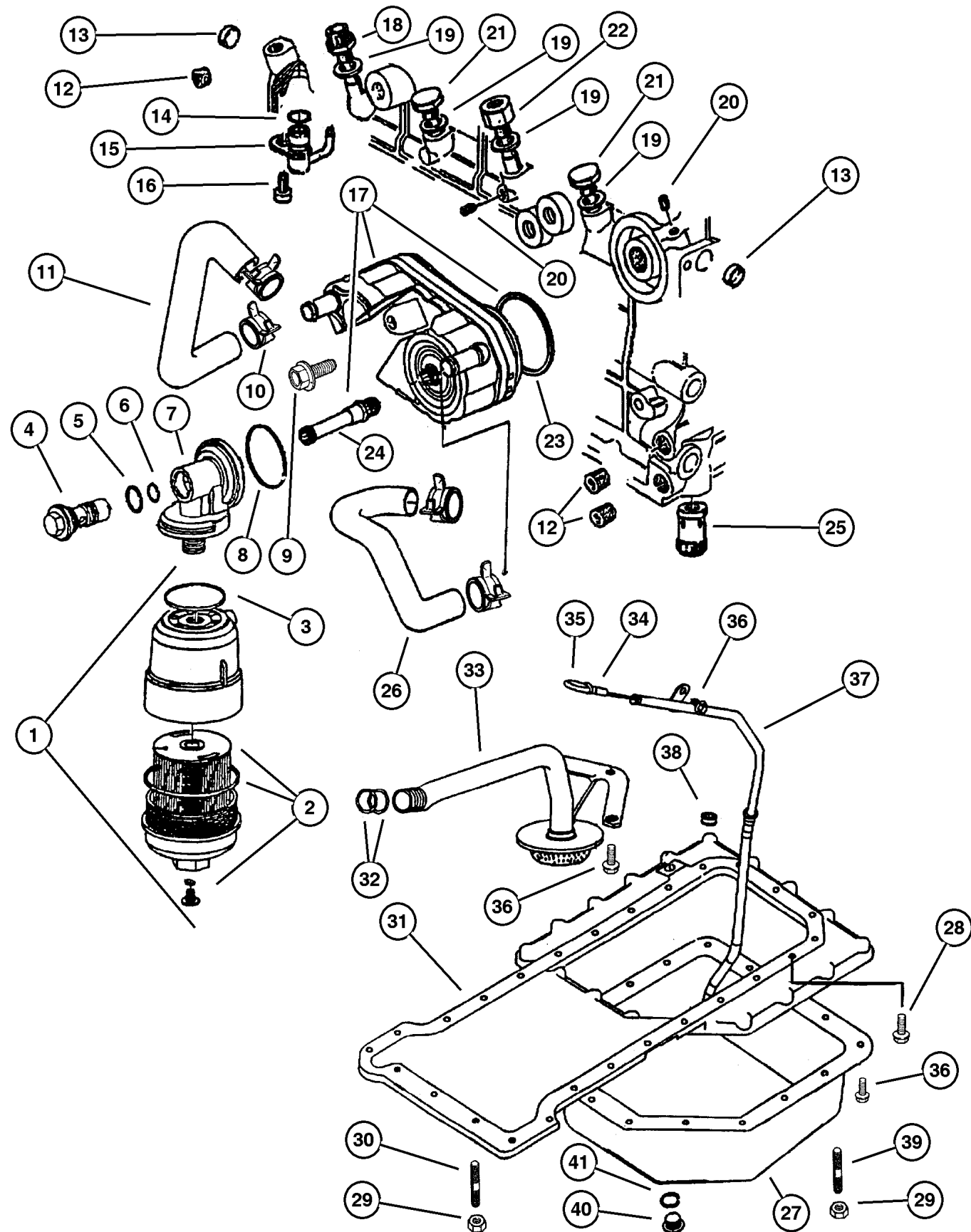
ITEM	PART NUMBER	QTY	LINE	SERIES	BODY	ENGINE	TRANS	DESCRIPTION
NOTE: EX0=All 3.1L Engines DG0=All Automatic Transmissions								
1	5010 856AA	1				EX0	DG0	SEAL, Timing Belt Cover
2	5003 551AA	15				EX0	DG0	BOLT, M6x10
3	4720 304	2				EX0	DG0	DOWEL, Front Cover
4	5010 853AA	1				EX0	DG0	COVER, Timing Belt
5	4778 839	1				EX0	DG0	COVER, Timing Belt
6	4720 290	1				EX0	DG0	GASKET, Engine Oil Plug
7	5015 006AA	1				EX0	DG0	PUMP, Engine Oil
8	4720 135	5				EX0	DG0	BOLT, Hex Head, M8x18
9	4720 565	6				EX0	DG0	WASHER, Tube Bolt
10	5003 539AA	1				EX0	DG0	BOLT
11	4720 136	3				EX0	DG0	BOLT, Hex Head, M8x20
12	5003 716AB	1				EX0	DG0	PUMP, Vacuum
13	5010 821AA	3				EX0	DG0	INSERT, Vacuum Pump Rotor
14	4882 412	1				EX0	DG0	GEAR, Injection Pump
15	4882 403	1				EX0	DG0	GEAR, Camshaft
16	4720 239	1				EX0	DG0	O RING, Adaptor Plate

<b>JEEP GRAND CHEROKEE (WJ)</b>				
SERIES	LINE	BODY	ENGINE	TRANSMISSION
H=Laredo	J = 4WD	74 = 4 Door(105.9 WB)	ER0, ERH = 4.0L, Power Tech I-6	DGK = 4 Speed Autm, 42RE
P=Limited	T = 2WD		EV0, EVA = 4.7L, Power Tech V8	DGW = 4 Speed Automatic, -44RE
	U = 4WD (RHD)		EXA, EX0 = 3.1L, 5 Cyl Turbo Diesel	DG4 = Multi Speed Automatic, -45RFE
				DGO = All Automatic

AR = Use as required - = Non illustrated part # = New this model year

September 14, 2002

## Engine Oiling 3.1L (EXA) Diesel Engine Figure 3.1L-710



ITEM	PART NUMBER	QTY	LINE	SERIES	BODY	ENGINE	TRANS	DESCRIPTION
NOTE: EX0=All 3.1L Engines DG0=All Automatic Transmissions								
1	5003 594AA	1				EX0	DG0	FILTER, Engine Oil
2	5015 171AA	1				EX0	DG0	FILTER, Engine Oil
3	5015 172AA	1				EX0	DG0	GASKET, Oil Filter Head
4	5015 063AA	1				EX0	DG0	BOLT
5	4723 334	1				EX0	DG0	GASKET, Valve
6	4886 305AA	1				EX0	DG0	O RING, Oil Filter Adapter
7	4883 526AA	1				EX0	DG0	BASE, Oil Filter
8	4720 375	1				EX0	DG0	O RING, Oil Filter Base
9	5003 724AA	1				EX0	DG0	SCREW
10	4883 924AA	1				EX0	DG0	CLAMP, Heater Hose
11	5015 052AA	1				EX0	DG0	HOSE, Engine Oil Cooler
12	4864 753	1				EX0	DG0	PLUG
13	4723 211	2				EX0	DG0	PLUG, Cylinder Block Oil Hole
14	4864 689	5				EX0	DG0	O RING
15	4864 041AB	5				EX0	DG0	JET, Valve Body
16	4882 620	5				EX0	DG0	SCREW
17	5014 360AA	1				EX0	DG0	COOLER, Engine Oil
18	4720 709	1				EX0	DG0	BOLT, Turbo Oil Feed Adapter
19	4720 704	1				EX0	DG0	WASHER, Oil Pressure Transducer
20	4883 424AA	2				EX0	DG0	PLUG, Cylinder Block
21	4720 726	2				EX0	DG0	BOLT, Oil Feed To Turbo Adapter
22	5015 007AA	1				EX0	DG0	PIN
23	4723 217	1				EX0	DG0	O RING, Oil Cooler
24	5015 178AA	1				EX0	DG0	FITTING, Engine Oil Cooler
25	5003 543AA	1				EX0	DG0	VALVE, Oil Pressure Relief
26	5014 358AA	1				EX0	DG0	HOSE, Engine Oil Cooler
27	5015 059AA	1				EX0	DG0	PAN, Oil
28								SCREW
	4864 551	23				EX0	DG0	
		1				EX0	DG0	
29	4778 936	4				EX0	DG0	NUT, Suction Pipe Attaching
30	5015 062AA	3				EX0	DG0	STUD
31	5015 060AA	1				EX0	DG0	PAN, Engine Oil
32	4720 374	2				EX0	DG0	O RING, Oil Suction Tube
33	5015 061AA	1				EX0	DG0	PICKUP, Engine Oil
34	4720 373	1				EX0	DG0	O RING, Engine Oil Indicator
35	5015 051AA	1				EX0	DG0	INDICATOR, Engine Oil Level
36	5003 551AA	15				EX0	DG0	BOLT, M6x10
37	5015 053AA	1				EX0	DG0	TUBE, Oil Gauge
38	4720 362	1				EX0	DG0	GASKET, Engine Oil Indicator Pipe
39	4864 745	1				EX0	DG0	BOLT

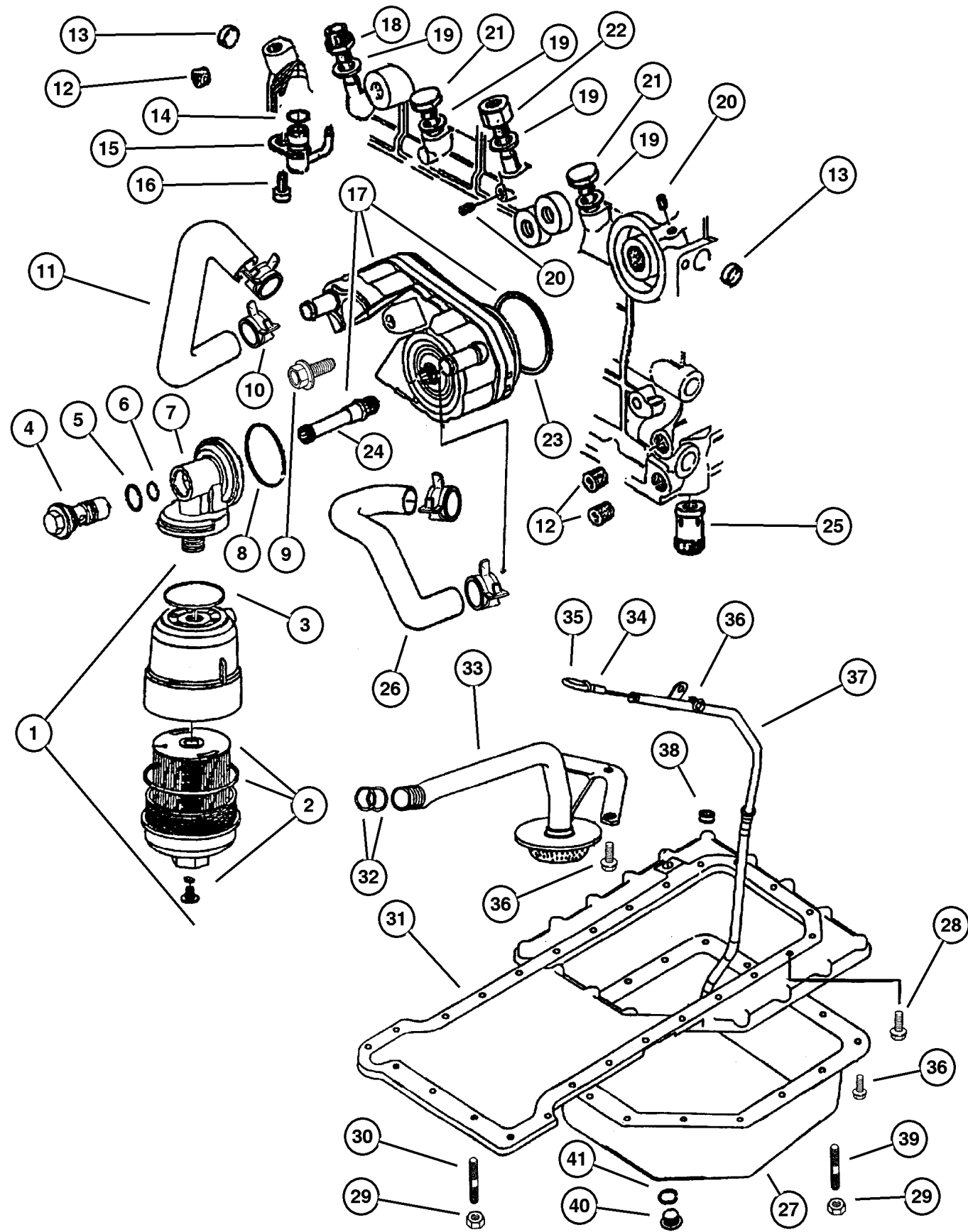
### JEEP GRAND CHEROKEE (WJ)

SERIES	LINE	BODY	ENGINE	TRANSMISSION
H=Laredo	J = 4WD	74 = 4 Door(105.9 WB)	ER0, ERH = 4.0L, Power Tech I-6	DGK = 4 Speed Autm, 42RE
P=Limited	T = 2WD		EV0, EVA = 4.7L, Power Tech V8	DGW = 4 Speed Automatic, -44RE
	U = 4WD (RHD)		EXA, EX0 = 3.1L, 5 Cyl Turbo Diesel	DG4 = Multi Speed Automatic, -45RFE
				DGO = All Automatic

AR = Use as required - = Non illustrated part # = New this model year

September 14, 2002

**Engine Oiling 3.1L (EXA) Diesel Engine**  
**Figure 3.1L-710**



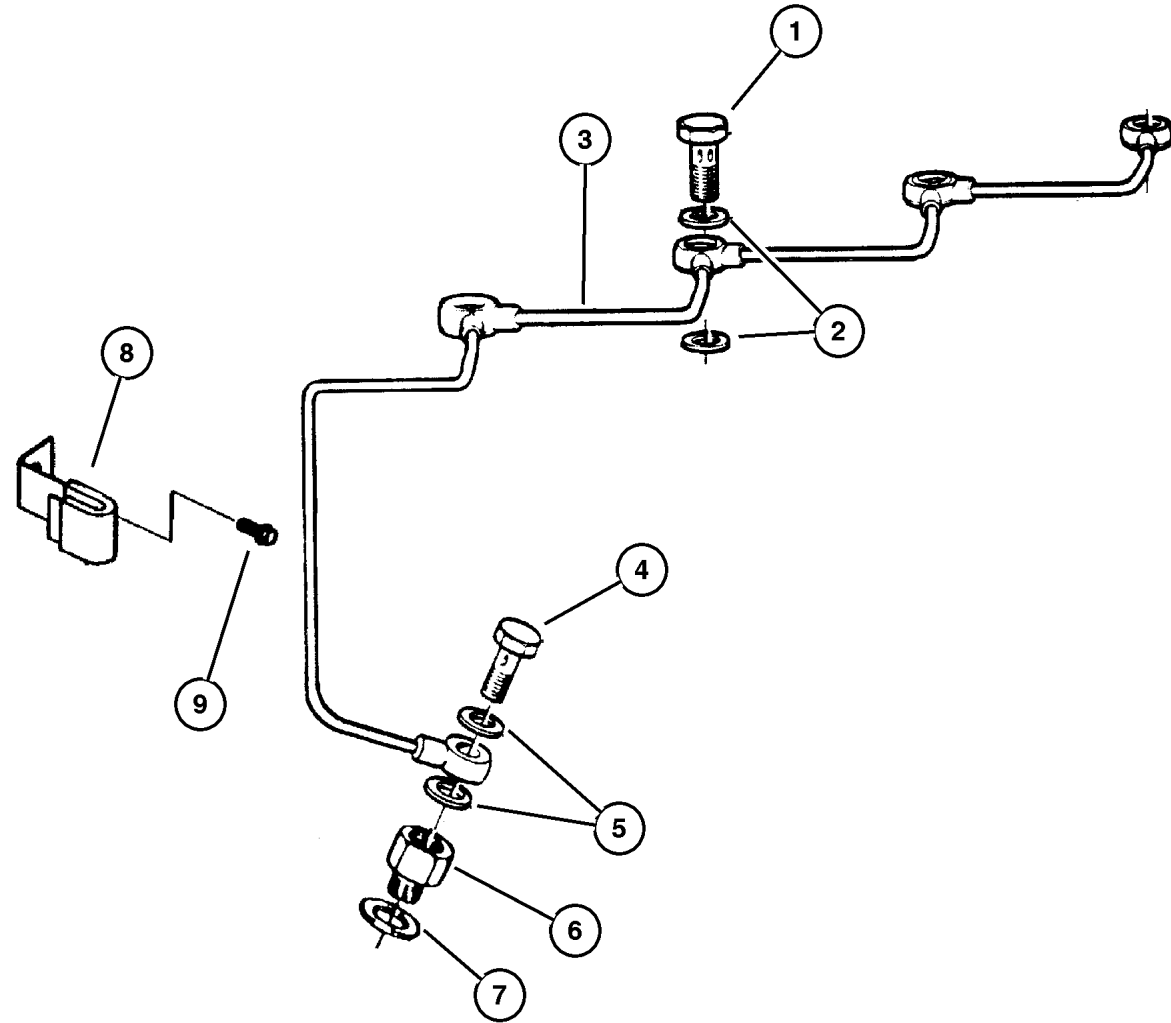
ITEM	PART NUMBER	QTY	LINE	SERIES	BODY	ENGINE	TRANS	DESCRIPTION
40	4720 352	1				EX0	DG0	PLUG, Oil Drain
41	4720 353	1				EX0	DG0	WASHER, Plain

**JEEP GRAND CHEROKEE (WJ)**

SERIES	LINE	BODY	ENGINE	TRANSMISSION
H=Laredo	J = 4WD	74 = 4 Door(105.9 WB)	ER0, ERH = 4.0L, Power Tech I-6	DGK = 4 Speed Autm, 42RE
P=Limited	T = 2WD		EV0, EVA = 4.7L, Power Tech V8	DGW = 4 Speed Automatic, -44RE
	U = 4WD (RHD)		EXA, EX0 = 3.1L, 5 Cyl Turbo Diesel	DG4 = Multi Speed Automatic, -45RFE
				DGO = All Automatic

AR = Use as required - = Non illustrated part # = New this model year

**Oil Lines 3.1L (EXA) Diesel Engine  
Figure 3.1L-720**



ITEM	PART NUMBER	QTY	LINE	SERIES	BODY	ENGINE	TRANS	DESCRIPTION
------	-------------	-----	------	--------	------	--------	-------	-------------

NOTE: EX0=All 3.1L Engines DG0=All Automatic Transmissions

1	4720 358	6				EX0	DG0	BOLT, Banjo
2	4720 554	12				EX0	DG0	WASHER, Banjo
3	5015 005AA	1				EX0	DG0	TUBE, Oil Feed
4	4720 358	6				EX0	DG0	BOLT, Banjo
5	4720 554	12				EX0	DG0	WASHER, Banjo
6	4863 777	1				EX0	DG0	UNION
7	4720 704	1				EX0	DG0	WASHER, Oil Pressure Transducer
8	5013 828AB	1				EX0	DG0	BRACKET, Tube
9	5014 071AA	1				EX0	DG0	BOLT, M5x10

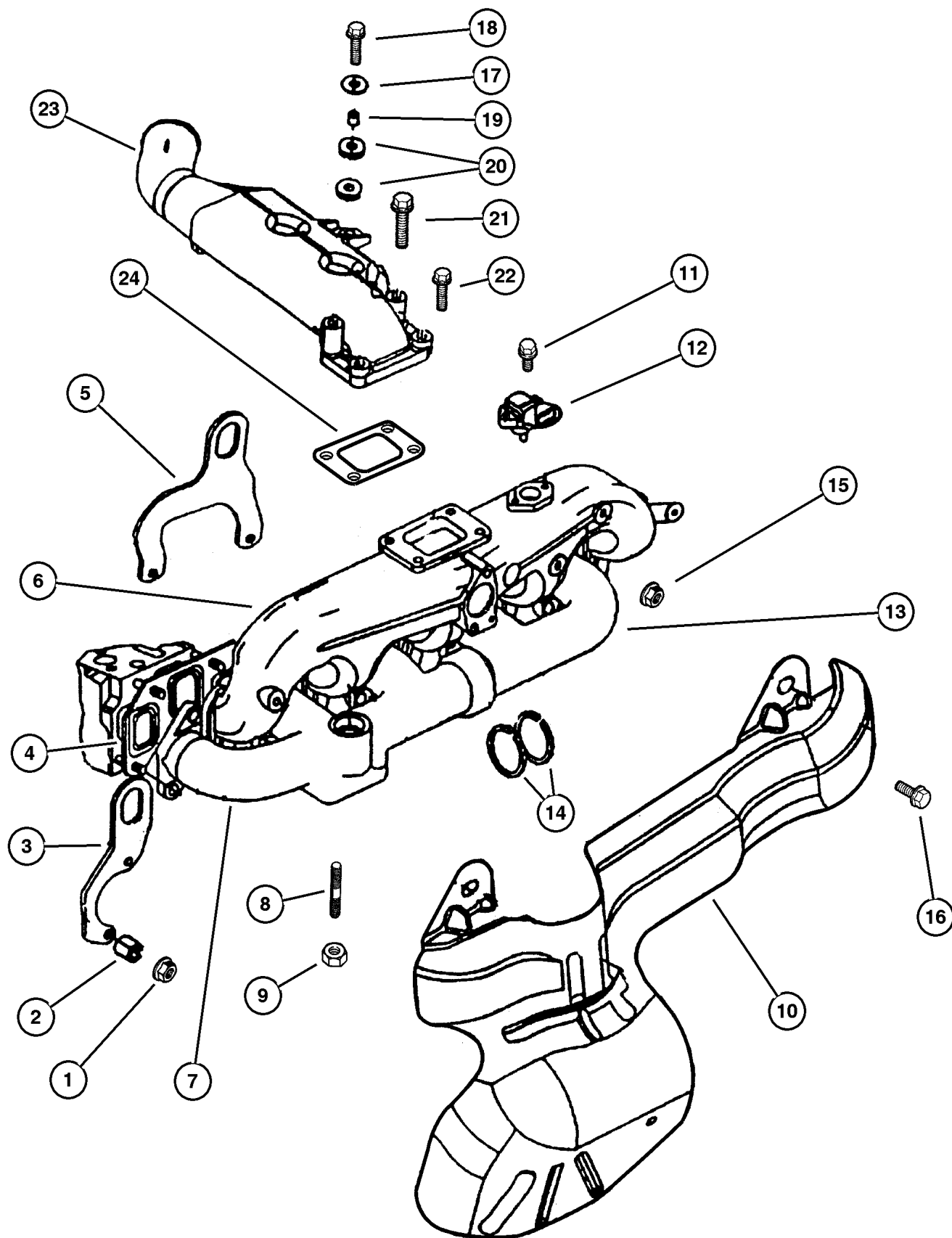
**JEEP GRAND CHEROKEE (WJ)**

SERIES	LINE	BODY	ENGINE	TRANSMISSION
H=Laredo	J = 4WD	74 = 4 Door(105.9 WB)	ER0, ERH = 4.0L, Power Tech I-6	DGK = 4 Speed Autm, 42RE
P=Limited	T = 2WD		EV0, EVA = 4.7L, Power Tech V8	DGW = 4 Speed Automatic, -44RE
	U = 4WD (RHD)		EXA, EX0 = 3.1L, 5 Cyl Turbo Diesel	DG4 = Multi Speed Automatic, -45RFE
				DGO = All Automatic

AR = Use as required - = Non illustrated part # = New this model year

September 14, 2002

**Manifold, Intake and Exhaust 3.1L (EXA) Diesel Engine  
Figure 3.1L-810**



ITEM	PART NUMBER	QTY	LINE	SERIES	BODY	ENGINE	TRANS	DESCRIPTION
NOTE: EX0=All 3.1L Engines DG0=All Automatic Transmissions								
1	4882 611	10				EX0	DG0	NUT, Lock
2	5014 348AA	10				EX0	DG0	SPACER
3	5014 073AA	1				EX0	DG0	BRACKET, Engine Lift
4	5015 016AA	1				EX0	DG0	GASKET, Intake/Exhaust Manifold
5	5015 056AA	1				EX0	DG0	BRACKET, Engine Lift
6	5015 009AA	1				EX0	DG0	MANIFOLD, Intake
7	5015 058AA	1				EX0	DG0	MANIFOLD, Exhaust
8	4882 606	4				EX0	DG0	STUD, Turbo Elbow
9	4882 610	4				EX0	DG0	NUT, Lock
10	5015 029AA	1				EX0	DG0	SHIELD, Heat
11	5014 066AA	2				EX0	DG0	BOLT
12	5003 734AA	1				EX0	DG0	SENSOR, Air Temperature
13	5015 057AA	1				EX0	DG0	MANIFOLD, Exhaust
14	4720 214	2				EX0	DG0	CIRCLIP, Exhaust Manifold
15	4778 961	10				EX0	DG0	NUT
16	5003 553AA	2				EX0	DG0	SCREW
17	5015 014AA	1				EX0	DG0	WASHER
18	4864 551	1				EX0	DG0	SCREW
19	5015 011AA	1				EX0	DG0	SPACER
20	5015 112AA	2				EX0	DG0	GROMMET
21	5015 113AA	2				EX0	DG0	BOLT
22	4864 534	2				EX0	DG0	BOLT, Adaptor Plate
23	5015 010AA	1				EX0	DG0	ELBOW, Intake Manifold Vacuum
24	5015 015AA	1				EX0	DG0	GASKET, Intake Connector

**JEEP GRAND CHEROKEE (WJ)**

SERIES	LINE	BODY	ENGINE	TRANSMISSION
H=Laredo	J = 4WD	74 = 4 Door(105.9 WB)	ER0, ERH = 4.0L, Power Tech I-6	DGK = 4 Speed Autm, 42RE
P=Limited	T = 2WD		EV0, EVA = 4.7L, Power Tech V8	DGW = 4 Speed Automatic, -44RE
	U = 4WD (RHD)		EXA, EX0 = 3.1L, 5 Cyl Turbo Diesel	DG4 = Multi Speed Automatic, -45RFE
				DGO = All Automatic

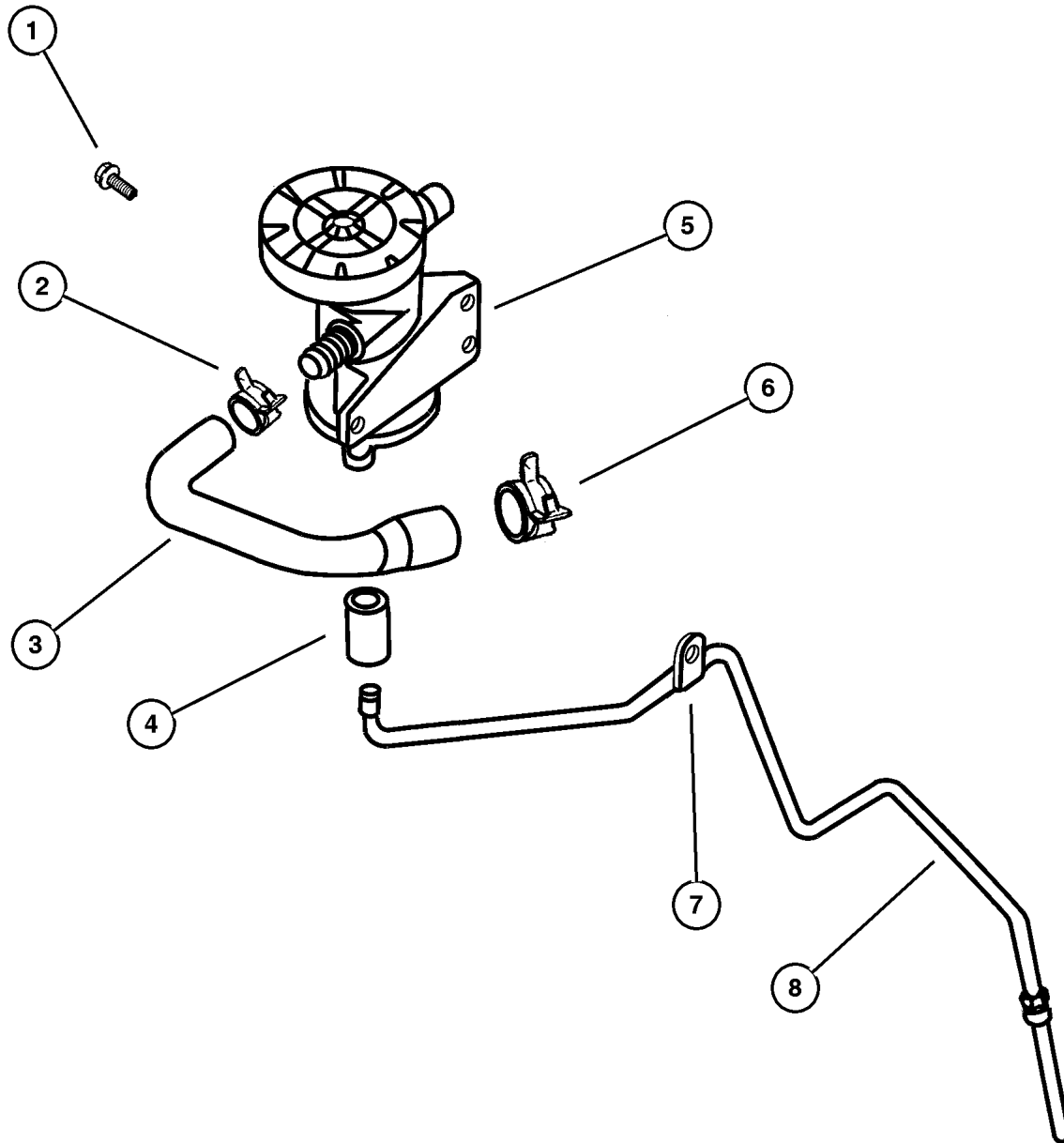
AR = Use as required - = Non illustrated part # = New this model year

September 14, 2002



**Crankcase Ventilation 3.1L (EXA) Diesel Engine  
Figure 3.1L-910**

ITEM	PART NUMBER	QTY	LINE	SERIES	BODY	ENGINE	TRANS	DESCRIPTION
NOTE: EX0=All 3.1L Engines DG0=All Automatic Transmissions								
1	5003 553AA	2				EX0	DG0	SCREW
2	4883 924AA	1				EX0	DG0	CLAMP, Heater Hose
3	5015 048AA	1				EX0	DG0	HOSE, Oil Separator
4	5015 049AA	1				EX0	DG0	HOSE, Oil Separator
5	4741 769	1				EX0	DG0	SEPERATOR, Oil
6	4886 050AA	1				EX0	DG0	CLAMP, Heater Hose
7	5015 050AA	1				EX0	DG0	CLIP
8	5015 047AA	1				EX0	DG0	TUBE, Oil Drain



<b>JEEP GRAND CHEROKEE (WJ)</b>				
SERIES	LINE	BODY	ENGINE	TRANSMISSION
H=Laredo	J = 4WD	74 = 4 Door(105.9 WB)	ER0, ERH = 4.0L, Power Tech I-6	DGK = 4 Speed Autm, 42RE
P=Limited	T = 2WD		EV0, EVA = 4.7L, Power Tech V8	DGW = 4 Speed Automatic, -44RE
	U = 4WD (RHD)		EXA, EX0 = 3.1L, 5 Cyl Turbo Diesel	DG4 = Multi Speed Automatic, -45RFE
				DGO = All Automatic

AR = Use as required - = Non illustrated part # = New this model year

September 14, 2002

# Group – 011

## Exhaust

### GROUP 11 - Exhaust

Illustration Title

Group-Fig. No.

#### Exhaust System

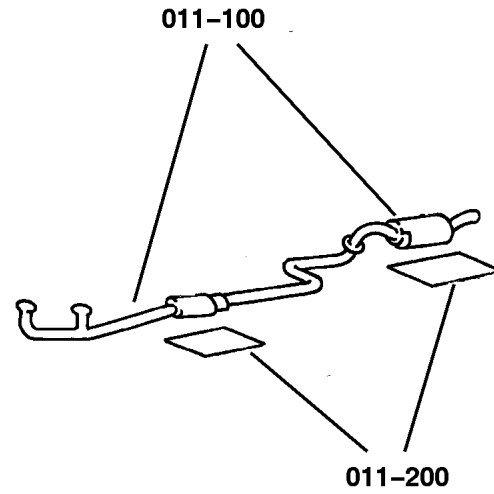
Exhaust System 3.1L (EXA) Diesel Engine ..... Fig. 011-110

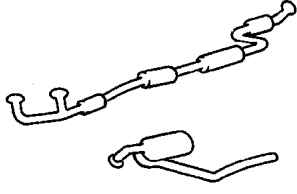
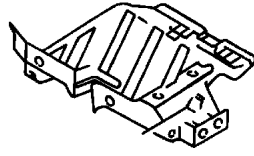
Exhaust System 4.0L (ERH) Engine ..... Fig. 011-120

Exhaust System 4.7L (EVA) Engine ..... Fig. 011-130

#### Heat Shields

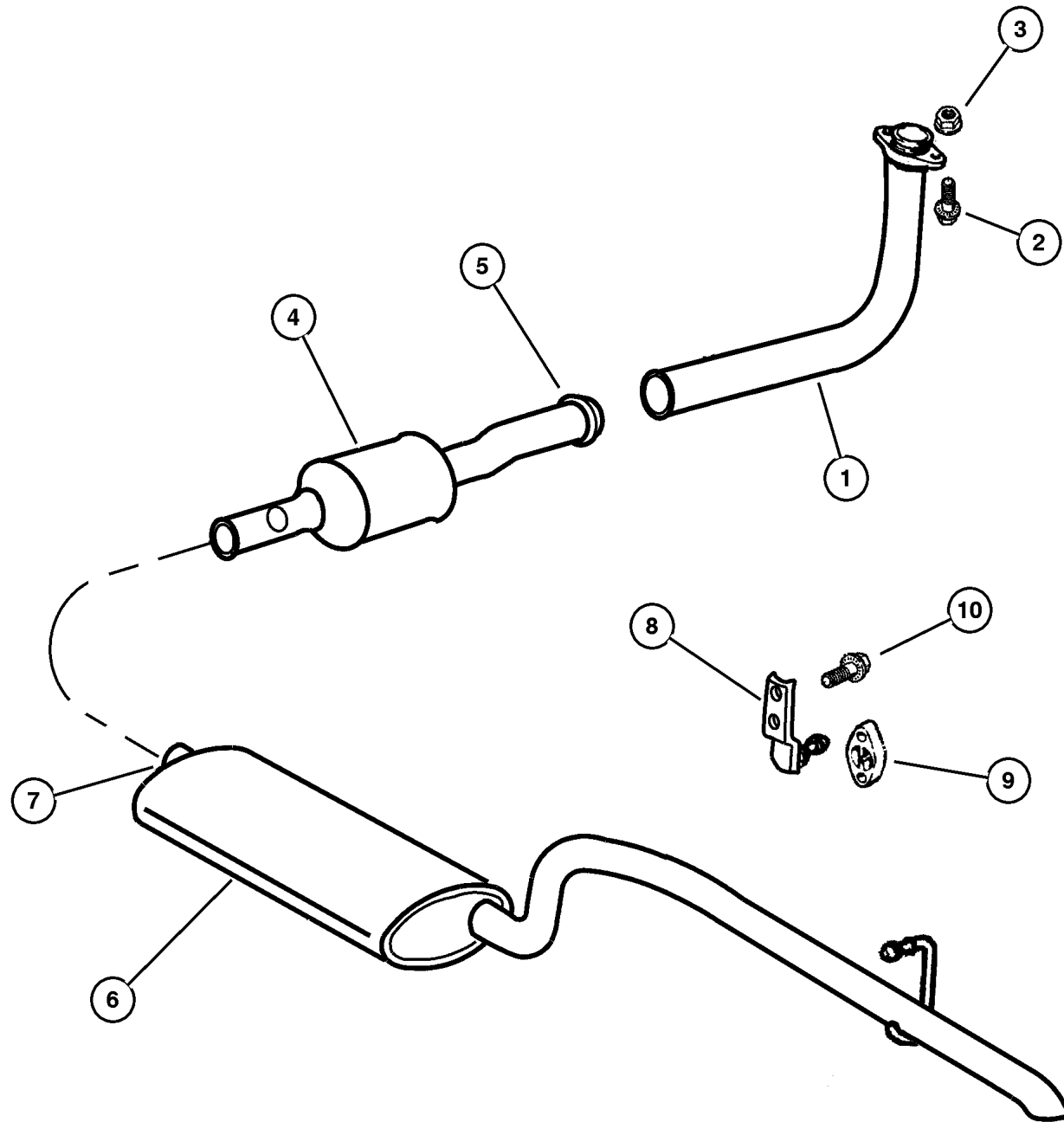
Heat Shields ..... Fig. 011-210



<p><b>011-100</b> Exhaust System</p> 	<p><b>011-200</b> Heat Shields</p> 		
--	--	--	--

**Exhaust System 3.1L (EXA) Diesel Engine  
Figure 011-110**

ITEM	PART NUMBER	QTY	LINE	SERIES	BODY	ENGINE	TRANS	DESCRIPTION
NOTE: EX0=All 3.1L Engines								
1	5210 1037	1				EX0		PIPE, Exhaust
2	6505 495AA	2				EX0		SCREW, M10x1.50x60.00
3	6503 231	2				EX0		NUT, Brake Line
4	52101 394AC	1				EX0		CONVERTER, Catalytic
5								CLAMP, Serviced in Converter assembly, (NOT SERVICED) (Not Serviced)
6	52101 043AC	1				EX0		MUFFLER AND TAILPIPE, Exhaust
7	5210 1040	1				EX0		CLAMP, Exhaust
8	52101 141AD	1						HANGER, Tailpipe
9	52101 068AA	1						INSULATOR, Exhaust
10	6101 542	1				EX0		SCREW, Hex Head, M8-1.25 x 20



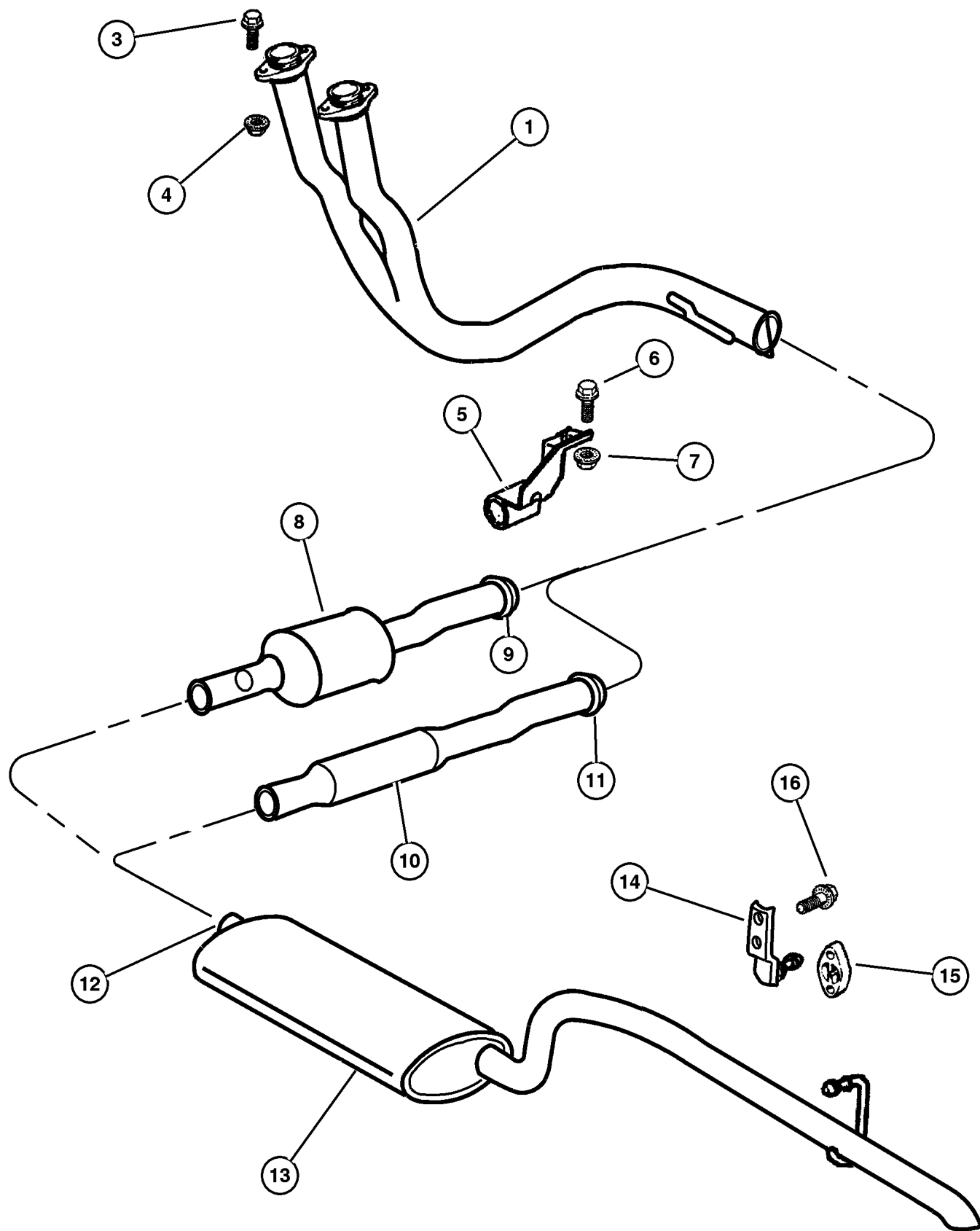
**JEEP GRAND CHEROKEE (WJ)**

SERIES	LINE	BODY	ENGINE	TRANSMISSION
H=Laredo	J = 4WD	74 = 4 Door(105.9 WB)	ER0, ERH = 4.0L, Power Tech I-6	DGK = 4 Speed Autm, 42RE
P=Limited	T = 2WD		EVO, EVA = 4.7L, Power Tech V8	DGW = 4 Speed Automatic, -44RE
	U = 4WD (RHD)		EXA, EX0 = 3.1L, 5 Cyl Turbo Diesel	DG4 = Multi Speed Automatic, -45RFE
				DGO = All Automatic

AR = Use as required - = Non illustrated part # = New this model year

September 14, 2002

**Exhaust System 4.0L (ERH) Engine  
Figure 011-120**



ITEM	PART NUMBER	QTY	LINE	SERIES	BODY	ENGINE	TRANS	DESCRIPTION
Note:								
EM0 = All 5.9L 8 Cyl Gas Engines								
ER0 = All 4.0L 6 Cyl Gas Engines								
EVO = All 4.7L Gas Engines								
EX0 = All Turbo Diesel Engines								
1	5210 1090	1				ER0		PIPE, Exhaust, Federal, Canada, Europe II
-2	52101 091AB	1				ER0		CONVERTER, Catalytic, California, Europe III
3	6505 754AA	4				ER0		SCREW, Hex Head
4	6503 231	4				EM0, ER0, EVO		NUT, Brake Line
5	52101 017AB	1				ER0		HANGER, Exhaust
6	6022 266	1	T			ER0		SCREW, Hex Head, .375-16x1.5
		1	J, U			ER0	DG0	
7	0152 474	1	T			ER0		NUT, Hex Flange Lock, .375-16
8	5210 1390	1				ER0		CONVERTER, Catalytic Federal, Canada, Europe II
	5210 1391	1				ER0		California
9								CLAMP, Serviced in Converter, (NOT SERVICED) (Not Serviced)
10	52101 122AA	1				ER0, EVO		RESONATOR, Exhaust
11								CLAMP, Serviced in Resonator, (NOT SERVICED) (Not Serviced)
12	52101 094AB	1				ER0		MUFFLER AND TAILPIPE, Exhaust
13	5210 1040	1				ER0		CLAMP, Exhaust
14	52101 141AD	1						HANGER, Tailpipe
15	52101 068AA	1						INSULATOR, Exhaust
16	6101 542	1				EX0		SCREW, Hex Head, M8-1.25 x 20

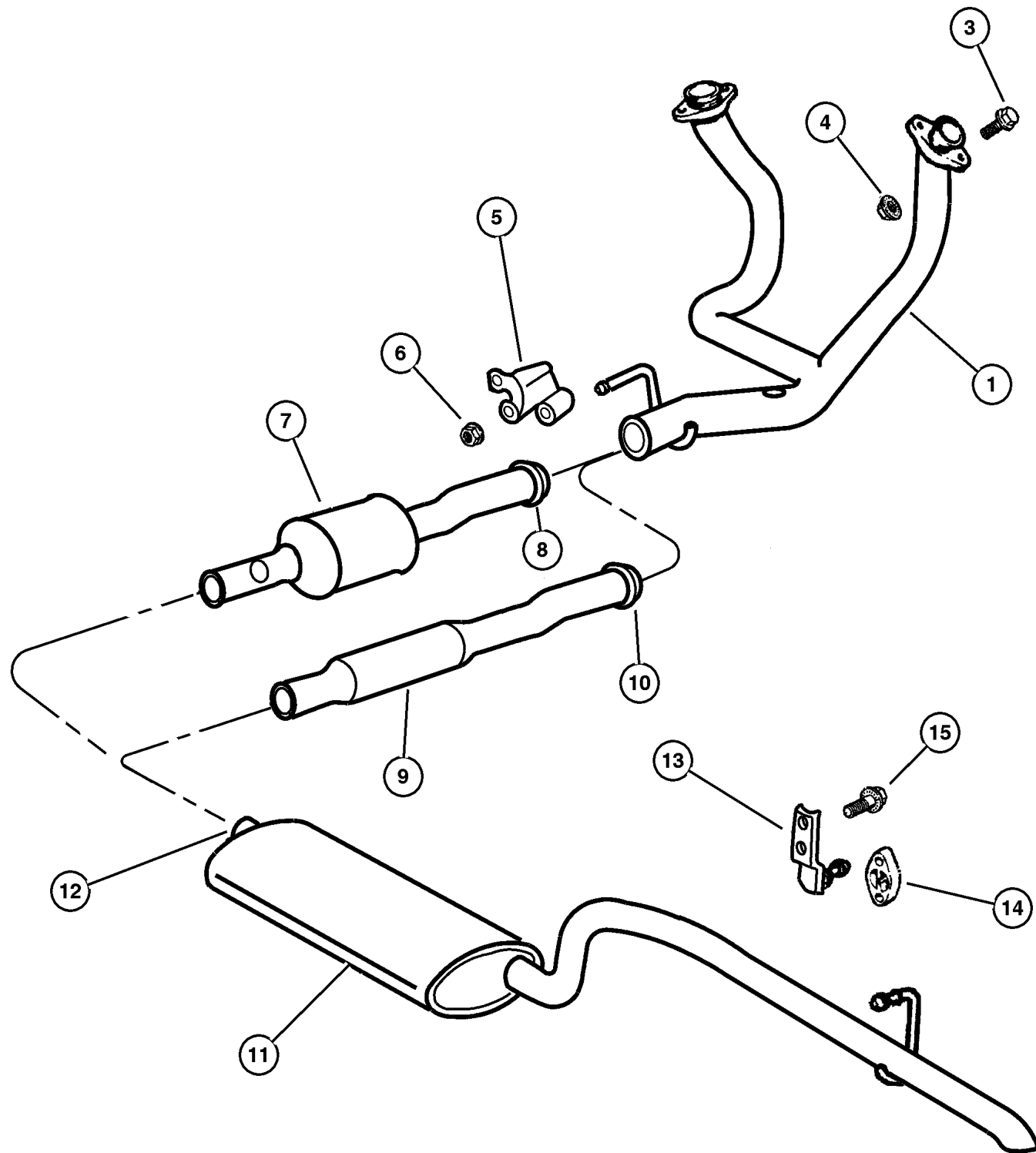
**JEEP GRAND CHEROKEE (WJ)**

SERIES	LINE	BODY	ENGINE	TRANSMISSION
H=Laredo	J = 4WD	74 = 4 Door(105.9 WB)	ER0, ERH = 4.0L, Power Tech I-6	DGK = 4 Speed Autm, 42RE
P=Limited	T = 2WD		EVO, EVA = 4.7L, Power Tech V8	DGW = 4 Speed Automatic, -44RE
	U = 4WD (RHD)		EXA, EX0 = 3.1L, 5 Cyl Turbo Diesel	DG4 = Multi Speed Automatic, -45RFE
				DGO = All Automatic

AR = Use as required - = Non illustrated part # = New this model year

September 14, 2002

**Exhaust System 4.7L (EVA) Engine  
Figure 011-130**



ITEM	PART NUMBER	QTY	LINE	SERIES	BODY	ENGINE	TRANS	DESCRIPTION
Note:								
EM0 = All 5.9L 8 Cyl Gas Engines								
ER0 = All 4.0L 6 Cyl Gas Engines								
EVO = All 4.7L Gas Engines								
EX0 = All Turbo Diesel Engines								
1	52101 092AB	1				EVO		PIPE, Exhaust, Federal, Europe II, Unleaded Fuel
-2	52101 093AB	1				EVO		CONVERTER, Catalytic, California, Europe III
3	6506 012AA	4				EVO		SCREW, Hex Head
4	6503 231	4				EM0, ER0, EVO		NUT, Brake Line
5	52101 018AB	1				EVO		HANGER, Exhaust
6	6502 696	2				EVO		NUT, Hex Flange Lock, M10x1.5
7	5210 1392	1				EVO		CONVERTER, Catalytic Federal, Europe II
	5210 1393	1				ER0, EVO		California, Europe III
8								CLAMP, Serviced in Converter, (NOT SERVICED) (Not Serviced)
9	52101 122AA	1				EVO		RESONATOR, Exhaust
10								CLAMP, Serviced in Resonator, (NOT SERVICED) (Not Serviced)
11	52101 095AB	1				EVO		MUFFLER AND TAILPIPE, Exhaust
12	5210 1040	1				EVO		CLAMP, Exhaust
13	52101 141AD	1						HANGER, Tailpipe
14	52101 068AA	1						INSULATOR, Exhaust
15	6101 542	1				EX0		SCREW, Hex Head, M8-1.25 x 20

**JEEP GRAND CHEROKEE (WJ)**

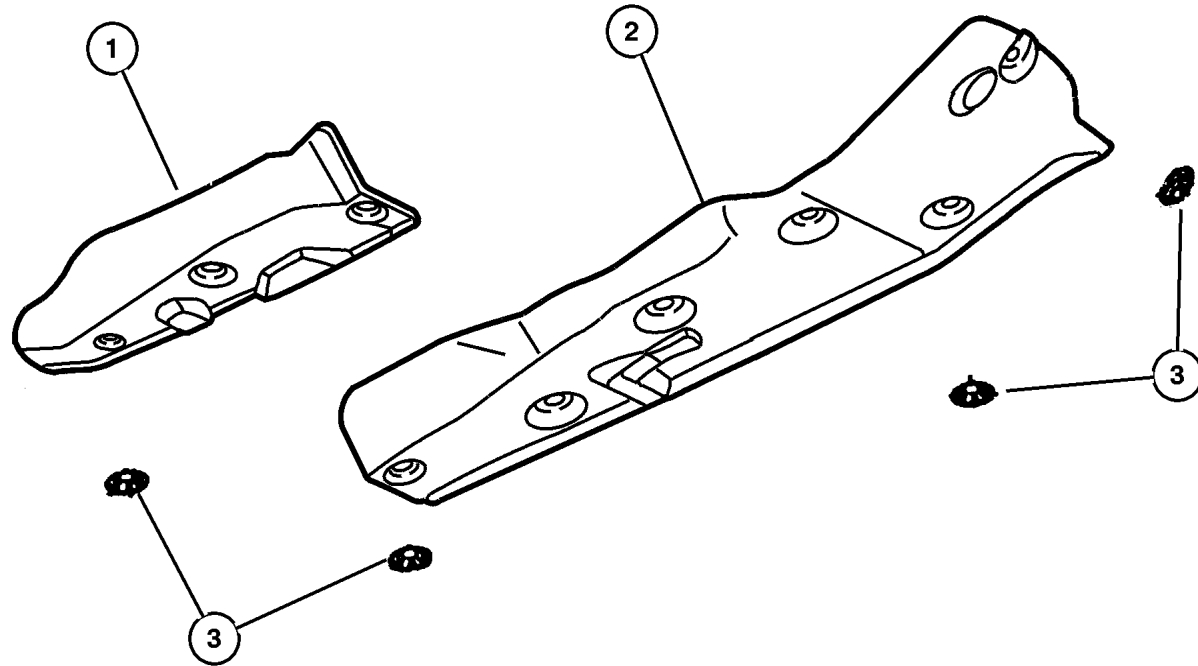
SERIES	LINE	BODY	ENGINE	TRANSMISSION
H=Laredo	J = 4WD	74 = 4 Door(105.9 WB)	ER0, ERH = 4.0L, Power Tech I-6	DGK = 4 Speed Autm, 42RE
P=Limited	T = 2WD		EVO, EVA = 4.7L, Power Tech V8	DGW = 4 Speed Automatic, -44RE
	U = 4WD (RHD)		EXA, EX0 = 3.1L, 5 Cyl Turbo Diesel	DG4 = Multi Speed Automatic, -45RFE
				DGO = All Automatic

AR = Use as required - = Non illustrated part # = New this model year

September 14, 2002

## Heat Shields Figure 011-210

ITEM	PART NUMBER	QTY	LINE	SERIES	BODY	ENGINE	TRANS	DESCRIPTION
1	55135 709AC	1						SHIELD, Heat
2	#55135 712AD	1						SHIELD, Heat
3								NUT, Heat Shield Attach, M5x1.60, (NOT SERVICED) (Not Serviced)



**JEEP GRAND CHEROKEE (WJ)**

SERIES	LINE	BODY	ENGINE	TRANSMISSION
H=Laredo P=Limited	J = 4WD T = 2WD U = 4WD (RHD)	74 = 4 Door(105.9 WB)	ER0, ERH = 4.0L, Power Tech I-6 EV0, EVA = 4.7L, Power Tech V8 EXA, EX0 = 3.1L, 5 Cyl Turbo Diesel	DGK = 4 Speed Autm, 42RE DGW = 4 Speed Automatic, -44RE DG4 = Multi Speed Automatic, -45RFE DGO = All Automatic

AR = Use as required - = Non illustrated part # = New this model year

September 14, 2002

# Group – 013

## Frames and Bumpers

### GROUP 13 - Frames and Bumpers

Illustration Title

Group-Fig. No.

**Front Bumper and Fascia**

Bumper, Front ..... Fig. 013-240

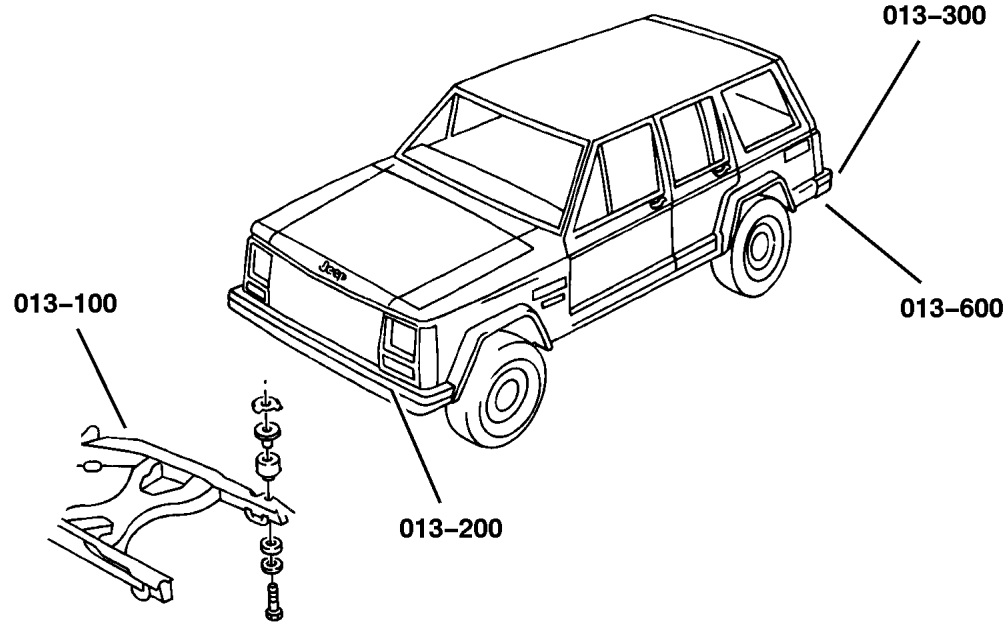
**Rear Bumper and Fascia**

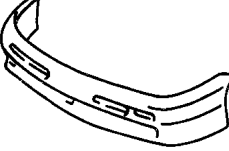


Bumper, Rear ..... Fig. 013-340

**Trailer Tow**

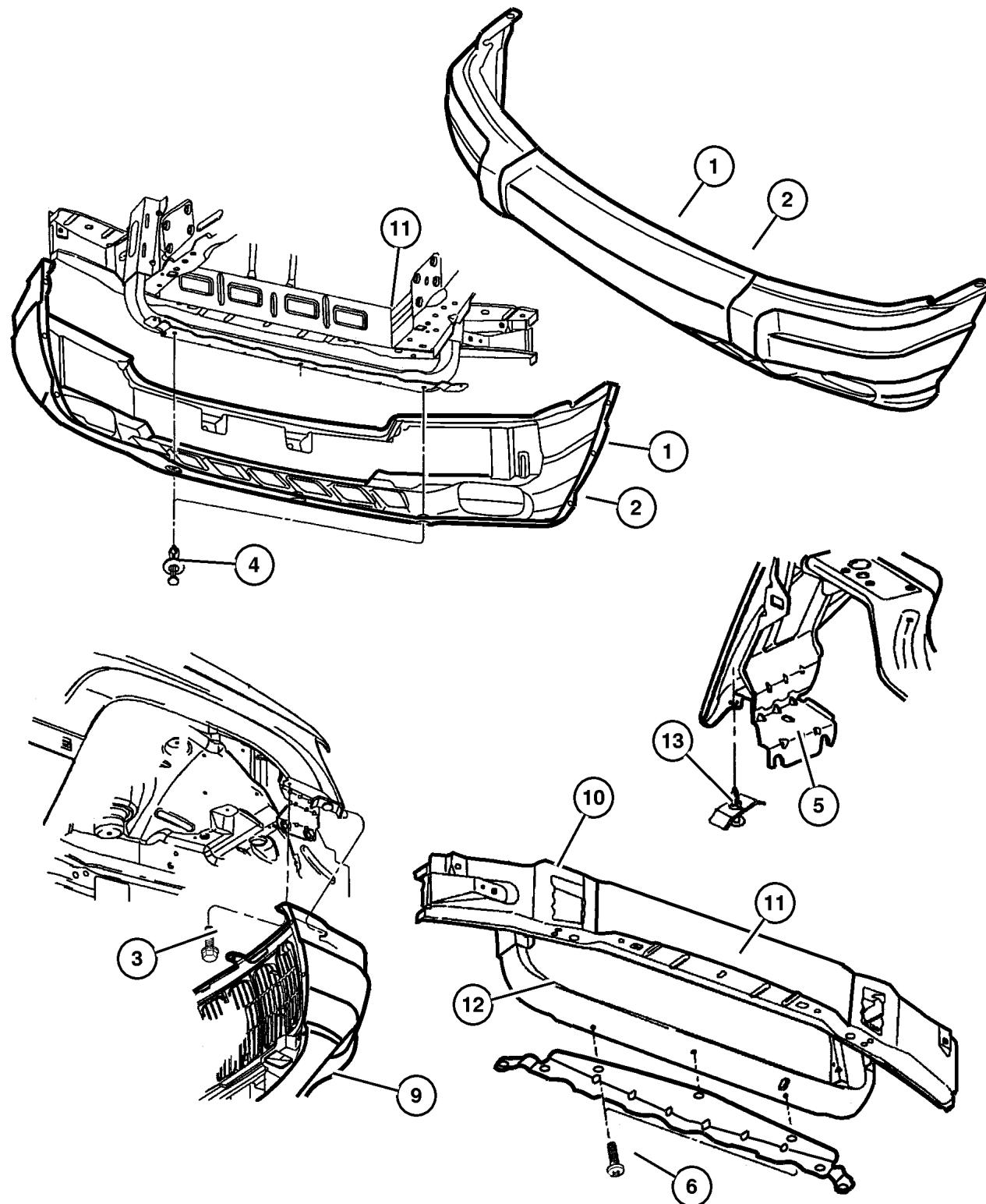
Tow Eye ..... Fig. 013-610

Rear Hitch ..... Fig. 013-620



<p><b>013-200</b> Front Bumper and Fascia</p> 	<p><b>013-300</b> Rear Bumper and Fascia</p> 	<p><b>013-600</b> Trailer Tow</p> 	
---	--	---	--

# Bumper, Front Figure 013-240



ITEM	PART NUMBER	QTY	LINE	SERIES	BODY	ENGINE	TRANS	DESCRIPTION
1								FASCIA, Front
	5EU7 9VF7	1		H				Laredo, w/o Fog Lamps, Dark Brownstone (Paint Codes: S5, TH, TK, UL, W1)
	5EU7 9XS9	1		H				Laredo, w/o Fog Lamps, Dark Gray Met. (Paint Codes: BT, GR, PT, R4, X8)
	5FN2 9VF7	1		H				Laredo, w/Fog Lamps, Dark Brownstone (Paint Codes: S4, S5, TH, TK, UL, W1)
	5FN2 9XS9	1		H				Laredo, w/Fog Lamps, Dark Gray Met. (Paint Codes: BQ,BT, GR, PT, R4, X8)
	5FN3 3XS9	1		H				Laredo, w/Fog Lamps, Dark Gray Met., Export
2								FASCIA, Front, Primed Limited
	5012 668AA	1		P				Laredo, w/Fog Lamps, Export
3	6035 188	2						SCREW, Hex Flange Head, .25-14x.875
4	5517 6248	3						PIN, Push
5	55296 138AA	1						BRACKET, Fascia
6	5517 6248	3						PIN, Push
-7								SCREW, (NOT SERVICED) (Not Serviced)
-8	6503 267	2						SCREW, Round Head, M6x1x25
9								LICENSE PLATE KIT
	55155 750AA	1						Europe
	55155 995AA	1						Europe
10	5513 5880	1						CROSSMEMBER, Radiator, Front Lower Front
11	5513 6113	1						CROSSMEMBER, Radiator, Front Lower Rear
12								CROSSMEMBER, Radiator Export
	55136 992AA	1						Export
	5513 5870	1						Export
13	6505 361AA	2						PIN, Push
-14	5515 5165	1		H				BUMPER, Fascia, Front, Laredo
-15	5515 5505	1		P				ABSORBER, Front Energy, Limited
-16	5FT3 5DX9	1		H				GRILLE, Texture
-17	6505 667AA	4						PIN, Deflector

### JEEP GRAND CHEROKEE (WJ)

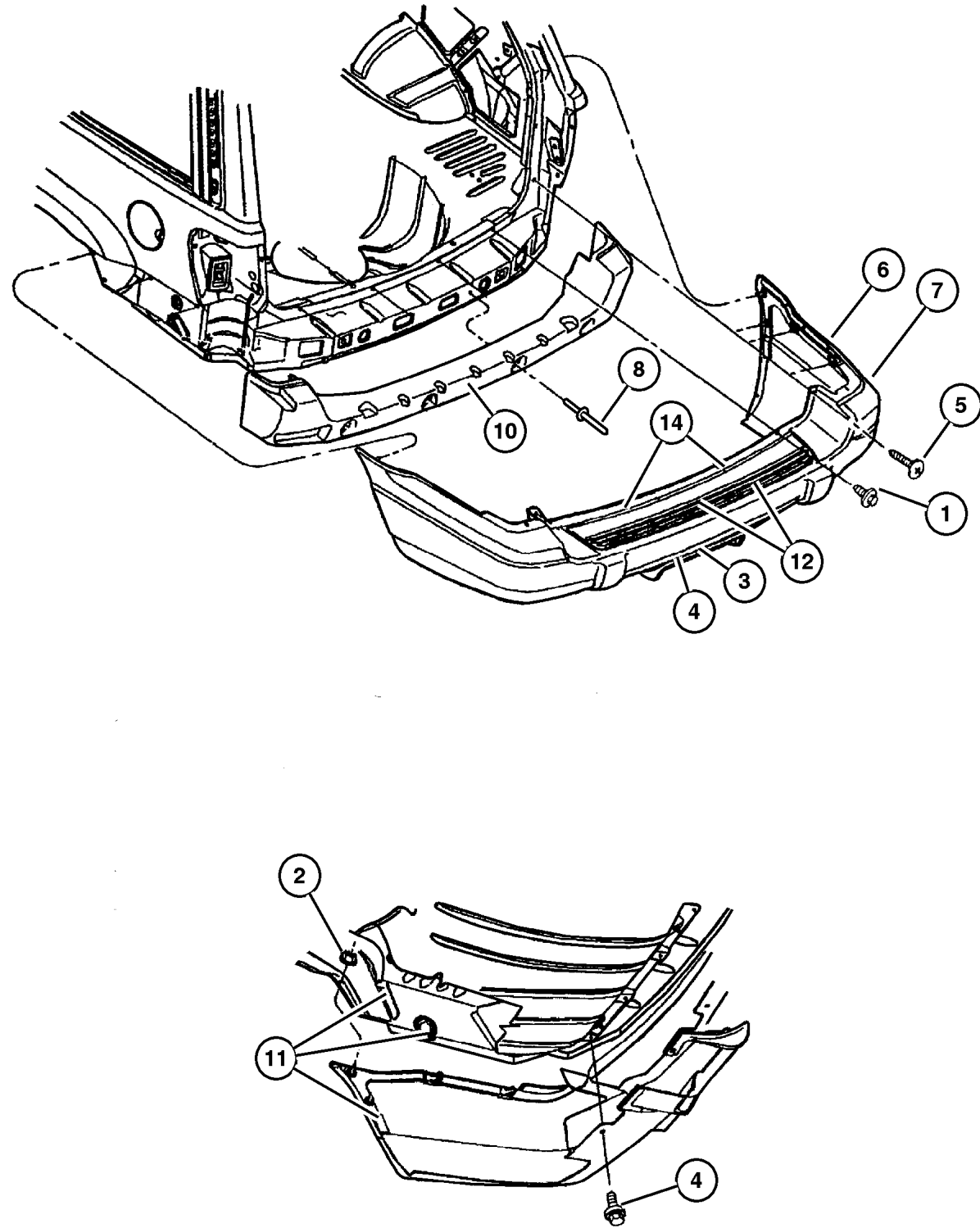
SERIES	LINE	BODY	ENGINE	TRANSMISSION
H=Laredo	J = 4WD	74 = 4 Door(105.9 WB)	ER0, ERH = 4.0L, Power Tech I-6	DGK = 4 Speed Autm, 42RE
P=Limited	T = 2WD		EVO, EVA = 4.7L, Power Tech V8	DGW = 4 Speed Automatic, -44RE
	U = 4WD (RHD)		EXA, EX0 = 3.1L, 5 Cyl Turbo Diesel	DG4 = Multi Speed Automatic, -45RFE
				DGO = All Automatic

AR = Use as required - = Non illustrated part # = New this model year

September 14, 2002



## Bumper, Rear Figure 013-340



ITEM	PART NUMBER	QTY	LINE	SERIES	BODY	ENGINE	TRANS	DESCRIPTION
1	5517 6248	3						PIN, Push
2								NUT AND WASHER, Hex, M6x1.0, (NOT SERVICED) (Not Serviced)
3	3420 1631	6						RIVET, M6.25x28 Black
4	0154 228	5						SCREW, Tapping, .19-16x.625
5	6035 412	1						SCREW
6								FASCIA, Rear
	5EU8 1VF7	1		H				Laredo, w/o Hitch Bezel, Dark Brownstone (Paint Codes: S4, S5, TH, TK, UL, W1)
	5EU8 1XS9	1		H				Laredo, w/o Hitch Bezel, Dark Gray (Paint Codes: AW, BT, BQ, GR, PT, R4, X8)
	5FY08 VF7AB	1		H				Laredo, w/Hitch Bezel, Dark Brownstone (Paint Codes: S4, S5, TH, TK, UL, W1)
	5FY08 XS9AB	1		H				Laredo, w/Hitch Bezel, Dark Gray (Paint Codes: AW, BT, BQ, GR, PT, R4, X8)
7								FASCIA, Rear, Primed
	5012 804AA	1		P				Limited, w/o Hitch Bezel
	5012 936AA	1		P				Limited, w/Hitch Bezel
	5012 938AA	1		P				Limited, Export
8								RIVET, (NOT SERVICED) (Not Serviced)
-9	55155 695AA	1						CROSSMEMBER, Bumper, Rear, Export
10								ABSORBER, Rear Energy
	5515 5166	1		H				Laredo
	5515 5506	1		P				Limited
	55155 774AA	1		P				Limited, Export
11								RETAINER PACKAGE, Fascia
	5015 522AB	1		H				Laredo, Right
		1		P				Limited, Right
	5015 523AB	1		H				Laredo, Left
		1		P				Limited, Left
12								STEP PAD PACKAGE, Rear Fascia
	5015 524AA	1		H				Laredo
		1		P				Limited
-13								NUT, PACKAGE
	5013 799AA	4		H				Laredo
		4		P				Limited
14	6503 106	8						RETAINER, Push In Type M6.3 Hole
-15								BEZEL, Hitch
	5FY07 DX9AA	1		P				

### JEEP GRAND CHEROKEE (WJ)

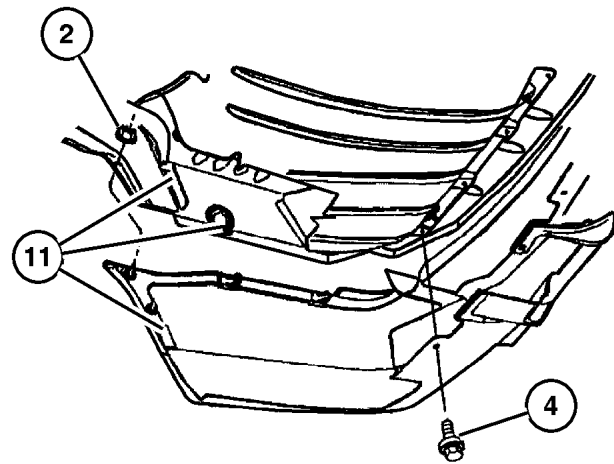
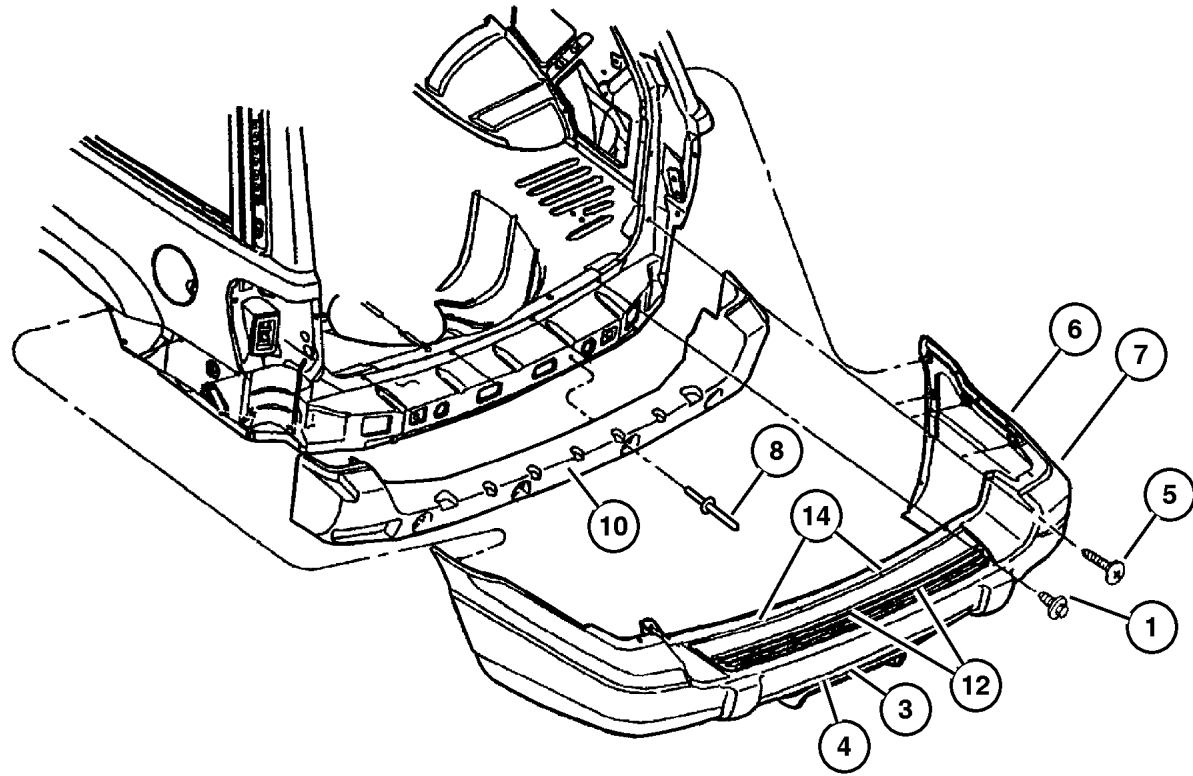
SERIES	LINE	BODY	ENGINE	TRANSMISSION
H=Laredo	J = 4WD	74 = 4 Door(105.9 WB)	ER0, ERH = 4.0L, Power Tech I-6	DGK = 4 Speed Autm, 42RE
P=Limited	T = 2WD		EV0, EVA = 4.7L, Power Tech V8	DGW = 4 Speed Automatic, -44RE
	U = 4WD (RHD)		EXA, EX0 = 3.1L, 5 Cyl Turbo Diesel	DG4 = Multi Speed Automatic, -45RFE
				DGO = All Automatic

AR = Use as required - = Non illustrated part # = New this model year

September 14, 2002

# Bumper, Rear Figure 013-340

ITEM	PART NUMBER	QTY	LINE	SERIES	BODY	ENGINE	TRANS	DESCRIPTION
	5FY10 VF7AA	1		H				[S5]
	5FY10 XS9AA	1		H				[BT]
-16	6503 106	8						RETAINER, Push In Type M6.3 Hole, Fascia to Tank



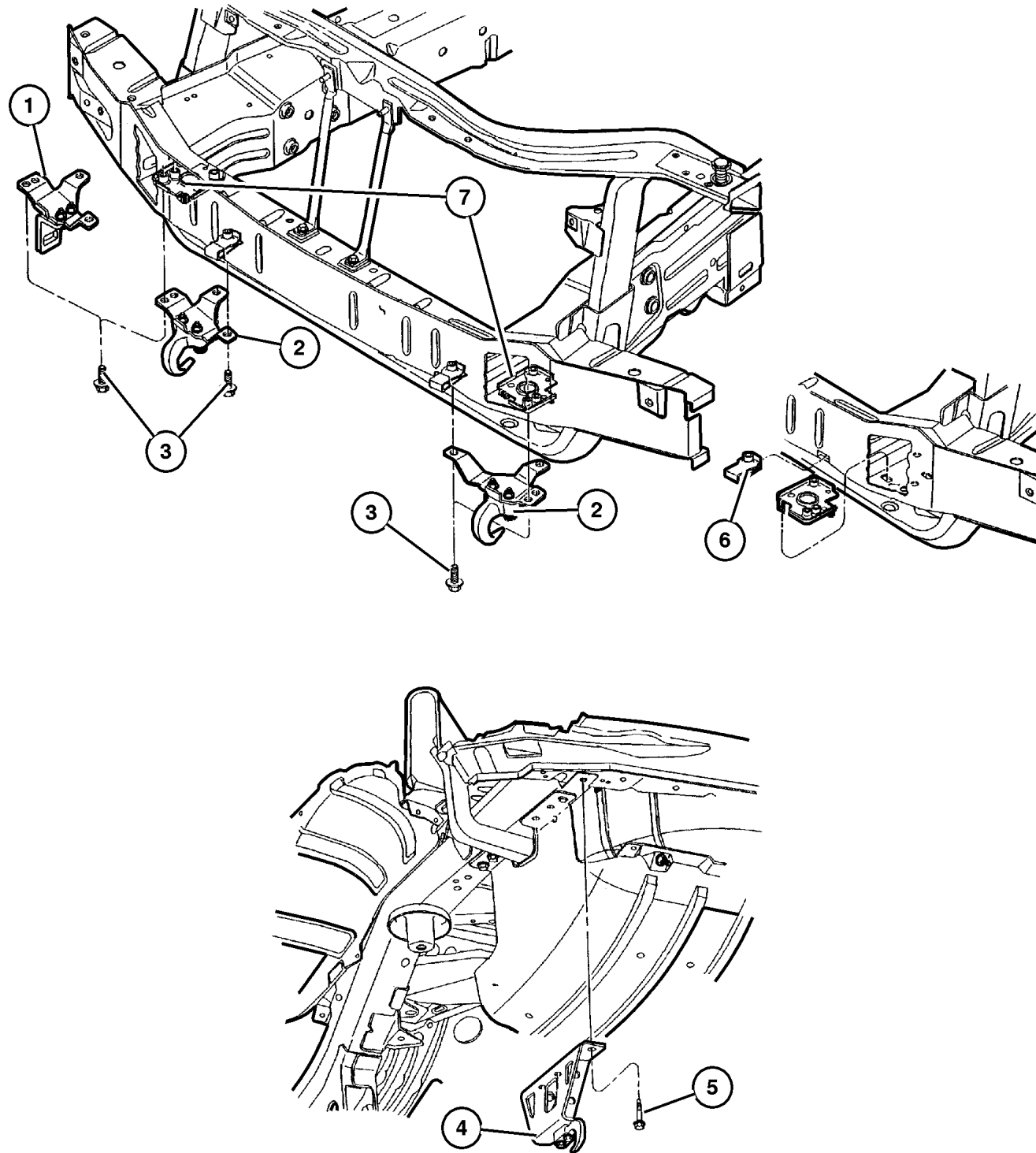
### JEEP GRAND CHEROKEE (WJ)

SERIES	LINE	BODY	ENGINE	TRANSMISSION
H=Laredo	J = 4WD	74 = 4 Door(105.9 WB)	ER0, ERH = 4.0L, Power Tech I-6	DGK = 4 Speed Autm, 42RE
P=Limited	T = 2WD		EVO, EVA = 4.7L, Power Tech V8	DGW = 4 Speed Automatic, -44RE
	U = 4WD (RHD)		EXA, EX0 = 3.1L, 5 Cyl Turbo Diesel	DG4 = Multi Speed Automatic, -45RFE
				DGO = All Automatic

AR = Use as required - = Non illustrated part # = New this model year

September 14, 2002

## Tow Eye Figure 013-610



ITEM	PART NUMBER	QTY	LINE	SERIES	BODY	ENGINE	TRANS	DESCRIPTION
1								EYE, Tow
	52059 158AB	1						Right
	52059 159AA	1						Left
2								HOOK, Tow
	5205 9012	1						Right Front
	5205 9013	1						Left Front
	#52059 014AB	1						Hold Down
3	6101 102	7						BOLT, Hex Head, M12x1.75x45
4								HOOK, Tow
	5205 9012	1						Right Rear
	5205 9013	1						Left Rear
5								SCREW AND WASHER, M10x1.50x35, (NOT SERVICED) (Not Serviced)
6								NUT, (NOT SERVICED) (Not Serviced)
7								TAPPING PLATE, Tow Hook
	52059 156AA	1						Right
	52059 157AA	1						Left

**JEEP GRAND CHEROKEE (WJ)**

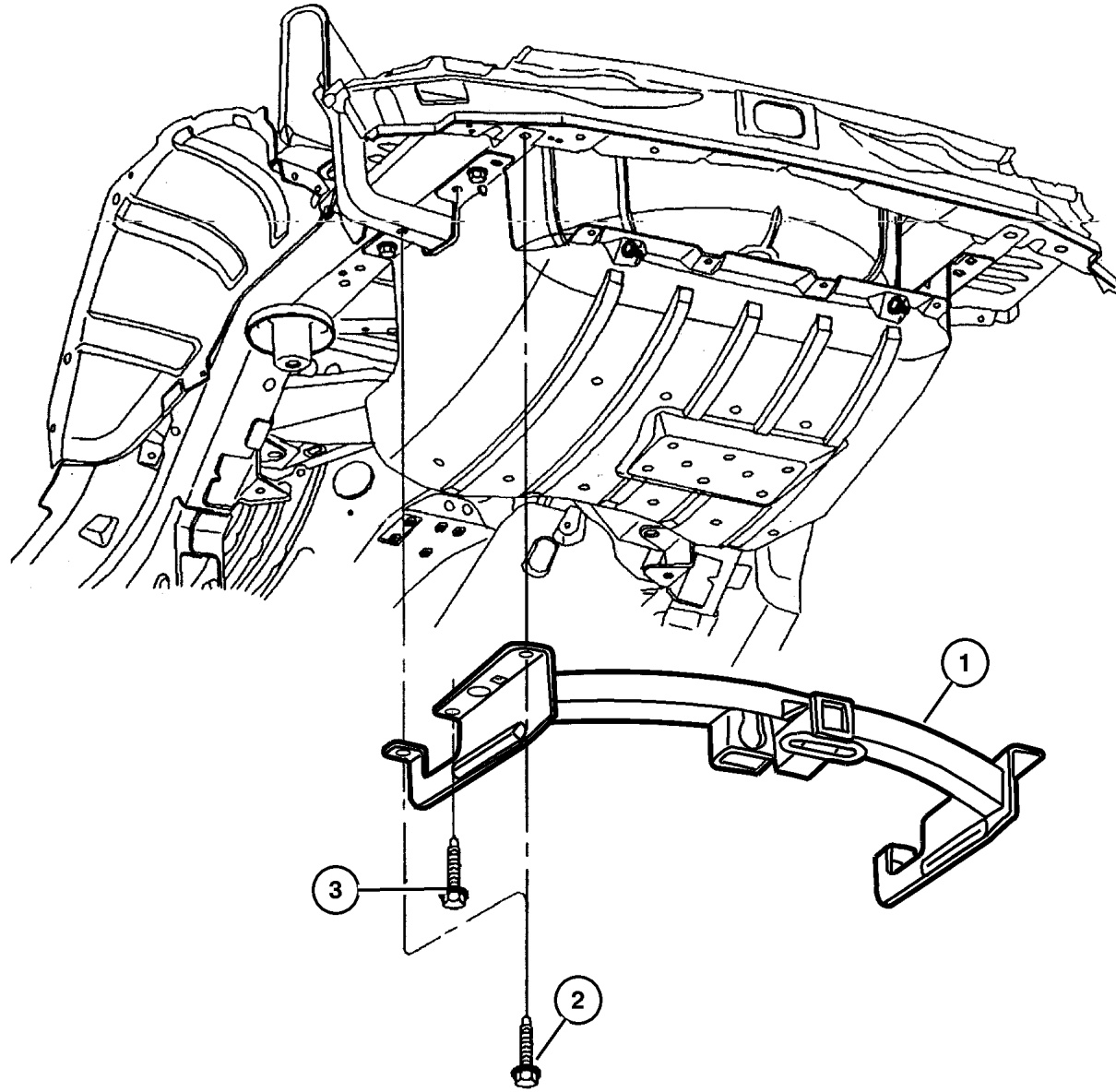
SERIES	LINE	BODY	ENGINE	TRANSMISSION
H=Laredo	J = 4WD	74 = 4 Door(105.9 WB)	ER0, ERH = 4.0L, Power Tech I-6	DGK = 4 Speed Autm, 42RE
P=Limited	T = 2WD		EV0, EVA = 4.7L, Power Tech V8	DGW = 4 Speed Automatic, -44RE
	U = 4WD (RHD)		EXA, EX0 = 3.1L, 5 Cyl Turbo Diesel	DG4 = Multi Speed Automatic, -45RFE
				DGO = All Automatic

AR = Use as required - = Non illustrated part # = New this model year

September 14, 2002

Rear Hitch  
Figure 013-620

ITEM	PART NUMBER	QTY	LINE	SERIES	BODY	ENGINE	TRANS	DESCRIPTION
1	8220 4491	1	J, T	H, P	74			RECEIVER KIT, Trailer Tow
2	6101 102	2						BOLT, Hex Head, M12x1.75x45
3	6503 571	4						SCREW AND WASHER, M10x1.50x35
-4	52059 238AA	1						BRACE, Tow Hook



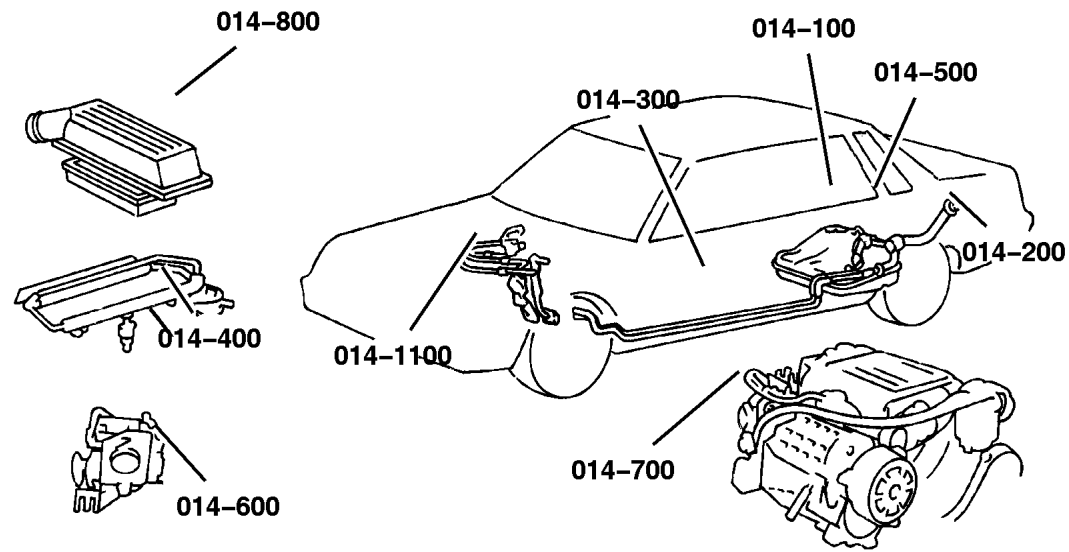
<b>JEEP GRAND CHEROKEE (WJ)</b>				
SERIES	LINE	BODY	ENGINE	TRANSMISSION
H=Laredo	J = 4WD	74 = 4 Door(105.9 WB)	ER0, ERH = 4.0L, Power Tech I-6	DGK = 4 Speed Autm, 42RE
P=Limited	T = 2WD		EV0, EVA = 4.7L, Power Tech V8	DGW = 4 Speed Automatic, -44RE
	U = 4WD (RHD)		EXA, EX0 = 3.1L, 5 Cyl Turbo Diesel	DG4 = Multi Speed Automatic, -45RFE
				DGO = All Automatic

AR = Use as required - = Non illustrated part # = New this model year

September 14, 2002

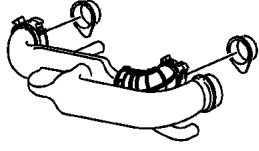
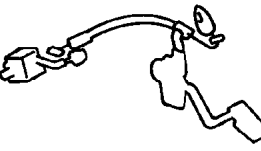

# Group – 014

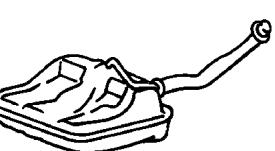

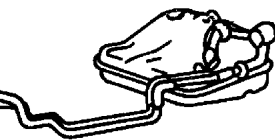
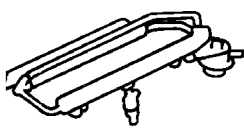
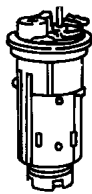

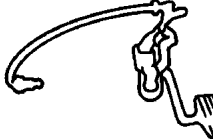
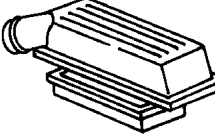
## Fuel



# Group – 014

## Fuel

<b>014-900</b> Air Intake System 	<b>014-1000</b> Speed Control 	<b>014-1100</b> Accelerator Pedal 	
--	---	---	--

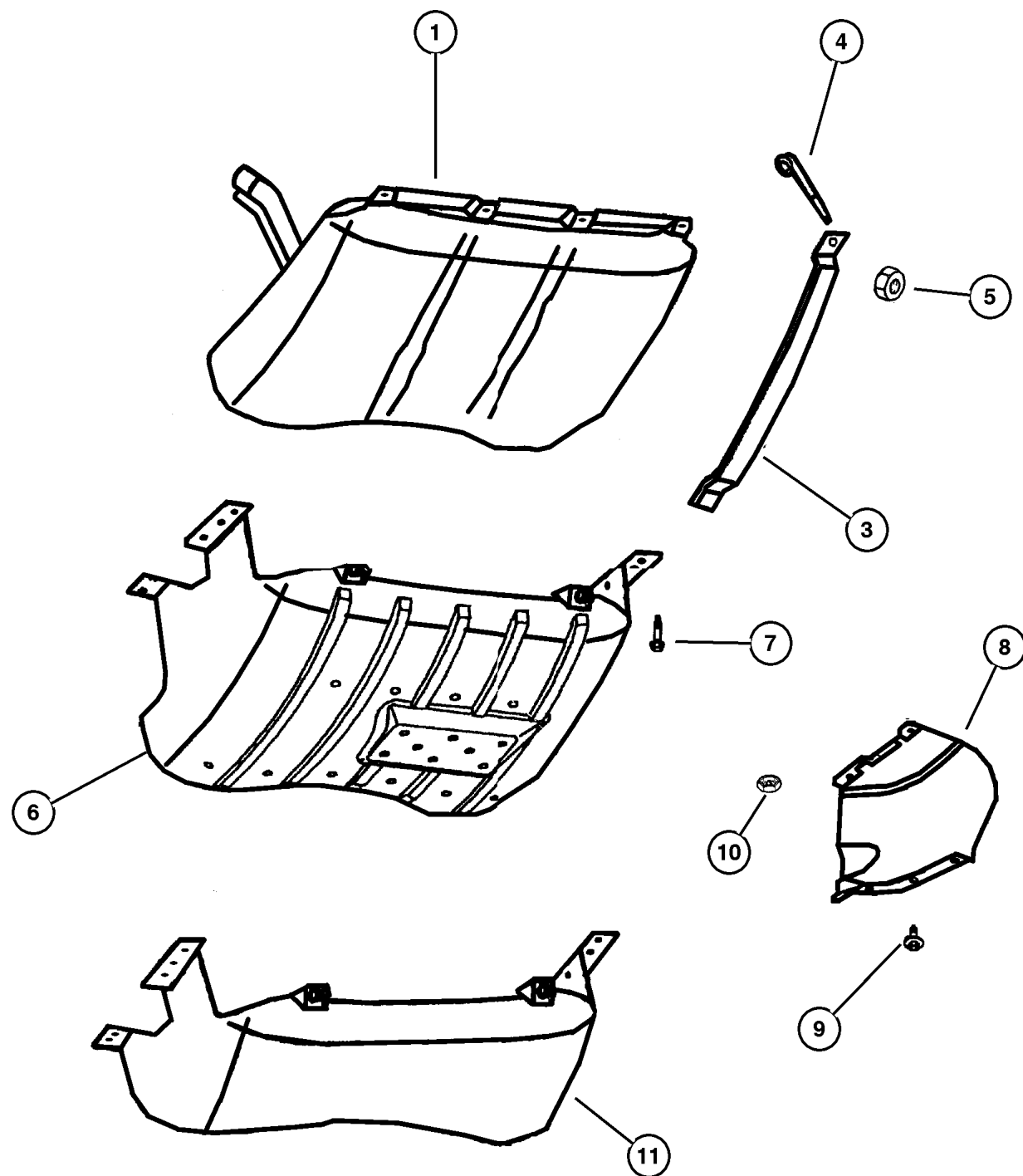
<b>014-100</b> Tank, Fuel 	<b>014-200</b> Fuel Tank Filler Tube 	<b>014-300</b> Fuel Lines 	<b>014-400</b> Fuel Rail 
<b>014-500</b> Fuel Pump and Sending Unit 	<b>014-600</b> Throttle Body 	<b>014-700</b> Throttle Controls 	<b>014-800</b> Air Cleaner 

---

## GROUP 14 - Fuel

Illustration Title	Group-Fig. No.
<b>Tank, Fuel</b>	
Fuel Tank 3.1L Diesel (EXA), 4.0L (ERH), 4.7L (EVA) Engine .....	Fig. 014-110
<b>Fuel Tank Filler Tube</b>	
Fuel Tank Filler Tube 3.1L Diesel (EXA), 4.0L (ERH), 4.7L (EVA) Engine .....	Fig. 014-210
<b>Fuel Lines</b>	
Front, Fuel Lines & Fuel Separator 3.1L (EXA) Diesel .....	Fig. 014-310
Fuel Lines, Rear 3.1L (EXA) Diesel Engine .....	Fig. 014-320
Fuel Lines, Front 4.0L (ERH) Engine .....	Fig. 014-330
Fuel Lines, Rear 4.0L (ERH) Engine .....	Fig. 014-340
Fuel Lines, Front 4.7L (EVA) Engine .....	Fig. 014-350
Fuel Lines, Rear 4.7L (EVA) Engine .....	Fig. 014-360
<b>Fuel Rail</b>	
Fuel Rail 4.0L (ERH), 4.7L (EVA) Engine .....	Fig. 014-410
Fuel Injection System 3.1L (EXA) Diesel Engine .....	Fig. 014-440
Fuel Injection Pump 3.1L (EVA) Diesel Engine .....	Fig. 014-460
<b>Fuel Pump and Sending Unit</b>	
Fuel Pump and Sending Unit 3.1L Diesel (EXA), 4.0L (ERH), 4.7L (EVA) Engine .....	Fig. 014-510
<b>Throttle Body</b>	
Throttle Body 4.0L (ERH), 4.7L (EVA) Engine .....	Fig. 014-610
Turbocharger 3.1L (EXA) Engine .....	Fig. 014-660
<b>Throttle Controls</b>	
Throttle Controls 3.1L (EXA) Diesel Engine .....	Fig. 014-710
Throttle Controls 4.0L (ERH) Engine .....	Fig. 014-720
Throttle Controls 4.7L (EVA) Engine .....	Fig. 014-730
<b>Air Cleaner</b>	
Air Cleaner 3.1L (EXA) Diesel Engine .....	Fig. 014-810
Air Cleaner 4.0L (ERH) Engine .....	Fig. 014-820
Air Cleaner 4.7L (EVA) Engine .....	Fig. 014-830
<b>Air Intake System</b>	
Air Intake System 3.1L Diesel (EXA) 4.0L (ERH), 4.7L (EVA) Engine .....	Fig. 014-910
<b>Speed Control</b>	
Speed Control 3.1L Diesel (EXA), 4.0L (ERH), 4.7L (EVA) Engine .....	Fig. 014-1010
<b>Accelerator Pedal</b>	
Accelerator Pedal .....	Fig. 014-1110

Fuel Tank 3.1L Diesel (EXA), 4.0L (ERH), 4.7L (EVA) Engine  
Figure 014-110



ITEM	PART NUMBER	QTY	LINE	SERIES	BODY	ENGINE	TRANS	DESCRIPTION
NOTE: EX0=All 3.1L Engines ER0=All 4.0L Engines EV0=All 4.7L Engines								
1	5210 0074	1				ER0, EVO		TANK, Fuel, Federal, Canada
-2	52100 364AA	1				EX0		TANK, Fuel - Plastic Export, Export
3	5210 0216	2				ER0, EVO		STRAP, Fuel Tank
4	6504 171	2				ER0, EVO		SCREW, Hex Flange Head, M8x1.25x32
5	6101 467	2						NUT, Hex Flange, M8x1.25
6	52100 376AB	1				EX0		SKID PLATE, Fuel Tank
7	6101 102	7						BOLT, Hex Head, M12x1.75x45
8	55136 160AE	1						SHIELD, Fuel Tank
9	3420 1631	6						RIVET, M6.25x28 Black
10								NUT, Heat Shield Attach, (NOT SERVICED) (Not Serviced)
11	52100 313AC	1				ER0, EVO		GUARD, Brush, Fuel Tank
-12	#52080 141AA	1				EX0		STRAP, Fuel Tank Left/Right Rear With Hitch[Support]
	#52080 142AA	2						Rear Strap Without Hitch [Support]
	#52080 143AA	2						Left Front

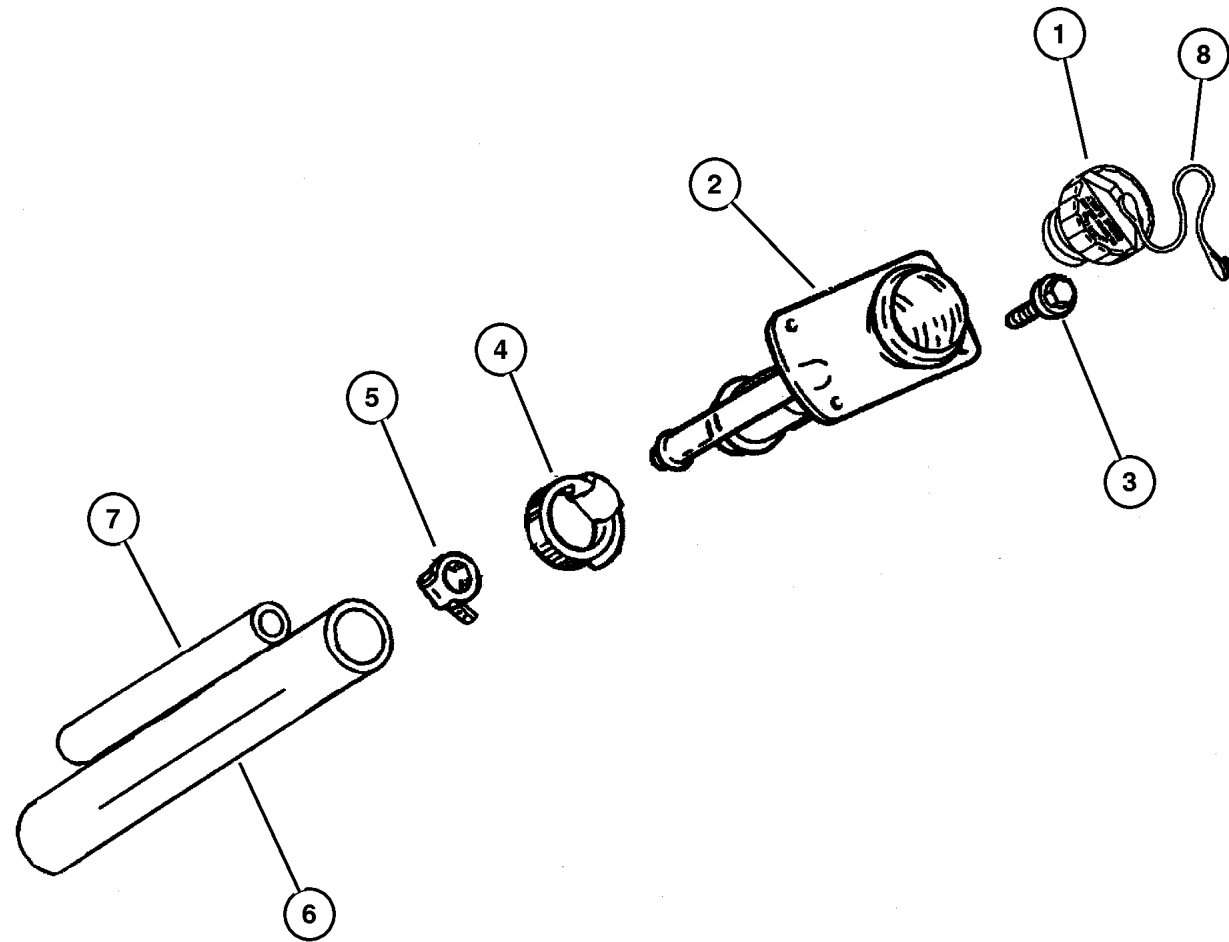
JEEP GRAND CHEROKEE (WJ)

SERIES	LINE	BODY	ENGINE	TRANSMISSION
H=Laredo	J = 4WD	74 = 4 Door(105.9 WB)	ER0, ERH = 4.0L, Power Tech I-6	DGK = 4 Speed Autm, 42RE
P=Limited	T = 2WD		EV0, EVA = 4.7L, Power Tech V8	DGW = 4 Speed Automatic, -44RE
	U = 4WD (RHD)		EXA, EX0 = 3.1L, 5 Cyl Turbo Diesel	DG4 = Multi Speed Automatic, -45RFE
				DGO = All Automatic

AR = Use as required - = Non illustrated part # = New this model year

September 14, 2002

Fuel Tank Filler Tube 3.1L Diesel (EXA), 4.0L (ERH), 4.7L (EVA) Engine  
Figure 014-210



ITEM	PART NUMBER	QTY	LINE	SERIES	BODY	ENGINE	TRANS	DESCRIPTION
NOTE: EX0=All 3.1L Engines ER0=All 4.0L Engines EV0=All 4.7L Engines								
1	#5278 679AA	1						CAP, Fuel Filler Locking
	52100 420AA	1						Non-Locking
2	52100 064AC	1				ER0, EV0		TUBE, Fuel Filler Federal, California, Canada
	#52100 267AD	1				ER0, EV0		Unleaded Fuel, Export
3	0154 236	3				EX0		Export, Export SCREW, Stake, .19-24
4	6505 322AA	1				ER0, EV0		CLAMP, Hose
5		1				EX0		CLAMP, Hose, (NOT SERVICED) (Not Serviced)
6	52100 072AB	1				ER0, EV0		HOSE, Fuel Filler
		1				EX0		
7	52100 073AB	1				ER0, EV0		HOSE, Fuel Tank Vent
		1				EX0		
8	4682 676	1						TETHER, Fuel Filler Cap

JEEP GRAND CHEROKEE (WJ)

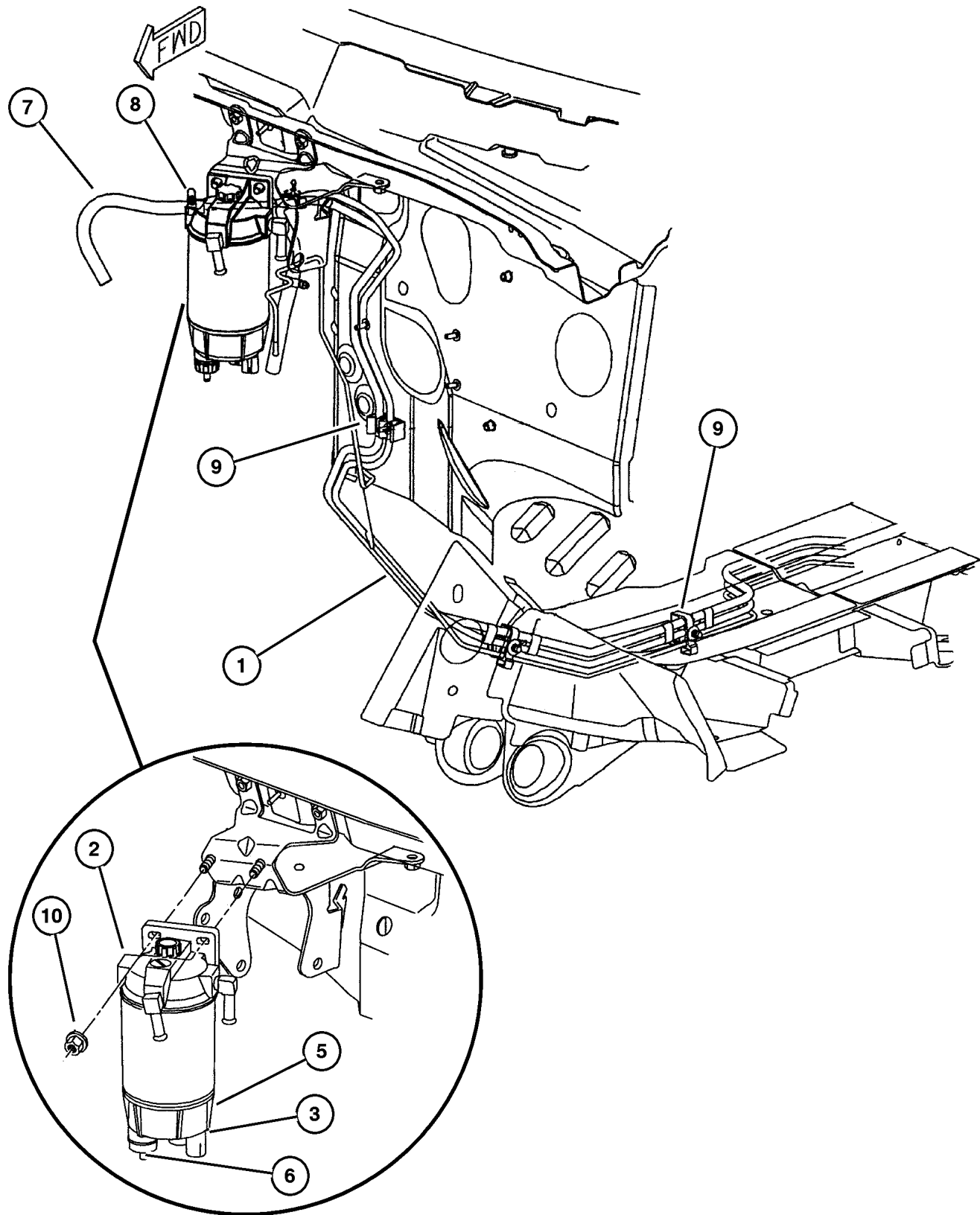
SERIES	LINE	BODY	ENGINE	TRANSMISSION
H=Laredo	J = 4WD	74 = 4 Door(105.9 WB)	ER0, ERH = 4.0L, Power Tech I-6	DGK = 4 Speed Autm, 42RE
P=Limited	T = 2WD		EV0, EVA = 4.7L, Power Tech V8	DGW = 4 Speed Automatic, -44RE
	U = 4WD (RHD)		EXA, EX0 = 3.1L, 5 Cyl Turbo Diesel	DG4 = Multi Speed Automatic, -45RFE
				DGO = All Automatic

AR = Use as required - = Non illustrated part # = New this model year

September 14, 2002



**Front, Fuel Lines & Fuel Separator 3.1L (EXA) Diesel  
Figure 014-310**



ITEM	PART NUMBER	QTY	LINE	SERIES	BODY	ENGINE	TRANS	DESCRIPTION
------	-------------	-----	------	--------	------	--------	-------	-------------

**NOTE:**

Sales Codes:

EX0=All Diesel Engines

1	#52100 189AD	1				EX0		BUNDLE, Fuel Line
2	5014 017AA	1				EX0		HEAD, Fuel Filter
3	4723 901	1				EX0		VALVE KIT, Fuel Filter Check
-4	4723 905	1				EX0		FILTER, Fuel
5	5014 018AA	1				EX0		BOWL, Fuel Filter
6	4723 907	1				EX0		DRAIN, Fuel Filter Bowl
7	HFV0 0038	1				EX0		HOSE, Fuel And Vapor, 25 Foot Roll 3/8"
8	52079 632AA	1				EX0		CLAMP, Oil Cooler Tube
9								CLAMP, Fuel Line, (NOT SERVICED) (Not Serviced)
10	6101 675	2				EX0		NUT, Hex Flange Lock, M8x1.25

**JEEP GRAND CHEROKEE (WJ)**

SERIES	LINE	BODY	ENGINE	TRANSMISSION
H=Laredo	J = 4WD	74 = 4 Door(105.9 WB)	ER0, ERH = 4.0L, Power Tech I-6	DGK = 4 Speed Autm, 42RE
P=Limited	T = 2WD		EVO, EVA = 4.7L, Power Tech V8	DGW = 4 Speed Automatic, -44RE
	U = 4WD (RHD)		EXA, EX0 = 3.1L, 5 Cyl Turbo Diesel	DG4 = Multi Speed Automatic, -45RFE
				DGO = All Automatic

AR = Use as required - = Non illustrated part # = New this model year

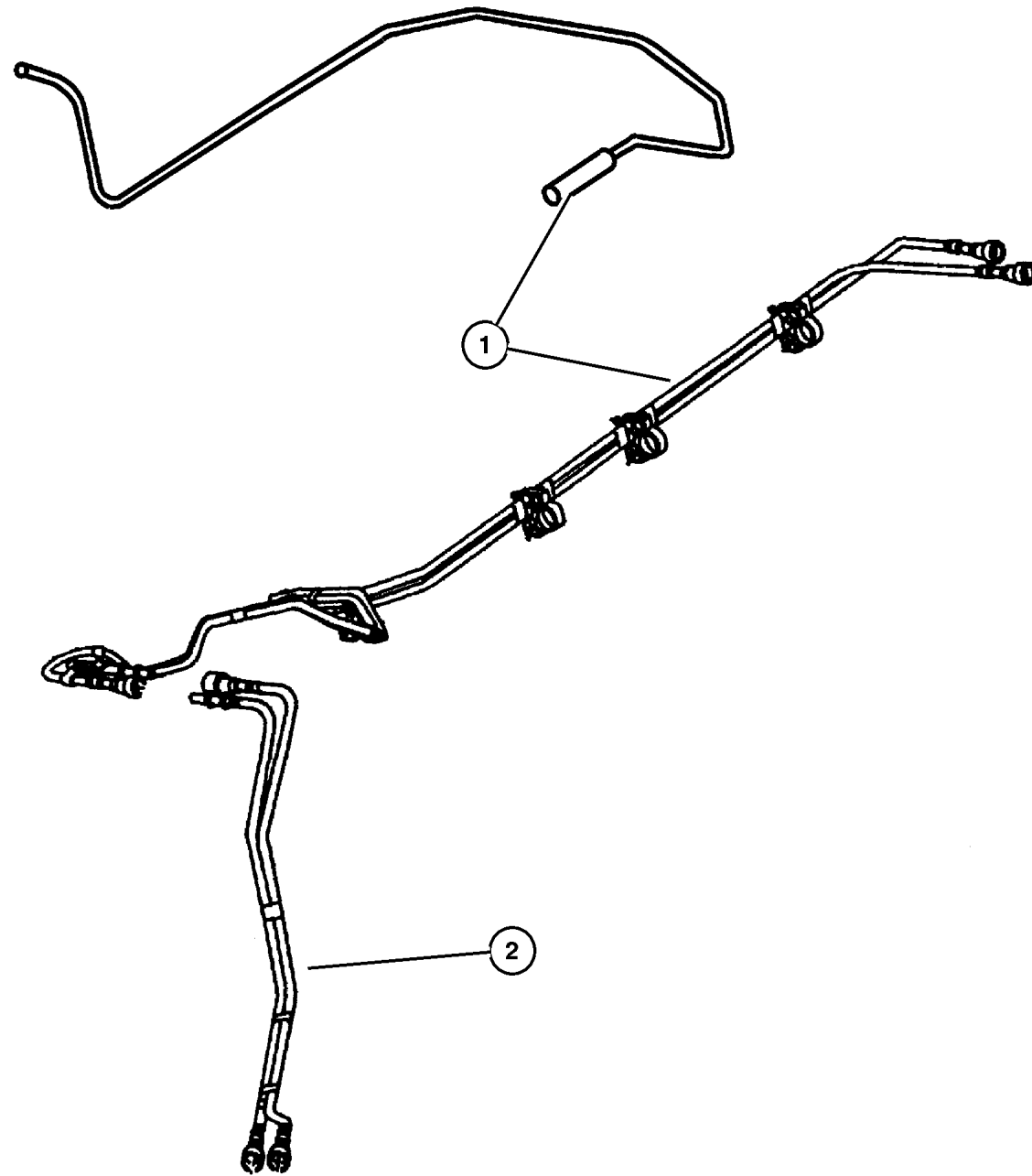
September 14, 2002

Fuel Lines, Rear 3.1L (EXA) Diesel Engine  
Figure 014-320

ITEM	PART NUMBER	QTY	LINE	SERIES	BODY	ENGINE	TRANS	DESCRIPTION
------	-------------	-----	------	--------	------	--------	-------	-------------

NOTE: EX0=All 3.1L Engines

1	#52100 189AD	1				EX0		BUNDLE, Fuel Line
2	52100 258AB	1				EX0		TUBE, Fuel



JEEP GRAND CHEROKEE (WJ)

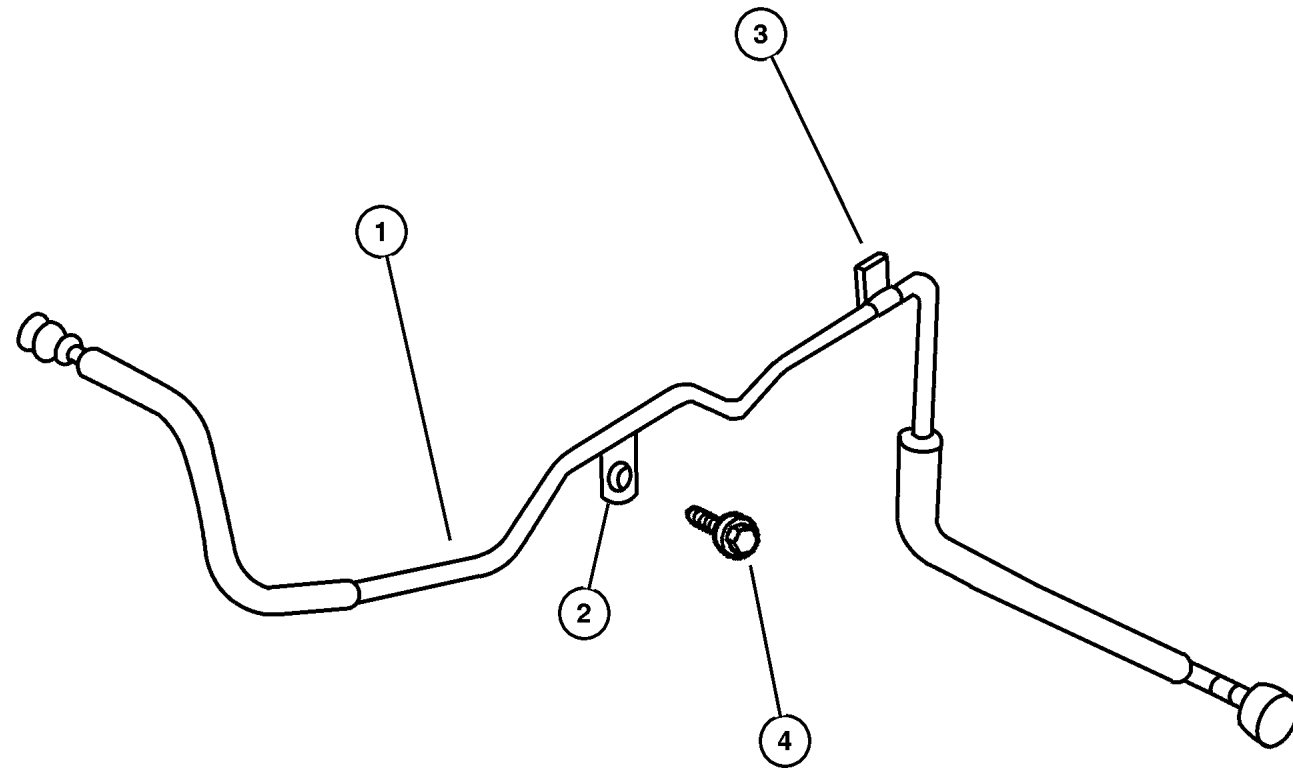
SERIES	LINE	BODY	ENGINE	TRANSMISSION
H=Laredo	J = 4WD	74 = 4 Door(105.9 WB)	ER0, ERH = 4.0L, Power Tech I-6	DGK = 4 Speed Autm, 42RE
P=Limited	T = 2WD		EV0, EVA = 4.7L, Power Tech V8	DGW = 4 Speed Automatic, -44RE
	U = 4WD (RHD)		EXA, EX0 = 3.1L, 5 Cyl Turbo Diesel	DG4 = Multi Speed Automatic, -45RFE
				DGO = All Automatic

AR = Use as required - = Non illustrated part # = New this model year

September 14, 2002

**Fuel Lines, Front 4.0L (ERH) Engine  
Figure 014-330**

ITEM	PART NUMBER	QTY	LINE	SERIES	BODY	ENGINE	TRANS	DESCRIPTION
NOTE: ER0=All 4.0L Engines								
1	#52100 041AF	1				ER0		BUNDLE, Fuel Line
2	52100 415AB	1				ER0		BRACKET, Fuel Line
3	#52100 482AA	1				ER0		BRACKET, Fuel Line
4	6101 786	1						SCREW, Self Tapping, M6x1x15

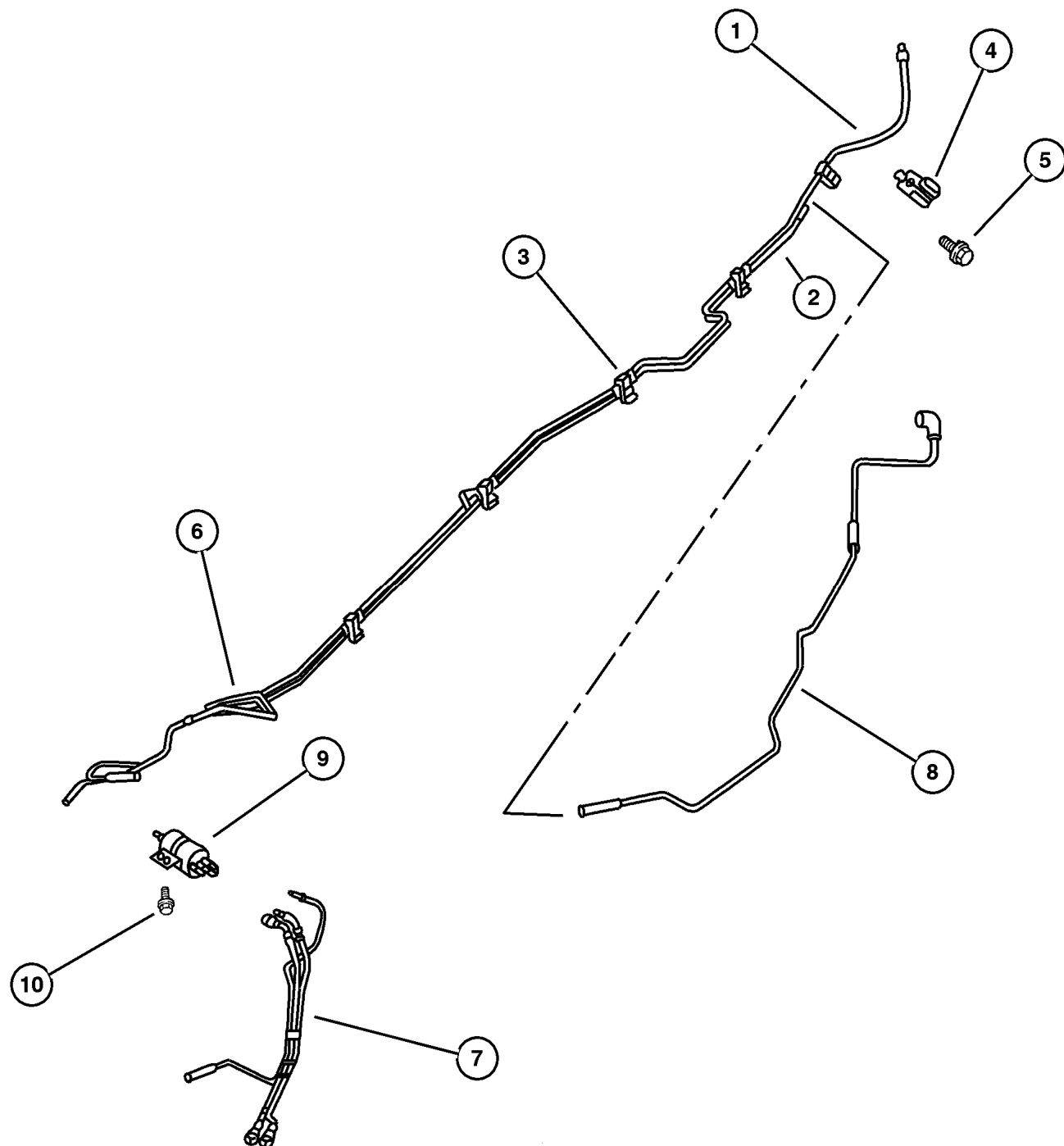


JEEP GRAND CHEROKEE (WJ)				
SERIES	LINE	BODY	ENGINE	TRANSMISSION
H=Laredo	J = 4WD	74 = 4 Door(105.9 WB)	ER0, ERH = 4.0L, Power Tech I-6	DGK = 4 Speed Autm, 42RE
P=Limited	T = 2WD		EV0, EVA = 4.7L, Power Tech V8	DGW = 4 Speed Automatic, -44RE
	U = 4WD (RHD)		EXA, EX0 = 3.1L, 5 Cyl Turbo Diesel	DG4 = Multi Speed Automatic, -45RFE
				DGO = All Automatic

AR = Use as required - = Non illustrated part # = New this model year

September 14, 2002

## Fuel Lines, Rear 4.0L (ERH) Engine Figure 014-340



ITEM	PART NUMBER	QTY	LINE	SERIES	BODY	ENGINE	TRANS	DESCRIPTION
Note:								
DG4 = Multi-Speed Automatic Transmission 45RFE								
ER0 = All 4.0L 6 Cyl Gas Engines								
EVO = All 4.7L Gas Engines								
1	52100 249AD	1				ER0, EVO		TUBE, Fuel Supply
2	52100 253AD	1				ER0, EVO		TUBE, Fuel Vapor
3	4695 819	6				ER0, EVO		CLIP, Fuel Bundle
4	3420 2997	1				ER0, EVO		CLIP, Wrap Around Sealing
5								SCREW, (NOT SERVICED) (Not Serviced)
6	0120 526	1				ER0, EVO		CLIP, Fuel
7	52100 196AC	1				ER0, EVO		TUBE, Fuel
8	52100 049AB	1	J, T			ER0, EVO		TUBE, Fuel Vapor
9	52100 283AC	1				ER0, EVO		FILTER AND REGULATOR, Fuel
10	6101 777	2	J, T			EVO	DG4	SCREW, Hex Flange Head Tapping, M6x1.00x20.00

### JEEP GRAND CHEROKEE (WJ)

SERIES	LINE	BODY	ENGINE	TRANSMISSION
H=Laredo	J = 4WD	74 = 4 Door(105.9 WB)	ER0, ERH = 4.0L, Power Tech I-6	DGK = 4 Speed Autm, 42RE
P=Limited	T = 2WD		EVO, EVA = 4.7L, Power Tech V8	DGW = 4 Speed Automatic, -44RE
	U = 4WD (RHD)		EXA, EX0 = 3.1L, 5 Cyl Turbo Diesel	DG4 = Multi Speed Automatic, -45RFE
				DGO = All Automatic

AR = Use as required - = Non illustrated part # = New this model year

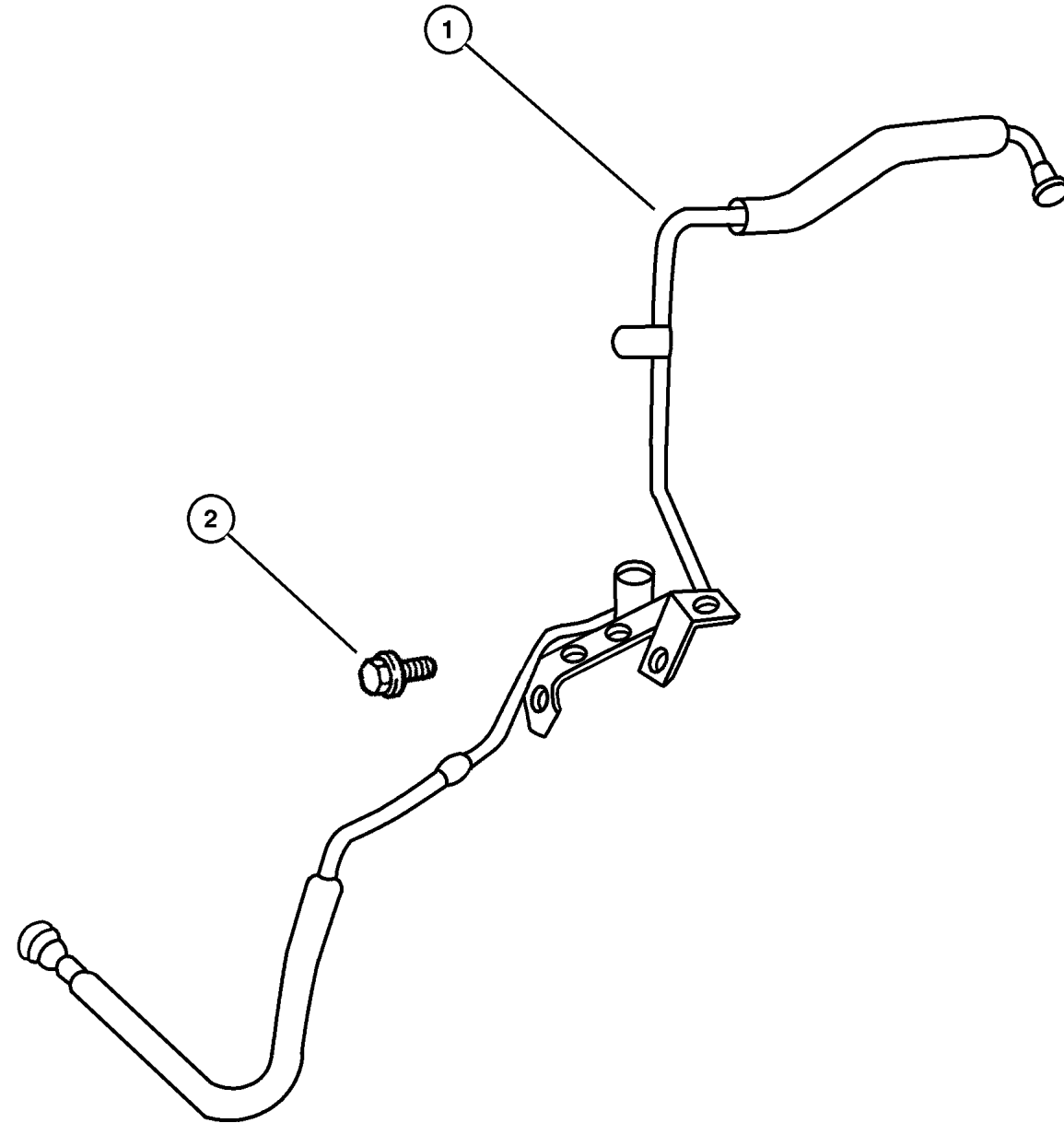
September 14, 2002

Fuel Lines, Front 4.7L (EVA) Engine  
Figure 014-350

ITEM	PART NUMBER	QTY	LINE	SERIES	BODY	ENGINE	TRANS	DESCRIPTION
------	-------------	-----	------	--------	------	--------	-------	-------------

NOTE: EV0=All 4.7L Engines

1	52100 043AD	1				EVO		BUNDLE, Fuel Line
2								SCREW, (NOT SERVICED) (Not Serviced)



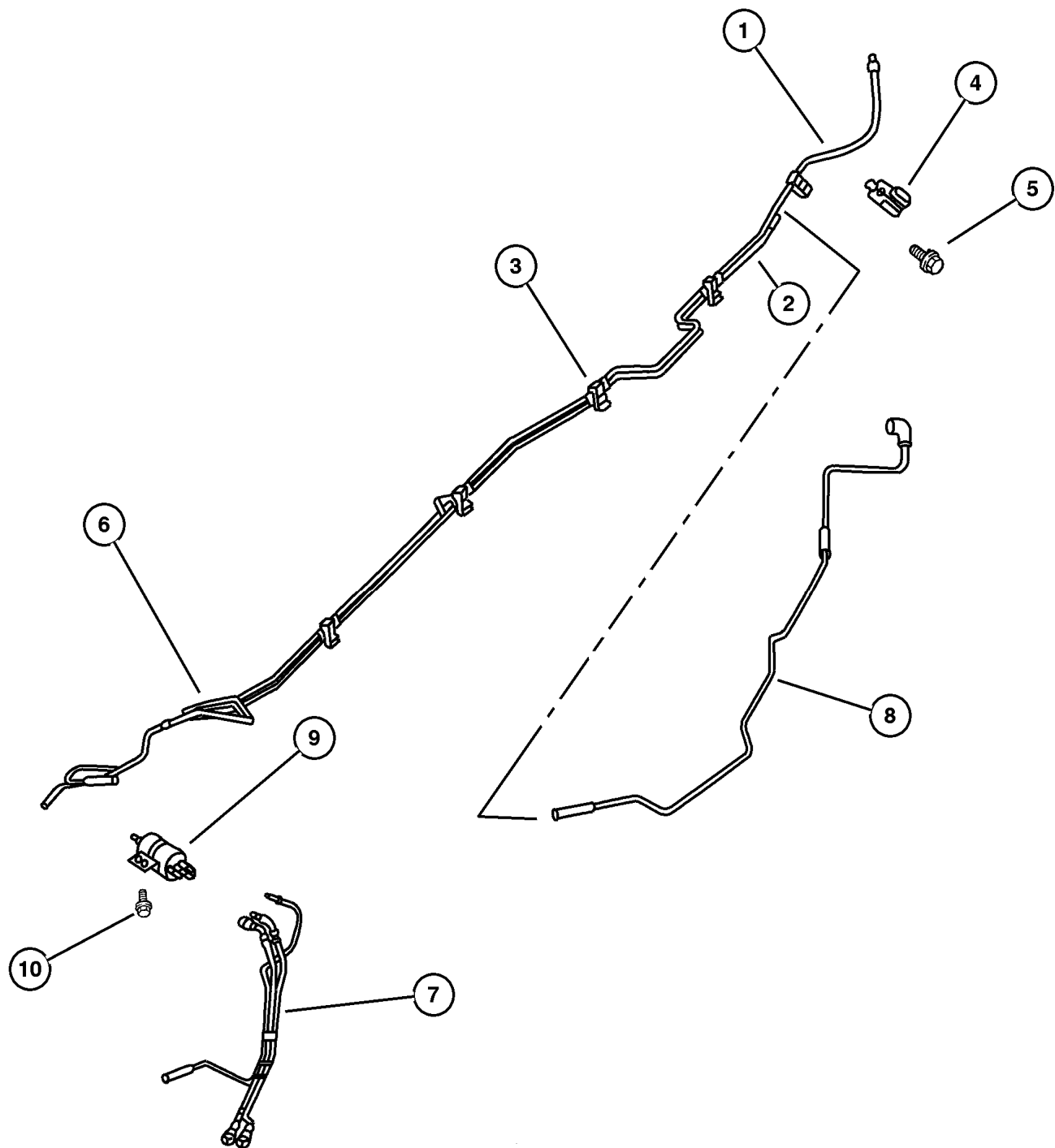
JEEP GRAND CHEROKEE (WJ)

SERIES	LINE	BODY	ENGINE	TRANSMISSION
H=Laredo	J = 4WD	74 = 4 Door(105.9 WB)	ER0, ERH = 4.0L, Power Tech I-6	DGK = 4 Speed Autm, 42RE
P=Limited	T = 2WD		EV0, EVA = 4.7L, Power Tech V8	DGW = 4 Speed Automatic, -44RE
	U = 4WD (RHD)		EXA, EX0 = 3.1L, 5 Cyl Turbo Diesel	DG4 = Multi Speed Automatic, -45RFE
				DGO = All Automatic

AR = Use as required - = Non illustrated part # = New this model year

September 14, 2002

## Fuel Lines, Rear 4.7L (EVA) Engine Figure 014-360



ITEM	PART NUMBER	QTY	LINE	SERIES	BODY	ENGINE	TRANS	DESCRIPTION
Note:								
ERO = All 4.0L 6 Cyl Gas Engines								
EVO = All 4.7L Gas Engines								
1	52100 249AD	1				ERO, EVO		TUBE, Fuel Supply
2	52100 253AD	1				ERO, EVO		TUBE, Fuel Vapor
3	4695 819	6				ERO, EVO		CLIP, Fuel Bundle
4	3420 2997	1				ERO, EVO		CLIP, Wrap Around Sealing
5								SCREW, (NOT SERVICED) (Not Serviced)
6	0120 526	1				ERO, EVO		CLIP, Fuel
7	52100 196AC	1				ERO, EVO		TUBE, Fuel
8	52100 049AB	1	J, T			ERO, EVO		TUBE, Fuel Vapor
9	52100 283AC	1				ERO, EVO		FILTER AND REGULATOR, Fuel
10	6101 777	2				ERO, EVO		SCREW, Hex Flange Head Tapping, M6x1.00x20.00

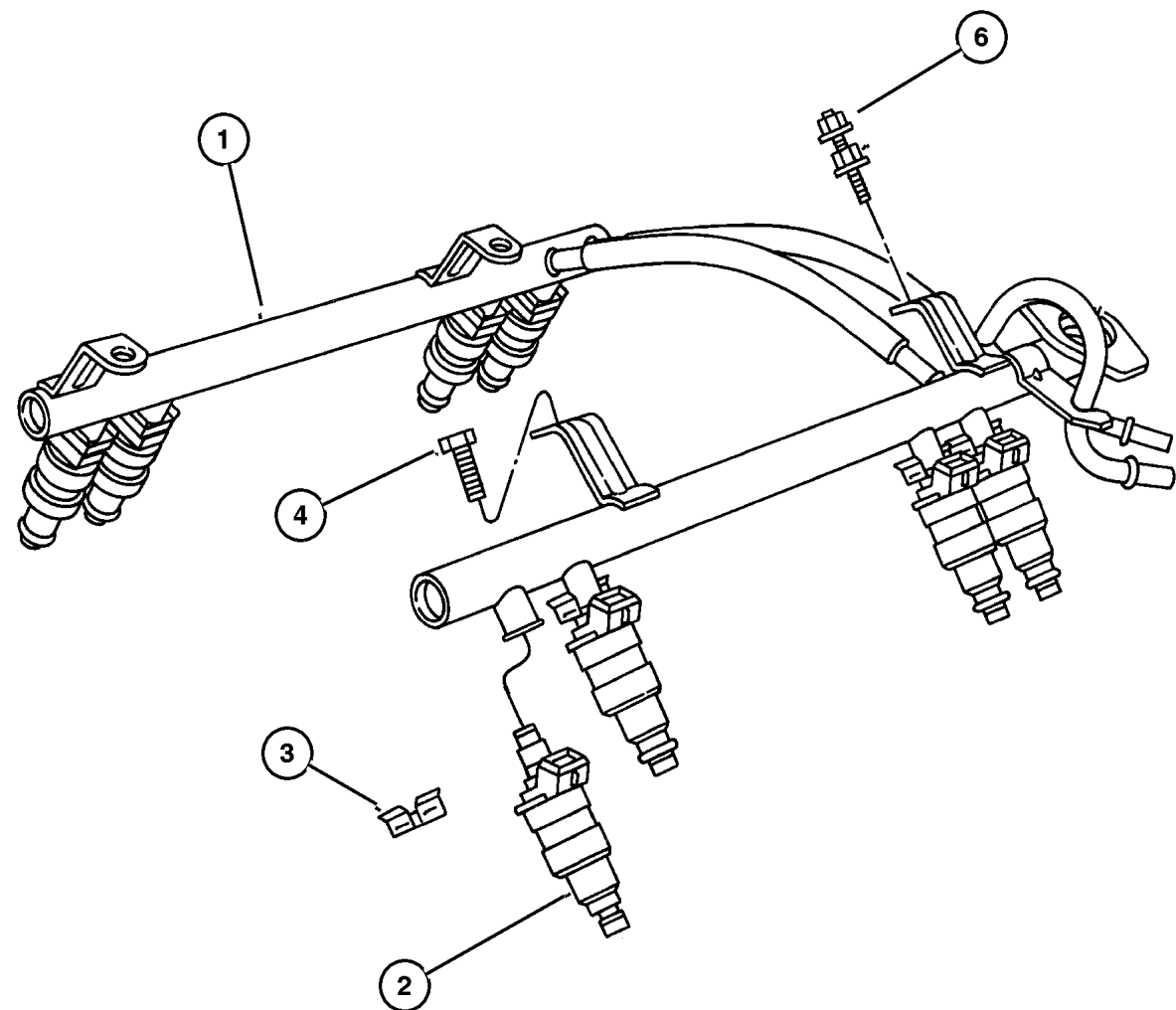
### JEEP GRAND CHEROKEE (WJ)

SERIES	LINE	BODY	ENGINE	TRANSMISSION
H=Laredo	J = 4WD	74 = 4 Door(105.9 WB)	ERO, ERH = 4.0L, Power Tech I-6	DGK = 4 Speed Autm, 42RE
P=Limited	T = 2WD		EVO, EVA = 4.7L, Power Tech V8	DGW = 4 Speed Automatic, -44RE
	U = 4WD (RHD)		EXA, EX0 = 3.1L, 5 Cyl Turbo Diesel	DG4 = Multi Speed Automatic, -45RFE
				DGO = All Automatic

AR = Use as required - = Non illustrated part # = New this model year

September 14, 2002

Fuel Rail 4.0L (ERH), 4.7L (EVA) Engine  
Figure 014-410



ITEM	PART NUMBER	QTY	LINE	SERIES	BODY	ENGINE	TRANS	DESCRIPTION
------	-------------	-----	------	--------	------	--------	-------	-------------

NOTE:

EM0 = All 5.9L 8 Cyl Gas Engines

ER0 = All 4.0L Engines

EVO = All 4.7L Engines

1								RAIL, Fuel
	5303 0848	1				EVO		
	5014 496AA	1				ER0		
2								INJECTOR, Fuel
	5303 0842	8				EVO		
	4854 181	6				ER0		
3								CLIP, Fuel Injector
	4418 257	8				EVO		
		6				ER0		
4	6501 979	2				ER0		SCREW AND WASHER, Hex Head, M6x1x17
-5	6505 504AA	4				EVO		SCREW
6	6502 647	2				ER0		STUD, M6x1.00x44
-7	6505 889AA	1				EVO		STUD
-8								CAP
	5018 781AA	1				ER0		Diagnostic Port
		1				EVO		Diagnostic Port
		1				EM0		Diagnostic Port

JEEP GRAND CHEROKEE (WJ)

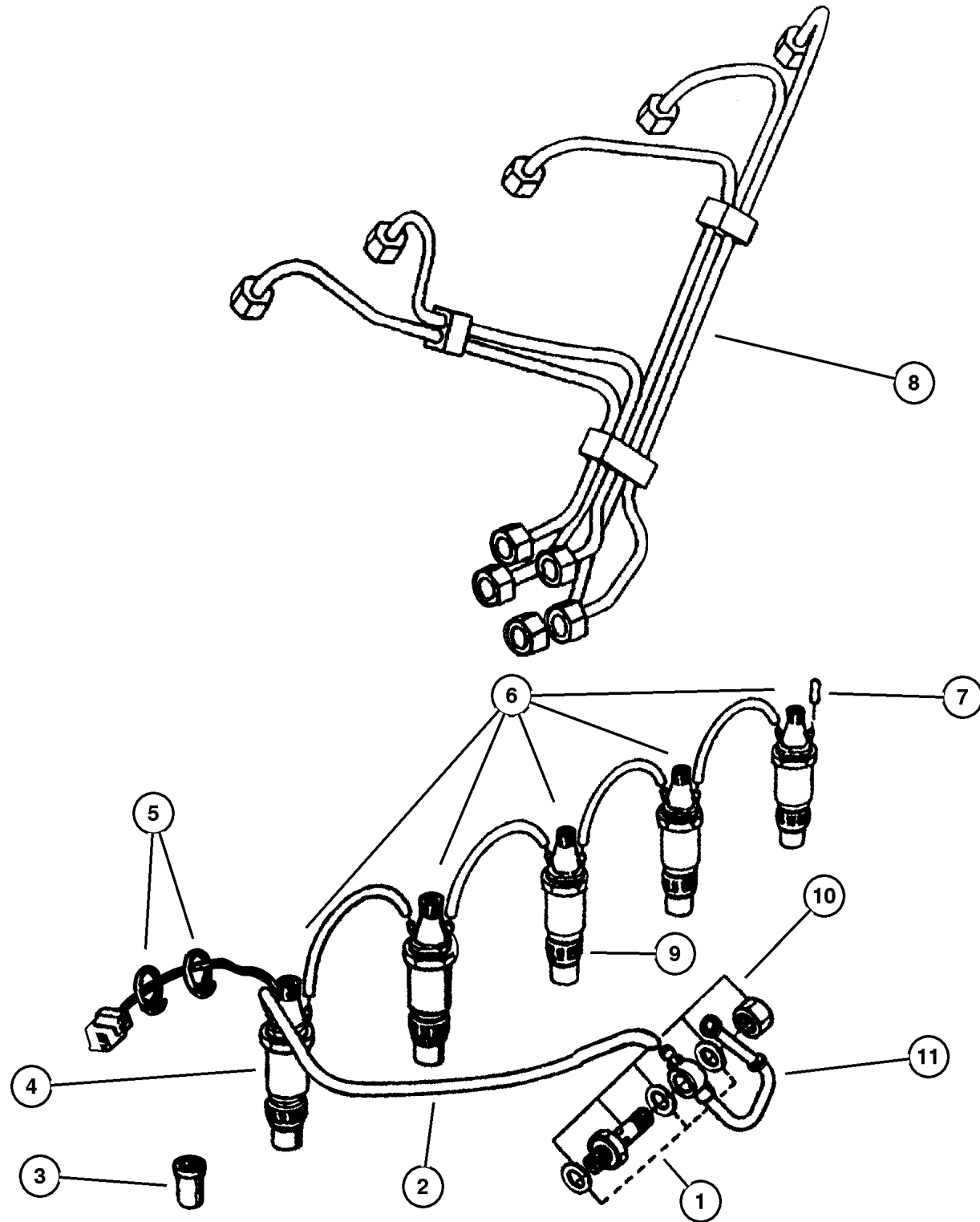
SERIES	LINE	BODY	ENGINE	TRANSMISSION
H=Laredo	J = 4WD	74 = 4 Door(105.9 WB)	ER0, ERH = 4.0L, Power Tech I-6	DGK = 4 Speed Autm, 42RE
P=Limited	T = 2WD		EVO, EVA = 4.7L, Power Tech V8	DGW = 4 Speed Automatic, -44RE
	U = 4WD (RHD)		EXA, EX0 = 3.1L, 5 Cyl Turbo Diesel	DG4 = Multi Speed Automatic, -45RFE
				DGO = All Automatic

AR = Use as required - = Non illustrated part # = New this model year

September 14, 2002

**Fuel Injection System 3.1L (EXA) Diesel Engine  
Figure 014-440**

ITEM	PART NUMBER	QTY	LINE	SERIES	BODY	ENGINE	TRANS	DESCRIPTION
NOTE: EX0=All 3.1L Engines DG0=All Automatic Transmissions								
1	4720 703	5				EX0	DG0	WASHER, Plain
2	4720 190AB	1				EX0	DG0	PIPE, Fuel Spill Return
3	4723 346	5				EX0	DG0	NOZZLE, Fuel Injector
4	5014 990AA	1				EX0	DG0	INJECTOR, Fuel
5	4728 184	3				EX0	DG0	CLIP, Spill Return Pipe
6	4720 189AB	4				EX0	DG0	PIPE, Fuel Spill Return
7	4720 197	1				EX0	DG0	PLUG, Cylinder Block Oil Hole
8	5014 988AA	1				EX0	DG0	TUBE, Fuel Injector Supply
9	5014 989AA	4				EX0	DG0	INJECTOR, Fuel
10	4874 444	1				EX0	DG0	VALVE, Flow Control
11	4864 579	1				EX0	DG0	BANJO, Fuel



**JEEP GRAND CHEROKEE (WJ)**

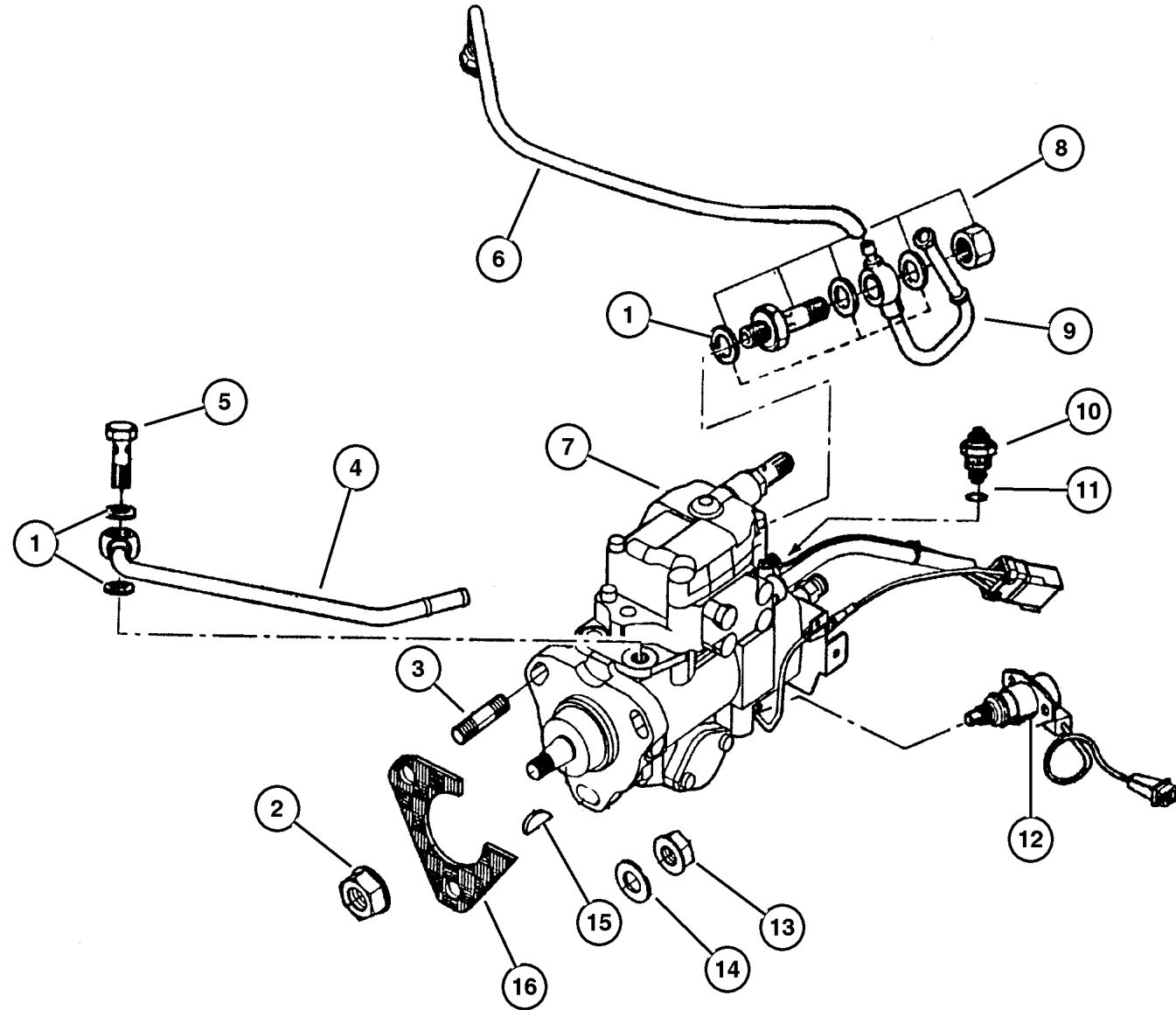
<b>SERIES</b>	<b>LINE</b>	<b>BODY</b>	<b>ENGINE</b>	<b>TRANSMISSION</b>
H=Laredo	J = 4WD	74 = 4 Door(105.9 WB)	ER0, ERH = 4.0L, Power Tech I-6	DGK = 4 Speed Autm, 42RE
P=Limited	T = 2WD		EV0, EVA = 4.7L, Power Tech V8	DGW = 4 Speed Automatic, -44RE
	U = 4WD (RHD)		EXA, EX0 = 3.1L, 5 Cyl Turbo Diesel	DG4 = Multi Speed Automatic, -45RFE
				DGO = All Automatic

AR = Use as required - = Non illustrated part # = New this model year

September 14, 2002



Fuel Injection Pump 3.1L (EVA) Diesel Engine  
Figure 014-460



ITEM	PART NUMBER	QTY	LINE	SERIES	BODY	ENGINE	TRANS	DESCRIPTION
NOTE: EX0=All 3.1L Engines DG0=All Automatic Transmissions								
1	4720 703	2				EX0	DG0	WASHER, Plain
2	4883 402AA	1				EX0	DG0	NUT
3	4723 241	3				EX0	DG0	STUD
4	5014 991AA	1				EX0	DG0	BANJO, Fuel
5	4720 367	1				EX0	DG0	BOLT, Banjo
6	4720 190AB	1				EX0	DG0	PIPE, Fuel Spill Return
7	5014 992AA	1				EX0	DG0	PUMP, Fuel Injection
8	4874 444	1				EX0	DG0	VALVE, Flow Control
9	4864 579	1				EX0	DG0	BANJO, Fuel
10	4723 264	1				EX0	DG0	SOLENOID, Fuel Shut Off Valve
11	4723 266	1				EX0	DG0	O RING, Fuel Solenoid
12	4797 786	1				EX0	DG0	ADVANCE, Automatic Injection
13	4778 961	3				EX0	DG0	NUT
14	4720 193	3				EX0	DG0	WASHER, Flat
15	4720 198	1				EX0	DG0	KEY, Fuel Injection Pump
16	4720 196	1				EX0	DG0	GASKET, Injection Pump

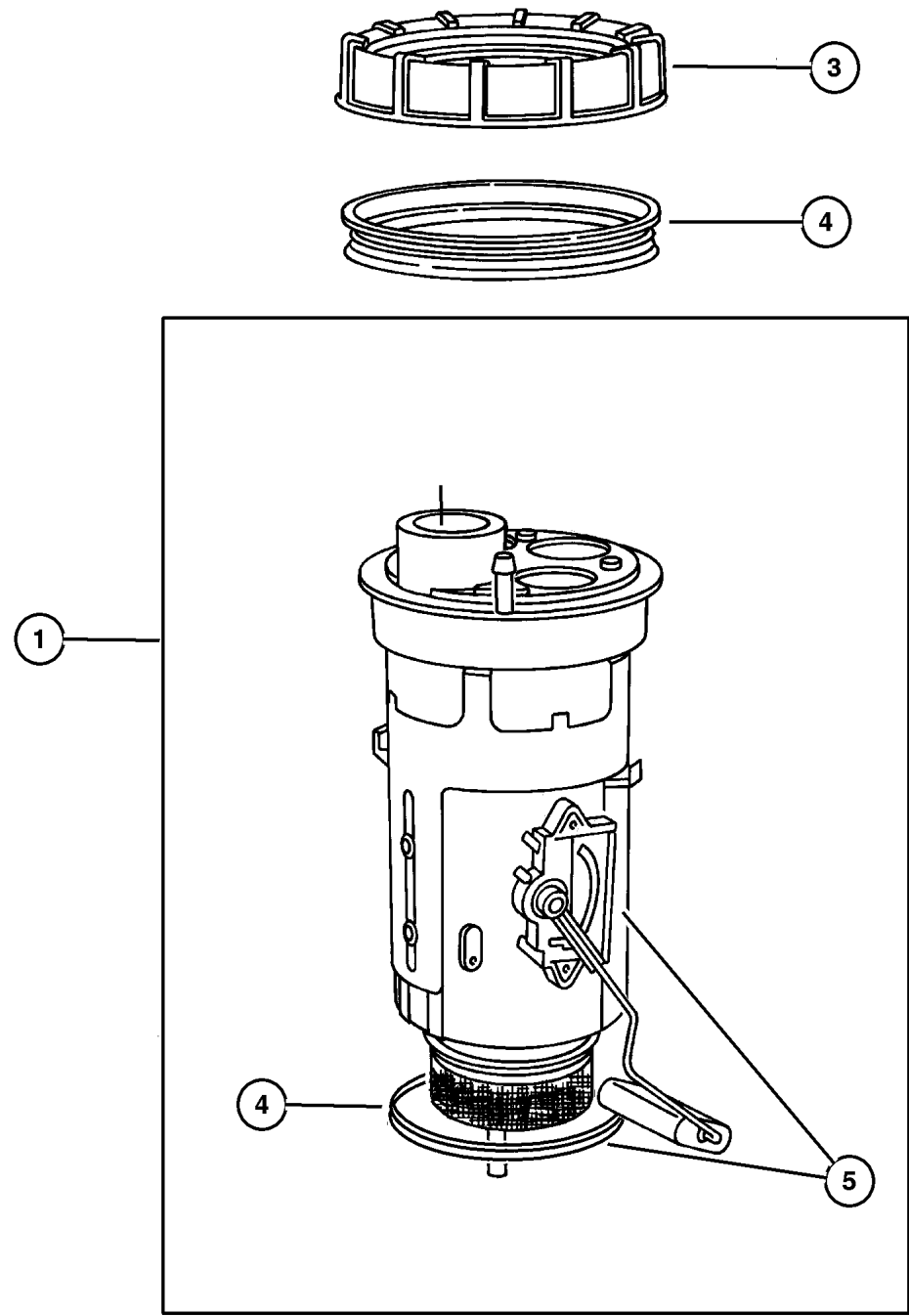
JEEP GRAND CHEROKEE (WJ)

SERIES	LINE	BODY	ENGINE	TRANSMISSION
H=Laredo	J = 4WD	74 = 4 Door(105.9 WB)	ER0, ERH = 4.0L, Power Tech I-6	DGK = 4 Speed Autm, 42RE
P=Limited	T = 2WD		EV0, EVA = 4.7L, Power Tech V8	DGW = 4 Speed Automatic, -44RE
	U = 4WD (RHD)		EXA, EX0 = 3.1L, 5 Cyl Turbo Diesel	DG4 = Multi Speed Automatic, -45RFE
				DGO = All Automatic

AR = Use as required - = Non illustrated part # = New this model year

September 14, 2002

Fuel Pump and Sending Unit 3.1L Diesel (EXA), 4.0L (ERH), 4.7L (EVA) Engine  
Figure 014-510



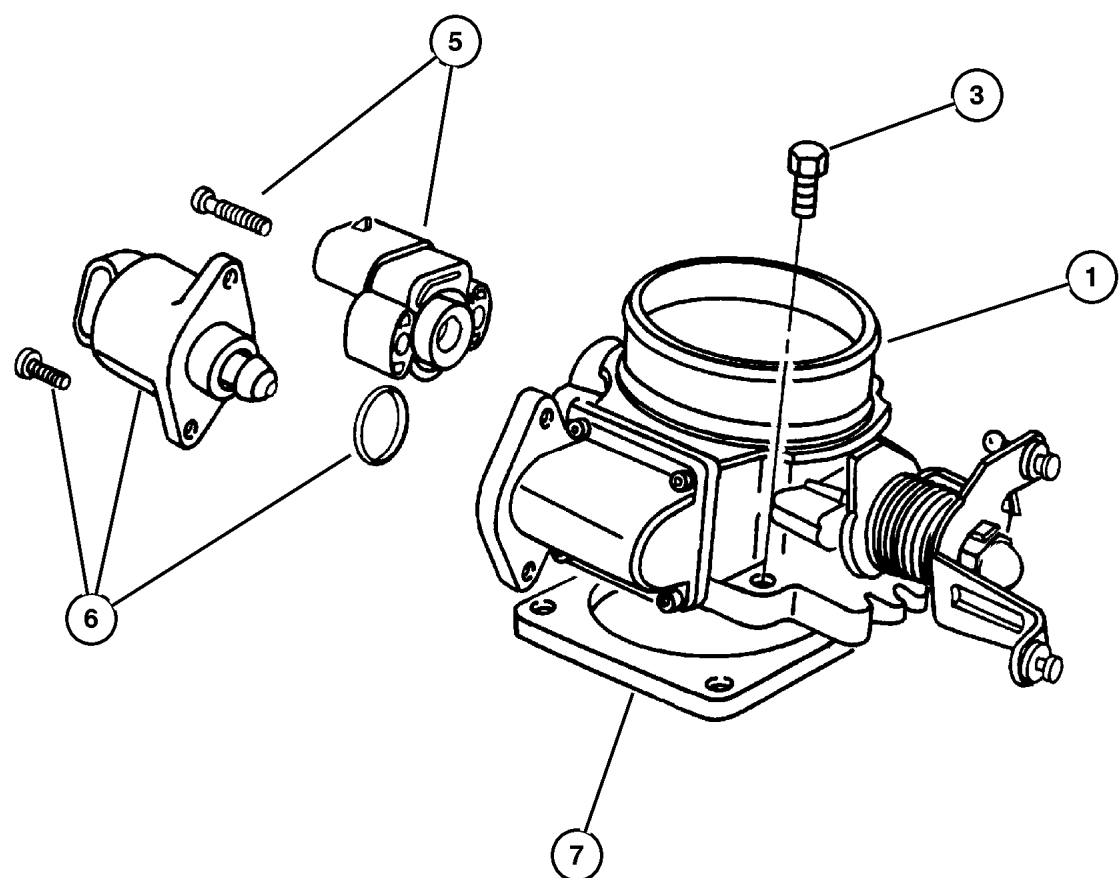
ITEM	PART NUMBER	QTY	LINE	SERIES	BODY	ENGINE	TRANS	DESCRIPTION
NOTE: EX0=All 3.1L Engines ER0=All 4.0L Engines EV0=4.7L Engines								
1	5012 380AA	1				ER0, EV0		MODULE PACKAGE, Fuel Pump/Level Unit
-2	5013 451AA	1				EX0		MODULE PACKAGE, Fuel Tank
3								NUT, Fuel Pump Module
	5200 5389	1				ER0, EV0		
		1				EX0		
4								SEAL, Fuel Pump and Level Unit
	5201 8808	1				ER0, EV0		
		1				EX0		
5	5013 584AA	1				ER0, EV0		LEVEL UNIT PACKAGE, Fuel

JEEP GRAND CHEROKEE (WJ)				
SERIES	LINE	BODY	ENGINE	TRANSMISSION
H=Laredo	J = 4WD	74 = 4 Door(105.9 WB)	ER0, ERH = 4.0L, Power Tech I-6	DGK = 4 Speed Autm, 42RE
P=Limited	T = 2WD		EV0, EVA = 4.7L, Power Tech V8	DGW = 4 Speed Automatic, -44RE
	U = 4WD (RHD)		EXA, EX0 = 3.1L, 5 Cyl Turbo Diesel	DG4 = Multi Speed Automatic, -45RFE
				DGO = All Automatic

AR = Use as required - = Non illustrated part # = New this model year

September 14, 2002

**Throttle Body 4.0L (ERH), 4.7L (EVA) Engine  
Figure 014-610**



ITEM	PART NUMBER	QTY	LINE	SERIES	BODY	ENGINE	TRANS	DESCRIPTION
NOTE: ER0=All 4.0L Engines EV0=All 4.7L Engines								
1								THROTTLE BODY
	53032 023AC	1				ER0		
	#53013 241AC	1				EV0		
-2	8350 3642	1				EV0		O RING, Throttle Body
3	6503 929	4				ER0		SCREW AND WASHER, Coned Pilot, M6x1x30
-4								SCREW, M6x1x40, (NOT SERVICED) (Not Serviced)
5								SENSOR, Throttle Position
	4874 371AC	1				ER0		
	4882 219	1				EV0		
6								MOTOR, Air Idle Speed
	4874 373AB	1				ER0		
	5303 0840	1				EV0		
7	5300 7543	1				ER0		GASKET, Throttle Body
-8	5303 0952	1				EV0		GASKET, Throttle Body To Intake

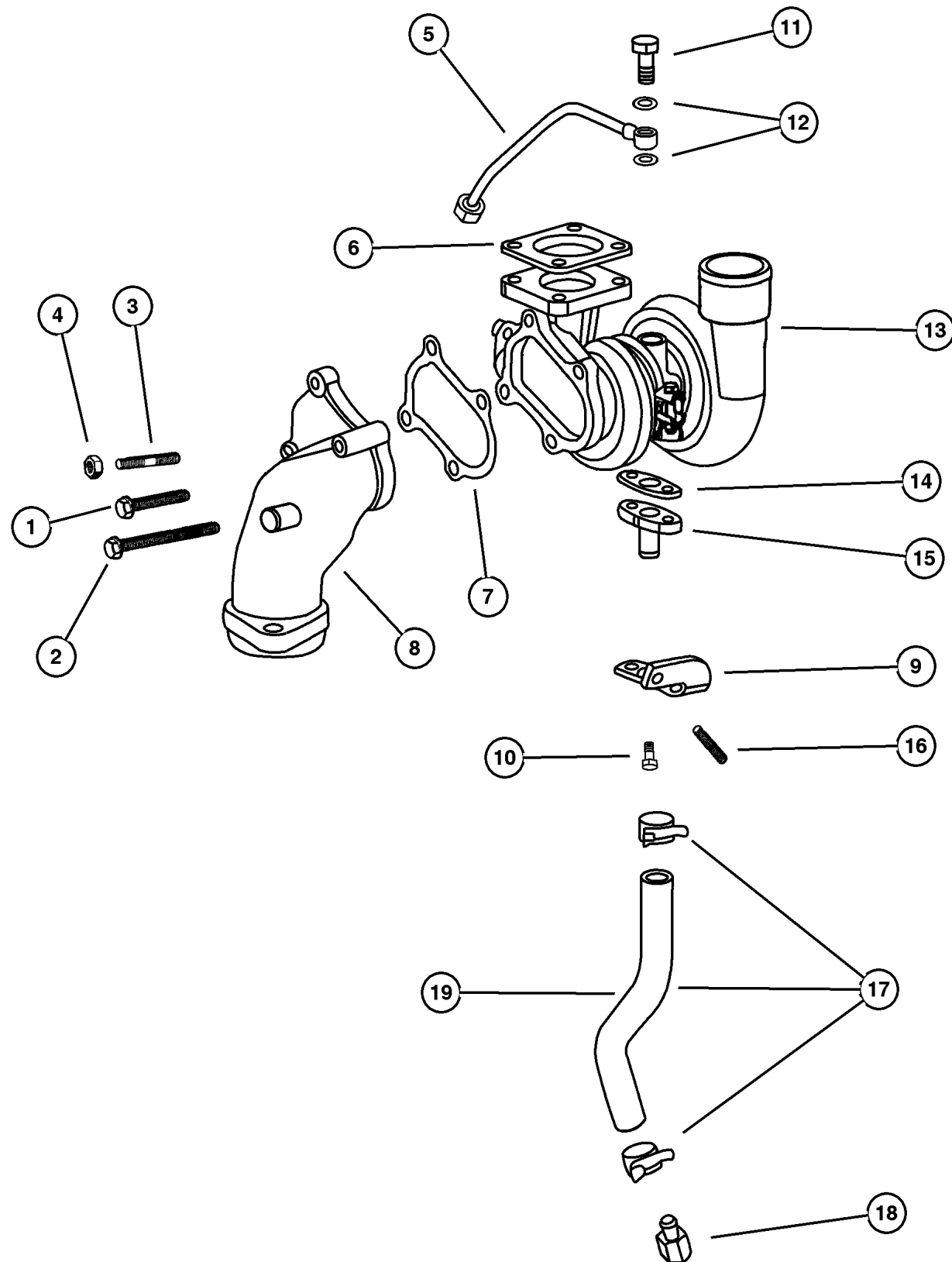
**JEEP GRAND CHEROKEE (WJ)**

SERIES	LINE	BODY	ENGINE	TRANSMISSION
H=Laredo	J = 4WD	74 = 4 Door(105.9 WB)	ER0, ERH = 4.0L, Power Tech I-6	DGK = 4 Speed Autm, 42RE
P=Limited	T = 2WD		EV0, EVA = 4.7L, Power Tech V8	DGW = 4 Speed Automatic, -44RE
	U = 4WD (RHD)		EXA, EX0 = 3.1L, 5 Cyl Turbo Diesel	DG4 = Multi Speed Automatic, -45RFE
				DGO = All Automatic

AR = Use as required - = Non illustrated part # = New this model year

September 14, 2002

## Turbocharger 3.1L (EXA) Engine Figure 014-660



ITEM	PART NUMBER	QTY	LINE	SERIES	BODY	ENGINE	TRANS	DESCRIPTION
NOTE: EX0=All 3.1L Engines DG0=All Automatic Transmissions								
1	5015 031AA	1				EX0	DG0	SCREW
2	5015 032AA	1				EX0	DG0	SCREW
3	4863 803	2				EX0	DG0	STUD
4	4882 610	2				EX0	DG0	NUT, Lock
5	5015 023AA	1				EX0	DG0	TUBE, Turbo Oil Feed
6	5015 027AA	1				EX0	DG0	GASKET, Manifold To Turbo
7	5015 028AA	1				EX0	DG0	GASKET, Turbo Exhaust Outlet
8	5015 022AA	1				EX0	DG0	ELBOW, Turbo Exhaust Outlet
9	5015 021AA	1				EX0	DG0	BRACKET
10	4864 551	1				EX0	DG0	SCREW
11	4720 367	1				EX0	DG0	BOLT, Banjo
12	4720 703	2				EX0	DG0	WASHER, Plain
13	5015 030AA	1				EX0	DG0	TURBOCHARGER
14	4796 007AB	1				EX0	DG0	GASKET, Turbo Oil Return Pipe
15	5015 024AA	1				EX0	DG0	TUBE, Oil Drain
16	4886 035AA	1				EX0	DG0	STUD, M6x1.0x30
17	4886 052AA	2				EX0	DG0	CLAMP, Heater Hose
18	5015 026AA	1				EX0	DG0	ADAPTER, Oil Drain Pipe
19	5015 025AA	1				EX0	DG0	PIPE, Oil Return

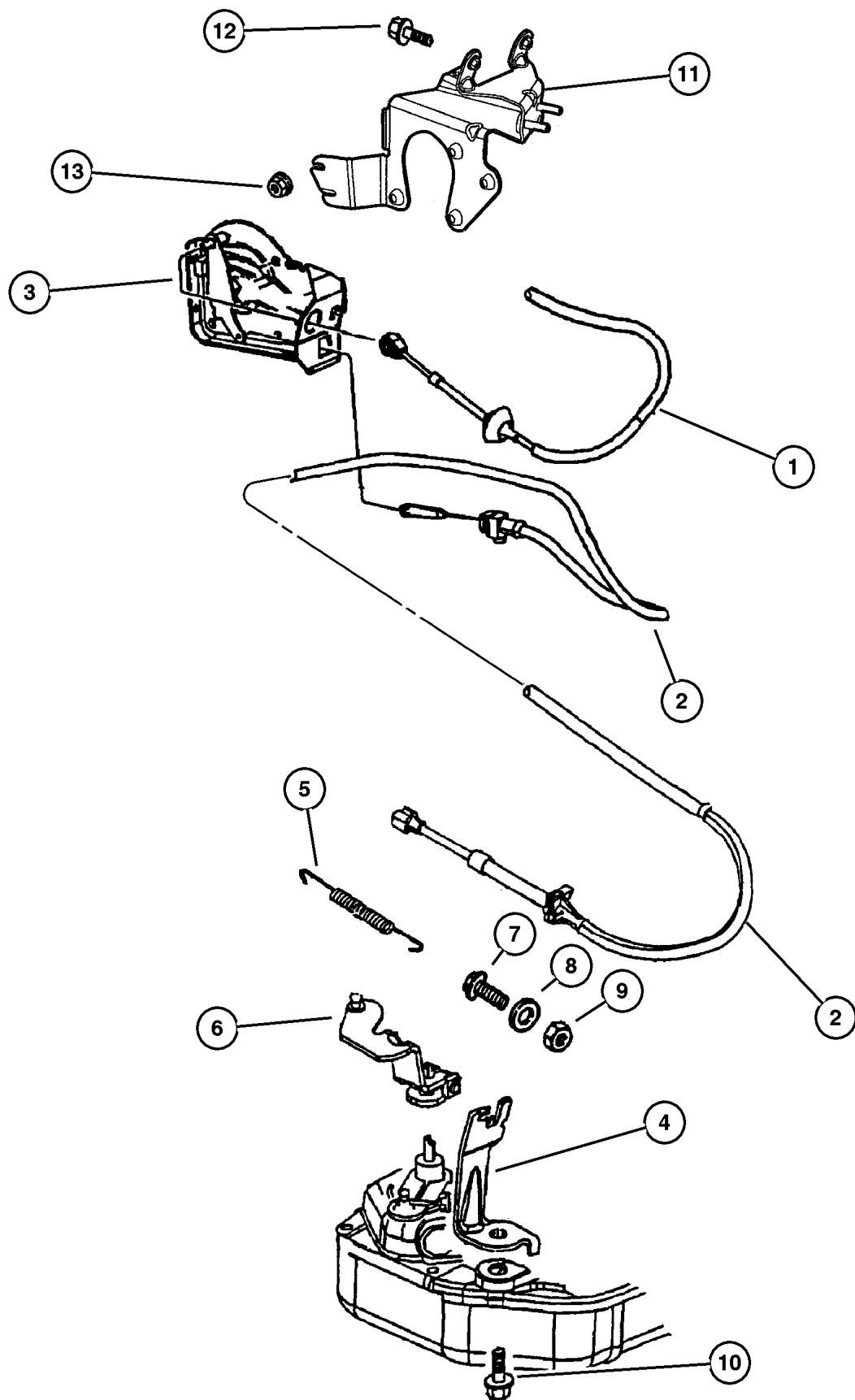
### JEEP GRAND CHEROKEE (WJ)

SERIES	LINE	BODY	ENGINE	TRANSMISSION
H=Laredo	J = 4WD	74 = 4 Door(105.9 WB)	ER0, ERH = 4.0L, Power Tech I-6	DGK = 4 Speed Autm, 42RE
P=Limited	T = 2WD		EVO, EVA = 4.7L, Power Tech V8	DGW = 4 Speed Automatic, -44RE
	U = 4WD (RHD)		EXA, EX0 = 3.1L, 5 Cyl Turbo Diesel	DG4 = Multi Speed Automatic, -45RFE
				DGO = All Automatic

AR = Use as required - = Non illustrated part # = New this model year

September 14, 2002

**Throttle Controls 3.1L (EXA) Diesel Engine  
Figure 014-710**



ITEM	PART NUMBER	QTY	LINE	SERIES	BODY	ENGINE	TRANS	DESCRIPTION
NOTE:								
DGK = 4 Speed Transmission 42RE								
DGW = 4 Speed Automatic Transmission 44RE								
ER0 = All 4.0L Engines								
EV0 = All 4.7L Gas Engines								
EX0 = All Turbo Diesel Engines								
1	4854 254AB	1	J, T			EX0		CABLE, Accelerator
2	52104 232AA	1				EX0	DGW	CABLE, Throttle Valve
3	53031 575AD	1				EX0	DGW	BELLCRANK, Accelerator and Cruise
4	5207 8867	1				ER0, EX0		BRACKET, Cable
5	5300 9055	1					DGK, DGW	SPRING, Throttle Valve Return
6	52078 723AB	1				ER0, EX0		LEVER, Throttle Valve
7	0181 065	1				ER0, EX0		BOLT, Hex Head, .25-20x1.00
8	0138 165	1				ER0, EX0		WASHER, Lock
9	J012 0375	1					DGW	NUT, Hex, .250-20
10	0181 112	1					DGK, DGW	SCREW AND WASHER, .375-16x1.00
11	53013 049AA	1				EX0	DGW	BRACKET, Bellcrank
12	6101 221	3				EX0		SCREW
13	3420 1358	2				EX0	DGW	NUT AND WASHER, Hex Nut-Sealing Washer, M6 x 1.00

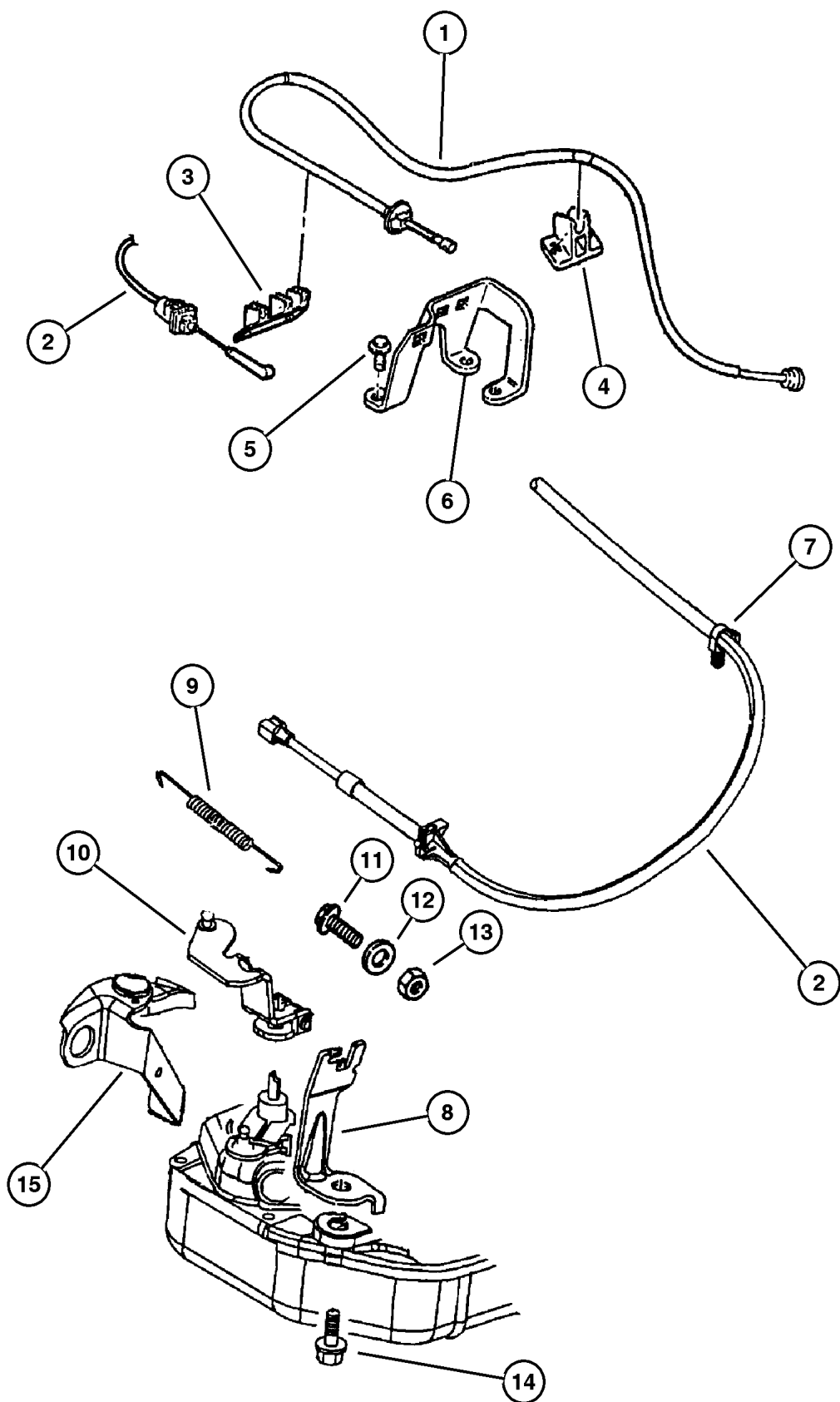
**JEEP GRAND CHEROKEE (WJ)**

SERIES	LINE	BODY	ENGINE	TRANSMISSION
H=Laredo	J = 4WD	74 = 4 Door(105.9 WB)	ER0, ERH = 4.0L, Power Tech I-6	DGK = 4 Speed Autm, 42RE
P=Limited	T = 2WD		EV0, EVA = 4.7L, Power Tech V8	DGW = 4 Speed Automatic, -44RE
	U = 4WD (RHD)		EXA, EX0 = 3.1L, 5 Cyl Turbo Diesel	DG4 = Multi Speed Automatic, -45RFE
				DGO = All Automatic

AR = Use as required - = Non illustrated part # = New this model year

September 14, 2002

## Throttle Controls 4.0L (ERH) Engine Figure 014-720



ITEM	PART NUMBER	QTY	LINE	SERIES	BODY	ENGINE	TRANS	DESCRIPTION
NOTE:								
DGK = 4 Speed Transmission 42RE								
DGW = 4 Speed Automatic Transmission 44RE								
ER0 = All 4.0L Engines								
EV0 = All 4.7L Gas Engines								
EX0 = All Turbo Diesel Engines								
1	4854 150	1	J, T			ER0		CABLE, Accelerator
2	52104 284AA	1					DGK	CABLE, Throttle Valve
3	5207 9029	1				ER0		GUIDE, Accelerator Cable
4	5207 8987	1	J, T			ER0		GUIDE, Accelerator Cable
5	6501 979	3				ER0		SCREW AND WASHER, Hex Head, M6x1x17
6	53013 160AA	1				ER0		BRACKET, Accelerator Cable
7	J400 5701	1	J, U					CLIP
8	5207 8867	1				ER0, EX0		BRACKET, Cable
9	5300 9055	1					DGK, DGW	SPRING, Throttle Valve Return
10	52078 723AB	1				ER0, EX0		LEVER, Throttle Valve
11	0181 065	1				ER0, EX0		BOLT, Hex Head, .25-20x1.00
12	0138 165	1				ER0, EX0		WASHER, Lock
13	J012 0375	1					DGW	NUT, Hex, .250-20
14	0181 112	1					DGK, DGW	SCREW AND WASHER, .375-16x1.00
15	5210 4057	1					DGK	BRACKET, Shift Cable

### JEEP GRAND CHEROKEE (WJ)

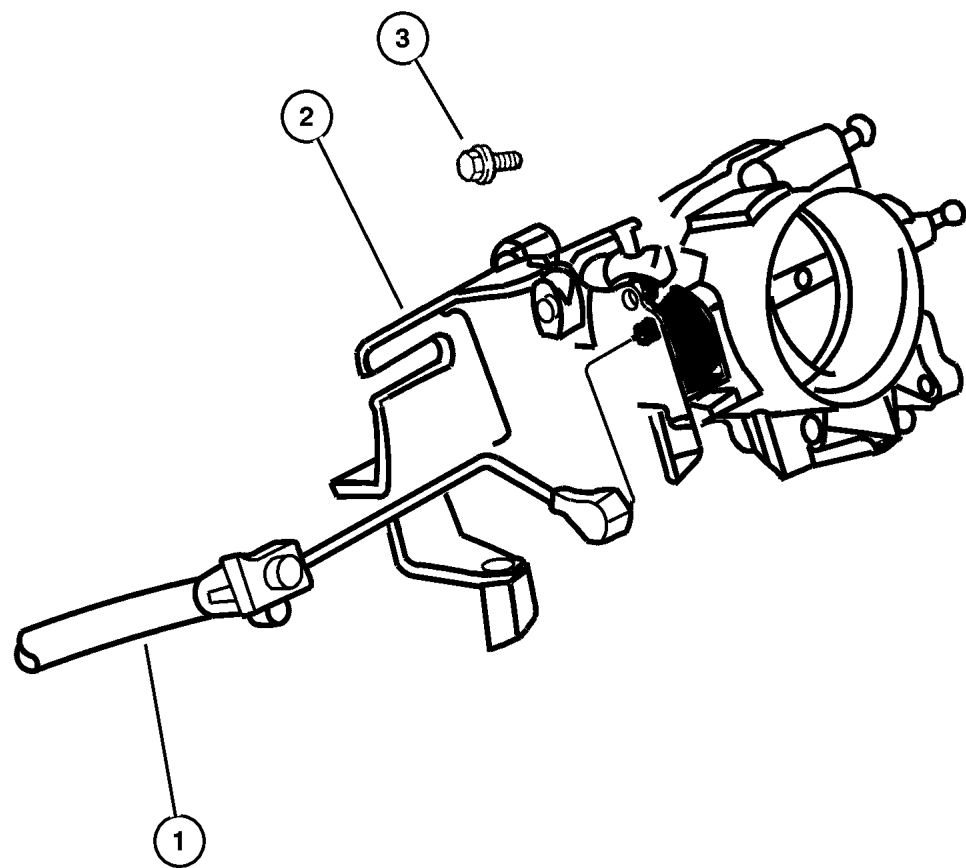
SERIES	LINE	BODY	ENGINE	TRANSMISSION
H=Laredo	J = 4WD	74 = 4 Door(105.9 WB)	ER0, ERH = 4.0L, Power Tech I-6	DGK = 4 Speed Autm, 42RE
P=Limited	T = 2WD		EV0, EVA = 4.7L, Power Tech V8	DGW = 4 Speed Automatic, -44RE
	U = 4WD (RHD)		EXA, EX0 = 3.1L, 5 Cyl Turbo Diesel	DG4 = Multi Speed Automatic, -45RFE
				DGO = All Automatic

AR = Use as required - = Non illustrated part # = New this model year

September 14, 2002

**Throttle Controls 4.7L (EVA) Engine  
Figure 014-730**

ITEM	PART NUMBER	QTY	LINE	SERIES	BODY	ENGINE	TRANS	DESCRIPTION
NOTE: EV0=All 4.7L Engines								
1	4854 061	1	J, T			EV0		CABLE, Accelerator Use Only If Stamped 4854061
	#4854 061AB	1	J, T			EV0		
2	53031 683AA	1				EV0		BRACKET, Accelerator Cable
3								SCREW, M6X1.00X16.00, (NOT SERVICED) (Not Serviced)



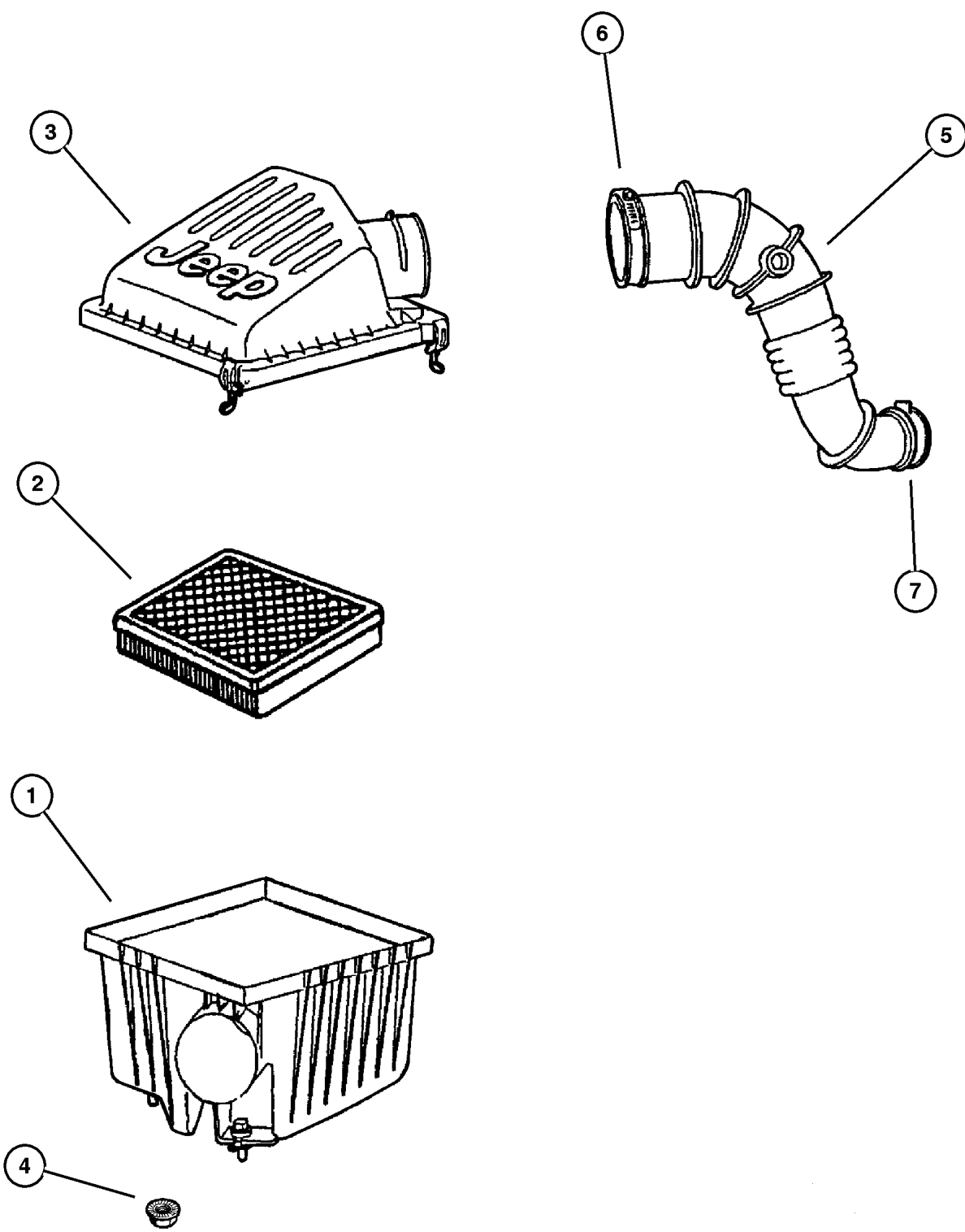
<b>JEEP GRAND CHEROKEE (WJ)</b>				
SERIES	LINE	BODY	ENGINE	TRANSMISSION
H=Laredo	J = 4WD	74 = 4 Door(105.9 WB)	ER0, ERH = 4.0L, Power Tech I-6	DGK = 4 Speed Autm, 42RE
P=Limited	T = 2WD		EV0, EVA = 4.7L, Power Tech V8	DGW = 4 Speed Automatic, -44RE
	U = 4WD (RHD)		EXA, EX0 = 3.1L, 5 Cyl Turbo Diesel	DG4 = Multi Speed Automatic, -45RFE
				DGO = All Automatic

AR = Use as required - = Non illustrated part # = New this model year

September 14, 2002

**Air Cleaner 3.1L (EXA) Diesel Engine  
Figure 014-810**

ITEM	PART NUMBER	QTY	LINE	SERIES	BODY	ENGINE	TRANS	DESCRIPTION
1	5013 465AA	1				EX0		BODY, Air Cleaner
2	5303 0688	1				EX0		FILTER, Air
3	5013 466AA	1				EX0		COVER, Air Cleaner
4								NUT, M8x1.25, (NOT SERVICED) (Not Serviced)
5	4854 188AB	1				EX0		HOSE, Air Cleaner
6	5013 837AA	1				EX0		CLAMP, Air Cleaner Duct
7	5013 838AA	1				EX0		CLAMP, Air Cleaner Duct



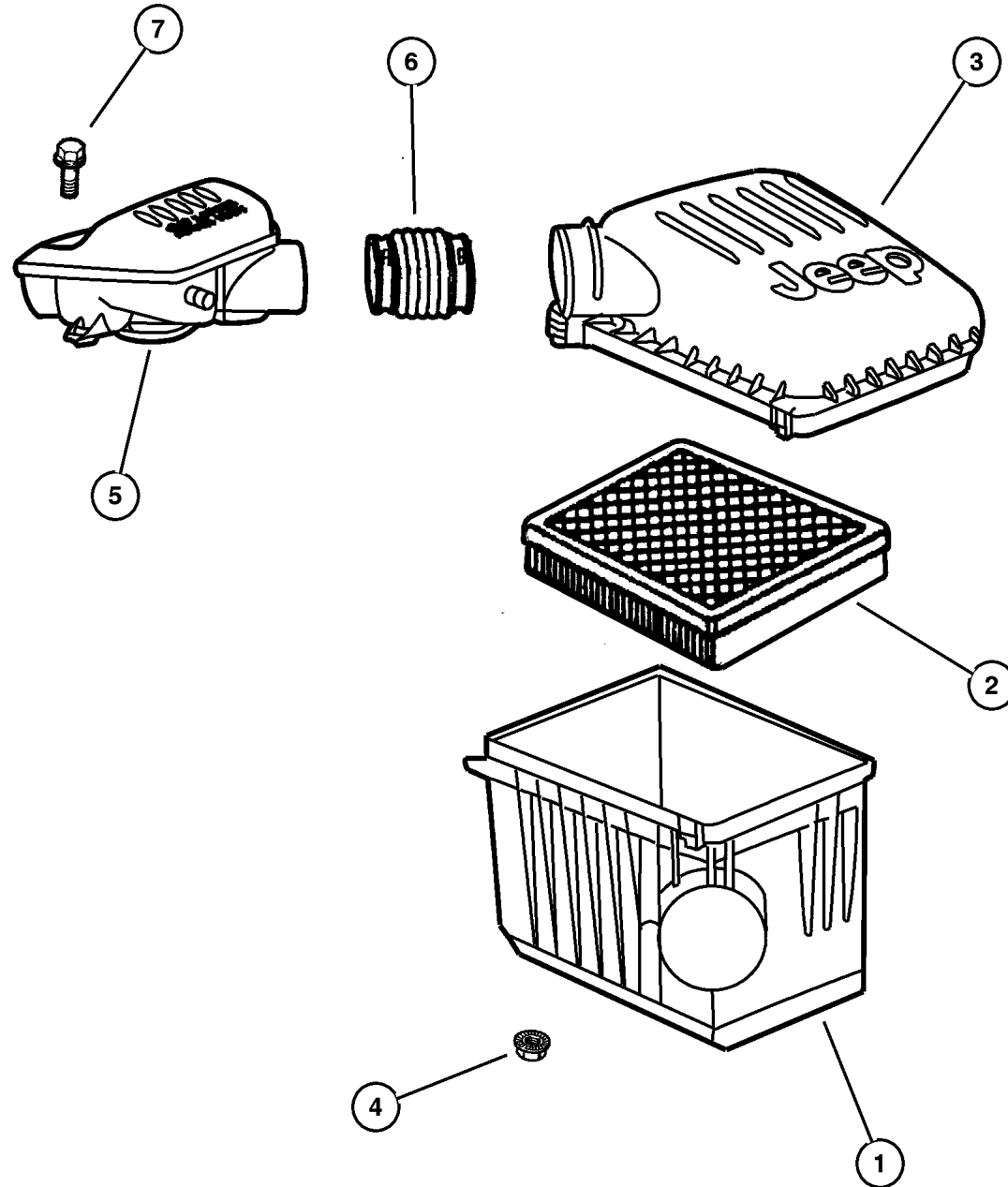
<b>JEEP GRAND CHEROKEE (WJ)</b>				
SERIES	LINE	BODY	ENGINE	TRANSMISSION
H=Laredo	J = 4WD	74 = 4 Door(105.9 WB)	ER0, ERH = 4.0L, Power Tech I-6	DGK = 4 Speed Autm, 42RE
P=Limited	T = 2WD		EV0, EVA = 4.7L, Power Tech V8	DGW = 4 Speed Automatic, -44RE
	U = 4WD (RHD)		EXA, EX0 = 3.1L, 5 Cyl Turbo Diesel	DG4 = Multi Speed Automatic, -45RFE
				DGO = All Automatic

AR = Use as required - = Non illustrated part # = New this model year

September 14, 2002



**Air Cleaner 4.0L (ERH) Engine  
Figure 014-820**



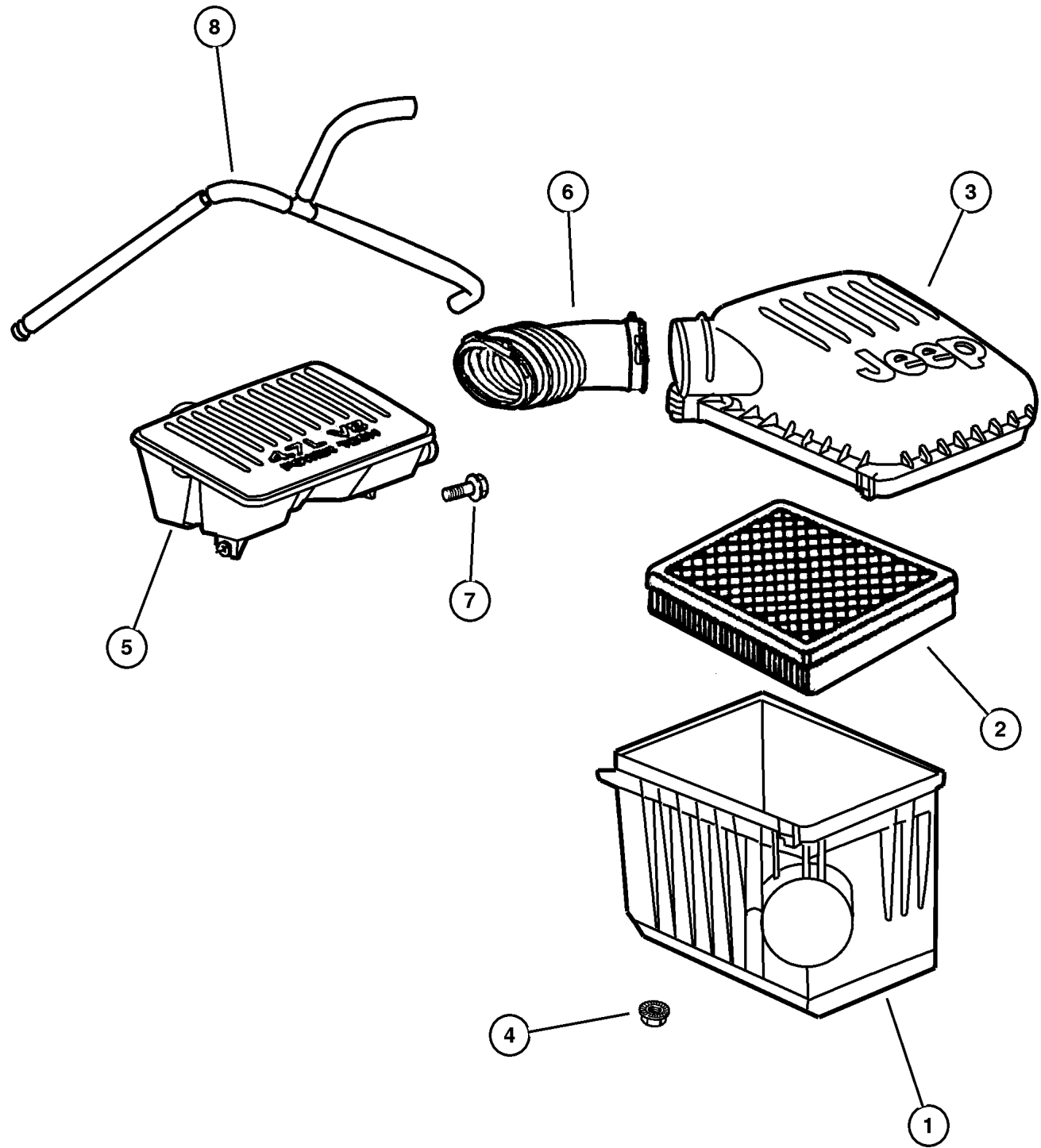
ITEM	PART NUMBER	QTY	LINE	SERIES	BODY	ENGINE	TRANS	DESCRIPTION
NOTE: ER0=All 4.0L Engines								
1	5013 462AA	1				ER0		BODY, Air Cleaner
2	5300 7386	1				ER0		FILTER, Air
3	5013 461AA	1				ER0		COVER, Air Cleaner
4								NUT, M8x1.25, (NOT SERVICED) (Not Serviced)
5	4854 013	1				ER0		RESONATOR, Air Cleaner
6	4854 014	1				ER0		HOSE, Air Cleaner
7	6101 769	2				EVO		SCREW, Hex Head, M6x1x35

JEEP GRAND CHEROKEE (WJ)				
SERIES	LINE	BODY	ENGINE	TRANSMISSION
H=Laredo	J = 4WD	74 = 4 Door(105.9 WB)	ER0, ERH = 4.0L, Power Tech I-6	DGK = 4 Speed Autm, 42RE
P=Limited	T = 2WD		EVO, EVA = 4.7L, Power Tech V8	DGW = 4 Speed Automatic, -44RE
	U = 4WD (RHD)		EXA, EX0 = 3.1L, 5 Cyl Turbo Diesel	DG4 = Multi Speed Automatic, -45RFE
				DGO = All Automatic

AR = Use as required - = Non illustrated part # = New this model year

September 14, 2002

**Air Cleaner 4.7L (EVA) Engine**  
**Figure 014-830**



ITEM	PART NUMBER	QTY	LINE	SERIES	BODY	ENGINE	TRANS	DESCRIPTION
NOTE: EV0=All 4.7L Engines								
1	5013 462AA	1				EVO		BODY, Air Cleaner
2	5300 7386	1				EVO		FILTER, Air
3	5013 461AA	1				EVO		COVER, Air Cleaner
4								NUT, M8x1.25, (NOT SERVICED) (Not Serviced)
5	4854 011	1				EVO		RESONATOR, Air Cleaner
6	4854 012	1				EVO		DUCT, Air Cleaner
7	6101 769	2				EVO		SCREW, Hex Head, M6x1x35
8	53031 667AA	1				EVO		TUBE, Breather

<b>JEEP GRAND CHEROKEE (WJ)</b>				
SERIES	LINE	BODY	ENGINE	TRANSMISSION
H=Laredo	J = 4WD	74 = 4 Door(105.9 WB)	ER0, ERH = 4.0L, Power Tech I-6	DGK = 4 Speed Autm, 42RE
P=Limited	T = 2WD		EV0, EVA = 4.7L, Power Tech V8	DGW = 4 Speed Automatic, -44RE
	U = 4WD (RHD)		EXA, EX0 = 3.1L, 5 Cyl Turbo Diesel	DG4 = Multi Speed Automatic, -45RFE
				DGO = All Automatic

AR = Use as required - = Non illustrated part # = New this model year

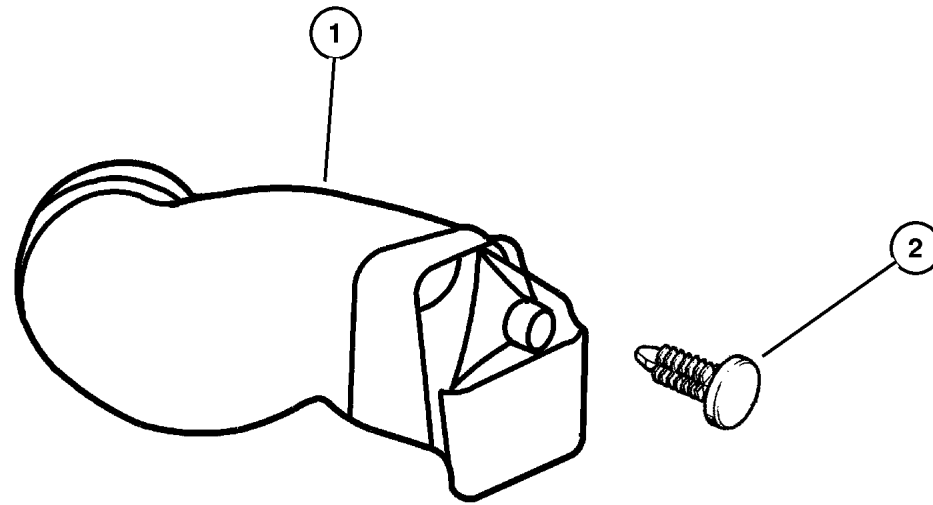
September 14, 2002

**Air Intake System 3.1L Diesel (EXA) 4.0L (ERH), 4.7L (EVA) Engine  
Figure 014-910**

ITEM	PART NUMBER	QTY	LINE	SERIES	BODY	ENGINE	TRANS	DESCRIPTION
------	-------------	-----	------	--------	------	--------	-------	-------------

NOTE: ER0=All 4.0L Engines EV0=All 4.7L Engines

1	4854 015	1				ER0, EV0		DUCT, Ambient Air
2	6030 441	1				ER0, EV0		PIN, Retainer



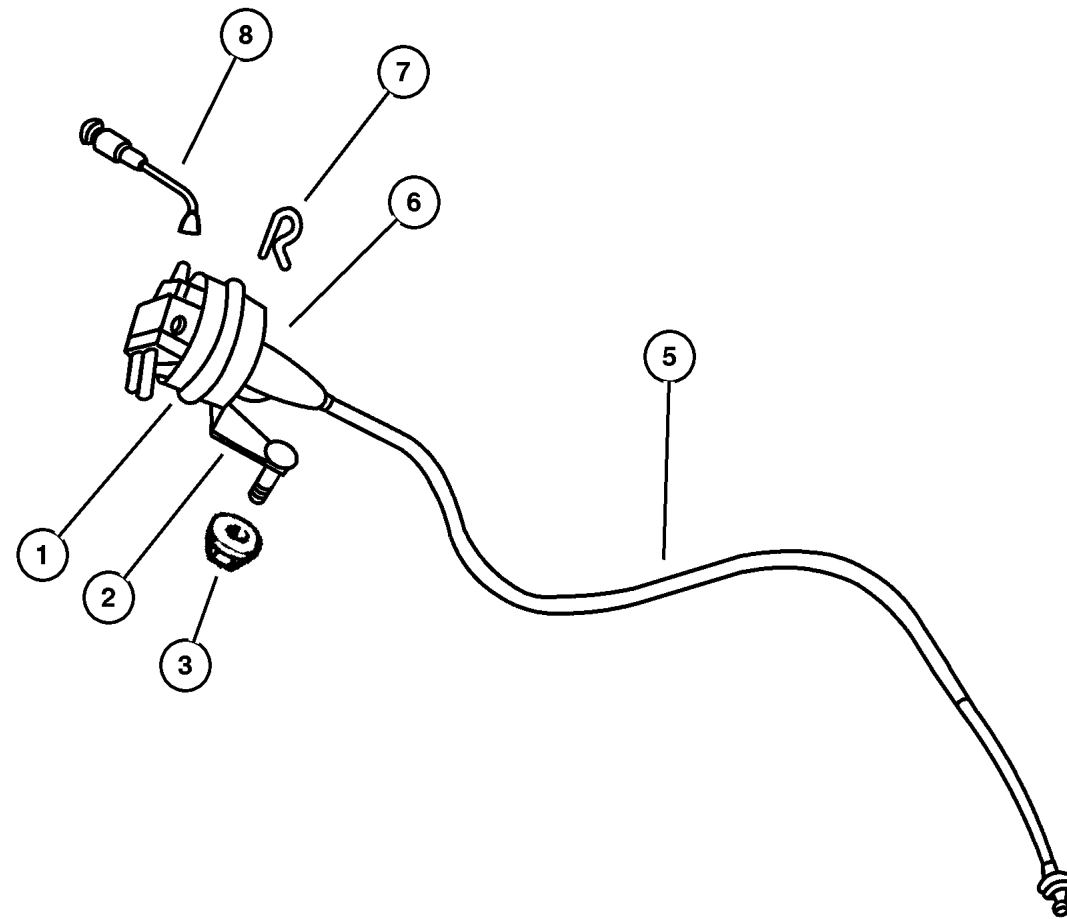
**JEEP GRAND CHEROKEE (WJ)**

SERIES	LINE	BODY	ENGINE	TRANSMISSION
H=Laredo	J = 4WD	74 = 4 Door(105.9 WB)	ER0, ERH = 4.0L, Power Tech I-6	DGK = 4 Speed Autm, 42RE
P=Limited	T = 2WD		EV0, EVA = 4.7L, Power Tech V8	DGW = 4 Speed Automatic, -44RE
	U = 4WD (RHD)		EXA, EX0 = 3.1L, 5 Cyl Turbo Diesel	DG4 = Multi Speed Automatic, -45RFE
				DGO = All Automatic

AR = Use as required - = Non illustrated part # = New this model year

September 14, 2002

**Speed Control 3.1L Diesel (EXA), 4.0L (ERH), 4.7L (EVA) Engine  
Figure 014-1010**



ITEM	PART NUMBER	QTY	LINE	SERIES	BODY	ENGINE	TRANS	DESCRIPTION
NOTE: EX0=All 3.1L Engines ER0=All 4.0L Engines EV0=All 4.7L Engines								
1	4669 979	1				EVO		SERVO, Speed Control
		1				ER0		
2	4854 057AD	1				EVO		BRACKET, Cruise Control Servo
		1				ER0		
	4854 200AB	1				EX0		
3	6100 051	2				EX0		NUT AND WASHER, Hex Nut-Coned Washer, M8 x 1.25
-4	6101 820	2				ER0, EVO		NUT, Hex Flange Lock
5								CABLE, Speed Control
	4854 055	1				EVO		
	4854 058	1				ER0		
	4854 201AA	1				EX0		
6								NUT, Hex Flange Serration, M6x1
	6502 493	2				ER0		
		2				EVO		
7								CLIP, Cable to Servo Attach
	6025 867	1				EVO		
8	4854 202AC	1				ER0		HARNESS, Vacuum Speed Control
-9								VALVE PACKAGE, Check
	4549 209	1	J, T			EX0		
		1	U			EX0		

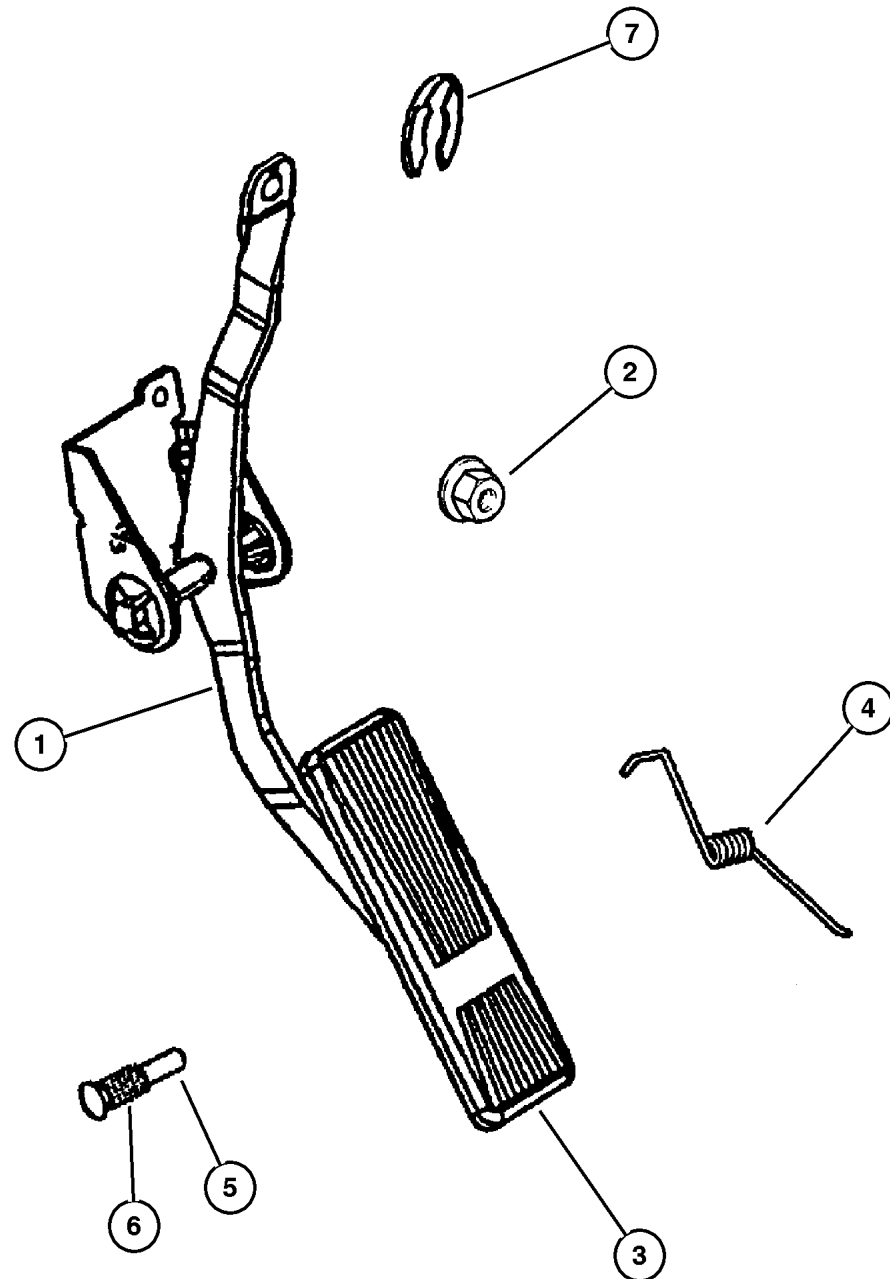
**JEEP GRAND CHEROKEE (WJ)**

SERIES	LINE	BODY	ENGINE	TRANSMISSION
H=Laredo	J = 4WD	74 = 4 Door(105.9 WB)	ER0, ERH = 4.0L, Power Tech I-6	DGK = 4 Speed Autm, 42RE
P=Limited	T = 2WD		EVO, EVA = 4.7L, Power Tech V8	DGW = 4 Speed Automatic, -44RE
	U = 4WD (RHD)		EXA, EX0 = 3.1L, 5 Cyl Turbo Diesel	DG4 = Multi Speed Automatic, -45RFE
				DGO = All Automatic

AR = Use as required - = Non illustrated part # = New this model year

September 14, 2002

**Accelerator Pedal  
Figure 014-1110**



ITEM	PART NUMBER	QTY	LINE	SERIES	BODY	ENGINE	TRANS	DESCRIPTION
1								PEDAL, Accelerator
	4854 130AB	1	J, T					
	4854 131AB	1	U					
2	3420 1680	2						NUT, Hex Flange, M6x1
3								PAD, Accelerator Pedal
	53003 932AB	1	U					
		1	J, T					
4								SPRING, Accelerator Pedal Return
	5207 8168	1	U					
		1	J, T					
5								PIN, Accelerator Pedal Mtg.
	J322 0231	1	U					
		1	J, T					
6								BUSHING, Accelerator Pedal
	5207 8653	2	J, T					
		2	U					
7	5214 613	1						CLIP, Cable

**JEEP GRAND CHEROKEE (WJ)**

SERIES	LINE	BODY	ENGINE	TRANSMISSION
H=Laredo	J = 4WD	74 = 4 Door(105.9 WB)	ER0, ERH = 4.0L, Power Tech I-6	DGK = 4 Speed Autm, 42RE
P=Limited	T = 2WD		EVO, EVA = 4.7L, Power Tech V8	DGW = 4 Speed Automatic, -44RE
	U = 4WD (RHD)		EXA, EX0 = 3.1L, 5 Cyl Turbo Diesel	DG4 = Multi Speed Automatic, -45RFE
				DGO = All Automatic

AR = Use as required - = Non illustrated part # = New this model year

September 14, 2002

# Group – 016

## Propeller Shafts and U-Joints

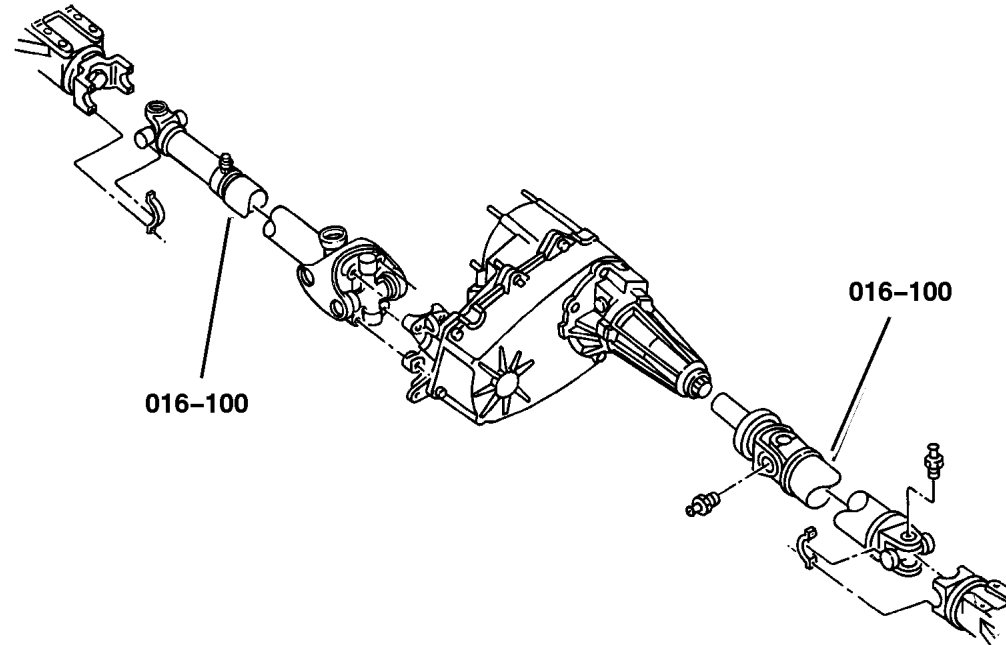
### GROUP 16 - Propeller Shafts and U-Joints

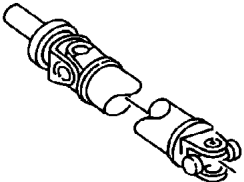
Illustration Title

Group-Fig. No.

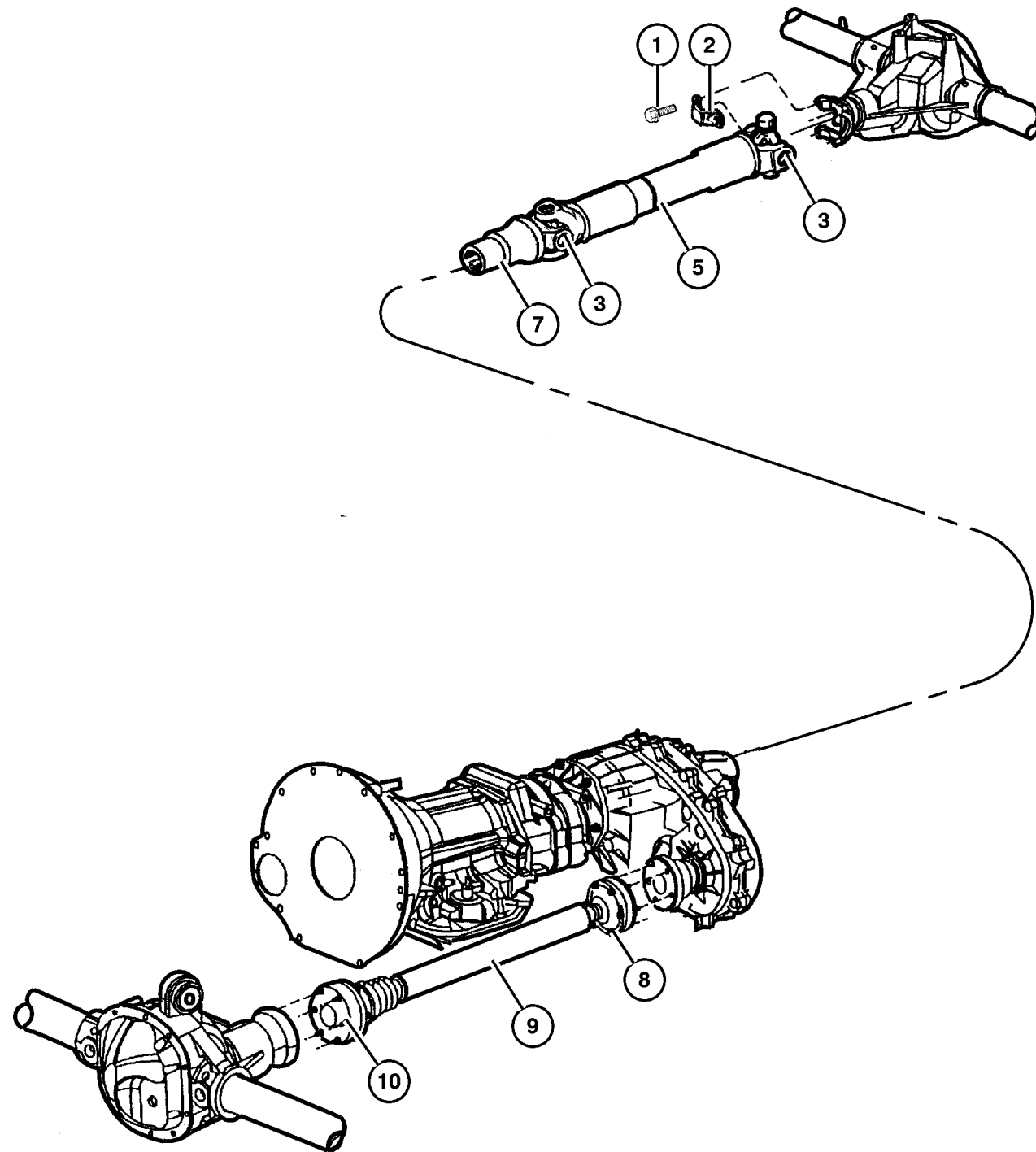
#### Propeller Shaft

Propeller Shafts, Front and Rear ..... Fig. 016-110



<p><b>016-100</b> Propeller Shaft</p> 			
---	--	--	--

**Propeller Shafts, Front and Rear**  
**Figure 016-110**



ITEM	PART NUMBER	QTY	LINE	SERIES	BODY	ENGINE	TRANS	DESCRIPTION
------	-------------	-----	------	--------	------	--------	-------	-------------

Note:Sales Codes:

Note: Item 6,7,9,that one part number consists of 2 Bolts and 1 Strap

Note:There are NO parts released for REAR DRIVE SHAFT 52111489AA

[DGW]=Transmission - 4-Speed Automatic 44R

[DHF]=Quadra-Trac II On Demand System

[DHP]=Selec-Trac Full Time 4WD System

[DRK]=Axle - Rear,Dana 44/226MM

[DRM]=Axle - Rear,Dana 35C/194MM

[ER0]=Engines - All 4.0L 6 Cylinder Gas

[EV0]=Engines - All 4.7L Gas10

[EX0]=Engines - All 3.0/3.1L Turbo Diesel

1	J400 6928	4				ER0, EV0		BOLT
2	J324 0553	2				ER0, EV0		STRAP, Prop Shaft
3	4882 793	2	T			ER0		U JOINT Front or Rear
		2	T			EV0		Front or Rear
	5014 733AA	1	T			EV0		With Tag 52099486AB, Front
	4882 793	1	T			EV0		With Tag 52099486AB, Rear
		2	J, U			ER0		Front or Rear
	5014 733AA	2	J, U			EV0		Front or Rear
		1	J, U			EV0		With Tag 52111490AA,52111490AB, Front
	5015 694AA	1	J, U			EV0		With Tag 52111490AA,52111490AB, Rear
-4	J320 7886	4	T			ER0		RING, U Joint
		4	T			EV0		
		4	J, U			ER0		
		4	J, U			EV0		
5	5209 9484	1	T			ER0		SHAFT, Drive, Rear 1-Piece With Tag 52099484-Up To and Including 9-13-99, Rear
	5209 9487	1	J, U			EV0		With Tag 52099487-Up To and Including 9-13-99 [DHF]
	#52099 487AC	1	J, U			EV0		With Tag 52099487AC-9-14-99 and After [DHF]
	52111 490AA	1	J, U			EV0		With Tag 52111490AA-Up To and Including 9-13-99 [DHP]
	#52111 490AB	1	J, U			EV0		With Tag 52111490AB-9-14-99 and After [DHP]

**JEEP GRAND CHEROKEE (WJ)**

SERIES  
H=Laredo  
P=Limited

LINE  
J = 4WD  
T = 2WD  
U = 4WD (RHD)

BODY  
74 = 4 Door(105.9 WB)

ENGINE  
ER0, ERH = 4.0L, Power Tech I-6  
EV0, EVA = 4.7L, Power Tech V8  
EXA, EX0 = 3.1L, 5 Cyl Turbo Diesel

TRANSMISSION  
DGK = 4 Speed Autm, 42RE  
DGW = 4 Speed Automatic,  
-44RE  
DG4 = Multi Speed Automatic,  
-45RFE  
DGO = All Automatic

AR = Use as required - = Non illustrated part # = New this model year

September 14, 2002

**Propeller Shafts, Front and Rear  
Figure 016-110**

ITEM	PART NUMBER	QTY	LINE	SERIES	BODY	ENGINE	TRANS	DESCRIPTION
	52111 489AA	1	J, U			EX0	DGW	With Tag 52111489AA
	#52099 484AD	1	T			ER0		With Tag 52099484AD-9-14-99 and After
	5209 9485	1	J, U			ER0		With Tag 52099485-Up To and Including 9-13-99 [DHF,DRM]
	#52099 485AE	1	J, U			ER0		With Tag 52099485AE-9-14-99 and After [DHF,DRM]
	5210 5530	1	J, U			ER0		With Tag 52105530,52105530AC [DHP]
	52111 483AA	1	J, U			ER0		With Tag 52111483AA-Up To and Including 9-13-99 [DRK]
	#52111 483AB	1	J, U			ER0		With Tag 52111483AB-9-14-99 and After [DRK]
	#5209 9486	1	T			EVO		With Tag 52099486-Up To and Including 9-13-99
	#52099 486AB	1	T			EVO		With Tag 52099486AB-9-14-99 and After
-6								<b>BOLT AND WASHER</b>
	5096 080AA	3	J, U			EX0	DGW	For 52111489AA Drive Shaft, Transmission,End
	5096 081AA	3	J, U			EX0	DGW	For 52111489AA Drive Shaft, Rear Axle,End
7								<b>YOKE, Drive Shaft</b>
	5010 030AA	1	T			ER0		With Tag 52099484, Up To and Including 9-13-99
	4874 052	1	J, U			EVO		With Tag 52099487, UpTo and Including 9-13-99
	#5018 362AA	1	J, U			EVO		With Tag 52099487AC, 9-14-99 and After
	5014 043AA	1	J, U			EVO		With Tag 52111490AA, UpTo and Including 9-13-99
	#5018 773AA	1	J, U			EVO		With Tag 52111490AB, 9-14-99 and After
	#5017 202AA	1	T			ER0		With Tag 52099484AD, 9-14-99 and After
	5010 030AA	1	J, U			ER0		With Tag 52099485-Up To and Including 9-13-99 [DHF,DRM]
	#5017 201AA	1	J, U			ER0		With Tag 52099485AE-9-14-99 and After [DHF,DRM]
	4882 714	1	J, U			ER0		With Tag 52105530, 52105530AC
	4874 052	1	J, U			ER0		With Tag 52099485,52111483AA, Up To and Including 9-13-99
	#5017 201AA	1	J, U			ER0		With Tag 52099485AE,52111483AB, 9-14-99 and After

**JEEP GRAND CHEROKEE (WJ)**

SERIES  
H=Laredo  
P=Limited

LINE  
J = 4WD  
T = 2WD  
U = 4WD (RHD)

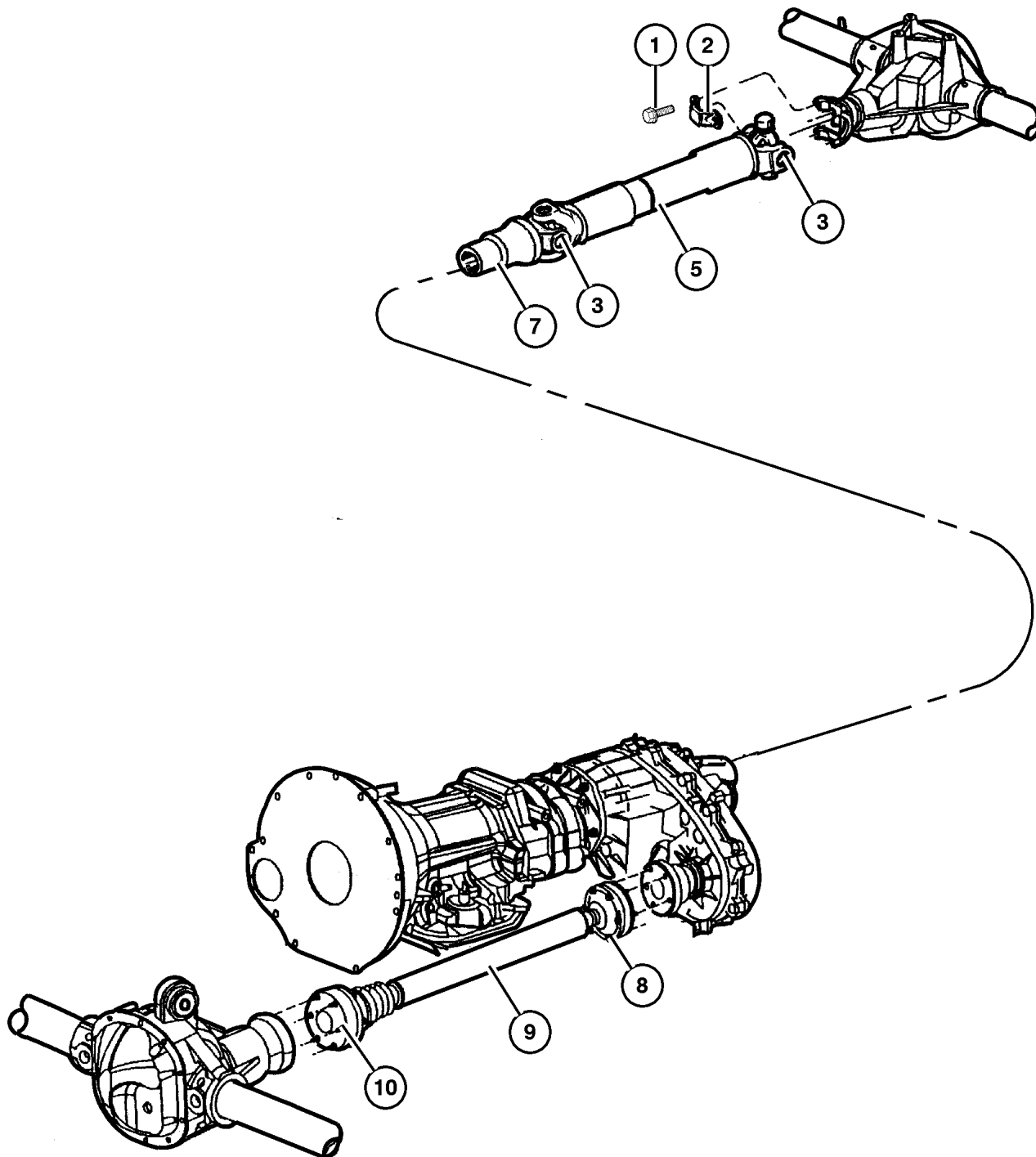
BODY  
74 = 4 Door(105.9 WB)

ENGINE  
ER0, ERH = 4.0L, Power Tech I-6  
EVO, EVA = 4.7L, Power Tech V8  
EXA, EX0 = 3.1L, 5 Cyl Turbo Diesel

TRANSMISSION  
DGK = 4 Speed Autm, 42RE  
DGW = 4 Speed Automatic, -44RE  
DG4 = Multi Speed Automatic, -45RFE  
DGO = All Automatic

AR = Use as required - = Non illustrated part # = New this model year

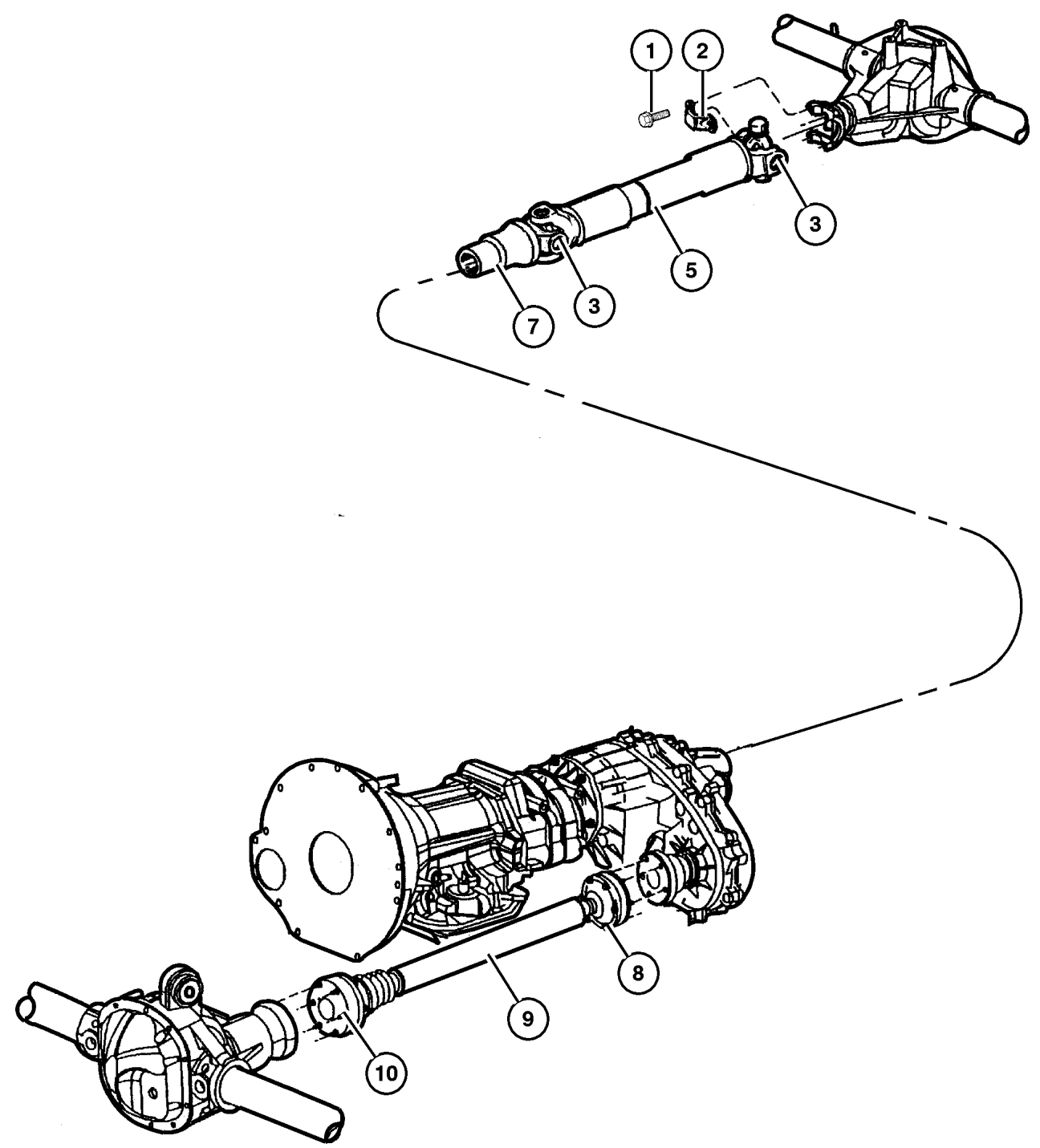
September 14, 2002





**Propeller Shafts, Front and Rear  
Figure 016-110**

ITEM	PART NUMBER	QTY	LINE	SERIES	BODY	ENGINE	TRANS	DESCRIPTION
	5010 030AA	1	T			EVO		With Tag 52099486, UpTo and Including 9-13-99
	5017 202AA	1	T			EVO		With Tag 52099486AB, 9-14-99 and After
8								BOLT AND WASHER
	5015 109AA	6	J, U			ER0		Mounting
		6	J, U			EVO		Mounting
		6	J, U			EX0	DGW	Mounting
9								SHAFT, Drive, Front
	52099 497AC	1	J, U			ER0		
	52099 498AB	1	J, U			EVO		
	52099 499AC	1	J, U			EX0	DGW	
10								BOLT AND WASHER
	5015 996AA	6	J, U			ER0		Mounting
		6	J, U			EVO		Mounting
		6	J, U			EX0	DGW	Mounting



**JEEP GRAND CHEROKEE (WJ)**

SERIES	LINE	BODY	ENGINE	TRANSMISSION
H=Laredo	J = 4WD	74 = 4 Door(105.9 WB)	ER0, ERH = 4.0L, Power Tech I-6	DGK = 4 Speed Autm, 42RE
P=Limited	T = 2WD		EVO, EVA = 4.7L, Power Tech V8	DGW = 4 Speed Automatic, -44RE
	U = 4WD (RHD)		EXA, EX0 = 3.1L, 5 Cyl Turbo Diesel	DG4 = Multi Speed Automatic, -45RFE
				DGO = All Automatic

# Group - 017

## Rear Suspension

### GROUP 17 - Rear Suspension

Illustration Title

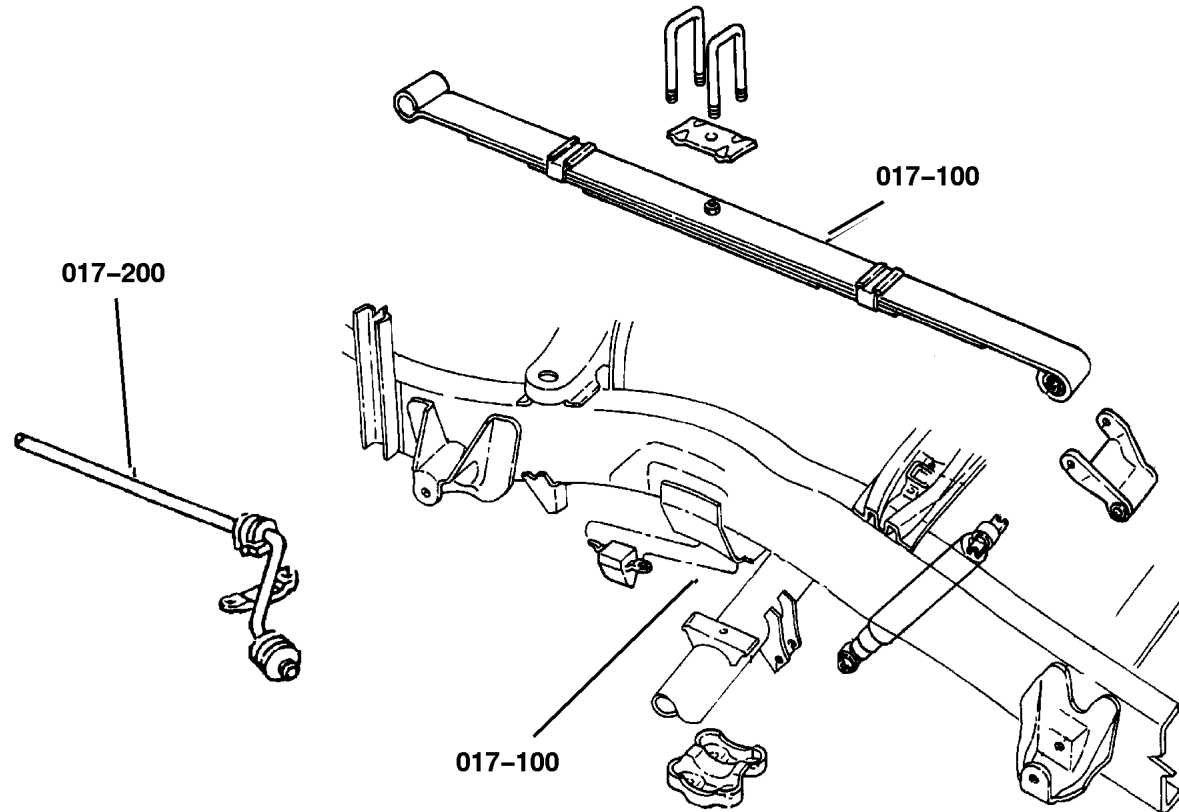
Group-Fig. No.

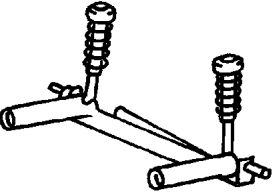
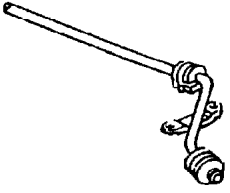
#### Rear Suspension

Supension, Rear w/Shock Absorber ..... Fig. 017-130

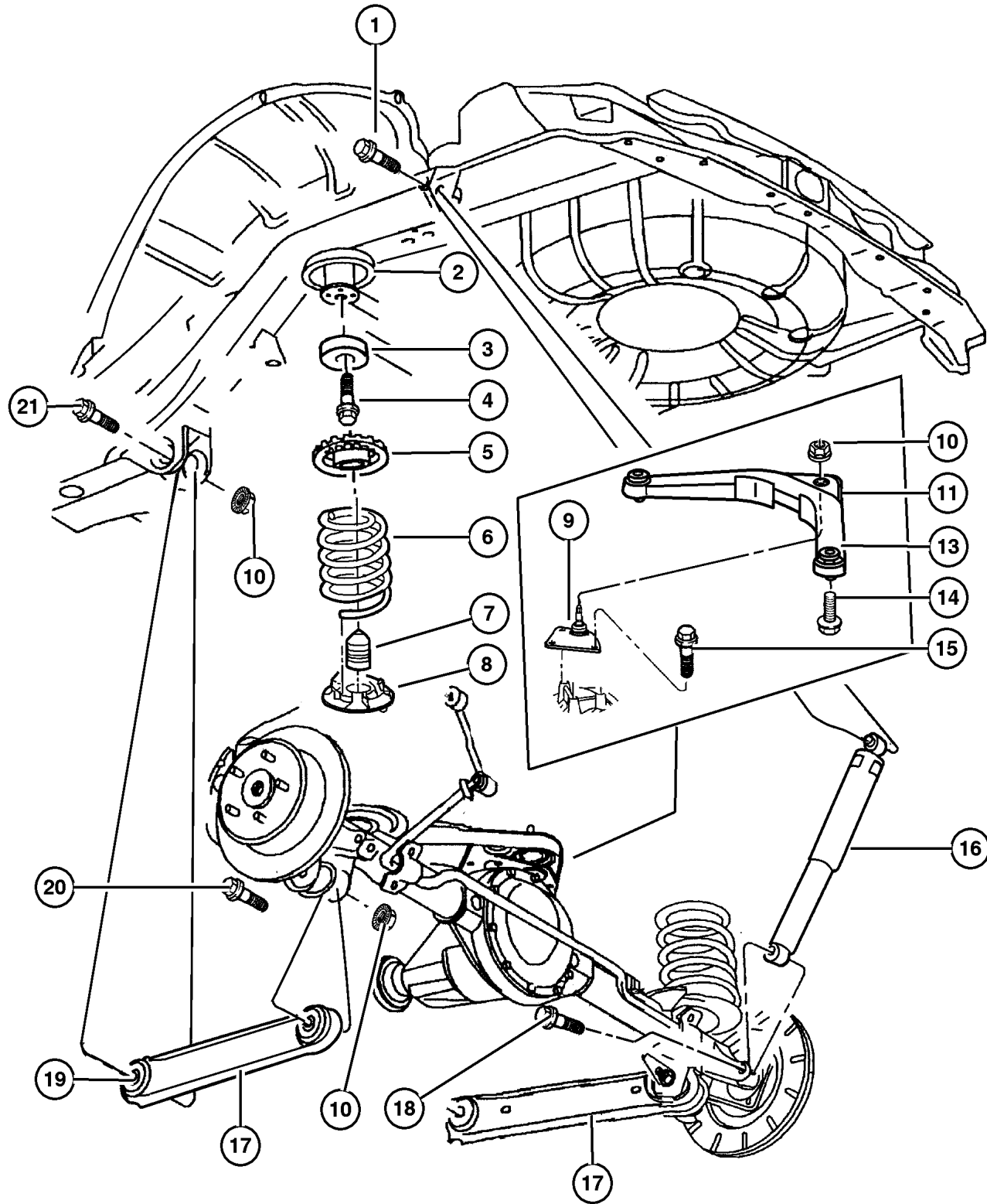
#### Rear Stabilizer

Stabilizer Bar, Rear ..... Fig. 017-210



<p><b>017-100</b> Rear Suspension</p> 	<p><b>017-200</b> Rear Stabilizer</p> 		
---	---	--	--

## Suspension, Rear w/Shock Absorber Figure 017-130



ITEM	PART NUMBER	QTY	LINE	SERIES	BODY	ENGINE	TRANS	DESCRIPTION
Note: SDA=Quadra Coil Suspension---SDU=Heavy Duty Suspension---SDJ=Firm Feel Suspension (EXPORT)---The 'Z' Sales Codes for the Coil Springs will be found in the VIN number								
1	6506 147AA	2						SCREW, Hex Flange Head, M12x1.75x80, Shock Mounting, Upper
2	5014 781AA	2						GUIDE, Rear Spring, None
3	5208 8350	2						SPACER, Jounce Bumper, Upper
4	6505 378AA	2						SCREW, Hex Flange Head, M10x1.5x40, Jounce Bumper Space Attaching, Upper
5	5208 8346	2						ISOLATOR, Spring, Upper
6	5208 8343	1						SPRING, Suspension, Rear [ZKW,ZYW]
	5208 8344	1						[ZLV,ZZV]
	5208 8345	1						[ZLW,ZZW]
	5208 8404	1						[ZKY,ZYY]
	5208 8550	1						[ZKX,ZYX]
	5208 8551	1						[ZLU,ZZU]
	52089 500AA	1						[ZKZ,ZYZ]
7	5208 8352	2						BUMPER, Jounce, Lower
8	52088 402AB	2						ISOLATOR, Spring, Lower
9	52088 808AB	1						BALL JOINT ASSEMBLY, UPPER
								CONTROL ARM, REAR
10	6502 698	1						NUT, Hex Flange Lock Control Arm to Axle Ball Joint Mounting, Upper
		4						Control Arm to Axle and to Body Mounting, Lower
11	#52088 422AB	1						ARM, Upper Control, Rear, Includes 2-Bushings
-12	6505 439AA	1						NUT AND RETAINER, Hex Flange Locking, M14 x 2.00, Control Arm to Body, Lower
13	5208 8425	2						BUSHING, Control Arm, Control Arm Bushings, Upper
14	6504 748	2						SCREW, Hex Flange Head, M12x1.75x117, Control Arm to Body Mounting, Upper
15	6505 445AA	3						SCREW, Hex Flange Head, M14x2x36, Ball Joint to Axle Mounting, Upper
16	52088 221AB	2						SHOCK ABSORBER, Suspension, Rear [SDA]
	52088 235AB	2						[SDU]
	52088 735AA	2						[SDU] Mono tube-Export
	52088 736AB	2						[SDA] Export

**JEEP GRAND CHEROKEE (WJ)**

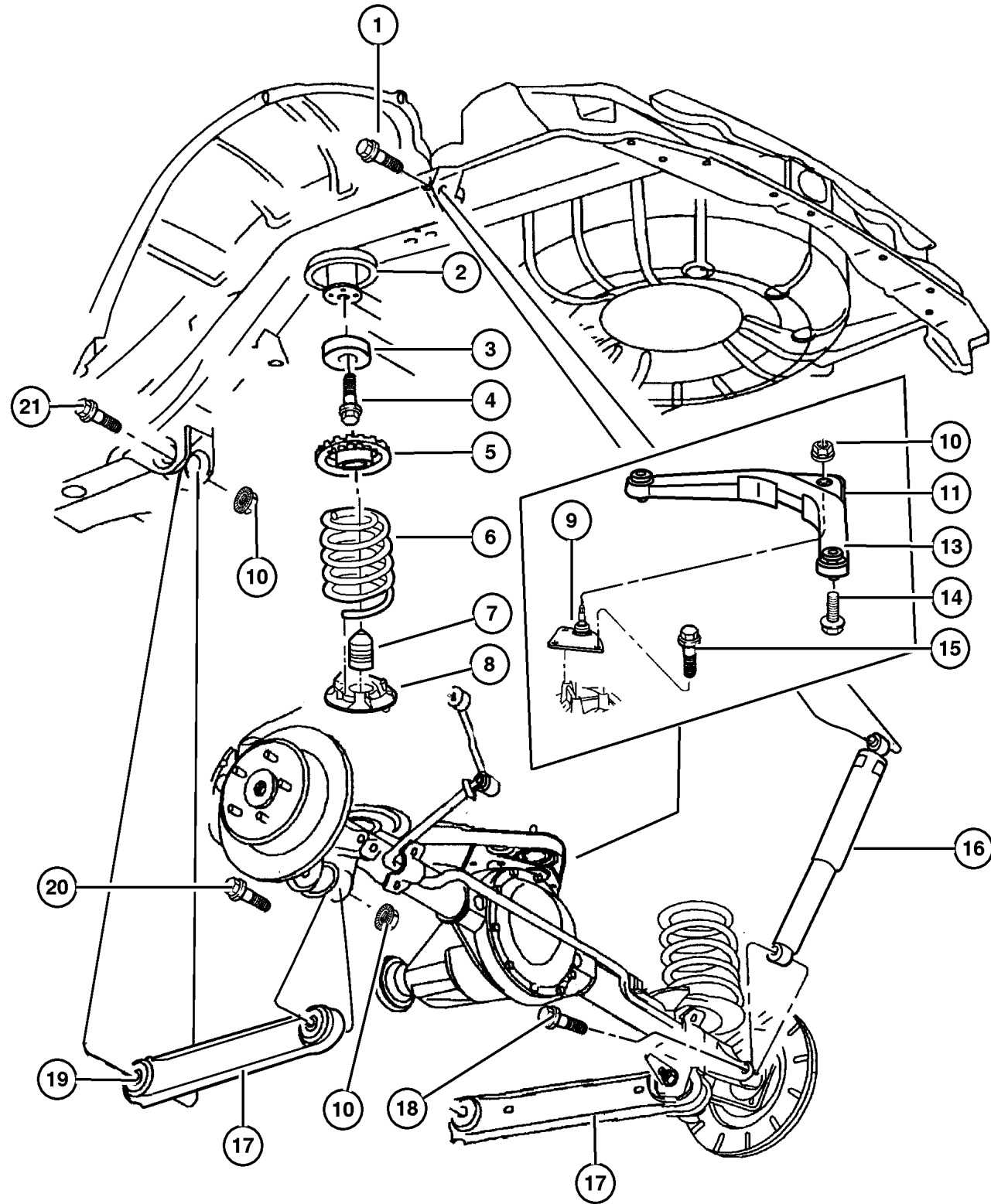
SERIES	LINE	BODY	ENGINE	TRANSMISSION
H=Laredo	J = 4WD	74 = 4 Door(105.9 WB)	ER0, ERH = 4.0L, Power Tech I-6	DGK = 4 Speed Autm, 42RE
P=Limited	T = 2WD		EV0, EVA = 4.7L, Power Tech V8	DGW = 4 Speed Automatic, -44RE
	U = 4WD (RHD)		EXA, EX0 = 3.1L, 5 Cyl Turbo Diesel	DG4 = Multi Speed Automatic, -45RFE
				DGO = All Automatic

AR = Use as required - = Non illustrated part # = New this model year

September 14, 2002

**Suspension, Rear w/Shock Absorber  
Figure 017-130**

ITEM	PART NUMBER	QTY	LINE	SERIES	BODY	ENGINE	TRANS	DESCRIPTION
	52088 950AB	2						[SDJ] Export
17	52088 355AB	2						ARM, Control, Lower
18	6505 935AA	2						SCREW, Shock Mounting, Lower
19	5208 8220	2						BUSHING, Control Arm, Control Arm to Body, Lower
20	6505 214AA	2						SCREW, Hex Flange Head, M14x2.00x114, Control Arm to Axle Mounting, Lower
21	6506 033AA	2						BOLT, Hex Flange Head, M14x2.0x105, Control Arm to Body Mounting, Lower

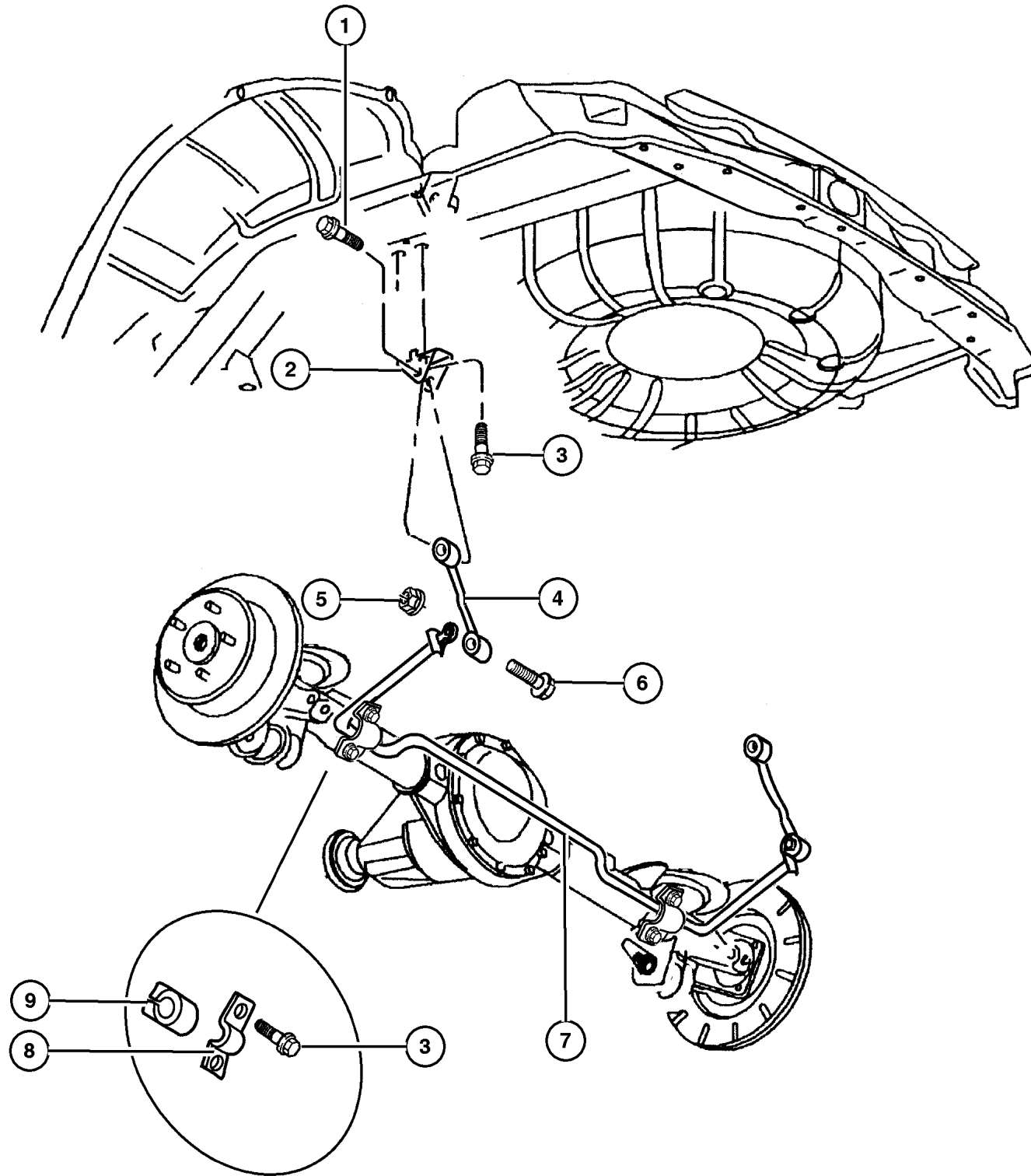


<b>JEEP GRAND CHEROKEE (WJ)</b>				
SERIES	LINE	BODY	ENGINE	TRANSMISSION
H=Laredo	J = 4WD	74 = 4 Door(105.9 WB)	ER0, ERH = 4.0L, Power Tech I-6	DGK = 4 Speed Autm, 42RE
P=Limited	T = 2WD		EVO, EVA = 4.7L, Power Tech V8	DGW = 4 Speed Automatic, -44RE
	U = 4WD (RHD)		EXA, EX0 = 3.1L, 5 Cyl Turbo Diesel	DG4 = Multi Speed Automatic, -45RFE
				DGO = All Automatic

AR = Use as required - = Non illustrated part # = New this model year

September 14, 2002

**Stabilizer Bar, Rear  
Figure 017-210**



ITEM	PART NUMBER	QTY	LINE	SERIES	BODY	ENGINE	TRANS	DESCRIPTION
1	6502 473	1						BOLT, Hex Flange Head, M12x1.75x65, Sway Bar Link to Sill Bracket Mounting
2	52088 525AA	2						BRACKET, Suspension, Sway Bar End Link/Sill Mounting
3								SCREW AND WASHER, M10x1.50x35
	6503 571	4						End Link Bracket to Sill Mounting
		4						Sway Bar Retainer to Axle Mounting
4	52088 319AB	2						LINK, Sway Eliminator
5	6502 696	2						NUT, Hex Flange Lock, M10x1.5, Sway Bar Link to Sway Bar Mounting
6	6503 726	2						SCREW, Shoulder, Sway Bar Link to Sway Bar Mounting
7	52088 739AB	1						STABILIZER BAR, Rear Suspension
8	5208 7865	2						RETAINER, Sway Bar
9	#52088 738AC	2						BUSHING, Sway Bar

**JEEP GRAND CHEROKEE (WJ)**

SERIES	LINE	BODY	ENGINE	TRANSMISSION
H=Laredo	J = 4WD	74 = 4 Door(105.9 WB)	ER0, ERH = 4.0L, Power Tech I-6	DGK = 4 Speed Autm, 42RE
P=Limited	T = 2WD		EVO, EVA = 4.7L, Power Tech V8	DGW = 4 Speed Automatic, -44RE
	U = 4WD (RHD)		EXA, EX0 = 3.1L, 5 Cyl Turbo Diesel	DG4 = Multi Speed Automatic, -45RFE
				DGO = All Automatic

AR = Use as required - = Non illustrated part # = New this model year

September 14, 2002

# Group – 019

## Steering

### GROUP 19 - Steering

Illustration Title

Group-Fig. No.

#### Steering Wheel

Steering Wheel Assembly ..... Fig. 019-110

#### Steering Column

Steering Column Assy ..... Fig. 019-210

#### Steering Gear

Steering Gear and Linkage-Left Hand Drive ..... Fig. 019-310

Steering Gear and Linkage-Right Hand Drive ..... Fig. 019-320

#### Power Steering Pump

Power Steering Pumps-Gas ..... Fig. 019-510

Power Steering Pumps-Diesel ..... Fig. 019-520

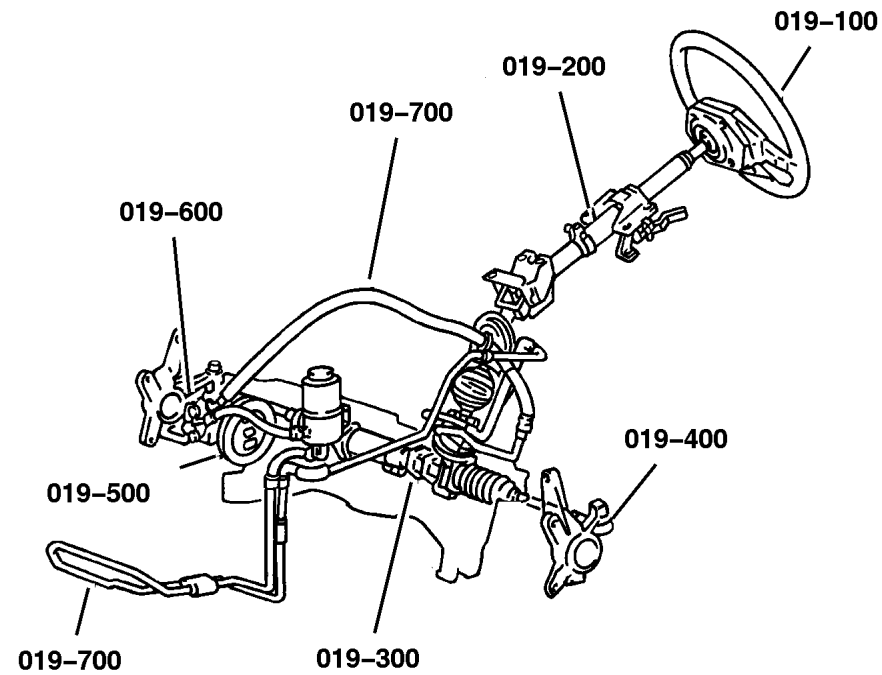
#### Power Steering Hoses

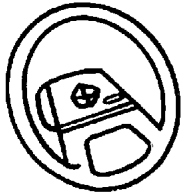
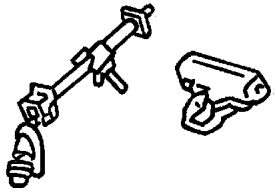
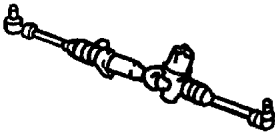
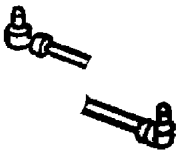
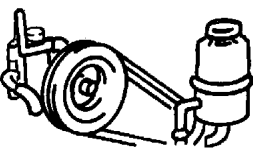
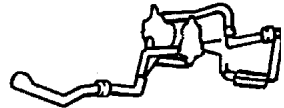
Power Steering Hoses-Gas-Left Hand Drive ..... Fig. 019-710

Power Steering Hoses-Diesel-Left Hand Drive ..... Fig. 019-720

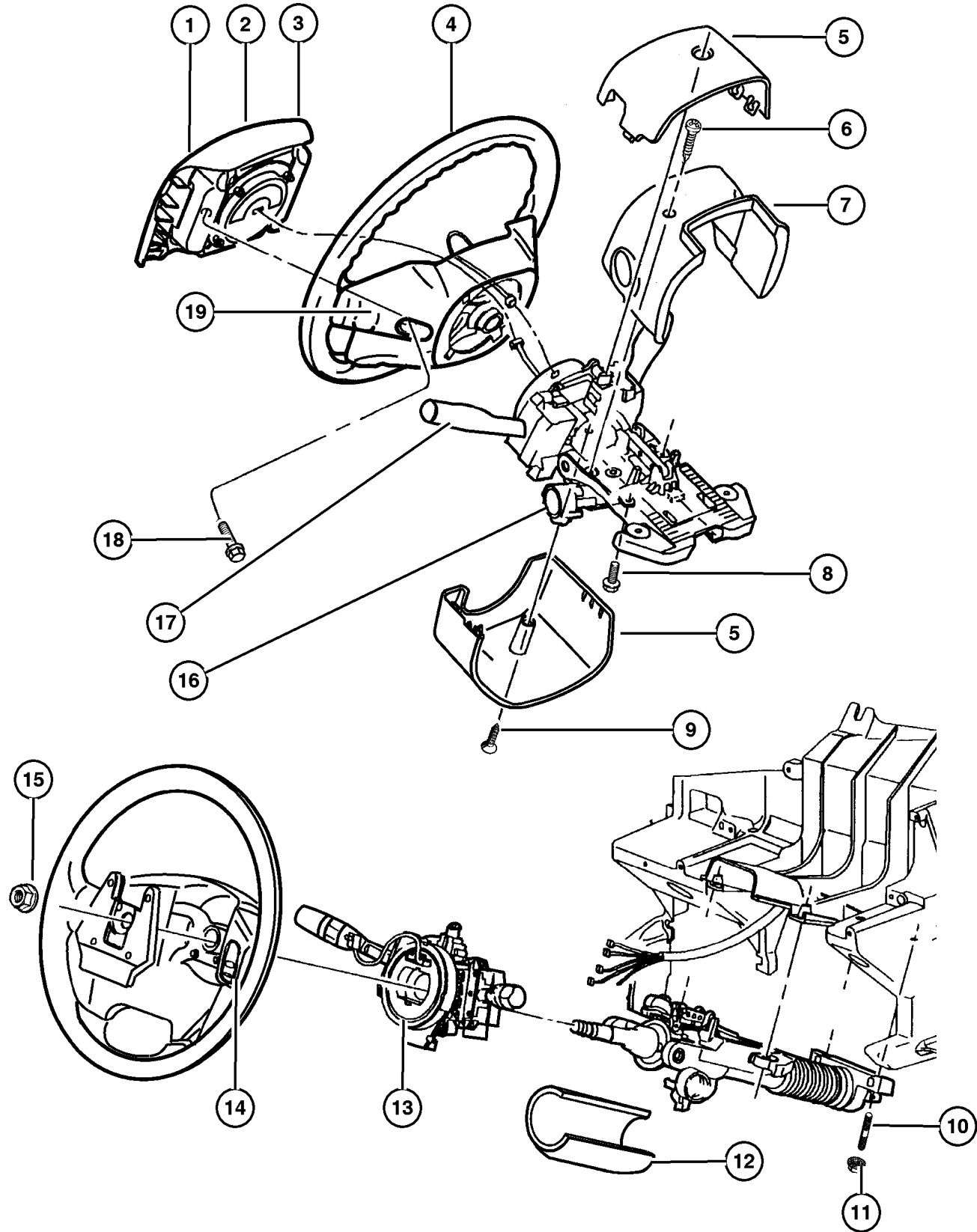
Power Steering Hoses-Gas-Right Hand Drive ..... Fig. 019-730

Power Steering Hoses-Diesel-Right Hand Drive ..... Fig. 019-740



<p><b>019-100</b> Steering Wheel</p> 	<p><b>019-200</b> Steering Column</p> 	<p><b>019-300</b> Steering Gear</p> 	<p><b>019-400</b> Steering Linkage</p> 
<p><b>019-500</b> Power Steering Pump</p> 	<p><b>019-700</b> Power Steering Hoses</p> 		

## Steering Wheel Assembly Figure 019-110



ITEM	PART NUMBER	QTY	LINE	SERIES	BODY	ENGINE	TRANS	DESCRIPTION
------	-------------	-----	------	--------	------	--------	-------	-------------

Note: If Horn Switch is defective, you must replace the AIR BAG COVER WITH SWITCH and not the AIR BAG MODULE ASSEMBLY itself.

Note:

DG0 = All Automatic Transmissions

SCA = Vinyl Steering Wheel

SCL = Leather Wrapped Steering Wheel

1	#5FA39 LAZAG	1		H				AIR BAG, Driver
		1		P				AZ
	#5FA39 VK9AG	1		P				K5
	#5FA39 WL8AG	1		P				L5
2	SX52 LAZAA	1		H				COVER, Air Bag Module
		1		P				AZ-Includes Horn Switch
	SX52 VK9AA	1		P				K5-Includes Horn Switch
	SX52 WL8AA	1		P				L5-Includes Horn Switch
3								SWITCH, Horn
	5014 533AA	1		H				
		1		P				
4	#5HM23 1AZAA	1						WHEEL, Steering
								[SCA] AZ
	WB61 1AZAA	1		H				[SCL] AZ
		1		P				[SCL] AZ
	WB61 1K9AA	1		P				[SCL] K5
	WB61 1L8AA	1		P				[SCL] L5
5	5GE40 LAZAA	1		H				SHROUD, Steering Column
								AZ-Upto and Including 02-13-00, Upper
								And Lower
	#5GE40 LAZAB	1		H				AZ-02-14-00 and After, Upper And
								Lower
	5GE40 LAZAA	1		P				AZ-Upto and Including 02-13-00, Upper
								And Lower
	#5GE40 LAZAB	1		P				AZ-02-14-00 and After, Upper And
								Lower
	5GE40 VK9AA	1		P				K5-Upto and Including 02-13-00, Upper
								And Lower
	#5GE40 VK9AB	1		P				K5-02-14-00 and After, Upper And
								Lower
	5GE40 WL8AA	1		P				L5-Upto and Including 02-13-00, Upper
								And Lower
	#5GE40 WL8AB	1		P				L5-02-14-00 and After, Upper And
								Lower
6	6035 142	2						SCREW, .164-32x1.00, Shroud to Column

JEEP GRAND CHEROKEE (WJ)

SERIES  
H=Laredo  
P=Limited

LINE  
J = 4WD  
T = 2WD  
U = 4WD (RHD)

BODY  
74 = 4 Door(105.9 WB)

ENGINE  
ER0, ERH = 4.0L, Power Tech I-6  
EV0, EVA = 4.7L, Power Tech V8  
EXA, EX0 = 3.1L, 5 Cyl Turbo Diesel

TRANSMISSION  
DGK = 4 Speed Autm, 42RE  
DGW = 4 Speed Automatic,  
-44RE  
DG4 = Multi Speed Automatic,  
-45RFE  
DGO = All Automatic

AR = Use as required - = Non illustrated part # = New this model year

September 14, 2002

## Steering Wheel Assembly Figure 019-110

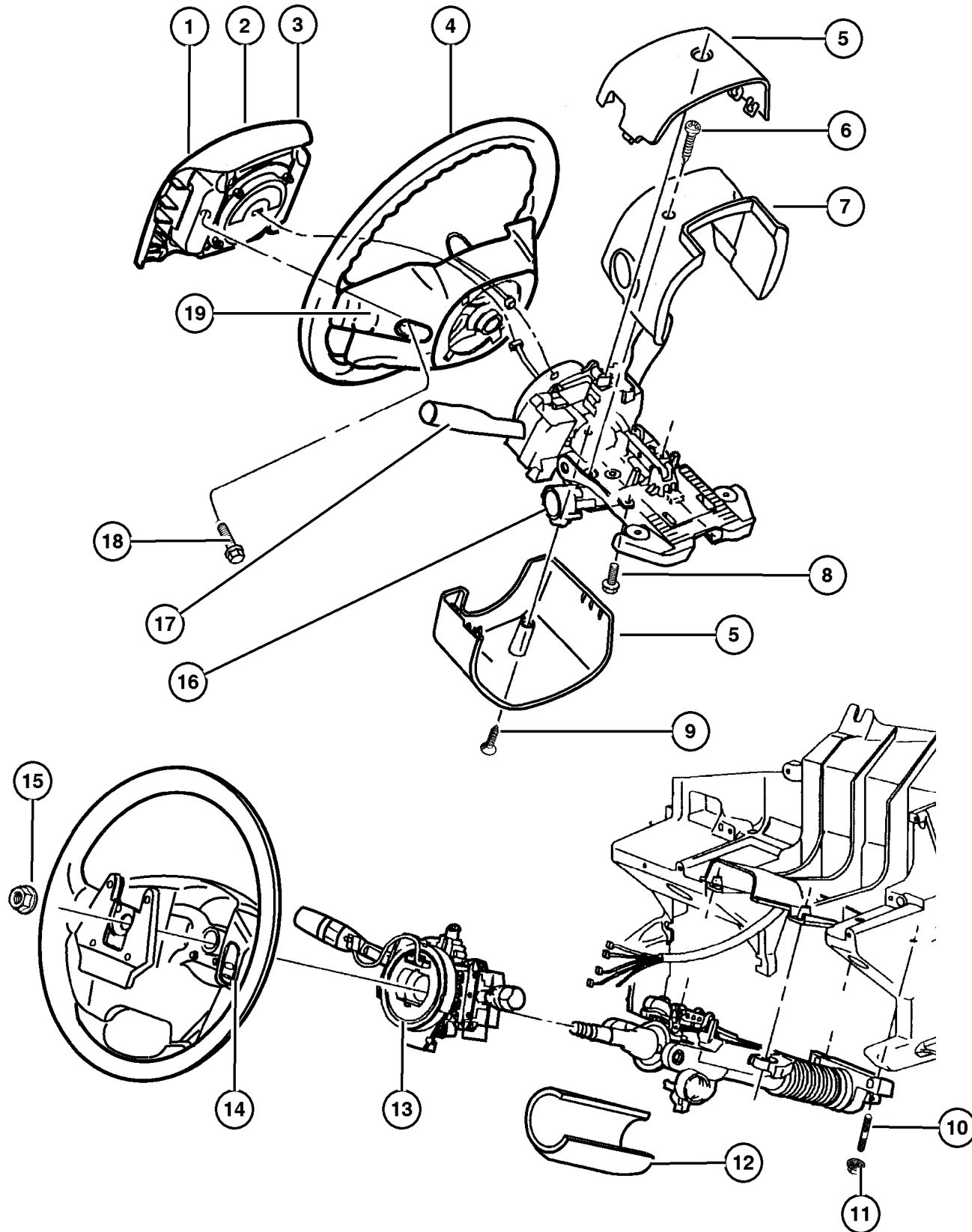
ITEM	PART NUMBER	QTY	LINE	SERIES	BODY	ENGINE	TRANS	DESCRIPTION
7								SHROUD, Steering Column
	5GE39 LAZAA	1		H			DG0	AZ
		1		P			DG0	AZ
	5GE39 VK9AA	1		P			DG0	K5
	5GE39 WL8AA	1		P			DG0	L5
8	6505 513AA	1						SCREW, Tapping, M4x0.7x14, Smart Key Immobilizer Module, Mounting
9	6034 678	1						SCREW, Self Piercing, .164-15-1, Shroud to Shroud
10								STUD, M6x1.00mmx48.80mm, (NOT SERVICED) (Not Serviced)
11	6503 014	4						NUT AND WASHER, Hex, M6x1, Steering Column, Mounting
12	4690 413	2						COVER, Steering Wheel, Steering Column Tilt Assist Spring CLOCKSPRING
13								
	56042 341AE	1	J, T					
		1	J, U					
14								SWITCH, Speed Control
	56042 310AC	1						[SCA], Right
	#5GY39 1L8AA	1		P				[SCL] L5, Left
	56042 311AC	1						[SCA], Left
	#5GY38 1AZAA	1		H				[SCL] AZ, Right
	#5GY39 1AZAA	1		H				[SCL] AZ, Left
	#5GY38 1AZAA	1		P				[SCL] AZ, Right
	#5GY39 1AZAA	1		P				[SCL] AZ, Left
	#5GY38 1K9AA	1		P				[SCL] K5, Right
	#5GY39 1K9AA	1		P				[SCL] K5, Left
	#5GY38 1L8AA	1		P				[SCL] L5, Right
15	6505 248AA	1						NUT, Hex Flange Lock, Steering Wheel, Mounting
16	56042 298AD	1						MODULE, Immobilizer, Sentry Key
17	4690 595AA	1						LEVER, Steering Column, Tilt
18	6506 091AA	2						SCREW, M6x1x25, Air Bag to Steering Wheel, Mounting
19								SWITCH, Remote Radio
	56042 312AB	1		H				Radio Control, Right
	56042 313AB	1		H				Radio Control, Left
	56042 312AB	1		P				Radio Control, Right
	56042 313AB	1		P				Radio Control, Left
-20	4595 746AA	1						LABEL, Air Bag Warning, End Cap
-21								HOUSING, Switch

### JEEP GRAND CHEROKEE (WJ)

SERIES	LINE	BODY	ENGINE	TRANSMISSION
H=Laredo	J = 4WD	74 = 4 Door(105.9 WB)	ER0, ERH = 4.0L, Power Tech I-6	DGK = 4 Speed Autm, 42RE
P=Limited	T = 2WD		EVO, EVA = 4.7L, Power Tech V8	DGW = 4 Speed Automatic, -44RE
	U = 4WD (RHD)		EXA, EX0 = 3.1L, 5 Cyl Turbo Diesel	DG4 = Multi Speed Automatic, -45RFE
				DGO = All Automatic

AR = Use as required - = Non illustrated part # = New this model year

September 14, 2002





Steering Wheel Assembly  
Figure 019-110

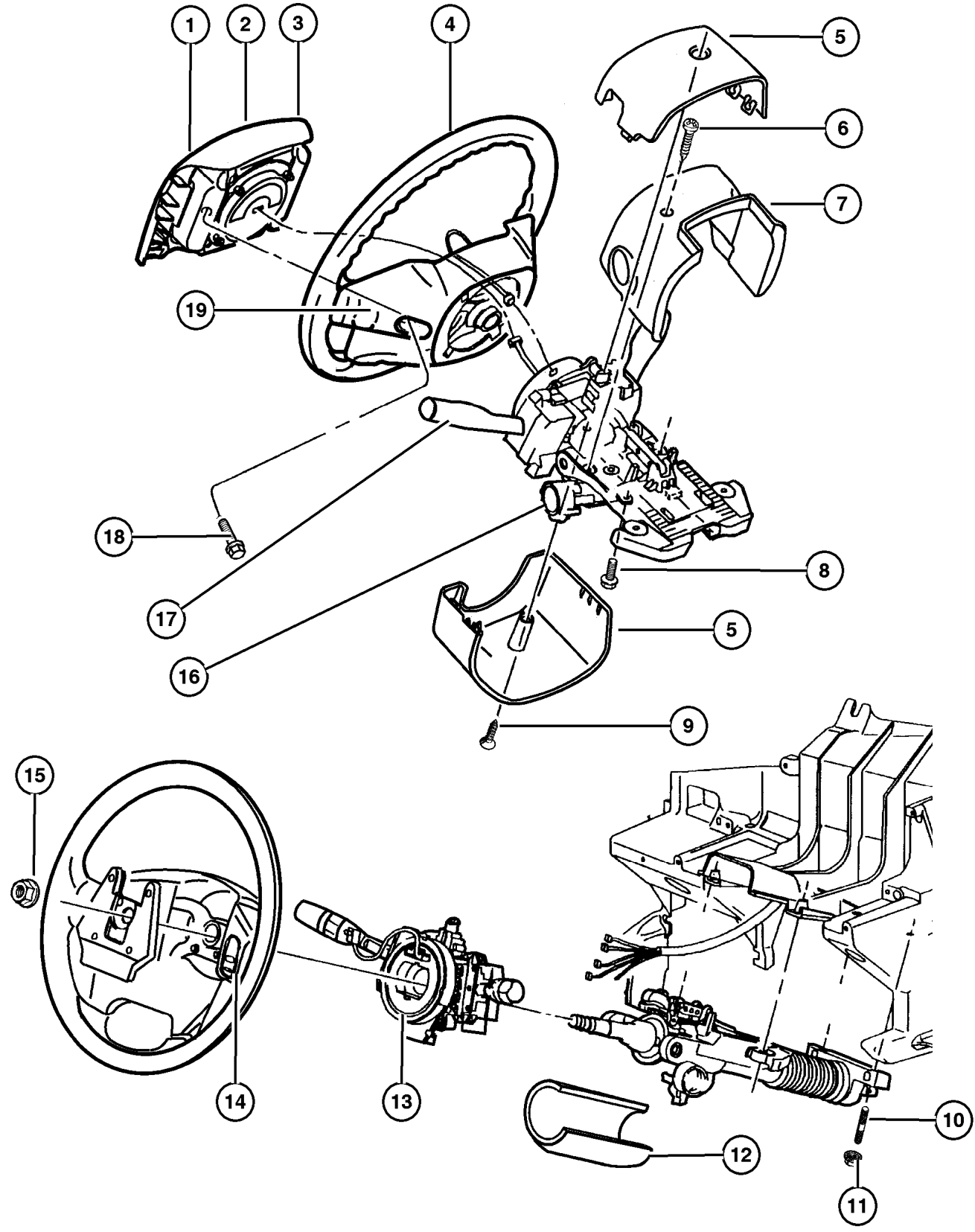
ITEM	PART NUMBER	QTY	LINE	SERIES	BODY	ENGINE	TRANS	DESCRIPTION
------	-------------	-----	------	--------	------	--------	-------	-------------

	56042 297AD	1	J, T					Multifunction with Turn Signal Cancelling Cam
		1	J, U					Multifunction with Turn Signal Cancelling Cam


JEEP GRAND CHEROKEE (WJ)				
SERIES	LINE	BODY	ENGINE	TRANSMISSION
H=Laredo	J = 4WD	74 = 4 Door(105.9 WB)	ER0, ERH = 4.0L, Power Tech I-6	DGK = 4 Speed Autm, 42RE
P=Limited	T = 2WD		EVO, EVA = 4.7L, Power Tech V8	DGW = 4 Speed Automatic, -44RE
	U = 4WD (RHD)		EXA, EX0 = 3.1L, 5 Cyl Turbo Diesel	DG4 = Multi Speed Automatic, -45RFE
				DGO = All Automatic

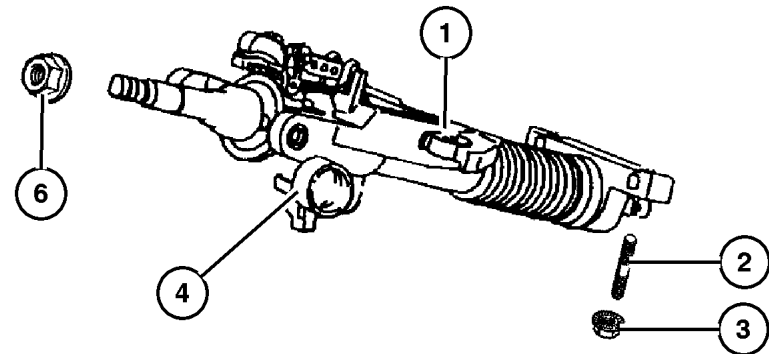
AR = Use as required - = Non illustrated part # = New this model year

September 14, 2002



**Steering Column Assy  
Figure 019-210**

ITEM	PART NUMBER	QTY	LINE	SERIES	BODY	ENGINE	TRANS	DESCRIPTION
1								COLUMN, Steering, Tilt
	55115 970AD	1						w/Floor shift
	55116 975AD	1						Export
2								STUD, M6x1.00mmx48.80mm, (NOT SERVICED) (Not Serviced)
3	6503 014	4						NUT AND WASHER, Hex, M6x1, Steering Column Mounting
4	4690 488	1						HOUSING, Steering Column Lock, Includes Ignition Key Cylinder Ring
-5	4690 023	2						SCREW, Pan Head, .25-20x.62, Ignition Lock Housing Mounting
6	6505 248AA	1						NUT, Hex Flange Lock, Steering Wheel Attaching
-7	56042 298AD	1						MODULE, Immobilizer
-8								HOUSING, Switch
	56042 297AD	1	J, T					Multifunction
		1	J, U					Multifunction

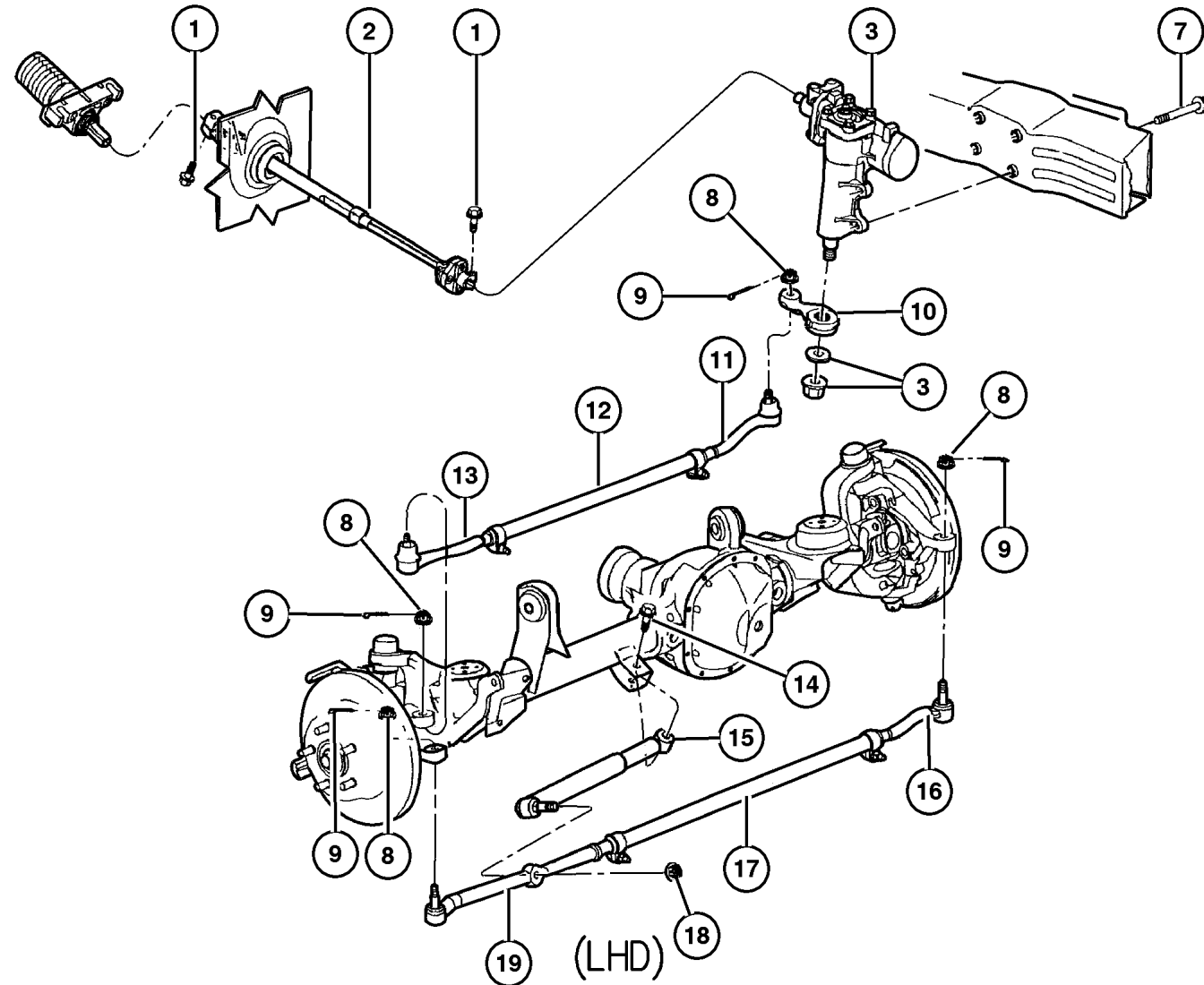


<b>JEEP GRAND CHEROKEE (WJ)</b>				
SERIES	LINE	BODY	ENGINE	TRANSMISSION
H=Laredo	J = 4WD	74 = 4 Door(105.9 WB)	ER0, ERH = 4.0L, Power Tech I-6	DGK = 4 Speed Autm, 42RE
P=Limited	T = 2WD		EV0, EVA = 4.7L, Power Tech V8	DGW = 4 Speed Automatic, -44RE
	U = 4WD (RHD)		EXA, EX0 = 3.1L, 5 Cyl Turbo Diesel	DG4 = Multi Speed Automatic, -45RFE
				DGO = All Automatic

AR = Use as required - = Non illustrated part # = New this model year

September 14, 2002

## Steering Gear and Linkage-Left Hand Drive Figure 019-310



ITEM	PART NUMBER	QTY	LINE	SERIES	BODY	ENGINE	TRANS	DESCRIPTION
Note: T=2 Wheel Drive Left Hand Drive---J=4 Wheel Drive Left Hand Drive								
1	6504 926AA	2						SCREW, Hex Flange Head, M10x1.5x40, Intermediate Shaft to Steering Column and to Steering Gear
2								SHAFT, Intermediate
	52088 253AE	1	J, T					Upto and Including 03-08-00
	#52088 253AG	1	J, T					03-09-00 and After
3								GEAR, Power Steering
	52088 272AC	1	J, T					
	5208 8273	1	J					Export
-4	5014 667AA	1	J, T					SEAL KIT, Steering Gear Housing
-5	5014 665AA	1	J, T					SEAL KIT, Steering Gear
-6	5014 671AA	1	J, T					SEAL KIT, Steering gear pitman shaft
7	6504 965AA	4						SCREW, Hex Head, Steering Gear to Sill Mounting
8								NUT, Hex, .50-20
	6034 358	2						Tie Rod to Knuckle
		1						Drag Link to Pitman Arm Mounting
		1						Drag Link to Knuckle Mounting
9								PIN, Cotter
	3420 2101	2						Tie Rod to Knuckle
		1						Drag Link to Pitman Arm
		1						Drag Link to Knuckle
10	5208 8242	1	J, T					ARM, Pitman
11	5208 8511	1	J, T					SOCKET, Tie Rod, Drag Link to Pitman Arm
12	5208 8463	1	J, T					LINK, Steering, Drag Link Adjuster
13	5208 8461	1	J, T					SOCKET, Tie Rod, Drag Link to Knuckle
14	6502 473	1						BOLT, Hex Flange Head, M12x1.75x65, Steering Damper to Axle Bracket Mounting
15	#52088 251AB	1						DAMPER, Steering
16	52088 869AA	1						SOCKET, Tie Rod, Outer, Left
17	52088 871AA	1						LINK, Steering, Adjuster Assembly
18	6505 822AA	1						NUT, Damper Stud to Tie Rod
19	52088 870AA	1						SOCKET, Tie Rod, Outer, Right

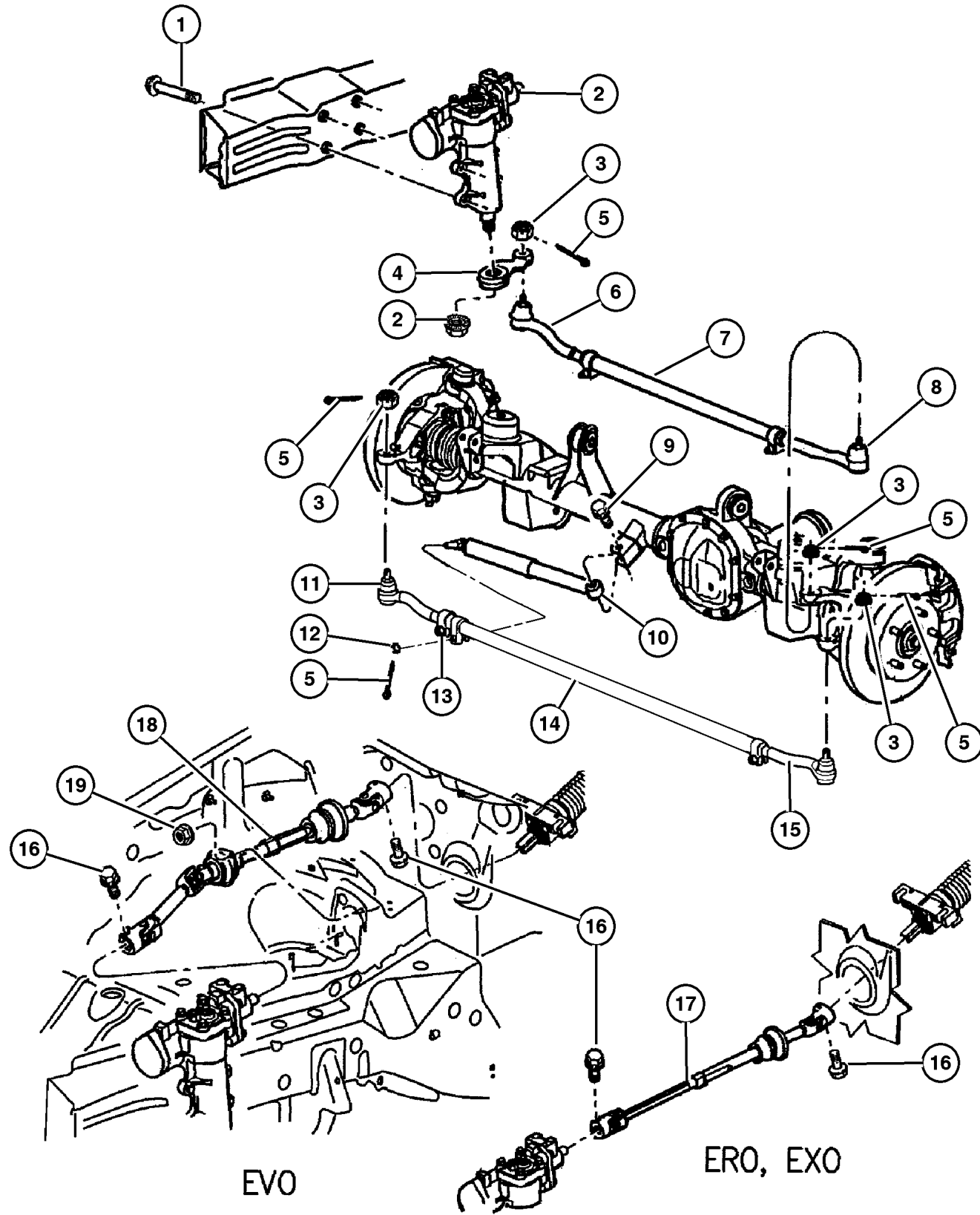
### JEEP GRAND CHEROKEE (WJ)

SERIES	LINE	BODY	ENGINE	TRANSMISSION
H=Laredo	J = 4WD	74 = 4 Door(105.9 WB)	ER0, ERH = 4.0L, Power Tech I-6	DGK = 4 Speed Autm, 42RE
P=Limited	T = 2WD		EVO, EVA = 4.7L, Power Tech V8	DGW = 4 Speed Automatic, -44RE
	U = 4WD (RHD)		EXA, EX0 = 3.1L, 5 Cyl Turbo Diesel	DG4 = Multi Speed Automatic, -45RFE
				DGO = All Automatic

AR = Use as required - = Non illustrated part # = New this model year

September 14, 2002

## Steering Gear and Linkage-Right Hand Drive Figure 019-320



ITEM	PART NUMBER	QTY	LINE	SERIES	BODY	ENGINE	TRANS	DESCRIPTION
Note:ERO=4.0L 6 Cylinder Gas Engine---EVO=4.7L Gas Engine---EX0=3.0/3.1L Turbo Diesel Engine								
1	6504 965AA	4						SCREW, Hex Head, Steering Gear to Sill Mounting
2	5208 8471	1	U					GEAR, Power Steering
3								NUT, Hex, .50-20
	6034 358	1						Drag Link to Pitman Arm Mounting
		2						Tie Rod to Knuckle Mounting
		1						Drag Link to Knuckle Mounting
4	5208 8243	1	U					ARM, Pitman
5								PIN, Cotter
	3420 2101	1						Drag Link to Pitman Arm
		2						Tie Rod to Knuckle
		1						Drag Link to Knuckle
6	5208 8511	1	U					SOCKET, Tie Rod, Drag Link to Pitman Arm
7	52088 728AB	1	U					LINK, Steering, Drag Link Adjuster
8	5208 8512	1	U					SOCKET, Tie Rod, Drag Link to Knuckle
9	6502 473	1						BOLT, Hex Flange Head, M12x1.75x65, Steering Damper to Axle Bracket Mounting
10	#52088 251AB	1						DAMPER, Steering
11	52088 870AA	1						SOCKET, Tie Rod, Outer, Right
12	6505 822AA	1						NUT, Damper Stud to Tie Rod Mounting
13	52088 872AA	1						CLAMP, Steering Damper, to Tie Rod Assembly Mounting
14	52088 871AA	1						LINK, Steering
15	52088 869AA	1						SOCKET, Tie Rod, Outer, Left
16	6504 926AA	2						SCREW, Hex Flange Head, M10x1.5x40, Intermediate Shaft to Steering Column and to Steering Gear Mounting
17								SHAFT, Intermediate
	52088 253AE	1	U			ERO, EX0		Upto and Including 03-08-00
	#52088 253AG	1	U			ERO, EX0		03-09-00 and After
18	55116 336AC	1	U			EVO		SHAFT, Intermediate
19	6100 516	2	U			EVO		NUT, Hex Flange Lock, M6 Phosphate, Center bearing to Bracket Mounting

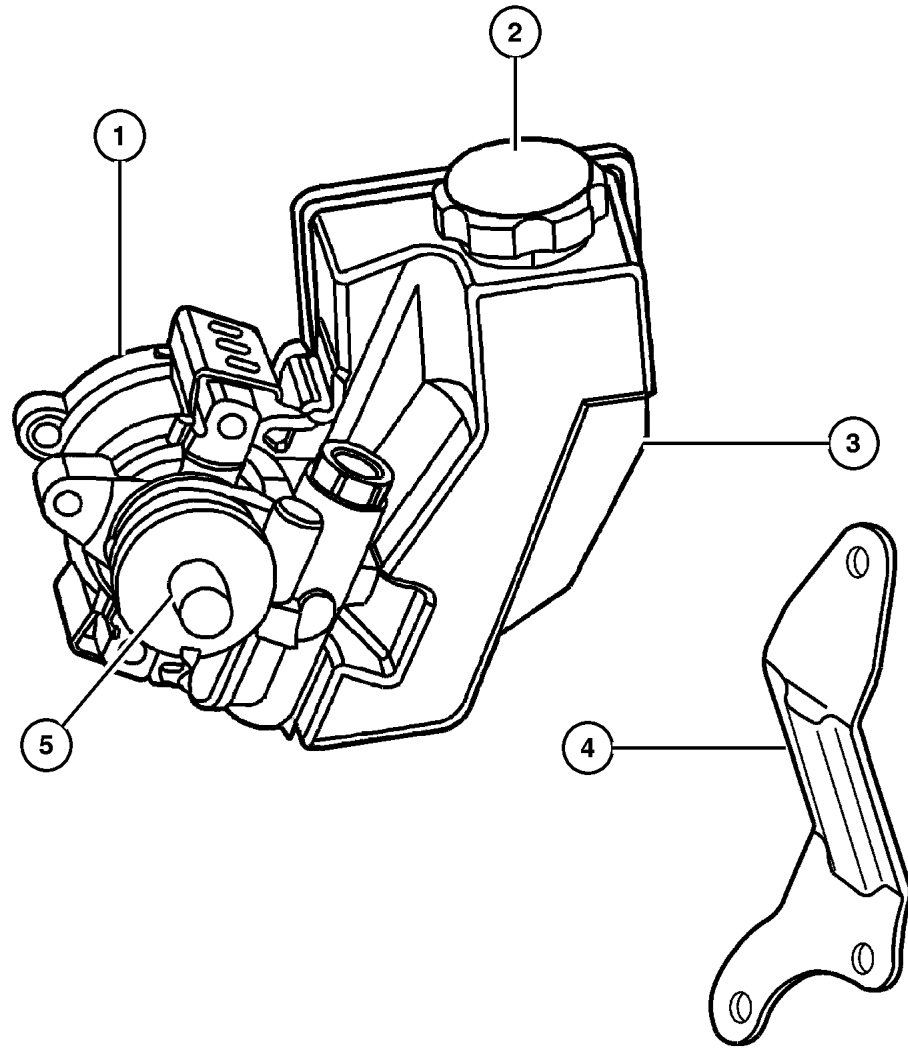
### JEEP GRAND CHEROKEE (WJ)

SERIES	LINE	BODY	ENGINE	TRANSMISSION
H=Laredo	J = 4WD	74 = 4 Door(105.9 WB)	ERO, ERH = 4.0L, Power Tech I-6	DGK = 4 Speed Autm, 42RE
P=Limited	T = 2WD		EVO, EVA = 4.7L, Power Tech V8	DGW = 4 Speed Automatic, -44RE
	U = 4WD (RHD)		EXA, EX0 = 3.1L, 5 Cyl Turbo Diesel	DG4 = Multi Speed Automatic, -45RFE
				DGO = All Automatic

AR = Use as required - = Non illustrated part # = New this model year

September 14, 2002

**Power Steering Pumps-Gas**  
**Figure 019-510**



ITEM	PART NUMBER	QTY	LINE	SERIES	BODY	ENGINE	TRANS	DESCRIPTION
Note: ERO=4.0L 6 Cyl Engine---EV0 = 4.7L Gas Engine								
1	52088 278AB	1				ERO, EV0		PUMP, Power Steering
2	4897 287AA	1				ERO, EV0		CAP, Power Steering Reservoir
3	5016 184AA	1				ERO, EV0		RESERVOIR KIT, power steering pump
4	4854 157	1				ERO		BRACE, Power Steering Pump
5	4728 247	1				ERO, EV0		SEAL, Power Steering Pump Shaft
-6	53010 258AB	1				ERO, EV0		PULLEY, Power Steering Pump
-7	6502 425	3				ERO		SCREW AND WASHER, Hex Head, M8x1.25x95, Power Steering Pump and Brace Mounting
-8	6102 045AA	3				EV0		SCREW AND WASHER, Hex Head, Power Steering Pump Mounting

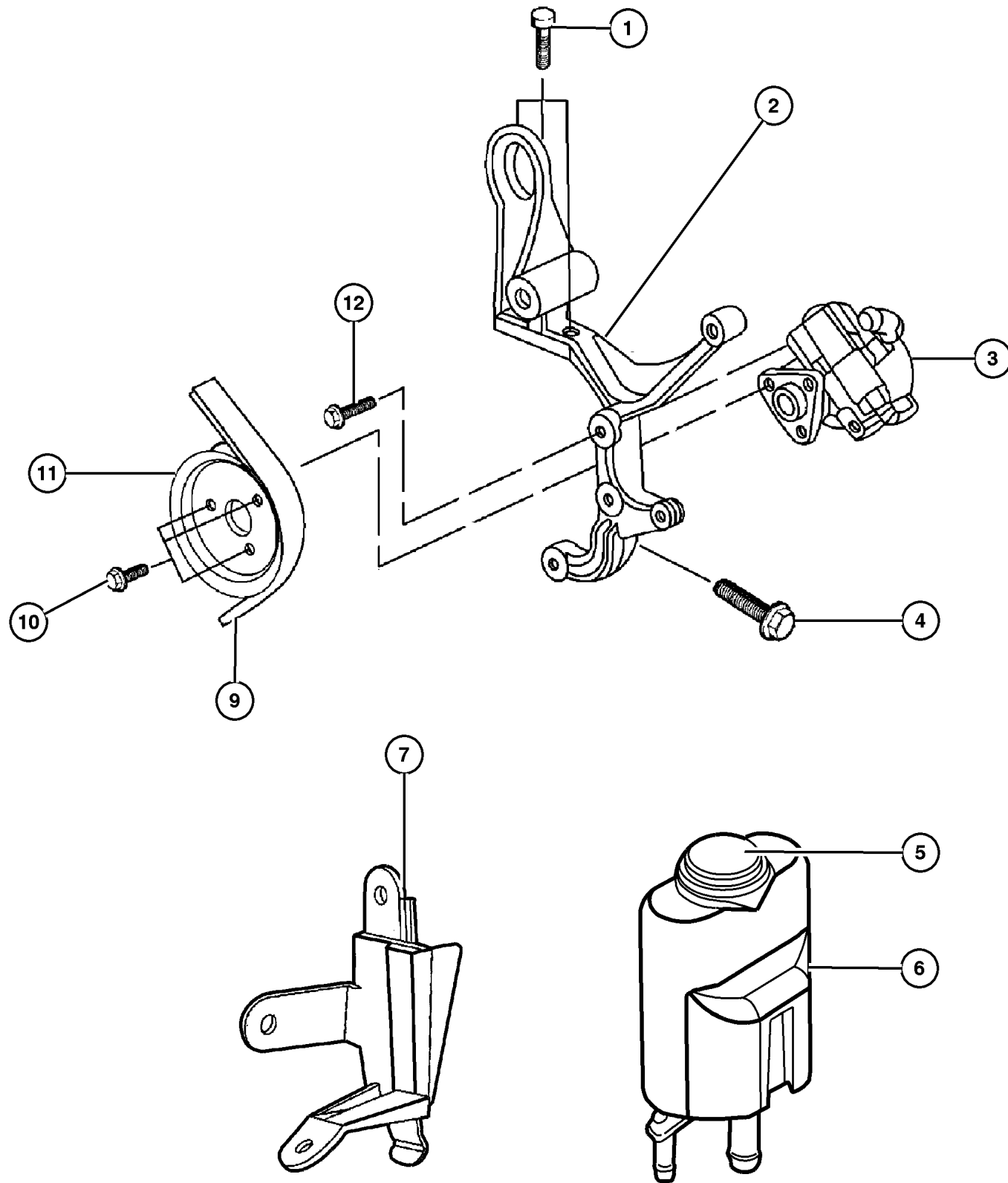
**JEEP GRAND CHEROKEE (WJ)**

SERIES	LINE	BODY	ENGINE	TRANSMISSION
H=Laredo	J = 4WD	74 = 4 Door(105.9 WB)	ERO, ERH = 4.0L, Power Tech I-6	DGK = 4 Speed Autm, 42RE
P=Limited	T = 2WD		EV0, EVA = 4.7L, Power Tech V8	DGW = 4 Speed Automatic, -44RE
	U = 4WD (RHD)		EXA, EX0 = 3.1L, 5 Cyl Turbo Diesel	DG4 = Multi Speed Automatic, -45RFE
				DGO = All Automatic

AR = Use as required - = Non illustrated part # = New this model year

September 14, 2002

**Power Steering Pumps-Diesel**  
**Figure 019-520**



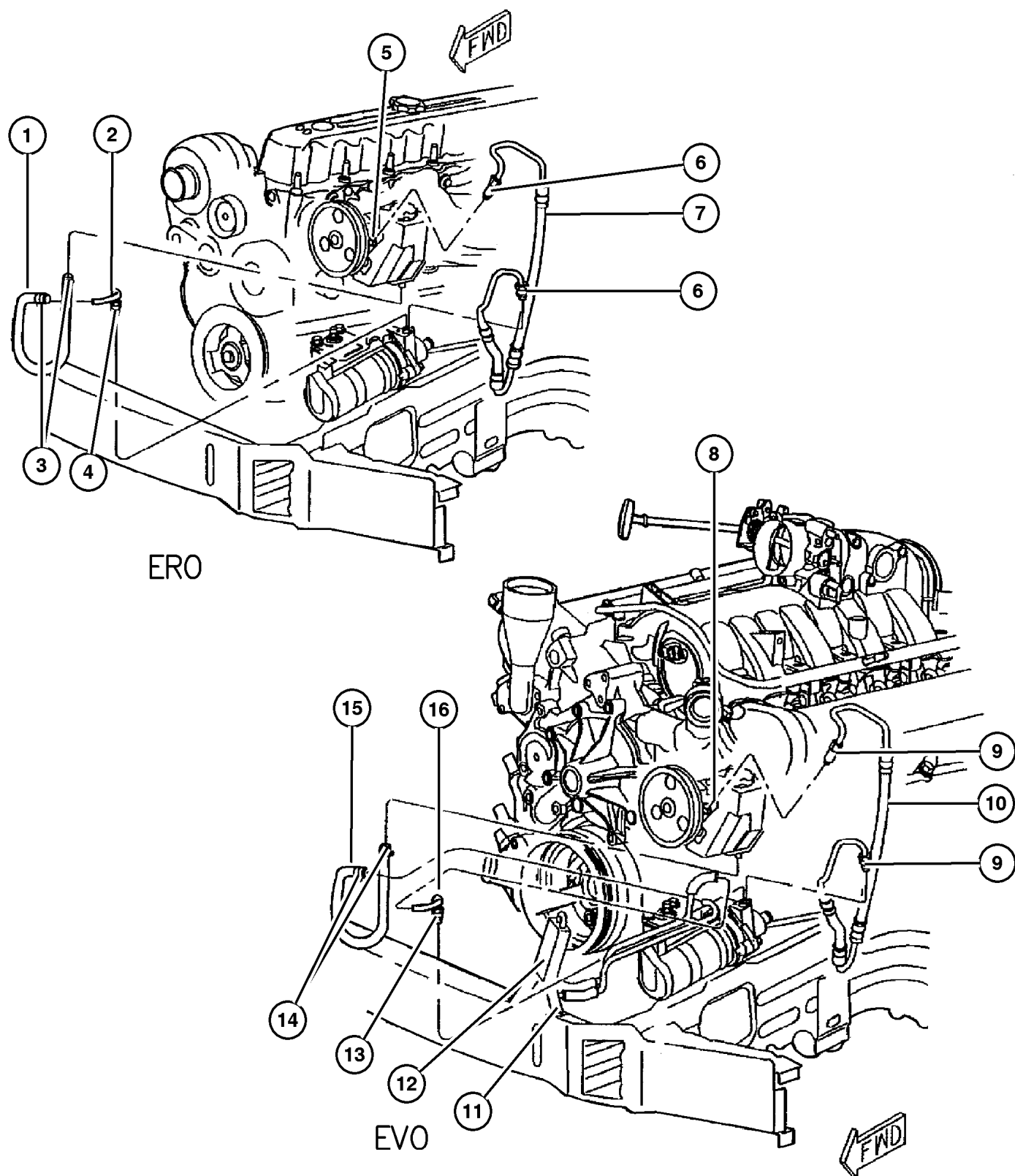
ITEM	PART NUMBER	QTY	LINE	SERIES	BODY	ENGINE	TRANS	DESCRIPTION
Note:								
DG0 = All Automatic Transmissions								
EXO = All 3.0/3.1L Turbo Diesel Engine								
1	5015 073AA	3				EX0	DG0	BOLT, Power Steering Pump and Alternator Bracket Mounting
2	5015 072AA	1				EX0	DG0	BRACKET, Alternator, Power Steering Pump Mounting and
3	52088 582AB	1				EX0	DG0	PUMP, Power Steering
4	5015 074AA	1				EX0	DG0	BOLT, Power Steering Pump and Alternator Mounting
5	4694 766	1				EX0		CAP, Power Steering Pump
6	52087 713AD	1				EX0		RESERVOIR, Power Steering Pump
7	52088 529AA	1				EX0		BRACKET, Power Steering Reservoir, Mounting
-8	6101 777	1	J, T					SCREW, Hex Flange Head Tapping, M6x1.00x20.00, Power Steering Reservoir Mounting
9	5015 962AA	1				EX0	DG0	BELT, Alternator, Power Steering Pump and
10	5003 554AA	3				EX0	DG0	SCREW, Power Steering Pump Pulley Mounting
11	5015 034AA	1				EX0	DG0	PULLEY, Power Steering Pump
12	4864 534	3				EX0	DG0	BOLT, Adaptor Plate, Power Steering Pump Mounting

<b>JEEP GRAND CHEROKEE (WJ)</b>				
SERIES	LINE	BODY	ENGINE	TRANSMISSION
H=Laredo	J = 4WD	74 = 4 Door(105.9 WB)	ER0, ERH = 4.0L, Power Tech I-6	DGK = 4 Speed Autm, 42RE
P=Limited	T = 2WD		EV0, EVA = 4.7L, Power Tech V8	DGW = 4 Speed Automatic, -44RE
	U = 4WD (RHD)		EXA, EX0 = 3.1L, 5 Cyl Turbo Diesel	DG4 = Multi Speed Automatic, -45RFE
				DGO = All Automatic

AR = Use as required - = Non illustrated part # = New this model year

September 14, 2002

**Power Steering Hoses-Gas-Left Hand Drive**  
**Figure 019-710**



ITEM	PART NUMBER	QTY	LINE	SERIES	BODY	ENGINE	TRANS	DESCRIPTION
Note: ERO=All 4.0L 6 Cylinder Gas Engines---EVO=4.7L Gas Engine								
1	52088 774AA	1	J, T			ERO		HOSE, Power Steering Return, Formed Rubber
2	52088 775AA	1	J, T					TUBE, Power Steering Return
3	2448 761	2	J, T			ERO		CLAMP, Hose
4	5205 254	1	J, T			ERO		O RING, Power Steering Hose
5	52088 116AB	1	J, T			ERO,		FITTING, Quick Connect
						EVO		
6	5205 254	2	J, T			ERO		O RING, Power Steering Hose
7	52088 452AB	1	J, T			ERO		HOSE, Power Steering Pressure
8	52088 116AB	1	J, T			ERO,		FITTING, Quick Connect
						EVO		
9	5205 254	2	J, T			EVO		O RING, Power Steering Hose
10	52088 453AB	1	J, T			EVO		HOSE, Power Steering Pressure
11	6101 777	2	J, T			EVO		SCREW, Hex Flange Head Tapping, M6x1.00x20.00
12	52088 618AA	1	J, T			EVO		COOLER, Power Steering
13	5205 254	1	J, T			EVO		O RING, Power Steering Hose
14	2448 761	2	J, T			EVO		CLAMP, Hose
15	52088 777AA	1	J, T			EVO		HOSE, Power Steering Return, Formed Rubber
16	52088 775AA	1	J, T					TUBE, Power Steering Return

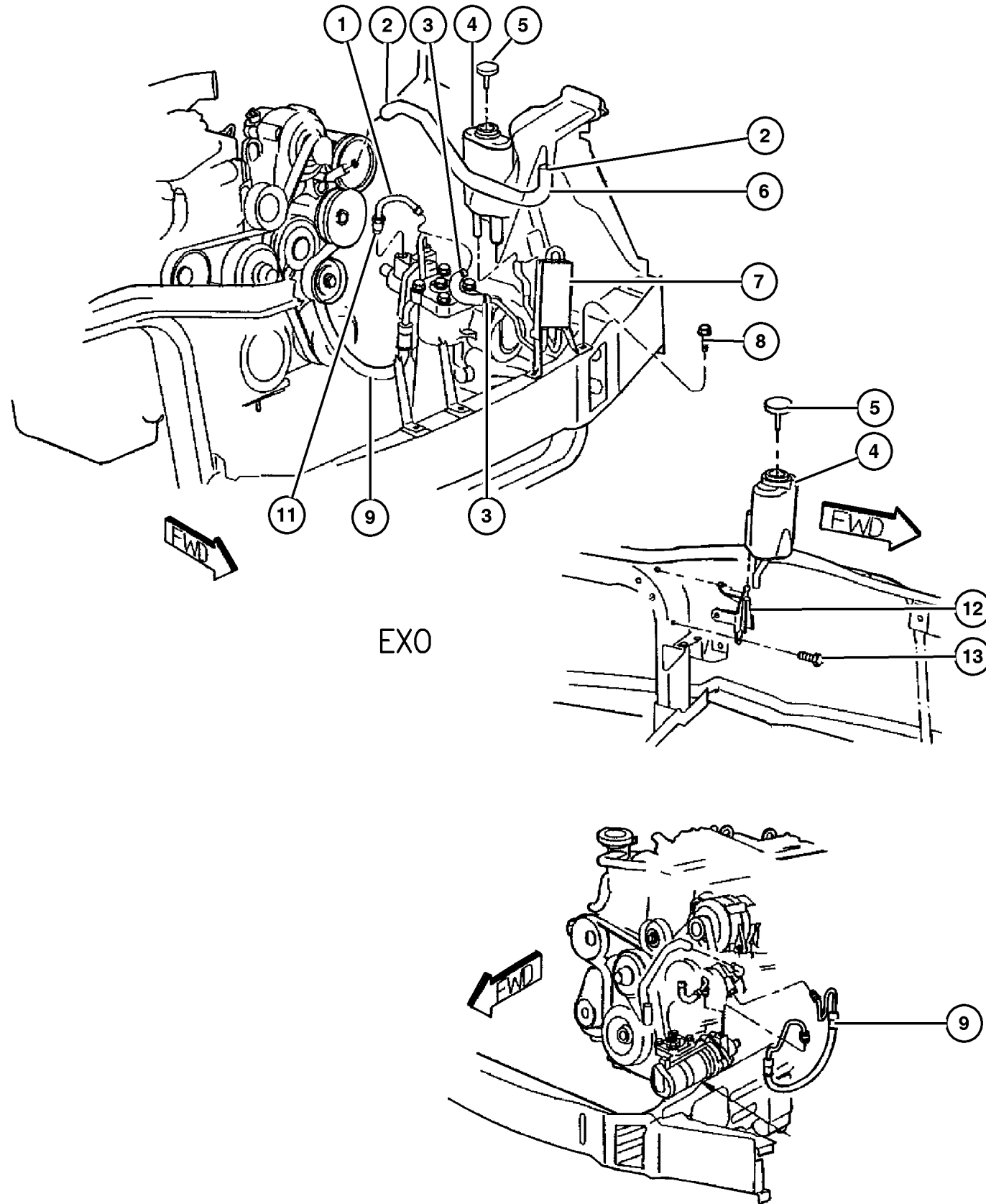
**JEEP GRAND CHEROKEE (WJ)**

SERIES	LINE	BODY	ENGINE	TRANSMISSION
H=Laredo	J = 4WD	74 = 4 Door(105.9 WB)	ERO, ERH = 4.0L, Power Tech I-6	DGK = 4 Speed Autm, 42RE
P=Limited	T = 2WD		EVO, EVA = 4.7L, Power Tech V8	DGW = 4 Speed Automatic, -44RE
	U = 4WD (RHD)		EXA, EX0 = 3.1L, 5 Cyl Turbo Diesel	DG4 = Multi Speed Automatic, -45RFE
				DGO = All Automatic

AR = Use as required - = Non illustrated part # = New this model year

September 14, 2002

**Power Steering Hoses-Diesel-Left Hand Drive  
Figure 019-720**



ITEM	PART NUMBER	QTY	LINE	SERIES	BODY	ENGINE	TRANS	DESCRIPTION
Note: EX0=3.0/3.1L Turbo Diesel								
1	52088 775AA	1	J, T					TUBE, Power Steering Return
2	2448 761	2	J, T			EX0		CLAMP, Hose
3	2448 761	2	J, T			EX0		CLAMP, Hose
4	52087 713AD	1				EX0		RESERVOIR, Power Steering Pump
5	4694 766	1				EX0		CAP, Power Steering Pump
6	52088 530AA	1				EX0		HOSE, Power Steering Reservoir
7	52088 618AB	1	J, T			EX0		COOLER, Power Steering
8	6102 132AA	3				EX0		SCREW, Hex Head, M6x1x20, Power Steering Reservoir Bracket Mounting
9	52088 666AB	1	J, T			EX0		HOSE, Power Steering Pressure
-10	5205 254	2	J, T			EX0		O RING, Power Steering Hose
11	5205 254	1	J, T			EX0		O RING, Power Steering Hose
12	52088 529AA	1				EX0		BRACKET, Power Steering Reservoir
13	6101 777	2	J			EX0		SCREW, Hex Flange Head Tapping, M6x1.00x20.00, Cooler to Crossmember

**JEEP GRAND CHEROKEE (WJ)**

SERIES	LINE	BODY	ENGINE	TRANSMISSION
H=Laredo	J = 4WD	74 = 4 Door(105.9 WB)	ER0, ERH = 4.0L, Power Tech I-6	DGK = 4 Speed Autm, 42RE
P=Limited	T = 2WD		EVO, EVA = 4.7L, Power Tech V8	DGW = 4 Speed Automatic, -44RE
	U = 4WD (RHD)		EXA, EX0 = 3.1L, 5 Cyl Turbo Diesel	DG4 = Multi Speed Automatic, -45RFE
				DGO = All Automatic

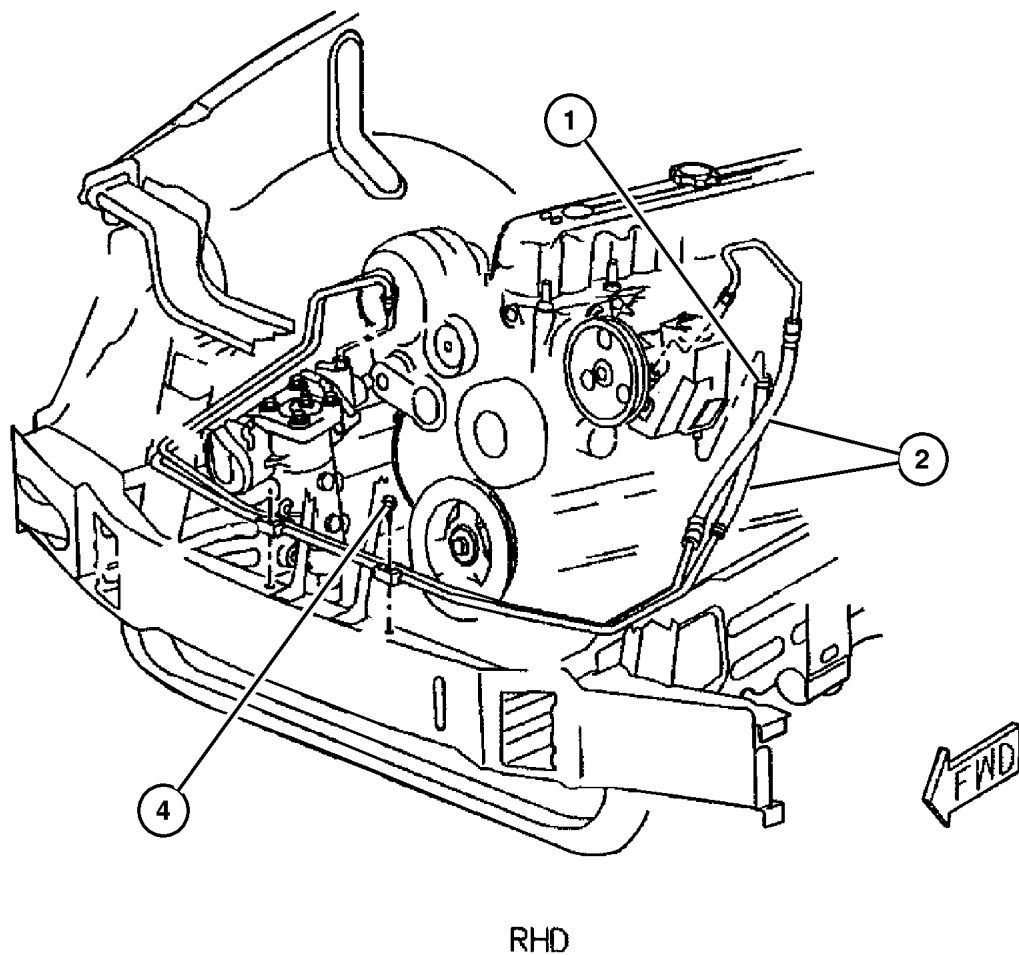
AR = Use as required - = Non illustrated part # = New this model year

September 14, 2002



**Power Steering Hoses-Gas-Right Hand Drive  
Figure 019-730**

ITEM	PART NUMBER	QTY	LINE	SERIES	BODY	ENGINE	TRANS	DESCRIPTION
Note:								
ER0 = All 4.0L 6 Cylinder Gas Engines								
EVO = All 4.7L Gas Engine								
EX0 = All Turbo Diesel Engines								
1	2448 761	2	U			EX0		CLAMP, Hose
2	52088 620AD	1	U			ER0, EVO		HOSE, Power Steering, Pressure and Return Assembly
-3	5205 254	2	U			ER0, EVO		O RING, Power Steering Hose Pressure
		1	U			ER0, EVO		Return
4	6101 780	2	U			ER0, EVO		SCREW, M6x1x25, Power Steering Hose Retainer to Crossmember Mounting



**JEEP GRAND CHEROKEE (WJ)**

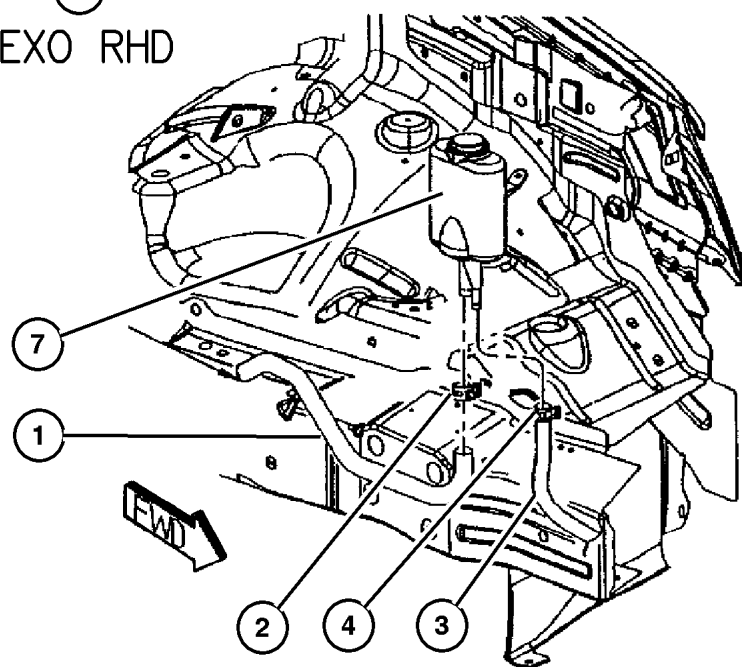
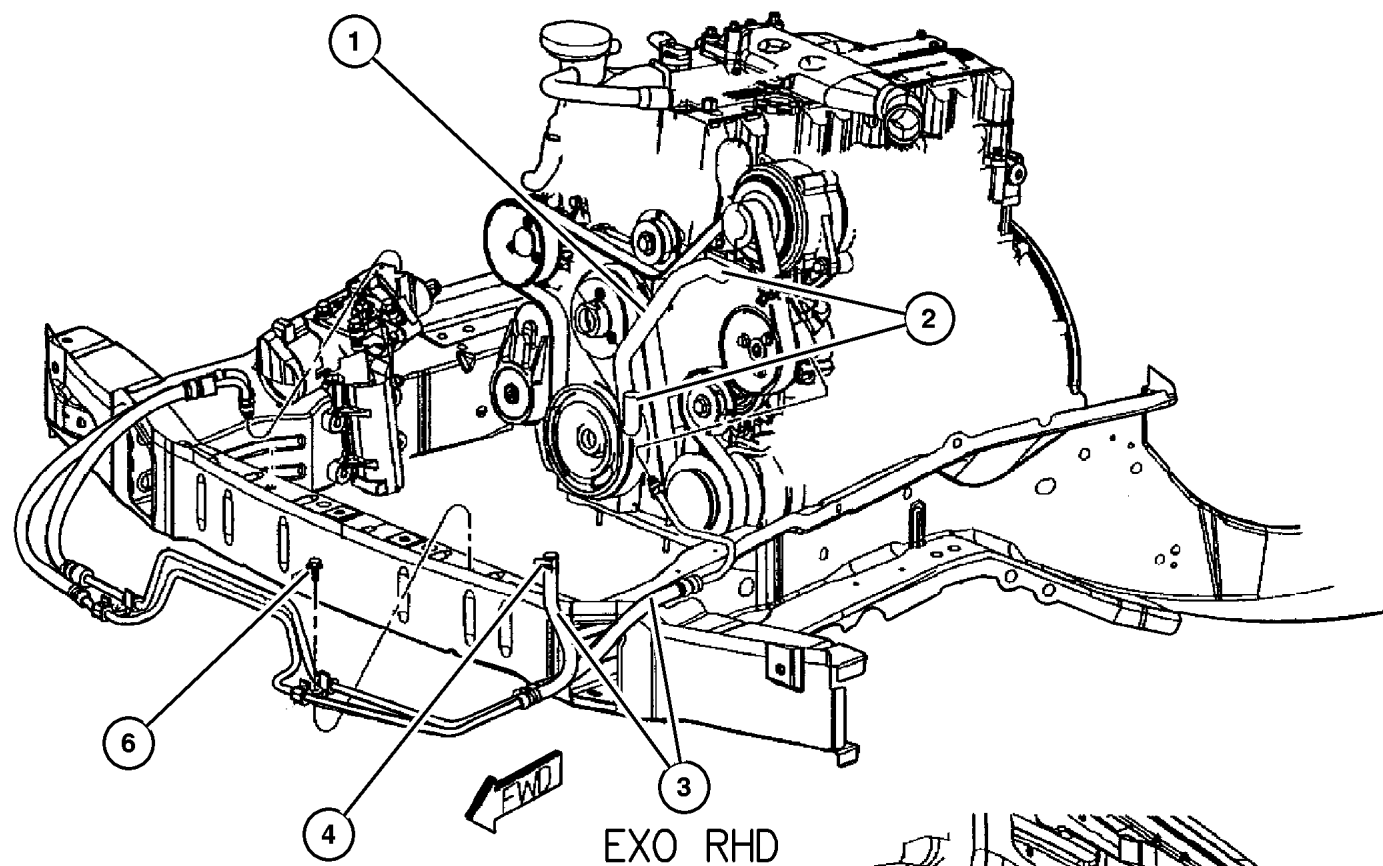
SERIES	LINE	BODY	ENGINE	TRANSMISSION
H=Laredo	J = 4WD	74 = 4 Door(105.9 WB)	ER0, ERH = 4.0L, Power Tech I-6	DGK = 4 Speed Autm, 42RE
P=Limited	T = 2WD		EVO, EVA = 4.7L, Power Tech V8	DGW = 4 Speed Automatic, -44RE
	U = 4WD (RHD)		EXA, EX0 = 3.1L, 5 Cyl Turbo Diesel	DG4 = Multi Speed Automatic, -45RFE
				DGO = All Automatic

AR = Use as required - = Non illustrated part # = New this model year

September 14, 2002

**Power Steering Hoses-Diesel-Right Hand Drive  
Figure 019-740**

ITEM	PART NUMBER	QTY	LINE	SERIES	BODY	ENGINE	TRANS	DESCRIPTION
Note: EX0=3.0/3.1L Turbo Diesel								
1	52088 530AA	1				EX0		HOSE, Power Steering Reservoir
2	2448 761	2	U			EX0		CLAMP, Hose, Reserivior
3	#52088 622AB	1	U			EX0		HOSE ASSEMBLY, P/S PRESSURE AND RETURN
4	2448 761	2	U			EX0		CLAMP, Hose, For Return Hose to Reservoir
-5	5205 254	1	U			EX0		O RING, Power Steering Hose For Return Hose Fitting
		2	U			EX0		For Pressure Hose Fittings
6	6102 132AA	3				EX0		SCREW, Hex Head, M6x1x20, Power Steering Pressure and Return Hose to Crossmember Mounting
7	52087 713AD	1				EX0		RESERVOIR, Power Steering Pump



**JEEP GRAND CHEROKEE (WJ)**

SERIES	LINE	BODY	ENGINE	TRANSMISSION
H=Laredo	J = 4WD	74 = 4 Door(105.9 WB)	ER0, ERH = 4.0L, Power Tech I-6	DGK = 4 Speed Autm, 42RE
P=Limited	T = 2WD		EVO, EVA = 4.7L, Power Tech V8	DGW = 4 Speed Automatic, -44RE
	U = 4WD (RHD)		EXA, EX0 = 3.1L, 5 Cyl Turbo Diesel	DG4 = Multi Speed Automatic, -45RFE
				DGO = All Automatic

AR = Use as required - = Non illustrated part # = New this model year

September 14, 2002

# Group – 42RE

## Automatic Transmission 4 Speed

### GROUP 42RE - Automatic Transmission 4 Speed

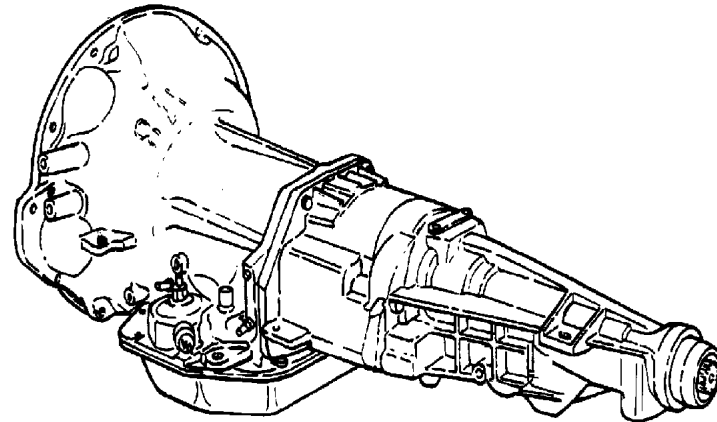


Illustration Title

Group-Fig. No.

#### Transmission Assembly

Transmission 42RE [DGK] ..... Fig. 42RE-110

#### Case and Extension

Case and Related Parts 42RE [DGK] ..... Fig. 42RE-210

Case Rear 42RE [DGK] ..... Fig. 42RE-220

#### Oil Pump

Oil Pump 42RE [DGK] ..... Fig. 42RE-310

#### Gear Train

Gear Train 42RE (DGK) ..... Fig. 42RE-410

Gear Train and Intermediate Shaft 42RE [DGK] ..... Fig. 42RE-420

Output Shaft 42RE [DGK] ..... Fig. 42RE-430

#### Bands, Reverse and Kickdown

Bands 42RE [DGK] ..... Fig. 42RE-510

#### Valve Body

Valve Body 42RE [DGK] ..... Fig. 42RE-710

Servos 42RE [DGK] ..... Fig. 42RE-720

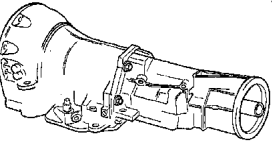
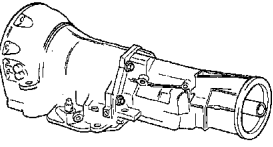

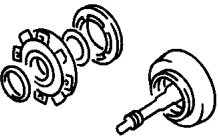
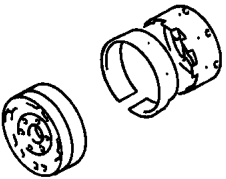
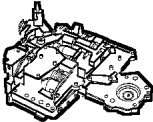
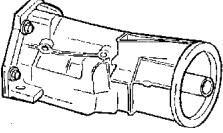
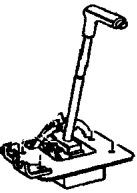
Parking Sprag 42RE [DGK] ..... Fig. 42RE-730

#### Overdrive Gear Train

Overdrive Gear Train 42RE [DGK] ..... Fig. 42RE-1010

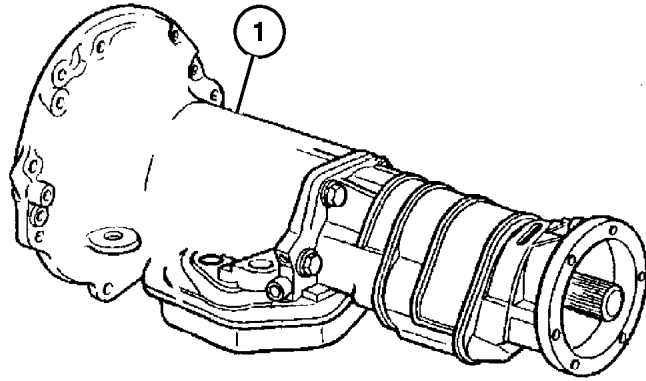
#### Gearshift Controls

Gearshift Controls 42RE [DGK] ..... Fig. 42RE-1210

<p><b>42RE-100</b> Transmission Assembly</p> 	<p><b>42RE-200</b> Case and Extension</p> 	<p><b>42RE-300</b> Oil Pump</p> 	<p><b>42RE-400</b> Gear Train</p> 
<p><b>42RE-500</b> Bands, Reverse and Kickdown</p> 	<p><b>42RE-700</b> Valve Body</p> 	<p><b>42RE-1000</b> Overdrive Gear Train</p> 	<p><b>42RE-1200</b> Gearshift Controls</p> 

Transmission 42RE [DGK]  
Figure 42RE-110

ITEM	PART NUMBER	QTY	LINE	SERIES	BODY	ENGINE	TRANS	DESCRIPTION
NOTES: Sales Codes								
[DGK] = 42RE Automatic Transmission								
1	#5015 273AA	1	T				DGK	TRANSMISSION PACKAGE 52119836AA (Package Contains 52119836AA Transmission, K4736596 Converter, K1949765 Bolts)
	#5015 274AA	1	J, U				DGK	52119837AA (Package Contains 52119837AA Transmission, K4736596 Converter, K1949765 Bolts)
-2	5211 8782	1	T				DGK	OVERDRIVE
	52118 783AB	1	J, U				DGK	



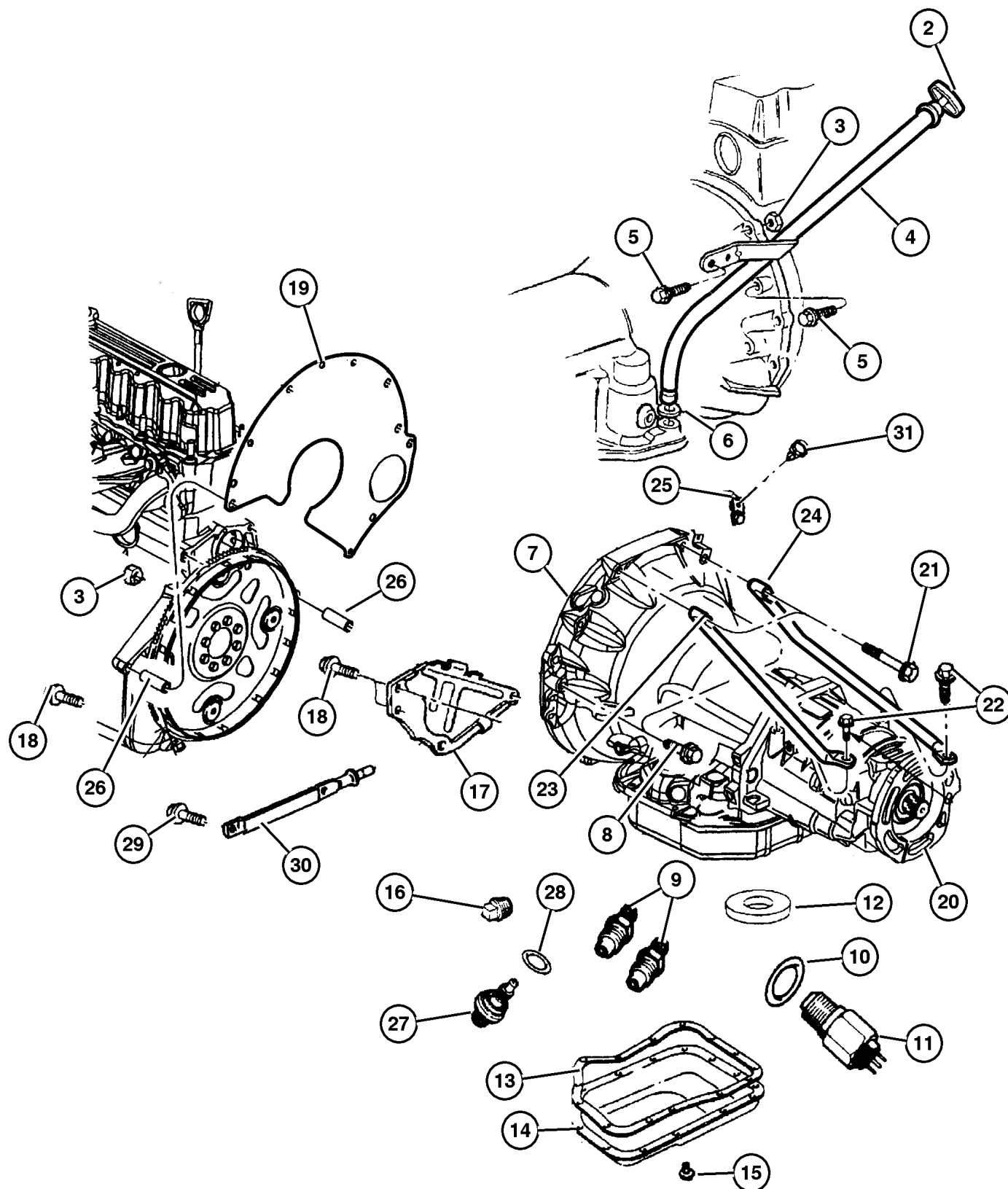
JEEP GRAND CHEROKEE (WJ)

SERIES	LINE	BODY	ENGINE	TRANSMISSION
H=Laredo	J = 4WD	74 = 4 Door(105.9 WB)	ER0, ERH = 4.0L, Power Tech I-6	DGK = 4 Speed Autm, 42RE
P=Limited	T = 2WD		EV0, EVA = 4.7L, Power Tech V8	DGW = 4 Speed Automatic, -44RE
	U = 4WD (RHD)		EXA, EX0 = 3.1L, 5 Cyl Turbo Diesel	DG4 = Multi Speed Automatic, -45RFE
				DGO = All Automatic

AR = Use as required - = Non illustrated part # = New this model year

September 14, 2002

Case and Related Parts 42RE [DGK]  
Figure 42RE-210



ITEM	PART NUMBER	QTY	LINE	SERIES	BODY	ENGINE	TRANS	DESCRIPTION
-1								SEAL AND GASKET PACKAGE, Transmission
	#4863 907AD	1	T				DGK	
		1	J, U				DGK	
2	5211 8641	1				ER0, EX0		INDICATOR, Transmission Fluid Level
3	J021 9422	1					DGK	NUT, Hex
4	5210 4247	1				ER0	DGK	TUBE, Transmission Oil Filler
5	0153 371	1					DGK	BOLT, Hex Head, .375-16x2.25
6	52118 629AB	1					DGO	SEAL, Oil Filler Tube
7								CASE, Transmission
	5211 8291	1	T				DGK	
		1	J, U				DGK	
8	J400 4370	2					DGK	BOLT AND WASHER, Hex Head, .437-14x2.75
9								NUT, Inverted Flare, .62-18
	6033 879	2	T				DGK	
		2	J, U				DGK	
10								WASHER, Switch
	2408 143	1	T				DGK	
		1	J, U				DGK	
11								SWITCH, Neutral, Safety, Back Up
	3747 361	1	J, U				DGK	
		1	T				DGK	
12								MAGNET, Transmission
	3681 601	1	T				DGK	
		1	J, U				DGK	
13								GASKET, Oil Pan
	4295 875	1	T				DGK	
		1	J, U				DGK	
14								PAN, Transmission Oil
	52118 779AB	1	T				DGK	
		1	J, U				DGK	
15								SCREW AND WASHER, Hex Head, .312-18x.625
	4723 548	12	T				DGK	
		12	J, U				DGK	
16								PLUG, Pressure Check

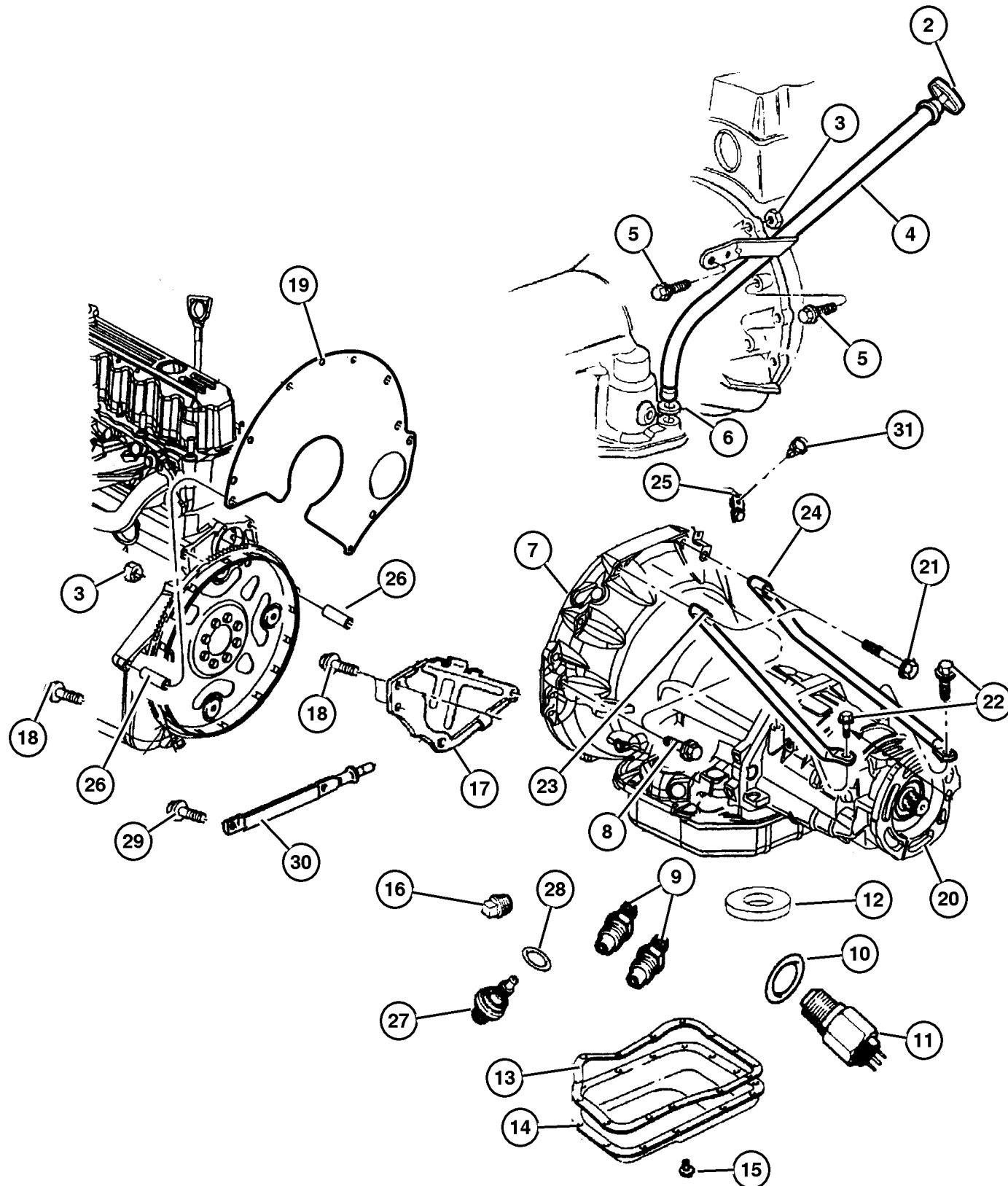
JEEP GRAND CHEROKEE (WJ)

SERIES	LINE	BODY	ENGINE	TRANSMISSION
H=Laredo	J = 4WD	74 = 4 Door(105.9 WB)	ER0, ERH = 4.0L, Power Tech I-6	DGK = 4 Speed Autm, 42RE
P=Limited	T = 2WD		EV0, EVA = 4.7L, Power Tech V8	DGW = 4 Speed Automatic, -44RE
	U = 4WD (RHD)		EXA, EX0 = 3.1L, 5 Cyl Turbo Diesel	DG4 = Multi Speed Automatic, -45RFE
				DGO = All Automatic

AR = Use as required - = Non illustrated part # = New this model year

September 14, 2002

Case and Related Parts 42RE [DGK]  
Figure 42RE-210



ITEM	PART NUMBER	QTY	LINE	SERIES	BODY	ENGINE	TRANS	DESCRIPTION
	6028 095	1	T				DGK	
		1	J, U				DGK	
17	52118 136AB	1					DGK	COVER, Converter
18								SCREW AND WASHER, Hex Head, .312-18x.625
	4723 548	12	T				DGK	
		12	J, U				DGK	
19	J323 7847	1				ER0	DG0	SPACER, Clutch Housing
20	5012 428AA	1	J, U				DGK	ADAPTER, Transfer Case
21	6034 242	2	J, U			ER0	DG0	SCREW AND WASHER
22	6027 865	2	J, U			ER0	DG0	SCREW, .375-16x1.375, 06025677
23	5210 4201	1	J, U			ER0	DG0	BRACE, Bending Transmission, Top Left
24	5210 4200	1	J, U			ER0	DG0	BRACE, Bending Transmission, Top Right
25	5209 8522	1	J, U			ER0, EX0		BRACKET, Tube
26	J400 5148	2				ER0		DOWEL, Transmission
27								SENSOR, Transmission Output Speed
	4412 879	1	T				DGK	
		1	J, U				DGK	
28								O RING, Trans Speed Sensor
	6501 701	1	T				DGK	
		1	J, U				DGK	
29	6034 498	2	J, U			ER0	DG0	SCREW AND WASHER, Hex Head, .312-18x1.25
30	52104 250AA	1	J, U			ER0	DG0	BRACE, Bell Housing
31	J400 5701	1	J, U					CLIP

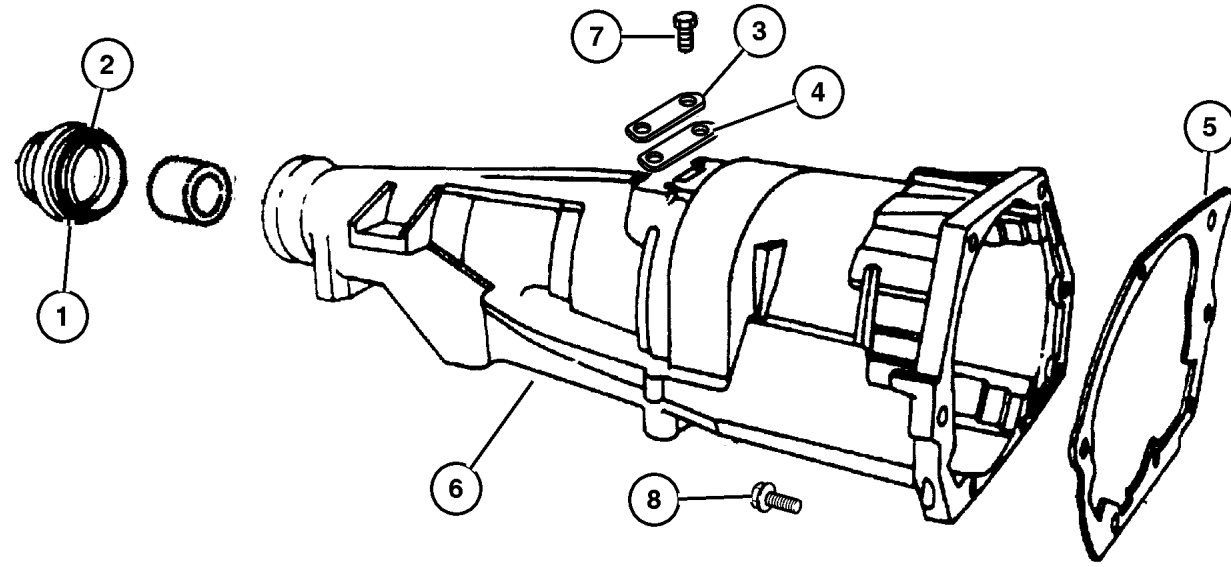
JEEP GRAND CHEROKEE (WJ)

SERIES	LINE	BODY	ENGINE	TRANSMISSION
H=Laredo	J = 4WD	74 = 4 Door(105.9 WB)	ER0, ERH = 4.0L, Power Tech I-6	DGK = 4 Speed Autm, 42RE
P=Limited	T = 2WD		EVO, EVA = 4.7L, Power Tech V8	DGW = 4 Speed Automatic, -44RE
	U = 4WD (RHD)		EXA, EX0 = 3.1L, 5 Cyl Turbo Diesel	DG4 = Multi Speed Automatic, -45RFE
				DGO = All Automatic

AR = Use as required - = Non illustrated part # = New this model year

September 14, 2002

Case Rear 42RE [DGK]  
Figure 42RE-220



ITEM	PART NUMBER	QTY	LINE	SERIES	BODY	ENGINE	TRANS	DESCRIPTION
NOTES: Sales Codes								
[DGK] = 42RE Automatic Transmission								
1	4531 216	1	T				DGK	SEAL, Extension Yoke
2	4269 956	1	J, U				DGK	SEAL, Adapter
3								COVER, Transmission Converter
	2466 957	1	J, U				DGK	
		1	T				DGK	
4								GASKET, Transmission
	2801 398	1	T				DGK	
		1	J, U				DGK	
5								GASKET, Overdrive Piston Retainer
	4471 564	1	J, U				DGK	
		1	T				DGK	
6	5003 231AA	1	T				DGK	CASE, Transmission Rear
7								SCREW, (NOT SERVICED) (Not Serviced)
8								SCREW, Hex Flange Head, .375-16x1.38
	6036 046AA	7	T				DGK	
		7	J, U				DGK	

JEEP GRAND CHEROKEE (WJ)

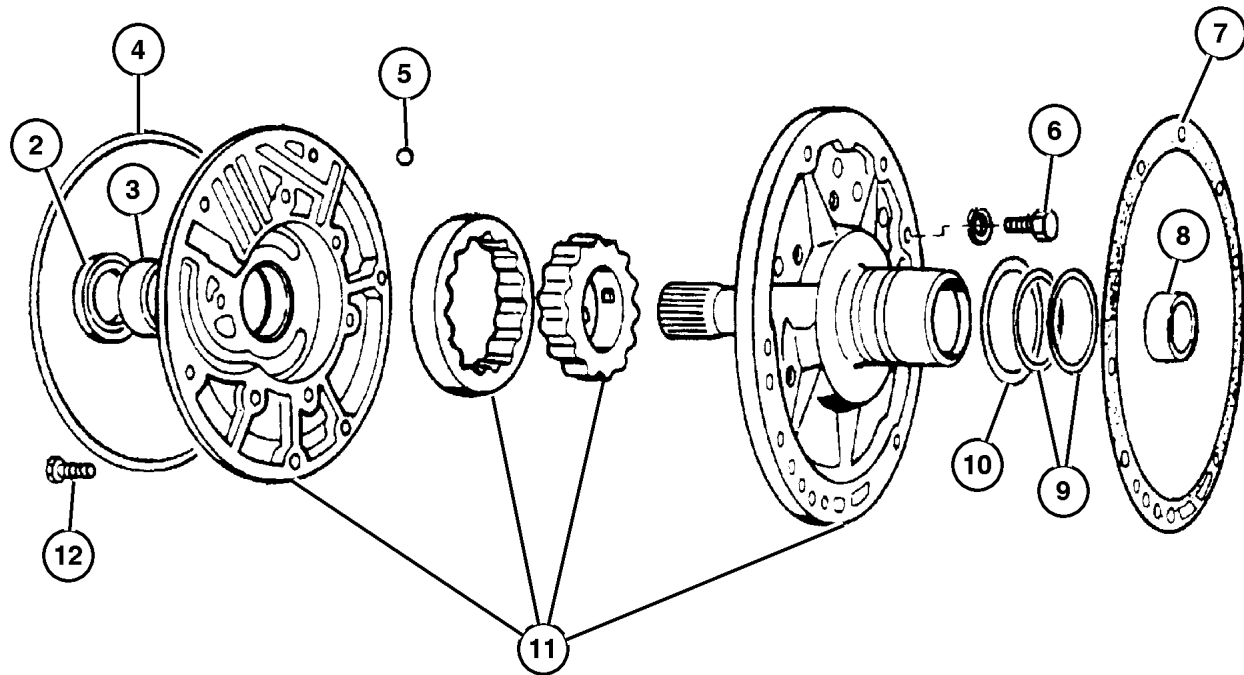
SERIES	LINE	BODY	ENGINE	TRANSMISSION
H=Laredo	J = 4WD	74 = 4 Door(105.9 WB)	ER0, ERH = 4.0L, Power Tech I-6	DGK = 4 Speed Autm, 42RE
P=Limited	T = 2WD		EVO, EVA = 4.7L, Power Tech V8	DGW = 4 Speed Automatic, -44RE
	U = 4WD (RHD)		EXA, EX0 = 3.1L, 5 Cyl Turbo Diesel	DG4 = Multi Speed Automatic, -45RFE
				DGO = All Automatic

AR = Use as required - = Non illustrated part # = New this model year

September 14, 2002

**Oil Pump 42RE [DGK]  
Figure 42RE-310**

ITEM	PART NUMBER	QTY	LINE	SERIES	BODY	ENGINE	TRANS	DESCRIPTION
NOTES: Sales Codes:								
[DGK] = 42RE Automatic Transmission								
								GASKET AND SEAL PACKAGE, Transmission Oil Pump
	4713 108AB	1	T				DGK	
		1	J, U				DGK	
2	4412 475	1	T				DGK	SEAL, Impeller Hub, 57.25mm OD
		1	J, U				DGK	
3	2466 796	1	T				DGK	BUSHING, Front Pump
		1	J, U				DGK	
4	2204 709	1	T				DGK	SEAL, Front Pump Housing
		1	J, U				DGK	
5	0104 918	1	T				DGK	BALL, Valve Body Check
		1	J, U				DGK	
6	0179 815	6	T				DGK	SCREW, Hex Head, .312-18x.687
		6	J, U				DGK	
7	5211 8266	1	T				DGK	GASKET, Transmission Oil Pump
		1	J, U				DGK	
8	4058 635	1	T				DGK	BUSHING, Reaction Shaft
		1	J, U				DGK	
9	4471 874	2	T				DGK	SEAL, Ring Reaction Support, 2 1/16 O.D.
		2	J, U				DGK	
10	4617 786	1	T				DGK	THRUST WASHER, Front Clutch
		1	J, U				DGK	
11	52118 267AB	1	T				DGK	PUMP, Transmission Oil
		1	J, U				DGK	
12	6023 943	6	T				DGK	SCREW AND WASHER, Hex Flange Head, .312-18x1.375
		6	J, U				DGK	



**JEEP GRAND CHEROKEE (WJ)**

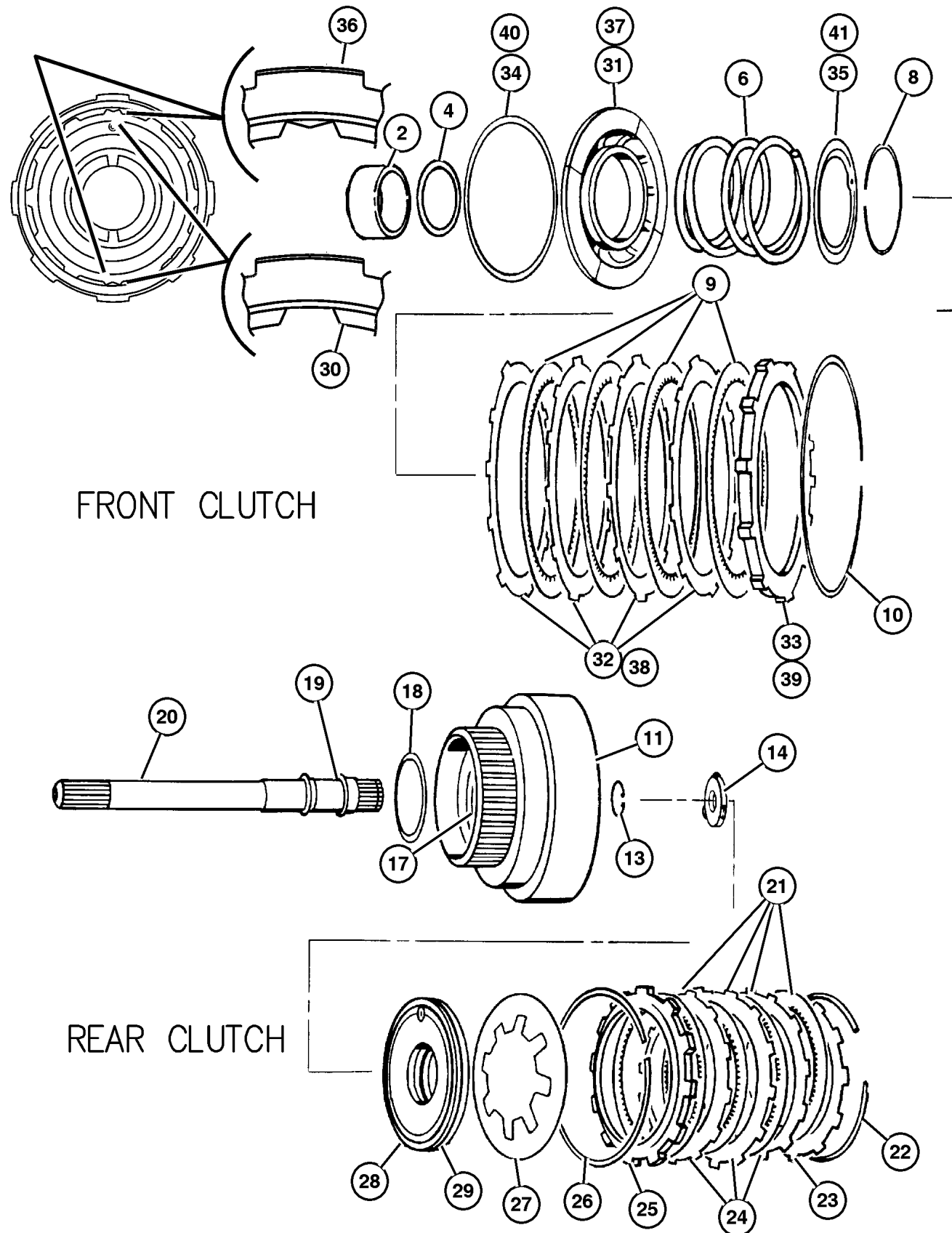
SERIES	LINE	BODY	ENGINE	TRANSMISSION
H=Laredo	J = 4WD	74 = 4 Door(105.9 WB)	ER0, ERH = 4.0L, Power Tech I-6	DGK = 4 Speed Autm, 42RE
P=Limited	T = 2WD		EV0, EVA = 4.7L, Power Tech V8	DGW = 4 Speed Automatic, -44RE
	U = 4WD (RHD)		EXA, EX0 = 3.1L, 5 Cyl Turbo Diesel	DG4 = Multi Speed Automatic, -45RFE
				DGO = All Automatic

AR = Use as required - = Non illustrated part # = New this model year

September 14, 2002



**Gear Train 42RE (DGK)  
Figure 42RE-410**



ITEM	PART NUMBER	QTY	LINE	SERIES	BODY	ENGINE	TRANS	DESCRIPTION
NOTES: Sales Codes								
[DGK] = 42RE Automatic Transmission								
-1	#5252 926AB	1	T				DGK	SEAL PACKAGE, Transmission Clutch
		1	J, U				DGK	
2	4617 157	1	T				DGK	BUSHING, Front Clutch
		1	J, U				DGK	
-3	4617 159	1	T				DGK	BUSHING, Rear Clutch
		1	J, U				DGK	
4	3515 176	1	T				DGK	SEAL, Front Clutch Piston
		1	J, U				DGK	
-5	0147 483	1	T				DGK	CHECK BALL, Dia-.187
		1	J, U				DGK	
6	3515 054	1	J, U				DGK	SPRING, Front Clutch
		1	T				DGK	
-7	0147 483	1	T				DGK	CHECK BALL, Dia-.187
		1	J, U				DGK	
8	3410 571	1	T				DGK	SNAP RING
		1	J, U				DGK	
9	4617 362	4	T				DGK	DISC, Direct Clutch
		4	J, U				DGK	
10	3410 571	1	T				DGK	SNAP RING
		1	J, U				DGK	
11	4505 199	1	T				DGK	RETAINER, Transmission Rear Clutch
		1	J, U				DGK	
-12	0147 483	1	T				DGK	CHECK BALL, Dia-.187
		1	J, U				DGK	
13	6022 859	1	T				DGK	SNAP RING, .890625
		1	J, U				DGK	
14								THRUST WASHER, Output Shaft, Gray .052

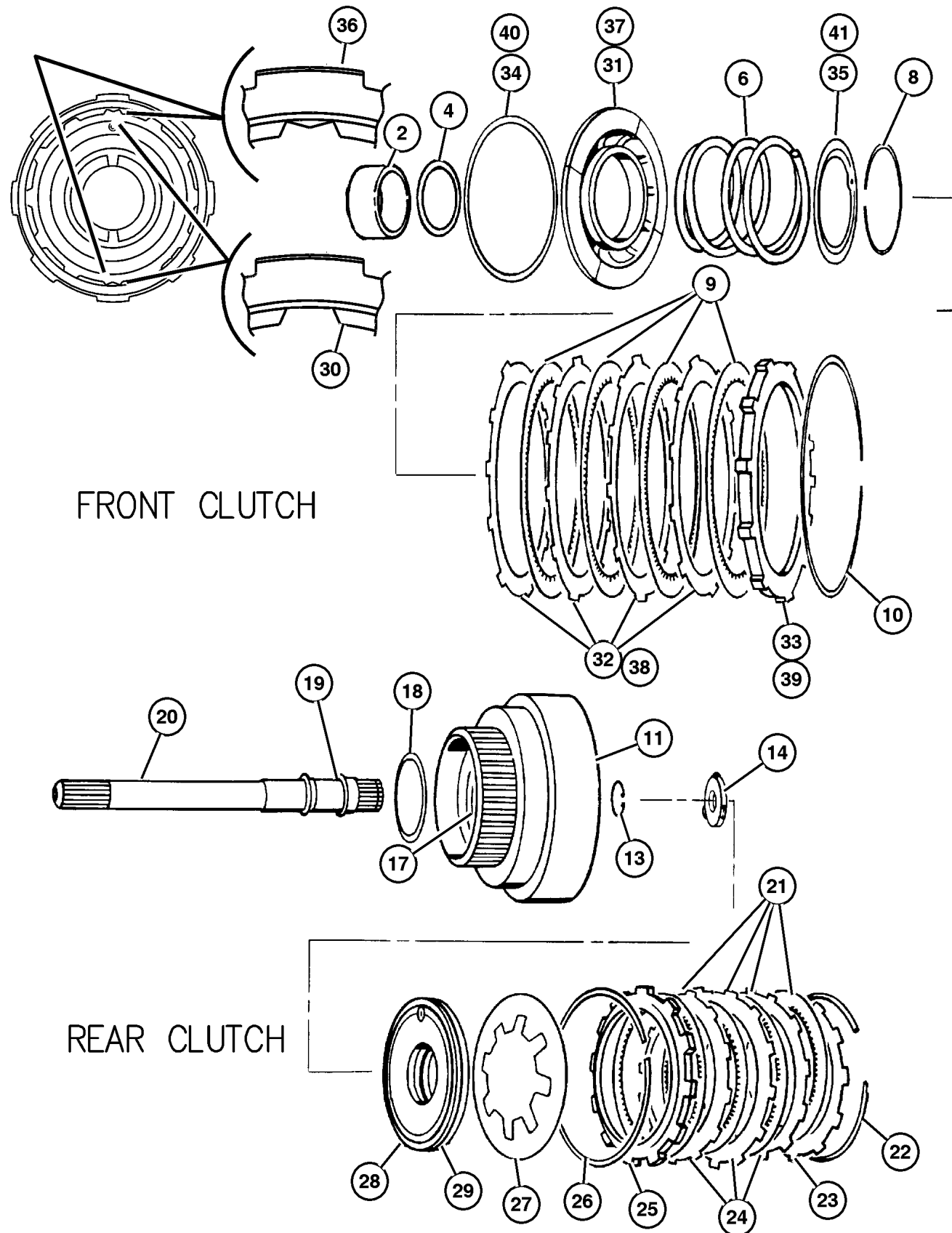
**JEEP GRAND CHEROKEE (WJ)**

SERIES	LINE	BODY	ENGINE	TRANSMISSION
H=Laredo	J = 4WD	74 = 4 Door(105.9 WB)	ER0, ERH = 4.0L, Power Tech I-6	DGK = 4 Speed Autm, 42RE
P=Limited	T = 2WD		EV0, EVA = 4.7L, Power Tech V8	DGW = 4 Speed Automatic, -44RE
	U = 4WD (RHD)		EXA, EX0 = 3.1L, 5 Cyl Turbo Diesel	DG4 = Multi Speed Automatic, -45RFE
				DGO = All Automatic

AR = Use as required - = Non illustrated part # = New this model year

September 14, 2002

**Gear Train 42RE (DGK)  
Figure 42RE-410**



ITEM	PART NUMBER	QTY	LINE	SERIES	BODY	ENGINE	TRANS	DESCRIPTION
	4505 185	1	T				DGK	
-15		1	J, U				DGK	THRUST WASHER, Output Shaft, Red .068
	4505 186	1	T				DGK	
-16		1	J, U				DGK	THRUST WASHER, Output Shaft, Green .083
	4505 187	1	T				DGK	
17		1	J, U				DGK	SEAL, Rear Clutch Retainer
	4617 063	1	T				DGK	
		1	J, U				DGK	
18		1	T				DGK	THRUST WASHER, Front Clutch
	4617 786	1	J, U				DGK	
19		1	T				DGK	SEAL, Input Shaft
	1401 221AB	1	J, U				DGK	
20		1	T				DGK	INPUT SHAFT, Transmission
	4505 189	1	J, U				DGK	
21		4	T				DGK	DISC, Clutch
	4713 880	4	J, U				DGK	
22		1	T				DGK	SNAP RING
	4130 761	1	J, U				DGK	
23		1	T				DGK	PLATE, Transmission Clutch Reaction
	4617 176	1	J, U				DGK	
24		3	T				DGK	PLATE, Clutch Separator
	1942 403AB	3	J, U				DGK	
	1942 403AC	5	T				DGK	With Transmission Stamp # [52119836AA]
		5	J, U				DGK	With Transmission Stamp # [52119837AA]
25		1	T				DGK	PLATE, Clutch Pressure
	2466 281	1	J, U				DGK	
26							DGK	SPRING, Rear Clutch

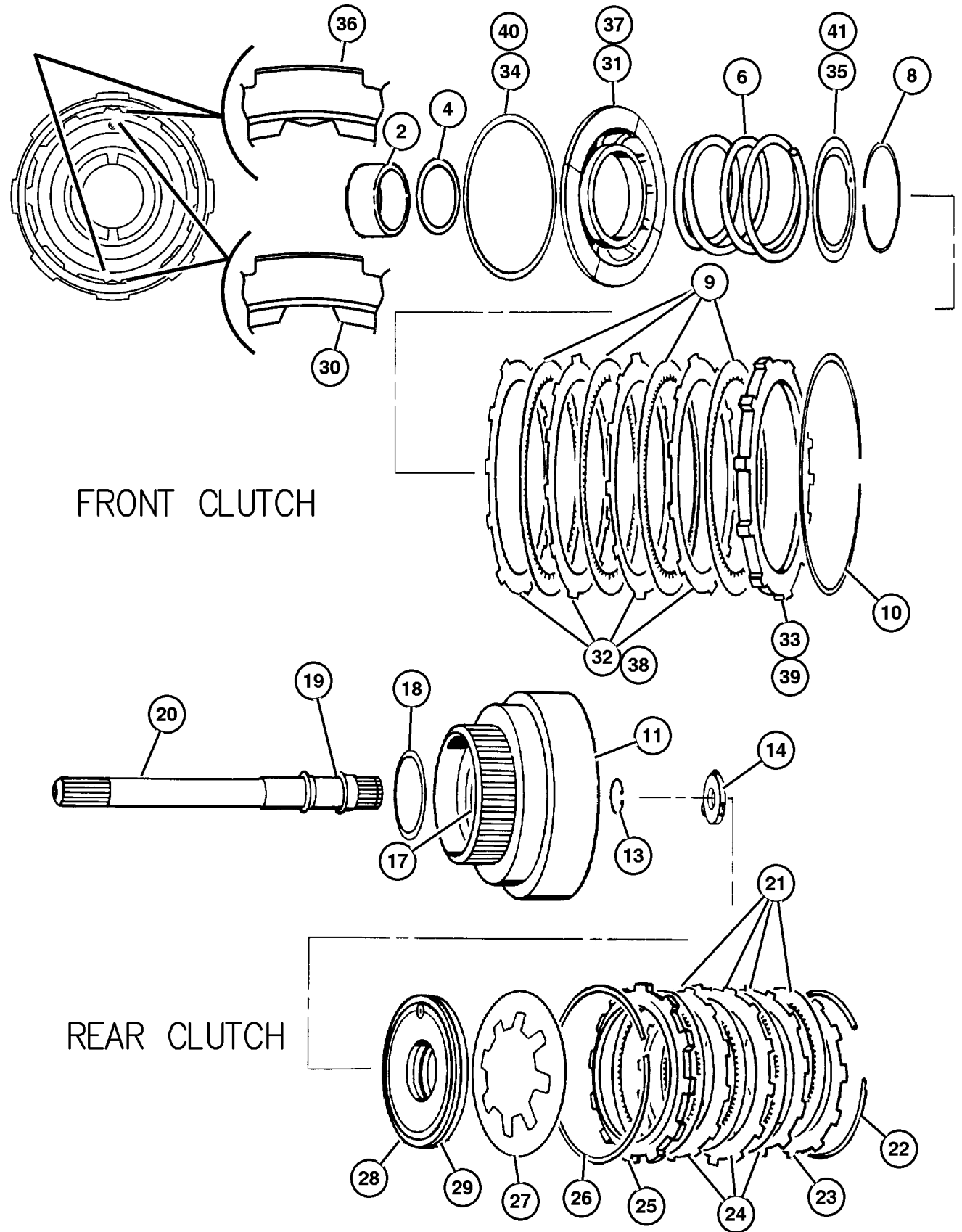
**JEEP GRAND CHEROKEE (WJ)**

SERIES	LINE	BODY	ENGINE	TRANSMISSION
H=Laredo	J = 4WD	74 = 4 Door(105.9 WB)	ER0, ERH = 4.0L, Power Tech I-6	DGK = 4 Speed Autm, 42RE
P=Limited	T = 2WD		EVO, EVA = 4.7L, Power Tech V8	DGW = 4 Speed Automatic, -44RE
	U = 4WD (RHD)		EXA, EX0 = 3.1L, 5 Cyl Turbo Diesel	DG4 = Multi Speed Automatic, -45RFE
				DGO = All Automatic

AR = Use as required - = Non illustrated part # = New this model year

September 14, 2002

**Gear Train 42RE (DGK)  
Figure 42RE-410**

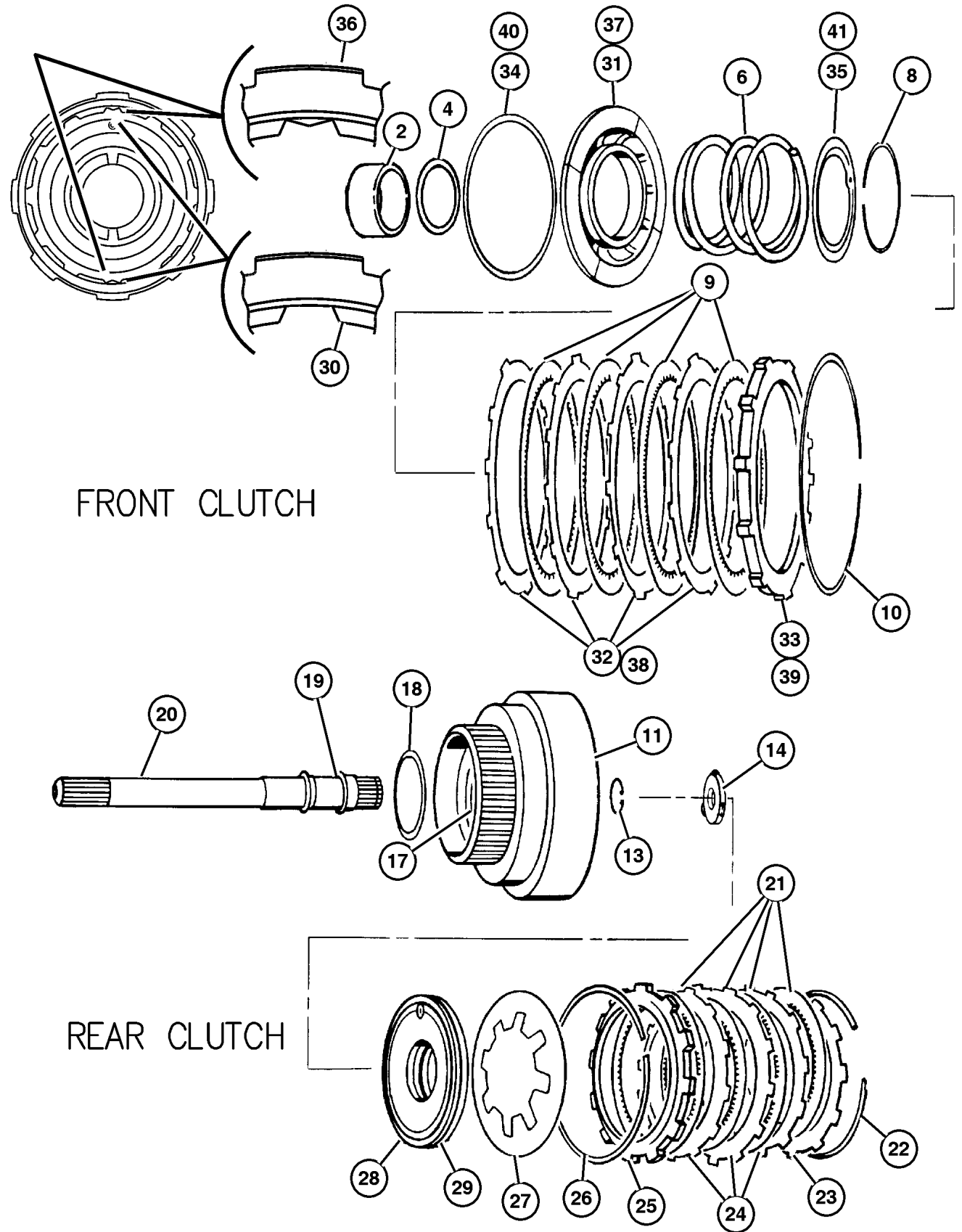


ITEM	PART NUMBER	QTY	LINE	SERIES	BODY	ENGINE	TRANS	DESCRIPTION
	2466 283	1	T				DGK	
		1	J, U				DGK	
27	4728 487	1	T				DGK	SPRING, Rear Clutch Piston
		1	J, U				DGK	
28	2538 695	1	T				DGK	SEAL, Rear Clutch Piston
		1	J, U				DGK	
29								PISTON, Clutch
	3515 716	1	T				DGK	
		1	J, U				DGK	
	4617 154AB	1	J, U				DGK	With Transmission Stamp # [52119837AA]
		1	T				DGK	With Transmission Stamp # [52119836AA]
30								RETAINER AND BUSHING, Transmission Front Clutch, Up to 01-07-2000
	4531 285	1	T				DGK	
		1	J, U				DGK	
31	4617 154	1	T				DGK	PISTON, Clutch
		1	J, U				DGK	
32	1942 403AC	4	T				DGK	PLATE, Clutch Separator
		4	J, U				DGK	
33								PLATE, Transmission Clutch Reaction
	4617 176	1	T				DGK	
		1	J, U				DGK	
34	4058 487	1	T				DGK	SEAL, Front Piston Clutch
		1	J, U				DGK	
35								RETAINER, Transmission Front Clutch Piston Spring
	4617 516AB	1	T				DGK	
		1	J, U				DGK	
36								RETAINER AND BUSHING, Transmission Front Clutch, From 01-07-2000
	#4531 285AB	1	T				DGK	
		1	J, U				DGK	
37	4617 154AB	1	T				DGK	PISTON, Clutch
		1	J, U				DGK	
38								PLATE, Clutch Separator

**JEEP GRAND CHEROKEE (WJ)**

SERIES	LINE	BODY	ENGINE	TRANSMISSION
H=Laredo	J = 4WD	74 = 4 Door(105.9 WB)	ER0, ERH = 4.0L, Power Tech I-6	DGK = 4 Speed Autm, 42RE
P=Limited	T = 2WD		EVO, EVA = 4.7L, Power Tech V8	DGW = 4 Speed Automatic, -44RE
	U = 4WD (RHD)		EXA, EX0 = 3.1L, 5 Cyl Turbo Diesel	DG4 = Multi Speed Automatic, -45RFE
				DGO = All Automatic

**Gear Train 42RE (DGK)  
Figure 42RE-410**

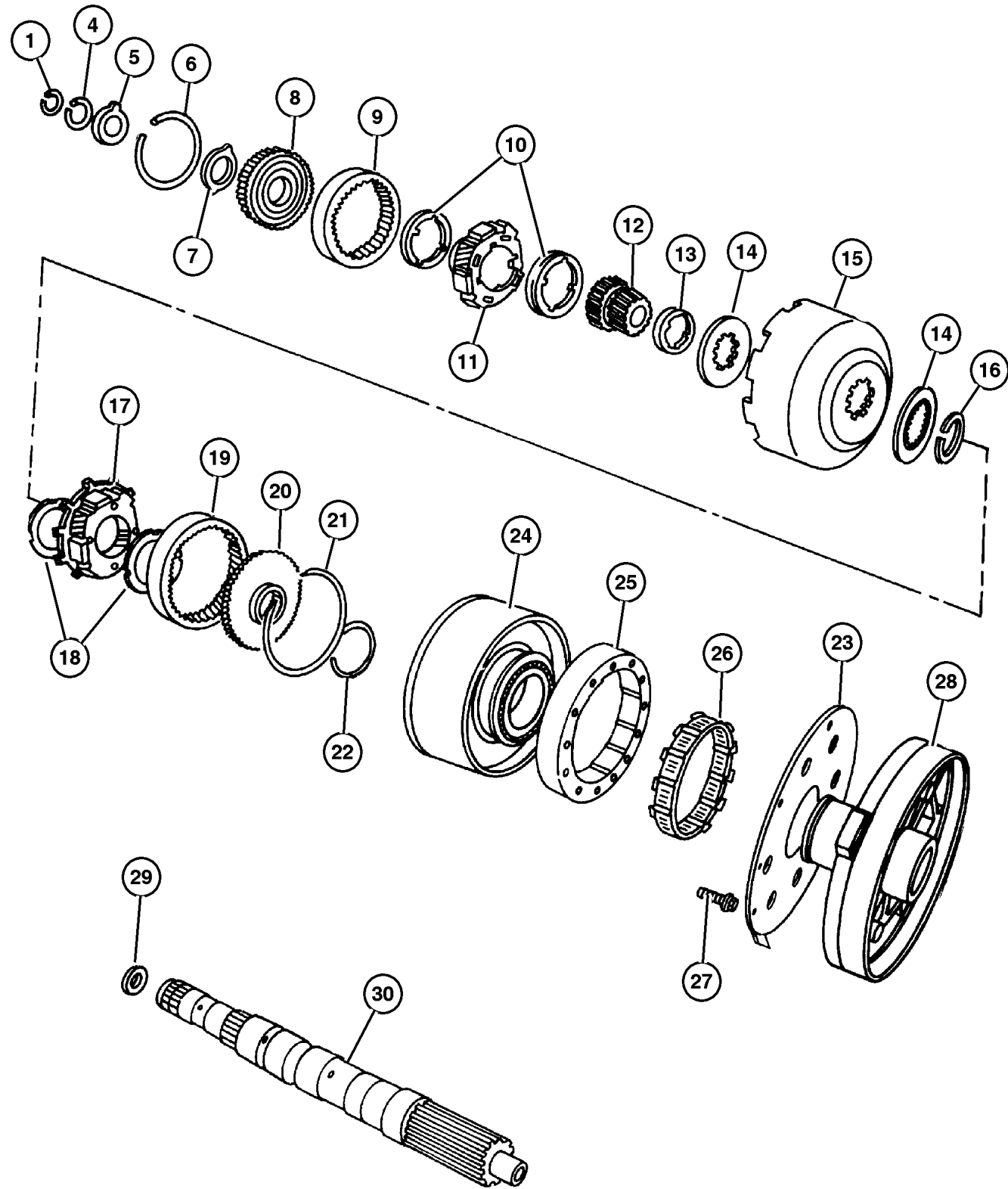


ITEM	PART NUMBER	QTY	LINE	SERIES	BODY	ENGINE	TRANS	DESCRIPTION
	1942 403AB	4	T				DGK	
		4	J, U				DGK	
39	4617 176AB	1	T				DGK	PLATE, Transmission Clutch Reaction
		1	J, U				DGK	
40	4058 487AB	1	T				DGK	SEAL, Front Piston Clutch
		1	J, U				DGK	
41								RETAINER, Transmission Front Clutch
								Piston Spring
	4617 516AC	1	T				DGK	
		1	J, U				DGK	

**JEEP GRAND CHEROKEE (WJ)**

SERIES	LINE	BODY	ENGINE	TRANSMISSION
H=Laredo	J = 4WD	74 = 4 Door(105.9 WB)	ER0, ERH = 4.0L, Power Tech I-6	DGK = 4 Speed Autm, 42RE
P=Limited	T = 2WD		EV0, EVA = 4.7L, Power Tech V8	DGW = 4 Speed Automatic, -44RE
	U = 4WD (RHD)		EXA, EX0 = 3.1L, 5 Cyl Turbo Diesel	DG4 = Multi Speed Automatic, -45RFE
				DGO = All Automatic

**Gear Train and Intermediate Shaft 42RE [DGK]  
Figure 42RE-420**



ITEM	PART NUMBER	QTY	LINE	SERIES	BODY	ENGINE	TRANS	DESCRIPTION
NOTES: Sales Codes								
[DGK] = 42RE Automatic Transmission								
[ER0] = All 4.0L 6 Cylinder Gas Engines								
1	6026 289	1	T				DGK	SNAP RING, .946 ID
-2	6030 938	1	J, U				DGK	SNAP RING
-3	6030 404	1	T				DGK	SNAP RING, Output Shaft, 1.029 OD
4	6030 576	1	J, U				DGK	SNAP RING, Annulus Gear, 1.375 ID
5	3681 969	1	T				DGK	THRUST WASHER, Annulus Gear
6	6030 938	1	J, U				DGK	SNAP RING
7	4617 775	1	T				DGK	PLATE, Annulus Gear Thrust
8	4617 774	1	J, U				DGK	SUPPORT, Annulus Gear
9	4130 512	1	T				DGK	GEAR, Front Annulus
10	4130 518	2	T				DGK	THRUST WASHER, Planetary Carrier
11	4130 514	1	T				DGK	CARRIER, Planetary Pinion
12	4130 685	1	J, U				DGK	GEAR, Sun
13	4130 736	1	T				DGK	SPACER, Sun Gear
14		1	J, U				DGK	PLATE, Transmission Module

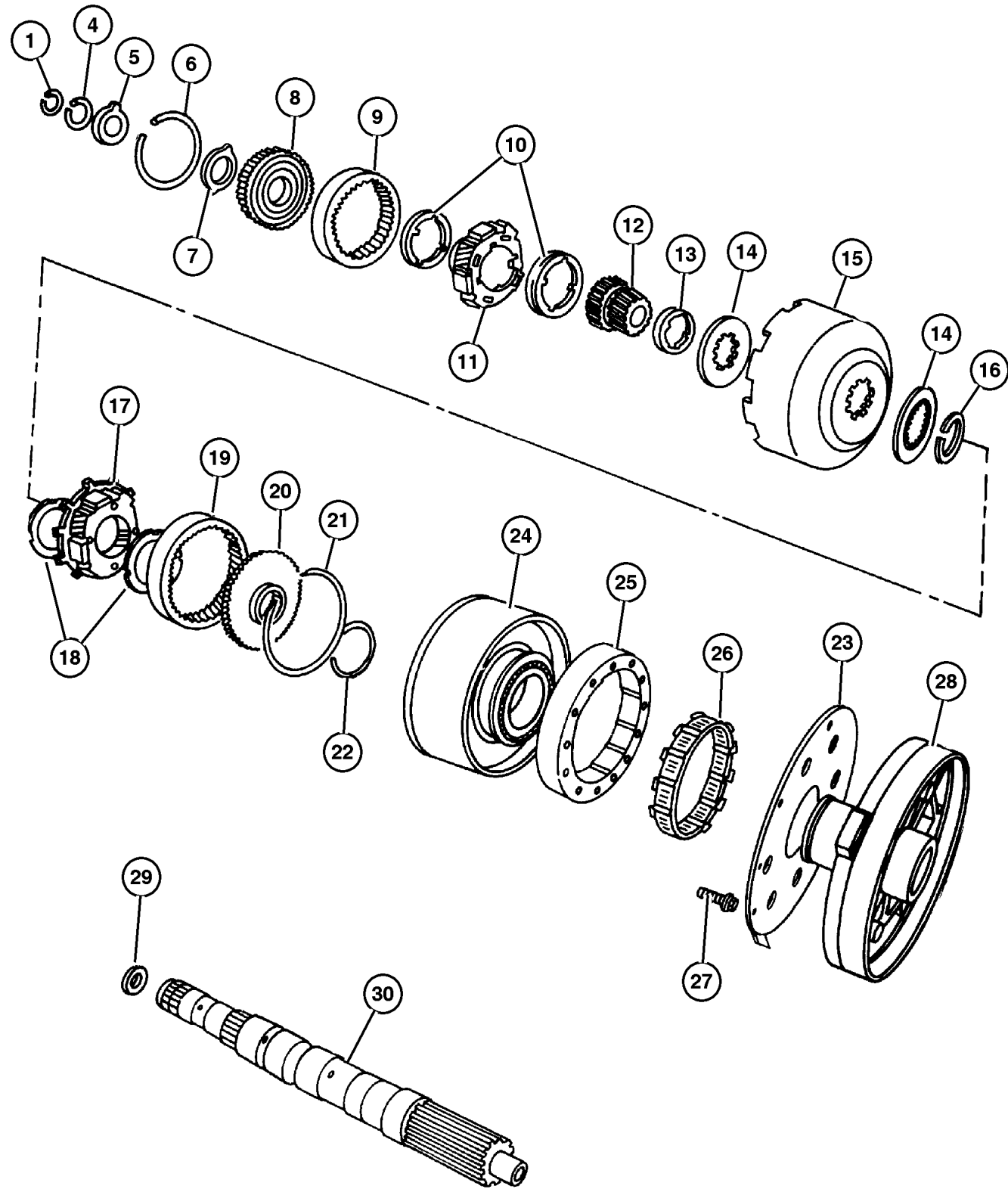
**JEEP GRAND CHEROKEE (WJ)**

SERIES	LINE	BODY	ENGINE	TRANSMISSION
H=Laredo	J = 4WD	74 = 4 Door(105.9 WB)	ER0, ERH = 4.0L, Power Tech I-6	DGK = 4 Speed Autm, 42RE
P=Limited	T = 2WD		EV0, EVA = 4.7L, Power Tech V8	DGW = 4 Speed Automatic, -44RE
	U = 4WD (RHD)		EXA, EX0 = 3.1L, 5 Cyl Turbo Diesel	DG4 = Multi Speed Automatic, -45RFE
				DGO = All Automatic

AR = Use as required - = Non illustrated part # = New this model year

September 14, 2002

**Gear Train and Intermediate Shaft 42RE [DGK]  
Figure 42RE-420**



ITEM	PART NUMBER	QTY	LINE	SERIES	BODY	ENGINE	TRANS	DESCRIPTION
	4471 566	2	T				DGK	
		2	J, U				DGK	
15	4531 288	1	T				DGK	SHELL, Sun Gear
		1	J, U				DGK	
16	1942 439	1	T				DGK	SNAP RING, Sun Gear Shell
		1	J, U				DGK	
17	4431 438	1	T				DGK	CARRIER, Planetary Pinion
		1	J, U				DGK	
18	3681 935	1	T				DGK	THRUST WASHER, Planetary Carrier
		1	J, U				DGK	
19	3743 184	1	T				DGK	GEAR, Rear Annulus
		1	J, U				DGK	
20	3515 501	1	T				DGK	SUPPORT, Annulus Gear
		1	J, U				DGK	
21	1942 444	1	T				DGK	SNAP RING
		1	J, U				DGK	
22	6033 480	1	T				DGK	SNAP RING, Reverse Drum
		1	J, U				DGK	
23	4471 564	1	T				DGK	GASKET, Overdrive Piston Retainer
		1	J, U				DGK	
24	4637 956	1	T				DGK	DRUM PACKAGE, Transmission
		1	J, U				DGK	
25	4431 690	1	T				DGK	CAM, Overrunning Clutch
		1	J, U				DGK	
26	4431 432	1	T				DGK	CLUTCH, Overrunning
		1	J, U				DGK	
27	6033 616	5	T				DGK	SCREW, Hex Flange Head, .25-28x.875
		5	J, U				DGK	
28								RETAINER, Transmission Overdrive Clutch Piston

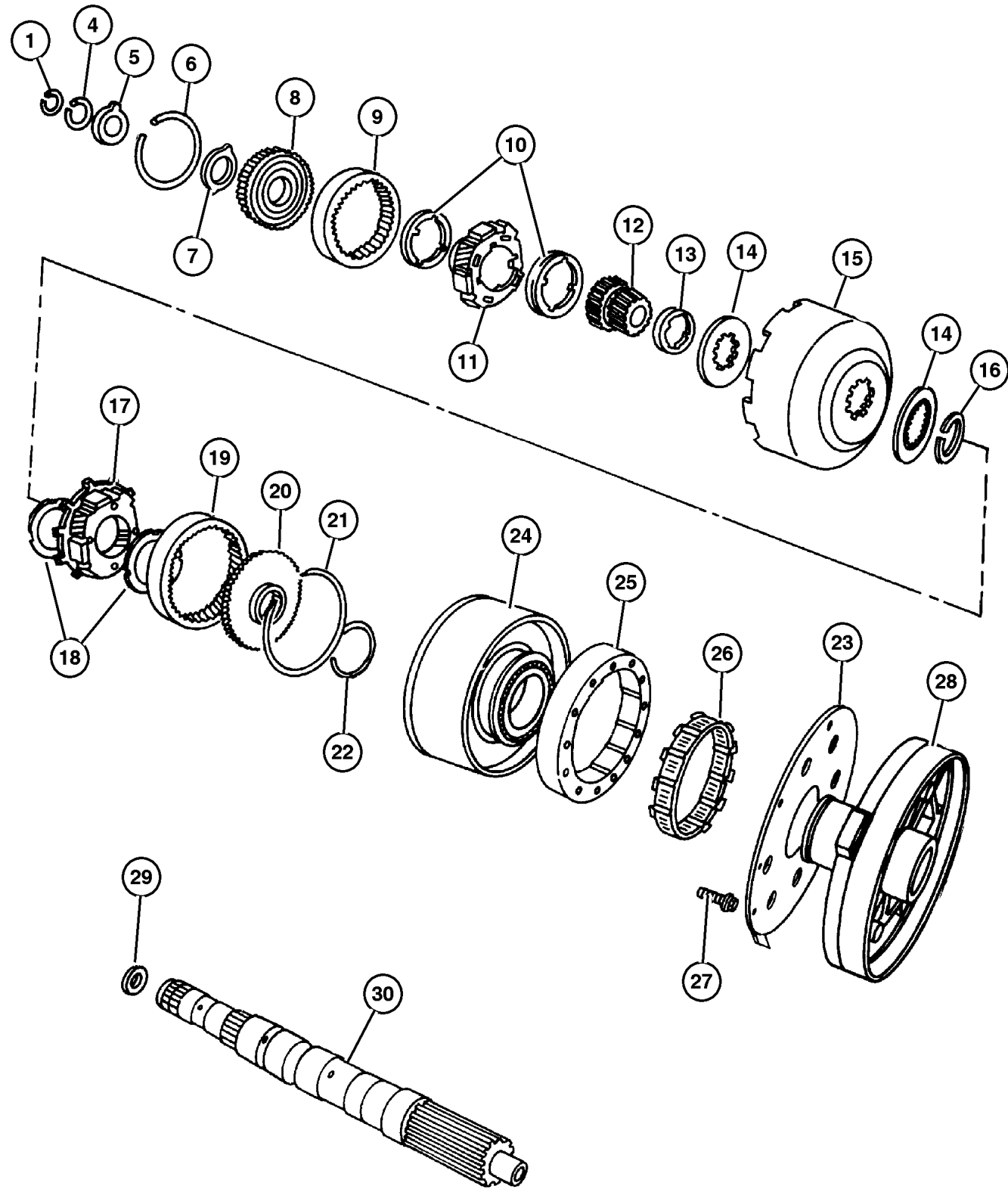
**JEEP GRAND CHEROKEE (WJ)**

SERIES	LINE	BODY	ENGINE	TRANSMISSION
H=Laredo	J = 4WD	74 = 4 Door(105.9 WB)	ER0, ERH = 4.0L, Power Tech I-6	DGK = 4 Speed Autm, 42RE
P=Limited	T = 2WD		EV0, EVA = 4.7L, Power Tech V8	DGW = 4 Speed Automatic, -44RE
	U = 4WD (RHD)		EXA, EX0 = 3.1L, 5 Cyl Turbo Diesel	DG4 = Multi Speed Automatic, -45RFE
				DGO = All Automatic

AR = Use as required - = Non illustrated part # = New this model year

September 14, 2002

**Gear Train and Intermediate Shaft 42RE [DGK]  
Figure 42RE-420**



ITEM	PART NUMBER	QTY	LINE	SERIES	BODY	ENGINE	TRANS	DESCRIPTION
	4617 246	1	T				DGK	
		1	J, U				DGK	
29	4471 566	2	T				DGK	PLATE, Transmission Module
		2	J, U				DGK	
30	4617 604	1	T				DGK	INTERMEDIATE SHAFT, Transmission
		1	J, U				DGK	

<b>JEEP GRAND CHEROKEE (WJ)</b>				
SERIES	LINE	BODY	ENGINE	TRANSMISSION
H=Laredo	J = 4WD	74 = 4 Door(105.9 WB)	ER0, ERH = 4.0L, Power Tech I-6	DGK = 4 Speed Autm, 42RE
P=Limited	T = 2WD		EVA, EVA = 4.7L, Power Tech V8	DGW = 4 Speed Automatic, -44RE
	U = 4WD (RHD)		EXA, EX0 = 3.1L, 5 Cyl Turbo Diesel	DG4 = Multi Speed Automatic, -45RFE
				DGO = All Automatic

AR = Use as required - = Non illustrated part # = New this model year

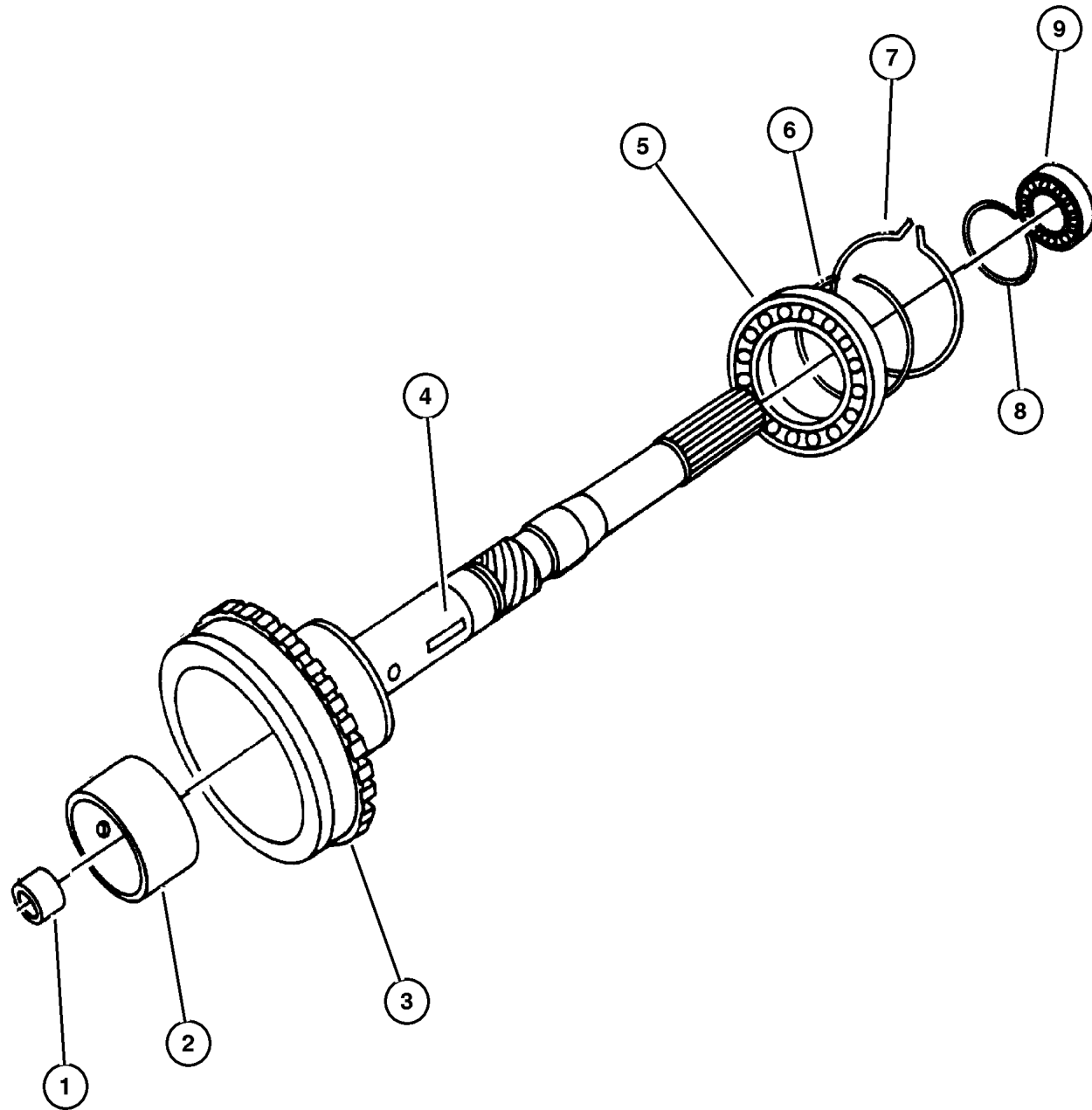
September 14, 2002

**Output Shaft [DGK]  
Figure 42RE-430**

ITEM	PART NUMBER	QTY	LINE	SERIES	BODY	ENGINE	TRANS	DESCRIPTION
------	-------------	-----	------	--------	------	--------	-------	-------------

NOTES: Sales Codes  
 [DGK] = 42RE 4 Speed Automatic Transmission  
 [ER0] = All 4.0L 6 Cylinder Gas Engines

1								BUSHING, (NOT SERVICED) (Not Serviced)
2								BUSHING, (NOT SERVICED) (Not Serviced)
3								SHAFT, Output
	4798 536	1	J, U				DGK	
	5003 232AA	1	T				DGK	
4								KEY, Shaft, (NOT SERVICED) (Not Serviced)
5								BEARING, Output Shaft
	4461 008	1	J, U				DGK	
		1	T				DGK	
6								SNAP RING, .946 ID
	6026 289	1	T				DGK	
		1	J, U				DGK	
7								SNAP RING, Output Shaft, 1.029 OD
	6030 404	1	T				DGK	
		1	J, U				DGK	
8								SNAP RING
	6030 938	1	T				DGK	
		1	J, U				DGK	
9								BEARING, Output Shaft
	4461 008	1	J, U				DGK	
		1	T				DGK	



**JEEP GRAND CHEROKEE (WJ)**

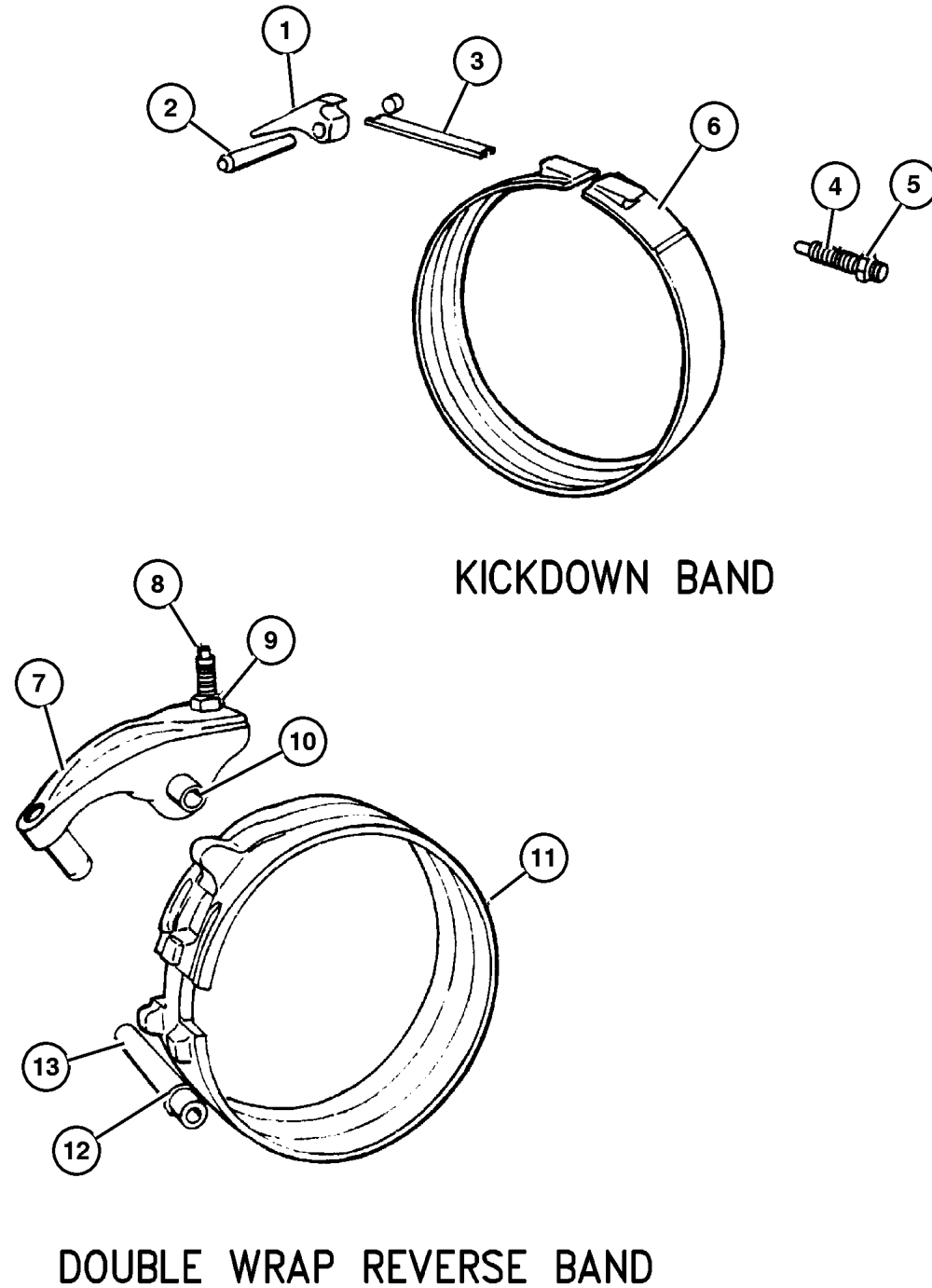
SERIES	LINE	BODY	ENGINE	TRANSMISSION
H=Laredo	J = 4WD	74 = 4 Door(105.9 WB)	ER0, ERH = 4.0L, Power Tech I-6	DGK = 4 Speed Autm, 42RE
P=Limited	T = 2WD		EVO, EVA = 4.7L, Power Tech V8	DGW = 4 Speed Automatic, -44RE
	U = 4WD (RHD)		EXA, EX0 = 3.1L, 5 Cyl Turbo Diesel	DG4 = Multi Speed Automatic, -45RFE
				DGO = All Automatic

AR = Use as required - = Non illustrated part # = New this model year

September 14, 2002



**Bands 42RE [DGK]  
Figure 42RE-510**



ITEM	PART NUMBER	QTY	LINE	SERIES	BODY	ENGINE	TRANS	DESCRIPTION
NOTES: Sales Codes								
[DGK] = 42RE 4 Speed Automatic Transmission								
[ER0] = All 4.0L 6 Cylinder Gas Engines								
1	5211 8264	1	T				DGK	LEVER, Kickdown
2	4531 181	1	J, U				DGK	SHAFT, Band Lever
		1	J, U				DGK	
3	3515 084	1	T				DGK	STRUT, Kickdown Band
		1	J, U				DGK	
4	6036 141AA	1	T				DGK	SCREW
		1	J, U				DGK	
5	0124 934	1	T				DGK	NUT, Hex Jam, .50-20
		1	J, U				DGK	
6	4617 849	1	T				DGK	BAND, Kickdown
		1	J, U				DGK	
7	4202 764AB	1	T				DGK	LEVER, Reverse Band
		1	J, U				DGK	
8	2538 472	1	T				DGK	SCREW, Trans Reverse Band Adjusting, .375-24-1.88
		1	J, U				DGK	
9	0114 942	1	T				DGK	NUT, Hex, .375-24
		1	J, U				DGK	
10	3410 102	1	T				DGK	SHAFT, Reverse Band
		1	J, U				DGK	
11	4431 406	1	T				DGK	BAND, Reverse
		1	J, U				DGK	
12	6030 657	1	T				DGK	O RING, Steering Gear
		1	J, U				DGK	
13	3410 102	1	T				DGK	SHAFT, Reverse Band

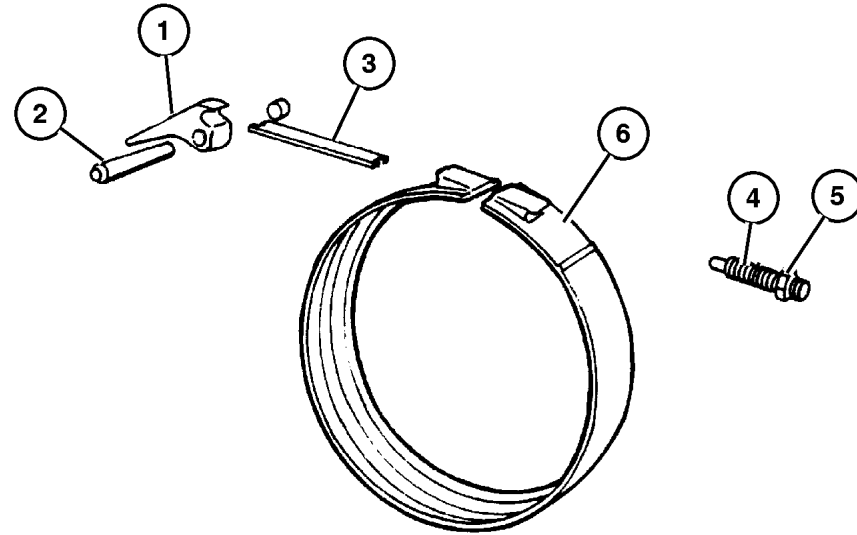
**JEEP GRAND CHEROKEE (WJ)**

SERIES	LINE	BODY	ENGINE	TRANSMISSION
H=Laredo	J = 4WD	74 = 4 Door(105.9 WB)	ER0, ERH = 4.0L, Power Tech I-6	DGK = 4 Speed Autm, 42RE
P=Limited	T = 2WD		EV0, EVA = 4.7L, Power Tech V8	DGW = 4 Speed Automatic, -44RE
	U = 4WD (RHD)		EXA, EX0 = 3.1L, 5 Cyl Turbo Diesel	DG4 = Multi Speed Automatic, -45RFE
				DGO = All Automatic

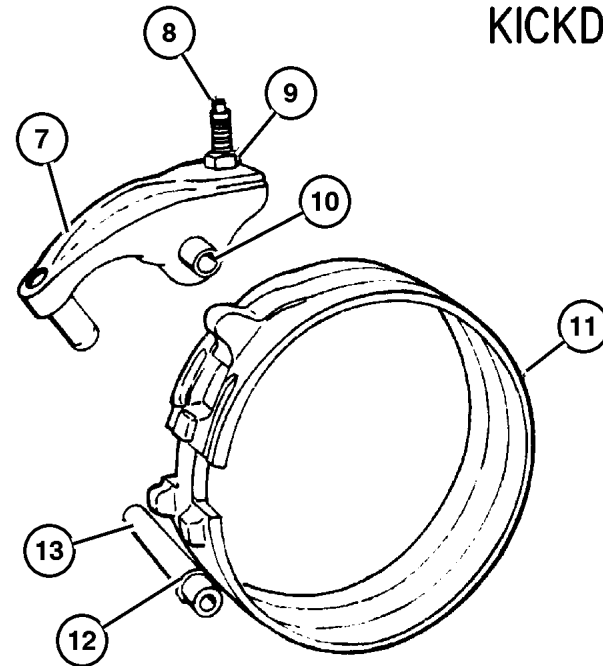
**Bands 42RE [DGK]  
Figure 42RE-510**

ITEM	PART NUMBER	QTY	LINE	SERIES	BODY	ENGINE	TRANS	DESCRIPTION
------	-------------	-----	------	--------	------	--------	-------	-------------

1 J, U DGK



**KICKDOWN BAND**



**DOUBLE WRAP REVERSE BAND**

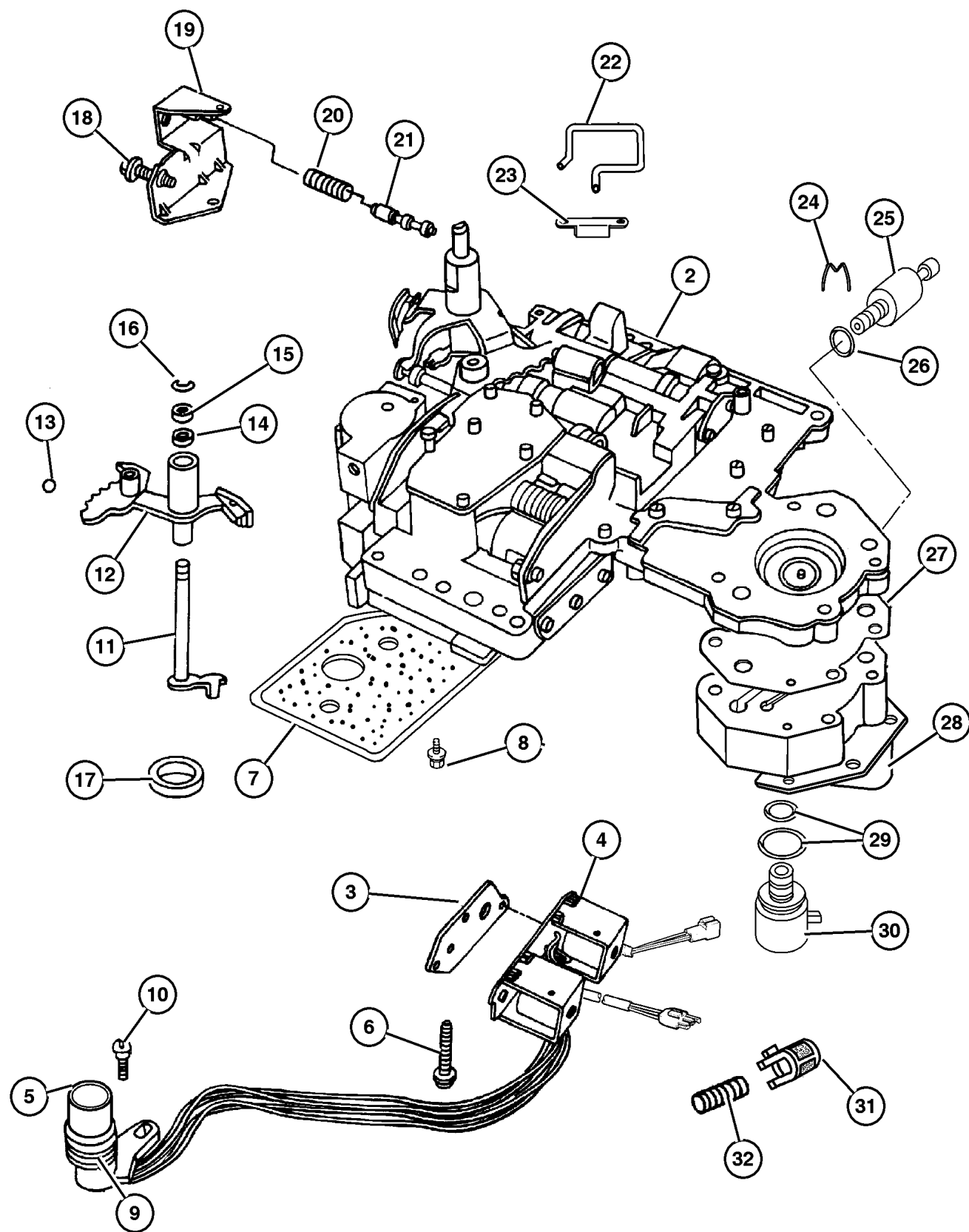
**JEEP GRAND CHEROKEE (WJ)**

SERIES	LINE	BODY	ENGINE	TRANSMISSION
H=Laredo	J = 4WD	74 = 4 Door(105.9 WB)	ER0, ERH = 4.0L, Power Tech I-6	DGK = 4 Speed Autm, 42RE
P=Limited	T = 2WD		EV0, EVA = 4.7L, Power Tech V8	DGW = 4 Speed Automatic, -44RE
	U = 4WD (RHD)		EXA, EX0 = 3.1L, 5 Cyl Turbo Diesel	DG4 = Multi Speed Automatic, -45RFE
				DGO = All Automatic

AR = Use as required - = Non illustrated part # = New this model year

September 14, 2002

Valve Body 42RE [DGK]  
Figure 42RE-710



ITEM	PART NUMBER	QTY	LINE	SERIES	BODY	ENGINE	TRANS	DESCRIPTION
NOTES: Sales Codes								
[DGK] = 42RE 4 Speed Automatic Transmission								
[ER0] = All 4.0L 6 Cylinder Gas Engines								
-1								SEAL AND GASKET PACKAGE, Valve Body and Servo
	4863 933AB	1	T				DGK	
		1	J, U				DGK	
2	#52119 633AB	1	T				DGK	BODY, Transfer Plate
		1	J, U				DGK	
3	4617 216	1	T				DGK	GASKET, Transmission Solenoid
		1	J, U				DGK	
4								SOLENOID, Transmission Overdrive
	#52118 500AB	1	T				DGK	
		1	J, U				DGK	
5								TRANSDUCER, Pressure Sensor
	#56028 196AA	AR	J, U				DGK	
		AR	T				DGK	
6								BOLT, Valve Body, .25-20x1.75
	0181 071	3	T				DGK	
		3	J, U				DGK	
7								FILTER, Valve Body
	5211 8789	1	T				DGK	
		1	J, U				DGK	
8								SCREW AND WASHER, Oil Filter Mounting, Fillester Head .190-24x2.500
	6033 826	3	T				DGK	
		3	J, U				DGK	
9								O RING, Solenoid Wiring, Transmission
	6034 748	2	T				DGK	
		2	J, U				DGK	
10								SCREW, Tapping, .19-24x.75
	6033 985	1	T				DGK	
		1	J, U				DGK	
11								LEVER, Throttle Valve
	3681 227	1	T				DGK	
		1	J, U				DGK	
12								LEVER, Manual Valve
	4617 439	1	T				DGK	
		1	J, U				DGK	
13								BALL, Manual Lever Detent, .343 Diameter

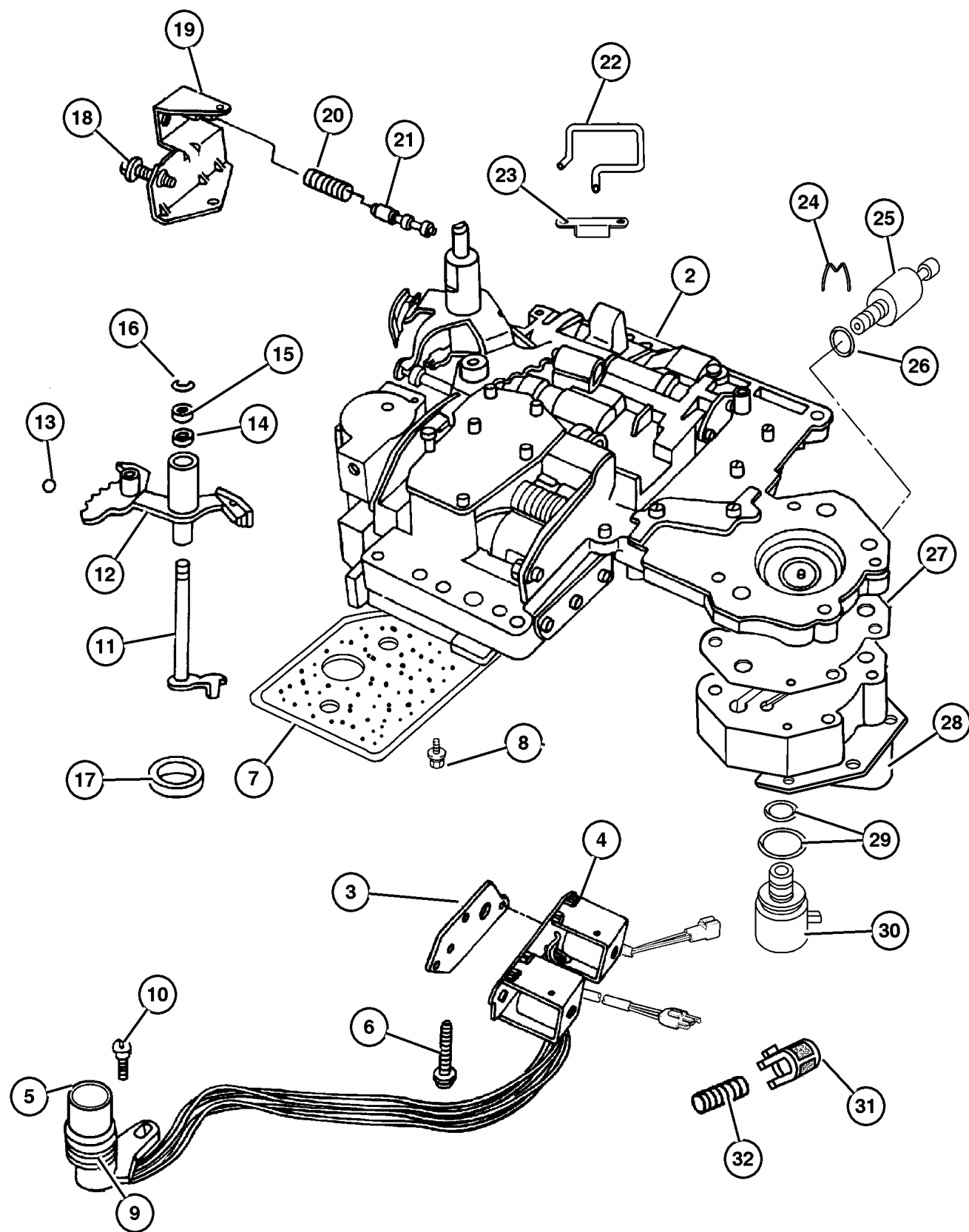
JEEP GRAND CHEROKEE (WJ)

SERIES	LINE	BODY	ENGINE	TRANSMISSION
H=Laredo	J = 4WD	74 = 4 Door(105.9 WB)	ER0, ERH = 4.0L, Power Tech I-6	DGK = 4 Speed Autm, 42RE
P=Limited	T = 2WD		EV0, EVA = 4.7L, Power Tech V8	DGW = 4 Speed Automatic, -44RE
	U = 4WD (RHD)		EXA, EX0 = 3.1L, 5 Cyl Turbo Diesel	DG4 = Multi Speed Automatic, -45RFE
				DGO = All Automatic

AR = Use as required - = Non illustrated part # = New this model year

September 14, 2002

Valve Body 42RE [DGK]  
Figure 42RE-710



ITEM	PART NUMBER	QTY	LINE	SERIES	BODY	ENGINE	TRANS	DESCRIPTION
	0147 488	1	T				DGK	
		1	J, U				DGK	
14	2466 548	1	T				DGK	SEAL, Valve Lever Shift
		1	J, U				DGK	
15	2538 062	1	T				DGK	WASHER, Manual Valve Lever
		1	J, U				DGK	
16	6035 208	2	T				DGK	SNAP RING
		2	J, U				DGK	
17	4505 098	1	T				DGK	SEAL, Manual Shift Valve, 1.25 OD
		1	J, U				DGK	
18	6030 609	1	T				DGK	SCREW, Cap Head Lock, .312-24x1.25
		1	J, U				DGK	
19	4617 010	1	T				DGK	BRACKET, Valve Body Switch
		1	J, U				DGK	
20	4130 492	1	T				DGK	SPRING, Switch Valve
		1	J, U				DGK	
21	4505 036	1	T				DGK	VALVE, Trans Lockup Switch
		1	J, U				DGK	
22	4617 008	1	T				DGK	TUBE, Boost Valve
		1	J, U				DGK	
23	5211 7958	1	T				DGK	RETAINER, Boost Valve Oil Supply Tube
		1	J, U				DGK	
24	4617 219	1	T				DGK	CLIP, Transmission Governor Transducer
		1	J, U				DGK	
25	#56028 196AA	AR	J, U				DGK	TRANSDUCER, Pressure Sensor
		AR	T				DGK	
26	6034 493	1	T				DGK	O RING, Pressure Switch
		1	J, U				DGK	
27								GASKET, Transmission Solenoid

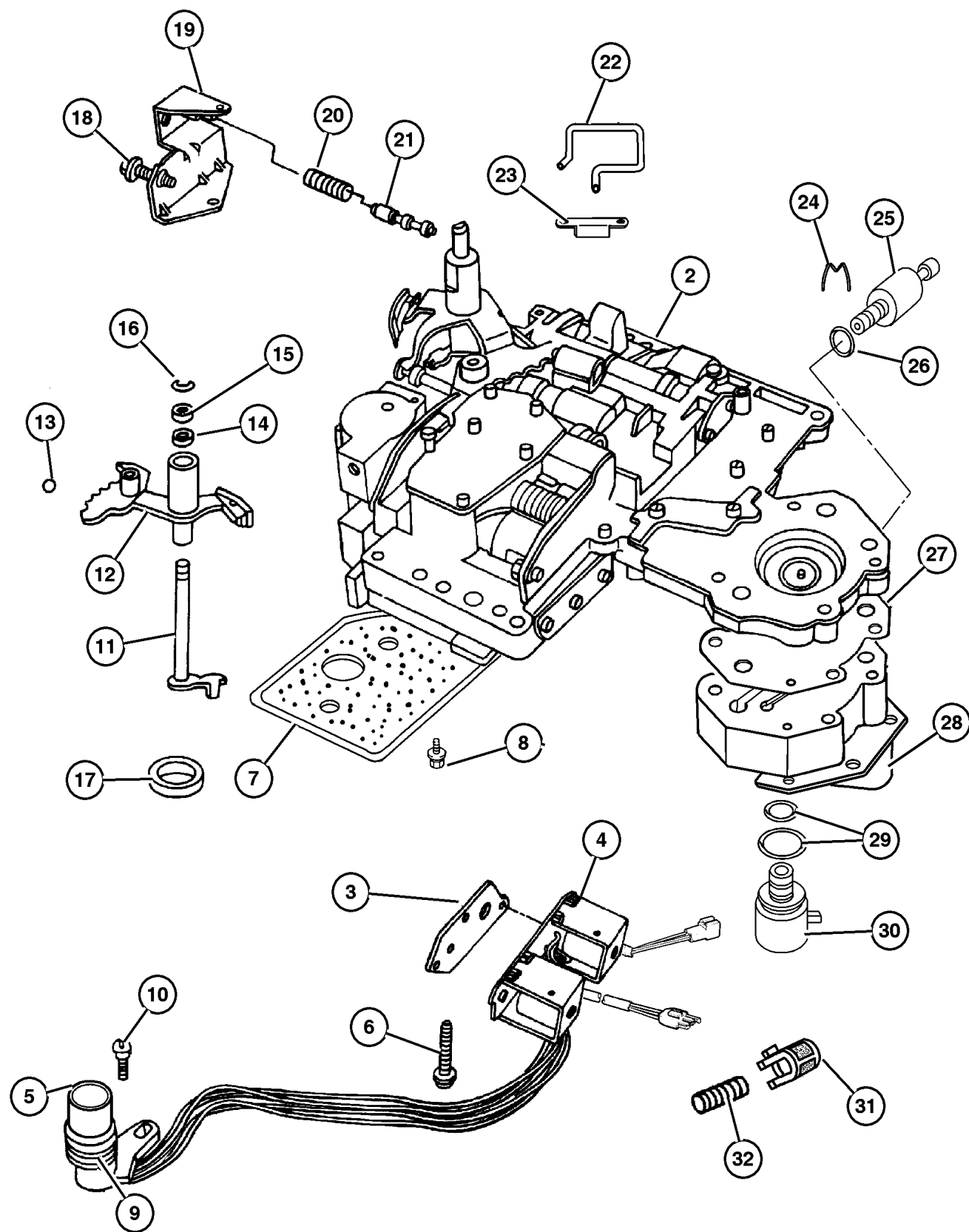
JEEP GRAND CHEROKEE (WJ)

SERIES	LINE	BODY	ENGINE	TRANSMISSION
H=Laredo	J = 4WD	74 = 4 Door(105.9 WB)	ER0, ERH = 4.0L, Power Tech I-6	DGK = 4 Speed Autm, 42RE
P=Limited	T = 2WD		EV0, EVA = 4.7L, Power Tech V8	DGW = 4 Speed Automatic, -44RE
	U = 4WD (RHD)		EXA, EX0 = 3.1L, 5 Cyl Turbo Diesel	DG4 = Multi Speed Automatic, -45RFE
				DGO = All Automatic

AR = Use as required - = Non illustrated part # = New this model year

September 14, 2002

Valve Body 42RE [DGK]  
Figure 42RE-710



ITEM	PART NUMBER	QTY	LINE	SERIES	BODY	ENGINE	TRANS	DESCRIPTION
	4617 216	1	T				DGK	
28		1	J, U				DGK	RETAINER, Transmission Governor Solenoid
	#4617 211AB	1	T				DGK	
29		1	J, U				DGK	O RING PACKAGE, Valve Body, Transmission
	4723 549	1	T				DGK	
30		1	J, U				DGK	SOLENOID, Transmission Governor
	4617 210	1	T				DGK	
		1	J, U				DGK	
31								SCREEN, Transmission Regulator Valve
	3878 313	1	T				DGK	
		1	J, U				DGK	
32								SPRING, Limit Valve
	4348 907	1	T				DGK	
		1	J, U				DGK	

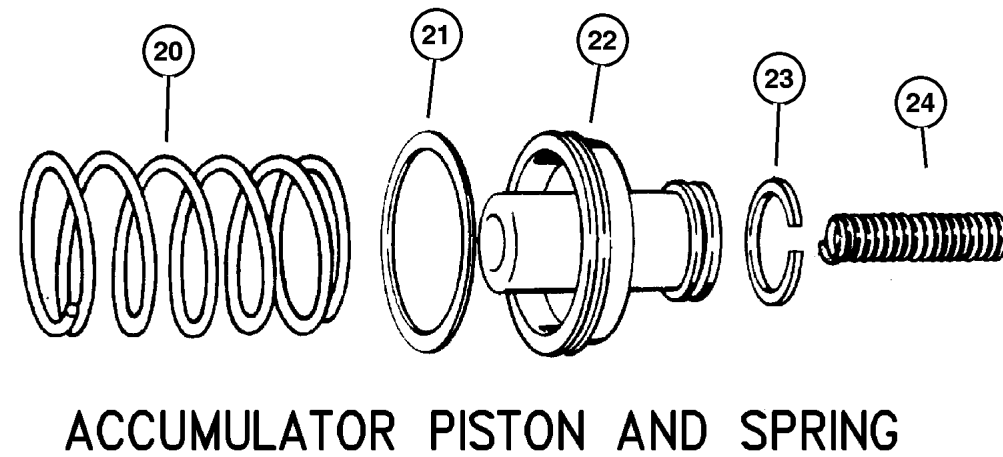
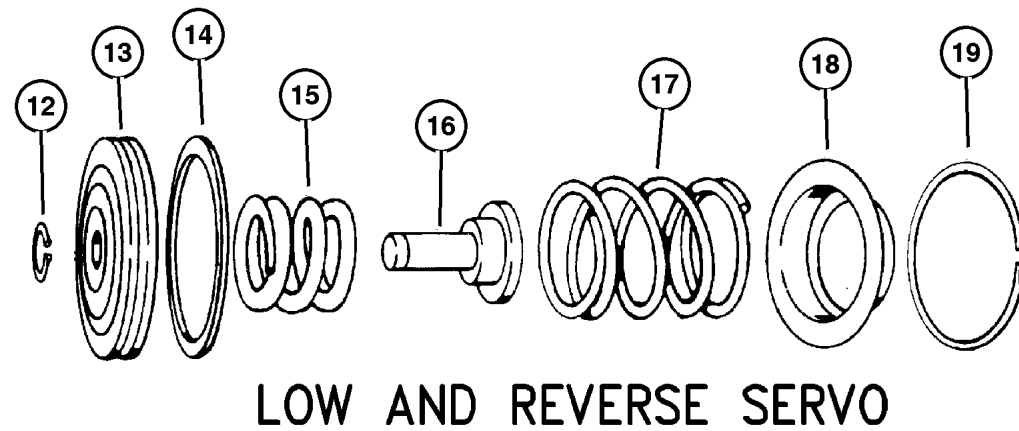
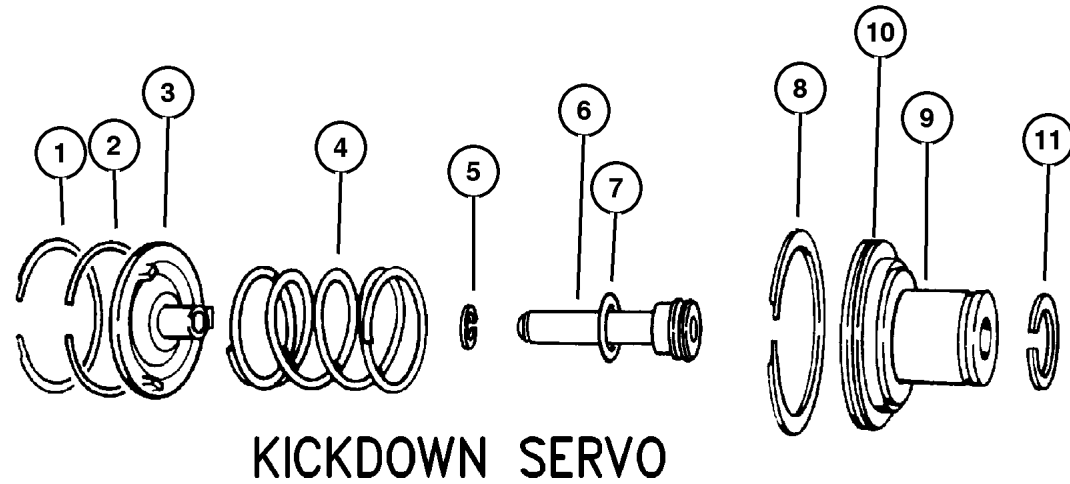
JEEP GRAND CHEROKEE (WJ)

SERIES	LINE	BODY	ENGINE	TRANSMISSION
H=Laredo	J = 4WD	74 = 4 Door(105.9 WB)	ER0, ERH = 4.0L, Power Tech I-6	DGK = 4 Speed Autm, 42RE
P=Limited	T = 2WD		EVO, EVA = 4.7L, Power Tech V8	DGW = 4 Speed Automatic, -44RE
	U = 4WD (RHD)		EXA, EX0 = 3.1L, 5 Cyl Turbo Diesel	DG4 = Multi Speed Automatic, -45RFE
				DGO = All Automatic

AR = Use as required - = Non illustrated part # = New this model year

September 14, 2002

Servos 42RE [DGK]  
Figure 42RE-720



ITEM	PART NUMBER	QTY	LINE	SERIES	BODY	ENGINE	TRANS	DESCRIPTION
NOTES: Sales Codes								
[DGK] = 42RE 4 Speed Automatic Transmission								
[ER0] = All 4.0L 6 Cylinder Gas Engines								
1	6028 863	1	T				DGK	SNAP RING, Kickdown, 2.377
		1	J, U				DGK	
2	4295 966	1	T				DGK	SEAL, Servo Guide
		1	J, U				DGK	
3	3410 332	1	T				DGK	GUIDE, Kickdown Servo
		1	J, U				DGK	
4	4058 885	1	T				DGK	SPRING, Kickdown Servo Piston
		1	J, U				DGK	
5	6031 392	1	T				DGK	SNAP RING, Brake Master Cylinder
		1	J, U				DGK	
6	4058 780	1	T				DGK	ROD, Kickdown Servo Piston
		1	J, U				DGK	
7	6028 864	1	T				DGK	O RING, Kick Down Servo
		1	J, U				DGK	
8	4295 966	1	T				DGK	SEAL, Servo Guide
		1	J, U				DGK	
9	4058 777	1	T				DGK	PISTON, Kickdown Servo
		1	J, U				DGK	
10	6028 864	1	T				DGK	O RING, Kick Down Servo
		1	J, U				DGK	
11	3743 033	1	T				DGK	SEAL, Kickdown Servo
		1	J, U				DGK	
12	6027 153	1	T				DGK	SNAP RING, .435 ID
		1	J, U				DGK	
13	5211 8744	1	T				DGK	PISTON, Reverse Servo
		1	J, U				DGK	

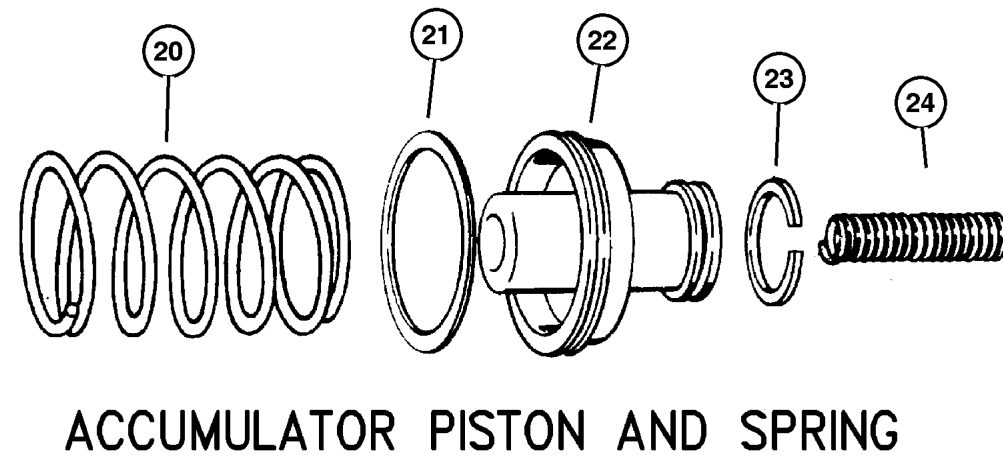
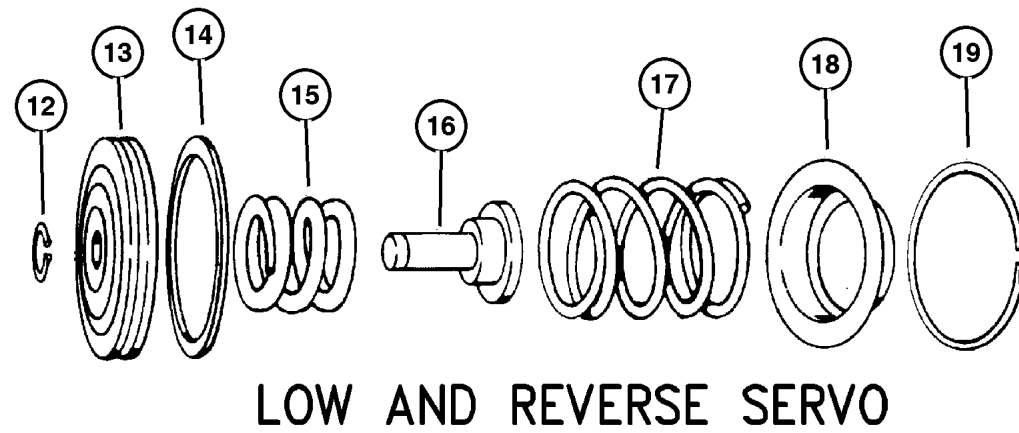
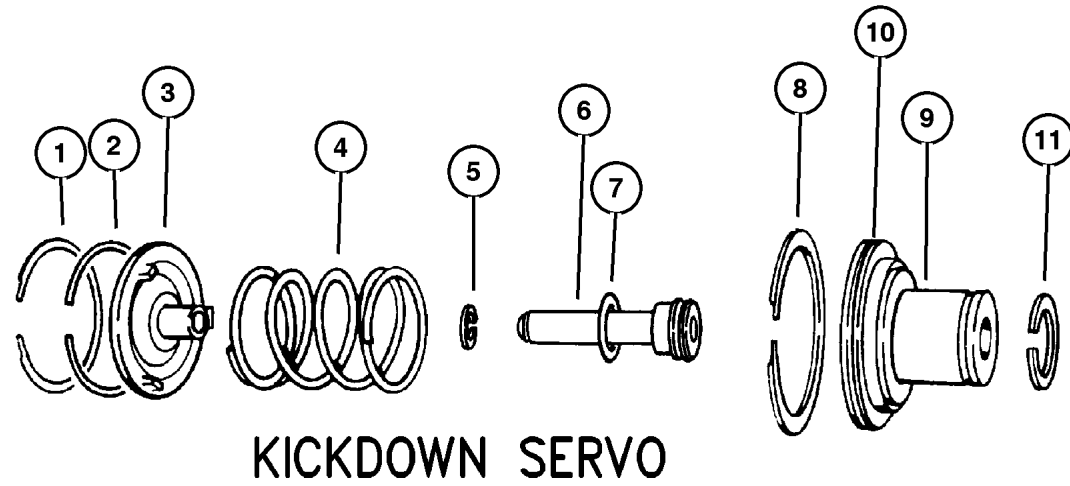
JEEP GRAND CHEROKEE (WJ)

SERIES	LINE	BODY	ENGINE	TRANSMISSION
H=Laredo	J = 4WD	74 = 4 Door(105.9 WB)	ER0, ERH = 4.0L, Power Tech I-6	DGK = 4 Speed Autm, 42RE
P=Limited	T = 2WD		EVO, EVA = 4.7L, Power Tech V8	DGW = 4 Speed Automatic, -44RE
	U = 4WD (RHD)		EXA, EX0 = 3.1L, 5 Cyl Turbo Diesel	DG4 = Multi Speed Automatic, -45RFE
				DGO = All Automatic

AR = Use as required - = Non illustrated part # = New this model year

September 14, 2002

Servos 42RE [DGK]  
Figure 42RE-720



ITEM	PART NUMBER	QTY	LINE	SERIES	BODY	ENGINE	TRANS	DESCRIPTION
14	4202 864	1	T				DGK	SEAL, Reverse Servo Piston
15	4130 824	1	T				DGK	SPRING, Reverse Servo Piston
16		1	J, U				DGK	PLUG, Reverse Servo Piston
17	52118 740AB	1	T				DGK	SPRING, Reverse Servo Piston
18	2801 274	1	T				DGK	RETAINER, Transmission Rear Clutch
19	2464 463	1	T				DGK	SNAP RING
20	2464 464	1	T				DGK	SPRING, Transmission Accumulator
21	4531 259	1	T				DGK	SEAL, Piston Accumulator
22	3743 010	1	T				DGK	PISTON, Accumulator
23	3743 650	1	T				DGK	SEAL, Piston Accumulator
24	3743 010	1	T				DGK	SPRING, Accumulator Piston
	4617 529	1	T				DGK	
		1	J, U				DGK	

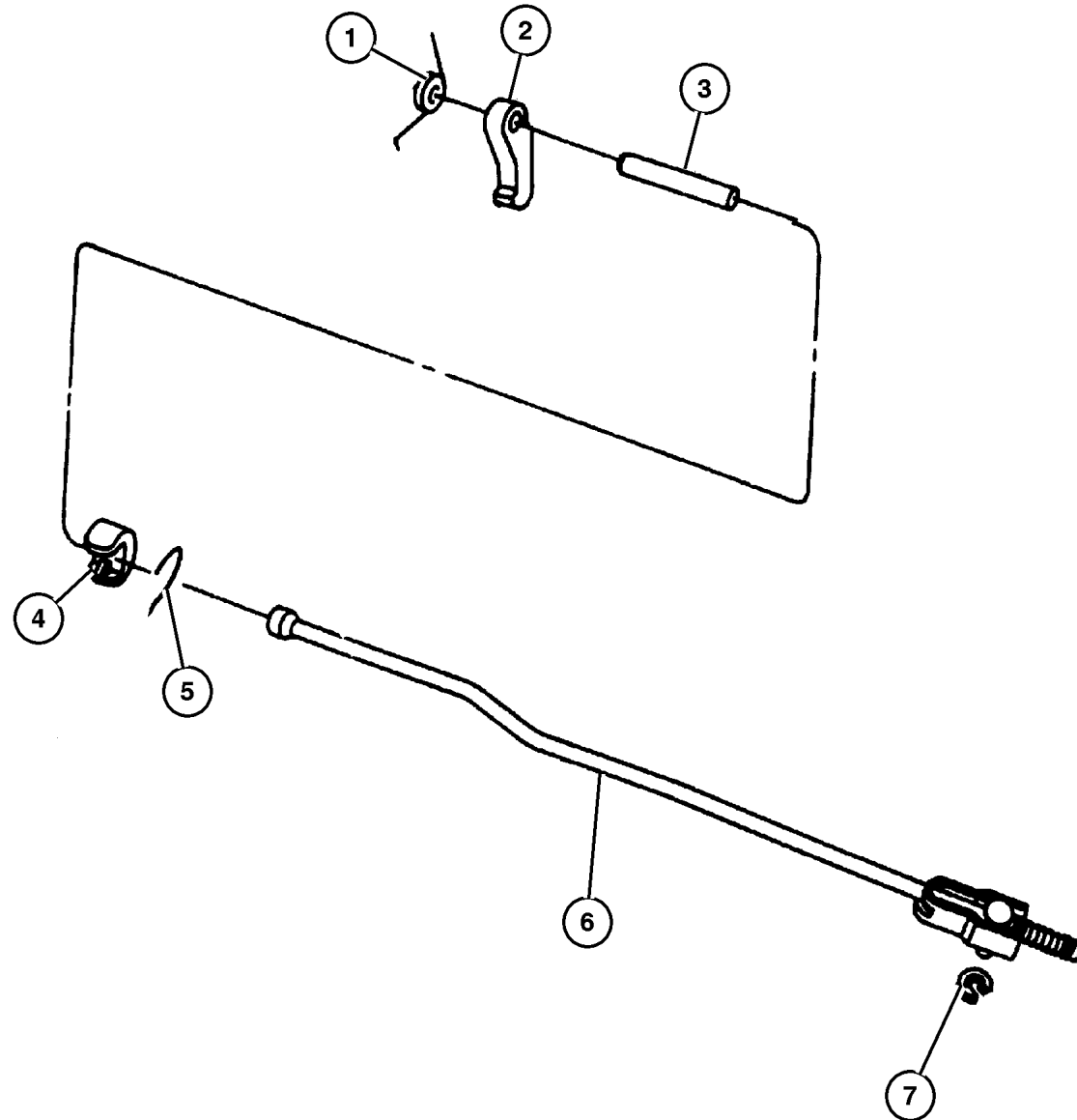
JEEP GRAND CHEROKEE (WJ)

SERIES	LINE	BODY	ENGINE	TRANSMISSION
H=Laredo	J = 4WD	74 = 4 Door(105.9 WB)	ER0, ERH = 4.0L, Power Tech I-6	DGK = 4 Speed Autm, 42RE
P=Limited	T = 2WD		EVO, EVA = 4.7L, Power Tech V8	DGW = 4 Speed Automatic, -44RE
	U = 4WD (RHD)		EXA, EX0 = 3.1L, 5 Cyl Turbo Diesel	DG4 = Multi Speed Automatic, -45RFE
				DGO = All Automatic

AR = Use as required - = Non illustrated part # = New this model year

September 14, 2002

**Parking Sprag 42RE [DGK]  
Figure 42RE-730**



ITEM	PART NUMBER	QTY	LINE	SERIES	BODY	ENGINE	TRANS	DESCRIPTION
NOTES: Sales Codes								
[DGK] = 42RE 4 Speed Automatic Transmission								
[ER0] = All 4.0L 6 Cylinder Gas Engines								
1								SPRING, Parking Sprag
	2466 909	1	T				DGK	
		1	J, U				DGK	
2								SPRAG, Transmission Parking
	4471 415	1	T				DGK	
		1	J, U				DGK	
3								SHAFT, Parking Sprag
	2466 892	1	T				DGK	
		1	J, U				DGK	
4								PLUG, Parking Sprag
	2538 042	1	T				DGK	
		1	J, U				DGK	
5								SNAP RING, Transmission
	2538 034	1	T				DGK	
		1	J, U				DGK	
6								ROD, Parking Sprag
	4431 748	1	T				DGK	
		1	J, U				DGK	
7								SNAP RING, Rod
	6035 256	1	T				DGK	
		1	J, U				DGK	

**JEEP GRAND CHEROKEE (WJ)**

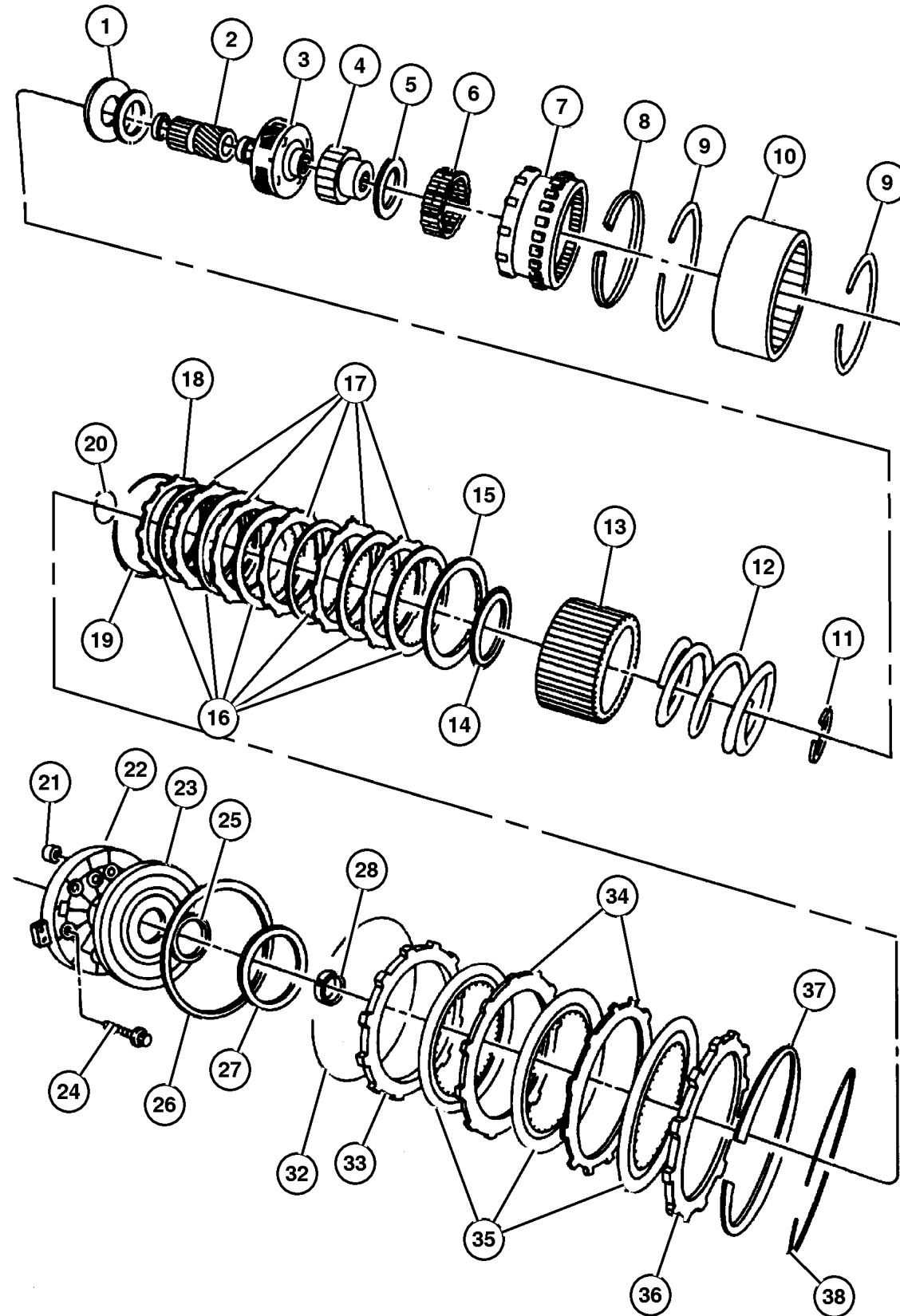
SERIES	LINE	BODY	ENGINE	TRANSMISSION
H=Laredo	J = 4WD	74 = 4 Door(105.9 WB)	ER0, ERH = 4.0L, Power Tech I-6	DGK = 4 Speed Autm, 42RE
P=Limited	T = 2WD		EV0, EVA = 4.7L, Power Tech V8	DGW = 4 Speed Automatic, -44RE
	U = 4WD (RHD)		EXA, EX0 = 3.1L, 5 Cyl Turbo Diesel	DG4 = Multi Speed Automatic, -45RFE
				DGO = All Automatic

AR = Use as required - = Non illustrated part # = New this model year

September 14, 2002



**Overdrive Gear Train 42RE [DGK]  
Figure 42RE-1010**



ITEM	PART NUMBER	QTY	LINE	SERIES	BODY	ENGINE	TRANS	DESCRIPTION
NOTES: Sales Codes								
[DGK] = 42RE 4 Speed Automatic Transmission								
[ER0] = All 4.0L 6 Cylinder Gas Engines								
1								PLATE PACKAGE, Transmission Module
	4740 774	AR	T					
2	#5015 107AA	1	J, U				DGK	GEAR, Overdrive Sun
		1	T				DGK	
3	4798 520	1	J, U				DGK	CARRIER, O/Drive Planet Pinion
		1	T				DGK	
4	4461 124	1	T				DGK	RACE, Overrunning Clutch
		1	J, U				DGK	
5	4461 014	1	T				DGK	THRUST BEARING, Ovedrive Third Position
		1	J, U				DGK	
6	4461 015	1	T				DGK	CLUTCH, Overdrive Overrunning
		1	J, U				DGK	
7	4761 010	1	T				DGK	GEAR, Overdrive Annulus
		1	J, U				DGK	
8	4461 059	1	T				DGK	SNAP RING, 5.25 OD
		1	J, U				DGK	
9	4461 060	2	T				DGK	SNAP RING, 6.00 OD
		2	J, U				DGK	
10	4461 040	1	T				DGK	DRUM, Automatic Transmission
		1	J, U				DGK	
11	4461 063	AR	T				DGK	SNAP RING, 2.1875 OD
		1	J, U				DGK	
12	4461 027	AR	T				DGK	SPRING, Direct Clutch
		1	J, U				DGK	
13	4461 072	AR	T				DGK	HUB, Direct Clutch

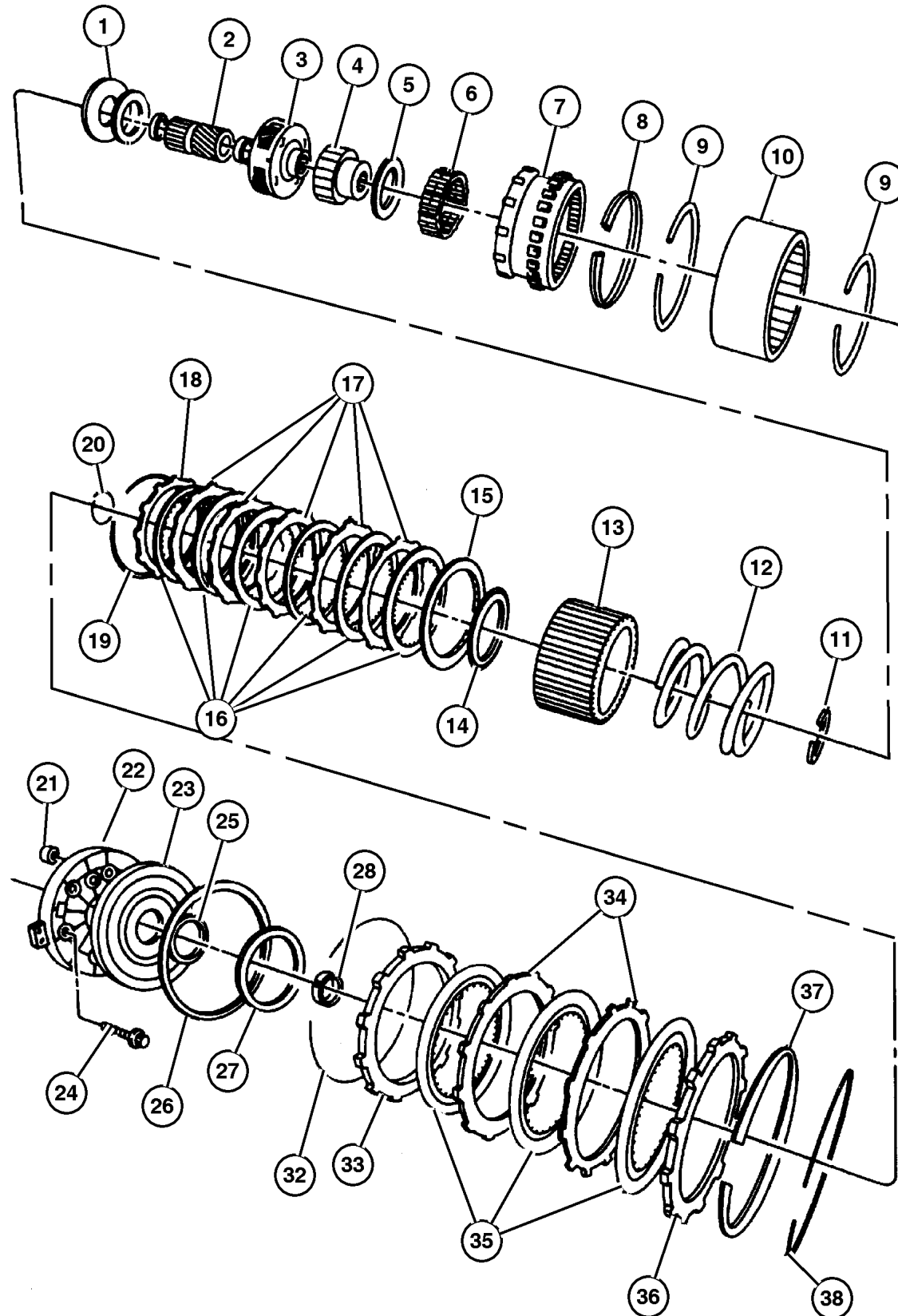
**JEEP GRAND CHEROKEE (WJ)**

SERIES	LINE	BODY	ENGINE	TRANSMISSION
H=Laredo	J = 4WD	74 = 4 Door(105.9 WB)	ER0, ERH = 4.0L, Power Tech I-6	DGK = 4 Speed Autm, 42RE
P=Limited	T = 2WD		EVO, EVA = 4.7L, Power Tech V8	DGW = 4 Speed Automatic, -44RE
	U = 4WD (RHD)		EXA, EX0 = 3.1L, 5 Cyl Turbo Diesel	DG4 = Multi Speed Automatic, -45RFE
				DGO = All Automatic

AR = Use as required - = Non illustrated part # = New this model year

September 14, 2002

**Overdrive Gear Train 42RE [DGK]  
Figure 42RE-1010**



ITEM	PART NUMBER	QTY	LINE	SERIES	BODY	ENGINE	TRANS	DESCRIPTION
		1	J, U				DGK	
14	4446 724	1	T				DGK	THRUST BEARING, Overdrive
		1	J, U				DGK	
15	4461 030	1	T				DGK	PLATE, Transmission Clutch Reaction
		1	J, U				DGK	
16	4461 042	6	T				DGK	DISC, Direct Clutch
		6	J, U				DGK	
17	4461 054	5	T				DGK	PLATE, Transmission Clutch Reaction
		5	J, U				DGK	
18	4461 031	1	T				DGK	PLATE, Transmission Clutch Reaction
		1	J, U				DGK	
19	4461 032	1	T				DGK	SPRING, Direct Clutch
		1	J, U				DGK	
20	4461 064	AR	T				DGK	SNAP RING, 1.875" OD
		1	J, U				DGK	
21	4412 583	1	T				DGK	FILTER, Overdrive Clutch
		1	J, U				DGK	
22	4617 246	1	T				DGK	RETAINER, Transmission Overdrive Clutch Piston
		1	J, U				DGK	
23	5211 8599	1	T				DGK	PISTON, Overdrive Clutch
		1	J, U				DGK	
24	6033 479	6	T				DGK	BOLT, Hex Head, .25-28x1-5/8
		6	J, U				DGK	
25	4431 696	1	T				DGK	SEAL, Overdrive Clutch Piston
		1	J, U				DGK	
26	4431 696	1	T				DGK	SEAL, Overdrive Clutch Piston
		1	J, U				DGK	
27								PLATE, Transmission O/Drive Clutch

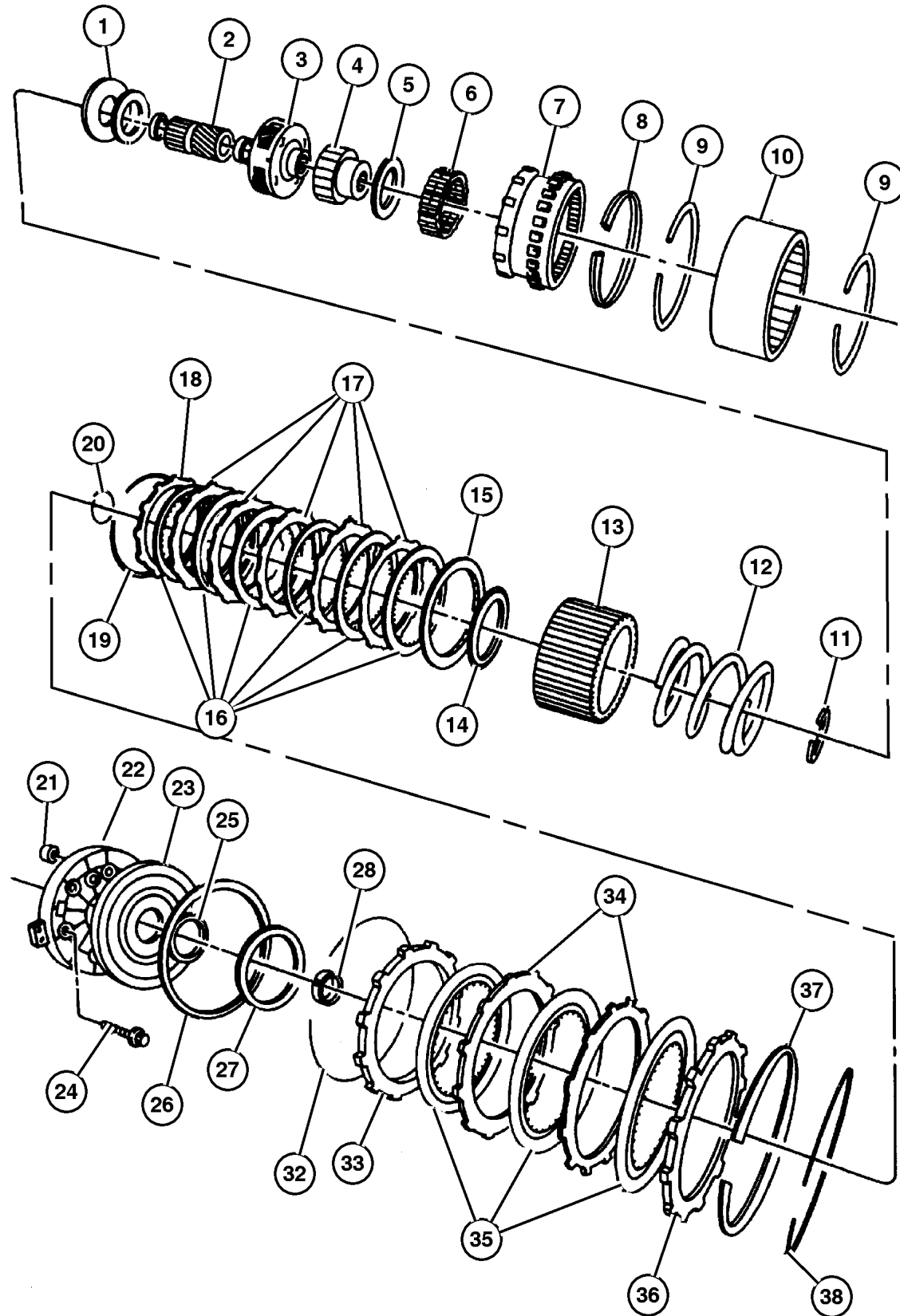
**JEEP GRAND CHEROKEE (WJ)**

SERIES	LINE	BODY	ENGINE	TRANSMISSION
H=Laredo	J = 4WD	74 = 4 Door(105.9 WB)	ER0, ERH = 4.0L, Power Tech I-6	DGK = 4 Speed Autm, 42RE
P=Limited	T = 2WD		EVO, EVA = 4.7L, Power Tech V8	DGW = 4 Speed Automatic, -44RE
	U = 4WD (RHD)		EXA, EX0 = 3.1L, 5 Cyl Turbo Diesel	DG4 = Multi Speed Automatic, -45RFE
				DGO = All Automatic

AR = Use as required - = Non illustrated part # = New this model year

September 14, 2002

**Overdrive Gear Train 42RE [DGK]  
Figure 42RE-1010**



ITEM	PART NUMBER	QTY	LINE	SERIES	BODY	ENGINE	TRANS	DESCRIPTION
	4431 585	1	J, U				DGK	.123"-.125" Thick
	4431 590	1	T				DGK	.243"-.245" Thick
	4431 731	1	J, U				DGK	.138"-.140" Thick
		1	T				DGK	.138"-.140" Thick
	4431 732	1	J, U				DGK	.168"-.170" Thick
		1	T				DGK	.168"-.170" Thick
	4431 733	1	J, U				DGK	.198"-.200" Thick
		1	T				DGK	.198"-.200" Thick
	4431 734	1	J, U				DGK	.228"-.245" Thick
		1	T				DGK	.228"-.245" Thick
	4431 735	1	J, U				DGK	.108"-.110" Thick
	4431 585	1	T				DGK	.123"-.125" Thick
	4431 735	1	T				DGK	.108"-.110" Thick
	4431 586	1	J, U				DGK	.153"-.155" Thick
		1	T				DGK	.153"-.155" Thick
	4431 587	1	J, U				DGK	.183"-.185" Thick
		1	T				DGK	.183"-.185" Thick
	4431 588	1	J, U				DGK	.213"-.215" Thick
		1	T				DGK	.213"-.215" Thick
28	4431 590	1	J, U				DGK	.243"-.245" Thick
								SPACER, Intermediate Shaft, 1.58mm
	4431 916	1	J, U				DGK	
		1	T				DGK	
-29								SPACER, Intermediate Shaft, .175
	4431 917	1	J, U				DGK	
		1	T				DGK	
-30								SPACER, Intermediate Shaft, .193
	4431 918	1	J, U				DGK	
		1	T				DGK	
-31								SPACER, Intermediate Shaft, .211
	4431 919	1	J, U				DGK	
		1	T				DGK	
32								SNAP RING, Overdrive Clutch
	4461 082	1	T				DGK	
		1	J, U				DGK	
33								PLATE, Transmission Clutch Reaction
	4461 048	1	T				DGK	
		1	J, U				DGK	
34								PLATE, Transmission Clutch Reaction
	4461 047	2	T				DGK	
		2	J, U				DGK	
35								DISC, Direct Clutch

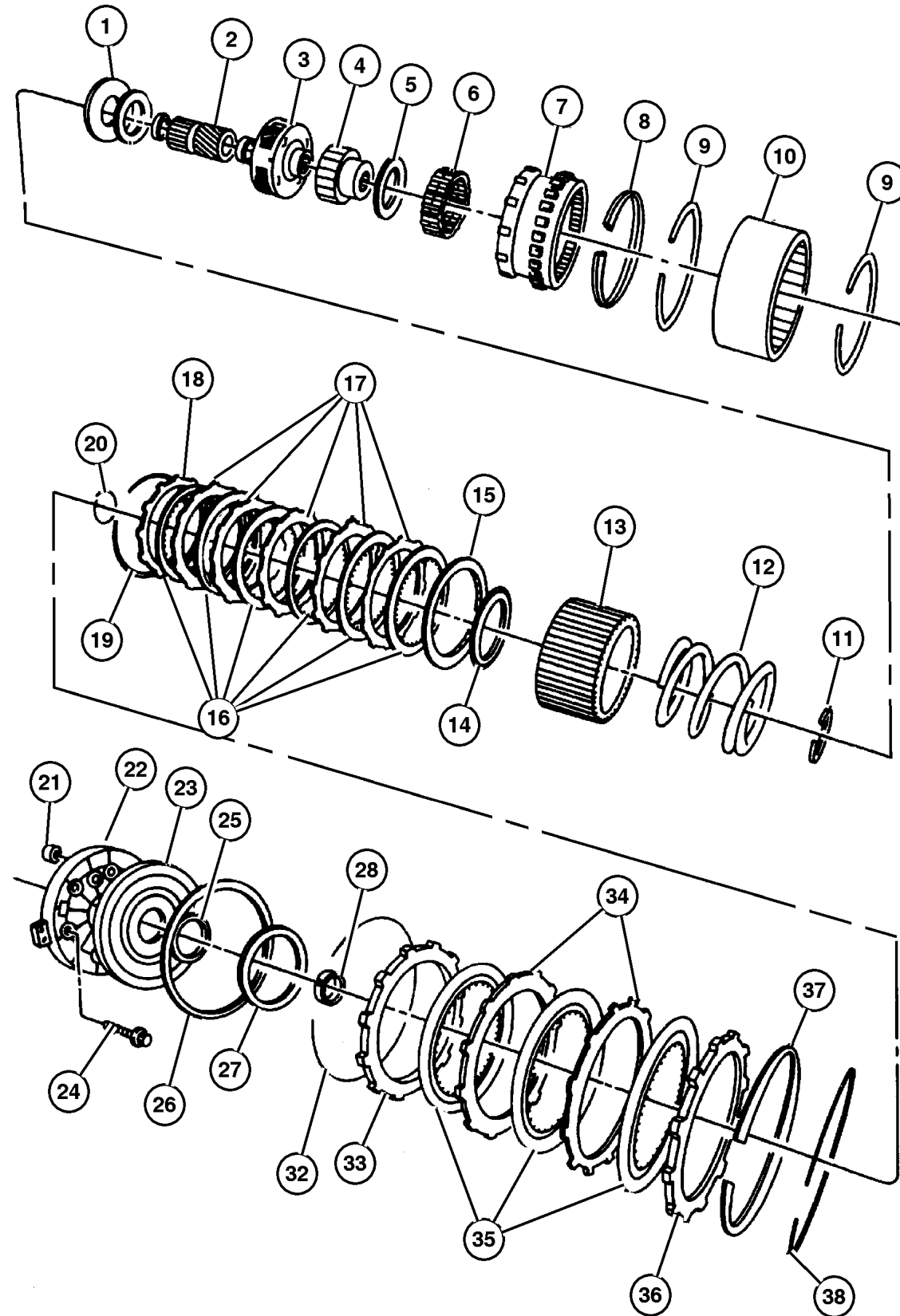
**JEEP GRAND CHEROKEE (WJ)**

SERIES	LINE	BODY	ENGINE	TRANSMISSION
H=Laredo	J = 4WD	74 = 4 Door(105.9 WB)	ER0, ERH = 4.0L, Power Tech I-6	DGK = 4 Speed Autm, 42RE
P=Limited	T = 2WD		EVO, EVA = 4.7L, Power Tech V8	DGW = 4 Speed Automatic, -44RE
	U = 4WD (RHD)		EXA, EX0 = 3.1L, 5 Cyl Turbo Diesel	DG4 = Multi Speed Automatic, -45RFE
				DGO = All Automatic

AR = Use as required - = Non illustrated part # = New this model year

September 14, 2002

Overdrive Gear Train 42RE [DGK]  
Figure 42RE-1010



ITEM	PART NUMBER	QTY	LINE	SERIES	BODY	ENGINE	TRANS	DESCRIPTION
	4461 181	3	T					
		3	J, U				DGK	
36	4461 033	1	T				DGK	PLATE, Transmission Clutch Reaction
		1	J, U				DGK	
37	4461 066	1	T				DGK	SPRING, Overdrive Clutch
		1	J, U				DGK	
38	4461 065	1	T				DGK	SNAP RING, 6.50 OD
		1	J, U				DGK	

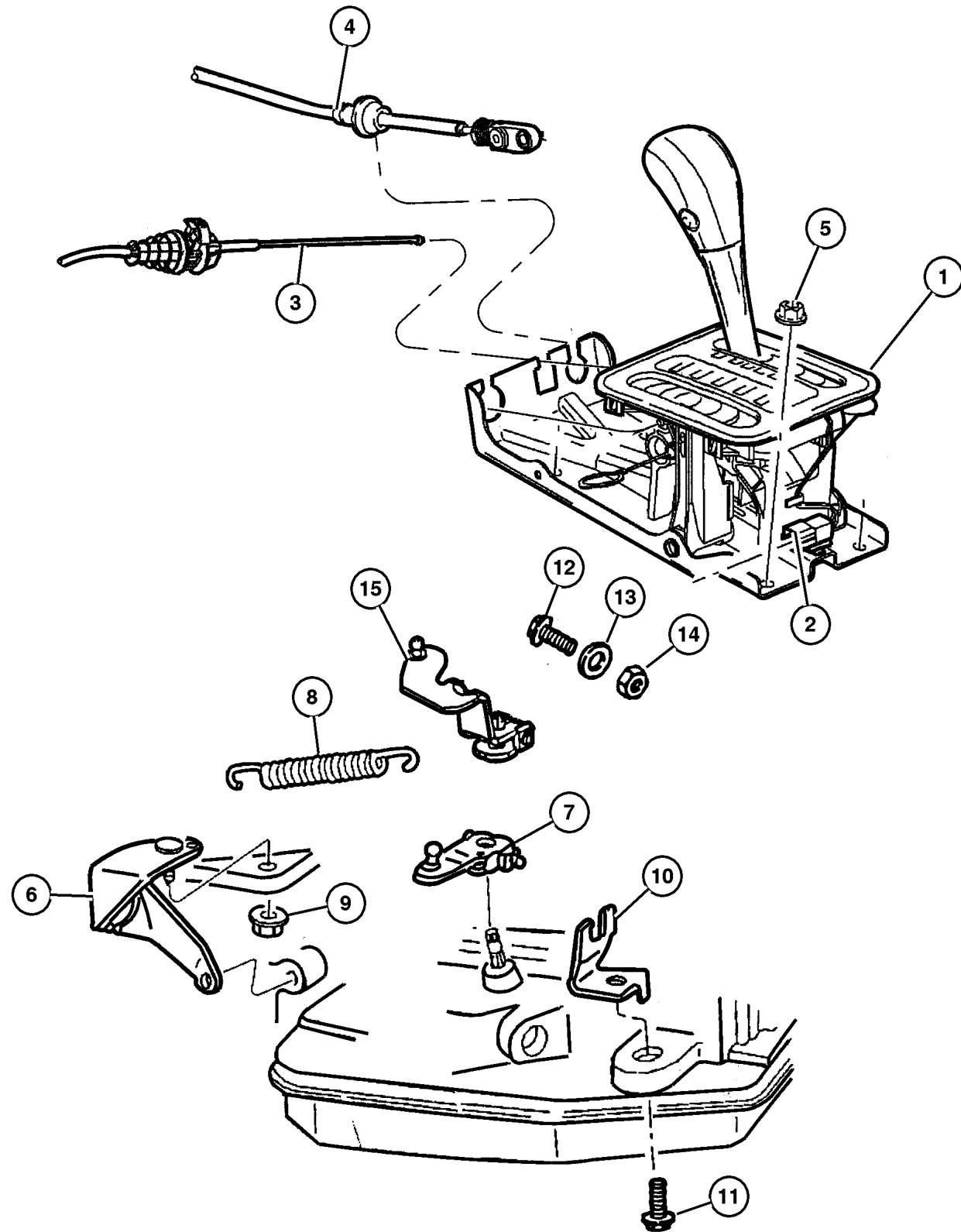
JEEP GRAND CHEROKEE (WJ)

SERIES	LINE	BODY	ENGINE	TRANSMISSION
H=Laredo	J = 4WD	74 = 4 Door(105.9 WB)	ER0, ERH = 4.0L, Power Tech I-6	DGK = 4 Speed Autm, 42RE
P=Limited	T = 2WD		EV0, EVA = 4.7L, Power Tech V8	DGW = 4 Speed Automatic, -44RE
	U = 4WD (RHD)		EXA, EX0 = 3.1L, 5 Cyl Turbo Diesel	DG4 = Multi Speed Automatic, -45RFE
				DGO = All Automatic

AR = Use as required - = Non illustrated part # = New this model year

September 14, 2002

**Gearshift Controls 42RE [DGK]  
Figure 42RE-1210**



ITEM	PART NUMBER	QTY	LINE	SERIES	BODY	ENGINE	TRANS	DESCRIPTION
------	-------------	-----	------	--------	------	--------	-------	-------------

NOTES: Sales Codes

- [DG0] = All Automatic Transmission
- [DGK] = 42RE 4 Speed Automatic Transmission
- [DGW] = 44RE 4 Speed Automatic Transmission
- [ER0] = All 4.0L 6 Cylinder Gas Engines
- [EX0] = All 3.0/3.1L Turbo Diesel Engine

1								HOUSING AND LEVER, Shifter
	5210 4147	1	T				DG0	
	5210 4149	1	J				DG0	
	5210 4151	1	J				DG0	Without Var-Lok
	5210 4152	1	U				DG0	Without Var-Lok
	52104 375AA	1	U				DG0	With Var-Lok
	52104 374AA	1	J				DG0	With Var-Lok
2								CONNECTOR, Wiring
	5013 117AA	1	T				DG0	
		1	J				DG0	
		1	J				DG0	Without Vari-Lok
		1	U				DG0	Without Vari-Lok
		1	J				DG0	With Vari-Lok
		1	U				DG0	With Vari-Lok
3	5210 4054	1					DG0	CABLE, Park Interlock
4	5210 4060	1					DG0	CABLE, Gearshift Control
5	6101 695	4					DG0	NUT, Hex Flange Lock, M8x1.25
6	5210 4057	1					DGK	BRACKET, Shift Cable
7	5210 4058	1					DGK	LEVER, Manual Control
8	5300 9055	1					DGK, DGW	SPRING, Throttle Valve Return
9	6028 114	1					DGK, DGW	NUT, Hex, .437-14
10	5207 8867	1				ER0, EX0		BRACKET, Cable
11	0181 112	1					DGK, DGW	SCREW AND WASHER, .375-16x1.00
12	0181 065	1				ER0, EX0		BOLT, Hex Head, .25-20x1.00
13	0138 165	1				ER0, EX0		WASHER, Lock
14	J012 0375	1				ER0, EX0		NUT, Hex, .250-20
15	52078 723AB	1				ER0, EX0		LEVER, Throttle Valve

JEEP GRAND CHEROKEE (WJ)

SERIES	LINE	BODY	ENGINE	TRANSMISSION
H=Laredo	J = 4WD	74 = 4 Door(105.9 WB)	ER0, ERH = 4.0L, Power Tech I-6	DGK = 4 Speed Autm, 42RE
P=Limited	T = 2WD		EV0, EVA = 4.7L, Power Tech V8	DGW = 4 Speed Automatic, -44RE
	U = 4WD (RHD)		EXA, EX0 = 3.1L, 5 Cyl Turbo Diesel	DG4 = Multi Speed Automatic, -45RFE
				DG0 = All Automatic

AR = Use as required - = Non illustrated part # = New this model year

September 14, 2002

# Group – 44RE

## Automatic Transmission 4 Speed

### GROUP 44RE - Automatic Transmission 4 Speed

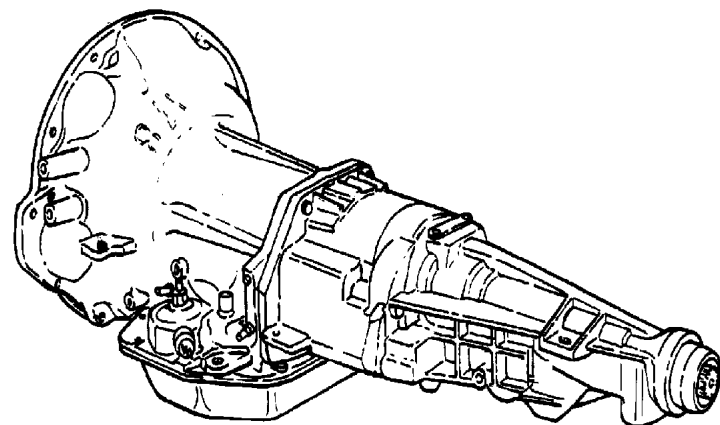
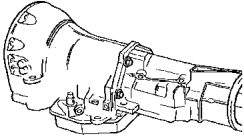
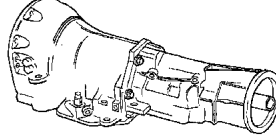

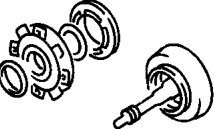
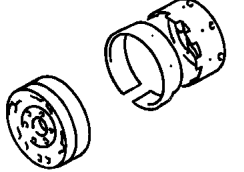
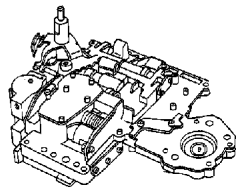
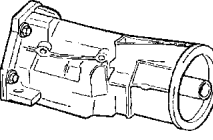
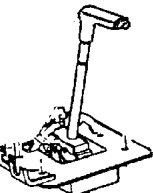


Illustration Title	Group-Fig. No.
<b>Transmission Assembly</b>	
Transmission 44RE [DGW] .....	Fig. 44RE-110
<b>Case and Extension</b>	
Case and Related Parts 44RE [DGW] .....	Fig. 44RE-210
Extension 44RE [DGW] .....	Fig. 44RE-220
<b>Oil Pump</b>	
Oil Pump 44RE [DGW] .....	Fig. 44RE-310
<b>Gear Train</b>	
Clutch Front and Rear 44RE [DGW] .....	Fig. 44RE-410
Gear Train and Intermediate Shaft 44RE [DGW] .....	Fig. 44RE-420
Output Shaft 44RE [DGW] .....	Fig. 44RE-430
<b>Bands, Reverse and Kickdown</b>	
Bands 44RE [DGW] .....	Fig. 44RE-510
<b>Valve Body</b>	
Valve Body 44RE [DGW] .....	Fig. 44RE-710
Servos 44RE [DGW] .....	Fig. 44RE-720
Parking Sprag 44RE [DGW] .....	Fig. 44RE-730
<b>Overdrive Gear Train</b>	
Overdrive Gear Train 44RE [DGW] .....	Fig. 44RE-1010
<b>Gearshift Controls</b>	
Gearshift Controls 44RE [DGW] .....	Fig. 44RE-1210

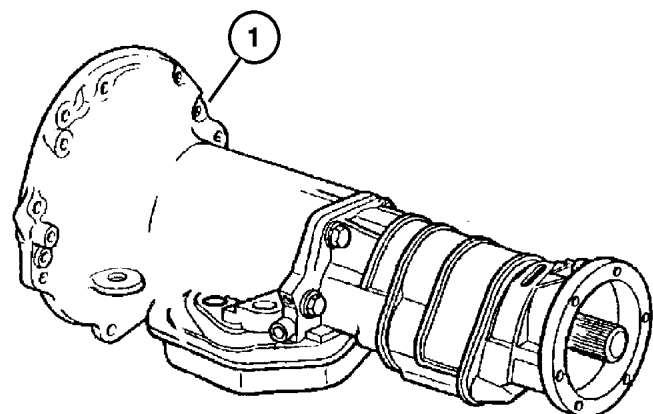
<b>44RE-100</b> Transmission Assembly 	<b>44RE-200</b> Case and Extension 	<b>44RE-300</b> Oil Pump 	<b>44RE-400</b> Gear Train 
<b>44RE-500</b> Bands, Reverse and Kickdown 	<b>44RE-700</b> Valve Body 	<b>44RE-1000</b> Overdrive Gear Train 	<b>44RE-1200</b> Gearshift Controls 

Transmission 44RE [DGW]  
Figure 44RE-110

ITEM	PART NUMBER	QTY	LINE	SERIES	BODY	ENGINE	TRANS	DESCRIPTION
------	-------------	-----	------	--------	------	--------	-------	-------------

NOTES: Sales Codes  
[DGW] = 44RE 4 Speed Automatic Transmission  
[EX0] = All 3.0/3.1L Turbo Diesel Engines

1	#5015 275AA	1	J, U				DGW	TRANSMISSION PACKAGE, 52119842AA(Package Contains 52119842AA Transmission, 52118861 Converter, K1949765 Bolts)
-2	52118 155AB	1	J, U				DGW	OVERDRIVE ASSEMBLY, Transmission Rear Unit w/Extension



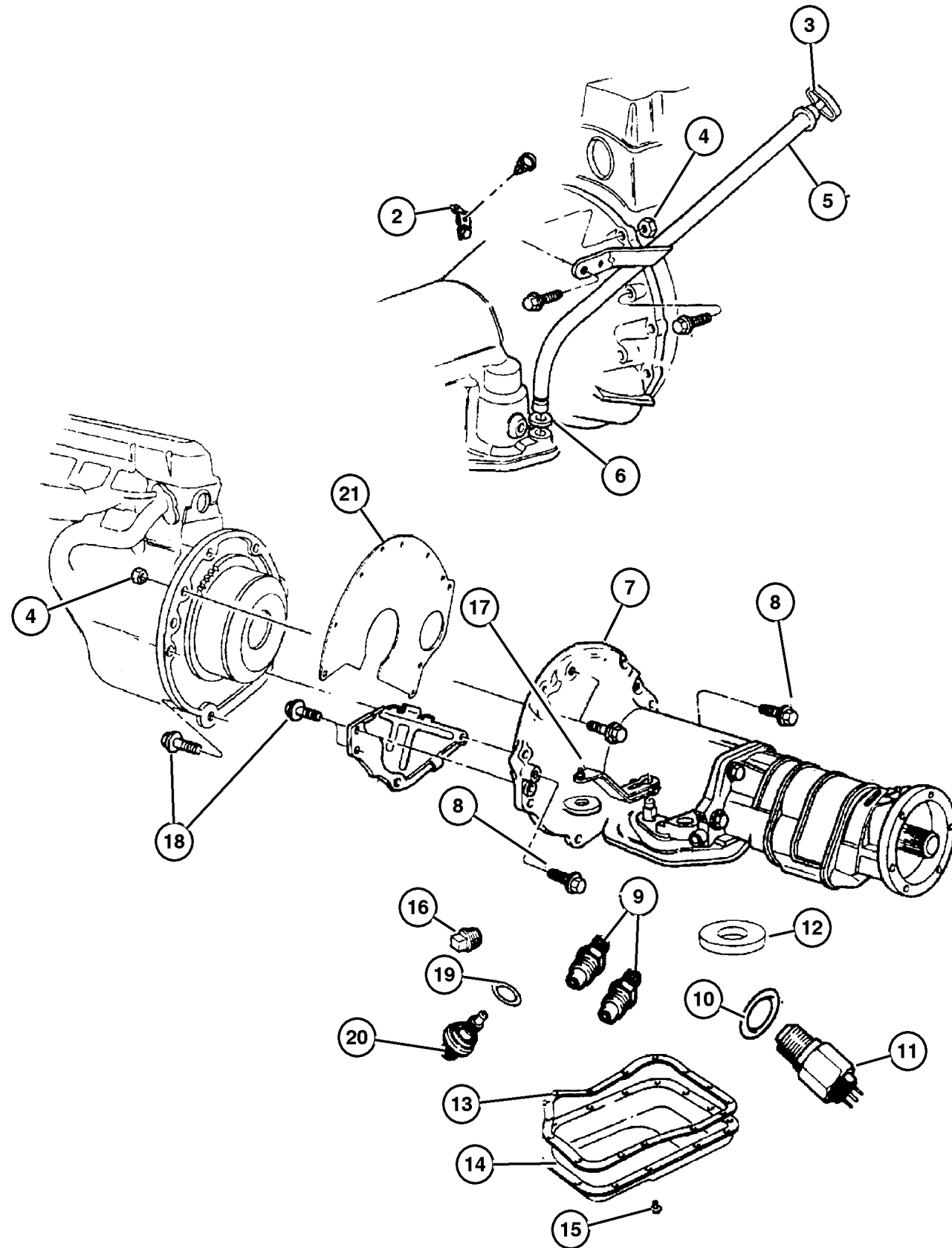
JEEP GRAND CHEROKEE (WJ)

SERIES	LINE	BODY	ENGINE	TRANSMISSION
H=Laredo	J = 4WD	74 = 4 Door(105.9 WB)	ER0, ERH = 4.0L, Power Tech I-6	DGK = 4 Speed Autm, 42RE
P=Limited	T = 2WD		EVO, EVA = 4.7L, Power Tech V8	DGW = 4 Speed Automatic, -44RE
	U = 4WD (RHD)		EXA, EX0 = 3.1L, 5 Cyl Turbo Diesel	DG4 = Multi Speed Automatic, -45RFE
				DGO = All Automatic

AR = Use as required - = Non illustrated part # = New this model year

September 14, 2002

**Case and Related Parts 44RE [DGW]  
Figure 44RE-210**



ITEM	PART NUMBER	QTY	LINE	SERIES	BODY	ENGINE	TRANS	DESCRIPTION
NOTES: Sales Codes								
[DG0] = All Automatic Transmission								
[DGK] = 42RE 4 Speed Automatic Transmission								
[DGW] = 44RE 4 Speed Automatic Transmission								
[ER0] = All 4.0L 6 Cylinder Gas Engines								
[EX0] = All 3.0/3.1L Turbo Diesel Engine								
-1	#4863 907AD	1	J, U				DGW	SEAL AND GASKET PACKAGE, Transmission BRACKET, Tube
2	5209 8522	1	J, U			ER0, EX0		INDICATOR, Transmission Fluid Level
3	5211 8641	1				ER0, EX0		NUT, Hex
4	J021 9422	1					DGK	TUBE, Transmission Oil Filler
5	5211 8800	1				EX0	DGW	SEAL, Oil Filler Tube
6	52118 629AB	1					DGO	CASE, Transmission
7	52118 816AA	1	J, U				DGW	BOLT AND WASHER, Hex Head, .437-14x2.75
8	J400 4370	2					DGK	NUT, Inverted Flare, .62-18
9	6033 879	2	J, U				DGW	WASHER, Switch
10	2408 143	1	J, U				DGW	SWITCH, Neutral, Safety, Back Up
11	3747 361	1	J, U				DGW	MAGNET, Transmission
12	3681 601	1	J, U				DGW	GASKET, Oil Pan
13	4295 875	1	J, U				DGW	PAN, Transmission Oil
14	52118 779AB	1	J, U				DGW	SCREW AND WASHER, Hex Head, .312-18x.625
15	4723 548	12	J, U				DGW	PLUG, Pressure Check
16	6028 095	1	J, U				DGW	LEVER, Manual Control
17	52104 276AA	1					DGW	SCREW AND WASHER, Hex Head, .312-18x.625
18	4723 548	2	T				DGK	O RING, Trans Speed Sensor
19	6501 701	1	J, U				DGW	SENSOR, Transmission Output Speed
20	4412 879	1	J, U				DGW	SPACER, Clutch Housing
21	J323 7847	1				ER0	DGO	

**JEEP GRAND CHEROKEE (WJ)**

SERIES	LINE	BODY	ENGINE	TRANSMISSION
H=Laredo	J = 4WD	74 = 4 Door(105.9 WB)	ER0, ERH = 4.0L, Power Tech I-6	DGK = 4 Speed Autm, 42RE
P=Limited	T = 2WD		EVA, EVA = 4.7L, Power Tech V8	DGW = 4 Speed Automatic, -44RE
	U = 4WD (RHD)		EXA, EX0 = 3.1L, 5 Cyl Turbo Diesel	DG4 = Multi Speed Automatic, -45RFE
				DGO = All Automatic

AR = Use as required - = Non illustrated part # = New this model year

September 14, 2002



Extension 44RE [DGW]  
Figure 44RE-220

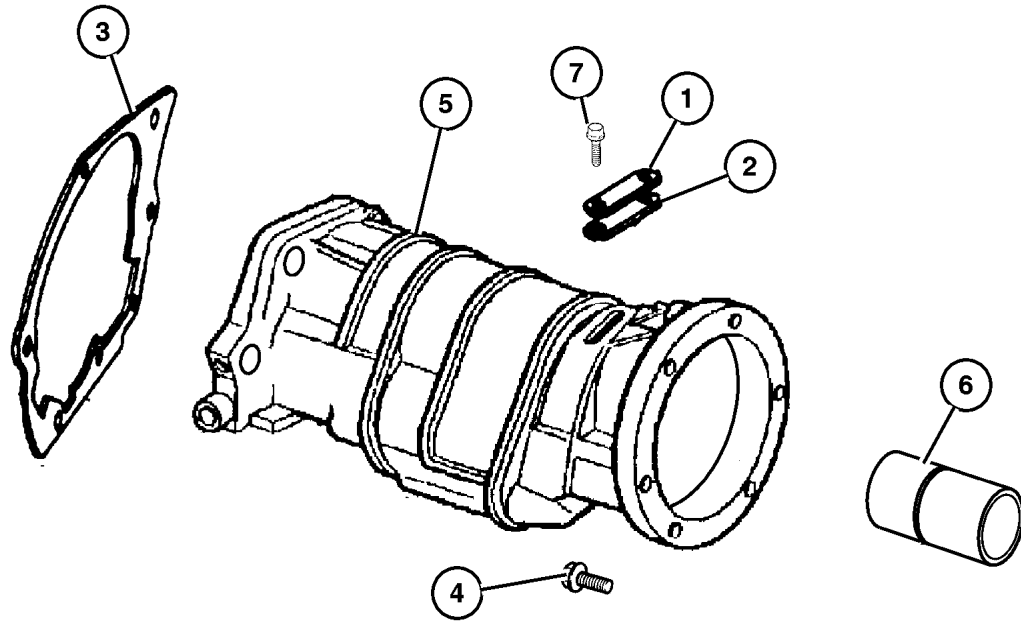
ITEM	PART NUMBER	QTY	LINE	SERIES	BODY	ENGINE	TRANS	DESCRIPTION
------	-------------	-----	------	--------	------	--------	-------	-------------

NOTES: Sales Codes

[DGW] = 44RE 4 Speed Automatic Transmission

[EX0] = All 3.0/3.1L Turbo Diesel Engines

1	2466 957	1	J, U				DGW	COVER, Transmission Converter
2	2801 398	1	J, U				DGW	GASKET, Transmission
3	4471 564	1	J, U				DGW	GASKET, Overdrive Piston Retainer
4	6036 046AA	7	J, U				DGW	SCREW, Hex Flange Head, .375-16x1.38
5	5012 428AA	1	J, U				DGW	ADAPTER, Transfer Case
6	4269 956	1	J, U				DGW	SEAL, Adapter
7								SCREW, (NOT SERVICED) (Not Serviced)



JEEP GRAND CHEROKEE (WJ)

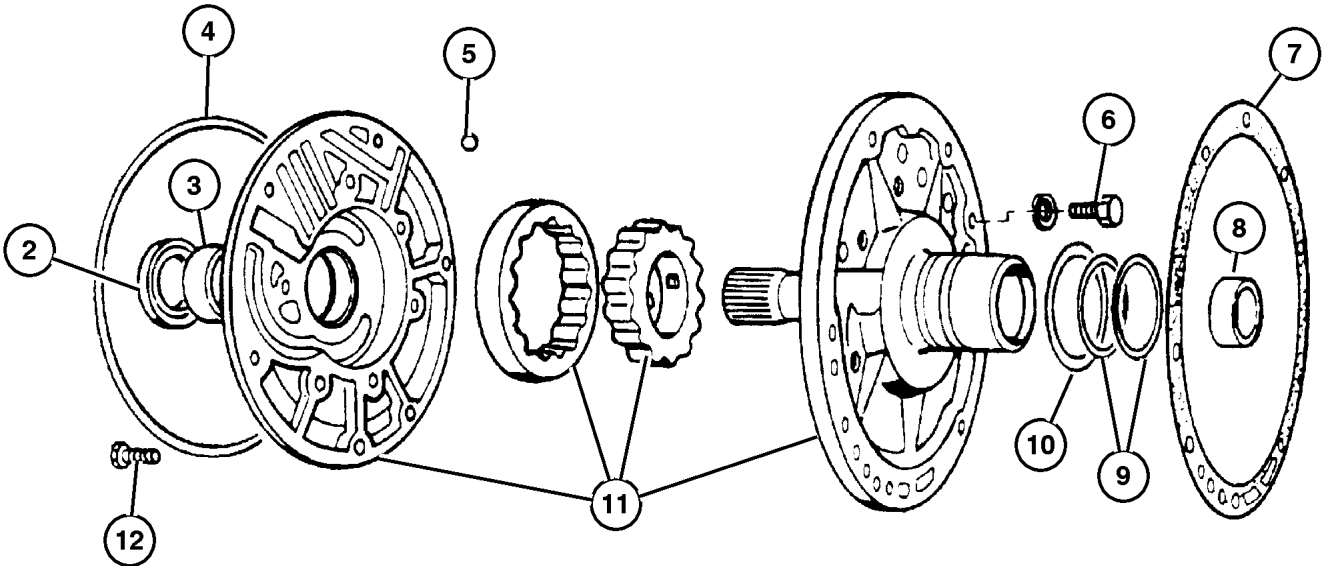
SERIES	LINE	BODY	ENGINE	TRANSMISSION
H=Laredo	J = 4WD	74 = 4 Door(105.9 WB)	ER0, ERH = 4.0L, Power Tech I-6	DGK = 4 Speed Autm, 42RE
P=Limited	T = 2WD		EVA, EVA = 4.7L, Power Tech V8	DGW = 4 Speed Automatic, -44RE
	U = 4WD (RHD)		EXA, EX0 = 3.1L, 5 Cyl Turbo Diesel	DG4 = Multi Speed Automatic, -45RFE
				DGO = All Automatic

AR = Use as required - = Non illustrated part # = New this model year

September 14, 2002

**Oil Pump 44RE [DGW]  
Figure 44RE-310**

ITEM	PART NUMBER	QTY	LINE	SERIES	BODY	ENGINE	TRANS	DESCRIPTION
NOTES: Sales Codes:								
[DGW] = 44RE 4 Speed Automatic Transmission								
[EX0] = All 3.0/3.1L Turbo Diesel Engines								
-1	4713 108AB	1	J, U				DGW	GASKET AND SEAL PACKAGE, Transmission Oil Pump
2	4412 475	1	J, U				DGW	SEAL, Impeller Hub, 57.25mm OD
3	2466 796	1	J, U				DGW	BUSHING, Front Pump
4	2204 709	1	J, U				DGW	SEAL, Front Pump Housing
5	0104 918	1	J, U				DGW	BALL, Valve Body Check
6	0179 815	6	J, U				DGW	SCREW, Hex Head, .312-18x.687
7	5211 8266	1	J, U				DGW	GASKET, Transmission Oil Pump
8	4058 635	1	J, U				DGW	BUSHING, Reaction Shaft
9	4471 874	2	J, U				DGW	SEAL, Ring Reaction Support, 2 1/16 O.D.
10	4617 786	1	J, U				DGW	THRUST WASHER, Front Clutch
11	52118 267AB	1	J, U				DGW	PUMP, Transmission Oil
12	6023 943	6	J, U				DGW	SCREW AND WASHER, Hex Flange Head, .312-18x1.375

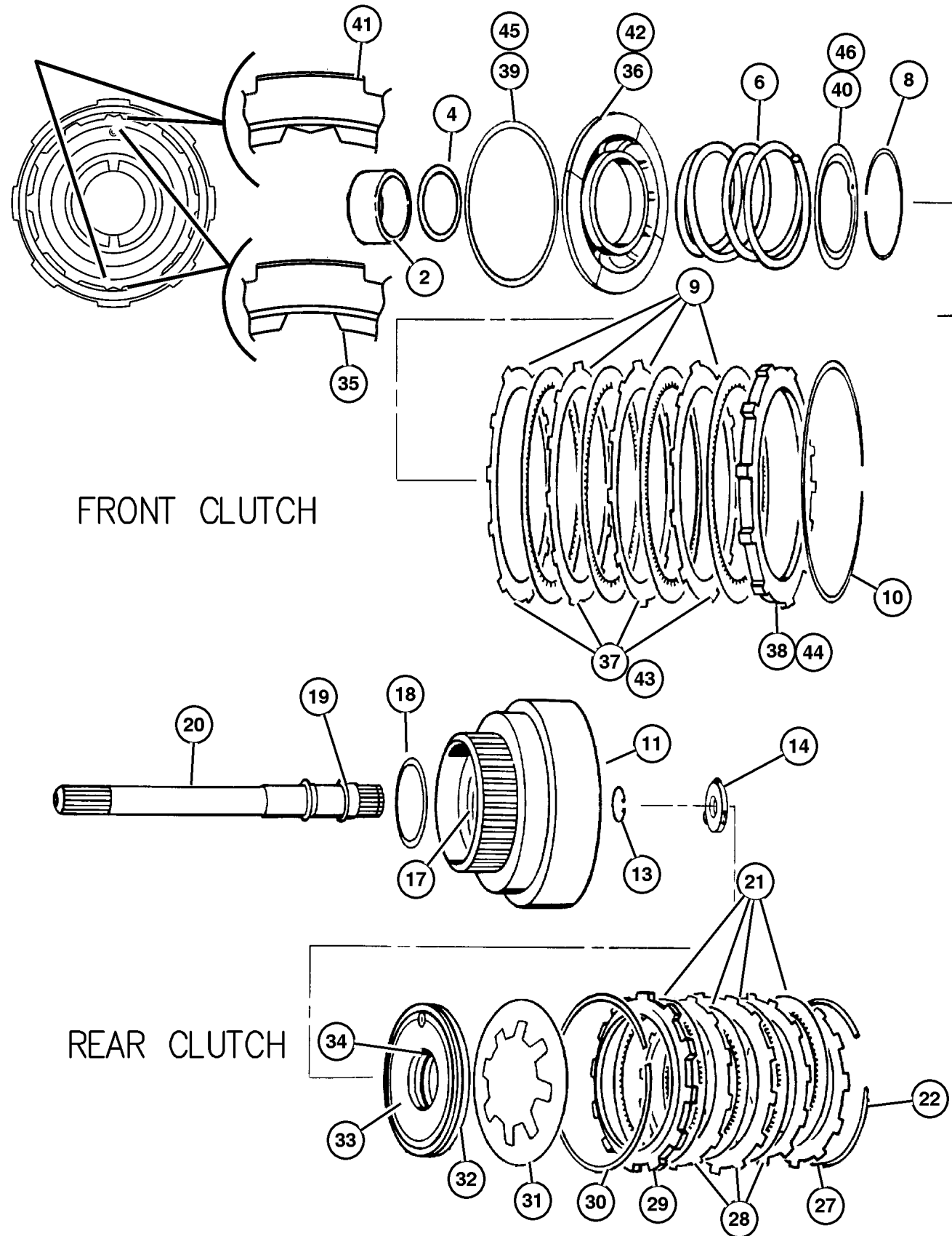


<b>JEEP GRAND CHEROKEE (WJ)</b>				
SERIES	LINE	BODY	ENGINE	TRANSMISSION
H=Laredo	J = 4WD	74 = 4 Door(105.9 WB)	ER0, ERH = 4.0L, Power Tech I-6	DGK = 4 Speed Autm, 42RE
P=Limited	T = 2WD		EVO, EVA = 4.7L, Power Tech V8	DGW = 4 Speed Automatic, -44RE
	U = 4WD (RHD)		EXA, EX0 = 3.1L, 5 Cyl Turbo Diesel	DG4 = Multi Speed Automatic, -45RFE
				DGO = All Automatic

AR = Use as required - = Non illustrated part # = New this model year

September 14, 2002

**Clutch Front and Rear 44RE [DGW]  
Figure 44RE-410**



ITEM	PART NUMBER	QTY	LINE	SERIES	BODY	ENGINE	TRANS	DESCRIPTION
NOTES: Sales Codes								
[DGW] = 44RE 4 Speed Automatic Transmission								
-1	#5252 926AB	1	J, U				DGW	SEAL PACKAGE, Transmission Clutch
2	4617 157	1	J, U				DGW	BUSHING, Front Clutch
-3	4617 159	1	J, U				DGW	BUSHING, Rear Clutch
4	3515 176	1	J, U				DGW	SEAL, Front Clutch Piston
-5	0147 483	1	J, U				DGW	CHECK BALL, Dia-.187
6	4329 809	1	J, U				DGW	SPRING, Front Clutch
-7	0147 483	1	J, U				DGW	CHECK BALL, Dia-.187
8	1942 400	1	J, U				DGW	SNAP RING
9	4617 362	5	J, U				DGW	DISC, Direct Clutch
10	3410 571	1	J, U				DGW	SNAP RING
11	4505 199	1	J, U				DGW	RETAINER, Transmission Rear Clutch
-12	0147 483	1	J, U				DGW	CHECK BALL, Dia-.187
13	6022 859	1	J, U				DGW	SNAP RING, .890625
14	4505 185	1	J, U				DGW	THRUST WASHER, Output Shaft, Gray .052
-15	4505 186	1	J, U				DGW	THRUST WASHER, Output Shaft, Red .068
-16	4505 187	1	J, U				DGW	THRUST WASHER, Output Shaft, Green .083
17	4028 333	1	J, U				DGW	SEAL, Rear Clutch, 1.50 ODx.009 Thk
18	4617 786	1	J, U				DGW	THRUST WASHER, Front Clutch
19	1401 221AB	1	J, U				DGW	SEAL, Input Shaft
20	5211 8478	1	J, U				DGW	SHAFT, Input
21	4713 880	4	J, U				DGW	DISC, Clutch
22	4130 761	1	J, U				DGW	SNAP RING
-23	4539 121	1	J, U				DGW	SNAP RING, Rear Clutch, .076
-24	4539 122	1	J, U				DGW	SNAP RING, Rear Clutch, .098
-25	4539 123	1	J, U				DGW	SNAP RING, Rear Clutch, .095
-26	4539 124	1	J, U				DGW	SNAP RING, Rear Clutch, .107
27	4617 176	1	J, U				DGW	PLATE, Transmission Clutch Reaction
28	1942 403AB	3	J, U				DGW	PLATE, Clutch Separator
29	2466 281	1	J, U				DGW	PLATE, Clutch Pressure
30	2466 283	1	J, U				DGW	SPRING, Rear Clutch
31	4269 623	1	J, U				DGW	SPRING, Rear Clutch Piston
32	2538 695	1	J, U				DGW	SEAL, Rear Clutch Piston
33	3515 716	1	J, U				DGW	PISTON, Clutch
34	2538 510	1	J, U				DGW	SEAL, Rear Clutch Piston
35	4617 153	1	J, U				DGW	RETAINER, Transmission Front Clutch, Up to 01-07-2000
36	4617 154	1	J, U				DGW	PISTON, Clutch

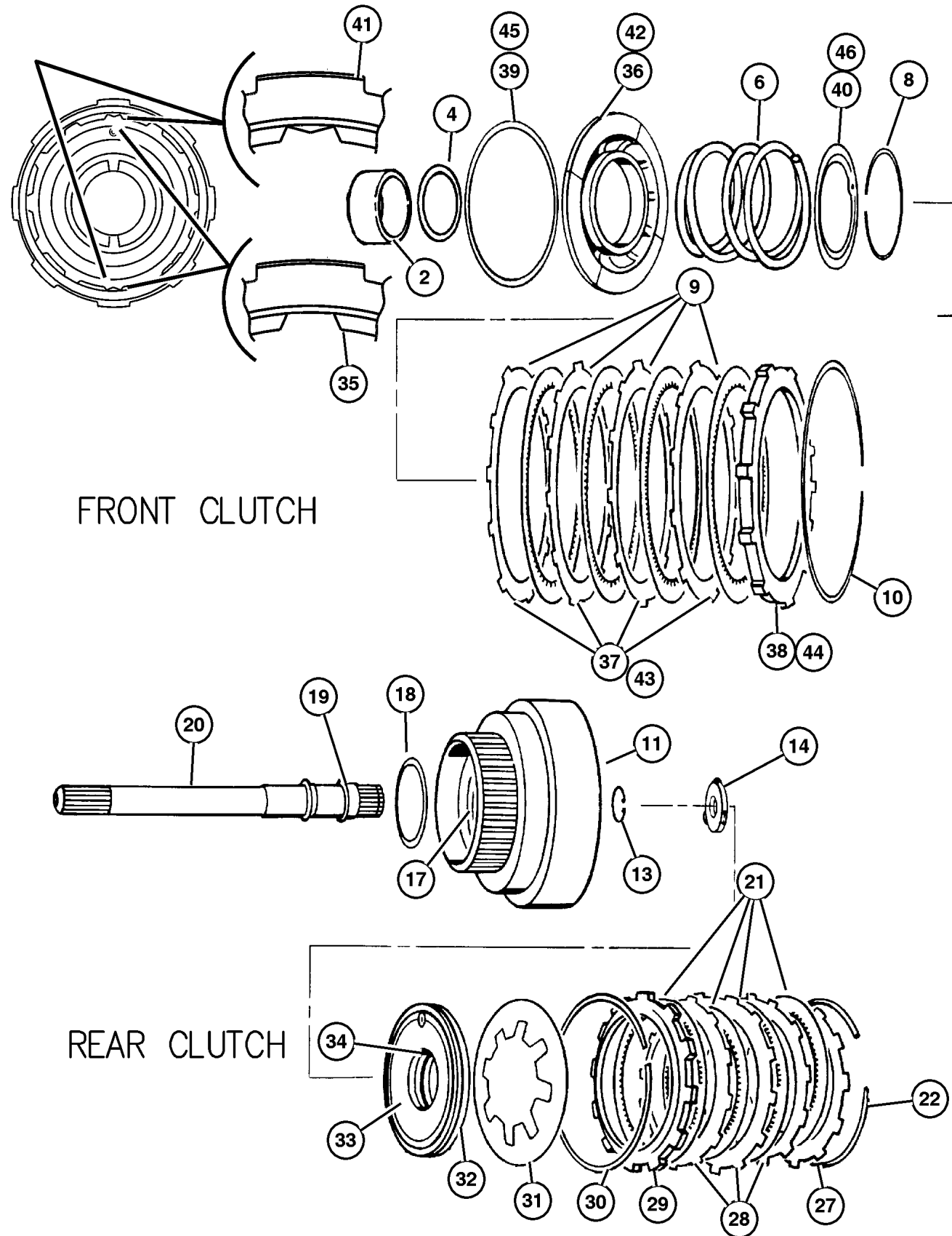
**JEEP GRAND CHEROKEE (WJ)**

SERIES	LINE	BODY	ENGINE	TRANSMISSION
H=Laredo	J = 4WD	74 = 4 Door(105.9 WB)	ER0, ERH = 4.0L, Power Tech I-6	DGK = 4 Speed Autm, 42RE
P=Limited	T = 2WD		EV0, EVA = 4.7L, Power Tech V8	DGW = 4 Speed Automatic, -44RE
	U = 4WD (RHD)		EXA, EX0 = 3.1L, 5 Cyl Turbo Diesel	DG4 = Multi Speed Automatic, -45RFE
				DGO = All Automatic

AR = Use as required - = Non illustrated part # = New this model year

September 14, 2002

**Clutch Front and Rear 44RE [DGW]  
Figure 44RE-410**



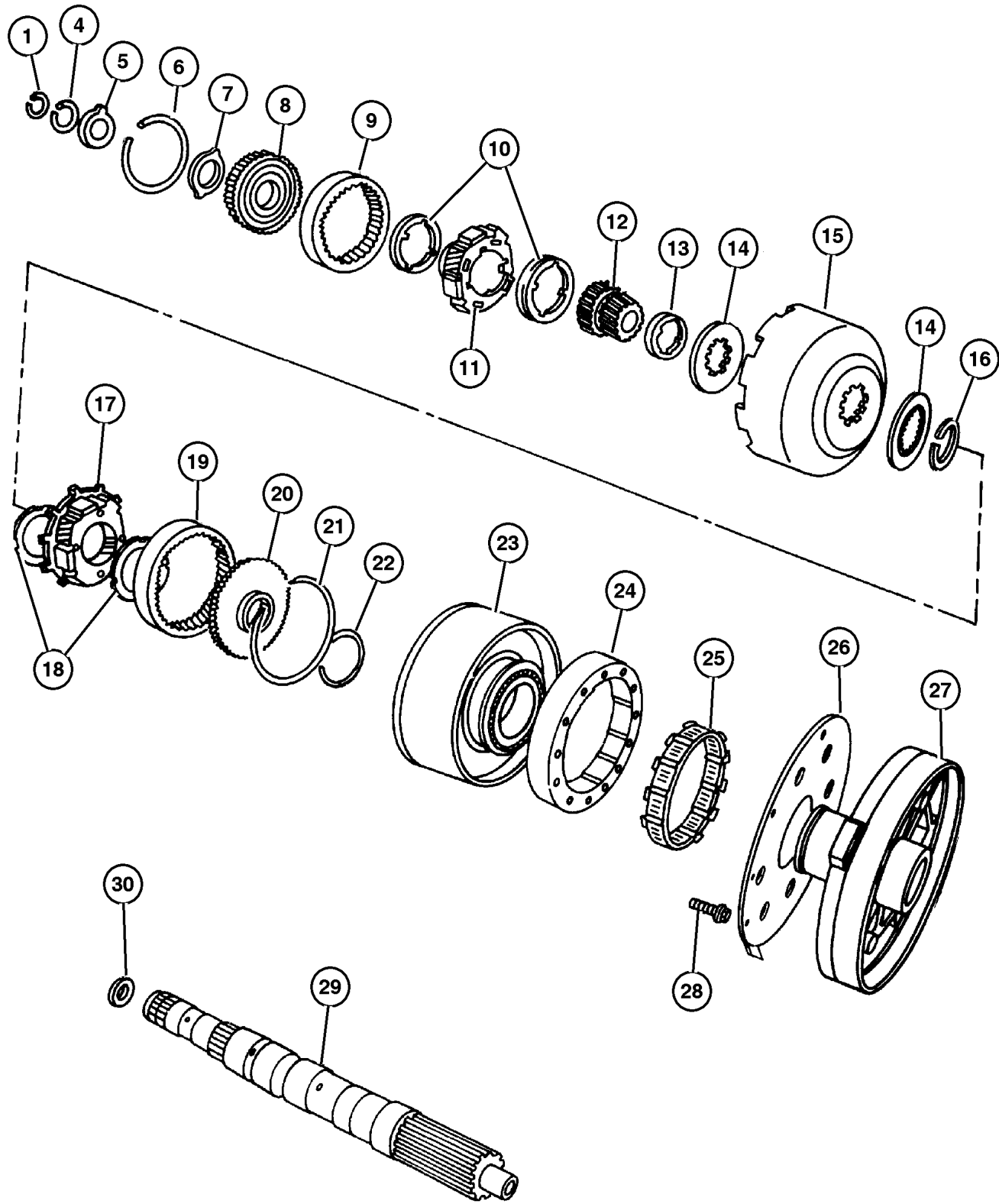
ITEM	PART NUMBER	QTY	LINE	SERIES	BODY	ENGINE	TRANS	DESCRIPTION
37	1942 403AB	5	J, U				DGW	PLATE, Clutch Separator
38	4617 176	1	J, U				DGW	PLATE, Transmission Clutch Reaction
39	4058 487	1	J, U				DGW	SEAL, Front Piston Clutch
40	4617 516AB	1	J, U				DGW	RETAINER, Transmission Front Clutch Piston Spring
41	4617 153AB	1	J, U				DGW	RETAINER, Transmission Front Clutch, From 01-07-2000
42	4617 154AB	1	J, U				DGW	PISTON, Clutch
43	1942 403AC	1	J, U				DGW	PLATE, Clutch Separator
44	4617 176AB	1	J, U				DGW	PLATE, Transmission Clutch Reaction
45	4058 487AB	1	J, U				DGW	SEAL, Front Piston Clutch
46	4617 516AC	1	J, U				DGW	RETAINER, Transmission Front Clutch Piston Spring

JEEP GRAND CHEROKEE (WJ)				
SERIES	LINE	BODY	ENGINE	TRANSMISSION
H=Laredo	J = 4WD	74 = 4 Door(105.9 WB)	ER0, ERH = 4.0L, Power Tech I-6	DGK = 4 Speed Autm, 42RE
P=Limited	T = 2WD		EVO, EVA = 4.7L, Power Tech V8	DGW = 4 Speed Automatic, -44RE
	U = 4WD (RHD)		EXA, EX0 = 3.1L, 5 Cyl Turbo Diesel	DG4 = Multi Speed Automatic, -45RFE
				DGO = All Automatic

AR = Use as required - = Non illustrated part # = New this model year

September 14, 2002

**Gear Train and Intermediate Shaft 44RE [DGW]  
Figure 44RE-420**



ITEM	PART NUMBER	QTY	LINE	SERIES	BODY	ENGINE	TRANS	DESCRIPTION
NOTES: Sales Codes								
[DGW] = 44RE 4 Speed Automatic Transmission								
[EX0] = All 3.0/3.1L Turbo Diesel Engines								
1	6026 289	1	J, U				DGW	SNAP RING, .946 ID
-2	6030 938	1	J, U				DGW	SNAP RING
-3	6030 404	1	J, U				DGW	SNAP RING, Output Shaft, 1.029 OD
4	6030 576	1	J, U				DGW	SNAP RING, Annulus Gear, 1.375 ID
5	3681 969	1	J, U				DGW	THRUST WASHER, Annulus Gear
6	6035 238	1	J, U				DGW	SNAP RING
7	4617 775	1	J, U				DGW	PLATE, Annulus Gear Thrust
8	4617 774	1	J, U				DGW	SUPPORT, Annulus Gear
9	4130 512	1	J, U				DGW	GEAR, Front Annulus
10	4130 518	2	J, U				DGW	THRUST WASHER, Planetary Carrier
11	5211 8476	1	J, U				DGW	CARRIER, Planetary Pinion
12	4130 685	1	J, U				DGW	GEAR, Sun
13	4130 736	1	J, U				DGW	SPACER, Sun Gear
14	4471 566	2	J, U				DGW	PLATE, Transmission Module
15	4531 288	1	J, U				DGW	SHELL, Sun Gear
16	1942 439	1	J, U				DGW	SNAP RING, Sun Gear Shell
17	4431 438	1	J, U				DGW	CARRIER, Planetary Pinion
18	3681 935	1	J, U				DGW	THRUST WASHER, Planetary Carrier
19	3743 184	1	J, U				DGW	GEAR, Rear Annulus
20	3515 501	1	J, U				DGW	SUPPORT, Annulus Gear
21	1942 444	1	J, U				DGW	SNAP RING
22	6033 480	1	J, U				DGW	SNAP RING, Reverse Drum
23	4637 956	1	J, U				DGW	DRUM PACKAGE, Transmission
24	4431 690	1	J, U				DGW	CAM, Overrunning Clutch
25	4431 432	1	J, U				DGW	CLUTCH, Overrunning
26	4471 564	1	J, U				DGW	GASKET, Overdrive Piston Retainer
27	4617 246	1	J, U				DGW	RETAINER, Transmission Overdrive Clutch Piston
28	6033 616	5	J, U				DGW	SCREW, Hex Flange Head, .25-28x.875
29	4617 604	1	J, U				DGW	INTERMEDIATE SHAFT, Transmission
30	4505 188	1	J, U				DGW	PLATE, Transmission Module

**JEEP GRAND CHEROKEE (WJ)**

SERIES	LINE	BODY	ENGINE	TRANSMISSION
H=Laredo	J = 4WD	74 = 4 Door(105.9 WB)	ER0, ERH = 4.0L, Power Tech I-6	DGK = 4 Speed Autm, 42RE
P=Limited	T = 2WD		EV0, EVA = 4.7L, Power Tech V8	DGW = 4 Speed Automatic, -44RE
	U = 4WD (RHD)		EXA, EX0 = 3.1L, 5 Cyl Turbo Diesel	DG4 = Multi Speed Automatic, -45RFE
				DGO = All Automatic

AR = Use as required - = Non illustrated part # = New this model year

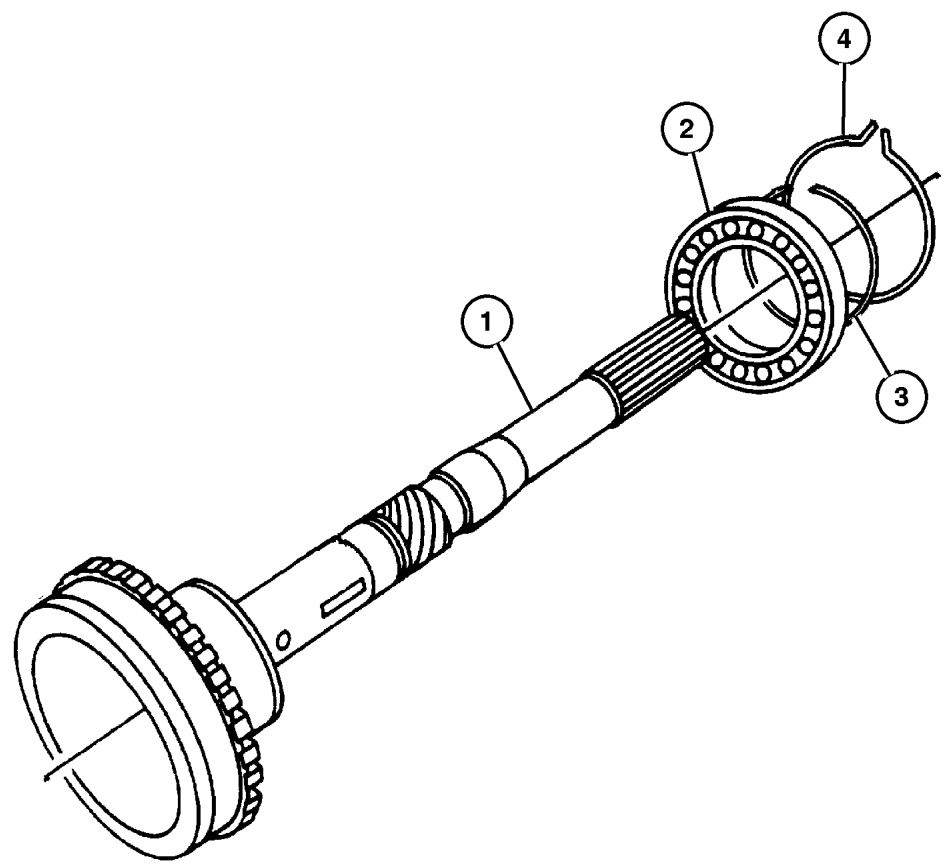
September 14, 2002

**Output Shaft 44RE [DGW]  
Figure 44RE-430**

ITEM	PART NUMBER	QTY	LINE	SERIES	BODY	ENGINE	TRANS	DESCRIPTION
------	-------------	-----	------	--------	------	--------	-------	-------------

NOTES: Sales Codes  
 [DGW] = 44RE 4 Speed Automatic Transmission  
 [EX0] = All 3.0/3.1L Turbo Diesel Engines

1	4798 536	1	J, U				DGW	SHAFT, Output
2	4461 008	1	J, U				DGW	BEARING, Output Shaft
3	4461 068	1	J, U				DGW	SNAP RING
4	4461 057	1	J, U				DGW	SNAP RING

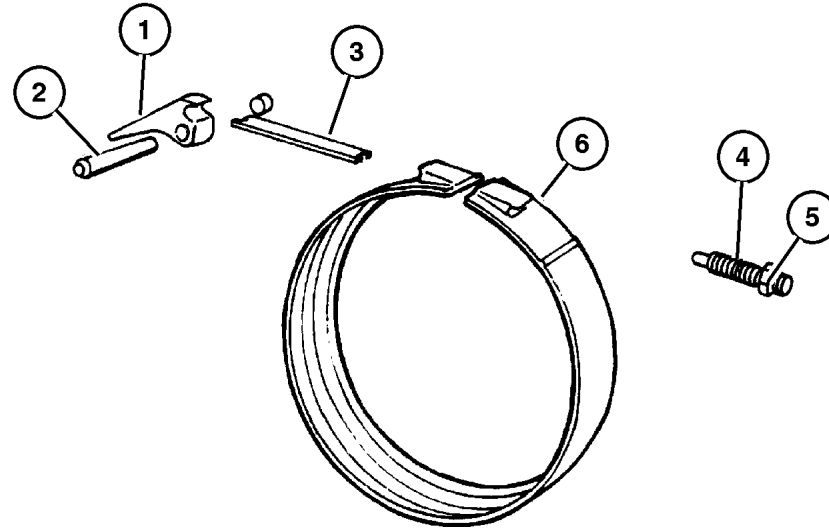


JEEP GRAND CHEROKEE (WJ)				
SERIES	LINE	BODY	ENGINE	TRANSMISSION
H=Laredo	J = 4WD	74 = 4 Door(105.9 WB)	ER0, ERH = 4.0L, Power Tech I-6	DGK = 4 Speed Autm, 42RE
P=Limited	T = 2WD		EV0, EVA = 4.7L, Power Tech V8	DGW = 4 Speed Automatic, -44RE
	U = 4WD (RHD)		EXA, EX0 = 3.1L, 5 Cyl Turbo Diesel	DG4 = Multi Speed Automatic, -45RFE
				DGO = All Automatic

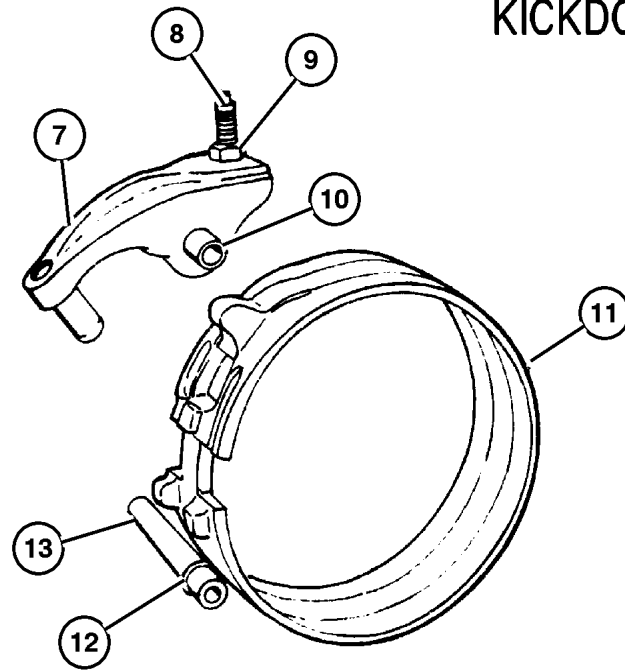
AR = Use as required - = Non illustrated part # = New this model year

September 14, 2002

**Bands 44RE [DGW]  
Figure 44RE-510**



**KICKDOWN BAND**



**DOUBLE WRAP REVERSE BAND**

ITEM	PART NUMBER	QTY	LINE	SERIES	BODY	ENGINE	TRANS	DESCRIPTION
NOTES: Sales Codes								
[DGW] = 44RE 4 Speed Automatic Transmission								
[EX0] = All 3.0/3.1L Turbo Diesel Engines								
1	2125 067	1	J, U				DGW	LEVER, Kickdown
2	4531 181	1	J, U				DGW	SHAFT, Band Lever
3	3515 084	1	J, U				DGW	STRUT, Kickdown Band
4	6036 141AA	1	J, U				DGW	SCREW
5	0124 934	1	J, U				DGW	NUT, Hex Jam, .50-20
6	4617 899	1	J, U				DGW	BAND, Kickdown
7								LEVER, Reverse Band
	4202 764AB	1	J, U				DGW	
	4202 765	1	J, U				DGW	With Stem
8	2538 472	1	J, U				DGW	SCREW, Trans Reverse Band Adjusting, .375-24-1.88
9	0114 942	1	J, U				DGW	NUT, Hex, .375-24
10	3410 102	1	J, U				DGW	SHAFT, Reverse Band
11	4431 406	1	J, U				DGW	BAND, Reverse
12	6030 657	1	J, U				DGW	O RING, Steering Gear
13	3410 102	1	J, U				DGW	SHAFT, Reverse Band

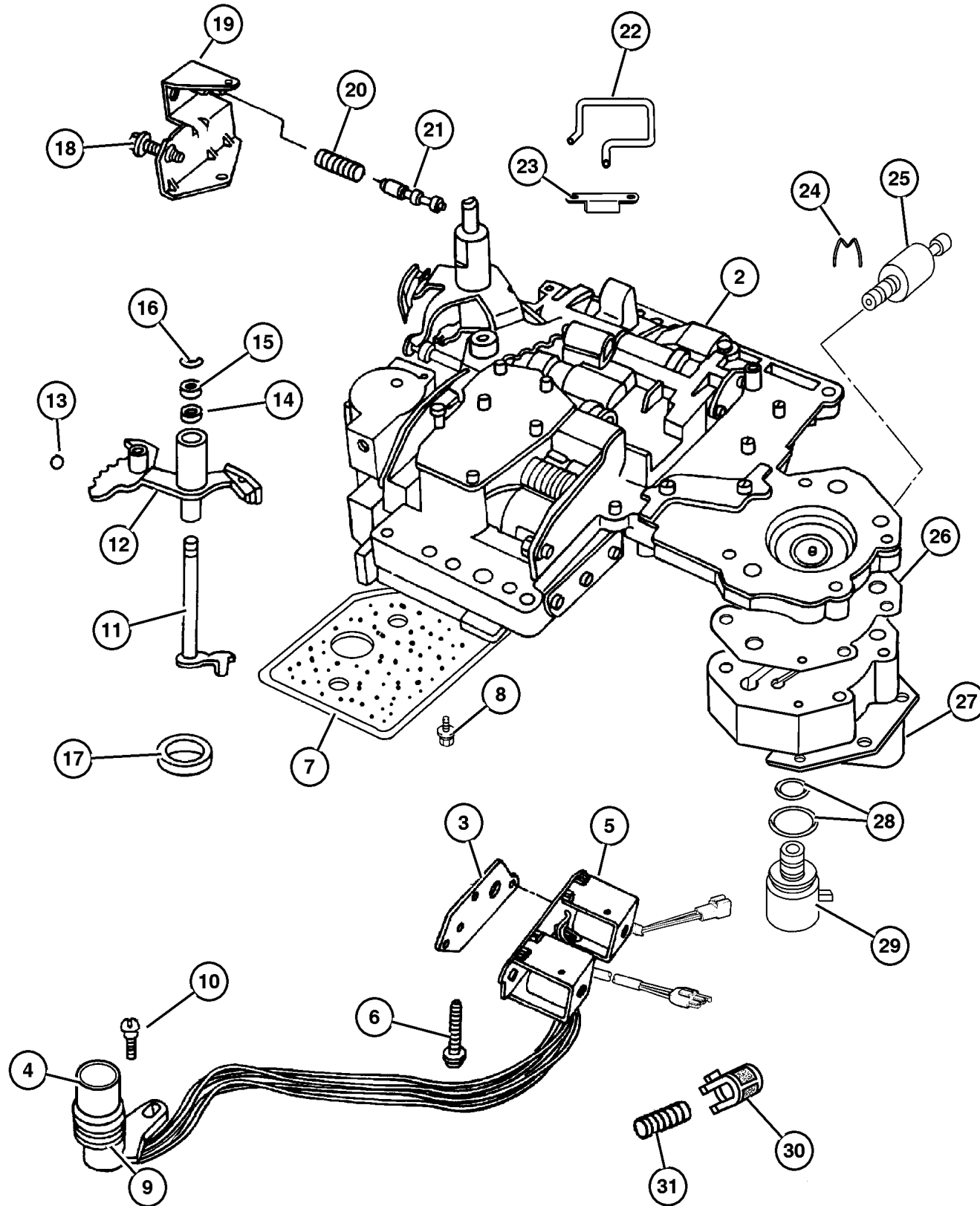
**JEEP GRAND CHEROKEE (WJ)**

SERIES	LINE	BODY	ENGINE	TRANSMISSION
H=Laredo	J = 4WD	74 = 4 Door(105.9 WB)	ER0, ERH = 4.0L, Power Tech I-6	DGK = 4 Speed Autm, 42RE
P=Limited	T = 2WD		EVO, EVA = 4.7L, Power Tech V8	DGW = 4 Speed Automatic, -44RE
	U = 4WD (RHD)		EXA, EX0 = 3.1L, 5 Cyl Turbo Diesel	DG4 = Multi Speed Automatic, -45RFE
				DGO = All Automatic

AR = Use as required - = Non illustrated part # = New this model year

September 14, 2002

**Valve Body 44RE [DGW]  
Figure 44RE-710**



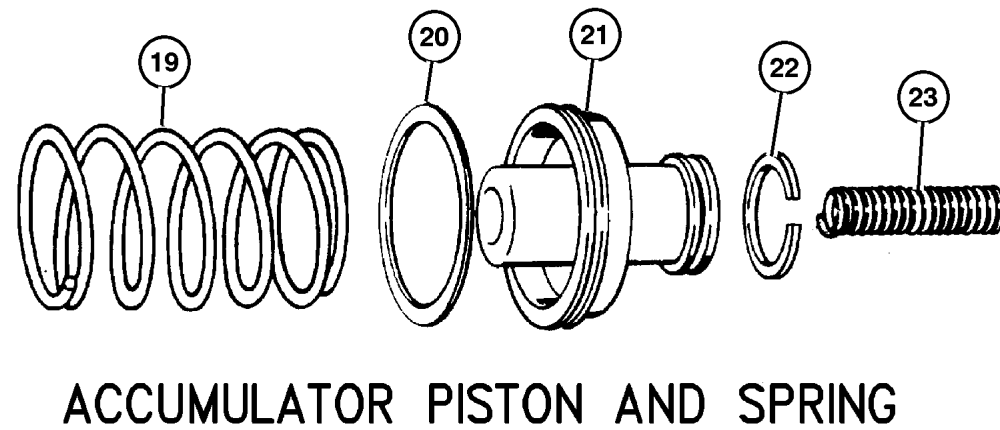
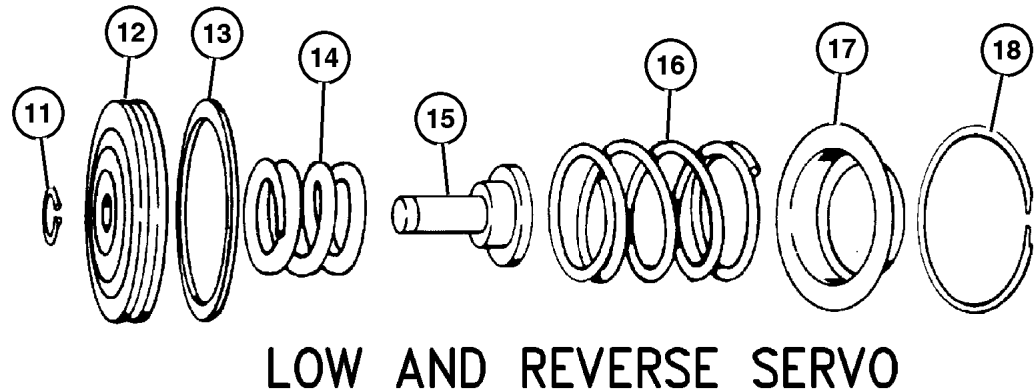
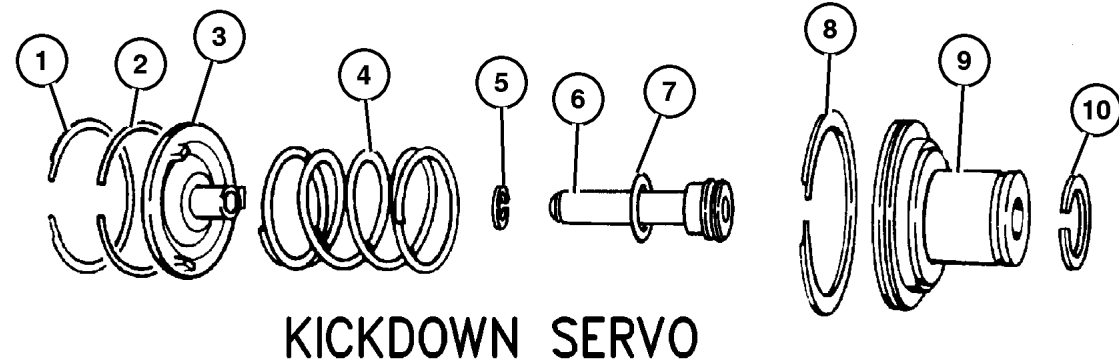
ITEM	PART NUMBER	QTY	LINE	SERIES	BODY	ENGINE	TRANS	DESCRIPTION
NOTES: Sales Codes								
[DGW] = 44RE 4 Speed Automatic Transmission								
[EX0] = All 3.0/3.1L Turbo Diesel Engines								
-1	4863 933AB	1	J, U				DGW	SEAL AND GASKET PACKAGE, Valve Body and Servo
2	#52119 634AB	1	J, U				DGW	BODY, Transfer Plate
3	4617 216	1	J, U				DGW	GASKET, Transmission Solenoid
4	#52118 500AB	1	J, U				DGW	SOLENOID, Transmission Overdrive
5	#56028 196AA	1	J, U				DGW	TRANSDUCER, Pressure Sensor
6	0181 071	3	J, U				DGW	BOLT, Valve Body, .25-20x1.75
7	5211 8789	1	J, U				DGW	FILTER, Valve Body
8	6033 826	3	J, U				DGW	SCREW AND WASHER, Oil Filter Mounting, Fillester Head .190-24x2.500
9	6034 748	2	J, U				DGW	O RING, Solenoid Wiring, Transmission
10	6033 985	1	J, U				DGW	SCREW, Tapping, .19-24x.75
11	3681 227	1	J, U				DGW	LEVER, Throttle Valve
12	4617 439	1	J, U				DGW	LEVER, Manual Valve
13	0147 488	1	J, U				DGW	BALL, Manual Lever Detent, .343 Diameter
14	2466 548	1	J, U				DGW	SEAL, Valve Lever Shift
15	2538 062	1	J, U				DGW	WASHER, Manual Valve Lever
16	6035 208	2	J, U				DGW	SNAP RING
17	4505 098	1	J, U				DGW	SEAL, Manual Shift Valve, 1.25 OD
18	6030 609	1	J, U				DGW	SCREW, Cap Head Lock, .312-24x1.25
19	4617 010	1	J, U				DGW	BRACKET, Valve Body Switch
20	4130 492	1	J, U				DGW	SPRING, Switch Valve
21	4505 036	1	J, U				DGW	VALVE, Trans Lockup Switch
22	4617 008	1	J, U				DGW	TUBE, Boost Valve
23	5211 7958	1	J, U				DGW	RETAINER, Boost Valve Oil Supply Tube
24	4617 219	1	J, U				DGW	CLIP, Transmission Governor Transducer
25	#56028 196AA	1	J, U				DGW	TRANSDUCER, Pressure Sensor
26	4617 216	1	J, U				DGW	GASKET, Transmission Solenoid
27	#4617 211AB	1	J, U				DGW	RETAINER, Transmission Governor Solenoid
28	6034 748	2	J, U				DGW	O RING, Solenoid Wiring, Transmission
29	4617 210	1	J, U				DGW	SOLENOID, Transmission Governor
30	3878 313	1	J, U				DGW	SCREEN, Transmission Regulator Valve
31	4348 907	1	J, U				DGW	SPRING, Limit Valve

**JEEP GRAND CHEROKEE (WJ)**

SERIES	LINE	BODY	ENGINE	TRANSMISSION
H=Laredo	J = 4WD	74 = 4 Door(105.9 WB)	ER0, ERH = 4.0L, Power Tech I-6	DGK = 4 Speed Autm, 42RE
P=Limited	T = 2WD		EVO, EVA = 4.7L, Power Tech V8	DGW = 4 Speed Automatic, -44RE
	U = 4WD (RHD)		EXA, EX0 = 3.1L, 5 Cyl Turbo Diesel	DG4 = Multi Speed Automatic, -45RFE
				DGO = All Automatic



Servos 44RE [DGW]  
Figure 44RE-720



ITEM	PART NUMBER	QTY	LINE	SERIES	BODY	ENGINE	TRANS	DESCRIPTION
NOTES:Sales Codes								
[DGW] = 44RE 4 Speed Automatic Transmission								
[EX0] = All 3.0/3.1L Turbo Diesel Engines								
1	6028 863	1	J, U				DGW	SNAP RING, Kickdown, 2.377
2	4295 966	1	J, U				DGW	SEAL, Servo Guide
3	3410 332	1	J, U				DGW	GUIDE, Kickdown Servo
4	4531 119	1	J, U				DGW	SPRING, Kickdown Servo Piston
5	6031 392	1	J, U				DGW	SNAP RING, Brake Master Cylinder
6	4058 780	1	J, U				DGW	ROD, Kickdown Servo Piston
7	6028 864	1	J, U				DGW	O RING, Kick Down Servo
8	4295 966	1	J, U				DGW	SEAL, Servo Guide
9	4058 777	1	J, U				DGW	PISTON, Kickdown Servo
10	3743 033	1	J, U				DGW	SEAL, Kickdown Servo
11	6027 153	1	J, U				DGW	SNAP RING, .435 ID
12	5211 8744	1	J, U				DGW	PISTON, Reverse Servo
13	4202 864	1	J, U				DGW	SEAL, Reverse Servo Piston
14	4130 824	1	J, U				DGW	SPRING, Reverse Servo Piston
15	52118 740AB	1	J, U				DGW	PLUG, Reverse Servo Piston
16	2801 274	1	J, U				DGW	SPRING, Reverse Servo Piston
17	2464 463	1	J, U				DGW	RETAINER, Transmission Rear Clutch
18	2464 464	1	J, U				DGW	SNAP RING
19	5211 8710	1	J, U				DGW	SPRING, Transmission Accumulator
20	3743 013	1	J, U				DGW	SEAL, Piston Accumulator
21	3743 650	1	J, U				DGW	PISTON, Accumulator
22	3743 010	1	J, U				DGW	SEAL, Piston Accumulator
23	4617 529	1	J, U				DGW	SPRING, Accumulator Piston

JEEP GRAND CHEROKEE (WJ)

SERIES	LINE	BODY	ENGINE	TRANSMISSION
H=Laredo	J = 4WD	74 = 4 Door(105.9 WB)	ER0, ERH = 4.0L, Power Tech I-6	DGK = 4 Speed Autm, 42RE
P=Limited	T = 2WD		EVO, EVA = 4.7L, Power Tech V8	DGW = 4 Speed Automatic, -44RE
	U = 4WD (RHD)		EXA, EX0 = 3.1L, 5 Cyl Turbo Diesel	DG4 = Multi Speed Automatic, -45RFE
				DGO = All Automatic

AR = Use as required - = Non illustrated part # = New this model year

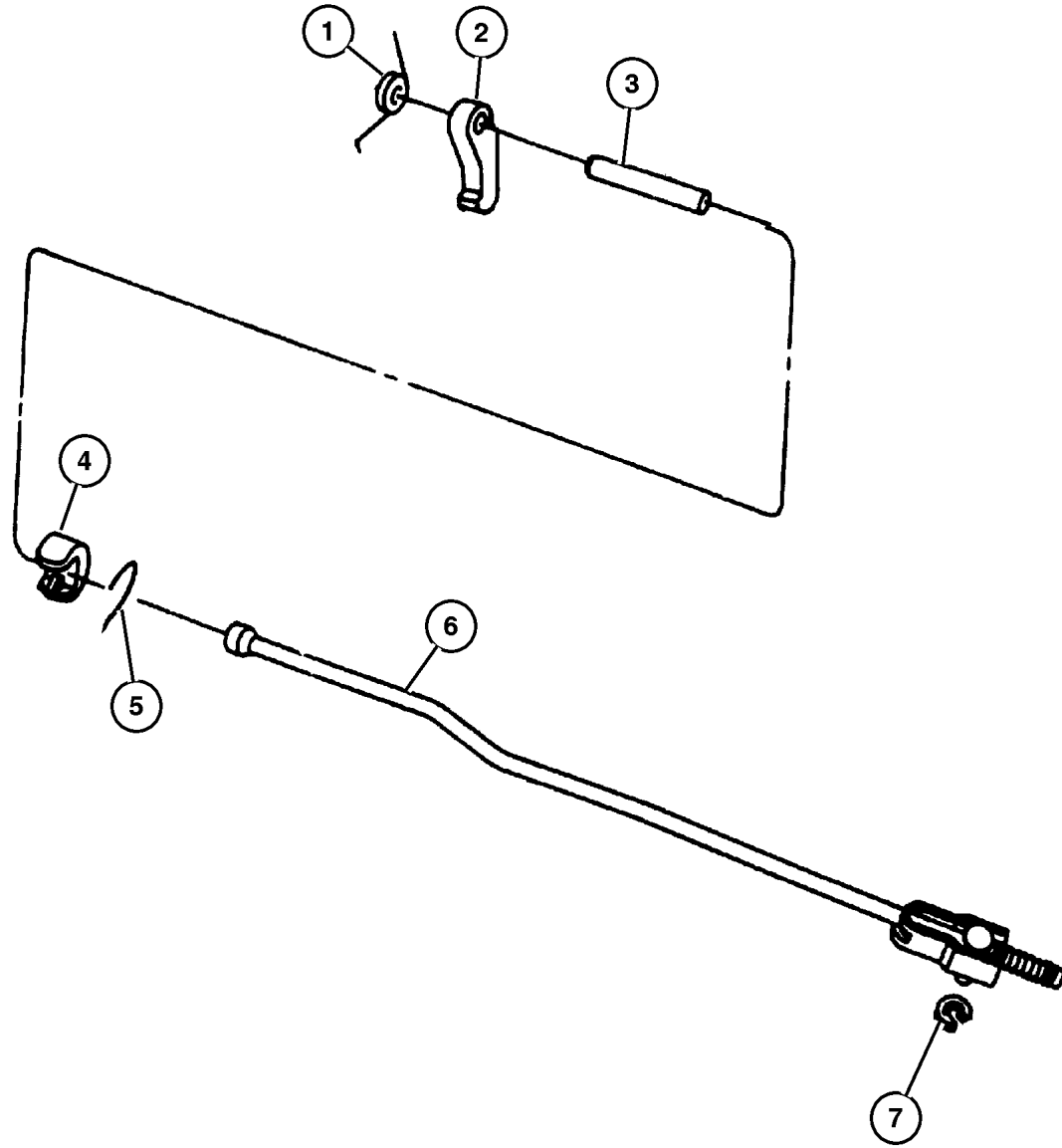
September 14, 2002

**Parking Sprag 44RE [DGW]  
Figure 44RE-730**

ITEM	PART NUMBER	QTY	LINE	SERIES	BODY	ENGINE	TRANS	DESCRIPTION
------	-------------	-----	------	--------	------	--------	-------	-------------

NOTES: Sales Codes  
 [DGW] = 44RE 4 Speed Automatic Transmission  
 [EX0] = All 3.0/3.1L Turbo Diesel Engines

1	2466 909	1	J, U				DGW	SPRING, Parking Sprag
2	4471 415	1	J, U				DGW	SPRAG, Transmission Parking
3	2466 892	1	J, U				DGW	SHAFT, Parking Sprag
4	2538 042	1	J, U				DGW	PLUG, Parking Sprag
5	2538 034	1	J, U				DGW	SNAP RING, Transmission
6	4431 748	1	J, U				DGW	ROD, Parking Sprag
7	6035 256	1	J, U				DGW	SNAP RING, Rod



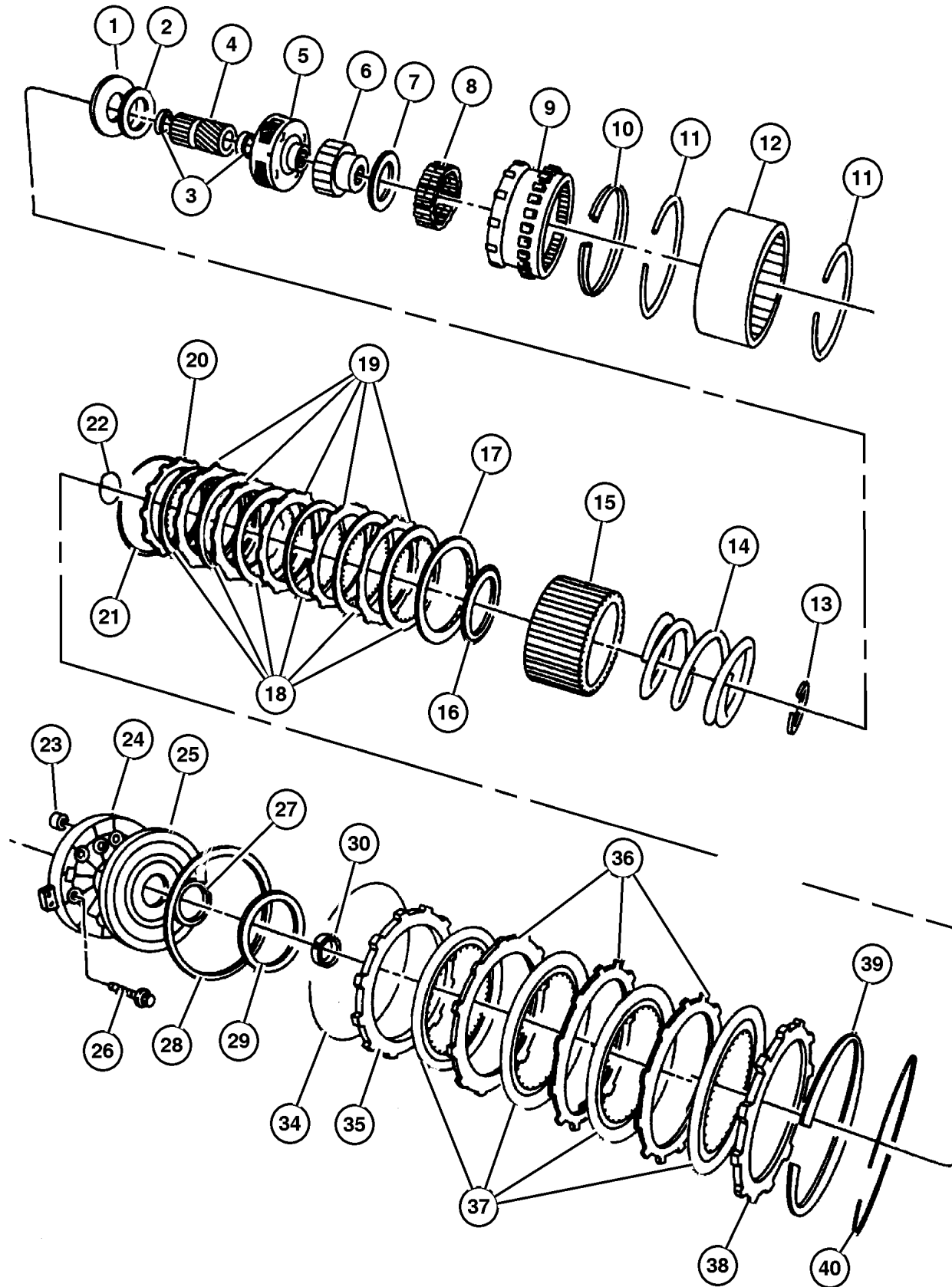
**JEEP GRAND CHEROKEE (WJ)**

SERIES	LINE	BODY	ENGINE	TRANSMISSION
H=Laredo	J = 4WD	74 = 4 Door(105.9 WB)	ER0, ERH = 4.0L, Power Tech I-6	DGK = 4 Speed Autm, 42RE
P=Limited	T = 2WD		EVO, EVA = 4.7L, Power Tech V8	DGW = 4 Speed Automatic, -44RE
	U = 4WD (RHD)		EXA, EX0 = 3.1L, 5 Cyl Turbo Diesel	DG4 = Multi Speed Automatic, -45RFE
				DGO = All Automatic

AR = Use as required - = Non illustrated part # = New this model year

September 14, 2002

**Overdrive Gear Train 44RE [DGW]  
Figure 44RE-1010**



ITEM	PART NUMBER	QTY	LINE	SERIES	BODY	ENGINE	TRANS	DESCRIPTION
NOTES: Sales Codes								
[DGW] = 44RE 4 Speed Automatic Transmission								
[EX0] = All 3.0/3.1L Turbo Diesel Engines								
1	4740 774	1	J, U				DGW	PLATE PACKAGE, Transmission Module
2								BEARING, (NOT SERVICED) (Not Serviced)
3								BEARING, (NOT SERVICED) (Not Serviced)
4	#5015 107AA	1	J, U				DGW	GEAR, Overdrive Sun
5	4798 520	1	J, U				DGW	CARRIER, O/Drive Planet Pinion
6	4461 124	1	J, U				DGW	RACE, Overrunning Clutch
7	4461 014	1	J, U				DGW	THRUST BEARING, Overdrive Third Position
8	4461 015	1	J, U				DGW	CLUTCH, Overdrive Overrunning
9	4761 010	1	J, U				DGW	GEAR, Overdrive Annulus
10	4461 059	1	J, U				DGW	SNAP RING, 5.25 OD
11	4461 060	2	J, U				DGW	SNAP RING, 6.00 OD
12	4461 089	1	J, U				DGW	DRUM, Automatic Transmission
13	4461 063	1	J, U				DGW	SNAP RING, 2.1875 OD
14	4461 027	1	J, U				DGW	SPRING, Direct Clutch
15	4461 072	1	J, U				DGW	HUB, Direct Clutch
16	4446 724	1	J, U				DGW	THRUST BEARING, Overdrive
17	4461 030	1	J, U				DGW	PLATE, Transmission Clutch Reaction
18	4461 042	8	J, U				DGW	DISC, Direct Clutch
19	4461 054	7	J, U				DGW	PLATE, Transmission Clutch Reaction
20	4461 030	1	J, U				DGW	PLATE, Transmission Clutch Reaction
21	4461 032	1	J, U				DGW	SPRING, Direct Clutch
22	4461 064	1	J, U				DGW	SNAP RING, 1.875" OD
23	4412 583	1	J, U				DGW	FILTER, Overdrive Clutch
24	4617 246	1	J, U				DGW	RETAINER, Transmission Overdrive Clutch Piston
25	5211 8599	1	J, U				DGW	PISTON, Overdrive Clutch
26	6033 479	6	J, U				DGW	BOLT, Hex Head, .25-28x1-5/8
27	4431 697	1	J, U				DGW	SEAL, Overdrive Clutch Piston
28	4431 696	1	J, U				DGW	SEAL, Overdrive Clutch Piston
29								PLATE, Transmission O/Drive Clutch
	4431 586	1	J, U				DGW	.153-.155" Thick
	4431 587	1	J, U				DGW	.183-.185" Thick
	4431 588	1	J, U				DGW	.213-.215" Thick
	4431 590	1	J, U				DGW	.243-.245" Thick
	4431 731	1	J, U				DGW	.135-.140" Thick
	4431 732	1	J, U				DGW	.168-.170" Thick

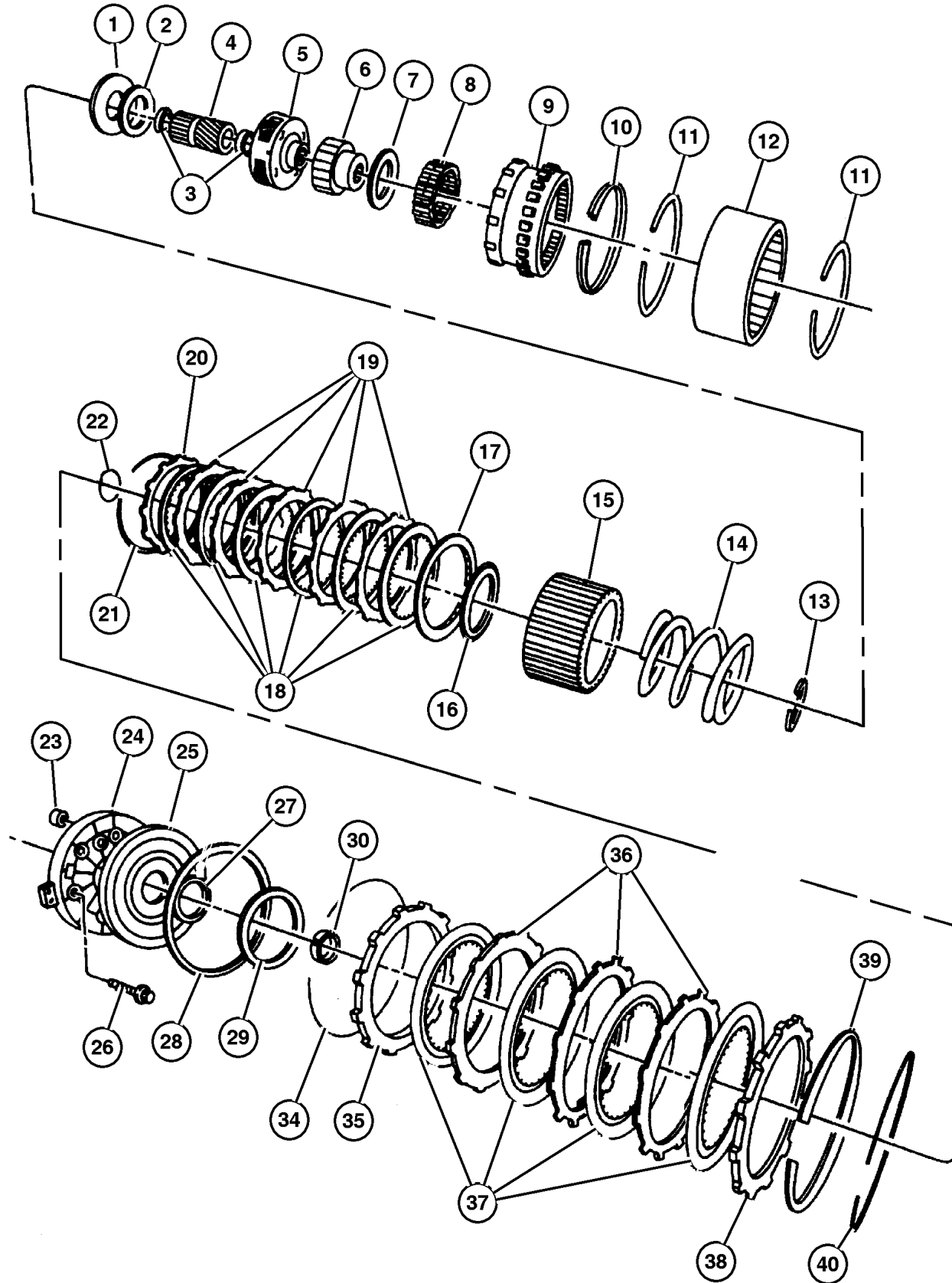
**JEEP GRAND CHEROKEE (WJ)**

SERIES	LINE	BODY	ENGINE	TRANSMISSION
H=Laredo	J = 4WD	74 = 4 Door(105.9 WB)	ER0, ERH = 4.0L, Power Tech I-6	DGK = 4 Speed Autm, 42RE
P=Limited	T = 2WD		EVO, EVA = 4.7L, Power Tech V8	DGW = 4 Speed Automatic, -44RE
	U = 4WD (RHD)		EXA, EX0 = 3.1L, 5 Cyl Turbo Diesel	DG4 = Multi Speed Automatic, -45RFE
				DGO = All Automatic

AR = Use as required - = Non illustrated part # = New this model year

September 14, 2002

**Overdrive Gear Train 44RE [DGW]  
Figure 44RE-1010**



ITEM	PART NUMBER	QTY	LINE	SERIES	BODY	ENGINE	TRANS	DESCRIPTION
	4431 733	1	J, U				DGW	.198-.200" Thick
	4431 734	1	J, U				DGW	.228-.230" Thick
	4431 735	1	J, U				DGW	.108-.110" Thick
30	4431 916	1	J, U				DGW	SPACER, Intermediate Shaft, 1.58mm, 1.58mm
-31	4431 917	1	J, U				DGW	SPACER, Intermediate Shaft, .175, .175mm
-32	4431 918	1	J, U				DGW	SPACER, Intermediate Shaft, .193, .193mm
-33	4431 919	1	J, U				DGW	SPACER, Intermediate Shaft, .211, .211mm
34	4461 082	1	J, U				DGW	SNAP RING, Overdrive Clutch
35	4461 033	2	J, U				DGW	PLATE, Transmission Clutch Reaction
36	4461 047	3	J, U				DGW	PLATE, Transmission Clutch Reaction
37	4461 181	4	J, U				DGW	DISC, Direct Clutch
38	4461 033	2	J, U				DGW	PLATE, Transmission Clutch Reaction
39	4461 066	1	J, U				DGW	SPRING, Overdrive Clutch
40	4461 065	1	J, U				DGW	SNAP RING, 6.50 OD

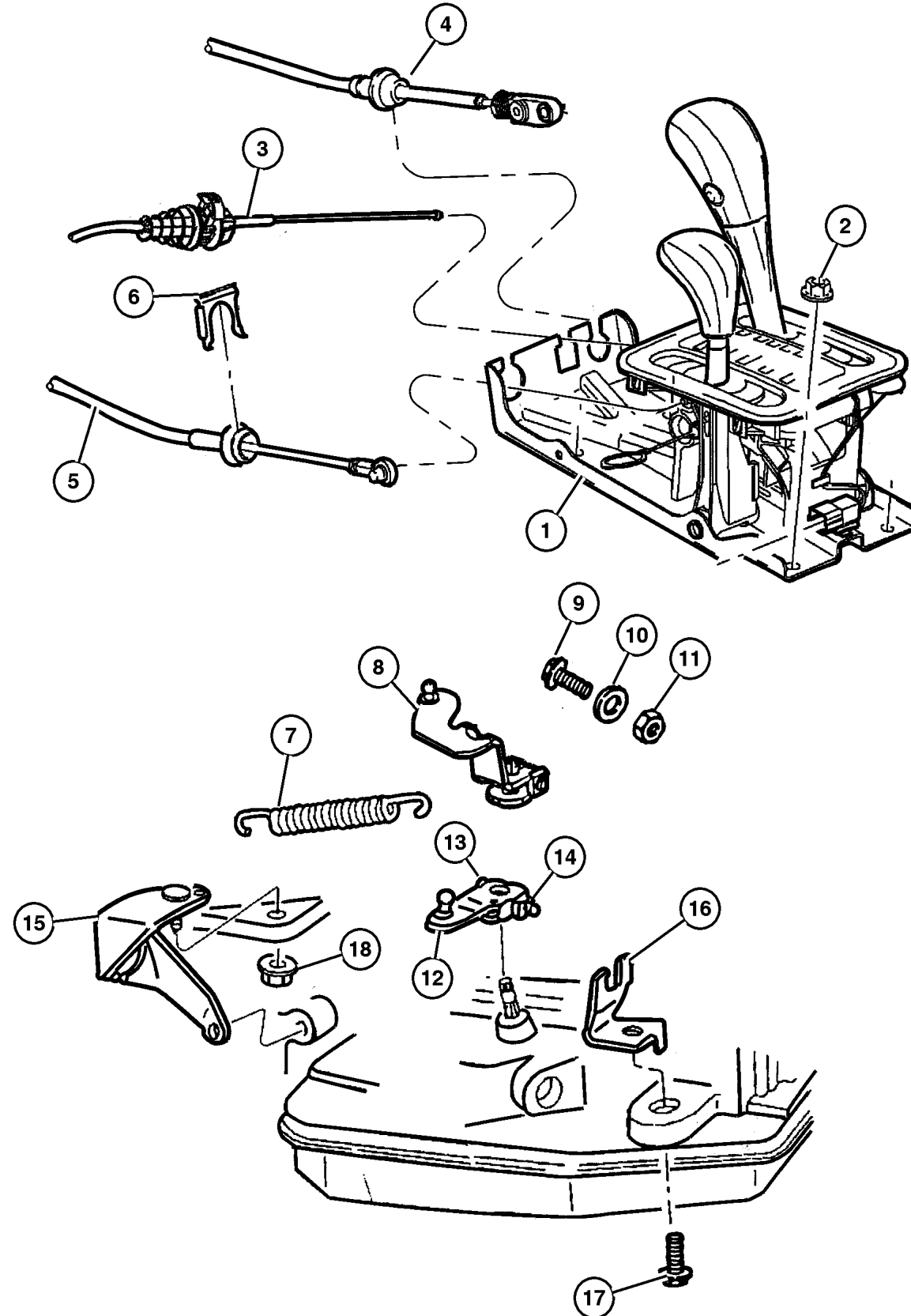
**JEEP GRAND CHEROKEE (WJ)**

SERIES	LINE	BODY	ENGINE	TRANSMISSION
H=Laredo	J = 4WD	74 = 4 Door(105.9 WB)	ER0, ERH = 4.0L, Power Tech I-6	DGK = 4 Speed Autm, 42RE
P=Limited	T = 2WD		EV0, EVA = 4.7L, Power Tech V8	DGW = 4 Speed Automatic, -44RE
	U = 4WD (RHD)		EXA, EX0 = 3.1L, 5 Cyl Turbo Diesel	DG4 = Multi Speed Automatic, -45RFE
				DGO = All Automatic

AR = Use as required - = Non illustrated part # = New this model year

September 14, 2002

**Gearshift Controls 44RE [DGW]  
Figure 44RE-1210**



ITEM	PART NUMBER	QTY	LINE	SERIES	BODY	ENGINE	TRANS	DESCRIPTION
NOTES: Sales Codes								
[DGK] = 42RE 4 Speed Automatic Transmissions								
[DG0] = All Automatic Transmission								
[DGW ]= 44RE 4 Speed Automatic Transmission								
[ER0] = All 4.0L 6 Cylinder Gas Engines								
[EX0] = All 3.0/3.1L Turbo Diesel Engine								
1								HOUSING AND LEVER, Shifter
	5210 4152	1	U				DG0	Right
	52104 375AA	1	U				DG0	w/DSB, Right
	5210 4149	1	J				DG0	
	52104 374AA	1	J				DG0	With/DSB
	5210 4147	1	T				DG0	Two Wheel Drive
	#52104 147AB	1	T				DG0	
2	6101 695	4						NUT, Hex Flange Lock, M8x1.25
3	5210 4054	1					DG0	CABLE, Park Interlock
4	5210 4218	1	J, U				DG0	CABLE, Gearshift Control
5	5210 4060	1					DG0	CABLE, Gearshift Control, Transfer Case
6	4269 830	2	J, U					CLIP, Cable
7	5300 9055	1					DGK, DGW	SPRING, Throttle Valve Return
8	3681 227	1	J, U				DGW	LEVER, Throttle Valve
9	0181 065	1				ER0, EX0		BOLT, Hex Head, .25-20x1.00
10	0138 165	1				ER0, EX0		WASHER, Lock
11	J012 0375	1				ER0, EX0		NUT, Hex, .250-20
12	52104 276AA	1					DGW	LEVER, Manual Control
13	0180 034	1					DGW	SCREW AND WASHER, Hex Head, .25-20x1.50
14	0115 984	1					DGW	NUT, Brake Line
15	52104 275AA	1					DGW	BRACKET, Shift Cable
16	5207 8867	1				ER0, EX0		BRACKET, Cable
17	0181 112	1					DGK, DGW	SCREW AND WASHER, .375-16x1.00
18	6028 114	1					DGK, DGW	NUT, Hex, .437-14

**JEEP GRAND CHEROKEE (WJ)**

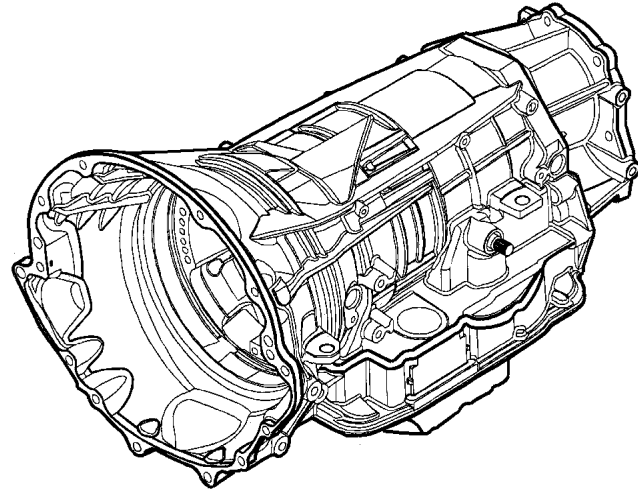
SERIES	LINE	BODY	ENGINE	TRANSMISSION
H=Laredo	J = 4WD	74 = 4 Door(105.9 WB)	ER0, ERH = 4.0L, Power Tech I-6	DGK = 4 Speed Autm, 42RE
P=Limited	T = 2WD		EV0, EVA = 4.7L, Power Tech V8	DGW = 4 Speed Automatic, -44RE
	U = 4WD (RHD)		EXA, EX0 = 3.1L, 5 Cyl Turbo Diesel	DG4 = Multi Speed Automatic, -45RFE
				DGO = All Automatic

AR = Use as required - = Non illustrated part # = New this model year

September 14, 2002

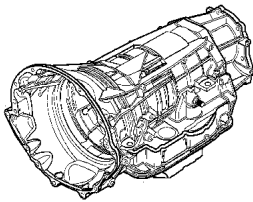
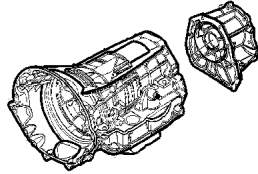
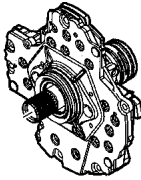
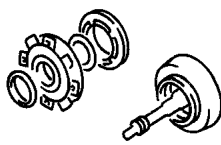
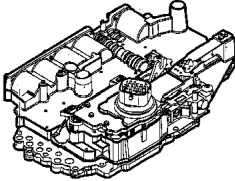
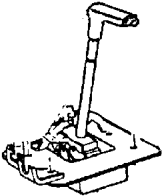
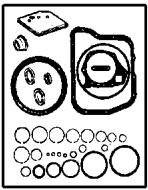
# Group – 45RFE

## Automatic Transmission Multi-Speed



### GROUP 45RFE - Automatic Transmission Multi-Speed

Illustration Title	Group-Fig. No.
<b>Transmission Assembly</b>	
Transmission 45RFE [DG4] .....	Fig. 45RFE-110
<b>Case and Extension</b>	
Case and Related Parts 45RFE [DG4] .....	Fig. 45RFE-210
Adapter 45RFE [DG4] .....	Fig. 45RFE-220
<b>Oil Pump</b>	
Oil Pump [45RFE] [DGQ] .....	Fig. 45RFE-310
<b>Gear Train</b>	
Input Shaft 45RFE [DG4] .....	Fig. 45RFE-410
Underdrive 45RFE [DG4] .....	Fig. 45RFE-420
Overdrive 45RFE [DG4] .....	Fig. 45RFE-430
2/4 Clutch Retainer 45RFE [DG4] .....	Fig. 45RFE-440
Input/Reverse Planetary 45RFE [DG4] .....	Fig. 45RFE-450
Reaction Annulus/Sun Gear 45RFE [DG4] .....	Fig. 45RFE-460
<b>Valve Body</b>	
Valve Body 45RFE [DG4] .....	Fig. 45RFE-710
Parking Sprag 45RFE [DG4] .....	Fig. 45RFE-730
<b>Gearshift Controls</b>	
Gearshift Controls 45RFE [DG4] .....	Fig. 45RFE-1210
<b>Seal and Shim Packages</b>	
LR Clutch 45RFE [DG4] .....	Fig. 45RFE-1302
Input Clutch Plate 45RFE [DG4] .....	Fig. 45RFE-1303
O/H 45RFE [DG4] .....	Fig. 45RFE-1304
Input Clutch 45RFE [DG4] .....	Fig. 45RFE-1305
Planetary Plate 45RFE [DG4] .....	Fig. 45RFE-1306
2&4 Clutch [DG4] 45RFE .....	Fig. 45RFE-1310

<b>45RFE-100</b> Transmission Assembly 	<b>45RFE-200</b> Case and Extension 	<b>45RFE-300</b> Oil Pump 	<b>45RFE-400</b> Gear Train 
<b>45RFE-700</b> Valve Body 	<b>45RFE-1200</b> Gearshift Controls 	<b>45RFE-1300</b> Seal and Shim Packages 	

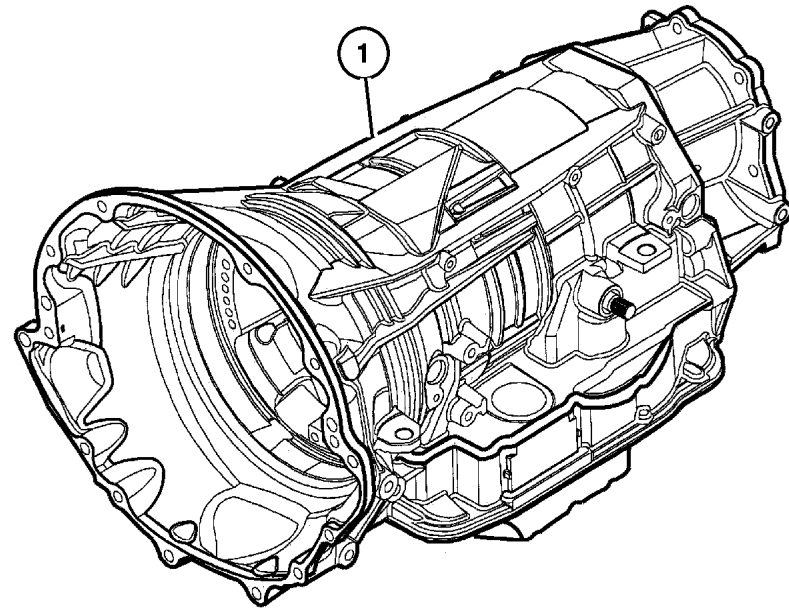
Transmission 45RFE [DG4]  
Figure 45RFE-110

ITEM	PART NUMBER	QTY	LINE	SERIES	BODY	ENGINE	TRANS	DESCRIPTION
------	-------------	-----	------	--------	------	--------	-------	-------------

NOTES: Sales Codes

[DG4] = 45RFE Multi Speed Automatic Transmission

1	5014 218AA	1	J, U				DG4	TRANSMISSION KIT, Automatic 52119099 Transmission Includes Converter.
	#5015 266AA	1	T				DG4	52119098



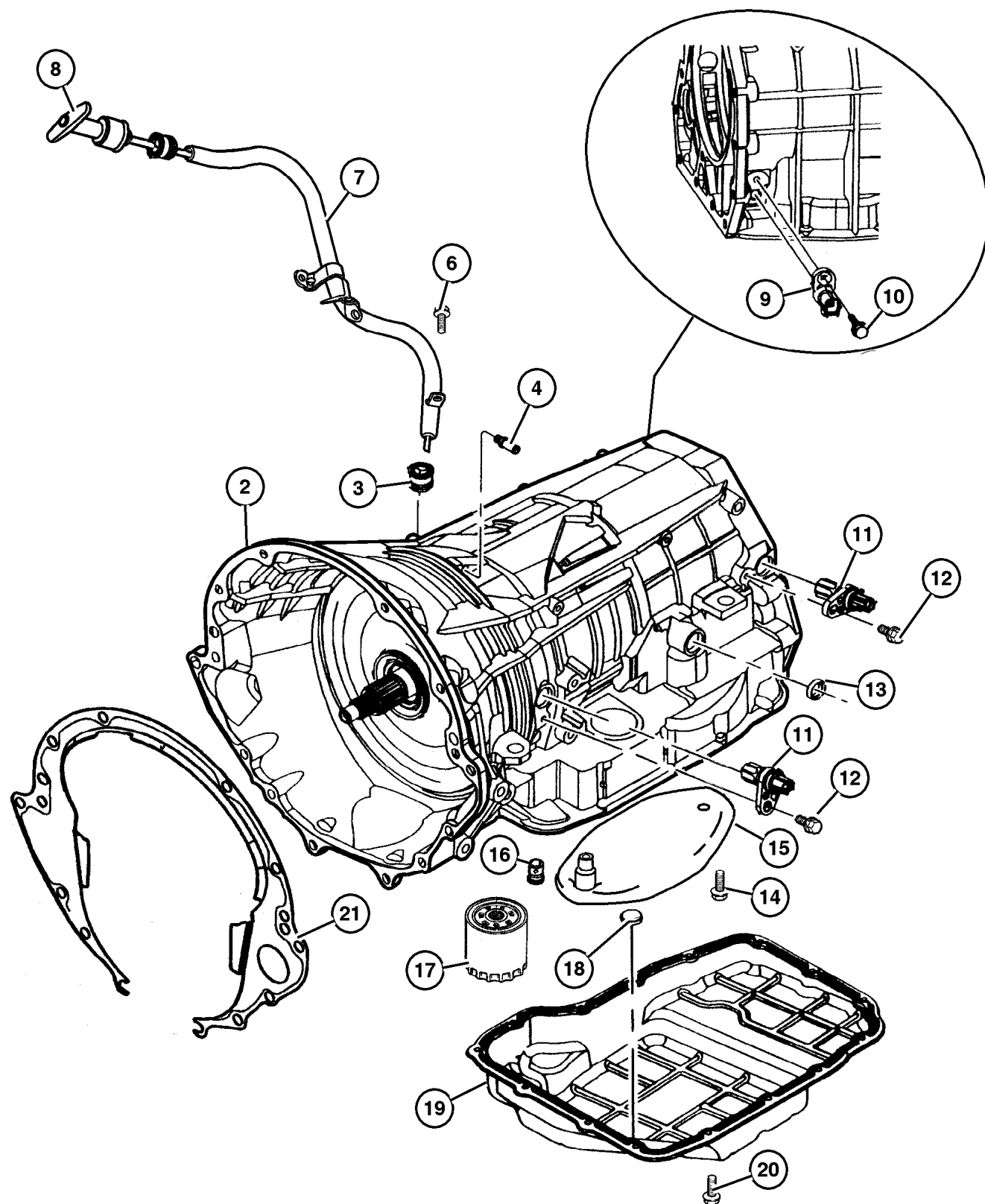
JEEP GRAND CHEROKEE (WJ)

SERIES	LINE	BODY	ENGINE	TRANSMISSION
H=Laredo	J = 4WD	74 = 4 Door(105.9 WB)	ER0, ERH = 4.0L, Power Tech I-6	DGK = 4 Speed Autm, 42RE
P=Limited	T = 2WD		EV0, EVA = 4.7L, Power Tech V8	DGW = 4 Speed Automatic, -44RE
	U = 4WD (RHD)		EXA, EX0 = 3.1L, 5 Cyl Turbo Diesel	DG4 = Multi Speed Automatic, -45RFE
				DGO = All Automatic

AR = Use as required - = Non illustrated part # = New this model year

September 14, 2002

**Case and Related Parts 45RFE [DG4]  
Figure 45RFE-210**



ITEM	PART NUMBER	QTY	LINE	SERIES	BODY	ENGINE	TRANS	DESCRIPTION
------	-------------	-----	------	--------	------	--------	-------	-------------

NOTES: Sales Codes

[DG4]= 45RFE Multi Speed Automatic Transmission

[DG0] = All Automatic Transmission

[EV0] = All 4.7L Gas Engines

-1								OVERHAUL PACKAGE, Transmission
	#5014 221AD	1	J, U				DG4	52119099
		1	T				DG4	52119098
2								CASE, Transmission
	4799 613	1	J, U				DG4	52119099
		1	T				DG4	52119098
3								GROMMET
	4810 021	1	J, U				DG4	52119099
		1	T				DG4	52119098
4								VENT, Transmission
	4799 861AA	1	J, U				DG4	52119099
		1	T				DG4	52119098
-5	5210 4212	1					DG4	TUBE, Vent
6	6501 979	1					DG4	SCREW AND WASHER, Hex Head, M6x1x17
7	5210 4134	1				EV0	DG4	TUBE, Transmission Oil Filler
8	5210 4137	1					DG4	INDICATOR, Transmission Fluid Level
9								TRANSDUCER, Pressure Sensor
	4799 758	1	J, U				DG4	52119099
		1	T				DG4	52119098
10								BOLT, M6x1.00x20
	6101 331	1	J, U				DG4	52119099
		1	T				DG4	52119098
11								SENSOR, Transmission Output Speed
	4799 061	2	J, U				DG4	Input & Output Speed Sensor
		2	T				DG4	Input & Output Speed Sensor
12								BOLT, M6x1.00x20
	6101 331	2	J, U				DG4	52119099
		2	T				DG4	52119098
13								SEAL
	4799 346	1	J, U				DG4	52119099
		1	T				DG4	52119098
14								SCREW, Pan Head, M5 x 0.8 x 12.60
	6503 232	2	J, U				DG4	52119099
		2	T				DG4	52119098
15								FILTER PACKAGE, Transmission Oil
	#5013 470AC	1	J, U				DG4	
	#5015 267AC	1	T				DG4	
16								VALVE, Flow Control

JEEP GRAND CHEROKEE (WJ)

SERIES  
H=Laredo  
P=Limited

LINE  
J = 4WD  
T = 2WD  
U = 4WD (RHD)

BODY  
74 = 4 Door(105.9 WB)

ENGINE  
ER0, ERH = 4.0L, Power Tech I-6  
EV0, EVA = 4.7L, Power Tech V8  
EXA, EX0 = 3.1L, 5 Cyl Turbo Diesel

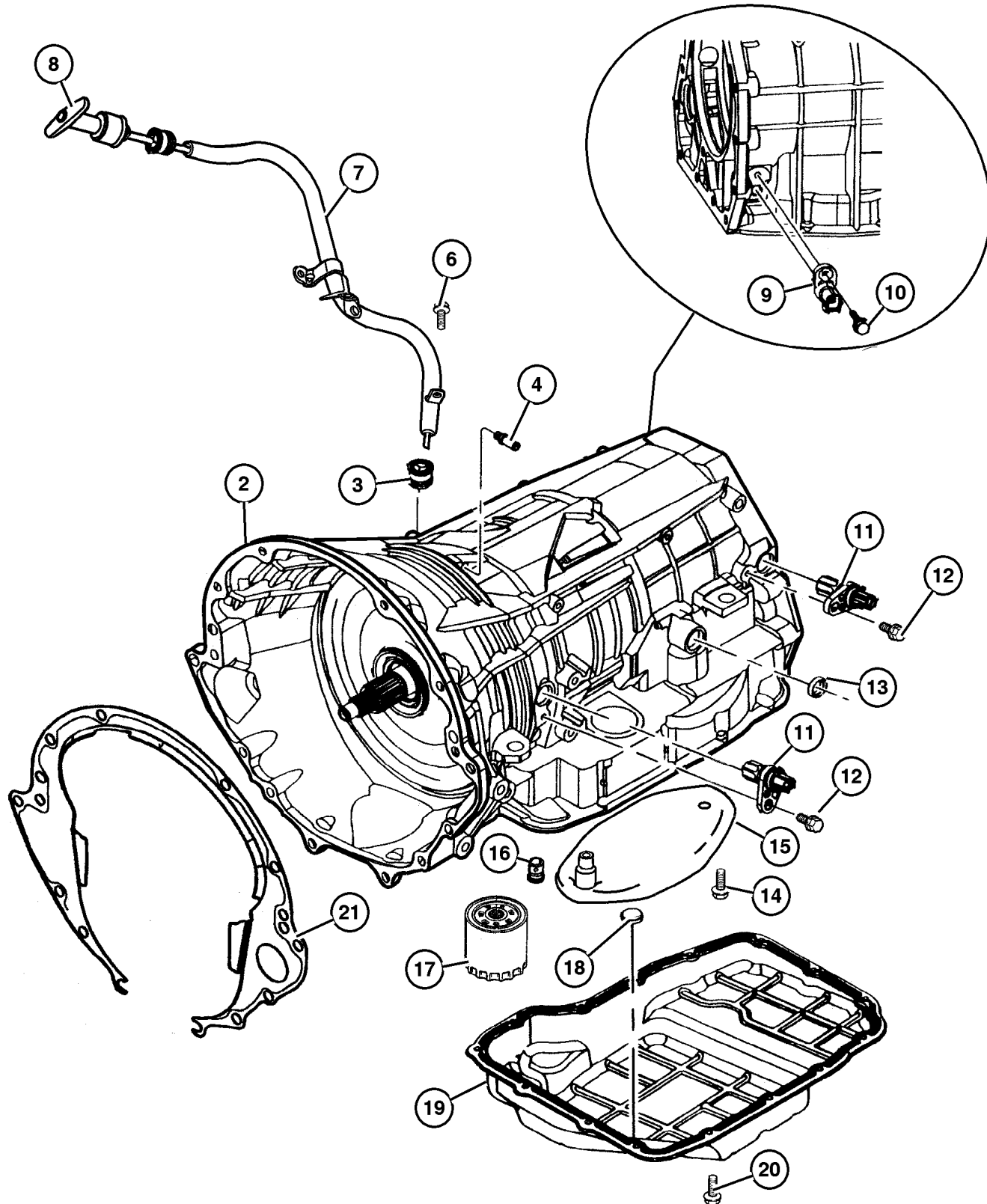
TRANSMISSION  
DGK = 4 Speed Autm, 42RE  
DGW = 4 Speed Automatic, -44RE  
DG4 = Multi Speed Automatic, -45RFE  
DGO = All Automatic

AR = Use as required - = Non illustrated part # = New this model year

September 14, 2002



Case and Related Parts 45RFE [DG4]  
Figure 45RFE-210



ITEM	PART NUMBER	QTY	LINE	SERIES	BODY	ENGINE	TRANS	DESCRIPTION
	4799 681	1	J, U				DG4	52119099
		1	T				DG4	52119098
17	4799 662	1	J, U				DG4	FILTER, Transmission Oil
		1	T				DG4	52119098
18								MAGNET, Transmission
	4446 728	1	J, U				DG4	52119099
		1	T				DG4	52119098
19								PAN, Transmission Oil
	5013 681AA	1	J, U				DG4	52119099
	#4800 078AA	1	T				DG4	52119098
20								SCREW
	6101 221	15	J, U				DG4	52119099
		15	T				DG4	52119098
21	5210 4133	1					DG4	COVER, Transmission Dust
-22								NUT, Transmission Case
	4799 433AB	2	T				DG4	
		2	J, U				DG4	

JEEP GRAND CHEROKEE (WJ)

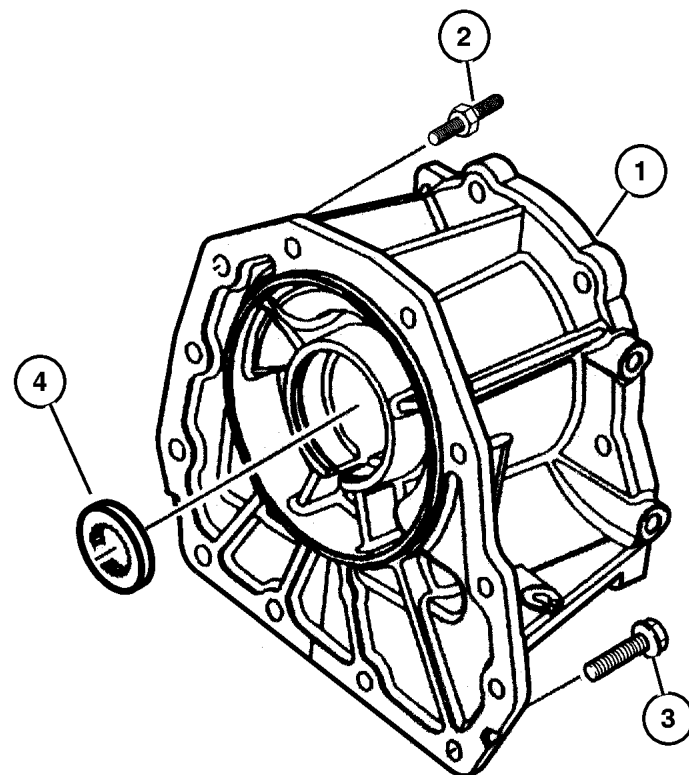
SERIES	LINE	BODY	ENGINE	TRANSMISSION
H=Laredo	J = 4WD	74 = 4 Door(105.9 WB)	ER0, ERH = 4.0L, Power Tech I-6	DGK = 4 Speed Autm, 42RE
P=Limited	T = 2WD		EVO, EVA = 4.7L, Power Tech V8	DGW = 4 Speed Automatic, -44RE
	U = 4WD (RHD)		EXA, EX0 = 3.1L, 5 Cyl Turbo Diesel	DG4 = Multi Speed Automatic, -45RFE
				DGO = All Automatic

AR = Use as required - = Non illustrated part # = New this model year

September 14, 2002

Adapter 45RFE [DG4]  
Figure 45RFE-220

ITEM	PART NUMBER	QTY	LINE	SERIES	BODY	ENGINE	TRANS	DESCRIPTION
NOTES: Sales Codes:								
[DG4]= 45RFE Multi Speed Automatic Transmission								
1	5209 8690	1	J, U				DG4	ADAPTER, Transfer Case, 52119099
2	6505 064AA	2	J, U				DG4	STUD, M10x1.5x62 52119099
		2	T				DG4	52119098
3	6504 774	10	J, U				DG4	SCREW AND WASHER, Hex Head, M10x1.5x37 52119099
		10	T				DG4	52119098
4	4167 929	1	J, U				DG4	SEAL, Input Gear, 52119099
-5	#4799 495	1	T				DG4	HOUSING, Transmission Rear Extension, 52119098



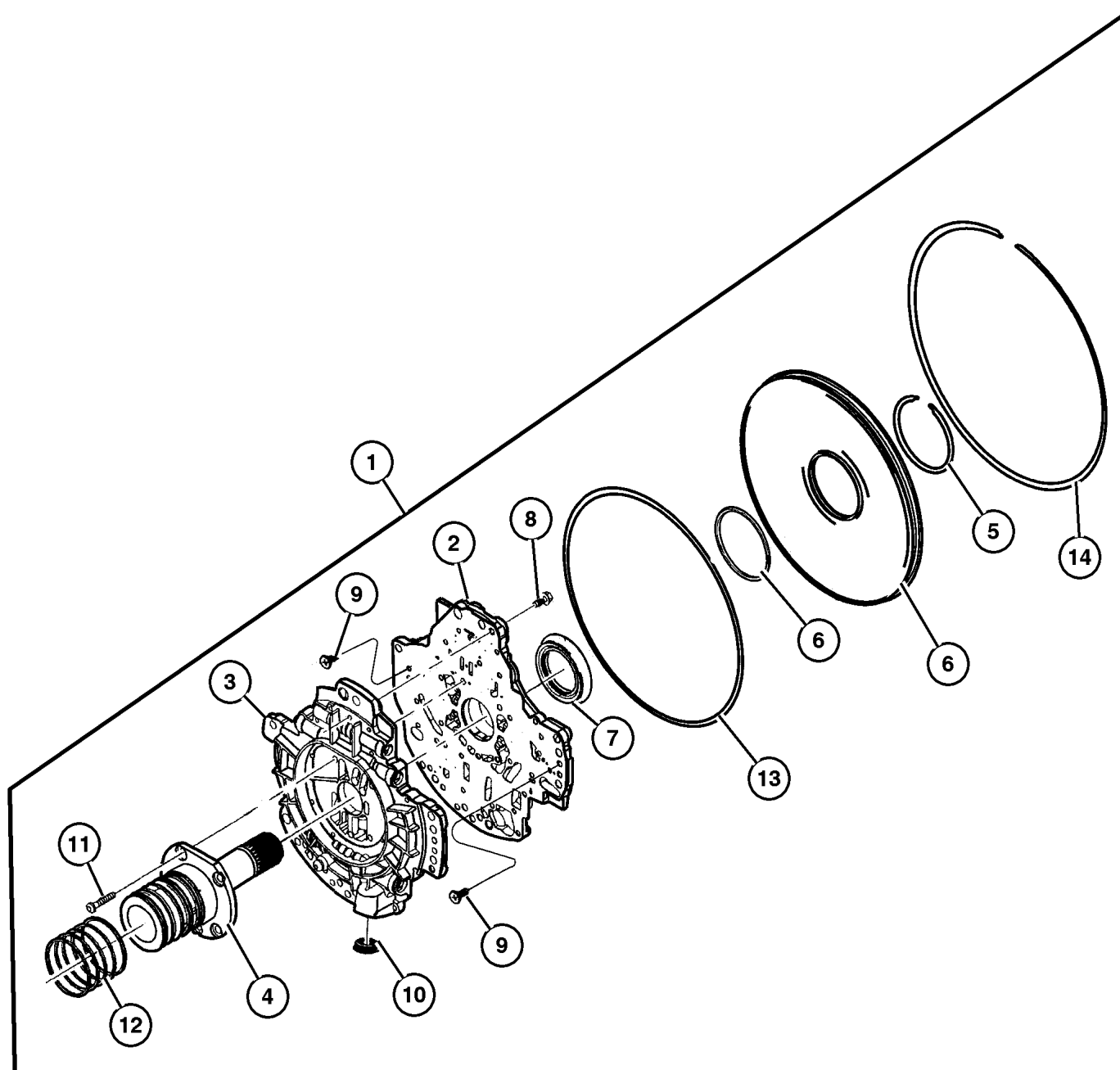
JEEP GRAND CHEROKEE (WJ)

SERIES	LINE	BODY	ENGINE	TRANSMISSION
H=Laredo	J = 4WD	74 = 4 Door(105.9 WB)	ER0, ERH = 4.0L, Power Tech I-6	DGK = 4 Speed Autm, 42RE
P=Limited	T = 2WD		EV0, EVA = 4.7L, Power Tech V8	DGW = 4 Speed Automatic, -44RE
	U = 4WD (RHD)		EXA, EX0 = 3.1L, 5 Cyl Turbo Diesel	DG4 = Multi Speed Automatic, -45RFE
				DGO = All Automatic

AR = Use as required - = Non illustrated part # = New this model year

September 14, 2002

**Oil Pump [45RFE] [DGQ]  
Figure 45RFE-310**



ITEM	PART NUMBER	QTY	LINE	SERIES	BODY	ENGINE	TRANS	DESCRIPTION
1								PUMP PACKAGE, Transmission
	5072 589AA	1	T				DG4	
		1	J, U				DG4	
2								HOUSING, Pump, (NOT SERVICED) (Not Serviced)
3								BODY, Oil Pump Valve, (NOT SERVICED) (Not Serviced)
4								SUPPORT, Reaction Shaft, (NOT SERVICED) (Not Serviced)
5								SNAP RING, Transmission
	4799 082	1	T				DG4	
		1	J, U				DG4	
6								COVER, Oil Pump
	4799 609	1	J, U				DG4	
		1	T				DG4	
7								SEAL, Transmission Oil Pump
	4617 919	1	J, U				DG4	
		1	T				DG4	
8								SCREW AND WASHER, Pan Head, M5x.8x25
	6500 215	24	T				DG4	
		24	J, U				DG4	
9								SCREW, Pan Head, M5 x 0.8 x 12.60
	6503 232	1	T				DG4	
		1	J, U				DG4	
10								SEAL, Oil Pump
	4799 074	1	T				DG4	
		1	J, U				DG4	
11								SCREW, Button Head
	6504 661	5	T				DG4	
		5	J, U				DG4	
12								RING, Transmission
	4799 056	5	T				DG4	
		5	J, U				DG4	
13								O RING, Oil Pump, .
	4799 003	1	J, U				DG4	
		1	T				DG4	
14								SNAP RING, Transmission
	4799 005	1	T				DG4	
		1	J, U				DG4	

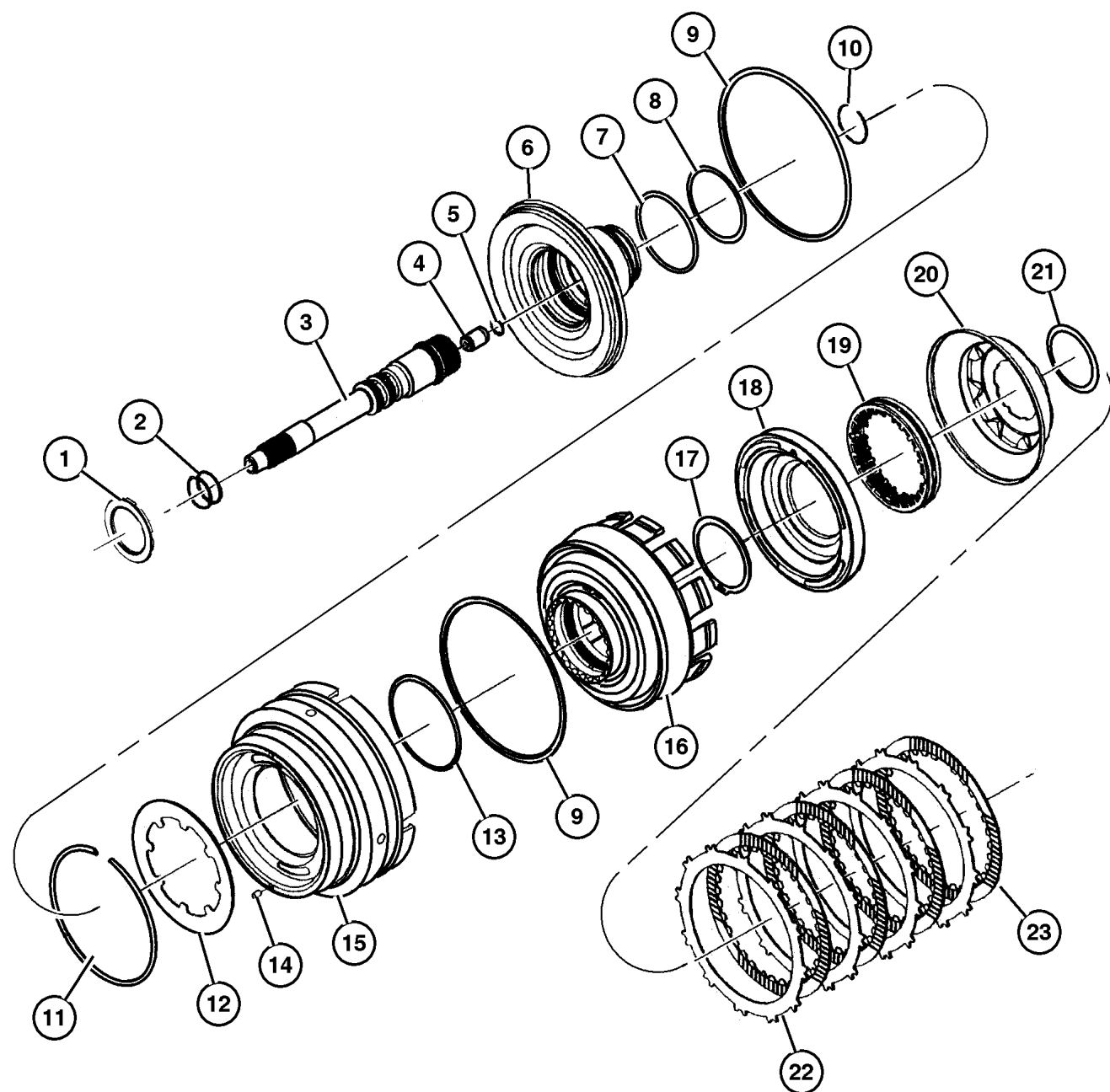
**JEEP GRAND CHEROKEE (WJ)**

SERIES	LINE	BODY	ENGINE	TRANSMISSION
H=Laredo	J = 4WD	74 = 4 Door(105.9 WB)	ER0, ERH = 4.0L, Power Tech I-6	DGK = 4 Speed Autm, 42RE
P=Limited	T = 2WD		EV0, EVA = 4.7L, Power Tech V8	DGW = 4 Speed Automatic, -44RE
	U = 4WD (RHD)		EXA, EX0 = 3.1L, 5 Cyl Turbo Diesel	DG4 = Multi Speed Automatic, -45RFE
				DGO = All Automatic

AR = Use as required - = Non illustrated part # = New this model year

September 14, 2002

**Input Shaft 45RFE [DG4]  
Figure 45RFE-410**



ITEM	PART NUMBER	QTY	LINE	SERIES	BODY	ENGINE	TRANS	DESCRIPTION
NOTES: Sales Codes								
[DG4] = 45RFE Multi Speed Automatic Transmission								
1	4799 469	1	J, U				DG4	THRUST BEARING, Needle Roller 52119099
		1	T				DG4	52119098
2	4799 539	2	J, U				DG4	SEAL, Input Shaft, PKG 05013090AA Package 0501309AA, 52119099
		2	T				DG4	Package 0501309AA, 52119098
3	4799 537	1	J, U				DG4	SHAFT, Input 52119099
		1	T				DG4	52119098
4	4799 974AA	1	J, U				DG4	CHECK VALVE, Transmission 52119099
		1	T				DG4	52119098
5	4799 978AA	1	J, U				DG4	SNAP RING 52119099
		1	T				DG4	52119098
6	4799 536AC	1	J, U				DG4	HUB, Input Clutch 52119099
		1	T				DG4	52119098
7	4799 073	1	J, U				DG4	O RING, Transmission Clutch, PKG 05013090AA Package 0501309AA, 52119099
		1	T				DG4	Package 0501309AA, 52119098
8	4799 755	1	J, U				DG4	O RING, Transmission Clutch, PKG 05013090AA Package 0501309AA, 52119099
		1	T				DG4	Package 0501309AA, 52119098
9	4799 090	1	J, U				DG4	SEAL, Input 52119099
		1	T				DG4	52119098
10	4799 538	1	J, U				DG4	SNAP RING, Input Shaft 52119099
		1	T				DG4	52119098
11	4799 088	1	J, U				DG4	SNAP RING, Transmission 52119099
		1	T				DG4	52119098
12	4799 087	1	J, U				DG4	SPRING, Piston Return 52119099
		1	T				DG4	52119098
13								O RING, Reverse & O/Drive Clutch Piston, Transmission, PKG 05013090AA

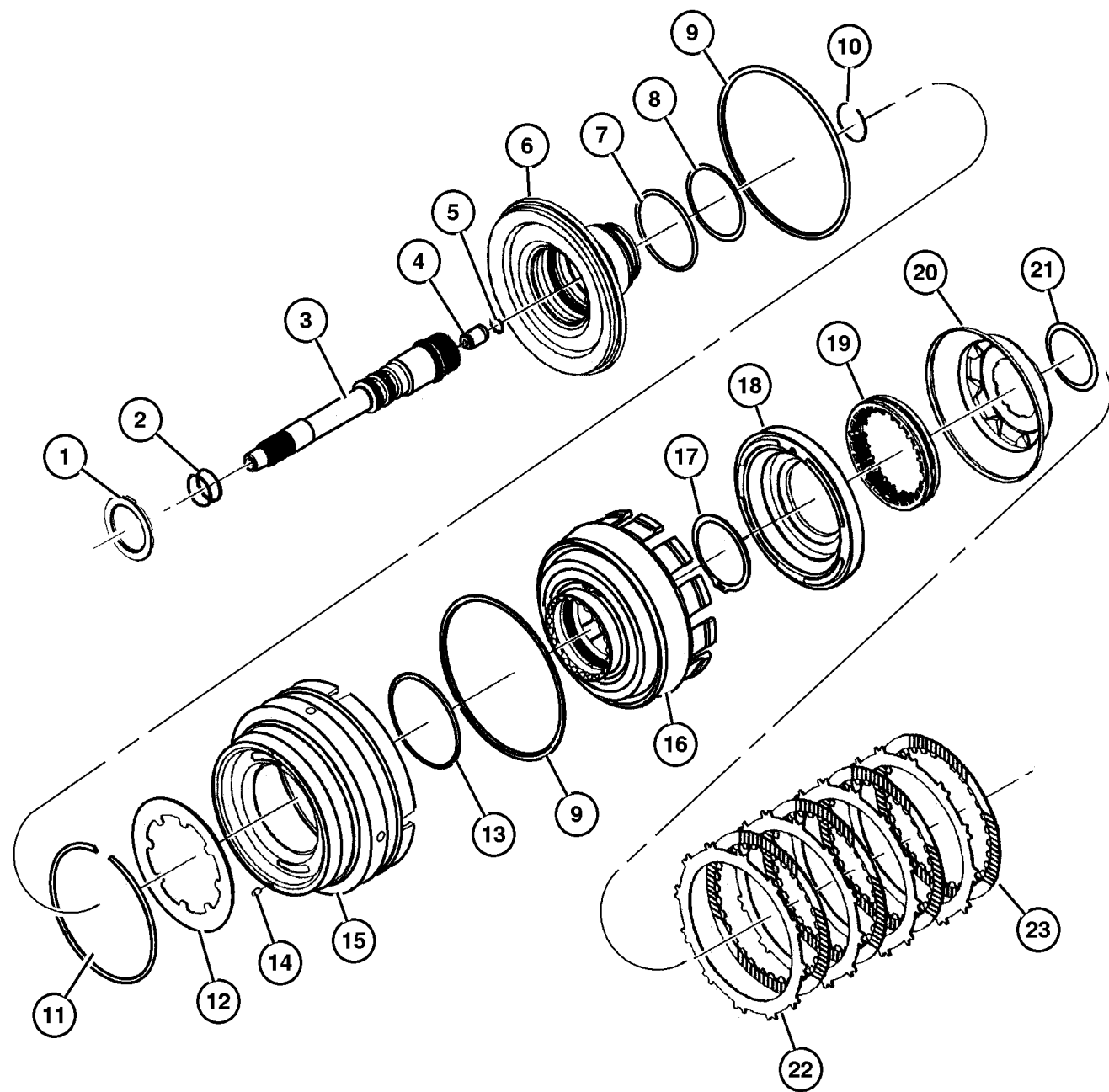
**JEEP GRAND CHEROKEE (WJ)**

SERIES	LINE	BODY	ENGINE	TRANSMISSION
H=Laredo	J = 4WD	74 = 4 Door(105.9 WB)	ER0, ERH = 4.0L, Power Tech I-6	DGK = 4 Speed Autm, 42RE
P=Limited	T = 2WD		EVO, EVA = 4.7L, Power Tech V8	DGW = 4 Speed Automatic, -44RE
	U = 4WD (RHD)		EXA, EX0 = 3.1L, 5 Cyl Turbo Diesel	DG4 = Multi Speed Automatic, -45RFE
				DGO = All Automatic

AR = Use as required - = Non illustrated part # = New this model year

September 14, 2002

**Input Shaft 45RFE [DG4]  
Figure 45RFE-410**



ITEM	PART NUMBER	QTY	LINE	SERIES	BODY	ENGINE	TRANS	DESCRIPTION
	4799 089	1	J, U				DG4	Package 0501309AA, 52119099
		1	T				DG4	Package 0501309AA, 52119098
14	4531 903	1	J, U				DG4	FILTER, Reverse And O/D Clutch
		1	T				DG4	52119099
		1	T				DG4	52119098
15	4799 645	1	J, U				DG4	PISTON, Reverse and Overdrive
		1	T				DG4	52119099
		1	T				DG4	52119098
16	4799 648	1	J, U				DG4	RETAINER, Transmission Input Clutch
		1	T				DG4	52119099
		1	T				DG4	52119098
17	4799 247	1	J, U				DG4	SNAP RING
		1	T				DG4	52119099
		1	T				DG4	52119098
18	4799 650	1	J, U				DG4	PISTON, Underdrive
		1	T				DG4	52119099
		1	T				DG4	52119098
19	4799 101	1	J, U				DG4	SPRING, Undredrive Piston, PKG 05013090AA
		1	T				DG4	Package 0501309AA, 52119099
		1	T				DG4	Package 0501309AA, 52119098
20	4799 652	1	J, U				DG4	PISTON, Underdrive
		1	T				DG4	Package 0501309AA, 52119099
		1	T				DG4	Package 0501309AA, 52119098
21	4799 103	1	J, U				DG4	SNAP RING, Transmission, PKG 05013090AA
		1	T				DG4	Package 0501309AA, 52119099
		1	T				DG4	Package 0501309AA, 52119098
22								PLATE, PKG 05013090AA, (NOT SERVICED) (Not Serviced)
23								DISC, Clutch, PKG 05013090AA, (NOT SERVICED) (Not Serviced)

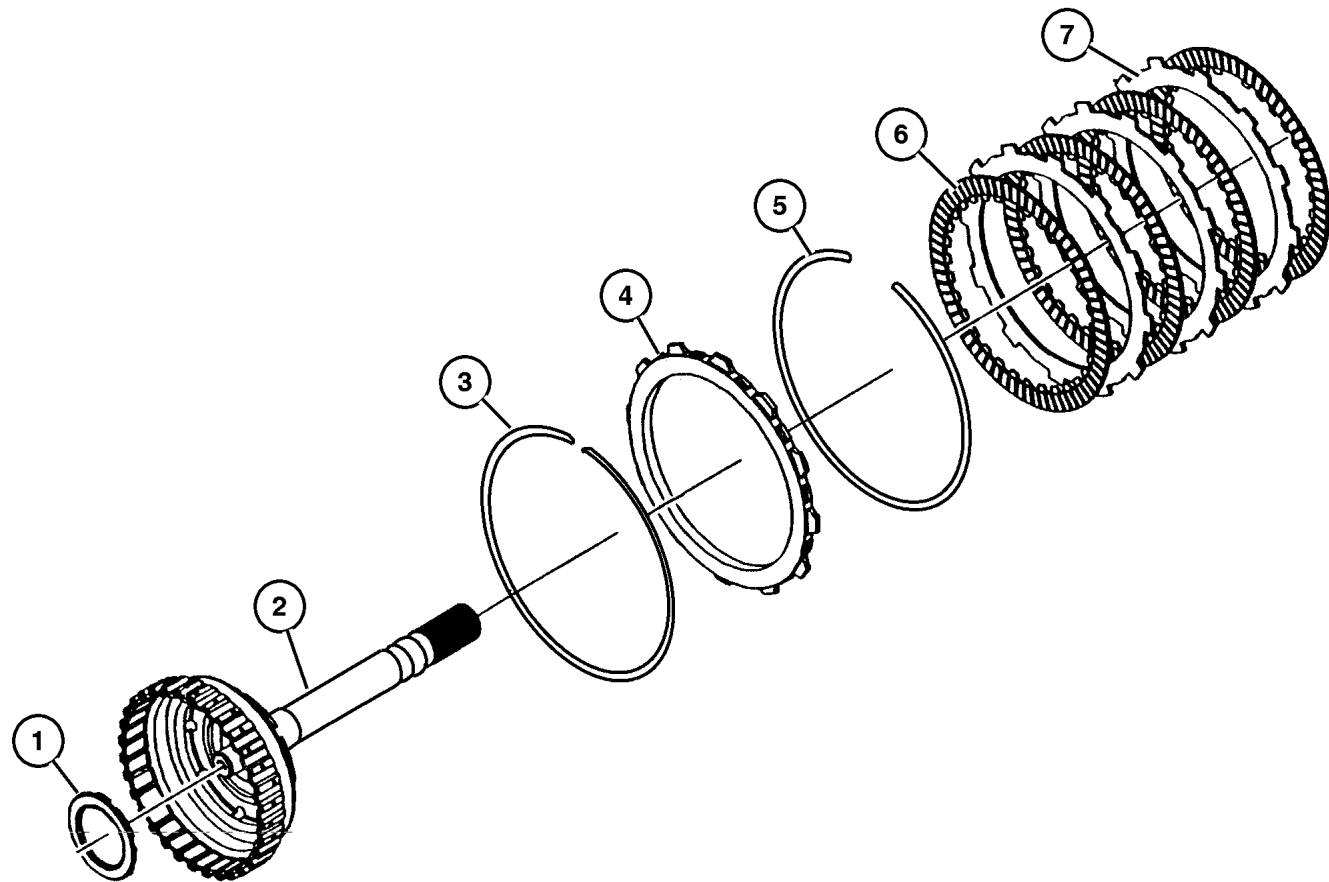
**JEEP GRAND CHEROKEE (WJ)**

SERIES	LINE	BODY	ENGINE	TRANSMISSION
H=Laredo	J = 4WD	74 = 4 Door(105.9 WB)	ER0, ERH = 4.0L, Power Tech I-6	DGK = 4 Speed Autm, 42RE
P=Limited	T = 2WD		EV0, EVA = 4.7L, Power Tech V8	DGW = 4 Speed Automatic, -44RE
	U = 4WD (RHD)		EXA, EX0 = 3.1L, 5 Cyl Turbo Diesel	DG4 = Multi Speed Automatic, -45RFE
				DGO = All Automatic

AR = Use as required - = Non illustrated part # = New this model year

September 14, 2002

**Underdrive 45RFE [DG4]  
Figure 45RFE-420**



ITEM	PART NUMBER	QTY	LINE	SERIES	BODY	ENGINE	TRANS	DESCRIPTION
NOTES: Sales Codes								
[DG4] = 45RFE Multi Speed Automatic Transmission								
1	4799 469	1	J, U				DG4	THRUST BEARING, Needle Roller 52119099
		1	T				DG4	52119098
2	4799 546	1	J, U				DG4	HUB AND SHAFT, Underdrive Clutch 52119099
		1	T				DG4	52119098
3	4799 760	1	J, U				DG4	SNAP RING, Transmission 52119099
		1	T				DG4	52119098
4	4799 107AB	AR	J, U				DG4	PLATE, Transmission Clutch Reaction 7.06/7.16, 52119099
		AR	T				DG4	7.06/7.16, 52119098
	4799 108AB	AR	J, U				DG4	3.05/3.21, 52119099
		AR	T				DG4	3.05/3.21, 52119098
	4799 109AB	AR	J, U				DG4	3.60/3.37, 52119099
		AR	T				DG4	3.60/3.37, 52119098
5								SNAP RING, PKG 05013090AA, (NOT SERVICED) (Not Serviced)
6								DISC, Clutch, PKG 05013090AA, (NOT SERVICED) (Not Serviced)
7								PLATE, PKG 05013090AA, (NOT SERVICED) (Not Serviced)

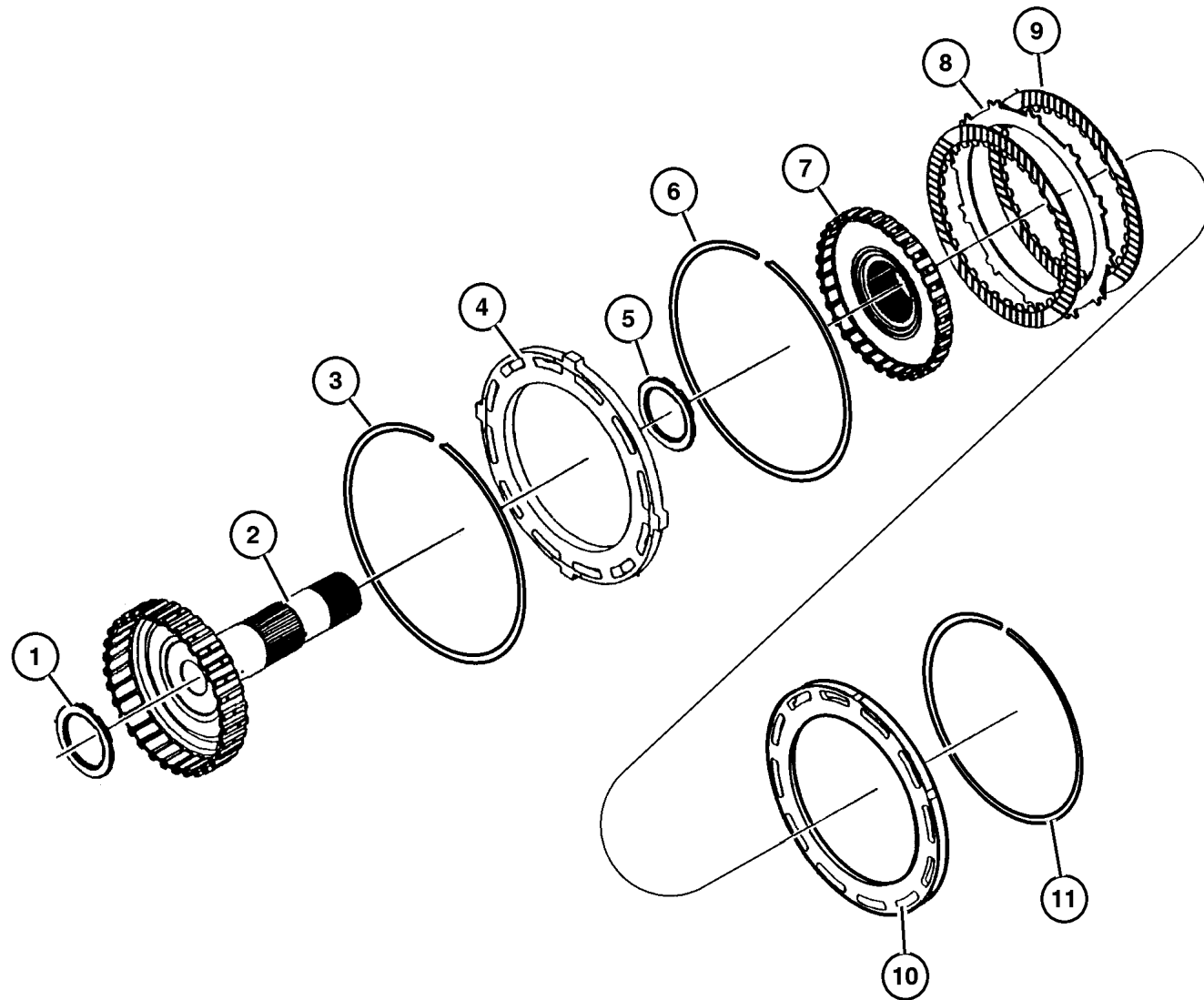
**JEEP GRAND CHEROKEE (WJ)**

SERIES	LINE	BODY	ENGINE	TRANSMISSION
H=Laredo	J = 4WD	74 = 4 Door(105.9 WB)	ER0, ERH = 4.0L, Power Tech I-6	DGK = 4 Speed Autm, 42RE
P=Limited	T = 2WD		EV0, EVA = 4.7L, Power Tech V8	DGW = 4 Speed Automatic, -44RE
	U = 4WD (RHD)		EXA, EX0 = 3.1L, 5 Cyl Turbo Diesel	DG4 = Multi Speed Automatic, -45RFE
				DGO = All Automatic

AR = Use as required - = Non illustrated part # = New this model year

September 14, 2002

Overdrive 45RFE [DG4]  
Figure 45RFE-430



ITEM	PART NUMBER	QTY	LINE	SERIES	BODY	ENGINE	TRANS	DESCRIPTION
NOTES: Sales Codes								
[DG4] = 45RFE Multi Speed Automatic Transmission								
1	4799 469	1	J, U				DG4	THRUST BEARING, Needle Roller
		1	T				DG4	52119098
2	4799 550	1	J, U				DG4	HUB AND SHAFT, Overdrive Clutch
		1	T				DG4	52119098
3	4799 118	1	J, U				DG4	SNAP RING, Overdrive Clutch
		1	T				DG4	52119098
4	4799 116	1	J, U				DG4	PLATE, Clutch Pressure
		1	T				DG4	52119098
5	4799 469	1	J, U				DG4	THRUST BEARING, Needle Roller
		1	T				DG4	52119098
6	4799 117	1	J, U				DG4	SNAP RING, Transmission
		1	T				DG4	52119098
7	4799 556	1	J, U				DG4	HUB AND SHAFT, Reverse Clutch
		1	T				DG4	52119098
8								PLATE, PKG 05013090AA, (NOT SERVICED) (Not Serviced)
9								DISC, Clutch, PKG 05013090AA, (NOT SERVICED) (Not Serviced)
10	4799 121	1	J, U				DG4	PLATE, Transmission Clutch Reaction
		1	T				DG4	52119098
11								SNAP RING, PKG 05013090AA, (NOT SERVICED) (Not Serviced)

JEEP GRAND CHEROKEE (WJ)

SERIES	LINE	BODY	ENGINE	TRANSMISSION
H=Laredo	J = 4WD	74 = 4 Door(105.9 WB)	ER0, ERH = 4.0L, Power Tech I-6	DGK = 4 Speed Autm, 42RE
P=Limited	T = 2WD		EVO, EVA = 4.7L, Power Tech V8	DGW = 4 Speed Automatic, -44RE
	U = 4WD (RHD)		EXA, EX0 = 3.1L, 5 Cyl Turbo Diesel	DG4 = Multi Speed Automatic, -45RFE
				DGO = All Automatic

AR = Use as required - = Non illustrated part # = New this model year

September 14, 2002

**2/4 Clutch Retainer 45RFE [DG4]  
Figure 45RFE-440**

ITEM	PART NUMBER	QTY	LINE	SERIES	BODY	ENGINE	TRANS	DESCRIPTION
------	-------------	-----	------	--------	------	--------	-------	-------------

NOTES: Sales Codes

[DG4] = 45RFE Multi Speed Automatic Transmission

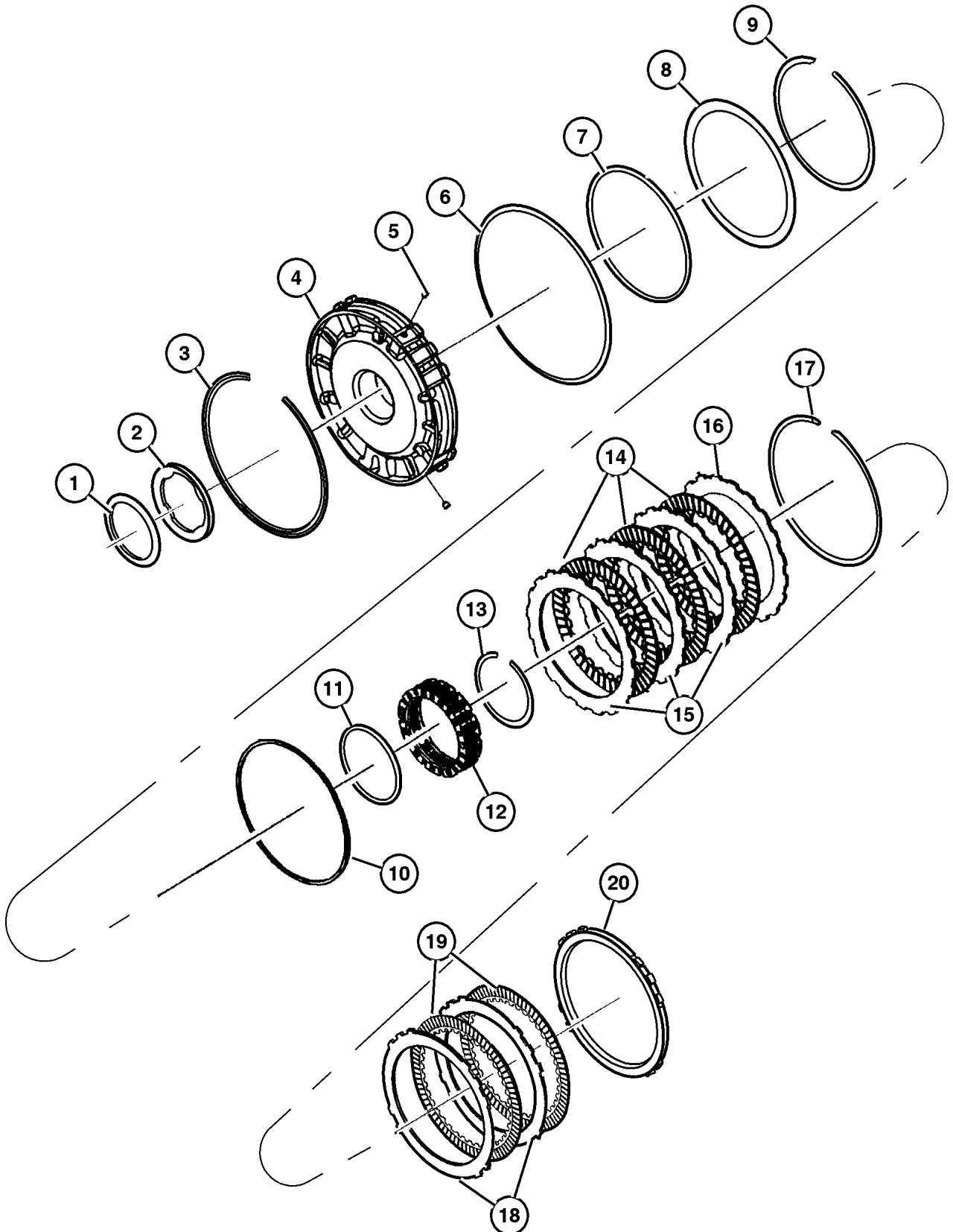
1	4799 936AB	1	J, U				DG4	THRUST BEARING, Needle Roller 52119099
		1	T				DG4	52119098
2								PLATE, Clutch Hub Thrust, PKG 05013093AB, (NOT SERVICED) (Not Serviced)
3	4799 680	1	J, U				DG4	SNAP RING, Transmission 52119099
		1	T				DG4	52119098
4	4799 498	1	J, U				DG4	RETAINER, Transmission 2nd and 4th Clutch Piston 52119099
		1	T				DG4	52119098
5	4799 086	2	J, U				DG4	BLEED ORIFICE, Transmission 52119099
		2	T				DG4	52119098
6	4799 174	1	J, U				DG4	SNAP RING, Transmission 52119099
		1	T				DG4	52119098
7								RING, PKG 05013093AB, (NOT SERVICED) (Not Serviced)
8	4799 521	1	J, U				DG4	SPRING, 2nd And 4th Clutch Piston 52119099
		1	T				DG4	52119098
9	4799 522AB	1	J, U				DG4	SNAP RING, Transmission 52119099
		1	T				DG4	52119098
10								RING, PKG 05013093AB, (NOT SERVICED) (Not Serviced)
11								RING, PKG 05013093AB, (NOT SERVICED) (Not Serviced)
12	4799 527	1	J, U				DG4	SPRING, 2nd And 4th Clutch Piston 52119099
		1	T				DG4	52119098
13	4799 528AB	1	J, U				DG4	SNAP RING, Transmission 52119099
		1	T				DG4	52119098
14								DISC, Clutch, PKG 05013087AA, (NOT SERVICED) (Not Serviced)

**JEEP GRAND CHEROKEE (WJ)**

SERIES	LINE	BODY	ENGINE	TRANSMISSION
H=Laredo	J = 4WD	74 = 4 Door(105.9 WB)	ER0, ERH = 4.0L, Power Tech I-6	DGK = 4 Speed Autm, 42RE
P=Limited	T = 2WD		EVO, EVA = 4.7L, Power Tech V8	DGW = 4 Speed Automatic, -44RE
	U = 4WD (RHD)		EXA, EX0 = 3.1L, 5 Cyl Turbo Diesel	DG4 = Multi Speed Automatic, -45RFE
				DGO = All Automatic

AR = Use as required - = Non illustrated part # = New this model year

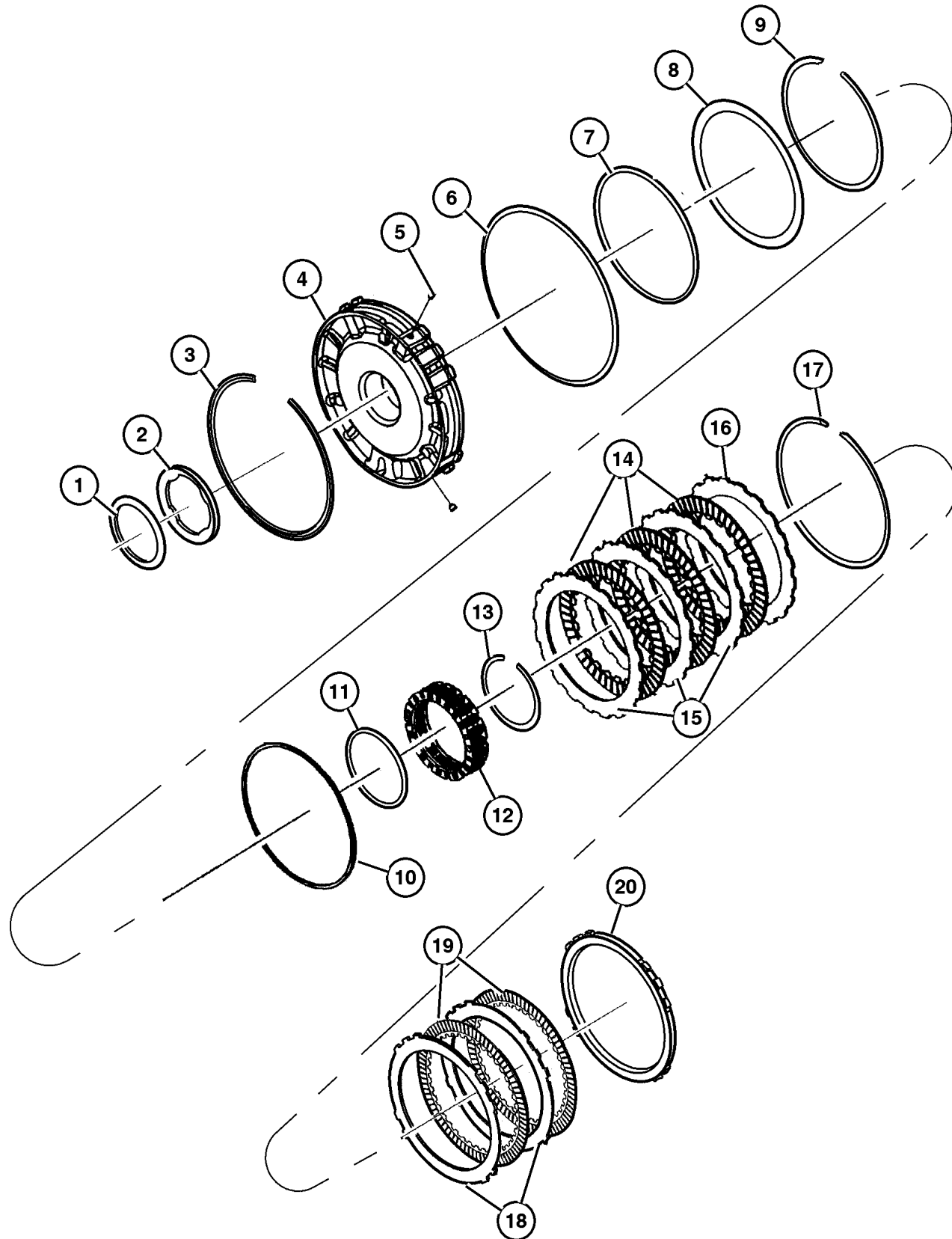
September 14, 2002





**2/4 Clutch Retainer 45RFE [DG4]  
Figure 45RFE-440**

ITEM	PART NUMBER	QTY	LINE	SERIES	BODY	ENGINE	TRANS	DESCRIPTION
15								PLATE, Clutch Separator, PKG 05013087AA, (NOT SERVICED) (Not Serviced)
16	4799 533	1	J, U				DG4	PLATE, Transmission Clutch Reaction 52119099
		1	T				DG4	52119098
17								SNAP RING, Transmission, PKG 05013087AA, (NOT SERVICED) (Not Serviced)
18								PLATE, PKG 05013087AA, (NOT SERVICED) (Not Serviced)
19								DISC, Clutch, PKG 05013087AA, (NOT SERVICED) (Not Serviced)
20								PLATE, PKG 05013087AA, (NOT SERVICED) (Not Serviced)



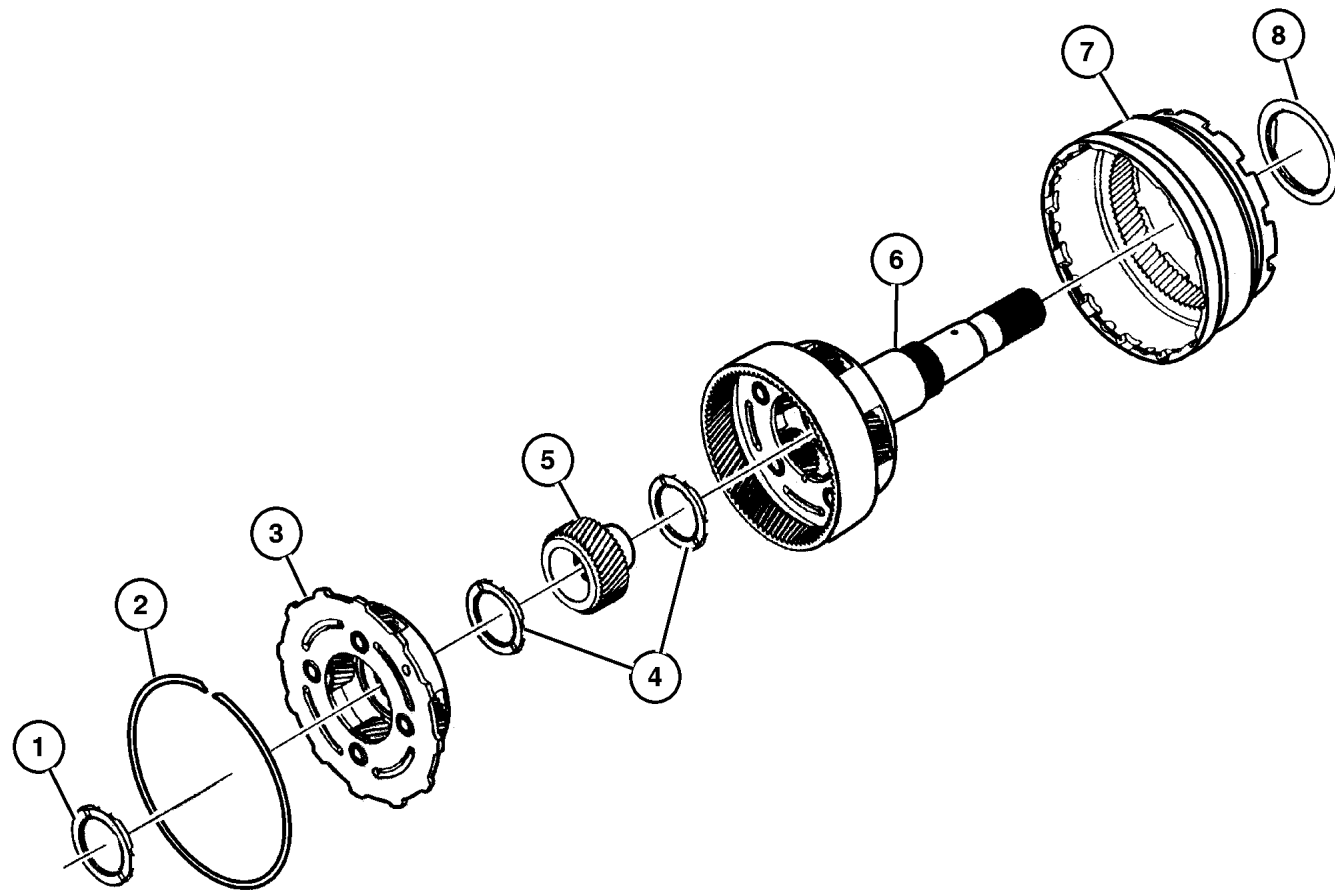
**JEEP GRAND CHEROKEE (WJ)**

SERIES	LINE	BODY	ENGINE	TRANSMISSION
H=Laredo	J = 4WD	74 = 4 Door(105.9 WB)	ER0, ERH = 4.0L, Power Tech I-6	DGK = 4 Speed Autm, 42RE
P=Limited	T = 2WD		EV0, EVA = 4.7L, Power Tech V8	DGW = 4 Speed Automatic, -44RE
	U = 4WD (RHD)		EXA, EX0 = 3.1L, 5 Cyl Turbo Diesel	DG4 = Multi Speed Automatic, -45RFE
				DGO = All Automatic

AR = Use as required - = Non illustrated part # = New this model year

September 14, 2002

**Input/Reverse Planetary 45RFE [DG4]  
Figure 45RFE-450**



ITEM	PART NUMBER	QTY	LINE	SERIES	BODY	ENGINE	TRANS	DESCRIPTION
------	-------------	-----	------	--------	------	--------	-------	-------------

NOTES: Sales Codes  
[DG4]= 45RFE Multi Speed Automatic Transmission

1	4799 469	1	T				DG4	THRUST BEARING, Needle Roller 52119099
		1	J, U				DG4	52119098
2	4799 247	1	J, U				DG4	SNAP RING 52119099
		1	T				DG4	52119098
3	4799 503	1	J, U				DG4	CARRIER, Reverse Complete 52119099
		1	T				DG4	52119098
4	4799 469	1	J, U				DG4	THRUST BEARING, Needle Roller 52119099
		1	J, U				DG4	52119098
		1	T				DG4	52119099
		1	T				DG4	52119098
5	4799 586	1	J, U				DG4	GEAR, Input Sun 52119099
		1	T				DG4	52119098
6	4799 500	1	J, U				DG4	CARRIER, Input Complete 52119099
		1	T				DG4	52119098
7	4799 501	1	J, U				DG4	GEAR, Annulus 52119099
		1	T				DG4	52119098
8	4799 459	1	J, U				DG4	THRUST BEARING, Needle Roller 52119099
		1	T				DG4	52119098

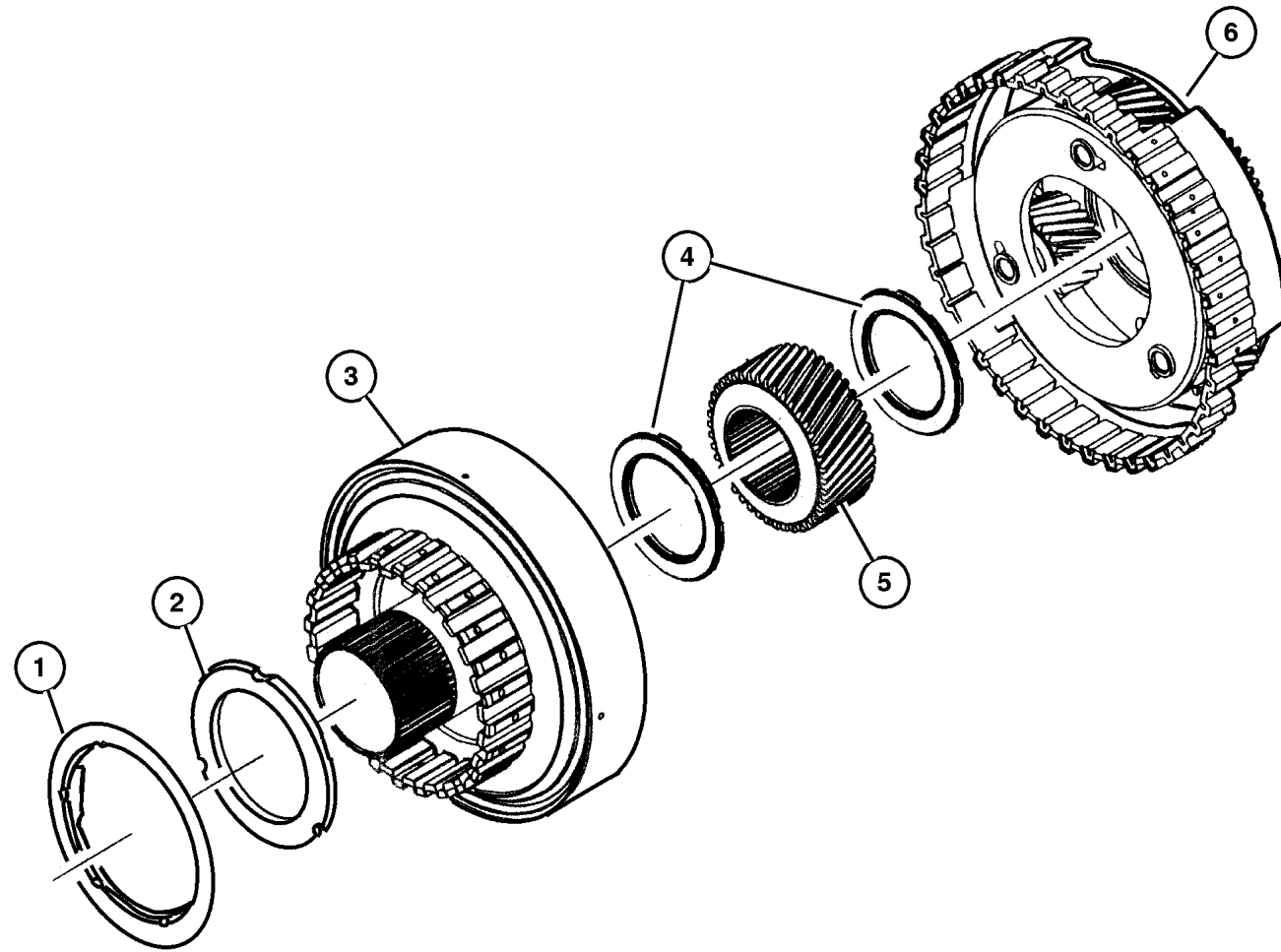
**JEEP GRAND CHEROKEE (WJ)**

SERIES	LINE	BODY	ENGINE	TRANSMISSION
H=Laredo	J = 4WD	74 = 4 Door(105.9 WB)	ER0, ERH = 4.0L, Power Tech I-6	DGK = 4 Speed Autm, 42RE
P=Limited	T = 2WD		EVO, EVA = 4.7L, Power Tech V8	DGW = 4 Speed Automatic, -44RE
	U = 4WD (RHD)		EXA, EX0 = 3.1L, 5 Cyl Turbo Diesel	DG4 = Multi Speed Automatic, -45RFE
				DGO = All Automatic

AR = Use as required - = Non illustrated part # = New this model year

September 14, 2002

**Reaction Annulus/Sun Gear 45RFE [DG4]  
Figure 45RFE-460**



ITEM	PART NUMBER	QTY	LINE	SERIES	BODY	ENGINE	TRANS	DESCRIPTION
NOTES: Sales Codes								
[DG4]= 45RFE Multi Speed Automatic Transmission								
1	4799 459	1	J, U				DG4	THRUST BEARING, Needle Roller 552119099
		1	T				DG4	52119098
2								THRUST WASHER, Planetary Carrier, PKG 05013092AA, (NOT SERVICED) (Not Serviced)
3	4799 604	1	J, U				DG4	GEAR, Annulus 552119099
		1	T				DG4	552119099
4	4799 469	1	J, U				DG4	THRUST BEARING, Needle Roller 552119099
		1	T				DG4	552119099
5	4799 602	1	J, U				DG4	GEAR, Reaction Sun 552119099
		1	T				DG4	552119099
6	4799 619	1	J, U				DG4	CARRIER, Reaction Complete 552119099
		1	T				DG4	552119099

**JEEP GRAND CHEROKEE (WJ)**

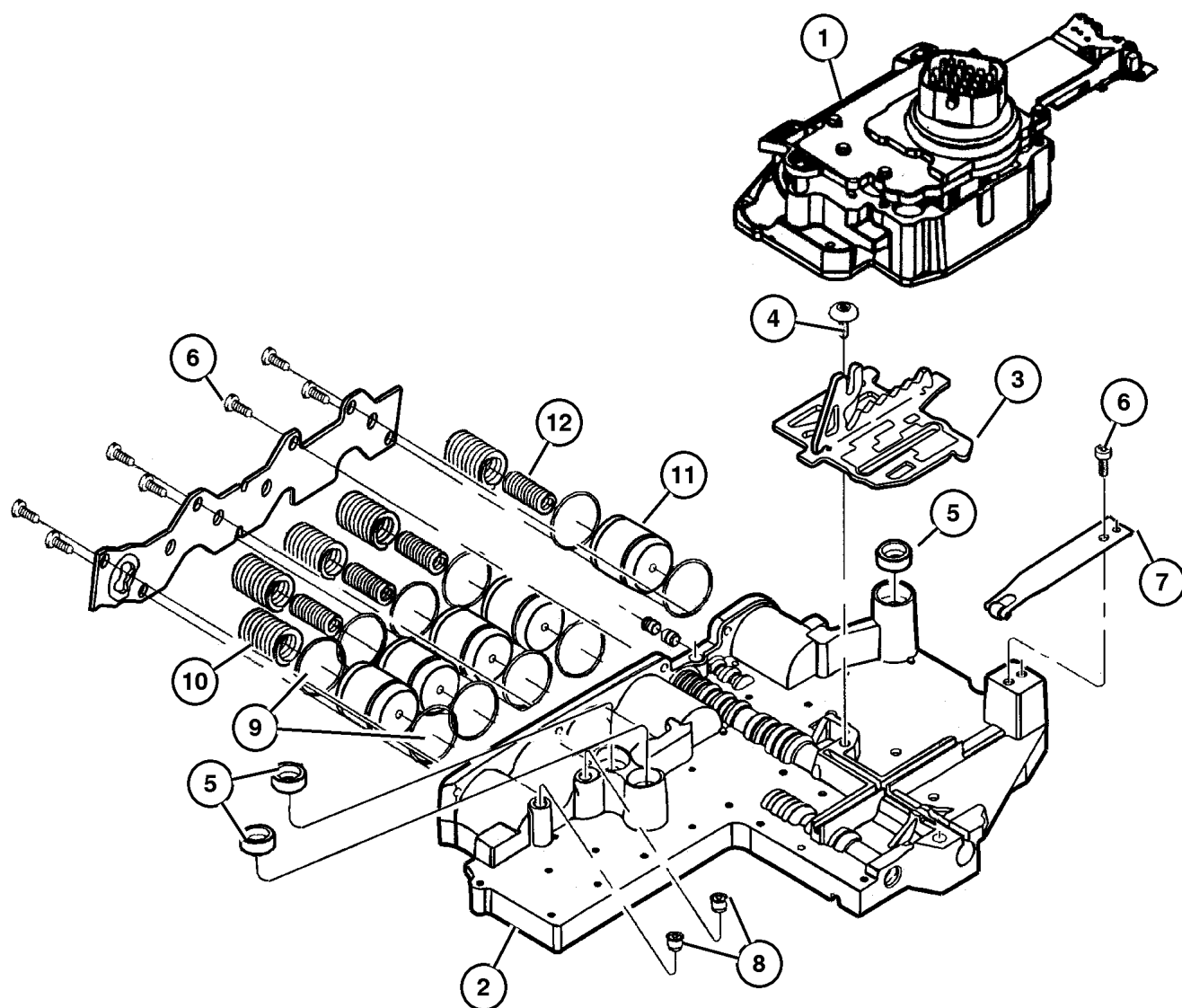
SERIES	LINE	BODY	ENGINE	TRANSMISSION
H=Laredo	J = 4WD	74 = 4 Door(105.9 WB)	ER0, ERH = 4.0L, Power Tech I-6	DGK = 4 Speed Autm, 42RE
P=Limited	T = 2WD		EV0, EVA = 4.7L, Power Tech V8	DGW = 4 Speed Automatic, -44RE
	U = 4WD (RHD)		EXA, EX0 = 3.1L, 5 Cyl Turbo Diesel	DG4 = Multi Speed Automatic, -45RFE
				DGO = All Automatic

AR = Use as required - = Non illustrated part # = New this model year

September 14, 2002

Valve Body 45RFE [DG4]  
Figure 45RFE-710

ITEM	PART NUMBER	QTY	LINE	SERIES	BODY	ENGINE	TRANS	DESCRIPTION
NOTES: Sales Codes								
[DG4] = 45RFE Multi Speed Automatic Transmission								
1	4799 934AB	1	J, U				DG4	SOLENOID, Transmission
		1	T				DG4	52119099
2	4799 588	1	J, U				DG4	VALVE BODY, Transfer Plate and Valve
		1	T				DG4	52119098
3	4799 654AB	1	J, U				DG4	PLATE, Manual Valve Cam
		1	T				DG4	52119098
4	6501 710	1	J, U				DG4	SCREW, Shoulder/Truss, M5x.8x12.5
		1	T				DG4	52119098
5	4799 778	3	J, U				DG4	SEAL, Clutch Feed
		3	J, U				DG4	52119098
6	6503 232	1	J, U				DG4	SCREW, Pan Head, M5 x 0.8 x 12.60
		1	T				DG4	52119098
7	4799 593	1	J, U				DG4	DETENT, Valve Body
		1	T				DG4	52119098
8	4799 086	2	J, U				DG4	BLEED ORIFICE, Transmission
		2	T				DG4	52119098
9	4446 544	10	J, U				DG4	SEAL, Accumulator
		10	T				DG4	52119098
10	4471 880	5	J, U				DG4	SPRING, Accumulator
		5	T				DG4	52119098
11	4446 620	5	J, U				DG4	PISTON, 2nd and 4th Accumulator
		5	T				DG4	52119098
12	4567 575	4	J, U				DG4	SPRING, Accumulator
		4	T				DG4	52119098
-13	4446 602	7	T				DG4	BALL, Check
		7	J, U				DG4	52119098



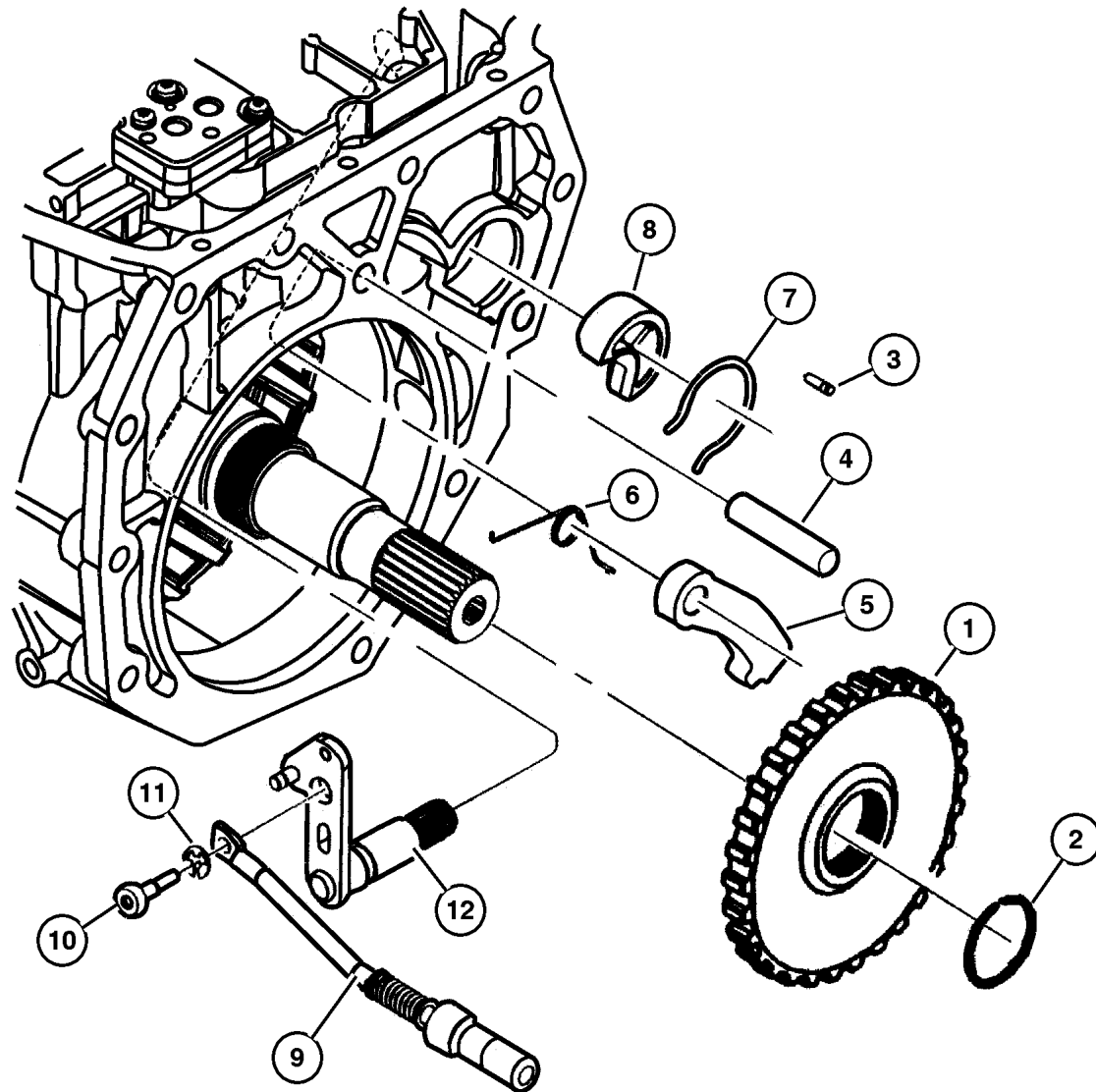
JEEP GRAND CHEROKEE (WJ)

SERIES	LINE	BODY	ENGINE	TRANSMISSION
H=Laredo	J = 4WD	74 = 4 Door(105.9 WB)	ER0, ERH = 4.0L, Power Tech I-6	DGK = 4 Speed Autm, 42RE
P=Limited	T = 2WD		EVO, EVA = 4.7L, Power Tech V8	DGW = 4 Speed Automatic,
	U = 4WD (RHD)		EXA, EX0 = 3.1L, 5 Cyl Turbo Diesel	-44RE
				DG4 = Multi Speed Automatic,
				-45RFE
				DGO = All Automatic

AR = Use as required - = Non illustrated part # = New this model year

September 14, 2002

**Parking Sprag 45RFE [DG4]  
Figure 45RFE-730**



ITEM	PART NUMBER	QTY	LINE	SERIES	BODY	ENGINE	TRANS	DESCRIPTION
NOTES: Sales Codes								
[DG4] = 45RFE Multi Speed Automatic Transmission								
[EV0] = All 4.7L Gas Engines								
1	4799 493	1	J, U				DG4	SPRAG, Transmission Parking
		1	T				DG4	52119099
2	4799 704	1	J, U				DG4	SNAP RING, Transmission
		1	T				DG4	52119098
3	0456 636	1	J, U				DG4	PIN
		1	T				DG4	52119098
4	4799 450	1	J, U				DG4	SHAFT, Parking Pawl
		1	T				DG4	52119098
5	4799 744AC	1	J, U				DG4	PAWL, Parking Sprag
		1	T				DG4	52119098
6	4799 451	1	J, U				DG4	SPRING, Torsion
		1	T				DG4	52119098
7	4799 313	1	J, U				DG4	SNAP RING
		1	T				DG4	52119098
8	4799 774	1	J, U				DG4	GUIDE, Parking Sprag Pawl
		1	T				DG4	52119098
9	4799 611	1	J, U				DG4	ROD, Parking Sprag
		1	T				DG4	52119098
10	6504 548	1	J, U				DG4	SCREW, M6x1x30
		1	T				DG4	52119098
11	6035 256	1	J, U			EV0	DG4	SNAP RING, Rod
		1	T				DG4	52119098
12	4799 453	1	J, U				DG4	LEVER, Shift Shaft
		1	T				DG4	52119098

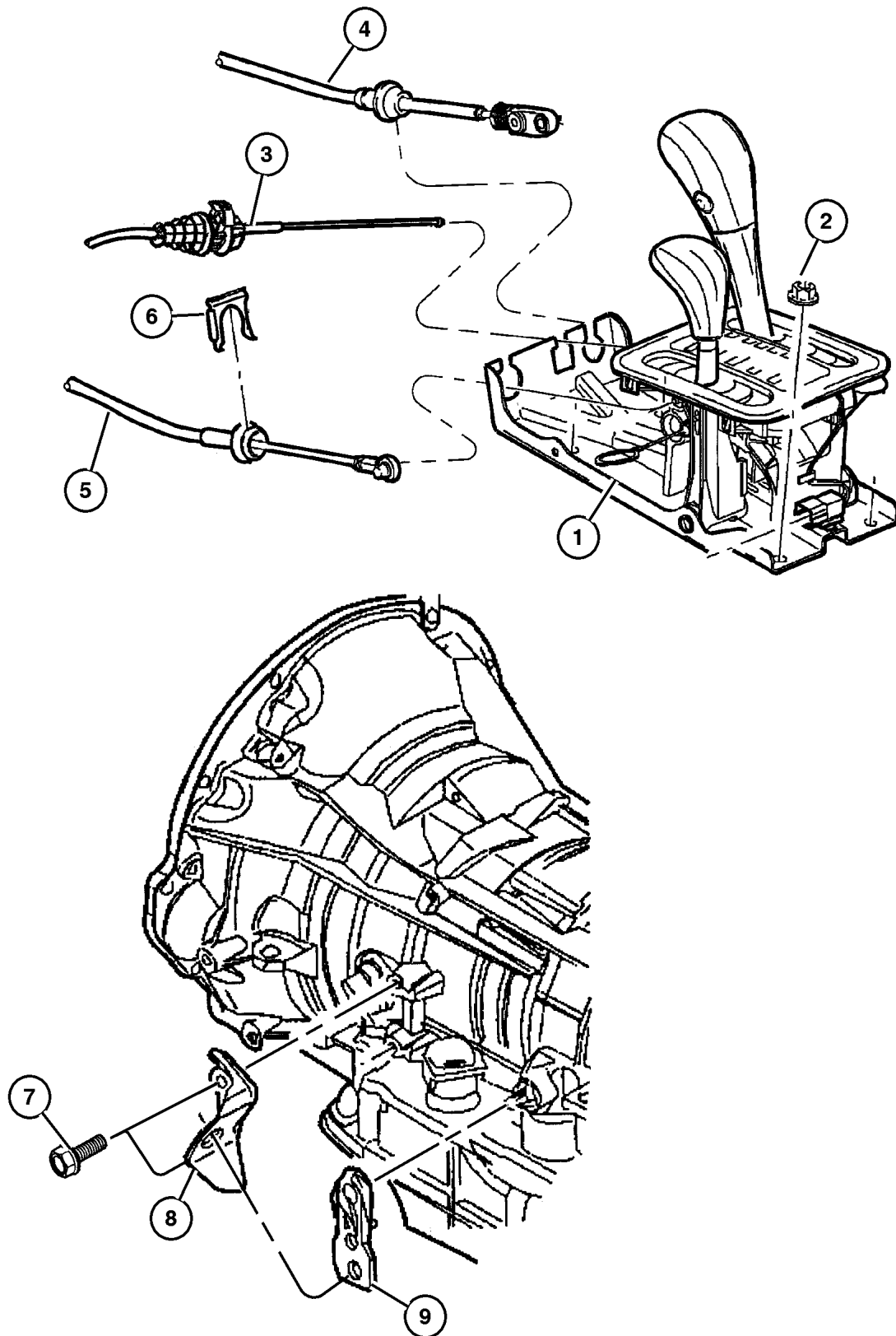
**JEEP GRAND CHEROKEE (WJ)**

SERIES	LINE	BODY	ENGINE	TRANSMISSION
H=Laredo	J = 4WD	74 = 4 Door(105.9 WB)	ER0, ERH = 4.0L, Power Tech I-6	DGK = 4 Speed Autm, 42RE
P=Limited	T = 2WD		EV0, EVA = 4.7L, Power Tech V8	DGW = 4 Speed Automatic, -44RE
	U = 4WD (RHD)		EXA, EX0 = 3.1L, 5 Cyl Turbo Diesel	DG4 = Multi Speed Automatic, -45RFE
				DGO = All Automatic

AR = Use as required - = Non illustrated part # = New this model year

September 14, 2002

**Gearshift Controls 45RFE [DG4]  
Figure 45RFE-1210**



ITEM	PART NUMBER	QTY	LINE	SERIES	BODY	ENGINE	TRANS	DESCRIPTION
NOTES: Sales Codes								
[DG4] = 45RFE Multi Speed Automatic Transmission								
[DG0] = All Automatic Transmission								
1								HOUSING AND LEVER, Shifter
	5210 4152	1	U				DG0	Right
	52104 375AA	1	U				DG0	w/DSB, Right
	5210 4151	1	J				DG0	
	52104 374AA	1	J				DG0	w/DSB
	5210 4147	1	T				DG0	Two Wheel Drive
	#52104 147AB	1	T				DG0	
2	6101 695	4					DG0	NUT, Hex Flange Lock, M8x1.25
3	5210 4054	1					DG0	CABLE, Park Interlock
4	5210 4060	1					DG0	CABLE, Gearshift Control
5	5210 4218	1	J, U				DG0	CABLE, Gearshift Control
6	4269 830	2	J, U					CLIP, Cable
7	6101 758	2					DG4	SCREW, Hex Head, M8x1.25x20
8	52104 371AB	1					DG4	BRACKET, Shift Cable
9	5210 4177	1					DG4	LEVER, Manual Control

**JEEP GRAND CHEROKEE (WJ)**

SERIES	LINE	BODY	ENGINE	TRANSMISSION
H=Laredo	J = 4WD	74 = 4 Door(105.9 WB)	ER0, ERH = 4.0L, Power Tech I-6	DGK = 4 Speed Autm, 42RE
P=Limited	T = 2WD		EVO, EVA = 4.7L, Power Tech V8	DGW = 4 Speed Automatic, -44RE
	U = 4WD (RHD)		EXA, EX0 = 3.1L, 5 Cyl Turbo Diesel	DG4 = Multi Speed Automatic, -45RFE
				DGO = All Automatic

AR = Use as required - = Non illustrated part # = New this model year

September 14, 2002

LR Clutch 45RFE [DG4]  
Figure 45RFE-1302

**LR CLUTCH PACKAGE 05013091aa**

1

	D-ring, external (L/R piston outer)
	D-ring, internal (L/R piston inner)
(6)	Plate, clutch separator (1.74mm thk)
(6)	Disc assy, clutch (L/R)
	Snap ring, flat (1.5/1.6 thk)
	Snap ring, flat (2.03/2.13 thk)
	Snap ring, flat (2.54/2.68 thk)
(2)	Retainer, c-clip

ITEM	PART NUMBER	QTY	LINE	SERIES	BODY	ENGINE	TRANS	DESCRIPTION
------	-------------	-----	------	--------	------	--------	-------	-------------

NOTES: Sales Codes

[DG4] = 45RFE Multi Speed Automatic Transmission

1								CLUTCH PACKAGE, Automatic Transmission, Low/Reverse
	5013 091AA	1	J, U				DG4	52119099
		1	T				DG4	52119098

JEEP GRAND CHEROKEE (WJ)

SERIES	LINE	BODY	ENGINE	TRANSMISSION
H=Laredo	J = 4WD	74 = 4 Door(105.9 WB)	ER0, ERH = 4.0L, Power Tech I-6	DGK = 4 Speed Autm, 42RE
P=Limited	T = 2WD		EVO, EVA = 4.7L, Power Tech V8	DGW = 4 Speed Automatic, -44RE
	U = 4WD (RHD)		EXA, EX0 = 3.1L, 5 Cyl Turbo Diesel	DG4 = Multi Speed Automatic, -45RFE
				DGO = All Automatic

AR = Use as required - = Non illustrated part # = New this model year

September 14, 2002

**Input Clutch Plate 45RFE [DG4]  
Figure 45RFE-1303**

**SELECTIVE THRUST PLATES                      05013093aa**  
**INPUT CLUTCH THRUST PLATE PKG**

1

Thrust plate, input clutc 1.52 / 1.61
Thrust plate, input clutc 1.66 / 1.75
Thrust plate, input clutc 1.80 / 1.89
Thrust plate, input clutc 1.94 / 2.03
Thrust plate, input clutc 2.08 / 2.17
Thrust plate, input clutc 2.22 / 2.31
Thrust plate, input clutc 2.36 / 2.45
Thrust plate, input clutc 2.50 / 2.59
Thrust plate, input clutc 2.64 / 2.73
Thrust plate, input clutc 2.78 / 2.87
Thrust plate, input clutc 2.92 / 3.01
Thrust plate, input clutc 3.06 / 3.15
Thrust plate, input clutc 3.20 / 3.29
Thrust plate, input clutc 3.34 / 3.43
Thrust plate, input clutc 3.62 / 3.71

ITEM	PART NUMBER	QTY	LINE	SERIES	BODY	ENGINE	TRANS	DESCRIPTION
NOTES: Sales Codes								
[DG4] = 45RFE Multi Speed Automatic Transmission								
1	5013 093AA	AR	J, U				DG4	PLATE PACKAGE, Input Clutch Thrust 5219099
		1	T				DG4	52119098

<b>JEEP GRAND CHEROKEE (WJ)</b>				
SERIES	LINE	BODY	ENGINE	TRANSMISSION
H=Laredo	J = 4WD	74 = 4 Door(105.9 WB)	ER0, ERH = 4.0L, Power Tech I-6	DGK = 4 Speed Autm, 42RE
P=Limited	T = 2WD		EVO, EVA = 4.7L, Power Tech V8	DGW = 4 Speed Automatic, -44RE
	U = 4WD (RHD)		EXA, EX0 = 3.1L, 5 Cyl Turbo Diesel	DG4 = Multi Speed Automatic, -45RFE
				DGO = All Automatic

AR = Use as required   - = Non illustrated part   # = New this model year

September 14, 2002



O/H 45RFE [DG4]  
Figure 45RFE-1304

O/H seal/gasket package

05014221ac

1

	2&4 clutch package	
	Input clutch package	
	L/R clutch package	
	Sump filter & seal package	
	Cooler filter	
	fill tube sea	
	Frt pmp cover o-ring/seal assy	
	Rotating shaft seal,pmp hsg	
	Adapter seal, 4x4	
	Extension seal,4x2	
	Manual lever seal	
(2)	Speed sensor seal	
	Reaction supt ring seal	
	Rev O/D clutch filter	
(10)	Accumulator ring seal	
(3)	Valve body seal	
	Check valve o-ring	
	Solenoid insulator seal	
	T/C seal	

ITEM	PART NUMBER	QTY	LINE	SERIES	BODY	ENGINE	TRANS	DESCRIPTION
------	-------------	-----	------	--------	------	--------	-------	-------------

NOTES: Sales Codes

[DG4 45RFE Multi Speed Automatic Transmission

1	#5014 221AD	1	J, U				DG4	OVERHAUL PACKAGE, Transmission 52119099
		1	T				DG4	52119098

JEEP GRAND CHEROKEE (WJ)

SERIES	LINE	BODY	ENGINE	TRANSMISSION
H=Laredo	J = 4WD	74 = 4 Door(105.9 WB)	ER0, ERH = 4.0L, Power Tech I-6	DGK = 4 Speed Autm, 42RE
P=Limited	T = 2WD		EVO, EVA = 4.7L, Power Tech V8	DGW = 4 Speed Automatic, -44RE
	U = 4WD (RHD)		EXA, EX0 = 3.1L, 5 Cyl Turbo Diesel	DG4 = Multi Speed Automatic, -45RFE
				DGO = All Automatic

AR = Use as required - = Non illustrated part # = New this model year

September 14, 2002

**Input Clutch 45RFE [DG4]  
Figure 45RFE-1305**

**INPUT CLUTCH PACKAGE**

**05013090aa**

1

	O-ring, large (2.62mm x 79.84 ID,gm)
	O-ring, small (2.62mm x 70.56 ID,red)
(2)	Seal, internal lip
(2)	Ring seal, l-shaft
	O-ring, piston inner (2.62mm x 93.54 ID)
(5)	Plate, clutch separator (1.74mm thk)
(4)	Disc assy, clutch (u/d clutch)
(4)	Disc assy, clutch (o/d clutch)
(3)	PLate, clutch separator (2.21mm thk, O/D)
(2)	Disc assy, clutch (rev clutch)
	Snap ring,tapered, internal butterfly end
	Snap ring, flat (1.5/1.6 thk)
	Snap ring, flat (1.80/1.90 thk)
	Snap ring, flat (2.15/2.25 thk)
	Piston & seal, underdrive
	Piston & seal, underdrive balance

ITEM	PART NUMBER	QTY	LINE	SERIES	BODY	ENGINE	TRANS	DESCRIPTION
------	-------------	-----	------	--------	------	--------	-------	-------------

NOTES: Sales Codes

[DG4] = 45RFE Multi Speed Automatic Transmission

1								CLUTCH PACKAGE, Automatic Transmission, Input
	5013 090AA	1	J, U				DG4	52119099
		1	T				DG4	52119098

**JEEP GRAND CHEROKEE (WJ)**

SERIES	LINE	BODY	ENGINE	TRANSMISSION
H=Laredo	J = 4WD	74 = 4 Door(105.9 WB)	ER0, ERH = 4.0L, Power Tech I-6	DGK = 4 Speed Autm, 42RE
P=Limited	T = 2WD		EVO, EVA = 4.7L, Power Tech V8	DGW = 4 Speed Automatic, -44RE
	U = 4WD (RHD)		EXA, EX0 = 3.1L, 5 Cyl Turbo Diesel	DG4 = Multi Speed Automatic, -45RFE
				DGO = All Automatic

AR = Use as required - = Non illustrated part # = New this model year

September 14, 2002

**Planetary Plate 45RFE [DG4]  
Figure 45RFE-1306**

**SELECTIVE THRUST PLATES  
PLANETARY THRUST PLATE PKG 05013092aa**

	Thrust plate, planetary	1.62 / 1.75
	Thrust plate, planetary	1.81 / 1.94
	Thrust plate, planetary	1.96 / 2.09
	Thrust plate, planetary	2.11 / 2.24
	Thrust plate, planetary	2.26 / 2.39
	Thrust plate, planetary	2.41 / 2.54
	Thrust plate, planetary	2.56 / 2.69
	Thrust plate, planetary	2.71 / 2.84
	Thrust plate, planetary	2.86 / 2.99
	Thrust plate, planetary	3.01 / 3.14
	Thrust plate, planetary	3.16 / 3.29
	Thrust plate, planetary	3.31 / 3.44
	Thrust plate, planetary	3.46 / 3.59
	Thrust plate, planetary	3.61 / 3.74
	Thrust plate, planetary	3.76 / 3.89
	Thrust plate, planetary	3.91 / 4.04
	Thrust plate, planetary	4.06 / 4.19
	Thrust plate, planetary	4.21 / 4.34
	Thrust plate, planetary	4.36 / 4.49

①

ITEM	PART NUMBER	QTY	LINE	SERIES	BODY	ENGINE	TRANS	DESCRIPTION
------	-------------	-----	------	--------	------	--------	-------	-------------

NOTES: Sales Codes

[DG4] = 45RFE Multi Speed Automatic Transmission

1								PLATE PACKAGE, Planetary Thrust
	5013 092AA	1	J, U				DG4	52119099
		1	T				DG4	52119098

**JEEP GRAND CHEROKEE (WJ)**

SERIES	LINE	BODY	ENGINE	TRANSMISSION
H=Laredo	J = 4WD	74 = 4 Door(105.9 WB)	ER0, ERH = 4.0L, Power Tech I-6	DGK = 4 Speed Autm, 42RE
P=Limited	T = 2WD		EVO, EVA = 4.7L, Power Tech V8	DGW = 4 Speed Automatic, -44RE
	U = 4WD (RHD)		EXA, EX0 = 3.1L, 5 Cyl Turbo Diesel	DG4 = Multi Speed Automatic, -45RFE
				DGO = All Automatic

AR = Use as required - = Non illustrated part # = New this model year

September 14, 2002

2&4 Clutch [DG4] 45RFE  
Figure 45RFE-1310

**2&4 CLUTCH PACKAGE 05013087aa**

(2)	Disc assy, clutch (2nd clutch)
(2)	Plate, clutch separator
	D-ring, external (2nd outer)
	D-ring, internal (2nd inner)
	D-ring, internal (4th outer)
	D-ring, internal (4th inner)
(3)	Plate, clutch separator (4th clutch)
(3)	Disc assy, clutch (4th clutch)
	Snap ring (4th, 1.74/1.84 thk)
	Snap ring (4th, 2.15/2.25 thk)
	Snap ring (4th, 2.56/2.66 thk)

1

ITEM	PART NUMBER	QTY	LINE	SERIES	BODY	ENGINE	TRANS	DESCRIPTION
------	-------------	-----	------	--------	------	--------	-------	-------------

NOTES: Sales Codes  
[DG4] = 45RFE Multi Speed Automatic Transmission

1								CLUTCH PACKAGE, Automatic Transmission, 2/4
	5013 087AA	1	J, U				DG4	52119099
		1	T				DG4	52119098

JEEP GRAND CHEROKEE (WJ)

SERIES	LINE	BODY	ENGINE	TRANSMISSION
H=Laredo	J = 4WD	74 = 4 Door(105.9 WB)	ER0, ERH = 4.0L, Power Tech I-6	DGK = 4 Speed Autm, 42RE
P=Limited	T = 2WD		EVO, EVA = 4.7L, Power Tech V8	DGW = 4 Speed Automatic, -44RE
	U = 4WD (RHD)		EXA, EX0 = 3.1L, 5 Cyl Turbo Diesel	DG4 = Multi Speed Automatic, -45RFE
				DGO = All Automatic

AR = Use as required - = Non illustrated part # = New this model year

September 14, 2002

# Group – 242

## Transfer Case Model 242

### GROUP 242 - Transfer Case Model 242

Illustration Title

Group-Fig. No.

#### Transfer Case Assembly

Transfer Case Select Trac [DHP] ..... Fig. 242-110

#### Case and Related Parts

Case and Related Parts Select Trac [DHP] ..... Fig. 242-210

#### Gear Train

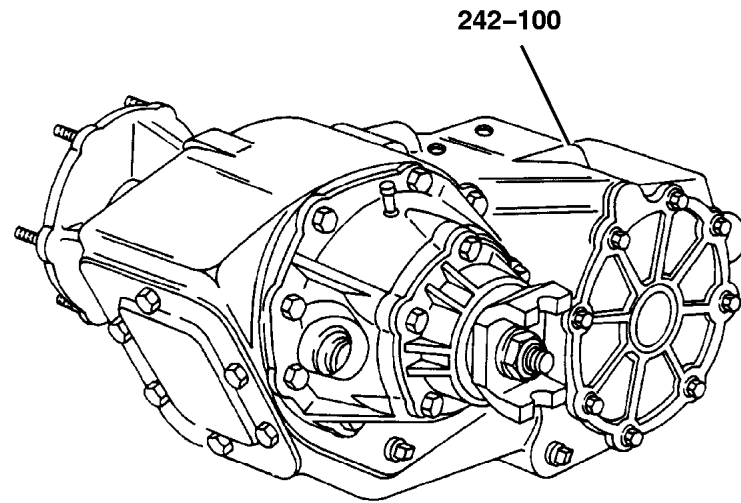
Gear Train Select Trac [DHP] ..... Fig. 242-410

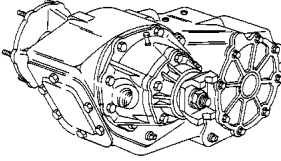
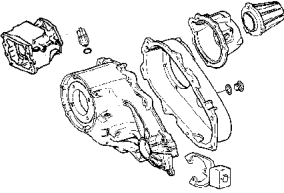
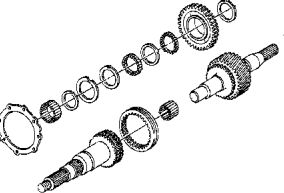
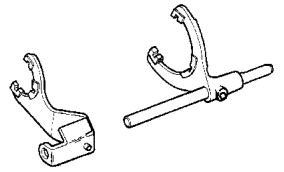

#### Fork and Rails

Fork and Rails Select Trac [DHP] ..... Fig. 242-910

#### Gearshift Controls

Gearshift Controls Select Trac [DHP] ..... Fig. 242-1210



<p><b>242-100</b> Transfer Case Assembly</p> 	<p><b>242-200</b> Case and Related Parts</p> 	<p><b>242-400</b> Gear Train</p> 	<p><b>242-900</b> Fork and Rails</p> 
<p><b>242-1200</b> Gearshift Controls</p> 			

**Transfer Case Select Trac [DHP]  
Figure 242-110**

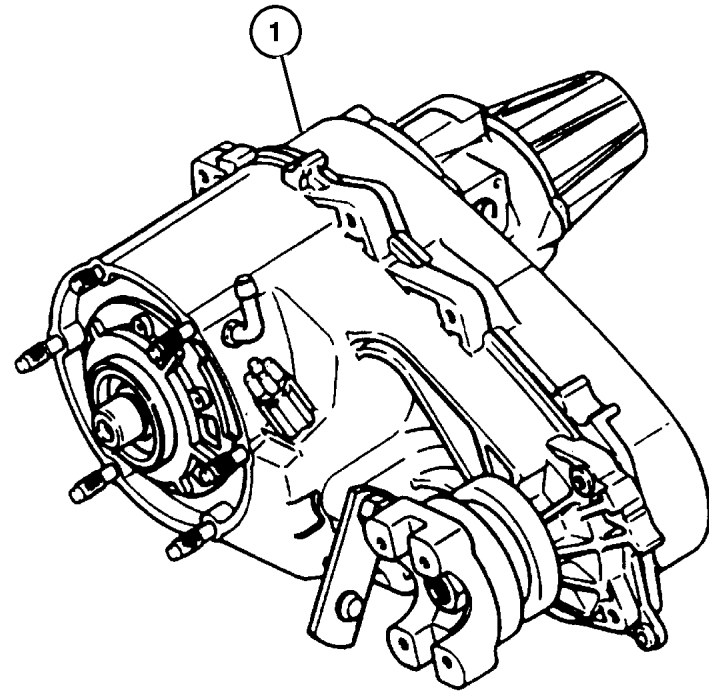
ITEM	PART NUMBER	QTY	LINE	SERIES	BODY	ENGINE	TRANS	DESCRIPTION
------	-------------	-----	------	--------	------	--------	-------	-------------

NOTES: Sales Codes

[ER0] = All 4.0L 6 Cylinder Gas Engines

[EV0] = All 4.7L Gas Engines

1								TRANSFER CASE, NP242
	#52098 875AC	1	J, U			ER0		
	52111 004AA	1	J, U			EVO		



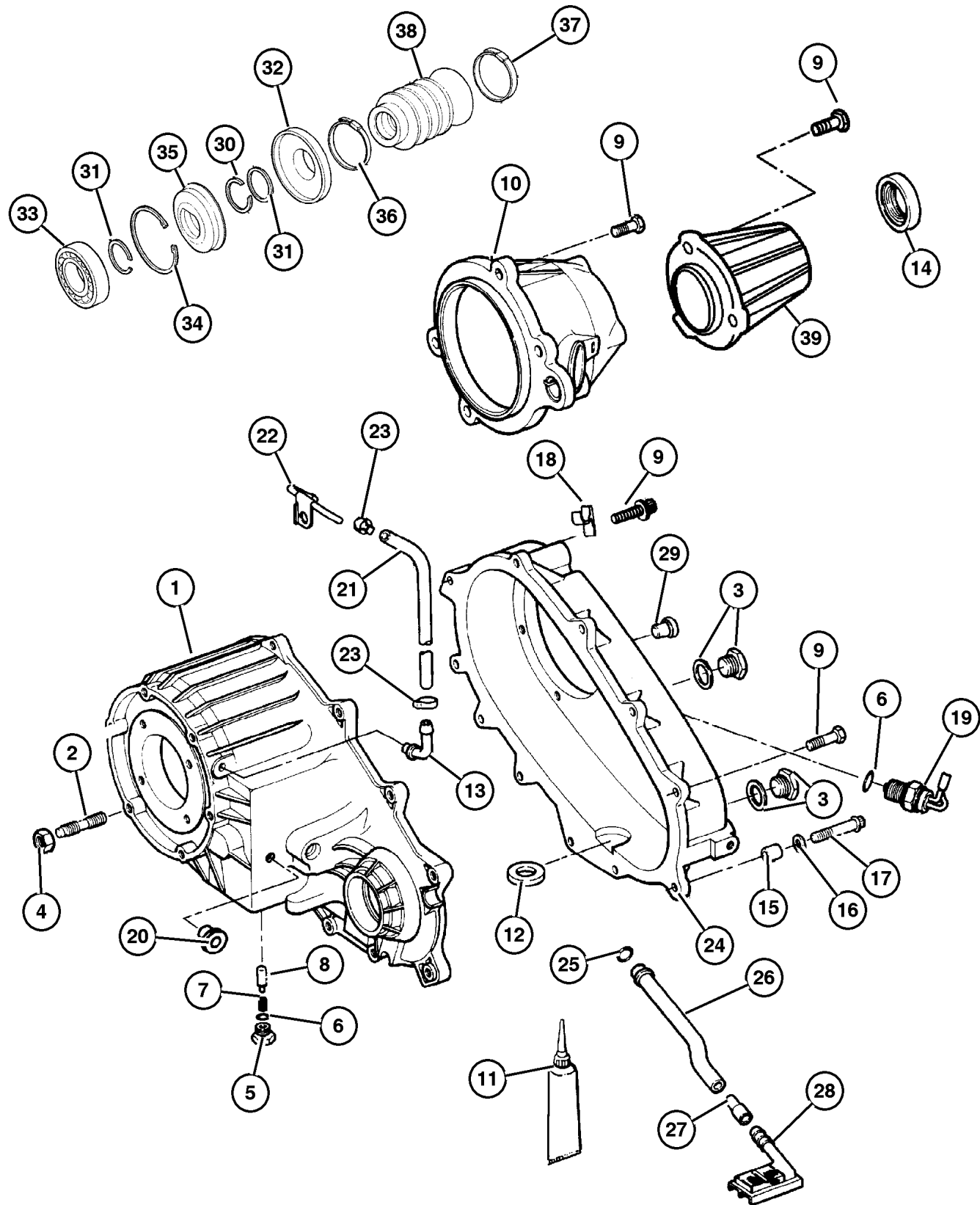
**JEEP GRAND CHEROKEE (WJ)**

SERIES	LINE	BODY	ENGINE	TRANSMISSION
H=Laredo	J = 4WD	74 = 4 Door(105.9 WB)	ER0, ERH = 4.0L, Power Tech I-6	DGK = 4 Speed Autm, 42RE
P=Limited	T = 2WD		EVO, EVA = 4.7L, Power Tech V8	DGW = 4 Speed Automatic, -44RE
	U = 4WD (RHD)		EXA, EX0 = 3.1L, 5 Cyl Turbo Diesel	DG4 = Multi Speed Automatic, -45RFE
				DGO = All Automatic

AR = Use as required - = Non illustrated part # = New this model year

September 14, 2002

**Case and Related Parts Select Trac [DHP]  
Figure 242-210**



ITEM	PART NUMBER	QTY	LINE	SERIES	BODY	ENGINE	TRANS	DESCRIPTION
------	-------------	-----	------	--------	------	--------	-------	-------------

NOTES: Sales Codes  
 [DGK] = 42RE Automatic Transmission  
 [DGW] = 44RE 4 Speed Automatic Transmission  
 [ER0] = All 4.0L 6 Cylinder Gas Engines  
 [EVO] = All 4.7L Gas Engines

1	5014 045AA	1	J, U			EVO		CASE, Transfer Front
		1	J, U			ER0		
2	4505 365	6	J, U			ER0		STUD
	5012 310AA	6	J, U			EVO		
3	4856 641	2	J, U			EVO		PLUG, Oil Fill
		2	J, U			ER0		
4	J400 6681	6	J, U					NUT AND CONED WASHER, Hex, .375-24
5								SCREW
	4886 473AA	1	J, U			EVO		
		1	J, U			ER0		
6	4338 956	2	J, U			EVO		SEAL, Vacuum Switch
		2	J, U			ER0		
7	5003 445AA	1	J, U			EVO		SPRING, Poppet Plunger
		1	J, U			ER0		
8	5003 444AA	1	J, U			EVO		PLUNGER
		1	J, U			ER0		
9	4210 617	16	J, U			ER0		BOLT, Transfer Case
10	5003 456AA	1	J, U			EVO		RETAINER, Transfer Case Rear
	5012 347AA	1	J, U			ER0		
11								SEALANT, RTV
	4318 025	1	J, U			EVO		
	5010 884AA	1						
12	3681 601	1	J, U			EVO		MAGNET, Transmission
		1	J, U			ER0		
13	4796 910	1	J, U			EVO		VENT, Transfer Case
		1	J, U			ER0		
14	5003 419AA	1	J, U			EVO		SEAL, Output Shaft
15								DOWEL, Transfer Case

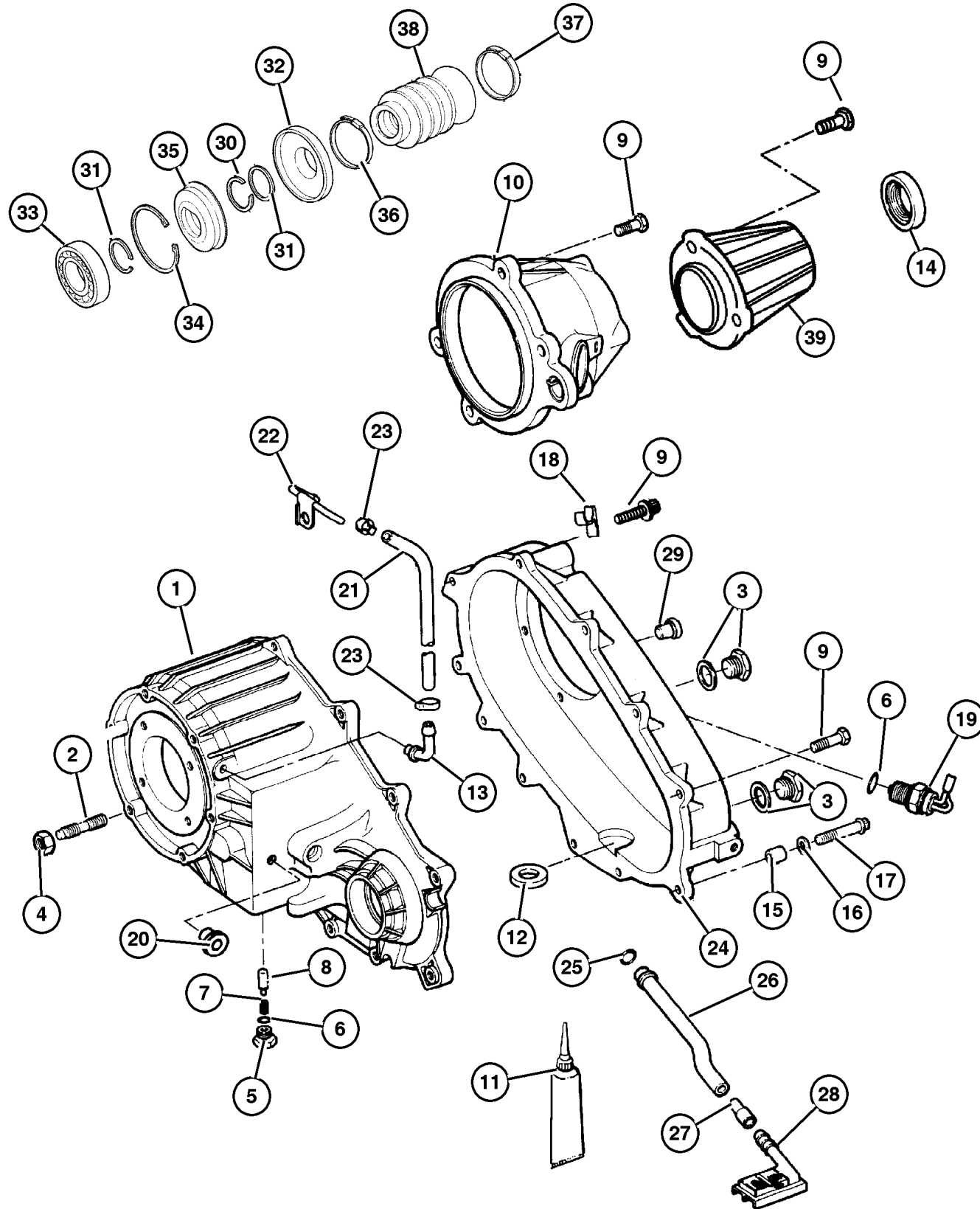
**JEEP GRAND CHEROKEE (WJ)**

SERIES	LINE	BODY	ENGINE	TRANSMISSION
H=Laredo	J = 4WD	74 = 4 Door(105.9 WB)	ER0, ERH = 4.0L, Power Tech I-6	DGK = 4 Speed Autm, 42RE
P=Limited	T = 2WD		EVO, EVA = 4.7L, Power Tech V8	DGW = 4 Speed Automatic, -44RE
	U = 4WD (RHD)		EXA, EX0 = 3.1L, 5 Cyl Turbo Diesel	DG4 = Multi Speed Automatic, -45RFE
				DGO = All Automatic

AR = Use as required - = Non illustrated part # = New this model year

September 14, 2002

Case and Related Parts Select Trac [DHP]  
Figure 242-210



ITEM	PART NUMBER	QTY	LINE	SERIES	BODY	ENGINE	TRANS	DESCRIPTION
	4116 310	2	J, U			EVO		
		2	J, U			ER0		
16	4210 983	2	J, U			EVO		WASHER, Flat
		2	J, U			ER0		
17	4210 614	2	J, U			ER0		BOLT, Hex Flange Head
18								CLIP
	5211 8181	1	J, U				DGK	
		1	J, U				DGW	
19								SWITCH, Transfer Case Mode
	5600 6755	1	J, U			EVO		
		1	J, U			ER0		
20								PLUG, Transmission Case
	0015 105	1	J, U			EVO		
		1	J, U			ER0		
21	4443 176	AR				ER0		HOSE, Fuel, .31 I.D. 50 Foot Roll
22	5300 7494	1	J, U					VENT, Transfer Case
23	6502 081	2	J, U					CLAMP, Oil Cooler Line
24								CASE, Transfer Case Rear
	4886 373AA	1	J, U			ER0		
	5013 858AA	1	J, U			EVO		
25								SEAL, Oil
	4338 942	1	J, U			EVO		
		1	J, U			ER0		
26								TUBE, Oil Pickup
	5003 455AA	1	J, U			EVO		
	8350 3523	1	J, U			ER0		
27								CONNECTOR, Oil Tube Pickup
	4338 944	1	J, U			EVO		
		1	J, U			ER0		
28								FILTER, Transfer Case Oil
	4338 943	1	J, U			EVO		
		1	J, U			ER0		
29								BOLT, Twelve Point Head, M10x1.5x48
	J813 0979	1	J, U			EVO		
		3	J, U			ER0		
30	J813 4488	2	J, U			ER0		SNAP RING
31	4798 118	1	J, U			ER0		WASHER
32	#5016 615AA	1	J, U			ER0		SLINGER, Oil
33	4338 892	1	J, U			ER0		BEARING
34	4798 116	1	J, U			ER0		SNAP RING
35	4798 117	1	J, U			ER0		SEAL, Output Shaft

JEEP GRAND CHEROKEE (WJ)

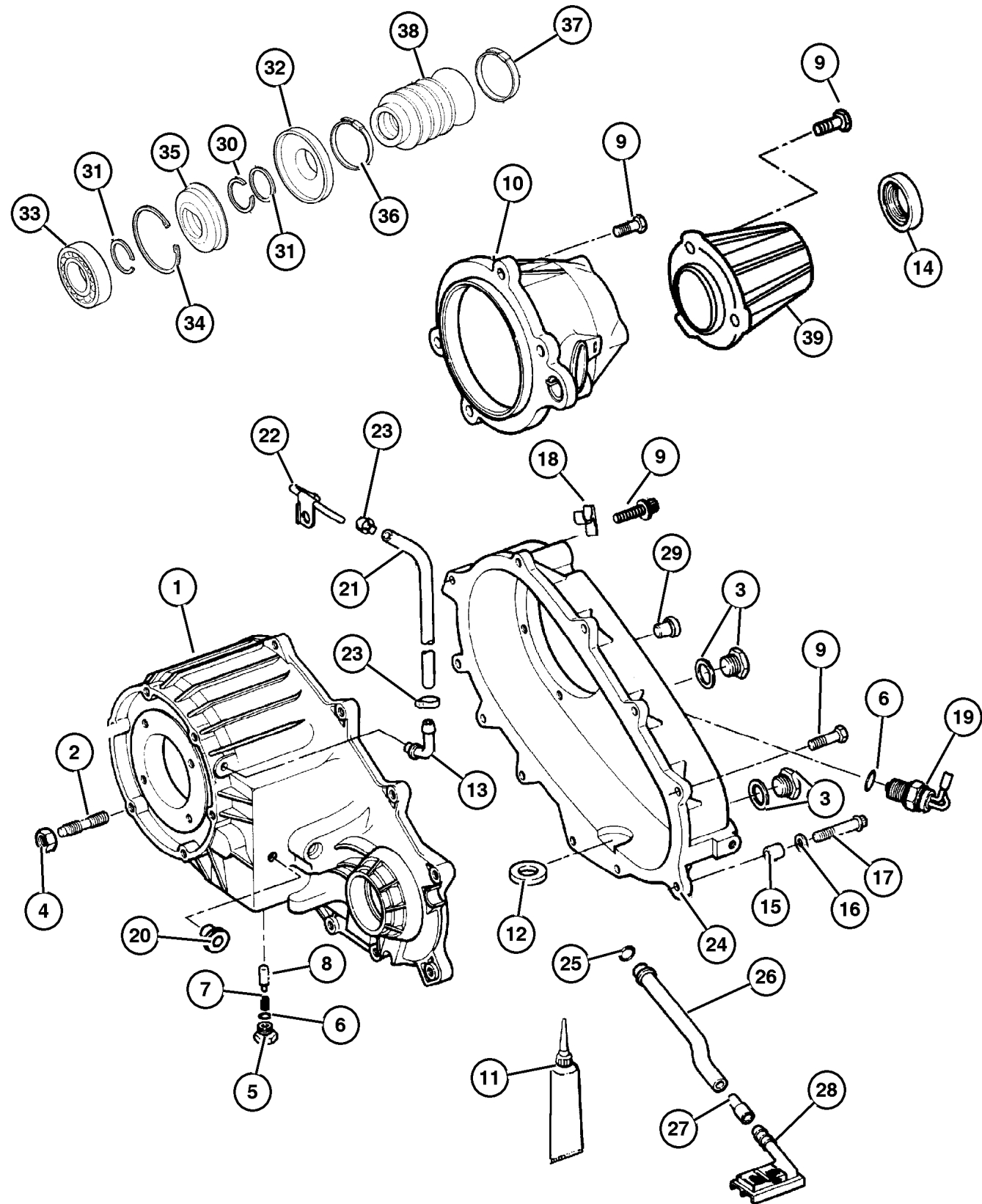
SERIES	LINE	BODY	ENGINE	TRANSMISSION
H=Laredo	J = 4WD	74 = 4 Door(105.9 WB)	ER0, ERH = 4.0L, Power Tech I-6	DGK = 4 Speed Autm, 42RE
P=Limited	T = 2WD		EVO, EVA = 4.7L, Power Tech V8	DGW = 4 Speed Automatic, -44RE
	U = 4WD (RHD)		EXA, EX0 = 3.1L, 5 Cyl Turbo Diesel	DG4 = Multi Speed Automatic, -45RFE
				DGO = All Automatic

AR = Use as required - = Non illustrated part # = New this model year

September 14, 2002



Case and Related Parts Select Trac [DHP]  
Figure 242-210



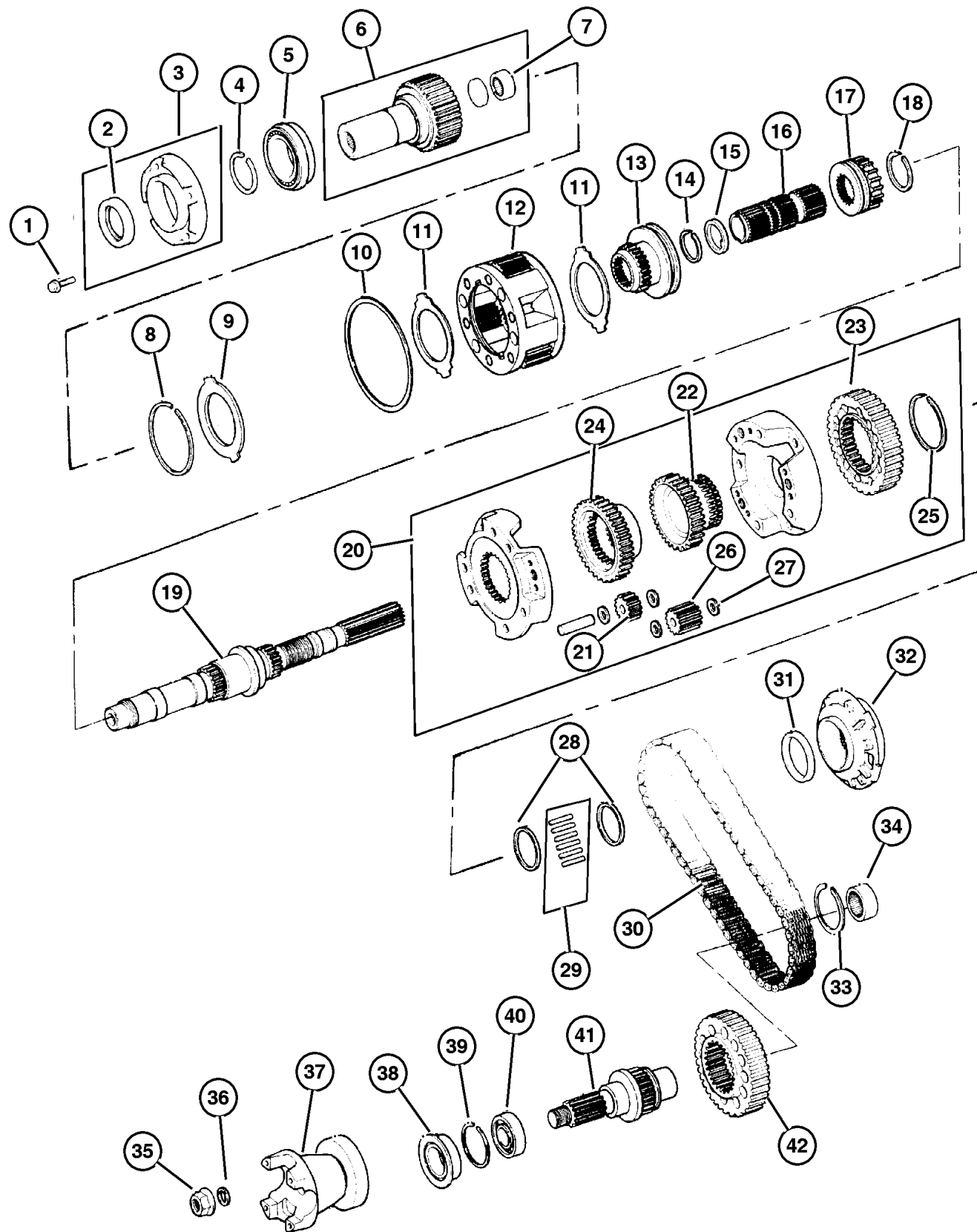
ITEM	PART NUMBER	QTY	LINE	SERIES	BODY	ENGINE	TRANS	DESCRIPTION
36	4798 121	1	J, U			ER0		CLAMP, Boot
37	4798 122	1	J, U			ER0		CLAMP, Boot
38	4798 123	1	J, U			ER0		BOOT, Driveshaft
39	5003 457AA	1	J, U			EVO		EXTENSION, Transfer Case

JEEP GRAND CHEROKEE (WJ)		BODY		ENGINE		TRANSMISSION	
SERIES	LINE						
H=Laredo	J = 4WD	74 = 4 Door(105.9 WB)		ER0, ERH = 4.0L, Power Tech I-6		DGK = 4 Speed Autm, 42RE	
P=Limited	T = 2WD			EVO, EVA = 4.7L, Power Tech V8		DGW = 4 Speed Automatic, -44RE	
	U = 4WD (RHD)			EXA, EX0 = 3.1L, 5 Cyl Turbo Diesel		DG4 = Multi Speed Automatic, -45RFE	
						DGO = All Automatic	

AR = Use as required - = Non illustrated part # = New this model year

September 14, 2002

**Gear Train Select Trac [DHP]  
Figure 242-410**



ITEM	PART NUMBER	QTY	LINE	SERIES	BODY	ENGINE	TRANS	DESCRIPTION
NOTES: Sales Codes								
[ER0] = All 4.0L 6 Cylinder Gas Engines								
[EV0] = All 4.7L Gas Engines								
1	6500 318	4	J, U			EV0		BOLT
2	4167 929	4	J, U			ER0		SEAL, Input Gear
		1	J, U			EV0		
3	4338 973	1	J, U			EV0		EXTENSION, Transfer Case
		1	J, U			ER0		
4	3821 558	1	J, U			EV0		SNAP RING
		1	J, U			ER0		
5	4746 155	1	J, U			EV0		BEARING, Input Gear
		1	J, U			ER0		
6	5003 446AA	1	J, U			ER0		GEAR, Input
		7	8350 3507	1	J, U		ER0	BEARING, Input Shaft
8	4338 910	1	J, U			EV0		SNAP RING
		1	J, U			ER0		
9	4338 909	1	J, U			EV0		RING
		1	J, U			ER0		
10	4219 065	1	J, U			EV0		SNAP RING, Annulus Gear
		1	J, U			ER0		
11	4338 908	2	J, U			EV0		THRUST WASHER, Planetary Carrier
		2	J, U			ER0		
12	4796 903	1	J, U			EV0		GEAR, Low Range Planetary
		1	J, U			ER0		
13	5003 746AA	1	J, U			ER0		SLEEVE, Shift Range
14	8350 3540	1	J, U			EV0		SNAP RING
		1	J, U			ER0		
15								WASHER, Intermediate Sleeve

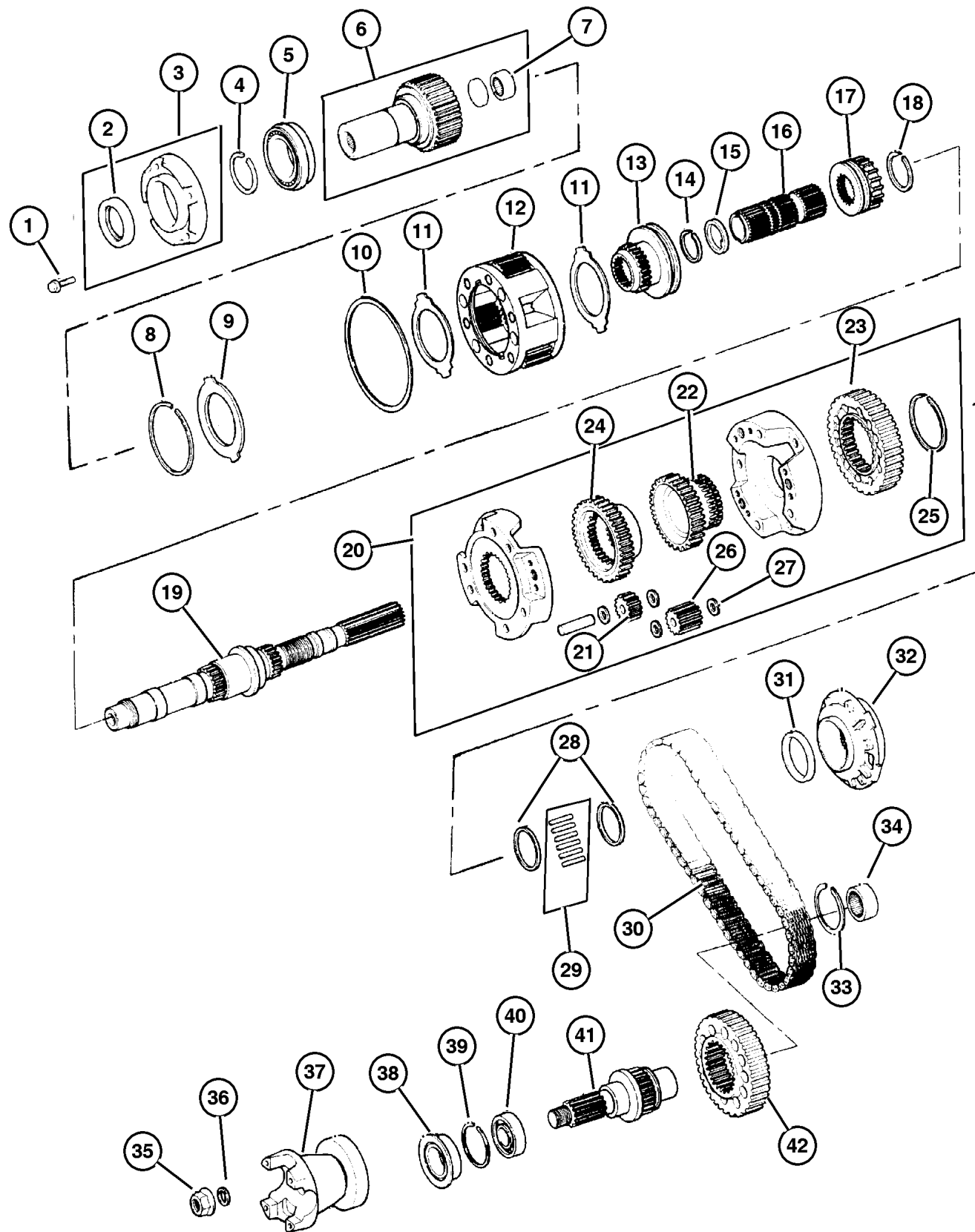
**JEEP GRAND CHEROKEE (WJ)**

SERIES	LINE	BODY	ENGINE	TRANSMISSION
H=Laredo	J = 4WD	74 = 4 Door(105.9 WB)	ER0, ERH = 4.0L, Power Tech I-6	DGK = 4 Speed Autm, 42RE
P=Limited	T = 2WD		EV0, EVA = 4.7L, Power Tech V8	DGW = 4 Speed Automatic, -44RE
	U = 4WD (RHD)		EXA, EX0 = 3.1L, 5 Cyl Turbo Diesel	DG4 = Multi Speed Automatic, -45RFE
				DGO = All Automatic

AR = Use as required - = Non illustrated part # = New this model year

September 14, 2002

**Gear Train Select Trac [DHP]  
Figure 242-410**



ITEM	PART NUMBER	QTY	LINE	SERIES	BODY	ENGINE	TRANS	DESCRIPTION
	8350 3539	1	J, U			EVO		
		1	J, U			ER0		
16	4798 277	1	J, U			EVO		SHAFT, Intermediate
		1	J, U			ER0		
17	8350 3542	1	J, U			EVO		SLEEVE, Mode Synchronizer
		1	J, U			ER0		
18	8350 3537	1	J, U			EVO		SHAFT, Transfer Case
		1	J, U			ER0		
19	5003 448AA	1	J, U			EVO		MAINSHAFT, Transfer Case
	#5016 614AA	1	J, U			ER0		
20	8350 3529	1	J, U			ER0		CARRIER, Differential
21	8350 4170	3	J, U			ER0		GEAR, Planetary
22	8350 3530	1	J, U			ER0		SPROCKET, Transfer Case
	5003 452AA	1	J, U			EVO		
23	8350 3530	1	J, U			ER0		SPROCKET, Transfer Case
	5003 452AA	1	J, U			EVO		
24	8350 3531	1	J, U			ER0		SPROCKET, Differential
25	8350 3532	1	J, U			ER0		SNAP RING
26	8350 4169	3	J, U			ER0		GEAR, Planetary
27	8350 4168	12	J, U			ER0		WASHER, Differential Gear
28	8350 3533	2	J, U			ER0		SPACER, Sprocket
29	8350 3543	1	J, U			EVO		BEARING PACKAGE, Transfer Case
		1	J, U			ER0		
30	8350 3543	1	J, U			EVO		CHAIN, Transfer Case
	5003 453AA	1	J, U			EVO		
	8350 4575	1	J, U			ER0		
31	4210 603	1	J, U			ER0		SEAL, Main Shaft
32	4338 936	1	J, U			ER0		PUMP, Transfer Case Oil
33	4167 991	1	J, U			EVO		SNAP RING, Bearing
		1	J, U			ER0		
34	4269 189	1	J, U			EVO		BEARING, Output Shaft
		1	J, U			ER0		
35								NUT, Transfer Case Yoke

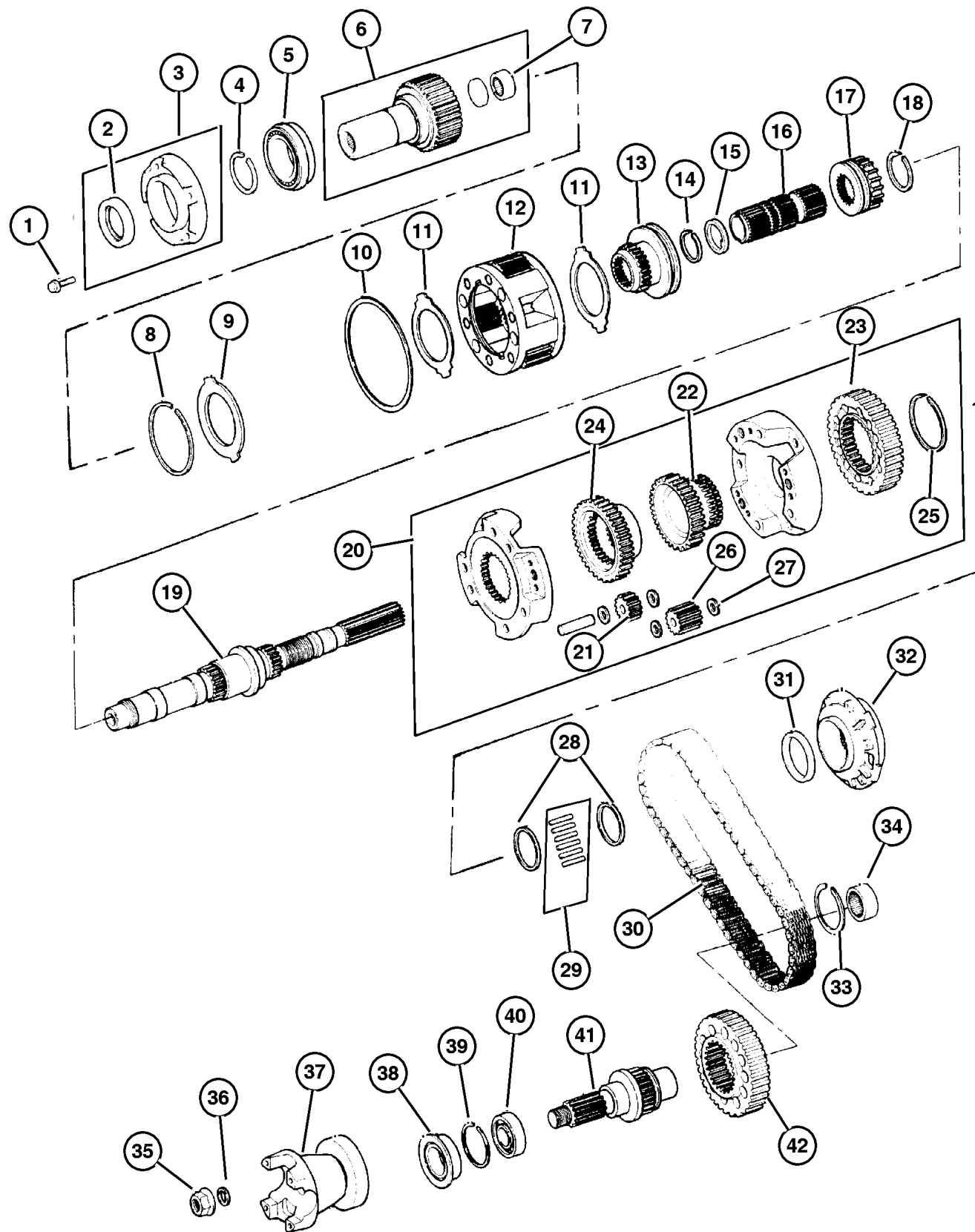
**JEEP GRAND CHEROKEE (WJ)**

SERIES	LINE	BODY	ENGINE	TRANSMISSION
H=Laredo	J = 4WD	74 = 4 Door(105.9 WB)	ER0, ERH = 4.0L, Power Tech I-6	DGK = 4 Speed Autm, 42RE
P=Limited	T = 2WD		EVO, EVA = 4.7L, Power Tech V8	DGW = 4 Speed Automatic, -44RE
	U = 4WD (RHD)		EXA, EX0 = 3.1L, 5 Cyl Turbo Diesel	DG4 = Multi Speed Automatic, -45RFE
				DGO = All Automatic

AR = Use as required - = Non illustrated part # = New this model year

September 14, 2002

**Gear Train Select Trac [DHP]  
Figure 242-410**



ITEM	PART NUMBER	QTY	LINE	SERIES	BODY	ENGINE	TRANS	DESCRIPTION
	4167 924	1	J, U			EVO		
		1	J, U			ER0		
36	4210 973	1	J, U			EVO		WASHER, Transfer Case Yoke
		1	J, U			ER0		
37	5012 308AA	1	J, U			EVO		YOKE, Transfer Case
		1	J, U			ER0		
38	4798 125	1	J, U			EVO		SEAL, Output Shaft
		1	J, U			ER0		
39	0893 31A	1	J, U			EVO		SNAP RING
		1	J, U			ER0		
40	2466 224	1	J, U			EVO		BEARING, Output Shaft
		1	J, U			ER0		
41	5012 336AA	1	J, U			EVO		OUTPUT SHAFT, Transfer Case
		1	J, U			ER0		
42	5003 452AA	1	J, U			EVO		SPROCKET, Transfer Case
	8350 3518	1	J, U			ER0		

**JEEP GRAND CHEROKEE (WJ)**

SERIES	LINE	BODY	ENGINE	TRANSMISSION
H=Laredo	J = 4WD	74 = 4 Door(105.9 WB)	ER0, ERH = 4.0L, Power Tech I-6	DGK = 4 Speed Autm, 42RE
P=Limited	T = 2WD		EVO, EVA = 4.7L, Power Tech V8	DGW = 4 Speed Automatic, -44RE
	U = 4WD (RHD)		EXA, EX0 = 3.1L, 5 Cyl Turbo Diesel	DG4 = Multi Speed Automatic, -45RFE
				DGO = All Automatic

AR = Use as required - = Non illustrated part # = New this model year

September 14, 2002

Fork and Rails Select Trac [DHP]  
Figure 242-910

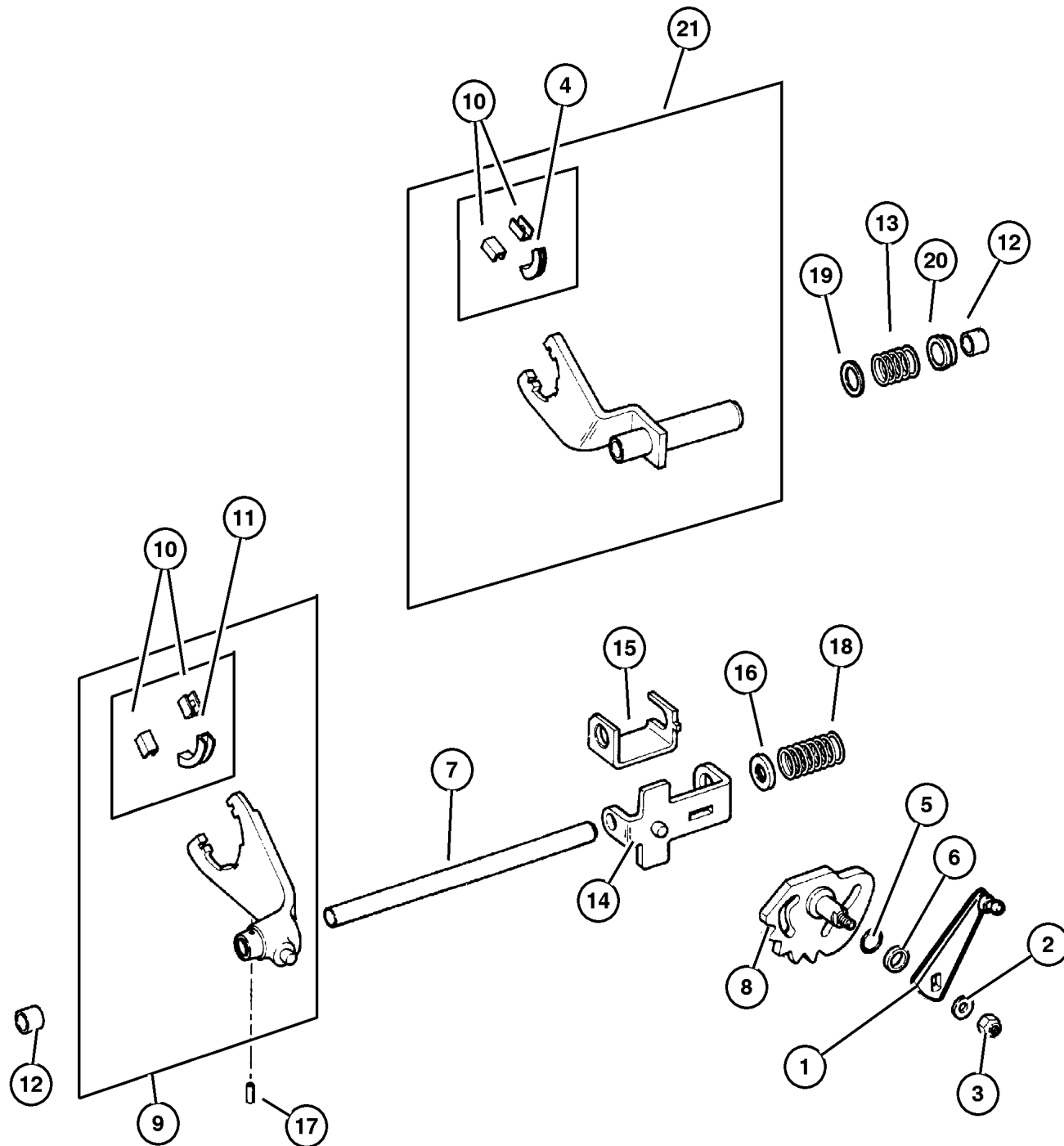
ITEM	PART NUMBER	QTY	LINE	SERIES	BODY	ENGINE	TRANS	DESCRIPTION
NOTES: Sales Codes								
[ER0] = All 4.0L 6 Cylinder Gas Engines								
[EV0] = All 4.7L Gas Engines								
1	5012 307AA	1	J, U			EV0		LEVER, Transfer Case
2	S243 6163	1	J, U			ER0		WASHER, Flat
3	5014 048AA	1	J, U			EV0		BOLT, Hex Head
4	4338 376	1	J, U			EV0		PAD, Shift Fork
5	5014 046AA	1	J, U			EV0		SEAL, Sector Shaft
6	5003 442AA	1	J, U			EV0		BEARING, Shift Lever Linkage
7	8350 4469	1	J, U			EV0		RAIL, Transfer Case
8	5014 047AA	1	J, U			EV0		SECTOR, Transfer Case
9	8350 3508	1	J, U			EV0		FORK, Range
10	4167 969	2	J, U			EV0		PAD, Shift Fork
11	4167 970	1	J, U			EV0		PAD, Shift Fork
12	J813 4291	2	J, U			EV0		BUSHING, Shift Fork
13	8350 3513	1	J, U			EV0		SPRING, Mode Shift Fork
14	8350 3511	1	J, U			EV0		BRACKET, Shift Mode

JEEP GRAND CHEROKEE (WJ)

SERIES	LINE	BODY	ENGINE	TRANSMISSION
H=Laredo	J = 4WD	74 = 4 Door(105.9 WB)	ER0, ERH = 4.0L, Power Tech I-6	DGK = 4 Speed Autm, 42RE
P=Limited	T = 2WD		EV0, EVA = 4.7L, Power Tech V8	DGW = 4 Speed Automatic, -44RE
	U = 4WD (RHD)		EXA, EX0 = 3.1L, 5 Cyl Turbo Diesel	DG4 = Multi Speed Automatic, -45RFE
				DGO = All Automatic

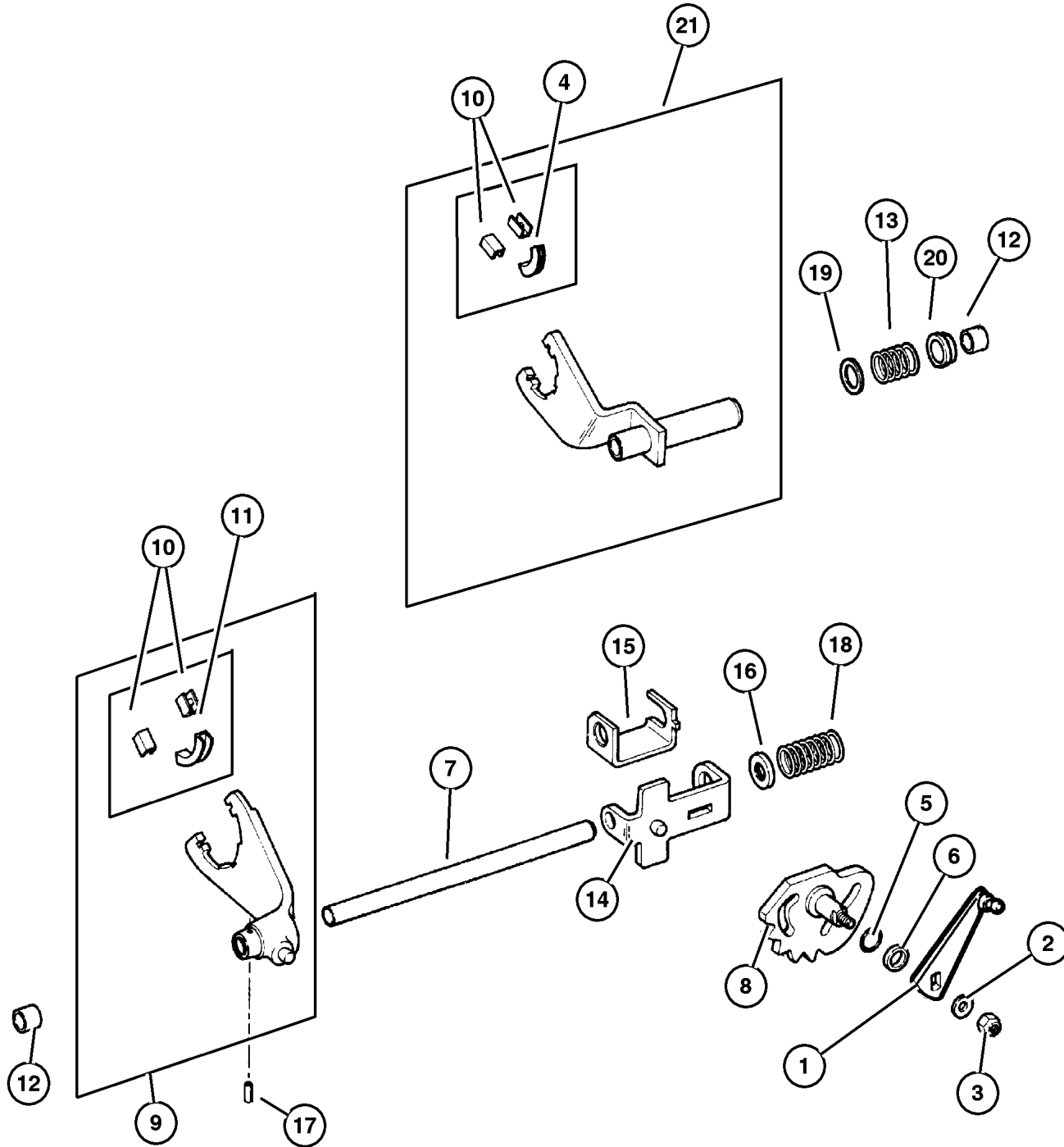
AR = Use as required - = Non illustrated part # = New this model year

September 14, 2002



Fork and Rails Select Trac [DHP]  
Figure 242-910

ITEM	PART NUMBER	QTY	LINE	SERIES	BODY	ENGINE	TRANS	DESCRIPTION
		1	J, U			ER0		
15	8350 3511	1	J, U			EVO		BRACKET, Shift Mode
		1	J, U			ER0		
16	8350 3515	1	J, U			EVO		CUP, Shift Fork Spring
		1	J, U			ER0		
17	1664 355	1	J, U			EVO		PIN, Shift Fork
		1	J, U			ER0		
18	8350 3516	1	J, U			EVO		SPRING, Mode Shift Fork
		1	J, U			ER0		
19	4210 983	2	J, U			EVO		WASHER, Flat
		2	J, U			ER0		
20	8350 3514	1	J, U			EVO		BUSHING, Shift Rail
		1	J, U			ER0		
21	4638 950	1	J, U			ER0		FORK, Transfer Case Mode Shift
		1	J, U			EVO		



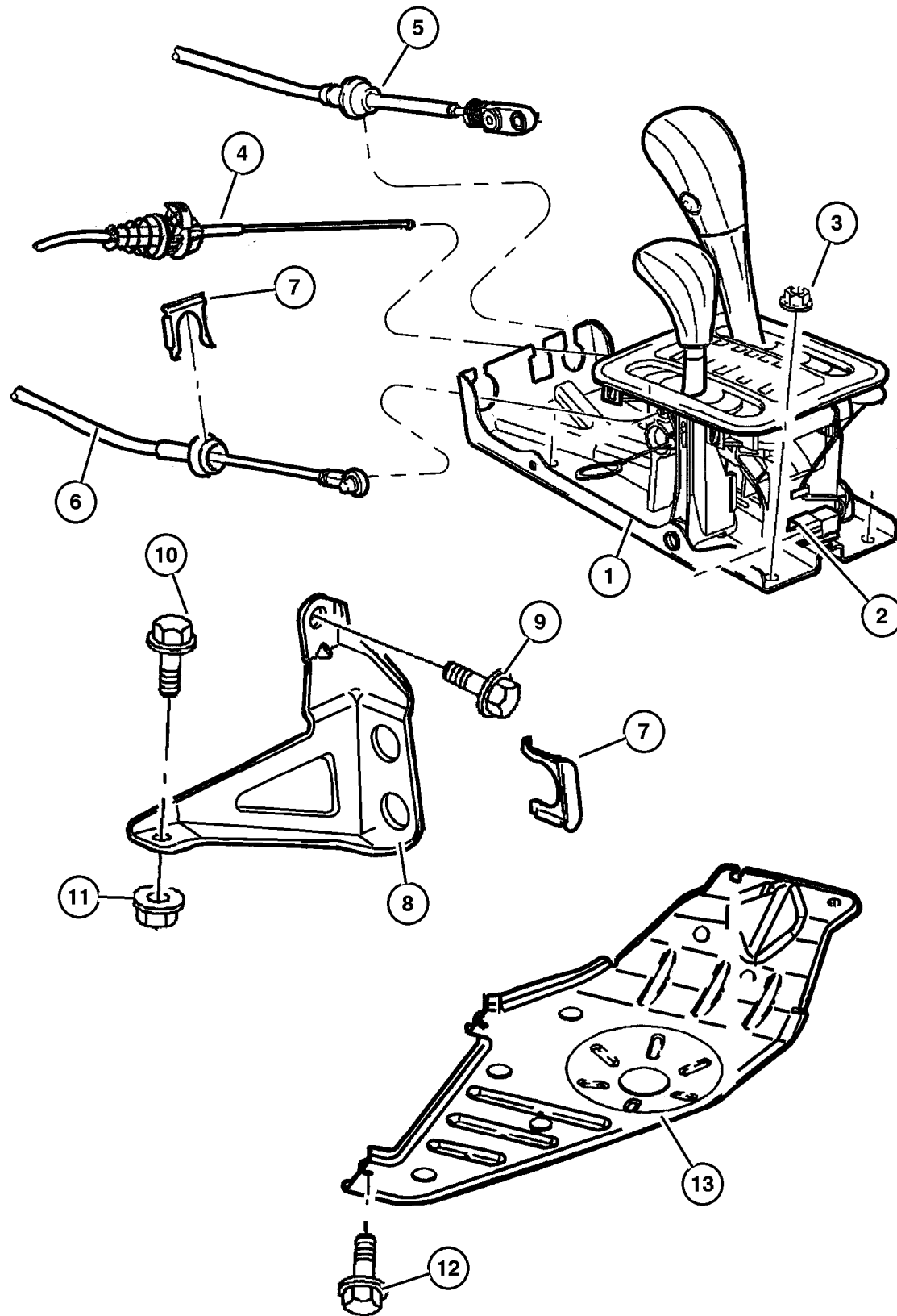
JEEP GRAND CHEROKEE (WJ)

SERIES	LINE	BODY	ENGINE	TRANSMISSION
H=Laredo	J = 4WD	74 = 4 Door(105.9 WB)	ER0, ERH = 4.0L, Power Tech I-6	DGK = 4 Speed Autm, 42RE
P=Limited	T = 2WD		EVO, EVA = 4.7L, Power Tech V8	DGW = 4 Speed Automatic, -44RE
	U = 4WD (RHD)		EXA, EX0 = 3.1L, 5 Cyl Turbo Diesel	DG4 = Multi Speed Automatic, -45RFE
				DGO = All Automatic

AR = Use as required - = Non illustrated part # = New this model year

September 14, 2002

**Gearshift Controls Select Trac [DHP]  
Figure 242-1210**



ITEM	PART NUMBER	QTY	LINE	SERIES	BODY	ENGINE	TRANS	DESCRIPTION
NOTES: Sales Codes								
[DG0] = All Automatic Transmission								
[DGK] = 42RE Automatic Transmission								
[DGW] = 44RE 4 Speed Automatic Transmission								
[EX0] = All 3.0/3.1L Turbo Diesel Engine								
1								HOUSING AND LEVER, Shifter
	5210 4149	1	J				DG0	
	5210 4147	1	T				DG0	
2	5013 117AA	1	J				DG0	CONNECTOR, Wiring
3	6101 695	4						NUT, Hex Flange Lock, M8x1.25
4	5210 4054	1					DG0	CABLE, Park Interlock
5	5210 4060	1					DG0	CABLE, Gearshift Control
6	5210 4218	1	J, U				DG0	CABLE, Gearshift Control
7	4269 830	2	J, U					CLIP, Cable
8	5210 4219	1	J, U				DGK, DGW	BRACKET, Torque Shaft
9	6503 119	4						SCREW AND WASHER, Hex Head, M10x1.5x40
10	6101 054	1	J, U				DGK, DGW	BOLT AND WASHER, Hex Head, M10x1.5x40
11	0115 984	1					DGW	NUT, Brake Line
12	6503 571	4						SCREW AND WASHER, M10x1.50x35
13	52059 302AA	1	J, U				EX0	SKID PLATE, Front

**JEEP GRAND CHEROKEE (WJ)**

SERIES	LINE	BODY	ENGINE	TRANSMISSION
H=Laredo	J = 4WD	74 = 4 Door(105.9 WB)	ER0, ERH = 4.0L, Power Tech I-6	DGK = 4 Speed Autm, 42RE
P=Limited	T = 2WD		EVO, EVA = 4.7L, Power Tech V8	DGW = 4 Speed Automatic, -44RE
	U = 4WD (RHD)		EXA, EX0 = 3.1L, 5 Cyl Turbo Diesel	DG4 = Multi Speed Automatic, -45RFE
				DGO = All Automatic

AR = Use as required - = Non illustrated part # = New this model year

September 14, 2002

# Group – 247

## Transfer Case Model 247

### GROUP 247 - Transfer Case Model 247

Illustration Title

Group-Fig. No.

#### Transfer Case Assembly

Transfer Case Quadra Trac II on Demand [DHF] ..... Fig. 247-110

#### Case and Related Parts

Case and Related Parts Quadra Trac II on Demand [DHF] ..... Fig. 247-210

#### Gear Train

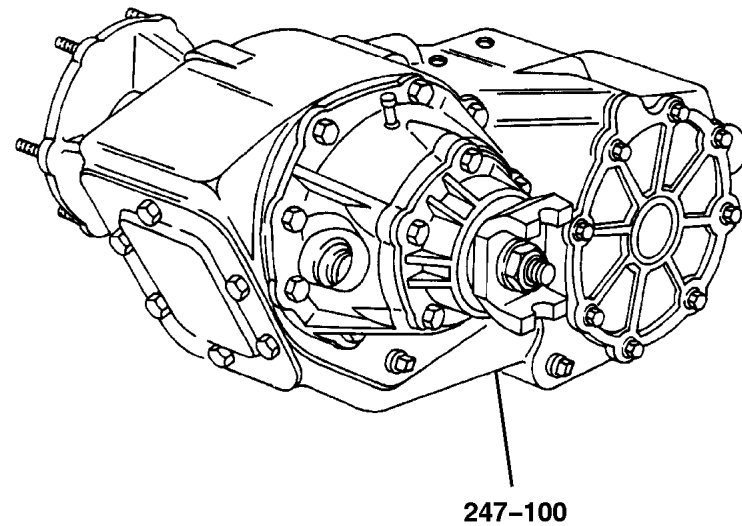
Gear Train Quadra Trac II on Demand [DHF] ..... Fig. 247-410

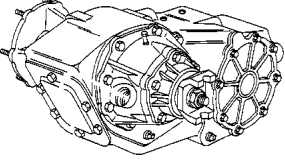
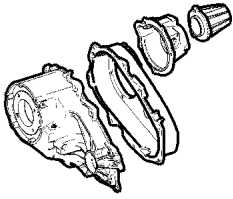
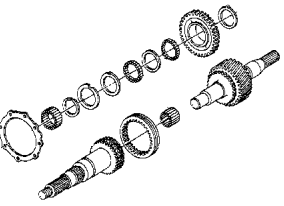
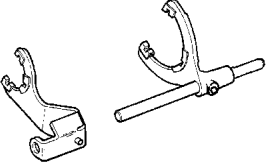

#### Fork and Rails

Fork and Rails Quadra Trac II on Demand [DHF] ..... Fig. 247-910

#### Gearshift Controls

Gearshift Controls Quadra Trac II on Demand [DHF] ..... Fig. 247-1210

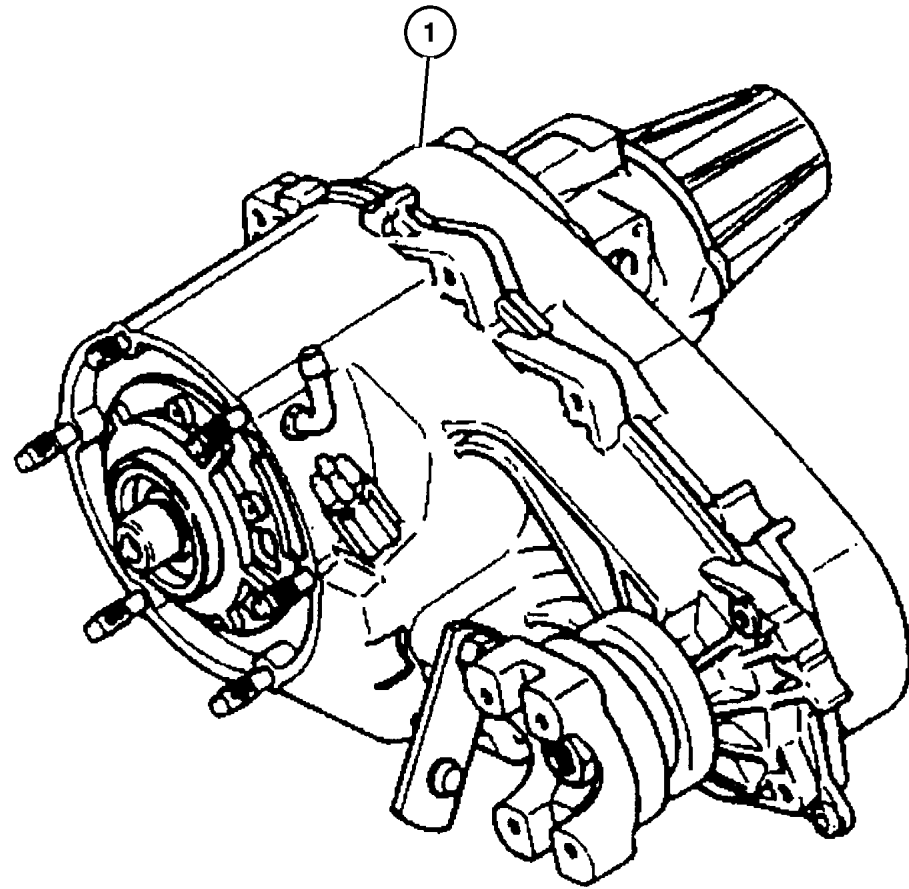


<p><b>247-100</b> Transfer Case Assembly</p> 	<p><b>247-200</b> Case and Related Parts</p> 	<p><b>247-400</b> Gear Train</p> 	<p><b>247-900</b> Fork and Rails</p> 
<p><b>247-1200</b> Gearshift Controls</p> 			



**Transfer Case Quadra Trac II on Demand [DHF]  
Figure 247-110**

ITEM	PART NUMBER	QTY	LINE	SERIES	BODY	ENGINE	TRANS	DESCRIPTION
NOTES: Sales Codes								
[EV0] = All 4.7L Gas Engines								
[ER0] = All 4.0L 6 Cylinder Gas Engines								
[EX0] = All 3.0/3.1L Turbo Diesel Engine								
1								TRANSFER CASE, NP247
	52098 871AB	1	J, U			ER0		
	52098 872AB	1	J, U			EVO		
	52098 873AC	1	J, U			EX0		

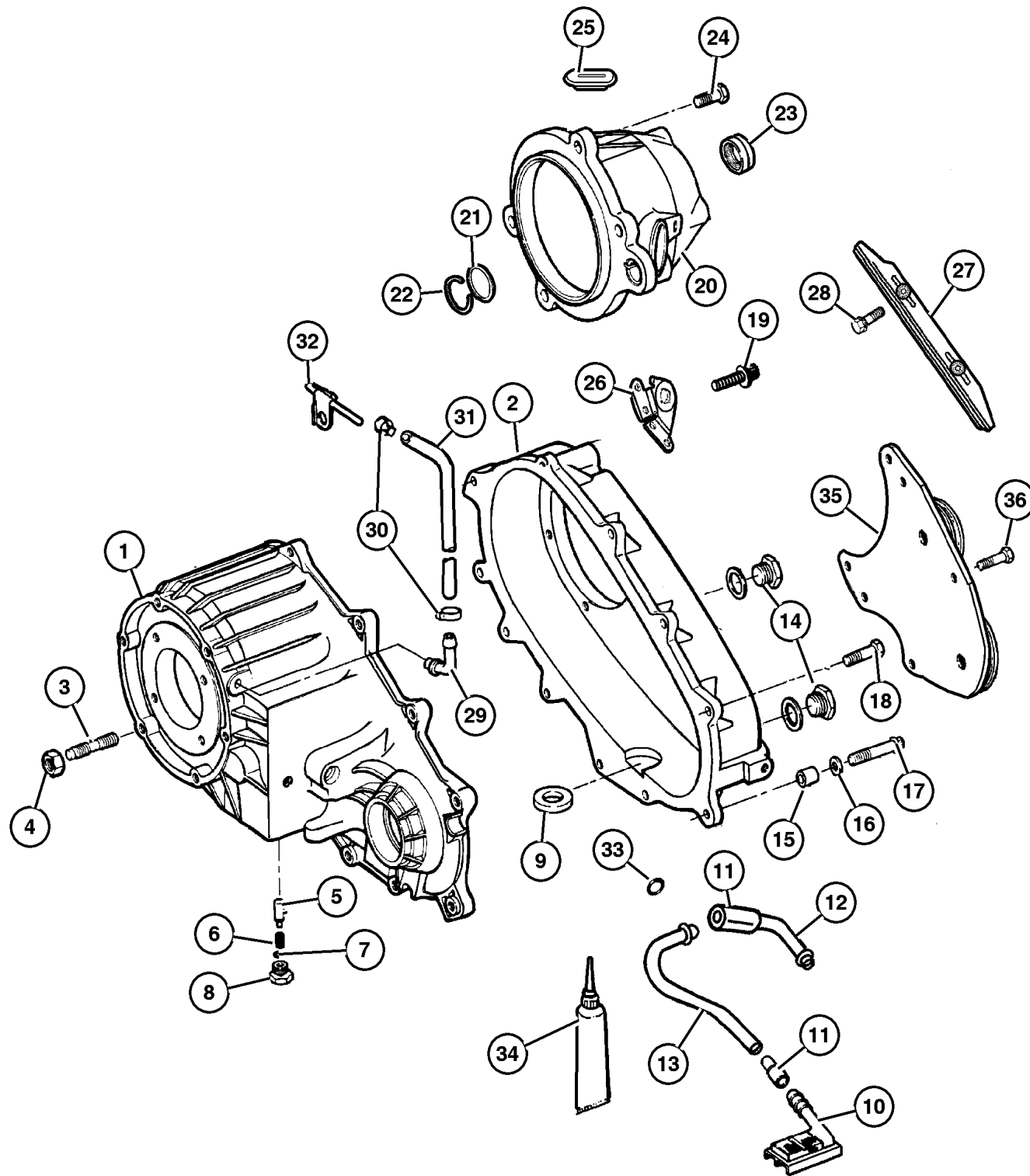


JEEP GRAND CHEROKEE (WJ)				
SERIES	LINE	BODY	ENGINE	TRANSMISSION
H=Laredo	J = 4WD	74 = 4 Door(105.9 WB)	ER0, ERH = 4.0L, Power Tech I-6	DGK = 4 Speed Autm, 42RE
P=Limited	T = 2WD		EVO, EVA = 4.7L, Power Tech V8	DGW = 4 Speed Automatic, -44RE
	U = 4WD (RHD)		EXA, EX0 = 3.1L, 5 Cyl Turbo Diesel	DG4 = Multi Speed Automatic, -45RFE
				DGO = All Automatic

AR = Use as required - = Non illustrated part # = New this model year

September 14, 2002

**Case and Related Parts Quadra Trac II on Demand [DHF]  
Figure 247-210**



ITEM	PART NUMBER	QTY	LINE	SERIES	BODY	ENGINE	TRANS	DESCRIPTION
NOTES: Sales Codes								
[EV0] = All 4.7L Gas Engines								
[ER0] = All 4.0L 6 Cylinder Gas Engines								
[EX0] = All 3.0/3.1L Turbo Diesel Engine								
1								CASE, Transfer Front
	5012 309AA	1	J, U			ER0		
		1	J, U			EV0		
	5012 341AA	1	J, U			EX0		
2								CASE, Transfer Case Rear
	5012 323AA	1	J, U			EV0		
		1	J, U			ER0		
	5013 010AA	1	J, U			EX0		
3								STUD
	4505 365	6	J, U			ER0		
		6	J, U			EX0		
	5012 310AA	6	J, U			EV0		
4	J400 6681	6	J, U					NUT AND CONED WASHER, Hex, .375-24
5								PLUNGER
	5300 8217	1	J, U			EV0		
		1	J, U			EX0		Export, Europe
		1	J, U			ER0		
6								SPRING, Shift Detent
	4638 497	1	J, U			EX0		Export, Europe
		1	J, U			ER0		
		1	J, U			EV0		
7								SEAL, Vacuum Switch
	4338 956	1	J, U			EX0		
		1	J, U			ER0		
		1	J, U			EV0		
8								SCREW
	4886 473AA	1	J, U			ER0		
		1	J, U			EX0		Export, Europe
		1	J, U			EV0		
9								MAGNET, Transmission
	3681 601	1	J, U			EX0		Export, Europe
		1	J, U			ER0		
		1	J, U			EV0		
10								FILTER, Transfer Case Oil
	5012 326AA	1	J, U			EV0		
		1	J, U			ER0		
	5013 011AA	1	J, U			EX0		Export, Europe
11								CONNECTOR, Oil Tube Pickup

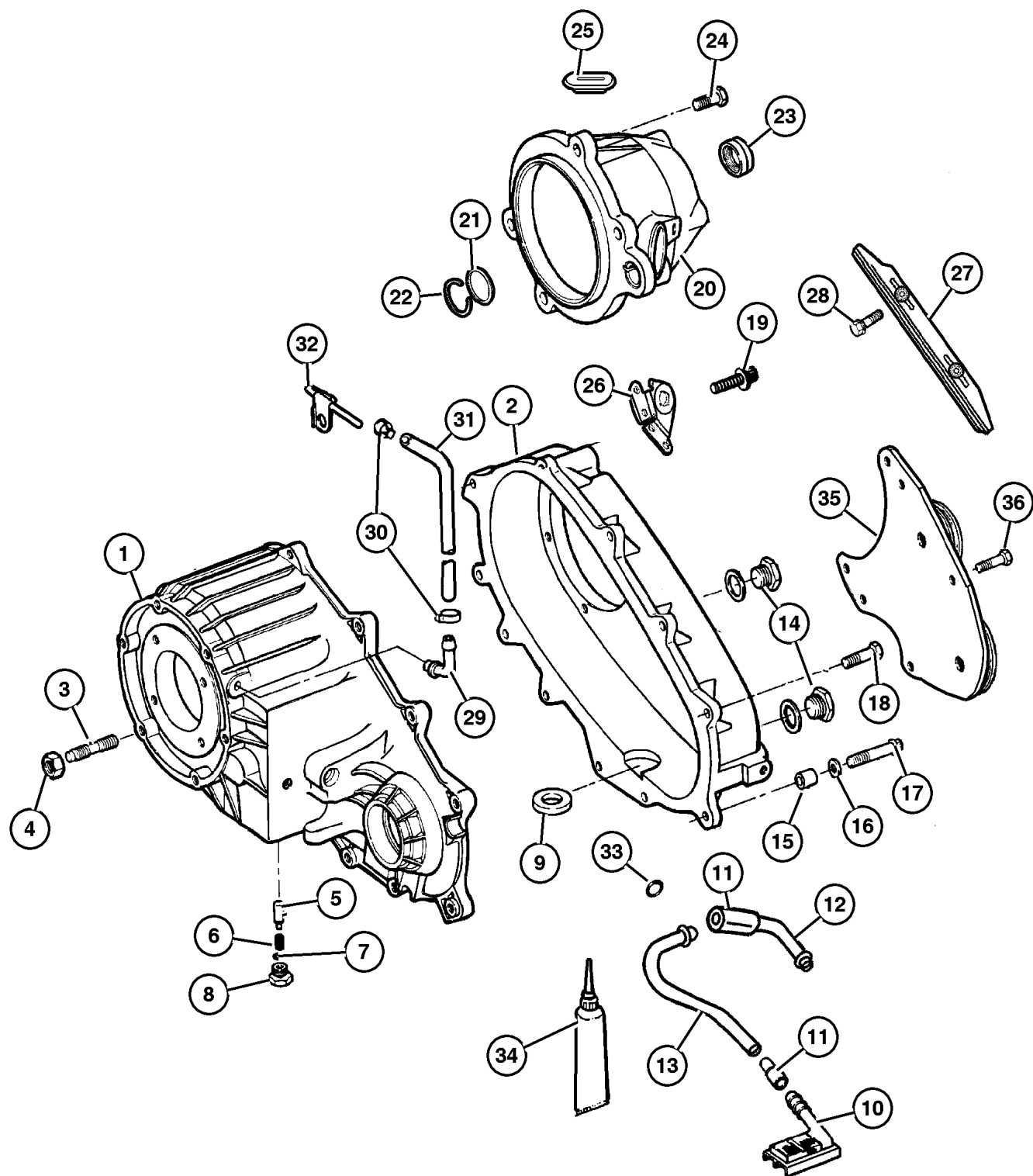
**JEEP GRAND CHEROKEE (WJ)**

SERIES	LINE	BODY	ENGINE	TRANSMISSION
H=Laredo	J = 4WD	74 = 4 Door(105.9 WB)	ER0, ERH = 4.0L, Power Tech I-6	DGK = 4 Speed Autm, 42RE
P=Limited	T = 2WD		EV0, EVA = 4.7L, Power Tech V8	DGW = 4 Speed Automatic, -44RE
	U = 4WD (RHD)		EXA, EX0 = 3.1L, 5 Cyl Turbo Diesel	DG4 = Multi Speed Automatic, -45RFE
				DGO = All Automatic

AR = Use as required - = Non illustrated part # = New this model year

September 14, 2002

Case and Related Parts Quadra Trac II on Demand [DHF]  
Figure 247-210



ITEM	PART NUMBER	QTY	LINE	SERIES	BODY	ENGINE	TRANS	DESCRIPTION
	5012 327AA	1	J, U			EX0		
		2	J, U			ER0		
		2	J, U			EVO		
12	5012 328AA	1	J, U			EVO		TUBE, Oil Pickup
	5013 012AA	1	J, U			EX0		
	5013 018AA	1	J, U			ER0		
13	5012 328AA	1	J, U			ER0		TUBE, Oil Pickup
		1	J, U			EVO		
	5013 012AA	1	J, U			EX0		Export, Europe PLUG, Oil Fill
14	4856 641	2	J, U			EX0		Export, Europe
		2	J, U			ER0		
		2	J, U			EVO		
15	4116 310	2	J, U			ER0		DOWEL, Transfer Case
		2	J, U			EVO		
16	4210 983	2	J, U			ER0		WASHER, Flat
		2	J, U			EVO		
17	4210 614	2	J, U			ER0		BOLT, Hex Flange Head
		2	J, U			EVO		
	5013 013AA	18	J, U			EX0		
18	4210 617	6	J, U			ER0		BOLT, Transfer Case
		6	J, U			EVO		
19	J813 0979	3	J, U			ER0		BOLT, Twelve Point Head, M10x1.5x48, w/52098871
20	5012 332AA	1	J, U			ER0		RETAINER, Transfer Case Rear
21	4638 902	1	J, U			ER0		BUSHING, Extension Housing
		1	J, U			EVO		
22	4638 905	1	J, U			ER0		SNAP RING
		1	J, U			EVO		
23	4897 298AA	1	J, U			ER0		SEAL, Output Shaft
		1	J, U			EVO		
	5013 019AA	1	J, U			EX0		
24								BOLT, Retainer

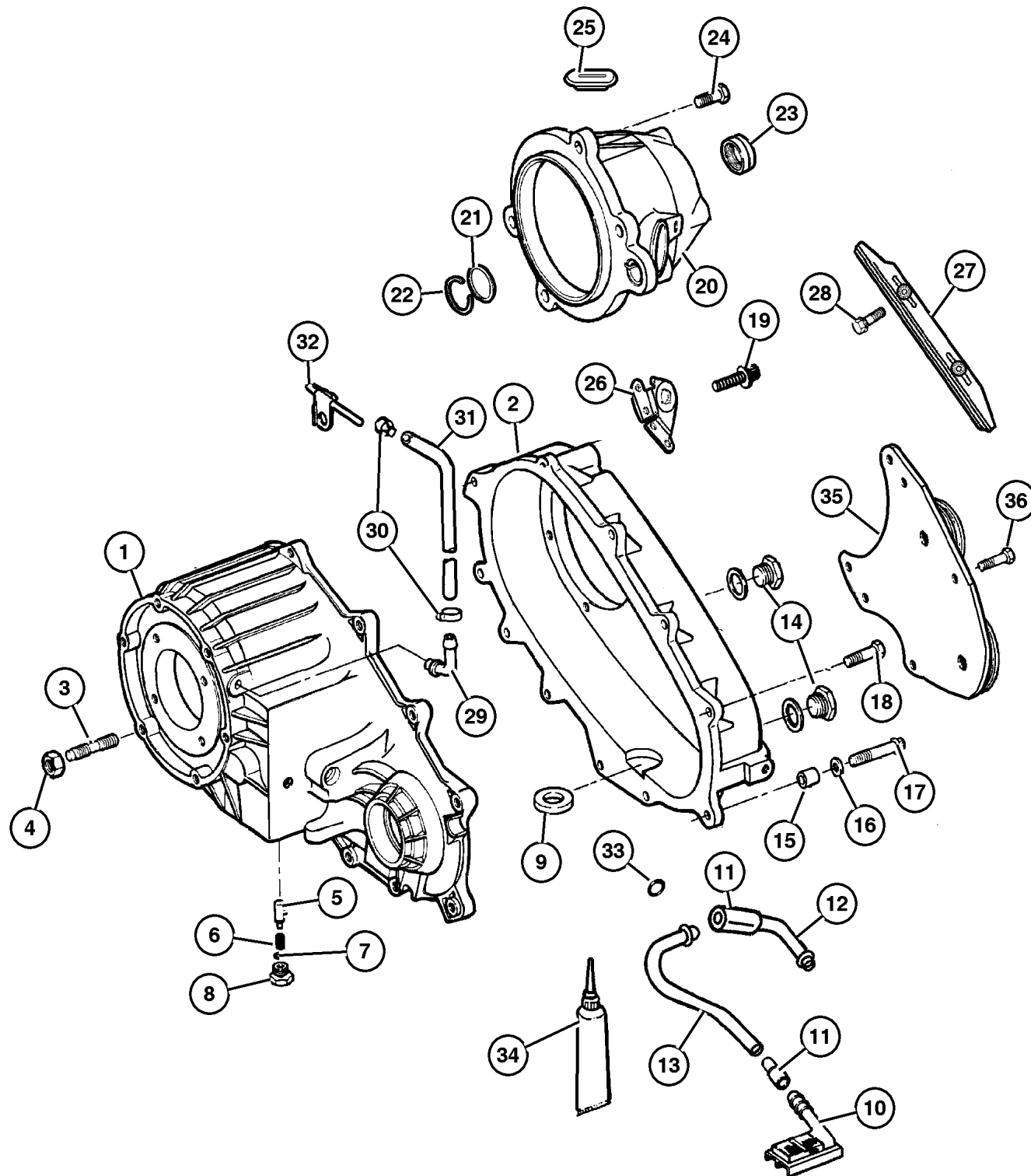
JEEP GRAND CHEROKEE (WJ)

SERIES	LINE	BODY	ENGINE	TRANSMISSION
H=Laredo	J = 4WD	74 = 4 Door(105.9 WB)	ER0, ERH = 4.0L, Power Tech I-6	DGK = 4 Speed Autm, 42RE
P=Limited	T = 2WD		EVO, EVA = 4.7L, Power Tech V8	DGW = 4 Speed Automatic, -44RE
	U = 4WD (RHD)		EXA, EX0 = 3.1L, 5 Cyl Turbo Diesel	DG4 = Multi Speed Automatic, -45RFE
				DGO = All Automatic

AR = Use as required - = Non illustrated part # = New this model year

September 14, 2002

Case and Related Parts Quadra Trac II on Demand [DHF]  
Figure 247-210



ITEM	PART NUMBER	QTY	LINE	SERIES	BODY	ENGINE	TRANS	DESCRIPTION
	6501 371	6	J, U			EX0		Export, Europe
		4	J, U			ER0		
25	5010 123AA	1	J, U			ER0		PLUG
		1	J, U			EVO		
26	5211 8181	1	J, U			ER0		CLIP, w/52098871
27	5012 324AA	1	J, U			ER0		SNUBBER, Drive Chain
		1	J, U			EX0		
		1	J, U			EVO		
28	5012 325AA	2	J, U			ER0		BOLT
		2	J, U			EX0		
		2	J, U			EVO		
29	4796 910	1	J, U			ER0		VENT, Transfer Case
		1	J, U			EVO		
		1	J, U			EX0		
30	6502 081	2	J, U					CLAMP, Oil Cooler Line
31	4443 176	1				EX0		HOSE, Fuel, .31 I.D. 50 Foot Roll
32	5300 7494	1	J, U					VENT, Transfer Case
33	5013 016AB	1	J, U			EX0		SEAL, Transfer Case
		1	J, U			ER0		
		1	J, U			EVO		
34	5010 884AA	1						SEALANT, RTV
35	5013 022AA	1	J, U			EX0		DAMPER, Transfer Case
36	6501 371	6	J, U			EX0		BOLT, Retainer

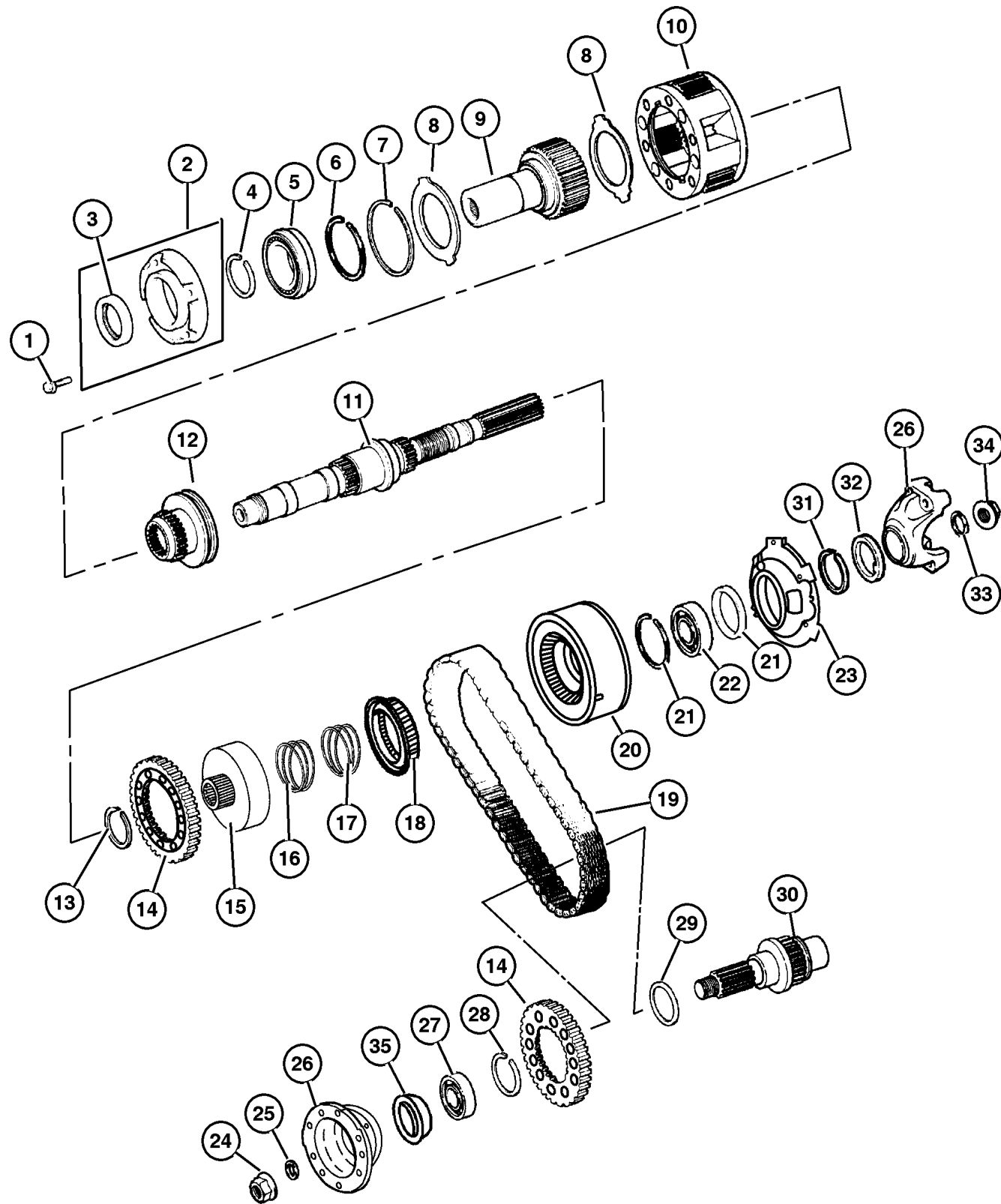
JEEP GRAND CHEROKEE (WJ)

SERIES	LINE	BODY	ENGINE	TRANSMISSION
H=Laredo	J = 4WD	74 = 4 Door(105.9 WB)	ER0, ERH = 4.0L, Power Tech I-6	DGK = 4 Speed Autm, 42RE
P=Limited	T = 2WD		EVO, EVA = 4.7L, Power Tech V8	DGW = 4 Speed Automatic, -44RE
	U = 4WD (RHD)		EXA, EX0 = 3.1L, 5 Cyl Turbo Diesel	DG4 = Multi Speed Automatic, -45RFE
				DGO = All Automatic

AR = Use as required - = Non illustrated part # = New this model year

September 14, 2002

**Gear Train Quadra Trac II on Demand [DHF]  
Figure 247-410**



ITEM	PART NUMBER	QTY	LINE	SERIES	BODY	ENGINE	TRANS	DESCRIPTION
------	-------------	-----	------	--------	------	--------	-------	-------------

NOTES: Sales Codes

[EV0] = All 4.7L Gas Engines  
 [ER0] = All 4.0L 6 Cylinder Gas Engines  
 [EX0] = All 3.0/3.1L Turbo Diesel Engine

1								BOLT
	6500 318	4	J, U			ER0		
		4	J, U			EV0		
2								EXTENSION, Transfer Case
	4864 782	1	J, U			ER0		
		1	J, U			EV0		
3								SEAL, Input Gear
	4798 033	1	J, U			ER0		
		1	J, U			EX0		
		1	J, U			EV0		
4								SNAP RING
	3821 558	1	J, U			ER0		
		1	J, U			EX0		
		1	J, U			EV0		
5								BEARING, Input Gear
	4746 155	1	J, U			ER0		
		1	J, U			EV0		
	5012 997AA	1	J, U			EX0		
6								SNAP RING
	4338 910	1	J, U			ER0		
		1	J, U			EX0		
		1	J, U			EV0		
7								RING
	4338 909	1	J, U			ER0		
		1	J, U			EX0		
		1	J, U			EV0		
8								THRUST WASHER, Planetary Carrier
	4338 908	2	J, U			ER0		
		2	J, U			EV0		
		2	J, U			EX0		
9								GEAR, Input
	4798 126	1	J, U			ER0		
		1	J, U			EX0		
	5012 311AA	1	J, U			EV0		
10								PLANETARY, Transfer Case
	4796 903	1	J, U			ER0		
		1	J, U			EV0		
	4797 030	1	J, U			EX0		
11								MAINSHAFT, Transfer Case

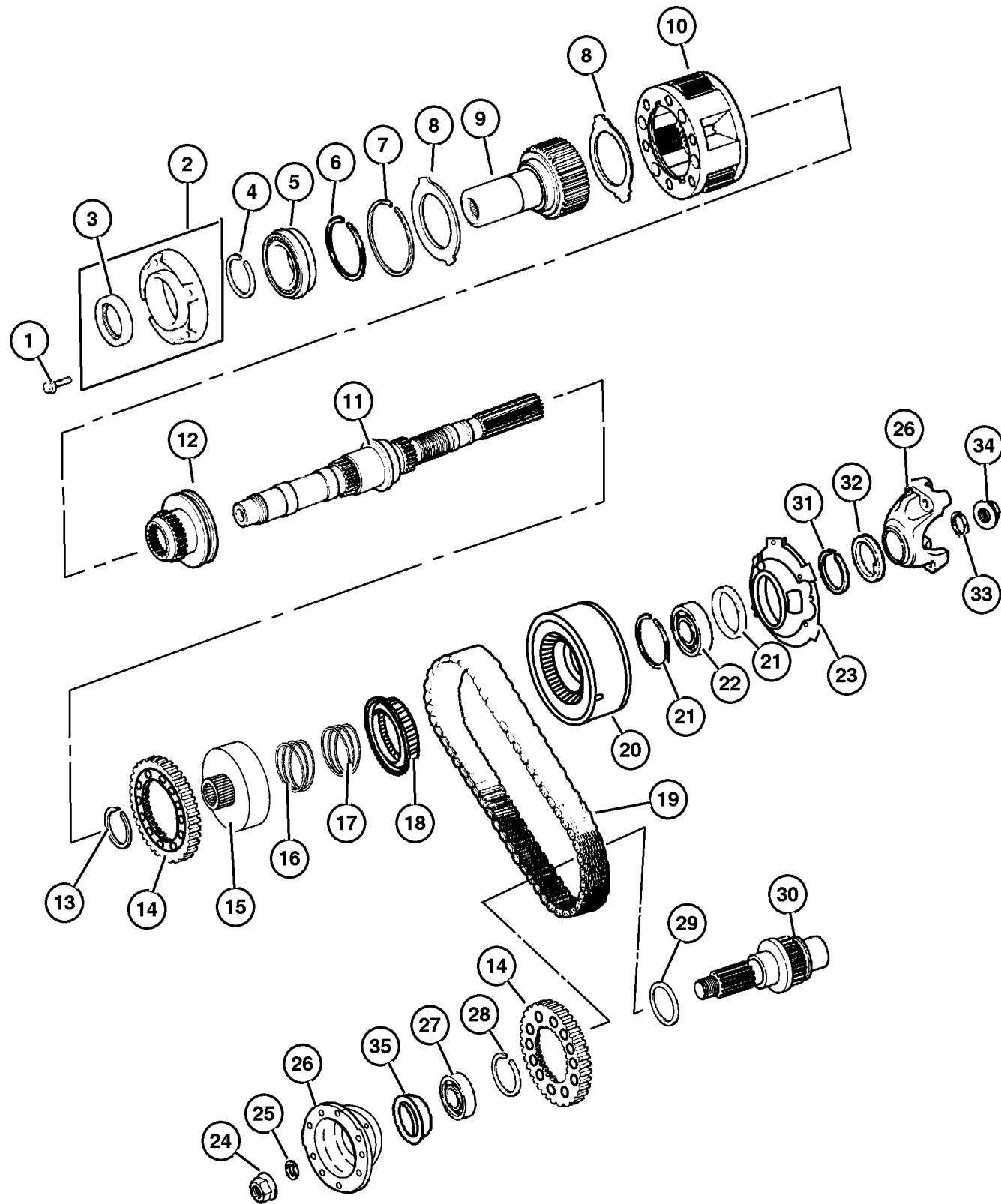
JEEP GRAND CHEROKEE (WJ)

SERIES	LINE	BODY	ENGINE	TRANSMISSION
H=Laredo	J = 4WD	74 = 4 Door(105.9 WB)	ER0, ERH = 4.0L, Power Tech I-6	DGK = 4 Speed Autm, 42RE
P=Limited	T = 2WD		EV0, EVA = 4.7L, Power Tech V8	DGW = 4 Speed Automatic, -44RE
	U = 4WD (RHD)		EXA, EX0 = 3.1L, 5 Cyl Turbo Diesel	DG4 = Multi Speed Automatic, -45RFE
				DGO = All Automatic

AR = Use as required - = Non illustrated part # = New this model year

September 14, 2002

**Gear Train Quadra Trac II on Demand [DHF]  
Figure 247-410**



ITEM	PART NUMBER	QTY	LINE	SERIES	BODY	ENGINE	TRANS	DESCRIPTION
	5012 313AA	1	J, U			ER0		
		1	J, U			EVO		
12	5012 999AA	1	J, U			EX0		SLEEVE, Shift Range
	5012 314AA	1	J, U			ER0		
		1	J, U			EX0		
		1	J, U			EVO		
13								SNAP RING
	4798 130	1	J, U			ER0		
		1	J, U			EX0		
		1	J, U			EVO		
14								SPROCKET, Drive
	5012 319AA	2	J, U			ER0		
		2	J, U			EX0		
		2	J, U			EVO		
15								CARRIER, Sprocket
	5012 315AA	1	J, U			ER0		
		1	J, U			EVO		
		1	J, U			EX0		
16								SPRING, Clutch
	4798 131	1	J, U			ER0		
		1	J, U			EX0		
		1	J, U			EVO		
17								SPRING, Clutch
	4897 521AA	1	J, U			ER0		
		1	J, U			EX0		
		1	J, U			EVO		
18								CLUTCH, Oneway
	4897 520AA	1	J, U			ER0		
		1	J, U			EX0		
		1	J, U			EVO		
19								CHAIN, Transfer Case
	5012 322AB	1	J, U			ER0		
		1	J, U			EVO		
	5012 322AA	1	J, U			EX0		
20								PUMP, Transfer Case Gear Rotor
	5012 329AA	1	J, U			ER0		
		1	J, U			EX0		
		1	J, U			EVO		
21								SNAP RING
	4446 478	2	J, U			ER0		
		1	J, U			EX0		

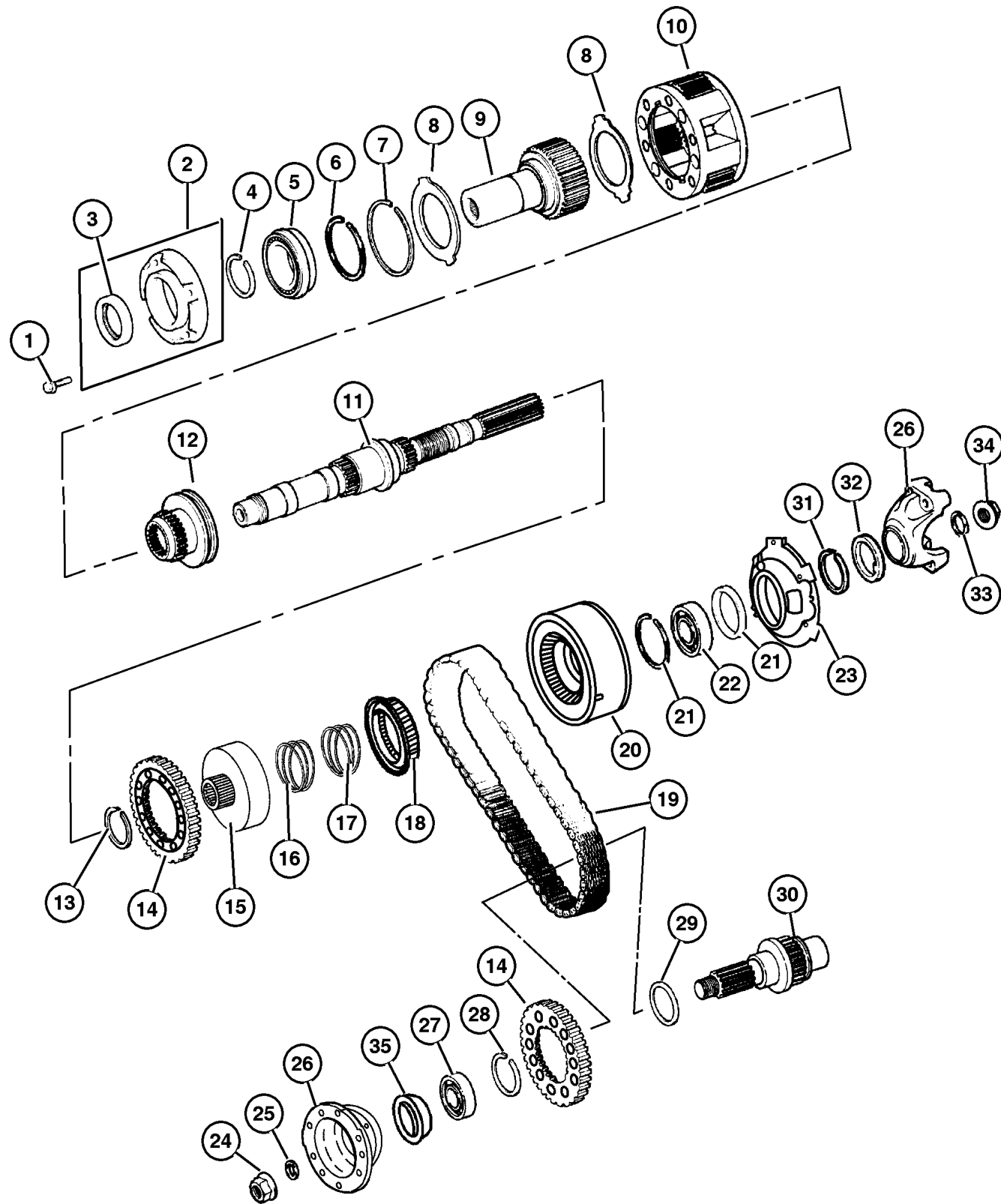
**JEEP GRAND CHEROKEE (WJ)**

SERIES	LINE	BODY	ENGINE	TRANSMISSION
H=Laredo	J = 4WD	74 = 4 Door(105.9 WB)	ER0, ERH = 4.0L, Power Tech I-6	DGK = 4 Speed Autm, 42RE
P=Limited	T = 2WD		EVO, EVA = 4.7L, Power Tech V8	DGW = 4 Speed Automatic, -44RE
	U = 4WD (RHD)		EXA, EX0 = 3.1L, 5 Cyl Turbo Diesel	DG4 = Multi Speed Automatic, -45RFE
				DGO = All Automatic

AR = Use as required - = Non illustrated part # = New this model year

September 14, 2002

**Gear Train Quadra Trac II on Demand [DHF]  
Figure 247-410**



ITEM	PART NUMBER	QTY	LINE	SERIES	BODY	ENGINE	TRANS	DESCRIPTION
		2	J, U				EVO	
22	4638 899	1	J, U			ER0		BEARING, Output Shaft
		1	J, U			EX0		
		1	J, U			EVO		
23	5013 017AB	1	J, U			ER0		PUMP, Transfer Case Oil
		1	J, U			EX0		
		1	J, U			EVO		
24	4167 924	1	J, U			ER0		NUT, Transfer Case Yoke
		1	J, U			EX0		
		1	J, U			EVO		
25	4210 973	1	J, U			EX0		WASHER, Transfer Case Yoke
		1	J, U			ER0		
		1	J, U			EVO		
26	5012 308AA	1	J, U			ER0		YOKE, Transfer Case
		1	J, U			EX0		Front
		1	J, U			EVO		Front
		1	J, U			EVO		Front
		1	J, U			EX0		Rear
27	5013 021AA	1	J, U			EX0		BEARING, Output Shaft
	2466 224	1	J, U			EX0		
		1	J, U			ER0		
		1	J, U			EVO		
28	5012 320AA	2	J, U			ER0		SNAP RING
		2	J, U			EX0		
		2	J, U			EVO		
29	4210 973	1	J, U			ER0		WASHER, Transfer Case Yoke
		1	J, U			EX0		
		1	J, U			EVO		
30	5012 321AA	1	J, U			ER0		OUTPUT SHAFT, Transfer Case
		1	J, U			EX0		
		1	J, U			EVO		
31	5013 014AA	1	J, U			ER0		WASHER
		1	J, U			EX0		
		1	J, U			EVO		
32								SNAP RING

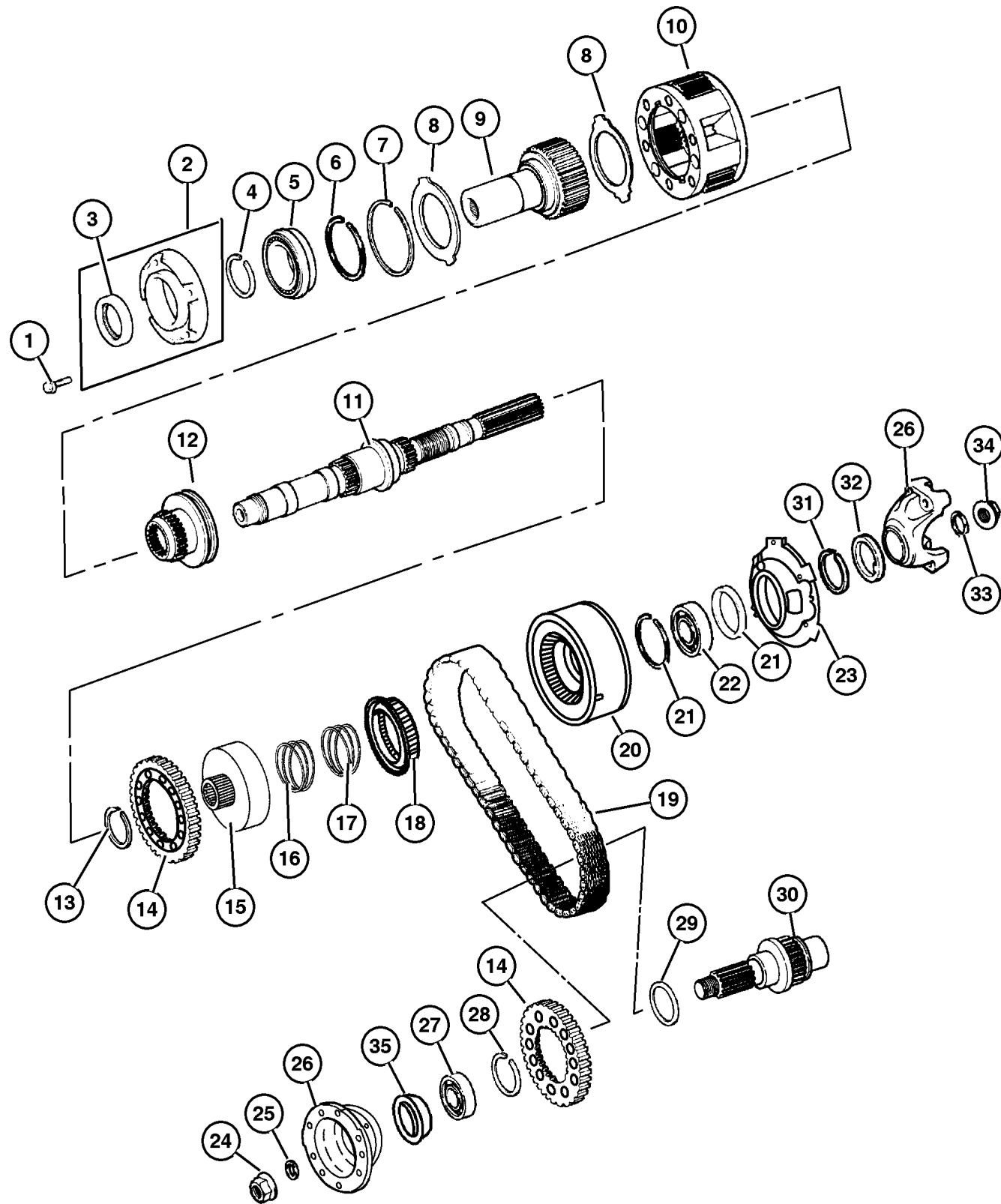
**JEEP GRAND CHEROKEE (WJ)**

SERIES	LINE	BODY	ENGINE	TRANSMISSION
H=Laredo	J = 4WD	74 = 4 Door(105.9 WB)	ER0, ERH = 4.0L, Power Tech I-6	DGK = 4 Speed Autm, 42RE
P=Limited	T = 2WD		EVO, EVA = 4.7L, Power Tech V8	DGW = 4 Speed Automatic, -44RE
	U = 4WD (RHD)		EXA, EX0 = 3.1L, 5 Cyl Turbo Diesel	DG4 = Multi Speed Automatic, -45RFE
				DGO = All Automatic

AR = Use as required - = Non illustrated part # = New this model year

September 14, 2002

**Gear Train Quadra Trac II on Demand [DHF]  
Figure 247-410**



ITEM	PART NUMBER	QTY	LINE	SERIES	BODY	ENGINE	TRANS	DESCRIPTION
	5013 015AA	2	J, U			ER0		
		2	J, U			EX0		
		2	J, U			EVO		
33	4446 487	1	J, U			EX0		WASHER, Flat
34	4446 488	1	J, U			EX0		NUT, Hex Flange
35								SEAL, Output Shaft
	4798 125	1	J, U			ER0		
		1	J, U			EVO		

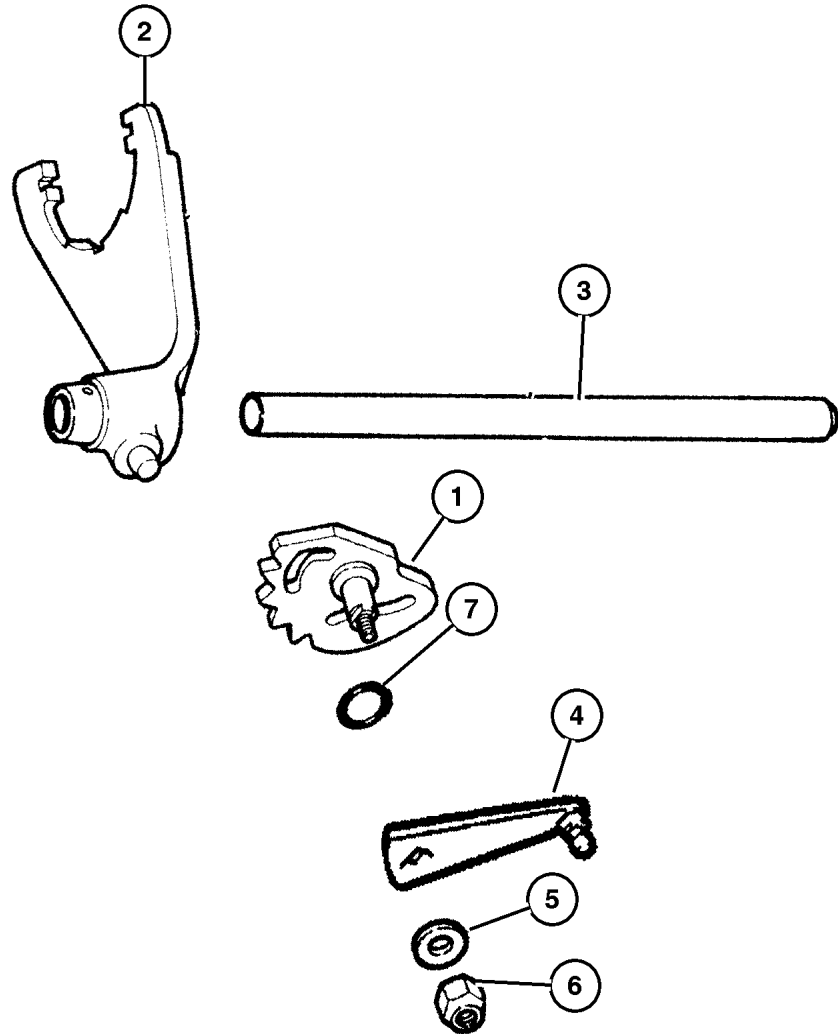
<b>JEEP GRAND CHEROKEE (WJ)</b>				
SERIES	LINE	BODY	ENGINE	TRANSMISSION
H=Laredo	J = 4WD	74 = 4 Door(105.9 WB)	ER0, ERH = 4.0L, Power Tech I-6	DGK = 4 Speed Autm, 42RE
P=Limited	T = 2WD		EVO, EVA = 4.7L, Power Tech V8	DGW = 4 Speed Automatic, -44RE
	U = 4WD (RHD)		EXA, EX0 = 3.1L, 5 Cyl Turbo Diesel	DG4 = Multi Speed Automatic, -45RFE
				DGO = All Automatic

AR = Use as required - = Non illustrated part # = New this model year

September 14, 2002



Fork and Rails Quadra Trac II on Demand [DHF]  
Figure 247-910



ITEM	PART NUMBER	QTY	LINE	SERIES	BODY	ENGINE	TRANS	DESCRIPTION
NOTES: Sales Codes								
[EV0] = All 4.7L Gas Engines								
[ER0] = All 4.0L 6 Cylinder Gas Engines								
[EX0] = All 3.0/3.1L Turbo Diesel Engine								
1								SECTOR, Transfer Case
	5012 312AA	1	J, U			ER0		
		1	J, U			EX0		
		1	J, U			EVO		
2								FORK, Range
	4798 136	1	J, U			ER0		
		1	J, U			EX0		
		1	J, U			EVO		
3								RAIL, Transfer Case
	4798 135	1	J, U			ER0		
		1	J, U			EVO		
	5013 003AA	1	J, U			EX0		
4								LEVER, Transfer Case
	5012 333AA	1	J, U			ER0		
		1	J, U			EX0		
		1	J, U			EVO		
5								WASHER, Flat
	S243 6163	1	J, U			ER0		
		1	J, U			EX0		
		1	J, U			EVO		
6								NUT, Hex Flange Lock
	0152 345	1	J, U			ER0		
		1	J, U			EX0		
		1	J, U			EVO		
7								SEAL, O-Ring
	4167 963	1	J, U			ER0		
		1	J, U			EX0		
		1	J, U			EVO		

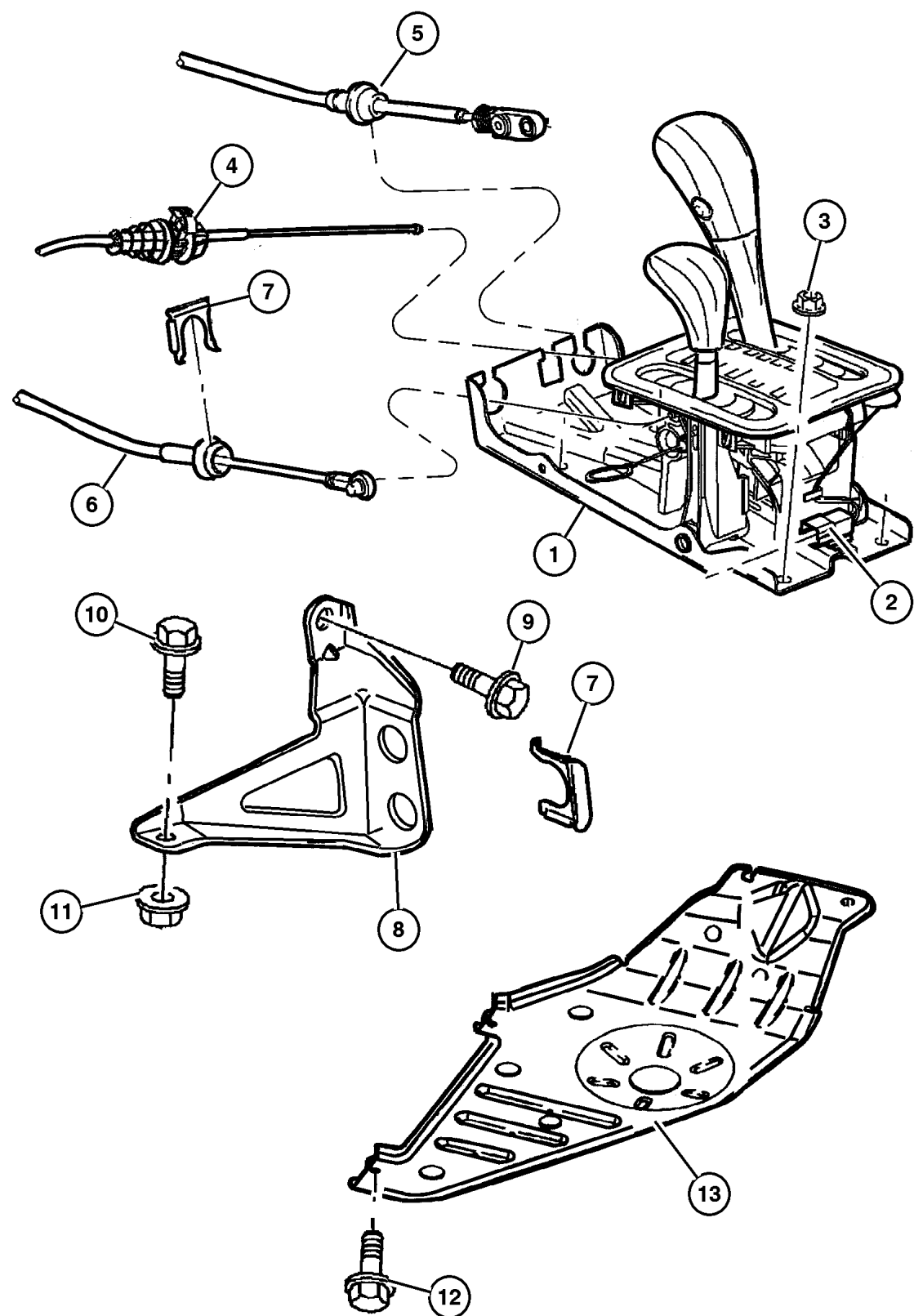
JEEP GRAND CHEROKEE (WJ)

SERIES	LINE	BODY	ENGINE	TRANSMISSION
H=Laredo	J = 4WD	74 = 4 Door(105.9 WB)	ER0, ERH = 4.0L, Power Tech I-6	DGK = 4 Speed Autm, 42RE
P=Limited	T = 2WD		EV0, EVA = 4.7L, Power Tech V8	DGW = 4 Speed Automatic, -44RE
	U = 4WD (RHD)		EXA, EX0 = 3.1L, 5 Cyl Turbo Diesel	DG4 = Multi Speed Automatic, -45RFE
				DGO = All Automatic

AR = Use as required - = Non illustrated part # = New this model year

September 14, 2002

**Gearshift Controls Quadra Trac II on Demand [DHF]  
Figure 247-1210**



ITEM	PART NUMBER	QTY	LINE	SERIES	BODY	ENGINE	TRANS	DESCRIPTION
NOTES: Sales Codes								
[DG0] = All Automatic Transmission								
[DGK] = 42RE Automatic Transmission								
[DGW] = 44RE 4 Speed Automatic Transmission								
[EX0] = All 3.0/3.1L Turbo Diesel Engine								
1								HOUSING AND LEVER, Shifter
	5210 4152	1	U				DG0	Right
	52104 375AA	1	U				DG0	w/DSB, Right
	5210 4151	1	J				DG0	
	52104 374AA	1	J				DG0	w/DSB
2	5013 117AA	1	U				DG0	CONNECTOR, Wiring, w/DSB, Right
3	6101 695	4					DG0	NUT, Hex Flange Lock, M8x1.25
4	5210 4054	1					DG0	CABLE, Park Interlock
5	5210 4060	1					DG0	CABLE, Gearshift Control
6	5210 4218	1	J, U				DG0	CABLE, Gearshift Control
7	4269 830	2	J, U					CLIP, Cable
8	5210 4219	1	J, U				DGK, DGW	BRACKET, Torque Shaft
9	6503 119	4						SCREW AND WASHER, Hex Head, M10x1.5x40
10	6101 054	1	J, U				DGK, DGW	BOLT AND WASHER, Hex Head, M10x1. 5x40
11	0115 984	1					DGW	NUT, Brake Line
12	6503 571	4						SCREW AND WASHER, M10x1.50x35
13	52059 302AA	1	J, U			EX0		SKID PLATE, Front

**JEEP GRAND CHEROKEE (WJ)**

SERIES	LINE	BODY	ENGINE	TRANSMISSION
H=Laredo	J = 4WD	74 = 4 Door(105.9 WB)	ER0, ERH = 4.0L, Power Tech I-6	DGK = 4 Speed Autm, 42RE
P=Limited	T = 2WD		EV0, EVA = 4.7L, Power Tech V8	DGW = 4 Speed Automatic, -44RE
	U = 4WD (RHD)		EXA, EX0 = 3.1L, 5 Cyl Turbo Diesel	DG4 = Multi Speed Automatic, -45RFE
				DGO = All Automatic

AR = Use as required - = Non illustrated part # = New this model year

September 14, 2002

# Group – 022

## Wheels, Covers and Jacks

### GROUP 22 - Wheels, Covers and Jacks

Illustration Title

Group-Fig. No.

#### Wheels and Hardware

Wheels and Hardware ..... Fig. 022-130

#### Wheel Covers and Center Caps

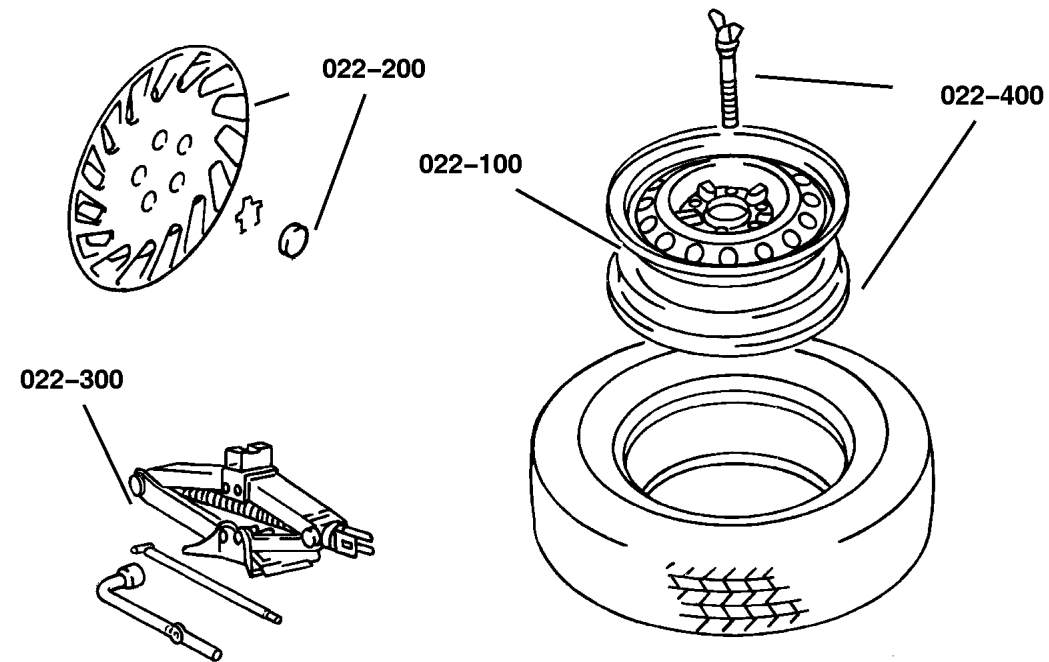
Caps, Wheel Cover and center ..... Fig. 022-230


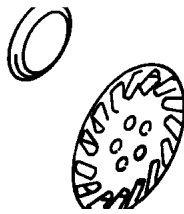
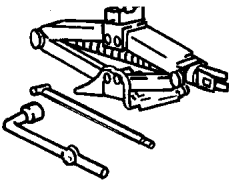
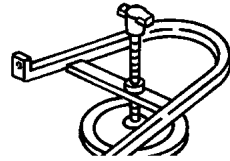
#### Jack Stowage

Jack Stowage ..... Fig. 022-330

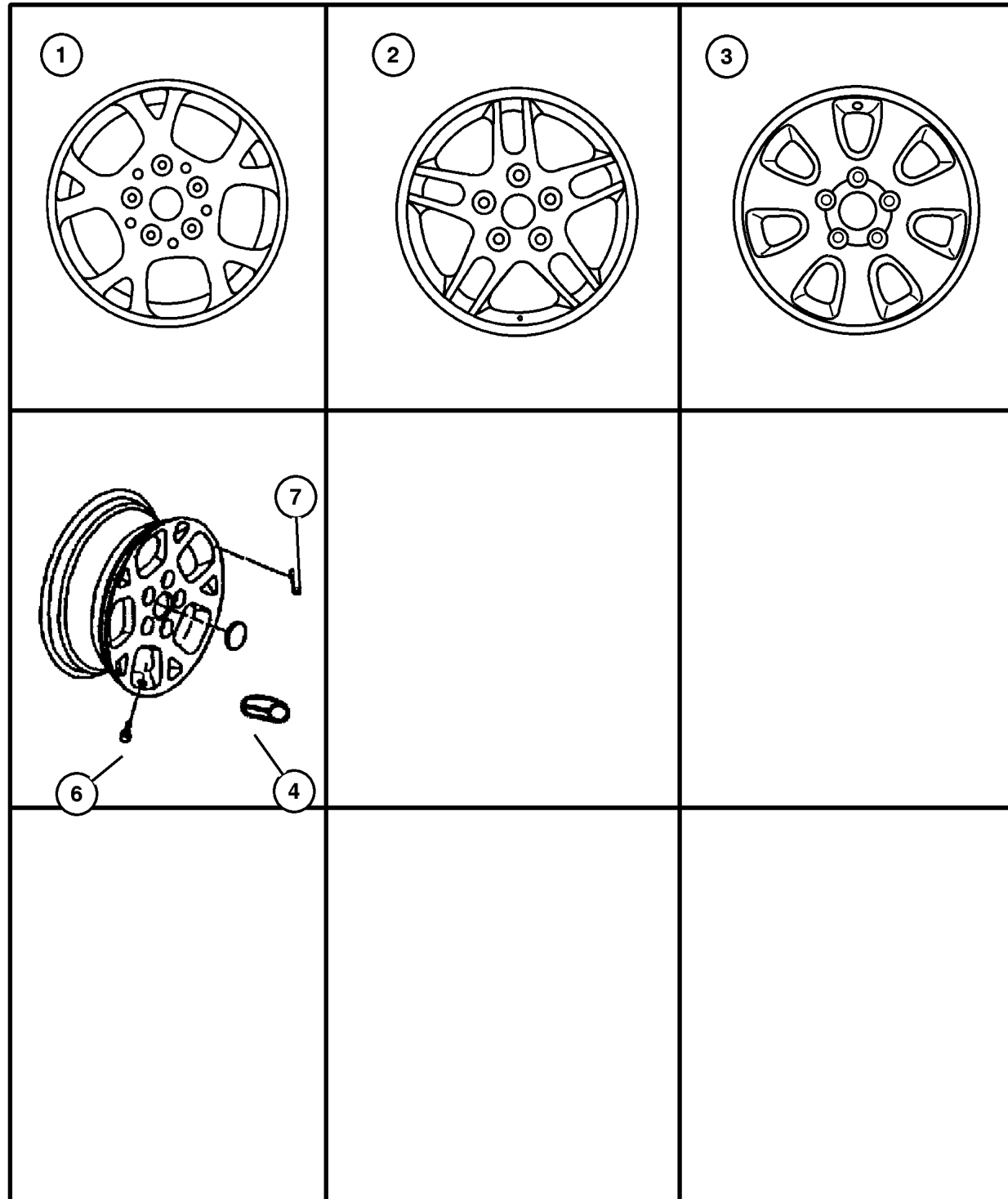
#### Spare Tire Stowage

Spare Wheel Stowage ..... Fig. 022-460



<p><b>022-100</b> Wheels and Hardware</p> 	<p><b>022-200</b> Wheel Covers and Center Caps</p> 	<p><b>022-300</b> Jack Stowage</p> 	<p><b>022-400</b> Spare Tire Stowage</p> 
---	--	---	--

**Wheels and Hardware**  
**Figure 022-130**



ITEM	PART NUMBER	QTY	LINE	SERIES	BODY	ENGINE	TRANS	DESCRIPTION
Note: Sales Code WDS = 16x7.0 Aluminum Wheel								
Note: Sales Code WDR = 16x7.0 Aluminum Wheel								
Note: Sales Code WDM = 16x7.0 Aluminum Wheel								
Note: Sales Code WFJ = 17x7.0 Cast Aluminum								
1								WHEEL, Aluminum
	5GT99 PAKAA	4						16x7, Timberline WDS (Export)
	5EZ98 TAEAB	1						16x7, Timberline WDS
2								WHEEL, Aluminum
	5EZ99 PAKAB	4		J, T				16x7, Silverblade WDR
	5GJ48 PAKAA	4						16x7, Silverblade WDR (Export)
3	#5GJ45 PAKAA	4						WHEEL, Aluminum, 17x7, Spoke WFJ (Export)
4	J400 6956	20						NUT, Wheel, .50x20
-5	52088 203AB	1						WHEEL, Spare
6	2073 355	5						STEM, Wheel Valve
7								WEIGHT, Wheel Balance Tape, (NOT SERVICED) (Not Serviced)

**JEEP GRAND CHEROKEE (WJ)**

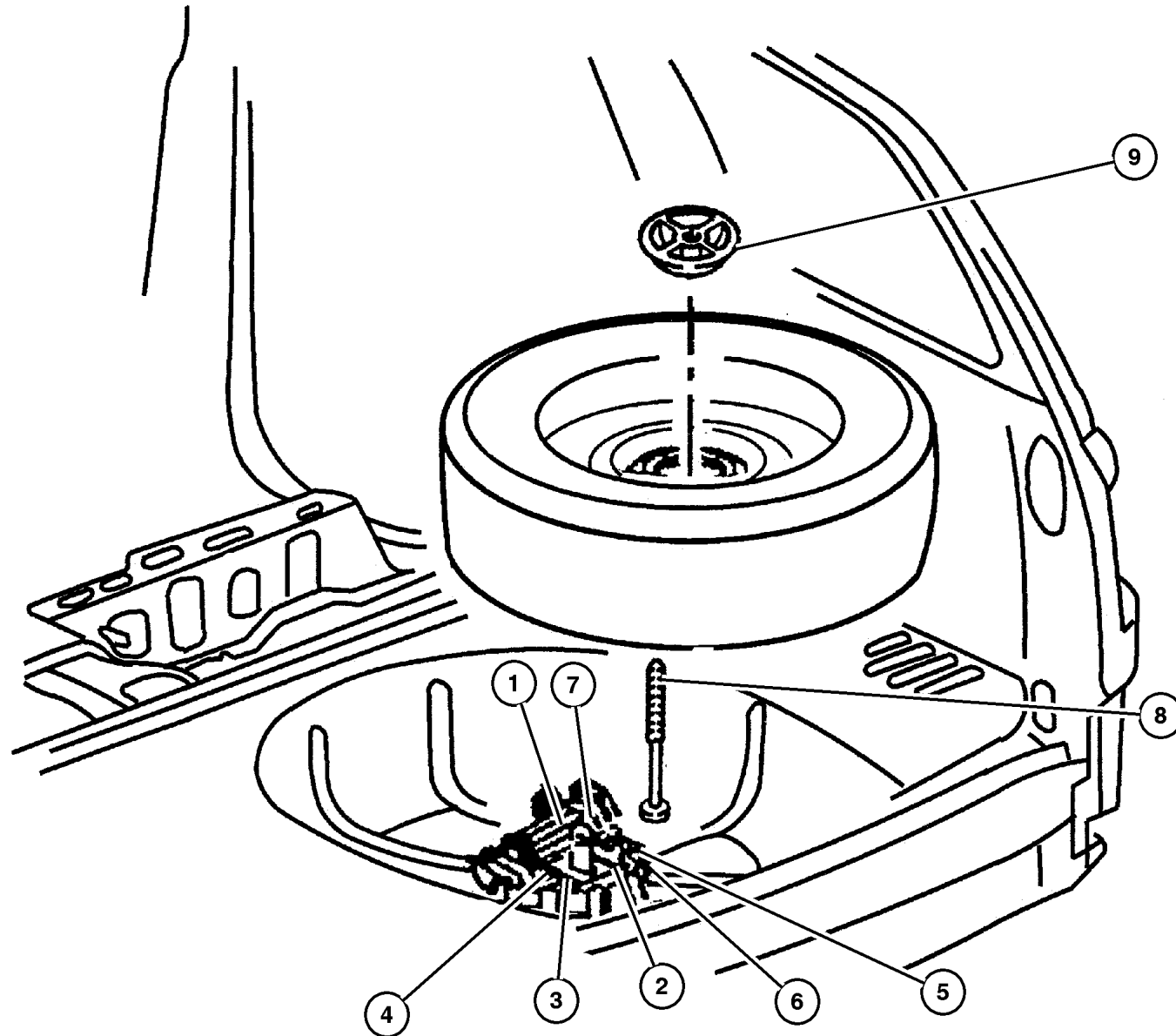
<b>SERIES</b>	<b>LINE</b>	<b>BODY</b>	<b>ENGINE</b>	<b>TRANSMISSION</b>
H=Laredo	J = 4WD	74 = 4 Door(105.9 WB)	ER0, ERH = 4.0L, Power Tech I-6	DGK = 4 Speed Autm, 42RE
P=Limited	T = 2WD		EV0, EVA = 4.7L, Power Tech V8	DGW = 4 Speed Automatic, -44RE
	U = 4WD (RHD)		EXA, EX0 = 3.1L, 5 Cyl Turbo Diesel	DG4 = Multi Speed Automatic, -45RFE
				DGO = All Automatic

AR = Use as required - = Non illustrated part # = New this model year

September 14, 2002



Jack Stowage  
Figure 022-330



ITEM	PART NUMBER	QTY	LINE	SERIES	BODY	ENGINE	TRANS	DESCRIPTION
1	5205 9104	1						JACK
2	5205 9121	1						EXTENSION, Jack Handle
3	52059 122AB	1						EXTENSION, Jack Handle
4	52059 134AA	2						BRACKET, Tool Hold Down
5	6100 048	1	J, T					NUT, Hex, M6x1.00
6	5205 9105	1						WRENCH, Wheel Lug Nut
7	52059 148AA	1						CLIP
8								J BOLT, Spare Tire Hold Down, (NOT SERVICED) (Not Serviced)
9								CUP, Spare Tire Retention, (NOT SERVICED) (Not Serviced)

JEEP GRAND CHEROKEE (WJ)

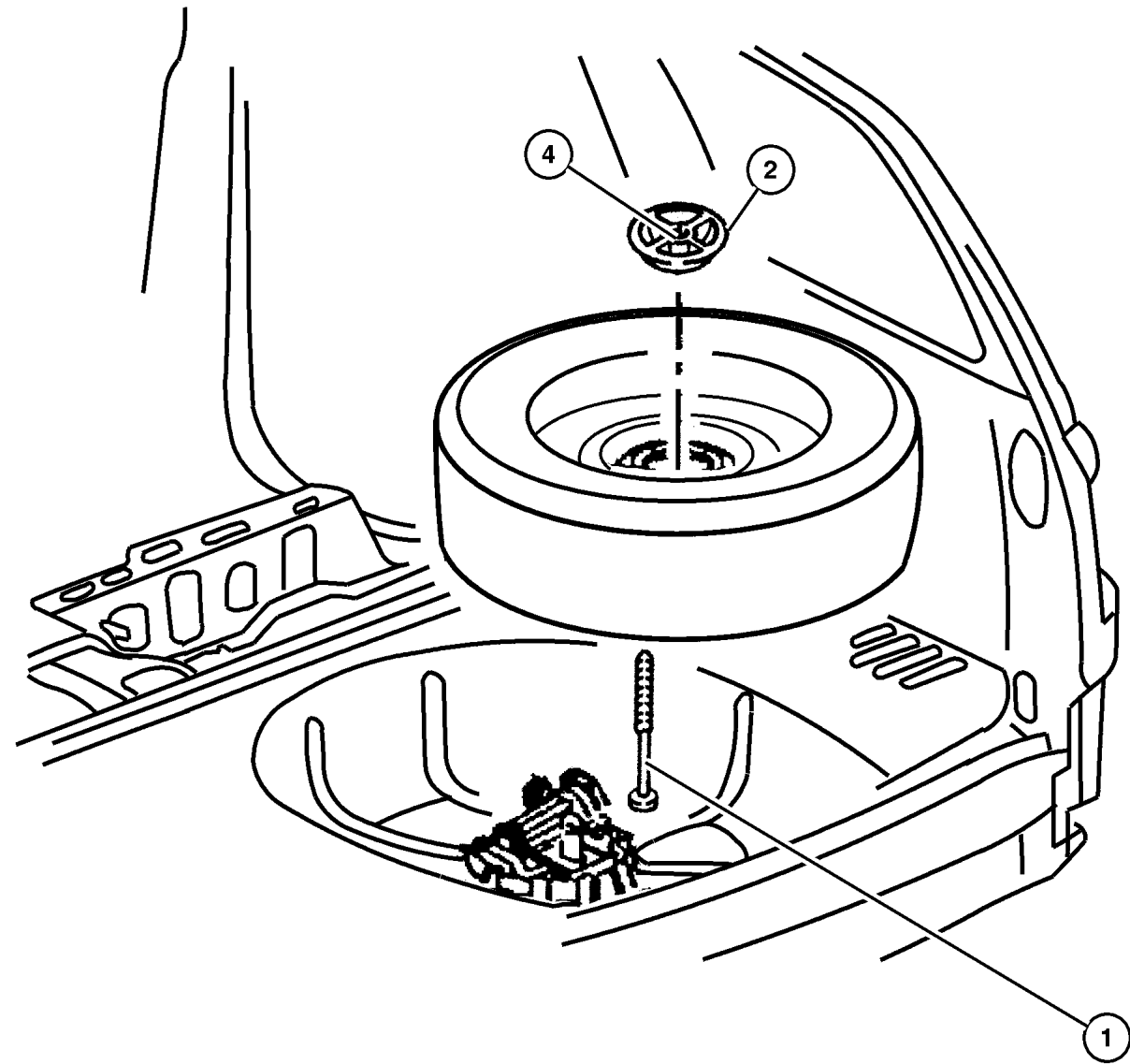
SERIES	LINE	BODY	ENGINE	TRANSMISSION
H=Laredo	J = 4WD	74 = 4 Door(105.9 WB)	ER0, ERH = 4.0L, Power Tech I-6	DGK = 4 Speed Autm, 42RE
P=Limited	T = 2WD		EVO, EVA = 4.7L, Power Tech V8	DGW = 4 Speed Automatic, -44RE
	U = 4WD (RHD)		EXA, EX0 = 3.1L, 5 Cyl Turbo Diesel	DG4 = Multi Speed Automatic, -45RFE
				DGO = All Automatic

AR = Use as required - = Non illustrated part # = New this model year

September 14, 2002

**Spare Wheel Stowage**  
**Figure 022-460**

ITEM	PART NUMBER	QTY	LINE	SERIES	BODY	ENGINE	TRANS	DESCRIPTION
1	52059 169AB	1						BOLT, J, M10x1.5x150
2	52059 160AC	1						CUP, Spare Tire Retention
-3	52088 806AA	1						SILENCER, Wheelhouse
4	6503 070	1						WINGNUT, Jack and Tire Hold Down



<b>JEEP GRAND CHEROKEE (WJ)</b>				
SERIES	LINE	BODY	ENGINE	TRANSMISSION
H=Laredo	J = 4WD	74 = 4 Door(105.9 WB)	ER0, ERH = 4.0L, Power Tech I-6	DGK = 4 Speed Autm, 42RE
P=Limited	T = 2WD		EV0, EVA = 4.7L, Power Tech V8	DGW = 4 Speed Automatic, -44RE
	U = 4WD (RHD)		EXA, EX0 = 3.1L, 5 Cyl Turbo Diesel	DG4 = Multi Speed Automatic, -45RFE
				DGO = All Automatic

AR = Use as required - = Non illustrated part # = New this model year

September 14, 2002

# Group – 23D

## Wiper/Lock Cylinder and Keys

### GROUP 23D - Wiper/Lock Cylinder and Keys

Illustration Title

Group-Fig. No.

#### Lock Cylinders and Keys

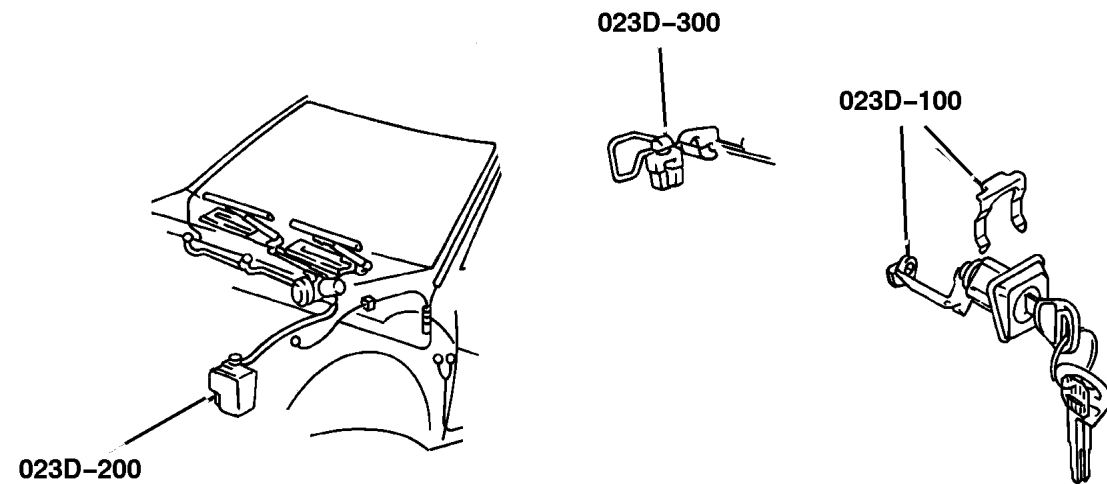
Lock Cylinder & Keys ..... Fig. 23D-130

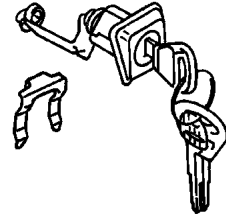
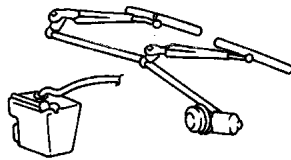
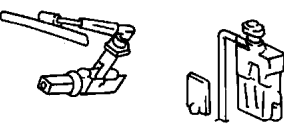
#### Windshield Wiper and Washer Systems

Windshield Wiper & Washer ..... Fig. 23D-230

#### Rear Wiper and Washer System

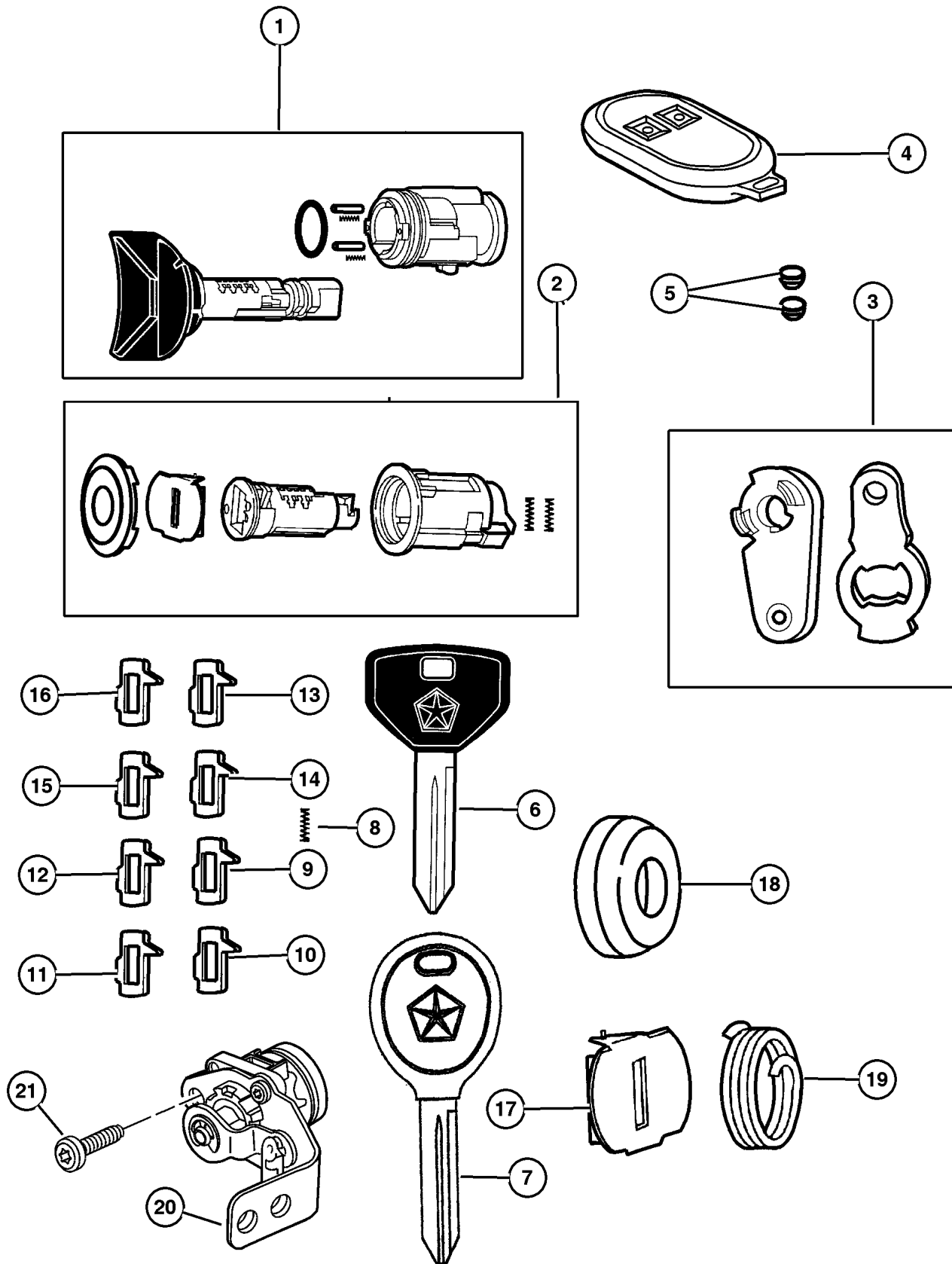
Rear Wiper & Washer System ..... Fig. 23D-330



<p><b>23D-100</b> Lock Cylinders and Keys</p> 	<p><b>23D-200</b> Windshield Wiper and Washer Systems</p> 	<p><b>23D-300</b> Rear Wiper and Washer System</p> 	
---	---	---	--



## Lock Cylinder & Keys Figure 23D-130

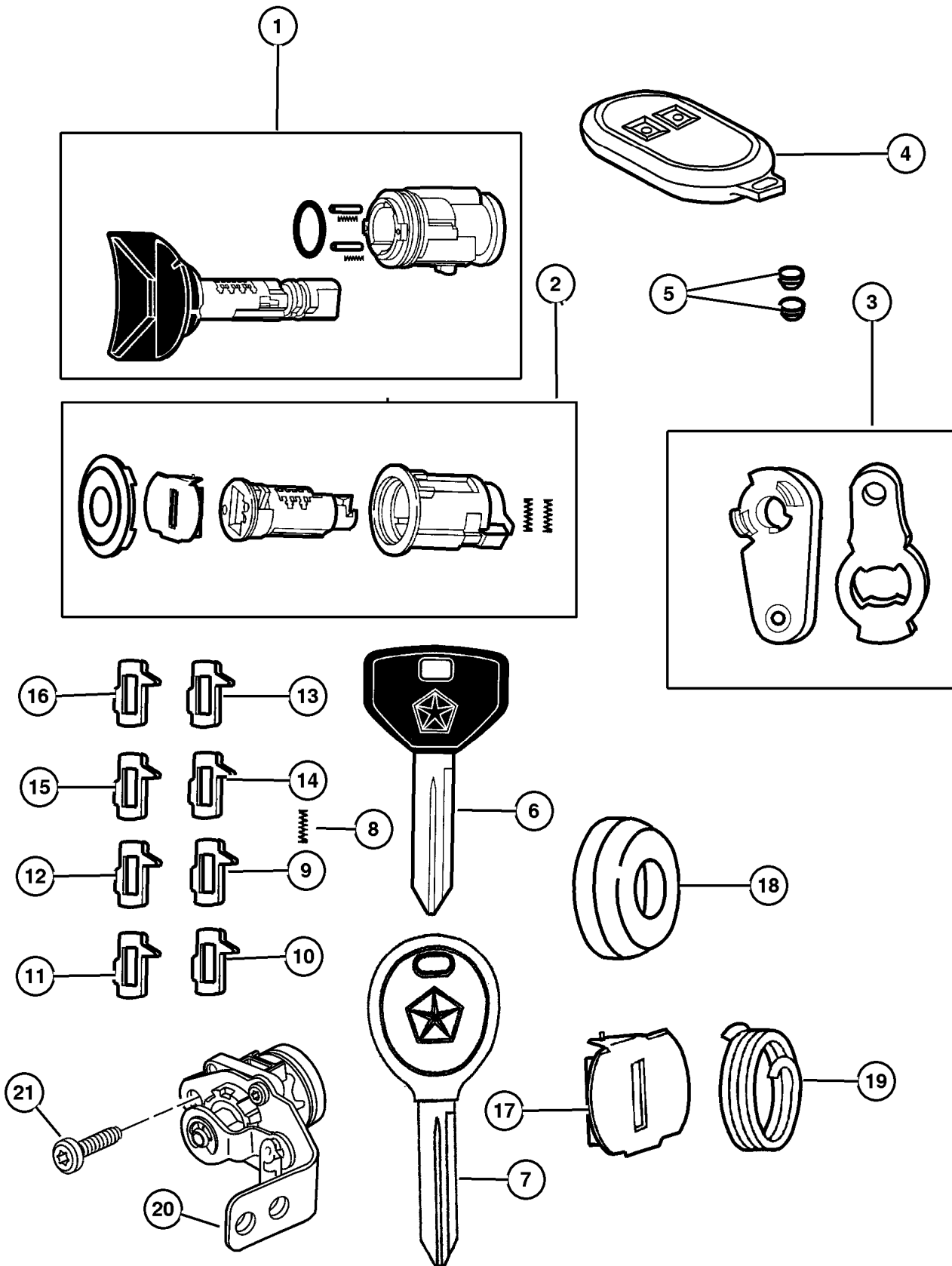


ITEM	PART NUMBER	QTY	LINE	SERIES	BODY	ENGINE	TRANS	DESCRIPTION
1								CYLINDER, Ignition Lock
	5003 843AA	1	J, T					
		1	U					
2								CYLINDER, Door Lock
	5013 682AA	1	U					
		1	J, T					
3								LEVER, Door Lock Cylinder
	55136 554AA	1	J, T					
		1	U					
4								TRANSMITTER, Keyless Entry
	56036 857AB	1						#1 (JAPAN)
	56036 858AB	1						#2 (JAPAN)
	56036 859AC	1						#1 (USA/CANADA) Frequency 315
	56036 860AC	1						#2 (USA/CANADA) Frequency 315
	56036 862AB	1						#1 (EUROPE) Frequency 433
	56036 863AB	1						#2 (EUROPE) Frequency 433
5	8350 4802	2						BATTERY, Transmitter
6								KEY, Master
	5013 807AA	1	J, T					'Century JEEP'
		2	U					'Century JEEP'
7								KEY, Master
	5010 366AA	2	J, T					Smart Key
		2	U					Smart Key
8								SPRING, Ignition Tumbler, Sidebar
	5010 883AA	1	U					
		1	J, T					
9								TUMBLER, Door and Deck Number 1, Wide
	4778 117	2	J, T					
		2	U					
10								TUMBLER, Door and Deck Number 2, Wide
	4778 118	2	J, T					
		2	U					
11								TUMBLER, Door and Deck Number 3, Wide
	4778 119	2	J, T					
		2	U					
12								TUMBLER, Door and Deck Number 4, Wide
	4778 120	2	J, T					
		2	U					
13								TUMBLER, Ignition Number 1, Sidebar
<b>JEEP GRAND CHEROKEE (WJ)</b>								
SERIES	LINE		BODY		ENGINE		TRANSMISSION	
H=Laredo	J = 4WD		74 = 4 Door(105.9 WB)		ER0, ERH = 4.0L, Power Tech I-6		DGK = 4 Speed Autm, 42RE	
P=Limited	T = 2WD				EV0, EVA = 4.7L, Power Tech V8		DGW = 4 Speed Automatic, -44RE	
	U = 4WD (RHD)				EXA, EX0 = 3.1L, 5 Cyl Turbo Diesel		DG4 = Multi Speed Automatic, -45RFE	
							DGO = All Automatic	

AR = Use as required - = Non illustrated part # = New this model year

September 14, 2002

## Lock Cylinder & Keys Figure 23D-130



ITEM	PART NUMBER	QTY	LINE	SERIES	BODY	ENGINE	TRANS	DESCRIPTION
	5010 879AA	1	U					
14	5010 880AA	1	J, T					TUMBLER, Ignition Number 2, Sidebar
	5010 881AA	1	U					
15	5010 882AA	1	J, T					TUMBLER, Ignition Number 3, Sidebar
	5010 882AA	1	U					
16	5010 882AA	1	J, T					TUMBLER, Ignition Number 4, Sidebar
	5010 882AA	1	U					
17	4778 150	2	J, T					SHUTTER, Door, Deck and Liftgate, Bright
	4778 150	2	U					
18	4778 149	1	J, T					CAP, Door Lock Cylinder, Bright
19	4778 121	2	J, T					SPRING, Door and Deck Tumbler
	4778 121	2	U					
20	55136 762AA	1	U					BRACKET, Security Right
	55136 763AA	1	J, T					Left
21	5013 808AA	1	J, T					SCREW, Security Bracket Mounting
-22	4658 444	1	J, T					CLIP, Latch Purple
	4658 444	1	U					Purple
	4658 445	1	U					Orange
	4658 445	2	J, T					Orange
-23	55136 557AA	1	J, T					SWITCH, Security Alarm
	55136 557AA	1	U					

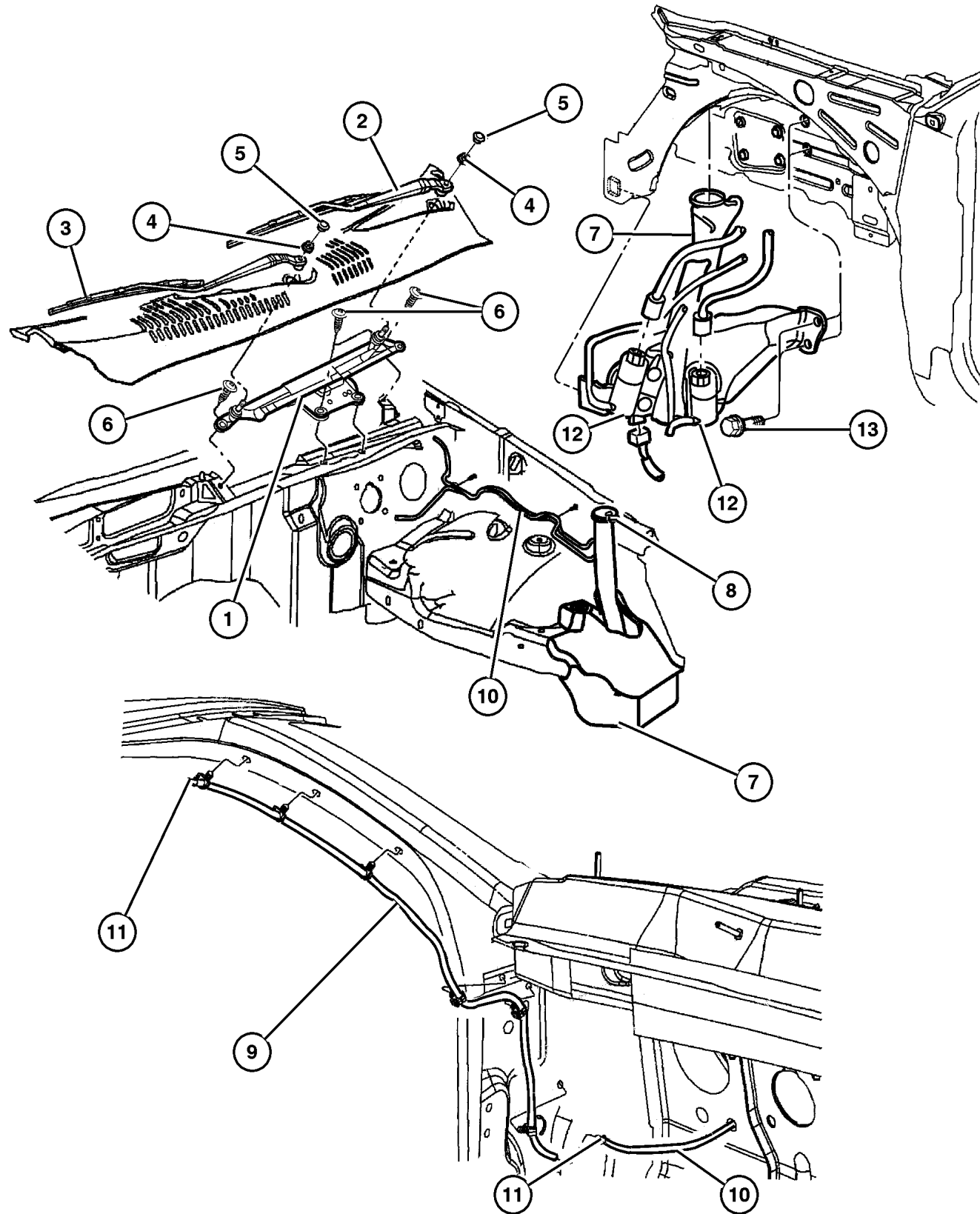
**JEEP GRAND CHEROKEE (WJ)**

SERIES	LINE	BODY	ENGINE	TRANSMISSION
H=Laredo	J = 4WD	74 = 4 Door(105.9 WB)	ER0, ERH = 4.0L, Power Tech I-6	DGK = 4 Speed Autm, 42RE
P=Limited	T = 2WD		EVO, EVA = 4.7L, Power Tech V8	DGW = 4 Speed Automatic, -44RE
	U = 4WD (RHD)		EXA, EX0 = 3.1L, 5 Cyl Turbo Diesel	DG4 = Multi Speed Automatic, -45RFE
				DGO = All Automatic

AR = Use as required - = Non illustrated part # = New this model year

September 14, 2002

## Windshield Wiper & Washer Figure 23D-230



ITEM	PART NUMBER	QTY	LINE	SERIES	BODY	ENGINE	TRANS	DESCRIPTION
1								MODULE, Wiper
	5515 5352	1	U					EUROPE
	55155 656AA	1	J, T					EUROPE
	5515 5092	1	J, T					USA/CANADA
2								ARM, Wiper
	5012 605AA	1	J, T					Passenger Side
	5012 608AA	1	U					EUROPE, Passenger Side
	5012 609AA	1	U					EUROPE, Driver Side
	5012 606AA	1	J, T					Driver Side
3								BLADE, Wiper
	5012 611AA	1	J, T					EUROPE, Driver Side
	5012 613AA	1	U					EUROPE, Driver Side
	5012 614AA	1	U					EUROPE, Passenger Side
	5012 611AA	1	J, T					USA/CANADA (Qty. 2)
4	6503 335	2						NUT, Hex, M10X1.25
5	55155 765AA	2						CAP, Wiper Arm Nut
6	6100 568	4						BOLT AND WASHER, Implement Attaching
7	5012 594AA	1						RESERVOIR, Washer
8	5012 603AA	1						CAP, Washer Reservoir
9	55155 522AC	1						HOSE, Windshield Washer
10	4439 003	2						HOSE, Windshield Washer, 0156 ID=4MM
11	4778 224	1						CONNECTOR, Washer Hose, In Line
12								PUMP, Washer, Windshield
	5012 597AA	1						Front Wiper
	5012 602AA	1						Rear Wiper
13								SCREW, .250-14x.875, (NOT SERVICED) (Not Serviced)
-14								NOZZLE, Washer, Windshield
	5515 5199	2	J, T					
		2	U					
-15	5012 763AA	1						SENSOR, Washer Fluid Level
-16	4798 779	1						GROMMET, Windshield Washer Pump, Sensor Grommet
-17	5011 809AA	1						GROMMET, Windshield Washer Pump, Pump Grommet
-18								GROMMET, Hose to Reservoir
	3799 520	1	J, T					Diesel Engine
		1	J, T					4.0L & 4.7L Engines
		1	U					
-19	55155 694AB	1	J, T					HOSE, Washer Reservoir, Windshield Wiper Tee Serviced in This Assembly

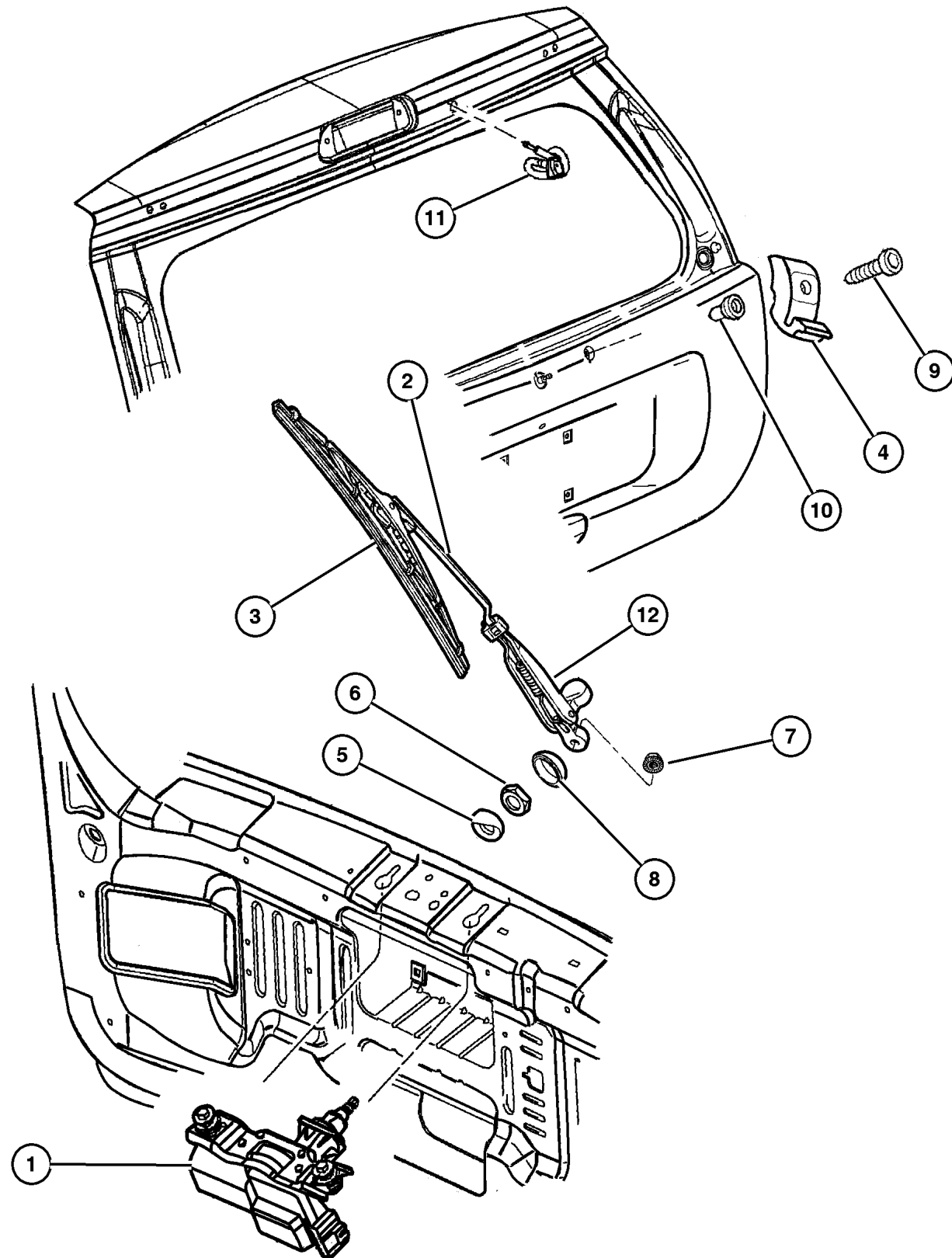
**JEEP GRAND CHEROKEE (WJ)**

SERIES	LINE	BODY	ENGINE	TRANSMISSION
H=Laredo	J = 4WD	74 = 4 Door(105.9 WB)	ER0, ERH = 4.0L, Power Tech I-6	DGK = 4 Speed Autm, 42RE
P=Limited	T = 2WD		EV0, EVA = 4.7L, Power Tech V8	DGW = 4 Speed Automatic, -44RE
	U = 4WD (RHD)		EXA, EX0 = 3.1L, 5 Cyl Turbo Diesel	DG4 = Multi Speed Automatic, -45RFE
				DGO = All Automatic

AR = Use as required - = Non illustrated part # = New this model year

September 14, 2002

## Rear Wiper & Washer System Figure 23D-330



ITEM	PART NUMBER	QTY	LINE	SERIES	BODY	ENGINE	TRANS	DESCRIPTION
1	55155 122AB	1						MOTOR, Wiper
2	5012 610AA	1						ARM, Liftgate Wiper
3	5012 615AB	1						BLADE, Wiper
4	5515 5124	1						RAMP, Wiper Park
5	5515 5358	1						BEZEL, Wiper Motor
6	6502 263	1						NUT, Hex, M20x1.00
7	6500 165	1						NUT, Wiper Arm
8	5507 6650	1						COVER, Rear Wiper Motor, Nut
9	6505 062AA	1						SCREW, Pilot Point
10	6503 245	1						NUT/RIVET, Cooler To Closure Panel
11	#55155 201AC	1						NOZZLE, Washer, Windshield
12	5014 217AA	1						COVER, Rear Wiper Motor, Lower Wiper Arm
-13	5012 602AA	1						PUMP, Washer, Windshield, Rear

### JEEP GRAND CHEROKEE (WJ)

SERIES	LINE	BODY	ENGINE	TRANSMISSION
H=Laredo	J = 4WD	74 = 4 Door(105.9 WB)	ER0, ERH = 4.0L, Power Tech I-6	DGK = 4 Speed Autm, 42RE
P=Limited	T = 2WD		EVO, EVA = 4.7L, Power Tech V8	DGW = 4 Speed Automatic, -44RE
	U = 4WD (RHD)		EXA, EX0 = 3.1L, 5 Cyl Turbo Diesel	DG4 = Multi Speed Automatic, -45RFE
				DGO = All Automatic

AR = Use as required - = Non illustrated part # = New this model year

September 14, 2002

# Group – 024

## Air Conditioning & Heater

### GROUP 24 - Air Conditioning & Heater

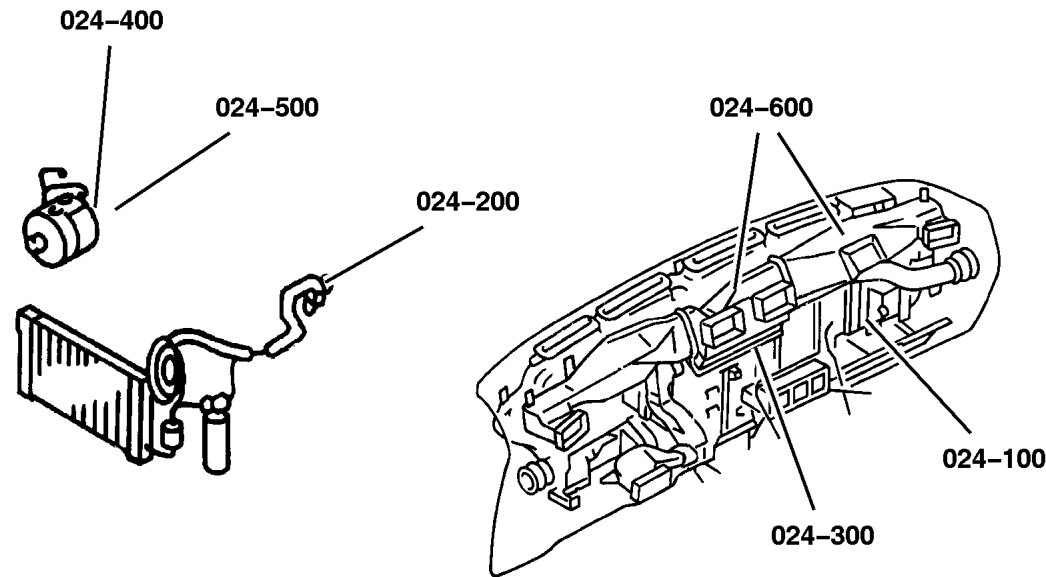


Illustration Title

Group-Fig. No.

#### Air Conditioner and Heater Units

HEVAC with Auto Temp Control, LHD .....	Fig. 024-150
HEVAC with Auto Temp Control, RHD .....	Fig. 024-160
HEVAC with Manual Control, LHD .....	Fig. 024-170
HEVAC with Manual Control, RHD .....	Fig. 024-180

#### Air Conditioner and Heater Plumbing

Hoses, Heater 3.1, 4.0L Engines .....	Fig. 024-240
Hoses, Heater 4.7L Engine .....	Fig. 024-245
Accumulator, Condenser and Lines 3.1, 4.0L Engines .....	Fig. 024-250
Accumulator, Condenser and Lines 4.7L Engine .....	Fig. 024-255
Hevac Vacuum Engine Lines and Controls .....	Fig. 024-260

#### Air Conditioner and Heater Controls

Control, Heater and Air Conditioner .....	Fig. 024-330
---	--------------

#### Air Conditioning Compressor

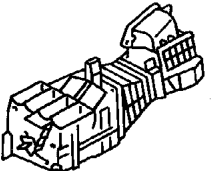
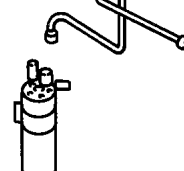
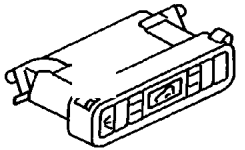
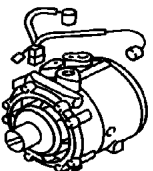
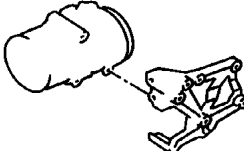
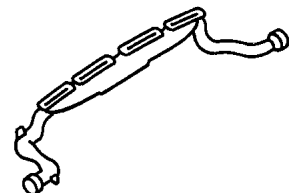
Compressor, Air Conditioning 4.0L Engine .....	Fig. 024-410
Compressor, Air Conditioning 4.7L Engine .....	Fig. 024-420

#### Air Conditioning Compressor Mounting

Compressor, Mounting 4.0L Engine .....	Fig. 024-510
Compressor, Mounting 4.7L Engine .....	Fig. 024-520

#### Air Ducts and Outlets

Air Ducts and Outlets .....	Fig. 024-610
-----------------------------	--------------

<p><b>024-100</b> Air Conditioner and Heater Units</p> 	<p><b>024-200</b> Air Conditioner and Heater Plumbing</p> 	<p><b>024-300</b> Air Conditioner and Heater Controls</p> 	<p><b>024-400</b> Air Conditioning Compressor</p> 
<p><b>024-500</b> Air Conditioning Compressor Mounting</p> 	<p><b>024-600</b> Air Ducts and Outlets</p> 		

**HEVAC with Auto Temp Control, LHD**  
**Figure 024-150**

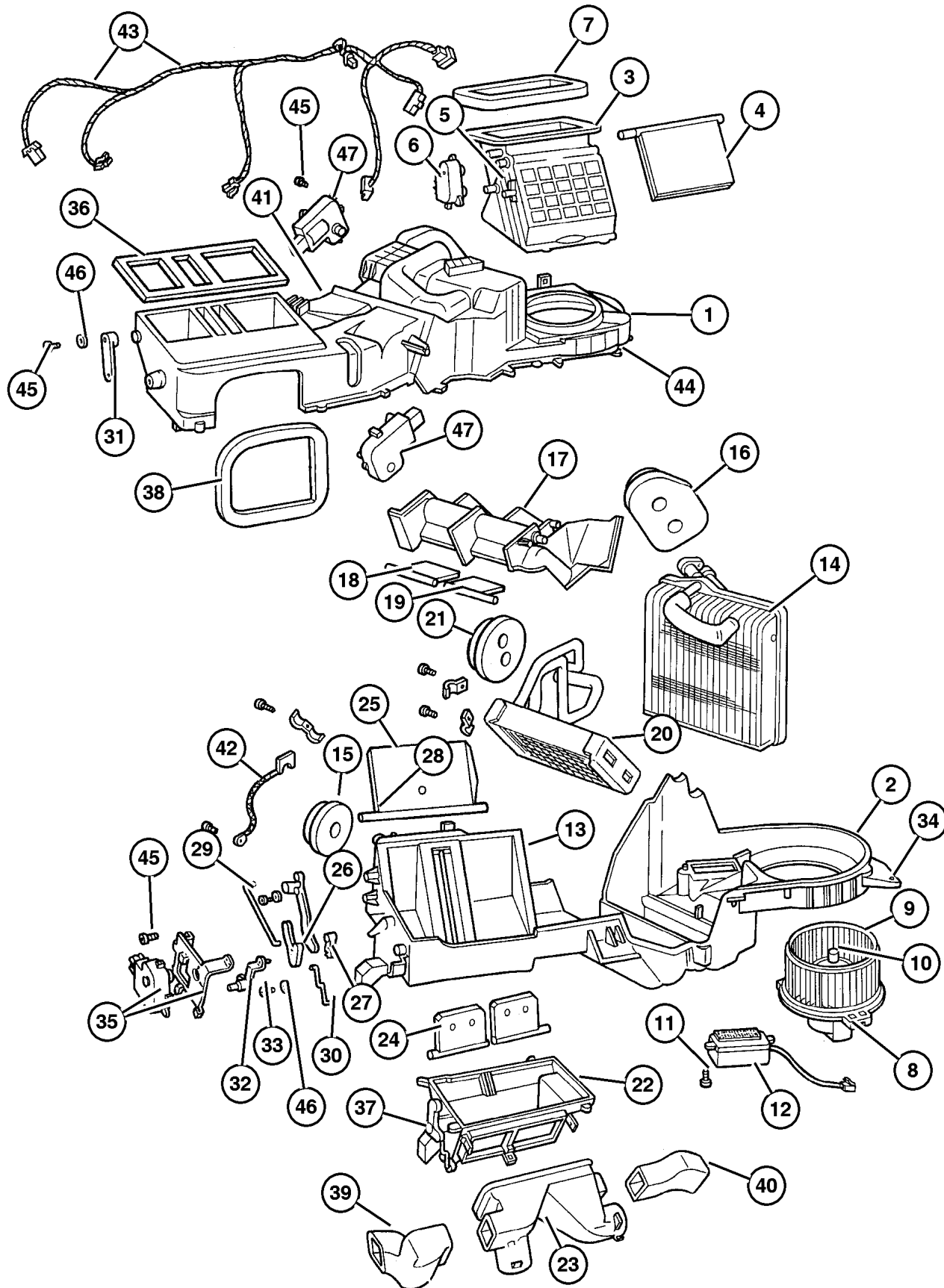
ITEM	PART NUMBER	QTY	LINE	SERIES	BODY	ENGINE	TRANS	DESCRIPTION
Note: Sales Code HAF = Auto Temp Control								
1	5012 715AD	1	J, T					HOUSING, A/C Upper
2	5012 714AC	1	J, T					HOUSING, A/C Lower
3	5012 713AA	1	J, T					HOUSING, Air Recirculating
4	5012 712AA	1	J, T					DOOR, Air Inlet
5	5012 711AA	3	J, T					LINK, Heater and Damper Control
6	5012 710AA	2	J, T					SERVO, A/C Temperature Door
7	5012 709AA	1	J, T					SEAL, Air Inlet
8	5012 708AA	1	J, T					MOTOR, Blower
9	5012 701AB	1	J, T					FAN, Blower Motor
10	2837 680	1	J, T					CLAMP, Blower Motor Wheel
11	5012 700AA	3	J, T					SCREW, Tapping
12	5012 699AA	1	J, T					RESISTOR, Blower Motor
13	5012 698AA	1	J, T					INSULATOR, Air Conditioning
14	5012 697AA	1	J, T					EVAPORATOR, Air Conditioning
15	5012 696AA	1	J, T					SEAL, Evaporator Drain
16	5014 744AA	1	J, T					SEAL, A/C Evaporator
17	5012 694AB	1	J, T					HOUSING, A/C Unit
18	5012 693AA	1	J, T					DOOR, Blend Air
19	5012 692AA	1	J, T					DOOR, Blend Air
20	5012 691AB	1	J, T					CORE, Heater
21	5012 744AA	1	J, T					SEAL, Heater Tubes
22	5012 743AA	1	J, T					HOUSING, A/C Unit
23	5012 742AA	1	J, T					COVER, Heater
24	5012 740AA	1	J, T					DOOR, Distribution Duct
25	5012 739AA	1	J, T					DOOR, Floor Defroster Duct
26	5012 738AA	1	J, T					LEVER, Panel Door
27	5012 735AA	1	J, T					LEVER, Panel Door
28	5012 734AA	1	J, T					SHAFT, A/C and Heater Door
29	5012 733AA	1	J, T					LINK, Heater and Defroster Door
30	5012 732AA	1	J, T					SHAFT, Defroster Door
31	5012 731AA	1	J, T					LEVER, A/C Vent Defrost Door
32	5012 730AA	1	J, T					LEVER, Panel Door
33	5012 729AA	1	J, T					SCREW, Tapping
34	6101 442	4	J, T					U-NUT, M6 x 1.00, M6x1.00
35	5012 728AA	1	J, T					SERVO, Mode Door
36	5012 727AA	1	J, T					SEAL, Demister
37	5012 726AA	1	J, T					SEAL, Defroster Duct
38	5015 354AA	1	J, T					SEAL, Panel
39	5012 723AB	1	J, T					DUCT, Floor Distribution
40	5012 722AC	1	J, T					DUCT, Floor Distribution
41	5012 721AA	1	J, T					SEAL, Air Conditioning Unit

**JEEP GRAND CHEROKEE (WJ)**

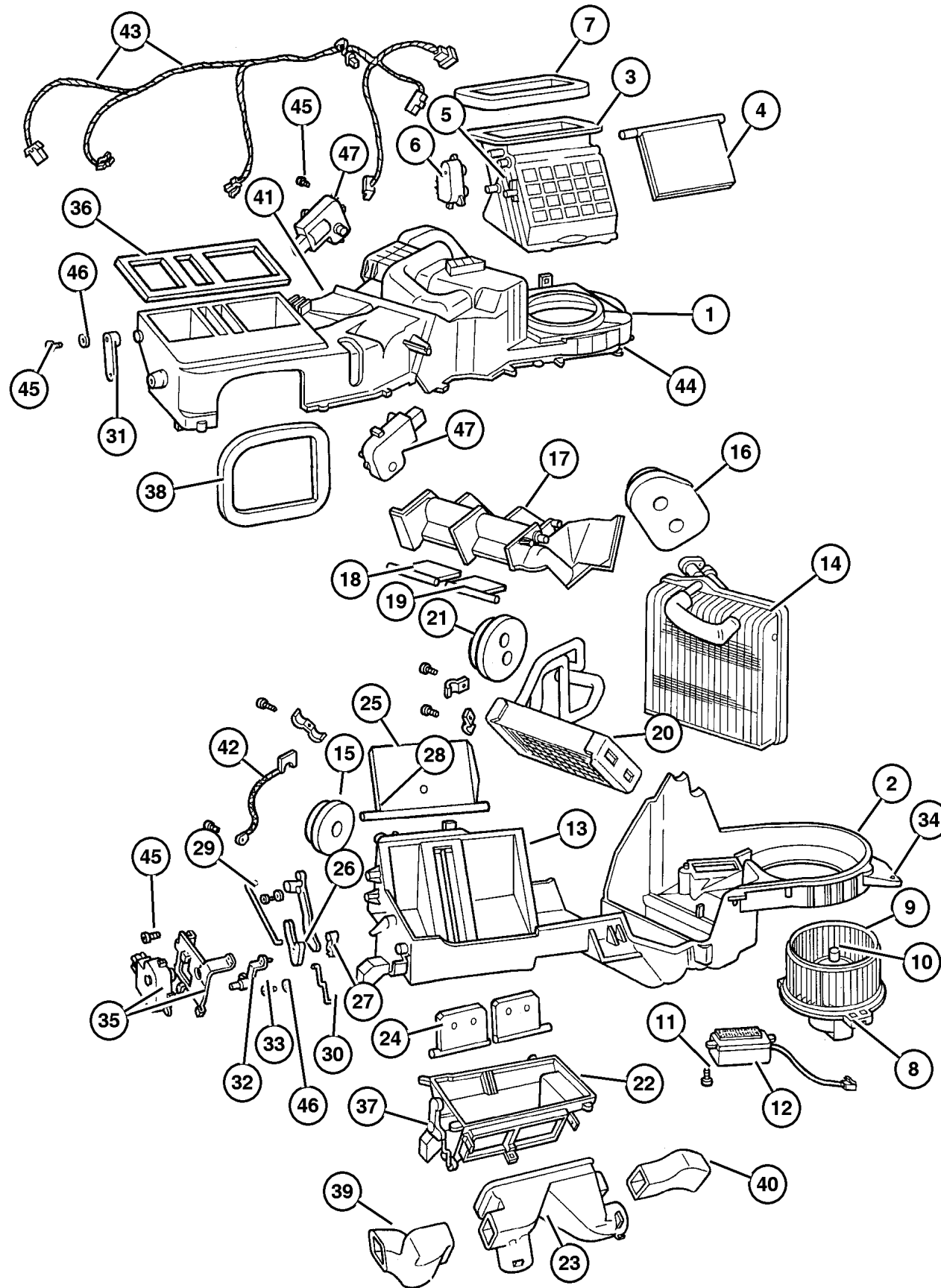
SERIES	LINE	BODY	ENGINE	TRANSMISSION
H=Laredo	J = 4WD	74 = 4 Door(105.9 WB)	ER0, ERH = 4.0L, Power Tech I-6	DGK = 4 Speed Autm, 42RE
P=Limited	T = 2WD		EV0, EVA = 4.7L, Power Tech V8	DGW = 4 Speed Automatic, -44RE
	U = 4WD (RHD)		EXA, EX0 = 3.1L, 5 Cyl Turbo Diesel	DG4 = Multi Speed Automatic, -45RFE
				DGO = All Automatic

AR = Use as required - = Non illustrated part # = New this model year

September 14, 2002



HEVAC with Auto Temp Control, LHD  
Figure 024-150



ITEM	PART NUMBER	QTY	LINE	SERIES	BODY	ENGINE	TRANS	DESCRIPTION
42	56038 591AA	1				EVO		STRAP, Ground
43	5012 719AA	1	J, T					HARNESSE, Air Conditioning Control
44	4720 533	32	J, T					SCREW, Heater Housing
45	4720 534	3	J, T					SCREW, Pan Head
46	5012 756AA	5	J, T					SPRING
47	5012 710AA	2	J, T					SERVO, A/C Temperature Door

JEEP GRAND CHEROKEE (WJ)

SERIES	LINE	BODY	ENGINE	TRANSMISSION
H=Laredo	J = 4WD	74 = 4 Door(105.9 WB)	ER0, ERH = 4.0L, Power Tech I-6	DGK = 4 Speed Autm, 42RE
P=Limited	T = 2WD		EVO, EVA = 4.7L, Power Tech V8	DGW = 4 Speed Automatic, -44RE
	U = 4WD (RHD)		EXA, EX0 = 3.1L, 5 Cyl Turbo Diesel	DG4 = Multi Speed Automatic, -45RFE
				DGO = All Automatic

AR = Use as required - = Non illustrated part # = New this model year

September 14, 2002

**HEVAC with Auto Temp Control, RHD**  
**Figure 024-160**

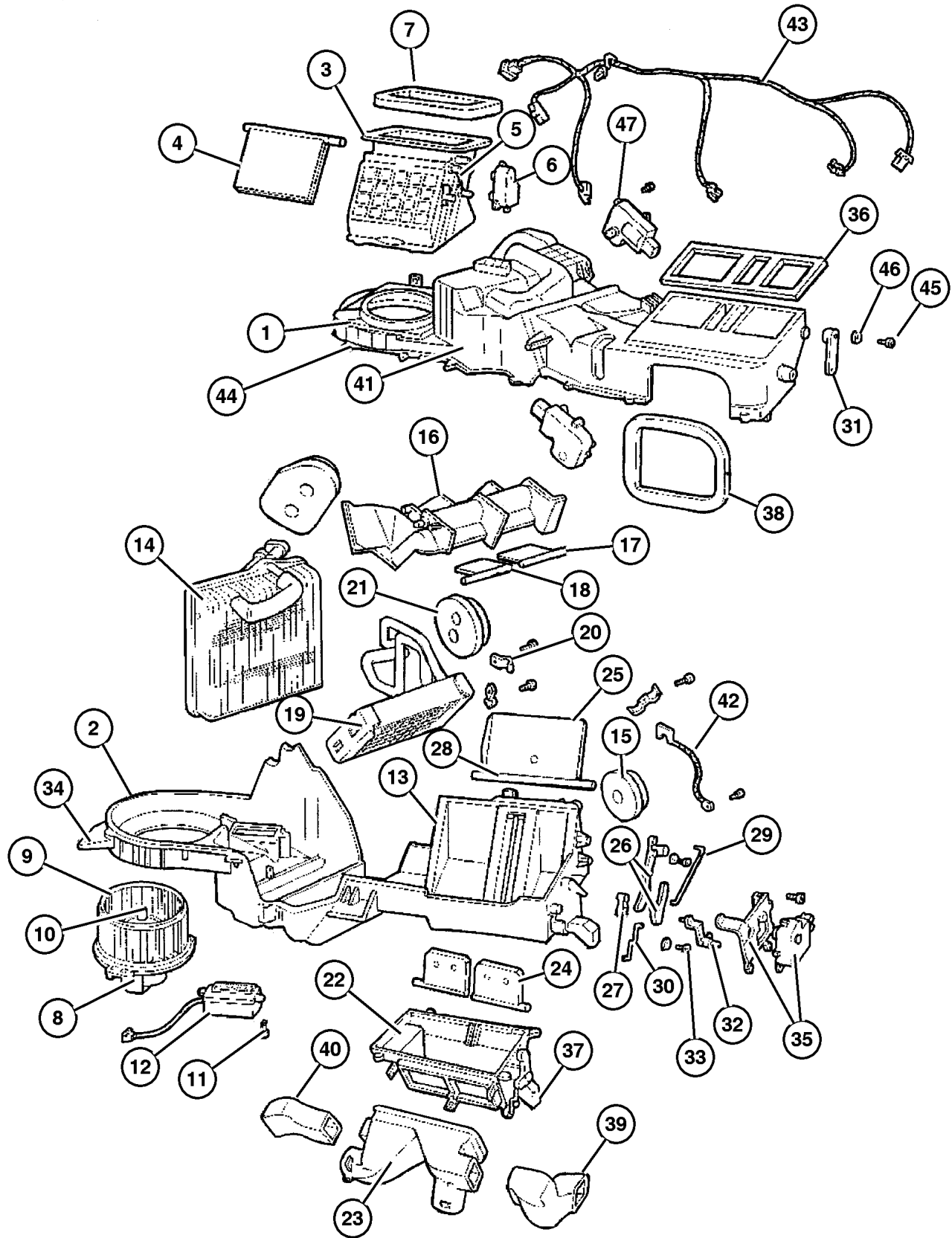
ITEM	PART NUMBER	QTY	LINE	SERIES	BODY	ENGINE	TRANS	DESCRIPTION
Note: Sales Code HAF = Auto Temp Control								
1	5013 552AB	1	U					HOUSING, A/C Upper
2	5013 499AA	1	U					HOUSING, A/C Lower
3	5013 568AA	1	U					HOUSING, Air Recirculating
4	5012 712AA	1	U					DOOR, Air Inlet
5	5013 559AA	2	U					LINK, Heater and Damper Contrl
6	5012 710AA	3	U					SERVO, A/C Temperature Door
7	5012 709AA	1	U					SEAL, Air Inlet
8	5013 566AA	1	U					MOTOR, Blower
9	5013 565AB	1	U					FAN, Blower Motor
10	2837 680	1	U					CLAMP, Blower Motor Wheel
11	5012 700AA	3	U					SCREW, Tapping
12	5012 699AA	1	U					RESISTOR, Blower Motor
13	5013 564AA	1	U					INSULATOR, Air Conditioning
14	5013 563AA	1	U					EVAPORATOR, Air Conditioning
15	5012 696AA	1	U					SEAL, Evaporator Drain
16	5013 560AA	1	U					HOUSING, A/C Unit
17	5013 557AA	1	U					DOOR, Blend Air
18	5012 692AA	1	U					DOOR, Blend Air
19	5014 420AA	1	U					CORE, Heater
20	5013 554AA	1	U					CLIP, Heater Core
21	5013 553AA	1	U					SEAL, Heater Tubes
22	5013 497AA	1	U					HOUSING, A/C Unit
23	5013 496AA	1	U					COVER, Heater
24	5013 579AA	1	U					DOOR, Distribution Duct
25	5012 739AA	1	U					DOOR, Floor Defroster Duct
26	5013 578AA	1	U					LEVER, Panel Door
27	5013 577AA	1	U					LEVER, Panel Door
28	5012 734AA	1	U					SHAFT, A/C and Heater Door
29	5013 576AA	1	U					LINK, Heater and Defroster Door
30	5012 732AA	1	U					SHAFT, Defroster Door
31	5013 575AA	1	U					LEVER, A/C Vent Defrost Door
32	5013 573AA	1	U					LEVER, Panel Door
33	5012 729AA	2	U					SCREW, Tapping
34	6101 442	4	U					U-NUT, M6 x 1.00, M6x1.00
35	5013 572AA	1	U					SERVO, Mode Door
36	5012 727AA	1	U					SEAL, Demister
37	5012 726AA	1	U					SEAL, Defroster Duct
38	5015 354AA	1	U					SEAL, Panel
39	5013 571AA	1	U					DUCT, Floor Distribution
40	5013 570AB	1	U					DUCT, Floor Distribution
41	5012 721AA	1	U					SEAL, Air Conditioning Unit

**JEEP GRAND CHEROKEE (WJ)**

SERIES	LINE	BODY	ENGINE	TRANSMISSION
H=Laredo	J = 4WD	74 = 4 Door(105.9 WB)	ER0, ERH = 4.0L, Power Tech I-6	DGK = 4 Speed Autm, 42RE
P=Limited	T = 2WD		EVO, EVA = 4.7L, Power Tech V8	DGW = 4 Speed Automatic, -44RE
	U = 4WD (RHD)		EXA, EX0 = 3.1L, 5 Cyl Turbo Diesel	DG4 = Multi Speed Automatic, -45RFE
				DGO = All Automatic

AR = Use as required - = Non illustrated part # = New this model year

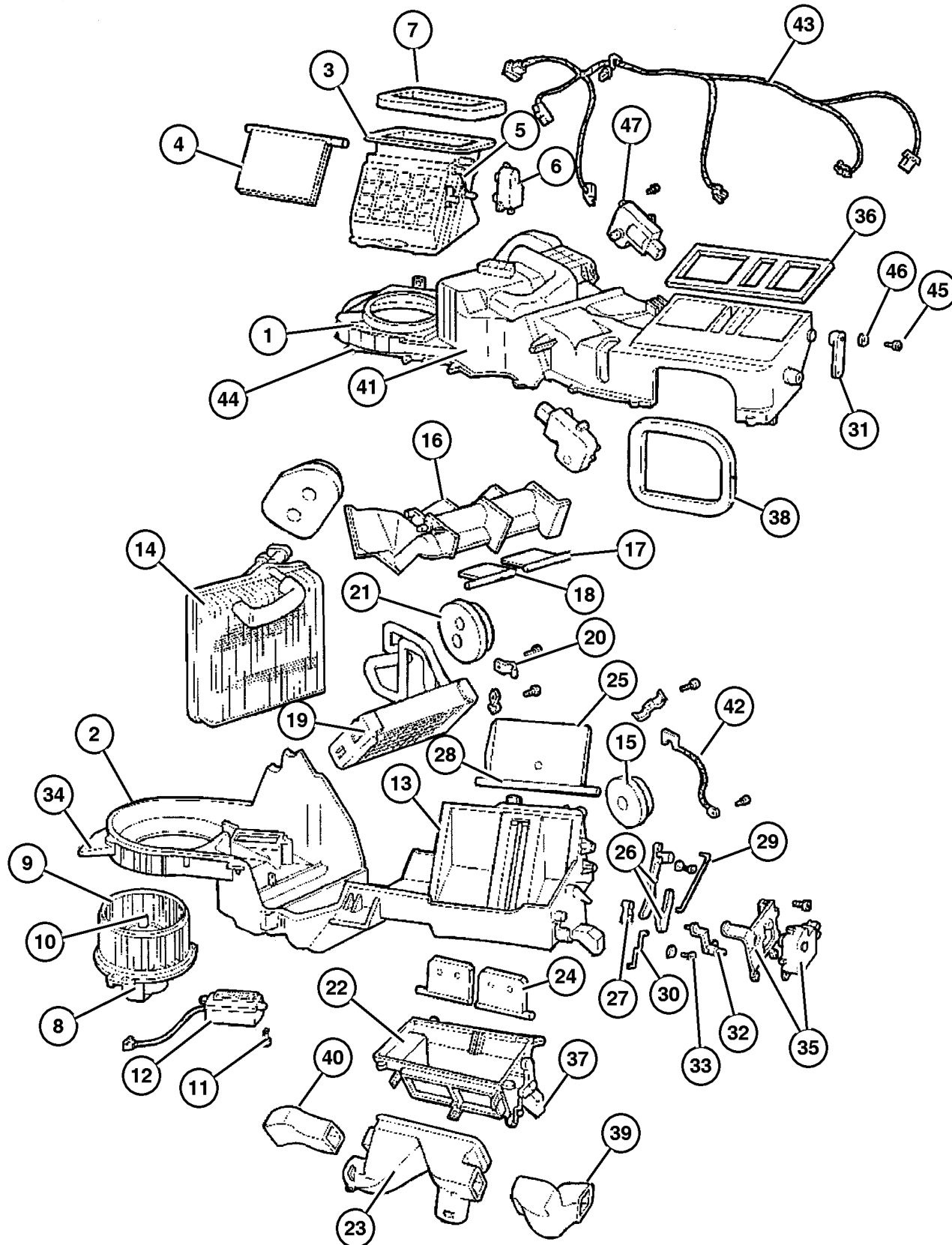
September 14, 2002





HEVAC with Auto Temp Control, RHD  
Figure 024-160

ITEM	PART NUMBER	QTY	LINE	SERIES	BODY	ENGINE	TRANS	DESCRIPTION
42	56038 591AB	1				EVO		STRAP, Ground
43	5014 421AA	1	U					HARNES, Air Conditioning Control
44	4720 533	32	U					SCREW, Heater Housing
45	4720 534	3	U					SCREW, Pan Head
46	5012 756AA	5	U					SPRING
47	5015 339AA	1	U					SEAL, A/C Evaporator
-48	5015 339AA	1	U					SEAL, A/C Evaporator



JEEP GRAND CHEROKEE (WJ)

SERIES	LINE	BODY	ENGINE	TRANSMISSION
H=Laredo	J = 4WD	74 = 4 Door(105.9 WB)	ER0, ERH = 4.0L, Power Tech I-6	DGK = 4 Speed Autm, 42RE
P=Limited	T = 2WD		EVO, EVA = 4.7L, Power Tech V8	DGW = 4 Speed Automatic, -44RE
	U = 4WD (RHD)		EXA, EX0 = 3.1L, 5 Cyl Turbo Diesel	DG4 = Multi Speed Automatic, -45RFE
				DGO = All Automatic

AR = Use as required - = Non illustrated part # = New this model year

September 14, 2002

HEVAC with Manual Control, LHD  
Figure 024-170

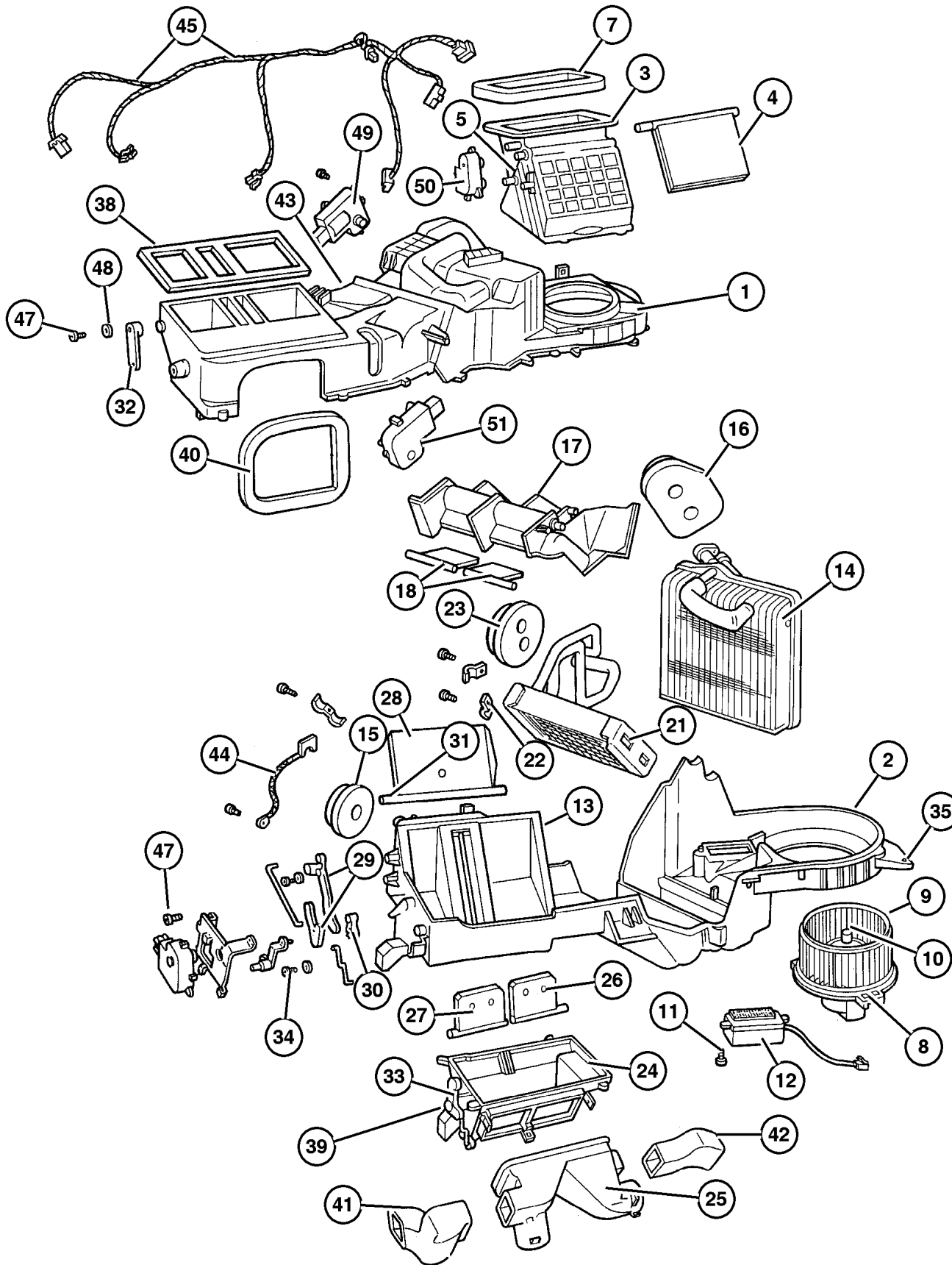
ITEM	PART NUMBER	QTY	LINE	SERIES	BODY	ENGINE	TRANS	DESCRIPTION
Note: Sales Code HAA = Air Conditioning								
1	5012 715AC	1	J, T					HOUSING, A/C Upper
2	5012 755AC	1	J, T					HOUSING, A/C Lower
3	5012 754AA	1	J, T					HOUSING, Air Recirculating
4	5012 712AA	1	J, T					DOOR, Air Inlet
5	5012 753AA	1	J, T					LEVER, A/C Recirculation Door
-6	5012 752AA	1	J, T					DIAPHRAGM, Heater and A/C Unit
7	5012 709AA	1	J, T					SEAL, Air Inlet
8	5012 708AA	1	J, T					MOTOR, Blower
9	5012 701AB	1	J, T					FAN, Blower Motor
10	2837 680	1	J, T					CLAMP, Blower Motor Wheel
11	5012 700AA	3	J, T					SCREW, Tapping
12	5014 212AA	1	J, T					RESISTOR, Blower Motor
13	5012 698AA	1	J, T					INSULATOR, Air Conditioning
14	5012 697AA	1	J, T					EVAPORATOR, Air Conditioning
15	5012 696AA	1	J, T					SEAL, Evaporator Drain
16	5014 744AA	1	J, T					SEAL, A/C Evaporator
17	5012 694AB	1	J, T					HOUSING, A/C Unit
18	5012 751AA	1	J, T					DOOR, Blend Air
-19	5012 711AA	2	J, T					LINK, Heater and Damper Contrl
-20	5012 750AA	1	J, T					SERVO, A/C Temperature Door
21	5012 691AC	1	J, T					CORE, Heater
22	5012 745AA	2	J, T					CLAMP, Heater
23	5012 744AA	1	J, T					SEAL, Heater Tubes
24	5012 762AA	1	J, T					HOUSING, A/C Unit
25	5012 742AA	1	J, T					COVER, Heater
26	5012 741AA	1	J, T					DOOR, Panel
27	5012 740AA	1	J, T					DOOR, Distribution Duct
28	5012 739AA	1	J, T					DOOR, Floor Defroster Duct
29	5012 738AA	1	J, T					LEVER, Panel Door
30	5012 735AA	1	J, T					LEVER, Panel Door
31	5012 734AA	1	J, T					SHAFT, A/C and Heater Door
32	5012 731AA	1	J, T					LEVER, A/C Vent Defrost Door
33	5012 761AA	1	J, T					LEVER, Panel Door
34	5012 729AA	1	J, T					SCREW, Tapping
35	6101 442	4	J, T					U-NUT, M6 x 1.00, M6x1.00
-36	5012 760AA	1	J, T					DIAPHRAGM, Heater and A/C Unit
-37	5012 759AA	1	J, T					DIAPHRAGM, Heater and A/C Unit
38	5012 727AA	1	J, T					SEAL, Demister
39	5012 726AA	1	J, T					SEAL, Defroster Duct
40	5015 355AA	1	J, T					SEAL, Panel
41	5012 723AB	1	J, T					DUCT, Floor Distribution

JEEP GRAND CHEROKEE (WJ)

SERIES	LINE	BODY	ENGINE	TRANSMISSION
H=Laredo	J = 4WD	74 = 4 Door(105.9 WB)	ER0, ERH = 4.0L, Power Tech I-6	DGK = 4 Speed Autm, 42RE
P=Limited	T = 2WD		EV0, EVA = 4.7L, Power Tech V8	DGW = 4 Speed Automatic, -44RE
	U = 4WD (RHD)		EXA, EX0 = 3.1L, 5 Cyl Turbo Diesel	DG4 = Multi Speed Automatic, -45RFE
				DGO = All Automatic

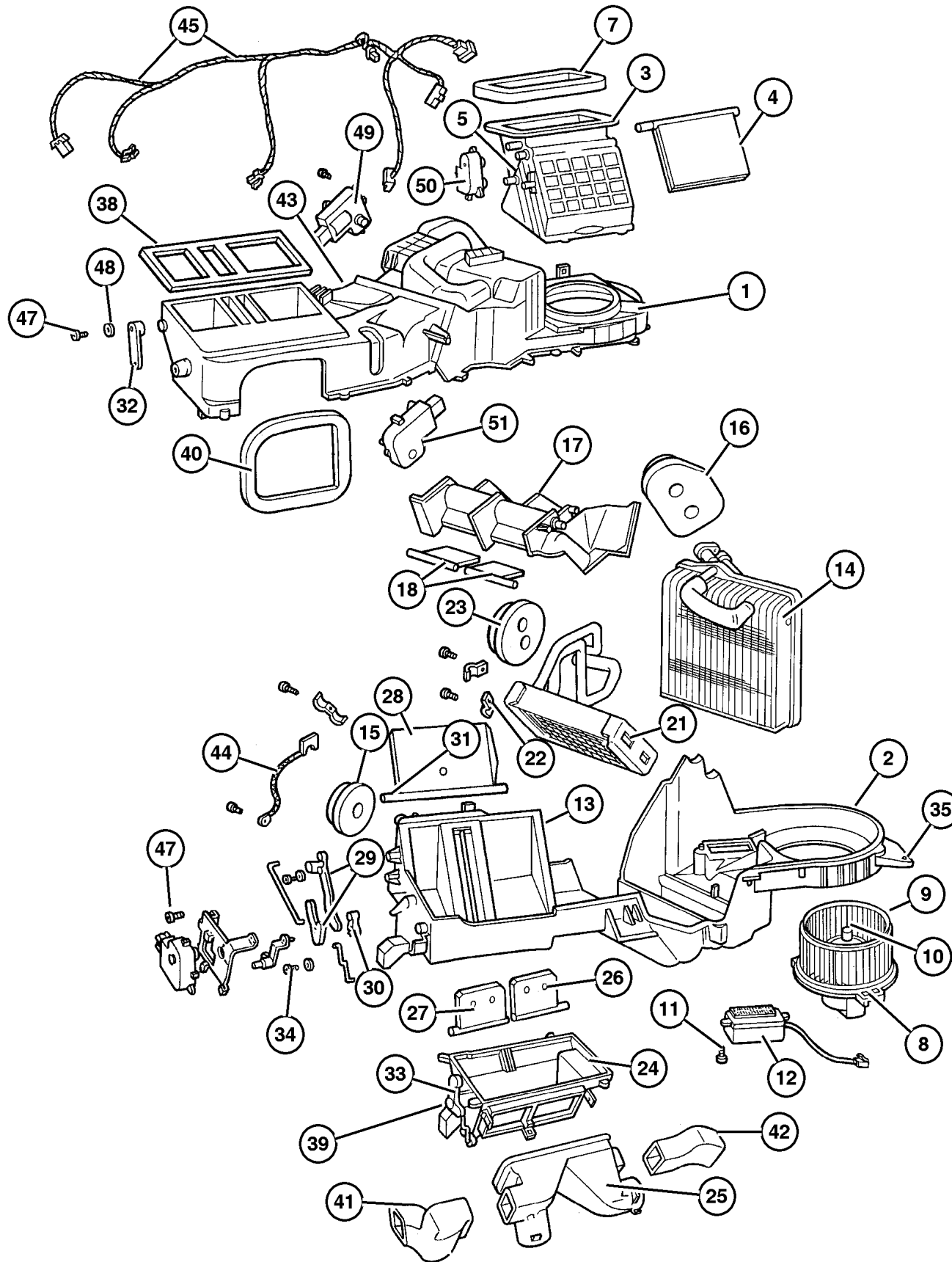
AR = Use as required - = Non illustrated part # = New this model year

September 14, 2002



HEVAC with Manual Control, LHD  
Figure 024-170

ITEM	PART NUMBER	QTY	LINE	SERIES	BODY	ENGINE	TRANS	DESCRIPTION
42	5012 722AD	1	J, T					DUCT, Floor Distribution
43	5012 721AA	1	J, T					SEAL, Air Conditioning Unit
44	56038 591AB	1				EVO		STRAP, Ground
45	5012 758AA	1	J, T					HARNASS, Air Conditioning Control
-46	5012 757AB	1	J, T					TUBE, Vacuum
47	4720 533	26	J, T					SCREW, Heater Housing
48	4720 534	6	J, T					SCREW, Pan Head
49	5012 756AA	5	J, T					SPRING
50	5012 750AA	1	J, T					SERVO, A/C Temperature Door
51	5012 750AA	1	J, T					SERVO, A/C Temperature Door



JEEP GRAND CHEROKEE (WJ)

SERIES	LINE	BODY	ENGINE	TRANSMISSION
H=Laredo	J = 4WD	74 = 4 Door(105.9 WB)	ER0, ERH = 4.0L, Power Tech I-6	DGK = 4 Speed Autm, 42RE
P=Limited	T = 2WD		EVO, EVA = 4.7L, Power Tech V8	DGW = 4 Speed Automatic, -44RE
	U = 4WD (RHD)		EXA, EX0 = 3.1L, 5 Cyl Turbo Diesel	DG4 = Multi Speed Automatic, -45RFE
				DGO = All Automatic

AR = Use as required - = Non illustrated part # = New this model year

September 14, 2002

HEVAC with Manual Control, RHD  
Figure 024-180

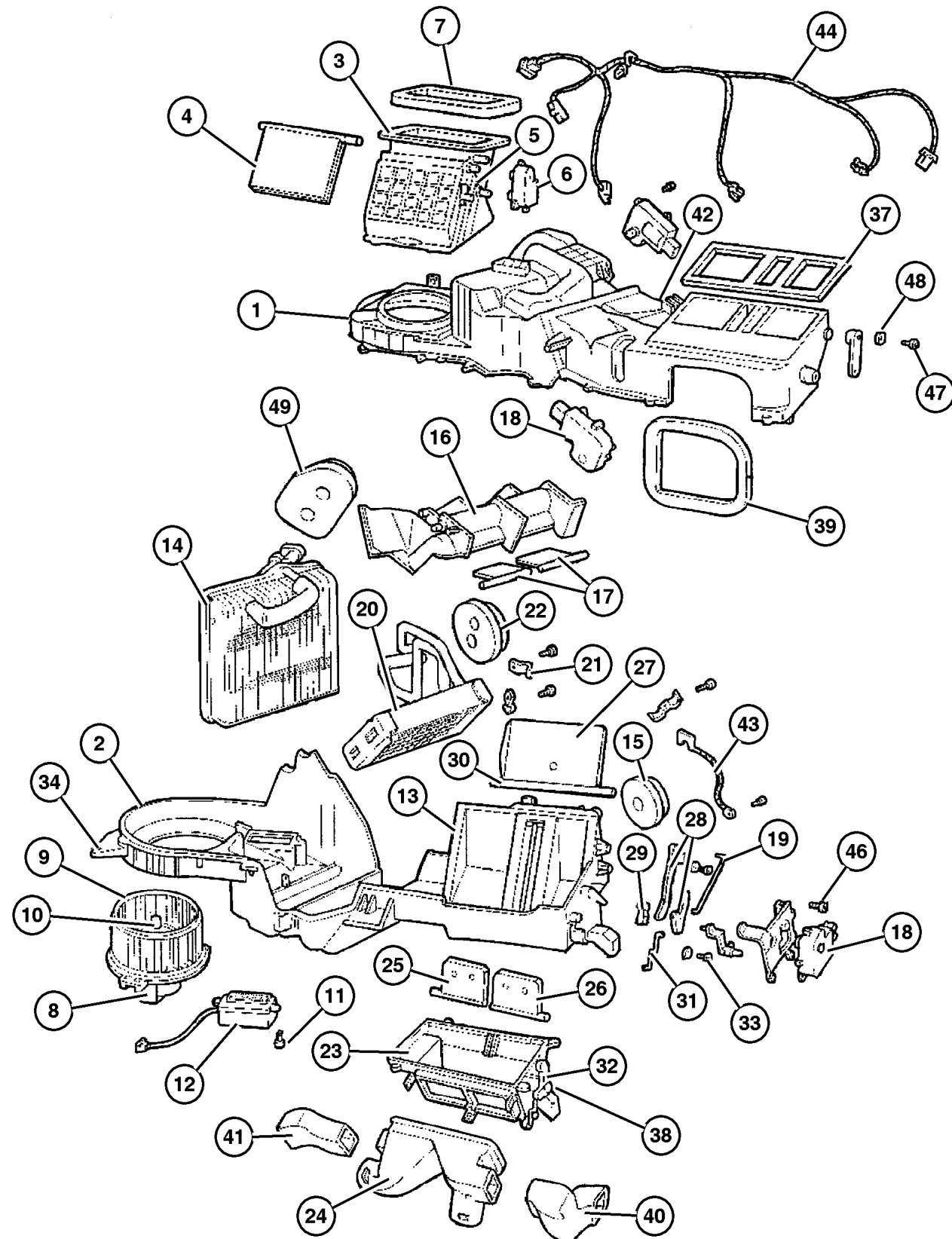
ITEM	PART NUMBER	QTY	LINE	SERIES	BODY	ENGINE	TRANS	DESCRIPTION
Note: Sales Code HAA = Air Conditioning								
1	5013 552AA	1	U					HOUSING, A/C Upper
2	5013 551AA	1	U					HOUSING, A/C Lower
3	5013 569AA	1	U					HOUSING, Air Recirculating
4	5012 712AA	1	U					DOOR, Air Inlet
5	5013 567AA	1	U					LEVER, A/C Recirculation Door
6	5012 752AA	1	U					DIAPHRAGM, Heater and A/C Unit
7	5012 709AA	1	U					SEAL, Air Inlet
8	5013 566AA	1	U					MOTOR, Blower
9	5013 565AB	1	U					FAN, Blower Motor
10	2837 680	1	U					CLAMP, Blower Motor Wheel
11	5012 700AA	3	U					SCREW, Tapping
12	5014 212AA	1	U					RESISTOR, Blower Motor
13	5013 564AA	1	U					INSULATOR, Air Conditioning
14	5013 563AA	1	U					EVAPORATOR, Air Conditioning
15	5012 696AA	1	U					SEAL, Evaporator Drain
16	5013 560AA	1	U					HOUSING, A/C Unit
17	5013 558AA	1	U					DOOR, Blend Air
18	5013 561AA	1	U					SERVO, A/C Temperature Door
19	5013 559AA	2	U					LINK, Heater and Damper Contrl
20	5014 420AA	1	U					CORE, Heater
21	5013 554AA	1	U					CLIP, Heater Core
22	5013 553AA	1	U					SEAL, Heater Tubes
23	5013 498AA	1	U					HOUSING, A/C Unit
24	5013 496AA	1	U					COVER, Heater
25	5012 741AA	1	U					DOOR, Panel
26	5013 579AA	1	U					DOOR, Distribution Duct
27	5012 739AA	1	U					DOOR, Floor Defroster Duct
28	5013 578AA	1	U					LEVER, Panel Door
29	5013 577AB	1	U					LEVER, Panel Door
30	5012 734AA	1	U					SHAFT, A/C and Heater Door
31	5013 575AA	1	U					LEVER, A/C Vent Defrost Door
32	5013 574AA	1	U					LEVER, Panel Door
33	5012 729AA	1	U					SCREW, Tapping
34	6101 442	4	U					U-NUT, M6 x 1.00, M6x1.00
-35	5014 422AA	1	U					DIAPHRAGM, Heater and A/C Unit
-36	5014 423AA	1	U					DIAPHRAGM, Heater and A/C Unit
37	5012 727AA	1	U					SEAL, Demister
38	5012 726AA	1	U					SEAL, Defroster Duct
39	5015 355AA	1	U					SEAL, Panel
40	5013 571AA	1	U					DUCT, Floor Distribution
41	5013 570AA	1	U					DUCT, Floor Distribution

JEEP GRAND CHEROKEE (WJ)

SERIES	LINE	BODY	ENGINE	TRANSMISSION
H=Laredo	J = 4WD	74 = 4 Door(105.9 WB)	ER0, ERH = 4.0L, Power Tech I-6	DGK = 4 Speed Autm, 42RE
P=Limited	T = 2WD		EV0, EVA = 4.7L, Power Tech V8	DGW = 4 Speed Automatic, -44RE
	U = 4WD (RHD)		EXA, EX0 = 3.1L, 5 Cyl Turbo Diesel	DG4 = Multi Speed Automatic, -45RFE
				DGO = All Automatic

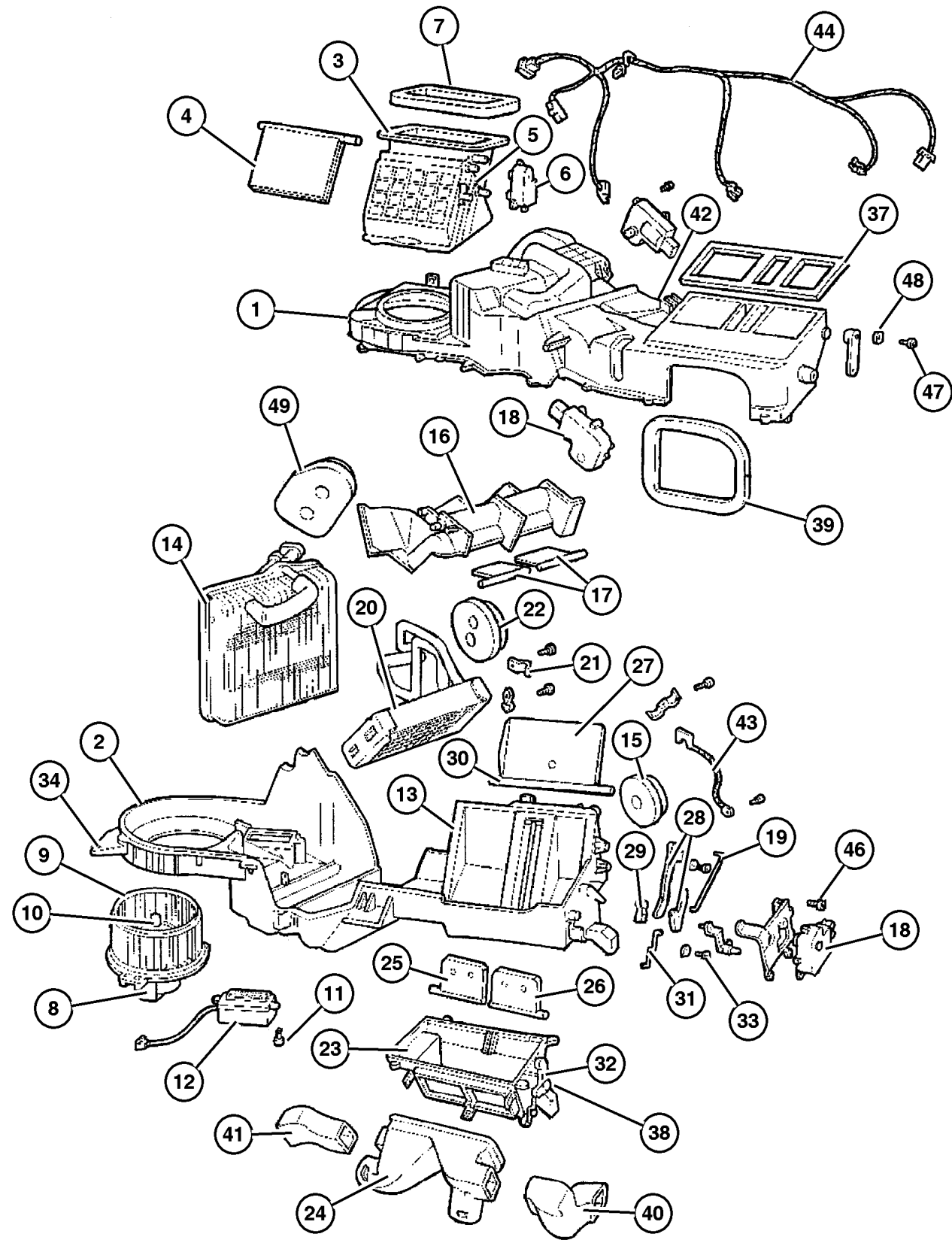
AR = Use as required - = Non illustrated part # = New this model year

September 14, 2002



HEVAC with Manual Control, RHD  
Figure 024-180

ITEM	PART NUMBER	QTY	LINE	SERIES	BODY	ENGINE	TRANS	DESCRIPTION
42	5012 721AA	1	U					SEAL, Air Conditioning Unit
43	56038 591AA	1				EVO		STRAP, Ground
44	5012 758AA	1	U					HARNESSE, Air Conditioning Control
-45	5012 757AB	1	U					TUBE, Vacuum
46	4720 533	26	U					SCREW, Heater Housing
47	4720 534	6	U					SCREW, Pan Head
48	5012 756AA	5	U					SPRING
49	5013 562AB	1	U					SEAL, A/C Evaporator



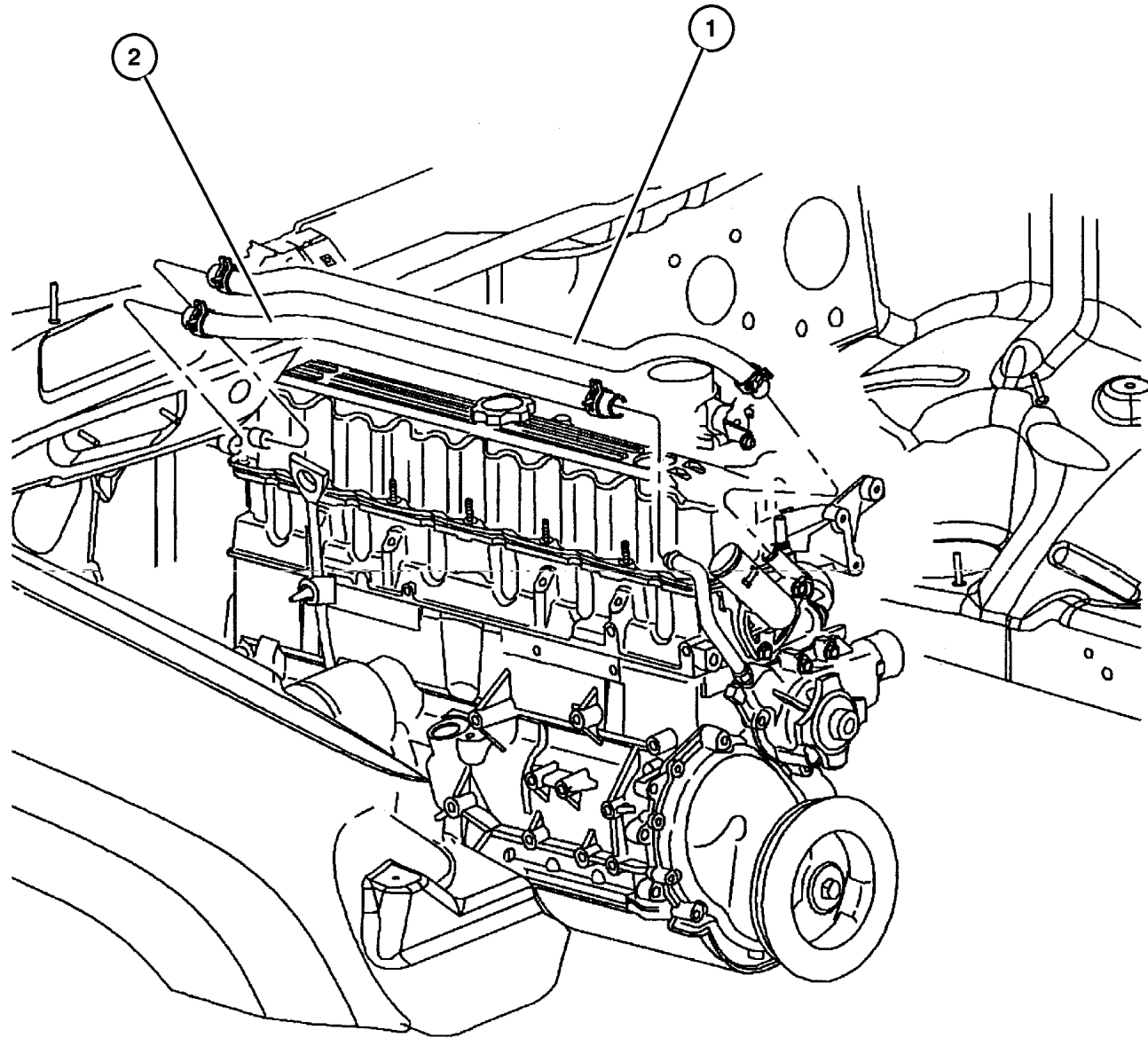
JEEP GRAND CHEROKEE (WJ)

SERIES	LINE	BODY	ENGINE	TRANSMISSION
H=Laredo	J = 4WD	74 = 4 Door(105.9 WB)	ER0, ERH = 4.0L, Power Tech I-6	DGK = 4 Speed Autm, 42RE
P=Limited	T = 2WD		EVO, EVA = 4.7L, Power Tech V8	DGW = 4 Speed Automatic, -44RE
	U = 4WD (RHD)		EXA, EX0 = 3.1L, 5 Cyl Turbo Diesel	DG4 = Multi Speed Automatic, -45RFE
				DGO = All Automatic

AR = Use as required - = Non illustrated part # = New this model year

September 14, 2002

Hoses, Heater 3.1, 4.0L Engines  
Figure 024-240



ITEM	PART NUMBER	QTY	LINE	SERIES	BODY	ENGINE	TRANS	DESCRIPTION
------	-------------	-----	------	--------	------	--------	-------	-------------

Note: Sales Code ER0 = 4.0 L Engine

Note: Sales Code EX0 = 3.1 L Engine

1	5511 5889	1	U			ER0		HOSE, Heater Supply
	5511 5890	1	J, T			ER0		
	5511 7081	1	J, T			EX0		
2	5511 5892	1	U			ER0		HOSE, Heater Return
	5511 5897	1	J, T			ER0		
	5511 7082	1	J, T			EX0		

JEEP GRAND CHEROKEE (WJ)

SERIES	LINE	BODY	ENGINE	TRANSMISSION
H=Laredo	J = 4WD	74 = 4 Door(105.9 WB)	ER0, ERH = 4.0L, Power Tech I-6	DGK = 4 Speed Autm, 42RE
P=Limited	T = 2WD		EVA, EVA = 4.7L, Power Tech V8	DGW = 4 Speed Automatic, -44RE
	U = 4WD (RHD)		EXA, EX0 = 3.1L, 5 Cyl Turbo Diesel	DG4 = Multi Speed Automatic, -45RFE
				DGO = All Automatic

AR = Use as required - = Non illustrated part # = New this model year

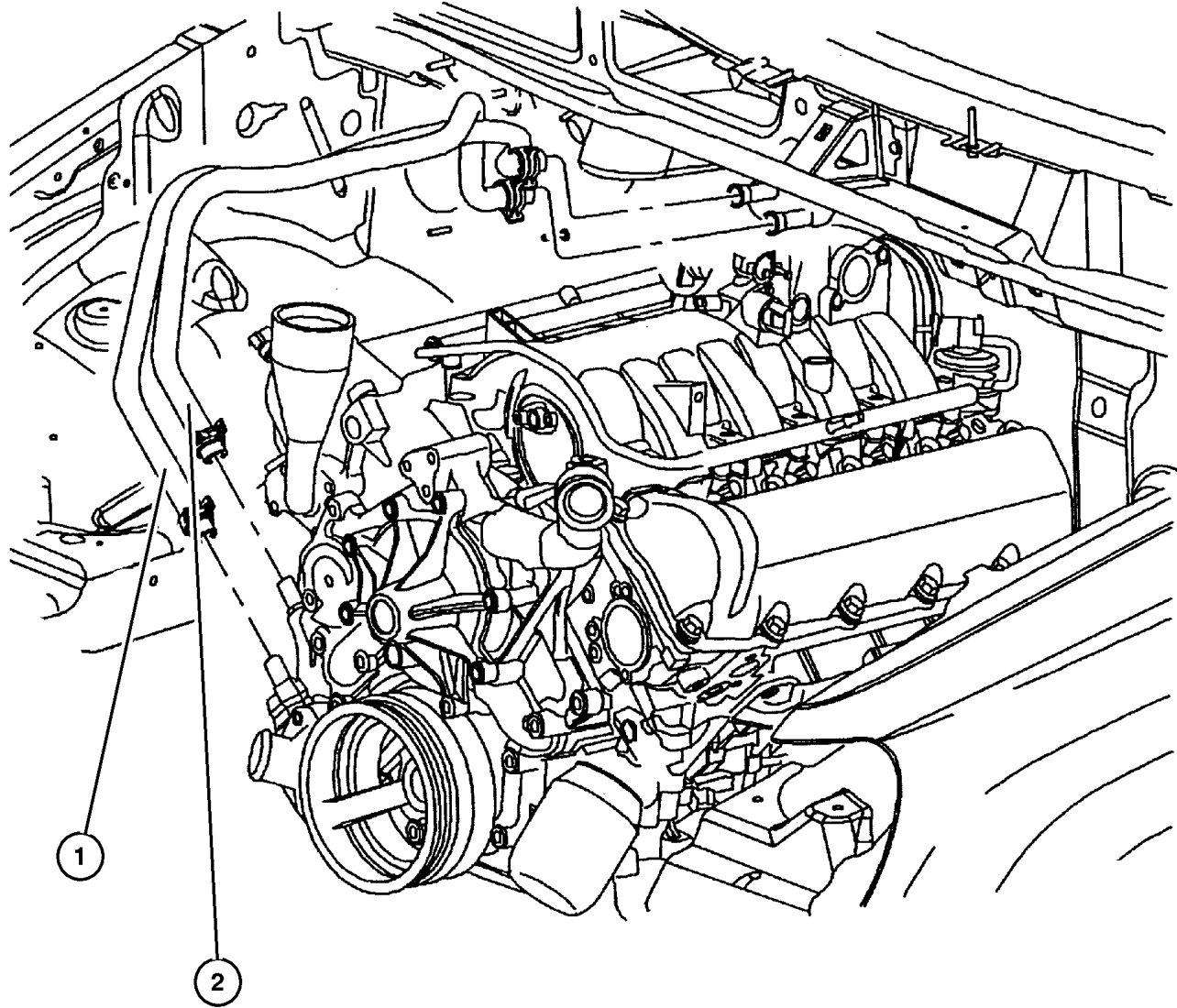
September 14, 2002

## Hoses, Heater 4.7L Engine Figure 024-245

ITEM	PART NUMBER	QTY	LINE	SERIES	BODY	ENGINE	TRANS	DESCRIPTION
------	-------------	-----	------	--------	------	--------	-------	-------------

Note: Sales Code EV0 = 4.7 L Engine

1								TUBE AND HOSE, Supply
	55115 895AB	1	J, T			EVO		
	55116 352AB	1	U			EVO		
2								TUBE AND HOSE, Return
	55115 896AB	1	J, T			EVO		
	55116 353AB	1	U			EVO		



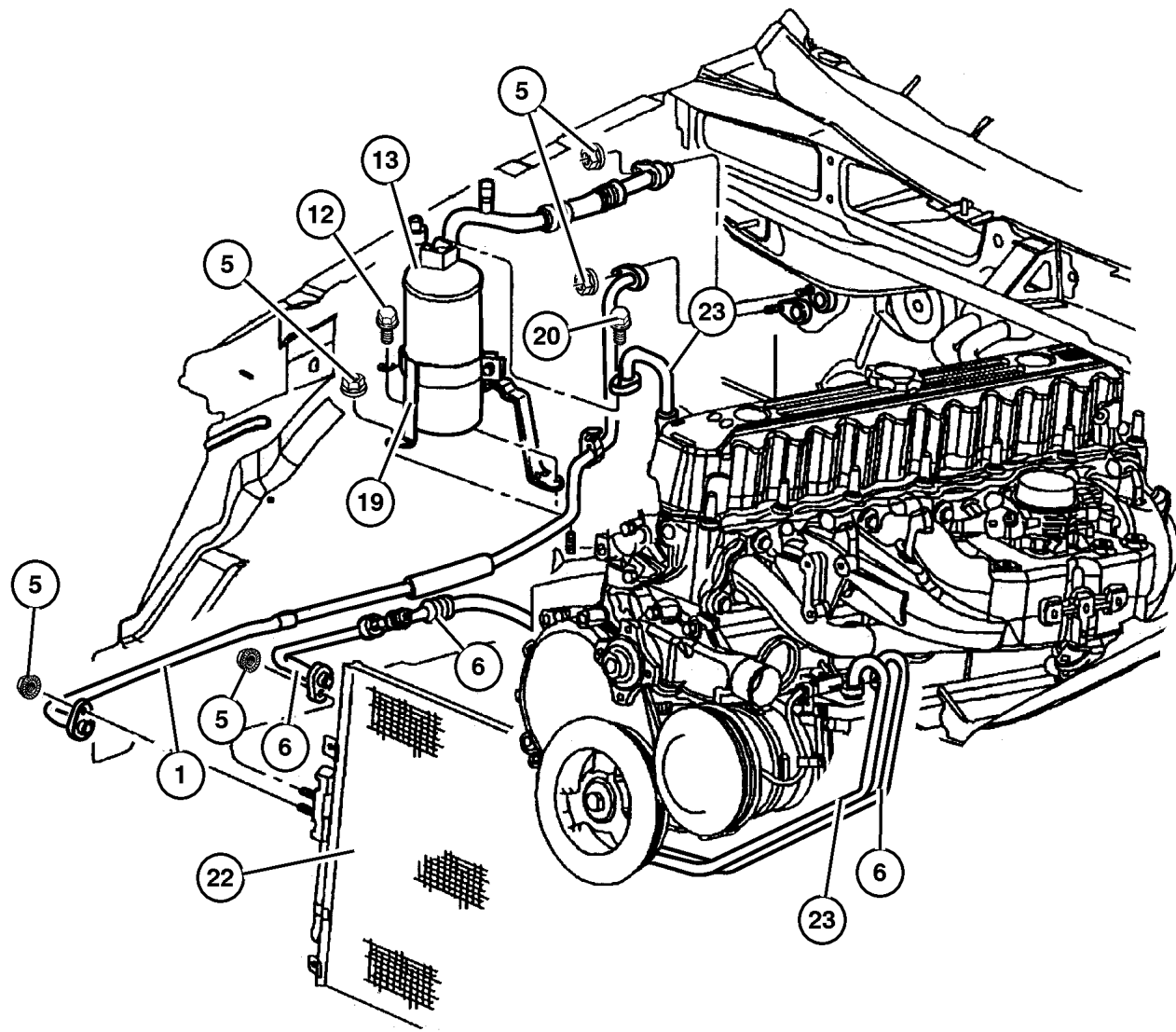
**JEEP GRAND CHEROKEE (WJ)**

SERIES	LINE	BODY	ENGINE	TRANSMISSION
H=Laredo	J = 4WD	74 = 4 Door(105.9 WB)	ER0, ERH = 4.0L, Power Tech I-6	DGK = 4 Speed Autm, 42RE
P=Limited	T = 2WD		EV0, EVA = 4.7L, Power Tech V8	DGW = 4 Speed Automatic, -44RE
	U = 4WD (RHD)		EXA, EX0 = 3.1L, 5 Cyl Turbo Diesel	DG4 = Multi Speed Automatic, -45RFE
				DGO = All Automatic

AR = Use as required - = Non illustrated part # = New this model year

September 14, 2002

**Accumulator, Condenser and Lines 3.1, 4.0L Engines  
Figure 024-250**



ITEM	PART NUMBER	QTY	LINE	SERIES	BODY	ENGINE	TRANS	DESCRIPTION
<b>Note</b>								
ERO = All 4.0 L Engines								
EVO = All 4.7 L Engines								
EX0 = All 3.1 L Engines								
1								LINE, A/C Liquid
	53054 569AA	1	J, T			EX0		
	55115 914AC	1	J, T			ER0, EVO		
-2	4796 565	1	J, T			EX0		O RING, A/C Discharge Line
-3	5012 980AA	1	J, T			EX0		O RING, A/C Liquid Line
-4	55116 339AA	1	J, T			EX0		RETAINER, A/C Supply Line
5								NUT AND WASHER, Hex Nut-Coned Washer, M8 x 1.25
	6101 445	1	J, T					
		1	U					
6								LINE, A/C Discharge
	55116 162AB	1	J, T			ER0		
	55116 163AC	1	U			ER0		
	5511 7086	1	J, T			EX0		
	#5511 7089	1	U			EX0		
-7	4796 565	1	J, T			EX0		O RING, A/C Discharge Line
-8	4741 705	1	J, T			EX0		O RING, A/C Liquid Line
-9								VALVE CORE, Service Port
	5011 346AA	2	U			ER0		
		1	J, T			EX0		
-10								BRACKET, A/C Line
	5012 988AA	1	J, T			ER0		
	5012 989AA	1	U			EVO		
-11	4897 617AA	1	J, T			EX0		SWITCH, A/C High Pressure Cut Off
12	6502 064	6						SCREW, Tapping, M6x1x20
13								ACCUMULATOR, Suction Line
	55115 909AB	1	U			ER0, EVO		
	5511 7088	1	J, T			EX0		
	55115 910AC	1	J, T			ER0		
-14	5012 979AA	1				EX0		O RING, A/C Suction Line
-15	4728 705	1	J, T			EX0		O RING, Low Pressure Cutout Switc
-16	4897 613AA	1	J, T			EX0		SWITCH, A/C Cycling
-17	5011 346AA	2	J, T			EX0		VALVE CORE, Service Port
-18								CAP, A/C Charge Valve
	5015 568AA	1	U			EX0		
		1	J, T			ER0		

**JEEP GRAND CHEROKEE (WJ)**

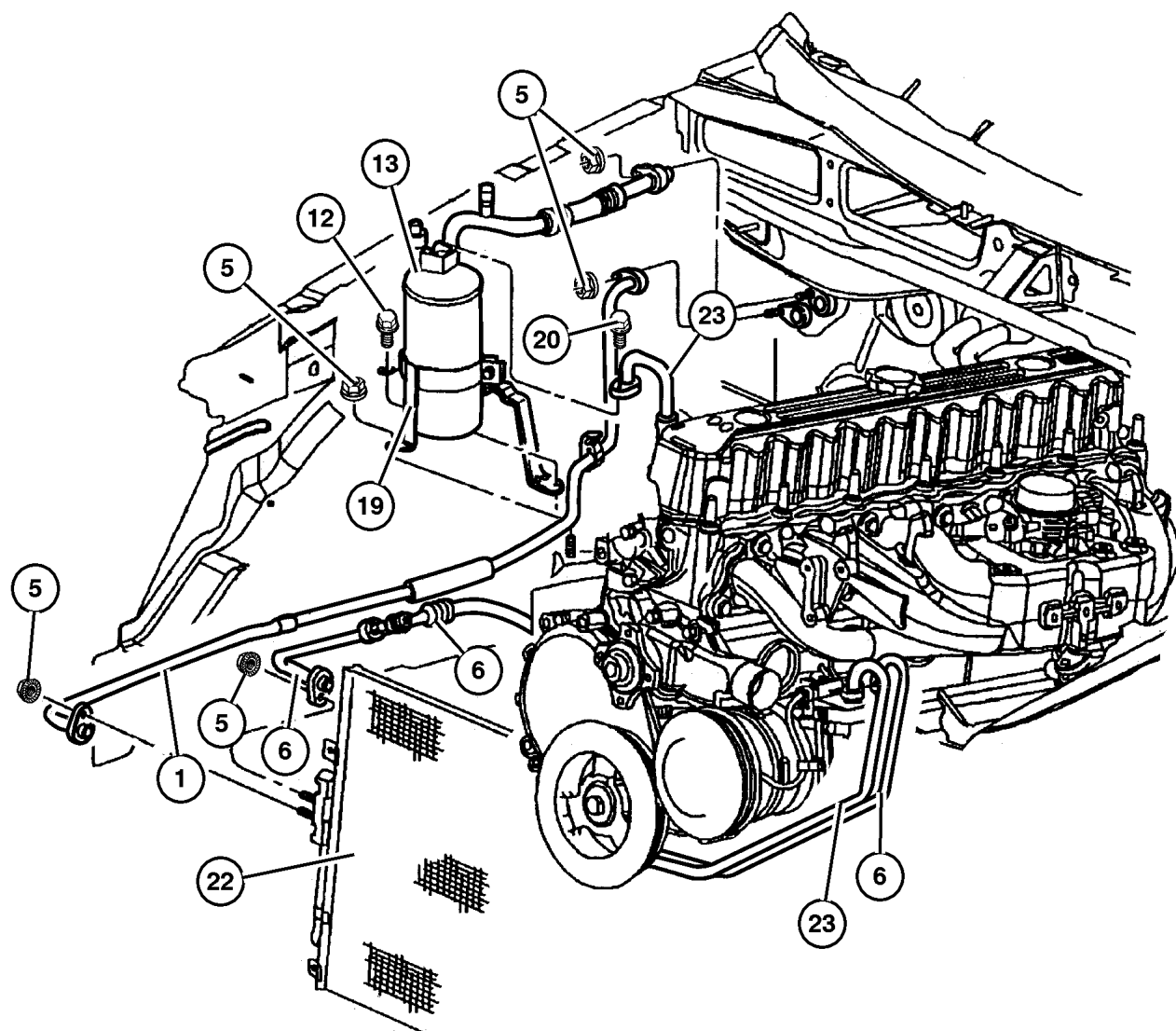
SERIES	LINE	BODY	ENGINE	TRANSMISSION
H=Laredo	J = 4WD	74 = 4 Door(105.9 WB)	ER0, ERH = 4.0L, Power Tech I-6	DGK = 4 Speed Autm, 42RE
P=Limited	T = 2WD		EVO, EVA = 4.7L, Power Tech V8	DGW = 4 Speed Automatic, -44RE
	U = 4WD (RHD)		EXA, EX0 = 3.1L, 5 Cyl Turbo Diesel	DG4 = Multi Speed Automatic, -45RFE
				DGO = All Automatic

AR = Use as required - = Non illustrated part # = New this model year

September 14, 2002



**Accumulator, Condenser and Lines 3.1, 4.0L Engines**  
**Figure 024-250**



ITEM	PART NUMBER	QTY	LINE	SERIES	BODY	ENGINE	TRANS	DESCRIPTION
19	53054 571AA	1	J, T			EX0		BRACKET, Accumulator
20								SCREW, Hex Flange Head, M8x1.25x25.00
	6501 648	1	J, T			ER0		
		1	J			EX0		
-21	55116 446AA	1						LABEL, Refrigerant
22								CONDENSER, Air Conditioning
	55115 918AB	1	J, T			ER0		
		1	U			ER0		
		1	J, T			EX0		
		1	U			EX0		
23								LINE, A/C Suction
	55116 359AC	1	U			EVO		
	5511 7087	1				EX0		
	55116 164AC	1	U			ER0		
	55116 501AB	1	J, T			ER0		
-24	5012 979AA	1				EX0		O RING, A/C Suction Line
-25	5012 981AA	1				EX0		O RING, A/C Suction Line
-26	5503 5784	1				EX0		CLIP, Tube
-27	6034 966	1				EX0		BOLT, .312-24x1.170

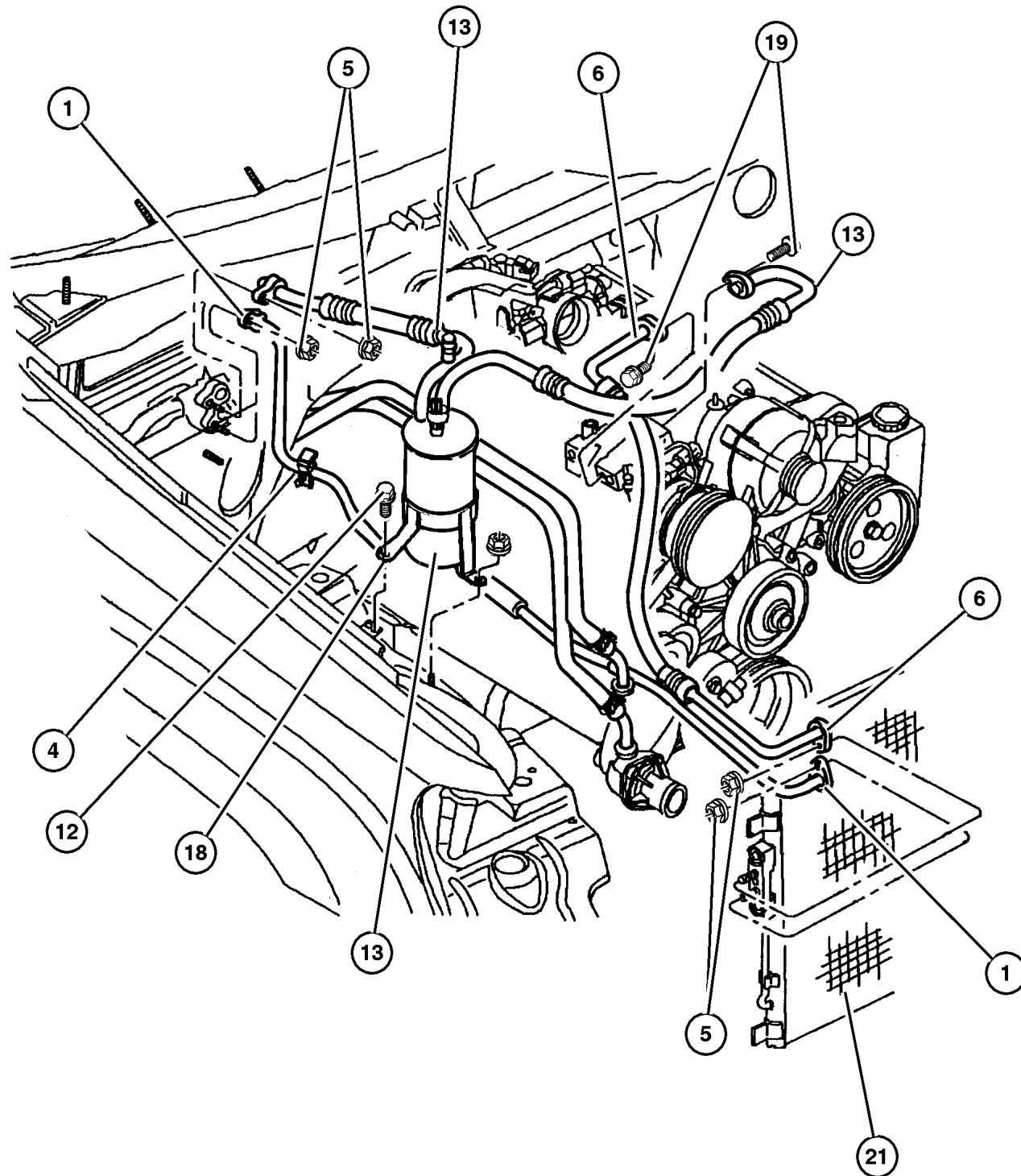
**JEEP GRAND CHEROKEE (WJ)**

SERIES	LINE	BODY	ENGINE	TRANSMISSION
H=Laredo	J = 4WD	74 = 4 Door(105.9 WB)	ER0, ERH = 4.0L, Power Tech I-6	DGK = 4 Speed Autm, 42RE
P=Limited	T = 2WD		EVO, EVA = 4.7L, Power Tech V8	DGW = 4 Speed Automatic, -44RE
	U = 4WD (RHD)		EXA, EX0 = 3.1L, 5 Cyl Turbo Diesel	DG4 = Multi Speed Automatic, -45RFE
				DGO = All Automatic

AR = Use as required - = Non illustrated part # = New this model year

September 14, 2002

## Accumulator, Condenser and Lines 4.7L Engine Figure 024-255



ITEM	PART NUMBER	QTY	LINE	SERIES	BODY	ENGINE	TRANS	DESCRIPTION
Note: Sales Code								
ERO = All 4.0L 6 Cyl Gas Engines								
EVO = All 4.7 L Engines								
1	55115 914AC	1	J, T			ERO,		LINE, A/C Liquid
	55116 161AD	1	U			EVO		
-2	4796 565	2	J, T			ERO,		O RING, A/C Discharge Line
		2	U			EVO		
-3	5012 980AA	1	J, T			ERO,		O RING, A/C Liquid Line
		1	U			EVO		
4	55116 339AA	1	J, T			ERO,		RETAINER, A/C Supply Line
		1	U			EVO		
5	6101 445	1				ERO,		NUT AND WASHER, Hex Nut-Coned Washer, M8 x 1.25
						EVO		LINE, A/C Discharge
6	55116 165AC	1	J, T			EVO		
	55116 358AC	1	U			EVO		
-7	4796 565	2	J, T			ERO,		O RING, A/C Discharge Line
		2	U			EVO		
-8	4741 705	1	J, T			ERO,		O RING, A/C Liquid Line
		1	U			EVO		
-9	5011 346AA	2	J, T			ERO,		VALVE CORE, Service Port
		2	U			EVO		
-10	5012 987AA	1	U			ERO,		CLIP, Discharge Line
-11	4897 617AA	1	J, T			ERO,		SWITCH, A/C High Pressure Cut Off
		1	U			EVO		
12	6502 064	6						SCREW, Tapping, M6x1x20
13	55115 911AC	1	J, T			EVO		ACCUMULATOR, Suction Line

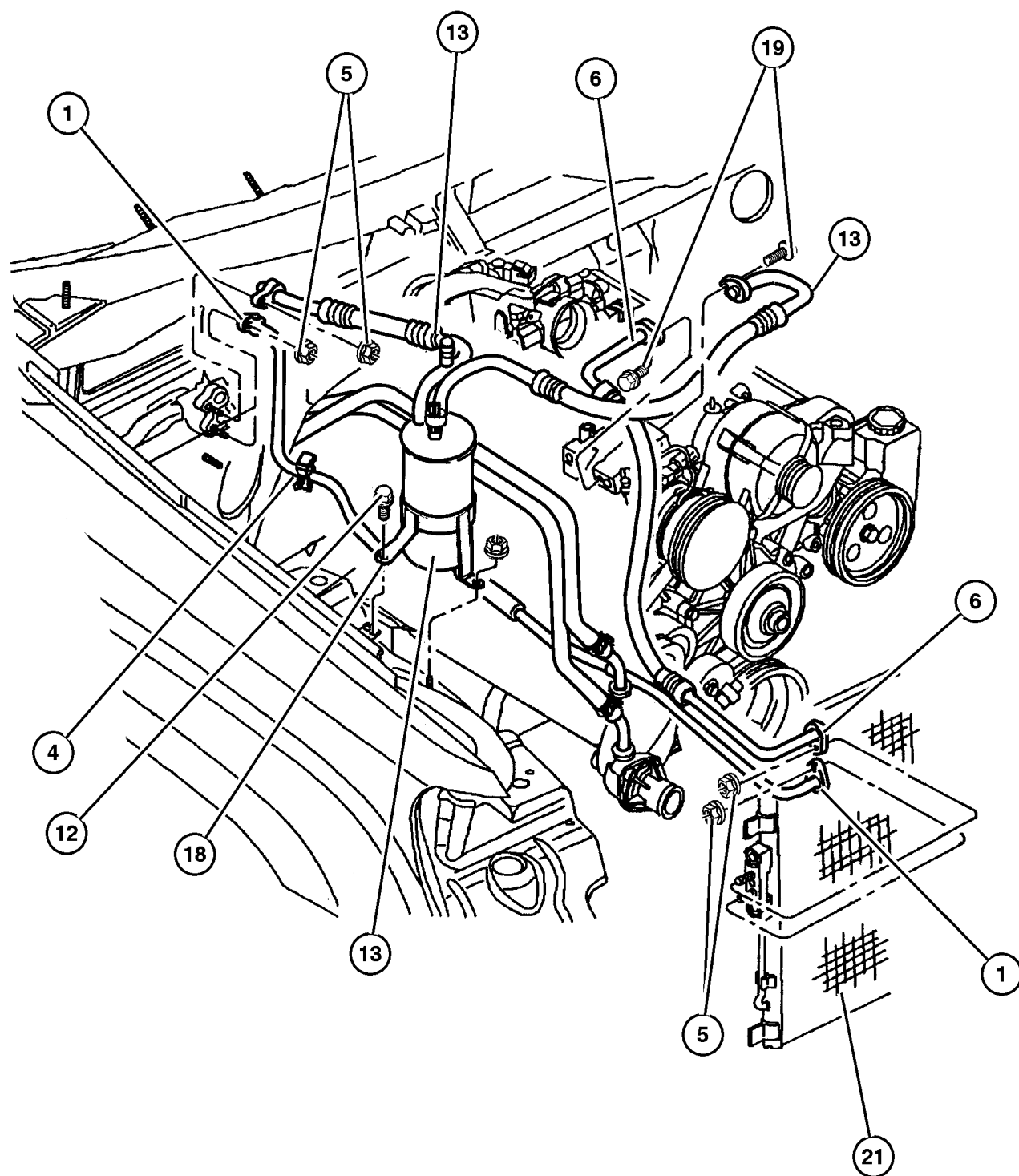
### JEEP GRAND CHEROKEE (WJ)

SERIES	LINE	BODY	ENGINE	TRANSMISSION
H=Laredo	J = 4WD	74 = 4 Door(105.9 WB)	ERO, ERH = 4.0L, Power Tech I-6	DGK = 4 Speed Autm, 42RE
P=Limited	T = 2WD		EVO, EVA = 4.7L, Power Tech V8	DGW = 4 Speed Automatic, -44RE
	U = 4WD (RHD)		EXA, EX0 = 3.1L, 5 Cyl Turbo Diesel	DG4 = Multi Speed Automatic, -45RFE
				DGO = All Automatic

AR = Use as required - = Non illustrated part # = New this model year

September 14, 2002

## Accumulator, Condenser and Lines 4.7L Engine Figure 024-255



ITEM	PART NUMBER	QTY	LINE	SERIES	BODY	ENGINE	TRANS	DESCRIPTION
	55115 909AB	1	U			ER0, EVO		
-14	5012 979AA	1	J, T			EVO		O RING, A/C Suction Line
	5012 981AA	1	U			EVO		
-15	4728 705	1	J, T			EVO		O RING, Low Pressure Cutout Switc
		1	U			ER0, EVO		
-16	4897 613AA	1	J, T			EVO		SWITCH, A/C Cycling
		1	U			ER0, EVO		
-17	5011 346AA	2	J, T			EVO		VALVE CORE, Service Port
		2	U			EVO		
18	5012 986AA	1	J, T			EVO		BRACKET, Accumulator
	5012 985AA	1	U			ER0, EVO		
19	6501 648	1	U			ER0, EVO		SCREW, Hex Flange Head, M8x1.25x25. 00
-20	55116 446AA	1						LABEL, Refrigerant
21	55115 918AB	1	J, T			EVO		CONDENSER, Air Conditioning
		1	U			EVO		

**JEEP GRAND CHEROKEE (WJ)**

SERIES	LINE	BODY	ENGINE	TRANSMISSION
H=Laredo	J = 4WD	74 = 4 Door(105.9 WB)	ER0, ERH = 4.0L, Power Tech I-6	DGK = 4 Speed Autm, 42RE
P=Limited	T = 2WD		EVO, EVA = 4.7L, Power Tech V8	DGW = 4 Speed Automatic, -44RE
	U = 4WD (RHD)		EXA, EX0 = 3.1L, 5 Cyl Turbo Diesel	DG4 = Multi Speed Automatic, -45RFE
				DGO = All Automatic

AR = Use as required - = Non illustrated part # = New this model year

September 14, 2002

## Hevac Vacuum Engine Lines and Controls Figure 024-260

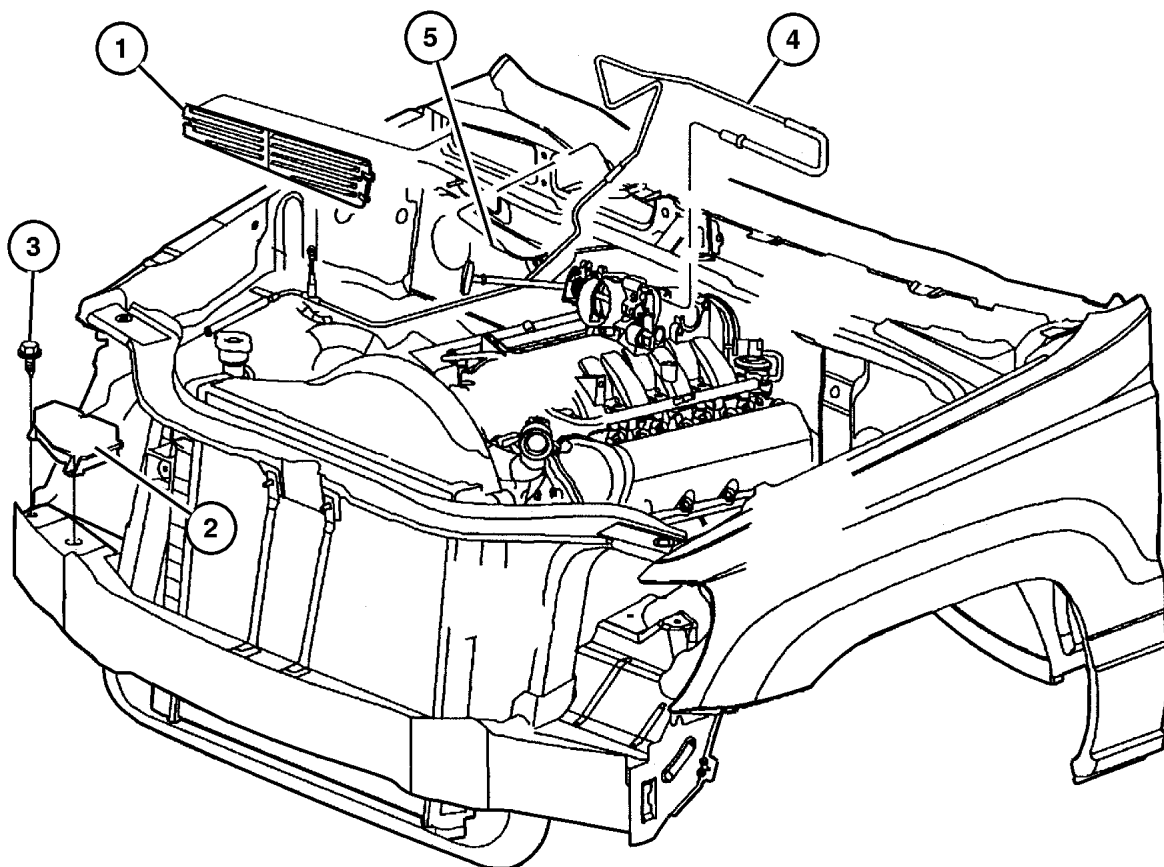
ITEM	PART NUMBER	QTY	LINE	SERIES	BODY	ENGINE	TRANS	DESCRIPTION
------	-------------	-----	------	--------	------	--------	-------	-------------

Note: Sales Code ER0 = 4.0 L Engine

Note: Sales Code EX0 = 3.1 L Engine

Note: Sales Code EV0 = 4.7 L Engine

1								BAFFLE, Air
	5511 5885	1	J, T					
	5511 5886	1	U					
2	5511 5899	1				ER0, EVO		RESERVOIR, Vacuum
3								SCREW, Hex Flange Head Tapping, M4.8 x 1.59 x 14.00, (NOT SERVICED) (Not Serviced)
4								VACUUM HARNESS, Heater and A/C
	55115 901AC	1	J, T			ER0		
	55116 490AA	1	U			ER0		
	55116 158AB	1	J, T			EX0		
	55115 900AC	1	J, T			EVO		
	55116 489AA	1	U			EVO		
5	3580 172	1						CAP, Vacuum



**JEEP GRAND CHEROKEE (WJ)**

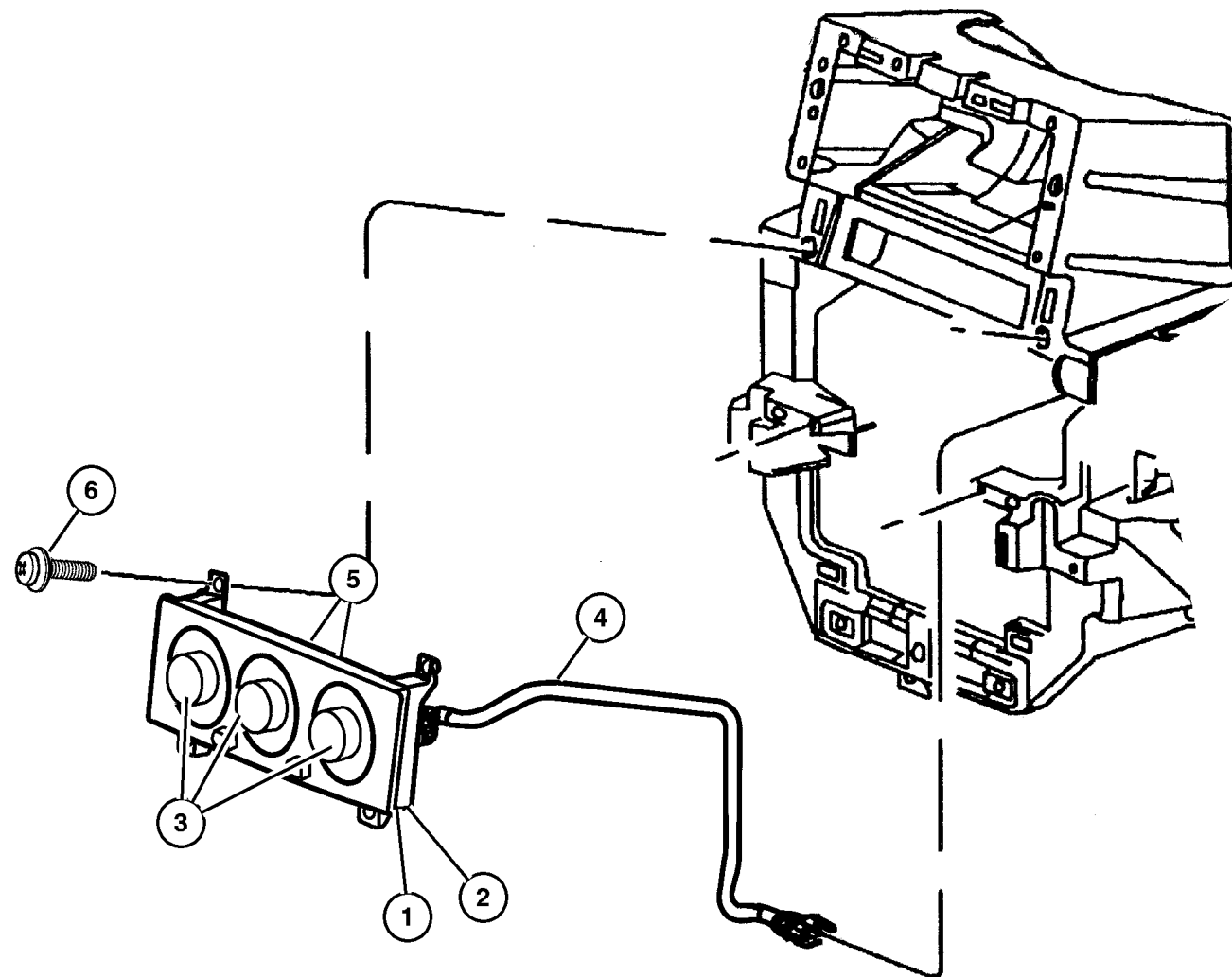
SERIES	LINE	BODY	ENGINE	TRANSMISSION
H=Laredo	J = 4WD	74 = 4 Door(105.9 WB)	ER0, ERH = 4.0L, Power Tech I-6	DGK = 4 Speed Autm, 42RE
P=Limited	T = 2WD		EVO, EVA = 4.7L, Power Tech V8	DGW = 4 Speed Automatic, -44RE
	U = 4WD (RHD)		EXA, EX0 = 3.1L, 5 Cyl Turbo Diesel	DG4 = Multi Speed Automatic, -45RFE
				DGO = All Automatic

AR = Use as required - = Non illustrated part # = New this model year

September 14, 2002

**Control, Heater and Air Conditioner**  
**Figure 024-330**

ITEM	PART NUMBER	QTY	LINE	SERIES	BODY	ENGINE	TRANS	DESCRIPTION
Note: Sales Code HAA = Air Conditioning								
Note: Sales Code HAF = Auto Temp Control								
1	5511 5904	1						CONTROL, A/C And Heater
2	5511 5903	1						CONTROL, Auto Temp Control
3	5012 976AA	2						KNOB, ATC Control
4	5012 977AA	1						HARNES, A/C And Heater Vacuum
5	5013 124AA	2						BULB, Heater and A/C Control
6	6101 946	4						SCREW, Tapping



**JEEP GRAND CHEROKEE (WJ)**

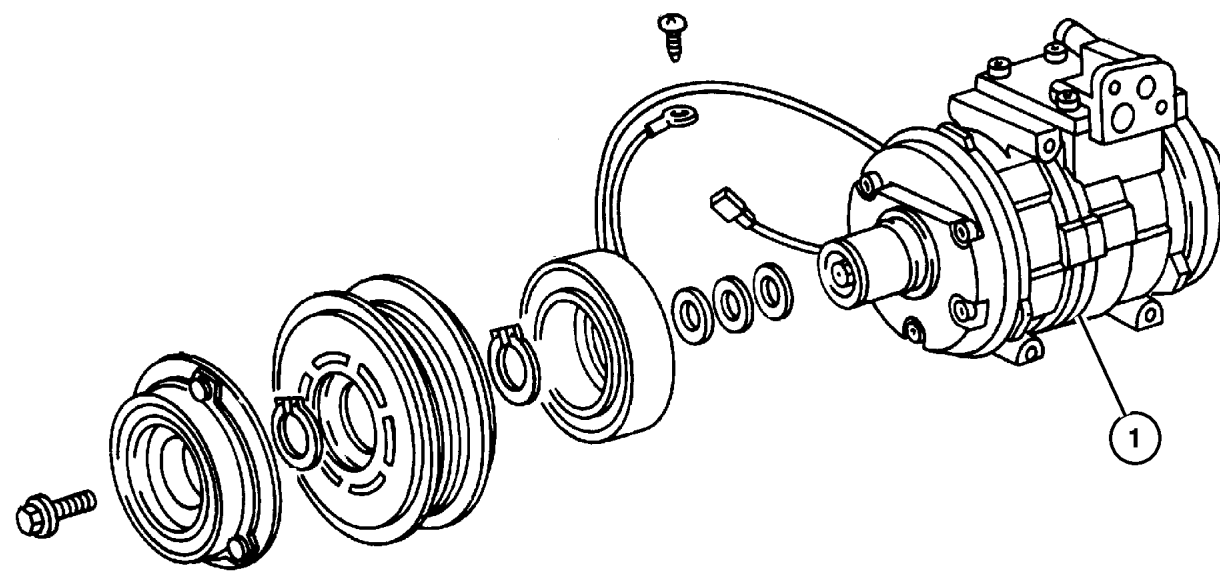
SERIES	LINE	BODY	ENGINE	TRANSMISSION
H=Laredo	J = 4WD	74 = 4 Door(105.9 WB)	ER0, ERH = 4.0L, Power Tech I-6	DGK = 4 Speed Autm, 42RE
P=Limited	T = 2WD		EV0, EVA = 4.7L, Power Tech V8	DGW = 4 Speed Automatic, -44RE
	U = 4WD (RHD)		EXA, EX0 = 3.1L, 5 Cyl Turbo Diesel	DG4 = Multi Speed Automatic, -45RFE
				DGO = All Automatic

AR = Use as required - = Non illustrated part # = New this model year

September 14, 2002

**Compressor, Air Conditioning 4.0L Engine  
Figure 024-410**

ITEM	PART NUMBER	QTY	LINE	SERIES	BODY	ENGINE	TRANS	DESCRIPTION
Note: Sales Code ER0 = 4.0 L Engine								
1	55117 244AA	1				ER0		COMPRESSOR, Air Conditioning
-2	5014 413AA	1				ER0		MANIFOLD KIT, A/C Compressor
-3	4728 854	1				ER0		SEAL, Manifold To Compressor
-4	55116 423AA	1				ER0		BOLT, A/C Line Mounting
-5	5264 457	1				ER0		BOLT KIT, A/C Compressor Manifold
-6	5003 681AA	1				ER0		COIL, Air Conditioning Clutch
-7	5016 376AA	1				ER0		PULLEY, A/C Compressor
-8	5264 454	1				ER0		SNAP RING KIT, A/C Clutch
-9	8230 0102	1				ER0		LUBRICANT, Oil, 75w90
-10	5014 415AA	1				ER0		CLUTCH, A/C Compressor, Overhaul Package



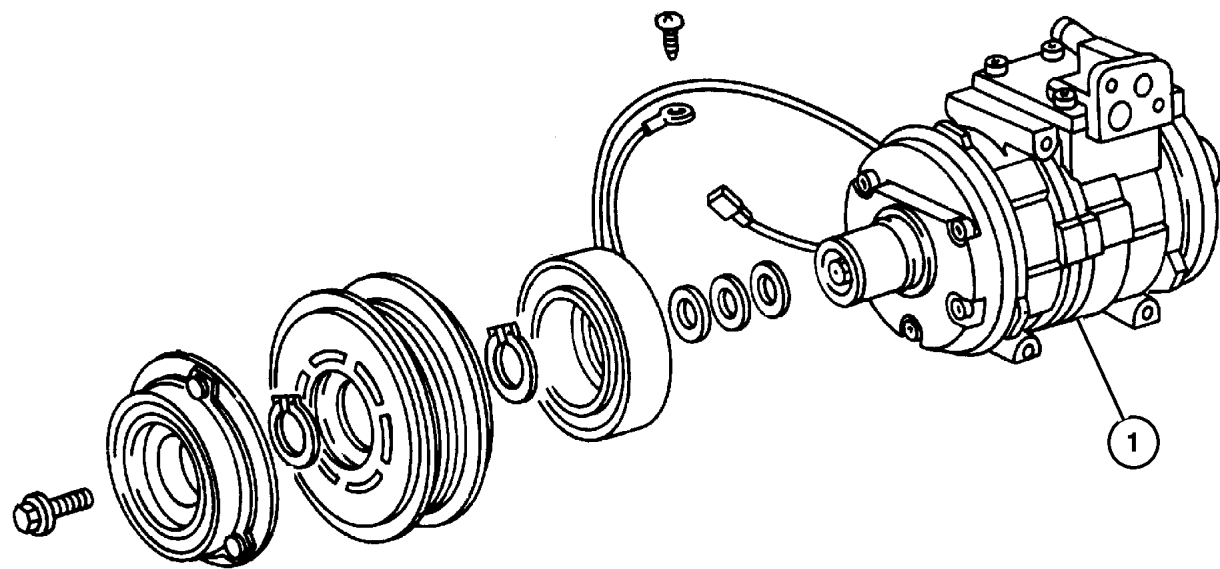
<b>JEEP GRAND CHEROKEE (WJ)</b>				
SERIES	LINE	BODY	ENGINE	TRANSMISSION
H=Laredo	J = 4WD	74 = 4 Door(105.9 WB)	ER0, ERH = 4.0L, Power Tech I-6	DGK = 4 Speed Autm, 42RE
P=Limited	T = 2WD		EV0, EVA = 4.7L, Power Tech V8	DGW = 4 Speed Automatic, -44RE
	U = 4WD (RHD)		EXA, EX0 = 3.1L, 5 Cyl Turbo Diesel	DG4 = Multi Speed Automatic, -45RFE
				DGO = All Automatic

AR = Use as required - = Non illustrated part # = New this model year

September 14, 2002

**Compressor, Air Conditioning 4.7L Engine  
Figure 024-420**

ITEM	PART NUMBER	QTY	LINE	SERIES	BODY	ENGINE	TRANS	DESCRIPTION
Note: Sales Code EVO = 4.7 L Engine								
1	55116 906AA	1				EVO		COMPRESSOR, Air Conditioning
-2	5014 414AA	1				EVO		MANIFOLD KIT, A/C Compressor
-3	4728 854	1				EVO		SEAL, Manifold To Compressor
-4	5014 416AA	1				EVO		CLUTCH, A/C Compressor
-5	55116 423AA	1				EVO		BOLT, A/C Line Mounting
-6	5264 457	1				EVO		BOLT KIT, A/C Compressor Manifold
-7	5003 681AA	1				EVO		COIL, Air Conditioning Clutch
-8	5016 376AA	1				EVO		PULLEY, A/C Compressor
-9	5264 454	1				EVO		SNAP RING KIT, A/C Clutch
-10								LUBRICANT, Oil, 75w90
	8230 0102	1	J, T			EVO		
		1	U			EVO		



**JEEP GRAND CHEROKEE (WJ)**

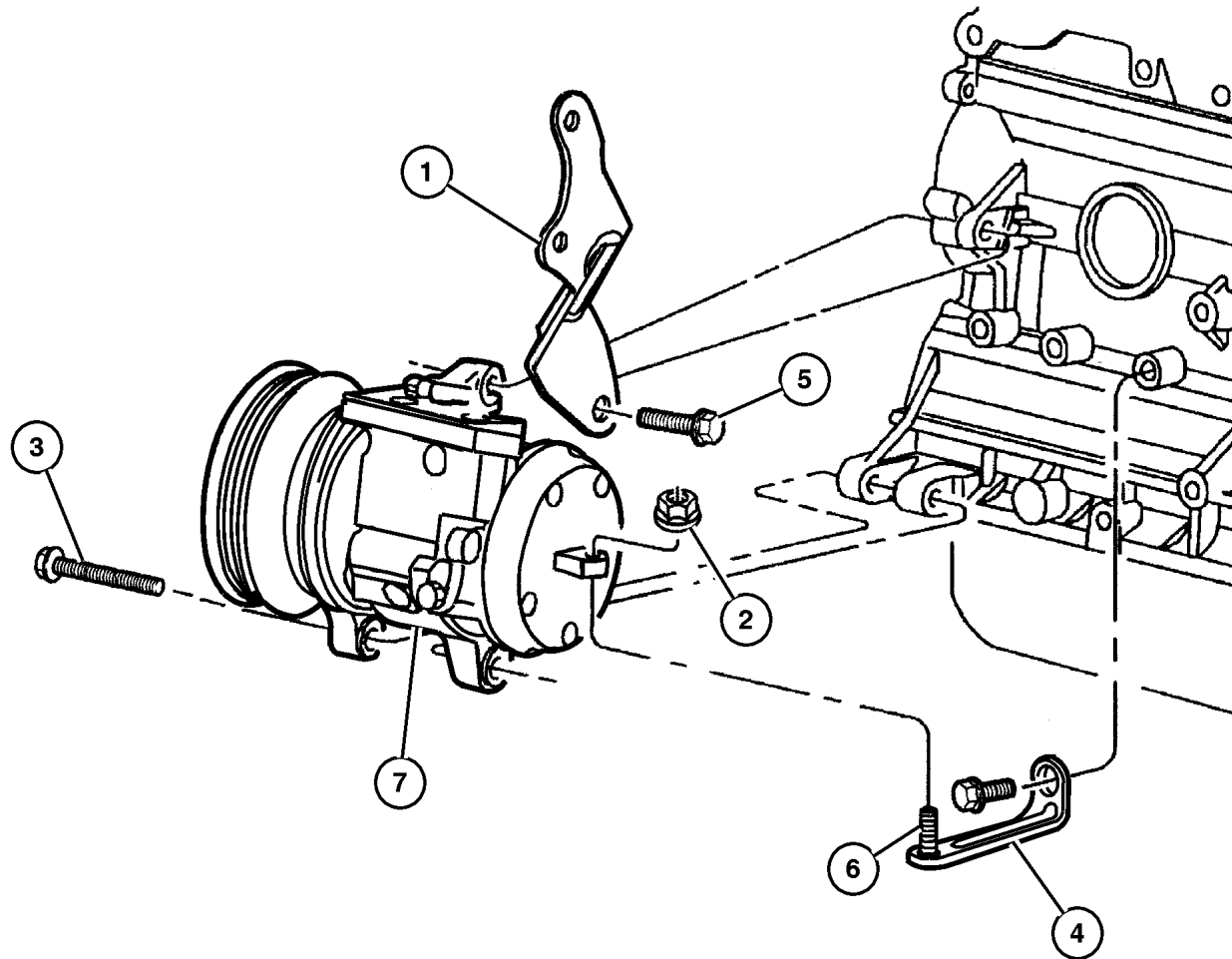
SERIES	LINE	BODY	ENGINE	TRANSMISSION
H=Laredo	J = 4WD	74 = 4 Door(105.9 WB)	ER0, ERH = 4.0L, Power Tech I-6	DGK = 4 Speed Autm, 42RE
P=Limited	T = 2WD		EVO, EVA = 4.7L, Power Tech V8	DGW = 4 Speed Automatic, -44RE
	U = 4WD (RHD)		EXA, EX0 = 3.1L, 5 Cyl Turbo Diesel	DG4 = Multi Speed Automatic, -45RFE
				DGO = All Automatic

AR = Use as required - = Non illustrated part # = New this model year

September 14, 2002

**Compressor, Mounting 4.0L Engine  
Figure 024-510**

ITEM	PART NUMBER	QTY	LINE	SERIES	BODY	ENGINE	TRANS	DESCRIPTION
Note: Sales Code								
ER0 = 4.0 L Engine								
EVO = All 4.7L Gas Engines								
1	4854 157	1				ER0		BRACE, Power Steering Pump
2	6101 695	4						NUT, Hex Flange Lock, M8x1.25
3	6504 344	1				ER0		SCREW AND WASHER, Hex Head
4	53013 053AA	1				ER0		BRACE, A/C Compressor
5	6101 985	5				EVO		SCREW AND WASHER, M10x1.50x45.00
6								SCREW AND WASHER, Hex Head, (NOT SERVICED) (Not Serviced)
7	55117 244AA	1				ER0		COMPRESSOR, Air Conditioning



**JEEP GRAND CHEROKEE (WJ)**

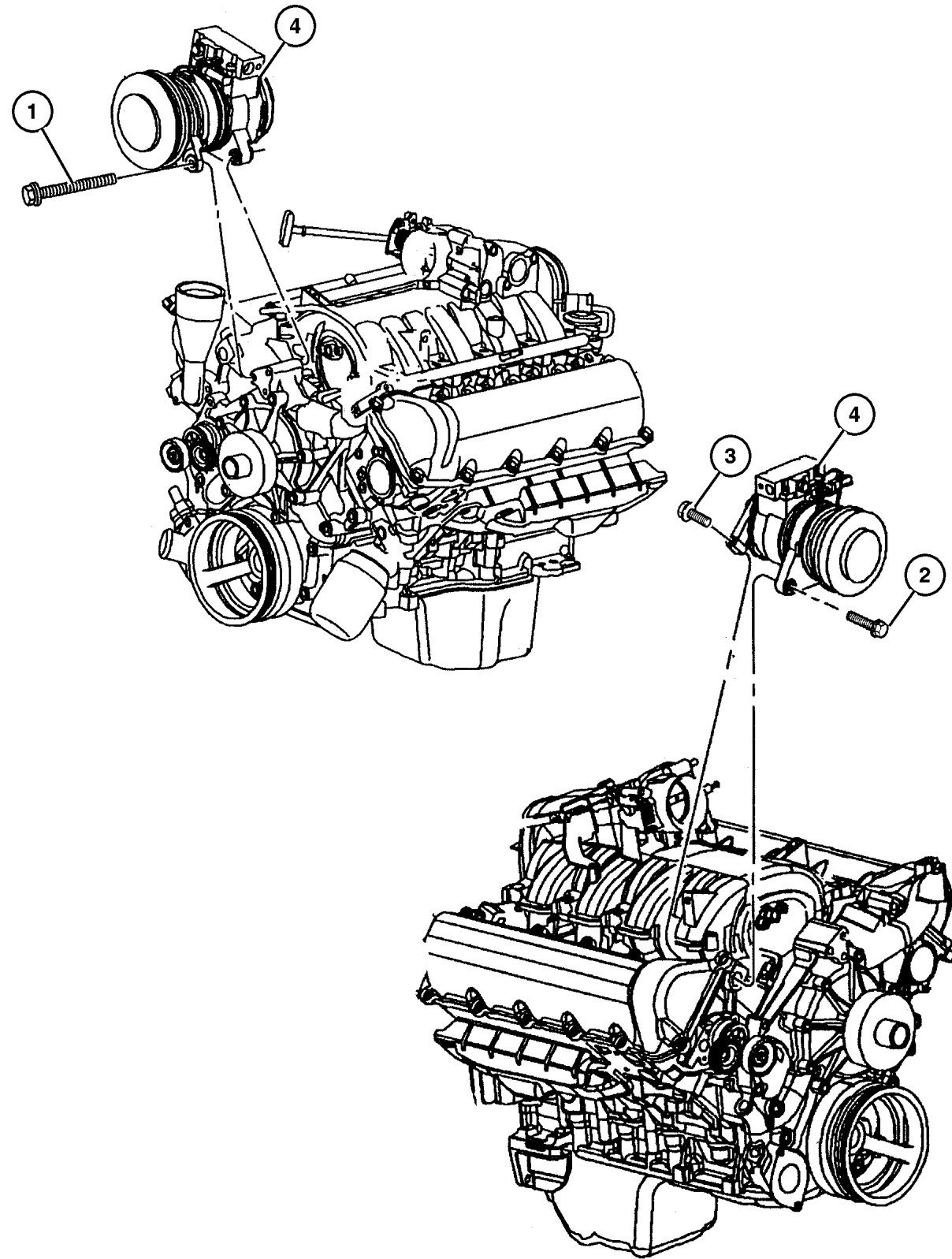
SERIES	LINE	BODY	ENGINE	TRANSMISSION
H=Laredo	J = 4WD	74 = 4 Door(105.9 WB)	ER0, ERH = 4.0L, Power Tech I-6	DGK = 4 Speed Autm, 42RE
P=Limited	T = 2WD		EVO, EVA = 4.7L, Power Tech V8	DGW = 4 Speed Automatic, -44RE
	U = 4WD (RHD)		EXA, EX0 = 3.1L, 5 Cyl Turbo Diesel	DG4 = Multi Speed Automatic, -45RFE
				DGO = All Automatic

AR = Use as required - = Non illustrated part # = New this model year

September 14, 2002



**Compressor, Mounting 4.7L Engine**  
**Figure 024-520**



ITEM	PART NUMBER	QTY	LINE	SERIES	BODY	ENGINE	TRANS	DESCRIPTION
Note: Sales Code EV0 = 4.7 L Engine								
1	6504 344	1				ER0		SCREW AND WASHER, Hex Head
2	6101 985	5				EV0		SCREW AND WASHER, M10x1.50x45.00
3	6102 047AA	6				EV0		SCREW, Hex Head, M8x1.25x50
4	55116 906AA	1				EV0		COMPRESSOR, Air Conditioning

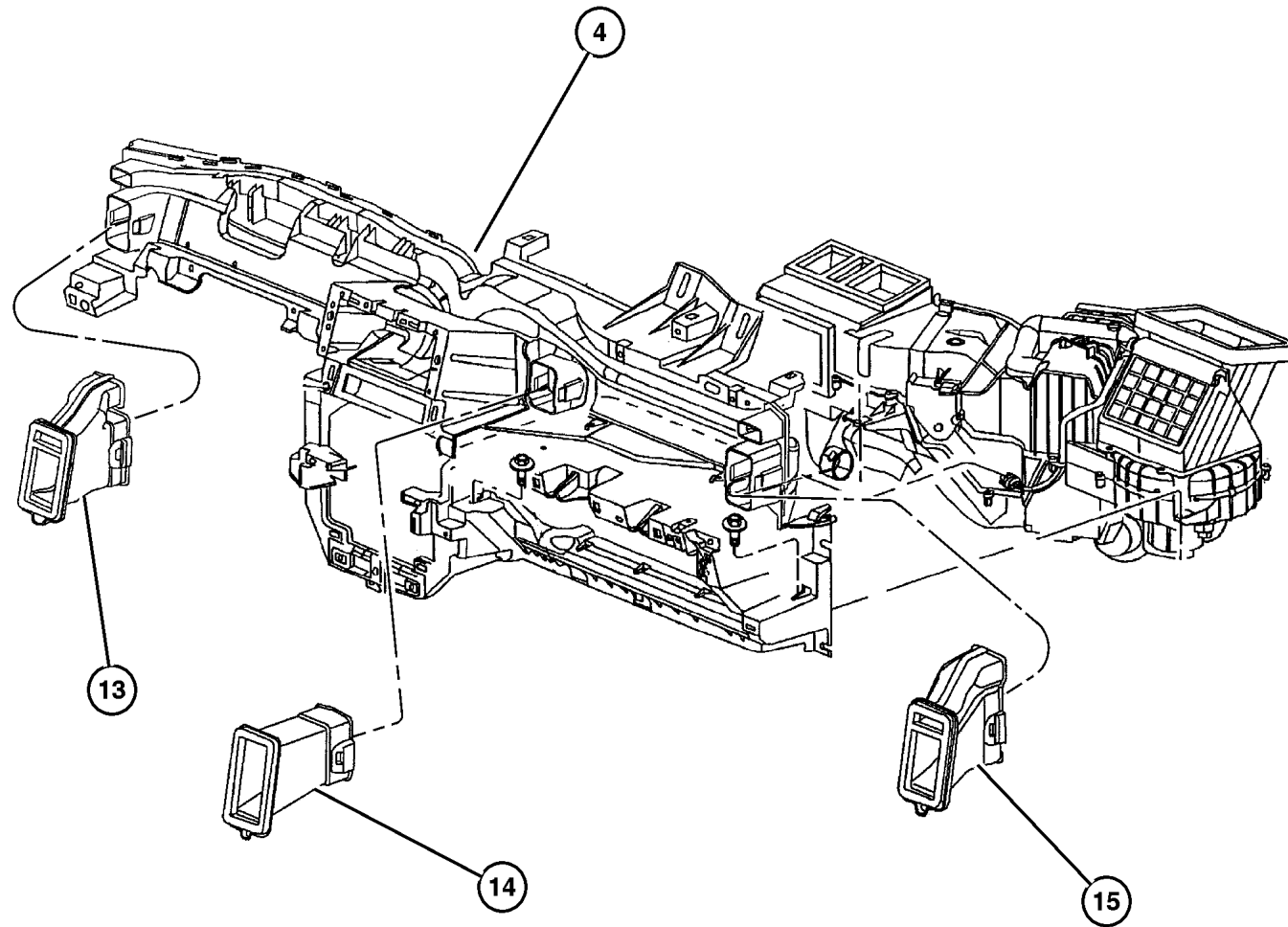
**JEEP GRAND CHEROKEE (WJ)**

SERIES	LINE	BODY	ENGINE	TRANSMISSION
H=Laredo	J = 4WD	74 = 4 Door(105.9 WB)	ER0, ERH = 4.0L, Power Tech I-6	DGK = 4 Speed Autm, 42RE
P=Limited	T = 2WD		EV0, EVA = 4.7L, Power Tech V8	DGW = 4 Speed Automatic, -44RE
	U = 4WD (RHD)		EXA, EX0 = 3.1L, 5 Cyl Turbo Diesel	DG4 = Multi Speed Automatic, -45RFE
				DGO = All Automatic

AR = Use as required - = Non illustrated part # = New this model year

September 14, 2002

## Air Ducts and Outlets Figure 024-610



ITEM	PART NUMBER	QTY	LINE	SERIES	BODY	ENGINE	TRANS	DESCRIPTION
-1								BRACKET, Instrument Panel, Steering Column Support
	55116 032AB	1	J, T					
	55116 299AE	1	U					
-2								U-NUT, M6 x 1.00, M6x1.00
	6101 442	4	J, T					
		4	U					
-3	6101 780	5						SCREW, M6x1x25
4								DUCT, Instrument Panel, Structural
	55116 407AC	1	J, T					
	55116 295AC	1	U					
-5								CLIP, .453Wx.528LGx.017THK
	6034 319	2	J, T					
		2	U					
-6								CLIP, Push, .164-7.5
	6034 833	12	J, T					
		12	U					
-7								BRACKET, Instrument Panel, C/Channel Cover
	55116 373AB	1	J, T					
	55116 376AB	1	U					
-8	6101 946	8						SCREW, Tapping
-9								BRACKET, Instrument Panel, Courtesy Lamp
	55116 390AB	1	J, T					
	55116 418AA	1	U					
-10	5511 6041	1						BRACKET, Instrument Panel, Center to Floor
-11	6101 786	6						SCREW, Self Tapping, M6x1x15
-12								DUCT, Defroster
	5511 6014	1	J, T					
	55116 394AA	1	U					
13	55116 287AB	1						DUCT, Instrument Panel, Extension,Left
14								DUCT, Instrument Panel Extension,Inboard
	55116 285AA	1	J, T					
	55116 439AA	1	U					Extension,Inboard
15	55116 286AB	1						DUCT, Instrument Panel, Extension,Right

### JEEP GRAND CHEROKEE (WJ)

SERIES	LINE	BODY	ENGINE	TRANSMISSION
H=Laredo	J = 4WD	74 = 4 Door(105.9 WB)	ER0, ERH = 4.0L, Power Tech I-6	DGK = 4 Speed Autm, 42RE
P=Limited	T = 2WD		EV0, EVA = 4.7L, Power Tech V8	DGW = 4 Speed Automatic, -44RE
	U = 4WD (RHD)		EXA, EX0 = 3.1L, 5 Cyl Turbo Diesel	DG4 = Multi Speed Automatic, -45RFE
				DGO = All Automatic

AR = Use as required - = Non illustrated part # = New this model year

September 14, 2002

# Group – 025

## Emission Systems

### GROUP 25 - Emission Systems

Illustration Title

Group-Fig. No.

#### Emission Labels

Emission Labels 3.1 Diesel (EXA), 4.0L (ERH), 4.7L (EVA) Engine ..... Fig. 025-110

#### EGR System

EGR System 3.1L (EXA) Diesel Engine ..... Fig. 025-220

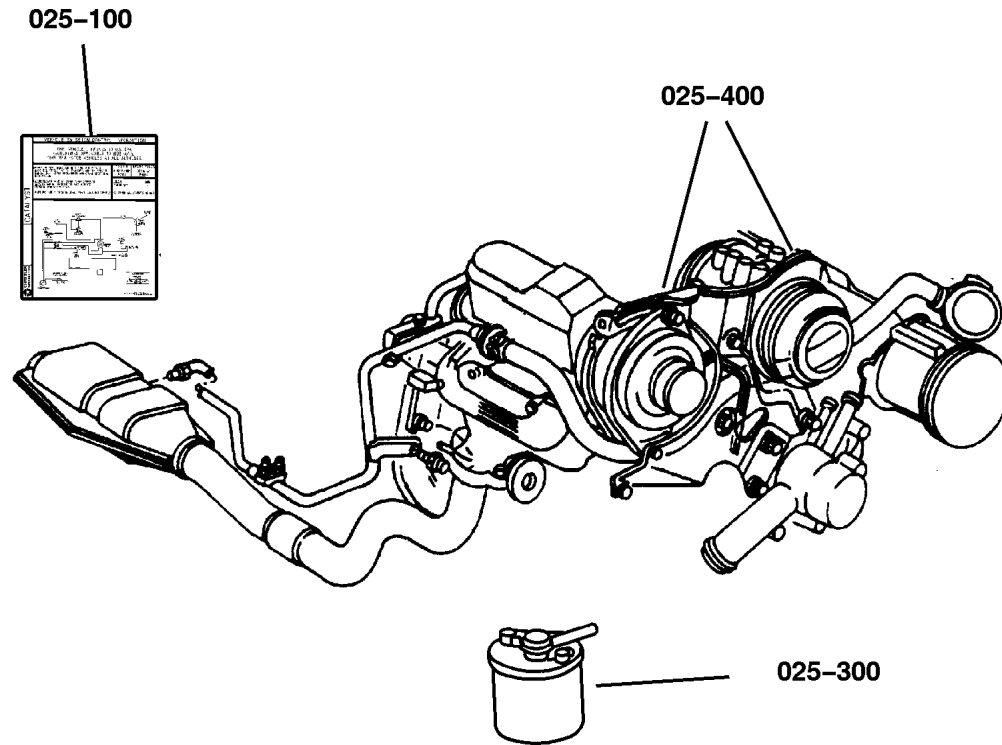
#### Vacuum Canister

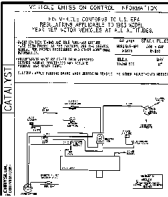
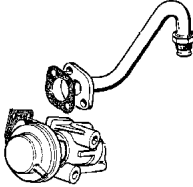
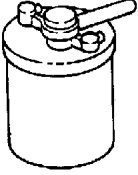
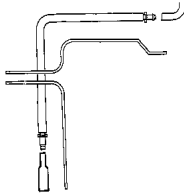
Vacuum Canister 4.0L (ERH), 4.7L (EVA) Engines ..... Fig. 025-310

#### Emission Harness

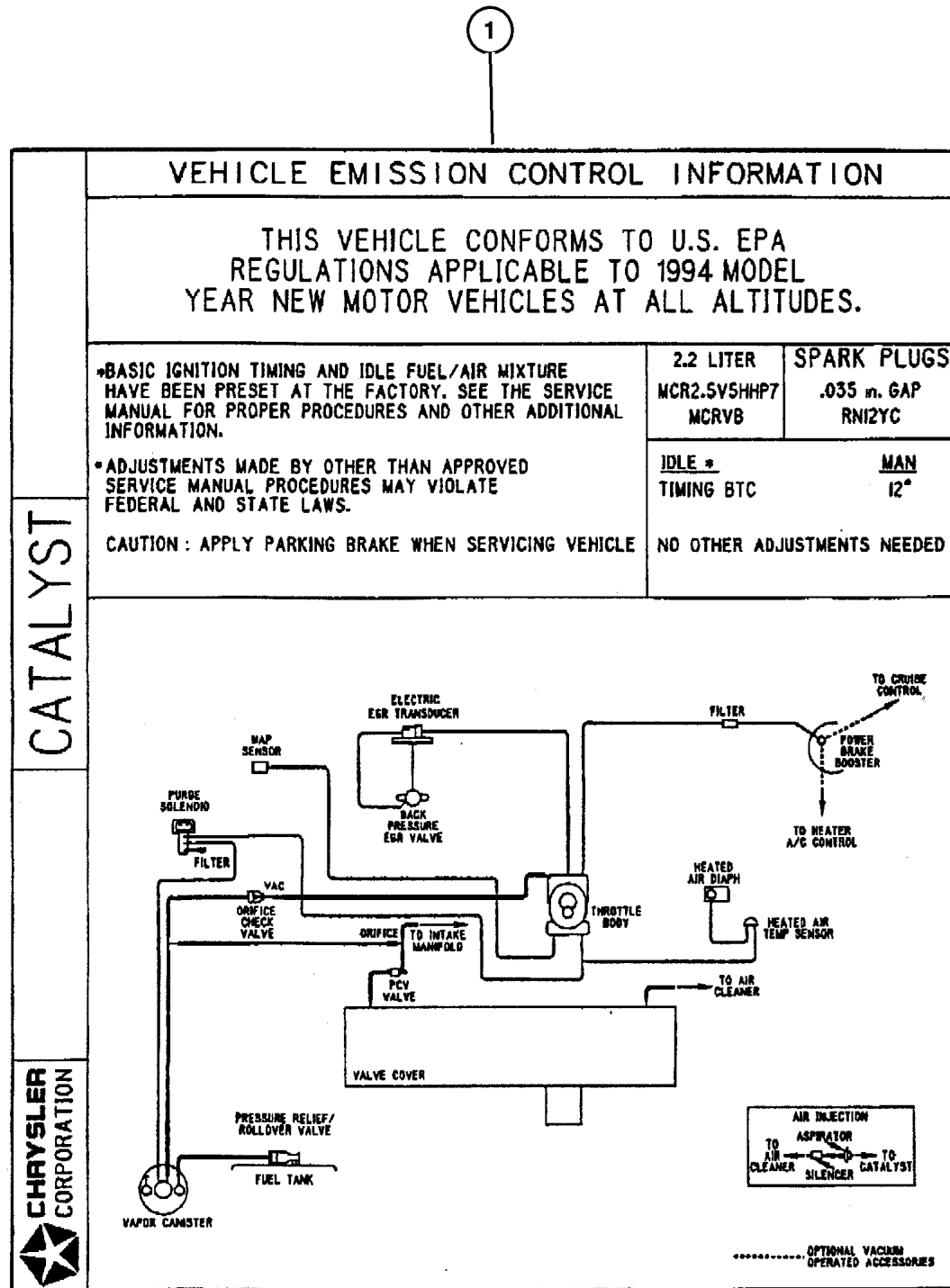
Emission Control Vacuum Harness 4.0L (ERH), 4.7L (EVA) Engine ..... Fig. 025-410

Leak Detection Pump ..... Fig. 025-430



<p><b>025-100</b> Emission Labels</p> 	<p><b>025-200</b> EGR System</p> 	<p><b>025-300</b> Vacuum Canister</p> 	<p><b>025-400</b> Emission Harness</p> 
---	--	---	--

**Emission Labels 3.1 Diesel (EXA), 4.0L (ERH), 4.7L (EVA) Engine  
Figure 025-110**



ITEM	PART NUMBER	QTY	LINE	SERIES	BODY	ENGINE	TRANS	DESCRIPTION
------	-------------	-----	------	--------	------	--------	-------	-------------

NOTE: EX0=All 3.1L Engines ER0=All 4.0L Engines EV0=All 4.7L Engines NAA=Federal NAE=California NAC=Europe  
 NBN=Northeastern States DHP=Selet-Trac DHF=Quadra-Trac

1								LABEL, Emission
	53014 004AA	1	J			EX0		Australia
	#53013 433AA	1				ER0		Northeastern States
	#53013 435AA	1	T			EV0		Canada
	#53013 436AA	1	J			EV0		Federal, w/Select-Trac
		1	T			EV0		Federal
	#53013 437AA	1				EV0		Canada, w/Select-Trac, (H) Series
	#53013 439AA	1				EV0		Canada, w/Select-Trac, (P) Series
	#53013 440AA	1	J			EV0		Federal, w/Quadra-Trac
	#53013 441AA	1	J			EV0		Canada, w/Quadra-Trac, (H) Series
	#53013 443AA	1	J			EV0		Canada, w/Quadra-Trac, (P) Series
	#53013 444AA	1				EV0		California
	#53013 423AA	1	J			ER0		Federal, w/Quadra-Trac
	#53013 444AA	1				EV0		Northeastern States
	#53013 445AB	1				EV0		Europe III
	#53013 459AA	1				ER0		Europe III
	#53013 460AA	1				EV0		Europe II, Unleaded Fuel
	#53013 424AA	1	T			ER0		Canada
	#53013 426AA	1	J			ER0		Canada, w/Quadra-Trac
	#53013 430AA	1				ER0		Europe II, Unleaded Fuel
	#53013 431AA	1	J			ER0		Federal, w/Select-Trac
		1	T			ER0		Federal
	#53013 432AA	1	J			ER0		Canada, w/Select-Trac
	#53013 433AA	1				ER0		California

**JEEP GRAND CHEROKEE (WJ)**

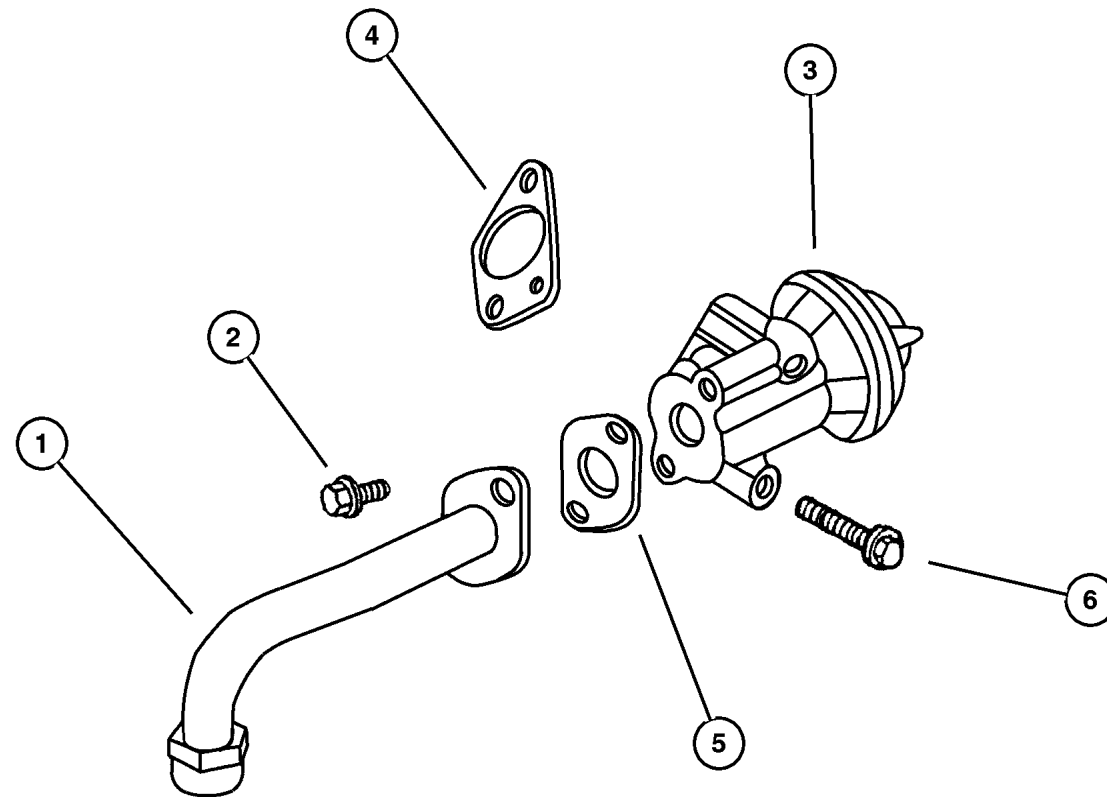
SERIES	LINE	BODY	ENGINE	TRANSMISSION
H=Laredo	J = 4WD	74 = 4 Door(105.9 WB)	ER0, ERH = 4.0L, Power Tech I-6	DGK = 4 Speed Autm, 42RE
P=Limited	T = 2WD		EV0, EVA = 4.7L, Power Tech V8	DGW = 4 Speed Automatic, -44RE
	U = 4WD (RHD)		EXA, EX0 = 3.1L, 5 Cyl Turbo Diesel	DG4 = Multi Speed Automatic, -45RFE
				DGO = All Automatic

AR = Use as required - = Non illustrated part # = New this model year

September 14, 2002

**EGR System 3.1L (EXA) Diesel Engine**  
**Figure 025-220**

ITEM	PART NUMBER	QTY	LINE	SERIES	BODY	ENGINE	TRANS	DESCRIPTION
NOTE: EX0=All 3.1L Engines DG0=All Automatic Transmissions								
1	5015 069AA	1				EX0	DG0	TUBE, EGR
2	4864 537	1				EX0	DG0	BOLT, 8Mx20
3	4882 409	1				EX0	DG0	VALVE, EGR
4	4778 965	1				EX0	DG0	GASKET, EGR Tube
5	4720 208	1				EX0	DG0	GASKET, EGR Tube Flange
6	5015 070AA	2				EX0	DG0	BOLT



**JEEP GRAND CHEROKEE (WJ)**

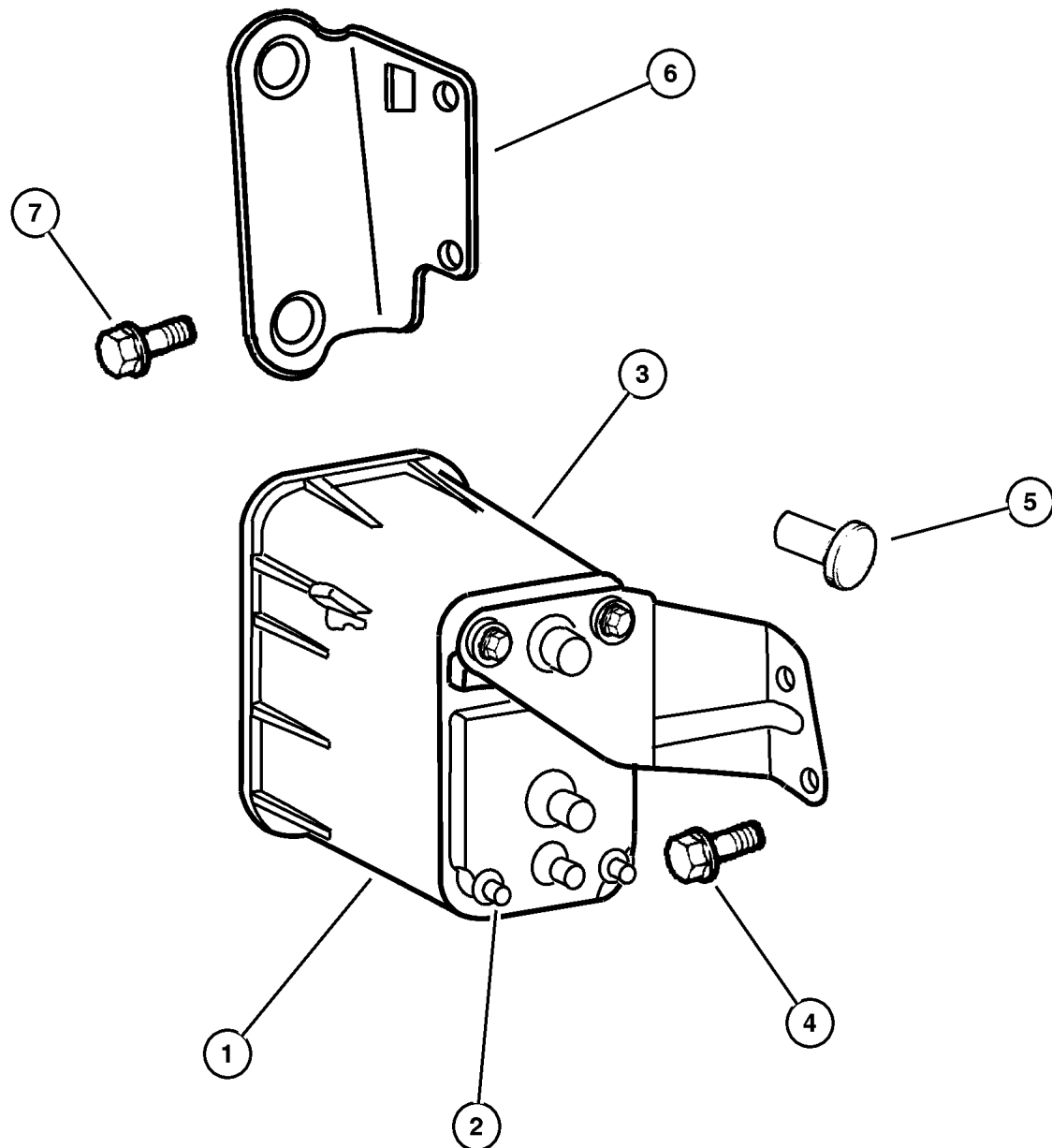
SERIES	LINE	BODY	ENGINE	TRANSMISSION
H=Laredo	J = 4WD	74 = 4 Door(105.9 WB)	ER0, ERH = 4.0L, Power Tech I-6	DGK = 4 Speed Autm, 42RE
P=Limited	T = 2WD		EV0, EVA = 4.7L, Power Tech V8	DGW = 4 Speed Automatic, -44RE
	U = 4WD (RHD)		EXA, EX0 = 3.1L, 5 Cyl Turbo Diesel	DG4 = Multi Speed Automatic, -45RFE
				DGO = All Automatic

AR = Use as required - = Non illustrated part # = New this model year

September 14, 2002

Vacuum Canister 4.0L (ERH), 4.7L (EVA) Engines  
Figure 025-310

ITEM	PART NUMBER	QTY	LINE	SERIES	BODY	ENGINE	TRANS	DESCRIPTION
NOTE: ER0=All 4.0L Engines EV0=All 4.7L Engines								
1	4854 208AE	1	J, T			ER0, EV0		CANISTER, Vapor
2	6503 951	4	J, T			EM0, ER0, EV0		STUD, M6X1.00X.250-14X30.00
3								NUT, M14, (NOT SERVICED) (Not Serviced)
4								SCREW, M6.3x1.81x20, (NOT SERVICED) (Not Serviced)
5	53013 035AA	1				ER0, EV0		CAP, Vapor Canister
6	4854 159	1	J, T			ER0, EV0		BRACKET, Vapor Canister
7	6505 815AA	2	J, T			ER0, EV0		SCREW



JEEP GRAND CHEROKEE (WJ)

SERIES	LINE	BODY	ENGINE	TRANSMISSION
H=Laredo	J = 4WD	74 = 4 Door(105.9 WB)	ER0, ERH = 4.0L, Power Tech I-6	DGK = 4 Speed Autm, 42RE
P=Limited	T = 2WD		EV0, EVA = 4.7L, Power Tech V8	DGW = 4 Speed Automatic, -44RE
	U = 4WD (RHD)		EXA, EX0 = 3.1L, 5 Cyl Turbo Diesel	DG4 = Multi Speed Automatic, -45RFE
				DGO = All Automatic

AR = Use as required - = Non illustrated part # = New this model year

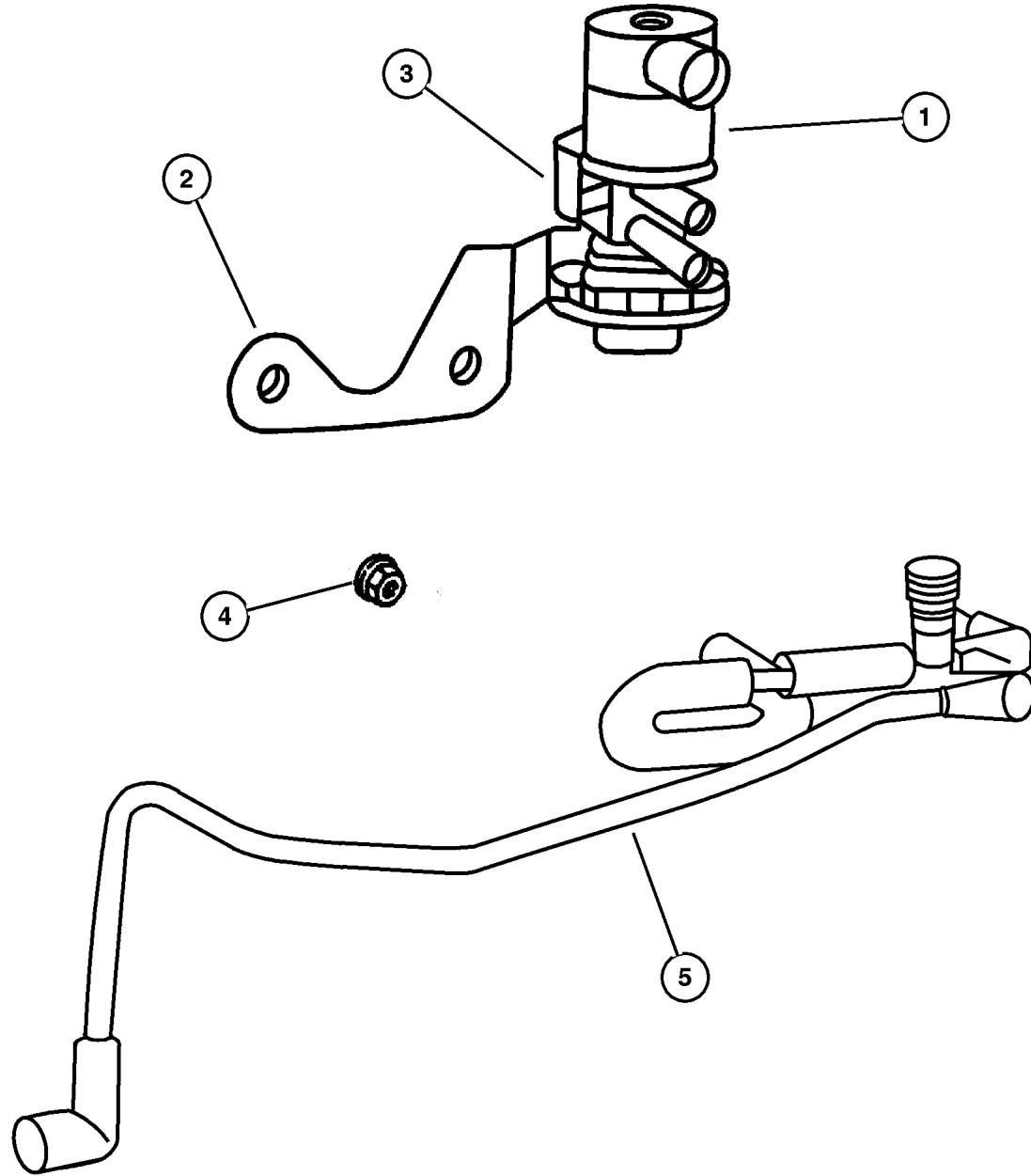
September 14, 2002

**Emission Control Vacuum Harness 4.0L (ERH), 4.7L (EVA) Engine  
Figure 025-410**

ITEM	PART NUMBER	QTY	LINE	SERIES	BODY	ENGINE	TRANS	DESCRIPTION
------	-------------	-----	------	--------	------	--------	-------	-------------

NOTE: ER0=All 4.0L Engines EV0=All 4.7L Engines

1	4669 475AB	1				ER0, EV0		SOLENOID, Duty Cycle Purge
2	4854 127AB	1	J, T			ER0, EV0		BRACKET, Duty Cycle Purge Solenoid
3	5303 0987	1				ER0, EV0		BUSHING, Isolator
4	6500 284	4						NUT, Hex, M6x1.00
5								HARNESS, Vapor Purge
	4854 100	1	J, T			ER0		
	4854 105	1	J, T			EV0		



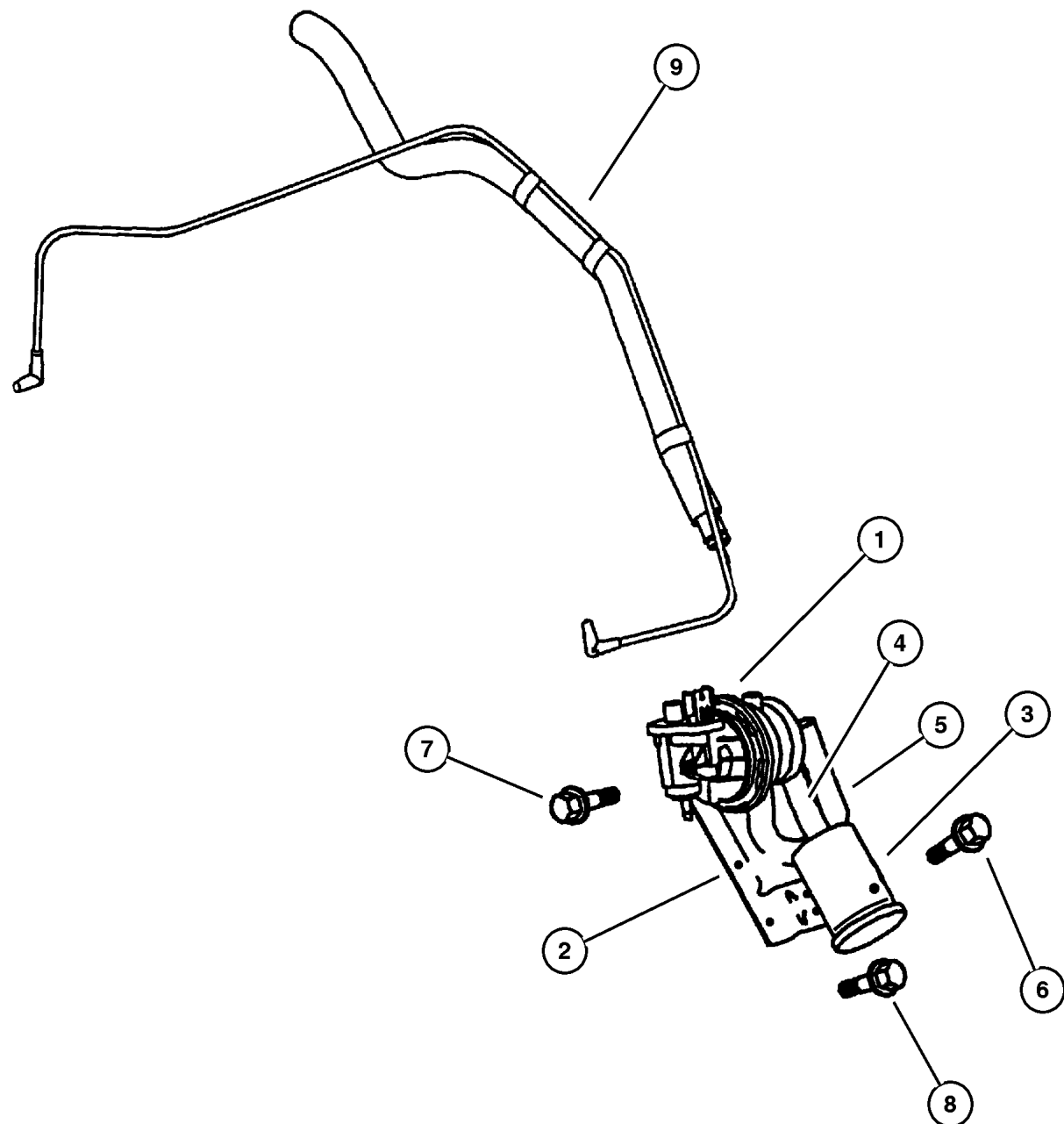
**JEEP GRAND CHEROKEE (WJ)**

SERIES	LINE	BODY	ENGINE	TRANSMISSION
H=Laredo	J = 4WD	74 = 4 Door(105.9 WB)	ER0, ERH = 4.0L, Power Tech I-6	DGK = 4 Speed Autm, 42RE
P=Limited	T = 2WD		EV0, EVA = 4.7L, Power Tech V8	DGW = 4 Speed Automatic, -44RE
	U = 4WD (RHD)		EXA, EX0 = 3.1L, 5 Cyl Turbo Diesel	DG4 = Multi Speed Automatic, -45RFE
				DGO = All Automatic

AR = Use as required - = Non illustrated part # = New this model year

September 14, 2002

**Leak Detection Pump  
Figure 025-430**



ITEM	PART NUMBER	QTY	LINE	SERIES	BODY	ENGINE	TRANS	DESCRIPTION
NOTE: ER0=All 4.0L Engines EV0=All 4.7L Engines								
1	53013 003AA	1				ER0		PUMP, Leak Detection
		1				EV0		
2	4854 128AB	1				ER0		BRACKET, Leak Detection Pump
		1				EV0		
3	4612 901	1				ER0		FILTER, Fuel Vapor Vent
		1				EV0		
4	53013 004AA	1				ER0		HOSE, Leak Detection Pump
		1				EV0		
5	53013 168AA	1				ER0		HOSE, Leak Detection Pump to Canister
		1				EV0		
6								SCREW, Hex Flange Head, M4.8x1.59x15.74, (NOT SERVICED) (Not Serviced)
7	6035 482	3				ER0		SCREW, Tapping, .19-16x.375
		3				EV0		
8								SCREW, Hex Flange Head, M4.8x1.59x15.74, (NOT SERVICED) (Not Serviced)
9	4854 120	1	J, T			EV0		HARNESS, Leak Detection Pump
	5303 0917	1	J, T			ER0		

**JEEP GRAND CHEROKEE (WJ)**

SERIES	LINE	BODY	ENGINE	TRANSMISSION
H=Laredo	J = 4WD	74 = 4 Door(105.9 WB)	ER0, ERH = 4.0L, Power Tech I-6	DGK = 4 Speed Autm, 42RE
P=Limited	T = 2WD		EV0, EVA = 4.7L, Power Tech V8	DGW = 4 Speed Automatic, -44RE
	U = 4WD (RHD)		EXA, EX0 = 3.1L, 5 Cyl Turbo Diesel	DG4 = Multi Speed Automatic, -45RFE
				DGO = All Automatic

AR = Use as required - = Non illustrated part # = New this model year

September 14, 2002



# Group – DWJ

## Doors and Related Parts

### GROUP DWJ - Doors and Related Parts

Illustration Title

Group-Fig. No.

#### Front Door

Door, Front Shell and Hinges .....	Fig. DWJ-110
Door, Front Glass and Regulators .....	Fig. DWJ-120
Door, Front Lock and Controls .....	Fig. DWJ-130

#### Rear Door

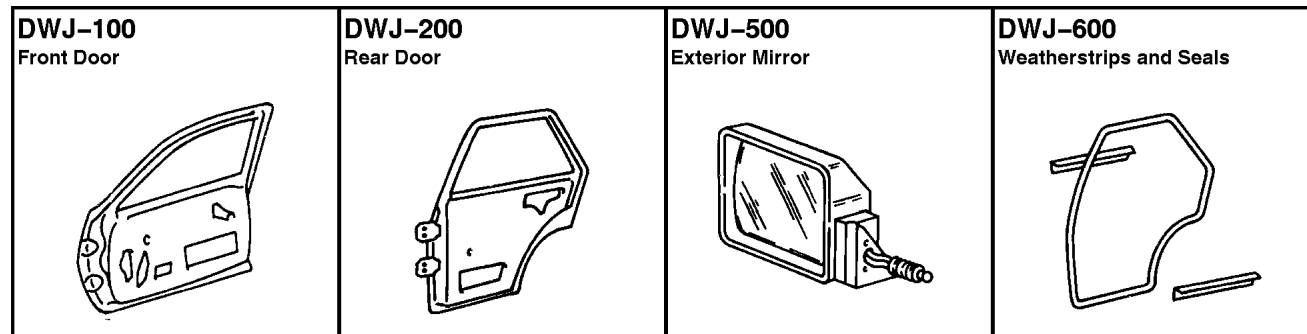
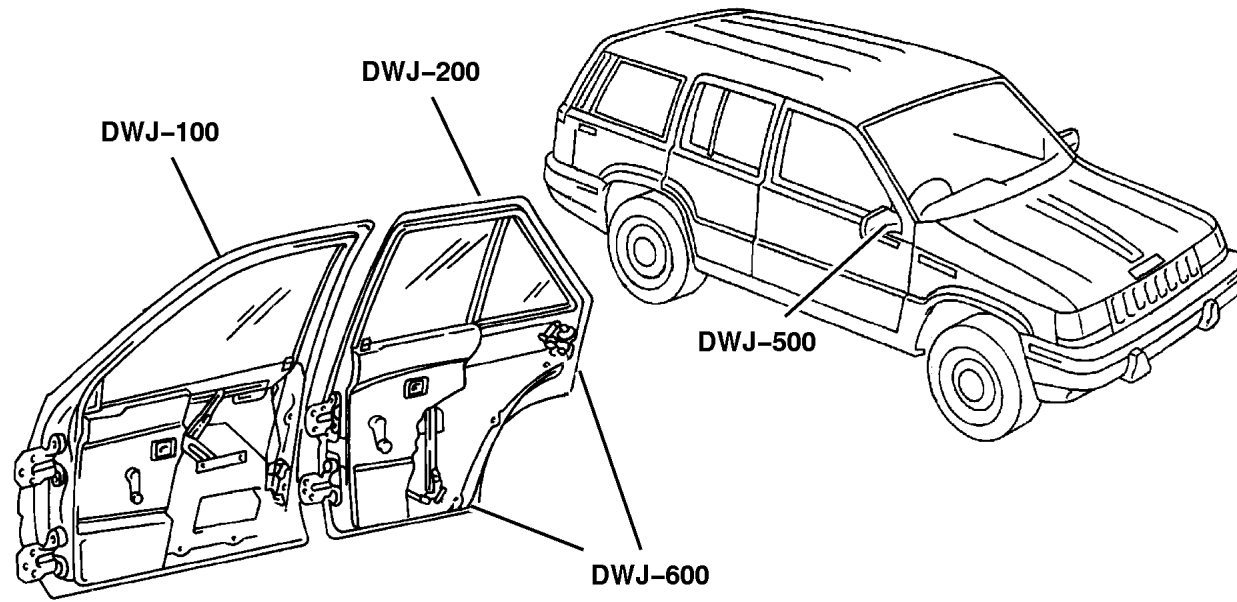
Door, Rear Shell and Hinges .....	Fig. DWJ-210
Door, Rear Glass and Regulators .....	Fig. DWJ-220
Door, Rear Lock and Controls .....	Fig. DWJ-230

#### Exterior Mirror

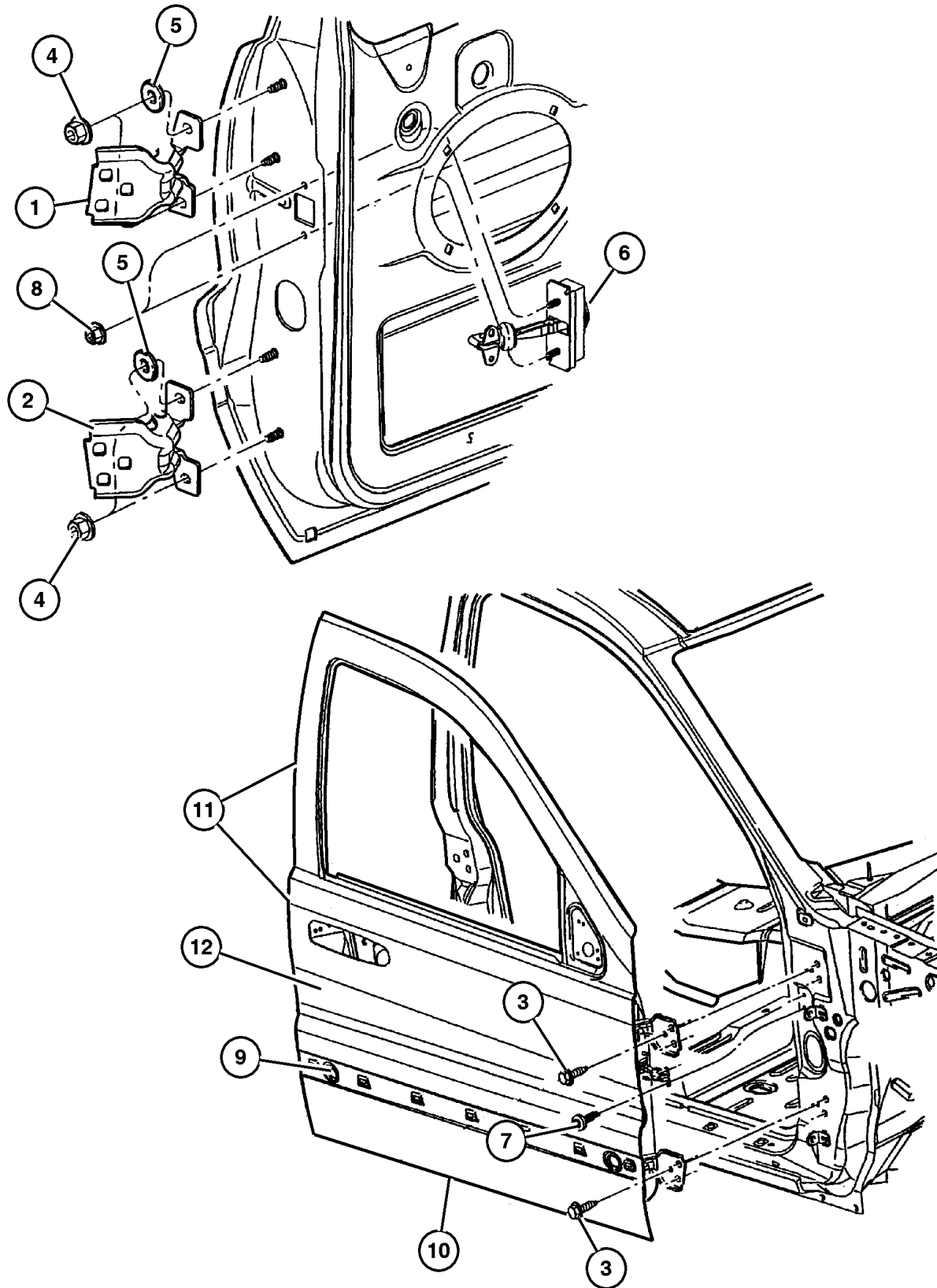
Mirrors, Exterior .....	Fig. DWJ-510
-------------------------	--------------

#### Weatherstrips and Seals

Door, Front Weatherstrips and Seals .....	Fig. DWJ-610
Door, Rear Weatherstrips and Seals .....	Fig. DWJ-620
Door, Rear Tail Gate Weatherstrips and Seals .....	Fig. DWJ-630



**Door, Front Shell and Hinges**  
**Figure DWJ-110**



ITEM	PART NUMBER	QTY	LINE	SERIES	BODY	ENGINE	TRANS	DESCRIPTION
1								HINGE, Door Half, Upper
	55136 480AC	2						Right
	55136 481AC	2						Left
2								HINGE, Door Half, Lower
	55136 480AC	2						Left
	55136 481AC	2						Right
3	6503 328	8						SCREW, Hex Head, M8x1.25x30
4	6101 809	2						NUT AND WASHER, Hex, M8x1.25
5	#55136 971AB	4						WASHER, Flat
6								CHECK, Front Door
	55135 590AC	1						Right
	55135 591AC	1						Left
7								SCREW, Torx Round Head, M6-1.0x20.0, (NOT SERVICED) (Not Serviced)
8	6503 504	2						NUT AND WASHER, Hex, M6x1
9	55257 380AA	12						PLUG
10	2860 332	4						PLUG, Anti-Rattle
11								DOOR, Front
	55135 920AC	1						Right
	55135 921AC	1						Left
12								PANEL, Front Door Outer Repair
	55135 922AB	1						Right
	55135 923AB	1						Left
-13	6505 201AA	2		P				NUT, M5x.080x26.41

**JEEP GRAND CHEROKEE (WJ)**

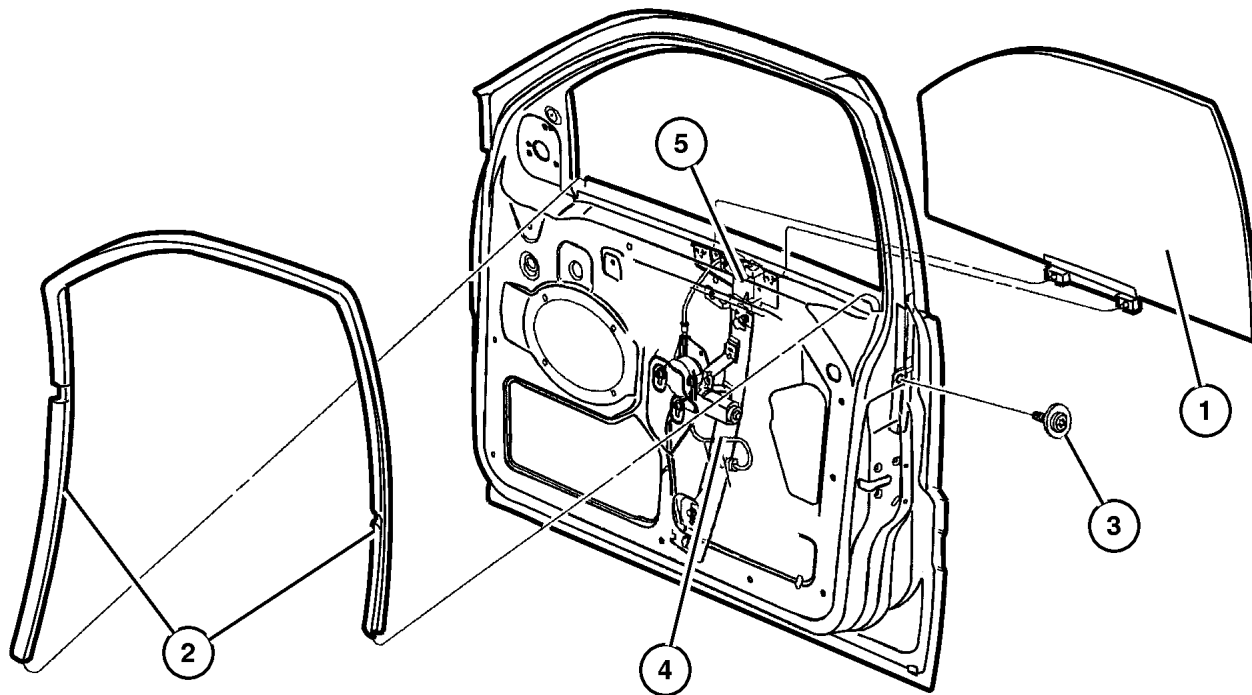
SERIES	LINE	BODY	ENGINE	TRANSMISSION
H=Laredo	J = 4WD	74 = 4 Door(105.9 WB)	ER0, ERH = 4.0L, Power Tech I-6	DGK = 4 Speed Autm, 42RE
P=Limited	T = 2WD		EV0, EVA = 4.7L, Power Tech V8	DGW = 4 Speed Automatic, -44RE
	U = 4WD (RHD)		EXA, EX0 = 3.1L, 5 Cyl Turbo Diesel	DG4 = Multi Speed Automatic, -45RFE
				DGO = All Automatic

AR = Use as required - = Non illustrated part # = New this model year

September 14, 2002

**Door, Front Glass and Regulators**  
**Figure DWJ-120**

ITEM	PART NUMBER	QTY	LINE	SERIES	BODY	ENGINE	TRANS	DESCRIPTION
1								GLASS, Front Door
	55136 002AB	1						Right
	55136 003AB	1						Left
2								SEAL, Front Door Glass
	55136 024AD	1						Right
	55136 025AD	1						Left
3	6504 987AA	2						SCREW AND WASHER, Tapping, M6-1.0x20.0
4								REGULATOR, Front Door Window
	5507 6466	1						Up to 3/10/00, Right
	5507 6467	1						Up to 3/10/00, Left
	#55363 286AA	1						After 3/10/00, Right
	#55363 287AA	1						After 3/10/00, Left
5								SCREW, M6X1.00X16.00, (NOT SERVICED) (Not Serviced)
-6								CHANNEL, Front Door Glass Lower
	5513 6016	1						Front
	5513 6017	1						Rear
-7	5086 563AA	1						CLIP, Regulator



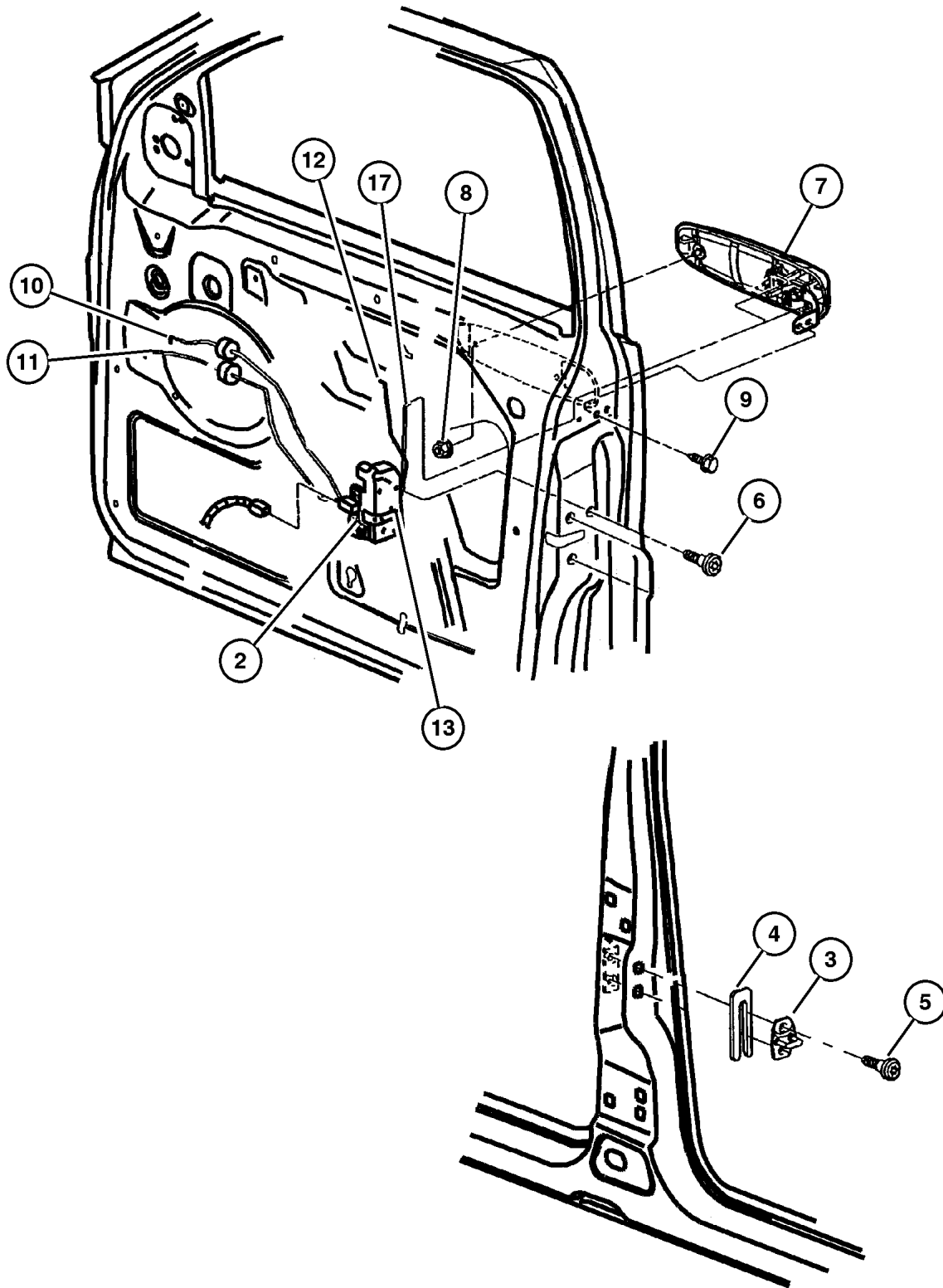
**JEEP GRAND CHEROKEE (WJ)**

SERIES	LINE	BODY	ENGINE	TRANSMISSION
H=Laredo	J = 4WD	74 = 4 Door(105.9 WB)	ER0, ERH = 4.0L, Power Tech I-6	DGK = 4 Speed Autm, 42RE
P=Limited	T = 2WD		EVO, EVA = 4.7L, Power Tech V8	DGW = 4 Speed Automatic, -44RE
	U = 4WD (RHD)		EXA, EX0 = 3.1L, 5 Cyl Turbo Diesel	DG4 = Multi Speed Automatic, -45RFE
				DGO = All Automatic

AR = Use as required - = Non illustrated part # = New this model year

September 14, 2002

Door, Front Lock and Controls  
Figure DWJ-130



ITEM	PART NUMBER	QTY	LINE	SERIES	BODY	ENGINE	TRANS	DESCRIPTION
-1								HANDLE, Door Interior
	5FX72 1AZAB	1	J, T	H				Agate, Export, Right
	#5FX74 1AZAD	1		H				Agate, Right
	5FX73 1L5AB	1		H				Taupe, Left
	5FX73 1K5AB	1		H				Tan, Left
	5FX73 1AZAB	1		H				Agate, Left
	5FX75 1AZAC	1		H				Agate, with Chrome, Left
	5FX72 1AZAB	1	U	H				Agate, Export, Right
	5FX72 1K5AB	1	J, T	H				Tan, Export, Right
		1	U	H				Tan, Export, Right
	5FX72 1L5AB	1		H				Taupe, Right
	5FX74 1K5AC	1		P				Tan, Right
	#5FX74 1AZAD	1		P				Agate, Right
	5FX75 1K5AC	1		P				Tan, Left
	5FX75 1AZAC	1		P				Agate, Left
2								LATCH, Front Door
	55135 606AB	1	J, T					w/o Cylinder Lock, Right
	55136 347AB	1	J, T					w/Cylinder Lock, Left
	55136 346AB	1	U					w/Cylinder Lock, Right
	55135 607AB	1	U					w/o Cylinder Lock, Left
3	4780 259	2						STRIKER, Door
4	4520 289	AR						SPACER, Door Latch Striker
5	6504 573	4						SCREW, Oval Head, SCREW
6	6033 876	6						SCREW, Tapping, M6.3x1.8x38.1
7								HANDLE, Exterior Door
	55135 636AB	1	J, T	H				Black, Laredo, w/o Cylinder, Right
	5GG26 WB7AA	1	U	P				Patriot Blue, Limited (Export), Right
	5GG26 WPTAA	1	U	P				Everglade Pearl Coat, Limited (Export), Right
	5GG26 WURAA	1	U	P				Sienna Tinted Pearl, Limited (Export), Right
	5GG26 XGRAA	1	U	P				Shale Green, Limited (Export), Right
	5GG26 XSHAA	1	U	P				Silverstone, Limited (Export), Right
	5GG27 DX8AA	1	J, T	P				Black Clear Coat, Limited, w/Cylinder, Left
	5GG27 GW7AA	1	J, T	P				Bright White[PW3], Limited, w/Cylinder, Left
	5GG27 PR4AA	1	J, T	P				Flame Red, Limited, w/Cylinder, Left
	5GG27 TTKAA	1	J, T	P				Taupe Frost, Limited, w/Cylinder, Left
	5GG27 VTEAA	1	J, T	P				Champagne Pearl Metallic, Limited, w/Cylinder, Left
	55136 351AB	1	J, T	H				Black, Laredo, w/Cylinder, Left

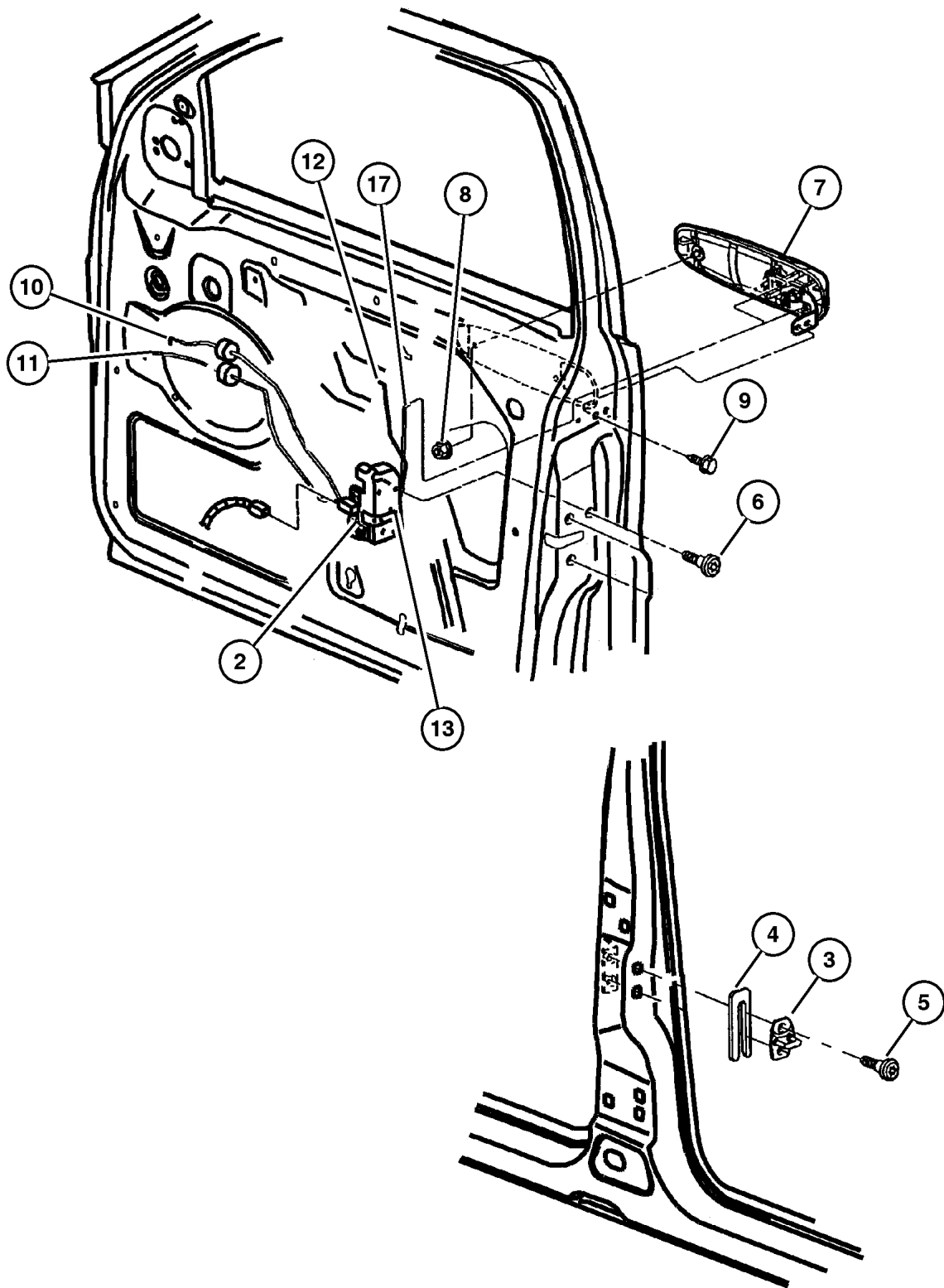
JEEP GRAND CHEROKEE (WJ)

SERIES	LINE	BODY	ENGINE	TRANSMISSION
H=Laredo	J = 4WD	74 = 4 Door(105.9 WB)	ER0, ERH = 4.0L, Power Tech I-6	DGK = 4 Speed Autm, 42RE
P=Limited	T = 2WD		EVO, EVA = 4.7L, Power Tech V8	DGW = 4 Speed Automatic, -44RE
	U = 4WD (RHD)		EXA, EX0 = 3.1L, 5 Cyl Turbo Diesel	DG4 = Multi Speed Automatic, -45RFE
				DGO = All Automatic

AR = Use as required - = Non illustrated part # = New this model year

September 14, 2002

**Door, Front Lock and Controls**  
**Figure DWJ-130**



ITEM	PART NUMBER	QTY	LINE	SERIES	BODY	ENGINE	TRANS	DESCRIPTION
	5GG27 WB7AA	1	J, T	P				Patriot Blue, Limited, w/Cylinder, Left
	5GG27 WPTAA	1	J, T	P				Everglade Pearl Coat, Limited, w/Cylinder, Left
	5GG27 SW1AA	1	J, T	P				Bright White[PW1], Limited, w/Cylinder, Left
	5GG27 WURAA	1	J, T	P				Sienna Tinted Pearl, Limited, w/Cylinder, Left
	5GG27 XGRAA	1	J, T	P				Shale Green, Limited, w/Cylinder, Left
	5GG27 XSHAA	1	J, T	P				Silverstone, Limited, w/Cylinder, Left
	QR38 DX8AB	1	J, T	P				Black Clear Coat, Limited, w/o Cylinder, Right
	QR38 GW7AB	1	J, T	P				Bright White, Limited, W7, w/o Cylinder, Right
	QR38 SW1AB	1	J, T	P				Stone White, Limited, W1, w/o Cylinder, Right
	QR38 PR4AB	1	J, T	P				Flame Red, Limited, w/o Cylinder, Right
	55136 350AB	1	U	H				Black, Laredo,, w/o Cylinder, Right
	QR38 TTKAB	1	J, T	P				Taupe Frost, Limited, w/o Cylinder, Right
	QR38 VTEAB	1	J, T	P				Champagne Pearl Metallic, Limited, TE, w/o Cylinder, Right
	QR38 WTHAB	1	J, T	P				Champagne Pearl Metallic, Limited, TH, w/o Cylinder, Right
	QR38 WB7AB	1	J, T	P				Patriot Blue, Limited, B7, w/o Cylinder, Right
	QR38 WBTAB	1	J, T	P				Patriot Blue, Limited, BT, w/o Cylinder, Right
	QR38 WPTAB	1	J, T	P				Everglade Pearl Coat, Limited, w/o Cylinder, Right
	QR38 WULAB	1	J, T	P				Sienna Pearl Coat, Limited, UL, w/o Cylinder, Right
	QR38 WURAB	1	J, T	P				Sienna Pearl Coat, Limited, UR, w/o Cylinder, Right
	QR38 XGRAB	1	J, T	P				Shale Green, Limited, w/o Cylinder, Right
	QR38 XS5AB	1	J, T	P				Silverstone, Limited, S5, w/o Cylinder, Right
	55135 637AB	1	U	H				Black, Laredo, w/Cylinder, Left
	QR38 XSHAB	1	J, T	P				Silverstone, Limited, SH, w/o Cylinder, Right
	QR39 DX8AB	1	U	P				Black Clear Coat, Limited, w/o Cylinder, Left

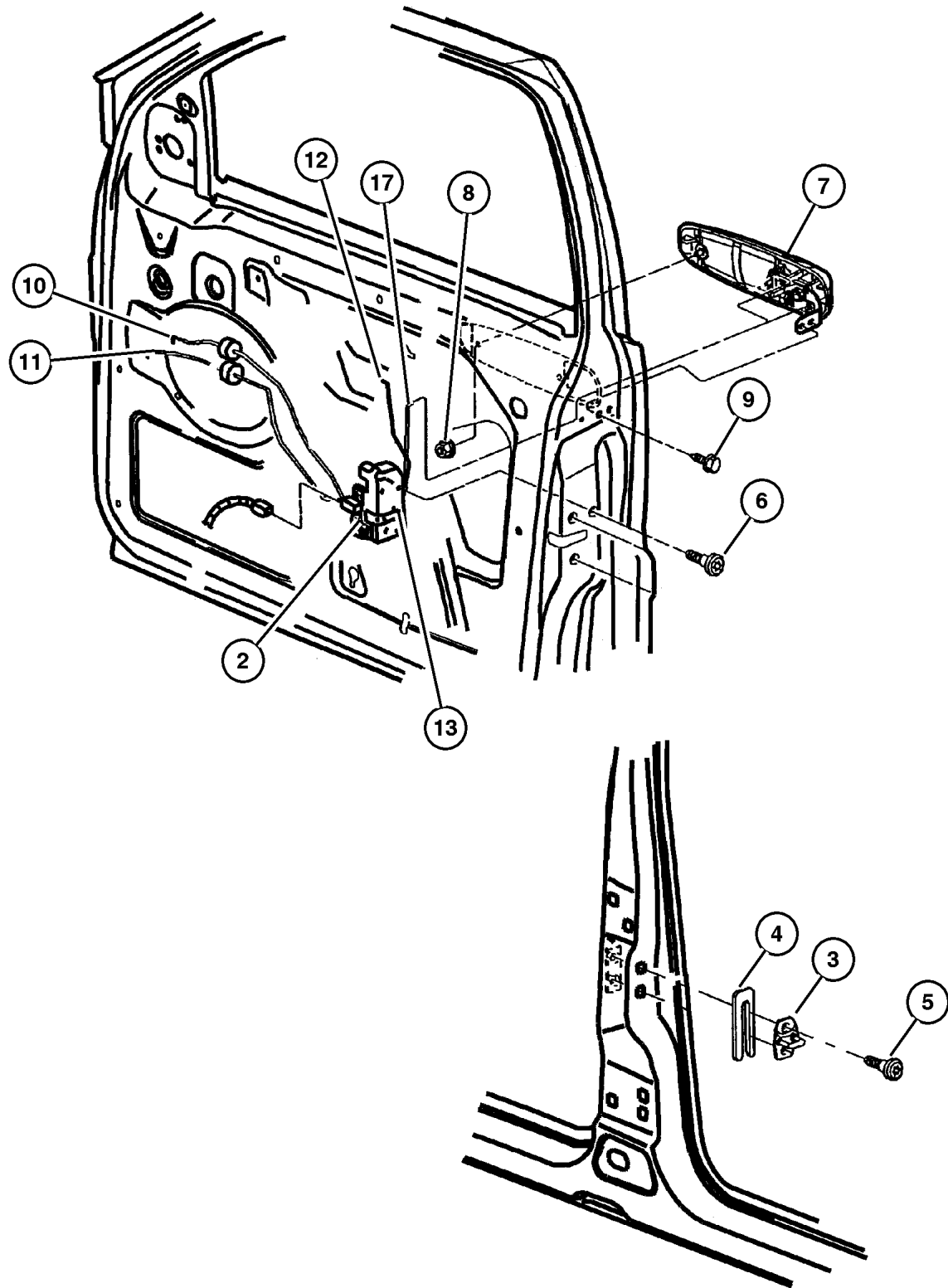
**JEEP GRAND CHEROKEE (WJ)**

SERIES	LINE	BODY	ENGINE	TRANSMISSION
H=Laredo	J = 4WD	74 = 4 Door(105.9 WB)	ER0, ERH = 4.0L, Power Tech I-6	DGK = 4 Speed Autm, 42RE
P=Limited	T = 2WD		EVO, EVA = 4.7L, Power Tech V8	DGW = 4 Speed Automatic, -44RE
	U = 4WD (RHD)		EXA, EX0 = 3.1L, 5 Cyl Turbo Diesel	DG4 = Multi Speed Automatic, -45RFE
				DGO = All Automatic

AR = Use as required - = Non illustrated part # = New this model year

September 14, 2002

**Door, Front Lock and Controls**  
**Figure DWJ-130**



ITEM	PART NUMBER	QTY	LINE	SERIES	BODY	ENGINE	TRANS	DESCRIPTION
	QR39 GW7AB	1	U	P				Bright White, Limited, W7 , w/o Cylinder, Left
	QR39 PR4AB	1	U	P				Flame Red, Limited , w/o Cylinder, Left
	QR39 TTKAB	1	U	P				Taupe Frost, Limited , w/o Cylinder, Left
	QR39 VTEAB	1	U	P				Champagne Pearl Metallic, Limited, TE , w/o Cylinder, Left
	QR39 WB7AB	1	U	P				Patriot Blue, Limited, B7 , w/o Cylinder, Left
	QR39 WPTAB	1	U	P				Everglade Pearl Coat, Limited , w/o Cylinder, Left
	QR39 WURAB	1	U	P				Sienna Pearl Coat, Limited, UR , w/o Cylinder, Left
	QR39 XGRAB	1	U	P				Shale Green, Limited , w/o Cylinder, Left
	5GG26 DX8AA	1	U	P				Black Clear Coat, Limited (Export), Right
	QR39 XSHAB	1	U	P				Silverstone, Limited, SH, w/o Cylinder, Left
	5GG26 GW7AA	1	U	P				Bright White, Limited (Export), Right
	5GG26 PR4AA	1	U	P				Flame Red, Limited (Export), Right
	5GG26 TTKAA	1	U	P				Taupe Frost, Limited (Export), Right
	5GG26 VTEAA	1	U	P				Champagne Pearl Metallic, Limited (Export), Right
8	6503 226	4						NUT, Hex Flange, M5x.8
9	6505 365AA	2						SCREW
10	5014 378AA	1	J, T					ROD, Inside Handle to Latch Right
		1	U					Right
	5014 379AA	1	J, T					Left
		1	U					Left
11	5014 380AA	1	J, T					ROD, Inside Lock to Latch Right
		1	U					Right
	5014 381AA	1	U					Left
		1	J, T					Left
12	5014 372AA	1	J, T					LINK, Exterior Door Handle Right
		1	U					Right
	5014 373AA	1	U					Left
		1	J, T					Left
13								COVER, Latch-Anti Theft
	5014 395AA	1						Right
	5014 396AA	1						Left

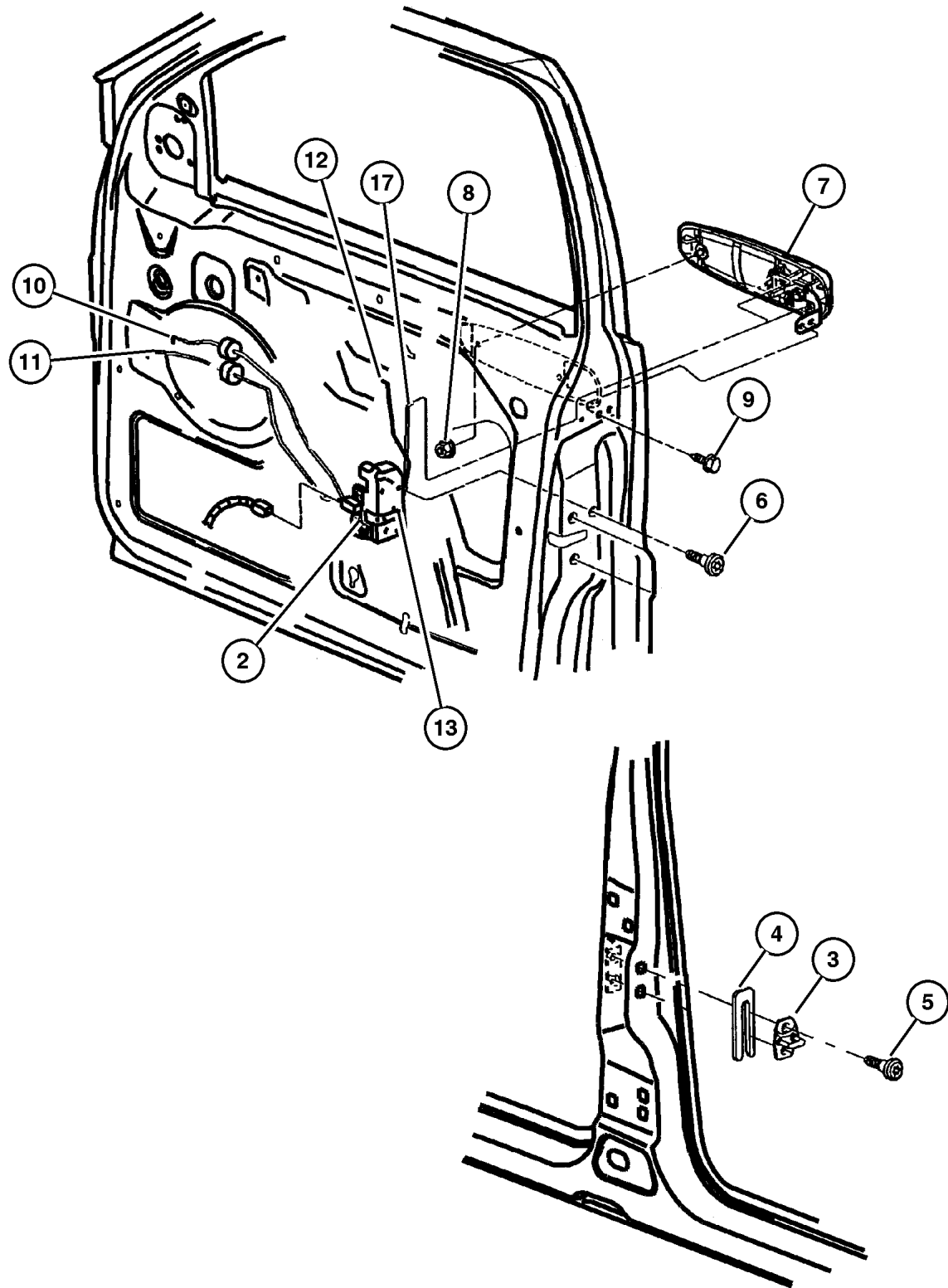
**JEEP GRAND CHEROKEE (WJ)**

SERIES	LINE	BODY	ENGINE	TRANSMISSION
H=Laredo	J = 4WD	74 = 4 Door(105.9 WB)	ER0, ERH = 4.0L, Power Tech I-6	DGK = 4 Speed Autm, 42RE
P=Limited	T = 2WD		EVO, EVA = 4.7L, Power Tech V8	DGW = 4 Speed Automatic, -44RE
	U = 4WD (RHD)		EXA, EX0 = 3.1L, 5 Cyl Turbo Diesel	DG4 = Multi Speed Automatic, -45RFE
				DGO = All Automatic

AR = Use as required - = Non illustrated part # = New this model year

September 14, 2002

**Door, Front Lock and Controls**  
**Figure DWJ-130**



ITEM	PART NUMBER	QTY	LINE	SERIES	BODY	ENGINE	TRANS	DESCRIPTION
-14								CLIP, Latch
	5014 397AA	1						Purple, Right
	5014 398AA	1						Orange, Left
-15	4658 675	1	U					CLIP, Latch Link, Red, Left
-16								CLIP, Latch
	4658 444	1	U					Orange, Key Cylinder To Latch, Right
		1	J, T					Orange, Key Cylinder To Latch, Right
17								LINK, Key Cylinder To Latch
	5014 386AA	1	U					Right
	5014 387AA	1	J, T					Left

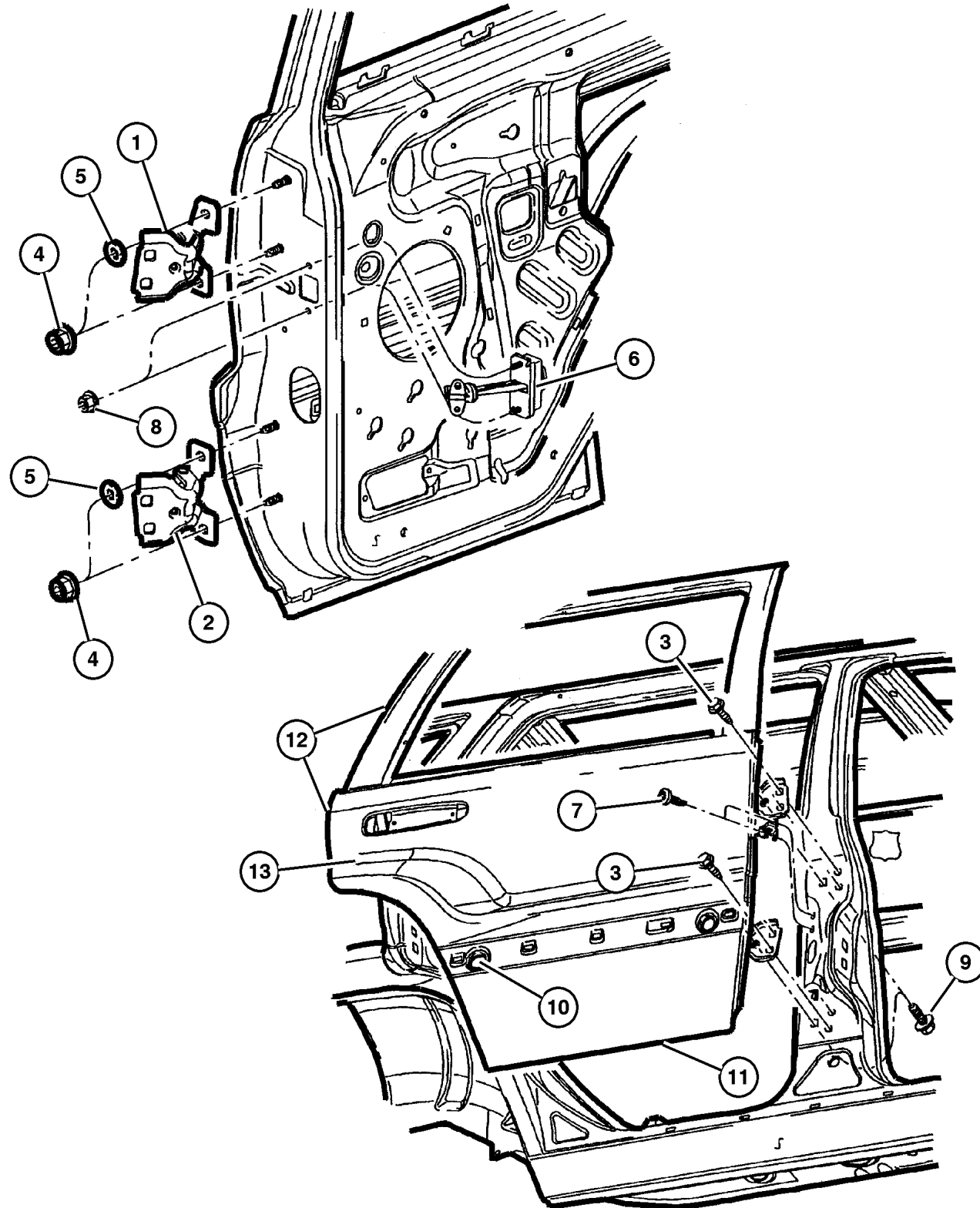
**JEEP GRAND CHEROKEE (WJ)**

SERIES	LINE	BODY	ENGINE	TRANSMISSION
H=Laredo	J = 4WD	74 = 4 Door(105.9 WB)	ER0, ERH = 4.0L, Power Tech I-6	DGK = 4 Speed Autm, 42RE
P=Limited	T = 2WD		EVO, EVA = 4.7L, Power Tech V8	DGW = 4 Speed Automatic, -44RE
	U = 4WD (RHD)		EXA, EX0 = 3.1L, 5 Cyl Turbo Diesel	DG4 = Multi Speed Automatic, -45RFE
				DGO = All Automatic

AR = Use as required - = Non illustrated part # = New this model year

September 14, 2002

Door, Rear Shell and Hinges  
Figure DWJ-210



ITEM	PART NUMBER	QTY	LINE	SERIES	BODY	ENGINE	TRANS	DESCRIPTION
1								HINGE, Door Half, Upper
	55135 574AC	2						Right
	55135 575AC	2						Left
2								HINGE, Door Half, Lower
	55135 574AC	2						Left
	55135 575AC	2						Right
3	6503 328	14						SCREW, Hex Head, M8x1.25x30
4	6101 809	2						NUT AND WASHER, Hex, M8x1.25
5	#55136 971AB	4						WASHER, Flat
6								CHECK, Rear Door
	55135 658AB	1						Right
	55135 659AB	1						Left
7								SCREW, Torx Head, M6x1.0x16, (NOT SERVICED) (Not Serviced)
8	6503 504	2						NUT AND WASHER, Hex, M6x1
9	6503 538	4						SCREW AND WASHER, Hex Head, M8x1.25x30
10	55257 380AA	12						PLUG
11	2860 332	4						PLUG, Anti-Rattle
12								DOOR, Rear
	#55136 700AD	1						Right
	#55136 701AD	1						Left
13								PANEL, Rear Door
	55136 702AB	1						Right
	55136 703AB	1						Left
-14								NUT, Rivet, M5x.080x26.41, (NOT SERVICED) (Not Serviced)

JEEP GRAND CHEROKEE (WJ)

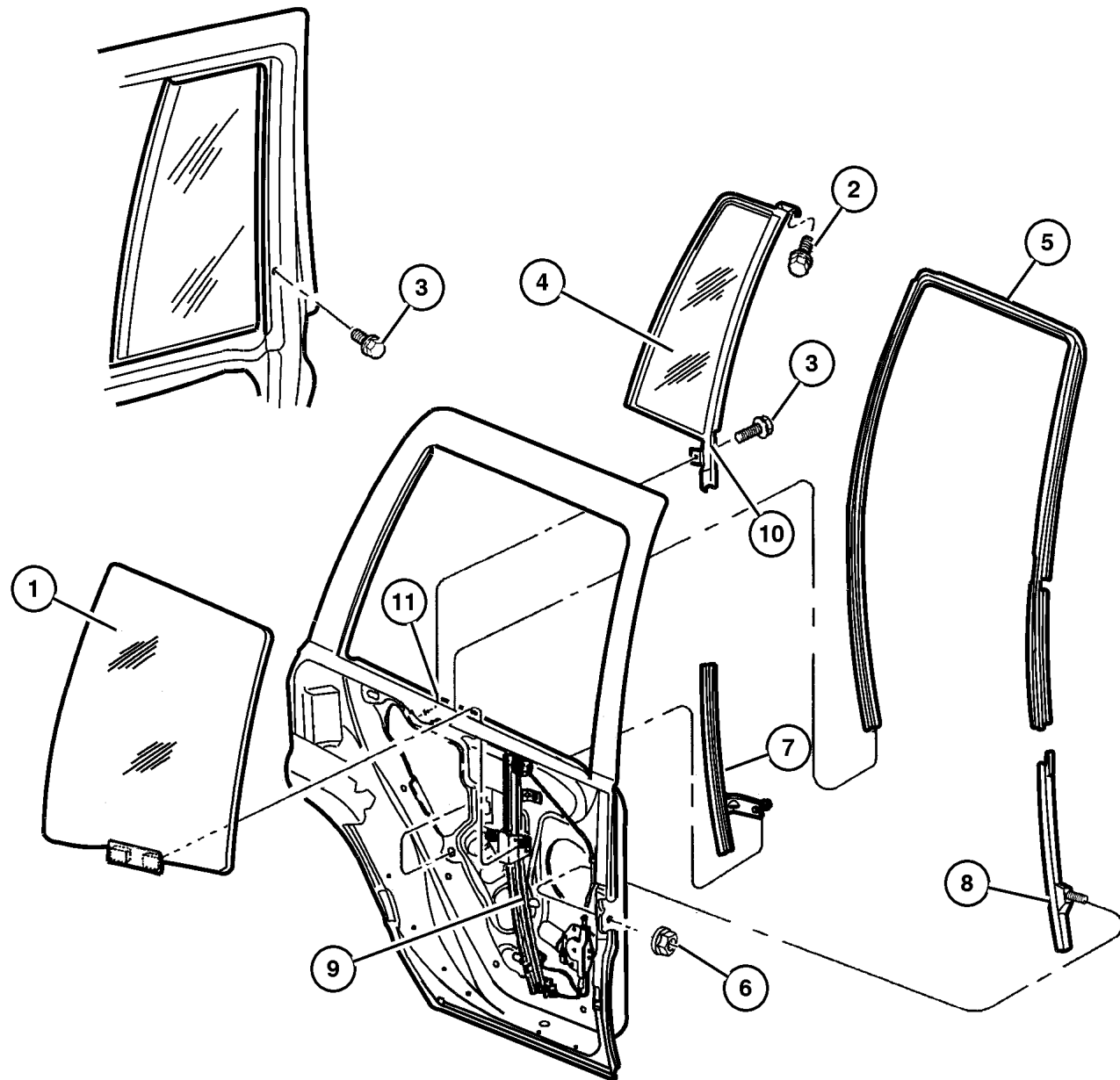
SERIES	LINE	BODY	ENGINE	TRANSMISSION
H=Laredo	J = 4WD	74 = 4 Door(105.9 WB)	ER0, ERH = 4.0L, Power Tech I-6	DGK = 4 Speed Autm, 42RE
P=Limited	T = 2WD		EV0, EVA = 4.7L, Power Tech V8	DGW = 4 Speed Automatic, -44RE
	U = 4WD (RHD)		EXA, EX0 = 3.1L, 5 Cyl Turbo Diesel	DG4 = Multi Speed Automatic, -45RFE
				DGO = All Automatic

AR = Use as required - = Non illustrated part # = New this model year

September 14, 2002



**Door, Rear Glass and Regulators**  
**Figure DWJ-220**



ITEM	PART NUMBER	QTY	LINE	SERIES	BODY	ENGINE	TRANS	DESCRIPTION
1								GLASS, Rear Door
	5513 6036	1						Tinted, Right
	5513 6037	1						Tinted, Left
	5513 6064	1						Sunscreen, Right
	5513 6065	1						Sunscreen, Left
2								SCREW, Tapping, .164-15x.75, (NOT SERVICED) (Not Serviced)
3								SCREW, Hex Flange Head, [.164-18x.75], (NOT SERVICED) (Not Serviced)
4								GLASS PACKAGE, Rear Door Qtr
	5016 912AA	1						Tinted, Right
	5016 913AA	1						Tinted, Left
	5016 914AA	1						Sunscreen, Right
	5016 915AA	1						Sunscreen, Left
5								SEAL, Rear Door Glass
	55136 080AE	1						Right
	55136 081AE	1						Left
6	6503 504	2						NUT AND WASHER, Hex, M6x1
7								CHANNEL, Rear Door Glass Lower
	5513 6074	1						Right
	5513 6075	1						Left
8								CHANNEL, Rear Door Glass Lower
	5513 6716	1						Right
	5513 6717	1						Left
9								REGULATOR, Rear Door Window
	5507 6468	1						Right
	5507 6469	1						Left
10	55137 006AA	2						CLIP
11	6505 223AA	2						NUT, Spring, M6
-12	5086 563AA	1						CLIP, Regulator

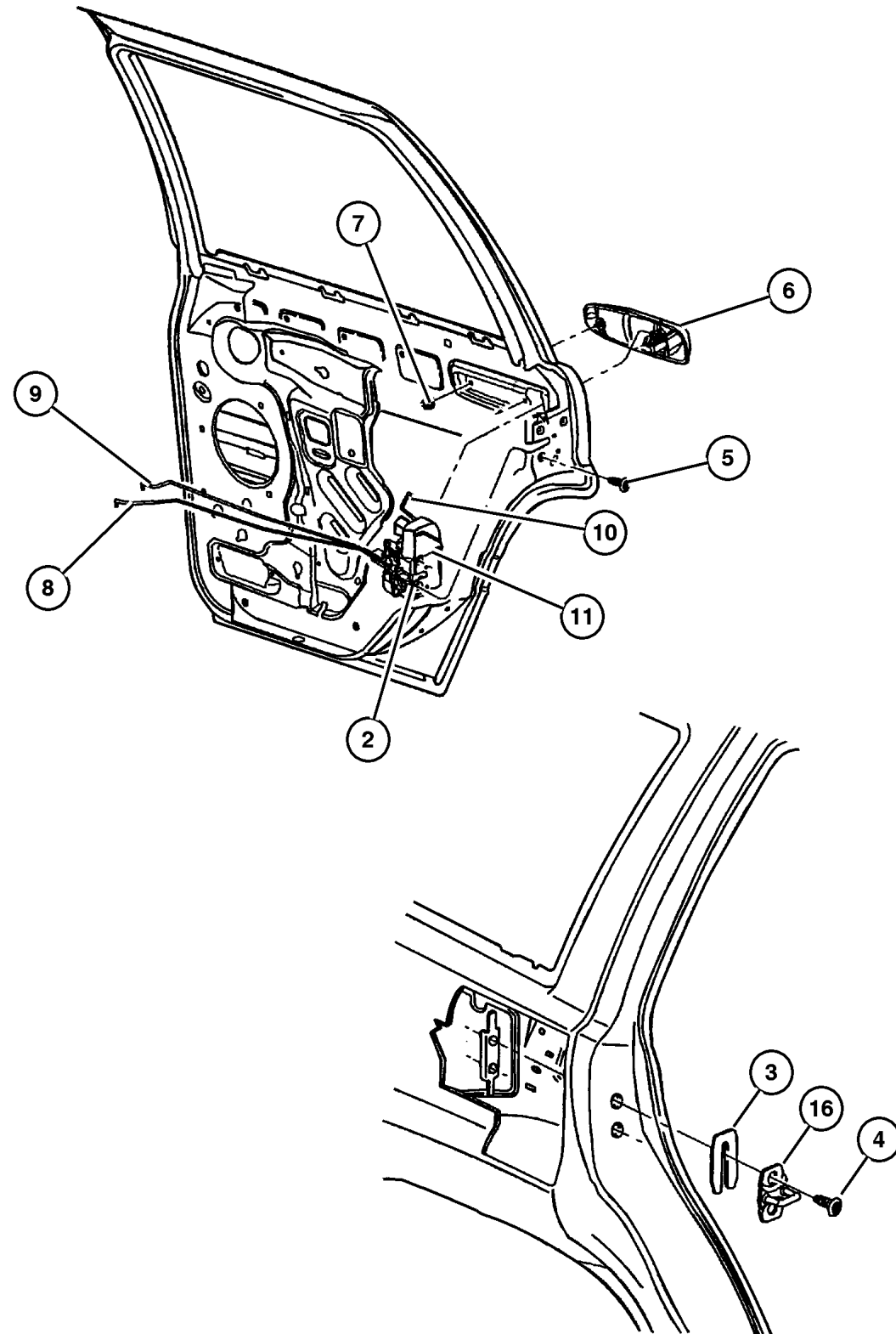
**JEEP GRAND CHEROKEE (WJ)**

SERIES	LINE	BODY	ENGINE	TRANSMISSION
H=Laredo	J = 4WD	74 = 4 Door(105.9 WB)	ER0, ERH = 4.0L, Power Tech I-6	DGK = 4 Speed Autm, 42RE
P=Limited	T = 2WD		EV0, EVA = 4.7L, Power Tech V8	DGW = 4 Speed Automatic, -44RE
	U = 4WD (RHD)		EXA, EX0 = 3.1L, 5 Cyl Turbo Diesel	DG4 = Multi Speed Automatic, -45RFE
				DGO = All Automatic

AR = Use as required - = Non illustrated part # = New this model year

September 14, 2002

**Door, Rear Lock and Controls**  
**Figure DWJ-230**



ITEM	PART NUMBER	QTY	LINE	SERIES	BODY	ENGINE	TRANS	DESCRIPTION
-1								HANDLE, Door Interior
	5FX72 1AZAB	1		H				Tan, Larado, Right
	5FX74 1K5AC	1	U	P				Tan, Limited, Right
	5FX74 1L5AC	1	J, T	P				Taupe, Limited, Right
	5FX75 1AZAC	1	J, T	P				Agate, Limited, Left
		1	U	P				Agate, Limited, Left
	5FX75 1K5AC	1	J, T	H				Tan, Limited, Left
		1	U	H				Tan, Limited, Left
	5FX75 1L5AC	1		P				Taupe, Limited, Left
	5FX72 1K5AB	1		H				Agate, Larado, Right
	5FX72 1L5AB	1		H				Taupe, Larado, Right
	5FX73 1AZAB	1		H				Tan, Larado, Left
	5FX73 1K5AB	1		H				Agate, Larado, Left
	5FX73 1L5AB	1		H				Taupe, Larado, Left
	5FX74 1AZAC	1	J, T	P				Agate, Limited, Right
		1	U	P				Agate, Limited, Right
	5FX74 1K5AC	1	J, T	P				Tan, Limited, Right
2								LATCH, Rear Door
	55135 620AB	1						Right
	55135 621AB	1						Left
3	4520 289	AR						SPACER, Door Latch Striker
4	6504 573	4						SCREW, Oval Head, SCREW
5								SCREW, Tapping, M6.3x1.8x38.1, (NOT SERVICED) (Not Serviced)
6								HANDLE, Exterior Door
	55135 838AB	1		H				Right
	5FW46 WPTAB	1		P				Everglade Pearl Coat, Right
	5FW46 XGRAB	1		P				Shale Green, Right
	5FW46 WB7AB	1		P				Patriot Blue, B7, Right
	5FW46 WBTAB	1		P				Patriot Blue, BT, Right
	5FW46 WULAB	1		P				Sienna Pearl Coat, UL, Right
	5FW46 WURAB	1		P				Sienna Pearl Coat, UR, Right
	5FW46 XS5AB	1		P				Silverstone, S5, Right
	5FW46 XSHAB	1		P				Silverstone, SH, Right
	5FW47 DX8AB	1		P				Black Clear Coat, Left
	5FW47 GW7AB	1		P				Bright White Clear Coat, W7, Left
	55135 839AB	1		H				Left
	5FW47 SW1AB	1		P				Stone White Clear Coat, SW, Left
	5FW47 PR4AB	1		P				Flame Red, Left
	5FW47 TTKAB	1		P				Taupe Frost, Left
	5FW47 VTEAB	1		P				Champagne Pearl Metallic, TE, Left
	5FW47 WTHAB	1		P				Champagne Pearl Coat, TH, Left

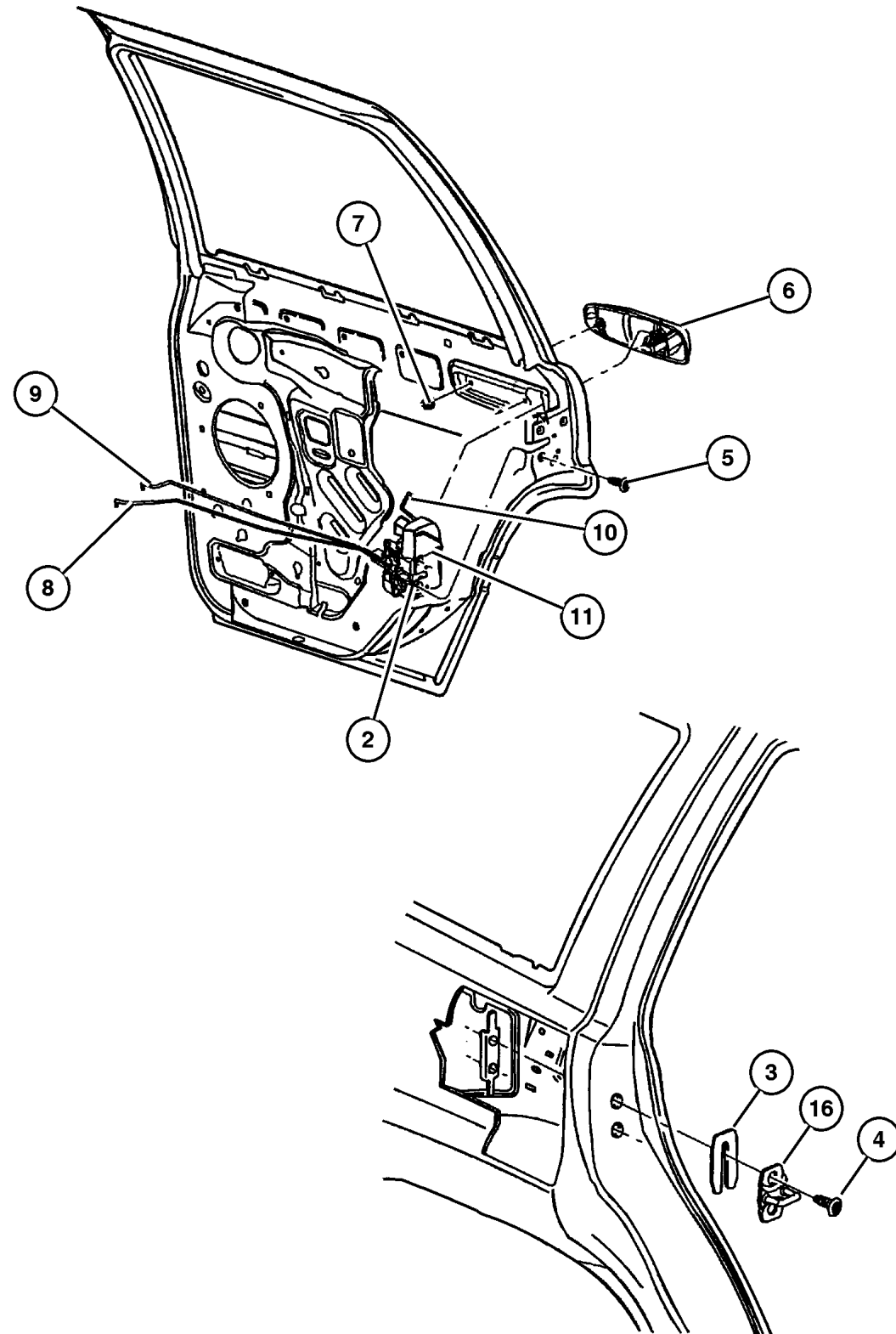
**JEEP GRAND CHEROKEE (WJ)**

SERIES	LINE	BODY	ENGINE	TRANSMISSION
H=Laredo	J = 4WD	74 = 4 Door(105.9 WB)	ER0, ERH = 4.0L, Power Tech I-6	DGK = 4 Speed Autm, 42RE
P=Limited	T = 2WD		EVO, EVA = 4.7L, Power Tech V8	DGW = 4 Speed Automatic, -44RE
	U = 4WD (RHD)		EXA, EX0 = 3.1L, 5 Cyl Turbo Diesel	DG4 = Multi Speed Automatic, -45RFE
				DGO = All Automatic

AR = Use as required - = Non illustrated part # = New this model year

September 14, 2002

## Door, Rear Lock and Controls Figure DWJ-230



ITEM	PART NUMBER	QTY	LINE	SERIES	BODY	ENGINE	TRANS	DESCRIPTION
	5FW47 WPTAB	1		P				Everglade Pearl Coat, Left
	5FW47 XGRAB	1		P				Shale Green, Left
	5FW47 WB7AB	1		P				Patriot Blue, B7, Left
	5FW47 WBTAB	1		P				Patriot Blue, BT, Left
	5FW47 WULAB	1		P				Sienna Pearl Coat, UL, Left
	5FW46 DX8AB	1		P				Black Clear Coat, Right
	5FW47 WURAB	1		P				Sienna Pearl Coat, UR, Left
	5FW47 XS5AB	1		P				Silverstone, S5, Left
	5FW47 XSHAB	1		P				Silverstone, SH, Left
	5FW46 GW7AB	1		P				Bright White Clear Coat, W7, Right
	5FW46 SW1AB	1		P				Stone White Clear Coat, SW, Right
	5FW46 PR4AB	1		P				Flame Red, Right
	5FW46 TTKAB	1		P				Taupe Frost, Right
	5FW46 VTEAB	1		P				Champagne Pearl Metallic, TE, Right
	5FW46 WTHAB	1		P				Champagne Pearl Coat, TH, Right
7	6503 226	4						NUT, Hex Flange, M5x.8
8								ROD, Inside Handle to Latch
	5014 384AA	1						Right
	5014 385AA	1						Left
9								ROD, Inside Lock to Latch
	5014 382AA	1						Right
	5014 383AA	1						Left
10								LINK, Exterior Door Handle
	5014 376AA	1						Right
	5014 377AA	1						Left
11								COVER, Latch-Anti Theft
	5014 395AA	1						Right
	5014 396AA	1						Left
-12	5014 397AA	1						CLIP, Latch, Purple
-13	5014 398AA	1						CLIP, Latch, Orange
-14	4658 675	1			U			CLIP, Latch Link, Red
-15								CLIP, Latch Link
	4658 674	1						Right
	4658 675	1						Left
16	4780 259	2						STRIKER, Door
-17								LABEL, Child Protection Lock, English
	55136 932AA	1						Right
	55136 933AA	1						Left

**JEEP GRAND CHEROKEE (WJ)**

SERIES	LINE	BODY	ENGINE	TRANSMISSION
H=Laredo	J = 4WD	74 = 4 Door(105.9 WB)	ER0, ERH = 4.0L, Power Tech I-6	DGK = 4 Speed Autm, 42RE
P=Limited	T = 2WD		EV0, EVA = 4.7L, Power Tech V8	DGW = 4 Speed Automatic, -44RE
	U = 4WD (RHD)		EXA, EX0 = 3.1L, 5 Cyl Turbo Diesel	DG4 = Multi Speed Automatic, -45RFE
				DGO = All Automatic

AR = Use as required - = Non illustrated part # = New this model year

September 14, 2002

**Mirrors, Exterior  
Figure DWJ-510**

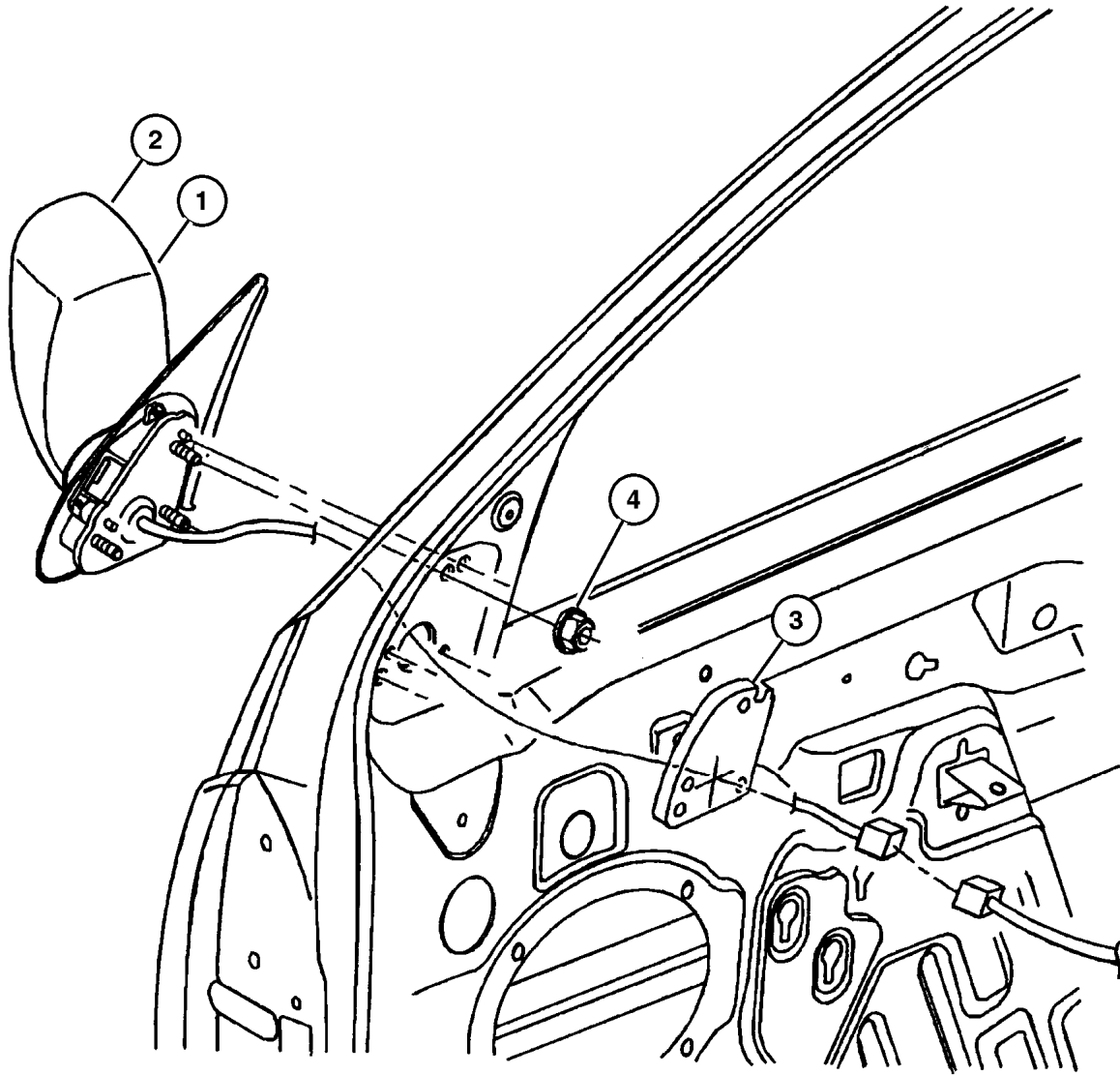
ITEM	PART NUMBER	QTY	LINE	SERIES	BODY	ENGINE	TRANS	DESCRIPTION
Note: Sales Code GTF = Power Fold-Away								
Note: Sales Code GTN = Power Fold-Away								
Note: Sales Code GTM = Power Fold-Away Heated								
Note: Sales Code GTR = Power Fold-Away								
Note: Sales Code GTW = Power Fold-Away Black								
Note: Sales Code GT3 = Power Fold-Away Hea								
1								MIRROR, Outside, Rearview, Electric, Heated
	53054 460AB	1	U					GTF, Right
	53054 461AB	1	U					GTF, Left
	55155 230AB	1	J, T					GT3, Right
	55155 231AB	1	J, T					GT3, Left
	55155 232AC	1	J, T					GTM, Right
	55155 233AC	1	J, T					GTM, Left
2								MIRROR, Outside Rearview Electric Foldaway
	55155 792AB	1	U					GTR, Right
	55155 793AB	1	U					GTR, Left
	55155 446AB	1	J, T					GTN, Right
	55155 447AB	1	J, T					GTN, Left
3								SEAL, Mirror
	55136 274AB	1						Right
	55136 275AB	1						Left
4	J420 0408	6						NUT AND WASHER, Hex Nut-Coned Washer, M5 x 0.80
-5								GLASS, Mirror Replacement
	5013 636AA	1	J, T					GTN, Right
	5017 085AA	1	J, T					GTF,GTX, Left
	5017 086AA	1	J					GTW, Right
	5017 087AA	1	J					GTX, Left
	5017 088AA	1	U					GTR, Right
	5017 089AA	1	U					GTR, Left
	5017 090AA	1	U					GTF, Right
	5017 091AA	1	U					GTF, Left
	5013 637AA	1	J, T					GTN, Left
	5017 072AA	1	J, T					GT3, Right
	5017 075AA	1	J, T					GT3, Left
	5017 072AA	1	J, T					GTM, Right
	5017 073AA	1	J, T					GTM, Left
	5017 082AA	1	J, T					GTR, Right
	5017 083AA	1	J, T					GTR,GTW, Left
	5017 084AA	1	J, T					GTF, Right

**JEEP GRAND CHEROKEE (WJ)**

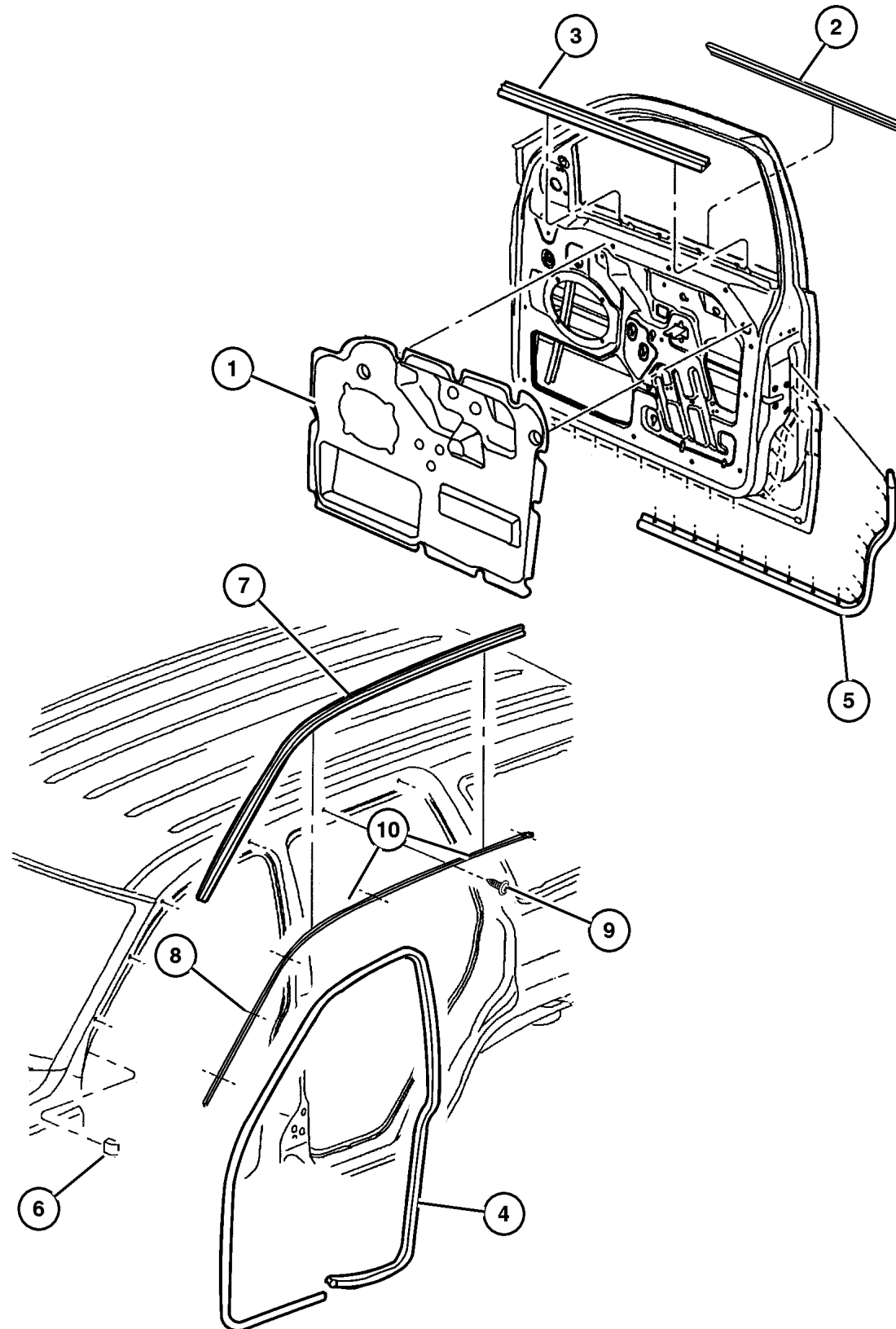
SERIES	LINE	BODY	ENGINE	TRANSMISSION
H=Laredo	J = 4WD	74 = 4 Door(105.9 WB)	ER0, ERH = 4.0L, Power Tech I-6	DGK = 4 Speed Autm, 42RE
P=Limited	T = 2WD		EV0, EVA = 4.7L, Power Tech V8	DGW = 4 Speed Automatic, -44RE
	U = 4WD (RHD)		EXA, EX0 = 3.1L, 5 Cyl Turbo Diesel	DG4 = Multi Speed Automatic, -45RFE
				DGO = All Automatic

AR = Use as required - = Non illustrated part # = New this model year

September 14, 2002



**Door, Front Weatherstrips and Seals**  
**Figure DWJ-610**



ITEM	PART NUMBER	QTY	LINE	SERIES	BODY	ENGINE	TRANS	DESCRIPTION
1	55135 874AD	1						INSULATOR, Front Door Right
	55135 875AD	1						Left
2	55135 878AC	1						WEATHERSTRIP, Front Door Belt Right
	55135 879AC	1						Left
3	55135 898AC	1						WEATHERSTRIP, Front Door Belt Right
	55135 899AC	1						Left
4	55135 918AC	1						SEAL, Front Door Right
	55135 919AC	1						Left
5	55136 114AB	1						SEAL, Front Door Right
	55136 115AB	1						Left
6	5513 5678	2					BLOCKER, Seal Exterior A Pillar	
7	55135 869AB	1						SEAL, Body Side Right
	55135 872AB	1						Left
8	#55136 902AD	1						MOLDING, Windshield, Retainer Right
	#55136 903AD	1						Left
9								SCREW, Tapping, .164-18x.437, 06033605, (NOT SERVICED) (Not Serviced)
10	55136 900AA	1						SEAL, Rear Door, Retainer Right
	55136 901AA	1						Left

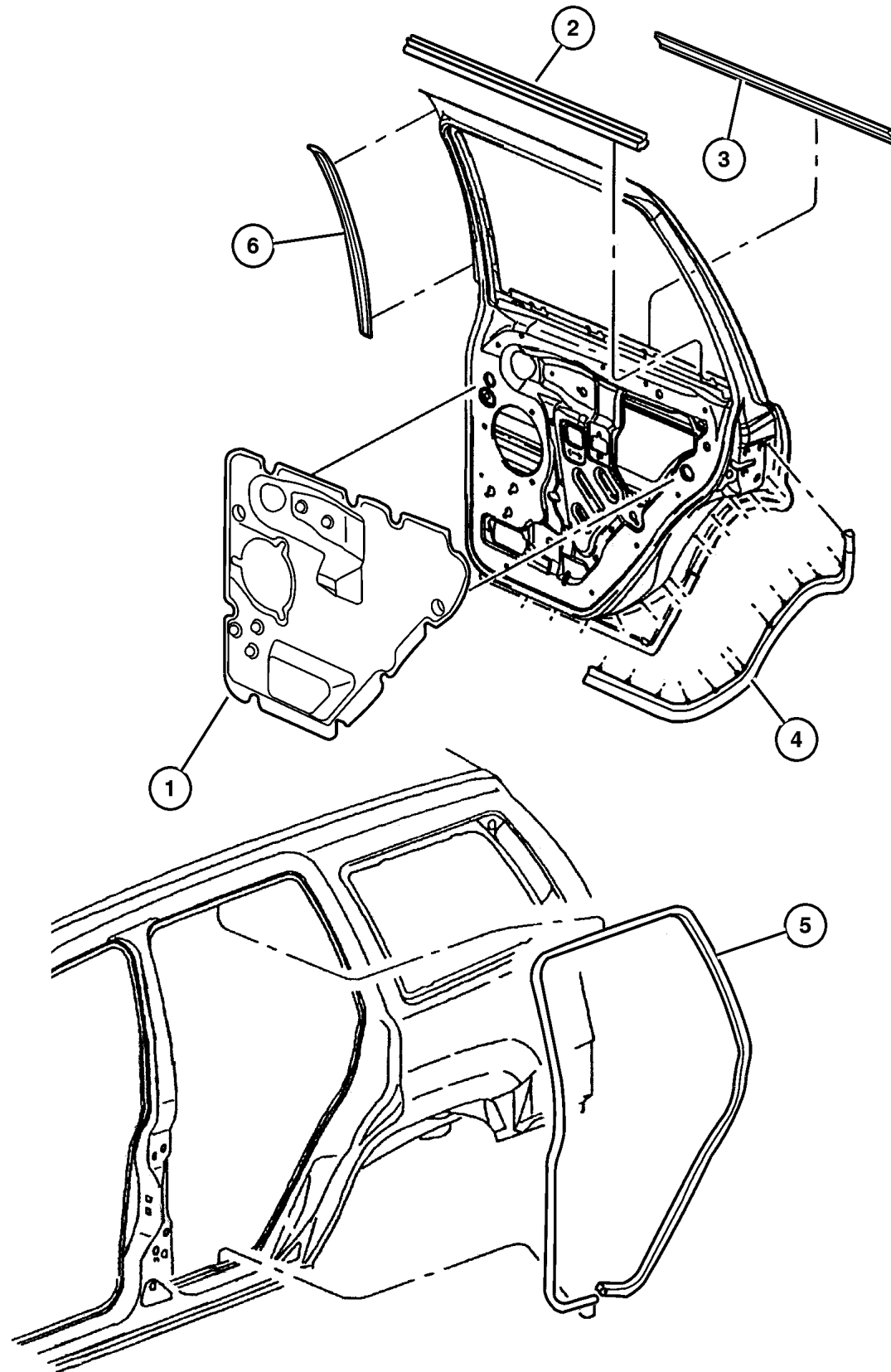
**JEEP GRAND CHEROKEE (WJ)**

SERIES	LINE	BODY	ENGINE	TRANSMISSION
H=Laredo	J = 4WD	74 = 4 Door(105.9 WB)	ER0, ERH = 4.0L, Power Tech I-6	DGK = 4 Speed Autm, 42RE
P=Limited	T = 2WD		EV0, EVA = 4.7L, Power Tech V8	DGW = 4 Speed Automatic, -44RE
	U = 4WD (RHD)		EXA, EX0 = 3.1L, 5 Cyl Turbo Diesel	DG4 = Multi Speed Automatic, -45RFE
				DGO = All Automatic

AR = Use as required - = Non illustrated part # = New this model year

September 14, 2002

**Door, Rear Weatherstrips and Seals**  
**Figure DWJ-620**



ITEM	PART NUMBER	QTY	LINE	SERIES	BODY	ENGINE	TRANS	DESCRIPTION
1	55135 876AD	1						INSULATOR, Rear Door Right
	55135 877AD	1						Left
2	55135 888AC	1						WEATHERSTRIP, Rear Door Belt, Inner Right
	55135 889AC	1						Left
3	55135 890AC	1						WEATHERSTRIP, Rear Door Belt, Outer Right
	55135 891AC	1						Left
4	55136 116AB	1						SEAL, Rear Door Right
	55136 117AB	1						Left
5	55135 958AC	1						SEAL, Rear Door Right
	55135 959AC	1						Left
6	55136 118AB	1						SEAL, B-Pillar Right
	55136 119AB	1						Left

**JEEP GRAND CHEROKEE (WJ)**

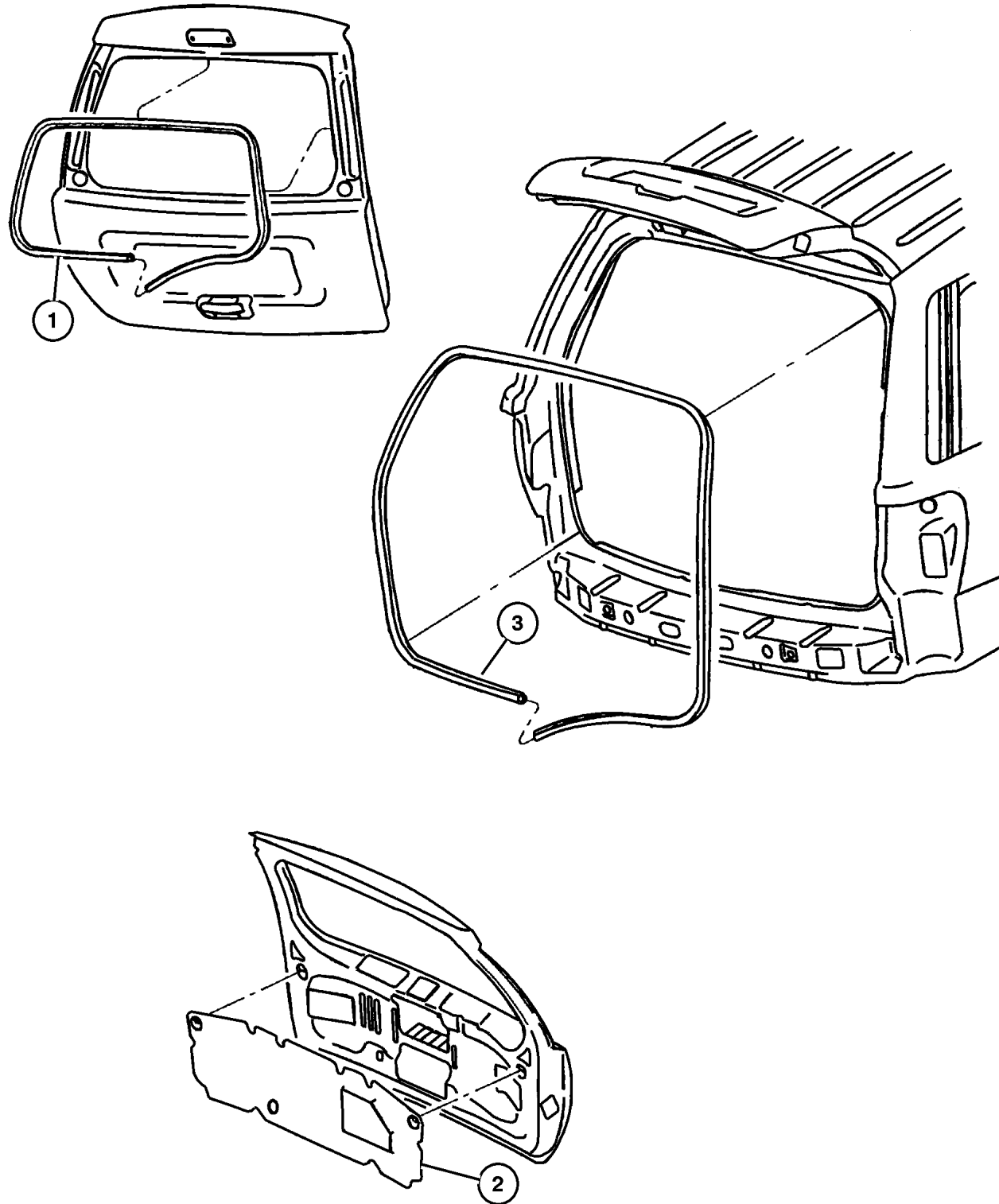
SERIES	LINE	BODY	ENGINE	TRANSMISSION
H=Laredo	J = 4WD	74 = 4 Door(105.9 WB)	ER0, ERH = 4.0L, Power Tech I-6	DGK = 4 Speed Autm, 42RE
P=Limited	T = 2WD		EV0, EVA = 4.7L, Power Tech V8	DGW = 4 Speed Automatic, -44RE
	U = 4WD (RHD)		EXA, EX0 = 3.1L, 5 Cyl Turbo Diesel	DG4 = Multi Speed Automatic, -45RFE
				DGO = All Automatic

AR = Use as required - = Non illustrated part # = New this model year

September 14, 2002

**Door, Rear Tail Gate Weatherstrips and Seals**  
**Figure DWJ-630**

ITEM	PART NUMBER	QTY	LINE	SERIES	BODY	ENGINE	TRANS	DESCRIPTION
1	#55136 053AD	1						WEATHERSTRIP, Liftgate Glass
2	55136 185AC	1						INSULATION, liftgate
3	55135 388AB	1						SEAL, Liftgate



<b>JEEP GRAND CHEROKEE (WJ)</b>				
SERIES	LINE	BODY	ENGINE	TRANSMISSION
H=Laredo	J = 4WD	74 = 4 Door(105.9 WB)	ER0, ERH = 4.0L, Power Tech I-6	DGK = 4 Speed Autm, 42RE
P=Limited	T = 2WD		EVO, EVA = 4.7L, Power Tech V8	DGW = 4 Speed Automatic, -44RE
	U = 4WD (RHD)		EXA, EX0 = 3.1L, 5 Cyl Turbo Diesel	DG4 = Multi Speed Automatic, -45RFE
				DGO = All Automatic

AR = Use as required - = Non illustrated part # = New this model year

September 14, 2002

# Group – EWJ

## Exterior Ornamentation

### GROUP EWJ - Exterior Ornamentation

Illustration Title

Group-Fig. No.

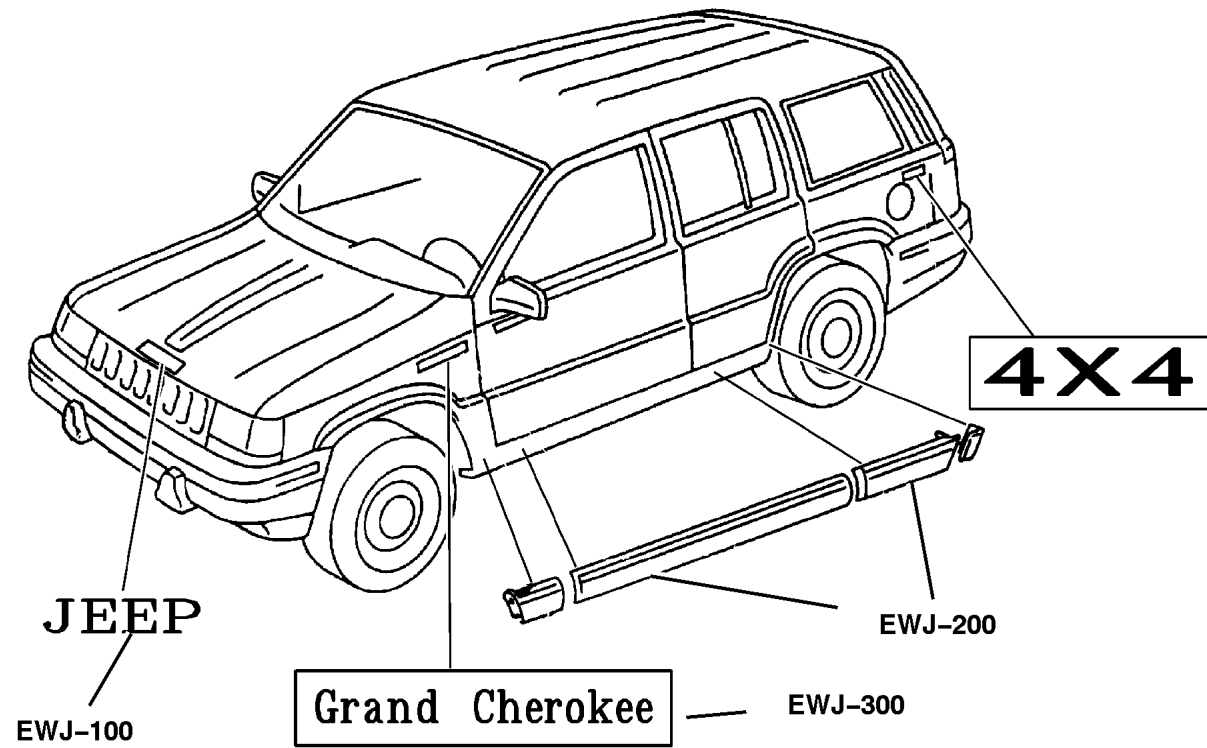
#### Nameplates

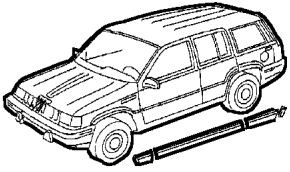
Nameplates and Decals ..... Fig. EWJ-120

#### Moldings and Ornamentation

Moldings, Upper ..... Fig. EWJ-210

Cladding and Sill Moldings ..... Fig. EWJ-220

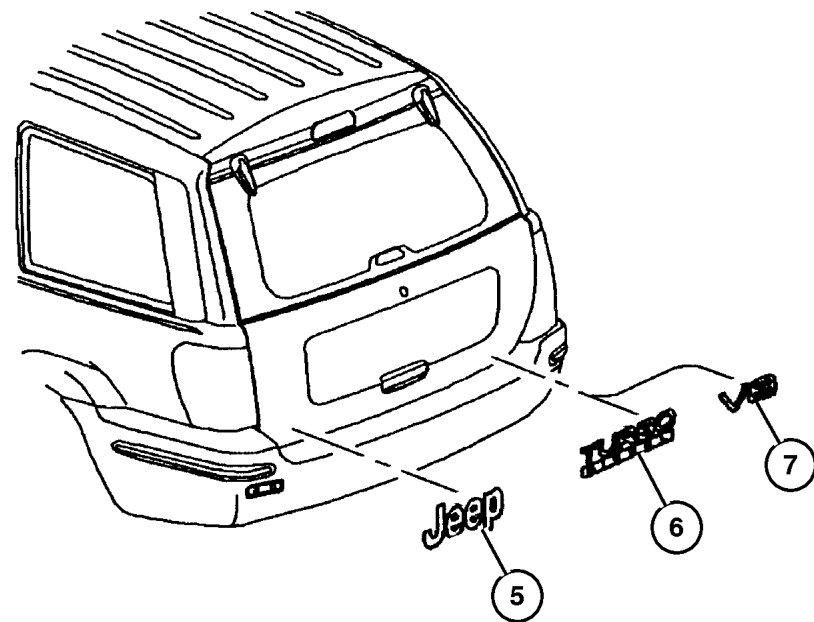
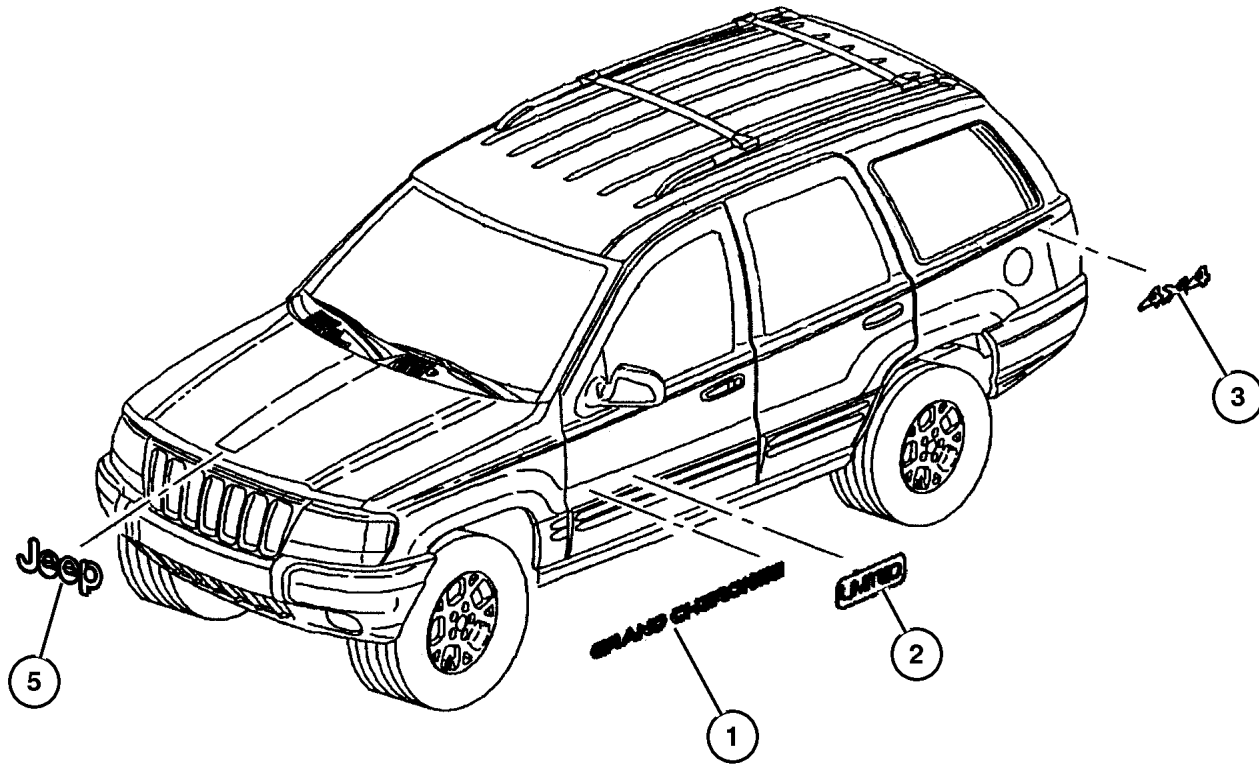


EWJ-100 Nameplates	EWJ-200 Moldings and Ornamentation	EWJ-300 Decals and Tapestripes	
<p>Grand Cherokee JEEP</p>		<p>4X4</p> <p>V6</p>	



**Nameplates and Decals  
Figure EWJ-120**

ITEM	PART NUMBER	QTY	LINE	SERIES	BODY	ENGINE	TRANS	DESCRIPTION
1								NAMEPLATE, Grand Cherokee, Grand Cherokee
	5EN8 0SA1	2						Silver
	5EN8 0WKK	2						Camel
	5515 5621	2						Chrome
2								DIMENSIONAL GRAPHIC, Limited
	5EM9 1SA1	2						Silver
	5EM9 1WKK	2						Camel
	#55156 043AA	2						Chrome
3								NAMEPLATE, Jeep, 4x4
	5EM8 9SA1	2						Silver
	5EM8 9WKK	2						Camel
-4	5515 5623	2	J, U					NAMEPLATE, 4x4, Chrome
5								NAMEPLATE, Jeep, Jeep
	5EM8 7SA1	2						Silver
	5EM8 7WKK	2						Camel
	5515 5622	2						Chrome
6								DECAL, Turbo Diesel
	5EN8 6SA1	1						Silver
	5EN8 6WKK	1						Camel
	#55156 044AA	1						Chrome
7								NAMEPLATE, V-8 and Quadra Drive
	5EN7 8SA1	1						Silver
	5EN7 8WKK	1						
	5515 5620	1						V-8 Chrome
	55155 994AA	1						Quadra Drive - Chrome



**JEEP GRAND CHEROKEE (WJ)**

SERIES	LINE	BODY	ENGINE	TRANSMISSION
H=Laredo	J = 4WD	74 = 4 Door(105.9 WB)	ER0, ERH = 4.0L, Power Tech I-6	DGK = 4 Speed Autm, 42RE
P=Limited	T = 2WD		EVO, EVA = 4.7L, Power Tech V8	DGW = 4 Speed Automatic, -44RE
	U = 4WD (RHD)		EXA, EX0 = 3.1L, 5 Cyl Turbo Diesel	DG4 = Multi Speed Automatic, -45RFE
				DGO = All Automatic

AR = Use as required - = Non illustrated part # = New this model year

September 14, 2002

**Moldings, Upper**  
**Figure EWJ-210**

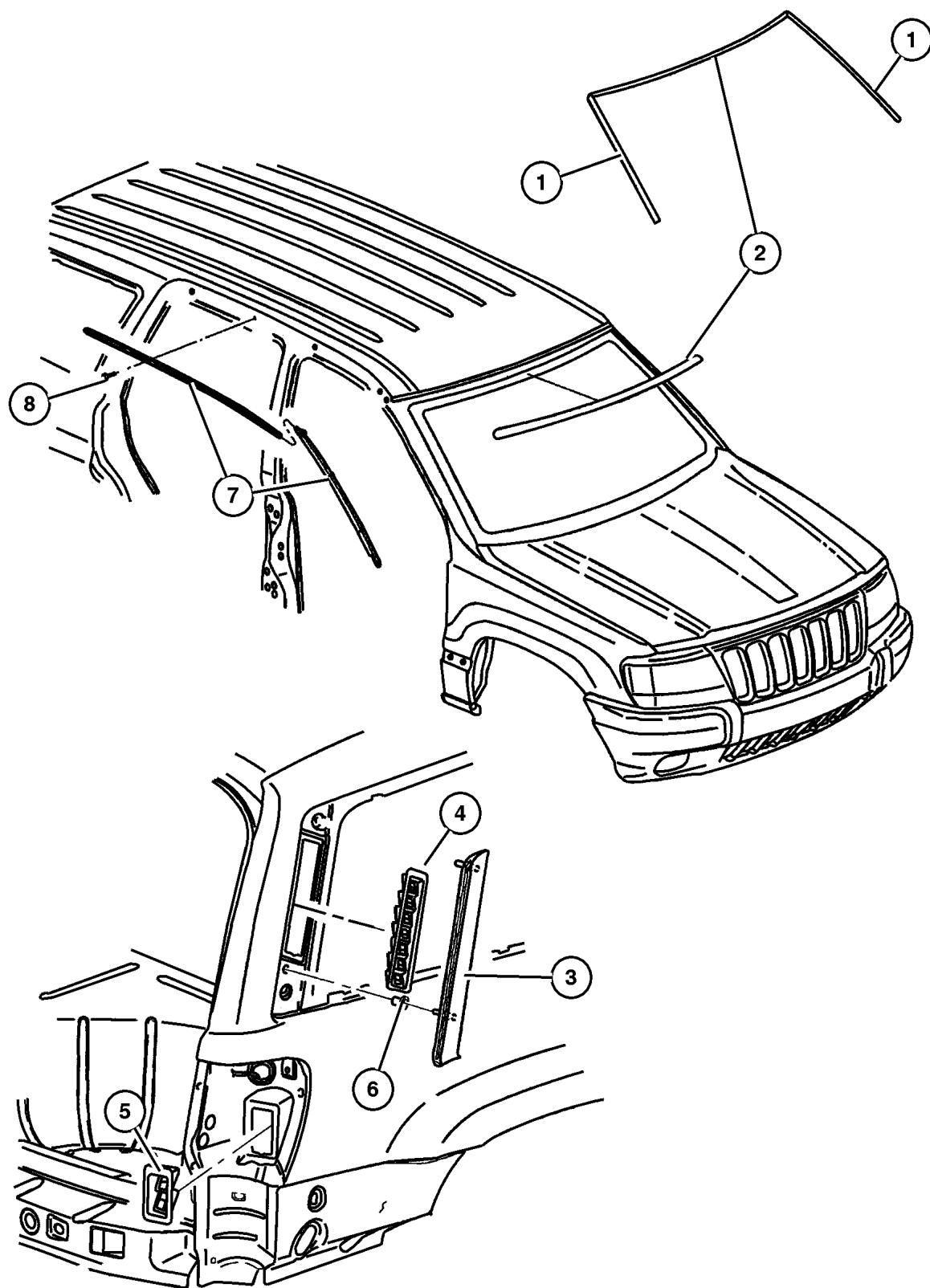
ITEM	PART NUMBER	QTY	LINE	SERIES	BODY	ENGINE	TRANS	DESCRIPTION
1								MOLDING, Windshield
	#55136 902AD	1						Right
	#55136 903AD	1						Left
2	#55135 592AC	1						MOLDING, Windshield, Upper
3								APPLIQUE, D Pillar
	5EZ20 DX8AB	1						Black Clear Coat, Right
	5EZ20 WULAB	1						Sienna Pearl Coat, UL, Right
	5EZ20 WURAB	1						Sienna Pearl Coat, UR, Right
	5EZ20 WB7AB	1						Patriot Blue, B7, Right
	5EZ20 WBTAB	1						Patriot Blue, BT, Right
	5EZ20 XS5AB	1						Silverstone, S5, Right
	5EZ20 XSHAB	1						Silverstone, SH, Right
	5EZ21 DX8AB	1						Black Clear Coat, Left
	5EZ21 GW7AB	1						Bright White Clear Coat, Left
	5EZ21 PR4AB	1						Flame Red, Left
	5EZ21 SW1AB	1						Stone White Clear Coat, Left
	5EZ20 GW7AB	1						Bright White Clear Coat, Right
	5EZ21 TTKAB	1						Taupe Frost, Left
	5EZ21 VTEAB	1						Champagne Pearl Metallic, TE, Left
	5EZ21 WTHAB	1						Champagne Pearl Coat, TH, Left
	5EZ21 WPTAB	1						Everglade Pearl Coat, Left
	5EZ21 XGRAB	1						Shale Green, Left
	5EZ21 WULAB	1						Sienna Pearl Coat, UL, Left
	5EZ21 WURAB	1						Sienna Pearl Coat, UR, Left
	5EZ21 WB7AB	1						Patriot Blue, B7, Left
	5EZ21 WBTAB	1						Patriot Blue, BT, Left
	5EZ21 XS5AB	1						Silverstone, S5, Left
	5EZ20 SW1AB	1						Stone White Clear Coat, Right
	5EZ21 XSHAB	1						Silverstone, SH, Left
	5EZ20 PR4AB	1						Flame Red, Right
	5EZ20 TTKAB	1						Taupe Frost, Right
	5EZ20 VTEAB	1						Champagne Pearl Metallic, TE, Right
	5EZ20 WTHAB	1						Champagne Pearl Coat, TH, Right
	5EZ20 WPTAB	1						Everglade Pearl Coat, Right
	5EZ20 XGRAB	1						Shale Green, Right
4								EXHAUSTER, Quarter Panel
	55136 278AF	1						Right
	55136 279AE	1						Left
5	55136 280AB	2						EXHAUSTER, Quarter Panel
6	6004 512	4						CLIP, D Pillar Exhauster
7								SEAL, Body Side
	55135 869AB	1						Right
	55135 872AB	1						Left

**JEEP GRAND CHEROKEE (WJ)**

SERIES	LINE	BODY	ENGINE	TRANSMISSION
H=Laredo	J = 4WD	74 = 4 Door(105.9 WB)	ER0, ERH = 4.0L, Power Tech I-6	DGK = 4 Speed Autm, 42RE
P=Limited	T = 2WD		EVO, EVA = 4.7L, Power Tech V8	DGW = 4 Speed Automatic, -44RE
	U = 4WD (RHD)		EXA, EX0 = 3.1L, 5 Cyl Turbo Diesel	DG4 = Multi Speed Automatic, -45RFE
				DGO = All Automatic

AR = Use as required - = Non illustrated part # = New this model year

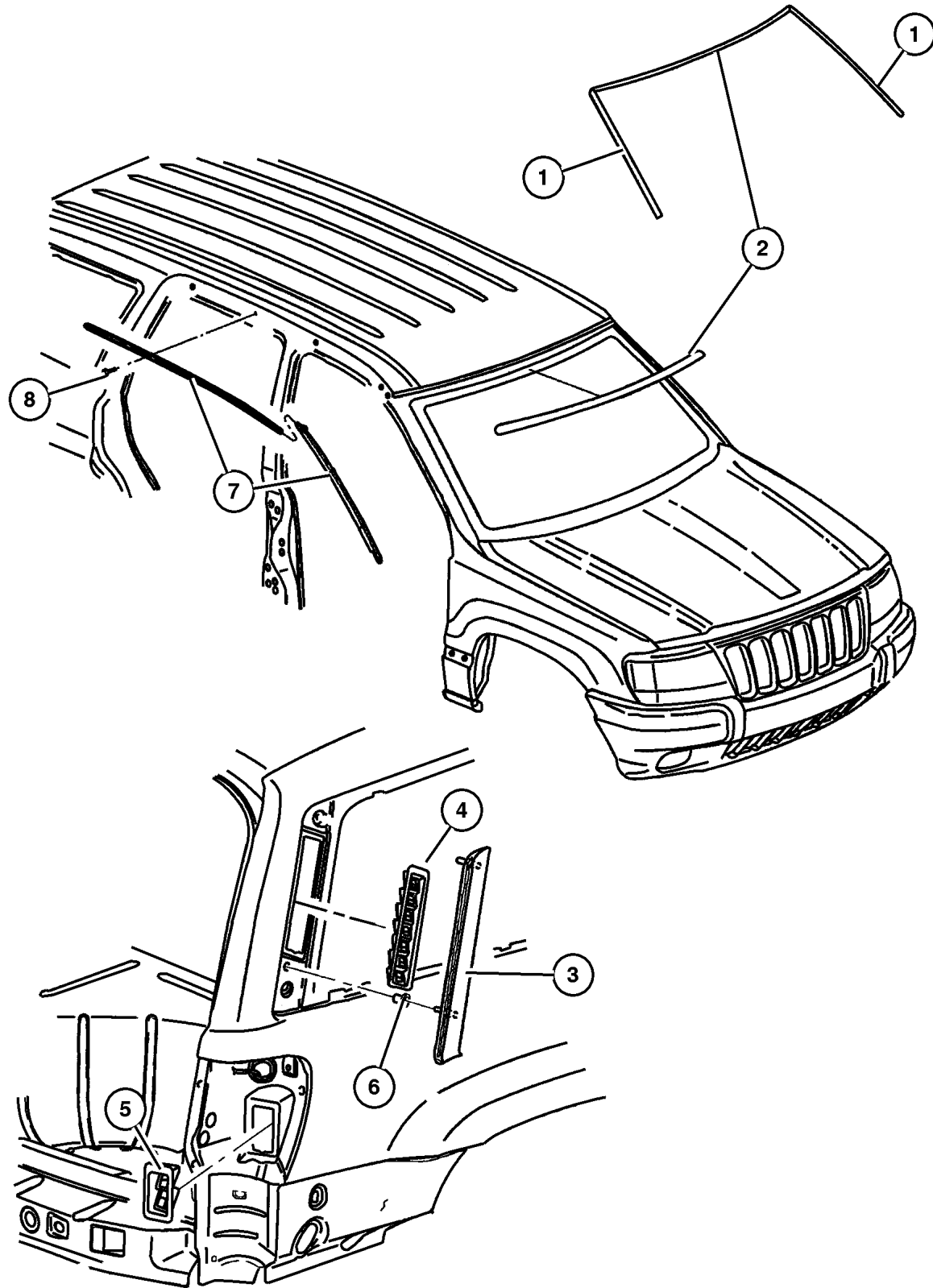
September 14, 2002



**Moldings, Upper**  
**Figure EWJ-210**

ITEM	PART NUMBER	QTY	LINE	SERIES	BODY	ENGINE	TRANS	DESCRIPTION
------	-------------	-----	------	--------	------	--------	-------	-------------

8								SCREW, Tapping, .164-18x.437, 06033605, (NOT SERVICED) (Not Serviced)



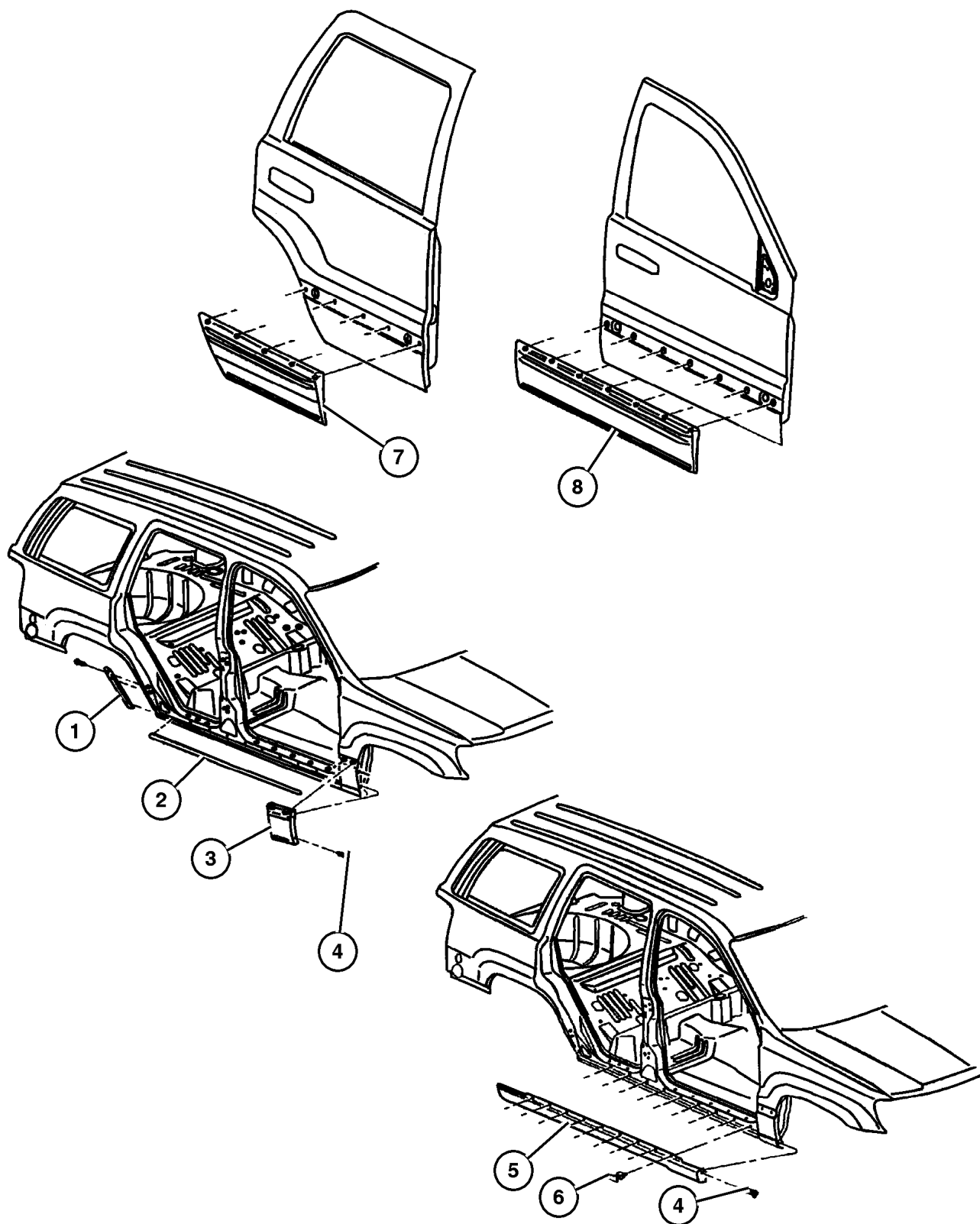
**JEEP GRAND CHEROKEE (WJ)**

SERIES	LINE	BODY	ENGINE	TRANSMISSION
H=Laredo	J = 4WD	74 = 4 Door(105.9 WB)	ER0, ERH = 4.0L, Power Tech I-6	DGK = 4 Speed Autm, 42RE
P=Limited	T = 2WD		EV0, EVA = 4.7L, Power Tech V8	DGW = 4 Speed Automatic, -44RE
	U = 4WD (RHD)		EXA, EX0 = 3.1L, 5 Cyl Turbo Diesel	DG4 = Multi Speed Automatic, -45RFE
				DGO = All Automatic

AR = Use as required - = Non illustrated part # = New this model year

September 14, 2002

## Cladding and Sill Moldings Figure EWJ-220



ITEM	PART NUMBER	QTY	LINE	SERIES	BODY	ENGINE	TRANS	DESCRIPTION
Note: Larado Cladding Colors, Order with Paint Codes. (Gray K4A= AW, BT, PT, R4, X8) (Brownstone K4K= S4, S5, TH, TK, UL, W1)								
1	5EY7 8VF7	1		H				CLADDING, Quarter Panel K4K, Laredo, F7, Right
	5EY7 8XS9	1		H				K4A, Laredo, S9, Right
	5EY7 9VF7	1		H				K4K, Laredo, F7, Left
	5EY7 9XS9	1		H				K4A, Laredo, S9, Left
	5EY8 8TZZ	1		P				K4I, Limited, ZZ [P.A.R.], Right
	5EY8 9TZZ	1		P				K4I, Limited, ZZ [P.A.R.], Left
2	5FX65 DX9AA	2		P				MOLDING, Sill Cover
3	5015 766AA	1		P				CLADDING, Fender (Service Dealer Paint), Right
	5015 767AA	1		P				(Service Dealer Paint), Left
	5FR1 6VF7	1		H				K4K, Laredo, F7, Right
	5FR1 6XS9	1		H				K4A, Laredo, S9, Right
	5FR1 7VF7	1		H				K4K, Laredo, F7, Left
	5FR1 7XS9	1		H				K4A, Laredo, S9, Left
4	6035 217	4						SCREW, Round Head, .164-18.5
5	5EY6 4VF7	1		H				MOLDING, Sill Cover [K5K], Laredo, Right
	5EY6 5VF7	1		H				[K5K], Laredo, Left
	5EY6 4XS9	1		H				[K5A], Laredo, Right
	5EY6 5XS9	1		H				[K5A], Laredo, Left
	5EY6 4XS9	1		P				[K5A], Laredo, Export, Right
	5EY6 5XS9	1		P				[K5A], Laredo, Export, Left
6	5FR5 6DX9	18		H, P				RETAINER
7	5015 772AA	1		P				CLADDING, Rear Door (Service Dealer Paint), Right
	5015 773AA	1		P				(Service Dealer Paint), Left
	5EY74 VF7AB	1		H				K4K, Laredo, F7, Right
	5EY74 XS9AB	1		H				K4A, Laredo, S9, Right
	5EY75 VF7AB	1		H				K4K, Laredo, F7, Left
	5EY75 XS9AB	1		H				K4A, Laredo, S9, Left
8	5015 770AA	1		P				CLADDING, Front Door (Service Dealer Paint), Right
	5015 771AA	1		P				(Service Dealer Paint), Left
	5FR20 VF7AB	1		H				K4K, Laredo, F7, Right
	5FR20 XS9AB	1		H				K4A, Laredo, S9, Right
	5FR21 VF7AB	1		H				K4K, Laredo, F7, Left
	5FR21 XS9AB	1		H				K4A, Laredo, S9, Left

### JEEP GRAND CHEROKEE (WJ)

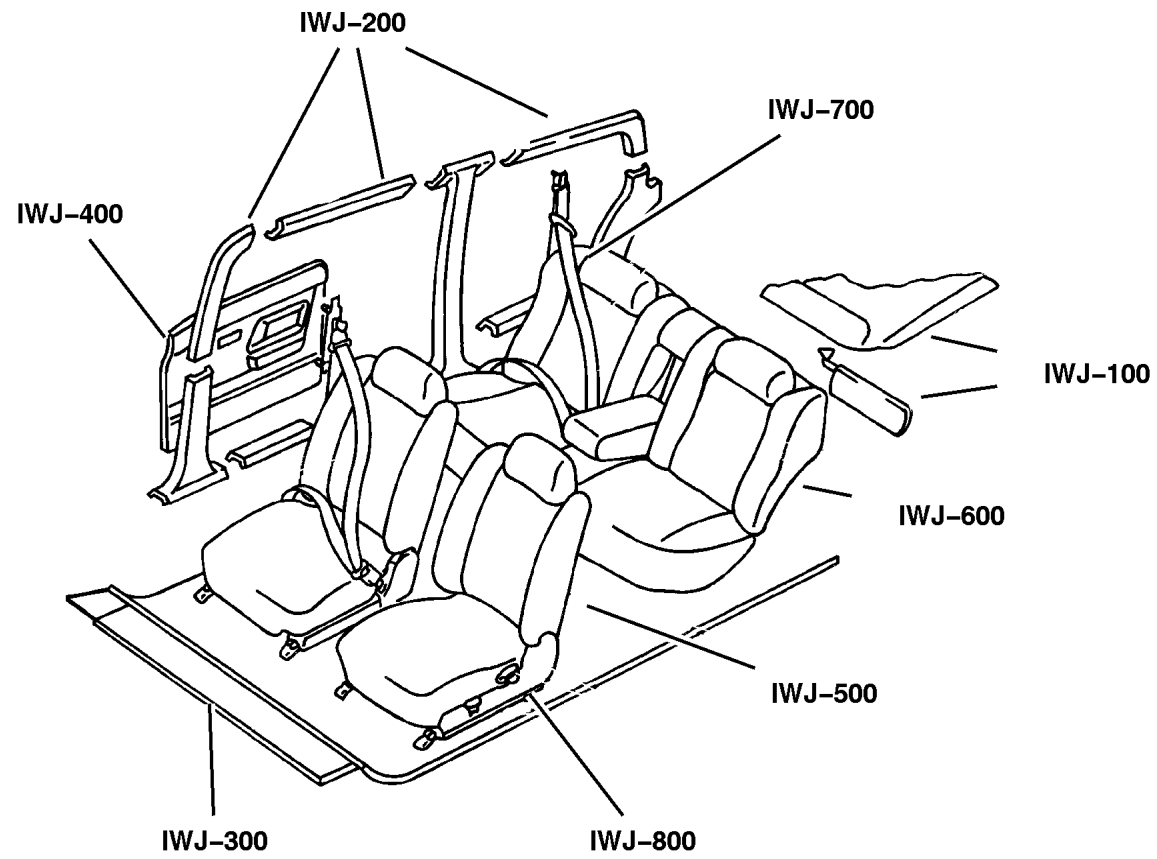
SERIES	LINE	BODY	ENGINE	TRANSMISSION
H=Laredo	J = 4WD	74 = 4 Door(105.9 WB)	ER0, ERH = 4.0L, Power Tech I-6	DGK = 4 Speed Autm, 42RE
P=Limited	T = 2WD		EV0, EVA = 4.7L, Power Tech V8	DGW = 4 Speed Automatic, -44RE
	U = 4WD (RHD)		EXA, EX0 = 3.1L, 5 Cyl Turbo Diesel	DG4 = Multi Speed Automatic, -45RFE
				DGO = All Automatic

AR = Use as required - = Non illustrated part # = New this model year

September 14, 2002

# Group – IWJ

## Interior Trim



# Group – IWJ

## Interior Trim

<p><b>IWJ-1000</b> Lift Gate Trim</p>			
---	--	--	--

<p><b>IWJ-100</b> Headliner and Visor</p>	<p><b>IWJ-200</b> Panel – Mouldings, Scuff Plates</p>	<p><b>IWJ-300</b> Carpet and Tonneau Cover</p>	<p><b>IWJ-400</b> Door Trim Panels</p>
<p><b>IWJ-500</b> Front Seats and Attaching Parts</p>	<p><b>IWJ-600</b> Rear Seats and Attaching Parts</p>	<p><b>IWJ-700</b> Seat Belts – Front and Rear</p>	<p><b>IWJ-800</b> Adjusters, Covers, Shields and Risers</p>

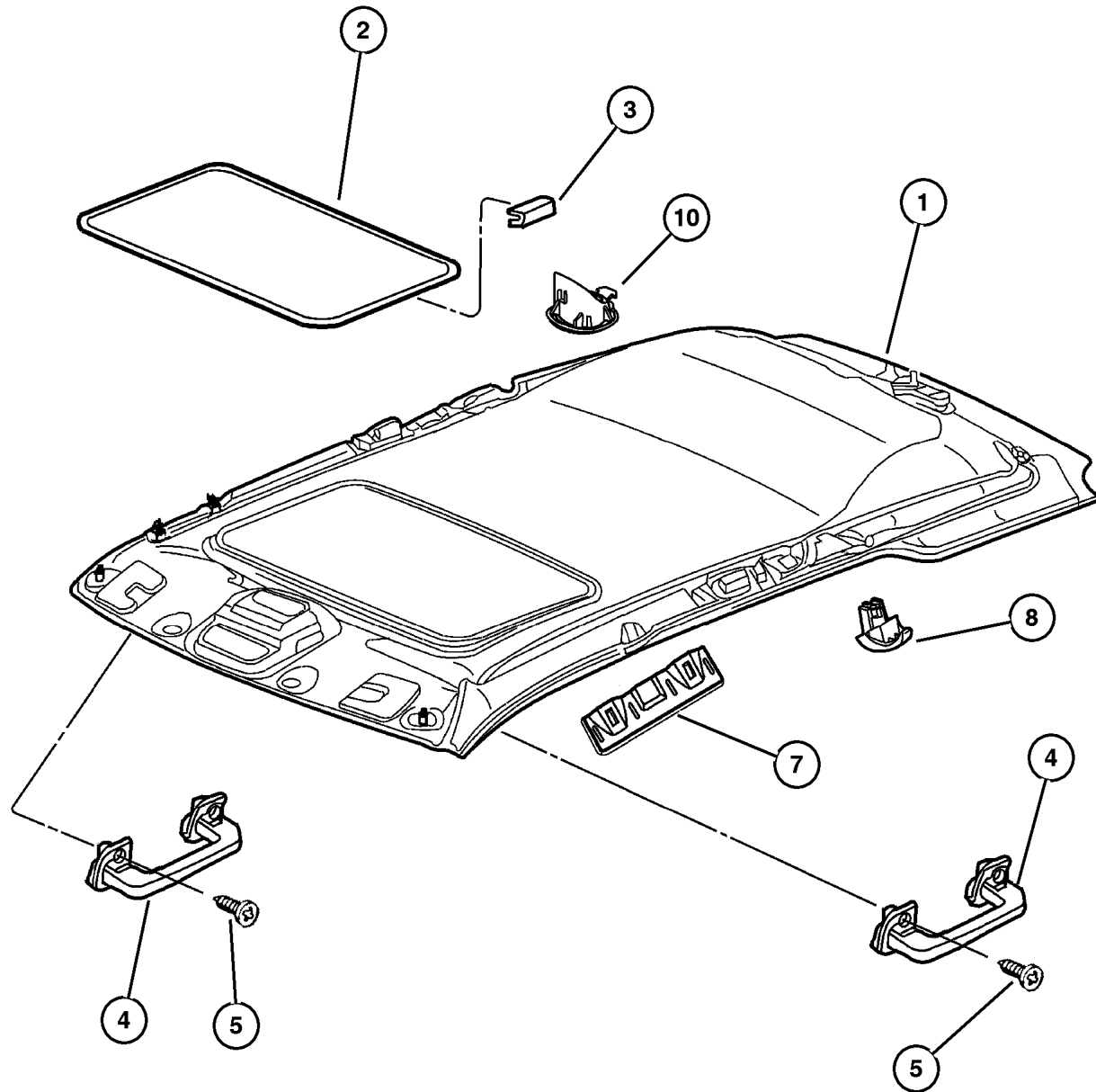
---

## GROUP IWJ - Interior Trim

Illustration Title	Group-Fig. No.
<b>Headliner and Visor</b>	
Headliner and Assist Handle .....	Fig. IWJ-110
Sunvisor .....	Fig. IWJ-120
<b>Panel - Mouldings, Scuff Plates</b>	
Front Trim Panels and Scuff Plates .....	Fig. IWJ-210
Rear Trim Panels .....	Fig. IWJ-220
<b>Carpet and Tonneau Cover</b>	
Carpet and Insulation .....	Fig. IWJ-310
<b>Door Trim Panels</b>	
Door Trim Panels .....	Fig. IWJ-410
<b>Front Seats and Attaching Parts</b>	
Front Seat, Cloth, Trim Code [H7] .....	Fig. IWJ-510
Front Seat, Leather, Trim Code [FL] .....	Fig. IWJ-520
Front Seat, Leather, Trim Code [DL] .....	Fig. IWJ-530
Front Seat, Leather, Trim Code [EL] .....	Fig. IWJ-540
<b>Rear Seats and Attaching Parts</b>	
Rear Seat, Trim Code [H7] .....	Fig. IWJ-610
Rear Seat, Trim Code [FL] .....	Fig. IWJ-620
Rear Seat, Trim Code [DL] .....	Fig. IWJ-630
Rear Seat, Trim Code [EL] .....	Fig. IWJ-640
<b>Seat Belts - Front and Rear</b>	
Front Seat .....	Fig. IWJ-710
Rear Seat Belt .....	Fig. IWJ-720
<b>Adjusters, Covers, Shields and Risers</b>	
Recliner and Adjusters .....	Fig. IWJ-810
<b>Lift Gate Trim</b>	
Liftgate Panel and Scuff Plate .....	Fig. IWJ-1010

## Headliner and Assist Handle Figure IWJ-110

ITEM	PART NUMBER	QTY	LINE	SERIES	BODY	ENGINE	TRANS	DESCRIPTION
1								HEADLINER
	5FS43 RK5AC	1	J, T					[K5], With Overhead Console, Illuminated Vanity
	5GR05 TL2AB	1	J, T					[AZ], With Overhead Console, Illuminated Vanity, Export
	5GR07 RK5AB	1	J, T					[K5], With Overhead Console, Sunroof, Export
	5GR07 TL2AB	1	J, T					[AZ], With Overhead Console, Sunroof, Export
	5GX24 RK5AB	1	U					[K5], With Overhead Console, Child Tether, AUSTRALIA, Export
	5GX24 TL2AB	1	U					[AZ], With Overhead Console, Child Tether, AUSTRALIA, Export
	5GX25 RK5AB	1	U					[K5], With Overhead Console, Sunroof, Child Tether, AUSTRALIA, Export
	5GX25 TL2AB	1	U					[AZ], With Overhead Console, Sunroof, Child Tether, AUSTRALIA, Export
	5GE20 TL2AB	1	U					[AZ], With Overhead Console
	5GE20 RK5AB	1	U					[K5], With Overhead Console
	#5HE08 RK5AA	1	U					[K5], With Overhead Console, With Vanity Mirrors, Export
	5FS43 TL2AC	1	J, T					[AZ, L5], With Overhead Console, Illuminated Vanity
	#5HE08 TL2AA	1	U					[AZ], With Overhead Console, With Vanity Mirrors, Export
	#5HE09 RK5AA	1	U					[K5], With Overhead Console, AUSTRALIA, Export
	#5HE09 TL2AA	1	U					[AZ], With Overhead Console, AUSTRALIA, Export
	5GE19 TL2AB	1	U					[AZ], With Overhead Console, Sunroof
	5GE19 RK5AB	1	U					[K5], With Overhead Console, Sunroof
	5FS49 RK5AC	1	J, T					[K5], With Overhead Console, Sunroof
	5FS49 TL2AC	1	J, T					[AZ, L5], With Overhead Console, Sunroof
	#5HE10 TL2AA	1	J, T					[AZ, L5], With Overhead Console, With Vanity Mirrors
	#5HE10 RK5AA	1	J, T					[K5], With Overhead Console, With Vanity Mirrors
	#5HE07 TL2AA	1	J, T					[AZ], With Overhead Console, With Vanity Mirrors, Export
	#5HE07 RK5AA	1	J, T					[K5], With Overhead Console, With Vanity Mirrors, Export



### JEEP GRAND CHEROKEE (WJ)

SERIES	LINE	BODY	ENGINE	TRANSMISSION
H=Laredo	J = 4WD	74 = 4 Door(105.9 WB)	ER0, ERH = 4.0L, Power Tech I-6	DGK = 4 Speed Autm, 42RE
P=Limited	T = 2WD		EV0, EVA = 4.7L, Power Tech V8	DGW = 4 Speed Automatic, -44RE
	U = 4WD (RHD)		EXA, EX0 = 3.1L, 5 Cyl Turbo Diesel	DG4 = Multi Speed Automatic, -45RFE
				DGO = All Automatic

AR = Use as required - = Non illustrated part # = New this model year

September 14, 2002

## Headliner and Assist Handle Figure IWJ-110

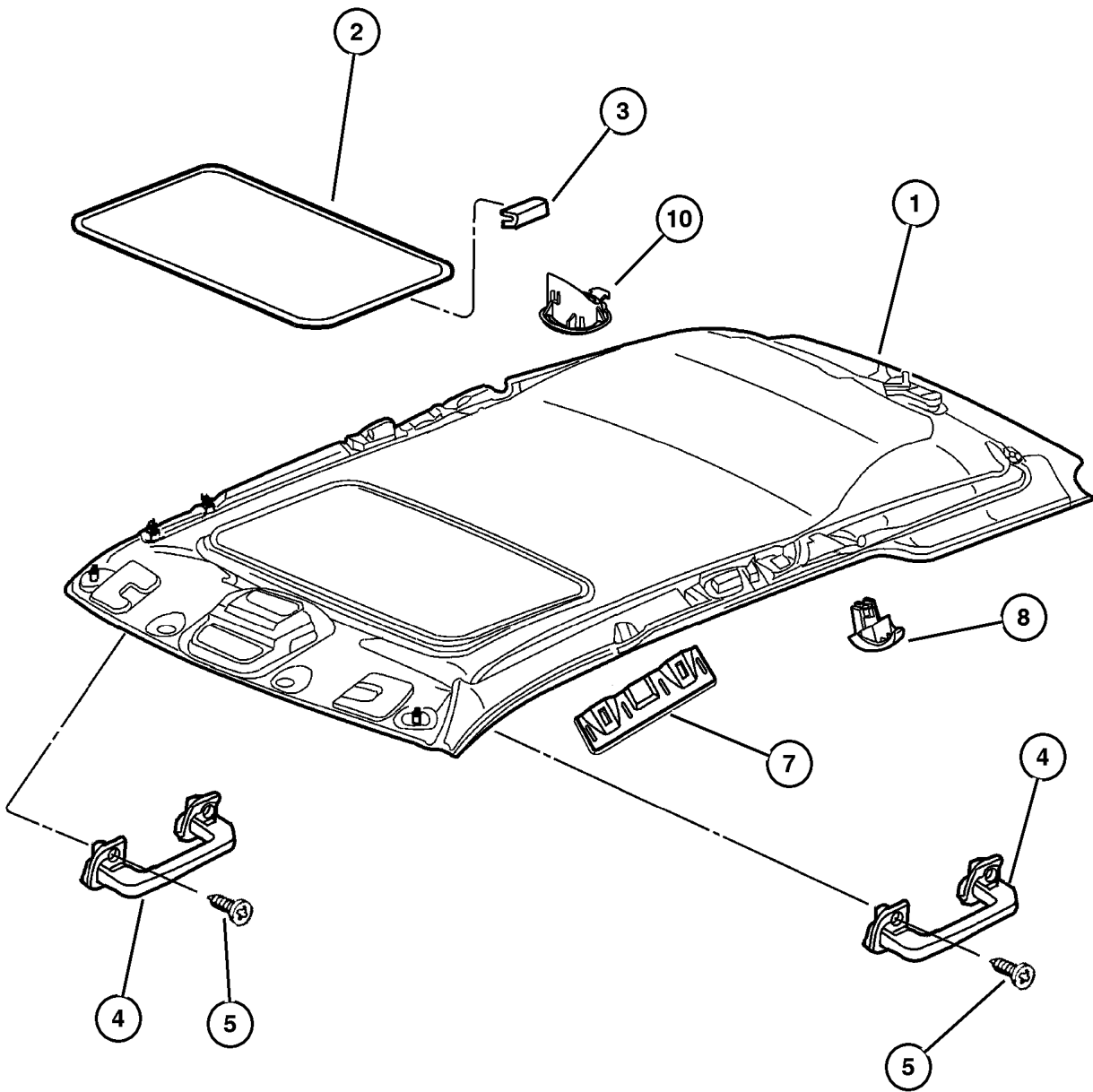
ITEM	PART NUMBER	QTY	LINE	SERIES	BODY	ENGINE	TRANS	DESCRIPTION
	5GR05 RK5AB	1	J, T					[K5], With Overhead Console, Illuminated Vanity, Export
2	5FW36 RK5AA	1						WELT, Headliner
	5FW36 TL2AA	1						[K5] [AZ, L5]
3	5GD77 RK5AA	1						RETAINER, Sunroof Welt
	5GD77 TL2AA	1						[K5] [AZ, L5]
4	5FS41 RK5AB	1	J, T					HANDLE, Roof Grab
	5FS6 1RK5	1	U					[K5], Front Right
	5FS6 1TL2	1	J, T					[K5], With Lamp, Rear Left
		1	U					[AZ, L5], With Lamp, Rear Left
	5FS41 RK5AB	1	U					[K5], Front Right
	5FS41 TL2AB	1	J, T					[AZ, L5], Front Right
		1	U					[AZ, L5], Front Right
	5FS6 0RK5	1	J, T					[K5], With Lamp, Rear Right
		1	U					[K5], With Lamp, Rear Right
	5FS6 0TL2	1	J, T					[AZ, L5], With Lamp, Rear Right
		1	U					[AZ, L5], With Lamp, Rear Right
	5FS6 1RK5	1	J, T					[K5], With Lamp, Rear Left
5	6035 324	2	J, T					SCREW, .164-18x.75
		2	U					
-6	5073 251AA	8	U					CLIP, Z-Axis, Visor & Grab Handle Attach
		8	J, T					
7	55196 739AB	1	U					BRACKET, Grab Handle, Export
8								HOOK, Coat
	5FS5 2RK5	2	J, T					[K5]
		2	U					[K5]
	5FS5 2TL2	2	J, T					[AZ, L5]
		2	U					[AZ, L5]
-9	5016 132AA	2	J, T					CLIP, Headliner Mounting
		2	U					'Z' Clip for Coat Hook Retention
10								BEZEL, tether anchor
	5GX26 RK5AA	1	U					[K5], Right
	5GX26 TL2AA	1	U					[AZ], Right
	5GX27 RK5AA	1	U					[K5], Left
	5GX27 TL2AA	1	U					[AZ], Left
-11	55196 862AA	1	J, U					SPACER

**JEEP GRAND CHEROKEE (WJ)**

SERIES	LINE	BODY	ENGINE	TRANSMISSION
H=Laredo	J = 4WD	74 = 4 Door(105.9 WB)	ER0, ERH = 4.0L, Power Tech I-6	DGK = 4 Speed Autm, 42RE
P=Limited	T = 2WD		EV0, EVA = 4.7L, Power Tech V8	DGW = 4 Speed Automatic, -44RE
	U = 4WD (RHD)		EXA, EX0 = 3.1L, 5 Cyl Turbo Diesel	DG4 = Multi Speed Automatic, -45RFE
				DGO = All Automatic

AR = Use as required - = Non illustrated part # = New this model year

September 14, 2002





**Sunvisor  
Figure IWJ-120**

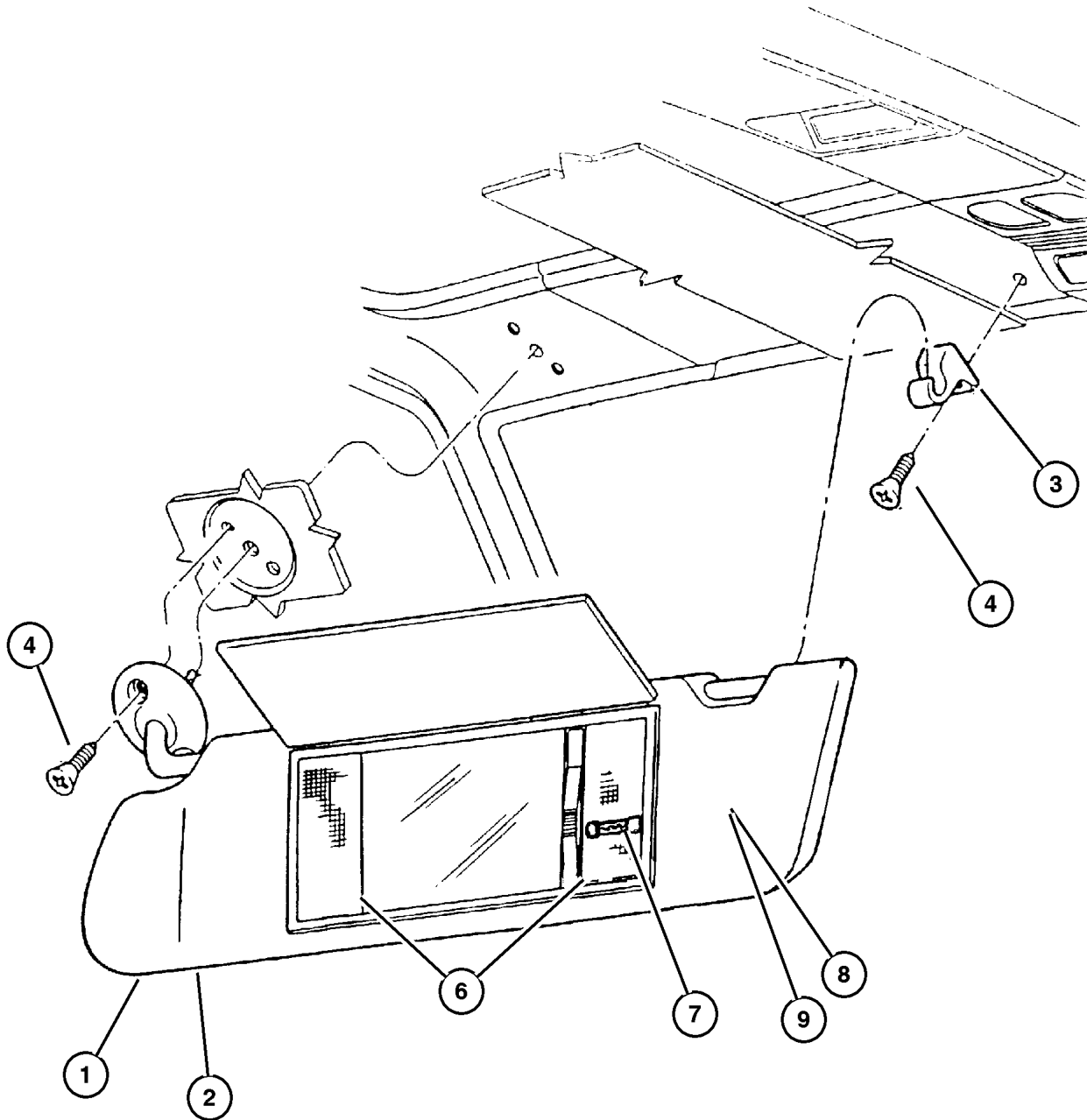
ITEM	PART NUMBER	QTY	LINE	SERIES	BODY	ENGINE	TRANS	DESCRIPTION
1								VISOR, Illuminated
	#5HB42 RK5AA	1	U					[K5], Right
	#5HB42 TL2AA	1	U					[AZ], Right
	#5HB43 RK5AA	1	U					[K5], Left
	#5HB43 TL2AA	1	U					[AZ], Left
	#5HB94 RK5AA	1	J, T					[K5], Right
	#5HB94 TL2AA	1	J, T					[AZ, L5], Right
	#5HB95 RK5AA	1	J, T					[K5], Left
	#5HB95 TL2AA	1	J, T					[AZ, L5], Left
2								VISOR, W/Mirror
	#5HB90 RK5AA	1	U					[K5], Right
	#5HB90 TL2AA	1	U					[AZ], Right
	#5HB91 RK5AA	1	U					[K5], Left
	#5HB91 TL2AA	1	U					[AZ], Left
	#5HB92 RK5AA	1	J, T					[K5], Right
	#5HB92 TL2AA	1	J, T					[AZ, L5], Right
	#5HB93 RK5AA	1	J, T					[K5], Left
	#5HB93 TL2AA	1	J, T					[AZ, L5], Left
3								SUPPORT, Visor
	5FS4 0RK5	2	J, T					[K5]
	5FS4 0TL2	2	J, T					[AZ, L5]
	5GH37 RK5AA	1	J, T					[K5]
		1	U					[K5]
	5GH37 TL2AA	1	J, T					[AZ]
		1	U					[AZ]
4								SCREW, .164-18x.75
	6035 324	2	J, T					
		2	U					
-5								CLIP, Z-Axis, Visor & Grab Handle Attach
	5073 251AA	8	U					
		8	J, T					
6								LENS, Illuminated Visor
	4778 794	1	U					
		1	J, T					
7								BULB, 74
	6501 966	1	J, T					
		1	U					
8	4787 437AA	1	J, T					LABEL, Air Bag Warning, 5-Points, English/French
9								LABEL, Airbag
	55196 784AA	1	J, T					Canada, Closed Body Warning
	55196 783AA	1	J, T					Canada, Bi-Lingual

**JEEP GRAND CHEROKEE (WJ)**

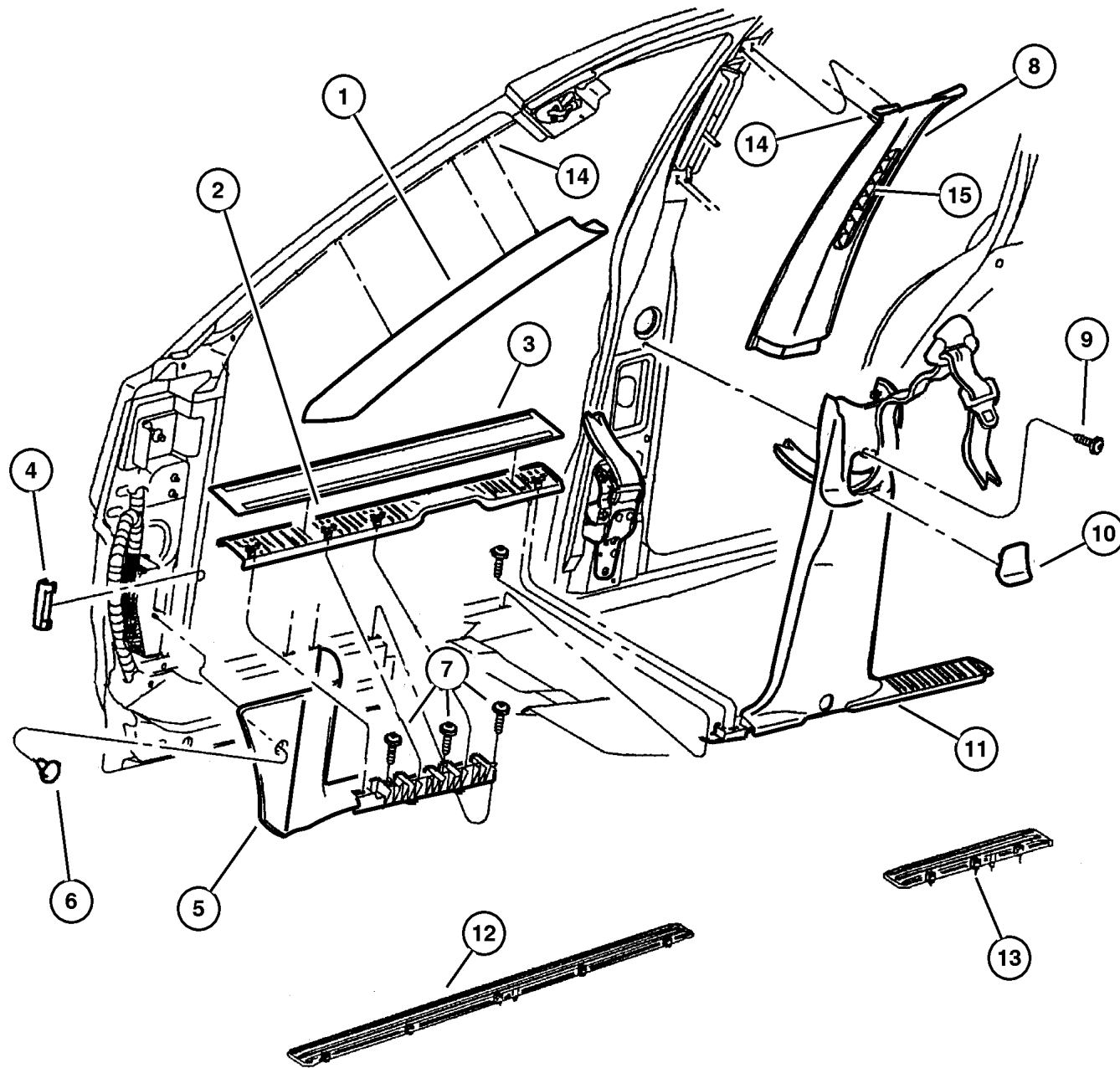
SERIES	LINE	BODY	ENGINE	TRANSMISSION
H=Laredo	J = 4WD	74 = 4 Door(105.9 WB)	ER0, ERH = 4.0L, Power Tech I-6	DGK = 4 Speed Autm, 42RE
P=Limited	T = 2WD		EVO, EVA = 4.7L, Power Tech V8	DGW = 4 Speed Automatic, -44RE
	U = 4WD (RHD)		EXA, EX0 = 3.1L, 5 Cyl Turbo Diesel	DG4 = Multi Speed Automatic, -45RFE
				DGO = All Automatic

AR = Use as required - = Non illustrated part # = New this model year

September 14, 2002



**Front Trim Panels and Scuff Plates**  
**Figure IWJ-210**



ITEM	PART NUMBER	QTY	LINE	SERIES	BODY	ENGINE	TRANS	DESCRIPTION
1	5FA52 LAZAD	1						MOLDING, Windshield Garnish
	5FA52 VK9AD	1						[AZ], Right
	5FA52 WL8AD	1						[K5], Right
	5FA53 LAZAD	1						[L5], Right
	5FA53 VK9AD	1						[AZ], Left
	5FA53 WL8AD	1						[K5], Left
2	5FX10 LAZAA	1						SILL COVER, Interior
	5FX10 RK5AA	1						[AZ], Right
	5FX10 WL5AA	1						[K5], Right
	5FX11 LAZAA	1						[L5], Right
	5FX11 RK5AA	1						[AZ], Left
	5FX11 WL5AA	1						[K5], Left
3								PROTECTOR, Door Opening, (NOT SERVICED) (Not Serviced)
4	55196 878AA	2						CLIP, Trim Panel
5	5GE26 LAZAC	1	U					PANEL, Cowl
	5FA61 WL5AD	1	J, T					[AZ], Right
	5GE26 RK5AC	1	U					[L5], Left
	5GE27 LAZAB	1	U					[K5], Right
	5GE27 RK5AB	1	U					[AZ], Left
	5FA60 LAZAD	1	J, T					[K5], Left
	5FA60 RK5AD	1	J, T					[AZ], Right
	5FA60 WL5AD	1	J, T					[K5], Right
	5FA61 LAZAC	1	J, T					[L5], Right
	5FA61 RK5AC	1	J, T					[AZ], Left
6	6503 339	2						[K5], Left
7								NUT, Plastic
8	5FA56 LAZAB	1						SCREW, .164-18x.625, (NOT SERVICED) (Not Serviced)
	5FA56 RK5AB	1						PANEL, B Pillar
	5FA56 WL5AB	1						[AZ], Upper,Right
	5FA57 LAZAB	1						[K5], Upper,Right
	5FA57 RK5AB	1						[L5], Upper,Right
	5FA57 WL5AB	1						[AZ], Upper,Left
9	6032 723	2						[K5], Upper,Left
								[L5], Upper,Left
10	5FP8 6LAZ	2						SCREW, Self Tapping, M4.2x1.69x19.05
	5FP8 6RK5	2						COVER, B Pillar Trim Panel
	5FP8 6WL5	2						[AZ]

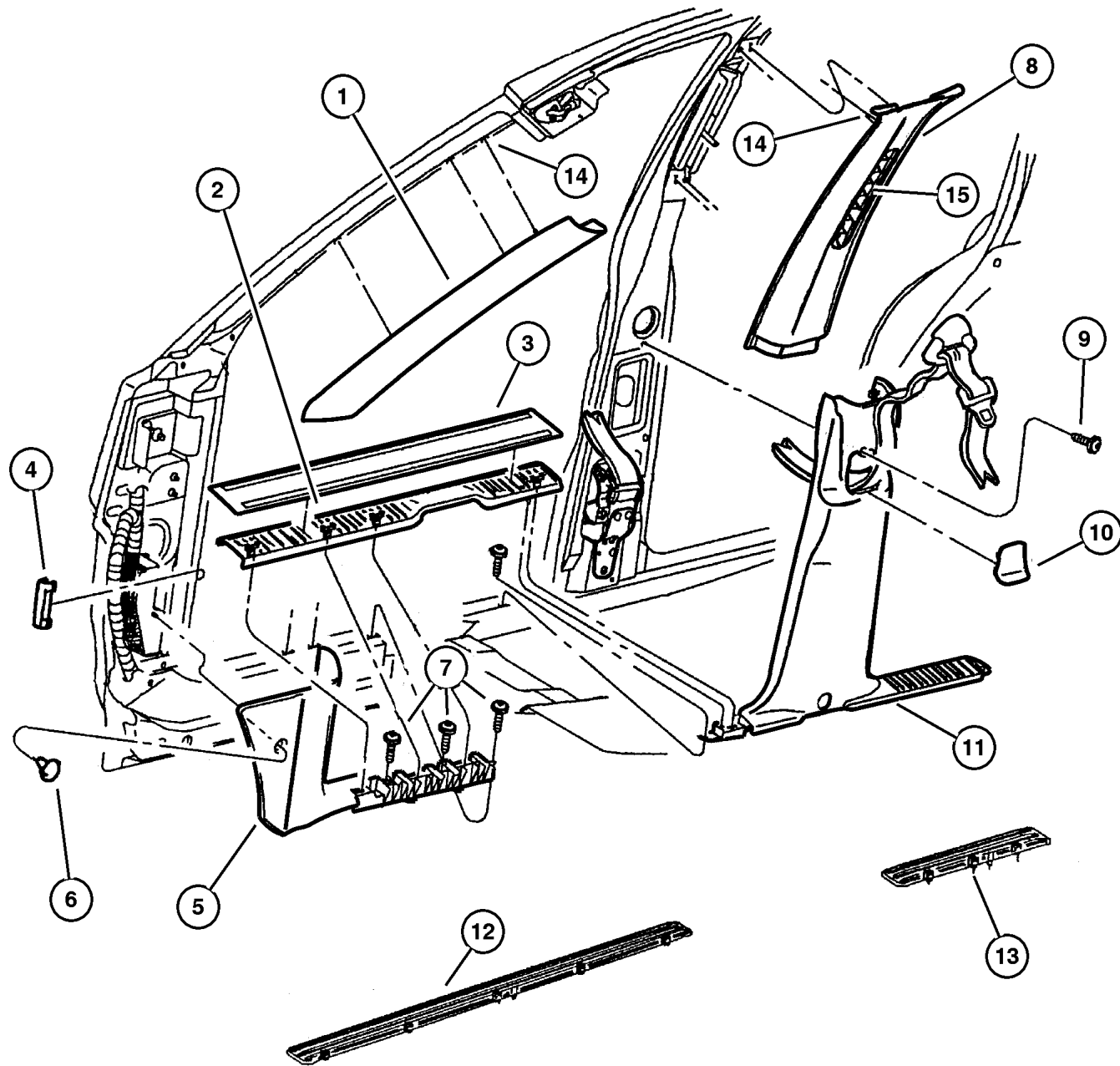
**JEEP GRAND CHEROKEE (WJ)**

SERIES	LINE	BODY	ENGINE	TRANSMISSION
H=Laredo	J = 4WD	74 = 4 Door(105.9 WB)	ER0, ERH = 4.0L, Power Tech I-6	DGK = 4 Speed Autm, 42RE
P=Limited	T = 2WD		EV0, EVA = 4.7L, Power Tech V8	DGW = 4 Speed Automatic, -44RE
	U = 4WD (RHD)		EXA, EX0 = 3.1L, 5 Cyl Turbo Diesel	DG4 = Multi Speed Automatic, -45RFE
				DGO = All Automatic

AR = Use as required - = Non illustrated part # = New this model year

September 14, 2002

**Front Trim Panels and Scuff Plates**  
**Figure IWJ-210**



ITEM	PART NUMBER	QTY	LINE	SERIES	BODY	ENGINE	TRANS	DESCRIPTION
11								PANEL, B Pillar Lower Trim
	5FW54 LAZAA	1						[AZ], Right
	5FW54 RK5AA	1						[K5], Right
	5FW54 WL5AA	1						[L5], Right
	5FW55 LAZAA	1						[AZ], Left
	5FW55 RK5AA	1						[K5], Left
	5FW55 WL5AA	1						[L5], Left
12	5GH22 DX9AA	2						PLATE, Front Door Scuff
13	5GH23 DX9AA	2						PLATE, Rear Door Scuff
14	5521 4846	2		H				CLIP, Trim Panel
15								ADJUSTER, Seat Belt Turning Loop, Slider, Also serviced in B Trim Panel, Item #8
	5FS1 9LAZ	1						[AZ]
	5FS1 9RK5	1						[K5]
	5FS1 9WL5	1						[L5]

**JEEP GRAND CHEROKEE (WJ)**

SERIES	LINE	BODY	ENGINE	TRANSMISSION
H=Laredo	J = 4WD	74 = 4 Door(105.9 WB)	ER0, ERH = 4.0L, Power Tech I-6	DGK = 4 Speed Autm, 42RE
P=Limited	T = 2WD		EVO, EVA = 4.7L, Power Tech V8	DGW = 4 Speed Automatic, -44RE
	U = 4WD (RHD)		EXA, EX0 = 3.1L, 5 Cyl Turbo Diesel	DG4 = Multi Speed Automatic, -45RFE
				DGO = All Automatic

AR = Use as required - = Non illustrated part # = New this model year

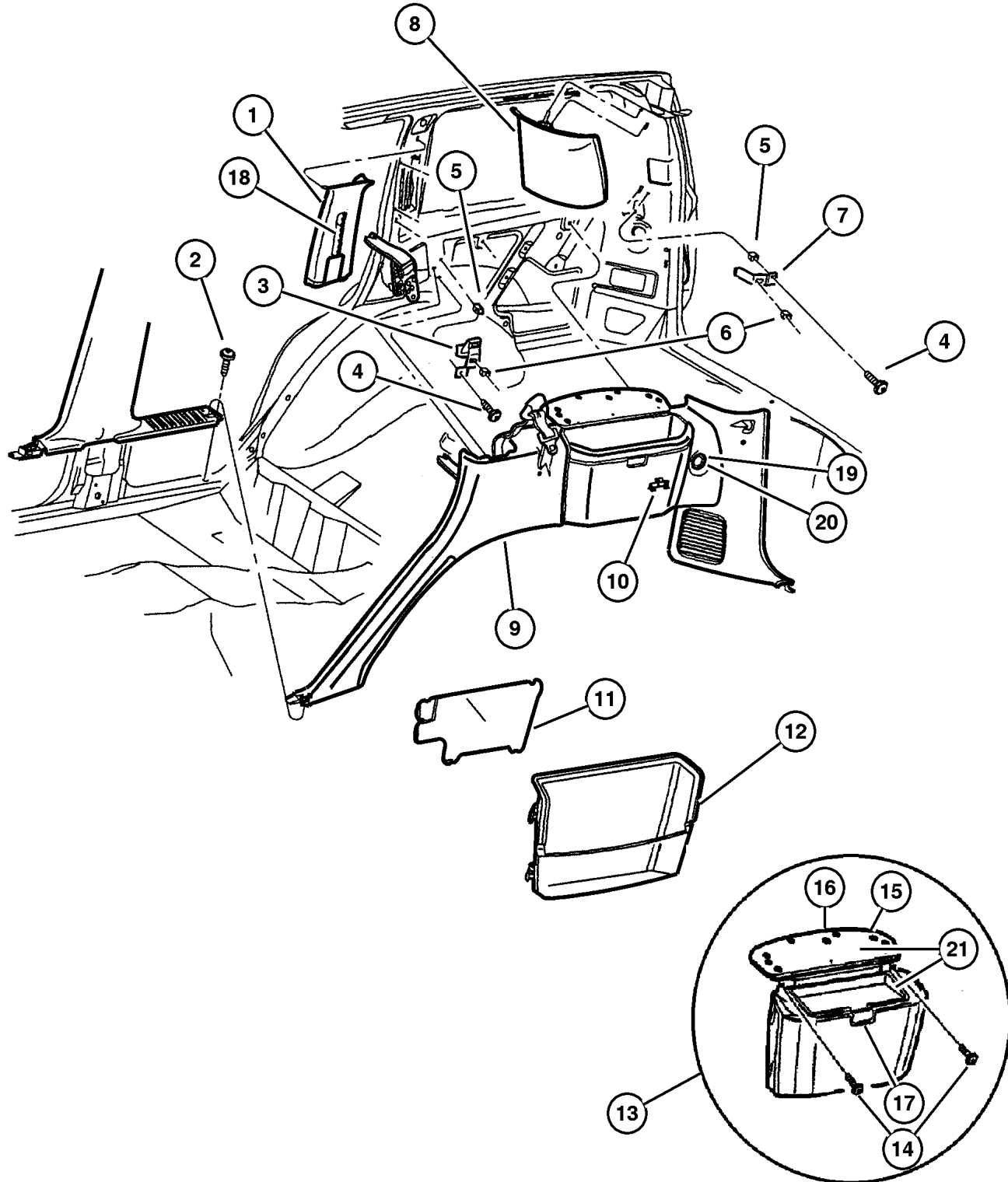
September 14, 2002

Rear Trim Panels  
Figure IWJ-220

ITEM	PART NUMBER	QTY	LINE	SERIES	BODY	ENGINE	TRANS	DESCRIPTION
1								PANEL, C Pillar
	5FA78 LAZAC	1						[AZ], Upper,Right
	5FA78 RK5AC	1						[K5], Upper,Right
	5FA78 WL5AC	1						[L5], Upper,Right
	5FA79 LAZAC	1						[AZ], Upper,Left
	5FA79 RK5AC	1						[K5], Upper,Left
	5FA79 WL5AC	1						[L5], Upper,Left
2								SCREW, .164-18x.625, (NOT SERVICED) (Not Serviced)
3	55196 742AB	2						BRACKET, Quarter Trim, Front
4	0154 806	2						SCREW, Round Head, .164-15x1.00
5	6035 498	2						NUT, Spring Type, .164-7.5
6	6035 773	2						NUT
7	55196 744AB	2						BRACKET, Quarter Trim, Rear
8								PANEL, D Pillar Trim
	5FA72 LAZAB	1						[AZ], Right
	5FA72 RK5AB	1						[K5], Right
	5FA72 WL5AB	1						[L5], Right
	5FA73 LAZAB	1						[AZ], Left
	5FA73 RK5AB	1						[K5], Left
	5FA73 WL5AB	1						[L5], Left
9								PANEL, Quarter Trim
	5FA62 1AZAD	1						[AZ], Right
	5FA62 1K5AD	1						[K5], Right
	5FA62 1L5AD	1						[L5], Right
	5FA63 LAZAC	1						[AZ], Left
	5FA63 RK5AC	1						[K5], Left
	5FA63 WL5AC	1						[L5], Left
10	#55215 609AB	4						LOOP, Cargo Tie Down
11								COVER, Bolt
	5FY38 LAZAA	1		P				[AZ]
	5FY38 RK5AA	1		P				[K5]
	5FY38 WL5AA	1		P				[L5]
12								BIN, Storage
	5FS1 4LAZ	1		H				[AZ], Cover
	5FS1 4RK5	1		H				[K5], Cover
	5FS1 4WL5	1		H				[L5], Cover
13								BIN, Storage
	5FW37 1AZAC	1		P				[AZ], Quarter Panel
	5FW37 1K5AC	1		P				[K5], Quarter Panel
	5FW37 1L5AC	1		P				[L5], Quarter Panel
14								SCREW, .164-15X.500~~, (NOT SERVICED) (Not Serviced)

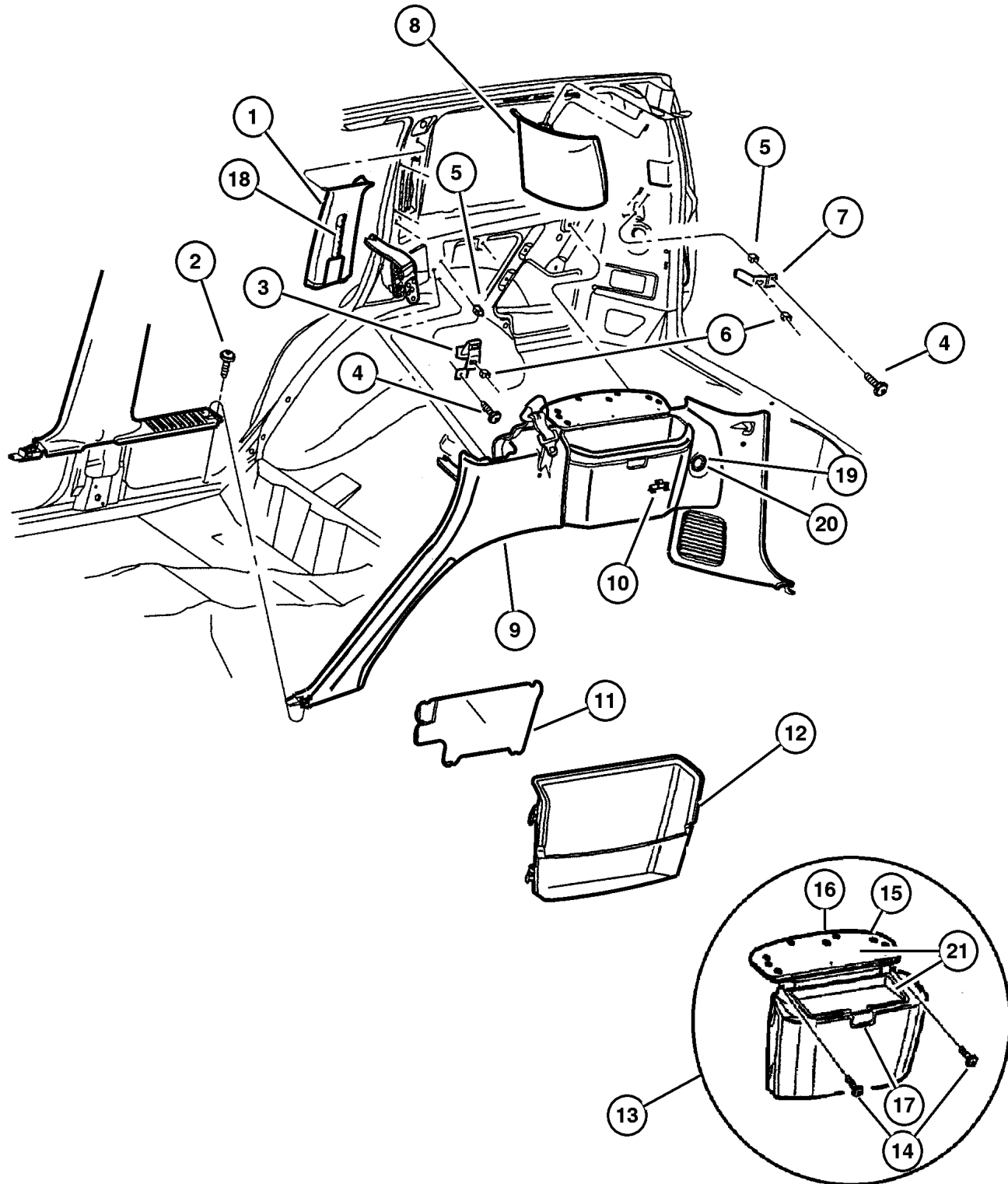
JEEP GRAND CHEROKEE (WJ)

SERIES	LINE	BODY	ENGINE	TRANSMISSION
H=Laredo	J = 4WD	74 = 4 Door(105.9 WB)	ER0, ERH = 4.0L, Power Tech I-6	DGK = 4 Speed Autm, 42RE
P=Limited	T = 2WD		EV0, EVA = 4.7L, Power Tech V8	DGW = 4 Speed Automatic, -44RE
	U = 4WD (RHD)		EXA, EX0 = 3.1L, 5 Cyl Turbo Diesel	DG4 = Multi Speed Automatic, -45RFE
				DGO = All Automatic



## Rear Trim Panels Figure IWJ-220

ITEM	PART NUMBER	QTY	LINE	SERIES	BODY	ENGINE	TRANS	DESCRIPTION
15	4754 478	4		P				BUMPER, Armrest Lid
16								DOOR
	5FS2 0LAZ	1		P				[AZ]
	5FS2 0RK5	1		P				[K5]
	5FS2 0WL5	1		P				[L5]
17	5519 6620	1		P				LATCH, Storage Bin Lid
18								ADJUSTER, Seat Belt Turning Loop, Sider, Also sevised in Item #1
	5FS1 9LAZ	1						[AZ]
	5FS1 9RK5	1						[K5]
	5FS1 9WL5	1						[L5]
19	4685 591	1						CAP, Cigar Lighter, Power Outlet, Rear
20	HX32 DX9AB	1						PLUG, 12 V-Outlet
21	5FS21 DX9AC	1		H				LID, Storage Bin



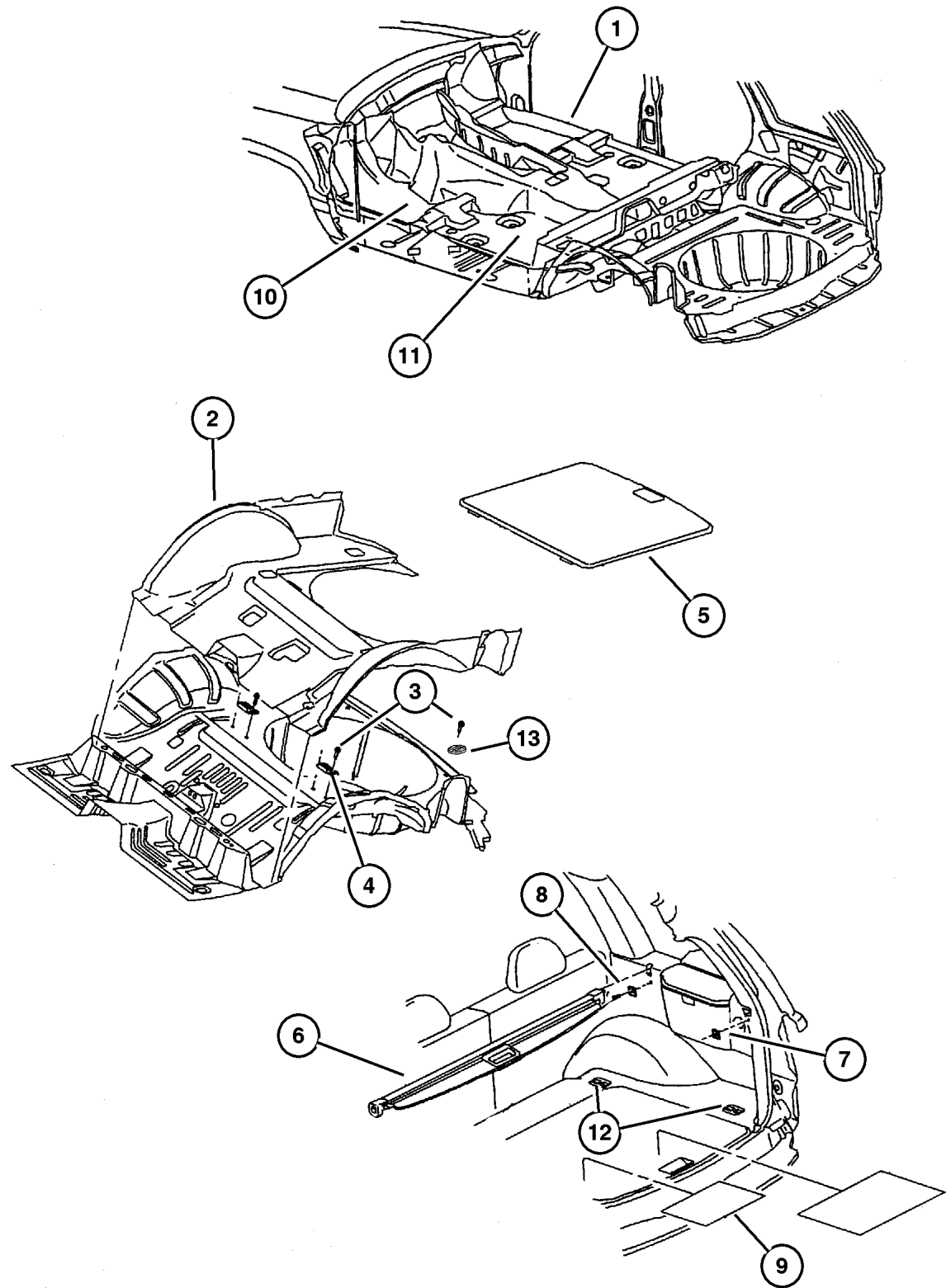
### JEEP GRAND CHEROKEE (WJ)

SERIES	LINE	BODY	ENGINE	TRANSMISSION
H=Laredo	J = 4WD	74 = 4 Door(105.9 WB)	ER0, ERH = 4.0L, Power Tech I-6	DGK = 4 Speed Autm, 42RE
P=Limited	T = 2WD		EV0, EVA = 4.7L, Power Tech V8	DGW = 4 Speed Automatic, -44RE
	U = 4WD (RHD)		EXA, EX0 = 3.1L, 5 Cyl Turbo Diesel	DG4 = Multi Speed Automatic, -45RFE
				DGO = All Automatic

AR = Use as required - = Non illustrated part # = New this model year

September 14, 2002

**Carpet and Insulation  
Figure IWJ-310**



ITEM	PART NUMBER	QTY	LINE	SERIES	BODY	ENGINE	TRANS	DESCRIPTION
1								CARPET, Front Floor
	5FA2 0LAZ	1	U					[AZ], Export
	5FA2 0VK9	1	U					[K5], Export
	5GC66 LAZAA	1	J, T					[AZ], Export
	5GC66 VK9AA	1	J, T					[K5], Export
	5FA14 LAZAC	1	J, T					[AZ]
	5FA14 VK9AC	1	J, T					[K5]
	5FA14 WL8AC	1	J, T					[L5]
2								CARPET, Cargo Floor
	5FS70 LAZAC	1	J, T					[AZ]
	5FS70 VK9AC	1	J, T					[K5]
	5FS70 WL8AC	1	J, T					[L5]
	5GA92 LAZAB	1						[AZ], Export
	5GA92 VK9AB	1						[K5], Export
3	6035 122	8						RIVET, .187x.70 Black
4	55196 748AA	2						BRACKET, Spare Tire
5								COVER, Spare Tire
	5FS83 1AZAC	1	J, T					Black&Agate
	5FS83 1K9AC	1	J, T					Black&Medium Camel
	5FS83 1L8AC	1	J, T					Black&Taupe
	5GA93 1AZAB	1						Black&Agate, Export
	5GA93 1K9AB	1						Black&Medium Camel, Export
6								COVER, Cargo Compartment
	5FS2 71AZ	1						Black&Agate
	5FS2 71K5	1						Black&Medium Camel
	5FS2 71L5	1						Black&Taupe
7	#55215 609AB	4						LOOP, Cargo Tie Down
8								SCREW, .164-18x1.625, (NOT SERVICED) (Not Serviced)
9	55196 839AB	1						NET, Cargo
10								MAT KIT, Floor - Front
	8220 4409	1	J, T					[AZ], Carpeted With Jeep Logo
	8220 4571	1	J, T	H, P	74			[L5], Carpeted
	8220 4572	1	J, T	H, P	74			[K5], Carpeted
	8220 4410	1	J, T					[L5], Carpeted With Jeep Logo
	8220 4411	1	J, T					[K5], Carpeted With Jeep Logo
	8220 5434	1						Black Rubber, Left Hand Drive,Export
	8220 5435	1						Black Rubber, Right Hand Drive,Export
	8220 4400	1	J, T	H, P	74			[AZ], Black Rubber
	8220 4401	1	J, T	H, P	74			[K5], Black Rubber
	8220 4402	1	J, T	H, P	74			[L5], Black Rubber
	8220 4570	1	J, T	H, P	74			[AZ], Carpeted
11								MAT KIT, Floor - Rear

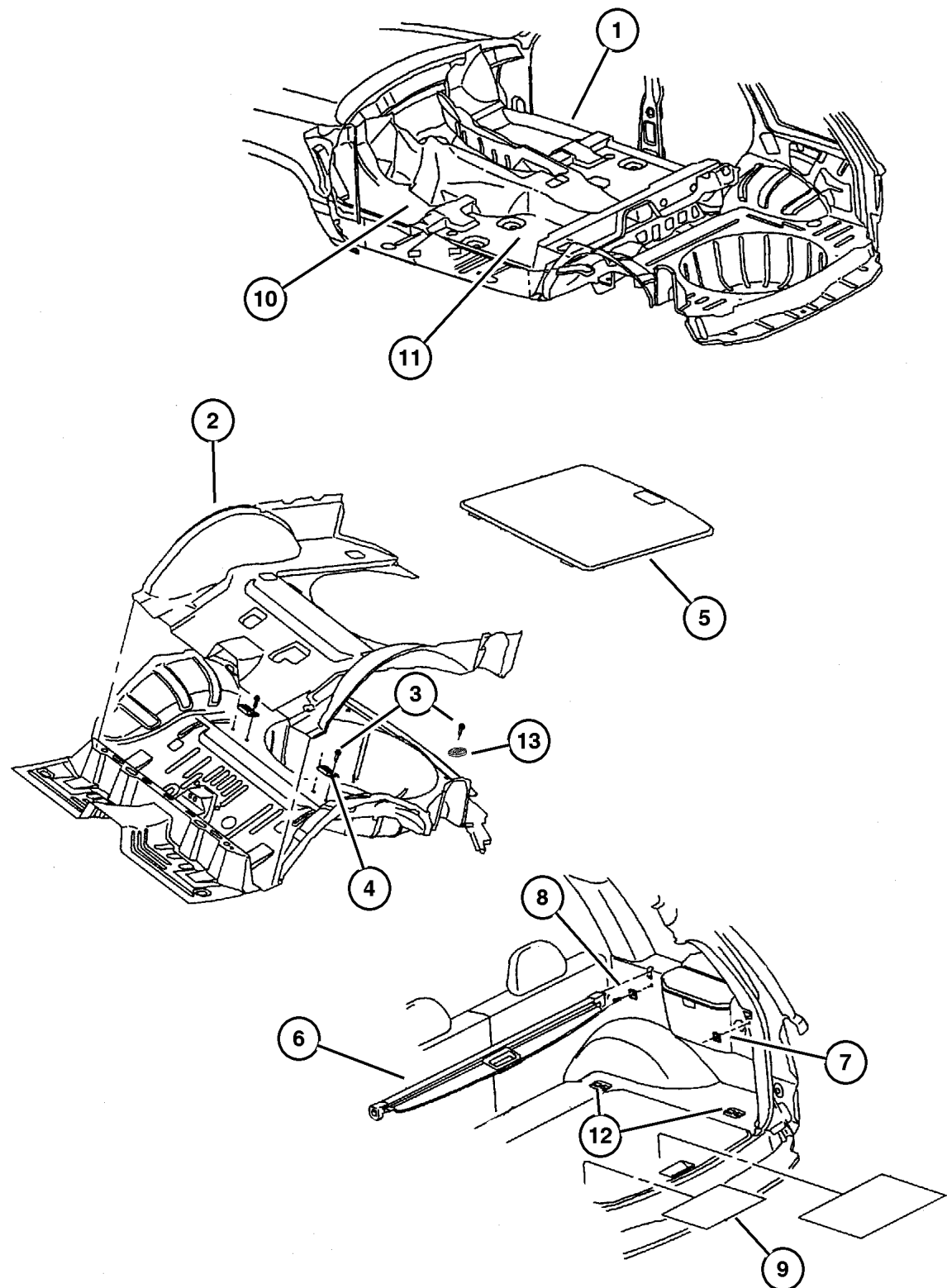
**JEEP GRAND CHEROKEE (WJ)**

SERIES	LINE	BODY	ENGINE	TRANSMISSION
H=Laredo	J = 4WD	74 = 4 Door(105.9 WB)	ER0, ERH = 4.0L, Power Tech I-6	DGK = 4 Speed Autm, 42RE
P=Limited	T = 2WD		EVO, EVA = 4.7L, Power Tech V8	DGW = 4 Speed Automatic, -44RE
	U = 4WD (RHD)		EXA, EX0 = 3.1L, 5 Cyl Turbo Diesel	DG4 = Multi Speed Automatic, -45RFE
				DGO = All Automatic

AR = Use as required - = Non illustrated part # = New this model year

September 14, 2002

**Carpet and Insulation  
Figure IWJ-310**



ITEM	PART NUMBER	QTY	LINE	SERIES	BODY	ENGINE	TRANS	DESCRIPTION
	8220 4412	1	J, T					[AZ], Carpeted With Jeep Logo ~-
	8220 4414	1	J, T					[L5], Carpeted With Jeep Logo
	8220 4413	1	J, T	H, P	74			[K5], Carpeted With Jeep Logo
	8220 3303	1	J, T	H, P	74			[AZ], Black Rubber
	8220 4404	1	J, T	H, P	74			[K5], Black Rubber
	8220 4405	1	J, T	H, P	74			[L5], Black Rubber
	8220 4573	1	J, T	H, P	74			[AZ], Carpeted
	8220 4574	1	J, T	H, P	74			[L5], Carpeted
	8220 4575	1	J, T	H, P	74			[K5], Carpeted
12	5015 592AA	4	J, T					LOOP, Cargo Tie Down
13	55196 832AA	2						RETAINER, Dual Lock
-14								CLIP, Carpet
	55196 834AA	1	U					
		1	J, T					

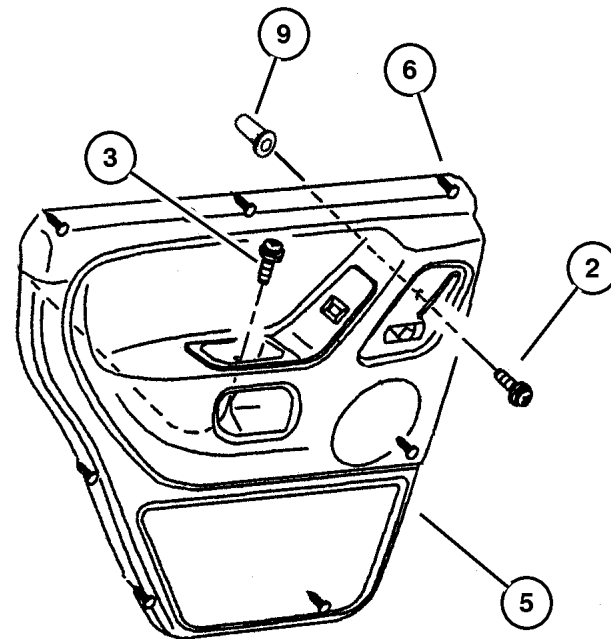
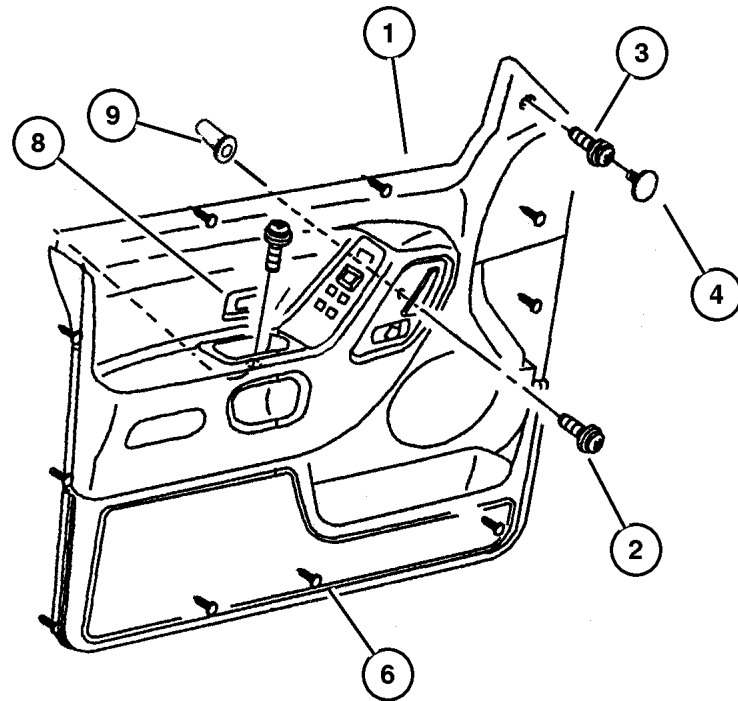
**JEEP GRAND CHEROKEE (WJ)**

SERIES	LINE	BODY	ENGINE	TRANSMISSION
H=Laredo	J = 4WD	74 = 4 Door(105.9 WB)	ER0, ERH = 4.0L, Power Tech I-6	DGK = 4 Speed Autm, 42RE
P=Limited	T = 2WD		EVO, EVA = 4.7L, Power Tech V8	DGW = 4 Speed Automatic, -44RE
	U = 4WD (RHD)		EXA, EX0 = 3.1L, 5 Cyl Turbo Diesel	DG4 = Multi Speed Automatic, -45RFE
				DGO = All Automatic

AR = Use as required - = Non illustrated part # = New this model year

September 14, 2002

## Door Trim Panels Figure IWJ-410



ITEM	PART NUMBER	QTY	LINE	SERIES	BODY	ENGINE	TRANS	DESCRIPTION
1								PANEL, Front Door Trim
	#TL76 1AZAA	1	J, T	P				[AZ], Limited, Right
	#TL79 1K5AA	1	U	P				[K5], Limited, Left
	#TM02 1AZAA	1	J, T	H				[AZ], Laredo, Without Infinity, Right
	#TM02 1K5AA	1	J, T	H				[K5], Laredo, Without Infinity, Right
	#TM02 1L5AA	1	J, T	H				[L5], Laredo, Without Infinity, Right
	#TM03 1AZAA	1	J, T	H				[AZ], Laredo, Without Infinity, Left
	#TM03 1K5AA	1	J, T	H				[K5], Laredo, Without Infinity, Left
	#TM03 1L5AA	1	J, T	H				[L5], Laredo, Without Infinity, Left
	#TM04 1AZAA	1	J, T	H				[AZ], Laredo, With Infinity, Right
	#TM04 1K5AA	1	J, T	H				[K5], Laredo, With Infinity, Right
	#TM04 1L5AA	1	J, T	H				[L5], Laredo, With Infinity, Right
	#TL76 1K5AA	1	J, T	P				[K5], Limited, Right
	#TM05 1AZAA	1	J, T	H				[AZ], Laredo, With Infinity, Left
	#TM05 1K5AA	1	J, T	H				[K5], Laredo, With Infinity, Left
	#TM05 1L5AA	1	J, T	H				[L5], Laredo, With Infinity, Left
	#TM06 1AZAA	1	U	H				[AZ], Right
	#TM06 1K5AA	1	U	H				[K5], Right
	#TM07 1AZAA	1	U	H				[AZ], Left
	#TM07 1K5AA	1	U	H				[K5], Left
	#TL76 1L5AA	1	J, T	P				[L5], Limited, Right
	#TL77 1AZAA	1	J, T	P				[AZ], Limited, Left
	#TL77 1K5AA	1	J, T	P				[K5], Limited, Left
	#TL77 1L5AA	1	J, T	P				[L5], Limited, Left
	#TL78 1AZAA	1	U	P				[AZ], Limited, Right
	#TL78 1K5AA	1	U	P				[K5], Limited, Right
	#TL79 1AZAA	1	U	P				[AZ], Limited, Left
2								SCREW, M5X0.8X16.00~~, (NOT SERVICED) (Not Serviced)
3	6032 723	4						SCREW, Self Tapping, M4.2x1.69x19.05
4								PLUG, Door Trim Panel
	5FC1 1LAZ	2						[AZ]
	5FC1 1VK9	2						[K5]
	5FC1 1WL8	2						[L5]
5								PANEL, Rear Door Trim
	#TL74 1AZAA	1		P				[AZ], Right
	#TM09 1AZAA	1		H				[AZ], Left
	#TM09 1K5AA	1		H				[K5], Left
	#TM09 1L5AA	1		H				[L5], Left
	#TL74 1K5AA	1		P				[K5], Right
	#TL74 1L5AA	1		P				[L5], Right
	#TL75 1AZAA	1		P				[AZ], Left

**JEEP GRAND CHEROKEE (WJ)**

SERIES  
H=Laredo  
P=Limited

LINE  
J = 4WD  
T = 2WD  
U = 4WD (RHD)

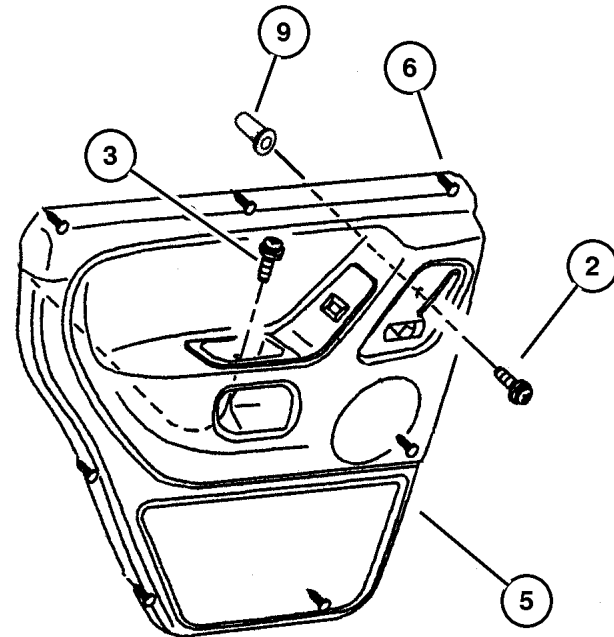
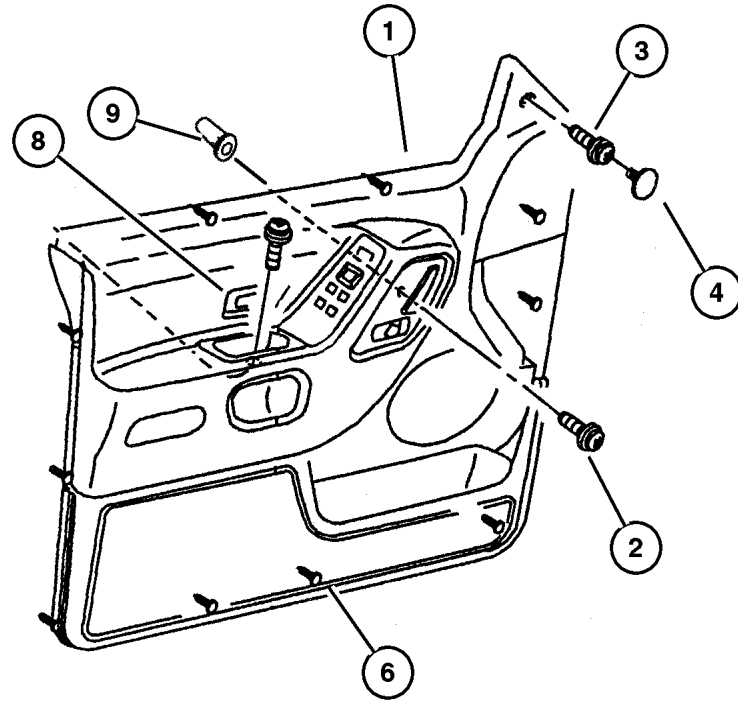
BODY  
74 = 4 Door(105.9 WB)

ENGINE  
ER0, ERH = 4.0L, Power Tech I-6  
EV0, EVA = 4.7L, Power Tech V8  
EXA, EX0 = 3.1L, 5 Cyl Turbo Diesel

TRANSMISSION  
DGK = 4 Speed Autm, 42RE  
DGW = 4 Speed Automatic,  
-44RE  
DG4 = Multi Speed Automatic,  
-45RFE  
DGO = All Automatic



Door Trim Panels  
Figure IWJ-410



ITEM	PART NUMBER	QTY	LINE	SERIES	BODY	ENGINE	TRANS	DESCRIPTION
	#TL75 1K5AA	1		P				[K5], Left
	#TL75 1L5AA	1		P				[L5], Left
	#TM08 1AZAA	1		H				[AZ], Right
	#TM08 1K5AA	1		H				[K5], Right
	#TM08 1L5AA	1		H				[L5], Right
6								FASTENER, Door Trim Panel
	6505 539AA	9		H				Rear Door
		9		P				Rear Door
		11		H				Front Door
		11		P				Front Door
-7								RETAINER, Trim Panel, Pin portion of 6505539AA
	5012 874AA	9		P				Rear Door
		11	J, T	P				Front Door
		11	U	P				Front Door
		11	J, T	H				Front Door
		11	U	H				Front Door
		9		H				Rear Door
8								BEZEL, Door Trim Panel
	5012 956AA	1	J, T	P				Memory Switch, Driver
		1	J, T	H				Memory Switch, Driver
	5012 957AA	1	U	H				Memory Switch, Driver
		1	U	P				Memory Switch, Driver
9								NUT
	#6505 201AA	2						
		2		P				

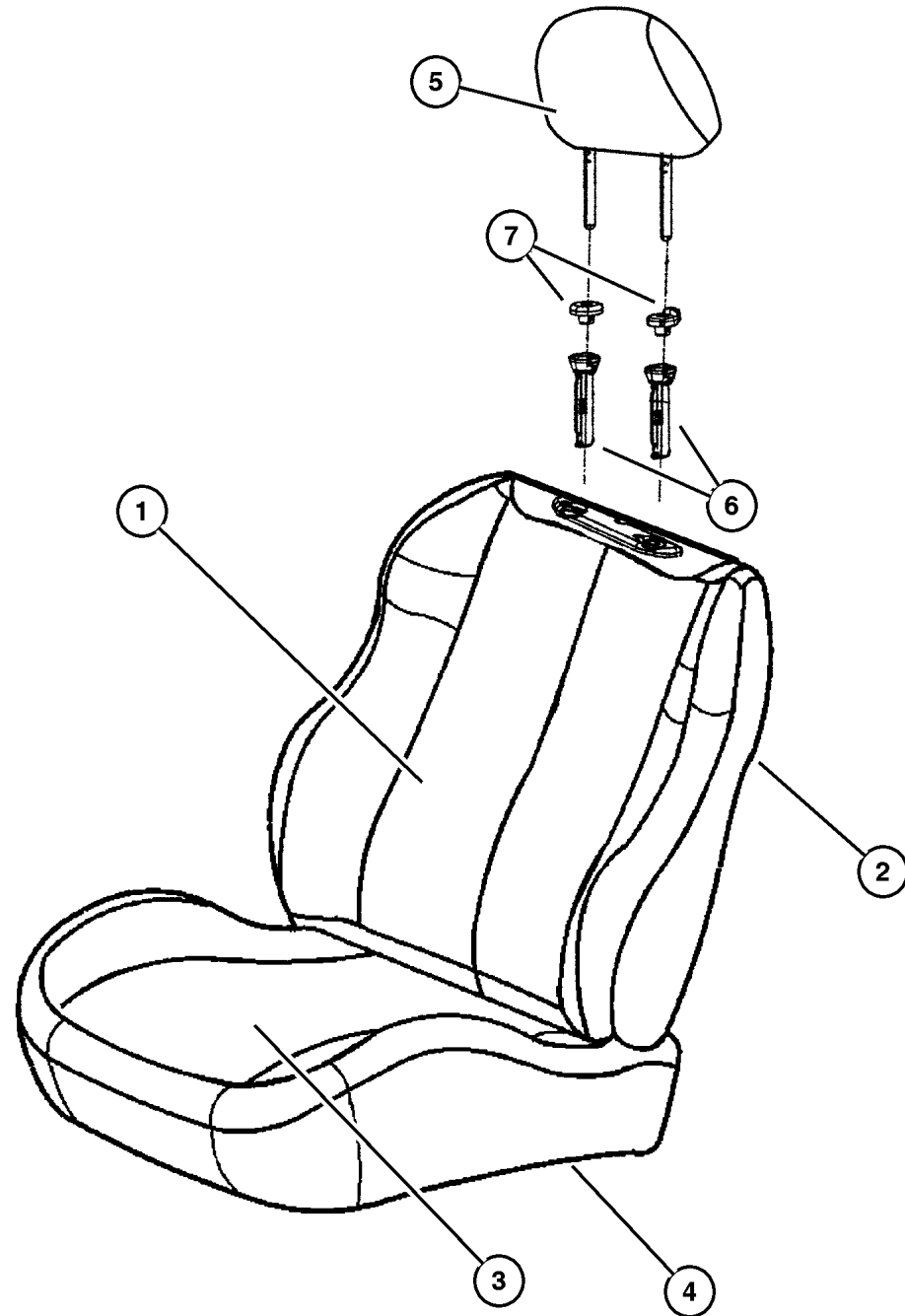
JEEP GRAND CHEROKEE (WJ)

SERIES	LINE	BODY	ENGINE	TRANSMISSION
H=Laredo	J = 4WD	74 = 4 Door(105.9 WB)	ER0, ERH = 4.0L, Power Tech I-6	DGK = 4 Speed Autm, 42RE
P=Limited	T = 2WD		EV0, EVA = 4.7L, Power Tech V8	DGW = 4 Speed Automatic, -44RE
	U = 4WD (RHD)		EXA, EX0 = 3.1L, 5 Cyl Turbo Diesel	DG4 = Multi Speed Automatic, -45RFE
				DGO = All Automatic

AR = Use as required - = Non illustrated part # = New this model year

September 14, 2002

Front Seat, Cloth, Trim Code [H7]  
Figure IWJ-510



ITEM	PART NUMBER	QTY	LINE	SERIES	BODY	ENGINE	TRANS	DESCRIPTION
1								COVER, Front Seat Back
	SK31 1L5AA	2	J, T					[L5]
	SK31 1K5AA	2	J, T					[K5]
	SK31 1AZAA	2	J, T					[AZ]
		2	U					[AZ]
	SK31 1K5AA	2	U					[K5]
2								BACK, Front Seat
	SK40 1AZAA	1	U					[AZ], Right
	SK41 1L5AA	1	J, T					[L5], Left
	SK40 1AZAA	1	J, T					[AZ], Right
	SK40 1K5AA	1	J, T					[K5], Right
		1	U					[K5], Right
	SK40 1L5AA	1	J, T					[L5], Right
	SK41 1AZAA	1	J, T					[AZ], Left
		1	U					[AZ], Left
	SK41 1K5AA	1	J, T					[K5], Left
		1	U					[K5], Left
3								COVER AND PAD, Cushion
	SK38 1AZAA	1	J, T					[AZ], Up to 1-17-00, Right
	SK39 1L5AA	1	J, T					[L5], Up to 1-17-00, Left
	#TY72 1AZAA	1	J, T					[AZ], After 1-17-00, Right
		1	U					[AZ], After 1-17-00, Right
	#TY72 1K5AA	1	J, T					[K5], After 1-17-00, Right
		1	U					[K5], After 1-17-00, Right
	#TY72 1L5AA	1	J, T					[L5], After 1-17-00, Right
	#TY73 1AZAA	1	J, T					[AZ], After 1-17-00, Left
		1	U					[AZ], After 1-17-00, Left
	#TY73 1K5AA	1	J, T					[K5], After 1-17-00, Left
		1	U					[K5], After 1-17-00, Left
	SK38 1AZAA	1	U					[AZ], Up to 1-17-00, Right
	#TY73 1L5AA	1	J, T					[L5], After 1-17-00, Left
	SK38 1K5AA	1	U					[K5], Up to 1-17-00, Right
		1	J, T					[K5], Up to 1-17-00, Right
	SK38 1L5AA	1	J, T					[L5], Up to 1-17-00, Right
	SK39 1AZAA	1	J, T					[AZ], Up to 1-17-00, Left
		1	U					[AZ], Up to 1-17-00, Left
	SK39 1K5AA	1	J, T					[K5], Up to 1-17-00, Left
		1	U					[K5], Up to 1-17-00, Left
4								FRAME, Front Seat
	4856 470	1	U					Right
		1	J, T					Right
	4856 471	1	J, T					Left

JEEP GRAND CHEROKEE (WJ)

SERIES  
H=Laredo  
P=Limited

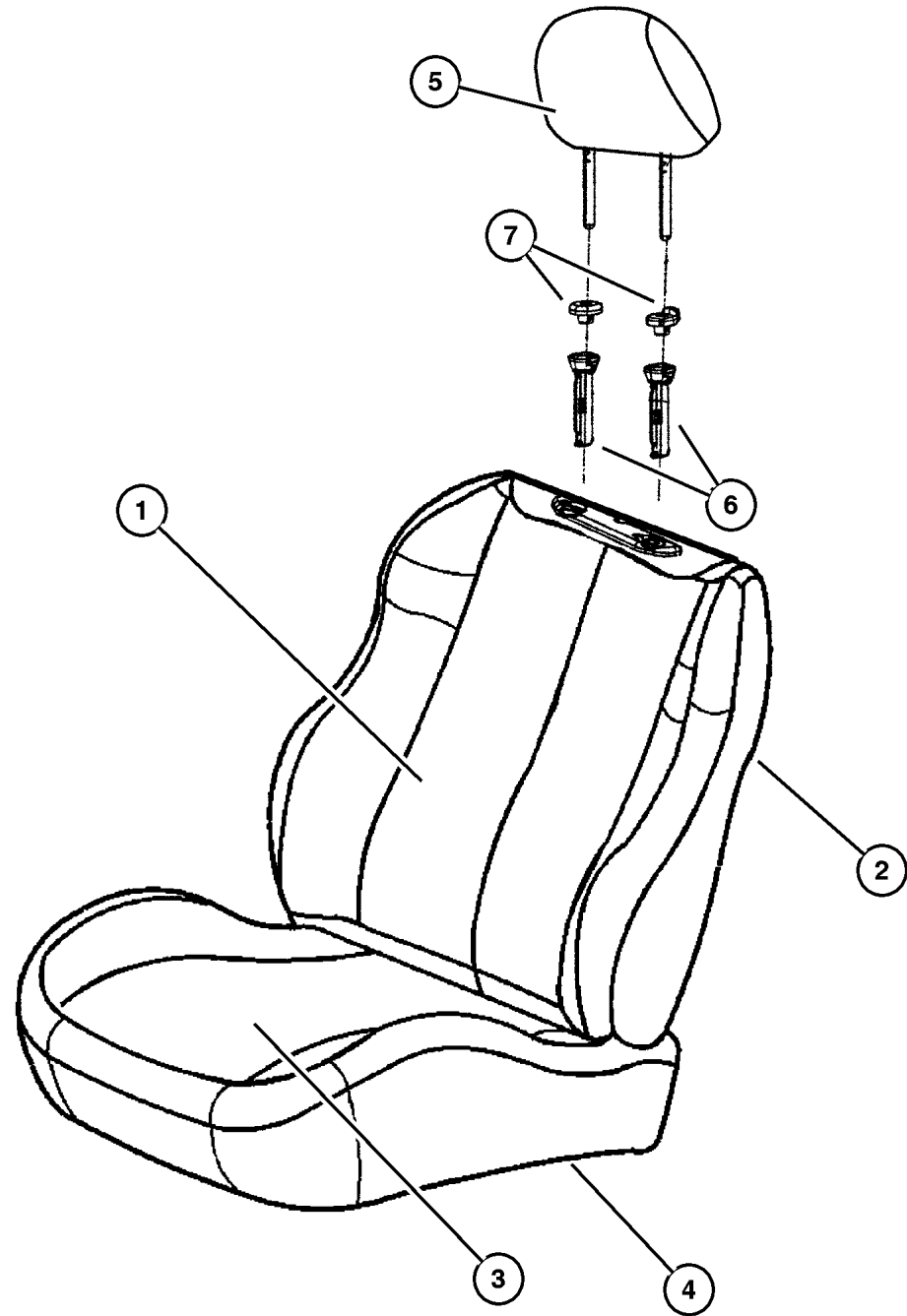
LINE  
J = 4WD  
T = 2WD  
U = 4WD (RHD)

BODY  
74 = 4 Door(105.9 WB)

ENGINE  
ER0, ERH = 4.0L, Power Tech I-6  
EV0, EVA = 4.7L, Power Tech V8  
EXA, EX0 = 3.1L, 5 Cyl Turbo Diesel

TRANSMISSION  
DGK = 4 Speed Autm, 42RE  
DGW = 4 Speed Automatic,  
-44RE  
DG4 = Multi Speed Automatic,  
-45RFE  
DGO = All Automatic

Front Seat, Cloth, Trim Code [H7]  
Figure IWJ-510



ITEM	PART NUMBER	QTY	LINE	SERIES	BODY	ENGINE	TRANS	DESCRIPTION
		1	U					Left
5								HEADREST, Front
	TH69 1AZAA	2	J, T					[AZ]
	TH69 1K5AA	2	J, T					[K5]
	TH69 1L5AA	2	J, T					[L5]
	TH79 1AZAA	2	U					[AZ]
		2	J, T					[AZ], Export
	TH79 1K5AA	2	U					[K5]
		2	J, T					[K5], Export
6								CYLINDER, Headrest
	5013 152AA	1	J, T					
		1	U					
7								COVER, Headrest Sleeve
	5013 163AA	1	J, T					Non-Locking
	5013 172AA	1	J, T					Locking
	5013 163AA	1	U					Non-Locking
	5013 172AA	4	U					Locking
-8	4740 415	1						EXTENDER, Seat Belt
-9								COVER, Seat latch, (NOT SERVICED) (Not Serviced)

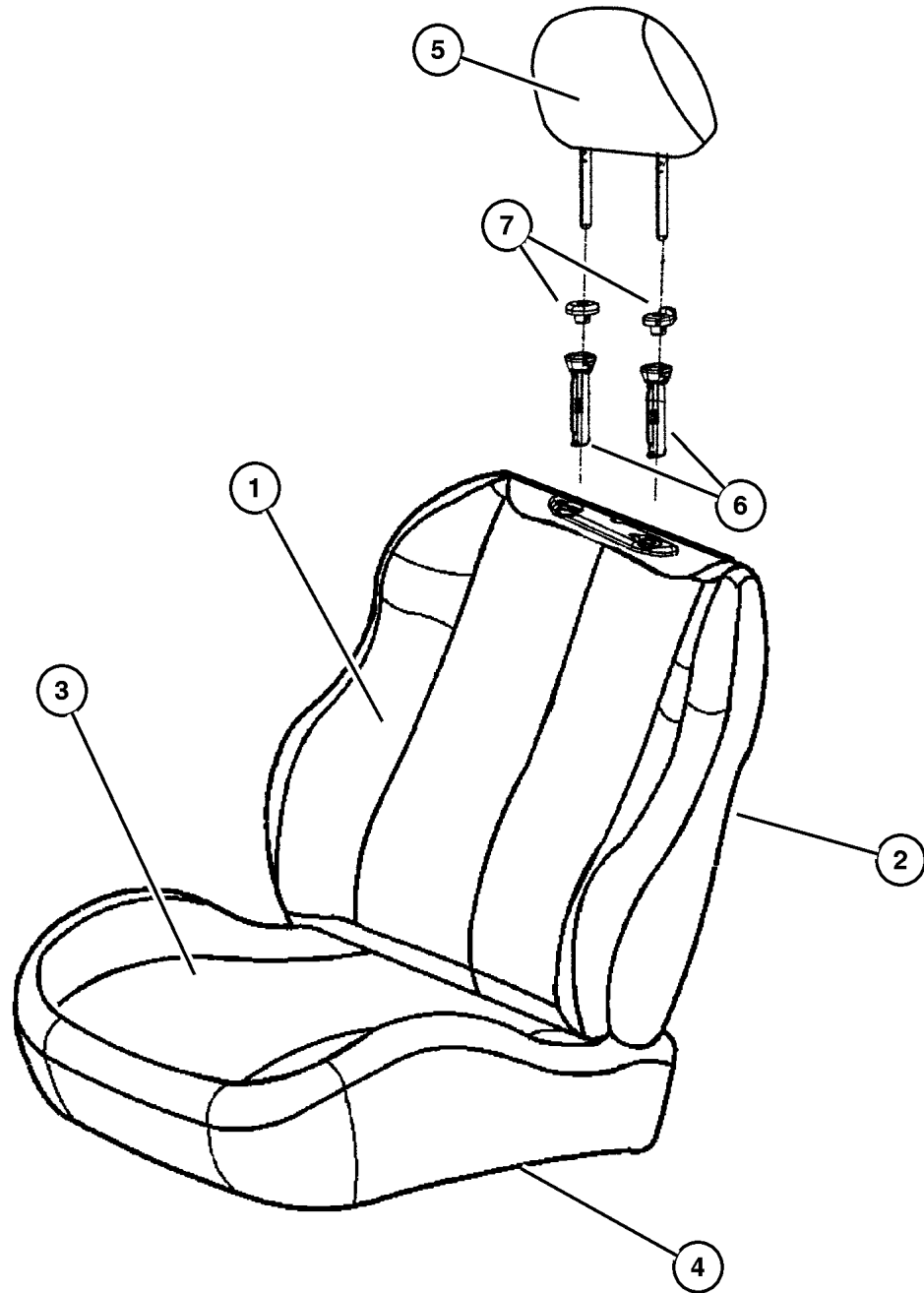
JEEP GRAND CHEROKEE (WJ)

SERIES	LINE	BODY	ENGINE	TRANSMISSION
H=Laredo	J = 4WD	74 = 4 Door(105.9 WB)	ER0, ERH = 4.0L, Power Tech I-6	DGK = 4 Speed Autm, 42RE
P=Limited	T = 2WD		EV0, EVA = 4.7L, Power Tech V8	DGW = 4 Speed Automatic, -44RE
	U = 4WD (RHD)		EXA, EX0 = 3.1L, 5 Cyl Turbo Diesel	DG4 = Multi Speed Automatic, -45RFE
				DGO = All Automatic

AR = Use as required - = Non illustrated part # = New this model year

September 14, 2002

**Front Seat, Leather, Trim Code [FL]  
Figure IWJ-520**



ITEM	PART NUMBER	QTY	LINE	SERIES	BODY	ENGINE	TRANS	DESCRIPTION
[JP2]= Power Seats 10-Way Power With Map Pocket.								
[JPX] = Pwer Heated								
1								COVER, Front Seat Back
	#TU16 1AZAA	2	J, T					[AZ], With Map Pocket, Sales Code [JP2]
	#TU16 1K5AA	2	J, T					[K5], With Map Pocket, Sales Code [JP2]
	#TU16 1L5AA	2	J, T					[L5], With Map Pocket, Sales Code [JP2]
	#TU17 1AZAA	2	J, T					[AZ], Heated, Sales Code [JPX], Up to 1-17-00
	#TU17 1K5AA	2	J, T					[K5], Heated, Sales Code [JPX], Up to 1-17-00
	#TU17 1L5AA	2	J, T					[L5], Heated, Sales Code [JPX], Up to 1-17-00
	#TZ55 1AZAA	2	J, T					[AZ], Heated, Sales Code [JPX], After 1-17-00
	#TZ55 1K5AA	2	J, T					[K5], Heated, Sales Code [JPX], After 1-17-00
	#TZ55 1L5AA	2	J, T					[L5], Heated, Sales Code [JPX], After 1-17-00
2								BACK, Front Seat
	#TU20 1AZAA	1	J, T					[AZ], With Map Pocket, Sales Code [JP2], Up to 1-17-00, Right
	#TU33 1AZAA	1	J, T					[AZ], Heated, Sales Code [JPX], Up to 1-17-00, Left
	#TU33 1K5AA	1	J, T					[K5], Heated, Sales Code [JPX], Up to 1-17-00, Left
	#TU33 1L5AA	1	J, T					[L5], Heated, Sales Code [JPX], Up to 1-17-00, Left
	#TZ44 1AZAA	1	J, T					[AZ], Heated, Sales Code [JPX], After 1-17-00, Right
	#TZ44 1K5AA	1	J, T					[K5], Heated, Sales Code [JPX], After 1-17-00, Right
	#TZ44 1L5AA	1	J, T					[L5], Heated, Sales Code [JPX], After 1-17-00, Right
	#TZ45 1AZAA	1	J, T					[AZ], Heated, Sales Code [JPX], After 1-17-00, Left
	#TZ45 1K5AA	1	J, T					[K5], Heated, Sales Code [JPX], After 1-17-00, Left
	#TZ45 1L5AA	1	J, T					[L5], Heated, Sales Code [JPX], After 1-17-00, Left

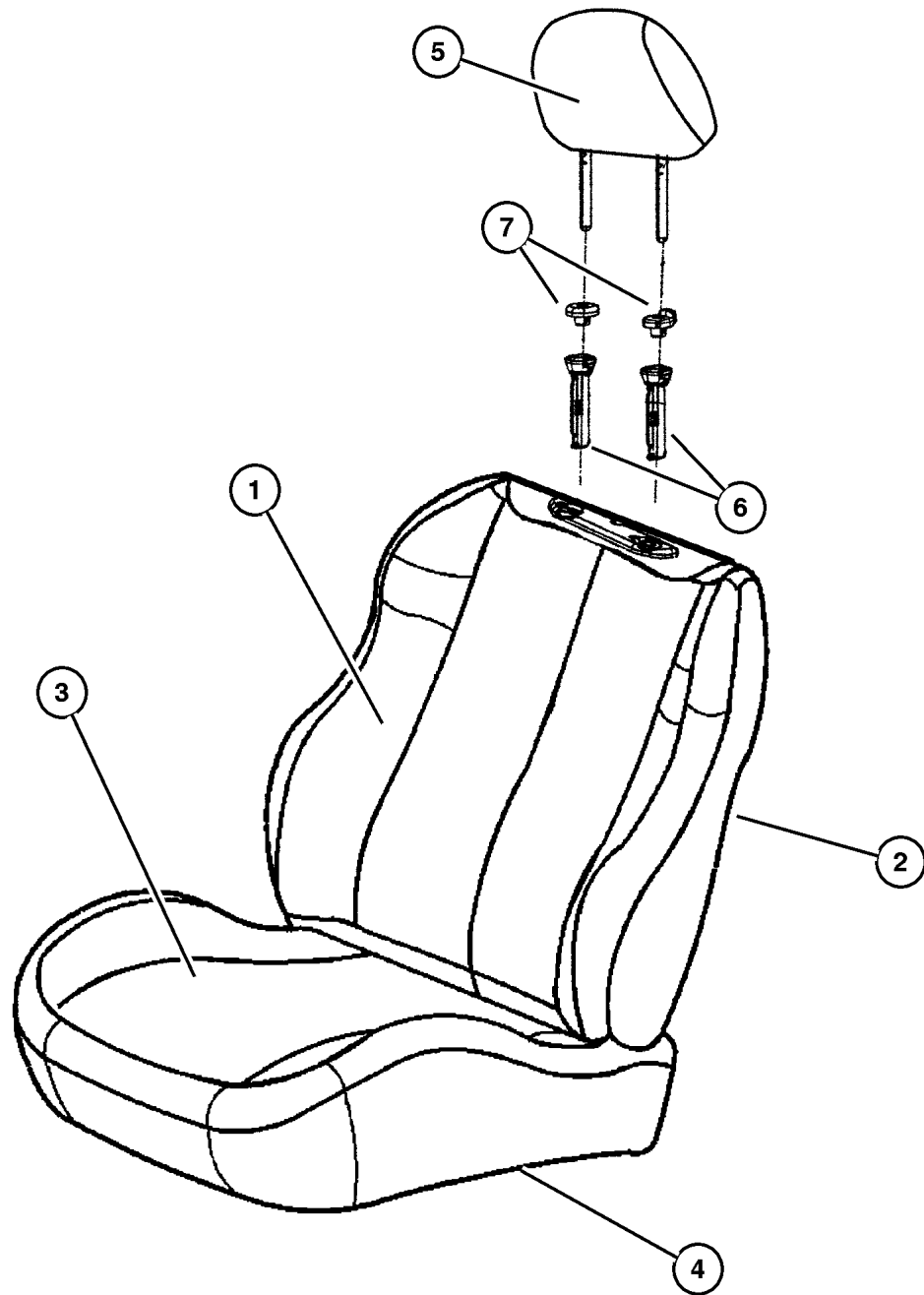
**JEEP GRAND CHEROKEE (WJ)**

SERIES	LINE	BODY	ENGINE	TRANSMISSION
H=Laredo	J = 4WD	74 = 4 Door(105.9 WB)	ER0, ERH = 4.0L, Power Tech I-6	DGK = 4 Speed Autm, 42RE
P=Limited	T = 2WD		EVO, EVA = 4.7L, Power Tech V8	DGW = 4 Speed Automatic, -44RE
	U = 4WD (RHD)		EXA, EX0 = 3.1L, 5 Cyl Turbo Diesel	DG4 = Multi Speed Automatic, -45RFE
				DGO = All Automatic

AR = Use as required - = Non illustrated part # = New this model year

September 14, 2002

**Front Seat, Leather, Trim Code [FL]  
Figure IWJ-520**



ITEM	PART NUMBER	QTY	LINE	SERIES	BODY	ENGINE	TRANS	DESCRIPTION
	#TZ42 1AZAA	1	J, T					[AZ], With Map Pocket, Sales Code [JP2], After 1-17-00, Right
	#TU20 1K5AA	1	J, T					[K5], With Map Pocket, Sales Code [JP2], Up to 1-17-00, Right
	#TZ42 1K5AA	1	J, T					[K5], With Map Pocket, Sales Code [JP2], After 1-17-00, Right
	#TZ42 1L5AA	1	J, T					[L5], With Map Pocket, Sales Code [JP2], After 1-17-00, Right
	#TZ43 1AZAA	1	J, T					[AZ], With Map Pocket, Sales Code [JP2], After 1-17-00, Left
	#TZ43 1K5AA	1	J, T					[K5], With Map Pocket, Sales Code [JP2], After 1-17-00, Left
	#TZ43 1L5AA	1	J, T					[L5], With Map Pocket, Sales Code [JP2], After 1-17-00, Left
	#TU20 1L5AA	1	J, T					[L5], With Map Pocket, Sales Code [JP2], Up to 1-17-00, Right
	#TU21 1AZAA	1	J, T					[AZ], With Map Pocket, Sales Code [JP2], Up to 1-17-00, Left
	#TU21 1K5AA	1	J, T					[K5], With Map Pocket, Sales Code [JP2], Up to 1-17-00, Left
	#TU21 1L5AA	1	J, T					[L5], With Map Pocket, Sales Code [JP2], Up to 1-17-00, Left
	#TU32 1AZAA	1	J, T					[AZ], Heated, Sales Code [JPX], Up to 1-17-00, Right
	#TU32 1K5AA	1	J, T					[K5], Heated, Sales Code [JPX], Up to 1-17-00, Right
	#TU32 1L5AA	1	J, T					[L5], Heated, Sales Code [JPX], Up to 1-17-00, Right
3								COVER AND PAD, Cushion
	#TU18 1AZAA	1	J, T					[AZ], With Map Pocket, Sales Code [JP2], Right
	#TU30 1K5AA	1	J, T					[K5], Heated, Sales Code [JPX], Up to 1-17-00, Right
	#TU31 1L5AA	1	J, T					[L5], Heated, Sales Code [JPX], Up to 1-17-00, Left
	#TU30 1AZAA	1	J, T					[AZ], Heated, Sales Code [JPX], Up to 1-17-00, Right
	#TZ32 1AZAA	1	J, T					[AZ], Heated, Sales Code [JPX], After 1-17-00, Right
	#TZ32 1K5AA	1	J, T					[K5], Heated, Sales Code [JPX], After 1-17-00, Right
	#TZ32 1L5AA	1	J, T					[L5], Heated, Sales Code [JPX], After 1-17-00, Right

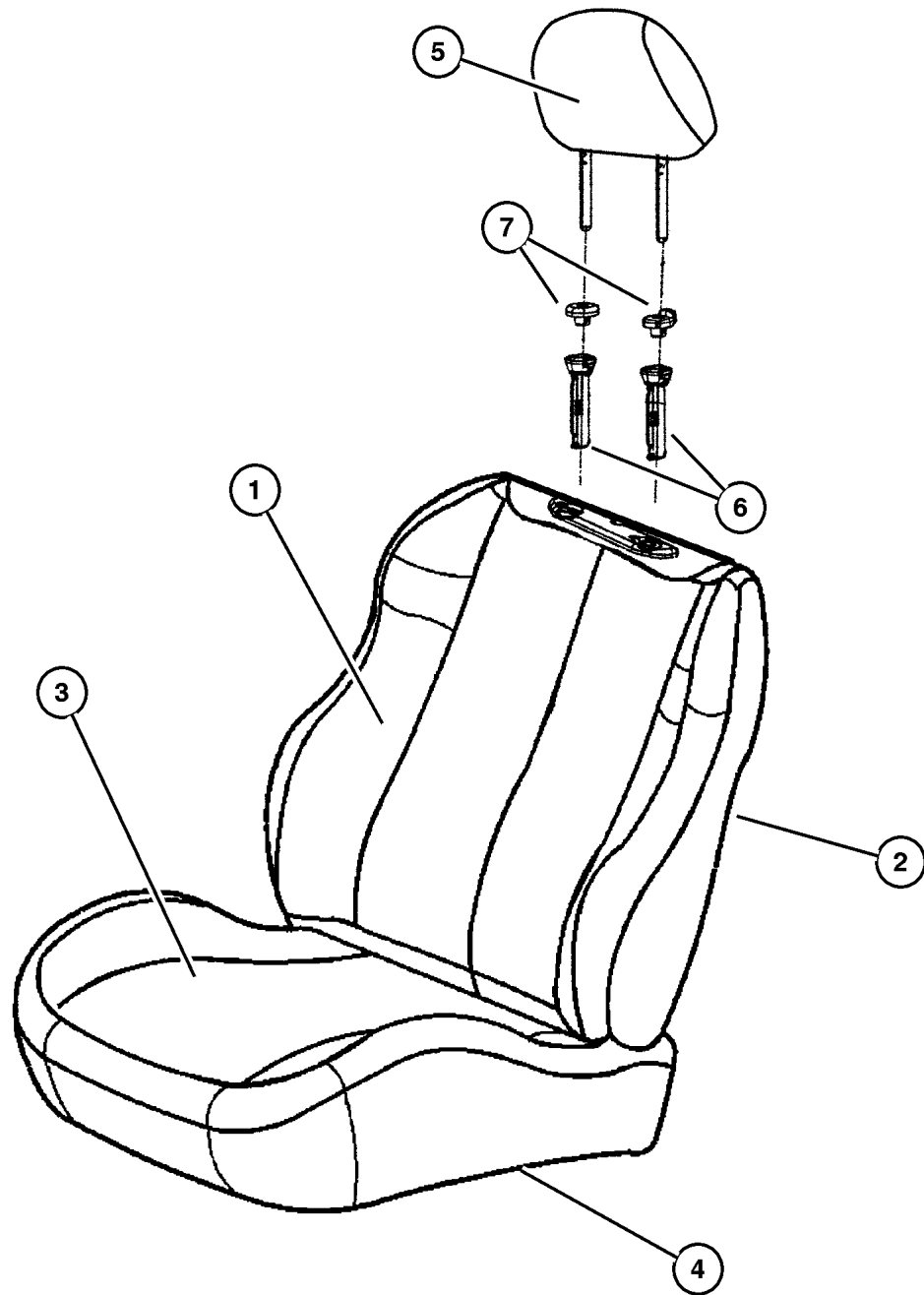
**JEEP GRAND CHEROKEE (WJ)**

SERIES H=Laredo P=Limited	LINE J = 4WD T = 2WD U = 4WD (RHD)	BODY 74 = 4 Door(105.9 WB)	ENGINE ER0, ERH = 4.0L, Power Tech I-6 EV0, EVA = 4.7L, Power Tech V8 EXA, EX0 = 3.1L, 5 Cyl Turbo Diesel	TRANSMISSION DGK = 4 Speed Autm, 42RE DGW = 4 Speed Automatic, -44RE DG4 = Multi Speed Automatic, -45RFE DGO = All Automatic
---------------------------------	---	-------------------------------	--	--

AR = Use as required - = Non illustrated part # = New this model year

September 14, 2002

**Front Seat, Leather, Trim Code [FL]  
Figure IWJ-520**



ITEM	PART NUMBER	QTY	LINE	SERIES	BODY	ENGINE	TRANS	DESCRIPTION
	#TZ33 1AZAA	1	J, T					[AZ], Heated, Sales Code [JPX], After 1-17-00, Left
	#TZ33 1K5AA	1	J, T					[K5], Heated, Sales Code [JPX], After 1-17-00, Left
	#TZ33 1L5AA	1	J, T					[L5], Heated, Sales Code [JPX], After 1-17-00, Left
	#TU18 1K5AA	1	J, T					[K5], With Map Pocket, Sales Code [JP2], Right
	#TU18 1L5AA	1	J, T					[L5], With Map Pocket, Sales Code [JP2], Right
	#TU19 1AZAA	1	J, T					[AZ], With Map Pocket, Sales Code [JP2], Left
	#TU19 1K5AA	1	J, T					[K5], With Map Pocket, Sales Code [JP2], Left
	#TU19 1L5AA	1	J, T					[L5], With Map Pocket, Sales Code [JP2], Left
	#TU31 1AZAA	1	J, T					[AZ], Heated, Sales Code [JPX], Up to 1-17-00, Left
	#TU30 1L5AA	1	J, T					[L5], Heated, Sales Code [JPX], Up to 1-17-00, Right
	#TU31 1K5AA	1	J, T					[K5], Heated, Sales Code [JPX], Up to 1-17-00, Left
4								FRAME, Front Seat Right
	4856 470	1	J, T					Left
	4856 471	1	J, T					
5								HEADREST, Front
	TH72 1AZAA	2	J, T					[AZ]
	TH72 1K5AA	2	J, T					[K5]
	TH72 1L5AA	2	J, T					[L5]
6	5013 152AA	8	J, T					CYLINDER, Headrest
7								COVER, Headrest Sleeve
	5013 163AA	4	J, T					Non-Locking
	5013 172AA	4	J, T					Locking
-8	4740 415	1						EXTENDER, Seat Belt

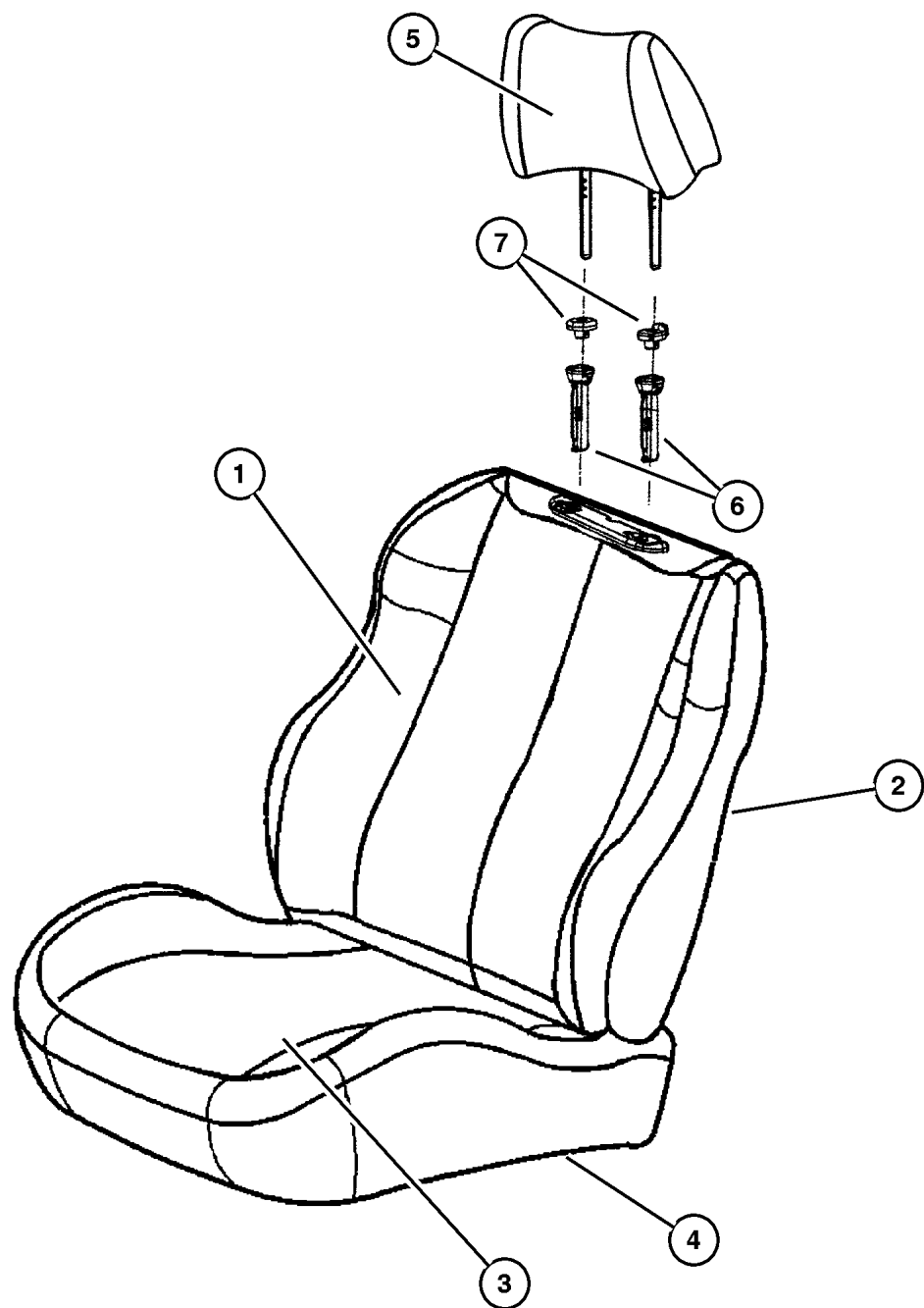
**JEEP GRAND CHEROKEE (WJ)**

SERIES	LINE	BODY	ENGINE	TRANSMISSION
H=Laredo	J = 4WD	74 = 4 Door(105.9 WB)	ER0, ERH = 4.0L, Power Tech I-6	DGK = 4 Speed Autm, 42RE
P=Limited	T = 2WD		EVO, EVA = 4.7L, Power Tech V8	DGW = 4 Speed Automatic, -44RE
	U = 4WD (RHD)		EXA, EX0 = 3.1L, 5 Cyl Turbo Diesel	DG4 = Multi Speed Automatic, -45RFE
				DGO = All Automatic

AR = Use as required - = Non illustrated part # = New this model year

September 14, 2002

**Front Seat, Leather, Trim Code [DL]  
Figure IWJ-530**



ITEM	PART NUMBER	QTY	LINE	SERIES	BODY	ENGINE	TRANS	DESCRIPTION
[JTC] = Power 10-Way Memory. [JTF] = Power 10-Way Heated Memory.								
1								COVER, Front Seat Back
	#TU36 1L5AA	2	J, T					[L5], Non-Heated, Sales Code [JTC]
	#TU36 1AZAA	2	J, T					[AZ], Non-Heated, Sales Code [JTC]
	#TU36 1K5AA	2	J, T					[K5], Non-Heated, Sales Code [JTC]
	#TU37 1K5AA	2	J, T					[K5], Heated, Sales Code [JTF], Up to 1-17-00
	#TU37 1L5AA	2	J, T					[L5], Heated, Sales Code [JTF], Up to 1-17-00
	#TU37 1AZAA	2	J, T					[AZ], Heated, Sales Code [JTF], Up to 1-17-00
	#TZ57 1L5AA	1	J, T					[L5], Heated, Sales Code [JTF], After 1-17-00
	#TZ57 1K5AA	1	J, T					[K5], Heated, Sales Code [JTF], After 1-17-00
	#TZ57 1AZAA	1	J, T					[AZ], Heated, Sales Code [JTF], After 1-17-00
2								BACK, Front Seat
	#TU38 1L5AA	1	J, T					[L5], Non-Heated, Sales Code [JTC], Up to 1-17-00, Right
	#TU50 1AZAA	1	J, T					[AZ], Heated, Sales Code [JTF], Up to 1-17-00, Right
	#TU51 1AZAA	1	J, T					[AZ], Heated, Sales Code [JTF], Up to 1-17-00, Left
	#TU51 1L5AA	1	J, T					[L5], Heated, Sales Code [JTF], Up to 1-17-00, Left
	#TZ49 1L5AA	1	J, T					[L5], Heated, Sales Code [JTF], After 1-17-00, Left
	#TZ49 1K5AA	1	J, T					[K5], Heated, Sales Code [JTF], After 1-17-00, Left
	#TZ49 1AZAA	1	J, T					[AZ], Heated, Sales Code [JTF], After 1-17-00, Left
	#TZ48 1L5AA	1	J, T					[L5], Heated, Sales Code [JTF], After 1-17-00, Right
	#TZ48 1K5AA	1	J, T					[K5], Heated, Sales Code [JTF], After 1-17-00, Right
	#TZ48 1AZAA	1	J, T					[AZ], Heated, Sales Code [JTF], After 1-17-00, Right
	#TZ47 1L5AA	1	J, T					[L5], Non-Heated, Sales Code [JTC], After 1-17-00, Left
	#TU39 1AZAA	1	J, T					[AZ], Non-Heated, Sales Code [JTC], Up to 1-17-00, Left

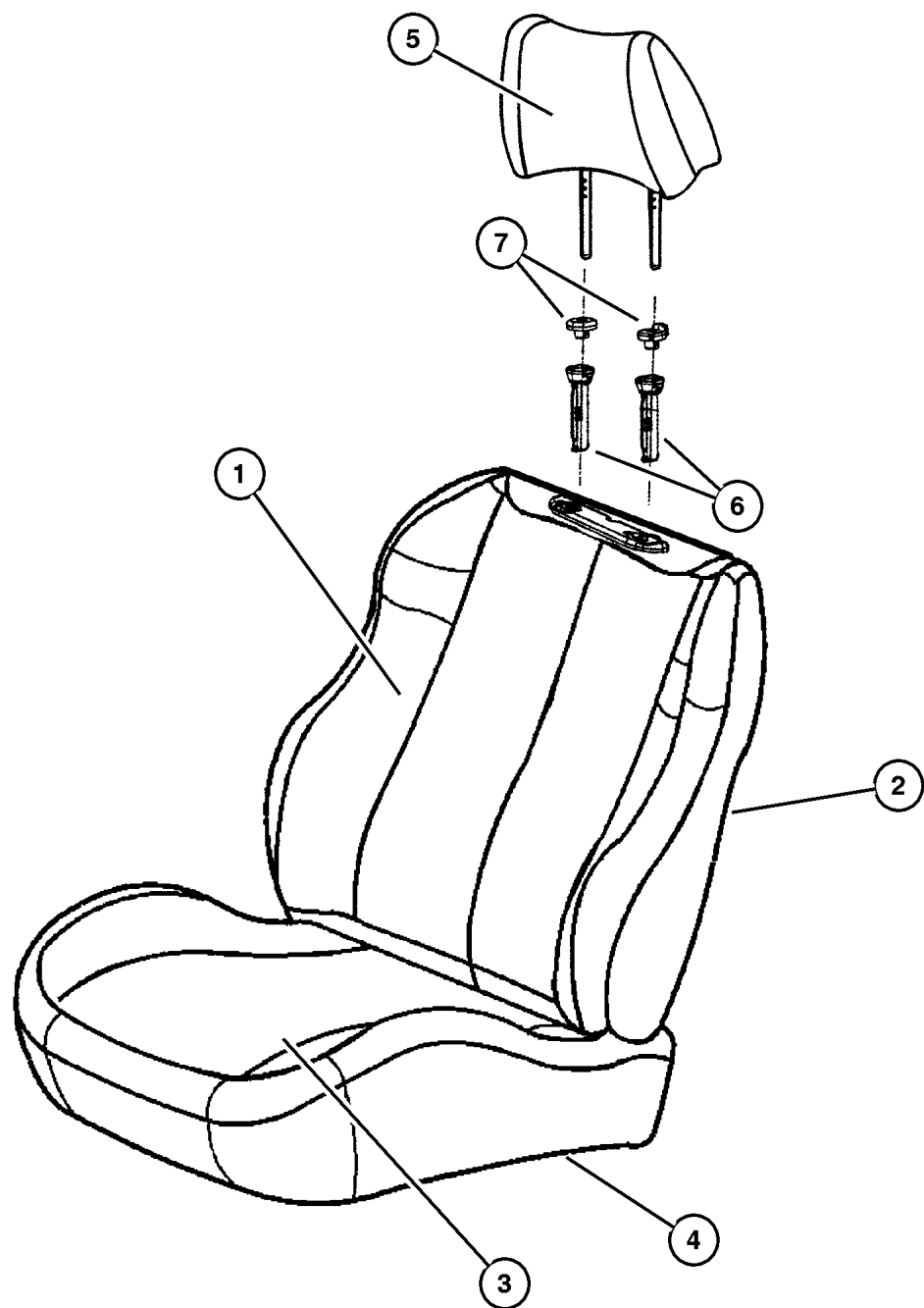
**JEEP GRAND CHEROKEE (WJ)**

SERIES	LINE	BODY	ENGINE	TRANSMISSION
H=Laredo	J = 4WD	74 = 4 Door(105.9 WB)	ER0, ERH = 4.0L, Power Tech I-6	DGK = 4 Speed Autm, 42RE
P=Limited	T = 2WD		EV0, EVA = 4.7L, Power Tech V8	DGW = 4 Speed Automatic, -44RE
	U = 4WD (RHD)		EXA, EX0 = 3.1L, 5 Cyl Turbo Diesel	DG4 = Multi Speed Automatic, -45RFE
				DGO = All Automatic

AR = Use as required - = Non illustrated part # = New this model year

September 14, 2002

Front Seat, Leather, Trim Code [DL]  
Figure IWJ-530



ITEM	PART NUMBER	QTY	LINE	SERIES	BODY	ENGINE	TRANS	DESCRIPTION
	#TZ47 1K5AA	1	J, T					[K5], Non-Heated, Sales Code [JTC], After 1-17-00, Left
	#TZ47 1AZAA	1	J, T					[AZ], Non-Heated, Sales Code [JTC], After 1-17-00, Left
	#TZ46 1L5AA	1	J, T					[L5], Non-Heated, Sales Code [JTC], After 1-17-00, Right
	#TZ46 1K5AA	1	J, T					[K5], Non-Heated, Sales Code [JTC], After 1-17-00, Right
	#TZ46 1AZAA	1	J, T					[AZ], Non-Heated, Sales Code [JTC], After 1-17-00, Right
	#TU38 1K5AA	1	J, T					[K5], Non-Heated, Sales Code [JTC], Up to 1-17-00, Right
	#TU39 1K5AA	1	J, T					[K5], Non-Heated, Sales Code [JTC], Up to 1-17-00, Left
	#TU38 1AZAA	1	J, T					[AZ], Non-Heated, Sales Code [JTC], Up to 1-17-00, Right
	#TU39 1L5AA	1	J, T					[L5], Non-Heated, Sales Code [JTC], Up to 1-17-00, Left
	#TU50 1L5AA	1	J, T					[L5], Heated, Sales Code [JTF], Up to 1-17-00, Right
	#TU51 1K5AA	1	J, T					[K5], Heated, Sales Code [JTF], Up to 1-17-00, Left
	#TU50 1K5AA	1	J, T					[K5], Heated, Sales Code [JTF], Up to 1-17-00, Right
3								COVER AND PAD, Cushion
	#TU34 1AZAA	1	J, T					[AZ], Non-Heated, Sales Code [JTC], Right
	#TU48 1K5AA	1	J, T					[K5], Heated, Sales Code [JTF], Up to 1-17-00, Right
	#TU48 1AZAA	1	J, T					[AZ], Heated, Sales Code [JTF], Up to 1-17-00, Right
	#TU49 1AZAA	1	J, T					[AZ], Heated, Sales Code [JTF], Up to 1-17-00, Left
	#TZ37 1L5AA	1	J, T					[L5], Heated, Sales Code [JTF], After 1-17-00, Left
	#TZ37 1K5AA	1	J, T					[K5], Heated, Sales Code [JTF], After 1-17-00, Left
	#TZ37 1AZAA	1	J, T					[AZ], Heated, Sales Code [JTF], After 1-17-00, Left
	#TZ36 1L5AA	1	J, T					[L5], Heated, Sales Code [JTF], After 1-17-00, Right
	#TZ36 1K5AA	1	J, T					[K5], Heated, Sales Code [JTF], After 1-17-00, Right

JEEP GRAND CHEROKEE (WJ)

SERIES  
H=Laredo  
P=Limited

LINE  
J = 4WD  
T = 2WD  
U = 4WD (RHD)

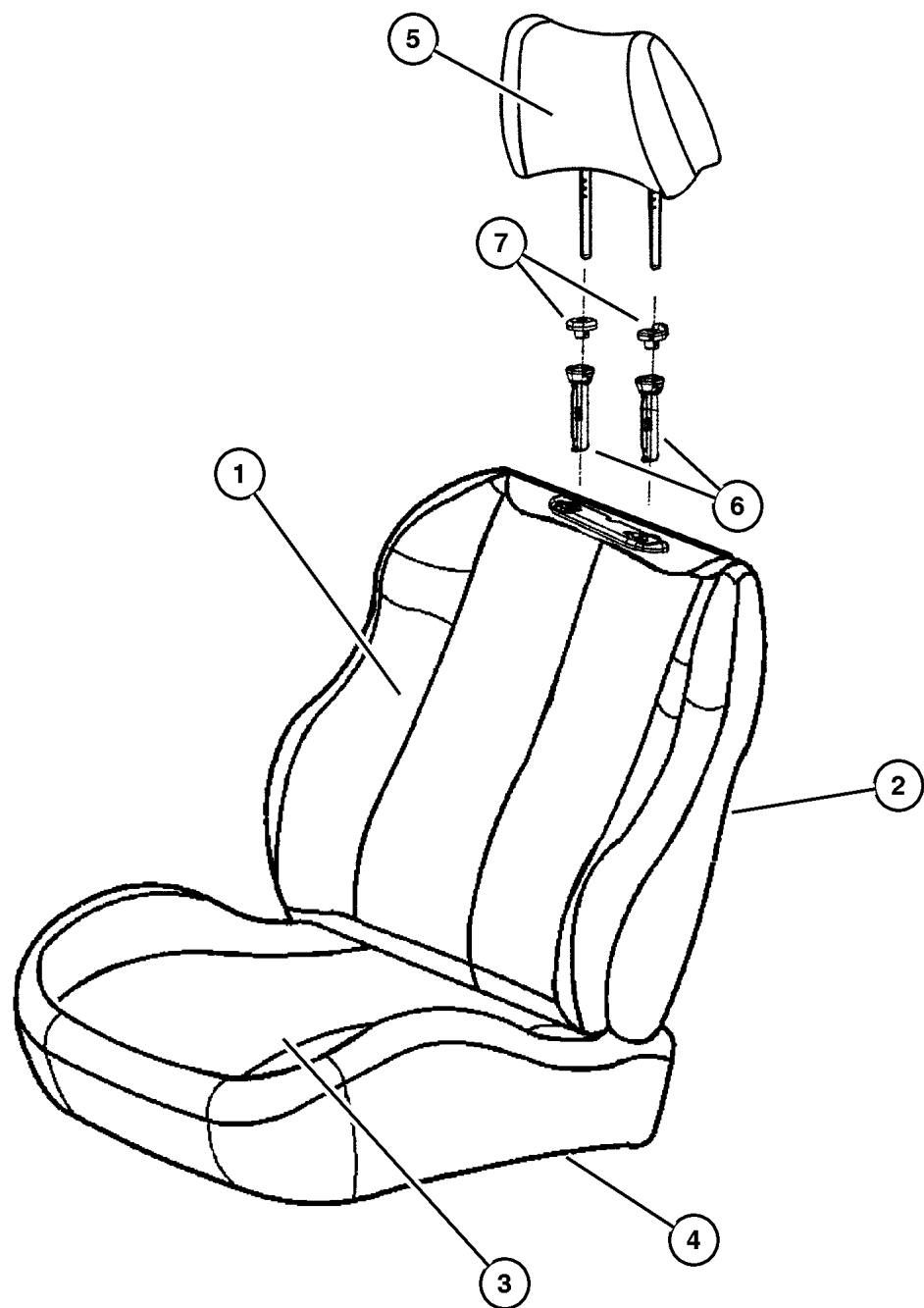
BODY  
74 = 4 Door(105.9 WB)

ENGINE  
ER0, ERH = 4.0L, Power Tech I-6  
EV0, EVA = 4.7L, Power Tech V8  
EXA, EX0 = 3.1L, 5 Cyl Turbo Diesel

TRANSMISSION  
DGK = 4 Speed Autm, 42RE  
DGW = 4 Speed Automatic, -44RE  
DG4 = Multi Speed Automatic, -45RFE  
DGO = All Automatic



**Front Seat, Leather, Trim Code [DL]  
Figure IWJ-530**



ITEM	PART NUMBER	QTY	LINE	SERIES	BODY	ENGINE	TRANS	DESCRIPTION
	#TZ36 1AZAA	1	J, T					[AZ], Heated, Sales Code [JTF], After 1-17-00, Right
	#TU34 1K5AA	1	J, T					[K5], Non-Heated, Sales Code [JTC], Right
	#TU34 1L5AA	1	J, T					[L5], Non-Heated, Sales Code [JTC], Right
	#TU35 1AZAA	1	J, T					[AZ], Non-Heated, Sales Code [JTC], Left
	#TU35 1K5AA	1	J, T					[K5], Non-Heated, Sales Code [JTC], Left
	#TU35 1L5AA	1	J, T					[L5], Non-Heated, Sales Code [JTC], Left
	#TU49 1L5AA	1	J, T					[L5], Heated, Sales Code [JTF], Up to 1-17-00, Left
	#TU49 1K5AA	1	J, T					[K5], Heated, Sales Code [JTF], Up to 1-17-00, Left
	#TU48 1L5AA	1	J, T					[L5], Heated, Sales Code [JTF], Up to 1-17-00, Right
4								FRAME, Front Seat
	4856 471	1	J, T					Left
	4856 470	1	J, T					Right
5								HEADREST, Front
	TH73 1AZAA	2	J, T					[AZ]
	TH73 1K5AA	2	J, T					[K5]
	TH73 1L5AA	2	J, T					[L5]
6	5013 152AA	1	J, T					CYLINDER, Headrest
7								COVER, Headrest Sleeve
	5013 172AA	4	J, T					Locking
	5013 163AA	4	J, T					Non-Locking
-8	4740 415	1						EXTENDER, Seat Belt

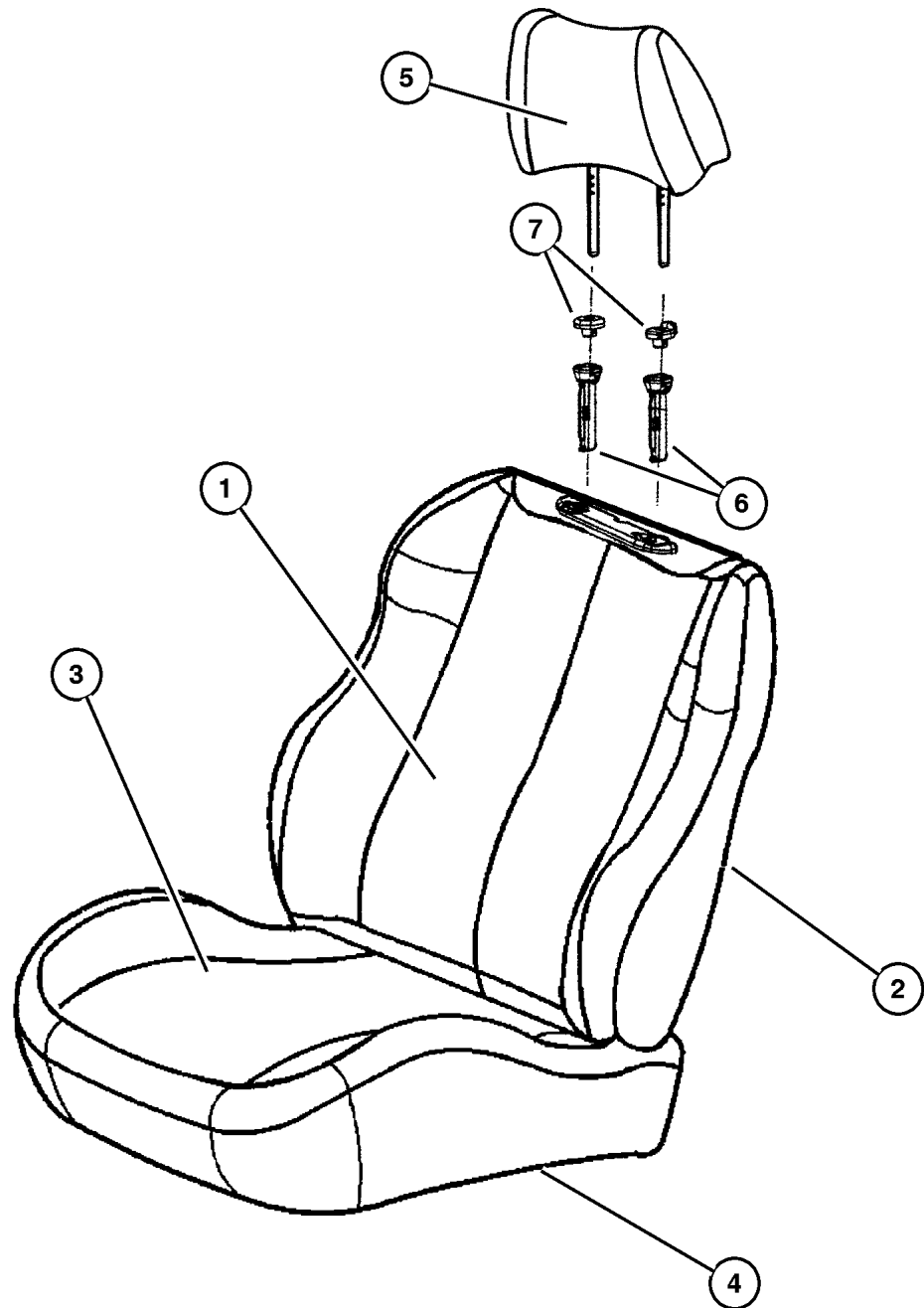
**JEEP GRAND CHEROKEE (WJ)**

SERIES	LINE	BODY	ENGINE	TRANSMISSION
H=Laredo	J = 4WD	74 = 4 Door(105.9 WB)	ER0, ERH = 4.0L, Power Tech I-6	DGK = 4 Speed Autm, 42RE
P=Limited	T = 2WD		EV0, EVA = 4.7L, Power Tech V8	DGW = 4 Speed Automatic, -44RE
	U = 4WD (RHD)		EXA, EX0 = 3.1L, 5 Cyl Turbo Diesel	DG4 = Multi Speed Automatic, -45RFE
				DGO = All Automatic

AR = Use as required - = Non illustrated part # = New this model year

September 14, 2002

**Front Seat, Leather, Trim Code [EL]  
Figure IWJ-540**



ITEM	PART NUMBER	QTY	LINE	SERIES	BODY	ENGINE	TRANS	DESCRIPTION
[JTC] = Power 10-Way Memory. [JTF] = Power 10-Way Heated Memory.								
1								COVER, Front Seat Back
	#TV31 1AZAA	2	U					[AZ], Heated, Sales Code [JTF]
		2	J, T					[AZ], Heated, Sales Code [JTF]
	#TV31 1K5AA	2	U					[K5], Heated, Sales Code [JTF]
		2	J, T					[K5], Heated, Sales Code [JTF]
	#TV36 1AZAA	2	J, T					[AZ], Non-Heated, Sales Code [JTC]
		2	U					[AZ], Non-Heated, Sales Code [JTC]
	#TV36 1K5AA	2	U					[K5], Non-Heated, Sales Code [JTC]
		2	J, T					[K5], Non-Heated, Sales Code [JTC]
2								BACK, Front Seat
	#TV38 1AZAA	1	J, T					[AZ], Heated, Sales Code [JTF], Right
	#TV40 1AZAA	1	U					[AZ], Non-Heated, Sales Code [JTC], Right
	#TV40 1K5AA	1	J, T					[K5], Non-Heated, Sales Code [JTC], Right
		1	U					[K5], Non-Heated, Sales Code [JTC], Right
	#TV41 1AZAA	1	J, T					[AZ], Non-Heated, Sales Code [JTC], Left
		1	U					[AZ], Non-Heated, Sales Code [JTC], Left
	#TV41 1K5AA	1	J, T					[K5], Non-Heated, Sales Code [JTC], Left
		1	U					[K5], Non-Heated, Sales Code [JTC], Left
	#TV38 1AZAA	1	U					[AZ], Heated, Sales Code [JTF], Right
	#TV38 1K5AA	1	J, T					[K5], Heated, Sales Code [JTF], Right
		1	U					[K5], Heated, Sales Code [JTF], Right
	#TV39 1AZAA	1	J, T					[AZ], Heated, Sales Code [JTF], Left
		1	U					[AZ], Heated, Sales Code [JTF], Left
	#TV39 1K5AA	1	J, T					[K5], Heated, Sales Code [JTF], Left
		1	U					[K5], Heated, Sales Code [JTF], Left
	#TV40 1AZAA	1	J, T					[AZ], Non-Heated, Sales Code [JTC], Right
		1	U					[AZ], Non-Heated, Sales Code [JTC], Right
3								COVER AND PAD, Cushion
	#TV32 1AZAA	1	J, T					[AZ], Heated, Sales Code [JTF], Right
	#TV34 1AZAA	1	U					[AZ], Non-Heated, Sales Code [JTC], Right
	#TV34 1K5AA	1	J, T					[K5], Non-Heated, Sales Code [JTC], Right

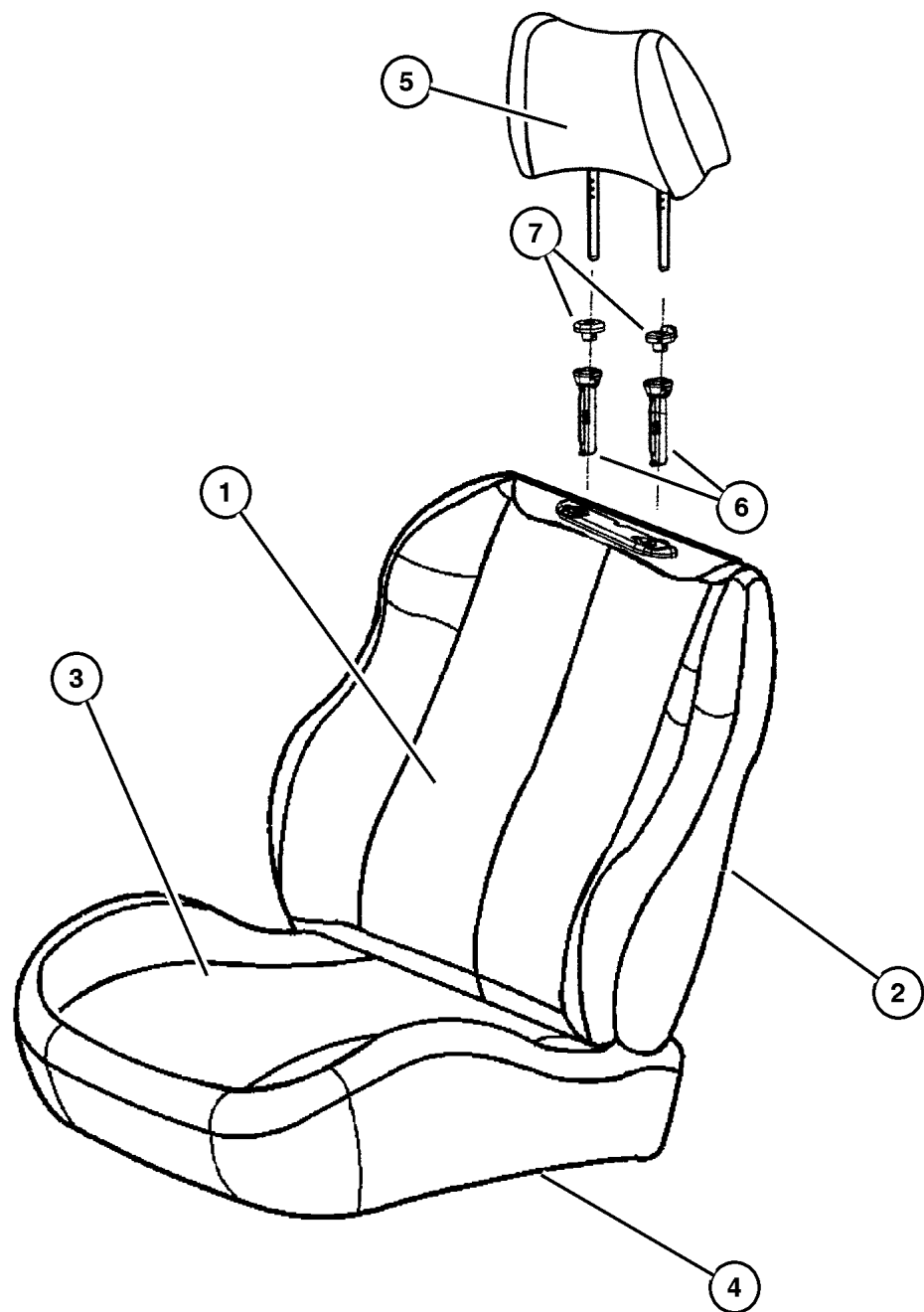
**JEEP GRAND CHEROKEE (WJ)**

SERIES	LINE	BODY	ENGINE	TRANSMISSION
H=Laredo	J = 4WD	74 = 4 Door(105.9 WB)	ER0, ERH = 4.0L, Power Tech I-6	DGK = 4 Speed Autm, 42RE
P=Limited	T = 2WD		EVO, EVA = 4.7L, Power Tech V8	DGW = 4 Speed Automatic, -44RE
	U = 4WD (RHD)		EXA, EX0 = 3.1L, 5 Cyl Turbo Diesel	DG4 = Multi Speed Automatic, -45RFE
				DGO = All Automatic

AR = Use as required - = Non illustrated part # = New this model year

September 14, 2002

**Front Seat, Leather, Trim Code [EL]  
Figure IWJ-540**



ITEM	PART NUMBER	QTY	LINE	SERIES	BODY	ENGINE	TRANS	DESCRIPTION
		1	U					[K5], Non-Heated, Sales Code [JTC], Right
	#TV35 1AZAA	1	J, T					[AZ], Non-Heated, Sales Code [JTC], Left
		1	U					[AZ], Non-Heated, Sales Code [JTC], Left
	#TV35 1K5AA	1	J, T					[K5], Non-Heated, Sales Code [JTC], Left
		1	U					[K5], Non-Heated, Sales Code [JTC], Left
	#TV32 1AZAA	1	U					[AZ], Heated, Sales Code [JTF], Right
	#TV32 1K5AA	1	J, T					[K5], Heated, Sales Code [JTF], Right
		1	U					[K5], Heated, Sales Code [JTF], Right
	#TV33 1AZAA	1	J, T					[AZ], Heated, Sales Code [JTF], Left
		1	U					[AZ], Heated, Sales Code [JTF], Left
	#TV33 1K5AA	1	J, T					[K5], Heated, Sales Code [JTF], Left
		1	U					[K5], Heated, Sales Code [JTF], Left
	#TV34 1AZAA	1	J, T					[AZ], Non-Heated, Sales Code [JTC], Right
4								FRAME, Front Seat
	4856 470	1	J, T					Right
		1	U					Right
	4856 471	1	J, T					Left
		1	U					Left
5								HEADREST, Front
	TH78 1AZAA	2	J, T					[AZ]
		2	U					[AZ]
	TH78 1K5AA	2	J, T					[K5]
		2	U					[K5]
6								CYLINDER, Headrest
	5013 152AA	8	J, T					
		8	U					
7								COVER, Headrest Sleeve
	5013 163AA	4	J, T					Non-Locking
		4	U					Non-Locking
	5013 172AA	4	J, T					Locking
		4	U					Locking
-8	4740 415	1						EXTENDER, Seat Belt

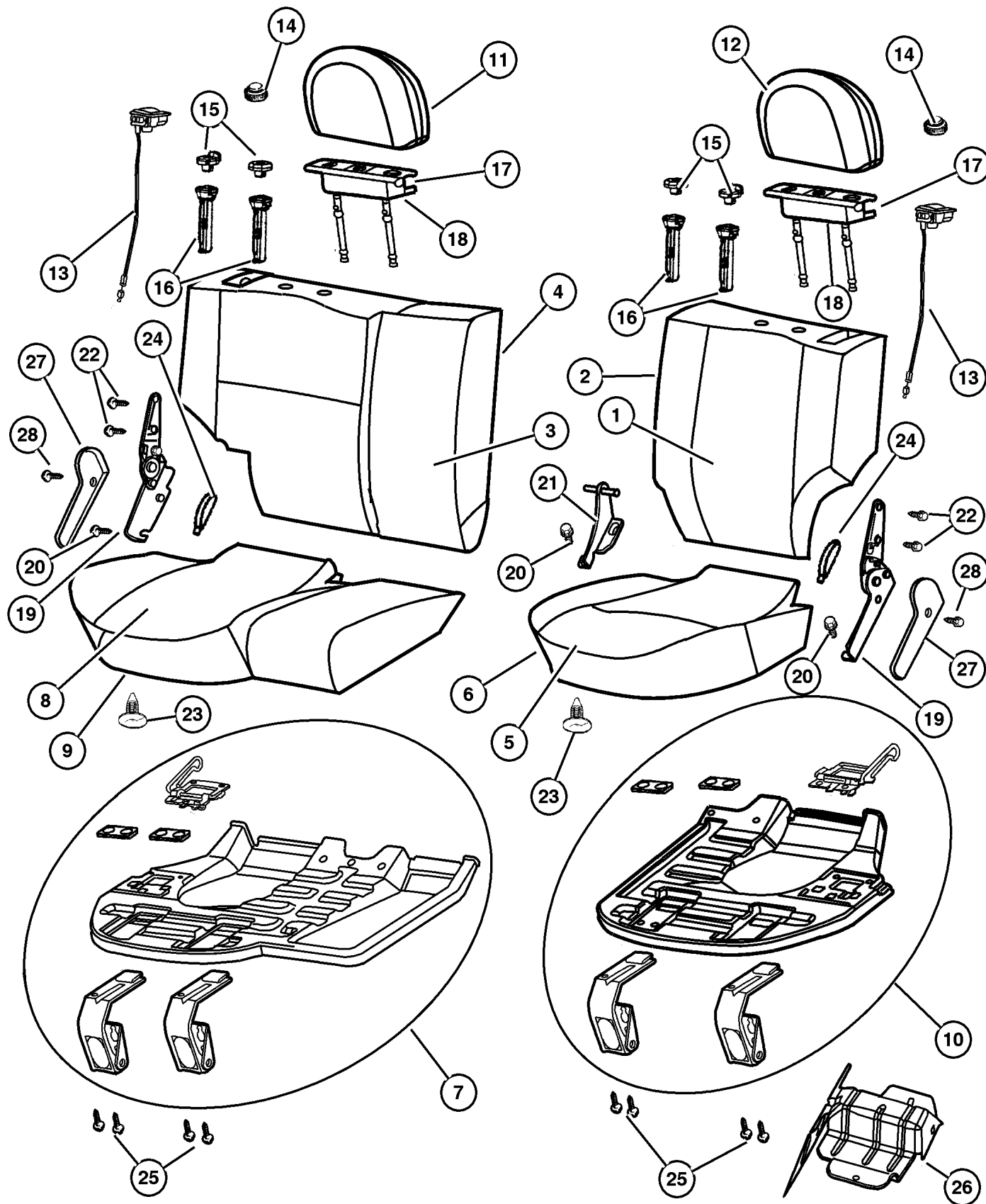
**JEEP GRAND CHEROKEE (WJ)**

SERIES	LINE	BODY	ENGINE	TRANSMISSION
H=Laredo	J = 4WD	74 = 4 Door(105.9 WB)	ER0, ERH = 4.0L, Power Tech I-6	DGK = 4 Speed Autm, 42RE
P=Limited	T = 2WD		EVO, EVA = 4.7L, Power Tech V8	DGW = 4 Speed Automatic, -44RE
	U = 4WD (RHD)		EXA, EX0 = 3.1L, 5 Cyl Turbo Diesel	DG4 = Multi Speed Automatic, -45RFE
				DGO = All Automatic

AR = Use as required - = Non illustrated part # = New this model year

September 14, 2002

Rear Seat, Trim Code [H7]  
Figure IWJ-610



ITEM	PART NUMBER	QTY	LINE	SERIES	BODY	ENGINE	TRANS	DESCRIPTION
NOTE: Seat back and seat back covers have changed in February of 2000. Since there is no definite "Up To" or "After" date, the determining factor is if your vehicle has a Cover, Seat Latch, Item 27. Vehicles built prior to February of 2000 will not have a es built in February of 2000 and beyond.								
1								COVER, Rear Seat Back, 40%
	#UN59 1AZAA	1	J, T					[AZ], With Cover, Seat Latch, Item 27
	SK43 1L5AA	1	J, T					[L5], Without Cover, Seat Latch, Item 27
	#UN59 1AZAA	1	U					[AZ], With Cover, Seat Latch, Item 27
	#UN59 1K5AA	1	J, T					[K5], With Cover, Seat Latch, Item 27
		1	U					[K5], With Cover, Seat Latch, Item 27
	#UN59 1L5AA	1	J, T					[L5], With Cover, Seat Latch, Item 27
	SK43 1AZAA	1	U					[AZ], Without Cover, Seat Latch, Item 27
		1	J, T					[AZ], Without Cover, Seat Latch, Item 27
	SK43 1K5AA	1	J, T					[K5], Without Cover, Seat Latch, Item 27
		1	U					[K5], Without Cover, Seat Latch, Item 27
2								SEAT BACK, Rear, 40%
	#UN61 1AZAA	1	J, T					[AZ], With Cover, Seat Latch, Item 27
	SK47 1L5AA	1	J, T					[L5], Without Cover, Seat Latch, Item 27
	#UN61 1AZAA	1	U					[AZ], With Cover, Seat Latch, Item 27
	#UN61 1K5AA	1	J, T					[K5], With Cover, Seat Latch, Item 27
		1	U					[K5], With Cover, Seat Latch, Item 27
	#UN61 1L5AA	1	J, T					[L5], With Cover, Seat Latch, Item 27
	SK47 1AZAA	1	J, T					[AZ], Without Cover, Seat Latch, Item 27
		1	U					[AZ], Without Cover, Seat Latch, Item 27
	SK47 1K5AA	1	J, T					[K5], Without Cover, Seat Latch, Item 27
		1	U					[K5], Without Cover, Seat Latch, Item 27
3								COVER, Rear Seat Back, 60%
	#UN58 1AZAA	1	J, T					[AZ], With Cover, Seat Latch, Item 27
	SK42 1L5AA	1	J, T					[L5], Without Cover, Seat Latch, Item 27
	#UN58 1AZAA	1	U					[AZ], With Cover, Seat Latch, Item 27
	#UN58 1K5AA	1	J, T					[K5], With Cover, Seat Latch, Item 27
		1	U					[K5], With Cover, Seat Latch, Item 27
	#UN58 1L5AA	1	J, T					[L5], With Cover, Seat Latch, Item 27
	SK42 1AZAA	1	J, T					[AZ], Without Cover, Seat Latch, Item 27
								27

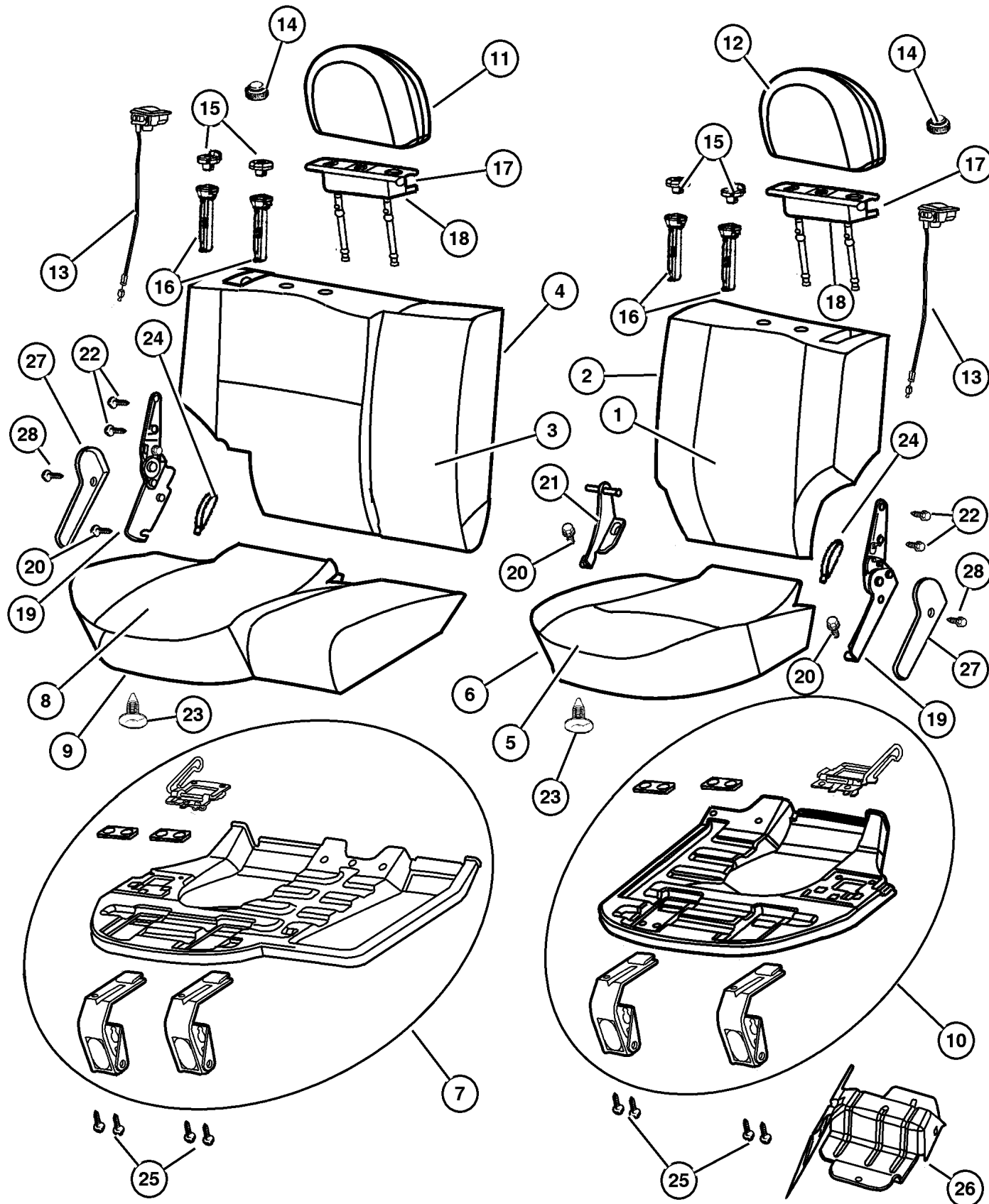
JEEP GRAND CHEROKEE (WJ)

SERIES	LINE	BODY	ENGINE	TRANSMISSION
H=Laredo	J = 4WD	74 = 4 Door(105.9 WB)	ER0, ERH = 4.0L, Power Tech I-6	DGK = 4 Speed Autm, 42RE
P=Limited	T = 2WD		EVO, EVA = 4.7L, Power Tech V8	DGW = 4 Speed Automatic, -44RE
	U = 4WD (RHD)		EXA, EX0 = 3.1L, 5 Cyl Turbo Diesel	DG4 = Multi Speed Automatic, -45RFE
				DGO = All Automatic

AR = Use as required - = Non illustrated part # = New this model year

September 14, 2002

Rear Seat, Trim Code [H7]  
Figure IWJ-610



ITEM	PART NUMBER	QTY	LINE	SERIES	BODY	ENGINE	TRANS	DESCRIPTION
		1	U					[AZ], Without Cover, Seat Latch, Item 27
	SK42 1K5AA	1	J, T					[K5], Without Cover, Seat Latch, Item 27
		1	U					[K5], Without Cover, Seat Latch, Item 27
4								SEAT BACK, Rear, 60%
	#UN60 1AZAA	1	J, T					[AZ], With Cover, Seat Latch, Item 27
	SK46 1L5AA	1	J, T					[L5], Without Cover, Seat Latch, Item 27
	#UN60 1AZAA	1	U					[AZ], With Cover, Seat Latch, Item 27
	#UN60 1K5AA	1	J, T					[K5], With Cover, Seat Latch, Item 27
		1	U					[K5], With Cover, Seat Latch, Item 27
	#UN60 1L5AA	1	J, T					[L5], With Cover, Seat Latch, Item 27
	SK46 1AZAA	1	J, T					[AZ], Without Cover, Seat Latch, Item 27
		1	U					[AZ], Without Cover, Seat Latch, Item 27
	SK46 1K5AA	1	J, T					[K5], Without Cover, Seat Latch, Item 27
		1	U					[K5], Without Cover, Seat Latch, Item 27
5								COVER, Rear Seat Cushion, 40%
	SK45 1AZAA	1	J, T					[AZ]
		1	U					[AZ]
	SK45 1K5AA	1	J, T					[K5]
		1	U					[K5]
	SK45 1L5AA	1	J, T					[L5]
6								CUSHION, Rear Seat, 40%
	SK49 1AZAA	1	J, T					[AZ]
		1	U					[AZ]
	SK49 1K5AA	1	J, T					[K5]
		1	U					[K5]
	SK49 1L5AA	1	J, T					[L5]
7								PANEL, Seat Cushion Base, 60%
	5013 119AA	1	J, T					
		1	U					
8								COVER, Rear Seat Cushion, 60%
	SK44 1AZAA	1	J, T					[AZ]
		1	U					[AZ]
	SK44 1K5AA	1	J, T					[K5]
		1	U					[K5]
	SK44 1L5AA	1	J, T					[L5]
9								CUSHION, Rear Seat, 60%

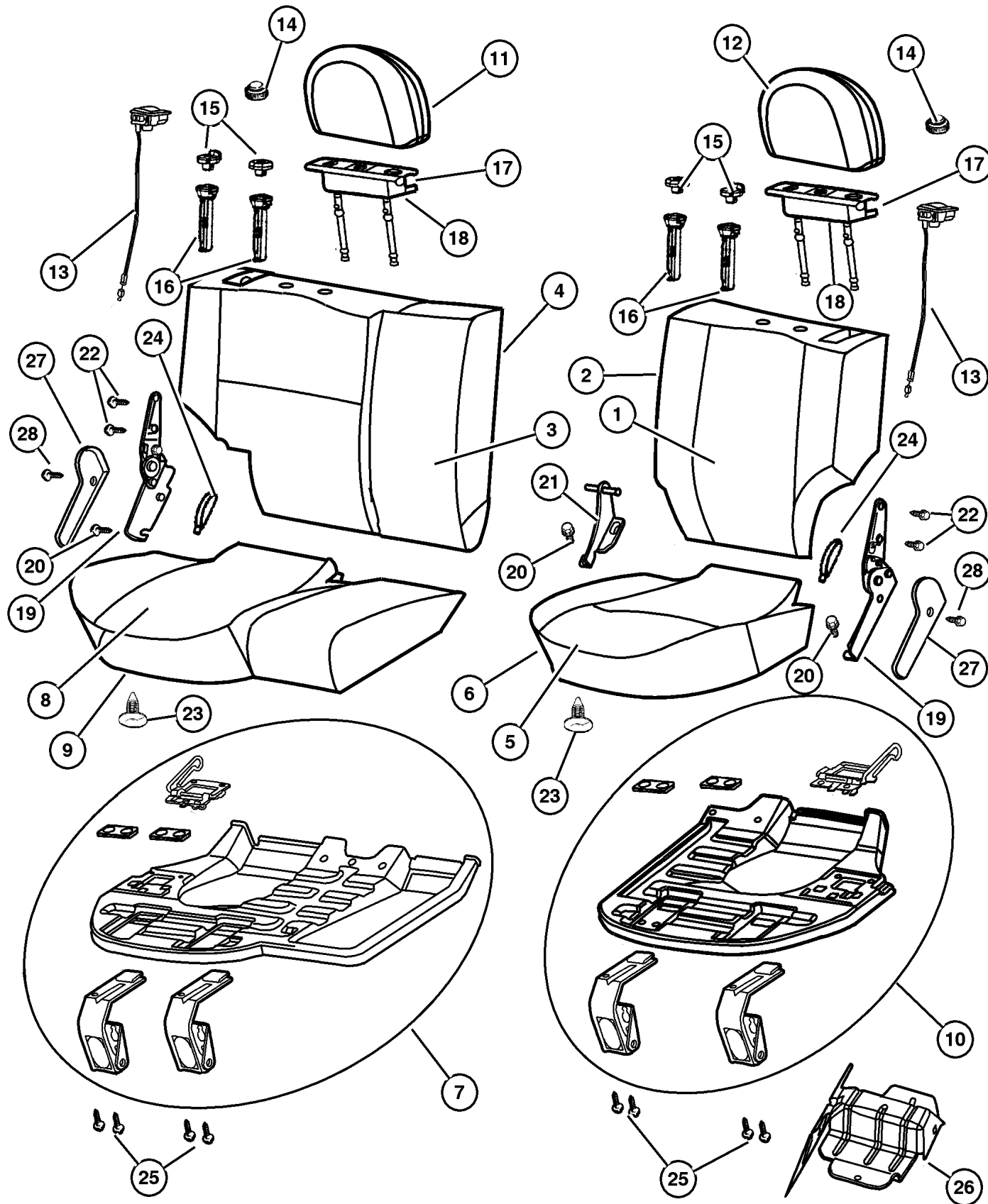
JEEP GRAND CHEROKEE (WJ)

SERIES	LINE	BODY	ENGINE	TRANSMISSION
H=Laredo	J = 4WD	74 = 4 Door(105.9 WB)	ER0, ERH = 4.0L, Power Tech I-6	DGK = 4 Speed Autm, 42RE
P=Limited	T = 2WD		EV0, EVA = 4.7L, Power Tech V8	DGW = 4 Speed Automatic, -44RE
	U = 4WD (RHD)		EXA, EX0 = 3.1L, 5 Cyl Turbo Diesel	DG4 = Multi Speed Automatic, -45RFE
				DGO = All Automatic

AR = Use as required - = Non illustrated part # = New this model year

September 14, 2002

Rear Seat, Trim Code [H7]  
Figure IWJ-610



ITEM	PART NUMBER	QTY	LINE	SERIES	BODY	ENGINE	TRANS	DESCRIPTION
	SK48 1AZAA	1	J, T					[AZ]
		1	U					[AZ]
	SK48 1K5AA	1	J, T					[K5]
		1	U					[K5]
	SK48 1L5AA	1	J, T					[L5]
10								PANEL, Seat Cushion Base, 40%
	5013 118AA	1	J, T					
		1	U					
11								HEADREST, Rear, Right
	SK52 1AZAA	1	J, T					[AZ]
	SK52 1K5AA	1	J, T					[K5]
	SK52 1L5AA	1	J, T					[L5]
	TH82 1AZAA	1	J, T					[AZ], Export
		1	U					[AZ]
	TH82 1K5AA	1	J, T					[K5], Export
		1	U					[K5]
12								HEADREST, Rear, Left
	SK53 1AZAA	1	J, T					[AZ]
	SK53 1K5AA	1	J, T					[K5]
	SK53 1L5AA	1	J, T					[L5]
	TH83 1AZAA	1	J, T					[AZ], Export
		1	U					[AZ]
	TH83 1K5AA	1	J, T					[K5], Export
		1	U					[K5]
13								CONTROL, SEAT RELEASE
	SX64 1AZAA	1	J, T					[AZ]
		2	U					[AZ]
	SX64 1K5AA	2	U					[K5]
		1	J, T					[K5]
	SX64 1L5AA	1	J, T					[L5]
14								HANDLE, Headrest
	5013 168AA	1	J, T					Right
		1	U					Right
	5013 169AA	1	U					Left
		1	J, T					Left
15								COVER, Headrest Sleeve
	5013 163AA	1	J, T					Non-Locking
		1	U					Non-Locking
	5013 172AA	1	J, T					Locking
		1	U					Locking
16								CYLINDER, Headrest
	5013 152AA	1	J, T					

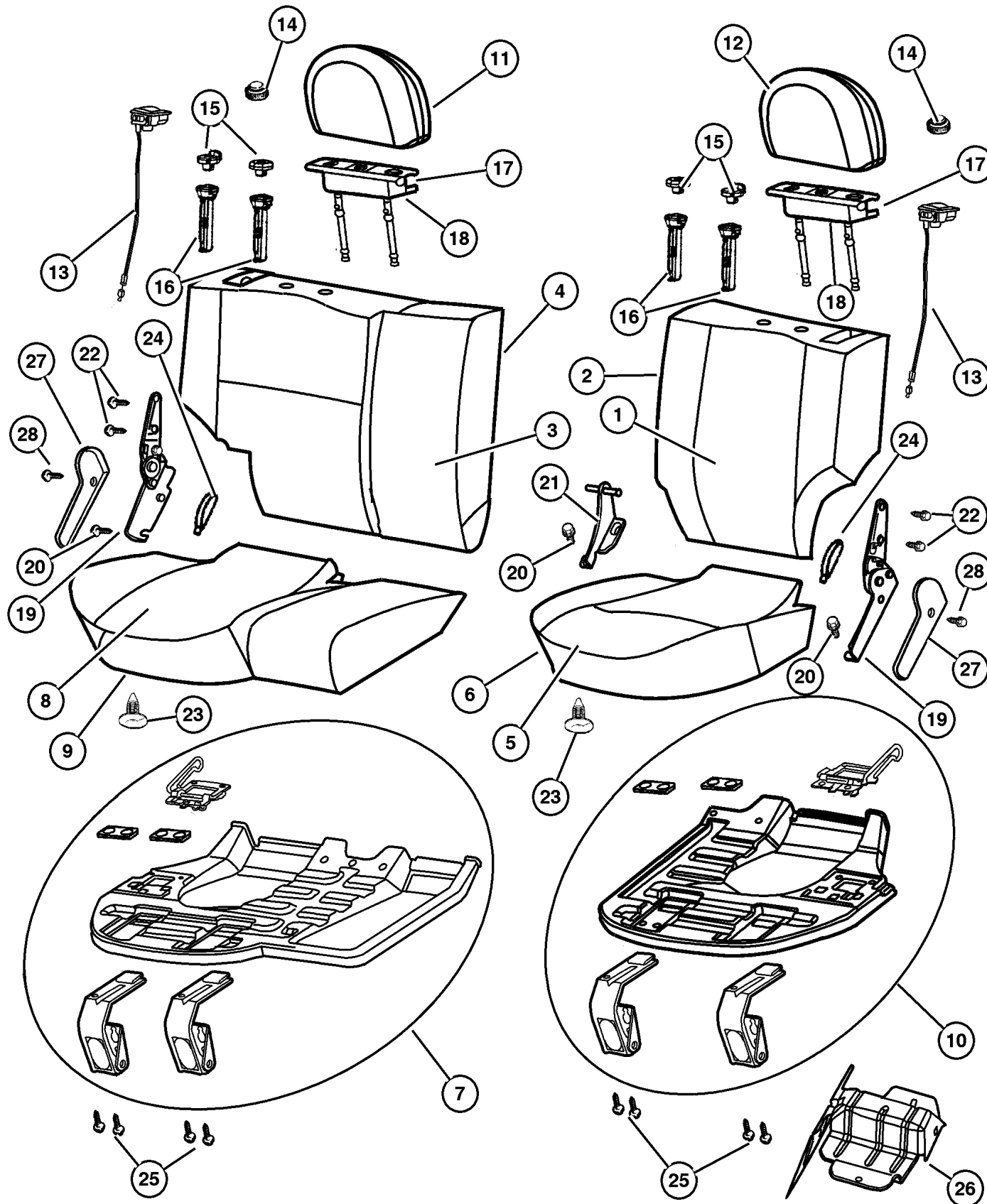
JEEP GRAND CHEROKEE (WJ)

SERIES	LINE	BODY	ENGINE	TRANSMISSION
H=Laredo	J = 4WD	74 = 4 Door(105.9 WB)	ER0, ERH = 4.0L, Power Tech I-6	DGK = 4 Speed Autm, 42RE
P=Limited	T = 2WD		EVO, EVA = 4.7L, Power Tech V8	DGW = 4 Speed Automatic, -44RE
	U = 4WD (RHD)		EXA, EX0 = 3.1L, 5 Cyl Turbo Diesel	DG4 = Multi Speed Automatic, -45RFE
				DGO = All Automatic

AR = Use as required - = Non illustrated part # = New this model year

September 14, 2002

Rear Seat, Trim Code [H7]  
Figure IWJ-610



ITEM	PART NUMBER	QTY	LINE	SERIES	BODY	ENGINE	TRANS	DESCRIPTION
		1	U					
17								BRACKET AND HINGE, Headrest
	5016 178AA	1	J, T					Right
	5016 179AA	1	J, T					Left
	5016 180AA	1	U					Right,Export
		1	J, T					Right,Export
	5016 181AA	1	U					Left,Export
		1	J, T					Left,Export
18								SHIELD, Headrest
	5016 920AA	1	J, T					Right
	5016 921AA	1	J, T					Left
19								LATCH, Seat
	5013 150AA	1	J, T					Right
		1	U					Right
	5013 151AA	1	U					Left
		1	J, T					Left
20	6504 915AA	4						SCREW
21								BRACKET, Pivot
	5013 145AA	1	J, T					
		1	U					
22	4720 768	4	J, T					BOLT, Recliner to Seat Back
23								RETAINER, Cushion Cover
	4720 778	5	J, T					
		5	U					
24								STRAP, Seat Pull
	SL00 1K5AA	2	U					[K5]
		1	J, T					[K5]
	SL00 1AZAA	1	J, T					[AZ]
		2	U					[AZ]
	SL00 1L5AA	1	J, T					[L5]
25	6100 558	8						BOLT AND CONED WASHER, Hex Head, M6x25x14
26								BRACKET, Seat
	55196 740AB	1						Rear Seat Cushion Latch, Right
	55196 741AD	1						Rear Seat Cushion Latch, Left
27								COVER, Seat latch
	#UN70 1AZAA	1	J, T					[AZ], Right
	#UN71 1L5AA	1	J, T					[L5], Left
	#UN70 1AZAA	1	U					[AZ], Right
	#UN70 1K5AA	1	J, T					[K5], Right
		1	U					[K5], Right
	#UN70 1L5AA	1	J, T					[L5], Right

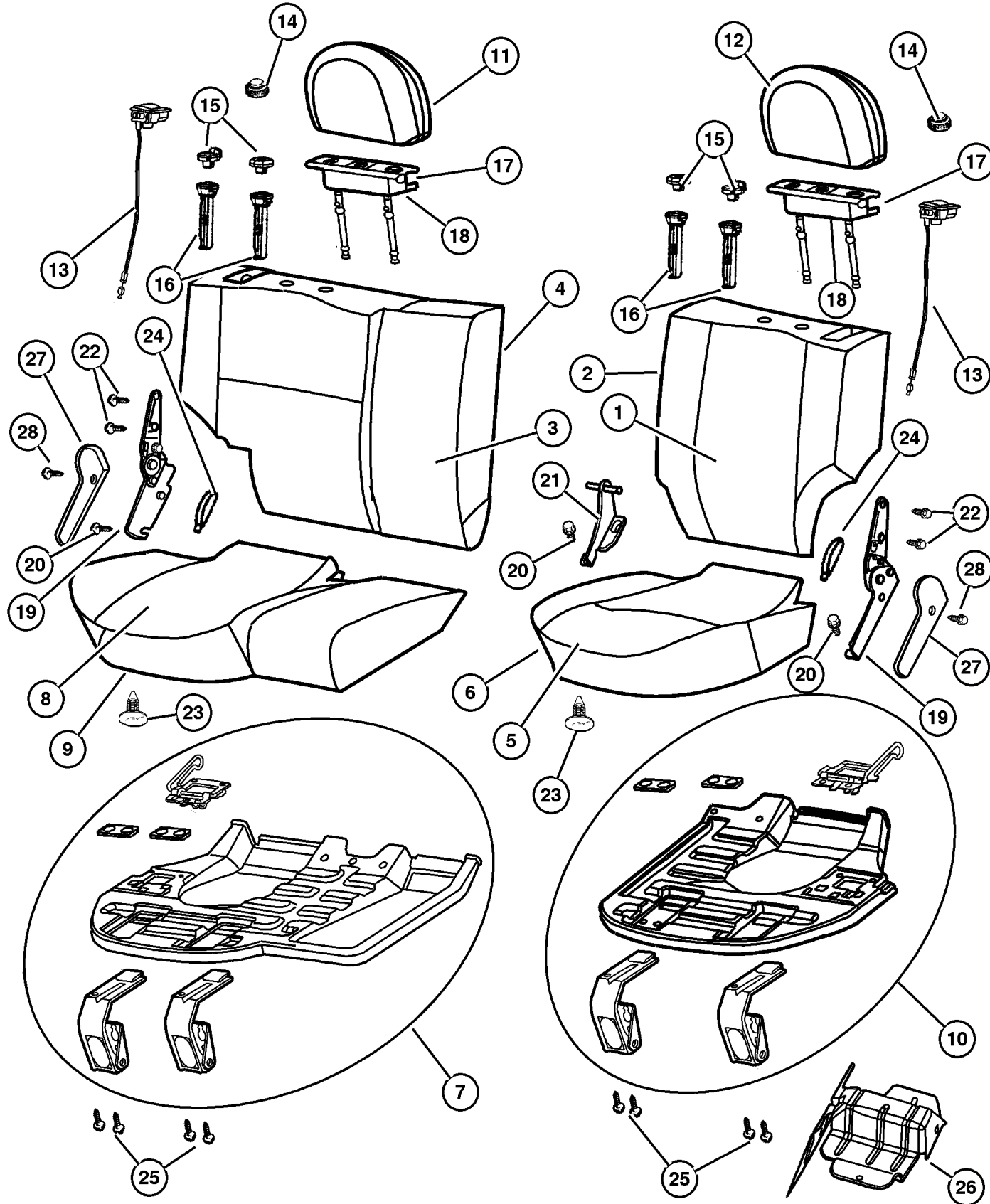
JEEP GRAND CHEROKEE (WJ)

SERIES	LINE	BODY	ENGINE	TRANSMISSION
H=Laredo	J = 4WD	74 = 4 Door(105.9 WB)	ER0, ERH = 4.0L, Power Tech I-6	DGK = 4 Speed Autm, 42RE
P=Limited	T = 2WD		EV0, EVA = 4.7L, Power Tech V8	DGW = 4 Speed Automatic, -44RE
	U = 4WD (RHD)		EXA, EX0 = 3.1L, 5 Cyl Turbo Diesel	DG4 = Multi Speed Automatic, -45RFE
				DGO = All Automatic

AR = Use as required - = Non illustrated part # = New this model year

September 14, 2002

Rear Seat, Trim Code [H7]  
Figure IWJ-610



ITEM	PART NUMBER	QTY	LINE	SERIES	BODY	ENGINE	TRANS	DESCRIPTION
	#UN71 1AZAA	1	J, T					[AZ], Left
		1	U					[AZ], Left
	#UN71 1K5AA	1	J, T					[K5], Left
		1	U					[K5], Left
28								SCREW, Trim
	4720 769	1	J, T					
		1	U					

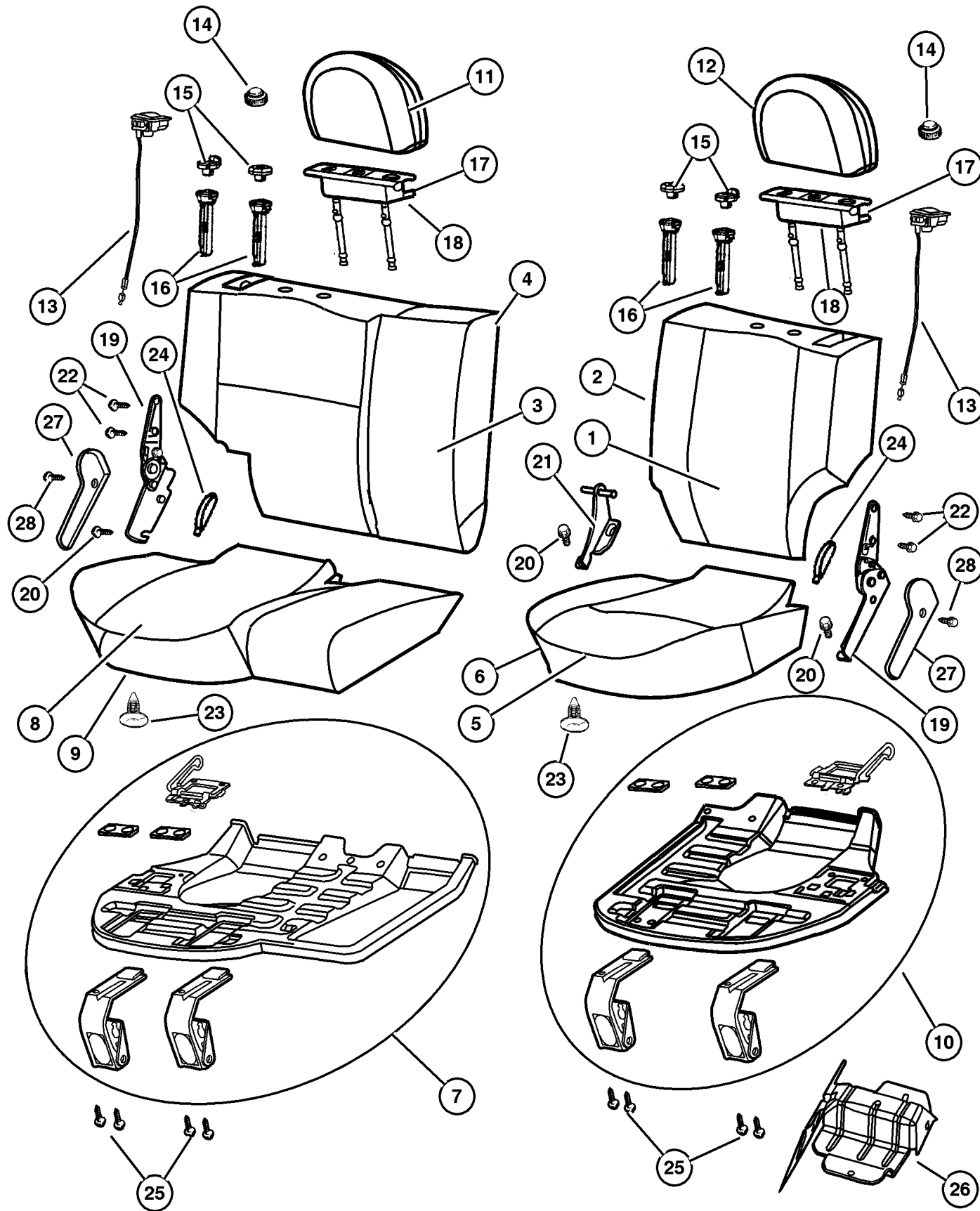
<b>JEEP GRAND CHEROKEE (WJ)</b>				
SERIES	LINE	BODY	ENGINE	TRANSMISSION
H=Laredo	J = 4WD	74 = 4 Door(105.9 WB)	ER0, ERH = 4.0L, Power Tech I-6	DGK = 4 Speed Autm, 42RE
P=Limited	T = 2WD		EVO, EVA = 4.7L, Power Tech V8	DGW = 4 Speed Automatic, -44RE
	U = 4WD (RHD)		EXA, EX0 = 3.1L, 5 Cyl Turbo Diesel	DG4 = Multi Speed Automatic, -45RFE
				DGO = All Automatic

AR = Use as required - = Non illustrated part # = New this model year

September 14, 2002



Rear Seat, Trim Code [FL]  
Figure IWJ-620



ITEM	PART NUMBER	QTY	LINE	SERIES	BODY	ENGINE	TRANS	DESCRIPTION
NOTE: Seat back and seat back covers have changed in February of 2000. Since there is no definite "Up To" or "After" date, the determining factor is if your vehicle has a Cover, Seat Latch, Item 27. Vehicles built prior to February of 2000 will not have a es built in February of 2000 and beyond.								
1	#TU23 1AZAA	1	J, T					COVER, Rear Seat Back, 40% [AZ], Without Cover, Seat Latch, Item 27--
	#TU23 1K5AA	1	J, T					[K5], Without Cover, Seat Latch, Item 27--
	#TU23 1L5AA	1	J, T					[L5], Without Cover, Seat Latch, Item 27--
	#UN67 1AZAA	1	J, T					[AZ], With Cover, Seat Latch, Item 27--
	#UN67 1K5AA	1	J, T					[K5], With Cover, Seat Latch, Item 27--
	#UN67 1L5AA	1	J, T					[L5], With Cover, Seat Latch, Item 27--
2	#TU27 1AZAA	1	J, T					SEAT BACK, Rear, 40% [AZ], Without Cover, Seat Latch, Item 27--
	#TU27 1K5AA	1	J, T					[K5], Without Cover, Seat Latch, Item 27--
	#TU27 1L5AA	1	J, T					[L5], Without Cover, Seat Latch, Item 27--
	#UN69 1AZAA	1	J, T					[AZ], With Cover, Seat Latch, Item 27--
	#UN69 1K5AA	1	J, T					[K5], With Cover, Seat Latch, Item 27--
	#UN69 1L5AA	1	J, T					[L5], With Cover, Seat Latch, Item 27--
3	#TU22 1AZAA	1	J, T					COVER, Rear Seat Back, 60% [AZ], Without Cover, Seat Latch, Item 27--
	#TU22 1K5AA	1	J, T					[K5], Without Cover, Seat Latch, Item 27--
	#TU22 1L5AA	1	J, T					[L5], Without Cover, Seat Latch, Item 27--
	#UN66 1AZAA	1	J, T					[AZ], With Cover, Seat Latch, Item 27--
	#UN66 1K5AA	1	J, T					[K5], With Cover, Seat Latch, Item 27--
	#UN66 1L5AA	1	J, T					[L5], With Cover, Seat Latch, Item 27--
4	#TU26 1AZAA	1	J, T					SEAT BACK, Rear, 60% [AZ], Without Cover, Seat Latch, Item 27--
	#TU26 1K5AA	1	J, T					[K5], Without Cover, Seat Latch, Item 27--
	#TU26 1L5AA	1	J, T					[L5], Without Cover, Seat Latch, Item 27--
	#UN68 1AZAA	1	J, T					[AZ], With Cover, Seat Latch, Item 27--
	#UN68 1K5AA	1	J, T					[K5], With Cover, Seat Latch, Item 27--

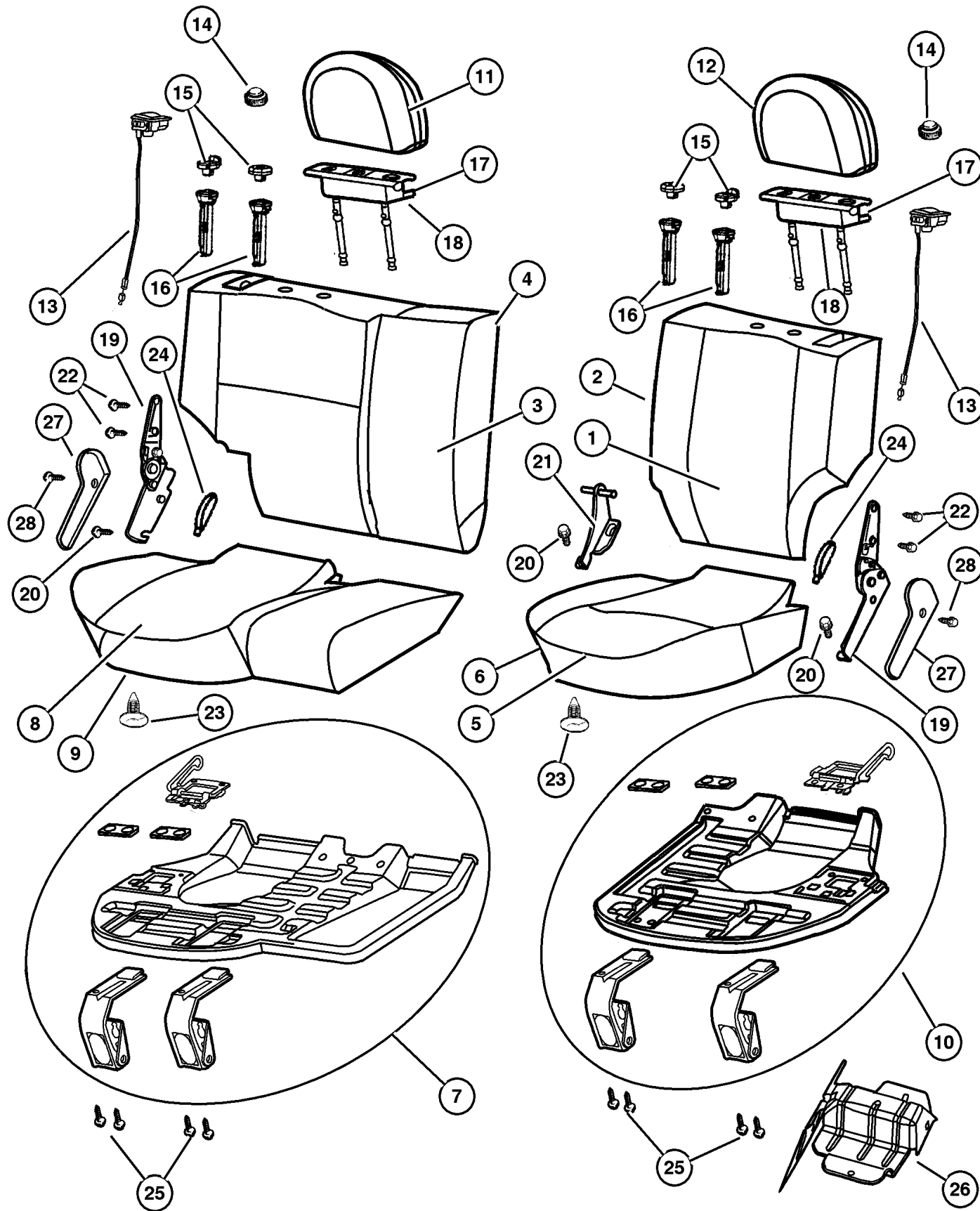
JEEP GRAND CHEROKEE (WJ)

SERIES	LINE	BODY	ENGINE	TRANSMISSION
H=Laredo	J = 4WD	74 = 4 Door(105.9 WB)	ER0, ERH = 4.0L, Power Tech I-6	DGK = 4 Speed Autm, 42RE
P=Limited	T = 2WD		EVO, EVA = 4.7L, Power Tech V8	DGW = 4 Speed Automatic, -44RE
	U = 4WD (RHD)		EXA, EX0 = 3.1L, 5 Cyl Turbo Diesel	DG4 = Multi Speed Automatic, -45RFE
				DGO = All Automatic

AR = Use as required - = Non illustrated part # = New this model year

September 14, 2002

Rear Seat, Trim Code [FL]  
Figure IWJ-620



ITEM	PART NUMBER	QTY	LINE	SERIES	BODY	ENGINE	TRANS	DESCRIPTION
	#UN68 1L5AA	1	J, T					[L5], With Cover, Seat Latch, Item 27~~
5	#TU25 1AZAA	1	J, T					COVER, Rear Seat Cushion, 40% [AZ]
	#TU25 1K5AA	1	J, T					[K5]
	#TU25 1L5AA	1	J, T					[L5]
6	#TU29 1AZAA	1	J, T					CUSHION, Rear Seat, 40% [AZ]
	#TU29 1K5AA	1	J, T					[K5]
	#TU29 1L5AA	1	J, T					[L5]
7	5013 119AA	1	J, T					PANEL, Seat Cushion Base, 60%
8	#TU24 1AZAA	1	J, T					COVER, Rear Seat Cushion, 60% [AZ]
	#TU24 1K5AA	1	J, T					[K5]
	#TU24 1L5AA	1	J, T					[L5]
9	#TU28 1AZAA	1	J, T					CUSHION, Rear Seat, 60% [AZ]
	#TU28 1K5AA	1	J, T					[K5]
	#TU28 1L5AA	1	J, T					[L5]
10	5013 118AA	1	J, T					PANEL, Seat Cushion Base, 40%
11	TH74 1AZAA	1	J, T					HEADREST, Rear, Right [AZ]
	TH74 1K5AA	1	J, T					[K5]
	TH74 1L5AA	1	J, T					[L5]
12	TH75 1AZAA	1	J, T					HEADREST, Rear, Left [AZ]
	TH75 1K5AA	1	J, T					[K5]
	TH75 1L5AA	1	J, T					[L5]
13	SX64 1AZAA	1	J, T					CONTROL, SEAT RELEASE [AZ]
	SX64 1K5AA	1	J, T					[K5]
	SX64 1L5AA	1	J, T					[L5]
14	5013 168AA	1	J, T					HANDLE, Headrest Right
	5013 169AA	1	J, T					Left
15	5013 163AA	4	J, T					COVER, Headrest Sleeve Non-Locking
	5013 172AA	4	J, T					Locking
16	5013 152AA	1	J, T					CYLINDER, Headrest
17	5016 178AA	1	J, T					BRACKET AND HINGE, Headrest Right
	5016 179AA	1	J, T					Left
18								SHIELD, Headrest

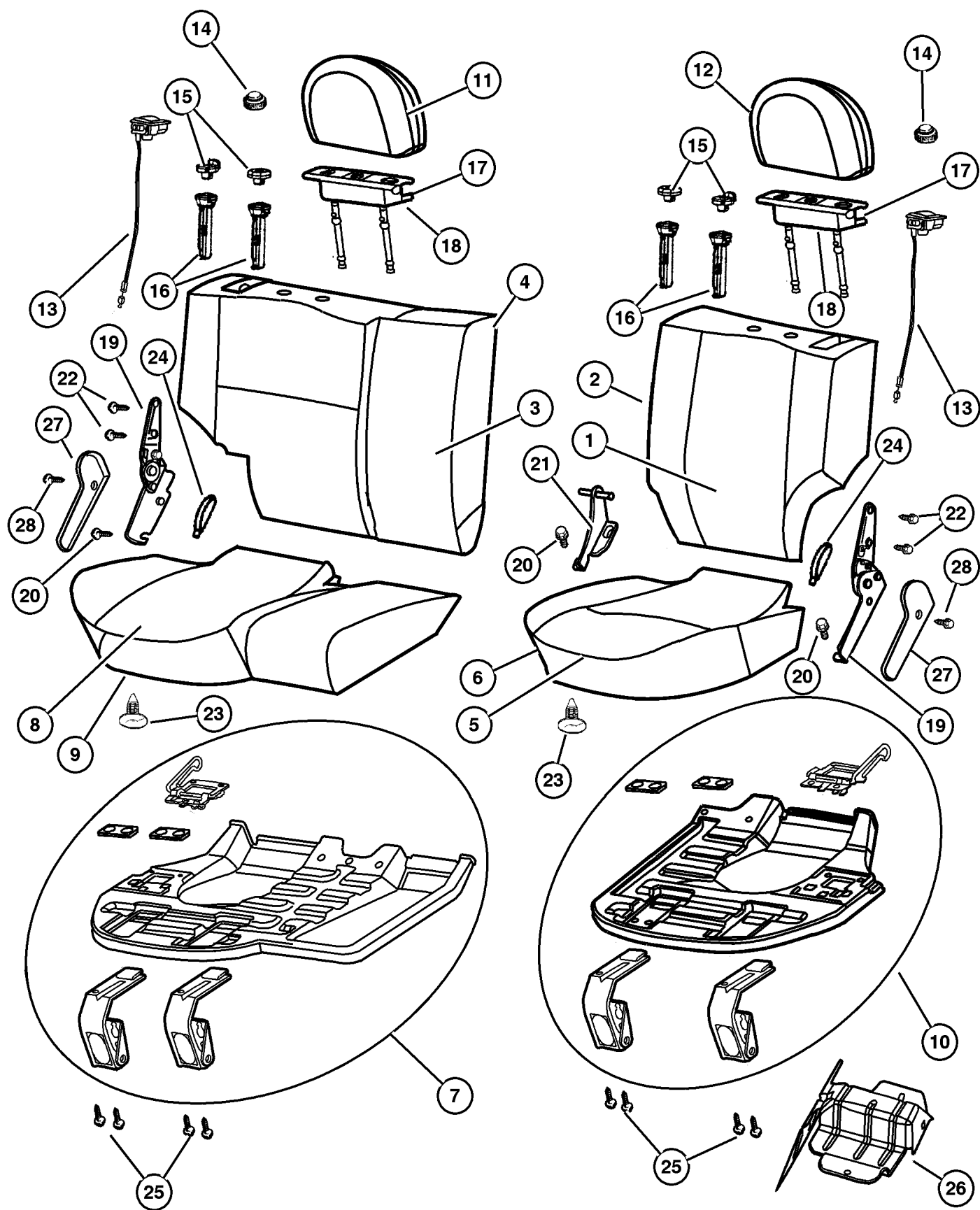
JEEP GRAND CHEROKEE (WJ)

SERIES	LINE	BODY	ENGINE	TRANSMISSION
H=Laredo	J = 4WD	74 = 4 Door(105.9 WB)	ER0, ERH = 4.0L, Power Tech I-6	DGK = 4 Speed Autm, 42RE
P=Limited	T = 2WD		EV0, EVA = 4.7L, Power Tech V8	DGW = 4 Speed Automatic, -44RE
	U = 4WD (RHD)		EXA, EX0 = 3.1L, 5 Cyl Turbo Diesel	DG4 = Multi Speed Automatic, -45RFE
				DGO = All Automatic

AR = Use as required - = Non illustrated part # = New this model year

September 14, 2002

Rear Seat, Trim Code [FL]  
Figure IWJ-620



ITEM	PART NUMBER	QTY	LINE	SERIES	BODY	ENGINE	TRANS	DESCRIPTION
	5016 920AA	1	J, T					Right
	5016 921AA	1	J, T					Left
19	5013 150AA	1	J, T					LATCH, Seat Right
	5013 151AA	1	J, T					Left
20	6504 915AA	4						SCREW
21	5013 145AA	1	J, T					BRACKET, Pivot
22	4720 768	4	J, T					BOLT, Recliner to Seat Back
23	4720 778	5	J, T					RETAINER, Cushion Cover
24								STRAP, Seat Pull
	SL00 1AZAA	2	J, T					[AZ]
	SL00 1K5AA	1	J, T					[K5]
	SL00 1L5AA	2	J, T					[L5]
25	6100 558	8						BOLT AND CONED WASHER, Hex Head, M6x25x14
26								BRACKET, Seat
	55196 740AB	1						Rear Seat Cushion Latch, Right
	55196 741AD	1						Left
27								COVER, Seat latch
	#UN70 1AZAA	1	J, T					[AZ], Right
	#UN70 1K5AA	1	J, T					[K5], Right
	#UN70 1L5AA	1	J, T					[L5], Right
	#UN71 1AZAA	1	J, T					[AZ], Left
	#UN71 1K5AA	1	J, T					[K5], Left
	#UN71 1L5AA	1	J, T					[L5], Left
28	4720 769	1	J, T					SCREW, Trim

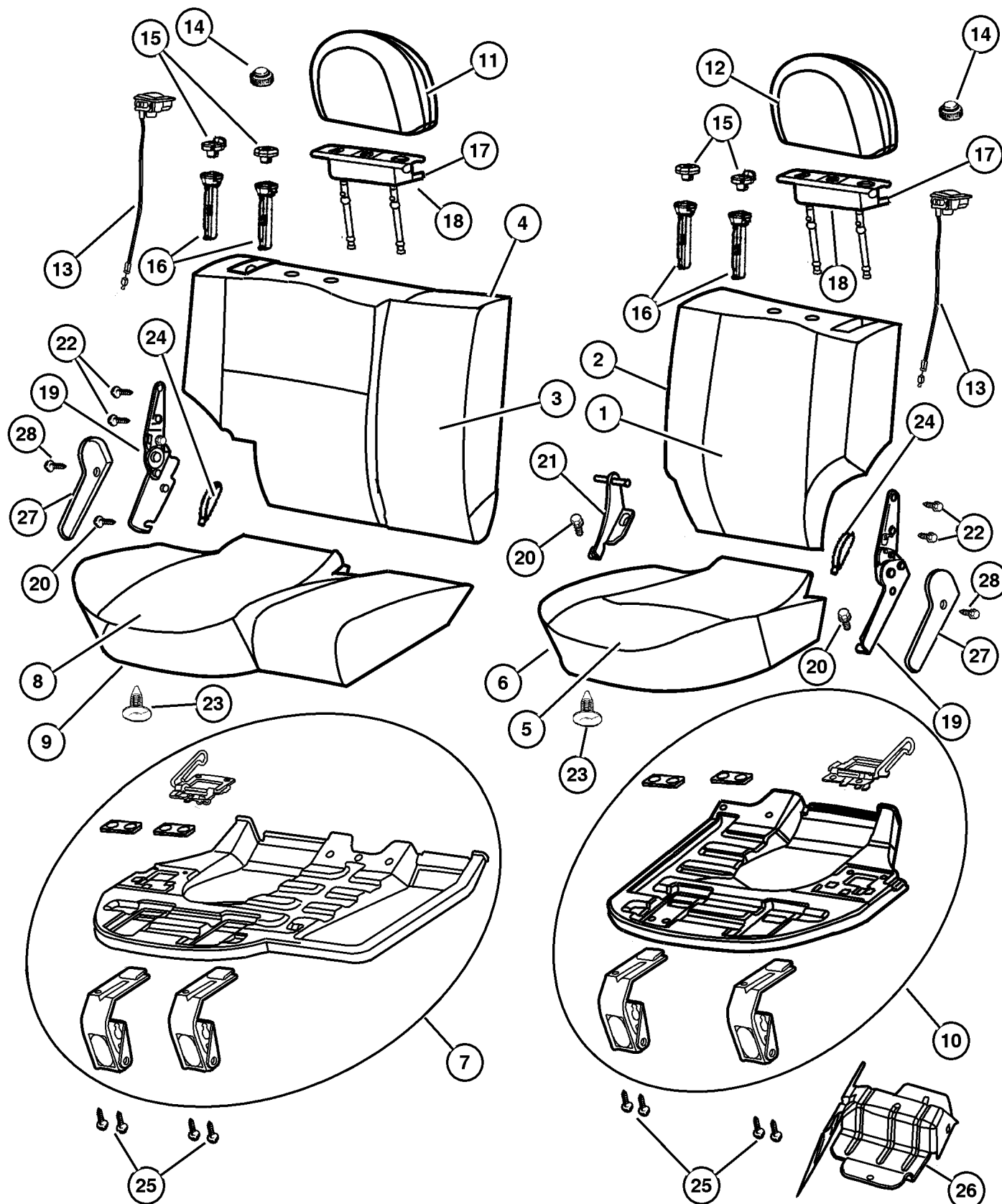
JEEP GRAND CHEROKEE (WJ)

SERIES	LINE	BODY	ENGINE	TRANSMISSION
H=Laredo	J = 4WD	74 = 4 Door(105.9 WB)	ER0, ERH = 4.0L, Power Tech I-6	DGK = 4 Speed Autm, 42RE
P=Limited	T = 2WD		EVO, EVA = 4.7L, Power Tech V8	DGW = 4 Speed Automatic, -44RE
	U = 4WD (RHD)		EXA, EX0 = 3.1L, 5 Cyl Turbo Diesel	DG4 = Multi Speed Automatic, -45RFE
				DGO = All Automatic

AR = Use as required - = Non illustrated part # = New this model year

September 14, 2002

## Rear Seat, Trim Code [DL] Figure IWJ-630



ITEM	PART NUMBER	QTY	LINE	SERIES	BODY	ENGINE	TRANS	DESCRIPTION
NOTE: Seat back and seat back covers have changed in February of 2000. Since there is no definite "Up To" or "After" date, the determining factor is if your vehicle has a Cover, Seat Latch, Item 27. Vehicles built prior to February of 2000 will not have a es built in February of 2000 and beyond.								
1								COVER, Rear Seat Back, 40%
	#TU41 1AZAA	1	J, T					[AZ], Without Cover, Seat Latch, Item 27
	#TU41 1K5AA	1	J, T					[K5], Without Cover, Seat Latch, Item 27
	#TU41 1L5AA	1	J, T					[L5], Without Cover, Seat Latch, Item 27
	#UN63 1AZAA	1	J, T					[AZ], With Cover, Seat Latch, Item 27
	#UN63 1K5AA	1	J, T					[K5], With Cover, Seat Latch, Item 27
	#UN63 1L5AA	1	J, T					[L5], With Cover, Seat Latch, Item 27
2								SEAT BACK, Rear, 40%
	#TU45 1AZAA	1	J, T					[AZ], Without Cover, Seat Latch, Item 27
	#TU45 1K5AA	1	J, T					[K5], Without Cover, Seat Latch, Item 27
	#TU45 1L5AA	1	J, T					[L5], Without Cover, Seat Latch, Item 27
	#UN65 1AZAA	1	J, T					[AZ], With Cover, Seat Latch, Item 27
	#UN65 1K5AA	1	J, T					[K5], With Cover, Seat Latch, Item 27
	#UN65 1L5AA	1	J, T					[L5], With Cover, Seat Latch, Item 27
3								COVER, Rear Seat Back, 60%
	#TU40 1AZAA	1	J, T					[AZ], Without Cover, Seat Latch, Item 27
	#TU40 1K5AA	1	J, T					[K5], Without Cover, Seat Latch, Item 27
	#TU40 1L5AA	1	J, T					[L5], Without Cover, Seat Latch, Item 27
	#UN62 1AZAA	1	J, T					[AZ], With Cover, Seat Latch, Item 27
	#UN62 1K5AA	1	J, T					[K5], With Cover, Seat Latch, Item 27
	#UN62 1L5AA	1	J, T					[L5], With Cover, Seat Latch, Item 27
4								SEAT BACK, Rear, 60%
	#TU44 1AZAA	1	J, T					[AZ], Without Cover, Seat Latch, Item 27
	#TU44 1K5AA	1	J, T					[K5], Without Cover, Seat Latch, Item 27
	#TU44 1L5AA	1	J, T					[L5], Without Cover, Seat Latch, Item 27
	#UN64 1AZAA	1	J, T					[AZ], With Cover, Seat Latch, Item 27
	#UN64 1K5AA	1	J, T					[K5], With Cover, Seat Latch, Item 27
	#UN64 1L5AA	1	J, T					[L5], With Cover, Seat Latch, Item 27
5								COVER, Rear Seat Cushion, 40%
	#TU43 1AZAA	1	J, T					[AZ]
	#TU43 1K5AA	1	J, T					[K5]

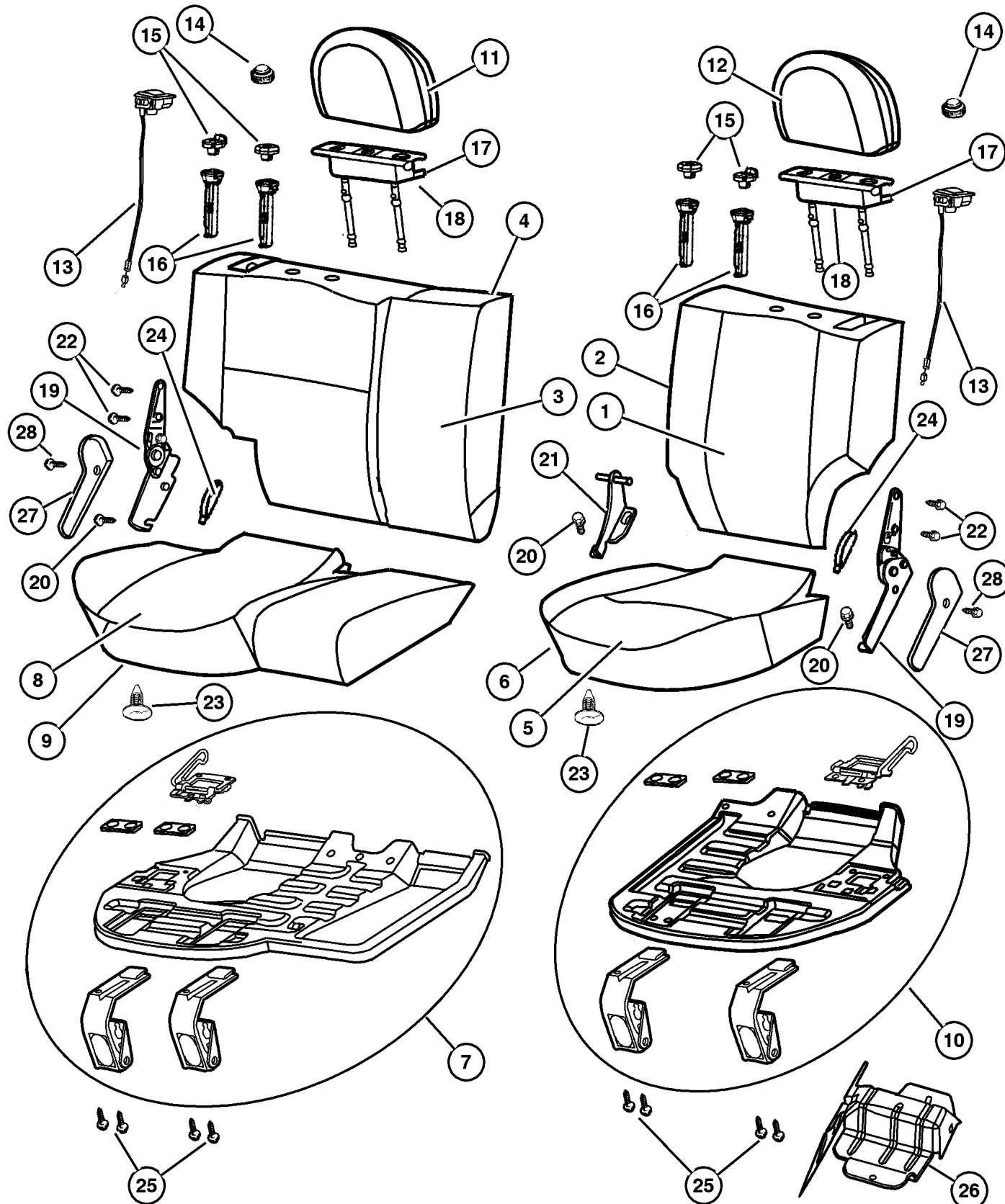
### JEEP GRAND CHEROKEE (WJ)

SERIES	LINE	BODY	ENGINE	TRANSMISSION
H=Laredo	J = 4WD	74 = 4 Door(105.9 WB)	ER0, ERH = 4.0L, Power Tech I-6	DGK = 4 Speed Autm, 42RE
P=Limited	T = 2WD		EVO, EVA = 4.7L, Power Tech V8	DGW = 4 Speed Automatic, -44RE
	U = 4WD (RHD)		EXA, EX0 = 3.1L, 5 Cyl Turbo Diesel	DG4 = Multi Speed Automatic, -45RFE
				DGO = All Automatic

AR = Use as required - = Non illustrated part # = New this model year

September 14, 2002

Rear Seat, Trim Code [DL]  
Figure IWJ-630



ITEM	PART NUMBER	QTY	LINE	SERIES	BODY	ENGINE	TRANS	DESCRIPTION
	#TU43 1L5AA	1	J, T					[L5]
6	#TU47 1AZAA	1	J, T					CUSHION, Rear Seat, 40% [AZ]
	#TU47 1K5AA	1	J, T					[K5]
	#TU47 1L5AA	1	J, T					[L5]
7	5013 119AA	1	J, T					PANEL, Seat Cushion Base, 60%
8	#TU42 1AZAA	1	J, T					COVER, Rear Seat Cushion, 60% [AZ]
	#TU42 1K5AA	1	J, T					[K5]
	#TU42 1L5AA	1	J, T					[L5]
9	#TU46 1AZAA	1	J, T					CUSHION, Rear Seat, 60% [AZ]
	#TU46 1K5AA	1	J, T					[K5]
	#TU46 1L5AA	1	J, T					[L5]
10	5013 118AA	1	J, T					PANEL, Seat Cushion Base, 40%
11	TH76 1AZAA	1	J, T					HEADREST, Rear, Right [AZ]
	TH76 1K5AA	1	J, T					[K5]
	TH76 1L5AA	1	J, T					[L5]
12	TH77 1AZAA	1	J, T					HEADREST, Rear, Left [AZ]
	TH77 1K5AA	1	J, T					[K5]
	TH77 1L5AA	1	J, T					[L5]
13	SX64 1AZAA	1	J, T					CONTROL, SEAT RELEASE [AZ]
	SX64 1K5AA	1	J, T					[K5]
	SX64 1L5AA	1	J, T					[L5]
14	5013 168AA	1	J, T					HANDLE, Headrest Right
	5013 169AA	1	J, T					Left
15	5013 163AA	4	J, T					COVER, Headrest Sleeve Non-Locking
	5013 172AA	4	J, T					Locking
16	5013 152AA	8	J, T					CYLINDER, Headrest
17	5016 178AA	1	J, T					BRACKET AND HINGE, Headrest Right
	5016 179AA	1	J, T					Left
18	5016 920AA	1	J, T					SHIELD, Headrest Right
	5016 921AA	1	J, T					Left
19	5013 150AA	1	J, T					LATCH, Seat Right

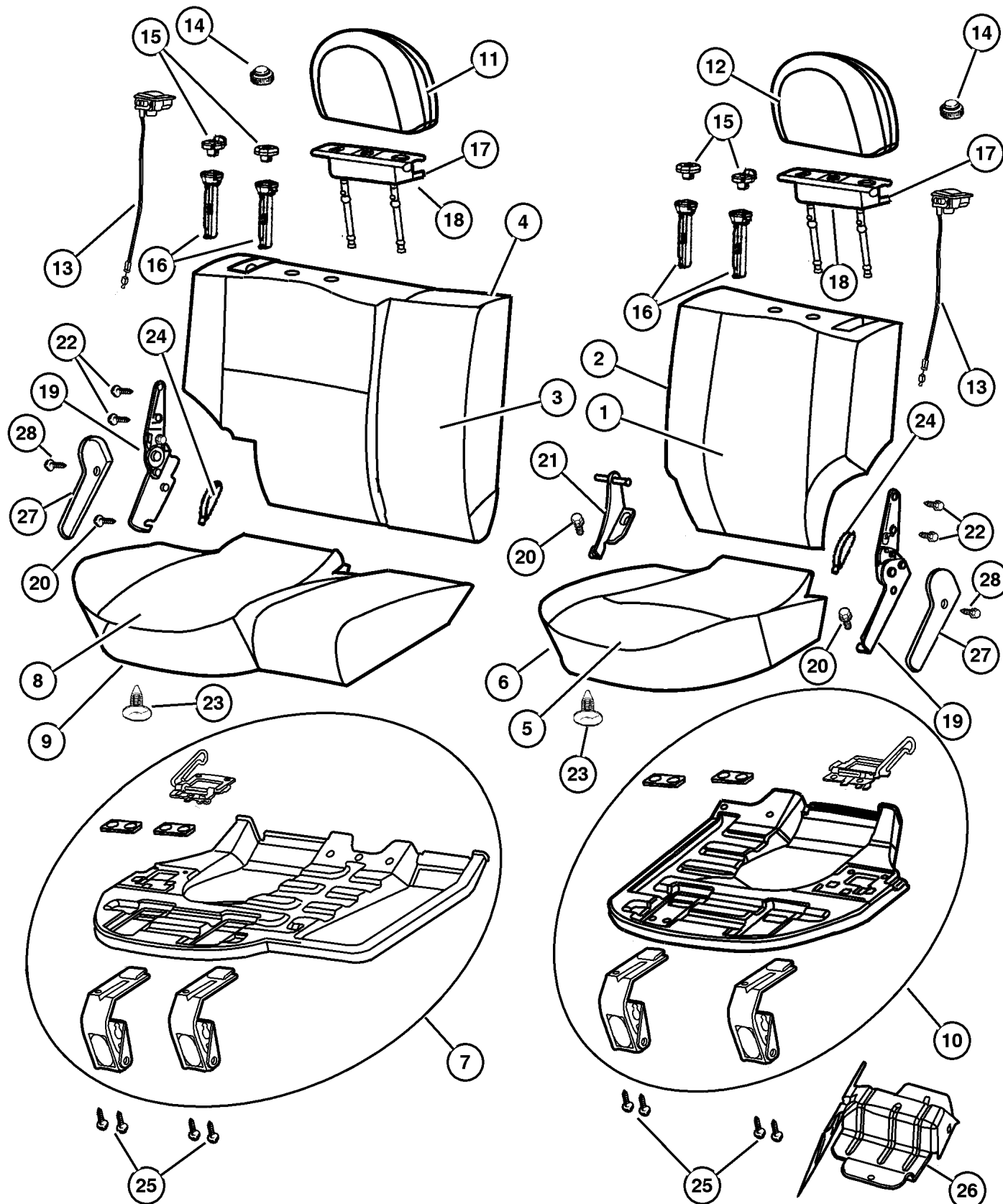
JEEP GRAND CHEROKEE (WJ)

SERIES	LINE	BODY	ENGINE	TRANSMISSION
H=Laredo	J = 4WD	74 = 4 Door(105.9 WB)	ER0, ERH = 4.0L, Power Tech I-6	DGK = 4 Speed Autm, 42RE
P=Limited	T = 2WD		EVO, EVA = 4.7L, Power Tech V8	DGW = 4 Speed Automatic, -44RE
	U = 4WD (RHD)		EXA, EX0 = 3.1L, 5 Cyl Turbo Diesel	DG4 = Multi Speed Automatic, -45RFE
				DGO = All Automatic

AR = Use as required - = Non illustrated part # = New this model year

September 14, 2002

Rear Seat, Trim Code [DL]  
Figure IWJ-630



ITEM	PART NUMBER	QTY	LINE	SERIES	BODY	ENGINE	TRANS	DESCRIPTION
	5013 151AA	1	J, T					Left
20	6504 915AA	4						SCREW
21	5013 145AA	1	J, T					BRACKET, Pivot
22	4720 768	4	J, T					BOLT, Recliner to Seat Back
23	4720 778	5	J, T					RETAINER, Cushion Cover
24								STRAP, Seat Pull
	SL00 1AZAA	2	J, T					[AZ]
	SL00 1K5AA	2	J, T					[K5]
	SL00 1L5AA	2	J, T					[L5]
25	6100 558	8						BOLT AND CONED WASHER, Hex Head, M6x25x14
26								BRACKET, Seat
	55196 740AB	1						Rear Seat Cushion Latch, Right
	55196 741AD	1						Rear Seat Cushion Latch, Left
27								COVER, Seat latch
	#UN70 1AZAA	1	J, T					[AZ], Right
	#UN70 1K5AA	1	J, T					[K5], Right
	#UN70 1L5AA	1	J, T					[L5], Right
	#UN71 1AZAA	1	J, T					[AZ], Left
	#UN71 1K5AA	1	J, T					[K5], Left
	#UN71 1L5AA	1	J, T					[L5], Left
28	4720 769	1	J, T					SCREW, Trim

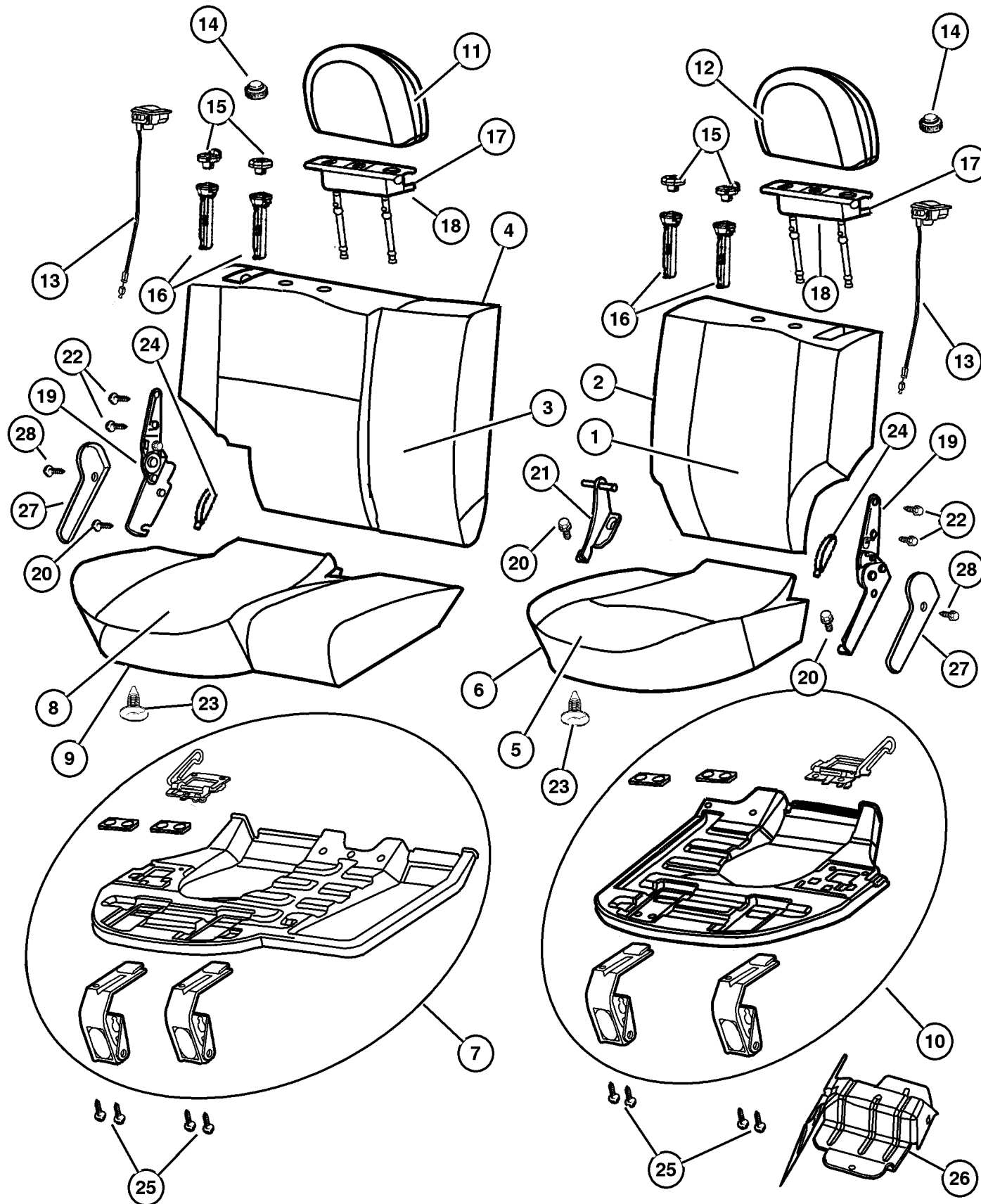
JEEP GRAND CHEROKEE (WJ)

SERIES	LINE	BODY	ENGINE	TRANSMISSION
H=Laredo	J = 4WD	74 = 4 Door(105.9 WB)	ER0, ERH = 4.0L, Power Tech I-6	DGK = 4 Speed Autm, 42RE
P=Limited	T = 2WD		EVO, EVA = 4.7L, Power Tech V8	DGW = 4 Speed Automatic, -44RE
	U = 4WD (RHD)		EXA, EX0 = 3.1L, 5 Cyl Turbo Diesel	DG4 = Multi Speed Automatic, -45RFE
				DGO = All Automatic

AR = Use as required - = Non illustrated part # = New this model year

September 14, 2002

Rear Seat, Trim Code [EL]  
Figure IWJ-640



ITEM	PART NUMBER	QTY	LINE	SERIES	BODY	ENGINE	TRANS	DESCRIPTION
------	-------------	-----	------	--------	------	--------	-------	-------------

NOTE: Seat back and seat back covers have changed in February of 2000. Since there is no definite "Up To" or "After" date, the determining factor is if your vehicle has a Cover, Seat Latch, Item 27. Vehicles built prior to February of 2000 will not have a es built in February of 2000 and beyond.

1	#TV43 1AZAA	1	J, T					COVER, Rear Seat Back, 40% [AZ], Without Cover, Seat Latch, Item 27
		1	U					[AZ], Without Cover, Seat Latch, Item 27
	#TV43 1K5AA	1	J, T					[K5], Without Cover, Seat Latch, Item 27
		1	U					[K5], Without Cover, Seat Latch, Item 27
	#UK15 1AZAA	1	J, T					[AZ], With Cover, Seat Latch, Item 27
		1	U					[AZ], With Cover, Seat Latch, Item 27
	#UK15 1K5AA	1	U					[K5], With Cover, Seat Latch, Item 27
		1	J, T					[K5], With Cover, Seat Latch, Item 27
2	#TV47 1AZAA	1	J, T					SEAT BACK, Rear, 40% [AZ], Without Cover, Seat Latch, Item 27
		1	U					[AZ], Without Cover, Seat Latch, Item 27
	#TV47 1K5AA	1	J, T					[K5], Without Cover, Seat Latch, Item 27
		1	U					[K5], Without Cover, Seat Latch, Item 27
	#UK13 1AZAA	1	U					[AZ], With Cover, Seat Latch, Item 27
		1	J, T					[AZ], With Cover, Seat Latch, Item 27
	#UK13 1K5AA	1	U					[K5], With Cover, Seat Latch, Item 27
		1	J, T					[K5], With Cover, Seat Latch, Item 27
3	#TV42 1AZAA	1	J, T					COVER, Rear Seat Back, 60% [AZ], Without Cover, Seat Latch, Item 27
		1	U					[AZ], Without Cover, Seat Latch, Item 27
	#TV42 1K5AA	1	J, T					[K5], Without Cover, Seat Latch, Item 27
		1	U					[K5], Without Cover, Seat Latch, Item 27
	#UK14 1AZAA	1	U					[AZ], With Cover, Seat Latch, Item 27
		1	J, T					[AZ], With Cover, Seat Latch, Item 27
	#UK14 1K5AA	1	U					[K5], With Cover, Seat Latch, Item 27
		1	J, T					[K5], With Cover, Seat Latch, Item 27
4								SEAT BACK, Rear, 60%

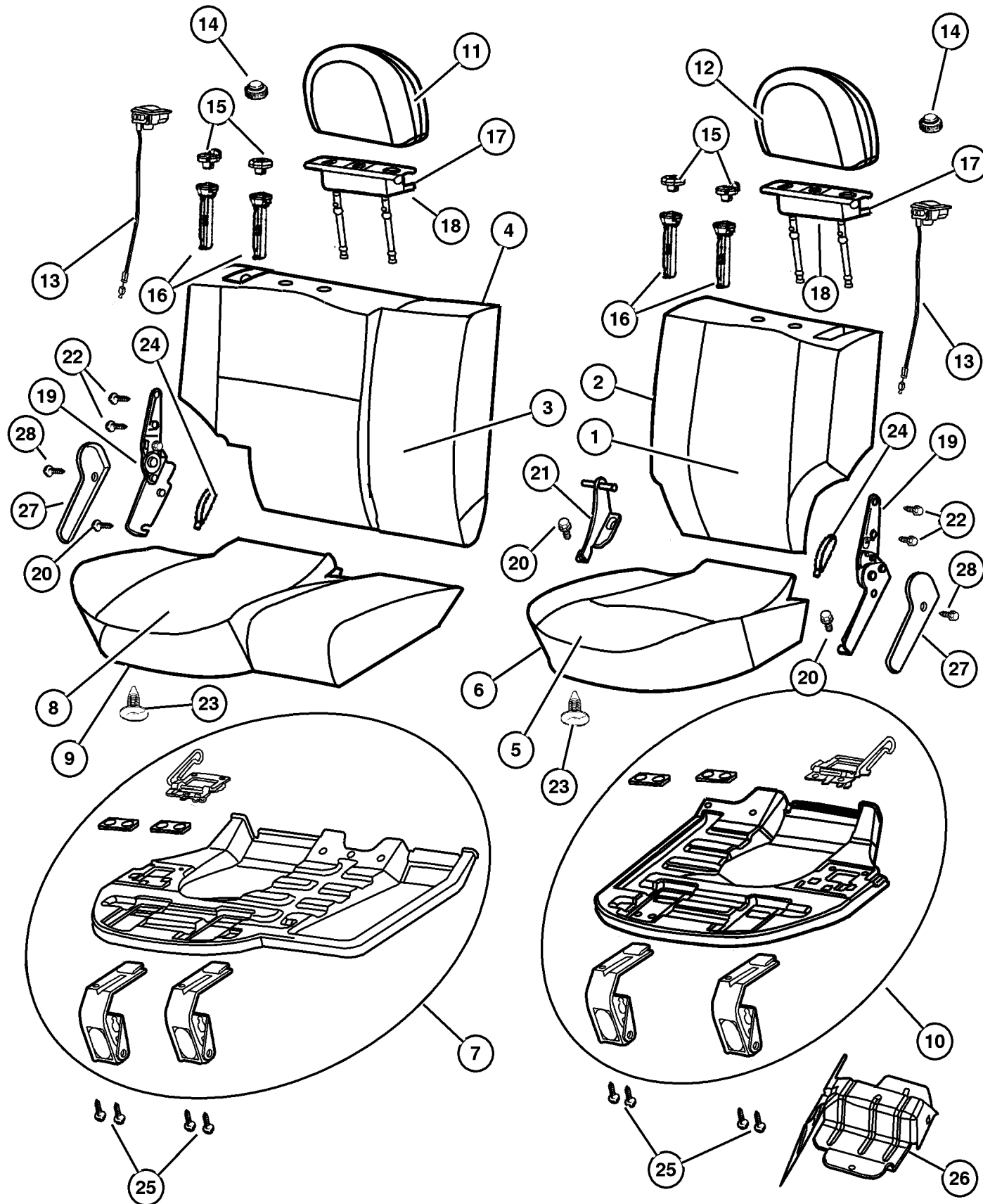
JEEP GRAND CHEROKEE (WJ)

SERIES	LINE	BODY	ENGINE	TRANSMISSION
H=Laredo	J = 4WD	74 = 4 Door(105.9 WB)	ER0, ERH = 4.0L, Power Tech I-6	DGK = 4 Speed Autm, 42RE
P=Limited	T = 2WD		EVO, EVA = 4.7L, Power Tech V8	DGW = 4 Speed Automatic, -44RE
	U = 4WD (RHD)		EXA, EX0 = 3.1L, 5 Cyl Turbo Diesel	DG4 = Multi Speed Automatic, -45RFE
				DGO = All Automatic

AR = Use as required - = Non illustrated part # = New this model year

September 14, 2002

Rear Seat, Trim Code [EL]  
Figure IWJ-640



ITEM	PART NUMBER	QTY	LINE	SERIES	BODY	ENGINE	TRANS	DESCRIPTION
	#TV46 1AZAA	1	J, T					[AZ], Without Cover, Seat Latch, Item 27
		1	U					[AZ], Without Cover, Seat Latch, Item 27
	#TV46 1K5AA	1	J, T					[K5], Without Cover, Seat Latch, Item 27
		1	U					[K5], Without Cover, Seat Latch, Item 27
	#UK12 1AZAA	1	U					[AZ], With Cover, Seat Latch, Item 27
	#UK12 1K5AA	1	J, T					[AZ], With Cover, Seat Latch, Item 27
		1	U					[K5], With Cover, Seat Latch, Item 27
		1	J, T					[K5], With Cover, Seat Latch, Item 27
5								COVER, Rear Seat Cushion, 40%
	#TV45 1AZAA	1	J, T					[AZ]
		1	U					[AZ]
	#TV45 1K5AA	1	J, T					[K5]
		1	U					[K5]
6								CUSHION, Rear Seat, 40%
	#TV49 1AZAA	1	J, T					[AZ]
		1	U					[AZ]
	#TV49 1K5AA	1	J, T					[K5]
		1	U					[K5]
7								PANEL, Seat Cushion Base, 60%
	5013 119AA	1	J, T					
		1	U					
8								COVER, Rear Seat Cushion, 60%
	#TV44 1AZAA	1	J, T					[AZ]
		1	U					[AZ]
	#TV44 1K5AA	1	J, T					[K5]
		1	U					[K5]
9								CUSHION, Rear Seat, 60%
	#TV48 1AZAA	1	J, T					[AZ]
		1	U					[AZ]
	#TV48 1K5AA	1	J, T					[K5]
		1	U					[K5]
10								PANEL, Seat Cushion Base, 40%
	5013 118AA	1	J, T					
		1	U					
11								HEADREST, Rear, Right
	TH80 1AZAA	1	J, T					[AZ]
		1	U					[AZ]
	TH80 1K5AA	1	J, T					[K5]

JEEP GRAND CHEROKEE (WJ)

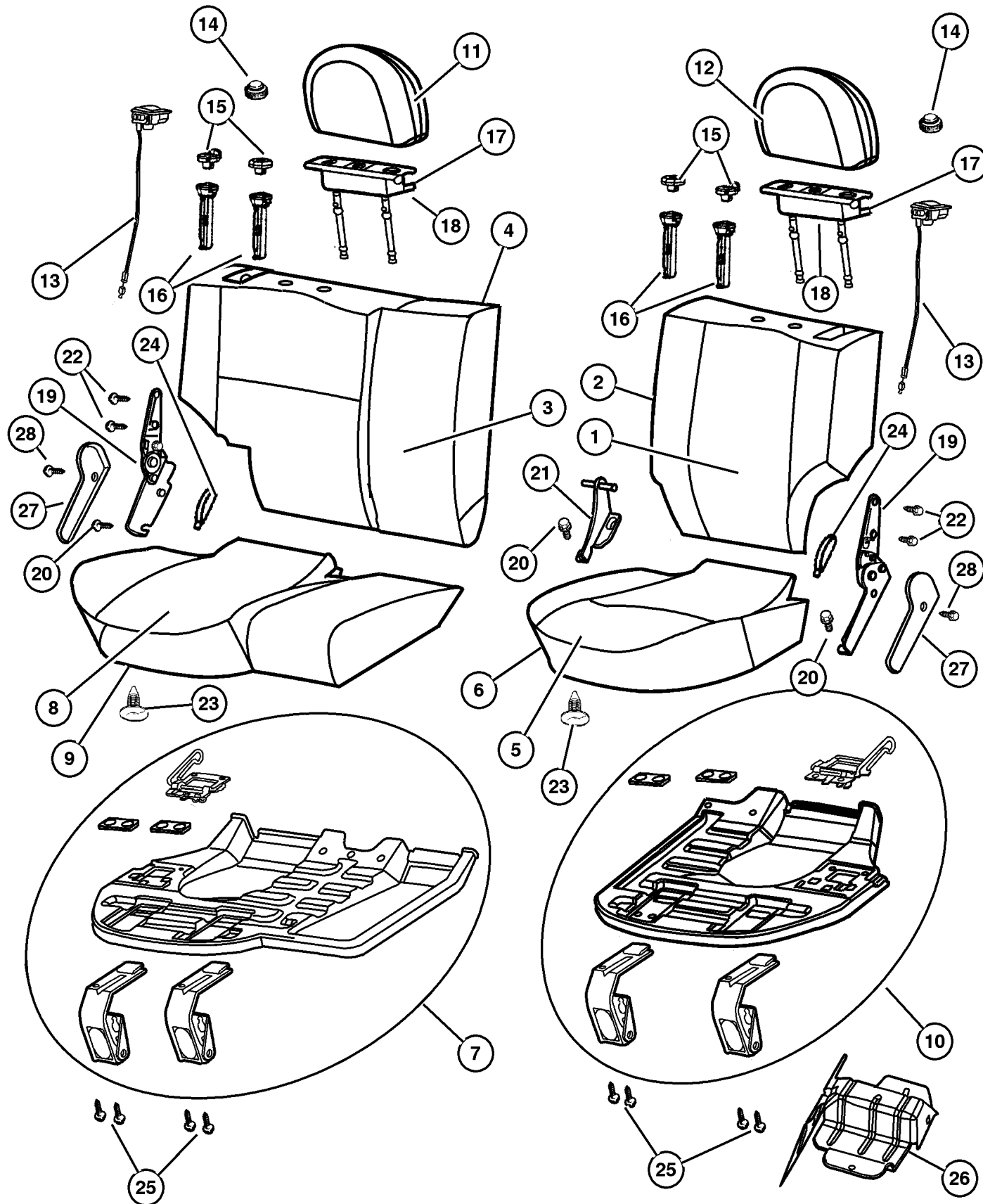
SERIES	LINE	BODY	ENGINE	TRANSMISSION
H=Laredo	J = 4WD	74 = 4 Door(105.9 WB)	ER0, ERH = 4.0L, Power Tech I-6	DGK = 4 Speed Autm, 42RE
P=Limited	T = 2WD		EV0, EVA = 4.7L, Power Tech V8	DGW = 4 Speed Automatic, -44RE
	U = 4WD (RHD)		EXA, EX0 = 3.1L, 5 Cyl Turbo Diesel	DG4 = Multi Speed Automatic, -45RFE
				DGO = All Automatic

AR = Use as required - = Non illustrated part # = New this model year

September 14, 2002



Rear Seat, Trim Code [EL]  
Figure IWJ-640



ITEM	PART NUMBER	QTY	LINE	SERIES	BODY	ENGINE	TRANS	DESCRIPTION
		1	U					[K5]
12	TH81 1AZAA	1	J, T					HEADREST, Rear, Left [AZ]
	TH81 1K5AA	1	U					[AZ]
		1	J, T					[K5]
13	SX64 1AZAA	2	J, T					CONTROL, SEAT RELEASE [AZ]
	SX64 1K5AA	2	U					[AZ]
		2	J, T					[K5]
		2	U					[K5]
14	5013 168AA	1	J, T					HANDLE, Headrest Right
	5013 169AA	1	U					Right
		1	J, T					Left
		1	U					Left
15	5013 163AA	8	J, T					COVER, Headrest Sleeve Non-Locking
	5013 172AA	8	U					Non-Locking
		8	J, T					Locking
		8	U					Locking
16	5013 152AA	8	J, T					CYLINDER, Headrest
		8	U					
17	5016 180AA	1	J, T					BRACKET AND HINGE, Headrest Right
	5016 181AA	1	U					Right
		1	J, T					Left
		1	U					Left
18	5016 920AA	1	J, T					SHIELD, Headrest Right
	5016 921AA	1	U					Right
		1	J, T					Left
		1	U					Left
19	5013 150AA	1	J, T					LATCH, Seat Right
	5013 151AA	1	U					Right
		1	J, T					Left
		1	U					Left
20	6504 915AA	4						SCREW
21	5013 145AA	1	J, T					BRACKET, Pivot

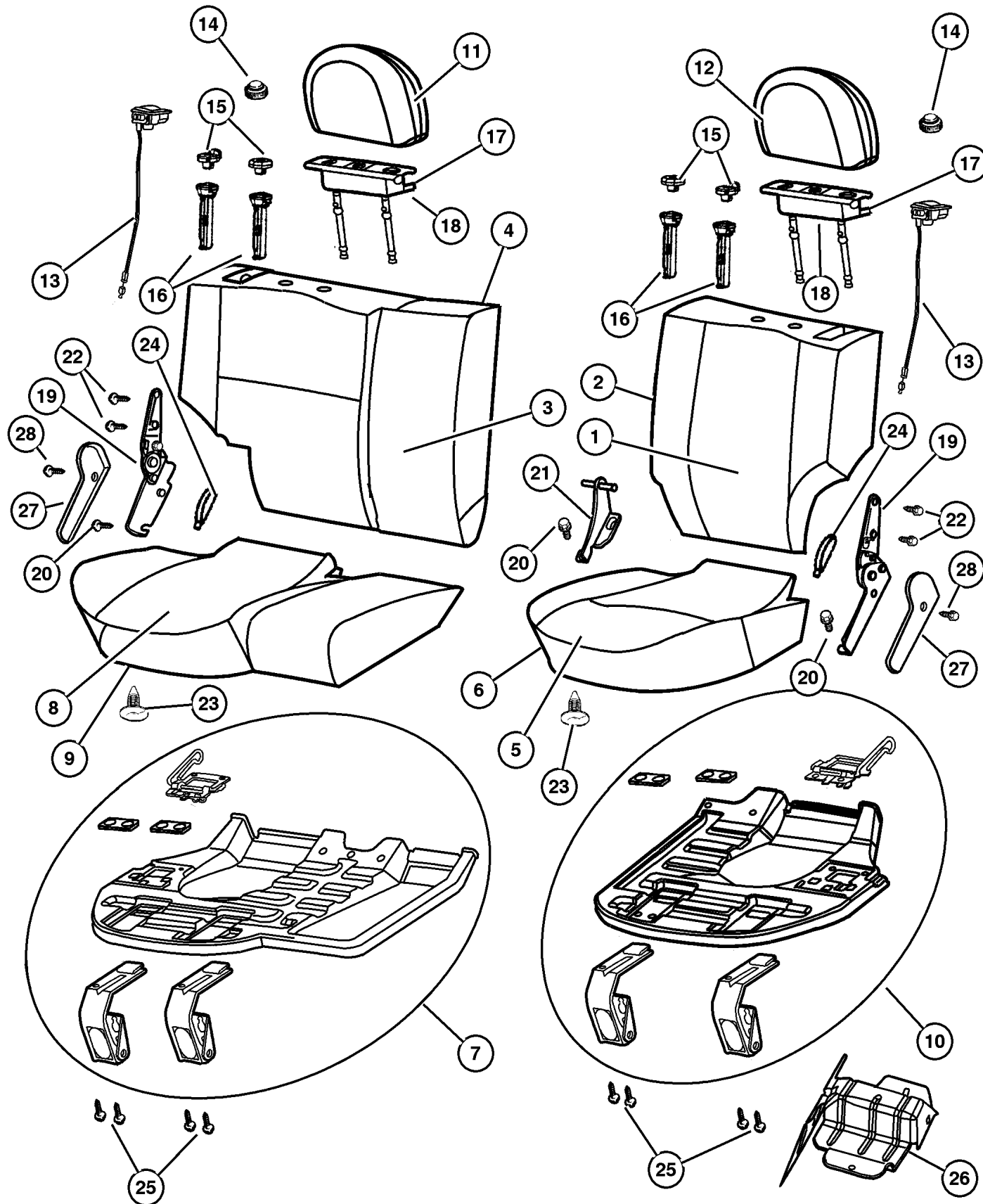
JEEP GRAND CHEROKEE (WJ)

SERIES	LINE	BODY	ENGINE	TRANSMISSION
H=Laredo	J = 4WD	74 = 4 Door(105.9 WB)	ER0, ERH = 4.0L, Power Tech I-6	DGK = 4 Speed Autm, 42RE
P=Limited	T = 2WD		EVO, EVA = 4.7L, Power Tech V8	DGW = 4 Speed Automatic, -44RE
	U = 4WD (RHD)		EXA, EX0 = 3.1L, 5 Cyl Turbo Diesel	DG4 = Multi Speed Automatic, -45RFE
				DGO = All Automatic

AR = Use as required - = Non illustrated part # = New this model year

September 14, 2002

Rear Seat, Trim Code [EL]  
Figure IWJ-640



ITEM	PART NUMBER	QTY	LINE	SERIES	BODY	ENGINE	TRANS	DESCRIPTION
		1	U					
22	4720 768	4	J, T					BOLT, Recliner to Seat Back
23	4720 778	5	J, T					RETAINER, Cushion Cover
		5	U					
24								STRAP, Seat Pull
	SL00 1AZAA	2	J, T					[AZ]
		2	U					[AZ]
	SL00 1K5AA	2	J, T					[K5]
		2	U					[K5]
25	6100 558	8						BOLT AND CONED WASHER, Hex Head, M6x25x14
26								BRACKET, Seat
	55196 740AB	1						Rear Seat Cushion Latch, Right
	55196 741AD	1						Rear Seat Cushion Latch, Left
27								COVER, Seat latch
	#UN70 1AZAA	1	J, T					[AZ], Right
	#UN70 1K5AA	1	J, T					[K5], Right
	#UN71 1AZAA	1	J, T					[AZ], Left
	#UN71 1K5AA	1	J, T					[K5], Left
28								SCREW, Trim
	4720 769	2	U					
		2	J, T					

JEEP GRAND CHEROKEE (WJ)

SERIES  
H=Laredo  
P=Limited

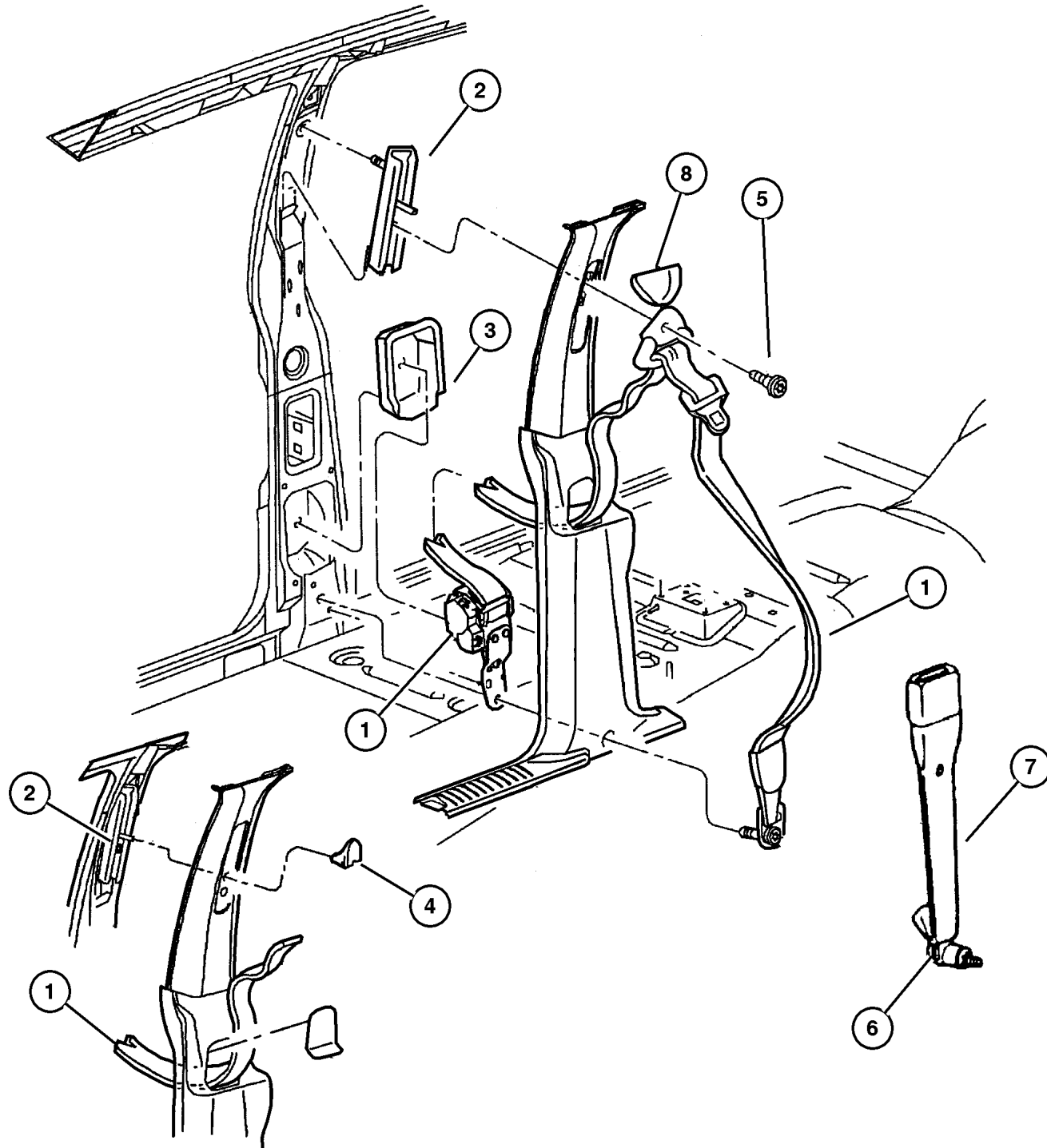
LINE  
J = 4WD  
T = 2WD  
U = 4WD (RHD)

BODY  
74 = 4 Door(105.9 WB)

ENGINE  
ER0, ERH = 4.0L, Power Tech I-6  
EV0, EVA = 4.7L, Power Tech V8  
EXA, EX0 = 3.1L, 5 Cyl Turbo Diesel

TRANSMISSION  
DGK = 4 Speed Autm, 42RE  
DGW = 4 Speed Automatic, -44RE  
DG4 = Multi Speed Automatic, -45RFE  
DGO = All Automatic

Front Seat  
Figure IWJ-710



ITEM	PART NUMBER	QTY	LINE	SERIES	BODY	ENGINE	TRANS	DESCRIPTION
1								SEAT BELT, Front Outer
	55196 786AD	1						Right,Export
	55196 787AD	1						Left,Export
	5GD60 1L5AC	1						[L5], Right
	5GD60 LAZAC	1						[AZ], Right
	5GD60 RK5AC	1						[K5], Right
	5GD61 1L5AD	1						[L5]
	5GD61 LAZAD	1						[AZ], Left
	5GD61 RK5AD	1						[K5], Left
2	55196 689AB	2						ADJUSTER, Seat Belt Turning Loop
3								SHIELD, Seat Belt Retractor
	55196 734AB	1						Right
	55196 735AB	1						Left
4	55196 860AA	2						BUTTON, Adjuster
5	6035 888	2						SCREW, Shoulder
6	6504 867AA	1						SCREW
7								SEAT BELT, Front Inner
	55196 778AA	1	U					Right,Export
	5GU08 1K5AC	1	J, T					[K5], Right
	5GU08 1L5AC	1	J, T					[L5], Right
	5GU43 1AZAA	1	J, T					[AZ], Left
		1	J, T					[AZ], Left
		1	J, T					[AZ], Left
	5GU43 1K5AA	1	J, T					[K5], Left
		1	J, T					[K5], Left
		1	J, T					[K5], Left
	5GU43 1L5AA	1	J, T					[L5], Left
		1	J, T					[L5], Left
	55196 778AA	1	U					Right,Export
	5GU43 1L5AA	1	J, T					[L5], Left
	55196 779AA	1	J, T					Left,Export
		1	J, T					Left,Export
	5531 4894	1	J, T					Right,Export
		1	J, T					Right,Export
	5531 4895	1	U					Left,Export
		1	U					Left,Export
	5GU08 1AZAC	1	J, T					[AZ], Right
8								COVER, Turning Loop
	#5HK91 LAZAA	1						[AZ]
	#5HK91 RK5AA	1						[K5]
	#5HK91 WL5AA	1						[L5]
-9	4740 415	1						EXTENDER, Seat Belt

JEEP GRAND CHEROKEE (WJ)

SERIES	LINE	BODY	ENGINE	TRANSMISSION
H=Laredo	J = 4WD	74 = 4 Door(105.9 WB)	ER0, ERH = 4.0L, Power Tech I-6	DGK = 4 Speed Autm, 42RE
P=Limited	T = 2WD		EV0, EVA = 4.7L, Power Tech V8	DGW = 4 Speed Automatic,
	U = 4WD (RHD)		EXA, EX0 = 3.1L, 5 Cyl Turbo Diesel	-44RE
				DG4 = Multi Speed Automatic,
				-45RFE
				DGO = All Automatic

AR = Use as required - = Non illustrated part # = New this model year

September 14, 2002

## Rear Seat Belt Figure IWJ-720

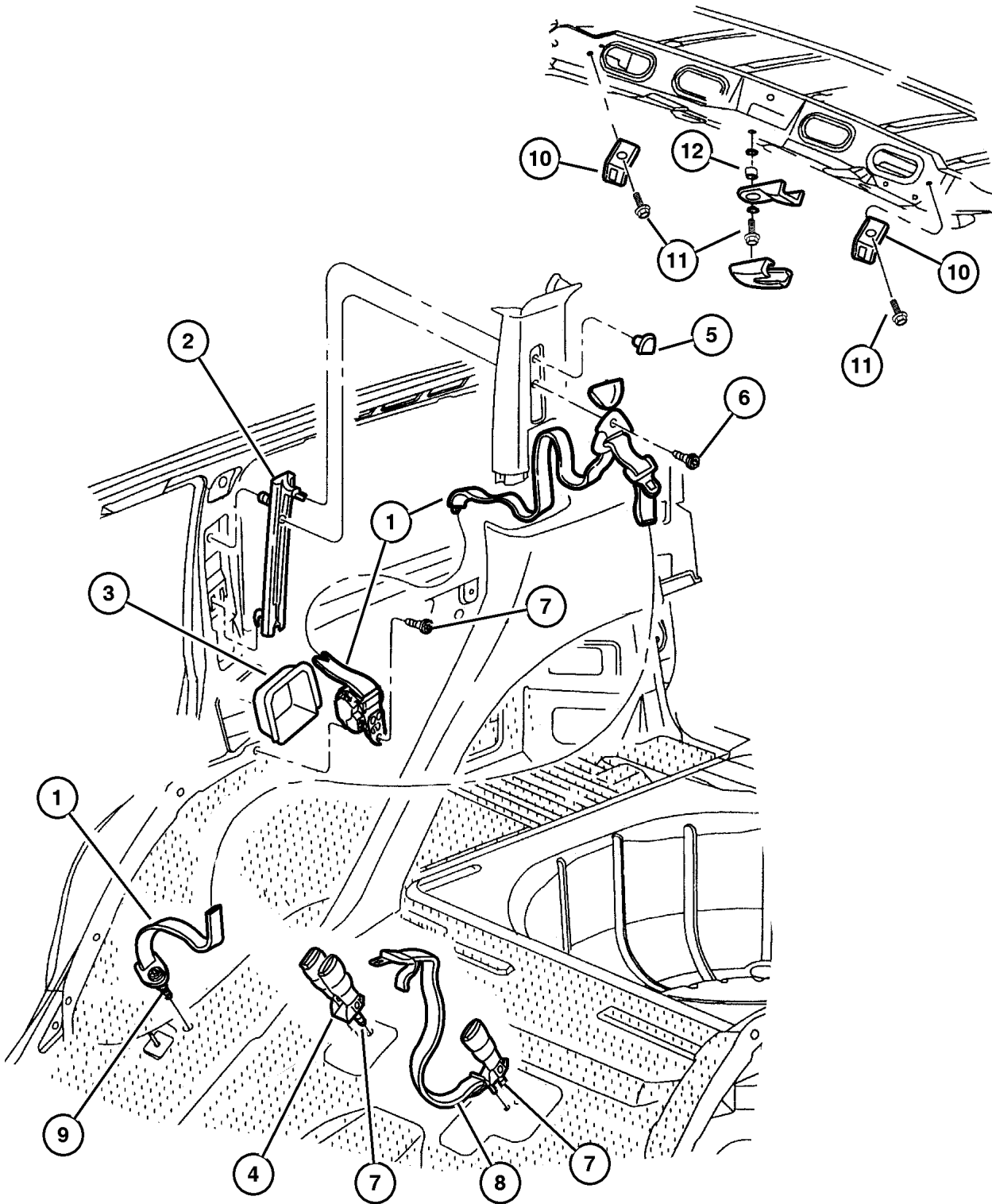
ITEM	PART NUMBER	QTY	LINE	SERIES	BODY	ENGINE	TRANS	DESCRIPTION
1								SEAT BELT, Rear Outer
	5GD62 LAZAE	1						[AZ], Right
	5GD62 RK5AE	1						[K5], Right
	5GD62 1L5AE	1						[L5], Right
	5GD63 LAZAE	1						[AZ], Left
	5GD63 RK5AE	1						[K5], Left
	5GD63 1L5AE	1						[L5], Left
	55196 788AD	1						Right,Export
	55196 789AD	1						Left,Export
2	55196 689AB	2						ADJUSTER, Seat Belt Turning Loop
3	55196 733AC	2						SHIELD, Seat Belt Retractor
4								SEAT BELT, Rear Inner, Right
	5519 6586	1						Export
	5FP48 1AZAB	1						[AZ]
	5FP48 1K5AB	1						[K5]
	5FP48 1L5AB	1						[L5]
5	55196 860AA	2						BUTTON, Adjuster
6	6035 888	2						SCREW, Shoulder
7	6505 286AA	2						SCREW
8								SEAT BELT, Rear Inner, Left
	5519 6587	1						Export
	5FP49 1AZAB	1						[AZ]
	5FP49 1K5AB	1						[K5]
	5FP49 1L5AB	1						[L5]
9	6504 973AA	1						SCREW
10								BRACKET
	55196 861AA	2			J, T			
		2			J, U			
11								BOLT, Hex Head, M8x1.25x37.50
	6503 257	2			J, T			
		3			J, U			
12	55196 862AA	1			J, U			SPACER
-13								TETHER, Child Seat
	5016 869AA	1						Camel, [K5]
	5016 870AA	1						Beige, [AZ, L5]
	5016 871AA	1						Camel, CANADA, [K5]
	5016 873AA	1						Beige, CANADA, [AZ, L5]

### JEEP GRAND CHEROKEE (WJ)

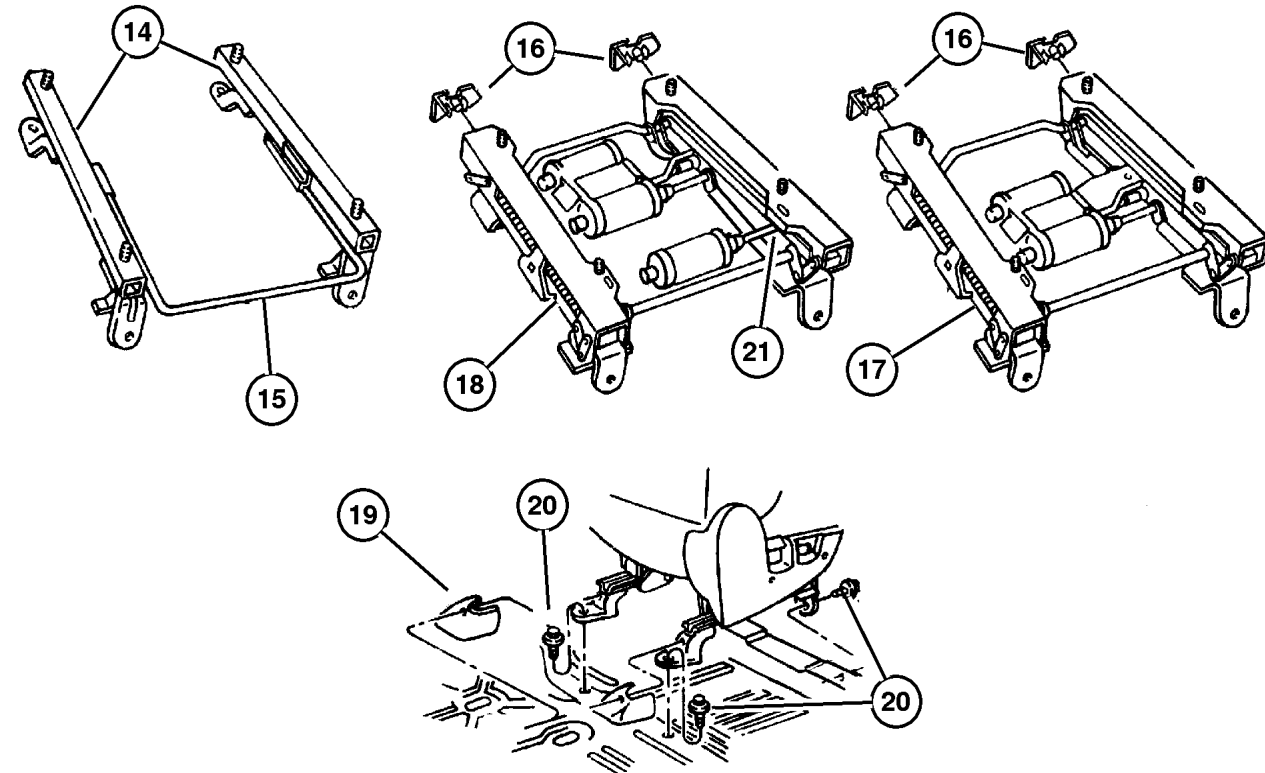
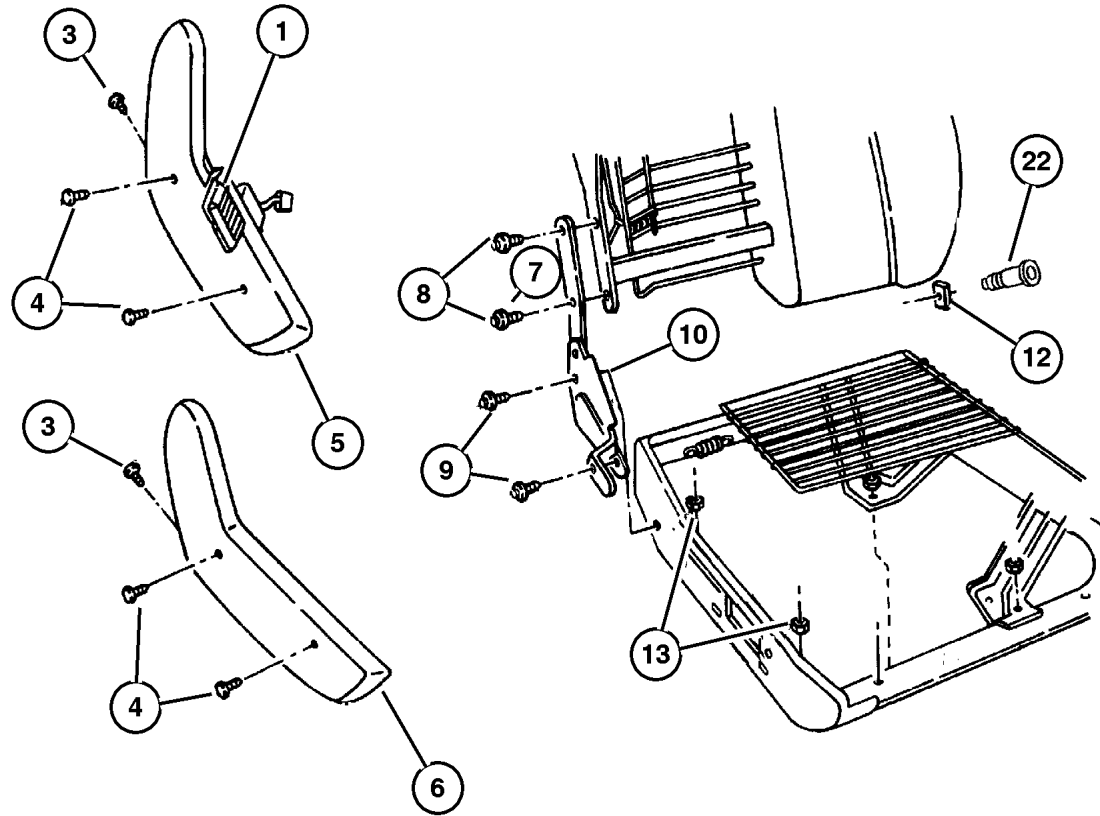
SERIES	LINE	BODY	ENGINE	TRANSMISSION
H=Laredo	J = 4WD	74 = 4 Door(105.9 WB)	ER0, ERH = 4.0L, Power Tech I-6	DGK = 4 Speed Autm, 42RE
P=Limited	T = 2WD		EVO, EVA = 4.7L, Power Tech V8	DGW = 4 Speed Automatic, -44RE
	U = 4WD (RHD)		EXA, EX0 = 3.1L, 5 Cyl Turbo Diesel	DG4 = Multi Speed Automatic, -45RFE
				DGO = All Automatic

AR = Use as required - = Non illustrated part # = New this model year

September 14, 2002



## Recliner and Adjusters Figure IWJ-810



ITEM	PART NUMBER	QTY	LINE	SERIES	BODY	ENGINE	TRANS	DESCRIPTION
1								SWITCH, Seat
	4601 756	1	J, T					10 Way Power, Right
	4373 666	1	J, T					6 Way Power
	4601 757	1	J, T					10 Way Power, Left
	4601 756	1	J, T					10 Way Power, Right
		1	U					10 Way Power, Right
	4601 757	1	J, T					10 Way Power, Left
		1	U					10 Way Power, Left
	4601 756	1	J, T					10 Way Power, Right
	4601 757	1	J, T					10 Way Power, Left
	4373 666	1	U					6 Way Power
-2								KNOB, Power Seat Switch
	4607 042	1	J, T					Right
	4607 043	1	J, T					Left
	4607 042	1	J, T					Right
		1	U					Right
	4607 043	1	J, T					Left
		1	U					Left
		1	J, T					Left
	4607 042	1	J, T					Right
3								SCREW, Trim
	4720 769	2	J, T					
		2	J, T					
		2	U					
		2	J, T					
		1	J, T					
4								SCREW, Trim
	4720 770	4	J, T					
		4	U					
		4	J, T					
		4	J, T					
		4	J, T					
5								SHIELD, Seat Adjuster
	SL04 1AZAA	1	J, T					[AZ], 10 Way Power, Right
	SL04 1K5AA	1	J, T					[K5], 10 Way Power, Right
	SL05 1AZAA	1	J, T					[AZ], 10 Way Power, Left
		1	U					[AZ], 10 Way Power, Left
	SL05 1K5AA	1	U					[K5], 10 Way Power, Left
		1	J, T					[K5], 10 Way Power, Left
	SL04 1AZAA	1	J, T					[AZ], 10 Way Power, Right
	SL04 1K5AA	1	J, T					[K5], 10 Way Power, Right
	SL04 1L5AA	1	J, T					[L5], 10 Way Power, Right

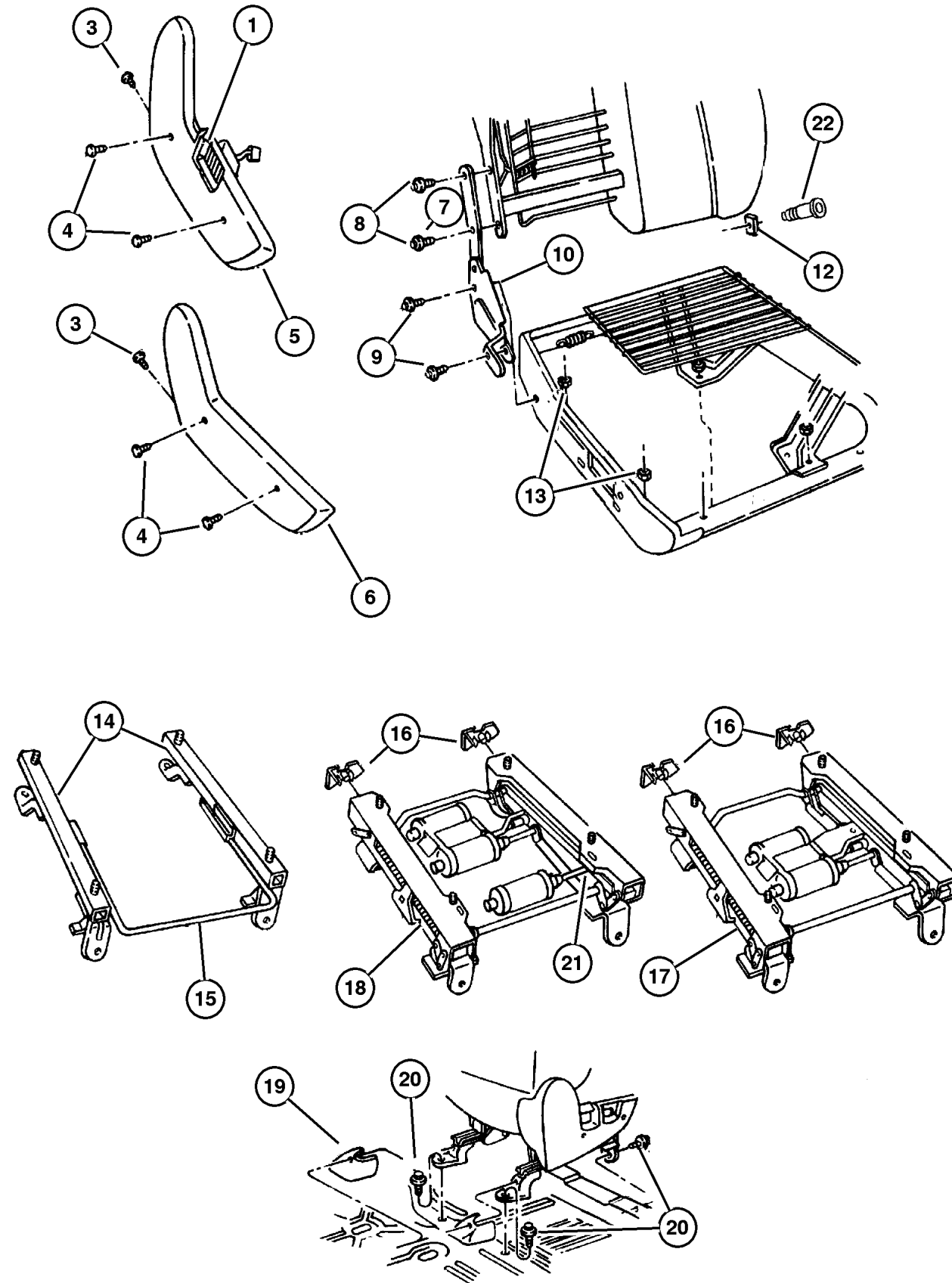
**JEEP GRAND CHEROKEE (WJ)**

SERIES	LINE	BODY	ENGINE	TRANSMISSION
H=Laredo	J = 4WD	74 = 4 Door(105.9 WB)	ER0, ERH = 4.0L, Power Tech I-6	DGK = 4 Speed Autm, 42RE
P=Limited	T = 2WD		EVO, EVA = 4.7L, Power Tech V8	DGW = 4 Speed Automatic, -44RE
	U = 4WD (RHD)		EXA, EX0 = 3.1L, 5 Cyl Turbo Diesel	DG4 = Multi Speed Automatic, -45RFE
				DGO = All Automatic

AR = Use as required - = Non illustrated part # = New this model year

September 14, 2002

## Recliner and Adjusters Figure IWJ-810



ITEM	PART NUMBER	QTY	LINE	SERIES	BODY	ENGINE	TRANS	DESCRIPTION
	SL05 1AZAA	1	J, T					[AZ], 10 Way Power, Left
	SL05 1K5AA	1	J, T					[K5], 10 Way Power, Left
	SL04 1K5AA	1	J, T					[K5], 10 Way Power, Right
	SL05 1L5AA	1	J, T					[L5], 10 Way Power, Left
	SL06 1AZAA	1	U					[AZ], 6 Way Power, Right
	SL06 1K5AA	1	J, T					[K5], 6 Way Power, Right
		1	U					[K5], 6 Way Power, Right
	SL06 1L5AA	1	J, T					[L5], 6 Way Power, Right
	SL07 1AZAA	1	J, T					[AZ], 6 Way Power, Left
	SL06 1AZAA	1	J, T					[AZ], 6 Way Power, Right
	SL07 1AZAA	1	U					[AZ], 6 Way Power, Left
	SL07 1K5AA	1	J, T					[K5], 6 Way Power, Left
		1	U					[K5], 6 Way Power, Left
	SL04 1L5AA	1	J, T					[L5], 10 Way Power, Right
	SL07 1L5AA	1	J, T					[L5], 6 Way Power, Left
	SL05 1AZAA	1	J, T					[AZ], 10 Way Power, Left
	SL05 1K5AA	1	J, T					[K5], 10 Way Power, Left
	SL05 1L5AA	1	J, T					[L5], 10 Way Power, Left
	SL04 1AZAA	1	J, T					[AZ], 10 Way Power, Right
		1	U					[AZ], 10 Way Power, Right
	SL04 1K5AA	1	U					[K5], 10 Way Power, Right
6								SHIELD, Seat Adjuster
	SL03 1L5AA	1	J, T					[L5], Manual,Left
	SL03 1K5AA	1	J, T					[K5], Manual,Left
	SL03 1AZAA	1	J, T					[AZ], Manual,Left
	SL02 1L5AA	1	J, T					[L5], Manual,Right
	SL02 1K5AA	1	J, T					[K5], Manual,Right
	SL02 1AZAA	1	J, T					[AZ], Manual,Right
7								BOLT, Recliner to Seat Back, Manual Upper
	4720 768	4	J, T					
		4	U					
8								BOLT, Power Recliner
	4882 903	8	J, T					
		8	J, T					
		8	U					
		8	J, T					
		8	J, T					
		8	U					
9	4796 793	4	J, T					BOLT, Recliner To Cushion, Front Seat
10								RECLINER, Seat Back
	4864 861	1	J, T					Drivers, Power With Memory

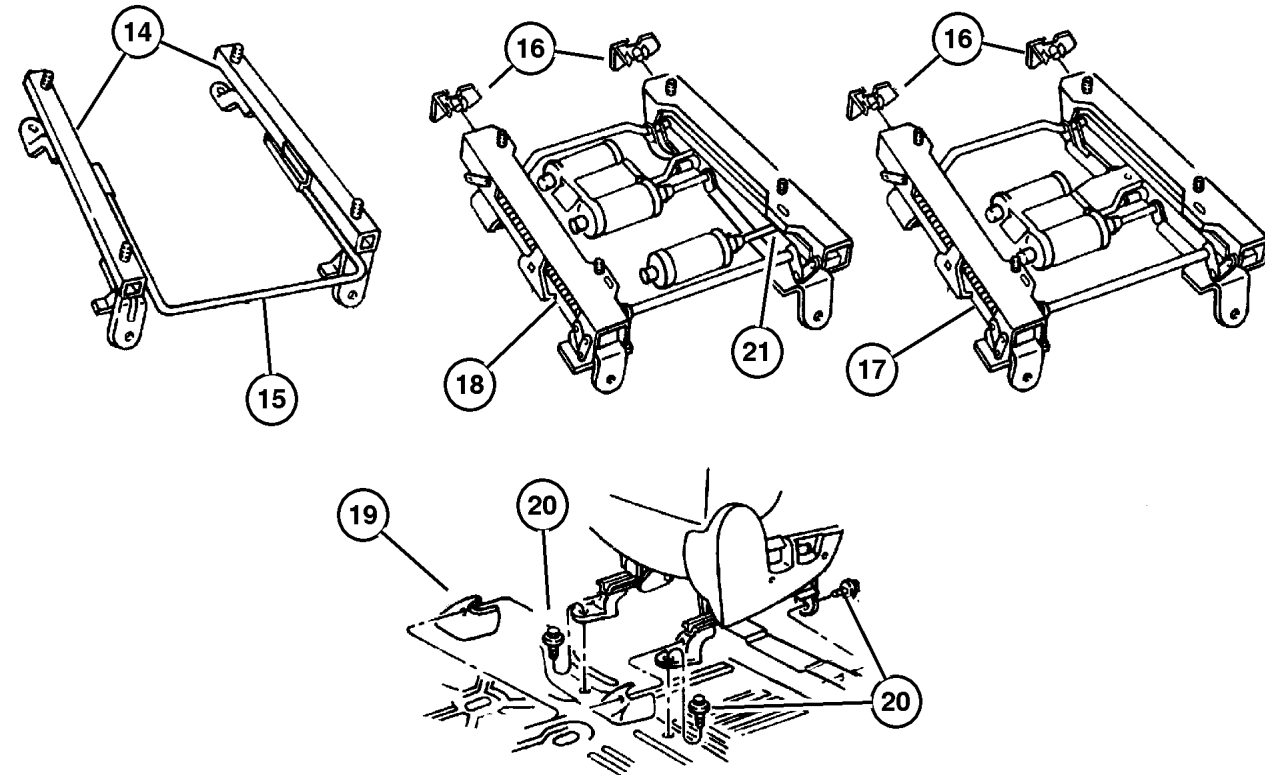
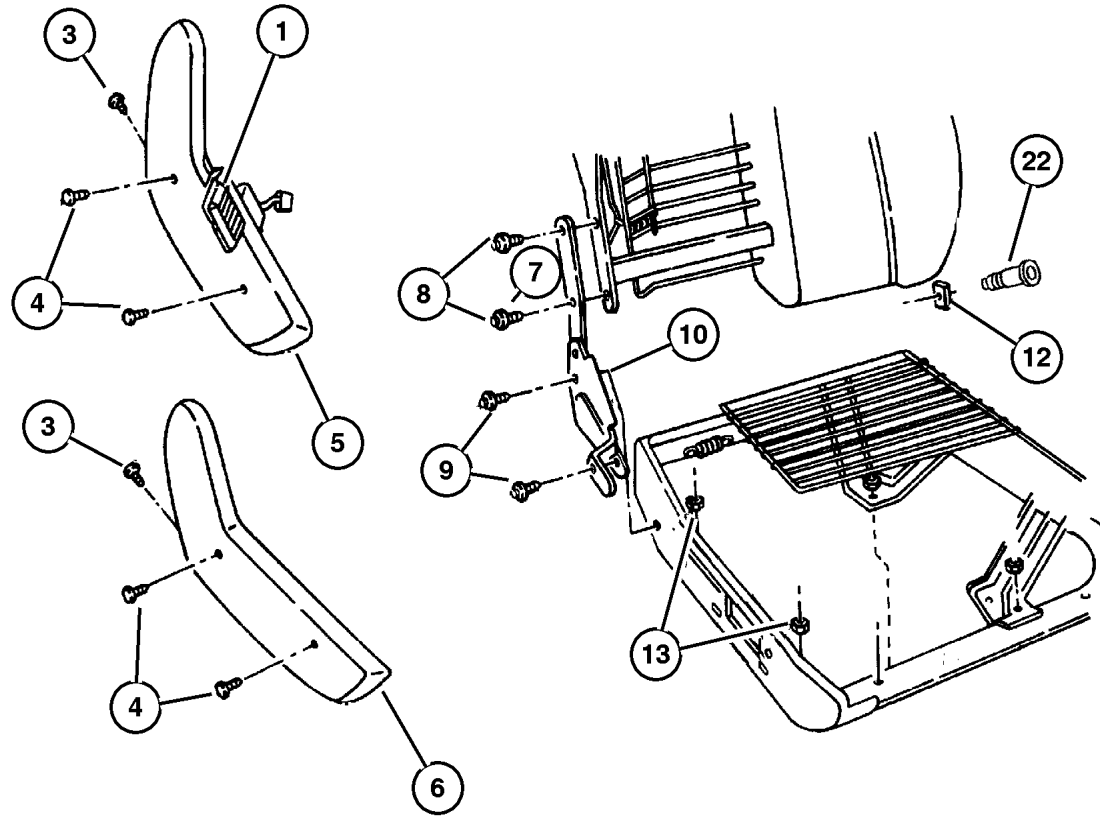
**JEEP GRAND CHEROKEE (WJ)**

SERIES	LINE	BODY	ENGINE	TRANSMISSION
H=Laredo	J = 4WD	74 = 4 Door(105.9 WB)	ER0, ERH = 4.0L, Power Tech I-6	DGK = 4 Speed Autm, 42RE
P=Limited	T = 2WD		EV0, EVA = 4.7L, Power Tech V8	DGW = 4 Speed Automatic, -44RE
	U = 4WD (RHD)		EXA, EX0 = 3.1L, 5 Cyl Turbo Diesel	DG4 = Multi Speed Automatic, -45RFE
				DGO = All Automatic

AR = Use as required - = Non illustrated part # = New this model year

September 14, 2002

## Recliner and Adjusters Figure IWJ-810



ITEM	PART NUMBER	QTY	LINE	SERIES	BODY	ENGINE	TRANS	DESCRIPTION
	4796 715	1	J, T					Includes Handle, Left,Manual
	4796 714	1	J, T					Includes Handle, Right,Manual
	4856 749	1	J, T					Left,Power Seat
		1	U					Left,Power Seat
	4796 714	1	U					Includes Handle, Right,Manual
	4856 748	1	J, T					Right,Power Seat
	4886 097AA	1	U					Drivers, Power With Memory
	4864 861	1	J, T					Drivers, Power With Memory
	4856 748	1	J, T					Right,Power Seat
	4856 749	1	J, T					Left,Power Seat
	4856 748	1	J, T					Right,Power Seat
		1	U					Right,Power Seat
	4796 715	1	U					Includes Handle, Left,Manual
-11								KNOB, Power Seat Switch, Power Recliner
	4607 044	1	J, T					Right
	4607 045	1	J, T					Left
	4607 044	1	J, T					Right
		1	U					Right
	4607 045	1	J, T					Left
		1	U					Left
	4607 044	1	J, T					Left
	4607 044	1	J, T					Right
12								U-NUT, Seat Back
	4713 982	2	J, T					
		2	J, T					
		2	U					
		2	J, T					
		2	J, T					
13	6101 467	2						NUT, Hex Flange, M8x1.25
14								ADJUSTER, Manual Seat
	5015 564AA	1	J, T					Right,Outboard
	5015 565AA	1	J, T					Left,Outboard
	5015 566AA	1	J, T					Right,Inboard
	5015 567AA	1	J, T					Without Traveling Inboard Buckle, Left, Inboard
15	4713 930	1	J, T					HANDLE, Seat Release
16								SHIELD, Seat Adjuster
	4723 888	2	J, T					Passenger Outboard, Driver Inboard
	4723 889	2	J, T					Passenger Inboard, Driver Outboard
	4723 888	2	U					Driver Outboard, Passenger Inboard
		2	J, T					Passenger Outboard, Driver Inboard

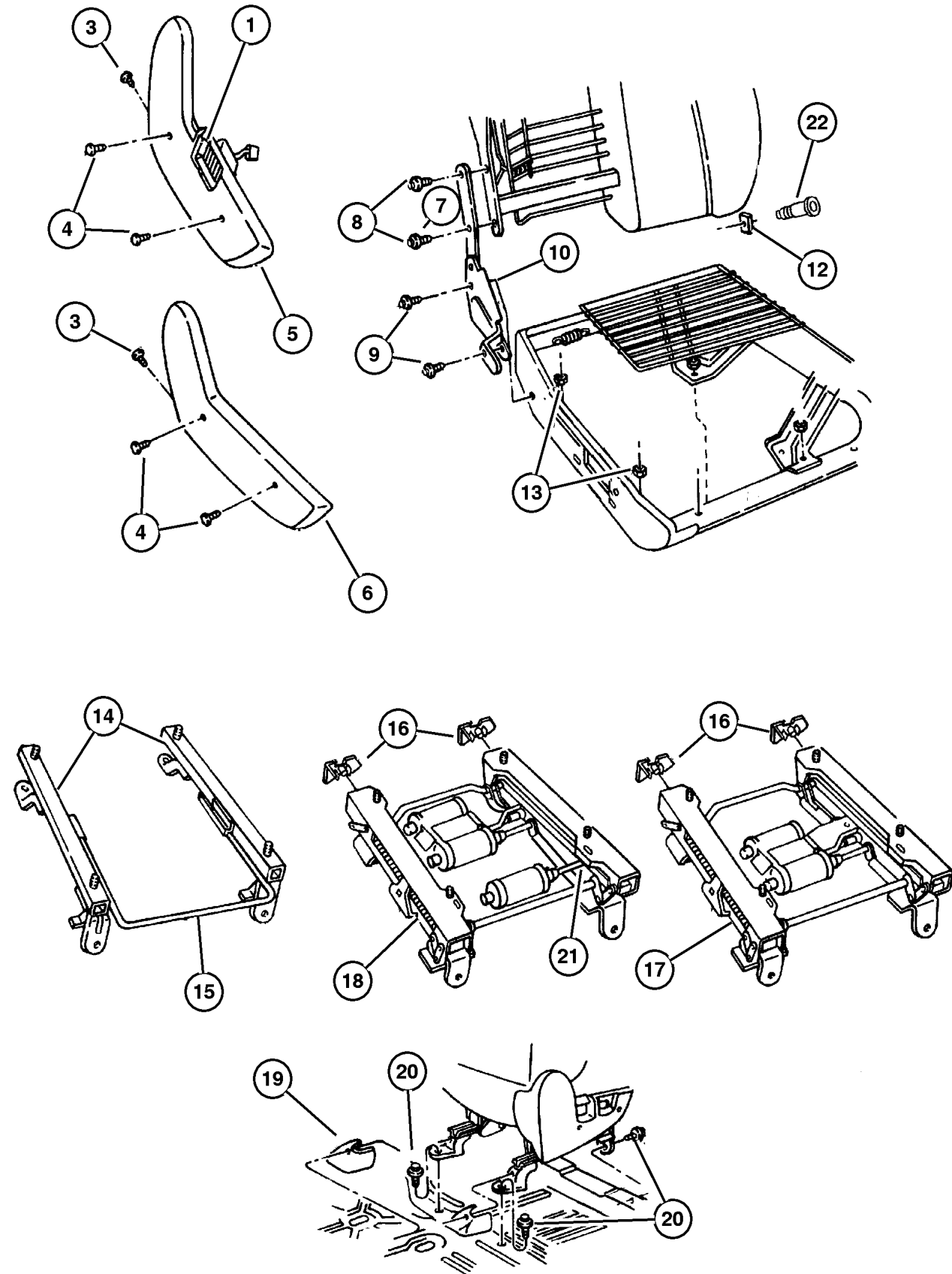
### JEEP GRAND CHEROKEE (WJ)

SERIES	LINE	BODY	ENGINE	TRANSMISSION
H=Laredo	J = 4WD	74 = 4 Door(105.9 WB)	ER0, ERH = 4.0L, Power Tech I-6	DGK = 4 Speed Autm, 42RE
P=Limited	T = 2WD		EVO, EVA = 4.7L, Power Tech V8	DGW = 4 Speed Automatic, -44RE
	U = 4WD (RHD)		EXA, EX0 = 3.1L, 5 Cyl Turbo Diesel	DG4 = Multi Speed Automatic, -45RFE
				DGO = All Automatic

AR = Use as required - = Non illustrated part # = New this model year

September 14, 2002

## Recliner and Adjusters Figure IWJ-810



ITEM	PART NUMBER	QTY	LINE	SERIES	BODY	ENGINE	TRANS	DESCRIPTION
	4723 889	2	J, T					Passenger Inboard, Driver Outboard
	4723 888	2	J, T					Passenger Outboard, Driver Inboard
		2	U					Driver Outboard, Passenger Inboard
	4723 889	2	U					Driver Inboard, Passenger Outboard
		2	J, T					Passenger Inboard, Driver Outboard
	4723 888	2	J, T					Passenger Outboard, Driver Inboard
	4723 889	2	J, T					Passenger Inboard, Driver Outboard
		2	U					Driver Inboard, Passenger Outboard
17								ADJUSTER, Power Seat, Without Memory
	5015 570AA	1	J, T					Domestic, Right
		1	J, T					Domestic, Right
	5015 571AA	1	J, T					Domestic, Left
	#5017 485AA	1	U					Left,Export
	#5017 484AA	1	J, T					Right,Export
	#5017 485AA	1	J, T					Left
	#5017 484AA	1	U					Right,Export
		1	J, T					Right,Export
18								ADJUSTER, Power Seat, With Memory
	5015 569AA	1	J, T					Left
	#5017 486AA	1	U					Right,Export
	#5017 487AA	1	J, T					Left,Export
19								COVER, Power Seat Track
	5FZ19 LAZAA	4						AZ
	5FZ19 VK9AA	4						K5
	5FZ19 WL8AA	4						L5
20	6505 040AA	8						SCREW, Hex Head, M10x1.5x40
21								BRACKET, Module, With Memory
	5013 125AA	1	J, T					
		1	J, T					
		1	U					
		1	J, T					
22								BOLT, Shoulder, I.B.-Back To Cushion-Pivot
	#5016 212AA	1	J, T					
		1	J, T					
		1	U					
		1	J, T					
		1	U					
		1	J, T					

**JEEP GRAND CHEROKEE (WJ)**

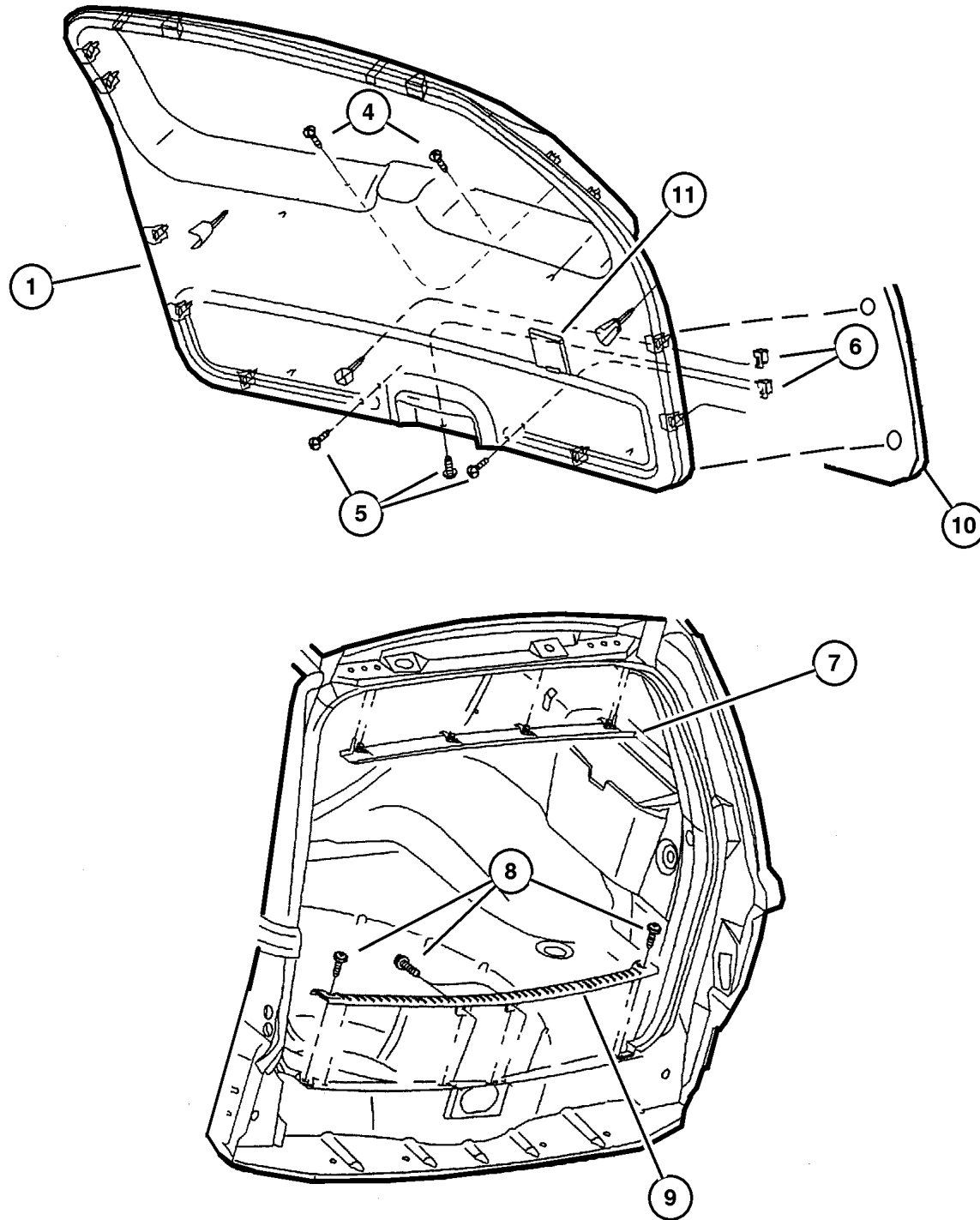
SERIES	LINE	BODY	ENGINE	TRANSMISSION
H=Laredo	J = 4WD	74 = 4 Door(105.9 WB)	ER0, ERH = 4.0L, Power Tech I-6	DGK = 4 Speed Autm, 42RE
P=Limited	T = 2WD		EV0, EVA = 4.7L, Power Tech V8	DGW = 4 Speed Automatic, -44RE
	U = 4WD (RHD)		EXA, EX0 = 3.1L, 5 Cyl Turbo Diesel	DG4 = Multi Speed Automatic, -45RFE
				DGO = All Automatic

AR = Use as required - = Non illustrated part # = New this model year

September 14, 2002



Liftgate Panel and Scuff Plate  
Figure IWJ-1010



ITEM	PART NUMBER	QTY	LINE	SERIES	BODY	ENGINE	TRANS	DESCRIPTION
1								PANEL, Liftgate
	5FS80 LAZAD	1						[AZ]
	5FS80 RK5AD	1						[K5]
	5FS80 WL5AD	1						[L5]
-2	6502 991	6						FASTENER, M7.1 Hole Push In, For M7.1 Hole
-3	3420 2599	4						FASTENER, Trim Panel Attaching
4								SCREW AND WASHER, M4.2X1.41X52.80~~, (NOT SERVICED) (Not Serviced)
5	6032 723	3						SCREW, Self Tapping, M4.2x1.69x19.05
6								NUT, M4.2X1.70 ~~, (NOT SERVICED) (Not Serviced)
7								PANEL, Liftgate
	5FA67 LAZAC	1						[AZ]
	5FA67 RK5AC	1						[K5]
	5FA67 WL5AC	1						[L5]
	5GZ52 LAZAA	1						[AZ], AUSTRALIA
	5GZ52 RK5AA	1						[K5], AUSTRALIA
8								SCREW, [.164-18X.625]~~, (NOT SERVICED) (Not Serviced)
9								PLATE, Liftgate Scuff
	5FS82 LAZAC	1						[AZ]
	5FS82 RK5AC	1						[K5]
	5FS82 WL5AC	1						[L5]
10	55136 185AC	1						INSULATION, liftgate
11								COVER, Liftgate
	TH63 LAZAA	1						[AZ]
	TH63 RK5AA	1						[K5]
	TH63 WL5AA	1						[L5]

JEEP GRAND CHEROKEE (WJ)

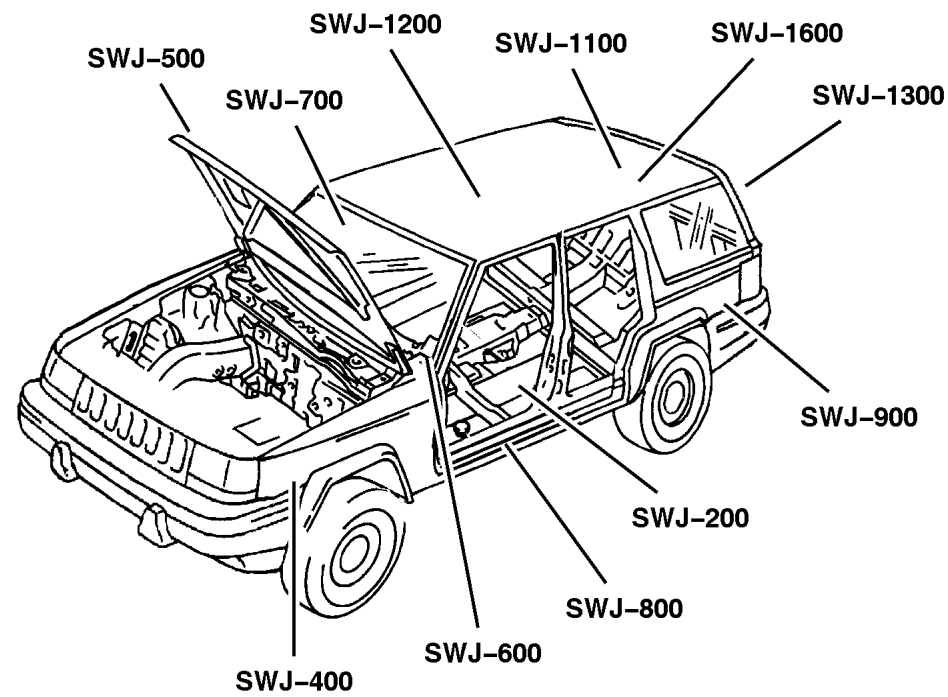
SERIES	LINE	BODY	ENGINE	TRANSMISSION
H=Laredo	J = 4WD	74 = 4 Door(105.9 WB)	ER0, ERH = 4.0L, Power Tech I-6	DGK = 4 Speed Autm, 42RE
P=Limited	T = 2WD		EV0, EVA = 4.7L, Power Tech V8	DGW = 4 Speed Automatic, -44RE
	U = 4WD (RHD)		EXA, EX0 = 3.1L, 5 Cyl Turbo Diesel	DG4 = Multi Speed Automatic, -45RFE
				DGO = All Automatic

AR = Use as required - = Non illustrated part # = New this model year

September 14, 2002

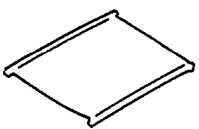
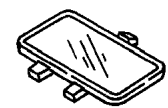
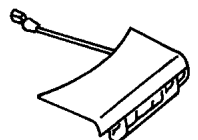

# Group – SWJ

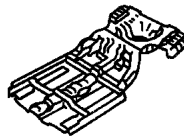

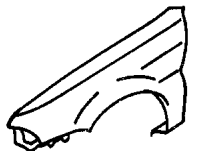
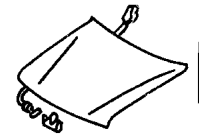
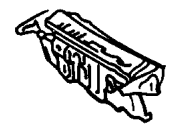

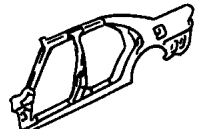
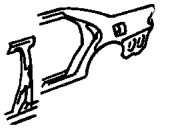
## Body Sheet Metal Except Doors



# Group – SWJ

## Body Sheet Metal Except Doors

<b>SWJ-1100</b> Roof Panels 	<b>SWJ-1200</b> Sunroof 	<b>SWJ-1300</b> Liftgate Panel 	<b>SWJ-1600</b> Luggage Rack 
---	---	--	--

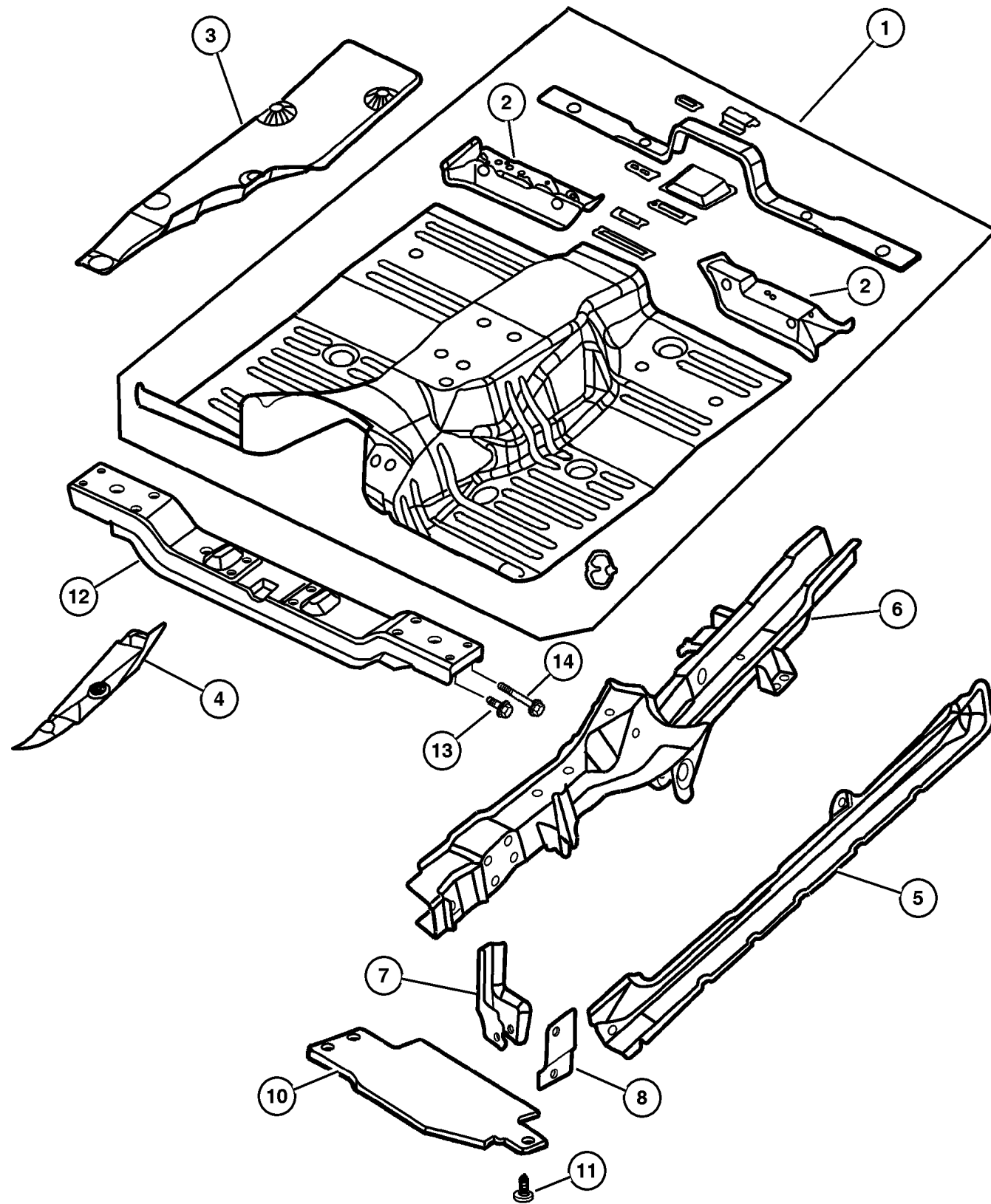
<b>SWJ-200</b> Floor Pans 	<b>SWJ-300</b> Plugs 	<b>SWJ-400</b> Front Fenders 	<b>SWJ-500</b> Hood and Hood Release 
<b>SWJ-600</b> Cowl and Dash Panel 	<b>SWJ-700</b> Glass and Rear View Mirror 	<b>SWJ-800</b> Aperture Panel 	<b>SWJ-900</b> Quarter Panel and Pillars 

---

## GROUP SWJ - Body Sheet Metal Except Doors

Illustration Title	Group-Fig. No.
<b>Floor Pans</b>	
Front Floor Pan .....	Fig. SWJ-210
Center and Rear Floor Pan .....	Fig. SWJ-220
<b>Plugs</b>	
Plugs .....	Fig. SWJ-310
<b>Front Fenders</b>	
Front Fender .....	Fig. SWJ-410
<b>Hood and Hood Release</b>	
Hood, Latch, Hinges .....	Fig. SWJ-510
<b>Cowl and Dash Panel</b>	
Panels, Cowl and Dash .....	Fig. SWJ-610
Insulation, Dash And Cowl .....	Fig. SWJ-620
<b>Glass and Rear View Mirror</b>	
Glass, Windshield, Backlite, Quarter Window, Rear View Mirror .....	Fig. SWJ-710
<b>Aperture Panel</b>	
Panels, Body Side .....	Fig. SWJ-810
<b>Quarter Panel and Pillars</b>	
Panels, Rear Quarter .....	Fig. SWJ-910
<b>Roof Panels</b>	
Panels, Roof .....	Fig. SWJ-1110
<b>Sunroof</b>	
Sunroof .....	Fig. SWJ-1210
<b>Liftgate Panel</b>	
Liftgate, Latch and Hinges .....	Fig. SWJ-1310
<b>Luggage Rack</b>	
Roof Rack .....	Fig. SWJ-1610

Front Floor Pan  
Figure SWJ-210



ITEM	PART NUMBER	QTY	LINE	SERIES	BODY	ENGINE	TRANS	DESCRIPTION
1								PAN, Floor
	#55136 653AE	1	U					Diesel
	#55136 656AE	1	J, T					Diesel
	#55296 400AD	1	J, T					
	55136 619AE	1	U					
2								REINFORCEMENT, Front Seat
	55136 340AB	1	J, T					Right
		1	U					Right
	55136 341AB	1	J, T					Left
		1	U					Left
3	55135 709AC	1						SHIELD, Heat
4	55135 712AC	1						SHIELD, Heat
5								SILL, Body Side
	55135 802AC	1						Right
	55135 803AC	1						Left
6								RAIL, Frame Side
	5012 524AC	1	J, T					Right
	5012 525AB	1	J, T					Left
	5014 708AB	1	J, U					Right,Export
	5014 709AB	1	J, U					Left,Export
7								BRACKET, Track Bar
	5513 6316	1	U					Inner
	5513 6317	1	J					Inner
8								BRACKET, Track Bar
	5513 6319	1	J, U					Outer
		1	J, T					Outer
-9	6101 916	2						NUT, Hex Weld, M8x1.25
10	5513 5781	1						SHIELD, Splash
11	6034 608	4						PIN, Headline
12								CROSSMEMBER, Transmission
	52058 940AB	1						Gas Only
	52059 303AA	1	J, U					Diesel
13	6506 000AA	4						SCREW AND WASHER
14	6505 671AA	4						SCREW AND WASHER

JEEP GRAND CHEROKEE (WJ)

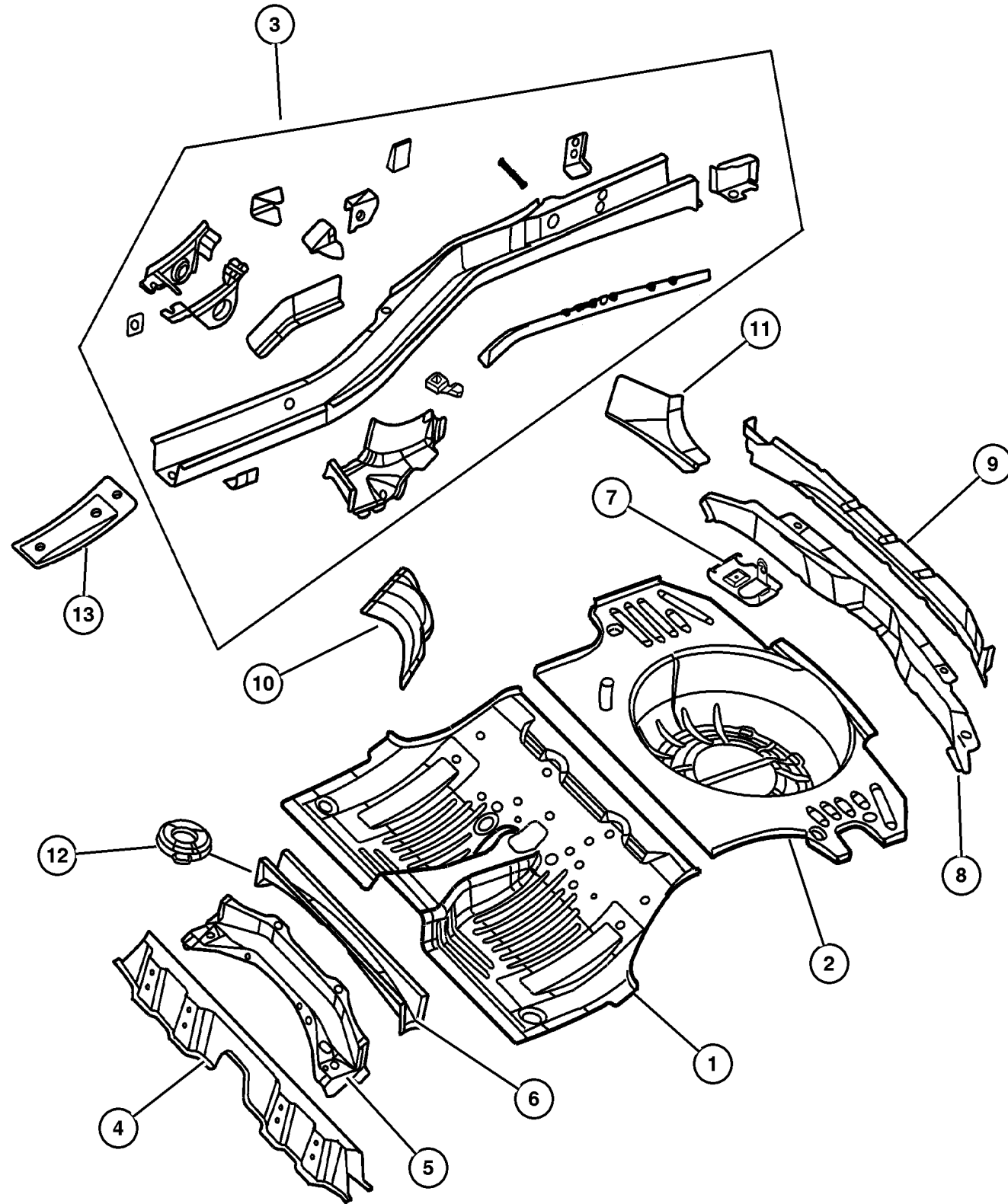
SERIES	LINE	BODY	ENGINE	TRANSMISSION
H=Laredo	J = 4WD	74 = 4 Door(105.9 WB)	ER0, ERH = 4.0L, Power Tech I-6	DGK = 4 Speed Autm, 42RE
P=Limited	T = 2WD		EVO, EVA = 4.7L, Power Tech V8	DGW = 4 Speed Automatic, -44RE
	U = 4WD (RHD)		EXA, EX0 = 3.1L, 5 Cyl Turbo Diesel	DG4 = Multi Speed Automatic, -45RFE
				DGO = All Automatic

AR = Use as required - = Non illustrated part # = New this model year

September 14, 2002

**Center and Rear Floor Pan  
Figure SWJ-220**

ITEM	PART NUMBER	QTY	LINE	SERIES	BODY	ENGINE	TRANS	DESCRIPTION
1	55136 940AC	1						PAN, Floor, Center
2	55136 377AE	1						PAN, Rear Floor
3								RAIL, Rear Floor Pan Side
	5014 932AA	1						Right
	5014 933AA	1						Left
4	55136 163AD	1						CROSSMEMBER, Rear Floor
5	55136 555AC	1						CROSSMEMBER, Rear Floor Pan Front
6	55136 511AD	1						CROSSMEMBER, Rear Floor
7	55295 800AD	1						BRACKET, Jack
8	55136 558AD	1						CROSSMEMBER, Rear Floor
9	55136 179AD	1						CROSSMEMBER, Rear Floor
10	55136 160AE	1						SHIELD, Fuel Tank
11								GUSSET, Side Member
	55135 504AC	1						Right
	55135 505AC	1						Left
12	5014 781AA	2						GUIDE, Rear Spring, None
13	55136 164AE	2						REINFORCEMENT, Rear Floor Pan Rear Rail



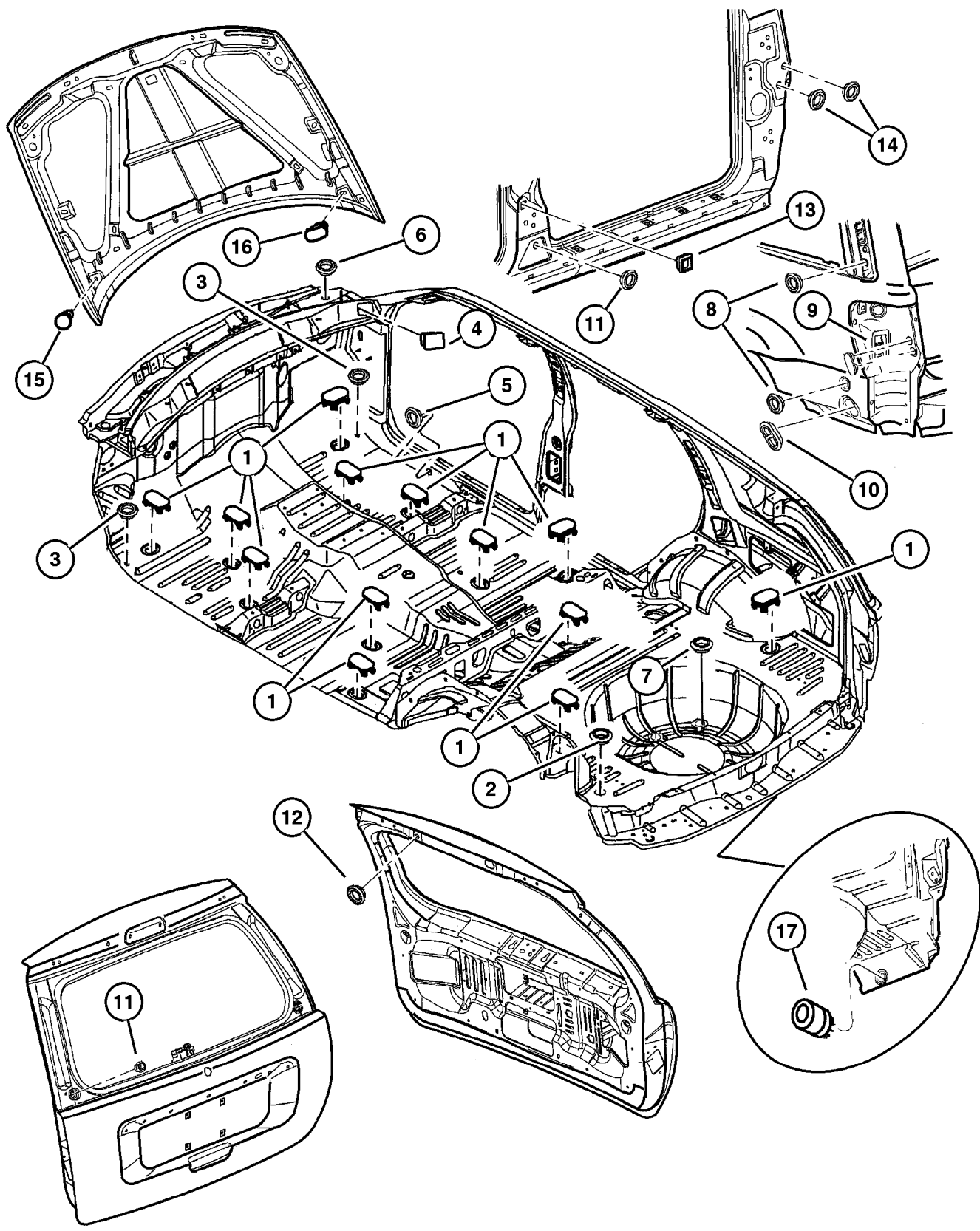
**JEEP GRAND CHEROKEE (WJ)**

SERIES	LINE	BODY	ENGINE	TRANSMISSION
H=Laredo	J = 4WD	74 = 4 Door(105.9 WB)	ER0, ERH = 4.0L, Power Tech I-6	DGK = 4 Speed Autm, 42RE
P=Limited	T = 2WD		EV0, EVA = 4.7L, Power Tech V8	DGW = 4 Speed Automatic, -44RE
	U = 4WD (RHD)		EXA, EX0 = 3.1L, 5 Cyl Turbo Diesel	DG4 = Multi Speed Automatic, -45RFE
				DGO = All Automatic

AR = Use as required - = Non illustrated part # = New this model year

September 14, 2002

Plugs  
Figure SWJ-310



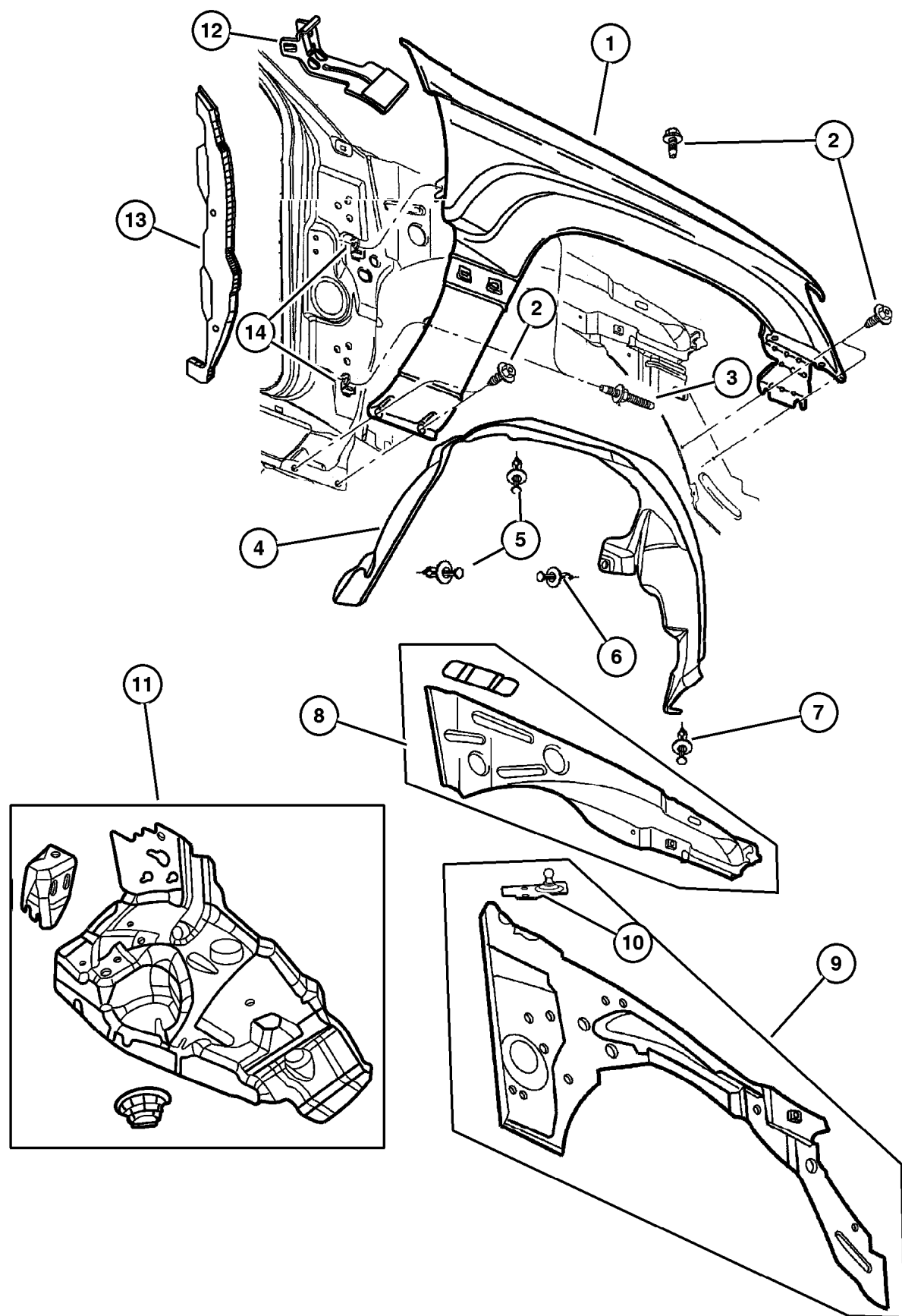
ITEM	PART NUMBER	QTY	LINE	SERIES	BODY	ENGINE	TRANS	DESCRIPTION
1	4580 343	13						PLUG, Floor Pan
2	2424 864	1						PLUG, Body, 1.75 Diameter
3	2860 332	4						PLUG, Anti-Rattle
4	55136 507AB	1						PLUG, Body, Cowl Top
5	55257 380AA	12						PLUG
6	55136 456AB	1						PLUG, Body
7	55136 594AA	1						PLUG, Body
8	4440 294	6						PLUG, Rear Fascia
9	55136 948AA	2						TAPE, Body Side
10	55136 562AB	2						PLUG, Body
11	4674 441	3						PLUG, Body, .75 Diameter
12	5255 217	1						PLUG, Dash Panel
13	55136 566AA	4						PLUG, Body
14	55136 859AA	2						PLUG
15	55136 755AA	1						PLUG, Body
16	55136 752AA	1						PLUG, Body
17	55135 856AB	2						PLUG, Body
-18	55136 844AD	1						PLUG, Floor, Rear Floor at Spare Tire Hub

<b>JEEP GRAND CHEROKEE (WJ)</b>				
SERIES	LINE	BODY	ENGINE	TRANSMISSION
H=Laredo	J = 4WD	74 = 4 Door(105.9 WB)	ER0, ERH = 4.0L, Power Tech I-6	DGK = 4 Speed Autm, 42RE
P=Limited	T = 2WD		EV0, EVA = 4.7L, Power Tech V8	DGW = 4 Speed Automatic, -44RE
	U = 4WD (RHD)		EXA, EX0 = 3.1L, 5 Cyl Turbo Diesel	DG4 = Multi Speed Automatic, -45RFE
				DGO = All Automatic

AR = Use as required - = Non illustrated part # = New this model year

September 14, 2002

## Front Fender Figure SWJ-410



ITEM	PART NUMBER	QTY	LINE	SERIES	BODY	ENGINE	TRANS	DESCRIPTION
1								FENDER, Front
	55135 900AC	1						Right
	55135 901AC	1						Left
	55136 582AC	1						Right,Export
	55136 583AC	1						Left,Export
2								SCREW, M6X1.00X15.00~~, (NOT SERVICED) (Not Serviced)
3								STUD, Double Ended, M6X1.00X57.00~~, (NOT SERVICED) (Not Serviced)
4								LINER, Front Fender
	55136 228AB	1						Right
	55136 229AB	1						Left
5	6034 608	4						PIN, Headline
6	3420 1631	6						RIVET, M6.25x28 Black
7	6506 005AA	12						PIN, Push
8								REINFORCEMENT, Cowl Side
	55136 354AF	1						Right
	55136 355AF	1						Left
	55136 861AD	1						Left,Export
9								PANEL, Cowl
	55135 442AC	1	J, T					Right
	55135 443AC	1	J, T					Left
	55136 852AB	1	U					Right
	55136 853AB	1	U					Left
10								BRACKET, Ball to Body
	5513 6434	1	J, T					Right
		1	U					Right
	5513 6435	1	J, T					Left
		1	U					Left
11								SUPPORT, Front Suspension
	55135 718AE	1						Right
	55135 719AE	1						Left
	55136 618AD	1						Left,Export
12	55136 774AA	2						BRACKET, Fender
13								FILLER, Fender to Wheelhouse
	55135 793AC	1						Left
	55135 866AC	1						Right
14	55136 586AB	4						BRACKET, Fender

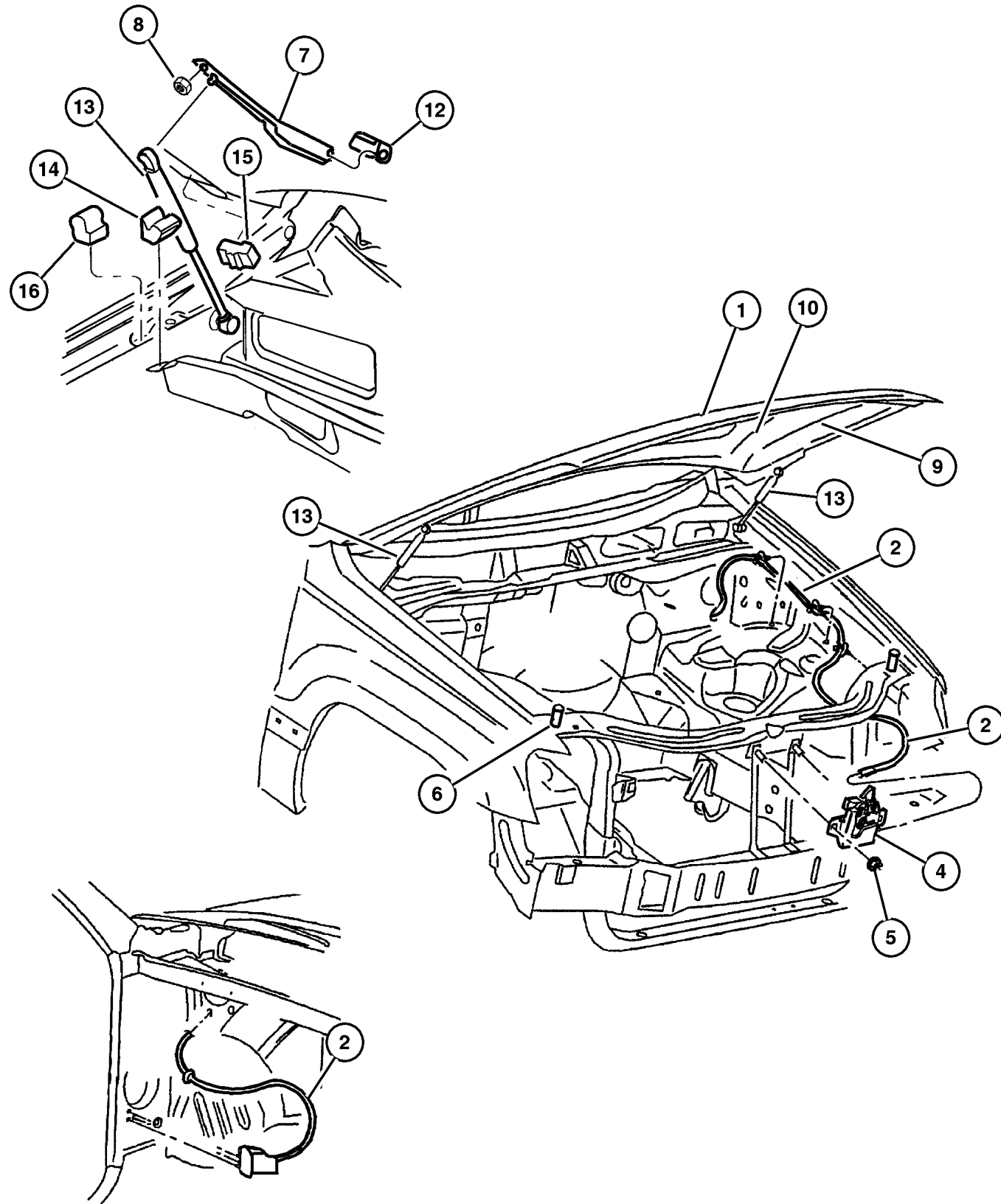
### JEEP GRAND CHEROKEE (WJ)

SERIES	LINE	BODY	ENGINE	TRANSMISSION
H=Laredo	J = 4WD	74 = 4 Door(105.9 WB)	ER0, ERH = 4.0L, Power Tech I-6	DGK = 4 Speed Autm, 42RE
P=Limited	T = 2WD		EVO, EVA = 4.7L, Power Tech V8	DGW = 4 Speed Automatic, -44RE
	U = 4WD (RHD)		EXA, EX0 = 3.1L, 5 Cyl Turbo Diesel	DG4 = Multi Speed Automatic, -45RFE
				DGO = All Automatic

AR = Use as required - = Non illustrated part # = New this model year

September 14, 2002

## Hood, Latch, Hinges Figure SWJ-510



ITEM	PART NUMBER	QTY	LINE	SERIES	BODY	ENGINE	TRANS	DESCRIPTION
1	55076 470AD	1						HOOD
2	5513 5532	1	J, T					CABLE, Hood Release
	5513 6454	1	U					
-3								CLIP, M6.3x11.2
	6503 794	3	J, T					
		3	U					
4	5513 5600	1						LATCH, Hood
5	6101 446	2						NUT AND WASHER
6	4103 165	2						BUMPER, Hood
7								HINGE, Hood
	5525 6196	1						Right
	5525 6197	1						Left
8	6503 664	4						NUT AND WASHER, Hex Nut-Coned Washer, M6 x 1.00
9	55196 298AB	1						INSULATION, Hood
10	55116 446AA	1						LABEL, Refrigerant
-11	6003 351	12						RETAINER, Hood Insulation, .415x.690
12								COVER, Hinge
	55136 954AA	1						Right
	55136 955AA	1						Left
13	55136 764AA	2						PROP, Hood
14	55136 545AA	2						SEAL, Hood, Lower
15	55136 549AA	2						SEAL, Hood, Upper
16	55136 550AA	2						SEAL, Hood, Outer

### JEEP GRAND CHEROKEE (WJ)

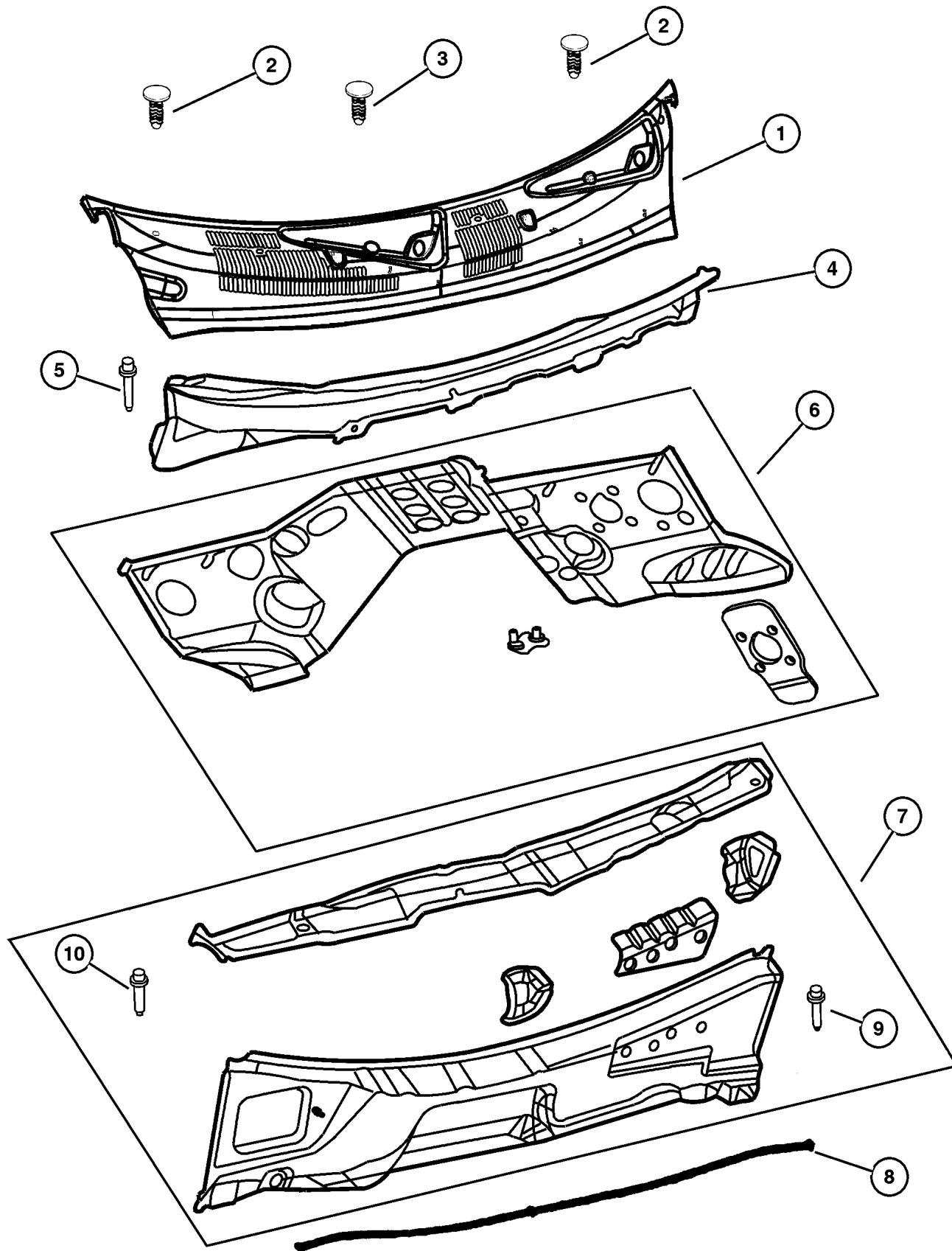
SERIES	LINE	BODY	ENGINE	TRANSMISSION
H=Laredo	J = 4WD	74 = 4 Door(105.9 WB)	ER0, ERH = 4.0L, Power Tech I-6	DGK = 4 Speed Autm, 42RE
P=Limited	T = 2WD		EVO, EVA = 4.7L, Power Tech V8	DGW = 4 Speed Automatic, -44RE
	U = 4WD (RHD)		EXA, EX0 = 3.1L, 5 Cyl Turbo Diesel	DG4 = Multi Speed Automatic, -45RFE
				DGO = All Automatic

AR = Use as required - = Non illustrated part # = New this model year

September 14, 2002



**Panels, Cowl and Dash**  
**Figure SWJ-610**



ITEM	PART NUMBER	QTY	LINE	SERIES	BODY	ENGINE	TRANS	DESCRIPTION
1								COVER, Cowl Grille
	55155 355AB	1	J, T					
	55155 356AB	1	U					
2	6505 319AA	4						NUT, M6x1.00
3	6503 339	2						NUT, Plastic
4								PANEL, Cowl Top
	55135 369AB	1	J, T					
	55135 373AB	1	U					
5								STUD
	6505 511AA	4	J, T					M6X1.00X40.5~~
		4	U					M6X1.00X40.5
6								PANEL, Dash
	55135 358AB	1	J, T					
	55135 364AB	1	U					
7								PANEL, Cowl And Plenum
	55135 451AB	1	J, T					
	55135 486AB	1	U					
	55136 540AB	1	J, T					Export
8	55135 392AB	1						SEAL, Hood To Plenum
9								STUD, M8x
	6504 758	3	J, T					
		3	U					
10								STUD
	6504 952AA	3	J, T					
		3	U					
-11								INSULATION, Dash Panel
	55196 836AA	1	J, T					Gas Only
	55196 705AB	1	J, T					Diesel,Engine

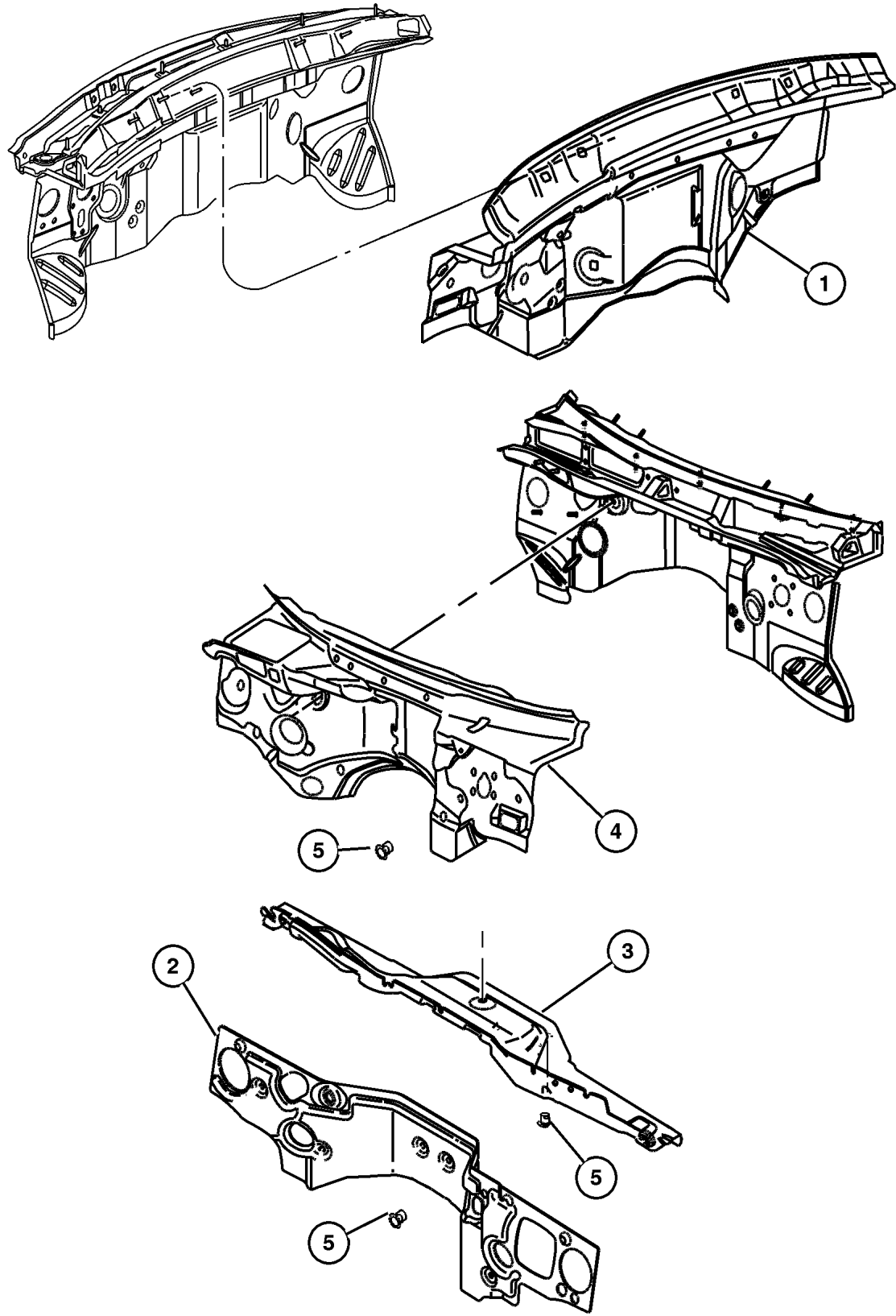
**JEEP GRAND CHEROKEE (WJ)**

<b>SERIES</b>	<b>LINE</b>	<b>BODY</b>	<b>ENGINE</b>	<b>TRANSMISSION</b>
H=Laredo	J = 4WD	74 = 4 Door(105.9 WB)	ER0, ERH = 4.0L, Power Tech I-6	DGK = 4 Speed Autm, 42RE
P=Limited	T = 2WD		EVO, EVA = 4.7L, Power Tech V8	DGW = 4 Speed Automatic, -44RE
	U = 4WD (RHD)		EXA, EX0 = 3.1L, 5 Cyl Turbo Diesel	DG4 = Multi Speed Automatic, -45RFE
				DGO = All Automatic

AR = Use as required - = Non illustrated part # = New this model year

September 14, 2002

**Insulation, Dash And Cowl  
Figure SWJ-620**



ITEM	PART NUMBER	QTY	LINE	SERIES	BODY	ENGINE	TRANS	DESCRIPTION
1								INSULATION, Dash Panel
	55196 275AC	1	J, T					Inner
	55196 277AB	1	U					Export
	55196 857AA	1	J, T					Export
2								INSULATION, Dash Panel
	55196 703AC	1	J, T					Diesel
	#55196 704AB	1	U					Diesel
3	55196 705AB	1	J, T					INSULATION, Dash Panel, Upper Plenum Outer, Diesel
4								INSULATION, Dash Panel
	55196 836AA	1	J, T					Gas Only
	55196 848AC	1	U					Gas Only
5	6503 274	3						NUT, Push On

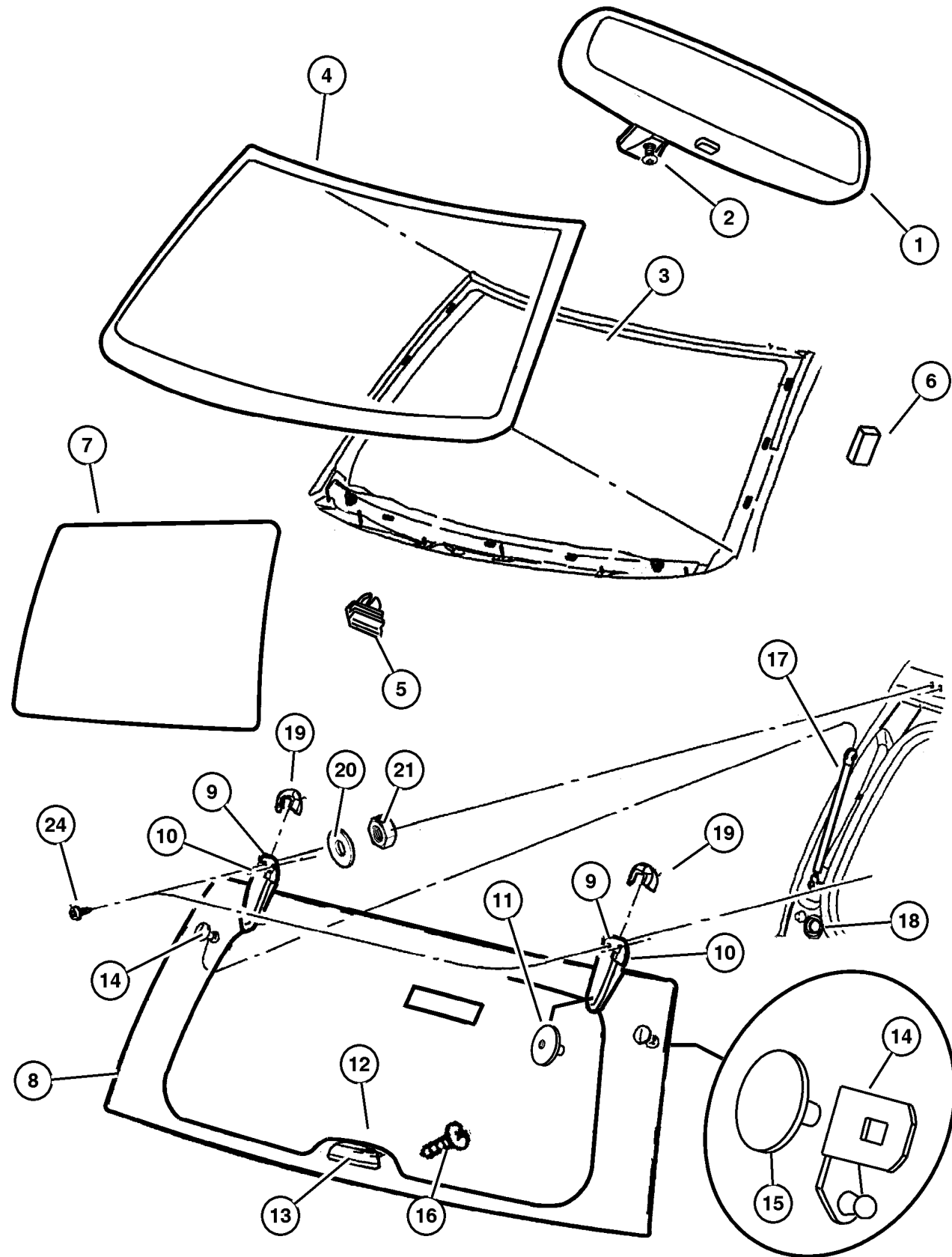
**JEEP GRAND CHEROKEE (WJ)**

SERIES	LINE	BODY	ENGINE	TRANSMISSION
H=Laredo	J = 4WD	74 = 4 Door(105.9 WB)	ER0, ERH = 4.0L, Power Tech I-6	DGK = 4 Speed Autm, 42RE
P=Limited	T = 2WD		EVO, EVA = 4.7L, Power Tech V8	DGW = 4 Speed Automatic, -44RE
	U = 4WD (RHD)		EXA, EX0 = 3.1L, 5 Cyl Turbo Diesel	DG4 = Multi Speed Automatic, -45RFE
				DGO = All Automatic

AR = Use as required - = Non illustrated part # = New this model year

September 14, 2002

**Glass, Windshield, Backlite, Quarter Window, Rear View Mirror**  
**Figure SWJ-710**



ITEM	PART NUMBER	QTY	LINE	SERIES	BODY	ENGINE	TRANS	DESCRIPTION
Sales Codes:								
[GED] = Tinted								
[GEG] = Sunscreen								
1								MIRROR, Inside Rear View Prismatic
	4299 325	1						
	5515 5380	1						Automatic
2	6031 094	1						SCREW, Pan Head Tapping, .19-16x.375
3	5507 6401	1						BUTTON, Rear View Mirror
4								WINDSHIELD
	55136 054AC	1						
	55136 944AB	1						Export
5	5502 8214	9						SPACER, Windshield
6	55275 388AB	2						SPACER, Windshield
7								GLASS, Quarter Window
	55135 788AC	1						Tinted, Right
	55135 789AC	1						Tinted, Left
	55135 796AC	1						Tinted, With Antenna, Right,Export
	55135 797AC	1						Tinted, Left,Export
	55135 808AC	1						Privacy, Right
	55135 809AC	1						Privacy, Left
	55135 816AC	1						Privacy, With Antenna, Right,Export
	55135 817AC	1						Privacy, Left,Export
8								GLASS, Liftgate Flipper
	55136 035AB	1						Tinted, Up to 3-7-00, Export
	#55136 035AC	1						Tinted, After 3-7-00, Export
	55136 050AB	1						Privacy, Up to 3-7-00, Export
	#55136 050AC	1						Privacy, After 3-7-00, Export
	55136 975AA	1						Tinted, [GED]
	55136 980AA	1						Privacy, [GEG], Up to 3-7-00
	#55136 980AB	1						Privacy, [GEG], After 3-7-00
9								HINGE, Liftglass
	55136 684AA	1						Up to 3-7-00, Right
	55136 685AA	1						Up to 3-7-00, Left
	#5019 418AA	1						After 3-7-00, Right
	#5019 419AA	1						After 3-7-00, Left
10	5507 5164	4						GASKET, Liftgate Hinge
11	6502 900	2						SCREW, Special Head, M6x1x12.7, Hinge to Glass
12	5513 6045	1						GASKET, Liftgate Handle
13	5513 6048	1						HANDLE, Flipper Window
14								BALL STUD, Liftgate Glass
	55136 968AA	1						Right
	55136 969AA	1						Left

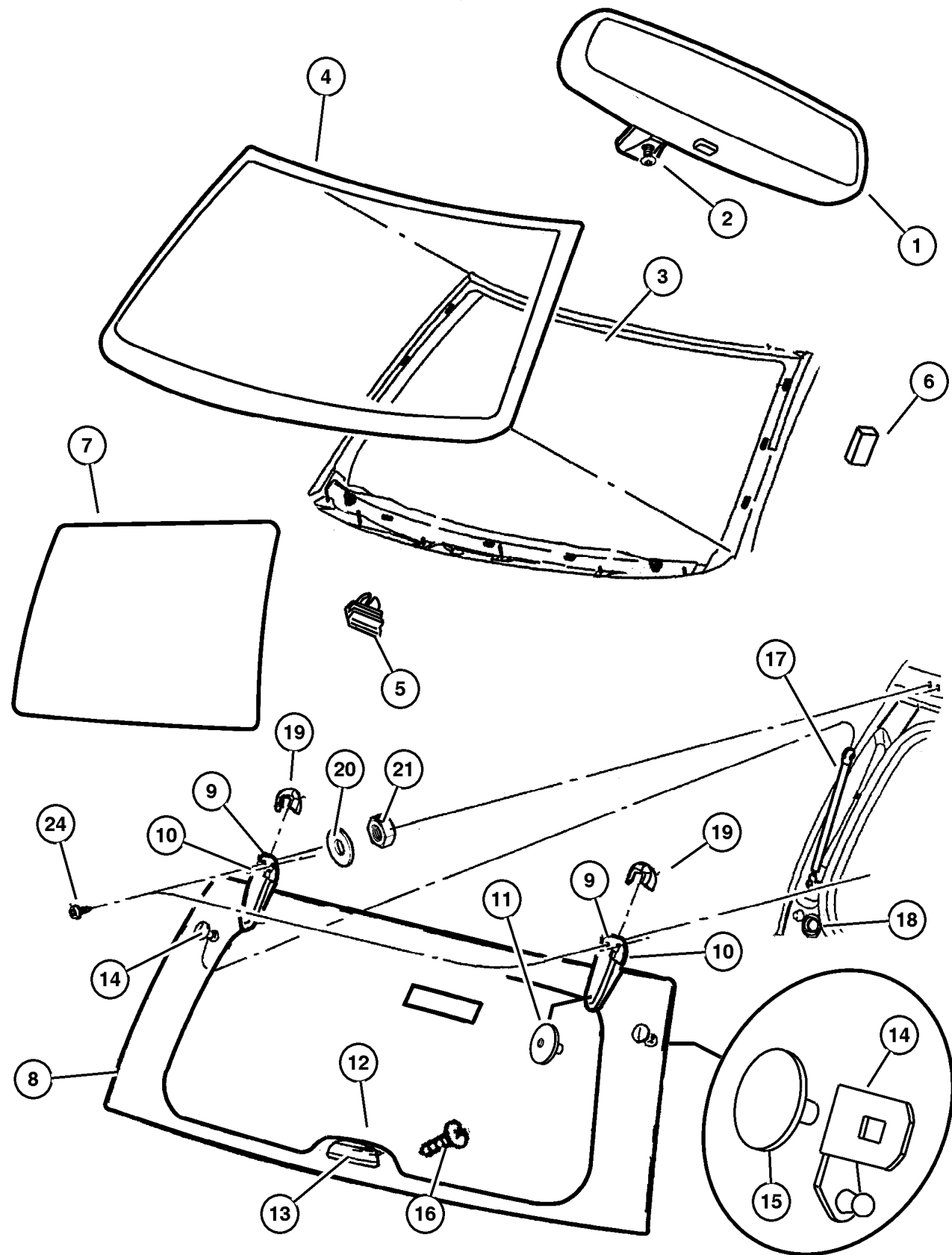
**JEEP GRAND CHEROKEE (WJ)**

SERIES	LINE	BODY	ENGINE	TRANSMISSION
H=Laredo	J = 4WD	74 = 4 Door(105.9 WB)	ER0, ERH = 4.0L, Power Tech I-6	DGK = 4 Speed Autm, 42RE
P=Limited	T = 2WD		EVO, EVA = 4.7L, Power Tech V8	DGW = 4 Speed Automatic, -44RE
	U = 4WD (RHD)		EXA, EX0 = 3.1L, 5 Cyl Turbo Diesel	DG4 = Multi Speed Automatic, -45RFE
				DGO = All Automatic

AR = Use as required - = Non illustrated part # = New this model year

September 14, 2002

**Glass, Windshield, Backlite, Quarter Window, Rear View Mirror**  
**Figure SWJ-710**



ITEM	PART NUMBER	QTY	LINE	SERIES	BODY	ENGINE	TRANS	DESCRIPTION
15	6506 200AA	2						FASTENER
16	6035 479	2						SCREW AND WASHER
17	55136 965AA	2						GAS CYLINDER, Liftgate Glass
18	55136 845AA	2						BUMPER, Liftgate Glass
19								COVER, Hinge
	4717 486AB	1						Right
	4717 487AB	1						Left
20	5529 5914	4						GASKET, Ball Stud
21	6504 513	2						NUT AND WASHER, Hex Nut-Coned Washer, M6 x 1.00
-22	5513 6044	1						STRIKER, Liftgate Glass
-23	5507 6299	2						CAP, Lock Cylinder, Locks Prop Rod
24	6504 440	2						SCREW

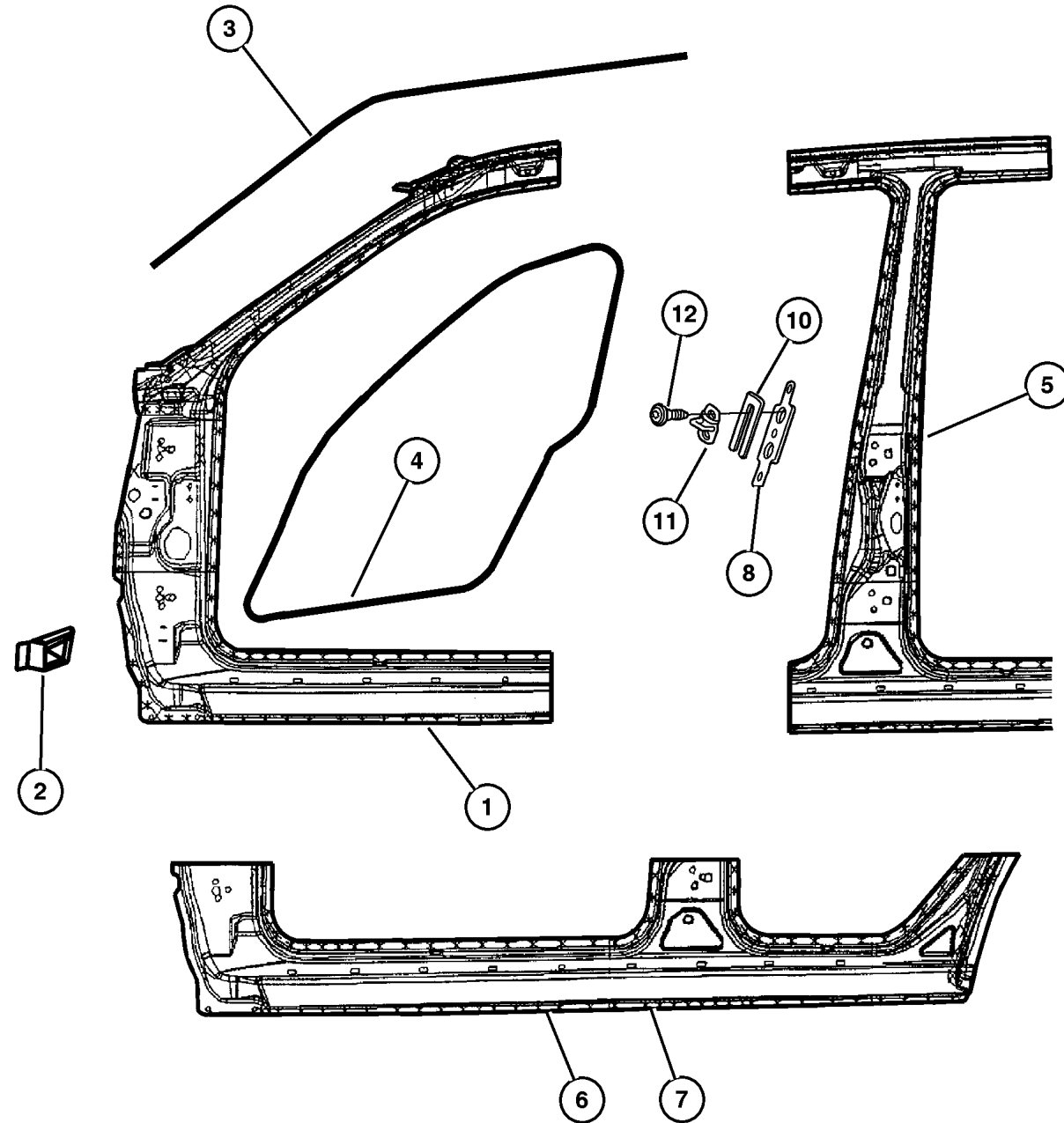
**JEEP GRAND CHEROKEE (WJ)**

SERIES	LINE	BODY	ENGINE	TRANSMISSION
H=Laredo	J = 4WD	74 = 4 Door(105.9 WB)	ER0, ERH = 4.0L, Power Tech I-6	DGK = 4 Speed Autm, 42RE
P=Limited	T = 2WD		EVO, EVA = 4.7L, Power Tech V8	DGW = 4 Speed Automatic, -44RE
	U = 4WD (RHD)		EXA, EX0 = 3.1L, 5 Cyl Turbo Diesel	DG4 = Multi Speed Automatic, -45RFE
				DGO = All Automatic

AR = Use as required - = Non illustrated part # = New this model year

September 14, 2002

Panels, Body Side  
Figure SWJ-810



ITEM	PART NUMBER	QTY	LINE	SERIES	BODY	ENGINE	TRANS	DESCRIPTION
1								PANEL, Body Side Aperture Front
	5013 006AA	1						Right
	5013 007AA	1						Left
2								TAPPING PLATE, Door Hinge, Also serviced in Item #1
	55136 436AB	1						Right
	55136 437AB	1						Left
3								SEAL, Body Side
	55135 869AB	1						Upper,Right
	55135 872AB	1						Upper,Left
4								SEAL, Front Door
	55135 918AC	1						Right
	55135 919AC	1						Left
5								PANEL, Body Side Aperture Center
	5013 008AA	1						Right
	5013 009AA	1						Left
6								SILL, Body Side, Complete
	5013 062AA	1						Right
	5013 063AA	1						Left
7								PANEL, Side Sill, Outer Only
	5017 868AA	1						Right
	5017 869AA	1						Left
8	55135 503AB	2						TAPPING PLATE, Striker
-9	#55363 274AA	AR						LABEL, Mercury Warning
10	4520 289	AR						SPACER, Door Latch Striker
11	4780 259	2						STRIKER, Door
12	6504 573	4						SCREW, Oval Head, SCREW

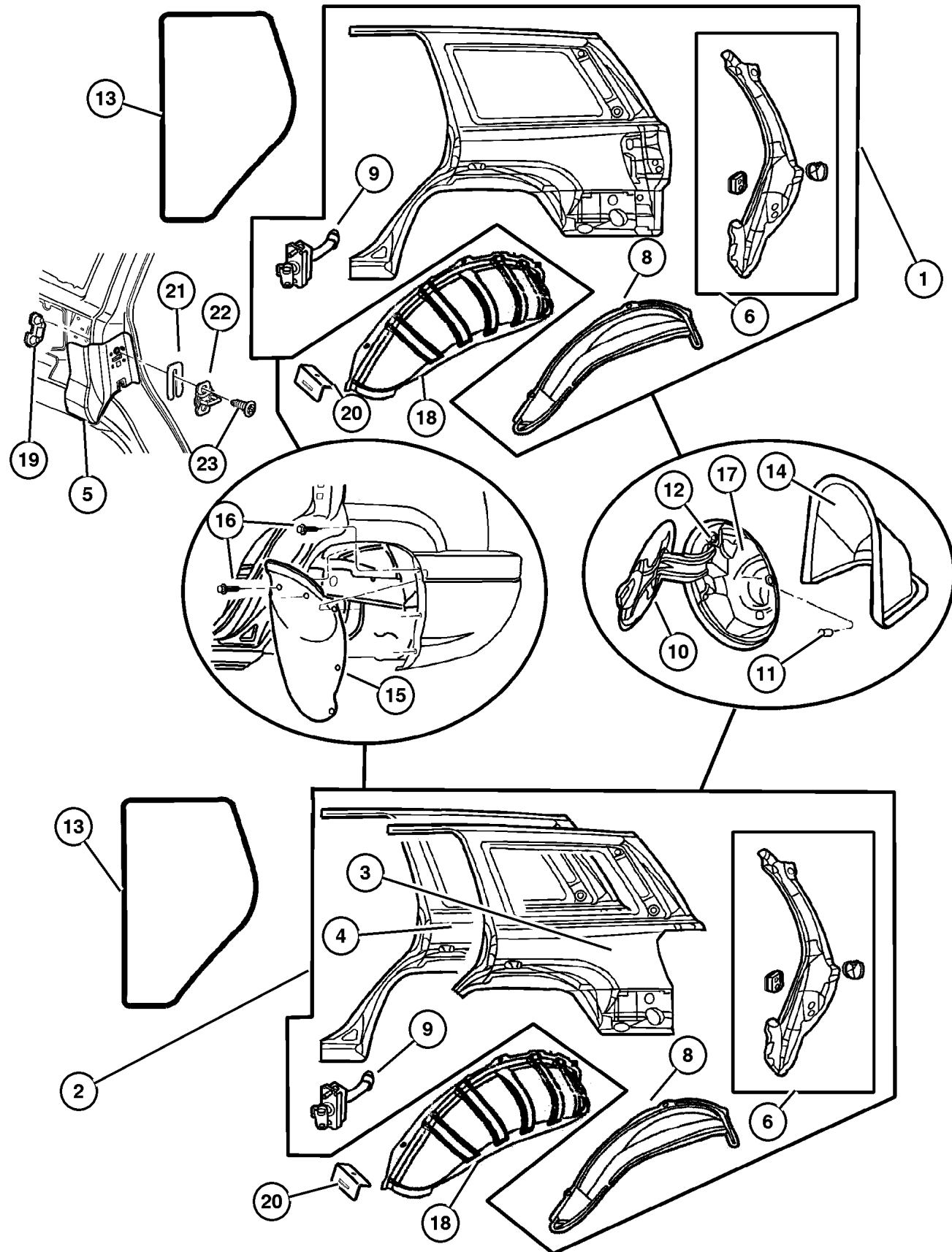
JEEP GRAND CHEROKEE (WJ)

SERIES	LINE	BODY	ENGINE	TRANSMISSION
H=Laredo	J = 4WD	74 = 4 Door(105.9 WB)	ER0, ERH = 4.0L, Power Tech I-6	DGK = 4 Speed Autm, 42RE
P=Limited	T = 2WD		EVO, EVA = 4.7L, Power Tech V8	DGW = 4 Speed Automatic, -44RE
	U = 4WD (RHD)		EXA, EX0 = 3.1L, 5 Cyl Turbo Diesel	DG4 = Multi Speed Automatic, -45RFE
				DGO = All Automatic

AR = Use as required - = Non illustrated part # = New this model year

September 14, 2002

**Panels, Rear Quarter  
Figure SWJ-910**



ITEM	PART NUMBER	QTY	LINE	SERIES	BODY	ENGINE	TRANS	DESCRIPTION
The difference between item #1 and item #2 is the cut of the Quarter Panel. Item #1 contains part of the bottom sill.								
1								PANEL, Body Side Aperture Rear, Complete, Includes Tailamp Pocket
	5013 058AA	1						Right
	5013 059AA	1						Left
2								PANEL, Quarter Corner, Includes Tailamp Pocket
	5013 060AA	1						Right
	5013 061AA	1						Left
3								PANEL, Quarter, Outer Only, Without Dogleg, Without Taillamp Pocket
	5017 866AA	1						Right
	5017 867AA	1						Left
4	#5017 866AB	1						PANEL, Quarter, Outer Only, With Dogleg, Without Taillamp Pocket, Right
5								REINFORCEMENT, Door Striker
	55135 508AC	1						Right
	55135 509AC	1						Left
6								TROUGH, Liftgate Opening
	55135 428AC	1						Right
	55135 429AC	1						Left
-7	6503 526	4						SCREW, Truss Head, M6x1x15, Stabilizer to Drain Trough Mounting
8								PANEL, Rear Wheelhouse
	55136 546AB	1						Right
	55136 547AB	1						Left
9								CHECK, Rear Door
	55135 658AB	1						Right
	55135 659AB	1						Left
10	55135 514AB	1						DOOR, Fuel Fill
11	55135 519AB	2						BUMPER, Fuel Door
12	6504 946AA	2						SCREW, Hex Flange Head, M6x1.0x16.0
13								SEAL, Rear Door
	55135 958AC	1						Right
	55135 959AC	1						Left
14	55136 178AB	1						REINFORCEMENT, Fuel Filler Door
15								SHIELD, Splash
	55136 636AC	1						Rear,Right,Export
	55136 637AC	1						Rear,Left,Export
	#55136 500AD	1						Rear,Right
	#55136 501AD	1						Rear,Left
16	3420 1631	4						RIVET, M6.25x28 Black
17	55135 511AB	1						HOUSING, Fuel Filler

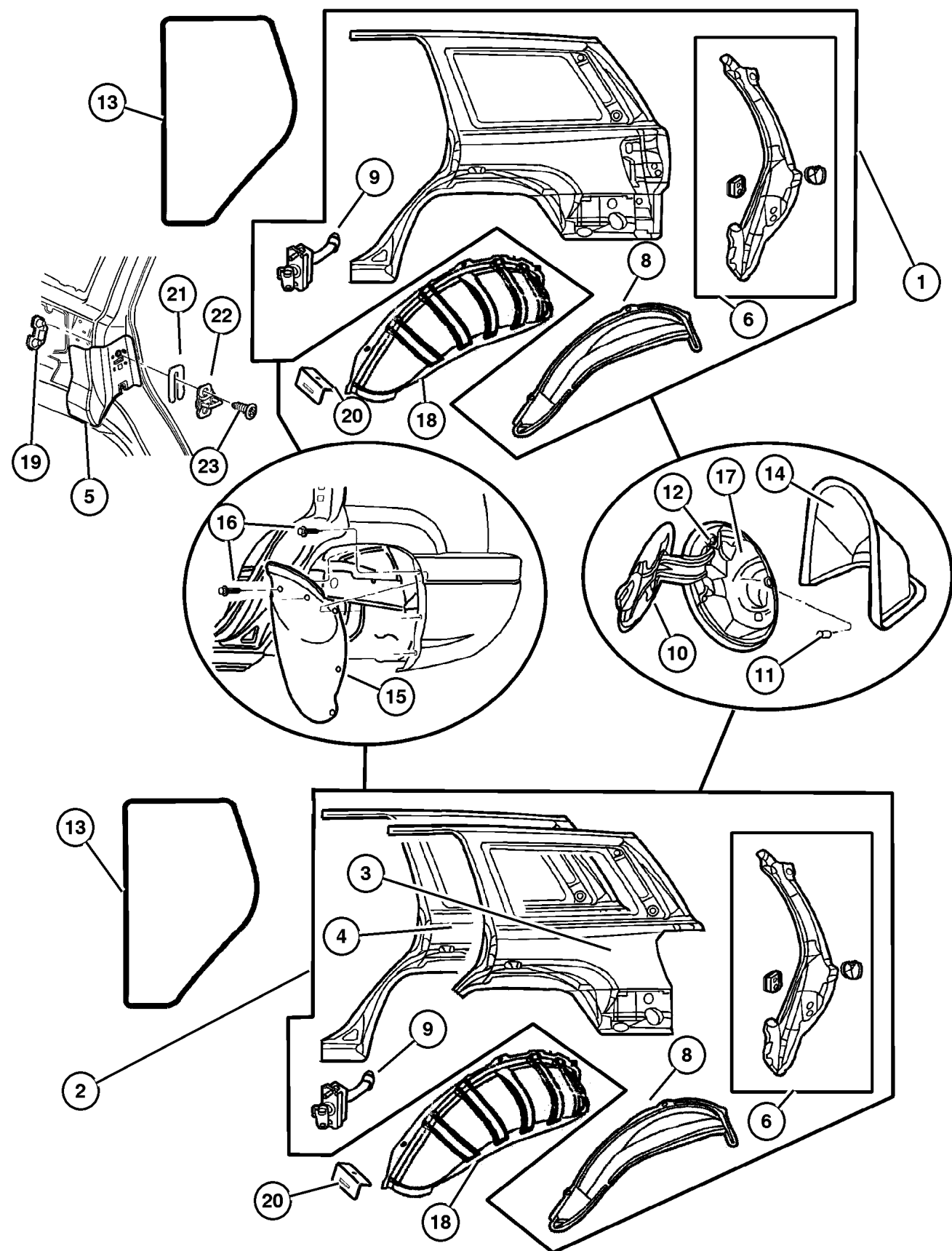
**JEEP GRAND CHEROKEE (WJ)**

SERIES	LINE	BODY	ENGINE	TRANSMISSION
H=Laredo	J = 4WD	74 = 4 Door(105.9 WB)	ER0, ERH = 4.0L, Power Tech I-6	DGK = 4 Speed Autm, 42RE
P=Limited	T = 2WD		EVO, EVA = 4.7L, Power Tech V8	DGW = 4 Speed Automatic, -44RE
	U = 4WD (RHD)		EXA, EX0 = 3.1L, 5 Cyl Turbo Diesel	DG4 = Multi Speed Automatic, -45RFE
				DGO = All Automatic

AR = Use as required - = Non illustrated part # = New this model year

September 14, 2002

Panels, Rear Quarter  
Figure SWJ-910



ITEM	PART NUMBER	QTY	LINE	SERIES	BODY	ENGINE	TRANS	DESCRIPTION
18								WHEELHOUSE, Rear Inner
	55136 996AA	1						Right
	55136 997AA	1						Left
19	4674 669	2						PLATE, Liftgate Striker
20	55136 998AA	2						BRACKET, Wheel House, Trim Panel
21								Attach
	4520 289	AR						SPACER, Door Latch Striker
	5507 5483	AR						3.5 Thick
								2.0 to 2.5 Thick
22	4780 259	2						STRIKER, Door
23	6504 573	4						SCREW, Oval Head, SCREW

JEEP GRAND CHEROKEE (WJ)

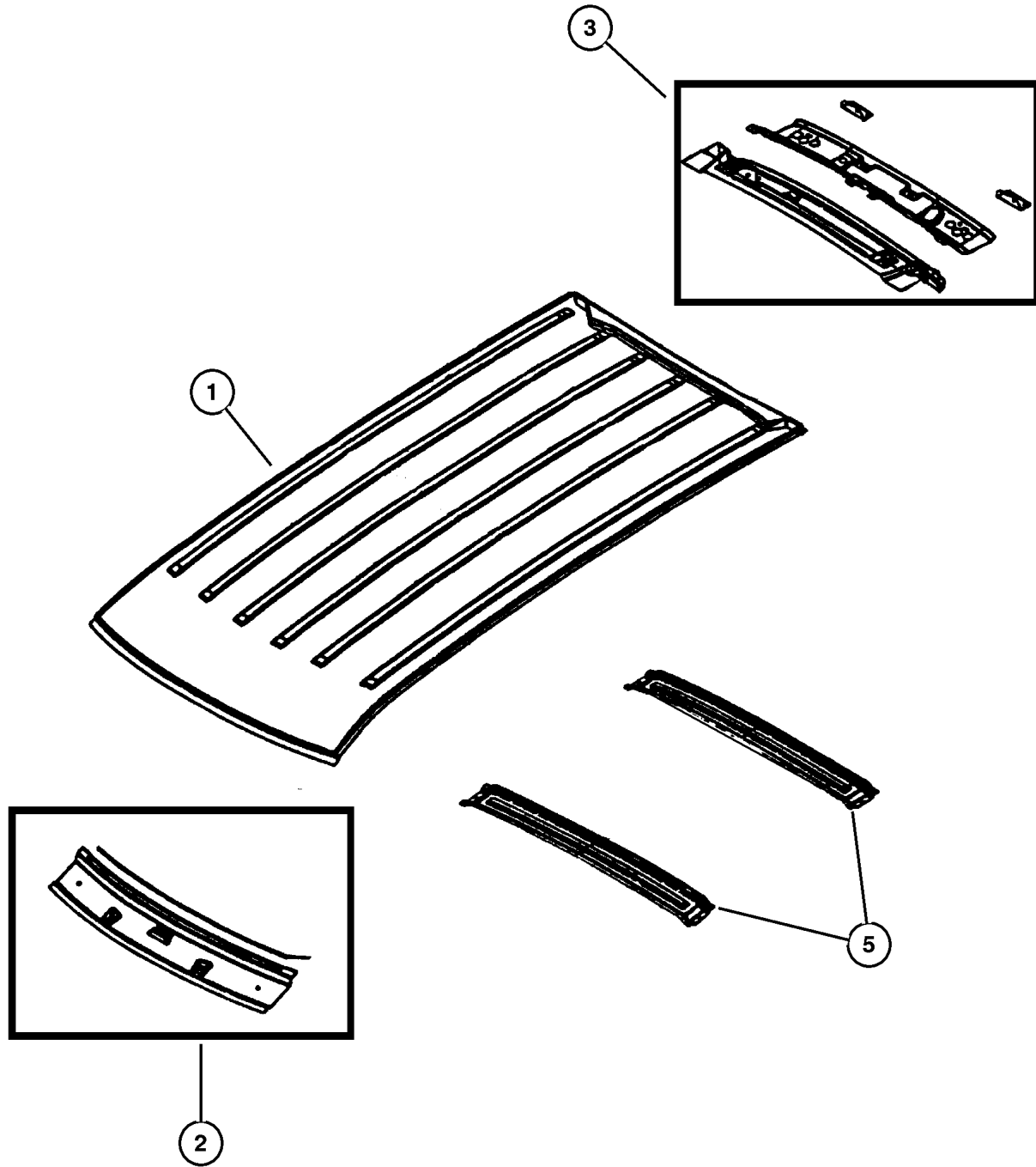
SERIES	LINE	BODY	ENGINE	TRANSMISSION
H=Laredo	J = 4WD	74 = 4 Door(105.9 WB)	ER0, ERH = 4.0L, Power Tech I-6	DGK = 4 Speed Autm, 42RE
P=Limited	T = 2WD		EVO, EVA = 4.7L, Power Tech V8	DGW = 4 Speed Automatic, -44RE
	U = 4WD (RHD)		EXA, EX0 = 3.1L, 5 Cyl Turbo Diesel	DG4 = Multi Speed Automatic, -45RFE
				DGO = All Automatic

AR = Use as required - = Non illustrated part # = New this model year

September 14, 2002

**Panels, Roof**  
**Figure SWJ-1110**

ITEM	PART NUMBER	QTY	LINE	SERIES	BODY	ENGINE	TRANS	DESCRIPTION
1								PANEL, Roof
	55136 918AA	1						Export
	55135 404AC	1	J, T					Without Sunroof
	55135 461AC	1						With Sunroof
2	55135 545AB	1						HEADER, Roof Front
3	55135 523AC	1						HEADER, Panel, Rear
-4								RIVET, Blind, .25xM4/M7
	6503 938	2						Front Header Attach
		4						Roof Bow Attach
		2						Rear Header Attach
5	55135 424AD	2						BOW, Roof



<b>JEEP GRAND CHEROKEE (WJ)</b>				
SERIES	LINE	BODY	ENGINE	TRANSMISSION
H=Laredo	J = 4WD	74 = 4 Door(105.9 WB)	ER0, ERH = 4.0L, Power Tech I-6	DGK = 4 Speed Autm, 42RE
P=Limited	T = 2WD		EVO, EVA = 4.7L, Power Tech V8	DGW = 4 Speed Automatic, -44RE
	U = 4WD (RHD)		EXA, EX0 = 3.1L, 5 Cyl Turbo Diesel	DG4 = Multi Speed Automatic, -45RFE
				DGO = All Automatic

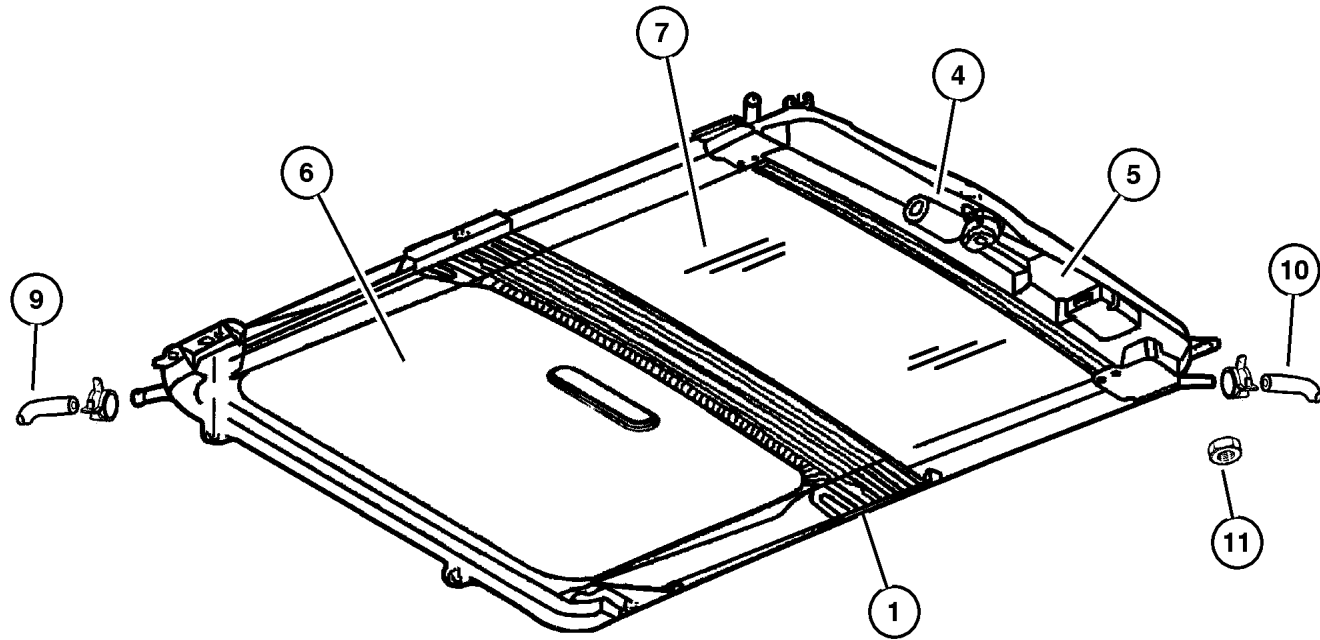
AR = Use as required - = Non illustrated part # = New this model year

September 14, 2002



**Sunroof**  
**Figure SWJ-1210**

ITEM	PART NUMBER	QTY	LINE	SERIES	BODY	ENGINE	TRANS	DESCRIPTION
1	5012 772AA	1						MODULE, Sunroof
-2	5012 765AA	1						DEFLECTOR, Sunroof Wind
-3	5012 769AA	1						CHANNEL, Sunroof Drain
4	5012 768AA	1						MOTOR, Sunroof
5	5012 771AB	1						CONTROL UNIT, Sunroof
6								SUNSHADE, Sunroof
	5EZ11 RK5AB	1						[K5]
	5EZ11 TL2AB	1						[AZ]
7	55135 858AB	1						GLASS, Sunroof
-8	5012 773AA	4						GUIDE, Sunroof Lid
9								HOSE, Sunroof Drain
	55136 966AC	1						Front,Right
	55136 967AD	1						Front,Left
10	55135 851AE	2						HOSE, Sunroof Drain, Rear
11	6503 504	2						NUT AND WASHER, Hex, M6x1
-12	4814 215	1						GROMMET, Tube, Sunroof Drain
-13	6502 843	9						NUT AND WASHER, Hex Nut-Coned Washer, M6 x 1.00, Sunroof to Roof Reinforcement Attach
-14	4805 378AB	6						CLIP, Tube, Sunroof Drain Hose Attach



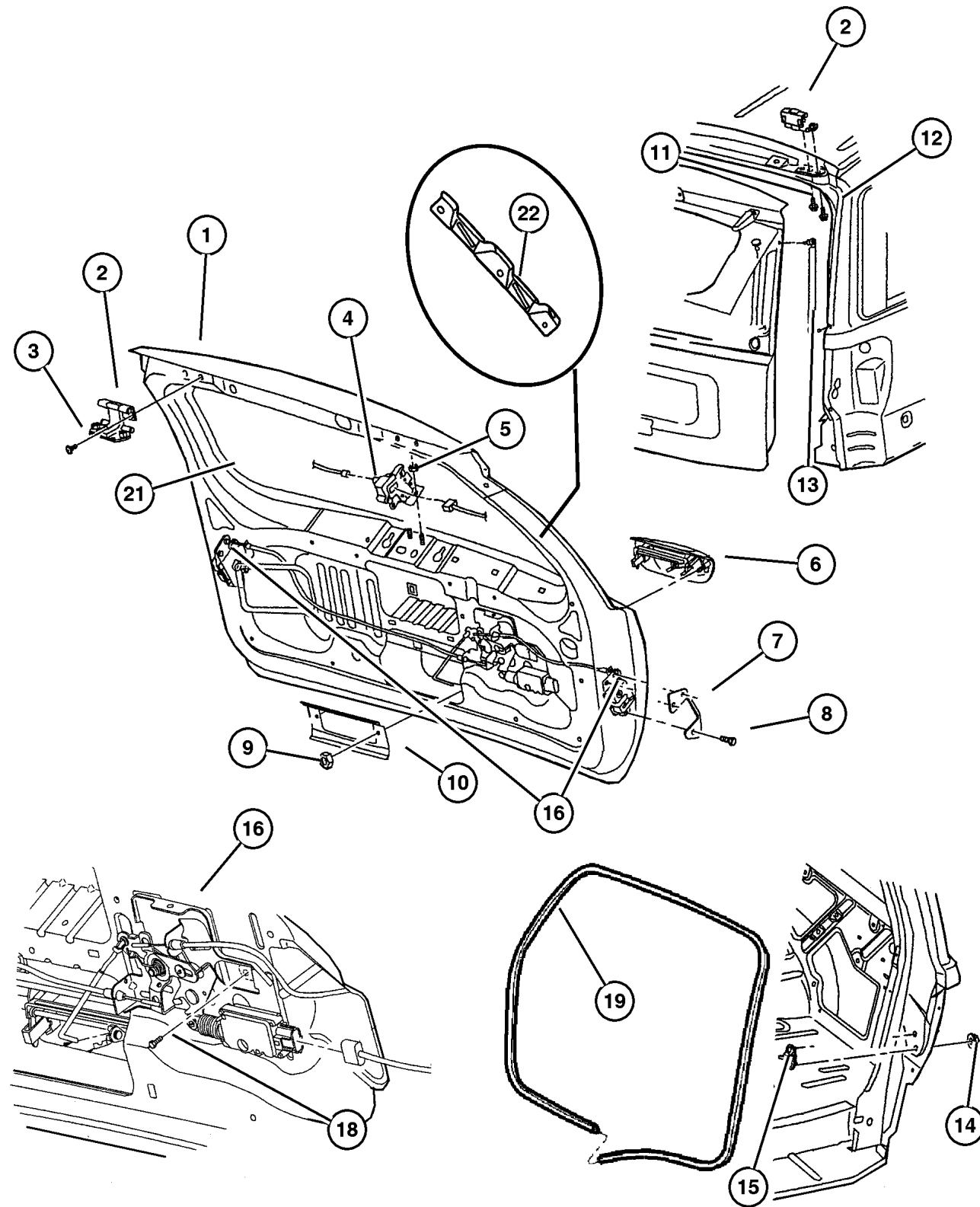
**JEEP GRAND CHEROKEE (WJ)**

SERIES	LINE	BODY	ENGINE	TRANSMISSION
H=Laredo	J = 4WD	74 = 4 Door(105.9 WB)	ER0, ERH = 4.0L, Power Tech I-6	DGK = 4 Speed Autm, 42RE
P=Limited	T = 2WD		EV0, EVA = 4.7L, Power Tech V8	DGW = 4 Speed Automatic, -44RE
	U = 4WD (RHD)		EXA, EX0 = 3.1L, 5 Cyl Turbo Diesel	DG4 = Multi Speed Automatic, -45RFE
				DGO = All Automatic

AR = Use as required - = Non illustrated part # = New this model year

September 14, 2002

## Liftgate, Latch and Hinges Figure SWJ-1310

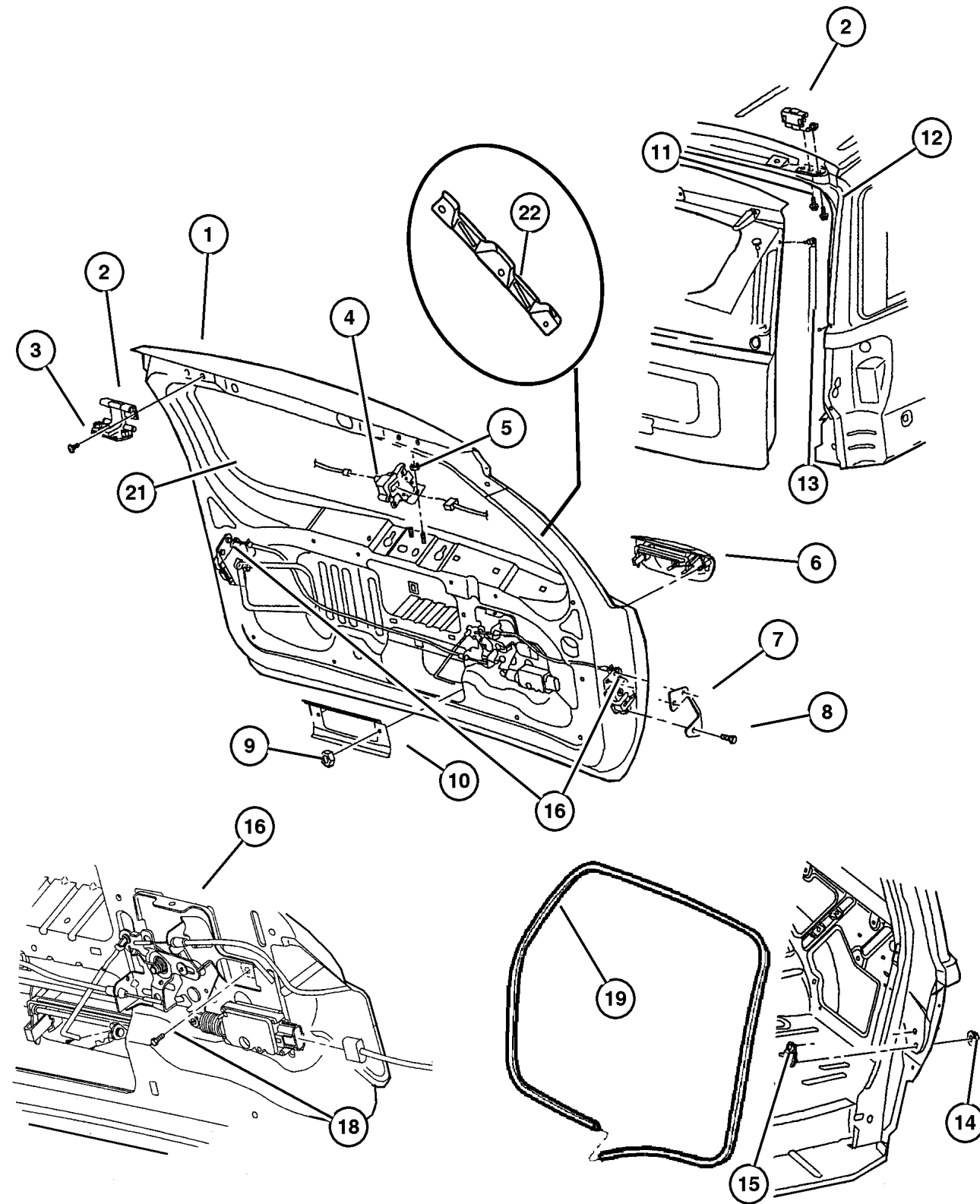


ITEM	PART NUMBER	QTY	LINE	SERIES	BODY	ENGINE	TRANS	DESCRIPTION
[ARN]= Laredo								
[ARP]= Limited								
1	55256 177AC	1						PANEL, Liftgate
2	55257 015AB	2						HINGE, Liftgate
3								SCREW AND WASHER, Hex Head, M8-1.25x30, (NOT SERVICED) (Not Serviced)
4	55136 740AA	1						LATCH, Liftgate Glass
5	6503 102	2						NUT AND WASHER, Hex Nut-Coned Washer, M6 x 1.00
6								HANDLE, Liftgate
	55136 699AB	1						Patroit Blue, Jefferson Built, [BT]
	5GD47 WBTAB	1						Everglade, [PT]
	5GD47 WPTAB	1						Champagne Pearl, [TH]
	5GD47 WTHAB	1						Sienna Tinted Pearl Coat, [UL]
	5GD47 WULAB	1						Sienna Pearl Coat, [UR]
	5GD47 XGRAB	1						Shalle Green Metallic, [GR]
	5GD47 XS5AB	1						Silvertone Metallic, [S5]
	5GD47 XSHAB	1						Silvertone Pearl Coat, [SH]
	5GD47 DX8AB	1						Black, [X8]
	5GD47 GW7AB	1						Bright White, [W7]
	5GD47 PR4AB	1						Flame Red, [R4]
	5GD47 SW1AB	1						Stone White, [W1]
	5GD47 TTKAB	1						Taupe Frost, [TK]
	5GD47 VAWAB	1						Deep Slate, [AW]
	5GD47 VTEAB	1						Champagne Pearl Metallic, [TE]
	5GD47 WB7AB	1						Patroit Blue, Steyr Built, [B7]
7								LATCH, Liftgate
	55136 910AA	1						Right
	55136 911AA	1						Left
8	6503 259	6						SCREW, Tapping, M6x1x20
9	6505 316AA	1						NUT
10	55136 696AB	1						BRACKET, Outside Door Handle
11	6505 337AA	2						SCREW AND WASHER, Hex Head
12	6506 458AA	4						SCREW AND WASHER, Hex Head, M8x1.25x25
13								SUPPORT, Liftgate Strut
	55137 022AA	1						Right
	55137 023AA	1						Left
14	6503 533	4						SCREW, Flange Head, M8x1.25x26
15								STRIKER, Liftgate
	55136 912AB	1						Right
<b>JEEP GRAND CHEROKEE (WJ)</b>								
SERIES	LINE		BODY		ENGINE		TRANSMISSION	
H=Laredo	J = 4WD		74 = 4 Door(105.9 WB)		ER0, ERH = 4.0L, Power Tech I-6		DGK = 4 Speed Autm, 42RE	
P=Limited	T = 2WD				EV0, EVA = 4.7L, Power Tech V8		DGW = 4 Speed Automatic, -44RE	
	U = 4WD (RHD)				EXA, EX0 = 3.1L, 5 Cyl Turbo Diesel		DG4 = Multi Speed Automatic, -45RFE	
							DGO = All Automatic	

AR = Use as required - = Non illustrated part # = New this model year

September 14, 2002

### Liftgate, Latch and Hinges Figure SWJ-1310



ITEM	PART NUMBER	QTY	LINE	SERIES	BODY	ENGINE	TRANS	DESCRIPTION
	55136 913AB	1						Left
16	#55136 742AC	1						LATCH, Liftgate
-17	5018 479AA	1						ACTUATOR, Decklid Lock
18	6501 979	1						SCREW AND WASHER, Hex Head, M6x1x17
19	55135 388AB	1						SEAL, Liftgate
-20	6505 435AA	4						NUT, Plastic, License Plate Ataching
21	55136 053AC	1						WEATHERSTRIP, Liftgate Glass
22								BRACKET, Liftgate
	55136 654AA	1						Right
	55136 655AB	1						Left

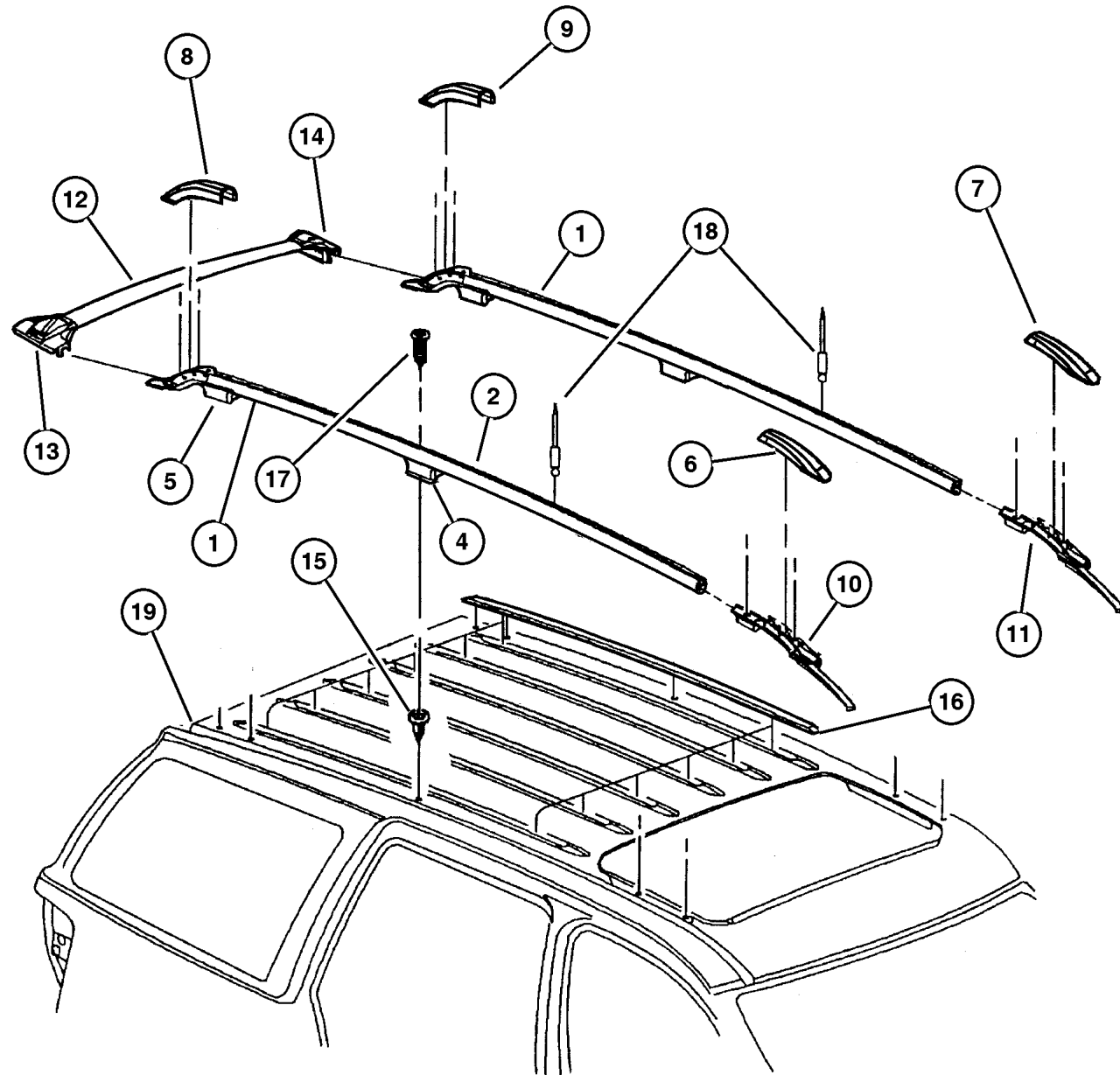
JEEP GRAND CHEROKEE (WJ)				
SERIES	LINE	BODY	ENGINE	TRANSMISSION
H=Laredo	J = 4WD	74 = 4 Door(105.9 WB)	ER0, ERH = 4.0L, Power Tech I-6	DGK = 4 Speed Autm, 42RE
P=Limited	T = 2WD		EV0, EVA = 4.7L, Power Tech V8	DGW = 4 Speed Automatic, -44RE
	U = 4WD (RHD)		EXA, EX0 = 3.1L, 5 Cyl Turbo Diesel	DG4 = Multi Speed Automatic, -45RFE
				DGO = All Automatic

AR = Use as required - = Non illustrated part # = New this model year

September 14, 2002

## Roof Rack Figure SWJ-1610

ITEM	PART NUMBER	QTY	LINE	SERIES	BODY	ENGINE	TRANS	DESCRIPTION
1								RAIL, Luggage Rack Side
	#55136 848AB	1						Right
	#55136 849AB	1						Left
2								SPACER
	55136 838AA	1						Right
	55136 839AA	1						Left
-3	55136 842AA	2						GASKET
4								SUPPORT, Luggage Rack
	55136 854AA	1						Right,Center
	55136 855AA	1						Left,Center
5								SUPPORT, Roof Rack
	55136 836AA	1						Right,Rear
	55136 837AA	1						Left,Rear
6	55135 970AB	1						CAP, Side Rail, Front,Right
7	55135 971AB	1						CAP, Side Rail, Front,Left
8	55136 576AA	1						CAP, Side Rail, Rear,Right
9	55136 577AA	1						CAP, Side Rail, Rear,Left
10	55136 952AB	1						SUPPORT, Roof Rack, Front,Right
11	55136 953AB	1						SUPPORT, Roof Rack, Front,Left
12	5017 213AA	2						CROSS RAIL, Roof Rack
13	55136 850AA	2						STANCHION, LUGG RACK CROSS
								RAIL, Right
14	55136 851AA	2						STANCHION, LUGG RACK CROSS RAIL, Left
15	6506 104AA	10						NUT
16								SKID STRIP, Roof Rack
	55136 961AA	6						Export
	55135 987AB	6						
17								SCREW, Pan Head, M6x1.00x45.00, (NOT SERVICED) (Not Serviced)
18								RIVET, .125x.283, (NOT SERVICED) (Not Serviced)
19	55136 526AB	2						MOLDING, Roof Joint



### JEEP GRAND CHEROKEE (WJ)

SERIES	LINE	BODY	ENGINE	TRANSMISSION
H=Laredo	J = 4WD	74 = 4 Door(105.9 WB)	ER0, ERH = 4.0L, Power Tech I-6	DGK = 4 Speed Autm, 42RE
P=Limited	T = 2WD		EVO, EVA = 4.7L, Power Tech V8	DGW = 4 Speed Automatic, -44RE
	U = 4WD (RHD)		EXA, EX0 = 3.1L, 5 Cyl Turbo Diesel	DG4 = Multi Speed Automatic, -45RFE
				DGO = All Automatic

AR = Use as required - = Non illustrated part # = New this model year

September 14, 2002