

# DaimlerChrysler Corporation

## SERVICE MANUAL

### 2000 JEEP® GRAND CHEROKEE

To order the special service tools used and illustrated, please refer to the instructions on inside back cover.

NO PART OF THIS PUBLICATION MAY BE REPRODUCED, STORED IN A RETRIEVAL SYSTEM, OR TRANSMITTED, IN ANY FORM OR BY ANY MEANS, ELECTRONIC, MECHANICAL, PHOTOCOPYING, RECORDING, OR OTHERWISE, WITHOUT THE PRIOR WRITTEN PERMISSION OF DAIMLERCHRYSLER CORPORATION.

DaimlerChrysler Corporation reserves the right to make changes in design or to make additions to or improvements in its products without imposing any obligations upon itself to install them on its products previously manufactured.

Litho in U.S.A. Copyright © 1999 DaimlerChrysler Corporation  
15M0799



Paper Content  
50% Recycled

## GROUP TAB LOCATOR

Introduction
0 Lubrication and Maintenance
2 Suspension
3 Differential and Driveline
5 Brakes
7 Cooling System
8A Battery
8B Starting Systems
8C Charging System
8D Ignition System
8E Instrument Panel Systems
8F Audio Systems
8G Horn Systems
8H Speed Control System
8J Turn Signal and Hazard Warning Systems
8K Wiper and Washer Systems
8L Lamps
8M Passive Restraint Systems
8N Electrically Heated Systems
8O Power Distribution System
8P Power Lock Systems
8Q Vehicle Theft/Security Systems
8R Power Seat Systems
8S Power Window Systems
8T Power Mirror Systems
8U Chime/Buzzer Warning Systems
8V Overhead Console Systems
8W Wiring Diagrams
9 Engine
11 Exhaust System
13 Frame and Bumpers
14 Fuel System
19 Steering
21 Transmission and Transfer Case
22 Tires and Wheels
23 Body
24 Heating and Air Conditioning
25 Emission Control Systems
Component and System Index

**Service Manual Comment Forms**

**(Rear of Manual)**



# INTRODUCTION

## TABLE OF CONTENTS

	page		page
<b>DESCRIPTION AND OPERATION</b>		<b>SPECIFICATIONS</b>	
BODY CODE PLATE .....	2	FASTENER IDENTIFICATION.....	2
VEHICLE IDENTIFICATION NUMBER (VIN) .....	1	FASTENER USAGE .....	2
VEHICLE SAFETY CERTIFICATION LABEL .....	1	INTERNATIONAL SYMBOLS.....	2
<b>SERVICE PROCEDURES</b>		METRIC SYSTEM .....	6
THREADED HOLE REPAIR .....	2	TORQUE REFERENCES.....	6

### DESCRIPTION AND OPERATION

#### VEHICLE IDENTIFICATION NUMBER (VIN)

##### DESCRIPTION

The Vehicle Identification Number (VIN) plate is attached to the top left side of the instrument panel.

The VIN contains 17 characters that provide data concerning the vehicle. Refer to the decoding chart to determine the identification of a vehicle.

*VEHICLE IDENTIFICATION NUMBER DECODING CHART*

POSITION	INTERPRETATION	CODE = DESCRIPTION
1	Country of Origin	1 = United States
2	Make	J = Jeep
3	Vehicle Type	4 = MPV
4	Gross Vehicle Weight Rating	G = 5001-6000 lbs.
5	Vehicle Line	2= Grand Cherokee 4X2 (LHD) W = Grand Cherokee 4X4 (LHD)
6	Series	5 = Laredo 6 = Limited
7	Body Style	8 = 4dr Sport Utility
8	Engine	S = 4.0 Liter N = 4.7Liter
9	Check Digit	
10	Model Year	Y=2000
11	Assembly Plant	C = Jefferson Assembly
12 thru 17	Vehicle Build Sequence	

### VEHICLE SAFETY CERTIFICATION LABEL

##### DESCRIPTION

A vehicle safety certification label (Fig. 1) is attached to every Chrysler Corporation vehicle. The label certifies that the vehicle conforms to all applicable Federal Motor Vehicle Safety Standards. The label also lists:

- Month and year of vehicle manufacture.

- Gross Vehicle Weight Rating (GVWR). The gross front and rear axle weight ratings (GAWR's) are based on a minimum rim size and maximum cold tire inflation pressure.

- Vehicle Identification Number (VIN).
- Type of vehicle.
- Type of rear wheels.
- Bar code.
- Month, Day and Hour (MDH) of final assembly.

DESCRIPTION AND OPERATION (Continued)


- Paint and Trim codes.
- Country of origin.

The label is located on the driver-side door shut-face.

MFD BY	CHRYSLER CORPORATION	DATE OF MFR	1-96 C	GVWR	2268 KG (05000 LB)
GAWR FRONT	WITH TIRES	RIMS AT	COLD		
1203 KG (2650 LB)	P195/75R14	14 X 5.5	380 KPA(35 PSI)		
GAWR REAR	WITH TIRES	RIMS AT	COLD		
1225 KG (2700 LB)	P195/75R14	14 X 5.5	380 KPA(35 PSI)		

THIS VEHICLE CONFORMS TO ALL APPLICABLE FEDERAL MOTOR VEHICLE SAFETY STANDARDS IN EFFECT ON THE DATE OF MANUFACTURE SHOWN ABOVE.

VIN:XXXXXXXXXXXXXXXXX TYPE: SINGLE X DUAL



MDH: 010615 021 PAINT:POP VEHICLE MADE IN CANADA TRIM:C5C3 4948505

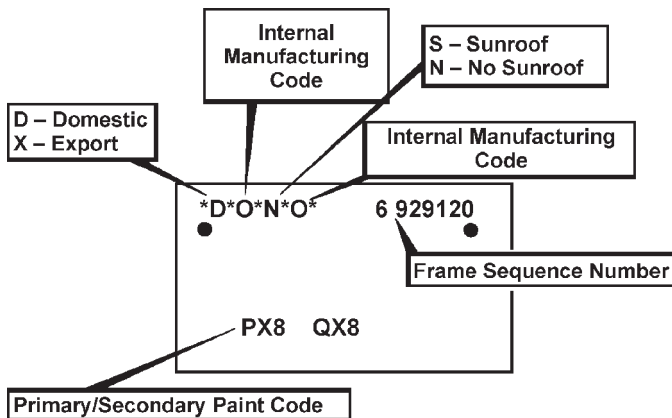
80ab36d5

Fig. 1 Vehicle Safety Certification Label

BODY CODE PLATE

DESCRIPTION

A metal Body Code plate is located in the engine compartment and attached to the top of the right frame rail. The information listed on the plate (Fig. 2) is used for manufacturing and service purposes.



80a5f17a

Fig. 2 Body Code Plate

SERVICE PROCEDURES

THREADED HOLE REPAIR

Most stripped threaded holes can be repaired using a Helicoil®. Follow the manufactures recommendations for application and repair procedures.

SPECIFICATIONS

INTERNATIONAL SYMBOLS

DESCRIPTION

The graphic symbols illustrated in the following International Control and Display Symbols Chart are used to identify various instrument controls. The symbols correspond to the controls and displays that are located on the instrument panel.

FASTENER IDENTIFICATION

DESCRIPTION

GRADE/CLASS IDENTIFICATION

The SAE bolt strength grades range from grade 2 to grade 8. The higher the grade number, the greater the bolt strength. Identification is determined by the line marks on the top of each bolt head. The actual bolt strength grade corresponds to the number of line marks plus 2. The most commonly used metric bolt strength classes are 9.8 and 10.9. The metric strength class identification number is imprinted on the head of the bolt. The higher the class number, the greater the bolt strength. Some metric nuts are imprinted with a single-digit strength class on the nut face. Refer to the Fastener Identification and Fastener Strength Charts.

























FASTENER USAGE

**WARNING: USE OF AN INCORRECT FASTENER MAY RESULT IN COMPONENT DAMAGE OR PERSONAL INJURY.**

Figure art, specifications and torque references in this Service Manual are identified in metric and SAE format.

During any maintenance or repair procedures, it is important to salvage all fasteners (nuts, bolts, etc.) for reassembly. If the fastener is not salvageable, a fastener of equivalent specification must be used.

SPECIFICATIONS (Continued)

 1	 2	 3	 4	 5	 6
 7	 8	 9	 10	 11	 12
 13	 14	 15	 16	 17	 18
 19	 20	 21	 22	 23	 24

80be4788

1	High Beam	13	Rear Window Washer
2	Fog Lamps	14	Fuel
3	Headlamp, Parking Lamps, Panel Lamps	15	Engine Coolant Temperature
4	Turn Warning	16	Battery Charging Condition
5	Hazard Warning	17	Engine Oil
6	Windshield Washer	18	Seat Belt
7	Windshield Wiper	19	Brake Failure
8	Windshield Wiper and Washer	20	Parking Brake
9	Windscreen Demisting and Defrosting	21	Front Hood
10	Ventilating Fan	22	Rear hood (Decklid)
11	Rear Window Defogger	23	Horn
12	Rear Window Wiper	24	Lighter

SPECIFICATIONS (Continued)

FASTENER IDENTIFICATION

**Bolt Markings and Torque - Metric**

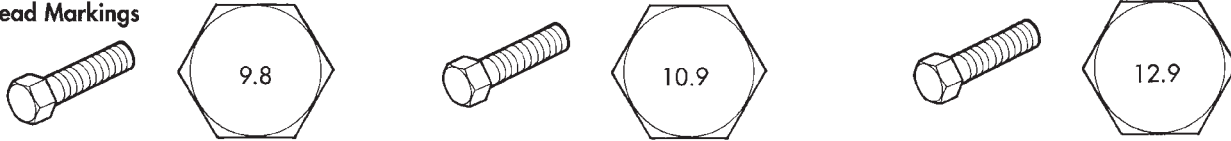
Commercial Steel Class

9.8

10.9

12.9

Bolt Head Markings



Body Size	Torque					Torque					Torque				
	Cast Iron		Aluminum			Cast Iron		Aluminum			Cast Iron		Aluminum		
	Diam.	N•m	ft-lb	N•m	ft-lb	N•m	ft-lb	N•m	ft-lb	N•m	ft-lb	N•m	ft-lb		
6	9	5	7	4	14	9	11	7	14	9	11	7			
7	14	9	11	7	18	14	14	11	23	18	18	14			
8	25	18	18	14	32	23	25	18	36	27	28	21			
10	40	30	30	25	60	45	45	35	70	50	55	40			
12	70	55	55	40	105	75	80	60	125	95	100	75			
14	115	85	90	65	160	120	125	95	195	145	150	110			
16	180	130	140	100	240	175	190	135	290	210	220	165			
18	230	170	180	135	320	240	250	185	400	290	310	230			

**Bolt Markings and Torque Values - U.S. Customary**

SAE Grade Number

5

8

Bolt Head Markings

These are all SAE Grade 5 (3) line



Bolt Torque - Grade 5 Bolt


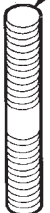


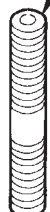


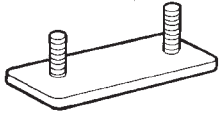


Bolt Torque - Grade 8 Bolt

Body Size	Cast Iron		Aluminum		Cast Iron		Aluminum	
	N•m	ft-lb	N•m	ft-lb	N•m	ft-lb	N•m	ft-lb
1/4 - 20	9	7	8	6	15	11	12	9
- 28	12	9	9	7	18	13	14	10
5/16 - 18	20	15	16	12	30	22	24	18
- 24	23	17	19	14	33	24	25	19
3/8 - 16	40	30	25	20	55	40	40	30
- 24	40	30	35	25	60	45	45	35
7/16 - 14	60	45	45	35	90	65	65	50
- 20	65	50	55	40	95	70	75	55
1/2 - 13	95	70	75	55	130	95	100	75
- 20	100	75	80	60	150	110	120	90
9/16 - 12	135	100	110	80	190	140	150	110
- 18	150	110	115	85	210	155	170	125
5/8 - 11	180	135	150	110	255	190	205	150
- 18	210	155	160	120	290	215	230	170
3/4 - 10	325	240	255	190	460	340	365	270
- 16	365	270	285	210	515	380	410	300
7/8 - 9	490	360	380	280	745	550	600	440
- 14	530	390	420	310	825	610	660	490
1 - 8	720	530	570	420	1100	820	890	660
- 14	800	590	650	480	1200	890	960	710

SPECIFICATIONS (Continued)

FASTENER STRENGTH

HOW TO DETERMINE BOLT STRENGTH

	Mark	Class		Mark	Class
Hexagon head bolt	 <p>Bolt head No.</p> <p>4 — 4T 5 — 5T 6 — 6T 7 — 7T 8 — 8T 9 — 9T 10 — 10T 11 — 11T</p>		Stud bolt	 <p>No mark</p>	4T
	 <p>No mark</p>	4T			
Hexagon flange bolt w/washer hexagon bolt	 <p>No mark</p>	4T	Welded bolt	 <p>Grooved</p>	6T
Hexagon head bolt	 <p>Two protruding lines</p>	5T			
Hexagon flange bolt w/washer hexagon bolt	 <p>Two protruding lines</p>	6T		4T	
Hexagon head bolt	 <p>Three protruding lines</p>	7T			
Hexagon head bolt	 <p>Four protruding lines</p>	8T			

## SPECIFICATIONS (Continued)

**METRIC SYSTEM**

The following chart will assist in converting metric units to equivalent English and SAE units, or vice versa.

**DESCRIPTION**

The metric system is based on quantities of one, ten, one hundred, one thousand and one million.

*CONVERSION FORMULAS AND EQUIVALENT VALUES*

MULTIPLY	BY	TO GET	MULTIPLY	BY	TO GET
in-lbs	x 0.11298	= Newton Meters (N·m)	N·m	x 8.851	= in-lbs
ft-lbs	x 1.3558	= Newton Meters (N·m)	N·m	x 0.7376	= ft-lbs
Inches Hg (60° F)	x 3.377	= Kilopascals (kPa)	kPa	x 0.2961	= Inches Hg
psi	x 6.895	= Kilopascals (kPa)	kPa	x 0.145	= psi
Inches	x 25.4	= Millimeters (mm)	mm	x 0.03937	= Inches
Feet	x 0.3048	= Meters (M)	M	x 3.281	= Feet
Yards	x 0.9144	= Meters	M	x 1.0936	= Yards
mph	x 1.6093	= Kilometers/Hr. (Km/h)	Km/h	x 0.6214	= mph
Feet/Sec	x 0.3048	= Meters/Sec (M/S)	M/S	x 3.281	= Feet/Sec
mph	x 0.4470	= Meters/Sec (M/S)	M/S	x 2.237	= mph
Kilometers/ Hr. (Km/h)	x 0.27778	= Meters/Sec (M/S)	M/S	x 3.600	Kilometers/Hr. (Km/h)

*COMMON METRIC EQUIVALENTS*

1 inch = 25 Millimeters	1 Cubic Inch = 16 Cubic Centimeters
1 Foot = 0.3 Meter	1 Cubic Foot = 0.03 Cubic Meter
1 Yard = 0.9 Meter	1 Cubic Yard = 0.8 Cubic Meter
1 Mile = 1.6 Kilometers	

Refer to the Metric Conversion Chart to convert torque values listed in metric Newton- meters (N·m). Also, use the chart to convert between millimeters (mm) and inches (in.)

**TORQUE REFERENCES****DESCRIPTION**

Individual Torque Charts appear at the end of many Groups. Refer to the Standard Torque Specifications Chart for torque references not listed in the individual torque charts.

SPECIFICATIONS (Continued)

METRIC CONVERSION CHART

in-lbs to N•m

N•m to in-lbs

Table with 18 columns and 20 rows showing conversion values for in-lbs to N•m and N•m to in-lbs.

ft-lbs to N•m

N•m to ft-lbs

Table with 18 columns and 20 rows showing conversion values for ft-lbs to N•m and N•m to ft-lbs.

in. to mm

mm to in.

Table with 18 columns and 20 rows showing conversion values for inches to millimeters and millimeters to inches.



## SPECIFICATIONS (Continued)

## TORQUE SPECIFICATIONS

## SPECIFIED TORQUE FOR STANDARD BOLTS

Class	Diameter mm	Pitch mm	Specified torque					
			Hexagon head bolt			Hexagon flange bolt		
			N•m	kgf-cm	ft-lbf	N•m	kgf-cm	ft-lbf
4T	6	1	5	55	48 in.-lbf	6	60	52 in.-lbf
	8	1.25	12.5	130	9	14	145	10
	10	1.25	26	260	19	29	290	21
	12	1.25	47	480	35	53	540	39
	14	1.5	74	760	55	84	850	61
	16	1.5	115	1,150	83	—	—	—
5T	6	1	6.5	65	56 in.-lbf	7.5	75	65 in.-lbf
	8	1.25	15.5	160	12	17.5	175	13
	10	1.25	32	330	24	36	360	26
	12	1.25	59	600	43	65	670	48
	14	1.5	91	930	67	100	1,050	76
	16	1.5	140	1,400	101	—	—	—
6T	6	1	8	80	69 in.-lbf	9	90	78 in.-lbf
	8	1.25	19	195	14	21	210	15
	10	1.25	39	400	29	44	440	32
	12	1.25	71	730	53	80	810	59
	14	1.5	110	1,100	80	125	1,250	90
	16	1.5	170	1,750	127	—	—	—
7T	6	1	10.5	110	8	12	120	9
	8	1.25	25	260	19	28	290	21
	10	1.25	52	530	38	58	590	43
	12	1.25	95	970	70	105	1,050	76
	14	1.5	145	1,500	108	165	1,700	123
	16	1.5	230	2,300	166	—	—	—
8T	8	1.25	29	300	22	33	330	24
	10	1.25	61	620	45	68	690	50
	12	1.25	110	1,100	80	120	1,250	90
9T	8	1.25	34	340	25	37	380	27
	10	1.25	70	710	51	78	790	57
	12	1.25	125	1,300	94	140	1,450	105
10T	8	1.25	38	390	28	42	430	31
	10	1.25	78	800	58	88	890	64
	12	1.25	140	1,450	105	155	1,600	116
11T	8	1.25	42	430	31	47	480	35
	10	1.25	87	890	64	97	990	72
	12	1.25	155	1,600	116	175	1,800	130



# LUBRICATION AND MAINTENANCE

## TABLE OF CONTENTS

	page		page
LUBRICANTS .....	1	JUMP STARTING, HOISTING AND TOWING .....	9
MAINTENANCE SCHEDULES .....	4		

## LUBRICANTS

### TABLE OF CONTENTS

	page		page
<b>SERVICE PROCEDURES</b>		INTERNATIONAL SYMBOLS .....	2
PARTS AND LUBRICANT		<b>SPECIFICATIONS</b>	
RECOMMENDATIONS .....	1	FLUID CAPACITIES .....	2
CLASSIFICATION OF LUBRICANTS .....	1		
FLUID CHECK/FILL POINTS AND			
LUBRICATION LOCATIONS .....	2		

### SERVICE PROCEDURES

#### PARTS AND LUBRICANT RECOMMENDATIONS

When service is required, DaimlerChrysler Corporation recommends that only Mopar® brand parts, lubricants and chemicals be used. Mopar provides the best engineered products for servicing DaimlerChrysler Corporation vehicles.

#### CLASSIFICATION OF LUBRICANTS

Only lubricants bearing designations defined by the following organization should be used to service a DaimlerChrysler Corporation vehicle.

- Society of Automotive Engineers (SAE)
- American Petroleum Institute (API) (Fig. 1)
- National Lubricating Grease Institute (NLGI)

(Fig. 2)

#### SAE VISCOSITY RATING

An SAE viscosity grade is used to specify the viscosity of engine oil. Engine oils also have multiple viscosities. These are specified with a dual SAE viscosity grade which indicates the cold-to-hot temperature viscosity range.

- SAE 30 = single grade engine oil.
- SAE 10W-30 = multiple grade engine oil.

DaimlerChrysler Corporation only recommends multiple grade engine oils.

### API QUALITY CLASSIFICATION

This symbol (Fig. 1) on the front of an oil container means that the oil has been certified by the American Petroleum Institute (API) to meet all the lubrication requirements specified by DaimlerChrysler Corporation.

Refer to Group 9, Engine for gasoline engine oil specification.



9400-9

*Fig. 1 API Symbol*

### GEAR LUBRICANTS

SAE ratings also apply to multiple grade gear lubricants. In addition, API classification defines the lubricants usage. Such as API GL-5 and SAE 80W-90.

SERVICE PROCEDURES (Continued)

LUBRICANTS AND GREASES

Lubricating grease is rated for quality and usage by the NLGI. All approved products have the NLGI symbol (Fig. 2) on the label. At the bottom NLGI symbol is the usage and quality identification letters. Wheel bearing lubricant is identified by the letter "G". Chassis lubricant is identified by the latter "L". The letter following the usage letter indicates the quality of the lubricant. The following symbols indicate the highest quality.

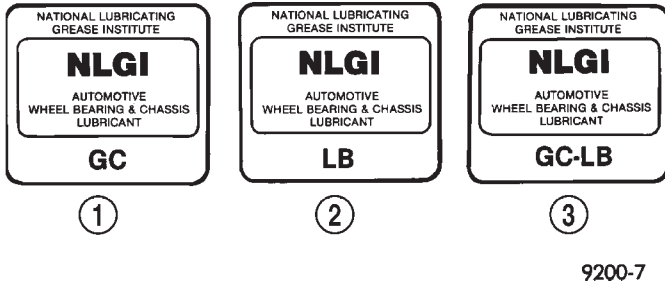


Fig. 2 NLGI Symbol

- 1 - WHEEL BEARINGS
- 2 - CHASSIS LUBRICATION
- 3 - CHASSIS AND WHEEL BEARINGS

SPECIALIZED LUBRICANTS AND OILS

Some maintenance or repair procedures may require the use of specialized lubricants or oils. Consult the appropriate sections in this manual for the correct application of these lubricants.

INTERNATIONAL SYMBOLS

DaimlerChrysler Corporation uses international symbols to identify engine compartment lubricant and fluid check and fill locations (Fig. 3).

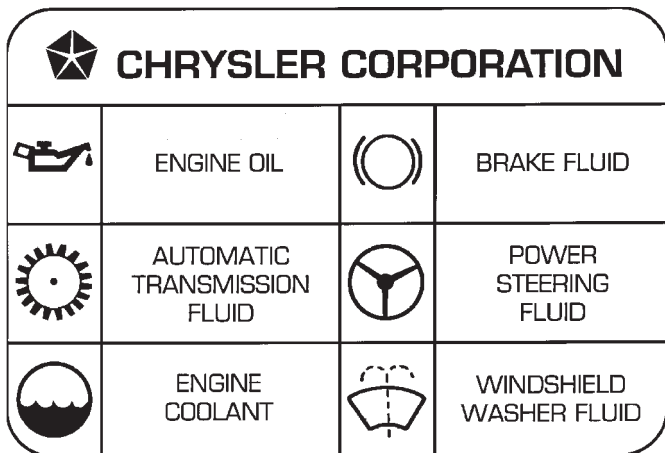


Fig. 3 International Symbols

FLUID CHECK/FILL POINTS AND LUBRICATION LOCATIONS

The fluid check/fill points and lubrication locations are located in each applicable Sections.

SPECIFICATIONS

FLUID CAPACITIES

FUEL TANK

All ..... 78 L (20.5 gal.)

ENGINE OIL W/FILTER CHANGE

4.0L ..... 5.7 L (6.0 qts.)  
 4.7L ..... 5.7 L (6.0 qts.)

COOLING SYSTEM

**CAUTION:** Vehicle may be equipped with long life coolant. Extended life coolant is identified by an orange color. Normal coolant is identified by a greenish color. It is recommended that the two types of coolant not be mixed.

4.0L ..... 12.3 L (13.0 qts.)\*  
 4.7L ..... 12.3 L (13.0 qts.)\*

\*Includes 2.2 L (2.3 qts.) for coolant recovery bottle.

AUTOMATIC TRANSMISSION

Dry fill capacity. \*

42RE ..... 9.1-9.5L (19-20 pts.)  
 45RFE ..... 13.33 L (28.0 pts.)

\* Depending on type and size of internal cooler, length and inside diameter of cooler lines, or use of an auxiliary cooler, these figures may vary. Refer to Group 21, Transmission for proper fluid fill procedure.

TRANSFER CASE

242 NVG ..... 1.4 L (3.0 pts.)  
 247 NVG ..... 1.6L (3.4 pts.)

SPECIFICATIONS (Continued)

**FRONT AXLE**

186 FBI .....	1.18 L (2.5 pts.)
186FBI‡ .....	1.19L (2.51 pts.)

‡If the vehicle is equipped with VARI-LOK, include 0.07L (0.15 pts.) of friction modifier.

**REAR AXLE**

198 RBI* .....	1.6 L (3.5 pts.)
198RBI ‡ .....	1.78L (3.76 pts.)
226 RBA* .....	2.24 L (4.75 pts.)
226RBA ‡‡ .....	2.25L (4.75 pts.)

\* If the vehicle is equipped with TRAC-LOK, include 0.11 L (0.25 pts.) of friction modifier.

‡ If the vehicle is equipped with a VARI-LOK, include 0.09L (0.19 pts.) of friction modifier.

‡‡ If the vehicle is equipped with a VARI-LOK, include 0.12L (0.25 pts.) of friction modifier.

**NOTE:** Vehicles with trailer tow, must use a synthetic lubricant. Refer to Group 3, Differential and Driveline for service procedures.

**POWER STEERING**

Power steering fluid capacities are dependent on engine/chassis options as well as steering gear/cooler options. Depending on type and size of internal cooler, length and inside diameter of cooler lines, or use of an auxiliary cooler, these capacities may vary. Refer to Section 19 of the service manual for proper fill and bleed procedures.

# MAINTENANCE SCHEDULES

## TABLE OF CONTENTS

	page		page
<b>SERVICE PROCEDURES</b>		SCHEDULE—A .....	4
OPERATION .....	4	SCHEDULE—B .....	6
UNSCHEDULED INSPECTION.....	4		

## SERVICE PROCEDURES

### OPERATION

There are two maintenance schedules that show proper service for the Grand Cherokee.

First is Schedule "A". It lists all the scheduled maintenance to be performed under "normal" operating conditions.

Second is Schedule "B". It is a schedule for vehicles that are operated under the following conditions:

- Frequent short trip driving less than 5 miles (8 km)
- Frequent driving in dusty conditions
- Extensive idling
- Trailer towing
- Sustained high speed operation
- Off road driving
- Desert operation
- Frequent starting and stopping
- Cold climate operation
- Commercial service

Use the schedule that best describes the driving conditions.

Where time and mileage are listed, follow the interval that occurs first.

### EMISSION CONTROL SYSTEM MAINTENANCE

The scheduled emission maintenance listed in **bold type** on the Maintenance Schedules, must be done at the mileage specified to assure the continued proper functioning of the emission control system. These, and all other maintenance services included in this manual, should be done to provide the best vehicle performance and reliability. More frequent maintenance may be needed for vehicles in severe operating conditions such as dusty areas and very short trip driving.

### UNSCHEDULED INSPECTION

#### AT EACH STOP FOR FUEL

- Check engine oil level, add as required.
- Check windshield washer solvent and add if required.

### ONCE A MONTH

- Check tire pressure (including spare) and look for unusual wear or damage.
- Inspect battery and clean and tighten terminals as required.
- Check fluid levels of coolant reservoir, power steering and transmission and add as needed.

### AT EACH OIL CHANGE

- Inspect exhaust system.
- Inspect brake hoses.
- Rotate the tires at each oil change interval shown on Schedule—A (7,500 miles) or every other interval shown on Schedule—B (6,000 miles).
  - Check coolant level, hoses and clamps.
  - Lubricate suspension ball joints.
  - After completion of off-road (4WD) operation, the underside of the vehicle should be thoroughly inspected. Examine threaded fasteners for looseness.

### SCHEDULE—A

#### **7,500 miles (12 000 km) or at 6 months**

- Change engine oil.
- Replace engine oil filter.

#### **15,000 Miles (24 000 km) or at 12 months**

- Change engine oil.
- Replace engine oil filter.
- Lubricate upper knuckle ball stud.

#### **22,500 Miles (36 000 km) or at 18 months**

- Change engine oil.
- Replace engine oil filter.
- Inspect brake linings.

#### **30,000 Miles (48 000 km) or at 24 months**

- Change engine oil.
- Replace engine oil filter.
- **Replace engine air cleaner element.**
- **Replace spark plugs.**
- Drain and refill automatic transmission fluid and change filter.

## SERVICE PROCEDURES (Continued)

- Drain and refill transfer case fluid.
- Lubricate upper knuckle ball stud.

**37,500 Miles (60 000 km) or at 30 months**

- Change engine oil.
- Replace engine oil filter.

**45,000 Miles (72 000 km) or at 36 months**

- Change engine oil.
- Replace engine oil filter.
- Inspect brake linings.
- Flush and replace engine coolant at 36 months, regardless of mileage.

- Lubricate upper knuckle ball stud.

**52,500 Miles (84 000 km) or at 42 months**

- Change engine oil.
- Replace engine oil filter.
- Flush and replace engine coolant if not done at 36 months.

**60,000 Miles (96 000 km) or at 48 months**

- Change engine oil.
- Replace engine oil filter.
- **Replace engine air cleaner element.**
- **Replace spark plugs.**
- **Inspect PCV valve and replace if necessary (4.7L only).\***
- Inspect and replace drive belt if necessary (4.0L and 4.7L).
- Drain and refill automatic transmission fluid and change filter.
- Drain and refill transfer case fluid.
- Lubricate upper knuckle ball stud.

**67,500 Miles (108 000 km) or at 54 months**

- Change engine oil.
- Replace engine oil filter.
- Inspect brake linings

**75,000 Miles (120 000 km) or at 60 months**

- Change engine oil.
- Replace engine oil filter.
- Inspect and replace drive belt if necessary (4.0L and 4.7L)
- Lubricate upper knuckle ball stud.
- Flush and replace engine coolant if it has been 30,000 miles (48 000 km) or 24 months since last change.

**82,500 Miles (132 000 km) or at 66 months**

- Change engine oil.
- Replace engine oil filter.
- Flush and replace engine coolant if it has been 30,000 miles (48 000 km) or 24 months since last change.

**90,000 Miles (144 000 km) or at 72 months**

- Change engine oil.
- Replace engine oil filter.
- **Replace engine air cleaner element.**
- **Replace spark plugs.**
- Inspect and replace drive belt if necessary (4.0L and 4.7L).
- Drain and refill automatic transmission fluid and change filter.
- Drain and refill transfer case fluid.
- Inspect brake linings.
- Lubricate upper knuckle ball stud.

**97,500 Miles (156 000 km) or at 78 months**

- Change engine oil.
- Replace engine oil filter.

**105,000 Miles (168 000 km) or at 84 months**

- Change engine oil.
- Replace engine oil filter.
- Inspect and replace drive belt if not previously replaced (4.0L and 4.7L ).
- Flush and replace engine coolant if it has been 30,000 miles (48 000 km) or 24 months since last change.
- Lubricate upper knuckle ball stud.

**112,500 Miles (180 000 km) or at 90 months**

- Change engine oil.
- Replace engine oil filter.
- Inspect brake linings.
- Flush and replace engine coolant if it has been 30,000 miles (48 000 km) or 24 months since last change.

**120,000 Miles (192 000 km) or at 96 months**

- Change engine oil.
- Replace engine oil filter.
- **Replace engine air cleaner element.**
- **Replace spark plugs.**
- **Inspect PCV valve and replace if necessary (4.7L only).\***
- Inspect and replace drive belt if not previously replaced (4.0L and 4.7L).
- Drain and refill automatic transmission fluid and change filter.
- Drain and refill transfer case fluid.
- Lubricate upper knuckle ball stud.

\*This maintenance is recommended, but is not required to maintain warranty on the PCV valve.

**IMPORTANT:** Inspection and service should also be performed anytime a malfunction is observed or suspected.

## SERVICE PROCEDURES (Continued)

## SCHEDULE—B

**3,000 Miles (5 000 km)**

- Change engine oil.
- Replace engine oil filter.
- Lubricate steering linkage.

**6,000 Miles (10 000 km)**

- Change engine oil.
- Replace engine oil filter.
- Lubricate upper knuckle ball stud.

**9,000 Miles (14 000 km)**

- Change engine oil.
- Replace engine oil filter.

**12,000 Miles (19 000 km)**

- Change engine oil.
- Replace engine oil filter.
- Drain and refill automatic transmission fluid and change filter.
- Drain and refill front and rear axles.
- Inspect brake linings.
- Lubricate upper knuckle ball stud.

**15,000 miles (24 000 km)**

- Change engine oil.
- Replace engine oil filter.
- **Inspect engine air cleaner element, replace as necessary.**

**18,000 Miles (29 000 km)**

- Change engine oil.
- Replace engine oil filter.
- Lubricate upper knuckle ball stud.

**21,000 Miles (34 000 km)**

- Change engine oil.
- Replace engine oil filter.

**24,000 Miles (38 000 km)**

- Change engine oil.
- Replace engine oil filter.
- Drain and refill automatic transmission fluid and change filter.
- Drain and refill front and rear axles.
- Inspect brake linings.
- Lubricate upper knuckle ball stud.

**27,000 Miles (43 000 km)**

- Change engine oil.
- Replace engine oil filter.

**30,000 Miles (48 000 km)**

- Change engine oil.
- Replace engine oil filter.
- **Replace engine air cleaner element.**

- **Replace spark plugs.**
- Drain and refill transfer case fluid.
- Lubricate upper knuckle ball stud.

**33,000 Miles (53 000 km)**

- Change engine oil.
- Replace engine oil filter.

**36,000 Miles (58 000 km)**

- Replace engine oil filter.
- Drain and refill automatic transmission fluid and change filter.
- Drain and refill front and rear axles.
- Inspect brake linings.
- Lubricate upper knuckle ball stud.

**39,000 Miles (62 000 km)**

- Change engine oil.
- Replace engine oil filter.

**42,000 Miles (67 000 km)**

- Change engine oil.
- Replace engine oil filter.
- Lubricate upper knuckle ball stud.

**45,000 Miles (72 000 km)**

- Change engine oil.
- Replace engine oil filter.
- Inspect and replace drive belt if necessary (4.0L only).
- **Inspect engine air cleaner element, replace as necessary.**

**48,000 Miles (77 000 km)**

- Change engine oil.
- Replace engine oil filter.
- Drain and refill automatic transmission fluid and change filter.
- Drain and refill front and rear axles.
- Inspect brake linings.
- Lubricate upper knuckle ball stud.

**51,000 Miles (82 000 km)**

- Change engine oil.
- Replace engine oil filter.
- Flush and replace engine coolant.

**54,000 Miles (86 000 km)**

- Change engine oil.
- Replace engine oil filter.
- Lubricate upper knuckle ball stud.

**57,000 Miles (91 000 km)**

- Change engine oil.
- Replace engine oil filter.



## SERVICE PROCEDURES (Continued)

**60,000 Miles (96 000 km)**

- Change engine oil.
- Replace engine oil filter.
- **Replace engine air cleaner element.**
- **Inspect PCV valve and replace if necessary (4.7L only).\***
- **Replace spark plugs.**
- Inspect and replace drive belt if necessary (4.0L only).
- Drain and refill automatic transmission fluid and change filter.
- Drain and refill transfer case fluid.
- Drain and refill front and rear axles.
- Inspect brake linings.
- Lubricate upper knuckle ball stud.

**63,000 Miles (101 000 km)**

- Change engine oil.
- Replace engine oil filter.

**66,000 Miles (106 000 km)**

- Change engine oil.
- Replace engine oil filter.
- Lubricate upper knuckle ball stud.

**69,000 Miles (110 000 km)**

- Change engine oil.
- Replace engine oil filter.

**72,000 Miles (115 000 km)**

- Change engine oil.
- Replace engine oil filter.
- Drain and refill automatic transmission fluid and change filter.
- Drain and refill front and rear axles.
- Inspect brake linings.
- Lubricate upper knuckle ball stud.

**75,000 Miles (120 000 km)**

- Change engine oil.
- Replace engine oil filter.
- Inspect and replace drive belt if necessary (4.0L only).
- **Inspect engine air cleaner element, replace as necessary.**

**78,000 Miles (125 000 km)**

- Change engine oil.
- Replace engine oil filter.
- Lubricate upper knuckle ball stud.

**81,000 Miles (130 000 km)**

- Change engine oil.
- Replace engine oil filter.
- Flush and replace engine coolant.

**84,000 miles (134 000 km)**

- Change engine oil.
- Replace engine oil filter.
- Drain and refill automatic transmission fluid and change filter.
- Drain and refill front and rear axles.
- Inspect brake linings.
- Lubricate upper knuckle ball stud.

**87,000 Miles (139 000 km)**

- Change engine oil.
- Replace engine oil filter.

**90,000 Miles (144 000 km)**

- Change engine oil.
- Replace engine oil filter.
- **Replace engine air cleaner element.**
- **Replace spark plugs.**
- Inspect and replace drive belt if necessary (4.0L and 4.7L).
- Drain and refill transfer case fluid.
- Lubricate upper knuckle ball stud.

**93,000 Miles (149 000 km)**

- Change engine oil.
- Replace engine oil filter.

**96,000 Miles (154 000 km)**

- Change engine oil.
- Replace engine oil filter.
- Drain and refill automatic transmission fluid and change filter.
- Drain and refill front and rear axles.
- Inspect brake linings.
- Lubricate upper knuckle ball stud.

**99,000 Miles (158 000 km)**

- Change engine oil.
- Replace engine oil filter.

**102,000 Miles (163 000 km)**

- Change engine oil.
- Replace engine oil filter.
- Lubricate upper knuckle ball stud.

**105,000 Miles (168 000 km)**

- Change engine oil.
- Replace engine oil filter.
- **Inspect engine air cleaner element, replace as necessary.**
- Inspect and replace drive belt if not previously replaced (4.0L and 4.7L).

**108,000 Miles (173 000 km)**

- Change engine oil.
- Replace engine oil filter.

## SERVICE PROCEDURES (Continued)

- Drain and refill automatic transmission fluid and change filter.
- Drain and refill front and rear axles.
- Inspect brake linings.
- Lubricate upper knuckle ball stud.

**111,000 Miles (178 000 km)**

- Change engine oil.
- Replace engine oil filter.
- Flush and replace engine coolant.

**114,000 Miles (182 000 km)**

- Change engine oil.
- Replace engine oil filter.
- Lubricate upper knuckle ball stud.

**117,000 Miles (187 000 km)**

- Change engine oil.
- Replace engine oil filter.

**120,000 Miles (192 000 km)**

- Change engine oil.
- Replace engine oil filter.
- **Replace engine air cleaner element.**
- **Replace spark plugs.**
- Inspect and replace drive belt if not previously replaced (4.0L and 4.7L).
- Drain and refill automatic transmission fluid and change filter.
- Drain and refill transfer case fluid.
- Drain and refill front and rear axles.
- Inspect brake linings.
- Lubricate upper knuckle ball stud.

\*This maintenance is recommended, but is not required to maintain warranty on the PCV valve.

**IMPORTANT:** Inspection and service should also be performed anytime a malfunction is observed or suspected.



# JUMP STARTING, HOISTING AND TOWING

## TABLE OF CONTENTS

	page		page
<b>SERVICE PROCEDURES</b>		FOUR-WHEEL-DRIVE VEHICLE TOWING . . . . .	11
JUMP STARTING PROCEDURE . . . . .	9	EMERGENCY TOW HOOKS . . . . .	12
TOWING RECOMMENDATIONS . . . . .	10	HOISTING RECOMMENDATIONS . . . . .	12
TWO-WHEEL-DRIVE VEHICLE TOWING . . . . .	10		

## SERVICE PROCEDURES

### JUMP STARTING PROCEDURE

**WARNING: REVIEW ALL SAFETY PRECAUTIONS AND WARNINGS IN GROUP 8A, BATTERY/STARTING/CHARGING SYSTEMS DIAGNOSTICS. DO NOT JUMP START A FROZEN BATTERY, PERSONAL INJURY CAN RESULT. DO NOT JUMP START WHEN MAINTENANCE FREE BATTERY INDICATOR DOT IS YELLOW OR BRIGHT COLOR. DO NOT JUMP START A VEHICLE WHEN THE BATTERY FLUID IS BELOW THE TOP OF LEAD PLATES. DO NOT ALLOW JUMPER CABLE CLAMPS TO TOUCH EACH OTHER WHEN CONNECTED TO A BOOSTER SOURCE. DO NOT USE OPEN FLAME NEAR BATTERY. REMOVE METALLIC JEWELRY WORN ON HANDS OR WRISTS TO AVOID INJURY BY ACCIDENTAL ARCING OF BATTERY CURRENT. WHEN USING A HIGH OUTPUT BOOSTING DEVICE, DO NOT ALLOW BATTERY VOLTAGE TO EXCEED 16 VOLTS. REFER TO INSTRUCTIONS PROVIDED WITH DEVICE BEING USED.**

**CAUTION: When using another vehicle as a booster, do not allow vehicles to touch. Electrical systems can be damaged on either vehicle.**

#### TO JUMP START A DISABLED VEHICLE:

- (1) Raise hood on disabled vehicle and visually inspect engine compartment for:
- Battery cable clamp condition, clean if necessary.
  - Frozen battery.
  - Yellow or bright color test indicator, if equipped.
  - Low battery fluid level.
  - Generator drive belt condition and tension.
  - Fuel fumes or leakage, correct if necessary.

**CAUTION: If the cause of starting problem on disabled vehicle is severe, damage to booster vehicle charging system can result.**

(2) When using another vehicle as a booster source, park the booster vehicle within cable reach. Turn off all accessories, set the parking brake, place the automatic transmission in PARK or the manual transmission in NEUTRAL and turn the ignition OFF.

(3) On disabled vehicle, place gear selector in park or neutral and set park brake. Turn off all accessories.

(4) Connect jumper cables to booster battery. RED clamp to positive terminal (+). BLACK clamp to negative terminal (-). DO NOT allow clamps at opposite end of cables to touch, electrical arc will result. Review all warnings in this procedure.

(5) On disabled vehicle, connect RED jumper cable clamp to positive (+) terminal. Connect BLACK jumper cable clamp to engine ground as close to the ground cable attaching point as possible (Fig. 1).

(6) Start the engine in the vehicle which has the booster battery, let the engine idle a few minutes, then start the engine in the vehicle with the discharged battery.

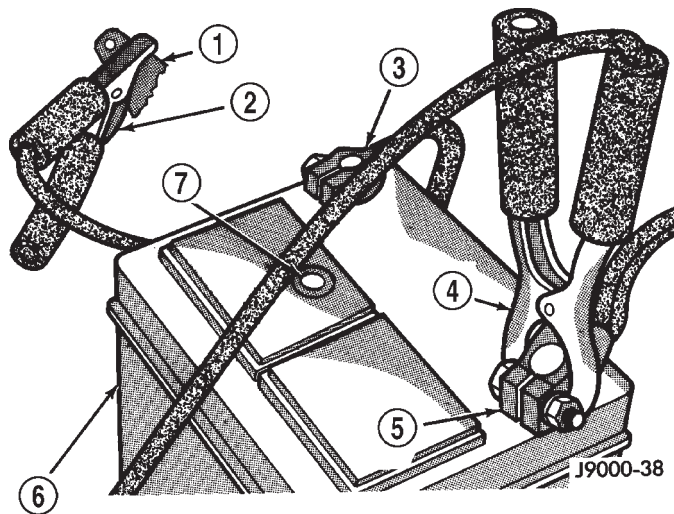
**CAUTION: Do not crank starter motor on disabled vehicle for more than 15 seconds, starter will overheat and could fail.**

(7) Allow battery in disabled vehicle to charge to at least 12.4 volts (75% charge) before attempting to start engine. If engine does not start within 15 seconds, stop cranking engine and allow starter to cool (15 min.), before cranking again.

#### DISCONNECT CABLE CLAMPS AS FOLLOWS:

- Disconnect BLACK cable clamp from engine ground on disabled vehicle.
- When using a Booster vehicle, disconnect BLACK cable clamp from battery negative terminal. Disconnect RED cable clamp from battery positive terminal.
- Disconnect RED cable clamp from battery positive terminal on disabled vehicle.

## SERVICE PROCEDURES (Continued)

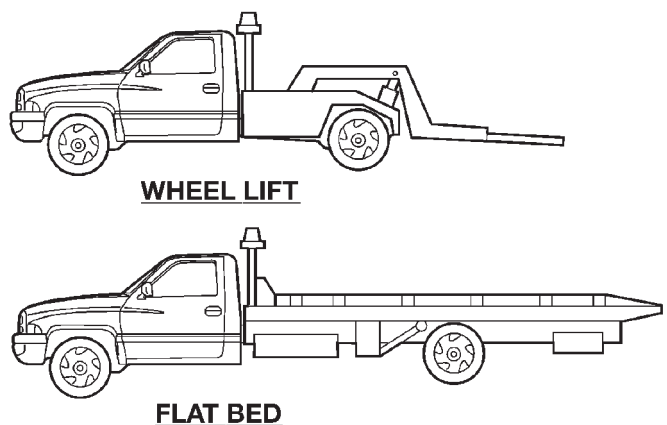


**Fig. 1 Jumper Cable Clamp Connections**

- 1 - ENGINE GROUND
- 2 - NEGATIVE JUMPER CABLE
- 3 - BATTERY NEGATIVE CABLE
- 4 - POSITIVE JUMPER CABLE
- 5 - BATTERY POSITIVE CABLE
- 6 - BATTERY
- 7 - TEST INDICATOR

## TOWING RECOMMENDATIONS

A vehicle equipped with SAE approved wheel lift-type towing equipment can be used to tow WJ vehicles. When towing a 4WD vehicle using a wheel-lift towing device, use tow dollies under the opposite end of the vehicle. A vehicle with flatbed device can also be used to transport a disabled vehicle (Fig. 2).



**Fig. 2 Tow Vehicles With Approved Equipment**

## SAFETY PRECAUTIONS

**CAUTION:** The following safety precautions must be observed when towing a vehicle:

- Secure loose and protruding parts.

- Always use a safety chain system that is independent of the lifting and towing equipment.
- Do not allow towing equipment to contact the disabled vehicle's fuel tank.
- Do not allow anyone under the disabled vehicle while it is lifted by the towing device.
- Do not allow passengers to ride in a vehicle being towed.
- Always observe state and local laws regarding towing regulations.
- Do not tow a vehicle in a manner that could jeopardize the safety of the operator, pedestrians or other motorists.
- Do not attach tow chains, T-hooks, or J-hooks to a bumper, steering linkage, drive shafts or a non-reinforced frame hole.
- Do not tow a heavily loaded vehicle. Use a flat-bed device to transport a loaded vehicle.

## GROUND CLEARANCE

**CAUTION:** If vehicle is towed with wheels removed, install lug nuts to retain brake drums.

A towed vehicle should be raised until lifted wheels are a minimum 100 mm (4 in) from the ground. Be sure there is adequate ground clearance at the opposite end of the vehicle, especially when towing over rough terrain or steep rises in the road. If necessary, remove the wheels from the lifted end of the vehicle and lower the vehicle closer to the ground, to increase the ground clearance at the opposite end of the vehicle. Install lug nuts on wheel attaching studs to retain brake drums.

## FLAT-BED TOWING RAMP ANGLE

If a vehicle with flat-bed towing equipment is used, the approach ramp angle should not exceed 15 degrees.

## TOWING WHEN KEYS ARE NOT AVAILABLE

When the vehicle is locked and keys are not available, use a flat bed hauler. A wheel-lift device can be used on 4WD vehicles provided **the trailing wheels are off the ground and positioned in tow dollies.**

## TWO-WHEEL-DRIVE VEHICLE TOWING

Chrysler Corporation recommends that a vehicle be towed with the rear end lifted, whenever possible.

**WARNING:** WHEN TOWING A DISABLED VEHICLE AND THE DRIVE WHEELS ARE SECURED IN A WHEEL LIFT OR TOW DOLLIES, ENSURE THE TRANSMISSION IS IN THE PARK POSITION (AUTOMATIC TRANSMISSION) OR A FORWARD DRIVE GEAR (MANUAL TRANSMISSION).

## SERVICE PROCEDURES (Continued)

**WARNING: ENSURE VEHICLE IS ON A LEVEL SURFACE OR THE WHEELS ARE BLOCKED TO PREVENT VEHICLE FROM ROLLING.**

## TWO WHEEL DRIVE TOWING-REAR END LIFTED

**CAUTION: Do not use steering column lock to secure steering wheel during towing operation.**

2WD vehicles can be towed with the front wheels on the surface for extended distances at speeds not exceeding 48 km/h (30 mph).

- (1) Attach wheel lift device to rear wheels.
- (2) Place the transmission in neutral.
- (3) Raise vehicle to towing position.
- (4) Attach safety chains. Route chains so not to interfere with tail pipe when vehicle is lifted.
- (5) Turn the ignition switch to the OFF position to unlock the steering wheel.

**CAUTION: Do not use steering column lock to secure steering wheel during towing operation.**

- (6) Secure steering wheel in straight ahead position with a clamp device designed for towing.
- (7) Place transmission in park.

## TWO WHEEL DRIVE TOWING-FRONT END LIFTED

**CAUTION: Many vehicles are equipped with air dams, spoilers, and/or ground effect panels. To avoid component damage, a wheel-lift towing vehicle or a flat-bed hauling vehicle is recommended.**

- (1) Attach wheel lift device to rear wheels.
- (2) Place the transmission in neutral.
- (3) Raise the rear of the vehicle off the ground and install tow dollies under rear wheels.
- (4) Attach wheel lift device to front wheels and raise vehicle to towing position.
- (5) Attach the safety chains.

**CAUTION: Do not use steering column lock to secure steering wheel during towing operation.**

- (6) Turn the ignition switch to the OFF position to unlock the steering wheel.
- (7) Secure steering wheel in straight ahead position with a clamp device designed for towing.
- (8) Place transmission in park.

## FOUR-WHEEL-DRIVE VEHICLE TOWING

Chrysler Corporation recommends that a vehicle be transported on a flat-bed device. A Wheel-lift device can be used provided **the trailing wheels are off the ground and positioned in tow dollies.**

**WARNING: WHEN TOWING A DISABLED VEHICLE AND THE DRIVE WHEELS ARE SECURED IN A WHEEL LIFT OR TOW DOLLIES, ENSURE THE TRANSMISSION IS IN THE PARK POSITION.**

**CAUTION: Many vehicles are equipped with air dams, spoilers, and/or ground effect panels. To avoid component damage, a wheel-lift towing vehicle or a flat-bed hauling vehicle is recommended.**

## FOUR WHEEL DRIVE TOWING—REAR END LIFTED

**WARNING: ENSURE VEHICLE IS ON A LEVEL SURFACE OR THE WHEELS ARE BLOCKED TO PREVENT VEHICLE FROM ROLLING.**

- (1) Attach wheel lift device to front wheels.
- (2) Place the transmission in neutral.
- (3) Raise the front of the vehicle off the ground and install tow dollies under front wheels.
- (4) Attach wheel lift device to rear wheels and raise vehicle to towing position.
- (5) Attach safety chains. Route chains so not to interfere with tail pipe when vehicle is lifted.
- (6) Turn the ignition switch to the OFF position to unlock the steering wheel.

**CAUTION: Do not use steering column lock to secure steering wheel during towing operation.**

- (7) Secure steering wheel in straight ahead position with a clamp device designed for towing.
- (8) Place transmission in park.

## FOUR WHEEL DRIVE TOWING—FRONT END LIFTED

**WARNING: ENSURE VEHICLE IS ON A LEVEL SURFACE OR THE WHEELS ARE BLOCKED TO PREVENT VEHICLE FROM ROLLING.**

- (1) Attach wheel lift device to rear wheels.
- (2) Place the transmission in neutral.
- (3) Raise the rear of the vehicle off the ground and install tow dollies under rear wheels.
- (4) Attach wheel lift device to front wheels and raise vehicle to towing position.
- (5) Attach the safety chains.

**CAUTION: Do not use steering column lock to secure steering wheel during towing operation.**

- (6) Turn the ignition switch to the OFF position to unlock the steering wheel.
- (7) Secure steering wheel in straight ahead position with a clamp device designed for towing.
- (8) Place transmission in park.

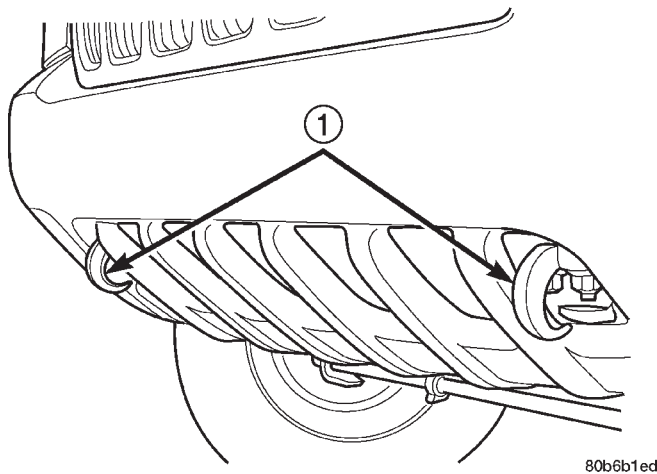
SERVICE PROCEDURES (Continued)

EMERGENCY TOW HOOKS

**WARNING: REMAIN AT A SAFE DISTANCE FROM A VEHICLE THAT IS BEING TOWED VIA ITS TOW HOOKS. THE TOW STRAPS/CHAINS COULD BREAK AND CAUSE SERIOUS INJURY.**

Some Jeep vehicles are equipped with front emergency tow hooks (Fig. 3). The tow hooks should be used for **EMERGENCY** purposes only.

**CAUTION: DO NOT** use emergency tow hooks for tow truck hook-up or highway towing.



**Fig. 3 Emergency Tow Hooks**

1 - TOW HOOK

HOISTING RECOMMENDATIONS

FLOOR JACK

When properly positioned, a floor jack can be used to lift a WJ vehicle (Fig. 4). Support the vehicle in the raised position with jack stands at the front and rear ends of the frame rails.

**CAUTION: Do not attempt to lift a vehicle with a floor jack positioned under:**

- An axle tube.
- Aluminum differential.
- A body side sill.
- A steering linkage component.
- A drive shaft.
- The engine or transmission oil pan.
- The fuel tank.
- A front suspension arm.

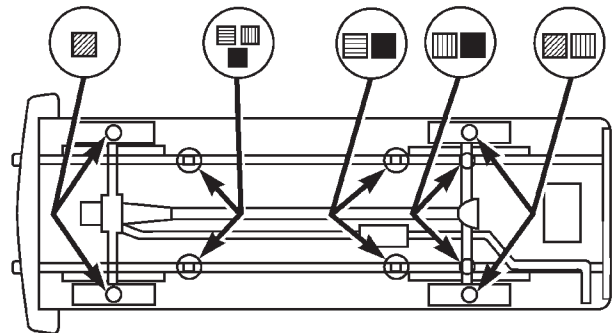
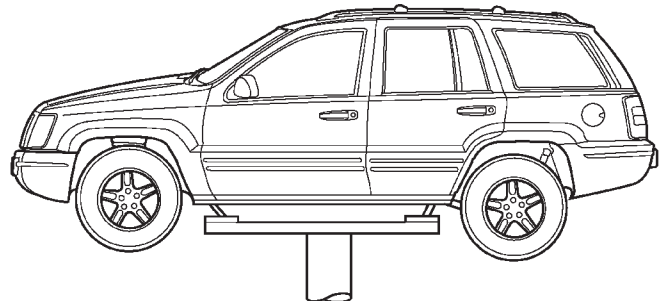
HOIST

A vehicle can be lifted with:

- A single-post, frame-contact hoist.
- A twin-post, chassis hoist.
- A ramp-type, drive-on hoist.

**NOTE: When a frame-contact type hoist is used, verify that the lifting pads are positioned properly (Fig. 4).**

**WARNING: THE HOISTING AND JACK LIFTING POINTS PROVIDED ARE FOR A COMPLETE VEHICLE. WHEN A CHASSIS OR DRIVETRAIN COMPONENT IS REMOVED FROM A VEHICLE, THE CENTER OF GRAVITY IS ALTERED MAKING SOME HOISTING CONDITIONS UNSTABLE. PROPERLY SUPPORT OR SECURE VEHICLE TO HOISTING DEVICE WHEN THESE CONDITIONS EXIST.**



- ▨ DRIVE-ON HOIST
- ▤ TWIN POST CHASSIS HOIST
- ▧ FRAME CONTACT HOIST
- FLOOR JACK

80b8983e

**Fig. 4 Correct Vehicle Lifting Locations**



# SUSPENSION

## TABLE OF CONTENTS

	page		page
ALIGNMENT .....	1	REAR SUSPENSION .....	16
FRONT SUSPENSION .....	6		

# ALIGNMENT

## TABLE OF CONTENTS

	page		page
<b>DESCRIPTION AND OPERATION</b>		WHEEL ALIGNMENT .....	4
WHEEL ALIGNMENT .....	1	<b>SPECIFICATIONS</b>	
<b>DIAGNOSIS AND TESTING</b>		ALIGNMENT .....	5
SUSPENSION AND STEERING SYSTEM.....	3		
<b>SERVICE PROCEDURES</b>			
PRE-ALIGNMENT .....	4		

## DESCRIPTION AND OPERATION

### WHEEL ALIGNMENT

#### DESCRIPTION

Wheel alignment involves the correct positioning of the wheels in relation to the vehicle. The positioning is accomplished through suspension and steering linkage adjustments. An alignment is considered essential for efficient steering, good directional stability and to minimize tire wear. The most important measurements of an alignment are caster, camber and toe position (Fig. 1).

**CAUTION:** Never attempt to modify suspension or steering components by heating or bending.

**CAUTION:** Components attached with a nut and cotter pin must be torqued to specification. Then if the slot in the nut does not line up with the cotter pin hole, tighten nut until it is aligned. Never loosen the nut to align the cotter pin hole.

**NOTE:** Periodic lubrication of the front suspension/steering system components may be required. Rubber bushings must never be lubricated. Refer to Group 0, Lubrication And Maintenance for the recommended maintenance schedule.

#### OPERATION

- **CASTER** is the forward or rearward tilt of the steering knuckle from vertical. Tilting the top of the knuckle rearward provides positive caster. Tilting the top of the knuckle forward provides negative caster. Caster is a directional stability angle. This angle enables the front wheels to return to a straight ahead position after turns.

- **CAMBER** is the inward or outward tilt of the wheel relative to the center of the vehicle. Tilting the top of the wheel inward provides negative camber. Tilting the top of the wheel outward provides positive camber. Incorrect camber will cause wear on the inside or outside edge of the tire. The angle is not adjustable, damaged component(s) must be replaced to correct the camber angle.

- **WHEEL TOE POSITION** is the difference between the leading inside edges and trailing inside edges of the front tires. Incorrect wheel toe position is the most common cause of unstable steering and uneven tire wear. The wheel toe position is the **final** front wheel alignment adjustment.

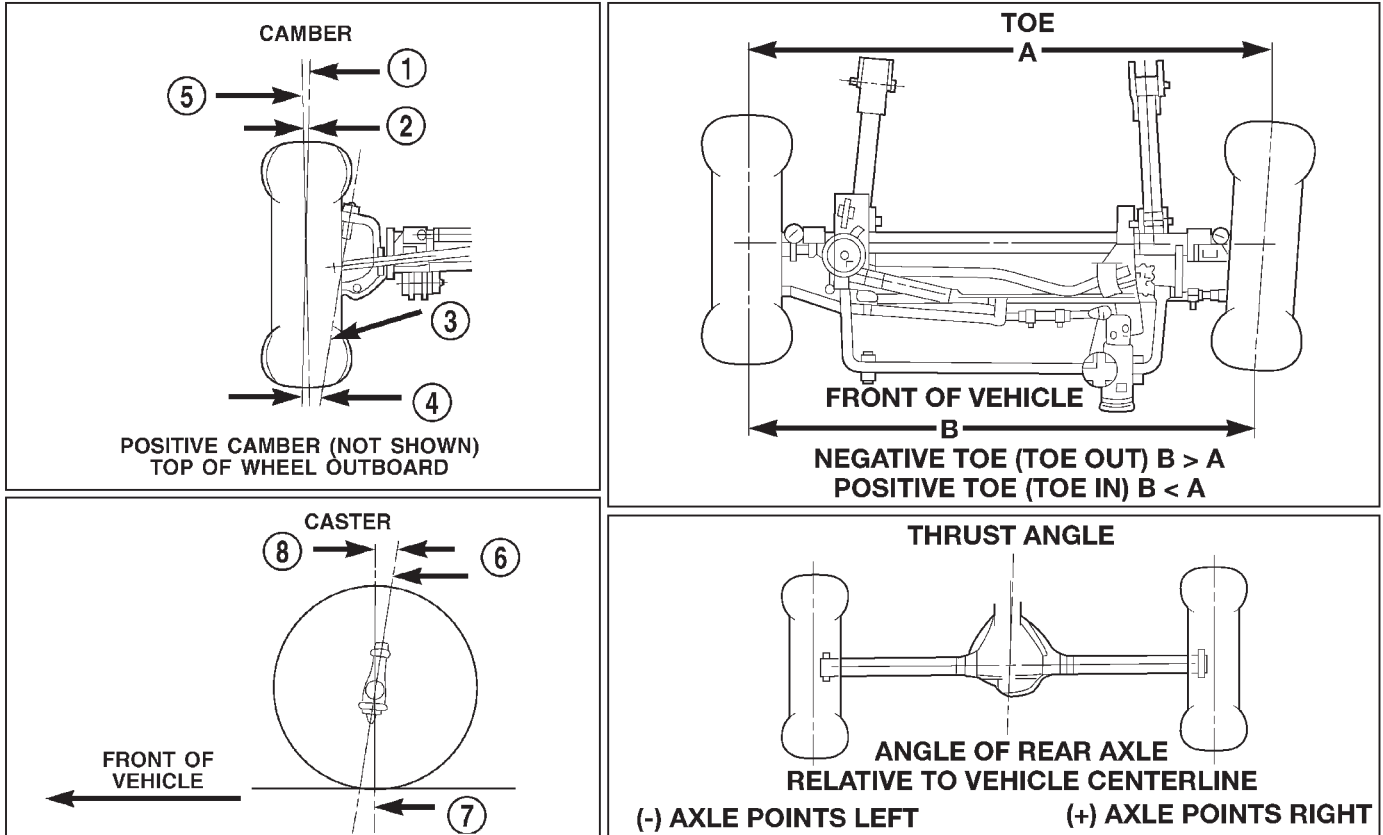
- **STEERING AXIS INCLINATION ANGLE** is measured in degrees and is the angle that the steering knuckles are tilted. The inclination angle has a fixed relationship with the camber angle. It will not change except when a spindle or ball stud is damaged or bent. The angle is not adjustable, damaged

DESCRIPTION AND OPERATION (Continued)

component(s) must be replaced to correct the steering axis inclination angle.

• **THRUST ANGLE** is the angle of the rear axle relative to the centerline of the vehicle. Incorrect thrust angle can cause off-center steering and excessive tire wear. This angle is not adjustable, damaged component(s) must be replaced to correct the thrust angle.

sive tire wear. This angle is not adjustable, damaged component(s) must be replaced to correct the thrust angle.



80b34eaf

**Fig. 1 Wheel Alignment Measurements**

- |                           |                     |
|---------------------------|---------------------|
| 1 - WHEEL CENTERLINE      | 5 - TRUE VERTICAL   |
| 2 - NEGATIVE CAMBER ANGLE | 6 - KING PIN        |
| 3 - PIVOT CENTERLINE      | 7 - VERTICAL        |
| 4 - SCRUB RADIUS          | 8 - POSITIVE CASTER |

DIAGNOSIS AND TESTING

SUSPENSION AND STEERING SYSTEM

CONDITION	POSSIBLE CAUSES	CORRECTION
FRONT END NOISE	<ol style="list-style-type: none"> <li>1. Loose or worn wheel bearings.</li> <li>2. Loose or worn steering or suspension components.</li> </ol>	<ol style="list-style-type: none"> <li>1. Adjust or replace wheel bearings.</li> <li>2. Tighten or replace components as necessary.</li> </ol>
EXCESSIVE PLAY IN STEERING	<ol style="list-style-type: none"> <li>1. Loose or worn wheel bearings.</li> <li>2. Loose or worn steering or suspension components.</li> <li>3. Loose or worn steering gear.</li> </ol>	<ol style="list-style-type: none"> <li>1. Adjust or replace wheel bearings.</li> <li>2. Tighten or replace components as necessary.</li> <li>3. Adjust or replace steering gear.</li> </ol>
FRONT WHEELS SHIMMY	<ol style="list-style-type: none"> <li>1. Loose or worn wheel bearings.</li> <li>2. Loose or worn steering or suspension components.</li> <li>3. Tires worn or out of balance.</li> <li>4. Alignment.</li> <li>5. Leaking steering dampener.</li> </ol>	<ol style="list-style-type: none"> <li>1. Adjust or replace wheel bearings.</li> <li>2. Tighten or replace components as necessary.</li> <li>3. Replace or balance tires.</li> <li>4. Align vehicle to specifications.</li> <li>5. Replace steering dampener.</li> </ol>
VEHICLE INSTABILITY	<ol style="list-style-type: none"> <li>1. Loose or worn wheel bearings.</li> <li>2. Loose or worn steering or suspension components.</li> <li>3. Tire pressure.</li> <li>4. Alignment.</li> </ol>	<ol style="list-style-type: none"> <li>1. Adjust or replace wheel bearings.</li> <li>2. Tighten or replace components as necessary.</li> <li>3. Adjust tire pressure.</li> <li>4. Align vehicle to specifications.</li> </ol>
EXCESSIVE STEERING EFFORT	<ol style="list-style-type: none"> <li>1. Loose or worn steering gear.</li> <li>2. Power steering fluid low.</li> <li>3. Column coupler binding.</li> <li>4. Tire pressure.</li> <li>5. Alignment.</li> </ol>	<ol style="list-style-type: none"> <li>1. Adjust or replace steering gear.</li> <li>2. Add fluid and repair leak.</li> <li>3. Replace coupler.</li> <li>4. Adjust tire pressure.</li> <li>5. Align vehicle to specifications.</li> </ol>
VEHICLE PULLS TO ONE SIDE DURING BRAKING	<ol style="list-style-type: none"> <li>1. Uneven tire pressure.</li> <li>2. Worn brake components.</li> <li>3. Air in brake line.</li> </ol>	<ol style="list-style-type: none"> <li>1. Adjust tire pressure.</li> <li>2. Repair brakes as necessary.</li> <li>3. Repair as necessary.</li> </ol>
VEHICLE LEADS OR DRIFTS FROM STRAIGHT AHEAD DIRECTION ON UNCROWNED ROAD	<ol style="list-style-type: none"> <li>1. Radial tire lead.</li> <li>2. Brakes dragging.</li> <li>3. Weak or broken spring.</li> <li>4. Uneven tire pressure.</li> <li>5. Wheel Alignment.</li> <li>6. Loose or worn steering or suspension components.</li> <li>7. Cross caster out of spec.</li> </ol>	<ol style="list-style-type: none"> <li>1. Cross front tires.</li> <li>2. Repair brake as necessary.</li> <li>3. Replace spring.</li> <li>4. Adjust tire pressure.</li> <li>5. Align vehicle.</li> <li>6. Repair as necessary.</li> <li>7. Align vehicle.</li> </ol>

CONDITION	POSSIBLE CAUSES	CORRECTION
KNOCKING, RATTLING OR SQUEAKING	1. Worn shock bushings. 2. Loose, worn or bent steering/suspension components. 3. Shock valve.	1. Replace shock. 2. Inspect, tighten or replace components as necessary. 3. Replace shock.
IMPROPER TRACKING	1. Loose, worn or bent track bar. 2. Loose, worn or bent steering/suspension components.	1. Inspect, tighten or replace component as necessary. 2. Inspect, tighten or replace components as necessary.

## SERVICE PROCEDURES

### PRE-ALIGNMENT

Before starting wheel alignment, the following inspection and necessary corrections must be completed. Refer to Suspension and Steering System Diagnosis Chart for additional information.

- (1) Inspect tires for size and tread wear.
- (2) Set tire air pressure.
- (3) Inspect front wheel bearings for wear.
- (4) Inspect front wheels for excessive radial or lateral runout and balance.
- (5) Inspect ball studs, linkage pivot points and steering gear for looseness, roughness or binding.
- (6) Inspect suspension components for wear and noise.
- (7) Road test the vehicle.

### WHEEL ALIGNMENT

Before each alignment reading the vehicle should be jounced (rear first, then front). Grasp each bumper at the center and jounce the vehicle up and down three times. Always release the bumper in the down position.

To obtain an accurate alignment, a 4 wheel alignment machine must be used and the equipment calibration verified.

### CAMBER

The wheel camber angle is preset. This angle is not adjustable and cannot be altered.

### CASTER

The wheel caster angle is preset. This angle is not adjustable and cannot be altered.

### TOE POSITION

**NOTE:** For an accurate wheel toe position adjustment the engine must be engine running.

- (1) Apply parking brakes.

(2) Start the engine and turn wheels both ways before straightening the steering wheel. Center and secure the steering wheel.

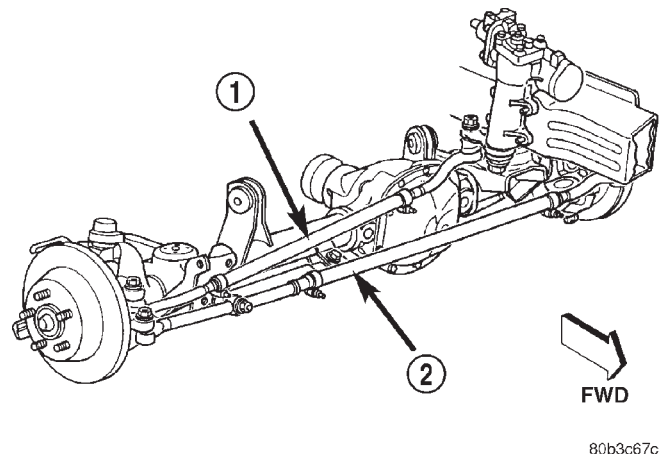
(3) Loosen the tie rod adjustment sleeve clamp bolts (Fig. 2).

(4) Turn the sleeve to obtain the preferred positive TOE-IN specification. Position the clamp bolts as shown (Fig. 2) for proper clearance.

(5) Tighten the clamp bolts to 68 N·m (50 ft. lbs.). Tighten bolts with E-coated clamp and yellow tag to 41 N·m (30 ft. lbs.).

**NOTE:** Make sure the toe setting does not change during clamp tightening.

(6) Verify alignment specifications, then turn the engine off.



**Fig. 2 Steering Linkage**

- 1 - DRAG LINK ADJUSTMENT SLEEVE
- 2 - TIE ROD ADJUSTMENT SLEEVE

### STEERING WHEEL CENTERING

**NOTE:** The steering wheel can be centered without affecting the toe position.

- (1) Loosen the drag link adjustment sleeve clamp bolts.



**SERVICE PROCEDURES (Continued)**

- (2) Turn the adjustment sleeve to center the wheel.
- (3) Position the clamp bolts as shown (Fig. 2) for proper clearance.
- (4) Tighten the clamp bolts to 68 N·m (50 ft. lbs.). Tighten bolts with E-coated clamp and yellow tag to 41 N·m (30 ft. lbs.)
- (5) Road test the vehicle to verify the wheel is centered.

**SPECIFICATIONS**

**ALIGNMENT**

**NOTE: Specifications are in degrees.**

**FRONT WHEELS - STANDARD SUSPENSION**

ANGLE	PREFERRED	RANGE	MAX. RT to LT Difference
CASTER	+6.75°	+6.0° to +7.5°	0.5°
CAMBER	-0.37°	-0.75° to 0°	0.5°
TOTAL TOE	+0.20°	NA	0.05°

**FRONT WHEELS - UP-COUNTRY SUSPENSION**

ANGLE	PREFERRED	RANGE	MAX. RT to LT Difference
CASTER	+6.5°	+5.7° to +7.2°	0.5°
CAMBER	-0.37°	-0.75° to 0°	0.5°
TOTAL TOE	+0.20°	NA	0.05°

**REAR AXLE**

ANGLE	RANGE
CASTER	0° to -0.5
THRUST ANGLE	± 0.25°
TOTAL TOE-IN	0° to +0.5°

# FRONT SUSPENSION

## TABLE OF CONTENTS

	page		page
<b>DESCRIPTION AND OPERATION</b>		<b>REMOVAL AND INSTALLATION</b>	
FRONT SUSPENSION . . . . .	6	SHOCK ABSORBER . . . . .	9
COIL SPRINGS AND ISOLATORS . . . . .	7	COIL SPRINGS . . . . .	10
JOUNCE BUMPER . . . . .	7	LOWER SUSPENSION ARM . . . . .	11
LOWER SUSPENSION ARMS AND BUSHINGS . . . . .	7	STEERING KNUCKLE . . . . .	11
SHOCK ABSORBERS . . . . .	7	UPPER SUSPENSION ARM . . . . .	11
STABILIZER BAR . . . . .	7	FRONT AXLE BUSHING . . . . .	12
STEERING KNUCKLE . . . . .	7	TRACK BAR . . . . .	12
TRACK BAR . . . . .	7	STABILIZER BAR . . . . .	12
UPPER SUSPENSION ARMS AND BUSHINGS . . . . .	7	HUB BEARING . . . . .	13
HUB/BEARING . . . . .	8	WHEEL MOUNTING STUDS . . . . .	14
<b>DIAGNOSIS AND TESTING</b>		<b>SPECIFICATIONS</b>	
SUSPENSION AND STEERING SYSTEM . . . . .	8	TORQUE CHART . . . . .	14
<b>SERVICE PROCEDURES</b>		<b>SPECIAL TOOLS</b>	
SERVICE WARNINGS AND CAUTIONS . . . . .	9	FRONT SUSPENSION . . . . .	15

## DESCRIPTION AND OPERATION

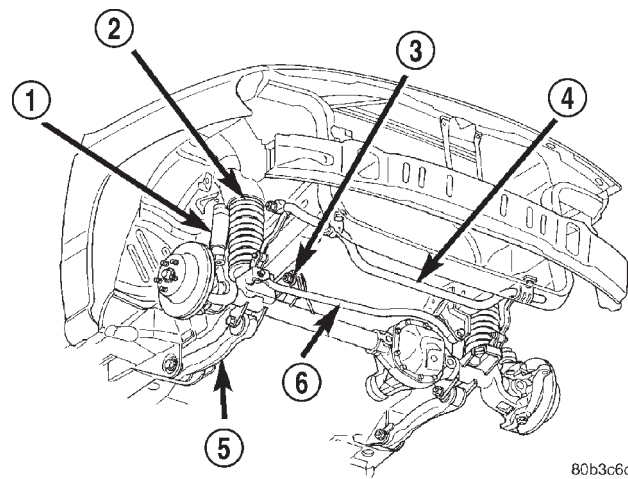
### FRONT SUSPENSION

The front suspension (Fig. 1) is a link/coil design comprised of :

- Drive axle
- Shock absorbers
- Coil springs
- Upper and lower suspension arms
- Stabilizer bar
- Track bar
- Jounce bumpers

**CAUTION:** Components attached with a nut and cotter pin must be torqued to specification. Then if the slot in the nut does not line up with the cotter pin hole, tighten nut until it is aligned. Never loosen the nut to align the cotter pin hole.

**CAUTION:** Suspension components with rubber bushings must be tightened with the vehicle at normal ride height. It is important to have the springs supporting the weight of the vehicle when the fasteners are torqued. If springs are not at their normal ride position, vehicle ride comfort will be affected and cause premature bushing wear.



80b3c6c6

**Fig. 1 Front Suspension**

- 1 - SHOCK
- 2 - COIL SPRING
- 3 - UPPER SUSPENSION ARM
- 4 - STABILIZER BAR
- 5 - LOWER SUSPENSION ARM
- 6 - TRACK BAR

## DESCRIPTION AND OPERATION (Continued)

**SHOCK ABSORBERS****DESCRIPTION**

The top of the shock absorbers are bolted to the body. The bottom of the shocks are bolted to the axle brackets. The standard shocks have conventional twin tube construction and are low pressure gas charged. Gas charging prevents cavitation during rough road operation. Up-Country shocks are mono tube design and are high pressure gas charged.

**OPERATION**

The shock absorbers dampen jounce and rebound motion of the vehicle over various road conditions and limit suspension rebound travel.

**JOUNCE BUMPER****DESCRIPTION**

They are mounted under the unibody rails to minimize transmission of noise to the passenger compartment.

**OPERATION**

The jounce bumpers are used to limit suspension travel in compression.

**COIL SPRINGS AND ISOLATORS****DESCRIPTION**

The coil springs mount up in the wheelhouse which is part of the unitized body bracket. A rubber doughnut isolator is located between the top of the spring and the body. The bottom of the spring seats on a axle isolator made of rubber with a steel insert.

**OPERATION**

The coil springs control ride quality and maintain proper ride height. The isolators provide road noise isolation.

**STEERING KNUCKLE****DESCRIPTION**

The knuckle is a single casting with legs machined for the upper and lower ball joints. The knuckle also has machined mounting locations for the front brake calipers and hub bearing.

**OPERATION**

The steering knuckle pivot between the upper and lower ball joint. Steering linkage attached to the knuckle allows the vehicle to be steered.

**LOWER SUSPENSION ARMS AND BUSHINGS****DESCRIPTION**

The lower suspension arms are hydroformed steel and use voided oval bushings at one end of the arm.

**OPERATION**

The bushings provide isolation from the axle. The arms mount to the unibody frame rail bracket and the axle brackets. The arm and bushings provide location and react to loads from the axle.

**UPPER SUSPENSION ARMS AND BUSHINGS****DESCRIPTION**

The upper suspension arms are hydroformed steel and use rubber bushings at each end of the arm.

**OPERATION**

The arms mount to the unibody frame rail bracket and the axle brackets. The arm and bushings provide location and react to loads from the axle. The bushings provide isolation from the axle.

**STABILIZER BAR****DESCRIPTION**

The bar extends across the front underside of the chassis and is mounted to the frame rails. Links are connected from the bar to the axle brackets. The stabilizer bar and links are isolated by rubber bushings.

**OPERATION**

The stabilizer bar is used to control vehicle body roll during turns. The spring steel bar helps to control the vehicle body in relationship to the suspension.

**TRACK BAR****DESCRIPTION**

The bar is attached to a frame rail bracket and axle bracket. The bar is forged and has non replaceable isolator bushings at both ends.

**OPERATION**

The track bar is used to control front axle lateral movement and provides cross car location of the axle assembly.

## DESCRIPTION AND OPERATION (Continued)

**HUB/BEARING****DESCRIPTION**

The bearing used on the front hub of this vehicle is the combined hub and bearing unit type assembly. This unit assembly combines the front wheel mounting hub (flange) and the front wheel bearing into a one piece unit. The wheel mounting studs are the only replaceable component of the hub/bearing assembly.

**OPERATION**

The hub/bearing assembly is mounted to the steering knuckle and is retained by three mounting bolts accessible from the back of the steering knuckle. The hub/bearing unit is not serviceable and must be replaced as an assembly if the bearing or the hub is determined to be defective.

**DIAGNOSIS AND TESTING****SUSPENSION AND STEERING SYSTEM**

<b>CONDITION</b>	<b>POSSIBLE CAUSES</b>	<b>CORRECTION</b>
FRONT END NOISE	<ol style="list-style-type: none"> <li>1. Loose or worn wheel bearings.</li> <li>2. Loose or worn steering or suspension components.</li> </ol>	<ol style="list-style-type: none"> <li>1. Adjust or replace wheel bearings.</li> <li>2. Tighten or replace components as necessary.</li> </ol>
EXCESSIVE PLAY IN STEERING	<ol style="list-style-type: none"> <li>1. Loose or worn wheel bearings.</li> <li>2. Loose or worn steering or suspension components.</li> <li>3. Loose or worn steering gear.</li> </ol>	<ol style="list-style-type: none"> <li>1. Adjust or replace wheel bearings.</li> <li>2. Tighten or replace components as necessary.</li> <li>3. Adjust or replace steering gear.</li> </ol>
FRONT WHEELS SHIMMY	<ol style="list-style-type: none"> <li>1. Loose or worn wheel bearings.</li> <li>2. Loose or worn steering or suspension components.</li> <li>3. Tires worn or out of balance.</li> <li>4. Alignment.</li> <li>5. Leaking steering dampener.</li> </ol>	<ol style="list-style-type: none"> <li>1. Adjust or replace wheel bearings.</li> <li>2. Tighten or replace components as necessary.</li> <li>3. Replace or balance tires.</li> <li>4. Align vehicle to specifications.</li> <li>5. Replace steering dampener.</li> </ol>
VEHICLE INSTABILITY	<ol style="list-style-type: none"> <li>1. Loose or worn wheel bearings.</li> <li>2. Loose or worn steering or suspension components.</li> <li>3. Tire pressure.</li> <li>4. Alignment.</li> </ol>	<ol style="list-style-type: none"> <li>1. Adjust or replace wheel bearings.</li> <li>2. Tighten or replace components as necessary.</li> <li>3. Adjust tire pressure.</li> <li>4. Align vehicle to specifications.</li> </ol>
EXCESSIVE STEERING EFFORT	<ol style="list-style-type: none"> <li>1. Loose or worn steering gear.</li> <li>2. Power steering fluid low.</li> <li>3. Column coupler binding.</li> <li>4. Tire pressure.</li> <li>5. Alignment.</li> </ol>	<ol style="list-style-type: none"> <li>1. Adjust or replace steering gear.</li> <li>2. Add fluid and repair leak.</li> <li>3. Replace coupler.</li> <li>4. Adjust tire pressure.</li> <li>5. Align vehicle to specifications.</li> </ol>
VEHICLE PULLS TO ONE SIDE DURING BRAKING	<ol style="list-style-type: none"> <li>1. Uneven tire pressure.</li> <li>2. Worn brake components.</li> <li>3. Air in brake line.</li> </ol>	<ol style="list-style-type: none"> <li>1. Adjust tire pressure.</li> <li>2. Repair brakes as necessary.</li> <li>3. Repair as necessary.</li> </ol>

DIAGNOSIS AND TESTING (Continued)

CONDITION	POSSIBLE CAUSES	CORRECTION
VEHICLE LEADS OR DRIFTS FROM STRAIGHT AHEAD DIRECTION ON UNCROWNED ROAD	1. Radial tire lead. 2. Brakes dragging. 3. Weak or broken spring. 4. Uneven tire pressure. 5. Wheel Alignment. 6. Loose or worn steering or suspension components. 7. Cross caster out of spec.	1. Cross front tires. 2. Repair brake as necessary. 3. Replace spring. 4. Adjust tire pressure. 5. Align vehicle. 6. Repair as necessary. 7. Align vehicle.
KNOCKING, RATTLING OR SQUEAKING	1. Worn shock bushings. 2. Loose, worn or bent steering/suspension components. 3. Shock valve.	1. Replace shock. 2. Inspect, tighten or replace components as necessary. 3. Replace shock.
IMPROPER TRACKING	1. Loose, worn or bent track bar. 2. Loose, worn or bent steering/suspension components.	1. Inspect, tighten or replace component as necessary. 2. Inspect, tighten or replace components as necessary.

SERVICE PROCEDURES

SERVICE WARNINGS AND CAUTIONS

**CAUTION:** Suspension components with rubber bushings must be tightened with the vehicle at normal ride height. It is important to have the springs supporting the weight of the vehicle when the fasteners are torqued. If springs are not at their normal ride position, vehicle ride comfort will be affected and cause premature bushing wear.

REMOVAL AND INSTALLATION

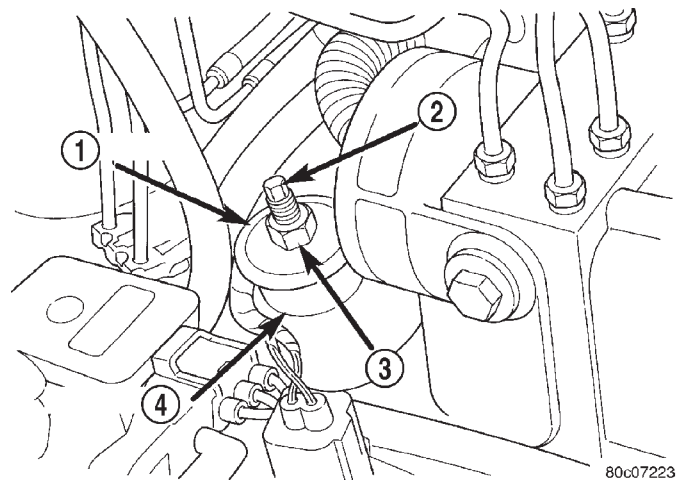
SHOCK ABSORBER

REMOVAL

- (1) Remove the nut, retainer and grommet from the shock stud in the engine compartment (Fig. 2).
- (2) Raise and support the front axle.
- (3) Remove the lower mounting nuts from the axle bracket (Fig. 3). Remove the shock absorber.

INSTALLATION

- (1) Position the lower retainer and grommet on the shock stud. Insert the shock absorber through the shock tower hole.
- (2) Install the lower shock studs into the axle bracket.



**Fig. 2 Upper Shock Mounting**

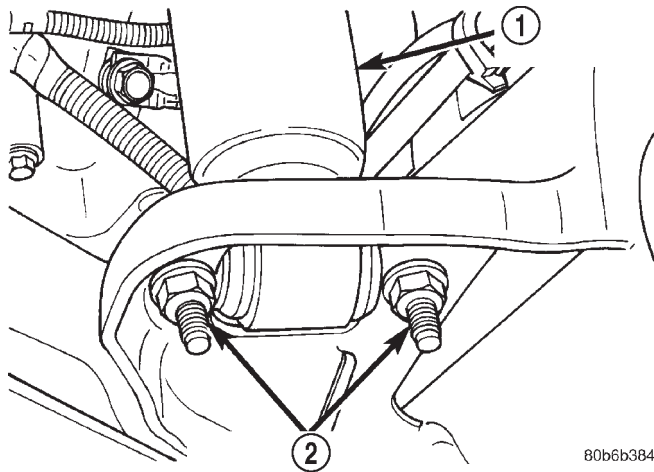
- 1 - RETAINER
- 2 - STUD
- 3 - NUT
- 4 - GROMMET

(3) Install the mounting nuts and tighten to 28 N·m (250 in. lbs.).

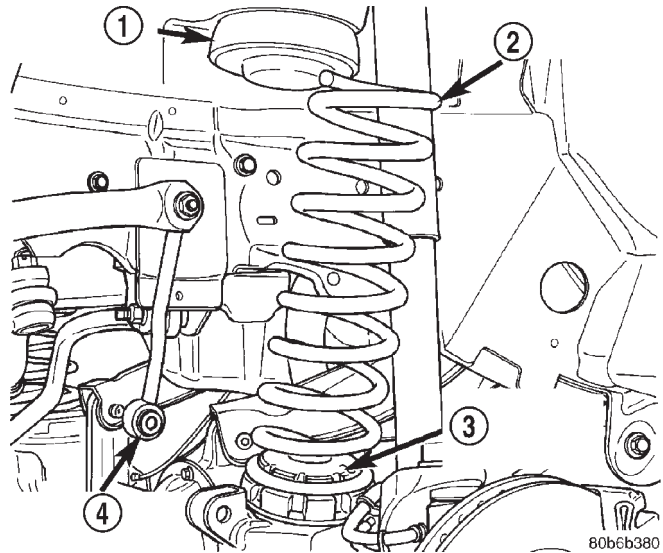
(4) Remove support and lower the vehicle.

(5) Install the upper grommet, retainer and nut on the stud in the engine compartment. Hold the shock stud with a 8 mm wrench and tighten the nut to 35 N·m (26 ft. lbs.).

## REMOVAL AND INSTALLATION (Continued)

**Fig. 3 Lower Shock Mounting**

- 1 - SHOCK ABSORBER
- 2 - MOUNTING NUTS

**Fig. 4 Front Coil Spring**

- 1 - UPPER ISOLATOR
- 2 - COIL SPRING
- 3 - LOWER ISOLATOR
- 4 - STABILIZER LINK

**COIL SPRINGS****REMOVAL**

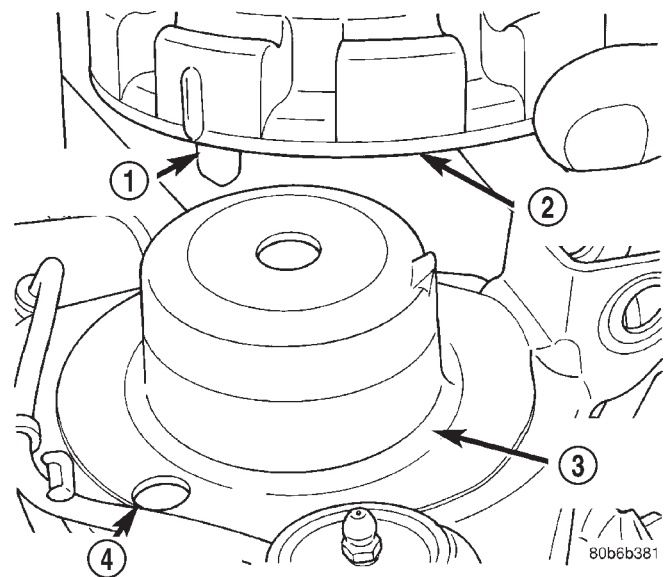
- (1) Raise and support the vehicle. Position a hydraulic jack under the axle to support it.
- (2) Remove the wheel and tire assemblies.
- (3) Remove stabilizer bar links mounting nuts and bolts from the axle brackets.
- (4) Remove shock absorbers lower mounting nuts from the axle brackets.
- (5) Remove the track bar mounting bolt from the axle bracket.
- (6) Lower the axle until the spring is free from the upper mount and isolator (Fig. 4).
- (7) Remove the spring from the vehicle.
- (8) Remove and inspect the upper and lower spring isolators.

**INSTALLATION**

- (1) Install the upper isolator.
- (2) Install the lower isolator with the isolator locator nub in the axle pad hole (Fig. 5).
- (3) Position the coil spring on the axle spring pad.

**CAUTION:** Ensure the spring is positioned on the lower isolator with the end of the spring coil against the isolator spring locator (Fig. 6).

- (4) Raise the axle and guide the springs onto the spring upper mounts and lower shock studs into the axle brackets.
- (5) Install the shock absorbers lower mounting nuts.
- (6) Install the stabilizer bar link to the axle bracket and install the mounting bolts and nuts.
- (7) Install the track bar to the axle bracket and install the mounting bolt.

**Fig. 5 Lower Isolator**

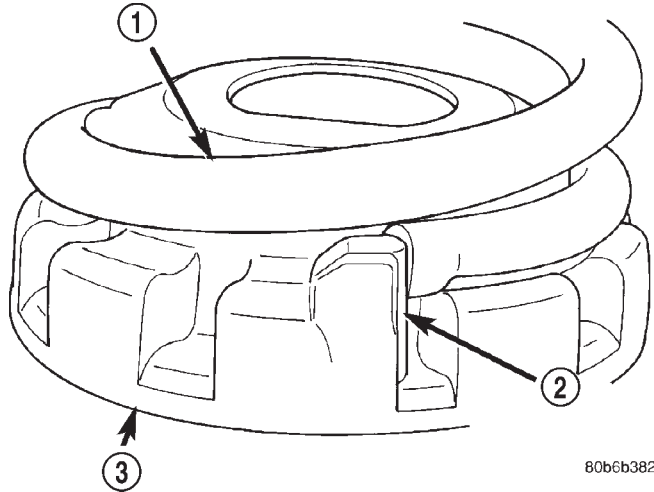
- 1 - LOCATING NUB
- 2 - LOWER ISOLATOR
- 3 - AXLE SPRING PAD
- 4 - LOCATING HOLE

**NOTE:** It may be necessary to pry the axle assembly over to install the track bar bolt.

- (8) Tighten all suspension components to proper torque.
- (9) Install the wheel and tire assemblies.
- (10) Remove support and lower vehicle.

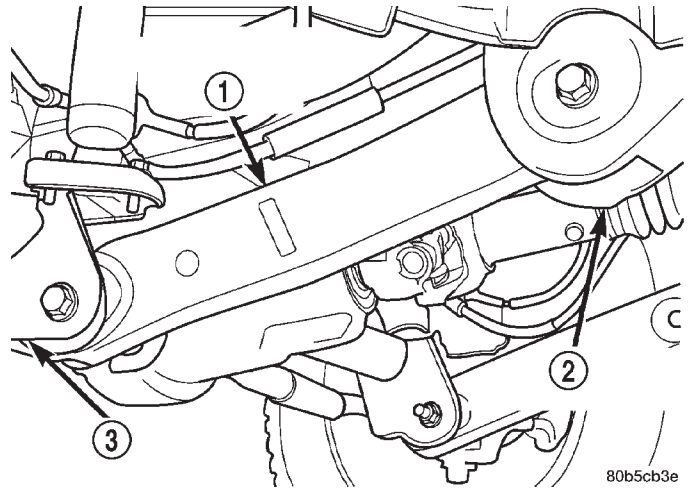


REMOVAL AND INSTALLATION (Continued)



**Fig. 6 Isolator Spring Locator**

- 1 - COIL SPRING
- 2 - SPRING LOCATOR
- 3 - LOWER ISOLATOR



**Fig. 7 Lower Suspension Arm**

- 1 - LOWER SUSPENSION ARM
- 2 - FRAME RAIL BRACKET
- 3 - AXLE BRACKET

**STEERING KNUCKLE**

For service procedures on the steering knuckle and ball joints refer to Group 3 Differentials And Driveline.

**LOWER SUSPENSION ARM**

**REMOVAL**

- (1) Raise the vehicle and support the front axle.
- (2) Remove the lower suspension arm nut and bolt from the axle bracket (Fig. 7).
- (3) Remove the nut and bolt from the frame rail bracket and remove the lower suspension arm (Fig. 7).

**INSTALLATION**

- (1) Position the lower suspension arm in the axle bracket and frame rail bracket.

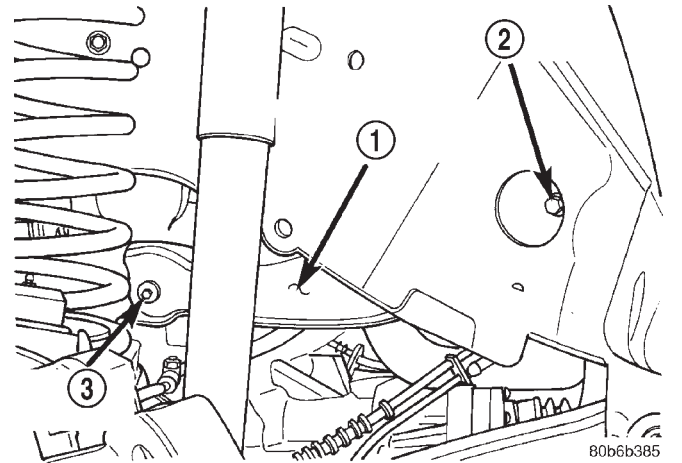
**NOTE:** The end of the arm with the oval bushing attaches to the axle bracket.

- (2) Install the axle bracket bolt and nut finger tight.
- (3) Install the frame rail bracket bolt and nut finger tight.
- (4) Remove support and lower the vehicle.
- (5) With the vehicle on the ground tighten the frame bracket bolt to 156 N·m (115 ft. lbs.). Tighten the axle bracket nut to 163 N·m (120 ft. lbs.).
- (6) Check the alignment if new parts were installed.

**UPPER SUSPENSION ARM**

**REMOVAL**

- (1) Raise vehicle and support the axle.
- (2) Remove the upper suspension arm mounting nut and bolt (Fig. 8) from the axle bracket.



**Fig. 8 Upper Suspension Arm**

- 1 - UPPER SUSPENSION ARM
- 2 - FRAME BOLT
- 3 - AXLE BOLT

- (3) Remove the nut and bolt (Fig. 8) at the frame rail and remove the upper suspension arm.

**INSTALLATION**

- (1) Position the upper suspension arm at the axle and frame rail.
- (2) Install the bolts and finger tighten the nuts.
- (3) Remove the supports and lower the vehicle.

## REMOVAL AND INSTALLATION (Continued)

(4) With the vehicle on the ground tighten the axle bracket nut and the frame bracket bolt to 61 N·m (45 ft. lbs.).

(5) Check the alignment if new parts were installed.

## FRONT AXLE BUSHING

## REMOVAL

(1) Remove the upper suspension arm from axle.

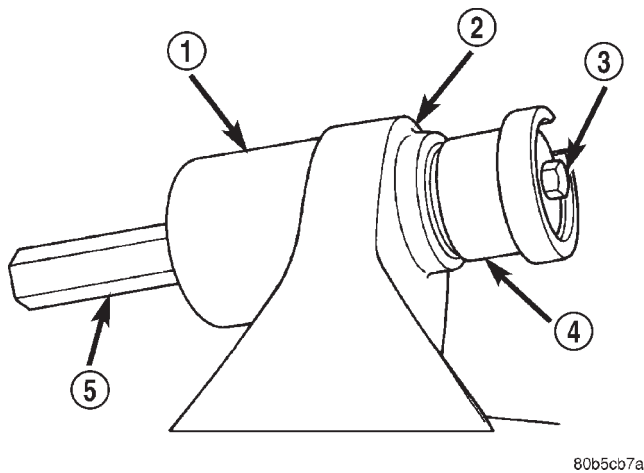
(2) Position Spacer 8279 over the axle bushing on a 4x2 vehicle and right side on a 4x4 vehicle.

(3) Place Receiver 7932-1 over flanged end of the bushing. (Fig. 9).

(4) Place small end of Remover/Install 7932-2 against other side of the bushing.

(5) Install bolt 7604 through remover, bushing and receiver.

(6) Install Long Nut 7603 and tighten nut too pull bushing out of the axle bracket.



**Fig. 9 Bushing Removal**

- 1 - RECEIVER
- 2 - AXLE BRACKET
- 3 - BOLT
- 4 - REMOVER/INSTALLER
- 5 - LONG NUT

(7) Remove nut, bolt, receiver, remover and bushing.

**NOTE:** On 4x2 vehicle and right side of 4x4 vehicle, leave Spacer 8279 in position for bushing installation.

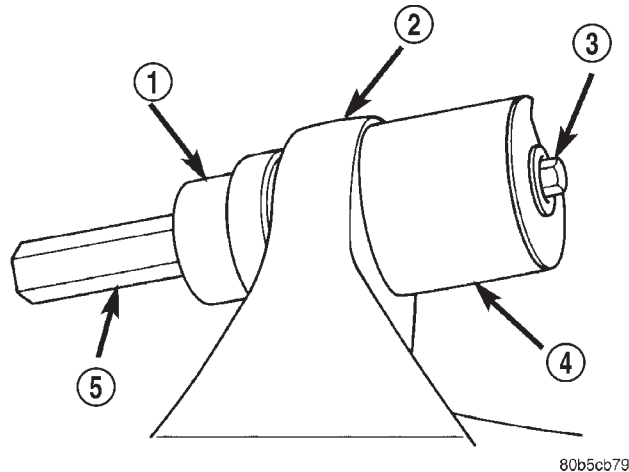
## INSTALLATION

(1) Place Receiver 7932-1 on the other side of the axle bracket.

(2) Position new bushing up to the axle bracket, and large end of Remover/Install 7932-2 against the bushing (Fig. 10).

(3) Install bolt 7604 through receiver, bushing and installer.

(4) Install Long Nut 7603 and tighten nut to draw the bushing into the axle bracket.



**Fig. 10 Bushing Installation**

- 1 - REMOVER/INSTALLER
- 2 - AXLE BRACKET
- 3 - BOLT
- 4 - RECEIVER
- 5 - LONG NUT

(5) Remove tools and install the upper suspension arm.

## STABILIZER BAR

## REMOVAL

(1) Raise and support the vehicle.

(2) Remove link nuts and bolts (Fig. 11) and remove the links.

(3) Remove the stabilizer bar retainer bolts (Fig. 11) from the frame rails and remove the stabilizer bar.

## INSTALLATION

(1) Position the stabilizer bar on the frame rail and install the retainers and bolts. Ensure the bar is centered with equal spacing on both sides. Tighten the bolts to 92 N·m (68 ft. lbs.).

(2) Install the links onto the stabilizer bar and axle brackets and install the bolts and nuts finger tight.

(3) Remove the supports and lower the vehicle.

(4) With the vehicle on the ground tighten the stabilizer bar link nuts to 106 N·m (78 ft. lbs.).

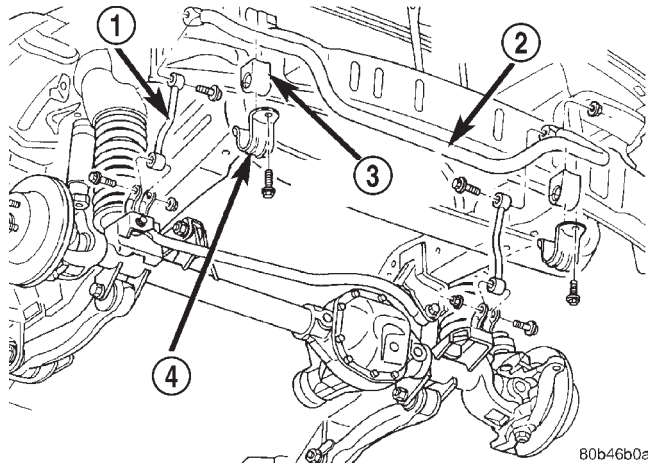
## TRACK BAR

## REMOVAL

(1) Raise and support the vehicle.



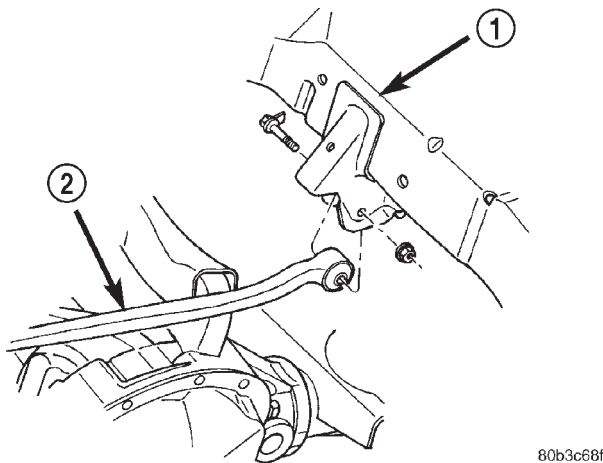
REMOVAL AND INSTALLATION (Continued)



**Fig. 11 Stabilizer Bar**

- 1 - LINK
- 2 - STABILIZER BAR
- 3 - BUSHING
- 4 - RETAINER

(2) Remove the nut and bolt from the frame rail bracket (Fig. 12).



**Fig. 12 Track Bar Frame Rail Bracket**

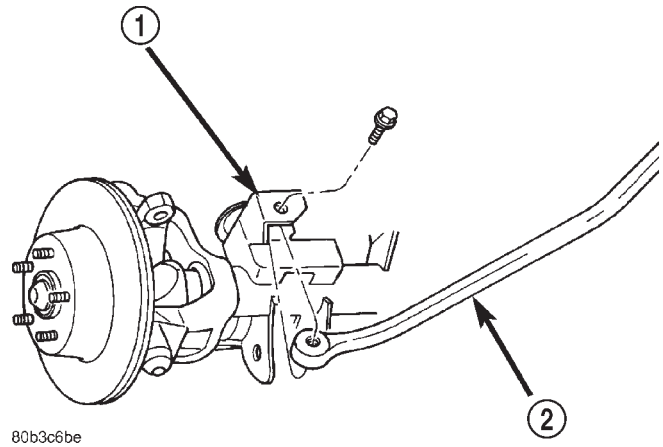
- 1 - FRAME RAIL
- 2 - TRACK BAR

(3) Remove the bolt from the axle shaft tube bracket (Fig. 13). Remove the track bar.

**INSTALLATION**

- (1) Install the track bar to the axle tube bracket. Install the retaining bolt finger tight.
- (2) Install track bar to the frame rail bracket. Install the bolt and nut finger tight.

**NOTE:** It may be necessary to pry the axle assembly over to install the track bar to the frame rail bracket.



**Fig. 13 Track Bar Axle Bracket**

- 1 - AXLE BRACKET
- 2 - TRACK BAR

- (3) Remove the supports and lower the vehicle.
- (4) With the vehicle on the ground tighten the nut at the frame rail bracket and to the bolt at the axle bracket to 100 N·m (74 ft. lbs.).
- (5) Check alignment specifications if a new track bar was installed.

**HUB BEARING**

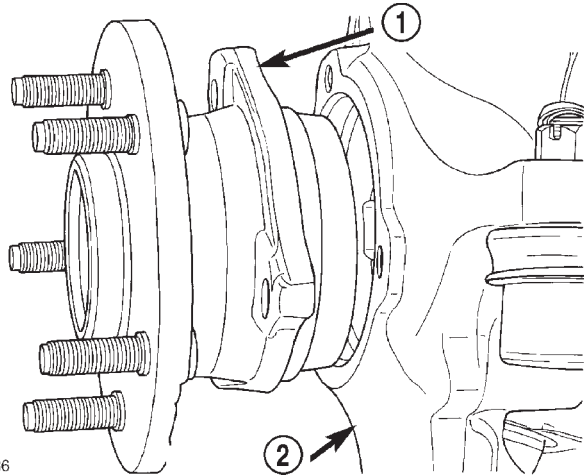
**REMOVAL**

- (1) Raise and support the vehicle.
- (2) Remove the wheel and tire assembly.
- (3) Remove the brake caliper, caliper anchor, rotor and ABS wheel speed sensor, refer to Group 5 Brakes.
- (4) Remove the cotter pin, nut retainer and axle hub nut.
- (5) Remove the hub bearing mounting bolts from the back of the steering knuckle. Remove hub bearing (Fig. 14) from the steering knuckle and off the axle shaft.

**INSTALLATION**

- (1) Install the hub bearing to the knuckle.
- (2) Install the hub bearing to knuckle bolts and tighten to 102 N·m (75 ft. lbs.).
- (3) Install the hub washer and nut. Tighten the hub nut to 237 N·m (175 ft. lbs.). Install the nut retainer and a new cotter pin.
- (4) Install the brake rotor, caliper anchor, caliper and ABS wheel speed sensor, refer to Group 5 Brakes.
- (5) Install the wheel and tire assembly.
- (6) Remove support and lower the vehicle.

REMOVAL AND INSTALLATION (Continued)



80b6b386

**Fig. 14 Hub Bearing & Knuckle**

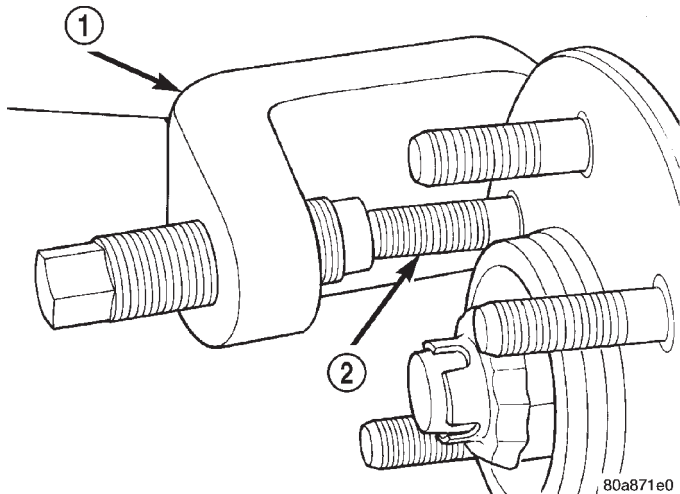
- 1 - HUB BEARING
- 2 - KNUCKLE

**WHEEL MOUNTING STUDS**

**CAUTION:** Do not use a hammer to remove wheel studs.

**REMOVAL**

- (1) Raise and support vehicle.
- (2) Remove wheel and tire assembly.
- (3) Remove brake caliper, caliper adapter and rotor, refer to Group 5 Brakes for procedure.
- (4) Remove stud from hub with Remover C-4150A (Fig. 15).



80a871e0

**Fig. 15 Wheel Stud Removal**

- 1 - REMOVER
- 2 - WHEEL STUD

**INSTALLATION**

- (1) Install new stud into hub flange.
- (2) Install three washers onto stud, then install lug nut with the flat side of the nut against the washers.
- (3) Tighten lug nut until the stud is pulled into the hub flange. Verify that the stud is properly seated into the flange.
- (4) Remove lug nut and washers.
- (5) Install the brake rotor, caliper adapter, and caliper, refer to Group 5 Brakes for procedure.
- (6) Install wheel and tire assembly, use new lug nut on stud or studs that were replaced.
- (7) Remove support and lower vehicle.

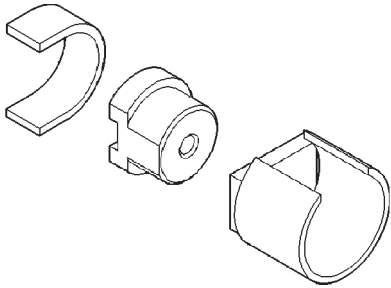
**SPECIFICATIONS**

**TORQUE CHART**

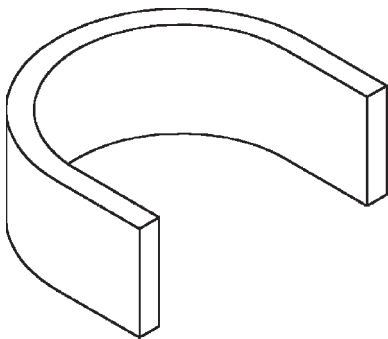
<b>DESCRIPTION</b>	<b>TORQUE</b>
<b>Shock Absorber</b>	
Upper Nut . . . . .	35 N·m (26 ft. lbs.)
Lower Nuts . . . . .	28 N·m (250 in. lbs.)
<b>Suspension Arm Upper</b>	
Axle Bracket Nut . . . . .	61 N·m (45 ft. lbs.)
Frame Bracket Bolt . . . . .	61 N·m (45 ft. lbs.)
<b>Suspension Arm Lower</b>	
Axle Bracket Nut . . . . .	163 N·m (120 ft. lbs.)
Frame Bracket Bolt . . . . .	156 N·m (115 ft. lbs.)
<b>Stabilizer Bar</b>	
Retainer Bolts . . . . .	92 N·m (68 ft. lbs.)
Link Upper Nut . . . . .	106 N·m (78 ft. lbs.)
Link Lower Nut . . . . .	106 N·m (78 ft. lbs.)
<b>Track Bar</b>	
Frame Bracket Nut . . . . .	108 N·m (80 ft. lbs.)
Axle Bracket Bolt . . . . .	100 N·m (74 ft. lbs.)
<b>Hub Bearing</b>	
Knuckle Bolts . . . . .	102 N·m (75 ft. lbs.)

SPECIAL TOOLS

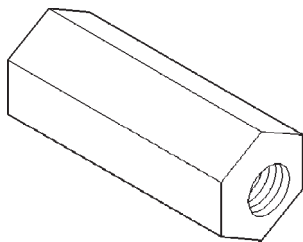
FRONT SUSPENSION



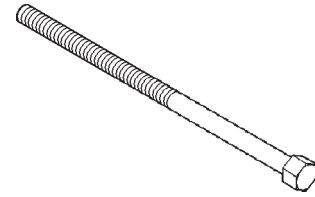
*Remover/Installer Suspension Bushing 7932*



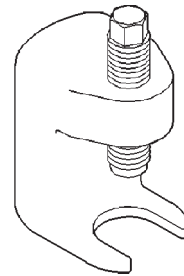
*Spacer 8279*



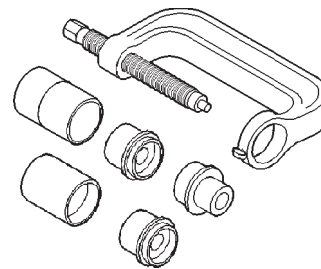
*Nut, Long 7603*



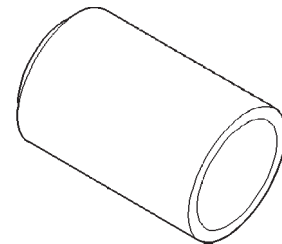
*Bolt, Special 7604*



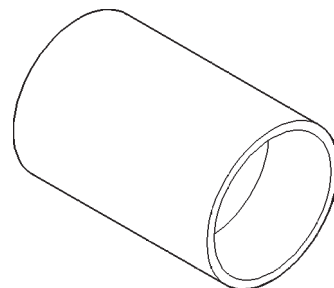
*Remover C-4150A*



*Remover/Installer 6289*



*Receiver 6761*



*Installer 6752*

# REAR SUSPENSION

## TABLE OF CONTENTS

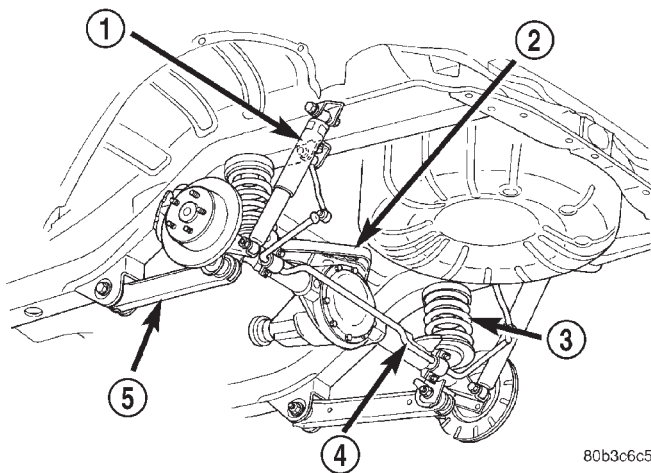
	page		page
<b>DESCRIPTION AND OPERATION</b>		<b>REMOVAL AND INSTALLATION</b>	
REAR SUSPENSION . . . . .	16	COIL SPRING . . . . .	18
SHOCK ABSORBERS . . . . .	16	SHOCK ABSORBER . . . . .	18
JOUNCE BUMPERS . . . . .	16	LOWER SUSPENSION ARM . . . . .	19
COIL SPRINGS AND ISOLATORS . . . . .	17	UPPER SUSPENSION ARM . . . . .	19
LOWER SUSPENSION ARMS AND BUSHINGS . . . . .	17	BALL JOINT . . . . .	21
STABILIZER BAR . . . . .	17	STABILIZER BAR . . . . .	21
UPPER SUSPENSION ARM, BUSHINGS, AND BALL JOINT . . . . .	17	<b>SPECIFICATIONS</b>	
<b>DIAGNOSIS AND TESTING</b>		TORQUE CHART . . . . .	22
REAR SUSPENSION . . . . .	17	<b>SPECIAL TOOLS</b>	
<b>SERVICE PROCEDURES</b>		REAR SUSPENSION . . . . .	22
SERVICE WARNINGS AND CAUTIONS . . . . .	18		

## DESCRIPTION AND OPERATION

### REAR SUSPENSION

The rear suspension (Fig. 1) is comprised of :

- Drive axle
- Shock absorbers
- Coil springs
- Lower suspension arms
- Upper suspension arm
- Stabilizer bar



**Fig. 1 Rear Suspension**

- 1 - SHOCK
- 2 - UPPER SUSPENSION ARM
- 3 - COIL SPRING
- 4 - STABILIZER BAR
- 5 - LOWER SUSPENSION ARM

**CAUTION:** Suspension components with rubber/urethane bushings should be tightened with the vehicle at normal ride height. It is important to have the springs supporting the weight of the vehicle when the fasteners are torqued. This will maintain vehicle ride comfort and prevent premature bushing wear.

### SHOCK ABSORBERS

#### DESCRIPTION

The top of the shock absorbers are bolted to the body. The bottom of the shocks are bolted to the axle brackets. The standard shocks have conventional twin tube construction and are low pressure gas charged. Gas charging prevents cavitation during rough road operation. Up-Country shocks are mono tube design and are high pressure gas charged.

#### OPERATION

The shock absorbers dampen jounce and rebound motion of the vehicle over various road conditions and limit suspension rebound travel.

### JOUNCE BUMPERS

#### DESCRIPTION

The jounce bumpers are mounted inside the coil spring, between the axle and the frame rail, to minimize transmission of noise to the passenger compartment.

DESCRIPTION AND OPERATION (Continued)

**OPERATION**

The jounce bumpers are used to limit suspension travel in compression.

**COIL SPRINGS AND ISOLATORS**

**DESCRIPTION**

The coil springs mount up in the wheelhouse which is part of the unitized body bracket. A rubber doughnut isolator is located between the top of the spring and the body. The bottom of the spring seats on a axle isolator made of rubber with a steel insert. The isolators provide road noise isolation

**OPERATION**

The coil springs control ride quality and maintain proper ride height.

**LOWER SUSPENSION ARMS AND BUSHINGS**

**DESCRIPTION**

The lower suspension arms are hydroformed steel and use voided oval bushings at each end of the arm.

**OPERATION**

The bushings provide isolation from the axle. The arms mount to the unibody frame rail bracket and the axle brackets. The arm and bushings provide location and react to loads.

**UPPER SUSPENSION ARM, BUSHINGS, AND BALL JOINT**

**DESCRIPTION**

The suspension arm uses vertical spool bushings to isolate road noise. The suspension arm is bolted through bushings to cage nuts in the body and a ball joint plate to the top of the differential housing.

**OPERATION**

The upper suspension arm provides fore/aft and lateral location of the rear axle. The suspension arm travel is limited through the use of jounce bumpers in compression and shock absorbers in rebound.

**STABILIZER BAR**

**DESCRIPTION**

The stabilizer bar extends across the back side of the rear axle. Links are connected between the bar and frame rail brackets. The stabilizer bar and links are isolated by rubber bushings.

**OPERATION**

The stabilizer bar is used to control vehicle body roll, during turns. The bar helps control the vehicle body in relationship to the suspension.

**DIAGNOSIS AND TESTING**

**REAR SUSPENSION**

CONDITION	POSSIBLE CAUSES	CORRECTION
VEHICLE INSTABILITY	1. Loose or worn wheel bearings. 2. Loose, worn or bent suspension components. 3. Tire pressure.	1. Replace wheel bearings. 2. Inspect, tighten or replace components as necessary. 3. Adjust tire pressure.
VEHICLE PULLS TO ONE SIDE	1. Weak or broken spring. 2. Alignment. 3. Tires. 4. Brakes.	1. Replace spring. 2. Align vehicle to specifications. 3. Replace tires. 4. Repair as necessary.
KNOCKING, RATTLING OR SQUEAKING	1. Worn shock bushings. 2. Loose shock mounting. 3. Shock valve. 4. Loose upper ball joint. 5. Loose, worn or bent suspension components.	1. Replace shock. 2. Tighten to specifications. 3. Replace shock. 4. Replace ball joint. 5. Inspect, tighten or replace components as necessary.

DIAGNOSIS AND TESTING (Continued)

CONDITION	POSSIBLE CAUSES	CORRECTION
IMPROPER TRACKING	1. Loose, worn or bent suspension components. 2. Bent axle.	1. Inspect, tighten or replace components as necessary. 2. Replace axle.

SERVICE PROCEDURES

SERVICE WARNINGS AND CAUTIONS

**CAUTION:** Suspension components with rubber bushings must be tightened with the vehicle at normal ride height. It is important to have the springs supporting the weight of the vehicle when the fasteners are torqued. If springs are not at their normal ride position, vehicle ride comfort will be affected and cause premature bushing wear.

REMOVAL AND INSTALLATION

SHOCK ABSORBER

REMOVAL

(1) Raise and support the vehicle. Position a hydraulic jack under the axle to support the axle.

**CAUTION:** Do not allow the axle to hang from the upper suspension arm ball joint.

(2) Remove the upper nut and bolt from the frame bracket (Fig. 2).

(3) Remove the lower nut and bolt from the axle bracket. Remove the shock absorber.

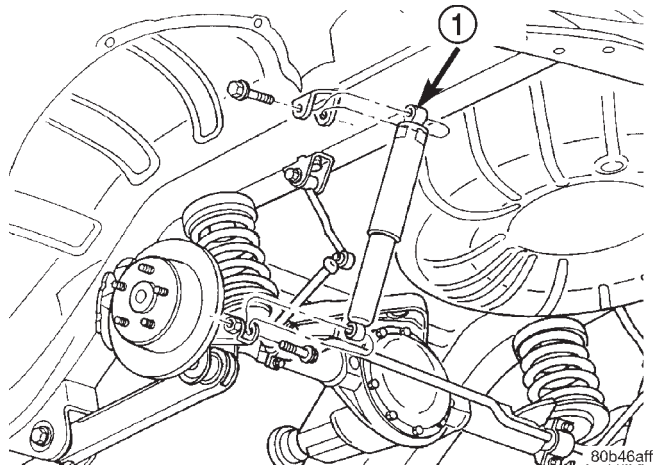


Fig. 2 Shock Absorber

1 - SHOCK

INSTALLATION

(1) Install the shock absorber in the frame bracket and install the bolt and nut.

(2) Install the shock absorber in the axle bracket and install the bolt and nut.

(3) Tighten the upper mounting nuts to 108 N·m (80 ft. lbs.). Tighten the lower mounting nuts to 115 N·m (85 ft. lbs.).

(4) Remove the supports and lower the vehicle.

COIL SPRING

REMOVAL

(1) Raise and support the vehicle. Position a hydraulic jack under the axle to support the axle.

(2) Remove the wheel and tire assemblies.

(3) Remove the stabilizer bar link from the stabilizer bar (Fig. 3).

(4) Remove the shock absorber lower bolt from the axle bracket.

(5) Lower the hydraulic jack and tilt the axle and remove the coil spring (Fig. 3).

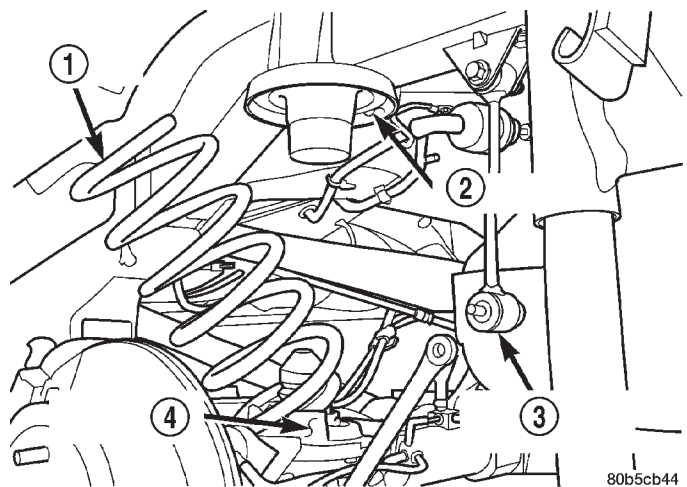


Fig. 3 Coil Spring

- 1 - COIL SPRING
- 2 - ISOLATOR
- 3 - STABILIZER LINK
- 4 - ISOLATOR

(6) Remove and inspect the upper and lower spring isolators (Fig. 3).

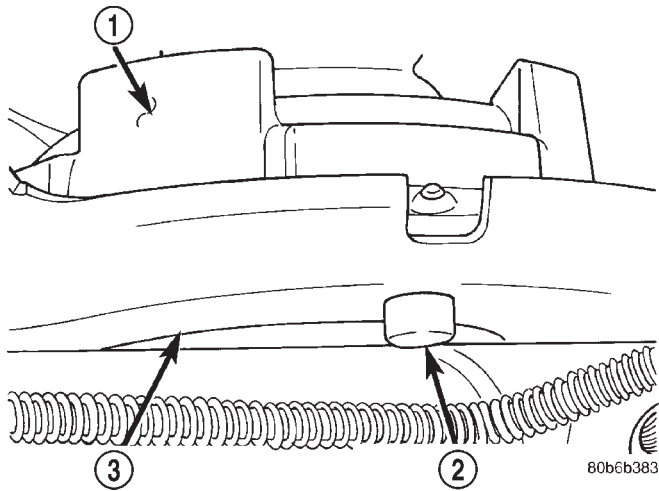
INSTALLATION

(1) Install the upper isolator.



REMOVAL AND INSTALLATION (Continued)

(2) Install the lower isolator with the isolator locator nub in the axle pad hole (Fig. 4).

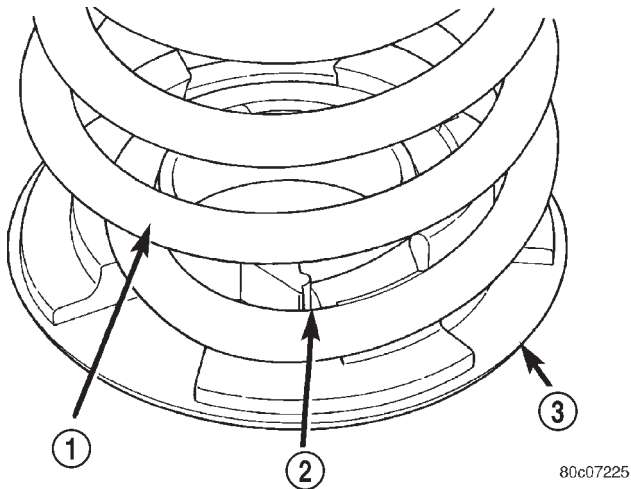


**Fig. 4 Isolator Locator Nub**

- 1 - LOWER ISOLATOR
- 2 - LOCATOR NUB
- 3 - AXLE SPRING PAD

(3) Pull down on the axle and position the coil spring in the lower isolator.

**CAUTION:** Ensure the spring is positioned on the lower isolator with the end of the spring coil against the isolator spring locator (Fig. 5).



**Fig. 5 Isolator Spring Locator - Typical**

- 1 - LOWER ISOLATOR
- 2 - SPRING LOCATOR
- 3 - COIL SPRING

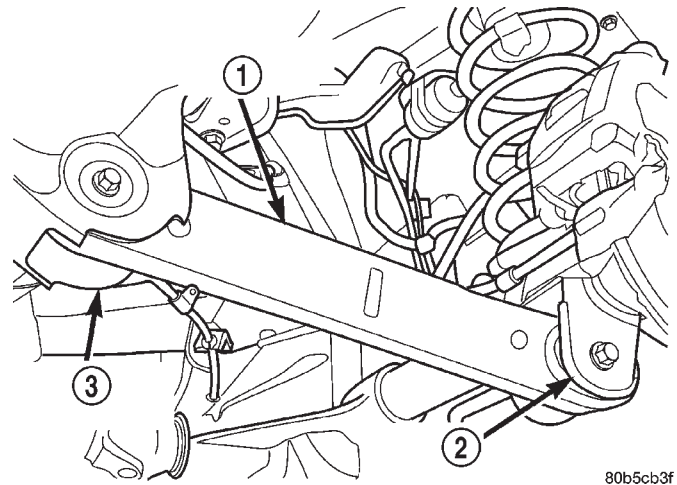
(4) Raise the axle with the hydraulic jack.  
 (5) Install the shock absorber to the axle bracket and tighten to specification.  
 (6) Install the stabilizer bar link to the stabilizer bar.

(7) Install the wheel and tire assemblies.  
 (8) Remove the supports and lower the vehicle.  
 (9) Tighten the stabilizer bar links to specification.

**LOWER SUSPENSION ARM**

**REMOVAL**

(1) Raise the vehicle and support the rear axle.  
 (2) Remove the lower suspension arm nut and bolt from the axle bracket (Fig. 6).  
 (3) Remove the nut and bolt (Fig. 6) from the frame rail and remove the lower suspension arm.



**Fig. 6 Lower Suspension Arm**

- 1 - LOWER SUSPENSION ARM
- 2 - AXLE BRACKET
- 3 - FRAME BRACKET

**INSTALLATION**

(1) Position the lower suspension arm in the axle bracket and frame rail bracket.

**NOTE:** The end of the arm with the oval bushing attaches to the axle bracket.

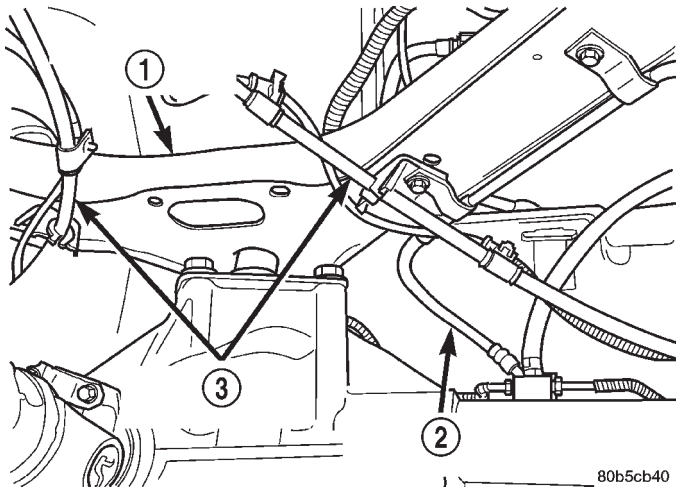
(2) Install the axle bracket bolt and nut finger tight.  
 (3) Install the frame rail bracket bolt and nut finger tight.  
 (4) Remove the supports and lower the vehicle.  
 (5) With the vehicle on the ground tighten the nut at the frame to 156 N·m (115 ft. lbs.). Tighten the nut at the axle bracket to 163 N·m (120 ft. lbs.).

**UPPER SUSPENSION ARM**

**REMOVAL**

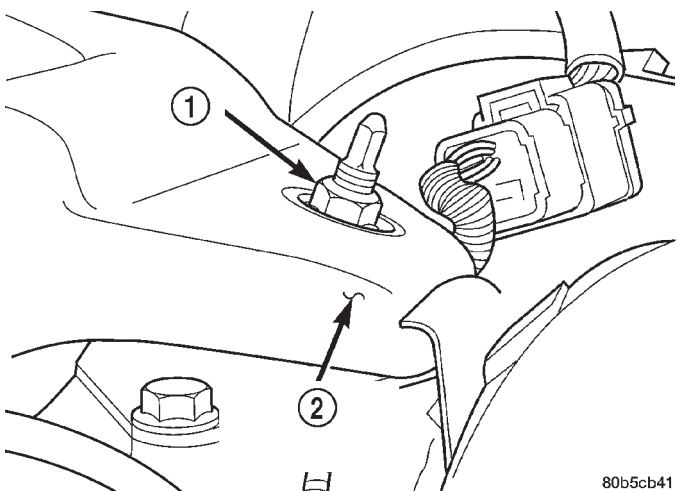
(1) Raise and support the vehicle.  
 (2) Support the rear axle with a hydraulic jack.  
 (3) Remove the park brake cables and brake hose from the arm (Fig. 7).

## REMOVAL AND INSTALLATION (Continued)

**Fig. 7 Park Brake Cables And Brake Hose**

- 1 - UPPER SUSPENSION ARM
- 2 - REAR BRAKE HOSE
- 3 - PARK BRAKE CABLES

(4) Remove the ball joint nut from the top of the upper suspension arm (Fig. 8).

**Fig. 8 Ball Joint Nut**

- 1 - BALL JOINT NUT
- 2 - UPPER SUSPENSION ARM

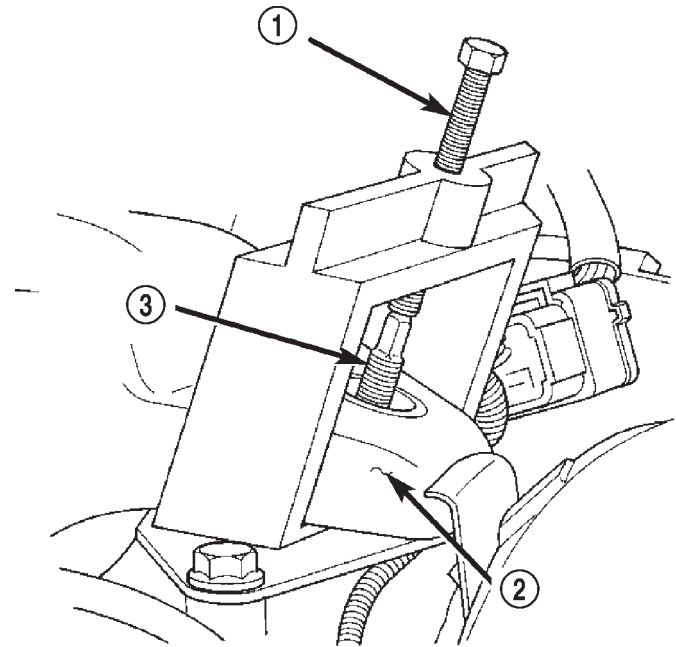
(5) Separate ball joint from the arm with Remover 8278 (Fig. 9).

**NOTE:** It may be necessary to strike the upper control arm with a hammer to separate the ball joint from the arm.

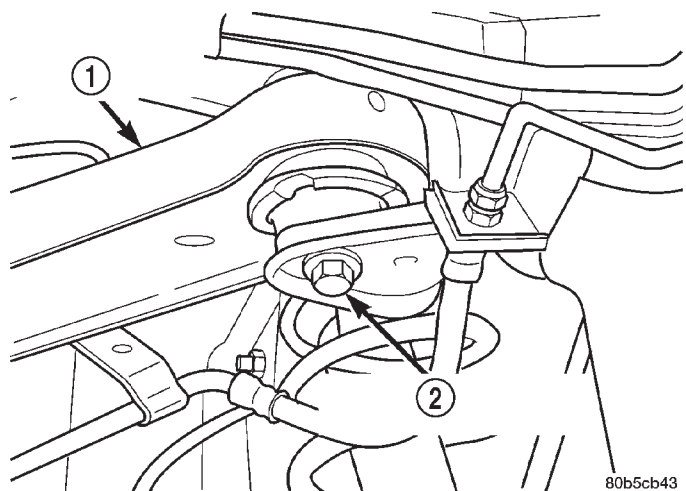
(6) Remove the upper suspension arm mounting bolts and remove the arm (Fig. 10).

**INSTALLATION**

(1) Position the upper suspension arm in the frame rail brackets.

**Fig. 9 Separate Ball Joint**

- 1 - REMOVER
- 2 - UPPER SUSPENSION ARM
- 3 - BALL JOINT STUD

**Fig. 10 Upper Suspension Arm Mounting Bolt**

- 1 - UPPER SUSPENSION ARM
- 2 - MOUNTING BOLT

(2) Install the mounting bolts and tighten to 100 N·m (74 ft. lbs.).

(3) Pull the arm down on the ball joint stud and install a **new** nut. Tighten the nut to 142 N·m (105 ft. lbs.).

(4) Install the park brake cables and brake hose to the arm.

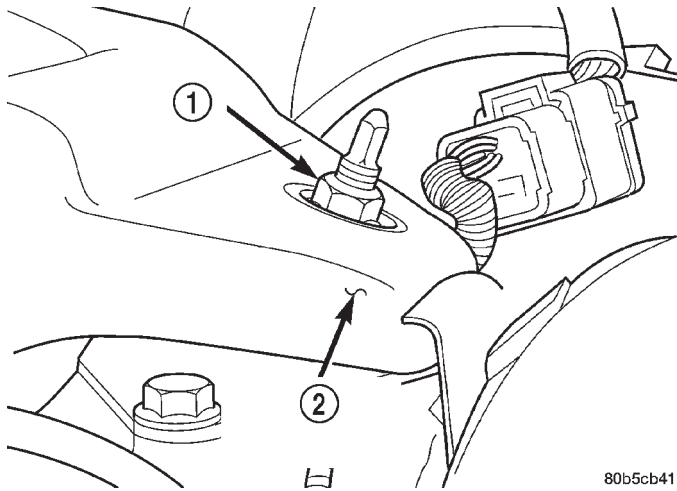
(5) Remove the supports and lower the vehicle.

REMOVAL AND INSTALLATION (Continued)

**BALL JOINT**

**REMOVAL**

- (1) Raise and support the vehicle.
- (2) Support the rear axle with a hydraulic jack.
- (3) Remove the ball joint nut from the top of the upper suspension arm (Fig. 11).



**Fig. 11 Ball Joint Nut**

- 1 - BALL JOINT NUT
- 2 - UPPER SUSPENSION ARM

- (4) Separate ball joint from the arm with Remover 8278 (Fig. 12).

**NOTE:** It may be necessary to strike the upper control arm with a hammer to separate the ball joint from the arm.

- (5) Remove the ball joint mounting bolts (Fig. 13) from the differential housing.
- (6) Remove the ball joint from the differential housing.

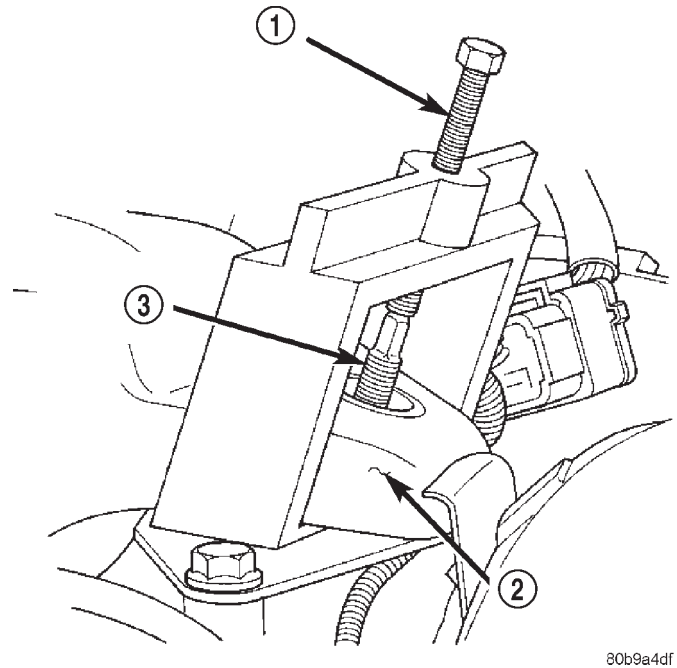
**INSTALLATION**

- (1) Install the ball joint on the differential housing.
- (2) Install the ball joint mounting bolts and tighten to 136 N·m (100 ft. lbs.).
- (3) Raise the rear axle with a hydraulic jack to align the upper arm with the ball joint.
- (4) Pull the arm down on the ball joint stud and install a **new** nut. Tighten the nut to 142 N·m (105 ft. lbs.).
- (5) Remove the supports and lower the vehicle.

**STABILIZER BAR**

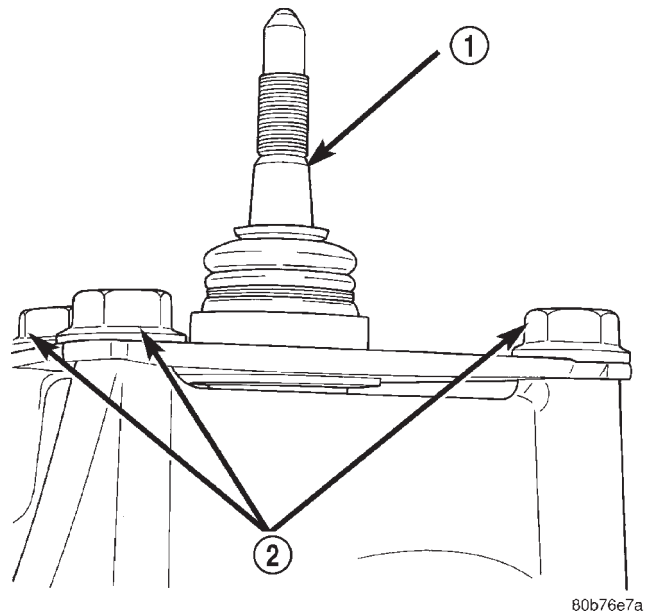
**REMOVAL**

- (1) Raise and support the vehicle.



**Fig. 12 Separate Ball Joint**

- 1 - REMOVER
- 2 - UPPER SUSPENSION ARM
- 3 - BALL JOINT STUD

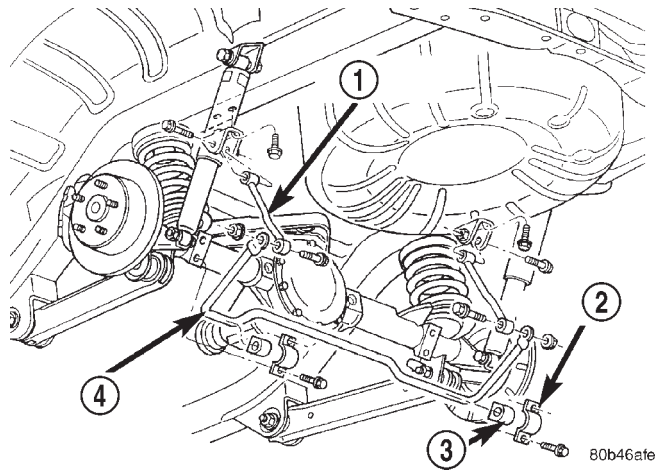


**Fig. 13 Ball Joint Mounting Bolts**

- 1 - BALL JOINT
- 2 - MOUNTING BOLTS

- (2) Remove the stabilizer bar links from stabilizer bar and frame mount. (Fig. 14).
- (3) Remove the stabilizer bar retainer bolts.
- (4) Remove the stabilizer bar.

REMOVAL AND INSTALLATION (Continued)



**Fig. 14 Rear Stabilizer Bar**

- 1 - LINK
- 2 - RETAINER
- 3 - BUSHING
- 4 - STABILIZER BAR

**INSTALLATION**

- (1) Position the stabilizer bar on the axle and install the retainers and bolts. Ensure the bar is centered with equal spacing on both sides. Tighten the bolts to 54 N·m (40 ft. lbs.).
- (2) Install the links to the stabilizer bar and frame brackets.
- (3) Tighten the nuts at the stabilizer bar to 54 N·m (40 ft. lbs.).
- (4) Tighten the nuts at the frame brackets to 92 N·m (68 ft. lbs.).
- (5) Remove support and lower the vehicle.

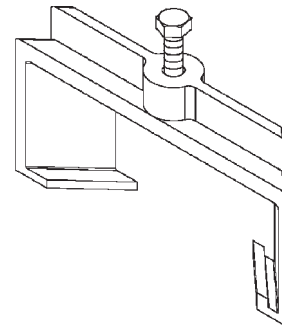
**SPECIFICATIONS**

**TORQUE CHART**

<b>DESCRIPTION</b>	<b>TORQUE</b>
<b>Shock Absorber</b>	
Upper Nut .....	108 N·m (80 ft. lbs.)
Lower Nut .....	115 N·m (85 ft. lbs.)
<b>Suspension Arm Upper</b>	
Ball Joint Nut .....	142 N·m (105 ft. lbs.)
Frame Bolts .....	100 N·m (74 ft. lbs.)
<b>Ball Joint</b>	
Plate Bolts .....	136 N·m (100 ft. lbs.)
<b>Suspension Arms Lower</b>	
Axle Bracket Nut .....	163 N·m (120 ft. lbs.)
Frame Bracket Nut .....	156 N·m (115 ft. lbs.)
<b>Stabilizer Bar</b>	
Retainer Bolts .....	54 N·m (40 ft. lbs.)
Bar Link Nut .....	54 N·m (40 ft. lbs.)
Bracket Link Nut .....	92 N·m (68 ft. lbs.)

**SPECIAL TOOLS**

**REAR SUSPENSION**



**Remover 8278**

# DIFFERENTIAL AND DRIVELINE

## TABLE OF CONTENTS

	page		page
PROPELLER SHAFTS .....	1	198 RBI AXLE .....	53
TUBE AND 186 FBI AXLE .....	11	226 RBA AXLE .....	95

## PROPELLER SHAFTS

### TABLE OF CONTENTS

	page		page
<b>DESCRIPTION AND OPERATION</b>			
PROPELLER SHAFTS .....	1	REAR PROPELLER SHAFT .....	8
PROPELLER SHAFT JOINTS .....	2	<b>DISASSEMBLY AND ASSEMBLY</b>	
PROPELLER SHAFT JOINT ANGLE .....	2	SINGLE CARDAN UNIVERSAL JOINT .....	8
<b>DIAGNOSIS AND TESTING</b>			
VIBRATION .....	2	<b>CLEANING AND INSPECTION</b>	
UNBALANCE .....	3	SINGLE CARDAN JOINT .....	10
RUNOUT .....	5	<b>ADJUSTMENTS</b>	
<b>SERVICE PROCEDURES</b>			
DRIVELINE ANGLE MEASUREMENT		FRONT PROPELLER SHAFT MEASUREMENT ..	10
PREPARATION .....	5	<b>SPECIFICATIONS</b>	
PROPELLER SHAFT ANGLE MEASUREMENT .....	6	TORQUE .....	10
<b>REMOVAL AND INSTALLATION</b>			
FRONT PROPELLER SHAFT .....	6	<b>SPECIAL TOOLS</b>	
		PROPELLER SHAFT .....	10

### DESCRIPTION AND OPERATION

#### PROPELLER SHAFTS

##### DESCRIPTION

A propeller shaft (Fig. 2) is the shaft which connects the transmission/transfer case to the axle differential. This is the link through which the engine power is transmitted to the axle.

The propeller shaft is designed and built with the yoke lugs in line with each other which is called zero phasing. This design produces the smoothest running condition, an out-of-phase shaft can cause a vibration.

Tubular propeller shafts are balanced by the manufacturer with weights spot welded to the tube.

##### FRONT PROPELLER SHAFT

Only one style of front propeller shaft is used on WJ vehicles. The propeller shaft uses a Constant

Velocity (CV) joint at both the axle and transfer case end of the propeller shaft. The CV joint at the axle end contracts and extends (plunges) as necessary to accommodate the variations in length necessary due to suspension travel. The CV joint at the transfer case end of the propeller shaft is fixed. The two CV joints are connected by a hollow tube shaft. The shaft length is not adjustable and does vary according to application.

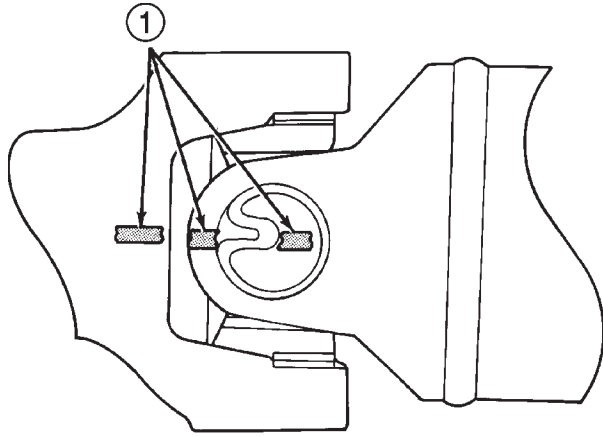
##### PRECAUTIONS

Use the exact replacement parts when installing the propeller shafts. The use of the correct replacement parts helps to ensure safe operation. All fasteners must be torqued to the specified values for safe operation.

Also make alignment reference marks (Fig. 1) on the propeller shaft yoke and axle, or transmission, yoke prior to servicing. This helps to eliminate possible vibration.



## DESCRIPTION AND OPERATION (Continued)



J9316-2

**Fig. 1 Reference Marks on Yokes**

1 - REFERENCE MARKS

**CAUTION:** Do not allow the propeller shaft to drop or hang from any propeller shaft joint during removal. Attach the propeller shaft to the vehicle underside with wire to prevent damage to the joints.

**OPERATION**

The propeller shaft must operate through constantly changing relative angles between the transmission and axle. It must also be capable of changing length while transmitting torque. The axle rides suspended by springs in a floating motion. The propeller shaft must be able to change operating angles when going over various road surfaces. This is accomplished through universal joints, which permit the propeller shaft to operate at different angles. The slip joints (or yokes) permit contraction or expansion (Fig. 2).

**Before undercoating a vehicle, the propeller shaft and the U-joints should be covered to prevent an out-of-balance condition and driveline vibration.**

**CAUTION:** Use original equipment replacement parts for attaching the propeller shafts. The specified torque must always be applied when tightening the fasteners.

**PROPELLER SHAFT JOINTS****DESCRIPTION**

Two different types of propeller shaft joints are used in WJ vehicles (Fig. 3) and (Fig. 4). Neither of the joints are servicable. If worn or damaged, they must be replaced. If a vehicle has a damaged or worn Constant Velocity (CV) joint, or boot, the propeller shaft must be replaced.

**LUBRICATION**

The factory installed universal joints are lubricated for the life of the vehicle and do not need lubrication. All universal joints should be inspected for leakage and damage each time the vehicle is serviced. If seal leakage or damage exists, the universal joint should be replaced.

The Constant Velocity joint should also be inspected each time the vehicle is serviced. The CV joint boot is designed to last the life of the vehicle and to keep the joint lubricated. If grease leakage or boot damage is found, the propeller shaft must be replaced.

**PROPELLER SHAFT JOINT ANGLE****DESCRIPTION**

When two shafts come together at a common joint, the bend that is formed is called the operating angle. The larger the angle, the larger the amount of angular acceleration and deceleration of the joint. This speeding up and slowing down of the joint must be cancelled to produce a smooth power flow.

**OPERATION**

This cancellation is done through the phasing of a propeller shaft and ensuring that the proper propeller shaft joint working angles are maintained.

A propeller shaft is properly phased when the yoke ends are in the same plane, or in line. A twisted shaft will make the yokes out of phase and cause a noticeable vibration.

Ideally the driveline system should have;

- Angles that are equal or opposite within 1 degree of each other.
- Have a 3 degree maximum operating angle.
- Have at least a 1/2 degree continuous operating (propeller shaft) angle.

Propeller shaft speed (rpm) is the main factor in determining the maximum allowable operating angle. As a guide to the maximum normal operating angles refer to (Fig. 5).

**DIAGNOSIS AND TESTING****VIBRATION**

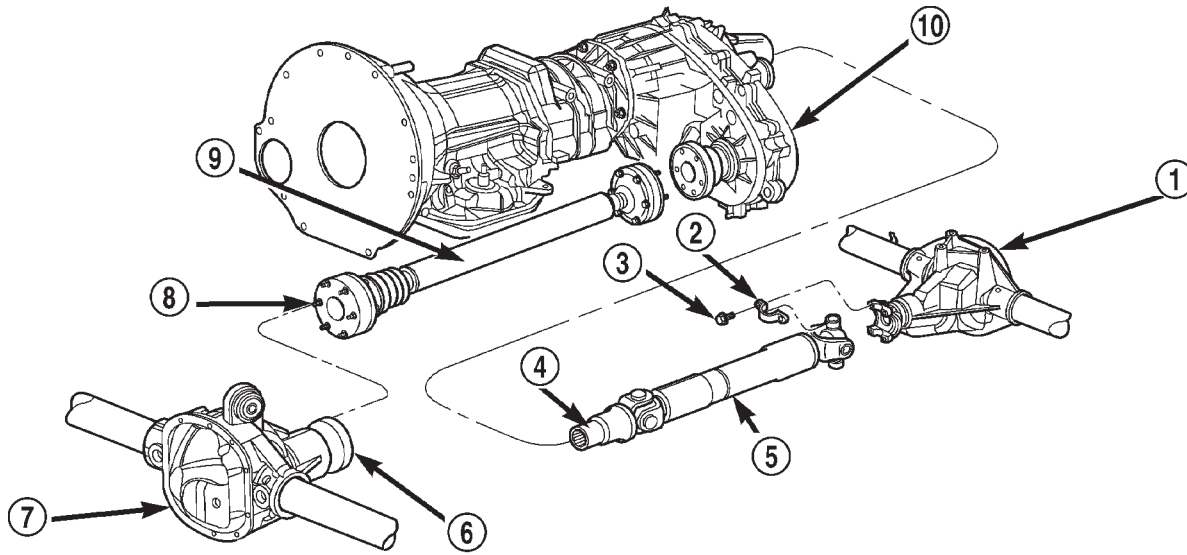
Tires that are out-of-round, or wheels that are unbalanced, will cause a low frequency vibration. Refer to Group 22, Tires and Wheels, for additional information.

Driveline vibration can also result from loose or damaged engine mounts. Refer to Group 9, Engines, for additional information.

Propeller shaft vibration increases as the vehicle speed is increased. A vibration that occurs within a



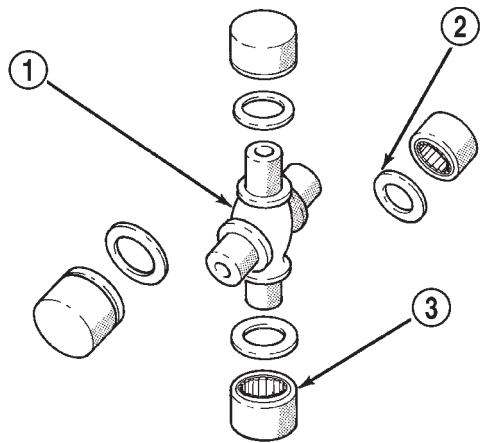
DIAGNOSIS AND TESTING (Continued)



80ba79be

**Fig. 2 Propeller Shafts**

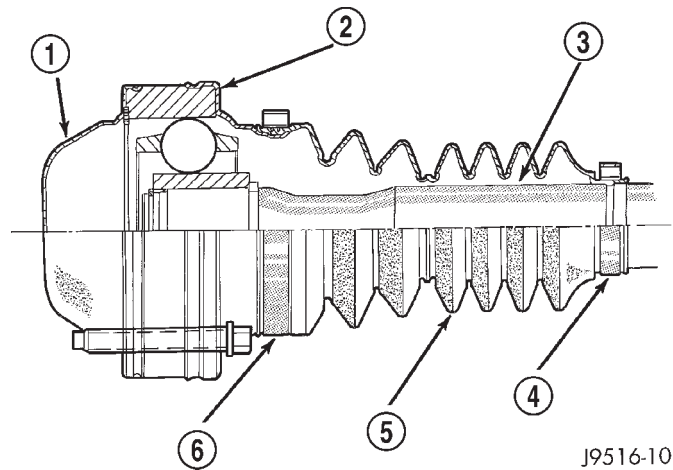
- |                          |                           |
|--------------------------|---------------------------|
| 1 - REAR AXLE            | 6 - PINION FLANGE         |
| 2 - STRAP                | 7 - FRONT AXLE            |
| 3 - BOLT                 | 8 - BOLT                  |
| 4 - SLIP YOKE            | 9 - FRONT PROPELLER SHAFT |
| 5 - REAR PROPELLER SHAFT | 10 - TRANSFER CASE        |



J9516-9

**Fig. 3 Single Cardan U-Joint**

- |                             |
|-----------------------------|
| 1 - CROSS                   |
| 2 - SEAL                    |
| 3 - CAP AND NEEDLE BEARINGS |



J9516-10

**Fig. 4 Constant Velocity Joint**

- |                     |
|---------------------|
| 1 - ENCLOSURE CAP   |
| 2 - JOINT ASSEMBLY  |
| 3 - PROPELLER SHAFT |
| 4 - BOOT CLAMP      |
| 5 - BOOT            |
| 6 - BOOT CLAMP      |

specific speed range is not usually caused by a propeller shaft being unbalanced. Defective universal joints, or an incorrect propeller shaft angle, are usually the cause of such a vibration.

**UNBALANCE**

**NOTE:** Removing and re-indexing the propeller shaft 180° relative to the yoke may eliminate some vibrations.

If propeller shaft is suspected of being unbalanced, it can be verified with the following procedure:

- (1) Raise the vehicle.
- (2) Clean all the foreign material from the propeller shaft and the universal joints.

DIAGNOSIS AND TESTING (Continued)

PROPELLER SHAFT R.P.M.	MAX. NORMAL OPERATING ANGLES
5000	3°
4500	3°
4000	4°
3500	5°
3000	5°
2500	7°
2000	8°
1500	11°

(8) Run and accelerate the vehicle until vibration occurs. Note the intensity and speed the vibration occurred. Stop the engine.

(9) Install a screw clamp at position 1 (Fig. 6).

(10) Start the engine and re-check for vibration. If there is little or no change in vibration, move the clamp to one of the other three positions. Repeat the vibration test.

(11) If there is no difference in vibration at the other positions, the source of the vibration may not be propeller shaft.

(12) If the vibration decreased, install a second clamp (Fig. 7) and repeat the test.

(13) If the additional clamp causes an additional vibration, separate the clamps (1/4 inch above and

**Fig. 5 Maximum Angles And Propeller Shaft Speed**

DRIVELINE VIBRATION

Drive Condition	Possible Cause	Correction
<b>PROPELLER SHAFT</b>	a. Undercoating or other foreign material on shaft. b. Loose U-joint clamp screws. c. Loose or bent U-joint yoke or excessive runout. d. Incorrect drive line angularity. e. Rear spring center bolt not in seat. f. Worn U-joint bearings. g. Propeller shaft damaged (bent tube) or out of balance. h. Broken rear spring. i. Excessive runout or unbalanced condition. j. Excessive drive pinion gear shaft yoke runout.	a. Clean exterior of shaft and wash with solvent. b. Tighten screws properly. c. Install replacement yoke. d. Correct angularity. e. Loosen spring U-bolts and seat center bolts. f. Replace U-joint. g. Install replacement propeller shaft. h. Replace rear spring. i. Reindex propeller shaft 180°, test and correct as necessary. j. Reindex propeller shaft 180° and evaluate.
<b>UNIVERSAL JOINT NOISE</b>	a. U-joint clamp screws loose. b. Lack of lubrication.	a. Tighten screws with specified torque. Replace U-joint.

(3) Inspect the propeller shaft for missing balance weights, broken welds, and bent areas. **If the propeller shaft is bent, it must be replaced.**

(4) Inspect the universal joints to ensure that they are not worn, are properly installed, and are correctly aligned with the shaft.

(5) Check the universal joint clamp screws torque.

(6) Remove the wheels and tires. Install the wheel lug nuts to retain the brake drums or rotors.

(7) Mark and number the shaft six inches from the yoke end at four positions 90° apart.

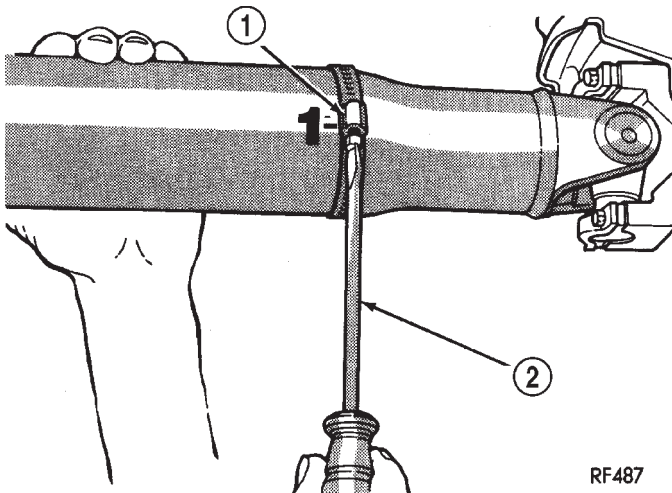
below the mark). Repeat the vibration test (Fig. 8).

(14) Increase distance between the clamp screws and repeat the test until the amount of vibration is at the lowest level. Bend the slack end of the clamps so the screws will not loosen.

(15) If the vibration remains unacceptable, apply the same steps to the front end of the propeller shaft.

(16) Install the wheel and tires. Lower the vehicle.

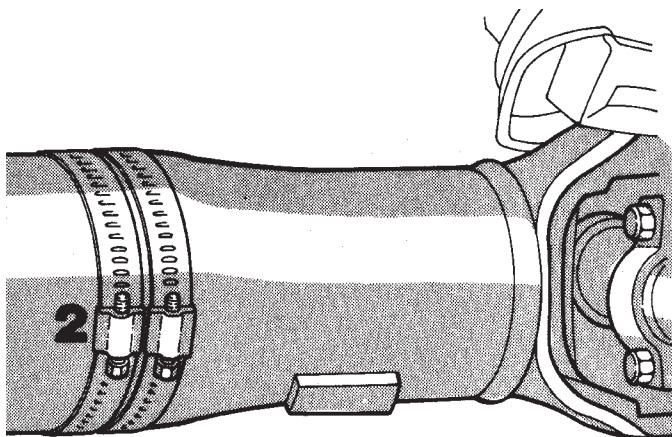
DIAGNOSIS AND TESTING (Continued)



RF487

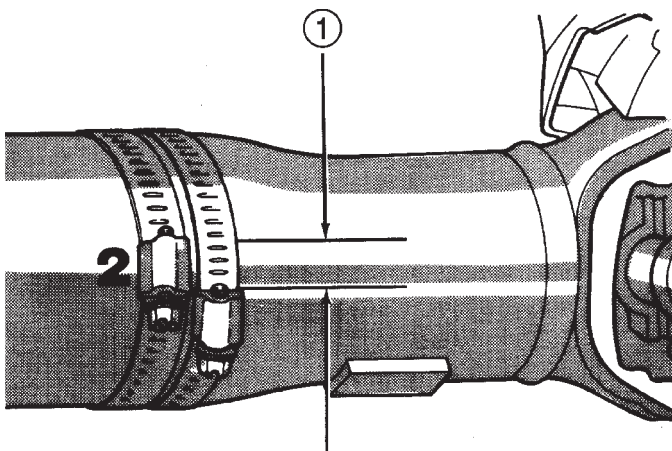
**Fig. 6 Clamp Screw At Position 1**

- 1 - CLAMP
- 2 - SCREWDRIVER



RF488

**Fig. 7 Two Clamp Screws At The Same Position**



RF489

**Fig. 8 Clamp Screws Separated**

- 1 - 1/2 INCH

**RUNOUT**

(1) Remove dirt, rust, paint, and undercoating from the propeller shaft surface where the dial indicator will contact the shaft.

(2) The dial indicator must be installed perpendicular to the shaft surface.

(3) Measure runout at the center and ends of the shaft sufficiently far away from weld areas to ensure that the effects of the weld process will not enter into the measurements.

(4) Refer to Runout Specifications chart.

(5) If the propeller shaft runout is out of specification, remove the propeller shaft, index the shaft 180°, and re-install the propeller shaft. Measure shaft runout again.

(6) If the propeller shaft runout is now within specifications, mark the shaft and yokes for proper orientation.

(7) If the propeller shaft runout is not within specifications, verify that the runout of the transmission/transfer case and axle are within specifications. Correct as necessary and re-measure propeller shaft runout.

(8) Replace the propeller shaft if the runout still exceeds the limits.

*RUNOUT SPECIFICATIONS*

Front of Shaft	0.020 in. (0.50 mm)
Center of Shaft	0.025 in. (0.63 mm)
Rear of Shaft	0.020 in. (0.50 mm)
Measure front/rear runout approximately 3 inches (76 mm) from the weld seam at each end of the shaft tube for tube lengths over 30 inches. For tube lengths under 30 inches, the maximum allowed runout is 0.020 in. (0.50 mm) for the full length of the tube.	

**SERVICE PROCEDURES**

**DRIVELINE ANGLE MEASUREMENT PREPARATION**

Before measuring universal joint angles, the following must be done;

- Inflate all tires to correct pressure.
- Check the angles in the same loaded or unloaded condition as when the vibration occurred. Propeller shaft angles change according to the amount of load in the vehicle.
- Check the condition of all suspension components and verify all fasteners are torqued to specifications.
- Check the condition of the engine and transmission mounts and verify all fasteners are torqued to specifications.

## SERVICE PROCEDURES (Continued)

## PROPELLER SHAFT ANGLE MEASUREMENT

To accurately check driveline alignment, raise and support the vehicle at the axles as level as possible. Allow the wheels and propeller shaft to turn. Remove any external bearing snap rings, if equipped, from universal joint so that the inclinometer base sits flat.

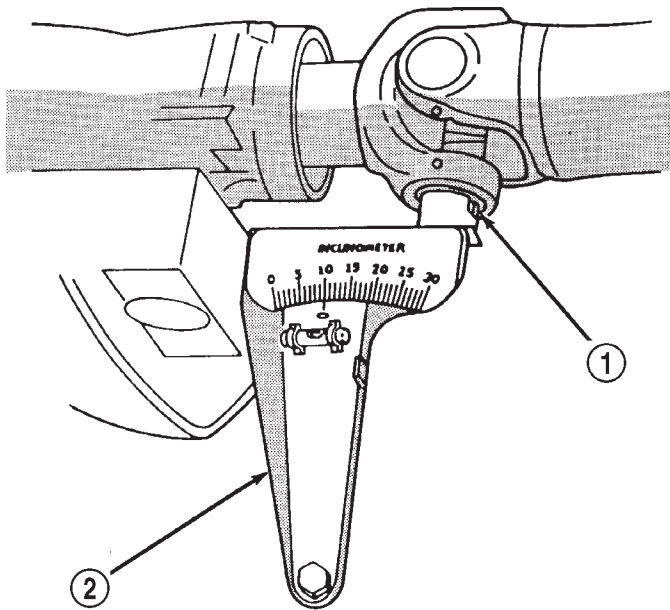
The same basic procedure applies to both the front propeller shafts and the rear propeller shaft. To obtain the front (output) angle on the CV front propeller shaft, the inclinometer is placed on the machined ring of the pinion flange. To obtain the propeller shaft angle measurement on the CV front propeller shaft, the inclinometer is placed on the propeller shaft tube.

(1) Rotate the shaft until transmission/transfer case output yoke bearing cap is facing downward, if necessary.

**Always make measurements from front to rear.**

(2) Place Inclinometer on yoke bearing cap, or the pinion flange ring, (A) parallel to the shaft (Fig. 9). Center bubble in sight glass and record measurement.

**This measurement will give you the transmission or Output Yoke Angle (A).**



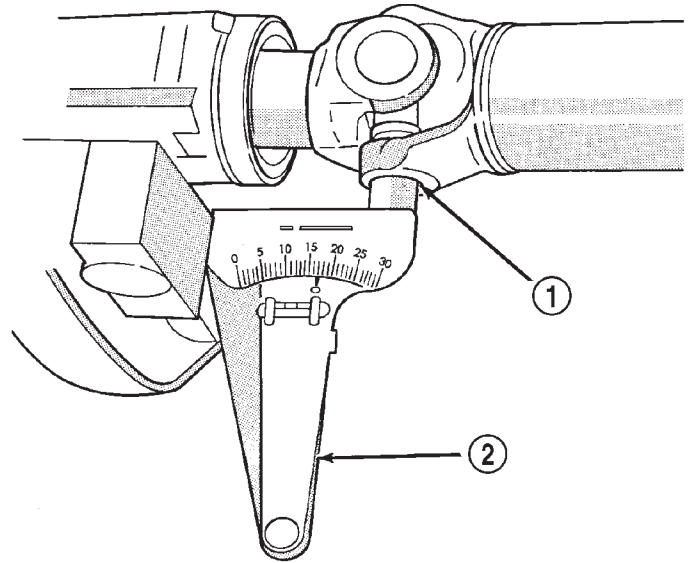
J9216-13

**Fig. 9 Front (Output) Angle Measurement (A)**

- 1 - SLIP YOKE BEARING CAP  
2 - SPECIAL TOOL 7663 (J-23498A)

(3) Rotate propeller shaft 90 degrees and place Inclinometer on yoke bearing cap, or propeller shaft tube on CV propeller shaft, parallel to the shaft (Fig. 10). Center bubble in sight glass and record measurement. This measurement can also be taken at the rear end of the shaft.

**This measurement will give you the propeller shaft angle (C).**



J9216-9

**Fig. 10 Propeller Shaft Angle Measurement (C)**

- 1 - SHAFT YOKE BEARING CAP  
2 - SPECIAL TOOL 7663 (J23498-A)

(4) Subtract smaller figure from larger (C minus A) to obtain transmission output operating angle.

(5) Rotate propeller shaft 90 degrees and place Inclinometer on pinion yoke bearing cap parallel to the shaft (Fig. 11). Center bubble in sight glass and record measurement.

**This measurement will give you the pinion shaft or input yoke angle (B).**

(6) Subtract smaller figure from larger (C minus B) to obtain axle Input Operating Angle.

Refer to rules given below and the example in (Fig. 12) for additional information.

- Good cancellation of U-joint operating angles (within 1°).
- Operating angles less than 3°.
- At least 1/2 of one degree continuous operating (propeller shaft) angle.

## REMOVAL AND INSTALLATION

## FRONT PROPELLER SHAFT

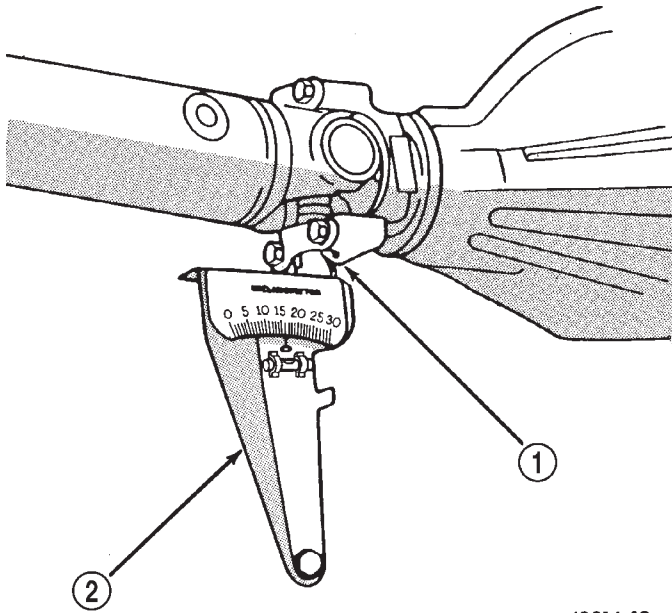
**NOTE:** Different length propeller shafts are used for different drivetrain applications. Ensure that the correct propeller shaft is used.

## REMOVAL

- (1) Raise and support vehicle on safety stands.



REMOVAL AND INSTALLATION (Continued)



J9216-12

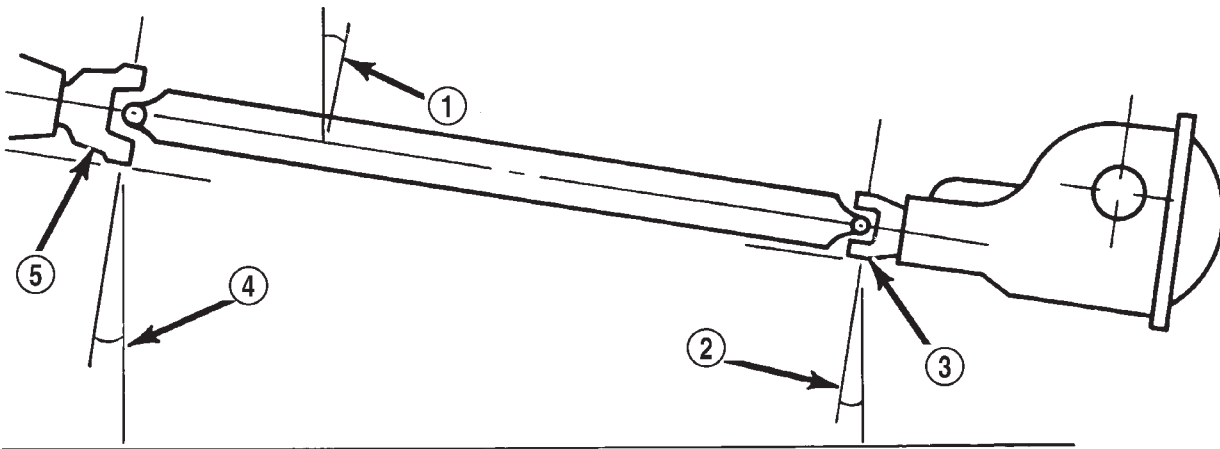
**Fig. 11 Rear (Input) Angle Measurement (B)**

- 1 - PINION YOKE BEARING CAP
- 2 - SPECIAL TOOL 7663 (J-23498A)

- (2) Shift the transmission and transfer case, if necessary, into the Neutral position.
- (3) Using a suitable marker, mark a line across the companion flange at the transfer case and CV joint at the rear of the front propeller shaft for installation reference.
- (4) Mark a line across the CV joint and the pinion companion flange for installation reference.
- (5) Remove the bolts holding the front CV joint to the pinion companion flange.
- (6) Remove the bolts holding the rear CV joint to the transfer case companion flange.
- (7) Separate the rear CV joint from the transfer case companion flange.
- (8) Push rear of propeller shaft upward to clear transfer case companion flange.
- (9) Separate front CV joint from front axle.
- (10) Separate propeller shaft from vehicle.

**INSTALLATION**

- (1) Position front propeller shaft under vehicle with rear CV joint over the transfer case companion flange.



Horizontal Level

- (A) Output Yoke = 3.0° or 4.9°
- (C) Prop. Shaft = 4.9° or -3.0°

Transmission Output Operating Angle 1.9°

- (B) Axle Input Yoke = 3.2° or 4.9°
- (C) Prop. Shaft = 4.9° or -3.2°

Axle Input Operating Angle 1.7°

Trans. Output Operating Angle 1.9°  
 Axle Input Operating Angle -1.7°

Amount of U-Joint Cancellation 0.2°

J9316-3

**Fig. 12 Universal Joint Angle Example**

- 1 - 4.9° Angle (C)
- 2 - 3.2° Angle (B)
- 3 - Input Yoke
- 4 - 3.0° Angle (A)
- 5 - Output Yoke

## REMOVAL AND INSTALLATION (Continued)

(2) Place front CV joint into the axle pinion companion flange. CV joint should rotate freely in the pinion flange.

(3) Align mark on the transfer case companion flange to the mark on the CV joint at the rear of the front propeller.

(4) Loosely install bolts to hold CV joint to transfer case companion flange.

(5) Align mark on front CV joint to the mark on the axle pinion companion flange.

(6) Install bolts to hold front CV joint to the axle pinion companion flange. Tighten bolts to 32 N·m (23.5 ft. lbs.).

(7) Tighten bolts to hold rear CV joint to the transfer case companion flange to 32 N·m (23.5 ft. lbs.).

(8) Lower vehicle and road test to verify repair.

## REAR PROPELLER SHAFT

## REMOVAL

(1) Raise and support vehicle on safety stands.

(2) Shift the transmission and transfer case, if necessary, to their Neutral positions.

(3) Using a suitable marker, mark a line across the axle pinion yoke and the propeller shaft yoke for installation reference.

(4) Remove the bolts holding the universal joint clamps to the pinion yoke.

(5) Slide the slip yoke off of the transmission, or transfer case, output shaft and remove the propeller shaft (Fig. 13).

## INSTALLATION

(1) Slide the slip yoke on the transmission, or transfer case, output shaft.

(2) Align the installation reference marks made on the propeller shaft and pinion yoke.

(3) Position universal joint into pinion yoke.

(4) Install the universal joint clamp and clamp bolts to the pinion yoke. Tighten bolts to 19 N·m (14 ft. lbs.).

(5) Lower the vehicle.

## DISASSEMBLY AND ASSEMBLY

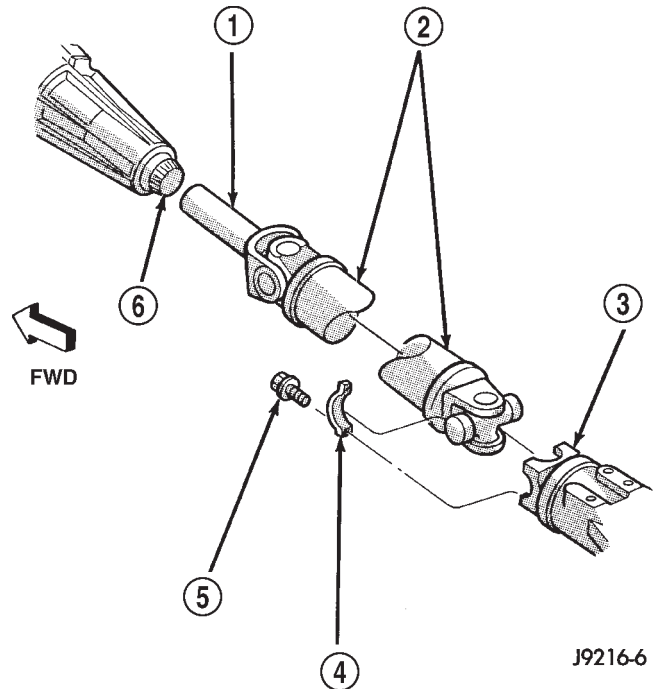
## SINGLE CARDAN UNIVERSAL JOINT

## DISASSEMBLY

Individual components of cardan universal joints are not serviceable. If worn or leaking, they must be replaced as an assembly.

(1) Remove the propeller shaft.

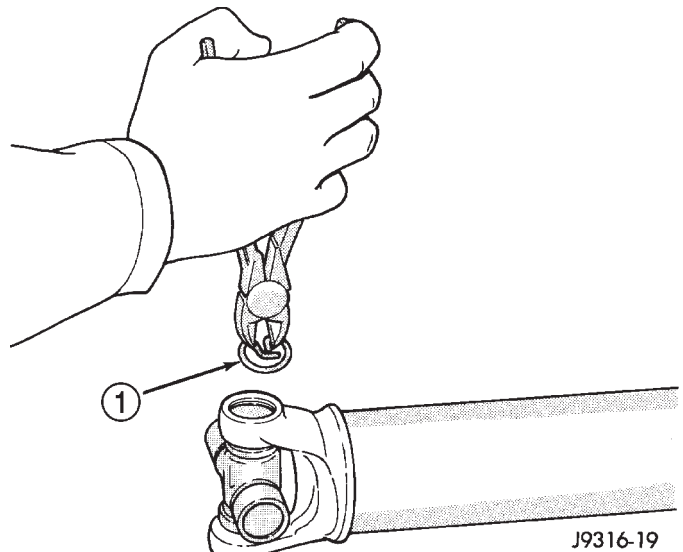
(2) Using a soft drift, tap the outside of the bearing cap assembly to loosen snap ring.



**Fig. 13 Rear Propeller Shaft**

- 1 - SLIDING YOKE
- 2 - PROPELLER SHAFT
- 3 - PINION YOKE
- 4 - CLAMP
- 5 - SCREW 19 N·m (14 ft-lbs)
- 6 - OUTPUT SHAFT

(3) Remove snap rings from both sides of yoke (Fig. 14).



**Fig. 14 Remove Snap Ring**

- 1 - SNAP RING

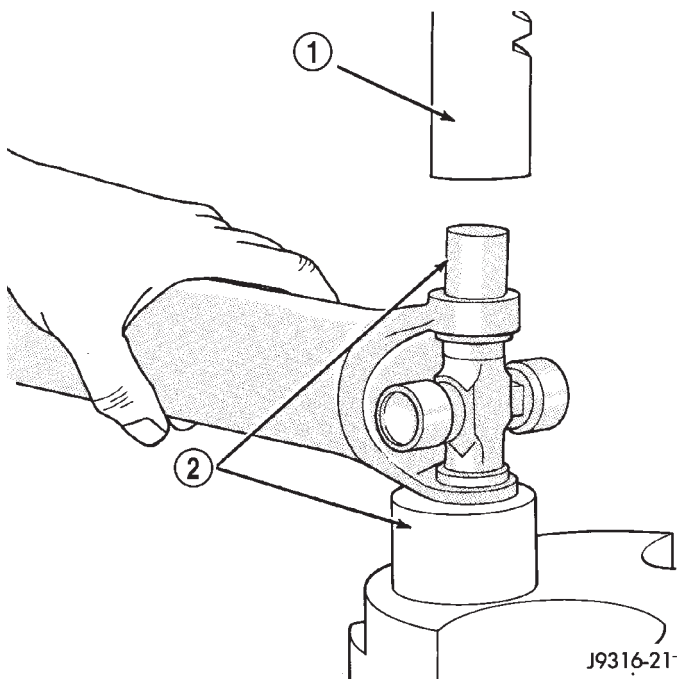


DISASSEMBLY AND ASSEMBLY (Continued)

(4) Set the yoke in an arbor press or vise with a socket whose inside diameter is large enough to receive the bearing cap positioned beneath the yoke.

(5) Position the yoke with the grease fitting, if equipped, pointing up.

(6) Place a socket with an outside diameter smaller than the upper bearing cap on the upper bearing cap and press the cap through the yoke to release the lower bearing cap (Fig. 15).



**Fig. 15 Press Out Bearing**

- 1 - PRESS
- 2 - SOCKET

(7) If the bearing cap will not pull out of the yoke by hand after pressing, tap the yoke ear near the bearing cap to dislodge the cap.

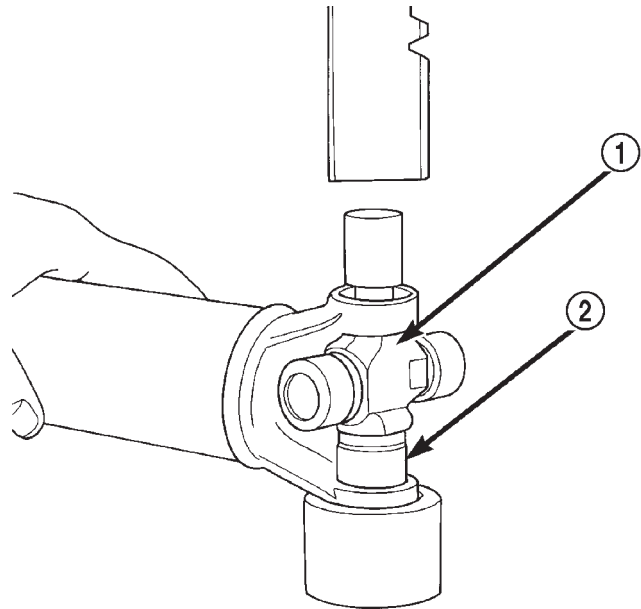
(8) To remove the opposite bearing cap, turn the yoke over and straighten the cross in the open hole. Then, carefully press the end of the cross until the remaining bearing cap can be removed (Fig. 16).

**CAUTION:** If the cross or bearing cap are not straight during installation, the bearing cap will score the walls of the yoke bore and damage can occur.

**ASSEMBLY**

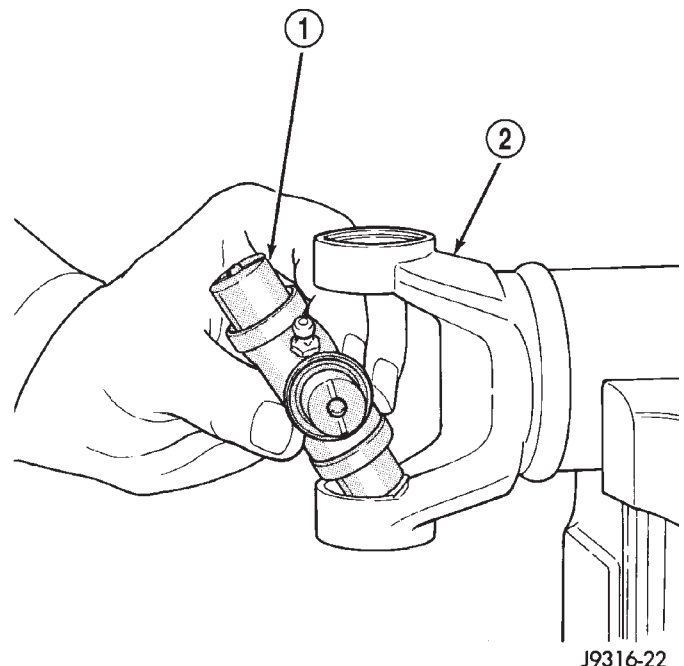
(1) Apply extreme pressure (EP) N.L.G.I. Grade 1 or 2 grease to inside of yoke bores to aid in installation.

(2) Position the cross in the yoke with its lube fitting, if equipped, pointing up (Fig. 17).



**Fig. 16 Press Out Remaining Bearing**

- 1 - CROSS
- 2 - BEARING CAP



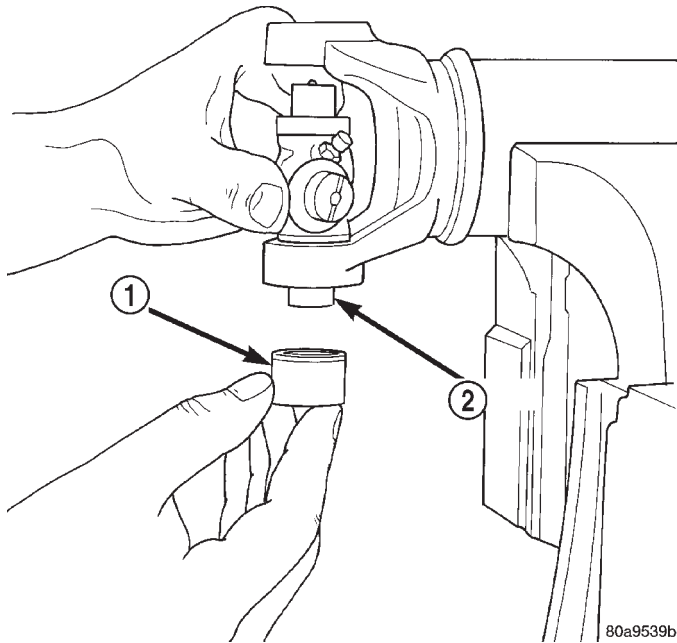
**Fig. 17 Install Cross In Yoke**

- 1 - CROSS
- 2 - YOKE

(3) Place a bearing cap over the trunnion and align the cap with the yoke bore (Fig. 18). Keep the needle bearings upright in the bearing assembly. A

DISASSEMBLY AND ASSEMBLY (Continued)

needle bearing lying at the bottom of the cap will prevent proper assembly.



**Fig. 18 Install Bearing On Trunnion**

- 1 - BEARING CAP
- 2 - TRUNNION

(4) Press the bearing cap into the yoke bore enough to install a snap ring.

(5) Install a snap ring.

(6) Repeat Step 3 and Step 4 to install the opposite bearing cap. If the joint is stiff or binding, strike the yoke with a soft hammer to seat the needle bearings.

(7) Add grease to lube fitting, if equipped.

(8) Install the propeller shaft.

CLEANING AND INSPECTION

SINGLE CARDAN JOINT

(1) Clean all the universal joint yoke bores with cleaning solvent and a wire brush.

(2) Inspect the yokes for distortion, cracks, and worn bearing cap bores.

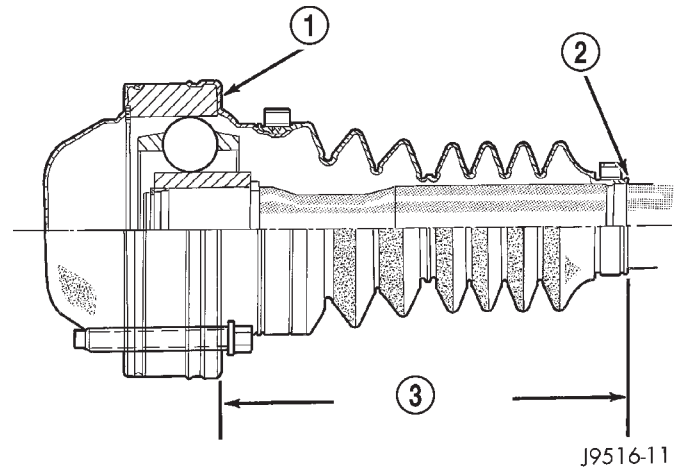
ADJUSTMENTS

FRONT PROPELLER SHAFT MEASUREMENT

This measurement is to be taken with the shaft installed and the vehicle at proper ride height.

(1) Place vehicle on floor or drive-on hoist with full weight of vehicle on suspension.

(2) Measure the distance from the face of the CV joint cup to the end of the CV joint boot (Fig. 19).



**Fig. 19 Measurement**

- 1 - CV JOINT CUP
- 2 - CV BOOT END
- 3 - MEASUREMENT

(3) The correct length is 142.7 mm (5.61 in.).

(4) If the measurement is not correct, the wrong shaft may have been installed or a mating component (front axle or transfer case) may be installed incorrectly. Investigate and correct as necessary.

SPECIFICATIONS

TORQUE

FRONT PROPELLER SHAFT

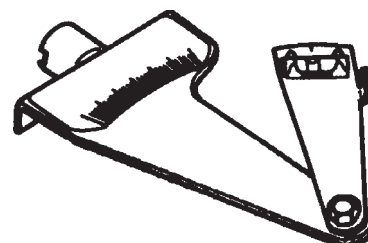
DESCRIPTION	TORQUE
<b>Bolts, Transfer Case</b>	
Companion Flange . . . . .	32 N·m (23.5 ft. lbs.)
<b>Bolts, Pinion Companion Flange</b> . . . . .	32 N·m (23.5 ft. lbs.)

REAR PROPELLER SHAFT

DESCRIPTION	TORQUE
<b>Bolts, Rear Yoke</b> . . . . .	19 N·m (14 ft. lbs.)

SPECIAL TOOLS

PROPELLER SHAFT



*Inclinometer—7663*

# TUBE AND 186 FBI AXLE

## TABLE OF CONTENTS

	page		page
<b>DESCRIPTION AND OPERATION</b>		STEERING KNUCKLE AND BALL STUDS . . . . .	27
186 FBI AXLE . . . . .	11	AXLE BUSHING REPLACEMENT . . . . .	29
LUBRICANT . . . . .	12	DIFFERENTIAL . . . . .	29
STANDARD DIFFERENTIAL . . . . .	12	DIFFERENTIAL SIDE BEARINGS . . . . .	32
VARI-LOK™ DIFFERENTIAL . . . . .	13	VARI-LOK™ PLENUM . . . . .	32
<b>DIAGNOSIS AND TESTING</b>		AXLE SHAFT OIL SEAL . . . . .	33
GENERAL INFORMATION . . . . .	13	PINION GEAR . . . . .	34
GEAR NOISE . . . . .	16	RING GEAR . . . . .	38
BEARING NOISE . . . . .	16	<b>DISASSEMBLY AND ASSEMBLY</b>	
LOW SPEED KNOCK . . . . .	16	STANDARD DIFFERENTIAL . . . . .	38
VIBRATION . . . . .	16	FINAL ASSEMBLY . . . . .	39
DRIVELINE SNAP . . . . .	17	<b>CLEANING AND INSPECTION</b>	
VARI-LOK™ TEST . . . . .	17	CARDAN U-JOINT . . . . .	40
<b>SERVICE PROCEDURES</b>		AXLE COMPONENTS . . . . .	40
LUBRICANT CHANGE . . . . .	17	<b>ADJUSTMENTS</b>	
<b>REMOVAL AND INSTALLATION</b>		PINION GEAR DEPTH . . . . .	40
DRIVE AXLE ASSEMBLY . . . . .	18	DIFFERENTIAL BEARING PRELOAD AND	
TUBE AXLE ASSEMBLY . . . . .	19	GEAR BACKLASH . . . . .	42
AXLE SHAFT—CARDAN U-JOINT . . . . .	19	GEAR CONTACT PATTERN ANALYSIS . . . . .	47
AXLE CONSTANT-VELOCITY (C/V) JOINT		<b>SPECIFICATIONS</b>	
BOOT . . . . .	20	186 FBI AXLE . . . . .	49
PINION SHAFT SEAL . . . . .	21	186 FBI AXLE . . . . .	49
COLLAPSIBLE SPACER . . . . .	23	<b>SPECIAL TOOLS</b>	
HUB BEARING AND AXLE SHAFT . . . . .	25	186 FBI AXLE . . . . .	49

## DESCRIPTION AND OPERATION

### 186 FBI AXLE

#### DESCRIPTION

The 186 Front Beam-design Iron (FBI) axle consists of a cast iron differential housing with axle shaft tubes extending from either side. The tubes are pressed into the differential housing and welded.

The integral type housing, hypoid gear design has the centerline of the pinion set below the centerline of the ring gear.

The axle has a fitting for a vent hose used to relieve internal pressure caused by lubricant vaporization and internal expansion.

The axles are equipped with semi-floating axle shafts, meaning that loads are supported by the hub bearings. The axle shafts are retained by nuts at the hub bearings. The hub bearings are bolted to the steering knuckle at the outboard end of the axle tube yoke. The hub bearings are serviced as an assembly.

For vehicles with ABS brakes, the ABS wheel speed sensors are attached to the knuckle assem-

blies. The tone rings for the ABS system are pressed onto the axle shaft. **Do not damage ABS tone wheel or the sensor when removing axle shafts.**

The stamped steel cover provides a means for inspection and servicing the differential.

The 186 FBI axle has the assembly part number and gear ratio listed on a tag. The tag is attached to the housing cover by a cover bolt. Build date identification codes are stamped on the cover side of the axle shaft tube.

The differential case is a one-piece design. The differential pinion mate shaft is retained with a roll pin. Differential bearing preload and ring gear backlash is adjusted by the use of shims (select thickness). The shims are located between the differential bearing cups and axle housing. Pinion bearing preload is set and maintained by the use of a collapsible spacer.

Axles equipped with a Vari-Lok™ differential are optional. A Vari-Lok™ differential has a one-piece differential case which contains the gerotor pump assembly and the clutch mechanism. The Vari-Lok™ unit is serviced only as an assembly.

## DESCRIPTION AND OPERATION (Continued)

## OPERATION

The axle receives power from the transfer case through the front propeller shaft. The front propeller shaft is connected to the pinion gear which rotates the differential through the gear mesh with the ring gear bolted to the differential case. The engine power is transmitted to the axle shafts through the pinion mate and side gears. The side gears are splined to the axle shafts.

## LUBRICANT

## DESCRIPTION

A multi-purpose, hypoid gear lubricant which conforms to the following specifications should be used. Mopar® Hypoid Gear Lubricant conforms to all of these specifications.

- The lubricant should have MIL-L-2105C and API GL 5 quality specifications.
- Lubricant is SAE 75W-140 SYNTHETIC gear lubricant.

The 186 FBI, with a standard differential, axle lubricant capacity is 1.18 L (2.5 pts.). The 186 FBI, with a Vari-lok™ differential, axle lubricant capacity is 1.19 L (2.51 pts.), which includes friction modifier. Vari-lok™ equipped vehicles require the addition of 0.07L (0.15 pts.) of friction modifier.

**CAUTION:** If axle is submerged in water, lubricant must be replaced immediately to avoid possible premature axle failure.

## STANDARD DIFFERENTIAL

## DESCRIPTION

The differential gear system divides the torque between the axle shafts. It allows the axle shafts to rotate at different speeds when turning corners.

Each differential side gear is splined to an axle shaft. The pinion gears are mounted on a pinion mate shaft and are free to rotate on the shaft. The pinion gear is fitted in a bore in the differential case and is positioned at a right angle to the axle shafts.

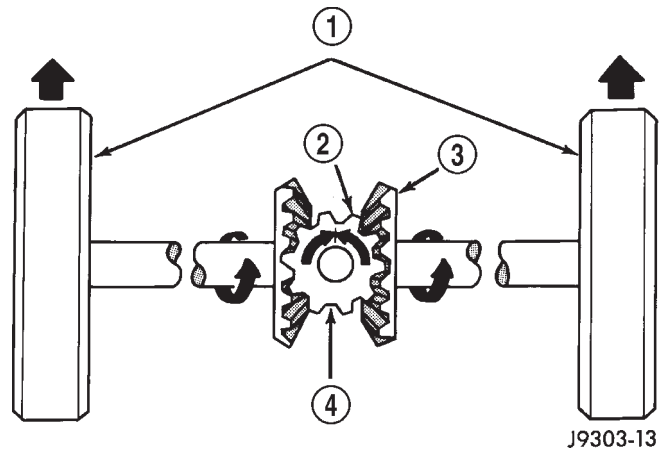
## OPERATION

In operation, power flow occurs as follows:

- The pinion gear rotates the ring gear
- The ring gear (bolted to the differential case) rotates the case
- The differential pinion gears (mounted on the pinion mate shaft in the case) rotate the side gears
- The side gears (splined to the axle shafts) rotate the shafts

During straight-ahead driving, the differential pinion gears do not rotate on the pinion mate shaft. This

occurs because input torque applied to the gears is divided and distributed equally between the two side gears. As a result, the pinion gears revolve with the pinion mate shaft but do not rotate around it (Fig. 1).

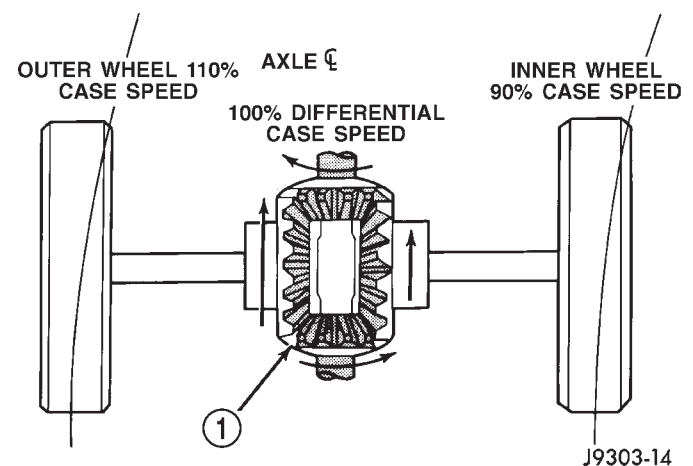


J9303-13

**Fig. 1 Differential Operation—Straight Ahead Driving**

- 1 - IN STRAIGHT AHEAD DRIVING EACH WHEEL ROTATES AT 100% OF CASE SPEED
- 2 - PINION GEAR
- 3 - SIDE GEAR
- 4 - PINION GEARS ROTATE WITH CASE

When turning corners, the outside wheel must travel a greater distance than the inside wheel to complete a turn. The difference must be compensated for to prevent the tires from scuffing and skidding through turns. To accomplish this, the differential allows the axle shafts to turn at unequal speeds (Fig. 2). In this instance, the input torque applied to the pinion gears is not divided equally. The pinion gears now rotate around the pinion mate shaft in opposite directions. This allows the side gear and axle shaft attached to the outside wheel to rotate at a faster speed.



J9303-14

**Fig. 2 Differential Operation—On Turns**

- 1 - PINION GEARS ROTATE ON PINION SHAFT

## DESCRIPTION AND OPERATION (Continued)

**VARI-LOK™ DIFFERENTIAL****DESCRIPTION**

Vari-lok™ differentials are a speed-sensing torque transfer differential. Similar to Trac-lok™ differentials, these differentials transfer torque to the wheel with the greater traction. Unlike typical differential systems, torque transfer is proportional to wheel speed difference rather than torque difference. Response can be tuned to driving conditions, enabling use of this system in the front axle. Both front and rear Vari-lok™ axle torque transfer characteristics are tuned to provide smooth operation. Except for the ability to maintain headway under low-traction conditions, operation is barely noticeable to the driver.

**OPERATION**

In a standard differential, if one wheel spins, the opposite wheel will generate only as much torque as the spinning wheel.

A gerotor pump and clutch pack are used to provide the torque transfer capability. One axle shaft is splined to the gerotor pump and one of the differential side gears, which provides the input to the pump. As a wheel begins to lose traction, the speed differential is transmitted from one side of the differential to the other through the side gears. The motion of one side gear relative to the other turns the inner rotor of the pump. Since the outer rotor of the pump is grounded to the differential case, the inner and outer rotors are now moving relative to each other and therefore creates pressure in the pump. The tuning of the front and rear axle orifices and valves inside the gerotor pump is unique and each system includes a torque-limiting pressure relief valve to protect the clutch pack, which also facilitates vehicle control under extreme side-to-side traction variations. The resulting pressure is applied to the clutch pack and the transfer of torque is completed.

Under conditions in which opposite wheels are on surfaces with widely different friction characteristics, Vari-lok™ delivers far more torque to the wheel on

the higher traction surface than do conventional Trac-lok™ systems. Because conventional Trac-lok™ differentials are initially pre-loaded to assure torque transfer, normal driving (where inner and outer wheel speeds differ during cornering, etc.) produces torque transfer during even slight side-to-side speed variations. Since these devices rely on friction from this preload to transfer torque, normal use tends to cause wear that reduces the ability of the differential to transfer torque over time. By design, the Vari-lok™ system is less subject to wear, remaining more consistent over time in its ability to transfer torque. The coupling assembly is serviced as a unit. From a service standpoint the coupling also benefits from using the same lubricant supply as the ring and pinion gears.

**DIAGNOSIS AND TESTING****GENERAL INFORMATION**

Axle bearing problem conditions are usually caused by:

- Insufficient or incorrect lubricant.
- Foreign matter/water contamination.
- Incorrect bearing preload torque adjustment.
- Incorrect backlash.

Axle gear problem conditions are usually the result of:

- Insufficient lubrication.
- Incorrect or contaminated lubricant.
- Overloading (excessive engine torque) or exceeding vehicle weight capacity.

- Incorrect clearance or backlash adjustment.

Axle component breakage is most often the result of:

- Severe overloading.
- Insufficient lubricant.
- Incorrect lubricant.
- Improperly tightened components.
- Differential housing bores not square to each other.



## DIAGNOSIS AND TESTING (Continued)

## DIAGNOSTIC CHART

Condition	Possible Causes	Correction
Wheel Noise	<ol style="list-style-type: none"> <li>1. Wheel loose.</li> <li>2. Faulty, brinelled wheel bearing.</li> </ol>	<ol style="list-style-type: none"> <li>1. Tighten loose nuts.</li> <li>2. Replace bearing.</li> </ol>
Axle Shaft Noise	<ol style="list-style-type: none"> <li>1. Misaligned axle tube.</li> <li>2. Bent or sprung axle shaft.</li> <li>3. End-play in pinion bearings.</li> <li>4. Excessive gear backlash between the ring gear and pinion.</li> <li>5. Improper adjustment of pinion gear bearings.</li> <li>6. Loose pinion yoke nut.</li> <li>7. Scuffed gear tooth contact surfaces.</li> </ol>	<ol style="list-style-type: none"> <li>1. Inspect axle tube alignment. Correct as necessary.</li> <li>2. Inspect and correct as necessary.</li> <li>3. Refer to pinion pre-load information and correct as necessary.</li> <li>4. Check adjustment of the ring gear and pinion backlash. Correct as necessary.</li> <li>5. Adjust the pinion bearings pre-load.</li> <li>6. Tighten the pinion yoke nut.</li> <li>7. Inspect and replace as necessary.</li> </ol>
Axle Shaft Broke	<ol style="list-style-type: none"> <li>1. Misaligned axle tube.</li> <li>2. Vehicle overloaded.</li> <li>3. Erratic clutch operation.</li> <li>4. Grabbing clutch.</li> </ol>	<ol style="list-style-type: none"> <li>1. Replace the broken shaft after correcting tube mis-alignment.</li> <li>2. Replace broken shaft and avoid excessive weight on vehicle.</li> <li>3. Replace broken shaft and avoid or correct erratic clutch operation.</li> <li>4. Replace broken shaft and inspect and repair clutch as necessary.</li> </ol>
Differential Cracked	<ol style="list-style-type: none"> <li>1. Improper adjustment of the differential bearings.</li> <li>2. Excessive ring gear backlash.</li> <li>3. Vehicle overloaded.</li> <li>4. Erratic clutch operation.</li> </ol>	<ol style="list-style-type: none"> <li>1. Replace case and inspect gears and bearings for further damage. Set differential bearing pre-load properly.</li> <li>2. Replace case and inspect gears and bearings for further damage. Set ring gear backlash properly.</li> <li>3. Replace case and inspect gears and bearings for further damage. Avoid excessive vehicle weight.</li> <li>4. Replace case and inspect gears and bearings for further damage. Avoid erratic use of clutch.</li> </ol>



DIAGNOSIS AND TESTING (Continued)

Condition	Possible Causes	Correction
Differential Gears Scored	<ol style="list-style-type: none"> <li>1. Insufficient lubrication.</li> <li>2. Improper grade of lubricant.</li> <li>3. Excessive spinning of one wheel/tire.</li> </ol>	<ol style="list-style-type: none"> <li>1. Replace scored gears. Fill differential with the correct fluid type and quantity.</li> <li>2. Replace scored gears. Fill differential with the correct fluid type and quantity.</li> <li>3. Replace scored gears. Inspect all gears, pinion bores, and shaft for damage. Service as necessary.</li> </ol>
Loss Of Lubricant	<ol style="list-style-type: none"> <li>1. Lubricant level too high.</li> <li>2. Worn axle shaft seals.</li> <li>3. Cracked differential housing.</li> <li>4. Worn pinion seal.</li> <li>5. Worn/scored yoke.</li> <li>6. Axle cover not properly sealed.</li> </ol>	<ol style="list-style-type: none"> <li>1. Drain lubricant to the correct level.</li> <li>2. Replace seals.</li> <li>3. Repair as necessary.</li> <li>4. Replace seal.</li> <li>5. Replace yoke and seal.</li> <li>6. Remove, clean, and re-seal cover.</li> </ol>
Axle Overheating	<ol style="list-style-type: none"> <li>1. Lubricant level low.</li> <li>2. Improper grade of lubricant.</li> <li>3. Bearing pre-loads too high.</li> <li>4. Insufficient ring gear backlash.</li> </ol>	<ol style="list-style-type: none"> <li>1. Fill differential to correct level.</li> <li>2. Fill differential with the correct fluid type and quantity.</li> <li>3. Re-adjust bearing pre-loads.</li> <li>4. Re-adjust ring gear backlash.</li> </ol>
Gear Teeth Broke	<ol style="list-style-type: none"> <li>1. Overloading.</li> <li>2. Erratic clutch operation.</li> <li>3. Ice-spotted pavement.</li> <li>4. Improper adjustments.</li> </ol>	<ol style="list-style-type: none"> <li>1. Replace gears. Examine other gears and bearings for possible damage.</li> <li>2. Replace gears and examine the remaining parts for damage. Avoid erratic clutch operation.</li> <li>3. Replace gears and examine remaining parts for damage.</li> <li>4. Replace gears and examine remaining parts for damage. Ensure ring gear backlash is correct.</li> </ol>

## DIAGNOSIS AND TESTING (Continued)

Condition	Possible Causes	Correction
Axle Noise	<ol style="list-style-type: none"> <li>1. Insufficient lubricant.</li> <li>2. Improper ring gear and pinion adjustment.</li> <li>3. Unmatched ring gear and pinion.</li> <li>4. Worn teeth on ring gear and/or pinion.</li> <li>5. Loose pinion bearings.</li> <li>6. Loose differential bearings.</li> <li>7. Mis-aligned or sprung ring gear.</li> <li>8. Loose differential bearing cap bolts.</li> <li>9. Housing not machined properly.</li> </ol>	<ol style="list-style-type: none"> <li>1. Fill differential with the correct fluid type and quantity.</li> <li>2. Check ring gear and pinion contact pattern.</li> <li>3. Replace gears with a matched ring gear and pinion.</li> <li>4. Replace ring gear and pinion.</li> <li>5. Adjust pinion bearing pre-load.</li> <li>6. Adjust differential bearing pre-load.</li> <li>7. Measure ring gear run-out. Replace components as necessary.</li> <li>8. Inspect differential components and replace as necessary. Ensure that the bearing caps are torqued to the proper specification.</li> <li>9. Replace housing.</li> </ol>

**GEAR NOISE**

Axle gear noise can be caused by insufficient lubricant, incorrect backlash, tooth contact, worn/damaged gears, or the carrier housing not having the proper offset and squareness.

Gear noise usually happens at a specific speed range. The noise can also occur during a specific type of driving condition. These conditions are acceleration, deceleration, coast, or constant load.

When road testing, first warm-up the axle fluid by driving the vehicle at least 5 miles and then accelerate the vehicle to the speed range where the noise is the greatest. Shift out-of-gear and coast through the peak-noise range. If the noise stops or changes greatly:

- Check for insufficient lubricant.
- Incorrect ring gear backlash.
- Gear damage.

Differential side gears and pinions can be checked by turning the vehicle. They usually do not cause noise during straight-ahead driving when the gears are unloaded. The side gears are loaded during vehicle turns. A worn pinion mate shaft can also cause a snapping or a knocking noise.

**BEARING NOISE**

The axle shaft, differential and pinion bearings can all produce noise when worn or damaged. Bearing noise can be either a whining, or a growling sound.

Pinion bearings have a constant-pitch noise. This noise changes only with vehicle speed. Pinion bearing noise will be higher pitched because it rotates at a

faster rate. Drive the vehicle and load the differential. If bearing noise occurs, the rear pinion bearing is the source of the noise. If the bearing noise is heard during a coast, the front pinion bearing is the source.

Worn or damaged differential bearings usually produce a low pitch noise. Differential bearing noise is similar to pinion bearing noise. The pitch of differential bearing noise is also constant and varies only with vehicle speed.

Axle shaft bearings produce noise and vibration when worn or damaged. The noise generally changes when the bearings are loaded. Road test the vehicle. Turn the vehicle sharply to the left and to the right. This will load the bearings and change the noise level. Where axle bearing damage is slight, the noise is usually not noticeable at speeds above 30 mph.

**LOW SPEED KNOCK**

Low speed knock is generally caused by a worn U-joint or by worn side-gear thrust washers. A worn pinion shaft bore will also cause low speed knock.

**VIBRATION**

Vibration at the rear of the vehicle is usually caused by a:

- Damaged drive shaft.
- Missing drive shaft balance weight(s).
- Worn or out-of-balance wheels.
- Loose wheel lug nuts.
- Worn U-joint(s).
- Loose/broken springs.

DIAGNOSIS AND TESTING (Continued)

- Damaged axle shaft bearing(s).
- Loose pinion gear nut.
- Excessive pinion yoke run out.
- Bent axle shaft(s).

Check for loose or damaged front-end components or engine/transmission mounts. These components can contribute to what appears to be a rear-end vibration. Do not overlook engine accessories, brackets and drive belts.

All driveline components should be examined before starting any repair.

Refer to Group 22, Wheels and Tires, for additional vibration information.

**DRIVELINE SNAP**

A snap or clunk noise when the vehicle is shifted into gear (or the clutch engaged), can be caused by:

- High engine idle speed.
- Transmission shift operation.
- Loose engine/transmission/transfer case mounts.
- Worn U-joints.
- Loose spring mounts.
- Loose pinion gear nut and yoke.
- Excessive ring gear backlash.
- Excessive side gear to case clearance.

The source of a snap or a clunk noise can be determined with the assistance of a helper. Raise the vehicle on a hoist with the wheels free to rotate. Instruct the helper to shift the transmission into gear. Listen for the noise, a mechanics stethoscope is helpful in isolating the source of a noise.

**VARI-LOK™ TEST**

**PRIMING**

- (1) Park the vehicle on a level surface or raise vehicle on hoist so that the vehicle is level.
- (2) Remove the axle fill plug.
- (3) Verify that the axle fluid level is correct. The fluid level is correct if the fluid is level with the bottom of the fill hole.
- (4) Shift the transfer case into the 4WD full-time position.
- (5) Drive the vehicle in a tight circle for 2 minutes at 5mph to fully prime the pump.

**TEST PROCEDURE**

- (1) Block the tires opposite the axle to be tested to prevent the vehicle from moving.
- (2) Shift the transfer case into the 4WD Low position and the transmission into the Park position.
- (3) Raise both the wheels of the axle to be tested off of the ground.
- (4) Rotate the left wheel by hand at a minimum of one revolution per second while an assistant rotates the right wheel in the opposite direction.

(5) The left wheel should spin freely at first and then increase in resistance within 5 revolutions until the wheels cannot be continuously rotated in opposite directions.

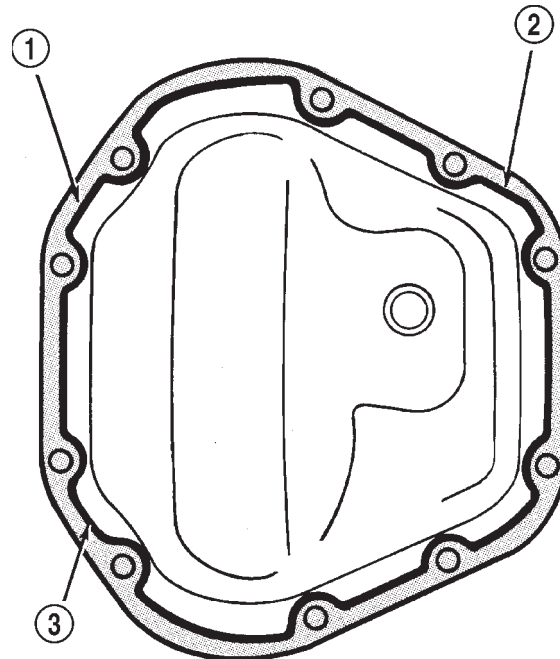
(6) The Vari-lok™ differential has engaged properly if the wheels cannot be rotated in opposite directions for a moment. After the wheels stop rotating for a moment, the fluid pressure will drop in the differential and the wheels begin to rotate once again.

(7) If the system does not operate properly, replace the Vari-lok™ differential.

**SERVICE PROCEDURES**

**LUBRICANT CHANGE**

- (1) Raise and support the vehicle.
- (2) Remove the lubricant fill hole plug from the differential housing cover.
- (3) Remove the differential housing cover and drain the lubricant from the housing.
- (4) Clean the housing cavity with a flushing oil, light engine oil or lint free cloth. **Do not use water, steam, kerosene or gasoline for cleaning.**
- (5) Remove the sealant from the housing and cover surfaces. Use solvent to clean the mating surfaces.
- (6) Apply a bead of Mopar® Silicone Rubber Sealant, or equivalent, to the housing cover (Fig. 3).



J9302-30

**Fig. 3 Typical Housing Cover With Sealant**

- 1 - SEALING SURFACE
- 2 - CONTOUR OF BEAD
- 3 - BEAD THICKNESS 6.35mm (1/4")

## SERVICE PROCEDURES (Continued)

**Install the housing cover within 5 minutes after applying the sealant.**

(7) Install the cover and any identification tag. Tighten the cover bolts in a criss-cross pattern to 41 N·m (30 ft. lbs.) torque.

(8) For Vari-lok<sup>™</sup> differentials, a quantity of Mopar<sup>®</sup> Trac-lok<sup>™</sup> lubricant (friction modifier), or equivalent, must be added after repair service or a lubricant change. Refer to the Lubricant Specifications section of this group for the quantity necessary.

(9) Refill the differential with the correct lubricant to bottom of the fill plug hole. Refer to the Lubricant Specifications in this group for the quantity necessary.

(10) Install the fill hole plug and lower the vehicle. Tighten fill plug to 34 N·m (25 ft. lbs.).

(11) Vari-lok<sup>™</sup> differential equipped vehicles should be road tested by making 10 to 12 slow figure-eight turns. This maneuver will pump the lubricant through the clutch discs to eliminate a possible chatter noise complaint.

## REMOVAL AND INSTALLATION

## DRIVE AXLE ASSEMBLY

## REMOVAL

- (1) Raise and support the vehicle.
- (2) Position a suitable lifting device under the axle.
- (3) Secure axle to device.
- (4) Remove the wheels and tires.
- (5) Remove the brake rotors and calipers from the axle. Refer to Group 5, Brakes, for proper procedures.
- (6) Disconnect the wheel sensor wiring harness from the vehicle wiring harness, if necessary.
- (7) Disconnect the vent hose from the axle shaft tube.
- (8) Mark the propeller shaft and yoke, or pinion flange, for installation alignment reference.
- (9) Remove propeller shaft.
- (10) Disconnect stabilizer bar links at the axle.
- (11) Disconnect shock absorbers from axle brackets.
- (12) Disconnect track bar.
- (13) Disconnect the tie rod and drag link from the steering knuckle. Refer to Group 2, Suspension, for proper procedures.
- (14) Disconnect the steering damper from the axle bracket.
- (15) Disconnect the upper and lower suspension arms from the axle brackets.
- (16) Lower the lifting device enough to remove the axle. The coil springs will drop with the axle.
- (17) Remove the coil springs from the axle.

## INSTALLATION

**CAUTION: The weight of the vehicle must be supported by the springs before suspension arms and track bar fasteners can be tightened. If the springs are not at their normal ride position, ride height and handling could be affected.**

(1) Install the springs and retainer clips. Tighten the retainer bolts to 21 N·m (16 ft. lbs.) torque.

(2) Support the axle on a suitable lifting device and position axle under the vehicle.

(3) Raise the axle and align it with the spring pads.

(4) Position the upper and lower suspension arms in the axle brackets. Loosely install bolts and nuts to hold suspension arms to the axle brackets.

(5) Connect the vent hose to the axle shaft tube.

(6) Connect the track bar to the axle bracket. Loosely install the bolt to hold the track bar to the axle bracket.

(7) Install the shock absorbers and tighten the bolts to 23 N·m (17 ft. lbs.) torque.

(8) Install the stabilizer bar links to the axle brackets. Tighten the nut to 95 N·m (70 ft. lbs.) torque.

(9) Install the drag link and tie rod to the steering knuckles. Refer to Group 2, Suspension, for proper procedures.

(10) Install the steering damper to the axle bracket and tighten the nut to 75 N·m (55 ft. lbs.) torque.

(11) Install the brake rotors and calipers. Refer to Group 5, Brakes, for the proper procedures.

(12) Connect the wheel speed sensor wiring harness to the vehicle wiring harness, if necessary.

(13) Align the previously made marks on the propeller shaft and the yoke, or pinion flange.

(14) Install the bolts to hold the propeller shaft to the pinion flange, if equipped.

(15) Install the straps and bolts to hold the propeller shaft to the yoke, if equipped.

(16) Check and fill axle lubricant. Refer to the Lubricant Specifications in this group for the quantity necessary.

(17) Install the wheel and tire assemblies.

(18) Remove the lifting device from the axle and lower the vehicle.

(19) Tighten the upper suspension arm nuts to 75 N·m (55 ft. lbs.) torque. Tighten the lower suspension arm nuts to 115 N·m (85 ft. lbs.) torque.

(20) Tighten the track bar bolt at the axle bracket to 100 N·m (74 ft. lbs.) torque.

(21) Check the front wheel alignment.

## REMOVAL AND INSTALLATION (Continued)

## TUBE AXLE ASSEMBLY

## REMOVAL

- (1) Raise and support the vehicle.
- (2) Position a suitable lifting device under the axle.
- (3) Secure axle to device.
- (4) Remove the wheels and tires.
- (5) Remove the brake rotors and calipers from the axle. Refer to Group 5, Brakes, for proper procedures.
- (6) Disconnect the wheel sensor wiring harness from the vehicle wiring harness, if necessary.
- (7) Disconnect stabilizer bar links at the axle.
- (8) Disconnect shock absorbers from axle brackets.
- (9) Disconnect track bar.
- (10) Disconnect the tie rod and drag link from the steering knuckle. Refer to Group 2, Suspension, for proper procedures.
- (11) Disconnect the steering damper from the axle bracket.
- (12) Disconnect the upper and lower suspension arms from the axle brackets.
- (13) Lower the lifting device enough to remove the axle. The coil springs will drop with the axle.
- (14) Remove the coil springs from the axle.

## INSTALLATION

**CAUTION:** The weight of the vehicle must be supported by the springs before suspension arms and track bar fasteners can be tightened. If the springs are not at their normal ride position, ride height and handling could be affected.

- (1) Install the springs and retainer clips. Tighten the retainer bolts to 21 N·m (16 ft. lbs.) torque.
- (2) Support the axle on a suitable lifting device and position axle under the vehicle.
- (3) Raise the axle and align it with the spring pads.
- (4) Position the upper and lower suspension arms in the axle brackets. Loosely install bolts and nuts to hold suspension arms to the axle brackets.
- (5) Connect the track bar to the axle bracket. Loosely install the bolt to hold the track bar to the axle bracket.
- (6) Install the shock absorbers and tighten the bolts to 23 N·m (17 ft. lbs.) torque.
- (7) Install the stabilizer bar links to the axle brackets. Tighten the nut to 95 N·m (70 ft. lbs.) torque.
- (8) Install the drag link and tie rod to the steering knuckles. Refer to Group 2, Suspension, for proper procedures.
- (9) Install the steering damper to the axle bracket and tighten the nut to 75 N·m (55 ft. lbs.) torque.

(10) Install the brake rotors and calipers. Refer to Group 5, Brakes, for the proper procedures.

(11) Connect the wheel speed sensor wiring harness to the vehicle wiring harness, if necessary.

(12) Install the wheel and tire assemblies.

(13) Remove the lifting device from the axle and lower the vehicle.

(14) Tighten the upper suspension arm nuts to 75 N·m (55 ft. lbs.) torque. Tighten the lower suspension arm nuts to 115 N·m (85 ft. lbs.) torque.

(15) Tighten the track bar bolt at the axle bracket to 100 N·m (74 ft. lbs.) torque.

(16) Check the front wheel alignment.

## AXLE SHAFT—CARDAN U-JOINT

Single cardan U-joint components are not serviceable. If defective, they must be replaced as a unit. If the bearings, seals, spider, or bearing caps are damaged or worn, replace the complete U-joint.

## REMOVAL

**CAUTION:** Clamp only the narrow forged portion of the yoke in the vise. Also, to avoid distorting the yoke, do not over tighten the vise jaws.

- (1) Remove axle shaft.
- (2) Remove the bearing cap retaining snap rings (Fig. 4).

**It can be helpful to saturate the bearing caps with penetrating oil prior to removal.**

(3) Locate a socket where the inside diameter is larger in diameter than the bearing cap. Place the socket (receiver) against the yoke and around the perimeter of the bearing cap to be removed.

(4) Locate a socket where the outside diameter is smaller in diameter than the bearing cap. Place the socket (driver) against the opposite bearing cap.

(5) Position the yoke with the sockets in a vise (Fig. 5).

(6) Compress the vise jaws to force the bearing cap into the larger socket (receiver).

(7) Release the vise jaws. Remove the sockets and bearing cap that was partially forced out of the yoke.

(8) Repeat the above procedure for the remaining bearing cap.

(9) Remove the remaining bearing cap, bearings, seals and spider from the propeller shaft yoke.

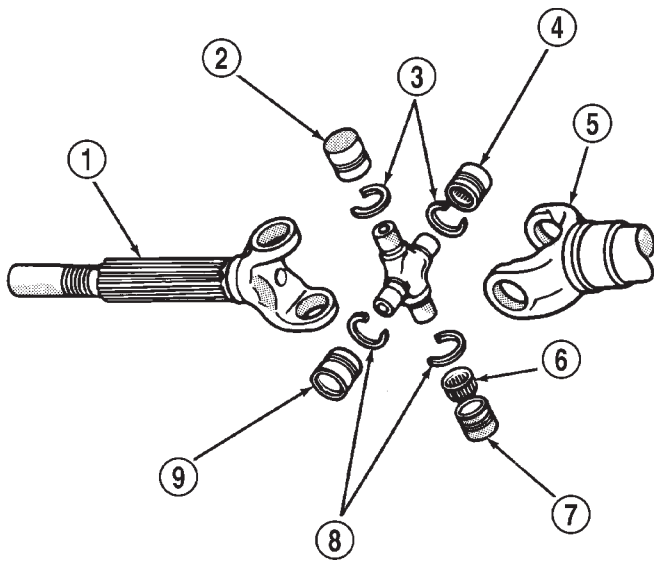
## INSTALLATION

(1) Pack the bearing caps 1/3 full of wheel bearing lubricant. Apply extreme pressure (EP), lithium-base lubricant to aid in installation.

(2) Position the spider in the yoke. Insert the seals and bearings. Tap the bearing caps into the yoke bores far enough to hold the spider in position.



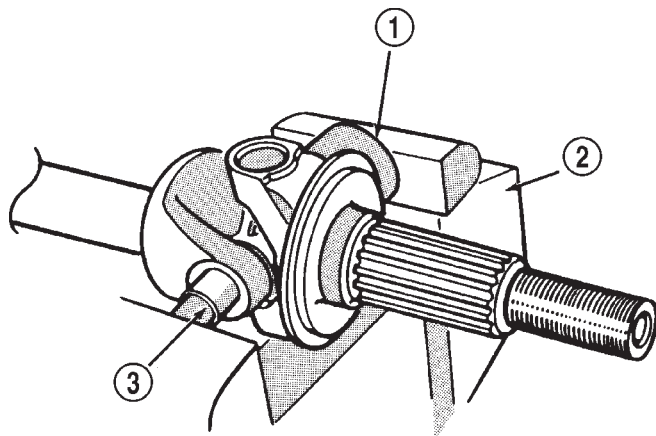
## REMOVAL AND INSTALLATION (Continued)



J8902-15

**Fig. 4 Axle Shaft Outer U-Joint**

- 1 - SHAFT YOKE
- 2 - BEARING CAP
- 3 - SNAP RINGS
- 4 - BEARING CAP
- 5 - SPINDLE YOKE
- 6 - BEARING
- 7 - BEARING CAP
- 8 - SNAP RINGS
- 9 - BEARING CAP



J8902-16

**Fig. 5 Yoke Bearing Cap Removal**

- 1 - LARGE-DIAMETER SOCKET WRENCH
- 2 - VISE
- 3 - SMALL-DIAMETER SOCKET WRENCH

(3) Place the socket (driver) against one bearing cap. Position the yoke with the socket wrench in a vise.

(4) Compress the vise to force the bearing caps into the yoke. Force the caps enough to install the retaining clips.

(5) Install the bearing cap retaining clips.

(6) Install axle shaft.

**AXLE CONSTANT-VELOCITY (C/V) JOINT BOOT**

**The only service procedure to be performed on the axle C/V joint, is the replacement of the joint seal boot.** If any failure of internal axle shaft components is diagnosed during a vehicle road test, the axle shaft must be replaced as an assembly.

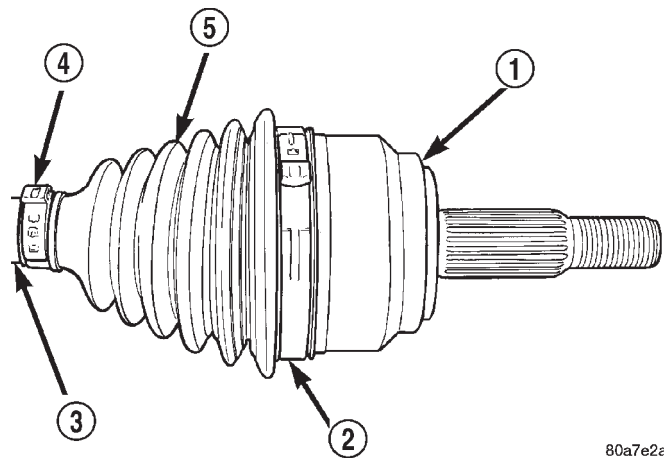
**REMOVAL**

(1) Remove axle shaft.

(2) Remove large boot clamp retaining C/V joint sealing boot, to C/V joint housing and discard.

(3) Remove small clamp that retains outer C/V joint sealing boot to axle shaft and discard (Fig. 6).

(4) Remove sealing boot from outer C/V joint housing and slide it down and off the axle shaft.



80a7e2ab

**Fig. 6 Outer C/V Joint Seal Boot Clamps**

- 1 - AXLE C/V JOINT HOUSING
- 2 - LARGE CLAMP
- 3 - AXLE SHAFT
- 4 - SMALL CLAMP
- 5 - SEALING BOOT

(5) Thoroughly clean and inspect axle C/V joint assembly and axle shaft for any signs of excessive wear. **If any parts show signs of excessive wear, the axle shaft assembly will require replacement. Component parts of these axle shaft assemblies are not serviceable.**

**INSTALLATION**

(1) Slide new sealing boot large clamp over axle shaft and onto C/V joint.



REMOVAL AND INSTALLATION (Continued)

(2) Slide the axle C/V joint sealing boot onto the axle shaft.

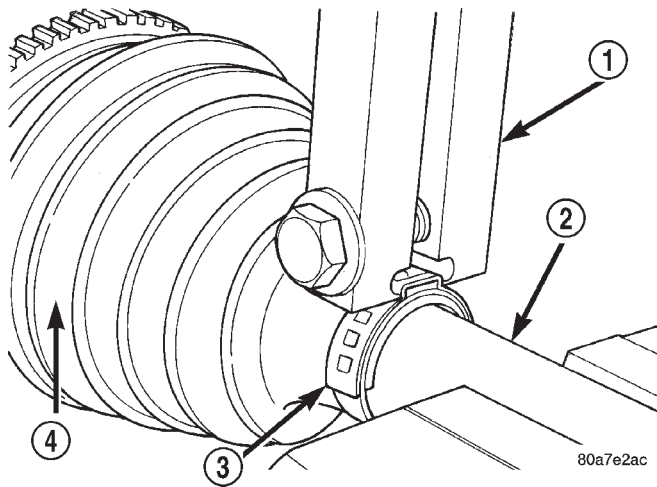
(3) Distribute 1/2 the amount of grease provided in seal boot service package (DO NOT USE ANY OTHER TYPE OF GREASE) into axle C/V joint assembly housing. Put the remaining amount into the sealing boot.

(4) Install axle C/V joint boot small clamp evenly on sealing boot.

(5) Position axle C/V joint boot into retaining groove in axle C/V joint housing. Then, install large retaining clamp evenly on sealing boot.

(6) Clamp small sealing boot clamp onto axle shaft using Crimper C-4975-A. Place crimping tool C-4975-A over bridge of clamp (Fig. 7).

(7) Tighten nut on crimping tool C-4975-A until jaws on tool are closed completely together, face to face (Fig. 8).



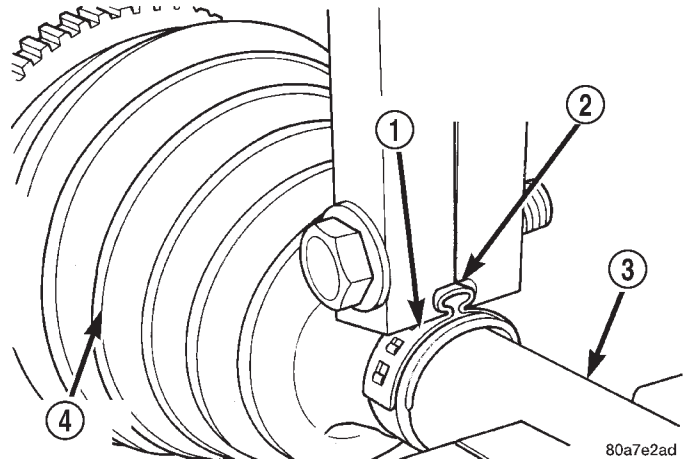
**Fig. 7 Crimping Tool Installed On Boot Clamp**

- 1 - SPECIAL TOOL C-4975A
- 2 - AXLE SHAFT
- 3 - CLAMP
- 4 - SEALING BOOT

**CAUTION:** Seal must not be dimpled, stretched or out of shape in any way. If seal is NOT shaped correctly, equalize pressure in seal and shape it by hand.

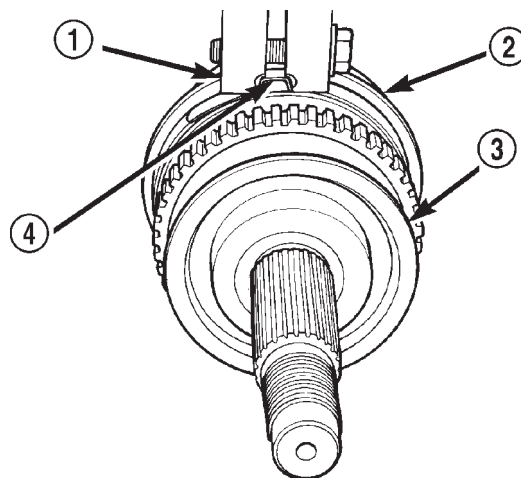
(8) Clamp large sealing boot clamp onto axle shaft using Crimper C-4975-A. Place crimping tool C-4975-A over bridge of clamp (Fig. 9).

(9) Tighten nut on crimping tool C-4975-A until jaws on tool are closed completely together, face to face.



**Fig. 8 Sealing Boot Retaining Clamp Installed**

- 1 - CLAMP
- 2 - JAWS OF SPECIAL TOOL C-4975A MUST BE CLOSED COMPLETELY TOGETHER HERE
- 3 - AXLE SHAFT
- 4 - SEALING BOOT



**Fig. 9 Crimping Tool Installed On Large Boot Clamp**

- 1 - SPECIAL TOOL C-4975A
- 2 - SEALING BOOT
- 3 - OUTER C/V JOINT
- 4 - BOOT CLAMP

**PINION SHAFT SEAL**

**REMOVAL**

- (1) Raise and support the vehicle.
- (2) Remove wheel and tire assemblies.
- (3) Remove brake rotors and calipers. Refer to Group 5, Brakes, for proper procedures.
- (4) Mark the propeller shaft and pinion companion flange for installation reference.
- (5) Remove the propeller shaft from the pinion companion flange.

## REMOVAL AND INSTALLATION (Continued)

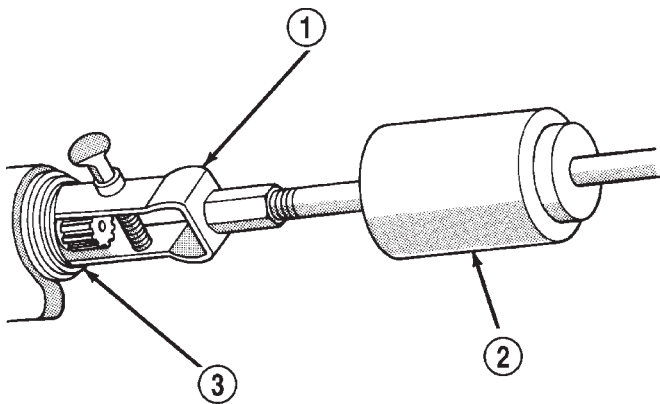
(6) Rotate the pinion gear a minimum of ten times. Verify that the pinion rotates smoothly.

(7) Measure the amount of torque necessary to rotate the pinion gear with a (in. lbs.) dial-type torque wrench. Record the torque reading for installation reference.

(8) Using a short piece of pipe and Holder 6958 to hold the pinion companion flange, remove the pinion nut and washer.

(9) Use Remover C-452 and Wrench C-3281 to remove the pinion companion flange.

(10) Use Remover 7794-A and slide hammer to remove the pinion shaft seal (Fig. 10).



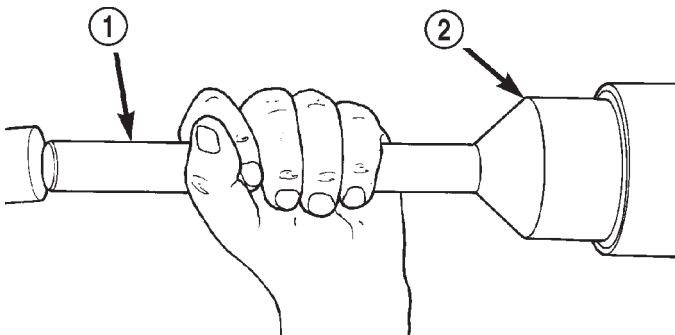
J9402-59X

**Fig. 10 Seal Removal**

- 1 - SPECIAL TOOL 7794A
- 2 - SLIDE HAMMER
- 3 - PINION SEAL

## INSTALLATION

(1) Apply a light coating of gear lubricant on the lip of pinion seal. Install seal with Installer 8108 and Handle C-4171 (Fig. 11).



80a98349

**Fig. 11 Pinion Seal Installation**

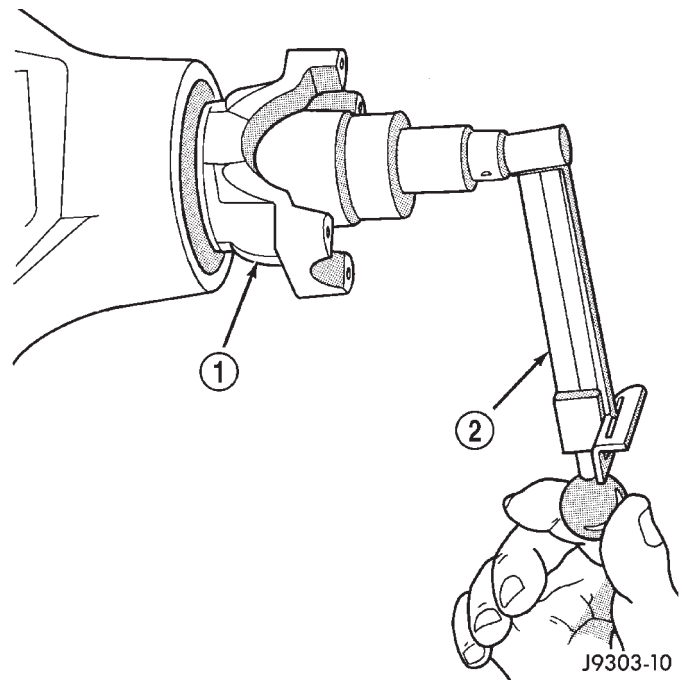
- 1 - SPECIAL TOOL C-4171
- 2 - SPECIAL TOOL C-8108

(2) Install pinion companion flange on the pinion gear with Installer W-162-D, Cup 8109, and Holder 6958.

**CAUTION:** Do not exceed the minimum tightening torque when installing the pinion companion flange retaining nut at this point. Damage to collapsible spacer or bearings may result.

(3) Install the pinion washer and a new nut on the pinion gear. **Tighten the nut only enough to remove the shaft end play.**

(4) Rotate the pinion a minimum of ten times. Verify that the pinion rotates smoothly. Rotate the pinion shaft using a (in. lbs.) torque wrench. Rotating torque should be equal to the reading recorded during removal, plus an additional 0.56 N·m (5 in. lbs.) (Fig. 12).



J9303-10

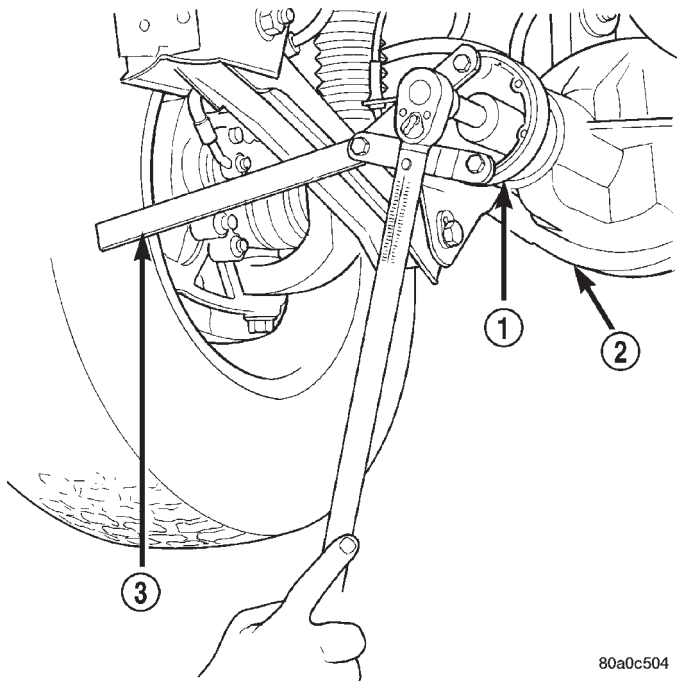
**Fig. 12 Check Pinion Rotation Torque—Typical**

- 1 - PINION YOKE
- 2 - INCH POUND TORQUE WRENCH

(5) If the rotating torque is low, use Holder 6958 to hold the pinion companion flange (Fig. 13), and tighten the pinion shaft nut in 6.8 N·m (5 ft. lbs.) increments until proper rotating torque is achieved.

**CAUTION:** If the maximum tightening torque is reached prior to reaching the required rotating torque, the collapsible spacer may have been damaged. Replace the collapsible spacer.

REMOVAL AND INSTALLATION (Continued)



80a0c504

**Fig. 13 Tightening Pinion Shaft Nut**

- 1 - PINION FLANGE
- 2 - FRONT AXLE
- 3 - TOOL 6958

(6) Align the installation reference marks on the propeller shaft and pinion companion flange and install the propeller shaft.

(7) Check and fill the gear lubricant. Refer to the Lubricant Specifications for gear lubricant requirements.

(8) Install the brake rotors and calipers. Refer to Group 5, Brakes, for proper procedures.

(9) Install wheel and tire assemblies.

(10) Lower the vehicle.

**COLLAPSIBLE SPACER**

**REMOVAL W/PINION INSTALLED**

- (1) Raise and support the vehicle.
- (2) Remove wheel and tire assemblies.
- (3) Remove brake rotors and calipers. Refer to Group 5, Brakes, for proper procedures.
- (4) Mark the propeller shaft and pinion companion flange for installation reference.
- (5) Remove the propeller shaft from the pinion companion flange.
- (6) Rotate the pinion gear a minimum of ten times. Verify that the pinion rotates smoothly.
- (7) Measure the amount of torque necessary to rotate the pinion gear with a (in. lbs.) dial-type torque wrench. Record the torque reading for installation reference.

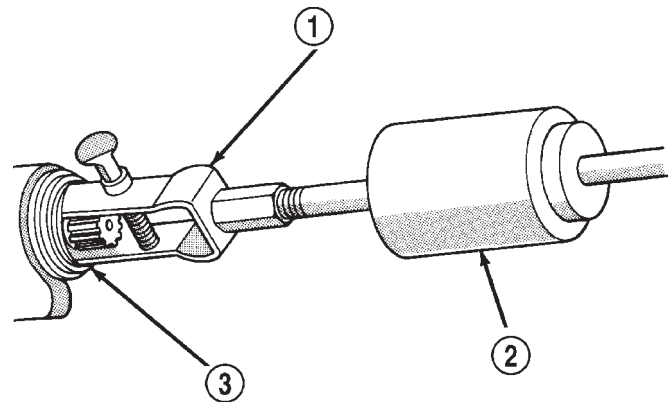
(8) Using a short piece of pipe and Holder 6958 to hold the pinion companion flange, remove the pinion nut and washer.

(9) Use Remover C-452 and Wrench C-3281 to remove the pinion companion flange.

(10) Use Remover 7794-A and slide hammer to remove the pinion shaft seal (Fig. 14).

(11) Remove the front pinion bearing using a pair of suitable pick tools to pull the bearing straight off the pinion gear shaft. It may be necessary to lightly tap the end of the pinion gear with a rawhide or rubber mallet if the bearing becomes bound on the pinion shaft.

(12) Remove the collapsible spacer.



J9402-59X

**Fig. 14 Seal Removal**

- 1 - SPECIAL TOOL 7794A
- 2 - SLIDE HAMMER
- 3 - PINION SEAL

**REMOVAL W/PINION REMOVED**

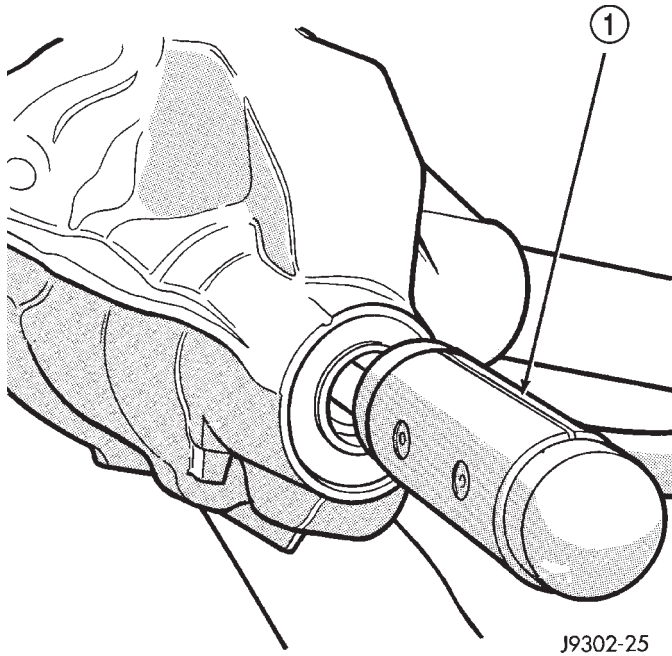
- (1) Raise and support the vehicle.
- (2) Remove wheel and tire assemblies.
- (3) Remove brake rotors and calipers. Refer to Group 5, Brakes, for proper procedures.
- (4) Mark the propeller shaft and pinion companion flange, for installation reference.
- (5) Remove the propeller shaft from the pinion companion flange.
- (6) Rotate the pinion gear a minimum of ten times. Verify that the pinion rotates smoothly.
- (7) Measure the amount of torque necessary to rotate the pinion gear with a (in. lbs.) dial-type torque wrench. Record the torque reading for installation reference.
- (8) Remove differential assembly from axle housing.
- (9) Using Holder 6958 and a short length of 1 in. pipe to hold the pinion companion flange, remove the pinion nut and washer.

## REMOVAL AND INSTALLATION (Continued)

(10) Using Remover C-452 and Wrench C-3281, remove the pinion companion flange from pinion shaft.

(11) Remove the pinion gear from housing (Fig. 15). Catch the pinion with your hand to prevent it from falling and being damaged.

(12) Remove collapsible spacer from pinion shaft.



J9302-25

**Fig. 15 Remove Pinion Gear**

1 - RAWHIDE HAMMER

## INSTALLATION

(1) Install a new collapsible preload spacer on pinion shaft (Fig. 16).

(2) If pinion gear was removed, install pinion gear in housing.

(3) Install pinion front bearing, if necessary.

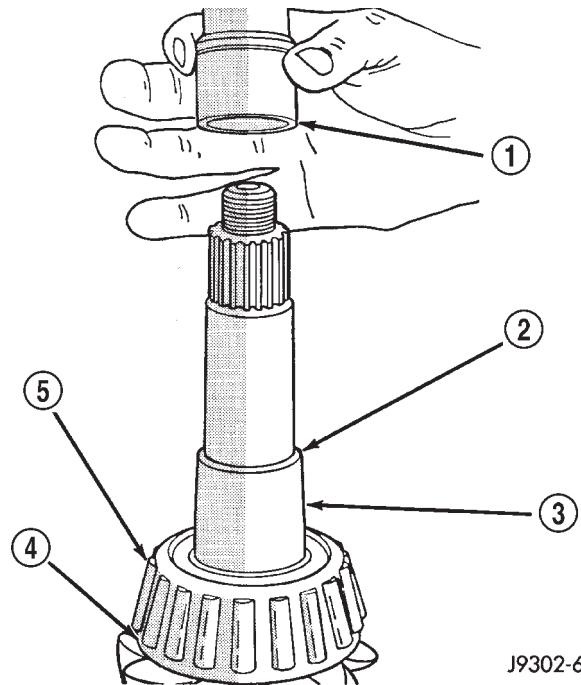
(4) Apply a light coating of gear lubricant on the lip of pinion seal. Install seal with Installer 8108 and Handle C-4171 (Fig. 17), if necessary.

(5) Install pinion companion flange with Installer W-162-D, Cup 8109, and Flange Holder 6958.

(6) If the original pinion bearings are being used, install differential assembly and axle shafts, if necessary.

**NOTE:** If new pinion bearings were installed, do not install the differential assembly and axle shafts until after the pinion bearing preload and rotating torque are set.

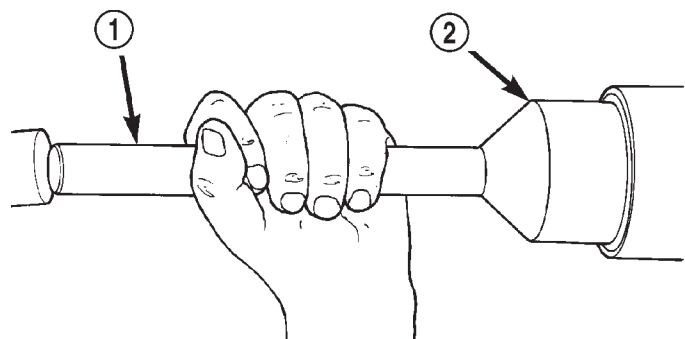
(7) Install the pinion washer and a new nut on the pinion gear. Tighten the nut to 217 N·m (160 ft. lbs.) minimum. **Do not overtighten.** Maximum torque is 353 N·m (260 ft. lbs.).



J9302-66

**Fig. 16 Collapsible Preload Spacer**

- 1 - COLLAPSIBLE SPACER
- 2 - SHOULDER
- 3 - PINION GEAR
- 4 - OIL SLINGER
- 5 - REAR BEARING



80a98349

**Fig. 17 Pinion Seal Installation**

- 1 - SPECIAL TOOL C-4171
- 2 - SPECIAL TOOL C-8108

**CAUTION:** Never loosen pinion gear nut to decrease pinion gear bearing rotating torque and never exceed specified preload torque. If preload torque is exceeded a new collapsible spacer must be installed. The torque sequence will then have to be repeated.

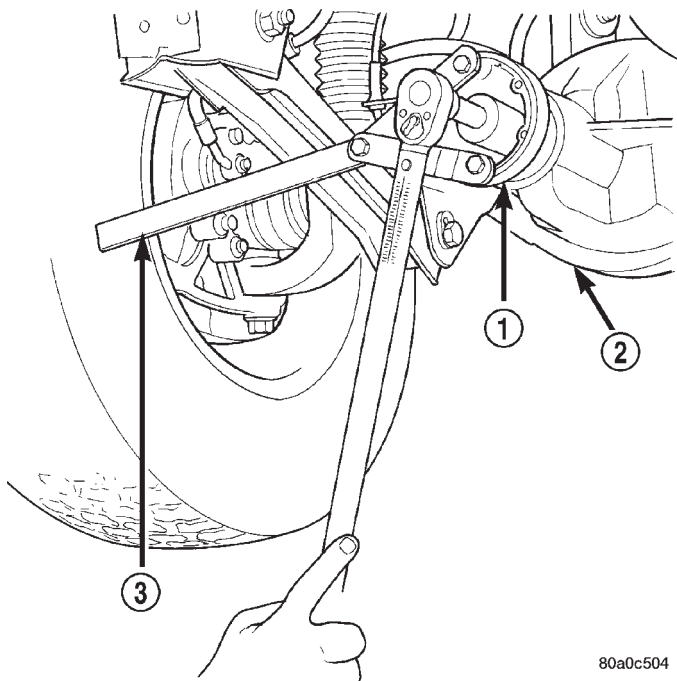


REMOVAL AND INSTALLATION (Continued)

**NOTE:** If the spacer requires more than 353 N·m (260 ft. lbs.) of torque to crush, the collapsible spacer is defective and must be replaced.

(8) Using Flange Holder 6958, a short length of 1 in. pipe, and a torque wrench set at 353 N·m (260 ft. lbs.), crush collapsible spacer until bearing end play is taken up (Fig. 18).

(9) Slowly tighten the nut in 6.8 N·m (5 ft. lbs.) increments until the required rotating torque is achieved. Measure the rotating torque frequently to avoid over crushing the collapsible spacer (Fig. 19).



**Fig. 18 Tightening Pinion Nut**

- 1 - PINION FLANGE
- 2 - FRONT AXLE
- 3 - TOOL 6958

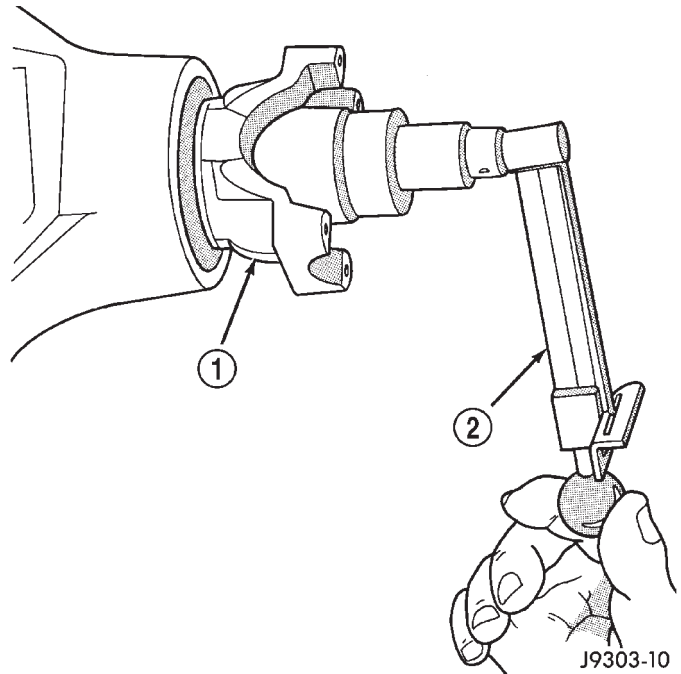
(10) Rotate the pinion gear a minimum of ten times. Verify that the pinion rotates smoothly. Check rotating torque with an inch pound torque wrench (Fig. 19). The torque necessary to rotate the pinion gear should be:

- Original Bearings — The reading recorded during removal, plus an additional 0.56 N·m (5 in. lbs.).
- New Bearings — 1 to 2.8 N·m (10 to 25 in. lbs.).

(11) Install differential assembly and axle shafts, if necessary.

(12) Align marks made previously on pinion companion flange and propeller shaft and install propeller shaft.

(13) Install brake rotors and calipers. Refer to Group 5, Brakes, for proper procedures.



**Fig. 19 Check Pinion Gear Rotation Torque—Typical**

- 1 - PINION YOKE
- 2 - INCH POUND TORQUE WRENCH

(14) Add gear lubricant, if necessary. Refer to Lubricant Specifications of this section for lubricant requirements.

(15) Install wheel and tire assemblies.

(16) Lower vehicle.

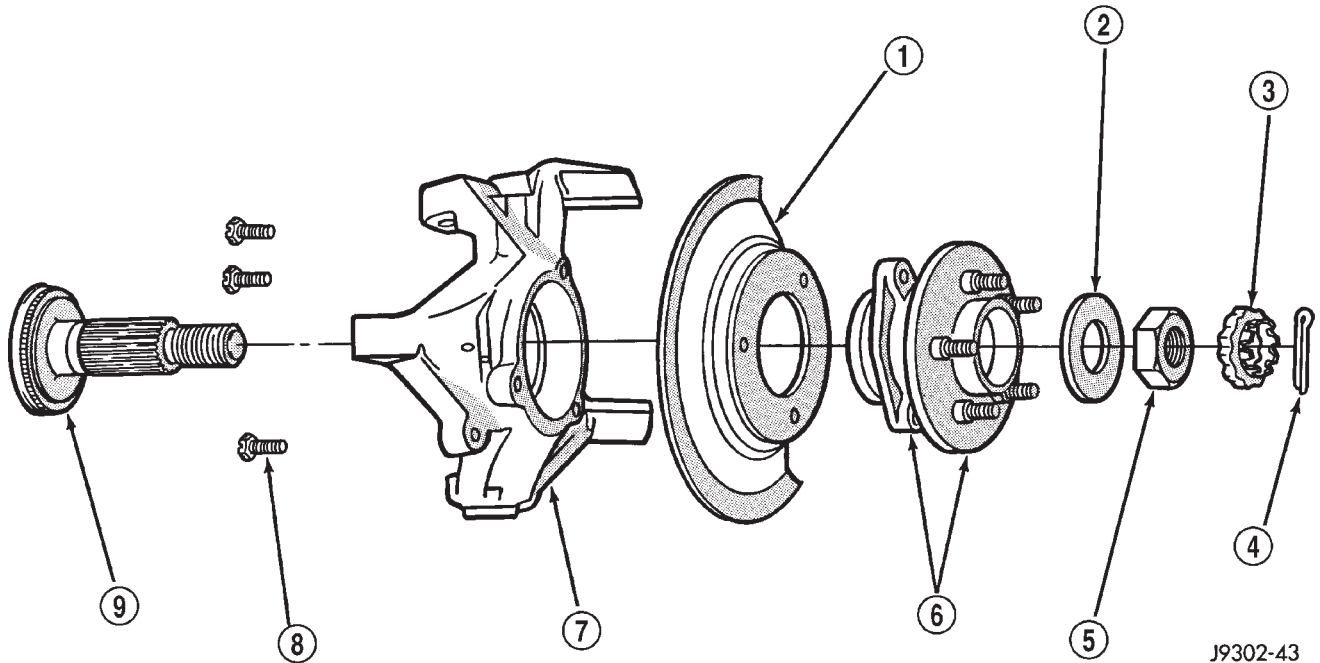
**HUB BEARING AND AXLE SHAFT**

If the axle shaft and hub bearing are being removed in order to service another component, the axle shaft and hub bearing can be removed as an assembly.

**REMOVAL**

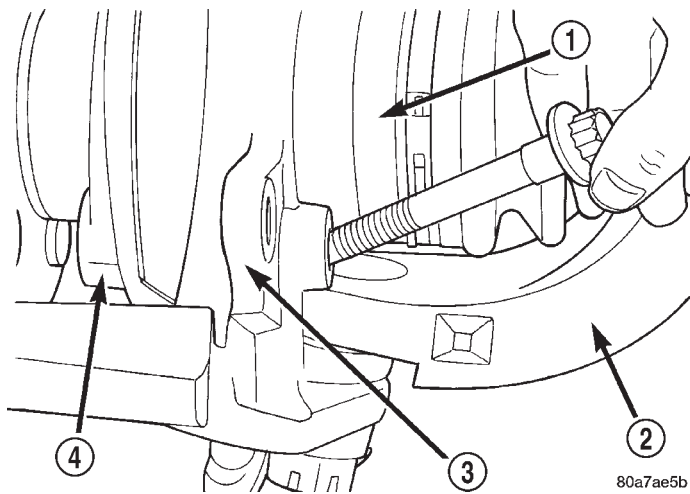
- (1) Raise and support the vehicle.
- (2) Remove the wheel and tire assembly.
- (3) Remove the brake caliper and rotor. Refer to Group 5, Brakes, for proper procedures.
- (4) Remove ABS wheel speed sensor, if necessary. Refer to Group 5, Brakes, for proper procedures.
- (5) Remove the cotter pin, nut retainer, and axle hub nut (Fig. 20), if necessary.
- (6) Remove the hub to knuckle bolts (Fig. 21).
- (7) Remove the hub from the steering knuckle and axle shaft, if necessary.
- (8) Remove hub bearing and axle shaft assembly (Fig. 22), or axle shaft from axle. **Avoid damaging the axle shaft oil seals in the axle housing.**
- (9) Remove the brake rotor shield from the hub bearing or knuckle (Fig. 20).

REMOVAL AND INSTALLATION (Continued)



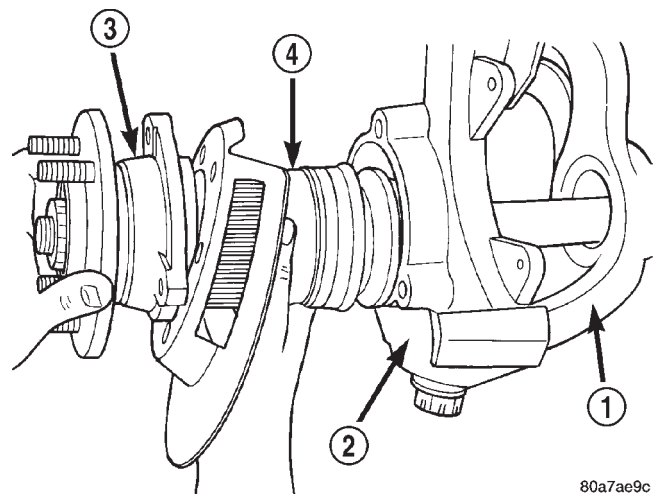
**Fig. 20 Hub, Knuckle and Axle Shaft**

- |                  |                              |
|------------------|------------------------------|
| 1 - BRAKE SHIELD | 6 - HUB AND BEARING ASSEMBLY |
| 2 - WASHER       | 7 - STEERING KNUCKLE         |
| 3 - RETAINER     | 8 - BOLT                     |
| 4 - COTTER PIN   | 9 - TONE WHEEL (ABS)         |
| 5 - NUT          |                              |



**Fig. 21 Hub Bearing Bolts**

- |                 |
|-----------------|
| 1 - AXLE SHAFT  |
| 2 - AXLE        |
| 3 - KNUCKLE     |
| 4 - HUB BEARING |



**Fig. 22 Hub Bearing and Axle Assembly**

- |                 |
|-----------------|
| 1 - AXLE        |
| 2 - KNUCKLE     |
| 3 - HUB BEARING |
| 4 - AXLE SHAFT  |

**INSTALLATION**

(1) Thoroughly clean the axle shaft (Fig. 20) and apply a thin film of Mopar® Wheel Bearing Grease,

or equivalent, to the shaft splines, seal contact surface, and hub bore.

(2) Install the brake rotor shield to the knuckle.



## REMOVAL AND INSTALLATION (Continued)

(3) Install the hub bearing and axle shaft assembly, or axle shaft, into the housing and differential side gears. Avoid damaging the axle shaft oil seals in the axle housing.

(4) Install the hub bearing, if necessary.

(5) Install the hub to knuckle bolts and tighten to 102 N·m (75 ft. lbs.) torque.

(6) Install the hub washer and nut, if necessary. Tighten the hub nut to 237 N·m (175 ft. lbs.) torque. Install the nut retainer and a new cotter pin (Fig. 20).

(7) Install ABS wheel speed sensor, if necessary. Refer to Group 5, Brakes, for proper procedures.

(8) Install the brake rotor and caliper. Refer to Group 5, Brakes, for proper procedures.

(9) Install the wheel and tire assembly.

(10) Remove support and lower the vehicle.

## STEERING KNUCKLE AND BALL STUDS

Ball stud service procedures below require removal of the hub bearing and axle shaft. Removal and installation of upper and lower ball studs require the use of Tool Kit 6289.

## KNUCKLE REMOVAL

(1) Remove hub bearing and axle shaft.

(2) Disconnect the tie-rod or drag link from the steering knuckle arm. Refer to Group 2, Suspension, for proper procedures.

(3) Remove the cotter pins from the upper and lower ball studs.

(4) Remove the upper and lower ball stud nuts.

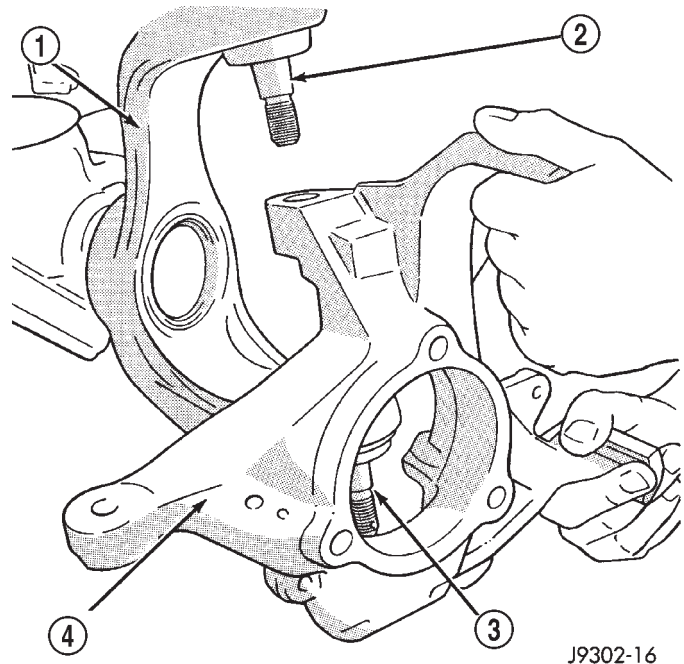
(5) Strike the steering knuckle with a brass hammer to loosen knuckle from the ball studs. Remove knuckle from ball studs (Fig. 23).

## UPPER BALL STUD REPLACEMENT

(1) Position tools as shown to remove and install ball stud (Fig. 24).

## LOWER BALL STUD REPLACEMENT

(1) Position tools as shown to remove and install ball stud (Fig. 25).



**Fig. 23 Steering Knuckle Removal/Installation**

- 1 - AXLE YOKE
- 2 - UPPER BALL STUD
- 3 - LOWER BALL STUD
- 4 - STEERING KNUCKLE

## KNUCKLE INSTALLATION

(1) Position the steering knuckle on the ball studs.

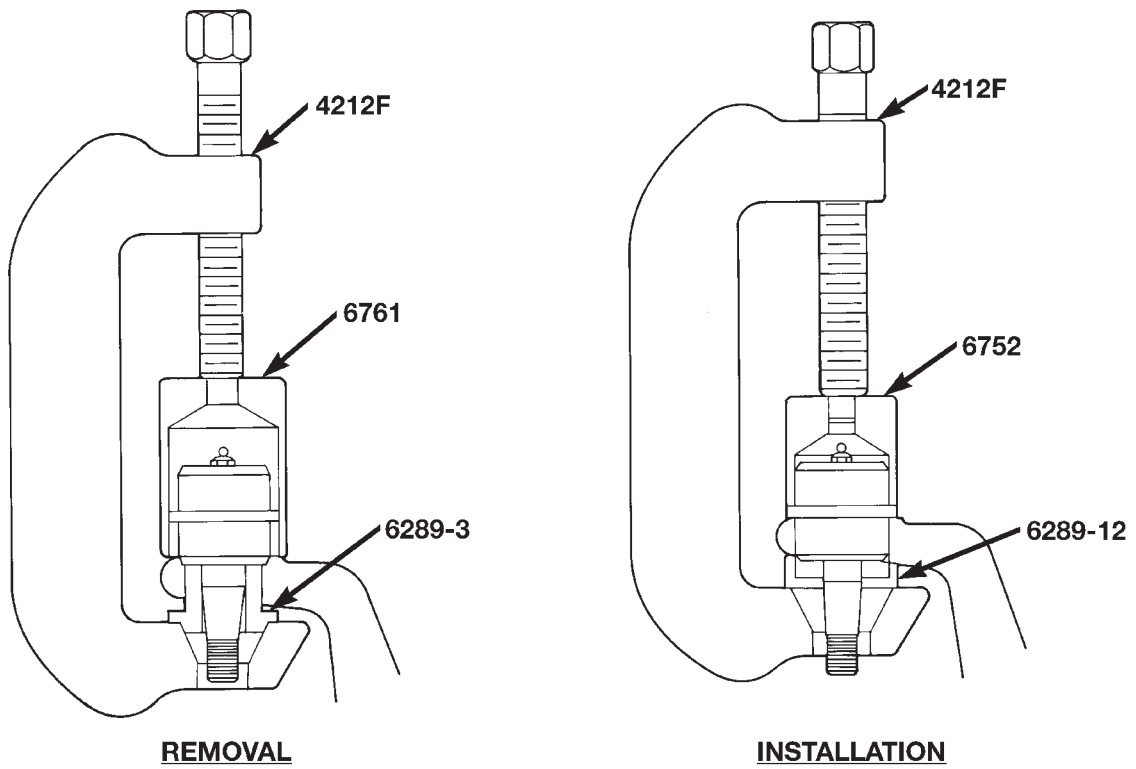
(2) Install and tighten the bottom retaining nut to 109 N·m (80 ft. lbs.) torque. Install new cotter pin.

(3) Install and tighten the top retaining nut to 101 N·m (75 ft. lbs.) torque. Install new cotter pin.

(4) Install the hub bearing and axle shaft.

(5) Connect the tie-rod or drag link end to the steering knuckle arm. Refer to Group 2, Suspension, for proper procedures.

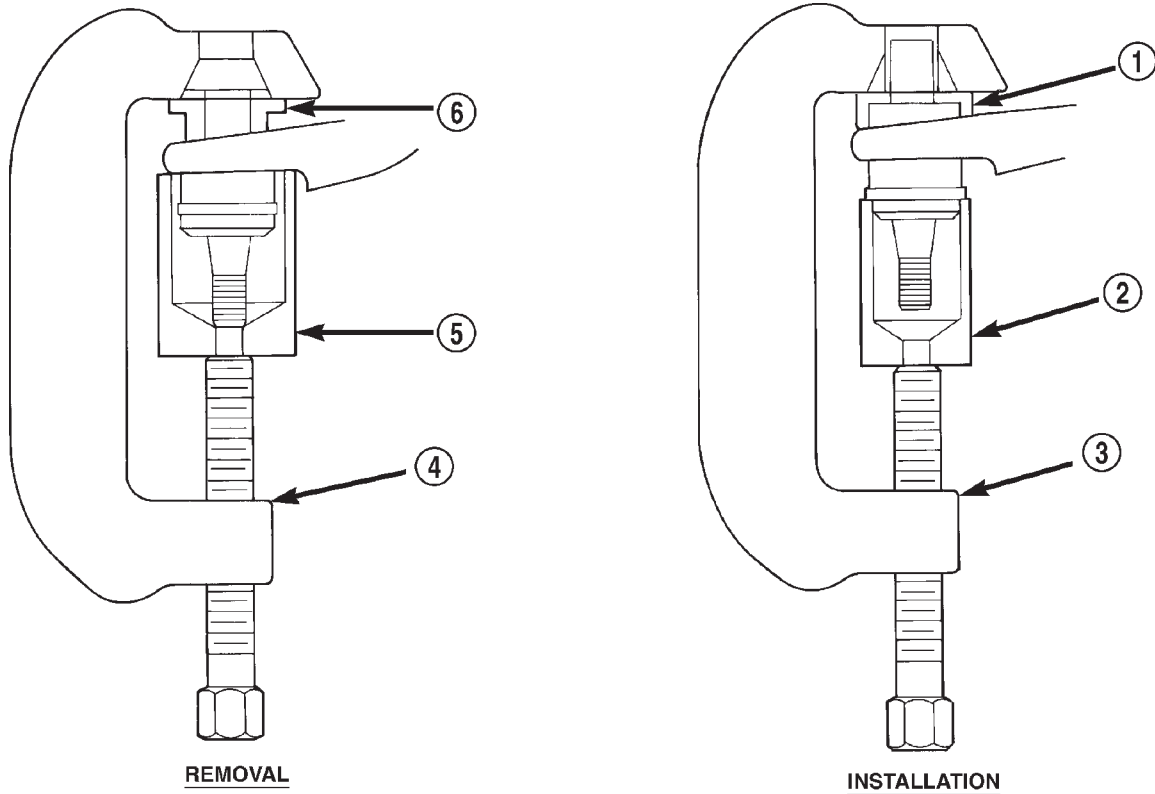
REMOVAL AND INSTALLATION (Continued)



80a7e2a7

*Fig. 24 Upper Ball Stud Remove/Install*

REMOVAL AND INSTALLATION (Continued)



**Fig. 25 Lower Ball Stud Remove/Install**

- 1 - SPECIAL TOOL 6289-12
- 2 - SPECIAL TOOL 6289-4
- 3 - SPECIAL TOOL 4212F

- 4 - SPECIAL TOOL 4212F
- 5 - SPECIAL TOOL 6289-1
- 6 - SPECIAL TOOL 6289-3

80a7e2a8

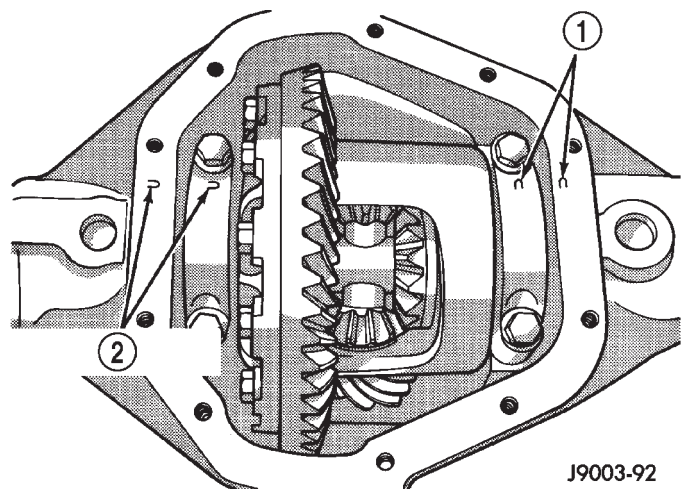
**AXLE BUSHING REPLACEMENT**

Refer to Group 2, Suspension, for the proper axle bushing procedures.

**DIFFERENTIAL**

**REMOVAL**

- (1) Raise and support vehicle.
- (2) Remove the lubricant fill hole plug from the differential housing cover.
- (3) Remove the differential housing cover and allow fluid to drain.
- (4) Remove hub bearings and axle shafts.
- (5) Note the installation reference letters stamped on the bearing caps and housing machined sealing surface (Fig. 26).



J9003-92

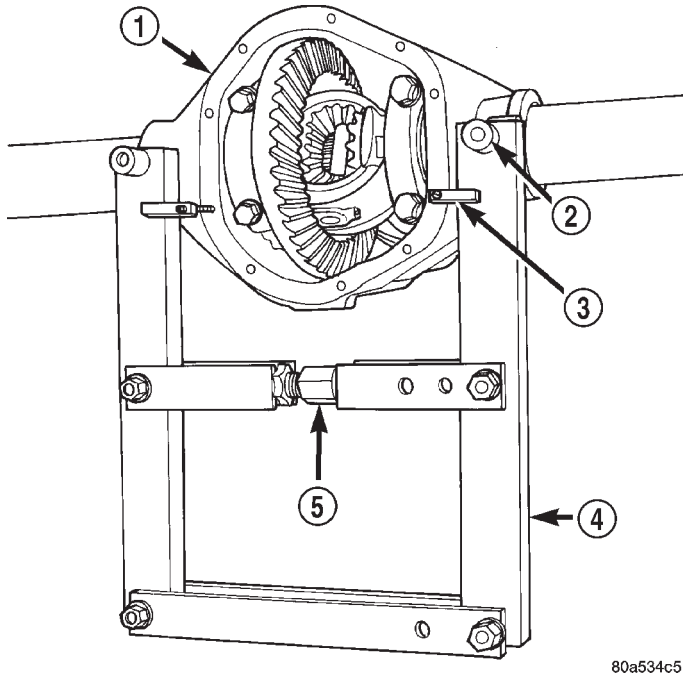
**Fig. 26 Bearing Cap Identification**

- 1 - INSTALLATION REFERENCE LETTERS
- 2 - INSTALLATION REFERENCE LETTERS

## REMOVAL AND INSTALLATION (Continued)

(6) Loosen the differential bearing cap bolts.

(7) Position Spreader W-129-B, utilizing some items from Adapter Kit 6987, with the tool dowel pins seated in the locating holes (Fig. 27). Install the holddown clamps and tighten the tool turnbuckle finger-tight.



**Fig. 27 Install Axle Housing Spreader**

- 1 - AXLE HOUSING
- 2 - DOWEL
- 3 - SAFETY HOLD DOWN
- 4 - SPECIAL TOOL W-129-B
- 5 - TURNBUCKLE

(8) Install a Guide Pin C-3288-B at the left side of the differential housing. Attach Dial Indicator C-3339 to guide pin. Load the lever adapter against the opposite side of the housing (Fig. 28) and zero the indicator.

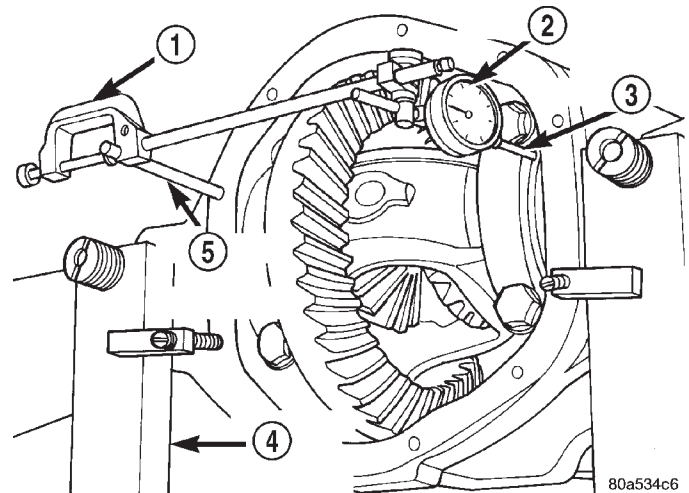
**CAUTION:** Do not spread over 0.50 mm (0.020 in). If the housing is over-spread, it could be distorted or damaged.

(9) Spread the housing enough to remove the differential case from the housing. Measure the distance with the dial indicator (Fig. 29).

(10) Remove the dial indicator.

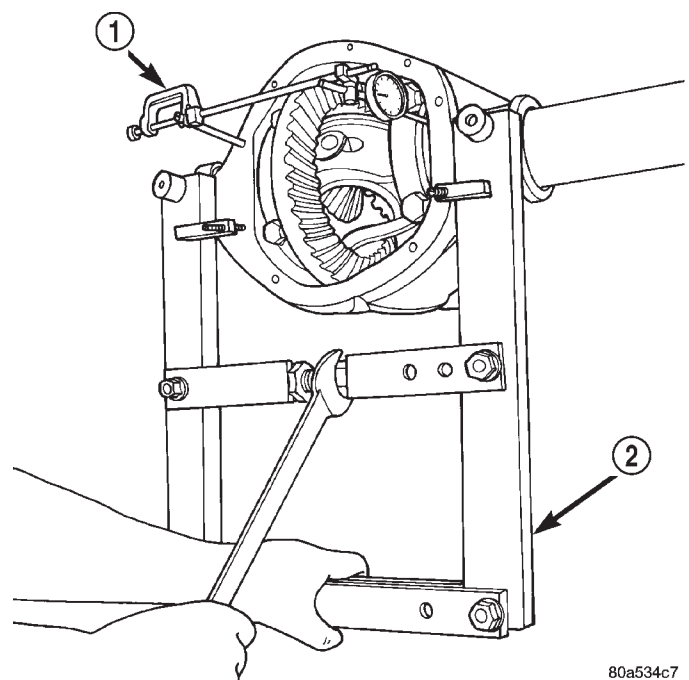
(11) While holding the differential case in position, remove the differential bearing cap bolts and caps.

(12) Remove the differential from the housing. Ensure that the differential bearing cups remain in position on the differential bearings (Fig. 30).



**Fig. 28 Install Dial Indicator**

- 1 - SPECIAL TOOL C-3339
- 2 - DIAL INDICATOR
- 3 - LEVER ADAPTER
- 4 - SPECIAL TOOL W-129-B
- 5 - SPECIAL TOOL C-3288-B



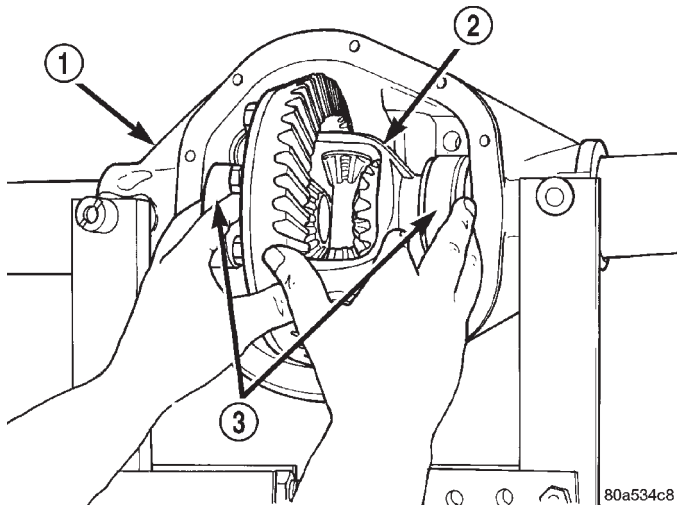
**Fig. 29 Spread Axle Housing**

- 1 - SPECIAL TOOL C-3339
- 2 - SPECIAL TOOL W-129-B

(13) Mark or tag the differential bearing cups to indicate which side of the differential they were removed from.

(14) Retrieve the differential case preload shims from the axle housing.

REMOVAL AND INSTALLATION (Continued)



**Fig. 30 Differential Case Removal**

- 1 - AXLE HOUSING
- 2 - DIFFERENTIAL CASE
- 3 - BEARING CUPS

(15) Remove spreader from housing. Mark or tag the differential bearing preload shims to indicate which side of the differential they were removed from.

**INSTALLATION**

If replacement differential bearings or differential case are being installed, differential side bearing shim requirements may change. Refer to the Differential Bearing Preload and Gear Backlash procedures in this section to determine the proper shim selection.

(1) Position Spreader W-129-B, utilizing some items from Adapter Kit 6987, with the tool dowel pins seated in the locating holes (Fig. 31). Install the holddown clamps and tighten the tool turnbuckle finger-tight.

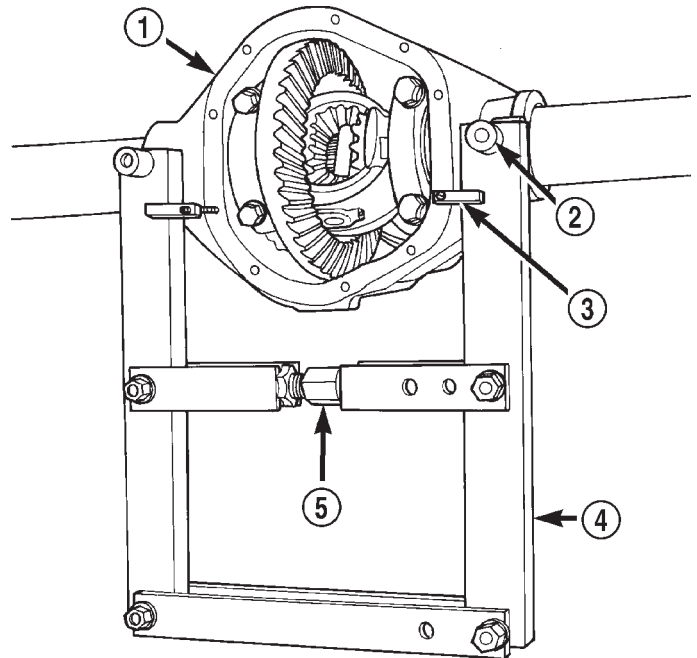
(2) Install a Guide Pin C-3288-B at the left side of the differential housing. Attach Dial Indicator C-3339 to guide pin. Load the lever adapter against the opposite side of the housing (Fig. 28) and zero the indicator.

**CAUTION:** Do not spread over 0.50 mm (0.020 in). If the housing is over-spread, it could be distorted or damaged.

(3) Spread the housing enough to install the case in the housing. Measure the distance with the dial indicator (Fig. 29).

(4) Remove the dial indicator.

(5) Install differential case in the housing. Ensure that the differential bearing cups remain in position on the differential bearings and that the preload shims remain between the face of the bearing cup

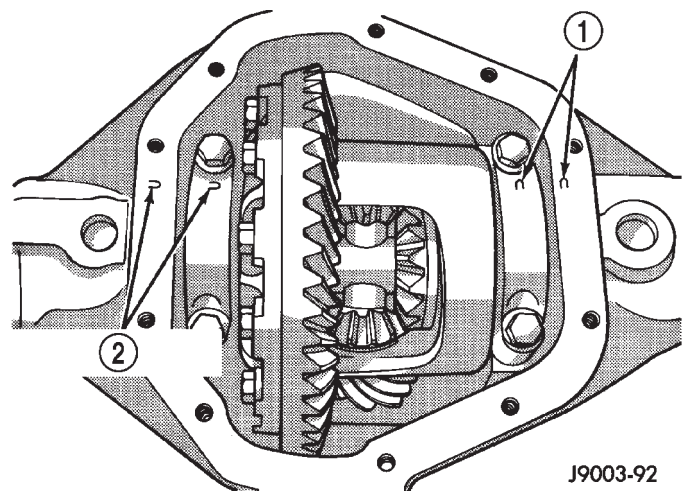


**Fig. 31 Install Axle Housing Spreader**

- 1 - AXLE HOUSING
- 2 - DOWEL
- 3 - SAFETY HOLD DOWN
- 4 - SPECIAL TOOL W-129-B
- 5 - TURNBUCKLE

and housing. Also verify that the pick-up opening of the Vari-lok™ plenum is at the bottom of the housing. Tap the differential case to ensure the bearings cups and shims are fully seated in the housing.

(6) Install the bearing caps at their original locations (Fig. 32).



**Fig. 32 Differential Bearing Cap Reference Letters**

- 1 - INSTALLATION REFERENCE LETTERS
- 2 - INSTALLATION REFERENCE LETTERS

(7) Loosely install differential bearing cap bolts.



## REMOVAL AND INSTALLATION (Continued)

- (8) Remove axle housing spreader.
- (9) Tighten the bearing cap bolts to 61 N·m (45 ft. lbs.) torque.
- (10) Install the hub bearings and axle shafts.

## DIFFERENTIAL SIDE BEARINGS

## REMOVAL

- (1) Remove differential case from axle housing.
- (2) Remove the bearings from the differential case with Puller/Press C-293-PA, Adapter Blocks 8352, and Plug SP-3289 (Fig. 33).

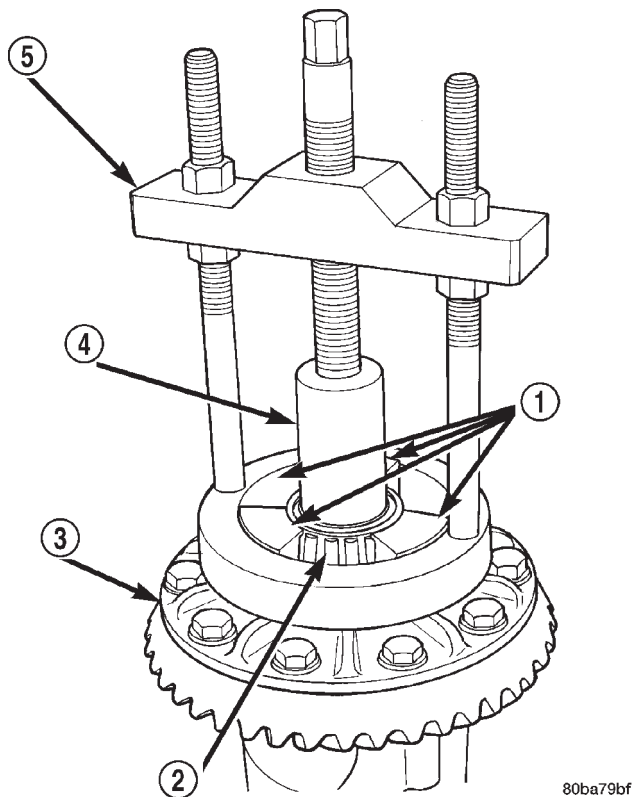


Fig. 33 Differential Bearing Removal

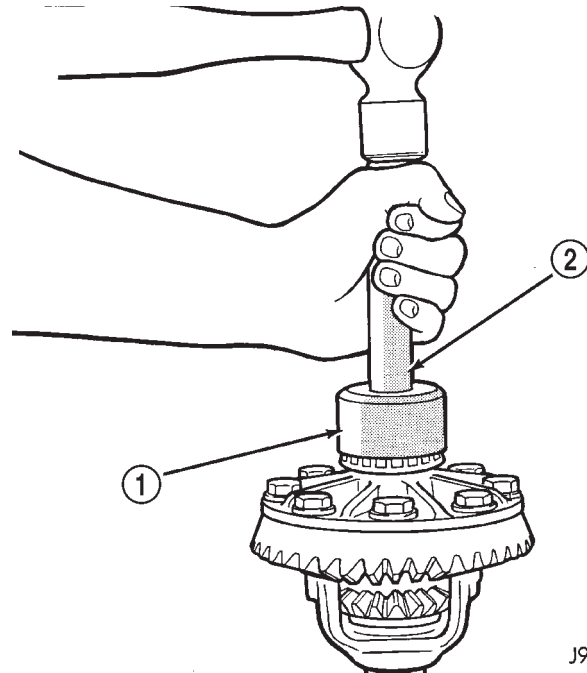
- 1 - SPECIAL TOOL 8352
- 2 - BEARING
- 3 - DIFFERENTIAL
- 4 - SPECIAL TOOL SP-3289
- 5 - SPECIAL TOOL C-293-PA

## INSTALLATION

If replacement differential side bearings or differential case are being installed, differential side bearing shim requirements may change. Refer to the Differential Bearing Preload and Gear Backlash procedures in this section to determine the proper shim selection.

**CAUTION:** Be sure that the Vari-lok™ plenum is fully seated against the differential case prior to installing the ring gear side differential bearing.

- (1) Using Installer C-3716-A and Handle C-4171, install differential side bearings (Fig. 34).



J9302-21

Fig. 34 Differential Side Bearing Installation

- 1 - SPECIAL TOOL C-3716-A
- 2 - SPECIAL TOOL C-4171

- (2) Install differential in axle housing.

## VARI-LOK™ PLENUM

## REMOVAL

- (1) Remove differential case from axle housing.
- (2) Remove the bearing from the ring gear side of the differential case with Puller/Press C-293-PA, Adapter Blocks 8352, and Plug SP-3289 (Fig. 35).
- (3) Remove the Vari-lok™ plenum from the differential case hub.

**WARNING:** Do not touch the Vari-lok™ tuning reed valve located under the Vari-lok™ plenum on the differential case. The metal is very sensitive and the unit will not operate properly if the reed valve is disturbed.

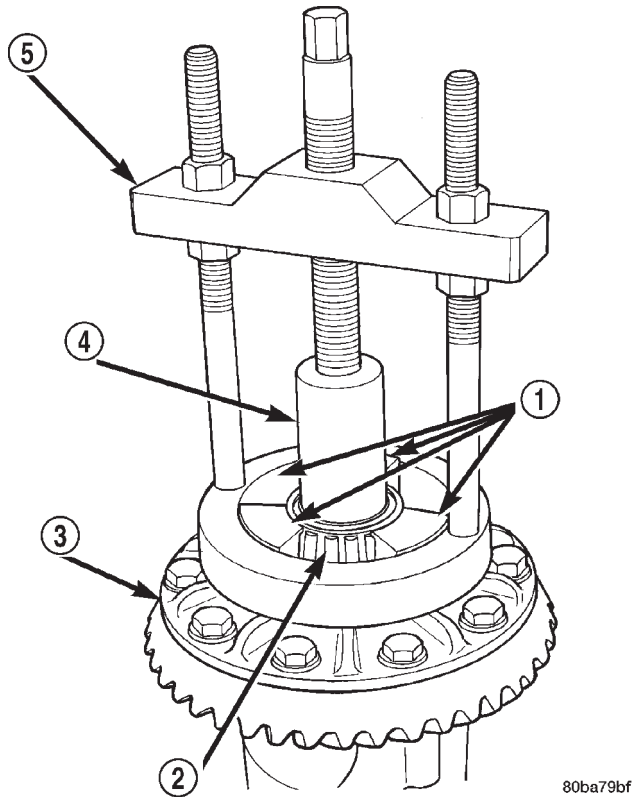
## INSTALLATION

If a replacement differential side bearing is being installed, differential side bearing shim requirements may change. Refer to the Differential Bearing Preload and Gear Backlash procedures in this section to determine the proper shim selection.

- (1) Install a new Vari-lok™ plenum onto the differential case hub. The plenum is to be installed with



REMOVAL AND INSTALLATION (Continued)



**Fig. 35 Differential Bearing Removal**

- 1 - SPECIAL TOOL 8352
- 2 - BEARING
- 3 - DIFFERENTIAL
- 4 - SPECIAL TOOL SP-3289
- 5 - SPECIAL TOOL C-293-PA

the rubber seal toward the differential case and the raised metal tabs away from the differential case.

**CAUTION:** Be sure that the Vari-lok™ plenum is fully seated against the differential case prior to installing the ring gear side differential bearing.

(2) Using Installer C-3716-A and Handle C-4171, install differential side bearing (Fig. 36).

(3) Install differential in axle housing.

**AXLE SHAFT OIL SEAL**

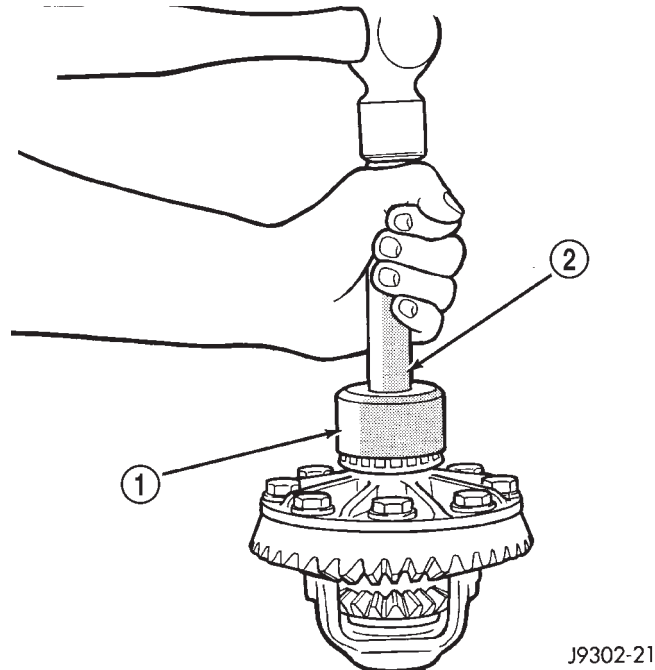
**REMOVAL**

- (1) Raise and support vehicle.
- (2) Remove differential assembly.
- (3) Remove the inner axle shaft seals with a pry bay.

**INSTALLATION**

(1) Remove any sealer remaining from original seals.

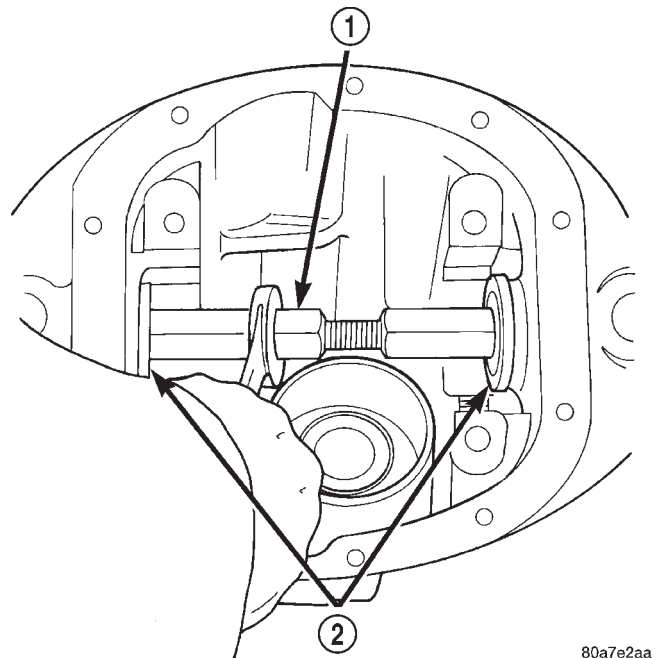
(2) Remove sealer from axle tube to housing junction, if necessary.



**Fig. 36 Differential Side Bearing Installation**

- 1 - SPECIAL TOOL C-3716-A
- 2 - SPECIAL TOOL C-4171

(3) Install oil seals with Discs 8110 and Turnbuckle 6797 (Fig. 37). Tighten tool until disc bottoms in housing.



**Fig. 37 Axle Seal Installation**

- 1 - TURNBUCKLE 6797
- 2 - DISCS 8110

(4) Install differential assembly.

## REMOVAL AND INSTALLATION (Continued)

## PINION GEAR

**NOTE:** The ring and pinion gears are serviced as a matched set. Do not replace the pinion gear without replacing the ring gear.

## REMOVAL

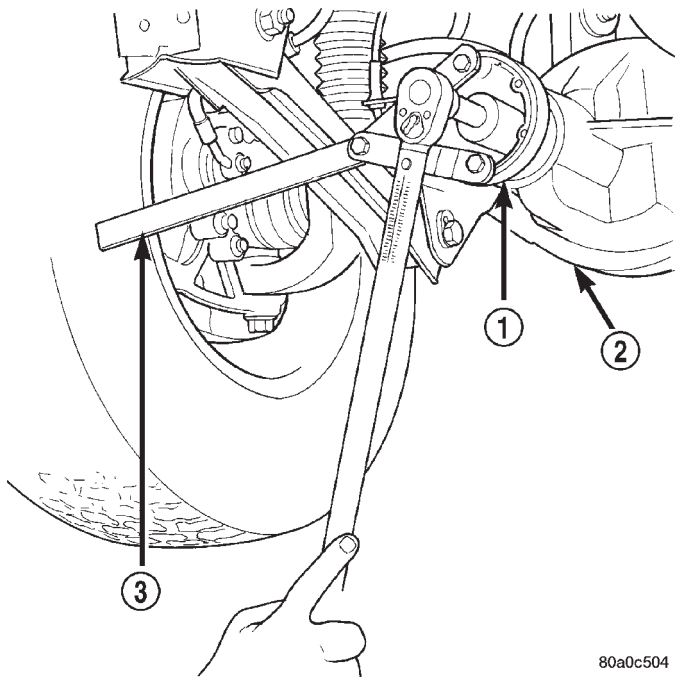
(1) Remove differential assembly from axle housing.

(2) Mark pinion companion flange and propeller shaft for installation alignment.

(3) Disconnect propeller shaft from pinion companion flange. Using suitable wire, tie propeller shaft to underbody.

(4) Using Holder 6958 to hold pinion companion flange, and a short length of 1 in. pipe, remove the pinion nut and washer (Fig. 38).

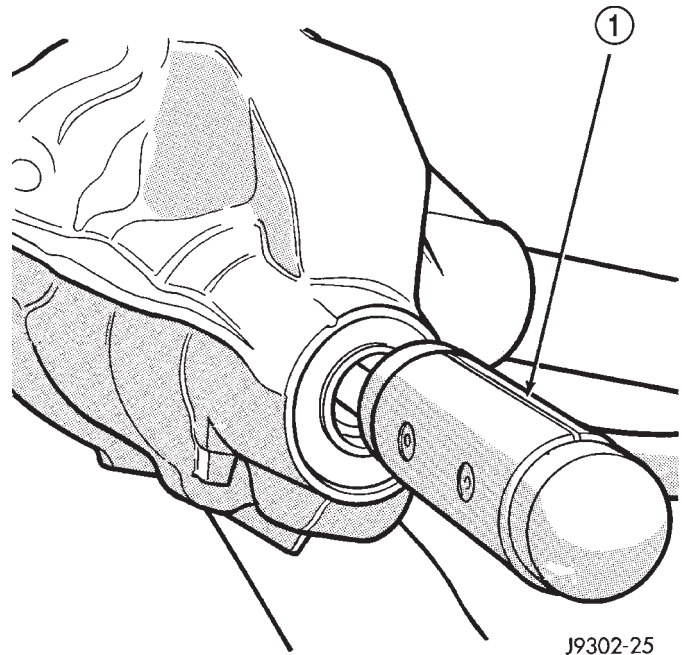
(5) Using Remover C-452 and Holder C-3281, remove the pinion companion flange from pinion shaft.



**Fig. 38 Pinion Nut Removal**

- 1 - PINION FLANGE
- 2 - FRONT AXLE
- 3 - TOOL 6958

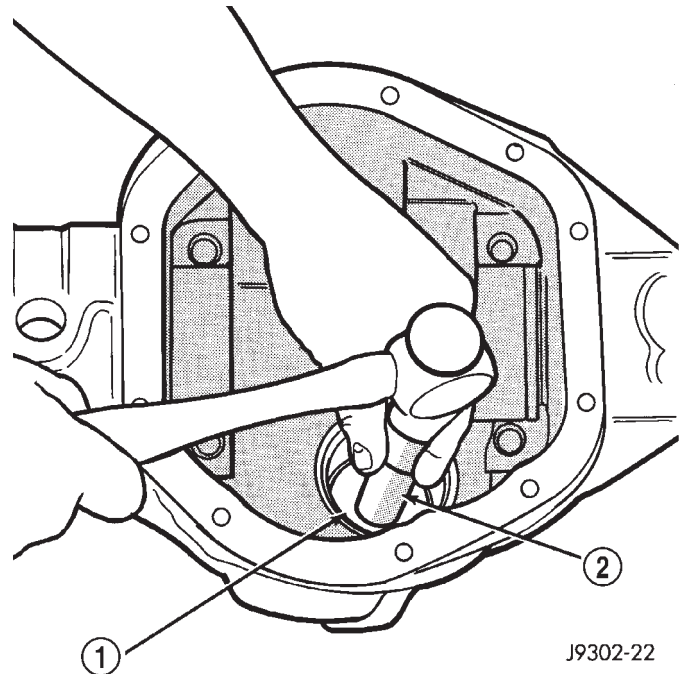
(6) Remove the pinion gear and collapsible spacer from housing (Fig. 39). Catch the pinion with your hand to prevent it from falling and being damaged.



**Fig. 39 Remove Pinion Gear**

- 1 - RAWHIDE HAMMER

(7) Remove the front pinion bearing cup, bearing, oil slinger, and pinion seal with Remover C-4345 and Handle C-4171 (Fig. 40).

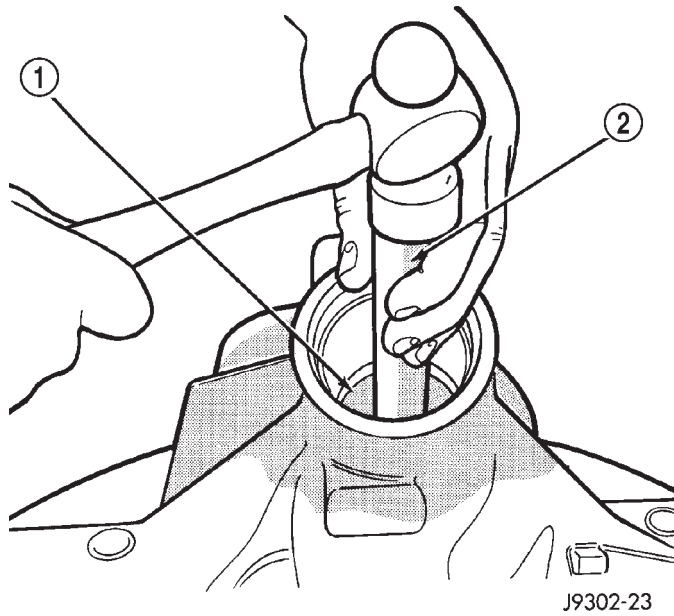


**Fig. 40 Front Bearing Cup Removal**

- 1 - REMOVER
- 2 - HANDLE

REMOVAL AND INSTALLATION (Continued)

(8) Remove the rear pinion bearing cup from axle housing (Fig. 41). Use Remover D-149 and Handle C-4171.



**Fig. 41 Rear Bearing Cup Removal**

- 1 - DRIVER
- 2 - HANDLE

(9) Remove the collapsible preload spacer from pinion gear (Fig. 42).

(10) Remove the rear pinion bearing from the pinion with Puller/Press C-293-PA and Adapters C-293-39 (Fig. 43). Remove the oil slinger/pinion depth shim from the pinion shaft. Record the thickness of the oil slinger/depth shim.

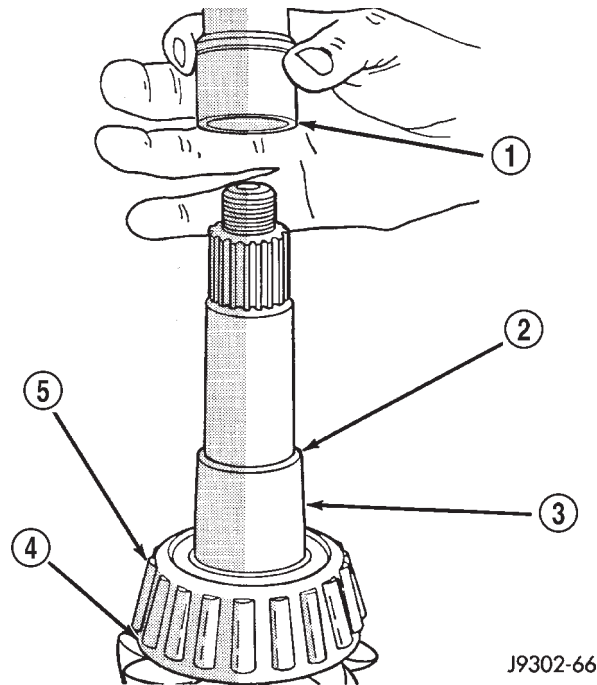
**Place 4 adapter blocks so they do not damage the bearing cage.**

INSTALLATION

**NOTE:** Pinion depth shims are placed between the rear pinion bearing cone and the pinion head to achieve proper ring and pinion gear mesh. If the factory installed ring and pinion gears are reused, the pinion oil slinger/depth shim should not require replacement. Refer to Pinion Gear Depth to select the proper thickness shim before installing pinion gear.

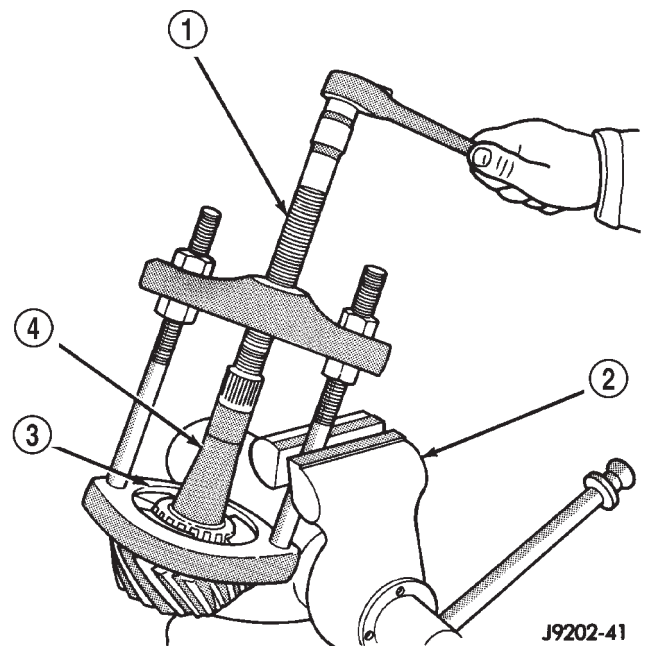
(1) Apply Mopar® Door Ease, or equivalent, stick lubricant to outside surface of rear pinion bearing cup. Install the bearing cup with Installer D-146 and Driver Handle C-4171 (Fig. 44). Verify cup is correctly seated.

(2) Apply Mopar® Door Ease, or equivalent, stick lubricant to outside surface of front pinion bearing



**Fig. 42 Collapsible Spacer**

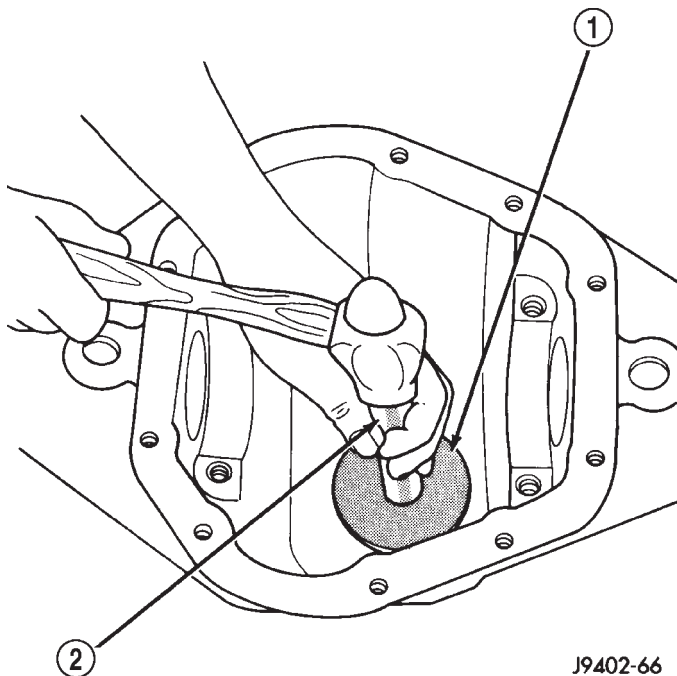
- 1 - COLLAPSIBLE SPACER
- 2 - SHOULDER
- 3 - PINION GEAR
- 4 - OIL SLINGER
- 5 - REAR BEARING



**Fig. 43 Inner Bearing Removal**

- 1 - SPECIAL TOOL C-293-PA
- 2 - VISE
- 3 - ADAPTERS
- 4 - DRIVE PINION GEAR SHAFT

## REMOVAL AND INSTALLATION (Continued)

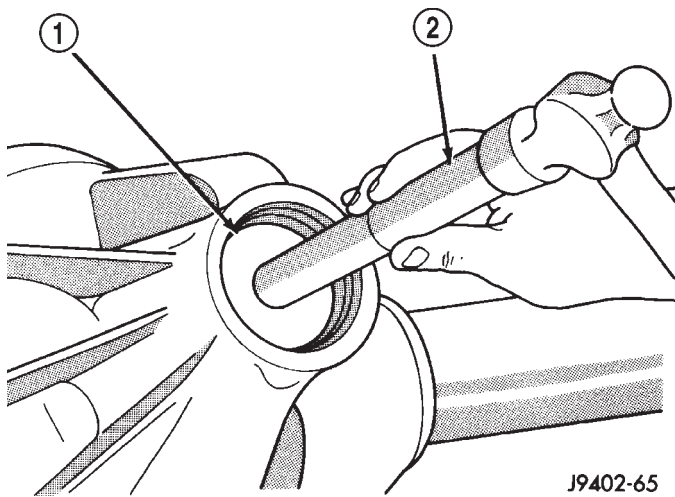


J9402-66

**Fig. 44 Rear Pinion Bearing Cup Installation**

- 1 - INSTALLER
- 2 - HANDLE

cup. Install the bearing cup with Installer D-130 and Handle C-4171 (Fig. 45).



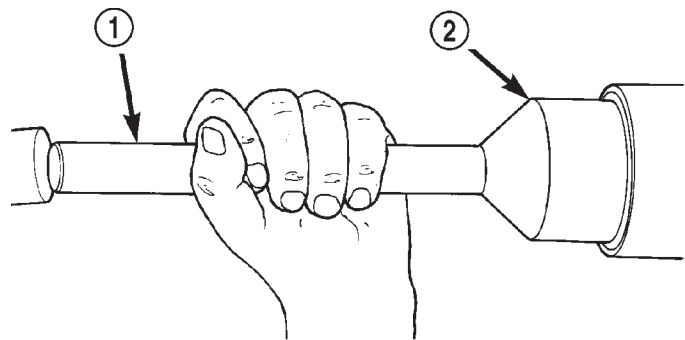
J9402-65

**Fig. 45 Pinion Outer Bearing Cup Installation**

- 1 - INSTALLER
- 2 - HANDLE

(3) Install front pinion bearing, and oil slinger, if equipped.

(4) Apply a light coating of gear lubricant on the lip of pinion seal. Install seal with Installer 8108 and Handle C-4171 (Fig. 46).

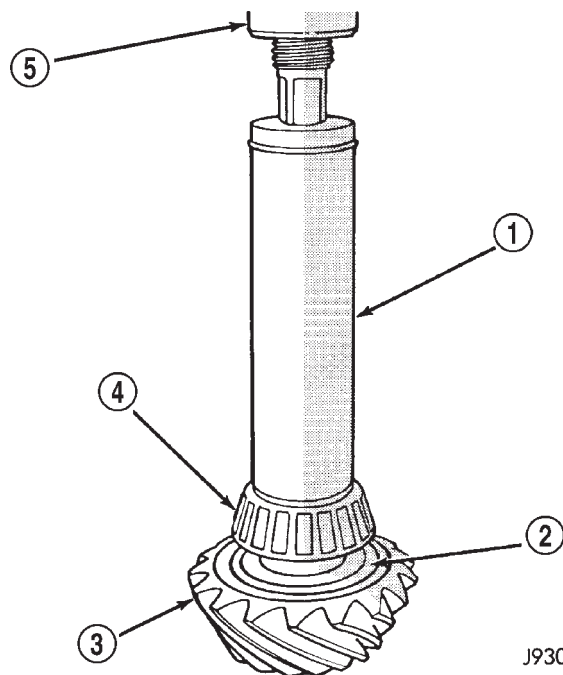


80a98349

**Fig. 46 Pinion Seal Installation**

- 1 - SPECIAL TOOL C-4171
- 2 - SPECIAL TOOL C-8108

(5) Install the rear pinion bearing and oil slinger/depth shim onto the pinion shaft with Installer W-262 and a shop press (Fig. 47).



J9302-68

**Fig. 47 Rear Pinion Bearing Installation**

- 1 - INSTALLATION TOOL
- 2 - OIL SLINGER
- 3 - DRIVE PINION GEAR
- 4 - DRIVE PINION GEAR SHAFT REAR BEARING
- 5 - PRESS

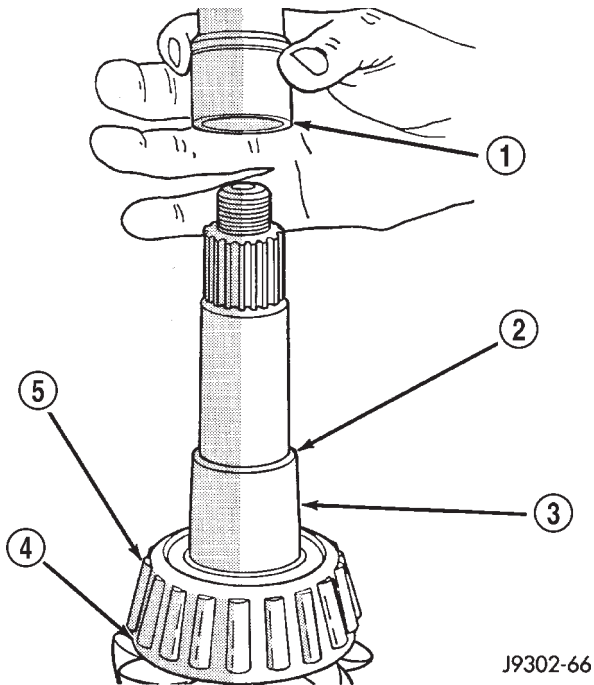
(6) Install a new collapsible preload spacer on pinion shaft and install the pinion in the axle housing (Fig. 48).

(7) Install pinion companion flange, with Installer W-162-B, Cup 8109, and Holder 6958.

(8) Install the pinion washer and a new nut onto the pinion gear. Tighten the nut to 216 N·m (160 ft.



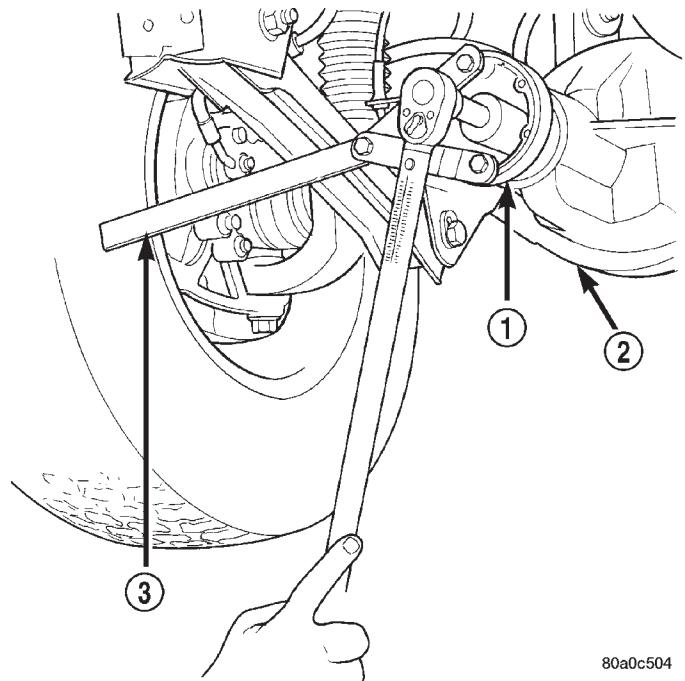
REMOVAL AND INSTALLATION (Continued)



J9302-66

**Fig. 48 Collapsible Preload Spacer**

- 1 - COLLAPSIBLE SPACER
- 2 - SHOULDER
- 3 - PINION GEAR
- 4 - OIL SLINGER
- 5 - REAR BEARING



80a0c504

**Fig. 49 Tightening Pinion Nut**

- 1 - PINION FLANGE
- 2 - FRONT AXLE
- 3 - TOOL 6958

lbs.) minimum. **Do not over-tighten.** Maximum torque is 352 N·m (260 ft. lbs.).

**CAUTION:** Never loosen pinion gear nut to decrease pinion gear bearing rotating torque and never exceed specified preload torque. If preload torque is exceeded a new collapsible spacer must be installed. The torque sequence will then have to be repeated.

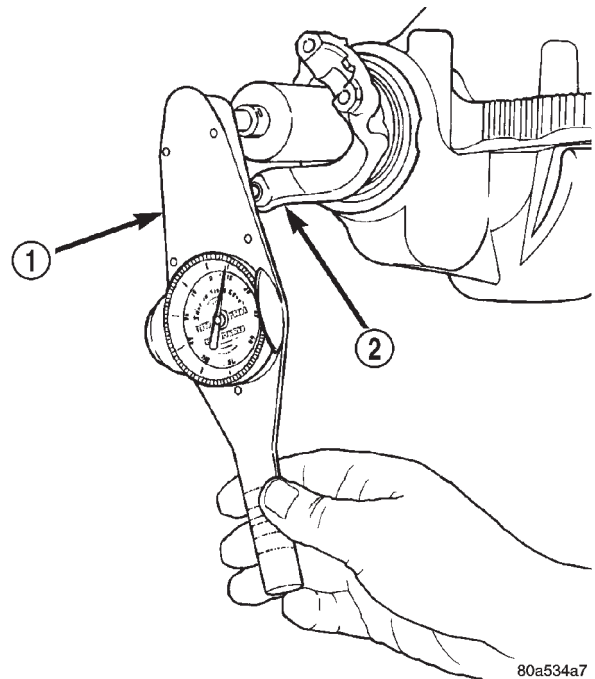
**NOTE:** If the spacer requires more than 352 N·m (260 ft. lbs.) of torque to crush, the collapsible spacer is defective.

(9) Using Holder 6958, a short length of 1 in. pipe, and torque wrench (set at 352 N·m (260 ft. lbs.)), crush collapsible spacer until bearing end play is taken up (Fig. 49).

(10) Slowly tighten the nut in 6.8 N·m (5 ft. lb.) increments until the required rotating torque is achieved. Measure the rotating torque frequently to avoid over crushing the collapsible spacer (Fig. 50).

(11) Rotate the pinion a minimum of ten times. Verify that the pinion rotates smoothly. Check bearing rotating torque with an inch pound torque wrench (Fig. 50). The torque necessary to rotate the pinion gear should be:

- Original Bearings — 1 to 2.25 N·m (10 to 20 in. lbs.).
- New Bearings — 1 to 2.8 N·m (10 to 25 in. lbs.).



80a534a7

**Fig. 50 Check Pinion Gear Rotation Torque-Typical**

- 1 - in. lbs. TORQUE WRENCH
- 2 - PINION YOKE

## REMOVAL AND INSTALLATION (Continued)

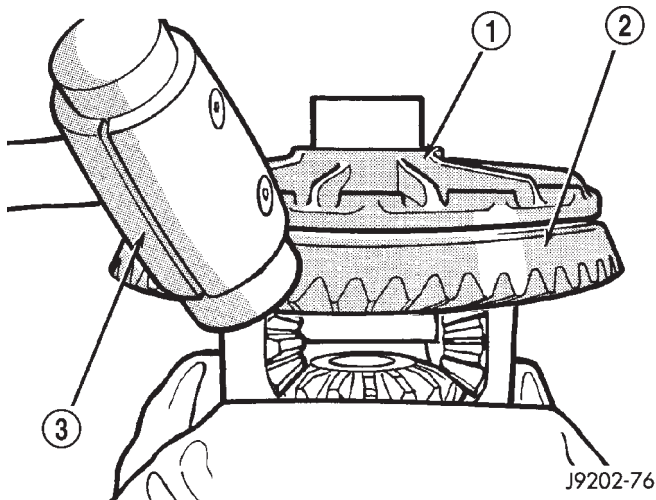
(12) Install differential assembly.

## RING GEAR

**NOTE:** The ring gear and pinion are serviced as a matched set. Do not replace the ring gear without replacing the pinion.

## REMOVAL

- (1) Remove differential from axle housing.
- (2) Place differential case in a suitable vise with soft metal jaw protectors. (Fig. 51)
- (3) Remove bolts holding ring gear to differential case.
- (4) Using a soft hammer, drive ring gear from differential case (Fig. 51).



**Fig. 51 Ring Gear Removal**

- 1 - CASE
- 2 - RING GEAR
- 3 - RAWHIDE HAMMER

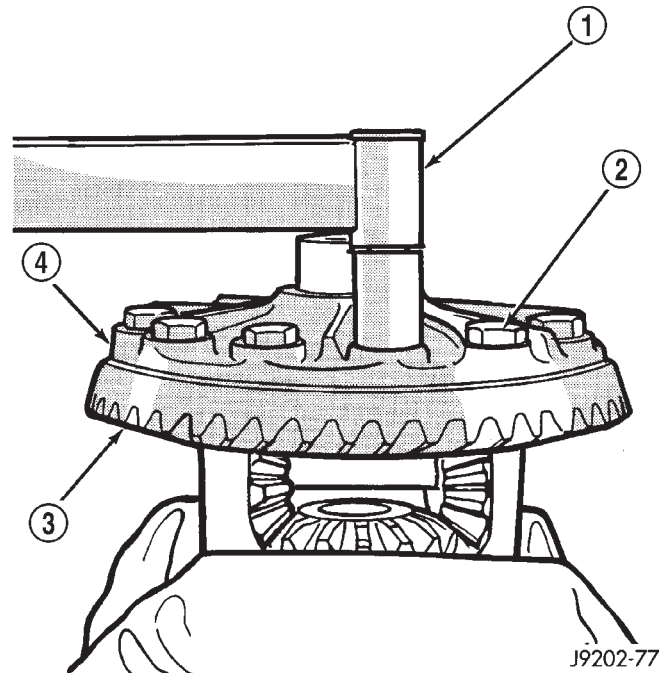
## INSTALLATION

**CAUTION:** Do not reuse the bolts that held the ring gear to the differential case. The bolts can fracture causing extensive damage.

- (1) Invert the differential case and start two ring gear bolts. This will provide case-to-ring gear bolt alignment.
- (2) Invert the differential case in the vise.

(3) Install new ring gear bolts and alternately tighten to 95–122 N·m (70–90 ft. lbs.) torque (Fig. 52).

(4) Install differential in axle housing and verify gear mesh and contact pattern.



**Fig. 52 Ring Gear Bolt Installation**

- 1 - TORQUE WRENCH
- 2 - RING GEAR BOLT
- 3 - RING GEAR
- 4 - CASE

## DISASSEMBLY AND ASSEMBLY

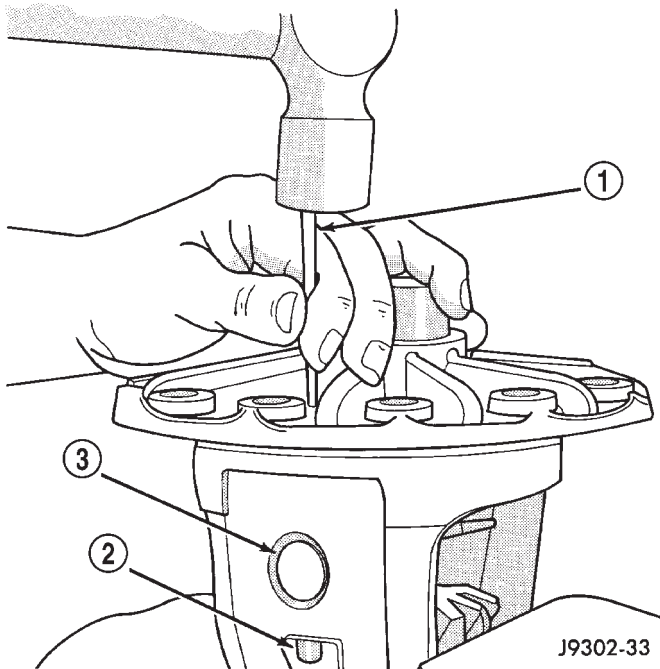
## STANDARD DIFFERENTIAL

## DISASSEMBLY

- (1) Remove the ring gear.
- (2) Using a suitable roll pin punch, drive out the roll pin holding pinion gear mate shaft in the differential case (Fig. 53).
- (3) Remove the pinion gear mate shaft from the differential case and the pinion mate gears.
- (4) Rotate differential side gears and remove the pinion mate gears and thrust washers (Fig. 54).
- (5) Remove the differential side gears and thrust washers.

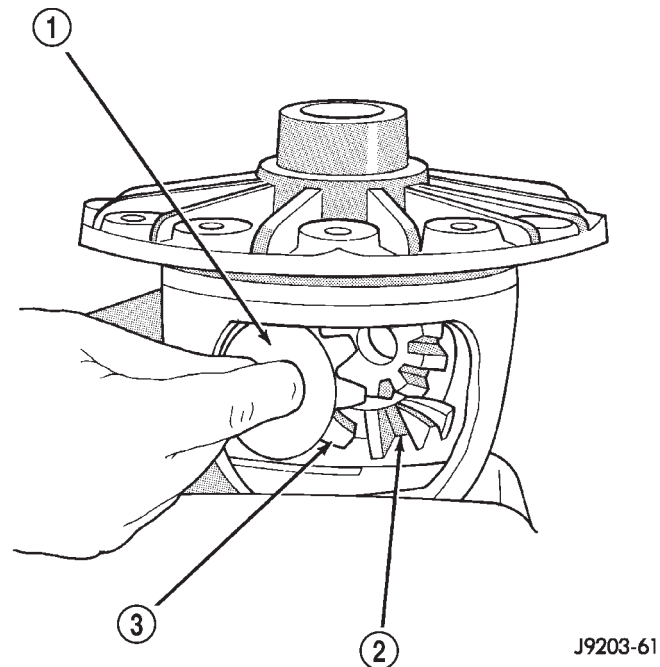


DISASSEMBLY AND ASSEMBLY (Continued)



**Fig. 53 Mate Shaft Roll Pin Removal**

- 1 - DRIFT
- 2 - LOCKPIN
- 3 - MATE SHAFT

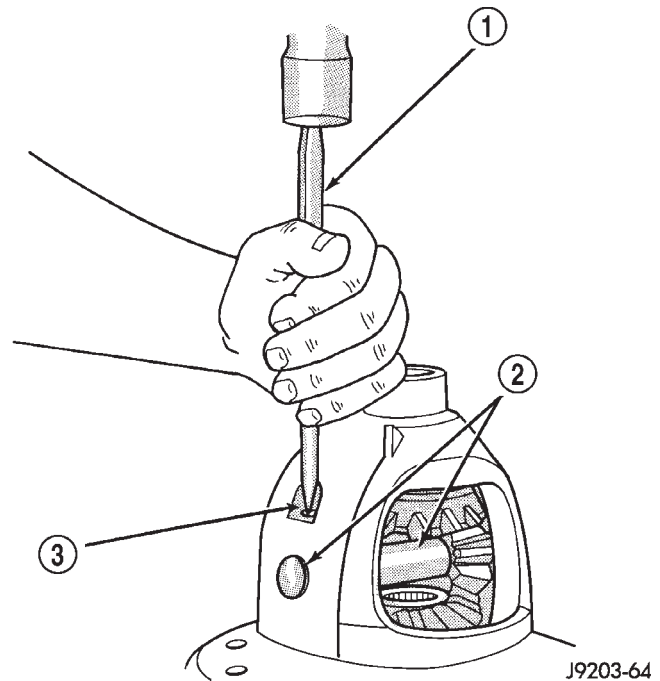


**Fig. 54 Pinion Mate Gear Removal**

- 1 - THRUST WASHER
- 2 - SIDE GEAR
- 3 - PINION MATE GEAR

**ASSEMBLY**

- (1) Install the differential side gears and thrust washers.
- (2) Install the pinion mate gears and thrust washers.
- (3) Install the pinion gear mate shaft. Align the roll pin holes in shaft and the differential case.
- (4) Install the roll pin to hold the pinion mate shaft in the differential case (Fig. 55).



**Fig. 55 Mate Shaft Roll Pin Installation**

- 1 - PUNCH
- 2 - PINION MATE SHAFT
- 3 - MATE SHAFT LOCKPIN

- (5) Install the ring gear.
- (6) Lubricate all differential components with hypoid gear lubricant.

**FINAL ASSEMBLY**

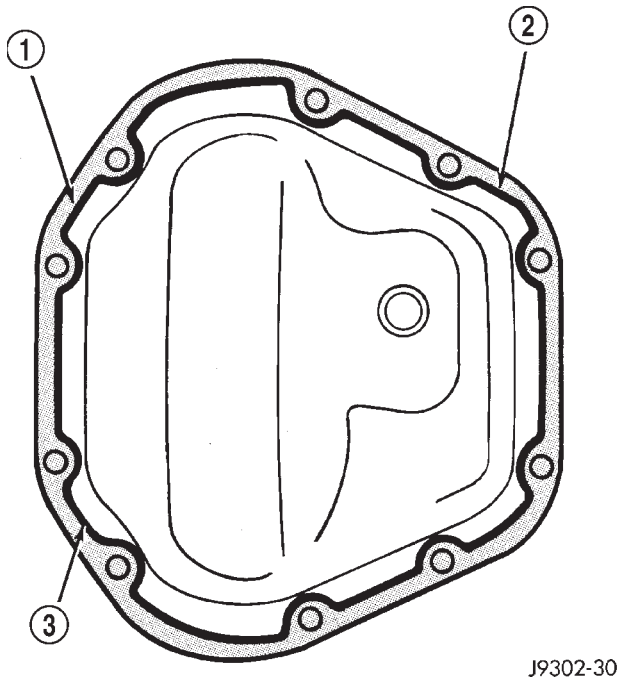
(1) Scrape the residual sealant from the housing and cover mating surfaces. Clean the mating surfaces with mineral spirits. Apply a bead of Mopar® Silicone Rubber Sealant, or equivalent, on the housing cover (Fig. 56).

**Install the housing cover within 5 minutes after applying the sealant.**

(2) Install the cover on the differential with the attaching bolts. Install the identification tag. Tighten the cover bolts to 41 N·m (30 ft. lbs.) torque.

**CAUTION: Overfilling the differential can result in lubricant foaming and overheating.**

## DISASSEMBLY AND ASSEMBLY (Continued)



**Fig. 56 Typical Housing Cover With Sealant**

- 1 - SEALING SURFACE  
 2 - CONTOUR OF BEAD  
 3 - BEAD THICKNESS 6.35MM (1/4")

(3) Refill the differential housing with gear lubricant. Refer to the Lubricant Specifications section of this group for the gear lubricant requirements.

(4) Install the fill hole plug.

## CLEANING AND INSPECTION

### CARDAN U-JOINT

Clean all the U-joint yoke bores with cleaning solvent and a wire brush. Ensure that all the rust and foreign matter are removed from the bores.

Inspect the yokes for distortion, cracks and worn bearing cap bores.

Replace the complete U-joint if any of the components are defective.

### AXLE COMPONENTS

Wash differential components with cleaning solvent and dry with compressed air. **Do not steam clean the differential components.**

Wash bearings with solvent and towel dry, or dry with compressed air. **DO NOT** spin bearings with compressed air. **Cup and bearing must be replaced as matched sets only.**

Clean axle shaft tubes and oil channels in housing. Inspect for;

- Smooth appearance with no broken/dented surfaces on the bearing rollers or the roller contact surfaces.
- Bearing cups must not be distorted or cracked.
- Machined surfaces should be smooth and without any raised edges.
- Raised metal on shoulders of cup bores should be removed with a hand stone.
- Wear and damage to pinion gear mate shaft, pinion gears, side gears and thrust washers. Replace as a matched set only.
- Ring and pinion gear for worn and chipped teeth.
- Ring gear for damaged bolt threads. Replaced as a matched set only.
- Pinion yoke for cracks, worn splines, pitted areas, and a rough/corroded seal contact surface. Repair or replace as necessary.
- Preload shims for damage and distortion. Install new shims, if necessary.

## ADJUSTMENTS

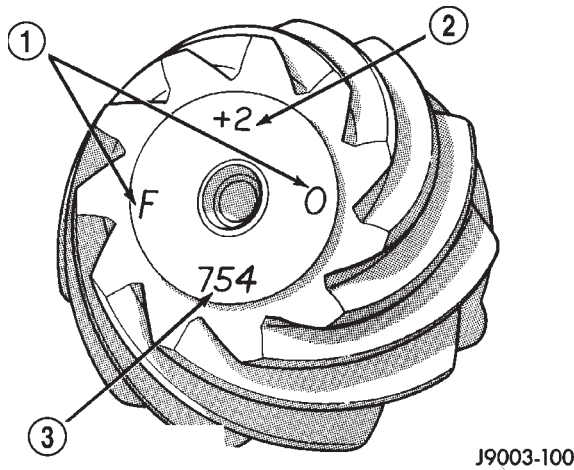
### PINION GEAR DEPTH

#### GENERAL INFORMATION

Ring and pinion gears are supplied as matched sets only. The identifying numbers for the ring and pinion gear are etched into the face of each gear (Fig. 57). A plus (+) number, minus (-) number or zero (0) is etched into the face of the pinion gear. This number is the amount (in thousandths of an inch) the depth varies from the standard depth setting of a pinion etched with a (0). The standard setting from the center line of the ring gear to the back face of the pinion is 92.08 mm (3.625 in.). The standard depth provides the best gear tooth contact pattern. Refer to Backlash and Contact Pattern Analysis paragraph in this section for additional information.

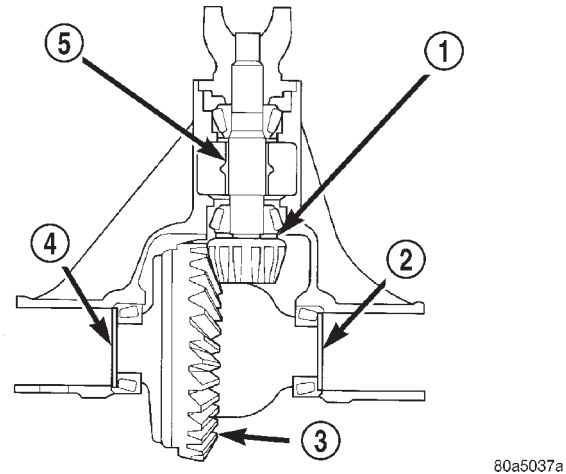
Compensation for pinion depth variance is achieved with a select oil slinger/depth shim. The oil slinger/depth shim is placed between the rear pinion bearing cone and the pinion gear head (Fig. 58).

ADJUSTMENTS (Continued)



**Fig. 57 Pinion Gear ID Numbers**

- 1 - PRODUCTION NUMBERS
- 2 - DRIVE PINION GEAR DEPTH VARIANCE
- 3 - GEAR MATCHING NUMBER (SAME AS RING GEAR NUMBER)



**Fig. 58 Shim Locations**

- 1 - PINION GEAR DEPTH SHIM
- 2 - DIFFERENTIAL BEARING SHIM-PINION GEAR SIDE
- 3 - RING GEAR
- 4 - DIFFERENTIAL BEARING SHIM-RING GEAR SIDE
- 5 - COLLAPSIBLE SPACER

If a new gear set is being installed, note the depth variance etched into both the original and replacement pinion gear. Add or subtract the thickness of the original depth shims to compensate for the difference in the depth variances. Refer to the Depth Variance chart.

Note where Old and New Pinion Marking columns intersect. Intersecting figure represents plus or minus the amount needed.

Note the etched number on the face of the drive pinion gear (-1, -2, 0, +1, +2, etc.). The numbers represent thousands of an inch deviation from the standard. If the number is negative, add that value to the required thickness of the depth shims. If the number is positive, subtract that value from the thickness of the depth shim. If the number is 0 no change is necessary.

**PINION DEPTH MEASUREMENT AND ADJUSTMENT**

Measurements are taken with pinion bearings and bearing cups installed in the axle housing. Take measurements with Pinion Gauge Set 6774 and Dial Indicator C-3339 (Fig. 59).

(1) Assemble Pinion Height Block 6739, Pinion Block 6733, and rear pinion bearing onto Screw 6741 (Fig. 59).

(2) Insert assembled height gauge components, rear bearing and screw into axle housing through pinion bearing cups (Fig. 60).

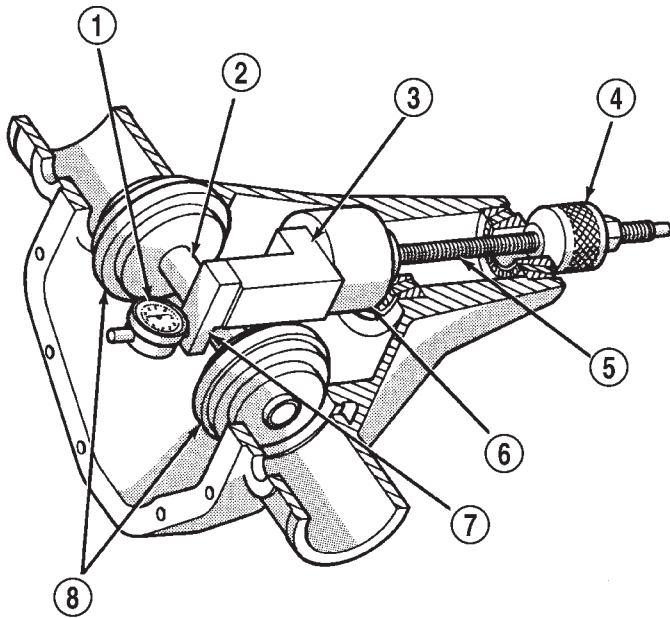
(3) Install front pinion bearing cone and Cone-nut 6740 hand tight (Fig. 59).

(4) Place Arbor Disc 6732 on Arbor D-115-3 in position in axle housing side bearing cradles (Fig. 61). Install differential bearing caps on Arbor Discs and tighten cap bolts to 41 N-m (30 ft. lbs.).

**PINION GEAR DEPTH VARIANCE**

Original Pinion Gear Depth Variance	Replacement Pinion Gear Depth Variance								
	-4	-3	-2	-1	0	+1	+2	+3	+4
<b>+4</b>	+0.008	+0.007	+0.006	+0.005	+0.004	+0.003	+0.002	+0.001	0
<b>+3</b>	+0.007	+0.006	+0.005	+0.004	+0.003	+0.002	+0.001	0	-0.001
<b>+2</b>	+0.006	+0.005	+0.004	+0.003	+0.002	+0.001	0	-0.001	-0.002
<b>+1</b>	+0.005	+0.004	+0.003	+0.002	+0.001	0	-0.001	-0.002	-0.003
<b>0</b>	+0.004	+0.003	+0.002	+0.001	0	-0.001	-0.002	-0.003	-0.004
<b>-1</b>	+0.003	+0.002	+0.001	0	-0.001	-0.002	-0.003	-0.004	-0.005
<b>-2</b>	+0.002	+0.001	0	-0.001	-0.002	-0.003	-0.004	-0.005	-0.006
<b>-3</b>	+0.001	0	-0.001	-0.002	-0.003	-0.004	-0.005	-0.006	-0.007
<b>-4</b>	0	-0.001	-0.002	-0.003	-0.004	-0.005	-0.006	-0.007	-0.008

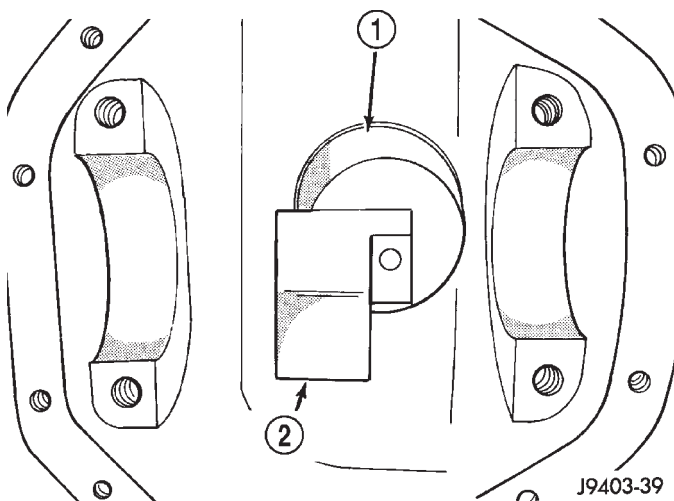
## ADJUSTMENTS (Continued)



J9403-45

**Fig. 59 Pinion Gear Depth Gauge Tools—Typical**

- 1 - DIAL INDICATOR
- 2 - ARBOR
- 3 - PINION HEIGHT BLOCK
- 4 - CONE
- 5 - SCREW
- 6 - PINION BLOCK
- 7 - SCOOTER BLOCK
- 8 - ARBOR DISC

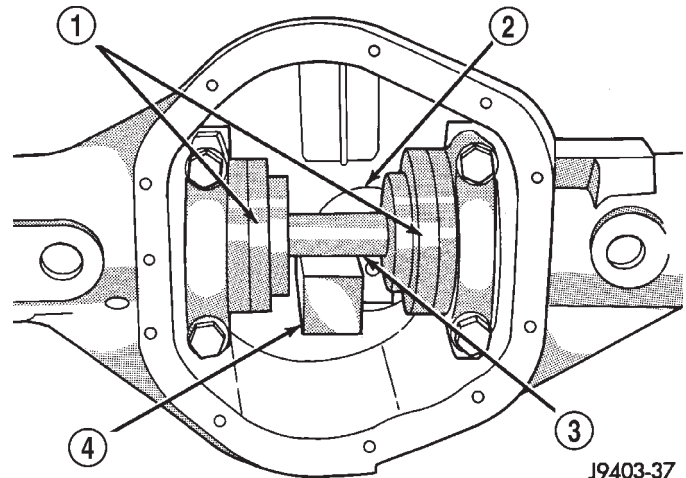


J9403-39

**Fig. 60 Pinion Height Block—Typical**

- 1 - PINION BLOCK
- 2 - PINION HEIGHT BLOCK

**NOTE:** Arbor Discs 6732 has different step diameters to fit other axles. Choose proper step for axle being serviced.



J9403-37

**Fig. 61 Gauge Tools In Housing—Typical**

- 1 - ARBOR DISC
- 2 - PINION BLOCK
- 3 - ARBOR
- 4 - PINION HEIGHT BLOCK

(5) Assemble Dial Indicator C-3339 into Scooter Block D-115-2 and secure set screw.

(6) Place Scooter Block/Dial Indicator in position in axle housing so dial probe and scooter block are flush against the rearward surface of the pinion height block (Fig. 59). Hold scooter block in place and zero the dial indicator face to the pointer. Tighten dial indicator face lock screw.

(7) With scooter block still in position against the pinion height block, slowly slide the dial indicator probe over the edge of the pinion height block.

(8) Slide the dial indicator probe across the gap between the pinion height block and the arbor bar with the scooter block against the pinion height block (Fig. 62). When the dial probe contacts the arbor bar, the dial pointer will turn clockwise. Bring dial pointer back to zero against the arbor bar, do not turn dial face. Continue moving the dial probe to the crest of the arbor bar and record the highest reading. If the dial indicator can not achieve the zero reading, the rear bearing cup or the pinion depth gauge set is not installed correctly.

(9) Select a shim equal to the dial indicator reading plus the drive pinion gear depth variance number etched in the face of the pinion gear (Fig. 57). For example, if the depth variance is  $-2$ , add  $+0.002$  in. to the dial indicator reading.

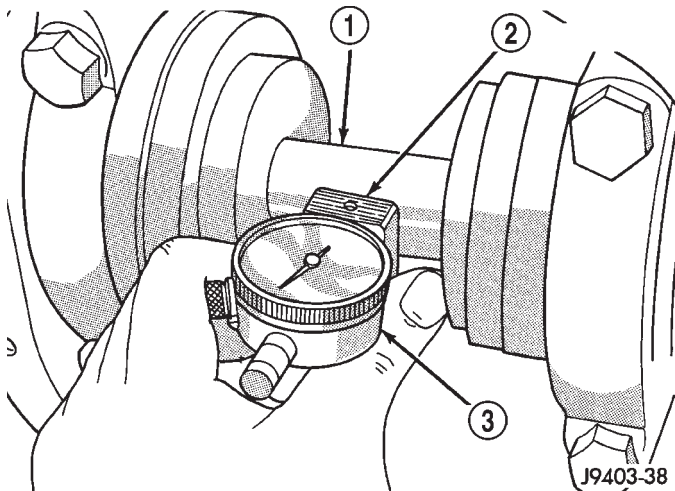
## DIFFERENTIAL BEARING PRELOAD AND GEAR BACKLASH

### INTRODUCTION

Differential side bearing preload and gear backlash is achieved by selective shims positioned between the

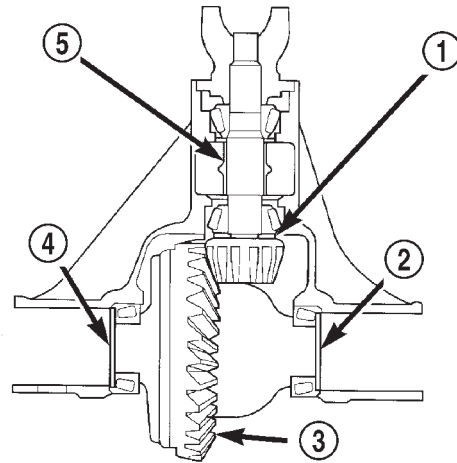


ADJUSTMENTS (Continued)



**Fig. 62 Pinion Gear Depth Measurement—Typical**

- 1 - ARBOR
- 2 - SCOOTER BLOCK
- 3 - DIAL INDICATOR



80a5037a

**Fig. 63 Axle Adjustment Shim Locations**

- 1 - PINION GEAR DEPTH SHIM
- 2 - DIFFERENTIAL BEARING SHIM-PINION GEAR SIDE
- 3 - RING GEAR
- 4 - DIFFERENTIAL BEARING SHIM-RING GEAR SIDE
- 5 - COLLAPSIBLE SPACER

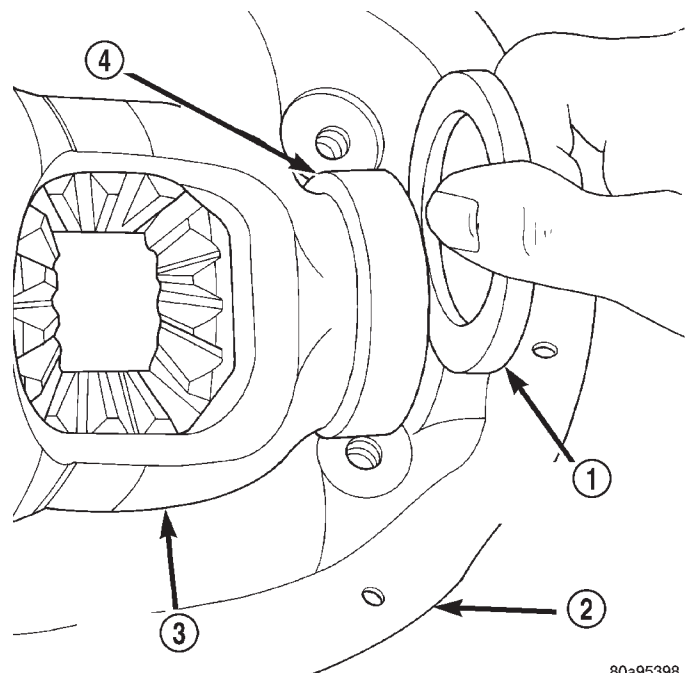
differential side bearing cups and the axle housing. The proper shim thickness can be determined using slip-fit dummy bearings D-348 in place of the differential side bearings and a dial indicator C-3339. Before proceeding with the differential bearing preload and gear backlash measurements, measure the pinion gear depth and prepare the pinion gear for installation. Establishing proper pinion gear depth is essential to establishing gear backlash and tooth contact patterns. After the overall shim thickness to take up differential side play is measured, the pinion gear is installed, and the gear backlash shim thickness is measured. The overall shim thickness is the total of the dial indicator reading, starting point shim thickness, and the preload specification added together. The gear backlash measurement determines the thickness of the shim used on the ring gear side of the differential case. Subtract the gear backlash shim thickness from the total overall shim thickness and select that amount for the pinion gear side of the differential (Fig. 63). Differential shim measurements are performed with axle spreader W-129-B removed.

**SHIM SELECTION**

**NOTE:** It is difficult to salvage the differential side bearings during the removal procedure. Install replacement bearings if necessary.

- (1) Remove differential side bearings from differential case.
- (2) Install ring gear on differential case and tighten bolts to specification.
- (3) Install dummy side bearings D-348 on differential case.

- (4) Install differential case in axle housing.
- (5) Measure and record the thickness of Dummy Shims 8107 (0.118 in. (3.0 mm)) starting point shims for future reference. Insert Dummy Shims 8107 starting point shims between the dummy bearings and the axle housing (Fig. 64).



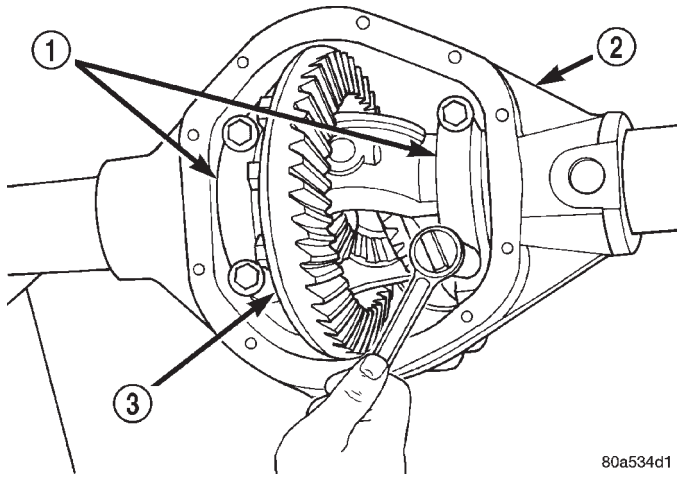
80a95398

**Fig. 64 Insert Starting Point Shims**

- 1 - SPECIAL TOOL 8107
- 2 - AXLE HOUSING
- 3 - DIFFERENTIAL CASE
- 4 - SPECIAL TOOL D-348

ADJUSTMENTS (Continued)

(6) Install the marked bearing caps in their correct positions. Install and snug the bolts (Fig. 65).

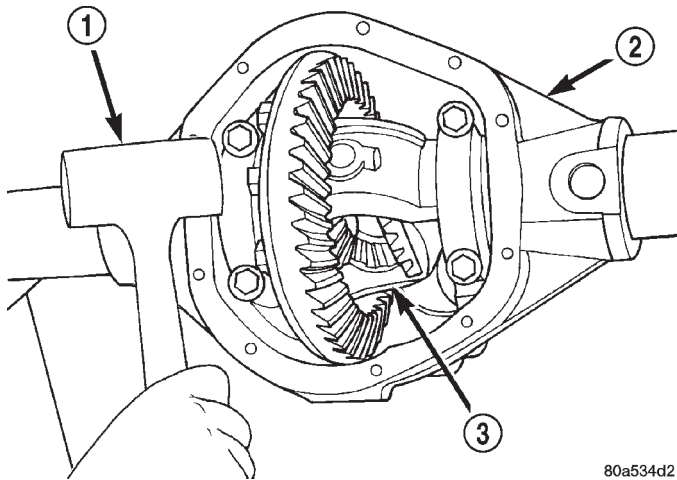


80a534d1

**Fig. 65 Tighten Bolts Holding Bearing Caps**

- 1 - BEARING CAP
- 2 - AXLE HOUSING
- 3 - DIFFERENTIAL CASE

(7) Using a dead-blow type mallet, seat the differential dummy bearings to each side of the axle housing (Fig. 66) and (Fig. 67).

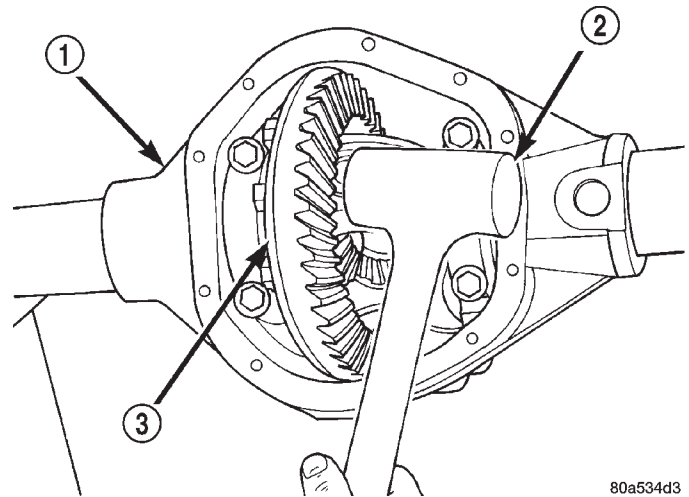


80a534d2

**Fig. 66 Seat Pinion Gear Side Differential Dummy Side Bearing**

- 1 - MALLET
- 2 - AXLE HOUSING
- 3 - DIFFERENTIAL CASE

(8) Thread guide stud C-3288-B into rear cover bolt hole below ring gear (Fig. 68).

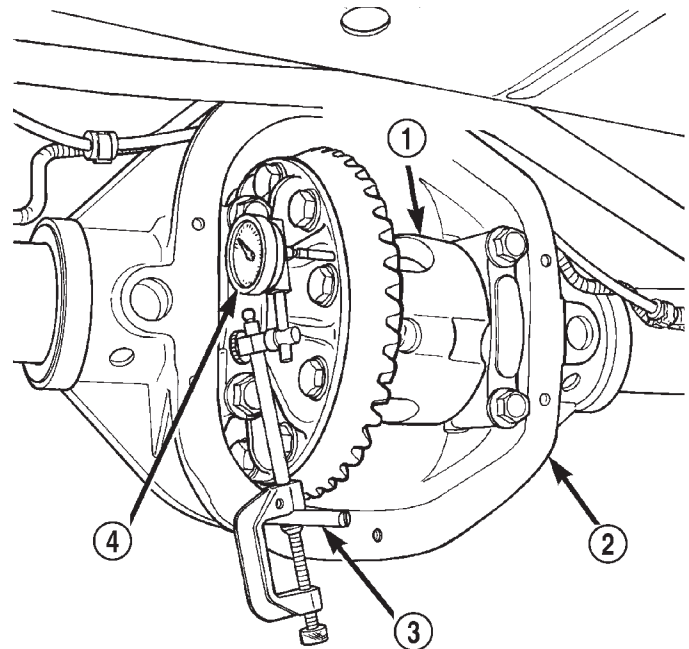


80a534d3

**Fig. 67 Seat Ring Gear Side Differential Dummy Side Bearing**

- 1 - AXLE HOUSING
- 2 - MALLET
- 3 - DIFFERENTIAL CASE

(9) Attach a dial indicator C-3339 to guide stud. Position the dial indicator plunger on a flat surface between the ring gear bolt heads (Fig. 68).



80a7e2cf

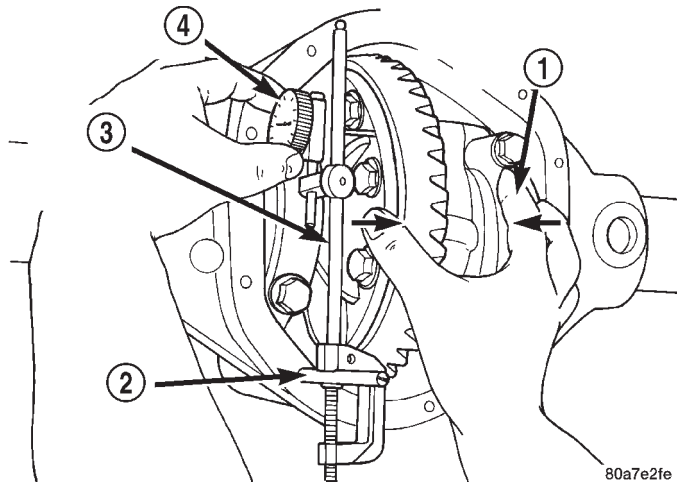
**Fig. 68 Differential Side play Measurement**

- 1 - DIFFERENTIAL CASE
- 2 - AXLE HOUSING
- 3 - SPECIAL TOOL C-3288-B
- 4 - SPECIAL TOOL C-3339



ADJUSTMENTS (Continued)

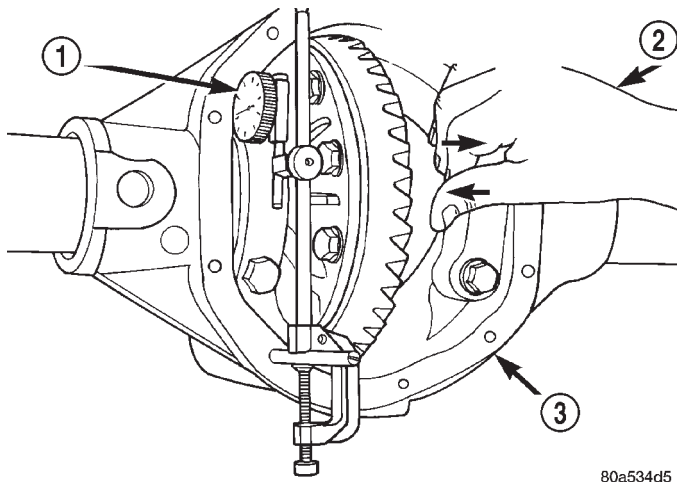
- (10) Push and hold differential case to pinion gear side of axle housing (Fig. 69).
- (11) Zero dial indicator face to pointer (Fig. 69).



**Fig. 69 Hold Differential Case and Zero Dial Indicator**

- 1 - FORCE DIFFERENTIAL CASE TO PINION GEAR SIDE
- 2 - SPECIAL TOOL C-3288-B
- 3 - SPECIAL TOOL C-3339
- 4 - ZERO DIAL INDICATOR FACE

- (12) Push and hold differential case to ring gear side of the axle housing (Fig. 70).
- (13) Record dial indicator reading (Fig. 70).
- (14) Add the dial indicator reading to the starting point shim thickness to determine the total shim thickness necessary to achieve zero differential end-play.



**Fig. 70 Hold Differential Case and Read Dial Indicator**

- 1 - READ DIAL INDICATOR
- 2 - FORCE DIFFERENTIAL CASE TO RING GEAR SIDE
- 3 - AXLE HOUSING

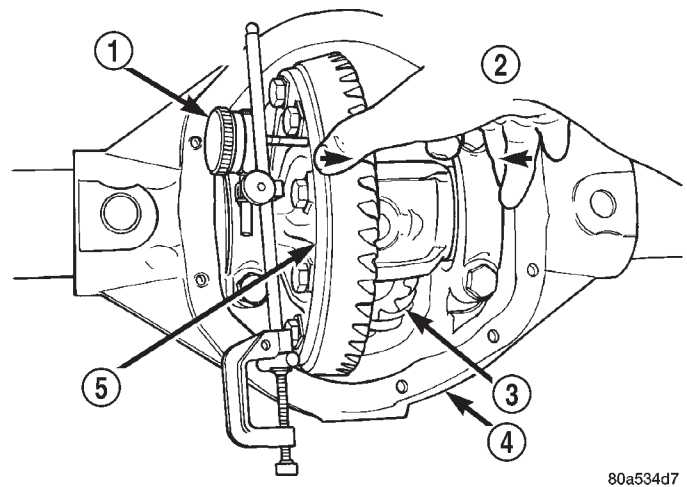
- (15) Add 0.006 in. (0.152 mm) to the zero end play total. This new total represents the thickness of shims to compress, or preload the new bearings when the differential is installed.

- (16) Rotate dial indicator out of the way on the guide stud.
- (17) Remove differential case, dummy shims, and dummy bearings from axle housing.

- (18) Install the pinion gear in axle housing. Install the pinion yoke, or flange, and establish the correct pinion rotating torque. Record the value for use in setting the differential total torque to rotate.

- (19) Install differential case and dummy bearings D-348 in axle housing with a single Dummy Shim 8107 installed between the ring gear side dummy bearing and the axle housing. Install bearing caps and tighten bolts snug.

- (20) Seat ring gear side dummy bearing (Fig. 67).
- (21) Position the dial indicator plunger on a flat surface between the ring gear bolt heads. (Fig. 68).
- (22) Push and hold differential case toward pinion gear (Fig. 71).
- (23) Zero dial indicator face to pointer (Fig. 71).



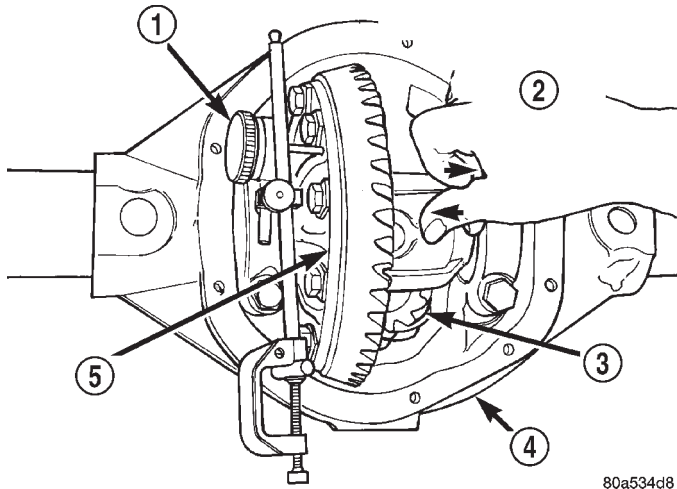
**Fig. 71 Hold Differential Case and Zero Dial Indicator**

- 1 - ZERO DIAL INDICATOR FACE
- 2 - FORCE DIFFERENTIAL CASE TO PINION GEAR SIDE
- 3 - PINION GEAR
- 4 - AXLE HOUSING
- 5 - DIFFERENTIAL CASE

## ADJUSTMENTS (Continued)

(24) Push and hold differential case to ring gear side of the axle housing (Fig. 72).

(25) Record dial indicator reading (Fig. 72). Add the starting point shim thickness to the dial indicator reading to obtain the total shim thickness necessary to achieve zero backlash.



80a534d8

**Fig. 72 Hold Differential Case and Read Dial Indicator**

- 1 - READ DIAL INDICATOR
- 2 - FORCE DIFFERENTIAL CASE TO RING GEAR SIDE
- 3 - PINION GEAR
- 4 - AXLE HOUSING
- 5 - DIFFERENTIAL CASE

(26) Subtract 0.003 in. (0.076 mm) from the dial indicator reading to compensate for backlash between ring and pinion gears. This total is the thickness shim required to achieve proper backlash.

(27) Subtract the backlash shim thickness from the total preload shim thickness. The remainder is the shim thickness required on the pinion side of the axle housing.

(28) Rotate dial indicator out of the way on guide stud.

(29) Remove differential case and dummy bearings from axle housing.

(30) Install side bearings and cups on differential case.

(31) Install spreader W-129-B, utilizing some items from Adapter Set 6987, on axle housing and spread axle opening enough to receive differential case.

(32) Place the required differential bearing preload shims in the axle housing against the axle tubes.

(33) Install differential case in axle housing.

(34) Remove spreader from axle housing.

(35) Rotate the differential case several times to seat the side bearings.

(36) Position the indicator plunger against a ring gear tooth (Fig. 73).

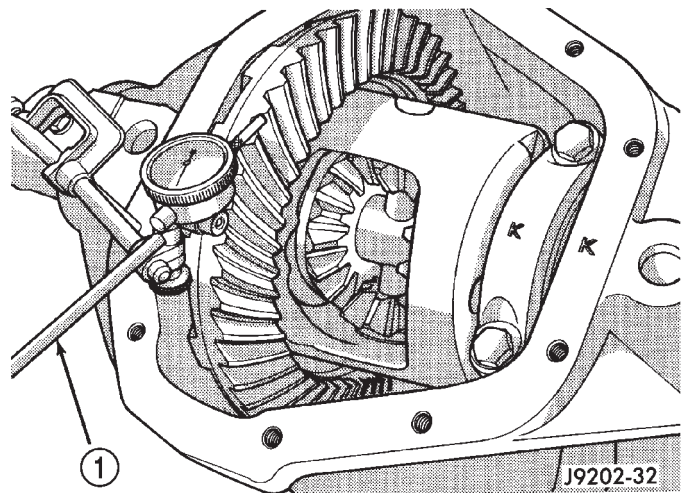
(37) Push and hold ring gear upward while not allowing the pinion gear to rotate.

(38) Zero dial indicator face to pointer.

(39) Push and hold ring gear downward while not allowing the pinion gear to rotate. Dial indicator reading should be between 0.12 mm (0.005 in.) and 0.20 mm (0.008 in.). If backlash is not within specifications transfer the necessary amount of shim thickness from one side of the axle housing to the other (Fig. 74).

(40) Verify differential case and ring gear runout by measuring ring to pinion gear backlash at eight locations around the ring gear. Readings should not vary more than 0.05 mm (0.002 in.). If readings vary more than specified, the ring gear or the differential case is defective.

After the proper backlash is achieved, perform Gear Contact Pattern Analysis procedure.



J9202-32

**Fig. 73 Ring Gear Backlash Measurement**

- 1 - DIAL INDICATOR

### DIFFERENTIAL TOTAL TORQUE TO ROTATE

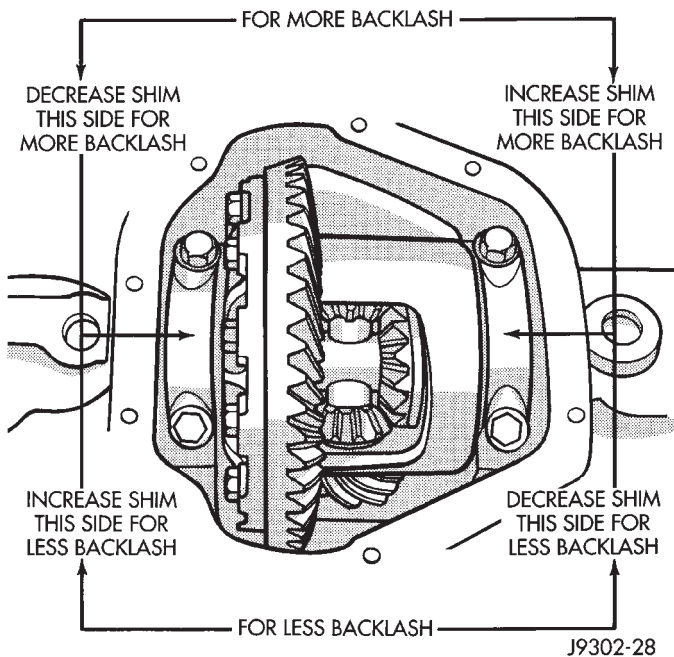
(1) Rotate the pinion a minimum of ten times to seat the differential bearings. Verify that the rotation is smooth and repeatable.

(2) While rotating the pinion at a slow steady rate, measure the differential total torque to rotate. Record the value.

(3) The differential total torque to rotate must be greater than the pinion torque to rotate plus 3 in.lbs. for axles equipped with an standard differential. On axles equipped with a Vari-Lok™ differential, the differential total torque to rotate must be greater than the pinion torque to rotate plus 6 in.lbs..

(4) The differential total torque to rotate must be less than the pinion torque to rotate plus 11 in.lbs. for axles equipped with an standard differential. On axles equipped with a Vari-Lok™ differential, the dif-

## ADJUSTMENTS (Continued)



**Fig. 74 Backlash Shim Adjustment**

differential total torque to rotate must be less than the pinion torque to rotate plus 16 in.lbs..

(5) If the differential total torque to rotate is within these guidelines, assemble the remainder of the axle.

(6) If the differential total torque to rotate is less than the required value, increase the shim thickness on the ring and pinion gear sides of the differential equally.

(7) If the differential total torque to rotate is greater than the required value, decrease the shim thickness on the ring and pinion gear sides of the differential equally.

(8) Remeasure the differential total torque to rotate.

### GEAR CONTACT PATTERN ANALYSIS

The ring gear and pinion teeth contact patterns will show if the pinion depth is correct in the axle housing. It will also show if the ring gear backlash has been adjusted correctly. The backlash can be adjusted within specifications to achieve desired tooth contact patterns.

(1) Apply a thin coat of hydrated ferric oxide, or equivalent, to the drive and coast side of the ring gear teeth.

(2) Wrap, twist, and hold a shop towel around the pinion yoke to increase the turning resistance of the pinion. This will provide a more distinct contact pattern.

(3) Using a boxed end wrench on a ring gear bolt, rotate the differential case one complete revolution in both directions while a load is being applied from shop towel.

The areas on the ring gear teeth with the greatest degree of contact against the pinion teeth will squeegee the compound to the areas with the least amount of contact. Note and compare patterns on the ring gear teeth to Gear Tooth Contact Patterns chart (Fig. 75) and adjust pinion depth and gear backlash as necessary.

ADJUSTMENTS (Continued)

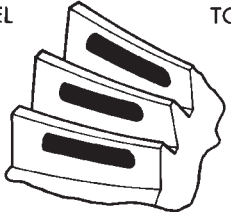
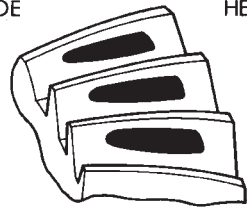

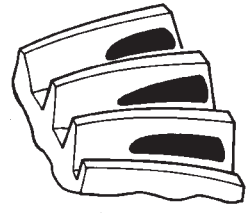
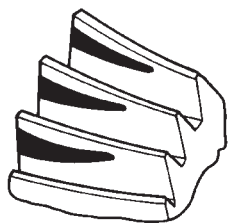
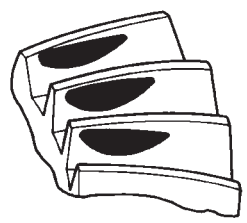
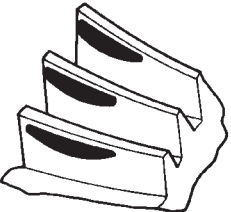
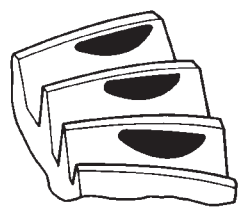
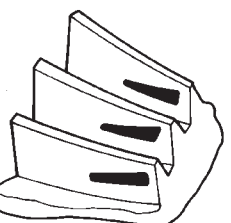
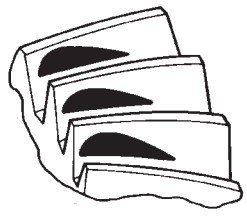
<p>DRIVE SIDE OF RING GEAR TEETH</p> <p>HEEL TOE</p> 	<p>COAST SIDE OF RING GEAR TEETH</p> <p>TOE HEEL</p> 	<p>DESIRABLE CONTACT PATTERN. PATTERN SHOULD BE CENTERED ON THE DRIVE SIDE OF TOOTH. PATTERN SHOULD BE CENTERED ON THE COAST SIDE OF TOOTH, BUT MAY BE SLIGHTLY TOWARD THE TOE. THERE SHOULD ALWAYS BE SOME CLEARANCE BETWEEN CONTACT PATTERN AND TOP OF THE TOOTH.</p>
		<p>RING GEAR BACKLASH CORRECT. <b>THINNER</b> PINION GEAR DEPTH SHIM REQUIRED.</p>
		<p>RING GEAR BACKLASH CORRECT. <b>THICKER</b> PINION GEAR DEPTH SHIM REQUIRED.</p>
		<p>PINION GEAR DEPTH SHIM CORRECT. <b>DECREASE</b> RING GEAR BACKLASH.</p>
		<p>PINION GEAR DEPTH SHIM CORRECT. <b>INCREASE</b> RING GEAR BACKLASH.</p>

Fig. 75 Gear Tooth Contact Patterns

## SPECIFICATIONS

### 186 FBI AXLE

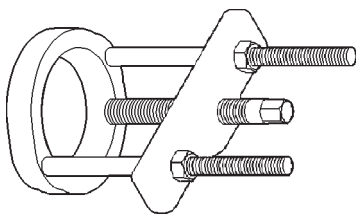
Axle Type ..... Hypoid  
 Lubricant ..... SAE Thermally Stable 80W-90  
 Lube Capacity-w/o Vari-lok™ ..... 1.18 L (2.5 pts.)  
 Lube Capacity-w/ Vari-lok™ . 1.19 L (2.51 pts.) total  
 Friction Modifier-Vari-lok™ only . . 0.07L (0.15 pts.)  
 Axle Ratio..... 3.07, 3.55, 3.73, 4.10  
 Differential Side Gear Clearance . . . 0.12-0.20 mm  
 (0.005-0.008 in.)  
 Ring Gear Diameter ..... 18.59 cm (7.33 in.)  
 Backlash..... 0-0.15 mm (0.005-0.008 in.)  
 Pinion Std. Depth..... 92.1 mm (3.625 in.)  
 Pinion Bearing Rotating Torque  
 Original Bearings ..... 1-2.25 N·m (10-20 in. lbs.)  
 New Bearings ..... 1-2.8 N·m (10-25 in. lbs.)

### 186 FBI AXLE

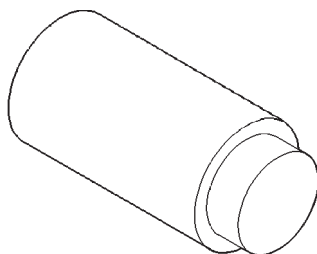
<b>DESCRIPTION</b>	<b>TORQUE</b>
Fill Hole Plug .....	34 N·m (25 ft. lbs.)
Diff. Cover Bolt .....	41 N·m (30 ft. lbs.)
Bearing Cap Bolt.....	61 N·m (45 ft. lbs.)
Ring Gear Bolt .....	95-122 N·m (70-90 ft. lbs.)
Axle Nut .....	237 N·m (175 ft. lbs.)
Hub Brg. Bolt .....	102 N·m (75 ft. lbs.)
Lower Ball Stud .....	108 N·m (80 ft. lbs.)
Upper Ball Stud .....	101 N·m (75 ft. lbs.)

## SPECIAL TOOLS

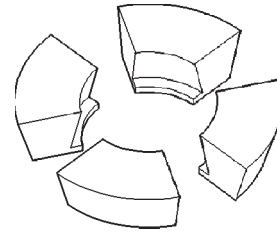
### 186 FBI AXLE



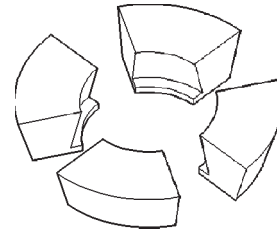
**Puller—C-293-PA**



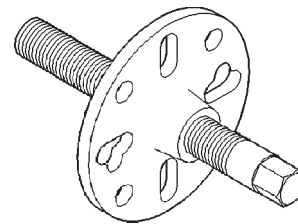
**Plug—SP-3289**



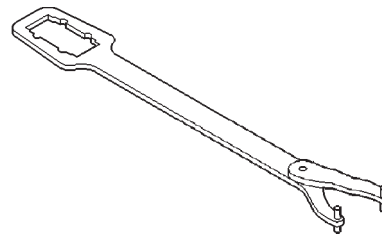
**Adapter—8352**



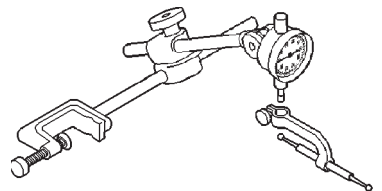
**Adapter—C-293-39**



**Puller—C-452**



**Wrench—C-3281**

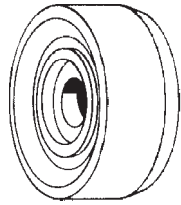


**Dial Indicator—C-3339**

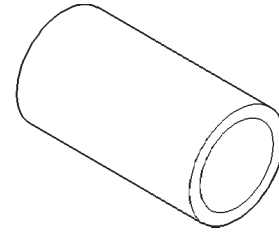
8011d42b



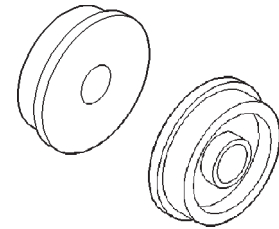
SPECIAL TOOLS (Continued)



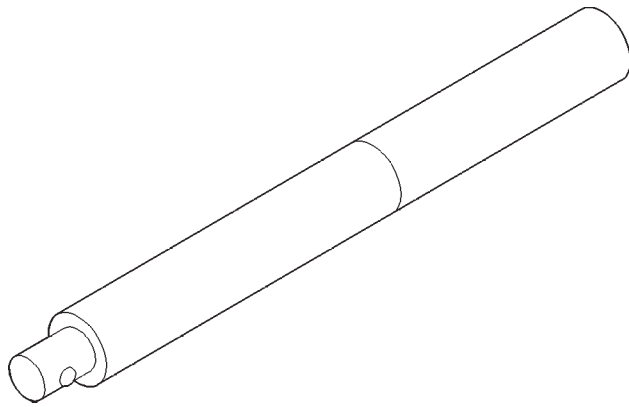
**Driver—C-3716-A**



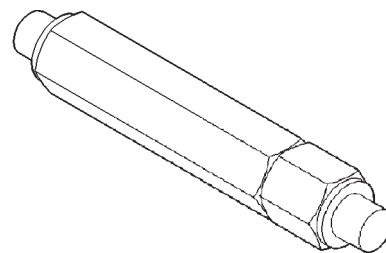
**Cup—8109**



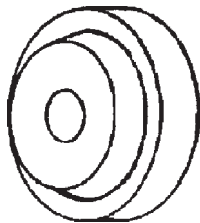
**Installer Discs—8110**



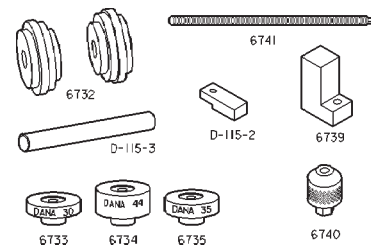
**Handle—C-4171**



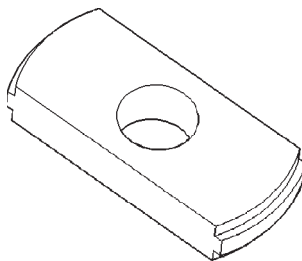
**Turnbuckle—6797**



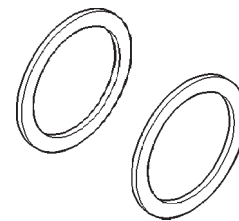
**Installer—D-146**



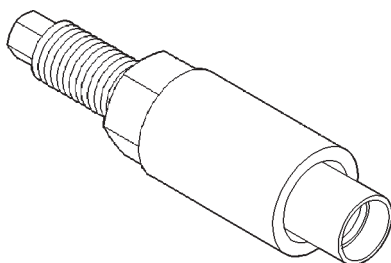
**Tool Set, Pinion Depth—6774**



**Remover—D-149**

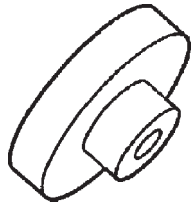


**Starting Point Shim—8107**

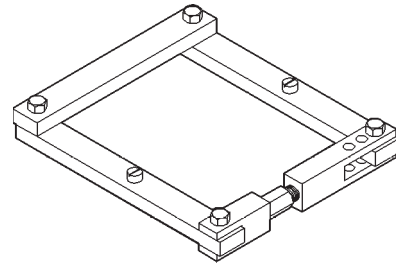


**Installer—W-162-D**

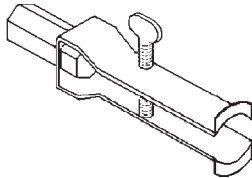
SPECIAL TOOLS (Continued)



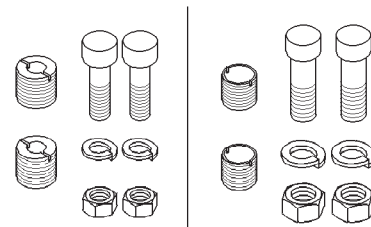
**Gauge Block—6733**



**Spreader—W-129-B**

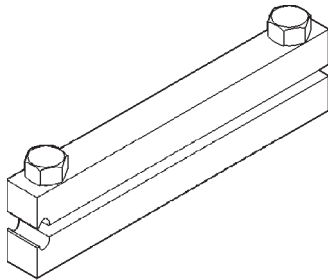


**Puller—7794-A**

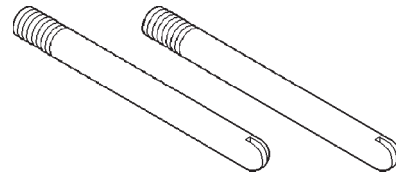


1-1/8 HEX TURNBUCKLE | 1-1/4 HEX TURNBUCKLE

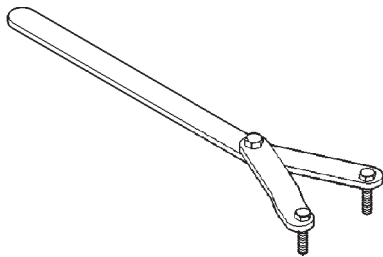
**Adapter Kit—6987**



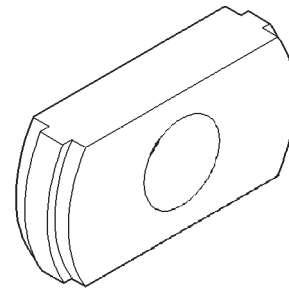
**Installer—C-4975-A**



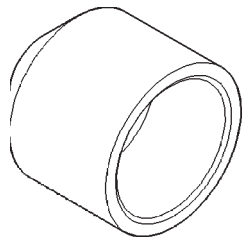
**Pilot Stud—C-3288-B**



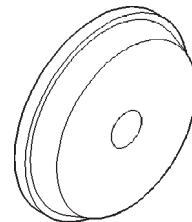
**Spanner—6958**



**Remover—C-4345**

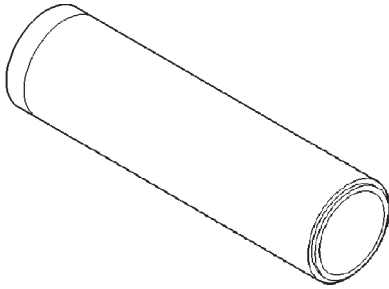


**Installer—8108**



**Installer—D-130**

SPECIAL TOOLS (Continued)



***Installer—W-262***

# 198 RBI AXLE

## TABLE OF CONTENTS

	page		page
<b>DESCRIPTION AND OPERATION</b>			
198 RBI AXLE .....	53	DIFFERENTIAL .....	68
LUBRICANT .....	54	DIFFERENTIAL SIDE BEARINGS .....	70
STANDARD DIFFERENTIAL .....	54	RING GEAR .....	71
TRAC-LOK™ DIFFERENTIAL .....	55	PINION GEAR .....	72
<b>DIAGNOSIS AND TESTING</b>			
GENERAL INFORMATION .....	55	FINAL ASSEMBLY .....	77
GEAR NOISE .....	58	<b>DISASSEMBLY AND ASSEMBLY</b>	
BEARING NOISE .....	58	STANDARD DIFFERENTIAL .....	77
LOW SPEED KNOCK .....	58	TRAC-LOK™ DIFFERENTIAL .....	78
VIBRATION .....	58	<b>CLEANING AND INSPECTION</b>	
DRIVELINE SNAP .....	59	AXLE COMPONENTS .....	82
TRAC-LOK™ DIFFERENTIAL NOISE .....	59	TRAC-LOK™ .....	82
TRAC-LOK™ TEST .....	59	<b>ADJUSTMENTS</b>	
<b>SERVICE PROCEDURES</b>			
LUBRICANT CHANGE .....	59	PINION GEAR DEPTH .....	83
<b>REMOVAL AND INSTALLATION</b>			
REAR AXLE .....	60	DIFFERENTIAL BEARING PRELOAD AND GEAR BACKLASH .....	85
PINION SHAFT SEAL .....	61	GEAR CONTACT PATTERN ANALYSIS .....	89
COLLAPSIBLE SPACER .....	63	<b>SPECIFICATIONS</b>	
AXLE SHAFT .....	66	198 RBI AXLE .....	91
AXLE SHAFT SEAL AND BEARING .....	66	198 RBI AXLE .....	91
		<b>SPECIAL TOOLS</b>	
		198 RBI AXLE .....	91

## DESCRIPTION AND OPERATION

### 198 RBI AXLE

#### DESCRIPTION

The 198 Rear Beam-design Iron (RBI) axle housing has an iron center casting (differential housing) with axle shaft tubes extending from either side. The tubes are pressed into and welded to the differential housing to form a one-piece axle housing.

The integral type, hypoid gear design, housing has the centerline of the pinion set below the centerline of the ring gear.

The axle has a vent hose to relieve internal pressure caused by lubricant vaporization and internal expansion.

The axles are equipped with semi-floating axle shafts, meaning that loads are supported by the axle shaft and bearings. The axle shafts are retained by bearing retainer plates on the axles which are bolted to flanges at the outboard end of the axle tubes.

The cover provides a means for servicing the differential without removing the axle.

For vehicles equipped with ABS brakes, the axles have a tone ring pressed onto the axle shaft. Use

care when removing axle shafts to ensure that the tone wheel or the wheel speed sensor are not damaged.

The 198 RBI axle has the assembly part number and gear ratio listed on a tag. The tag is attached to the differential housing by a cover bolt. Build date identification codes are stamped on the cover side of an axle shaft tube.

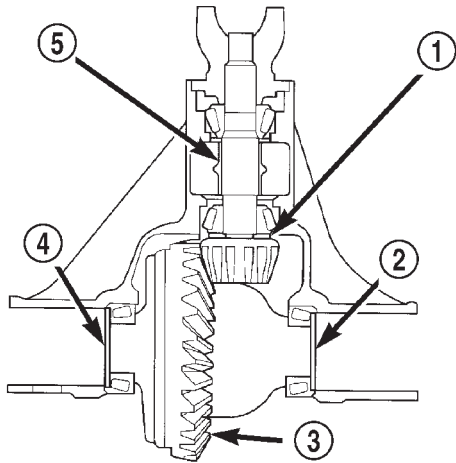
The differential case is a one-piece design. The differential pinion mate shaft is retained with a threaded pin. Differential bearing preload and ring gear backlash is adjusted by the use of selective spacer shims. Pinion bearing preload is set and maintained by the use of a collapsible spacer (Fig. 1).

Axles equipped with a Trac-Lok™ differential are optional. A Trac-Lok differential has a one-piece differential case, and the same internal components as a standard differential, plus two clutch disc packs.

#### OPERATION

The axle receives power from the transmission/transfer case through the rear propeller shaft. The rear propeller shaft is connected to the pinion gear which rotates the differential through the gear mesh with the ring gear bolted to the differential case. The engine power is transmitted to the axle shafts

## DESCRIPTION AND OPERATION (Continued)



80a5037a

**Fig. 1 Shim Locations**

- 1 - PINION GEAR DEPTH SHIM
- 2 - DIFFERENTIAL BEARING SHIM-PINION GEAR SIDE
- 3 - RING GEAR
- 4 - DIFFERENTIAL BEARING SHIM-RING GEAR SIDE
- 5 - COLLAPSIBLE SPACER

through the pinion mate and side gears. The side gears are splined to the axle shafts.

**LUBRICANT****DESCRIPTION**

A multi-purpose, hypoid gear lubricant which conforms to the following specifications should be used. Mopar® Hypoid Gear Lubricant conforms to all of these specifications.

- The lubricant should have MIL-L-2105C and API GL 5 quality specifications.
- Lubricant is a thermally stable SAE 80W-90 gear lubricant.
- Lubricant for axles intended for heavy-duty or trailer tow use is SAE 75W-140 SYNTHETIC gear lubricant.

Trac-lok™ differentials require the addition of 0.11L (0.25 pts.) of friction modifier to the axle lubricant. The 198 RBI axle lubricant capacity for axles equipped with a standard or Trac-lok™ differential is 1.66L (3.50 pts.) total, including the friction modifier if necessary.

**CAUTION:** If axle is submerged in water, lubricant must be replaced immediately to avoid possible premature axle failure.

**STANDARD DIFFERENTIAL****DESCRIPTION**

The differential gear system divides the torque between the axle shafts. It allows the axle shafts to rotate at different speeds when turning corners.

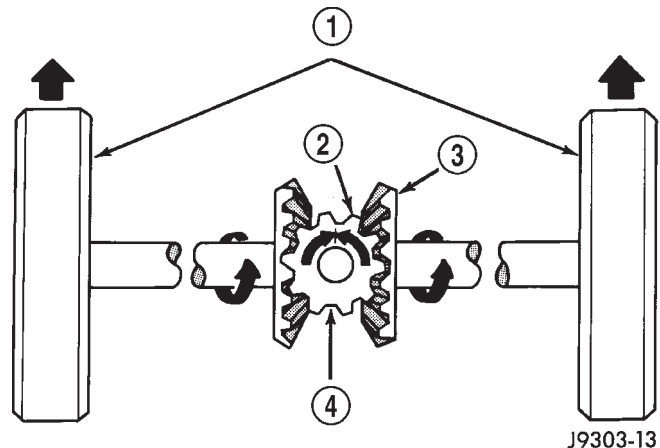
Each differential side gear is splined to an axle shaft. The pinion gears are mounted on a pinion mate shaft and are free to rotate on the shaft. The pinion gear is fitted in a bore in the differential case and is positioned at a right angle to the axle shafts.

**OPERATION**

In operation, power flow occurs as follows:

- The pinion gear rotates the ring gear
- The ring gear (bolted to the differential case) rotates the case
- The differential pinion gears (mounted on the pinion mate shaft in the case) rotate the side gears
- The side gears (splined to the axle shafts) rotate the shafts

During straight-ahead driving, the differential pinion gears do not rotate on the pinion mate shaft. This occurs because input torque applied to the gears is divided and distributed equally between the two side gears. As a result, the pinion gears revolve with the pinion mate shaft but do not rotate around it (Fig. 2).



J9303-13

**Fig. 2 Differential Operation—Straight Ahead Driving**

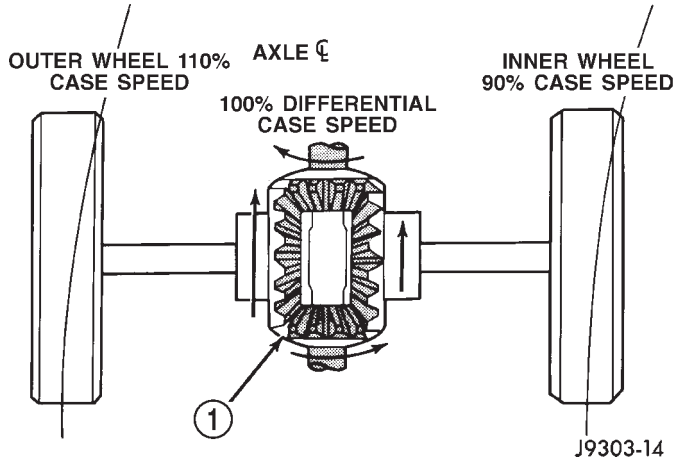
- 1 - IN STRAIGHT AHEAD DRIVING EACH WHEEL ROTATES AT 100% OF CASE SPEED
- 2 - PINION GEAR
- 3 - SIDE GEAR
- 4 - PINION GEARS ROTATE WITH CASE

When turning corners, the outside wheel must travel a greater distance than the inside wheel to complete a turn. The difference must be compensated for to prevent the tires from scuffing and skidding through turns. To accomplish this, the differential allows the axle shafts to turn at unequal speeds (Fig. 3). In this instance, the input torque applied to the



DESCRIPTION AND OPERATION (Continued)

pinion gears is not divided equally. The pinion gears now rotate around the pinion mate shaft in opposite directions. This allows the side gear and axle shaft attached to the outside wheel to rotate at a faster speed.



**Fig. 3 Differential Operation—On Turns**

1 - PINION GEARS ROTATE ON PINION SHAFT

**TRAC-LOK™ DIFFERENTIAL**

**DESCRIPTION**

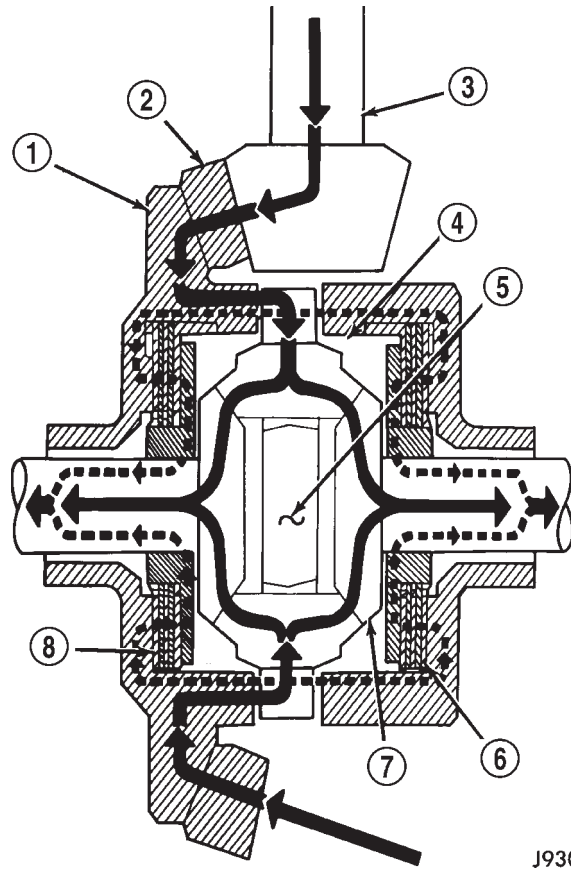
In a standard differential, if one wheel spins, the opposite wheel will generate only as much torque as the spinning wheel.

In the Trac-lok™ differential, part of the ring gear torque is transmitted through clutch packs which contain multiple discs. The clutches will have radial grooves on the plates, and concentric grooves on the discs or bonded fiber material that is smooth in appearance.

**OPERATION**

In operation, the Trac-lok™ clutches are engaged by two concurrent forces. The first being the preload force exerted through Belleville spring washers within the clutch packs. The second is the separating forces generated by the side gears as torque is applied through the ring gear (Fig. 4).

The Trac-lok™ design provides the differential action needed for turning corners and for driving straight ahead during periods of unequal traction. When one wheel loses traction, the clutch packs transfer additional torque to the wheel having the most traction. Trac-lok™ differentials resist wheel spin on bumpy roads and provide more pulling power when one wheel loses traction. Pulling power is provided continuously until both wheels lose traction. If both wheels slip due to unequal traction, Trac-lok™ operation is normal. In extreme cases of differences



**Fig. 4 Trac-lok™ Limited Slip Differential Operation**

- 1 - CASE
- 2 - RING GEAR
- 3 - DRIVE PINION
- 4 - PINION GEAR
- 5 - MATE SHAFT
- 6 - CLUTCH PACK
- 7 - SIDE GEAR
- 8 - CLUTCH PACK

of traction, the wheel with the least traction may spin.

**DIAGNOSIS AND TESTING**

**GENERAL INFORMATION**

Axle bearing problem conditions are usually caused by:

- Insufficient or incorrect lubricant.
- Foreign matter/water contamination.
- Incorrect bearing preload torque adjustment.
- Incorrect backlash.

Axle gear problem conditions are usually the result of:

- Insufficient lubrication.
- Incorrect or contaminated lubricant.
- Overloading (excessive engine torque) or exceeding vehicle weight capacity.

## DIAGNOSIS AND TESTING (Continued)

- Incorrect clearance or backlash adjustment.
  - Incorrect lubricant.
- Axle component breakage is most often the result of:
- Severe overloading.
  - Insufficient lubricant.
  - Improperly tightened components.
  - Differential housing bores not square to each other.

## DIAGNOSTIC CHART

Condition	Possible Causes	Correction
Wheel Noise	<ol style="list-style-type: none"> <li>1. Wheel loose.</li> <li>2. Faulty, brinelled wheel bearing.</li> </ol>	<ol style="list-style-type: none"> <li>1. Tighten loose nuts.</li> <li>2. Replace bearing.</li> </ol>
Axle Shaft Noise	<ol style="list-style-type: none"> <li>1. Misaligned axle tube.</li> <li>2. Bent or sprung axle shaft.</li> <li>3. End-play in pinion bearings.</li> <li>4. Excessive gear backlash between the ring gear and pinion.</li> <li>5. Improper adjustment of pinion gear bearings.</li> <li>6. Loose pinion yoke nut.</li> <li>7. Scuffed gear tooth contact surfaces.</li> </ol>	<ol style="list-style-type: none"> <li>1. Inspect axle tube alignment. Correct as necessary.</li> <li>2. Inspect and correct as necessary.</li> <li>3. Refer to pinion pre-load information and correct as necessary.</li> <li>4. Check adjustment of the ring gear and pinion backlash. Correct as necessary.</li> <li>5. Adjust the pinion bearings pre-load.</li> <li>6. Tighten the pinion yoke nut.</li> <li>7. Inspect and replace as necessary.</li> </ol>
Axle Shaft Broke	<ol style="list-style-type: none"> <li>1. Misaligned axle tube.</li> <li>2. Vehicle overloaded.</li> <li>3. Erratic clutch operation.</li> <li>4. Grabbing clutch.</li> </ol>	<ol style="list-style-type: none"> <li>1. Replace the broken shaft after correcting tube mis-alignment.</li> <li>2. Replace broken shaft and avoid excessive weight on vehicle.</li> <li>3. Replace broken shaft and avoid or correct erratic clutch operation.</li> <li>4. Replace broken shaft and inspect and repair clutch as necessary.</li> </ol>
Differential Cracked	<ol style="list-style-type: none"> <li>1. Improper adjustment of the differential bearings.</li> <li>2. Excessive ring gear backlash.</li> <li>3. Vehicle overloaded.</li> <li>4. Erratic clutch operation.</li> </ol>	<ol style="list-style-type: none"> <li>1. Replace case and inspect gears and bearings for further damage. Set differential bearing pre-load properly.</li> <li>2. Replace case and inspect gears and bearings for further damage. Set ring gear backlash properly.</li> <li>3. Replace case and inspect gears and bearings for further damage. Avoid excessive vehicle weight.</li> <li>4. Replace case and inspect gears and bearings for further damage. Avoid erratic use of clutch.</li> </ol>

DIAGNOSIS AND TESTING (Continued)

Condition	Possible Causes	Correction
Differential Gears Scored	<ol style="list-style-type: none"> <li>1. Insufficient lubrication.</li> <li>2. Improper grade of lubricant.</li> <li>3. Excessive spinning of one wheel/tire.</li> </ol>	<ol style="list-style-type: none"> <li>1. Replace scored gears. Fill differential with the correct fluid type and quantity.</li> <li>2. Replace scored gears. Fill differential with the correct fluid type and quantity.</li> <li>3. Replace scored gears. Inspect all gears, pinion bores, and shaft for damage. Service as necessary.</li> </ol>
Loss Of Lubricant	<ol style="list-style-type: none"> <li>1. Lubricant level too high.</li> <li>2. Worn axle shaft seals.</li> <li>3. Cracked differential housing.</li> <li>4. Worn pinion seal.</li> <li>5. Worn/scored yoke.</li> <li>6. Axle cover not properly sealed.</li> </ol>	<ol style="list-style-type: none"> <li>1. Drain lubricant to the correct level.</li> <li>2. Replace seals.</li> <li>3. Repair as necessary.</li> <li>4. Replace seal.</li> <li>5. Replace yoke and seal.</li> <li>6. Remove, clean, and re-seal cover.</li> </ol>
Axle Overheating	<ol style="list-style-type: none"> <li>1. Lubricant level low.</li> <li>2. Improper grade of lubricant.</li> <li>3. Bearing pre-loads too high.</li> <li>4. Insufficient ring gear backlash.</li> </ol>	<ol style="list-style-type: none"> <li>1. Fill differential to correct level.</li> <li>2. Fill differential with the correct fluid type and quantity.</li> <li>3. Re-adjust bearing pre-loads.</li> <li>4. Re-adjust ring gear backlash.</li> </ol>
Gear Teeth Broke	<ol style="list-style-type: none"> <li>1. Overloading.</li> <li>2. Erratic clutch operation.</li> <li>3. Ice-spotted pavement.</li> <li>4. Improper adjustments.</li> </ol>	<ol style="list-style-type: none"> <li>1. Replace gears. Examine other gears and bearings for possible damage.</li> <li>2. Replace gears and examine the remaining parts for damage. Avoid erratic clutch operation.</li> <li>3. Replace gears and examine remaining parts for damage.</li> <li>4. Replace gears and examine remaining parts for damage. Ensure ring gear backlash is correct.</li> </ol>

## DIAGNOSIS AND TESTING (Continued)

Condition	Possible Causes	Correction
Axle Noise	<ol style="list-style-type: none"> <li>1. Insufficient lubricant.</li> <li>2. Improper ring gear and pinion adjustment.</li> <li>3. Unmatched ring gear and pinion.</li> <li>4. Worn teeth on ring gear and/or pinion.</li> <li>5. Loose pinion bearings.</li> <li>6. Loose differential bearings.</li> <li>7. Mis-aligned or sprung ring gear.</li> <li>8. Loose differential bearing cap bolts.</li> <li>9. Housing not machined properly.</li> </ol>	<ol style="list-style-type: none"> <li>1. Fill differential with the correct fluid type and quantity.</li> <li>2. Check ring gear and pinion contact pattern.</li> <li>3. Replace gears with a matched ring gear and pinion.</li> <li>4. Replace ring gear and pinion.</li> <li>5. Adjust pinion bearing pre-load.</li> <li>6. Adjust differential bearing pre-load.</li> <li>7. Measure ring gear run-out. Replace components as necessary.</li> <li>8. Inspect differential components and replace as necessary. Ensure that the bearing caps are torqued to the proper specification.</li> <li>9. Replace housing.</li> </ol>

**GEAR NOISE**

Axle gear noise can be caused by insufficient lubricant, incorrect backlash, tooth contact, worn/damaged gears, or the carrier housing not having the proper offset and squareness.

Gear noise usually happens at a specific speed range. The noise can also occur during a specific type of driving condition. These conditions are acceleration, deceleration, coast, or constant load.

When road testing, first warm-up the axle fluid by driving the vehicle at least 5 miles and then accelerate the vehicle to the speed range where the noise is the greatest. Shift out-of-gear and coast through the peak-noise range. If the noise stops or changes greatly:

- Check for insufficient lubricant.
- Incorrect ring gear backlash.
- Gear damage.

Differential side gears and pinions can be checked by turning the vehicle. They usually do not cause noise during straight-ahead driving when the gears are unloaded. The side gears are loaded during vehicle turns. A worn pinion mate shaft can also cause a snapping or a knocking noise.

**BEARING NOISE**

The axle shaft, differential and pinion bearings can all produce noise when worn or damaged. Bearing noise can be either a whining, or a growling sound.

Pinion bearings have a constant-pitch noise. This noise changes only with vehicle speed. Pinion bearing noise will be higher pitched because it rotates at a

faster rate. Drive the vehicle and load the differential. If bearing noise occurs, the rear pinion bearing is the source of the noise. If the bearing noise is heard during a coast, the front pinion bearing is the source.

Worn or damaged differential bearings usually produce a low pitch noise. Differential bearing noise is similar to pinion bearing noise. The pitch of differential bearing noise is also constant and varies only with vehicle speed.

Axle shaft bearings produce noise and vibration when worn or damaged. The noise generally changes when the bearings are loaded. Road test the vehicle. Turn the vehicle sharply to the left and to the right. This will load the bearings and change the noise level. Where axle bearing damage is slight, the noise is usually not noticeable at speeds above 30 mph.

**LOW SPEED KNOCK**

Low speed knock is generally caused by a worn U-joint or by worn side-gear thrust washers. A worn pinion shaft bore will also cause low speed knock.

**VIBRATION**

Vibration at the rear of the vehicle is usually caused by a:

- Damaged drive shaft.
- Missing drive shaft balance weight(s).
- Worn or out-of-balance wheels.
- Loose wheel lug nuts.
- Worn U-joint(s).
- Loose/broken springs.

DIAGNOSIS AND TESTING (Continued)

- Damaged axle shaft bearing(s).
- Loose pinion gear nut.
- Excessive pinion yoke run out.
- Bent axle shaft(s).

Check for loose or damaged front-end components or engine/transmission mounts. These components can contribute to what appears to be a rear-end vibration. Do not overlook engine accessories, brackets and drive belts.

All driveline components should be examined before starting any repair.

Refer to Group 22, Wheels and Tires, for additional vibration information.

**DRIVELINE SNAP**

A snap or clunk noise when the vehicle is shifted into gear (or the clutch engaged), can be caused by:

- High engine idle speed.
- Transmission shift operation.
- Loose engine/transmission/transfer case mounts.
- Worn U-joints.
- Loose spring mounts.
- Loose pinion gear nut and yoke.
- Excessive ring gear backlash.
- Excessive side gear to case clearance.

The source of a snap or a clunk noise can be determined with the assistance of a helper. Raise the vehicle on a hoist with the wheels free to rotate. Instruct the helper to shift the transmission into gear. Listen for the noise, a mechanics stethoscope is helpful in isolating the source of a noise.

**TRAC-LOK™ DIFFERENTIAL NOISE**

The most common problem is a chatter noise when turning corners. Before removing a Trac-lok™ unit for repair, drain, flush and refill the axle with the specified lubricant. Refer to Lubricant change in this Group.

A container of Mopar® Trac-lok™ Lubricant (friction modifier) should be added after repair service or during a lubricant change.

After changing the lubricant, drive the vehicle and make 10 to 12 slow, figure-eight turns. This maneuver will pump lubricant through the clutches. This will correct the condition in most instances. If the chatter persists, clutch damage could have occurred.

**TRAC-LOK™ TEST**

**WARNING: WHEN SERVICING VEHICLES WITH A TRAC-LOK™ DIFFERENTIAL DO NOT USE THE ENGINE TO TURN THE AXLE AND WHEELS. BOTH REAR WHEELS MUST BE RAISED AND THE VEHICLE SUPPORTED. A TRAC-LOK™ AXLE CAN EXERT ENOUGH FORCE IF ONE WHEEL IS IN CON-**

**TACT WITH A SURFACE TO CAUSE THE VEHICLE TO MOVE.**

The differential can be tested without removing the differential case by measuring rotating torque. Make sure brakes are not dragging during this measurement.

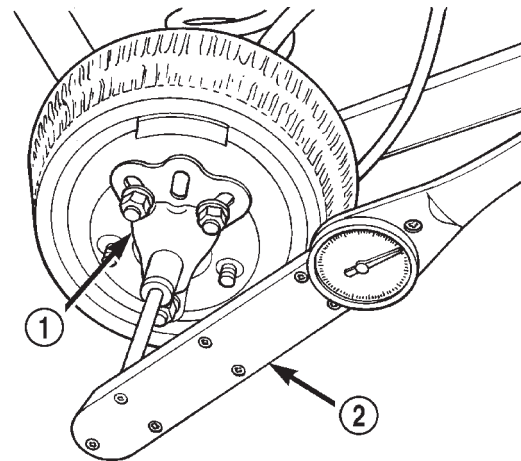
(1) Place blocks in front and rear of both front wheels.

(2) Raise one rear wheel until it is completely off the ground.

(3) Engine off, transmission in neutral, and parking brake off.

(4) Remove wheel and bolt Special Tool 6790 to studs.

(5) Use torque wrench on special tool to rotate wheel and read rotating torque (Fig. 5).



80a4d327

**Fig. 5 Trac-lok™ Test —Typical**

- 1 - SPECIAL TOOL 6790 WITH BOLT IN CENTER HOLE
- 2 - TORQUE WRENCH

(6) If rotating torque is less than 22 N-m (30 ft. lbs.) or more than 271 N-m (200 ft. lbs.) on either wheel the unit should be serviced.

**SERVICE PROCEDURES**

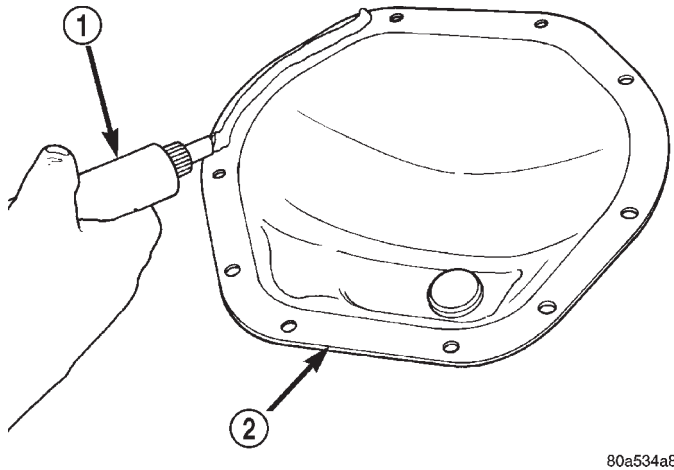
**LUBRICANT CHANGE**

- (1) Raise and support the vehicle.
- (2) Remove the lubricant fill hole plug from the differential housing cover.
- (3) Remove the differential housing cover and drain the lubricant from the housing.
- (4) Clean the housing cavity with a flushing oil, light engine oil, or lint free cloth. **Do not use water, steam, kerosene, or gasoline for cleaning.**
- (5) Remove the original sealant from the housing and cover surfaces.



## SERVICE PROCEDURES (Continued)

(6) Apply a bead of Mopar® Silicone Rubber Sealant, or equivalent, to the housing cover (Fig. 6).



80a534a8

**Fig. 6 Apply Sealant**

- 1 - SEALANT  
2 - AXLE HOUSING COVER

**Install the housing cover within 5 minutes after applying the sealant.**

(7) Install the cover and any identification tag. Tighten the cover bolts to 41 N·m (30 ft. lbs.) torque.

(8) For Trac-lok™ differentials, a quantity of Mopar® Trac-lok™ lubricant (friction modifier), or equivalent, must be added after repair service or a lubricant change. Refer to the Lubricant Specifications section of this group for the quantity necessary.

(9) Fill differential with the correct lubricant to bottom of the fill plug hole. Refer to the Lubricant Specifications section of this group for the quantity necessary.

**CAUTION: Overfilling the differential can result in lubricant foaming and overheating.**

(10) Install the fill hole plug and lower the vehicle.

(11) Trac-lok™ differential equipped vehicles should be road tested by making 10 to 12 slow figure-eight turns. This maneuver will pump the lubricant through the clutch discs to eliminate a possible chatter noise complaint.

## REMOVAL AND INSTALLATION

## REAR AXLE

## REMOVAL

- (1) Raise and support the vehicle.
- (2) Position a suitable lifting device under the axle.
- (3) Secure axle to device.
- (4) Remove the wheels and tires.

(5) Remove the brake rotors and calipers from the axle. Refer to Group 5, Brakes, for proper procedures.

(6) Disconnect parking brake cables from brackets and lever.

(7) Remove wheel speed sensors, if necessary. Refer to Group 5, Brakes, for proper procedures.

(8) Disconnect the brake hose at the axle junction block. Do not disconnect the brake hydraulic lines at the calipers. Refer to Group 5, Brakes, for proper procedures.

(9) Disconnect the vent hose from the axle shaft tube.

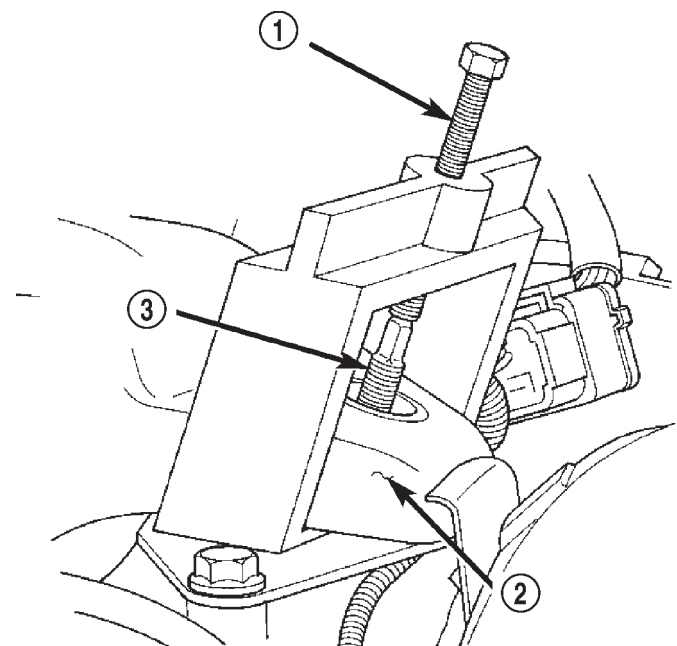
(10) Mark the propeller shaft and yokes for installation alignment reference.

(11) Remove propeller shaft.

(12) Disconnect stabilizer bar links.

(13) Remove nut holding upper suspension arm to the rear axle ball joint.

(14) Using Remover 8278, separate the rear axle ball joint from the upper suspension arm (Fig. 7).



80b9a4df

**Fig. 7 Separate Rear Axle Ball Joint**

- 1 - REMOVER  
2 - UPPER SUSPENSION ARM  
3 - BALL JOINT STUD

(15) Disconnect shock absorbers from axle.

(16) Disconnect track bar.

(17) Disconnect lower suspension arms from the axle brackets.

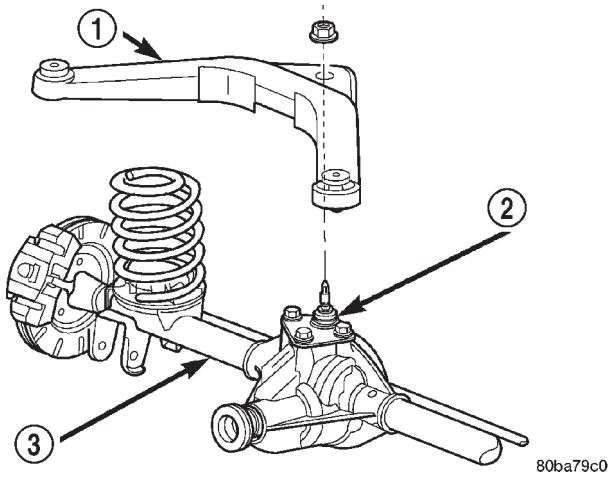
(18) Separate the axle from the vehicle.

REMOVAL AND INSTALLATION (Continued)

**INSTALLATION**

**NOTE:** The weight of the vehicle must be supported by the springs before suspension arms and track bar fasteners can be tightened. If the springs are not at their normal ride position, vehicle ride height and handling could be affected.

- (1) Raise the axle with lifting device and align coil springs.
- (2) Position the lower suspension arms on the axle brackets. Install nuts and bolts, do not tighten bolts at this time.
- (3) Install the upper suspension arm to the rear axle ball joint.
- (4) Install nut to hold the upper suspension arm to the rear axle ball joint. Torque the nut to 122 N·m (90 ft.lbs.) (Fig. 8).



**Fig. 8 Install Rear Ball Joint Nut**

- 1 - UPPER SUSPENSION ARM
- 2 - REAR AXLE BALL JOINT
- 3 - REAR AXLE

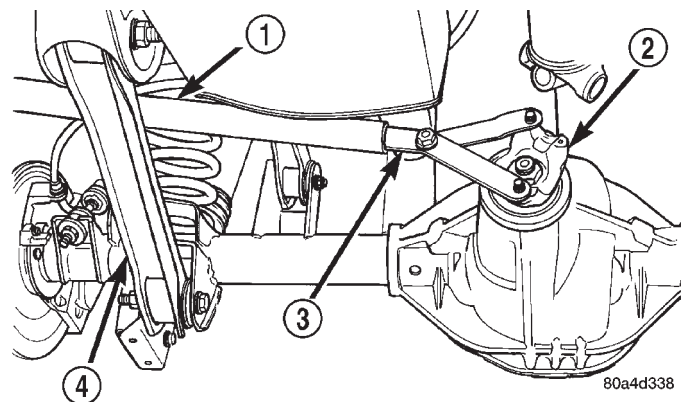
- (5) Install track bar and attachment bolts, do not tighten bolts at this time.
- (6) Install shock absorbers and tighten nuts to 60 N·m (44 ft. lbs.) torque.
- (7) Install stabilizer bar links and tighten nuts to 36 N·m (27 ft. lbs.) torque.
- (8) Install the wheel speed sensors, if necessary. Refer to Group 5, Brakes, for proper procedures.
- (9) Connect parking brake cable to brackets and lever.
- (10) Install the brake rotors and calipers. Refer to Group 5, Brakes, for proper procedures.
- (11) Connect the brake hose to the axle junction block. Refer to Group 5, Brakes, for proper procedures.
- (12) Install axle vent hose.

- (13) Align propeller shaft and pinion yoke reference marks. Install U-joint straps and bolts. Tighten to 19 N·m (14 ft. lbs.) torque.
- (14) Install the wheels and tires.
- (15) Add gear lubricant, if necessary. Refer to Lubricant Specifications in this section for lubricant requirements.
- (16) Remove lifting device from axle and lower the vehicle.
- (17) Tighten lower suspension arm bolts to 177 N·m (130 ft. lbs.) torque.
- (18) Tighten track bar bolts to 100 N·m (74 ft. lbs.) torque.

**PINION SHAFT SEAL**

**REMOVAL**

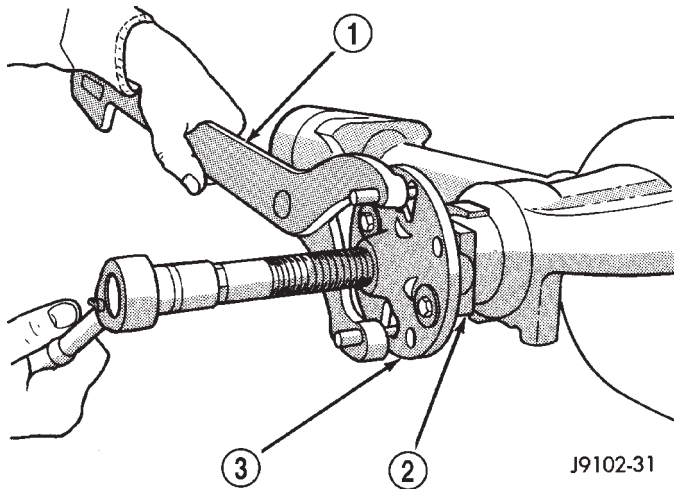
- (1) Raise and support the vehicle.
- (2) Remove wheel and tire assemblies.
- (3) Remove the brake rotors and calipers. Refer to Group 5, Brakes, for proper procedures.
- (4) Mark the propeller shaft and pinion yoke for installation alignment reference.
- (5) Remove the propeller shaft from the yoke.
- (6) Rotate the pinion gear a minimum of ten times. Verify that the pinion rotates smoothly.
- (7) Measure the amount of torque necessary to rotate the pinion gear with a (in. lbs.) dial-type torque wrench. Record the torque reading for installation reference.
- (8) Using a short piece of pipe and Holder 6958 to hold the pinion yoke, remove the pinion nut and washer (Fig. 9).
- (9) Use Remover C-452 and Wrench C-3281 to remove the pinion yoke (Fig. 10).



**Fig. 9 Pinion Yoke Holder**

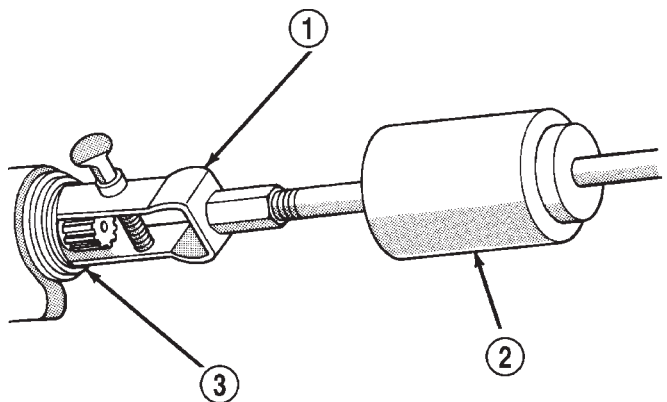
- 1 - 1 in. PIPE
- 2 - PINION YOKE
- 3 - SPECIAL TOOL 6958
- 4 - LOWER CONTROL ARM

## REMOVAL AND INSTALLATION (Continued)

**Fig. 10 Pinion Yoke Removal**

- 1 - SPECIAL TOOL C-3281
- 2 - YOKE
- 3 - SPECIAL TOOL C-452

(10) Use Remover 7794-A and slide hammer to remove the pinion gear seal (Fig. 11).

**Fig. 11 Seal Removal**

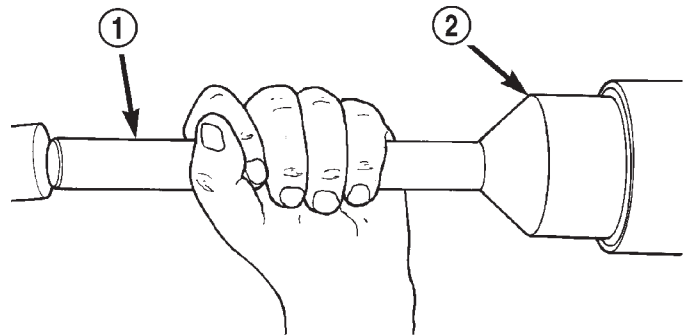
- 1 - SPECIAL TOOL 7794A
- 2 - SLIDE HAMMER
- 3 - PINION SEAL

**INSTALLATION**

(1) Apply a light coating of gear lubricant on the lip of pinion seal. Install seal with Installer C-3972-A and Handle C-4171 (Fig. 12).

(2) Install yoke on the pinion gear with Screw 8112, Cup 8109, and Holder 6958 (Fig. 13).

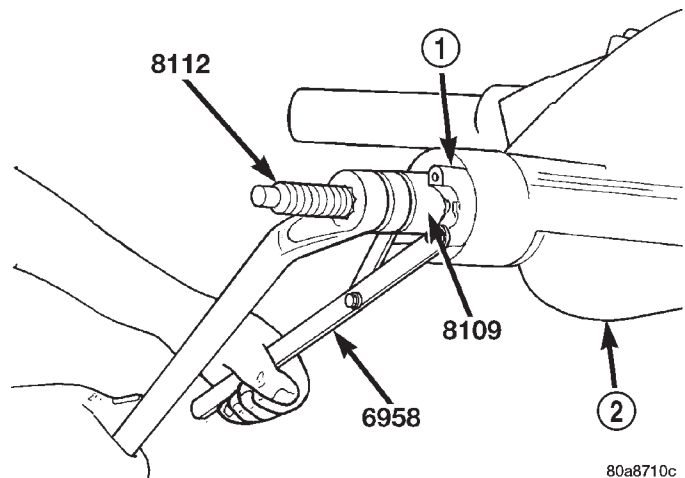
**CAUTION:** Do not exceed the minimum tightening torque when installing the pinion yoke at this point. Damage to the collapsible spacer or bearings may result.

**Fig. 12 Pinion Seal Installation**

- 1 - SPECIAL TOOL C-4171
- 2 - SPECIAL TOOL C-3972-A

(3) Install the yoke washer and a new nut on the pinion gear and tighten the pinion nut until there is zero bearing end-play.

(4) Tighten the nut to 271 N·m (200 ft. lbs.).

**Fig. 13 Pinion Yoke Installation**

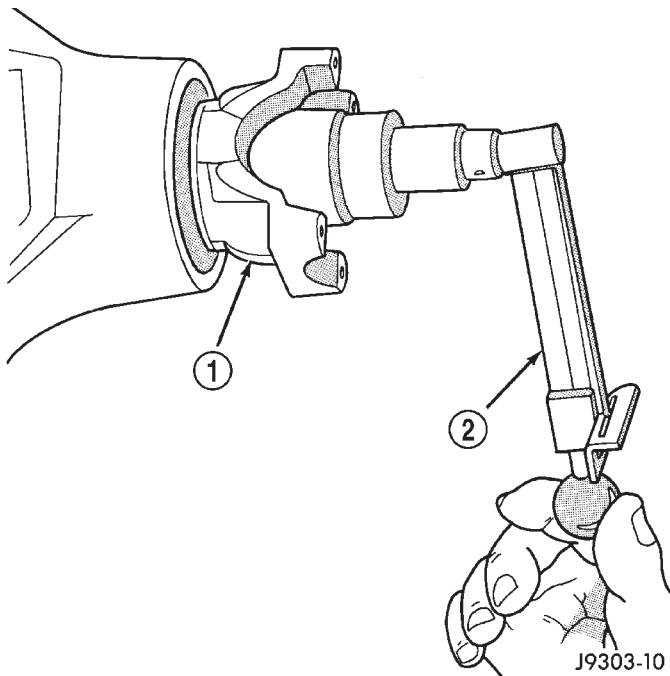
- 1 - PINION YOKE
- 2 - AXLE HOUSING

**CAUTION:** Never loosen pinion gear nut to decrease pinion gear bearing rotating torque and never exceed specified preload torque. If preload torque or rotating torque is exceeded a new collapsible spacer must be installed. The torque sequence will then have to be repeated.

(5) Rotate the pinion gear a minimum of ten times. Verify that the pinion rotates smoothly. Rotate the pinion shaft using a (in. lbs.) torque wrench. Rotating torque should be equal to the reading recorded during removal plus an additional 0.56 N·m (5 in. lbs.) (Fig. 14).

(6) If the rotating torque is low, use Holder 6958 to hold the pinion yoke (Fig. 15), and tighten the pinion

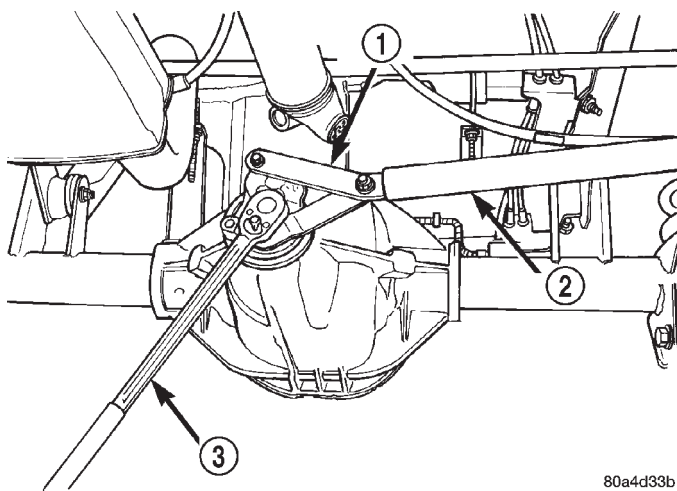
REMOVAL AND INSTALLATION (Continued)



**Fig. 14 Check Pinion Rotation Torque**

- 1 - PINION YOKE
- 2 - INCH POUND TORQUE WRENCH

shaft nut in 6.8 N·m (5 ft. lbs.) increments until the proper rotating torque is achieved.



**Fig. 15 Tightening Pinion Shaft Nut**

- 1 - SPECIAL TOOL 6958
- 2 - 1 in. PIPE
- 3 - 3/4 DRIVE TORQUE WRENCH

**CAUTION:** If the maximum tightening torque is reached prior to reaching the required rotating torque, the collapsible spacer may have been damaged. Replace the collapsible spacer.

(7) Align the installation reference marks on the propeller shaft and yoke and install the propeller shaft.

(8) Add gear lubricant to the differential housing, if necessary. Refer to the Lubricant Specifications for gear lubricant requirements.

(9) Install the brake rotors and calipers. Refer to Group 5, Brakes, for proper procedures.

(10) Install wheel and tire assemblies.

(11) Lower the vehicle.

**COLLAPSIBLE SPACER**

**REMOVAL W/PINION INSTALLED**

- (1) Raise and support the vehicle.
- (2) Remove wheel and tire assemblies.
- (3) Remove rear brake rotors and calipers. Refer to Group 5, Brakes, for proper procedures.
- (4) Mark the propeller shaft and pinion yoke for installation reference.
- (5) Remove the propeller shaft from the yoke.
- (6) Rotate the pinion gear a minimum of ten times. Verify that the pinion rotates smoothly.
- (7) Measure the amount of torque necessary to rotate the pinion gear with a (in. lbs.) dial-type torque wrench. Record the torque reading for installation reference.

(8) Using a short piece of pipe and Holder 6958 to hold the pinion yoke, remove the pinion nut and washer (Fig. 16).

(9) Use Remover C-452 and Wrench C-3281 to remove the pinion yoke (Fig. 17).

(10) Use Remover 7794-A and slide hammer to remove the pinion shaft seal (Fig. 18).

(11) Remove the front pinion bearing using a pair of suitable pick tools to pull the bearing straight off the pinion gear shaft. It may be necessary to lightly tap the end of the pinion gear with a rawhide or rubber mallet if the bearing becomes bound on the pinion shaft.

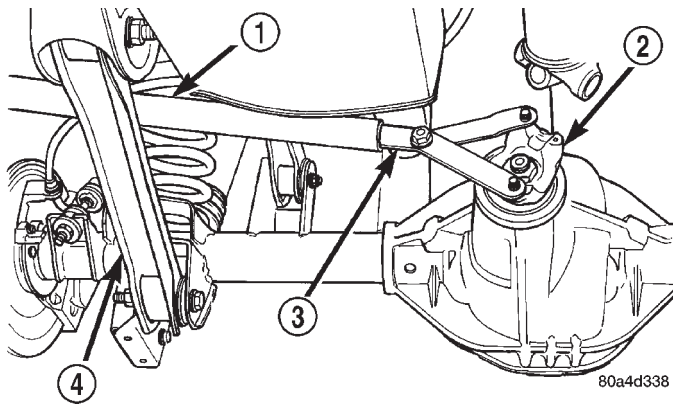
(12) Remove the collapsible spacer.

**REMOVAL W/PINION REMOVED**

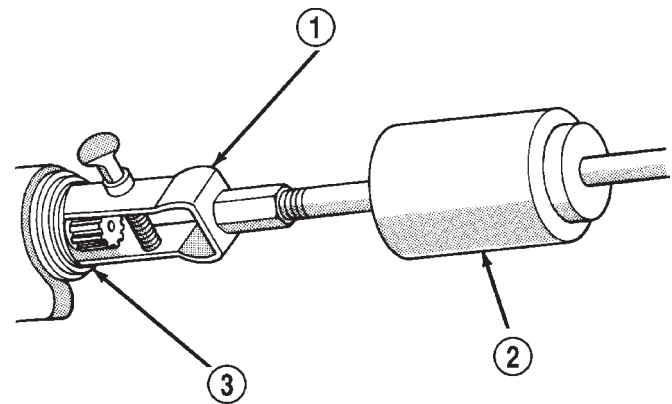
- (1) Raise and support the vehicle.
- (2) Remove wheel and tire assemblies.
- (3) Remove rear brake rotors and calipers. Refer to Group 5, Brakes, for proper procedures.
- (4) Mark the propeller shaft and pinion yoke for installation reference.
- (5) Remove the propeller shaft from the yoke.
- (6) Rotate the pinion gear a minimum of ten times. Verify that the pinion rotates smoothly.
- (7) Measure the amount of torque necessary to rotate the pinion gear with a (in. lbs.) dial-type torque wrench. Record the torque reading for installation reference.



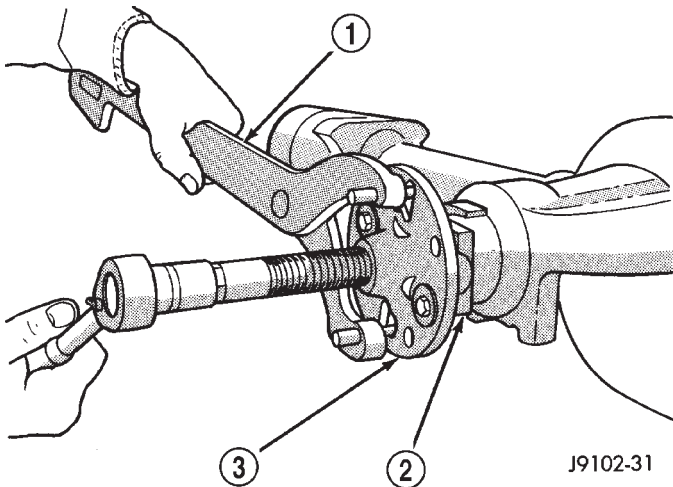
## REMOVAL AND INSTALLATION (Continued)

**Fig. 16 Pinion Yoke Holder**

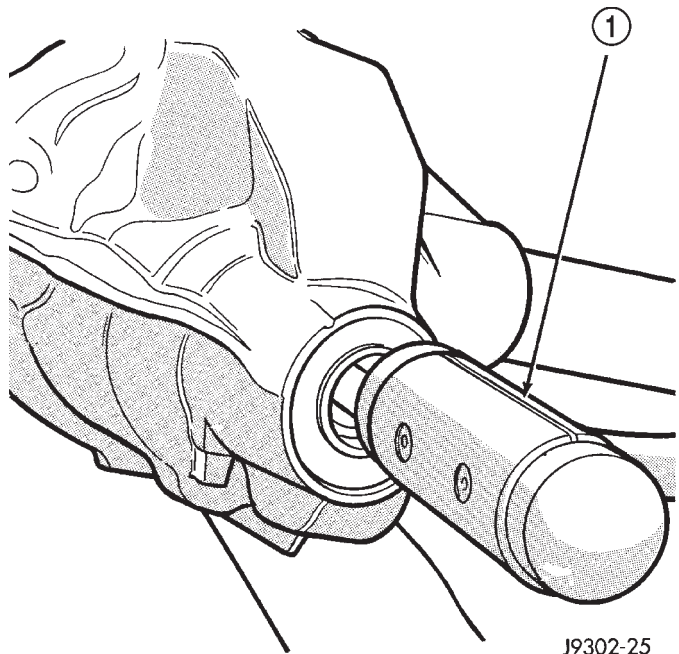
- 1 - 1 in. PIPE
- 2 - PINION YOKE
- 3 - SPECIAL TOOL 6958
- 4 - LOWER CONTROL ARM

**Fig. 18 Seal Removal**

- 1 - SPECIAL TOOL 7794A
- 2 - SLIDE HAMMER
- 3 - PINION SEAL

**Fig. 17 Pinion Yoke Removal**

- 1 - SPECIAL TOOL C-3281
- 2 - YOKE
- 3 - SPECIAL TOOL C-452

**Fig. 19 Remove Pinion Gear**

- 1 - RAWHIDE HAMMER

(8) Remove differential assembly from axle housing.

(9) Using Holder 6958 to hold yoke and a short length of 1 in. pipe, remove the pinion yoke nut and washer (Fig. 16).

(10) Using Remover C-452 and Wrench C-3281, remove the pinion yoke from pinion shaft (Fig. 17).

(11) Remove the pinion gear from housing (Fig. 19). Catch the pinion with your hand to prevent it from falling and being damaged.

(12) Remove collapsible spacer from pinion shaft.

**INSTALLATION**

(1) Install a new collapsible preload spacer on pinion shaft (Fig. 20).

(2) If pinion gear was removed, install pinion gear in housing.

(3) Install pinion front bearing, if necessary.

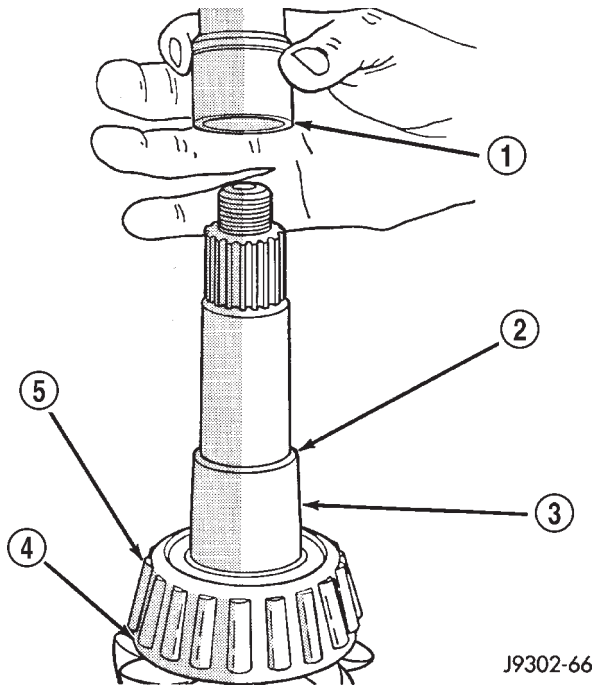
(4) Apply a light coating of gear lubricant on the lip of pinion seal. Install seal with Installer C-3972-A and Handle C-4171 (Fig. 21).

(5) Install yoke with Screw 8112, Cup 8109, and Holder 6958 (Fig. 22).

(6) If the original pinion bearings are being used, install differential assembly and axle shafts, if necessary.



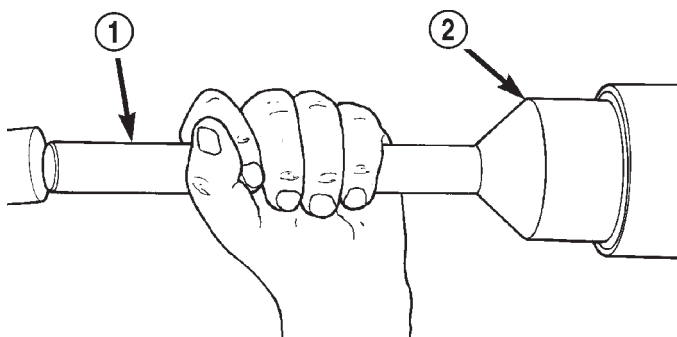
REMOVAL AND INSTALLATION (Continued)



J9302-66

**Fig. 20 Collapsible Preload Spacer**

- 1 - COLLAPSIBLE SPACER
- 2 - SHOULDER
- 3 - PINION GEAR
- 4 - OIL SLINGER
- 5 - REAR BEARING



80a7e2be

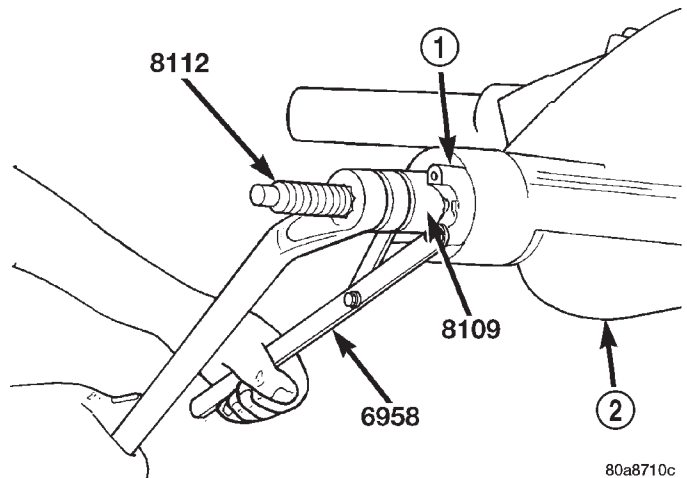
**Fig. 21 Pinion Seal Installation**

- 1 - SPECIAL TOOL C-4171
- 2 - SPECIAL TOOL C-3972-A

**NOTE:** If new pinion bearings were installed, do not install the differential assembly and axle shafts until after the pinion bearing preload and rotating torque are set.

(7) Install the yoke washer and a new nut on the pinion gear. Tighten the pinion nut until there is zero bearing end-play.

(8) Tighten the nut to 271 N·m (200 ft. lbs.).



80a8710c

**Fig. 22 Pinion Yoke Installation**

- 1 - PINION YOKE
- 2 - AXLE HOUSING

**CAUTION:** Never loosen pinion gear nut to decrease pinion gear bearing rotating torque and never exceed specified preload torque. If preload torque or rotating torque is exceeded a new collapsible spacer must be installed. The torque sequence will then have to be repeated.

(9) Using yoke holder 6958, a short length of 1 in. pipe, and a torque wrench set at 474 N·m (350 ft. lbs.), crush collapsible spacer until bearing end play is taken up (Fig. 23).

**NOTE:** If more than 474 N·m (350 ft. lbs.) of torque is necessary to remove the bearing end play, the collapsible spacer is defective and must be replaced.

(10) Slowly tighten the nut in 6.8 N·m (5 ft. lbs.) increments until the required rotating torque is achieved. Measure the rotating torque frequently to avoid over crushing the collapsible spacer (Fig. 24).

(11) Rotate the pinion gear a minimum of ten times. Verify that the pinion rotates smoothly. Check rotating torque with an inch pound torque wrench (Fig. 24). The torque necessary to rotate the pinion gear should be:

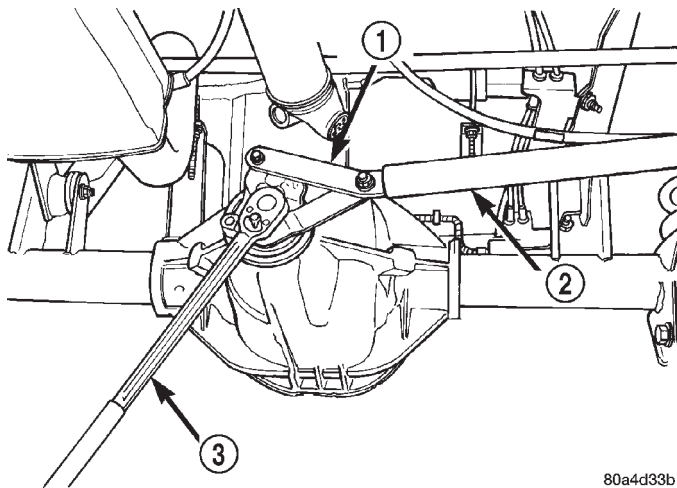
- Original Bearings — The reading recorded during removal, plus an additional 0.56 N·m (5 in. lbs.).
- New Bearings — 1.7 to 3.4 N·m (15 to 30 in. lbs.).

(12) Install differential assembly and axle shafts, if necessary.

(13) Align marks made previously on yoke and propeller shaft and install propeller shaft.

(14) Install rear brake rotors and calipers. Refer to Group 5, Brakes, for proper procedures.

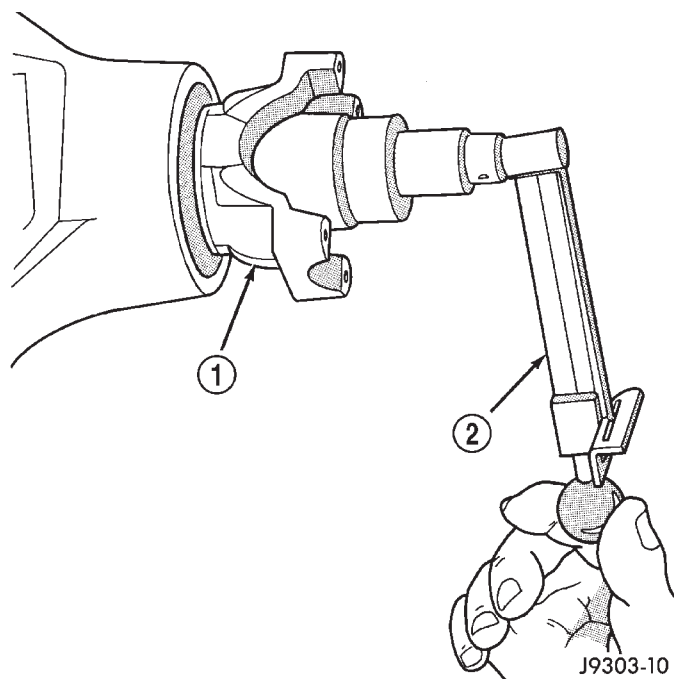
## REMOVAL AND INSTALLATION (Continued)



80a4d33b

**Fig. 23 Tightening Pinion Nut**

- 1 - SPECIAL TOOL 6958
- 2 - 1 in. PIPE
- 3 - 3/4 DRIVE TORQUE WRENCH

**Fig. 24 Check Pinion Gear Rotation Torque**

- 1 - PINION YOKE
- 2 - INCH POUND TORQUE WRENCH

(15) Add gear lubricant, if necessary. Refer to Lubricant Specifications of this section for lubricant requirements.

- (16) Install wheel and tire assemblies.
- (17) Lower vehicle.

**AXLE SHAFT****REMOVAL**

- (1) Raise and support vehicle. Ensure that the transmission is in neutral.
- (2) Remove wheel and tire assembly.
- (3) Remove brake caliper and rotor. Refer to Group 5, Brakes, for proper procedure.
- (4) From the rear of the axle flange, remove the nuts holding axle retaining plate to axle tube.
- (5) Using Slide Hammer 7420, Adapter 6790, and suitable lug nuts, pull axle shaft from vehicle.

**NOTE:** It is normal that the axle bearing race is loose in the axle tube.

**INSTALLATION**

- (1) Insert axle into opening at end of axle tube.
- (2) Align flat area on axle shaft retaining plate upward.
- (3) Insert the retaining plate studs into the brake backing plate and the axle tube flange.
- (4) Install nuts to hold axle retaining plate to axle tube. Tighten the nuts to 61 N·m (45 ft. lbs.).
- (5) Install brake caliper and rotor. Refer to Group 5, Brakes, for proper procedures.
- (6) Install wheel and tire.
- (7) Check and fill the gear lubricant. Refer to the Lubricant Specifications for gear lubricant requirements.
- (8) Lower vehicle.

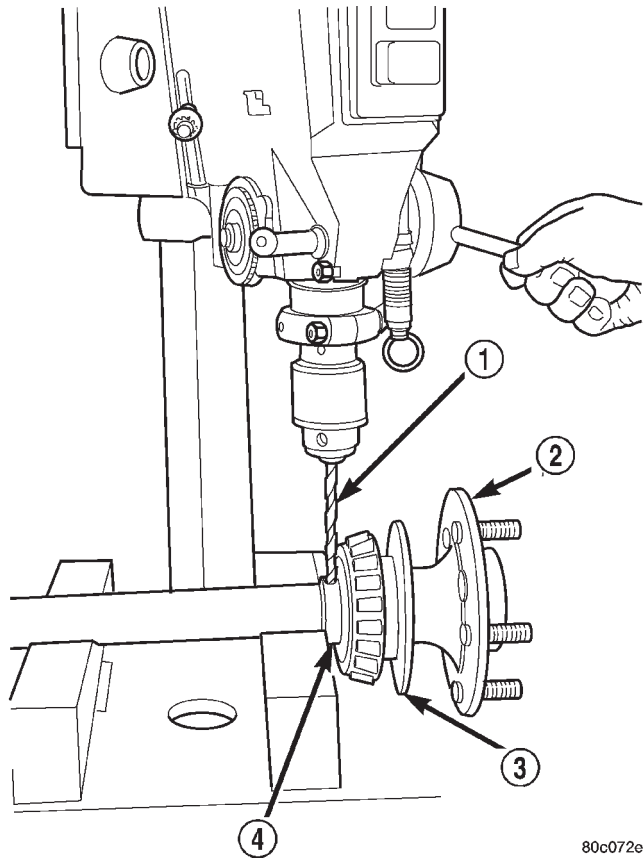
**AXLE SHAFT SEAL AND BEARING****REMOVAL**

- (1) Remove axle shaft from vehicle.

**NOTE:** It is normal that the axle bearing race is loose in the axle tube.

- (2) Remove the studs from the axle retaining plate.
- (3) Using a 3/8 in. dia. drill bit, drill a shallow hole into soft steel axle bearing retaining ring (Fig. 25). If possible, use a drill depth stop to avoid marking axle.
- (4) Using a suitable cold chisel, cut retaining ring across drilled hole. (Fig. 26)
- (5) Slide retaining ring from axle shaft.
- (6) Using Splitter 1130 placed between the seal and bearing and a suitable Arbor Press, press bearing from the axle shaft (Fig. 27).
- (7) Slide seal from axle.
- (8) Slide retaining plate from axle shaft.

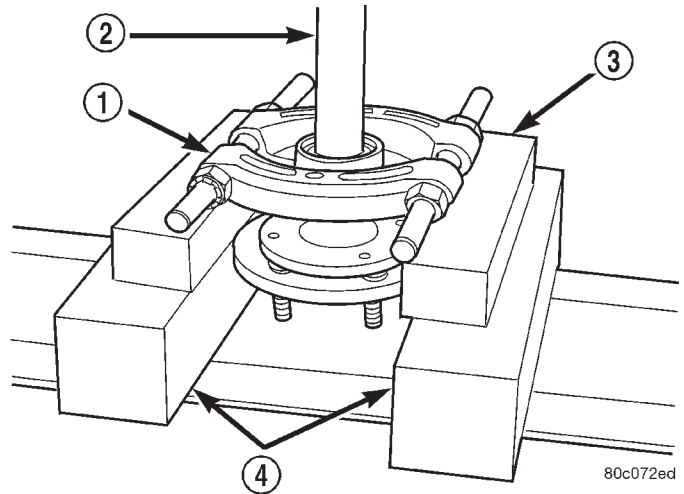
REMOVAL AND INSTALLATION (Continued)



**Fig. 25 Drill Retaining Ring**

- 1 - 3/8 IN DIA DRILL BIT
- 2 - AXLE
- 3 - RETAINING PLATE
- 4 - SOFT METAL RETAINING RING

80c072eb



**Fig. 27 Axle Bearing and Seal Remove**

- 1 - AXLE
- 2 - PRESS PLATES
- 3 - BLOCKS
- 4 - SPECIAL TOOL 1130

80c072ed

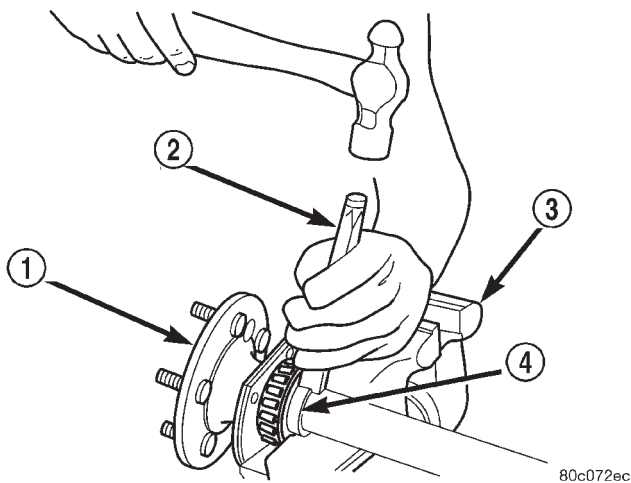
**INSTALLATION**

(1) Using a suitable straight edge, verify flatness of axle shaft retaining plate. Replace plate if warped.  
 (2) Install the studs back into the retaining plate. If the studs are loose in the plate, replace the retaining plate.

(3) Install retaining plate on axle (Fig. 28).

(4) Apply a coat of multi-purpose grease on sealing surface of axle seal.

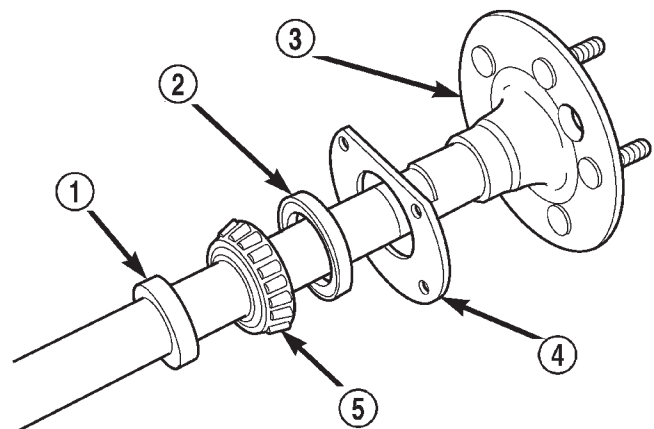
(5) Install seal on axle with cavity away from retaining plate (Fig. 28).



**Fig. 26 Cut Retaining Ring**

- 1 - AXLE
- 2 - COLD CHISEL
- 3 - VISE
- 4 - RETAINING RING

80c072ec



**Fig. 28 Axle Bearing and Seal Components**

- 1 - RETAINING RING
- 2 - SEAL
- 3 - AXLE
- 4 - RETAINING PLATE
- 5 - AXLE BEARING

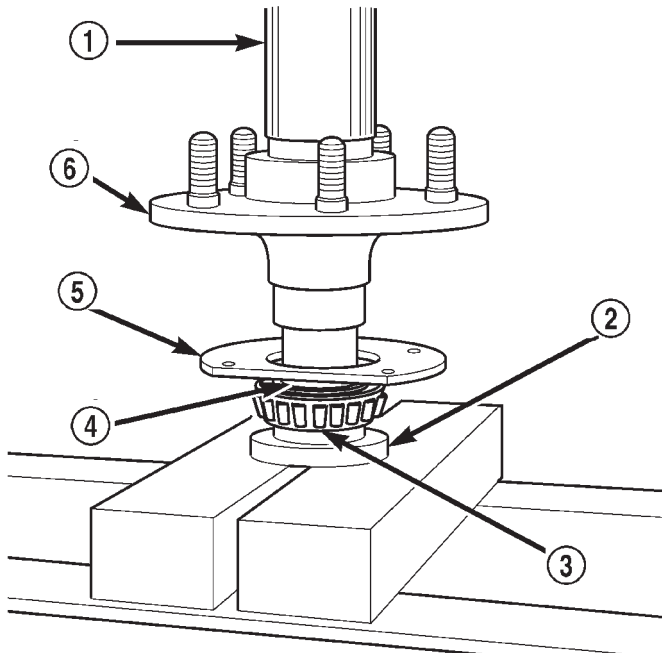
80c072ee

## REMOVAL AND INSTALLATION (Continued)

(6) Lubricate bearing with Mopar® Wheel Bearing Grease, or equivalent. Wipe excess grease from the bearing.

(7) Slide bearing onto axle shaft (Fig. 28).

(8) Using Installer 7913 and shop press, press bearing onto axle shaft (Fig. 29).



**Fig. 29 Press Bearing Onto Axle**

- 1 - PRESS RAM
- 2 - SPECIAL TOOL 7913
- 3 - AXLE BEARING
- 4 - SEAL
- 5 - RETAINING PLATE
- 6 - AXLE

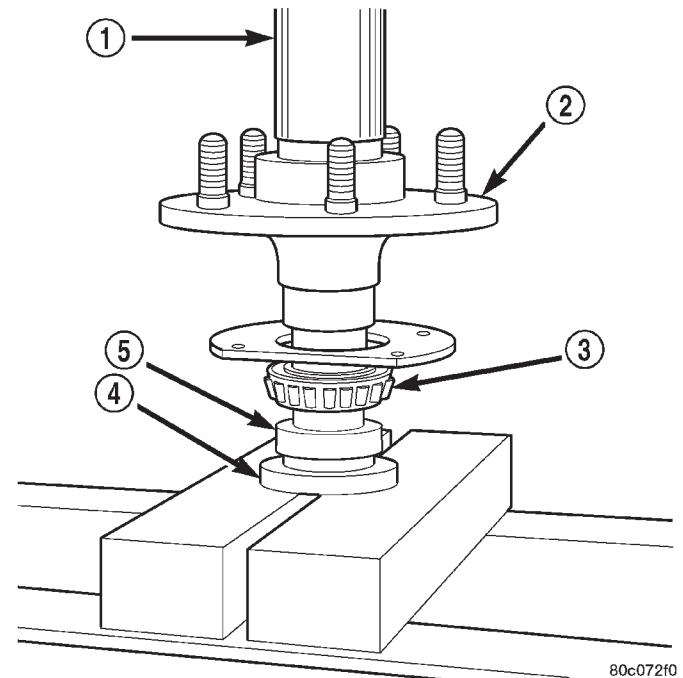
(9) Using Installer 7913 and shop press, press soft metal retaining ring onto axle shaft (Fig. 30).

(10) Install axle in vehicle.

## DIFFERENTIAL

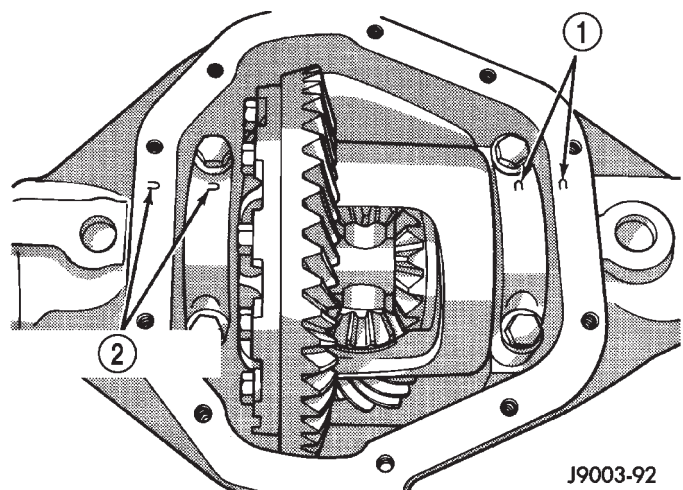
## REMOVAL

- (1) Raise and support vehicle.
- (2) Remove the lubricant fill hole plug from the differential housing cover.
- (3) Remove the differential housing cover and allow fluid to drain.
- (4) Remove axle shafts.
- (5) Note the installation reference letters stamped on the bearing caps and housing machined sealing surface (Fig. 31).
- (6) Loosen the differential bearing cap bolts.
- (7) Position Spreader W-129-B, utilizing some items from Adapter set 6987, with the tool dowel pins seated in the locating holes (Fig. 32). Install the holddown clamps and tighten the tool turnbuckle finger-tight.



**Fig. 30 Press Bearing Retaining Ring On Axle**

- 1 - PRESS RAM
- 2 - AXLE
- 3 - AXLE BEARING
- 4 - SPECIAL TOOL 7913
- 5 - SOFT METAL RETAINING RING

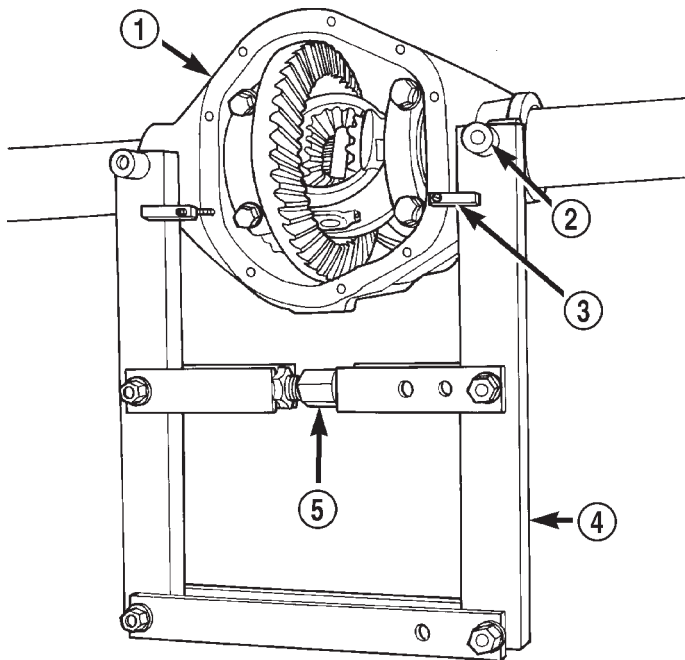


**Fig. 31 Bearing Cap Identification**

- 1 - INSTALLATION REFERENCE LETTERS
- 2 - INSTALLATION REFERENCE LETTERS

(8) Install a Pilot Stud C-3288-B at the left side of the differential housing. Attach Dial Indicator C-3339 to pilot stud. Load the indicator plunger against the opposite side of the housing (Fig. 33) and zero the indicator.

REMOVAL AND INSTALLATION (Continued)

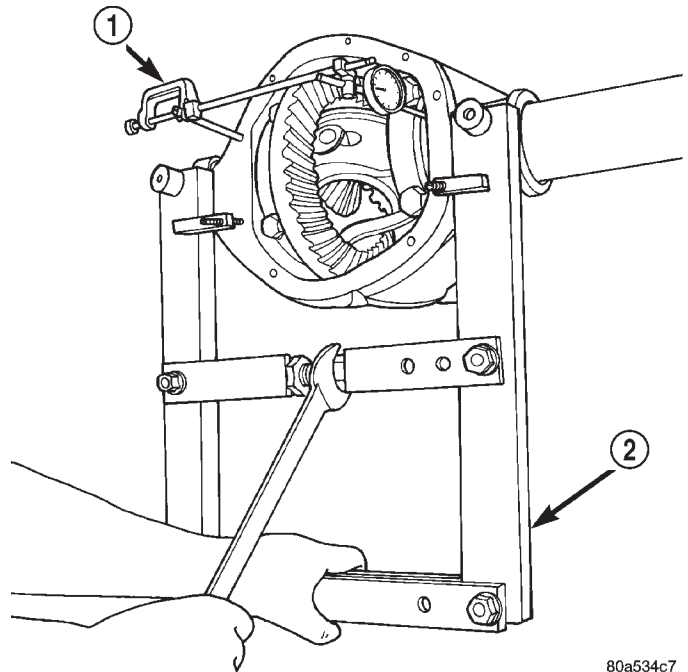


**Fig. 32 Install Axle Housing Spreader**

80a534c5

- 1 - AXLE HOUSING
- 2 - DOWEL
- 3 - SAFETY HOLD DOWN
- 4 - SPECIAL TOOL W-129-B
- 5 - TURNBUCKLE

(9) Spread the housing enough to remove the differential case from the housing. Measure the distance with the dial indicator (Fig. 34).



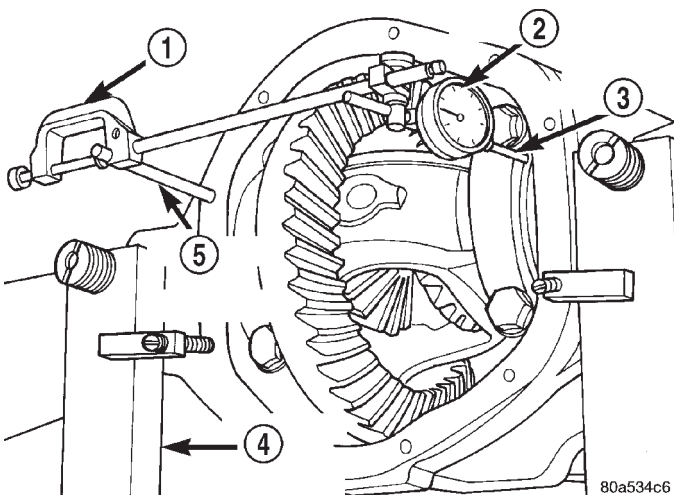
**Fig. 34 Spread Axle Housing**

80a534c7

- 1 - SPECIAL TOOL C-3339
- 2 - SPECIAL TOOL W-129-B

**CAUTION:** Do not spread over 0.38 mm (0.015 in). If the housing is over-spread, it could be distorted or damaged.

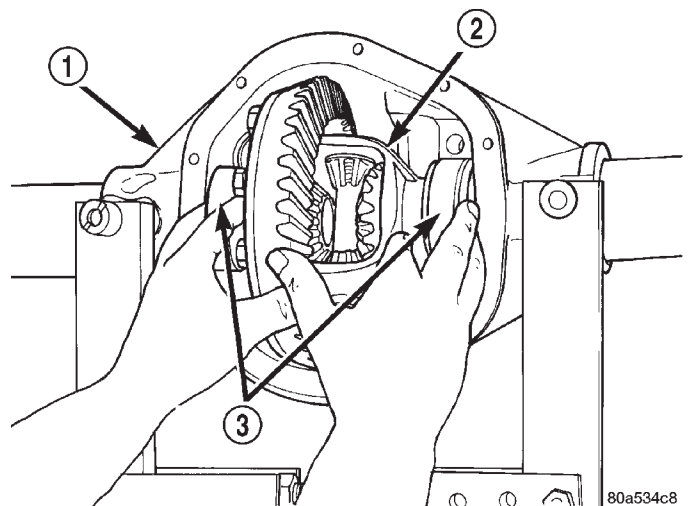
(10) Remove the dial indicator.  
 (11) While holding the differential case in position, remove the differential bearing cap bolts and caps.  
 (12) Remove the differential from the housing. Ensure that the differential bearing cups remain in position on the differential bearings (Fig. 35).



**Fig. 33 Install Dial Indicator**

80a534c6

- 1 - SPECIAL TOOL C-3339
- 2 - DIAL INDICATOR
- 3 - LEVER ADAPTER
- 4 - SPECIAL TOOL W-129-B
- 5 - SPECIAL TOOL C-3288-B



**Fig. 35 Differential Case Removal**

80a534c8

- 1 - AXLE HOUSING
- 2 - DIFFERENTIAL CASE
- 3 - BEARING CUPS



## REMOVAL AND INSTALLATION (Continued)

(13) Mark or tag the differential bearing cups to indicate which side of the differential they were removed from.

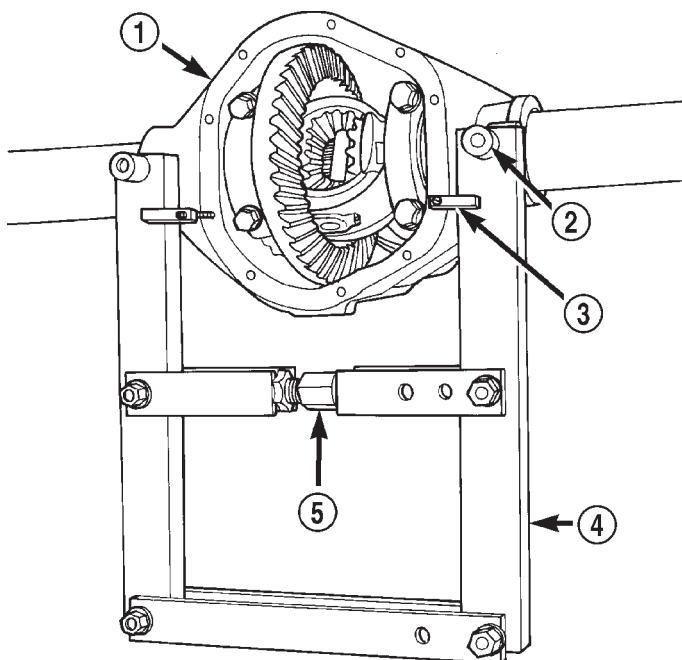
(14) Retrieve differential case preload shims from axle housing. Mark or tag the differential case preload shims to indicate which side of the differential they were removed from.

(15) Remove spreader from housing.

## INSTALLATION

If replacement differential bearings or differential case are being installed, differential side bearing shim requirements may change. Refer to the Differential Bearing Preload and Gear Backlash procedures in this section to determine the proper shim selection.

(1) Position Spreader W-129-B, utilizing some items from Adapter set 6987, with the tool dowel pins seated in the locating holes (Fig. 36). Install the hold-down clamps and tighten the tool turnbuckle finger-tight.



**Fig. 36 Install Axle Housing Spreader**

- 80a534c5
- 1 - AXLE HOUSING
  - 2 - DOWEL
  - 3 - SAFETY HOLD DOWN
  - 4 - SPECIAL TOOL W-129-B
  - 5 - TURNBUCKLE

(2) Install a Pilot Stud C-3288-B at the left side of the differential housing. Attach Dial Indicator C-3339 to pilot stud. Load the indicator plunger against the opposite side of the housing (Fig. 33) and zero the indicator.

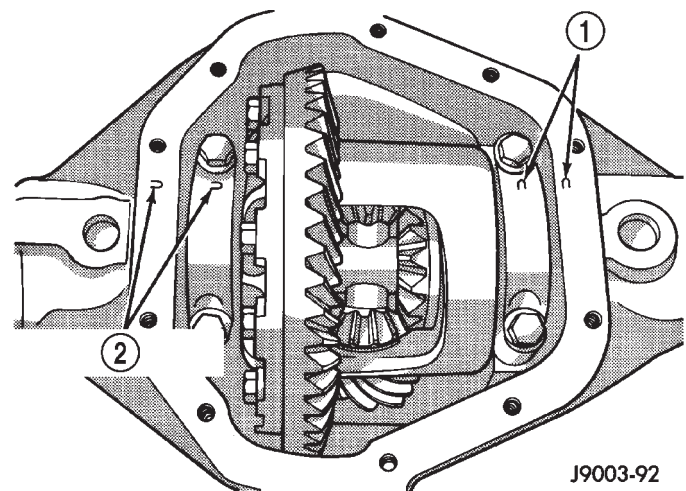
**CAUTION:** Do not spread over 0.38 mm (0.015 in). If the housing is over-spread, it could be distorted or damaged.

(3) Spread the housing enough to install the case in the housing. Measure the distance with the dial indicator (Fig. 34).

(4) Remove the dial indicator.

(5) Install differential case in the housing. Ensure that the differential bearing cups remain in position on the differential bearings and that the preload shims remain between the face of the bearing cup and the housing. Tap the differential case to ensure the bearings cups and shims are fully seated in the housing.

(6) Install the bearing caps at their original locations (Fig. 37).



**Fig. 37 Differential Bearing Cap Reference Letters**

- 1 - INSTALLATION REFERENCE LETTERS
- 2 - INSTALLATION REFERENCE LETTERS

- (7) Loosely install differential bearing cap bolts.
- (8) Remove axle housing spreader.
- (9) Tighten the bearing cap bolts to 77 N·m (57 ft. lbs.) torque.
- (10) Install the axle shafts.

## DIFFERENTIAL SIDE BEARINGS

## REMOVAL

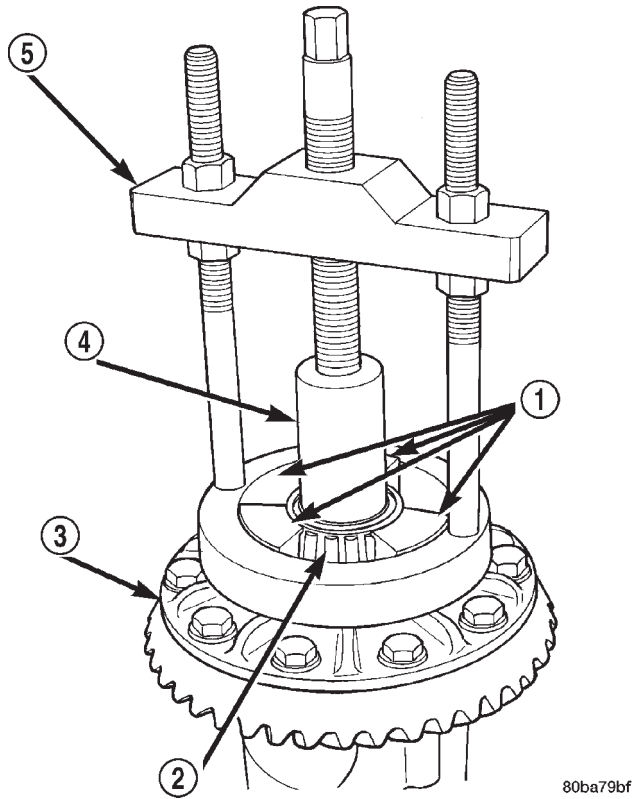
- (1) Remove differential case from axle housing.
- (2) Remove the bearings from the differential case with Puller/Press C-293-PA, Adapter Blocks 8352, and Plug SP-3289 (Fig. 38).

## INSTALLATION

If replacement differential side bearings or differential case are being installed, differential side bearing shim requirements may change. Refer to the Differential Bearing Preload and Gear Backlash procedures in this section to determine the proper shim selection.

- (1) Using Installer C-3716-A and Handle C-4171, install differential side bearings (Fig. 39).
- (2) Install differential in axle housing.

REMOVAL AND INSTALLATION (Continued)



**Fig. 38 Differential Bearing Removal**

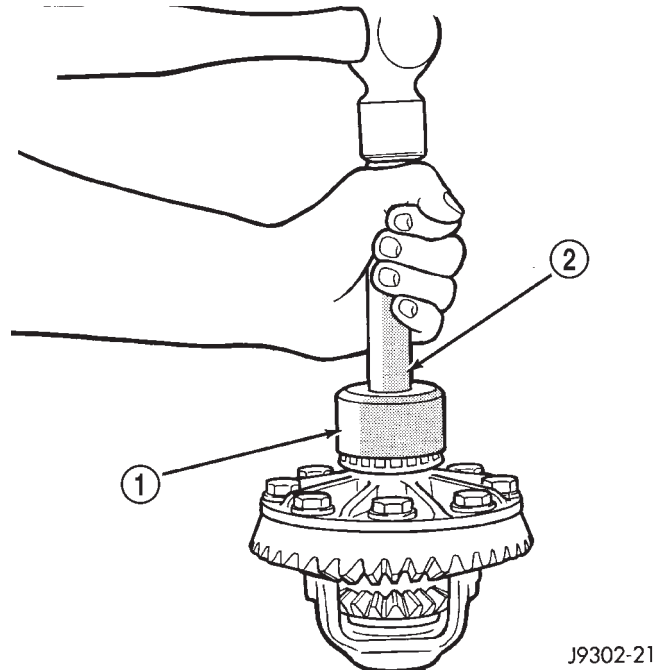
- 1 - SPECIAL TOOL 8352
- 2 - BEARING
- 3 - DIFFERENTIAL
- 4 - SPECIAL TOOL SP-3289
- 5 - SPECIAL TOOL C-293-PA

**RING GEAR**

**NOTE:** The ring and pinion gears are serviced as a matched set. Do not replace the ring gear without replacing the pinion gear.

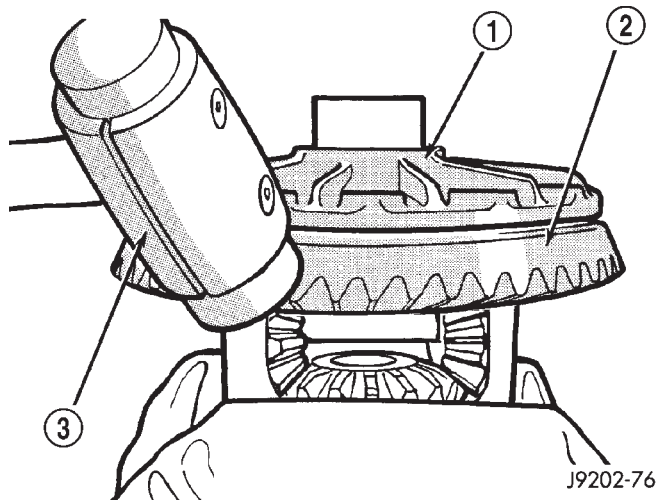
**REMOVAL**

- (1) Remove differential from axle housing.
- (2) Place differential case in a suitable vise with soft metal jaw protectors. (Fig. 40)
- (3) Remove bolts holding ring gear to differential case.
- (4) Using a soft hammer, drive ring gear from differential case (Fig. 40).



**Fig. 39 Differential Side Bearing Installation**

- 1 - SPECIAL TOOL C-3716-A
- 2 - SPECIAL TOOL C-4171



**Fig. 40 Ring Gear Removal**

- 1 - CASE
- 2 - RING GEAR
- 3 - RAWHIDE HAMMER

## REMOVAL AND INSTALLATION (Continued)

## INSTALLATION

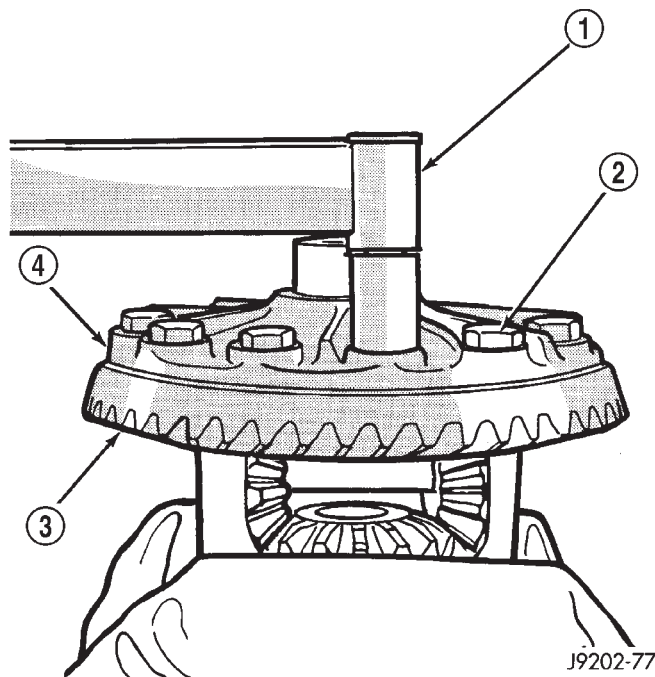
**CAUTION:** Do not reuse the bolts that held the ring gear to the differential case. The bolts can fracture causing extensive damage.

(1) Invert the differential case and start two ring gear bolts. This will provide case-to-ring gear bolt hole alignment.

(2) Invert the differential case in the vise.

(3) Install new ring gear bolts and alternately tighten to 129–142 N·m (95–105 ft. lbs.) torque (Fig. 41).

(4) Install differential in axle housing and verify gear mesh and contact pattern.



**Fig. 41 Ring Gear Bolt Installation**

- 1 - TORQUE WRENCH
- 2 - RING GEAR BOLT
- 3 - RING GEAR
- 4 - CASE

## PINION GEAR

**NOTE:** The ring and pinion gears are serviced as a matched set. Do not replace the pinion gear without replacing the ring gear.

## REMOVAL

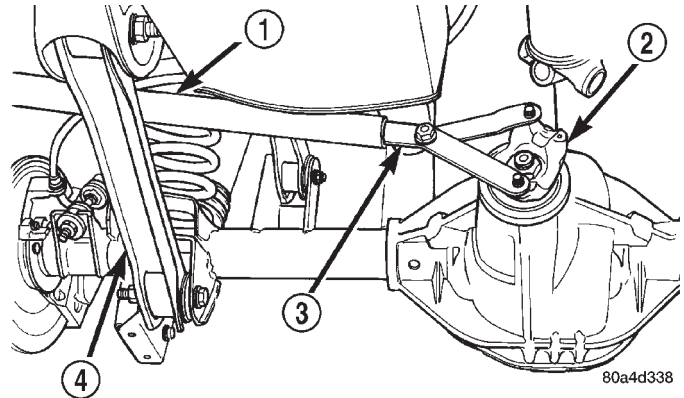
(1) Remove differential from the axle housing.

(2) Mark pinion yoke and propeller shaft for installation alignment.

(3) Disconnect propeller shaft from pinion yoke. Using suitable wire, tie propeller shaft to underbody.

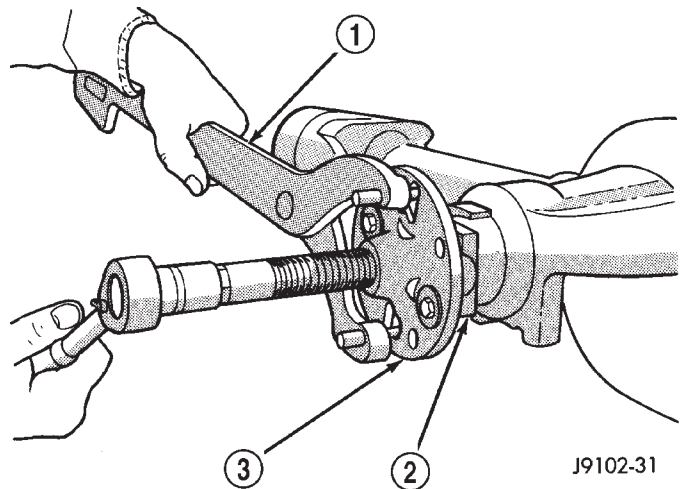
(4) Using Holder 6958 to hold yoke and a short length of 1 in. pipe, remove the pinion yoke nut and washer (Fig. 42).

(5) Using Remover C-452 and Wrench C-3281, remove the pinion yoke from pinion shaft (Fig. 43).



**Fig. 42 Pinion Yoke Holder**

- 1 - 1 in. PIPE
- 2 - PINION YOKE
- 3 - SPECIAL TOOL 6958
- 4 - LOWER CONTROL ARM

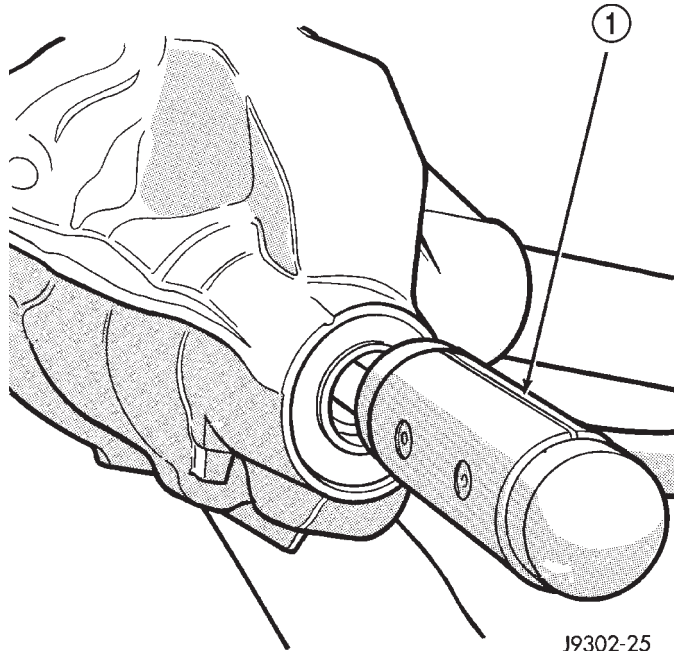


**Fig. 43 Pinion Yoke Removal**

- 1 - SPECIAL TOOL C-3281
- 2 - YOKE
- 3 - SPECIAL TOOL C-452

REMOVAL AND INSTALLATION (Continued)

(6) Remove the pinion gear from housing (Fig. 44). Catch the pinion with your hand to prevent it from falling and being damaged.



J9302-25

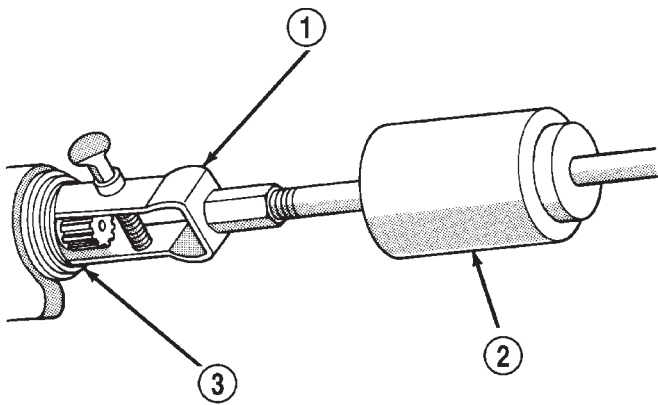
**Fig. 44 Remove Pinion Gear**

1 - RAWHIDE HAMMER

(7) Use Remover 7794-A and slide hammer to remove the pinion shaft seal (Fig. 45).

(8) Remove oil slinger, if equipped, and front pinion bearing.

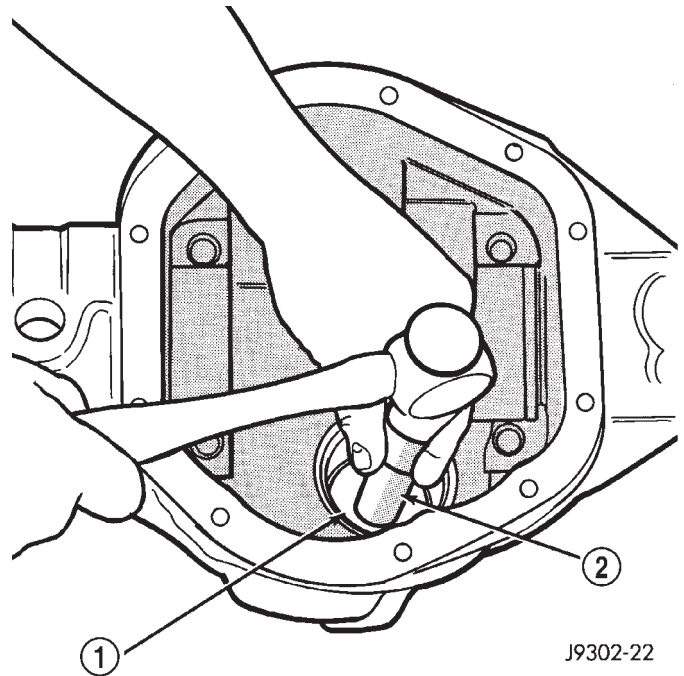
(9) Remove the front pinion bearing cup with Remover C-4345 and Handle C-4171 (Fig. 46).



J9402-59X

**Fig. 45 Seal Removal**

1 - SPECIAL TOOL 7794A  
 2 - SLIDE HAMMER  
 3 - PINION SEAL

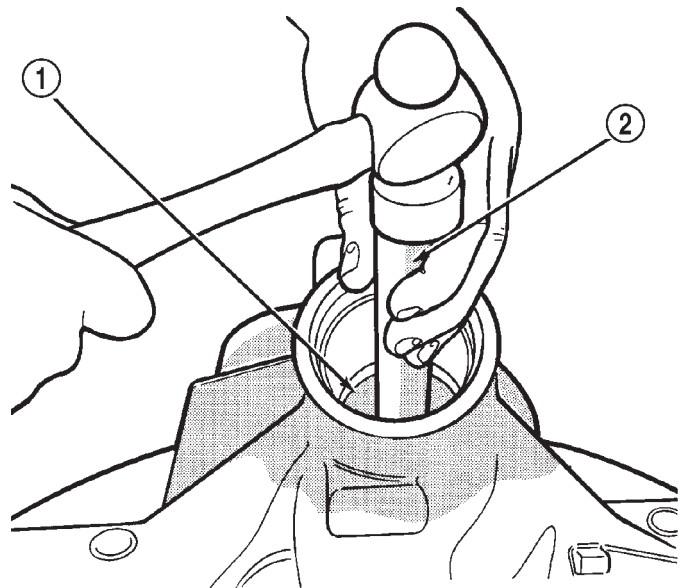


J9302-22

**Fig. 46 Front Bearing Cup Removal**

1 - REMOVER  
 2 - HANDLE

(10) Remove the rear bearing cup from housing (Fig. 47). Use Remover D-149 and Handle C-4171.



J9302-23

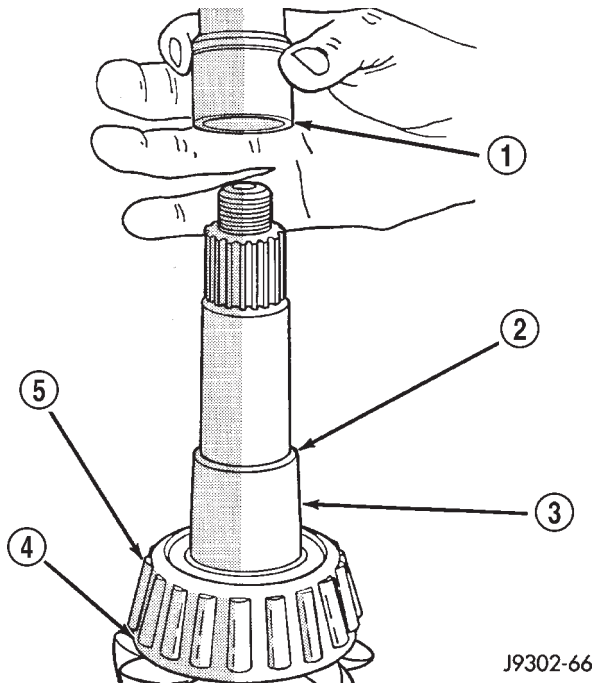
**Fig. 47 Rear Bearing Cup Removal**

1 - DRIVER  
 2 - HANDLE



## REMOVAL AND INSTALLATION (Continued)

(11) Remove the collapsible preload spacer (Fig. 48).



**Fig. 48 Collapsible Spacer**

- 1 - COLLAPSIBLE SPACER
- 2 - SHOULDER
- 3 - PINION GEAR
- 4 - OIL SLINGER
- 5 - REAR BEARING

(12) Remove the rear bearing from the pinion with Puller/Press C-293-PA and Adapters C-293-40 (Fig. 49).

**Place 4 adapter blocks so they do not damage the bearing cage.**

(13) Remove the depth shims from the pinion gear shaft. Record the thickness of the depth shims.

### INSTALLATION

(1) Apply Mopar® Door Ease, or equivalent, stick lubricant to outside surface of bearing cup.

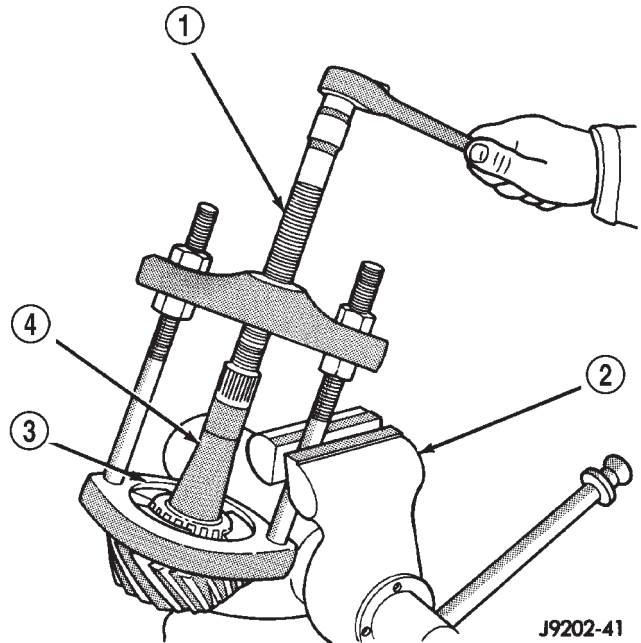
(2) Install the pinion rear bearing cup with Installer D-146 and Driver Handle C-4171 (Fig. 50). Ensure cup is correctly seated.

(3) Apply Mopar® Door Ease, or equivalent, stick lubricant to outside surface of bearing cup.

(4) Install the pinion front bearing cup with Installer D-130 and Handle C-4171 (Fig. 51).

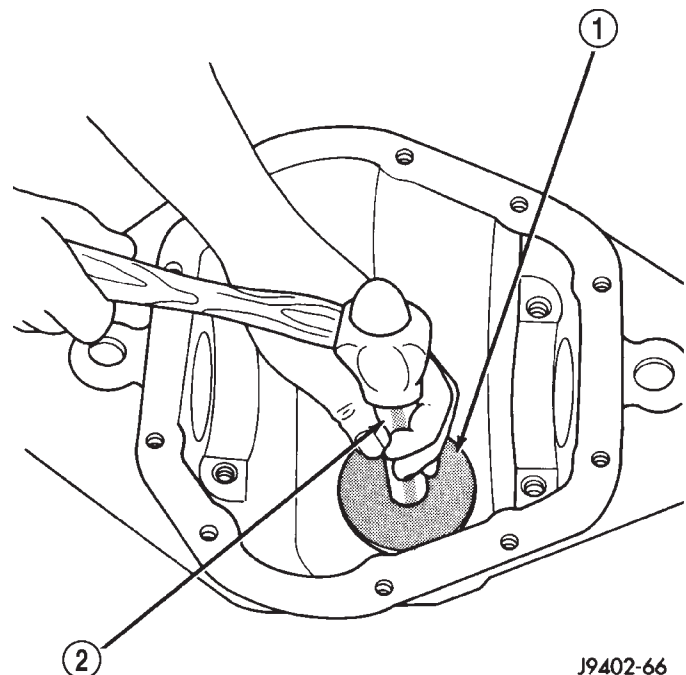
(5) Install pinion front bearing, and oil slinger, if equipped.

(6) Apply a light coating of gear lubricant on the lip of pinion seal. Install seal with Installer C-3972-A and Handle C-4171 (Fig. 52).



**Fig. 49 Rear Bearing Removal**

- 1 - SPECIAL TOOL C-293-PA
- 2 - VISE
- 3 - ADAPTERS
- 4 - DRIVE PINION GEAR SHAFT

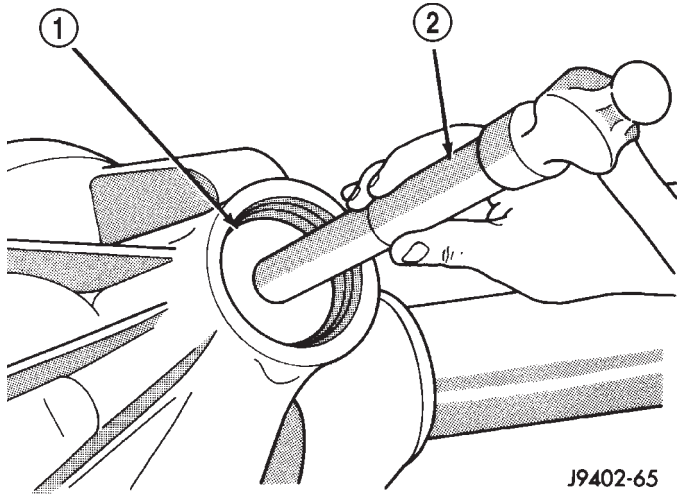


**Fig. 50 Pinion Rear Bearing Cup Installation**

- 1 - INSTALLER
- 2 - HANDLE



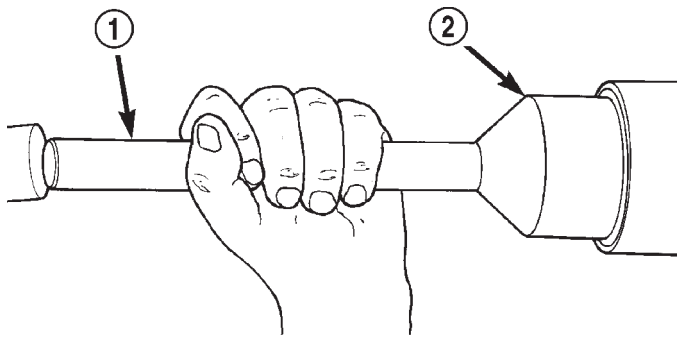
REMOVAL AND INSTALLATION (Continued)



J9402-65

**Fig. 51 Pinion Front Bearing Cup Installation**

- 1 - INSTALLER
- 2 - HANDLE



80a7e2be

**Fig. 52 Pinion Seal Installation**

- 1 - SPECIAL TOOL C-4171
- 2 - SPECIAL TOOL C-3972-A

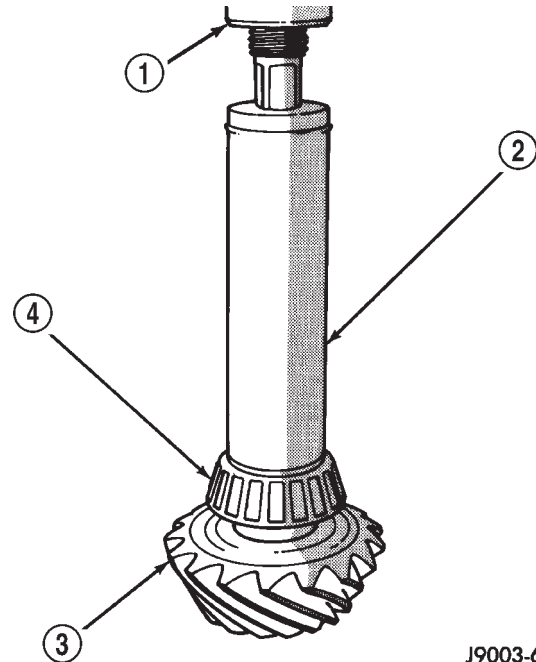
**NOTE:** Pinion depth shims are placed between the rear pinion bearing cone and pinion gear to achieve proper ring and pinion gear mesh. If the factory installed ring and pinion gears are reused, the pinion depth shim should not require replacement. If required, refer to Pinion Gear Depth to select the proper thickness shim before installing rear pinion bearing.

(7) Place the proper thickness depth shim on the pinion gear.

(8) Install the rear bearing and slinger, if equipped, on the pinion gear with Installer W-262 (Fig. 53).

(9) Install a new collapsible preload spacer on pinion shaft and install pinion gear in housing (Fig. 54).

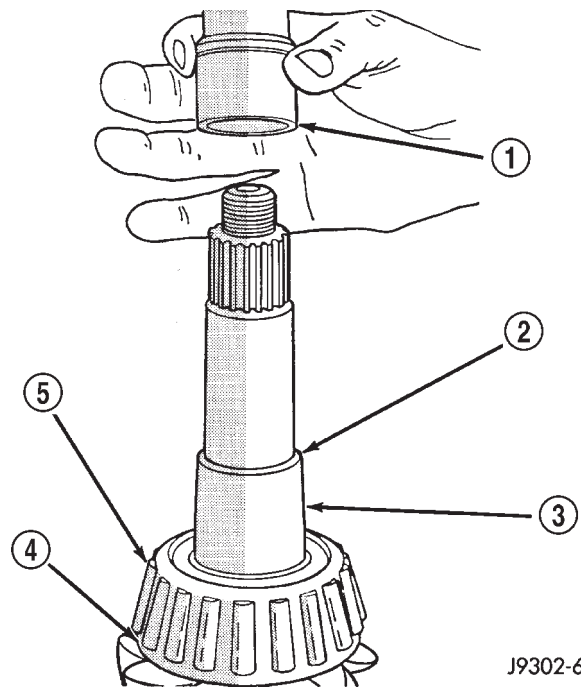
(10) Install pinion gear in housing.



J9003-67

**Fig. 53 Shaft Rear Bearing Installation**

- 1 - PRESS
- 2 - INSTALLATION TOOL
- 3 - DRIVE PINION GEAR
- 4 - DRIVE PINION GEAR SHAFT REAR BEARING



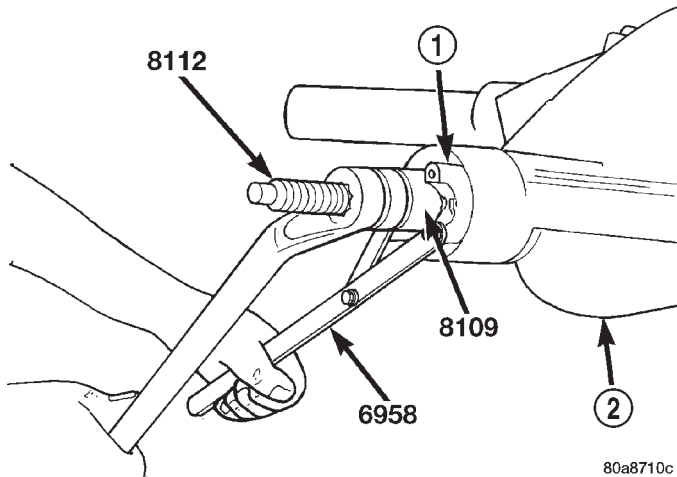
J9302-66

**Fig. 54 Collapsible Preload Spacer**

- 1 - COLLAPSIBLE SPACER
- 2 - SHOULDER
- 3 - PINION GEAR
- 4 - OIL SLINGER
- 5 - REAR BEARING

## REMOVAL AND INSTALLATION (Continued)

(11) Install yoke with Installer Screw 8112, Cup 8109, and holder 6958 (Fig. 55).



**Fig. 55 Pinion Yoke Installation**

- 1 - PINION YOKE  
2 - AXLE HOUSING

(12) Install the yoke washer and a new nut on the pinion gear and tighten the pinion nut until there is zero bearing end-play.

(13) Tighten the nut to 271 N·m (200 ft. lbs.).

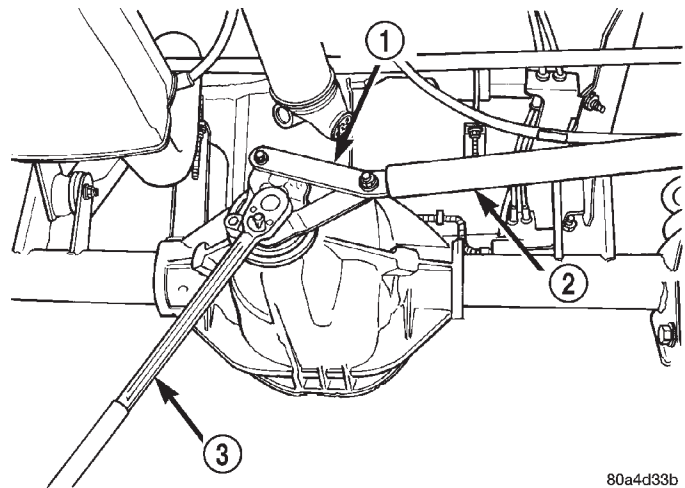
**CAUTION:** Never loosen pinion gear nut to decrease pinion gear bearing rotating torque and never exceed specified preload torque. If preload torque or rotating torque is exceeded a new collapsible spacer must be installed. The torque sequence will then have to be repeated.

(14) Using yoke holder 6958, a short length of 1 in. pipe, and a torque wrench set at 474 N·m (350 ft. lbs.), crush collapsible spacer until bearing end play is taken up (Fig. 56).

**NOTE:** If the spacer requires more than 474 N·m (350 ft. lbs.) torque to crush, the collapsible spacer is defective and must be replaced.

(15) Slowly tighten the nut in 6.8 N·m (5 ft. lbs.) increments until the required rotating torque is achieved. Measure the rotating torque frequently to avoid over crushing the collapsible spacer (Fig. 57).

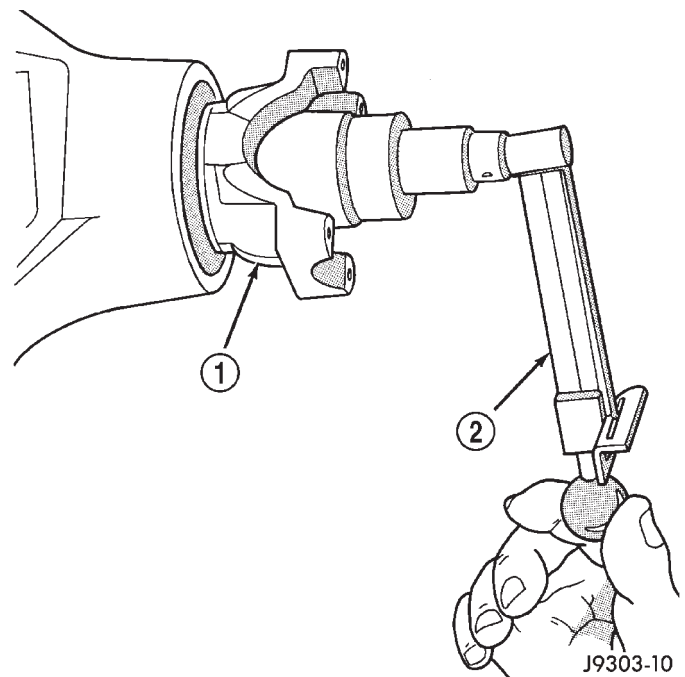
(16) Rotate the pinion a minimum of ten times. Verify that the pinion rotates smoothly. Check bearing rotating torque with an inch pound torque wrench (Fig. 57). The torque necessary to rotate the pinion gear should be:



**Fig. 56 Tightening Pinion Nut**

- 1 - SPECIAL TOOL 6958  
2 - 1 in. PIPE  
3 - 3/4 DRIVE TORQUE WRENCH

- Original Bearings — 1 to 2.25 N·m (10 to 20 in. lbs.).
- New Bearings — 1.7 to 3.4 N·m (15 to 30 in. lbs.).



**Fig. 57 Check Pinion Gear Rotating Torque**

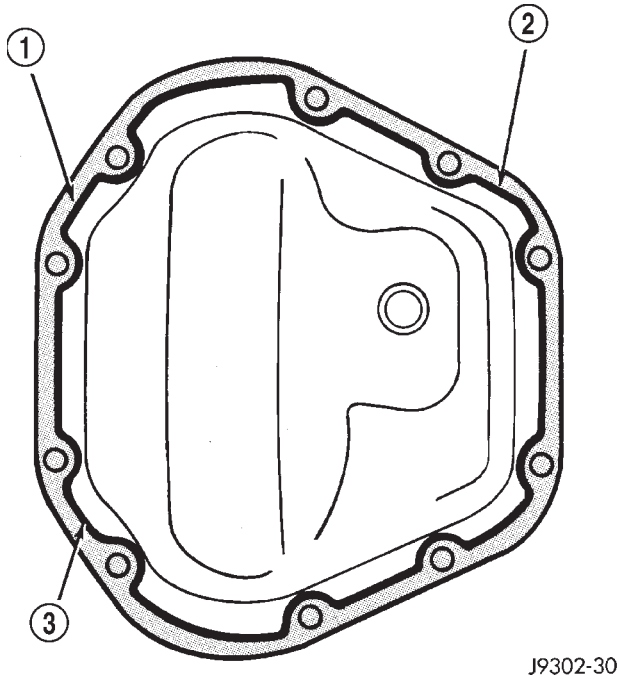
- 1 - PINION YOKE  
2 - INCH POUND TORQUE WRENCH

(17) Install differential in housing.

REMOVAL AND INSTALLATION (Continued)

**FINAL ASSEMBLY**

(1) Scrape the residual sealant from the housing and cover mating surfaces. Clean the mating surfaces with mineral spirits. Apply a bead of Mopar® Silicone Rubber Sealant, or equivalent, on the housing cover (Fig. 58).



J9302-30

**Fig. 58 Typical Housing Cover With Sealant**

- 1 - SEALING SURFACE
- 2 - CONTOUR OF BEAD
- 3 - BEAD THICKNESS 6.35MM (1/4")

**Install the housing cover within 5 minutes after applying the sealant.**

(2) Install the cover on the differential with the attaching bolts. Install the identification tag. Tighten the cover bolts to 41 N·m (30 ft. lbs.) torque.

**CAUTION: Overfilling the differential can result in lubricant foaming and overheating.**

(3) Refill the differential housing with gear lubricant. Refer to the Lubricant Specifications section of this group for the gear lubricant requirements.

(4) Install the fill hole plug.

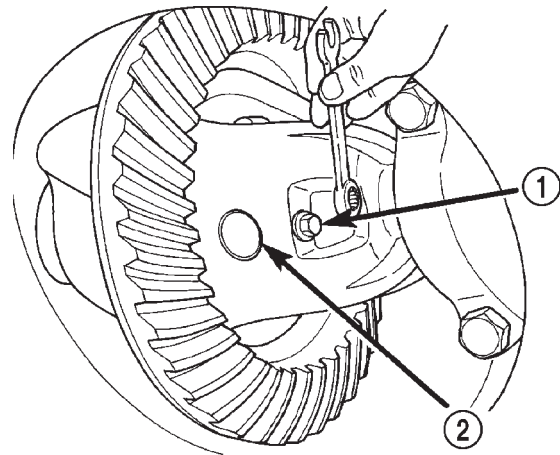
**DISASSEMBLY AND ASSEMBLY**

**STANDARD DIFFERENTIAL**

**DISASSEMBLY**

- (1) Remove pinion mate shaft lock screw (Fig. 59).
- (2) Remove pinion mate shaft.

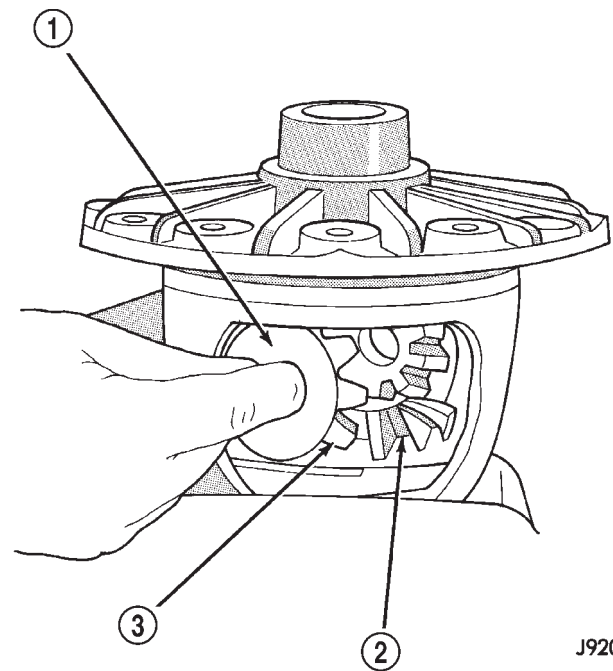
(3) Rotate the differential side gears and remove the differential pinion gears and thrust washers (Fig. 60).



80be4604

**Fig. 59 Pinion Mate Shaft Lock Screw**

- 1 - LOCK SCREW
- 2 - PINION MATE SHAFT



J9203-61

**Fig. 60 Pinion Mate Gear Removal**

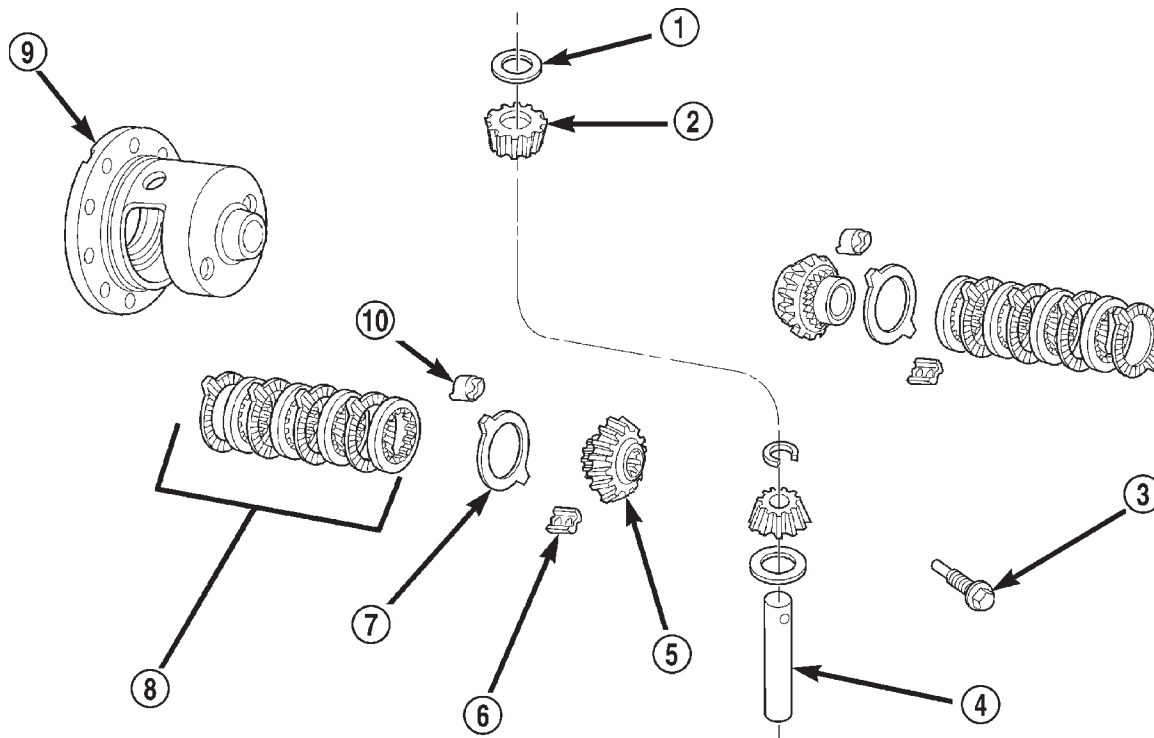
- 1 - THRUST WASHER
- 2 - SIDE GEAR
- 3 - PINION MATE GEAR

(4) Remove the differential side gears and thrust washers.

**ASSEMBLY**

(1) Install the differential side gears and thrust washers.

## DISASSEMBLY AND ASSEMBLY (Continued)



80a77404

**Fig. 61 Trac-lok™ Differential Components**

- |                       |                       |
|-----------------------|-----------------------|
| 1 - THRUST WASHER     | 6 - RETAINER          |
| 2 - PINION            | 7 - DISC              |
| 3 - SHAFT LOCK SCREW  | 8 - CLUTCH PACK       |
| 4 - PINION MATE SHAFT | 9 - DIFFERENTIAL CASE |
| 5 - SIDE GEAR         | 10 - RETAINER         |

(2) Install the differential pinion gears and thrust washers.

(3) Install the pinion mate shaft.

(4) Align the hole in the pinion mate shaft with the hole in the differential case and install the pinion mate shaft lock screw.

(5) Lubricate all differential components with hypoid gear lubricant.

### TRAC-LOK™ DIFFERENTIAL

The Trac-lok™ differential components are illustrated in (Fig. 61). Refer to this illustration during repair service.

### DISASSEMBLY

(1) Clamp Side Gear Holding Tool 6965 in a vise.

(2) Position the differential case on Side Gear Holding Tool 6965 (Fig. 62).

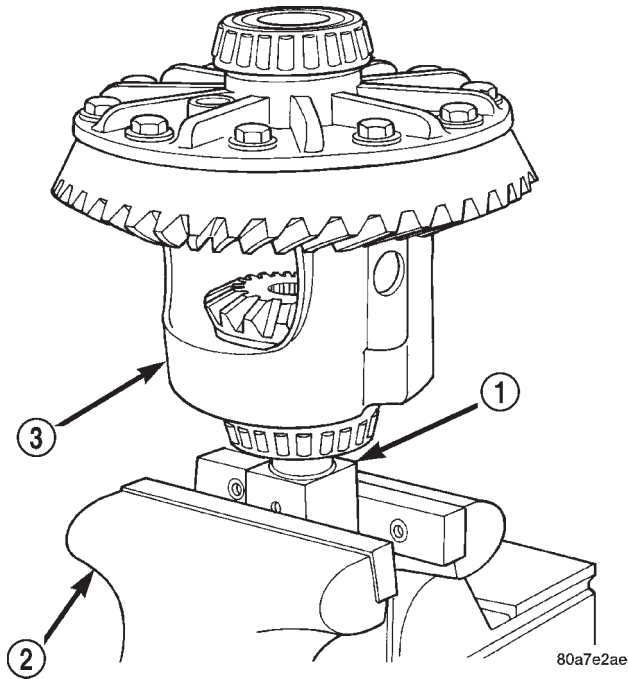
(3) Remove ring gear, if necessary. Ring gear removal is necessary only if the ring gear is to be replaced. The Trac-lok™ differential can be serviced with the ring gear installed.

(4) Remove the pinion gear mate shaft lock screw (Fig. 63).

(5) Remove the pinion gear mate shaft. If necessary, use a drift and hammer (Fig. 64).

(6) Install and lubricate Step Plate C-6960-3 (Fig. 65).

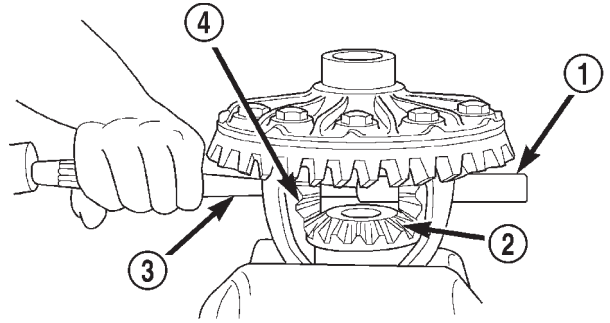
DISASSEMBLY AND ASSEMBLY (Continued)



80a7e2ae

**Fig. 62 Differential Case Holding Tool**

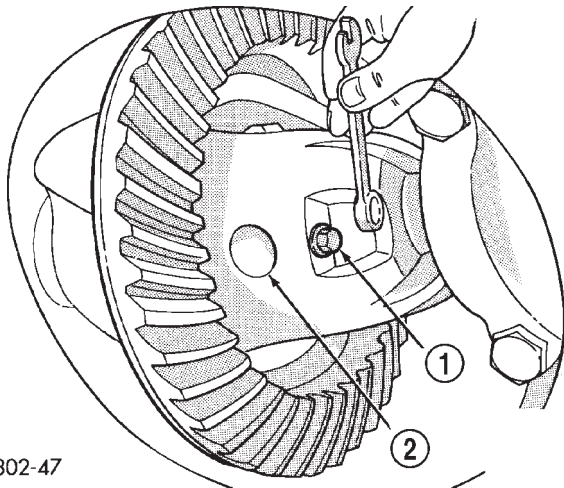
- 1 - SPECIAL TOOL 6965
- 2 - VISE
- 3 - DIFFERENTIAL



80a773e1

**Fig. 64 Mate Shaft Removal**

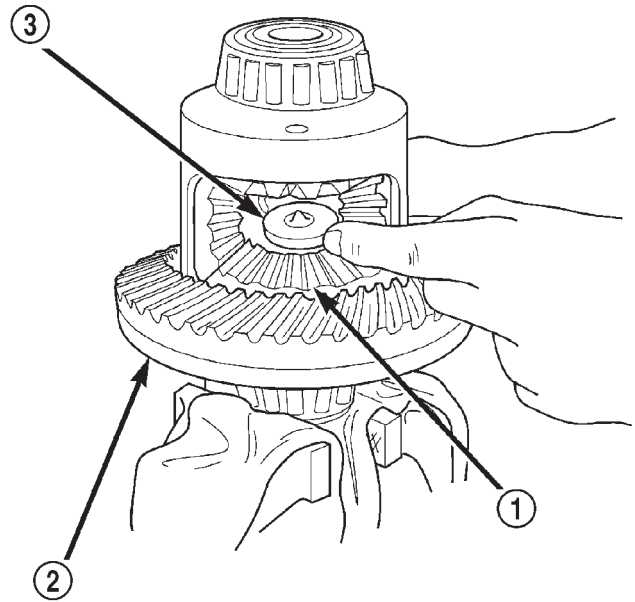
- 1 - PINION MATE SHAFT
- 2 - SIDE GEAR
- 3 - DRIFT
- 4 - PINION MATE GEAR



J9302-47

**Fig. 63 Mate Shaft Lock Screw**

- 1 - LOCK SCREW
- 2 - PINION GEAR MATE SHAFT



80a83886

**Fig. 65 Step Plate Tool Installation**

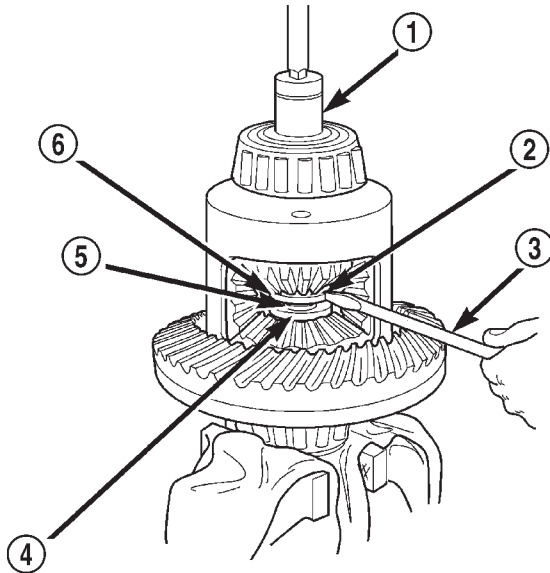
- 1 - LOWER SIDE GEAR
- 2 - DIFFERENTIAL CASE
- 3 - SPECIAL TOOL C-6960-3



## DISASSEMBLY AND ASSEMBLY (Continued)

(7) Assemble Threaded Adapter C-6960-1 into top side gear. Thread Forcing Screw C-6960-4 into adapter until it becomes centered in adapter plate.

(8) Position a small screw driver in slot of Threaded Adapter C-6960-1 (Fig. 66) to prevent adapter from turning.



80a8387f

**Fig. 66 Threaded Adapter Installation**

- 1 - SOCKET
- 2 - SLOT IN ADAPTER
- 3 - SCREWDRIVER
- 4 - DISC C-6960-3
- 5 - THREADED ROD C-6960-4
- 6 - THREADED ADAPTER DISC C-6960-1

(9) Tighten forcing screw tool 122 N·m (90 ft. lbs.) maximum to compress Belleville springs in clutch packs (Fig. 67).

(10) Using an appropriate size feeler gauge, remove thrust washers from behind the pinion gears (Fig. 68).

(11) Insert Turning Bar C-6960-2 in case (Fig. 69).

(12) Loosen the Forcing Screw C-6960-4 in small increments until the clutch pack tension is relieved and the differential case can be turned using Turning Bar C-6960-2.

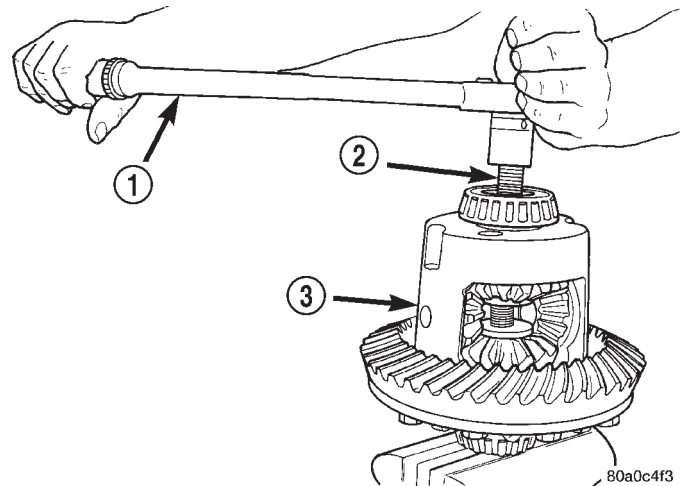
(13) Rotate differential case until the pinion gears can be removed.

(14) Remove pinion gears from differential case.

(15) Remove Forcing Screw C-6960-4, Step Plate C-6960-3, and Threaded Adapter C-6960-1.

(16) Remove top side gear, clutch pack retainer, and clutch pack. Keep plates in correct order during removal (Fig. 70).

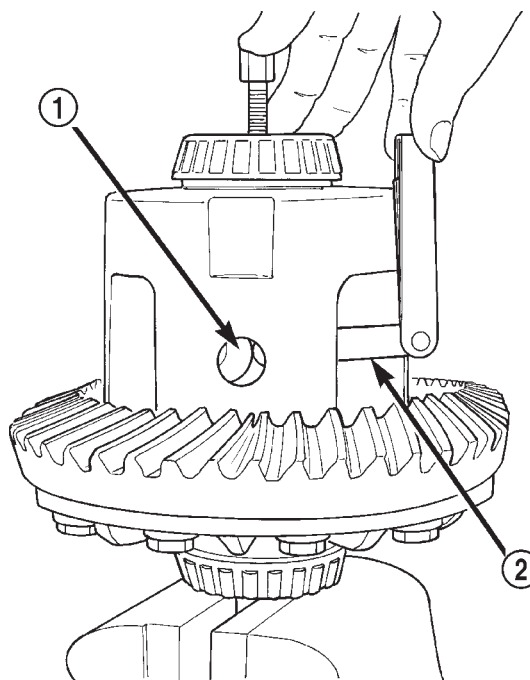
(17) Remove differential case from Side Gear Holding Tool 6965. Remove side gear, clutch pack retainer,



80a0c4f3

**Fig. 67 Tighten Belleville Spring Compressor Tool**

- 1 - TORQUE WRENCH
- 2 - TOOL ASSEMBLED
- 3 - DIFFERENTIAL CASE



80a77406

**Fig. 68 Remove Pinion Gear Thrust Washer**

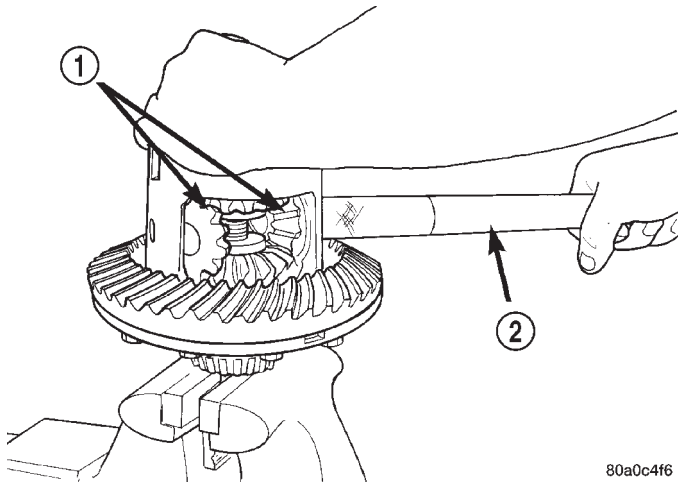
- 1 - THRUST WASHER
- 2 - FEELER GAUGE

and clutch pack. Keep plates in correct order during removal.

## ASSEMBLY

**NOTE:** The clutch discs are replaceable as complete sets only. If one clutch disc pack is damaged, both packs must be replaced.

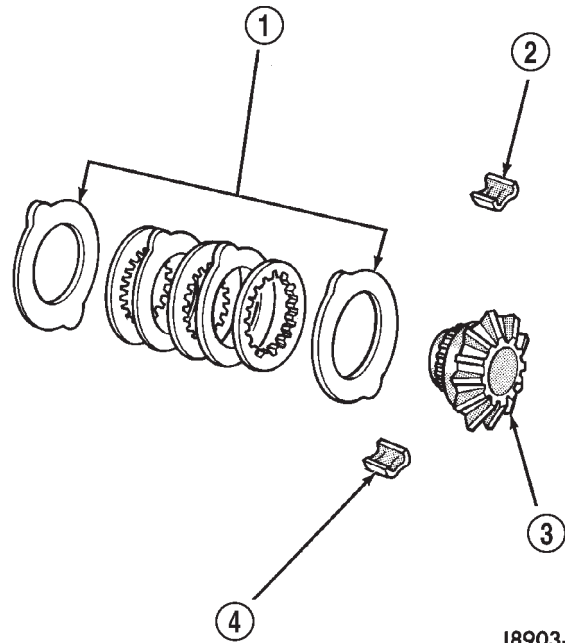
DISASSEMBLY AND ASSEMBLY (Continued)



80a0c4f6

**Fig. 69 Pinion Gear Removal**

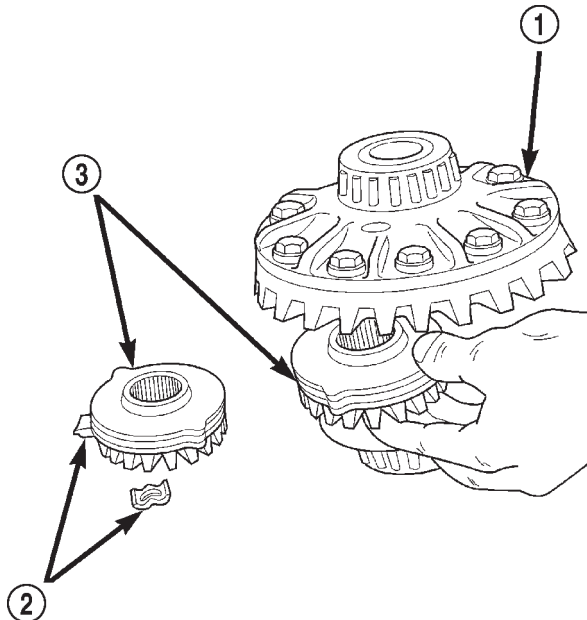
- 1 - PINION GEARS
- 2 - TOOL



J8903-50

**Fig. 71 Clutch Disc Pack**

- 1 - CLUTCH PACK
- 2 - RETAINER
- 3 - SIDE GEAR
- 4 - RETAINER



80a98382

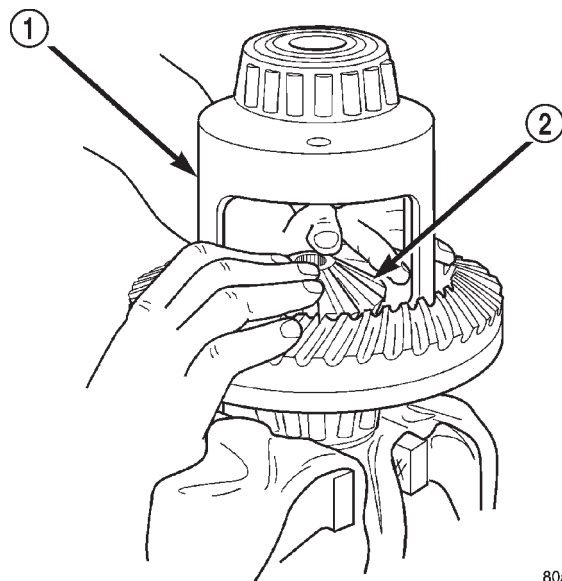
**Fig. 70 Side Gear & Clutch Disc Removal**

- 1 - DIFFERENTIAL CASE
- 2 - RETAINER
- 3 - SIDE GEAR AND CLUTCH DISC PACK

Lubricate each component with gear lubricant before assembly.

(1) Assemble the clutch discs into packs and secure disc packs with retaining clips (Fig. 71).

(2) Position assembled clutch disc packs on the side gear hubs.



80a7739c

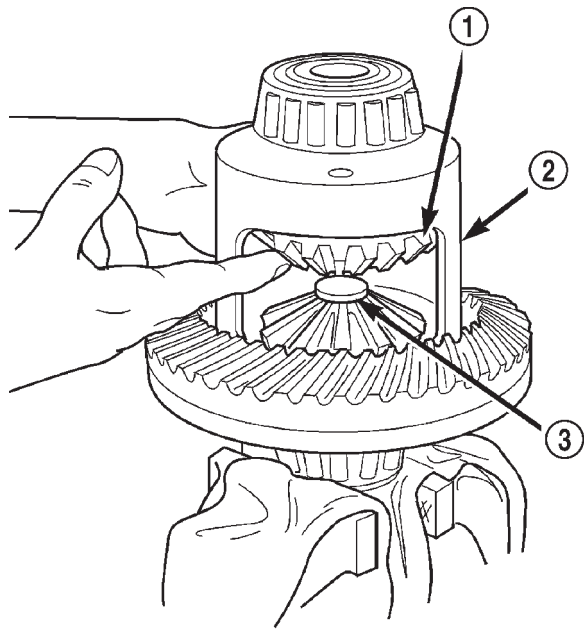
**Fig. 72 Clutch Discs & Lower Side Gear Installation**

- 1 - DIFFERENTIAL CASE
- 2 - LOWER SIDE GEAR AND CLUTCH DISC PACK

## DISASSEMBLY AND ASSEMBLY (Continued)

(4) Position the differential case on Side Gear Holding Tool 6965.

(5) Install lubricated Step Plate C-6960-3 in lower side gear (Fig. 73).



80a83887

**Fig. 73 Upper Side Gear & Clutch Disc Pack Installation**

- 1 - UPPER SIDE GEAR AND CLUTCH DISC PACK  
2 - DIFFERENTIAL CASE  
3 - SPECIAL TOOL C-6960-3

(6) Install the upper side gear and clutch disc pack (Fig. 73).

(7) Hold assembly in position. Insert Threaded Adapter C-6960-1 into top side gear.

(8) Insert Forcing Screw C-6960-4.

(9) Tighten forcing screw tool to slightly compress clutch discs.

(10) Place pinion gears in position in side gears and verify that the pinion mate shaft hole is aligned.

(11) Rotate case with Turning Bar C-6960-2 until the pinion mate shaft holes in pinion gears align with holes in case. It may be necessary to slightly tighten the forcing screw in order to install the pinion gears.

(12) Tighten forcing screw to 122 N·m (90 ft. lbs.) maximum to compress the Belleville springs.

(13) Lubricate and install thrust washers behind pinion gears and align washers with a small screw driver. Insert mate shaft into each pinion gear to verify alignment.

(14) Remove Forcing Screw C-6960-4, Step Plate C-6960-3, and Threaded Adapter C-6960-1.

(15) Install pinion gear mate shaft and align holes in shaft and case.

(16) Install the pinion mate shaft lock screw finger tight to hold shaft during differential installation.

**If replacement gears and thrust washers were installed, it is not necessary to measure the gear backlash. Correct fit is due to close machining tolerances during manufacture.**

(17) Lubricate all differential components with hypoid gear lubricant.

## CLEANING AND INSPECTION

## AXLE COMPONENTS

Wash differential components with cleaning solvent and dry with compressed air. **Do not steam clean the differential components.**

Wash bearings with solvent and towel dry, or dry with compressed air. **DO NOT** spin bearings with compressed air. **Cup and bearing must be replaced as matched sets only.**

Clean axle shaft tubes and oil channels in housing. Inspect for;

- Smooth appearance with no broken/dented surfaces on the bearing rollers or the roller contact surfaces.

- Bearing cups must not be distorted or cracked.

- Machined surfaces should be smooth and without any raised edges.

- Raised metal on shoulders of cup bores should be removed with a hand stone.

- Wear and damage to pinion gear mate shaft, pinion gears, side gears and thrust washers. Replace as a matched set only.

- Ring and pinion gear for worn and chipped teeth.

- Ring gear for damaged bolt threads. Replaced as a matched set only.

- Pinion yoke for cracks, worn splines, pitted areas, and a rough/corroded seal contact surface. Repair or replace as necessary.

- Preload shims for damage and distortion. Install new shims, if necessary.

## TRAC-LOK™

Clean all components in cleaning solvent. Dry components with compressed air. Inspect clutch pack plates for wear, scoring or damage. Replace both clutch packs if any one component in either pack is damaged. Inspect side gears and pinions. Replace any gear that is worn, cracked, chipped or damaged. Inspect differential case and pinion shaft. Replace if worn or damaged.

CLEANING AND INSPECTION (Continued)

**PRESOAK PLATES AND DISC**

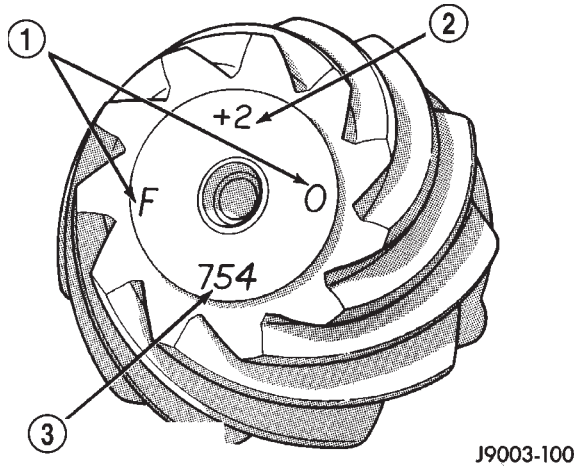
Plates and discs with fiber coating (no grooves or lines) must be presoaked in Friction Modifier before assembly. Soak plates and discs for a minimum of 20 minutes.

**ADJUSTMENTS**

**PINION GEAR DEPTH**

**GENERAL INFORMATION**

Ring and pinion gears are supplied as matched sets only. The identifying numbers for the ring and pinion gear are etched into the face of each gear (Fig. 74). A plus (+) number, minus (-) number or zero (0) is etched into the face of the pinion gear. This number is the amount (in thousandths of an inch) the depth varies from the standard depth setting of a pinion etched with a (0). The standard setting from the center line of the ring gear to the back face of the pinion is 96.850 mm (3.813 in.). The standard depth provides the best teeth contact pattern. Refer to Backlash and Contact Pattern Analysis Paragraph in this section for additional information.

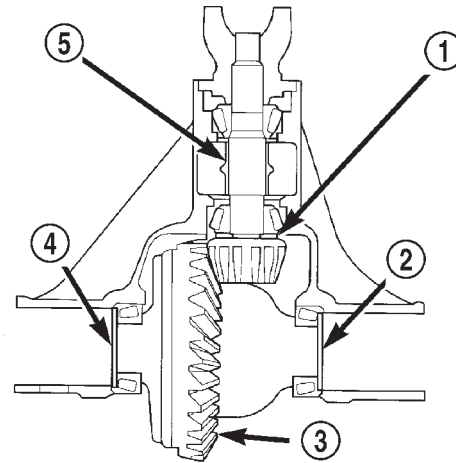


**Fig. 74 Pinion Gear ID Numbers**

- 1 - PRODUCTION NUMBERS
- 2 - DRIVE PINION GEAR DEPTH VARIANCE
- 3 - GEAR MATCHING NUMBER (SAME AS RING GEAR NUMBER)

Compensation for pinion depth variance is achieved with select shims. The shims are placed under the inner pinion bearing cone (Fig. 75).

If a new gear set is being installed, note the depth variance etched into both the original and replacement pinion gear. Add or subtract the thickness of the original depth shims to compensate for the difference in the depth variances. Refer to the Depth Variance charts.



80a5037a

**Fig. 75 Shim Locations**

- 1 - PINION GEAR DEPTH SHIM
- 2 - DIFFERENTIAL BEARING SHIM-PINION GEAR SIDE
- 3 - RING GEAR
- 4 - DIFFERENTIAL BEARING SHIM-RING GEAR SIDE
- 5 - COLLAPSIBLE SPACER

Note where Old and New Pinion Marking columns intersect. Intersecting figure represents plus or minus amount needed.

Note the etched number on the face of the drive pinion gear (-1, -2, 0, +1, +2, etc.). The numbers represent thousands of an inch deviation from the standard. If the number is negative, add that value to the required thickness of the depth shim(s). If the number is positive, subtract that value from the thickness of the depth shim(s). If the number is 0 no change is necessary. Refer to the Pinion Gear Depth Variance Chart.

**PINION DEPTH MEASUREMENT AND ADJUSTMENT**

Measurements are taken with pinion cups and pinion bearings installed in housing. Take measurements with a Pinion Gauge Set, Pinion Block 6735, Arbor Discs 6732, and Dial Indicator C-3339 (Fig. 76).

(1) Assemble Pinion Height Block 6739, Pinion Block 6735, and rear pinion bearing onto Screw 6741 (Fig. 76).

(2) Insert assembled height gauge components, rear bearing and screw into axle housing through pinion bearing cups (Fig. 77).

(3) Install front pinion bearing and Cone 6740 hand tight (Fig. 76).

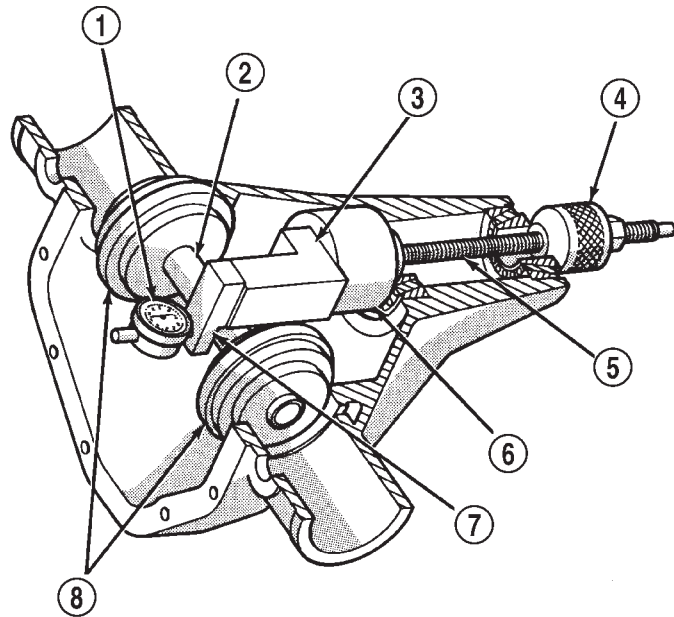
(4) Place Arbor Disc 6732 on Arbor D-115-3 in position in axle housing side bearing cradles (Fig. 78). Install differential bearing caps on Arbor Discs and tighten cap bolts. Refer to the Torque Specifications in this section.



ADJUSTMENTS (Continued)

PINION GEAR DEPTH VARIANCE

Original Pinion Gear Depth Variance	Replacement Pinion Gear Depth Variance								
	-4	-3	-2	-1	0	+1	+2	+3	+4
+4	+0.008	+0.007	+0.006	+0.005	+0.004	+0.003	+0.002	+0.001	0
+3	+0.007	+0.006	+0.005	+0.004	+0.003	+0.002	+0.001	0	-0.001
+2	+0.006	+0.005	+0.004	+0.003	+0.002	+0.001	0	-0.001	-0.002
+1	+0.005	+0.004	+0.003	+0.002	+0.001	0	-0.001	-0.002	-0.003
0	+0.004	+0.003	+0.002	+0.001	0	-0.001	-0.002	-0.003	-0.004
-1	+0.003	+0.002	+0.001	0	-0.001	-0.002	-0.003	-0.004	-0.005
-2	+0.002	+0.001	0	-0.001	-0.002	-0.003	-0.004	-0.005	-0.006
-3	+0.001	0	-0.001	-0.002	-0.003	-0.004	-0.005	-0.006	-0.007
-4	0	-0.001	-0.002	-0.003	-0.004	-0.005	-0.006	-0.007	-0.008



J9403-45

Fig. 76 Pinion Gear Depth Gauge Tools—Typical

- 1 - DIAL INDICATOR
- 2 - ARBOR
- 3 - PINION HEIGHT BLOCK
- 4 - CONE
- 5 - SCREW
- 6 - PINION BLOCK
- 7 - SCOOTER BLOCK
- 8 - ARBOR DISC

**NOTE:** Arbor Discs 6732 have different step diameters to fit other axle sizes. Pick correct size step for axle being serviced.

(5) Assemble Dial Indicator C-3339 into Scooter Block D-115-2 and secure set screw.

(6) Place Scooter Block/Dial Indicator in position in axle housing so dial probe and scooter block are

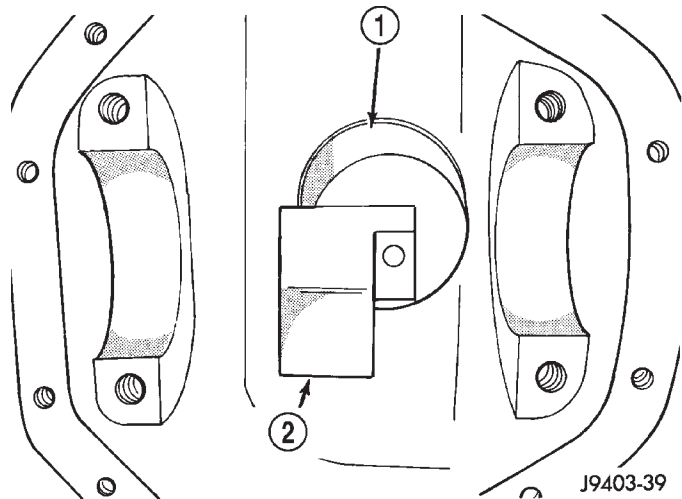


Fig. 77 Pinion Height Block—Typical

- 1 - PINION BLOCK
- 2 - PINION HEIGHT BLOCK

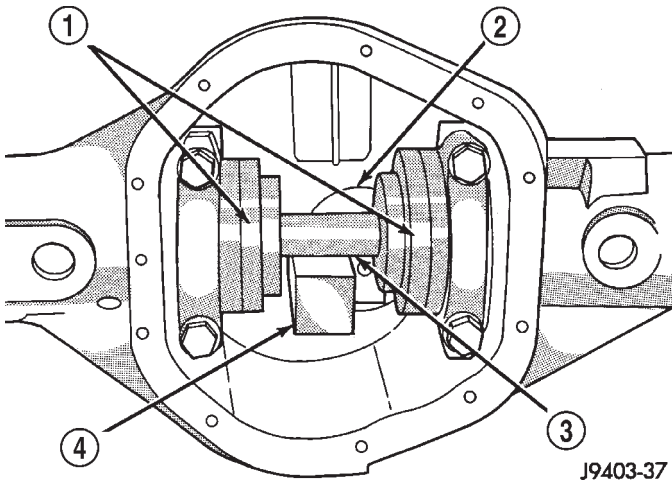
flush against the surface of the pinion height block. Hold scooter block in place and zero the dial indicator face to the pointer. Tighten dial indicator face lock screw.

(7) With scooter block still in position against the pinion height block, slowly slide the dial indicator probe over the edge of the pinion height block. Observe how many revolutions counterclockwise the dial pointer travels (approximately 0.125 in.) to the out-stop of the dial indicator.

(8) Slide the dial indicator probe across the gap between the pinion height block and the arbor bar with the scooter block against the pinion height block (Fig. 79). When the dial probe contacts the arbor bar, the dial pointer will turn clockwise. Bring dial pointer back to zero against the arbor bar, do not turn dial face. Continue moving the dial probe to the crest of the arbor bar and record the highest reading. If the dial indicator can not achieve the zero reading,



ADJUSTMENTS (Continued)



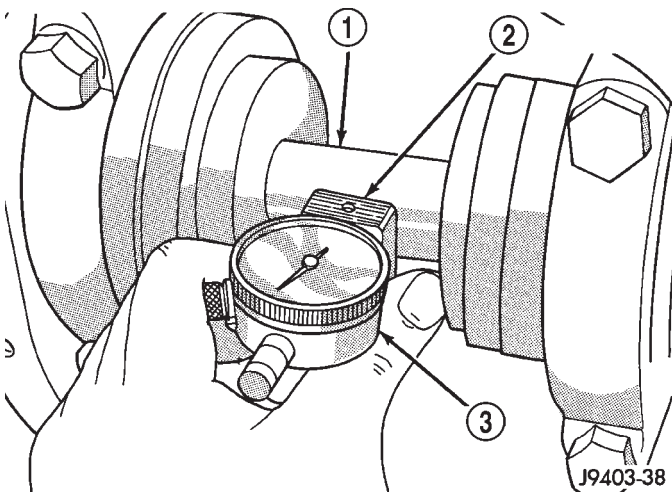
J9403-37

**Fig. 78 Gauge Tools In Housing—Typical**

- 1 - ARBOR DISC
- 2 - PINION BLOCK
- 3 - ARBOR
- 4 - PINION HEIGHT BLOCK

the rear bearing cup or the pinion depth gauge set is not installed correctly.

(9) Select a shim equal to the dial indicator reading plus the drive pinion gear depth variance number etched in the face of the pinion gear (Fig. 74) using the opposite sign on the variance number. For example, if the depth variance is -2, add +0.002 in. to the dial indicator reading.



J9403-38

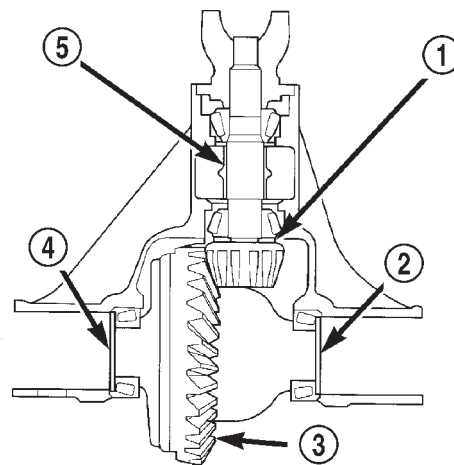
**Fig. 79 Pinion Gear Depth Measurement—Typical**

- 1 - ARBOR
- 2 - SCOOTER BLOCK
- 3 - DIAL INDICATOR

(10) Remove the pinion depth gauge components from the axle housing

**DIFFERENTIAL BEARING PRELOAD AND GEAR BACKLASH**

Differential side bearing preload and gear backlash is achieved by selective shims inserted between the bearing cup and the axle housing. The proper shim thickness can be determined using slip-fit dummy bearings D-348 in place of the differential side bearings and a dial indicator C-3339. Before proceeding with the differential bearing preload and gear backlash measurements, measure the pinion gear depth and prepare the pinion gear for installation. Establishing proper pinion gear depth is essential to establishing gear backlash and tooth contact patterns. After the overall shim thickness to take up differential side play is measured, the pinion gear is installed, and the gear backlash shim thickness is measured. The overall shim thickness is the total of the dial indicator reading, starting point shim thickness, and the preload specification added together. The gear backlash measurement determines the thickness of the shim used on the ring gear side of the differential case. Subtract the gear backlash shim thickness from the total overall shim thickness and select that amount for the pinion gear side of the differential (Fig. 80).



80a5037a

**Fig. 80 Axle Adjustment Shim Locations**

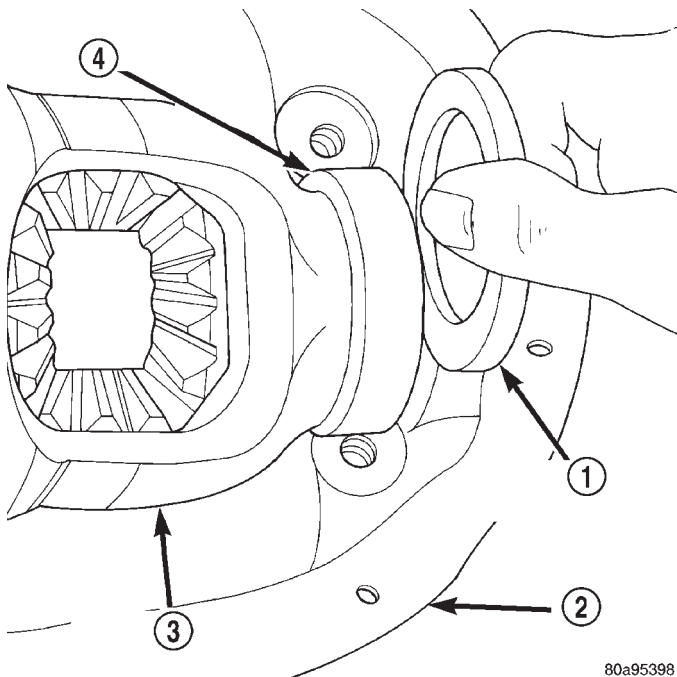
- 1 - PINION GEAR DEPTH SHIM
- 2 - DIFFERENTIAL BEARING SHIM-PINION GEAR SIDE
- 3 - RING GEAR
- 4 - DIFFERENTIAL BEARING SHIM-RING GEAR SIDE
- 5 - COLLAPSIBLE SPACER

## ADJUSTMENTS (Continued)

## SHIM SELECTION

**NOTE:** It is difficult to salvage the differential side bearings during the removal procedure. Install replacement bearings if necessary.

- (1) Remove side bearings from differential case.
- (2) Install ring gear, if necessary, on differential case and tighten bolts to specification.
- (3) Install dummy side bearings D-348 on differential case.
- (4) Install differential case in axle housing.
- (5) Measure and record the thickness of Dummy Shims 8107 (0.118 in. (3.0 mm)) starting point shims for future reference. Insert Dummy Shims 8107 starting point shims between the dummy bearing and the axle housing (Fig. 81).



**Fig. 81 Insert Starting Point Shims**

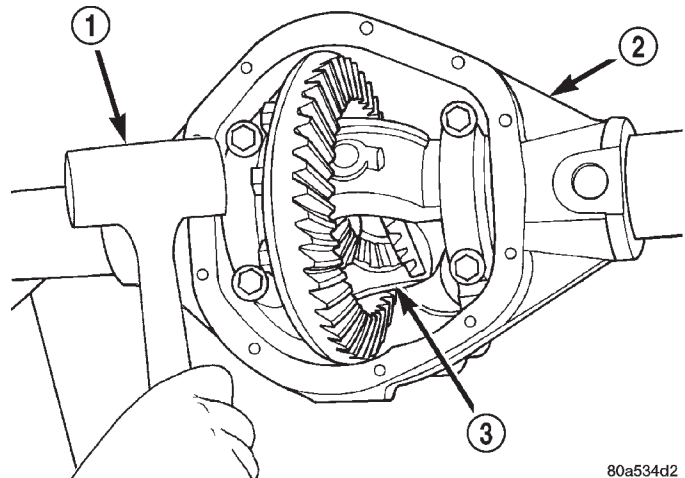
- 1 - SPECIAL TOOL 8107
- 2 - AXLE HOUSING
- 3 - DIFFERENTIAL CASE
- 4 - SPECIAL TOOL D-348

(6) Install the marked bearing caps in their correct positions. Install and snug the bolts.

(7) Using a dead-blow type mallet, seat the differential dummy bearings to each side of the axle housing (Fig. 82) and (Fig. 83).

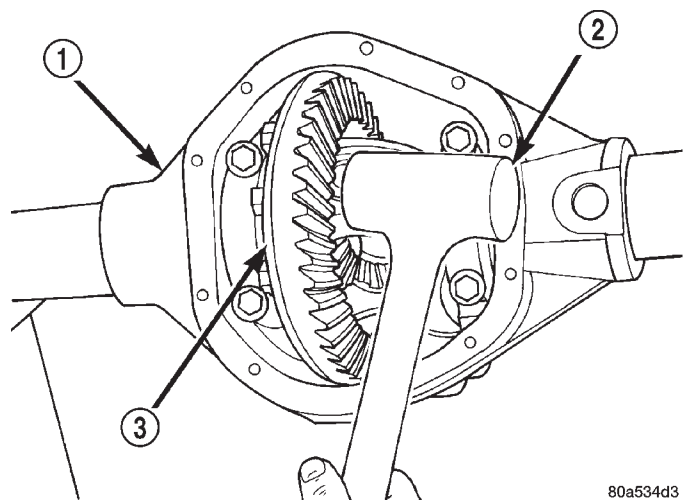
(8) Thread guide stud C-3288-B into rear cover bolt hole below ring gear (Fig. 84).

(9) Attach dial indicator C-3339 to guide stud. Position the dial indicator plunger on a flat surface on a ring gear bolt head (Fig. 84).



**Fig. 82 Seat Pinion Gear Dummy Side Bearing**

- 1 - MALLET
- 2 - AXLE HOUSING
- 3 - DIFFERENTIAL CASE



**Fig. 83 Seat Ring Gear Side Dummy Bearing**

- 1 - AXLE HOUSING
- 2 - MALLET
- 3 - DIFFERENTIAL CASE

(10) Push firmly and hold differential case to pinion gear side of axle housing (Fig. 85).

(11) Zero dial indicator face to pointer.

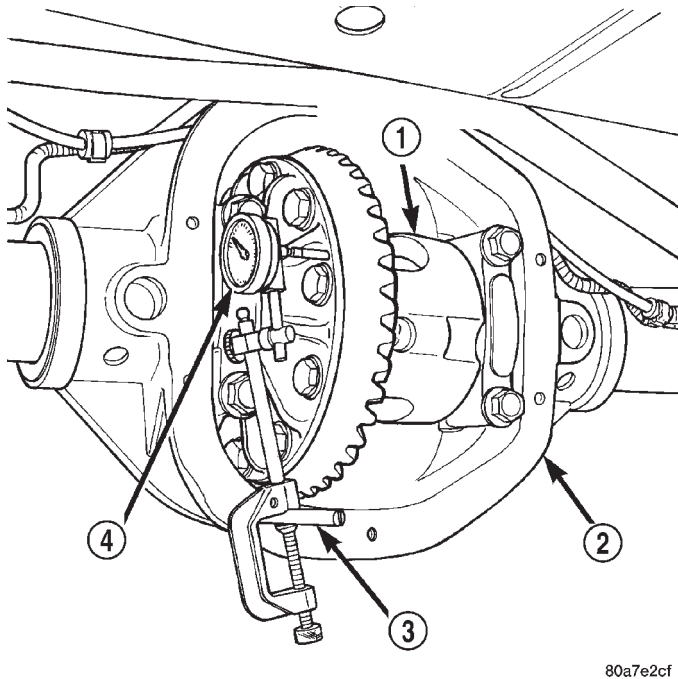
(12) Push firmly and hold differential case to ring gear side of the axle housing (Fig. 86).

(13) Record dial indicator reading.

(14) Add the dial indicator reading to the starting point shim thickness to determine total shim thickness to achieve zero differential end play.

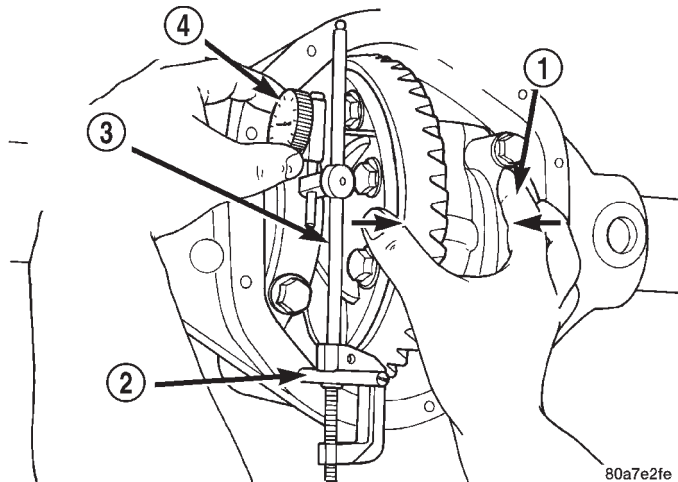
(15) Add 0.006 in. (0.152 mm) to the zero end play total. This new total represents the thickness of shims to compress, or preload the new bearings when the differential is installed.

ADJUSTMENTS (Continued)



**Fig. 84 Differential Side play Measurement**

- 1 - DIFFERENTIAL CASE
- 2 - AXLE HOUSING
- 3 - SPECIAL TOOL C-3288-B
- 4 - SPECIAL TOOL C-3339

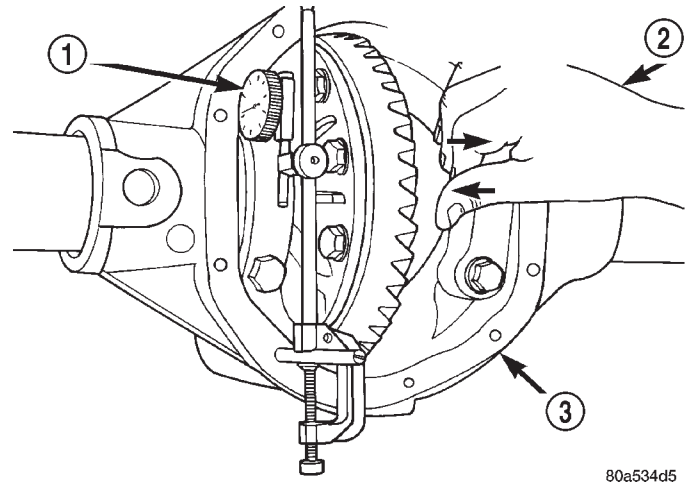


**Fig. 85 Hold Differential Case and Zero Dial Indicator**

- 1 - FORCE DIFFERENTIAL CASE TO PINION GEAR SIDE
- 2 - SPECIAL TOOL C-3288-B
- 3 - SPECIAL TOOL C-3339
- 4 - ZERO DIAL INDICATOR FACE

(16) Rotate dial indicator out of the way on guide stud.

(17) Remove differential case, dummy bearings, and starting point shims from axle housing.



**Fig. 86 Hold Differential Case and Read Dial Indicator**

- 1 - READ DIAL INDICATOR
- 2 - FORCE DIFFERENTIAL CASE TO RING GEAR SIDE
- 3 - AXLE HOUSING

(18) Install pinion gear in axle housing. Install the yoke and establish the correct pinion rotating torque.

(19) Install differential case and dummy bearings in axle housing with a single Dummy Shim 8107 installed between the ring gear side dummy bearing and the axle housing. Install the bearing caps and tighten retaining cap bolts.

(20) Position the dial indicator plunger on a flat surface between the ring gear bolt heads (Fig. 84).

(21) Push and hold differential case toward pinion gear.

(22) Zero dial indicator face to pointer.

(23) Push and hold differential case to ring gear side of the axle housing.

(24) Record dial indicator reading. Add the starting point shim thickness to the dial indicator reading to obtain the total shim thickness necessary to achieve zero backlash.

(25) Subtract 0.003 in. (0.076 mm) from the dial indicator reading to compensate for backlash between ring and pinion gears. This total is the thickness of shim required to achieve proper backlash.

(26) Subtract the backlash shim thickness from the total preload shim thickness. The remainder is the shim thickness required on the pinion side of the axle housing.

(27) Rotate dial indicator out of the way on guide stud.

(28) Remove differential case, dummy shim, and dummy bearings from axle housing.

(29) Install new side bearing cones and cups on differential case.

(30) Install spreader W-129-B, utilizing some components of Adapter Set 6987, on axle housing and

## ADJUSTMENTS (Continued)

spread axle opening enough to receive differential case.

(31) Place side bearing shims in axle housing against axle tubes.

(32) Install differential case in axle housing.

(33) Rotate the differential case several times to seat the side bearings.

(34) Position the indicator plunger against a ring gear tooth (Fig. 87).

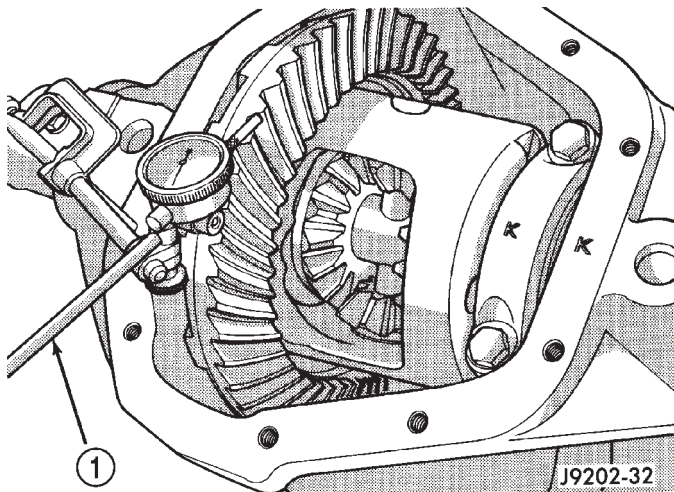
(35) Push and hold ring gear upward while not allowing the pinion gear to rotate.

(36) Zero dial indicator face to pointer.

(37) Push and hold ring gear downward while not allowing the pinion gear to rotate. Dial indicator reading should be between 0.12 mm (0.005 in.) and 0.20 mm (0.008 in.). If backlash is not within specifications transfer the necessary amount of shim thickness from one side of the differential housing to the other (Fig. 88).

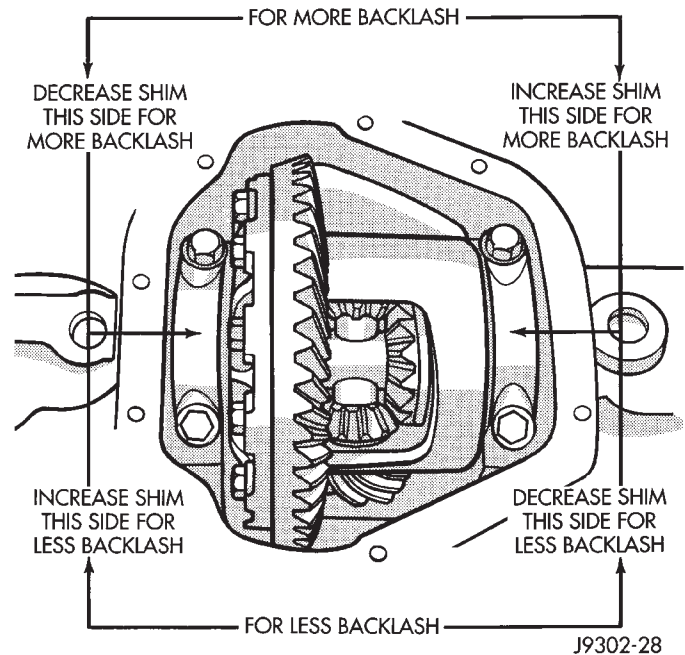
(38) Verify differential case and ring gear runout by measuring ring to pinion gear backlash at eight locations around the ring gear. Readings should not vary more than 0.05 mm (0.002 in.). If readings vary more than specified, the ring gear or the differential case is defective.

After the proper backlash is achieved, perform the Gear Contact Pattern Analysis procedure.



**Fig. 87 Ring Gear Backlash Measurement**

1 - DIAL INDICATOR



**Fig. 88 Backlash Shim Adjustment**

## DIFFERENTIAL TOTAL TORQUE TO ROTATE

(1) Rotate the pinion a minimum of ten times to seat the differential bearings. Verify that the rotation is smooth and repeatable.

(2) While rotating the pinion at a slow steady rate, measure the differential total torque to rotate. Record the value.

(3) The differential total torque to rotate must be greater than the pinion torque to rotate plus 3 in.lbs..

(4) The differential total torque to rotate must be less than the pinion torque to rotate plus 11 in.lbs..

(5) If the differential total torque to rotate is within these guidelines, assemble the remainder of the axle.

(6) If the differential total torque to rotate is less than the required value, increase the shim thickness on the ring and pinion gear sides of the differential equally.

(7) If the differential total torque to rotate is greater than the required value, decrease the shim thickness on the ring and pinion gear sides of the differential equally.

(8) Remeasure the differential total torque to rotate.



## ADJUSTMENTS (Continued)

**GEAR CONTACT PATTERN ANALYSIS**

The ring gear and pinion teeth contact patterns will show if the pinion depth is correct in the axle housing. It will also show if the ring gear backlash has been adjusted correctly. The backlash can be adjusted within specifications to achieve desired tooth contact patterns.

(1) Apply a thin coat of hydrated ferric oxide, or equivalent, to the drive and coast side of the ring gear teeth.

(2) Wrap, twist, and hold a shop towel around the pinion yoke to increase the turning resistance of the pinion. This will provide a more distinct contact pattern.

(3) Using a boxed end wrench on a ring gear bolt, rotate the differential case one complete revolution in both directions while a load is being applied from shop towel.

The areas on the ring gear teeth with the greatest degree of contact against the pinion teeth will squeeze the compound to the areas with the least amount of contact. Note and compare patterns on the ring gear teeth to Gear Tooth Contact Patterns chart (Fig. 89) and adjust pinion depth and gear backlash as necessary.



ADJUSTMENTS (Continued)

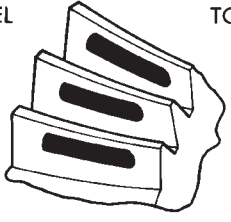
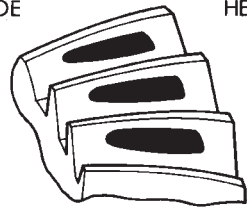
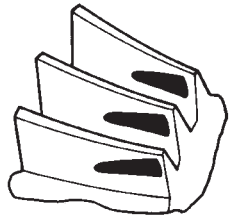
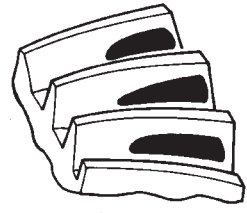
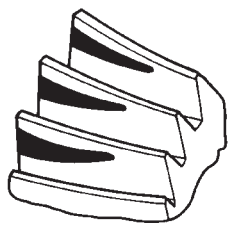
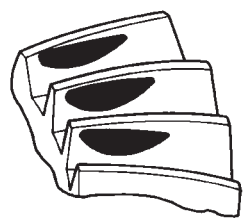
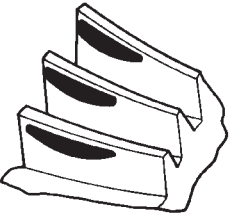
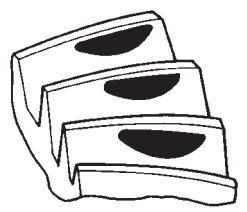
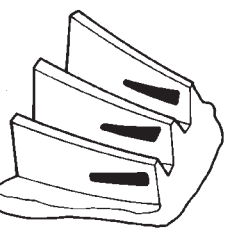
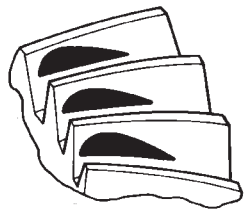
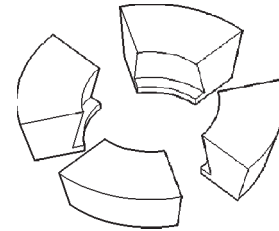
<p>DRIVE SIDE OF RING GEAR TEETH</p> <p>HEEL TOE</p> 	<p>COAST SIDE OF RING GEAR TEETH</p> <p>TOE HEEL</p> 	<p>DESIRABLE CONTACT PATTERN. PATTERN SHOULD BE CENTERED ON THE DRIVE SIDE OF TOOTH. PATTERN SHOULD BE CENTERED ON THE COAST SIDE OF TOOTH, BUT MAY BE SLIGHTLY TOWARD THE TOE. THERE SHOULD ALWAYS BE SOME CLEARANCE BETWEEN CONTACT PATTERN AND TOP OF THE TOOTH.</p>
		<p>RING GEAR BACKLASH CORRECT. <b>THINNER</b> PINION GEAR DEPTH SHIM REQUIRED.</p>
		<p>RING GEAR BACKLASH CORRECT. <b>THICKER</b> PINION GEAR DEPTH SHIM REQUIRED.</p>
		<p>PINION GEAR DEPTH SHIM CORRECT. <b>DECREASE</b> RING GEAR BACKLASH.</p>
		<p>PINION GEAR DEPTH SHIM CORRECT. <b>INCREASE</b> RING GEAR BACKLASH.</p>

Fig. 89 Gear Tooth Contact Patterns

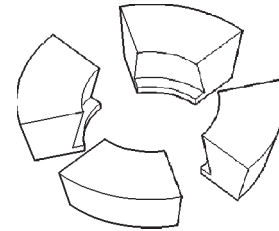
**SPECIFICATIONS**

**198 RBI AXLE**

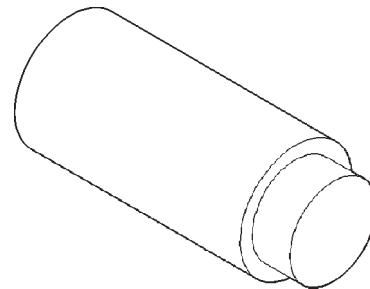
<b>DESCRIPTION</b>	<b>SPECIFICATION</b>
Axle Type . . . . .	Semi-Floating Hypoid
Lubricant . . . . .	SAE Thermally Stable 80W-90
Lubricant Trailer Tow . . . . .	Synthetic 75W-140
Lube Capacity . . . . .	1.66 L (3.50 pts.) total
Friction Modifier-w/ Trac-lok™ . . . . .	0.11 L (0.25 pts.)
Axle Ratios . . . . .	3.07, 3.55, 3.73, 4.10
Differential Bearing Preload . . . . .	0.1 mm (0.004 in.)
Differential Side Gear Clearance . . . . .	0-0.15 mm (0-0.006 in.)
Ring Gear Diameter . . . . .	19.8 cm (7.795 in.)
Ring Gear Backlash . . . . .	0-0.15 mm (0.005-0.008 in.)
Pinion Std. Depth . . . . .	92.08 mm (3.625 in.)
Pinion Bearing Preload-Original Bearings . . . . .	1-2 N·m (10-20 in. lbs.)
Pinion Bearing Preload-New Bearings . . . . .	1.7-3.4 N·m (15-30 in. lbs.)
Maximum Carrier Spread . . . . .	0.51 mm (0.020 in.)



**Adapter—8352**



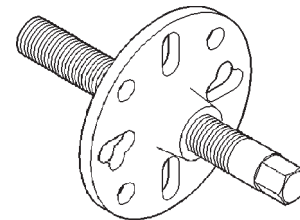
**Adapter—C-293-40**



**Plug—SP-3289**

**198 RBI AXLE**

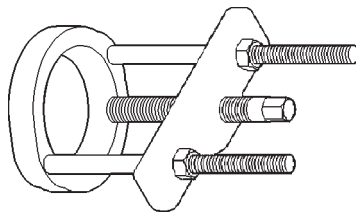
<b>DESCRIPTION</b>	<b>TORQUE</b>
Bolt, Diff. Cover . . . . .	41 N·m (30 ft. lbs.)
Bolt, Bearing Cap . . . . .	77 N·m (57 ft. lbs.)
Nut, Pinion . . . . .	271-474 N·m (200-350 ft. lbs.)
Screw, Pinion Mate Shaft Lock . . . . .	16.25 N·m (12 ft. lbs.)
Nuts, Axle Bearing Retainer Plate . . . . .	61 N·m (45 ft. lbs.)
Bolt, Ring Gear . . . . .	129-142 N·m (95-105 ft. lbs.)
Bolt, ABS Sensor . . . . .	8 N·m (70 in. lbs.)



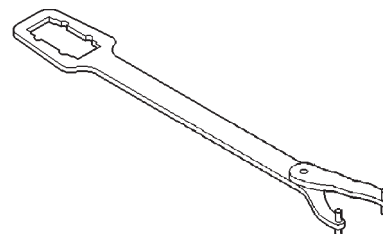
**Puller—C-452**

**SPECIAL TOOLS**

**198 RBI AXLE**

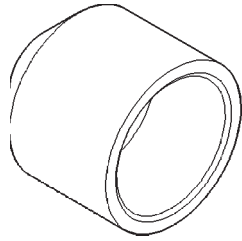


**Puller—C-293-PA**

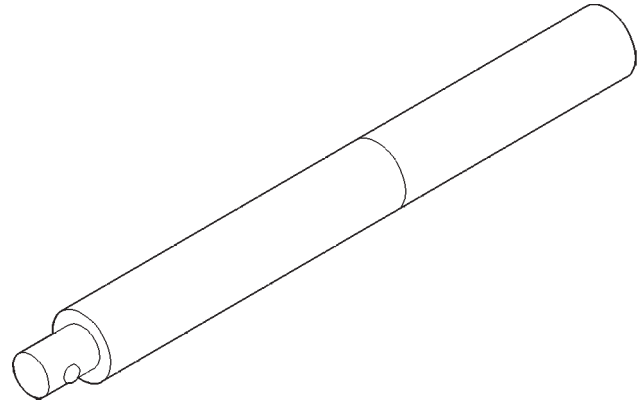


**Wrench—C-3281**

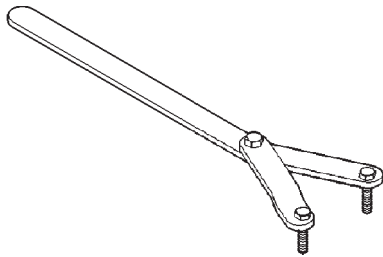
SPECIAL TOOLS (Continued)



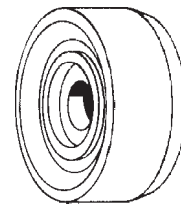
**Installer—C-3972-A**



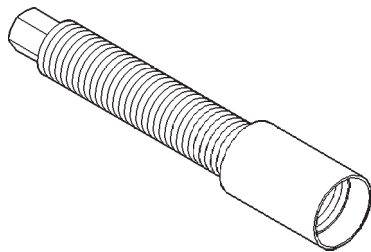
**Handle—C-4171**



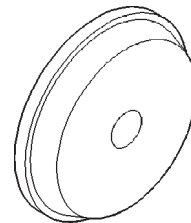
**Spanner—6958**



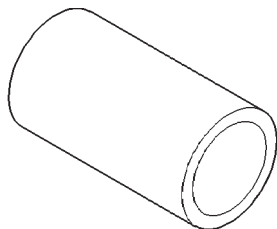
**Driver—C-3716-A**



**Installer Screw—8112**



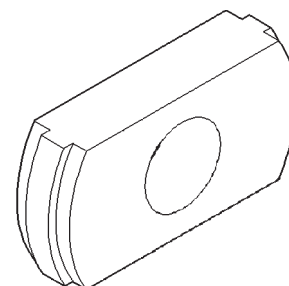
**Installer—D-130**



**Cup—8109**

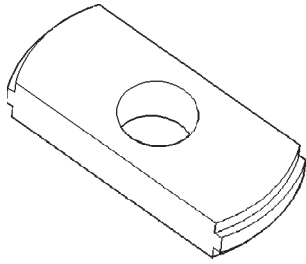


**Installer—D-146**

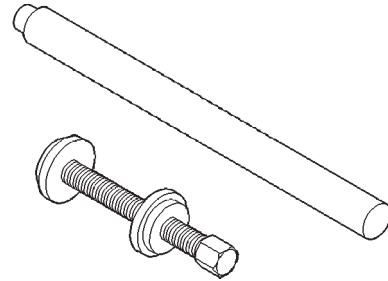


**Remover—C-4345**

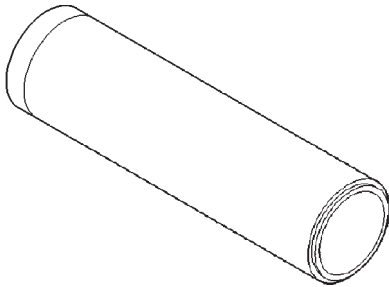
SPECIAL TOOLS (Continued)



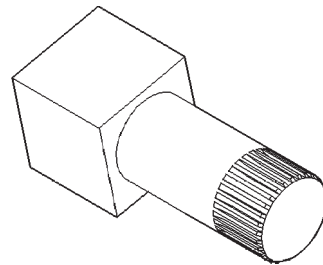
**Remover—D-149**



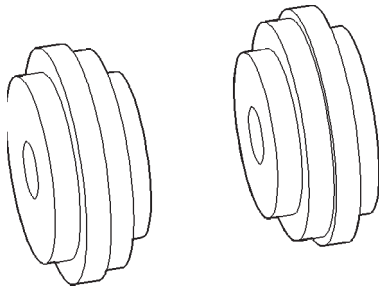
**Trac-lok Tool Set—6960**



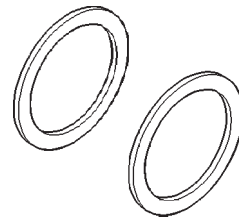
**Installer—W-262**



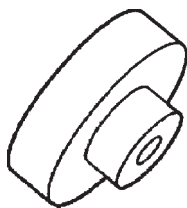
**Holder—6965**



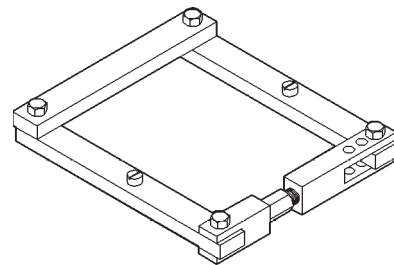
**Disc, Axle Arbor—6732**



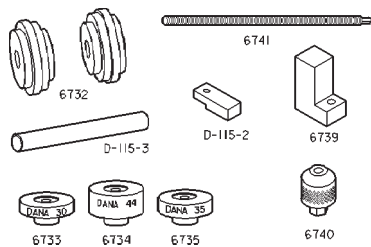
**Starting Point Shim—8107**



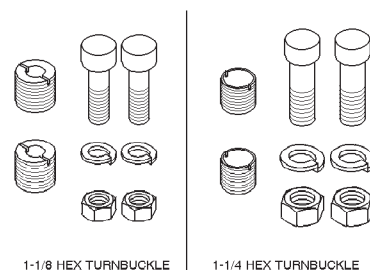
**Gauge Block—6735**



**Spreader—W-129-B**

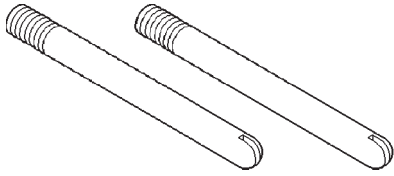


**Tool Set, Pinion Depth—6774**

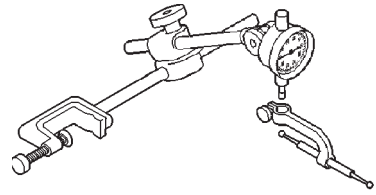


**Adapter Kit—6987**

SPECIAL TOOLS (Continued)

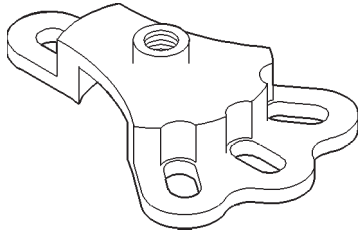


**Guide Pin—C-3288-B**

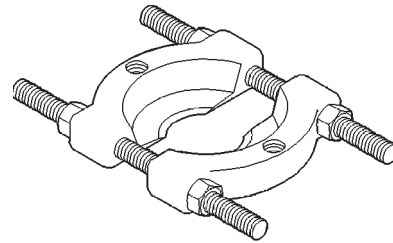


8011d42b

**Dial Indicator—C-3339**

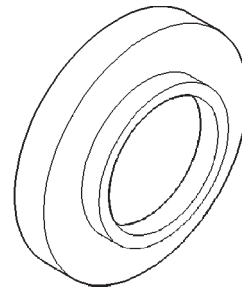


**Hub Puller—6790**



113C-80109ac3

**Splitter, Bearing—1130**



**Installer, Gear/Bearing—7913-A**



# 226 RBA AXLE

## TABLE OF CONTENTS

	page		page
<b>DESCRIPTION AND OPERATION</b>			
226 RBA AXLE .....	95	AXLE SHAFT SEAL AND BEARING .....	110
LUBRICANT .....	96	DIFFERENTIAL .....	112
STANDARD DIFFERENTIAL .....	96	DIFFERENTIAL SIDE BEARINGS .....	114
VARI-LOK™ DIFFERENTIAL .....	97	VARI-LOK™ PLENUM .....	114
TRAC-LOK™ DIFFERENTIAL .....	98	RING GEAR .....	115
<b>DIAGNOSIS AND TESTING</b>			
GENERAL INFORMATION .....	98	PINION GEAR .....	115
GEAR NOISE .....	101	FINAL ASSEMBLY .....	120
BEARING NOISE .....	101	<b>DISASSEMBLY AND ASSEMBLY</b>	
LOW SPEED KNOCK .....	101	STANDARD DIFFERENTIAL .....	121
VIBRATION .....	101	TRAC-LOK™ DIFFERENTIAL .....	122
DRIVELINE SNAP .....	102	<b>CLEANING AND INSPECTION</b>	
TRAC-LOK™ DIFFERENTIAL NOISE .....	102	AXLE COMPONENTS .....	126
TRAC-LOK™ TEST .....	102	TRAC-LOK™ .....	126
VARI-LOK™ TEST .....	102	<b>ADJUSTMENTS</b>	
<b>SERVICE PROCEDURES</b>			
LUBRICANT CHANGE .....	103	PINION GEAR DEPTH .....	127
<b>REMOVAL AND INSTALLATION</b>			
REAR AXLE .....	103	DIFFERENTIAL BEARING PRELOAD AND GEAR BACKLASH .....	129
PINION SHAFT SEAL .....	104	GEAR CONTACT PATTERN ANALYSIS .....	133
COLLAPSIBLE SPACER .....	106	<b>SPECIFICATIONS</b>	
AXLE SHAFT .....	109	226 RBA AXLE .....	135
		226 RBA AXLE .....	135
		<b>SPECIAL TOOLS</b>	
		226 RBA AXLE .....	135

## DESCRIPTION AND OPERATION

### 226 RBA AXLE

#### DESCRIPTION

The 226 Rear Beam-design Aluminum (RBA) axle housing has an aluminum center casting (differential housing) with axle shaft tubes extending from either side. The tubes are pressed into the differential housing to form a one-piece axle housing.

The integral type housing, hypoid gear design has the center-line of the pinion set below the center-line of the ring gear.

The axle has a vent hose to relieve internal pressure caused by lubricant vaporization and internal expansion.

The axles are equipped with semi-floating axle shafts, meaning that vehicle load is supported by the axle shaft and bearings. The axle shafts are retained by bearing retainer plates on the axles which are bolted to flanges at the outboard end of the axle tubes.

The cover provides a means for servicing the differential without removing the axle.

For vehicles equipped with ABS brakes, the axles have a tone ring pressed onto the axle shaft. Use care when removing axle shafts to ensure that the tone wheel or the wheel speed sensor are not damaged.

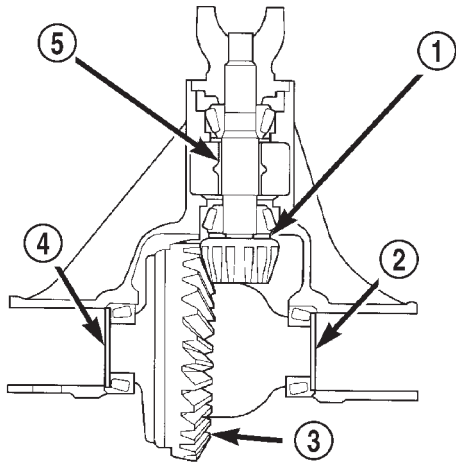
The 226 RBA axle has the assembly part number and gear ratio listed on a tag. The tag is attached to the differential housing by a cover bolt. Build date identification codes are stamped on the cover side of an axle shaft tube.

The differential case is a one-piece design. The differential pinion mate shaft is retained with a threaded pin. Differential bearing preload and ring gear backlash is adjusted by the use of selective spacer shims. Pinion bearing preload is set and maintained by the use of a collapsible spacer (Fig. 1).

Axles equipped with a Trac-Lok™ differential are optional. A Trac-Lok differential has a one-piece differential case, and the same internal components as a standard differential, plus two clutch disc packs.

Axles equipped with a Vari-Lok™ differential are optional. A Vari-Lok™ differential has a one-piece differential case which contains the gerotor pump assembly and the clutch mechanism. The Vari-Lok™ unit is serviced only as an assembly.

## DESCRIPTION AND OPERATION (Continued)



80a5037a

**Fig. 1 Shim Locations**

- 1 - PINION GEAR DEPTH SHIM
- 2 - DIFFERENTIAL BEARING SHIM-PINION GEAR SIDE
- 3 - RING GEAR
- 4 - DIFFERENTIAL BEARING SHIM-RING GEAR SIDE
- 5 - COLLAPSIBLE SPACER

**OPERATION**

The axle receives power from the transmission/transfer case through the rear propeller shaft. The rear propeller shaft is connected to the pinion gear which rotates the differential through the gear mesh with the ring gear bolted to the differential case. The engine power is transmitted to the axle shafts through the pinion mate and side gears. The side gears are splined to the axle shafts.

**LUBRICANT****DESCRIPTION**

A multi-purpose, hypoid gear lubricant which conforms to the following specifications should be used. Mopar® Hypoid Gear Lubricant conforms to all of these specifications.

- The lubricant should have MIL-L-2105C and API GL 5 quality specifications.
- Lubricant is a thermally stable SAE 80W-90 gear lubricant.
- Lubricant for axles intended for heavy-duty or trailer tow use is SAE 75W-140 SYNTHETIC gear lubricant.

Trac-lok™ differentials require the addition of 0.11L (0.25 pts.) of friction modifier to the axle lubricant. The 226 RBA axle lubricant capacity is 2.24 L (4.75 pts.) total, including the friction modifier if necessary.

Vari-lok™ equipped axles require the addition of 0.12L (0.25 pts.) of friction modifier to the axle lubricant. The 226 RBA axle lubricant capacity for axles equipped with a Vari-lok™ differential is 2.25 L (4.75 pts.) total, including the friction modifier.

**CAUTION:** If axle is submerged in water, lubricant must be replaced immediately to avoid possible premature axle failure.

**STANDARD DIFFERENTIAL****DESCRIPTION**

The differential gear system divides the torque between the axle shafts. It allows the axle shafts to rotate at different speeds when turning corners.

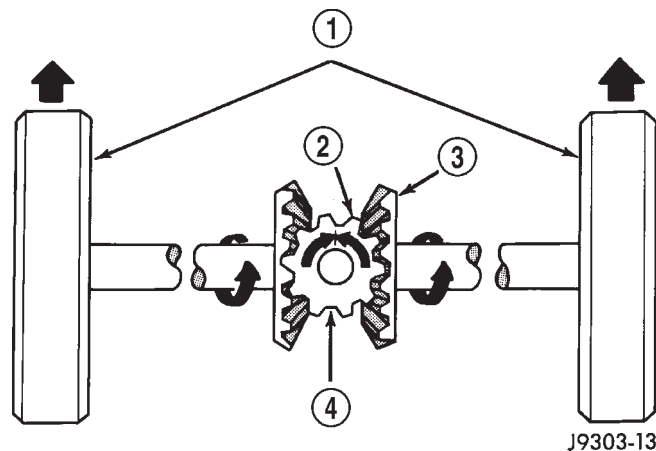
Each differential side gear is splined to an axle shaft. The pinion gears are mounted on a pinion mate shaft and are free to rotate on the shaft. The pinion gear is fitted in a bore in the differential case and is positioned at a right angle to the axle shafts.

**OPERATION**

In operation, power flow occurs as follows:

- The pinion gear rotates the ring gear
- The ring gear (bolted to the differential case) rotates the case
- The differential pinion gears (mounted on the pinion mate shaft in the case) rotate the side gears
- The side gears (splined to the axle shafts) rotate the shafts

During straight-ahead driving, the differential pinion gears do not rotate on the pinion mate shaft. This occurs because input torque applied to the gears is divided and distributed equally between the two side gears. As a result, the pinion gears revolve with the pinion mate shaft but do not rotate around it (Fig. 2).



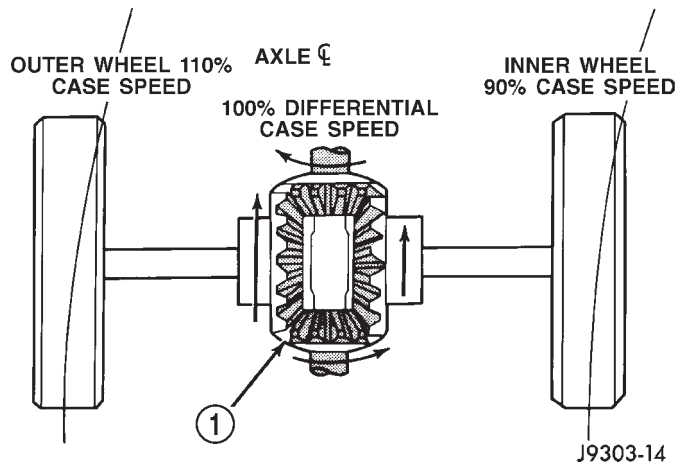
J9303-13

**Fig. 2 Differential Operation—Straight Ahead Driving**

- 1 - IN STRAIGHT AHEAD DRIVING EACH WHEEL ROTATES AT 100% OF CASE SPEED
- 2 - PINION GEAR
- 3 - SIDE GEAR
- 4 - PINION GEARS ROTATE WITH CASE

DESCRIPTION AND OPERATION (Continued)

When turning corners, the outside wheel must travel a greater distance than the inside wheel to complete a turn. The difference must be compensated for to prevent the tires from scuffing and skidding through turns. To accomplish this, the differential allows the axle shafts to turn at unequal speeds (Fig. 3). In this instance, the input torque applied to the pinion gears is not divided equally. The pinion gears now rotate around the pinion mate shaft in opposite directions. This allows the side gear and axle shaft attached to the outside wheel to rotate at a faster speed.



**Fig. 3 Differential Operation—On Turns**

1 - PINION GEARS ROTATE ON PINION SHAFT

**OPERATION**

In a standard differential, if one wheel spins, the opposite wheel will generate only as much torque as the spinning wheel.

A gerotor pump and clutch pack are used to provide the torque transfer capability. One axle shaft is splined to the gerotor pump and one of the differential side gears, which provides the input to the pump. As a wheel begins to lose traction, the speed differential is transmitted from one side of the differential to the other through the side gears. The motion of one side gear relative to the other turns the inner rotor of the pump. Since the outer rotor of the pump is grounded to the differential case, the inner and outer rotors are now moving relative to each other and therefore creates pressure in the pump. The tuning of the front and rear axle orifices and valves inside the gerotor pump is unique and each system includes a torque-limiting pressure relief valve to protect the clutch pack, which also facilitates vehicle control under extreme side-to-side traction variations. The resulting pressure is applied to the clutch pack and the transfer of torque is completed.

Under conditions in which opposite wheels are on surfaces with widely different friction characteristics, Vari-lok™ delivers far more torque to the wheel on the higher traction surface than do conventional Trac-lok™ systems. Because conventional Trac-lok™ differentials are initially pre-loaded to assure torque transfer, normal driving (where inner and outer wheel speeds differ during cornering, etc.) produces torque transfer during even slight side-to-side speed variations. Since these devices rely on friction from this preload to transfer torque, normal use tends to cause wear that reduces the ability of the differential to transfer torque over time. By design, the Vari-lok™ system is less subject to wear, remaining more consistent over time in its ability to transfer torque. The coupling assembly is serviced as a unit. From a service standpoint the coupling also benefits from using the same lubricant supply as the ring and pinion gears.

**VARI-LOK™ DIFFERENTIAL**

**DESCRIPTION**

Vari-lok™ differentials are a speed-sensing torque transfer differential. Similiar to Trac-lok™ differentials, these differentials transfer torque to the wheel with the greater traction. Unlike typical differential systems, torque transfer is proportional to wheel speed difference rather than torque difference. Response can be tuned to driving conditions, enabling use of this system in the front axle. Both front and rear Vari-lok™ axle torque transfer characteristics are tuned to provide smooth operation. Except for the ability to maintain headway under low-traction conditions, operation is barely noticeable to the driver.

## DESCRIPTION AND OPERATION (Continued)

**TRAC-LOK™ DIFFERENTIAL****DESCRIPTION**

In a standard differential, if one wheel spins, the opposite wheel will generate only as much torque as the spinning wheel.

In the Trac-lok™ differential, part of the ring gear torque is transmitted through clutch packs which contain multiple discs. The clutches will have radial grooves on the plates, and concentric grooves on the discs or bonded fiber material that is smooth in appearance.

**OPERATION**

In operation, the Trac-lok™ clutches are engaged by two concurrent forces. The first being the preload force exerted through Belleville spring washers within the clutch packs. The second is the separating forces generated by the side gears as torque is applied through the ring gear (Fig. 4).

The Trac-lok™ design provides the differential action needed for turning corners and for driving straight ahead during periods of unequal traction. When one wheel loses traction, the clutch packs transfer additional torque to the wheel having the most traction. Trac-lok™ differentials resist wheel spin on bumpy roads and provide more pulling power when one wheel loses traction. Pulling power is provided continuously until both wheels lose traction. If both wheels slip due to unequal traction, Trac-lok™ operation is normal. In extreme cases of differences of traction, the wheel with the least traction may spin.

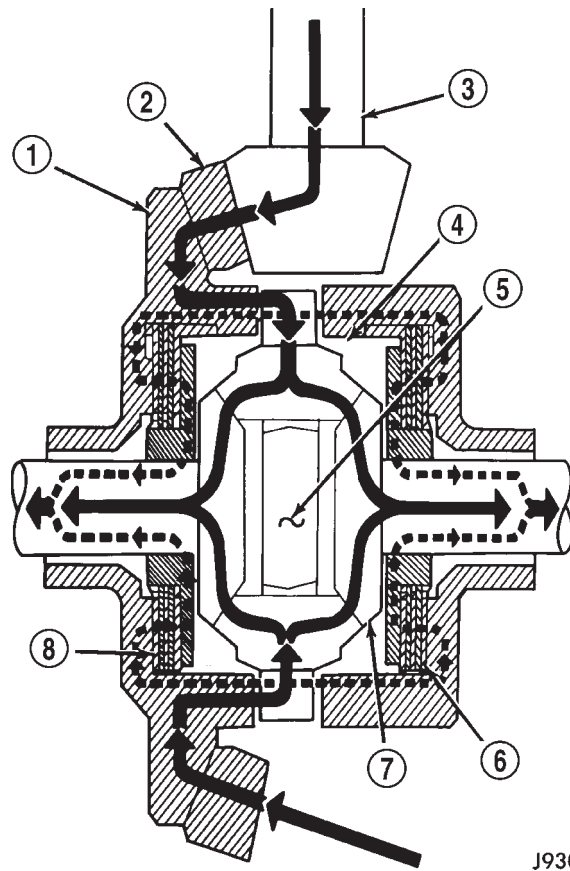
**DIAGNOSIS AND TESTING****GENERAL INFORMATION**

Axle bearing problem conditions are usually caused by:

- Insufficient or incorrect lubricant.
- Foreign matter/water contamination.
- Incorrect bearing preload torque adjustment.
- Incorrect backlash.

Axle gear problem conditions are usually the result of:

- Insufficient lubrication.
- Incorrect or contaminated lubricant.
- Overloading (excessive engine torque) or exceeding vehicle weight capacity.



J9303-15

**Fig. 4 Trac-lok™ Limited Slip Differential Operation**

- 1 - CASE
- 2 - RING GEAR
- 3 - DRIVE PINION
- 4 - PINION GEAR
- 5 - MATE SHAFT
- 6 - CLUTCH PACK
- 7 - SIDE GEAR
- 8 - CLUTCH PACK

- Incorrect clearance or backlash adjustment.
- Axle component breakage is most often the result of:
- Severe overloading.
  - Insufficient lubricant.
  - Incorrect lubricant.
  - Improperly tightened components.
  - Differential housing bores not square to each other.

DIAGNOSIS AND TESTING (Continued)

DIAGNOSTIC CHART

Condition	Possible Causes	Correction
Wheel Noise	<ol style="list-style-type: none"> <li>1. Wheel loose.</li> <li>2. Faulty, brinelled wheel bearing.</li> </ol>	<ol style="list-style-type: none"> <li>1. Tighten loose nuts.</li> <li>2. Replace bearing.</li> </ol>
Axle Shaft Noise	<ol style="list-style-type: none"> <li>1. Misaligned axle tube.</li> <li>2. Bent or sprung axle shaft.</li> <li>3. End-play in pinion bearings.</li> <li>4. Excessive gear backlash between the ring gear and pinion.</li> <li>5. Improper adjustment of pinion gear bearings.</li> <li>6. Loose pinion yoke nut.</li> <li>7. Scuffed gear tooth contact surfaces.</li> </ol>	<ol style="list-style-type: none"> <li>1. Inspect axle tube alignment. Correct as necessary.</li> <li>2. Inspect and correct as necessary.</li> <li>3. Refer to pinion pre-load information and correct as necessary.</li> <li>4. Check adjustment of the ring gear and pinion backlash. Correct as necessary.</li> <li>5. Adjust the pinion bearings pre-load.</li> <li>6. Tighten the pinion yoke nut.</li> <li>7. Inspect and replace as necessary.</li> </ol>
Axle Shaft Broke	<ol style="list-style-type: none"> <li>1. Misaligned axle tube.</li> <li>2. Vehicle overloaded.</li> <li>3. Erratic clutch operation.</li> <li>4. Grabbing clutch.</li> </ol>	<ol style="list-style-type: none"> <li>1. Replace the broken shaft after correcting tube mis-alignment.</li> <li>2. Replace broken shaft and avoid excessive weight on vehicle.</li> <li>3. Replace broken shaft and avoid or correct erratic clutch operation.</li> <li>4. Replace broken shaft and inspect and repair clutch as necessary.</li> </ol>
Differential Cracked	<ol style="list-style-type: none"> <li>1. Improper adjustment of the differential bearings.</li> <li>2. Excessive ring gear backlash.</li> <li>3. Vehicle overloaded.</li> <li>4. Erratic clutch operation.</li> </ol>	<ol style="list-style-type: none"> <li>1. Replace case and inspect gears and bearings for further damage. Set differential bearing pre-load properly.</li> <li>2. Replace case and inspect gears and bearings for further damage. Set ring gear backlash properly.</li> <li>3. Replace case and inspect gears and bearings for further damage. Avoid excessive vehicle weight.</li> <li>4. Replace case and inspect gears and bearings for further damage. Avoid erratic use of clutch.</li> </ol>



## DIAGNOSIS AND TESTING (Continued)

Condition	Possible Causes	Correction
Differential Gears Scored	<ol style="list-style-type: none"> <li>1. Insufficient lubrication.</li> <li>2. Improper grade of lubricant.</li> <li>3. Excessive spinning of one wheel/tire.</li> </ol>	<ol style="list-style-type: none"> <li>1. Replace scored gears. Fill differential with the correct fluid type and quantity.</li> <li>2. Replace scored gears. Fill differential with the correct fluid type and quantity.</li> <li>3. Replace scored gears. Inspect all gears, pinion bores, and shaft for damage. Service as necessary.</li> </ol>
Loss Of Lubricant	<ol style="list-style-type: none"> <li>1. Lubricant level too high.</li> <li>2. Worn axle shaft seals.</li> <li>3. Cracked differential housing.</li> <li>4. Worn pinion seal.</li> <li>5. Worn/scored yoke.</li> <li>6. Axle cover not properly sealed.</li> </ol>	<ol style="list-style-type: none"> <li>1. Drain lubricant to the correct level.</li> <li>2. Replace seals.</li> <li>3. Repair as necessary.</li> <li>4. Replace seal.</li> <li>5. Replace yoke and seal.</li> <li>6. Remove, clean, and re-seal cover.</li> </ol>
Axle Overheating	<ol style="list-style-type: none"> <li>1. Lubricant level low.</li> <li>2. Improper grade of lubricant.</li> <li>3. Bearing pre-loads too high.</li> <li>4. Insufficient ring gear backlash.</li> </ol>	<ol style="list-style-type: none"> <li>1. Fill differential to correct level.</li> <li>2. Fill differential with the correct fluid type and quantity.</li> <li>3. Re-adjust bearing pre-loads.</li> <li>4. Re-adjust ring gear backlash.</li> </ol>
Gear Teeth Broke	<ol style="list-style-type: none"> <li>1. Overloading.</li> <li>2. Erratic clutch operation.</li> <li>3. Ice-spotted pavement.</li> <li>4. Improper adjustments.</li> </ol>	<ol style="list-style-type: none"> <li>1. Replace gears. Examine other gears and bearings for possible damage.</li> <li>2. Replace gears and examine the remaining parts for damage. Avoid erratic clutch operation.</li> <li>3. Replace gears and examine remaining parts for damage.</li> <li>4. Replace gears and examine remaining parts for damage. Ensure ring gear backlash is correct.</li> </ol>

DIAGNOSIS AND TESTING (Continued)

Condition	Possible Causes	Correction
Axle Noise	<ol style="list-style-type: none"> <li>1. Insufficient lubricant.</li> <li>2. Improper ring gear and pinion adjustment.</li> <li>3. Unmatched ring gear and pinion.</li> <li>4. Worn teeth on ring gear and/or pinion.</li> <li>5. Loose pinion bearings.</li> <li>6. Loose differential bearings.</li> <li>7. Mis-aligned or sprung ring gear.</li> <li>8. Loose differential bearing cap bolts.</li> <li>9. Housing not machined properly.</li> </ol>	<ol style="list-style-type: none"> <li>1. Fill differential with the correct fluid type and quantity.</li> <li>2. Check ring gear and pinion contact pattern.</li> <li>3. Replace gears with a matched ring gear and pinion.</li> <li>4. Replace ring gear and pinion.</li> <li>5. Adjust pinion bearing pre-load.</li> <li>6. Adjust differential bearing pre-load.</li> <li>7. Measure ring gear run-out. Replace components as necessary.</li> <li>8. Inspect differential components and replace as necessary. Ensure that the bearing caps are torqued to the proper specification.</li> <li>9. Replace housing.</li> </ol>

**GEAR NOISE**

Axle gear noise can be caused by insufficient lubricant, incorrect backlash, tooth contact, worn/damaged gears, or the carrier housing not having the proper offset and squareness.

Gear noise usually happens at a specific speed range. The noise can also occur during a specific type of driving condition. These conditions are acceleration, deceleration, coast, or constant load.

When road testing, first warm-up the axle fluid by driving the vehicle at least 5 miles and then accelerate the vehicle to the speed range where the noise is the greatest. Shift out-of-gear and coast through the peak-noise range. If the noise stops or changes greatly:

- Check for insufficient lubricant.
- Incorrect ring gear backlash.
- Gear damage.

Differential side gears and pinions can be checked by turning the vehicle. They usually do not cause noise during straight-ahead driving when the gears are unloaded. The side gears are loaded during vehicle turns. A worn pinion mate shaft can also cause a snapping or a knocking noise.

**BEARING NOISE**

The axle shaft, differential and pinion bearings can all produce noise when worn or damaged. Bearing noise can be either a whining, or a growling sound.

Pinion bearings have a constant-pitch noise. This noise changes only with vehicle speed. Pinion bearing noise will be higher pitched because it rotates at a

faster rate. Drive the vehicle and load the differential. If bearing noise occurs, the rear pinion bearing is the source of the noise. If the bearing noise is heard during a coast, the front pinion bearing is the source.

Worn or damaged differential bearings usually produce a low pitch noise. Differential bearing noise is similar to pinion bearing noise. The pitch of differential bearing noise is also constant and varies only with vehicle speed.

Axle shaft bearings produce noise and vibration when worn or damaged. The noise generally changes when the bearings are loaded. Road test the vehicle. Turn the vehicle sharply to the left and to the right. This will load the bearings and change the noise level. Where axle bearing damage is slight, the noise is usually not noticeable at speeds above 30 mph.

**LOW SPEED KNOCK**

Low speed knock is generally caused by a worn U-joint or by worn side-gear thrust washers. A worn pinion shaft bore will also cause low speed knock.

**VIBRATION**

Vibration at the rear of the vehicle is usually caused by a:

- Damaged drive shaft.
- Missing drive shaft balance weight(s).
- Worn or out-of-balance wheels.
- Loose wheel lug nuts.
- Worn U-joint(s).
- Loose/broken springs.

## DIAGNOSIS AND TESTING (Continued)

- Damaged axle shaft bearing(s).
- Loose pinion gear nut.
- Excessive pinion yoke run out.
- Bent axle shaft(s).

Check for loose or damaged front-end components or engine/transmission mounts. These components can contribute to what appears to be a rear-end vibration. Do not overlook engine accessories, brackets and drive belts.

All driveline components should be examined before starting any repair.

Refer to Group 22, Wheels and Tires, for additional vibration information.

**DRIVELINE SNAP**

A snap or clunk noise when the vehicle is shifted into gear (or the clutch engaged), can be caused by:

- High engine idle speed.
- Transmission shift operation.
- Loose engine/transmission/transfer case mounts.
- Worn U-joints.
- Loose spring mounts.
- Loose pinion gear nut and yoke.
- Excessive ring gear backlash.
- Excessive side gear to case clearance.

The source of a snap or a clunk noise can be determined with the assistance of a helper. Raise the vehicle on a hoist with the wheels free to rotate. Instruct the helper to shift the transmission into gear. Listen for the noise, a mechanics stethoscope is helpful in isolating the source of a noise.

**TRAC-LOK™ DIFFERENTIAL NOISE**

The most common problem is a chatter noise when turning corners. Before removing a Trac-lok™ unit for repair, drain, flush and refill the axle with the specified lubricant. Refer to Lubricant change in this Group.

A container of Mopar® Trac-lok™ Lubricant (friction modifier) should be added after repair service or during a lubricant change.

After changing the lubricant, drive the vehicle and make 10 to 12 slow, figure-eight turns. This maneuver will pump lubricant through the clutches. This will correct the condition in most instances. If the chatter persists, clutch damage could have occurred.

**TRAC-LOK™ TEST**

**WARNING: WHEN SERVICING VEHICLES WITH A TRAC-LOK™ DIFFERENTIAL DO NOT USE THE ENGINE TO TURN THE AXLE AND WHEELS. BOTH REAR WHEELS MUST BE RAISED AND THE VEHICLE SUPPORTED. A TRAC-LOK™ AXLE CAN EXERT ENOUGH FORCE IF ONE WHEEL IS IN CON-**

**TACT WITH A SURFACE TO CAUSE THE VEHICLE TO MOVE.**

The differential can be tested without removing the differential case by measuring rotating torque. Make sure brakes are not dragging during this measurement.

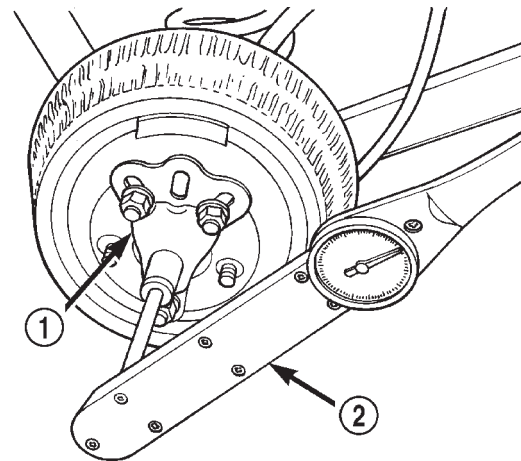
(1) Place blocks in front and rear of both front wheels.

(2) Raise one rear wheel until it is completely off the ground.

(3) Engine off, transmission in neutral, and parking brake off.

(4) Remove wheel and bolt Special Tool 6790 to studs.

(5) Use torque wrench on special tool to rotate wheel and read rotating torque (Fig. 5).



80a4d327

**Fig. 5 Trac-lok™ Test —Typical**

- 1 - SPECIAL TOOL 6790 WITH BOLT IN CENTER HOLE  
2 - TORQUE WRENCH

(6) If rotating torque is less than 22 N-m (30 ft. lbs.) or more than 271 N-m (200 ft. lbs.) on either wheel the unit should be serviced.

**VARI-LOK™ TEST****PRIMING**

(1) Park the vehicle on a level surface or raise vehicle on hoist so that the vehicle is level.

(2) Remove the axle fill plug.

(3) Verify that the axle fluid level is correct. The fluid level is correct if the fluid is level with the bottom of the fill hole.

(4) Shift the transfer case into the 4WD full-time position.

(5) Drive the vehicle in a tight circle for 2 minutes at 5mph to fully prime the pump.

## DIAGNOSIS AND TESTING (Continued)

## TEST PROCEDURE

- (1) Block the tires opposite the axle to be tested to prevent the vehicle from moving.
- (2) Shift the transfer case into the 4WD Low position and the transmission into the Park position.
- (3) Raise both the wheels of the axle to be tested off of the ground.
- (4) Rotate the left wheel by hand at a minimum of one revolution per second while an assistant rotates the right wheel in the opposite direction.
- (5) The left wheel should spin freely at first and then increase in resistance within 5 revolutions until the wheels cannot be continuously rotated in opposite directions.
- (6) The Vari-lok™ differential has engaged properly if the wheels cannot be rotated in opposite directions for a moment. After the wheels stop rotating for a moment, the fluid pressure will drop in the differential and the wheels begin to rotate once again.
- (7) If the system does not operate properly, replace the Vari-lok™ differential.

## SERVICE PROCEDURES

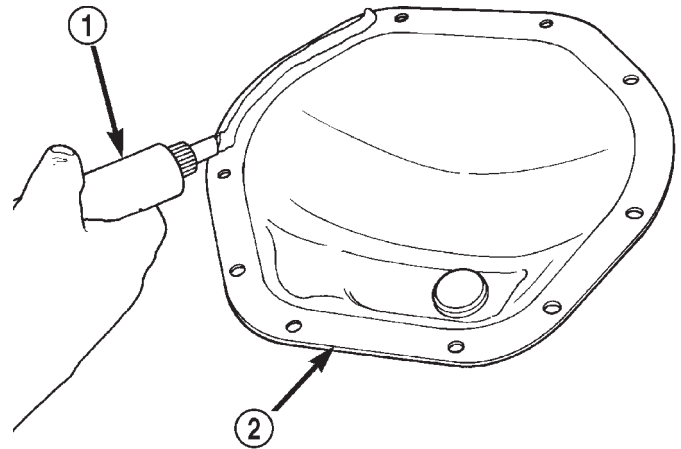
## LUBRICANT CHANGE

- (1) Raise and support the vehicle.
  - (2) Remove the lubricant fill hole plug from the differential housing cover.
  - (3) Remove the differential housing cover and drain the lubricant from the housing.
  - (4) Clean the housing cavity with a flushing oil, light engine oil, or lint free cloth. **Do not use water, steam, kerosene, or gasoline for cleaning.**
  - (5) Remove the original sealant from the housing and cover surfaces.
  - (6) Apply a bead of Mopar® Silicone Rubber Sealant, or equivalent, to the housing cover (Fig. 6).
- Install the housing cover within 5 minutes after applying the sealant.**
- (7) Install the cover and any identification tag. Tighten the cover bolts to 41 N·m (30 ft. lbs.) torque.
  - (8) For Trac-lok™ and Vari-lok™ differentials, a quantity of Mopar® Trac-lok™ lubricant (friction modifier), or equivalent, must be added after repair service or a lubricant change. Refer to the Lubricant Specifications section of this group for the quantity necessary.

(9) Fill differential with correct lubricant to bottom of the fill plug hole. Refer to the Lubricant Specifications section of this group for the quantity necessary.

**CAUTION: Overfilling the differential can result in lubricant foaming and overheating.**

- (10) Install the fill hole plug and lower the vehicle.



80a534a8

Fig. 6 Apply Sealant

- 1 - SEALANT  
2 - AXLE HOUSING COVER

(11) Trac-lok™ and Vari-lok™ differential equipped vehicles should be road tested by making 10 to 12 slow figure-eight turns. This maneuver will pump the lubricant through the clutch discs to eliminate a possible chatter noise complaint.

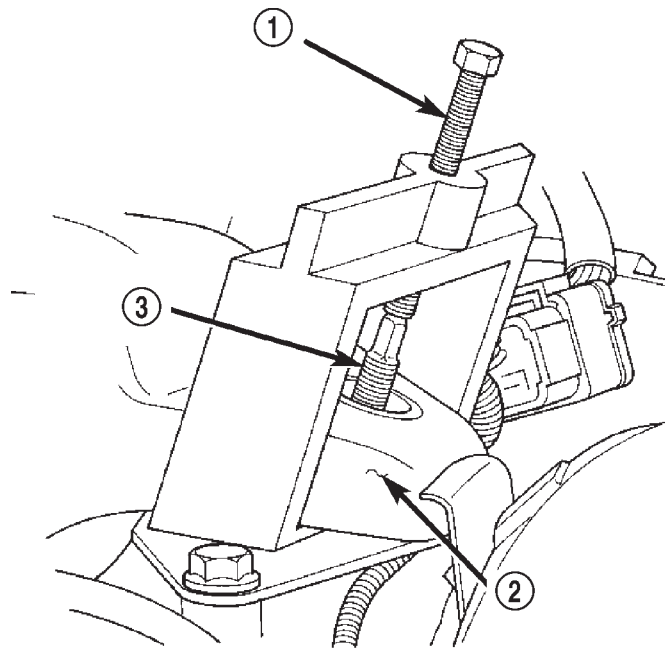
## REMOVAL AND INSTALLATION

## REAR AXLE

## REMOVAL

- (1) Raise and support the vehicle.
- (2) Position a suitable lifting device under the axle.
- (3) Secure axle to device.
- (4) Remove the wheels and tires.
- (5) Remove the brake rotors and calipers from the axle. Refer to Group 5, Brakes, for proper procedures.
- (6) Disconnect parking brake cables from brackets and lever.
- (7) Remove wheel speed sensors, if necessary. Refer to Group 5, Brakes, for proper procedures.
- (8) Disconnect the brake hose at the axle junction block. Do not disconnect the brake hydraulic lines at the calipers. Refer to Group 5, Brakes, for proper procedures.
- (9) Disconnect the vent hose from the axle shaft tube.
- (10) Mark the propeller shaft and yokes for installation alignment reference.
- (11) Remove propeller shaft.
- (12) Disconnect stabilizer bar links.
- (13) Remove nut holding upper suspension arm to the rear axle ball joint.
- (14) Using Remover 8278, separate the rear axle ball joint from the upper suspension arm (Fig. 7).

## REMOVAL AND INSTALLATION (Continued)

**Fig. 7 Separate Rear Axle Ball Joint**

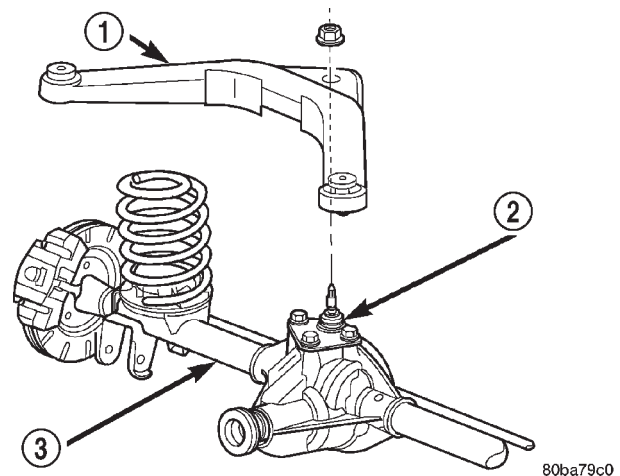
- 1 - REMOVER
- 2 - UPPER SUSPENSION ARM
- 3 - BALL JOINT STUD

- (15) Disconnect shock absorbers from axle.
- (16) Disconnect track bar.
- (17) Disconnect lower suspension arms from the axle brackets.
- (18) Separate the axle from the vehicle.

**INSTALLATION**

**NOTE:** The weight of the vehicle must be supported by the springs before suspension arms and track bar fasteners can be tightened. If the springs are not at their normal ride position, vehicle ride height and handling could be affected.

- (1) Raise the axle with lifting device and align coil springs.
- (2) Position the lower suspension arms on the axle brackets. Install nuts and bolts, do not tighten bolts at this time.
- (3) Install the upper suspension arm to the rear axle ball joint.
- (4) Install nut to hold the upper suspension arm to the rear axle ball joint. Torque the nut to 122 N·m (90 ft.lbs.) (Fig. 8).
- (5) Install track bar and attachment bolts, do not tighten bolts at this time.
- (6) Install shock absorbers and tighten nuts to 60 N·m (44 ft. lbs.) torque.
- (7) Install stabilizer bar links and tighten nuts to 36 N·m (27 ft. lbs.) torque.

**Fig. 8 Install Rear Ball Joint Nut**

- 1 - UPPER SUSPENSION ARM
- 2 - REAR AXLE BALL JOINT
- 3 - REAR AXLE

- (8) Install the wheel speed sensors, if necessary. Refer to Group 5, Brakes, for proper procedures.
- (9) Connect parking brake cable to brackets and lever.
- (10) Install the brake rotors and calipers. Refer to Group 5, Brakes, for proper procedures.
- (11) Connect the brake hose to the axle junction block. Refer to Group 5, Brakes, for proper procedures.
- (12) Install axle vent hose.
- (13) Align propeller shaft and pinion yoke reference marks. Install U-joint straps and bolts. Tighten to 19 N·m (14 ft. lbs.) torque.
- (14) Install the wheels and tires.
- (15) Add gear lubricant, if necessary. Refer to Lubricant Specifications in this section for lubricant requirements.
- (16) Remove lifting device from axle and lower the vehicle.
- (17) Tighten lower suspension arm bolts to 177 N·m (130 ft. lbs.) torque.
- (18) Tighten track bar bolts to 100 N·m (74 ft. lbs.) torque.

**PINION SHAFT SEAL****REMOVAL**

- (1) Raise and support the vehicle.
- (2) Remove wheel and tire assemblies.
- (3) Remove rear brake rotors and calipers. Refer to Group 5, Brakes, for proper procedures.
- (4) Mark the propeller shaft and pinion yoke for installation reference.
- (5) Remove the propeller shaft from the yoke.
- (6) Rotate the pinion gear three or four times.

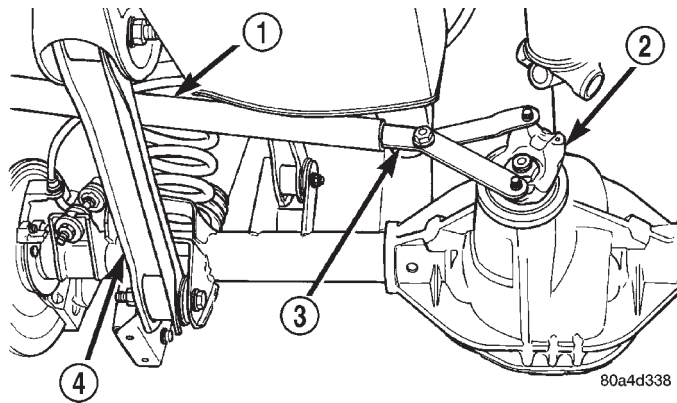


REMOVAL AND INSTALLATION (Continued)

(7) Measure the amount of torque necessary to rotate the pinion gear with a (in. lbs.) dial-type torque wrench. Record the torque reading for installation reference.

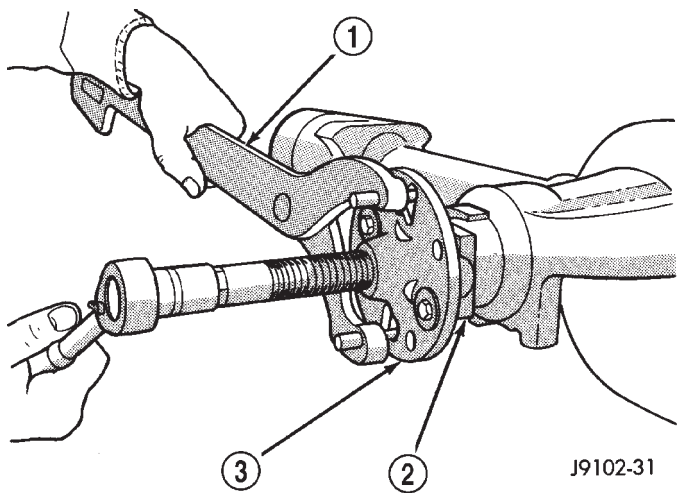
(8) Using a short piece of pipe and Holder 6958 to hold the pinion yoke, remove the pinion nut and washer (Fig. 9).

(9) Use Remover C-452 and Wrench C-3281 to remove the pinion yoke (Fig. 10).



**Fig. 9 Pinion Yoke Holder**

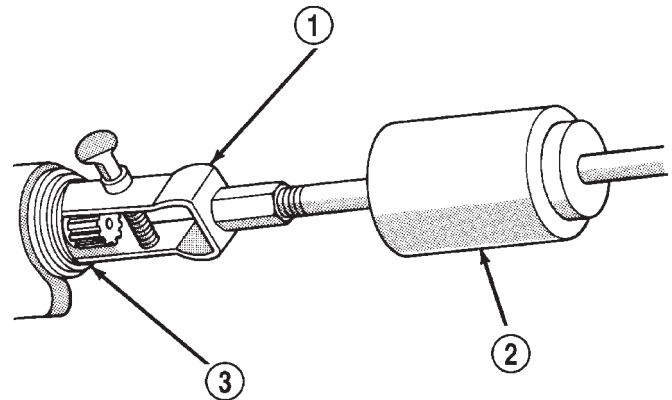
- 1 - 1 in. PIPE
- 2 - PINION YOKE
- 3 - SPECIAL TOOL 6958
- 4 - LOWER CONTROL ARM



**Fig. 10 Pinion Yoke Removal**

- 1 - SPECIAL TOOL C-3281
- 2 - YOKE
- 3 - SPECIAL TOOL C-452

(10) Use Remover 7794-A and slide hammer to remove the pinion shaft seal (Fig. 11).



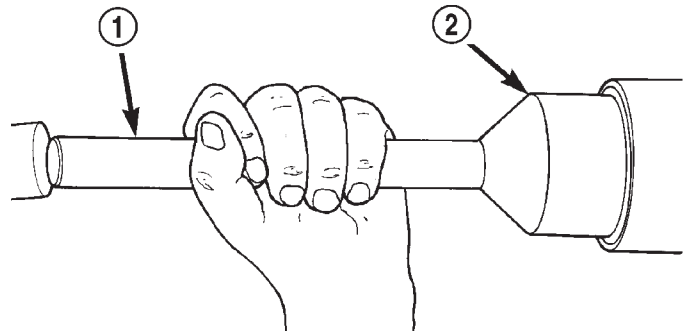
J9402-59X

**Fig. 11 Seal Removal**

- 1 - SPECIAL TOOL 7794A
- 2 - SLIDE HAMMER
- 3 - PINION SEAL

**INSTALLATION**

(1) Apply a light coating of gear lubricant on the lip of pinion seal. Install seal with Installer C-3972-A and Handle C-4171 (Fig. 12).



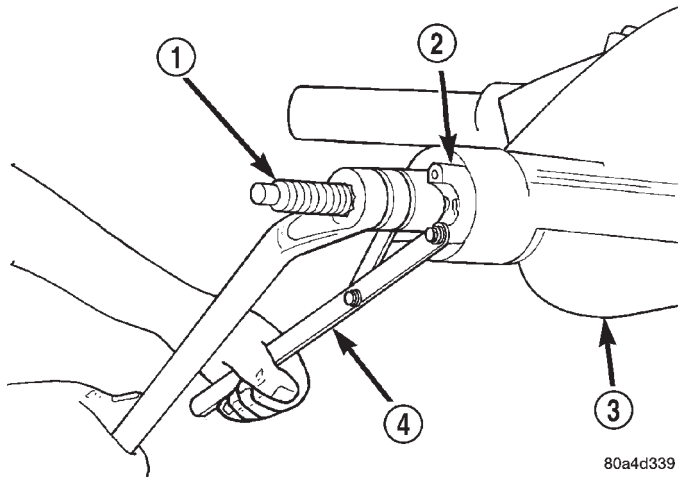
80a7e2be

**Fig. 12 Pinion Seal Installation**

- 1 - SPECIAL TOOL C-4171
- 2 - SPECIAL TOOL C-3972-A

## REMOVAL AND INSTALLATION (Continued)

(2) Install yoke on the pinion gear with Installer C-3718 and Holder 6958 (Fig. 13).



80a4d339

**Fig. 13 Pinion Yoke Installation**

- 1 - SPECIAL TOOL C-3718
- 2 - PINION YOKE
- 3 - AXLE HOUSING
- 4 - SPECIAL TOOL 6958

**CAUTION:** Do not exceed the minimum tightening torque when installing the pinion yoke retaining nut at this point. Damage to collapsible spacer or bearings may result.

(3) Install a new nut on the pinion gear. **Tighten the nut only enough to remove the shaft end play.**

(4) Rotate the pinion a minimum of ten times. Verify that the pinion rotates smoothly. Rotate the pinion shaft using a (in. lbs.) torque wrench. Rotating resistance torque should be equal to the reading recorded during removal, plus an additional 0.56 N-m (5 in. lbs.) (Fig. 14).

(5) If the rotating torque is low, use Holder 6958 (Fig. 15), and tighten the pinion shaft nut in 6.8 N-m (5 ft. lbs.) increments until proper rotating torque is achieved.

**CAUTION:** If the maximum tightening torque is reached prior to reaching the required rotating torque, the collapsible spacer may have been damaged. Replace the collapsible spacer.

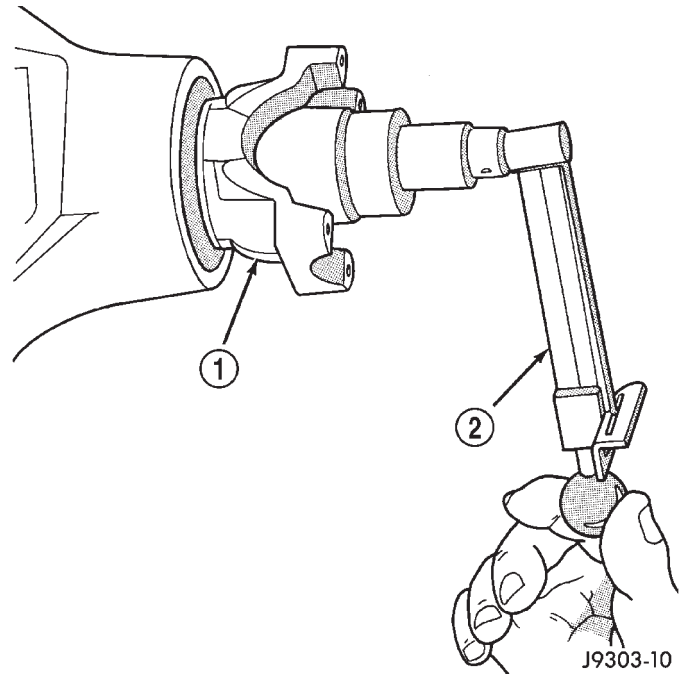
(6) Align the installation reference marks on propeller shaft and yoke and install the propeller shaft.

(7) Add gear lubricant to the differential housing, if necessary. Refer to the Lubricant Specifications for gear lubricant requirements.

(8) Install brake rotors and calipers. Refer to Group 5, Brakes, for proper procedures.

(9) Install wheel and tire assemblies.

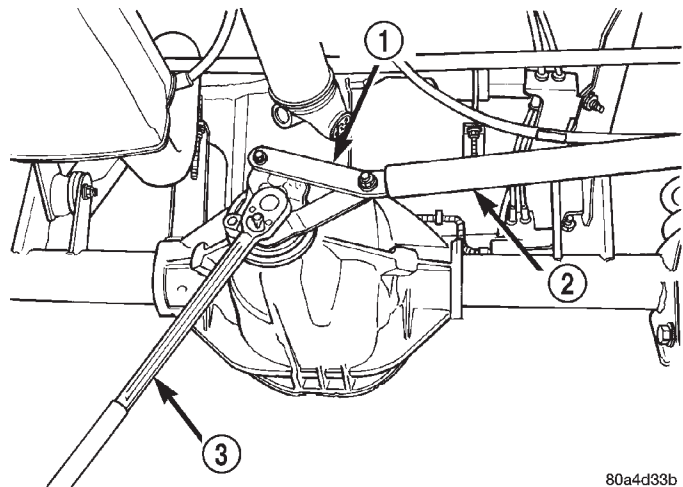
(10) Lower the vehicle.



J9303-10

**Fig. 14 Check Pinion Rotation Torque**

- 1 - PINION YOKE
- 2 - INCH POUND TORQUE WRENCH



80a4d33b

**Fig. 15 Tightening Pinion Shaft Nut**

- 1 - SPECIAL TOOL 6958
- 2 - 1 in. PIPE
- 3 - 3/4 DRIVE TORQUE WRENCH

## COLLAPSIBLE SPACER

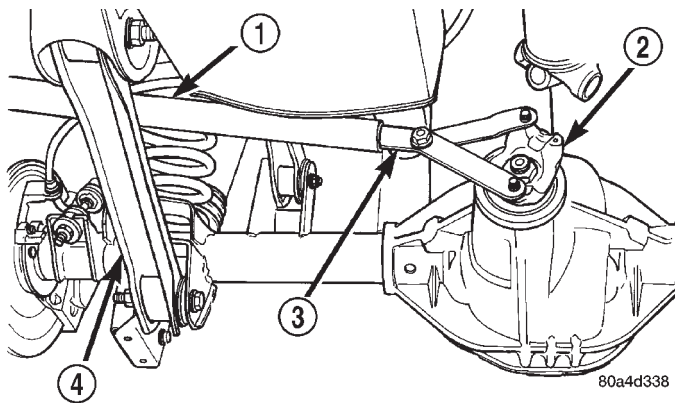
### REMOVAL W/PINION INSTALLED

- (1) Raise and support the vehicle.
- (2) Remove wheel and tire assemblies.
- (3) Remove rear brake rotors and calipers. Refer to Group 5, Brakes, for proper procedures.
- (4) Mark the propeller shaft and pinion yoke for installation reference.

REMOVAL AND INSTALLATION (Continued)

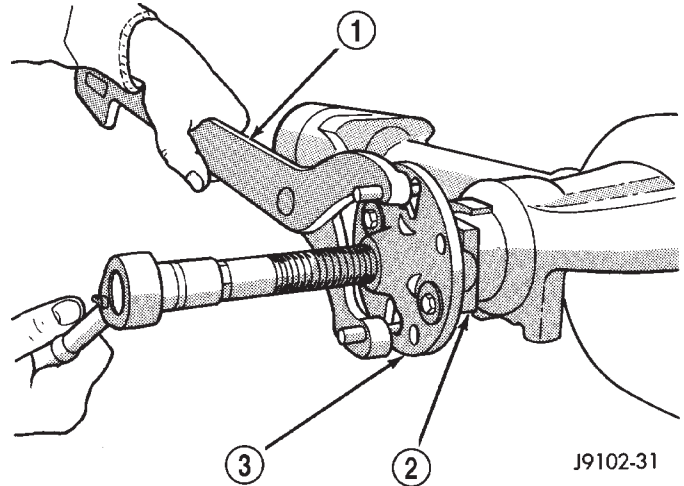
- (5) Remove the propeller shaft from the yoke.
- (6) Rotate the pinion gear a minimum of ten times. Verify that the pinion rotates smoothly.
- (7) Measure the amount of torque necessary to rotate the pinion gear with a (in. lbs.) dial-type torque wrench. Record the torque reading for installation reference.
- (8) Using a short piece of pipe and Holder 6958 to hold the pinion yoke, remove the pinion nut and washer (Fig. 16).
- (9) Use Remover C-452 and Wrench C-3281 to remove the pinion yoke (Fig. 17).
- (10) Use Remover 7794-A and slide hammer to remove the pinion shaft seal (Fig. 18).
- (11) Remove the front pinion bearing using a pair of suitable pick tools to pull the bearing straight off the pinion gear shaft. It may be necessary to lightly tap the end of the pinion gear with a rawhide or rubber mallet if the bearing becomes bound on the pinion shaft.

(12) Remove the collapsible spacer.



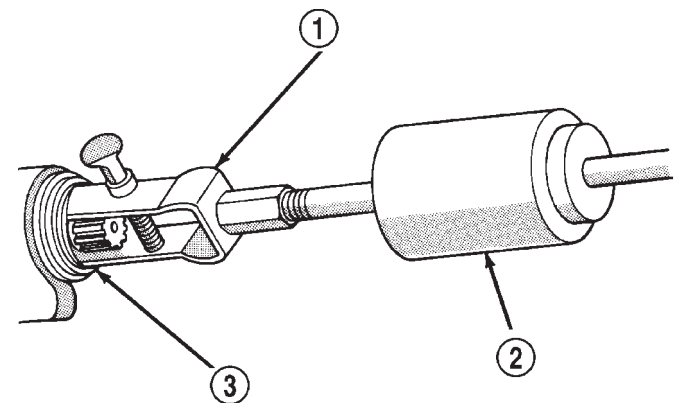
**Fig. 16 Pinion Yoke Holder**

- 1 - 1 in. PIPE
- 2 - PINION YOKE
- 3 - SPECIAL TOOL 6958
- 4 - LOWER CONTROL ARM



**Fig. 17 Pinion Yoke Removal**

- 1 - SPECIAL TOOL C-3281
- 2 - YOKE
- 3 - SPECIAL TOOL C-452



**Fig. 18 Seal Removal**

- 1 - SPECIAL TOOL 7794A
- 2 - SLIDE HAMMER
- 3 - PINION SEAL

**REMOVAL W/PINION REMOVED**

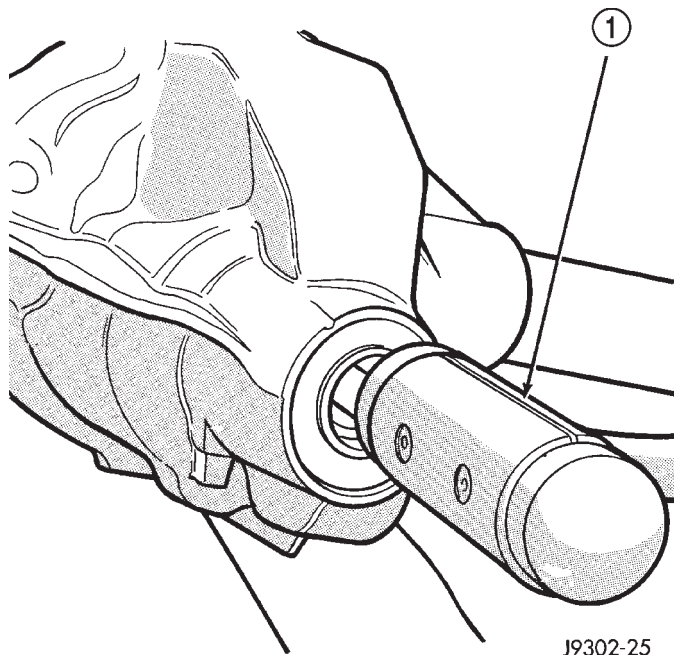
- (1) Raise and support the vehicle.
- (2) Remove wheel and tire assemblies.
- (3) Remove rear brake rotors and calipers. Refer to Group 5, Brakes, for proper procedures.
- (4) Mark the propeller shaft and pinion yoke for installation reference.
- (5) Remove the propeller shaft from the yoke.
- (6) Rotate the pinion gear a minimum of ten times. Verify that the pinion rotates smoothly.
- (7) Measure the amount of torque necessary to rotate the pinion gear with a (in. lbs.) dial-type torque wrench. Record the torque reading for installation reference.

- (8) Remove differential assembly from axle housing.
- (9) Using Holder 6958 to hold yoke and a short length of 1 in. pipe, remove the pinion yoke nut and washer (Fig. 16).
- (10) Using Remover C-452 and Wrench C-3281, remove the pinion yoke from pinion shaft (Fig. 17).
- (11) Remove the pinion gear from housing (Fig. 19). Catch the pinion with your hand to prevent it from falling and being damaged.
- (12) Remove collapsible spacer from pinion shaft.

**INSTALLATION**

- (1) Install a new collapsible preload spacer on pinion shaft (Fig. 20).

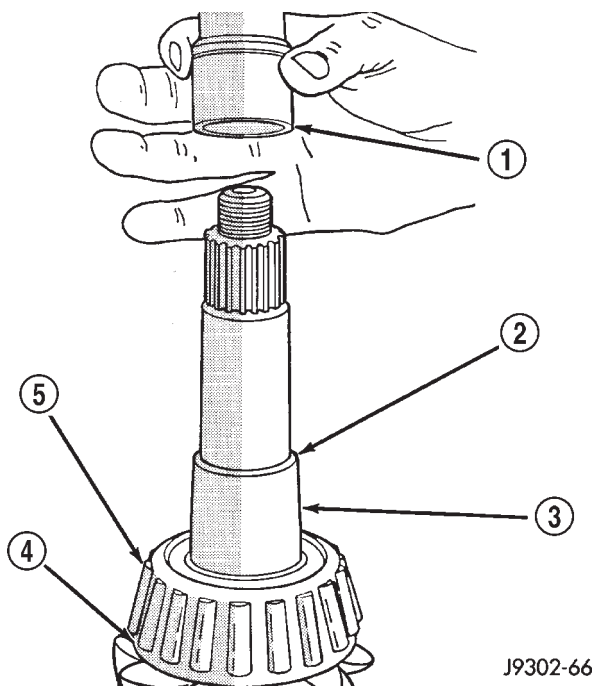
REMOVAL AND INSTALLATION (Continued)



**Fig. 19 Remove Pinion Gear**

- 1 - RAWHIDE HAMMER

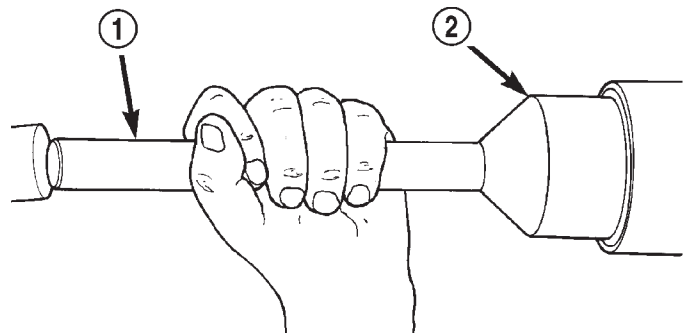
(2) If pinion gear was removed, install pinion gear in housing.



**Fig. 20 Collapsible Preload Spacer**

- 1 - COLLAPSIBLE SPACER
- 2 - SHOULDER
- 3 - PINION GEAR
- 4 - OIL SLINGER
- 5 - REAR BEARING

(3) Install pinion front bearing, if necessary.  
 (4) Apply a light coating of gear lubricant on the lip of pinion seal. Install seal with Installer C-3972-A and Handle C-4171 (Fig. 21).

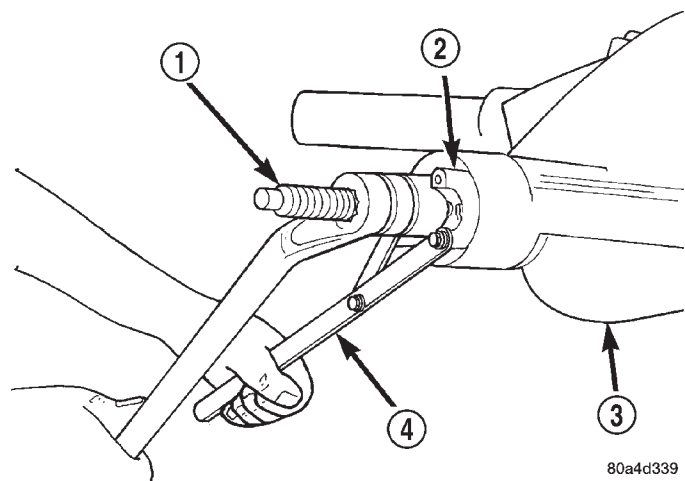


80a7e2be

**Fig. 21 Pinion Seal Installation**

- 1 - SPECIAL TOOL C-4171
- 2 - SPECIAL TOOL C-3972-A

(5) Install yoke with Installer C-3718 and Holder 6958 (Fig. 22).



80a4d339

**Fig. 22 Pinion Yoke Installation**

- 1 - SPECIAL TOOL C-3718
- 2 - PINION YOKE
- 3 - AXLE HOUSING
- 4 - SPECIAL TOOL 6958

(6) If the original pinion bearings are being used, install differential assembly and axle shafts, if necessary.

**NOTE:** If new pinion bearings were installed, do not install the differential assembly and axle shafts until after the pinion bearing preload and rotating torque are set.



REMOVAL AND INSTALLATION (Continued)

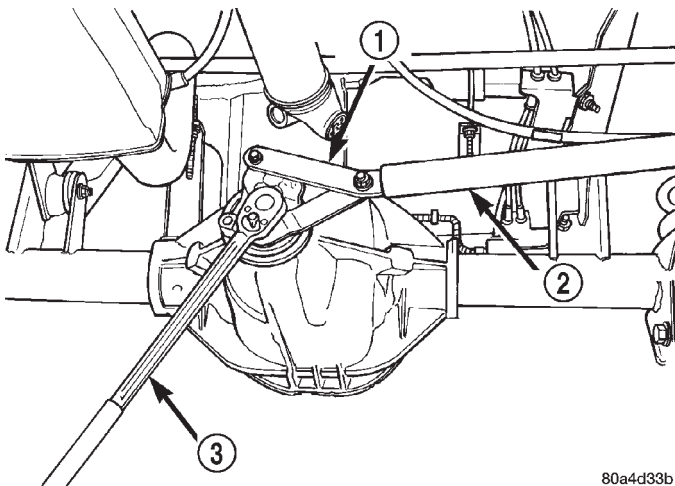
(7) Install the yoke washer and a new nut on the pinion gear. Tighten the nut to 298 N·m (220 ft. lbs.) minimum. **Do not over-tighten.** Maximum torque is 380 N·m (280 ft. lbs.).

**CAUTION:** Never loosen pinion gear nut to decrease pinion gear bearing rotating torque and never exceed specified preload torque. If preload torque is exceeded a new collapsible spacer must be installed. The torque sequence will then have to be repeated.

**NOTE:** If the spacer requires more than 280 ft. lbs. torque to crush, the collapsible spacer is defective.

(8) Using yoke holder 6958, a short length of 1 in. pipe, and a torque wrench set at 380 N·m (280 ft. lbs.), crush collapsible spacer until bearing end play is taken up (Fig. 23).

(9) Slowly tighten the nut in 6.8 N·m (5 ft. lbs.) increments until the required rotating torque is achieved. Measure the rotating torque frequently to avoid over crushing the collapsible spacer (Fig. 24).



**Fig. 23 Tightening Pinion Nut**

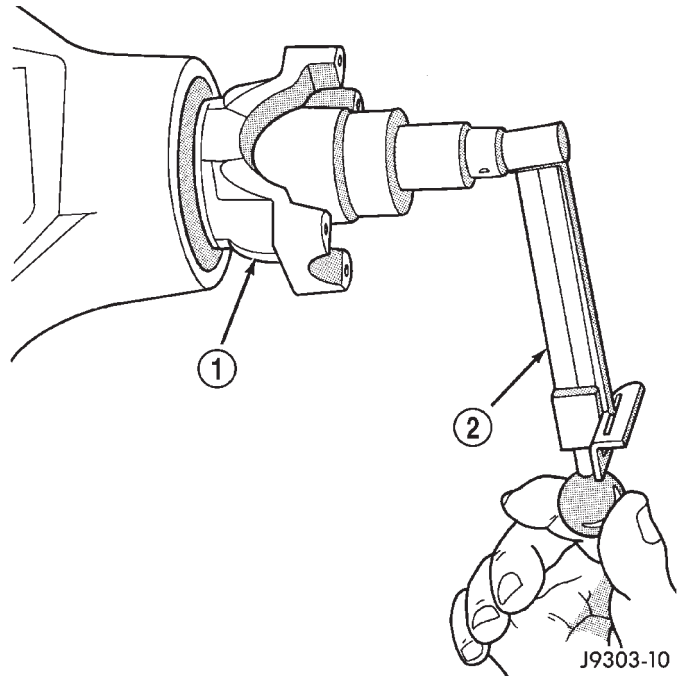
- 1 - SPECIAL TOOL 6958
- 2 - 1 in. PIPE
- 3 - 3/4 DRIVE TORQUE WRENCH

(10) Rotate the pinion a minimum of ten times. Verify that the pinion rotates smoothly. Check rotating torque with an inch pound torque wrench (Fig. 24). The torque necessary to rotate the pinion gear should be:

- Original Bearings — The reading recorded during removal, plus an additional 0.56 N·m (5 in. lbs.).
- New Bearings — 2.8 to 4 N·m (25 to 35 in. lbs.).

(11) Install differential assembly and axle shafts, if necessary.

(12) Align marks made previously on yoke and propeller shaft and install propeller shaft.



**Fig. 24 Check Pinion Gear Rotation Torque**

- 1 - PINION YOKE
- 2 - INCH POUND TORQUE WRENCH

(13) Install rear brake rotors and calipers. Refer to Group 5 Brakes, for proper procedures.

(14) Add gear lubricant, if necessary. Refer to Lubricant Specifications of this section for lubricant requirements.

(15) Install wheel and tire assemblies.

(16) Lower vehicle.

**AXLE SHAFT**

**REMOVAL**

(1) Raise and support vehicle. Ensure that the transmission is in neutral.

(2) Remove wheel and tire assembly.

(3) Remove brake caliper and rotor. Refer to Group 5, Brakes, for proper procedure.

(4) From the rear of the axle flange, remove the nuts holding axle retainer plate to axle tube.

(5) Using Slide Hammer 7420, Adapter 6790, and suitable lug nuts, pull axle shaft from vehicle.

**NOTE:** It is normal that the axle bearing race is loose in the axle tube.

**INSTALLATION**

(1) Insert axle into opening at end of axle tube.

(2) Align flat area on axle shaft retaining plate upward.



## REMOVAL AND INSTALLATION (Continued)

(3) Insert the retaining plate studs into the brake backing plate and the axle tube flange.

(4) Install nuts to hold axle retaining plate to axle tube. Tighten the nuts to 61 N·m (45 ft. lbs.).

(5) Install brake caliper and rotor. Refer to Group 5, Brakes, for proper procedures.

(6) Install wheel and tire.

(7) Check and fill the gear lubricant. Refer to the Lubricant Specifications for gear lubricant requirements.

(8) Lower vehicle.

## AXLE SHAFT SEAL AND BEARING

## REMOVAL

(1) Remove axle shaft from vehicle.

**NOTE:** It is normal that the axle bearing race is loose in the axle tube.

(2) Remove the studs from the axle retaining plate.

(3) Using a 3/8 in. dia. drill bit, drill a shallow hole into soft steel axle bearing retaining ring (Fig. 25). If possible, use a drill depth stop to avoid marking axle.

(4) Using a suitable cold chisel, cut retaining ring across drilled hole. (Fig. 26)

(5) Slide retaining ring from axle shaft.

(6) Using Splitter 1130 placed between the seal and bearing and a suitable Arbor Press, press bearing from the axle shaft (Fig. 27).

(7) Slide seal from axle.

(8) Slide retaining plate from axle shaft.

## INSTALLATION

(1) Using a suitable straight edge, verify flatness of axle shaft retaining plate. Replace plate if warped.

(2) Install the studs back into the retaining plate. If the studs are loose in the plate, replace the retaining plate.

(3) Install retaining plate on axle (Fig. 28).

(4) Apply a coat of multi-purpose grease on sealing surface of axle seal.

(5) Install seal on axle with cavity away from retaining plate (Fig. 28).

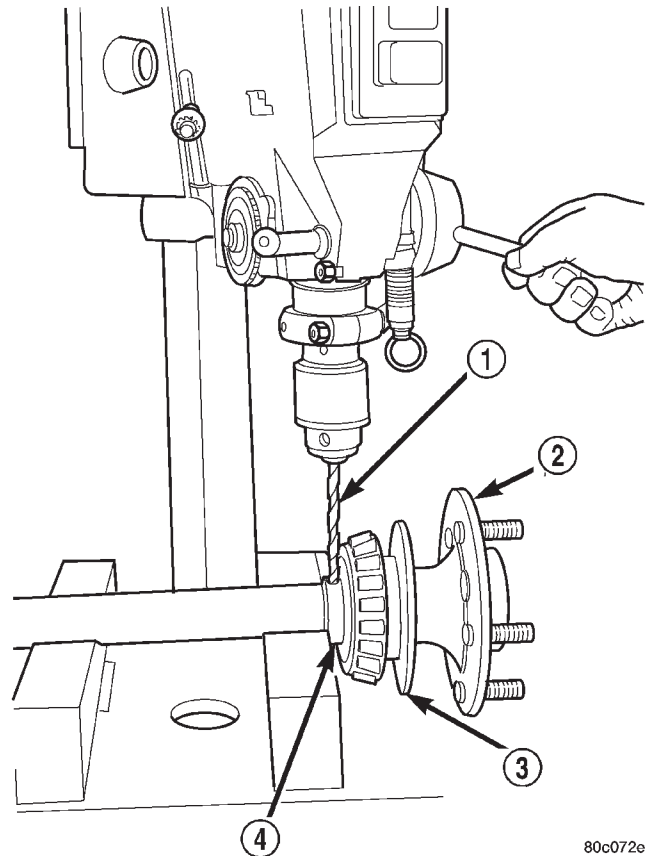
(6) Lubricate bearing with Mopar® Wheel Bearing Grease, or equivalent. Wipe excess grease from the bearing.

(7) Slide bearing onto axle shaft (Fig. 28).

(8) Using Installer 7913 and shop press, press bearing onto axle shaft (Fig. 29).

(9) Using Installer 7913 and shop press, press soft metal retaining ring onto axle shaft (Fig. 30).

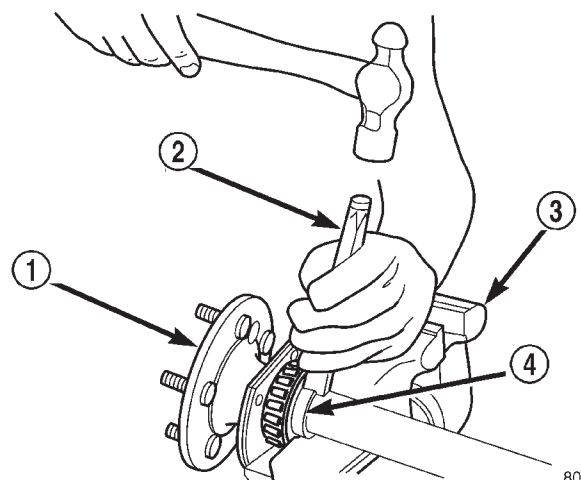
(10) Install axle in vehicle.



80c072eb

**Fig. 25 Drill Retaining Ring**

- 1 - 3/8 IN DIA DRILL BIT
- 2 - AXLE
- 3 - RETAINING PLATE
- 4 - SOFT METAL RETAINING RING

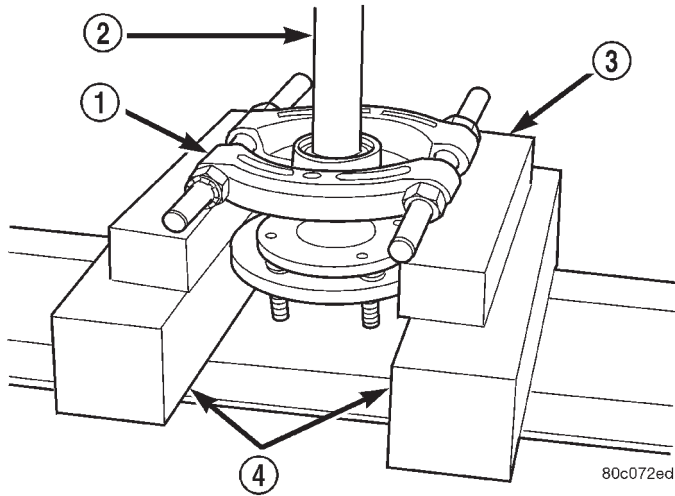


80c072ec

**Fig. 26 Cut Retaining Ring**

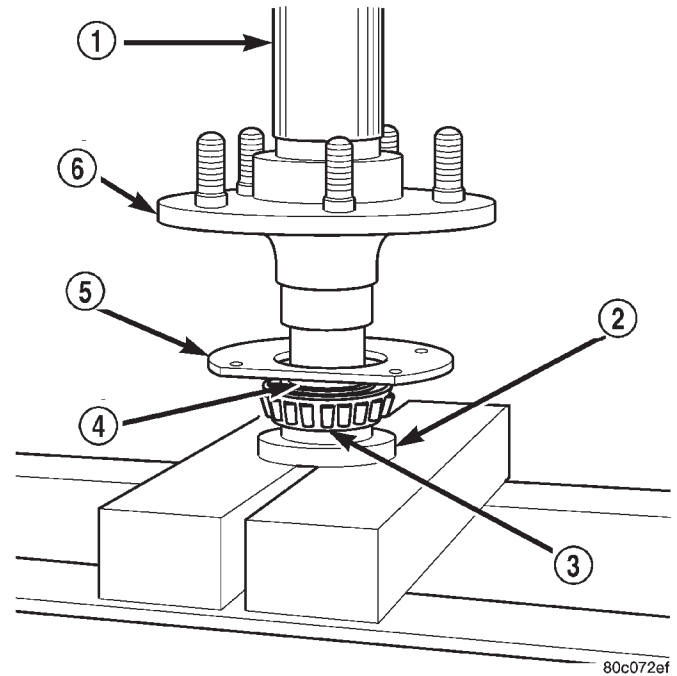
- 1 - AXLE
- 2 - COLD CHISEL
- 3 - VISE
- 4 - RETAINING RING

REMOVAL AND INSTALLATION (Continued)



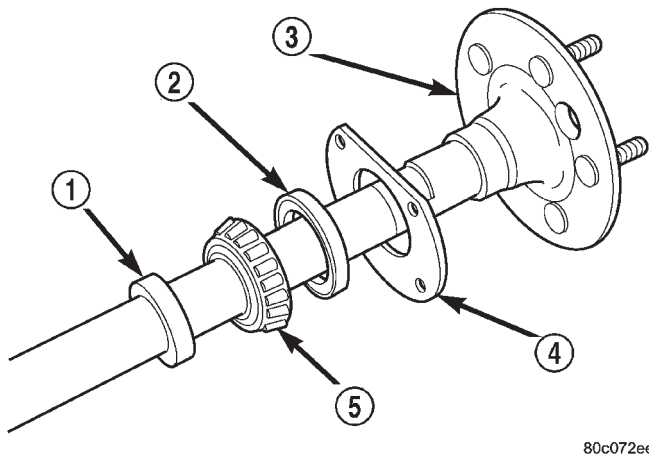
**Fig. 27 Axle Bearing and Seal Remove**

- 1 - AXLE
- 2 - PRESS PLATES
- 3 - BLOCKS
- 4 - SPECIAL TOOL 1130



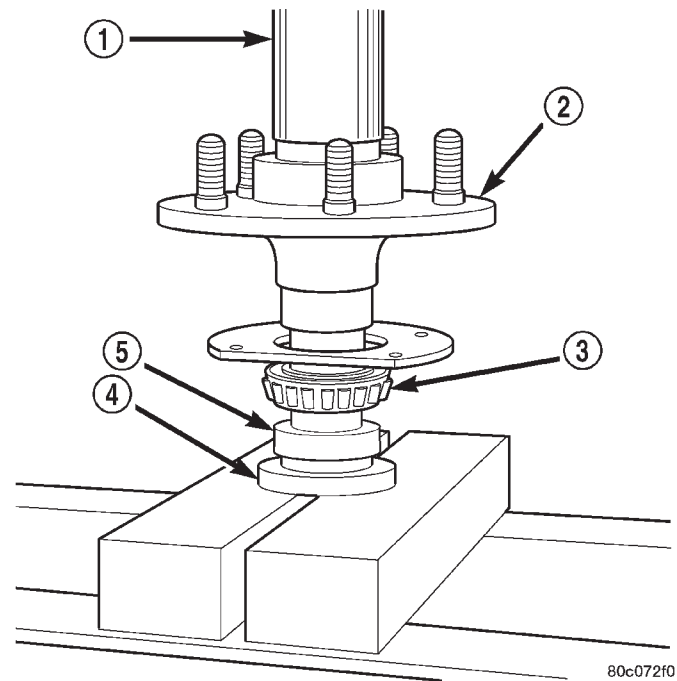
**Fig. 29 Press Bearing Onto Axle**

- 1 - PRESS RAM
- 2 - SPECIAL TOOL 7913
- 3 - AXLE BEARING
- 4 - SEAL
- 5 - RETAINING PLATE
- 6 - AXLE



**Fig. 28 Axle Bearing and Seal Components**

- 1 - RETAINING RING
- 2 - SEAL
- 3 - AXLE
- 4 - RETAINING PLATE
- 5 - AXLE BEARING



**Fig. 30 Press Bearing Retaining Ring On Axle**

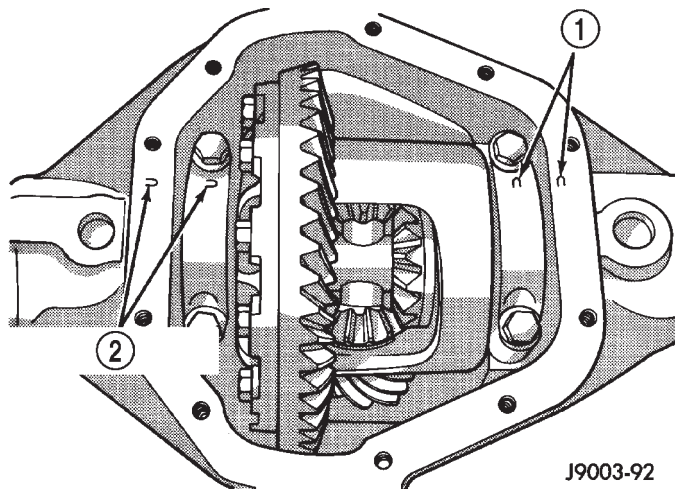
- 1 - PRESS RAM
- 2 - AXLE
- 3 - AXLE BEARING
- 4 - SPECIAL TOOL 7913
- 5 - SOFT METAL RETAINING RING

## REMOVAL AND INSTALLATION (Continued)

## DIFFERENTIAL

## REMOVAL

- (1) Raise and support vehicle.
- (2) Remove the lubricant fill hole plug from the differential housing cover.
- (3) Remove the differential housing cover and allow fluid to drain.
- (4) Remove axle shafts.
- (5) Note the installation reference letters stamped on the bearing caps and housing machined sealing surface (Fig. 31).



J9003-92

**Fig. 31 Bearing Cap Identification**

- 1 - INSTALLATION REFERENCE LETTERS
- 2 - INSTALLATION REFERENCE LETTERS

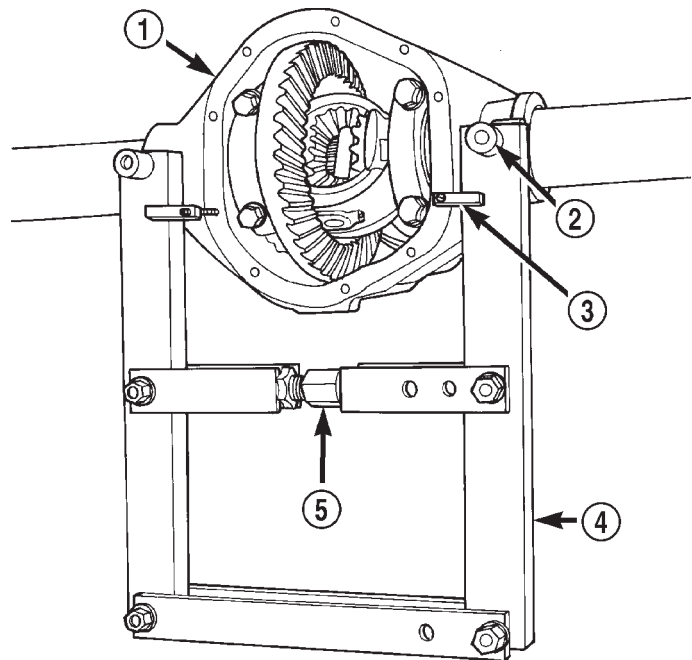
- (6) Loosen the differential bearing cap bolts.
- (7) Position Spreader W-129-B, utilizing some items from Adapter set 6987, with the tool dowel pins seated in the locating holes (Fig. 32). Install the hold-down clamps and tighten the tool turnbuckle finger-tight.
- (8) Install a Pilot Stud C-3288-B at the left side of the differential housing. Attach Dial Indicator C-3339 to pilot stud. Load the indicator plunger against the opposite side of the housing (Fig. 33) and zero the indicator.

**CAUTION:** Do not spread over 0.38 mm (0.015 in). If the housing is over-spread, it could be distorted or damaged.

- (9) Spread the housing enough to remove the differential case from the housing. Measure the distance with the dial indicator (Fig. 34).

- (10) Remove the dial indicator.

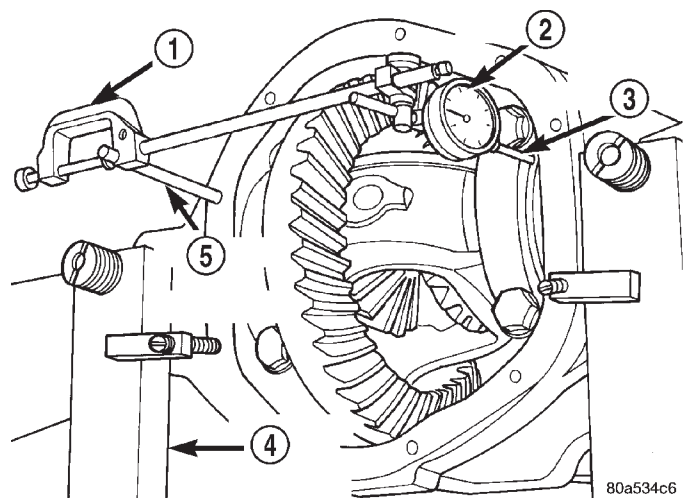
- (11) While holding the differential case in position, remove the differential bearing cap bolts and caps.



80a534c5

**Fig. 32 Install Axle Housing Spreader**

- 1 - AXLE HOUSING
- 2 - DOWEL
- 3 - SAFETY HOLD DOWN
- 4 - SPECIAL TOOL W-129-B
- 5 - TURNBUCKLE



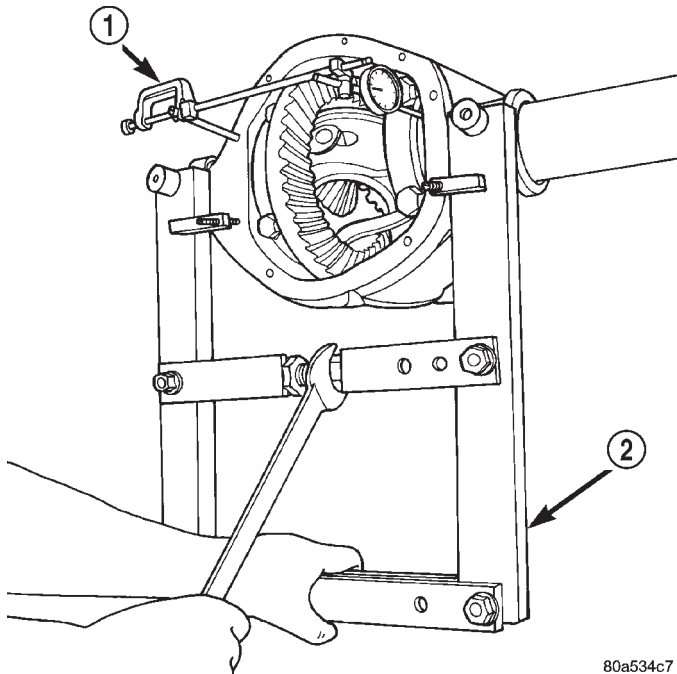
80a534c6

**Fig. 33 Install Dial Indicator**

- 1 - SPECIAL TOOL C-3339
- 2 - DIAL INDICATOR
- 3 - LEVER ADAPTER
- 4 - SPECIAL TOOL W-129-B
- 5 - SPECIAL TOOL C-3288-B

- (12) Remove the differential from the housing. Ensure that the differential bearing cups remain in position on the differential bearings (Fig. 35).

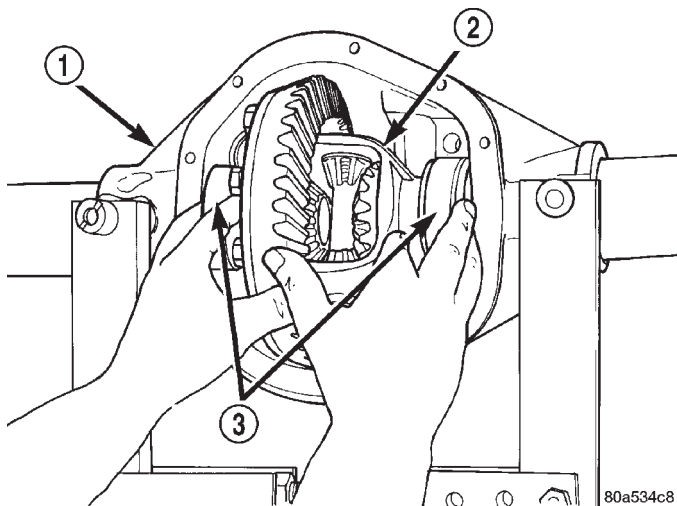
REMOVAL AND INSTALLATION (Continued)



80a534c7

**Fig. 34 Spread Axle Housing**

- 1 - SPECIAL TOOL C-3339
- 2 - SPECIAL TOOL W-129-B



80a534c8

**Fig. 35 Differential Case Removal**

- 1 - AXLE HOUSING
- 2 - DIFFERENTIAL CASE
- 3 - BEARING CUPS

(13) Mark or tag the differential bearing cups to indicate which side of the differential they were removed from.

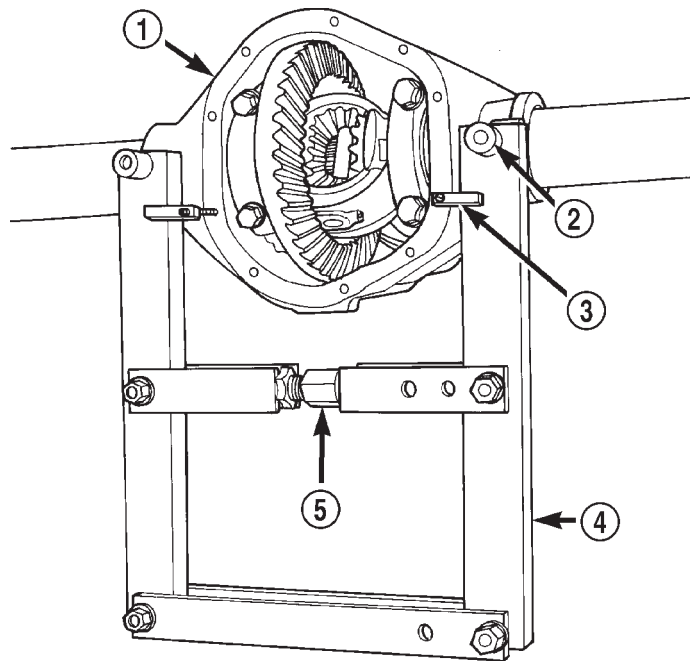
(14) Retrieve differential case preload shims from axle housing. Mark or tag the differential case preload shims to indicate which side of the differential they were removed from.

(15) Remove spreader from housing.

**INSTALLATION**

If replacement differential bearings or differential case are being installed, differential side bearing shim requirements may change. Refer to the Differential Bearing Preload and Gear Backlash procedures in this section to determine the proper shim selection.

(1) Position Spreader W-129-B, utilizing some items from Adapter set 6987, with the tool dowel pins seated in the locating holes (Fig. 36). Install the hold-down clamps and tighten the tool turnbuckle finger-tight.



80a534c5

**Fig. 36 Install Axle Housing Spreader**

- 1 - AXLE HOUSING
- 2 - DOWEL
- 3 - SAFETY HOLD DOWN
- 4 - SPECIAL TOOL W-129-B
- 5 - TURNBUCKLE

(2) Install a Pilot Stud C-3288-B at the left side of the differential housing. Attach Dial Indicator C-3339 to pilot stud. Load the indicator plunger against the opposite side of the housing (Fig. 33) and zero the indicator.

**CAUTION: Do not spread over 0.38 mm (0.015 in). If the housing is over-spread, it could be distorted or damaged.**

(3) Spread the housing enough to install the case in the housing. Measure the distance with the dial indicator (Fig. 34).

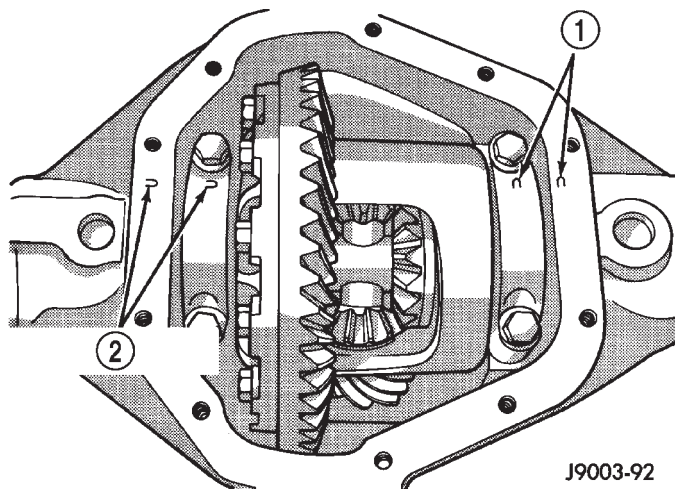
(4) Remove the dial indicator.



## REMOVAL AND INSTALLATION (Continued)

(5) Install differential case in the housing. Ensure that the differential bearing cups remain in position on the differential bearings and that the preload shims remain between the face of the bearing cup and the housing. Also verify that the pick-up opening of the Vari-lok™ plenum is at the bottom of the housing. Tap the differential case to ensure the bearings and shims are fully seated in the housing.

(6) Install the bearing caps at their original locations (Fig. 37).



**Fig. 37 Differential Bearing Cap Reference Letters**

- 1 - INSTALLATION REFERENCE LETTERS  
2 - INSTALLATION REFERENCE LETTERS

- (7) Loosely install differential bearing cap bolts.  
(8) Remove axle housing spreader.  
(9) Tighten the bearing cap bolts to 77 N·m (57 ft. lbs.) torque.  
(10) Install the axle shafts.

## DIFFERENTIAL SIDE BEARINGS

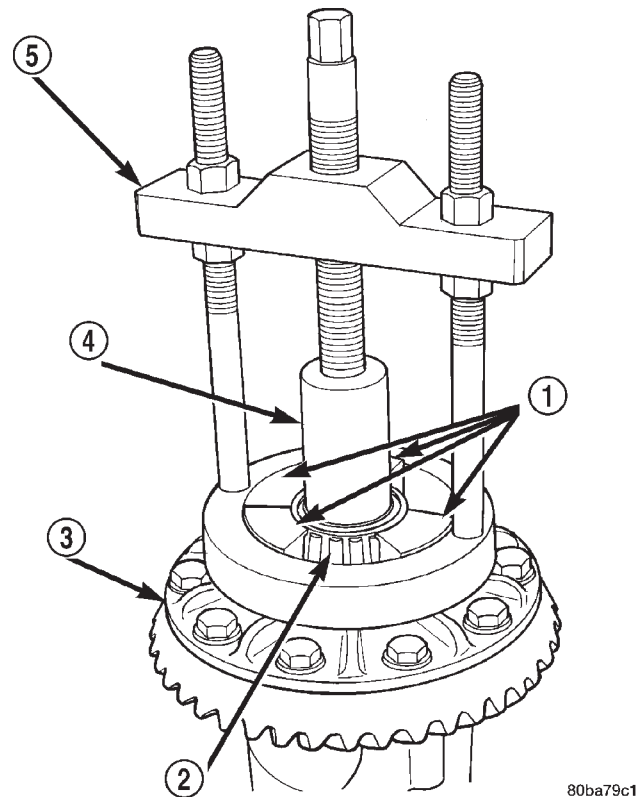
## REMOVAL

- (1) Remove differential case from axle housing.  
(2) Remove the bearings from the differential case with Puller/Press C-293-PA, Adapters 8353, and Plug C-293-3 (Fig. 38).

## INSTALLATION

If replacement differential side bearings or differential case are being installed, differential side bearing shim requirements may change. Refer to the Differential Bearing Preload and Gear Backlash procedures in this section to determine the proper shim selection.

**CAUTION:** Be sure that the Vari-lok™ plenum is fully seated against the differential case prior to installing the ring gear side differential bearing.



**Fig. 38 Differential Bearing Removal**

- 1 - SPECIAL TOOL 8353  
2 - BEARING  
3 - DIFFERENTIAL  
4 - SPECIAL TOOL C-293-3  
5 - SPECIAL TOOL C-293-PA

- (1) Using tool C-4340 with handle C-4171, install differential side bearings (Fig. 39).  
(2) Install differential case in axle housing.

## VARI-LOK™ PLENUM

## REMOVAL

- (1) Remove differential case from axle housing.  
(2) Remove the bearing from the ring gear side of the differential case with Puller/Press C-293-PA, Adapter Blocks 8353, and Plug C-293-3 (Fig. 40).  
(3) Remove the Vari-lok™ plenum from the differential case hub.

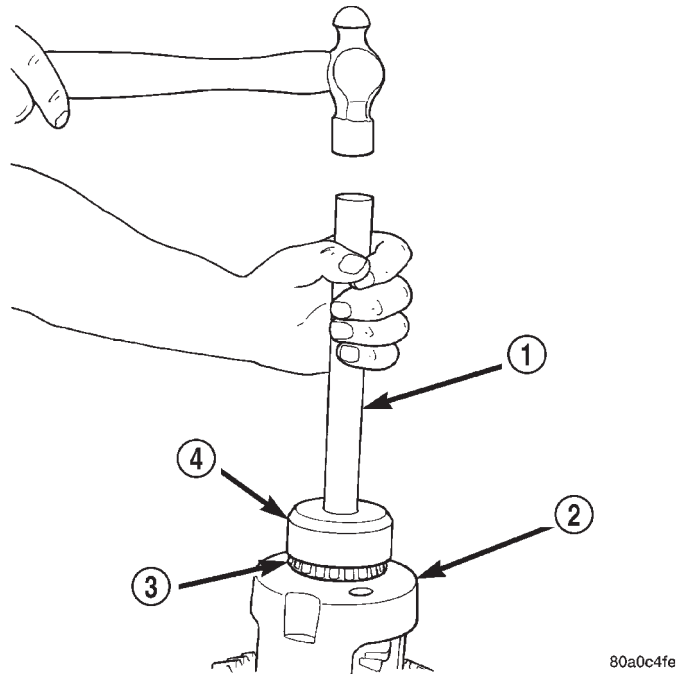
**WARNING:** Do not touch the Vari-lok™ tuning reed valve located under the Vari-lok™ plenum on the differential case. The metal is very sensitive and the unit will not operate properly if the reed valve is disturbed.

## INSTALLATION

If a replacement differential side bearing is being installed, differential side bearing shim requirements

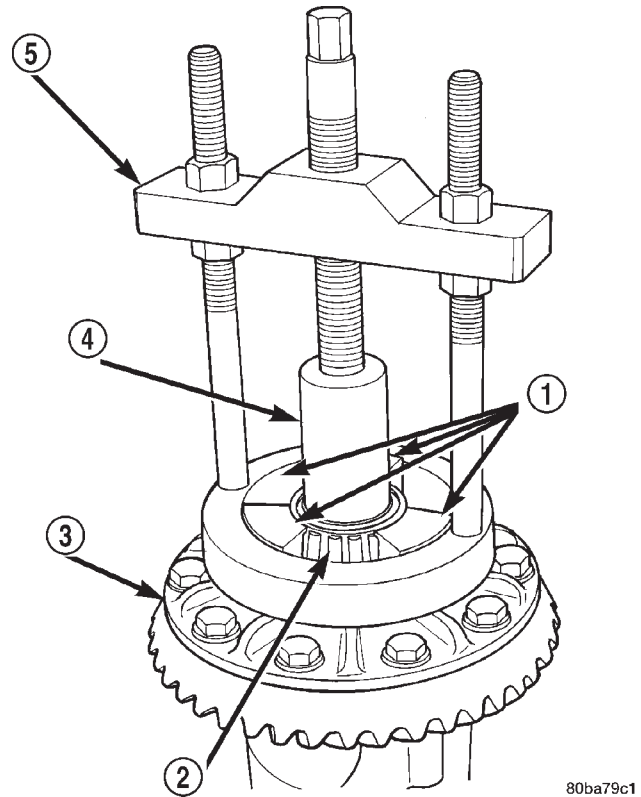


REMOVAL AND INSTALLATION (Continued)



**Fig. 39 Install Differential Side Bearings**

- 1 - HANDLE C-4171
- 2 - DIFFERENTIAL
- 3 - BEARING
- 4 - TOOL C-4340



**Fig. 40 Differential Bearing Removal**

- 1 - SPECIAL TOOL 8353
- 2 - BEARING
- 3 - DIFFERENTIAL
- 4 - SPECIAL TOOL C-293-3
- 5 - SPECIAL TOOL C-293-PA

may change. Refer to the Differential Bearing Preload and Gear Backlash procedures in this section to determine the proper shim selection.

(1) Install a new Vari-lok™ plenum onto the differential case hub. The plenum is to be installed with the rubber seal toward the differential case and the raised metal tabs away from the differential case.

**CAUTION:** Be sure that the Vari-lok™ plenum is fully seated against the differential case prior to installing the ring gear side differential bearing.

- (2) Using Installer C-4340 and Handle C-4171, install differential side bearing (Fig. 41).
- (3) Install differential in axle housing.

**RING GEAR**

**NOTE:** The ring and pinion gears are serviced as a matched set. Do not replace the ring gear without replacing the pinion gear.

**REMOVAL**

- (1) Remove differential from axle housing.
- (2) Place differential case in a suitable vise with soft metal jaw protectors. (Fig. 42)
- (3) Remove bolts holding ring gear to differential case.

(4) Using a soft hammer, drive ring gear from differential case (Fig. 42).

**INSTALLATION**

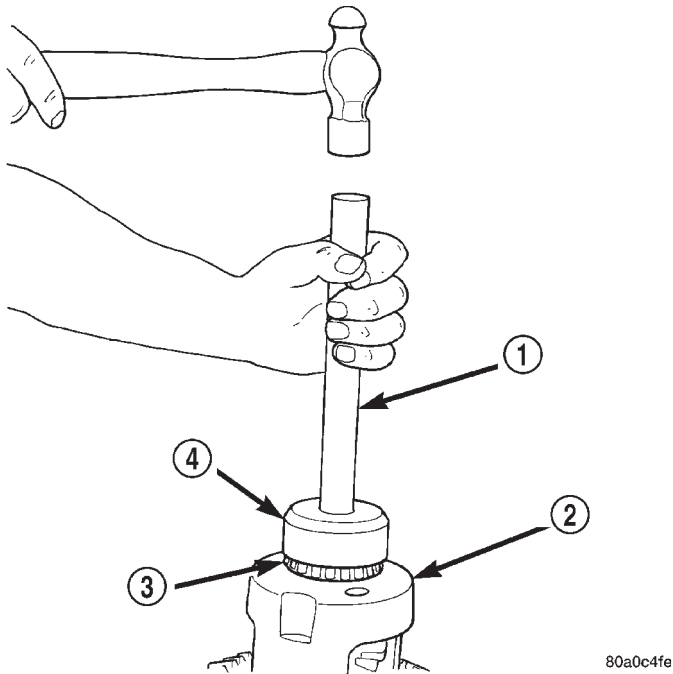
**CAUTION:** Do not reuse the bolts that held the ring gear to the differential case. The bolts can fracture causing extensive damage.

- (1) Invert the differential case and start two ring gear bolts. This will provide case-to-ring gear bolt hole alignment.
- (2) Invert the differential case in the vise.
- (3) Install new ring gear bolts and alternately tighten to 95–122 N·m (70–90 ft. lbs.) torque (Fig. 43).
- (4) Install differential in axle housing and verify gear mesh and contact pattern.

**PINION GEAR**

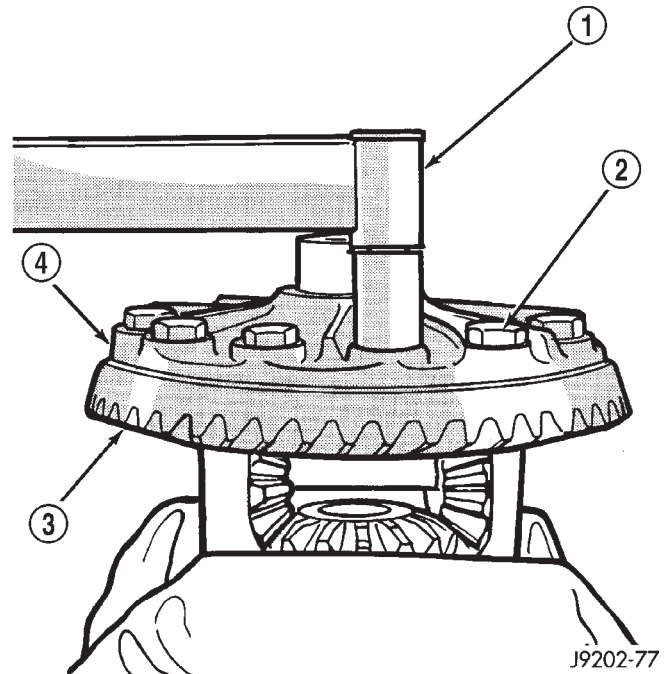
**NOTE:** The ring and pinion gears are serviced as a matched set. Do not replace the pinion gear without replacing the ring gear.

REMOVAL AND INSTALLATION (Continued)



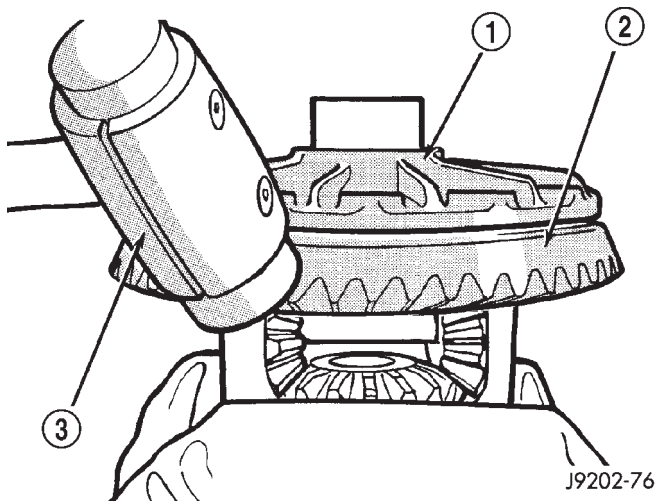
**Fig. 41 Differential Side Bearing Installation**

- 1 - HANDLE C-4171
- 2 - DIFFERENTIAL
- 3 - BEARING
- 4 - TOOL C-4340



**Fig. 43 Ring Gear Bolt Installation**

- 1 - TORQUE WRENCH
- 2 - RING GEAR BOLT
- 3 - RING GEAR
- 4 - CASE



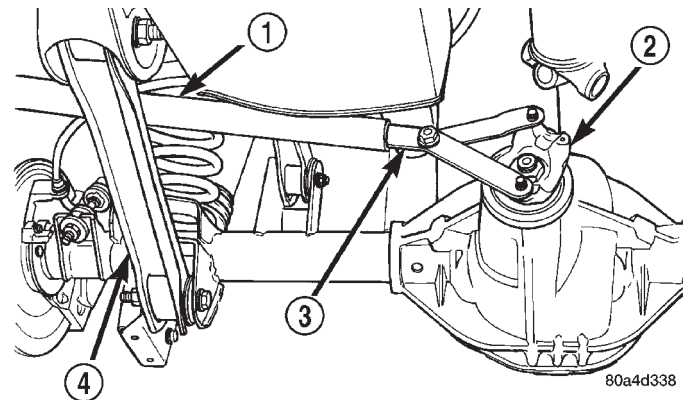
**Fig. 42 Ring Gear Removal**

- 1 - CASE
- 2 - RING GEAR
- 3 - RAWHIDE HAMMER

**REMOVAL**

- (1) Remove differential assembly from axle housing.
- (2) Mark pinion yoke and propeller shaft for installation alignment.

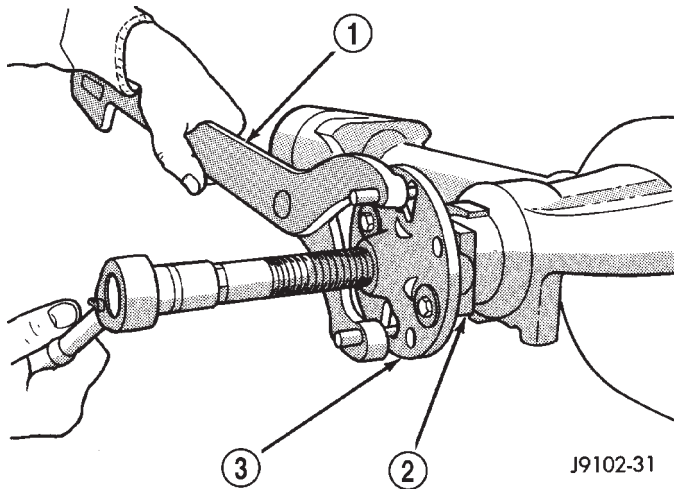
- (3) Disconnect propeller shaft from pinion yoke. Using suitable wire, tie propeller shaft to underbody.
- (4) Using Holder 6958 to hold yoke and a short length of 1 in. pipe, remove the pinion yoke nut and washer (Fig. 44).
- (5) Using Remover C-452 and Wrench C-3281, remove the pinion yoke from pinion shaft (Fig. 45).



**Fig. 44 Pinion Yoke Holder**

- 1 - 1 in. PIPE
- 2 - PINION YOKE
- 3 - SPECIAL TOOL 6958
- 4 - LOWER CONTROL ARM

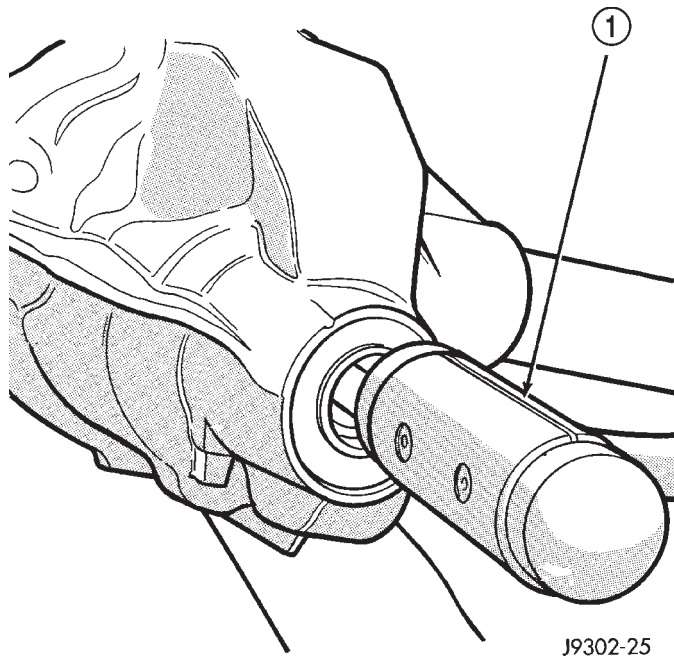
REMOVAL AND INSTALLATION (Continued)



**Fig. 45 Pinion Yoke Removal**

- 1 - SPECIAL TOOL C-3281
- 2 - YOKE
- 3 - SPECIAL TOOL C-452

(6) Remove the pinion gear from housing (Fig. 46). Catch the pinion with your hand to prevent it from falling and being damaged.



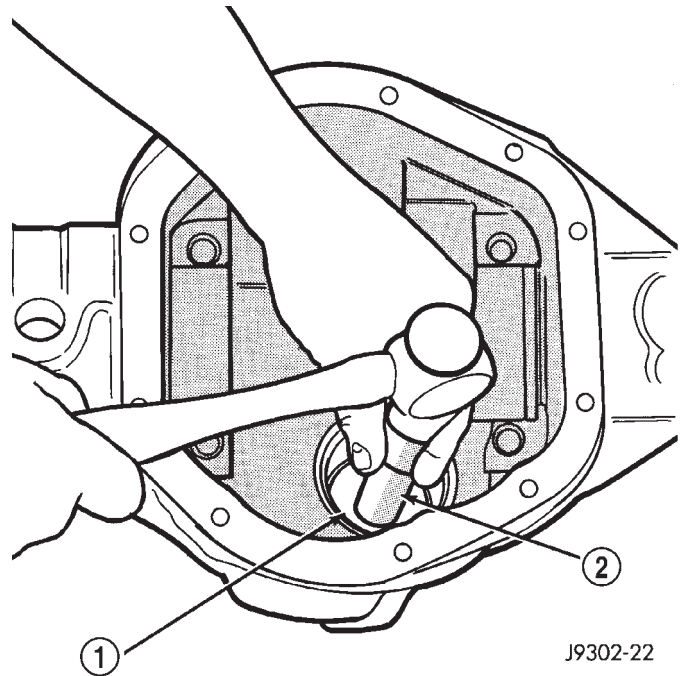
**Fig. 46 Remove Pinion Gear**

- 1 - RAWHIDE HAMMER

(7) Remove the pinion seal with a slide hammer or pry out with bar.

(8) Remove oil slinger, if equipped, and the front pinion bearing.

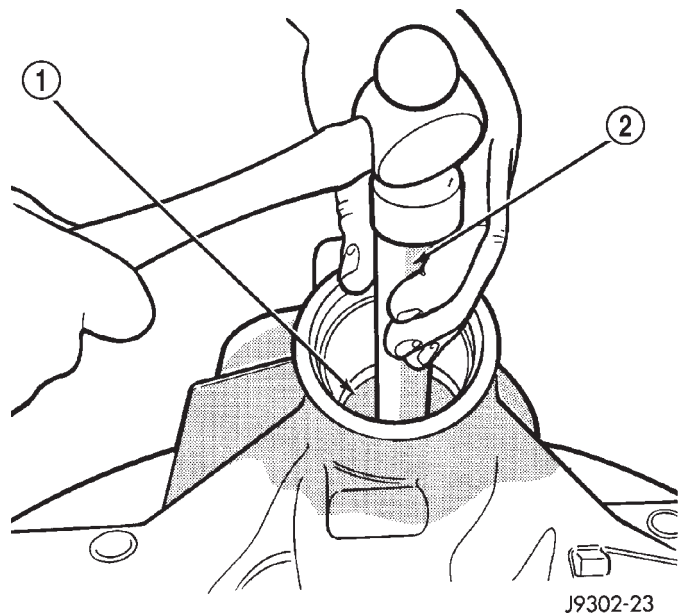
(9) Remove the front pinion bearing cup with Remover D-103 and Handle C-4171 (Fig. 47).



**Fig. 47 Front Bearing Cup Removal**

- 1 - REMOVER
- 2 - HANDLE

(10) Remove the rear bearing cup from housing (Fig. 48). Use Remover C-4307 and Handle C-4171.

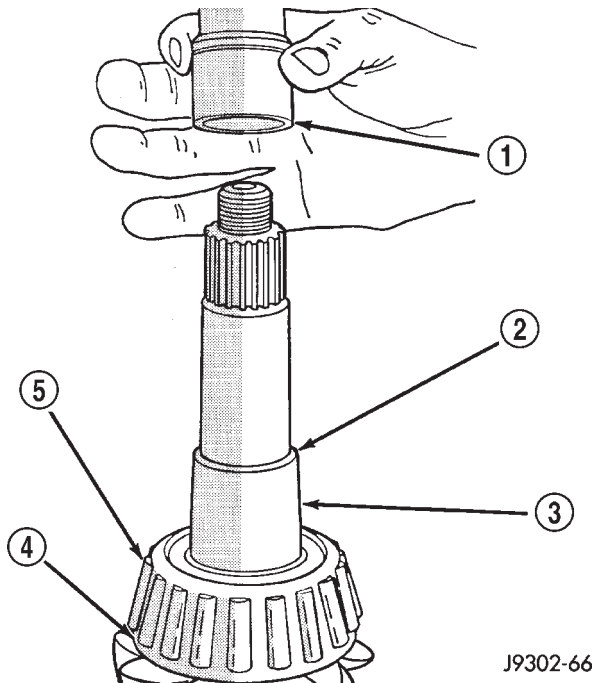


**Fig. 48 Rear Bearing Cup Removal**

- 1 - DRIVER
- 2 - HANDLE

## REMOVAL AND INSTALLATION (Continued)

(11) Remove the collapsible preload spacer (Fig. 49).



**Fig. 49 Collapsible Spacer**

- 1 - COLLAPSIBLE SPACER
- 2 - SHOULDER
- 3 - PINION GEAR
- 4 - OIL SLINGER
- 5 - REAR BEARING

(12) Remove the rear bearing from the pinion with Puller/Press C-293-PA and Adapters C-293-42 (Fig. 50).

**Place 4 adapter blocks so they do not damage the bearing cage.**

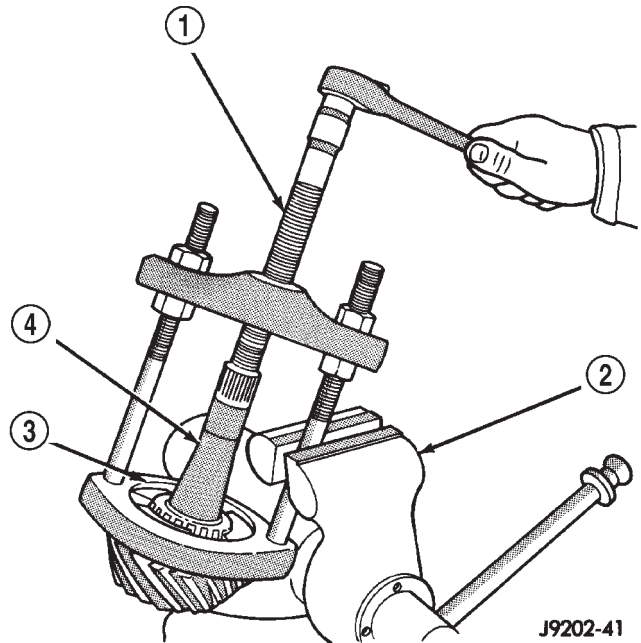
(13) Remove the pinion depth shims from the pinion gear shaft. Record the total thickness of the depth shims.

### INSTALLATION

(1) Apply Mopar® Dry Film Lubricant to outside surface of bearing cup. Install the pinion rear bearing cup with Installer C-4308 and Driver Handle C-4171 (Fig. 51). Ensure cup is correctly seated.

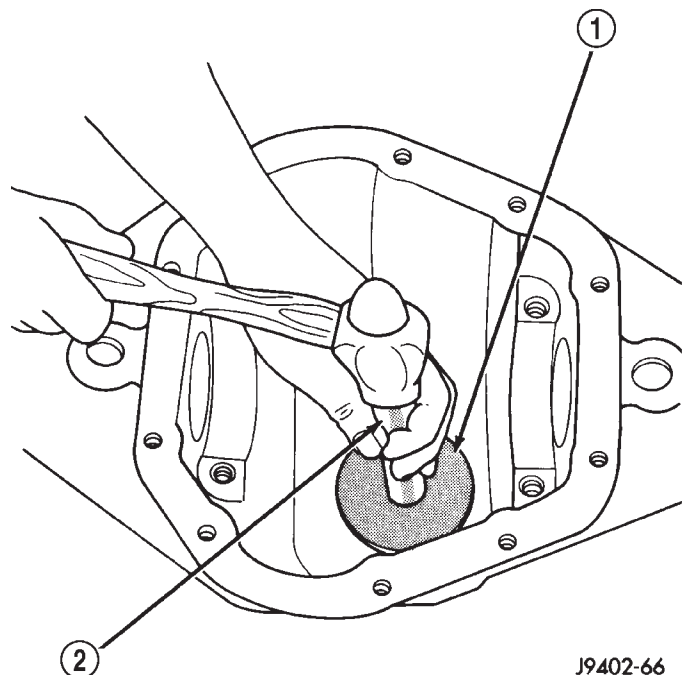
(2) Apply Mopar® Dry Film Lubricant to outside surface of bearing cup. Install the pinion front bearing cup with Installer D-129 and Handle C-4171 (Fig. 52).

(3) Install pinion front bearing and oil slinger, if equipped. Apply a light coating of gear lubricant on the lip of pinion seal. Install seal with Installer C-3972-A and Handle C-4171 (Fig. 53).



**Fig. 50 Inner Bearing Removal**

- 1 - SPECIAL TOOL C-293-PA
- 2 - VISE
- 3 - ADAPTERS
- 4 - DRIVE PINION GEAR SHAFT

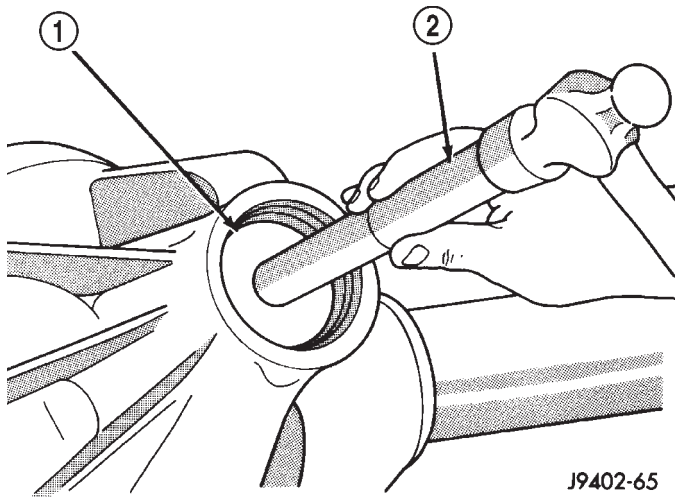


**Fig. 51 Pinion Rear Bearing Cup Installation**

- 1 - INSTALLER
- 2 - HANDLE



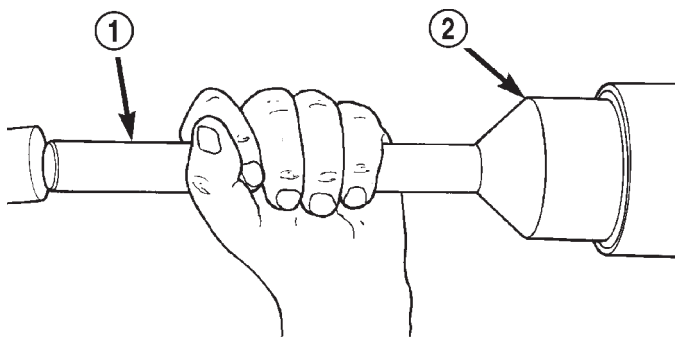
REMOVAL AND INSTALLATION (Continued)



J9402-65

**Fig. 52 Pinion Front Bearing Cup Installation**

- 1 - INSTALLER
- 2 - HANDLE



80a7e2be

**Fig. 53 Pinion Seal Installation**

- 1 - SPECIAL TOOL C-4171
- 2 - SPECIAL TOOL C-3972-A

**NOTE:** Pinion depth shims are placed between the rear pinion bearing cone and pinion gear to achieve proper ring and pinion gear mesh. If the factory installed ring and pinion gears are reused, the pinion depth shim should not require replacement or adjustment. Refer to Pinion Gear Depth paragraph in this section to select the proper thickness shim before installing rear pinion bearing cone.

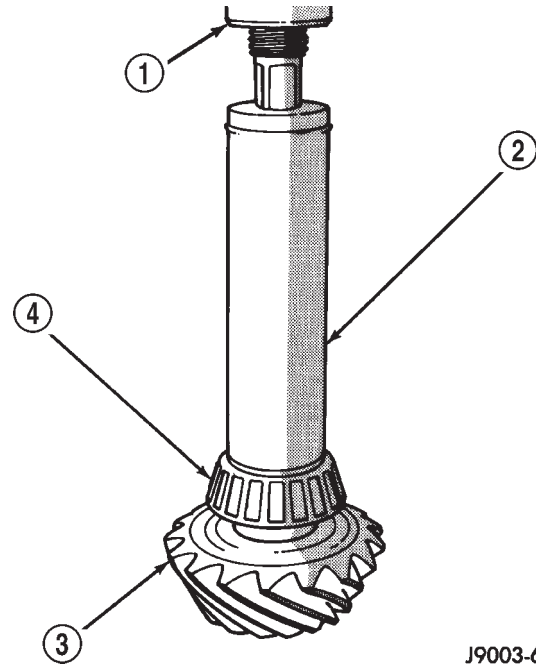
(4) Place the proper thickness pinion depth shim on the pinion gear.

(5) Install the rear bearing (and slinger if used) on the pinion gear with Installer 6448 (Fig. 54).

(6) Install a new collapsible preload spacer on pinion shaft (Fig. 55).

(7) Install pinion gear in housing.

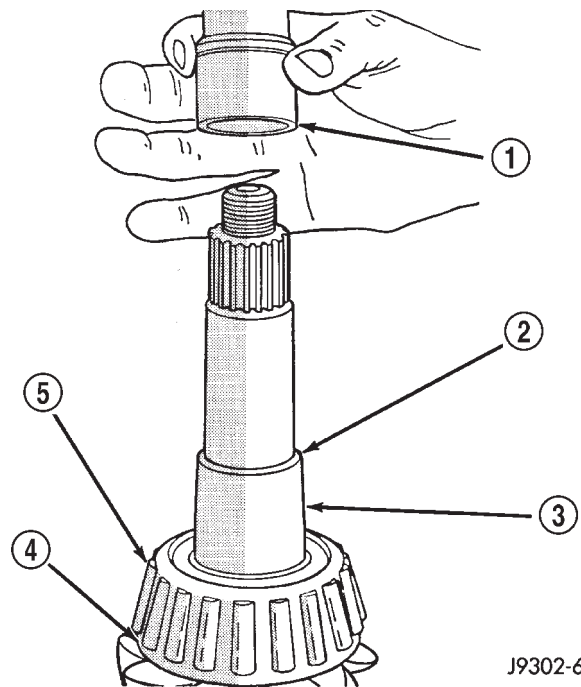
(8) Install yoke with Installer C-3718 and holder 6958 (Fig. 56).



J9003-67

**Fig. 54 Shaft Rear Bearing Installation**

- 1 - PRESS
- 2 - INSTALLATION TOOL
- 3 - DRIVE PINION GEAR
- 4 - DRIVE PINION GEAR SHAFT REAR BEARING



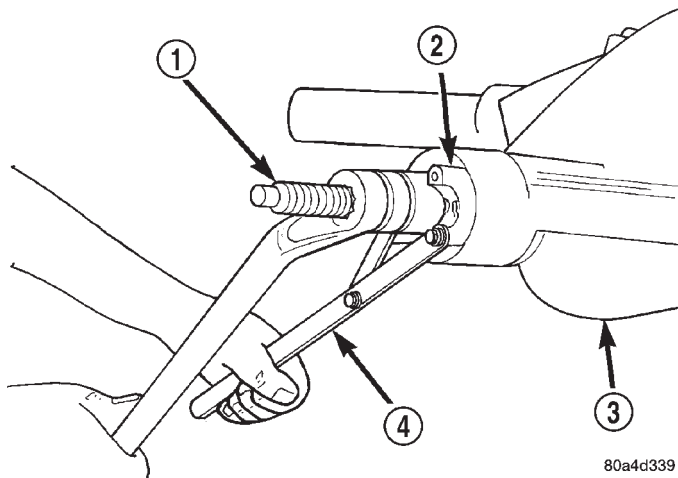
J9302-66

**Fig. 55 Collapsible Preload Spacer**

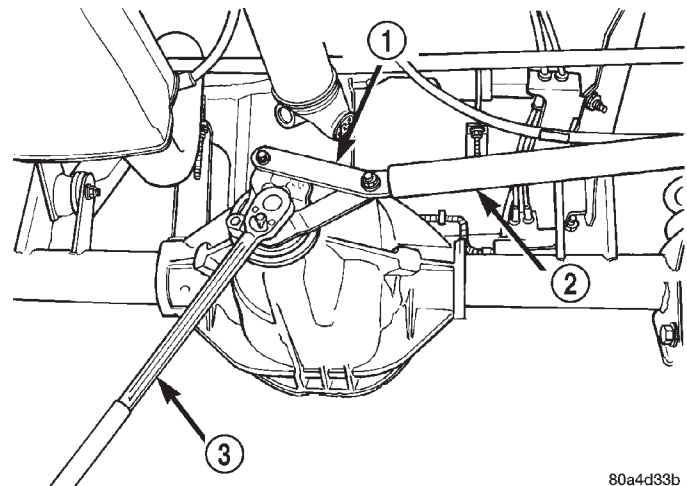
- 1 - COLLAPSIBLE SPACER
- 2 - SHOULDER
- 3 - PINION GEAR
- 4 - OIL SLINGER
- 5 - REAR BEARING



## REMOVAL AND INSTALLATION (Continued)

**Fig. 56 Pinion Yoke Installation**

- 1 - SPECIAL TOOL C-3718
- 2 - PINION YOKE
- 3 - AXLE HOUSING
- 4 - SPECIAL TOOL 6958

**Fig. 57 Tightening Pinion Nut**

- 1 - SPECIAL TOOL 6958
- 2 - 1 in. PIPE
- 3 - 3/4 DRIVE TORQUE WRENCH

(9) Install the yoke washer and a new nut on the pinion gear. Tighten the nut to 298 N·m (220 ft. lbs.) minimum. **Do not over-tighten.** Maximum torque is 380 N·m (280 ft. lbs.).

**CAUTION:** Never loosen pinion gear nut to decrease pinion gear bearing preload torque and never exceed specified preload torque. If preload torque is exceeded a new collapsible spacer must be installed. The torque sequence will have to be repeated.

**NOTE:** If the spacer requires more than 280 ft. lbs. torque to crush, the collapsible spacer is defective.

(10) Using yoke holder 6958, a short length of 1 in. pipe, and a torque wrench set at 380 N·m (280 ft. lbs.), crush collapsible spacer until bearing end play is taken up (Fig. 57).

(11) Slowly tighten the nut in 6.8 N·m (5 ft. lbs.) increments until the rotating torque is achieved. Measure the rotating torque frequently to avoid over crushing the collapsible spacer (Fig. 58).

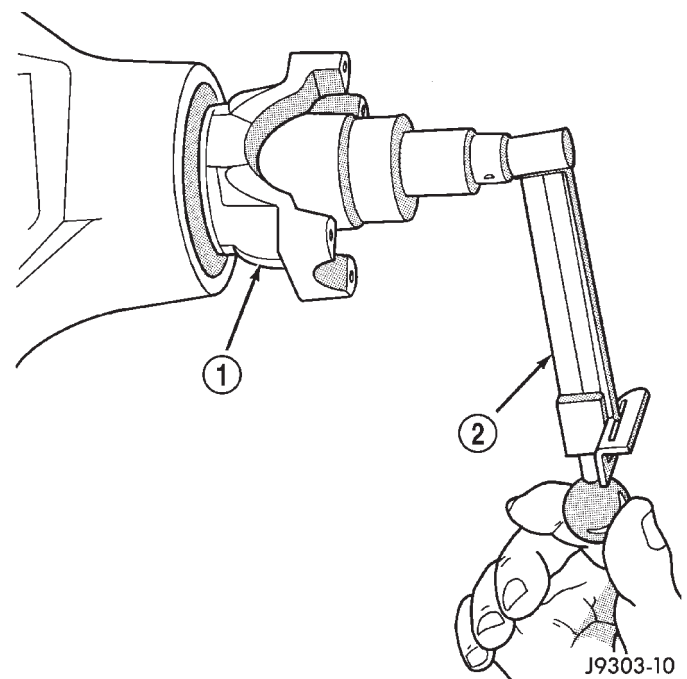
(12) Rotate the pinion a minimum of ten times. Make sure that the pinion rotates smoothly. Check bearing rotating torque with an inch pound torque wrench (Fig. 58). The torque necessary to rotate the pinion gear should be:

- Original Bearings — 1 to 2 N·m (10 to 20 in. lbs.).

- New Bearings — 2.8 to 4 N·m (25 to 35 in. lbs.).

(13) Align previously made marks on yoke and propeller shaft and install propeller shaft.

(14) Install differential housing into the axle housing.

**Fig. 58 Check Pinion Gear Rotation Torque**

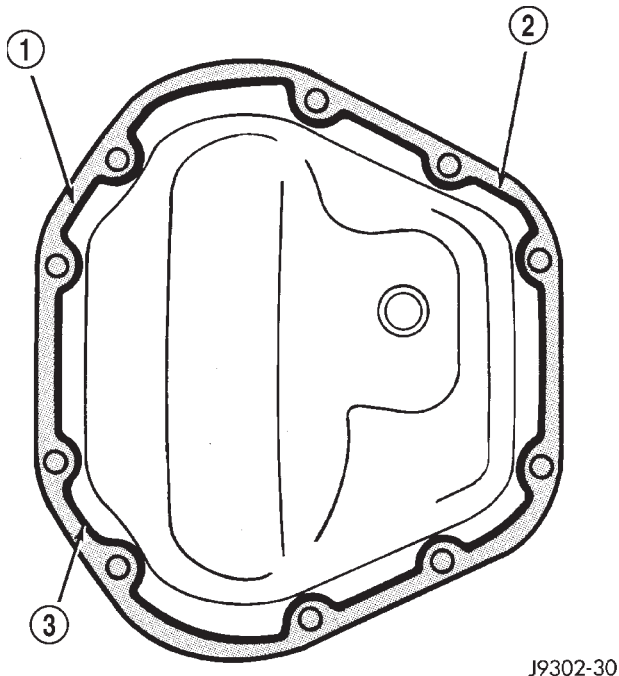
- 1 - PINION YOKE
- 2 - INCH POUND TORQUE WRENCH

**FINAL ASSEMBLY**

(1) Scrape the residual sealant from the housing and cover mating surfaces. Clean the mating surfaces with mineral spirits. Apply a bead of Mopar® Silicone Rubber Sealant, or equivalent, on the housing cover (Fig. 59).

**Install the housing cover within 5 minutes after applying the sealant.**

REMOVAL AND INSTALLATION (Continued)



J9302-30

**Fig. 59 Typical Housing Cover With Sealant**

- 1 - SEALING SURFACE
- 2 - CONTOUR OF BEAD
- 3 - BEAD THICKNESS 6.35MM (1/4")

(2) Install the cover on the differential with the attaching bolts. Install the identification tag. Tighten the cover bolts to 41 N·m (30 ft. lbs.) torque.

**CAUTION:** Overfilling the differential can result in lubricant foaming and overheating.

(3) Refill the differential housing with gear lubricant. Refer to the Lubricant Specifications section of this group for the gear lubricant requirements.

(4) Install the fill hole plug.

DISASSEMBLY AND ASSEMBLY

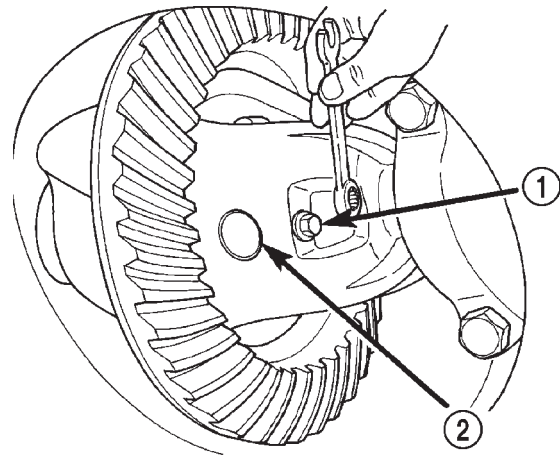
STANDARD DIFFERENTIAL

DISASSEMBLY

- (1) Remove pinion mate shaft lock screw (Fig. 60).
- (2) Remove pinion mate shaft.
- (3) Rotate the differential side gears and remove the differential pinion gears and thrust washers (Fig. 61).
- (4) Remove the differential side gears and thrust washers.

ASSEMBLY

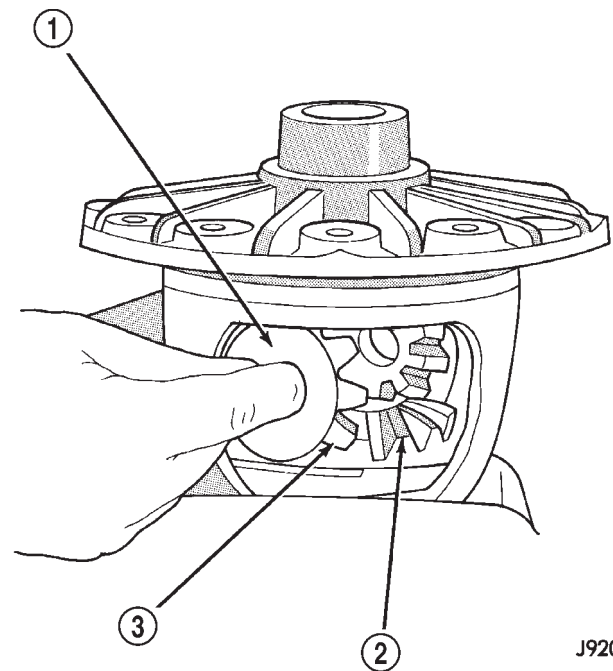
- (1) Install the differential side gears and thrust washers.



80be4604

**Fig. 60 Pinion Mate Shaft Lock Screw**

- 1 - LOCK SCREW
- 2 - PINION MATE SHAFT



J9203-61

**Fig. 61 Pinion Mate Gear Removal**

- 1 - THRUST WASHER
- 2 - SIDE GEAR
- 3 - PINION MATE GEAR

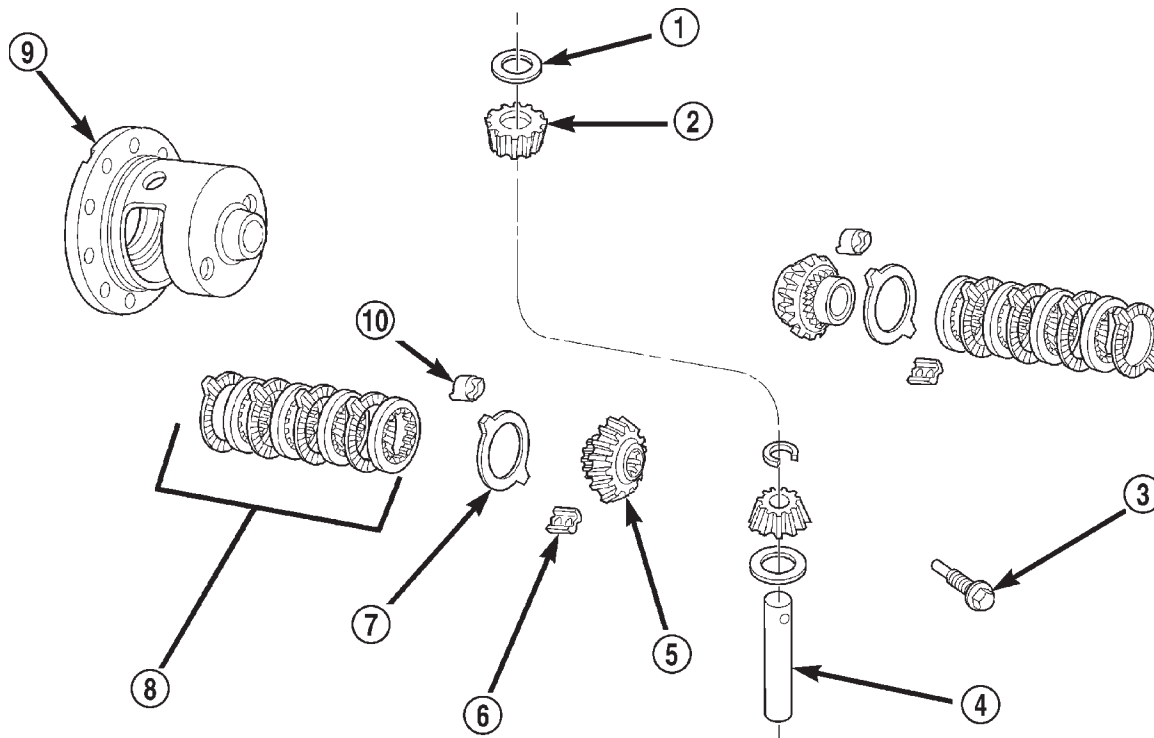
(2) Install the differential pinion gears and thrust washers.

(3) Install the pinion mate shaft.

(4) Align the hole in the pinion mate shaft with the hole in the differential case and install the pinion mate shaft lock screw.

(5) Lubricate all differential components with hypoid gear lubricant.

## DISASSEMBLY AND ASSEMBLY (Continued)



80a77404

**Fig. 62 Trac-Lok™ Differential Components**

- |                       |                       |
|-----------------------|-----------------------|
| 1 - THRUST WASHER     | 6 - RETAINER          |
| 2 - PINION            | 7 - DISC              |
| 3 - SHAFT LOCK SCREW  | 8 - CLUTCH PACK       |
| 4 - PINION MATE SHAFT | 9 - DIFFERENTIAL CASE |
| 5 - SIDE GEAR         | 10 - RETAINER         |

## TRAC-LOK™ DIFFERENTIAL

The Trac-Lok™ differential components are illustrated in (Fig. 62). Refer to this illustration during repair service.

### DISASSEMBLY

(1) Clamp Side Gear Holding Tool 6963-A in a vise.

(2) Position the differential case on Side Gear Holding Tool 6963-A (Fig. 63).

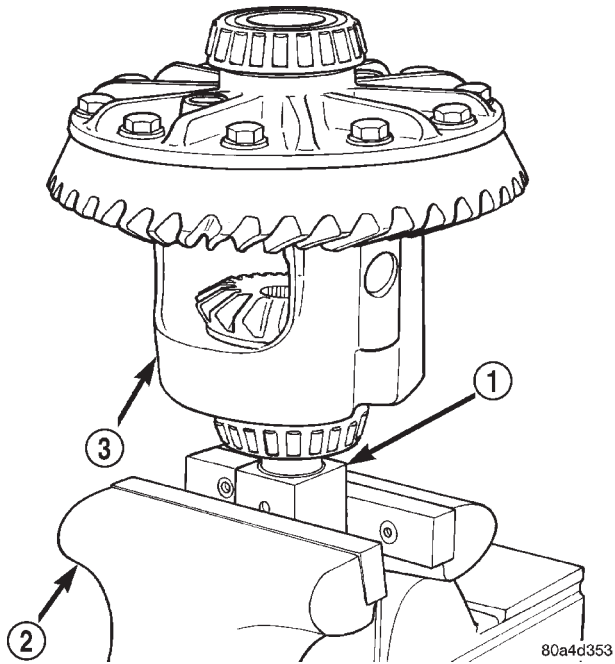
(3) Remove ring gear, if necessary. Ring gear removal is necessary only if the ring gear is to be replaced. The Trac-Lok™ differential can be serviced with the ring gear installed.

(4) Remove the pinion gear mate shaft lock screw (Fig. 64).

(5) Remove the pinion gear mate shaft. If necessary, use a drift and hammer (Fig. 65).

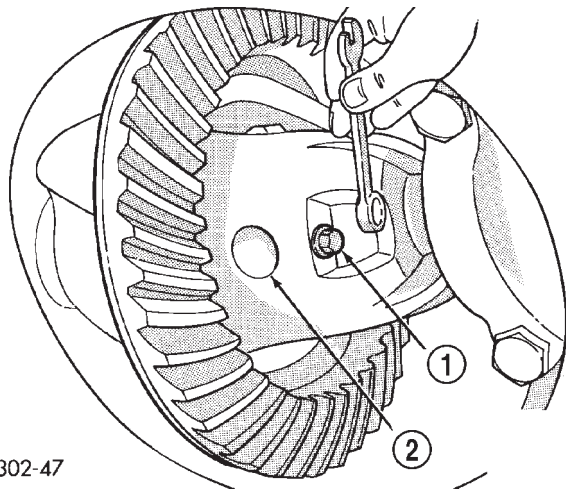
(6) Install and lubricate Step Plate C-4487-1 (Fig. 66).

DISASSEMBLY AND ASSEMBLY (Continued)



**Fig. 63 Differential Case Holding Tool**

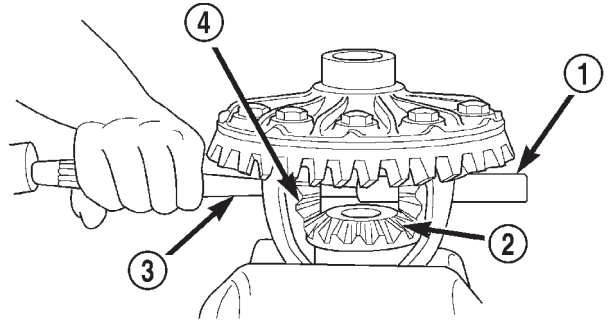
- 1 - SPECIAL TOOL 6963-A
- 2 - VISE
- 3 - TRAC-LOK DIFFERENTIAL



J9302-47

**Fig. 64 Mate Shaft Lock Screw**

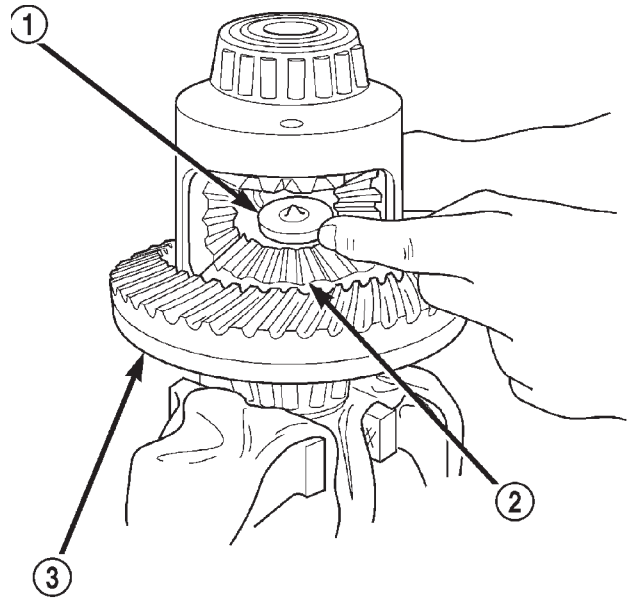
- 1 - LOCK SCREW
- 2 - PINION GEAR MATE SHAFT



80a773e1

**Fig. 65 Mate Shaft Removal**

- 1 - PINION MATE SHAFT
- 2 - SIDE GEAR
- 3 - DRIFT
- 4 - PINION MATE GEAR



80a773df

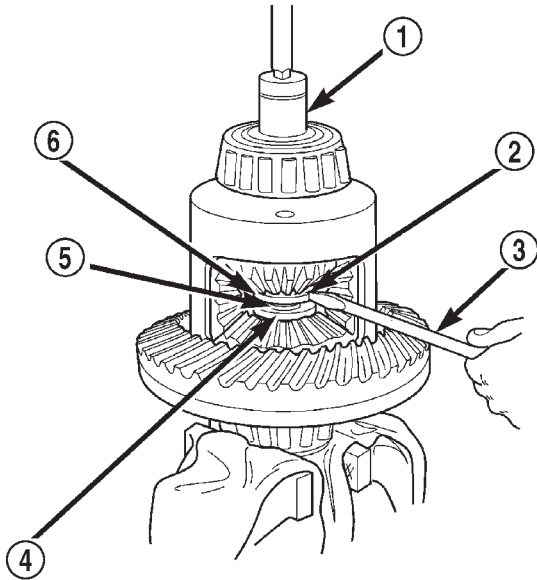
**Fig. 66 Step Plate Tool Installation**

- 1 - SPECIAL TOOL C-4487-1
- 2 - LOWER SIDE GEAR
- 3 - DIFFERENTIAL CASE

## DISASSEMBLY AND ASSEMBLY (Continued)

(7) Assemble Threaded Adapter C-4487-3 into top side gear. Thread Forcing Screw C-4487-2 into adapter until it becomes centered in adapter plate.

(8) Position a small screw driver in slot of Threaded Adapter C-4487-3 (Fig. 67) to prevent adapter from turning.



80a773de

**Fig. 67 Threaded Adapter Installation**

- 1 - SOCKET
- 2 - SLOT IN ADAPTER
- 3 - SCREWDRIVER
- 4 - DISC C-4487-1
- 5 - THREADED ROD C-4487-2
- 6 - THREADED ADAPTER DISC C-4487-3

(9) Tighten forcing screw tool 122 N·m (90 ft. lbs.) (maximum) to compress Belleville springs in clutch packs (Fig. 68).

(10) Using an appropriate size feeler gauge, remove thrust washers from behind the pinion gears (Fig. 69).

(11) Insert Turning Bar C-4487-4 in case (Fig. 70).

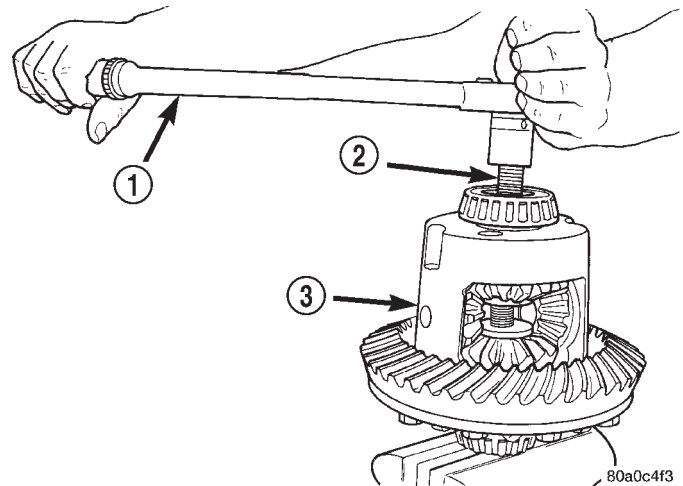
(12) Loosen the Forcing Screw C-4487-2 in small increments until the clutch pack tension is relieved and the differential case can be turned using Turning Bar C-4487-4.

(13) Rotate differential case until the pinion gears can be removed.

(14) Remove pinion gears from differential case.

(15) Remove Forcing Screw C-4487-2, Step Plate C-4487-1, and Threaded Adapter C-4487-3.

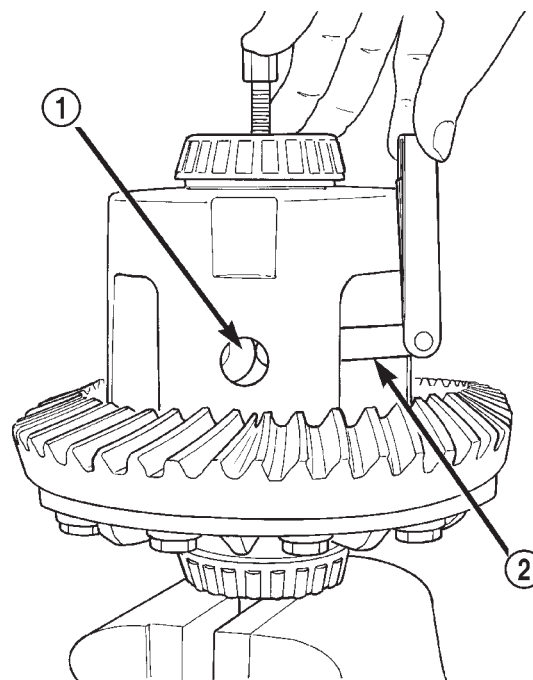
(16) Remove top side gear, clutch pack retainer, and clutch pack. Keep plates in correct order during removal (Fig. 71).



80a0c4f3

**Fig. 68 Tighten Belleville Spring Compressor Tool**

- 1 - TORQUE WRENCH
- 2 - TOOL ASSEMBLED
- 3 - DIFFERENTIAL CASE



80a77406

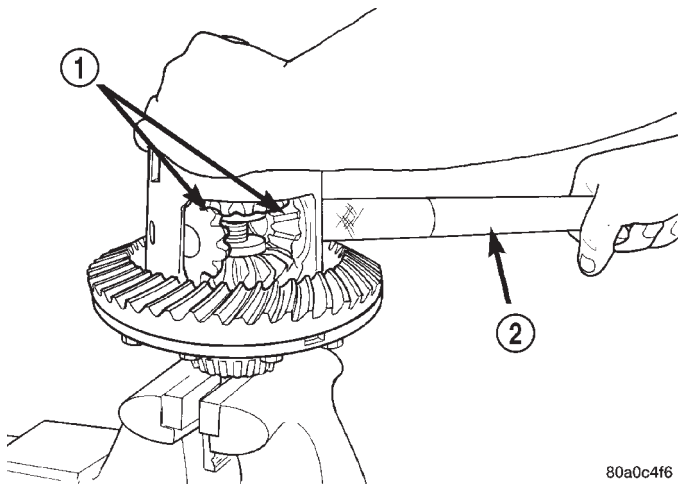
**Fig. 69 Remove Pinion Gear Thrust Washer**

- 1 - THRUST WASHER
- 2 - FEELER GAUGE

(17) Remove differential case from Side Gear Holding Tool 6963-A. Remove side gear, clutch pack retainer, and clutch pack. Keep plates in correct order during removal.



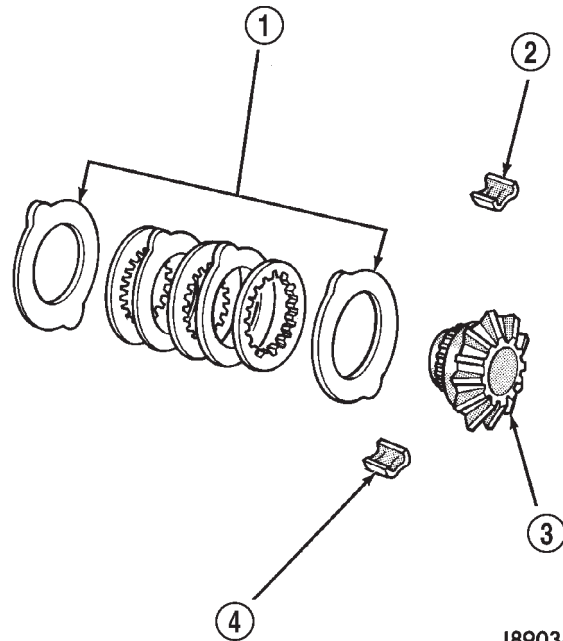
DISASSEMBLY AND ASSEMBLY (Continued)



80a0c4f6

**Fig. 70 Pinion Gear Removal**

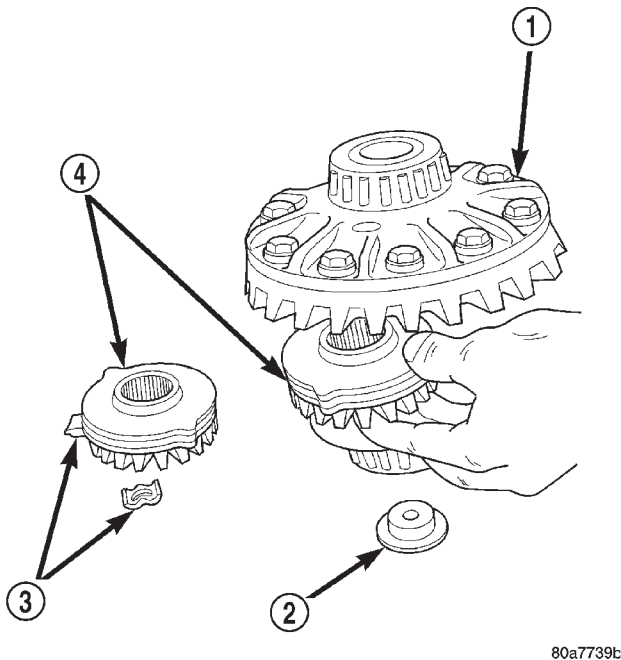
- 1 - PINION GEARS
- 2 - TOOL



J8903-50

**Fig. 72 Clutch Disc Pack**

- 1 - CLUTCH PACK
- 2 - RETAINER
- 3 - SIDE GEAR
- 4 - RETAINER



80a7739b

**Fig. 71 Side Gear & Clutch Disc Removal**

- 1 - DIFFERENTIAL CASE
- 2 - SPECIAL TOOL C-4487-1
- 3 - RETAINER
- 4 - SIDE GEAR AND CLUTCH DISC PACK

**ASSEMBLY**

**NOTE:** The clutch discs are replaceable as complete sets only. If one clutch disc pack is damaged, both packs must be replaced.

Lubricate each component with gear lubricant before assembly.

(1) Assemble the clutch discs into packs and secure disc packs with retaining clips (Fig. 72).

(2) Position assembled clutch disc packs on the side gear hubs.

(3) Install clutch pack and side gear in the ring gear side of the differential case (Fig. 73). **Be sure clutch pack retaining clips remain in position and are seated in the case pockets.**

(4) Position the differential case on Side Gear Holding Tool 6963-A.

(5) Install lubricated Step Plate C-4487-1 on side gear (Fig. 74).

(6) Install the upper side gear and clutch disc pack (Fig. 74).

(7) Hold assembly in position. Insert Threaded Adapter C-4487-3 into top side gear.

(8) Insert Forcing Screw C-4487-2.

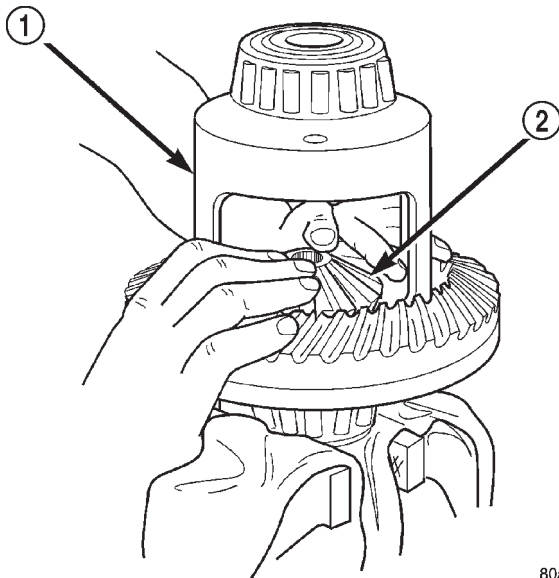
(9) Tighten forcing screw tool to slightly compress clutch discs.

(10) Place pinion gears in position in side gears and verify that the pinion mate shaft hole is aligned.

(11) Rotate case with Turning Bar C-4487-4 until the pinion mate shaft holes in pinion gears align with holes in case. It may be necessary to slightly tighten the forcing screw in order to install the pinion gears.

(12) Tighten forcing screw to 122 N·m (90 ft. lbs.) to compress the Belleville springs.

## DISASSEMBLY AND ASSEMBLY (Continued)

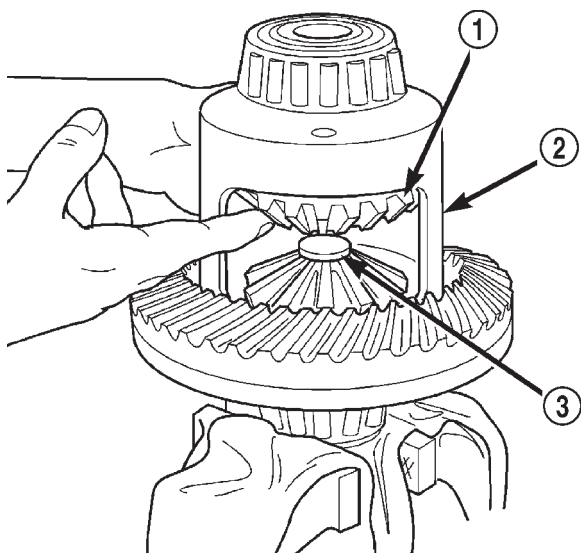


80a7739c

**Fig. 73 Clutch Discs & Lower Side Gear Installation**

1 - DIFFERENTIAL CASE

2 - LOWER SIDE GEAR AND CLUTCH DISC PACK



80a773e0

**Fig. 74 Upper Side Gear & Clutch Disc Pack Installation**

1 - UPPER SIDE GEAR AND CLUTCH DISC PACK

2 - DIFFERENTIAL CASE

3 - SPECIAL TOOL C-4487-1

(13) Lubricate and install thrust washers behind pinion gears and align washers with a small screw driver. Insert mate shaft into each pinion gear to verify alignment.

(14) Remove forcing screw, threaded adapter, and step plate.

(15) Install pinion gear mate shaft and align holes in shaft and case.

(16) Install the pinion mate shaft lock screw finger tight to hold shaft during differential installation.

**If replacement side and/or pinion gears and thrust washers were installed, it is not necessary to measure the side gear backlash. Correct fit is due to close machining tolerances during manufacture.**

(17) Lubricate all differential components with hypoid gear lubricant.

## CLEANING AND INSPECTION

## AXLE COMPONENTS

Wash differential components with cleaning solvent and dry with compressed air. **Do not steam clean the differential components.**

Wash bearings with solvent and towel dry, or dry with compressed air. **DO NOT** spin bearings with compressed air. **Cup and bearing must be replaced as matched sets only.**

Clean axle shaft tubes and oil channels in housing. Inspect for;

- Smooth appearance with no broken/dented surfaces on the bearing rollers or the roller contact surfaces.
- Bearing cups must not be distorted or cracked.
- Machined surfaces should be smooth and without any raised edges.
- Raised metal on shoulders of cup bores should be removed with a hand stone.
- Wear and damage to pinion gear mate shaft, pinion gears, side gears and thrust washers. Replace as a matched set only.
- Ring and pinion gear for worn and chipped teeth.
- Ring gear for damaged bolt threads. Replaced as a matched set only.
- Pinion yoke for cracks, worn splines, pitted areas, and a rough/corroded seal contact surface. Repair or replace as necessary.
- Preload shims for damage and distortion. Install new shims, if necessary.

## TRAC-LOK™

Clean all components in cleaning solvent. Dry components with compressed air. Inspect clutch pack plates for wear, scoring or damage. Replace both clutch packs if any one component in either pack is damaged. Inspect side gears and pinions. Replace any gear that is worn, cracked, chipped or damaged. Inspect differential case and pinion shaft. Replace if worn or damaged.

CLEANING AND INSPECTION (Continued)

**PRESOAK PLATES AND DISC**

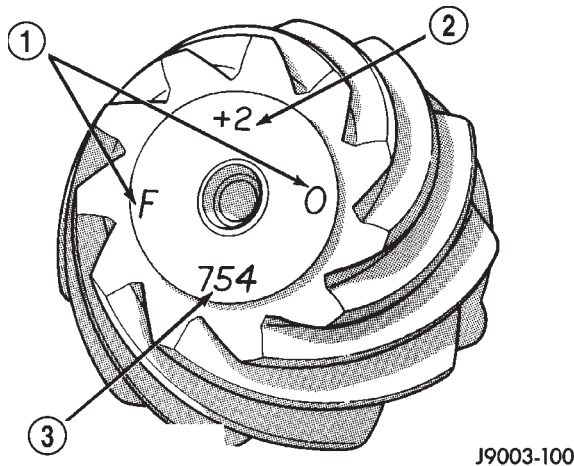
Plates and discs with fiber coating (no grooves or lines) must be presoaked in Friction Modifier before assembly. Soak plates and discs for a minimum of 20 minutes.

**ADJUSTMENTS**

**PINION GEAR DEPTH**

**GENERAL INFORMATION**

Ring and pinion gears are supplied as matched sets only. The identifying numbers for the ring and pinion gear are etched into the face of each gear (Fig. 75). A plus (+) number, minus (-) number or zero (0) is etched into the face of the pinion gear. This number is the amount (in thousandths of an inch) the depth varies from the standard depth setting of a pinion etched with a (0). The standard setting from the center line of the ring gear to the back face of the pinion is 109.52 mm (4.312 in.). The standard depth provides the best teeth contact pattern. Refer to Backlash and Contact Pattern Analysis Paragraph in this section for additional information.

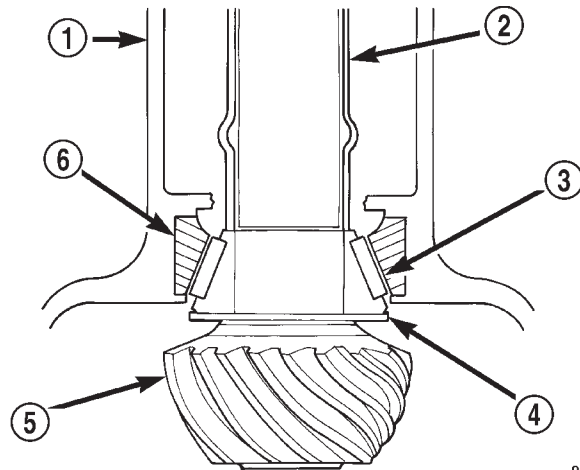


**Fig. 75 Pinion Gear ID Numbers**

- 1 - PRODUCTION NUMBERS
- 2 - DRIVE PINION GEAR DEPTH VARIANCE
- 3 - GEAR MATCHING NUMBER (SAME AS RING GEAR NUMBER)

Compensation for pinion depth variance is achieved with select shims. The shims are placed under the inner pinion bearing cone (Fig. 76).

If a new gear set is being installed, note the depth variance etched into both the original and replacement pinion gear. Add or subtract the thickness of the original depth shims to compensate for the difference in the depth variances. Refer to the Depth Variance charts.



**Fig. 76 Shim Locations**

- 1 - AXLE HOUSING
- 2 - COLLAPSIBLE SPACER
- 3 - PINION BEARING
- 4 - PINION DEPTH SHIM
- 5 - PINION GEAR
- 6 - BEARING CUP

Note where Old and New Pinion Marking columns intersect. Intersecting figure represents plus or minus amount needed.

Note the etched number on the face of the drive pinion gear (-1, -2, 0, +1, +2, etc.). The numbers represent thousands of an inch deviation from the standard. If the number is negative, add that value to the required thickness of the depth shim(s). If the number is positive, subtract that value from the thickness of the depth shim(s). If the number is 0, no change is necessary. Refer to the Pinion Gear Depth Variance Chart.

**PINION DEPTH MEASUREMENT AND ADJUSTMENT**

Measurements are taken with pinion cups and pinion bearings installed in housing. Take measurements with Pinion Gauge Set 6955, Dummy Bearing/Arbor Disc Set 6956, and Dial Indicator C-3339 (Fig. 77).

(1) Assemble Pinion Height Block 6739, Pinion Block 8144, and rear pinion bearing onto Screw 6741 (Fig. 77).

(2) Insert assembled height gauge components, rear bearing and screw into axle housing through pinion bearing cups (Fig. 78).

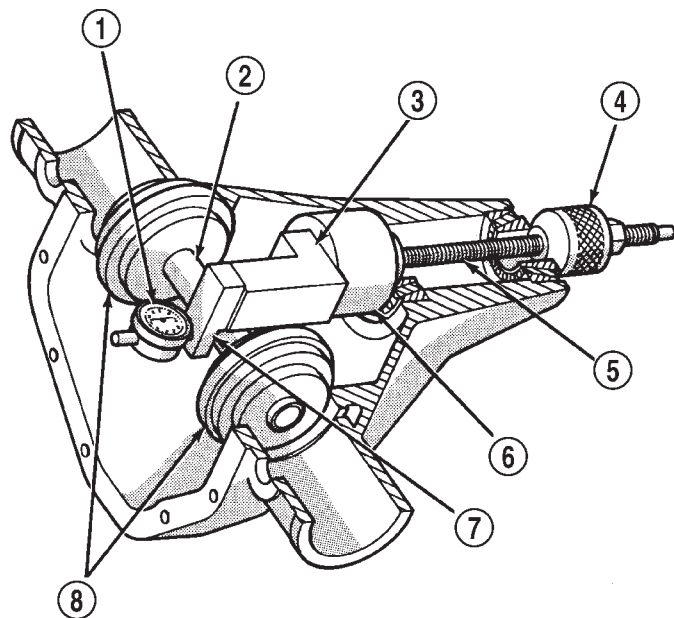
(3) Install front pinion bearing and Cone 6740 hand tight (Fig. 77).

(4) Place Arbor Discs 6927A on Arbor D-115-3 in position in axle housing side bearing cradles (Fig. 79). Install differential bearing caps on Arbor Discs and tighten cap bolts. Refer to the Torque Specifications in this section.

ADJUSTMENTS (Continued)

PINION GEAR DEPTH VARIANCE

Original Pinion Gear Depth Variance	Replacement Pinion Gear Depth Variance								
	-4	-3	-2	-1	0	+1	+2	+3	+4
+4	+0.008	+0.007	+0.006	+0.005	+0.004	+0.003	+0.002	+0.001	0
+3	+0.007	+0.006	+0.005	+0.004	+0.003	+0.002	+0.001	0	-0.001
+2	+0.006	+0.005	+0.004	+0.003	+0.002	+0.001	0	-0.001	-0.002
+1	+0.005	+0.004	+0.003	+0.002	+0.001	0	-0.001	-0.002	-0.003
0	+0.004	+0.003	+0.002	+0.001	0	-0.001	-0.002	-0.003	-0.004
-1	+0.003	+0.002	+0.001	0	-0.001	-0.002	-0.003	-0.004	-0.005
-2	+0.002	+0.001	0	-0.001	-0.002	-0.003	-0.004	-0.005	-0.006
-3	+0.001	0	-0.001	-0.002	-0.003	-0.004	-0.005	-0.006	-0.007
-4	0	-0.001	-0.002	-0.003	-0.004	-0.005	-0.006	-0.007	-0.008



J9403-45

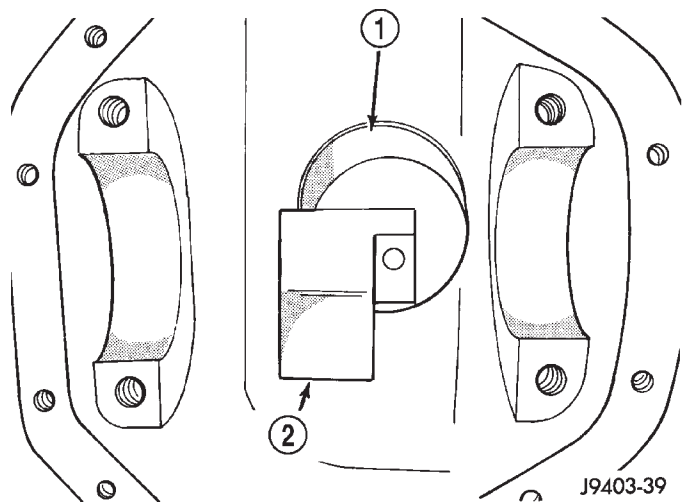
Fig. 77 Pinion Gear Depth Gauge Tools—Typical

- 1 - DIAL INDICATOR
- 2 - ARBOR
- 3 - PINION HEIGHT BLOCK
- 4 - CONE
- 5 - SCREW
- 6 - PINION BLOCK
- 7 - SCOOTER BLOCK
- 8 - ARBOR DISC

**NOTE:** Arbor Discs 6927A have different step diameters to fit other axle sizes. Pick correct size step for axle being serviced.

(5) Assemble Dial Indicator C-3339 into Scooter Block D-115-2 and secure set screw.

(6) Place Scooter Block/Dial Indicator in position in axle housing so dial probe and scooter block are



J9403-39

Fig. 78 Pinion Height Block—Typical

- 1 - PINION BLOCK
- 2 - PINION HEIGHT BLOCK

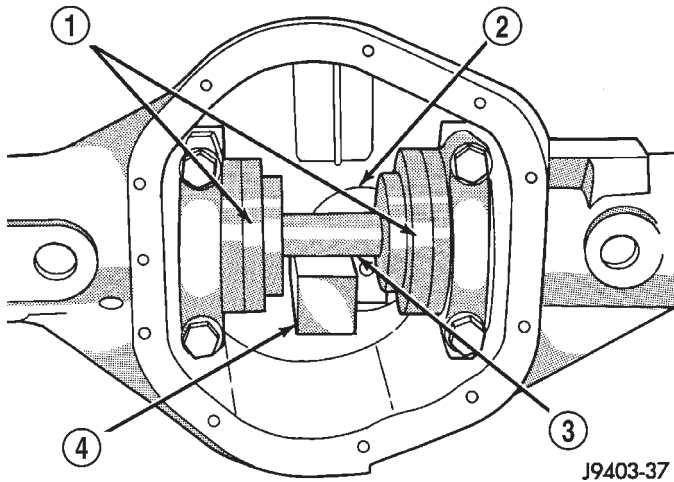
flush against the surface of the pinion height block. Hold scooter block in place and zero the dial indicator face to the pointer. Tighten dial indicator face lock screw.

(7) With scooter block still in position against the pinion height block, slowly slide the dial indicator probe over the edge of the pinion height block. Observe how many revolutions counterclockwise the dial pointer travels (approximately 0.125 in.) to the out-stop of the dial indicator.

(8) Slide the dial indicator probe across the gap between the pinion height block and the arbor bar with the scooter block against the pinion height block (Fig. 80). When the dial probe contacts the arbor bar, the dial pointer will turn clockwise. Bring dial pointer back to zero against the arbor bar, do not turn dial face. Continue moving the dial probe to the crest of the arbor bar and record the highest reading.



ADJUSTMENTS (Continued)



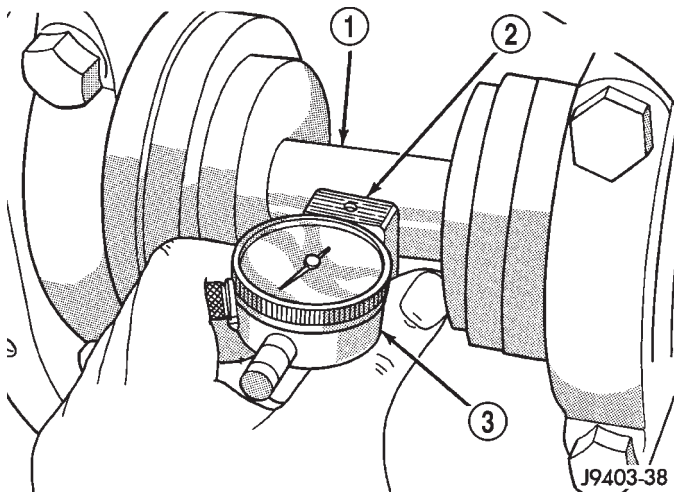
J9403-37

**Fig. 79 Gauge Tools In Housing—Typical**

- 1 - ARBOR DISC
- 2 - PINION BLOCK
- 3 - ARBOR
- 4 - PINION HEIGHT BLOCK

If the dial indicator can not achieve the zero reading, the rear bearing cup or the pinion depth gauge set is not installed correctly.

(9) Select a shim equal to the dial indicator reading plus the drive pinion gear depth variance number etched in the face of the pinion gear (Fig. 75) using the opposite sign on the variance number. For example, if the depth variance is -2, add +0.002 in. to the dial indicator reading.



J9403-38

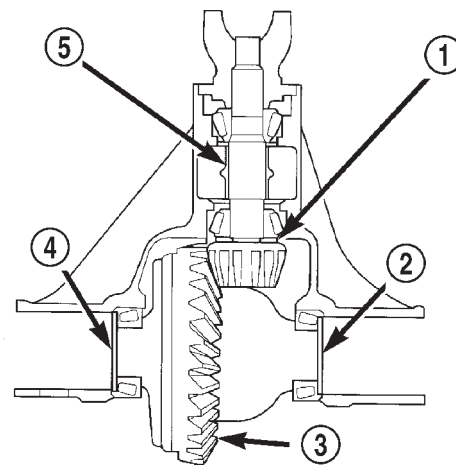
**Fig. 80 Pinion Gear Depth Measurement—Typical**

- 1 - ARBOR
- 2 - SCOOTER BLOCK
- 3 - DIAL INDICATOR

(10) Remove the pinion depth gauge components from the axle housing

**DIFFERENTIAL BEARING PRELOAD AND GEAR BACKLASH**

Differential side bearing preload and gear backlash is achieved by selective shims inserted between the bearing cup and the axle housing. The proper shim thickness can be determined using slip-fit dummy bearings 6929-A in place of the differential side bearings and a dial indicator C-3339. Before proceeding with the differential bearing preload and gear backlash measurements, measure the pinion gear depth and prepare the pinion gear for installation. Establishing proper pinion gear depth is essential to establishing gear backlash and tooth contact patterns. After the overall shim thickness to take up differential side play is measured, the pinion gear is installed, and the gear backlash shim thickness is measured. The overall shim thickness is the total of the dial indicator reading, starting point shim thickness, and the preload specification added together. The gear backlash measurement determines the thickness of the shim used on the ring gear side of the differential case. Subtract the gear backlash shim thickness from the total overall shim thickness and select that amount for the pinion gear side of the differential (Fig. 81).



80a5037a

**Fig. 81 Axle Adjustment Shim Locations**

- 1 - PINION GEAR DEPTH SHIM
- 2 - DIFFERENTIAL BEARING SHIM-PINION GEAR SIDE
- 3 - RING GEAR
- 4 - DIFFERENTIAL BEARING SHIM-RING GEAR SIDE
- 5 - COLLAPSIBLE SPACER

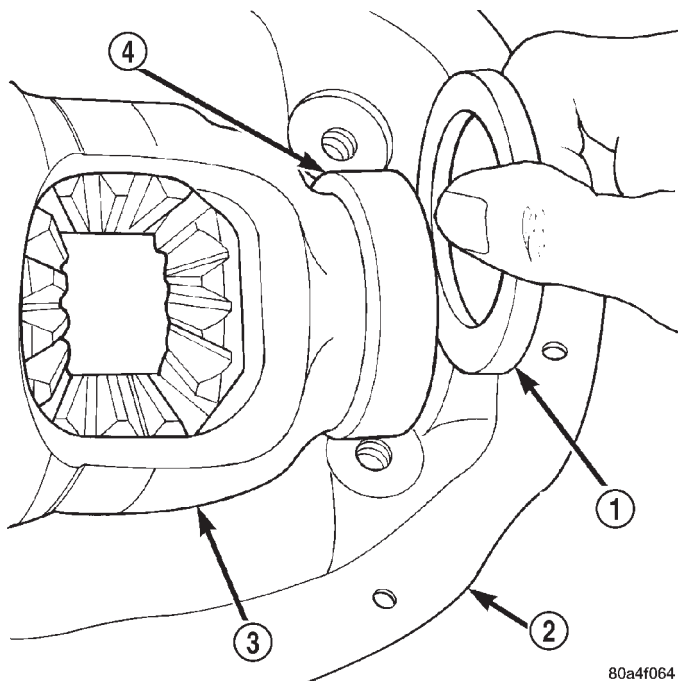


## ADJUSTMENTS (Continued)

## DIFFERENTIAL PRELOAD AND GEAR BACKLASH SHIM SELECTION

**NOTE:** It is difficult to salvage the differential side bearings during the removal procedure. Install replacement bearings if necessary.

- (1) Remove side bearings from differential case.
- (2) Install ring gear on differential case and tighten bolts to specification.
- (3) Install dummy side bearings 6929-A on differential case.
- (4) Install differential case in axle housing.
- (5) Measure and record the thickness of Dummy Shims 8107 (0.118 in. (3.0 mm)) starting point shims for future reference. Insert Dummy Shims 8107 between the dummy bearing and the axle housing on side of differential (Fig. 82).



80a4f064

**Fig. 82 Preload Measurement Starting Point Shim**

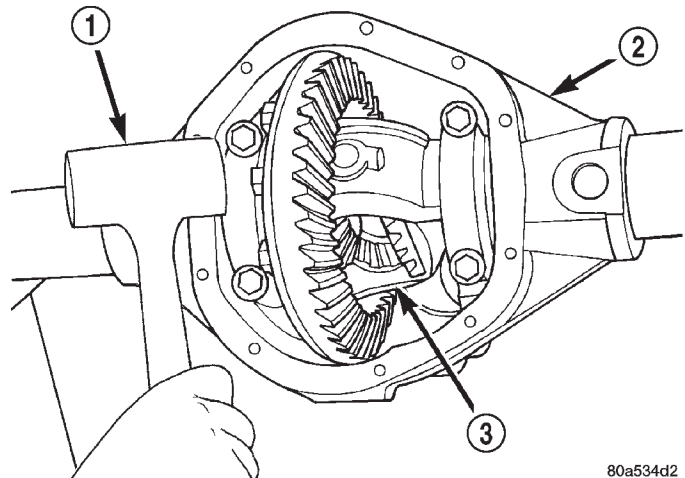
- 1 - STARTING POINT SHIM
- 2 - AXLE HOUSING
- 3 - DIFFERENTIAL CASE
- 4 - SPECIAL TOOL 6929-A

(6) Install the marked bearing caps in their correct positions. Install and snug the bolts.

(7) Using a dead-blow type mallet, seat the differential dummy bearings to each side of the axle housing (Fig. 83) and (Fig. 84).

(8) Thread guide stud C-3288-B into rear cover bolt hole below ring gear (Fig. 85).

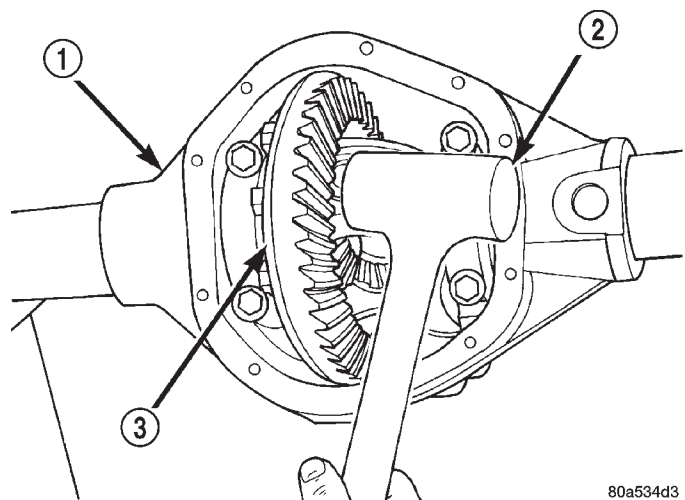
(9) Attach dial indicator C-3339 to Guide Stud C-3288-B. Position the dial indicator plunger on a



80a534d2

**Fig. 83 Seat Pinion Gear Side Dummy Bearing**

- 1 - MALLET
- 2 - AXLE HOUSING
- 3 - DIFFERENTIAL CASE



80a534d3

**Fig. 84 Seat Ring Gear Side Dummy Bearing**

- 1 - AXLE HOUSING
- 2 - MALLET
- 3 - DIFFERENTIAL CASE

flat surface between the ring gear bolt heads (Fig. 85).

(10) Push and hold differential case to pinion gear side of axle housing.

(11) Zero dial indicator face to pointer (Fig. 86).

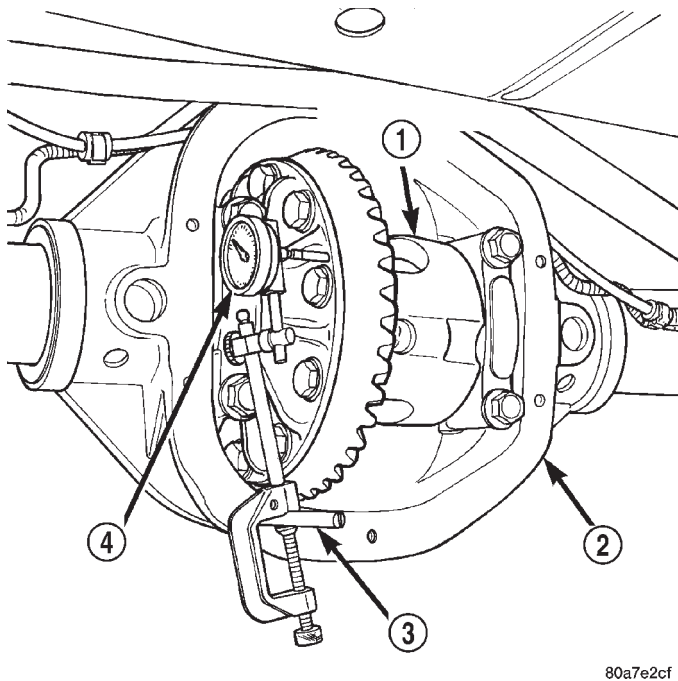
(12) Push and hold differential case to ring gear side of the axle housing.

(13) Record dial indicator reading (Fig. 87).

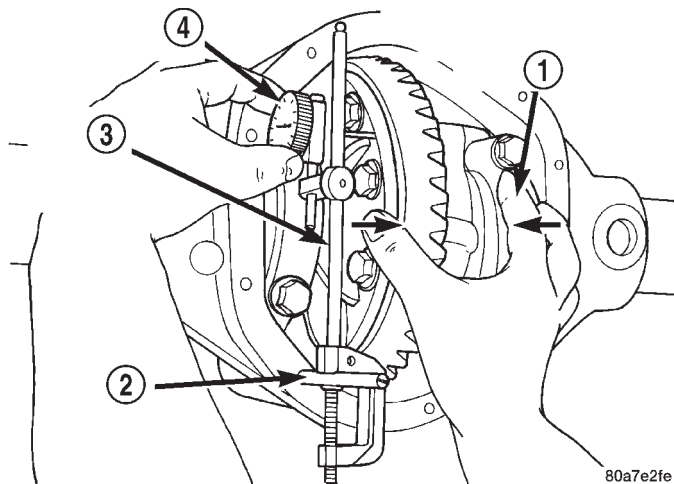
(14) Add the dial indicator reading to the starting point shim thickness to determine total shim thickness to achieve zero differential end play.

(15) Add 0.001 in. (0.0254 mm) to the zero end play total. This new total represents the thickness of

## ADJUSTMENTS (Continued)

**Fig. 85 Differential Side play Measurement**

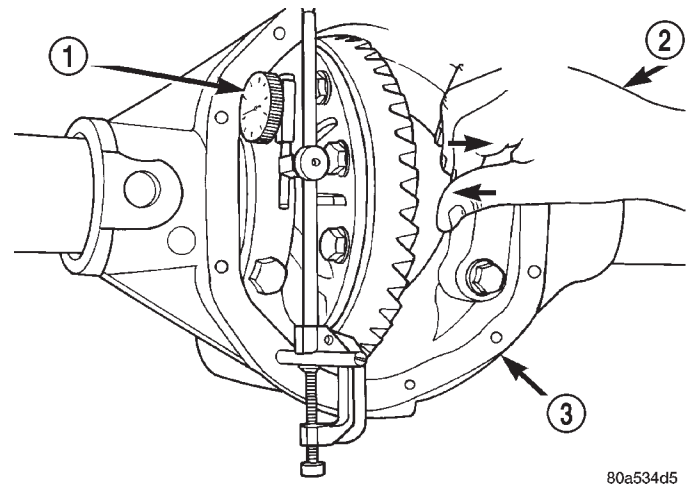
- 1 - DIFFERENTIAL CASE
- 2 - AXLE HOUSING
- 3 - SPECIAL TOOL C-3288-B
- 4 - SPECIAL TOOL C-3339

**Fig. 86 Hold Differential Case and Zero Dial Indicator**

- 1 - FORCE DIFFERENTIAL CASE TO PINION GEAR SIDE
- 2 - SPECIAL TOOL C-3288-B
- 3 - SPECIAL TOOL C-3339
- 4 - ZERO DIAL INDICATOR FACE

shims to compress, or preload the new bearings when the differential is installed.

(16) Rotate dial indicator out of the way on guide stud.

**Fig. 87 Hold Differential Case and Read Dial Indicator**

- 1 - READ DIAL INDICATOR
- 2 - FORCE DIFFERENTIAL CASE TO RING GEAR SIDE
- 3 - AXLE HOUSING

(17) Remove differential case, dummy bearings, and starting point shims from axle housing.

(18) Install pinion gear in axle housing. Install the yoke and establish the correct pinion rotating torque. Record the value of the pinion rotating torque for use in establishing the differential total torque to rotate.

(19) Install differential case and dummy bearings in axle housing with a single Dummy Shim 8107 installed between the ring gear side dummy bearing and the axle housing. Install the bearing caps and tighten the cap bolts snug.

(20) Position the dial indicator plunger on a flat surface between the ring gear bolt heads (Fig. 85).

(21) Push and hold differential case toward pinion gear.

(22) Zero dial indicator face to pointer.

(23) Push and hold differential case to ring gear side of the axle housing.

(24) Record dial indicator reading. Add the starting point shim thickness to the dial indicator reading to obtain the total shim thickness necessary to achieve zero backlash.

(25) Subtract 0.006 in. (0.152 mm) from the recorded value to compensate for backlash between ring and pinion gears. This total is the thickness of shim required to achieve proper backlash.

(26) Subtract the backlash shim thickness from the total preload shim thickness. The remainder is the shim thickness required on the pinion side of the axle housing.

(27) Rotate dial indicator out of the way on guide stud.

(28) Remove differential case, dummy shim, and dummy bearings from axle housing.

## ADJUSTMENTS (Continued)

(29) Install new side bearing cones and cups on differential case.

(30) Install spreader W-129-B on axle housing and spread axle opening enough to receive differential case and side bearing shims.

(31) Place side bearing shims in axle housing against axle tube ends.

(32) Install differential case in axle housing.

(33) Remove spreader from axle housing.

(34) Rotate the differential case several times to seat the side bearings.

(35) Position the indicator plunger against a ring gear tooth (Fig. 88).

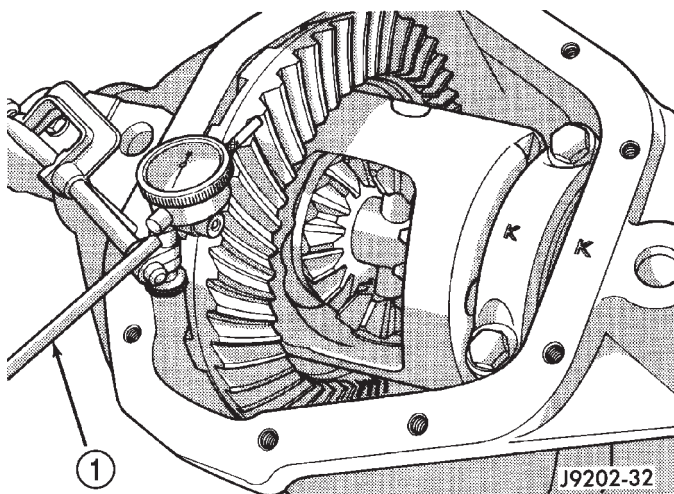
(36) Push and hold ring gear upward while not allowing the pinion gear to rotate.

(37) Zero dial indicator face to pointer.

(38) Push and hold ring gear downward while not allowing the pinion gear to rotate. Dial indicator reading should be between 0.12 mm (0.005 in.) and 0.20 mm (0.008 in.). If backlash is not within specifications transfer the necessary amount of shim thickness from one side of the axle housing to the other (Fig. 89).

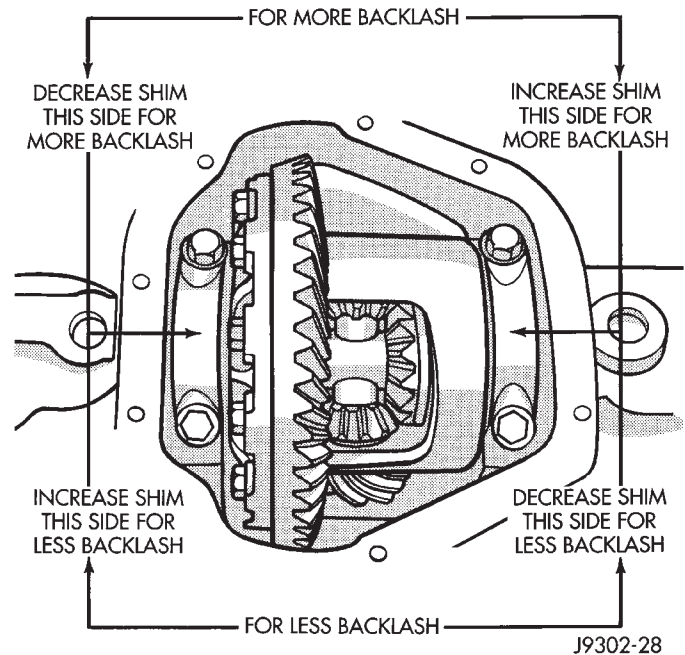
(39) Verify differential case and ring gear runout by measuring ring to pinion gear backlash at eight locations around the ring gear. Readings should not vary more than 0.05 mm (0.002 in.). If readings vary more than specified, the ring gear or the differential case is defective.

After the proper backlash is achieved, perform the Gear Contact Pattern Analysis procedure. Adjust as necessary.



**Fig. 88 Ring Gear Backlash Measurement**

1 - DIAL INDICATOR



**Fig. 89 Backlash Shim Adjustment**

#### DIFFERENTIAL TOTAL TORQUE TO ROTATE

(1) Rotate the pinion a minimum of ten times to seat the differential bearings. Verify that the rotation is smooth and repeatable.

(2) While rotating the pinion at a slow steady rate, measure the differential total torque to rotate. Record the value.

(3) The differential total torque to rotate must be greater than the pinion torque to rotate plus 5 in.lbs. for axles equipped with a standard differential. On axles equipped with a Vari-Lok™ differential, the differential total torque to rotate must be greater than the pinion torque to rotate plus 10 in.lbs..

(4) The differential total torque to rotate must be less than the pinion torque to rotate plus 13 in.lbs. for axles equipped with a standard differential. On axles equipped with a Vari-Lok™ differential, the differential total torque to rotate must be less than the pinion torque to rotate plus 18 in.lbs..

(5) If the differential total torque to rotate is within these guidelines, assemble the remainder of the axle.

(6) If the differential total torque to rotate is less than the required value, increase the shim thickness on the ring and pinion gear sides of the differential equally.

(7) If the differential total torque to rotate is greater than the required value, decrease the shim thickness on the ring and pinion gear sides of the differential equally.

(8) Remeasure the differential total torque to rotate.

## ADJUSTMENTS (Continued)

**GEAR CONTACT PATTERN ANALYSIS**

The ring gear and pinion teeth contact patterns will show if the pinion depth is correct in the axle housing. It will also show if the ring gear backlash has been adjusted correctly. The backlash can be adjusted within specifications to achieve desired tooth contact patterns.

(1) Apply a thin coat of hydrated ferric oxide, or equivalent, to the drive and coast side of the ring gear teeth.

(2) Wrap, twist, and hold a shop towel around the pinion yoke to increase the turning resistance of the pinion. This will provide a more distinct contact pattern.

(3) Using a boxed end wrench on a ring gear bolt, rotate the differential case one complete revolution in both directions while a load is being applied from shop towel.

The areas on the ring gear teeth with the greatest degree of contact against the pinion teeth will squeegee the compound to the areas with the least amount of contact. Note and compare patterns on the ring gear teeth to Gear Tooth Contact Patterns chart (Fig. 90) and adjust pinion depth and gear backlash as necessary.

ADJUSTMENTS (Continued)

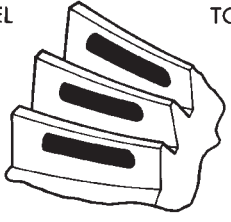
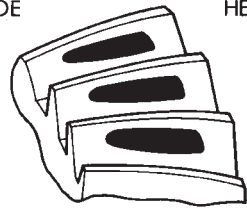
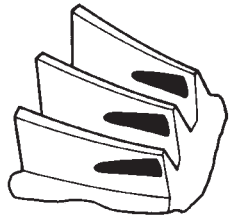
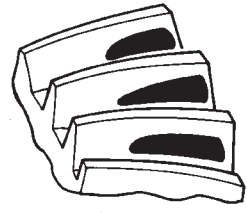
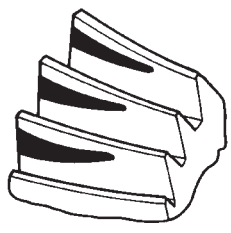
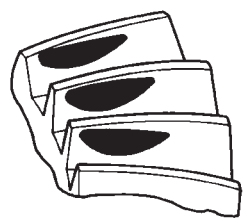
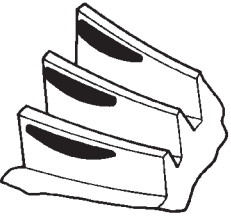
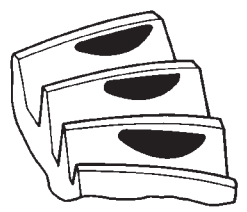
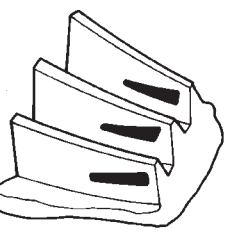
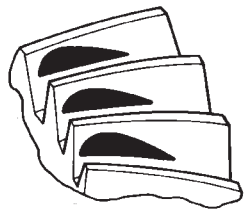
<p>DRIVE SIDE OF RING GEAR TEETH</p> <p>HEEL TOE</p> 	<p>COAST SIDE OF RING GEAR TEETH</p> <p>TOE HEEL</p> 	<p>DESIRABLE CONTACT PATTERN. PATTERN SHOULD BE CENTERED ON THE DRIVE SIDE OF TOOTH. PATTERN SHOULD BE CENTERED ON THE COAST SIDE OF TOOTH, BUT MAY BE SLIGHTLY TOWARD THE TOE. THERE SHOULD ALWAYS BE SOME CLEARANCE BETWEEN CONTACT PATTERN AND TOP OF THE TOOTH.</p>
		<p>RING GEAR BACKLASH CORRECT. <b>THINNER</b> PINION GEAR DEPTH SHIM REQUIRED.</p>
		<p>RING GEAR BACKLASH CORRECT. <b>THICKER</b> PINION GEAR DEPTH SHIM REQUIRED.</p>
		<p>PINION GEAR DEPTH SHIM CORRECT. <b>DECREASE</b> RING GEAR BACKLASH.</p>
		<p>PINION GEAR DEPTH SHIM CORRECT. <b>INCREASE</b> RING GEAR BACKLASH.</p>

Fig. 90 Gear Tooth Contact Patterns



**SPECIFICATIONS**

**226 RBA AXLE**

<b>DESCRIPTION</b>	<b>SPECIFICATION</b>
Axle Type . . . . .	Semi-Floating Hypoid
Lubricant . . . . .	SAE Thermally Stable 80W-90
Lubricant Trailer Tow . . . . .	Synthetic 75W-140
Lube Capacity-w/o Vari-lok™ . . . . .	2.24 L (4.75 pts.)
Lube Capacity-w/ Vari-lok™ . . . . .	2.25 L (4.75 pts.)
Friction Modifier-w/ Trac-lok™ . . . . .	0.11 L (0.25 pts.)
Friction Modifier-w/ Vari-lok™ . . . . .	0.09 L (0.19 pts.)
Axle Ratios . . . . .	3.55/3.73
Differential Bearing Preload . . . . .	0.0127 mm (0.0005 in.)
Differential Side Gear Clearance . . . . .	0-0.15 mm (0-0.006 in.)
Ring Gear Diameter . . . . .	226 mm (8.9 in.)
Ring Gear Backlash . . . . .	0.13-0.20 mm (0.005-0.008 in.)
Pinion Std. Depth . . . . .	109.52 mm (4.312 in.)
Pinion Bearing Preload-New Bearings . . . . .	2.8-4 N·m (25-35 in. lbs.)
Pinion Bearing Preload-Original Bearings . . . . .	1-2 N·m (10-20 in. lbs.)
Maximum Carrier Spread . . . . .	0.51 mm (0.020 in.)

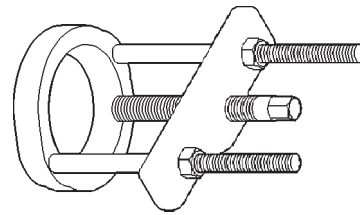
**226 RBA AXLE**

<b>DESCRIPTION</b>	<b>TORQUE</b>
Bolts, Diff. Cover . . . . .	41 N·m (30 ft. lbs.)
Bolts, Diff. Bearing Cap . . . . .	85 N·m (63 ft. lbs.)
Bolts, Ring Gear . . . . .	108 N·m (80 ft. lbs.)
Screw, ABS Sensor . . . . .	8 N·m (70 in. lbs.)
Screw, Pinion Gear Mate Shaft Lock . . . . .	17.6 N·m (13 ft. lbs.)
Nuts, Axle Bearing Retainer Plate . . . . .	61 N·m (45 ft. lbs.)
Nut, Pinion Gear—Minimum * . . . . .	298 N·m (220 ft. lbs.)
Nut, Pinion Gear—Maximum * . . . . .	380 N·m (280 ft. lbs.)

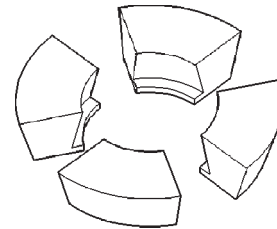
**NOTE:** \*Refer to Pinion Gear Removal and Installation procedures for proper pinion nut tightening instructions. Do not exceed 380 N·m (280 ft. lbs.) during collapsible spacer crushing procedure.

**SPECIAL TOOLS**

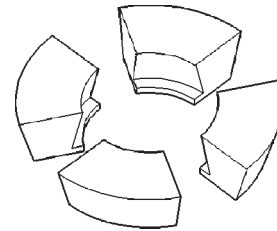
**226 RBA AXLE**



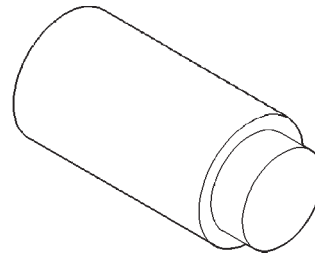
**Puller Set—C-293-PA**



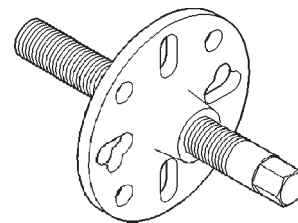
**Adapter—C-293-42**



**Adapter—8353**

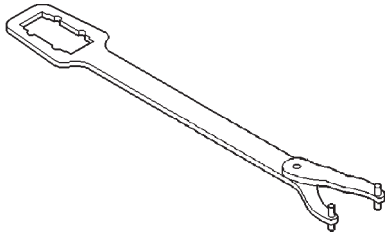


**Extension—C-293-3**

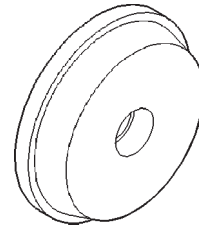


**Remover—C-452**

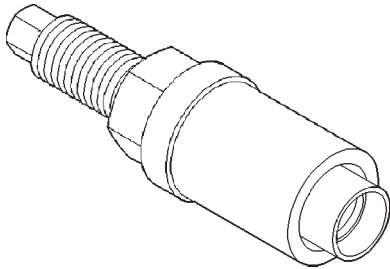
SPECIAL TOOLS (Continued)



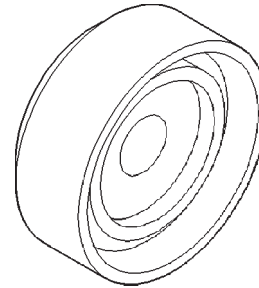
**Holder—C-3281**



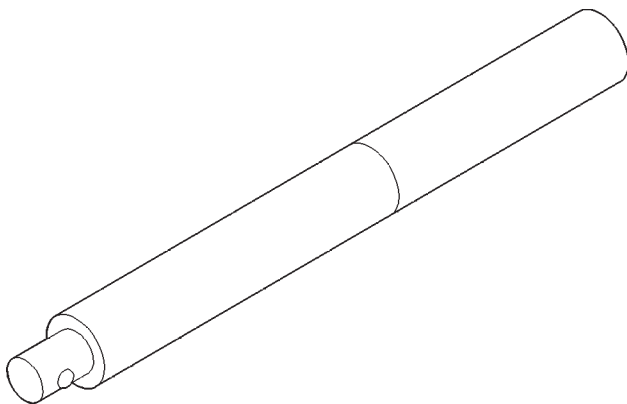
**Installer—C-4308**



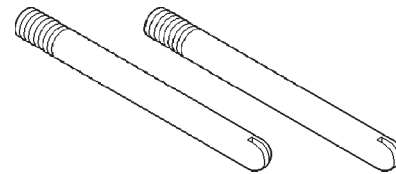
**Installer—C-3718**



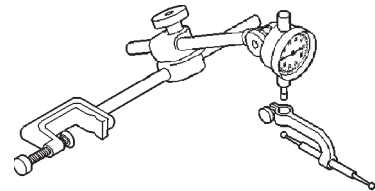
**Installer—C-4340**



**Handle—C-4171**

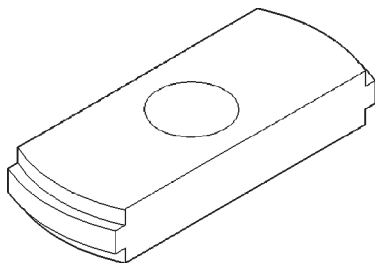


**Guide Pin—C-3288-B**

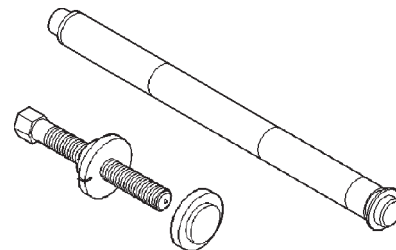


90116420

**Dial Indicator—C-3339**

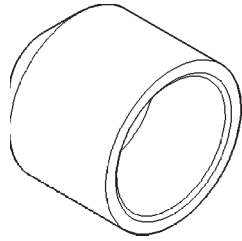


**Remover—C-4307**

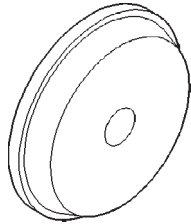


**Trac-lok Tool Set—C-4487**

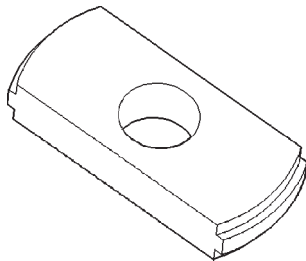
SPECIAL TOOLS (Continued)



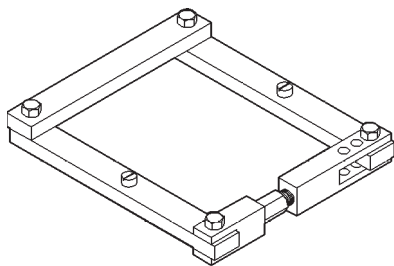
**Installer—C-3972-A**



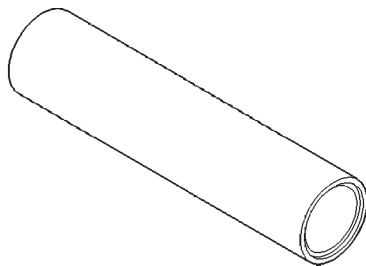
**Installer—D-129**



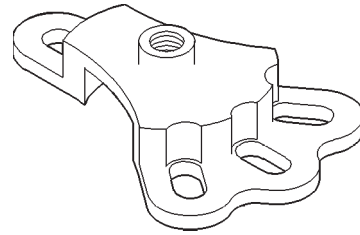
**Remover—D-103**



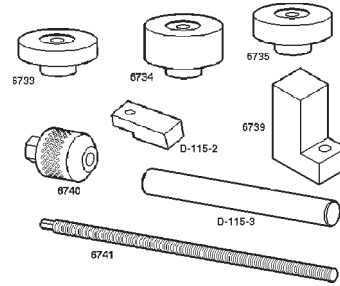
**Spreader—W-129-B**



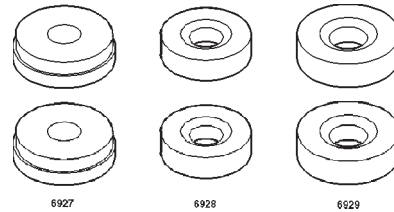
**Installer—6448**



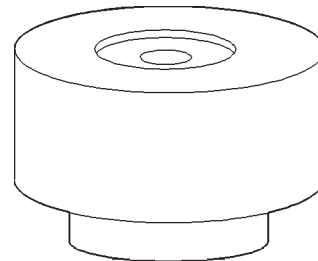
**Adapter—6790**



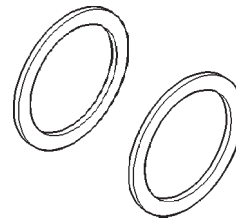
**Pinion Depth Set—6955**



**Adapter Set—6956**

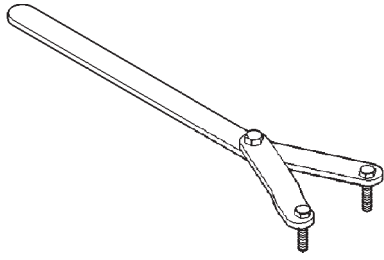


**Gauge Block—8144**

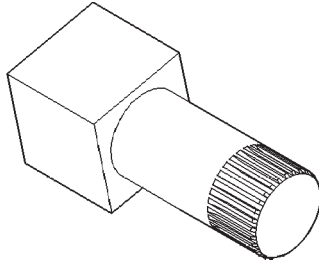


**Starting Point Shim—8107**

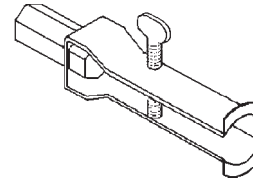
SPECIAL TOOLS (Continued)



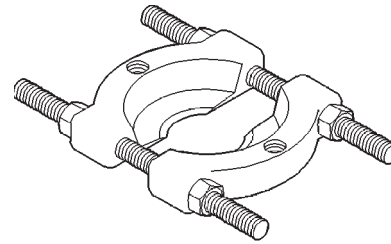
**Holder—6958**



**Holder—6963-A**

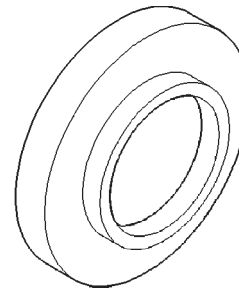


**Remover—7794-A**



113C-00109ac3

**Splitter, Bearing—1130**



**Installer, Gear/Bearing—7913-A**

# BRAKES

## TABLE OF CONTENTS

	page		page
BASE BRAKE SYSTEM .....	1	ANTILOCK BRAKES .....	38

## BASE BRAKE SYSTEM

### TABLE OF CONTENTS

	page		page
<b>DESCRIPTION AND OPERATION</b>		<b>REMOVAL AND INSTALLATION</b>	
BRAKE LAMP SWITCH .....	2	BRAKE LAMP SWITCH .....	14
BRAKE PEDAL .....	2	BRAKE PEDAL .....	15
BRAKE SYSTEM .....	2	BRAKE FLUID LEVEL SENSOR .....	15
SERVICE WARNINGS & CAUTIONS .....	2	MASTER CYLINDER RESERVOIR .....	16
ELECTRONIC BRAKE DISTRIBUTION .....	3	MASTER CYLINDER .....	17
MASTER CYLINDER .....	3	POWER BRAKE BOOSTER .....	17
POWER BRAKE BOOSTER .....	3	FRONT DISC BRAKE CALIPER .....	18
RED BRAKE WARNING LAMP .....	3	FRONT DISC BRAKE SHOES .....	19
FRONT DISC BRAKES .....	4	FRONT DISC BRAKE ROTOR .....	21
REAR DISC BRAKES .....	5	REAR DISC BRAKE CALIPER .....	22
BRAKE HOSES AND LINES .....	6	REAR DISC BRAKE SHOES .....	23
PARKING BRAKES .....	6	PARKING BRAKE LEVER .....	25
<b>DIAGNOSIS AND TESTING</b>		REAR DISC BRAKE ROTOR .....	25
BASE BRAKE SYSTEM .....	6	FRONT PARKING BRAKE CABLE .....	26
BRAKE LAMP SWITCH .....	8	REAR PARKING BRAKE CABLES .....	27
FRONT DISC BRAKE ROTOR .....	9	PARKING BRAKE SHOES .....	29
MASTER CYLINDER/POWER BOOSTER .....	9	<b>DISASSEMBLY AND ASSEMBLY</b>	
RED BRAKE WARNING LAMP .....	9	FRONT DISC BRAKE CALIPER .....	31
REAR DISC BRAKE ROTOR .....	10	REAR DISC BRAKE CALIPER .....	33
BRAKE LINE AND HOSES .....	11	<b>CLEANING AND INSPECTION</b>	
PARKING BRAKE .....	11	CALIPER .....	35
BRAKE FLUID CONTAMINATION .....	12	<b>ADJUSTMENTS</b>	
<b>SERVICE PROCEDURES</b>		BRAKE LAMP SWITCH .....	36
BASE BRAKE BLEEDING .....	12	PARKING BRAKE SHOE .....	36
BRAKE FLUID LEVEL .....	12	<b>SPECIFICATIONS</b>	
MASTER CYLINDER BLEEDING .....	12	BRAKE FLUID .....	36
BRAKE TUBE FLARING .....	13	BRAKE COMPONENTS .....	37
DISC ROTOR MACHINING .....	13	TORQUE CHART .....	37
FRONT BRAKE ROTOR MATCH MOUNTING .....	13	<b>SPECIAL TOOLS</b>	
		BASE BRAKES .....	37



## DESCRIPTION AND OPERATION

### BRAKE SYSTEM

#### DESCRIPTION

Dual piston disc brake calipers are used on the front. Single piston disc brake calipers are used on the rear. Ventilated disc brake rotors are used on the front and solid rotors are used on the rear.

Power brake assist is supplied by a vacuum operated, dual diaphragm power brake booster. The master cylinder used for all applications has an aluminum body and nylon reservoir with single filler cap. A fluid level indicator is mounted to the side of the reservoir.

The braking force of the rear wheels is controlled by electronic brake distribution (EBD). The EBD functions like a rear proportioning valve. The EBD system uses the ABS system to control the slip of the rear wheels in partial braking range. The braking force of the rear wheels is controlled electronically by using the inlet and outlet valves located in the HCU.

Factory installed brake linings on all models consists of organic base material combined with metallic particles.

#### SERVICE WARNINGS & CAUTIONS

**WARNING: DUST AND DIRT ACCUMULATING ON BRAKE PARTS DURING NORMAL USE MAY CONTAIN ASBESTOS FIBERS FROM AFTERMARKET LININGS. BREATHING EXCESSIVE CONCENTRATIONS OF ASBESTOS FIBERS CAN CAUSE SERIOUS BODILY HARM. EXERCISE CARE WHEN SERVICING BRAKE PARTS. DO NOT CLEAN BRAKE PARTS WITH COMPRESSED AIR OR BY DRY BRUSHING. USE A VACUUM CLEANER SPECIFICALLY DESIGNED FOR THE REMOVAL OF ASBESTOS FIBERS FROM BRAKE COMPONENTS. IF A SUITABLE VACUUM CLEANER IS NOT AVAILABLE, CLEANING SHOULD BE DONE WITH A WATER DAMPENED CLOTH. DO NOT SAND, OR GRIND BRAKE LINING UNLESS EQUIPMENT USED IS DESIGNED TO CONTAIN THE DUST RESIDUE. DISPOSE OF ALL RESIDUE CONTAINING ASBESTOS FIBERS IN SEALED BAGS OR CONTAINERS TO MINIMIZE EXPOSURE TO YOURSELF AND OTHERS. FOLLOW PRACTICES PRESCRIBED BY THE OCCUPATIONAL SAFETY AND HEALTH ADMINISTRATION AND THE ENVIRONMENTAL PROTECTION AGENCY FOR THE HANDLING, PROCESSING, AND DISPOSITION OF DUST OR DEBRIS THAT MAY CONTAIN ASBESTOS FIBERS.**

**CAUTION: Never use gasoline, kerosene, alcohol, motor oil, transmission fluid, or any fluid containing mineral oil to clean the system components. These fluids damage rubber cups and seals. Use only fresh brake fluid or Mopar brake cleaner to clean or flush brake system components. These are the only cleaning materials recommended. If system contamination is suspected, check the fluid for dirt, discoloration, or separation into distinct layers. Also check the reservoir cap seal for distortion. Drain and flush the system with new brake fluid if contamination is suspected.**

**CAUTION: Use Mopar brake fluid, or an equivalent quality fluid meeting SAE/DOT standards J1703 and DOT 3. Brake fluid must be clean and free of contaminants. Use fresh fluid from sealed containers only to ensure proper antilock component operation.**

**CAUTION: Use Mopar multi-mileage grease or Dow G807 silicone grease on caliper slide pins to ensure proper operation.**

### BRAKE PEDAL

#### DESCRIPTION

A suspended-type brake pedal is used, the pedal pivots on a shaft mounted in the pedal support bracket. The bracket is attached to the dash panel.

The brake pedal assembly and pedal pad are the only serviceable component.

#### OPERATION

The brake pedal is attached to the booster push rod. When the pedal is depressed, the primary booster push rod is depressed which moves the booster secondary rod. The booster secondary rod depresses the master cylinder piston.

### BRAKE LAMP SWITCH

#### DESCRIPTION

The plunger type brake lamp switch is mounted on a bracket attached to the brake pedal support. The switch can be adjusted when necessary.

#### OPERATION

The brake lamp switch is used for the brake lamp, speed control and brake sensor circuits.

## DESCRIPTION AND OPERATION (Continued)

**ELECTRONIC BRAKE DISTRIBUTION****DESCRIPTION**

The electronic brake distribution (EBD) functions like a rear proportioning valve. The EBD system uses the ABS system to control the slip of the rear wheels in partial braking range. The braking force of the rear wheels is controlled electronically by using the inlet and outlet valves located in the HCU.

**OPERATION**

Upon entry into EBD the inlet valve for the rear brake circuit is switched on so that the fluid supply from the master cylinder is shut off. In order to decrease the rear brake pressure the outlet valve for the rear brake circuit is pulsed. This allows fluid to enter the low pressure accumulator (LPA) in the HCU resulting in a drop in fluid pressure to the rear brakes. In order to increase the rear brake pressure the outlet valve is switched off and the inlet valve is pulsed. This increases the pressure to the rear brakes. This will continue until the required slip difference is obtained. At the end of EBD braking (no brake application) the fluid in the LPA drains back to the master cylinder by switching on the outlet valve and draining through the inlet valve check valve. At the same time the inlet valve is switched on to prevent a hydraulic short circuit in case of another brake application.

The EBD will remain functional during many ABS fault modes. If the red and amber warning lamps are illuminated the EBD may have a fault.

**RED BRAKE WARNING LAMP****DESCRIPTION**

A red warning lamp is used for the service brake portion of the hydraulic system. The lamp is located in the instrument cluster.

**OPERATION**

The lamp is turned on momentarily when the ignition switch is turned to the on position. This is a self test to verify the lamp is operational.

The red warning light alerts the driver if the fluid level is low or the parking brakes are applied. A red warning lamp with an amber warning lamp may indicate a electronic brake distribution fault.

**POWER BRAKE BOOSTER****DESCRIPTION**

The booster assembly consists of a housing divided into separate chambers by two internal diaphragms. The outer edge of each diaphragm is attached to the booster housing.

Two push rods are used in the booster. The primary push rod connects the booster to the brake pedal. The secondary push rod connects the booster to the master cylinder to stroke the cylinder pistons.

**OPERATION**

The atmospheric inlet valve is opened and closed by the primary push rod. Booster vacuum supply is through a hose attached to an intake manifold fitting at one end and to the booster check valve at the other. The vacuum check valve in the booster housing is a one-way device that prevents vacuum leak back.

Power assist is generated by utilizing the pressure differential between normal atmospheric pressure and a vacuum. The vacuum needed for booster operation is taken directly from the engine intake manifold. The entry point for atmospheric pressure is through a filter and inlet valve at the rear of the housing (Fig. 1).

The chamber areas forward of the booster diaphragms are exposed to vacuum from the intake manifold. The chamber areas to the rear of the diaphragms, are exposed to normal atmospheric pressure of 101.3 kilopascals (14.7 pounds/square in.).

Brake pedal application causes the primary push rod to open the atmospheric inlet valve. This exposes the area behind the diaphragms to atmospheric pressure. The resulting pressure differential provides the extra apply force for power assist.

The booster check valve, check valve grommet and booster seals are serviceable.

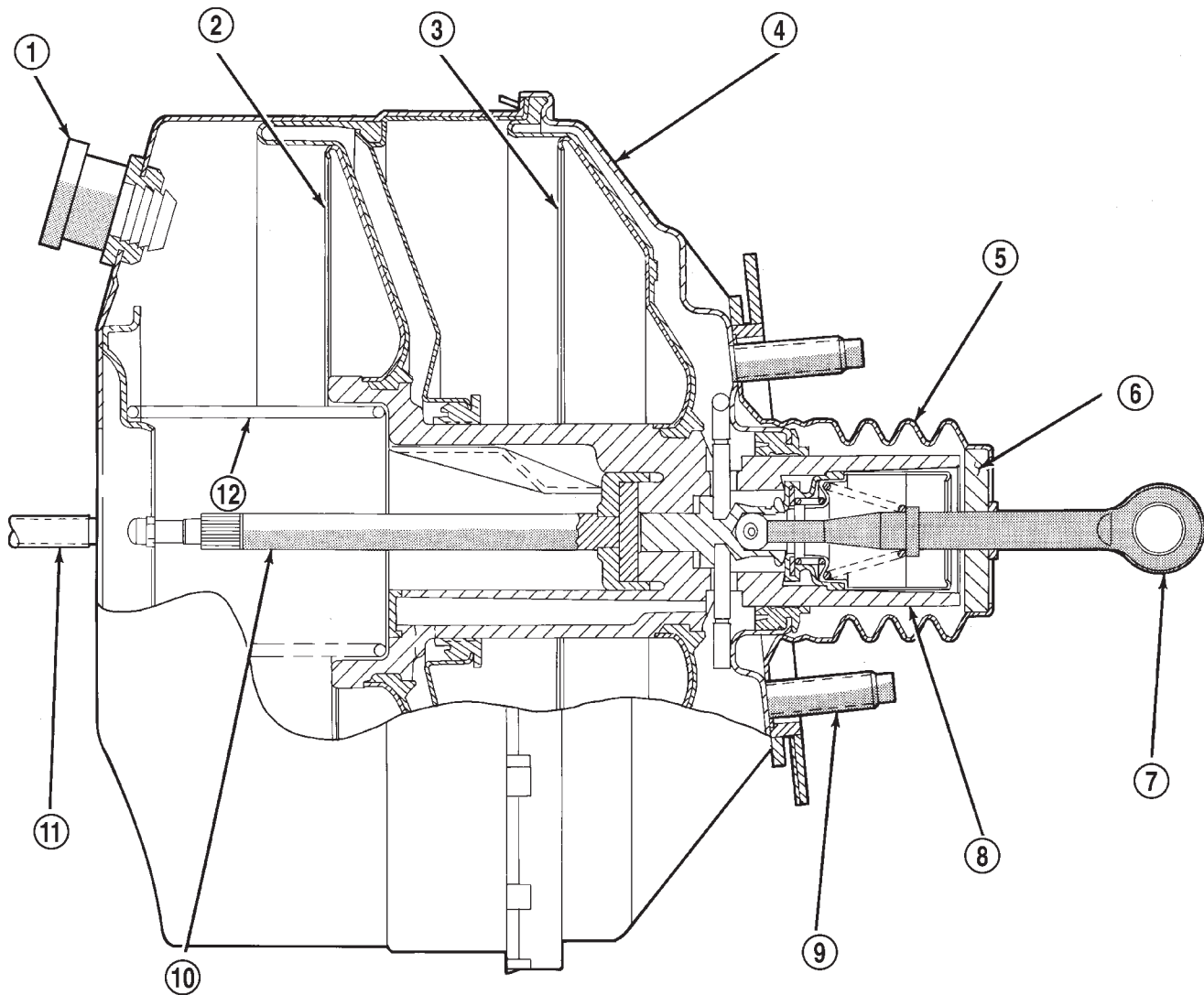
**MASTER CYLINDER****DESCRIPTION**

The master cylinder body is made of aluminum and contains a primary and secondary piston assembly. The cylinder body including the piston assemblies are not serviceable. If diagnosis indicates an internal problem with the cylinder body, it must be replaced as an assembly. The master cylinder has a removable reservoir and fluid level indicator. The reservoir, reservoir grommets, reservoir cap and fluid level switch are the only replaceable parts on the master cylinder.

**OPERATION**

The master cylinder bore contains a primary and secondary piston. The primary piston supplies hydraulic pressure to the front brakes. The secondary piston supplies hydraulic pressure to the rear brakes. The master cylinder reservoir stores reserve brake fluid for the hydraulic brake circuits.

## DESCRIPTION AND OPERATION (Continued)



J9505-58

**Fig. 1 Power Brake Booster—Typical**

- |                        |  |
|------------------------|--|
| 1 - VACUUM CHECK VALVE | 7 - PRIMARY PUSH ROD (TO BRAKE PEDAL)        |
| 2 - FRONT DIAPHRAGM    | 8 - ATMOSPHERIC INLET VALVE ASSEMBLY         |
| 3 - REAR DIAPHRAGM     | 9 - BOOSTER MOUNTING STUDS (4)               |
| 4 - HOUSING            | 10 - SECONDARY PUSH ROD (TO MASTER CYLINDER) |
| 5 - SEAL               | 11 - MASTER CYLINDER MOUNTING STUD (2)       |
| 6 - AIR FILTER         | 12 - SPRING                                  |

**FRONT DISC BRAKES****DESCRIPTION**

The calipers are twin piston type. The calipers are free to slide laterally on the anchor, this allows continuous compensation for lining wear.

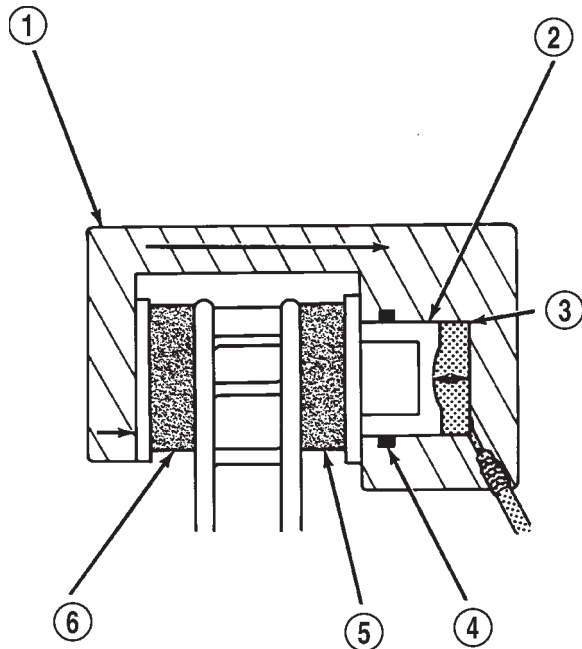
**OPERATION**

When the brakes are applied fluid pressure is exerted against the caliper pistons. The fluid pressure is exerted equally and in all directions. This

means pressure exerted against the caliper pistons and within the caliper bores will be equal (Fig. 2).

Fluid pressure applied to the pistons is transmitted directly to the inboard brake shoe. This forces the shoe lining against the inner surface of the disc brake rotor. At the same time, fluid pressure within the piston bores forces the caliper to slide inward on the slide pins. This action brings the outboard brake shoe lining into contact with the outer surface of the disc brake rotor.

## DESCRIPTION AND OPERATION (Continued)



J9405-102

**Fig. 2 Brake Caliper Operation**

- 1 - CALIPER
- 2 - PISTON
- 3 - PISTON BORE
- 4 - SEAL
- 5 - INBOARD SHOE
- 6 - OUTBOARD SHOE

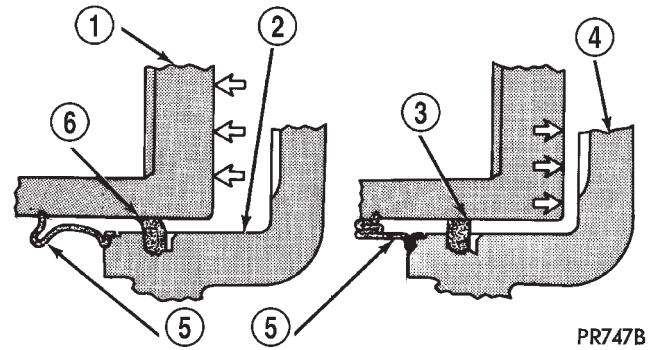
Fluid pressure acting simultaneously on the pistons and caliper to produces a strong clamping action. When sufficient force is applied, friction will stop the rotors from turning and bring the vehicle to a stop.

Application and release of the brake pedal generates only a very slight movement of the caliper and pistons. Upon release of the pedal, the caliper and pistons return to a rest position. The brake shoes do not retract an appreciable distance from the rotor. In fact, clearance is usually at, or close to zero. The reasons for this are to keep road debris from getting between the rotor and lining and in wiping the rotor surface clear each revolution.

The caliper piston seals control the amount of piston extension needed to compensate for normal lining wear.

During brake application, the seals are deflected outward by fluid pressure and piston movement (Fig. 3). When the brakes (and fluid pressure) are released, the seals relax and retract the pistons.

The front outboard brake shoes have wear indicators.



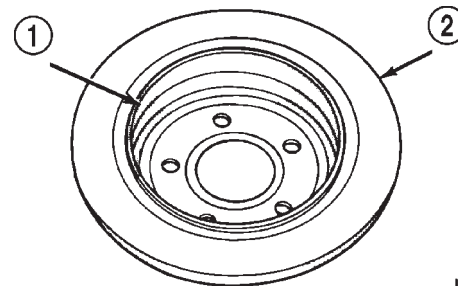
PR747B

**Fig. 3 Lining Wear Compensation By Piston Seal**

- 1 - PISTON
- 2 - CYLINDER BORE
- 3 - PISTON SEAL BRAKE PRESSURE OFF
- 4 - CALIPER HOUSING
- 5 - DUST BOOT
- 6 - PISTON SEAL BRAKE PRESSURE ON

**REAR DISC BRAKES****DESCRIPTION**

The rear disc brakes consist of single piston floating-type calipers and solid rotors. The rear caliper is mounted on an anchor attached to an adapter attached the rear axle tube flange. The anchors are secured to the adapters with mounting bolts. The disc brake rotor splash shield is part of the adaptor. The disc brake rotor has a built in brake drum used for the parking brakes (Fig. 4). The parking brake shoes are mounted to the adaptor.



J9405-114

**Fig. 4 Rear Disc Brake Rotor**

- 1 - PARKING BRAKE DRUM SURFACE
- 2 - REAR DISC BRAKE ROTOR

**OPERATION**

When the brakes are applied fluid pressure is exerted against the caliper pistons. The fluid pressure is exerted equally and in all directions. This means pressure exerted against the caliper pistons and within the caliper bores will be equal (Fig. 2).

Fluid pressure applied to the pistons is transmitted directly to the inboard brake shoe. This forces the shoe lining against the inner surface of the disc



## DESCRIPTION AND OPERATION (Continued)

brake rotor. At the same time, fluid pressure within the piston bores forces the caliper to slide inward on the slide pins. This action brings the outboard brake shoe lining into contact with the outer surface of the disc brake rotor.

Fluid pressure acting simultaneously on the pistons and caliper produces a strong clamping action. When sufficient force is applied, friction will stop the rotors from turning and bring the vehicle to a stop.

Application and release of the brake pedal generates only a very slight movement of the caliper and pistons. Upon release of the pedal, the caliper and pistons return to a rest position. The brake shoes do not retract an appreciable distance from the rotor. In fact, clearance is usually at, or close to zero. The reasons for this are to keep road debris from getting between the rotor and lining and in wiping the rotor surface clear each revolution.

The caliper piston seals control the amount of piston extension needed to compensate for normal lining wear.

During brake application, the seals are deflected outward by fluid pressure and piston movement (Fig. 3). When the brakes (and fluid pressure) are released, the seals relax and retract the pistons.

The front outboard brake shoes have wear indicators.

## PARKING BRAKES

The parking brakes operated by an automatic tensioner mechanism built into the hand lever and cable system. The front cable is connected to the hand lever and the equalizer. The rear cables attached to the equalizer and the parking brake shoe actuator.

A set of drum type brake shoes are used for parking brakes. The shoes are mounted to the rear disc brake adaptor. The parking brake drum is integrated into the rear disc brake rotor.

Parking brake cable adjustment is controlled by an automatic tensioner mechanism. The only adjustment if necessary is to the park brake shoes if the linings are worn.

## BRAKE HOSES AND LINES

### DESCRIPTION

Flexible rubber hose is used at both front brakes, rear brakes and at the rear axle junction block. Double walled steel tubing is used. Double inverted style and ISO style flares are used on the brake lines.

## DIAGNOSIS AND TESTING

### BASE BRAKE SYSTEM

Base brake components consist of the brake shoes, calipers, rear park brake drums/rotors, front brake rotors, brake lines, master cylinder, booster, HCU and parking brake shoes.

Brake diagnosis involves determining if the problem is related to a mechanical, hydraulic, electrical or vacuum operated component.

The first diagnosis step is the preliminary check.

### PRELIMINARY BRAKE CHECK

(1) Check condition of tires and wheels. Damaged wheels and worn, damaged, or underinflated tires can cause pull, shudder, vibration, and a condition similar to grab.

(2) If complaint was based on noise when braking, check suspension components. Jounce front and rear of vehicle and listen for noise that might be caused by loose, worn or damaged suspension or steering components.

(3) Inspect brake fluid level and condition. Note that the brake reservoir fluid level will decrease in proportion to normal lining wear. **Also note that brake fluid tends to darken over time. This is normal and should not be mistaken for contamination.**

(a) If fluid level is abnormally low, look for evidence of leaks at calipers, brake lines, master cylinder, and HCU.

(b) If fluid appears contaminated, drain out a sample to examine. System will have to be flushed if fluid is separated into layers, or contains a substance other than brake fluid. The system seals, cups, hoses, master cylinder, and HCU will also have to be replaced after flushing. Use clean brake fluid to flush the system.

(4) Check parking brake operation. Verify free movement and full release of cables and lever. Also note if vehicle was being operated with parking brake partially applied.

(5) Check brake pedal operation. Verify that pedal does not bind and has adequate free play. If pedal lacks free play, check pedal and power booster for being loose or for bind condition. Do not road test until condition is corrected.

(6) Check booster vacuum check valve and hose.

(7) If components checked appear OK, road test the vehicle.

### ROAD TESTING

(1) If complaint involved low brake pedal, pump pedal and note if it comes back up to normal height.



## DIAGNOSIS AND TESTING (Continued)

(2) Check brake pedal response with transmission in neutral and engine running. Pedal should remain firm under constant foot pressure.

(3) During road test, make normal and firm brake stops in 25-40 mph range. Note faulty brake operation such as low pedal, hard pedal, fade, pedal pulsation, pull, grab, drag, noise, etc.

(4) Attempt to stop the vehicle with the parking brake only (do not exceed 25 mph) and note grab, drag, noise, etc.

**PEDAL FALLS AWAY**

A brake pedal that falls away under steady foot pressure is generally the result of a system leak. The leak point could be at a brake line, fitting, hose, or caliper. If leakage is severe, fluid will be evident at or around the leaking component.

Internal leakage (seal by-pass) in the master cylinder caused by worn or damaged piston cups, may also be the problem cause.

An internal leak in the ABS system may also be the problem with no visual fluid leak.

**LOW PEDAL**

If a low pedal is experienced, pump the pedal several times. If the pedal comes back up, the most likely causes are worn linings, rotors, or calipers are not sliding on the slide pins. The proper course of action is to inspect and replace all worn component.

**SPONGY PEDAL**

A spongy pedal is most often caused by air in the system. However substandard brake hoses can cause a spongy pedal. The proper course of action is to bleed the system, and replace substandard quality brake hoses if suspected.

**HARD PEDAL OR HIGH PEDAL EFFORT**

A hard pedal or high pedal effort may be due to lining that is water soaked, contaminated, glazed, or badly worn. The power booster, check valve, check valve seal/grommet or vacuum leak could also cause a hard pedal or high pedal effort.

**PEDAL PULSATION**

Pedal pulsation is caused by components that are loose, or beyond tolerance limits.

The primary cause of pulsation are disc brake rotors with excessive lateral runout or thickness variation. Other causes are loose wheel bearings or calipers and worn, damaged tires.

**NOTE:** Some pedal pulsation may be felt during ABS activation.

**BRAKE DRAG**

Brake drag occurs when the lining is in constant contact with the rotor or drum. Drag can occur at one wheel, all wheels, fronts only, or rears only.

Drag is a product of incomplete brake release. Drag can be minor or severe enough to overheat the linings, rotors and park brake drums.

Minor drag will usually cause slight surface charring of the lining. It can also generate hard spots in rotors and park brake drums from the overheat-cool down process. In most cases, the rotors, wheels and tires are quite warm to the touch after the vehicle is stopped.

Severe drag can char the brake lining all the way through. It can also distort and score rotors to the point of replacement. The wheels, tires and brake components will be extremely hot. In severe cases, the lining may generate smoke as it chars from overheating.

Common causes of brake drag are:

- Parking brake partially applied.
- Loose/worn wheel bearing.
- Seized caliper.
- Caliper binding.
- Loose caliper mounting.
- Mis-assembled components.
- Damaged brake lines.

If brake drag occurs at the front, rear or all wheels, the problem may be related to a blocked master cylinder return port, faulty power booster (binds-does not release) or the ABS system.

**BRAKE FADE**

Brake fade is usually a product of overheating caused by brake drag. However, brake overheating and resulting fade can also be caused by riding the brake pedal, making repeated high deceleration stops in a short time span, or constant braking on steep mountain roads. Refer to the Brake Drag information in this section for causes.

**BRAKE PULL**

Front brake pull condition could result from:

- Contaminated lining in one caliper
- Seized caliper piston
- Binding caliper
- Loose caliper
- Rusty caliper slide surfaces
- Improper brake shoes
- Damaged rotor
- Wheel alignment.
- Tire pressure.

A worn, damaged wheel bearing or suspension component are further causes of pull. A damaged front tire (bruised, ply separation) can also cause pull.

## DIAGNOSIS AND TESTING (Continued)

A common and frequently misdiagnosed pull condition is where direction of pull changes after a few stops. The cause is a combination of brake drag followed by fade at one of the brake units.

As the dragging brake overheats, efficiency is so reduced that fade occurs. Since the opposite brake unit is still functioning normally, its braking effect is magnified. This causes pull to switch direction in favor of the normally functioning brake unit.

An additional point when diagnosing a change in pull condition concerns brake cool down. Remember that pull will return to the original direction, if the dragging brake unit is allowed to cool down (and is not seriously damaged).

**REAR BRAKE DRAG OR PULL**

Rear drag or pull may be caused by improperly adjusted park brake shoes or seized parking brake cables, contaminated lining, bent or binding shoes or improperly assembled components. This is particularly true when only one rear wheel is involved. However, when both rear wheels are affected, the master cylinder or ABS system could be at fault.

**BRAKES DO NOT HOLD AFTER DRIVING THROUGH DEEP WATER PUDDLES**

This condition is generally caused by water soaked lining. If the lining is only wet, it can be dried by driving with the brakes very lightly applied for a mile or two. However, if the lining is both soaked and dirt contaminated, cleaning and or replacement will be necessary.

**BRAKE LINING CONTAMINATION**

Brake lining contamination is mostly a product of leaking calipers or worn seals, driving through deep water puddles, or lining that has become covered with grease and grit during repair. Contaminated lining should be replaced to avoid further brake problems.

**WHEEL AND TIRE PROBLEMS**

Some conditions attributed to brake components may actually be caused by a wheel or tire problem.

A damaged wheel can cause shudder, vibration and pull. A worn or damaged tire can also cause pull.

**NOTE: Propshaft angle can also cause vibration/shudder.**

Severely worn tires with very little tread left can produce a grab-like condition as the tire loses and recovers traction. Flat-spotted tires can cause vibration and generate shudder during brake operation. Tire damage such as a severe bruise, cut, ply separation, low air pressure can cause pull and vibration.

**BRAKE NOISES**

Some brake noise is common on some disc brakes during the first few stops after a vehicle has been parked overnight or stored. This is primarily due to the formation of trace corrosion (light rust) on metal surfaces. This light corrosion is typically cleared from the metal surfaces after a few brake applications causing the noise to subside.

**BRAKE SQUEAK/SQUEAL**

Brake squeak or squeal may be due to linings that are wet or contaminated with brake fluid, grease, or oil. Glazed linings and rotors with hard spots can also contribute to squeak. Dirt and foreign material embedded in the brake lining will also cause squeak/squeal.

A very loud squeak or squeal is frequently a sign of severely worn brake lining. If the lining has worn through to the brake shoes in spots, metal-to-metal contact occurs. If the condition is allowed to continue, rotors may become so scored that replacement is necessary.

**NOTE: The front outer brake shoes are equipped with a wear indicator. The indicator will produce an audible noise when it contacts the rotor surface.**

**BRAKE CHATTER**

Brake chatter is usually caused by loose or worn components, or glazed/burnt lining. Rotors with hard spots can also contribute to chatter. Additional causes of chatter are out-of-tolerance rotors, brake lining not securely attached to the shoes, loose wheel bearings and contaminated brake lining.

**THUMP/CLUNK NOISE**

Thumping or clunk noises during braking are frequently **not** caused by brake components. In many cases, such noises are caused by loose or damaged steering, suspension, or engine components.

**BRAKE LAMP SWITCH**

Brake lamp switch operation can be tested with an ohmmeter. The ohmmeter is used to check continuity between the pin terminals at different plunger positions (Fig. 5).

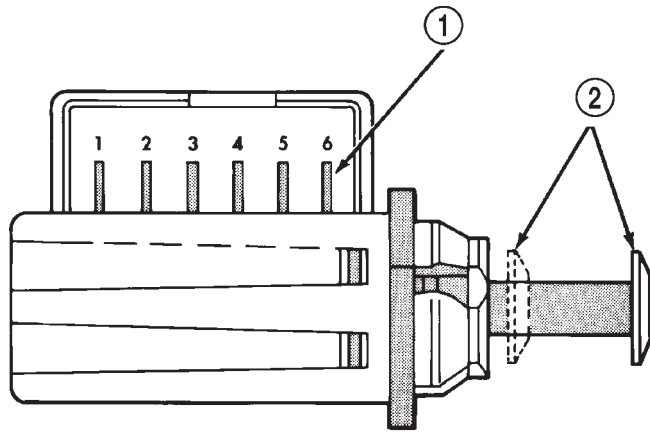
**SWITCH CIRCUIT IDENTIFICATION**

- Terminals 1 and 2: brake sensor circuit
- Terminals 3 and 4: speed control circuit
- Terminals 5 and 6: brake lamp circuit

**SWITCH CONTINUITY TEST**

**NOTE: Disconnect switch harness before testing continuity.**

## DIAGNOSIS AND TESTING (Continued)



J9405-88

**Fig. 5 Brake Lamp Switch Terminal Identification**

- 1 - TERMINAL PINS  
2 - PLUNGER TEST POSITIONS

With the switch plunger retracted, attach test leads to terminal pins 1 and 2. Replace switch if meter indicates no continuity.

With the switch plunger retracted, attach test leads to terminal pins 3 and 4. Replace switch if meter indicates no continuity.

With the switch plunger extended, attach test leads to terminal pins 5 and 6. Replace switch if meter indicates no continuity.

## RED BRAKE WARNING LAMP

The red warning lamp illuminates when the parking brake is applied or when the fluid level in the master cylinder is low. It will also illuminate at start up as part of a bulb check.

If the light comes on, first verify that the parking brakes are fully released. Then check pedal action and fluid level. If a problem is confirmed, inspect the brake hydraulic system for leaks.

A red warning lamp with a amber warning lamp may indicate a electronic brake distribution fault.

## MASTER CYLINDER/POWER BOOSTER

**NOTE: Inspect and repair any external fluid leaks before performing test.**

(1) Start engine and check booster vacuum hose connections. A hissing noise indicates vacuum leak. Correct any vacuum leak before proceeding.

(2) Stop engine and shift transmission into Neutral.

(3) Pump brake pedal until all vacuum reserve in booster is depleted.

(4) Press and hold brake pedal under light foot pressure. The pedal should hold firm, if the pedal

falls away the master cylinder or HCU may be faulty (internal leakage).

(5) Start engine and note pedal action. It should fall away slightly under light foot pressure then hold firm. If no pedal action is discernible, power booster, vacuum supply, or vacuum check valve is faulty. Proceed to the POWER BOOSTER VACUUM TEST.

(6) If the POWER BOOSTER VACUUM TEST passes, rebuild booster vacuum reserve as follows: Release brake pedal. Increase engine speed to 1500 rpm, close the throttle and turn off the engine.

(7) Wait a minimum of 90 seconds and try brake action again. Booster should provide two or more vacuum assisted pedal applications. If vacuum assist is not provided, some component of the booster is faulty.

## POWER BOOSTER VACUUM TEST

(1) Connect vacuum gauge to booster check valve with short length of hose and T-fitting (Fig. 6).

(2) Start and run engine at curb idle speed for one minute.

(3) Observe the vacuum supply. If vacuum supply is not adequate, repair vacuum supply.

(4) Clamp hose shut between vacuum source and check valve.

(5) Stop engine and observe vacuum gauge.

(6) If vacuum drops more than one inch HG (33 millibars) within 15 seconds, booster diaphragm, check valve or check valve seal/grommet is faulty.

## POWER BOOSTER CHECK VALVE TEST

(1) Disconnect vacuum hose from check valve.

(2) Remove check valve and valve seal from booster.

(3) Use a hand operated vacuum pump for test.

(4) Apply 51-67 kPa (15-20 in.) vacuum at large end of check valve (Fig. 7).

(5) Vacuum should hold steady. If gauge on pump indicates vacuum loss the check valve and seal should be replaced.

## FRONT DISC BRAKE ROTOR

### ROTOR MINIMUM THICKNESS

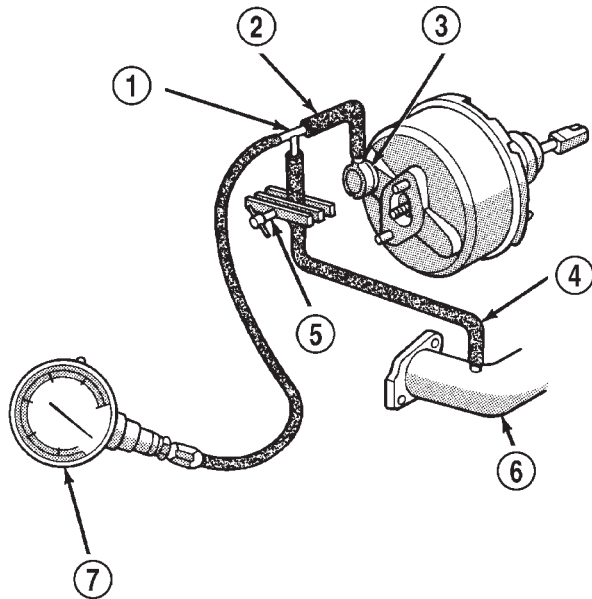
Rotor minimum usable thickness is 24.5 mm (0.964 in.). Do not resurface a rotor if machining would cause thickness to fall below this limit.

Measure rotor thickness at the center of the brake shoe contact surface. Replace the rotor if worn below minimum thickness, or if refinishing would reduce thickness below the allowable minimum.

### FRONT ROTOR THICKNESS VARIATION

Variations in rotor thickness will cause pedal pulsation, noise and shudder.

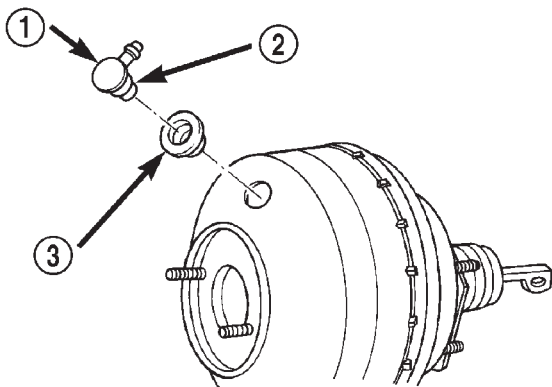
## DIAGNOSIS AND TESTING (Continued)



J9005-81

**Fig. 6 Typical Booster Vacuum Test Connections**

- 1 - TEE FITTING
- 2 - SHORT CONNECTING HOSE
- 3 - CHECK VALVE
- 4 - CHECK VALVE HOSE
- 5 - CLAMP TOOL
- 6 - INTAKE MANIFOLD
- 7 - VACUUM GAUGE



8031e866

**Fig. 7 Vacuum Check Valve And Seal**

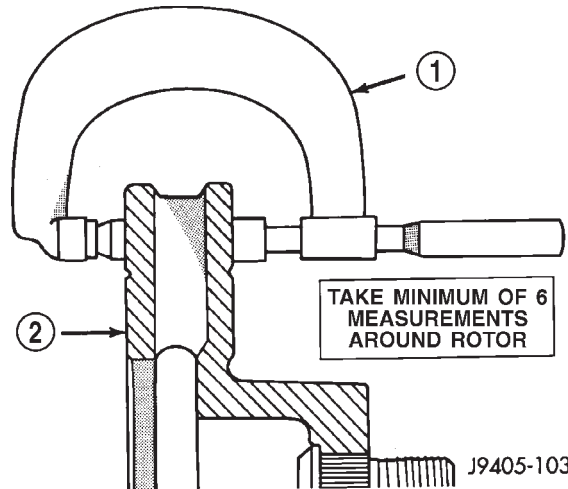
- 1 - BOOSTER CHECK VALVE
- 2 - APPLY TEST VACUUM HERE
- 3 - VALVE SEAL

Measure rotor thickness a minimum of six points around the rotor face. Position the micrometer approximately 19 mm (3/4 in.) from the rotor outer circumference for each measurement (Fig. 8).

Thickness should not vary by more than 0.0127 mm (0.0005 in.) from point to point on the rotor. Refinish or replace the rotor if necessary.

**NOTE:** Refinishing the rotor using on-car refinishing equipment is recommended.

Front rotors and hub/bearings are matched mounted for minimum lateral runout. Before removing the rotor, mark the rotor and hub/bearing to maintain original orientation.



J9405-103

**Fig. 8 Measuring Rotor Thickness Variation**

- 1 - MICROMETER
- 2 - ROTOR

**FRONT ROTOR LATERAL RUNOUT**

Check rotor lateral runout whenever pedal pulsation, or rapid, uneven brake lining wear has occurred.

The rotor must be securely clamped to the hub to ensure an accurate runout measurement. Secure the rotor with a minimum of 3 lug nuts and large diameter flat washers on each stud.

Use a dial indicator to check lateral runout (Fig. 9).

Maximum allowable rotor lateral runout is 0.76 mm (0.003 in.).

**REAR DISC BRAKE ROTOR****ROTOR MINIMUM THICKNESS**

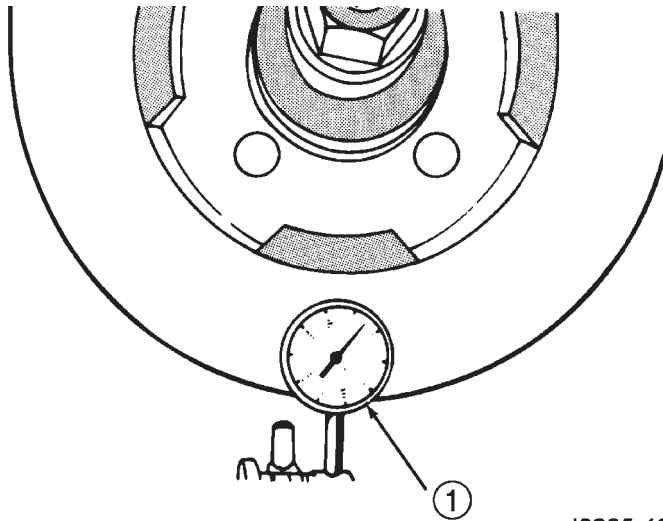
Minimum usable thickness of the rear disc brake rotor is 8.5 mm (0.335 in.). The thickness specification is located on the center section of the rotor.

Never resurface a rotor if machining would cause thickness to fall below this limit.

Measure rotor thickness at the center of the brake shoe contact surface. Replace the rotor if worn below minimum thickness, or if refinishing would reduce thickness below the allowable minimum.



## DIAGNOSIS AND TESTING (Continued)



J8905-68

**Fig. 9 Checking Rotor Lateral Runout**

1 - DIAL INDICATOR

**REAR ROTOR THICKNESS VARIATION**

Variations in rotor thickness will cause pedal pulsation, noise and shudder.

Measure rotor thickness at a minimum of six points around the rotor face. Position the micrometer approximately 19 mm (3/4 in.) from the rotor outer circumference for each measurement (Fig. 8).

Thickness should not vary by more than 0.0127 mm (0.0005 in.) from point to point on the rotor. Refinish or replace the rotor if necessary.

**REAR ROTOR LATERAL RUNOUT**

Check rotor lateral runout whenever diagnosis indicates pedal pulsation and rapid, uneven brake lining wear.

The rotor must be securely clamped to the hub to ensure an accurate runout measurement. Secure the rotor with the wheel nuts and 4 or 5 large diameter flat washers on each stud.

Use a dial indicator to check lateral runout (Fig. 9). Maximum allowable lateral runout is 0.76 mm (0.003 in.).

**PARKING BRAKE**

**NOTE:** Parking brake adjustment is controlled by an automatic cable tensioner and does not require adjustment. The only adjustment that may be necessary would be to the park brake shoes if they are worn.

The parking brake switch is in circuit with the red warning lamp in the dash. The switch will cause the lamp to illuminate only when the parking brakes are

applied. If the lamp remains on after parking brake release, the switch or wires are faulty.

If the red lamp comes on a fault has occurred in the front or rear brake hydraulic system.

If the red warning lamp and yellow warning lamp come on, the electronic brake distribution may be at fault.

In most cases, the actual cause of an improperly functioning parking brake (too loose/too tight/won't hold), can be traced to a parking brake component.

**NOTE:** The leading cause of improper parking brake operation, is excessive clearance between the parking brake shoes and the shoe braking surface. Excessive clearance is a result of lining and/or drum wear, drum surface machined oversize.

Excessive parking brake lever travel (sometimes described as a loose lever or too loose condition), is the result of worn brake shoes, improper brake shoe adjustment, or improperly assembled brake parts.

A too loose condition can also be caused by inoperative or improperly assembled parking brake shoe parts.

A condition where the parking brakes do not hold, will most probably be due to a wheel brake component.

Items to look for when diagnosing a parking brake problem, are:

- Brake shoe wear
- Drum surface (in rear rotor) machined oversize
- Front cable not secured to lever
- Rear cable not attached to actuator
- Rear cable seized
- Parking brake lever not seated
- Parking brake lever bind

**BRAKE LINE AND HOSES**

Flexible rubber hose is used at both front and rear brakes and at the rear axle junction block. Inspect the hoses whenever the brake system is serviced, at every engine oil change, or whenever the vehicle is in for service.

Inspect the hoses for surface cracking, scuffing, or worn spots. Replace any brake hose immediately if the fabric casing of the hose is exposed due to cracks or abrasions.

Also check brake hose installation. Faulty installation can result in kinked, twisted hoses, or contact with the wheels and tires or other chassis components. All of these conditions can lead to scuffing, cracking and eventual failure.

The steel brake lines should be inspected periodically for evidence of corrosion, twists, kinks, leaks, or other damage. Heavily corroded lines will eventually rust through causing leaks. In any case, corroded or damaged brake lines should be replaced.



## DIAGNOSIS AND TESTING (Continued)

Factory replacement brake lines and hoses are recommended to ensure quality, correct length and superior fatigue life. Care should be taken to make sure that brake line and hose mating surfaces are clean and free from nicks and burrs. Also remember that right and left brake hoses are not interchangeable.

Use new copper gaskets at all caliper connections. Be sure brake line connections are properly made (not cross threaded) and tightened to recommended torque.

**BRAKE FLUID CONTAMINATION**

Indications of fluid contamination are swollen or deteriorated rubber parts.

Swollen rubber parts indicate the presence of petroleum in the brake fluid.

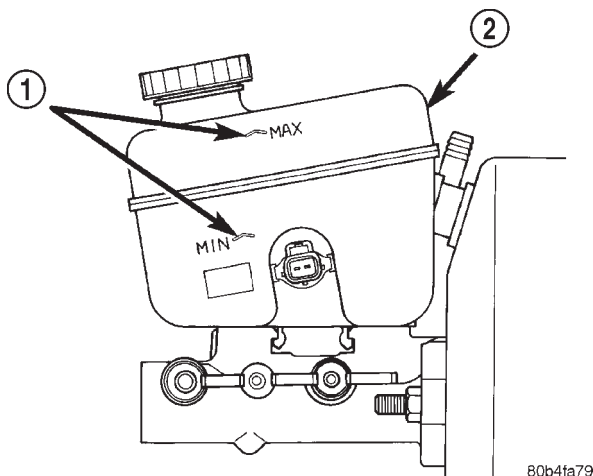
To test for contamination, put a small amount of drained brake fluid in clear glass jar. If fluid separates into layers, there is mineral oil or other fluid contamination of the brake fluid.

If brake fluid is contaminated, drain and thoroughly flush system. Replace master cylinder with reservoir, caliper seals, HCU and all hydraulic fluid hoses.

**SERVICE PROCEDURES****BRAKE FLUID LEVEL**

Always clean the master cylinder reservoir and cap before adding fluid. This will prevent dirt from falling in the reservoir and contaminating the brake fluid.

The reservoir has a MIN and a MAX mark on the side (Fig. 10) fill to the MAX mark.



**Fig. 10 Master Cylinder Fluid Level**

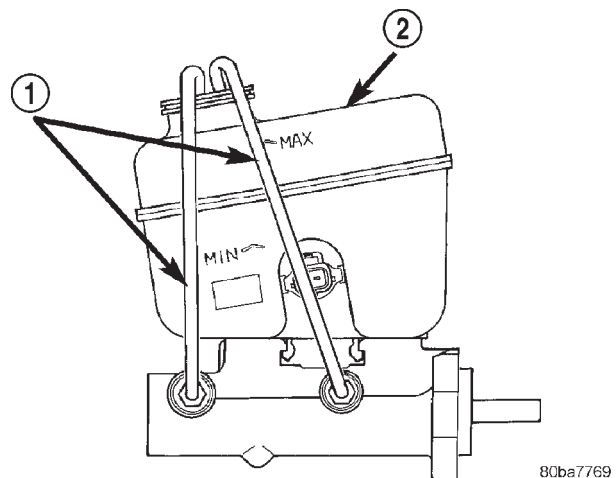
- 1 - FLUID LEVEL MARKS  
2 - RESERVOIR

**MASTER CYLINDER BLEEDING**

A new master cylinder should be bled before installation on the vehicle. Required bleeding tools include bleed tubes and a wood dowel to stroke the pistons. Bleed tubes can be fabricated from brake line.

**BLEEDING PROCEDURE**

- (1) Mount master cylinder in vise with brass jaws.
- (2) Attach bleed tubes to cylinder outlet ports. Then position each tube end into the bottom of the reservoir (Fig. 11).
- (3) Fill reservoir with fresh brake fluid.
- (4) Press cylinder pistons inward with wood dowel. Then release pistons and allow them to return under spring pressure. Continue bleeding operations until air bubbles are no longer visible in fluid.



**Fig. 11 Master Cylinder Bleeding**

- 1 - BLEEDING TUBES  
2 - RESERVOIR

**BASE BRAKE BLEEDING**

Use Mopar brake fluid, or an equivalent quality fluid meeting SAE J1703-F and DOT 3 standards only. Use fresh, clean fluid from a sealed container at all times.

Do not pump the brake pedal at any time while bleeding. Air in the system will be compressed into small bubbles that are distributed throughout the hydraulic system. This will make additional bleeding operations necessary.

Do not allow the master cylinder to run out of fluid during bleed operations. An empty cylinder will allow additional air to be drawn into the system. Check the cylinder fluid level frequently and add fluid as needed.

Bleed only one brake component at a time in the following sequence:

- Master Cylinder
- Right Rear Wheel

## SERVICE PROCEDURES (Continued)

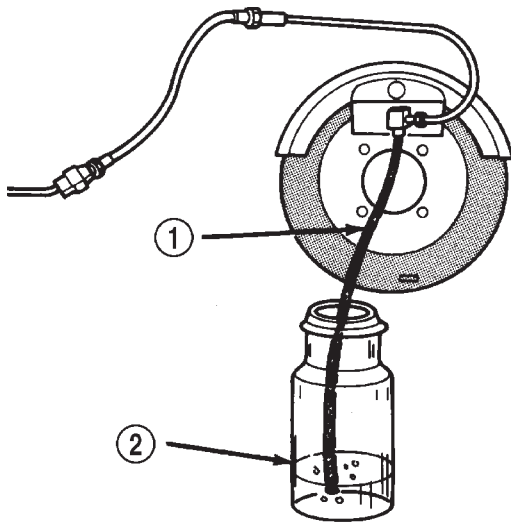
- Left Rear Wheel
- Right Front Wheel
- Left Front Wheel

**MANUAL BLEEDING**

(1) Fill the master cylinder reservoir with brake fluid.

(2) If calipers are overhauled, open all caliper bleed screws. Then close each bleed screw as fluid starts to drip from it. Top off master cylinder reservoir once more before proceeding.

(3) Attach one end of bleed hose to bleed screw and insert opposite end in glass container partially filled with brake fluid (Fig. 12). Be sure end of bleed hose is immersed in fluid.



J8905-18

**Fig. 12 Bleed Hose Setup**

- 1 - BLEED HOSE  
2 - FLUID CONTAINER PARTIALLY FILLED WITH FLUID

(4) Open up bleeder, then have a helper press down the brake pedal. Once the pedal is down close the bleeder. Repeat bleeding until fluid stream is clear and free of bubbles. Then move to the next wheel.

**PRESSURE BLEEDING**

Follow the manufacturers instructions carefully when using pressure equipment. Do not exceed the tank manufacturers pressure recommendations. Generally, a tank pressure of 51-67 kPa (15-20 psi) is sufficient for bleeding.

Fill the bleeder tank with recommended fluid and purge air from the tank lines before bleeding.

Do not pressure bleed without a proper master cylinder adapter. The wrong adapter can lead to leakage, or drawing air back into the system. Use

adapter provided with the equipment or Adapter 6921.

**DISC ROTOR MACHINING**

The disc brake rotor can be machined if scored or worn. The lathe must machine both sides of the rotor simultaneously with dual cutter heads. The rotor mounting surface must be clean before placing on the lathe. Equipment capable of machining only one side at a time may produce a tapered rotor.

**NOTE: A hub mounted on-vehicle lathe is recommended. This type of lathe trues the rotor to the vehicles hub/bearing.**

**CAUTION: Brake rotors that do not meet minimum thickness specifications before or after machining must be replaced.**

**FRONT BRAKE ROTOR MATCH MOUNTING**

If a front rotor is replaced it must be match mounted to the hub/bearing using the following procedure.

(1) Install the rotor on the hub/bearing with a minimum of three washers and lug nuts. Tighten the nuts to 27 N·m (20 ft. lbs.).

(2) Mark the rotor and one wheel stud.

(3) Position a dial indicator (Fig. 13) 10 mm (0.40 in.) from the outer edge of the rotor.

(4) Rotate the rotor and record the lateral runout reading.

(5) Repeat the previous steps with the rotor install at all five possible positions.

(6) Install the rotor on the hub/bearing in the location with the minimum lateral runout.

**NOTE: Lateral runout should not exceed 0.05 mm (0.002 in.).**

**BRAKE TUBE FLARING**

A preformed metal brake tube is recommended and preferred for all repairs. However, double-wall steel tube can be used for emergency repair when factory replacement parts are not readily available.

Special bending tools are needed to avoid kinking or twisting of metal brake tubes. Special flaring tools are needed to make a double inverted flare or ISO flare (Fig. 14).

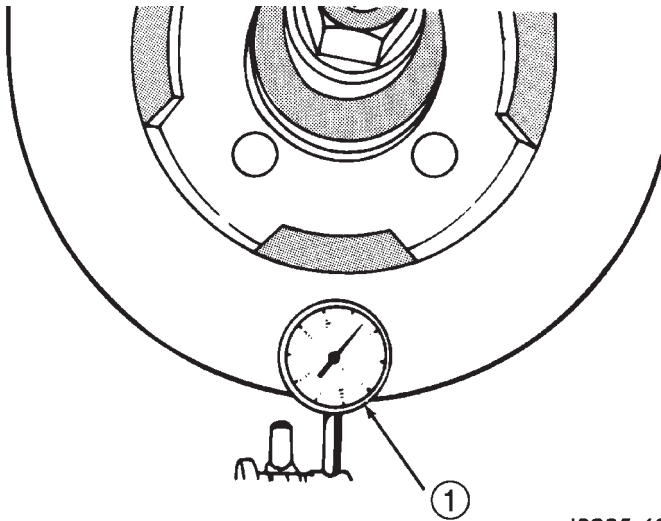
**DOUBLE INVERTED FLARING**

(1) Cut off damaged tube with Tubing Cutter.

(2) Ream cut edges of tubing to ensure proper flare.

(3) Install replacement tube nut on the tube.

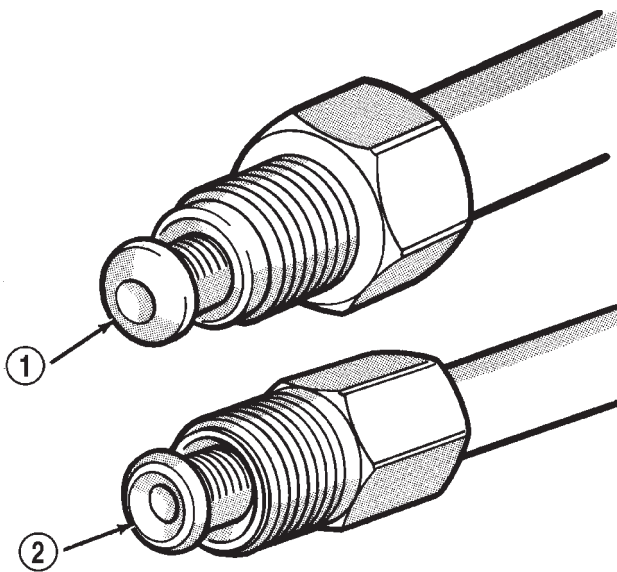
## SERVICE PROCEDURES (Continued)



J8905-68

**Fig. 13 Checking Lateral Runout**

1 - DIAL INDICATOR



9205-174

**Fig. 14 Inverted Flare And ISO Flare**

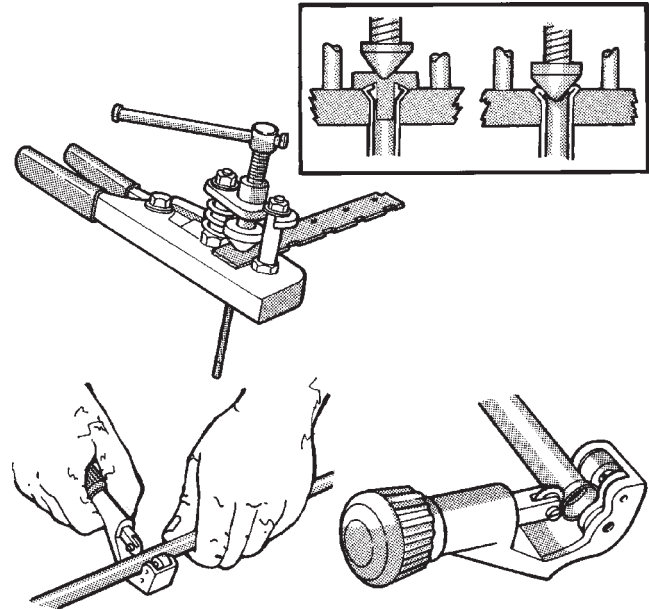
1 - ISO-STYLE FLARE

2 - DOUBLE INVERTED-STYLE FLARE

- (4) Insert tube in flaring tool.
- (5) Place gauge form over the end of the tube.
- (6) Push tubing through flaring tool jaws until tube contacts recessed notch in gauge that matches tube diameter.
- (7) Tighten the tool bar on the tube
- (8) Insert plug on gauge in the tube. Then swing compression disc over gauge and center tapered flaring screw in recess of compression disc (Fig. 15).

(9) Tighten tool handle until plug gauge is squarely seated on jaws of flaring tool. This will start the inverted flare.

(10) Remove the plug gauge and complete the inverted flare.



RH222

**Fig. 15 Inverted Flare Tools****ISO FLARING**

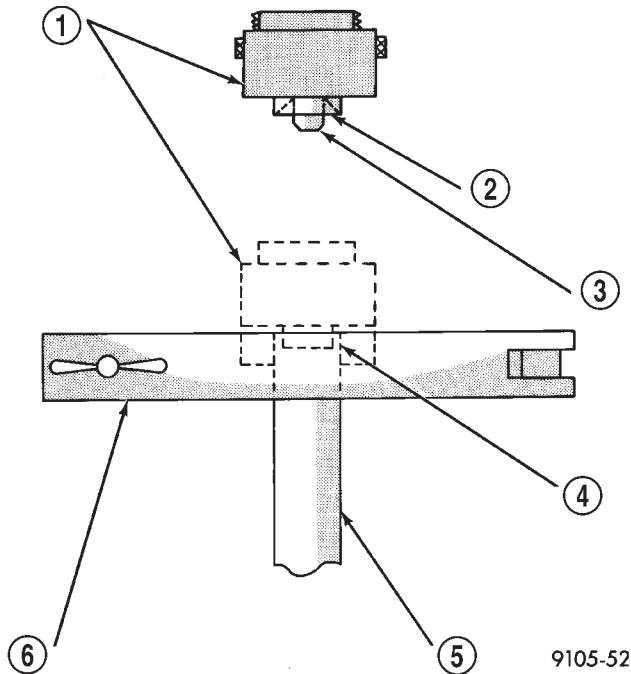
To make a ISO flare use Snap-On® Flaring Tool TFM-428 or equivalent.

- (1) Cut off damaged tube with Tubing Cutter.
- (2) Remove any burrs from the inside of the tube.
- (3) Install tube nut on the tube.
- (4) Position the tube in the flaring tool flush with the top of the tool bar (Fig. 16). Then tighten the tool bar on the tube.
- (5) Install the correct size adaptor on the flaring tool yoke screw.
- (6) Lubricate the adaptor.
- (7) Align the adaptor and yoke screw over the tube (Fig. 16).
- (8) Turn the yoke screw in until the adaptor is squarely seated on the tool bar.

**REMOVAL AND INSTALLATION****BRAKE LAMP SWITCH****REMOVAL**

- (1) Remove steering column cover and lower trim panel for switch access (if necessary).
- (2) Press brake pedal downward to fully applied position.

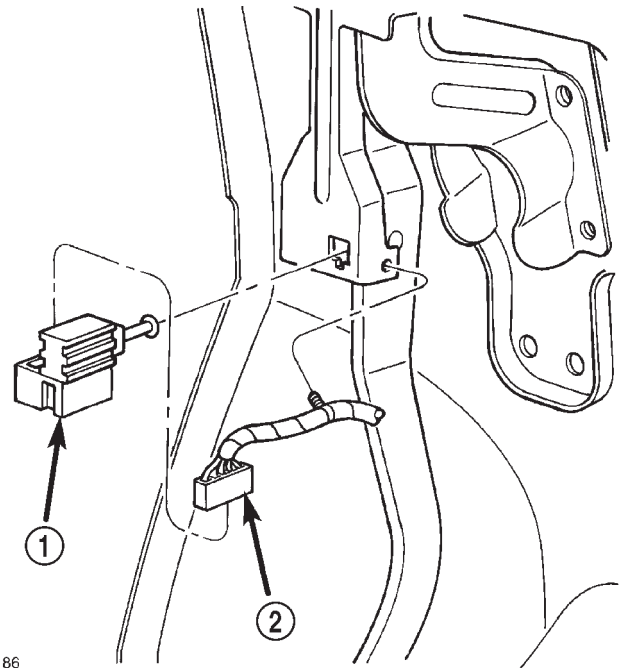
REMOVAL AND INSTALLATION (Continued)



**Fig. 16 ISO Flaring**

- 1 - ADAPTER
- 2 - LUBRICATE HERE
- 3 - PILOT
- 4 - FLUSH WITH BAR
- 5 - TUBING
- 6 - BAR ASSEMBLY

9105-52



**Fig. 17 Brake Lamp Switch**

80c07186

- 1 - SWITCH
- 2 - HARNESS CONNECTOR

(3) Rotate switch approximately 30° in counter-clockwise direction to unlock switch retainer. Then pull switch rearward and out of bracket.

(4) Disconnect switch harness and remove switch from vehicle (Fig. 17).

**INSTALLATION**

(1) Pull switch plunger all the way out to fully extended position.

(2) Connect harness wires to switch.

(3) Press and hold brake pedal in applied position.

(4) Install switch as follows: Align tab on switch with notch in switch bracket. Then insert switch in bracket and turn it clockwise about 30° to lock it in place.

(5) Release brake pedal. Then pull pedal lightly rearward. Pedal will set plunger to correct position as pedal pushes plunger into switch body. Switch will make ratcheting sound as it self adjusts.

**CAUTION:** Booster damage may occur if the pedal pull exceeds 20 lbs.

**BRAKE PEDAL**

**REMOVAL**

(1) Remove retainer clip that holds booster to pedal pin (Fig. 18).

(2) Remove nut from pedal shaft.

(3) Slide pedal shaft out and remove brake pedal.

(4) Remove pedal bushings (Fig. 19) if they are to be replaced.

**INSTALLATION**

(1) Lubricate bushings, pedal shaft and pedal pin with Mopar multi-mileage grease.

(2) Install bushings into pedal.

(3) Position pedal in bracket and install pedal shaft in support and through pedal.

(4) Install new nut on pedal shaft and tighten to 27 N·m (20 ft. lbs.).

**NOTE:** Pedal shaft nut should not be reused.

(5) Install booster push rod on pedal pin and install retainer clip on pedal pin.

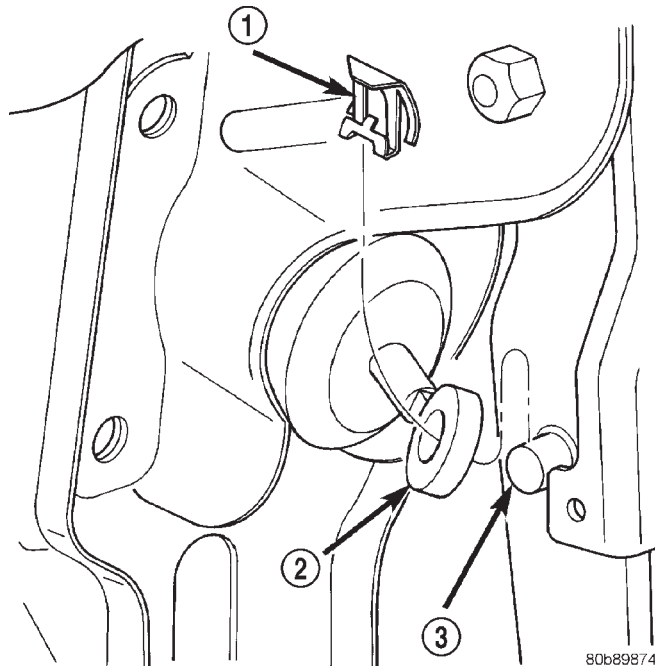
(6) Check and adjust stop lamp switch if necessary.

**BRAKE FLUID LEVEL SENSOR**

**REMOVAL**

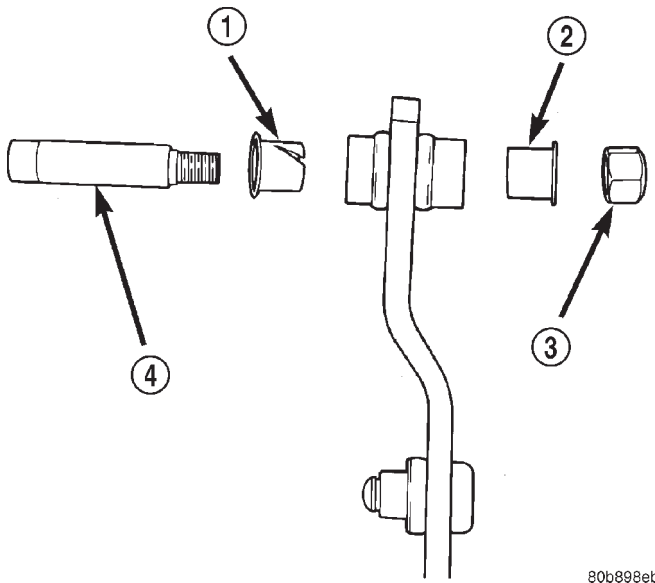
(1) Remove the wire connector from the fluid level sensor.

REMOVAL AND INSTALLATION (Continued)



**Fig. 18 Push Rod Retainer Clip**

- 1 - RETAINER CLIP
- 2 - PUSH ROD
- 3 - PEDAL PIN



**Fig. 19 Pedal Bushings**

- 1 - BUSHING
- 2 - BUSHING
- 3 - SHAFT NUT
- 4 - PEDAL SHAFT

(2) From the same side of the master cylinder reservoir release the sensor locking tabs with a small screw driver.

(3) Pull the sensor out of the reservoir from the connector side of the sensor.

**INSTALLATION**

(1) Install the sensor with a new o-ring into the reservoir until the locking tabs are engaged.

(2) Install the wire connector to the fluid level sensor.

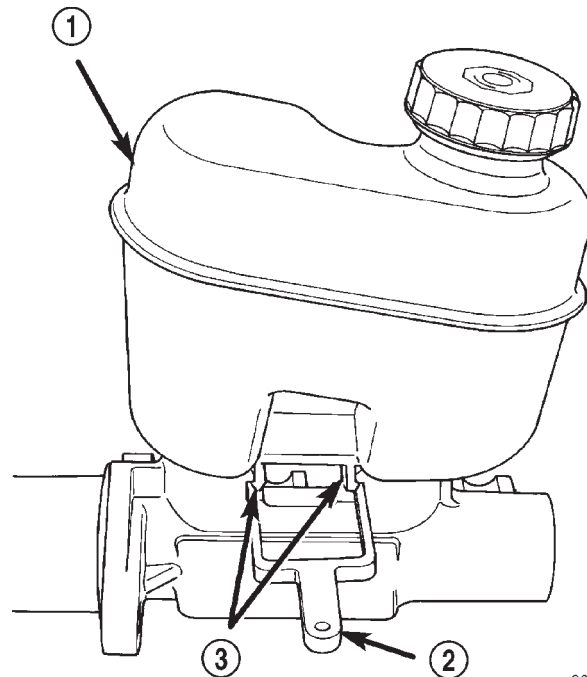
**MASTER CYLINDER RESERVOIR**

**REMOVAL**

(1) Remove reservoir cap and remove fluid with a **clean** suction gun.

(2) Remove the wire connector from the brake fluid level sensor.

(3) Insert the tool (Fig. 20) provided with the reservoir to release the reservoir retaining tabs.



**Fig. 20 Release Tool**

- 1 - RESERVOIR
- 2 - RELEASE TOOL
- 3 - RETAINING TABS

(4) Pull the reservoir straight up out of the cylinder.

(5) Remove and discard grommets from the cylinder body.

**INSTALLATION**

(1) Lubricate new grommets with clean brake fluid. Install new grommets into the cylinder body.



REMOVAL AND INSTALLATION (Continued)

**CAUTION:** Do not use tools to install the grommets. Tools may cut, or tear the grommets. Install the grommets using finger pressure only.

(2) Start reservoir in grommets then press the reservoir straight down to seat the reservoir into the cylinder grommets.

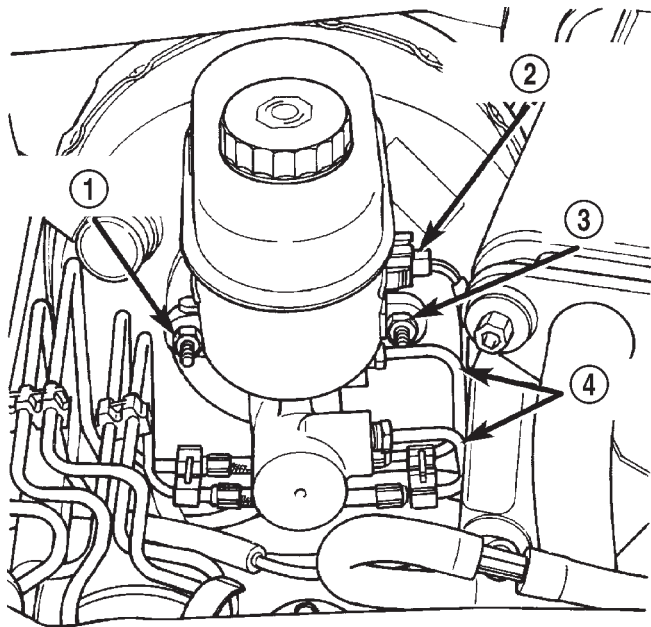
**CAUTION:** Do not rock the reservoir during installation.

- (3) Verify retaining tabs are seated.
- (4) Install the wire connector to the brake fluid level sensor.
- (5) Fill master cylinder.

**MASTER CYLINDER**

**REMOVAL**

- (1) Remove the wire connector from the brake fluid level sensor.
- (2) Remove brake lines from master cylinder.
- (3) Remove nuts that attach master cylinder to booster studs (Fig. 21).
- (4) Remove master cylinder from booster.



80b89851

**Fig. 21 Master Cylinder Mounting**

- 1 - MOUNTING NUT
- 2 - SENSOR CONNECTOR
- 3 - MOUNTING NUT
- 4 - BRAKE LINES

**INSTALLATION**

**NOTE:** Bleed new master cylinder on bench before installation, refer to Service Procedures.

(1) Have an assistant depress the brake pedal while guiding the master cylinder on the booster rod and mounting studs.

**CAUTION:** Do not depress brake pedal too hard and ensure the booster rod is in the master cylinder piston or booster/master cylinder damage will occur.

(2) Install master cylinder mounting nuts and tighten nuts to 25 N·m (18 lb. lbs.).

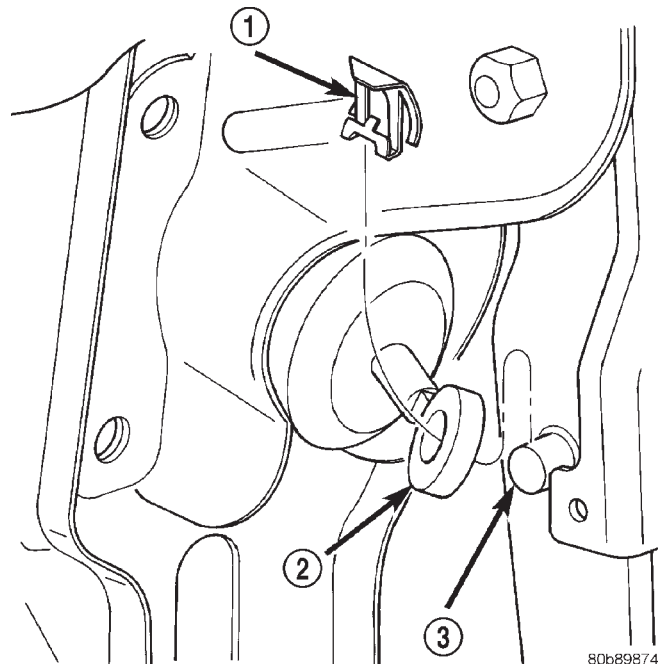
**NOTE:** Use original or factory replacement nuts only.

- (3) Install brake lines and tighten to 16 N·m (144 in. lbs.).
- (4) Install fluid level sensor connector.
- (5) Fill and bleed brake system.

**POWER BRAKE BOOSTER**

**REMOVAL**

- (1) Remove the master cylinder.
- (2) Disconnect vacuum hose at booster check valve.
- (3) Remove retainer clip (Fig. 22) that holds booster push rod on pedal pin. Then slide push rod off pin.



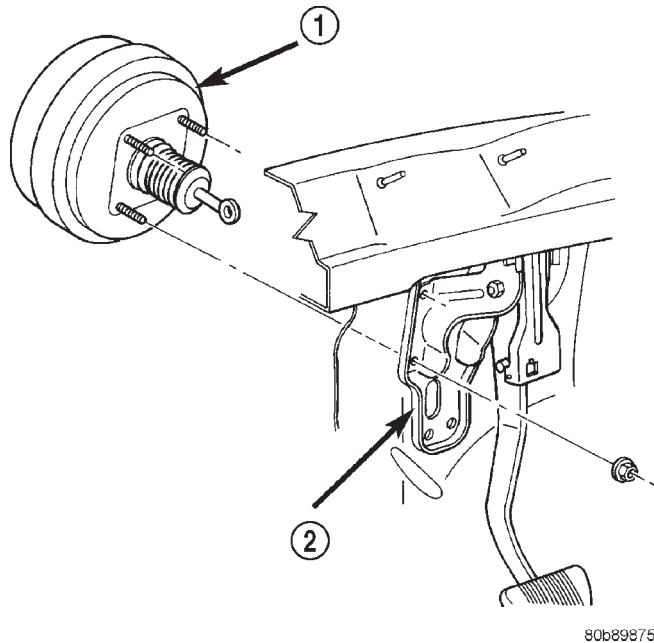
80b89874

**Fig. 22 Retainer Clip**

- 1 - RETAINER CLIP
- 2 - PUSH ROD
- 3 - PEDAL PIN

## REMOVAL AND INSTALLATION (Continued)

(4) Remove four nuts (Fig. 23) that attach booster to dash panel.



**Fig. 23 Power Brake Booster Mounting**

- 1 - BOOSTER  
2 - DASH PANEL

(5) In engine compartment, slide booster forward, tilt it upward slightly, and remove it from engine compartment.

## INSTALLATION

(1) Check condition of grommet that secures check valve in booster. Replace grommet if cut, torn, or loose.

(2) Install new booster dash seal.

(3) Align and position booster on engine compartment side of dash panel.

(4) Inside passenger compartment:

(a) Lubricate pedal pin Mopar multi-mileage grease.

(b) Install booster attaching nuts on studs. Tighten attaching nuts to 39 N·m (29 ft. lbs.).

(c) Slide booster push rod on pedal pin. Then secure rod to pin with retainer clip.

(5) In engine compartment, attach vacuum hose to booster check valve.

(6) Install the master cylinder with new gasket and nuts.

**CAUTION:** The master cylinder installation procedure must be performed as written or damage to the booster/master cylinder may occur.

(7) Fill and bleed brake system.

## FRONT DISC BRAKE CALIPER

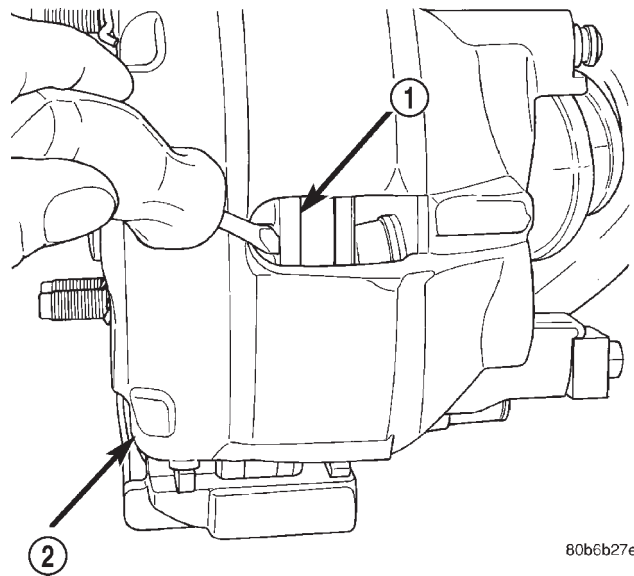
## REMOVAL

(1) Raise and support vehicle.

(2) Remove front wheel and tire assembly.

(3) Drain small amount of fluid from master cylinder brake reservoir with **clean** suction gun.

(4) Bottom caliper pistons into the caliper by prying the caliper over (Fig. 24).



**Fig. 24 Bottoming Caliper Piston**

- 1 - ROTOR  
2 - CALIPER

(5) Remove brake hose banjo bolt and gasket washers. Discard gasket washers.

(6) Remove the caliper support spring by prying the spring out of the caliper (Fig. 25).

(7) Remove the caliper slide pin bushing caps and remove the slide pins (Fig. 26).

(8) Remove caliper from the anchor.

(9) Remove the inboard brake shoe (Fig. 27).

## INSTALLATION

(1) Install the inboard brake shoe (Fig. 27).

(2) Lubricate the slide pins and slide pin bushings with Dow Corning® grease G807 or the grease provided with the caliper.

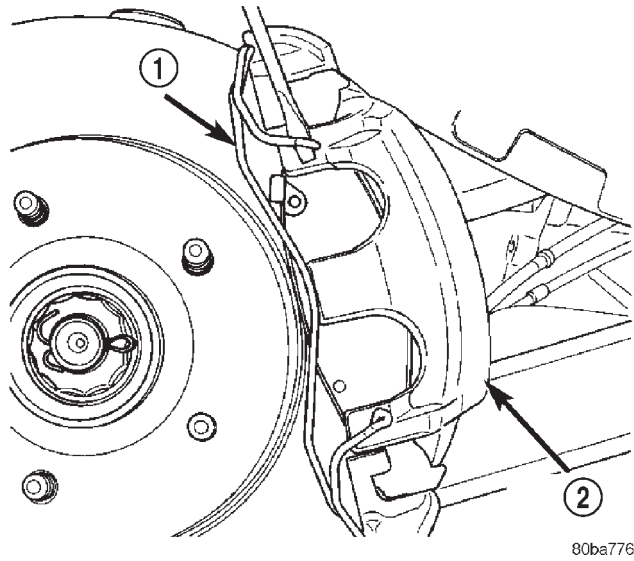
(3) Install the caliper on the anchor.

(4) Install the caliper slide pin and tighten to 29-41 N·m (21-30 ft. lbs.).

(5) Install the caliper slide pin bushing caps.

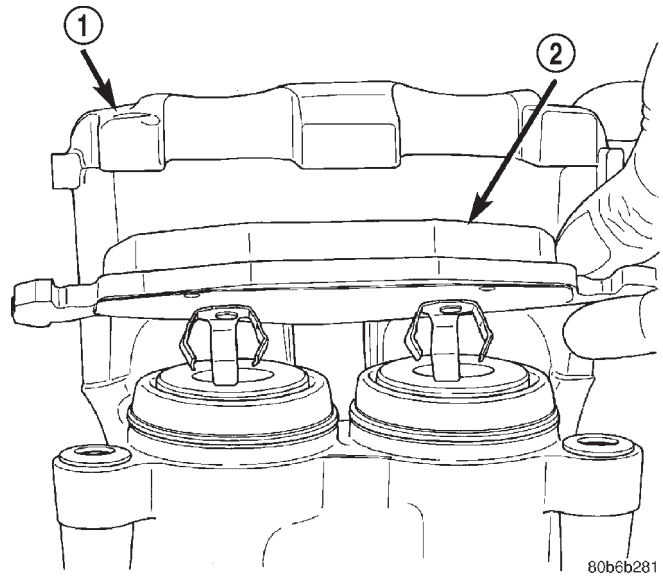
(6) Install the caliper support spring in the top end of the caliper and under the anchor. Then install other end into the lower caliper hole. Hold the spring into the caliper hole with your thumb while prying the end of the spring out and down under the anchor with a screw driver.

REMOVAL AND INSTALLATION (Continued)



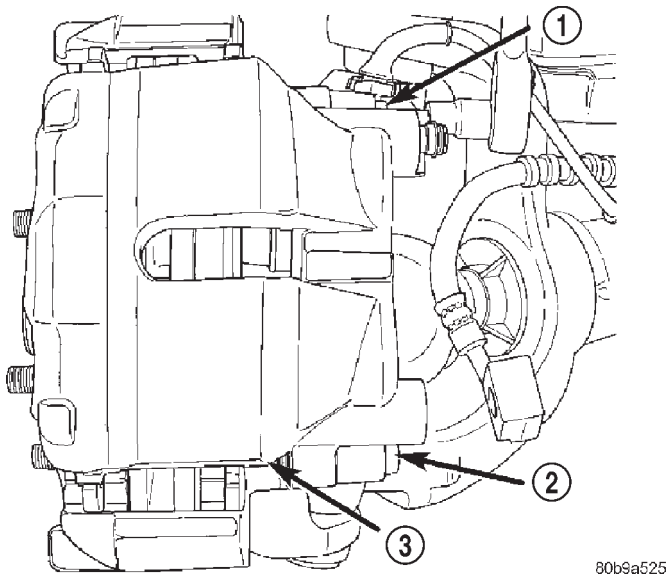
**Fig. 25 Caliper Support Spring**

- 1 - SUPPORT SPRING
- 2 - CALIPER



**Fig. 27 Inboard Brake Shoe**

- 1 - CALIPER
- 2 - INBOARD SHOE



**Fig. 26 Slide Pins**

- 1 - SLIDE PIN
- 2 - SLIDE PIN
- 3 - CALIPER

(7) Install brake hose to caliper with **new gasket washers** and tighten banjo bolt to 31 N-m (23 ft. lbs.).

**CAUTION:** Verify brake hose is not twisted or kinked before tightening banjo bolt.

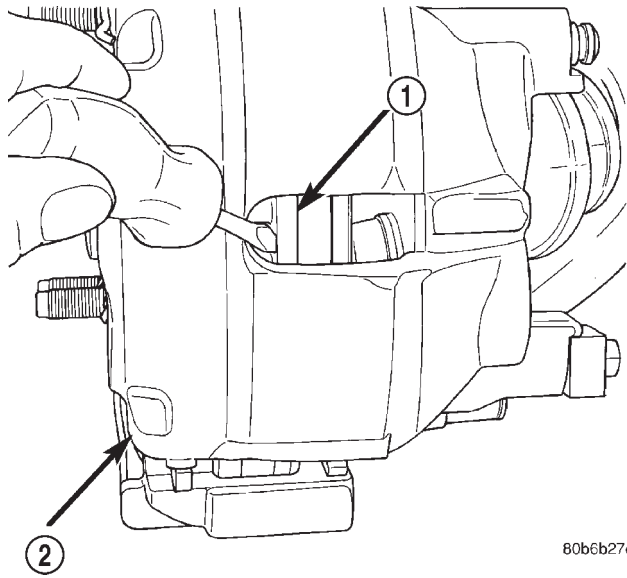
- (8) Fill and bleed brake system.
- (9) Install wheel and tire assemblies.
- (10) Remove supports and lower vehicle.
- (11) Verify brake fluid level.

**FRONT DISC BRAKE SHOES**

**REMOVAL**

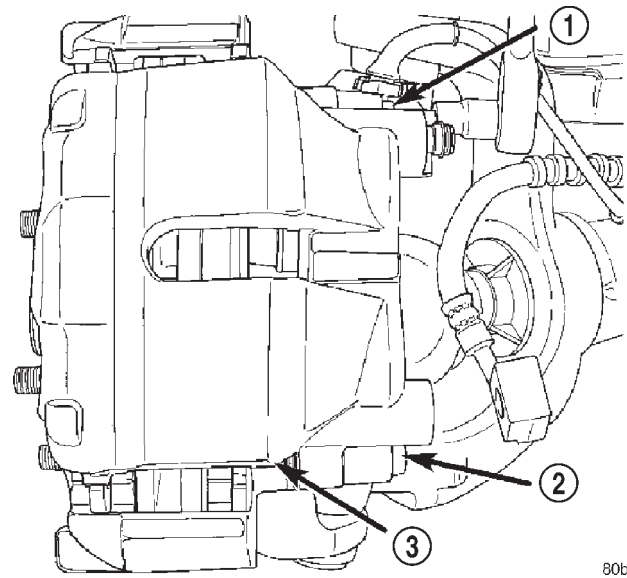
- (1) Raise and support vehicle.
- (2) Remove wheel and tire assembly.
- (3) Drain small amount of fluid from master cylinder brake reservoir with **clean** suction gun.
- (4) Bottom caliper pistons into the caliper by prying the caliper over (Fig. 28).
- (5) Remove the caliper support spring by prying the spring out of the caliper (Fig. 29).
- (6) Remove the caliper slide pin bushing caps and remove the slide pins (Fig. 30).
- (7) Remove caliper from the anchor.
- (8) Secure caliper to nearby suspension part with wire. **Do not allow brake hose to support caliper weight.**
- (9) Remove the inboard brake shoe from the caliper (Fig. 31).
- (10) Remove the outboard brake shoe (Fig. 32) from the caliper anchor.

REMOVAL AND INSTALLATION (Continued)



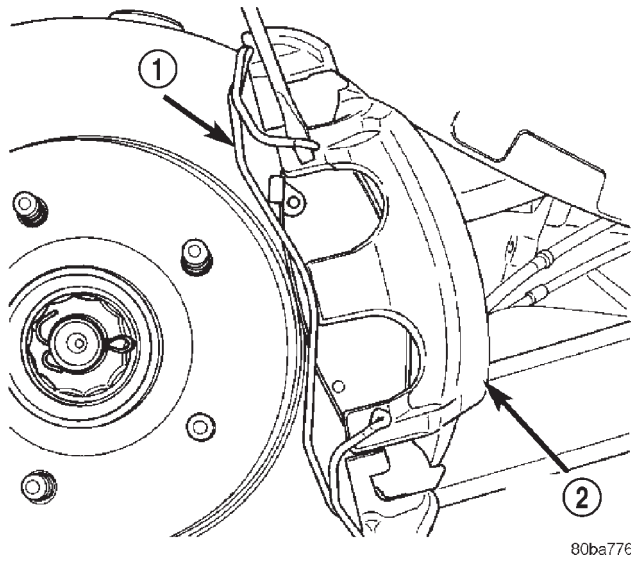
**Fig. 28 Bottoming Caliper Piston**

- 1 - ROTOR
- 2 - CALIPER



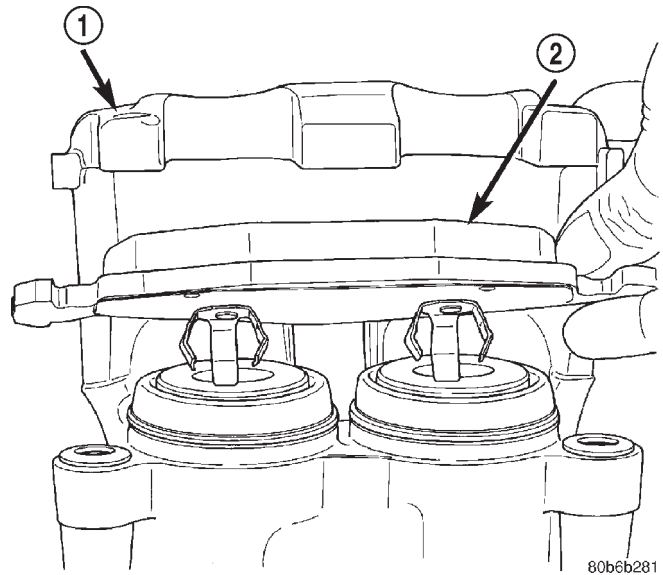
**Fig. 30 Caliper Slide Pins**

- 1 - SLIDE PIN
- 2 - SLIDE PIN
- 3 - CALIPER



**Fig. 29 Caliper Support Spring**

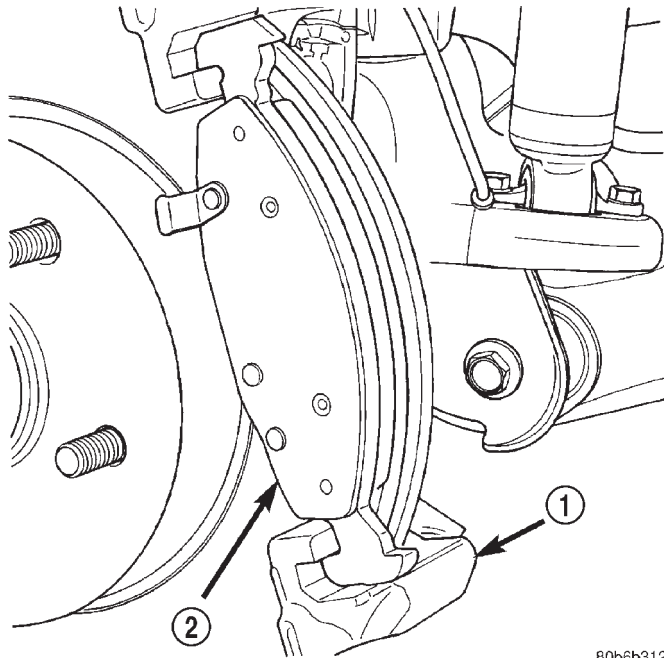
- 1 - SUPPORT SPRING
- 2 - CALIPER



**Fig. 31 Inboard Brake Shoe**

- 1 - CALIPER
- 2 - INBOARD SHOE

## REMOVAL AND INSTALLATION (Continued)



80b6b312

**Fig. 32 Outboard Brake Shoe**

- 1 - CALIPER ANCHOR  
2 - OUTBOARD BRAKE SHOE

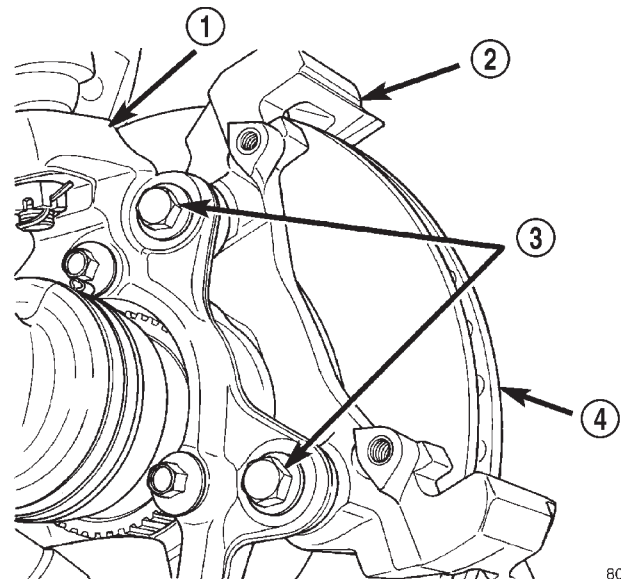
**INSTALLATION**

- (1) Install the inboard brake shoe onto the caliper (Fig. 31).
- (2) Install the outboard shoe onto the caliper anchor (Fig. 32).
- (3) Lubricate the slide pins and slide pin bushings with Dow Corning® grease G807 or the grease provided with the brake shoes.
- (4) Install caliper on the caliper anchor.
- (5) Install the caliper slide pin and tighten to 29-41 N·m (21-30 ft. lbs.).
- (6) Install the caliper slide pin bushing caps.
- (7) Install the caliper support spring in the top end of the caliper and under the anchor. Then install other end into the lower caliper hole. Hold the spring into the caliper hole with your thumb while prying the end of the spring out and down under the anchor with a screw driver.
- (8) Install wheel and tire assembly.
- (9) Remove support and lower vehicle.
- (10) Pump brake pedal until caliper pistons and brake shoes are seated and a firm brake pedal is obtained.
- (11) Fill brake fluid.

**FRONT DISC BRAKE ROTOR****REMOVAL**

**NOTE:** Front rotors and hub/bearings are matched mounted for minimum lateral runout. Before removing the rotor, mark the rotor and hub/bearing to maintain original orientation.

- (1) Raise and support the vehicle.
- (2) Remove wheel and tire assembly.
- (3) Remove the caliper anchor bolts (Fig. 33) and remove the caliper and anchor as an assembly from the steering knuckle.



80b6b30f

**Fig. 33 Caliper Anchor Bolts**

- 1 - KNUCKLE  
2 - ANCHOR  
3 - ANCHOR BOLTS  
4 - ROTOR

- (4) Secure caliper anchor assembly to nearby suspension part with a wire. **Do not allow brake hose to support caliper weight.**

- (5) Mark the rotor and hub/bearing to maintain original orientation. Remove retainers securing rotor to hub studs.

- (6) Remove rotor from hub/bearing.

**INSTALLATION**

**NOTE:** If a new rotor is installed it must be match mounted to the hub/bearing.

- (1) Install rotor on hub studs in its original location.



## REMOVAL AND INSTALLATION (Continued)

(2) Install the caliper anchor assembly on the knuckle. Install anchor bolts and tighten to 90-115 N·m (66-85 ft. lbs.).

(3) Install wheel and tire assembly.

(4) Remove support and lower the vehicle.

(5) Pump brake pedal to seat caliper pistons and brake shoes. Do not move vehicle until firm brake pedal is obtained.

## REAR DISC BRAKE CALIPER

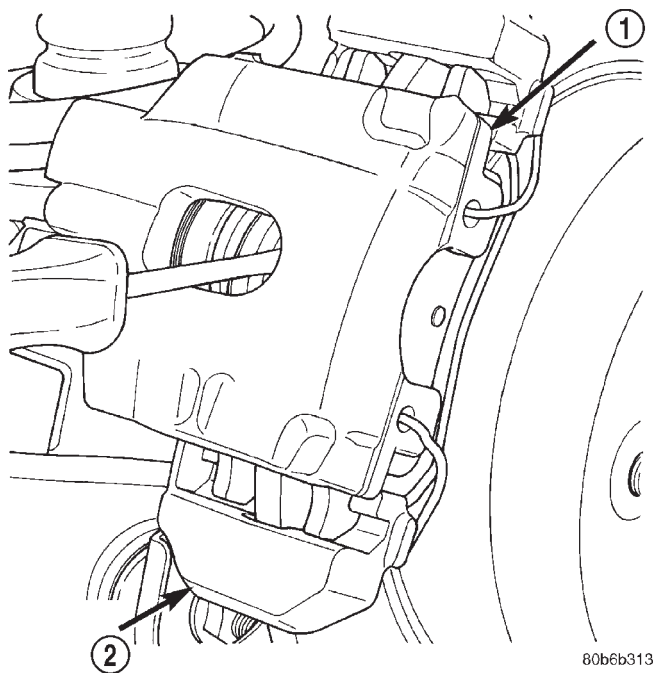
## REMOVAL

(1) Raise and support vehicle.

(2) Remove rear wheel and tire assembly.

(3) Drain small amount of fluid from master cylinder brake reservoir with a **clean** suction gun.

(4) Bottom caliper pistons into the caliper by prying the caliper over (Fig. 34).



**Fig. 34 Bottoming Caliper Piston**

- 1 - CALIPER  
2 - CALIPER ANCHOR

(5) Remove brake hose banjo bolt and discard gasket washers.

(6) Remove the caliper support spring by prying the spring out of the caliper (Fig. 35).

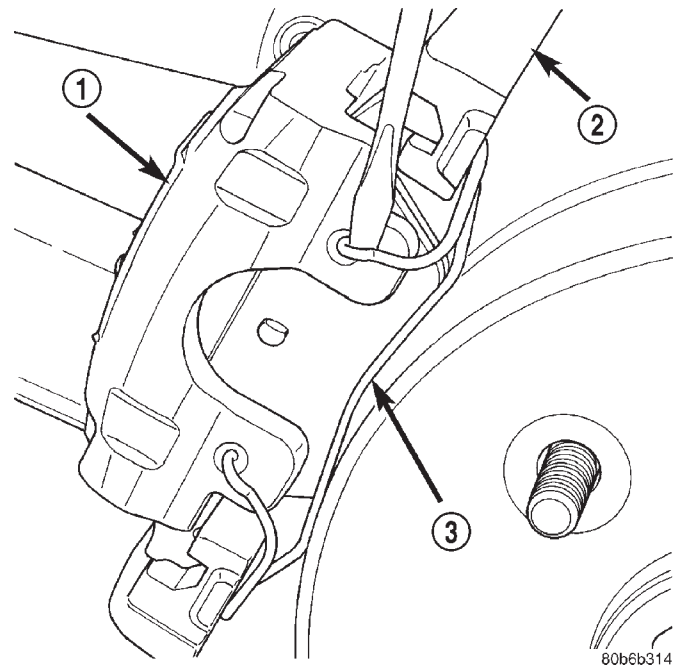
(7) Remove the caliper slide pin bushing caps and remove the slide pins (Fig. 36).

(8) Remove caliper from the anchor.

(9) Remove the inboard brake shoe (Fig. 37).

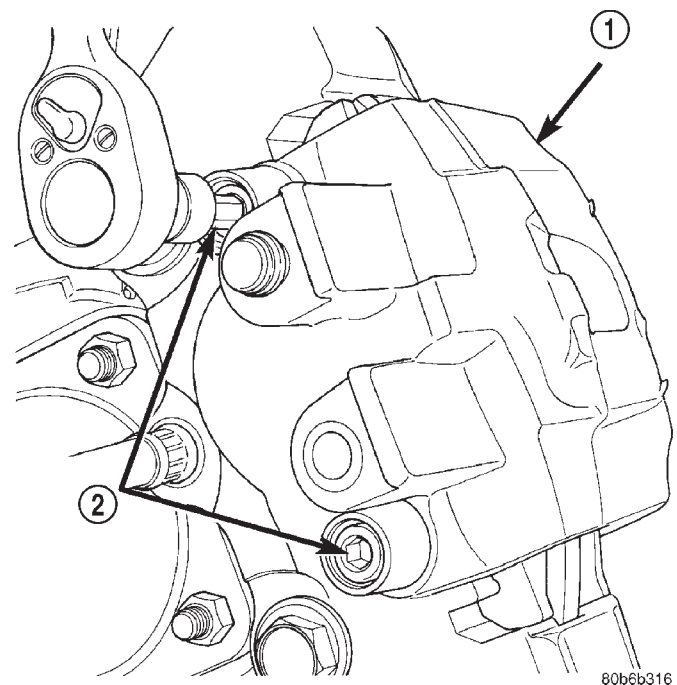
## INSTALLATION

(1) Install the inboard brake shoe (Fig. 37).



**Fig. 35 Caliper Support Spring**

- 1 - CALIPER  
2 - ANCHOR  
3 - SUPPORT SPRING

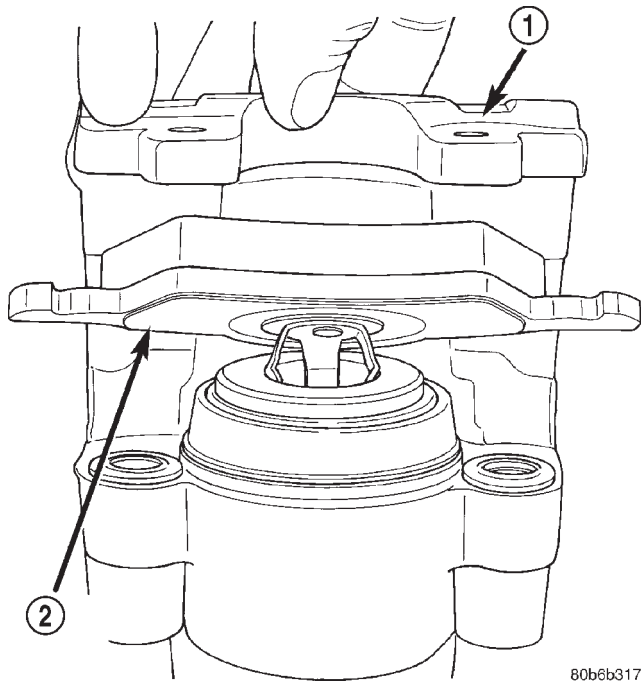


**Fig. 36 Caliper Slide Pins**

- 1 - CALIPER  
2 - SLIDE PINS

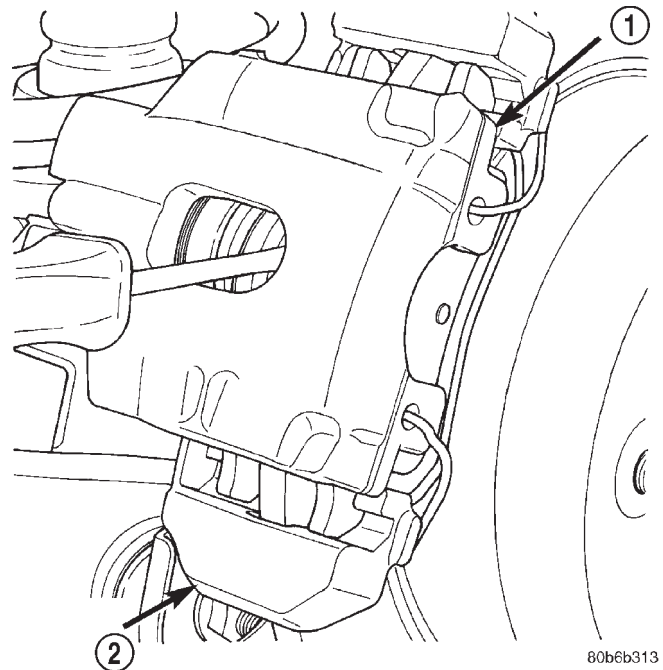
(2) Lubricate the slide pins and slide pin bushings with Dow Corning® grease G807 or the grease provided with the caliper.

REMOVAL AND INSTALLATION (Continued)



**Fig. 37 Inboard Brake Shoe**

- 1 - CALIPER
- 2 - INBOARD SHOE



**Fig. 38 Bottoming Caliper Piston**

- 1 - CALIPER
- 2 - CALIPER ANCHOR

- (3) Install the caliper on the anchor.
- (4) Install the caliper slide pin and tighten to 29-41 N·m (21-30 ft. lbs.).
- (5) Install the caliper slide pin caps.
- (6) Install the caliper support spring in the top end of the caliper and under the anchor. Then install other end into the lower caliper hole. Hold the spring into the caliper hole with your thumb while prying the end of the spring out and down under the anchor with a screw drive.
- (7) Install brake hose to caliper with **new** gasket washers and tighten banjo bolt to 31 N·m (23 ft. lbs.).

**CAUTION: Verify brake hose is not twisted or kinked before tightening fitting bolt.**

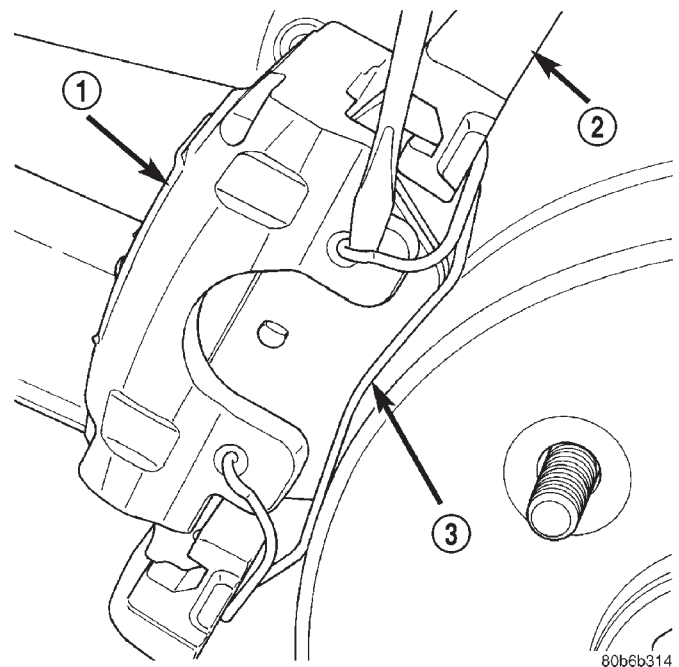
- (8) Fill and bleed brake system.
- (9) Install wheel and tire assemblies.
- (10) Remove supports and lower vehicle.

**REAR DISC BRAKE SHOES**

**REMOVAL**

- (1) Raise and support vehicle.
- (2) Remove rear wheel and tire assembly.
- (3) Drain small amount of fluid from master cylinder brake reservoir with a **clean** suction gun.
- (4) Bottom caliper pistons into the caliper by prying the caliper over (Fig. 38).

- (5) Remove the caliper support spring by prying the spring out of the caliper (Fig. 39).

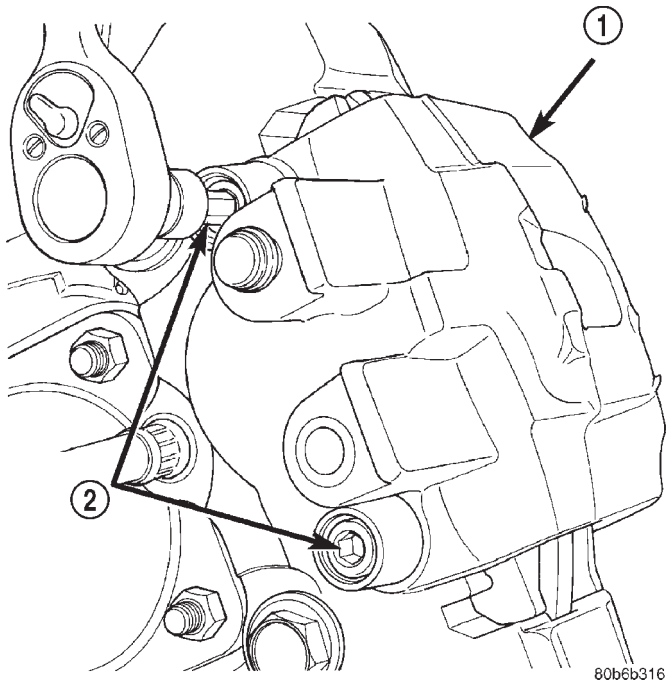


**Fig. 39 Caliper Support Spring**

- 1 - CALIPER
- 2 - ANCHOR
- 3 - SUPPORT SPRING

## REMOVAL AND INSTALLATION (Continued)

(6) Remove the caliper slide pin bushing caps and remove the slide pins (Fig. 40).



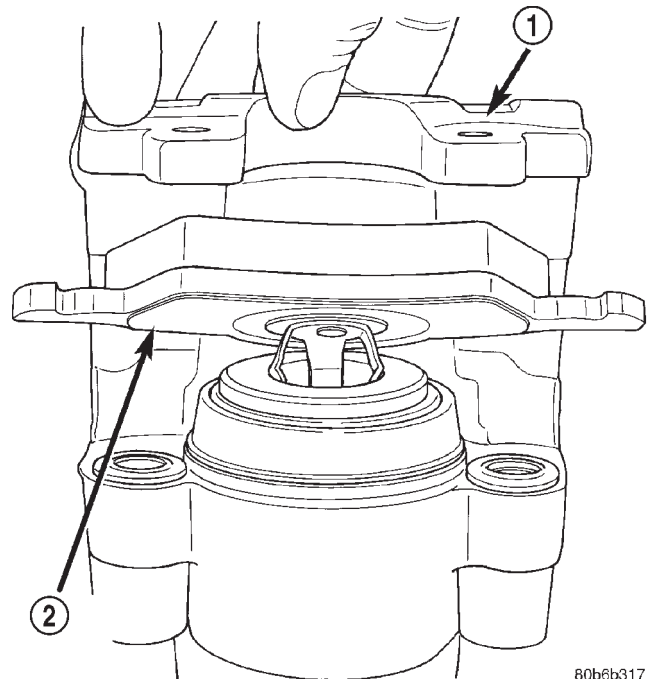
**Fig. 40 Caliper Slide Pins**

- 1 - CALIPER  
2 - SLIDE PINS

- (7) Remove caliper from the anchor.  
 (8) Secure caliper to nearby suspension part with wire. **Do not allow brake hose to support caliper weight.**  
 (9) Remove the inboard brake shoe from the caliper (Fig. 41).  
 (10) Remove outboard brake shoe (Fig. 42) from the caliper anchor.

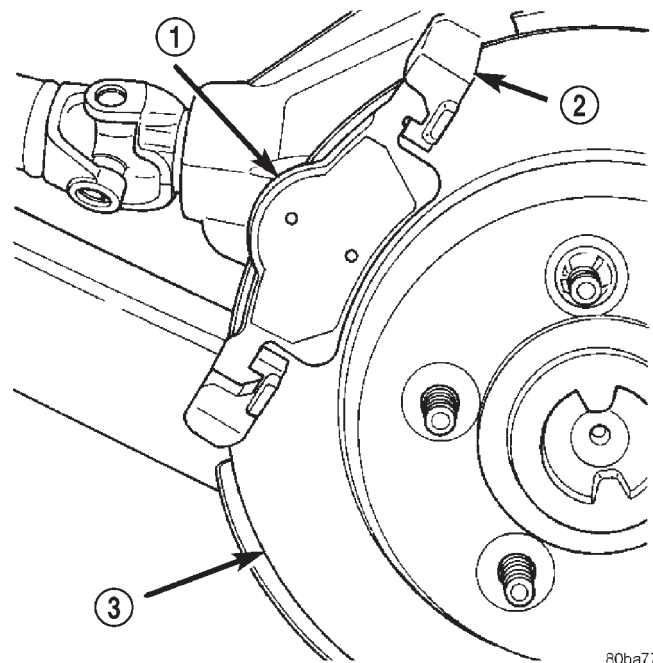
### INSTALLATION

- (1) Install the inboard brake shoe onto the caliper (Fig. 41).  
 (2) Install the outboard brake shoe onto the caliper anchor (Fig. 42).  
 (3) Lubricate the slide pins and slide pin bushings with Dow Corning® grease G807 or the grease provided with the brake shoes.  
 (4) Install caliper on the anchor.  
 (5) Install the caliper slide pin and tighten to 29-41 N·m (21-30 ft. lbs.).  
 (6) Install the caliper slide pin bushing caps.  
 (7) Install the caliper support spring in the top end of the caliper and under the anchor. Then install other end into the lower caliper hole. Hold the spring into the caliper hole with your thumb while prying the end of the spring out and down under the anchor with a screw drive.  
 (8) Install wheel and tire assembly.



**Fig. 41 Inboard Brake Shoe**

- 1 - CALIPER  
2 - INBOARD SHOE



**Fig. 42 Outboard Brake Shoe**

- 1 - OUTBOARD BRAKE SHOE  
2 - CALIPER ANCHOR  
3 - ROTOR

- (9) Remove support and lower vehicle.

REMOVAL AND INSTALLATION (Continued)

(10) Pump brake pedal until caliper piston and brake shoes are seated and a firm brake pedal is obtained.

(11) Fill brake fluid level if necessary.

REAR DISC BRAKE ROTOR

REMOVAL

- (1) Raise and support the vehicle.
- (2) Remove wheel and tire assembly.
- (3) Remove the caliper anchor bolts (Fig. 43).

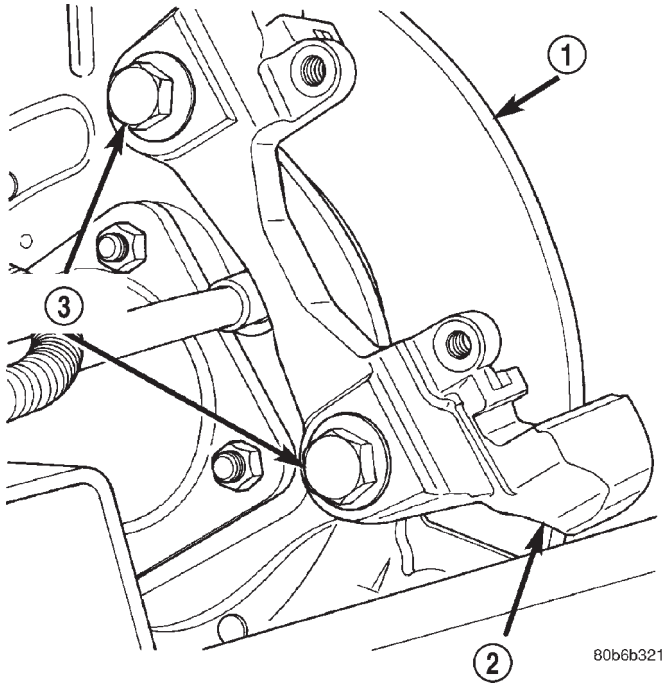


Fig. 43 Caliper Anchor Bolts

- 1 - ROTOR
- 2 - ANCHOR
- 3 - ANCHOR BOLTS

- (4) Remove caliper and anchor as an assembly.
- (5) Secure caliper anchor assembly to nearby suspension part with wire. **Do not allow brake hose to support caliper weight.**
- (6) Remove retainers securing rotor to axle studs.
- (7) Remove rotor off axle studs.

INSTALLATION

- (1) Install rotor on axle studs.
- (2) Install the caliper anchor assembly.
- (3) Install anchor bolts and tighten to 90-115 N·m (66-85 ft. lbs.).
- (4) Install wheel and tire assembly.
- (5) Remove support and lower the vehicle.
- (6) Pump brake pedal until caliper pistons and brake shoes are seated.

PARKING BRAKE LEVER

REMOVAL

- (1) Remove center console, refer to Group 23 Body.
- (2) Lift up rear seat and carpet covering the parking brake cables.
- (3) Place a screw driver through the front cable eyelet (Fig. 44) and pry back on the front cable.

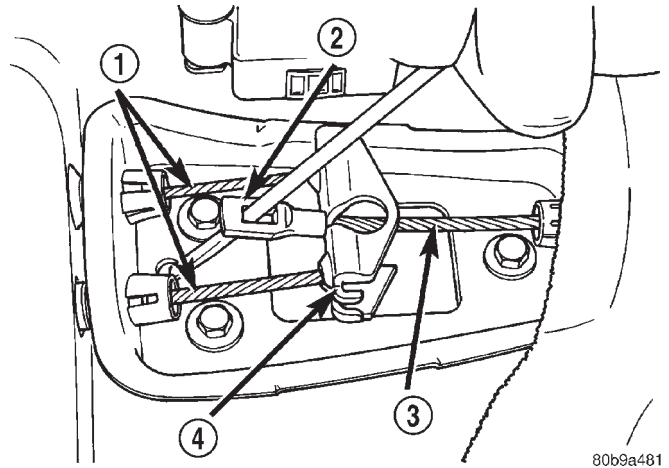


Fig. 44 Front Cable Eyelet

- 1 - REAR CABLES
- 2 - FRONT CABLE EYELET
- 3 - FRONT CABLE
- 4 - EQUALIZER

(4) Have an assistant pry down the lock out spring through the hole in the side of the park brake lever (Fig. 45) with a small screw driver. Then slowly release the front cable.

**NOTE:** Their should be slack in the cable if the lock out spring is engaged.

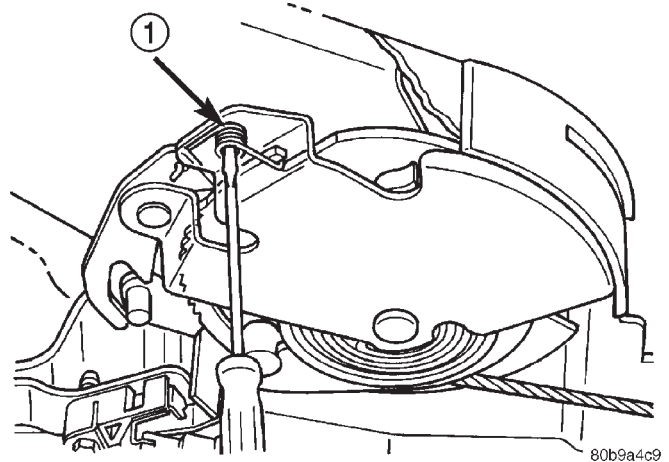


Fig. 45 Lock Out Spring

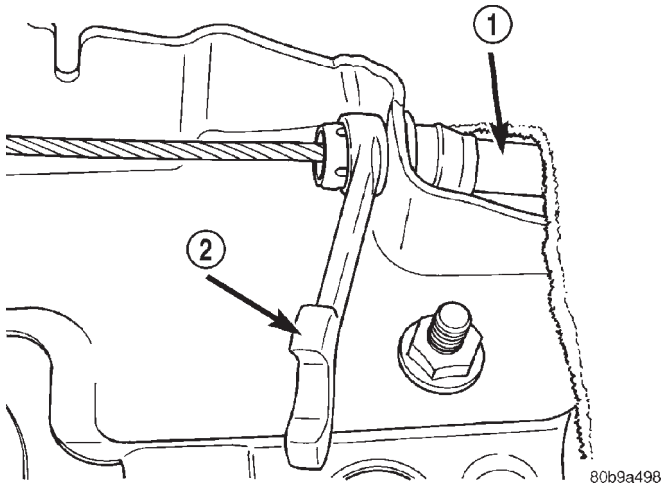
- 1 - LOCK OUT SPRING

## REMOVAL AND INSTALLATION (Continued)

(5) Disconnect parking brake switch wiring connector.

(6) Disengage front cable end from parking brake lever.

(7) Compress the cable retainer with a 13 mm wrench (Fig. 46) and remove the cable from the parking brake lever bracket.

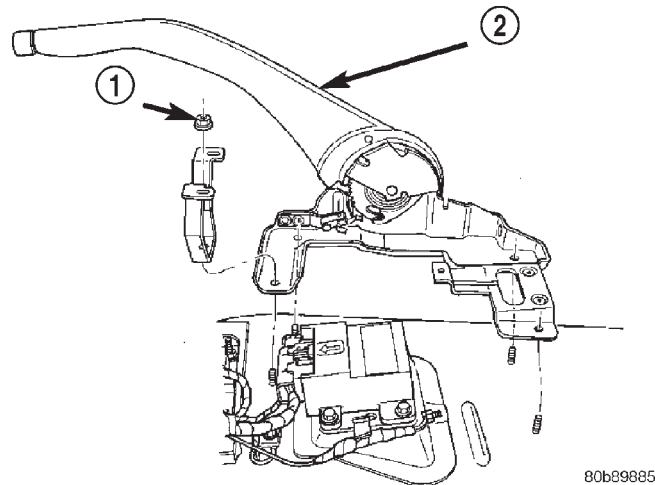


**Fig. 46 Parking Brake Lever Bracket**

- 1 - FRONT CABLE  
2 - WRENCH

(8) Remove the park brake lever mounting nuts and console bracket. (Fig. 47).

(9) Lift the lever assembly off the mounting studs and pull the front cable out of the lever bracket.



**Fig. 47 Parking Brake Lever Mounting**

- 1 - MOUNTING NUT  
2 - PARK BRAKE LEVER

## INSTALLATION

(1) Install the lever assembly on the mounting studs while feeding the front cable into the lever bracket.

(2) Install the console bracket (Fig. 47) and mounting nuts.

(3) Engage the front cable end to the lever.

(4) Connect parking brake switch wire connector.

(5) Pull on the lever to release the lock out spring.

(6) Install center console, refer to Group 23 Body.

(7) Fold down the rear carpet cover and rear seat.

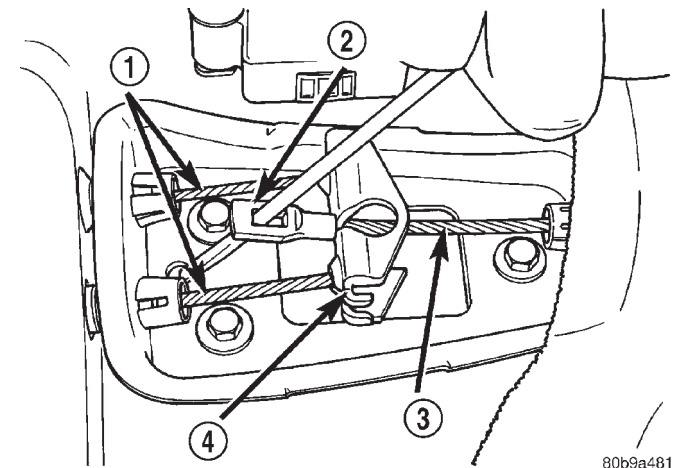
## FRONT PARKING BRAKE CABLE

## REMOVAL

(1) Remove center console, refer to Group 23 Body.

(2) Lift up rear seat and carpet covering the parking brake cables.

(3) Place a screw driver through the front cable eyelet (Fig. 48) and pry back on the front cable.



**Fig. 48 Front Cable Eyelet**

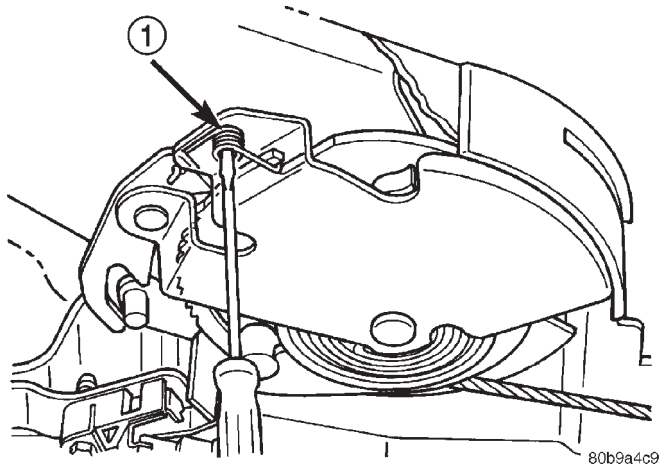
- 1 - REAR CABLES  
2 - FRONT CABLE EYELET  
3 - FRONT CABLE  
4 - EQUALIZER

(4) Have an assistant pry down the lock out spring through the hole in the side of the park brake lever (Fig. 49) with a small screw driver. Then slowly release the front cable.

**NOTE:** Their should be slack in the cable if the lock out spring is engaged.



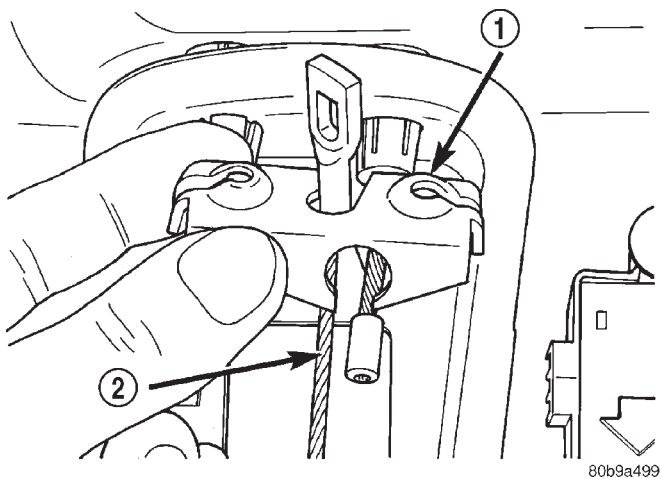
REMOVAL AND INSTALLATION (Continued)



**Fig. 49 Lock Out Spring**

- 1 - LOCK OUT SPRING

(5) Disengage front cable end from the equalizer (Fig. 50).



**Fig. 50 Cable Equalizer**

- 1 - EQUALIZER  
2 - FRONT CABLE

(6) Disengage front cable end from the parking brake lever.

(7) Remove the front carpet, refer to Group 23 Body.

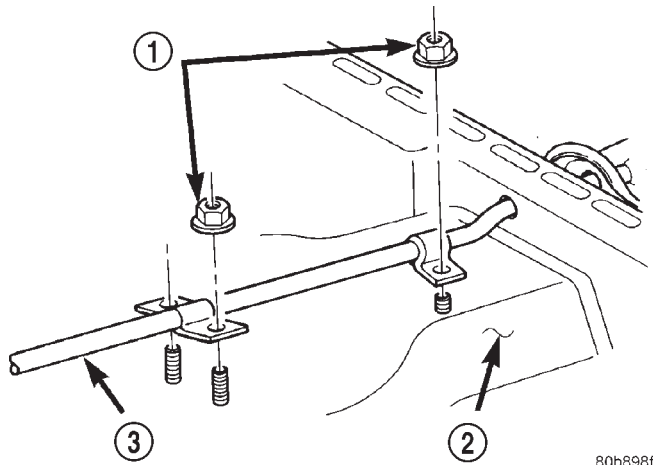
(8) Remove front cable retainer nuts (Fig. 51) from the floor pan.

(9) Compress the cable retainers with a 13 mm wrench (Fig. 52). Remove the cable from parking brake lever bracket and equalizer bracket.

**INSTALLATION**

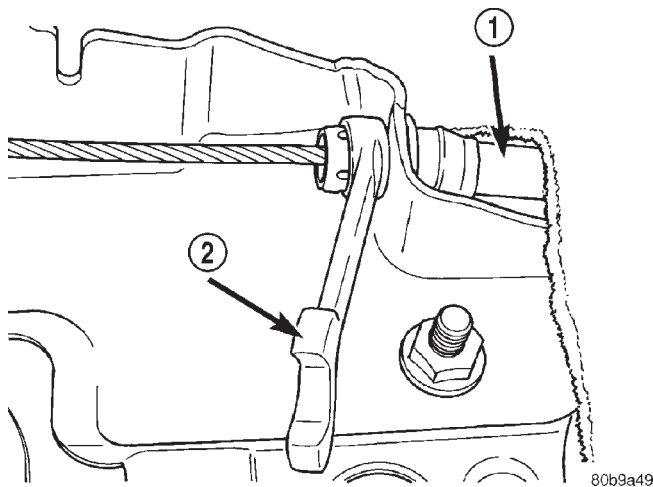
(1) Install cable into the parking brake lever bracket and equalizer bracket.

(2) Install front cable to the floor pan and install retainer nuts.



**Fig. 51 Front Parking Brake Cable**

- 1 - RETAINER NUT  
2 - FLOOR PAN  
3 - FRONT CABLE



**Fig. 52 Brake Lever Bracket**

- 1 - FRONT CABLE  
2 - WRENCH

(3) Engage front cable ends to the parking brake lever and equalizer.

(4) Install the front carpet, refer to Group 23 Body.

(5) Pull on the lever to release the lock out spring.

(6) Install center console, refer to Group 23 Body.

(7) Fold down the rear carpet cover and rear seat.

**REAR PARKING BRAKE CABLES**

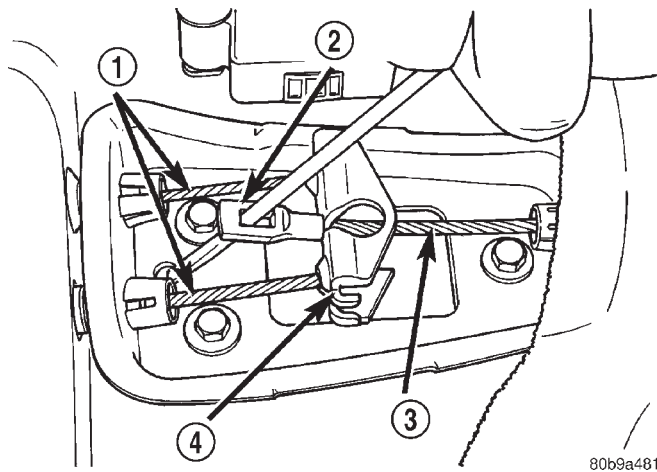
**REMOVAL**

(1) Remove center console, refer to Group 23 Body.

(2) Lift up rear seat and carpet covering the parking brake cables.

(3) Place a screw driver through the front cable eyelet (Fig. 53) and pry back on the front cable.

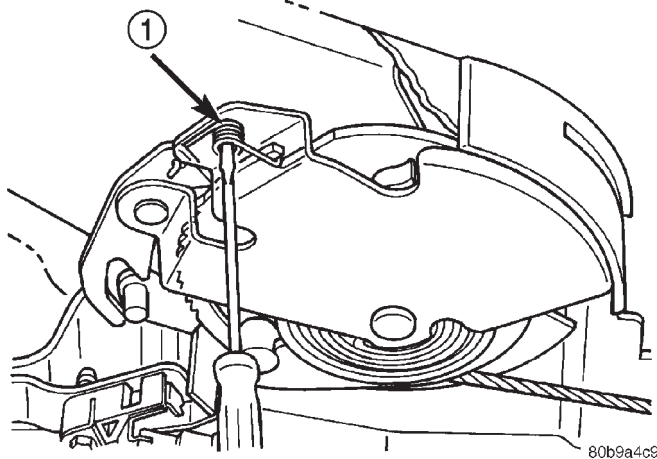
## REMOVAL AND INSTALLATION (Continued)

**Fig. 53 Front Cable Eyelet**

- 1 - REAR CABLES
- 2 - FRONT CABLE EYELET
- 3 - FRONT CABLE
- 4 - EQUALIZER

(4) Have an assistant pry down the lock out spring through the hole in the side of the park brake lever (Fig. 54) with a small screw driver. Then slowly release the front cable.

**NOTE:** There should be slack in the cable if the lock out spring is engaged.

**Fig. 54 Lock Out Spring**

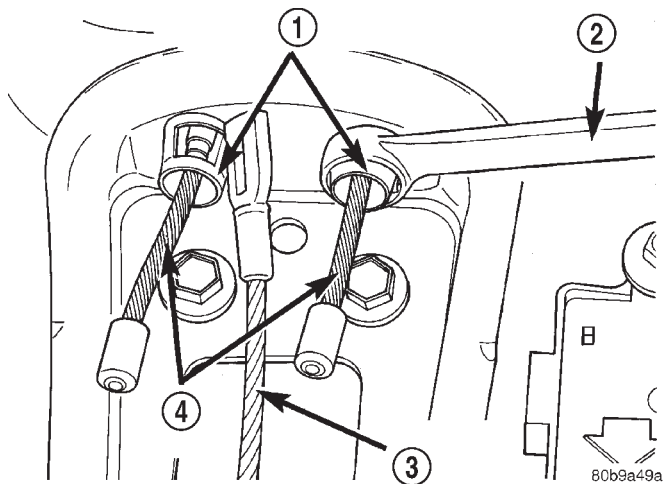
- 1 - LOCK OUT SPRING

(5) Disengage rear cables ends from the equalizer.  
 (6) Compress the cable retainers with a 13 mm wrench (Fig. 55) and remove the cable from equalizer bracket.

(7) Raise and support the vehicle.

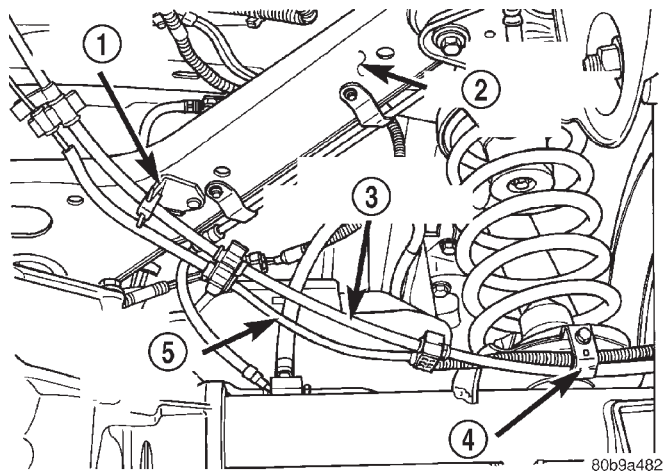
(8) Remove the wheel and tire assemblies.

(9) Remove the brake calipers, caliper anchors and rotors.

**Fig. 55 Cable Retainers**

- 1 - CABLE RETAINER
- 2 - WRENCH
- 3 - FRONT CABLE
- 4 - REAR CABLES

(10) Remove the ABS sensor wiring harness (Fig. 56) from the rear brake cables.

**Fig. 56 Left Rear Parking Brake Cable**

- 1 - CABLE BRACKET
- 2 - UPPER SUSPENSION ARM
- 3 - PARKING BRAKE CABLE
- 4 - CABLE RETAINER
- 5 - ABS SENSOR WIRING

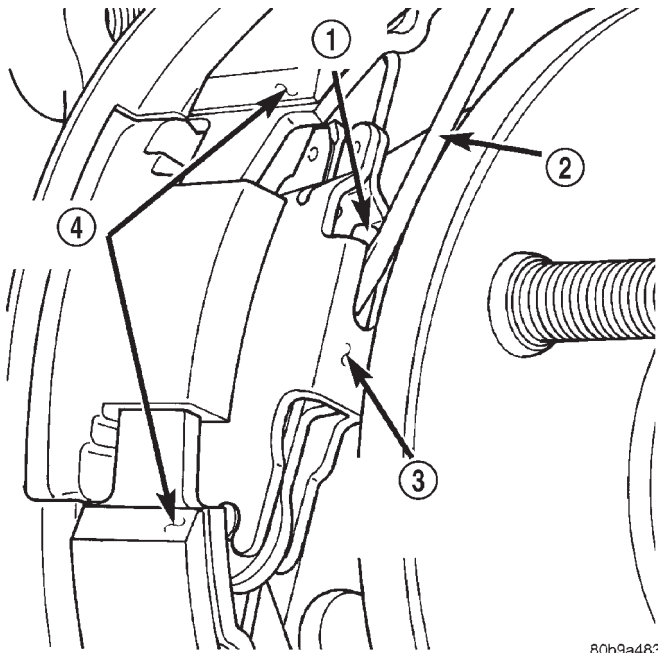
(11) Remove the cable retainer bolts (Fig. 56) from the rear spring pads.

(12) Pull the cables out of the upper suspension arm brackets.

(13) Push the cable in and lift up the end of cable with a small screw driver to disengage the cable from the parking brake actuator (Fig. 57).

(14) Remove the cable from the vehicle.

REMOVAL AND INSTALLATION (Continued)



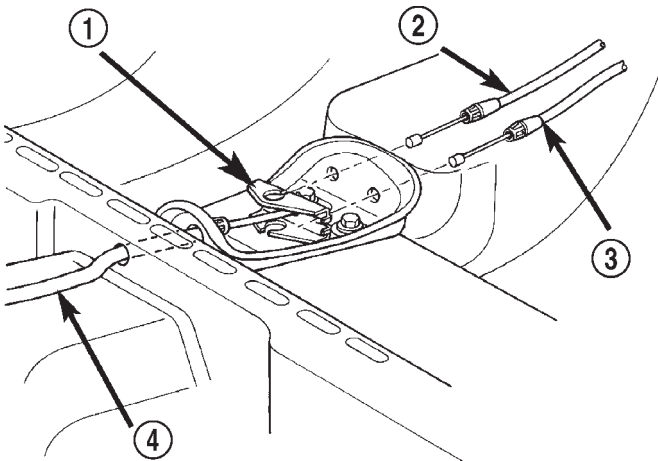
80b9a483

**Fig. 57 Parking Brake Actuator**

- 1 - CABLE END
- 2 - SCREW DRIVER
- 3 - PARKING BRAKE ACTUATOR
- 4 - BRAKE SHOES

**INSTALLATION**

- (1) Install the cables through the caliper anchor mount. Then push the end of cable strand in to engage the cable end to the parking brake actuator.
- (2) Feed the other end of the cables through the body and into the equalizer bracket (Fig. 58).



80b89889

**Fig. 58 Equalizer Bracket**

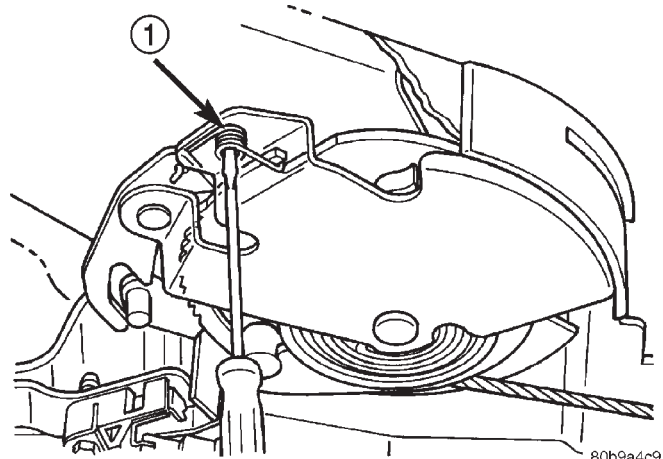
- 1 - EQUALIZER
- 2 - RIGHT REAR CABLE
- 3 - LEFT REAR CABLE
- 4 - FRONT CABLE

- (3) Push the cables into the upper suspension arm brackets.
- (4) Install the cable retainer bolts to the rear spring pads.
- (5) Install the ABS sensor wiring harness to the rear brake cables.
- (6) Install the rotors, caliper anchors and brake calipers.
- (7) Install the wheel and tire assemblies.
- (8) Remove support and lower the vehicle.
- (9) Engage the cable ends into the parking brake equalizer.
- (10) Pull on the lever to release the lock out spring.
- (11) Install center console, refer to Group 23 Body.
- (12) Fold down the rear carpet cover and rear seat.
- (13) Verify parking brake operation.

**PARKING BRAKE SHOES**

**REMOVAL**

- (1) Lock out park brake lever (Fig. 59).



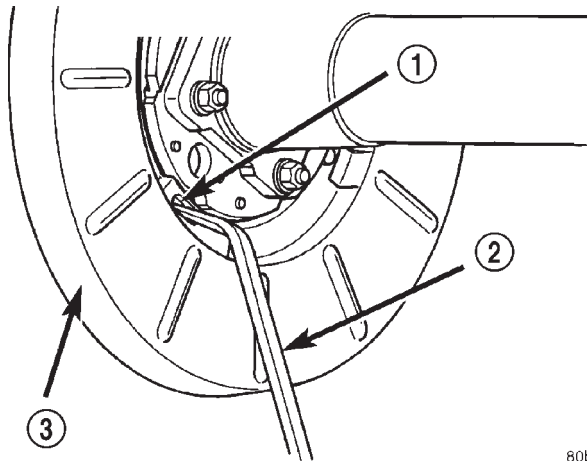
80b9a4c9

**Fig. 59 Lock Out Spring**

- 1 - LOCK OUT SPRING

- (2) Raise vehicle.
- (3) Remove rear wheel and tire assembly.
- (4) Remove caliper and anchor as an assembly.
- (5) Remove rubber access plug from back of rear disc brake splash shield.
- (6) If necessary retract parking brake shoes with brake adjuster tool (Fig. 60). Position tool at top of star wheel and rotate wheel.
- (7) Remove rotor from axle hub flange.
- (8) Remove the lower shoe to shoe spring/adjuster spring with needle nose pliers (Fig. 61).
- (9) Remove the upper shoe to shoe spring/return spring with brake pliers (Fig. 62).
- (10) Remove shoe hold-down clips and pins (Fig. 63). Clip is held in place by pin which fits in clip

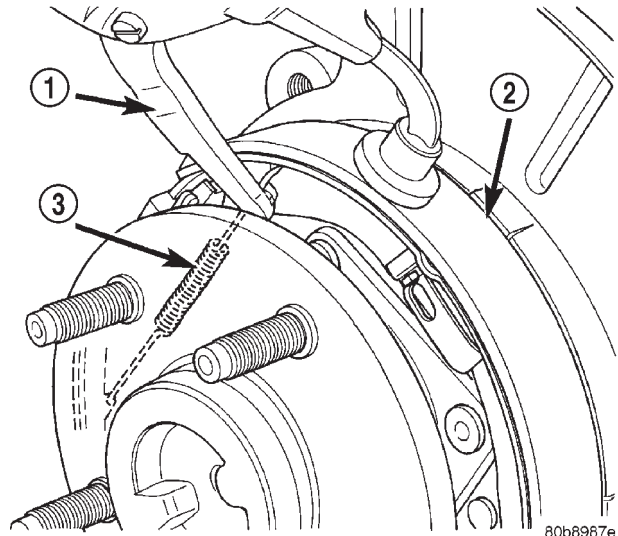
## REMOVAL AND INSTALLATION (Continued)



80b8987a

**Fig. 60 Retracting Parking Brake Shoes**

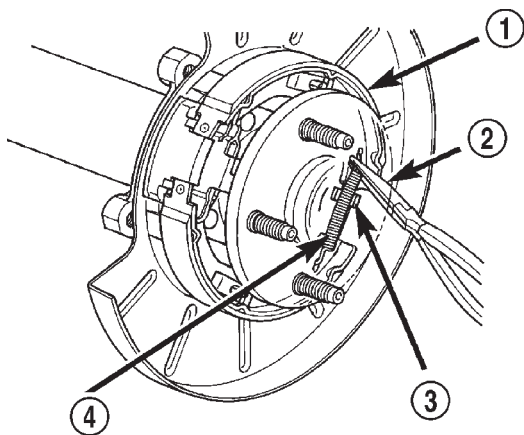
- 1 - ACCESS HOLE
- 2 - BRAKE ADJUSTING TOOL
- 3 - SPLASH SHIELD



80b8987e

**Fig. 62 Upper Spring**

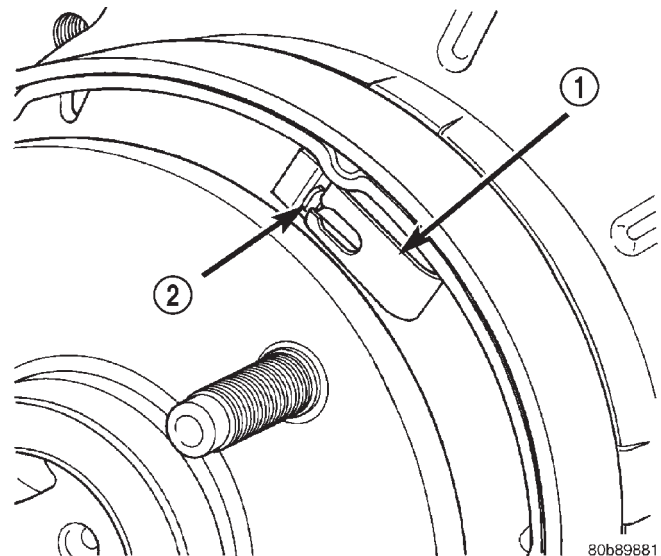
- 1 - BRAKE PLIERS
- 2 - REAR SHOE
- 3 - UPPER SPRING



80b8987b

**Fig. 61 Lower Spring**

- 1 - REAR SHOE
- 2 - NEEDLENOSE PLIERS
- 3 - ADJUSTER SCREW
- 4 - LOWER SPRING



80b89881

**Fig. 63 Hold-Down Clip And Pin**

- 1 - HOLD-DOWN CLIP
- 2 - HOLD-DOWN PIN

notch. To remove clip, first push clip ends together and slide clip until head of pin clears narrow part of notch. Then remove clip and pin.

(11) Remove shoes and adjuster.

**INSTALLATION**

(1) Install shoes on splash shield with hold down clips and pins. Be sure shoes are properly engaged in the park brake actuator.

(2) Lubricate and install adjuster screw assembly. Be sure notched ends of screw assembly are properly seated on shoes and that star wheel is aligned with access hole in shield.

(3) Install lower shoe to shoe spring/adjuster spring. Needle nose pliers can be used to connect spring to each shoe.

(4) Install the upper shoe to shoe spring/return spring with brake pliers (Fig. 61).

(5) Install rotor and caliper anchor assembly.

(6) Install anchor bolts and tighten to 90-115 N·m (66-85 ft. lbs.).

(7) Actuate park brake lever to unlock the park brake system.

(8) Adjust the parking brake shoes (Fig. 60).

REMOVAL AND INSTALLATION (Continued)

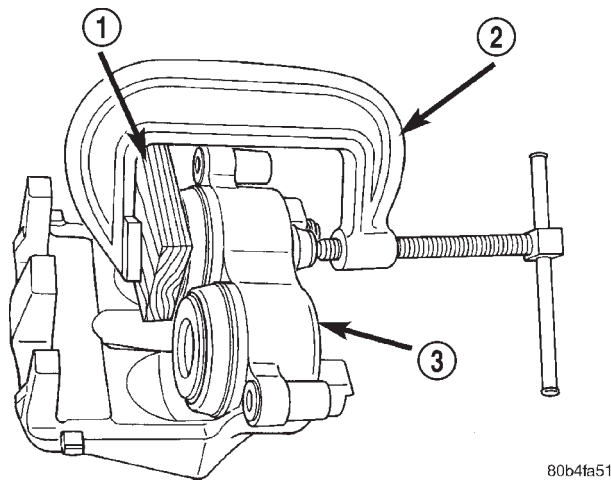
- (9) Install wheel and tire assembly.
- (10) Lower vehicle and verify correct parking brake operation.

DISASSEMBLY AND ASSEMBLY

FRONT DISC BRAKE CALIPER

DISASSEMBLY

- (1) Drain the brake fluid from caliper.
- (2) C-clamp a block of wood over one piston (Fig. 64).



**Fig. 64 C-Clamp One Piston**

- 1 - BLOCK OF WOOD
- 2 - C-CLAMP
- 3 - CALIPER

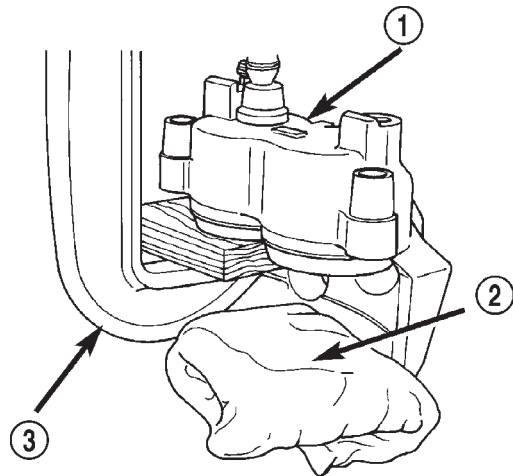
(3) Take another piece of wood and pad it with one-inch thickness of shop towels. Place this piece in the outboard shoe side of the caliper in front of the other piston. This will cushion and protect caliper piston during removal (Fig. 65).

(4) To remove the caliper piston direct **short bursts of low pressure air** with a blow gun through the caliper brake hose port. Use only enough air pressure to ease the piston out.

**CAUTION:** Do not blow the piston out of the bore with sustained air pressure. This could result in a cracked piston.

**WARNING:** NEVER ATTEMPT TO CATCH THE PISTON AS IT LEAVES THE BORE. THIS COULD RESULT IN PERSONAL INJURY.

(5) Remove the C-clamp and block of wood from the caliper and clamp it over the dust boot of the first piston removed. This will seal the empty piston bore.



80b4fa52

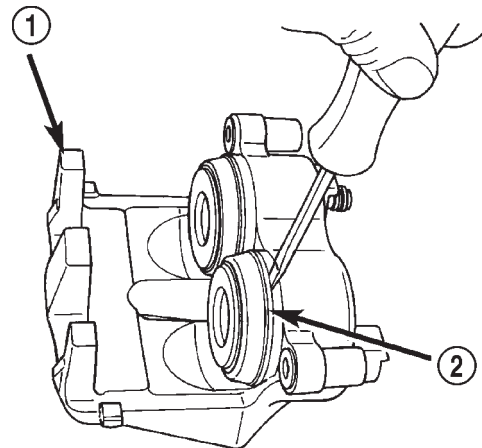
**Fig. 65 Protect Caliper Piston**

- 1 - CALIPER
- 2 - PADDED BLOCK OF WOOD
- 3 - C-CLAMP

(6) Move the padded piece of wood in front of the other piston.

(7) Remove the second piston using the same procedure with **short bursts of low pressure air**.

(8) Remove piston dust boots with a suitable pry tool (Fig. 66) and discard.



80b4fa53

**Fig. 66 Piston Dust Boot Removal**

- 1 - CALIPER
- 2 - PISTON DUST BOOT

(9) Remove piston seals from caliper (Fig. 67) and discard.

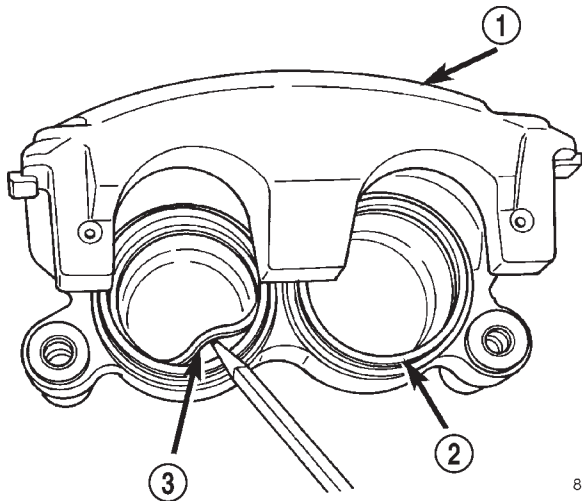
**CAUTION:** Do not scratch piston bore while removing the seals.

(10) Remove caliper slide pin bushings (Fig. 68).

(11) Remove caliper bleed screw.



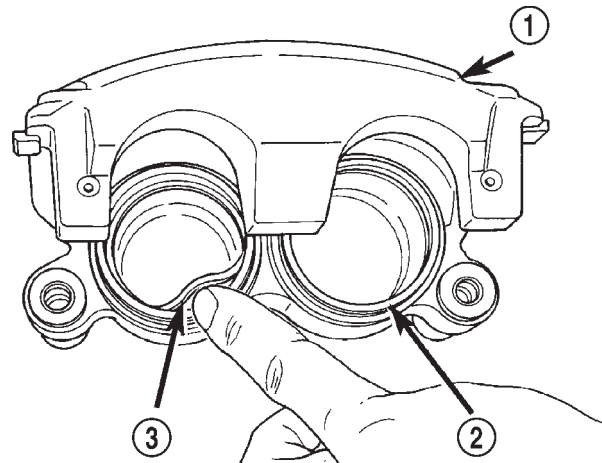
## DISASSEMBLY AND ASSEMBLY (Continued)



80b4fa54

**Fig. 67 Piston Seal**

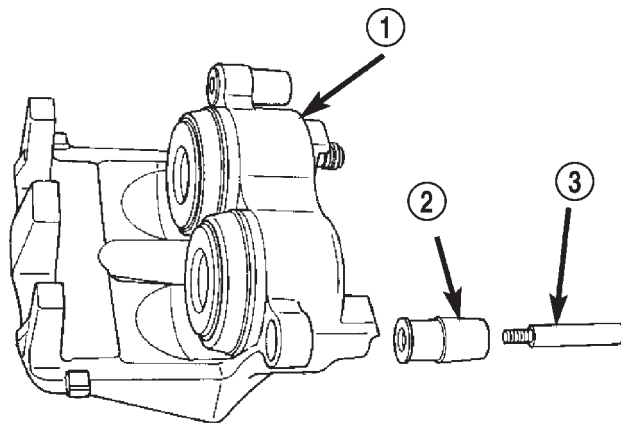
- 1 - CALIPER
- 2 - PISTON BORE
- 3 - PISTON SEAL



80b4fa56

**Fig. 69 Piston Seal**

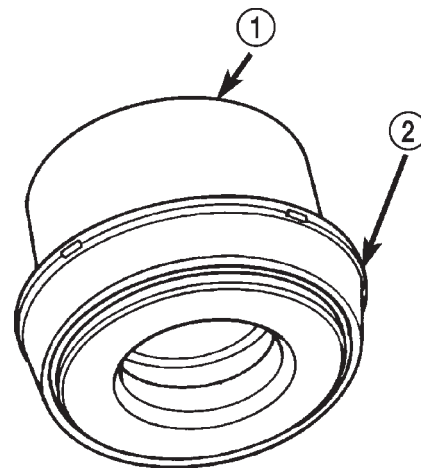
- 1 - CALIPER
- 2 - PISTON BORE
- 3 - PISTON SEAL



80ba7767

**Fig. 68 Caliper Slide Pin Bushings**

- 1 - CALIPER
- 2 - BUSHING
- 3 - CALIPER SLIDE PIN



80b4fa62

**Fig. 70 Dust Boot On Piston**

- 1 - PISTON
- 2 - DUST BOOT

**ASSEMBLY**

**CAUTION:** Dirt, oil, and solvents can damage caliper seals. Insure assembly area is clean and dry.

(1) Lubricate caliper pistons, piston seals and piston bores with clean brake fluid.

(2) Install new piston seals into seal groove with finger (Fig. 69).

**NOTE:** Verify seal is fully seated and not twisted.

(3) Install new dust boot on caliper piston and seat boot lip into piston groove (Fig. 70).

(4) Stretch boot rearward to straighten boot folds, then move boot forward until folds snap into place.

(5) Install piston into caliper bore and press piston down to the bottom of the caliper bore by hand or with hammer handle (Fig. 71).

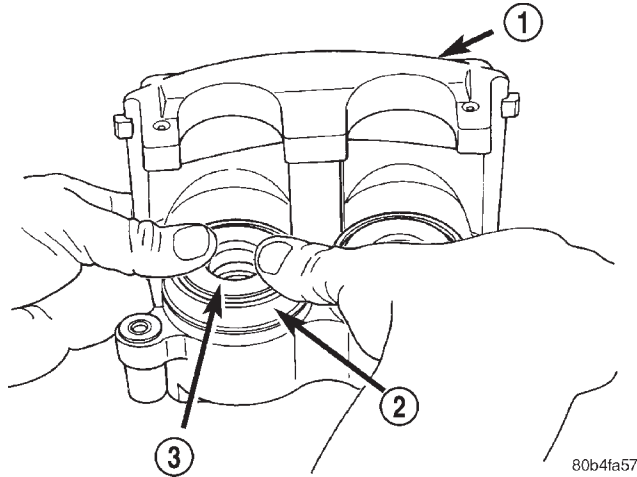
(6) Seat dust boot in caliper (Fig. 72) with Installer 8280 and Handle C-4171.

(7) Install the second piston and dust boot.

(8) Install caliper slide pin bushings into the caliper.

(9) Install caliper bleed screw.

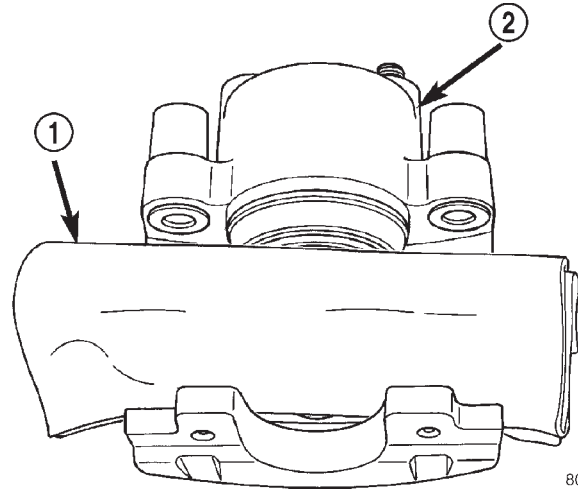
DISASSEMBLY AND ASSEMBLY (Continued)



80b4fa57

**Fig. 71 Caliper Piston Installation**

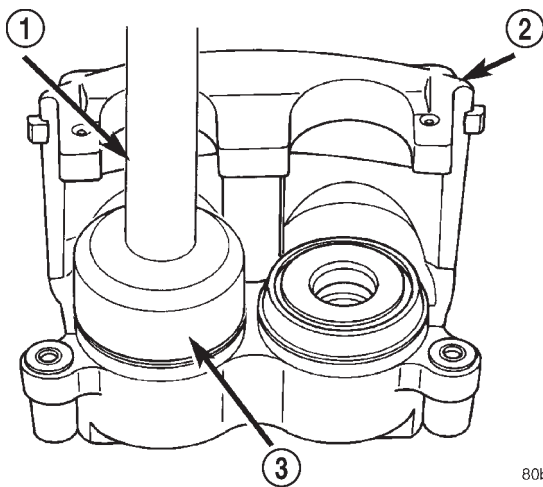
- 1 - CALIPER
- 2 - DUST BOOT
- 3 - PISTON



80b4fa59

**Fig. 73 Padding Caliper Interior**

- 1 - SHOP TOWELS OR CLOTHS
- 2 - CALIPER



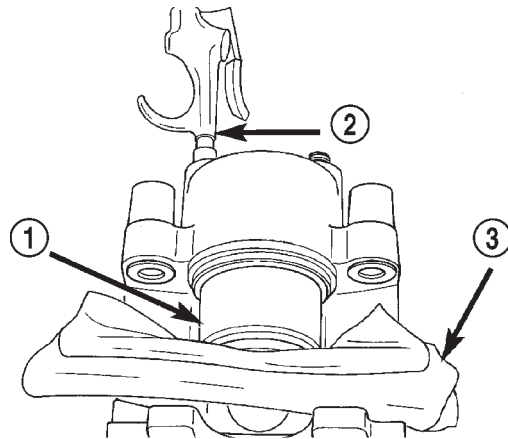
80b4fa58

**Fig. 72 Seating Dust Boot**

- 1 - HANDLE
- 2 - CALIPER
- 3 - DUST BOOT INSTALLER

**CAUTION:** Do not blow the piston out of the bore with sustained air pressure. This could result in a cracked piston.

**WARNING:** NEVER ATTEMPT TO CATCH THE PISTON AS IT LEAVES THE BORE. THIS MAY RESULT IN PERSONAL INJURY.



80b4fa5a

**Fig. 74 Caliper Piston Removal**

- 1 - CALIPER PISTON
- 2 - AIR GUN
- 3 - PADDING MATERIAL

**REAR DISC BRAKE CALIPER**

**DISASSEMBLY**

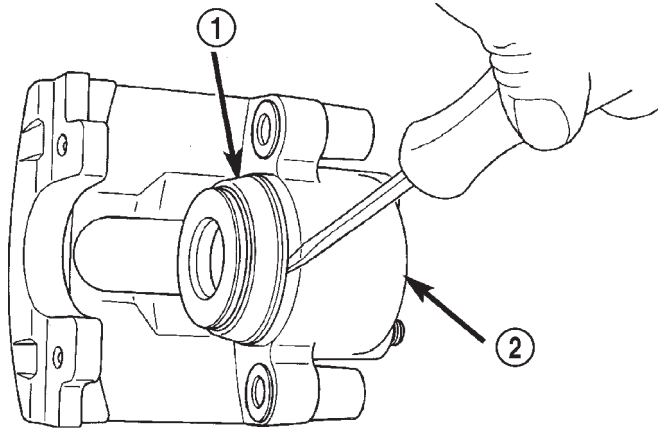
- (1) Drain brake fluid out of caliper.
- (2) Take a piece of wood and pad it with one-inch thickness of shop towels. Place this piece in the out-board shoe side of the caliper in front of the piston. This will cushion and protect caliper piston during removal (Fig. 73).
- (3) To remove caliper piston direct **short bursts of low pressure air** with a blow gun through the caliper brake hose port (Fig. 74). Use only enough air pressure to ease the piston out.

(4) Remove caliper piston dust boot with a suitable pry tool (Fig. 75) and discard.

(5) Remove piston seal from the caliper (Fig. 76) and discard.

**CAUTION:** Do not scratch the piston bore while removing the seal.

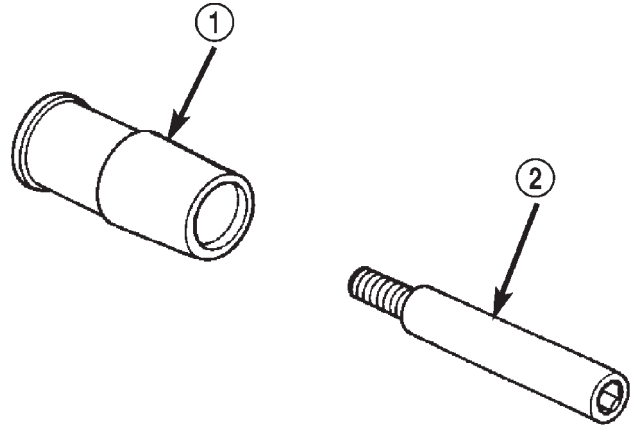
DISASSEMBLY AND ASSEMBLY (Continued)



80b4fa5b

**Fig. 75 Caliper Piston Dust Boot Removal**

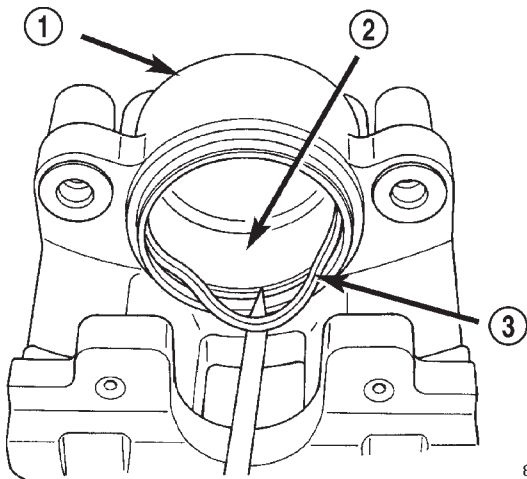
- 1 - PISTON DUST BOOT
- 2 - CALIPER



80ba7766

**Fig. 77 Slide Pin And Bushing**

- 1 - BUSHING
- 2 - CALIPER SLIDE PIN



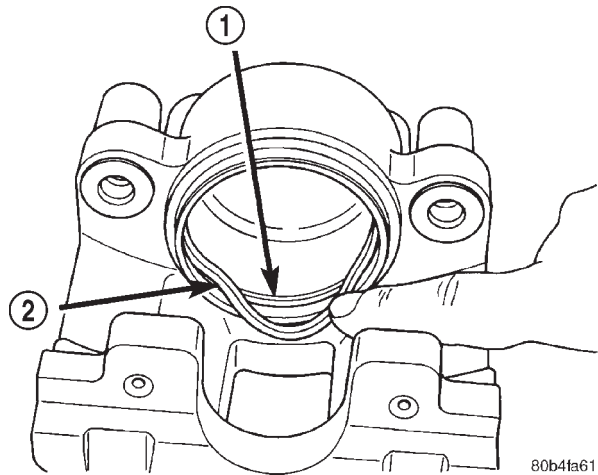
80b4fa5c

**Fig. 76 Piston Seal Removal**

- 1 - CALIPER
- 2 - PISTON BORE
- 3 - PISTON SEAL

- (1) Lubricate caliper piston, piston seal and piston bore with clean brake fluid.
- (2) Install new piston seal into seal groove with finger (Fig. 78).

**NOTE:** Verify seal is fully seated and not twisted.



80b4fa61

**Fig. 78 Piston Seal Installation**

- 1 - SEAL GROOVE
- 2 - PISTON SEAL

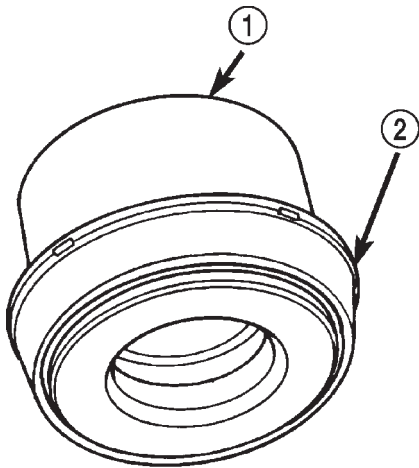
- (6) Remove caliper slide pin bushings (Fig. 77).
- (7) Remove caliper bleed screw.

**ASSEMBLY**

**CAUTION:** Dirt, oil, and solvents can damage caliper seals. Insure assembly area is clean and dry.

DISASSEMBLY AND ASSEMBLY (Continued)

(3) Install new dust boot on caliper piston and seat boot lip into piston groove (Fig. 79).



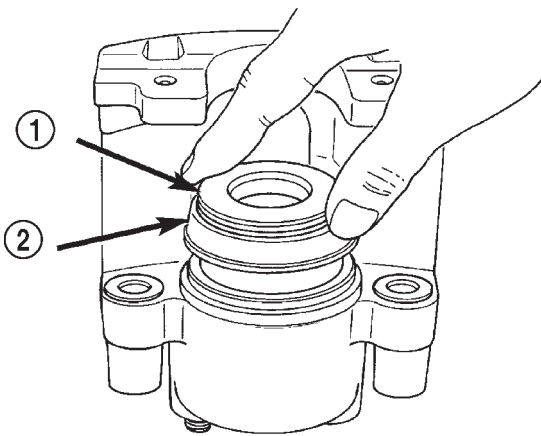
80b4fa62

**Fig. 79 Dust Boot On Piston**

- 1 - PISTON
- 2 - DUST BOOT

(4) Stretch boot rearward to straighten boot folds, then move boot forward until folds snap into place.

(5) Install piston into caliper bore and press piston down to the bottom of the caliper bore by hand or with hammer handle (Fig. 80).



80b4fa63

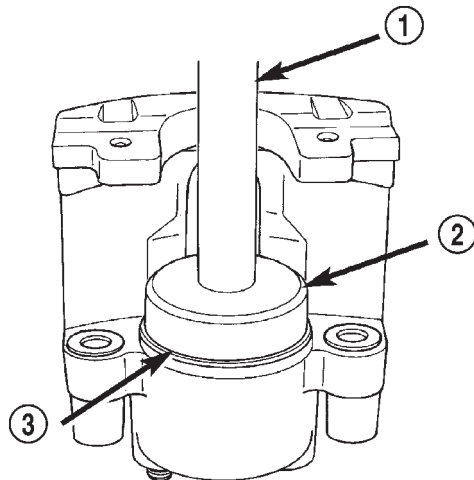
**Fig. 80 Caliper Piston Installation**

- 1 - PISTON
- 2 - BOOT

(6) Seat dust boot in caliper with Installer 8280 and Handle C-4171 (Fig. 81).

(7) Install caliper slide pin bushings into the caliper (Fig. 82).

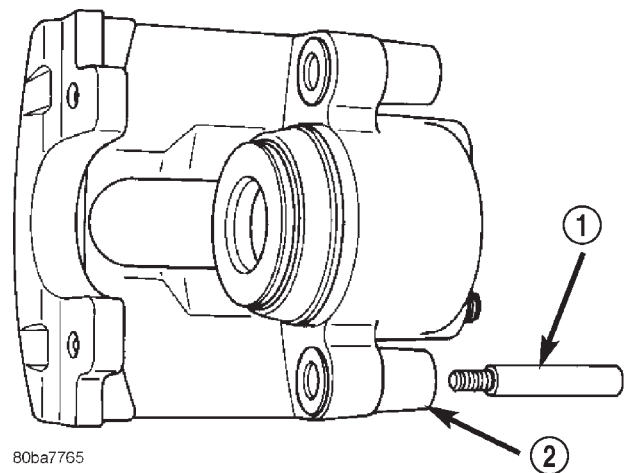
(8) Install caliper bleed screw.



80b4fa64

**Fig. 81 Piston Dust Boot Installation**

- 1 - HANDLE
- 2 - INSTALLER
- 3 - DUST BOOT



80ba7765

**Fig. 82 Slide Pin And Bushing**

- 1 - CALIPER SLIDE PIN
- 2 - BUSHING

CLEANING AND INSPECTION

CALIPER

CLEANING

Clean the caliper components with clean brake fluid or brake clean only. Wipe the caliper and piston dry with lint free towels or use low pressure compressed air.

**CAUTION:** Do not use gasoline, kerosene, paint thinner, or similar solvents. These products may leave a residue that could damage the piston and seal.

## CLEANING AND INSPECTION (Continued)

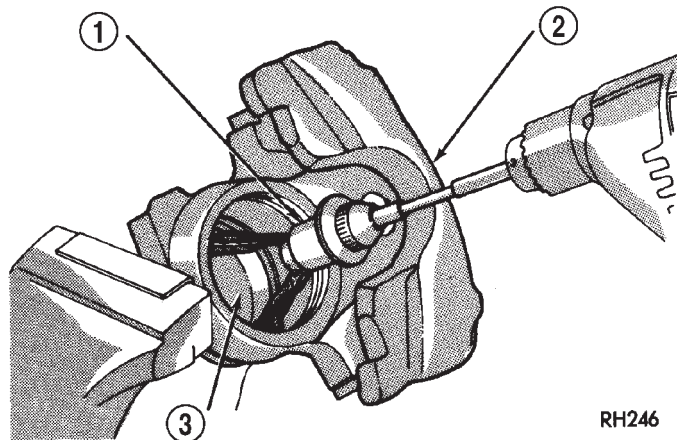
## INSPECTION

The piston is made from a phenolic resin (plastic material) and should be smooth and clean.

The piston must be replaced if cracked or scored. Do not attempt to restore a scored piston surface by sanding or polishing.

**CAUTION:** If the caliper piston is replaced, install the same type of piston in the caliper. Never interchange phenolic resin and steel caliper pistons. The pistons, seals, seal grooves, caliper bore and piston tolerances are different.

The bore can be **lightly** polished with a brake hone to remove very minor surface imperfections (Fig. 83). The caliper should be replaced if the bore is severely corroded, rusted, scored, or if polishing would increase bore diameter more than 0.025 mm (0.001 inch).



**Fig. 83 Polishing Piston Bore**

- 1 - SPECIAL HONE
- 2 - CALIPER
- 3 - PISTON BORE

## ADJUSTMENTS

## BRAKE LAMP SWITCH

- (1) Press and hold brake pedal in applied position.
- (2) Pull switch plunger all the way out to fully extended position.
- (3) Release brake pedal. Then pull pedal lightly rearward. Pedal will set plunger to correct position as pedal pushes plunger into switch body. Switch will make ratcheting sound as it self adjusts.

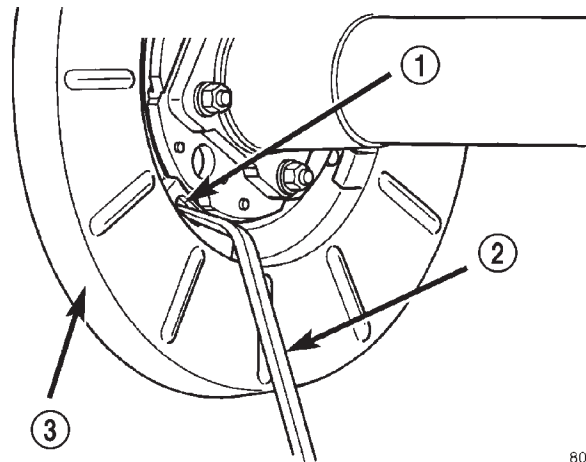
**CAUTION:** Booster damage may occur if the pedal pull exceeds 20 lbs.

## PARKING BRAKE SHOE

- (1) Remove wheel and tire assemblies.
- (2) Secure rotor with two wheel nuts.

- (3) Remove rubber access plug from back of splash shield.

- (4) Insert brake tool through access hole in splash shield (Fig. 84). Position tool at bottom of star wheel.



**Fig. 84 Park Brake Shoe Adjustment**

- 1 - ACCESS HOLE
- 2 - BRAKE ADJUSTING TOOL
- 3 - SPLASH SHIELD

- (5) Rotate star wheel upward direction to expand shoes (while facing front of vehicle).

- (6) Expand shoes until light drag is experienced. Then back off adjuster screw only enough to eliminate drag.

- (7) Install plug in splash shield access hole.

- (8) Install wheel and tire assemblies.

## SPECIFICATIONS

## BRAKE FLUID

The brake fluid used in this vehicle must conform to DOT 3 specifications and SAE J1703 standards. No other type of brake fluid is recommended or approved for usage in the vehicle brake system. Use only Mopar brake fluid or an equivalent from a tightly sealed container.

**CAUTION:** Never use reclaimed brake fluid or fluid from an container which has been left open. An open container of brake fluid will absorb moisture from the air and contaminate the fluid.

**CAUTION:** Never use any type of a petroleum-based fluid in the brake hydraulic system. Use of such type fluids will result in seal damage of the vehicle brake hydraulic system causing a failure of the vehicle brake system. Petroleum based fluids would be items such as engine oil, transmission fluid, power steering fluid, etc.



SPECIFICATIONS (Continued)

**BRAKE COMPONENTS**

**Front Disc Brake Caliper**

Type . . . . . Floating  
 Pistons . . . . . 48 mm (1.889 in.)

**Front Disc Brake Rotor**

Type . . . . . Ventilated  
 Diameter . . . . . 305 mm (12 in.)  
 Max. Runout . . . . . 0.05 mm (0.002 in.)  
 Max. Thickness Variation . . . . . 0.0127 mm  
 (0.0005 in.)  
 Min. Thickness . . . . . 24.5 mm (0.9646 in.)

**Rear Disc Brake Caliper**

Type . . . . . Floating  
 Piston . . . . . 48 mm (1.889 in.)

**Rear Disc Brake Rotor**

Type . . . . . Solid  
 Diameter . . . . . 305 mm (12 in.)  
 Max. Runout . . . . . 0.76 mm (0.003 in.)  
 Max. Thickness Variation . . . 0.0127 mm (0.0005  
 in.)  
 Min. Thickness . . . . . 8.5 mm (0.335 in.)  
 Drum Max. Diameter . . . . . 196 mm (7.7166 in.)

**Brake Booster**

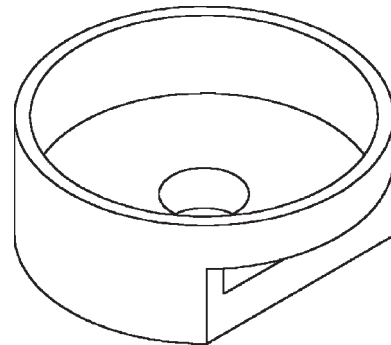
Type . . . . . Dual Diaphragm

**TORQUE CHART**

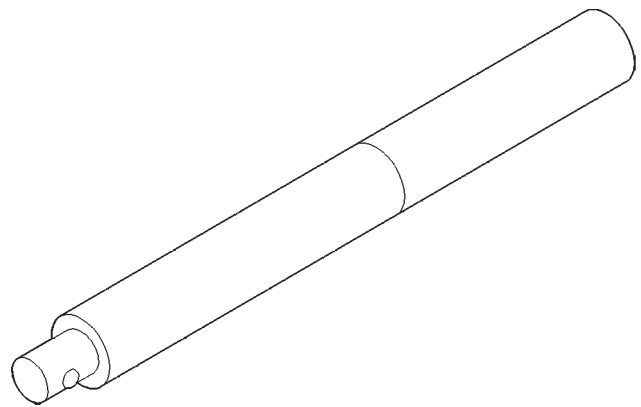
DESCRIPTION	TORQUE
<b>Brake Pedal</b>	
Support Bolt . . . . .	23-34 N·m (17-25 ft. lbs.)
Pivot Nut . . . . .	27-35 N·m (20-26 ft. lbs.)
<b>Brake Booster</b>	
Mounting Nuts . . . . .	39 N·m (29 ft. lbs.)
<b>Master Cylinder</b>	
Mounting Nuts . . . . .	25 N·m (18 ft. lbs.)
Primary Brake Line . . . . .	16 N·m (144 in. lbs.)
Secondary Brake Line . . . . .	16 N·m (144 in. lbs.)
<b>Front Caliper</b>	
Slide Pins . . . . .	29-41 N·m (21-30 ft. lbs.)
Anchor Bolts . . . . .	90-115 N·m (66-85 ft. lbs.)
Brake Hose Banjo Bolt . . . . .	31 N·m (23 ft. lbs.)
Bleed Screw . . . . .	16 N·m (144 in. lbs.)
<b>Rear Caliper</b>	
Slide Pins . . . . .	29-41 N·m (21-30 ft. lbs.)
Anchor Bolts . . . . .	90-115 N·m (66-85 ft. lbs.)
Brake Hose Banjo Bolt . . . . .	31 N·m (23 ft. lbs.)
Bleed Screw . . . . .	16 N·m (144 in. lbs.)

**SPECIAL TOOLS**

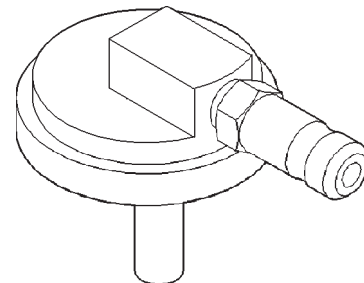
**BASE BRAKES**



*Installer Caliper Dust Boot 8280*



*Handle C-4171*



*Adapter Pressure Bleeder 6921*

# ANTILOCK BRAKES

## TABLE OF CONTENTS

	page		page
<b>DESCRIPTION AND OPERATION</b>		<b>REMOVAL AND INSTALLATION</b>	
ANTILOCK BRAKE SYSTEM . . . . .	38	CONTROLLER ANTILOCK BRAKES . . . . .	41
CONTROLLER ANTILOCK BRAKES . . . . .	39	FRONT WHEEL SPEED SENSOR . . . . .	42
ELECTRONIC BRAKE DISTRIBUTION . . . . .	39	HYDRAULIC CONTROL UNIT/CONTROLLER	
HYDRAULIC CONTROL UNIT . . . . .	39	ANTILOCK BRAKES . . . . .	42
G-SWITCH . . . . .	40	REAR WHEEL SPEED SENSOR . . . . .	43
ABS WARNING LAMP . . . . .	40	G-SWITCH . . . . .	44
WHEEL SPEED SENSORS AND TONE WHEEL . . . . .	40	<b>SPECIFICATIONS</b>	
<b>DIAGNOSIS AND TESTING</b>		TORQUE CHART . . . . .	45
ANTILOCK BRAKES . . . . .	41		
<b>SERVICE PROCEDURES</b>			
BLEEDING ABS BRAKE SYSTEM . . . . .	41		

## DESCRIPTION AND OPERATION

### ANTILOCK BRAKE SYSTEM

#### DESCRIPTION

The purpose of the antilock system is to prevent wheel lockup during periods of high wheel slip. Preventing lockup helps maintain vehicle braking action and steering control.

The hydraulic system is a three channel design. The front brakes are controlled individually and the rear brakes in tandem.

The ABS electrical system is separate from other vehicle electrical circuits. A separate controller operates the system.

#### OPERATION

The antilock CAB activates the system whenever sensor signals indicate periods of high wheel slip. High wheel slip can be described as the point where wheel rotation begins approaching 20 to 30 percent of actual vehicle speed during braking. Periods of high wheel slip occur when brake stops involve high pedal pressure and rate of vehicle deceleration.

Battery voltage is supplied to the CAB ignition terminal when the ignition switch is turned to Run position. The CAB performs a system initialization procedure at this point. Initialization consists of a static and dynamic self check of system electrical components.

The static check occurs after the ignition switch is turned to Run position. The dynamic check occurs when vehicle road speed reaches approximately 30

kph (18 mph). During the dynamic check, the CAB briefly cycles the pump and solenoids to verify operation.

If an ABS component exhibits a fault during initialization, the CAB illuminates the amber warning light and registers a fault code in the microprocessor memory.

#### ANTILOCK BRAKING

The antilock system prevents lockup during high slip conditions by modulating fluid apply pressure to the wheel brake units.

Brake fluid apply pressure is modulated according to wheel speed, degree of slip and rate of deceleration. A sensor at each wheel converts wheel speed into electrical signals. These signals are transmitted to the CAB for processing and determination of wheel slip and deceleration rate.

The ABS system has three fluid pressure control channels. The front brakes are controlled separately and the rear brakes in tandem. A speed sensor input signal indicating a high slip condition activates the CAB antilock program.

Two solenoid valves are used in each antilock control channel. The valves are all located within the HCU valve body and work in pairs to either increase, hold, or decrease apply pressure as needed in the individual control channels.

The solenoid valves are not static during antilock braking. They are cycled continuously to modulate pressure. Solenoid cycle time in antilock mode can be measured in milliseconds.

## DESCRIPTION AND OPERATION (Continued)

## ELECTRONIC BRAKE DISTRIBUTION

## DESCRIPTION

The electronic brake distribution (EBD) functions like a rear proportioning valve. The EBD system uses the ABS system to control the slip of the rear wheels in partial braking range. The braking force of the rear wheels is controlled electronically by using the inlet and outlet valves located in the HCU.

## OPERATION

Upon entry into EBD the inlet valve for the rear brake circuit is switched on so that the fluid supply from the master cylinder is shut off. In order to decrease the rear brake pressure the outlet valve for the rear brake circuit is pulsed. This allows fluid to enter the low pressure accumulator (LPA) in the HCU resulting in a drop in fluid pressure to the rear brakes. In order to increase the rear brake pressure the outlet valve is switched off and the inlet valve is pulsed. This increases the pressure to the rear brakes. This will continue until the required slip difference is obtained. At the end of EBD braking (no brake application) the fluid in the LPA drains back to the master cylinder by switching on the outlet valve and draining through the inlet valve check valve. At the same time the inlet valve is switched on to prevent a hydraulic short circuit in case of another brake application.

The EBD will remain functional during many ABS fault modes. If the red and amber warning lamps are illuminated the EBD may have a fault.

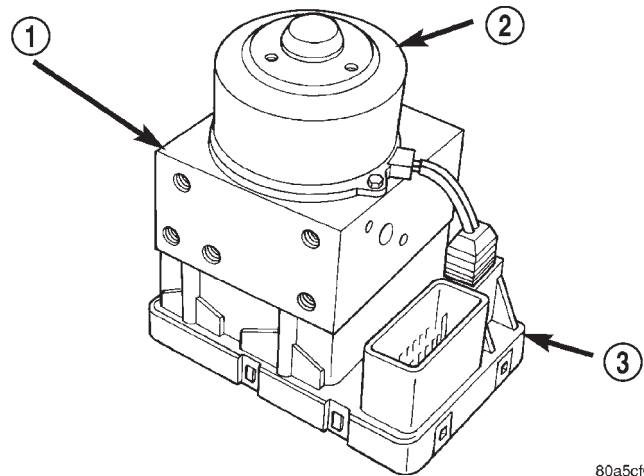
## CONTROLLER ANTILOCK BRAKES

## DESCRIPTION

The CAB is mounted to the HCU and operates the ABS system (Fig. 1) separate from other vehicle electrical circuits.

## OPERATION

The CAB voltage source is through the ignition switch in the RUN position. The CAB contains dual microprocessors. A logic block in each microprocessor receives identical sensor signals. These signals are processed and compared simultaneously. The CAB contains a self check program that illuminates the ABS warning light when a system fault is detected. Faults are stored in a diagnostic program memory and are accessible with the DRB scan tool. ABS faults remain in memory until cleared, or until after the vehicle is started approximately 50 times. Stored faults are **not** erased if the battery is disconnected.



80a5cf02

**Fig. 1 Controller Antilock Brakes**

- 1 - HCU
- 2 - MOTOR
- 3 - CAB

## HYDRAULIC CONTROL UNIT

## DESCRIPTION

The HCU consists of a valve body, pump motor, and wire harness (Fig. 1).

## OPERATION

Accumulators in the valve body store extra fluid released to the system for ABS mode operation. The pump is used to clear the accumulator of brake fluid and is operated by a DC type motor. The motor is controlled by the CAB.

The valves modulate brake pressure during antilock braking and are controlled by the CAB.

The HCU provides three channel pressure control to the front and rear brakes. One channel controls the rear wheel brakes in tandem. The two remaining channels control the front wheel brakes individually.

During antilock braking, the solenoid valves are opened and closed as needed. The valves are not static. They are cycled rapidly and continuously to modulate pressure and control wheel slip and deceleration.

During normal braking, the HCU solenoid valves and pump are not activated. The master cylinder and power booster operate the same as a vehicle without an ABS brake system.

During antilock braking, solenoid valve pressure modulation occurs in three stages, pressure increase, pressure hold, and pressure decrease. The valves are all contained in the valve body portion of the HCU.

## PRESSURE DECREASE

The outlet valve is opened and the inlet valve is closed during the pressure decrease cycle.

## DESCRIPTION AND OPERATION (Continued)

A pressure decrease cycle is initiated when speed sensor signals indicate high wheel slip at one or more wheels. At this point, the CAB closes the inlet then opens the outlet valve, which also opens the return circuit to the accumulators. Fluid pressure is allowed to bleed off (decrease) as needed to prevent wheel lock.

Once the period of high wheel slip has ended, the CAB closes the outlet valve and begins a pressure increase or hold cycle as needed.

**PRESSURE HOLD**

Both solenoid valves are closed in the pressure hold cycle. Fluid apply pressure in the control channel is maintained at a constant rate. The CAB maintains the hold cycle until sensor inputs indicate a pressure change is necessary.

**PRESSURE INCREASE**

The inlet valve is open and the outlet valve is closed during the pressure increase cycle. The pressure increase cycle is used to counteract unequal wheel speeds. This cycle controls re-application of fluid apply pressure due to changing road surfaces or wheel speed.

**WHEEL SPEED SENSORS AND TONE WHEEL****DESCRIPTION**

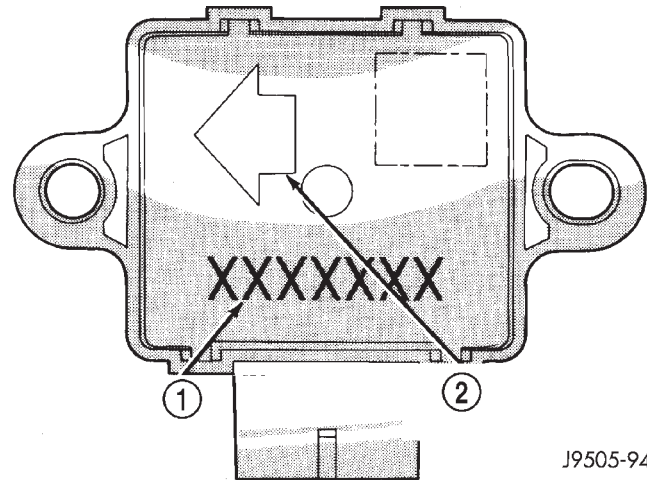
A wheel speed sensor is used at each wheel. The front sensors are mounted to the steering knuckles. The rear sensors are mounted at the outboard end of the axle. Tone wheels are mounted to the outboard ends of the front and rear axle shafts. The gear type tone wheel serves as the trigger mechanism for each sensor.

**OPERATION**

The sensors convert wheel speed into a small digital signal. The CAB sends 12 volts to the sensors. The sensor has an internal magneto resistance bridge that alters the voltage and amperage of the signal circuit. This voltage and amperage is changed by magnetic induction when the toothed tone wheel passes the wheel speed sensor. This digital signal is sent to the CAB. The CAB measures the voltage and amperage of the digital signal for each wheel.

**G-SWITCH****DESCRIPTION**

The G-switch (Fig. 2) is located under the rear seat. The switch has directional arrow and must be mounted with the arrow pointing towards the front of the vehicle.

**Fig. 2 G-Switch**

- 1 - SWITCH PART NUMBER  
2 - ARROW INDICATES FRONT OF SWITCH FOR PROPER MOUNTING

**OPERATION**

The switch is monitored by the CAB at all times. The switch contains three mercury switches which monitor vehicle deceleration rates (G-force). Sudden changes in deceleration rates trigger the switch, sending a signal to the CAB.

**ABS WARNING LAMP****DESCRIPTION**

The amber ABS warning lamp and red warning lamp are located in the instrument cluster. The amber ABS warning lamp illuminates at start-up to perform a self check. The lamp goes out when the self check program determines the system is operating normal. The red brake warning lamp is used to alert the driver of a hydraulic fault or that the parking brake is applied.

**OPERATION**

If an ABS component exhibits a fault the CAB will illuminate the ABS warning lamp and register a trouble code in the microprocessor. The lamp is controlled by the CAB. The CAB controls the lamp sending a message to the instrument cluster.

If red warning lamp is illuminate with the amber warning lamp, this may indicate a electronic brake distribution fault.

The red warning lamp will illuminate if an ABS component exhibits a fault and the amber lamp is burned out.

## DIAGNOSIS AND TESTING

### ANTILOCK BRAKES

The ABS brake system performs several self-tests every time the ignition switch is turned on and the vehicle is driven. The CAB monitors the systems input and output circuits to verify the system is operating correctly. If the on board diagnostic system senses that a circuit is malfunctioning the system will set a trouble code in its memory.

**NOTE:** An audible noise may be heard during the self-test. This noise should be considered normal.

**NOTE:** The MDS or DRB III scan tool is used to diagnose the ABS system. For additional information refer to the Antilock Brake section in Group 8W. For test procedures refer to the Chassis Diagnostic Manual.

## SERVICE PROCEDURES

### BLEEDING ABS BRAKE SYSTEM

ABS system bleeding requires conventional bleeding methods plus use of the DRB scan tool. The procedure involves performing a base brake bleeding, followed by use of the scan tool to cycle and bleed the HCU pump and solenoids. A second base brake bleeding procedure is then required to remove any air remaining in the system.

(1) Perform base brake bleeding. Refer to base brake section for procedure.

(2) Connect scan tool to the Data Link Connector.

(3) Select ANTILOCK BRAKES, followed by MISCELLANEOUS, then ABS BRAKES. Follow the instructions displayed. When scan tool displays TEST COMPLETE, disconnect scan tool and proceed.

(4) Perform base brake bleeding a second time. Refer to base brake section for procedure.

(5) Top off master cylinder fluid level and verify proper brake operation before moving vehicle.

## REMOVAL AND INSTALLATION

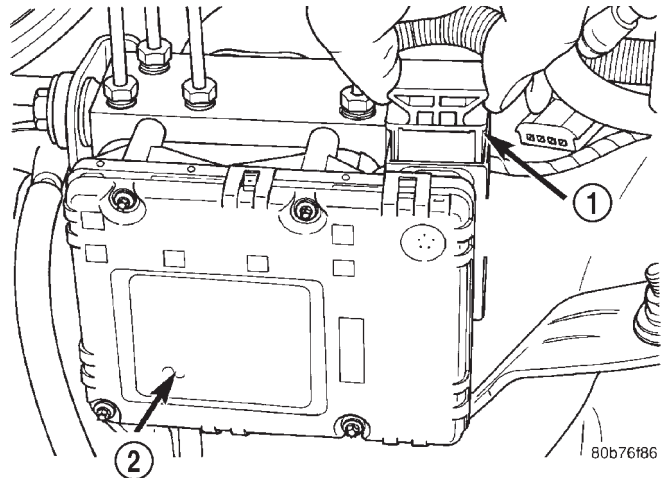
### CONTROLLER ANTILOCK BRAKES

#### REMOVAL

(1) Remove negative battery cable from the battery.

(2) Remove air cleaner housing refer to Group 14 Fuel System.

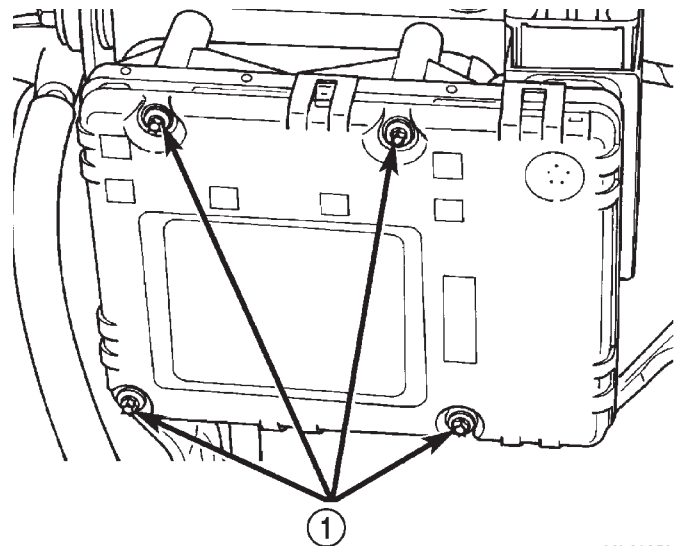
(3) Pull CAB harness connector release up and remove connector (Fig. 3).



**Fig. 3 CAB Connector Release**

- 1 - CONNECTOR RELEASE  
2 - CAB

- (4) Remove pump motor connector.  
(5) Remove CAB mounting bolts (Fig. 4) and remove the CAB from the HCU.



**Fig. 4 CAB Mounting Bolts**

- 1 - MOUNTING BOLTS

#### INSTALLATION

(1) Install the CAB onto the HCU and tighten mounting bolts to 1.8 N-m (16 in. lbs.).

(2) Install pump motor connector.

(3) Install CAB harness connector and push down connector release.

(4) Install air cleaner housing.

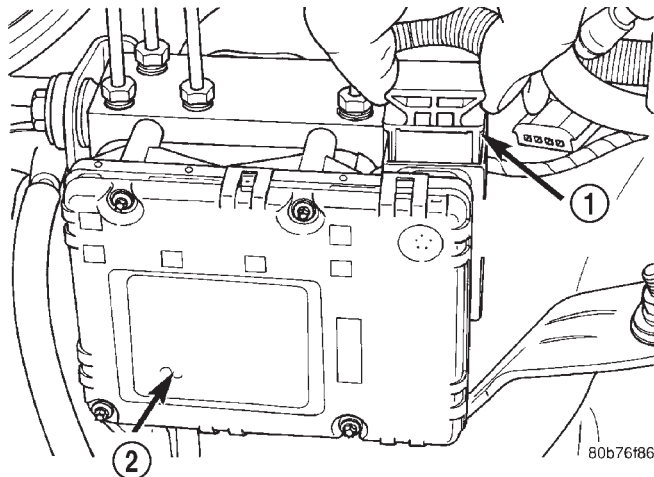
(5) Install negative battery cable to the battery.



## REMOVAL AND INSTALLATION (Continued)

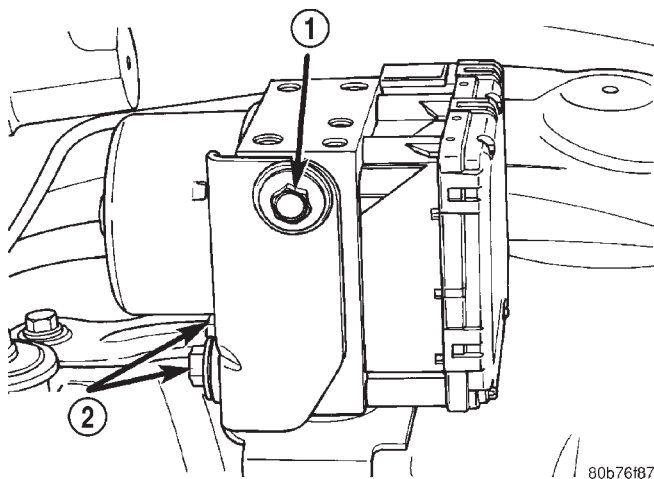
**HYDRAULIC CONTROL UNIT/CONTROLLER  
ANTILOCK BRAKES****REMOVAL**

- (1) Remove negative battery cable from the battery.
- (2) Remove air cleaner housing refer to Group 14 Fuel System.
- (3) Pull CAB harness connector release up and remove connector (Fig. 5).

**Fig. 5 CAB Connector Release**

- 1 - CONNECTOR RELEASE  
2 - CAB

- (4) Remove the brake lines from the HCU.
- (5) Remove HCU/CAB side mounting bolt and two rear mounting bolts (Fig. 6).

**Fig. 6 HCU/CAB Assembly**

- 1 - SIDE MOUNTING BOLT  
2 - REAR MOUNTING BOLTS

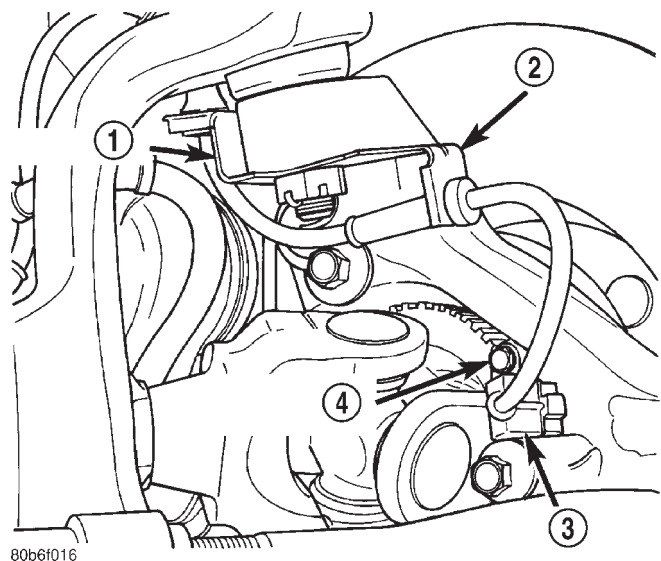
- (6) Remove HCU/CAB assembly from the vehicle.

**INSTALLATION**

- (1) Install HCU/CAB assembly into the mounting bracket and tighten mounting bolts to 12 N·m (9 ft. lbs.).
- (2) Install the brake lines to the HCU and tighten to 16 N·m (12 ft. lbs.).
- (3) Install CAB harness connector and push down connector release.
- (4) Install air cleaner housing.
- (5) Install negative battery cable to the battery.
- (6) Bleed base and ABS brake systems.

**FRONT WHEEL SPEED SENSOR****REMOVAL**

- (1) Raise and support vehicle.
- (2) Remove front wheel sensor mounting bolt (Fig. 7).

**Fig. 7 Sensor Location**

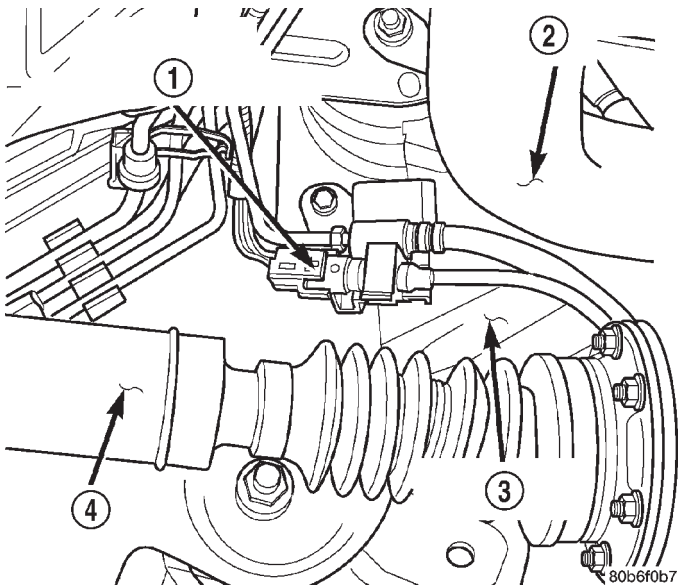
- 1 - BRACKET  
2 - BRACKET  
3 - WHEEL SPEED SENSOR  
4 - MOUNTING BOLT

- (3) Remove the sensor from the steering knuckle.
- (4) Disengage sensor wire from the brackets (Fig. 7) on the steering knuckle.
- (5) Disconnect the sensor from the sensor harness (Fig. 8) and (Fig. 9).
- (6) Remove sensor and wire.

**INSTALLATION**

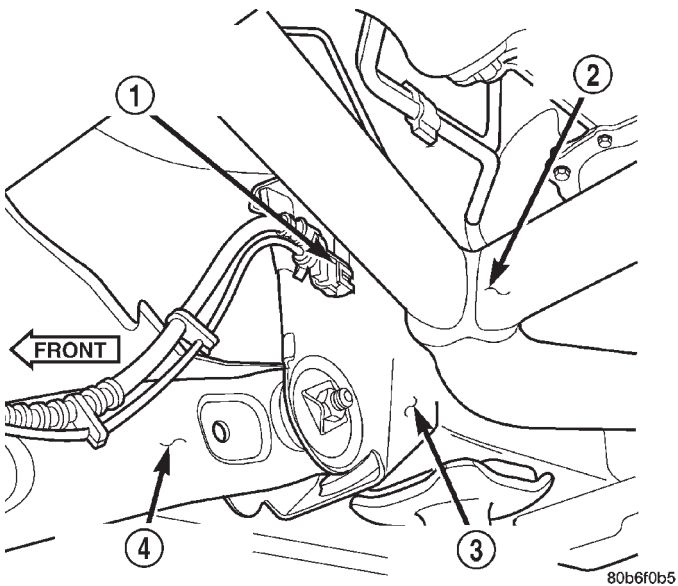
- (1) Install the sensor on the steering knuckle.
- (2) Apply Mopar Lock N' Seal or Loctite® 242 to sensor mounting bolt. Use new sensor bolt if original bolt is worn or damaged.

REMOVAL AND INSTALLATION (Continued)



**Fig. 8 Left Sensor Connector**

- 1 - LEFT FRONT WHEEL SPEED SENSOR CONNECTOR
- 2 - ENGINE EXHAUST PIPE
- 3 - LEFT FRONT FRAME RAIL
- 4 - FRONT DRIVESHAFT



**Fig. 9 Right Sensor Connector**

- 1 - RIGHT FRONT WHEEL SPEED SENSOR CONNECTOR
- 2 - ENGINE EXHAUST Y-PIPE
- 3 - RIGHT FRONT FRAME RAIL
- 4 - RIGHT LOWER SUSPENSION ARM

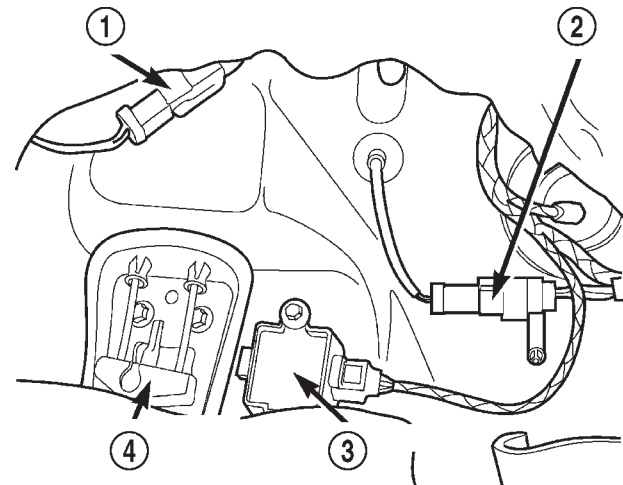
- (3) Install the sensor mounting bolt and tighten bolt to 12-14 N·m (106-124 in. lbs.).
- (4) Engage grommets on sensor wire to the steering knuckle brackets.
- (5) Connect sensor wire to harness connector.

- (6) Check sensor wire routing. Be sure wire is clear of all chassis components and is not twisted or kinked at any spot.
- (7) Remove support and lower vehicle.

**REAR WHEEL SPEED SENSOR**

**REMOVAL**

- (1) Raise and fold rear seat forward. Then move carpeting aside for access to rear sensor connectors.
- (2) Disconnect rear sensor wire at harness connectors (Fig. 10).



NOTE: LOCATED UNDER REAR SEAT CARPET

80b6f0b8

**Fig. 10 Rear Sensor Connector**

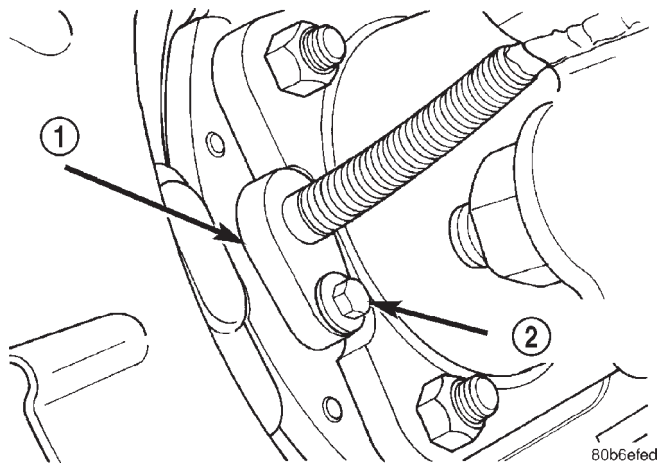
- 1 - RIGHT REAR WHEEL SPEED SENSOR CONNECTOR
- 2 - LEFT REAR WHEEL SPEED SENSOR CONNECTOR
- 3 - G-SWITCH SENSOR
- 4 - PARKING BRAKE CABLES

- (3) Push sensor wires and grommets through floor-pan holes.
- (4) Raise and support the vehicle.
- (5) Disengage sensor wire from axle and chassis brackets and from brake line retainers.
- (6) Remove the sensor mounting bolt from the rear brake backing plate (Fig. 11).
- (7) Remove sensor from the backing plate.

**INSTALLATION**

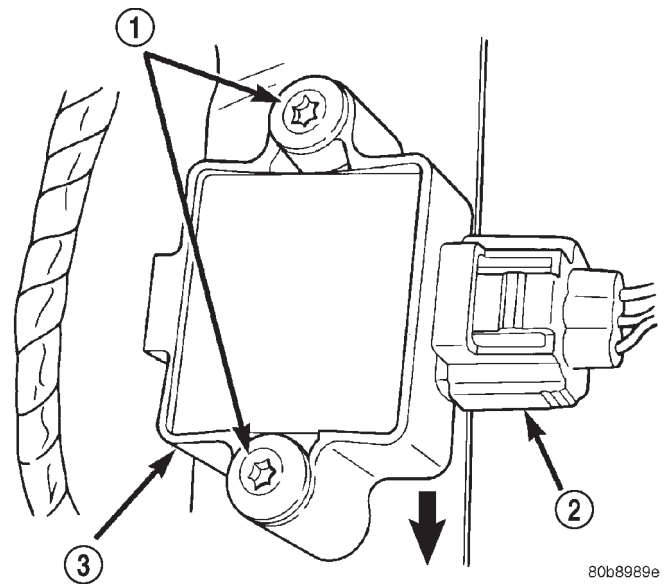
- (1) Insert sensor through the backing plate (Fig. 12).
- (2) Apply Mopar Lock N' Seal or Loctite 242 to original sensor bolt. Use new bolt if original is worn or damaged.
- (3) Tighten sensor bolt to 12-14 N·m (106-124 in. lbs.).
- (4) Secure sensor wire in brackets and in retainers on rear brake lines. Verify that sensor wire is secure and clear of rotating components.
- (5) Route sensor wires to rear seat area.

REMOVAL AND INSTALLATION (Continued)



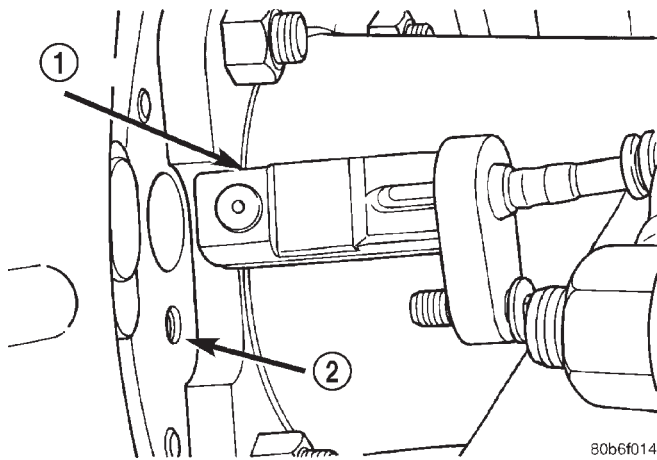
**Fig. 11 Sensor Mounting Bolt**

- 1 - WHEEL SPEED SENSOR
- 2 - MOUNTING BOLT



**Fig. 13 G-Switch Mounting**

- 1 - MOUNTING BOLTS
- 2 - CONNECTOR
- 3 - G-SWITCH



**Fig. 12 Wheel Speed Sensor**

- 1 - WHEEL SPEED SENSOR
- 2 - BACKING PLATE

- (6) Feed sensor wires through floorpan access hole and seat sensor grommets in floorpan.
- (7) Remove support and lower the vehicle.
- (8) Fold rear seat and carpet forward for access to sensor wires and connectors.
- (9) Connect sensor wires to harness connectors.
- (10) Reposition carpet and fold rear seat down.

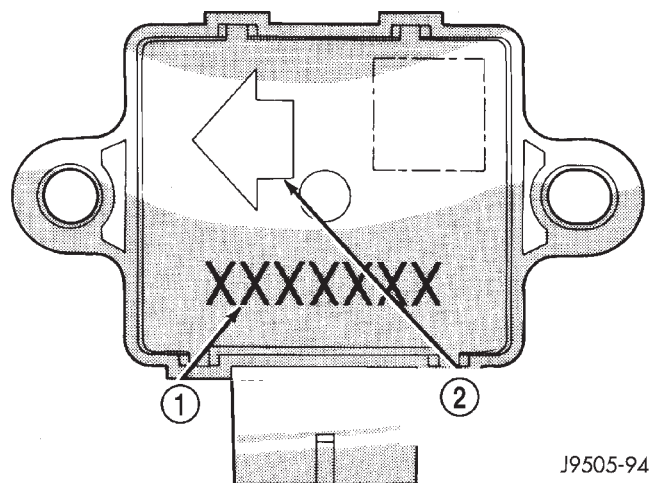
**G-SWITCH**

**REMOVAL**

- (1) Fold the rear seat bottom assembly up for access to the switch.
- (2) Lift up the carpeting and disconnect switch harness (Fig. 13).
- (3) Remove the switch mounting bolts and remove the switch.

**INSTALLATION**

**CAUTION:** The mercury switch (inside the G-Switch), will not function properly if the switch is installed incorrectly. Verify that the switch locating arrow is pointing to the front of the vehicle (Fig. 14).



**Fig. 14 G-Switch**

- 1 - SWITCH PART NUMBER
- 2 - ARROW INDICATES FRONT OF SWITCH FOR PROPER MOUNTING

REMOVAL AND INSTALLATION (Continued)

- (1) Note position of locating arrow on switch. Position switch so arrow faces forward.
- (2) Install the switch and tighten mounting bolts to 5.6 N·m (50 in. lbs.).
- (3) Connect harness to switch. Be sure harness connector is firmly seated.
- (4) Place the carpet in position and fold the rear seat back down.

SPECIFICATIONS

TORQUE CHART

<b>DESCRIPTION</b>	<b>TORQUE</b>
<b>G-Sensor</b>	
Sensor Bolt . . . . .	5.6 N·m (50 in. lbs.)
<b>Hydraulic Control Unit/Controller Antilock Brakes</b>	
Mounting Bolts . . . . .	12 N·m (9 ft. lbs.)
Brake Lines . . . . .	16 N·m (144 in. lbs.)
CAB Screws . . . . .	1.8 N·m (16 in. lbs.)
<b>Wheel Speed Sensors</b>	
Front Sensor Bolt . . . . .	12-14 N·m (106-124 in. lbs.)
Rear Sensor Bolt . . . . .	12-14 N·m (106-124 in. lbs.)





# COOLING SYSTEM

## TABLE OF CONTENTS

	page		page
<b>DESCRIPTION AND OPERATION</b>		<b>SERVICE PROCEDURES</b>	
COOLING SYSTEM . . . . .	2	COOLANT . . . . .	24
SYSTEM COOLANT ROUTING . . . . .	2	COOLANT LEVEL—ROUTINE CHECK . . . . .	24
WATER PUMP BYPASS—4.7L . . . . .	3	COOLANT SELECTION AND ADDITIVES . . . . .	24
AUTOMATIC TRANSMISSION OIL COOLER . . . . .	4	COOLANT—ADDING ADDITIONAL . . . . .	24
COOLANT RESERVOIR / OVERFLOW SYSTEM . . . . .	4	DRAINING AND FILLING COOLING SYSTEM . . . . .	25
ENGINE BLOCK HEATER . . . . .	4	SERVICE COOLANT LEVEL . . . . .	25
RADIATOR . . . . .	4	COOLING SYSTEM—REVERSE FLUSHING . . . . .	26
THERMOSTAT . . . . .	5	<b>REMOVAL AND INSTALLATION</b>	
RADIATOR PRESSURE CAP . . . . .	6	WATER PUMP—4.0L ENGINE . . . . .	27
COOLING SYSTEM HOSES AND HOSE CLAMPS . . . . .	7	WATER PUMP 4.7L ENGINES . . . . .	29
WATER PUMP . . . . .	7	THERMOSTAT—4.0L ENGINE . . . . .	31
VISCOUS FAN DRIVE . . . . .	8	THERMOSTAT— 4.7L ENGINE . . . . .	32
<b>DIAGNOSIS AND TESTING</b>		RADIATOR FAN SHROUD . . . . .	33
ON-BOARD DIAGNOSTICS (OBD) . . . . .	9	RADIATOR . . . . .	34
DRB SCAN TOOL . . . . .	10	WATER PUMP BYPASS HOSE—4.0L ENGINE . . . . .	37
WATER PUMP TESTS . . . . .	10	ENGINE BLOCK HEATER . . . . .	38
SERPENTINE DRIVE BELT DIAGNOSIS . . . . .	11	BELT REPLACEMENT/ADJUSTMENT . . . . .	39
THERMOSTAT . . . . .	11	AUTOMATIC BELT TENSIONER . . . . .	41
COOLING SYSTEM DIAGNOSIS . . . . .	13	COOLING SYSTEM FAN 4.0L AND 4.7L ENGINES . . . . .	42
PRELIMINARY CHECKS . . . . .	13	VISCOUS FAN DRIVE . . . . .	43
COOLING SYSTEM—TESTING FOR LEAKS . . . . .	20	<b>CLEANING AND INSPECTION</b>	
RADIATOR COOLANT FLOW CHECK . . . . .	20	FAN BLADE . . . . .	43
VISCOUS FAN DRIVE . . . . .	21	RADIATOR . . . . .	43
ELECTRIC COOLING FAN . . . . .	22	RADIATOR PRESSURE CAP . . . . .	43
RADIATOR CAP TO FILLER NECK SEAL—PRESSURE RELIEF CHECK . . . . .	22	WATER PUMP . . . . .	43
RADIATOR CAP—PRESSURE TESTING . . . . .	22	COOLING SYSTEM HOSES . . . . .	44
DEAERATION . . . . .	23	<b>SPECIFICATIONS</b>	
ENGINE BLOCK HEATER . . . . .	23	COOLING SYSTEM CAPACITIES . . . . .	44
LOW COOLANT LEVEL-AERATION . . . . .	23	DRIVE BELT TENSION . . . . .	44
		INFORMATION . . . . .	44
		TORQUE SPECIFICATIONS . . . . .	44
		<b>SPECIAL TOOLS</b>	
		COOLING . . . . .	45

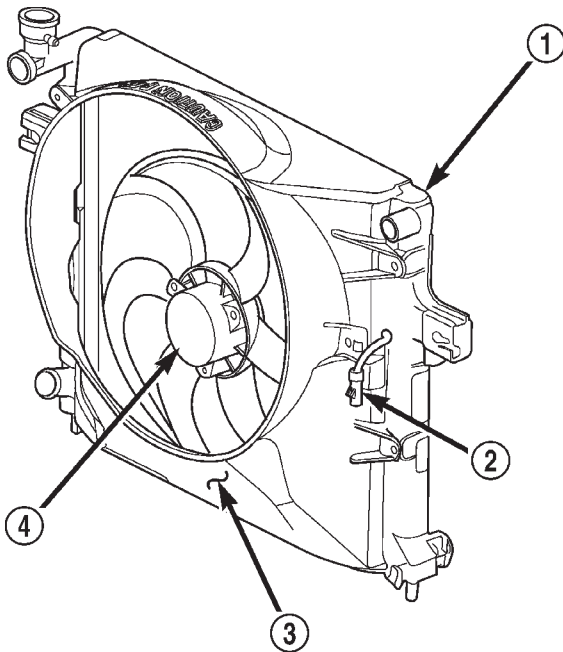
## DESCRIPTION AND OPERATION

### COOLING SYSTEM

#### DESCRIPTION

The cooling system consists of:

- A radiator
- Mechanical Cooling Fan
- Thermal viscous fan drive-Low disengaged
- Fan shroud
- Radiator pressure cap
- Thermostat
- Coolant reserve/overflow system
- Transmission oil cooler (if equipped with an automatic transmission)
- Coolant
- Water pump
- Hoses and hose clamps
- Accessory drive belt



80b8991e

**Fig. 1 Cooling Module with Electric Fan— 4.0L and 4.7L**

- 1 - RADIATOR
- 2 - ELECTRIC COOLING FAN CONNECTOR
- 3 - FAN SHROUD
- 4 - ELECTRIC COOLING FAN

#### OPERATION

The cooling system regulates engine operating temperature. It allows the engine to reach normal operating temperature as quickly as possible. It also maintains normal operating temperature and prevents overheating.

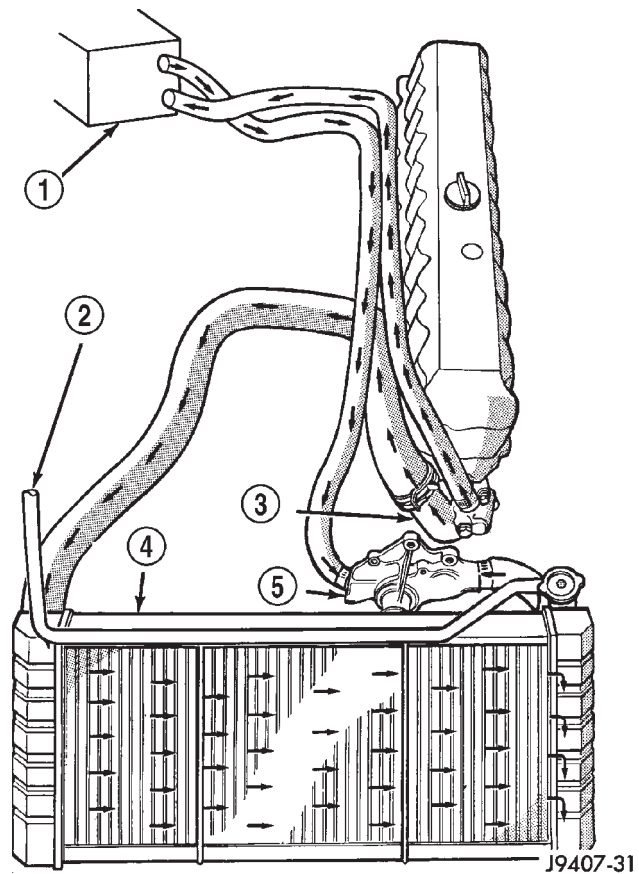
The cooling system also provides a means of heating the passenger compartment and cooling the automatic transmission fluid (if equipped). The cooling system is pressurized and uses a centrifugal water pump to circulate coolant throughout the system.

Vehicles equipped with the 4.7L engine receive a "max" cooling package which consists of a heavy duty radiator, a low disengaged fan viscous fan drive and an mechanical cooling fan. This package will provide additional cooling capacity for vehicles used under extreme conditions such as trailer towing in high ambient temperatures.

### SYSTEM COOLANT ROUTING

#### DESCRIPTION

For cooling system routings refer to (Fig. 2) (Fig. 3).

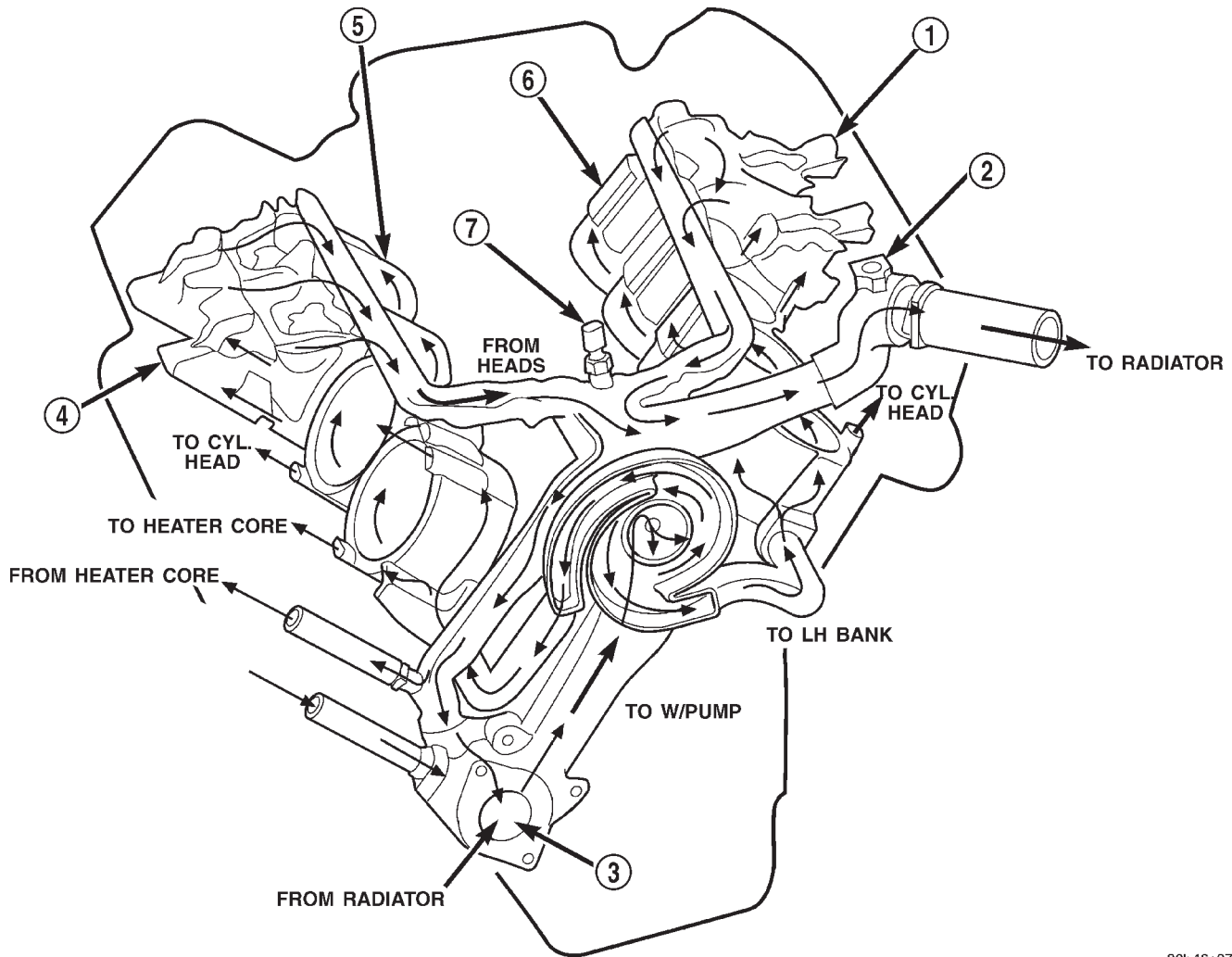


J9407-31

**Fig. 2 Engine Cooling System—4.0L Engine—Typical**

- 1 - HEATER CORE
- 2 - TO COOLANT RESERVE/OVERFLOW TANK
- 3 - THERMOSTAT HOUSING
- 4 - RADIATOR
- 5 - WATER PUMP

DESCRIPTION AND OPERATION (Continued)



80b46c07

**Fig. 3 Engine Cooling System 4.7L Engine—Typical**

- 1 - LH CYL. HEAD
- 2 - BLEED
- 3 - THERMOSTAT LOCATION
- 4 - RH CYL. HEAD

- 5 - RH BANK CYL. BLOCK
- 6 - LH BANK CYL. BLOCK
- 7 - COOLANT TEMP. SENSOR

**WATER PUMP BYPASS—4.7L**

**DESCRIPTION**

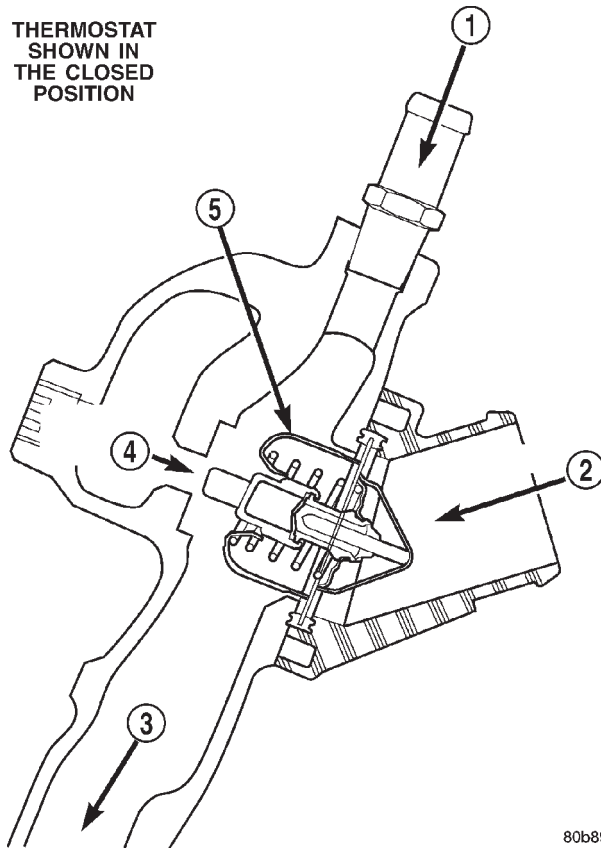
The 4.7L engine uses an internal water/coolant bypass system. The design uses galleries in the timing chain cover to circulate coolant during engine warm-up preventing the coolant from flowing through the radiator. The thermostat uses a stub shaft located at the rear of the thermostat (Fig. 4) to control flow through the bypass gallery.

**OPERATION**

When the thermostat is in the closed position the bypass gallery is not obstructed allowing 100% flow. When the thermostat is in the open position the stub shaft enters the bypass gallery obstructing bypass coolant flow by 50%. This design allows the coolant to reach operating temperature quickly when cold, while adding extra cooling during normal temperature operation.

## DESCRIPTION AND OPERATION (Continued)

THERMOSTAT  
SHOWN IN  
THE CLOSED  
POSITION



80b897e4

**Fig. 4 Water/Coolant Bypass Flow and Thermostat—  
4.7L Engine**

- 1 - FROM HEATER
- 2 - FROM RADIATOR
- 3 - TO WATER PUMP
- 4 - ENGINE BYPASS
- 5 - THERMOSTAT

## RADIATOR

### DESCRIPTION

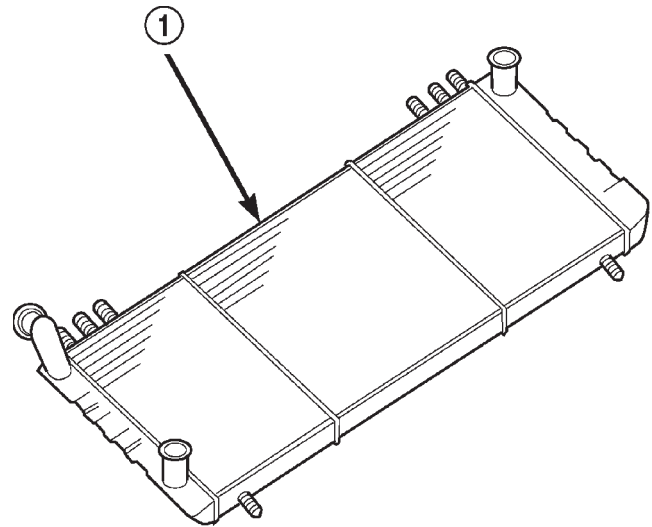
All vehicles are equipped with a cross flow type radiator with plastic side tanks.

Plastic tanks, while stronger than brass, are subject to damage by impact, such as from tools or wrenches. Handle radiator with care.

## AUTOMATIC TRANSMISSION OIL COOLER

### DESCRIPTION

An internal high capacity/high efficiency cooler is used on all vehicles these coolers are an oil-to-coolant type which consists of plates mounted in the radiator outlet tank (Fig. 5). Because the internal oil cooler is so efficient, no auxiliary oil cooler is offered.



80be469f

**Fig. 5 Cross Flow Radiator—Typical**

- 1 - RADIATOR

## COOLANT RESERVOIR / OVERFLOW SYSTEM

### DESCRIPTION

This system works along with the radiator pressure cap. This is done by using thermal expansion and contraction of the coolant to keep the coolant free of trapped air. It provides:

- A volume for coolant expansion and contraction.
- A convenient and safe method for checking/adjusting coolant level at atmospheric pressure. This is done without removing the radiator pressure cap.
- Some reserve coolant to the radiator to cover minor leaks and evaporation or boiling losses.

As the engine cools, a vacuum is formed in the cooling system of both the radiator and engine. Coolant will then be drawn from the coolant tank and returned to a proper level in the radiator.

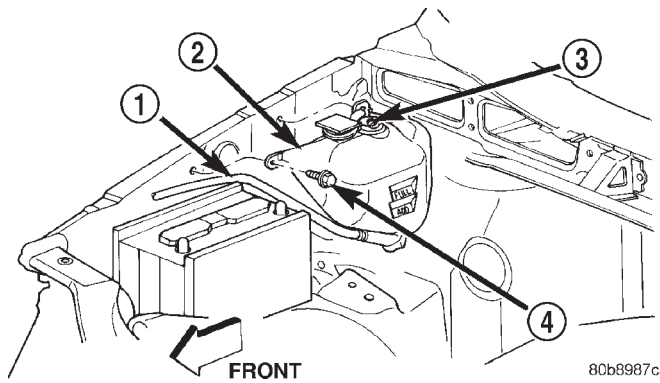
The coolant reservoir/overflow system has a radiator mounted pressurized cap, an overflow tube and a plastic coolant reservoir/overflow tank (Fig. 6) mounted to the right inner fender.

## ENGINE BLOCK HEATER

### DESCRIPTION

**WARNING: DO NOT OPERATE ENGINE UNLESS BLOCK HEATER CORD HAS BEEN DISCONNECTED FROM POWER SOURCE AND SECURED IN PLACE. THE POWER CORD MUST BE SECURED IN ITS RETAINING CLIPS AND ROUTED AWAY FROM EXHAUST MANIFOLDS AND MOVING PARTS.**

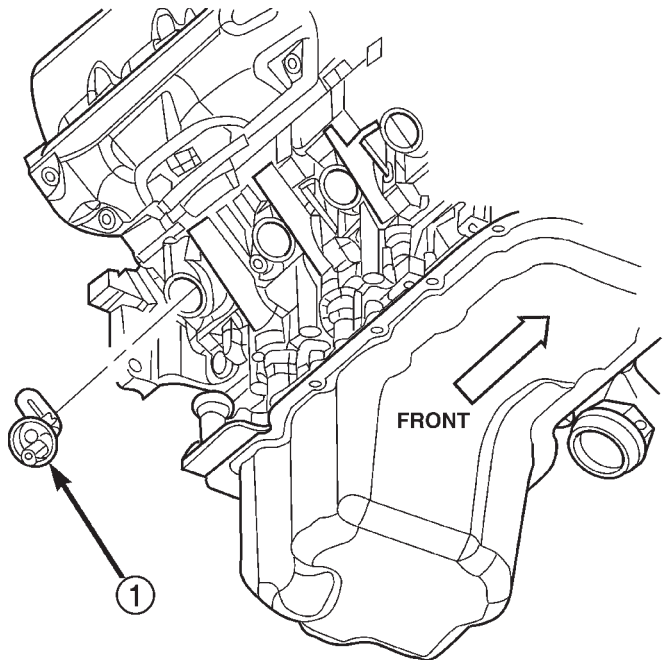
DESCRIPTION AND OPERATION (Continued)



**Fig. 6 Coolant Reservoir / Overflow Tank**

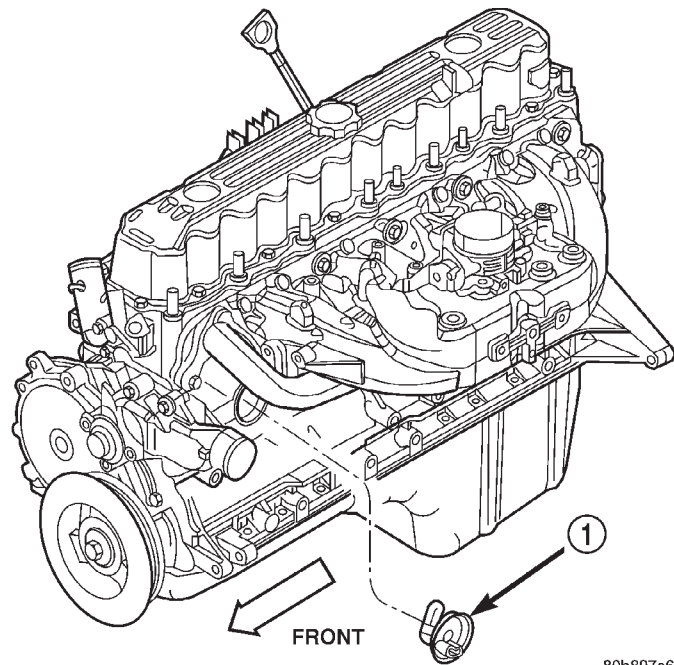
- 1 - COOLANT OVERFLOW HOSE
- 2 - COOLANT RESERVOIR/OVERFLOW TANK
- 3 - COOLANT LEVEL SENSOR
- 4 - BOLT

An optional engine block heater (Fig. 7) (Fig. 8) is available with all models. The heater is equipped with a power cord. The cord is attached to an engine compartment component with tie-straps. The heater warms the engine providing easier engine starting and faster warm-up in low temperatures. The heater is mounted in a core hole of the engine cylinder block in place of a freeze plug with the heating element immersed in engine coolant.



**Fig. 8 Block Heater—4.7L**

- 1 - ENGINE BLOCK HEATER



**Fig. 7 Block Heater—4.0L**

- 1 - ENGINE BLOCK HEATER

**OPERATION**

Connecting the power cord to a grounded 110-120 volt AC electrical outlet with a grounded, three wire extension cord activates the heating element warming the engine coolant.

**THERMOSTAT**

**DESCRIPTION**

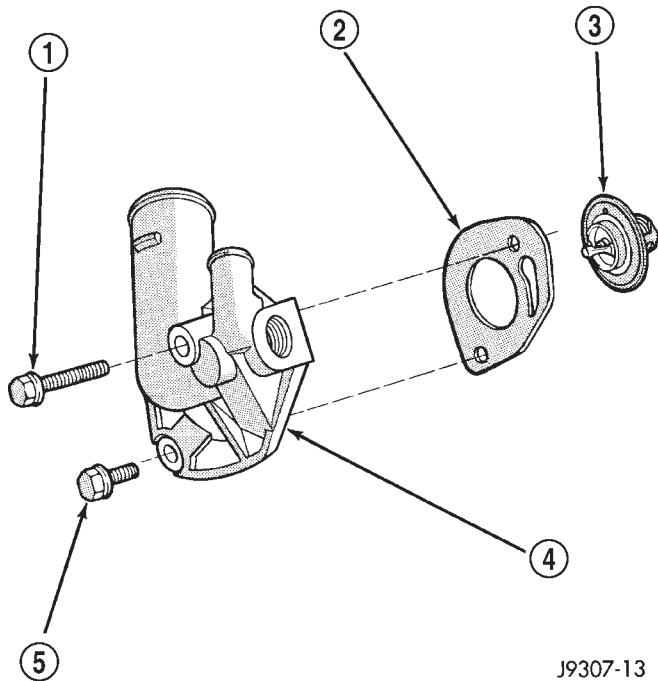
**CAUTION:** Do not operate an engine without a thermostat, except for servicing or testing.

A pellet-type thermostat controls the operating temperature of the engine by controlling the amount of coolant flow to the radiator. On all engines the thermostat is closed below 195°F (90°C). Above this temperature, coolant is allowed to flow to the radiator. This provides quick engine warm up and overall temperature control. On the 4.7L engine the thermostat is designed to block the flow of the coolant bypass journal by 50% instead of completely blocking the flow. This design controls coolant temperature more accurately (Fig. 9) (Fig. 10).



## DESCRIPTION AND OPERATION (Continued)

The same thermostat is used for winter and summer seasons. An engine should not be operated without a thermostat, except for servicing or testing. Operating without a thermostat causes other problems. These are: longer engine warmup time, unreliable warmup performance, increased exhaust emissions and crankcase condensation. This condensation can result in sludge formation.



**Fig. 9 Thermostat and Housing—4.0L**

- 1 - LONG BOLT
- 2 - GASKET
- 3 - THERMOSTAT
- 4 - THERMOSTAT HOUSING
- 5 - SHORT BOLT

J9307-13

### OPERATION

The wax pellet is located in a sealed container at the spring end of the thermostat. When heated, the pellet expands, overcoming closing spring tension and water pump pressure to force the valve to open.

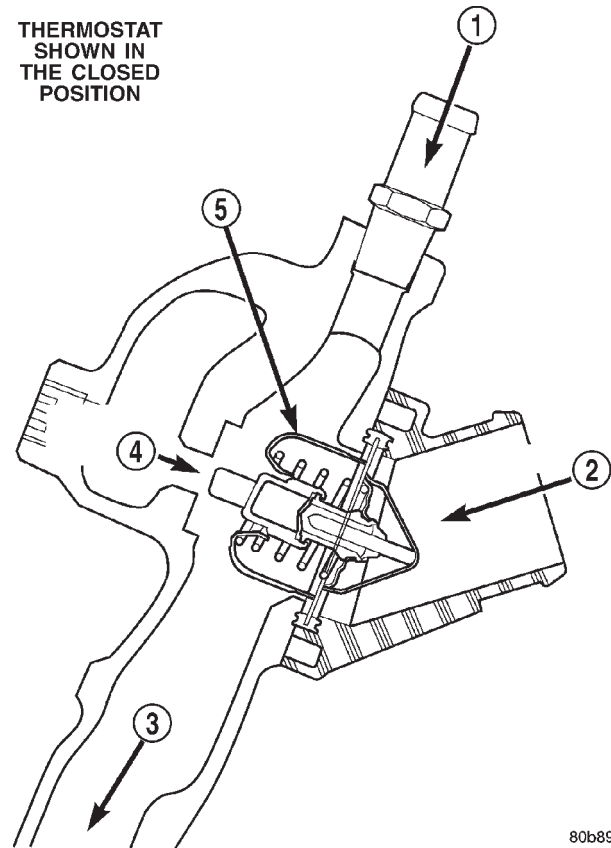
### RADIATOR PRESSURE CAP

#### DESCRIPTION

All radiators are equipped with a pressure cap. This cap releases pressure at some point within a range of 124-to-145 kPa (18-to-21 psi). The pressure relief point (in pounds) is engraved on top of the cap.

The cooling system will operate at pressures slightly above atmospheric pressure. This results in a higher coolant boiling point allowing increased radiator cooling capacity. The cap contains a spring-loaded pressure relief valve. This valve opens when

THERMOSTAT  
SHOWN IN  
THE CLOSED  
POSITION



80b897e4

**Fig. 10 Thermostat Cross Section View 4.7L**

- 1 - FROM HEATER
- 2 - FROM RADIATOR
- 3 - TO WATER PUMP
- 4 - ENGINE BYPASS
- 5 - THERMOSTAT

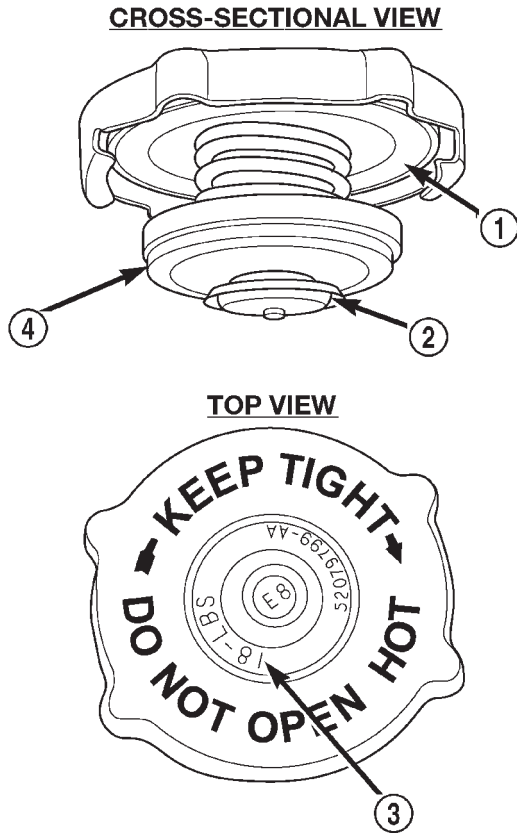
system pressure reaches the release range of 124-to-145 kPa (18-to-21 psi).

A rubber gasket seals the radiator filler neck. This is done to maintain vacuum during coolant cool-down and to prevent leakage when system is under pressure.

### OPERATION

A vent valve in the center of the cap will remain shut as long as the cooling system is pressurized. As the coolant cools, it contracts and creates a vacuum in cooling system. This causes the vacuum valve to open and coolant in reserve/overflow tank to be drawn through connecting hose into radiator. If the vacuum valve is stuck shut, or overflow hose is kinked, radiator hoses will collapse on cool-down.

DESCRIPTION AND OPERATION (Continued)



80bc4e65

**Fig. 11 Radiator Pressure Cap—Typical**

- 1 - FILLER NECK SEAL
- 2 - VACUUM VENT VALVE
- 3 - PRESSURE RATING
- 4 - PRESSURE VALVE

**WATER PUMP**

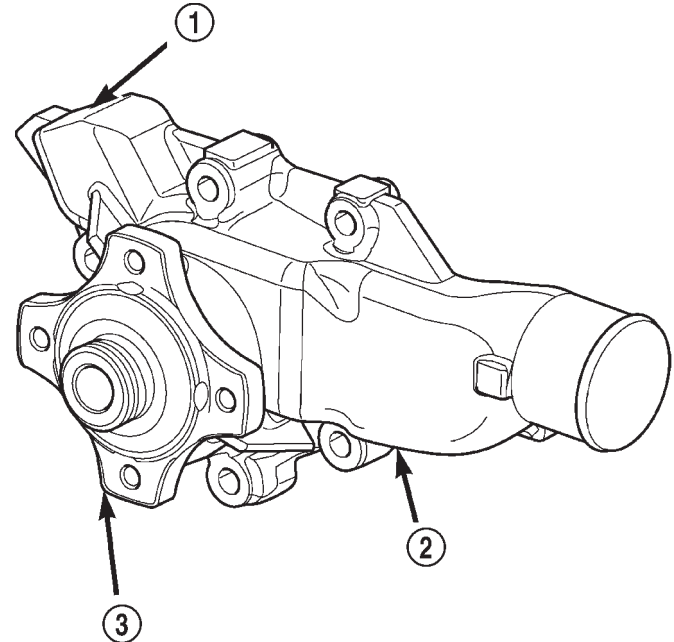
**DESCRIPTION**

**CAUTION:** All 4.0L 6-cylinder engines are equipped with a reverse (counterclockwise) rotating water pump and thermal viscous fan drive assembly. **REVERSE** is stamped or imprinted on the cover of the viscous fan drive and inner side of the fan. The letter **R** is stamped into the back of the water pump impeller. Engines from previous model years, depending upon application, may have been equipped with a forward (clockwise) rotating water pump. Installation of the wrong water pump or viscous fan drive will cause engine over heating.

A centrifugal water pump circulates coolant through the water jackets, passages, intake manifold, radiator core, cooling system hoses and heater core. The pump is driven from the engine crankshaft by a single serpentine drive belt on all engines.

The water pump impeller is pressed onto the rear of a shaft that rotates in bearings pressed into the housing. The housing has two small holes to allow seepage to escape. The water pump seals are lubricated by the antifreeze in the coolant mixture. No additional lubrication is necessary.

**4.7L ENGINES:** Both heater hoses are connected to fittings on the timing chain front cover. The water pump is also mounted directly to the timing chain cover and is equipped with a non serviceable integral pulley (Fig. 13).



80ba7836

**Fig. 12 Water Pump—4.0L**

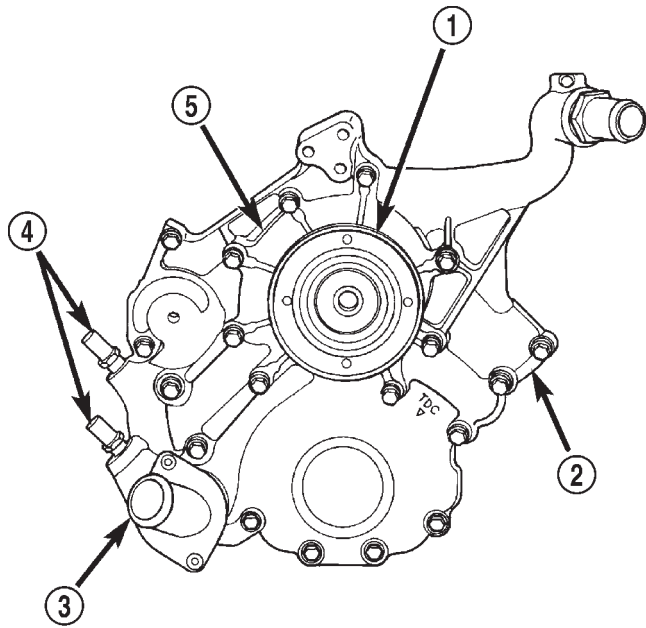
- 1 - HEATER HOSE FITTING BORE
- 2 - WATER PUMP
- 3 - WATER PUMP HUB

**COOLING SYSTEM HOSES AND HOSE CLAMPS**

Rubber hoses route coolant to and from the radiator, intake manifold and heater core. The lower radiator hose is spring-reinforced to prevent collapse from water pump suction at moderate and high engine speeds.

**WARNING: CONSTANT TENSION HOSE CLAMPS ARE USED ON MOST COOLING SYSTEM HOSES. WHEN REMOVING OR INSTALLING, USE ONLY TOOLS DESIGNED FOR SERVICING THIS TYPE OF CLAMP, SUCH AS SPECIAL CLAMP TOOL (NUMBER 6094) (Fig. 14). SNAP-ON CLAMP TOOL (NUMBER HPC-20) MAY BE USED FOR LARGER CLAMPS. ALWAYS WEAR SAFETY GLASSES WHEN SERVICING CONSTANT TENSION CLAMPS.**

## DESCRIPTION AND OPERATION (Continued)

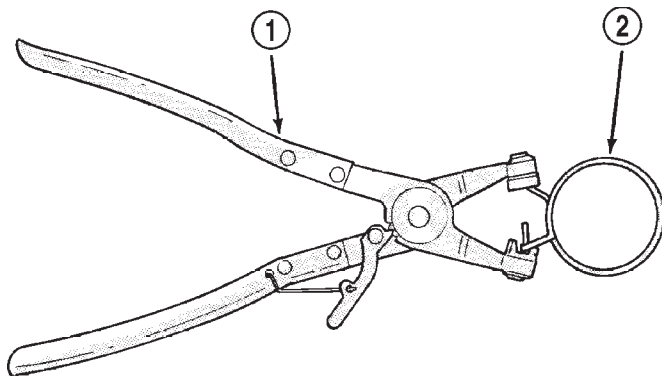


80b89884

**Fig. 13 Water Pump and Timing Chain Cover—4.7L**

- 1 - INTEGRAL WATER PUMP PULLEY
- 2 - TIMING CHAIN COVER
- 3 - THERMOSTAT HOUSING
- 4 - HEATER HOSE FITTINGS
- 5 - WATER PUMP

**CAUTION:** A number or letter is stamped into the tongue of constant tension clamps (Fig. 15). If replacement is necessary, use only an original equipment clamp with matching number or letter.

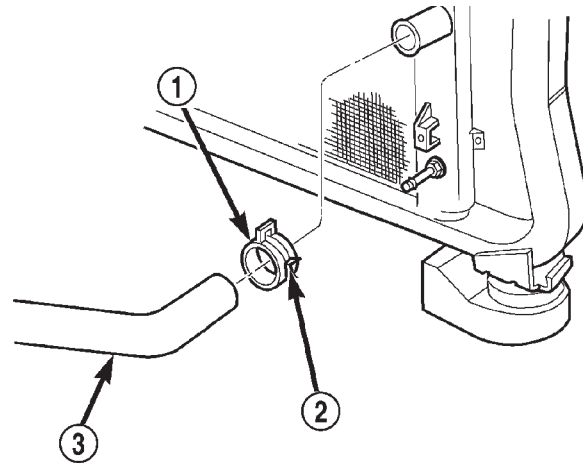


J9207-36

**Fig. 14 Hose Clamp Tool—Typical**

- 1 - HOSE CLAMP TOOL 6094
- 2 - HOSE CLAMP

Inspect the hoses at regular intervals. Replace hoses that are cracked, feel brittle when squeezed, or swell excessively when the system is pressurized.



80bdbd2b

**Fig. 15 Clamp Number/Letter Location**

- 1 - CONSTANT TENSION HOSE CLAMP
- 2 - CLAMP NUMBER/LETTER LOCATION
- 3 - HOSE

For all vehicles: In areas where specific routing clamps are not provided, be sure that hoses are positioned with sufficient clearance. Check clearance from exhaust manifolds and pipe, fan blades, drive belts and sway bars. Improperly positioned hoses can be damaged, resulting in coolant loss and engine overheating.

When performing a hose inspection, inspect the radiator lower hose for proper position and condition of the internal spring.

**VISCOUS FAN DRIVE****DESCRIPTION**

**CAUTION:** Engines equipped with serpentine drive belts have reverse rotating fans and viscous fan drives. They are marked with the word REVERSE to designate their usage. Installation of the wrong fan or viscous fan drive can result in engine overheating.

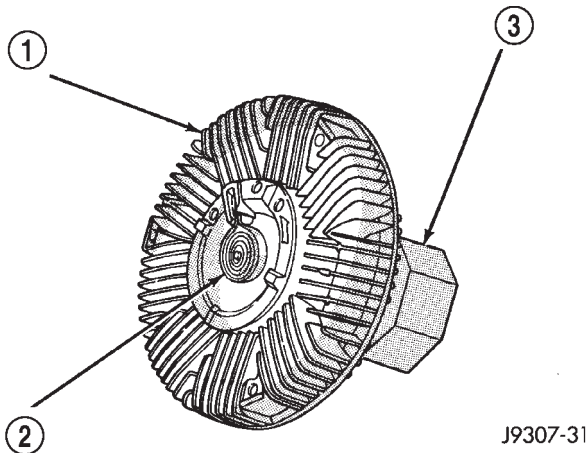
**CAUTION:** If the viscous fan drive is replaced because of mechanical damage, the cooling fan blades should also be inspected. Inspect for fatigue cracks, loose blades, or loose rivets that could have resulted from excessive vibration. Replace fan blade assembly if any of these conditions are found. Also inspect water pump bearing and shaft assembly for any related damage due to a viscous fan drive malfunction.

DESCRIPTION AND OPERATION (Continued)

The thermal viscous fan drive (Fig. 16) is a silicone-fluid-filled coupling used to connect the fan blades to the water pump shaft. The coupling allows the fan to be driven in a normal manner. This is done at low engine speeds while limiting the top speed of the fan to a predetermined maximum level at higher engine speeds.

On all 4.7L an electrical cooling fan located in the fan shroud aids in low speed cooling. It is designed to augment the viscous fan. However, it does not replace the viscous fan.

On the 4.0L engines an electric fan is standard and the viscous fan is added on trailer tow packages only.



**Fig. 16 Viscous Fan Drive—4.0L and 4.7L Engines—Typical**

- 1 - VISCOUS FAN DRIVE
- 2 - THERMOSTATIC SPRING
- 3 - MOUNTING NUT TO WATER PUMP HUB

**OPERATION**

A thermostatic bimetallic spring coil is located on the front face of the viscous fan drive unit (Fig. 16). This spring coil reacts to the temperature of the radiator discharge air. It engages the viscous fan drive for higher fan speed if the air temperature from the radiator rises above a certain point. Until additional engine cooling is necessary, **the fan will remain at a reduced rpm regardless of engine speed. Normally less than three hundred (300) rpm.**

Only when sufficient heat is present, will the viscous fan drive engage. This is when the air flowing through the radiator core causes a reaction to the bimetallic coil. It then increases fan speed to provide the necessary additional engine cooling.

Once the engine has cooled, the radiator discharge temperature will drop. The bimetallic coil again reacts and the fan speed is reduced to the previous disengaged speed.

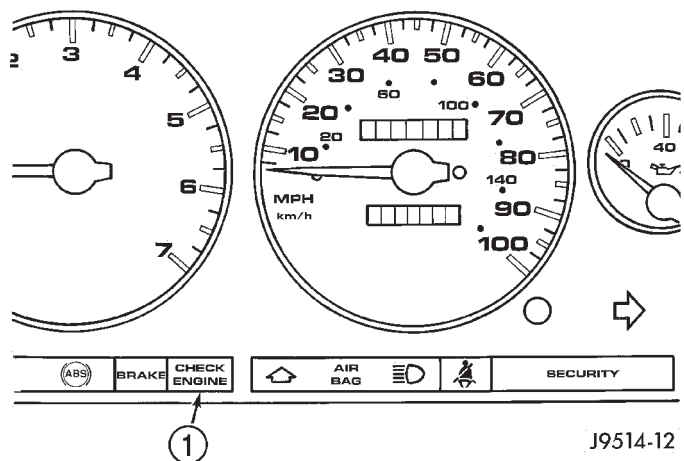
**DIAGNOSIS AND TESTING**

**ON-BOARD DIAGNOSTICS (OBD)**

**FOR CERTAIN COOLING SYSTEM COMPONENTS**

The powertrain control module (PCM) has been programmed to monitor certain cooling system components:

**NOTE:** If the engine has remained cool for too long a period, such as with a stuck open thermostat, a Diagnostic Trouble Code (DTC) number 17 can be observed at the malfunction indicator lamp. This lamp is displayed on the instrument panel as the CHECK ENGINE lamp (Fig. 17).



**Fig. 17 Check Engine Lamp Location**

- 1 - CHECK ENGINE LAMP

If the problem is sensed in a monitored circuit often enough to indicate an actual problem, a DTC is stored. The DTC will be stored in the PCM memory for eventual display to the service technician. If the problem is repaired or ceases to exist, the PCM cancels the DTC after 51 engine starts.

Certain criteria must be met for a DTC to be entered into PCM memory. The criteria may be a specific range of engine rpm, engine temperature and/or input voltage to the PCM.

A DTC indicates that the PCM has recognized an abnormal signal in a circuit or the system. A DTC may indicate the result of a failure, but never identify the failed component directly.

It is possible that a DTC for a monitored circuit may not be entered into memory even though a malfunction has occurred. Refer to On-Board Diagnostics (OBD) in Group 25, Emission Control Systems for additional information.

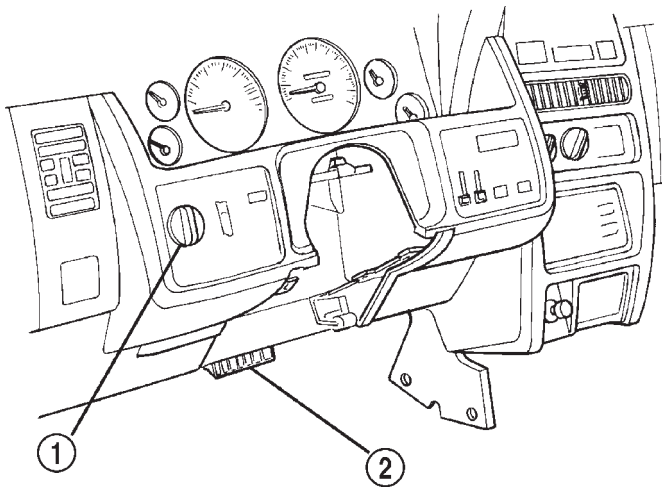


## DIAGNOSIS AND TESTING (Continued)

## ACCESSING DIAGNOSTIC TROUBLE CODES

A stored Diagnostic Trouble Code (DTC) can be displayed by cycling the ignition key On-Off-On-Off-On within three seconds and observing the malfunction indicator lamp. This lamp is displayed on the instrument panel as the CHECK ENGINE lamp (Fig. 17).

They can also be displayed through the use of the Diagnostic Readout Box (DRB) scan tool. The DRB connects to the data link connector, left of the steering column above the brake pedal (Fig. 18). For operation of the DRB, refer to the appropriate Powertrain Diagnostic Procedures service manual.



80a07536

**Fig. 18 Data Link Connector Location**

- 1 - HEADLAMP SWITCH  
2 - DATA LINK CONNECTOR (LEFT SIDE OF COLUMN ABOVE BRAKE PEDAL)

## EXAMPLES:

- If the lamp (Fig. 17) flashes 1 time, pauses and flashes 2 more times, a flashing Diagnostic Trouble Code (DTC) number 12 is indicated. If this code is observed, it is indicating that the battery has been disconnected within the last 50 key-on cycles. It could also indicate that battery voltage has been disconnected to the PCM. In either case, other DTC's may have been erased.

- If the lamp flashes 1 time, pauses and flashes 7 more times, a flashing Diagnostic Trouble Code (DTC) number 17 is indicated.

After any stored DTC information has been observed, the display will end with a flashing DTC number 55. This will indicate the end of all stored information.

## ERASING TROUBLE CODES

After the problem has been repaired, use the DRB scan tool to erase a DTC. Refer to the appropriate

Powertrain Diagnostic Procedures service manual for operation of the DRB scan tool.

## DRB SCAN TOOL

For operation of the DRB scan tool, refer to the appropriate Powertrain Diagnostic Procedures service manual.

## WATER PUMP TESTS

## LOOSE IMPELLER—4.0L and 4.7L

**NOTE:** Due to the design of the 4.0L and 4.7L engine water pumps, testing the pump for a loose impeller must be done by verifying coolant flow in the radiator. To accomplish this refer to the following procedure.

DO NOT WASTE reusable coolant. If solution is clean, drain coolant into a clean container for reuse.

(1) Drain coolant until the first row of cores is visible in the radiator.

(2) Leaving the radiator cap off, start the engine

(3) While looking into the radiator through the radiator fill neck, raise engine rpm to 2000 RPM. Observe the flow of coolant from the first row of cores.

(4) If there is no flow or very little flow visible, replace the water pump.

## INSPECTING FOR INLET RESTRICTIONS

Inadequate heater performance may be caused by a metal casting restriction in the heater hose inlet.

DO NOT WASTE reusable coolant. If solution is clean, drain the coolant into a clean container for reuse.

**WARNING: DO NOT LOOSEN THE RADIATOR DRAINCOCK WITH THE SYSTEM HOT AND UNDER PRESSURE. SERIOUS BURNS FROM THE COOLANT CAN OCCUR.**

(1) Drain sufficient coolant from the radiator to decrease the level below the heater hose inlet. On 4.7L engines this requires complete draining.

(2) Remove the heater hose.

(3) Inspect the inlet for metal casting flash or other restrictions.

**NOTE:** On 4.0L engines remove the pump from the engine before removing restriction to prevent contamination of the coolant with debris. Refer to Water Pump Removal in this section. On 4.7L engine remove the fitting from the timing chain cover, If the restriction is in the timing chain cover, remove the timing chain cover. Refer to Timing Chain Cover in Group 9 Engine, for procedure.



DIAGNOSIS AND TESTING (Continued)

**THERMOSTAT**

**ON-BOARD DIAGNOSTICS**

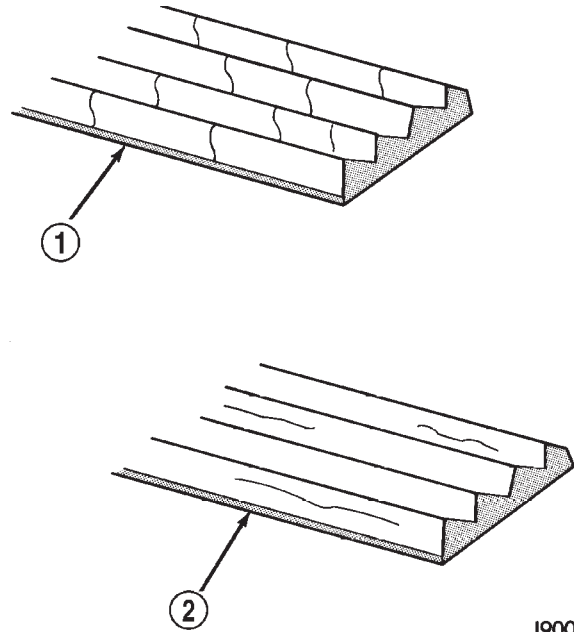
All models are equipped with On-Board Diagnostics for certain cooling system components. Refer to On-Board Diagnostics (OBD) in the Diagnosis section of this group for additional information. If the powertrain control module (PCM) detects low engine coolant temperature, it will record a Diagnostic Trouble Code (DTC). Refer to the Diagnosis section of this group for other probable causes. For other DTC numbers, refer to On-Board Diagnostics in Group 25, Emission Control Systems.

The DTC can also be accessed through the DRB scan tool. Refer to the appropriate Powertrain Diagnostic Procedures manual for diagnostic information and operation of the DRB scan tool.

**SERPENTINE DRIVE BELT DIAGNOSIS**

When diagnosing serpentine drive belts, small cracks that run across ribbed surface of belt from rib to rib (Fig. 19), are considered normal. These are not a reason to replace belt. However, cracks running along a rib (not across) are **not** normal. Any belt with cracks running along a rib must be replaced (Fig. 19). Also replace belt if it has excessive wear, frayed cords or severe glazing.

Refer to the Serpentine Drive Belt Diagnosis charts for further belt diagnosis.



J9007-44

**Fig. 19 Serpentine Accessory Drive Belt Wear Patterns**

- 1 - NORMAL CRACKS BELT OK
- 2 - NOT NORMAL CRACKS REPLACE BELT

SERPENTINE DRIVE BELT DIAGNOSIS		
CONDITION	POSSIBLE CAUSES	CORRECTION
RIB CHUNKING (ONE OR MORE RIBS HAS SEPARATED FROM BELT BODY)	1. Foreign objects imbedded in pulley grooves. 2. Installation damage.	1. Remove foreign objects from pulley grooves. Replace belt. 2. Replace belt.
RIB OR BELT WEAR	1. Pulley(s) misaligned. 2. Abrasive environment. 3. Rusted pulley(s). 4. Sharp or jagged pulley groove tips. 5. Rubber deteriorated.	1. Align pulley(s). 2. Clean pulley(s). Replace belt if necessary. 3. Clean rust from pulley(s). 4. Replace pulley. 5. Replace belt.
LONGITUDINAL BELT CRACKING (CRACKS BETWEEN TWO RIBS)	1. Belt has mistracked from pulley groove. 2. Pulley groove tip has worn away rubber to tensile member.	1. Replace belt. 2. Replace belt.

## DIAGNOSIS AND TESTING (Continued)

<b>SERPENTINE DRIVE BELT DIAGNOSIS</b>		
<b>CONDITION</b>	<b>POSSIBLE CAUSES</b>	<b>CORRECTION</b>
BELT SLIPS	<ol style="list-style-type: none"> <li>1. Belt slipping because of insufficient tension.</li> <li>2. Belt routed incorrectly</li> <li>3. Incorrect belt.</li> <li>4. Belt or pulley subjected to substance (belt dressing, oil ethylene glycol) that has reduced friction.</li> <li>5. Driven component bearing failure.</li> <li>6. Belt glazed and hardened from heat and excessive slippage.</li> </ol>	<ol style="list-style-type: none"> <li>1. Replace automatic belt tensioner.</li> <li>2. Verify belt routing.</li> <li>3. Replace belt.</li> <li>4. Replace belt and clean pulleys.</li> <li>5. Replace faulty component bearing.</li> <li>6. Replace belt.</li> </ol>
"GROOVE JUMPING" (BELT DOES NOT MAINTAIN CORRECT POSITION ON PULLEY)	<ol style="list-style-type: none"> <li>1. Belt tension either too high or too low.</li> <li>2. Belt routed incorrectly.</li> <li>3. Incorrect belt.</li> <li>4. Pulley(s) not within design tolerance.</li> <li>5. Foreign object(s) in grooves.</li> <li>6. Pulley misalignment.</li> <li>7. Belt cord line is broken.</li> </ol>	<ol style="list-style-type: none"> <li>1. Replace automatic belt tensioner.</li> <li>2. Verify belt routing.</li> <li>3. Replace belt.</li> <li>4. Replace pulley(s).</li> <li>5. Remove foreign objects from grooves.</li> <li>6. Check and replace.</li> <li>7. Replace belt.</li> </ol>
BELT BROKEN (NOTE: IDENTIFY AND CORRECT PROBLEM BEFORE NEW BELT IS INSTALLED)	<ol style="list-style-type: none"> <li>1. Excessive tension.</li> <li>2. Incorrect belt.</li> <li>3. Tensile member damaged during belt installation.</li> <li>4. Severe misalignment.</li> <li>5. Bracket, pulley, or bearing failure.</li> </ol>	<ol style="list-style-type: none"> <li>1. Replace belt and automatic belt tensioner.</li> <li>2. Replace belt.</li> <li>3. Replace belt.</li> <li>4. Check and replace.</li> <li>5. Replace defective component and belt.</li> </ol>
NOISE (OBJECTIONABLE SQUEAL, SQUEAK, OR RUMBLE IS HEARD OR FELT WHILE DRIVE BELT IS IN OPERATION)	<ol style="list-style-type: none"> <li>1. Belt slippage.</li> <li>2. Bearing noise.</li> <li>3. Belt misalignment.</li> <li>4. Belt-to-pulley mismatch.</li> </ol>	<ol style="list-style-type: none"> <li>1. Replace belt or automatic belt tensioner.</li> <li>2. Locate and repair.</li> <li>3. Replace belt.</li> <li>4. Install correct belt.</li> </ol>

DIAGNOSIS AND TESTING (Continued)

**PRELIMINARY CHECKS**

**ENGINE COOLING SYSTEM OVERHEATING**

Establish what driving conditions caused the complaint. Abnormal loads on the cooling system such as the following may be the cause.

(1) **PROLONGED IDLE, VERY HIGH AMBIENT TEMPERATURE, SLIGHT TAIL WIND AT IDLE, SLOW TRAFFIC, TRAFFIC JAMS, HIGH SPEED, OR STEEP GRADES:**

Driving techniques that avoid overheating are:

- Idle with A/C off when temperature gauge is at end of normal range.
- Increasing engine speed for more air flow is recommended.

(2) **TRAILER TOWING:**

Consult Trailer Towing section of owners manual. Do not exceed limits.

(3) **RECENT SERVICE OR ACCIDENT REPAIR:**

Determine if any recent service has been performed on vehicle that may effect cooling system. This may be:

- Engine adjustments (incorrect timing)
- Slipping engine accessory drive belt(s)
- Brakes (possibly dragging)
- Changed parts (incorrect water pump rotating in wrong direction)
  - Reconditioned radiator or cooling system refilling (possibly under-filled or air trapped in system).
  - Rubber and foam air seals not properly installed to radiator or A/C condenser after a repair.
  - Upper and lower portions of radiator fan shroud not tightly connected. All air must flow through the radiator.
  - Electric fan not functioning, (disconnected or damaged).

**NOTE: If investigation reveals none of the previous items as a cause for an engine overheating complaint, refer to Cooling System Diagnosis charts.**

These charts are to be used as a quick-reference only. Refer to the group text for information.

**COOLING SYSTEM DIAGNOSIS**

*COOLING SYSTEM DIAGNOSIS CHART*

CONDITION	POSSIBLE CAUSES	CORRECTION
TEMPERATURE GAUGE READS LOW	1. Has a Diagnostic Trouble Code (DTC) been set indicating a stuck open engine thermostat.  2. Temperature gauge (if equipped) disconnected from the temperature gauge coolant sensor on the engine  3. Defective temperature gauge (if equipped)  4. Coolant level low in cold ambient temperatures accompanied with poor heater performance.  5. Improper operation of internal heater doors or heater controls.  6. Electric fan functioning when not required.	1. Refer to group 25, Emission Control Systems. Replace thermostat if necessary. If a Diagnostic Trouble Code (DTC) has not been set, the problem may be with the temperature gauge.  2. Check the engine temperature sensor connector in the engine compartment. Refer to Group 8E. Repair as necessary.  3. Check gauge operation. Refer to Group 8E. Repair as necessary.  4. Check coolant level in the coolant reserve/overflow tank and the radiator. Inspect system for leaks. Repair leaks as necessary. Refer to the Coolant section of the manual text for Warnings and precautions before removing the radiator cap.  5. Inspect heater and repair as necessary. Refer to Group 24, Heating and Air Conditioning for procedures.  6. Inspect electric fan for proper operation. Refer to Electric Cooling Fan in this section. Refer to Group 8W for electric cooling fan and relay circuit schematic data.

## DIAGNOSIS AND TESTING (Continued)

CONDITION	POSSIBLE CAUSES	CORRECTION
<p>TEMPERATURE GAUGE READS HIGH OR ENGINE COOLANT WARNING LAMP ILLUMINATES. COOLANT MAY OR MAY NOT BE LOST OR LEAKING FROM COOLING SYSTEM</p>	<ol style="list-style-type: none"> <li>1. Trailer is being towed, a steep hill is being climbed, vehicle is operated in slow moving traffic, or engine is being idled with very high ambient (outside) temperatures and the air conditioning is on. Higher altitudes could aggravate these conditions.</li> <li>2. Defective temperature gauge (if equipped)</li> <li>3. Defective temperature warning lamp (if equipped)</li> <li>4. Coolant low in coolant reserve/overflow tank and radiator?</li> <li>5. Pressure cap not installed tightly. If cap is loose, boiling point of coolant will be lowered. Also refer to the following step 6.</li> <li>6. Poor seals at radiator cap.</li> <li>7. Coolant level low in radiator but not in coolant reserve/overflow tank. This means the radiator is not drawing coolant from the coolant reserve/overflow tank as the engine cools. As the engine cools, a vacuum is formed in the cooling system of the engine and radiator. If radiator cap seals are defective, or cooling system has leaks, a vacuum can not be formed.</li> <li>8. Freeze point of antifreeze not correct. Mixture may be too rich.</li> </ol>	<ol style="list-style-type: none"> <li>1. This may be a temporary condition and repair is not necessary. Turn off the air conditioning and attempt to drive the vehicle without any of the previous conditions. Observe the temperature gauge. The gauge should return to the normal range. If the gauge does not return to normal range, determine the cause for overheating and repair. Refer to POSSIBLE CAUSES (numbers 2 through 18).</li> <li>2. Check gauge. Refer to Group 8E. Repair as necessary.</li> <li>3. Check warning lamp operation. Refer to Group 8E. Repair as necessary.</li> <li>4. Check for coolant leaks and repair as necessary. Refer to Testing Cooling System for Leaks in this group.</li> <li>5. Tighten cap.</li> <li>6. (a) Check condition of cap and cap seals. Refer to Radiator Cap. Replace cap if necessary. (b) Check condition of radiator filler neck. If neck is bent or damaged, replace radiator.</li> <li>7. (a) Check condition of radiator cap and cap seals. Refer to Radiator Cap in this group. Replace cap if necessary. (b) Check condition of radiator filler neck. If neck is bent or damaged, replace radiator. (c) Check the condition of the hose from the radiator to the coolant tank. It should fit tight at both ends without any kinks or tears. Replace hose if necessary. (d) Check coolant reserve/overflow tank and tank hoses for blockage. Repair as necessary</li> <li>8. Check antifreeze. Refer to Coolant section of this group. Adjust antifreeze-to-water ratio as required.</li> </ol>

DIAGNOSIS AND TESTING (Continued)

CONDITION	POSSIBLE CAUSES	CORRECTION
	<p>9. Coolant not flowing through system.</p> <p>10. Radiator or A/C condenser fins dirty or clogged.</p> <p>11. Radiator core is corroded or plugged.</p> <p>12. Fuel or ignition system problems.</p> <p>13. Dragging brakes.</p> <p>14. Bug screen is being used reducing airflow.</p> <p>15. Thermostat partially or completely shut. This is more prevalent of high mileage vehicles.</p> <p>16. Thermal viscous fan drive not operating properly.</p> <p>17. Cylinder head gasket leaking.</p> <p>18. Heater core leaking.</p> <p>19. Electric fan not functioning.</p>	<p>9. Check for coolant flow at radiator filler neck with some coolant removed, engine warm and thermostat open. Coolant should be observed flowing through radiator. If flow is not observed, determine reason for lack of flow and repair as necessary.</p> <p>10. Clean insects or debris. Refer to Radiator Cleaning in this group.</p> <p>11. Have radiator re-cored or replaced.</p> <p>12. Refer to Fuel and Ignition System groups for diagnosis. Also refer to the appropriate Powertrain Diagnostic Procedures service manual for operation of the DRB scan tool.</p> <p>13. Check and correct as necessary. Refer to Group 5, Brakes in the manual text.</p> <p>14. Remove bug screen.</p> <p>15. Check thermostat operation and replace as necessary. Refer to Thermostats in this group.</p> <p>16. Check fan drive operation and replace if necessary. Refer to Viscous Fan Drive in this group.</p> <p>17. Check for cylinder head gasket leaks. Refer to Testing Cooling System for Leaks in this group. For repair, refer to Group 9, Engines.</p> <p>18. Check heater core for leaks. Refer to Group 24, Heating and Air Conditioning. Repair as necessary.</p> <p>19. Inspect electric fan for proper operation. Refer to Electric Cooling Fan in this section. Refer to Group 8W for electric cooling fan and relay circuit schematic data.</p>



## DIAGNOSIS AND TESTING (Continued)

CONDITION	POSSIBLE CAUSES	CORRECTION
<p>TEMPERATURE GAUGE READING IS INCONSISTENT (FLUCTUATES, CYCLES OR IS ERRATIC)</p>	<ol style="list-style-type: none"> <li>1. During cold weather operation, with the heater blower in the high position, the gauge reading may drop slightly.</li> <li>2. Temperature gauge or engine mounted gauge sensor defective or shorted. Also, corroded or loose wiring in the circuit.</li> <li>3. Gauge reading rises when vehicle is brought to a stop after heavy use (engine still running).</li> <li>4. Gauge reading high after restarting a warmed-up (hot) engine.</li> <li>5. Coolant level low in radiator (air will build up in the cooling system causing the thermostat to open late).</li> <li>6. Cylinder head gasket leaking allowing exhaust gas to enter cooling system causing thermostat to open late.</li> <li>7. Water pump impeller loose on shaft.</li> <li>8. Loose accessory drive belt (water pump slipping).</li> <li>9. Air leak on the suction side of water pump allows air to build up in cooling system causing thermostat to open late.</li> </ol>	<ol style="list-style-type: none"> <li>1. A normal condition. No correction is necessary.</li> <li>2. Check operation of gauge and repair if necessary. Refer to Group 8E, Instrument Panel and Gauges.</li> <li>3. A normal condition. No correction is necessary. Gauge reading should return to normal range after vehicle is driven.</li> <li>4. A normal condition. No correction is necessary. The gauge should return to normal range after a few minutes of engine operation.</li> <li>5. Check and correct coolant leaks. Refer to Testing Cooling System for Leaks in this group.</li> <li>6. (a) Check for cylinder head gasket leaks with a commercially available Block Leak Tester. Repair as necessary. (b) Check for coolant in the engine oil. Inspect for white steam emitting from exhaust system. Repair as necessary.</li> <li>7. Check water pump and replace as necessary. Refer to Water Pumps in this group.</li> <li>8. Refer to Engine Accessory Drive Belts in this group. Check and correct as necessary.</li> <li>9. Locate leak and repair as necessary.</li> </ol>
<p>PRESSURE CAP IS BLOWING OFF STEAM AND/OR COOLANT TO COOLANT TANK. TEMPERATURE GAUGE READING MAY BE ABOVE NORMAL BUT NOT HIGH. COOLANT LEVEL MAY BE HIGH IN COOLANT RESERVE/OVERFLOW TANK</p>	<ol style="list-style-type: none"> <li>1. Pressure relief valve in radiator cap is defective.</li> </ol>	<ol style="list-style-type: none"> <li>1. Check condition of radiator cap and cap seals. Refer to Radiator Caps in this group. Replace cap as necessary.</li> </ol>

DIAGNOSIS AND TESTING (Continued)

CONDITION	POSSIBLE CAUSES	CORRECTION
COOLANT LOSS TO THE GROUND WITHOUT PRESSURE CAP BLOWOFF. GAUGE IS READING HIGH OR HOT	1. Coolant leaks in radiator, cooling system hoses, water pump or engine.	1. Pressure test and repair as necessary. Refer to Testing Cooling System for Leaks in this group.
DETONATION OR PRE-IGNITION (NOT CAUSED BY IGNITION SYSTEM). GAUGE MAY OR MAY NOT BE READING HIGH	1. Engine overheating.  2. Freeze point of antifreeze not correct. Mixture is too rich or too lean.	1. Check reason for overheating and repair as necessary.  2. Check antifreeze. Refer to the Coolant section of this group. Adjust antifreeze-to-water ratio as required.
HOSE OR HOSES COLLAPSED WHEN ENGINE IS COOLING	1. Vacuum created in cooling system on engine cool-down is not being relieved through coolant reserve/overflow system.	1. (a) Radiator cap relief valve stuck. Refer to Radiator Cap in this group. Replace if necessary. (b) Hose between coolant reserve/overflow tank and radiator is kinked. Repair as necessary. (c) Vent at coolant reserve/overflow tank is plugged. Clean vent and repair as necessary. (d) Reserve/overflow tank is internally blocked or plugged. Check for blockage and repair as necessary.
NOISY FAN	1. Fan blades loose.  2. Fan blades striking a surrounding object.  3. Air obstructions at radiator or air conditioning condenser.  4. Thermal viscous fan drive has defective bearing.  5. A certain amount of fan noise (roaring) may be evident from the thermal viscous fan drive. Some of this noise is normal.	1. Replace fan blade assembly. Refer to Cooling System Fans in this group.  2. Locate point of fan blade contact and repair as necessary.  3. Remove obstructions and/or clean debris or insects from radiator or A/C condenser.  4. Replace fan drive. Bearing is not serviceable. Refer to Viscous Fan Drive in this group.  5. Refer to Viscous Fan Drive in this group for an explanation of normal fan noise.

## DIAGNOSIS AND TESTING (Continued)

CONDITION	POSSIBLE CAUSES	CORRECTION
INADEQUATE AIR CONDITIONER PERFORMANCE (COOLING SYSTEM SUSPECTED)	<ol style="list-style-type: none"> <li>1. Radiator and/or A/C condenser is restricted, obstructed or dirty (insects, leaves etc.)</li> <li>2. Electric fan not functioning.</li> <li>3. Engine is overheating (heat may be transferred from radiator to A/C condenser. High underhood temperatures due to engine overheating may also transfer heat to A/C components).</li> <li>4. All models with are equipped with air seals at the radiator and/or A/C condenser. If these seals are missing or damaged, not enough air flow will be pulled through the radiator and A/C condenser.</li> </ol>	<ol style="list-style-type: none"> <li>1. Remove restriction and/or clean as necessary. Refer to Radiator Cleaning in this group.</li> <li>2. Inspect electric fan for proper operation. Refer to Electric Cooling Fan in this section.</li> <li>3. Correct overheating condition. Refer to text in Group 7, Cooling.</li> <li>4. Check for missing or damaged air seals and repair as necessary.</li> </ol>
INADEQUATE HEATER PERFORMANCE. THERMOSTAT FAILED IN OPEN POSITION	<ol style="list-style-type: none"> <li>1. Has a diagnostic trouble code (DTC) been set?</li> <li>2. Coolant level low.</li> <li>3. Obstructions in heater hose fittings at engine.</li> <li>4. Heater hose kinked.</li> <li>5. Water pump is not pumping water to heater core. When the engine is fully warmed up, both heater hoses should be hot to the touch. If only one of the hoses is hot, the water pump may not be operating correctly. The accessory drive belt may also be slipping causing poor water pump operation.</li> </ol>	<ol style="list-style-type: none"> <li>1. Refer to group 25, Emission Control System and replace thermostat if necessary.</li> <li>2. Refer to Testing Cooling System for Leaks in the manual text. Repair as necessary.</li> <li>3. Remove heater hoses at both ends and check for obstructions. Repair as necessary.</li> <li>4. Locate kinked area and repair as necessary.</li> <li>5. Refer to Water Pumps in this group. Repair as necessary. If a slipping belt is detected, refer to Engine Accessory Drive Belts in this group. Repair as necessary.</li> </ol>

DIAGNOSIS AND TESTING (Continued)

CONDITION	POSSIBLE CAUSES	CORRECTION
HEAT ODOR	<ol style="list-style-type: none"> <li>1. Various heat shields are used at certain drive line components. One or more of these shields may be missing.</li> <li>2. Engine running hot</li> <li>3. Cooling fan malfunctioning.</li> <li>4. Undercoating or other contaminate applied to cooling or exhaust system.</li> <li>5. Engine may be running rich causing the catalytic converter to overheat.</li> </ol>	<ol style="list-style-type: none"> <li>1. Locate missing shields and replace or repair as necessary.</li> <li>2. Perform thermostat, water pump and fan test. Repair or replace as necessary.</li> <li>3. Refer to Cooling System Fan in this group for diagnosis. Repair as necessary</li> <li>4. Clean as necessary.</li> <li>5. Refer to the DRB scan tool and the appropriate Powertrain Diagnostic Procedures service manual. Repair as necessary.</li> </ol>
POOR DRIVEABILITY (THERMOSTAT POSSIBLY STUCK OPEN). GAUGE MAY BE READING LOW	<ol style="list-style-type: none"> <li>1. For proper driveability, good vehicle emissions and for preventing build-up of engine oil sludge, the thermostat must be operating properly. Has a diagnostic trouble code (DTC) been set?</li> </ol>	<ol style="list-style-type: none"> <li>1. Refer to group 25, Emission Control System. DTC's may also be checked using the DRB scan tool. Refer to the proper Powertrain Diagnostics Procedures service manual for checking the thermostat using the DRB scan tool. Replace thermostat if necessary.</li> </ol>
STEAM IS COMING FROM FRONT OF VEHICLE NEAR GRILL AREA WHEN WEATHER IS WET, ENGINE IS WARMED UP AND RUNNING, AND VEHICLE IS STATIONARY. TEMPERATURE GAUGE IS IN NORMAL RANGE	<ol style="list-style-type: none"> <li>1. During wet weather, moisture (snow, ice or rain condensation) on the radiator will evaporate when the thermostat opens. This opening allows heated water into the radiator. When the moisture contacts the hot radiator, steam may be emitted. This usually occurs in cold weather with no fan or airflow to blow it away.</li> </ol>	<ol style="list-style-type: none"> <li>1. Occasional steam emitting from this area is normal. No repair is necessary.</li> </ol>
COOLANT COLOR	<ol style="list-style-type: none"> <li>1. Coolant color is not necessarily an indication of adequate corrosion or temperature protection. Do not rely on coolant color for determining condition of coolant.</li> </ol>	<ol style="list-style-type: none"> <li>1. Refer to Coolant in this group for antifreeze tests. Adjust antifreeze-to-water ratio as necessary.</li> </ol>
COOLANT LEVEL CHANGES IN COOLANT RESERVE/OVERFLOW TANK. TEMPERATURE GAUGE IS IN NORMAL RANGE	<ol style="list-style-type: none"> <li>1. Level changes are to be expected as coolant volume fluctuates with engine temperature. If the level in the tank was between the FULL and ADD marks at normal engine operating temperature, the level should return to within that range after operation at elevated temperatures.</li> </ol>	<ol style="list-style-type: none"> <li>1. A normal condition. No repair is necessary.</li> </ol>

## DIAGNOSIS AND TESTING (Continued)

## RADIATOR COOLANT FLOW CHECK

**NOTE:** Due to the thermostat design used on the 4.7L engine this test only applies to the 4.0L engine.

The following procedure will determine if coolant is flowing through the cooling system.

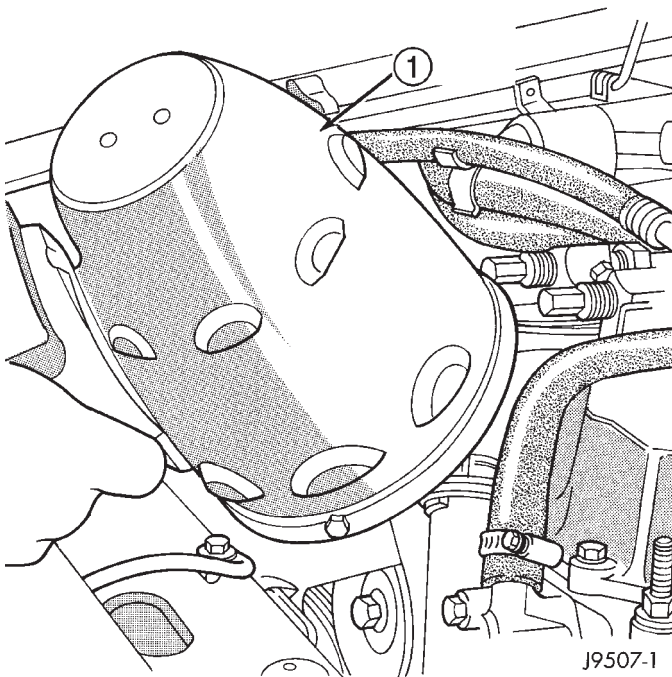
If engine is cold, idle engine until normal operating temperature is reached. Then feel the upper radiator hose. If hose is hot, the thermostat is open and water is circulating through cooling system.

## COOLING SYSTEM—TESTING FOR LEAKS

## ULTRAVIOLET LIGHT METHOD

All Jeep models have a leak detection additive added to the cooling system before they leave the factory. The additive is highly visible under ultraviolet light (black light). If the factory original coolant has been drained, pour one ounce of additive into the cooling system. The additive is available through the parts department. Place the heater control unit in HEAT position. Start and operate the engine until the radiator upper hose is warm to the touch. Aim the commercially available black light tool at the components to be checked. If leaks are present, the black light will cause the additive to glow a bright green color.

The black light can be used along with a pressure tester to determine if any external leaks exist (Fig. 20).



**Fig. 20 Leak Detection Using Black Light—Typical**

1 - TYPICAL BLACK LIGHT TOOL

## PRESSURE TESTER METHOD

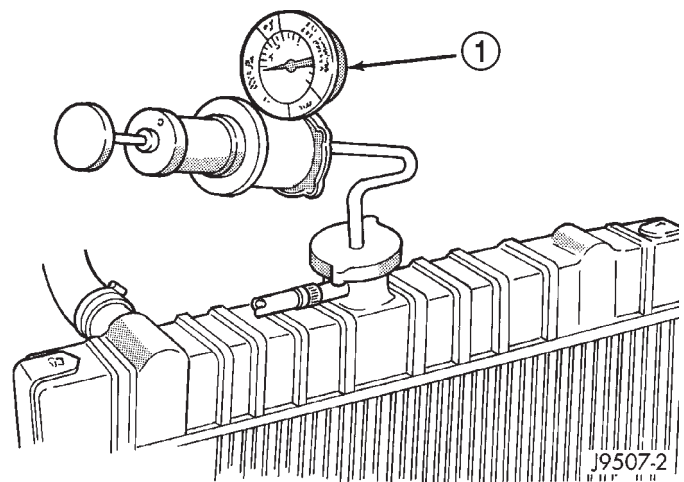
The engine should be at the normal operating temperature. Recheck the system cold if the cause of coolant loss is not located during warm engine examination.

**WARNING: HOT, PRESSURIZED COOLANT CAN CAUSE INJURY BY SCALDING.**

Carefully remove the radiator pressure cap from the filler neck and check the coolant level. Push down on the cap to disengage it from the stop tabs. Wipe the inner part of the filler neck and examine the lower inside sealing seat for nicks, cracks, paint, dirt and solder residue. Inspect the reserve/overflow tank tube for internal obstructions. Insert a wire through the tube to be sure it is not obstructed.

Inspect the cams on the outside part of the filler neck. If the cams are damaged, seating of pressure cap valve and tester seal will be affected. Replace cap if cams are damaged.

Attach pressure tester 7700 (or equivalent) to the radiator filler neck (Fig. 21).



**Fig. 21 Pressurizing System—Typical**

1 - TYPICAL COOLING SYSTEM PRESSURE TESTER

Operate the tester pump to apply 124 kPa (18 psi) pressure to the system. If the hoses enlarge excessively or bulge while testing, replace as necessary. Observe the gauge pointer and determine the condition of the cooling system according to the following criteria:

- **Holds Steady:** If the pointer remains steady for two minutes, there are no serious coolant leaks in the system. However, there could be an internal leak that does not appear with normal system test pressure. Inspect for interior leakage or do the Internal Leakage Test. Do this if it is certain that coolant is being lost and no leaks can be detected.



## DIAGNOSIS AND TESTING (Continued)

- **Drops Slowly:** Shows a small leak or seepage is occurring. Examine all connections for seepage or slight leakage with a flashlight. Inspect the radiator, hoses, gasket edges and heater. Seal any small leak holes with a Sealer Lubricant or equivalent. Repair leak holes and reinspect the system with pressure applied.

- **Drops Quickly:** Shows that a serious leakage is occurring. Examine the system for serious external leakage. If no leaks are visible, inspect for internal leakage.

**INTERNAL LEAKAGE INSPECTION**

Remove the oil pan drain plug and drain a small amount of engine oil. Coolant, being heavier, will drain first, or operate engine to churn oil, then examine dipstick for water globules. Inspect the transmission dipstick for water globules. Inspect the transmission fluid cooler for leakage. Operate the engine without the pressure cap on the radiator until thermostat opens.

Attach a Pressure Tester to the filler neck. If pressure builds up quickly, a leak exists as result of a faulty cylinder head gasket or crack in the engine. Repair as necessary.

**WARNING: DO NOT ALLOW PRESSURE TO EXCEED 124 KPA (18 PSI). TURN THE ENGINE OFF. TO RELEASE THE PRESSURE, ROCK THE TESTER FROM SIDE TO SIDE. WHEN REMOVING THE TESTER, DO NOT TURN THE TESTER MORE THAN 1/2 TURN IF THE SYSTEM IS UNDER PRESSURE.**

If there is no immediate pressure increase, pump the Pressure Tester until the indicated pressure is within the system range. Vibration of the gauge pointer indicates compression or combustion leakage into the cooling system.

**COMBUSTION LEAKAGE TEST (WITHOUT PRESSURE TESTER)**

DO NOT WASTE reusable coolant. If the solution is clean, drain the coolant into a clean container for reuse.

**WARNING: DO NOT REMOVE THE CYLINDER BLOCK DRAIN PLUGS OR LOOSEN THE RADIATOR DRAINCOCK WITH THE SYSTEM HOT AND UNDER PRESSURE. SERIOUS BURNS FROM COOLANT CAN OCCUR.**

Drain sufficient coolant to allow for thermostat removal. Refer to Thermostat Replacement. Remove the accessory drive belt.

On 4.0L, Disconnect the radiator upper hose from the thermostat housing. Remove the housing and thermostat. Install the thermostat housing and hose.

On 4.7L, Disconnect the radiator lower hose from the thermostat housing. Remove the housing and thermostat. Install the thermostat housing and hose.

Add coolant to the radiator to bring the level to within 6.3 mm (1/4 in) of the top of the thermostat housing.

**CAUTION: Avoid overheating. Do not operate the engine for an excessive period of time. Open the draincock immediately after the test to eliminate boil over of coolant.**

Start the engine and accelerate rapidly three times (to approximately 3000 rpm) while observing the coolant. If internal engine combustion gases are leaking into the cooling system, bubbles will appear in the coolant. If bubbles do not appear, there is no internal combustion gas leakage.

**VISCOUS FAN DRIVE****TESTING**

If the fan assembly free-wheels without drag (the fan blades will revolve more than five turns when spun by hand), replace the fan drive. This spin test must be performed when the engine is cool.

For the following test, the cooling system must be in good condition. It also will ensure against excessively high coolant temperature.

**WARNING: BE SURE THAT THERE IS ADEQUATE FAN BLADE CLEARANCE BEFORE DRILLING.**

(1) Drill a 3.18-mm (1/8-in) diameter hole in the top center of the fan shroud.

(2) Obtain a dial thermometer with an 8 inch stem (or equivalent). It should have a range of -18° to 105°C (0° to 220° F). Insert thermometer through the hole in the shroud. Be sure that there is adequate clearance from the fan blades.

(3) Connect a tachometer and an engine ignition timing light (timing light is to be used as a strobe light).

(4) Block the air flow through the radiator. Secure a sheet of plastic in front of the radiator (or air conditioner condenser). Use tape at the top to secure the plastic and be sure that the air flow is blocked.

(5) Be sure that the air conditioner (if equipped) is turned off.

**WARNING: USE EXTREME CAUTION WHEN THE ENGINE IS OPERATING. DO NOT STAND IN A DIRECT LINE WITH THE FAN. DO NOT PUT YOUR HANDS NEAR THE PULLEYS, BELTS OR FAN. DO NOT WEAR LOOSE CLOTHING.**

## DIAGNOSIS AND TESTING (Continued)

(6) Start the engine and operate at 2400 rpm. Within ten minutes the air temperature (indicated on the dial thermometer) should be up to 93° C (200° F). Fan drive **engagement** should have started to occur at between 91° to 96° C (195° to 205° F). Engagement is distinguishable by a definite **increase** in fan flow noise (roaring). The timing light also will indicate an increase in the speed of the fan.

(7) When the air temperature reaches 93° C (200° F), remove the plastic sheet. Fan drive **disengagement** should have started to occur at between 62° to 85° C (145° to 185° F). A definite **decrease** of fan flow noise (roaring) should be noticed. If not, replace the defective viscous fan drive unit.

## ELECTRIC COOLING FAN

## ELECTRIC COOLING FAN AND RELAY DIAGNOSIS

**NOTE:** Refer to Electrical Group 8W for electric cooling fan and relay circuit schematic.

The powertrain control module (PCM) will enter a diagnostic trouble code (DTC) in memory if it detects a problem in the auxiliary cooling fan relay or circuit. Refer to Group 25, Emission Control Systems for correct DTC retrieval procedures.

If the electric cooling fan is inoperative, check the 15A fuse in the junction block and the 40A fuse in the Power Distribution Center (PDC) with a 12 volt test lamp or DVOM. Refer to the inside of the PDC cover for the exact location of the fuse. If fuses are o.k., refer to Group 8W for electric cooling fan and relay circuit schematic.

RADIATOR CAP TO FILLER NECK SEAL—  
PRESSURE RELIEF CHECK

With radiator cap installed on filler neck, remove coolant reserve/overflow tank hose from nipple on filler neck. Connect a hand operated vacuum pump to nipple. Operate pump until a reading of 124 to 145 kPa (18 to 21 in. Hg) appears on gauge. If the reading stays steady, or drops slightly and then remains steady, the pressure valve seal is good. Replace radiator cap if reading does not hold.

**WARNING: THE WARNING WORDS —DO NOT OPEN HOT— ON THE RADIATOR PRESSURE CAP ARE A SAFETY PRECAUTION. WHEN HOT, PRESSURE BUILDS UP IN COOLING SYSTEM. TO PREVENT SCALDING OR INJURY, THE RADIATOR CAP SHOULD NOT BE REMOVED WHILE THE SYSTEM IS HOT AND/OR UNDER PRESSURE.**

There is no need to remove the radiator cap **except** for the following purposes:

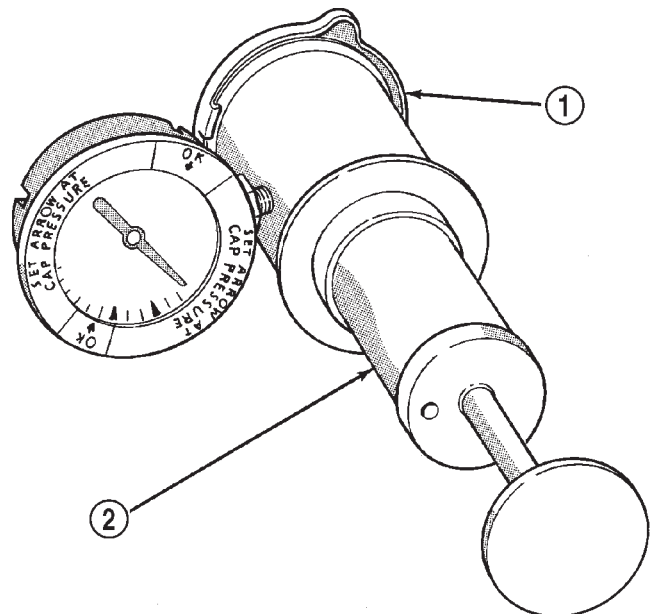
- To check and adjust antifreeze freeze point.

- To refill system with new antifreeze.
- For conducting service procedures.
- When checking for leaks.

**WARNING: IF VEHICLE HAS BEEN RUN RECENTLY, WAIT AT LEAST 15 MINUTES BEFORE REMOVING RADIATOR CAP. WITH A RAG, SQUEEZE RADIATOR UPPER HOSE TO CHECK IF SYSTEM IS UNDER PRESSURE. PLACE A RAG OVER THE CAP AND WITHOUT PUSHING DOWN, ROTATE CAP COUNTER-CLOCKWISE TO THE FIRST STOP. ALLOW FLUID TO ESCAPE THROUGH OVERFLOW HOSE INTO COOLANT RESERVE/OVERFLOW TANK. SQUEEZE RADIATOR UPPER HOSE TO DETERMINE WHEN PRESSURE HAS BEEN RELEASED. WHEN COOLANT AND STEAM STOP BEING PUSHED INTO TANK AND SYSTEM PRESSURE DROPS, REMOVE RADIATOR CAP COMPLETELY.**

## RADIATOR CAP—PRESSURE TESTING

Remove cap from radiator. Be sure that sealing surfaces are clean. Moisten rubber gasket with water and install the cap on pressure tester (tool 7700 or an equivalent) (Fig. 22).



J9507-3

**Fig. 22 Pressure Testing Radiator Pressure Cap—Typical**

- 1 - PRESSURE CAP
- 2 - TYPICAL COOLING SYSTEM PRESSURE TESTER

Operate the tester pump and observe the gauge pointer at its highest point. The cap release pressure should be 124 to 145 kPa (18 to 21 psi). The cap is

DIAGNOSIS AND TESTING (Continued)

satisfactory when the pressure holds steady. It is also good if it holds pressure within the 124 to 145 kPa (18 to 21 psi) range for 30 seconds or more. If the pointer drops quickly, replace the cap.

**CAUTION:** Radiator pressure testing tools are very sensitive to small air leaks, which will not cause cooling system problems. A pressure cap that does not have a history of coolant loss should not be replaced just because it leaks slowly when tested with this tool. Add water to tool. Turn tool upside down and recheck pressure cap to confirm that cap needs replacement.

**LOW COOLANT LEVEL-AERATION**

If the coolant level in radiator drops below top of radiator core tubes, air will enter cooling system.

Low coolant level can cause thermostat pellet to be suspended in air instead of coolant. This will cause thermostat to open later, which in turn causes higher coolant temperature. Air trapped in cooling system also reduces amount of coolant circulating in heater core resulting in low heat output.

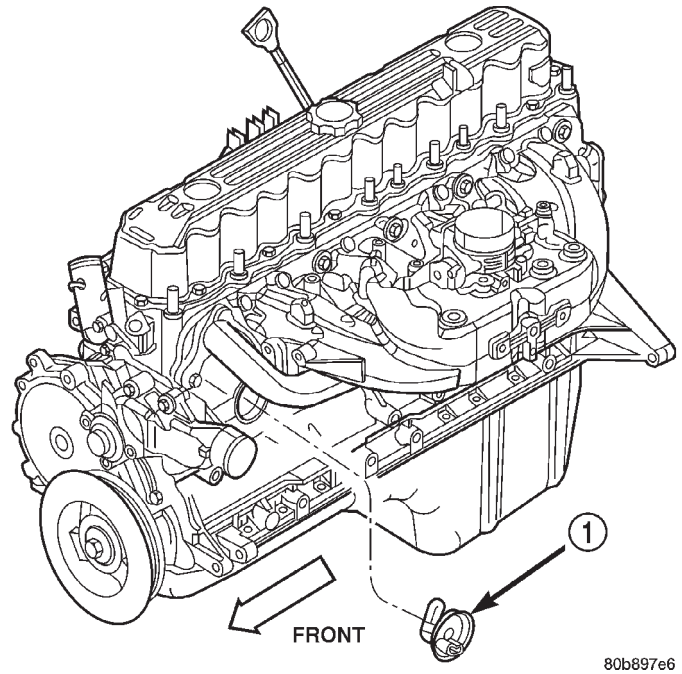
**DEAERATION**

As the engine operates, any air trapped in cooling system gathers under the radiator cap. The next time the engine is operated, thermal expansion of coolant will push any trapped air past radiator cap into the coolant reserve/overflow tank. Here it escapes to the atmosphere into the tank. When the engine cools down the coolant, it will be drawn from the reserve/overflow tank into the radiator to replace any removed air.

**ENGINE BLOCK HEATER**

If the unit does not operate (Fig. 23) (Fig. 24), possible causes can be either the power cord or the heater element. Test the power cord for continuity with a 110-volt voltmeter or 110-volt test light. Test heater element continuity with an ohmmeter or a 12-volt test light.

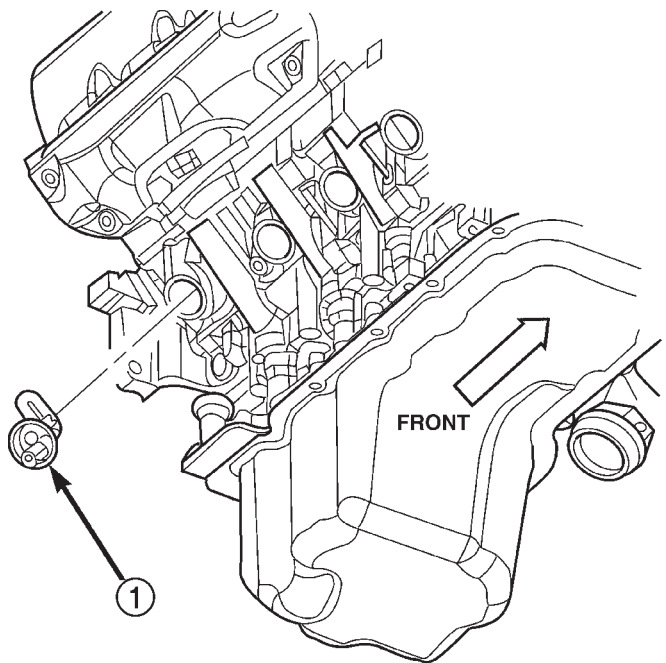
**CAUTION:** To prevent damage, the power cord must be secured in it's retainer clips and away from any components that may cause abrasion or damage, such as linkages, exhaust components, etc.



80b897e6

**Fig. 23 Engine Block Heater 4.0L Engine**

1 - ENGINE BLOCK HEATER



80b897e7

**Fig. 24 Engine Block Heater 4.7L Engine**

1 - ENGINE BLOCK HEATER

## SERVICE PROCEDURES

### COOLANT LEVEL—ROUTINE CHECK

**NOTE:** Do not remove radiator cap for routine coolant level inspections. The coolant level can be checked at coolant reserve/overflow tank.

The coolant reserve/overflow system provides a quick visual method for determining coolant level without removing radiator pressure cap. With engine idling and at normal operating temperature, observe coolant level in reserve/overflow tank. The coolant level should be between ADD and FULL marks.

### COOLANT

#### DESCRIPTION

##### ETHYLENE-GLYCOL MIXTURES

**CAUTION:** Richer antifreeze mixtures cannot be measured with normal field equipment and can cause problems associated with 100 percent ethylene-glycol.

The required ethylene-glycol (antifreeze) and water mixture depends upon the climate and vehicle operating conditions. The recommended mixture of 50/50 ethylene-glycol and water will provide protection against freezing to -37 deg. C (-35 deg. F). The antifreeze concentration **must always** be a minimum of 44 percent, year-round in all climates. **If percentage is lower than 44 percent, engine parts may be eroded by cavitation, and cooling system components may be severely damaged by corrosion.** Maximum protection against freezing is provided with a 68 percent antifreeze concentration, which prevents freezing down to -67.7 deg. C (-90 deg. F). A higher percentage will freeze at a warmer temperature. Also, a higher percentage of antifreeze can cause the engine to overheat because the specific heat of antifreeze is lower than that of water.

Use of 100 percent ethylene-glycol will cause formation of additive deposits in the system, as the corrosion inhibitive additives in ethylene-glycol require the presence of water to dissolve. The deposits act as insulation, causing temperatures to rise to as high as 149 deg. C (300 deg. F). This temperature is hot enough to melt plastic and soften solder. The increased temperature can result in engine detonation. In addition, 100 percent ethylene-glycol freezes at 22 deg. C (-8 deg. F).

##### PROPYLENE-GLYCOL MIXTURES

It's overall effective temperature range is smaller than that of ethylene-glycol. The freeze point of 50/50

propylene-glycol and water is -32 deg. C (-26 deg. F). 5 deg. C higher than ethylene-glycol's freeze point. The boiling point (protection against summer boil-over) of propylene-glycol is 125 deg. C (257 deg. F) at 96.5 kPa (14 psi), compared to 128 deg. C (263 deg. F) for ethylene-glycol. Use of propylene-glycol can result in boil-over or freeze-up on a cooling system designed for ethylene-glycol. Propylene glycol also has poorer heat transfer characteristics than ethylene glycol. This can increase cylinder head temperatures under certain conditions.

Propylene-glycol/ethylene-glycol Mixtures can cause the destabilization of various corrosion inhibitors, causing damage to the various cooling system components. Also, once ethylene-glycol and propylene-glycol based coolants are mixed in the vehicle, conventional methods of determining freeze point will not be accurate. Both the refractive index and specific gravity differ between ethylene glycol and propylene glycol.

### OPERATION

#### ETHYLENE-GLYCOL MIXTURES

Coolant flows through the engine block absorbing the heat from the engine, then flows to the radiator where the cooling fins in the radiator transfers the heat from the coolant to the atmosphere. During cold weather the ethylene-glycol coolant prevents water present in the cooling system from freezing within temperatures indicated by mixture ratio of coolant to water.

### COOLANT SELECTION AND ADDITIVES

The presence of aluminum components in the cooling system requires strict corrosion protection. Maintain coolant at specified level with a mixture of ethylene-glycol based antifreeze and water. Daimler-Chrysler Corporation recommends Mopar Antifreeze or equivalent. If coolant becomes contaminated or loses color, drain and flush cooling system and fill with correctly mixed solution.

**CAUTION:** Do not use coolant additives that are claimed to improve engine cooling.

### COOLANT—ADDING ADDITIONAL

**Do not remove radiator cap to add coolant to system.** When adding coolant to maintain correct level, do so at coolant reserve/overflow tank. Use a 50/50 mixture of ethylene-glycol antifreeze and low mineral content water. Remove radiator cap only for testing or when refilling system after service. Removing cap unnecessarily can cause loss of coolant and allow air to enter system, which produces corrosion.



SERVICE PROCEDURES (Continued)

**SERVICE COOLANT LEVEL**

The cooling system is closed and designed to maintain coolant level to top of radiator.

**WARNING: DO NOT OPEN RADIATOR DRAINCOCK WITH ENGINE RUNNING OR WHILE ENGINE IS HOT AND COOLING SYSTEM IS UNDER PRESSURE.**

When vehicle servicing requires a coolant level check in radiator, drain several ounces of coolant from radiator drain cock. Do this while observing coolant reserve/overflow system tank. The coolant level in reserve/overflow tank should drop slightly. If not, inspect for a leak between radiator and coolant reserve/overflow system connection. Remove radiator cap. The coolant level should be to top of radiator. If not and if coolant level in reserve/overflow tank is at ADD mark, check for:

- An air leak in coolant reserve/overflow tank or its hose
- An air leak in radiator filler neck
- Leak in pressure cap seal to radiator filler neck

**DRAINING AND FILLING COOLING SYSTEM**

**DRAINING COOLING SYSTEM**

**WARNING: DO NOT REMOVE THE CYLINDER BLOCK DRAIN PLUGS OR LOOSEN THE RADIATOR DRAINCOCK WITH SYSTEM HOT AND UNDER PRESSURE. SERIOUS BURNS FROM COOLANT CAN OCCUR.**

DO NOT WASTE reusable coolant. If the solution is clean, drain the coolant into a clean container for reuse.

**DRAINING ENTIRE SYSTEM**

Use this procedure if the entire cooling system is to be drained, such as for engine removal.

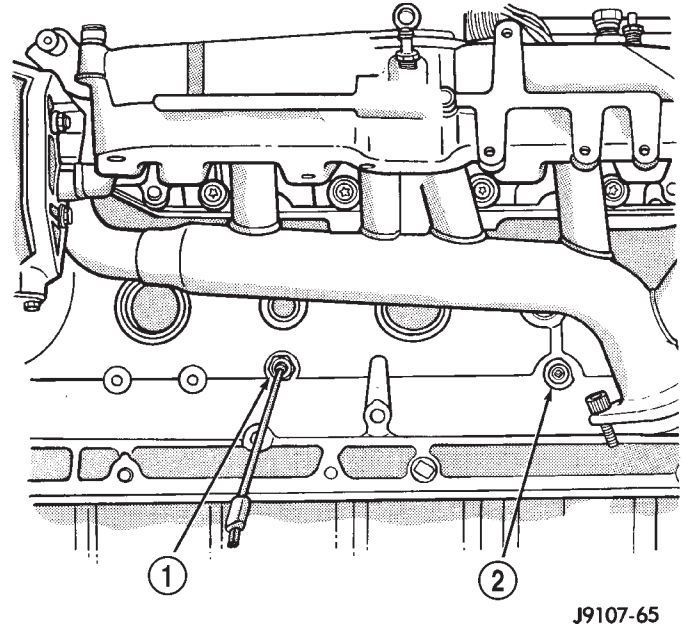
(1) DO NOT remove radiator cap first. With engine cold, raise vehicle on a hoist and locate radiator draincock.

- 4.0L 6-cyl. Engine: Radiator draincock is located on the right/lower side of radiator facing to rear of vehicle.
- 4.7L V-8 Engines: Radiator draincock is located on the left/lower side of radiator facing to rear of vehicle.

(2) Attach one end of a hose to the draincock. Put the other end into a clean container. Open draincock and drain coolant from radiator. This will empty the coolant reserve/overflow tank. The coolant does not have to be removed from the tank unless the system is being refilled with a fresh mixture. When tank is empty, remove radiator cap and continue draining cooling system.

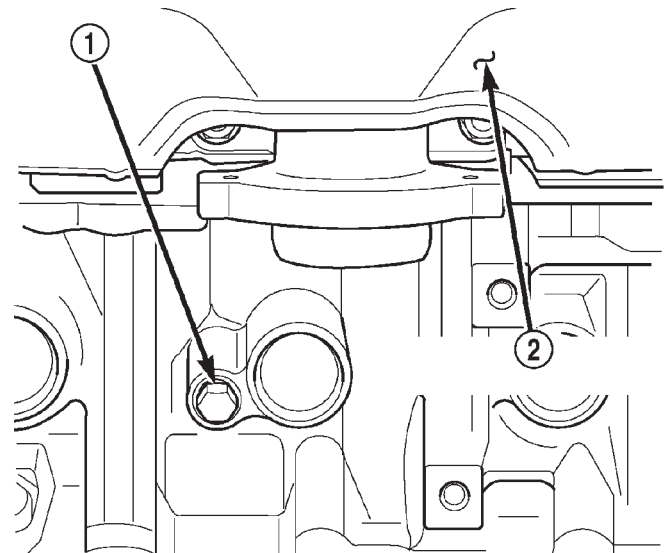
To drain the 4.0L 6-cylinder engine of coolant, remove the cylinder block drain plug located on the side of cylinder block (Fig. 25).

To drain the 4.7L V-8 engines of coolant, remove the cylinder block drain plugs located on the sides of cylinder block above the oil pan rail (Fig. 26).



**Fig. 25 Drain Plug—4.0L Engine**

- 1 - COOLANT TEMPERATURE SENSOR
- 2 - BLOCK DRAIN PLUG



**Fig. 26 Drain Plug—4.7L Engine**

- 1 - CYLINDER BLOCK DRAIN PLUG
- 2 - EXHAUST MANIFOLD AND HEAT SHIELD

80b8990c



## SERVICE PROCEDURES (Continued)

## PARTIAL DRAINING

Use this procedure if the coolant is to be partially drained, such as for engine thermostat removal.

(1) With engine cold, slowly remove the radiator cap. Raise vehicle on a hoist and locate radiator draincock.

- 4.0L Engine: Radiator draincock is located on the right/lower side of radiator facing to rear of vehicle.
- 4.7L Engines: Radiator draincock is located on the left/lower side of radiator facing to rear of vehicle.

(2) Attach one end of a hose to the draincock. Put the other end into a clean container.

(3) Open draincock and drain desired amount of coolant from radiator.

## REFILLING COOLING SYSTEM—4.0L ENGINE

(1) Tighten the radiator draincock and the cylinder block drain plug(s) (if removed).

(2) Fill system using a 50/50 mixture of ethylene-glycol antifreeze and low mineral content water. Fill radiator to top and install radiator cap. Add sufficient coolant to the reserve/overflow tank to raise level to FULL mark.

(3) With heater control unit in the HEAT position, operate engine with radiator cap in place.

(4) After engine has reached normal operating temperature, shut engine off and allow it to cool. When engine is cooling down, coolant will be drawn into the radiator from the reserve/overflow tank.

(5) Add coolant to reserve/overflow tank as necessary. **Only add coolant to the reserve/overflow tank when the engine is cold. Coolant level in a warm engine will be higher due to thermal expansion.** To purge the cooling system of all air, this heat up/cool down cycle (adding coolant to cold engine) must be performed three times. Add necessary coolant to raise tank level to the FULL mark after each cool down period.

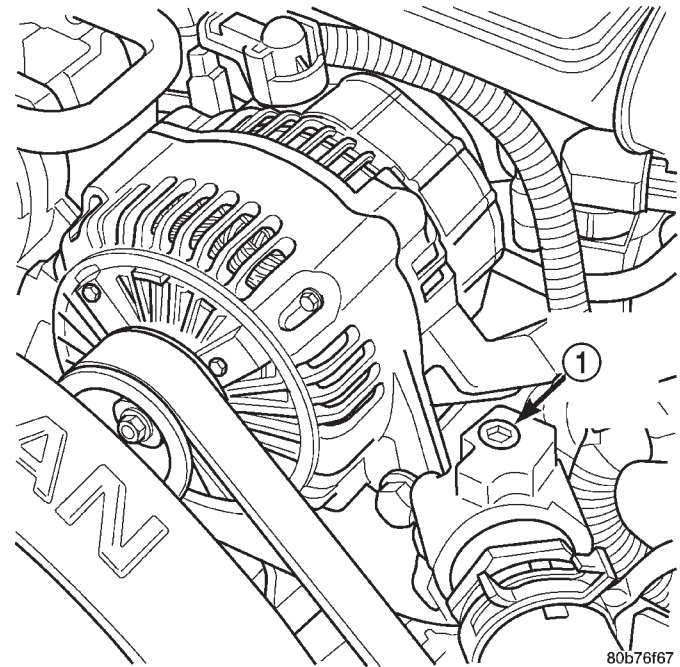
## REFILLING COOLING SYSTEM—4.7L ENGINE

(1) Tighten the radiator draincock and the cylinder block drain plug(s) (if removed).

**CAUTION:** Failure to purge air from the cooling system can result in an overheating condition and severe engine damage.

(2) Remove the cooling system bleed plug from the radiator upper hose inlet housing. (Fig. 27) Fill system using a 50/50 mixture of ethylene-glycol antifreeze and low mineral content water, until coolant begins coming out of the cooling system bleed hole. Install the cooling system bleed plug. Fill radiator to top and install radiator cap. Add sufficient coolant to

the reserve/overflow tank to raise level to FULL mark.



**Fig. 27 Cooling System Bleed Plug—4.7L**

1 - COOLING SYSTEM BLEED PLUG

(3) With heater control unit in the HEAT position, operate engine with radiator cap in place.

(4) After engine has reached normal operating temperature, shut engine off and allow it to cool. When engine is cooling down, coolant will be drawn into the radiator from the reserve/overflow tank.

(5) Add coolant to reserve/overflow tank as necessary. **Only add coolant to the reserve/overflow tank when the engine is cold. Coolant level in a warm engine will be higher due to thermal expansion.**

## COOLING SYSTEM—REVERSE FLUSHING

**CAUTION:** The cooling system normally operates at 97 to 124 kPa (14 to 18 psi) pressure. Exceeding this pressure may damage the radiator or hoses.

## CHEMICAL CLEANING

In some instances, use a radiator cleaner (Mopar Radiator Kleen or equivalent) before flushing. This will soften scale and other deposits and aid the flushing operation.

**CAUTION:** Be sure instructions on the container are followed.

SERVICE PROCEDURES (Continued)

**REVERSE FLUSHING**

Reverse flushing of the cooling system is the forcing of water through the cooling system. This is done using air pressure in the opposite direction of normal coolant flow. It is usually only necessary with very dirty systems with evidence of partial plugging.

**REVERSE FLUSHING RADIATOR**

Disconnect the radiator hoses from the radiator fittings. Attach a section of radiator hose to the radiator bottom outlet fitting and insert the flushing gun. Connect a water supply hose and air supply hose to the flushing gun.

**CAUTION:** The cooling system normally operates at 97 to 124 kPa (14 to 18 psi) pressure. Exceeding this pressure may damage the radiator or hoses.

Allow the radiator to fill with water. When radiator is filled, apply air in short blasts allowing radiator to refill between blasts. Continue this reverse flushing until clean water flows out through rear of radiator cooling tube passages. For more information, refer to operating instructions supplied with flushing equipment. Have radiator cleaned more extensively by a radiator repair shop.

**REVERSE FLUSHING ENGINE**

Drain the cooling system. Remove the thermostat housing and thermostat. Install the thermostat housing. Disconnect the radiator upper hose from the radiator and attach the flushing gun to the hose. Disconnect the radiator lower hose from the water pump. Attach a lead away hose to the water pump inlet fitting.

Connect the water supply hose and air supply hose to the flushing gun. Allow the engine to fill with water. When the engine is filled, apply air in short blasts, allowing the system to fill between air blasts. Continue until clean water flows through the lead away hose. For more information, refer to operating instructions supplied with flushing equipment.

Remove the lead away hose, flushing gun, water supply hose and air supply hose. Remove the thermostat housing and install thermostat. Install the thermostat housing with a replacement gasket. Refer to Thermostat Replacement. Connect the radiator hoses. Refill the cooling system with the correct antifreeze/water mixture.

**REMOVAL AND INSTALLATION**

**WATER PUMP—4.0L ENGINE**

**CAUTION:** If the water pump is replaced because of mechanical damage, the fan blades and viscous fan drive should also be inspected. These components could have been damaged due to excessive vibration.

**REMOVAL**

The water pump can be removed without discharging the air conditioning system (if equipped).

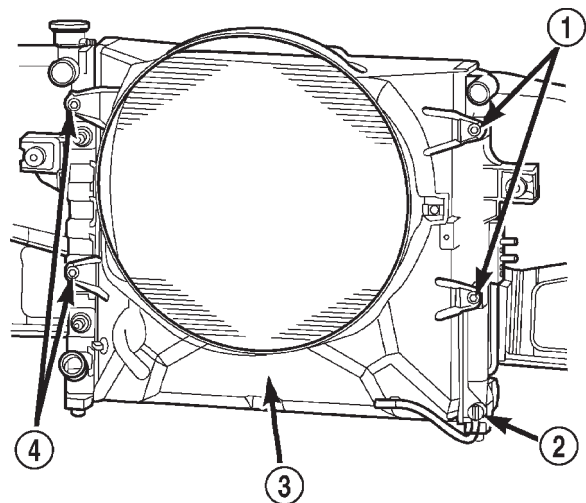
The water pump impeller is pressed on the rear of the pump shaft and bearing assembly. The water pump is serviced only as a complete assembly.

**NOTE:** The water pump can be replaced without discharging the A/C system.

**WARNING:** DO NOT REMOVE THE BLOCK DRAIN PLUG(S) OR LOOSEN RADIATOR DRAINCOCK WITH THE SYSTEM HOT AND UNDER PRESSURE. SERIOUS BURNS FROM COOLANT CAN OCCUR.

DO NOT WASTE reusable coolant. If the solution is clean, drain coolant into a clean container for reuse.

- (1) Disconnect negative battery cable at battery.
- (2) Drain the cooling system.
- (3) The thermal viscous fan drive is attached (threaded) to the water pump hub shaft. Remove fan/viscous fan drive assembly from water pump by turning mounting nut counterclockwise as viewed from front. Threads on viscous fan drive are **RIGHT HAND**. Do not attempt to remove fan/viscous fan drive assembly from vehicle at this time.
- (4) If water pump is being replaced, do not unbolt fan blade assembly from thermal viscous fan drive.
- (5) Remove fan shroud-to-radiator nuts (Fig. 28). Do not attempt to remove fan shroud at this time.



80ba7899

**Fig. 28 Fan Shroud Mounting**

- 1 - SHROUD FASTENERS
- 2 - DRAIN COCK
- 3 - RADIATOR FAN SHROUD
- 4 - SHROUD FASTENERS

## REMOVAL AND INSTALLATION (Continued)

(6) Remove fan shroud and fan blade/viscous fan drive assembly from vehicle as a complete unit.

(7) After removing fan blade/viscous fan drive assembly, **do not** place thermal viscous fan drive in horizontal position. If stored horizontally, silicone fluid in viscous fan drive could drain into its bearing assembly and contaminate lubricant.

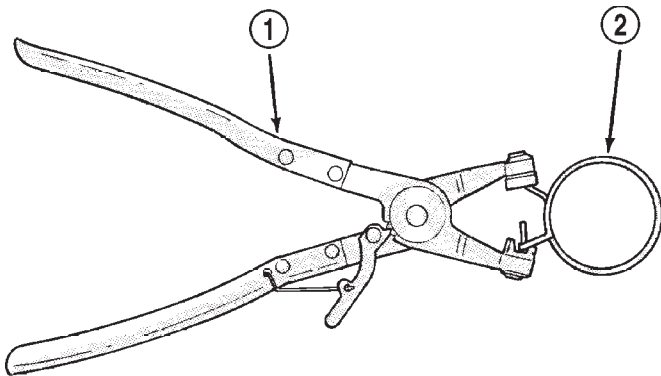
Loosen but do not remove the water pump pulley mounting bolts.

The drive belt is equipped with a spring loaded automatic belt tensioner. Relax tension from belt by rotating tensioner clockwise (as viewed from front) When all belt tension has been relaxed, remove accessory drive belt.

Remove the water pump pulley.

(8) Remove the idler pulley (located over the water pump).

**WARNING: CONSTANT TENSION HOSE CLAMPS ARE USED ON MOST COOLING SYSTEM HOSES. WHEN REMOVING OR INSTALLING, USE ONLY TOOLS DESIGNED FOR SERVICING THIS TYPE OF CLAMP, SUCH AS SPECIAL CLAMP TOOL (NUMBER 6094) (Fig. 29) SNAP-ON CLAMP TOOL (NUMBER HPC-20) MAY BE USED FOR LARGER CLAMPS. ALWAYS WEAR SAFETY GLASSES WHEN SERVICING CONSTANT TENSION CLAMPS.**

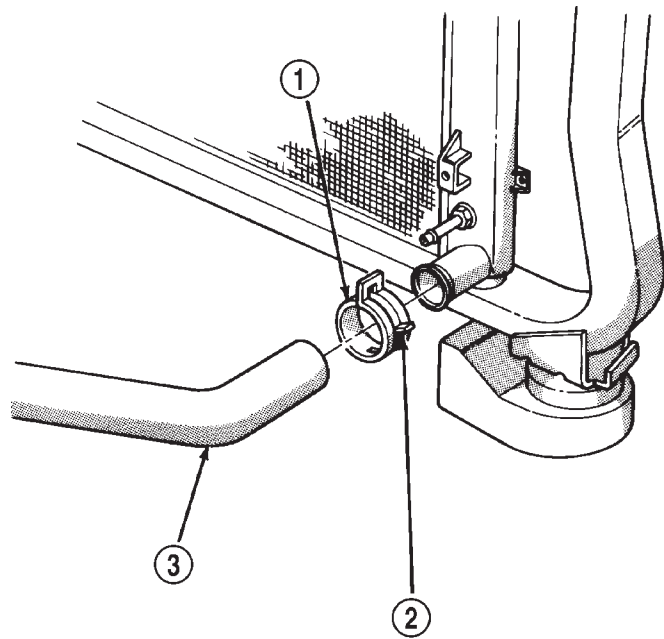


J9207-36

**Fig. 29 Hose Clamp Tool—Typical**

- 1 - HOSE CLAMP TOOL 6094  
2 - HOSE CLAMP

**CAUTION: A number or letter is stamped into the tongue of constant tension clamps (Fig. 30). If replacement is necessary, use only an original equipment clamp with matching number or letter.**



J9407-39

**Fig. 30 Clamp Number/Letter Location**

- 1 - TYPICAL CONSTANT TENSION HOSE CLAMP  
2 - CLAMP NUMBER/LETTER LOCATION  
3 - TYPICAL HOSE

(9) Remove lower radiator hose from water pump. Remove heater hose from water pump fitting.

(10) Remove the five pump mounting bolts (Fig. 31) and remove pump from vehicle. Discard old gasket. Note that one of the five bolts is longer than the other bolts.

(11) If pump is to be replaced, the heater hose fitting must be removed. Note position of fitting before removal.

## INSTALLATION

(1) If pump is being replaced, install the heater hose fitting to the pump. Use a sealant on the fitting such as Mopar™ Thread Sealant With Teflon. Refer to the directions on the package.

(2) Clean the gasket mating surfaces. If the original pump is used, remove any deposits or other foreign material. Inspect the cylinder block and water pump mating surfaces for erosion or damage from cavitation.

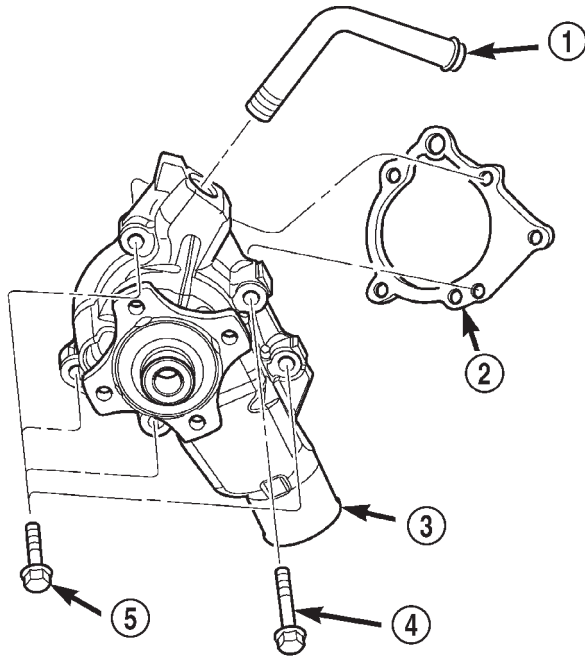
(3) Install the gasket and water pump. The silicone bead on the gasket should be facing the water pump. Also, the gasket is installed dry. Tighten mounting bolts to 30 N·m (22 ft. lbs.) torque. Rotate the shaft by hand to be sure it turns freely.

(4) Connect the radiator and heater hoses to the water pump.

(5) Position water pump pulley to water pump hub. Tighten bolts 28 N·m (250 in. lbs.).

Install the idler pulley. Tighten the bolt 47 N·m (35 ft. lbs.).

REMOVAL AND INSTALLATION (Continued)



80ba7896

**Fig. 31 Water Pump Remove/Install—Typical**

- 1 - HEATER HOSE FITTING
- 2 - PUMP GASKET
- 3 - WATER PUMP
- 4 - LONG BOLT
- 5 - BOLTS (4) SHORT

**CAUTION:** When installing the serpentine engine accessory drive belt, the belt **MUST** be routed correctly. If not, the engine may overheat due to the water pump rotating in the wrong direction. Refer to the Belt Removal and Installation in this group for appropriate belt routing. You may also refer to the Belt Routing Label in the vehicle engine compartment.

Install accessory drive belt.

(6) Install fan blade and viscous fan drive onto water pump.

(7) Fill cooling system with coolant and check for leaks. Refer to Refilling Cooling System in this group.

(8) Connect battery cable to battery.

(9) Start and warm the engine. Check for leaks.

**WATER PUMP 4.7L ENGINES**

The water pump on 4.7L engines is bolted directly to the engine timing chain case/cover.

A gasket is used as a seal between the water pump and timing chain case/cover.

If water pump is replaced because of bearing/shaft damage, or leaking shaft seal, the mechanical cooling fan assembly should also be inspected. Inspect for fatigue cracks, loose blades, or loose rivets that could have resulted from excessive vibration. Replace fan if any of these conditions are found. Also check condition of the thermal viscous fan drive. Refer to Viscous Fan Drive in this group.

The water pump can be removed without discharging the air conditioning system (if equipped).

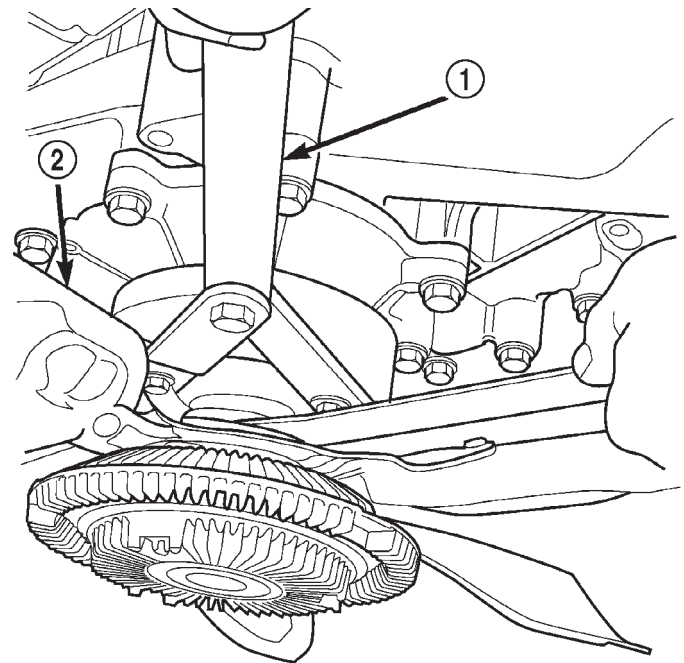
**REMOVAL**

(1) Disconnect negative battery cable from battery.

(2) Drain cooling system. Refer to Draining Cooling System in this group.

Do not waste reusable coolant. If solution is clean, drain coolant into a clean container for reuse.

(3) The thermal viscous fan drive is attached (threaded) to the water pump hub shaft. Remove fan/viscous fan drive assembly from water pump by turning mounting nut counterclockwise as viewed from front. Threads on viscous fan drive are **RIGHT HAND**. Using special tool spanner wrench 6958 with adapter pins 8346 and a suitable fan wrench loosen the fan drive (Fig. 32). Do not attempt to remove fan/viscous fan drive assembly from vehicle at this time.



80b6b293

**Fig. 32 Viscous Fan and Fan Drive 4.7L**

- 1 - SPECIAL TOOL 6958 SPANNER WRENCH WITH ADAPTER PINS 8346
- 2 - FAN



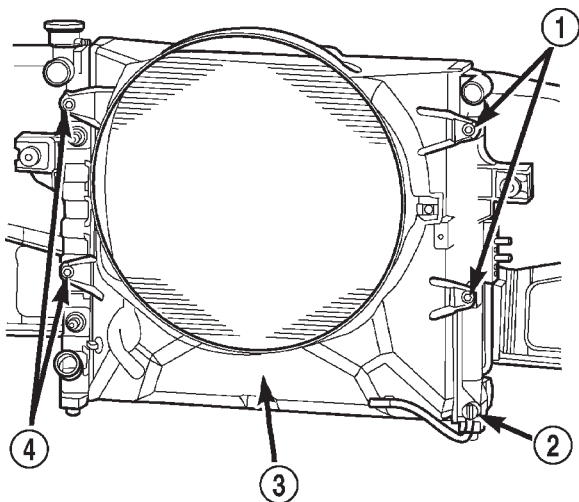
## REMOVAL AND INSTALLATION (Continued)

**WARNING: CONSTANT TENSION HOSE CLAMPS ARE USED ON MOST COOLING SYSTEM HOSES. WHEN REMOVING OR INSTALLING, USE ONLY TOOLS DESIGNED FOR SERVICING THIS TYPE OF CLAMP, SUCH AS SPECIAL CLAMP TOOL (NUMBER 6094). SNAP-ON CLAMP TOOL (NUMBER HPC-20) MAY BE USED FOR LARGER CLAMPS. ALWAYS WEAR SAFETY GLASSES WHEN SERVICING CONSTANT TENSION CLAMPS.**

**CAUTION: A number or letter is stamped into the tongue of constant tension clamps. If replacement is necessary, use only an original equipment clamp with matching number or letter.**

(4) If water pump is being replaced, do not unbolt fan blade assembly from thermal viscous fan drive.

(5) Remove two fan shroud-to-radiator nuts (Fig. 33). Do not attempt to remove fan shroud at this time.



80ba7899

**Fig. 33 Fan Shroud Mounting Hardware**

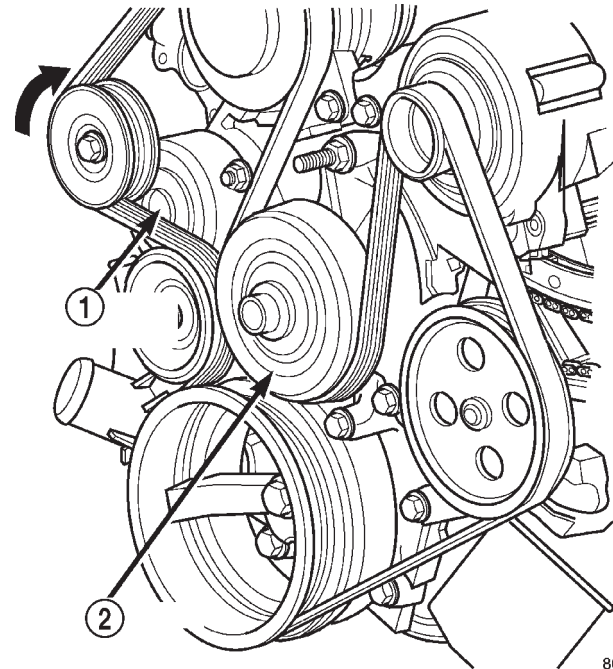
- 1 - SHROUD FASTENERS
- 2 - DRAIN COCK
- 3 - RADIATOR FAN SHROUD
- 4 - SHROUD FASTENERS

(6) Remove fan shroud and fan blade/viscous fan drive assembly from vehicle as a complete unit.

(7) After removing fan blade/viscous fan drive assembly, **do not** place thermal viscous fan drive in horizontal position. If stored horizontally, silicone fluid in viscous fan drive could drain into its bearing assembly and contaminate lubricant.

(8) Remove accessory drive belt as follows: The drive belt is equipped with a spring loaded automatic belt tensioner. Relax tension from belt by rotating tensioner clockwise (as viewed from front) (Fig. 34).

When all belt tension has been relaxed, remove accessory drive belt.



80b898b0

**Fig. 34 Automatic Belt Tensioner—4.7L**

- 1 - AUTOMATIC TENSIONER
- 2 - WATER PUMP PULLEY

(9) Remove lower radiator hose clamp and remove lower hose at water pump.

(10) Remove seven water pump mounting bolts and one stud bolt.

**CAUTION: Do not pry water pump at timing chain case/cover. The machined surfaces may be damaged resulting in leaks.**

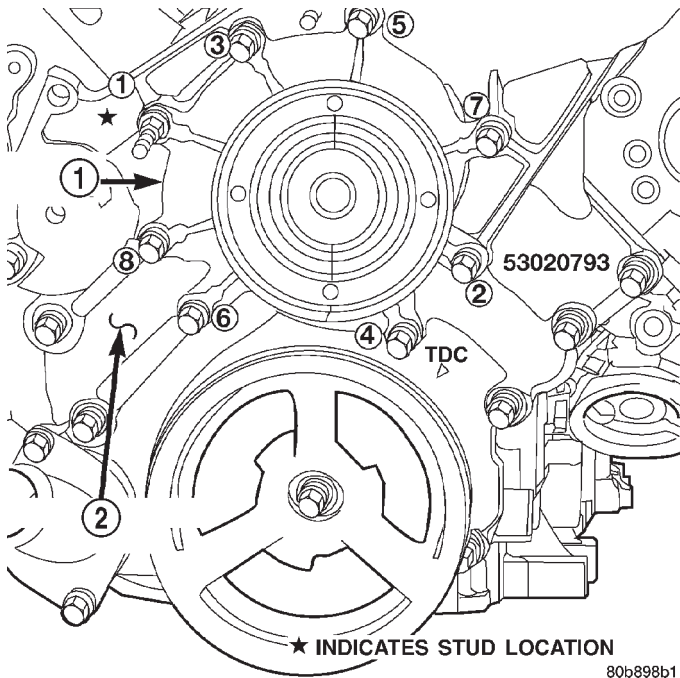
(11) Remove water pump and gasket. Discard gasket.

## INSTALLATION

- (1) Clean gasket mating surfaces.
- (2) Using a new gasket, position water pump and install mounting bolts as shown. (Fig. 35). Tighten water pump mounting bolts to 54 N·m (40 ft. lbs.) torque.
- (3) Spin water pump to be sure that pump impeller does not rub against timing chain case/cover.
- (4) Connect radiator lower hose to water pump.
- (5) Relax tension from belt tensioner (Fig. 34). Install drive belt.



REMOVAL AND INSTALLATION (Continued)



**Fig. 35 Water Pump Installation—4.7L**

- 1 - WATER PUMP
- 2 - TIMING CHAIN COVER

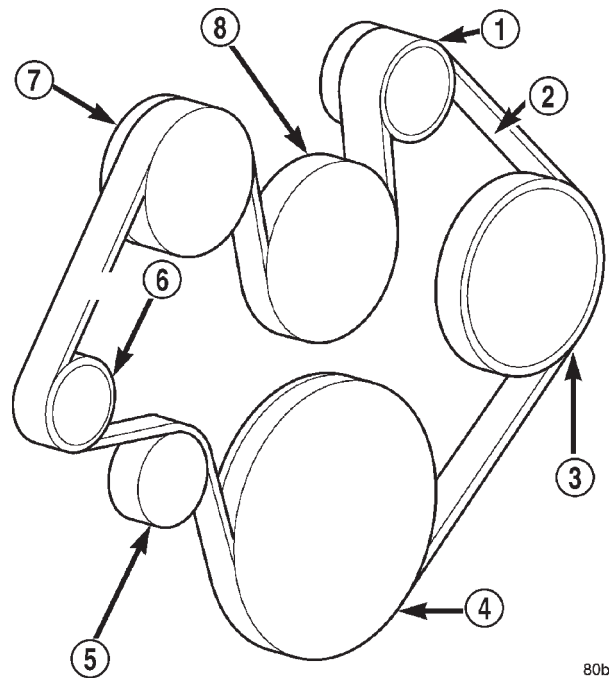
**CAUTION:** When installing the serpentine accessory drive belt, belt must be routed correctly. If not, engine may overheat due to water pump rotating in wrong direction. Refer to (Fig. 36) for correct belt routing. Or, refer to the Belt Routing Label located in the engine compartment. The correct belt with correct length must be used.

- (6) Position fan shroud and fan blade/viscous fan drive assembly to vehicle as a complete unit.
- (7) Be sure the upper and lower portions of the fan shroud are firmly connected. All air must flow through the radiator.
- (8) Install two fan shroud-to-radiator nuts (Fig. 33).
- (9) Be sure of at least 25 mm (1.0 inches) between tips of fan blades and fan shroud.
- (10) Install fan blade/viscous fan drive assembly to water pump shaft.
- (11) Fill cooling system. Refer to Refilling the Cooling System in this group.
- (12) Connect negative battery cable.
- (13) Start and warm the engine. Check for leaks.

**THERMOSTAT—4.0L ENGINE**

**REMOVAL**

**WARNING:** DO NOT LOOSEN THE RADIATOR DRAINCOCK WITH THE SYSTEM HOT AND PRESSURIZED. SERIOUS BURNS FROM THE COOLANT CAN OCCUR.



**Fig. 36 Belt Routing 4.7L**

- 1 - GENERATOR
- 2 - ACCESSORY DRIVE BELT
- 3 - POWER STEERING
- 4 - CRANKSHAFT
- 5 - IDLER
- 6 - TENSIONER
- 7 - A/C
- 8 - WATER PUMP

Do not waste reusable coolant. If the solution is clean, drain the coolant into a clean container for reuse.

(1) Drain the coolant from the radiator until the level is below the thermostat housing.

**WARNING:** CONSTANT TENSION HOSE CLAMPS ARE USED ON MOST COOLING SYSTEM HOSES. WHEN REMOVING OR INSTALLING, USE ONLY TOOLS DESIGNED FOR SERVICING THIS TYPE OF CLAMP, SUCH AS SPECIAL CLAMP TOOL (NUMBER 6094) (Fig. 49). SNAP-ON CLAMP TOOL (NUMBER HPC-20) MAY BE USED FOR LARGER CLAMPS. ALWAYS WEAR SAFETY GLASSES WHEN SERVICING CONSTANT TENSION CLAMPS.

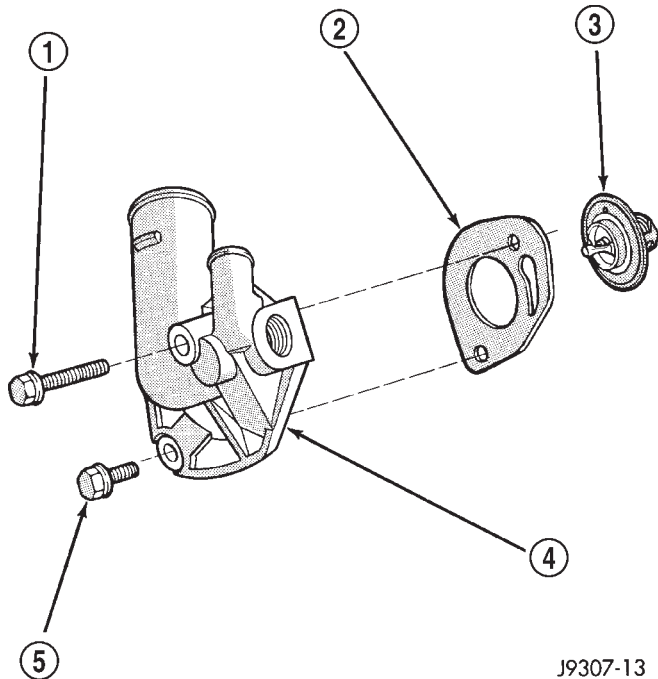
**CAUTION:** A number or letter is stamped into the tongue of constant tension clamps. If replacement is necessary, use only an original equipment clamp with matching number or letter.

## REMOVAL AND INSTALLATION (Continued)

(2) Remove radiator upper hose and heater hose at thermostat housing.

(3) Disconnect wiring connector at engine coolant temperature sensor.

(4) Remove thermostat housing mounting bolts, thermostat housing, gasket and thermostat (Fig. 37). Discard old gasket.



**Fig. 37 Thermostat Removal/Installation—4.0L Engine**

- 1 - LONG BOLT  
2 - GASKET  
3 - THERMOSTAT  
4 - THERMOSTAT HOUSING  
5 - SHORT BOLT

(5) Clean the gasket mating surfaces.

## INSTALLATION

(1) Install the replacement thermostat so that the pellet, which is encircled by a coil spring, faces the engine. All thermostats are marked on the outer flange to indicate the proper installed position.

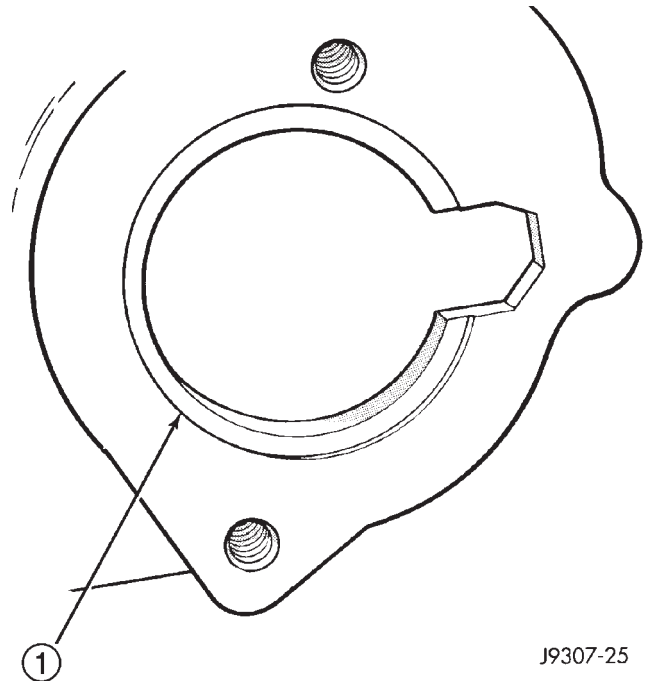
(a) Observe the recess groove in the engine cylinder head (Fig. 38).

(b) Position thermostat in groove with arrow and air bleed hole on outer flange pointing up.

(2) Install replacement gasket and thermostat housing.

**CAUTION:** Tightening the thermostat housing unevenly or with the thermostat out of its recess, may result in a cracked housing.

(3) Tighten the housing bolts to 22 N·m (16 ft. lbs.) torque.



**Fig. 38 Thermostat Recess—4.0L Engine**

1 - GROOVE

(4) Install hoses to thermostat housing.  
(5) Install electrical connector to coolant temperature sensor.

(6) Be sure that the radiator draincock is tightly closed. Fill the cooling system to the correct level with the required coolant mixture. Refer to Refilling Cooling System in this group.

(7) Start and warm the engine. Check for leaks.

## THERMOSTAT— 4.7L ENGINE

## REMOVAL

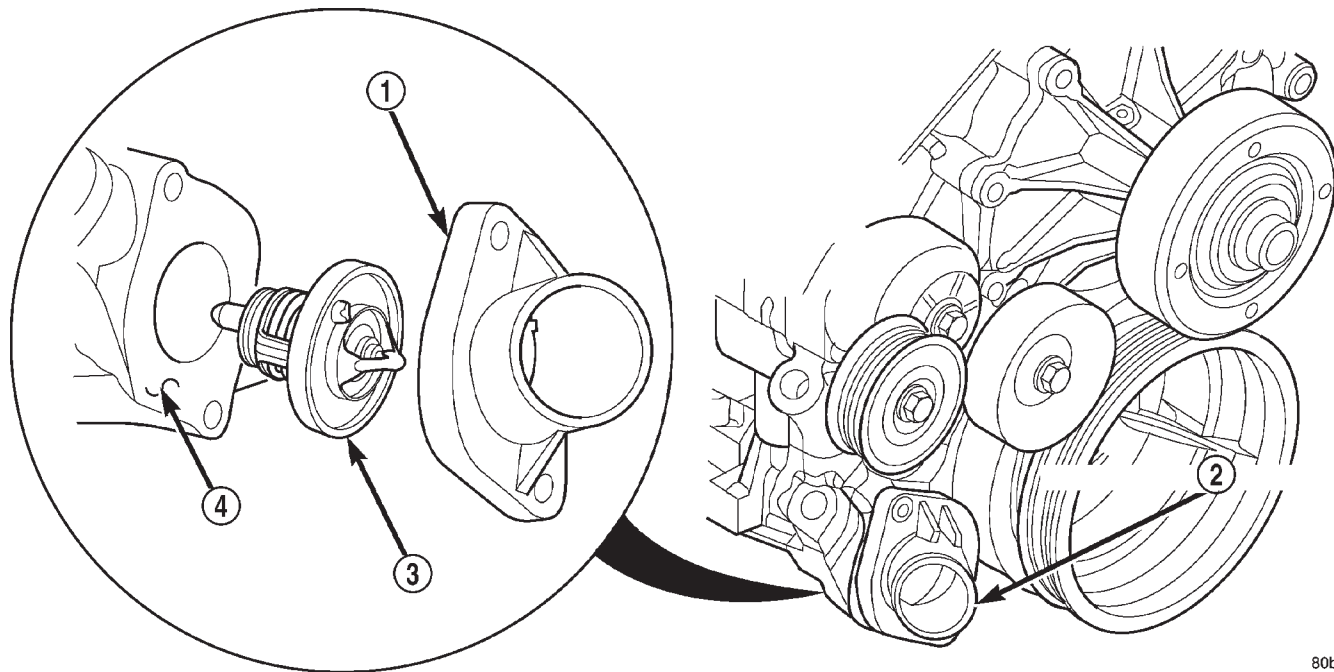
**WARNING: DO NOT LOOSEN RADIATOR DRAINCOCK WITH SYSTEM HOT AND PRESSURIZED. SERIOUS BURNS FROM COOLANT CAN OCCUR.**

Do not waste reusable coolant. If solution is clean, drain coolant into a clean container for reuse.

If thermostat is being replaced, be sure that replacement is specified thermostat for vehicle model and engine type.

- (1) Disconnect negative battery cable at battery.
- (2) Drain cooling system. Refer to Draining Cooling System in this section.
- (3) Raise vehicle on hoist.
- (4) Remove splash shield.
- (5) Remove lower radiator hose clamp and lower radiator hose at thermostat housing.
- (6) Remove thermostat housing mounting bolts, thermostat housing and thermostat (Fig. 39).

## REMOVAL AND INSTALLATION (Continued)



80b3b198

**Fig. 39 Thermostat and Thermostat Housing 4.7L**

1 - THERMOSTAT HOUSING  
2 - THERMOSTAT LOCATION

3 - THERMOSTAT AND GASKET  
4 - TIMING CHAIN COVER

**INSTALLATION**

(1) Clean mating areas of timing chain cover and thermostat housing.

(2) Install thermostat (spring side down) into recessed machined groove on timing chain cover (Fig. 39).

(3) Position thermostat housing on timing chain cover.

(4) Install two housing-to-timing chain cover bolts. Tighten bolts to 13 N·m (115 in. lbs.) torque.

**CAUTION:** Housing must be tightened evenly and thermostat must be centered into recessed groove in timing chain cover. If not, it may result in a cracked housing, damaged timing chain cover threads or coolant leaks.

(5) Install lower radiator hose on thermostat housing.

(6) Install splash shield.

(7) Lower vehicle.

(8) Fill cooling system. Refer to Refilling Cooling System in this section.

(9) Connect negative battery cable to battery.

(10) Start and warm the engine. Check for leaks.

**RADIATOR FAN SHROUD****REMOVAL**

**NOTE:** The fan can not be removed separate from the shroud. Both fan and shroud must be removed together.

(1) Using special tool 6958 Spanner Wrench and 8346 Adapters, remove the viscous fan from the water pump (Fig. 40).

(2) Gently lay fan into shroud.

(3) Disconnect the electrical connector for the electric fan, then disconnect connector from shroud

**NOTE:** The lower left side mounting bolt can only be accessed from under vehicle.

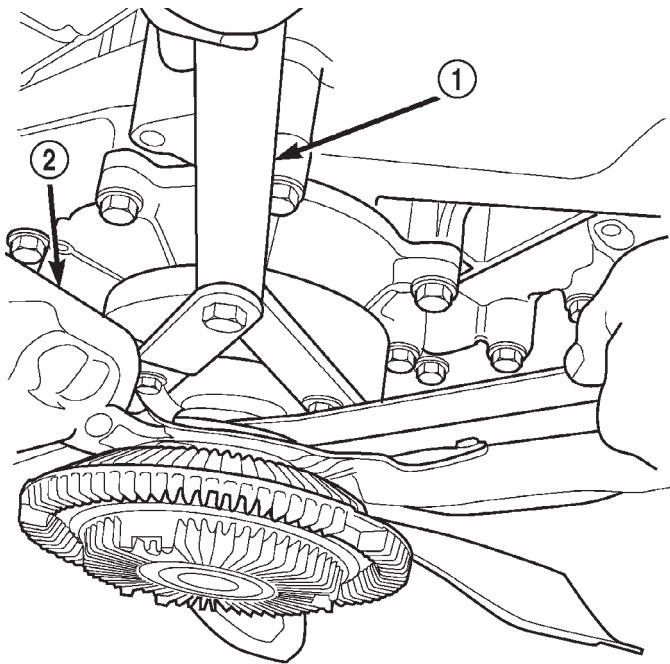
(4) Remove the mounting bolts from the shroud (Fig. 41).

(5) Remove the shroud and fan from vehicle.

**INSTALLATION**

**NOTE:** The fan can not be installed separate from the shroud. Both fan and shroud must be installed together.

## REMOVAL AND INSTALLATION (Continued)



80b6b293

**Fig. 40 Viscous Fan 4.7L Engine**

- 1 - SPECIAL TOOL 6958 SPANNER WRENCH WITH ADAPTER PINS 8346  
2 - FAN

(1) Carefully position the viscous fan into the shroud, then position the shroud and fan into the vehicle.

**NOTE:** The lower left side mounting bolt can only be accessed from under vehicle.

(2) Install the mounting bolts into the shroud  
(3) Attach the electrical connector onto the shroud, then connect the connector to the electric fan connector.

(4) Install the viscous fan onto the water pump. Using special tool 6958 Spanner Wrench and 8346 Adapters, tighten the viscous fan onto the water pump (Fig. 40).

**RADIATOR****REMOVAL**

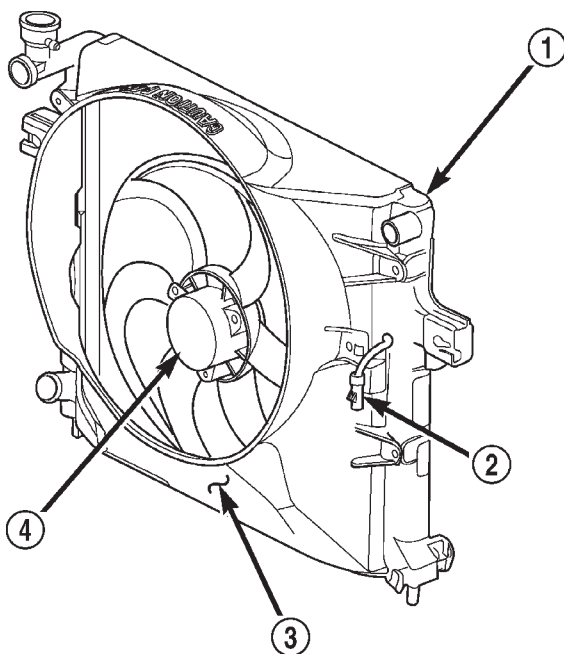
**WARNING: DO NOT REMOVE THE CYLINDER BLOCK DRAIN PLUGS OR LOOSEN THE RADIATOR DRAINCOCK WITH THE SYSTEM HOT AND UNDER PRESSURE. SERIOUS BURNS FROM COOLANT CAN OCCUR. REFER TO COOLING SYSTEM DRAINING IN THIS GROUP.**

Do not waste reusable coolant. If the solution is clean, drain the coolant into a clean container for reuse.

**WARNING: CONSTANT TENSION HOSE CLAMPS ARE USED ON MOST COOLING SYSTEM HOSES. WHEN REMOVING OR INSTALLING, USE ONLY TOOLS DESIGNED FOR SERVICING THIS TYPE OF CLAMP, SUCH AS SPECIAL CLAMP TOOL (NUMBER 6094) (Fig. 42). SNAP-ON CLAMP TOOL (NUMBER HPC-20) MAY BE USED FOR LARGER CLAMPS. ALWAYS WEAR SAFETY GLASSES WHEN SERVICING CONSTANT TENSION CLAMPS.**

**CAUTION:** A number or letter is stamped into the tongue of constant tension clamps (Fig. 43). If replacement is necessary, use only an original equipment clamp with matching number or letter.

**CAUTION:** When removing the radiator or A/C condenser for any reason, note the location of all radiator-to-body and radiator-to-A/C condenser rubber air seals (Fig. 44). These are used at the top, bottom and sides of the radiator and A/C condenser. To prevent overheating, these seals must be installed to their original positions.



80b8991e

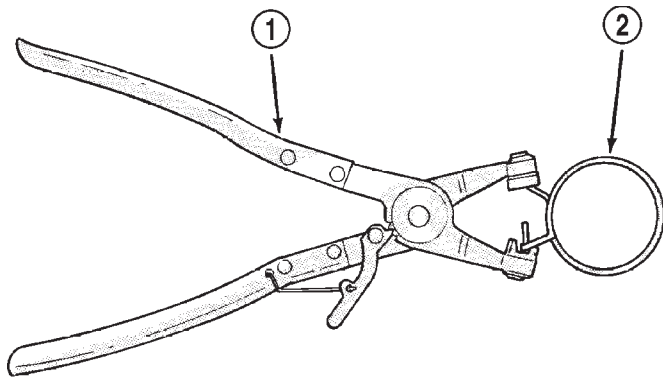
**Fig. 41 Fan Shroud and Electric Fan 4.7L Engine**

- 1 - RADIATOR  
2 - ELECTRIC COOLING FAN CONNECTOR  
3 - FAN SHROUD  
4 - ELECTRIC COOLING FAN

(1) Disconnect the negative battery cable at battery.



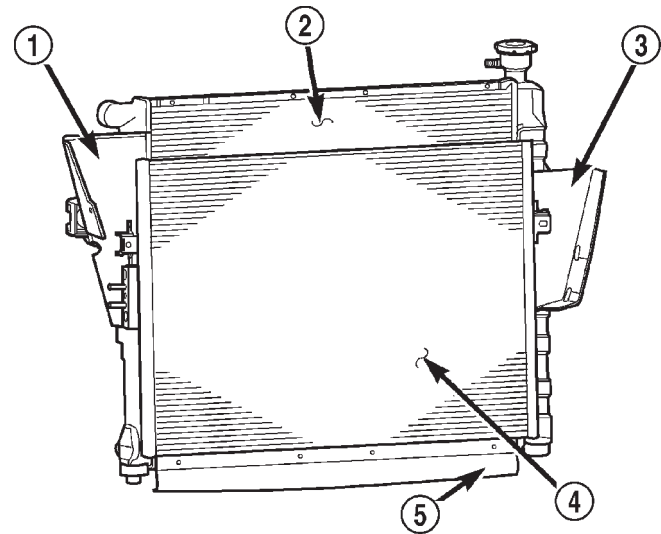
REMOVAL AND INSTALLATION (Continued)



J9207-36

**Fig. 42 Hose Clamp Tool—Typical**

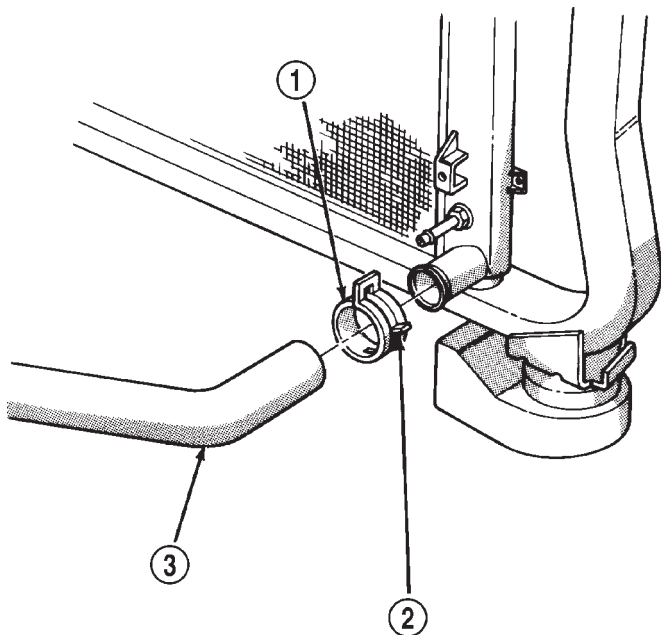
- 1 - HOSE CLAMP TOOL 6094
- 2 - HOSE CLAMP



80ba7898

**Fig. 44 Air Seals—Typical**

- 1 - AIR DAM
- 2 - RADIATOR
- 3 - AIR DAM
- 4 - A/C CONDENSER
- 5 - AIR SEAL



J9407-39

**Fig. 43 Clamp Number/Letter Location—Typical**

- 1 - TYPICAL CONSTANT TENSION HOSE CLAMP
- 2 - CLAMP NUMBER/LETTER LOCATION
- 3 - TYPICAL HOSE

**WARNING: DO NOT REMOVE THE CYLINDER BLOCK DRAIN PLUGS OR LOOSEN THE RADIATOR DRAINCOCK WITH THE SYSTEM HOT AND UNDER PRESSURE. SERIOUS BURNS FROM COOLANT CAN OCCUR. REFER TO COOLING SYSTEM DRAINING IN THIS GROUP.**

Do not waste reusable coolant. If the solution is clean, drain the coolant into a clean container for reuse.

**WARNING: CONSTANT TENSION HOSE CLAMPS ARE USED ON MOST COOLING SYSTEM HOSES. WHEN REMOVING OR INSTALLING, USE ONLY TOOLS DESIGNED FOR SERVICING THIS TYPE OF CLAMP, SUCH AS SPECIAL CLAMP TOOL (NUMBER 6094) (Fig. 42). SNAP-ON CLAMP TOOL (NUMBER HPC-20) MAY BE USED FOR LARGER CLAMPS. ALWAYS WEAR SAFETY GLASSES WHEN SERVICING CONSTANT TENSION CLAMPS.**

**CAUTION: A number or letter is stamped into the tongue of constant tension clamps (Fig. 43). If replacement is necessary, use only an original equipment clamp with matching number or letter.**

(2) Drain coolant from radiator. Refer to Draining Cooling System in this section.

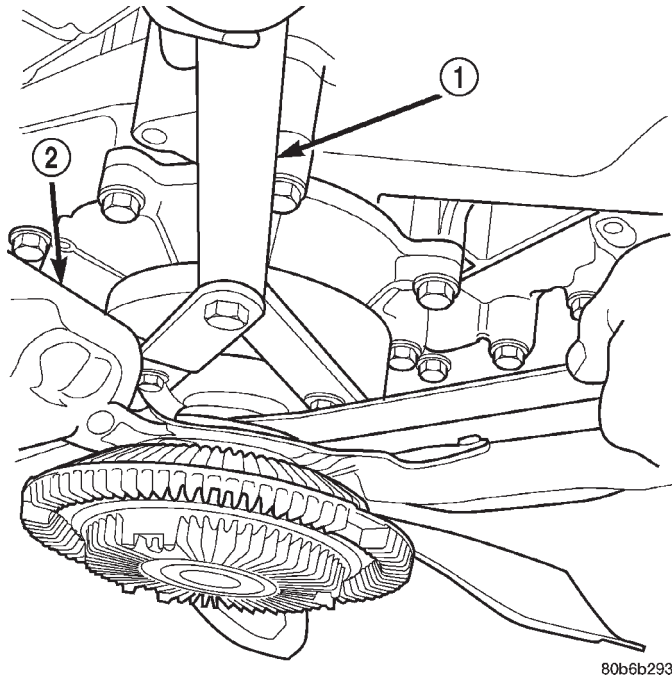
**NOTE: The 4.0L engine does not require special tool 6958 spanner wrench or 8346 adapters to remove the fan drive from the water pump.**

(3) The thermal viscous fan drive is attached (threaded) to the water pump hub shaft. Remove fan/viscous fan drive assembly from water pump by turning mounting nut counterclockwise as viewed from front. Threads on viscous fan drive are **RIGHT HAND**. Using spanner wrench 6958 with adapters 8346 (4.7L engines only) and a 36 MM Fan Wrench (Fig. 45) loosen the fan drive/ fan blade. Drive belt removal is not necessary for removal of fan drive.



## REMOVAL AND INSTALLATION (Continued)

(4) Do not attempt to remove fan/viscous fan drive assembly from vehicle at this time.



80b6b293

**Fig. 45 Viscous Fan Drive 4.7L Engine**

- 1 - SPECIAL TOOL 6958 SPANNER WRENCH WITH ADAPTER PINS 8346  
2 - FAN

(5) Remove the front grill. Refer to Group 23 for procedure.

(6) Remove two radiator mounting bolts (Fig. 48) (Fig. 47).

(7) Disconnect both transmission cooler lines from radiator.

(8) Disconnect electric fan connector, then disconnect connector harness from shroud (all 4.7L engines and heavy cooling package 4.0L only) (Fig. 48) (Fig. 47).

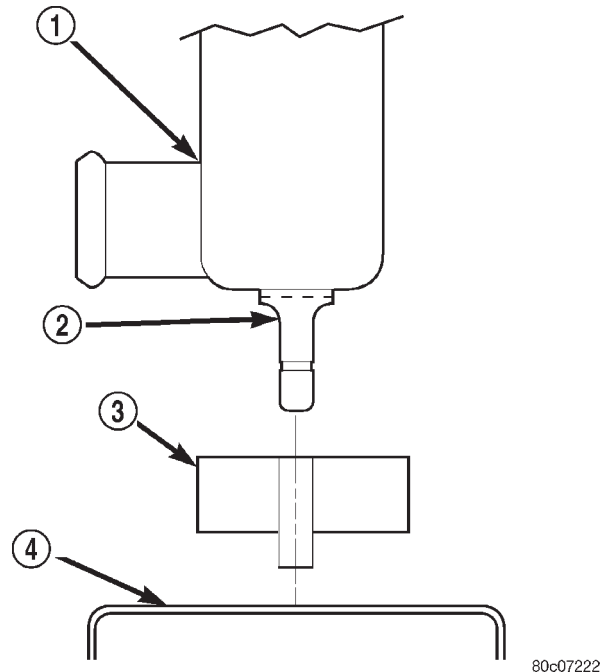
(9) Disconnect the radiator upper and lower hoses (Fig. 48) (Fig. 47).

(10) Disconnect the overflow hose from radiator (Fig. 48) (Fig. 47).

(11) Remove the air inlet duct at the grill.

(12) The lower part of radiator is equipped with two alignment dowel pins (Fig. 46). They are located on the bottom of radiator tank and fit into rubber grommets. These rubber grommets are pressed into the radiator lower crossmember.

**WARNING: THE AIR CONDITIONING SYSTEM (IF EQUIPPED) IS UNDER A CONSTANT PRESSURE EVEN WITH THE ENGINE OFF. REFER TO REFRIGERANT WARNINGS IN GROUP 24, HEATING AND AIR CONDITIONING BEFORE HANDLING ANY AIR CONDITIONING COMPONENT.**



80c07222

**Fig. 46 Radiator Alignment Dowels**

- 1 - RADIATOR  
2 - ALIGNMENT DOWEL  
3 - RADIATOR LOWER ISOLATOR  
4 - RADIATOR LOWER CROSSMEMBER

(13) If equipped with an auxiliary automatic transmission oil cooler, use caution when removing radiator. The oil cooler lines are routed through a rubber air seal on the right side of radiator. Do not cut or tear this seal.

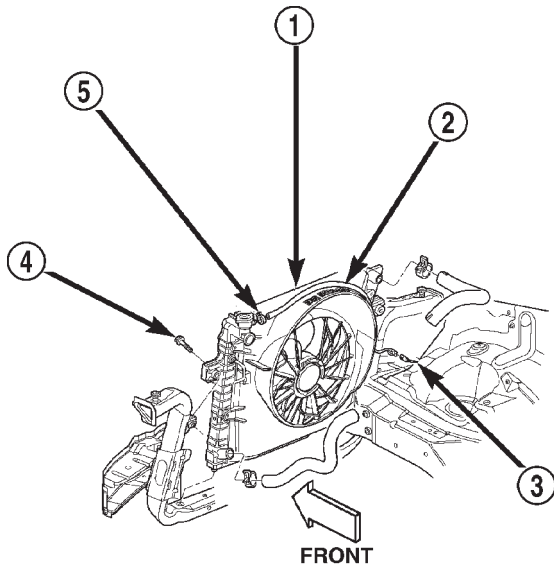
(14) Gently lift up and remove radiator from vehicle. Be careful not to scrape the radiator fins against any other component. Also be careful not to disturb the air conditioning condenser (if equipped) (Fig. 48).

## INSTALLATION

**CAUTION: Before installing the radiator or A/C condenser, be sure the radiator-to-body and radiator-to-A/C condenser rubber air seals (Fig. 44) are properly fastened to their original positions. These are used at the top, bottom and sides of the radiator and A/C condenser. To prevent overheating, these seals must be installed to their original positions.**

(1) Equipped with air conditioning: Gently lower the radiator into the vehicle. Guide the two radiator alignment dowels through the holes in the rubber air seals first and then through the A/C support brackets (Fig. 46). Continue to guide the alignment dowels into the rubber grommets located in lower radiator crossmember. The holes in the L-shaped brackets (located on bottom of A/C condenser) must be positioned between bottom of rubber air seals and top of rubber grommets.

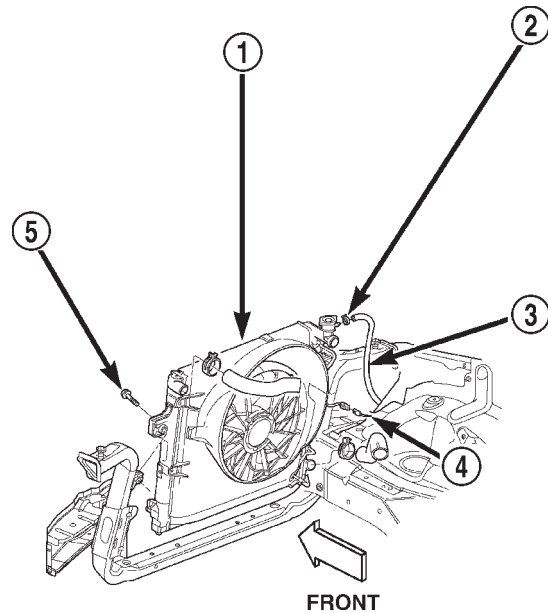
REMOVAL AND INSTALLATION (Continued)



80b898de

**Fig. 47 Radiator, Shroud and Electric Fan—4.0L Engine**

- 1 - RADIATOR/SHROUD/FAN ASSEMBLY
- 2 - OVER FLOW HOSE
- 3 - ELECTRIC FAN CONNECTOR
- 4 - RADIATOR MOUNTING BOLT(S)
- 5 - CLAMP



80b898dc

**Fig. 48 Radiator, Shroud and Electric Fan—4.7L Engine**

- 1 - RADIATOR/SHROUD/FAN ASSEMBLY
- 2 - CLAMP
- 3 - OVER FLOW HOSE
- 4 - ELECTRIC FAN CONNECTOR
- 5 - RADIATOR MOUNTING BOLT(S)

(2) Connect the radiator upper and lower hoses and hose clamps to radiator (Fig. 48).

**CAUTION:** The tangs on the hose clamps must be positioned straight down.

(3) Install coolant reserve/overflow tank hose at radiator (Fig. 48) (Fig. 47).

(4) Connect both transmission cooler lines at the radiator (Fig. 48) (Fig. 47).

(5) Install both radiator mounting bolts (Fig. 48) (Fig. 47).

(6) Install air inlet duct at grill.

(7) Attach electric fan harness to shroud, then connect harness to connector (all 4.7L engines and heavy cooling 4.0L only) (Fig. 48) (Fig. 47).

(8) Install the grill. Refer to group 23, Body.

(9) Install the fan/viscous fan drive assembly to the water pump.

(10) Rotate the fan blades (by hand) and check for interference at fan shroud.

(11) Be sure of at least 25 mm (1.0 inch) between tips of fan blades and fan shroud.

(12) Fill cooling system.

(13) Connect battery cable at battery.

(14) Start and warm engine. Check for leaks.

**WATER PUMP BYPASS HOSE—4.0L ENGINE**

**REMOVAL**

**WARNING:** CONSTANT TENSION HOSE CLAMPS ARE USED ON MOST COOLING SYSTEM HOSES. WHEN REMOVING OR INSTALLING, USE ONLY TOOLS DESIGNED FOR SERVICING THIS TYPE OF CLAMP, SUCH AS SPECIAL CLAMP TOOL (NUMBER 6094) (Fig. 49). SNAP-ON CLAMP TOOL (NUMBER HPC-20) MAY BE USED FOR LARGER CLAMPS. ALWAYS WEAR SAFETY GLASSES WHEN SERVICING CONSTANT TENSION CLAMPS.

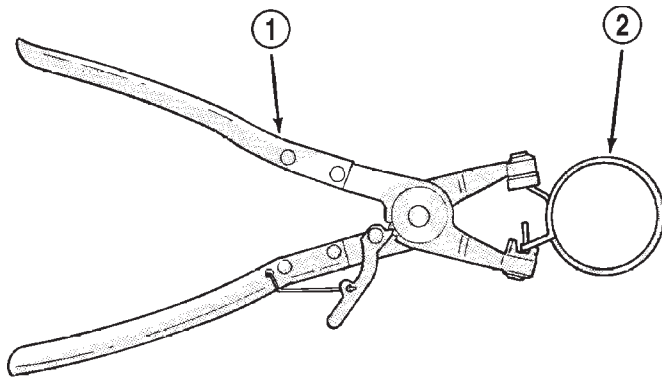
**CAUTION:** A number or letter is stamped into the tongue of constant tension clamps (Fig. 50). If replacement is necessary, use only an original equipment clamp with matching number or letter.

(1) Partially drain cooling system. Refer to Draining Cooling System in this group.

(2) Do not waste reusable coolant. If solution is clean, drain coolant into a clean container for reuse.

(3) Loosen both bypass hose clamps (Fig. 49) and position to center of hose. Remove hose from vehicle.

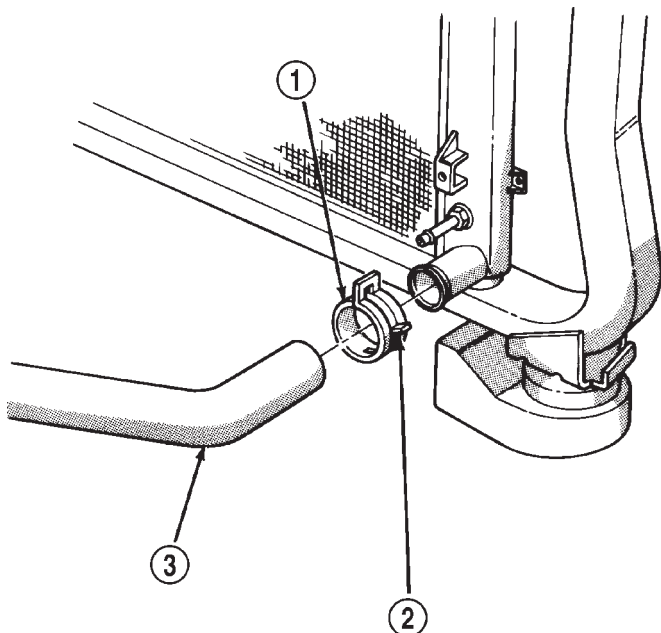
## REMOVAL AND INSTALLATION (Continued)



J9207-36

**Fig. 49 Hose Clamp Tool—Typical**

- 1 - HOSE CLAMP TOOL 6094  
2 - HOSE CLAMP



J9407-39

**Fig. 50 Clamp Number/Letter Location**

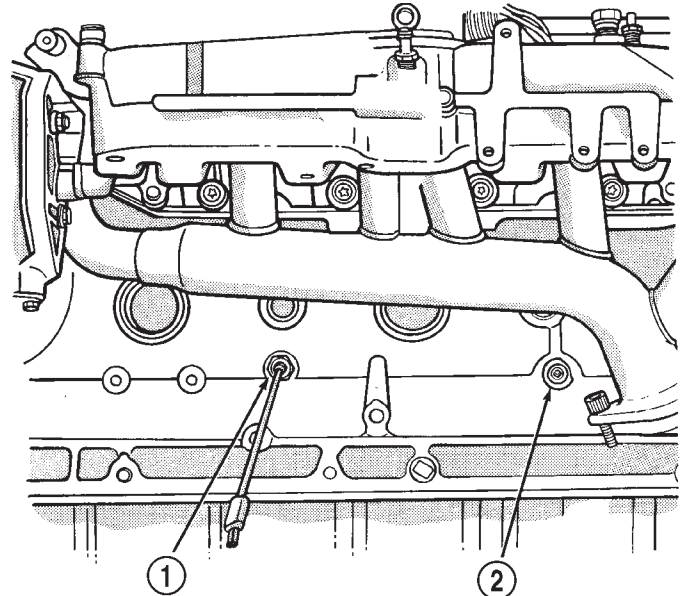
- 1 - TYPICAL CONSTANT TENSION HOSE CLAMP  
2 - CLAMP NUMBER/LETTER LOCATION  
3 - TYPICAL HOSE

**INSTALLATION**

- (1) Position bypass hose clamps (Fig. 49) to center of hose.
- (2) Install bypass hose to engine.
- (3) Secure both hose clamps (Fig. 49).
- (4) Fill cooling system. Refer to Refilling the Cooling System in this group.
- (5) Start and warm the engine. Check for leaks.

**ENGINE BLOCK HEATER****REMOVAL**

- (1) Disconnect negative battery cable from battery.
- (2) Drain coolant from radiator. Refer to Draining and Filling Cooling System in this section.
- (3) Raise vehicle.
- (4) Remove engine cylinder block drain plug(s) located on the sides of cylinder block above the oil pan rail (Fig. 51) (Fig. 52).



J9107-65

**Fig. 51 Drain Plug—4.0L Engine**

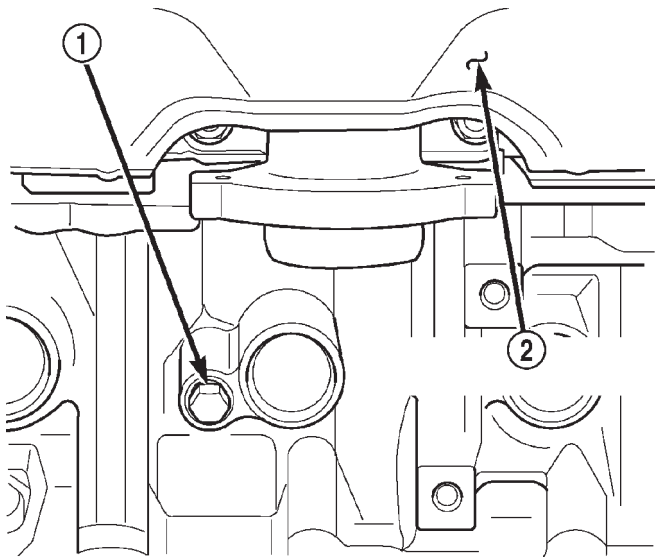
- 1 - COOLANT TEMPERATURE SENSOR  
2 - BLOCK DRAIN PLUG

- (5) Remove power cord from block heater.
- (6) Loosen screw at center of block heater. Remove heater assembly (Fig. 53) (Fig. 54).

**INSTALLATION**

- (1) Thoroughly clean cylinder block core hole and block heater seat.
- (2) Insert block heater assembly with element loop pointing at twelve o'clock (Fig. 53) (Fig. 54).
- (3) With block heater fully seated, tighten center screw to 2 N·m (17 in. lbs.) torque.
- (4) Fill cooling system with recommended coolant.
- (5) Start and warm the engine. Check for leaks.

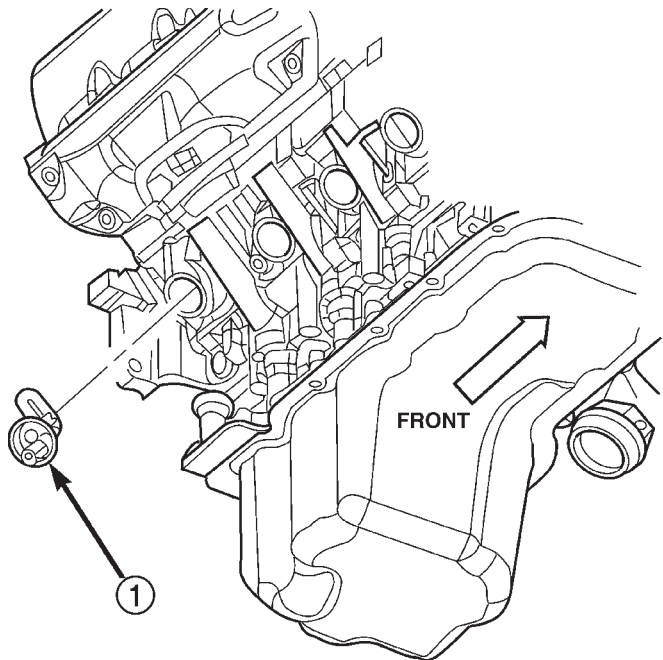
REMOVAL AND INSTALLATION (Continued)



80b8990c

**Fig. 52 Drain Plug—4.7L Engine**

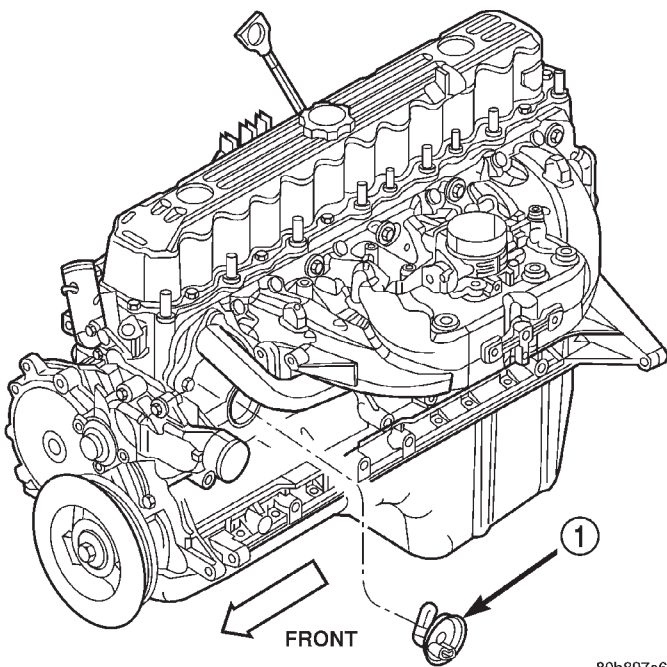
- 1 - CYLINDER BLOCK DRAIN PLUG
- 2 - EXHAUST MANIFOLD AND HEAT SHIELD



80b897e7

**Fig. 54 Engine Block Heater—4.7L**

- 1 - ENGINE BLOCK HEATER



80b897e6

**Fig. 53 Engine Block Heater—4.0L**

- 1 - ENGINE BLOCK HEATER

**BELT REPLACEMENT/ADJUSTMENT**

**NOTE:** The belt routing schematics are published from the latest information available at the time of publication. If anything differs between these schematics and the Belt Routing Label, use the schematics on Belt Routing Label. This label is located in the engine compartment.

**REMOVAL**

**CAUTION:** DO NOT LET TENSIONER ARM SNAP BACK TO THE FREEARM POSITION, SEVERE DAMAGE MAY OCCUR TO THE TENSIONER.

Belt tension is not adjustable. Belt adjustment is maintained by an automatic ( spring load ) belt tensioner.

- (1) Disconnect negative battery cable from battery.
- (2) Rotate belt tensioner until it contacts its stop. Remove belt, then slowly rotate the tensioner into the freearm position. (Fig. 55) (Fig. 56).

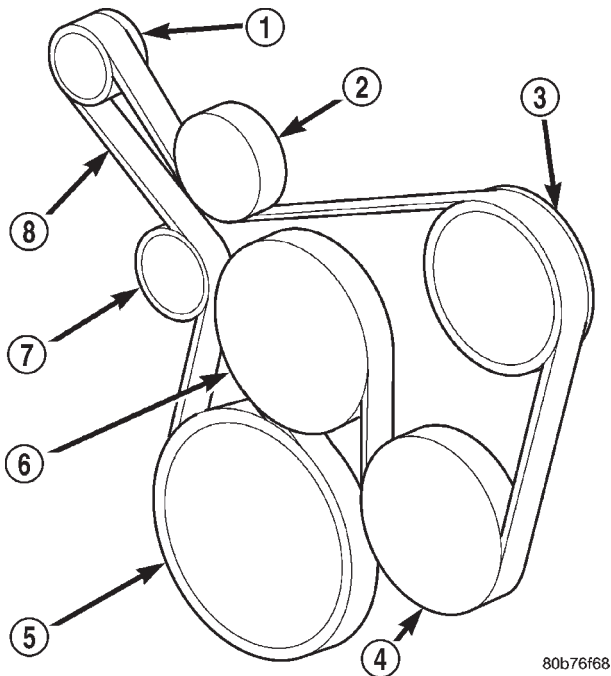
**INSTALLATION**

Belt tension is not adjustable. Belt adjustment is maintained by an automatic ( spring load ) belt tensioner.

- (1) Check condition of all pulleys.



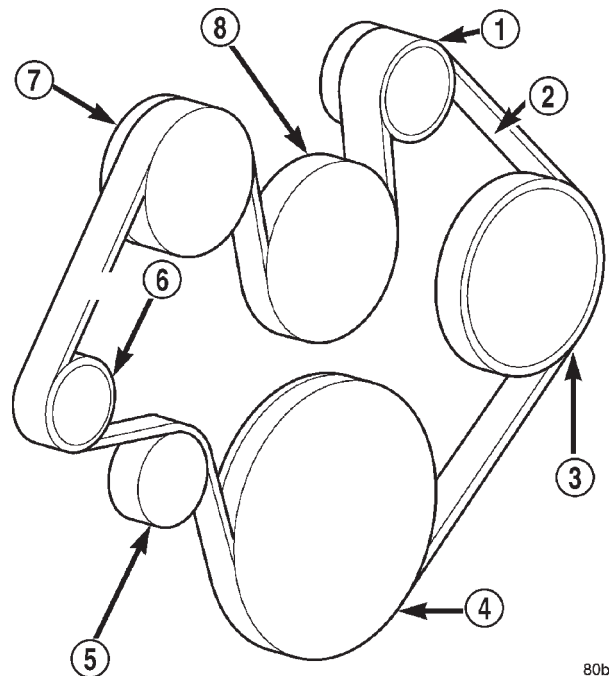
## REMOVAL AND INSTALLATION (Continued)



80b76f68

**Fig. 55 Belt Routing—4.0L**

- 1 - GENERATOR
- 2 - IDLER
- 3 - POWER STEERING
- 4 - A/C
- 5 - CRANKSHAFT
- 6 - WATER PUMP
- 7 - TENSIONER
- 8 - ACCESSORY DRIVE BELT



80b76f69

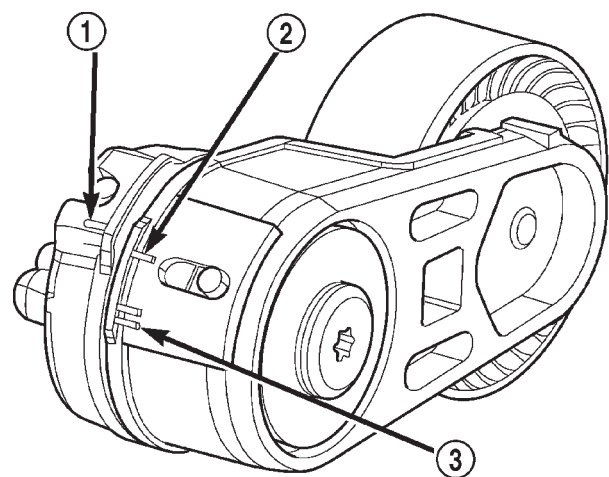
**Fig. 56 Belt Routing—4.7L**

- 1 - GENERATOR
- 2 - ACCESSORY DRIVE BELT
- 3 - POWER STEERING
- 4 - CRANKSHAFT
- 5 - IDLER
- 6 - TENSIONER
- 7 - A/C
- 8 - WATER PUMP

**CAUTION:** When installing the serpentine accessory drive belt, the belt **MUST** be routed correctly. If not, the engine may overheat due to the water pump rotating in the wrong direction (Fig. 55) (Fig. 56).

(2) Install new belt (Fig. 55) (Fig. 56). Route the belt around all pulleys except the idler pulley. Rotate the tensioner arm until it contacts its stop position. Route the belt around the idler and slowly let the tensioner rotate into the belt. Make sure the belt is seated onto all pulleys.

(3) With the drive belt installed, inspect the belt wear indicator (Fig. 57) (Fig. 58). On 4.7L Engines only, the gap between the tang and the housing stop (measurement A) must not exceed 24 mm (.94 inches). On 4.0L Engines, the indicator mark must be between the minimum and maximum marks. If the measurement exceeds this specification replace the serpentine accessory drive belt.



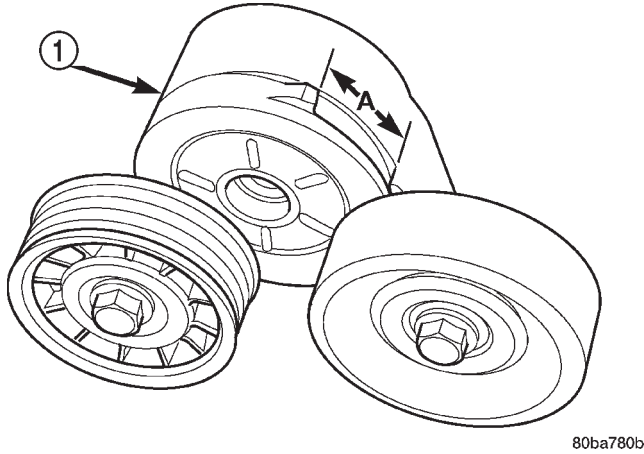
80bc4d20

**Fig. 57 Accessory Drive Belt Wear Indicator—4.0L Engine**

- 1 - INDICATOR MARK
- 2 - MINIMUM TENSION MARK
- 3 - MAXIMUM TENSION MARK



REMOVAL AND INSTALLATION (Continued)



80ba780b

**Fig. 58 Accessory Drive Belt Wear Indicator—4.7L Engine**

1 – AUTOMATIC TENSIONER ASSEMBLY

**AUTOMATIC BELT TENSIONER**

On 4.7L engines, the tensioner is equipped with an indexing tang on back of tensioner and an indexing stop on tensioner housing. If a new belt is being installed, tang must be within approximately 24 mm (.94 inches) of indexing stop. Belt is considered new if it has been used 15 minutes or less.

On 4.0L engines, the tensioner arm has three marks. Upon installation of a new belt, the double line marks close to each other should be very close to the mark on the base. The belt should be replaced if the single line mark lines up with the mark on the base.

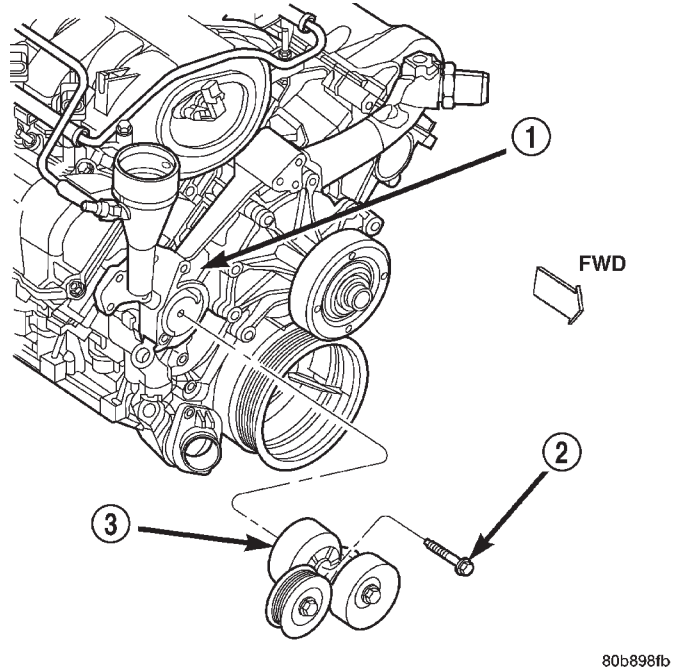
If the above specification cannot be met, check for:

- The wrong belt being installed (incorrect length/width)
- Worn bearings on an engine accessory (A/C compressor, power steering pump, water pump, idler pulley or generator)
- A pulley on an engine accessory being loose
- Misalignment of an engine accessory
- Belt incorrectly routed.

**NOTE:** A used belt should be replaced if tensioner indexing arrow has moved to the minimum travel indicator. Tensioner travel stops at this point.

**REMOVAL**

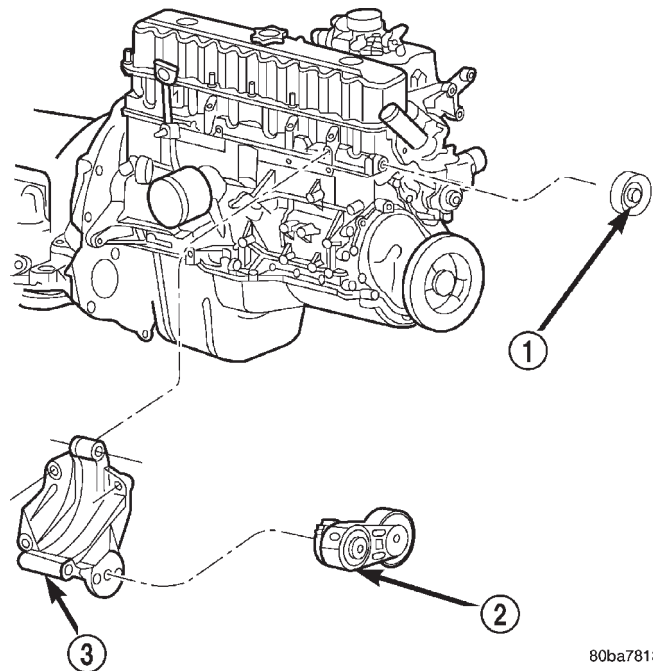
- (1) Remove accessory drive belt. Refer to Belt Replacement/Adjustment in this group.
- (2) Remove tensioner assembly from mounting bracket (Fig. 59) (Fig. 60).



80b898fb

**Fig. 59 Automatic Belt Tensioner—4.7L Engine**

- 1 – TIMING CHAIN COVER
- 2 – BOLT TORQUE TO 41 N·m (30 FT LBS)
- 3 – AUTOMATIC BELT TENSIONER



80ba7813

**Fig. 60 Automatic Belt Tensioner—4.0L Engine**

- 1 – IDLER PULLEY TIGHTEN TO 47 N·m (35 FT. LBS.)
- 2 – AUTOMATIC BELT TENSIONER
- 3 – GENERATOR MOUNTING BRACKET

## REMOVAL AND INSTALLATION (Continued)

**WARNING: BECAUSE OF HIGH SPRING TENSION, DO NOT ATTEMPT TO DISASSEMBLE AUTOMATIC TENSIONER. UNIT IS SERVICED AS AN ASSEMBLY (EXCEPT FOR PULLEY ON 4.7L TENSIONER).**

(3) Remove pulley bolt. Remove pulley from tensioner (4.7L ONLY).

## INSTALLATION

(1) Install pulley and pulley bolt to tensioner. Tighten bolt to 61 N·m (45 ft. lbs.) torque (4.7L engine only).

(2) Install tensioner assembly to mounting bracket. (4.0L engine) align the two dowels on the tensioner with the mounting bracket and hand start the bolt. Tighten bolt to 28 N·m (250 in. lbs.). (4.7L engines) An indexing slot is located on back of tensioner. Align this slot to the head of the bolt on the front cover. Install the mounting bolt. Tighten bolt to 41 N·m (30 ft. lbs.).

**CAUTION: To prevent damage to coil case, coil mounting bolts must be torqued.**

(3) Install drive belt. Refer to Belt Removal/Installation in this group.

(4) Check belt indexing marks.

## COOLING SYSTEM FAN 4.0L AND 4.7L ENGINES

## VISCOUS FAN

## REMOVAL

(1) Disconnect negative battery cable from battery.

**NOTE: The 4.0L engine does not require special tool 6958 spanner wrench or adapters 8346 to remove the fan drive.**

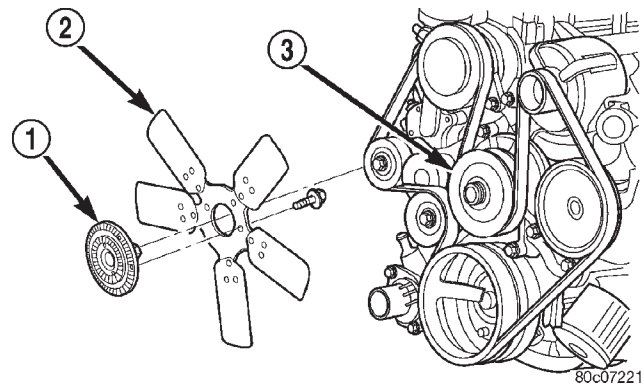
(2) The thermal viscous fan drive/fan blade assembly is attached (threaded) to water pump hub shaft (Fig. 61). Remove fan blade/viscous fan drive assembly from water pump by turning mounting nut counterclockwise as viewed from front. Threads on viscous fan drive are **RIGHT HAND**. Using spanner wrench 6958 with adapter pins 8346 (4.7L engine only) and a suitable fan wrench loosen the fan drive. (Fig. 62)

(3) Do not attempt to remove fan/viscous fan drive assembly from vehicle at this time.

(4) Do not unbolt fan blade assembly from viscous fan drive at this time.

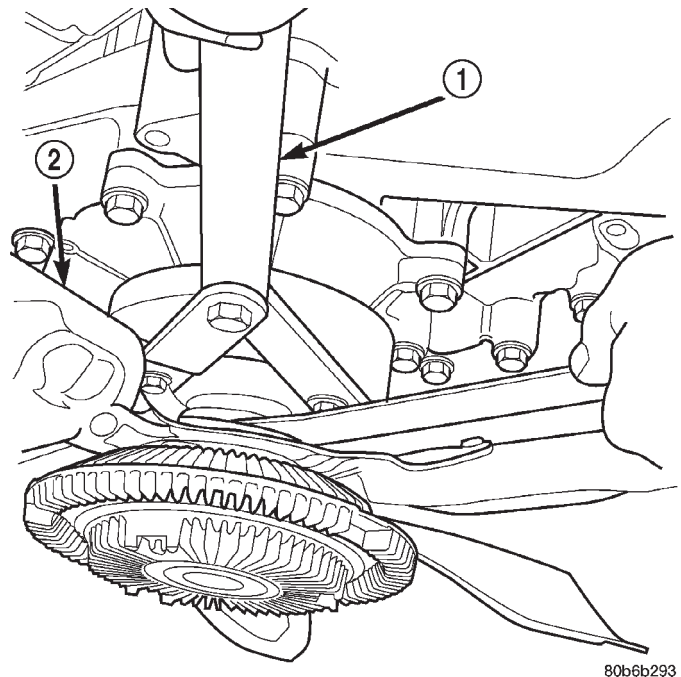
(5) Remove fan shroud-to-upper crossmember nuts.

(6) Remove fan shroud and fan blade/viscous fan drive assembly as a complete unit from vehicle.



**Fig. 61 Fan Blade/Viscous Fan Drive—4.7L V-8 Engines**

- 1 - VISCOUS FAN DRIVE
- 2 - FAN BLADE
- 3 - WATER PUMP PULLEY



**Fig. 62 Fan Blade and Drive—Removal**

- 1 - SPECIAL TOOL 6958 SPANNER WRENCH WITH ADAPTER PINS 8346
- 2 - FAN

(7) After removing fan blade/viscous fan drive assembly, **do not** place viscous fan drive in horizontal position. If stored horizontally, silicone fluid in the viscous fan drive could drain into its bearing assembly and contaminate lubricant.

**CAUTION: Do not remove water pump pulley-to-water pump bolts. This pulley is under belt tension.**

(8) Remove four bolts securing fan blade assembly to viscous fan drive.

## REMOVAL AND INSTALLATION (Continued)

## INSTALLATION

- (1) Install fan blade assembly to viscous fan drive. Tighten bolts to 23 N·m (17 ft. lbs.) torque.
- (2) Position fan shroud and fan blade/viscous fan drive assembly to vehicle as a complete unit.
- (3) Position fan shroud to radiator. Be sure the alignment tabs at the lower part of shroud are placed into the slots near lower part of radiator. Install and tighten the two fan shroud-to-upper crossmember mounting nuts.  
Be sure of at least 25 mm (1.0 inches) between tips of fan blades and fan shroud.
- (4) Install fan blade/viscous fan drive assembly to water pump shaft (Fig. 62).
- (5) Connect negative battery cable.

## ELECTRIC FAN

The electric fan is only serviced as an assembly.

## VISCOUS FAN DRIVE

## REMOVAL/INSTALLATION

Refer to Cooling System Fan removal and installation procedures of the viscous fan drive unit procedures.

## Viscous Fan Drive Fluid Pump Out Requirement:

After installing a **NEW** viscous fan drive, bring the engine speed up to approximately 2000 rpm and hold for approximately two minutes. This will ensure proper fluid distribution within the drive.

## CLEANING AND INSPECTION

## RADIATOR PRESSURE CAP

## CLEANING

Clean the radiator pressure cap using a mild soap and water only.

## INSPECTION

Visually inspect the pressure valve gasket on the cap. Replace cap if the gasket is swollen, torn or worn. Inspect the area around radiator filler neck for white deposits that indicate a leaking cap.

## RADIATOR

## CLEANING

Clean radiator fins With the engine cold, apply cold water and compressed air to the back (engine side) of the radiator to flush the radiator and/or A/C condenser of debris.

## INSPECTION

The radiator cooling fins should be checked for damage or deterioration. Inspect cooling fins to make sure they are not bent or crushed, these areas result in reduced heat exchange causing the cooling system to operate at higher temperatures. Inspect the plastic end tanks for cracks, damage or leaks.

Inspect the radiator neck for damage or distortion.

## WATER PUMP

## CLEANING

Clean the gasket mating surface. Use caution not to damage the gasket sealing surface.

## INSPECTION

Inspect the water pump assembly for cracks in the housing, Water leaks from shaft seal, Loose or rough turning bearing or Impeller rubbing either the pump body or timing chain case/cover.

## FAN BLADE

## CLEANING

Clean the fan blades using a mild soap and water. Do not use an abrasive to clean the blades.

## INSPECTION

**WARNING: DO NOT ATTEMPT TO BEND OR STRAIGHTEN FAN BLADES IF FAN IS NOT WITHIN SPECIFICATIONS.**

**CAUTION: If fan blade assembly is replaced because of mechanical damage, water pump and viscous fan drive should also be inspected. These components could have been damaged due to excessive vibration.**

(1) Remove fan blade assembly from viscous fan drive unit (four bolts).

(2) Lay fan on a flat surface with leading edge facing down. With tip of blade touching flat surface, replace fan if clearance between opposite blade and surface is greater than 2.0 mm (.090 inch). Rocking motion of opposite blades should not exceed 2.0 mm (.090 inch). Test all blades in this manner.

(3) Inspect fan assembly for cracks, bends, loose rivets or broken welds. Replace fan if any damage is found.

## CLEANING AND INSPECTION (Continued)

## COOLING SYSTEM HOSES

## INSPECTION

Inspect the hoses at regular intervals. Replace hoses that are cracked, feel brittle when squeezed or swell excessively when the system is pressurized. The use of molded replacement hoses is recommended. When performing a hose inspection, inspect the radiator lower hose for proper position and condition of the spring.

## SPECIFICATIONS

## INFORMATION

The following specifications are published from the latest information available at the time of publication. **If anything differs between the specifications found on the Vehicle Emission Control Information (VECI) label and the following specifications, use specifications on VECI label.** The VECI label is located in the engine compartment. Refer to Group 25, Emission System for more information on the VECI label.

## COOLING SYSTEM CAPACITIES

DESCRIPTION	SPECIFICATION
4.0L (6 cyl. eng.) *	14.1 L (15.0 quarts)
4.7L (8 cyl. eng.) *	13.7 L (14.0 quarts)
* Includes coolant recovery bottle capacity = 1.9L (2.0 quarts)	

## DRIVE BELT TENSION

**4.0L (6 Cyl. eng.) 4.7L (V-8 eng.)**

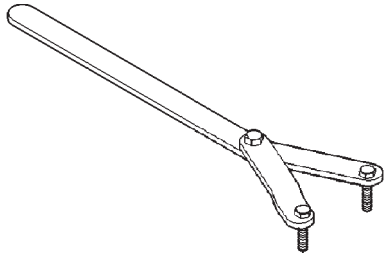
- Do not attempt to check belt tension with a tension gauge. System is equipped with an automatic tensioner. Refer to Automatic Belt Tensioner in Group 7, Cooling System.

## TORQUE SPECIFICATIONS

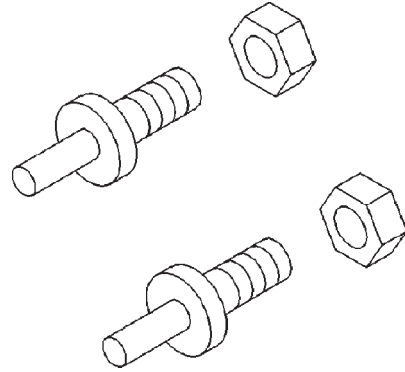
DESCRIPTION	N-m	Ft.	In.
		Lbs.	Lbs.
Automatic Belt Tensioner to Mounting Bracket—Bolt	4.0L	28	— 250
	4.7L	41	30 —
Automatic Belt Tensioner Pulley—Bolt	(4.7L)	61	45 —
Block Heater—Bolt	4.0L	4	— 32
	4.7L	2	— 17
Fan Blade Assy. to Viscous Drive—Bolts 4.0L		23	— 200
Generator Mounting—Bolts 4.0L		57	42 —
Radiator Upper Isolator to Crossmember—Nuts		3	— 20
Radiator Upper Isolator to Radiator—Nuts		4	— 36
Radiator Brace—Bolts		10	— 90
Thermostat Housing—Bolts	4.0L	22	16 —
	4.7L	13	— 115
Transmission Auxiliary Oil Cooler—Bolts		10	— 90
Upper Radiator Crossmember to Body—Bolts		10	— 90
Water Pump—Bolts	4.0L	23	17 —
	4.7L	54	40 —
Water Pump Pulley to Water Pump—Bolts 4.0L		28	— 250

SPECIAL TOOLS

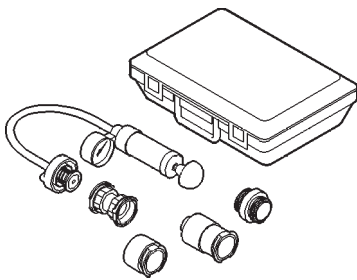
COOLING



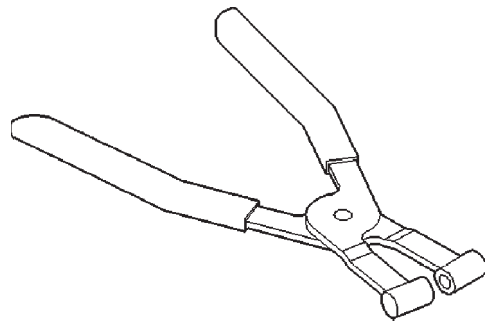
***Spanner Wrench 6958***



***Adapter Pins 8346***



***Pressure Tester 7700-A***



***Pliers 6094***





# BATTERY

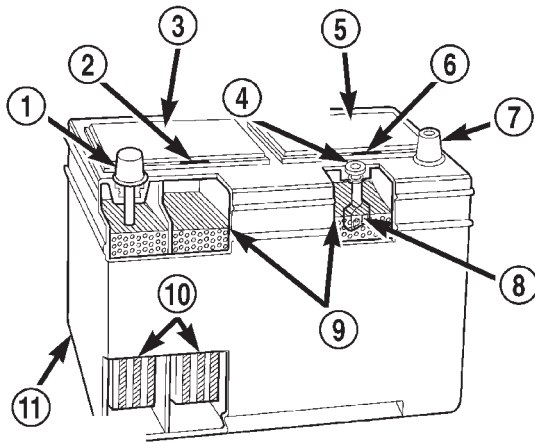
## TABLE OF CONTENTS

	page		page
<b>DESCRIPTION AND OPERATION</b>		<b>REMOVAL AND INSTALLATION</b>	
BATTERY.....	1	BATTERY CABLES .....	18
BATTERY CABLES .....	3	BATTERY HOLD DOWNS .....	20
BATTERY HOLD DOWNS .....	4	BATTERY.....	21
BATTERY THERMOGUARD.....	5	BATTERY THERMOGUARD.....	22
BATTERY TRAY.....	5	BATTERY TRAY.....	22
<b>DIAGNOSIS AND TESTING</b>		<b>CLEANING AND INSPECTION</b>	
BATTERY.....	6	BATTERY.....	23
BATTERY CABLES .....	15	<b>SPECIFICATIONS</b>	
<b>SERVICE PROCEDURES</b>		BATTERY.....	25
BATTERY CHARGING .....	16		

## DESCRIPTION AND OPERATION

### BATTERY

#### DESCRIPTION



80accfel

**Fig. 1 Low-Maintenance Battery - Typical**

- 1 - POSITIVE POST
- 2 - VENT
- 3 - CELL CAP
- 4 - TEST INDICATOR
- 5 - CELL CAP
- 6 - VENT
- 7 - NEGATIVE POST
- 8 - GREEN BALL
- 9 - ELECTROLYTE LEVEL
- 10 - PLATE GROUPS
- 11 - LOW-MAINTENANCE BATTERY

A large capacity, low-maintenance storage battery (Fig. 1) is standard factory-installed equipment on this model. Male post type terminals made of a soft lead material protrude from the top of the molded plastic battery case to provide the means for connecting the battery to the vehicle electrical system. The battery positive terminal post is visibly larger in diameter than the negative terminal post, for easy identification. The letters **POS** and **NEG** are also molded into the top of the battery case adjacent to their respective positive and negative terminal posts for additional identification confirmation. Refer to **Battery Cables** in the index of this service manual for the location of more information on the battery cables that connect the battery to the vehicle electrical system.

This battery is designed to provide a safe, efficient and reliable means of storing electrical energy in a chemical form. This means of energy storage allows the battery to produce the electrical energy required to operate the engine starting system, as well as to operate many of the other vehicle accessory systems for limited durations while the engine and/or the charging system are not operating. The battery is made up of six individual cells that are connected in series. Each cell contains positively charged plate groups that are connected with lead straps to the positive terminal post, and negatively charged plate groups that are connected with lead straps to the negative terminal post. Each plate consists of a stiff mesh framework or grid coated with lead dioxide (positive plate) or sponge lead (negative plate). Insulators or plate separators made of a non-conductive material are inserted between the positive and negative plates to prevent them from contacting or short-

## DESCRIPTION AND OPERATION (Continued)

ing against one another. These dissimilar metal plates are submerged in a sulfuric acid and water solution called an electrolyte.

The factory-installed battery has a built-in test indicator (hydrometer). The color visible in the sight glass of the indicator will reveal the battery condition. For more information on the use of the built-in test indicator, refer to **Battery** in the index of this service manual for the location of the proper battery diagnosis and testing procedures. **The factory-installed low-maintenance battery has removable battery cell caps.** Water can be added to this battery. The battery is not sealed and has vent holes in the cell caps. The chemical composition of the metal coated plates within the low-maintenance battery reduces battery gassing and water loss, at normal charge and discharge rates. Therefore, the battery should not require additional water in normal service. If the electrolyte level in this battery does become low, water must be added. However, rapid loss of electrolyte can be caused by an overcharging condition. Be certain to diagnose the charging system after replenishing the water in the battery for a low electrolyte condition and before returning the vehicle to service. Refer to **Charging System** in the index of this service manual for the location of the proper charging system diagnosis and testing procedures.

For battery maintenance schedules and jump starting procedures, see the owner's manual in the vehicle glove box. Optionally, refer to **Maintenance Schedules** and **Jump Starting, Towing and Hoisting** in the index of this service manual for the location of the recommended battery maintenance schedules and the proper battery jump starting procedures. While battery charging can be considered a maintenance procedure, the battery charging procedures and information are located in the service procedures section of this service manual. This was done because the battery must be fully-charged before any battery diagnosis or testing procedures can be performed. Refer to **Battery Charging** in the index of this service manual for the location of the proper battery charging procedures.

## BATTERY SIZE AND RATINGS

The battery Group Size number, the Cold Cranking Amperage (CCA) rating, and the Reserve Capacity (RC) rating or Ampere-Hours (AH) rating can be found on the original equipment battery label. Be certain that a replacement battery has the correct Group Size number, as well as CCA, and RC or AH ratings that equal or exceed the original equipment specification for the vehicle being serviced. Refer to **Battery** in the index of this service manual for the location of the proper factory-installed battery speci-

fications. Battery sizes and ratings are discussed in more detail below.

- Group Size

The outside dimensions and terminal placement of the battery conform to standards established by the Battery Council International (BCI). Each battery is assigned a BCI Group Size number to help identify a correctly-sized replacement.

- Cold Cranking Amperage

The Cold Cranking Amperage (CCA) rating specifies how much current (in amperes) the battery can deliver for thirty seconds at  $-18^{\circ}\text{C}$  ( $0^{\circ}\text{F}$ ). Terminal voltage must not fall below 7.2 volts during or after the thirty second discharge period. The CCA required is generally higher as engine displacement increases, depending also upon the starter current draw requirements.

- Reserve Capacity

The Reserve Capacity (RC) rating specifies the time (in minutes) it takes for battery terminal voltage to fall below 10.5 volts, at a discharge rate of 25 amperes. RC is determined with the battery fully-charged at  $26.7^{\circ}\text{C}$  ( $80^{\circ}\text{F}$ ). This rating estimates how long the battery might last after a charging system failure, under minimum electrical load.

- Ampere-Hours

The Ampere-Hours (AH) rating specifies the current (in amperes) that a battery can deliver steadily for twenty hours, with the voltage in the battery not falling below 10.5 volts. This rating is also sometimes identified as the twenty-hour discharge rating.

## OPERATION

When an electrical load is applied to the terminals of the battery, an electrochemical reaction occurs. This reaction causes the battery to discharge electrical current from its terminals. As the battery discharges, a gradual chemical change takes place within each cell. The sulfuric acid in the electrolyte combines with the plate materials, causing both plates to slowly change to lead sulfate. At the same time, oxygen from the positive plate material combines with hydrogen from the sulfuric acid, causing the electrolyte to become mainly water. The chemical changes within the battery are caused by the movement of excess or free electrons between the positive and negative plate groups. This movement of electrons produces a flow of electrical current through the load device attached to the battery terminals.

As the plate materials become more similar chemically, and the electrolyte becomes less acid, the voltage potential of each cell is reduced. However, by charging the battery with a voltage higher than that of the battery itself, the battery discharging process is reversed. Charging the battery gradually changes the sulfated lead plates back into sponge lead and

DESCRIPTION AND OPERATION (Continued)

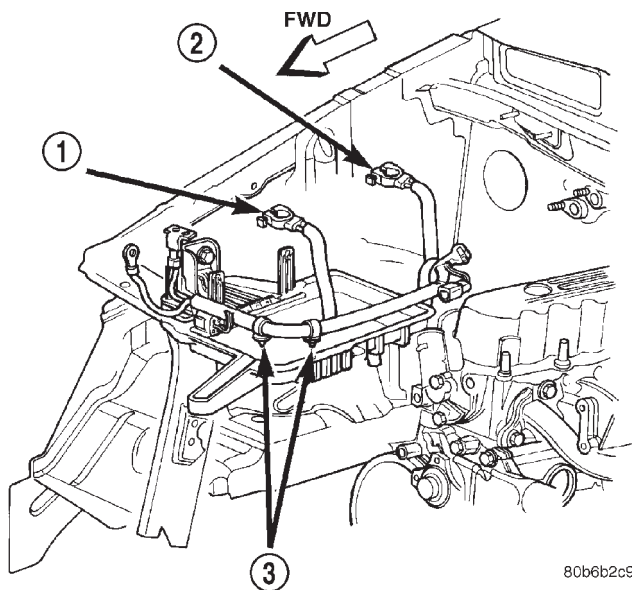
lead dioxide, and the water back into sulfuric acid. This action restores the difference in the electron charges deposited on the plates, and the voltage potential of the battery cells. For a battery to remain useful, it must be able to produce high-amperage current over an extended period. A battery must also be able to accept a charge, so that its voltage potential may be restored.

The battery is vented to release excess hydrogen gas that is created when the battery is being charged or discharged. However, even with these vents, hydrogen gas can collect in or around the battery. If hydrogen gas is exposed to flame or sparks, it may ignite. If the electrolyte level is low, the battery may arc internally and explode. If the battery is equipped with removable cell caps, add distilled water whenever the electrolyte level is below the top of the plates. If the battery cell caps cannot be removed, the battery must be replaced if the electrolyte level becomes low.

In addition to producing and storing electrical energy, the battery serves as a capacitor and voltage stabilizer for the electrical system of the vehicle. It absorbs most abnormal or transient voltages caused by the switching of any of the electrical components in the vehicle.

**BATTERY CABLES**

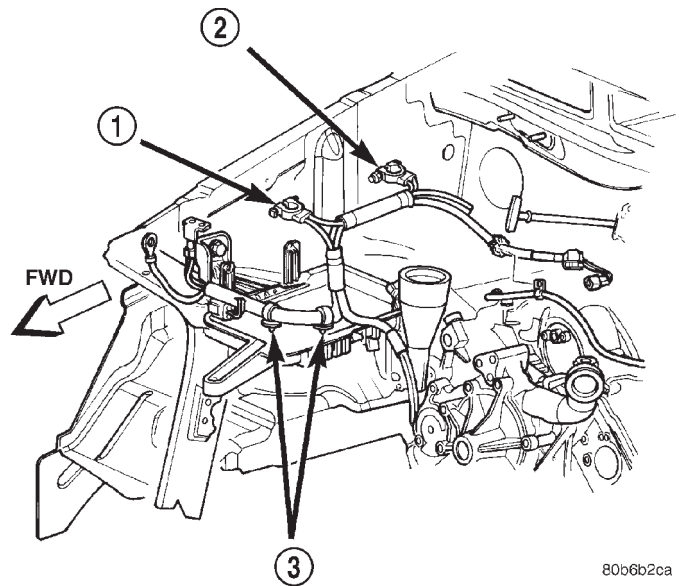
DESCRIPTION



80b6b2c9

**Fig. 2 Battery Cables - 4.0L Engine**

- 1 - BATTERY POSITIVE CABLE
- 2 - BATTERY NEGATIVE CABLE
- 3 - CLIPS



80b6b2ca

**Fig. 3 Battery Cables - 4.7L Engine**

- 1 - BATTERY POSITIVE CABLE
- 2 - BATTERY NEGATIVE CABLE
- 3 - CLIPS

The battery cables (Fig. 2) or (Fig. 3) are large gauge, stranded copper wires sheathed within a heavy plastic or synthetic rubber insulating jacket. The wire used in the battery cables combines excellent flexibility and reliability with high electrical current carrying capacity. Refer to **Wiring Diagrams** in the index of this service manual for the location of the proper battery cable wire gauge information.

A clamping type female battery terminal made of soft lead is die cast onto one end of the battery cable wire. A square headed pinch-bolt and hex nut are installed at the open end of the female battery terminal clamp. Large eyelet type terminals are crimped onto the opposite end of the battery cable wire and then solder-dipped. The battery positive cable wires have a red insulating jacket to provide visual identification and feature a larger female battery terminal clamp to allow connection to the larger battery positive terminal post. The battery negative cable wires have a black insulating jacket and a smaller female battery terminal clamp.

The battery cables cannot be repaired and, if damaged or faulty they must be replaced. Both the battery positive and negative cables are available for service replacement only as a unit with the battery wire harness, which may include portions of the wiring circuits for the generator and other components on some models. Refer to **Wiring Diagrams** in the index of this service manual for the location of more information on the various wiring circuits included in the battery wire harness for the vehicle being serviced.

## DESCRIPTION AND OPERATION (Continued)

## OPERATION

The battery cables connect the battery terminal posts to the vehicle electrical system. These cables also provide a return path for electrical current generated by the charging system for restoring the voltage potential of the battery. The female battery terminal clamps on the ends of the battery cable wires provide a strong and reliable connection of the battery cable to the battery terminal posts. The terminal pinch bolts allow the female terminal clamps to be tightened around the male terminal posts on the top of the battery. The eyelet terminals secured to the ends of the battery cable wires opposite the female battery terminal clamps provide secure and reliable connection of the battery to the vehicle electrical system.

The battery positive cable terminal clamp is die cast onto the ends of two wires. One wire has an two-holed eyelet terminal that connects the battery positive cable to the B(+) terminal studs of the Power Distribution Center (PDC), and the other wire has an eyelet terminal that connects the battery positive cable to the B(+) terminal stud of the engine starter motor solenoid. The battery negative cable terminal clamp is also die cast onto the ends of two wires. One wire has an eyelet terminal that connects the battery negative cable to the vehicle powertrain through a ground screw on the right side of the engine. The other wire has an eyelet terminal that connects the battery negative cable to the vehicle body through a ground screw on the right front fender inner shield, near the battery.

## BATTERY HOLD DOWNS

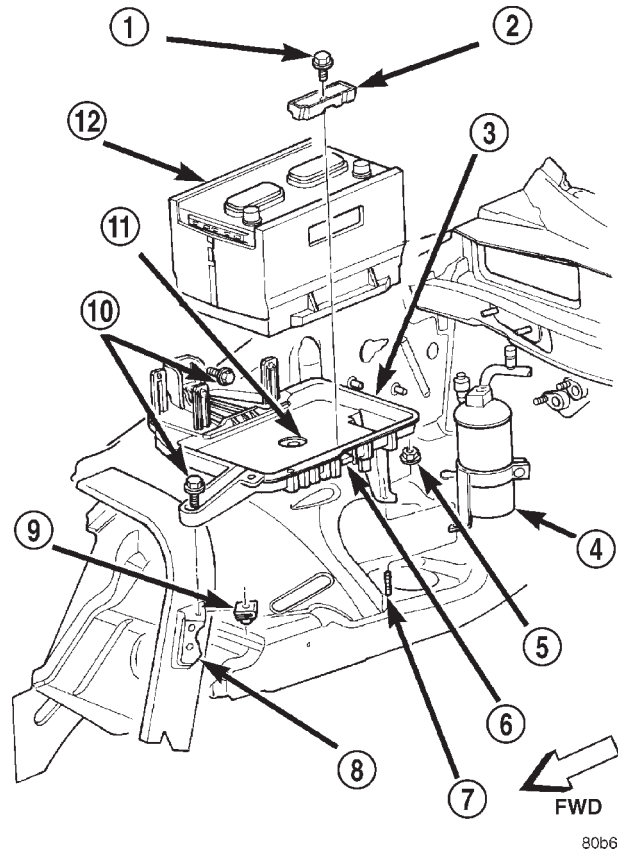
## DESCRIPTION

The battery hold down hardware (Fig. 4) a molded plastic lip that is integral to the outboard edge of the battery tray and support unit, a molded plastic hold down bracket, a single hex screw with a coned washer and a U-nut.

When installing a battery into the battery tray, be certain that the hold down hardware is properly installed and that the fasteners are tightened to the proper specifications. Improper hold down fastener tightness, whether too loose or too tight, can result in damage to the battery, the vehicle or both. Refer to **Battery Hold Downs** in the index of this service manual for the location of the proper battery hold down installation procedures, including the proper hold down fastener tightness specifications.

## OPERATION

The battery hold down hardware secures the battery to the battery tray and support unit in the engine compartment. This hardware is designed to



80b6b2c7

**Fig. 4 Battery Hold Downs**

- 1 - SCREW
- 2 - HOLD DOWN BRACKET
- 3 - BATTERY SUPPORT
- 4 - ACCUMULATOR
- 5 - NUT
- 6 - U-NUT
- 7 - STUD
- 8 - RADIATOR SUPPORT BRACKET
- 9 - U-NUT
- 10 - SCREW
- 11 - BATTERY TEMPERATURE SENSOR
- 12 - BATTERY AND THERMOGUARD

prevent battery movement during vehicle operation. Unrestrained battery movement during vehicle operation can result in damage to the vehicle, the battery or both.

A U-nut is held in a molded formation on the inboard side of the battery tray and support unit. Molded ledges near the bottom of the battery case sides are used to secure the battery in the battery tray. The molded ledge on the outboard side of the battery case slides under a molded lip formation on the outboard side of the battery tray. A molded plastic hold down bracket is placed over the ledge on the inboard side of the battery case. A screw passes through a hole in the center of the hold down bracket and is threaded into the U-nut on the inboard side of

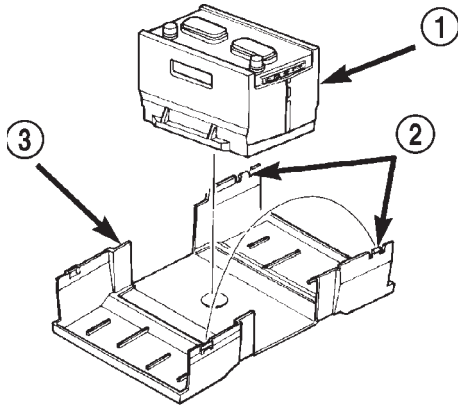


DESCRIPTION AND OPERATION (Continued)

the battery tray and support unit, clamping the battery in the tray.

**BATTERY THERMOGUARD**

**DESCRIPTION**



80b6b2c8

**Fig. 5 Battery Thermoguard**

- 1 - BATTERY
- 2 - LATCHES
- 3 - THERMOGUARD

A two-piece molded plastic clam shell-type thermoguard unit (Fig. 5) encloses all four sides of the battery case. A single molded latch on each end of the thermoguard secures the unit around the battery. The thermoguard can only be removed or installed over the battery with the battery removed from the battery tray and support unit.

**OPERATION**

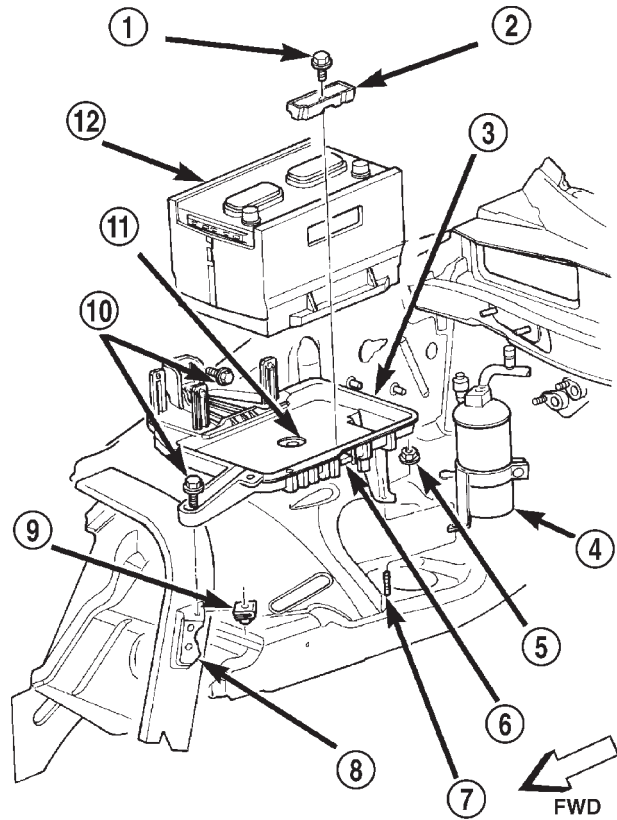
The thermoguard protects the battery from engine compartment temperature extremes. The air trapped between the thermoguard and the battery case creates a dead air space, which helps to insulate the sides of the battery case from the surrounding engine compartment air temperature.

**BATTERY TRAY**

**DESCRIPTION**

The battery is mounted in a molded plastic battery tray and support unit (Fig. 6) located in the right front corner of the engine compartment. The battery tray and support unit is secured at the rear with a nut to a stud on the front wheelhouse inner panel, at the outboard side with a screw to the side cowl reinforcement panel, and at the front with a screw through a U-nut on a bracket of the radiator support.

The battery tray and support unit also includes three upright stanchions that are molded into the outboard side of the unit. These stanchions support



80b6b2c7

**Fig. 6 Battery Tray and Support**

- 1 - SCREW
- 2 - HOLD DOWN BRACKET
- 3 - BATTERY SUPPORT
- 4 - ACCUMULATOR
- 5 - NUT
- 6 - U-NUT
- 7 - STUD
- 8 - RADIATOR SUPPORT BRACKET
- 9 - U-NUT
- 10 - SCREW
- 11 - BATTERY TEMPERATURE SENSOR
- 12 - BATTERY AND THERMOGUARD

the Power Distribution Center (PDC). Refer to **Power Distribution Center** in the index of this service manual for the location of more information on the PDC mounting.

A hole in the bottom of the battery tray is fitted with a battery temperature sensor. Refer to **Battery Temperature Sensor** in the index of this service manual for the location of more information on the battery temperature sensor. Refer to **Battery Hold Downs** in the index of this service manual for the location of more information on the battery hold down hardware.

**OPERATION**

The battery tray and support unit provides a mounting location and support for the vehicle bat-

## DESCRIPTION AND OPERATION (Continued)

tery. The battery tray also provides an anchor point for the battery hold down hardware. The battery tray and the battery hold down hardware combine to secure and stabilize the battery in the engine compartment, which prevents battery movement during vehicle operation. Unrestrained battery movement during vehicle operation can result in damage to the vehicle, the battery or both.

## DIAGNOSIS AND TESTING

## BATTERY

## DIAGNOSIS

The battery, starting system and charging system in the vehicle operate with one another, and must be tested as a complete system. In order for the engine to start and the battery to charge properly, all of the components that are used in these systems must perform within specifications. It is important that the battery, starting system and charging system be thoroughly tested and inspected any time a battery needs to be charged or replaced. The cause of abnormal discharge, overcharging or early battery failure must be diagnosed and corrected before a battery is replaced and before a vehicle is returned to service. The service information for these systems has been separated within this service manual to make it easier to locate the specific information you are seeking. However, when attempting to diagnose any of these systems, it is important that you keep their interdependency in mind.

The diagnostic procedures used for the battery, starting system and charging system include the most basic conventional diagnostic methods, to the more sophisticated On-Board Diagnostics (OBD) built into the Powertrain Control Module (PCM). Use of an induction-type milliampere ammeter, a volt/ohmmeter, a battery charger, a carbon pile rheostat (load tester) and a 12-volt test lamp may be required. All OBD-sensed systems are monitored by the PCM. Each monitored circuit is assigned a Diagnostic Trouble Code (DTC). The PCM will store a DTC in electronic memory for any failure it detects. Refer to **Charging System, On-Board Diagnostic Test** in the index of this service manual for the location of the proper on-board diagnostic test procedures.

The battery must be completely charged and the top, posts and terminal clamps should be properly cleaned and inspected before diagnostic procedures are performed. Refer to **Battery** in the index of this service manual for the location of the proper battery cleaning and inspection procedures. Refer to **Battery Charging** in the index of this service manual for the location of the proper battery charging procedures.

**WARNING:**

- IF THE BATTERY SHOWS SIGNS OF FREEZING, LEAKING, LOOSE POSTS, OR LOW ELECTROLYTE LEVEL, DO NOT TEST, ASSIST-BOOST, OR CHARGE. THE BATTERY MAY ARC INTERNALLY AND EXPLODE. PERSONAL INJURY AND/OR VEHICLE DAMAGE MAY RESULT.

- EXPLOSIVE HYDROGEN GAS FORMS IN AND AROUND THE BATTERY. DO NOT SMOKE, USE FLAME, OR CREATE SPARKS NEAR THE BATTERY. PERSONAL INJURY AND/OR VEHICLE DAMAGE MAY RESULT.

- THE BATTERY CONTAINS SULFURIC ACID, WHICH IS POISONOUS AND CAUSTIC. AVOID CONTACT WITH THE SKIN, EYES, OR CLOTHING. IN THE EVENT OF CONTACT, FLUSH WITH WATER AND CALL A PHYSICIAN IMMEDIATELY. KEEP OUT OF THE REACH OF CHILDREN.

- IF THE BATTERY IS EQUIPPED WITH REMOVABLE CELL CAPS, BE CERTAIN THAT EACH OF THE CELL CAPS IS IN PLACE AND TIGHT BEFORE THE BATTERY IS RETURNED TO SERVICE. PERSONAL INJURY AND/OR VEHICLE DAMAGE MAY RESULT FROM LOOSE OR MISSING CELL CAPS.

The condition of a battery is determined by two criteria:

## 1. State-Of-Charge

This can be determined by checking the specific gravity of the battery electrolyte (built-in test indicator or hydrometer test), or by checking the battery voltage (open-circuit voltage test).

## 2. Cranking Capacity

This can be determined by performing a battery load test, which measures the ability of the battery to supply high-amperage current.

First, determine the battery state-of-charge. This can be done in one of three ways. If the battery has a built-in test indicator, view the test indicator to determine the state-of-charge. If the battery has no test indicator but does have removable cell caps, perform the hydrometer test to determine the state-of-charge. If the battery cell caps are not removable, or a hydrometer is not available, perform the open-circuit voltage test to determine the state-of-charge.

The battery must be charged before proceeding with a load test if:

- The battery built-in test indicator has a black or dark color visible.

- The temperature corrected specific gravity of the battery electrolyte is less than 1.235.

- The battery open-circuit voltage is less than 12.4 volts.

A battery that will not accept a charge is faulty, and must be replaced. Further testing is not required. A fully-charged battery must be load tested to determine its cranking capacity. A battery that is

DIAGNOSIS AND TESTING (Continued)

fully-charged, but does not pass the load test, is faulty and must be replaced.

**NOTE: Completely discharged batteries may take several hours to accept a charge. Refer to Battery Charging in the index of this service manual for the location of the proper battery charging procedures.**

A battery is fully-charged when:

- All battery cells are gassing freely during charging.

- A green color is visible in the sight glass of the battery built-in test indicator.
- Three corrected specific gravity tests, taken at one-hour intervals, indicate no increase in the specific gravity of the battery electrolyte.
- Open-circuit voltage of the battery is 12.4 volts or greater.

Battery Diagnosis		
Condition	Possible Causes	Correction
The battery seems weak or dead when attempting to start the engine.	<ol style="list-style-type: none"> <li>1. The battery has an incorrect size or rating for this vehicle.</li> <li>2. The battery is physically damaged.</li> <li>3. The battery terminal connections are loose or corroded.</li> <li>4. The battery is discharged.</li> <li>5. The electrical system ignition-off draw is excessive.</li> <li>6. The battery is faulty.</li> <li>7. The starting system is faulty.</li> <li>8. The charging system is faulty.</li> </ol>	<ol style="list-style-type: none"> <li>1. Refer to Battery in the index of this service manual for the location of the proper battery specifications. Replace an incorrect battery, as required.</li> <li>2. Inspect the battery for loose terminal posts or a cracked and leaking case. Replace the damaged battery, as required.</li> <li>3. Refer to Voltage Drop Test in this section for the proper test procedures. Clean and tighten the battery terminal connections, as required.</li> <li>4. Determine the battery state-of-charge. Refer to Built-In Test Indicator, Hydrometer Test, or Open-Circuit Voltage Test in this section for the proper test procedures. Charge the battery, as required.</li> <li>5. Refer to Ignition-Off Draw Test in this section for the proper test procedures. Repair the faulty electrical system, as required.</li> <li>6. Determine the battery cranking capacity. Refer to Load Test in this section for the proper test procedures. Replace the faulty battery, as required.</li> <li>7. Determine if the starting system is performing to specifications. Refer to Starting System in the index of this service manual for the location of the proper starting system diagnosis and testing procedures. Repair the faulty starting system, as required.</li> <li>8. Determine if the charging system is performing to specifications. Refer to Charging System in the index of this service manual for the location of the proper charging system diagnosis and testing procedures. Repair the faulty charging system, as required.</li> </ol>

## DIAGNOSIS AND TESTING (Continued)

Battery Diagnosis		
Condition	Possible Causes	Correction
The battery state-of-charge cannot be maintained.	<ol style="list-style-type: none"> <li>1. The battery has an incorrect size or rating for this vehicle.</li> <li>2. The battery terminal connections are loose or corroded.</li> <li>3. The generator drive belt is slipping.</li> <li>4. The electrical system ignition-off draw is excessive.</li> <li>5. The battery is faulty.</li> <li>6. The starting system is faulty.</li> <li>7. The charging system is faulty.</li> <li>8. Electrical loads exceed the output of the charging system.</li> <li>9. Slow driving or prolonged idling with high-amperage draw systems in use.</li> </ol>	<ol style="list-style-type: none"> <li>1. Refer to Battery in the index of this service manual for the location of the proper battery specifications. Replace an incorrect battery, as required.</li> <li>2. Refer to Voltage Drop Test in this section for the proper test procedures. Clean and tighten the battery terminal connections, as required.</li> <li>3. Refer to Accessory Drive Belt Diagnosis in the index of this service manual for the location of the proper accessory drive belt diagnosis and testing procedures. Replace or adjust the faulty generator drive belt, as required.</li> <li>4. Refer to Ignition-Off Draw Test in this section for the proper test procedures. Repair the faulty electrical system, as required.</li> <li>5. Determine the battery cranking capacity. Refer to Load Test in this section for the proper test procedures. Replace the faulty battery, as required.</li> <li>6. Determine if the starting system is performing to specifications. Refer to Starting System in the index of this service manual for the location of the proper starting system diagnosis and testing procedures. Repair the faulty starting system, as required.</li> <li>7. Determine if the charging system is performing to specifications. Refer to Charging System in the index of this service manual for the location of the proper charging system diagnosis and testing procedures. Repair the faulty charging system, as required.</li> <li>8. Inspect the vehicle for aftermarket electrical equipment which might cause excessive electrical loads.</li> <li>9. Advise the vehicle operator, as required.</li> </ol>
The battery will not accept a charge.	<ol style="list-style-type: none"> <li>1. The battery is faulty.</li> </ol>	<ol style="list-style-type: none"> <li>1. Refer to Battery Charging in the index of this service manual for the location of the proper battery charging procedures. Charge or replace the faulty battery, as required.</li> </ol>

## ABNORMAL BATTERY DISCHARGING

Any of the following conditions can result in abnormal battery discharging:

1. Corroded or loose battery posts and terminal clamps.

2. A loose or worn generator drive belt.

3. Electrical loads that exceed the output of the charging system. This can be due to equipment installed after manufacture, or repeated short trip use.

4. Slow driving speeds (heavy traffic conditions) or prolonged idling, with high-amperage draw systems in use.

5. A faulty circuit or component causing excessive ignition-off draw.

6. A faulty or incorrect charging system component. Refer to **Charging System** in the index of this service manual for the location of the proper charging system diagnosis and testing procedures.

7. A faulty or incorrect starting system component. Refer to **Starting System** in the index of this service manual for the location of the proper starting system diagnosis and testing procedures.

8. A faulty or incorrect battery.



## DIAGNOSIS AND TESTING (Continued)

## TESTING

## BUILT-IN TEST INDICATOR

A test indicator (hydrometer) built into the top of the battery case provides visual information for battery testing (Fig. 7). Like a hydrometer, the built-in test indicator measures the specific gravity of the battery electrolyte. The test indicator reveals the battery state-of-charge; however, it will not reveal the cranking capacity of the battery. A load test must be performed to determine the battery cranking capacity. Refer to **Load Test** in this section for the proper battery load testing procedures.

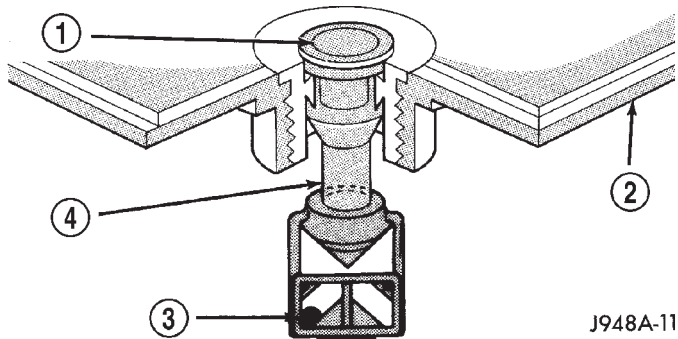


Fig. 7 Built-In Test Indicator

- 1 - SIGHT GLASS
- 2 - BATTERY TOP
- 3 - GREEN BALL
- 4 - PLASTIC ROD

## WARNING:

- IF THE BATTERY SHOWS SIGNS OF FREEZING, LEAKING, LOOSE POSTS, OR LOW ELECTROLYTE LEVEL, DO NOT TEST, ASSIST-BOOST, OR CHARGE. THE BATTERY MAY ARC INTERNALLY AND EXPLODE. PERSONAL INJURY AND/OR VEHICLE DAMAGE MAY RESULT.

- EXPLOSIVE HYDROGEN GAS FORMS IN AND AROUND THE BATTERY. DO NOT SMOKE, USE FLAME, OR CREATE SPARKS NEAR THE BATTERY. PERSONAL INJURY AND/OR VEHICLE DAMAGE MAY RESULT.

- THE BATTERY CONTAINS SULFURIC ACID, WHICH IS POISONOUS AND CAUSTIC. AVOID CONTACT WITH THE SKIN, EYES, OR CLOTHING. IN THE EVENT OF CONTACT, FLUSH WITH WATER AND CALL A PHYSICIAN IMMEDIATELY. KEEP OUT OF THE REACH OF CHILDREN.

- IF THE BATTERY IS EQUIPPED WITH REMOVABLE CELL CAPS, BE CERTAIN THAT EACH OF THE CELL CAPS IS IN PLACE AND TIGHT BEFORE THE BATTERY IS RETURNED TO SERVICE. PERSONAL INJURY AND/OR VEHICLE DAMAGE MAY RESULT FROM LOOSE OR MISSING CELL CAPS.

Before testing, visually inspect the battery for any damage (a cracked case or cover, loose posts, etc.) that would cause the battery to be faulty. In order to obtain correct indications from the built-in test indicator, it is important that the battery be level and have a clean sight glass. Additional light may be required to view the indicator. **Do not use open flame as a source of additional light.**

To read the built-in test indicator, look into the sight glass and note the color of the indicator (Fig. 8). The battery condition that each color indicates is described in the following list:

- Green

Indicates 75% to 100% battery state-of-charge. The battery is adequately charged for further testing or return to service. If the starter will not crank for a minimum of fifteen seconds with a fully-charged battery, the battery must be load tested. Refer to **Load Test** in this section for the proper battery load testing procedures.

- Black or Dark

Indicates 0% to 75% battery state-of-charge. The battery is inadequately charged and must be charged until a green indication is visible in the sight glass (12.4 volts or more), before the battery is tested further or returned to service. Refer to **Battery Charging** in the index of this service manual for the location of the proper battery charging procedures. Also refer to **Abnormal Battery Discharging** in this section for the possible causes of the discharged battery condition.

- Clear or Bright

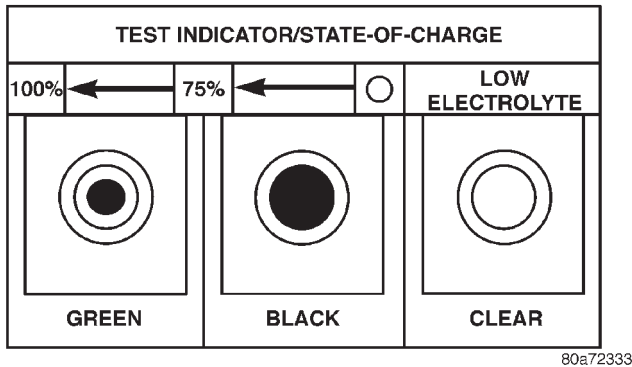
Indicates a low battery electrolyte level. The electrolyte level in the battery is below the test indicator. A maintenance-free battery with non-removable cell caps must be replaced if the electrolyte level is low. Water must be added to a low-maintenance battery with removable cell caps before it is charged. Refer to **Battery Charging** in the index of this service manual for the location of the proper battery charging procedures. A low electrolyte level may be caused by an overcharging condition. Refer to **Charging System** in the index of this service manual for the location of the proper charging system diagnosis and testing procedures.

## HYDROMETER TEST

The hydrometer test reveals the battery state-of-charge by measuring the specific gravity of the electrolyte. **This test cannot be performed on maintenance-free batteries with non-removable cell caps.** If the battery has non-removable cell caps, refer to **Built-In Test Indicator** or **Open-Circuit Voltage Test** in this section for the proper procedures for performing these alternate tests of the battery state-of-charge.



## DIAGNOSIS AND TESTING (Continued)



**Fig. 8 Built-In Test Indicator Sight Glass**

Specific gravity is a comparison of the density of the battery electrolyte to the density of pure water. Pure water has a specific gravity of 1.000, and sulfuric acid has a specific gravity of 1.835. Sulfuric acid makes up approximately 35% of the battery electrolyte by weight, or 24% by volume. In a fully-charged battery the electrolyte will have a temperature-corrected specific gravity of 1.260 to 1.290. However, a specific gravity of 1.235 or above is satisfactory for battery load testing and/or return to service.

**WARNING:**

- IF THE BATTERY SHOWS SIGNS OF FREEZING, LEAKING, LOOSE POSTS, OR LOW ELECTROLYTE LEVEL, DO NOT TEST, ASSIST-BOOST, OR CHARGE. THE BATTERY MAY ARC INTERNALLY AND EXPLODE. PERSONAL INJURY AND/OR VEHICLE DAMAGE MAY RESULT.

- EXPLOSIVE HYDROGEN GAS FORMS IN AND AROUND THE BATTERY. DO NOT SMOKE, USE FLAME, OR CREATE SPARKS NEAR THE BATTERY. PERSONAL INJURY AND/OR VEHICLE DAMAGE MAY RESULT.

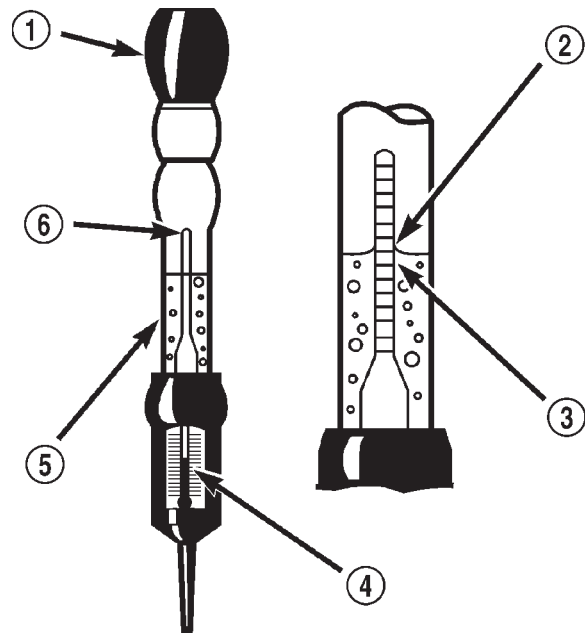
- THE BATTERY CONTAINS SULFURIC ACID, WHICH IS POISONOUS AND CAUSTIC. AVOID CONTACT WITH THE SKIN, EYES, OR CLOTHING. IN THE EVENT OF CONTACT, FLUSH WITH WATER AND CALL A PHYSICIAN IMMEDIATELY. KEEP OUT OF THE REACH OF CHILDREN.

- IF THE BATTERY IS EQUIPPED WITH REMOVABLE CELL CAPS, BE CERTAIN THAT EACH OF THE CELL CAPS IS IN PLACE AND TIGHT BEFORE THE BATTERY IS RETURNED TO SERVICE. PERSONAL INJURY AND/OR VEHICLE DAMAGE MAY RESULT FROM LOOSE OR MISSING CELL CAPS.

Before testing, visually inspect the battery for any damage (a cracked case or cover, loose posts, etc.) that would cause the battery to be faulty. Then remove the battery cell caps and check the electrolyte level. Add distilled water if the electrolyte level is below the top of the battery plates.

See the instructions provided by the manufacturer of the hydrometer for recommendations on the correct use of the hydrometer that you are using. Remove only enough electrolyte from the battery cell so that the float is off the bottom of the hydrometer barrel with pressure on the bulb released. To read the hydrometer correctly, hold it with the top surface of the electrolyte at eye level (Fig. 9).

**CAUTION:** Exercise care when inserting the tip of the hydrometer into a battery cell to avoid damaging the plate separators. Damaged plate separators can cause early battery failure.



**Fig. 9 Hydrometer - Typical**

- 1 - BULB
- 2 - SURFACE COHESION
- 3 - SPECIFIC GRAVITY READING
- 4 - TEMPERATURE READING
- 5 - HYDROMETER BARREL
- 6 - FLOAT

Hydrometer floats are generally calibrated to indicate the specific gravity correctly only at 26.7° C (80° F). When testing the specific gravity at any other temperature, a correction factor is required. The correction factor is approximately a specific gravity value of 0.004, which may also be identified as four points of specific gravity. For each 5.5° C above 26.7° C (10° F above 80° F), add four points. For each 5.5° C below 26.7° C (10° F below 80° F), subtract four points. Always correct the specific gravity for temperature variation.

**EXAMPLE:** A battery is tested at -12.2° C (10° F) and has a specific gravity of 1.240. Determine the actual specific gravity as follows:

DIAGNOSIS AND TESTING (Continued)

(1) Determine the number of degrees above or below 26.7° C (80° F): **26.6° C - -12.2° C = 38.8° C (80° F - 10° F = 70° F)**

(2) Divide the result from Step 1 by 5.5° C (10° F): **38.8° C ÷ 5.5° C = 7 (70° F ÷ 10° F = 7)**

(3) Multiply the result from Step 2 by the temperature correction factor (0.004): **7 X 0.004 = 0.028**

(4) The temperature at testing was below 26.7° C (80° F); therefore, the temperature correction factor is subtracted: **1.240 - 0.028 = 1.212**

(5) The corrected specific gravity of the battery cell in this example is 1.212.

Test the specific gravity of the electrolyte in each battery cell. If the specific gravity of all cells is above 1.235, but the variation between cells is more than fifty points (0.050), the battery should be replaced. If the specific gravity of one or more cells is less than 1.235, charge the battery at a rate of approximately five amperes. Continue charging the battery until three consecutive specific gravity tests, taken at one-hour intervals, are constant. If the cell specific gravity variation is more than fifty points (0.050) at the end of the charge period, replace the battery.

When the specific gravity of all cells is above 1.235, and the cell variation is less than fifty points (0.050), the battery may be load tested to determine its cranking capacity. Refer to **Load Test** in this section for the proper battery load testing procedures.

OPEN-CIRCUIT VOLTAGE TEST

A battery open-circuit voltage (no load) test will show the state-of-charge of a battery. This test can be used in place of the hydrometer test when a hydrometer is not available, or for maintenance-free batteries with non-removable cell caps.

WARNING:

- IF THE BATTERY SHOWS SIGNS OF FREEZING, LEAKING, LOOSE POSTS, OR LOW ELECTROLYTE LEVEL, DO NOT TEST, ASSIST-BOOST, OR CHARGE. THE BATTERY MAY ARC INTERNALLY AND EXPLODE. PERSONAL INJURY AND/OR VEHICLE DAMAGE MAY RESULT.

- EXPLOSIVE HYDROGEN GAS FORMS IN AND AROUND THE BATTERY. DO NOT SMOKE, USE FLAME, OR CREATE SPARKS NEAR THE BATTERY. PERSONAL INJURY AND/OR VEHICLE DAMAGE MAY RESULT.

- THE BATTERY CONTAINS SULFURIC ACID, WHICH IS POISONOUS AND CAUSTIC. AVOID CONTACT WITH THE SKIN, EYES, OR CLOTHING. IN THE EVENT OF CONTACT, FLUSH WITH WATER AND CALL A PHYSICIAN IMMEDIATELY. KEEP OUT OF THE REACH OF CHILDREN.

- IF THE BATTERY IS EQUIPPED WITH REMOVABLE CELL CAPS, BE CERTAIN THAT EACH OF THE CELL CAPS IS IN PLACE AND TIGHT BEFORE

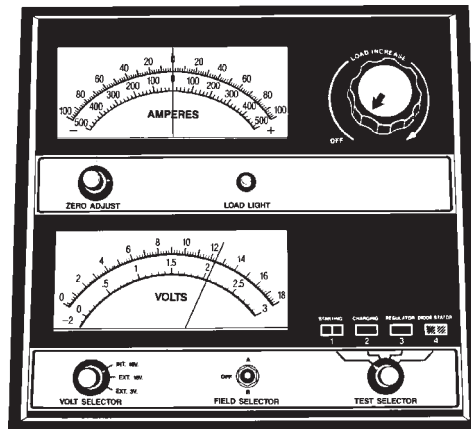
**THE BATTERY IS RETURNED TO SERVICE. PERSONAL INJURY AND/OR VEHICLE DAMAGE MAY RESULT FROM LOOSE OR MISSING CELL CAPS.**

Before proceeding with this test, completely charge the battery. Refer to **Battery Charging** in the index of this service manual for the location of the proper battery charging procedures.

(1) Before measuring the open-circuit voltage, the surface charge must be removed from the battery. Turn on the headlamps for fifteen seconds, then allow up to five minutes for the battery voltage to stabilize.

(2) Disconnect and isolate both battery cables, negative cable first.

(3) Using a voltmeter connected to the battery posts (see the instructions provided by the manufacturer of the voltmeter), measure the open-circuit voltage (Fig. 10).



**Fig. 10 Testing Open-Circuit Voltage - Typical**

See the Open-Circuit Voltage chart. This voltage reading will indicate the battery state-of-charge, but will not reveal its cranking capacity. If a battery has an open-circuit voltage reading of 12.4 volts or greater, it may be load tested to reveal its cranking capacity. Refer to **Load Test** in this section for the proper battery load testing procedures.

Open Circuit Voltage	
Open Circuit Volts	Charge Percentage
11.7 volts or less	0%
12.0 volts	25%
12.2 volts	50%
12.4 volts	75%
12.6 volts or more	100%

LOAD TEST

A battery load test will verify the battery cranking capacity. The test is based on the Cold Cranking

## DIAGNOSIS AND TESTING (Continued)

Amperage (CCA) rating of the battery. See the label affixed to the battery case, or refer to **Battery** in the index of this service manual for the location of the proper factory-installed battery specifications to determine the battery CCA rating.

**WARNING:**

- IF THE BATTERY SHOWS SIGNS OF FREEZING, LEAKING, LOOSE POSTS, OR LOW ELECTROLYTE LEVEL, DO NOT TEST, ASSIST-BOOST, OR CHARGE. THE BATTERY MAY ARC INTERNALLY AND EXPLODE. PERSONAL INJURY AND/OR VEHICLE DAMAGE MAY RESULT.

- EXPLOSIVE HYDROGEN GAS FORMS IN AND AROUND THE BATTERY. DO NOT SMOKE, USE FLAME, OR CREATE SPARKS NEAR THE BATTERY. PERSONAL INJURY AND/OR VEHICLE DAMAGE MAY RESULT.

- THE BATTERY CONTAINS SULFURIC ACID, WHICH IS POISONOUS AND CAUSTIC. AVOID CONTACT WITH THE SKIN, EYES, OR CLOTHING. IN THE EVENT OF CONTACT, FLUSH WITH WATER AND CALL A PHYSICIAN IMMEDIATELY. KEEP OUT OF THE REACH OF CHILDREN.

- IF THE BATTERY IS EQUIPPED WITH REMOVABLE CELL CAPS, BE CERTAIN THAT EACH OF THE CELL CAPS IS IN PLACE AND TIGHT BEFORE THE BATTERY IS RETURNED TO SERVICE. PERSONAL INJURY AND/OR VEHICLE DAMAGE MAY RESULT FROM LOOSE OR MISSING CELL CAPS.

Before proceeding with this test, completely charge the battery. Refer to **Battery Charging** in the index of this service manual for the location of the proper battery charging procedures.

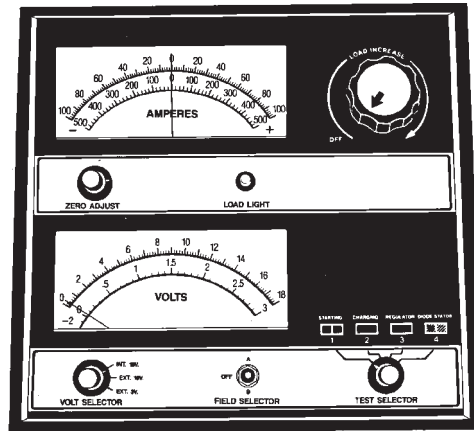
(1) Disconnect and isolate both battery cables, negative cable first. The battery top and posts should be clean.

(2) Connect a suitable volt-ammeter-load tester (Fig. 11) to the battery posts (Fig. 12). See the instructions provided by the manufacturer of the tester you are using. Check the open-circuit voltage (no load) of the battery. Refer to **Open-Circuit Voltage Test** in this section for the proper battery open-circuit voltage testing procedures. The battery open-circuit voltage must be 12.4 volts or greater.

(3) Rotate the load control knob (carbon pile rheostat) to apply a 300 ampere load to the battery for fifteen seconds, then return the control knob to the Off position (Fig. 13). This will remove the surface charge from the battery.

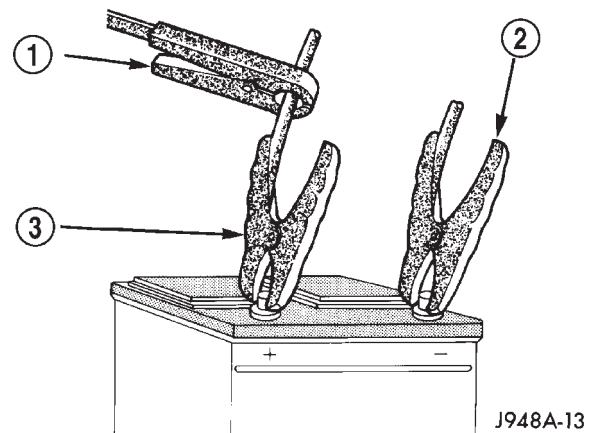
(4) Allow the battery to stabilize to open-circuit voltage. It may take up to five minutes for the battery voltage to stabilize.

(5) Rotate the load control knob to maintain a load equal to 50% of the CCA rating of the battery (Fig. 14). After fifteen seconds, record the loaded voltage



898A-8

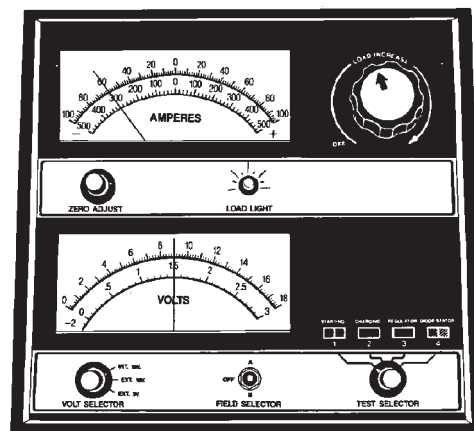
Fig. 11 Volt-Ammeter-Load Tester - Typical



J948A-13

Fig. 12 Volt-Ammeter-Load Tester Connections - Typical

- 1 - INDUCTION AMMETER CLAMP
- 2 - NEGATIVE CLAMP
- 3 - POSITIVE CLAMP

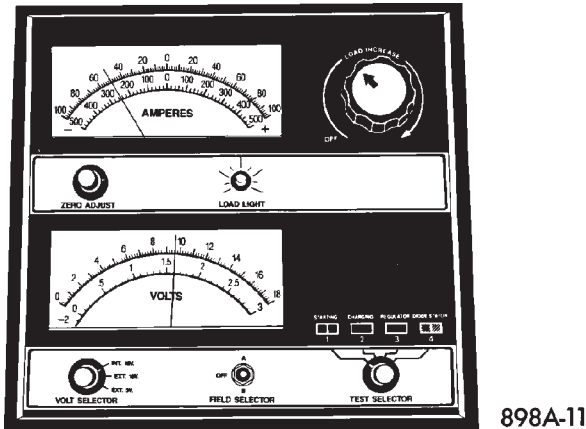


898A-10

Fig. 13 Remove Surface Charge from Battery - Typical

reading, then return the load control knob to the Off position.

DIAGNOSIS AND TESTING (Continued)



**Fig. 14 Load 50% CCA Rating - Note Voltage - Typical**

(6) The voltage drop will vary with the battery temperature at the time of the load test. The battery temperature can be estimated by using the ambient temperature during the past several hours. If the battery has been charged, boosted, or loaded a few minutes prior to the test, the battery will be somewhat warmer. See the Load Test Temperature chart for the proper loaded voltage reading.

Load Test Temperature		
Minimum Voltage	Temperature	
	°F	°C
9.6 volts	70° and above	21° and above
9.5 volts	60°	16°
9.4 volts	50°	10°
9.3 volts	40°	4°
9.1 volts	30°	-1°
8.9 volts	20°	-7°
8.7 volts	10°	-12°
8.5 volts	0°	-18°

(7) If the voltmeter reading falls below 9.6 volts, at a minimum battery temperature of 21° C (70° F), the battery is faulty and must be replaced.

**IGNITION-OFF DRAW TEST**

The term Ignition-Off Draw (IOD) identifies a normal condition where power is being drained from the battery with the ignition switch in the Off position. A normal vehicle electrical system will draw from five to thirty milliamperes (0.005 to 0.030 ampere) with the ignition switch in the Off position, and all non-ignition controlled circuits in proper working order. The thirty milliamperes are needed to enable the memory functions for the Powertrain Control Module (PCM), digital clock, electronically tuned radio, and other electronic modules which may vary with the vehicle equipment.

A vehicle that has not been operated for approximately twenty days, may discharge the battery to an inadequate level. When a vehicle will not be used for twenty days or more (stored), remove the IOD fuse from the Power Distribution Center (PDC). This will reduce battery discharging.

Excessive IOD can be caused by:

- Electrical items left on.
- Faulty or improperly adjusted switches.
- Faulty or shorted electronic modules and components.
- An internally shorted generator.
- Intermittent shorts in the wiring.

If the IOD is over thirty milliamperes, the problem must be found and corrected before replacing a battery. In most cases, the battery can be charged and returned to service after the excessive IOD condition has been corrected.

(1) Verify that all electrical accessories are off. Turn off all lamps, remove the ignition key, and close all doors. If the vehicle is equipped with an illuminated entry system or an electronically tuned radio, allow the electronic timer function of these systems to automatically shut off (time out). This may take up to three minutes. If the vehicle is equipped with a 4.7L engine combined with a 45RFE electronic transmission, either remove the transmission fuse from the Power Distribution Center (PDC) or allow the electronic timer function of the Transmission Control Module (TCM) to automatically shut off (time out). This may take up to twenty minutes. See the Electronic Module Ignition-Off Draw table for more information.



## DIAGNOSIS AND TESTING (Continued)

ELECTRONIC MODULE IGNITION-OFF DRAW (IOD)			
MODULE	TIME OUT? (IF YES, INTERVAL AND WAKE-UP INPUT)	IOD	IOD AFTER TIME OUT
Radio	No	1 to 3 milliamperes	N/A
Audio Power Amplifier	No	up to 1 milliampere	N/A
Body Control Module (BCM)	No	5.90 milliamperes	N/A
Powertrain Control Module (PCM)	No	0.95 milliampere	N/A
Transmission Control Module (TCM) 4.7L Engine with 45RFE Transmission only	Yes (20 minutes, ignition-on)	130 milliamperes	0.64 milliampere
ElectroMechanical Instrument Cluster (EMIC)	No	0.44 milliampere	N/A
Combination Flasher	No	0.08 milliampere	N/A

(2) Determine that the under-hood lamp is operating properly, then disconnect the lamp wire harness connector or remove the lamp bulb.

(3) Disconnect the battery negative cable.

(4) Set an electronic digital multi-meter to its highest amperage scale. Connect the multi-meter between the disconnected battery negative cable terminal clamp and the battery negative terminal post. Make sure that the doors remain closed so that the illuminated entry system is not activated. The multi-meter amperage reading may remain high for up to three minutes (twenty minutes with the 45RFE transmission), or may not give any reading at all while set in the highest amperage scale, depending upon the electrical equipment in the vehicle. The multi-meter leads must be securely clamped to the battery negative cable terminal clamp and the battery negative terminal post. If continuity between the battery negative terminal post and the negative cable terminal clamp is lost during any part of the IOD test, the electronic timer function will be activated and all of the tests will have to be repeated.

(5) After about three minutes (twenty minutes with the 45RFE transmission), the high-amperage IOD reading on the multi-meter should become very low or nonexistent, depending upon the electrical equipment in the vehicle. If the amperage reading remains high, remove and replace each fuse or circuit breaker in the Power Distribution Center (PDC) and then in the Junction Block (JB) one at a time (refer to **Power Distribution Center** and **Junction Block** in the index of this service manual for the location of complete PDC and JB fuse and circuit

breaker identification contained in the wiring diagrams) until the amperage reading becomes very low, or nonexistent. This will isolate each circuit and identify the circuit that is the source of the high-amperage IOD. If the amperage reading remains high after removing and replacing each fuse and circuit breaker, disconnect the wire harness from the generator. If the amperage reading now becomes very low or nonexistent, refer to **Charging System** in the index of this service manual for the location of the proper charging system diagnosis and testing procedures. After the high-amperage IOD has been corrected, switch the multi-meter to progressively lower amperage scales and, if necessary, repeat the fuse and circuit breaker remove-and-replace process to identify and correct all sources of excessive IOD. It is now safe to select the lowest milliampere scale of the multi-meter to check the low-amperage IOD.

**CAUTION: Do not open any doors, or turn on any electrical accessories with the lowest milliampere scale selected, or the multi-meter may be damaged.**

(6) Observe the multi-meter reading. The low-amperage IOD should not exceed thirty milliamperes (0.030 ampere). If the current draw exceeds thirty milliamperes, isolate each circuit using the fuse and circuit breaker remove-and-replace process in Step 5. The multi-meter reading will drop to within the acceptable limit when the source of the excessive current draw is disconnected. Repair this circuit as required; whether a wiring short, incorrect switch adjustment, or a component failure is at fault.



DIAGNOSIS AND TESTING (Continued)

**BATTERY CABLES**

**DIAGNOSIS**

A voltage drop test will determine if there is excessive resistance in the battery cable terminal connections or the battery cables. If excessive resistance is found in the battery cable connections, the connection point should be disassembled, cleaned of all corrosion or foreign material, then reassembled. Following reassembly, check the voltage drop for the battery cable connection and the battery cable again to confirm repair.

When performing the voltage drop test, it is important to remember that the voltage drop is giving an indication of the resistance between the two points at which the voltmeter probes are attached. **EXAMPLE:** When testing the resistance of the battery positive cable, touch the voltmeter leads to the battery positive cable terminal clamp and to the battery positive cable eyelet terminal at the starter solenoid B(+) terminal stud. If you probe the battery positive terminal post and the battery positive cable eyelet terminal at the starter solenoid B(+) terminal stud, you are reading the combined voltage drop in the battery positive cable terminal clamp-to-terminal post connection and the battery positive cable.

**TESTING**

**VOLTAGE DROP TEST**

**WARNING:**

- IF THE BATTERY SHOWS SIGNS OF FREEZING, LEAKING, LOOSE POSTS, OR LOW ELECTROLYTE LEVEL, DO NOT TEST, ASSIST-BOOST, OR CHARGE. THE BATTERY MAY ARC INTERNALLY AND EXPLODE. PERSONAL INJURY AND/OR VEHICLE DAMAGE MAY RESULT.

- EXPLOSIVE HYDROGEN GAS FORMS IN AND AROUND THE BATTERY. DO NOT SMOKE, USE FLAME, OR CREATE SPARKS NEAR THE BATTERY. PERSONAL INJURY AND/OR VEHICLE DAMAGE MAY RESULT.

- THE BATTERY CONTAINS SULFURIC ACID, WHICH IS POISONOUS AND CAUSTIC. AVOID CONTACT WITH THE SKIN, EYES, OR CLOTHING. IN THE EVENT OF CONTACT, FLUSH WITH WATER AND CALL A PHYSICIAN IMMEDIATELY. KEEP OUT OF THE REACH OF CHILDREN.

- IF THE BATTERY IS EQUIPPED WITH REMOVABLE CELL CAPS, BE CERTAIN THAT EACH OF THE CELL CAPS IS IN PLACE AND TIGHT BEFORE THE BATTERY IS RETURNED TO SERVICE. PERSONAL INJURY AND/OR VEHICLE DAMAGE MAY RESULT FROM LOOSE OR MISSING CELL CAPS.

The following operation will require a voltmeter accurate to 1/10 (0.10) volt. Before performing this test, be certain that the following procedures are accomplished:

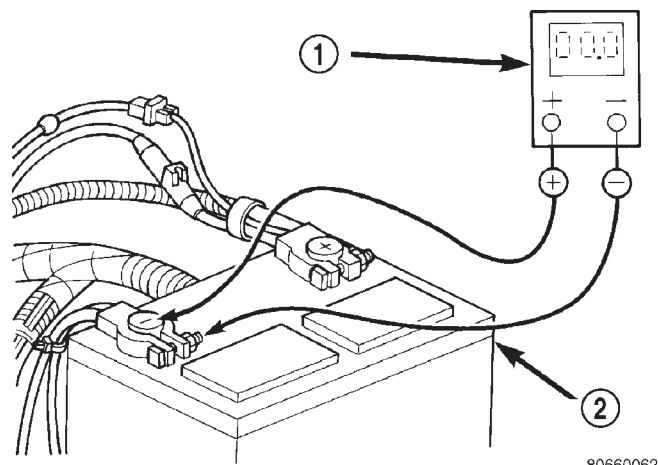
- The battery is fully-charged and load tested. Refer to **Battery Charging** in the index of this service manual for the location of the proper battery charging procedures. Refer to **Battery** in the index of this service manual for the location of the battery diagnosis and testing procedures, including the proper battery load test procedures.

- Fully engage the parking brake.
- If the vehicle is equipped with an automatic transmission, place the gearshift selector lever in the Park position. If the vehicle is equipped with a manual transmission, place the gearshift selector lever in the Neutral position and block the clutch pedal in the fully depressed position.

- Verify that all lamps and accessories are turned off.

- To prevent the engine from starting, remove the Automatic ShutDown (ASD) relay. The ASD relay is located in the Power Distribution Center (PDC), in the engine compartment. See the fuse and relay layout label affixed to the underside of the PDC cover for ASD relay identification and location.

(1) Connect the positive lead of the voltmeter to the battery negative terminal post. Connect the negative lead of the voltmeter to the battery negative cable terminal clamp (Fig. 15). Rotate and hold the ignition switch in the Start position. Observe the voltmeter. If voltage is detected, correct the poor connection between the battery negative cable terminal clamp and the battery negative terminal post.



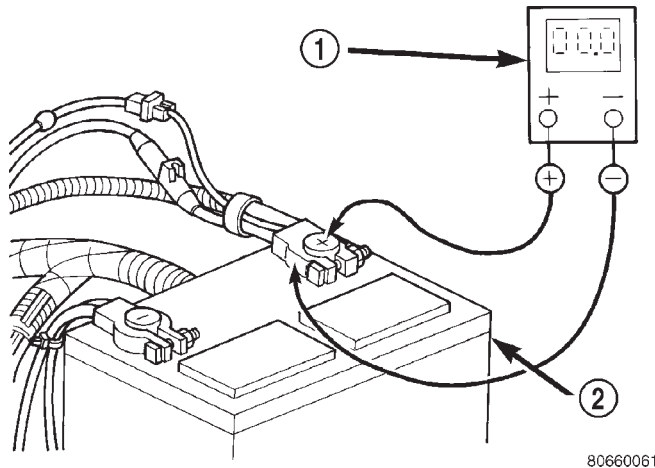
80660062

**Fig. 15 Test Battery Negative Connection Resistance - Typical**

- 1 - VOLTMETER
- 2 - BATTERY

## DIAGNOSIS AND TESTING (Continued)

(2) Connect the positive lead of the voltmeter to the battery positive terminal post. Connect the negative lead of the voltmeter to the battery positive cable terminal clamp (Fig. 16). Rotate and hold the ignition switch in the Start position. Observe the voltmeter. If voltage is detected, correct the poor connection between the battery positive cable terminal clamp and the battery positive terminal post.

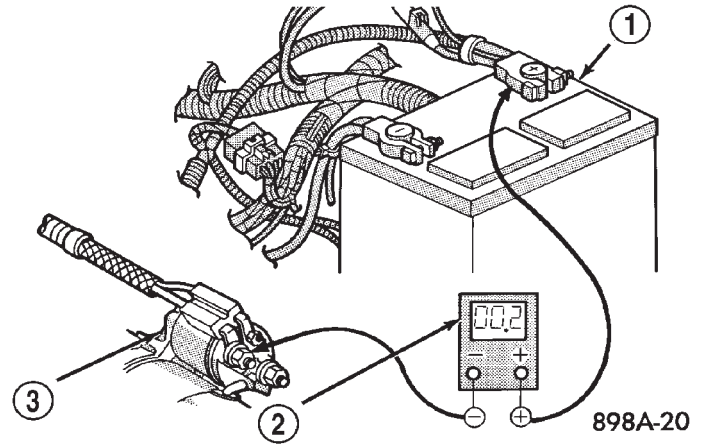


**Fig. 16 Test Battery Positive Connection Resistance - Typical**

- 1 - VOLTMETER  
2 - BATTERY

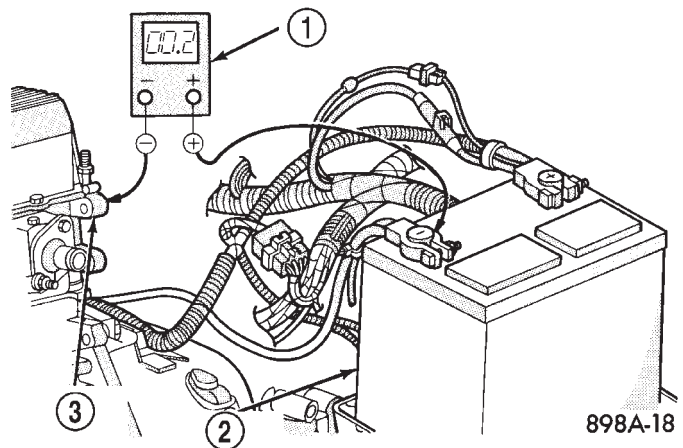
(3) Connect the voltmeter to measure between the battery positive cable terminal clamp and the starter solenoid B(+) terminal stud (Fig. 17). Rotate and hold the ignition switch in the Start position. Observe the voltmeter. If the reading is above 0.2 volt, clean and tighten the battery positive cable eyelet terminal connection at the starter solenoid B(+) terminal stud. Repeat the test. If the reading is still above 0.2 volt, replace the faulty battery positive cable.

(4) Connect the voltmeter to measure between the battery negative cable terminal clamp and a good clean ground on the engine block (Fig. 18). Rotate and hold the ignition switch in the Start position. Observe the voltmeter. If the reading is above 0.2 volt, clean and tighten the battery negative cable eyelet terminal connection to the engine block. Repeat the test. If the reading is still above 0.2 volt, replace the faulty battery negative cable.



**Fig. 17 Test Battery Positive Cable Resistance - Typical**

- 1 - BATTERY  
2 - VOLTMETER  
3 - STARTER MOTOR



**Fig. 18 Test Ground Circuit Resistance - Typical**

- 1 - VOLTMETER  
2 - BATTERY  
3 - ENGINE GROUND

## SERVICE PROCEDURES

## BATTERY CHARGING

Battery charging is the means by which the battery can be restored to its full voltage potential. A battery is fully-charged when:

- All of the battery cells are gassing freely during battery charging.
- A green color is visible in the sight glass of the battery built-in test indicator.
- Three hydrometer tests, taken at one-hour intervals, indicate no increase in the temperature-corrected specific gravity of the battery electrolyte.
- Open-circuit voltage of the battery is 12.4 volts or above.

## SERVICE PROCEDURES (Continued)

**WARNING:**

- IF THE BATTERY SHOWS SIGNS OF FREEZING, LEAKING, LOOSE POSTS, OR LOW ELECTROLYTE LEVEL, DO NOT TEST, ASSIST-BOOST, OR CHARGE. THE BATTERY MAY ARC INTERNALLY AND EXPLODE. PERSONAL INJURY AND/OR VEHICLE DAMAGE MAY RESULT.

- EXPLOSIVE HYDROGEN GAS FORMS IN AND AROUND THE BATTERY. DO NOT SMOKE, USE FLAME, OR CREATE SPARKS NEAR THE BATTERY. PERSONAL INJURY AND/OR VEHICLE DAMAGE MAY RESULT.

- THE BATTERY CONTAINS SULFURIC ACID, WHICH IS POISONOUS AND CAUSTIC. AVOID CONTACT WITH THE SKIN, EYES, OR CLOTHING. IN THE EVENT OF CONTACT, FLUSH WITH WATER AND CALL A PHYSICIAN IMMEDIATELY. KEEP OUT OF THE REACH OF CHILDREN.

- IF THE BATTERY IS EQUIPPED WITH REMOVABLE CELL CAPS, BE CERTAIN THAT EACH OF THE CELL CAPS IS IN PLACE AND TIGHT BEFORE THE BATTERY IS RETURNED TO SERVICE. PERSONAL INJURY AND/OR VEHICLE DAMAGE MAY RESULT FROM LOOSE OR MISSING CELL CAPS.

**CAUTION:**

- Always disconnect and isolate the battery negative cable before charging a battery. Do not exceed sixteen volts while charging a battery. Damage to the vehicle electrical system components may result.

- Battery electrolyte will bubble inside the battery case during normal battery charging. Electrolyte boiling or being discharged from the battery vents indicates a battery overcharging condition. Immediately reduce the charging rate or turn off the charger to evaluate the battery condition. Damage to the battery may result from overcharging.

- The battery should not be hot to the touch. If the battery feels hot to the touch, turn off the charger and let the battery cool before continuing the charging operation. Damage to the battery may result.

Some battery chargers are equipped with polarity-sensing circuitry. This circuitry protects the battery charger and the battery from being damaged if they are improperly connected. If the battery state-of-charge is too low for the polarity-sensing circuitry to detect, the battery charger will not operate. This makes it appear that the battery will not accept charging current. See the instructions provided by the manufacturer of the battery charger for details on how to bypass the polarity-sensing circuitry.

After the battery has been charged to 12.4 volts or greater, perform a load test to determine the battery

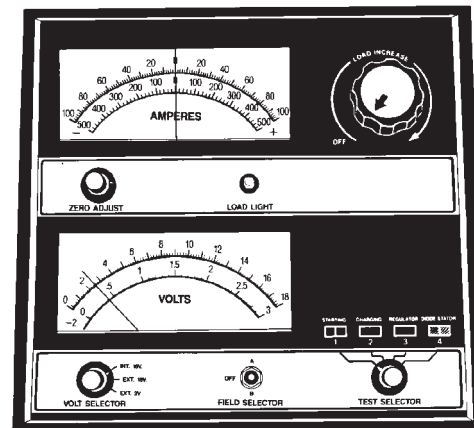
cranking capacity. Refer to **Battery** in the index of this service manual for the location of the battery diagnosis and testing procedures for more information on the proper battery load testing procedures. If the battery will endure a load test, return the battery to service. If the battery will not endure a load test, it is faulty and must be replaced.

Clean and inspect the battery hold downs, tray, terminals, posts, and top before completing battery service. Refer to **Battery** in the index of this service manual for the location of the proper battery cleaning and inspection procedures.

**CHARGING A COMPLETELY DISCHARGED BATTERY**

The following procedure should be used to recharge a completely discharged battery. Unless this procedure is properly followed, a good battery may be needlessly replaced.

(1) Measure the voltage at the battery posts with a voltmeter, accurate to 1/10 (0.10) volt (Fig. 19). If the reading is below ten volts, the battery charging current will be low. It could take some time before the battery accepts a current greater than a few milliamperes. Such low current may not be detectable on the ammeters built into many battery chargers.



898A-12

*Fig. 19 Voltmeter Accurate to 1/10 Volt Connected - Typical*

(2) Disconnect and isolate the battery negative cable. Connect the battery charger leads. Some battery chargers are equipped with polarity-sensing circuitry. This circuitry protects the battery charger and the battery from being damaged if they are improperly connected. If the battery state-of-charge is too low for the polarity-sensing circuitry to detect, the battery charger will not operate. This makes it appear that the battery will not accept charging current. See the instructions provided by the manufacturer of the battery charger for details on how to bypass the polarity-sensing circuitry.

## SERVICE PROCEDURES (Continued)

(3) Battery chargers vary in the amount of voltage and current they provide. The amount of time required for a battery to accept measurable charging current at various voltages is shown in the Charge Rate chart. If the charging current is still not measurable at the end of the charging time, the battery is faulty and must be replaced. If the charging current is measurable during the charging time, the battery may be good and the charging should be completed in the normal manner.

Charge Rate	
Voltage	Hours
16.0 volts maximum	up to 4 hours
14.0 to 15.9 volts	up to 8 hours
13.9 volts or less	up to 16 hours

**CHARGING TIME REQUIRED**

The time required to charge a battery will vary, depending upon the following factors:

- Battery Capacity

A completely discharged heavy-duty battery requires twice the charging time of a small capacity battery.

- Temperature

A longer time will be needed to charge a battery at  $-18^{\circ}\text{C}$  ( $0^{\circ}\text{F}$ ) than at  $27^{\circ}\text{C}$  ( $80^{\circ}\text{F}$ ). When a fast battery charger is connected to a cold battery, the current accepted by the battery will be very low at first. As the battery warms, it will accept a higher charging current rate (amperage).

- Charger Capacity

A battery charger that supplies only five amperes will require a longer charging time. A battery charger that supplies twenty amperes or more will require a shorter charging time.

- State-Of-Charge

A completely discharged battery requires more charging time than a partially discharged battery. Electrolyte is nearly pure water in a completely discharged battery. At first, the charging current (amperage) will be low. As the battery charges, the specific gravity of the electrolyte will gradually rise.

**WARNING: NEVER EXCEED TWENTY AMPERES WHEN CHARGING A COLD ( $-1^{\circ}\text{C}$  or  $30^{\circ}\text{F}$ ) BATTERY. THE BATTERY MAY ARC INTERNALLY AND EXPLODE. PERSONAL INJURY AND/OR VEHICLE DAMAGE MAY RESULT.**

Battery Charging Timetable			
Charging Amperage	5 Amperes	10 Amperes	20 Amperes
Open Circuit Voltage	Hours Charging at $21^{\circ}\text{C}$ ( $70^{\circ}\text{F}$ )		
12.25 to 12.49	6 hours	3 hours	1.5 hours
12.00 to 12.24	10 hours	5 hours	2.5 hours
10.00 to 11.99	14 hours	7 hours	3.5 hours
*Below 10.00	18 hours	9 hours	4.5 hours
*Refer to Charging A Completely Discharged Battery			

**REMOVAL AND INSTALLATION****BATTERY CABLES**

Both the battery negative cable and the battery positive cable are serviced in the battery wire harness. If either battery cable is damaged or faulty, the battery wire harness unit must be replaced.

**REMOVAL**

(1) Turn the ignition switch to the Off position. Be certain that all electrical accessories are turned off.

(2) Loosen the battery negative cable terminal clamp pinch-bolt hex nut.

(3) Disconnect the battery negative cable terminal clamp from the battery negative terminal post. If necessary, use a battery terminal puller to remove the terminal clamp from the battery post.

(4) Loosen the battery positive cable terminal clamp pinch-bolt hex nut.

(5) Disconnect the battery positive cable terminal clamp from the battery positive terminal post. If necessary, use a battery terminal puller to remove the terminal clamp from the battery post.

(6) Unlatch and open the cover on the Power Distribution Center (PDC).

(7) Remove the two nuts that secure the battery positive cable and generator output cable eyelet terminal to the B(+) terminal studs in the PDC.

(8) Remove the battery positive cable and generator output cable eyelet terminal from the B(+) terminal studs in the PDC.

(9) Disconnect the battery wire harness connector from the right headlamp and dash wire harness connector located near the front of the battery.

(10) Remove the screw that secures the battery negative cable eyelet terminal to the inner fender shield near the front of the battery.



## REMOVAL AND INSTALLATION (Continued)

(11) On models with the 4.7L engine, remove the nut that secures the battery harness clip to the stud on the right side of the intake manifold and remove the clip from the stud.

(12) Unlatch and remove the cover from the generator output terminal stud housing on the back of the generator.

(13) Remove the nut that secures the generator output cable eyelet terminal to the generator output terminal stud.

(14) Remove the generator output cable eyelet terminal from the generator output terminal stud.

(15) Disconnect the battery wire harness connector from the generator field terminal connector receptacle on the back of the generator.

(16) Remove the screw that secures the battery negative cable ground eyelet terminal to the right side of the engine block.

(17) Remove the nut that secures the battery positive cable eyelet terminal to the B(+) terminal stud on the starter solenoid.

(18) Remove the battery positive cable eyelet terminal from the B(+) terminal stud on the starter solenoid.

(19) Disconnect the battery wire harness connector from the connector receptacle on the starter solenoid.

(20) Remove the battery wire harness from the engine compartment.

## INSTALLATION

(1) Clean and inspect the battery cable terminal clamps and the battery terminal posts. Refer to **Battery** in the index of this service manual for the location of the proper battery cable terminal clamp and battery terminal post cleaning and inspection procedures.

(2) Position the battery wire harness into the engine compartment (Fig. 20) or (Fig. 21).

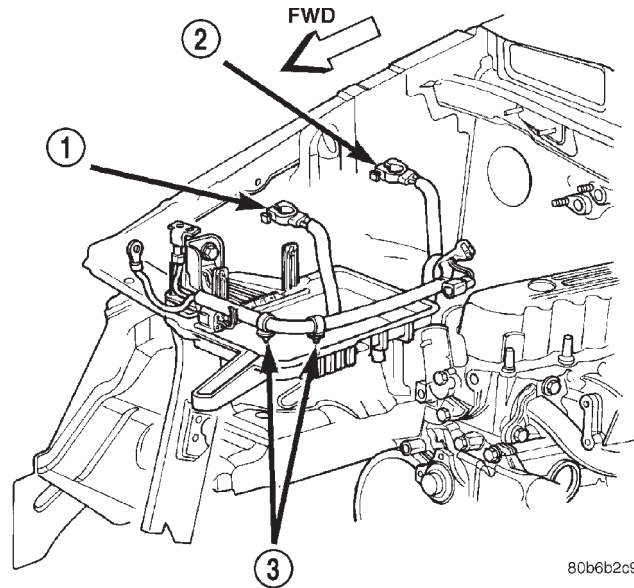
(3) Reconnect the battery wire harness connector to the connector receptacle on the starter solenoid.

(4) Install the battery positive cable eyelet terminal onto the B(+) terminal stud on the starter solenoid.

(5) Install and tighten the nut that secures the battery positive cable eyelet terminal to the B(+) terminal stud on the starter solenoid. Tighten the nut to 11.3 N·m (100 in. lbs.).

(6) Install and tighten the screw that secures the battery negative cable ground eyelet terminal to the right side of the engine block. Tighten the screw to 10.2 N·m (90 in. lbs.) for 4.0L engines, or 13.0 N·m (115 in. lbs.) for 4.7L engines.

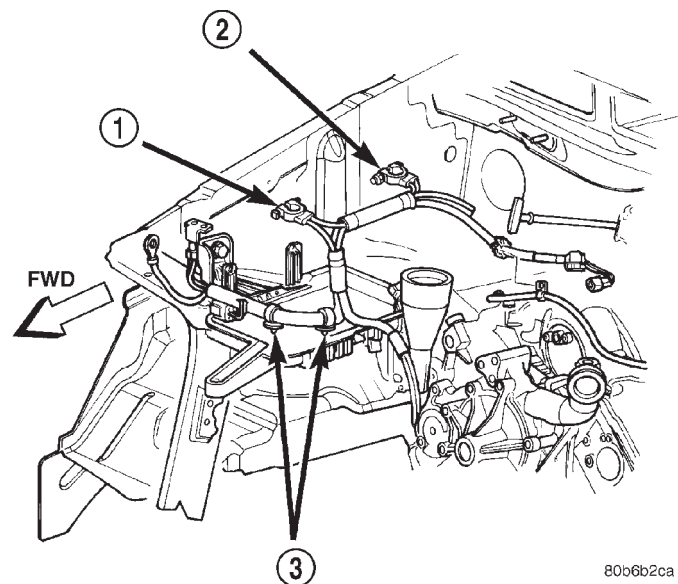
(7) Reconnect the battery wire harness connector to the generator field terminal connector receptacle on the back of the generator.



80b6b2c9

**Fig. 20 Battery Cables - 4.0L Engine**

- 1 - BATTERY POSITIVE CABLE
- 2 - BATTERY NEGATIVE CABLE
- 3 - CLIPS



80b6b2ca

**Fig. 21 Battery Cables - 4.7L Engine**

- 1 - BATTERY POSITIVE CABLE
- 2 - BATTERY NEGATIVE CABLE
- 3 - CLIPS

(8) Install the generator output cable eyelet terminal onto the generator output terminal stud.

(9) Install and tighten the nut that secures the generator output cable eyelet terminal to the generator output terminal stud. Tighten the nut to 10.7 N·m (95 in. lbs.).



## REMOVAL AND INSTALLATION (Continued)

(10) Position the cover for the generator output terminal stud housing onto the back of the generator and snap it into place.

(11) On models with the 4.7L engine, install the battery harness clip onto the stud on the right side of the intake manifold, then install and tighten the nut that secures the clip to the stud. Tighten the nut to 11.3 N·m (100 in. lbs.).

(12) Install and tighten the screw that secures the battery negative cable eyelet terminal to the inner fender shield near the front of the battery. Tighten the screw to 28.2 N·m (250 in. lbs.).

(13) Reconnect the battery wire harness connector to the right headlamp and dash wire harness connector located near the front of the battery.

(14) Install the battery positive cable and generator output cable eyelet terminal onto the PDC B(+) terminal studs.

(15) Install and tighten the two nuts that secure the battery positive cable and generator output cable eyelet terminal to the PDC B(+) terminal studs. Tighten the nuts to 11.3 N·m (100 in. lbs.).

(16) Close and latch the PDC cover.

(17) Reconnect the battery positive cable terminal clamp to the battery positive terminal post. Tighten the terminal clamp pinch-bolt hex nut to 6.8 N·m (60 in. lbs.).

(18) Reconnect the battery negative cable terminal clamp to the battery negative terminal post. Tighten the terminal clamp pinch-bolt hex nut to 6.8 N·m (60 in. lbs.).

(19) Apply a thin coating of petroleum jelly or chassis grease to the exposed surfaces of the battery cable terminal clamps and the battery terminal posts.

## BATTERY HOLD DOWNS

All of the battery hold down hardware can be serviced without removal of the battery or the battery tray and support unit.

## REMOVAL

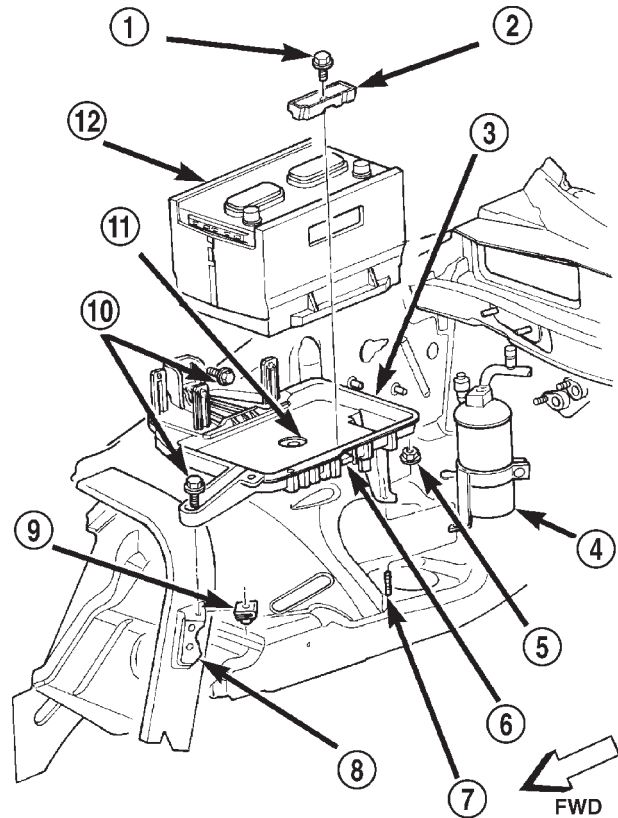
(1) Turn the ignition switch to the Off position. Be certain that all electrical accessories are turned off.

(2) Loosen the battery negative cable terminal clamp pinch-bolt hex nut.

(3) Disconnect the battery negative cable terminal clamp from the battery negative terminal post. If necessary, use a battery terminal puller to remove the terminal clamp from the battery post.

(4) Remove the screw with washer that secures the battery hold down bracket to the U-nut on the inboard side of the battery tray and support unit (Fig. 22).

(5) Remove the battery hold down bracket from the battery tray and support unit.



80b6b2c7

**Fig. 22 Battery Hold Downs Remove/Install**

- 1 - SCREW
- 2 - HOLD DOWN BRACKET
- 3 - BATTERY SUPPORT
- 4 - ACCUMULATOR
- 5 - NUT
- 6 - U-NUT
- 7 - STUD
- 8 - RADIATOR SUPPORT BRACKET
- 9 - U-NUT
- 10 - SCREW
- 11 - BATTERY TEMPERATURE SENSOR
- 12 - BATTERY AND THERMOGUARD

## INSTALLATION

(1) Clean and inspect the battery hold down hardware. Refer to **Battery** in the index of this service manual for the location of the proper battery hold down hardware cleaning and inspection procedures.

(2) Be certain that the battery is properly positioned in the battery tray and support unit. The ledge on the outboard side of the battery case must be engaged under the lip on the outboard side of the battery tray and support unit.

(3) Position the battery hold down bracket over the ledge on the inboard side of the battery case in the battery tray and support unit. Be certain that the ledge on the bottom of the hold down bracket is oriented towards the inboard side of the battery case.

## REMOVAL AND INSTALLATION (Continued)

Proper hold down bracket orientation may also be determined by noting the direction of the arrow-like formations of the molded reinforcing ribs on the top of the hold down bracket. These arrows should be pointed towards the battery.

(4) Install and tighten the screw that secures the battery hold down bracket to the U-nut on the inboard side of the battery tray and support unit. Tighten the screw to 3.4 N·m (30 in. lbs.).

(5) Reconnect the battery negative cable terminal clamp to the battery negative terminal post. Tighten the terminal clamp pinch-bolt hex nut to 8.4 N·m (75 in. lbs.).

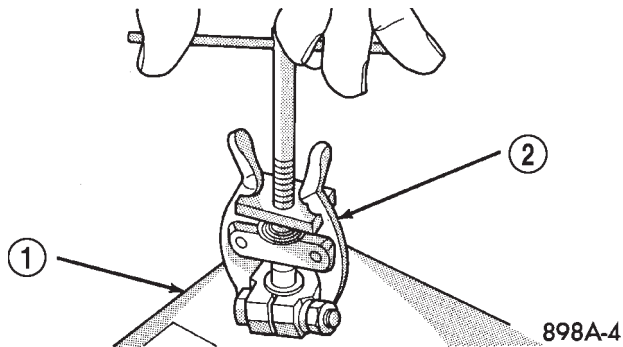
## BATTERY

## REMOVAL

(1) Turn the ignition switch to the Off position. Be certain that all electrical accessories are turned off.

(2) Loosen the battery negative cable terminal clamp pinch-bolt hex nut.

(3) Disconnect the battery negative cable terminal clamp from the battery negative terminal post. If necessary, use a battery terminal puller to remove the terminal clamp from the battery post (Fig. 23).



**Fig. 23 Remove Battery Cable Terminal Clamp - Typical**

- 1 - BATTERY  
2 - BATTERY TERMINAL PULLER

(4) Loosen the battery positive cable terminal clamp pinch-bolt hex nut.

(5) Disconnect the battery positive cable terminal clamp from the battery positive terminal post. If necessary, use a battery terminal puller to remove the terminal clamp from the battery post.

(6) Remove the battery hold downs from the battery. Refer to **Battery Hold Downs** in the index of this service manual for the location of the proper battery hold down removal procedures.

**WARNING: WEAR A SUITABLE PAIR OF RUBBER GLOVES (NOT THE HOUSEHOLD TYPE) WHEN REMOVING A BATTERY BY HAND. SAFETY**

**GLASSES SHOULD ALSO BE WORN. IF THE BATTERY IS CRACKED OR LEAKING, THE ELECTROLYTE CAN BURN THE SKIN AND EYES.**

(7) Remove the battery and the battery thermoguard from the battery tray as a unit.

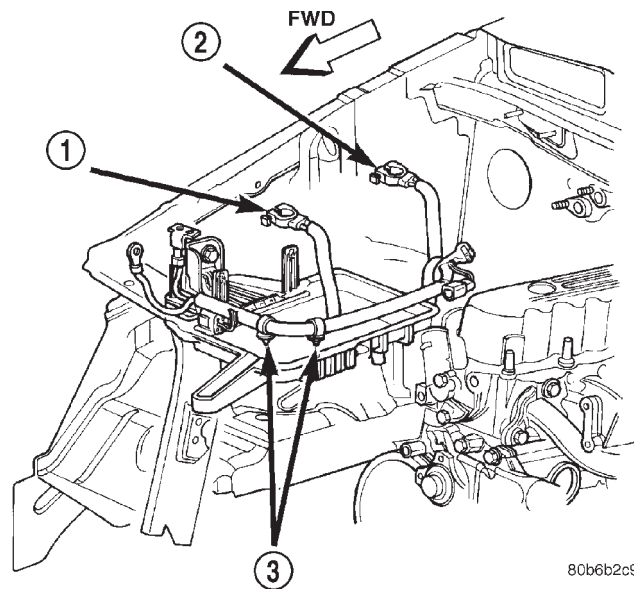
(8) Remove the battery thermoguard from the battery case. Refer to **Battery Thermoguard** in the index of this service manual for the location of the proper battery thermoguard removal procedures.

## INSTALLATION

(1) Clean and inspect the battery. Refer to **Battery** in the index of this service manual for the location of the proper battery cleaning and inspection procedures.

(2) Reinstall the battery thermoguard onto the battery case. Refer to **Battery Thermoguard** in the index of this service manual for the location of the proper battery thermoguard installation procedures.

(3) Position the battery and the battery thermoguard onto the battery tray as a unit. Ensure that the battery positive and negative terminal posts are correctly positioned. The battery cable terminal clamps must reach the correct battery terminal post without stretching the cables (Fig. 24) or (Fig. 25).

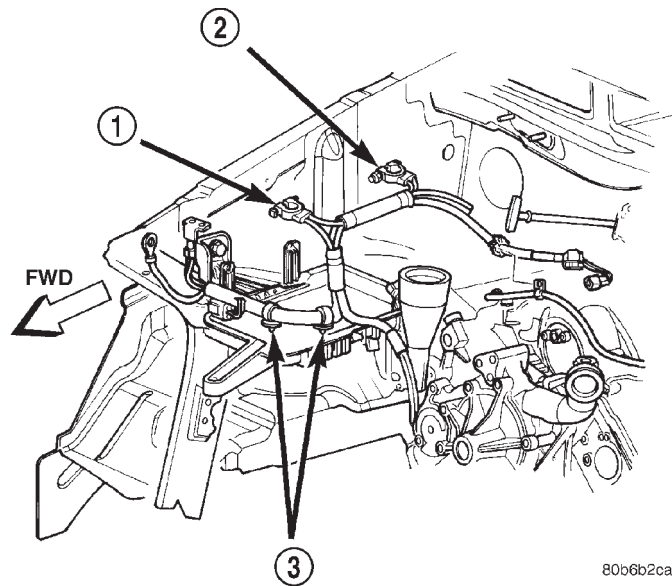


**Fig. 24 Battery Cables - 4.0L Engine**

- 1 - BATTERY POSITIVE CABLE  
2 - BATTERY NEGATIVE CABLE  
3 - CLIPS

(4) Reinstall the battery hold downs onto the battery. Refer to **Battery Hold Downs** in the index of this service manual for the location of the proper battery hold down installation procedures.

## REMOVAL AND INSTALLATION (Continued)



**Fig. 25 Battery Cables - 4.7L Engine**

- 1 - BATTERY POSITIVE CABLE
- 2 - BATTERY NEGATIVE CABLE
- 3 - CLIPS

**CAUTION:** Be certain that the battery cable terminal clamps are connected to the correct battery terminal posts. Reverse battery polarity may damage electrical components of the vehicle.

(5) Clean the battery cable terminal clamps and the battery terminal posts. Refer to **Battery** in the index of this service manual for the location of the proper battery cleaning and inspection procedures.

(6) Reconnect the battery positive cable terminal clamp to the battery positive terminal post. Tighten the terminal clamp pinch-bolt hex nut to 6.8 N·m (60 in. lbs.).

(7) Reconnect the battery negative cable terminal clamp to the battery negative terminal post. Tighten the terminal clamp pinch-bolt hex nut to 6.8 N·m (60 in. lbs.).

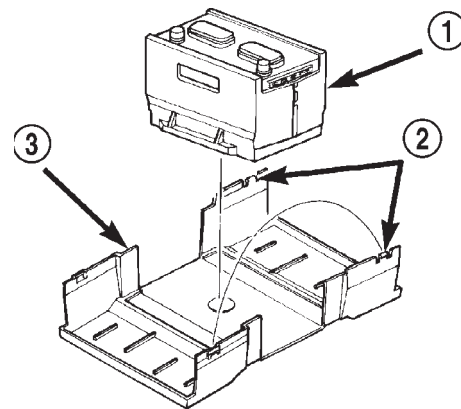
(8) Apply a thin coating of petroleum jelly or chassis grease to the exposed surfaces of the battery cable terminal clamps and the battery terminal posts.

## BATTERY THERMOGUARD

### REMOVAL

(1) Remove the battery and the battery thermoguard from the battery tray as a unit. Refer to **Battery** in the index of this service manual for the location of the proper battery removal procedures.

(2) Carefully release the latch on each end of the battery thermoguard and remove the thermoguard from the battery (Fig. 26).



**Fig. 26 Battery Thermoguard Remove/Install**

- 1 - BATTERY
- 2 - LATCHES
- 3 - THERMOGUARD

### INSTALLATION

(1) Clean and inspect the battery thermoguard. Refer to **Battery** in the index of this service manual for the location of the proper battery thermoguard cleaning and inspection procedures.

(2) Position the two halves of the battery thermoguard on opposite sides of the battery.

(3) Carefully align the two halves of the battery thermoguard, then push them together until the latches on each end of the thermoguard are fully engaged.

(4) Install the battery and the battery thermoguard into the battery tray as a unit. Refer to **Battery** in the index of this service manual for the location of the proper battery installation procedures.

## BATTERY TRAY

### REMOVAL

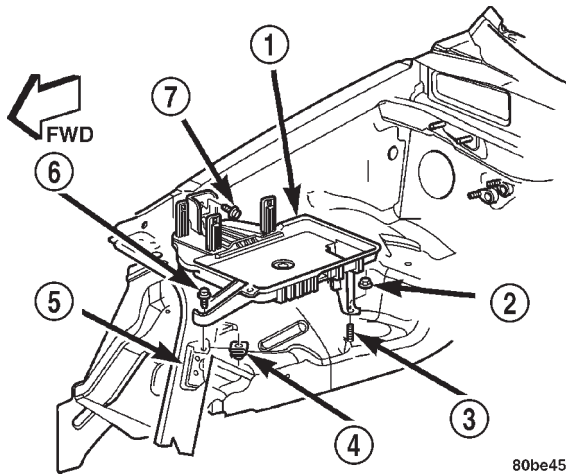
(1) Remove the battery from the battery tray. Refer to **Battery** in the index of this service manual for the location of the proper battery removal procedures.

(2) Remove the Power Distribution Center (PDC) from the stanchions on the outboard side of the battery tray and support unit. Refer to **Power Distribution Center** in the index of this service manual for the location of the proper PDC removal procedures.

(3) Remove the one screw that secures the front of the battery tray and support unit to the bracket on the right side of the radiator support (Fig. 27).

(4) Remove the one screw that secures the outboard side of the battery tray and support unit to the right fender side cowl reinforcement.

## REMOVAL AND INSTALLATION (Continued)



**Fig. 27 Battery Tray and Support Remove/Install**

- 1 - BATTERY TRAY AND SUPPORT
- 2 - NUT (1)
- 3 - STUD
- 4 - U-NUT (1)
- 5 - RADIATOR SUPPORT BRACKET
- 6 - SCREW (1)
- 7 - SCREW (1)

(5) Remove the one nut that secures the rear of the battery tray and support unit to the stud on the right fender front wheelhouse inner panel.

(6) Remove the battery temperature sensor from the battery tray. Refer to **Battery Temperature Sensor** in the index of this service manual for the location of the proper battery temperature sensor removal procedures.

(7) Remove the battery tray and support unit from the right front corner of the engine compartment.

### INSTALLATION

(1) Clean and inspect the battery tray and support unit. Refer to **Battery** in the index of this service manual for the location of the proper battery tray and support unit cleaning and inspection procedures.

(2) Install the battery temperature sensor onto the battery tray. Refer to **Battery Temperature Sensor** in the index of this service manual for the location of the proper battery temperature sensor installation procedures.

(3) Position the battery tray and support unit into the right front corner of the engine compartment. Be certain that no hoses or wire harnesses are trapped or pinched by the installation of the tray.

(4) Install and tighten the one nut that secures the rear of the battery tray and support unit to the stud on the right fender front wheelhouse inner panel. Tighten the nut to 7.3 N·m (65 in. lbs.).

(5) Install and tighten the one screw that secures the outboard side of the battery tray and support

unit to the right fender side cowl reinforcement. Tighten the screw to 8.1 N·m (72 in. lbs.).

(6) Install and tighten the one screw that secures the front of the battery tray and support unit to the bracket on the right side of the radiator support. Tighten the screw to 8.1 N·m (72 in. lbs.).

(7) Install the Power Distribution Center (PDC) onto the stanchions on the outboard side of the battery tray and support unit. Refer to **Power Distribution Center** in the index of this service manual for the location of the proper PDC installation procedures.

(8) Install the battery onto the battery tray. Refer to **Battery** in the index of this service manual for the location of the proper battery installation procedures.

## CLEANING AND INSPECTION

### BATTERY

The following information details the recommended cleaning and inspection procedures for the battery and related components. In addition to the maintenance schedules found in this service manual and the owner's manual, it is recommended that these procedures be performed any time the battery or related components must be removed for vehicle service.

### CLEANING

(1) Clean the battery cable terminal clamps of all corrosion. Remove any corrosion using a wire brush or a post and terminal cleaning tool, and a sodium bicarbonate (baking soda) and warm water cleaning solution (Fig. 28).

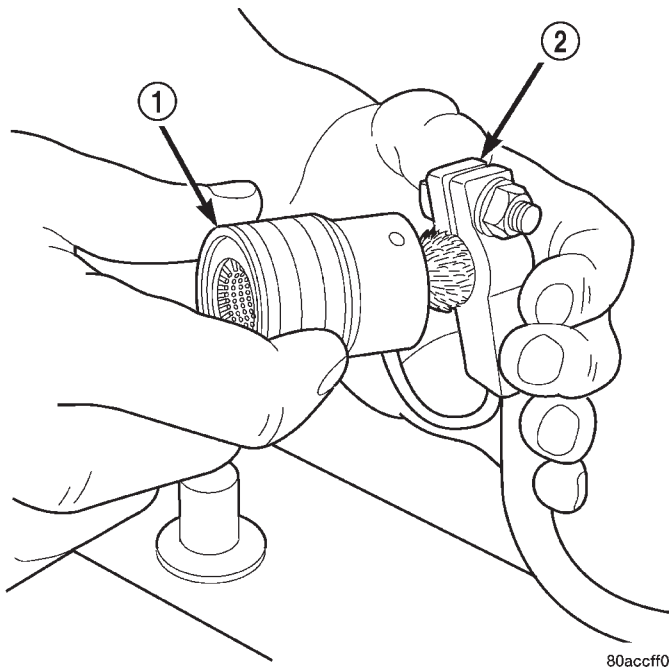
(2) Clean the battery tray and battery hold down hardware of all corrosion. Remove any corrosion using a wire brush and a sodium bicarbonate (baking soda) and warm water cleaning solution. Paint any exposed bare metal.

(3) If the removed battery is to be reinstalled, clean the outside of the battery case and the top cover with a sodium bicarbonate (baking soda) and warm water cleaning solution using a stiff bristle parts cleaning brush to remove any acid film (Fig. 29). Rinse the battery with clean water. Ensure that the cleaning solution does not enter the battery cells through the vent holes. If the battery is being replaced, refer to **Battery** in the index of this service manual for the location of the factory-installed battery specifications. Confirm that the replacement battery is the correct size and has the correct ratings for the vehicle.

(4) Clean the battery thermoguard with a sodium bicarbonate (baking soda) and warm water cleaning solution using a stiff bristle parts cleaning brush to remove any acid film.



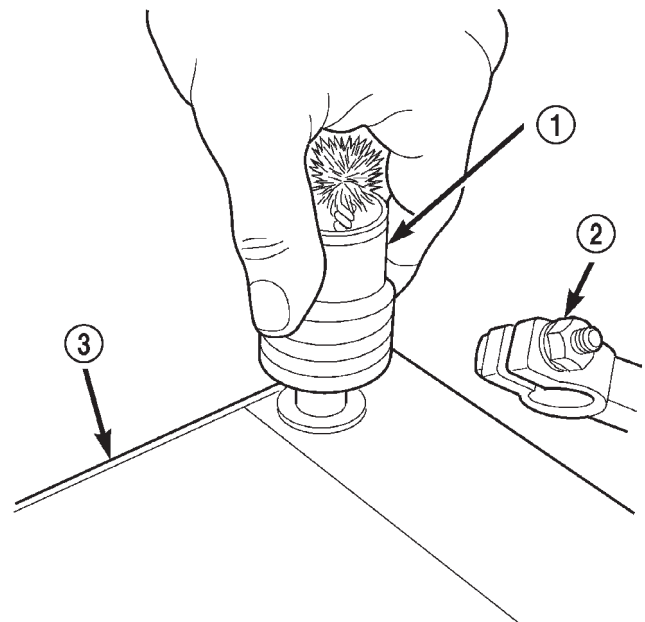
## CLEANING AND INSPECTION (Continued)



80accff0

**Fig. 28 Clean Battery Cable Terminal Clamp - Typical**

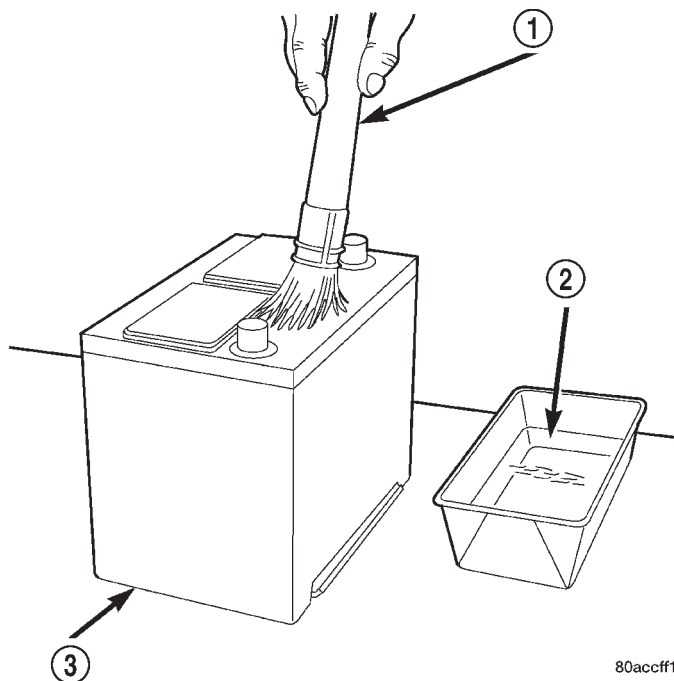
- 1 - TERMINAL BRUSH  
2 - BATTERY CABLE



80accff2

**Fig. 30 Clean Battery Terminal Post - Typical**

- 1 - TERMINAL BRUSH  
2 - BATTERY CABLE  
3 - BATTERY



80accff1

**Fig. 29 Clean Battery - Typical**

- 1 - CLEANING BRUSH  
2 - WARM WATER AND BAKING SODA SOLUTION  
3 - BATTERY

(5) Clean any corrosion from the battery terminal posts with a wire brush or a post and terminal cleaner, and a sodium bicarbonate (baking soda) and warm water cleaning solution (Fig. 30).

## INSPECTION

(1) Inspect the battery cable terminal clamps for damage. Replace any battery cable that has a damaged or deformed terminal clamp.

(2) Inspect the battery tray and battery hold down hardware for damage. Replace any damaged parts.

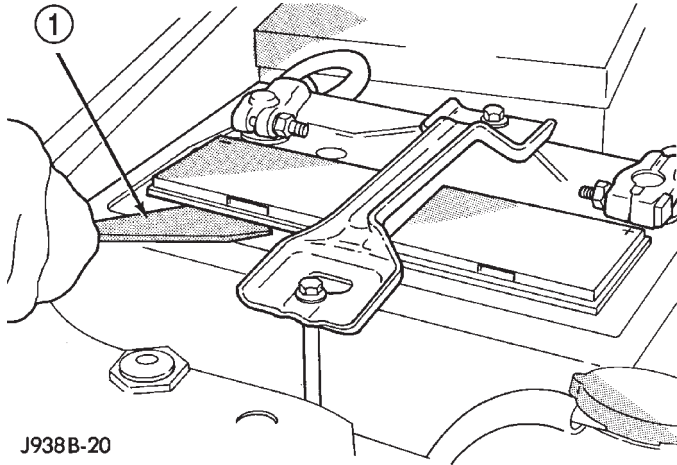
(3) Remove the thermoguard from the battery case. Inspect the battery case for cracks or other damage that could result in electrolyte leaks. Also, check the battery terminal posts for looseness. Batteries with damaged cases or loose terminal posts must be replaced.

(4) Inspect the battery thermoguard for cracks, deformation or other damage. Replace any battery thermoguard that has been damaged.

(5) Inspect the electrolyte level in the battery. Use a putty knife or another suitable wide flat-bladed tool to pry the cell caps off (Fig. 31). Do not use a screwdriver. Add distilled water to each cell until the liquid reaches the bottom of the vent well. **DO NOT OVERFILL.**



CLEANING AND INSPECTION (Continued)



J938B-20

**Fig. 31 Removing Battery Cell Caps - Typical**

1 - PUTTY KNIFE

(6) Inspect the battery built-in test indicator sight glass for an indication of the battery condition. If the battery is discharged, charge as required. Refer to **Battery** in the index of this service manual for the location of the proper battery diagnosis and testing procedures for more information on the use of the battery built-in test indicator. Also refer to **Battery Charging** in the index of this service manual for the location of the proper battery charging procedures.

SPECIFICATIONS

**BATTERY**

Battery Classifications and Ratings					
Part Number	BCI Group Size Classification	Cold Cranking Amperage	Reserve Capacity	Ampere-Hours	Load Test Amperage
56041113	65	625	120 Minutes	69	300



# STARTING SYSTEMS

## TABLE OF CONTENTS

	page		page
<b>DESCRIPTION AND OPERATION</b>		<b>STARTER RELAY</b> .....	8
STARTING SYSTEM .....	1	<b>REMOVAL AND INSTALLATION</b>	
STARTER MOTOR .....	2	STARTER MOTOR .....	9
STARTER RELAY .....	2	STARTER RELAY .....	11
<b>DIAGNOSIS AND TESTING</b>		<b>SPECIFICATIONS</b>	
STARTING SYSTEM .....	3	STARTING SYSTEM .....	12
STARTER MOTOR .....	7		

### DESCRIPTION AND OPERATION

#### STARTING SYSTEM

##### DESCRIPTION

An electrically operated engine starting system is standard factory-installed equipment on this model. The starting system is designed to provide the vehicle operator with a convenient, efficient and reliable means of cranking and starting the internal combustion engine used to power the vehicle and all of its accessory systems from within the safe and secure confines of the passenger compartment. See the owner's manual in the vehicle glove box for more information and instructions on the recommended use and operation of the factory-installed starting system.

The starting system consists of the following components:

- Battery
- Starter relay
- Starter motor (including an integral starter solenoid)
- Ignition switch
- Park/neutral position switch
- Wire harnesses and connections (including the battery cables).

This group provides complete service information for the starter motor and the starter relay. Complete service information for the other starting system components can be located as follows:

- Refer to **Battery** in the proper section of Group 8A - Battery for complete service information for the battery.
- Refer to **Ignition Switch and Key Lock Cylinder** in the proper section of Group 8D - Ignition System for complete service information for the ignition switch.

- Refer to **Park/Neutral Position Switch** in the proper section of Group 21 - Transmission for complete service information for the park/neutral position switch.

- Refer to the proper section of **Group 8W - Wiring Diagrams** for complete service information and circuit diagrams for the starting system wiring components.

Group 8A covers the Battery, Group 8B covers the Starting Systems, and Group 8C covers the Charging System. We have separated these systems to make it easier to locate the information you are seeking within this Service Manual. However, when attempting to diagnose any of these systems, it is important that you keep their interdependency in mind.

The battery, starting, and charging systems in the vehicle operate with one another, and must be tested as a complete system. In order for the vehicle to start and charge properly, all of the components that are used in these systems must perform within specifications.

The diagnostic procedures used in each of these groups include the most basic conventional diagnostic methods, to the more sophisticated On-Board Diagnostics (OBD) built into the Powertrain Control Module (PCM). Use of an induction-type milliamperer ammeter, volt/ohmmeter, battery charger, carbon pile rheostat (load tester), and 12-volt test lamp may be required.

All OBD-sensed systems are monitored by the PCM. Each monitored circuit is assigned a Diagnostic Trouble Code (DTC). The PCM will store a DTC in electronic memory for any failure it detects. Refer to **On-Board Diagnostic Test For Charging System** in the Diagnosis and Testing section of Group 8C - Charging System for more information.

## DESCRIPTION AND OPERATION (Continued)

**OPERATION**

The starting system components form two separate circuits. A high-amperage feed circuit that feeds the starter motor between 150 and 350 amperes, and a low-amperage control circuit that operates on less than 20 amperes. The high-amperage feed circuit components include the battery, the battery cables, the contact disc portion of the starter solenoid, and the starter motor. The low-amperage control circuit components include the ignition switch, the park/neutral position switch, the starter relay, the electromagnetic windings of the starter solenoid, and the connecting wire harness components.

Battery voltage is supplied through the low-amperage control circuit to the coil battery terminal of the starter relay when the ignition switch is turned to the momentary Start position. The park/neutral position switch is installed in series between the starter relay coil ground terminal and ground. This normally open switch prevents the starter relay from being energized and the starter motor from operating unless the automatic transmission gear selector is in the Neutral or Park positions.

When the starter relay coil is energized, the normally open relay contacts close. The relay contacts connect the relay common feed terminal to the relay normally open terminal. The closed relay contacts energize the starter solenoid coil windings.

The energized solenoid pull-in coil pulls in the solenoid plunger. The solenoid plunger pulls the shift lever in the starter motor. This engages the starter overrunning clutch and pinion gear with the starter ring gear on the automatic transmission torque converter drive plate.

As the solenoid plunger reaches the end of its travel, the solenoid contact disc completes the high-amperage starter feed circuit and energizes the solenoid plunger hold-in coil. Current now flows between the solenoid battery terminal and the starter motor, energizing the starter.

Once the engine starts, the overrunning clutch protects the starter motor from damage by allowing the starter pinion gear to spin faster than the pinion shaft. When the driver releases the ignition switch to the On position, the starter relay coil is de-energized. This causes the relay contacts to open. When the relay contacts open, the starter solenoid plunger hold-in coil is de-energized.

When the solenoid plunger hold-in coil is de-energized, the solenoid plunger return spring returns the plunger to its relaxed position. This causes the contact disc to open the starter feed circuit, and the shift lever to disengage the overrunning clutch and pinion gear from the starter ring gear.

Following are general descriptions of the major components in the starting system.

**STARTER MOTOR****DESCRIPTION**

The starter motors used for both the 4.0L and the 4.7L engines available in this model are very similar, but are not interchangeable. Both starter motors are mounted with two screws to the automatic transmission torque converter housing and are located on the right side of the engine.

Each of these starter motors incorporates several of the same features to create a reliable, efficient, compact, lightweight and powerful unit. The electric motors of both starters feature four electromagnetic field coils wound around four pole shoes, and four brushes contact the motor commutator. Both starter motors are rated at 1.4 kilowatts (about 1.9 horsepower) output at 12 volts.

Both of these starter motors are serviced only as a unit with their starter solenoids, and cannot be repaired. If either component is faulty or damaged, the entire starter motor and starter solenoid unit must be replaced.

**OPERATION**

These starter motors are equipped with a planetary gear reduction (intermediate transmission) system. The planetary gear reduction system consists of a gear that is integral to the output end of the electric motor armature shaft that is in continual engagement with a larger gear that is splined to the input end of the starter pinion gear shaft. This feature makes it possible to reduce the dimensions of the starter. At the same time, it allows higher armature rotational speed and delivers increased torque through the starter pinion gear to the starter ring gear.

The starter motors for both engines are activated by an integral heavy duty starter solenoid switch mounted to the overrunning clutch housing. This electromechanical switch connects and disconnects the feed of battery voltage to the starter motor and actuates a shift fork that engages and disengages the starter pinion gear with the starter ring gear.

Both starter motors use an overrunning clutch and starter pinion gear unit to engage and drive a starter ring gear that is integral to the torque converter drive plate mounted on the rear crankshaft flange.

**STARTER RELAY****DESCRIPTION**

The starter relay is an electromechanical device that switches battery current to the pull-in coil of the starter solenoid when the ignition switch is turned to the Start position. The starter relay is located in the Power Distribution Center (PDC), in the engine com-

## DESCRIPTION AND OPERATION (Continued)

partment. See the fuse and relay layout label affixed to the inside surface of the PDC cover for starter relay identification and location.

The starter relay is a International Standards Organization (ISO) micro-relay. Relays conforming to the ISO specifications have common physical dimensions, current capacities, terminal patterns, and terminal functions. The ISO micro-relay terminal functions are the same as a conventional ISO relay. However, the ISO micro-relay terminal pattern (or footprint) is different, the current capacity is lower, and the physical dimensions are smaller than those of the conventional ISO relay.

The starter relay cannot be repaired or adjusted and, if faulty or damaged, it must be replaced.

### OPERATION

The ISO relay consists of an electromagnetic coil, a resistor or diode, and three (two fixed and one movable) electrical contacts. The movable (common feed) relay contact is held against one of the fixed contacts (normally closed) by spring pressure. When the electromagnetic coil is energized, it draws the movable contact away from the normally closed fixed contact, and holds it against the other (normally open) fixed contact.

When the electromagnetic coil is de-energized, spring pressure returns the movable contact to the normally closed position. The resistor or diode is connected in parallel with the electromagnetic coil in the relay, and helps to dissipate voltage spikes that are produced when the coil is de-energized.

## DIAGNOSIS AND TESTING

### STARTING SYSTEM

#### DIAGNOSIS

The battery, starting, and charging systems operate with one another, and must be tested as a complete system. In order for the vehicle to start and charge properly, all of the components involved in these systems must perform within specifications.

Group 8A covers the Battery, Group 8B covers the Starting Systems, and Group 8C covers the Charging System. We have separated these systems to make it easier to locate the information you are seeking within this Service Manual. However, when attempting to diagnose any of these systems, it is important that you keep their interdependency in mind.

The diagnostic procedures used in these groups include the most basic conventional diagnostic methods, to the more sophisticated On-Board Diagnostics (OBD) built into the Powertrain Control Module (PCM). Use of an induction-type milliamperemeter, volt/ohmmeter, battery charger, carbon pile rheostat (load tester), and 12-volt test lamp may be required.

All OBD-sensed systems are monitored by the PCM. Each monitored circuit is assigned a Diagnostic Trouble Code (DTC). The PCM will store a DTC in electronic memory for any failure it detects. Refer to **On-Board Diagnostic Test For Charging System** in the Diagnosis and Testing section of Group 8C - Charging System for more information.



## DIAGNOSIS AND TESTING (Continued)

Starting System Diagnosis		
CONDITION	POSSIBLE CAUSE	CORRECTION
STARTER FAILS TO OPERATE.	<ol style="list-style-type: none"> <li>1. Battery discharged or faulty.</li> <li>2. Starting circuit wiring faulty.</li> <li>3. Starter relay faulty.</li> <li>4. Ignition switch faulty.</li> <li>5. Park/Neutral position switch faulty or misadjusted.</li> <li>6. Starter solenoid faulty.</li> <li>7. Starter motor faulty.</li> </ol>	<ol style="list-style-type: none"> <li>1. Refer to Battery in the Diagnosis and Testing section of Group 8A - Battery. Charge or replace the battery, if required.</li> <li>2. Refer to Starting System in Group 8W - Wiring Diagrams. Test and repair the starter feed and/or control circuits, if required.</li> <li>3. Refer to Starter Relay in the Diagnosis and Testing section of this group. Replace the starter relay, if required.</li> <li>4. Refer to Ignition Switch and Key Lock Cylinder in the Diagnosis and Testing section of Group 8D - Ignition System. Replace the ignition switch, if required.</li> <li>5. Refer to Park/Neutral Position Switch in the Diagnosis and Testing section of Group 21 - Transmission. Replace the park/neutral position switch, if required.</li> <li>6. Refer to Starter Motor in the Diagnosis and Testing section of this group. Replace the starter motor assembly, if required.</li> <li>7. If all other starting system components and circuits test OK, replace the starter motor assembly.</li> </ol>
STARTER ENGAGES, FAILS TO TURN ENGINE.	<ol style="list-style-type: none"> <li>1. Battery discharged or faulty.</li> <li>2. Starting circuit wiring faulty.</li> <li>3. Starter motor faulty.</li> <li>4. Engine seized.</li> </ol>	<ol style="list-style-type: none"> <li>1. Refer to Battery in the Diagnosis and Testing section of Group 8A - Battery. Charge or replace the battery, if required.</li> <li>2. Refer to Starting System in Group 8W - Wiring Diagrams. Test and repair the starter feed and/or control circuits, if required.</li> <li>3. If all other starting system components and circuits test OK, replace the starter motor assembly.</li> <li>4. Refer to Engine Diagnosis in the Diagnosis and Testing section of Group 9 - Engine.</li> </ol>
STARTER ENGAGES, SPINS OUT BEFORE ENGINE STARTS.	<ol style="list-style-type: none"> <li>1. Starter ring gear faulty.</li> <li>2. Starter motor faulty.</li> </ol>	<ol style="list-style-type: none"> <li>1. Refer to Starter Motor in the Removal and Installation section of this group. Remove the starter motor to inspect the starter ring gear. Replace the starter ring gear, if required.</li> <li>2. If all other starting system components and circuits test OK, replace the starter motor assembly.</li> </ol>
STARTER DOES NOT DISENGAGE.	<ol style="list-style-type: none"> <li>1. Starter motor improperly installed.</li> <li>2. Starter relay faulty.</li> <li>3. Ignition switch faulty.</li> <li>4. Starter motor faulty.</li> </ol>	<ol style="list-style-type: none"> <li>1. Refer to Starter Motor in the Removal and Installation section of this group. Tighten the starter mounting hardware to the correct tightness specifications.</li> <li>2. Refer to Starter Relay in the Diagnosis and Testing section of this group. Replace the starter relay, if required.</li> <li>3. Refer to Ignition Switch and Key Lock Cylinder in the Diagnosis and Testing section of Group 8D - Ignition System. Replace the ignition switch, if required.</li> <li>4. If all other starting system components and circuits test OK, replace the starter motor assembly.</li> </ol>

DIAGNOSIS AND TESTING (Continued)

INSPECTION

For complete circuit diagrams, refer to **Starting System** in the Contents of Group 8W - Wiring Diagrams. Before removing any unit from the starting system for repair or diagnosis, perform the following inspections:

**WARNING: ON VEHICLES EQUIPPED WITH AIR-BAGS, REFER TO GROUP 8M - PASSIVE RESTRAINT SYSTEMS BEFORE ATTEMPTING ANY STEERING WHEEL, STEERING COLUMN, OR INSTRUMENT PANEL COMPONENT DIAGNOSIS OR SERVICE. FAILURE TO TAKE THE PROPER PRECAUTIONS COULD RESULT IN ACCIDENTAL AIR-BAG DEPLOYMENT AND POSSIBLE PERSONAL INJURY.**

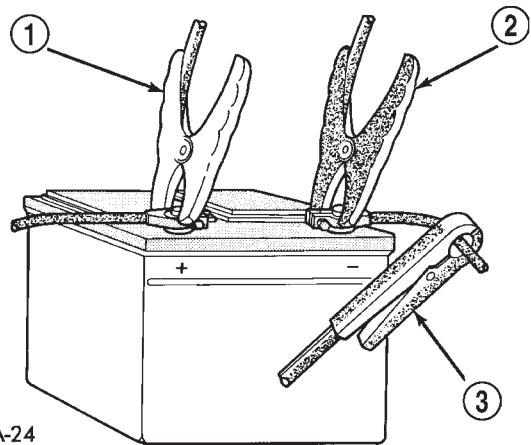
- **Battery** - Visually inspect the battery for indications of physical damage and loose or corroded cable connections. Determine the state-of-charge and cranking capacity of the battery. Charge or replace the battery, if required. Refer to **Battery** in the proper section of Group 8A - Battery for complete service information for the battery.
- **Ignition Switch** - Visually inspect the ignition switch for indications of physical damage and loose or corroded wire harness connections. Refer to **Ignition Switch and Key Lock Cylinder** in the proper section of Group 8D - Ignition System for complete service information for the ignition switch.
- **Park/Neutral Position Switch** - Visually inspect the park/neutral position switch for indications of physical damage and loose or corroded wire harness connections. Refer to **Park/Neutral Position Switch** in the proper section of Group 21 - Transmission for complete service information for the park/neutral position switch.
- **Starter Relay** - Visually inspect the starter relay for indications of physical damage and loose or corroded wire harness connections.
- **Starter Motor** - Visually inspect the starter motor for indications of physical damage and loose or corroded wire harness connections.
- **Starter Solenoid** - Visually inspect the starter solenoid for indications of physical damage and loose or corroded wire harness connections.
- **Wiring** - Visually inspect the wire harnesses for damage. Repair or replace any faulty wiring, as required. Refer to the proper section of **Group 8W - Wiring Diagrams** for complete service information and circuit diagrams for the starting system wiring components.

TESTING

COLD CRANKING TEST

For complete circuit diagrams, refer to **Starting System** in the Contents of Group 8W - Wiring Diagrams. The battery must be fully-charged and load-tested before proceeding. Refer to **Battery** in the Diagnosis and Testing section of Group 8A - Battery for the procedures.

(1) Connect a suitable volt-ampere tester to the battery terminals (Fig. 1). See the instructions provided by the manufacturer of the volt-ampere tester being used.



**Fig. 1 Volts-Amps Tester Connections - Typical**  
 1 - POSITIVE CLAMP  
 2 - NEGATIVE CLAMP  
 3 - INDUCTION AMMETER CLAMP

- (2) Fully engage the parking brake.
- (3) Place the automatic transmission gearshift selector lever in the Park position.
- (4) Verify that all lamps and accessories are turned off.
- (5) To prevent the engine from starting, remove the Automatic ShutDown (ASD) relay. The ASD relay is located in the Power Distribution Center (PDC), in the engine compartment. Refer to the fuse and relay layout label affixed to the underside of the PDC cover for ASD relay identification and location.
- (6) Rotate and hold the ignition switch in the Start position. Note the cranking voltage and current (amperage) draw readings shown on the volt-ampere tester.
  - (a) If the voltage reads below 9.6 volts, refer to **Starter Motor** in the Diagnosis and Testing section of this group. If the starter motor is OK, refer to **Engine Diagnosis** in the Diagnosis and Testing section of Group 9 - Engine for further testing of the engine. If the starter motor is not OK, replace the faulty starter motor.

## DIAGNOSIS AND TESTING (Continued)

(b) If the voltage reads above 9.6 volts and the current (amperage) draw reads below specifications, refer to **Feed Circuit Test** in this section.

(c) If the voltage reads 12.5 volts or greater and the starter motor does not turn, refer to **Control Circuit Testing** in this section.

(d) If the voltage reads 12.5 volts or greater and the starter motor turns very slowly, refer to **Feed Circuit Test** in this section.

**NOTE:** A cold engine will increase the starter current (amperage) draw reading, and reduce the battery voltage reading.

## FEED CIRCUIT TEST

The starter feed circuit test (voltage drop method) will determine if there is excessive resistance in the high-amperage feed circuit. For complete circuit diagrams, refer to **Starting System** in the Contents of Group 8W - Wiring Diagrams.

When performing these tests, it is important to remember that the voltage drop is giving an indication of the resistance between the two points at which the voltmeter probes are attached.

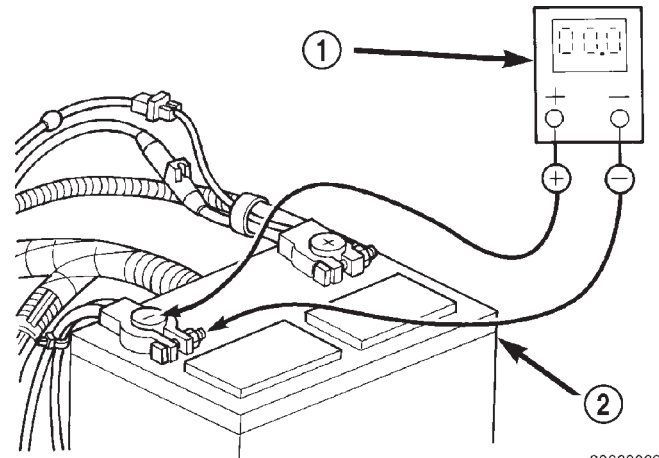
**Example:** When testing the resistance of the battery positive cable, touch the voltmeter leads to the battery positive cable clamp and the cable connector at the starter solenoid. If you probe the battery positive terminal post and the cable connector at the starter solenoid, you are reading the combined voltage drop in the battery positive cable clamp-to-terminal post connection and the battery positive cable.

The following operation will require a voltmeter accurate to 1/10 (0.10) volt. Before performing the tests, be certain that the following procedures are accomplished:

- Battery is fully-charged and load-tested. Refer to **Battery** in the Diagnosis and Testing section of Group 8A - Battery for the procedures.
- Fully engage the parking brake.
- Place the automatic transmission gearshift selector lever in the Park position.
- Verify that all lamps and accessories are turned off.
- To prevent the engine from starting, remove the Automatic ShutDown (ASD) relay. The ASD relay is located in the Power Distribution Center (PDC), in the engine compartment. Refer to the fuse and relay layout label affixed to the underside of the PDC cover for ASD relay identification and location.

(1) Connect the positive lead of the voltmeter to the battery negative terminal post. Connect the negative lead of the voltmeter to the battery negative cable clamp (Fig. 2). Rotate and hold the ignition switch in the Start position. Observe the voltmeter. If

voltage is detected, correct the poor contact between the cable clamp and the terminal post.

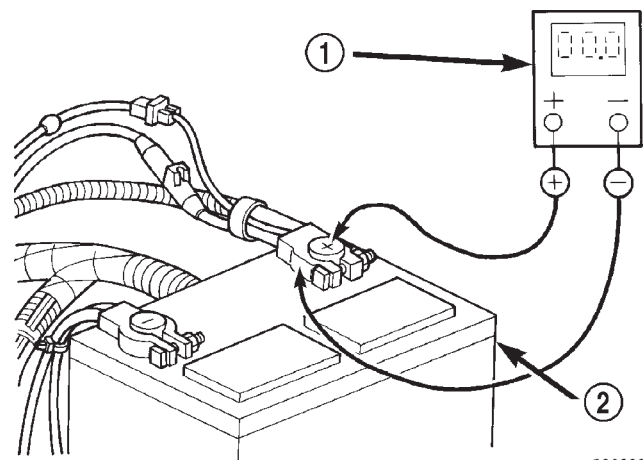


80660062

**Fig. 2 Test Battery Negative Connection Resistance - Typical**

- 1 - VOLTMETER  
2 - BATTERY

(2) Connect the positive lead of the voltmeter to the battery positive terminal post. Connect the negative lead of the voltmeter to the battery positive cable clamp (Fig. 3). Rotate and hold the ignition switch in the Start position. Observe the voltmeter. If voltage is detected, correct the poor contact between the cable clamp and the terminal post.



80660061

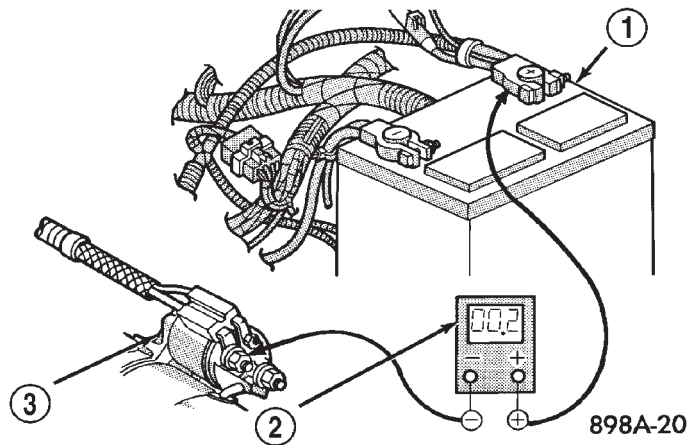
**Fig. 3 Test Battery Positive Connection Resistance - Typical**

- 1 - VOLTMETER  
2 - BATTERY

(3) Connect the voltmeter to measure between the battery positive terminal post and the starter solenoid battery terminal stud (Fig. 4). Rotate and hold the ignition switch in the Start position. Observe the voltmeter. If the reading is above 0.2 volt, clean and

DIAGNOSIS AND TESTING (Continued)

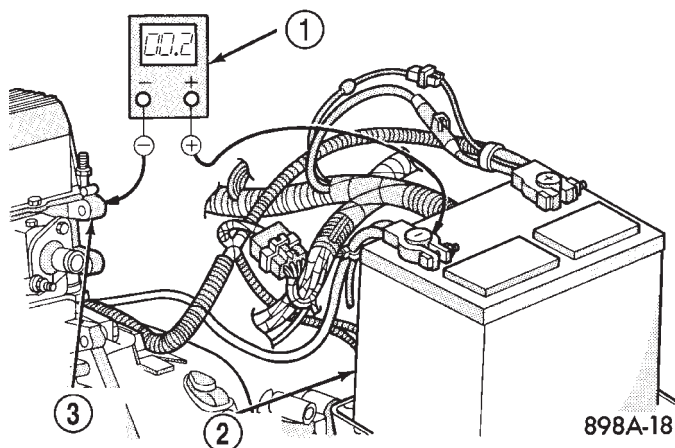
tighten the battery cable connection at the solenoid. Repeat the test. If the reading is still above 0.2 volt, replace the faulty battery positive cable.



**Fig. 4 Test Battery Positive Cable Resistance - Typical**

- 1 - BATTERY
- 2 - VOLTMETER
- 3 - STARTER MOTOR

(4) Connect the voltmeter to measure between the battery negative terminal post and a good clean ground on the engine block (Fig. 5). Rotate and hold the ignition switch in the Start position. Observe the voltmeter. If the reading is above 0.2 volt, clean and tighten the battery negative cable attachment on the engine block. Repeat the test. If the reading is still above 0.2 volt, replace the faulty battery negative cable.

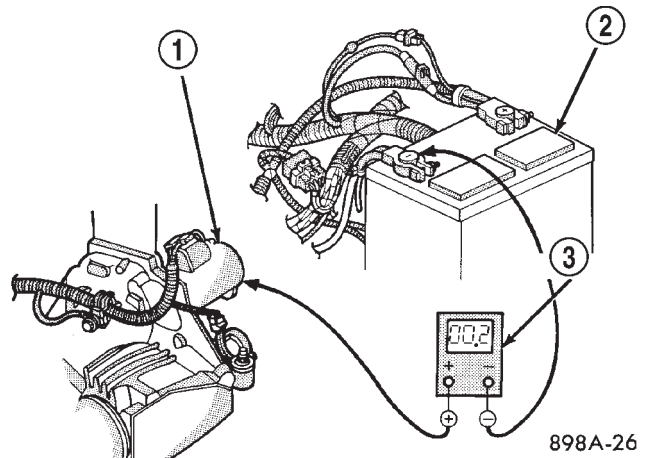


**Fig. 5 Test Ground Circuit Resistance - Typical**

- 1 - VOLTMETER
- 2 - BATTERY
- 3 - ENGINE GROUND

(5) Connect the positive lead of the voltmeter to the starter housing. Connect the negative lead of the

voltmeter to the battery negative terminal post (Fig. 6). Rotate and hold the ignition switch in the Start position. Observe the voltmeter. If the reading is above 0.2 volt, correct the poor starter to engine block ground contact.



**Fig. 6 Test Starter Ground - Typical**

- 1 - STARTER MOTOR
- 2 - BATTERY
- 3 - VOLTMETER

If the resistance tests detect no feed circuit problems, refer to **Starter Motor** in the Diagnosis and Testing section of this group.

**CONTROL CIRCUIT TESTING**

The starter control circuit components should be tested in the order in which they are listed, as follows:

- **Starter Relay** - Refer to **Starter Relay** in the Diagnosis and Testing section of this group for the procedures.
- **Starter Solenoid** - Refer to **Starter Motor** in the Diagnosis and Testing section of this group for the procedures.
- **Ignition Switch** - Refer to **Ignition Switch and Key Lock Cylinder** in the Diagnosis and Testing section of Group 8D - Ignition System for the procedures.
- **Park/Neutral Position Switch** - Refer to **Park/Neutral Position Switch** in the Diagnosis and Testing section of Group 21 - Transmission for the procedures.
- **Wire harnesses and connections** - Refer to **Starting System** in the Contents of Group 8W - Wiring Diagrams for complete circuit diagrams.

**STARTER MOTOR**

Correct starter motor operation can be confirmed by performing the following free running bench test. This test can only be performed with the starter motor removed from the vehicle. Refer to **Starting**



## DIAGNOSIS AND TESTING (Continued)

**System** in the Specifications section of this group for the starter motor specifications.

(1) Remove the starter motor from the vehicle. Refer to **Starter Motor** in the Removal and Installation section of this group for the procedures.

(2) Mount the starter motor securely in a soft-jawed bench vise. The vise jaws should be clamped on the mounting flange of the starter motor. Never clamp on the starter motor by the field frame.

(3) Connect a suitable volt-ampere tester and a 12-volt battery to the starter motor in series, and set the ammeter to the 100 ampere scale. See the instructions provided by the manufacturer of the volt-ampere tester being used.

(4) Install a jumper wire from the solenoid terminal to the solenoid battery terminal. The starter motor should operate. If the starter motor fails to operate, replace the faulty starter motor assembly.

(5) Adjust the carbon pile load of the tester to obtain the free running test voltage. Refer to **Starting System** in the Specifications section of this group for the starter motor free running test voltage specifications.

(6) Note the reading on the ammeter and compare this reading to the free running test maximum amperage draw. Refer to **Starting System** in the Specifications section of this group for the starter motor free running test maximum amperage draw specifications.

(7) If the ammeter reading exceeds the maximum amperage draw specification, replace the faulty starter motor assembly.

### STARTER SOLENOID

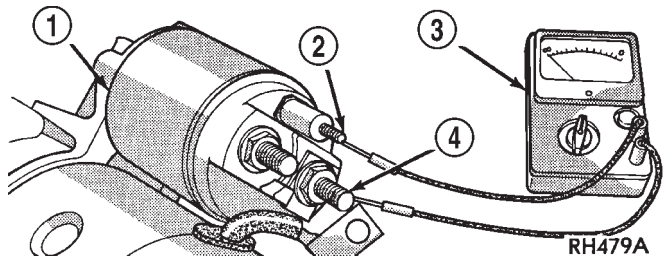
This test can only be performed with the starter motor removed from the vehicle.

(1) Remove the starter motor from the vehicle. Refer to **Starter Motor** in the Removal and Installation section of this group for the procedures.

(2) Disconnect the wire from the solenoid field coil terminal.

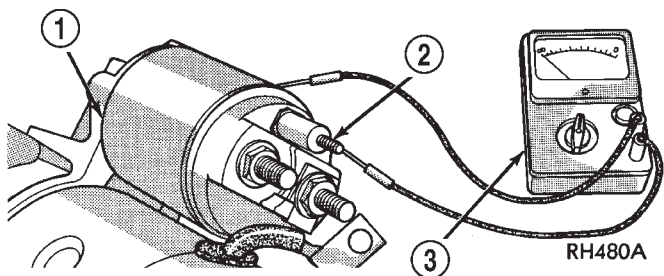
(3) Check for continuity between the solenoid terminal and the solenoid field coil terminal with a continuity tester (Fig. 7). There should be continuity. If OK, go to Step 4. If not OK, replace the faulty starter motor assembly.

(4) Check for continuity between the solenoid terminal and the solenoid case (Fig. 8). There should be continuity. If not OK, replace the faulty starter motor assembly.



**Fig. 7 Continuity Test Between Solenoid Terminal and Field Coil Terminal - Typical**

- 1 - SOLENOID
- 2 - SOLENOID TERMINAL
- 3 - OHMMETER
- 4 - FIELD COIL TERMINAL



**Fig. 8 Continuity Test Between Solenoid Terminal and Solenoid Case - Typical**

- 1 - SOLENOID
- 2 - SOLENOID TERMINAL
- 3 - OHMMETER

### STARTER RELAY

The starter relay (Fig. 9) is located in the Power Distribution Center (PDC), in the engine compartment. Refer to the fuse and relay layout label affixed to the underside of the PDC cover for starter relay identification and location. For complete circuit diagrams, refer to **Starting System** in the Contents of Group 8W - Wiring Diagrams.

(1) Remove the starter relay from the PDC. Refer to **Starter Relay** in the Removal and Installation section of this group for the procedures.

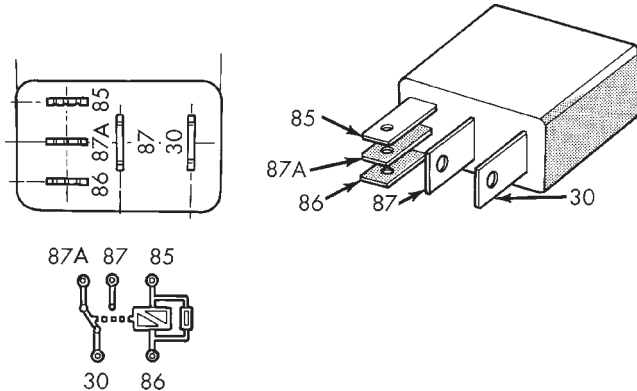
(2) A relay in the de-energized position should have continuity between terminals 87A and 30, and no continuity between terminals 87 and 30. If OK, go to Step 3. If not OK, replace the faulty relay.

(3) Resistance between terminals 85 and 86 (electromagnet) should be  $75 \pm 5$  ohms. If OK, go to Step 4. If not OK, replace the faulty relay.



DIAGNOSIS AND TESTING (Continued)

(4) Connect a battery to terminals 85 and 86. There should now be continuity between terminals 30 and 87, and no continuity between terminals 87A and 30. If OK, perform the Relay Circuit Test that follows. If not OK, replace the faulty relay.



TERMINAL LEGEND	
NUMBER	IDENTIFICATION
30	COMMON FEED
85	COIL GROUND
86	COIL BATTERY
87	NORMALLY OPEN
87A	NORMALLY CLOSED

**Fig. 9 Starter Relay**

**RELAY CIRCUIT TEST**

(1) The relay common feed terminal cavity (30) is connected to battery voltage and should be hot at all times. If OK, go to Step 2. If not OK, repair the open circuit to the fuse in the PDC as required.

(2) The relay normally closed terminal (87A) is connected to terminal 30 in the de-energized position, but is not used for this application. Go to Step 3.

(3) The relay normally open terminal (87) is connected to the common feed terminal (30) in the energized position. This terminal supplies battery voltage to the starter solenoid field coils. There should be continuity between the cavity for relay terminal 87 and the starter solenoid terminal at all times. If OK, go to Step 4. If not OK, repair the open circuit to the starter solenoid as required.

(4) The coil battery terminal (86) is connected to the electromagnet in the relay. It is energized when the ignition switch is held in the Start position. Check for battery voltage at the cavity for relay terminal 86 with the ignition switch in the Start position, and no voltage when the ignition switch is released to the On position. If OK, go to Step 5. If not OK, check for an open or short circuit to the ignition switch and repair, if required. If the circuit to the ignition switch is OK, refer to **Ignition Switch**

**and Key Lock Cylinder** in the Diagnosis and Testing section of Group 8D - Ignition System for testing of the ignition switch.

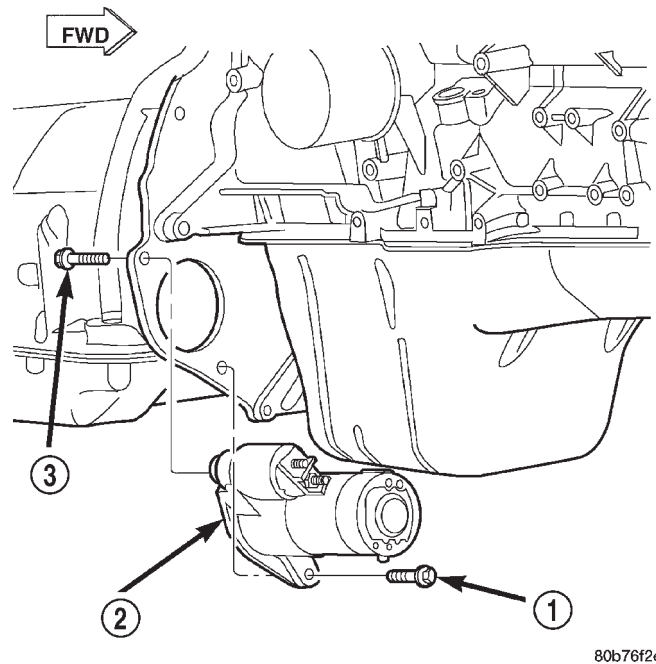
(5) The coil ground terminal (85) is connected to the electromagnet in the relay. It is grounded through the park/neutral position switch only when the gearshift selector lever is in the Park or Neutral positions. Check for continuity to ground at the cavity for relay terminal 85. If not OK, check for an open or short circuit to the park/neutral position switch and repair, if required. If the circuit to the park/neutral position switch is OK, refer to **Park/Neutral Position Switch** in the Diagnosis and Testing section of Group 21 - Transmission for testing of the park/neutral position switch.

**REMOVAL AND INSTALLATION**

**STARTER MOTOR**

**REMOVAL**

- (1) Disconnect and isolate the battery negative cable.
- (2) Raise and support the vehicle.
- (3) Remove the lower (forward facing) mounting screw securing the starter motor to the automatic transmission torque converter housing (Fig. 10) or (Fig. 11).

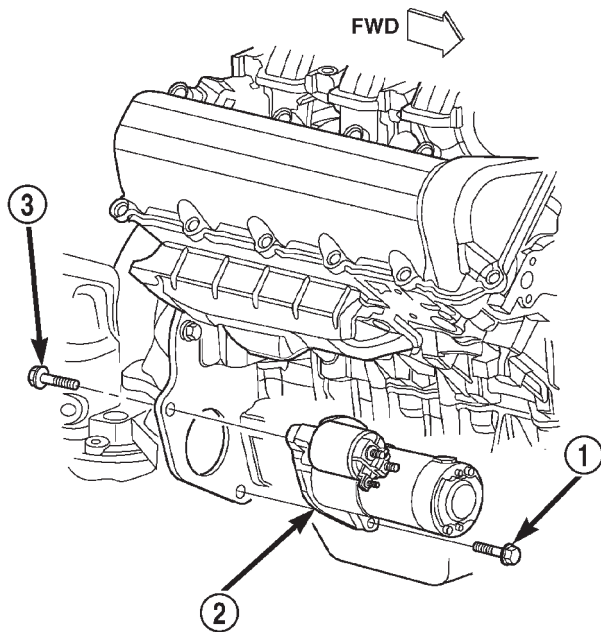


80b76f2e

**Fig. 10 Starter Motor Remove/Install - 4.0L Engine**

- 1 - SCREW
- 2 - STARTER MOTOR
- 3 - SCREW

## REMOVAL AND INSTALLATION (Continued)



80b76f2f

**Fig. 11 Starter Motor Remove/Install - 4.7L Engine**

- 1 - SCREW
- 2 - STARTER MOTOR
- 3 - SCREW

(4) While supporting the starter motor with one hand, use the other hand to remove the upper (rear facing) mounting screw securing the starter motor to the automatic transmission torque converter housing.

(5) Lower the starter motor from the front of the automatic transmission torque converter housing far enough to access and remove the nut that secures the battery cable eyelet to the solenoid battery terminal (Fig. 12) or (Fig. 13). Always support the starter motor during this process, do not let the starter motor hang from the wire harness.

(6) Remove the battery cable eyelet from the solenoid battery terminal. Always support the starter motor during this process, do not let the starter motor hang from the wire harness.

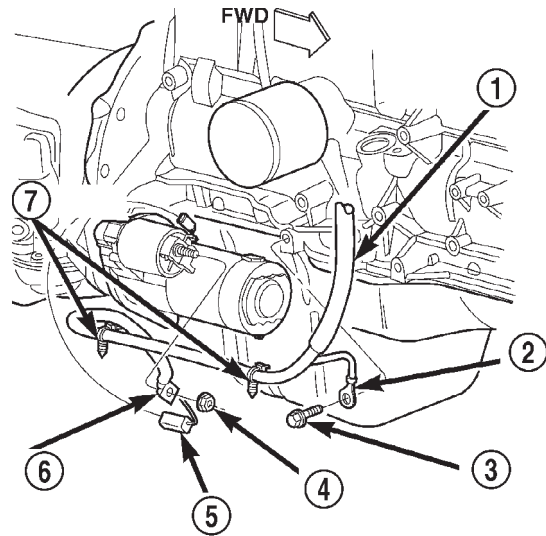
(7) Disconnect the solenoid terminal wire harness connector from the connector receptacle on the starter solenoid. Always support the starter motor during this process, do not let the starter motor hang from the wire harness.

(8) Remove the starter motor from the engine compartment.

**INSTALLATION**

(1) Position the starter motor in the engine compartment.

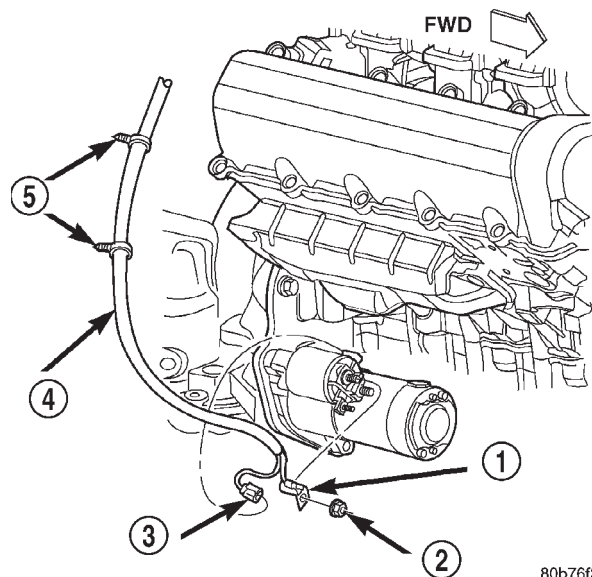
(2) Reconnect the solenoid terminal wire harness connector to the connector receptacle on the starter solenoid. Always support the starter motor during



80b76f30

**Fig. 12 Starter Wire Harness Remove/Install - 4.0L Engine**

- 1 - BATTERY, STARTER AND GENERATOR WIRE HARNESS
- 2 - GROUND EYELET
- 3 - SCREW
- 4 - NUT
- 5 - SOLENOID TERMINAL CONNECTOR
- 6 - SOLENOID BATTERY TERMINAL EYELET
- 7 - RETAINERS



80b76f31

**Fig. 13 Starter Wire Harness Remove/Install - 4.7L Engine**

- 1 - SOLENOID BATTERY TERMINAL EYELET
- 2 - NUT
- 3 - SOLENOID TERMINAL CONNECTOR
- 4 - BATTERY STARTER AND GENERATOR WIRE HARNESS
- 5 - RETAINERS

## REMOVAL AND INSTALLATION (Continued)

this process, do not let the starter motor hang from the wire harness.

(3) Install the battery cable eyelet onto the solenoid battery terminal. Always support the starter motor during this process, do not let the starter motor hang from the wire harness.

(4) Install and tighten the nut that secures the battery cable eyelet to the solenoid battery terminal. Tighten the nut to 11.3 N·m (100 in. lbs.). Always support the starter motor during this process, do not let the starter motor hang from the wire harness.

(5) Position the starter motor to the front of the automatic transmission torque converter housing and loosely install both the upper and lower mounting screws.

(6) Tighten the lower (forward facing) starter motor mounting screw. On 4.0L engines, tighten the screw to 41 N·m (30 ft. lbs.). On 4.7L engines, tighten the screw to 54 N·m (40 ft. lbs.).

(7) Tighten the upper (rearward facing) starter motor mounting screw. Tighten the screw to 54 N·m (40 ft. lbs.).

(8) Lower the vehicle.

(9) Reconnect the battery negative cable.

## STARTER RELAY

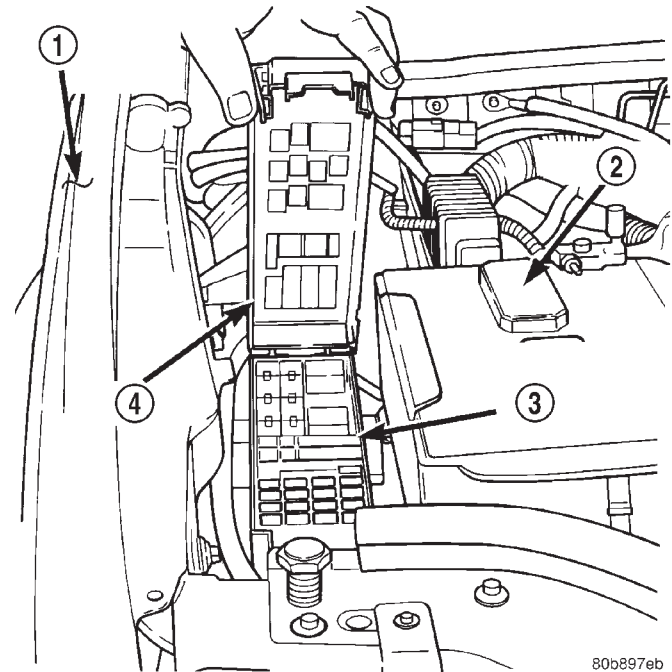
## REMOVAL

(1) Disconnect and isolate the battery negative cable.

(2) Remove the cover from the Power Distribution Center (PDC) (Fig. 14).

(3) See the fuse and relay layout label affixed to the underside of the PDC cover for starter relay identification and location.

(4) Remove the starter relay from the PDC.



**Fig. 14 Power Distribution Center**

- 1 - RIGHT FENDER
- 2 - BATTERY
- 3 - POWER DISTRIBUTION CENTER
- 4 - COVER

## INSTALLATION

(1) See the fuse and relay layout label affixed to the underside of the PDC cover for the proper starter relay location.

(2) Position the starter relay in the proper receptacle in the PDC.

(3) Align the starter relay terminals with the terminal cavities in the PDC receptacle.

(4) Push down firmly on the starter relay until the terminals are fully seated in the terminal cavities in the PDC receptacle.

(5) Install the cover onto the PDC.

(6) Reconnect the battery negative cable.

## SPECIFICATIONS

## STARTING SYSTEM

Starter Motor and Solenoid	
Manufacturer	Mitsubishi
Engine Application	4.0L, 4.7L
Power Rating	1.4 Kilowatt (1.9 Horsepower)
Voltage	12 Volts
Number of Fields	4
Number of Poles	4
Number of Brushes	4
Drive Type	Planetary Gear Reduction
Free Running Test Voltage	11.2 Volts
Free Running Test Maximum Amperage Draw	90 Amperes
Free Running Test Minimum Speed	2400 rpm
Solenoid Closing Maximum Voltage Required	7.8 Volts
*Cranking Amperage Draw Test	160 Amperes
*Test at operating temperature. Cold engine, tight (new) engine, or heavy oil will increase starter amperage draw.	

# CHARGING SYSTEM

## TABLE OF CONTENTS

	page	page
<b>DESCRIPTION AND OPERATION</b>		
CHARGING SYSTEM.....	1	
GENERATOR.....	1	
BATTERY TEMPERATURE SENSOR.....	2	
ELECTRONIC VOLTAGE REGULATOR.....	2	
<b>DIAGNOSIS AND TESTING</b>		
CHARGING SYSTEM.....	2	
ON-BOARD DIAGNOSTIC TEST FOR CHARGING SYSTEM.....	3	
<b>REMOVAL AND INSTALLATION</b>		
GENERATOR.....		3
BATTERY TEMPERATURE SENSOR.....		4
<b>SPECIFICATIONS</b>		
GENERATOR RATINGS.....		5
TORQUE CHART.....		5

## DESCRIPTION AND OPERATION

### CHARGING SYSTEM

#### DESCRIPTION

The charging system consists of:

- Generator
- Electronic Voltage Regulator (EVR) circuitry within the Powertrain Control Module (PCM)
- Ignition switch (refer to Ignition System for information)
- Battery (refer to Battery for information)
- Battery temperature sensor
- Check Gauges Lamp (if equipped)
- Voltmeter (refer to Instrument Panel and Gauges for information)
- Wiring harness and connections (refer to Wiring for information)

#### OPERATION

The charging system is turned on and off with the ignition switch. The system is on when the engine is running and the ASD relay is energized. When the ASD relay is on, voltage is supplied to the ASD relay sense circuit at the PCM. This voltage is connected through the PCM and supplied to one of the generator field terminals (Gen. Source +) at the back of the generator.

The amount of direct current produced by the generator is controlled by the EVR (field control) circuitry contained within the PCM. This circuitry is connected in series with the second rotor field terminal and ground.

A battery temperature sensor, located in the battery tray housing, is used to sense battery temperature. This temperature data, along with data from monitored line voltage, is used by the PCM to vary

the battery charging rate. This is done by cycling the ground path to control the strength of the rotor magnetic field. The PCM then compensates and regulates generator current output accordingly.

All vehicles are equipped with On-Board Diagnostics (OBD). All OBD-sensed systems, including EVR (field control) circuitry, are monitored by the PCM. Each monitored circuit is assigned a Diagnostic Trouble Code (DTC). The PCM will store a DTC in electronic memory for certain failures it detects. Refer to On-Board Diagnostics in Emission Control System for more DTC information.

The Check Gauges Lamp (if equipped) monitors: **charging system voltage**, engine coolant temperature and engine oil pressure. If an extreme condition is indicated, the lamp will be illuminated. This is done as a reminder to check the three gauges. The signal to activate the lamp is sent via the multiplexed bus circuits. The lamp is located on the instrument panel. Refer to Instrument Panel and Gauges for additional information.

### GENERATOR

#### DESCRIPTION

The generator is belt-driven by the engine using a serpentine type drive belt. It is serviced only as a complete assembly. If the generator fails for any reason, the entire assembly must be replaced.

#### OPERATION

As the energized rotor begins to rotate within the generator, the spinning magnetic field induces a current into the windings of the stator coil. Once the generator begins producing sufficient current, it also provides the current needed to energize the rotor.



## DESCRIPTION AND OPERATION (Continued)

The Y type stator winding connections deliver the induced alternating current to 3 positive and 3 negative diodes for rectification. From the diodes, rectified direct current is delivered to the vehicle electrical system through the generator battery terminal.

Although the generators appear the same externally, different generators with different output ratings are used on this vehicle. Be certain that the replacement generator has the same output rating and part number as the original unit. Refer to Generator Ratings in the Specifications section at the back of this group for amperage ratings and part numbers.

Noise emitting from the generator may be caused by: worn, loose or defective bearings; a loose or defective drive pulley; incorrect, worn, damaged or misadjusted fan drive belt; loose mounting bolts; a misaligned drive pulley or a defective stator or diode.

## BATTERY TEMPERATURE SENSOR

### DESCRIPTION

The Battery Temperature Sensor (BTS) is attached to the battery tray located under the battery.

### OPERATION

The BTS is used to determine the battery temperature and control battery charging rate. This temperature data, along with data from monitored line voltage, is used by the PCM to vary the battery charging rate. System voltage will be higher at colder temperatures and is gradually reduced at warmer temperatures.

The PCM sends 5 volts to the sensor and is grounded through the sensor return line. As temperature increases, resistance in the sensor decreases and the detection voltage at the PCM increases.

The BTS is also used for OBD II diagnostics. Certain faults and OBD II monitors are either enabled or disabled, depending upon BTS input (for example, disable purge and enable Leak Detection Pump (LDP) and O<sub>2</sub> sensor heater tests). Most OBD II monitors are disabled below 20°F.

## ELECTRONIC VOLTAGE REGULATOR

### DESCRIPTION

The Electronic Voltage Regulator (EVR) is not a separate component. It is actually a voltage regulating circuit located within the Powertrain Control Module (PCM). The EVR is not serviced separately. If replacement is necessary, the PCM must be replaced.

### OPERATION

The amount of direct current produced by the generator is controlled by EVR circuitry contained within the PCM. This circuitry is connected in series with the generator's second rotor field terminal and its ground.

Voltage is regulated by cycling the ground path to control the strength of the rotor magnetic field. The EVR circuitry monitors system line voltage (B+) and battery temperature (refer to Battery Temperature Sensor for more information). It then determines a target charging voltage. If sensed battery voltage is 0.5 volts or lower than the target voltage, the PCM grounds the field winding until sensed battery voltage is 0.5 volts above target voltage. A circuit in the PCM cycles the ground side of the generator field up to 100 times per second (100Hz), but has the capability to ground the field control wire 100% of the time (full field) to achieve the target voltage. If the charging rate cannot be monitored (limp-in), a duty cycle of 25% is used by the PCM in order to have some generator output. Also refer to Charging System Operation for additional information.

## DIAGNOSIS AND TESTING

### CHARGING SYSTEM

The following procedures may be used to diagnose the charging system if:

- the check gauges indicator lamp (if equipped) is illuminated with the engine running
- the voltmeter (if equipped) does not register properly
- an undercharged or overcharged battery condition occurs.

Remember that an undercharged battery is often caused by:

- accessories being left on with the engine not running
- a faulty or improperly adjusted switch that allows a lamp to stay on. See Ignition-Off Draw Test in Group 8A, Battery for more information.

### INSPECTION

To perform a complete test of the charging system, refer to the appropriate Powertrain Diagnostic Procedures service manual and the DRB scan tool. Perform the following inspections before attaching the scan tool.

(1) Inspect the battery condition. Refer to Group 8A, Battery for procedures.

(2) Inspect condition of battery cable terminals, battery posts, connections at engine block, starter solenoid and relay. They should be clean and tight. Repair as required.

DIAGNOSIS AND TESTING (Continued)

(3) Inspect all fuses in both the fuseblock and Power Distribution Center (PDC) for tightness in receptacles. They should be properly installed and tight. Repair or replace as required.

(4) Inspect generator mounting bolts for tightness. Replace or tighten bolts if required. Refer to the Generator Removal/Installation section of this group for torque specifications.

(5) Inspect generator drive belt condition and tension. Tighten or replace belt as required. Refer to Belt Tension Specifications in Group 7, Cooling System.

(6) Inspect automatic belt tensioner (if equipped). Refer to Group 7, Cooling System for information.

(7) Inspect generator electrical connections at generator field, battery output, and ground terminal (if equipped). Also check generator ground wire connection at engine (if equipped). They should all be clean and tight. Repair as required.

**ON-BOARD DIAGNOSTIC TEST FOR CHARGING SYSTEM**

The Powertrain Control Module (PCM) monitors critical input and output circuits of the charging system, making sure they are operational. A Diagnostic Trouble Code (DTC) is assigned to each input and output circuit monitored by the On-Board Diagnostic (OBD) system. Some circuits are checked continuously and some are checked only under certain conditions.

For DTC information, refer to Diagnostic Trouble Codes in Group 25, Emission Control System. This will include a complete list of DTC's including DTC's for the charging system.

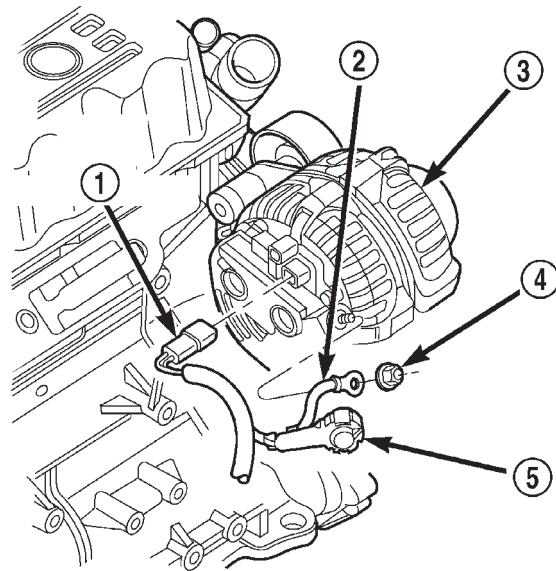
**REMOVAL AND INSTALLATION**

**GENERATOR**

**REMOVAL**

**WARNING: DISCONNECT NEGATIVE CABLE FROM BATTERY BEFORE REMOVING BATTERY OUTPUT WIRE (B+ WIRE) FROM GENERATOR. FAILURE TO DO SO CAN RESULT IN INJURY OR DAMAGE TO ELECTRICAL SYSTEM.**

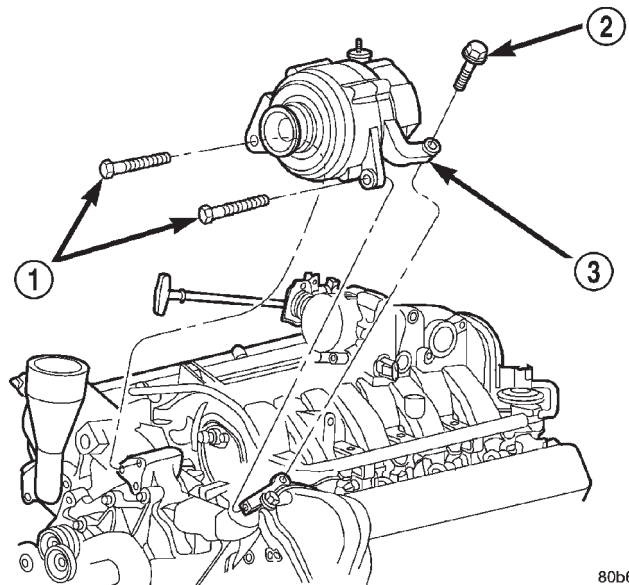
- (1) Disconnect negative battery cable at battery.
- (2) Remove generator drive belt. Refer to Cooling System for procedure.
- (3) Unsnap cable protector cover from B+ mounting stud (Fig. 1).
- (4) Disconnect (unsnap) 2-wire field connector at rear of generator (Fig. 1).
- (5) Remove generator mounting bolts (Fig. 2) or (Fig. 3).
- (6) Remove generator from vehicle.



80b6f038

**Fig. 1 Generator B+ Cable and Field Wire Connections (Typical—4.0L Engine Shown)**

- 1 - FIELD WIRE CONNECTOR
- 2 - B+ CABLE
- 3 - GENERATOR
- 4 - B+ CABLE MOUNTING NUT
- 5 - CABLE PROTECTOR



80b6f03c

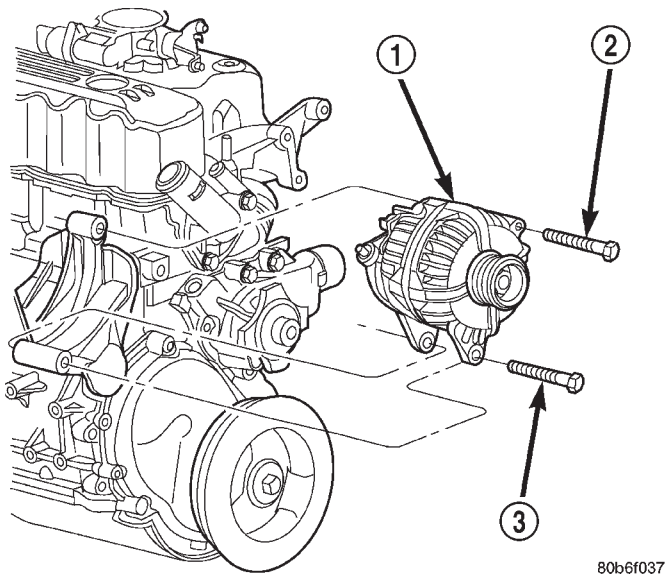
**Fig. 2 Remove/Install Generator—4.7L V-8 Engine**

- 1 - LOWER BOLTS
- 2 - REAR BOLT
- 3 - GENERATOR

**INSTALLATION**

- (1) Position generator to engine and install mounting bolts.
- (2) Tighten generator mounting bolts as follows:
  - Vertical mounting bolt 4.7L engine—55 N-m (40 ft. lbs.)

## REMOVAL AND INSTALLATION (Continued)



80b6f037

**Fig. 3 Remove/Install Generator—4.0L 6-Cylinder Engine**

- 1 - GENERATOR
- 2 - UPPER BOLT
- 3 - LOWER BOLT

- Long horizontal mounting bolt 4.7L engine—55 N·m (40 ft. lbs.)
  - Short horizontal mounting bolt 4.7L engine—74 N·m (55 ft. lbs.)
  - Generator mounting bolts 4.0L engine—56 N·m (41 ft. lbs.)
  - B+ terminal nut—11 N·m (95 in. lbs.)
- (3) Snap 2-wire field connector into rear of generator.
- (4) Snap cable protector cover to B+ mounting stud.

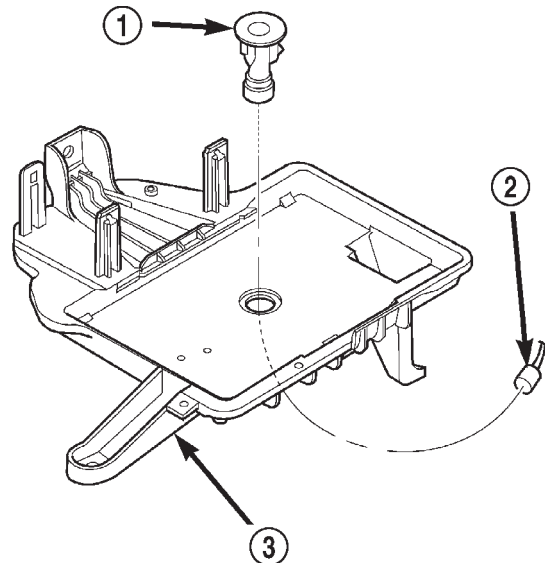
**CAUTION:** Never force a belt over a pulley rim using a screwdriver. The synthetic fiber of the belt can be damaged.

**CAUTION:** When installing a serpentine accessory drive belt, the belt **MUST** be routed correctly. The water pump will be rotating in the wrong direction if the belt is installed incorrectly, causing the engine to overheat. Refer to belt routing label in engine compartment, or refer to Belt Schematics in Group 7, Cooling System.

- (5) Install generator drive belt. Refer to Cooling System for procedure.
- (6) Install negative battery cable to battery.

**BATTERY TEMPERATURE SENSOR**

The battery temperature sensor is located under the vehicle battery (Fig. 4) and is attached to a mounting hole on the battery tray.



80b6f036

**Fig. 4 Battery Temperature Sensor Location**

- 1 - BATTERY TEMPERATURE SENSOR
- 2 - ENGINE WIRE HARNESS
- 3 - BATTERY TRAY

**REMOVAL**

- (1) Remove battery. Refer to Group 8A, Battery for procedures.
- (2) Remove battery tray.
- (3) Pull sensor up from battery tray and disconnect engine wire harness.
- (4) Remove sensor from battery tray.

**INSTALLATION**

- (1) Position sensor into mounting hole and attach wiring harness.
- (2) Press sensor into top of battery tray.
- (3) Install battery. Refer to Group 8A, Battery for procedures.

SPECIFICATIONS

GENERATOR RATINGS

TYPE	PART NUMBER	RATED SAE AMPS	ENGINES	MINIMUM TEST AMPS
BOSCH	56041322	136	4.0L 6-Cylinder	100
DENSO	56041324	136	4.7L V-8	100

TORQUE CHART

<b>Description</b>	<b>Torque</b>
Generator Mounting Bolts— 4.0L 6-Cylinder Engine . . . .	56 N·m (41 ft. lbs.)
Generator Vertical Mounting Bolt— 4.7L V-8 Engine . . . . .	55 N·m (40 ft. lbs.)
Generator (long) Horizontal Mounting Bolt—4.7L V-8 Engine . . . . .	55 N·m (40 ft. lbs.)
Generator (short) Horizontal Mounting Bolt—4.7L V-8 Engine . . . . .	74 N·m (55 ft. lbs.)
Generator B+ Terminal Nut . . .	11 N·m (95 in. lbs.)





# IGNITION SYSTEM

## TABLE OF CONTENTS

	page		page
<b>DESCRIPTION AND OPERATION</b>		IGNITION COIL—4.7L ENGINE . . . . .	13
IGNITION SYSTEM . . . . .	1	COIL CAPACITORS . . . . .	14
SPARK PLUGS . . . . .	2	CRANKSHAFT POSITION SENSOR—4.0L ENGINE . . . . .	14
IGNITION COIL—4.0L ENGINE . . . . .	2	CRANKSHAFT POSITION SENSOR—4.7L V-8 ENGINE . . . . .	15
IGNITION COIL—4.7L ENGINE . . . . .	3	CAMSHAFT POSITION SENSOR—4.0L ENGINE . . . . .	15
COIL CAPACITORS . . . . .	4	CAMSHAFT POSITION SENSOR—4.7L ENGINE . . . . .	18
CRANKSHAFT POSITION SENSOR—4.0L ENGINE . . . . .	4	IGNITION SWITCH AND KEY CYLINDER . . . . .	18
CRANKSHAFT POSITION SENSOR—4.7L ENGINE . . . . .	5	SHIFTER/IGNITION INTERLOCK . . . . .	20
CAMSHAFT POSITION SENSOR—4.0L ENGINE . . . . .	6	<b>SPECIFICATIONS</b>	
CAMSHAFT POSITION SENSOR—4.7L ENGINE . . . . .	6	ENGINE FIRING ORDER—4.0L 6-CYLINDER ENGINE . . . . .	21
IGNITION SWITCH AND KEY LOCK CYLINDER . . . . .	7	ENGINE FIRING ORDER—4.7L V-8 ENGINE . . . . .	21
<b>DIAGNOSIS AND TESTING</b>		IGNITION TIMING . . . . .	21
SPARK PLUG CONDITIONS . . . . .	8	IGNITION COIL RESISTANCE—4.0L ENGINE . . . . .	22
IGNITION SWITCH AND KEY LOCK CYLINDER . . . . .	10	IGNITION COIL RESISTANCE—4.7L V-8 ENGINE . . . . .	22
<b>REMOVAL AND INSTALLATION</b>		SPARK PLUGS . . . . .	22
IGNITION COIL—4.0L ENGINE . . . . .	11	TORQUE CHART . . . . .	22
SPARK PLUGS . . . . .	11		

## DESCRIPTION AND OPERATION

### IGNITION SYSTEM

#### DESCRIPTION

Two different ignition systems are used. One type of system is for the 4.0L 6-cylinder engine. The other is for the 4.7L V-8 engine.

#### OPERATION

The 4.0L 6-cylinder engine uses a one-piece coil rail containing three independent coils. Although cylinder firing order is the same as 4.0L engines of previous years, spark plug firing is not. The 3 coils dual-fire the spark plugs on cylinders 1-6, 2-5 and/or 3-4. When one cylinder is being fired (on compression stroke), the spark to the opposite cylinder is being wasted (on exhaust stroke). The one-piece coil bolts directly to the cylinder head. Rubber boots seal the secondary terminal ends of the coils to the top of all

6 spark plugs. One electrical connector (located at the rear end of the coil rail) is used for all three coils.

The 4.7L V-8 engine uses 8 dedicated and individually fired coil for each spark plug. Each coil is mounted directly to the top of each spark plug. A separate electrical connector is used for each coil.

Because of coil design, spark plug cables (secondary cables) are not used on either engine. A **distributor is not used** with either the 4.0L or 4.7L engines.

The ignition system is controlled by the powertrain control module (PCM) on all engines.

The ignition system consists of:

- Spark Plugs
- Ignition Coil(s)
- Powertrain Control Module (PCM)
- Crankshaft Position Sensor
- Camshaft Position Sensor
- The MAP, TPS, IAC and ECT also have an effect on the control of the ignition system.

## DESCRIPTION AND OPERATION (Continued)

## SPARK PLUGS

## DESCRIPTION

Both the 4.0L 6-cylinder and the 4.7L V-8 engine use resistor type spark plugs. 4.7L V-8 engines are equipped with "fired in suppressor seal" type spark plugs using a copper core ground electrode.

Because of the use of an aluminum cylinder head on the 4.7L engine, spark plug torque is very critical.

To prevent possible pre-ignition and/or mechanical engine damage, the correct type/heat range/number spark plug must be used.

## OPERATION

Plugs on both engines have resistance values ranging from 6,000 to 20,000 ohms (when checked with at least a 1000 volt spark plug tester). **Do not use an ohmmeter to check the resistance values of the spark plugs. Inaccurate readings will result.** Remove the spark plugs and examine them for burned electrodes and fouled, cracked or broken porcelain insulators. Keep plugs arranged in the order in which they were removed from the engine. A single plug displaying an abnormal condition indicates that a problem exists in the corresponding cylinder. Replace spark plugs at the intervals recommended in Group O, Lubrication and Maintenance.

Spark plugs that have low mileage may be cleaned and reused if not otherwise defective, carbon or oil fouled. Also refer to Spark Plug Conditions.

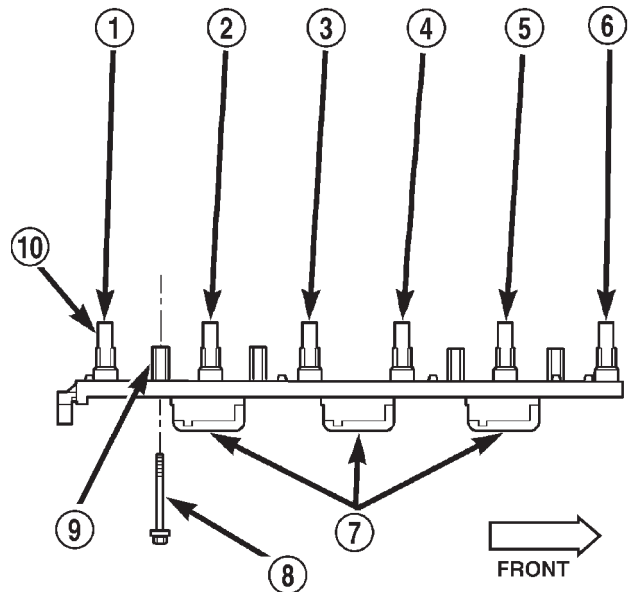
**CAUTION:** Never use a motorized wire wheel brush to clean the spark plugs. Metallic deposits will remain on the spark plug insulator and will cause plug misfire.

## IGNITION COIL—4.0L ENGINE

## DESCRIPTION

A one-piece coil rail assembly containing three individual coils is used on the 4.0L 6-cylinder engine (Fig. 1). The coil rail must be replaced as one assembly. The bottom of the coil is equipped with 6 individual rubber boots (Fig. 1) to seal the 6 spark plugs to the coil. Inside each rubber boot is a spring. The spring is used for a mechanical contact between the coil and the top of the spark plug. These rubber boots and springs are a permanent part of the coil and are not serviced separately.

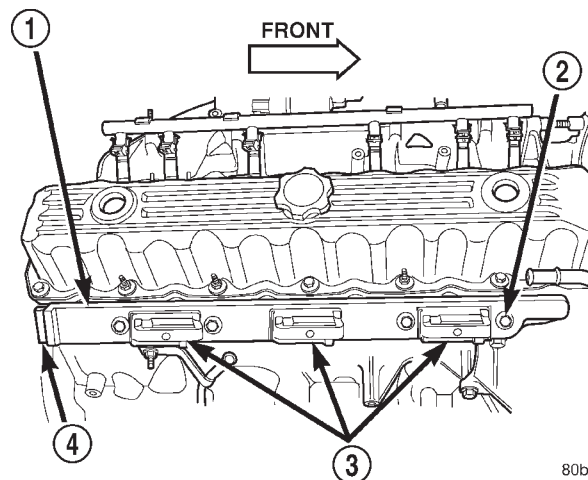
(1) The coil is bolted directly to the cylinder head (Fig. 2). One electrical connector (located at rear of coil) is used for all three coils.



80be45c1

**Fig. 1 Ignition Coil Assembly—4.0L 6-Cylinder Engine**

- 1 - CYL. #6
- 2 - CYL. #5
- 3 - CYL. #4
- 4 - CYL. #3
- 5 - CYL. #2
- 6 - CYL. #1
- 7 - COILS (3)
- 8 - MOUNTING BOLTS (4)
- 9 - BOLT BASES (4)
- 10 - RUBBER BOOTS (6)



80be45c0

**Fig. 2 Coil Location—4.0L Engine**

- 1 - COIL RAIL
- 2 - COIL MOUNTING BOLTS (4)
- 3 - COIL
- 4 - COIL ELECTRICAL CONNECTION

DESCRIPTION AND OPERATION (Continued)

**OPERATION**

Although cylinder firing order is the same as 4.0L Jeep engines of previous years, spark plug firing is not. The 3 coils dual-fire the spark plugs on cylinders 1-6, 2-5 and/or 3-4. When one cylinder is being fired (on compression stroke), the spark to the opposite cylinder is being wasted (on exhaust stroke).

Battery voltage is supplied to the three ignition coils from the ASD relay. The Powertrain Control Module (PCM) opens and closes the ignition coil ground circuit for ignition coil operation.

**Base ignition timing is not adjustable.** By controlling the coil ground circuit, the PCM is able to set the base timing and adjust the ignition timing advance. This is done to meet changing engine operating conditions.

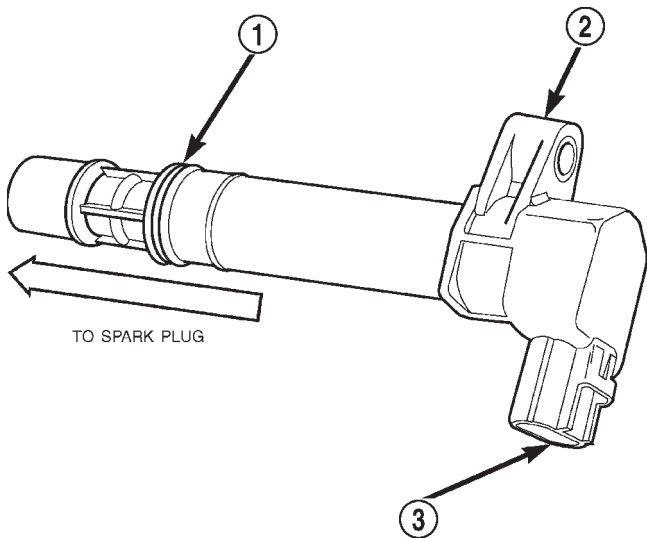
The ignition coil is not oil filled. The windings are embedded in an epoxy compound. This provides heat and vibration resistance that allows the ignition coil to be mounted on the engine.

Because of coil design, spark plug cables (secondary cables) are not used. The cables are integral within the coil rail.

**IGNITION COIL—4.7L ENGINE**

**DESCRIPTION**

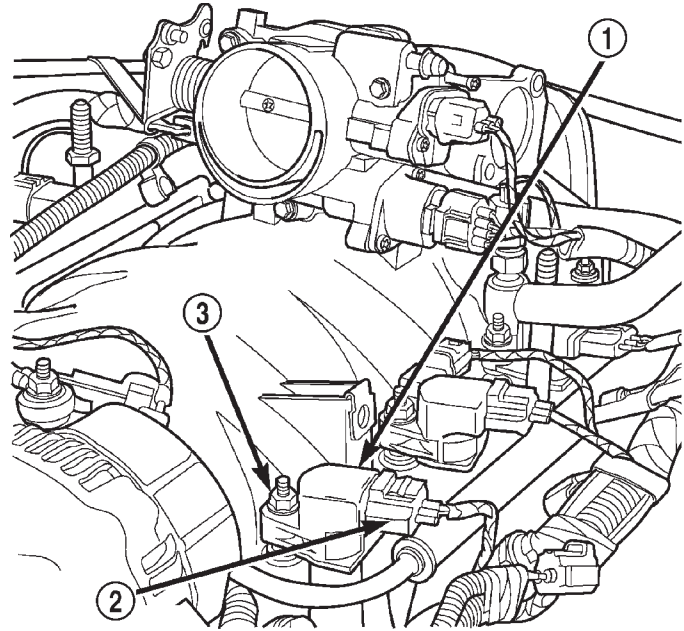
The 4.7L V-8 engine uses 8 dedicated, and individually fired coil (Fig. 3) for each spark plug. Each coil is mounted directly to the top of each spark plug (Fig. 4).



80b76fe6

**Fig. 3 Ignition Coil—4.7L Engine**

- 1 - O-RING
- 2 - IGNITION COIL
- 3 - ELECTRICAL CONNECTOR



80b76fe7

**Fig. 4 Ignition Coil Location—4.7L Engine**

- 1 - IGNITION COIL
- 2 - COIL ELECTRICAL CONNECTOR
- 3 - COIL MOUNTING STUD/NUT

**OPERATION**

Battery voltage is supplied to the 8 ignition coils from the ASD relay. The Powertrain Control Module (PCM) opens and closes each ignition coil ground circuit at a determined time for ignition coil operation.

**Base ignition timing is not adjustable.** By controlling the coil ground circuit, the PCM is able to set the base timing and adjust the ignition timing advance. This is done to meet changing engine operating conditions.

The ignition coil is not oil filled. The windings are embedded in an epoxy compound. This provides heat and vibration resistance that allows the ignition coil to be mounted on the engine.

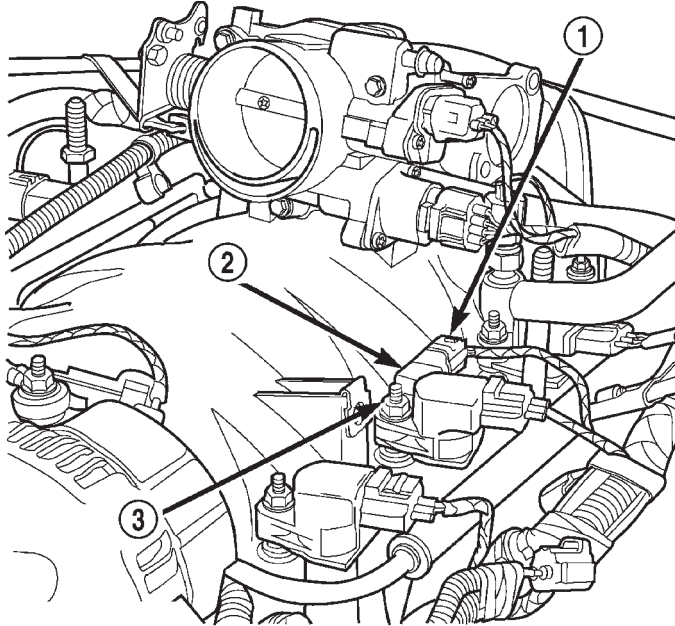
Because of coil design, spark plug cables (secondary cables) are not used.

## DESCRIPTION AND OPERATION (Continued)

## COIL CAPACITORS

## DESCRIPTION

Two coil capacitors are used. One of them is located near the center of, and on the left side of the intake manifold (Fig. 5). The other capacitor is located near the center of, and on the right side of the intake manifold.



80be45c7

**Fig. 5 Coil Capacitor (Left Side Shown)**

- 1 - ELECTRICAL CONNECTOR
- 2 - COIL CAPACITOR
- 3 - MOUNTING NUT

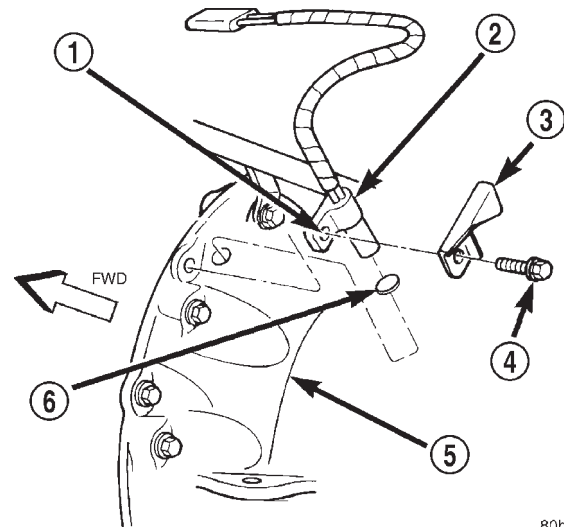
## OPERATION

The 2 coil capacitors are used to prevent high-voltage spikes from interfering with the operation of certain powertrain sensors. They are also used to help prevent radio interference.

## CRANKSHAFT POSITION SENSOR—4.0L ENGINE

## DESCRIPTION

The Crankshaft Position Sensor (CKP) is mounted to the transmission bellhousing at the left/rear side of the engine block (Fig. 6).



80b89904

**Fig. 6 CKP Sensor Location—4.0L 6-Cyl. Engine**

- 1 - SLOTTED HOLE
- 2 - CRANKSHAFT POSITION SENSOR
- 3 - WIRE SHIELD
- 4 - MOUNTING BOLT
- 5 - TRANSMISSION HOUSING
- 6 - PAPER SPACER

## OPERATION

Engine speed and crankshaft position are provided through the crankshaft position sensor. The sensor generates pulses that are the input sent to the powertrain control module (PCM). The PCM interprets the sensor input to determine the crankshaft position. The PCM then uses this position, along with other inputs, to determine injector sequence and ignition timing.

The sensor is a hall effect device combined with an internal magnet. It is also sensitive to steel within a certain distance from it.

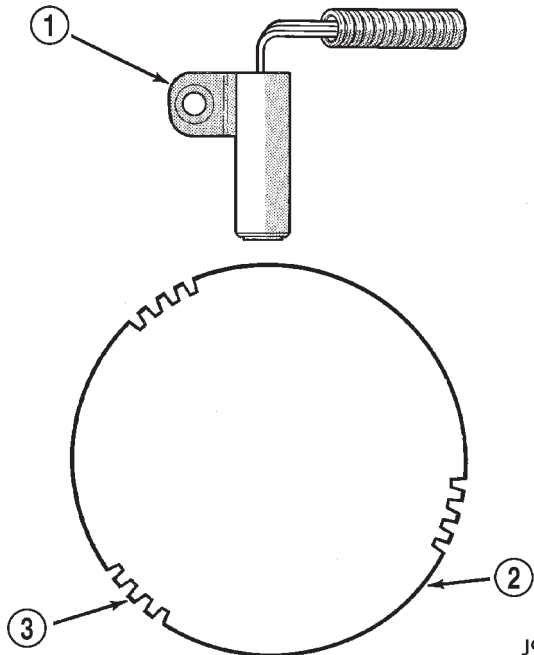
On 4.0L 6-cylinder engines, the flywheel/drive plate has 3 sets of four notches at its outer edge (Fig. 7).

The notches cause a pulse to be generated when they pass under the sensor. The pulses are the input to the PCM. For each engine revolution there are 3 sets of four pulses generated.

The trailing edge of the fourth notch, which causes the pulse, is four degrees before top dead center (TDC) of the corresponding piston.

The engine will not operate if the PCM does not receive a crankshaft position sensor input.

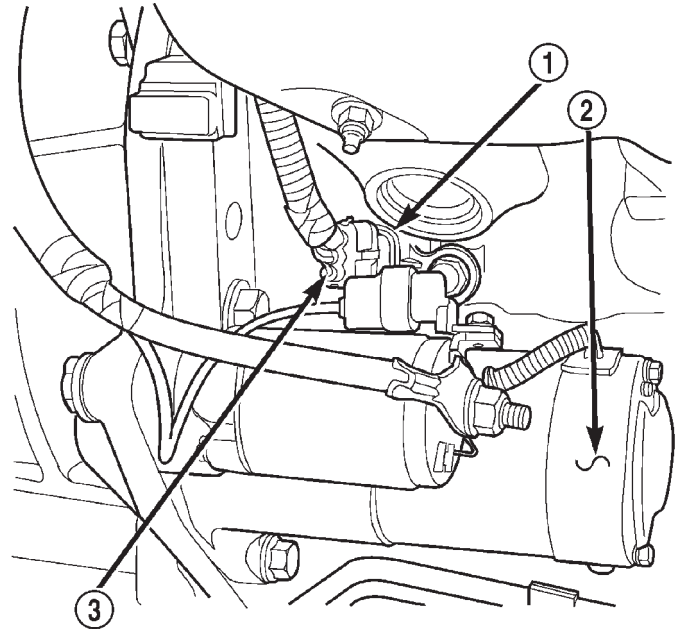
DESCRIPTION AND OPERATION (Continued)



J958D-3

**Fig. 7 CKP Sensor Operation—4.0L 6-Cyl. Engine**

- 1 - CRANKSHAFT POSITION SENSOR
- 2 - FLYWHEEL
- 3 - FLYWHEEL NOTCHES



80b76ff0

**Fig. 8 CKP Sensor Location—4.7L V-8 Engine**

- 1 - CRANKSHAFT POSITION SENSOR
- 2 - STARTER
- 3 - ELEC. CONNECTOR

**CRANKSHAFT POSITION SENSOR—4.7L ENGINE**

**DESCRIPTION**

The Crankshaft Position Sensor (CKP) is mounted into the engine block above the starter motor (Fig. 8).

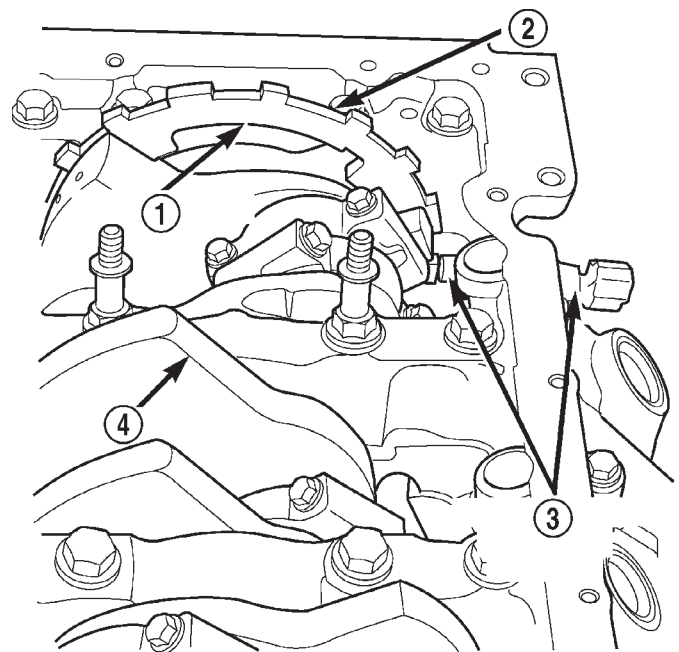
**OPERATION**

Engine speed and crankshaft position are provided through the crankshaft position sensor. The sensor generates pulses that are the input sent to the powertrain control module (PCM). The PCM interprets the sensor input to determine the crankshaft position. The PCM then uses this position, along with other inputs, to determine injector sequence and ignition timing.

The sensor is a hall effect device combined with an internal magnet. It is also sensitive to steel within a certain distance from it.

On the 4.7L V-8 engine, a tonewheel is bolted to the engine crankshaft (Fig. 9). This tonewheel has sets of notches at its outer edge (Fig. 9).

The notches cause a pulse to be generated when they pass under the sensor. The pulses are the input to the PCM.



80b76ff2

**Fig. 9 CKP Sensor Operation and Tonewheel—4.7L V-8 Engine**

- 1 - TONEWHEEL
- 2 - NOTCHES
- 3 - CRANKSHAFT POSITION SENSOR
- 4 - CRANKSHAFT

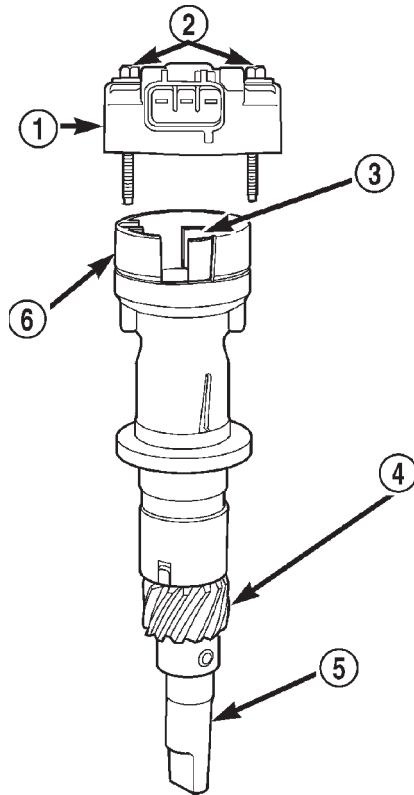


## DESCRIPTION AND OPERATION (Continued)

## CAMSHAFT POSITION SENSOR—4.0L ENGINE

## DESCRIPTION

The Camshaft Position Sensor (CMP) on the 4.0L 6-cylinder engine is bolted to the top of the oil pump drive shaft assembly (Fig. 10). The sensor and drive shaft assembly is located on the right side of the engine near the oil filter (Fig. 11).



80b76ff3

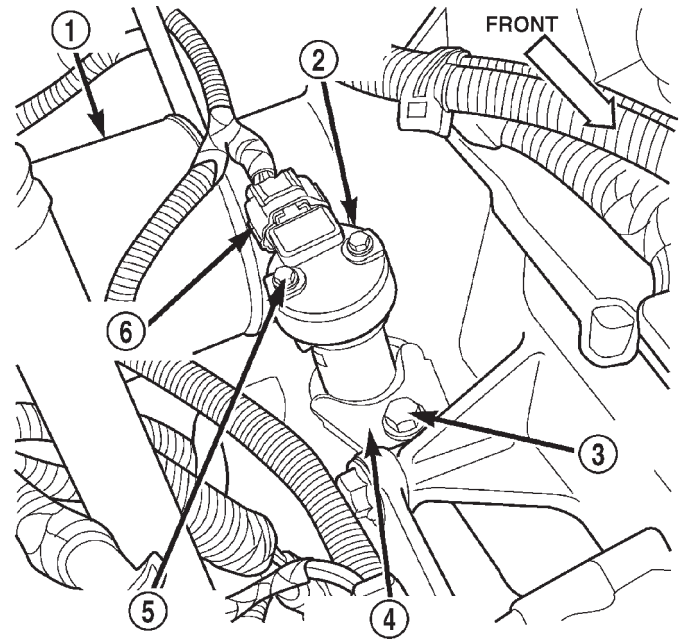
**Fig. 10 CMP and Oil Pump Drive Shaft—4.0L Engine**

- 1 - CAMSHAFT POSITION SENSOR
- 2 - MOUNTING BOLTS (2)
- 3 - PULSE RING
- 4 - DRIVE GEAR (TO CAMSHAFT)
- 5 - OIL PUMP DRIVESHAFT
- 6 - SENSOR BASE (OIL PUMP DRIVESHAFT ASSEMBLY)

## OPERATION

The CMP sensor contains a hall effect device called a sync signal generator to generate a fuel sync signal. This sync signal generator detects a rotating pulse ring (shutter) on the oil pump drive shaft (Fig. 10). The pulse ring rotates 180 degrees through the sync signal generator. Its signal is used in conjunction with the crankshaft position sensor to differentiate between fuel injection and spark events. It is also used to synchronize the fuel injectors with their respective cylinders.

When the leading edge of the pulse ring (shutter) enters the sync signal generator, the following occurs: The interruption of magnetic field causes the voltage



80b76ff4

**Fig. 11 CMP Location—4.0L Engine**

- 1 - OIL FILTER
- 2 - CAMSHAFT POSITION SENSOR
- 3 - CLAMP BOLT
- 4 - HOLD-DOWN CLAMP
- 5 - MOUNTING BOLTS (2)
- 6 - ELEC. CONNECTOR

to switch high resulting in a sync signal of approximately 5 volts.

When the trailing edge of the pulse ring (shutter) leaves the sync signal generator, the following occurs: The change of the magnetic field causes the sync signal voltage to switch low to 0 volts.

## CAMSHAFT POSITION SENSOR—4.7L ENGINE

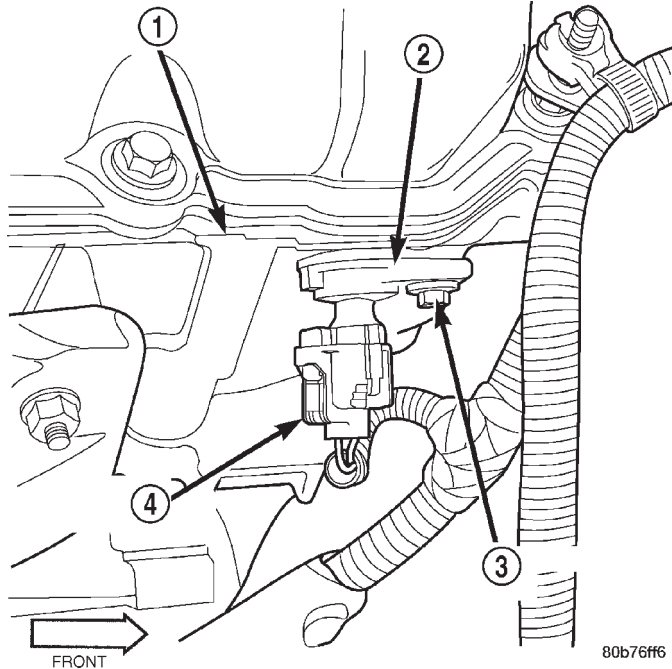
## DESCRIPTION

The Camshaft Position Sensor (CMP) on the 4.7L V-8 engine is bolted to the front/top of the right cylinder head (Fig. 12).

## OPERATION

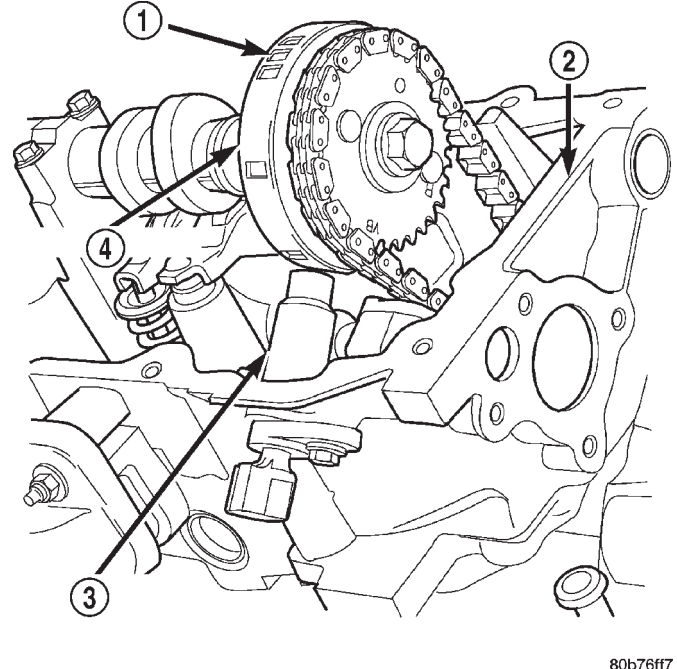
The CMP sensor contains a hall effect device called a sync signal generator to generate a fuel sync signal. This sync signal generator detects notches located on a tonewheel. The tonewheel is located at the front of the camshaft for the right cylinder head (Fig. 13). As the tonewheel rotates, the notches pass through the sync signal generator. The pattern of the notches (viewed counter-clockwise from front of engine) is: 1 notch, 2 notches, 3 notches, 3 notches, 2 notches, 1 notch, 3 notches and 1 notch. The signal from the CMP sensor is used in conjunction with the crankshaft position sensor to differentiate between

DESCRIPTION AND OPERATION (Continued)



**Fig. 12 CMP Location—4.7L Engine**

- 1 - RIGHT CYLINDER HEAD
- 2 - CAMSHAFT POSITION SENSOR
- 3 - MOUNTING BOLT
- 4 - ELEC. CONNECTOR



**Fig. 13 CMP Sensor and Tonewheel—4.7L Engine**

- 1 - NOTCHES
- 2 - RIGHT CYLINDER HEAD
- 3 - CAMSHAFT POSITION SENSOR
- 4 - TONEWHEEL

fuel injection and spark events. It is also used to synchronize the fuel injectors with their respective cylinders.

**IGNITION SWITCH AND KEY LOCK CYLINDER**

**DESCRIPTION**

The electrical ignition switch is located on the steering column. It is used as the main on/off switching device for most electrical components. The mechanical key lock cylinder is used to engage/disengage the electrical ignition switch.

**OPERATION**

**Vehicles equipped with an automatic transmission and a floor mounted shifter:** a cable is used to connect the interlock device in the steering column assembly, to the transmission floor shift lever. This interlock device is used to lock the transmission shifter in the PARK position when the key lock cylinder is rotated to the LOCKED or ACCESSORY position. The interlock device within the steering column is not serviceable. If repair is necessary, the steering column assembly must be replaced. Refer to Group 19, Steering for procedures.

If the ignition key is difficult to rotate to or from the LOCK or ACCESSORY position, it may not be the fault of the key cylinder or the steering column

components. The brake transmission shift interlock cable may be out of adjustment. Refer to Brake Transmission Shift Interlock Cable Adjustment in Group 21, Transmissions for adjustment procedures.

**Vehicles equipped with an automatic transmission and a steering column mounted shifter:** an interlock device is located within the steering column. This interlock device is used to lock the transmission shifter in the PARK position when the key lock cylinder is in the LOCKED or ACCESSORY position. If it is difficult to rotate the key to or from the LOCK or ACCESSORY position, the interlock device within the steering column may be defective. This device is not serviceable. If repair is necessary, the steering column assembly must be replaced. Refer to Group 19, Steering for procedures.

**Vehicles equipped with a manual transmission, a floor mounted shifter, and a LEVER below the ignition key:** A lever is located on the steering column behind the ignition key lock cylinder. The lever must be manually operated to allow rotation of the ignition key lock cylinder to the LOCK or ACCESSORY position. If it is difficult to rotate the key to the LOCK or ACCESSORY position, the lever mechanism may be defective. This mechanism is not serviceable. If repair is necessary, the steering column assembly must be replaced. Refer to Group 19, Steering for procedures.

## DESCRIPTION AND OPERATION (Continued)

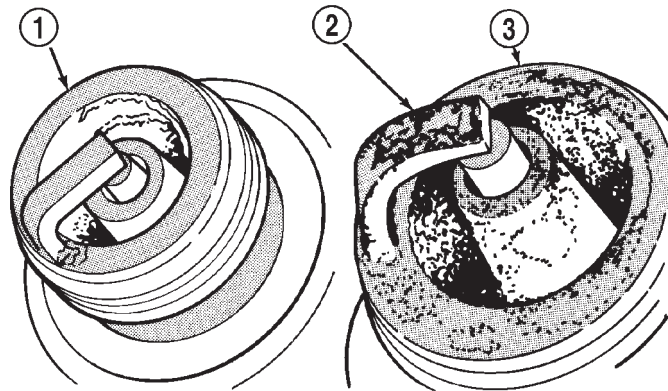
**Vehicles equipped with a manual transmission, a floor mounted shifter, and NO LEVER below the ignition key:** The ignition key cylinder must be depressed to allow it to be rotated into the LOCK or ACCESSORY position. If it is difficult to rotate the key to the LOCK or ACCESSORY position, the lock mechanism within the steering column may be defective. This mechanism is not serviceable. If repair is necessary, the steering column assembly must be replaced. Refer to Group 19, Steering for procedures.

## DIAGNOSIS AND TESTING

## SPARK PLUG CONDITIONS

## NORMAL OPERATING

The few deposits present on the spark plug will probably be light tan or slightly gray in color. This is evident with most grades of commercial gasoline (Fig. 14). There will not be evidence of electrode burning. Gap growth will not average more than approximately 0.025 mm (.001 in) per 3200 km (2000 miles) of operation. Spark plugs that have normal wear can usually be cleaned, have the electrodes filed, have the gap set and then be installed.



J908D-15

**Fig. 14 Normal Operation and Cold (Carbon) Fouling**

- 1 - NORMAL
- 2 - DRY BLACK DEPOSITS
- 3 - COLD (CARBON) FOULING

Some fuel refiners in several areas of the United States have introduced a manganese additive (MMT) for unleaded fuel. During combustion, fuel with MMT causes the entire tip of the spark plug to be coated with a rust colored deposit. This rust color can be misdiagnosed as being caused by coolant in the combustion chamber. Spark plug performance may be affected by MMT deposits.

## COLD FOULING/CARBON FOULING

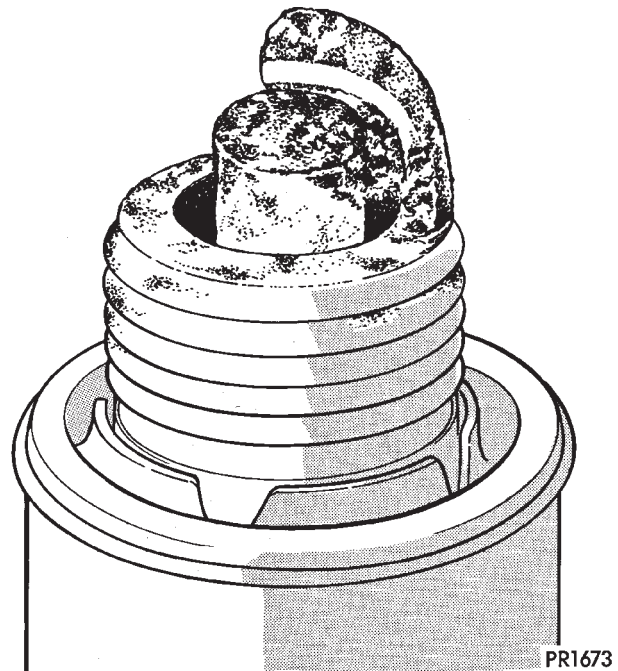
Cold fouling is sometimes referred to as carbon fouling. The deposits that cause cold fouling are basically carbon (Fig. 14). A dry, black deposit on one or two plugs in a set may be caused by sticking valves or defective spark plug cables. Cold (carbon) fouling of the entire set of spark plugs may be caused by a clogged air cleaner element or repeated short operating times (short trips).

## WET FOULING OR GAS FOULING

A spark plug coated with excessive wet fuel or oil is wet fouled. In older engines, worn piston rings, leaking valve guide seals or excessive cylinder wear can cause wet fouling. In new or recently overhauled engines, wet fouling may occur before break-in (normal oil control) is achieved. This condition can usually be resolved by cleaning and reinstalling the fouled plugs.

## OIL OR ASH ENCRUSTED

If one or more spark plugs are oil or oil ash encrusted (Fig. 15), evaluate engine condition for the cause of oil entry into that particular combustion chamber.



PR1673

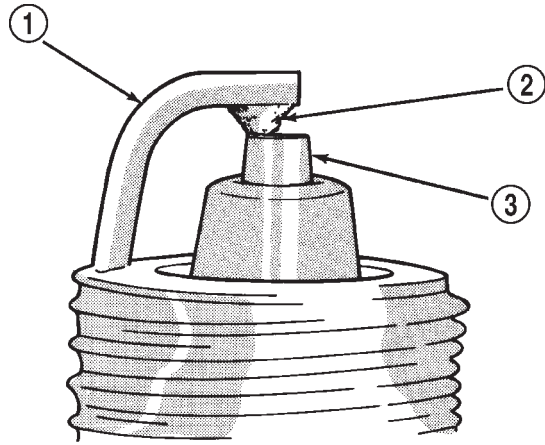
**Fig. 15 Oil or Ash Encrusted**

## ELECTRODE GAP BRIDGING

Electrode gap bridging may be traced to loose deposits in the combustion chamber. These deposits accumulate on the spark plugs during continuous stop-and-go driving. When the engine is suddenly subjected to a high torque load, deposits partially liquefy and bridge the gap between electrodes (Fig. 16).

DIAGNOSIS AND TESTING (Continued)

This short circuits the electrodes. Spark plugs with electrode gap bridging can be cleaned using standard procedures.



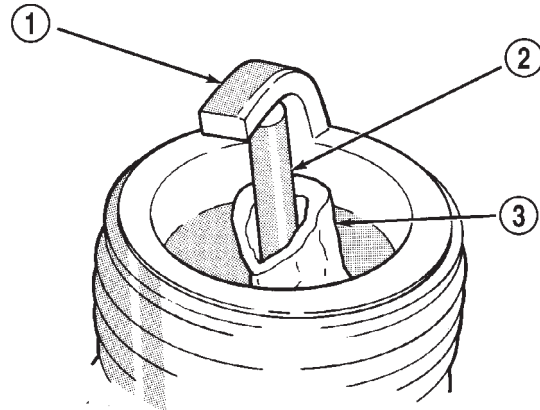
J908D-11

**Fig. 16 Electrode Gap Bridging**

- 1 - GROUND ELECTRODE
- 2 - DEPOSITS
- 3 - CENTER ELECTRODE

**CHIPPED ELECTRODE INSULATOR**

A chipped electrode insulator usually results from bending the center electrode while adjusting the spark plug electrode gap. Under certain conditions, severe detonation can also separate the insulator from the center electrode (Fig. 18). Spark plugs with this condition must be replaced.



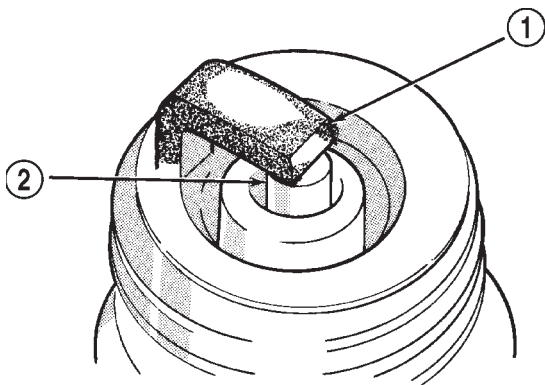
J908D-13

**Fig. 18 Chipped Electrode Insulator**

- 1 - GROUND ELECTRODE
- 2 - CENTER ELECTRODE
- 3 - CHIPPED INSULATOR

**SCAVENGER DEPOSITS**

Fuel scavenger deposits may be either white or yellow (Fig. 17). They may appear to be harmful, but this is a normal condition caused by chemical additives in certain fuels. These additives are designed to change the chemical nature of deposits and decrease spark plug misfire tendencies. Notice that accumulation on the ground electrode and shell area may be heavy, but the deposits are easily removed. Spark plugs with scavenger deposits can be considered normal in condition and can be cleaned using standard procedures.



J908D-12

**Fig. 17 Scavenger Deposits**

- 1 - GROUND ELECTRODE COVERED WITH WHITE OR YELLOW DEPOSITS
- 2 - CENTER ELECTRODE

**PRE-IGNITION DAMAGE**

Pre-ignition damage is usually caused by excessive combustion chamber temperature. The center electrode dissolves first and the ground electrode dissolves somewhat latter (Fig. 19). Insulators appear relatively deposit free. Determine if the spark plug has the correct heat range rating for the engine. Determine if ignition timing is over advanced or if other operating conditions are causing engine overheating. (The heat range rating refers to the operating temperature of a particular type spark plug. Spark plugs are designed to operate within specific temperature ranges. This depends upon the thickness and length of the center electrodes porcelain insulator.)

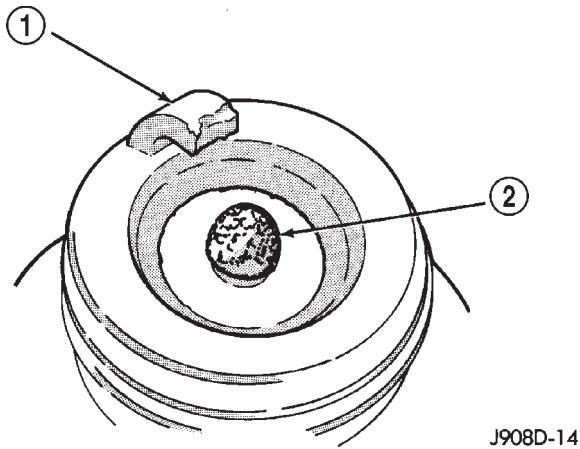
**CAUTION:** If the engine is equipped with copper core ground electrode spark plugs, they must be replaced with the same type/number spark plug as the original. If another spark plug is substituted, pre-ignition will result.

**SPARK PLUG OVERHEATING**

Overheating is indicated by a white or gray center electrode insulator that also appears blistered (Fig. 20). The increase in electrode gap will be considerably in excess of 0.001 inch per 2000 miles of opera-



## DIAGNOSIS AND TESTING (Continued)

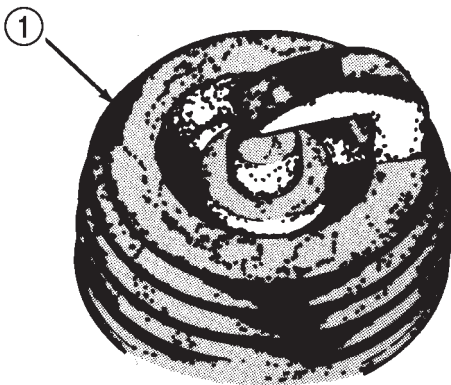


**Fig. 19 Pre-ignition Damage**

- 1 - GROUND ELECTRODE STARTING TO DISSOLVE  
2 - CENTER ELECTRODE DISSOLVED

tion. This suggests that a plug with a cooler heat range rating should be used. Over advanced ignition timing, detonation and cooling system malfunctions can also cause spark plug overheating.

**CAUTION:** If the engine is equipped with copper core ground electrode spark plugs, they must be replaced with the same type/number spark plug as the original. If another spark plug is substituted, pre-ignition will result.



**Fig. 20 Spark Plug Overheating**

- 1 - BLISTERED WHITE OR GRAY COLORED INSULATOR

## IGNITION SWITCH AND KEY LOCK CYLINDER

## ELECTRICAL DIAGNOSIS

For ignition switch electrical schematics, refer to Ignition Switch in Group 8W, Wiring Diagrams.

## MECHANICAL DIAGNOSIS (KEY DIFFICULT TO ROTATE)

**Vehicles equipped with an automatic transmission and a floor mounted shifter:** a cable is used to connect the interlock device in the steering column assembly, to the transmission floor shift lever. This interlock device is used to lock the transmission shifter in the PARK position when the key lock cylinder is rotated to the LOCKED or ACCESSORY position. The interlock device within the steering column is not serviceable. If repair is necessary, the steering column assembly must be replaced. Refer to Group 19, Steering for procedures.

If the ignition key is difficult to rotate to or from the LOCK or ACCESSORY position, it may not be the fault of the key cylinder or the steering column components. The brake transmission shift interlock cable may be out of adjustment. Refer to Brake Transmission Shift Interlock Cable Adjustment in Group 21, Transmissions for adjustment procedures.

**Vehicles equipped with an automatic transmission and a steering column mounted shifter:** an interlock device is located within the steering column. This interlock device is used to lock the transmission shifter in the PARK position when the key lock cylinder is in the LOCKED or ACCESSORY position. If it is difficult to rotate the key to or from the LOCK or ACCESSORY position, the interlock device within the steering column may be defective. This device is not serviceable. If repair is necessary, the steering column assembly must be replaced. Refer to Group 19, Steering for procedures.

**Vehicles equipped with a manual transmission and a floor mounted shifter:** on certain models, a lever is located on the steering column behind the ignition key lock cylinder. The lever must be manually operated to allow rotation of the ignition key lock cylinder to the LOCK or ACCESSORY position. If it is difficult to rotate the key to the LOCK or ACCESSORY position, the lever mechanism may be defective. This mechanism is not serviceable. If repair is necessary, the steering column assembly must be replaced. Refer to Group 19, Steering for procedures.

On other models, the ignition key cylinder must be depressed to allow it to be rotated into the LOCK or ACCESSORY position. If it is difficult to rotate the key to the LOCK or ACCESSORY position, the lock mechanism within the steering column may be defective. This mechanism is not serviceable. If repair is necessary, the steering column assembly must be replaced. Refer to Group 19, Steering for procedures.



## REMOVAL AND INSTALLATION

### SPARK PLUGS

#### REMOVAL

On the 4.0L 6-cylinder engine, the spark plugs are located below the coil rail assembly. On the 4.7L V-8 engine, each individual spark plug is located under each ignition coil.

(1) 4.0L 6-Cylinder Engine: Prior to removing spark plug, spray compressed air around spark plug hole and area around spark plug. This will help prevent foreign material from entering combustion chamber.

(2) 4.7L V-8 Engine: Prior to removing spark plug, spray compressed air around base of ignition coil at cylinder head. This will help prevent foreign material from entering combustion chamber.

(3) On the 4.0L engine the coil rail assembly must be removed to gain access to any/all spark plug. Refer to Ignition Coil Removal/Installation. On the 4.7L V-8 engine each individual ignition coil must be removed to gain access to each spark plug. Refer to Ignition Coil Removal/Installation.

(4) Remove spark plug from cylinder head using a quality socket with a rubber or foam insert. If equipped with a 4.7L V-8 engine, also check condition of coil o-ring and replace as necessary.

(5) Inspect spark plug condition. Refer to Spark Plug Conditions.

#### CLEANING

The plugs may be cleaned using commercially available spark plug cleaning equipment. After cleaning, file center electrode flat with a small point file or jewelers file before adjusting gap.

**CAUTION: Never use a motorized wire wheel brush to clean spark plugs. Metallic deposits will remain on spark plug insulator and will cause plug misfire.**

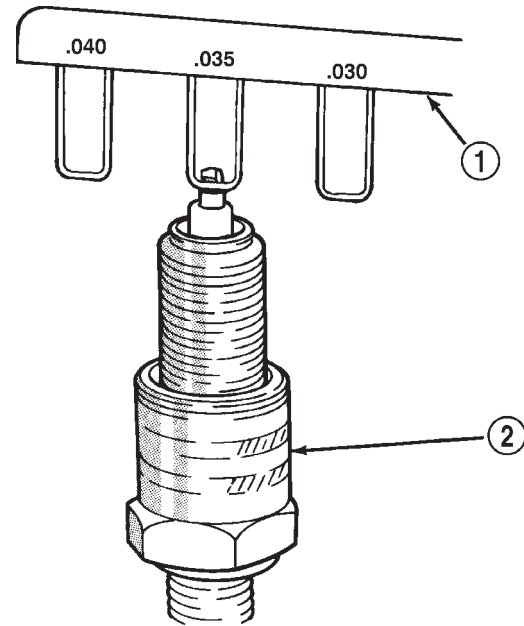
#### ADJUSTMENT

Check spark plug gap with a gap gauge tool. If the gap is not correct, adjust it by bending ground electrode (Fig. 21). **Never attempt to adjust gap by bending center electrode.**

#### INSTALLATION

**CAUTION: The 4.7L V-8 engine is equipped with copper core ground electrode spark plugs. They must be replaced with the same type/number spark plug as the original. If another spark plug is substituted, pre-ignition will result.**

Special care should be taken when installing spark plugs into cylinder head spark plug wells. Be sure



J908D-10

**Fig. 21 Setting Spark Plug Gap—Typical**

- 1 - GAUGE  
2 - SPARK PLUG

plugs do not drop into plug wells as ground straps may be bent resulting in a change in plug gap, or electrodes can be damaged.

Always tighten spark plugs to specified torque. Over tightening can cause distortion resulting in a change in spark plug gap or a cracked porcelain insulator.

(1) Start spark plug into cylinder head by hand to avoid cross threading.

(2) 4.0L 6-Cylinder Engine: Tighten spark plugs to 35-41 N-m (26-30 ft. lbs.) torque.

(3) 4.7L V-8 Engine: Tighten spark plugs to 27 N-m (20 ft. lbs.) torque.

(4) 4.7L V-8 Engine: Before installing coil(s), check condition of coil o-ring and replace as necessary. To aid in coil installation, apply silicone to coil o-ring.

(5) Install ignition coil(s). Refer to Ignition Coil Removal/Installation.

### IGNITION COIL—4.0L ENGINE

#### REMOVAL

A one-piece coil rail assembly containing three individual coils is used on the 4.0L engine (Fig. 22). The coil rail must be replaced as one assembly. The bottom of the coil is equipped with 6 individual rubber boots (Fig. 22) to seal the 6 spark plugs to the coil. Inside each rubber boot is a spring. The spring is used for an electrical contact between the coil and

## REMOVAL AND INSTALLATION (Continued)

the top of the spark plug. These rubber boots and springs are a permanent part of the coil and are not serviced separately.

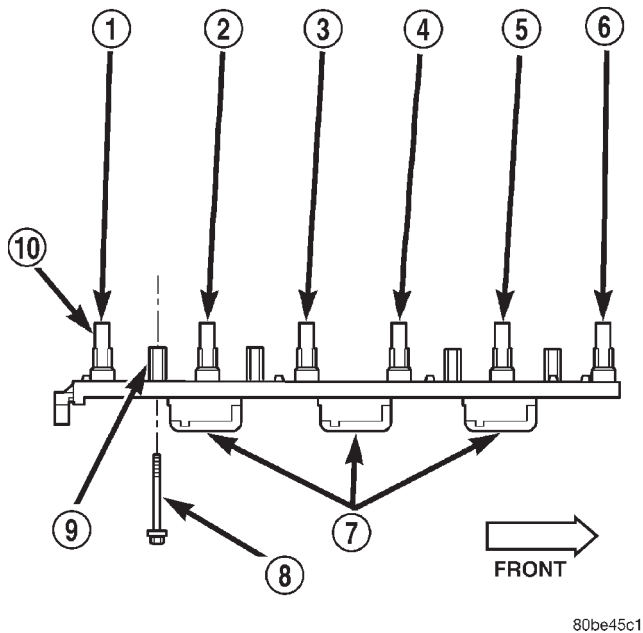
(1) Disconnect negative battery cable at battery.

(2) The coil is bolted directly to the cylinder head. Remove 4 coil mounting bolts (Fig. 23).

(3) Carefully pry up coil assembly from spark plugs. Do this by prying alternately at each end of coil until rubber boots have disengaged from all spark plugs. If boots will not release from spark plugs, use a commercially available spark plug boot removal tool. Twist and loosen a few boots from a few spark plugs to help remove coil.

(4) After coil has cleared spark plugs, position coil for access to primary electrical connector. Disconnect connector from coil by pushing slide tab outwards to right side of vehicle (Fig. 24). After slide tab has been positioned outwards, push in on secondary release lock (Fig. 24) on side of connector and pull connector from coil.

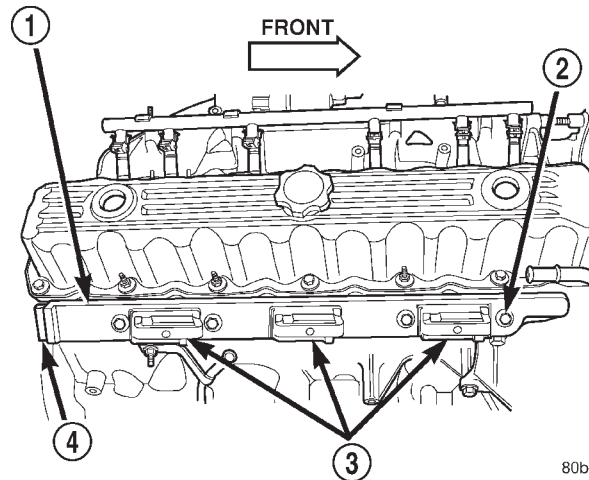
(5) Remove coil from vehicle.



80be45c1

**Fig. 22 Ignition Coil Assembly—4.0L 6-Cylinder Engine**

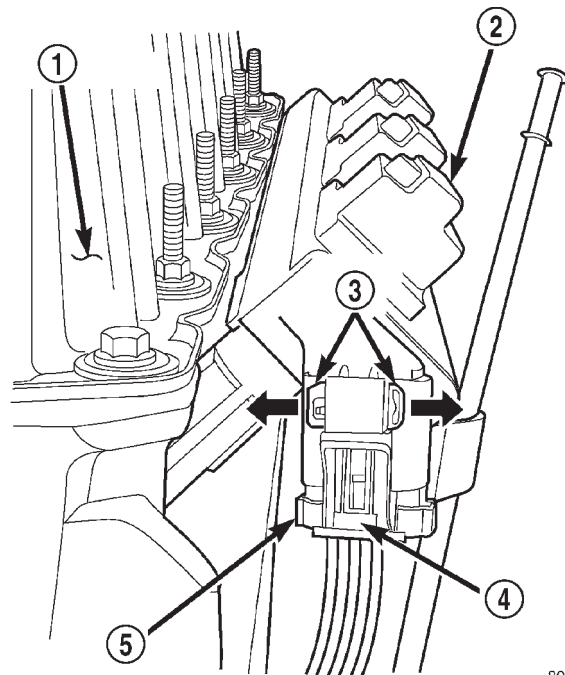
- 1 - CYL. #6
- 2 - CYL. #5
- 3 - CYL. #4
- 4 - CYL. #3
- 5 - CYL. #2
- 6 - CYL. #1
- 7 - COILS (3)
- 8 - MOUNTING BOLTS (4)
- 9 - BOLT BASES (4)
- 10 - RUBBER BOOTS (6)



80be45c0

**Fig. 23 Ignition Coil Rail Location—4.0L 6-Cylinder Engine**

- 1 - COIL RAIL
- 2 - COIL MOUNTING BOLTS (4)
- 3 - COIL
- 4 - COIL ELECTRICAL CONNECTION



80be45c2

**Fig. 24 Ignition Coil Electrical Connector—4.0L 6-Cylinder Engine**

- 1 - REAR OF VALVE COVER
- 2 - COIL RAIL
- 3 - SLIDE TAB
- 4 - RELEASE LOCK
- 5 - COIL CONNECTOR

REMOVAL AND INSTALLATION (Continued)

**INSTALLATION**

- (1) Position ignition coil rubber boots to all spark plugs. Push down on coil assembly until bolt bases have contacted cylinder head
- (2) Install 4 coil mounting bolts. Loosely tighten 4 bolts just enough to allow bolt bases to contact cylinder head. Do a final tightening of each bolt in steps down to 29 N·m (250 in. lbs.) torque. Do not apply full torque to any bolt first.
- (3) Connect engine harness connector to coil by snapping into position. Move slide tab towards engine (Fig. 24) for a positive lock.
- (4) Connect negative battery cable to battery.

**IGNITION COIL—4.7L ENGINE**

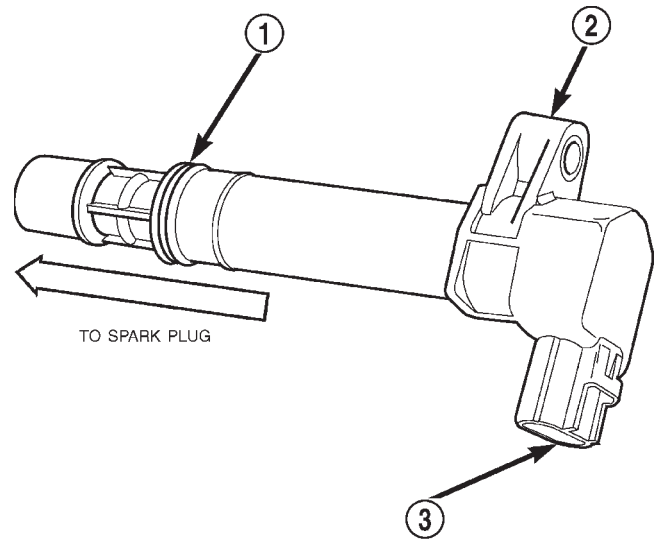
**REMOVAL**

An individual ignition coil is used for each spark plug (Fig. 25). The coil fits into machined holes in the cylinder head. A mounting stud/nut secures each coil to the top of the intake manifold (Fig. 26). The bottom of the coil is equipped with a rubber boot to seal the spark plug to the coil. Inside each rubber boot is a spring. The spring is used for a mechanical contact between the coil and the top of the spark plug. These rubber boots and springs are a permanent part of the coil and are not serviced separately. An o-ring (Fig. 25) is used to seal the coil at the opening into the cylinder head.

- (1) Depending on which coil is being removed, the throttle body air intake tube or intake box may need to be removed to gain access to coil.
- (2) Disconnect electrical connector (Fig. 26) from coil by pushing downward on release lock on top of connector and pull connector from coil.
- (3) Clean area at base of coil with compressed air before removal.
- (4) Remove coil mounting nut from mounting stud (Fig. 26).
- (5) Carefully pull up coil from cylinder head opening with a slight twisting action.
- (6) Remove coil from vehicle.

**INSTALLATION**

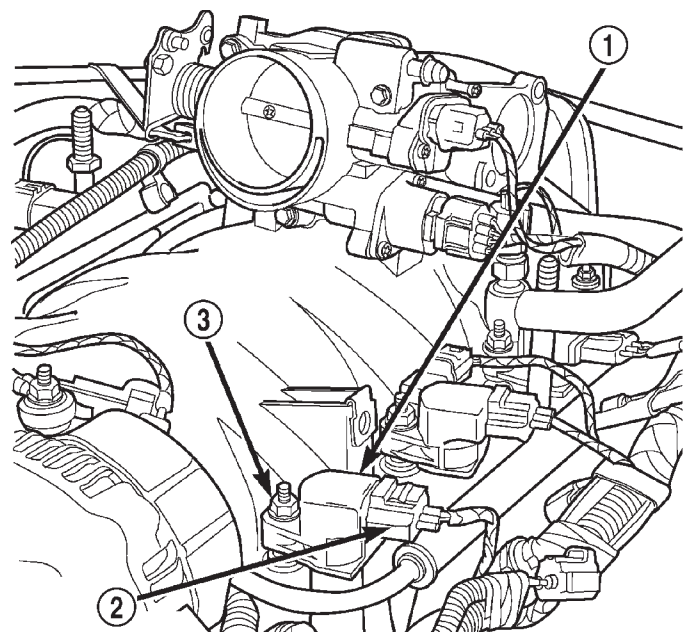
- (1) Using compressed air, blow out any dirt or contaminants from around top of spark plug.
- (2) Check condition of coil o-ring and replace as necessary. To aid in coil installation, apply silicone to coil o-ring.
- (3) Position ignition coil into cylinder head opening and push onto spark plug. Do this while guiding coil base over mounting stud.
- (4) Install mounting stud nut and tighten to 8 N·m (70 in. lbs.) torque.
- (5) Connect electrical connector to coil by snapping into position.



80b76fe6

**Fig. 25 Ignition Coil—4.7L V-8 Engine**

- 1 - O-RING
- 2 - IGNITION COIL
- 3 - ELECTRICAL CONNECTOR



80b76fe7

**Fig. 26 Ignition Coil Location—4.7L V-8 Engine**

- 1 - IGNITION COIL
- 2 - COIL ELECTRICAL CONNECTOR
- 3 - COIL MOUNTING STUD/NUT

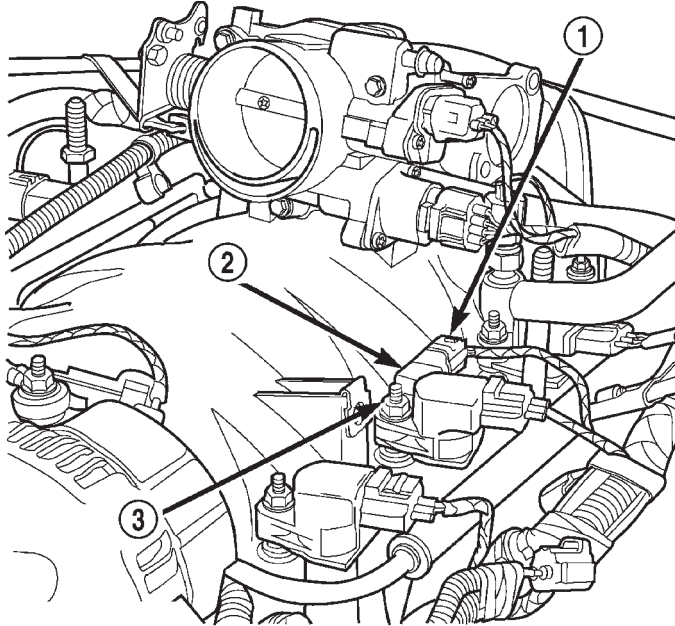
(6) If necessary, install throttle body air tube or box.

## REMOVAL AND INSTALLATION (Continued)

## COIL CAPACITORS

## REMOVAL

Two coil capacitors are used. One of them is located near the center of, and on the left side of the intake manifold (Fig. 27). The other capacitor is located near the center of, and on the right side of the intake manifold.



80be45c7

**Fig. 27 Coil Capacitor (Left Side Shown)**

- 1 - ELECTRICAL CONNECTOR
- 2 - COIL CAPACITOR
- 3 - MOUNTING NUT

(1) Disconnect electrical connector at coil capacitor (Fig. 27).

(2) Remove mounting nut.

(3) Remove capacitor from mounting stud.

## INSTALLATION

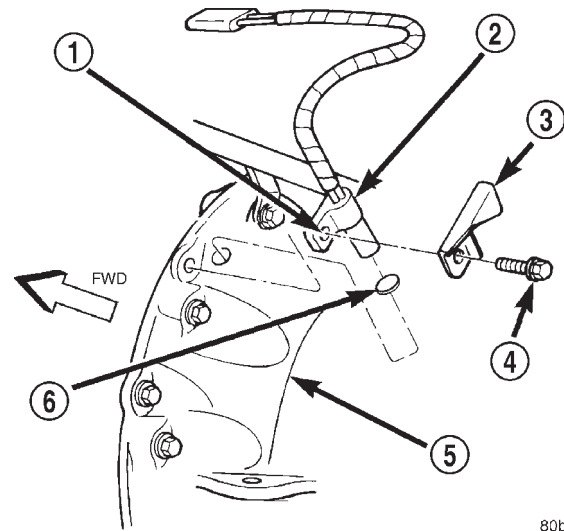
(1) Position capacitor to manifold mounting stud.

(2) Install nut and tighten to 8 N·m (70 in. lbs.) torque.

(3) Connect electrical connector to capacitor (Fig. 27).

## CRANKSHAFT POSITION SENSOR—4.0L ENGINE

The Crankshaft Position (CKP) sensor is mounted to the transmission bellhousing at the left/rear side of the engine block (Fig. 28). The sensor is **adjustable** and is attached with one bolt. A wire shield/router is attached to the sensor (Fig. 28).



80b89904

**Fig. 28 CKP Sensor—4.0L 6-Cylinder Engine**

- 1 - SLOTTED HOLE
- 2 - CRANKSHAFT POSITION SENSOR
- 3 - WIRE SHIELD
- 4 - MOUNTING BOLT
- 5 - TRANSMISSION HOUSING
- 6 - PAPER SPACER

## REMOVAL

(1) Disconnect sensor pigtail harness (3-way connector) from main engine wiring harness.

(2) Remove sensor mounting bolt.

(3) Remove wire shield and sensor.

## INSTALLATION

New replacement sensors will be equipped with a paper spacer glued to bottom of sensor. If installing (returning) a **used** sensor to vehicle, a new paper spacer must be installed to bottom of sensor. This spacer will be ground off the first time engine is started. If spacer is not used, sensor will be broken the first time engine is started.

(1) New Sensors: Be sure paper spacer is installed to bottom of sensor. If not, obtain spacer PN05252229.

(2) Used Sensors: Clean bottom of sensor and install spacer PN05252229.

(3) Install sensor into transmission bellhousing hole.

(4) Position sensor wire shield to sensor (Fig. 28).

(5) Push sensor against flywheel/drive plate. With sensor pushed against flywheel/drive plate, tighten mounting bolt to 7 N·m (60 in. lbs.) torque.

(6) Route sensor wiring harness into wire shield.

(7) Connect sensor pigtail harness electrical connector to main wiring harness.

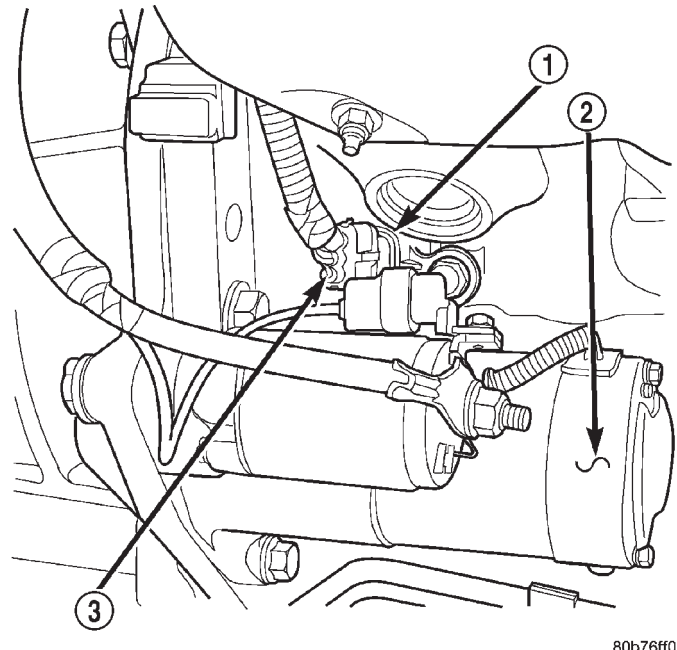


REMOVAL AND INSTALLATION (Continued)

**CRANKSHAFT POSITION SENSOR—4.7L V-8 ENGINE**

**REMOVAL**

The Crankshaft Position (CKP) sensor is bolted to the side of the engine cylinder block above the starter motor (Fig. 29). It is positioned into a machined hole at the side of the engine block.



**Fig. 29 CKP Sensor Location—4.7L V-8 Engine**

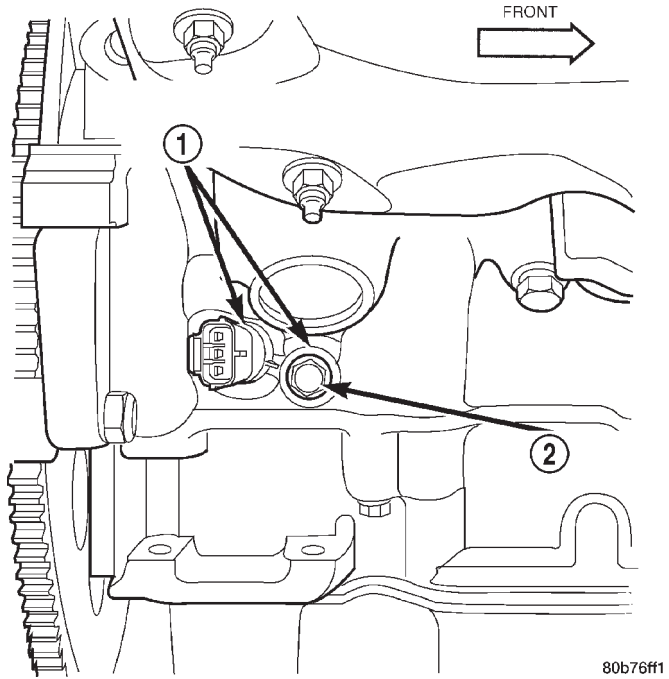
- 1 - CRANKSHAFT POSITION SENSOR
- 2 - STARTER
- 3 - ELEC. CONNECTOR

- (1) Remove starter motor. Refer to Starter Removal/Installation.
- (2) Disconnect CKP electrical connector at sensor (Fig. 29).
- (3) Remove CKP mounting bolt (Fig. 30).
- (4) Carefully pry sensor from cylinder block in a rocking action with two small screwdrivers.
- (5) Remove sensor from vehicle.
- (6) Check condition of sensor o-ring.

**INSTALLATION**

- (1) Clean out machined hole in engine block.
- (2) Apply a small amount of engine oil to sensor o-ring.
- (3) Install sensor into engine block with a slight rocking action. Do not twist sensor into position as damage to o-ring may result.

**CAUTION:** Before tightening sensor mounting bolt, be sure sensor is completely flush to cylinder block. If sensor is not flush, damage to sensor mounting tang may result.



**Fig. 30 CKP Sensor Removal/Installation—4.7L V-8 Engine**

- 1 - CRANKSHAFT POSITION SENSOR
- 2 - MOUNTING BOLT

- (4) Install mounting bolt and tighten to 28 N·m (21 ft. lbs.) torque.
- (5) Connect electrical connector to sensor.
- (6) Install starter motor. Refer to Starter Removal/Installation.

**CAMSHAFT POSITION SENSOR—4.0L ENGINE**

The Camshaft Position Sensor (CMP) on the 4.0L 6-cylinder engine is bolted to the top of the oil pump drive shaft assembly (Fig. 31). The sensor and drive shaft assembly is located on the right side of the engine near the oil filter (Fig. 32).

The rotational position of oil pump drive determines fuel synchronization only. It does not determine ignition timing.

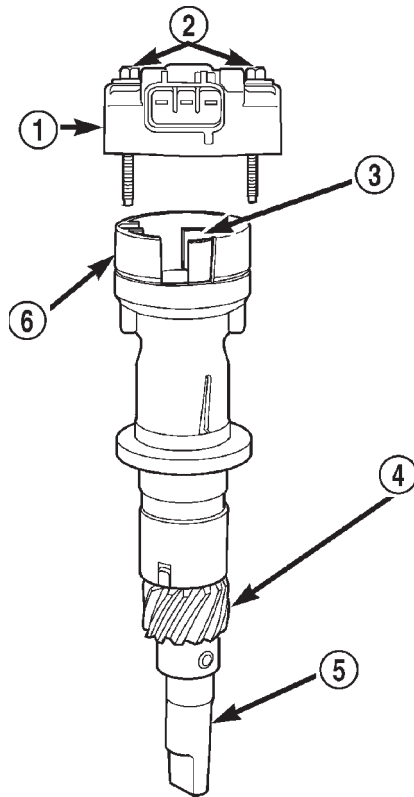
**NOTE:** Do not attempt to rotate the oil pump drive to modify ignition timing.

**Two different procedures** are needed for removal and installation. The first procedure will detail removal and installation of the sensor only. The second procedure will detail removal and installation of the sensor and oil pump drive shaft assembly. The second procedure is to be used if the engine has been disassembled.

An internal oil seal is used in the drive shaft housing that prevents engine oil at the bottom of the sensor. The seal is not serviceable.



## REMOVAL AND INSTALLATION (Continued)



80b76ff3

**Fig. 31 CMP and Oil Pump Drive Shaft—4.0L Engine**

- 1 - CAMSHAFT POSITION SENSOR
- 2 - MOUNTING BOLTS (2)
- 3 - PULSE RING
- 4 - DRIVE GEAR (TO CAMSHAFT)
- 5 - OIL PUMP DRIVESHAFT
- 6 - SENSOR BASE (OIL PUMP DRIVESHAFT ASSEMBLY)

**REMOVAL—SENSOR ONLY**

- (1) Disconnect electrical connector at CMP sensor (Fig. 32).
- (2) Remove 2 sensor mounting bolts (Fig. 31) or (Fig. 32).
- (3) Remove sensor from oil pump drive.

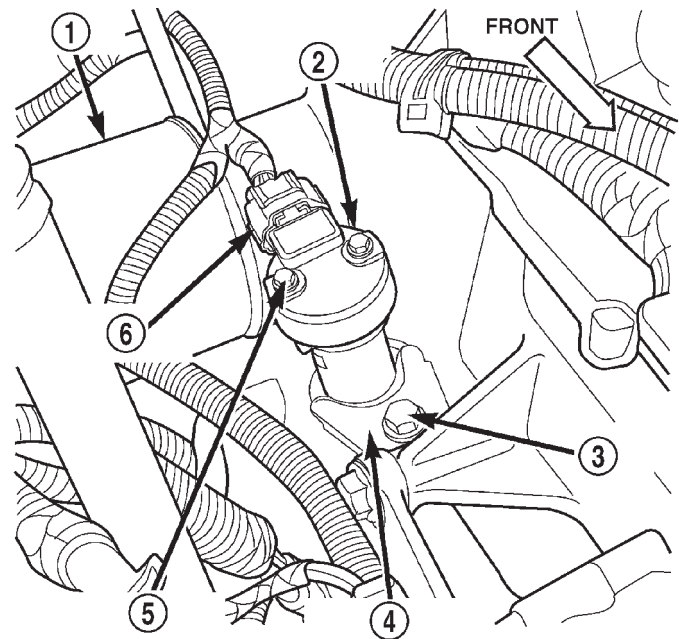
**INSTALLATION—SENSOR ONLY**

- (1) Install sensor to oil pump drive.
- (2) Install 2 sensor mounting bolts and tighten to 2 N·m (15 in. lbs.) torque.
- (3) Connect electrical connector to CMP sensor.

**REMOVAL—OIL PUMP DRIVE AND SENSOR**

If the CMP and oil pump drive are to be removed and installed, do not allow engine crankshaft or camshaft to rotate. CMP sensor relationship will be lost.

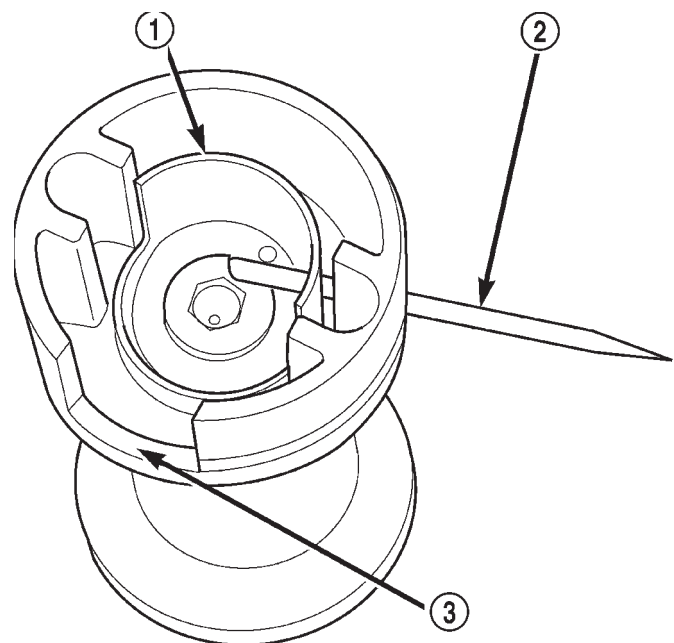
- (1) Disconnect electrical connector at CMP sensor (Fig. 32).
- (2) Remove 2 sensor mounting bolts (Fig. 31) or (Fig. 32).
- (3) Remove sensor from oil pump drive.



80b76ff4

**Fig. 32 CMP Location—4.0L Engine**

- 1 - OIL FILTER
- 2 - CAMSHAFT POSITION SENSOR
- 3 - CLAMP BOLT
- 4 - HOLD-DOWN CLAMP
- 5 - MOUNTING BOLTS (2)
- 6 - ELEC. CONNECTOR

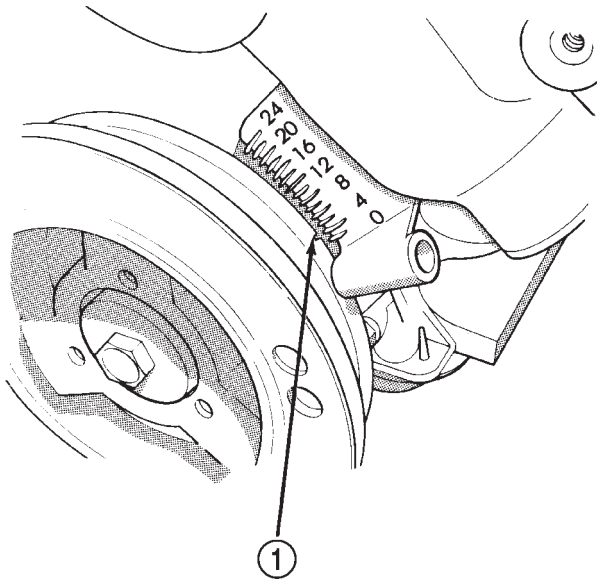


80b76ff5

**Fig. 33 CMP Pulse Ring Alignment—4.0L Engine**

- 1 - PULSE RING (SHUTTER)
- 2 - TOOTHPICK
- 3 - SENSOR BASE (OIL PUMP DRIVESHAFT ASSEMBLY)

## REMOVAL AND INSTALLATION (Continued)



J898D-14

**Fig. 34 Align Timing Marks—4.0L Engine**

1 - CRANKSHAFT VIBRATION DAMPER TIMING MARK

(4) Before proceeding to next step, mark and note rotational position of oil pump drive in relationship to engine block. After installation, the CMP sensor should face rear of engine 0°.

(5) Remove hold-down bolt and clamp (Fig. 32).

(6) While pulling assembly from engine, note direction and position of pulse ring (Fig. 31). After removal, look down into top of oil pump and note direction and position of slot at top of oil pump gear.

(7) Remove and discard old oil pump drive-to-engine block gasket.

**INSTALLATION—OIL PUMP DRIVE AND SENSOR**

(1) Clean oil pump drive mounting hole area of engine block.

(2) Install new oil pump drive-to-engine block gasket.

(3) Temporarily install a toothpick or similar tool through access hole at side of oil pump drive housing. Align toothpick into mating hole on pulse ring (Fig. 33).

(4) Install oil pump drive into engine while aligning into slot on oil pump. Rotate oil pump drive back to its original position and install hold-down clamp and bolt. Finger tighten bolt. Do not do a final tightening of bolt at this time.

(5) If engine crankshaft or camshaft has been rotated, such as during engine tear-down, CMP sensor relationship must be reestablished.

(a) Remove ignition coil rail assembly. Refer to Ignition Coil Removal/Installation.

(b) Remove cylinder number 1 spark plug.

(c) Hold a finger over the open spark plug hole. Rotate engine at vibration dampener bolt until compression (pressure) is felt.

(d) Slowly continue to rotate engine. Do this until timing index mark on vibration damper pulley aligns with top dead center (TDC) mark (0 degree) on timing degree scale (Fig. 34). Always rotate engine in direction of normal rotation. Do not rotate engine backward to align timing marks.

(e) Install oil pump drive into engine while aligning into slot on oil pump. If pump drive will not drop down flush to engine block, the oil pump slot is not aligned. Remove oil pump drive and align slot in oil pump to shaft at bottom of drive. Install into engine. Rotate oil pump drive back to its original position and install hold-down clamp and bolt. Finger tighten bolt. Do not do a final tightening of bolt at this time.

(f) Remove toothpick from housing.

(6) Install sensor to oil pump drive. After installation, the CMP sensor should face rear of engine 0°.

(7) Install 2 sensor mounting bolts and tighten to 2 N·m (15 in. lbs.) torque.

(8) Connect electrical connector to CMP sensor.

(9) If removed, install spark plug and ignition coil rail.

To verify correct rotational position of oil pump drive, the DRB scan tool must be used.

**WARNING: WHEN PERFORMING THE FOLLOWING TEST, THE ENGINE WILL BE RUNNING. BE CAREFUL NOT TO STAND IN LINE WITH THE FAN BLADES OR FAN BELT. DO NOT WEAR LOOSE CLOTHING.**

(10) Connect DRB scan tool to data link connector. The data link connector is located in passenger compartment, below and to left of steering column.

(11) Gain access to SET SYNC screen on DRB.

(12) Follow directions on DRB screen and start engine. Bring to operating temperature (engine must be in "closed loop" mode).

(13) With engine running at **idle speed**, the words **IN RANGE** should appear on screen along with 0°. This indicates correct position of oil pump drive.

(14) If a plus (+) or a minus (-) is displayed next to degree number, and/or the degree displayed is not zero, loosen but do not remove hold-down clamp bolt. Rotate oil pump drive until **IN RANGE** appears on screen. Continue to rotate oil pump drive until achieving as close to 0° as possible.

The degree scale on SET SYNC screen of DRB is referring to fuel synchronization only. **It is not referring to ignition timing.** Because of this, do not attempt to adjust ignition timing using this method. Rotating oil pump drive will have no effect

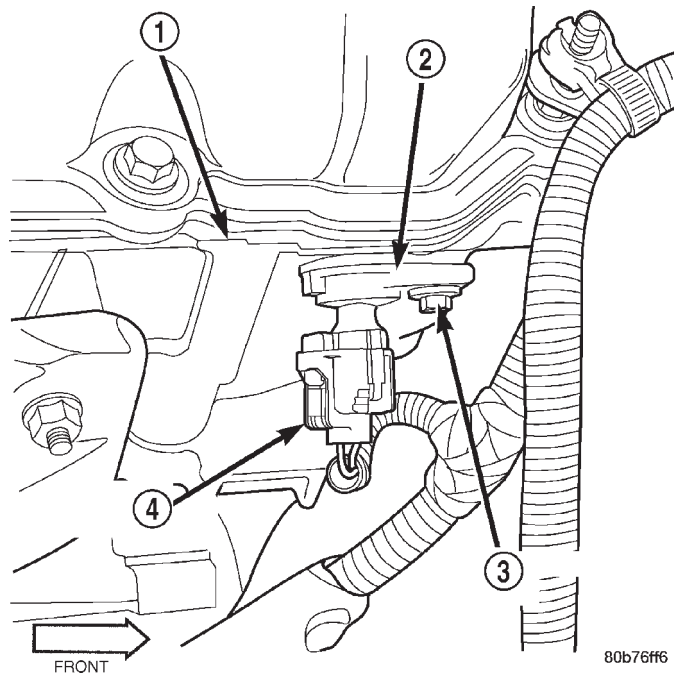
## REMOVAL AND INSTALLATION (Continued)

on ignition timing. All ignition timing values are controlled by powertrain control module (PCM).

(15) Tighten hold-down clamp bolt to 23 N·m (17 ft. lbs.) torque.

**CAMSHAFT POSITION SENSOR—4.7L ENGINE**

The Camshaft Position Sensor (CMP) on the 4.7L V-8 engine is bolted to the front/top of the right cylinder head (Fig. 35).



**Fig. 35 CMP Location—4.7L Engine**

- 1 - RIGHT CYLINDER HEAD
- 2 - CAMSHAFT POSITION SENSOR
- 3 - MOUNTING BOLT
- 4 - ELEC. CONNECTOR

**REMOVAL**

It is easier to remove/install sensor from under vehicle.

- (1) Raise and support vehicle.
- (2) Disconnect electrical connector at CMP sensor (Fig. 35).
- (3) Remove sensor mounting bolt (Fig. 35).
- (4) Carefully pry sensor from cylinder head in a rocking action with two small screwdrivers.
- (5) Check condition of sensor o-ring.

**INSTALLATION**

- (1) Clean out machined hole in cylinder head.
- (2) Apply a small amount of engine oil to sensor o-ring.
- (3) Install sensor into cylinder head with a slight rocking action. Do not twist sensor into position as damage to o-ring may result.

**CAUTION:** Before tightening sensor mounting bolt, be sure sensor is completely flush to cylinder head. If sensor is not flush, damage to sensor mounting tang may result.

- (4) Install mounting bolt and tighten to 12 N·m (106 in. lbs.) torque.
- (5) Connect electrical connector to sensor.
- (6) Lower vehicle.

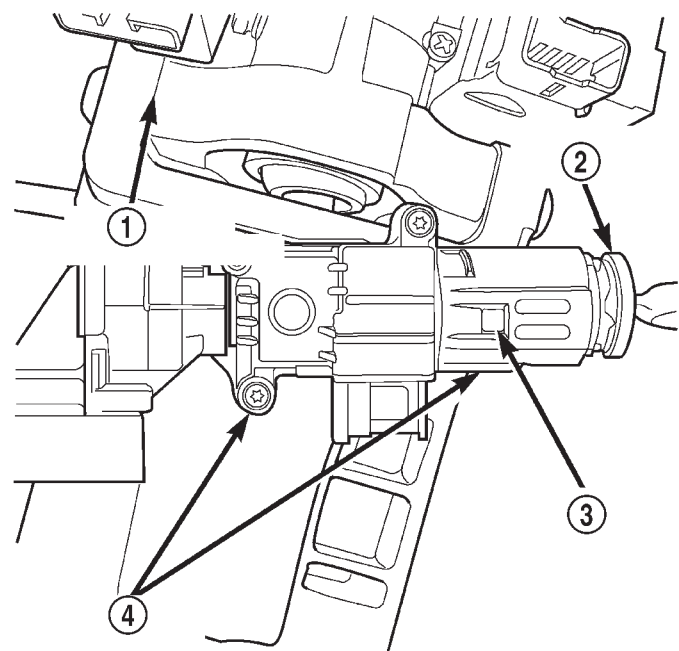
**IGNITION SWITCH AND KEY CYLINDER**

The ignition key must be in key lock cylinder for cylinder removal.

**REMOVAL**

If removing **key lock cylinder only**, refer to first 6 steps. If removing **ignition switch only**, refer to steps 1 and 2 and proceed to steps 7 through 13.

- (1) Disconnect negative cable from battery.
- (2) Place transmission shifter in PARK position.
- (3) Place tilt steering wheel in full up position.
- (4) A retaining pin (Fig. 36) is located at bottom of key lock cylinder housing.



**Fig. 36 Retaining Pin**

- 1 - BOTTOM OF STEERING COLUMN
- 2 - KEY LOCK CYLINDER
- 3 - RETAINING PIN
- 4 - LOCK CYLINDER HOUSING

- (5) Rotate key to RUN position.
- (6) Press in on retaining pin while pulling key cylinder from housing. After removal, note position of alignment tang at end of cylinder. When installing lock cylinder, key must be rotated back to RUN position.

REMOVAL AND INSTALLATION (Continued)

(7) Remove steering column lower opening cover. Refer to Steering Column Opening Cover in Group 8E, Instrument Panel.

(8) Remove upper and lower covers (shrouds) from steering column (Fig. 37).

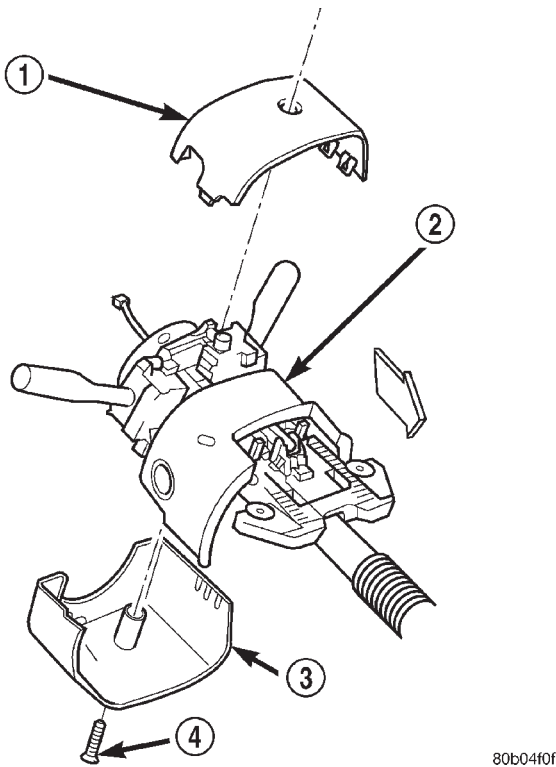
(9) Remove upper fixed column shroud (2 screws) (Fig. 38).

(10) Remove SKIM (Sentry Key Immobilizer Module) (1 screw) (Fig. 39).

(11) Disconnect electrical connectors at switch.

(12) Remove ignition switch mounting screw (Fig. 40). Use tamper proof torx bit (Snap-On® TTXR10E or equivalent) to remove screw.

(13) Using needle-nose pliers, squeeze both switch lock tabs (Fig. 41) and gently pull switch away from column. **Do not rotate key lock cylinder when ignition switch is being removed or has been removed from steering column.**



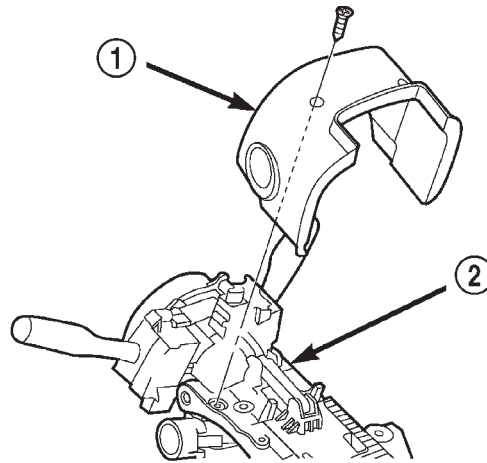
**Fig. 37 Shroud Removal/Installation**

- 1 - UPPER TILTING COLUMN SHROUD
- 2 - FIXED COLUMN SHROUD
- 3 - LOWER TILTING COLUMN SHROUD
- 4 - SCREW

**INSTALLATION**

If installing **key lock cylinder only**, refer to steps 1 through 4 then proceed to steps 10 through 14. If installing **ignition switch only**, refer to steps 5 through 14.

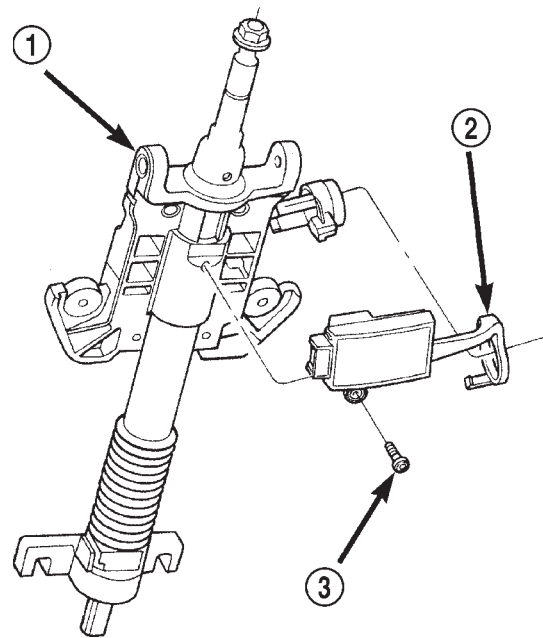
(1) Be sure transmission shifter is still in PARK position.



80b60a1

**Fig. 38 Fixed Column Shroud Removal/Installation**

- 1 - UPPER FIXED SHROUD
- 2 - COLUMN



80b76f9

**Fig. 39 Sentry Key Immobilizer Module and Mounting Screw**

- 1 - STEERING COLUMN
- 2 - SKIM
- 3 - MOUNTING SCREW

(2) Rotate key in lock cylinder to RUN position.

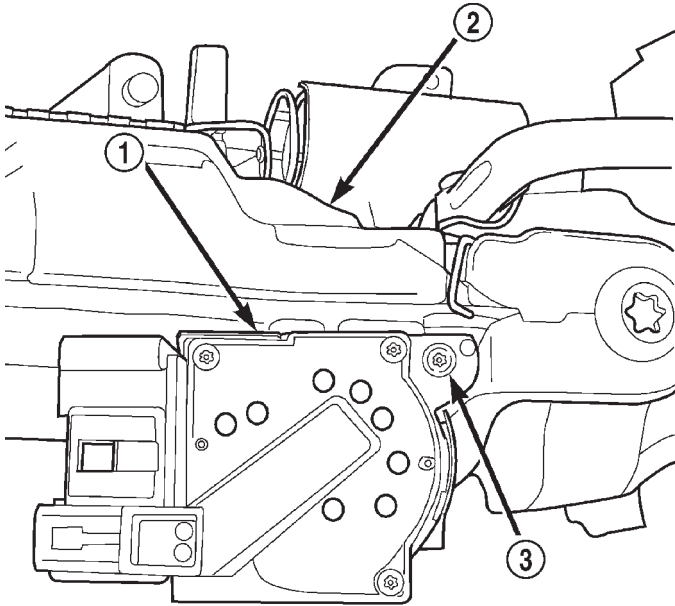
(3) Install key cylinder into housing by aligning retaining pin into retaining pin slot. Push key cylinder into housing until retaining pin engages. After pin engages, rotate key to OFF or LOCK position.

(4) Check for proper retention of key cylinder by attempting to pull cylinder from housing.

(5) Place ignition switch into opening on steering column housing. If switch will not fit into housing, do



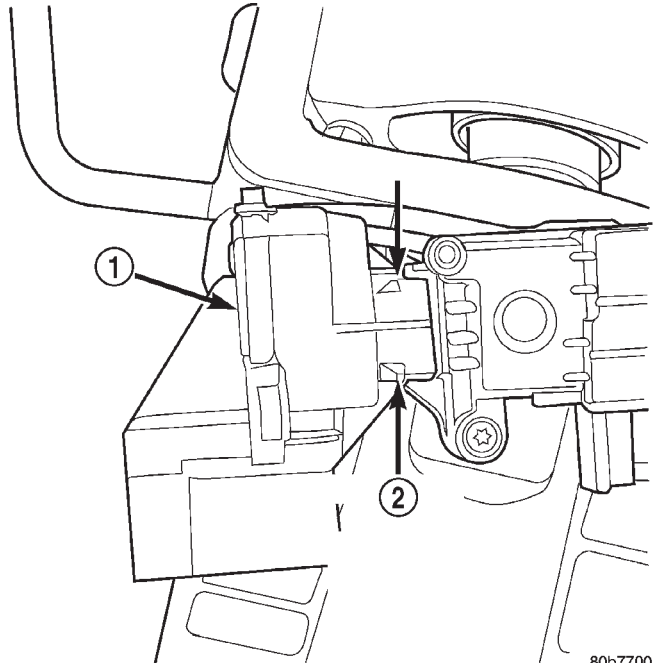
## REMOVAL AND INSTALLATION (Continued)



80b77001

**Fig. 40 Ignition Switch Mounting Screw**

- 1 - IGNITION SWITCH
- 2 - STEERING COLUMN
- 3 - SWITCH MOUNTING SCREW



80b77002

**Fig. 41 Ignition Switch Lock Tabs**

- 1 - IGNITION SWITCH
- 2 - SQUEEZE BOTH TABS FOR REMOVAL

not force it. Remove switch from housing and rotate key cylinder (slightly) for alignment. Push switch into column housing until 2 lock tabs have engaged.

(6) Install ignition switch mounting screw. Tighten screw to 3 N·m (30 in. lbs.) torque.

(7) Connect electrical connectors to ignition switch. Make sure that switch locking tabs are fully seated in wiring connectors.

(8) Install SKIM (Sentry Key Immobilizer Module) (1 screw). Tighten screw to 3 N·m (30 in. lbs.) torque.

(9) Install steering column covers (shrouds).

(10) Connect negative cable to battery.

(11) Shifter should lock in PARK position when key is in LOCK position. Shifter should unlock when key rotated to ON position.

(12) With engine running, shifter should not be unable to be moved from PARK position until brake pedal has been depressed.

(13) Check for proper operation of ignition switch in ACCESSORY, LOCK, OFF, ON, RUN, and START positions.

(14) Steering wheel should lock when key is in LOCK position. Rotate steering wheel to verify. Steering wheel should unlock when key is rotated to ON position.

**SHIFTER/IGNITION INTERLOCK****REMOVAL/INSTALLATION**

On models equipped with an automatic transmission, a cable connects the ignition switch with the floor shift lever. The shifter will be locked in the PARK position when the ignition key is in the LOCK or ACCESSORY positions. The cable can be adjusted or replaced. Refer to Group 21, Transmissions for procedures. The ignition interlock device within the steering column is not serviceable. If service is necessary, the steering column must be replaced. Refer to Group 19, Steering for procedures.



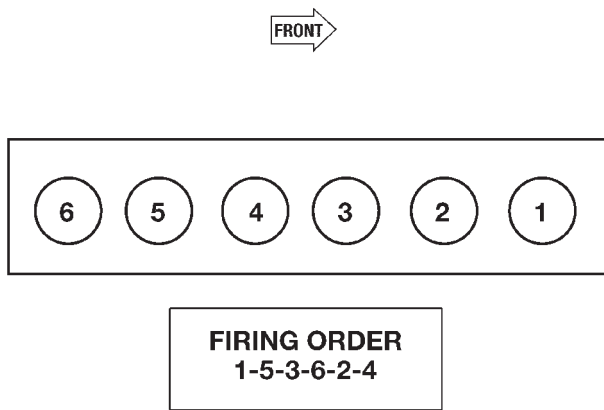
**SPECIFICATIONS**

**IGNITION TIMING**

All ignition timing functions are controlled by the Powertrain Control Module (PCM). Mechanical adjustments are not needed and can't be made.

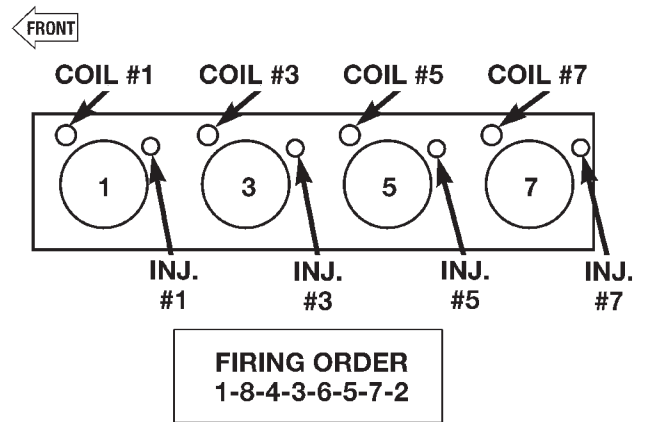
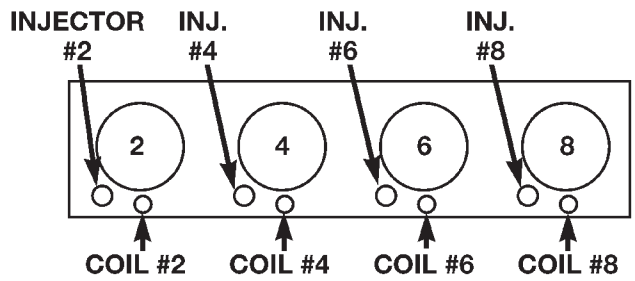
On the 4.0L 6-cylinder engine, do not attempt to rotate the oil pump drive to adjust timing. This adjustment is used for fuel synchronization after camshaft position sensor replacement.

**ENGINE FIRING ORDER—4.0L 6-CYLINDER ENGINE**



**COILS PAIRED:**  
**CYLINDERS 1-6**  
**CYLINDERS 2-5**  
**CYLINDERS 3-4**

**ENGINE FIRING ORDER—4.7L V-8 ENGINE**



80b6f043

80b6f045

SPECIFICATIONS (Continued)

**SPARK PLUGS**

ENGINE	PLUG TYPE	ELECTRODE GAP
4.0L 6-CYL.	RC12ECC	0.89 mm (.035 in.)
4.7L V-8	RC12MCC4	1.01 mm (.040 in.)

**IGNITION COIL RESISTANCE—4.0L ENGINE**

PRIMARY RESISTANCE 21-27°C (70-80°F)
0.71 - 0.88 Ohms

**IGNITION COIL RESISTANCE—4.7L V-8 ENGINE**

PRIMARY RESISTANCE 21-27°C (70-80°F)	SECONDARY RESISTANCE 21-27°C (70-80°F)
0.6 - 0.9 Ohms	6,000 - 9,000 Ohms

**TORQUE CHART**

<b>DESCRIPTION</b>	<b>TORQUE</b>
Crankshaft Position Sensor	
Bolts—4.0L Engine . . . . .	7 N·m (60 in. lbs.)
Crankshaft Position Sensor	
Bolt—4.7L V-8 Engine . . . . .	28 N·m (21 ft. lbs.)
Camshaft Position Sensor—to-base bolts—4.0L	
Engine . . . . .	28 N·m (15 in. lbs.)
Camshaft Position Sensor	
Bolt—4.7L V-8 Engine . . . . .	12 N·m (106 in. lbs.)
Oil Pump Drive Hold-down	
Bolt—4.0L Engine . . . . .	23 N·m (17 ft. lbs.)
Ignition Coil Rail Mounting	
Bolts—4.0L Engine . . . . .	29 N·m (250 in. lbs.)
Ignition Coil Mounting	
Nut—4.7L V-8 Engine . . . . .	8 N·m (70 in. lbs.)
Spark Plugs—4.0L	
Engine . . . . .	35–41 N·m (26–30 ft. lbs.)
Spark Plugs—4.7L V-8	
Engine . . . . .	27 N·m (20 ft. lbs.)

# INSTRUMENT PANEL SYSTEMS

## TABLE OF CONTENTS

	page		page
<b>DESCRIPTION AND OPERATION</b>			
INSTRUMENT PANEL SYSTEM .....	1	INSTRUMENT PANEL CIGAR LIGHTER AND POWER OUTLET .....	21
INSTRUMENT PANEL .....	2	CIGAR LIGHTER RELAY .....	22
INSTRUMENT CLUSTER .....	3	INSTRUMENT PANEL POWER OUTLET DOOR .....	23
BODY CONTROL MODULE .....	5	GLOVE BOX .....	24
CIGAR LIGHTER RELAY .....	6	INSTRUMENT PANEL TO CENTER FLOOR TUNNEL BRACKET .....	24
INSTRUMENT PANEL CIGAR LIGHTER .....	6	INSTRUMENT PANEL END CAP .....	26
INSTRUMENT PANEL POWER OUTLET .....	6	GLOVE BOX LATCH .....	26
<b>DIAGNOSIS AND TESTING</b>			
INSTRUMENT CLUSTER .....	7	INSTRUMENT PANEL LOWER RIGHT CENTER BEZEL .....	27
BODY CONTROL MODULE .....	9	GLOVE BOX LAMP AND SWITCH .....	28
CIGAR LIGHTER RELAY .....	9	GLOVE BOX LATCH STRIKER .....	28
INSTRUMENT PANEL CIGAR LIGHTER .....	9	INSTRUMENT PANEL TOP COVER .....	29
INSTRUMENT PANEL POWER OUTLET .....	10	INSTRUMENT PANEL TOP PAD .....	30
<b>REMOVAL AND INSTALLATION</b>			
INSTRUMENT PANEL FUSE COVER .....	11	INSTRUMENT PANEL PASSENGER SIDE BEZEL .....	33
BODY CONTROL MODULE .....	12	INSTRUMENT PANEL ASSEMBLY .....	34
INSTRUMENT PANEL DRIVER SIDE BEZEL .....	13	INSTRUMENT PANEL C-CHANNEL COVER BRACKET .....	41
INSTRUMENT PANEL DRIVER SIDE COURTESY LAMP BRACKET .....	13	INSTRUMENT PANEL INTERMEDIATE BRACKET .....	42
CLUSTER BEZEL .....	14	INSTRUMENT PANEL PLENUM BRACKET .....	43
INSTRUMENT PANEL STEERING COLUMN BRACKET .....	15	INSTRUMENT PANEL STEERING COLUMN SUPPORT BRACKET .....	43
STEERING COLUMN OPENING COVER .....	15	INSTRUMENT PANEL STRUCTURAL DUCT .....	44
INSTRUMENT CLUSTER .....	16		
INSTRUMENT CLUSTER COMPONENTS .....	17		
INSTRUMENT PANEL CENTER UPPER BEZEL .....	20		
INSTRUMENT PANEL CENTER LOWER BEZEL .....	21		

## DESCRIPTION AND OPERATION

### INSTRUMENT PANEL SYSTEM

#### DESCRIPTION

The instrument panel serves as the command center of the vehicle, which necessarily makes it a very complex unit. The instrument panel is designed to house the controls and monitors for standard and optional powertrains, climate control systems, audio systems, lighting systems, safety systems and many other comfort or convenience items. The instrument panel is also designed so that all of the various controls can be safely reached and the monitors can be

easily viewed by the vehicle operator when driving, while still allowing relative ease of access to each of these items for service. See the owner's manual in the vehicle glove box for more information on the features, use and operation of all of the instrument panel components and systems.

This group is responsible for covering service information for the vehicle instrument panel systems. However, complete service information coverage for all of the systems and components housed in the instrument panel in a single section of the service manual would not be practical. Therefore, the service information for any component will be found in the group designated to cover the vehicle system that the

## DESCRIPTION AND OPERATION (Continued)

component belongs to, even though the component is mounted on or in the instrument panel. If you cannot locate a listing for the component or system you are servicing in the table of contents for this group, or if you are uncertain as to which vehicle system a component belongs to, it is suggested that you refer to the alphabetical **Component and System Index** found at the back of this service manual.

## INSTRUMENT PANEL

### DESCRIPTION

Structural support for the instrument panel in this vehicle is accomplished through the use of a molded plastic structural panel and demister air flow duct assembly. The front and rear halves of this structural duct are molded from a blend of polycarbonate and ABS plastics, which gives these components excellent strength and impact resistance. The two halves of this structural duct are vibration welded together.

The structural duct provides integral mounting surfaces for the instrument cluster and other instrument panel-mounted equipment such as the passenger side airbag module, the radio, the heater and air conditioner controls, the glove compartment latch strikers and hinges, the instrument panel steering column support bracket, and the junction block. The structural duct also features integral vacuum and electrical harness routing troughs. All of these integral features help to reduce the total component part requirements, which reduces assembly complexity and potential buzzes, squeaks and rattles. At the same time, these features make the structural duct-based instrument panel more suitable for recycling by minimizing the number of parts to be removed.

A patented feature of the construction of this instrument panel has the heater and air conditioner housing unit and the steering column secured to the structural duct and installed into the vehicle as a unit during vehicle assembly. This feature helps to improve vehicle quality by allowing the instrument panel, heater and air conditioner housing unit and the steering column to be assembled and tested outside the vehicle prior to installation, which is easier and more reliable than in-car assembly and testing. This feature also adds a floor panel mounting point to the instrument panel unit, which provides additional stiffness and system integrity.

A foam-padded cast vinyl instrument panel top pad covers the instrument panel structural duct. This surface is designed to deform upon impact without breaking, while also providing a luxurious feel. The top pad features a grained outer surface and two shallow molded depressions on the top, which can serve as trays to store various small objects. A unique anti-skid texture molded into the top pad sur-

face in the bottom of these depressions will help to prevent objects from shifting in the trays while the vehicle is being driven. The top pad conceals an integral top-hinged steel passenger side airbag door, which is located between the two panel duct air outlets above the glove box. The top pad also features a raised hood formation over the instrument cluster area, which helps to block light reflections from the windshield onto the cluster lens in the daytime, and light reflections from the cluster onto the windshield at night.

The center stack area of the instrument panel features two snap-on bezels. The upper bezel has two integral center panel duct air outlets and conceals the radio and upper heater and air conditioner control mounting hardware. The lower bezel conceals the lower heater and air conditioner control mounting hardware and includes a concealed integral storage bin, which features a push-push latching mechanism and viscous-damped hinges. Pushing in on the face of the bin releases the latch and the bin opens by itself. The lower bezel also houses the two switches for the optional heated driver and passenger front seats, as well as two accessory power outlets. The accessory power outlet to the passenger side of the storage bin is covered by a pivoting door when not in use. The accessory power outlet to the driver side of the storage bin is covered by a snap-in plastic cap when not in use. If the optional smoker's package is ordered, a removable ash receiver is inserted in the storage bin and a cigar lighter is inserted in the driver side accessory power outlet.

The hinged bin-type glove box in the passenger side of the instrument panel features a recessed paddle-operated latch handle that is offset towards the driver side of the vehicle for easier access. The glove box latching mechanism features two bolt-type latches that engage a striker located on each side of the glove box opening for increased strength and integrity. Three molded hook formations on the lower edge of the glove box door are engaged with and pivot on three hinge pins integral to the lower edge of the structural duct. The glove box door also serves as the passenger side knee blocker. A honeycomb structure between the inner and outer glove box door panels helps to absorb the impact load and distribute it to the instrument panel structural duct.

The steering column opening cover serves as the driver side knee blocker. This molded plastic cover has an integral ribbed plastic liner concealed behind it, for increased strength and integrity. The steering column opening cover transfers impact loads through a stamped and welded instrument panel steering column bracket to the cast magnesium instrument panel steering column support bracket, which is

## DESCRIPTION AND OPERATION (Continued)

secured to and distributes the impact load to the instrument panel structural duct.

Modular instrument panel construction allows all of the gauges and controls to be serviced from the front of the instrument panel. In addition, most of the instrument panel electrical or heating and air conditioning components can be accessed without complete instrument panel removal. However, if necessary, the instrument panel unit can be removed from the vehicle as an assembly.

## INSTRUMENT CLUSTER

### DESCRIPTION

A single instrument cluster is offered on this model. This cluster is an Electro-Mechanical Instrument Cluster (EMIC) module that utilizes integrated circuitry and information carried on the Programmable Communications Interface (PCI) data bus network for control of all gauges and many of the indicator lamps. This cluster also incorporates a digital Vacuum Fluorescent Display (VFD) for the odometer/trip odometer/cruise-on indicator display functions. Some variations of this cluster exist due to optional equipment and regulatory requirements.

This instrument cluster includes the following gauges:

- Coolant temperature gauge
- Fuel gauge
- Odometer and trip odometer
- Oil pressure gauge
- Speedometer
- Tachometer
- Voltmeter.

This cluster also includes provisions for the following indicator lamps:

- Airbag indicator lamp
- Anti-lock brake system lamp
- Brake warning lamp
- Check gauges lamp
- Cruise-on indicator (odometer VFD)
- Fog lamps-on indicator lamp
- Headlamp high beam indicator lamp
- Low fuel warning lamp
- Malfunction Indicator Lamp (MIL)
- Master illumination indicator lamp
- Overdrive-off indicator lamp
- Part-time four-wheel drive indicator lamp (Selectrac)
- Seat belt reminder lamp
- Sentry Key Immobilizer System (SKIS) indicator lamp
- Transmission oil temperature warning lamp
- Turn signal indicator lamps.

This instrument cluster features circuitry that has a self-diagnostic actuator test capability, which will

test each of the PCI data bus message-controlled functions of the cluster by lighting the appropriate indicator lamps (except for the airbag indicator lamp), sweeping the gauge needles from their respective minimum to their maximum readings, and stepping the odometer display sequentially from all zeros through all nines. See the proper Diagnostic Procedures manual for more information on this function.

The instrument cluster circuitry also sends chime tone requests over the PCI data bus to the Body Control Module (BCM) when it monitors certain conditions or inputs. The BCM replaces the chime or buzzer module. Refer to **Chime Warning System** in the Description and Operation section of Group 8U - Chime/Buzzer Warning Systems for more information on this feature.

This vehicle also offers several customer programmable features, which allows the selection of several optional electronic features to suit individual preferences. Refer to **ELECTRONIC VEHICLE INFORMATION CENTER PROGRAMMING** in the Service Procedures section of Group 8V - Overhead Console Systems for more information on the customer programmable feature options. Customer programmable feature options affecting the EMIC module include:

- **Low Fuel Chime** - Allows the option of having a single chime sound as an audible alert whenever the instrument cluster low fuel warning lamp lights, or having no audible alert.

The instrument cluster component parts for this model are available for service. The cluster lens, hood and mask unit, the major gauges and the minor gauge sets, the trip odometer reset knob, the cluster housing with electronic circuit board and rear housing cover, and the incandescent lamp bulbs and bulb holders are available for service replacement.

### OPERATION

All of the gauges and many of the indicator lamps in this instrument cluster are controlled by a microprocessor that is located on the instrument cluster electronic circuit board. The instrument cluster microprocessor uses internal programming, messages received over the Programmable Communications Interface (PCI) data bus network, and a few hard wired inputs to perform its many gauge and indicator lamp control functions. The PCI data bus network allows the sharing of sensor information. This practice helps to reduce wire harness complexity, internal controller hardware and component sensor current loads.

The instrument cluster microprocessor smooths the input data using algorithms to provide gauge readings that are accurate, stable and responsive to operating conditions. These algorithms are designed to



## DESCRIPTION AND OPERATION (Continued)

provide gauge readings during normal operation that are consistent with customer expectations. However, when abnormal conditions exist, such as low or high battery voltage, low oil pressure or high coolant temperature, the algorithm drives the gauge pointer to an extreme position and the microprocessor turns on the Check Gauges indicator lamp to provide a distinct visual indication of a problem to the vehicle operator. The instrument cluster circuitry also sends chime tone requests over the PCI data bus to the Body Control Module (BCM) when it monitors certain conditions or inputs to provide the vehicle operator with an audible alert.

This instrument cluster also features a six-digit vacuum-fluorescent odometer and trip odometer display (VFD), which is integral to the cluster electronic circuit board. This display is toggled between the odometer and trip odometer functions by a push button on the face of the cluster. Pressing and holding the button depressed when the trip odometer reading is displayed will reset the trip odometer reading to zero. The instrument cluster microprocessor remembers which function was active when the ignition switch is turned to the off position, and returns the display to that function when the ignition is turned on again. The VFD will also display the message "CRUISE" whenever the vehicle speed control system is turned on, regardless of whether the speed control is engaged.

**GAUGE**

With the ignition switch in the On or Start positions, voltage is supplied to all gauges through the instrument cluster electronic circuit board. With the ignition switch in the Off position, voltage is not supplied to the gauges. The gauges do not accurately indicate any vehicle condition unless the ignition switch is in the On or Start positions.

All of the instrument cluster gauges, except the odometer and trip odometer, are air core magnetic units. Two fixed electromagnetic coils are located within the gauge. These coils are wrapped at right angles to each other around a movable permanent magnet. The movable magnet is suspended within the coils on one end of a shaft. The gauge needle is attached to the other end of the shaft.

One of the coils has a fixed current flowing through it to maintain a constant magnetic field strength. Current flow through the second coil changes, which causes changes in its magnetic field strength. The current flowing through the second coil is changed by the instrument cluster electronic circuitry in response to messages received on the Programmable Communications Interface (PCI) data bus network.

The gauge needle moves as the movable permanent magnet aligns itself to the changing magnetic fields created around it by the electromagnets. The instrument cluster circuitry is programmed to move all of the gauge needles back to the low end of their respective scales after the ignition switch is turned to the Off position.

**INDICATOR LAMP**

Indicator lamps are located in the instrument cluster and are served by the cluster circuit board and connectors. Many of the indicator lamps in the instrument cluster are controlled by the instrument cluster circuitry in response to messages received over the Programmable Communications Interface (PCI) data bus network.

The part-time four-wheel drive indicator lamp and turn signal indicator lamps are hard wired. The seat belt reminder lamp is controlled by the instrument cluster programming and by PCI data bus messages from the Body Control Module (BCM) based upon inputs from the seat belt switch. The brake warning lamp is controlled by a hard wired input from the park brake switch and by PCI data bus messages from the Controller Anti-lock Brake (CAB). The instrument cluster circuitry uses PCI data bus messages from the Powertrain Control Module (PCM), Airbag Control Module (ACM), BCM and CAB to control all of the remaining indicator lamps.

The indicator lamps in the instrument cluster use incandescent bulbs and holders. Each incandescent indicator lamp has a replaceable bulb and bulb holder.

**CLUSTER ILLUMINATION LAMP**

The instrument cluster features incandescent illumination lamp bulbs. The illumination intensity of these bulbs and of the vacuum-fluorescent electronic display are controlled by the instrument cluster microprocessor based upon dimming messages received from the Body Control Module (BCM) over the Programmable Communications Interface (PCI) data bus. The BCM uses inputs from the headlamp and panel dimmer switches on the left (lighting) multi-function switch control stalk and internal programming to decide what dimming message is required. The BCM then sends the proper dimming messages to the instrument cluster over the PCI data bus.

The BCM also sends the proper panel lamps dimming level messages over the PCI data bus to control the dimming levels of the various vacuum fluorescent displays. All modules on the PCI data bus with vacuum fluorescent displays (instrument cluster, radio, electronic vehicle information center) receive these messages and adjust their dimming levels to match

## DESCRIPTION AND OPERATION (Continued)

that of the incandescent cluster illumination bulbs located in the instrument cluster.

Vehicles equipped with the Auto Headlamps option have an automatic parade mode. In this mode, the BCM uses an input from the auto headlamp light sensor to determine the ambient light levels. If the BCM decides that the exterior lighting is turned on in the daylight, it overrides the selected panel dimmer switch signal by sending a message over the PCI data bus to illuminate all vacuum fluorescent displays at full brightness for easier visibility in daytime light levels. The automatic parade mode has no effect on the incandescent bulb dimming levels.

Each of the cluster illumination lamps is located on the instrument cluster circuit board. Each cluster illumination lamp has a replaceable bulb and bulb holder.

## BODY CONTROL MODULE

### DESCRIPTION

A Body Control Module (BCM) is used on this model to control and integrate many of the electronic features and functions of the vehicle. The BCM is concealed below the driver side end of the instrument panel in the passenger compartment, where it is mounted to the dash panel side of the junction block with four screws. The BCM has two external connector receptacles that receive connections from the instrument panel wire harness. The BCM also has a connector concealed on the back side of the unit that joins it directly to the circuitry within the junction block.

The BCM contains a central processing unit and interfaces with other electronic modules in the vehicle on the Programmable Communications Interface (PCI) data bus network. The PCI data bus network allows the sharing of sensor information. This helps to reduce wire harness complexity, reduce internal controller hardware, and reduce component sensor current loads. At the same time, this system provides increased reliability, enhanced diagnostics, and allows the addition of many new feature capabilities.

Some of the functions and features that the BCM supports or controls, include:

- Chimes
- Automatic headlamp control
- Headlamp delay
- Headlamps on with ignition off and driver door open warning
  - Key in ignition with ignition off and driver door open warning
- Automatic funeral or parade mode
- Panel lamp dimming
- Vehicle Theft Security System (VTSS)
- Illuminated entry

- Heated rear window and heated outside mirror control
- Intermittent wipe control
- Monitoring and transmitting rear door, liftgate, and liftgate flip-up glass ajar data
- Monitoring and transmitting outside ambient temperature data
- Monitoring and transmitting air conditioning select switch data
- Courtesy lamp time-out
- Door lock inhibit
- Electronic odometer and trip odometer
- Brake warning lamp
- Check gauges lamp
- High beam indicator lamp
- Seatbelt reminder lamp and chime
- Speed sensitive intermittent wipe
- Fog lamp control
- Electro-Mechanical Instrument Cluster
- BCM diagnostic support
- Electronic Vehicle Information Center (EVIC) support
  - Customer programmable features, including:
    - Auto door locks
    - Horn chirp upon door lock with Remote Keyless Entry (RKE)
    - Low fuel warning chime
    - Headlights on with wipers (with auto headlamps only)

For diagnosis of the BCM or the PCI data bus, the use of a DRB scan tool and the proper Diagnostic Procedures manual are recommended. The BCM can only be serviced by an authorized electronic warranty repair station. Refer to the latest version of the Chrysler Corporation Warranty Policies and Procedures manual for a current listing of authorized electronic repair stations.

### OPERATION

The functions and features provided by the BCM are possible because of its hard wired inputs and outputs, as well as the resources it shares with other electronic modules in the vehicle through its communication over the PCI data bus network. The BCM uses its internal programming and all of these inputs to decide which functions it should perform and both the standard and optional features it should provide. Refer to **ELECTRONIC VEHICLE INFORMATION CENTER PROGRAMMING** in the Service Procedures section of Group 8V - Overhead Console Systems for more information on the customer programmable feature options.

## DESCRIPTION AND OPERATION (Continued)

## INSTRUMENT PANEL CIGAR LIGHTER

## DESCRIPTION

A cigar lighter receptacle is standard equipment on this model. On models equipped with the optional Smoker's Package, the cigar lighter knob and heating element are included. On models without the Smoker's Package, the cigar lighter receptacle is equipped with a snap fit plastic cap and is treated as an extra accessory power outlet. The cigar lighter receptacle is installed in the instrument panel center lower bezel, which is located near the bottom of the instrument panel center stack area, below the heater and air conditioner controls. The cigar lighter base is secured by a snap fit within the center lower bezel.

The cigar lighter receptacle, plastic cap and the knob and heating element unit are available for service replacement. These components cannot be repaired and, if faulty or damaged, they must be replaced.

## OPERATION

The cigar lighter consists of two major components: a knob and heating element unit, and the cigar lighter base or receptacle shell. The receptacle shell is connected to ground, and an insulated contact in the bottom of the shell is connected to battery current. The cigar lighter receives battery voltage from a fuse in the junction block through the cigar lighter relay only when the ignition switch is in the Accessory or On positions. Refer to **Cigar Lighter Relay** in the Description and Operation section of this group for more information on this component.

The cigar lighter knob and heating element are encased within a spring-loaded housing, which also features a sliding protective heat shield. When the knob and heating element are inserted in the receptacle shell, the heating element resistor coil is grounded through its housing to the receptacle shell. If the cigar lighter knob is pushed inward, the heat shield slides up toward the knob exposing the heating element, and the heating element extends from the housing toward the insulated contact in the bottom of the receptacle shell.

Two small spring-clip retainers are located on either side of the insulated contact inside the bottom of the receptacle shell. These clips engage and hold the heating element against the insulated contact long enough for the resistor coil to heat up. When the heating element is engaged with the contact, battery current can flow through the resistor coil to ground, causing the resistor coil to heat.

When the resistor coil becomes sufficiently heated, excess heat radiates from the heating element causing the spring-clips to expand. Once the spring-clips expand far enough to release the heating element,

the spring-loaded housing forces the knob and heating element to pop back outward to their relaxed position. When the cigar lighter knob and element are pulled out of the receptacle shell, the protective heat shield slides downward on the housing so that the heating element is recessed and shielded around its circumference for safety.

## CIGAR LIGHTER RELAY

## DESCRIPTION

The cigar lighter relay is an electromechanical device that switches fused battery current to the cigar lighter when the ignition switch is turned to the Accessory or On positions. The cigar lighter relay is located in the junction block, below the driver side of the instrument panel in the passenger compartment.

The cigar lighter relay is a International Standards Organization (ISO) relay. Relays conforming to the ISO specifications have common physical dimensions, current capacities, terminal patterns, and terminal functions.

The cigar lighter relay cannot be repaired or adjusted and, if faulty or damaged, it must be replaced.

## OPERATION

The ISO relay consists of an electromagnetic coil, a resistor or diode, and three (two fixed and one movable) electrical contacts. The movable (common feed) relay contact is held against one of the fixed contacts (normally closed) by spring pressure. When the electromagnetic coil is energized, it draws the movable contact away from the normally closed fixed contact, and holds it against the other (normally open) fixed contact.

When the electromagnetic coil is de-energized, spring pressure returns the movable contact to the normally closed position. The resistor or diode is connected in parallel with the electromagnetic coil in the relay, and helps to dissipate voltage spikes that are produced when the coil is de-energized.

## INSTRUMENT PANEL POWER OUTLET

## DESCRIPTION

An accessory power outlet is standard equipment on this model. The power outlet is installed in the instrument panel center lower bezel, which is located near the bottom of the instrument panel center stack area, below the heater and air conditioner controls. The power outlet base is secured by a snap fit within the center lower bezel. A hinged door with an over-center spring flips closed to conceal and protect the power outlet base when the power outlet is not being

## DESCRIPTION AND OPERATION (Continued)

used, and flips open below the center lower bezel while the power outlet is in use.

The power outlet receptacle unit and the power outlet door are each available for service replacement.

**OPERATION**

The power outlet base or receptacle shell is connected to ground, and an insulated contact in the bottom of the shell is connected to battery current. The power outlet receives battery voltage from a fuse in the junction block at all times.

While the power outlet is very similar to a cigar lighter base unit, it does not include the two small spring-clip retainers inside the bottom of the receptacle shell that are used to secure the cigar lighter heating element to the insulated contact.

## DIAGNOSIS AND TESTING

**INSTRUMENT CLUSTER**

Following are tests that will help to diagnose the hard wired components and circuits of the Electro-Mechanical Instrument Cluster (EMIC). However, these tests may not prove conclusive in the diagnosis of this unit. In order to obtain conclusive testing of the EMIC, the Programmable Communications Interface (PCI) data bus network and all of the electronic modules that provide inputs to, or receive outputs from the EMIC must be checked.

The most reliable, efficient, and accurate means to diagnose the EMIC requires the use of a DRBIII® scan tool and the proper Diagnostic Procedures manual. The DRB scan tool can provide confirmation that the PCI data bus is functional, that all of the electronic modules are sending and receiving the proper messages on the PCI data bus, and that the EMIC is receiving the proper hard wired inputs to perform its many functions.

**NOTE: Occasionally, a condition may be encountered where the gauge pointer for the speedometer or the tachometer becomes caught on the wrong side of the pointer stop. To correct this condition, the technician should use a DRBIII® scan tool and the proper Diagnostic Procedures manual to perform the instrument cluster "self test" procedure. When performed, the "self test" procedure will automatically return the pointer to the correct side of the pointer stop.**

All of the gauges and many of the indicator lamps in the instrument cluster are controlled by messages received by the EMIC circuitry on the PCI data bus. Only the part-time four-wheel drive indicator lamp and the turn signal indicator lamps are hard wired

in the instrument cluster. The brake warning lamp receives a hard wired input from the park brake switch, but is also controlled by PCI data bus messages from the Controller Anti-lock Brake (CAB).

For complete circuit diagrams, refer to **Instrument Cluster** in the Contents of Group 8W - Wiring Diagrams.

**WARNING: ON VEHICLES EQUIPPED WITH AIR-BAGS, REFER TO GROUP 8M - PASSIVE RESTRAINT SYSTEMS BEFORE ATTEMPTING ANY STEERING WHEEL, STEERING COLUMN, OR INSTRUMENT PANEL COMPONENT DIAGNOSIS OR SERVICE. FAILURE TO TAKE THE PROPER PRECAUTIONS COULD RESULT IN ACCIDENTAL AIR-BAG DEPLOYMENT AND POSSIBLE PERSONAL INJURY.**

(1) Check the fused B(+) fuse in the junction block. If OK, go to Step 2. If not OK, repair the shorted circuit or component as required and replace the faulty fuse.

(2) Check for battery voltage at the fused B+ fuse in the junction block. If OK, go to Step 3. If not OK, repair the open fused B(+) circuit to the Power Distribution Center (PDC) fuse as required.

(3) Check the fused ignition switch output (run/start) fuse in the junction block. If OK, go to Step 4. If not OK, repair the shorted circuit or component as required and replace the faulty fuse.

(4) Turn the ignition switch to the On position. Check for battery voltage at the fused ignition switch output (start/run) fuse in the junction block. If OK, go to Step 5. If not OK, repair the open fused ignition switch output (start/run) circuit to the ignition switch as required.

(5) Turn the ignition switch to the Off position. Disconnect and isolate the battery negative cable. Remove the instrument cluster as described in this group. Reconnect the battery negative cable. Check for battery voltage at the fused B(+) circuit cavity of the instrument panel wire harness connector for the instrument cluster. If OK, go to Step 6. If not OK, repair the open fused B(+) circuit to the junction block fuse as required.

(6) Turn the ignition switch to the On position. Check for battery voltage at the fused ignition switch output (start/run) circuit cavity of the instrument panel wire harness connector for the instrument cluster. If OK, go to Step 7. If not OK, repair the open fused ignition switch output (start/run) circuit to the junction block fuse as required.

(7) Turn the ignition switch to the Off position. Disconnect and isolate the battery negative cable. Probe each of the ground circuit cavities of the instrument panel wire harness connector for the instrument cluster. Check for continuity to a good



## DIAGNOSIS AND TESTING (Continued)

ground. There should be continuity. If OK, use a DRB scan tool and the proper Diagnostic Procedures manual for diagnosis of the instrument cluster circuitry and the PCI data bus. If not OK, repair the open ground circuit(s) to ground as required.

**HARD WIRED LAMP DIAGNOSIS**

Each of the lamps found in this section depends upon a hard wired circuit input to the instrument cluster for proper operation. The following procedures will help to diagnose conditions that may cause an inoperative hard wired lamp circuit condition.

**WARNING: ON VEHICLES EQUIPPED WITH AIRBAGS, REFER TO GROUP 8M - PASSIVE RESTRAINT SYSTEMS BEFORE ATTEMPTING ANY STEERING WHEEL, STEERING COLUMN, OR INSTRUMENT PANEL COMPONENT DIAGNOSIS OR SERVICE. FAILURE TO TAKE THE PROPER PRECAUTIONS COULD RESULT IN ACCIDENTAL AIRBAG DEPLOYMENT AND POSSIBLE PERSONAL INJURY.**

**BRAKE WARNING LAMP**

The diagnosis found here addresses an inoperative brake warning lamp condition. If the brake warning lamp stays on with the ignition switch in the On position and the park brake released, or comes on while driving, refer to **Antilock Brakes** in the Diagnosis and Testing section of Group 5 - Brakes for further diagnosis. If no brake system problem is found, the following procedure will help locate a short or open circuit, or a faulty switch. For complete circuit diagrams, refer to **Instrument Cluster** in the Contents of Group 8W - Wiring Diagrams.

(1) Turn the ignition switch to the Off position. Disconnect and isolate the battery negative cable. Disconnect the wire harness connector at the park brake switch. With the park brake released, check for continuity between the park brake switch terminal and a good ground. There should be no continuity. If OK, go to Step 2. If not OK, adjust or replace the faulty park brake switch.

(2) Remove the instrument cluster and disconnect the instrument panel wire harness connector from the instrument cluster. Check for continuity between the red brake warning indicator driver circuit cavity of the instrument panel wire harness connector for the instrument cluster and a good ground. There should be no continuity. If OK, go to Step 3. If not OK, repair the shorted red brake warning indicator driver circuit as required.

(3) Check for continuity between the red brake warning indicator driver circuit cavities of the instrument wire harness connector for the instrument cluster and the brake warning switch wire harness

connector. There should be continuity. If OK, replace the faulty bulb. If not OK, repair the open red brake warning indicator driver circuit as required.

**FOUR-WHEEL DRIVE INDICATOR LAMP - PART TIME**

The diagnosis found here addresses an inoperative four-wheel drive indicator lamp condition. If the problem being diagnosed is related to lamp accuracy, be certain to confirm that the problem is with the lamp or switch and not with a damaged or inoperative transfer case or transfer case linkage. Refer to **NV242 Diagnosis** in the Diagnosis and Testing section of Group 21 - Transmission for more information. If no transfer case problem is found, the following procedure will help locate a short or open in the indicator lamp circuit. For complete circuit diagrams, refer to **Instrument Cluster** in the Contents of Group 8W - Wiring Diagrams.

(1) Check the fused ignition switch output (run/start) fuse in the junction block. If OK, go to Step 2. If not OK, repair the shorted circuit or component as required and replace the faulty fuse.

(2) Turn the ignition switch to the On position. Check for battery voltage at the fused ignition switch output (run/start) fuse in the junction block. If OK, go to Step 3. If not OK, repair the open fused ignition switch output (run/start) circuit to the ignition switch as required.

(3) Turn the ignition switch to the Off position. Disconnect and isolate the battery negative cable. Disconnect the transfer case switch wire harness connector. Check for continuity between the ground circuit cavity of the transfer case switch wire harness connector and a good ground. There should be continuity. If OK, go to Step 4. If not OK, repair the open ground circuit to ground as required.

(4) Connect the battery negative cable. Turn the ignition switch to the On position. Install a jumper wire between the part time four wheel drive indicator lamp driver circuit cavity of the transfer case switch wire harness connector and a good ground. The part time four-wheel drive indicator lamp should light. If OK, replace the faulty transfer case switch. If not OK, go to Step 5.

(5) Turn the ignition switch to the Off position. Disconnect and isolate the battery negative cable. Remove the instrument cluster. With the transfer case switch wire harness connector still disconnected, check for continuity between the part time four wheel drive indicator lamp driver circuit cavity of the instrument panel wire harness connector for the instrument cluster and a good ground. There should be no continuity. If OK, go to Step 6. If not OK, repair the shorted part time four wheel drive indicator lamp driver circuit as required.



## DIAGNOSIS AND TESTING (Continued)

(6) Check for continuity between the part time four wheel drive indicator lamp driver circuit cavities of the instrument panel wire harness connector for the instrument cluster and the transfer case switch wire harness connector. There should be continuity. If OK, replace the faulty bulb. If not OK, repair the open part time four wheel drive indicator lamp driver circuit as required.

## TURN SIGNAL INDICATOR LAMP

The diagnosis found here addresses an inoperative turn signal indicator lamp condition. For any other turn signal problem, refer to **Turn Signal and Hazard Warning Systems** in the Diagnosis and Testing section of Group 8J - Turn Signal and Hazard Warning Systems for further diagnosis. If no turn signal or hazard warning system problem is found, the following procedure will help locate a short or open in the indicator lamp circuit. For complete circuit diagrams, refer to **Instrument Cluster** in the Contents of Group 8W - Wiring Diagrams.

(1) Disconnect and isolate the battery negative cable. Remove the instrument cluster and disconnect the instrument panel wire harness connector from the instrument cluster connector receptacle.

(2) Connect the battery negative cable. Activate the hazard warning system by moving the hazard warning switch button to the On position. Check for battery voltage at the inoperative (right or left) turn signal circuit cavity of the instrument panel wire harness connector for the instrument cluster. There should be a switching (on and off) battery voltage signal. If OK, replace the faulty (right or left) indicator lamp bulb. If not OK, repair the open (right or left) turn signal circuit to the electronic combination flasher in the junction block as required.

## BODY CONTROL MODULE

In order to obtain conclusive testing of the Body Control Module (BCM), all of the electronic modules that provide inputs to, or receive outputs from the BCM must also be checked. The most reliable, efficient, and accurate means to diagnose the BCM requires the use of a DRB scan tool and the proper Diagnostic Procedures manual. The DRB scan tool can provide confirmation that the Programmable Communications Interface (PCI) data bus network is functional, that all of the electronic modules are sending and receiving the proper messages on the PCI data bus, and that the BCM is receiving the proper hard wired inputs and relaying the proper hard wired outputs to perform its many functions.

Refer to **Body Control Module** in the Contents of Group 8W - Wiring Diagrams for complete circuit diagrams.

## INSTRUMENT PANEL CIGAR LIGHTER

For complete circuit diagrams, refer to **Horn/Cigar Lighter/Power Outlet** in the Contents of Group 8W - Wiring Diagrams.

**WARNING: ON VEHICLES EQUIPPED WITH AIRBAGS, REFER TO GROUP 8M - PASSIVE RESTRAINT SYSTEMS BEFORE ATTEMPTING ANY STEERING WHEEL, STEERING COLUMN, OR INSTRUMENT PANEL COMPONENT DIAGNOSIS OR SERVICE. FAILURE TO TAKE THE PROPER PRECAUTIONS COULD RESULT IN ACCIDENTAL AIRBAG DEPLOYMENT AND POSSIBLE PERSONAL INJURY.**

(1) Check the fused B(+) fuse in the junction block. If OK, go to Step 2. If not OK, repair the shorted circuit or component as required and replace the faulty fuse.

(2) Turn the ignition switch to the On position. Check for battery voltage at the fused B(+) fuse in the junction block. If OK, go to Step 3. If not OK, refer to **Cigar Lighter Relay** in the Diagnosis and Testing section of this group.

(3) Remove the cigar lighter knob and element from the cigar lighter receptacle shell. Check for continuity between the inside circumference of the cigar lighter receptacle shell and a good ground. There should be continuity. If OK, go to Step 4. If not OK, go to Step 5.

(4) Turn the ignition switch to the On position. Check for battery voltage at the insulated contact located at the back of the cigar lighter receptacle shell. If OK, replace the faulty cigar lighter knob and element. If not OK, go to Step 5.

(5) Turn the ignition switch to the Off position. Disconnect and isolate the battery negative cable. Remove the instrument panel center lower bezel. Check for continuity between the ground circuit cavity of the cigar lighter wire harness connector and a good ground. There should be continuity. If OK, go to Step 6. If not OK, repair the open ground circuit to ground as required.

(6) Connect the battery negative cable. Turn the ignition switch to the Accessory or On positions. Check for battery voltage at the fused B(+) circuit cavity of the cigar lighter wire harness connector. If OK, replace the faulty cigar lighter receptacle. If not OK, repair the open fused B(+) circuit to the junction block fuse as required.

## CIGAR LIGHTER RELAY

The cigar lighter relay (Fig. 1) is located in the junction block, below the driver side end of the instrument panel in the passenger compartment. For complete circuit diagrams, refer to **Horn/Cigar**

DIAGNOSIS AND TESTING (Continued)

**Lighter/Power Outlet** in the Contents of Group 8W - Wiring Diagrams.

**WARNING: ON VEHICLES EQUIPPED WITH AIR-BAGS, REFER TO GROUP 8M - PASSIVE RESTRAINT SYSTEMS BEFORE ATTEMPTING ANY STEERING WHEEL, STEERING COLUMN, OR INSTRUMENT PANEL COMPONENT DIAGNOSIS OR SERVICE. FAILURE TO TAKE THE PROPER PRECAUTIONS COULD RESULT IN ACCIDENTAL AIR-BAG DEPLOYMENT AND POSSIBLE PERSONAL INJURY.**

(1) Remove the cigar lighter relay from the junction block. Refer to **Cigar Lighter Relay** in the Removal and Installation section of this group for the procedures.

(2) A relay in the de-energized position should have continuity between terminals 87A and 30, and no continuity between terminals 87 and 30. If OK, go to Step 3. If not OK, replace the faulty relay.

(3) Resistance between terminals 85 and 86 (electromagnet) should be  $75 \pm 5$  ohms. If OK, go to Step 4. If not OK, replace the faulty relay.

(4) Connect a battery to terminals 85 and 86. There should now be continuity between terminals 30 and 87, and no continuity between terminals 87A and 30. If OK, perform the Relay Circuit Test that follows. If not OK, replace the faulty relay.

receptacle for the cigar lighter relay. If OK, go to Step 2. If not OK, repair the fused B(+) circuit to the Power Distribution Center (PDC) fuse as required.

(2) The relay normally closed terminal (87A) is connected to terminal 30 in the de-energized position, but is not used for this application. Go to Step 3.

(3) The relay normally open terminal (87) is connected to the common feed terminal (30) in the energized position. This terminal supplies battery voltage to the fused B(+) fuse in the junction block that feeds the cigar lighter when the relay is energized by the ignition switch. There should be continuity between the junction block cavity for relay terminal 87 and the fused B(+) fuse in the junction block at all times. If OK, go to Step 4. If not OK, repair the open fused B(+) circuit to the junction block fuse as required.

(4) The coil ground terminal (85) is connected to the electromagnet in the relay. It receives battery feed to energize the cigar lighter relay when the ignition switch is in the Accessory or On positions. Turn the ignition switch to the On position. Check for battery voltage at the fused ignition switch output (acc/run) circuit cavity for relay terminal 85 in the junction block receptacle for the cigar lighter relay. If OK, go to Step 5. If not OK, repair the open fused ignition switch output (acc/run) circuit to the ignition switch as required.

(5) The coil battery terminal (86) is connected to the electromagnet in the relay. The junction block cavity for this terminal should have continuity to ground at all times. If not OK, repair the open ground circuit to ground as required.

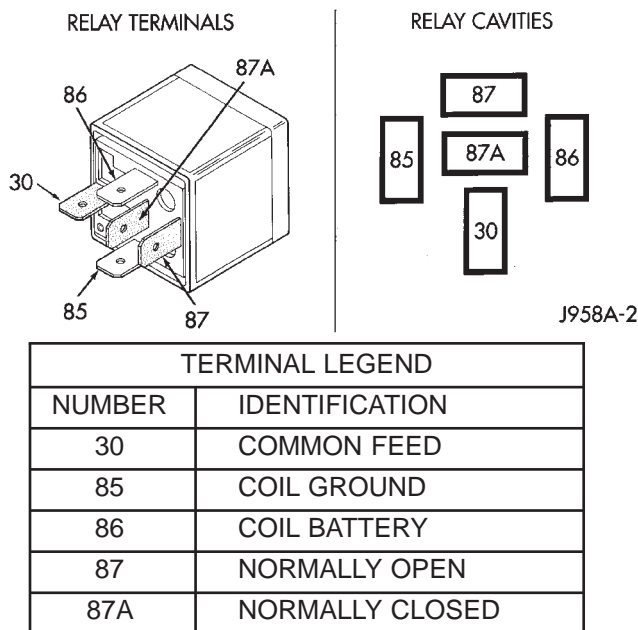
**INSTRUMENT PANEL POWER OUTLET**

For complete circuit diagrams, refer to **Horn/Cigar Lighter/Power Outlet** in the Contents of Group 8W - Wiring Diagrams.

**WARNING: ON VEHICLES EQUIPPED WITH AIR-BAGS, REFER TO GROUP 8M - PASSIVE RESTRAINT SYSTEMS BEFORE ATTEMPTING ANY STEERING WHEEL, STEERING COLUMN, OR INSTRUMENT PANEL COMPONENT DIAGNOSIS OR SERVICE. FAILURE TO TAKE THE PROPER PRECAUTIONS COULD RESULT IN ACCIDENTAL AIR-BAG DEPLOYMENT AND POSSIBLE PERSONAL INJURY.**

(1) Check the fused B(+) fuse in the junction block. If OK, go to Step 2. If not OK, repair the shorted circuit or component as required and replace the faulty fuse.

(2) Check for battery voltage at the fused B(+) fuse in the junction block. If OK, go to Step 3. If not OK, repair the open fused B(+) circuit to the Power Distribution Center (PDC) fuse as required.



**Fig. 1 Cigar Lighter Relay**

**RELAY CIRCUIT TEST**

(1) The relay common feed terminal cavity (30) of the junction block is connected to battery voltage and should be hot at all times. Check for battery voltage at the fused B(+) circuit cavity in the junction block

## DIAGNOSIS AND TESTING (Continued)

(3) Open the power outlet door. Check for continuity between the inside circumference of the power outlet receptacle and a good ground. There should be continuity. If OK, go to Step 4. If not OK, go to Step 5.

(4) Check for battery voltage at the insulated contact located at the back of the power outlet receptacle. If not OK, go to Step 5.

(5) Disconnect and isolate the battery negative cable. Remove the instrument panel center lower bezel. Check for continuity between the ground circuit cavity of the power outlet wire harness connector and a good ground. There should be continuity. If OK, go to Step 6. If not OK, repair the open ground circuit to ground as required.

(6) Connect the battery negative cable. Check for battery voltage at the fused B(+) circuit cavity of the power outlet wire harness connector. If OK, replace the faulty power outlet receptacle. If not OK, repair the open fused B(+) circuit to the junction block fuse as required.

## REMOVAL AND INSTALLATION

## INSTRUMENT PANEL FUSE COVER

**WARNING: ON VEHICLES EQUIPPED WITH AIRBAGS, REFER TO GROUP 8M - PASSIVE RESTRAINT SYSTEMS BEFORE ATTEMPTING ANY STEERING WHEEL, STEERING COLUMN, OR INSTRUMENT PANEL COMPONENT DIAGNOSIS OR SERVICE. FAILURE TO TAKE THE PROPER PRECAUTIONS COULD RESULT IN ACCIDENTAL AIRBAG DEPLOYMENT AND POSSIBLE PERSONAL INJURY.**

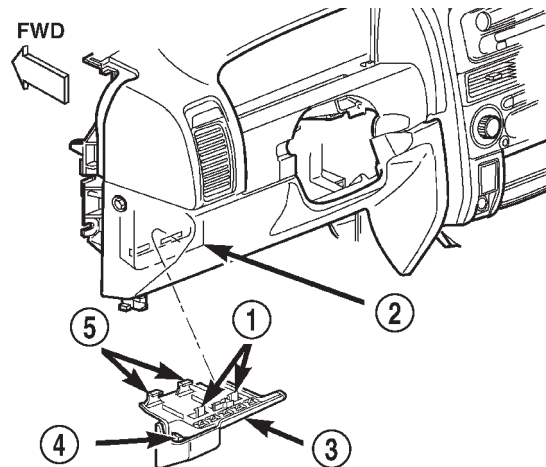
## REMOVAL

(1) Disconnect and isolate the battery negative cable.

(2) Pull down on the rear edge (nearest the rear of the vehicle) of the instrument panel fuse cover until the rear latches unsnap from the tabs on the lower junction block housing and the side latch unsnaps from the tab on the instrument panel steering column support bracket outboard of the 16-way data link connector (Fig. 2).

(3) Move the instrument panel fuse cover towards the front of the vehicle to disengage the front latches from the mounting slots in the lower housing of the body control module.

(4) Remove the fuse cover from under the instrument panel.



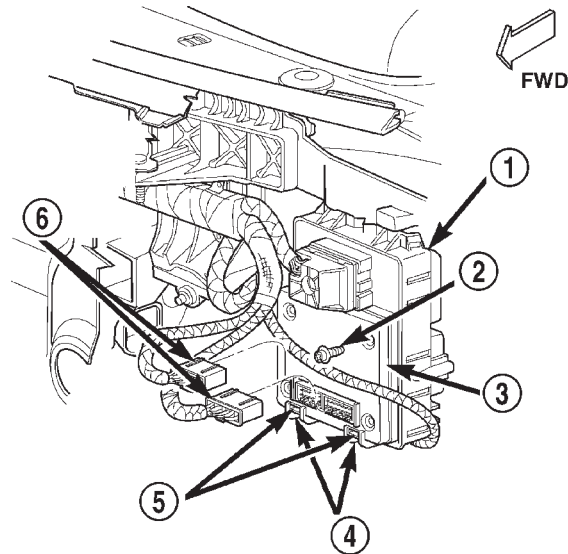
80b6b36f

**Fig. 2 Instrument Panel Fuse Cover Remove/Install**

- 1 - REAR LATCHES
- 2 - JUNCTION BLOCK AND BODY CONTROL MODULE UNIT
- 3 - INSTRUMENT PANEL FUSE COVER
- 4 - SIDE LATCH
- 5 - FRONT LATCHES

## INSTALLATION

(1) Position the two front latches of the instrument panel fuse cover within the two locator channel formations on the bottom of the body control module housing (Fig. 3).



80b76f92

**Fig. 3 Instrument Panel Fuse Cover Locator Channels**

- 1 - JUNCTION BLOCK
- 2 - SCREWS (4)
- 3 - BODY CONTROL MODULE
- 4 - FUSE COVER LOCATOR CHANNELS
- 5 - FUSE COVER MOUNTING SLOTS
- 6 - INSTRUMENT PANEL WIRE HARNESS CONNECTORS

## REMOVAL AND INSTALLATION (Continued)

(2) While applying a slight upward pressure to the instrument panel fuse cover over the front latches, slowly slide the front latches through the locator channels toward the front of the vehicle until the latches exit the front of the locator channels. This will locate the front latches at the mounting slots in the lower housing of the body control module.

(3) Apply a slight rearward pressure on the instrument panel fuse cover to engage the front latches in the mounting slots in the lower housing of the body control module.

(4) Swing the rear edge (nearest the rear of the vehicle) of the instrument panel fuse cover up toward the junction block.

(5) Press firmly upward on the instrument panel fuse cover over the rear latches until the latches snap into place over the tabs on the lower edge of the junction block housing.

(6) Press firmly upward on the 16-way data link connector cover formation of the instrument panel fuse cover until the side latch snaps into place over the tab on the outboard side of the instrument panel steering column support bracket.

(7) Reconnect the battery negative cable.

## BODY CONTROL MODULE

**WARNING: ON VEHICLES EQUIPPED WITH AIR-BAGS, REFER TO GROUP 8M - PASSIVE RESTRAINT SYSTEMS BEFORE ATTEMPTING ANY STEERING WHEEL, STEERING COLUMN, OR INSTRUMENT PANEL COMPONENT DIAGNOSIS OR SERVICE. FAILURE TO TAKE THE PROPER PRECAUTIONS COULD RESULT IN ACCIDENTAL AIR-BAG DEPLOYMENT AND POSSIBLE PERSONAL INJURY.**

## REMOVAL

(1) Disconnect and isolate the battery negative cable.

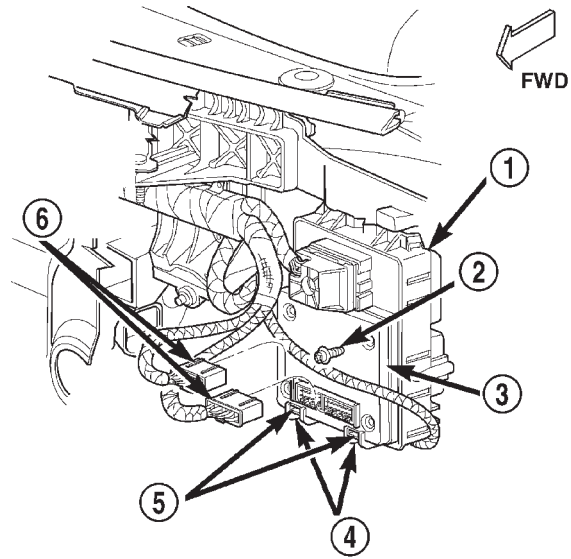
(2) Remove the instrument panel fuse cover from the bottom of the junction block and body control module unit. Refer to **Instrument Panel Fuse Cover** in the Removal and Installation section of this group for the procedures.

(3) Reach under the instrument panel and behind the junction block to disconnect the two instrument panel wire harness connectors from the body control module connector receptacles (Fig. 4).

(4) Remove the four screws (Torx T-20) that secure the body control module to the junction block.

(5) Pull the body control module straight out from the junction block until the integral connector is completely disengaged.

(6) Remove the body control module from under the instrument panel.



80b76f92

**Fig. 4 Body Control Module Remove/Install**

- 1 - JUNCTION BLOCK
- 2 - SCREWS (4)
- 3 - BODY CONTROL MODULE
- 4 - FUSE COVER LOCATOR CHANNELS
- 5 - FUSE COVER MOUNTING SLOTS
- 6 - INSTRUMENT PANEL WIRE HARNESS CONNECTORS

## INSTALLATION

(1) Reach under the instrument panel and behind the junction block to position the body control module to its mounting location on the junction block.

(2) Align the integral connector terminal pins of the body control module with the integral connector receptacle on the junction block.

(3) Firmly and evenly squeeze the body control module and the junction block together until the integral connector is fully engaged.

(4) Install and tighten the four screws that secure the body control module to the junction block. Tighten the screws to 2.2 N·m (20 in. lbs.).

(5) Reconnect the two instrument panel wire harness connectors to the body control module connector receptacles.

(6) Install the instrument panel fuse cover to the bottom of the junction block and body control module unit. Refer to **Instrument Panel Fuse Cover** in the Removal and Installation section of this group for the procedures.

(7) Reconnect the battery negative cable.



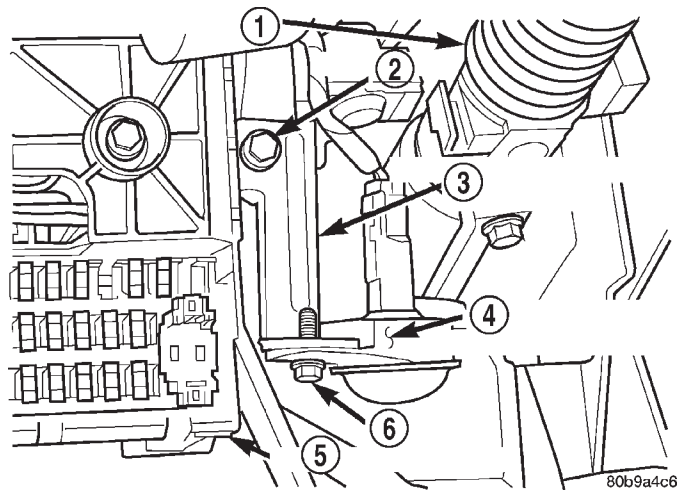
REMOVAL AND INSTALLATION (Continued)

**INSTRUMENT PANEL DRIVER SIDE COURTESY LAMP BRACKET**

**WARNING: ON VEHICLES EQUIPPED WITH AIR-BAGS, REFER TO GROUP 8M - PASSIVE RESTRAINT SYSTEMS BEFORE ATTEMPTING ANY STEERING WHEEL, STEERING COLUMN, OR INSTRUMENT PANEL COMPONENT DIAGNOSIS OR SERVICE. FAILURE TO TAKE THE PROPER PRECAUTIONS COULD RESULT IN ACCIDENTAL AIR-BAG DEPLOYMENT AND POSSIBLE PERSONAL INJURY.**

**REMOVAL**

- (1) Disconnect and isolate the battery negative cable.
- (2) Remove the instrument panel fuse cover from the bottom of the junction block and body control module unit. Refer to **Instrument Panel Fuse Cover** in the Removal and Installation section of this group for the procedures.
- (3) Reach under the steering column opening cover to access and remove the screw that secures the courtesy lamp to the lower end of the instrument panel bracket near the inboard side of the junction block (Fig. 5).



**Fig. 5 Instrument Panel Driver Side Courtesy Lamp Bracket Remove/Install**

- 1 - STEERING COLUMN
- 2 - SCREW
- 3 - COURTESY LAMP BRACKET
- 4 - DRIVER SIDE COURTESY LAMP
- 5 - JUNCTION BLOCK
- 6 - SCREW

(4) Remove the courtesy lamp from the lower end of the instrument panel driver side courtesy lamp bracket.

(5) Reach under the steering column opening cover to access and remove the screw that secures the courtesy lamp bracket and the inboard side of the junction block to the instrument panel steering column support bracket.

(6) Remove the driver side courtesy lamp bracket from under the instrument panel.

**INSTALLATION**

(1) Reach under the instrument panel to position the upper end of the driver side courtesy lamp bracket to the instrument panel steering column support bracket.

(2) Install and tighten the screw that secures the courtesy lamp bracket and the inboard side of the junction block to the instrument panel steering column support bracket. Tighten the screw to 2.2 N·m (20 in. lbs.).

(3) Position the courtesy lamp to the lower end of the instrument panel driver side courtesy lamp bracket.

(4) Install and tighten the screw that secures the courtesy lamp to the lower end of the instrument panel driver side courtesy lamp bracket. Tighten the screw to 2.2 N·m (20 in. lbs.).

(5) Install the instrument panel fuse cover to the bottom of the junction block and body control module unit. Refer to **Instrument Panel Fuse Cover** in the Removal and Installation section of this group for the procedures.

(6) Reconnect the battery negative cable.

**INSTRUMENT PANEL DRIVER SIDE BEZEL**

**WARNING: ON VEHICLES EQUIPPED WITH AIR-BAGS, REFER TO GROUP 8M - PASSIVE RESTRAINT SYSTEMS BEFORE ATTEMPTING ANY STEERING WHEEL, STEERING COLUMN, OR INSTRUMENT PANEL COMPONENT DIAGNOSIS OR SERVICE. FAILURE TO TAKE THE PROPER PRECAUTIONS COULD RESULT IN ACCIDENTAL AIR-BAG DEPLOYMENT AND POSSIBLE PERSONAL INJURY.**

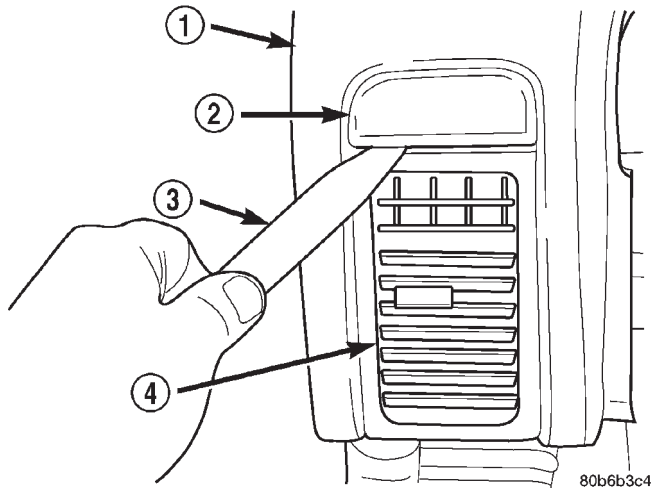
**REMOVAL**

(1) Disconnect and isolate the battery negative cable.



## REMOVAL AND INSTALLATION (Continued)

(2) Using a trim stick or another suitable wide flat-bladed tool, gently pry the edges of the driver side bezel up and away from the instrument panel far enough to disengage the two snap clips from their receptacles (Fig. 6).



**Fig. 6 Instrument Panel Driver Side Bezel Remove/Install**

- 1 - INSTRUMENT PANEL TOP PAD
- 2 - DRIVER SIDE BEZEL
- 3 - TRIM STICK
- 4 - PANEL OUTLET

(3) Remove the driver side bezel from the instrument panel top pad.

## INSTALLATION

(1) Position the driver side bezel to the instrument panel top pad.

(2) Align the snap clips on the driver side bezel with the receptacles in the instrument panel top pad.

(3) Press firmly on the instrument panel driver side bezel over the snap clip locations until each of the snap clips is fully engaged in its receptacle.

(4) Reconnect the battery negative cable.

## CLUSTER BEZEL

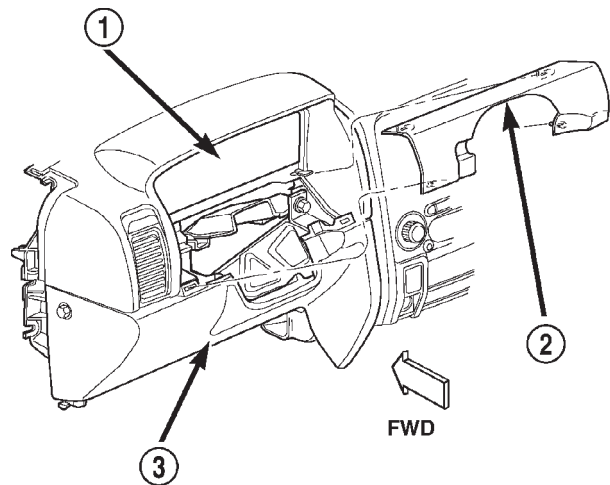
**WARNING: ON VEHICLES EQUIPPED WITH AIRBAGS, REFER TO GROUP 8M - PASSIVE RESTRAINT SYSTEMS BEFORE ATTEMPTING ANY STEERING WHEEL, STEERING COLUMN, OR INSTRUMENT PANEL COMPONENT DIAGNOSIS OR SERVICE. FAILURE TO TAKE THE PROPER PRECAUTIONS COULD RESULT IN ACCIDENTAL AIRBAG DEPLOYMENT AND POSSIBLE PERSONAL INJURY.**

## REMOVAL

(1) Disconnect and isolate the battery negative cable.

(2) Place the tilt steering wheel in its fully lowered position.

(3) Using a trim stick or another suitable wide flat-bladed tool, gently pry each of the four corners of the cluster bezel away from the instrument panel far enough to disengage the four snap clips from their receptacles (Fig. 7).



**Fig. 7 Cluster Bezel Remove/Install**

- 1 - INSTRUMENT CLUSTER
- 2 - INSTRUMENT PANEL CLUSTER BEZEL
- 3 - STEERING COLUMN OPENING COVER

(4) Being certain not to scratch the instrument cluster lens with the two snap clips on the lower edge of the cluster bezel, roll the top of the cluster bezel rearward over the top of the steering column to remove it from the instrument panel.

## INSTALLATION

(1) Being certain not to scratch the instrument cluster lens with the two snap clips on the lower edge of the cluster bezel, slide the lower edge of the cluster bezel forward and down over the top of the steering column to position it on the instrument panel.

(2) Align the two snap clips on the lower edge of the cluster bezel with the receptacles on the instrument panel.

(3) Press firmly on the cluster bezel over each of the lower snap clip locations until each of the snap clips is fully engaged in its receptacle.

(4) Align the two receptacles on the upper edge of the cluster bezel with the snap clips on the instrument panel.

REMOVAL AND INSTALLATION (Continued)

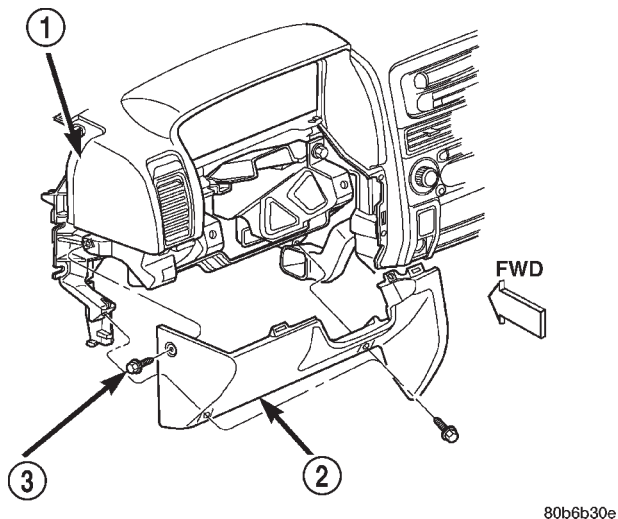
- (5) Press firmly on the cluster bezel over each of the upper snap clip locations until each of the snap clips is fully engaged in its receptacle.
- (6) Reconnect the battery negative cable.

**STEERING COLUMN OPENING COVER**

**WARNING: ON VEHICLES EQUIPPED WITH AIR-BAGS, REFER TO GROUP 8M - PASSIVE RESTRAINT SYSTEMS BEFORE ATTEMPTING ANY STEERING WHEEL, STEERING COLUMN, OR INSTRUMENT PANEL COMPONENT DIAGNOSIS OR SERVICE. FAILURE TO TAKE THE PROPER PRECAUTIONS COULD RESULT IN ACCIDENTAL AIR-BAG DEPLOYMENT AND POSSIBLE PERSONAL INJURY.**

**REMOVAL**

- (1) Disconnect and isolate the battery negative cable.
- (2) Remove the fuse cover from the junction block under the instrument panel. Refer to **Instrument Panel Fuse Cover** in the Removal and Installation section of this group for the procedures.
- (3) Remove the cluster bezel from the instrument panel. Refer to **Cluster Bezel** in the Removal and Installation section of this group for the procedures.
- (4) Remove the one screw that secures the outboard end of the steering column opening cover to the U-nut on the instrument panel top pad (Fig. 8).



**Fig. 8 Steering Column Opening Cover Remove/Install**

- 1 - INSTRUMENT PANEL TOP PAD
- 2 - STEERING COLUMN OPENING COVER
- 3 - SCREW (3)

- (5) Remove the two screws that secure the lower edge of the steering column opening cover to the

U-nuts on the instrument panel steering column support bracket.

- (6) Pull the steering column opening cover rearward to disengage the three snap clips (one outboard and two inboard that secure it to the instrument panel.
- (7) Remove the steering column opening cover from the instrument panel.

**INSTALLATION**

- (1) Position the steering column opening cover to the instrument panel.
- (2) Align the three snap clips on the steering column opening cover with the receptacles on the instrument panel.
- (3) Press firmly on the steering column opening cover over the snap clip locations until each of the snap clips is fully engaged in its receptacle.
- (4) Install and tighten the two screws that secure the lower edge of the steering column opening cover to the instrument panel steering column support bracket. Tighten the screws to 2.2 N-m (20 in. lbs.).
- (5) Install and tighten the one screw that secures the outboard end of the steering column opening cover to the U-nut on the instrument panel top pad. Tighten the screw to 2.2 N-m (20 in. lbs.).
- (6) Install the cluster bezel onto the instrument panel. Refer to **Cluster Bezel** in the Removal and Installation section of this group for the procedures.
- (7) Install the fuse cover onto the junction block under the instrument panel. Refer to **Instrument Panel Fuse Cover** in the Removal and Installation section of this group for the procedures.
- (8) Reconnect the battery negative cable.

**INSTRUMENT PANEL STEERING COLUMN BRACKET**

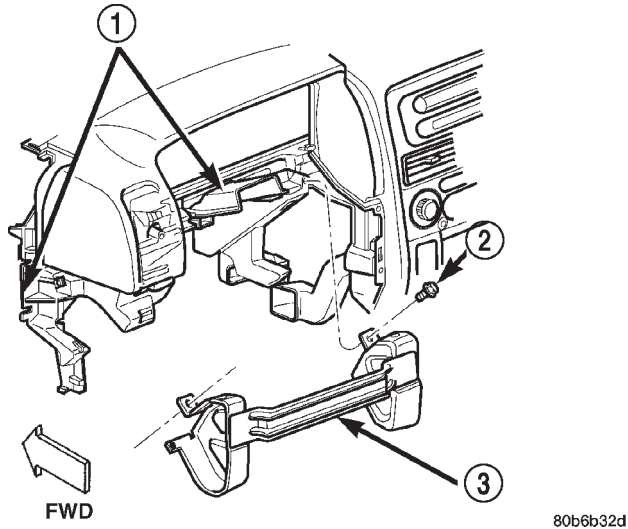
**WARNING: ON VEHICLES EQUIPPED WITH AIR-BAGS, REFER TO GROUP 8M - PASSIVE RESTRAINT SYSTEMS BEFORE ATTEMPTING ANY STEERING WHEEL, STEERING COLUMN, OR INSTRUMENT PANEL COMPONENT DIAGNOSIS OR SERVICE. FAILURE TO TAKE THE PROPER PRECAUTIONS COULD RESULT IN ACCIDENTAL AIR-BAG DEPLOYMENT AND POSSIBLE PERSONAL INJURY.**

**REMOVAL**

- (1) Disconnect and isolate the battery negative cable.
- (2) Remove the steering column opening cover from the instrument panel. Refer to **Steering Column Opening Cover** in the Removal and Installation section of this group for the procedures.

## REMOVAL AND INSTALLATION (Continued)

(3) Remove the four screws that secure the steering column bracket to the instrument panel steering column support bracket (Fig. 9).



**Fig. 9 Instrument Panel Steering Column Bracket Remove/Install**

- 1 - INSTRUMENT PANEL STEERING COLUMN SUPPORT BRACKET
- 2 - SCREW (4)
- 3 - INSTRUMENT PANEL STEERING COLUMN BRACKET

(4) Remove the steering column bracket from the instrument panel steering column support bracket.

## INSTALLATION

(1) Position the steering column bracket to the instrument panel steering column support bracket.

(2) Install and tighten the four screws that secure the steering column bracket to the instrument panel steering column support bracket. Tighten the screws to 11.8 N·m (105 in. lbs.).

(3) Install the steering column opening cover. Refer to **Steering Column Opening Cover** in the Removal and Installation section of this group for the procedures.

(4) Reconnect the battery negative cable.

## INSTRUMENT CLUSTER

**WARNING: ON VEHICLES EQUIPPED WITH AIR-BAGS, REFER TO GROUP 8M - PASSIVE RESTRAINT SYSTEMS BEFORE ATTEMPTING ANY STEERING WHEEL, STEERING COLUMN, OR INSTRUMENT PANEL COMPONENT DIAGNOSIS OR SERVICE. FAILURE TO TAKE THE PROPER PRECAUTIONS COULD RESULT IN ACCIDENTAL AIR-BAG DEPLOYMENT AND POSSIBLE PERSONAL INJURY.**

## REMOVAL

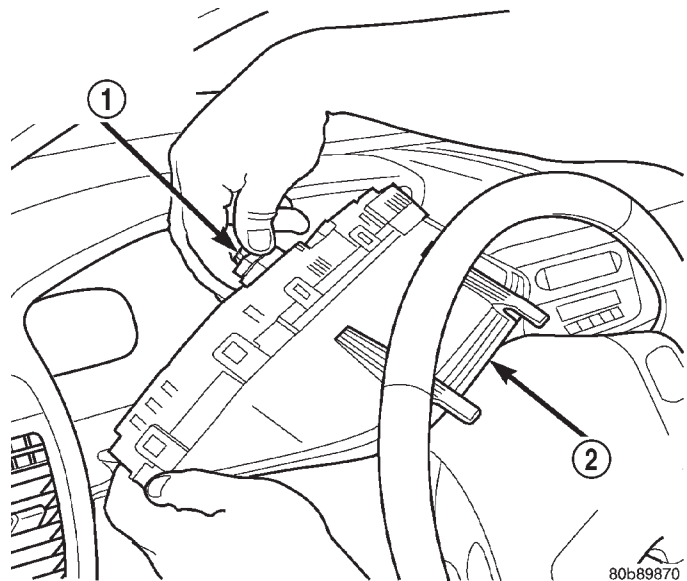
(1) Disconnect and isolate the battery negative cable.

(2) Remove the cluster bezel from the instrument panel. Refer to **Cluster Bezel** in the Removal and Installation section of this group for the procedures.

(3) Remove the two screws that secure the upper mounting tabs of the instrument cluster to the underside of the instrument cluster hood formation of the instrument panel top pad.

(4) Remove the two screws that secure the lower mounting tabs of the instrument cluster to the instrument panel structural duct.

(5) Pull the upper mounting tabs of the instrument cluster downward, then pull the instrument cluster rearward far enough to access the instrument panel wire harness connector (Fig. 10).



**Fig. 10 Instrument Cluster Remove/Install**

- 1 - INSTRUMENT PANEL WIRE HARNESS CONNECTOR
- 2 - INSTRUMENT CLUSTER

(6) Disconnect the one instrument panel wire harness connector from the connector receptacle on the back of the instrument cluster housing.

(7) Remove the instrument cluster from the instrument panel.

## INSTALLATION

(1) Position the instrument cluster to the instrument panel.

(2) Reconnect the one instrument panel wire harness connector to the connector receptacle on the back of the instrument cluster housing.

(3) Position the lower mounting tabs of the instrument cluster to the mounting holes on the instrument panel structural duct, then tilt the top of the instrument cluster forward until the upper mounting

REMOVAL AND INSTALLATION (Continued)

tabs are positioned to the mounting holes on the underside of the instrument cluster hood formation of the instrument panel top pad.

(4) Install and tighten the two screws that secure the upper mounting tabs of the instrument cluster to the underside of the instrument cluster hood formation of the instrument panel top pad. Tighten the screws to 2.2 N·m (20 in. lbs.).

(5) Install and tighten the two screws that secure the lower mounting tabs of the instrument cluster to the instrument panel structural duct. Tighten the screws to 2.2 N·m (20 in. lbs.).

(6) Install the cluster bezel onto the instrument panel. Refer to **Cluster Bezel** in the Removal and Installation section of this group for the procedures.

(7) Reconnect the battery negative cable.

**INSTRUMENT CLUSTER COMPONENTS**

Many of the components for the instrument cluster used in this vehicle are serviced individually. The serviced components include: the trip odometer reset knob, the instrument cluster indicator lamp and illumination lamp bulbs (including the integral bulb holders), the major gauges (the speedometer and the tachometer) the minor gauge sets (the fuel gauge/voltmeter set and the coolant temperature gauge/oil pressure gauge set), the instrument cluster housing rear cover, and the instrument cluster housing (including the trip odometer reset switch stem and the instrument cluster electronic circuit board). Following are the service procedures for the instrument cluster components.

**WARNING: ON VEHICLES EQUIPPED WITH AIR-BAGS, REFER TO GROUP 8M - PASSIVE RESTRAINT SYSTEMS BEFORE ATTEMPTING ANY STEERING WHEEL, STEERING COLUMN, OR INSTRUMENT PANEL COMPONENT DIAGNOSIS OR SERVICE. FAILURE TO TAKE THE PROPER PRECAUTIONS COULD RESULT IN ACCIDENTAL AIR-BAG DEPLOYMENT AND POSSIBLE PERSONAL INJURY.**

**REMOVAL**

**TRIP ODOMETER RESET KNOB**

(1) Pull the trip odometer reset knob off of the tip of the trip odometer reset switch stem, which protrudes through the face of the cluster lens to the right of the speedometer (Fig. 12).

**CLUSTER BULB**

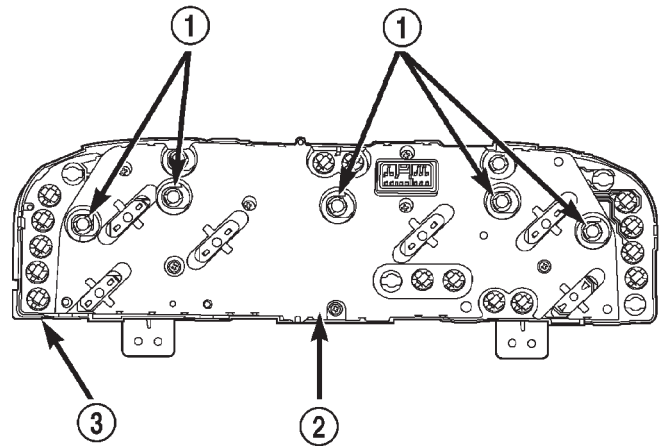
This procedure applies to each of the cluster illumination lamp (five) or indicator lamp (up to 22) bulb and bulb holder units. However, the illumination lamps and the indicator lamps use different bulb and

bulb holder unit sizes. They must never be interchanged. Be certain that any bulb holder removed from the electronic circuit board is reinstalled in the correct position. Always use the correct bulb size and type for replacement. An incorrect bulb size or type may overheat and cause damage to the instrument cluster, the electronic circuit board and/or the gauges.

(1) Disconnect and isolate the battery negative cable.

(2) Remove the instrument cluster from the instrument panel. Refer to **Instrument Cluster** in the Removal and Installation section of this group for the procedures.

(3) Turn the bulb holder counterclockwise about sixty degrees on the cluster electronic circuit board (Fig. 11).



**Fig. 11 Cluster Bulb Locations**

- 1 - ILLUMINATION LAMP BULBS AND HOLDERS
- 2 - REAR COVER
- 3 - CLUSTER HOUSING

80b6b319

(4) Pull the bulb and bulb holder straight back to remove it from the bulb mounting hole in the cluster electronic circuit board.

**CLUSTER LENS, HOOD AND MASK**

(1) Disconnect and isolate the battery negative cable.

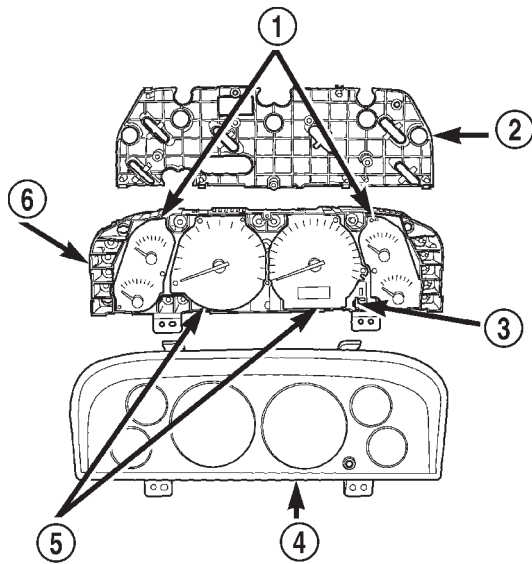
(2) Remove the knob from the trip odometer reset switch stem. Refer to **Instrument Cluster Components - Trip Odometer Reset Knob** in the Removal and Installation section of this group for the procedures.

(3) Remove the instrument cluster from the instrument panel. Refer to **Instrument Cluster** in the Removal and Installation section of this group for the procedures.



## REMOVAL AND INSTALLATION (Continued)

(4) Work around the perimeter of the cluster housing to disengage each of the eight latches that secure the cluster lens, hood and mask unit to the cluster housing (Fig. 12).



**Fig. 12 Instrument Cluster Components**

- 1 - GAUGE SETS
- 2 - REAR COVER
- 3 - TRIP ODOMETER RESET KNOB
- 4 - LENS, HOOD AND MASK
- 5 - GAUGES
- 6 - CLUSTER HOUSING

(5) Gently pull the cluster lens, hood and mask unit away from the cluster housing.

## CLUSTER HOUSING REAR COVER

(1) Disconnect and isolate the battery negative cable.

(2) Remove the instrument cluster from the instrument panel. Refer to **Instrument Cluster** in the Removal and Installation section of this group for the procedures.

(3) Remove the seven screws that secure the rear cover to the back of the cluster housing (Fig. 13).

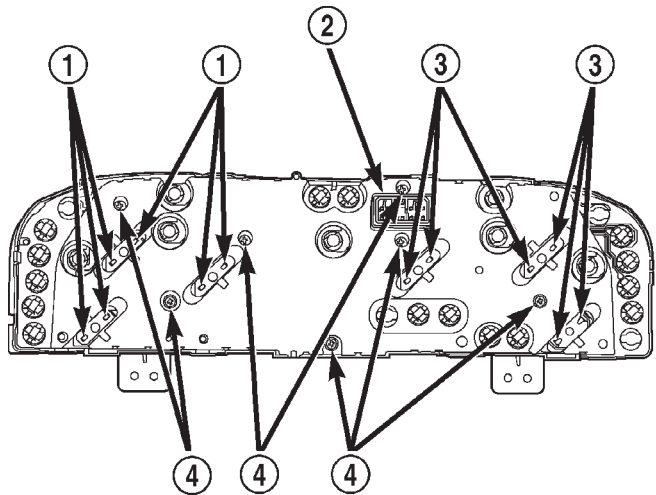
(4) Disengage the latches (two on top, four on the bottom) that secure the upper and lower edges of the rear cover to the top and bottom of the cluster housing.

(5) Remove the rear cover from the back of the cluster housing.

## GAUGE

(1) Disconnect and isolate the battery negative cable.

(2) Remove the knob from the trip odometer reset switch stem. Refer to **Instrument Cluster Components - Trip Odometer Reset Knob** in the



80b6b31a

**Fig. 13 Cluster Housing Rear Cover Screws**

- 1 - GAUGE MOUNTING TABS
- 2 - CONNECTOR RECEPTACLE
- 3 - GAUGE MOUNTING TABS
- 4 - REAR COVER SCREWS (7)

Removal and Installation section of this group for the procedures.

(3) Remove the instrument cluster from the instrument panel. Refer to **Instrument Cluster** in the Removal and Installation section of this group for the procedures.

(4) Remove the cluster lens, hood and mask unit from the cluster housing. Refer to **Instrument Cluster Components - Cluster Lens, Hood and Mask** in the Removal and Installation section of this group for the procedures.

(5) Remove the rear cover from the cluster housing. Refer to **Instrument Cluster Components - Cluster Housing Rear Cover** in the Removal and Installation section of this group for the procedures.

(6) From the rear of the cluster housing, carefully straighten the small metal mounting tabs (two for each major gauge, and four for each minor gauge set) that secure the gauge or gauge set to the cluster electronic circuit board (Fig. 13).

(7) From the front of the cluster housing, carefully pull the gauge or gauge set straight out of the gauge mounting cavity(ies) in the cluster housing.

## CLUSTER HOUSING

(1) Disconnect and isolate the battery negative cable.

(2) Remove the knob from the trip odometer reset switch stem. Refer to **Instrument Cluster Components - Trip Odometer Reset Knob** in the Removal and Installation section of this group for the procedures.



## REMOVAL AND INSTALLATION (Continued)

(3) Remove the instrument cluster from the instrument panel. Refer to **Instrument Cluster** in the Removal and Installation section of this group for the procedures.

(4) Remove all of the cluster illumination lamp and indicator lamp bulb and bulb holder units from the electronic circuit board. Refer to **Instrument Cluster Components - Cluster Bulbs** in the Removal and Installation section of this group for the procedures.

(5) Remove the cluster lens, hood and mask unit from the cluster housing. Refer to **Instrument Cluster Components - Cluster Lens, Hood and Mask** in the Removal and Installation section of this group for the procedures.

(6) Remove the rear cover from the cluster housing. Refer to **Instrument Cluster Components - Cluster Housing Rear Cover** in the Removal and Installation section of this group for the procedures.

(7) Remove all of the cluster gauges and gauge sets from the cluster housing. Refer to **Instrument Cluster Components - Gauge** in the Removal and Installation section of this group for the procedures.

## INSTALLATION

## TRIP ODOMETER RESET KNOB

(1) Push the knob onto the tip of the trip odometer reset switch stem, which protrudes through the face of the cluster lens to the right of the speedometer.

## CLUSTER BULB

This procedure applies to each of the cluster illumination lamp (five) or indicator lamp (up to 22) bulb and bulb holder units. However, the illumination lamps and the indicator lamps use different bulb and bulb holder unit sizes. They must never be interchanged. Be certain that any bulb holder removed from the electronic circuit board is reinstalled in the correct position.

**CAUTION:** Always use the correct bulb size and type for replacement. An incorrect bulb size or type may overheat and cause damage to the instrument cluster, the electronic circuit board and/or the gauges.

(1) Insert the bulb and bulb holder straight into the correct bulb mounting hole in the cluster electronic circuit board.

(2) With the bulb holder fully seated against the cluster electronic circuit board, turn the bulb holder clockwise about sixty degrees to lock it into place.

(3) Install the instrument cluster into the instrument panel. Refer to **Instrument Cluster** in the Removal and Installation section of this group for the procedures.

(4) Reconnect the battery negative cable.

## CLUSTER LENS, HOOD AND MASK

(1) Align the cluster lens, hood and mask unit with the cluster housing.

(2) Press firmly and evenly on the cluster lens, hood and mask unit to install it onto the cluster housing.

(3) Work around the perimeter of the cluster housing to be certain that each of the eight latches that secure the cluster lens, hood and mask unit to the cluster housing is fully engaged.

(4) Install the instrument cluster into the instrument panel. Refer to **Instrument Cluster** in the Removal and Installation section of this group for the procedures.

(5) Install the knob onto the trip odometer reset switch stem. Refer to **Instrument Cluster Components - Trip Odometer Reset Knob** in the Removal and Installation section of this group for the procedures.

(6) Reconnect the battery negative cable.

## CLUSTER HOUSING REAR COVER

(1) Position the rear cover to the back of the cluster housing.

(2) Press firmly and evenly on the rear cover until each of the latches (two on top, four on the bottom) that secure the upper and lower edges of the rear cover to the top and bottom of the cluster housing is fully engaged.

(3) Install and tighten the seven screws that secure the rear cover to the back of the cluster housing. Tighten the screws to 2.2 N·m (20 in. lbs.).

(4) Install the instrument cluster into the instrument panel. Refer to **Instrument Cluster** in the Removal and Installation section of this group for the procedures.

(5) Reconnect the battery negative cable.

## GAUGE

(1) From the front of the cluster housing, carefully align the gauge or gauge set with the connector pins in the bottom of the gauge mounting cavity(ies) in the cluster housing.

(2) From the front of the cluster housing, press firmly and evenly on the gauge or gauge set to install it onto the connector pins and into the gauge mounting cavity(ies) in the cluster housing.

(3) From the rear of the cluster housing, be certain that the small metal mounting tabs (two for each major gauge, and four for each minor gauge set) that secure the gauge or gauge set are protruding through the mounting holes in the cluster electronic circuit board.

(4) From the rear of the cluster housing, carefully bend over the small metal mounting tabs (two for

## REMOVAL AND INSTALLATION (Continued)

each major gauge, and four for each minor gauge set) to secure the gauge or gauge set to the cluster electronic circuit board.

(5) Install the rear cover onto the cluster housing. Refer to **Instrument Cluster Components - Cluster Housing Rear Cover** in the Removal and Installation section of this group for the procedures.

(6) Install the cluster lens, hood and mask unit onto the cluster housing. Refer to **Instrument Cluster Components - Cluster Lens, Hood and Mask** in the Removal and Installation section of this group for the procedures.

(7) Install the instrument cluster into the instrument panel. Refer to **Instrument Cluster** in the Removal and Installation section of this group for the procedures.

(8) Install the knob onto the trip odometer reset switch stem. Refer to **Instrument Cluster Components - Trip Odometer Reset Knob** in the Removal and Installation section of this group for the procedures.

(9) Reconnect the battery negative cable.

## CLUSTER HOUSING

(1) Install all of the cluster gauges and gauge sets into the cluster housing. Refer to **Instrument Cluster Components - Gauge** in the Removal and Installation section of this group for the procedures.

(2) Install the rear cover onto the cluster housing. Refer to **Instrument Cluster Components - Cluster Housing Rear Cover** in the Removal and Installation section of this group for the procedures.

(3) Install the cluster lens, hood and mask unit onto the cluster housing. Refer to **Instrument Cluster Components - Cluster Lens, Hood and Mask** in the Removal and Installation section of this group for the procedures.

(4) Install all of the cluster illumination lamp and indicator lamp bulb and bulb holder units into the electronic circuit board. Refer to **Instrument Cluster Components - Cluster Bulbs** in the Removal and Installation section of this group for the procedures.

(5) Install the instrument cluster into the instrument panel. Refer to **Instrument Cluster** in the Removal and Installation section of this group for the procedures.

(6) Install the knob onto the trip odometer reset switch stem. Refer to **Instrument Cluster Components - Trip Odometer Reset Knob** in the Removal and Installation section of this group for the procedures.

(7) Reconnect the battery negative cable.

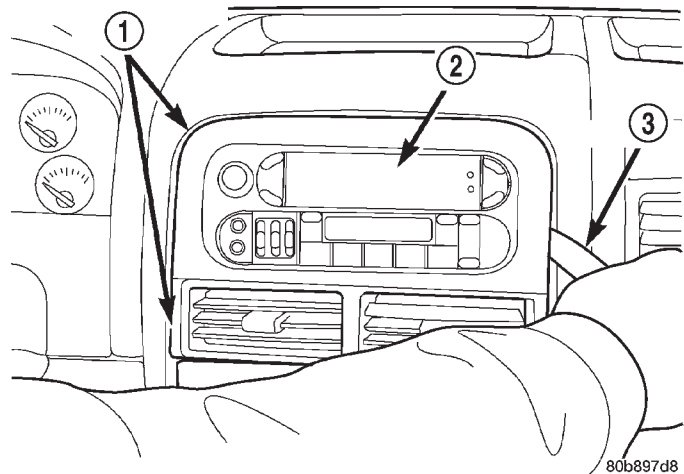
## INSTRUMENT PANEL CENTER UPPER BEZEL

**WARNING: ON VEHICLES EQUIPPED WITH AIR-BAGS, REFER TO GROUP 8M - PASSIVE RESTRAINT SYSTEMS BEFORE ATTEMPTING ANY STEERING WHEEL, STEERING COLUMN, OR INSTRUMENT PANEL COMPONENT DIAGNOSIS OR SERVICE. FAILURE TO TAKE THE PROPER PRECAUTIONS COULD RESULT IN ACCIDENTAL AIR-BAG DEPLOYMENT AND POSSIBLE PERSONAL INJURY.**

## REMOVAL

(1) Disconnect and isolate the battery negative cable.

(2) Using a trim stick or another suitable wide flat-bladed tool, gently pry each of the four corners of the center upper bezel away from the instrument panel far enough to disengage the four snap clips from their receptacles (Fig. 14).



**Fig. 14 Instrument Panel Center Upper Bezel Remove/Install**

- 1 - CENTER UPPER BEZEL
- 2 - RADIO
- 3 - TRIM STICK

(3) Remove the center upper bezel from the instrument panel.

## INSTALLATION

(1) Position the center upper bezel to the instrument panel.

(2) Align the four snap clips on the center upper bezel with the receptacles in the instrument panel top pad.

(3) Press firmly on the center upper bezel over each of the snap clip locations until each of the snap clips is fully engaged in its receptacle.

(4) Reconnect the battery negative cable.

## REMOVAL AND INSTALLATION (Continued)

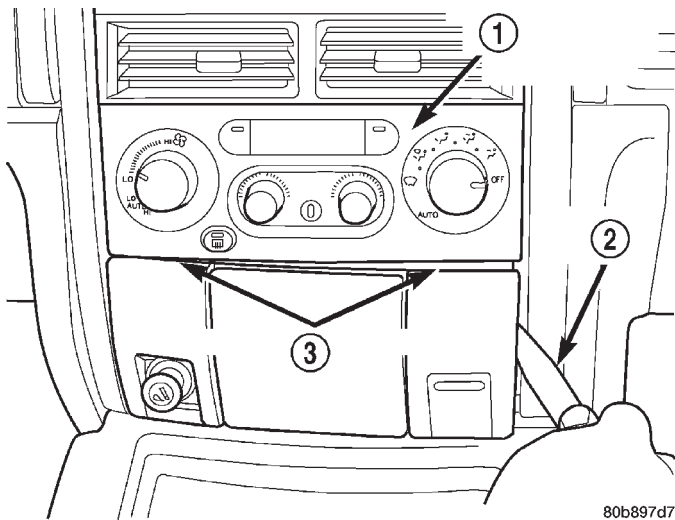
## INSTRUMENT PANEL CENTER LOWER BEZEL

**WARNING: ON VEHICLES EQUIPPED WITH AIR-BAGS, REFER TO GROUP 8M - PASSIVE RESTRAINT SYSTEMS BEFORE ATTEMPTING ANY STEERING WHEEL, STEERING COLUMN, OR INSTRUMENT PANEL COMPONENT DIAGNOSIS OR SERVICE. FAILURE TO TAKE THE PROPER PRECAUTIONS COULD RESULT IN ACCIDENTAL AIR-BAG DEPLOYMENT AND POSSIBLE PERSONAL INJURY.**

## REMOVAL

(1) Disconnect and isolate the battery negative cable.

(2) Using a trim stick or another suitable wide flat-bladed tool, gently pry each of the four corners of the center lower bezel away from the instrument panel far enough to disengage the four snap clips from their receptacles (Fig. 15).



**Fig. 15 Instrument Panel Center Lower Bezel  
Remove/Install**

- 1 - HEATER AND AIR CONDITIONER CONTROLS  
2 - TRIM STICK  
3 - CENTER LOWER BEZEL

(3) Pull the center lower bezel away from the instrument panel far enough to access the instrument panel wire harness connectors.

(4) Squeeze the mounting legs of the ash receiver lamp hood and remove it from the rectangular hole in the ash receiver flame shield.

(5) If the vehicle is so equipped, disconnect the instrument panel wire harness connectors from the connector receptacles of the two heated seat switches.

(6) Disconnect the instrument panel wire harness connectors from the connector receptacles of the cigar lighter and the accessory power outlet.

(7) Remove the center lower bezel from the instrument panel.

## INSTALLATION

(1) Position the center lower bezel to the instrument panel.

(2) Reconnect the instrument panel wire harness connectors to the connector receptacles of the cigar lighter and the accessory power outlet.

(3) If the vehicle is so equipped, reconnect the instrument panel wire harness connectors to the connector receptacles of the two heated seat switches.

(4) Squeeze the mounting legs of the ash receiver lamp hood and install it into the rectangular hole in the ash receiver flame shield.

(5) Align the two lower snap clips on the center lower bezel with the receptacles in the instrument panel top pad.

(6) Press firmly on the center lower bezel over each of the lower snap clip locations until each of the snap clips is fully engaged in its receptacle.

(7) Align the two upper snap clips on the center lower bezel with the receptacles in the instrument panel top pad.

(8) Press firmly on the center lower bezel over each of the upper snap clip locations until each of the snap clips is fully engaged in its receptacle.

(9) Reconnect the battery negative cable.

## INSTRUMENT PANEL CIGAR LIGHTER AND POWER OUTLET

**WARNING: ON VEHICLES EQUIPPED WITH AIR-BAGS, REFER TO GROUP 8M - PASSIVE RESTRAINT SYSTEMS BEFORE ATTEMPTING ANY STEERING WHEEL, STEERING COLUMN, OR INSTRUMENT PANEL COMPONENT DIAGNOSIS OR SERVICE. FAILURE TO TAKE THE PROPER PRECAUTIONS COULD RESULT IN ACCIDENTAL AIR-BAG DEPLOYMENT AND POSSIBLE PERSONAL INJURY.**

## REMOVAL

(1) Disconnect and isolate the battery negative cable.

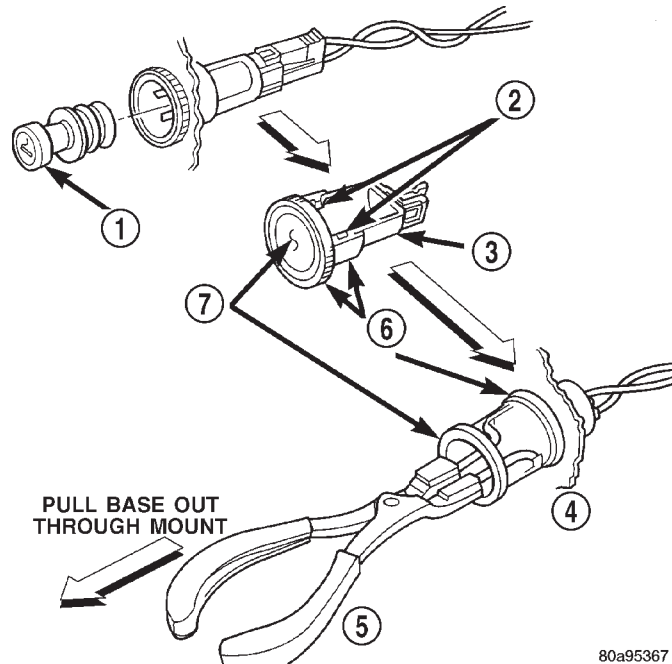
(2) Remove the center lower bezel from the instrument panel. Refer to **Instrument Panel Center Lower Bezel** in the Removal and Installation section of this group for the procedures.

(3) Pull the cigar lighter knob and element or the protective cap out of the cigar lighter receptacle base, or open the power outlet door in the instrument panel center lower bezel.

(4) Look inside the cigar lighter or power outlet receptacle base and note the position of the rectangu-

## REMOVAL AND INSTALLATION (Continued)

lar retaining bosses of the mount that secures the receptacle base to the instrument panel center lower bezel (Fig. 16).



80a95367

**Fig. 16 Cigar Lighter and Power Outlet Remove/Install - Typical**

- 1 - KNOB AND ELEMENT
- 2 - RETAINING BOSSES-ENGAGE PLIERS HERE
- 3 - BASE
- 4 - PARTIALLY REMOVED
- 5 - EXTERNAL SNAP-RING PLIERS
- 6 - MOUNT
- 7 - BASE

(5) Insert a pair of external snap ring pliers into the cigar lighter or power outlet receptacle base and engage the tips of the pliers with the retaining bosses of the mount.

(6) Squeeze the pliers to disengage the mount retaining bosses from the receptacle base and, using a gentle rocking motion, pull the pliers and the receptacle base out of the mount.

(7) Remove the cigar lighter or power outlet mount from the instrument panel center lower bezel.

### INSTALLATION

(1) Install the cigar lighter or power outlet mount into the instrument panel center lower bezel.

(2) Align the splines on the outside of the cigar lighter or power outlet receptacle base connector receptacle with the grooves on the inside of the mount.

(3) Press firmly on the cigar lighter or power outlet receptacle base until the retaining bosses of the mount are fully engaged in their receptacles.

(4) Install the cigar lighter knob and element or the protective cap into the cigar lighter receptacle base, or close the power outlet door in the instrument panel center lower bezel.

(5) Install the center lower bezel onto the instrument panel. Refer to **Instrument Panel Center Lower Bezel** in the Removal and Installation section of this group for the procedures.

(6) Reconnect the battery negative cable.

### CIGAR LIGHTER RELAY

**WARNING: ON VEHICLES EQUIPPED WITH AIRBAGS, REFER TO GROUP 8M - PASSIVE RESTRAINT SYSTEMS BEFORE ATTEMPTING ANY STEERING WHEEL, STEERING COLUMN, OR INSTRUMENT PANEL COMPONENT DIAGNOSIS OR SERVICE. FAILURE TO TAKE THE PROPER PRECAUTIONS COULD RESULT IN ACCIDENTAL AIRBAG DEPLOYMENT AND POSSIBLE PERSONAL INJURY.**

### REMOVAL

(1) Disconnect and isolate the battery negative cable.

(2) Remove the steering column opening cover from the instrument panel. Refer to **Steering Column Opening Cover** in the Removal and Installation section of Group 8E - Instrument Panel Systems for the procedures.

(3) The cigar lighter relay is located on the left side of the combination flasher in the junction block (Fig. 17).

(4) Remove the cigar lighter relay from the junction block.

### INSTALLATION

(1) Position the cigar lighter relay in the proper receptacle in the junction block.

(2) Align the cigar lighter relay terminals with the terminal cavities in the junction block receptacle.

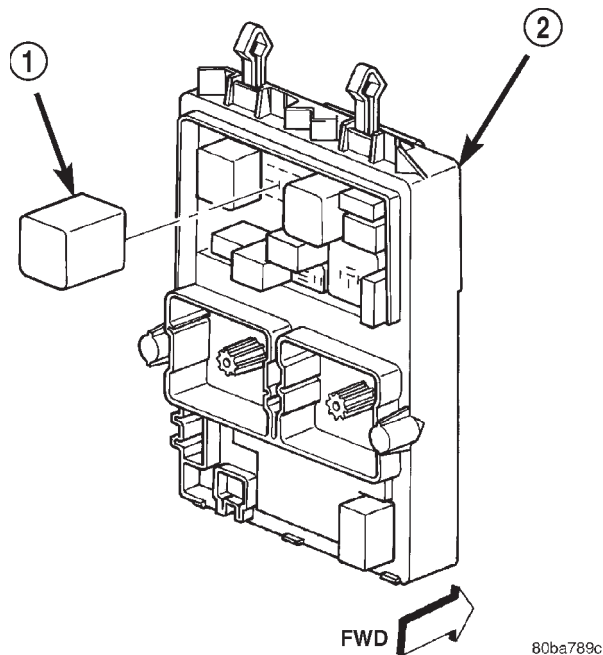
(3) Push in firmly on the cigar lighter relay until the terminals are fully seated in the terminal cavities in the junction block receptacle.

(4) Install the steering column opening cover onto the instrument panel. Refer to **Steering Column Opening Cover** in the Removal and Installation section of Group 8E - Instrument Panel Systems for the procedures.

(5) Reconnect the battery negative cable.

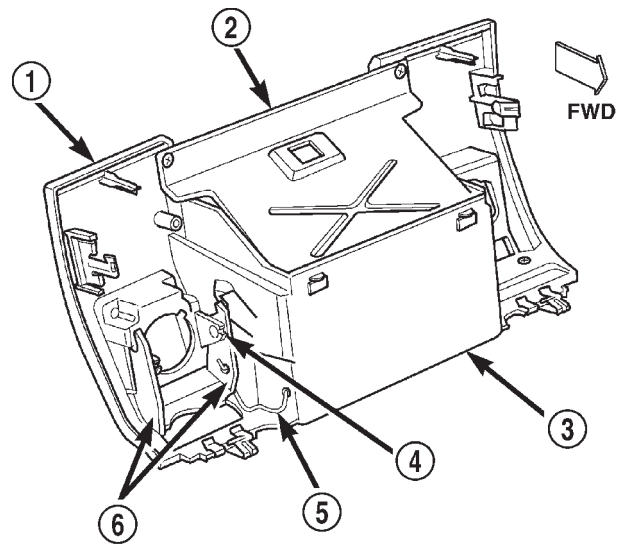


REMOVAL AND INSTALLATION (Continued)



**Fig. 17 Junction Block**

- 1 - COMBINATION FLASHER
- 2 - JUNCTION BLOCK



**Fig. 18 Instrument Panel Power Outlet Door Remove/Install**

- 1 - CENTER LOWER BEZEL
- 2 - ASH RECEIVER FLAME SHIELD
- 3 - ASH RECEIVER HOUSING
- 4 - PIVOT PINS
- 5 - ASSIST SPRING
- 6 - POWER OUTLET DOOR HINGE ARMS

**INSTRUMENT PANEL POWER OUTLET DOOR**

**WARNING: ON VEHICLES EQUIPPED WITH AIR-BAGS, REFER TO GROUP 8M - PASSIVE RESTRAINT SYSTEMS BEFORE ATTEMPTING ANY STEERING WHEEL, STEERING COLUMN, OR INSTRUMENT PANEL COMPONENT DIAGNOSIS OR SERVICE. FAILURE TO TAKE THE PROPER PRECAUTIONS COULD RESULT IN ACCIDENTAL AIR-BAG DEPLOYMENT AND POSSIBLE PERSONAL INJURY.**

**REMOVAL**

- (1) Disconnect and isolate the battery negative cable.
- (2) Remove the center lower bezel from the instrument panel. Refer to **Instrument Panel Center Lower Bezel** in the Removal and Installation section of this group for the procedures.
- (3) With the power outlet door in the open position, carefully spread the power outlet door hinge arms far enough to disengage the pivot pins from the pivots on the back side of the center lower bezel (Fig. 18).

**NOTE: The power outlet door is more easily serviced while in the open position. The illustration shows the door in the closed position for additional visibility of the assist spring orientation and anchor point details.**

- (4) Disengage the stepped ends of the assist spring from the anchor holes in the inboard power outlet door hinge arm and in the side of the ash receiver housing.

- (5) Remove the power outlet door from the instrument panel center lower bezel.

**INSTALLATION**

- (1) Position the power outlet door to the instrument panel center lower bezel.
- (2) Engage the stepped ends of the assist spring with the anchor holes in the inboard power outlet door hinge arm and in the side of the ash receiver housing.
- (3) With the power outlet door in the open position, carefully spread the power outlet door hinge arms far enough to engage the pivot pins with the pivots on the back side of the lower center bezel.
- (4) Install the center lower bezel into the instrument panel. Refer to **Instrument Panel Center Lower Bezel** in the Removal and Installation section of this group for the procedures.
- (5) Reconnect the battery negative cable.



## REMOVAL AND INSTALLATION (Continued)

## INSTRUMENT PANEL TO CENTER FLOOR TUNNEL BRACKET

**WARNING: ON VEHICLES EQUIPPED WITH AIR-BAGS, REFER TO GROUP 8M - PASSIVE RESTRAINT SYSTEMS BEFORE ATTEMPTING ANY STEERING WHEEL, STEERING COLUMN, OR INSTRUMENT PANEL COMPONENT DIAGNOSIS OR SERVICE. FAILURE TO TAKE THE PROPER PRECAUTIONS COULD RESULT IN ACCIDENTAL AIR-BAG DEPLOYMENT AND POSSIBLE PERSONAL INJURY.**

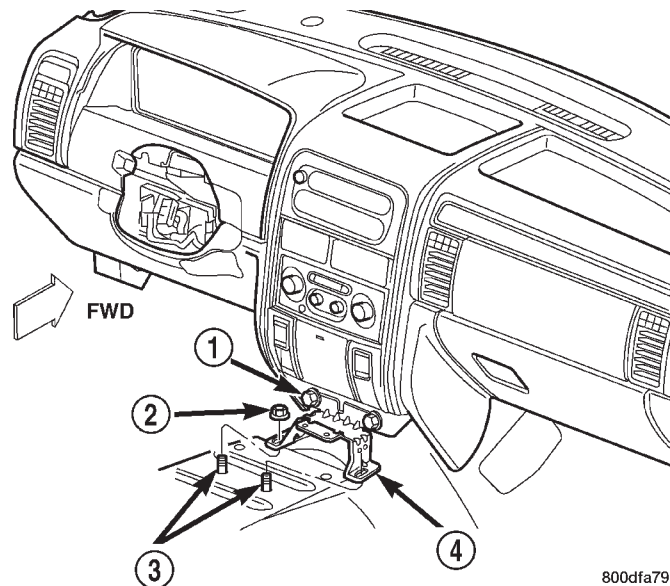
## REMOVAL

(1) Disconnect and isolate the battery negative cable.

(2) Remove the front bin from the floor console. Refer to **Floor Console** in the Removal and Installation section of Group 23 - Body for the procedures.

(3) Reach through the front bin opening of the floor console to access and disengage the instrument panel wire harness retainer from the mounting hole on the driver side of the instrument panel to center floor tunnel bracket.

(4) Remove the two screws that secure the instrument panel to center floor tunnel bracket to the instrument panel (Fig. 19).



**Fig. 19 Instrument Panel to Center Floor Tunnel Bracket Remove/Install**

1 - SCREW (2)

2 - NUT (2)

3 - STUDS

4 - CENTER FLOOR TUNNEL BRACKET

(5) Remove the two nuts that secure the instrument panel to center floor tunnel bracket to the studs on the floor panel transmission tunnel.

(6) Remove the center floor tunnel bracket from the instrument panel and the floor panel transmission tunnel studs.

## INSTALLATION

(1) Position the instrument panel to center floor tunnel bracket over the floor panel transmission tunnel studs and slide it up against the instrument panel.

(2) Install and tighten the two nuts that secure the instrument panel to center floor tunnel bracket to the studs on the floor panel transmission tunnel. Tighten the nuts to 11.3 N-m (100 in. lbs.).

(3) Install and tighten the two screws that secure the instrument panel to center floor tunnel bracket to the instrument panel. Tighten the screws to 11.3 N-m (100 in. lbs.).

(4) Reach through the front bin opening of the floor console to access and engage the instrument panel wire harness retainer with the mounting hole on the driver side of the instrument panel to center floor tunnel bracket.

(5) Install the front bin into the floor console. Refer to **Floor Console** in the Removal and Installation section of Group 23 - Body for the procedures.

(6) Reconnect the battery negative cable.

## GLOVE BOX

The glove box on this model can be rolled down beyond the stop bumpers in order to access many components for service, without complete glove box removal. Refer to Roll Down for this procedure. The glove box can also be removed from the instrument panel completely. Refer to Removal for this procedure.

**WARNING: ON VEHICLES EQUIPPED WITH AIR-BAGS, REFER TO GROUP 8M - PASSIVE RESTRAINT SYSTEMS BEFORE ATTEMPTING ANY STEERING WHEEL, STEERING COLUMN, OR INSTRUMENT PANEL COMPONENT DIAGNOSIS OR SERVICE. FAILURE TO TAKE THE PROPER PRECAUTIONS COULD RESULT IN ACCIDENTAL AIR-BAG DEPLOYMENT AND POSSIBLE PERSONAL INJURY.**

## ROLL DOWN

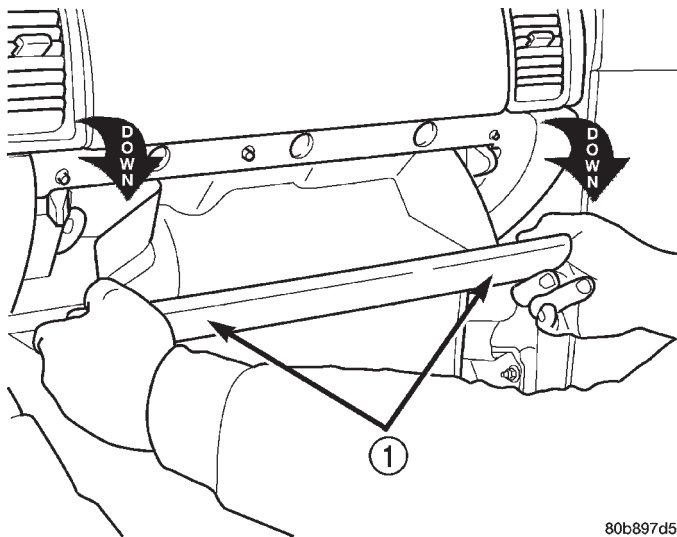
(1) Disconnect and isolate the battery negative cable.

(2) Open the glove box until the integral stops on the back edge of the glove box bin are resting against the rubber stop bumpers in the upper glove box opening reinforcement.

REMOVAL AND INSTALLATION (Continued)

(3) Reach into the glove box and with the middle finger of each hand, deflect the rubber flap of the two glove box stop bumpers on the upper glove box opening reinforcement toward the front of the vehicle.

(4) With the glove box stop bumpers deflected, roll the glove box door downward until the integral stops on the back edge of the glove box bin pass through the rubber stop bumper openings in the upper glove box opening reinforcement (Fig. 20)



**Fig. 20 Glove Box Roll Down**

1 - GLOVE BOX DOOR

(5) The rubber stop bumpers will be deflected automatically by the integral stops on the back of the glove box when the glove box is rolled back up into the instrument panel.

**REMOVAL**

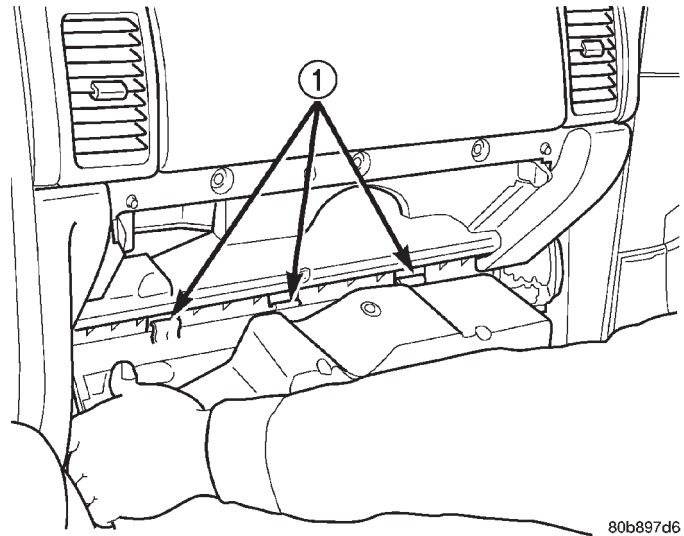
(1) Disconnect and isolate the battery negative cable.

(2) Roll the glove box down from the instrument panel. Refer to **Glove Box - Roll Down** in the Removal and Installation section of this group for the procedures.

**NOTE:** Be certain to use care not to damage or remove the glove box hinge bumpers on the lower instrument panel glove box opening reinforcement when removing the glove box from the instrument panel.

(3) Firmly grip both ends of the glove box door, then twist and pull the door as necessary to disengage the inboard hinge hook from the inboard hinge pin on the instrument panel and reorient the hook to the underside of the hinge pin (Fig. 21).

(4) Raise the glove box door until it is perpendicular to the instrument panel.



**Fig. 21 Glove Box Remove/Install**

1 - GLOVE BOX HINGE HOOKS AND HINGE PINS (3)

(5) Twist the door slightly in the counterclockwise direction and use a jiggling action to disengage the remaining two hinge hooks from their respective hinge pins on the instrument panel.

(6) Remove the glove box from the instrument panel.

**INSTALLATION**

**NOTE:** Be certain to use care not to damage or remove the glove box hinge bumpers on the lower instrument panel glove box opening reinforcement when installing the glove box onto the instrument panel.

(1) Position the glove box to the instrument panel with the outboard hinge hook oriented over the outboard hinge pin and the center hinge hook oriented under the center hinge pin.

(2) Raise the glove box door until it is perpendicular to the instrument panel.

(3) Firmly grip both ends of the glove box door and twist the door slightly in the clockwise direction to engage the inboard glove box hinge hook over the inboard hinge pin on the instrument panel.

(4) Roll the glove box back up into the instrument panel. Refer to **Glove Box - Roll Down** in the Removal and Installation section of this group for the procedures.

(5) Reconnect the battery negative cable.

## REMOVAL AND INSTALLATION (Continued)

## GLOVE BOX LATCH

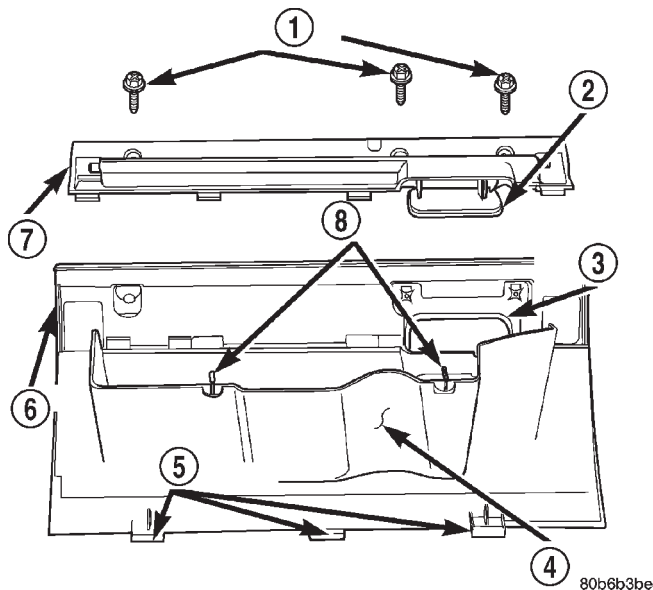
**WARNING: ON VEHICLES EQUIPPED WITH AIR-BAGS, REFER TO GROUP 8M - PASSIVE RESTRAINT SYSTEMS BEFORE ATTEMPTING ANY STEERING WHEEL, STEERING COLUMN, OR INSTRUMENT PANEL COMPONENT DIAGNOSIS OR SERVICE. FAILURE TO TAKE THE PROPER PRECAUTIONS COULD RESULT IN ACCIDENTAL AIR-BAG DEPLOYMENT AND POSSIBLE PERSONAL INJURY.**

## REMOVAL

(1) Disconnect and isolate the battery negative cable.

(2) Roll down the glove box from the instrument panel. Refer to **Glove Box - Roll Down** in the Removal and Installation section of this group for the procedures.

(3) Remove the three screws that secure the glove box latch to the inner glove box door (Fig. 22).



**Fig. 22 Glove Box Latch Remove/Install**

- 1 - SCREW (3)
- 2 - LATCH HANDLE
- 3 - LATCH HANDLE POCKET
- 4 - BIN
- 5 - HINGE HOOKS
- 6 - DOOR
- 7 - GLOVE BOX LATCH
- 8 - STOPS

(4) Lift up on the latch handle on the outer glove box door far enough to loosen the latch assembly on the inner glove box door.

(5) Remove the latch unit from the inner glove box door.

## INSTALLATION

(1) Position the latch unit to the inner glove box door.

(2) Guide the latch handle into the latch handle pocket on the outer glove box door.

(3) Install and tighten the three screws that secure the glove box latch to the inner glove box door. Tighten the screws to 2.2 N·m (20 in. lbs.).

(4) Roll the glove box back up into the instrument panel. Refer to **Glove Box - Roll Down** in the Removal and Installation section of this group for the procedures.

(5) Reconnect the battery negative cable.

## INSTRUMENT PANEL END CAP

**WARNING: ON VEHICLES EQUIPPED WITH AIR-BAGS, REFER TO GROUP 8M - PASSIVE RESTRAINT SYSTEMS BEFORE ATTEMPTING ANY STEERING WHEEL, STEERING COLUMN, OR INSTRUMENT PANEL COMPONENT DIAGNOSIS OR SERVICE. FAILURE TO TAKE THE PROPER PRECAUTIONS COULD RESULT IN ACCIDENTAL AIR-BAG DEPLOYMENT AND POSSIBLE PERSONAL INJURY.**

## REMOVAL

(1) Disconnect and isolate the battery negative cable.

(2) Open the glove box.

(3) Remove the one screw that secures the outboard end of the end cap to the instrument panel top pad (Fig. 23).

(4) Remove the three screws that secure the end cap to the instrument panel glove box opening.

(5) Pull the end cap straight back from the instrument panel to disengage the one snap clip that secures it to the receptacle in the instrument panel structural duct.

(6) Remove the end cap from the instrument panel.

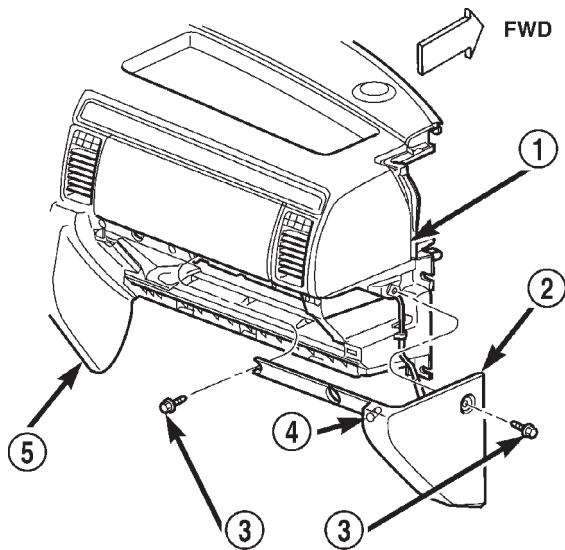
## INSTALLATION

(1) Be certain that the glove box catch bumper is installed in the mounting hole nearest the outboard end of the end cap extension over the instrument panel upper glove box opening reinforcement.

(2) Position the end cap to the instrument panel. Be certain that the end of the end cap extension near the center of the upper glove box opening reinforcement is positioned underneath the end of the extension from the lower right center bezel.

(3) Align the snap clip on the end cap with the receptacle on the instrument panel structural duct.

REMOVAL AND INSTALLATION (Continued)



80b6b329

**Fig. 23 Instrument Panel End Cap Remove/Install**

- 1 - INSTRUMENT PANEL TOP PAD
- 2 - END CAP
- 3 - SCREW (4)
- 4 - BUMPER
- 5 - LOWER RIGHT CENTER BEZEL

(4) Press firmly on the instrument panel end cap over the snap clip location until the snap clip is fully engaged in its receptacle.

(5) Install and tighten the three screws that secure the end cap to the instrument panel glove box opening. Tighten the screws to 2.2 N·m (20 in. lbs.).

(6) Install and tighten the one screw that secures the outboard end of the end cap to the instrument panel top pad. Tighten the screw to 2.2 N·m (20 in. lbs.).

(7) Close the glove box.

(8) Reconnect the battery negative cable.

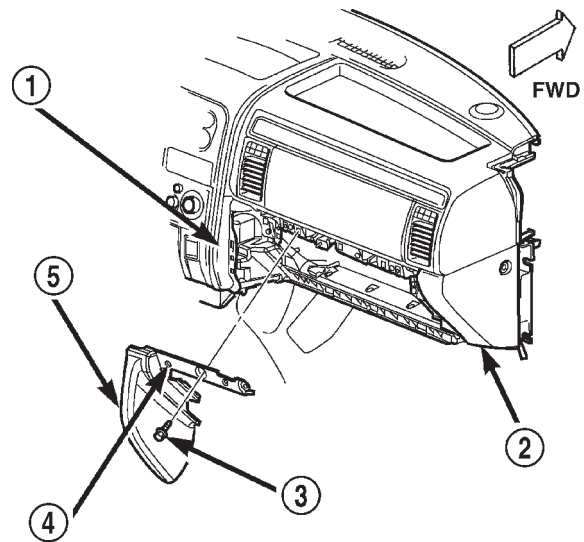
**INSTRUMENT PANEL LOWER RIGHT CENTER BEZEL**

**WARNING: ON VEHICLES EQUIPPED WITH AIRBAGS, REFER TO GROUP 8M - PASSIVE RESTRAINT SYSTEMS BEFORE ATTEMPTING ANY STEERING WHEEL, STEERING COLUMN, OR INSTRUMENT PANEL COMPONENT DIAGNOSIS OR SERVICE. FAILURE TO TAKE THE PROPER PRECAUTIONS COULD RESULT IN ACCIDENTAL AIRBAG DEPLOYMENT AND POSSIBLE PERSONAL INJURY.**

**REMOVAL**

- (1) Disconnect and isolate the battery negative cable.
- (2) Open the glove box.

(3) Remove the three screws that secure the lower right center bezel to the instrument panel glove box opening (Fig. 24).



80b6b32c

**Fig. 24 Instrument Panel Lower Right Center Bezel Remove/Install**

- 1 - INSTRUMENT PANEL TOP PAD
- 2 - END CAP
- 3 - SCREWS (3)
- 4 - BUMPER
- 5 - LOWER RIGHT CENTER BEZEL

(4) Pull the lower right center bezel straight back from the instrument panel to disengage the two snap clips that secure it to the receptacles in the instrument panel top pad.

(5) Remove the lower right center bezel from the instrument panel.

**INSTALLATION**

(1) Be certain that the glove box catch bumper is installed in the mounting hole nearest the inboard end of the lower right center bezel extension over the instrument panel upper glove box opening reinforcement.

(2) Position the lower right center bezel to the instrument panel. Be certain that the end of the lower right center bezel extension near the center of the upper glove box opening reinforcement is positioned on top of the end of the extension from the end cap.

(3) Align the snap clips on the lower right center bezel with the receptacles in the instrument panel top pad.

(4) Press firmly on the lower right center bezel over each of the snap clip locations until the snap clips are fully engaged in their receptacles.

(5) Install and tighten the three screws that secure the lower right center bezel to the instrument panel



## REMOVAL AND INSTALLATION (Continued)

glove box opening. Tighten the screws to 2.2 N·m (20 in. lbs.).

- (6) Close the glove box.
- (7) Reconnect the battery negative cable.

## GLOVE BOX LATCH STRIKER

**WARNING: ON VEHICLES EQUIPPED WITH AIR-BAGS, REFER TO GROUP 8M - PASSIVE RESTRAINT SYSTEMS BEFORE ATTEMPTING ANY STEERING WHEEL, STEERING COLUMN, OR INSTRUMENT PANEL COMPONENT DIAGNOSIS OR SERVICE. FAILURE TO TAKE THE PROPER PRECAUTIONS COULD RESULT IN ACCIDENTAL AIRBAG DEPLOYMENT AND POSSIBLE PERSONAL INJURY.**

## REMOVAL

(1) Disconnect and isolate the battery negative cable.

(2) If the inboard glove box latch striker is being serviced, remove the lower right center bezel from the instrument panel. Refer to **Instrument Panel Lower Right Center Bezel** in the Removal and Installation section of this group for the procedures. If the outboard glove box latch striker is being serviced, remove the end cap from the instrument panel. Refer to **Instrument Panel End Cap** in the Removal and Installation section of this group for the procedures.

(3) Remove the one screw that secures the upper mounting flange of the glove box latch striker to the instrument panel structural duct at either side of the glove box opening (Fig. 25).

(4) Pull the upper mounting flange of the glove box latch striker downward to disengage the hook formation on the lower end of the striker from the mounting hole in the instrument panel structural duct.

(5) Remove the glove box latch striker from the instrument panel.

## INSTALLATION

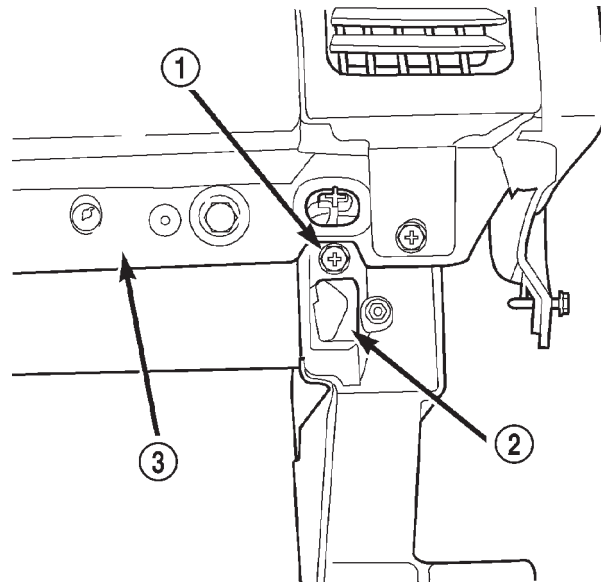
(1) Position the glove box latch striker to the instrument panel.

(2) Engage the hook formation on the lower end of the glove box latch striker in the mounting hole in the instrument panel structural duct.

(3) Roll the upper mounting flange of the glove box latch striker upward until it is flush with the instrument panel structural duct on either side of the glove box opening.

(4) Install and tighten the screw that secures the upper mounting flange of the glove box latch striker to the instrument panel structural duct. Tighten the screw to 2.2 N·m (20 in. lbs.).

(5) If the inboard glove box latch striker was serviced, install the lower right center bezel onto the



**Fig. 25 Glove Box Latch Striker Remove/Install**

80b89872

- 1 - SCREW
- 2 - GLOVE BOX LATCH STRIKER
- 3 - INSTRUMENT PANEL TOP PAD

instrument panel. Refer to **Instrument Panel Lower Right Center Bezel** in the Removal and Installation section of this group for the procedures. If the outboard glove box latch striker was serviced, install the end cap onto the instrument panel. Refer to **Instrument Panel End Cap** in the Removal and Installation section of this group for the procedures.

- (6) Reconnect the battery negative cable.

## GLOVE BOX LAMP AND SWITCH

**WARNING: ON VEHICLES EQUIPPED WITH AIR-BAGS, REFER TO GROUP 8M - PASSIVE RESTRAINT SYSTEMS BEFORE ATTEMPTING ANY STEERING WHEEL, STEERING COLUMN, OR INSTRUMENT PANEL COMPONENT DIAGNOSIS OR SERVICE. FAILURE TO TAKE THE PROPER PRECAUTIONS COULD RESULT IN ACCIDENTAL AIRBAG DEPLOYMENT AND POSSIBLE PERSONAL INJURY.**

## REMOVAL

(1) Disconnect and isolate the battery negative cable.

(2) Roll down the glove box from the instrument panel. Refer to **Glove Box - Roll Down** in the Removal and Installation section of this group for the procedures.

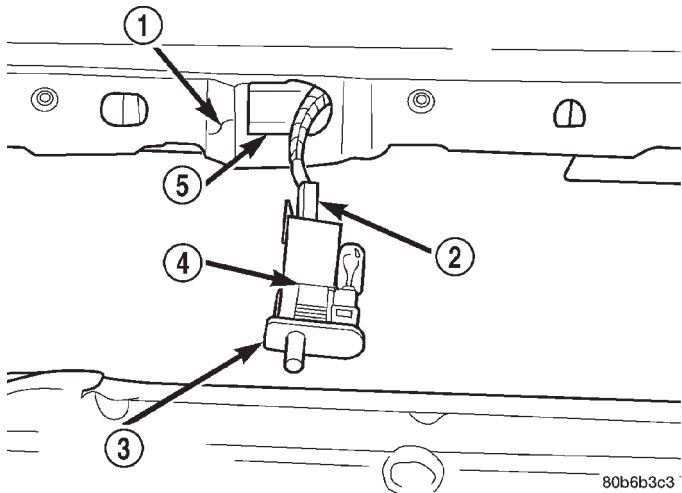
(3) Remove the lower right center bezel from the instrument panel. Refer to **Instrument Panel Lower Right Center Bezel** in the Removal and Installation section of this group for the procedures.



REMOVAL AND INSTALLATION (Continued)

(4) Reach through the glove box opening and behind the glove box opening upper reinforcement in the instrument panel to access and depress the retaining latches on the top and bottom of the glove box lamp and switch housing.

(5) While holding the retaining latches depressed, push the glove box lamp and switch out through the mounting hole in the instrument panel glove box opening upper reinforcement (Fig. 26).



**Fig. 26 Glove Box Lamp and Switch Remove/Install**

- 1 - GLOVE BOX OPENING UPPER REINFORCEMENT
- 2 - WIRE HARNESS CONNECTOR
- 3 - GLOVE BOX LAMP & SWITCH
- 4 - LATCH
- 5 - MOUNTING HOLE

(6) Pull the glove box lamp and switch out from the mounting hole far enough to access the wire harness connector.

(7) Disconnect the instrument panel wire harness connector from the glove box lamp and switch connector receptacle.

(8) Remove the glove box lamp and switch from the instrument panel.

**INSTALLATION**

(1) Position the glove box lamp and switch to the instrument panel.

(2) Reconnect the instrument panel wire harness connector to the glove box lamp and switch connector receptacle.

(3) Feed the instrument panel wire harness back into the glove box lamp and switch mounting hole in the glove box opening upper reinforcement.

(4) Align the glove box lamp and switch housing with the mounting hole in the instrument panel glove box opening upper reinforcement.

(5) Push the glove box lamp and switch into the mounting hole in the instrument panel glove box

opening upper reinforcement until the retaining latches are fully engaged.

(6) Install the lower right center bezel onto the instrument panel. Refer to **Instrument Panel Lower Right Center Bezel** in the Removal and Installation section of this group for the procedures.

(7) Roll the glove box back up into the instrument panel. Refer to **Glove Box - Roll Down** in the Removal and Installation section of this group for the procedures.

(8) Reconnect the battery negative cable.

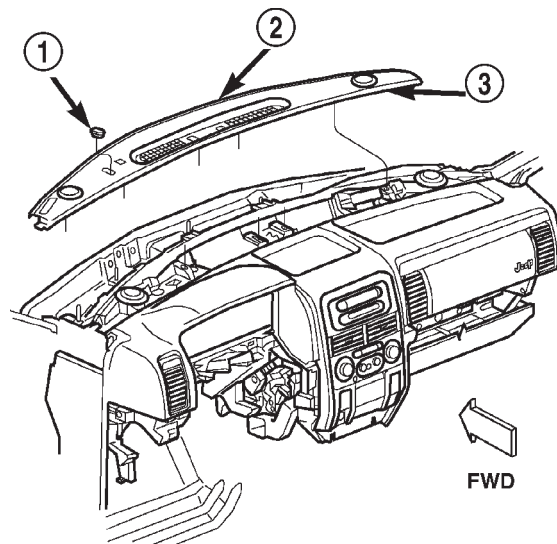
**INSTRUMENT PANEL TOP COVER**

**WARNING: ON VEHICLES EQUIPPED WITH AIRBAGS, REFER TO GROUP 8M - PASSIVE RESTRAINT SYSTEMS BEFORE ATTEMPTING ANY STEERING WHEEL, STEERING COLUMN, OR INSTRUMENT PANEL COMPONENT DIAGNOSIS OR SERVICE. FAILURE TO TAKE THE PROPER PRECAUTIONS COULD RESULT IN ACCIDENTAL AIRBAG DEPLOYMENT AND POSSIBLE PERSONAL INJURY.**

**REMOVAL**

(1) Disconnect and isolate the battery negative cable.

(2) Using a trim stick or another suitable wide flat-bladed tool, gently pry the rear edge (farthest from the windshield) of the top cover up and away from the instrument panel far enough to disengage the four snap clip retainers from their receptacles in the instrument panel top pad (Fig. 27).



**Fig. 27 Instrument Panel Top Cover Remove/Install**

- 1 - ULTRA LIGHT SENSOR PLUG
- 2 - SEAL
- 3 - INSTRUMENT PANEL TOP COVER

## REMOVAL AND INSTALLATION (Continued)

(3) Remove the top cover from the instrument panel.

## INSTALLATION

(1) If the vehicle is not equipped with the optional ultra light sensor, be certain that the ultra light sensor plug is installed in the hole to the left of the driver side defroster outlet in the instrument panel top cover.

(2) Before installing the top cover to the instrument panel top pad, be certain that the rubber top cover seal is properly positioned on the forward edge of the top cover panel.

(3) Position the top cover on the instrument panel top pad.

(4) Align the four snap clips on the top cover with the snap clip receptacles in the instrument panel top pad.

(5) Press firmly downward on the top cover over each of the four snap clip locations until each of the snap clips is fully seated in their receptacles in the instrument panel top pad.

(6) Reconnect the battery negative cable.

## INSTRUMENT PANEL TOP PAD

**WARNING: ON VEHICLES EQUIPPED WITH AIR-BAGS, REFER TO GROUP 8M - PASSIVE RESTRAINT SYSTEMS BEFORE ATTEMPTING ANY STEERING WHEEL, STEERING COLUMN, OR INSTRUMENT PANEL COMPONENT DIAGNOSIS OR SERVICE. FAILURE TO TAKE THE PROPER PRECAUTIONS COULD RESULT IN ACCIDENTAL AIRBAG DEPLOYMENT AND POSSIBLE PERSONAL INJURY.**

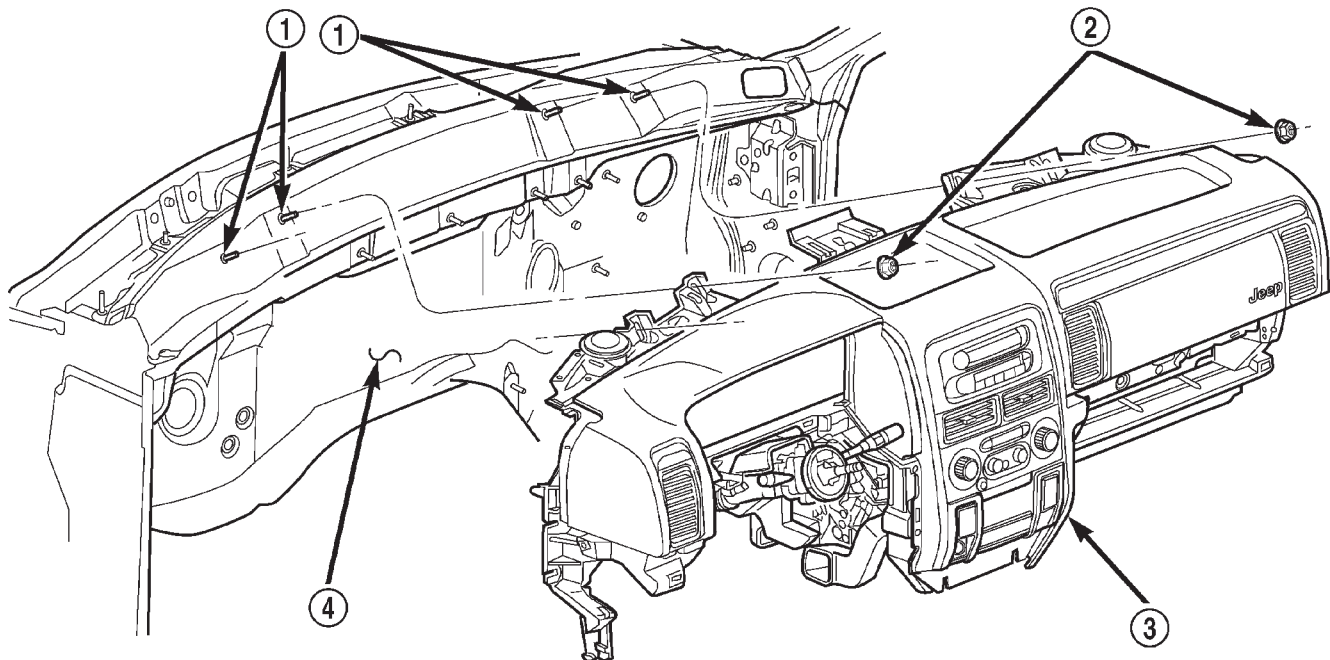
## REMOVAL

(1) Disconnect and isolate the battery negative cable.

(2) Remove the trim from the right and left A-pillars. Refer to **A-Pillar Trim** in the Removal and Installation section of Group 23 - Body for the procedures.

(3) Remove the top cover from the instrument panel. Refer to **Instrument Panel Top Cover** in the Removal and Installation section of this group for the procedures.

(4) Remove the four nuts that secure the instrument panel top pad to the studs on the dash panel near the windshield fence line (Fig. 28).



**Fig. 28 Instrument Panel Top Pad to Dash Panel Mounting**

1 - STUD (4)  
2 - NUT (4)

3 - INSTRUMENT PANEL  
4 - DASH PANEL

80b3c645

## REMOVAL AND INSTALLATION (Continued)

(5) If the vehicle is so equipped, remove the speakers from the instrument panel top pad. Refer to **Instrument Panel Speakers** in the Removal and Installation section of Group 8F - Audio Systems for the procedures.

(6) If the vehicle is so equipped, disengage the retainer that secures each of the two instrument panel wire harness speaker takeouts to the mounting hole in the instrument panel top pad. Tuck the loose ends of the wire harness speaker takeouts down the defroster ducts to keep them out of the way for the remainder of the procedure.

(7) If the vehicle is so equipped, remove the two screws that secure the security set lamp/ultra light sensor unit to the instrument panel top pad just outboard of the left defroster outlet. Move the security set lamp/ultra light sensor unit towards the windshield to keep it out of the way for the remainder of the procedure.

(8) Remove the cluster bezel from the instrument panel. Refer to **Cluster Bezel** in the Removal and Installation section of this group for the procedures.

(9) Remove the instrument cluster from the instrument panel. Refer to **Instrument Cluster** in the Removal and Installation section of this group for the procedures.

(10) Remove the steering column opening cover from the instrument panel. Refer to **Steering Column Opening Cover** in the Removal and Installation section of this group for the procedures.

(11) Roll the glove box down from the instrument panel. Refer to **Glove Box - Roll Down** in the Removal and Installation section of this group for the procedures.

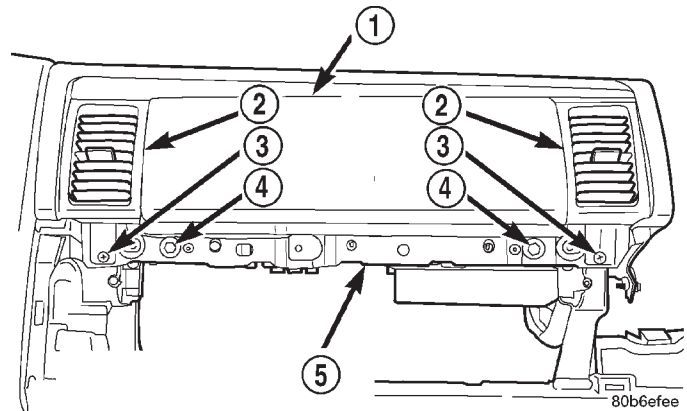
(12) Remove the end cap from the passenger side lower outboard end of the instrument panel. Refer to **Instrument Panel End Cap** in the Removal and Installation section of this group for the procedures.

(13) Remove the lower right center bezel from the instrument panel. Refer to **Instrument Panel Lower Right Center Bezel** in the Removal and Installation section of this group for the procedures.

(14) Remove the glove box lamp and switch from the instrument panel. Refer to **Glove Box Lamp and Switch** in the Removal and Installation section of this group for the procedures.

(15) Remove the two large screws on the glove box opening upper reinforcement that secure the top pad to the instrument panel structural duct (Fig. 29).

(16) Remove the two small screws on the glove box opening upper reinforcement that secure the panel outlets to the instrument panel structural duct.



**Fig. 29 Instrument Panel Top Pad to Glove Box Opening Mounting**

- 1 - PASSENGER SIDE BEZEL
- 2 - PANEL OUTLETS
- 3 - SMALL SCREWS
- 4 - LARGE SCREWS
- 5 - GLOVE BOX OPENING UPPER REINFORCEMENT

(17) Remove the center upper bezel from the instrument panel. Refer to **Instrument Panel Center Upper Bezel** in the Removal and Installation section of this group for the procedures.

(18) Remove the center lower bezel from the instrument panel. Refer to **Instrument Panel Center Lower Bezel** in the Removal and Installation section of this group for the procedures.

(19) Remove the four screws that secure the radio to the instrument panel structural support. Pull the radio out of the instrument panel far enough to access the screws that secure the top pad to the instrument panel structural duct.

(20) Remove the four screws that secure the heater-A/C control to the instrument panel structural duct. Pull the heater-A/C control out of the instrument panel far enough to access the screws that secure the top pad to the instrument panel structural duct.

(21) Remove all of the screws that secure the perimeter of the top pad to the instrument panel structural duct.

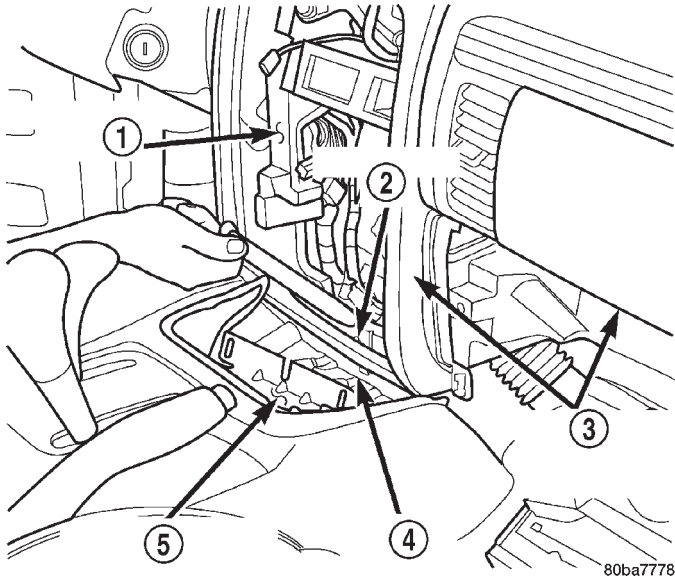
(22) Remove the front bin from the floor console. Refer to **Floor Console** in the Removal and Installation section of Group 23 - Body for the procedures.

(23) Reach through the front bin opening of the floor console to access and remove the two screws that secure the center floor tunnel bracket to the instrument panel.

(24) Reach through the front bin opening of the floor console to access and loosen the two nuts that secure the center floor tunnel bracket to the studs on the floor panel transmission tunnel.

## REMOVAL AND INSTALLATION (Continued)

(25) Slide the center floor tunnel bracket rearward in the vehicle far enough to disengage the locating hole in the lower flange of the top pad from the locating pin on the instrument panel structural duct (Fig. 30).



**Fig. 30 Instrument Panel Top Pad Remove/Install**

- 1 - STRUCTURAL DUCT
- 2 - LOCATING PIN
- 3 - INSTRUMENT PANEL TOP PAD
- 4 - LOWER FLANGE
- 5 - CENTER FLOOR TUNNEL BRACKET

(26) Remove the instrument panel top pad from the instrument panel structural duct.

## INSTALLATION

If the top pad is being replaced with a new unit, be certain to transfer or install the panel outlets and the passenger side bezel to the new unit before it is installed on the instrument panel structural duct. Refer to **Ducts and Outlets** in the Removal and Installation section of Group 24 - Heating and Air Conditioning for the panel outlet service procedures. Refer to **Instrument Panel Passenger Side Bezel** in the Removal and Installation section of this group for the passenger side bezel service procedures.

(1) Position the instrument panel top pad over the instrument panel structural duct and the studs on the dash panel near the windshield fence line.

(2) Route the instrument panel wire harness take-out for the glove box lamp and switch unit to the switch mounting hole in the upper glove box opening reinforcement.

(3) Reach through the front bin opening of the floor console to engage the locating hole in the lower flange of the top pad with the locating pin on the instrument panel structural duct.

(4) Reach through the front bin opening of the floor console to slide the center floor tunnel bracket forward in the vehicle far enough to capture the lower flange of the top pad between the bracket and the structural duct.

(5) Reach through the front bin opening of the floor console to install and tighten the two screws that secure the center floor tunnel bracket to the instrument panel. Tighten the screws to 11.8 N-m (105 in. lbs.).

(6) Reach through the front bin opening of the floor console to access and tighten the two nuts that secure the center floor tunnel bracket to the studs on the floor panel transmission tunnel. Tighten the nuts to 11.8 N-m (105 in. lbs.).

(7) Install the front bin into the floor console. Refer to **Floor Console** in the Removal and Installation section of Group 23 - Body for the procedures.

(8) Install and tighten all of the screws that secure the perimeter of the top pad to the instrument panel structural duct. Tighten the screws to 2.2 N-m (20 in. lbs.).

(9) Install and tighten the four screws that secure the heater-A/C control to the instrument panel structural support. Tighten the screws to 2.2 N-m (20 in. lbs.).

(10) Install and tighten the four screws that secure the radio to the instrument panel structural support. Tighten the screws to 2.2 N-m (20 in. lbs.).

(11) Install the center lower bezel onto the instrument panel. Refer to **Instrument Panel Center Lower Bezel** in the Removal and Installation section of this group for the procedures.

(12) Install the center upper bezel onto the instrument panel. Refer to **Instrument Panel Center Upper Bezel** in the Removal and Installation section of this group for the procedures.

(13) Install and tighten the two large screws on the glove box opening upper reinforcement that secure the top pad to the instrument panel structural duct. Tighten the screws to 11.8 N-m (105 in. lbs.).

(14) Install and tighten the two small screws on the glove box opening upper reinforcement that secure the panel outlets to the instrument panel structural duct. Tighten the screws to 2.2 N-m (20 in. lbs.).

(15) Install the glove box lamp and switch into the instrument panel. Refer to **Glove Box Lamp and Switch** in the Removal and Installation section of this group for the procedures.

(16) Install the lower right center bezel onto the instrument panel. Refer to **Instrument Panel Lower Right Center Bezel** in the Removal and Installation section of this group for the procedures.

(17) Install the end cap onto the instrument panel. Refer to **Instrument Panel End Cap** in the



## REMOVAL AND INSTALLATION (Continued)

Removal and Installation section of this group for the procedures.

(18) Roll the glove box back up into the instrument panel. Refer to **Glove Box - Roll Down** in the Removal and Installation section of this group for the procedures.

(19) Install the steering column opening cover onto the instrument panel. Refer to **Steering Column Opening Cover** in the Removal and Installation section of this group for the procedures.

(20) Install the instrument cluster into the instrument panel. Refer to **Instrument Cluster** in the Removal and Installation section of this group for the procedures.

(21) Install the cluster bezel onto the instrument panel. Refer to **Cluster Bezel** in the Removal and Installation section of this group for the procedures.

(22) If the vehicle is so equipped, position the security set lamp/ultra light sensor unit to the instrument panel top pad just outboard of the left defroster outlet. Install and tighten the two screws that secure it there. Tighten the screws to 2.2 N·m (20 in. lbs.).

(23) If the vehicle is so equipped, engage the retainer that secures each of the two instrument panel wire harness speaker takeouts to the mounting hole in the instrument panel top pad.

(24) If the vehicle is so equipped, install the speakers onto the instrument panel top pad. Refer to **Instrument Panel Speakers** in the Removal and Installation section of Group 8F - Audio Systems for the procedures.

(25) Install and tighten the four nuts that secure the instrument panel top pad to the studs on the dash panel near the windshield fence line. Tighten the nuts to 11.8 N·m (105 in. lbs.).

(26) Install the top cover onto the instrument panel. Refer to **Instrument Panel Top Cover** in the Removal and Installation section of this group for the procedures.

(27) Install the trim onto the right and left A-pillars. Refer to **A-Pillar Trim** in the Removal and Installation section of Group 23 - Body for the procedures.

(28) Reconnect the battery negative cable.

## INSTRUMENT PANEL PASSENGER SIDE BEZEL

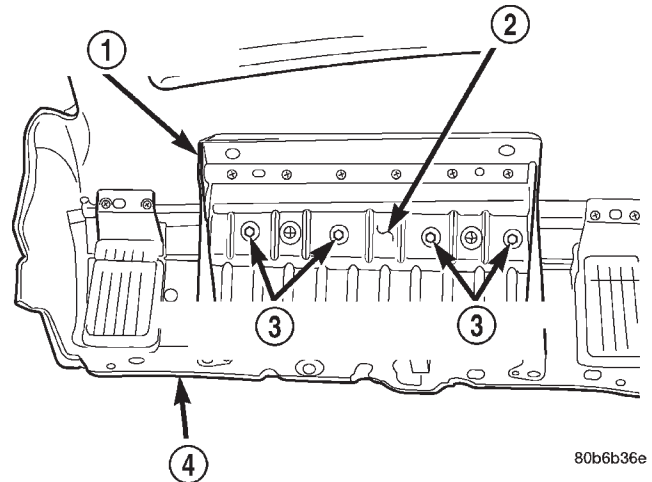
**WARNING: ON VEHICLES EQUIPPED WITH AIRBAGS, REFER TO GROUP 8M - PASSIVE RESTRAINT SYSTEMS BEFORE ATTEMPTING ANY STEERING WHEEL, STEERING COLUMN, OR INSTRUMENT PANEL COMPONENT DIAGNOSIS OR SERVICE. FAILURE TO TAKE THE PROPER PRECAUTIONS COULD RESULT IN ACCIDENTAL AIRBAG DEPLOYMENT AND POSSIBLE PERSONAL INJURY.**

## REMOVAL

(1) Disconnect and isolate the battery negative cable.

(2) Remove the top pad from the instrument panel. Refer to **Instrument Panel Top Pad** in the Removal and Installation section of this group for the procedures.

(3) From the underside of the top pad, remove the four screws from the top of the passenger side airbag door that secure the passenger side bezel to the instrument panel (Fig. 31).



**Fig. 31 Instrument Panel Passenger Side Bezel Remove/Install**

- 1 - INSTRUMENT PANEL AIRBAG DOOR REINFORCEMENT
- 2 - PASSENGER SIDE AIRBAG DOOR
- 3 - PASSENGER SIDE INSTRUMENT PANEL BEZEL SCREWS
- (4)
- 4 - INSTRUMENT PANEL TOP PAD

(4) Remove the passenger side bezel from the instrument panel top pad.

## INSTALLATION

(1) Position the passenger side bezel to the instrument panel top pad.

(2) From the underside of the top pad, install and tighten the four screws through the top of the passenger side airbag door that secure the passenger side bezel to the instrument panel. Tighten the screws to 11.8 N·m (105 in. lbs.).

(3) Install the top pad onto the instrument panel. Refer to **Instrument Panel Top Pad** in the Removal and Installation section of this group for the procedures.

(4) Reconnect the battery negative cable.



## REMOVAL AND INSTALLATION (Continued)

## INSTRUMENT PANEL ASSEMBLY

**WARNING: ON VEHICLES EQUIPPED WITH AIRBAGS, REFER TO GROUP 8M - PASSIVE RESTRAINT SYSTEMS BEFORE ATTEMPTING ANY STEERING WHEEL, STEERING COLUMN, OR INSTRUMENT PANEL COMPONENT DIAGNOSIS OR SERVICE. FAILURE TO TAKE THE PROPER PRECAUTIONS COULD RESULT IN ACCIDENTAL AIRBAG DEPLOYMENT AND POSSIBLE PERSONAL INJURY.**

## REMOVAL

**NOTE:** Before starting this procedure, be certain to turn the steering wheel until the front wheels are in the straight-ahead position.

- (1) Disconnect and isolate the battery negative cable.
- (2) Remove the trim from the right and left A-pillars. Refer to **A-Pillar Trim** in the Removal and Installation section of Group 23 - Body for the procedures.
- (3) Remove the top cover from the instrument panel. Refer to **Instrument Panel Top Cover** in the Removal and Installation section of this group for the procedures.

(4) Remove the four nuts that secure the instrument panel to the studs on the dash panel near the windshield fence line (Fig. 32).

(5) Remove the scuff plates from the right and left front door sills. Refer to **Front Door Scuff Plate** in the Removal and Installation section of Group 23 - Body for the procedures.

(6) Remove the trim panels from the right and left inner cowl sides. Refer to **Front Door Scuff Plate** in the Removal and Installation section of Group 23 - Body for the procedures.

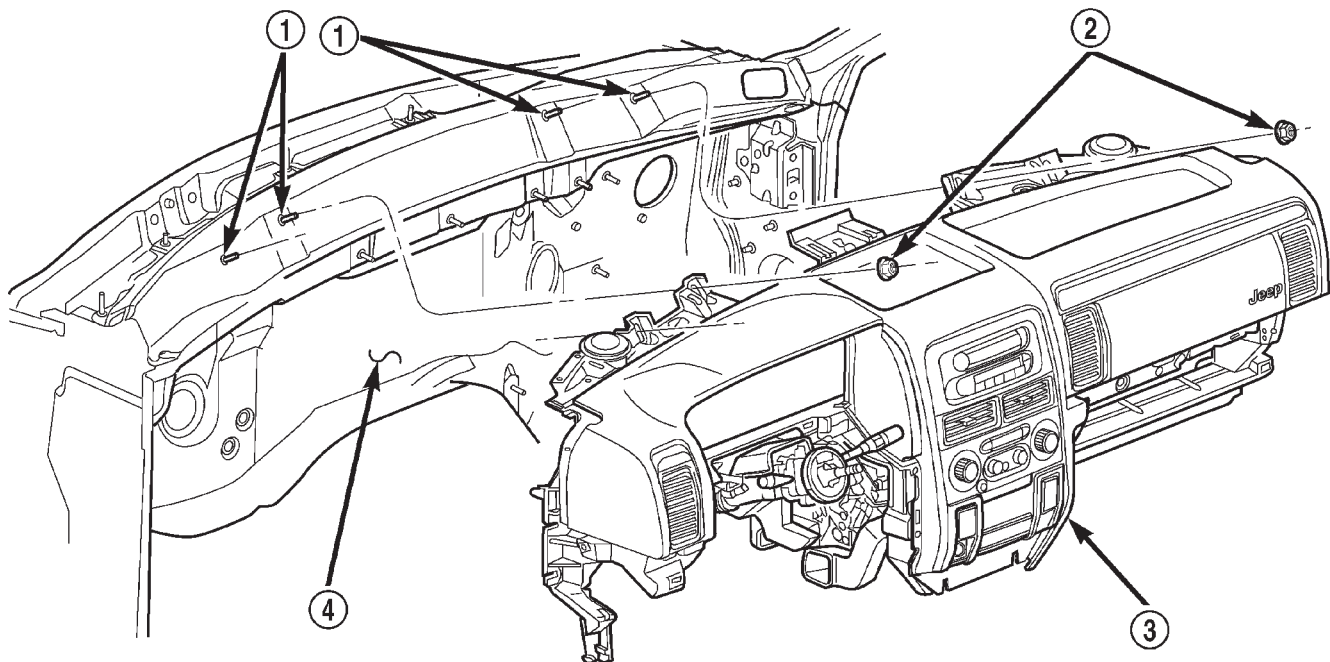
(7) Remove the console from the floor panel transmission tunnel. Refer to **Floor Console** in the Removal and Installation section of Group 23 - Body for the procedures.

(8) Remove the fuse cover from the junction block. Refer to **Instrument Panel Fuse Cover** in the Removal and Installation section of this group for the procedures.

(9) Remove the cluster bezel from the instrument panel. Refer to **Cluster Bezel** in the Removal and Installation section of this group for the procedures.

(10) Remove the steering column opening cover from the instrument panel. Refer to **Steering Column Opening Cover** in the Removal and Installation section of this group for the procedures.

(11) Remove the steering column bracket from the instrument panel steering column support bracket. Refer to **Instrument Panel Steering Column**



80b3c645

**Fig. 32 Instrument Panel to Dash Panel Mounting**

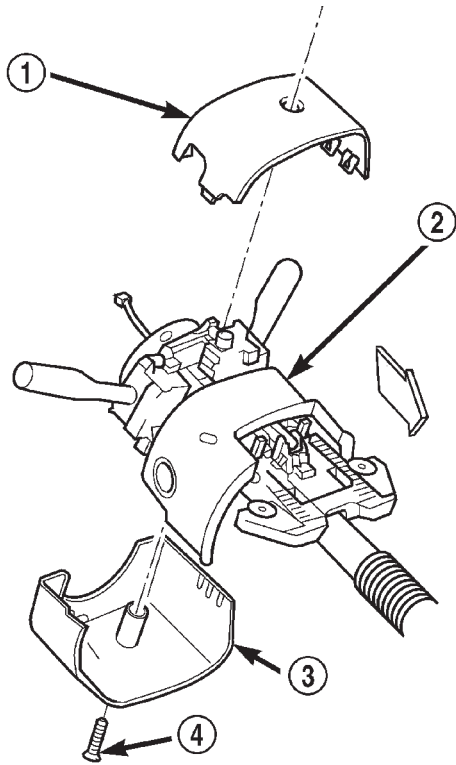
1 - STUD (4)  
2 - NUT (4)

3 - INSTRUMENT PANEL  
4 - DASH PANEL

REMOVAL AND INSTALLATION (Continued)

**Bracket** in the Removal and Installation section of this group for the procedures.

(12) Remove the screw that secures the lower tilting steering column shroud to the steering column multifunction switch mounting housing (Fig. 33).



80b04f0f

**Fig. 33 Steering Column Shrouds Remove/Install**

- 1 - UPPER TILTING COLUMN SHROUD
- 2 - FIXED COLUMN SHROUD
- 3 - LOWER TILTING COLUMN SHROUD
- 4 - SCREW

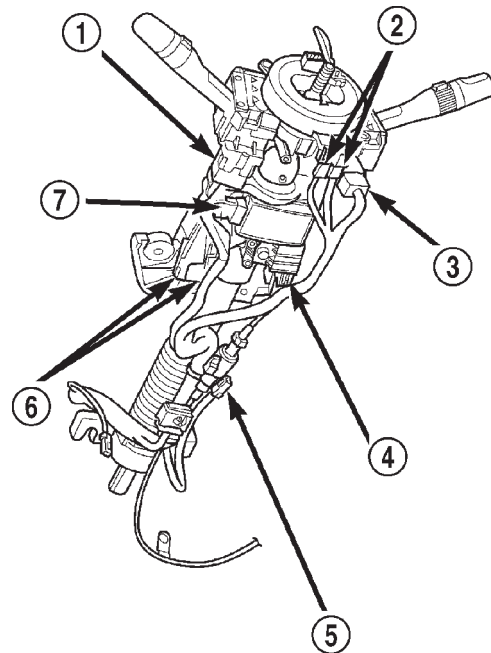
(13) Unsnap the two halves of the tilting steering column shroud from each other and remove both halves from the steering column.

(14) Disconnect the instrument panel wire harness connectors from the following steering column components (Fig. 34):

- the two lower clockspring connector receptacles
- the left multifunction switch receptacle
- the right multifunction switch receptacle
- the two ignition switch receptacles
- the shifter interlock solenoid receptacle
- if the vehicle is so equipped, the Sentry Key Immobilizer Module (SKIM) receptacle.

(15) Turn the ignition switch to the On position, then release and remove the shifter interlock cable connector from the ignition lock housing receptacle.

(16) Turn the ignition switch back to the Lock position to prevent steering wheel rotation and the loss of clockspring centering following steering column removal.

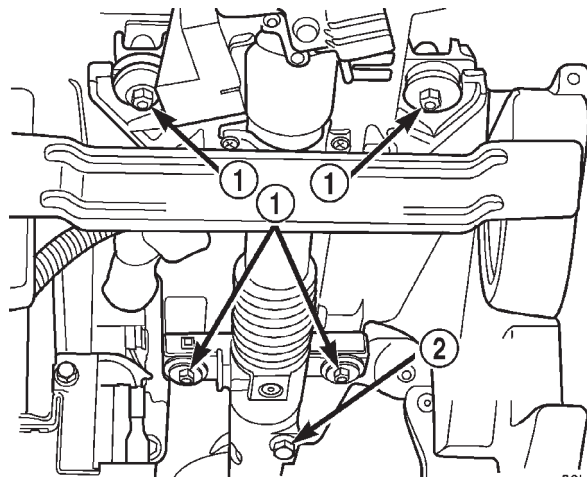


80b6b3a0

**Fig. 34 Steering Column Connections**

- 1 - LEFT MULTIFUNCTION SWITCH CONNECTOR
- 2 - LOWER CLOCKSPRING CONNECTORS
- 3 - RIGHT MULTIFUNCTION SWITCH CONNECTOR
- 4 - SHIFTER INTERLOCK CABLE CONNECTOR
- 5 - SHIFTER INTERLOCK SOLENOID CONNECTOR
- 6 - IGNITION SWITCH CONNECTOR RECEPTACLES
- 7 - SKIM CONNECTOR

(17) Remove the bolt that secures the coupler to the lower steering column shaft (Fig. 35).



80b6f08d

**Fig. 35 Steering Column Mounting**

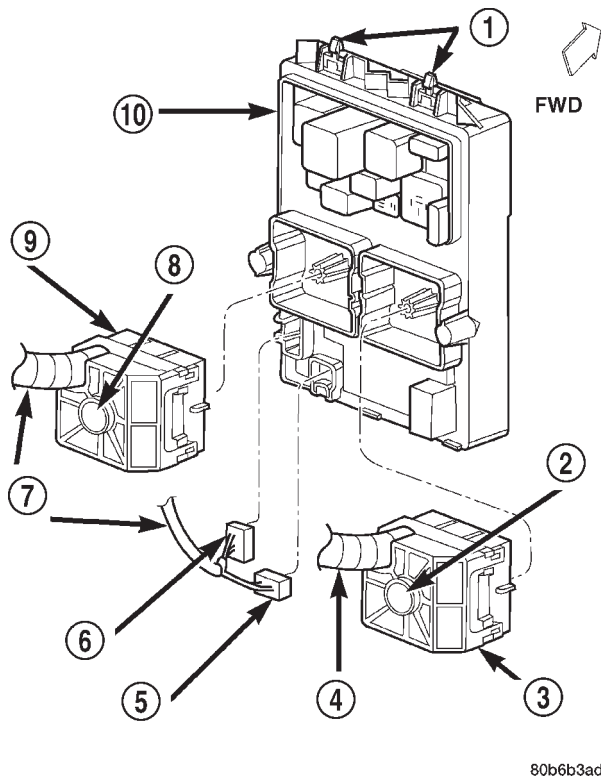
- 1 - COLUMN MOUNTING NUTS
- 2 - COUPLER BOLT

## REMOVAL AND INSTALLATION (Continued)

(18) Remove the four nuts that secure the steering column to the studs on the instrument panel steering column support bracket.

(19) Remove the steering column from the instrument panel. Be certain that the steering wheel is locked and secured from rotation to prevent the loss of clockspring centering.

(20) Disconnect the left and right body wire harness bulkhead connectors, the Ignition Off Draw (IOD) wire harness connector and the fused B(+) wire harness connector from the connector receptacles of the junction block (Fig. 36).



**Fig. 36 Junction Block Connections**

- 1 - SNAP CLIPS
- 2 - SCREW
- 3 - BULKHEAD CONNECTOR
- 4 - LEFT BODY WIRE HARNESS
- 5 - IOD CONNECTOR
- 6 - FUSED B+ CONNECTOR
- 7 - RIGHT BODY WIRE HARNESS
- 8 - SCREW
- 9 - BULKHEAD CONNECTOR
- 10 - JUNCTION BLOCK

(21) Disconnect the instrument panel wire harness connectors from the following floor panel transmission tunnel components (Fig. 37):

- the airbag control module connector receptacle
- the park brake switch terminal
- the transmission shifter connector receptacle.

(22) Remove the two nuts that secure the instrument panel wire harness ground eyelets to the studs on the floor panel transmission tunnel in front of and behind the airbag control module.

(23) Disengage the retainers that secure the instrument panel wire harness to the floor panel transmission tunnel.

(24) Remove the instrument panel to center floor tunnel bracket from the instrument panel and the floor panel transmission tunnel. Refer to **Instrument Panel to Center Floor Tunnel Bracket** in the Removal and Installation section of this group for the procedures.

(25) Remove the one screw that secures the driver side floor duct to the heater and air conditioner housing near the driver side of the floor panel transmission tunnel and remove the duct from the housing.

(26) If the vehicle is equipped with the manual heating and air conditioning system, disconnect the vacuum harness connector located near the driver side of the floor panel transmission tunnel behind the driver side floor duct.

(27) Remove the one screw that secures the instrument panel steering column support bracket to the driver side end of the heater and air conditioner housing (Fig. 38).

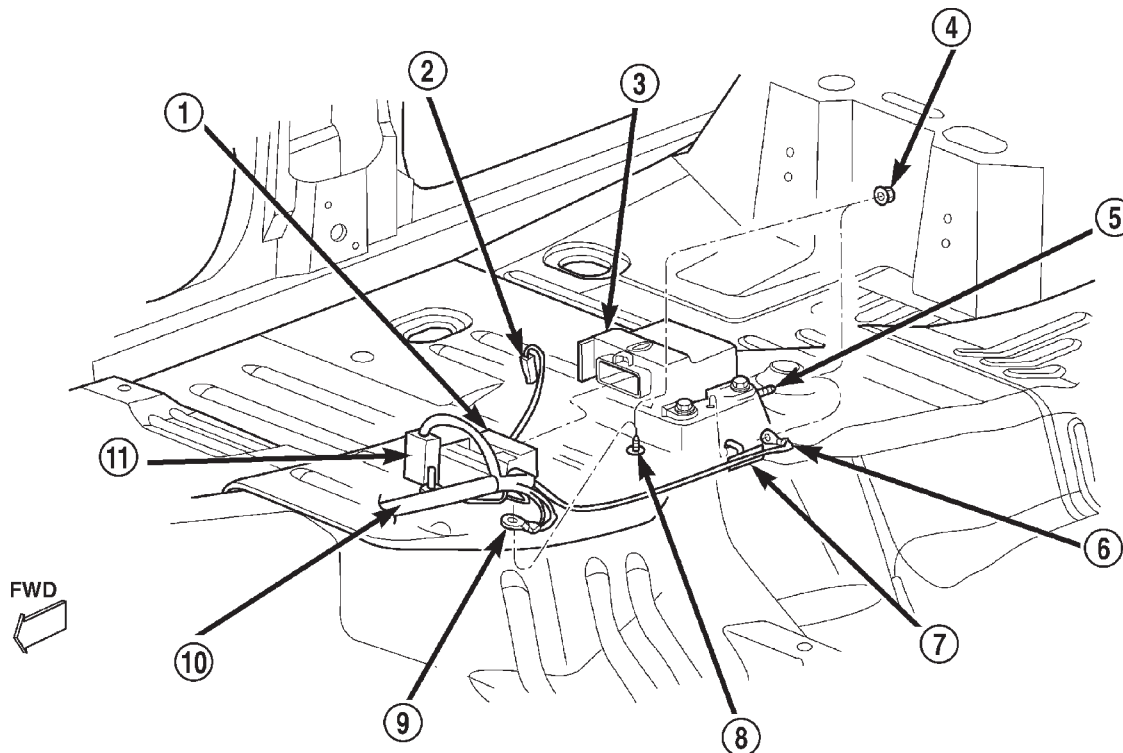
(28) Remove the one screw that secures the instrument panel steering column support bracket to the intermediate bracket on the driver side dash panel (Fig. 39).

(29) Remove the nut that secures the instrument panel steering column support bracket to the stud on the driver side cowl plenum panel (Fig. 40).

(30) Remove the two screws that secure the instrument panel to the driver side cowl side inner panel (Fig. 41).

(31) Remove the end cap from the instrument panel. Refer to **Instrument Panel End Cap** in the Removal and Installation section of this group for the procedures.

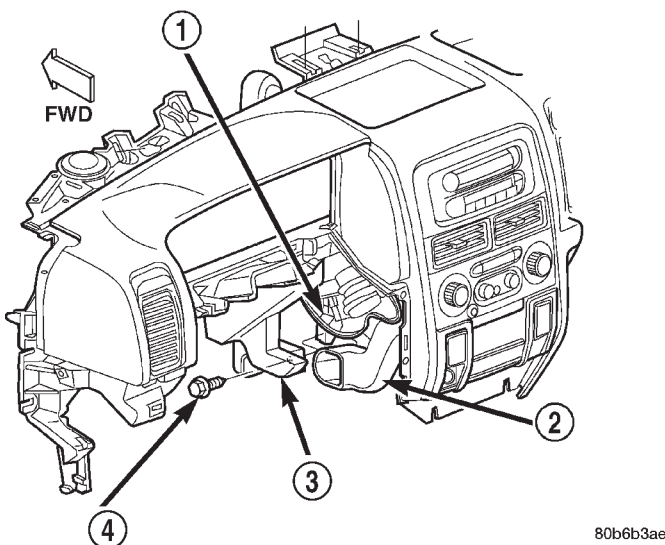
REMOVAL AND INSTALLATION (Continued)



**Fig. 37 Floor Panel Transmission Tunnel Connections**

80b3c644

- |                                     |                                     |
|-------------------------------------|-------------------------------------|
| 1 - AIRBAG CONTROL MODULE CONNECTOR | 7 - RETAINER                        |
| 2 - PARK BRAKE SWITCH CONNECTOR     | 8 - STUD                            |
| 3 - AIRBAG CONTROL MODULE           | 9 - GROUND EYELET                   |
| 4 - NUT (2)                         | 10 - INSTRUMENT PANEL WIRE HARNESS  |
| 5 - STUD                            | 11 - TRANSMISSION SHIFTER CONNECTOR |
| 6 - GROUND EYELET                   |                                     |



80b6b3ae

**Fig. 38 Driver Side Instrument Panel to Heater-A/C Housing Mounting**

- |  |
|--|
| 1 - HEATER AND AIR CONDITIONER HOUSING               |
| 2 - FLOOR DUCT                                       |
| 3 - INSTRUMENT PANEL STEERING COLUMN SUPPORT BRACKET |
| 4 - SCREW  |

(32) Remove the lower right center bezel from the instrument panel. Refer to **Instrument Panel Lower Right Center Bezel** in the Removal and Installation section of this group for the procedures.

(33) Disconnect the instrument panel wire harness bulkhead connector from the lower cavity of the inline connector on the passenger side cowl side inner panel (Fig. 42).

(34) Disconnect the two halves of the radio antenna coaxial cable connector near the right cowl side inner panel under the end of the instrument panel.

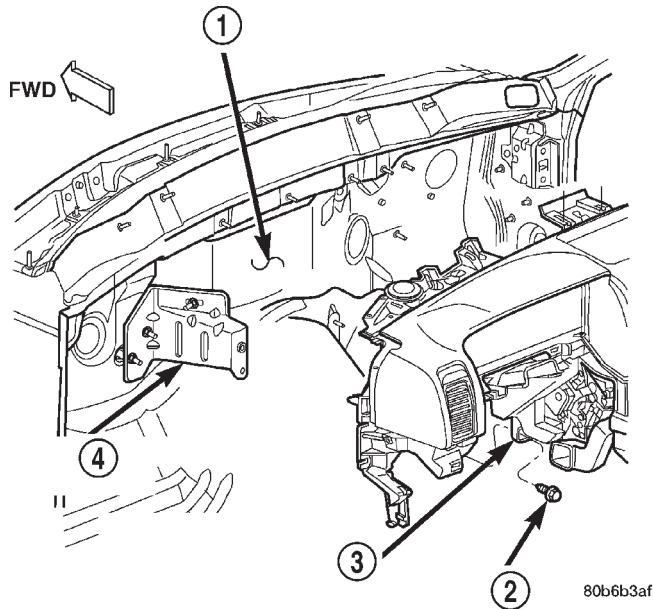
(35) Disconnect the two instrument panel wire harness connectors from the two heater and air conditioner housing connectors located near the blower motor on the passenger side end of the housing (Fig. 43).

(36) Remove the two screws that secure the passenger side instrument panel structural duct to the heater and air conditioner housing (Fig. 44).

(37) Remove the two screws that secure the instrument panel to the passenger side cowl side inner panel (Fig. 45).

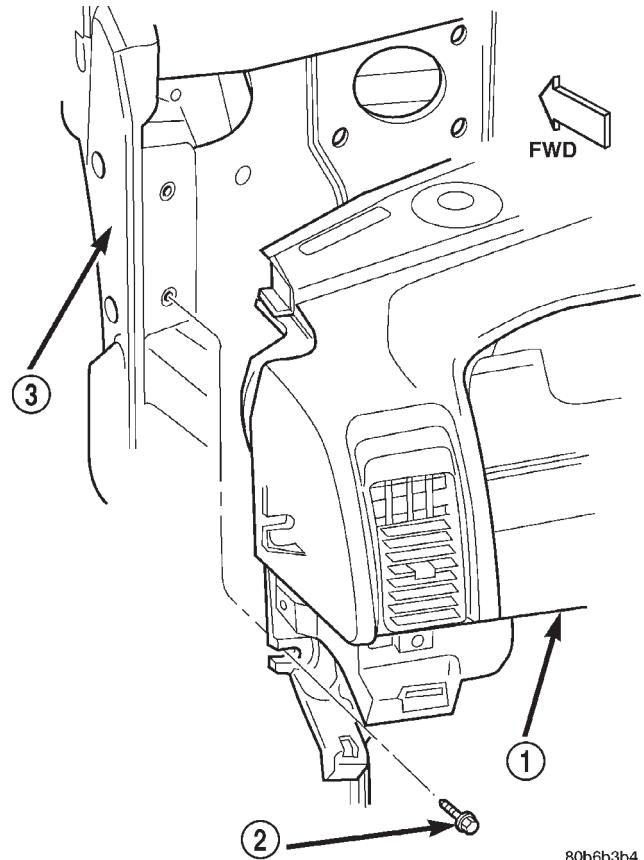


REMOVAL AND INSTALLATION (Continued)



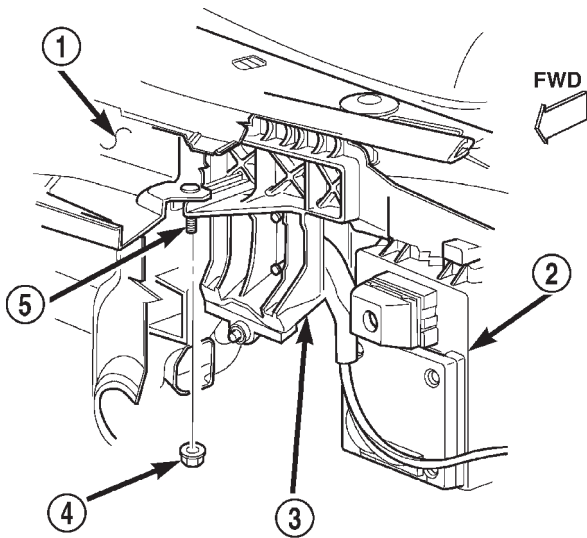
**Fig. 39 Instrument Panel to Intermediate Bracket Mounting**

- 1 - DASH PANEL
- 2 - SCREW
- 3 - INSTRUMENT PANEL STEERING COLUMN SUPPORT BRACKET
- 4 - INTERMEDIATE BRACKET



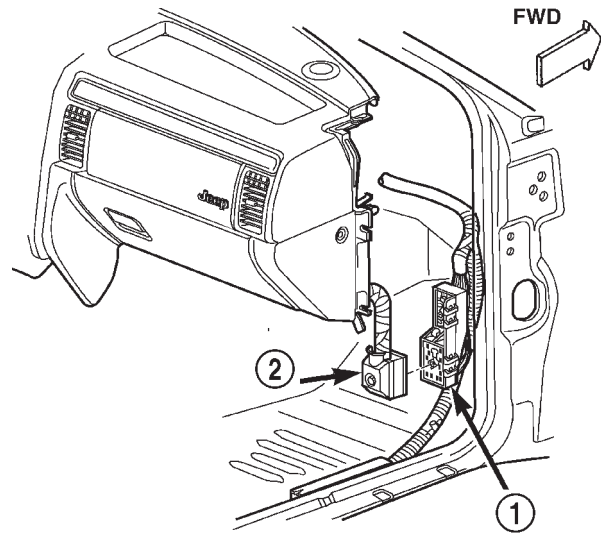
**Fig. 41 Instrument Panel to Driver Side Cowl Side Inner Panel Mounting**

- 1 - INSTRUMENT PANEL
- 2 - SCREW (2)
- 3 - COWL SIDE PANEL



**Fig. 40 Instrument Panel to Cowl Plenum Mounting**

- 1 - COWL PLENUM PANEL
- 2 - JUNCTION BLOCK
- 3 - INSTRUMENT PANEL STEERING COLUMN SUPPORT BRACKET
- 4 - NUT
- 5 - STUD

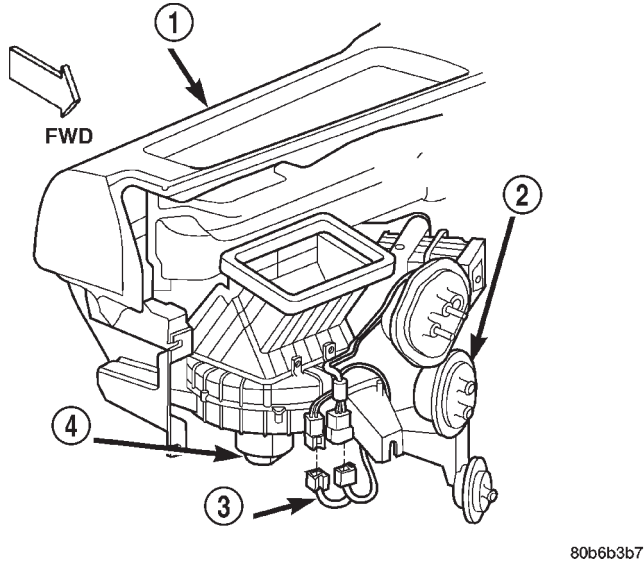


**Fig. 42 Instrument Panel Passenger Side Bulkhead Connection**

- 1 - INLINE CONNECTOR
- 2 - INSTRUMENT PANEL WIRE HARNESS BULKHEAD CONNECTOR

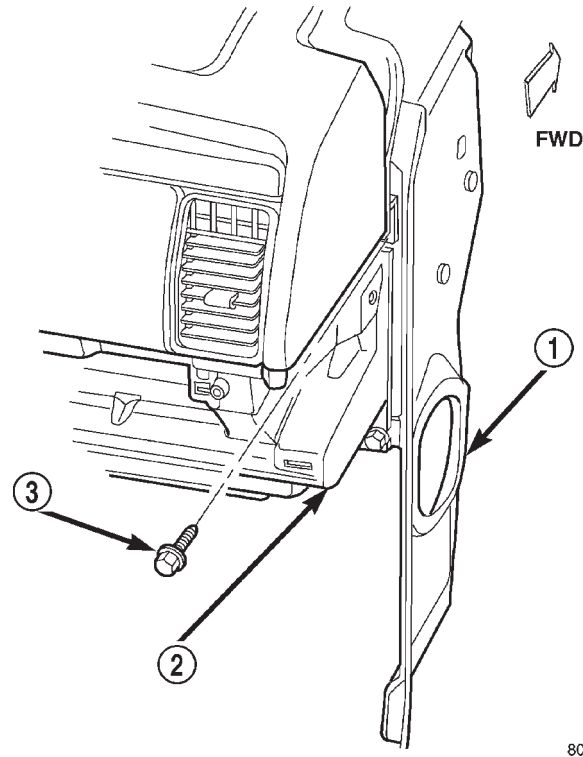


REMOVAL AND INSTALLATION (Continued)



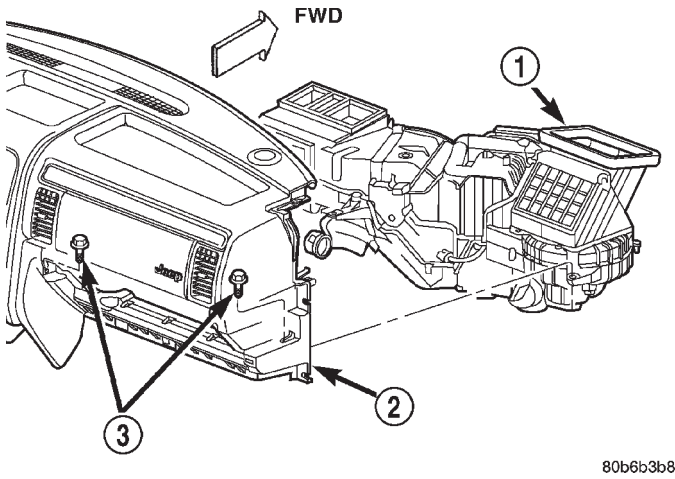
**Fig. 43 Heater and Air Conditioner Housing Connections**

- 1 - INSTRUMENT PANEL
- 2 - HEATER AND AIR CONDITIONER HOUSING
- 3 - INSTRUMENT PANEL WIRE HARNESS
- 4 - BLOWER MOTOR



**Fig. 45 Instrument Panel to Passenger Side Cowl Side Inner Panel Mounting**

- 1 - COWL SIDE INNER PANEL
- 2 - INSTRUMENT PANEL STRUCTURAL DUCT
- 3 - SCREW (2)



**Fig. 44 Passenger Side Instrument Panel to Heater-A/C Housing Mounting**

- 1 - HEATER AND AIR CONDITIONER HOUSING
- 2 - INSTRUMENT PANEL STRUCTURAL DUCT
- 3 - SCREW (2)

(38) With the aid of an assistant, lift the instrument panel assembly upward off of the studs on the dash panel near the windshield fence line and to disengage the molded plastic hook formations on the instrument panel structural duct from the guide holes at each cowl side inner panel.

(39) Pull the instrument panel rearward from the dash panel and the cowl side inner panels and

remove it through the driver side front door of the vehicle.

**INSTALLATION**

(1) Prior to installing the instrument panel into the vehicle, loosen the three nuts that secure the instrument panel intermediate bracket and the accelerator pedal assembly to the studs on the dash panel.

(2) With the aid of an assistant, load the instrument panel assembly through the driver side front door of the vehicle and hang it on the studs on the dash panel near the windshield fence line.

(3) Be certain that the molded plastic hook formations on the instrument panel structural duct are inserted into and seated in the guide holes at each cowl side inner panel.

(4) Loosely install the two screws that secure each end of the instrument panel to the cowl side inner panels.

(5) Install and tighten the two screws that secure the passenger side instrument panel structural duct to the heater and air conditioner housing. Tighten the screws to 11.8 N·m (105 in. lbs.).

(6) Install and tighten the one screw that secures the instrument panel steering column support bracket to the driver side end of the heater and air

## REMOVAL AND INSTALLATION (Continued)

conditioner housing. Tighten the screw to 11.8 N·m (105 in. lbs.).

(7) Tighten the two screws that secure each end of the instrument panel to the cowl side inner panels. Tighten the screws to 11.8 N·m (105 in. lbs.).

(8) Install and tighten the one screw that secures the instrument panel steering column support bracket to the intermediate bracket on the driver side dash panel. Tighten the screw to 11.3 N·m (100 in. lbs.).

(9) Tighten the three nuts that secure the instrument panel intermediate bracket and the accelerator pedal assembly to the studs on the dash panel. Tighten the nuts to 11.3 N·m (100 in. lbs.).

(10) Install and tighten the four nuts that secure the instrument panel to the studs on the dash panel near the windshield fence line. Tighten the nuts to 11.8 N·m (105 in. lbs.).

(11) Install and tighten the nut that secures the instrument panel steering column support bracket to the stud on the driver side cowl plenum panel. Tighten the nut to 28.2 N·m (250 in. lbs.).

(12) Install the instrument panel to center floor tunnel bracket onto the instrument panel and the floor panel transmission tunnel. Refer to **Instrument Panel to Center Floor Tunnel Bracket** in the Removal and Installation section of this group for the procedures.

(13) Reconnect the two instrument panel wire harness connectors to the two heater and air conditioner housing connectors located near the blower motor on the passenger side end of the housing.

(14) Reconnect the two halves of the radio antenna coaxial cable connector near the right cowl side inner panel under the end of the instrument panel.

(15) Reconnect the instrument panel wire harness bulkhead connector to the lower cavity of the inline connector on the passenger side cowl side inner panel and tighten the connector screw. Tighten the screw to 4 N·m (36 in. lbs.).

(16) Install the lower right center bezel onto the instrument panel. Refer to **Instrument Panel Lower Right Center Bezel** in the Removal and Installation section of this group for the procedures.

(17) Install the end cap onto the instrument panel. Refer to **Instrument Panel End Cap** in the Removal and Installation section of this group for the procedures.

(18) If the vehicle is equipped with the manual heating and air conditioning system, reconnect the vacuum harness connector located near the driver side of the floor panel transmission tunnel behind the driver side floor duct.

(19) Position the driver side floor duct to the heater and air conditioner housing near the driver side of the floor panel transmission tunnel.

(20) Install and tighten the one screw that secures the driver side floor duct to the heater and air conditioner housing near the driver side of the floor panel transmission tunnel. Tighten the screw to 2.2 N·m (20 in. lbs.).

(21) Route the instrument panel wire harness to the floor panel transmission tunnel and engage the retainers that secure the harness to the mounting brackets on the tunnel.

(22) Install the instrument panel wire harness ground eyelets to the studs on the floor panel transmission tunnel in front of and behind the airbag control module and secure the eyelets with nuts. Tighten the nuts to 7.3 N·m (65 in. lbs.).

(23) Reconnect the instrument panel wire harness connectors to the following floor panel transmission tunnel components:

- the airbag control module connector receptacle
- the park brake switch terminal
- the transmission shifter connector receptacle.

(24) Reconnect the left and right body wire harness bulkhead connectors, the Ignition Off Draw (IOD) wire harness connector and the fused B+ wire harness connector to the connector receptacles of the junction block. Tighten the bulkhead connector screws. Tighten the screws to 4 N·m (36 in. lbs.).

(25) Engage the lower steering column shaft with the steering shaft coupler and position the steering column to the mounting studs on the instrument panel steering column support bracket.

(26) Install and tighten the four nuts that secure the steering column to the studs on the instrument panel steering column support bracket. Tighten the nuts to 11.8 N·m (105 in. lbs.).

(27) Install and tighten the bolt that secures the coupler to the lower steering column shaft. Tighten the bolt to 49 N·m (36 ft. lbs.).

(28) Turn the ignition switch to the On position, then install the shifter interlock cable connector into the ignition lock housing receptacle.

(29) Reconnect the instrument panel wire harness connectors to the following steering column components (Fig. 34):

- the two lower clockspring connector receptacles
- the left multifunction switch receptacle
- the right multifunction switch receptacle
- the two ignition switch receptacles
- the shifter interlock solenoid receptacle
- if the vehicle is so equipped, the Sentry Key Immobilizer Module (SKIM) receptacle.

(30) Position the lower tilting steering column shroud to the steering column multifunction switch mounting housing, then install and tighten the screw that secures the shroud to the housing. Tighten the screw to 1.9 N·m (17 in. lbs.).

## REMOVAL AND INSTALLATION (Continued)

(31) Position the upper tilting steering column shroud over the steering column. Align the upper and lower shrouds with each other and snap the two halves together.

(32) Install the steering column bracket onto the instrument panel steering column support bracket. Refer to **Instrument Panel Steering Column Bracket** in the Removal and Installation section of this group for the procedures.

(33) Install the steering column opening cover onto the instrument panel. Refer to **Steering Column Opening Cover** in the Removal and Installation section of this group for the procedures.

(34) Install the cluster bezel onto the instrument panel. Refer to **Cluster Bezel** in the Removal and Installation section of this group for the procedures.

(35) Install the fuse cover onto the junction block. Refer to **Instrument Panel Fuse Cover** in the Removal and Installation section of this group for the procedures.

(36) Install the console onto the floor panel transmission tunnel. Refer to **Floor Console** in the Removal and Installation section of Group 23 - Body for the procedures.

(37) Install the trim panels onto the right and left inner cowl sides. Refer to **Front Door Scuff Plate** in the Removal and Installation section of Group 23 - Body for the procedures.

(38) Install the scuff plates onto the right and left front door sills. Refer to **Front Door Scuff Plate** in the Removal and Installation section of Group 23 - Body for the procedures.

(39) Install the top cover onto the instrument panel. Refer to **Instrument Panel Top Cover** in the Removal and Installation section of this group for the procedures.

(40) Install the trim onto the right and left A-pillars. Refer to **A-Pillar Trim** in the Removal and Installation section of Group 23 - Body for the procedures.

(41) Reconnect the battery negative cable.

## INSTRUMENT PANEL C-CHANNEL COVER BRACKET

**WARNING: ON VEHICLES EQUIPPED WITH AIR-BAGS, REFER TO GROUP 8M - PASSIVE RESTRAINT SYSTEMS BEFORE ATTEMPTING ANY STEERING WHEEL, STEERING COLUMN, OR INSTRUMENT PANEL COMPONENT DIAGNOSIS OR SERVICE. FAILURE TO TAKE THE PROPER PRECAUTIONS COULD RESULT IN ACCIDENTAL AIR-BAG DEPLOYMENT AND POSSIBLE PERSONAL INJURY.**

## REMOVAL

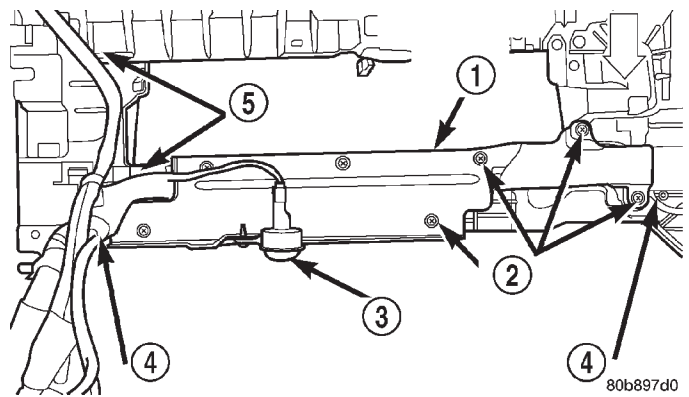
(1) Disconnect and isolate the battery negative cable.

(2) Remove the instrument panel from the vehicle. Refer to **Instrument Panel Assembly** in the Removal and Installation section of this group for the procedures.

(3) Place the instrument panel top down on a suitable work surface. Be certain to take the proper precautions to protect the top of the instrument panel from any possible cosmetic damage.

(4) Disengage the radio antenna coaxial cable retainer from the mounting hole in the instrument panel wire harness mounting tab on the passenger side outboard end of the instrument panel C-channel cover bracket.

(5) Remove the screw that secures the instrument panel wire harness mounting tab on the passenger side outboard end of the instrument panel C-channel cover bracket (Fig. 46).



**Fig. 46 Instrument Panel C-Channel Cover Bracket Remove/Install**

- 1 - C-CHANNEL COVER BRACKET
- 2 - SCREWS (8)
- 3 - PASSENGER SIDE COURTESY LAMP
- 4 - INSTRUMENT PANEL WIRE HARNESS
- 5 - STRUCTURAL DUCT

(6) Remove the screw that secures the passenger side courtesy lamp to the lower tab of instrument panel C-channel cover bracket.

(7) Remove the eight screws that secure the C-channel cover bracket to the instrument panel structural duct.

(8) Remove the C-channel cover bracket from the instrument panel structural duct.

## INSTALLATION

(1) Position the C-channel cover bracket to the instrument panel structural duct.

(2) Install and tighten the eight screws that secure the C-channel cover bracket to the instrument panel

## REMOVAL AND INSTALLATION (Continued)

structural duct. Tighten the screws to 2.2 N·m (20 in. lbs.).

(3) Position the passenger side courtesy lamp to the lower tab of instrument panel C-channel cover bracket.

(4) Install and tighten the screw that secures the passenger side courtesy lamp to the lower tab of instrument panel C-channel cover bracket. Tighten the screw to 2.2 N·m (20 in. lbs.).

(5) Position the instrument panel wire harness mounting tab to the passenger side outboard end of the instrument panel C-channel cover bracket.

(6) Install and tighten the screw that secures the instrument panel wire harness mounting tab to the passenger side outboard end of the instrument panel C-channel cover bracket. Tighten the screw to 2.2 N·m (20 in. lbs.).

(7) Engage the radio antenna coaxial cable retainer in the mounting hole in the instrument panel wire harness mounting tab on the passenger side outboard end of the instrument panel C-channel cover bracket.

(8) Install the instrument panel into the vehicle. Refer to **Instrument Panel Assembly** in the Removal and Installation section of this group for the procedures.

(9) Reconnect the battery negative cable.

## INSTRUMENT PANEL INTERMEDIATE BRACKET

**WARNING: ON VEHICLES EQUIPPED WITH AIRBAGS, REFER TO GROUP 8M - PASSIVE RESTRAINT SYSTEMS BEFORE ATTEMPTING ANY STEERING WHEEL, STEERING COLUMN, OR INSTRUMENT PANEL COMPONENT DIAGNOSIS OR SERVICE. FAILURE TO TAKE THE PROPER PRECAUTIONS COULD RESULT IN ACCIDENTAL AIRBAG DEPLOYMENT AND POSSIBLE PERSONAL INJURY.**

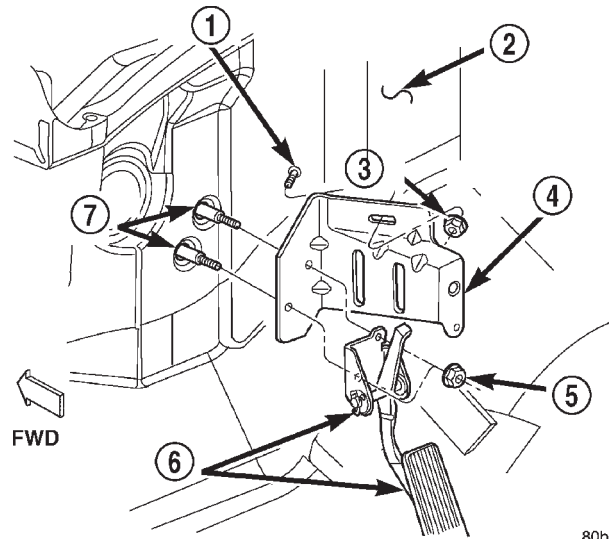
## REMOVAL

(1) Disconnect and isolate the battery negative cable.

(2) Remove the accelerator pedal assembly from the shoulder studs on the dash panel. Refer to **Accelerator Pedal** in the Removal and Installation section of Group 14 - Fuel System for the procedures.

(3) Remove the instrument panel from the vehicle. Refer to **Instrument Panel Assembly** in the Removal and Installation section of this group for the procedures.

(4) Remove the one nut that secures the instrument panel intermediate bracket to the stud on the dash panel (Fig. 47).



80b6f01b

**Fig. 47 Instrument Panel Intermediate Bracket Remove/Install**

- 1 - STUD
- 2 - DASH PANEL
- 3 - NUT (2)
- 4 - INTERMEDIATE BRACKET
- 5 - NUT (2)
- 6 - ACCELERATOR PEDAL
- 7 - SHOULDER STUDS

(5) Remove the instrument panel intermediate bracket from the two shoulder studs and the one stud on the dash panel.

## INSTALLATION

(1) Position the instrument panel intermediate bracket to the two shoulder studs and the one stud on the dash panel.

(2) Loosely install the one nut that secures the instrument panel intermediate bracket to the one stud on the dash panel.

(3) Install the instrument panel into the vehicle. Refer to **Instrument Panel Assembly** in the Removal and Installation section of this group for the procedures.

(4) Install the accelerator pedal assembly onto the shoulder studs on the dash panel. Refer to **Accelerator Pedal** in the Removal and Installation section of Group 14 - Fuel System for the procedures.

(5) Reconnect the battery negative cable.



## REMOVAL AND INSTALLATION (Continued)

## INSTRUMENT PANEL PLENUM BRACKET

**WARNING: ON VEHICLES EQUIPPED WITH AIR-BAGS, REFER TO GROUP 8M - PASSIVE RESTRAINT SYSTEMS BEFORE ATTEMPTING ANY STEERING WHEEL, STEERING COLUMN, OR INSTRUMENT PANEL COMPONENT DIAGNOSIS OR SERVICE. FAILURE TO TAKE THE PROPER PRECAUTIONS COULD RESULT IN ACCIDENTAL AIR-BAG DEPLOYMENT AND POSSIBLE PERSONAL INJURY.**

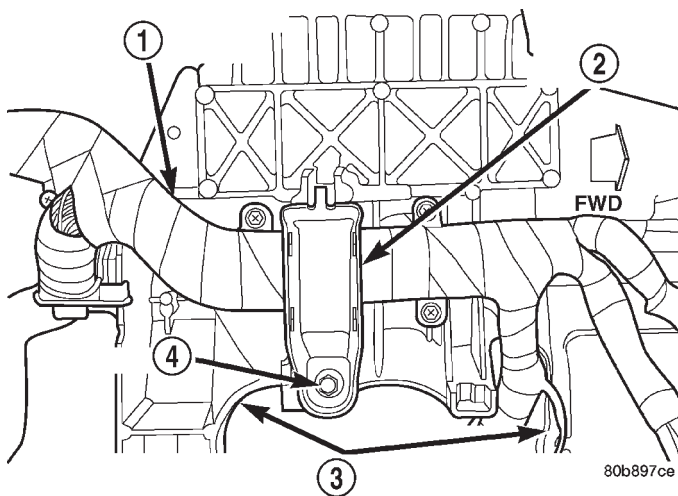
## REMOVAL

(1) Disconnect and isolate the battery negative cable.

(2) Remove the instrument panel from the vehicle. Refer to **Instrument Panel Assembly** in the Removal and Installation section of this group for the procedures.

(3) Place the instrument panel top down on a suitable work surface. Be certain to take the proper precautions to protect the top of the instrument panel from any possible cosmetic damage.

(4) Remove the one screw that secures the plenum bracket to the instrument panel steering column support bracket (Fig. 48).



**Fig. 48 Instrument Panel Plenum Bracket Remove/Install**

- 1 - INSTRUMENT PANEL WIRE HARNESS
- 2 - PLENUM BRACKET
- 3 - STEERING COLUMN SUPPORT BRACKET
- 4 - SCREW

(5) Remove the plenum bracket from the instrument panel steering column support bracket.

## INSTALLATION

(1) Position the plenum bracket to the instrument panel steering column support bracket.

(2) Install and tighten the one screw that secures the plenum bracket to the instrument panel steering column support bracket. Tighten the screw to 11.8 N-m (105 in. lbs.).

(3) Install the instrument panel into the vehicle. Refer to **Instrument Panel Assembly** in the Removal and Installation section of this group for the procedures.

(4) Reconnect the battery negative cable.

## INSTRUMENT PANEL STEERING COLUMN SUPPORT BRACKET

**WARNING: ON VEHICLES EQUIPPED WITH AIR-BAGS, REFER TO GROUP 8M - PASSIVE RESTRAINT SYSTEMS BEFORE ATTEMPTING ANY STEERING WHEEL, STEERING COLUMN, OR INSTRUMENT PANEL COMPONENT DIAGNOSIS OR SERVICE. FAILURE TO TAKE THE PROPER PRECAUTIONS COULD RESULT IN ACCIDENTAL AIR-BAG DEPLOYMENT AND POSSIBLE PERSONAL INJURY.**

## REMOVAL

(1) Disconnect and isolate the battery negative cable.

(2) Remove the instrument cluster from the instrument panel. Refer to **Instrument Cluster** in the Removal and Installation section of this group for the procedures.

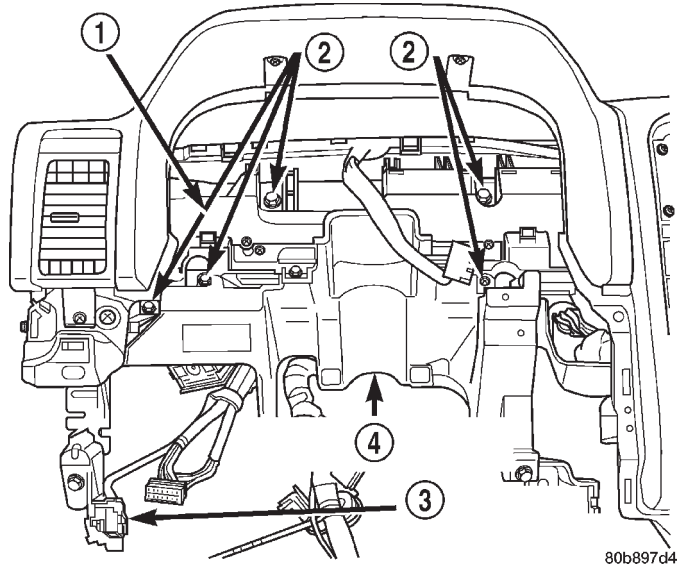
(3) Remove the instrument panel plenum bracket from the steering column support bracket. Refer to **Instrument Panel Plenum Bracket** in the Removal and Installation section of this group for the procedures.

(4) Remove the three screws that secure the instrument panel wire harness mounting tabs to the back of the steering column support bracket.

(5) Remove the two screws that secure the 16-way data link connector to the instrument panel steering column support bracket and remove the connector from the bracket (Fig. 49).



## REMOVAL AND INSTALLATION (Continued)



**Fig. 49 Instrument Panel Steering Column Support Bracket Remove/Install**

- 1 - STRUCTURAL DUCT
- 2 - SCREWS (5)
- 3 - 16-WAY DATA LINK CONNECTOR
- 4 - STEERING COLUMN SUPPORT BRACKET

(6) Remove the junction block and the body control module from the instrument panel steering column support bracket as a unit, but do not disconnect any of the instrument panel wire harness connectors from the unit. Refer to **Junction Block** in the Removal and Installation section of Group 80 - Power Distribution Systems for the procedures.

(7) From the face of the instrument panel, remove the five screws that secure the steering column support bracket to the instrument panel structural duct.

(8) Remove the steering column support bracket from the instrument panel structural duct.

### INSTALLATION

(1) Position the steering column support bracket to the instrument panel structural duct.

(2) From the face of the instrument panel, install and tighten the five screws that secure the steering column support bracket to the instrument panel structural duct. Tighten the screws to 11.8 N·m (105 in. lbs.).

(3) Position the instrument panel wire harness mounting tabs to the back of the steering column support bracket.

(4) Install and tighten the three screws that secure the instrument panel wire harness mounting tabs to the back of the steering column support bracket. Tighten the screws to 2.2 N·m (20 in. lbs.).

(5) Install the instrument panel plenum bracket onto the steering column support bracket. Refer to **Instrument Panel Plenum Bracket** in the

Removal and Installation section of this group for the procedures.

(6) Install the junction block and the body control module onto the instrument panel steering column support bracket as a unit. Refer to **Junction Block** in the Removal and Installation section of Group 80 - Power Distribution Systems for the procedures.

(7) Position the 16-way data link connector to the instrument panel steering column support bracket.

(8) Install and tighten the two screws that secure the 16-way data link connector to the instrument panel steering column support bracket. Tighten the screws to 2.2 N·m (20 in. lbs.).

(9) Install the instrument cluster onto the instrument panel. Refer to **Instrument Cluster** in the Removal and Installation section of this group for the procedures.

(10) Reconnect the battery negative cable.

### INSTRUMENT PANEL STRUCTURAL DUCT

**WARNING: ON VEHICLES EQUIPPED WITH AIR-BAGS, REFER TO GROUP 8M - PASSIVE RESTRAINT SYSTEMS BEFORE ATTEMPTING ANY STEERING WHEEL, STEERING COLUMN, OR INSTRUMENT PANEL COMPONENT DIAGNOSIS OR SERVICE. FAILURE TO TAKE THE PROPER PRECAUTIONS COULD RESULT IN ACCIDENTAL AIR-BAG DEPLOYMENT AND POSSIBLE PERSONAL INJURY.**

### REMOVAL

(1) Disconnect and isolate the battery negative cable.

(2) Remove the instrument panel from the vehicle. Refer to **Instrument Panel Assembly** in the Removal and Installation section of this group for the procedures.

(3) Place the instrument panel on a suitable work surface. Be certain to take the proper precautions to protect the instrument panel from any possible cosmetic damage.

(4) Remove all of the individual components that are secured to the instrument panel structural duct as described in this service manual.

### INSTALLATION

(1) Install all of the individual components that were removed from the instrument panel structural duct as described in this service manual.

(2) Install the instrument panel into the vehicle. Refer to **Instrument Panel Assembly** in the Removal and Installation section of this group for the procedures.

(3) Reconnect the battery negative cable.

# AUDIO SYSTEMS

## TABLE OF CONTENTS

	page		page
<b>DESCRIPTION AND OPERATION</b>		<b>SPEAKER</b> .....	9
AUDIO SYSTEM .....	1	<b>ANTENNA</b> .....	10
COMPACT DISC CHANGER .....	2	<b>POWER AMPLIFIER</b> .....	10
RADIO RECEIVER .....	2	<b>RADIO FREQUENCY INTERFERENCE</b> .....	11
REMOTE RADIO SWITCH .....	3	<b>REMOVAL AND INSTALLATION</b>	
SPEAKER SYSTEM .....	3	RADIO RECEIVER .....	12
ANTENNA .....	4	COMPACT DISC CHANGER .....	13
POWER AMPLIFIER .....	4	REMOTE RADIO SWITCH .....	14
RADIO NOISE SUPPRESSION .....	4	SPEAKER .....	15
<b>DIAGNOSIS AND TESTING</b>		POWER AMPLIFIER .....	16
AUDIO SYSTEM .....	5	ANTENNA .....	17
RADIO RECEIVER .....	6	RADIO NOISE SUPPRESSION COMPONENTS ..	19
COMPACT DISC CHANGER .....	7	<b>SPECIAL TOOLS</b>	
REMOTE RADIO SWITCH .....	8	AUDIO SYSTEMS .....	20

## DESCRIPTION AND OPERATION

### AUDIO SYSTEM

#### DESCRIPTION

An audio system is standard factory-installed equipment on this model. The standard equipment audio system includes an AM/FM/cassette (RAS sales code) radio receiver, and speakers in six locations. Several combinations of radio receivers and speaker systems are offered as optional equipment on this model. The audio system uses an ignition switched source of battery current so that the system will only operate when the ignition switch is in the On or Accessory positions.

A Compact Disc (CD) changer with a ten disc magazine, remote radio switches with six functions mounted to the backs of the steering wheel spokes, and a memory system that automatically stores and recalls up to twenty radio station presets (ten AM and ten FM) and the last station listened to for two drivers are optional factory-installed equipment on this model. Refer to **Memory System** in the Memory System section of Group 8R - Power Seat Systems for more information on the memory system.

The audio system includes the following components:

- Antenna
- Compact disc changer (available with RBN sales code radio receivers only)

- Power amplifier (with premium speaker system only)
- Radio noise suppression components
- Radio receiver
- Remote radio switches
- Speakers

Certain functions and features of the audio system rely upon resources shared with other electronic modules in the vehicle over the Programmable Communications Interface (PCI) data bus network. The PCI data bus network allows the sharing of sensor information. This helps to reduce wire harness complexity, internal controller hardware, and component sensor current loads. At the same time, this system provides increased reliability, enhanced diagnostics, and allows the addition of many new feature capabilities. For diagnosis of these electronic modules or of the PCI data bus network, the use of a DRB scan tool and the proper Diagnostic Procedures manual are recommended.

The other electronic modules that may affect audio system operation are as follows:

- **Body Control Module (BCM)** - Refer to **Body Control Module** in the Description and Operation section of Group 8E - Instrument Panel Systems for more information.
- **Driver Door Module (DDM)** - Refer to **Door Module** in the Power Lock System section of Group 8P - Power Lock Systems for more information.
- **Passenger Door Module (PDM)** - Refer to **Door Module** in the Power Lock System section of

## DESCRIPTION AND OPERATION (Continued)

Group 8P - Power Lock Systems for more information.

Refer to **Audio System** in the Contents of Group 8W - Wiring Diagrams for complete circuit diagrams. Following are general descriptions of the remaining major components in the standard and optional factory-installed audio systems.

## OPERATION

On vehicles that are equipped with the optional remote radio switches, the BCM receives hard wired resistor multiplexed inputs from the remote radio switches. The programming in the BCM allows it to process those inputs and send the proper messages to the radio receiver over the PCI data bus to control the radio volume up or down, station seek up or down, preset station advance, and mode advance functions.

On vehicles equipped with the optional memory system, when the DDM receives a Driver 1 or Driver 2 memory recall input from the memory switch on the driver side front door trim panel or a memory recall message from the Remote Keyless Entry (RKE) receiver in the PDM, the DDM sends a memory recall message back to the radio receiver over the PCI data bus to recall the radio station presets and last station listened to information.

See the owner's manual in the vehicle glove box for more information on the features, use and operation of each of the available audio systems.

## RADIO RECEIVER

### DESCRIPTION

Available factory-installed radio receivers for this model include an AM/FM/cassette (RAS sales code), an AM/FM/cassette/3-band graphic equalizer with CD changer control feature (RBN sales code), or an AM/FM/CD/cassette/3-band graphic equalizer (RAZ sales code). All factory-installed radio receivers, except the RAS sales code, can communicate on the Programmable Communications Interface (PCI) data bus network through a separate wire harness connector. All factory-installed receivers are stereo Electronically Tuned Radios (ETR) and include an electronic digital clock function.

These radio receivers can only be serviced by an authorized radio repair station. See the latest Warranty Policies and Procedures manual for a current listing of authorized radio repair stations.

### IGNITION-OFF DRAW FUSE

All vehicles are equipped with an Ignition-Off Draw (IOD) fuse that is removed when the vehicle is shipped from the factory. This fuse feeds various accessories that require battery current when the

ignition switch is in the Off position, including the clock. The IOD fuse is removed to prevent battery discharge during vehicle storage.

When removing or installing the IOD fuse, it is important that the ignition switch be in the Off position. Failure to place the ignition switch in the Off position can cause the radio display to become scrambled when the IOD fuse is removed and replaced. Removing and replacing the IOD fuse again, with the ignition switch in the Off position, will correct the scrambled display condition.

The IOD fuse should be checked if the radio or clock displays are inoperative. The IOD fuse is located in the Power Distribution Center (PDC). Refer to the fuse layout label on the underside of the PDC cover for IOD fuse identification and location.

## OPERATION

The radio receiver operates on ignition switched battery current that is available only when the ignition switch is in the On or Accessory positions. The electronic digital clock function of the radio operates on fused battery current supplied through the IOD fuse, regardless of the ignition switch position.

For more information on the features, setting procedures, and control functions for each of the available factory-installed radio receivers, see the owner's manual in the vehicle glove box. For complete circuit diagrams, refer to **Audio System** in the Contents of Group 8W - Wiring Diagrams.

## COMPACT DISC CHANGER

### DESCRIPTION

A factory-installed Compact Disc (CD) changer featuring a ten-CD magazine is an available option on this model when it is also equipped with the premium speaker package and a radio receiver including the CD controls feature. The CD changer is mounted in the cargo area of the passenger compartment on the right rear quarter panel. It is concealed behind a molded plastic bin with an integral hinged and latching lid that matches the interior trim of the vehicle.

The CD changer is connected to a take out from the right body wire harness and receives both ground and radio-switched battery current through the radio receiver. The controls on the radio receiver operate the CD changer through messages sent over the Programmable Communications Interface (PCI) data bus network. The two-channel audio outputs of the CD changer are hard wired back to the radio receiver, which then outputs the signal through four channels to the power amplifier. For diagnosis of the messaging functions of the radio receiver and the CD changer, or of the PCI data bus, a DRB scan tool and

DESCRIPTION AND OPERATION (Continued)

the proper Diagnostic Procedures manual are required.

The CD changer can only be serviced by an authorized radio repair station. See the latest Warranty Policies and Procedures manual for a current listing of authorized radio repair stations. For complete circuit diagrams, refer to **Audio System** in the Contents of Group 8W - Wiring Diagrams.

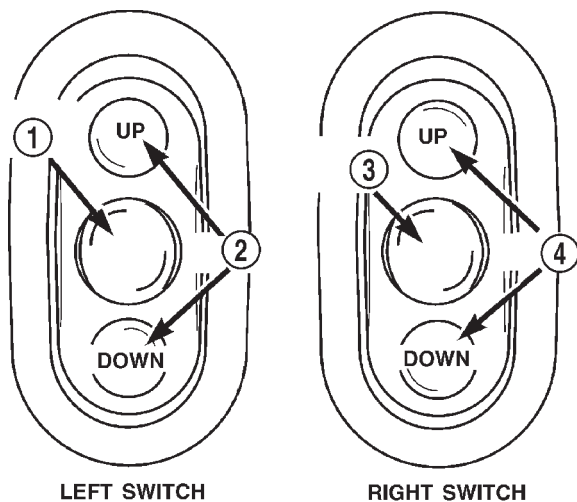
**OPERATION**

The CD changer will only operate when the ignition switch is in the On or Accessory positions, and the radio is turned on. For more information on the features, loading procedures and radio control functions for the operation of the CD changer, see the owner's manual in the vehicle glove box.

**REMOTE RADIO SWITCH**

**DESCRIPTION**

Remote radio control switches are included on models equipped with the optional leather-wrapped steering wheel. The two rocker-type switch units (Fig. 1) are mounted in the upper spoke covers of the rear (instrument panel side) steering wheel trim cover. The switch unit on the left side is the seek switch and has seek up, seek down, and preset station advance switch functions. The switch unit on the right side is the volume control switch and has volume up, volume down, and mode advance switch functions.



80ba7791

**Fig. 1 Remote Radio Switches**

- 1 - PRESET ADVANCE
- 2 - SEEK
- 3 - MODE ADVANCE
- 4 - VOLUME

The two remote radio switch units are each retained in a mounting hole located on opposite sides of the rear steering wheel trim cover by four integral snap features. A plastic bracket on the back of each switch unit provides additional support for the unit by extending towards the center of the steering wheel where it is clamped between the steering wheel armature and the steering wheel rear trim cover mounting boss by the trim cover mounting screw.

The two remote radio switch units share a common steering wheel wire harness with the vehicle speed control switches. The steering wheel wire harness is connected to the instrument panel wire harness through the clockspring. Refer to **Clockspring** in the Description and Operation section of Group 8M - Passive Restraint Systems for more information on this component.

For complete circuit diagrams, refer to **Audio System** in the Contents of Group 8W - Wiring Diagrams.

**OPERATION**

The six switches in the two remote radio switch units are normally open, resistor multiplexed momentary switches that are hard wired to the Body Control Module (BCM) through the clockspring. The BCM sends a five volt reference signal to both switch units on one circuit, and senses the status of all of the switches by reading the voltage drop on a second circuit.

When the BCM senses an input (voltage drop) from any one of the remote radio switches, it sends the proper switch status messages on the Programmable Communication Interface (PCI) data bus network to the radio receiver. The electronic circuitry within the radio receiver is programmed to respond to these remote radio switch status messages by adjusting the radio settings as requested. For diagnosis of the BCM or the PCI data bus, the use of a DRB scan tool and the proper Diagnostic Procedures manual are recommended.

For more information on the features and control functions for each of the remote radio switches, see the owner's manual in the vehicle glove box.

**SPEAKER SYSTEM**

**DESCRIPTION**

**STANDARD**

The standard equipment speaker system includes speakers in six locations. One 6.4 centimeter (2.50 inch) diameter tweeter is installed on each end of the instrument panel top pad. One 15.2 by 22.9 centimeter (6 by 9 inch) full-range speaker is located in each front door. There is also one full-range 16.5 centime-



## DESCRIPTION AND OPERATION (Continued)

ter (6.5 inch) diameter full-range speaker located in each rear door.

## PREMIUM

The optional premium speaker system features six Infinity model speakers in six locations. Each of the standard speakers is replaced with Infinity model speakers. One 6.4 centimeter (2.50 inch) diameter Infinity tweeter is installed on each end of the instrument panel top pad. One 15.2 by 22.9 centimeter (6 by 9 inch) Infinity woofer is located in each front door. There is also one full-range 16.5 centimeter (6.5 inch) diameter Infinity full-range speaker located in each rear door. The premium speaker system also includes an additional Infinity power amplifier. The total available power of the premium speaker system is about 180 watts.

## OPERATION

## STANDARD

Each of the two tweeters and four full-range speakers used in the standard speaker system is driven by the amplifier that is integral to the factory-installed radio receiver. For complete circuit diagrams, refer to **Audio System** in the Contents of Group 8W - Wiring Diagrams.

## PREMIUM

The six Infinity speakers used in the premium speaker system are all driven by the radio receiver through an Infinity power amplifier. For complete circuit diagrams, refer to **Audio System** in the Contents of Group 8W - Wiring Diagrams.

## POWER AMPLIFIER

## DESCRIPTION

Models equipped with the Infinity premium speaker package have a separate power amplifier unit. This power amplifier is rated at 180 watts output. The power amplifier unit is mounted to the rear floor panel under the passenger side rear seat cushion. The power amplifier unit can be accessed for service by unlatching and tilting the passenger side rear seat cushion forward.

The power amplifier unit should be checked if there is no sound output noted from the speakers. For diagnosis of the power amplifier, refer to **Speaker** in the Diagnosis and Testing section of this group. The power amplifier cannot be repaired or adjusted and, if faulty or damaged, the unit must be replaced.

## OPERATION

The power amplifier is energized by a fused 12 volt output from the radio receiver whenever the radio is turned on. The power amplifier receives the sound signal inputs for four speaker channels from the radio receiver, then sends the amplified speaker outputs for each of those channels to the six Infinity speakers. For complete circuit diagrams, refer to **Audio System** in the Contents of Group 8W - Wiring Diagrams.

## ANTENNA

## DESCRIPTION

All models use a fixed-length stainless steel rod-type antenna mast, installed on the right front fender of the vehicle. The antenna mast has a spiral groove cut down its length to reduce wind noise. The antenna mast is connected to the center wire of the coaxial antenna cable, and is not grounded to any part of the vehicle. To eliminate static, the antenna base must have a good ground. The coaxial antenna cable shield (the outer wire mesh of the cable) is grounded to the antenna base and the radio receiver chassis.

The antenna coaxial cable has an additional disconnect, located near the passenger side cowl side inner panel behind the lower instrument panel reinforcement. This additional disconnect allows the instrument panel assembly to be removed and installed without removing the radio receiver.

The factory-installed Electronically Tuned Radios (ETR) automatically compensate for radio antenna trim. Therefore, no antenna trimmer adjustment is required or possible when replacing the radio receiver or the antenna.

## RADIO NOISE SUPPRESSION

## DESCRIPTION

Radio Frequency Interference (RFI) and Electro-Magnetic Interference (EMI) noise suppression is accomplished primarily through circuitry internal to the radio receivers. These internal suppression devices are only serviced as part of the radio receiver.

External suppression devices that are used on this vehicle to control RFI or EMI noise include the following:

- Radio antenna base ground
- Radio receiver chassis ground wire or strap
- Engine-to-body ground strap(s)
- Exhaust system-to-body and transmission ground strap (4.7L engines only)
- Resistor-type spark plugs
- Radio suppression-type secondary ignition wiring.



DESCRIPTION AND OPERATION (Continued)

For more information on the spark plugs and secondary ignition components, refer to **Ignition System** in the Description and Operation section of Group 8D - Ignition System.

DIAGNOSIS AND TESTING

AUDIO SYSTEM

**WARNING: ON VEHICLES EQUIPPED WITH AIR-BAGS, REFER TO GROUP 8M - PASSIVE RESTRAINT SYSTEMS BEFORE ATTEMPTING ANY STEERING WHEEL, STEERING COLUMN, OR INSTRUMENT PANEL COMPONENT DIAGNOSIS OR SERVICE. FAILURE TO TAKE THE PROPER PRECAUTIONS COULD RESULT IN ACCIDENTAL AIR-BAG DEPLOYMENT AND POSSIBLE PERSONAL INJURY.**

AUDIO SYSTEM DIAGNOSIS		
CONDITION	POSSIBLE CAUSE	CORRECTION
NO AUDIO	<ol style="list-style-type: none"> <li>1. Fuse faulty.</li> <li>2. Radio connector faulty.</li> <li>3. Wiring faulty.</li> <li>4. Ground faulty.</li> <li>5. Radio faulty.</li> <li>6. Speakers faulty.</li> <li>7. Amplifier faulty (if equipped).</li> </ol>	<ol style="list-style-type: none"> <li>1. Check radio fuses in junction block. Replace faulty fuses, if required.</li> <li>2. Check for loose or corroded radio connections. Repair, if required.</li> <li>3. Check for battery voltage at radio connector. Repair wiring, if required.</li> <li>4. Check for continuity between radio chassis and a known good ground. There should be continuity. Repair ground, if required.</li> <li>5. Refer to Radio in the Diagnosis and Testing section of this group.</li> <li>6. Refer to Speaker in the Diagnosis and Testing section of this group.</li> <li>7. Refer to Speaker in the Diagnosis and Testing section of this group.</li> </ol>
NO DISPLAY	<ol style="list-style-type: none"> <li>1. Fuse faulty.</li> <li>2. Radio connector faulty.</li> <li>3. Wiring faulty.</li> <li>4. Ground faulty.</li> <li>5. Radio faulty.</li> </ol>	<ol style="list-style-type: none"> <li>1. Check radio fuses in junction block. Replace faulty fuses, if required.</li> <li>2. Check for loose or corroded radio connections. Repair, if required.</li> <li>3. Check for battery voltage at radio connector. Repair wiring, if required.</li> <li>4. Check for continuity between radio chassis and a known good ground. There should be continuity. Repair ground, if required.</li> <li>5. Refer to Radio in the Diagnosis and Testing section of this group.</li> </ol>

## DIAGNOSIS AND TESTING (Continued)

AUDIO SYSTEM DIAGNOSIS		
CONDITION	POSSIBLE CAUSE	CORRECTION
CLOCK WILL NOT KEEP SET TIME	<ol style="list-style-type: none"> <li>1. Fuse faulty.</li> <li>2. Radio connector faulty.</li> <li>3. Wiring faulty.</li> <li>4. Ground faulty.</li> <li>5. Radio faulty.</li> </ol>	<ol style="list-style-type: none"> <li>1. Check ignition-off draw fuse. Replace faulty fuse, if required.</li> <li>2. Check for loose or corroded radio connections. Repair, if required.</li> <li>3. Check for battery voltage at radio connector. Repair wiring, if required.</li> <li>4. Check for continuity between radio chassis and a known good ground. There should be continuity. Repair ground, if required.</li> <li>5. Refer to Radio in the Diagnosis and Testing section of this group.</li> </ol>
POOR RADIO RECEPTION	<ol style="list-style-type: none"> <li>1. Antenna faulty.</li> <li>2. Ground faulty.</li> <li>3. Radio faulty.</li> <li>4. Faulty EMI or RFI noise suppression.</li> </ol>	<ol style="list-style-type: none"> <li>1. Refer to Antenna in the Diagnosis and Testing section of this group.</li> <li>2. Check for continuity between radio chassis and a known good ground. There should be continuity. Repair ground, if required.</li> <li>3. Refer to Radio in the Diagnosis and Testing section of this group.</li> <li>4. Refer to Radio Frequency Interference in the Diagnosis and Testing section of this group.</li> </ol>
NO/POOR TAPE OPERATION	<ol style="list-style-type: none"> <li>1. Faulty tape.</li> <li>2. Foreign objects behind tape door.</li> <li>3. Dirty cassette tape head.</li> <li>4. Faulty tape deck.</li> </ol>	<ol style="list-style-type: none"> <li>1. Insert known good tape and test operation.</li> <li>2. Remove foreign objects and test operation.</li> <li>3. Clean head with Mopar Cassette Head Cleaner.</li> <li>4. Exchange or replace radio, if required.</li> </ol>
NO COMPACT DISC OPERATION	<ol style="list-style-type: none"> <li>1. Faulty CD.</li> <li>2. Foreign material on CD.</li> <li>3. Condensation on CD or optics.</li> <li>4. Faulty CD player.</li> </ol>	<ol style="list-style-type: none"> <li>1. Insert known good CD and test operation.</li> <li>2. Clean CD and test operation.</li> <li>3. Allow temperature of vehicle interior to stabilize and test operation.</li> <li>4. Exchange or replace radio, if required.</li> </ol>
NO COMPACT DISC CHANGER OPERATION	<ol style="list-style-type: none"> <li>1. Faulty CD.</li> <li>2. Foreign material on CD.</li> <li>3. Condensation on CD or optics.</li> <li>4. CD changer connector faulty.</li> <li>5. Wiring faulty.</li> <li>6. PCI data bus faulty.</li> <li>7. CD changer faulty.</li> </ol>	<ol style="list-style-type: none"> <li>1. Insert known good CD and test operation.</li> <li>2. Clean CD and test operation.</li> <li>3. Allow temperature of vehicle interior to stabilize and test operation.</li> <li>4. Check for loose or corroded CD changer connections. Repair, if required.</li> <li>5. Refer to Compact Disc Changer in the Diagnosis and Testing section of this group.</li> <li>6. Use DRB scan tool and the Diagnostic Procedures manual to test PCI data bus. Repair, if required.</li> <li>7. Refer to Compact Disc Changer in the Diagnosis and Testing section of this group.</li> </ol>

**RADIO RECEIVER**

If the vehicle is equipped with the optional remote radio switches located on the steering wheel and the problem being diagnosed is related to one of the symptoms listed below, be certain to check the remote radio switches and circuits. Refer to **Remote Radio Switch** in the Diagnosis and Testing section

of this group prior to attempting radio diagnosis or repair.

- Stations changing with no remote radio switch input
- Radio memory presets not working properly
- Volume changes with no remote radio switch input

## DIAGNOSIS AND TESTING (Continued)

- Remote radio switch buttons taking on other functions
- CD player skipping tracks
- Mode (AM, FM, CD, CD changer) changes with no remote radio switch input
- Remote radio switch inoperative.

For complete circuit diagrams, refer to **Audio System** in the Contents of Group 8W - Wiring Diagrams.

**WARNING: ON VEHICLES EQUIPPED WITH AIRBAGS, REFER TO GROUP 8M - PASSIVE RESTRAINT SYSTEMS BEFORE ATTEMPTING ANY STEERING WHEEL, STEERING COLUMN, OR INSTRUMENT PANEL COMPONENT DIAGNOSIS OR SERVICE. FAILURE TO TAKE THE PROPER PRECAUTIONS COULD RESULT IN ACCIDENTAL AIRBAG DEPLOYMENT AND POSSIBLE PERSONAL INJURY.**

**CAUTION: The speaker output of the radio receiver is a "floating ground" system. Do not allow any speaker lead to short to ground, as damage to the radio receiver may result.**

- (1) Check the fused B(+) fuse in the junction block. If OK, go to Step 2. If not OK, repair the shorted circuit or component as required and replace the faulty fuse.
- (2) Check for battery voltage at the fused B(+) fuse in the junction block. If OK, go to Step 3. If not OK, repair the open fused B(+) circuit to the Power Distribution Center (PDC) fuse as required.
- (3) Check the fused ignition switch output (acc/run) fuse in the junction block. If OK, go to Step 4. If not OK, repair the shorted circuit or component as required and replace the faulty fuse(s).
- (4) Turn the ignition switch to the On position. Check for battery voltage at the fused ignition switch output (acc/run) fuse in the junction block. If OK, go to Step 5. If not OK, repair the open fused ignition switch output (acc/run) circuit to the ignition switch as required.
- (5) Turn the ignition switch to the Off position. Disconnect and isolate the battery negative cable. Remove the radio receiver from the instrument panel, but do not disconnect the wire harness connectors. Check for continuity between the radio receiver chassis and a good ground. There should be continuity. If OK, go to Step 6. If not OK, repair the open ground circuit to ground as required.
- (6) Test the radio receiver antenna. Refer to **Antenna** in the Diagnosis and Testing section of this group. If OK, go to Step 7. If not OK, replace the faulty antenna or coaxial cable as required.
- (7) Connect the battery negative cable. Turn the ignition switch to the On position. Check for battery

voltage at the fused ignition switch output (acc/run) circuit cavity of the left (gray) radio wire harness connector. If OK, go to Step 8. If not OK, repair the open fused ignition switch output (acc/run) circuit to the junction block fuse as required.

(8) Turn the ignition switch to the Off position. Check for battery voltage at the fused B(+) circuit cavity of the left (gray) radio wire harness connector. If OK, replace the faulty radio receiver. If not OK, repair the open fused B(+) circuit to the junction block fuse as required.

## COMPACT DISC CHANGER

Following are tests that will help to diagnose the hard wired components and circuits of the Compact Disc (CD) changer unit. However, these tests may not prove conclusive in the diagnosis of this unit. In order to obtain conclusive testing of the CD changer unit, the Programmable Communications Interface (PCI) data bus network, the CD changer unit, the radio receiver unit and any other electronic modules that provide inputs to, or receive outputs from the audio system must be checked.

The most reliable, efficient, and accurate means to diagnose the CD changer messaging functions requires the use of a DRB scan tool and the proper Diagnostic Procedures manual. The DRB scan tool can provide confirmation that the PCI data bus is functional, that all of the electronic modules in the vehicle are sending and receiving the proper messages on the PCI data bus, and that the CD changer and the radio receiver are receiving the proper PCI messages to perform their audio system functions.

For complete circuit diagrams, refer to **Audio System** in the Contents of Group 8W - Wiring Diagrams.

**WARNING: ON VEHICLES EQUIPPED WITH AIRBAGS, REFER TO GROUP 8M - PASSIVE RESTRAINT SYSTEMS BEFORE ATTEMPTING ANY STEERING WHEEL, STEERING COLUMN, OR INSTRUMENT PANEL COMPONENT DIAGNOSIS OR SERVICE. FAILURE TO TAKE THE PROPER PRECAUTIONS COULD RESULT IN ACCIDENTAL AIRBAG DEPLOYMENT AND POSSIBLE PERSONAL INJURY.**

## COMPACT DISC CHANGER INOPERATIVE

(1) Turn the ignition switch to the On position. Turn the radio receiver on and check its operation. If OK, go to Step 2. If not OK, refer to **Radio Receiver** in the Diagnosis and Testing section of this group.

(2) Turn the ignition switch to the Off position. Disconnect and isolate the battery negative cable. Disconnect the right body wire harness connector from the CD changer connector receptacle. Check for continuity between the power ground (Z17) circuit of the right

## DIAGNOSIS AND TESTING (Continued)

body wire harness connector for the CD changer and a good ground. There should be continuity. If OK, go to Step 3. If not OK, repair the open power ground circuit to the radio receiver as required.

(3) Reconnect the battery negative cable. Check for battery voltage at the B(+) circuit cavity of the right body wire harness connector for the CD changer. If OK, go to Step 4. If not OK, go to Step 5.

(4) Turn the ignition switch to the On position. Check for battery voltage at the ignition switch output circuit cavity of the right body wire harness connector for the CD changer. If OK, use a DRB scan tool and the proper Diagnostic Procedures manual for further diagnosis. If not OK, go to Step 6.

(5) Disconnect and isolate the battery negative cable. Remove the radio receiver from the instrument panel. Disconnect the DIN cable connector (C4) from the radio receiver, but do not disconnect the other wire harness connectors. Reconnect the battery negative cable. Check for battery voltage at the B(+) circuit cavity of the DIN connector receptacle on the radio receiver. If OK, repair the open B(+) circuit to the CD changer as required. If not OK, check for a shorted B(+) circuit to the CD changer and repair as required, then replace the faulty radio receiver.

(6) Turn the ignition switch to the Off position. Disconnect and isolate the battery negative cable. Remove the radio receiver from the instrument panel. Disconnect the DIN cable connector (C4) from the radio receiver, but do not disconnect the other wire harness connectors. Reconnect the battery negative cable. Turn the ignition switch to the On position. Check for battery voltage at the ignition switch output circuit cavity of the DIN connector receptacle on the radio receiver. If OK, repair the open ignition switch output circuit to the CD changer as required. If not OK, check for a shorted ignition switch output circuit to the CD changer and repair as required, then replace the faulty radio receiver.

### NO SOUND OR ONLY ONE CHANNEL SOUND FROM CD

(1) Turn the ignition switch to the On position. Turn the radio receiver on and check its audio output operation. If OK, go to Step 2. If not OK, refer to **Speaker** in the Diagnosis and Testing section of this group.

(2) Disconnect and isolate the battery negative cable. Disconnect the right body wire harness connector from the CD changer connector receptacle. Remove the radio receiver from the instrument panel. Disconnect the DIN cable connector (C4) from the radio receiver. Check for continuity between the audio ground (Z4) circuit cavity of the right body wire harness connector for the CD changer and a good ground. There should be no continuity. If OK, go

to Step 3. If not OK, repair the shorted audio ground (Z4) circuit as required.

(3) Check for continuity between the audio ground (Z4) circuit cavity of the right body wire harness connector for the CD changer and the audio ground (Z4) circuit pin of the DIN cable connector for the radio receiver. There should be continuity. If OK, go to Step 4. If not OK, repair the open audio ground (Z4) circuit as required.

(4) Check for continuity between the audio out right circuit cavity of the right body wire harness connector for the CD changer and a good ground. There should be no continuity. If OK, go to Step 5. If not OK, repair the shorted audio out right circuit as required.

(5) Check for continuity between the audio out right circuit cavity of the right body wire harness connector for the CD changer and the audio out right circuit pin of the DIN cable connector for the radio receiver. There should be continuity. If OK, go to Step 6. If not OK, repair the open audio out right circuit as required.

(6) Check for continuity between the audio out left circuit cavity of the right body wire harness connector for the CD changer and a good ground. There should be no continuity. If OK, go to Step 7. If not OK, repair the shorted audio out left circuit as required.

(7) Check for continuity between the audio out left circuit cavity of the right body wire harness connector for the CD changer and the audio out left circuit pin of the DIN cable connector for the radio receiver. There should be continuity. If OK, replace the faulty CD change. If not OK, repair the open audio out left circuit as required.

### REMOTE RADIO SWITCH

For complete circuit diagrams, refer to **Audio System** in the Contents of Group 8W - Wiring Diagrams.

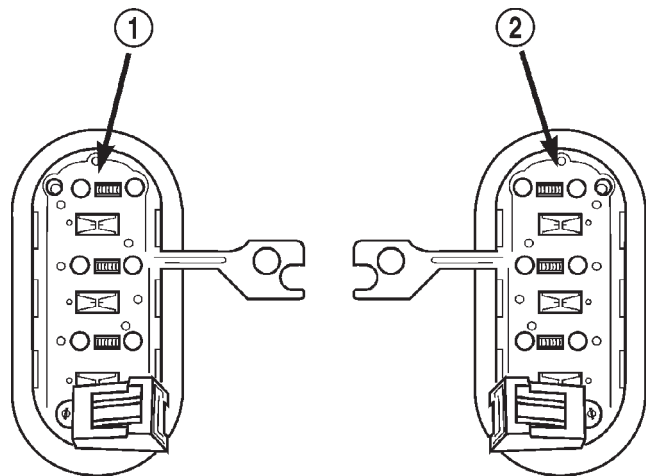
**WARNING: ON VEHICLES EQUIPPED WITH AIRBAGS, REFER TO GROUP 8M - PASSIVE RESTRAINT SYSTEMS BEFORE ATTEMPTING ANY STEERING WHEEL, STEERING COLUMN, OR INSTRUMENT PANEL COMPONENT DIAGNOSIS OR SERVICE. FAILURE TO TAKE THE PROPER PRECAUTIONS COULD RESULT IN ACCIDENTAL AIRBAG DEPLOYMENT AND POSSIBLE PERSONAL INJURY.**

(1) Disconnect and isolate the battery negative cable. Remove the remote radio switch(es) (Fig. 2) from the steering wheel.

(2) Use an ohmmeter to check the switch resistances as shown in the Remote Radio Switch Test chart. If the remote radio switch resistances check OK, go to Step 3. If not OK, replace the faulty switch.



DIAGNOSIS AND TESTING (Continued)



80ba7793

**Fig. 2 Remote Radio Switches**

- 1 - BLACK (LEFT) SWITCH
- 2 - WHITE (RIGHT) SWITCH

Remote Radio Switch Test		
Switch	Switch Position	Resistance
Right (White)	Volume Up	1.210 Kilohms
Right (White)	Volume Down	3.010 Kilohms
Right (White)	Mode Advance	0.0511 Kilohms
Left (Black)	Seek Up	0.261 Kilohms
Left (Black)	Seek Down	0.681 Kilohms
Left (Black)	Pre-Set Station Advance	0.162 Kilohms

(3) Reconnect the battery negative cable. Turn the ignition switch to the On position. Check for 5 volts at the radio control mux circuit cavities of the steering wheel wire harness connectors for both remote radio switches. If OK, go to Step 4. If not OK, repair the open or shorted radio control mux circuit to the Body Control Module (BCM) as required.

(4) Disconnect and isolate the battery negative cable. Disconnect the 22-way instrument panel wire harness connector from the BCM. Check for continuity between the remote radio switch ground circuit cavities of the steering wheel wire harness connectors for both remote radio switches and a good ground. There should be no continuity. If OK, go to Step 5. If not OK, repair the shorted remote radio switch ground circuit to the BCM as required.

(5) Check for continuity between the remote radio switch ground circuit cavities of the steering wheel wire harness connectors for both remote radio switches and the 22-way instrument panel wire harness connector for the BCM. There should be continuity. If OK, refer to the proper Diagnostic Procedures manual to test the BCM and the PCI data bus. If not OK, repair the open remote radio switch ground circuit as required.

**SPEAKER**

For complete circuit diagrams, refer to **Audio System** in the Contents of Group 8W - Wiring Diagrams.

**WARNING: ON VEHICLES EQUIPPED WITH AIRBAGS, REFER TO GROUP 8M - PASSIVE RESTRAINT SYSTEMS BEFORE ATTEMPTING ANY STEERING WHEEL, STEERING COLUMN, OR INSTRUMENT PANEL COMPONENT DIAGNOSIS OR SERVICE. FAILURE TO TAKE THE PROPER PRECAUTIONS COULD RESULT IN ACCIDENTAL AIRBAG DEPLOYMENT AND POSSIBLE PERSONAL INJURY.**

**CAUTION: The speaker output of the radio is a "floating ground" system. Do not allow any speaker lead to short to ground, as damage to the radio may result.**

(1) Turn the ignition switch to the On position. Turn the radio receiver on. Adjust the balance and fader controls to check the performance of each individual speaker. Note the speaker locations that are not performing correctly. Go to Step 2.

(2) Turn the radio receiver off. Turn the ignition switch to the Off position. Disconnect and isolate the battery negative cable. Remove the radio receiver from the instrument panel. If the vehicle is equipped with the Infinity speaker package, also disconnect the wire harness connectors at the power amplifier. Check both the speaker feed (+) circuit and return (-) circuit cavities for the inoperative speaker location(s) at the radio receiver wire harness connectors for continuity to ground. In each case, there should be no continuity. If OK, go to Step 3. If not OK, repair the shorted speaker feed (+) and/or return (-) circuit(s) to the speaker as required.

(3) If the vehicle is equipped with the Infinity speaker package, go to Step 6. If the vehicle is equipped with the standard speaker system, check the resistance between the speaker feed (+) circuit and return (-) circuit cavities of the radio receiver wire harness connectors for the inoperative speaker location(s). The meter should read between 2 and 12 ohms (speaker resistance). If OK, go to Step 4. If not OK, go to Step 5.



## DIAGNOSIS AND TESTING (Continued)

(4) Install a known good radio receiver. Connect the battery negative cable. Turn the ignition switch to the On position. Turn on the radio receiver and test the speaker operation. If OK, replace the faulty radio receiver. If not OK, turn the radio receiver off, turn the ignition switch to the Off position, disconnect and isolate the battery negative cable, remove the test radio receiver, and go to Step 5.

(5) Disconnect the wire harness connector at the inoperative speaker. Check for continuity between the speaker feed (+) circuit cavities of the radio receiver wire harness connector and the speaker wire harness connector. Repeat the check between the speaker return (-) circuit cavities of the radio receiver wire harness connector and the speaker wire harness connector. In each case, there should be continuity. If OK, replace the faulty speaker. If not OK, repair the open speaker feed (+) and/or return (-) circuit(s) as required.

(6) For each inoperative speaker location, check for continuity between the speaker feed (+) circuit cavities of the radio receiver wire harness connectors and the power amplifier wire harness connectors. Repeat the check for each inoperative speaker location between the speaker return (-) circuit cavities of the radio receiver wire harness connectors and the power amplifier wire harness connectors. In each case, there should be continuity. If OK, go to Step 7. If not OK, repair the open speaker feed (+) and/or return (-) circuit(s) as required.

(7) Check for continuity between the two ground circuit cavities of the power amplifier wire harness connector and a good ground. There should be continuity. If OK, go to Step 8. If not OK, repair the open ground circuit(s) to ground as required.

(8) Check the fused B(+) fuse for the power amplifier in the junction block. If OK, go to Step 9. If not OK, repair the shorted circuit or component as required and replace the faulty fuse.

(9) Install the radio receiver. Connect the battery negative cable. Check for battery voltage at the fused B(+) fuse for the power amplifier in the junction block. If OK, go to Step 10. If not OK, repair the open fused B(+) circuit to the Power Distribution Center (PDC) fuse as required.

(10) Check for battery voltage at the two fused B(+) circuit cavities of the power amplifier wire harness connector. If OK, go to Step 11. If not OK, repair the open fused B(+) circuit(s) to the power amplifier fuse in the junction block as required.

(11) Turn the ignition switch to the On position. Turn the radio receiver on. Check for battery voltage at the enable signal to amplifier circuit cavity of the power amplifier wire harness connector. If OK, go to Step 12. If not OK, repair the open enable signal to amplifier circuit to the radio receiver as required.

(12) Turn the radio receiver off. Turn the ignition switch to the Off position. Disconnect and isolate the battery negative cable. For each inoperative speaker location, check both the amplified feed (+) circuit and the amplified return (-) circuit cavities of the power amplifier wire harness connectors for continuity to ground. In each case there should be no continuity. If OK, go to Step 13. If not OK, repair the shorted amplified feed (+) and/or amplified return (-) circuit(s) to the speaker as required.

(13) For each inoperative speaker location, check the resistance between the amplified feed (+) circuit and the amplified return (-) circuit cavities of the power amplifier wire harness connectors. The meter should read between 2 and 12 ohms (speaker resistance). If OK, replace the faulty power amplifier. If not OK, go to Step 14.

(14) Disconnect the speaker wire harness connector at the inoperative speaker. Check for continuity between the amplified feed (+) circuit cavities of the speaker wire harness connector and the power amplifier wire harness connector. Repeat the check between the amplified return (-) circuit cavities of the speaker wire harness connector and the power amplifier wire harness connector. In each case there should be continuity. If OK, replace the faulty speaker. If not OK, repair the open amplified feed (+) and/or amplified return (-) circuit(s) as required.

## POWER AMPLIFIER

The power amplifier unit should be checked if there is no sound output noted from the speakers. For diagnosis of the power amplifier, refer to **Speaker** in the Diagnosis and Testing section of this group. For complete circuit diagrams, refer to **Audio System** in the Contents of Group 8W - Wiring Diagrams.

## ANTENNA

**WARNING: ON VEHICLES EQUIPPED WITH AIR-BAGS, REFER TO GROUP 8M - PASSIVE RESTRAINT SYSTEMS BEFORE ATTEMPTING ANY STEERING WHEEL, STEERING COLUMN, OR INSTRUMENT PANEL COMPONENT DIAGNOSIS OR SERVICE. FAILURE TO TAKE THE PROPER PRECAUTIONS COULD RESULT IN ACCIDENTAL AIR-BAG DEPLOYMENT AND POSSIBLE PERSONAL INJURY.**

The following four tests are used to diagnose the antenna with an ohmmeter:

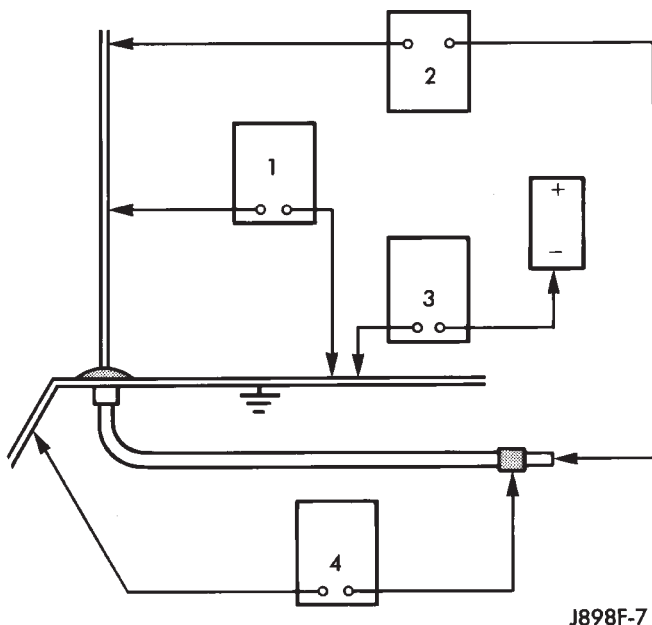
- **Test 1** - Mast to ground test
- **Test 2** - Tip-of-mast to tip-of-conductor test
- **Test 3** - Body ground to battery ground test
- **Test 4** - Body ground to coaxial shield test.

## DIAGNOSIS AND TESTING (Continued)

The ohmmeter test lead connections for each test are shown in Antenna Tests (Fig. 3).

**NOTE:** This model has a special coating on the antenna mast which is not electrically conductive. Remove the antenna mast from the antenna base before attempting to perform Tests 1 and 2.

**NOTE:** This model has a two-piece antenna coaxial cable. Tests 2 and 4 must be conducted in two steps to isolate a coaxial cable problem; from the coaxial cable connection under the right end of the instrument panel near the inboard side of the glove box opening to the antenna base, and then from the coaxial cable connection to the radio chassis connection.



**Fig. 3 Antenna Tests**

### TEST 1

Test 1 determines if the antenna mast is insulated from the base. Proceed as follows:

(1) Disconnect the antenna coaxial cable connector from the radio receiver chassis and isolate. Remove the antenna mast from the antenna base.

(2) Insert one ohmmeter test lead into the socket for the antenna mast in the center of the antenna base. Connect the other test lead to the perimeter of the antenna base. Check for continuity.

(3) There should be no continuity. If continuity is found, replace the faulty or damaged antenna base and cable assembly.

### TEST 2

Test 2 checks the antenna for an open circuit as follows:

(1) Disconnect the antenna coaxial cable connector from the radio receiver chassis. Remove the antenna mast from the antenna base.

(2) Insert one ohmmeter test lead into the socket for the antenna mast in the center of the antenna base. Connect the other test lead to the center pin of the antenna coaxial cable connector.

(3) Continuity should exist (the ohmmeter should only register a fraction of an ohm). High or infinite resistance indicates damage to the base and cable assembly. Replace the faulty base and cable, if required.

### TEST 3

Test 3 checks the condition of the vehicle body ground connection. This test should be performed with the battery positive cable removed from the battery. Disconnect both battery cables, the negative cable first. Reconnect the battery negative cable and perform the test as follows:

(1) Connect one ohmmeter test lead to the vehicle fender. Connect the other test lead to the battery negative terminal post.

(2) The resistance should be less than one ohm.

(3) If the resistance is more than one ohm, check the braided ground strap(s) connected to the engine and the vehicle body for being loose, corroded, or damaged. Repair the ground strap connections, if required.

### TEST 4

Test 4 checks the condition of the ground between the antenna base and the vehicle body as follows:

(1) Connect one ohmmeter test lead to the vehicle fender. Connect the other test lead to the outer crimp on the antenna coaxial cable connector.

(2) The resistance should be less than one ohm.

(3) If the resistance is more than one ohm, clean and/or tighten the antenna base to fender mounting hardware.

## RADIO FREQUENCY INTERFERENCE

**WARNING: ON VEHICLES EQUIPPED WITH AIRBAGS, REFER TO GROUP 8M - PASSIVE RESTRAINT SYSTEMS BEFORE ATTEMPTING ANY STEERING WHEEL, STEERING COLUMN, OR INSTRUMENT PANEL COMPONENT DIAGNOSIS OR SERVICE. FAILURE TO TAKE THE PROPER PRECAUTIONS COULD RESULT IN ACCIDENTAL AIRBAG DEPLOYMENT AND POSSIBLE PERSONAL INJURY.**

For complete circuit diagrams, see Group 8W - Wiring Diagrams. Inspect the ground paths and connections at the following locations:

- Blower motor

## DIAGNOSIS AND TESTING (Continued)

- Electric fuel pump
- Engine-to-body ground strap(s)
- Generator
- Ignition module
- Radio antenna base ground
- Radio receiver chassis ground wire or strap
- Wiper motor.

If the source of RFI or EMI noise is identified as a component on the vehicle (i.e., generator, blower motor, etc.), the ground path for that component should be checked. If excessive resistance is found in any ground circuit, clean, tighten, or repair the ground circuits or connections to ground as required before considering any component replacement.

For service and inspection of secondary ignition components, refer to the Diagnosis and Testing section of Group 8D - Ignition Systems. Inspect the following secondary ignition system components:

- Distributor cap and rotor
- Ignition coil
- Spark plugs
- Spark plug wire routing and condition.

Reroute the spark plug wires or replace the faulty components as required.

If the source of the RFI or EMI noise is identified as two-way mobile radio or telephone equipment, check the equipment installation for the following:

- Power connections should be made directly to the battery, and fused as closely to the battery as possible.
- The antenna should be mounted on the roof or toward the rear of the vehicle. Remember that magnetic antenna mounts on the roof panel can adversely affect the operation of an overhead console compass, if the vehicle is so equipped.
- The antenna cable should be fully shielded coaxial cable, should be as short as is practical, and should be routed away from the factory-installed vehicle wire harnesses whenever possible.
- The antenna and cable must be carefully matched to ensure a low Standing Wave Ratio (SWR).

Fleet vehicles are available with an extra-cost RFI-suppressed Powertrain Control Module (PCM). This unit reduces interference generated by the PCM on some radio frequencies used in two-way radio communications. However, this unit will not resolve complaints of RFI in the commercial AM or FM radio frequency ranges.

## REMOVAL AND INSTALLATION

## RADIO RECEIVER

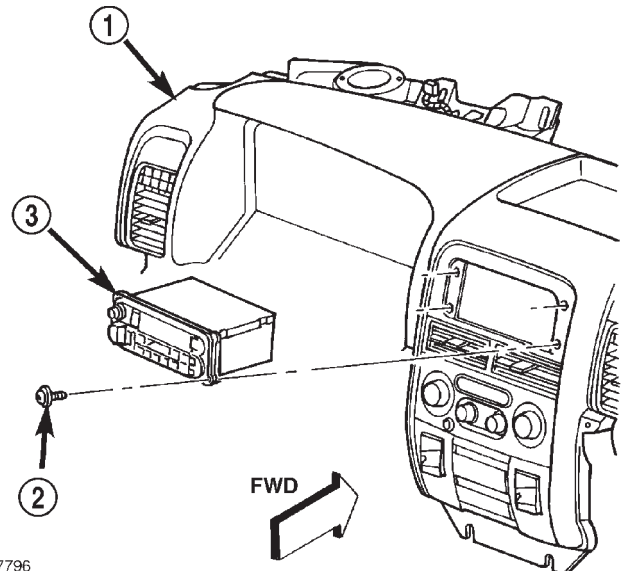
**WARNING: ON VEHICLES EQUIPPED WITH AIRBAGS, REFER TO GROUP 8M - PASSIVE RESTRAINT SYSTEMS BEFORE ATTEMPTING ANY STEERING WHEEL, STEERING COLUMN, OR INSTRUMENT PANEL COMPONENT DIAGNOSIS OR SERVICE. FAILURE TO TAKE THE PROPER PRECAUTIONS COULD RESULT IN ACCIDENTAL AIRBAG DEPLOYMENT AND POSSIBLE PERSONAL INJURY.**

## REMOVAL

(1) Disconnect and isolate the battery negative cable.

(2) Remove the center upper bezel from the instrument panel. Refer to **Instrument Panel Center Upper Bezel** in the Removal and Installation section of Group 8E - Instrument Panel Systems for the procedures.

(3) Remove the four screws that secure the radio receiver to the instrument panel (Fig. 4).



80ba7796

**Fig. 4 Radio Remove/Install**

- 1 - INSTRUMENT PANEL
- 2 - SCREW (4)
- 3 - RADIO RECEIVER

REMOVAL AND INSTALLATION (Continued)

(4) Pull the radio receiver out from the instrument panel far enough to access the instrument panel wire harness connectors and the antenna coaxial cable connector.

(5) Disconnect the instrument panel wire harness connectors and the antenna coaxial cable connector from the receptacles on the rear of the radio receiver.

(6) Remove the radio receiver from the instrument panel.

**INSTALLATION**

(1) Position the radio receiver to the instrument panel.

(2) Reconnect the instrument panel wire harness connectors and the antenna coaxial cable connector to the receptacles on the rear of the radio receiver.

(3) Position the radio receiver into the mounting hole in the instrument panel.

(4) Install and tighten the four screws that secure the radio receiver to the instrument panel. Tighten the screws to 2.2 N·m (20 in. lbs.).

(5) Install the center upper bezel onto the instrument panel. Refer to **Instrument Panel Center Upper Bezel** in the Removal and Installation section of Group 8E - Instrument Panel Systems for the procedures.

(6) Reconnect the battery negative cable.

**COMPACT DISC CHANGER**

**REMOVAL**

(1) Disconnect and isolate the battery negative cable.

(2) Release the latch and open the lid of the compact disc changer storage bin on the right side quarter trim panel (Fig. 5).

(3) Remove the two screws that secure the top of compact disc changer storage bin to the right side quarter trim panel.

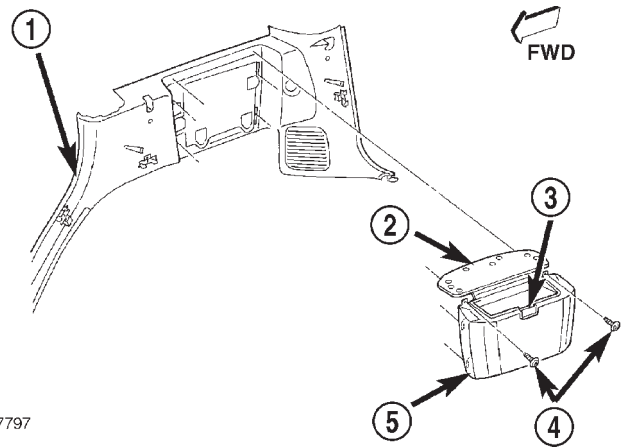
(4) Grasp the bottom of the compact disc changer storage bin firmly with both hands and lift it upwards to disengage the four hook formations that secure the bin from the right side quarter trim panel.

(5) Remove the compact disc changer storage bin from the right side quarter trim panel.

(6) Disconnect the right body wire harness connector from the connector receptacle on the forward end of the compact disc changer (Fig. 6).

(7) Remove the four nuts that secure the compact disc changer to the four studs on the right side quarter inner panel.

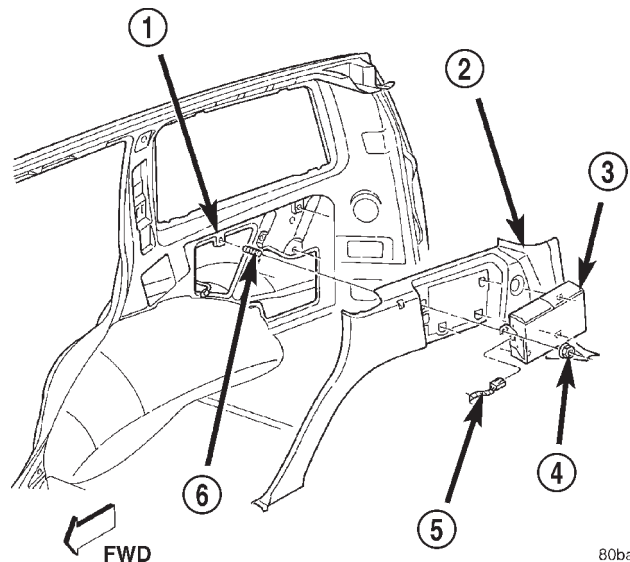
(8) Remove the compact disc changer from the right side quarter inner panel.



80ba7797

**Fig. 5 Compact Disc Changer Storage Bin Remove/Install**

- 1 - RIGHT SIDE QUARTER TRIM PANEL
- 2 - LID
- 3 - LATCH
- 4 - SCREW (2)
- 5 - CD CHANGER STORAGE BIN



80ba7798

**Fig. 6 Compact Disc Changer Remove/Install**

- 1 - RIGHT SIDE QUARTER INNER PANEL
- 2 - RIGHT SIDE QUARTER TRIM PANEL
- 3 - COMPACT DISC CHANGER
- 4 - NUT (4)
- 5 - RIGHT BODY WIRE HARNESS
- 6 - STUD (4)

**INSTALLATION**

(1) Position the compact disc changer onto the four studs on the right side quarter inner panel.

(2) Install and tighten the four nuts that secure the compact disc changer to the four studs on the right side quarter inner panel. Tighten the nuts to 6.8 N·m (60 in. lbs.).



## REMOVAL AND INSTALLATION (Continued)

(3) Reconnect the right body wire harness connector to the connector receptacle on the forward end of the compact disc changer.

(4) Position the compact disc changer storage bin onto the right side quarter trim panel.

(5) Align the four hook formations on the compact disc changer storage bin with the slots in the right side quarter trim panel.

(6) Using both hands push the compact disc changer storage bin firmly and evenly toward the right side quarter trim panel far enough to engage the hooks on the bin with the slots in the panel.

(7) Using both hands push the compact disc changer storage bin firmly and evenly downward far enough to align the screw holes in the bin with the mounting holes in the right side quarter trim panel.

(8) Install and tighten the two screws that secure the top of the compact disc changer storage bin to the right side quarter trim panel. Tighten the screws to 1.7 N·m (15 in. lbs.).

(9) Close the lid of the compact disc changer storage bin.

(10) Reconnect the battery negative cable.

## REMOTE RADIO SWITCH

**WARNING: ON VEHICLES EQUIPPED WITH AIRBAGS, REFER TO GROUP 8M - PASSIVE RESTRAINT SYSTEMS BEFORE ATTEMPTING ANY STEERING WHEEL, STEERING COLUMN, OR INSTRUMENT PANEL COMPONENT DIAGNOSIS OR SERVICE. FAILURE TO TAKE THE PROPER PRECAUTIONS COULD RESULT IN ACCIDENTAL AIRBAG DEPLOYMENT AND POSSIBLE PERSONAL INJURY.**

## REMOVAL

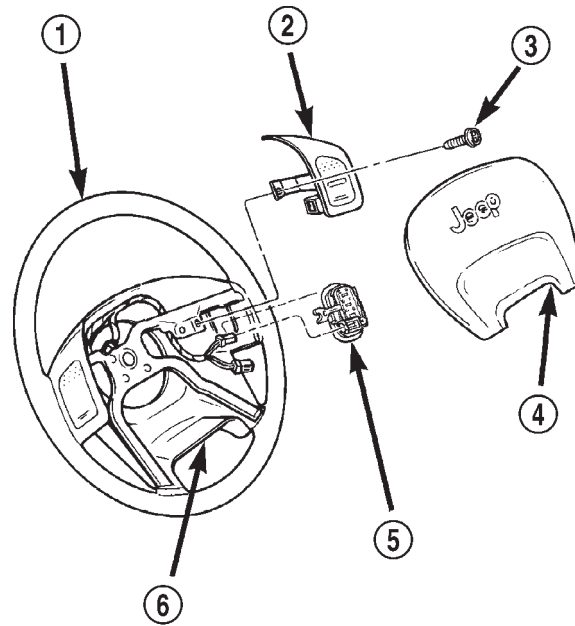
(1) Disconnect and isolate the battery negative cable.

(2) Remove the driver side airbag module from the steering wheel. Refer to **Driver Side Airbag Module** in the Removal and Installation section of Group 8M - Passive Restraint Systems for the procedures.

(3) Remove the speed control switch located on the same side of the steering wheel as the remote radio switch that is being serviced. Refer to **Speed Control Switches** in the Removal and Installation section of Group 8H - Speed Control System for the procedures.

(4) Disconnect the steering wheel wire harness connector from the connector receptacle of the remote radio switch (Fig. 7).

(5) From the inside of the steering wheel rear trim cover, press firmly and evenly outward on the back of the switch to disengage the four snap features that secure the switch to the inside of the mounting hole.



80ba7794

**Fig. 7 Remote Radio Switches Remove/Install**

- 1 - STEERING WHEEL
- 2 - SPEED CONTROL SWITCH
- 3 - SCREW
- 4 - DRIVER SIDE AIRBAG MODULE
- 5 - REMOTE RADIO SWITCH
- 6 - REAR TRIM COVER

(6) From the outside of the steering wheel rear trim cover, remove the remote radio switch from the trim cover mounting hole.

## INSTALLATION

(1) Position the remote radio switch to the mounting hole on the outside of the steering wheel rear trim cover. Be certain that the connector receptacle is oriented toward the bottom of the switch and pointed toward the center of the steering wheel.

(2) Press firmly and evenly on the remote radio switch until each of the switch snap features is fully engaged in the mounting hole of the steering wheel rear trim cover.

(3) Reconnect the steering wheel wire harness connector to the connector receptacle of the remote radio switch.

(4) Install the speed control switch onto the steering wheel. Refer to **Speed Control Switches** in the Removal and Installation section of Group 8H - Speed Control System for the procedures.

(5) Install the driver side airbag module onto the steering wheel. Refer to **Driver Side Airbag Module** in the Removal and Installation section of Group 8M - Passive Restraint Systems for the procedures.

(6) Reconnect the battery negative cable.



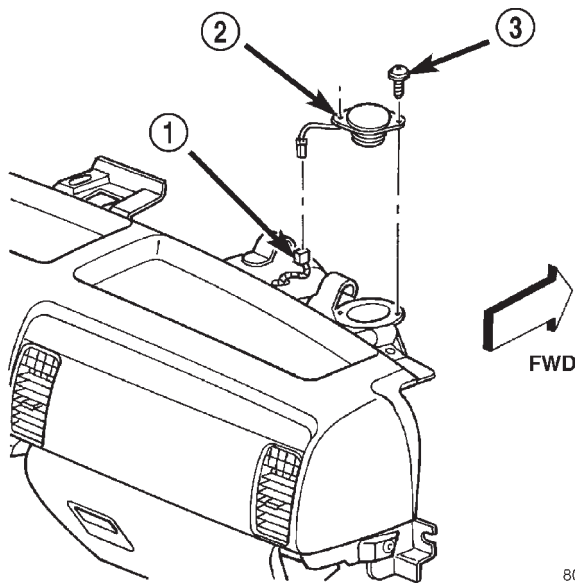
REMOVAL AND INSTALLATION (Continued)

**SPEAKER**

**REMOVAL**

**INSTRUMENT PANEL SPEAKER**

- (1) Disconnect and isolate the battery negative cable.
- (2) Remove the top cover from the instrument panel. Refer to **Instrument Panel Top Cover** in the Removal and Installation section of Group 8E - Instrument Panel Systems for the procedures.
- (3) Disconnect the instrument panel wire harness connector from the speaker wire harness connector (Fig. 8).



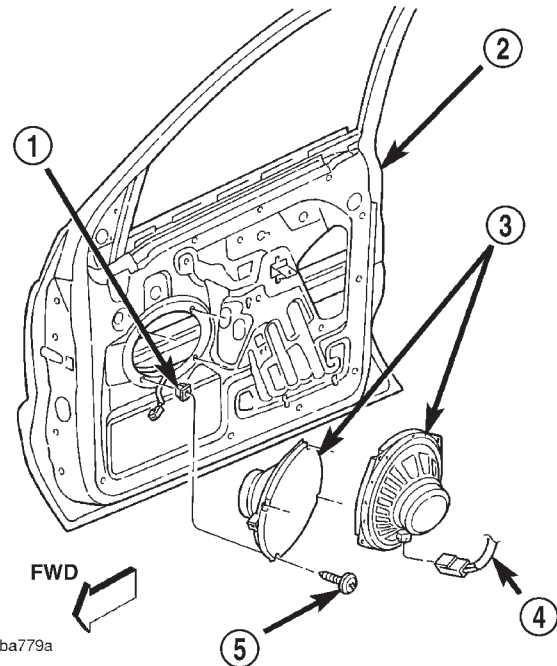
**Fig. 8 Instrument Panel Speaker Remove/Install**

- 1 - INSTRUMENT PANEL WIRE HARNESS
- 2 - INSTRUMENT PANEL SPEAKER
- 3 - SCREW (2)

- (4) Remove the two screws that secure the speaker to the top of the instrument panel.
- (5) Remove the speaker from the top of instrument panel.

**FRONT DOOR SPEAKER**

- (1) Disconnect and isolate the battery negative cable.
- (2) Remove the trim panel from the front door. Refer to **Front Door Trim Panel** in the Removal and Installation section of Group 23 - Body for the procedures.
- (3) Remove the four screws that secure the speaker to the front door inner panel (Fig. 9).
- (4) Pull the speaker away from the front door inner door panel far enough to access the front door wire harness connector.



**Fig. 9 Front Door Speaker Remove/Install**

- 1 - PLASTIC NUT (4)
- 2 - FRONT DOOR
- 3 - FRONT DOOR SPEAKER
- 4 - FRONT DOOR WIRE HARNESS
- 5 - SCREW (4)

- (5) Disconnect the front door wire harness connector from the speaker connector receptacle.
- (6) Remove the speaker from the front door inner panel.

**REAR DOOR SPEAKER**

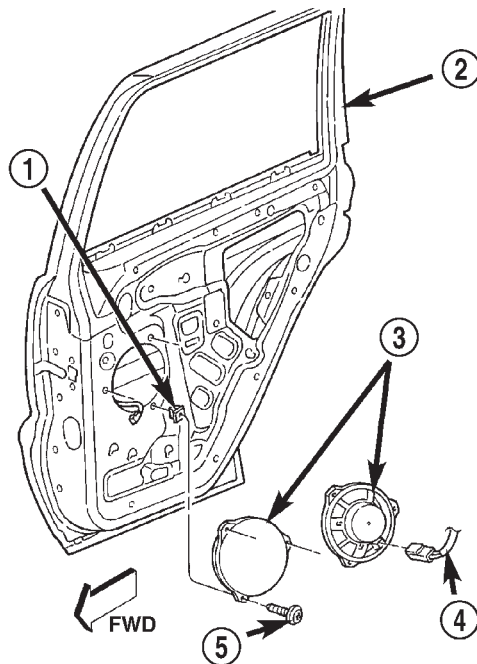
- (1) Disconnect and isolate the battery negative cable.
- (2) Remove the trim panel from the rear door. Refer to **Rear Door Trim Panel** in the Removal and Installation section of Group 23 - Body for the procedures.
- (3) Remove the three screws that secure the speaker to the rear door inner panel (Fig. 10).
- (4) Pull the speaker away from the rear door inner panel far enough to access the rear door wire harness connector.
- (5) Disconnect the rear door wire harness connector from the speaker connector receptacle.
- (6) Remove the speaker from the rear door inner panel.

**INSTALLATION**

**INSTRUMENT PANEL SPEAKER**

- (1) Position the speaker onto the top of the instrument panel.

## REMOVAL AND INSTALLATION (Continued)



80ba779b

**Fig. 10 Rear Door Speaker Remove/Install**

- 1 - PLASTIC NUT (3)
- 2 - REAR DOOR
- 3 - REAR DOOR SPEAKER
- 4 - REAR DOOR WIRE HARNESS
- 5 - SCREW (3)

(2) Install and tighten the two screws that secure the speaker to the top of the instrument panel. Tighten the screws to 2.2 N·m (20 in. lbs.).

(3) Reconnect the instrument panel wire harness connector to the speaker wire harness connector.

(4) Install the top cover onto the instrument panel. Refer to **Instrument Panel Top Cover** in the Removal and Installation section of Group 8E - Instrument Panel Systems for the procedures.

(5) Reconnect the battery negative cable.

**FRONT DOOR SPEAKER**

(1) Position the speaker to the front door inner panel.

(2) Reconnect the front door wire harness connector to the speaker connector receptacle.

(3) Position the speaker onto the front door inner door panel.

(4) Install and tighten the four screws that secure the speaker to the front door inner panel. Tighten the screws to 2.2 N·m (20 in. lbs.).

(5) Install the trim panel onto the front door. Refer to **Front Door Trim Panel** in the Removal and Installation section of Group 23 - Body for the procedures.

(6) Reconnect the battery negative cable.

**REAR DOOR SPEAKER**

(1) Position the speaker to the rear door inner panel.

(2) Reconnect the rear door wire harness connector to the speaker connector receptacle.

(3) Position the speaker onto the rear door inner panel.

(4) Install and tighten the three screws that secure the speaker to the rear door inner panel. Tighten the screws to 2.2 N·m (20 in. lbs.).

(5) Install the trim panel onto the rear door. Refer to **Rear Door Trim Panel** in the Removal and Installation section of Group 23 - Body for the procedures.

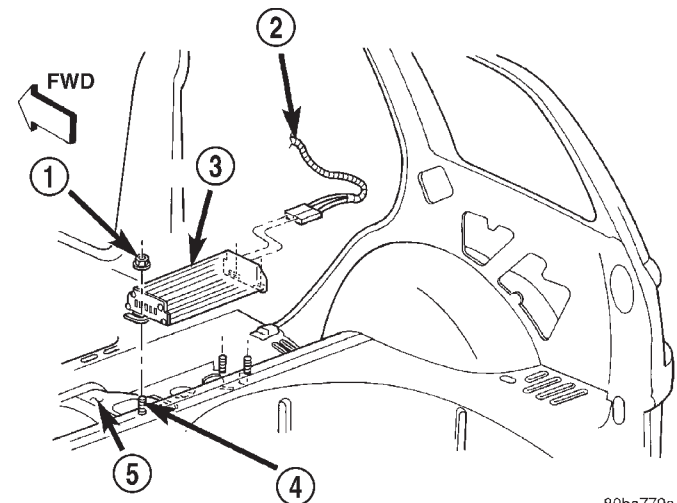
(6) Reconnect the battery negative cable.

**POWER AMPLIFIER****REMOVAL**

(1) Disconnect and isolate the battery negative cable.

(2) Unlatch and lift the right rear seat cushion to the upright position.

(3) Disconnect the two right body wire harness connectors from the connector receptacles on the right end of the power amplifier (Fig. 11).



80ba779c

**Fig. 11 Power Amplifier Remove/Install**

- 1 - NUT (3)
- 2 - RIGHT BODY WIRE HARNESS
- 3 - AMPLIFIER
- 4 - STUD (3)
- 5 - RIGHT REAR FLOOR PANEL

(4) Remove the three nuts that secure the power amplifier to the three studs on the floor panel.

(5) Remove the power amplifier from the three floor panel studs.

REMOVAL AND INSTALLATION (Continued)

**INSTALLATION**

- (1) Position the power amplifier onto the three floor panel studs.
- (2) Install and tighten the three nuts that secure the power amplifier to the three studs on the floor panel. Tighten the nuts to 11.8 N·m (105 in. lbs.).
- (3) Reconnect the two right body wire harness connectors to the connector receptacles on the right end of the power amplifier.
- (4) Lower the right rear seat cushion to the floor panel.
- (5) Reconnect the battery negative cable.

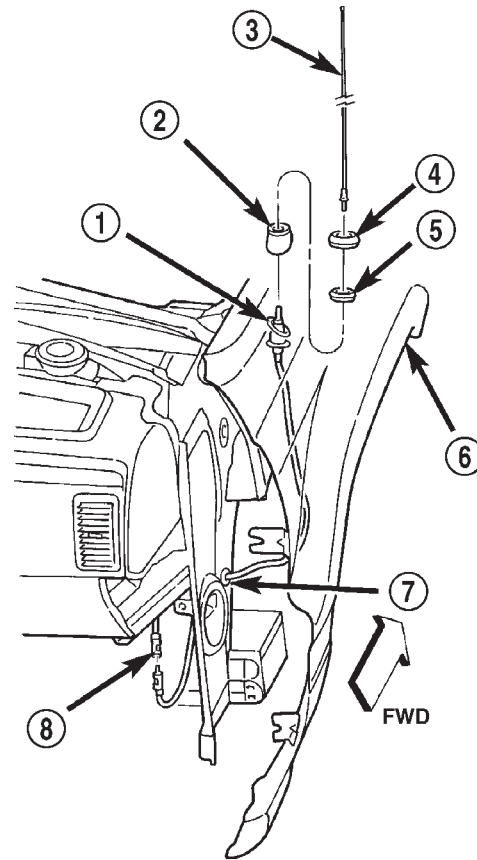
**ANTENNA**

**WARNING: ON VEHICLES EQUIPPED WITH AIRBAGS, REFER TO GROUP 8M - PASSIVE RESTRAINT SYSTEMS BEFORE ATTEMPTING ANY STEERING WHEEL, STEERING COLUMN, OR INSTRUMENT PANEL COMPONENT DIAGNOSIS OR SERVICE. FAILURE TO TAKE THE PROPER PRECAUTIONS COULD RESULT IN ACCIDENTAL AIRBAG DEPLOYMENT AND POSSIBLE PERSONAL INJURY.**

**REMOVAL**

**ANTENNA BASE AND LEAD**

- (1) Disconnect and isolate the battery negative cable.
- (2) Remove the scuff plate from the right front door sill. Refer to **Front Door Scuff Plate** in the Removal and Installation section of Group 23 - Body for the procedures.
- (3) Remove the trim panel from the right inner cowl side. Refer to **Front Door Scuff Plate** in the Removal and Installation section of Group 23 - Body for the procedures.
- (4) Reach under the passenger side of the instrument panel near the right cowl side inner panel to disconnect the antenna coaxial cable connector by pulling it apart while twisting the metal connector halves (Fig. 12). Do not pull on the cable.
- (5) Remove the lower rear half of the inner liner from the right front fender wheel house. Refer to **Front Fender** in the Removal and Installation section of Group 23 - Body for the procedures.
- (6) Reach through the rear of the right front fender wheel house opening to access and unseat the antenna lead grommet from the hole in the right cowl side outer panel.
- (7) Pull the antenna lead coaxial cable and connector out of the passenger compartment and into the right front fender wheel house through the hole in the right cowl side outer panel.



80ba77be

**Fig. 12 Antenna Base and Lead Remove/Install**

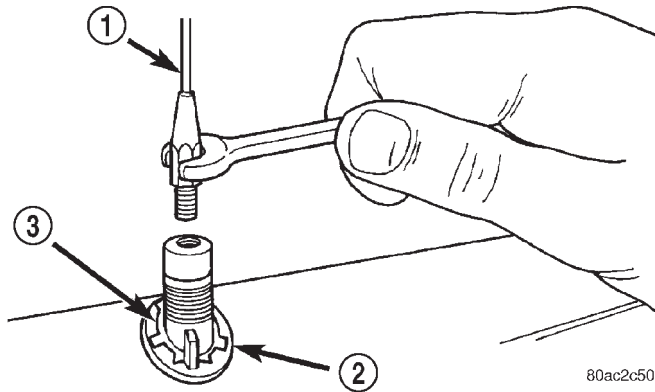
- 1 - BASE AND LEAD
- 2 - ESCUTCHEON
- 3 - MAST
- 4 - SHROUD
- 5 - CAP NUT
- 6 - RIGHT FRONT FENDER
- 7 - GROMMET
- 8 - CONNECTOR

- (8) Unscrew the antenna mast from the antenna base (Fig. 13).
- (9) Remove the plastic shroud from the antenna base cap nut.
- (10) Remove the antenna base cap nut using an antenna nut wrench (Special Tool C-4816) (Fig. 14).
- (11) Remove the antenna escutcheon from the antenna base on the top of the right front fender.
- (12) Lower the antenna base from the mounting hole in the top of the right front fender.
- (13) Remove the antenna base and lead from the rear of the right front fender wheel house opening.

**INSTRUMENT PANEL ANTENNA CABLE**

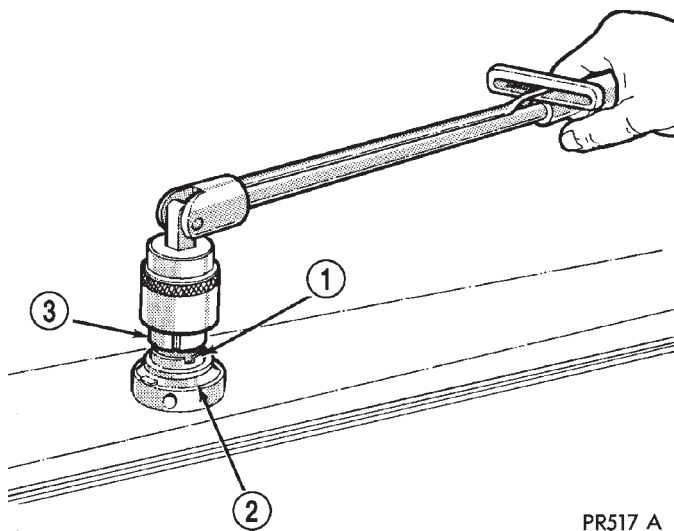
- (1) Disconnect and isolate the battery negative cable.
- (2) Remove the scuff plate from the right front door sill. Refer to **Front Door Scuff Plate** in the

## REMOVAL AND INSTALLATION (Continued)



**Fig. 13 Antenna Mast Remove/Install - Typical**

- 1 - ANTENNA MAST
- 2 - ADAPTER
- 3 - CAP NUT



**Fig. 14 Antenna Base Cap Nut Remove/Install - Typical**

- 1 - CAP NUT
- 2 - ANTENNA ADAPTER
- 3 - TOOL

Removal and Installation section of Group 23 - Body for the procedures.

(3) Remove the trim panel from the right inner cowl side. Refer to **Front Door Scuff Plate** in the Removal and Installation section of Group 23 - Body for the procedures.

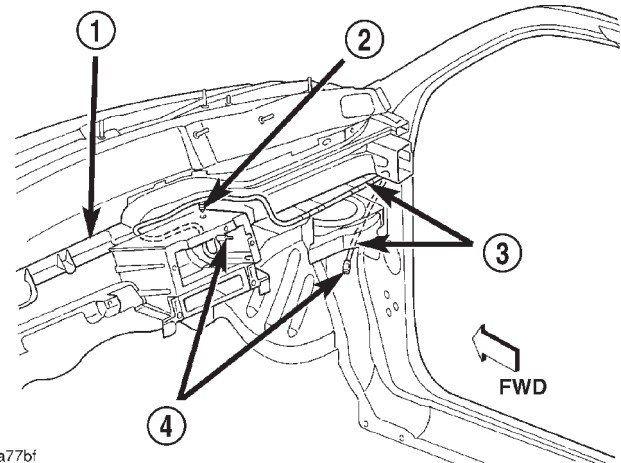
(4) Reach under the passenger side of the instrument panel near the right cowl side inner panel to disconnect the antenna coaxial cable connector by pulling it apart while twisting the metal connector halves. Do not pull on the cable.

(5) Disengage the antenna cable retainer from the mounting hole in the wire harness mounting tab under the passenger side end of the instrument panel.

(6) Remove the radio receiver from the instrument panel. Refer to **Radio Receiver** in the Removal and Installation section of this group for the procedures.

(7) Remove the passenger side airbag module from the instrument panel. Refer to **Passenger Side Airbag Module** in the Removal and Installation section of Group 8M - Passive Restraint Systems for the procedures.

(8) Disengage the antenna cable retainer from the mounting hole in the top of the radio mount on the instrument panel structural duct (Fig. 15).



**Fig. 15 Instrument Panel Antenna Cable Routing**

- 1 - INSTRUMENT PANEL STRUCTURAL DUCT
- 2 - RETAINER
- 3 - COAXIAL CABLE
- 4 - COAXIAL CABLE CONNECTORS

(9) Disengage the antenna cable from the locator tabs on the top of the instrument panel structural duct above the glove box opening.

(10) Remove the antenna cable from the instrument panel.

## INSTALLATION

### ANTENNA BASE AND LEAD

(1) Position the antenna base and lead into the rear of the right front fender wheel house opening.

(2) Insert the antenna base into the mounting hole in the top of the right front fender.

(3) Install the antenna escutcheon onto the antenna base on the top of the right front fender.

(4) Install and tighten the antenna base cap nut using an antenna nut wrench (Special Tool C-4816). Tighten the cap nut to 6.8 N·m (60 in. lbs.).

(5) Install the plastic shroud onto the antenna base cap nut.

(6) Install and tighten the antenna mast onto the antenna base. Tighten the antenna mast to 3.3 N·m (30 in. lbs.).



REMOVAL AND INSTALLATION (Continued)

(7) Reach through the rear of the right front fender wheel house opening to access and insert the antenna lead coaxial cable and connector into the passenger compartment through the hole in the right cowl side outer panel.

(8) From the right front fender wheel house, seat the antenna lead grommet into the hole in the right cowl side outer panel.

(9) Install the lower rear half of the inner liner into the right front fender wheel house. Refer to **Front Fender** in the Removal and Installation section of Group 23 - Body for the procedures.

(10) Reach under the passenger side of the instrument panel near the right cowl side inner panel to reconnect the antenna coaxial cable connector halves.

(11) Install the trim panel onto the right inner cowl side. Refer to **Front Door Scuff Plate** in the Removal and Installation section of Group 23 - Body for the procedures.

(12) Install the scuff plate onto the right front door sill. Refer to **Front Door Scuff Plate** in the Removal and Installation section of Group 23 - Body for the procedures.

(13) Reconnect the battery negative cable.

**INSTRUMENT PANEL ANTENNA CABLE**

(1) Position the antenna cable onto the instrument panel.

(2) Engage the antenna cable with the locator tabs on the top of the instrument panel structural duct above the glove box opening.

(3) Engage the antenna cable retainer into the mounting hole in the top of the radio mount on the instrument panel structural duct.

(4) Install the passenger side airbag module onto the instrument panel. Refer to **Passenger Side Airbag Module** in the Removal and Installation section of Group 8M - Passive Restraint Systems for the procedures.

(5) Install the radio receiver onto the instrument panel. Refer to **Radio Receiver** in the Removal and Installation section of this group for the procedures.

(6) Engage the antenna cable retainer into the mounting hole in the wire harness mounting tab under the passenger side end of the instrument panel.

(7) Reach under the passenger side of the instrument panel near the right cowl side inner panel to reconnect the antenna coaxial cable connector halves.

(8) Install the trim panel onto the right inner cowl side. Refer to **Front Door Scuff Plate** in the Removal and Installation section of Group 23 - Body for the procedures.

(9) Install the scuff plate onto the right front door sill. Refer to **Front Door Scuff Plate** in the

Removal and Installation section of Group 23 - Body for the procedures.

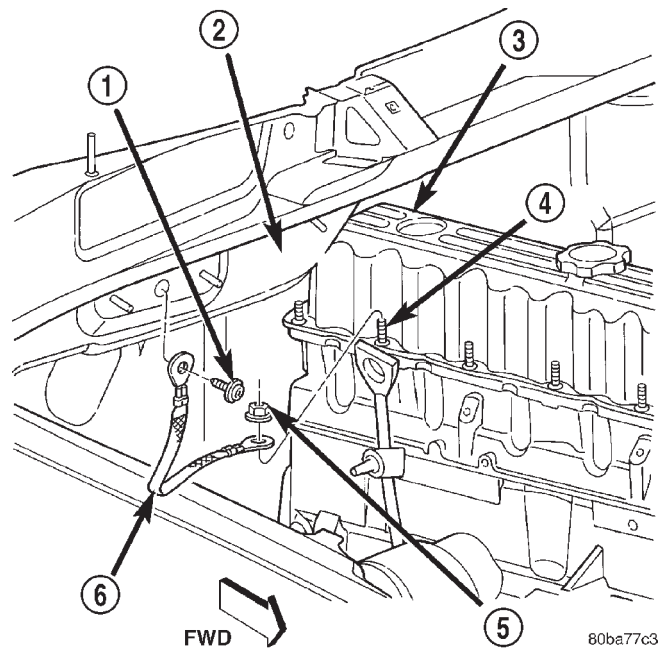
(10) Reconnect the battery negative cable.

**RADIO NOISE SUPPRESSION COMPONENTS**

**REMOVAL**

**ENGINE-TO-BODY GROUND STRAP**

(1) Remove the screw that secures the engine-to-body ground strap eyelet to the lower plenum panel (Fig. 16) or (Fig. 17).



**Fig. 16 Engine-To-Body Ground Strap Remove/Install - 4.0L Engine**

- 1 - SCREW
- 2 - LOWER PLENUM PANEL
- 3 - ENGINE
- 4 - STUD
- 5 - NUT
- 6 - GROUND STRAP

(2) On models with a 4.0L engine, remove the nut that secures the engine-to-body ground strap eyelet to the stud on the right rear side of the engine cylinder head.

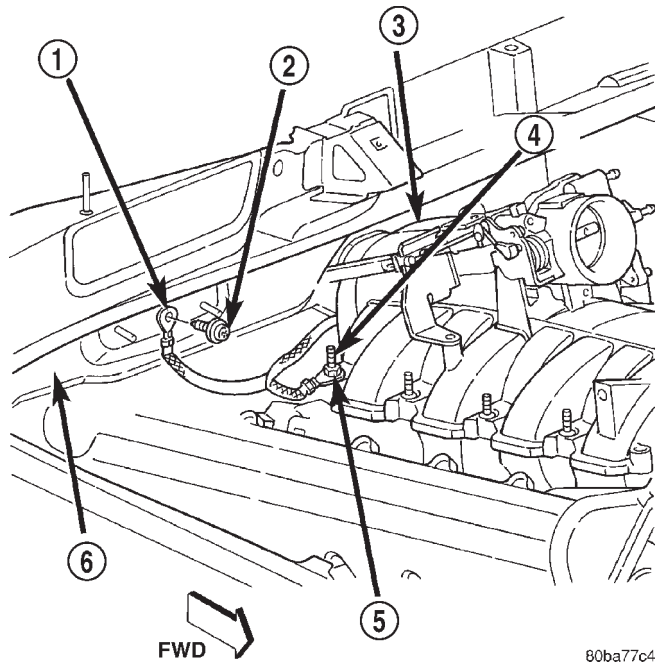
(3) On models with a 4.7L engine, remove the two nuts that secure the engine-to-body ground strap eyelets to the studs on the right and left rear sides of the engine intake manifold.

(4) Remove the engine-to-body ground strap eyelet(s) from the stud(s) on the engine.

(5) Remove the engine-to-body ground strap from the engine compartment.



## REMOVAL AND INSTALLATION (Continued)



**Fig. 17 Engine-To-Body Ground Strap Remove/Install - 4.7L Engine**

- 1 - GROUND STRAP
- 2 - SCREW
- 3 - ENGINE
- 4 - STUD (2)
- 5 - NUT (2)
- 6 - LOWER PLENUM PANEL

**EXHAUST SYSTEM-TO-BODY AND TRANSMISSION GROUND STRAP - 4.7L ENGINE ONLY**

A ground strap for radio noise suppression is installed between the exhaust pipe, the vehicle body and the transmission or transfer case on this model when it is equipped with a 4.7L engine. At the time this service manual was published, graphics and technical information to support the service of this ground strap was not available. This information will be published in a Technical Service Bulletin when it becomes available.

**INSTALLATION**

**ENGINE-TO-BODY GROUND STRAP**

(1) Position the engine-to-body ground strap into the engine compartment.

(2) Install the engine-to-body ground strap eyelet(s) onto the stud(s) on the engine.

(3) On models with a 4.0L engine, install and tighten the nut that secures the engine-to-body ground strap eyelet to the stud on the right rear side of the engine cylinder head. Tighten the nut to 5.6 N·m (50 in. lbs.).

(4) On models with a 4.7L engine, install and tighten the two nuts that secure the engine-to-body ground strap eyelets to the studs on the right and left rear sides of the engine intake manifold. Tighten the nuts to 11.3 N·m (100 in. lbs.).

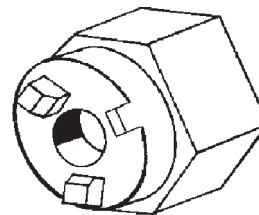
(5) Install and tighten the screw that secures the engine-to-body ground strap eyelet to the lower plenum panel. Tighten the screw to 4.5 N·m (40 in. lbs.).

**EXHAUST SYSTEM-TO-BODY AND TRANSMISSION GROUND STRAP - 4.7L ENGINE ONLY**

A ground strap for radio noise suppression is installed between the exhaust pipe, the vehicle body and the transmission or transfer case on this model when it is equipped with a 4.7L engine. At the time this service manual was published, graphics and technical information to support the service of this ground strap was not available. This information will be published in a Technical Service Bulletin when it becomes available.

**SPECIAL TOOLS**

**AUDIO SYSTEMS**



**Antenna Nut Wrench C-4816**

# HORN SYSTEMS

## TABLE OF CONTENTS

	page		page
<b>DESCRIPTION AND OPERATION</b>		HORN SWITCH.....	3
HORN SYSTEM.....	1	HORN .....	4
HORN RELAY .....	2	<b>REMOVAL AND INSTALLATION</b>	
HORN SWITCH.....	2	HORN RELAY .....	5
HORN .....	3	HORN SWITCH.....	5
<b>DIAGNOSIS AND TESTING</b>		HORN .....	6
HORN RELAY .....	3		

## DESCRIPTION AND OPERATION

### HORN SYSTEM

#### DESCRIPTION

A dual-note electric horn system is standard factory-installed equipment on this model. The standard equipment horn system features one low-note horn unit and one high-note horn unit. The horn system allows the vehicle operator to provide an audible warning of the presence or approach of the vehicle to pedestrians and the drivers of other vehicles in near proximity. The horn system uses a non-switched source of battery current so that the system will remain functional, regardless of the ignition switch position.

The horn system can also be activated by the Body Control Module (BCM). The BCM is programmed to activate the horns in order to provide the following features:

- Remote Keyless Entry (RKE) system lock request audible verification (customer programmable)
- RKE system panic mode audible alert
- Vehicle Theft Security System (VTSS) audible alarm.

This vehicle also offers several customer programmable features, which allows the selection of several optional electronic features to suit individual preferences. Refer to **ELECTRONIC VEHICLE INFORMATION CENTER PROGRAMMING** in the Service Procedures section of Group 8V - Overhead Console Systems for more information on the customer programmable feature options. Customer programmable feature options affecting the horn system include:

- **Sound Horn on Lock** - Allows the option of having the horn sound a short chirp as an audible verification that the RKE system received a valid

Lock request from the RKE transmitter, or having no audible verification.

The horn system includes the following components:

- Clockspring
- Horns
- Horn relay
- Horn switch

Certain functions and features of the horn system rely upon resources shared with other electronic modules in the vehicle over the Programmable Communications Interface (PCI) data bus network. The PCI data bus network allows the sharing of sensor information. This helps to reduce wire harness complexity, internal controller hardware, and component sensor current loads. At the same time, this system provides increased reliability, enhanced diagnostics, and allows the addition of many new feature capabilities. For diagnosis of these electronic modules or of the PCI data bus network, the use of a DRB scan tool and the proper Diagnostic Procedures manual are recommended.

The other electronic modules that may affect horn system operation are as follows:

- **Body Control Module (BCM)** - Refer to **Body Control Module** in the Description and Operation section of Group 8E - Instrument Panel Systems for more information.

- **Electronic Vehicle Information Center (EVIC)** - Refer to **Electronic Vehicle Information Center** in the Description and Operation section of Group 8V - Overhead Console Systems for more information.

Refer to **Clockspring** in the Description and Operation section of Group 8M - Passive Restraint Systems for more information on this component. Refer to **Horn/Cigar Lighter/Power Outlet** in the Contents of Group 8W - Wiring Diagrams for complete circuit diagrams. Following are general descriptions

## DESCRIPTION AND OPERATION (Continued)

of the remaining major components in the horn system.

**OPERATION**

The horn system is activated by a horn switch concealed beneath the driver side airbag module trim cover in the center of the steering wheel. Depressing the center of the driver side airbag module trim cover closes the horn switch. Closing the horn switch activates the horn relay. The activated horn relay then switches the battery current needed to energize the horns.

The BCM can also activate the horn system by energizing the horn relay through a single hard wired output circuit. The BCM energizes and de-energizes the horn relay in response to internal programming as well as message inputs received over the Programmable Communications Interface (PCI) data bus network. The BCM can energize the horn relay for a single chirp (RKE lock request), or for extended operation (RKE panic mode and VTSS alarm mode).

Refer to the owner's manual in the vehicle glove box for more information on the features, use and operation of the horn system.

**HORN SWITCH****DESCRIPTION**

A center-blow, normally open, resistive membrane-type horn switch is secured in a plastic tray that is inserted in a pocket sewn on the front of the driver side airbag retainer strap. The horn switch is concealed behind the driver side airbag module trim cover in the center of the steering wheel. The switch consists of two plastic membranes, one that is flat and one that is slightly convex. These two membranes are secured to each other around the perimeter. Inside the switch, the centers of the facing surfaces of these membranes each has a grid made with an electrically conductive material applied to it. One of the grids is connected to a circuit that provides it with continuity to ground at all times. The grid of the other membrane is connected to the horn relay control circuit.

The steering wheel and steering column must be properly grounded in order for the horn switch to function properly. The horn switch and plastic tray are serviced as a unit. If the horn switch is damaged or faulty, or if the driver side airbag is deployed, the horn switch and tray must be replaced as a unit.

**OPERATION**

When the center area of the driver side airbag trim cover is depressed, the electrically conductive grids on the facing surfaces of the horn switch membranes

contact each other, closing the switch circuit. The completed horn switch circuit provides a ground for the control coil side of the horn relay, which activates the relay. When the horn switch is released, the resistive tension of the convex membrane separates the two electrically conductive grids and opens the switch circuit.

**HORN RELAY****DESCRIPTION**

The horn relay is a electromechanical device that switches battery current to the horn when the horn switch grounds the relay coil. The horn relay is located in the Power Distribution Center (PDC) in the engine compartment. If a problem is encountered with a continuously sounding horn, it can usually be quickly resolved by removing the horn relay from the PDC until further diagnosis is completed. See the fuse and relay layout label affixed to the inside surface of the PDC cover for horn relay identification and location.

The horn relay is a International Standards Organization (ISO) micro-relay. Relays conforming to the ISO specifications have common physical dimensions, current capacities, terminal patterns, and terminal functions. The ISO micro-relay terminal functions are the same as a conventional ISO relay. However, the ISO micro-relay terminal pattern (or footprint) is different, the current capacity is lower, and the physical dimensions are smaller than those of the conventional ISO relay.

The horn relay cannot be repaired or adjusted and, if faulty or damaged, it must be replaced.

**OPERATION**

The ISO relay consists of an electromagnetic coil, a resistor or diode, and three (two fixed and one movable) electrical contacts. The movable (common feed) relay contact is held against one of the fixed contacts (normally closed) by spring pressure. When the electromagnetic coil is energized, it draws the movable contact away from the normally closed fixed contact, and holds it against the other (normally open) fixed contact.

When the electromagnetic coil is de-energized, spring pressure returns the movable contact to the normally closed position. The resistor or diode is connected in parallel with the electromagnetic coil in the relay, and helps to dissipate voltage spikes that are produced when the coil is de-energized.

## DESCRIPTION AND OPERATION (Continued)

## HORN

## DESCRIPTION

The dual electromagnetic diaphragm-type horns are standard equipment on this model. Both horns are secured to a mounting bracket. The mounting bracket is secured with a screw to the back side of the right extension of the radiator closure assembly, just ahead of the right front wheel house and below the front wheel house extension. The two horns are connected in parallel. Each horn is grounded through its wire harness connector and circuit to an eyelet secured to the right inner fender shield near the battery, and receives battery feed through the closed contacts of the horn relay.

The horns cannot be repaired or adjusted and, if faulty or damaged, they must be individually replaced.

## OPERATION

Within the two halves of the molded plastic horn housing are a flexible diaphragm, a plunger, an electromagnetic coil and a set of contact points. The diaphragm is secured in suspension around its perimeter by the mating surfaces of the horn housing. The plunger is secured to the center of the diaphragm and extends into the center of the electromagnet. The contact points control the current flow through the electromagnet.

When the horn is energized, electrical current flows through the closed contact points to the electromagnet. The resulting electromagnetic field draws the plunger and diaphragm toward it until that movement mechanically opens the contact points. When the contact points open, the electromagnetic field collapses allowing the plunger and diaphragm to return to their relaxed positions and closing the contact points again. This cycle continues repeating at a very rapid rate producing the vibration and movement of air that creates the sound that is directed through the horn outlet.

## DIAGNOSIS AND TESTING

## HORN SWITCH

For complete circuit diagrams, refer to **Horn/Cigar Lighter/Power Outlet** in the Contents of Group 8W - Wiring Diagrams.

**WARNING: ON VEHICLES EQUIPPED WITH AIRBAGS, REFER TO GROUP 8M - PASSIVE RESTRAINT SYSTEMS BEFORE ATTEMPTING ANY STEERING WHEEL, STEERING COLUMN, OR INSTRUMENT PANEL COMPONENT DIAGNOSIS OR SERVICE. FAILURE TO TAKE THE PROPER PRE-**

**CAUTIONS COULD RESULT IN ACCIDENTAL AIR-BAG DEPLOYMENT AND POSSIBLE PERSONAL INJURY.**

(1) Disconnect and isolate the battery negative cable. Remove the steering column opening cover from the instrument panel.

(2) Check for continuity between the metal steering column jacket and a good ground. There should be continuity. If OK, go to Step 3. If not OK, refer to **Steering Column** in the Removal and Installation section of Group 19 - Steering for proper installation of the steering column.

(3) Remove the driver side airbag module from the steering wheel. Disconnect the horn switch wire harness connectors from the driver side airbag module.

(4) Remove the horn relay from the Power Distribution Center (PDC). Check for continuity between the steering column half of the horn switch feed wire harness connector and a good ground. There should be no continuity. If OK, go to Step 5. If not OK, repair the shorted horn relay control circuit to the horn relay in the PDC as required.

(5) Check for continuity between the steering column half of the horn switch feed wire harness connector and the horn relay control circuit cavity for the horn relay in the PDC. There should be continuity. If OK, go to Step 6. If not OK, repair the open horn relay control circuit to the horn relay in the PDC as required.

(6) Check for continuity between the horn switch feed wire and the horn switch ground wire on the driver side airbag module. There should be no continuity. If OK, go to Step 7. If not OK, replace the faulty horn switch.

(7) Depress the center of the driver side airbag module trim cover and check for continuity between the horn switch feed wire and the horn switch ground wire on the driver side airbag module. There should now be continuity. If not OK, replace the faulty horn switch.

## HORN RELAY

The horn relay (Fig. 1) is located in the Power Distribution Center (PDC) between the battery and the right inner fender shield on the passenger side of the engine compartment. If a problem is encountered with a continuously sounding horn, it can usually be quickly resolved by removing the horn relay from the PDC until further diagnosis is completed. See the fuse and relay layout label affixed to the inside surface of the PDC cover for horn relay identification and location. For complete circuit diagrams, refer to **Horn/Cigar Lighter/Power Outlet** in the Contents of Group 8W - Wiring Diagrams.



DIAGNOSIS AND TESTING (Continued)

**WARNING: ON VEHICLES EQUIPPED WITH AIR-BAGS, REFER TO GROUP 8M - PASSIVE RESTRAINT SYSTEMS BEFORE ATTEMPTING ANY STEERING WHEEL, STEERING COLUMN, OR INSTRUMENT PANEL COMPONENT DIAGNOSIS OR SERVICE. FAILURE TO TAKE THE PROPER PRECAUTIONS COULD RESULT IN ACCIDENTAL AIR-BAG DEPLOYMENT AND POSSIBLE PERSONAL INJURY.**

(1) Remove the horn relay from the PDC. Refer to **Horn Relay** in the Removal and Installation section of this group for the procedures.

(2) A relay in the de-energized position should have continuity between terminals 87A and 30, and no continuity between terminals 87 and 30. If OK, go to Step 3. If not OK, replace the faulty relay.

(3) Resistance between terminals 85 and 86 (electromagnet) should be  $75 \pm 5$  ohms. If OK, go to Step 4. If not OK, replace the faulty relay.

(4) Connect a battery to terminals 85 and 86. There should now be continuity between terminals 30 and 87, and no continuity between terminals 87A and 30. If OK, perform the Relay Circuit Test that follows. If not OK, replace the faulty relay.

(2) The relay normally closed terminal (87A) is connected to terminal 30 in the de-energized position, but is not used for this application. Go to Step 3.

(3) The relay normally open terminal (87) is connected to the common feed terminal (30) in the energized position. This terminal supplies battery voltage to the horn(s). There should be continuity between the cavity for relay terminal 87 and the horn relay output circuit cavity of each horn wire harness connector at all times. If OK, go to Step 4. If not OK, repair the open circuit to the horn(s) as required.

(4) The coil battery terminal (86) is connected to the electromagnet in the relay. It is connected to battery voltage and should be hot at all times. Check for battery voltage at the cavity for relay terminal 86. If OK, go to Step 5. If not OK, repair the open circuit to the fuse in the PDC as required.

(5) The coil ground terminal (85) is connected to the electromagnet in the relay. It is grounded through the horn switch when the horn switch is depressed. The horn relay coil ground terminal can also be grounded by the Body Control Module (BCM) in response to certain inputs related to the RKE system or the Vehicle Theft Security System. Check for continuity to ground at the cavity for relay terminal 85. There should be continuity with the horn switch depressed, and no continuity with the horn switch released. If not OK, refer to **Horn Switch** in the Diagnosis and Testing section of this group.

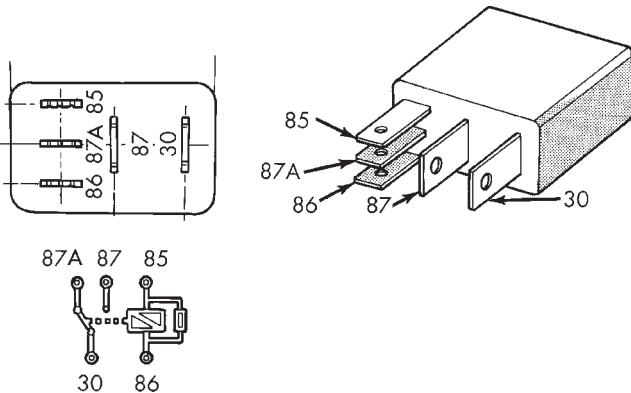
**HORN**

For complete circuit diagrams, refer to **Horn/Cigar Lighter/Power Outlet** in the Contents of Group 8W - Wiring Diagrams.

(1) Disconnect the wire harness connector(s) from the horn connector receptacle(s). Measure the resistance between the ground circuit cavity of the horn(s) wire harness connector(s) and a good ground. There should be no measurable resistance. If OK, go to Step 2. If not OK, repair the open ground circuit to ground as required.

(2) Check for battery voltage at the horn relay output circuit cavity of the horn(s) wire harness connector(s). There should be zero volts. If OK, go to Step 3. If not OK, repair the shorted horn relay output circuit or replace the faulty horn relay as required.

(3) Depress the horn switch. There should now be battery voltage at the horn relay output circuit cavity of the horn(s) wire harness connector(s). If OK, replace the faulty horns. If not OK, repair the open horn relay output circuit to the horn relay as required.



TERMINAL LEGEND	
NUMBER	IDENTIFICATION
30	COMMON FEED
85	COIL GROUND
86	COIL BATTERY
87	NORMALLY OPEN
87A	NORMALLY CLOSED

*Fig. 1 Horn Relay*

**RELAY CIRCUIT TEST**

(1) The relay common feed terminal cavity (30) is connected to battery voltage and should be hot at all times. If OK, go to Step 2. If not OK, repair the open circuit to the fuse in the PDC as required.



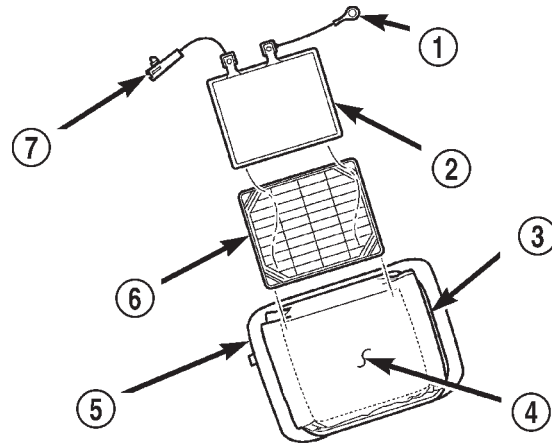
## REMOVAL AND INSTALLATION

### HORN SWITCH

#### WARNING:

- ON VEHICLES EQUIPPED WITH AIRBAGS, REFER TO GROUP 8M - PASSIVE RESTRAINT SYSTEMS BEFORE ATTEMPTING ANY STEERING WHEEL, STEERING COLUMN, OR INSTRUMENT PANEL COMPONENT DIAGNOSIS OR SERVICE. FAILURE TO TAKE THE PROPER PRECAUTIONS COULD RESULT IN ACCIDENTAL AIRBAG DEPLOYMENT AND POSSIBLE PERSONAL INJURY.

- THE HORN SWITCH IS INTEGRAL TO THE DRIVER SIDE AIRBAG MODULE. SERVICE OF THIS COMPONENT SHOULD BE PERFORMED ONLY BY CHRYSLER-TRAINED AND AUTHORIZED DEALER SERVICE TECHNICIANS. FAILURE TO TAKE THE PROPER PRECAUTIONS OR TO FOLLOW THE PROPER PROCEDURES COULD RESULT IN ACCIDENTAL, INCOMPLETE, OR IMPROPER AIRBAG DEPLOYMENT AND POSSIBLE OCCUPANT INJURIES.



80b3c537

**Fig. 2 Horn Switch Remove/Install**

- 1 - HORN SWITCH GROUND WIRE EYELET
- 2 - HORN SWITCH
- 3 - AIRBAG RETAINING STRAP
- 4 - POUCH
- 5 - DRIVER SIDE AIRBAG MODULE (TRIM COVER REMOVED)
- 6 - TRAY
- 7 - HORN SWITCH FEED WIRE CONNECTOR

### REMOVAL

(1) Disconnect and isolate the battery negative cable.

(2) Remove the trim cover from the driver side airbag module. Refer to **Driver Side Airbag Module Trim Cover** in the Removal and Installation section of Group 8M - Passive Restraint Systems for the procedures.

(3) Remove the horn switch and tray as a unit from the pouch on the retaining strap of the driver side airbag module (Fig. 2).

### INSTALLATION

(1) Install the horn switch and tray as a unit into the pouch on the retaining strap of the driver side airbag module. Be certain that the tray is facing the airbag module, that the horn switch is facing the trim cover, that the horn switch feed wire is on the left, and that the horn switch ground wire is on the right.

(2) Install the trim cover onto the driver side airbag module. Refer to **Driver Side Airbag Module Trim Cover** in the Removal and Installation section of Group 8M - Passive Restraint Systems for the procedures.

(3) Reconnect the battery negative cable.

### HORN RELAY

#### REMOVAL

(1) Disconnect and isolate the battery negative cable.

(2) Remove the cover from the Power Distribution Center (PDC) (Fig. 3).

(3) See the fuse and relay layout label affixed to the underside of the PDC cover for horn relay identification and location.

(4) Remove the horn relay from the PDC.

#### INSTALLATION

(1) See the fuse and relay layout label affixed to the underside of the PDC cover for the proper horn relay location.

(2) Position the horn relay in the proper receptacle in the PDC.

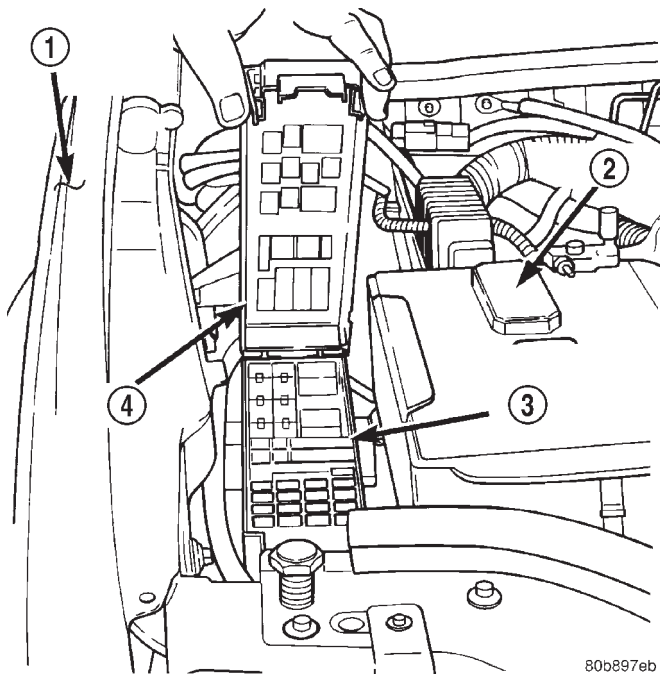
(3) Align the horn relay terminals with the terminal cavities in the PDC receptacle.

(4) Push down firmly on the horn relay until the terminals are fully seated in the terminal cavities in the PDC receptacle.

(5) Install the cover onto the PDC.

(6) Reconnect the battery negative cable.

## REMOVAL AND INSTALLATION (Continued)



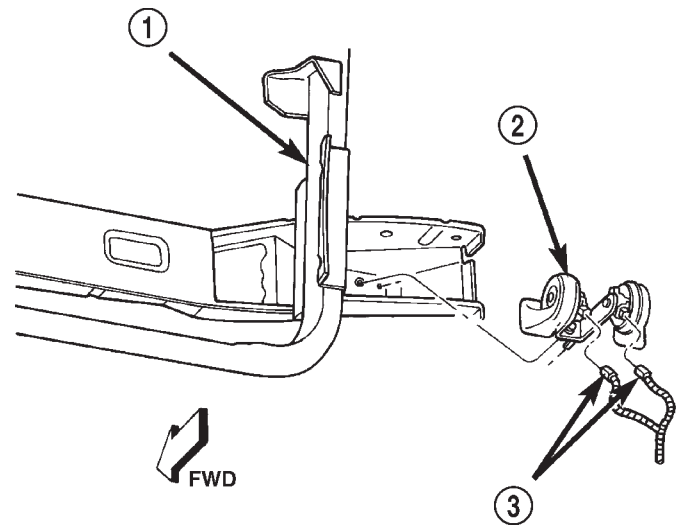
**Fig. 3 Power Distribution Center**

- 1 - RIGHT FENDER
- 2 - BATTERY
- 3 - POWER DISTRIBUTION CENTER
- 4 - COVER

## HORN

## REMOVAL

- (1) Disconnect and isolate the battery negative cable.
- (2) Raise and support the vehicle.
- (3) Remove the lower front half of the inner liner from the right front fender wheel house. Refer to **Front Fender** in the Removal and Installation section of Group 23 - Body for the procedures.
- (4) Reach through the front of the right front fender wheel house opening to access and disconnect the two right headlamp and dash wire harness connectors from the horn connector receptacles (Fig. 4). Be certain to disengage the connector lock tabs before disconnecting them from the horn connector receptacles.
- (5) Remove the screw that secures the horn mounting bracket to the right extension of the radiator closure assembly.



80ba77c6

**Fig. 4 Horns Remove/Install**

- 1 - RADIATOR CLOSURE ASSEMBLY
- 2 - HORNS AND MOUNTING BRACKET
- 3 - RIGHT HEADLAMP AND DASH WIRE HARNESS CONNECTORS

- (6) Remove both horns and the mounting bracket from the right extension of the radiator closure assembly as a unit.

## INSTALLATION

- (1) Position both horns and the mounting bracket onto the right extension of the radiator closure assembly as a unit.
- (2) Install and tighten the screw that secures the horn mounting bracket to the right extension of the radiator closure assembly. Tighten the screw to 11.3 N-m (100 in. lbs.).
- (3) Reconnect the two right headlamp and dash wire harness connectors to the horn connector receptacles. Be certain to engage the connector lock tabs after reconnecting them to the horn connector receptacles.
- (4) Install the lower front half of the inner liner to the right front fender wheel house. Refer to **Front Fender** in the Removal and Installation section of Group 23 - Body for the procedures.
- (5) Lower the vehicle.
- (6) Reconnect the battery negative cable.

# SPEED CONTROL SYSTEM

## TABLE OF CONTENTS

	page		page
<b>DESCRIPTION AND OPERATION</b>		<b>VACUUM SUPPLY TEST</b> . . . . .	4
SPEED CONTROL SYSTEM . . . . .	1	<b>REMOVAL AND INSTALLATION</b>	
SPEED CONTROL SERVO . . . . .	2	SPEED CONTROL SERVO . . . . .	4
SPEED CONTROL SOLENOID CIRCUITS . . . . .	2	SPEED CONTROL SWITCHES . . . . .	5
SPEED CONTROL SWITCHES . . . . .	2	SERVO CABLE—4.0L ENGINE . . . . .	6
BRAKE LAMP SWITCH . . . . .	3	SERVO CABLE—4.7L V-8 ENGINE . . . . .	7
SERVO CABLE . . . . .	3	VACUUM RESERVOIR . . . . .	8
VACUUM RESERVOIR . . . . .	3	<b>SPECIFICATIONS</b>	
<b>DIAGNOSIS AND TESTING</b>		TORQUE CHART . . . . .	9
ROAD TEST . . . . .	3		

## DESCRIPTION AND OPERATION

### SPEED CONTROL SYSTEM

#### DESCRIPTION

The speed control system is electronically controlled and vacuum operated. Electronic control of the speed control system is integrated into the Powertrain Control Module (PCM). The controls consist of two steering wheel mounted switches. The switches are labeled: ON/OFF, RES/ACCEL, SET, COAST, and CANCEL.

The system is designed to operate at speeds above 30 mph (50 km/h).

**WARNING: THE USE OF SPEED CONTROL IS NOT RECOMMENDED WHEN DRIVING CONDITIONS DO NOT PERMIT MAINTAINING A CONSTANT SPEED, SUCH AS IN HEAVY TRAFFIC OR ON ROADS THAT ARE WINDING, ICY, SNOW COVERED, OR SLIPPERY.**

#### OPERATION

When speed control is selected by depressing the ON switch, the PCM allows a set speed to be stored in PCM RAM for speed control. To store a set speed, depress the SET switch while the vehicle is moving at a speed between 35 and 85 mph. In order for the speed control to engage, the brakes cannot be applied, nor can the gear selector be indicating the transmission is in Park or Neutral.

The speed control can be disengaged manually by:

- Stepping on the brake pedal
- Depressing the OFF switch
- Depressing the CANCEL switch.

- Depressing the clutch pedal (if equipped).

**NOTE: Depressing the OFF switch or turning off the ignition switch will erase the set speed stored in the PCM.**

For added safety, the speed control system is programmed to disengage for any of the following conditions:

- An indication of Park or Neutral
- A rapid increase rpm (indicates that the clutch has been disengaged)
- Excessive engine rpm (indicates that the transmission may be in a low gear)
  - The speed signal increases at a rate of 10 mph per second (indicates that the coefficient of friction between the road surface and tires is extremely low)
  - The speed signal decreases at a rate of 10 mph per second (indicates that the vehicle may have decelerated at an extremely high rate)

Once the speed control has been disengaged, depressing the RES/ACCEL switch (when speed is greater than 30 mph) restores the vehicle to the target speed that was stored in the PCM.

While the speed control is engaged, the driver can increase the vehicle speed by depressing the RES/ACCEL switch. The new target speed is stored in the PCM when the RES/ACCEL is released. The PCM also has a "tap-up" feature in which vehicle speed increases at a rate of approximately 2 mph for each momentary switch activation of the RES/ACCEL switch.

A "tap down" feature is used to decelerate without disengaging the speed control system. To decelerate from an existing recorded target speed, momentarily

## DESCRIPTION AND OPERATION (Continued)

depress the COAST switch. For each switch activation, speed will be lowered approximately 1 mph.

## SPEED CONTROL SERVO

### DESCRIPTION

The servo unit consists of a solenoid valve body, and a vacuum chamber. The solenoid valve body contains three solenoids:

- Vacuum
- Vent
- Dump

The vacuum chamber contains a diaphragm with a cable attached to control the throttle linkage.

### OPERATION

The Powertrain Control Module (PCM) controls the solenoid valve body. The solenoid valve body controls the application and release of vacuum to the diaphragm of the vacuum servo. The servo unit cannot be repaired and is serviced only as a complete assembly.

Power is supplied to the servo's by the PCM through the brake switch. The PCM controls the ground path for the vacuum and vent solenoids.

The dump solenoid is energized anytime it receives power. If power to the dump solenoid is interrupted, the solenoid dumps vacuum in the servo. This provides a safety backup to the vent and vacuum solenoids.

The vacuum and vent solenoids must be grounded at the PCM to operate. When the PCM grounds the vacuum servo solenoid, the solenoid allows vacuum to enter the servo and pull open the throttle plate using the cable. When the PCM breaks the ground, the solenoid closes and no more vacuum is allowed to enter the servo. The PCM also operates the vent solenoid via ground. The vent solenoid opens and closes a passage to bleed or hold vacuum in the servo as required.

The PCM duty cycles the vacuum and vent solenoids to maintain the set speed, or to accelerate and decelerate the vehicle. To increase throttle opening, the PCM grounds the vacuum and vent solenoids. To decrease throttle opening, the PCM removes the grounds from the vacuum and vent solenoids. When the brake is released, if vehicle speed exceeds 30 mph to resume, 35 mph to set, and the RES/ACCEL switch has been depressed, ground for the vent and vacuum circuits is restored.

## SPEED CONTROL SOLENOID CIRCUITS

### OPERATION

When all of the speed control parameters are met, and the SET button is pressed, the PCM actuates the

vent solenoid and "duty-cycles" the vacuum solenoid to open the throttle and bring the vehicle up to target speed. When the vehicle is at target speed, it will actuate the vent solenoid with the vacuum solenoid de-activated to maintain the vehicle at target speed. When the vehicle is above target speed, the PCM will "duty-cycle" the vent solenoid with the vacuum solenoid still de-activated to close the throttle to return to target speed.

## SPEED CONTROL SWITCHES

### DESCRIPTION

There are two separate switch pods that operate the speed control system. The steering-wheel-mounted switches use multiplexed circuits to provide inputs to the PCM for ON, OFF, RESUME, ACCELERATE, SET, DECEL and CANCEL modes. Refer to the owner's manual for more information on speed control switch functions and setting procedures.

The individual switches cannot be repaired. If one switch fails, the entire switch module must be replaced.

### OPERATION

When speed control is selected by depressing the ON, OFF switch, the PCM allows a set speed to be stored in its RAM for speed control. To store a set speed, depress the SET switch while the vehicle is moving at a speed between approximately 35 and 85 mph. In order for the speed control to engage, the brakes cannot be applied, nor can the gear selector be indicating the transmission is in Park or Neutral.

The speed control can be disengaged manually by:

- Stepping on the brake pedal
- Depressing the OFF switch
- Depressing the CANCEL switch.

The speed control can be disengaged also by any of the following conditions:

- An indication of Park or Neutral
- The VSS signal increases at a rate of 10 mph per second (indicates that the co-efficient of friction between the road surface and tires is extremely low)
  - Depressing the clutch pedal.
  - Excessive engine rpm (indicates that the transmission may be in a low gear)
- The VSS signal decreases at a rate of 10 mph per second (indicates that the vehicle may have decelerated at an extremely high rate)
  - If the actual speed is not within 20 mph of the set speed

The previous disengagement conditions are programmed for added safety.

Once the speed control has been disengaged, depressing the ACCEL switch restores the vehicle to the target speed that was stored in the PCM's RAM.

## DESCRIPTION AND OPERATION (Continued)

**NOTE: Depressing the OFF switch will erase the set speed stored in the PCM's RAM.**

If, while the speed control is engaged, the driver wishes to increase vehicle speed, the PCM is programmed for an acceleration feature. With the ACCEL switch held closed, the vehicle accelerates slowly to the desired speed. The new target speed is stored in the PCM's RAM when the ACCEL switch is released. The PCM also has a "tap-up" feature in which vehicle speed increases at a rate of approximately 2 mph for each momentary switch activation of the ACCEL switch.

The PCM also provides a means to decelerate without disengaging speed control. To decelerate from an existing recorded target speed, depress and hold the COAST switch until the desired speed is reached. Then release the switch. The ON, OFF switch operates two components: the PCM's ON, OFF input, and the battery voltage to the brake switch, which powers the speed control servo.

## BRAKE LAMP SWITCH

### DESCRIPTION

The switch is mounted on the brake pedal mounting bracket under the instrument panel.

### OPERATION

Vehicles equipped with the speed control option use a dual function brake lamp switch. The PCM monitors the state of the dual function brake lamp switch. Refer to the Brake section for more information on brake lamp switch service and adjustment procedures.

The brake switch is equipped with three sets of contacts, one normally open and the other two normally closed (brakes disengaged). The PCM sends a 12 volt signal to one of the normally closed contacts in the brake switch, which is returned to the PCM as a brake switch state signal. With the contacts closed, the 12 volt signal is pulled to ground causing the signal to go low. The low voltage signal, monitored by the PCM, indicates that the brakes are not applied. When the brakes are applied, the contacts open, causing the PCM's output brake signal to go high, disengaging the speed control, cutting off PCM power to the speed control solenoids.

The second set of normally closed contacts supplies 12 volts from the PCM any time speed control is turned on. Through the brake switch, current is routed to the speed control servo solenoids. The speed control solenoids (vacuum, vent and dump) are provided this current any time the speed control is ON and the brakes are disengaged.

When the driver applies the brakes, the contacts open and current is interrupted to the solenoids. The normally open contacts are fed battery voltage. When the brakes are applied, battery voltage is supplied to the brake lamps.

## SERVO CABLE

### DESCRIPTION

The speed control servo cable is connected between the speed control vacuum servo diaphragm and the throttle body control linkage.

### OPERATION

This cable causes the throttle control linkage to open or close the throttle valve in response to movement of the vacuum servo diaphragm.

## VACUUM RESERVOIR

### DESCRIPTION

The vacuum reservoir is a plastic storage tank connected to an engine vacuum source by vacuum lines.

### OPERATION

The vacuum reservoir is used to supply the vacuum needed to maintain proper speed control operation when engine vacuum drops, such as in climbing a grade while driving. A one-way check valve is used in the vacuum line between the reservoir and the vacuum source. This check valve is used to trap engine vacuum in the reservoir. On certain vehicle applications, this reservoir is shared with the heating/air-conditioning system. The vacuum reservoir cannot be repaired and must be replaced if faulty.

## DIAGNOSIS AND TESTING

### ROAD TEST

Perform a vehicle road test to verify reports of speed control system malfunction. The road test should include attention to the speedometer. Speedometer operation should be smooth and without flutter at all speeds.

Flutter in the speedometer indicates a problem which might cause surging in the speed control system. The cause of any speedometer problems should be corrected before proceeding. Refer to Group 8E, Instrument Panel and Gauges for speedometer diagnosis.

If a road test verifies a system problem and the speedometer operates properly, check for:

- A Diagnostic Trouble Code (DTC). If a DTC exists, conduct tests per the Powertrain Diagnostic Procedures service manual.



## DIAGNOSIS AND TESTING (Continued)

- A misadjusted brake (stop) lamp switch. This could also cause an intermittent problem.
- Loose, damaged or corroded electrical connections at the servo. Corrosion should be removed from electrical terminals and a light coating of Mopar MultiPurpose Grease, or equivalent, applied.
  - Leaking vacuum reservoir.
  - Loose or leaking vacuum hoses or connections.
  - Defective one-way vacuum check valve.
  - Secure attachment of both ends of the speed control servo cable.
  - Smooth operation of throttle linkage and throttle body air valve.
  - Failed speed control servo. Do the servo vacuum test.

**CAUTION:** When test probing for voltage or continuity at electrical connectors, care must be taken not to damage connector, terminals or seals. If these components are damaged, intermittent or complete system failure may occur.

## VACUUM SUPPLY TEST

- (1) Disconnect vacuum hose at speed control servo and install a vacuum gauge into the disconnected hose.
- (2) Start engine and observe gauge at idle. Vacuum gauge should read at least ten inches of mercury.
- (3) If vacuum is less than ten inches of mercury, determine source of leak. Check vacuum line to engine for leaks. Also check actual engine intake manifold vacuum. If manifold vacuum does not meet this requirement, check for poor engine performance and repair as necessary.
- (4) If vacuum line to engine is not leaking, check for leak at vacuum reservoir. To locate and gain access to reservoir, refer to Vacuum Reservoir Removal/Installation in this group. Disconnect vacuum line at reservoir and connect a hand-operated vacuum pump to reservoir fitting. Apply vacuum. Reservoir vacuum should not bleed off. If vacuum is being lost, replace reservoir.
- (5) Verify operation of one-way check valve and check it for leaks.
  - (a) Locate one-way check valve. The valve is located in vacuum line between vacuum reservoir and engine vacuum source. Disconnect vacuum hoses (lines) at each end of valve.
  - (b) Connect a hand-operated vacuum pump to reservoir end of check valve. Apply vacuum. Vacuum should not bleed off. If vacuum is being lost, replace one-way check valve.
  - (c) Connect a hand-operated vacuum pump to vacuum source end of check valve. Apply vacuum. Vacuum should flow through valve. If vacuum is

not flowing, replace one-way check valve. Seal the fitting at opposite end of valve with a finger and apply vacuum. If vacuum will not hold, diaphragm within check valve has ruptured. Replace valve.

## REMOVAL AND INSTALLATION

## SPEED CONTROL SERVO

## REMOVAL

The speed control servo is attached to a bracket. The bracket and servo assembly are located below the battery tray.

- (1) Disconnect negative battery cable at battery.
- (2) Disconnect positive battery cable at battery.
- (3) Remove air cleaner housing at top of throttle body and disconnect servo cable at throttle body. Refer to Servo Cable Removal/Installation.
- (4) Remove battery from battery tray.
- (5) Disconnect wiring at battery tray.
- (6) Disconnect positive battery cable at Power Distribution Center (PDC).
- (7) Loosen PDC at battery tray.
- (8) Remove 4 battery tray bolts. One of these bolts attaches to speed control bracket flange that supports battery tray. While removing battery tray, disconnect battery temperature sensor electrical connector at sensor.
- (9) Disconnect vacuum line at servo vacuum hose fitting (Fig. 1).
- (10) Disconnect electrical connector at servo (Fig. 1).

If servo and mounting bracket are being removed as one assembly, remove two mounting nuts (Fig. 1). These are located above right-front tire. Remove inner fender clips and pry inner fender back slightly to gain access to mounting nuts.

(11) If servo is being removed from its mounting bracket, remove 2 mounting nuts holding servo cable sleeve to bracket (Fig. 2).

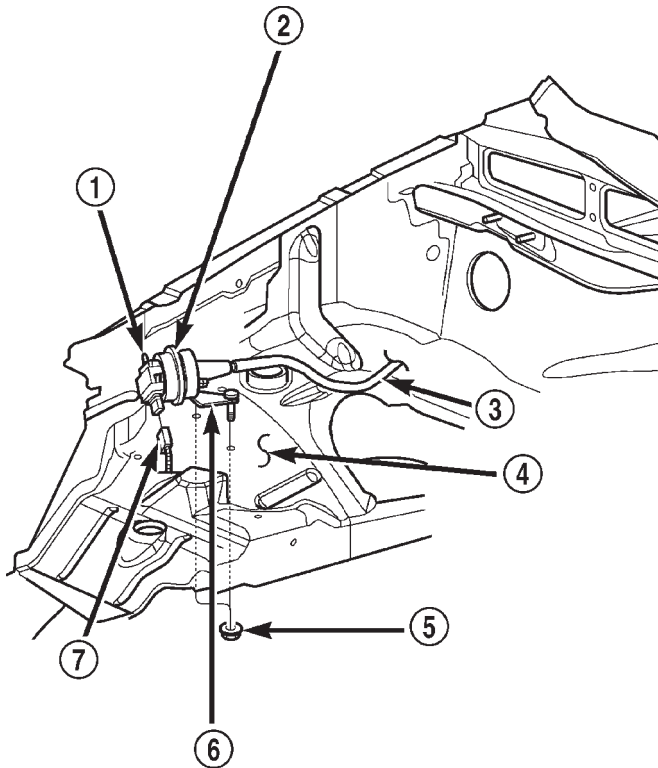
(12) Pull speed control cable sleeve and servo away from servo mounting bracket to expose cable retaining clip (Fig. 2) and remove clip. Note: The servo mounting bracket displayed in (Fig. 2) is a typical bracket and may/may not be applicable to this model vehicle.

(13) Remove servo from mounting bracket or, remove servo and mounting bracket as one assembly.

## INSTALLATION

- (1) Position servo to mounting bracket.
- (2) Align hole in cable connector with hole in servo pin. Install cable-to-servo retaining clip.
- (3) Insert servo mounting studs through holes in servo mounting bracket.

REMOVAL AND INSTALLATION (Continued)



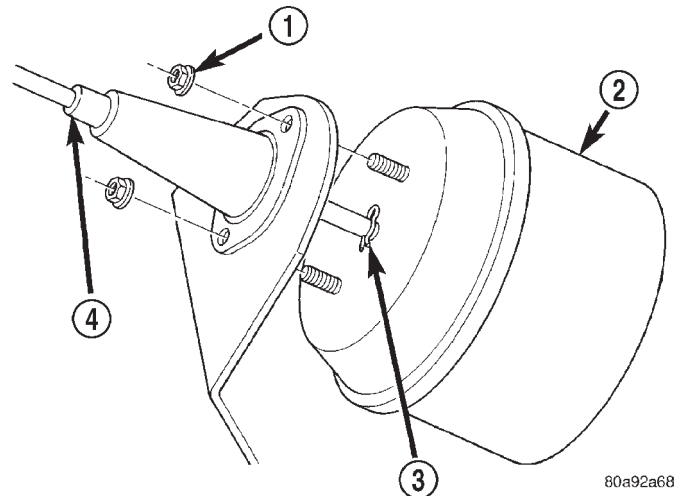
**Fig. 1 Speed Control Servo Location**

- 1 - VACUUM HOSE FITTING
- 2 - SPEED CONTROL SERVO
- 3 - SERVO CABLE
- 4 - RIGHT INNER FENDER
- 5 - SERVO MOUNTING NUTS (2)
- 6 - SERVO MOUNTING BRACKET
- 7 - ELEC. CONNECTOR

80b77003

(4) Install servo cable mounting nuts (Fig. 2) and tighten to 8.5 N·m (75 in. lbs.) torque. If servo and bracket is being installed as one assembly, install 2 mounting nuts (Fig. 1) and tighten to 28 N·m ±6 N·m (250 in. lbs. ±50 in. lbs.) torque.

- (5) Connect vacuum line at servo.
- (6) Connect electrical connector at servo.
- (7) Connect servo cable to throttle body. Refer to Servo Cable Removal/Installation.
- (8) Install battery tray and battery temperature sensor.
- (9) Connect wiring to battery tray.
- (10) Install battery to battery tray.
- (11) Connect positive battery cable to Power Distribution Center (PDC).
- (12) Connect positive battery cable to battery.
- (13) Connect negative battery cable to battery.
- (14) Before starting engine, operate accelerator pedal to check for any binding.



80a92a68

**Fig. 2 Servo Cable Clip Remove/Install—Typical**

- 1 - SERVO MOUNTING NUTS (2)
- 2 - SERVO
- 3 - CABLE RETAINING CLIP
- 4 - SERVO CABLE AND SLEEVE

**SPEED CONTROL SWITCHES**

**REMOVAL**

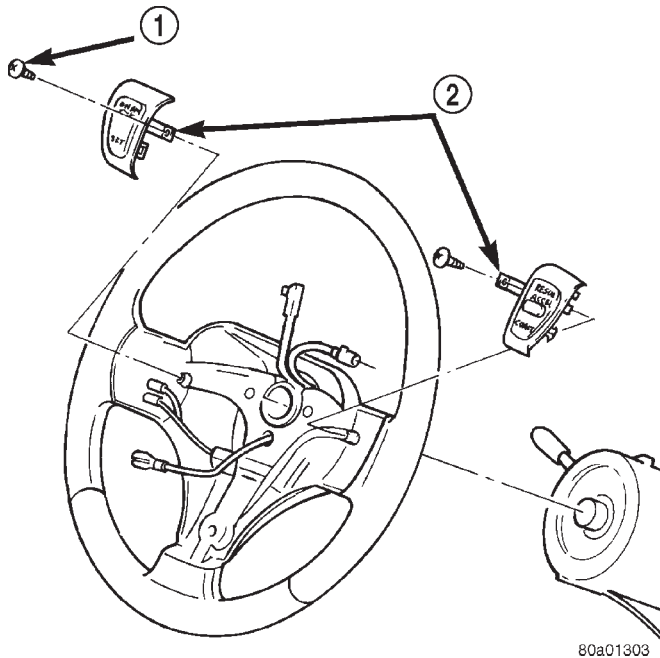
**WARNING: BEFORE BEGINNING ANY AIRBAG SYSTEM COMPONENT REMOVAL OR INSTALLATION, REMOVE AND ISOLATE THE NEGATIVE (-) CABLE FROM THE BATTERY. THIS IS THE ONLY SURE WAY TO DISABLE THE AIRBAG SYSTEM. THEN WAIT TWO MINUTES FOR SYSTEM CAPACITOR TO DISCHARGE BEFORE FURTHER SYSTEM SERVICE. FAILURE TO DO THIS COULD RESULT IN ACCIDENTAL AIRBAG DEPLOYMENT AND POSSIBLE INJURY.**

- (1) Disconnect and isolate negative battery cable.
- (2) Remove airbag module. Refer to Group 8M, Passive Restraint Systems.
- (3) Remove electrical connector at switch.
- (4) Remove switch-to-steering wheel mounting screw (Fig. 3).
- (5) Remove switch.

**INSTALLATION**

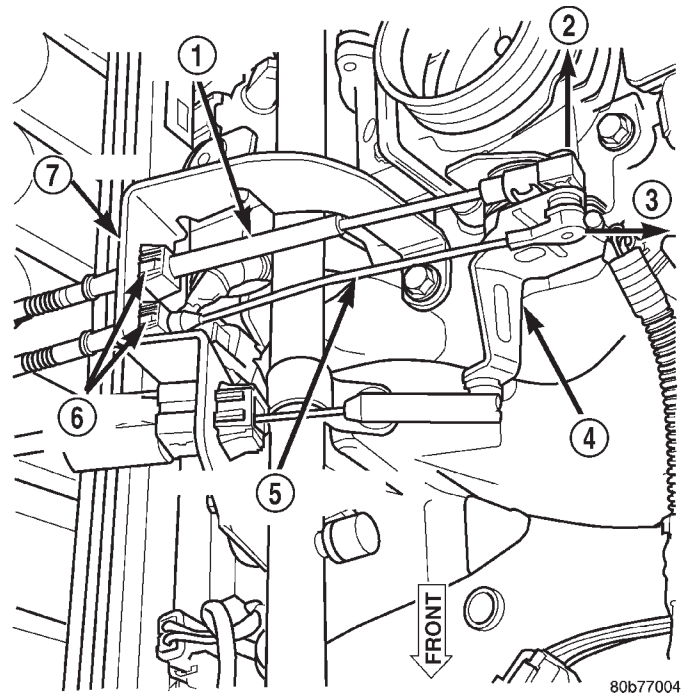
- (1) Install switch and mounting screw.
- (2) Tighten screw to 1.5 N·m (15 in. lbs.) torque.
- (3) Install electrical connector to switch.
- (4) Install airbag module. Refer to Group 8M, Passive Restraint Systems.
- (5) Connect negative battery cable.

## REMOVAL AND INSTALLATION (Continued)



**Fig. 3 Speed Control Switches**

- 1 - MOUNTING SCREW
- 2 - SPEED CONTROL SWITCHES



**Fig. 4 Speed Control Cable at Bell Crank—4.0L Engine**

- 1 - ACCELERATOR CABLE
- 2 - OFF
- 3 - OFF
- 4 - THROTTLE BODY BELLCRANK
- 5 - SPEED CONTROL CABLE
- 6 - RELEASE TABS
- 7 - BRACKET

## SERVO CABLE—4.0L ENGINE

## REMOVAL

- (1) Disconnect negative battery cable at battery.
- (2) Remove air box housing from throttle body.
- (3) Using finger pressure only, remove speed control cable connector at throttle body bellcrank pin by pushing connector off bellcrank pin towards drivers side of vehicle (Fig. 4). **DO NOT try to pull connector off perpendicular to the bellcrank pin. Connector will be broken.**
- (4) Remove cable from cable guide at top of valve cover.
- (5) Squeeze 2 release tabs (Fig. 4) on sides of cable at bracket and push cable out of bracket.
- (6) Remove servo cable from servo. Refer to Speed Control Servo Removal/Installation.

## INSTALLATION

- (1) Install end of cable to speed control servo. Refer to Speed Control Servo Removal/Installation.
- (2) Install cable into mounting bracket (snaps in).
- (3) Install speed control cable connector at throttle body bellcrank pin (snaps on).
- (4) Connect negative battery cable at battery.
- (5) Before starting engine, operate accelerator pedal to check for any binding.

REMOVAL AND INSTALLATION (Continued)

SERVO CABLE—4.7L V-8 ENGINE

REMOVAL

- (1) Disconnect negative battery cable at battery.
- (2) Remove air box housing from throttle body.

The accelerator cable must be partially removed to gain access to speed control cable.

(3) Using finger pressure only, disconnect accelerator cable connector at throttle body bellcrank pin by pushing connector off bellcrank pin towards front of vehicle (Fig. 5). **DO NOT try to pull connector off perpendicular to the bellcrank pin. Connector will be broken.**

(4) Lift accelerator cable from top of cable cam (Fig. 5).

(5) Press tab (Fig. 6) to release plastic cable mount from bracket. **Press on tab only enough to release cable from bracket. If tab is pressed too much, it will be broken.** Slide plastic mount (Fig. 6) towards passenger side of vehicle to remove cable from bracket.

(6) Using finger pressure only, disconnect speed control cable connector at throttle body bellcrank pin by pushing connector off bellcrank pin towards front of vehicle (Fig. 5). **DO NOT try to pull connector off perpendicular to the bellcrank pin. Connector will be broken.**

(7) Slide speed control cable plastic mount towards passenger side of vehicle to remove cable from bracket (Fig. 7).

(8) Remove servo cable from servo. Refer to Speed Control Servo Removal/Installation.

INSTALLATION

(1) Install end of cable to speed control servo. Refer to Speed Control Servo Removal/Installation.

(2) Slide speed control cable plastic mount into bracket.

(3) Install speed control cable connector onto throttle body bellcrank pin (snaps on).

(4) Slide accelerator cable plastic mount into bracket. Continue sliding until tab (Fig. 6) is aligned to hole in mounting bracket.

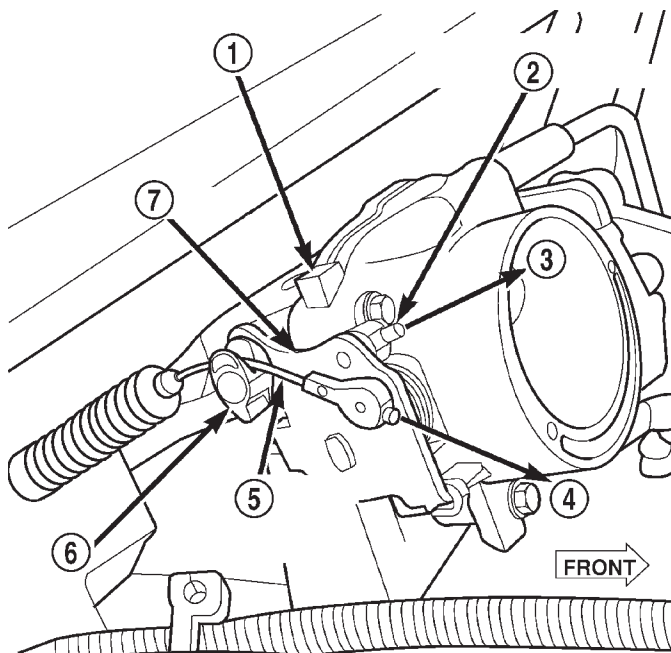
(5) Route accelerator cable over top of cable cam (Fig. 5).

(6) Install accelerator cable connector onto throttle body bellcrank pin (snaps on).

(7) Install air box housing to throttle body.

(8) Connect negative battery cable at battery.

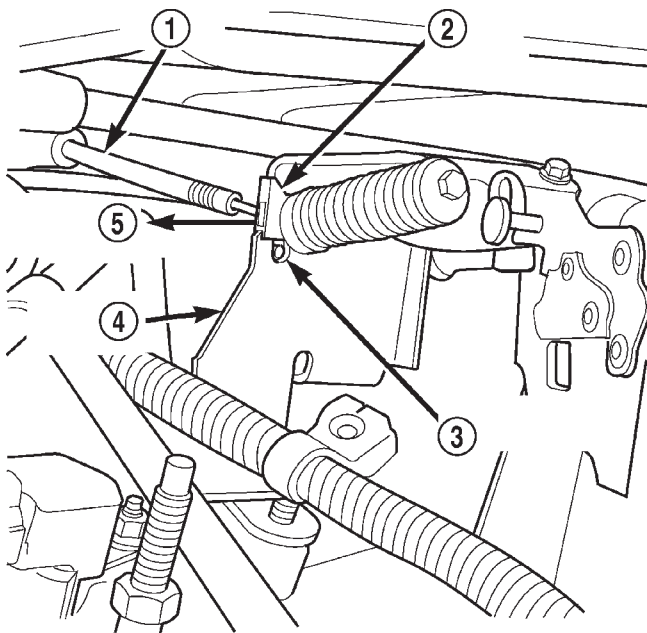
(9) Before starting engine, operate accelerator pedal to check for any binding.



80b77005

Fig. 5 Cable Connectors at Bell Crank—4.7L V-8 Engine

- 1 - THROTTLE BODY
- 2 - SPEED CONTROL CABLE CONNECTOR
- 3 - OFF
- 4 - OFF
- 5 - ACCELERATOR CABLE CONNECTOR
- 6 - CABLE CAM
- 7 - BELLCRANK



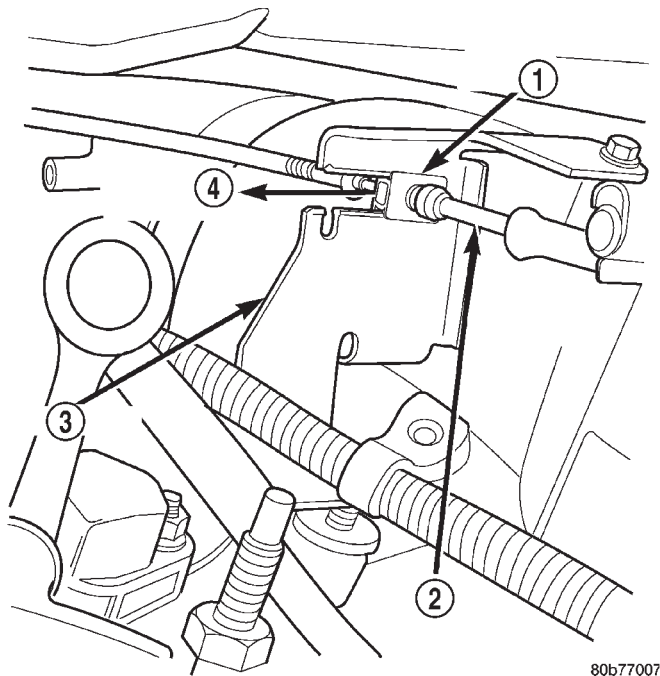
80b77006

Fig. 6 Accelerator Cable Release Tab—4.7L V-8 Engine

- 1 - ACCELERATOR CABLE
- 2 - PLASTIC CABLE MOUNT
- 3 - PRESS TAB FOR REMOVAL
- 4 - CABLE BRACKET
- 5 - SLIDE FOR REMOVAL



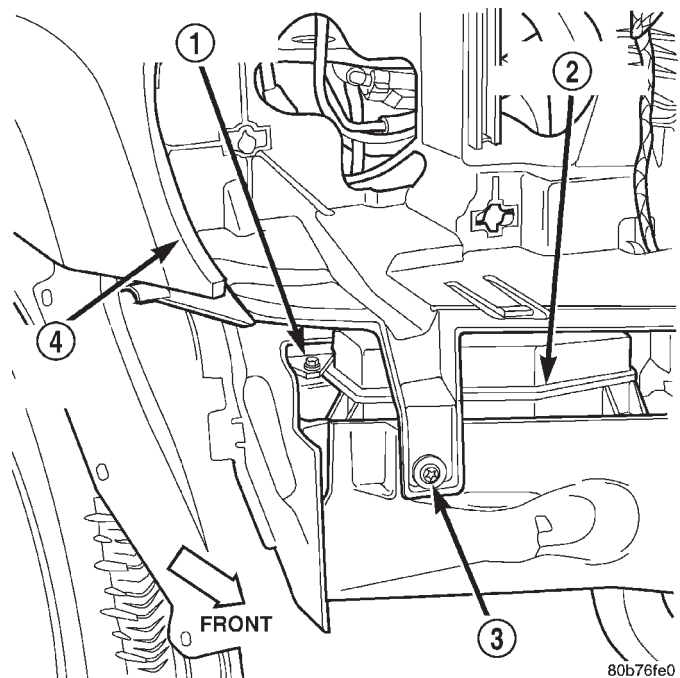
## REMOVAL AND INSTALLATION (Continued)



80b77007

**Fig. 7 Speed Control Cable at Bracket—4.7L V-8 Engine**

- 1 - PLASTIC CABLE MOUNT
- 2 - SPEED CONTROL CABLE
- 3 - BRACKET
- 4 - SLIDE FOR REMOVAL



80b76fe0

**Fig. 8 Vacuum Reservoir Location**

- 1 - RADIATOR FAN RELAY
- 2 - VACUUM RESERVOIR
- 3 - BOLT
- 4 - RIGHT FRONT FENDER

## VACUUM RESERVOIR

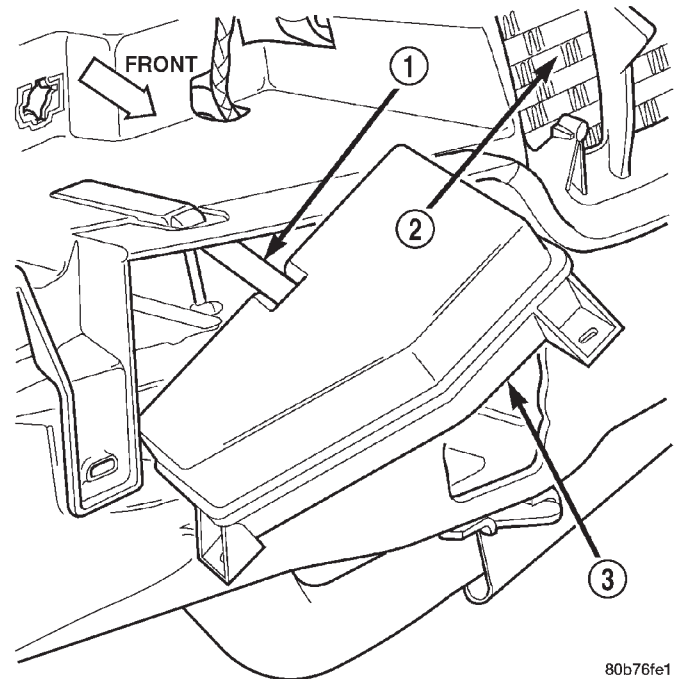
The vacuum reservoir is located in the right/front corner of the vehicle behind the front bumper fascia (Fig. 8).

### REMOVAL

- (1) Remove front bumper and grill assembly.
- (2) Remove 1 support bolt near front of reservoir (Fig. 8).
- (3) Remove 2 reservoir mounting bolts.
- (4) Remove reservoir from vehicle to gain access to vacuum hose (Fig. 9). Disconnect vacuum hose from reservoir fitting at rear of reservoir.

### INSTALLATION

- (1) Connect vacuum hose to reservoir.
- (2) Install reservoir and tighten 2 bolts to 3 N·m (25 in. lbs.) torque.
- (3) Install front bumper and grill assembly.



80b76fe1

**Fig. 9 Vacuum Reservoir Removal/Installation**

- 1 - VACUUM HOSE
- 2 - RADIATOR
- 3 - VACUUM RESERVOIR



## SPECIFICATIONS

## TORQUE CHART

<b>Description</b>	<b>Torque</b>
Servo Mounting Bracket-to-Servo Nuts . . .	8.5 N·m (75 in. lbs.)
Servo Mounting Bracket-to-Body Nuts .	28 N·m ±6 N·m (250 in. lbs. ±50 in.lbs.)
Switch Module Mounting Screws .	.6-1 N·m (6-9 in. lbs.)
Vacuum Reservoir Mounting Bolts . . .	3 N·m (25 in. lbs.)



# TURN SIGNAL AND HAZARD WARNING SYSTEMS

## TABLE OF CONTENTS

	page		page
<b>DESCRIPTION AND OPERATION</b>		TURN SIGNAL AND HAZARD WARNING SWITCH.....	7
TURN SIGNAL SYSTEM.....	1	<b>REMOVAL AND INSTALLATION</b>	
HAZARD WARNING SYSTEM.....	2	COMBINATION FLASHER.....	9
TURN SIGNAL SWITCH AND HAZARD WARNING SWITCH.....	3	TURN SIGNAL AND HAZARD WARNING SWITCH.....	9
TURN SIGNAL CANCELLING CAM.....	4	TURN SIGNAL CANCELLING CAM.....	10
COMBINATION FLASHER.....	4	<b>SPECIAL TOOLS</b>	
<b>DIAGNOSIS AND TESTING</b>		TURN SIGNAL AND HAZARD WARNING SYSTEMS.....	13
TURN SIGNAL AND HAZARD WARNING SYSTEMS.....	6		

## DESCRIPTION AND OPERATION

### TURN SIGNAL SYSTEM

#### DESCRIPTION

A turn signal system is standard factory-installed safety equipment on this model. The turn signal system allows the vehicle operator to provide the drivers of other vehicles in near proximity with an optical indication of his intention to perform a turning maneuver or to change traffic lanes. The turn signal system uses ignition switched battery current, and will operate only when the ignition switch is in the On position.

Vehicles equipped with the optional Electronic Vehicle Information Center (EVIC) have a Turn Signal On warning feature. This feature is designed to provide the driver with both visual and audible reminders when a turn signal has been left turned on for an extended period. Refer to **Electronic Vehicle Information Center** in the Description and Operation section of Group 8V - Overhead Console Systems for more information on the EVIC features.

The turn signal system includes the following components:

- Combination flasher
- Front side marker lamps
- Turn signal cancelling cam
- Turn signal indicator lamps
- Turn signal lamps
- Turn signal switch.

Refer to **Lamp** in the proper section of Group 8L - Lamps for more information on the exterior turn signal lamps. Refer to **Instrument Cluster** in the proper section of Group 8E - Instrument Panel Systems for more information on the turn signal indica-

tor lamps. Following are general descriptions of the major components in the turn signal system. For complete circuit diagrams, refer to **Turn Signals** in the Contents of Group 8W - Wiring Diagrams.

#### OPERATION

With the ignition switch in the On or Accessory position, and the turn signal (left or lighting multi-function) switch control stalk moved up (right turn) or down (left turn), the turn signal system is activated. When the turn signal system is activated, the circuitry of the turn signal switch and the combination flasher will cause the selected (right or left) turn signal indicator lamp, front park/turn signal lamp, front side marker lamp, and rear turn signal lamp to flash on and off. If the exterior lighting is turned off, the front park/turn signal lamp and the front side marker lamp will flash in unison. If the exterior lighting is turned on, the front park/turn signal lamp and the front side marker lamp will flash alternately.

The EVIC module uses turn signal status messages from the Electro-Mechanical Instrument Cluster (EMIC) module and distance messages from the Powertrain Control Module (PCM) received over the Programmable Communications Interface (PCI) data bus network to determine when the Turn Signal On warning should be activated. The EMIC receives a hard wired input from the combination flasher to determine the proper turn signal status message to send. If a turn signal is left on for more than about 1.6 kilometers (1 mile) of driving distance, the EVIC will display the Turn Signal On message and will send a request to the Body Control Module (BCM) over the PCI data bus for two sets of three chime tones to sound.

## DESCRIPTION AND OPERATION (Continued)

See the owner's manual in the vehicle glove box for more information on the features, use and operation of the turn signal system.

## HAZARD WARNING SYSTEM

### DESCRIPTION

A hazard warning system is standard factory-installed safety equipment on this model. The hazard warning system allows the vehicle operator to provide the drivers of other vehicles in near proximity an optical indication that the vehicle is disabled or is an obstacle to traffic flow. Unlike the turn signal system, the hazard warning system uses a non-switched source of battery current so that the system will operate regardless of the ignition switch position.

The hazard warning system can also be activated by the Body Control Module (BCM). The BCM is programmed to activate the hazard warning system lamps in order to provide the following features:

- Remote Keyless Entry (RKE) system lock and unlock request optical verification (customer programmable)
- RKE system panic mode optical alert
- Vehicle Theft Security System (VTSS) optical alarm.

This vehicle also offers several customer programmable features, which allows the selection of several optional electronic features to suit individual preferences. Refer to **ELECTRONIC VEHICLE INFORMATION CENTER PROGRAMMING** in the Service Procedures section of Group 8V - Overhead Console Systems for more information on the customer programmable feature options. Customer programmable feature options affecting the hazard warning system include:

- **Flash Lights with Lock** - Allows the option of having the lights flash as an optical verification that the RKE system received a valid Lock request or Unlock request from the RKE transmitter, or having no optical verification.

The hazard warning system includes the following components:

- Combination flasher
- Front side marker lamps
- Hazard warning switch
- Turn signal indicator lamps
- Turn signal lamps.

Certain functions and features of the horn system rely upon resources shared with other electronic modules in the vehicle over the Programmable Communications Interface (PCI) data bus network. The PCI data bus network allows the sharing of sensor information. This helps to reduce wire harness complexity, internal controller hardware, and component sensor current loads. At the same time, this system

provides increased reliability, enhanced diagnostics, and allows the addition of many new feature capabilities. For diagnosis of these electronic modules or of the PCI data bus network, the use of a DRB scan tool and the proper Diagnostic Procedures manual are recommended.

The other electronic modules that may affect hazard warning system operation are as follows:

- **Body Control Module (BCM)** - Refer to **Body Control Module** in the Description and Operation section of Group 8E - Instrument Panel Systems for more information.

- **Electronic Vehicle Information Center (EVIC)** - Refer to **Electronic Vehicle Information Center** in the Description and Operation section of Group 8V - Overhead Console Systems for more information.

Refer to **Lamp** in the proper section of Group 8L - Lamps for more information on the exterior turn signal lamps. Refer to **Instrument Cluster** in the proper section of Group 8E - Instrument Panel Systems for more information on the turn signal indicator lamps. Following are general descriptions of the major components in the hazard warning system. For complete circuit diagrams, refer to **Turn Signals** in the Contents of Group 8W - Wiring Diagrams.

### OPERATION

With the hazard warning switch in the On position, the hazard warning system is activated. When the hazard warning system is activated, the circuitry of the hazard warning switch and the combination flasher will cause both the right side and the left side turn signal indicator lamps, front park/turn signal lamps, front side marker lamps and rear turn signal lamps to flash on and off. If the exterior lamps are turned off, the front park/turn signal lamps and the front side marker lamps will flash in unison. If the exterior lamps are turned on, the front park/turn signal lamps and the front side marker lamps will flash alternately.

The BCM can also activate the hazard warning system lamps by energizing the electronic combination flasher through a single hard wired output circuit. The BCM energizes and de-energizes the combination flasher in response to internal programming as well as message inputs received over the Programmable Communications Interface (PCI) data bus network. The BCM can energize the combination flasher for a single flash (RKE lock request), several flashes (RKE unlock request), or for extended operation (RKE panic mode and VTSS alarm mode).

See the owner's manual in the vehicle glove box for more information on the features, use and operation of the hazard warning system.

## DESCRIPTION AND OPERATION (Continued)

## TURN SIGNAL SWITCH AND HAZARD WARNING SWITCH

## DESCRIPTION

The turn signal and hazard warning switches are integral to the left (lighting) multi-function switch unit, which is secured to the left side of the multi-function switch mounting housing at the top of the steering column (Fig. 1). The only visible parts of the left multi-function switch are the control stalk that extends from the left side of the steering column, and the hazard warning switch push button that protrudes from the top of the steering column. The left multi-function switch control stalk has both nomenclature and international control symbols on it, which identify its many functions. The hazard warning switch push button is identified with a double triangle, which is the international control symbol for hazard warning. The remainder of the left multi-function switch is concealed beneath the steering column shrouds.

The left multi-function switch also contains circuitry for the following functions:

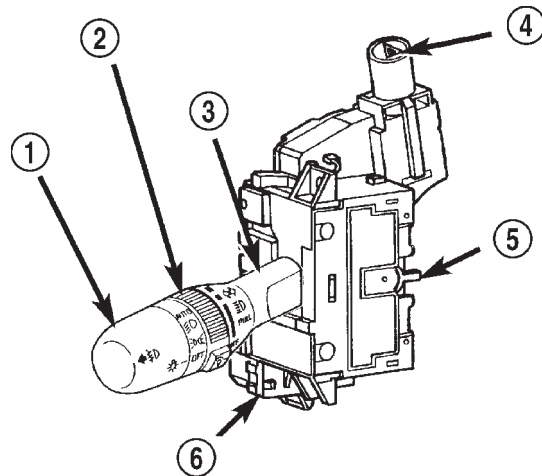
- Exterior lighting control, including:
  - Fog lamps
  - Park lamps
  - Headlamps
  - Auto headlamps (if equipped)
  - Headlamp beam selection
  - Headlamp optical horn.
- Interior lighting control, including:
  - Interior lamps defeat
  - Interior lamps on
  - Panel lamps dimming.

The information contained in this group addresses only the left multi-function switch turn signal and hazard warning functions. For information relative to the other systems that are controlled by and circuits that are integral to the left multi-function switch, see the group in this service manual that covers that system. However, the turn signal and hazard warning switches cannot be repaired. If these switches or any other circuit or component of the left multi-function switch unit is faulty or damaged, the entire left multi-function switch unit must be replaced.

## OPERATION

## TURN SIGNAL SWITCH

The left multi-function switch control stalk that extends from the left side of the steering column just below the steering wheel is moved up or down to activate the turn signal switch. When the control stalk is moved in the upward direction, the right turn signal switch circuitry is activated; and, when the control stalk is moved in the downward direction,



80ba77c5

**Fig. 1 Left (Lighting) Multi-Function Switch**

- 1 – EXTERIOR LIGHTING CONTROL
- 2 – INTERIOR LIGHTING CONTROL
- 3 – CONTROL STALK
- 4 – HAZARD WARNING BUTTON
- 5 – CANCEL ACTUATOR
- 6 – LEFT (LIGHTING) MULTI-FUNCTION SWITCH

the left turn signal switch circuitry is activated. The turn signal switch has a detent position in each direction that provides turn signals with automatic cancellation, and an intermediate momentary position in each direction that provides turn signals only until the left multi-function switch control stalk is released.

When the turn signal switch is in a detent position, it is turned off by one of two lobes of the turn signal cancelling cam, which is located beneath the clockspring mechanism within the multi-function switch mounting housing on the steering column. Turning the steering wheel causes the turn signal cancelling cam lobes to contact a cancel actuator in the left multi-function switch, and the turn signal switch automatically returns to the off position.

## HAZARD WARNING SWITCH

The hazard warning switch is controlled by the hazard warning switch push button. Push the switch button in to unlatch the switch and activate the hazard warning system, and push in on the button again to latch the switch and turn the system off. When the hazard warning switch is latched (hazard warning off), the push button will be in a lowered position on the top of the steering column shroud; and, when the hazard warning switch is unlatched (hazard warning on), the push button will be in a raised position.



## DESCRIPTION AND OPERATION (Continued)

## TURN SIGNAL CANCELLING CAM

## DESCRIPTION

The turn signal cancelling cam is concealed within the multi-function switch mounting housing on the top of the steering column below the steering wheel and the clockspring mechanism. The turn signal cancelling cam consists of a molded plastic hub and disc unit with two integral lobes. The upper lobe of the turn signal cancelling cam has a hole that is used to align it with another hole in the back of the multi-function switch mounting housing. The inside diameter of the turn signal cancelling cam hub has an integral metal-reinforced plastic key that locks the unit to a keyway in the upper steering column shaft.

The upper surface of the turn signal cancelling cam features three holes, two round and one oblong. These holes engage and key the cam unit to three matching pins in the hub of the clockspring mechanism. The hub of the clockspring and the turn signal cancelling cam lobes rotate with the steering wheel. The centered clockspring housing is then secured to the multi-function switch mounting housing over the top of the turn signal cancelling cam. The multi-function switch mounting housing is secured to the steering column and remains stationary.

The turn signal cancelling cam is serviced as a unit with the multi-function switch mounting housing. The turn signal cancelling cam cannot be repaired and, if faulty or damaged, the multi-function switch mounting housing unit must be replaced. Refer to **Clockspring** in the Removal and Installation section of Group 8M - Passive Restraint Systems for the clockspring service procedures.

## OPERATION

The turn signal cancelling cam has two lobes molded into it. When the turn signals are activated by moving the left multi-function switch control stalk to a detent position, a turn signal cancel actuator is extended from the inside surface of the multi-function switch housing toward the turn signal cancelling cam. When the steering wheel is rotated during a turning maneuver, one of the two turn signal cancelling cam lobes will contact the turn signal cancel actuator, releasing the left multi-function switch control stalk from its detent and cancelling the turn signal event.

## COMBINATION FLASHER

## DESCRIPTION

The combination flasher is a smart relay that functions as both the turn signal system and the hazard warning system flasher. The combination flasher contains active electronic Integrated Circuitry (IC) ele-

ments. This flasher is designed to handle the current flow requirements of the factory-installed lighting. If supplemental lighting is added to the turn signal lamp circuits, such as when towing a trailer with lights, the combination flasher will automatically try to compensate to keep the flash rate the same.

The combination flasher is located in the junction block, under the left end of the instrument panel in the passenger compartment. Because of the active electronic elements within the combination flasher, it cannot be tested with conventional automotive electrical test equipment. If the combination flasher is believed to be faulty, test the turn signal system and hazard warning system circuits as described in this group. Then replace the combination flasher with a known good unit to confirm system operation.

The combination flasher cannot be repaired or adjusted and, if faulty or damaged, it must be replaced. Refer to **Turn Signals** in the Contents of Group 8W - Wiring Diagrams for complete circuit diagrams.

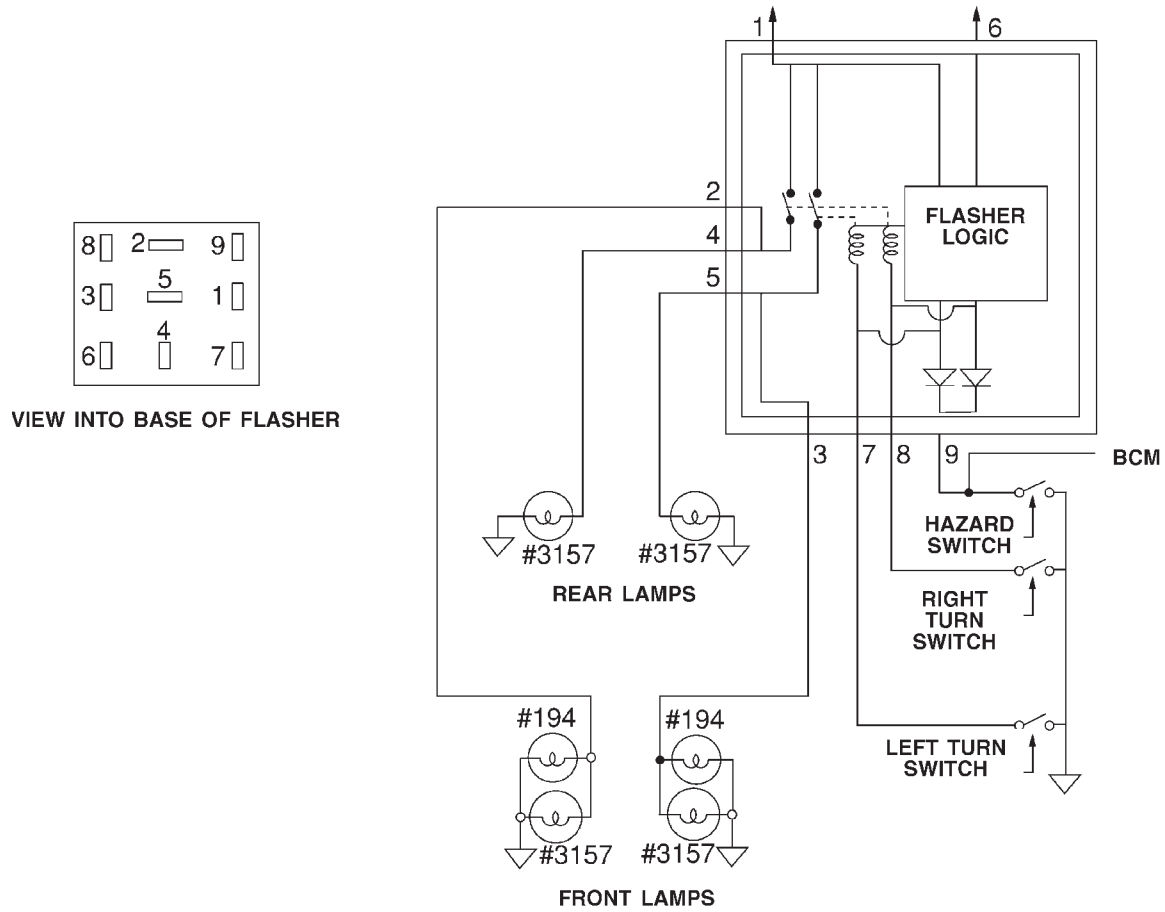
## OPERATION

The combination flasher has nine blade-type terminals intended for the following inputs and outputs: fused B(+), fused ignition switch output, left turn switch sense, right turn switch sense, hazard switch sense, left front turn signal circuit, right front turn signal circuit, left rear turn signal circuit and right rear turn signal circuit. Constant battery voltage is supplied to the flasher so that it can perform the hazard warning function, and ignition switched battery voltage is supplied for the turn signal function. However, when the flasher is idle no current is drawn through the module. The unit does not become active until it is provided a signal ground from the turn signal switch, hazard warning switch or the Body Control Module (BCM).

The IC within the combination flasher (Fig. 2) contains the logic that controls the flasher operation and the flash rate. Typical flash rate is about ninety flashes per minute. When a bulb is burnt out, or when a circuit for a lamp is open, the turn signal flash rate will increase to a minimum of 180 flashes per minute. However, an open lamp circuit or burnt out bulb does not change the hazard warning flash rate.

Turn signal inputs that actuate the combination flasher are low current grounds, each drawing a maximum of 300 milliamperes. The turn signal inputs are provided to the flasher through the junction block by the turn signal (left multi-function) switch on the steering column. The hazard warning signal input is a low current ground drawing a maximum of 600 milliamperes. The hazard warning input can be provided through the junction block by

DESCRIPTION AND OPERATION (Continued)



COMBINATION FLASHER CIRCUITS		
CAVITY	CIRCUIT	FUNCTION
1	L25	Fused B(+)
2	L61	Left Front Turn Signal
3	L60	Right Front Turn Signal
4	L63	Left Rear Turn Signal
5	L62	Right Rear Turn Signal
6	F22	Fused Ignition Switch Output
7	L305	Left Turn Switch Sense
8	L302	Right Turn Switch Sense
9	L91	Hazard Switch Sense

Fig. 2 Combination Flasher

## DESCRIPTION AND OPERATION (Continued)

the hazard warning (left multi-function) switch on the steering column, or by the BCM on the back of the junction block.

## DIAGNOSIS AND TESTING

## TURN SIGNAL AND HAZARD WARNING SYSTEMS

For complete circuit diagrams, refer to **Turn Signals** in the Contents of Group 8W - Wiring Diagrams.

**WARNING: ON VEHICLES EQUIPPED WITH AIRBAGS, REFER TO GROUP 8M - PASSIVE RESTRAINT SYSTEMS BEFORE ATTEMPTING ANY STEERING WHEEL, STEERING COLUMN, OR INSTRUMENT PANEL COMPONENT DIAGNOSIS OR SERVICE. FAILURE TO TAKE THE PROPER PRECAUTIONS COULD RESULT IN ACCIDENTAL AIRBAG DEPLOYMENT AND POSSIBLE PERSONAL INJURY.**

(1) Turn the ignition switch to the On position. Activate the turn signal switch by moving the left multi-function switch control stalk up (right turn) and/or down (left turn). Observe the turn signal indicator lamp(s) in the instrument cluster. If the flash rate is very high, check for a turn signal bulb that is not lit or is very dimly lit. Repair the circuits to that lamp or replace the faulty bulb, as required. Test the operation of the turn signal system again. If the turn signal indicator(s) fail to light, go to Step 2.

(2) Turn the ignition switch to the Off position. Check the fused B(+) fuse in the junction block. If OK, go to Step 3. If not OK, repair the shorted circuit or component as required and replace the faulty fuse(s).

(3) Check for battery voltage at the fused B(+) fuse in the junction block. If OK, go to Step 4. If not OK, repair the open fused B(+) circuit to the Power Distribution Center (PDC) fuse as required.

(4) Check the fused ignition switch output (run) fuse in the junction block. If OK, go to Step 5. If not OK, repair the shorted circuit or component as required and replace the faulty fuse.

(5) Turn the ignition switch to the On position. Check for battery voltage at the fused ignition switch output (run) fuse in the junction block. If OK, go to Step 6. If not OK, repair the open fused ignition switch (run) circuit to the ignition switch as required.

(6) Turn the ignition switch to the Off position. Disconnect and isolate the battery negative cable. Remove the combination flasher from the junction block and replace it with a known good unit. Connect the battery negative cable. Test the operation of the turn signal and hazard warning systems. If OK, dis-

card the faulty combination flasher. If not OK, remove the test flasher and go to Step 7.

(7) Turn the ignition switch to the On position. Check for battery voltage at the fused ignition switch output (run) circuit cavity for the combination flasher in the junction block. If OK, go to Step 8. If not OK, repair the open fused ignition switch output (run) circuit to the junction block fuse as required.

(8) Turn the ignition switch to the Off position. Check for battery voltage at the fused B(+) circuit cavity for the combination flasher in the junction block. If OK, go to Step 9. If not OK, repair the open fused B(+) circuit to the junction block fuse as required.

(9) Disconnect and isolate the battery negative cable. Disconnect the instrument panel wire harness connector from the turn signal and hazard warning (left multi-function) switch connector receptacle. Check for continuity between the ground circuit cavity of the instrument panel wire harness connector for the left multi-function switch and a good ground. There should be continuity. If OK, go to Step 10. If not OK, repair the open ground circuit to ground as required.

(10) Check for continuity between the hazard switch sense circuit cavity of the instrument panel wire harness connector for the left multi-function switch and a good ground. There should be no continuity. If OK, go to Step 11. If not OK, repair the shorted hazard switch sense circuit as required.

(11) Check for continuity between the hazard switch sense circuit cavities of the junction block for the combination flasher and the instrument panel wire harness connector for the left multi-function switch. There should be continuity. If OK, go to Step 12. If not OK, repair the open hazard switch sense circuit as required.

(12) Check for continuity between the left turn switch sense circuit cavity of the instrument panel wire harness connector for the left multi-function switch and a good ground. There should be no continuity. If OK, go to Step 13. If not OK, repair the shorted left turn switch sense circuit as required.

(13) Check for continuity between the left turn switch sense circuit cavities of the junction block for the combination flasher and the instrument panel wire harness connector for the left multi-function switch. There should be continuity. If OK, go to Step 14. If not OK, repair the open left turn switch sense circuit as required.

(14) Check for continuity between the right turn switch sense circuit cavity of the instrument panel wire harness connector for the left multi-function switch and a good ground. There should be no continuity. If OK, go to Step 15. If not OK, repair the shorted right turn switch sense circuit as required.

## DIAGNOSIS AND TESTING (Continued)

(15) Check for continuity between the right turn switch sense circuit cavities of the junction block for the combination flasher and the instrument panel wire harness connector for the left multi-function switch. There should be continuity. If OK, refer to **Turn Signal and Hazard Warning Switch** in the Diagnosis and Testing section of this group to test the left multi-function switch. If not OK, repair the open right turn switch sense circuit as required.

**TURN SIGNAL AND HAZARD WARNING SWITCH**

The turn signal and hazard warning switches are integral to the left multi-function switch. Refer to **Turn Signal and Hazard Warning Systems** in the Diagnosis and Testing section of this group before testing the left multi-function switch. For complete circuit diagrams, refer to **Turn Signals** in the Contents of Group 8W - Wiring Diagrams.

**WARNING: ON VEHICLES EQUIPPED WITH AIR-BAGS, REFER TO GROUP 8M - PASSIVE RESTRAINT SYSTEMS BEFORE ATTEMPTING ANY STEERING WHEEL, STEERING COLUMN, OR INSTRUMENT PANEL COMPONENT DIAGNOSIS OR SERVICE. FAILURE TO TAKE THE PROPER PRECAUTIONS COULD RESULT IN ACCIDENTAL AIR-BAG DEPLOYMENT AND POSSIBLE PERSONAL INJURY.**

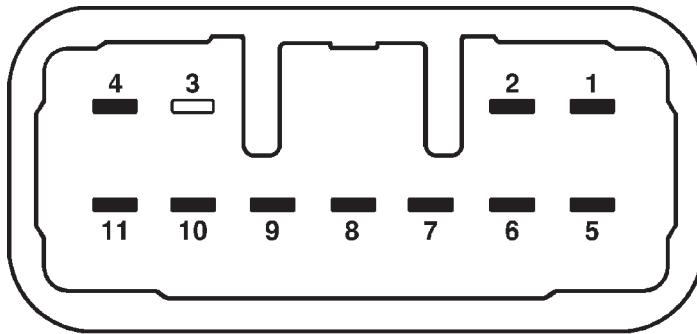
(1) Disconnect and isolate the battery negative cable.

(2) Disconnect the instrument panel wire harness connector from the left multi-function switch connector receptacle.

(3) Using an ohmmeter, perform the continuity and resistance tests at the terminals in the switch connector receptacle as shown in the Left Multi-Function Switch Test chart (Fig. 3).

(4) If the left multi-function switch fails any of the continuity or resistance tests, replace the faulty left multi-function switch unit as required.

## DIAGNOSIS AND TESTING (Continued)



LEFT (LIGHTING) MULTI-FUNCTION SWITCH			
TURN SIGNAL AND HAZARD WARNING SWITCH TESTS			
SWITCH POSITION		CONTINUITY BETWEEN	
TURN	HAZARD		
Neutral	Off	No Related Continuity	
Left	Off	Pins 2 & 8	
Right	Off	Pins 2 & 7	
Neutral	On	Pins 2 & 9	
EXTERIOR LIGHTING SWITCH TESTS			
SWITCH POSITION	CONTINUITY BETWEEN	RESISTANCE BETWEEN	RESISTANCE RANGE (OHMS)
Off	—	Pins 4 & 11	3743 - 3824
Park Lamps On	—	Pins 4 & 11	901 - 926
Head Lamps On	—	Pins 4 & 11	345 - 358
Auto Headlamps On	—	Pins 4 & 11	74 - 81
Fog Lamps	Pins 1 & 2	—	—
Optical Horn	Pins 2 & 5	—	—
High Beam	Pins 2 & 6	—	—
INTERIOR LIGHTING SWITCH TESTS			
Dome Lamp Disable On	—	Pins 4 & 9	63 - 70
Panel Lamps Dimming Position 1	—	Pins 4 & 9	198 - 208
Dimming Position 2	—	Pins 4 & 9	551 - 569
Dimming Position 3	—	Pins 4 & 9	905 - 929
Dimming Position 4	—	Pins 4 & 9	1258 - 1290
Dimming Position 5	—	Pins 4 & 9	1611 - 1651
Dimming Position 6	—	Pins 4 & 9	1965 - 2011
Parade Mode On	—	Pins 4 & 9	3534 - 3611
Dome Lamp Enable On	—	Pins 4 & 9	7811 - 7974

Fig. 3 Left Multi-Function Switch Test



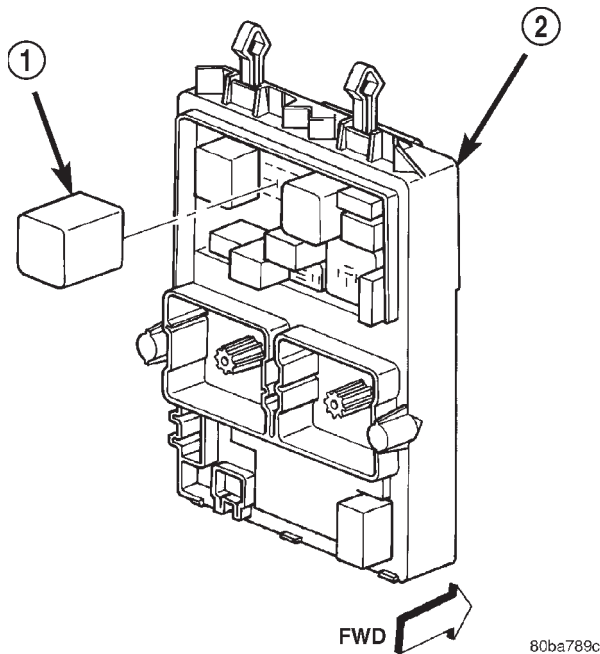
## REMOVAL AND INSTALLATION

### COMBINATION FLASHER

**WARNING: ON VEHICLES EQUIPPED WITH AIRBAGS, REFER TO GROUP 8M - PASSIVE RESTRAINT SYSTEMS BEFORE ATTEMPTING ANY STEERING WHEEL, STEERING COLUMN, OR INSTRUMENT PANEL COMPONENT DIAGNOSIS OR SERVICE. FAILURE TO TAKE THE PROPER PRECAUTIONS COULD RESULT IN ACCIDENTAL AIRBAG DEPLOYMENT AND POSSIBLE PERSONAL INJURY.**

#### REMOVAL

- (1) Disconnect and isolate the battery negative cable.
- (2) Remove the steering column opening cover from the instrument panel. Refer to **Steering Column Opening Cover** in the Removal and Installation section of Group 8E - Instrument Panel Systems for the procedures.
- (3) Remove the combination flasher from the junction block (Fig. 4).



**Fig. 4 Combination Flasher**

- 1 - COMBINATION FLASHER
- 2 - JUNCTION BLOCK

#### INSTALLATION

- (1) Position the combination flasher in the proper receptacle in the junction block.
- (2) Align the combination flasher terminals with the terminal cavities in the junction block receptacle.
- (3) Push in firmly on the combination flasher until the terminals are fully seated in the terminal cavities in the junction block receptacle.

- (4) Install the steering column opening cover onto the instrument panel. Refer to **Steering Column Opening Cover** in the Removal and Installation section of Group 8E - Instrument Panel Systems for the procedures.

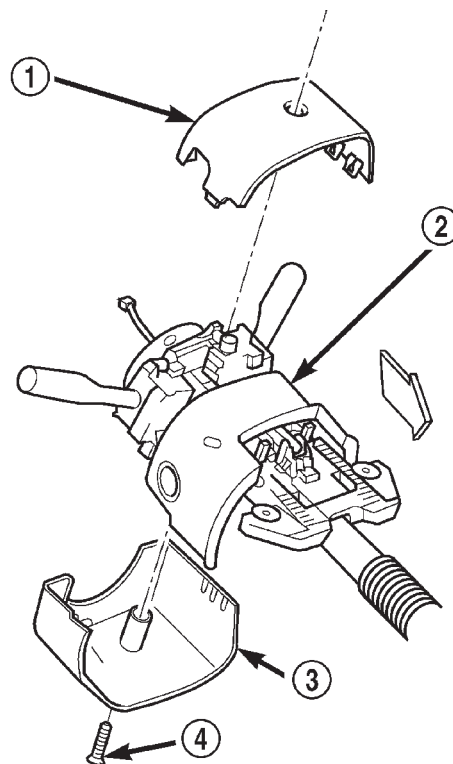
- (5) Reconnect the battery negative cable.

### TURN SIGNAL AND HAZARD WARNING SWITCH

**WARNING: ON VEHICLES EQUIPPED WITH AIRBAGS, REFER TO GROUP 8M - PASSIVE RESTRAINT SYSTEMS BEFORE ATTEMPTING ANY STEERING WHEEL, STEERING COLUMN, OR INSTRUMENT PANEL COMPONENT DIAGNOSIS OR SERVICE. FAILURE TO TAKE THE PROPER PRECAUTIONS COULD RESULT IN ACCIDENTAL AIRBAG DEPLOYMENT AND POSSIBLE PERSONAL INJURY.**

#### REMOVAL

- (1) Disconnect and isolate the battery negative cable.
- (2) Remove the screw that secures the lower tilting steering column shroud to the steering column multi-function switch mounting housing (Fig. 5).



**Fig. 5 Steering Column Shrouds Remove/Install**

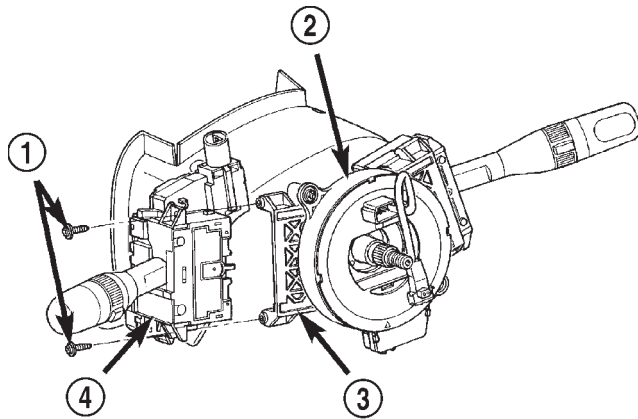
- 1 - UPPER TILTING COLUMN SHROUD
- 2 - FIXED COLUMN SHROUD
- 3 - LOWER TILTING COLUMN SHROUD
- 4 - SCREW

## REMOVAL AND INSTALLATION (Continued)

(3) Unsnap the two halves of the tilting steering column shroud from each other and remove both halves from the steering column.

(4) Disconnect the instrument panel wire harness connector from the turn signal and hazard warning (left multi-function) switch connector receptacle.

(5) Remove the two screws that secure the left multi-function switch to the multi-function switch mounting housing (Fig. 6).



80ba77c7

**Fig. 6 Left Multi-Function Switch Remove/Install**

- 1 - SCREW (2)
- 2 - STEERING COLUMN
- 3 - MULTI-FUNCTION SWITCH MOUNTING HOUSING
- 4 - LEFT MULTI-FUNCTION SWITCH

(6) Remove the left multi-function switch from the multi-function switch mounting housing.

## INSTALLATION

(1) Position the left multi-function switch onto the multi-function switch mounting housing.

(2) Install and tighten the two screws that secure the left multi-function switch to the multi-function switch mounting housing. Tighten the screws to 2.5 N·m (22 in. lbs.).

(3) Reconnect the instrument panel wire harness connector to the left multi-function switch connector receptacle.

(4) Position the lower tilting steering column shroud to the underside of the steering column.

(5) Install and tighten the screw that secures the lower tilting steering column shroud to the multi-function switch mounting housing. Tighten the screw to 1.9 N·m (17 in. lbs.).

(6) Position the upper tilting column shroud over the steering column with the hazard warning switch button inserted through the hole in the upper surface of the shroud. Align the upper tilting steering column shroud to the lower shroud and snap the two shroud halves together.

(7) Reconnect the battery negative cable.

## TURN SIGNAL CANCELLING CAM

**WARNING: ON VEHICLES EQUIPPED WITH AIRBAGS, REFER TO GROUP 8M - PASSIVE RESTRAINT SYSTEMS BEFORE ATTEMPTING ANY STEERING WHEEL, STEERING COLUMN, OR INSTRUMENT PANEL COMPONENT DIAGNOSIS OR SERVICE. FAILURE TO TAKE THE PROPER PRECAUTIONS COULD RESULT IN ACCIDENTAL AIRBAG DEPLOYMENT AND POSSIBLE PERSONAL INJURY.**

## REMOVAL

**NOTE:** Before starting this procedure, be certain to turn the steering wheel until the front wheels are in the straight-ahead position.

(1) Place the front wheels in the straight-ahead position.

(2) Remove the driver side airbag module from the steering wheel. Refer to **Driver Side Airbag Module** in the Removal and Installation section of Group 8M - Passive Restraint Systems for the procedures.

(3) Disconnect the steering wheel wire harness connector from the upper clockspring connector receptacle, which is located between the two upper spokes of the armature within the hub cavity of the steering wheel.

(4) Remove the nut that secures the steering wheel armature to the steering column upper shaft, which is located within the hub cavity of the steering wheel.

(5) Pull the steering wheel off of the steering column upper shaft spline using a two-jawed puller (Special Tool C-3894-A) (Fig. 7). When installing the puller onto the steering wheel, be certain that each jaw of the puller is seated in the pocket that is cast into the underside of the steering wheel armature on each side of the hub (Fig. 8). Also, if the clockspring is to be reused, be certain not to damage or deform the clockspring case when positioning the jaws of the puller below the steering wheel armature hub.

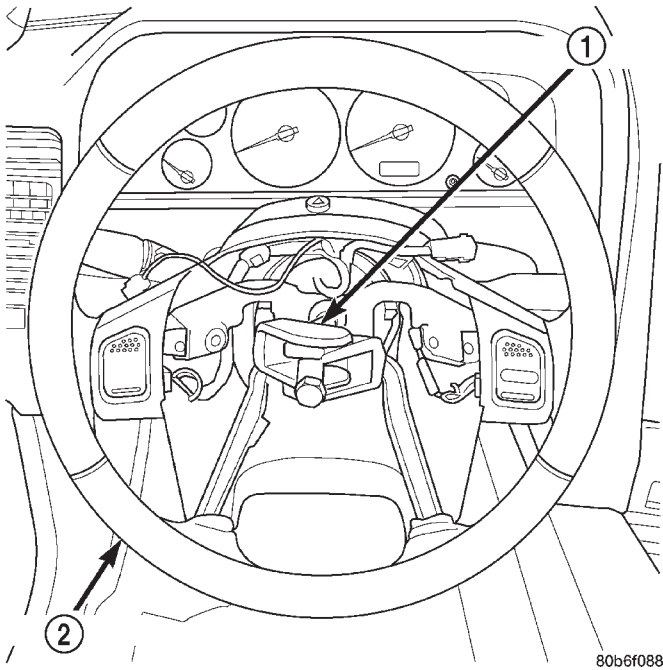
(6) Remove the screw that secures the lower tilting steering column shroud to the steering column multi-function switch mounting housing (Fig. 9).

(7) Unsnap the two halves of the tilting steering column shroud from each other and remove both halves from the steering column.

(8) Disconnect the instrument panel wire harness connectors from the lower clockspring connector receptacles, the right multi-function switch connector receptacle and the left multi-function switch connector receptacle.

(9) From the underside of the steering column, remove the one screw that secures the multi-function switch mounting housing to the top of the column housing (Fig. 10).

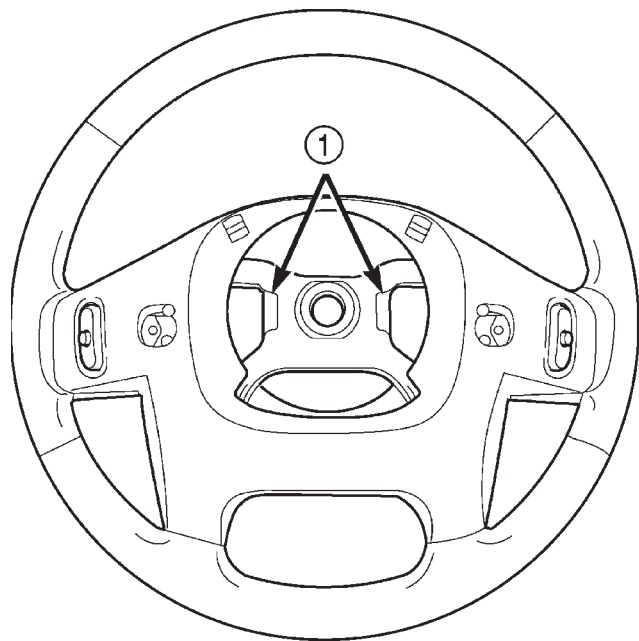
REMOVAL AND INSTALLATION (Continued)



80b6f088

**Fig. 7 Steering Wheel Remove/Install**

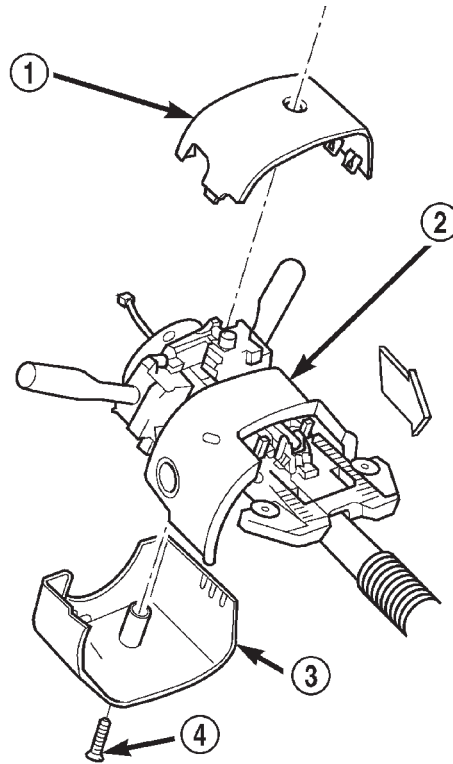
- 1 - PULLER
- 2 - STEERING WHEEL



80b6f089

**Fig. 8 Steering Wheel Armature Pockets**

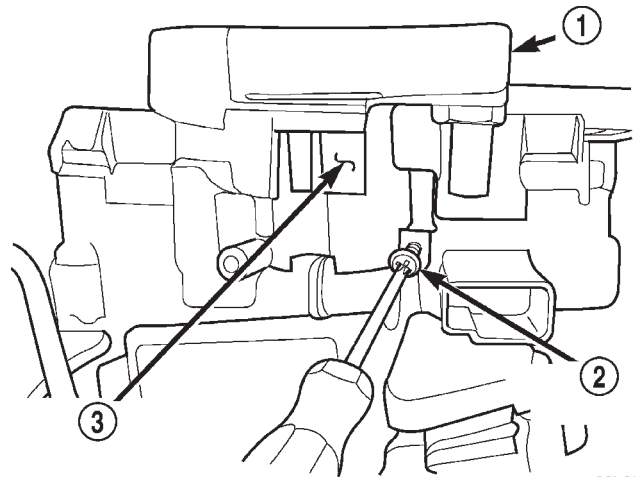
- 1 - STEERING WHEEL POCKETS



80b04f0f

**Fig. 9 Steering Column Shrouds Remove/Install**

- 1 - UPPER TILTING COLUMN SHROUD
- 2 - FIXED COLUMN SHROUD
- 3 - LOWER TILTING COLUMN SHROUD
- 4 - SCREW



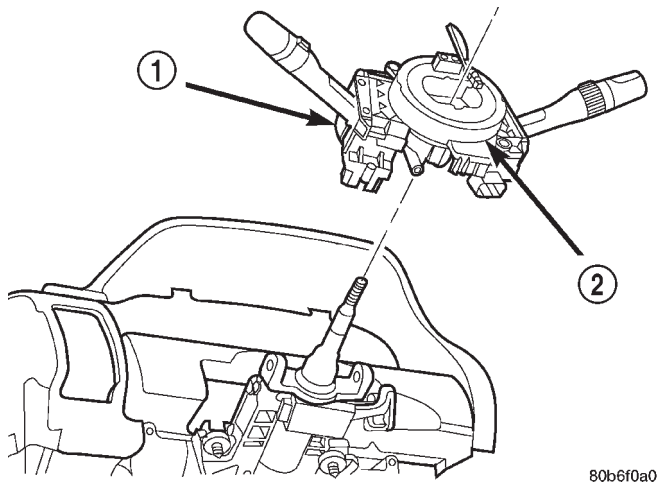
80b6f08c

**Fig. 10 Multi-Function Switch Mounting Housing Screw Remove/Install**

- 1 - CLOCK SPRING
- 2 - MOUNTING SCREW
- 3 - MULTIFUNCTION SWITCH ASSEMBLY

## REMOVAL AND INSTALLATION (Continued)

(10) Pull the multi-function switch mounting housing, the clockspring and both multi-function switches from the top of the steering column as a unit (Fig. 11).

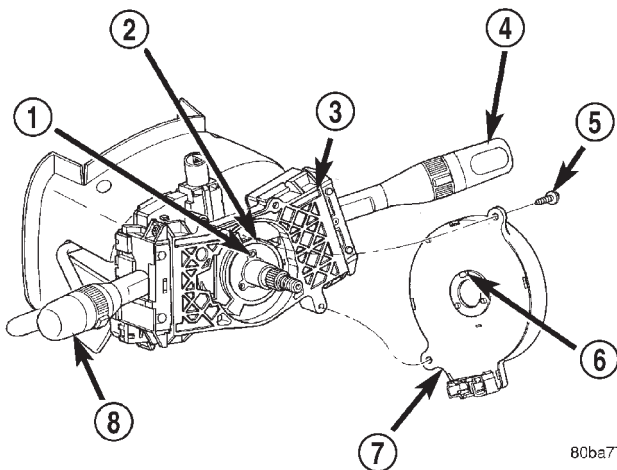


80b6f0a0

**Fig. 11 Multi-Function Switch Mounting Housing Remove/install**

- 1 - MULTIFUNCTION SWITCH  
2 - CLOCK SPRING

(11) Remove the two screws that secure the clockspring case to the multi-function switch mounting housing (Fig. 12).



80ba77cE

**Fig. 12 Clockspring Remove/Install**

- 1 - OBLONG HOLE  
2 - TURN SIGNAL CANCELLING CAM  
3 - MULTI-FUNCTION SWITCH MOUNTING HOUSING  
4 - RIGHT MULTI-FUNCTION SWITCH  
5 - SCREW (2)  
6 - OBLONG PIN  
7 - CLOCKSPRING  
8 - LEFT MULTI-FUNCTION SWITCH

(12) Remove the clockspring from the multi-function switch mounting housing.

(13) Remove the turn signal and hazard warning switch from the multi-function switch mounting housing. Refer to **Turn Signal and Hazard Warning Switch** in the Removal and Installation section of this group for the procedures.

(14) Remove the wiper and washer switch from the multi-function switch mounting housing. Refer to **Wiper and Washer Switch** in the Removal and Installation section of Group 8K - Wiper and Washer Systems for the procedures.

## INSTALLATION

If the clockspring is not properly centered in relation to the steering wheel, steering shaft and steering gear, it may be damaged. Refer to **Clockspring Centering** in the Adjustments section of Group 8M - Passive Restraint Systems before installing or reinstalling a clockspring.

**NOTE:** Before starting this procedure, be certain that the front wheels are still in the straight-ahead position.

(1) Install the wiper and washer switch onto the multi-function switch mounting housing. Refer to **Wiper and Washer Switch** in the Removal and Installation section of Group 8K - Wiper and Washer Systems for the procedures.

(2) Install the turn signal and hazard warning switch onto the multi-function switch mounting housing. Refer to **Turn Signal and Hazard Warning Switch** in the Removal and Installation section of this group for the procedures.

(3) Rotate the turn signal cancelling cam in the multi-function switch mounting housing until the alignment hole in the one cam lobe is aligned with the alignment hole in the back of the housing. The oblong hole in the hub of the cam should now be at the top, and the locating tab in the hub of the cam should be at the bottom (Fig. 13).

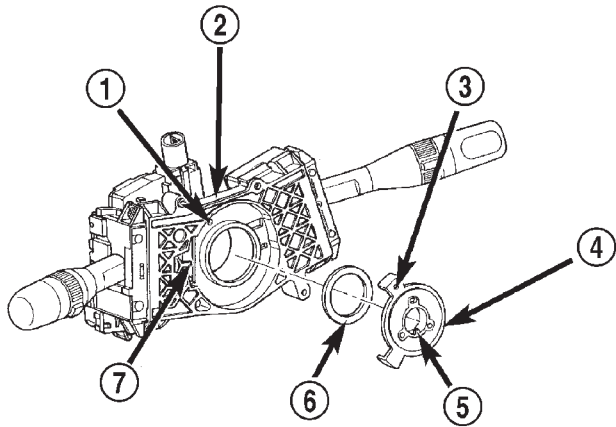
(4) While holding the centered clockspring hub and case stationary in relationship to each other, align and seat the three pins in the clockspring hub with the three holes in the hub of the turn signal cancelling cam. It should be noted that when the clockspring is properly centered the uppermost pin in the clockspring hub is an oblong pin, and it will only fit in the oblong hole in the hub of the turn signal cancelling cam.

(5) Align and seat the one pin and the two mounting holes on the clockspring case to their respective holes in the multi-function switch mounting housing.

(6) Install and tighten the two clockspring mounting screws. Tighten the screws to 2.5 N·m (22 in. lbs.).



## REMOVAL AND INSTALLATION (Continued)



80ba77cb

**Fig. 13 Turn Signal Cancelling Cam Alignment**

- 1 - ALIGNMENT HOLE
- 2 - MULTI-FUNCTION SWITCH MOUNTING HOUSING
- 3 - ALIGNMENT HOLE
- 4 - TURN SIGNAL CANCELLING CAM
- 5 - LOCATING TAB
- 6 - WASHER
- 7 - TURN SIGNAL SWITCH CANCEL ACTUATOR

(7) Position the multi-function switch mounting housing, the clockspring and both multi-function switches onto the top of the steering column as a unit. The locating tab in the hub of the turn signal cancelling cam must be engaged with the alignment groove in the bottom of the upper steering column shaft.

(8) From the underside of the steering column, install and tighten the one screw that secures the multi-function switch mounting housing to the top of the column housing. Tighten the screw to 1.9 N·m (17 in. lbs.).

(9) Reconnect the instrument panel wire harness connectors to the lower clockspring connector receptacles, the right multi-function switch connector receptacle and the left multi-function switch connector receptacle.

(10) Position the lower tilting steering column shroud to the steering column.

(11) Install and tighten the screw that secures the shroud to the multi-function switch mounting housing. Tighten the screw to 1.9 N·m (17 in. lbs.).

(12) Position the upper tilting column shroud to the steering column with the hazard warning switch button inserted through the hole in the upper surface of the shroud. Align the upper tilting steering column shroud to the lower shroud and snap the two shroud halves together.

(13) Install the steering wheel to the steering column upper shaft. Be certain to index the alignment splines in the hub of the steering wheel armature with the splines on the shaft. Pull the clockspring wire harness through the hole between the two upper steering wheel armature spokes.

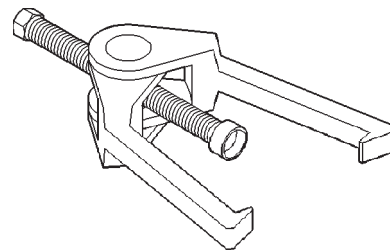
(14) Install and tighten the steering wheel mounting nut. Tighten the nut to 47 N·m (420 in. lbs.). Be certain not to pinch the wire harnesses between the steering wheel and the nut.

(15) Reconnect the steering wheel wire harness connector to the upper clockspring connector receptacle, which is located between the two upper spokes of the armature within the hub cavity of the steering wheel.

(16) Install the driver side airbag module onto the steering wheel. Refer to **Driver Side Airbag Module** in the Removal and Installation section of Group 8M - Passive Restraint Systems for the procedures.

## SPECIAL TOOLS

## TURN SIGNAL AND HAZARD WARNING SYSTEMS

**Puller C-3894-A**





# WIPER AND WASHER SYSTEMS

## TABLE OF CONTENTS

	page	page
<b>DESCRIPTION AND OPERATION</b>		
WINDSHIELD WIPER AND WASHER SYSTEM . . . . .	1	
REAR WIPER AND WASHER SYSTEM . . . . .	2	
REAR WIPER ARM AND BLADE . . . . .	3	
REAR WASHER NOZZLE AND PLUMBING . . . . .	4	
REAR WIPER MOTOR MODULE . . . . .	4	
WASHER FLUID LEVEL SENSOR . . . . .	4	
WASHER RESERVOIR AND PUMP . . . . .	5	
WINDSHIELD WASHER NOZZLE AND PLUMBING . . . . .	5	
WINDSHIELD WIPER ARM AND BLADE . . . . .	6	
WINDSHIELD WIPER MOTOR, PIVOT AND LINKAGE MODULE . . . . .	6	
WIPER HIGH/LOW RELAY . . . . .	7	
WIPER SWITCH AND WASHER SWITCH . . . . .	7	
WIPER ON/OFF RELAY . . . . .	8	
<b>DIAGNOSIS AND TESTING</b>		
WINDSHIELD WIPER SYSTEM . . . . .	8	
REAR WIPER SYSTEM . . . . .	10	
WASHER SYSTEM . . . . .	11	
WIPER AND WASHER SWITCH . . . . .	12	
WIPER HIGH/LOW RELAY . . . . .	12	
WIPER ON/OFF RELAY . . . . .	14	
<b>REMOVAL AND INSTALLATION</b>		
WIPER ARM . . . . .	15	
WIPER BLADE . . . . .	15	
REAR WIPER ARM PARK RAMP . . . . .	17	
WINDSHIELD WIPER MOTOR, PIVOT AND LINKAGE MODULE . . . . .	17	
REAR WIPER MOTOR MODULE . . . . .	19	
WIPER AND WASHER SWITCH . . . . .	20	
WIPER RELAYS . . . . .	21	
WASHER NOZZLE AND PLUMBING . . . . .	21	
WASHER PUMP . . . . .	23	
WASHER RESERVOIR . . . . .	24	
WASHER FLUID LEVEL SENSOR . . . . .	25	

## DESCRIPTION AND OPERATION

### WINDSHIELD WIPER AND WASHER SYSTEM

#### DESCRIPTION

An electrically operated intermittent windshield wiper and washer system is standard factory-installed safety equipment on this model. The driver controls all front and rear wiper and washer system functions with the switches that are integral to the wiper and washer (right multi-function) switch mounted on the right side of the steering column. The windshield wiper and washer systems operate on ignition switched battery current obtained through a fuse and a circuit breaker in the junction block, and will operate only when the ignition switch is in the Accessory or On positions.

The intermittent wiper system allows the driver to select from two continuous wiper speeds, five intermittent wipe delay periods or a mist mode. This system also has a wipe-after-wash feature that operates the wipers for as long as the washer pump is energized, then provides about three additional sweeps of the wipers after the washer pump is de-energized. The intermittent wipe mode delay times are speed

sensitive. Above about sixteen kilometers-per-hour (ten miles-per-hour) the delay is driver adjustable from about one-half second to about eighteen seconds. Below about sixteen kilometers-per-hour (ten miles-per-hour) the delay times are doubled, from about one second to about thirty-six seconds.

The windshield washer system shares its washer reservoir with the rear washer system, but has its own dedicated washer pump and plumbing. The front washer pump is mounted lower in the reservoir than the rear washer pump so that when the washer fluid level becomes low the front washers will continue to operate after the rear washer pump has run dry. Vehicles equipped with the optional Electronic Vehicle Information Center (EVIC) have a low washer fluid warning feature that will give the driver an indication when the washer fluid needs to be replenished.

This vehicle also offers several customer programmable features, which allows the selection of several optional electronic features to suit individual preferences. Refer to **ELECTRONIC VEHICLE INFORMATION CENTER PROGRAMMING** in the Service Procedures section of Group 8V - Overhead Console Systems for more information on the customer programmable feature options.

## DESCRIPTION AND OPERATION (Continued)

A customer programmable feature option affecting the windshield wiper and washer system is: **Headlamps On With Wipers** - This feature is only available on models that are also equipped with the Auto Headlamps option. If this feature is enabled, the headlamps will turn on automatically when the windshield wipers are turned on; and, if the headlamps were turned on automatically when the wipers were turned on, they will turn off automatically when the wipers are turned off.

The windshield wiper and washer system includes the following components:

- Washer fluid level sensor
- Washer reservoir and pump
- Windshield washer nozzle and plumbing
- Windshield wiper arm and blade
- Windshield wiper motor, linkage and pivot module
- Wiper and washer (right multi-function) switch
- Wiper high/low relay
- Wiper on/off relay.

Certain functions and features of the windshield wiper and washer systems rely upon resources shared with other electronic modules in the vehicle over the Programmable Communications Interface (PCI) data bus network. The PCI data bus network allows the sharing of sensor information. This helps to reduce wire harness complexity, internal controller hardware, and component sensor current loads. At the same time, this system provides increased reliability, enhanced diagnostics, and allows the addition of many new feature capabilities. For diagnosis of these electronic modules or of the PCI data bus network, the use of a DRB scan tool and the proper Diagnostic Procedures manual are recommended.

The other electronic modules that may affect windshield wiper and washer system operation are as follows:

- **Body Control Module (BCM)** - Refer to **Body Control Module** in the Description and Operation section of Group 8E - Instrument Panel Systems for more information.

- **Electronic Vehicle Information Center (EVIC)** - Refer to **Electronic Vehicle Information Center** in the Description and Operation section of Group 8V - Overhead Console Systems for more information.

- **Powertrain Control Module (PCM)** - Refer to **Powertrain Control Module** in the Description and Operation section of Group 14 - Fuel System for more information.

Refer to **Wipers** in the Contents of Group 8W - Wiring Diagrams for complete circuit diagrams. Following are general descriptions of the major components in the windshield wiper and washer systems.

## OPERATION

The vehicle operator selects the desired windshield wiper and washer system functions using the wiper and washer (right multi-function) switch, which is located on the right side of the steering column. The right multi-function switch provides hard wired resistor multiplexed inputs to the BCM for all wiper system functions, except for the high speed wiper motor operation. The high speed wiper motor windings are activated by the wiper high/low relay when the relay control coil is energized through a direct hard wired circuit from the right multi-function switch.

The BCM also is provided with hard wired input from the wiper motor park switch and the windshield washer pump control circuit, along with message inputs received over the PCI data bus from other electronic modules in the vehicle. The BCM uses these inputs and its internal programming to control all other windshield wiper system functions. The BCM controls the low speed wiper motor windings through control outputs to and through the wiper on/off relay. The BCM uses this control of the low speed wiper motor windings to provide the low speed, intermittent, mist, wipe-after-wash and park functions for the windshield wiper system.

The windshield washer system is controlled by a direct hard wired battery current feed from the right multi-function switch to the front washer pump. The BCM monitors this circuit through a hard wired input so that it can provide low speed wiper operation to coincide with washer pump operation and the wipe-after-wash feature.

See the owner's manual in the vehicle glove box for more information on the features, use and operation of the windshield wiper and washer systems.

## REAR WIPER AND WASHER SYSTEM

## DESCRIPTION

An electrically operated intermittent rear wiper and washer system is standard factory-installed equipment on this model. The driver controls all front and rear wiper and washer system functions with the switches that are integral to the wiper and washer (right multi-function) switch mounted on the right side of the steering column. The rear wiper and washer systems are controlled by ignition switched battery current through a fuse in the junction block, and will operate only when the ignition switch is in the Accessory or On positions.

The intermittent rear wiper and washer system allows the driver to select from a continuous fixed-cycle wipe or an intermittent wipe mode. This system also has a wipe-after-wash feature that operates the rear wiper for as long as the washer pump is energized, then provides about three additional sweeps of

## DESCRIPTION AND OPERATION (Continued)

the wiper after the washer pump is de-energized. The intermittent wipe mode delay time has a fixed delay interval of about five to eight seconds between sweeps.

The rear wiper motor module operates on a separate non-switched battery current feed through a fuse in the junction block. The rear wiper motor parks the rear wiper blade off of the glass if the ignition switch has been turned off while the rear wiper blade was still on the glass. The rear wiper motor also monitors the liftgate flip-up glass ajar switch circuit, and will park the rear wiper blade off of the glass any time it senses that the liftgate flip-up glass is ajar. This feature ensures that the rear wiper blade will not interfere with or be damaged by the operation of the liftgate flip-up glass. Refer to **Liftgate Flip-Up Glass Ajar Switch** in the Vehicle Theft Security System section of Group 8Q - Vehicle Theft/Security Systems for more information on this switch.

The rear washer system shares the washer reservoir of the windshield washer system, but has its own dedicated washer pump and plumbing. The front washer pump is mounted lower in the reservoir than the rear washer pump so that when the washer fluid level becomes low the front washers will continue to operate after the rear washer pump has run dry. Vehicles equipped with the optional Electronic Vehicle Information Center (VIC) have a low washer fluid warning feature that will give the driver an indication when the washer fluid needs to be replenished.

The rear wiper and washer system includes the following components:

- Washer reservoir and pump
- Wiper and washer (right multi-function) switch
- Rear washer nozzle and plumbing
- Rear wiper arm and blade
- Rear wiper arm park ramp
- Rear wiper motor module.

Refer to **Wipers** in the Contents of Group 8W - Wiring Diagrams for complete circuit diagrams. Following are general descriptions of the major components in the windshield wiper and washer systems.

## OPERATION

The vehicle operator selects the desired rear wiper and washer system functions using the wiper and washer (right multi-function) switch, which is located on the right side of the steering column. The right multi-function switch provides hard wired ignition switched battery current feeds to the rear wiper module for all rear wiper and washer system functions, and a hard wired ignition switched battery current feed to the rear washer pump for the washer system function.

See the owner's manual in the vehicle glove box for more information on the features, use and operation of the rear wiper and washer systems.

## REAR WIPER ARM AND BLADE

### DESCRIPTION

All Grand Cherokee models have a single 31.00 centimeter (12.20 inch) rear wiper blade with a non-replaceable rubber element (squeegee). The center of the wiper blade has a molded plastic pivot block with an integral latch that is secured in a U-shaped formation on the end of the wiper arm.

The spring-loaded wiper arm features an over-center hinge. The spring tension of the wiper arm controls the pressure applied to the wiper blade on the glass. The over-center hinge allows the blade to stand off of the liftgate for easy snow removal and cleaning of the glass and squeegee.

The rear wiper arm is secured by a nut to the threaded studs of the rear wiper motor output shaft near the base of the liftgate flip-up glass. A molded plastic cap on the end of the wiper arm pivots and snaps over the end of the arm for a neat appearance. When the rear wiper arm is in its park position, an integral molded plastic support in the middle of the arm is positioned on a molded rubber park ramp on the liftgate. The wiper arm support and the park ramp also provide an alignment reference to ensure accurate rear wiper arm and blade installation.

Caution should be exercised to protect the rubber wiper blade squeegee from any petroleum-based cleaners or contaminants, which will rapidly deteriorate the rubber. Also, wiper squeegees exposed to the elements for a long time tend to lose their wiping effectiveness.

Periodic cleaning of the wiper blade squeegee is suggested to remove deposits of salt and road film. The wiper blades, arm, and rear glass should be cleaned with a sponge or cloth and windshield washer fluid, a mild detergent, or a non-abrasive cleaner. If the squeegee is damaged, worn, or contaminated the wiper blade should be replaced.

The wiper blade and wiper arm are available for service replacement. The wiper arm and wiper blade cannot be adjusted or repaired. If they are faulty or damaged, they must be replaced.

### OPERATION

When the wiper blade is moved back and forth across the rear glass, the rubber squeegee of the wiper blade clears the glass of rain, snow and other materials that can obstruct visibility. The spring loaded hinge of the wiper arm determines the pressure applied to the wiper blade on the glass. The multiple bridge formations of the wiper blade help to

## DESCRIPTION AND OPERATION (Continued)

distribute the wiper arm spring pressure evenly over the length of the squeegee, and allow the squeegee to conform to the contour of the glass.

**REAR WASHER NOZZLE AND PLUMBING****DESCRIPTION**

The rear washer system plumbing begins at the washer pump near the bottom of the washer reservoir below the left front wheel house extension and between the left inner and outer fenders. The washer reservoir hose is routed from the washer pump up along the washer reservoir filler neck into the engine compartment. Just rearward of the washer reservoir filler neck in the engine compartment an in-line connector joins the hose to the engine compartment hose. The engine compartment hose is routed along the top of the left front fender wheel house to the dash panel. This hose passes through a grommeted hole in the dash panel into the passenger compartment.

Below the instrument panel in the passenger compartment near the left cowl side inner panel, an in-line connector joins the engine compartment hose to the A-pillar hose. The A-pillar hose is routed up the left A-pillar to the headliner. At the headliner, an in-line connector joins the A-pillar hose to the headliner hose. The headliner hose is routed above the headliner and along the left roof side rail to the rear of the vehicle. At the rear of the vehicle, the headliner hose is routed above the headliner and along the upper liftgate opening panel toward the right side of the vehicle. The headliner hose then passes through a grommeted hole in the upper liftgate opening panel and through another grommeted hole into the upper inner liftgate panel to the rear washer nozzle.

The rear washer nozzle is a fluidic type unit that includes an integral check valve. The nozzle has a rubber seal on the back of it and is snapped into a hole in the liftgate outer panel above the liftgate flip-up glass. The washer nozzle is not adjustable. The washer nozzles and hose fittings cannot be repaired and, if faulty or damaged, they must be replaced. The headliner washer hose is integral to the headliner unit and, if faulty or damaged, the headliner unit must be replaced. The remaining hoses for the rear washer system are serviceable.

**OPERATION**

Pressurized washer fluid is fed through the washer system plumbing to the rear washer nozzle by the rear washer pump on the washer reservoir. The fluidic rear nozzle helps to disperse a fine and even spray over a wide area of the rear glass. The integral rear washer nozzle check valve prevents the washer fluid from draining from the nozzle back to the res-

ervoir or from leaking out of the nozzle after washer operation is complete.

**REAR WIPER MOTOR MODULE****DESCRIPTION**

The rear wiper motor module is secured with two screws and an integral bracket to two keyed holes in the liftgate inner panel, below the liftgate flip-up glass opening and behind the liftgate trim panel. The motor output shaft passes through the liftgate outer panel where a gasket, bezel and nut seal and secure the output shaft to the liftgate outer panel. A molded plastic nut cover snaps onto the bezel to conceal the nut and improve appearance.

The rear wiper motor module is a self-contained unit. The module contains the wiper motor, transmission, linkage and integral rear wiper system electronic logic and controls. The electronic controls for the motor include an electronic speed control that speeds the wiper blade near the center of the glass, but slows the wiper blade during directional reversals at each end of the wipe pattern and during wiper blade off of the glass parking for quieter operation.

The rear wiper motor module cannot be repaired or adjusted. If faulty or damaged, the entire rear wiper motor module unit must be replaced.

**OPERATION**

The rear wiper motor module receives non-switched battery current through a fuse in the junction block and is grounded at all times. The module also receives external control inputs from the wiper and washer (right multi-function) switch, and the liftgate flip-up glass ajar switch circuit. The rear wiper motor module electronic control logic uses these inputs, its internal inputs and its programming to provide continuous wipe, delay wipe, wipe-after-wash and off of the glass wiper blade parking.

**WASHER FLUID LEVEL SENSOR****DESCRIPTION**

The washer fluid level sensor is mounted near the bottom of the washer reservoir on the forward facing side. A barbed nipple on the sensor is press-fit into a rubber grommet seal installed in the mounting hole on the washer reservoir. The washer fluid level sensor uses a pivoting float to monitor the fluid level in the washer reservoir. The pivoting float opens and closes the switch contacts in the sensor.

The washer fluid level sensor cannot be adjusted or repaired and, if faulty or damaged, the sensor unit must be replaced.



## DESCRIPTION AND OPERATION (Continued)

**OPERATION**

The washer fluid level sensor is hard wired directly to the Body Control Module (BCM). The BCM sends five volts to the sensor on a single circuit. When the washer fluid level is at or above the float level in the reservoir, the internal switch contacts of the sensor are open. When the washer fluid level in the reservoir falls below the float of the sensor, the float changes position and closes the internal switch contacts of the sensor to ground.

When the BCM senses ground on the circuit, it is programmed to send low washer fluid messages to the Electronic Vehicle Information Center (EVIC) over the Programmable Communications Interface (PCI) data bus. The EVIC is programmed to respond to this message by displaying the Washer Fluid Low warning and sending a chime request message back to the BCM over the PCI data bus. Then the BCM generates an audible chime tone warning.

**WASHER RESERVOIR AND PUMP****DESCRIPTION**

A single washer fluid reservoir is used for both the windshield and rear washer systems. The washer fluid reservoir is concealed behind the inner fender liner ahead of the left front wheel. The reservoir is secured to the inner fender shield, between the inner and outer fender panels. The washer reservoir filler neck extends upward through a hole in the left front wheelhouse extension into the engine compartment. The washer fluid reservoir has a snap-fit filler cap with a rubber seal. The cap hinges on and is secured to a molded-in hook formation on the rear of the reservoir filler neck. The reservoir also has a provision for a washer fluid level sensor on the forward facing side of the reservoir body.

Each of the two washer pump and motor units has a permanently lubricated and sealed motor coupled to a rotor-type pump. The two washer pump and motor units have a barbed nipple on the inlet side of the pump, which is installed through a rubber grommet seal inserted in a hole near the bottom of the outboard side of the washer reservoir. A smaller barbed nipple on the outlet side of the pump is connected to the washer hose.

Both the washer reservoir and the washer pump and motor units cannot be repaired. If they are faulty or damaged, they must be replaced. The washer reservoir, the grommet seals, the filler cap and the two washer pump and motor units are all available for service replacement.

**OPERATION**

Washer fluid is gravity-fed from the washer reservoir to the washer pump inlet. One brush of the washer

pump motor is grounded at all times. When the washer switch is actuated, battery current is provided to the other brush, energizing the washer pump motor. When the washer pump motor is energized, it spins the pump rotor which pressurizes the washer fluid and forces it out the pump outlet nipple and through the washer plumbing to the washer nozzle(s).

**WINDSHIELD WASHER NOZZLE AND PLUMBING****DESCRIPTION**

The windshield washer system plumbing begins at the washer pump near the bottom of the washer reservoir below the left front wheel house extension and between the left inner and outer fenders. The washer reservoir hose is routed from the washer pump up along the washer reservoir filler neck into the engine compartment. Just rearward of the washer reservoir filler neck in the engine compartment an in-line connector joins the hose to the engine compartment hose. The engine compartment hose is routed along the top of the left front fender wheel house to the plenum panel. This hose passes through a grommated hole in the plenum panel into the cowl plenum.

On the left side of the cowl plenum, an in-line connector joins the engine compartment hose to the cowl grille cover hose. The cowl grille cover hose is routed through routing clips on the underside of the cowl grille cover to a wye fitting. The cowl grille cover hose is connected to one nipple on the wye fitting and the two washer nozzle hoses are connected to the other two wye fitting nipples. The washer nozzle hoses are routed along the underside of the cowl grille cover to the two washer nozzles.

The two windshield washer nozzles are fluidic type units. The nozzles are snapped into holes in the cowl grille cover near the base of the windshield. The washer nozzles are not adjustable. The wye fitting contains an integral check valve. The washer nozzles, wye fitting and hose fittings cannot be repaired and, if faulty or damaged, they must be replaced. The washer hoses for the windshield washer system are serviceable.

**OPERATION**

Pressurized washer fluid is fed through the washer system plumbing to the windshield washer nozzles by the front washer pump on the washer reservoir. The fluidic washer nozzles help to disperse a fine and even spray over a wide area of the windshield glass. The integral wye fitting check valve prevents the washer fluid from draining from the nozzles back to the reservoir or from leaking out of the nozzles after washer operation is complete.

## DESCRIPTION AND OPERATION (Continued)

**WINDSHIELD WIPER ARM AND BLADE****DESCRIPTION**

All Grand Cherokee models have two 52.50 centimeter (20.67 inch) long windshield wiper blades with non-replaceable rubber elements (squeegees). The center of the wiper blade has a molded plastic pivot block with an integral latch that is secured in a U-shaped formation on the end of the wiper arm.

The spring-loaded wiper arms feature over-center hinges. The spring tension of the wiper arm controls the pressure applied to the wiper blade on the glass. The over-center hinges allow the blades to stand off of the glass for easy snow removal and cleaning of the glass and squeegees.

The windshield wiper arms are secured by a nut to the threaded studs on the two wiper pivots near the base of the windshield. A molded plastic cap fits over the nut for a neat appearance. Alignment marks molded into the windshield near the base of the glass ensure accurate wiper arm and blade installation.

Caution should be exercised to protect the rubber wiper blade squeegees from any petroleum-based cleaners or contaminants, which will rapidly deteriorate the rubber. Also, wiper squeegees exposed to the elements for a long time tend to lose their wiping effectiveness.

Periodic cleaning of the wiper blade squeegees is suggested to remove deposits of salt and road film. The wiper blades, arms, and windshield glass should be cleaned with a sponge or cloth and windshield washer fluid, a mild detergent, or a non-abrasive cleaner. If the squeegees are damaged, worn, or contaminated the wiper blades should be replaced.

The wiper blades and wiper arms are available for service replacement. The wiper arms and wiper blades cannot be adjusted or repaired. If they are faulty or damaged, they must be replaced.

**OPERATION**

When the wiper blades are moved back and forth across the windshield glass, the rubber squeegees of the wiper blade clear the glass of rain, snow and other materials that can obstruct visibility. The spring loaded hinges of the wiper arms determine the pressure applied to the wiper blade on the glass. The multiple bridge formations of the wiper blade help to distribute the wiper arm spring pressure evenly over the length of the squeegee, and allow the squeegee to conform to the contour of the glass.

**WINDSHIELD WIPER MOTOR, PIVOT AND LINKAGE MODULE****DESCRIPTION**

The windshield wiper motor, pivot and linkage module is secured with four screws through rubber isolators to the cowl plenum panel beneath the cowl plenum cover/grille panel. The two-speed permanent magnet windshield wiper motor has an integral transmission and park switch. The park switch opens and closes as the wiper motor operates. When the wipers are up off the base of the windshield, the park switch is closed; and, when the wipers are near the base of the windshield (parked), the park switch is open. The wiper motor is secured below the center of the module bracket with three screws. The wiper motor output shaft passes through a clearance hole, where a nut secures the wiper motor crank arm to the motor output shaft above the module bracket.

The two wiper pivots are secured at the ends of the module bracket. The two wiper pivot lever arms and the wiper motor crank arm each have ball studs on their ends. The motor crank arm ball stud is the longer of the three. Two drive links connect the motor crank arm to the pivot lever arms. The passenger side drive link has a plastic socket-type bushing on each end. The driver side drive link has a plastic socket-type bushing on one end, and a plastic sleeve-type bushing on the other end. The socket-type bushing on one end of each drive link is snap-fit over the ball stud on the lever arm of its respective pivot. The driver side drive link sleeve-type bushing end is then fit over the motor crank arm ball stud, and the other socket-type bushing of the passenger side drive link is snap-fit over the exposed end of the motor crank arm ball stud.

The wiper motor, pivots, linkage, bushings, motor crank arm and mounting bracket are only serviced as a complete unit. If any part of this unit is faulty or damaged, the entire wiper motor pivot and linkage module must be replaced.

**OPERATION**

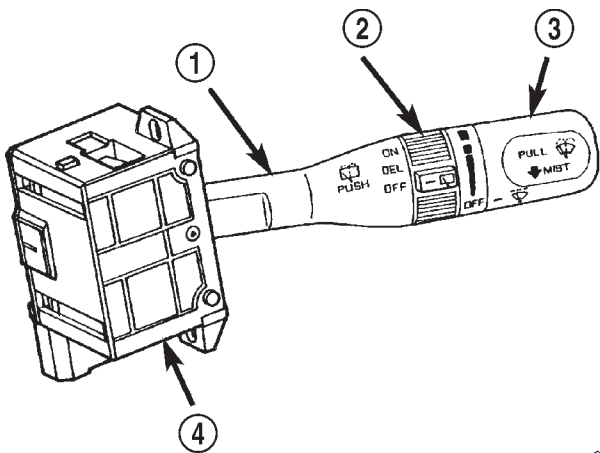
The windshield wiper motor speed is controlled by current flow to the proper set of brushes. When the wiper motor is turned on, the park switch provides the Body Control Module (BCM) with a pulse signal that allows the BCM wiper system logic to monitor the number and frequency of the wipe cycles. When the wiper motor is turned off, the closed park switch (wipers up) provides battery voltage to the wiper motor until the park switch opens (wipers down or parked). The wiper motor crank arm, linkage and pivots convert the rotary action of the wiper motor output shaft to the back and forth wiping motion of the wiper arms and blades.

## DESCRIPTION AND OPERATION (Continued)

## WIPER SWITCH AND WASHER SWITCH

## DESCRIPTION

All of the windshield and rear wiper and washer system switches are integral to the right (wiper) multi-function switch unit, which is secured to the right side of the multi-function switch mounting housing at the top of the steering column (Fig. 1). The only visible part of the right multi-function switch is the control stalk that extends from the right side of the steering column. The right multi-function switch control stalk has both nomenclature and international control symbols on it, which identify its many functions. The remainder of the right multi-function switch is concealed beneath the steering column shrouds.



**Fig. 1 Right (Wiper) Multi-Function Switch**

- 1 - CONTROL STALK
- 2 - REAR WIPER CONTROL
- 3 - FRONT WIPER CONTROL
- 4 - RIGHT (WIPER) MULTI-FUNCTION SWITCH

The wiper and washer system switches cannot be repaired. If these switches or any other circuit or component of the right multi-function switch unit is faulty or damaged, the entire right multi-function switch unit must be replaced.

## OPERATION

A rotary switch knob on the end of the right multi-function switch control stalk is rotated to select the desired windshield wiper continuous speed setting or one of five intermittent wipe mode delay intervals. The control stalk is pulled toward the driver to activate the windshield washer system. The control stalk is moved downward to activate the windshield wiper mist function.

A rotary switch ring on the right multi-function switch stalk just below the windshield wiper switch knob controls the rear wiper system functions. The

switch ring is rotated to select the rear wiper delay or continuous wipe modes. The control stalk is pushed away from the driver, toward the instrument panel to activate the rear washer system.

See the owner's manual in the vehicle glove box for more information on the features, use and operation of the wiper and washer (right multi-function) switches.

## WIPER HIGH/LOW RELAY

## DESCRIPTION

The wiper high/low relay is a electromechanical device that switches battery current from the wiper motor low speed coil windings to the high speed coil windings when the wiper and washer (right multi-function) switch grounds the relay coil. The wiper high/low relay is located in the Power Distribution Center (PDC) in the engine compartment. See the fuse and relay layout label affixed to the inside surface of the PDC cover for wiper high/low relay identification and location.

The wiper high/low relay is a International Standards Organization (ISO) micro-relay. Relays conforming to the ISO specifications have common physical dimensions, current capacities, terminal patterns, and terminal functions. The ISO micro-relay terminal functions are the same as a conventional ISO relay. However, the ISO micro-relay terminal pattern (or footprint) is different, the current capacity is lower, and the physical dimensions are smaller than those of the conventional ISO relay.

The wiper high/low relay cannot be repaired or adjusted and, if faulty or damaged, it must be replaced.

## OPERATION

The ISO relay consists of an electromagnetic coil, a resistor or diode, and three (two fixed and one movable) electrical contacts. The movable (common feed) relay contact is held against one of the fixed contacts (normally closed) by spring pressure. When the electromagnetic coil is energized, it draws the movable contact away from the normally closed fixed contact, and holds it against the other (normally open) fixed contact.

When the electromagnetic coil is de-energized, spring pressure returns the movable contact to the normally closed position. The resistor or diode is connected in parallel with the electromagnetic coil in the relay, and helps to dissipate voltage spikes that are produced when the coil is de-energized.



## DESCRIPTION AND OPERATION (Continued)

**WIPER ON/OFF RELAY****DESCRIPTION**

The wiper on/off relay is a electromechanical device that switches battery current to the wiper high/low relay when the Body Control Module (BCM) grounds the relay coil. The wiper on/off relay is located in the Power Distribution Center (PDC) in the engine compartment. See the fuse and relay layout label affixed to the inside surface of the PDC cover for wiper on/off relay identification and location.

The wiper on/off relay is a International Standards Organization (ISO) micro-relay. Relays conforming to the ISO specifications have common physical dimensions, current capacities, terminal patterns, and terminal functions. The ISO micro-relay terminal functions are the same as a conventional ISO relay. However, the ISO micro-relay terminal pattern (or footprint) is different, the current capacity is lower, and the physical dimensions are smaller than those of the conventional ISO relay.

The wiper on/off relay cannot be repaired or adjusted and, if faulty or damaged, it must be replaced.

**OPERATION**

The ISO relay consists of an electromagnetic coil, a resistor or diode, and three (two fixed and one movable) electrical contacts. The movable (common feed) relay contact is held against one of the fixed contacts (normally closed) by spring pressure. When the electromagnetic coil is energized, it draws the movable contact away from the normally closed fixed contact, and holds it against the other (normally open) fixed contact.

When the electromagnetic coil is de-energized, spring pressure returns the movable contact to the normally closed position. The resistor or diode is connected in parallel with the electromagnetic coil in the relay, and helps to dissipate voltage spikes that are produced when the coil is de-energized.

**DIAGNOSIS AND TESTING****WINDSHIELD WIPER SYSTEM**

Following are tests that will help to diagnose the hard wired components and circuits of the windshield wiper system. However, these tests may not prove conclusive in the diagnosis of this system. In order to obtain conclusive testing of the windshield wiper system, the Programmable Communications Interface (PCI) data bus network and all of the electronic modules that provide inputs to, or receive outputs from the windshield wiper system components must be checked.

The most reliable, efficient, and accurate means to diagnose the windshield wiper system requires the use of a DRB scan tool and the proper Diagnostic Procedures manual. The DRB scan tool can provide confirmation that the PCI data bus is functional, that all of the electronic modules are sending and receiving the proper messages on the PCI data bus, and that the wiper on/off and wiper high/low relays are being sent the proper hard wired outputs by the Body Control Module (BCM) for them to perform their windshield wiper system functions.

For complete circuit diagrams, refer to **Wipers** in the Contents of Group 8W - Wiring Diagrams.

**WARNING: ON VEHICLES EQUIPPED WITH AIR-BAGS, REFER TO GROUP 8M - PASSIVE RESTRAINT SYSTEMS BEFORE ATTEMPTING ANY STEERING WHEEL, STEERING COLUMN, OR INSTRUMENT PANEL COMPONENT DIAGNOSIS OR SERVICE. FAILURE TO TAKE THE PROPER PRECAUTIONS COULD RESULT IN ACCIDENTAL AIR-BAG DEPLOYMENT AND POSSIBLE PERSONAL INJURY.**

(1) Check the fused ignition switch output (run/accessory) fuse in the junction block. If OK, go to Step 2. If not OK, repair the shorted circuit or component as required and replace the faulty fuse.

(2) Turn the ignition switch to the On position. Check for battery voltage at the fused ignition switch output (run/accessory) fuse in the junction block. If OK, go to Step 3. If not OK, repair the open fused ignition switch output (run/accessory) circuit to the ignition switch as required.

(3) Turn the ignition switch to the Off position. Disconnect and isolate the battery negative cable. Disconnect the instrument panel wire harness connector from the wiper and washer (right multi-function) switch connector receptacle. Connect the battery negative cable. Turn the ignition switch to the On position. Check for battery voltage at the fused ignition switch output circuit cavity of the instrument panel wire harness connector for the wiper and washer switch. If OK, go to Step 4. If not OK, repair the open circuit to the junction block fuse as required.

(4) Disconnect the 22-way instrument panel wire harness connector from the Body Control Module (BCM). Check for continuity between the windshield wiper switch return circuit cavity of the instrument panel wire harness connector for the wiper and washer switch and a good ground. There should be no continuity. If OK, go to Step 5. If not OK, repair the shorted windshield wiper switch return circuit to the BCM as required.

(5) Check for continuity between the windshield wiper switch return circuit cavities of the instrument

## DIAGNOSIS AND TESTING (Continued)

panel wire harness connector for the wiper and washer switch and the 22-way instrument panel wire harness connector for the BCM. There should be continuity. If OK, go to Step 6. If not OK, repair the open windshield wiper switch return circuit to the BCM as required.

(6) Check for continuity between the windshield wiper switch mux circuit cavity of the instrument panel wire harness connector for the wiper and washer switch and a good ground. There should be no continuity. If OK, go to Step 7. If not OK, repair the shorted windshield wiper switch mux circuit to the BCM as required.

(7) Check for continuity between the windshield wiper switch mux circuit cavities of the instrument panel wire harness connector for the wiper and washer switch and the 22-way instrument panel wire harness connector for the BCM. There should be continuity. If OK, reconnect the 22-way instrument panel wire harness connector to the BCM connector receptacle and go to Step 8. If not OK, repair the open windshield wiper switch mux circuit to the BCM as required.

(8) Refer to **Wiper and Washer Switch** in the Diagnosis and Testing section of this group. If the wiper and washer switch tests OK, reconnect the instrument panel wire harness connector to the wiper and washer switch connector receptacle and go to Step 9. If the wiper and washer switch does not test OK, replace the faulty wiper and washer switch.

(9) If the problem being diagnosed is that the wiper blades do not park, but all other functions are OK, go to Step 10. If the problem being diagnosed is that the wipers will operate in low speed when an intermittent delay is selected and the wiper blades do not park, go to Step 11. If the problem being diagnosed is no wiper operation in any mode, go to Step 14. If the problem being diagnosed is that the wipers will not operate in high speed, go to Step 18.

(10) Turn the ignition switch to the Off position. Disconnect and isolate the battery negative cable. Backprobe the fused ignition switch output (V6) circuit cavity of the left headlamp and dash wire harness connector at the windshield wiper motor. Reconnect the battery negative cable. Turn the ignition switch to the On position. Check for battery voltage. If OK, go to Step 11. If not OK, repair the open fused ignition switch output (V6) circuit to the junction block wiper system circuit breaker as required.

(11) Turn the ignition switch to the Off position. Disconnect and isolate the battery negative cable. Disconnect the left headlamp and dash wire harness connector from the windshield wiper motor connector receptacle. Disconnect the 52-way (C2) instrument panel wire harness connector from the junction block connector receptacle. Check for continuity between

the wiper park switch sense circuit cavity of the left headlamp and dash wire harness connector for the windshield wiper motor and a good ground. There should be no continuity. If OK, go to Step 12. If not OK, repair the shorted wiper park switch sense circuit as required.

(12) Check for continuity between the wiper park switch sense circuit cavities of the left headlamp and dash wire harness connector for the windshield wiper motor and the 52-way (C2) instrument panel wire harness connector for the junction block. There should be continuity. If OK reconnect the 52-way (C2) instrument panel wire harness connector to the junction block connector receptacle and go to Step 13. If not OK, repair the open wiper park switch sense circuit as required.

(13) Reconnect the left headlamp and dash wire harness connector to the windshield wiper motor connector receptacle. Reconnect the battery negative cable. Turn the ignition switch to the On position. Backprobe the wiper park switch sense circuit cavity of the left headlamp and dash wire harness connector at the windshield wiper motor. Check for battery voltage. With the wiper switch in the Low or High position, the meter should switch between battery voltage and zero volts. Turn the wiper switch to the Off position and the meter should read battery voltage until the wiper blades park, and then read a steady zero volts. If OK, use a DRB scan tool and the proper Diagnostic Procedures manual to diagnose the BCM. If not OK, replace the faulty windshield wiper motor.

(14) Backprobe the ground circuit cavity of the left headlamp and dash wire harness connector at the windshield wiper motor. Check for continuity to a good ground. There should be continuity. If OK, go to Step 15. If not OK, repair the open ground circuit to ground as required.

(15) Remove the wiper system circuit breaker from the junction block. Reconnect the battery negative cable. Turn the ignition switch to the On position. Check for battery voltage at the fused ignition switch output (run/accessory) cavity for the wiper system circuit breaker in the junction block. If OK, go to Step 16. If not OK, repair the open fused ignition switch output (run/accessory) circuit to the ignition switch as required.

(16) Turn the ignition switch to the Off position. Disconnect and isolate the battery negative cable. Install the wiper system circuit breaker in the junction block. Reconnect the battery negative cable. Turn the ignition switch to the On position. Check for battery voltage at the fused ignition switch output (V6) circuit cavity for the wiper system circuit breaker in the junction block. If OK, go to Step 17. If not OK, replace the faulty wiper system circuit breaker.



## DIAGNOSIS AND TESTING (Continued)

(17) Refer to **Wiper On/Off Relay** in the Diagnosis and Testing section of this group. If the wiper on/off relay tests OK, go to Step 18. If the wiper on/off relay does not test OK, replace the faulty wiper on/off relay.

(18) Refer to **Wiper High/Low Relay** in the Diagnosis and Testing section of this group. If the wiper high/low relay tests OK, replace the faulty windshield wiper motor. If the wiper high/low relay does not test OK, replace the faulty wiper high/low relay.

**REAR WIPER SYSTEM**

For complete circuit diagrams, refer to **Wipers** in the Contents of Group 8W - Wiring Diagrams.

**WARNING: ON VEHICLES EQUIPPED WITH AIRBAGS, REFER TO GROUP 8M - PASSIVE RESTRAINT SYSTEMS BEFORE ATTEMPTING ANY STEERING WHEEL, STEERING COLUMN, OR INSTRUMENT PANEL COMPONENT DIAGNOSIS OR SERVICE. FAILURE TO TAKE THE PROPER PRECAUTIONS COULD RESULT IN ACCIDENTAL AIRBAG DEPLOYMENT AND POSSIBLE PERSONAL INJURY.**

(1) Check that the interior lighting switch on the control stalk of the left multi-function switch is not in the dome lamp disable position. With all four doors and the liftgate closed, open the liftgate flip-up glass. The interior lamps should light. Close all four doors, the liftgate and the liftgate flip-up glass. Note whether the interior lamps remain lighted. They should turn off after about thirty seconds. If OK, go to Step 2. If not OK, go to Step 9.

(2) Check the fused B(+) fuse in the junction block. If OK, go to Step 3. If not OK, repair the shorted circuit or component as required and replace the faulty fuse.

(3) Check for battery voltage at the fused B(+) fuse in the junction block. If OK, go to Step 4. If not OK, repair the open fused B(+) circuit to the Power Distribution Center (PDC) fuse as required.

(4) Check the fused ignition switch output (run/accessory) fuse in the junction block. If OK, go to Step 5. If not OK, repair the shorted circuit or component as required and replace the faulty fuse.

(5) Turn the ignition switch to the On position. Check for battery voltage at the fused ignition switch output (run/accessory) fuse in the junction block. If OK, turn the ignition switch to the Off position and go to Step 6. If not OK, repair the open fused ignition switch output (run/accessory) circuit to the ignition switch as required.

(6) Disconnect and isolate the battery negative cable. Disconnect the instrument panel wire harness connector from the wiper and washer (right multi-function) switch connector receptacle. Reconnect the

battery negative cable. Turn the ignition switch to the On position. Check for battery voltage at the fused ignition switch output (run/accessory) circuit cavity of the instrument panel wire harness connector for the wiper and washer switch. If OK, go to Step 7. If not OK, repair the open fused ignition switch output (run/accessory) circuit to the junction block fuse as required.

(7) Turn the ignition switch to the Off position. Disconnect and isolate the battery negative cable. Refer to **Wiper and Washer Switch** in the Diagnosis and Testing section of this group. If the wiper and washer switch tests OK, reconnect the instrument panel wire harness connector to the wiper and washer switch connector receptacle and go to Step 8. If the wiper and washer switch does not test OK, replace the faulty wiper and washer switch.

(8) Remove the liftgate inner trim panel. Disconnect the liftgate wire harness connector from the rear wiper motor module connector receptacle. Check for continuity between the ground circuit cavity of the liftgate wire harness connector for the rear wiper motor module and a good ground. There should be continuity. If OK, go to Step 9. If not OK, repair the open ground circuit to ground as required.

(9) Check for continuity between the liftgate flip-up glass ajar switch sense circuit cavity of the liftgate wire harness connector for the rear wiper motor module and a good ground. There should be continuity with the liftgate flip-up glass open, and no continuity with the liftgate flip-up glass closed. If OK, go to Step 10. If not OK, repair the liftgate flip-up glass ajar circuit as required.

(10) Reconnect the battery negative cable. Check for battery voltage at the fused B(+) circuit cavity of the liftgate wire harness connector for the rear wiper motor module. If OK, go to Step 11. If not OK, repair the open fused B(+) circuit to the junction block fuse as required.

(11) Turn the ignition switch to the On position. Turn the rear wiper switch to the Delay position. Check for battery voltage at the rear wiper motor intermittent control circuit cavity of the liftgate wire harness connector for the rear wiper motor module. If OK, go to Step 12. If not OK, repair the open rear wiper motor intermittent control circuit to the wiper and washer switch as required.

(12) Turn the rear wiper switch to the On position. Check for battery voltage at the rear wiper motor control circuit cavity of the liftgate wire harness connector for the rear wiper motor module. If OK, replace the faulty rear wiper motor module. If not OK, repair the open rear wiper motor control circuit to the wiper and washer switch as required.

## DIAGNOSIS AND TESTING (Continued)

## WASHER SYSTEM

## WINDSHIELD

The diagnosis found here addresses an inoperative windshield washer system or wipe-after-wash feature. If the washer pump operates, but no washer fluid is emitted from the washer nozzles, be certain to check the fluid level in the reservoir. Check for ice or other foreign material in the reservoir, and for pinched, disconnected, broken, or incorrectly routed washer system plumbing. For complete circuit diagrams, refer to **Wipers** in the Contents of Group 8W - Wiring Diagrams.

**WARNING: ON VEHICLES EQUIPPED WITH AIR-BAGS, REFER TO GROUP 8M - PASSIVE RESTRAINT SYSTEMS BEFORE ATTEMPTING ANY STEERING WHEEL, STEERING COLUMN, OR INSTRUMENT PANEL COMPONENT DIAGNOSIS OR SERVICE. FAILURE TO TAKE THE PROPER PRECAUTIONS COULD RESULT IN ACCIDENTAL AIR-BAG DEPLOYMENT AND POSSIBLE PERSONAL INJURY.**

(1) Turn the ignition switch to the On position. Turn the windshield wiper switch to the Low or High speed position. Check whether the windshield wipers operate. If OK, go to Step 2. If not OK, refer to **Windshield Wiper System** in the Diagnosis and Testing section of this group.

(2) Turn the wiper switch to the Off position. Actuate the windshield washer switch. The washer pump should operate and the windshield wipers should operate for about three sweep cycles after the switch is released before they park. If the wipers are OK, but the washers are not, go to Step 3. If the washers are OK, but the wipers are not, go to Step 5.

(3) Turn the ignition switch to the Off position. Disconnect and isolate the battery negative cable. Disconnect the left headlamp and dash wire harness connector from the front washer pump connector receptacle. Check for continuity between the ground circuit cavity of the left headlamp and dash wire harness connector for the front washer pump and a good ground. There should be continuity. If OK, go to Step 4. If not OK, repair the open ground circuit to ground as required.

(4) Reconnect the battery negative cable. Turn the ignition switch to the On position. With the windshield washer switch activated, check for battery voltage at the washer pump control switch output circuit cavity of the left headlamp and dash wire harness connector for the front washer pump. If OK, replace the faulty washer pump. If not OK, repair the open washer pump control switch output circuit

to the wiper and washer (right multi-function) switch as required.

(5) Turn the ignition switch to the Off position. Disconnect and isolate the battery negative cable. Disconnect the 22-way instrument panel wire harness connector from the Body Control Module (BCM) connector receptacle. Reconnect the battery negative cable. Turn the ignition switch to the On position. With the windshield washer switch activated, check for battery voltage at the washer pump control switch output circuit cavity of the 22-way instrument panel wire harness connector for the BCM. If OK, use a DRB scan tool and the proper Diagnostic Procedures manual to diagnose the BCM. If not OK, repair the open washer pump control switch output circuit to the wiper and washer (right multi-function) switch as required.

## REAR

The diagnosis found here addresses an inoperative rear washer system. If the washer pump operates, but no washer fluid is emitted from the washer nozzles, be certain to check the fluid level in the reservoir. Check for ice or other foreign material in the reservoir, and for pinched, disconnected, broken, or incorrectly routed washer system plumbing. For complete circuit diagrams, refer to **Wipers** in the Contents of Group 8W - Wiring Diagrams.

**WARNING: ON VEHICLES EQUIPPED WITH AIR-BAGS, REFER TO GROUP 8M - PASSIVE RESTRAINT SYSTEMS BEFORE ATTEMPTING ANY STEERING WHEEL, STEERING COLUMN, OR INSTRUMENT PANEL COMPONENT DIAGNOSIS OR SERVICE. FAILURE TO TAKE THE PROPER PRECAUTIONS COULD RESULT IN ACCIDENTAL AIR-BAG DEPLOYMENT AND POSSIBLE PERSONAL INJURY.**

(1) Turn the ignition switch to the On position. Turn the rear wiper switch to the On position. Check whether the rear wiper system is operating. If OK, go to Step 2. If not OK, refer to **Rear Wiper System** in the Diagnosis and Testing section of this group.

(2) Turn the ignition switch to the Off position. Disconnect and isolate the battery negative cable. Disconnect the left headlamp and dash wire harness connector from the rear washer pump connector receptacle. Check for continuity between the ground circuit cavity of the left headlamp and dash wire harness connector for the rear washer pump and a good ground. There should be continuity. If OK, go to Step 3. If not OK, repair the open ground circuit to ground as required.

(3) Connect the battery negative cable. Turn the ignition switch to the On position. With the rear washer switch actuated, check for battery voltage at

## DIAGNOSIS AND TESTING (Continued)

the rear washer motor control circuit cavity of the left headlamp and dash wire harness connector for the rear washer pump. If OK, replace the faulty rear washer pump. If not OK, repair the open rear washer motor control circuit to the wiper and washer (right multi-function) switch as required.

## WIPER AND WASHER SWITCH

The windshield and rear wiper switches and the windshield and rear washer switches are integral to the right multi-function switch. Refer to **Windshield Wiper System** or **Rear Wiper System** in the Diagnosis and Testing section of this group before testing the right multi-function switch. For complete circuit diagrams, refer to **Wipers** in the Contents of Group 8W - Wiring Diagrams.

**WARNING: ON VEHICLES EQUIPPED WITH AIR-BAGS, REFER TO GROUP 8M - PASSIVE RESTRAINT SYSTEMS BEFORE ATTEMPTING ANY STEERING WHEEL, STEERING COLUMN, OR INSTRUMENT PANEL COMPONENT DIAGNOSIS OR SERVICE. FAILURE TO TAKE THE PROPER PRECAUTIONS COULD RESULT IN ACCIDENTAL AIR-BAG DEPLOYMENT AND POSSIBLE PERSONAL INJURY.**

- (1) Disconnect and isolate the battery negative cable.
- (2) Disconnect the instrument panel wire harness connector from the right multi-function switch connector receptacle.
- (3) Using an ohmmeter, perform the continuity and resistance tests at the terminals in the switch connector receptacle as shown in the Right Multi-Function Switch Test chart (Fig. 2).
- (4) If the right multi-function switch fails any of the continuity or resistance tests, replace the faulty right multi-function switch unit as required.

## WIPER HIGH/LOW RELAY

The wiper high/low relay (Fig. 3) is located in the Power Distribution Center (PDC) between the battery and the fender on the right side of the engine compartment. See the fuse and relay layout label affixed to the inside surface of the PDC cover for wiper high/low relay identification and location. For complete circuit diagrams, refer to **Wipers** in the Contents of Group 8W - Wiring Diagrams.

- (1) Remove the wiper high/low relay from the PDC. Refer to **Wiper Relays** in the Removal and Installation section of this group for the procedures.
- (2) A relay in the de-energized position should have continuity between terminals 87A and 30, and no continuity between terminals 87 and 30. If OK, go to Step 3. If not OK, replace the faulty relay.

(3) Resistance between terminals 85 and 86 (electromagnet) should be  $75 \pm 5$  ohms. If OK, go to Step 4. If not OK, replace the faulty relay.

(4) Connect a battery to terminals 85 and 86. There should now be continuity between terminals 30 and 87, and no continuity between terminals 87A and 30. If OK, perform the Relay Circuit Test that follows. If not OK, replace the faulty relay.

## RELAY CIRCUIT TEST

(1) The relay common feed terminal cavity (30) is connected to the common feed terminal of the wiper on/off relay. When the wiper high/low relay is de-energized, this terminal connects the wiper on/off relay output circuit to the windshield wiper motor low speed coil. When the wiper high/low relay is energized, this terminal connects the wiper on/off relay output circuit to the windshield wiper motor high speed coil. There should be continuity between the cavity for terminal 30 of the wiper high/low relay and the cavity for terminal 30 of the wiper on/off relay at all times. If OK, go to Step 2. If not OK, repair the open wiper on/off relay output circuit to the common feed terminal cavity for the wiper on/off relay in the PDC as required.

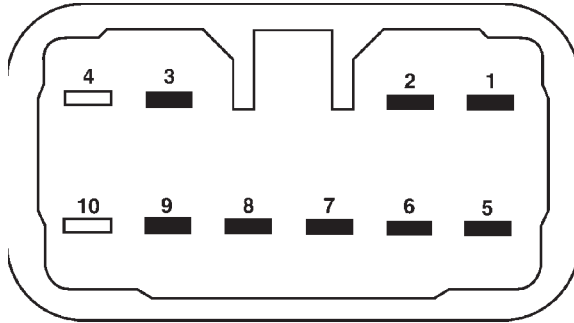
(2) The relay normally closed terminal (87A) is connected to the wiper high/low relay low speed output circuit. There should be continuity between the cavity for terminal 87A of the wiper high/low relay and the wiper high/low relay low speed output circuit terminal cavity of the windshield wiper motor connector at all times. If OK, go to Step 3. If not OK, repair the open wiper high/low relay low speed output circuit to the windshield wiper motor as required.

(3) The relay normally open terminal (87) is connected to the wiper high/low relay high speed output circuit. There should be continuity between the cavity for terminal 87 of the wiper high/low relay and the wiper high/low relay high speed output circuit terminal cavity of the windshield wiper motor connector at all times. If OK, go to Step 4. If not OK, repair the open wiper high/low relay high speed output circuit to the windshield wiper motor as required.

(4) The coil battery terminal (86) is connected to the wiper high/low relay control circuit. There should be battery voltage at the cavity for terminal 86 of the wiper high/low relay when the ignition switch is in the On or Accessory positions and the wiper switch is in the High position. If OK, go to Step 5. If not OK, repair the open wiper high/low relay control circuit to the wiper and washer (right multi-function) switch as required.

(5) The coil ground terminal (85) is connected to the ground circuit and should be grounded at all

DIAGNOSIS AND TESTING (Continued)



RIGHT (WIPER) MULTI-FUNCTION SWITCH			
FRONT WIPERS SWITCH TESTS			
SWITCH POSITION	CONTINUITY BETWEEN	RESISTANCE BETWEEN	RESISTANCE RANGE (OHMS)
Off	-	Pins 7 & 8	4286-4379
Intermittent Wipe Position 1	-	Pins 7 & 8	1445-1480
Intermittent Wipe Position 2	-	Pins 7 & 8	847-870
Intermittent Wipe Position 3	-	Pins 7 & 8	556-573
Intermittent Wipe Position 4	-	Pins 7 & 8	367-380
Intermittent Wipe Position 5	-	Pins 7 & 8	218-229
Low Speed	-	Pins 7 & 8	99-106
High Speed	Pins 1 & 9	Pins 7 & 8	99-106
Mist	-	Pins 7 & 8	49-56
Wash	Pins 1 & 3	-	-

REAR WIPER SWITCH TESTS			
SWITCH POSITION	CONTINUITY BETWEEN	RESISTANCE BETWEEN	RESISTANCE RANGE (OHMS)
Off	-	-	-
Delay	Pins 1 & 6	-	-
On	Pins 1 & 5	-	-
Wash	Pins 1 & 5 & 6	-	-

80b46c79

**Fig. 2 Right Multi-Function Switch Test**



## DIAGNOSIS AND TESTING (Continued)

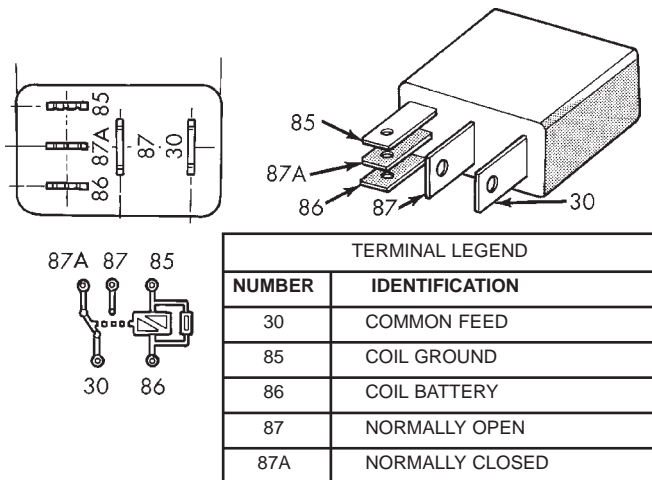


Fig. 3 Wiper High/Low Relay

times. Check for continuity between the cavity for terminal 85 of the wiper high/low relay and a good ground. If OK, refer to **Wiper On/Off Relay** in the Diagnosis and Testing section of this group. If not OK, repair the open ground circuit to ground as required.

## WIPER ON/OFF RELAY

The wiper on/off relay (Fig. 4) is located in the Power Distribution Center (PDC) between the battery and the fender on the right side of the engine compartment. See the fuse and relay layout label affixed to the inside surface of the PDC cover for wiper on/off relay identification and location. For complete circuit diagrams, refer to **Wipers** in the Contents of Group 8W - Wiring Diagrams.

(1) Remove the wiper on/off relay from the PDC. Refer to **Wiper Relays** in the Removal and Installation section of this group for the procedures.

(2) A relay in the de-energized position should have continuity between terminals 87A and 30, and no continuity between terminals 87 and 30. If OK, go to Step 3. If not OK, replace the faulty relay.

(3) Resistance between terminals 85 and 86 (electromagnet) should be  $75 \pm 5$  ohms. If OK, go to Step 4. If not OK, replace the faulty relay.

(4) Connect a battery to terminals 85 and 86. There should now be continuity between terminals 30 and 87, and no continuity between terminals 87A and 30. If OK, perform the Relay Circuit Test that follows. If not OK, replace the faulty relay.

## RELAY CIRCUIT TEST

(1) The relay common feed terminal cavity (30) is connected to the common feed terminal of the wiper high/low relay. When the wiper on/off relay is de-energized, this terminal connects the wiper park switch sense circuit to the wiper high/low relay. When the wiper on/off relay is energized, this terminal connects

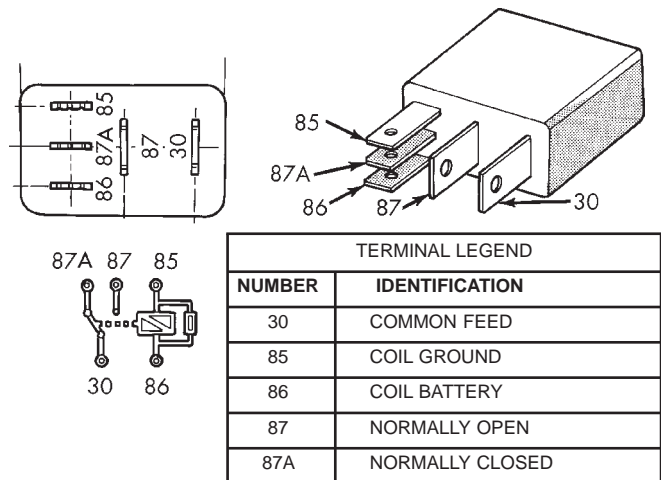


Fig. 4 Wiper On/Off Relay

the fused ignition switch output from the wiper system circuit breaker to the wiper high/low relay. There should be continuity between the cavity for terminal 30 of the wiper on/off relay and the cavity for terminal 30 of the wiper high/low relay at all times. If OK, go to Step 2. If not OK, repair the open wiper on/off relay output circuit to the common feed terminal cavity for the wiper high/low relay in the PDC as required.

(2) The relay normally closed terminal (87A) is connected to the wiper park switch sense circuit. There should be continuity between the cavity for terminal 87A of the wiper on/off relay and the wiper park switch sense circuit cavity of the windshield wiper motor connector at all times. If OK, go to Step 3. If not OK, repair the open wiper park switch sense circuit to the windshield wiper motor as required.

(3) The relay normally open terminal (87) is connected to the fused ignition switch output circuit. There should be battery voltage at the cavity for terminal 87 of the wiper on/off relay when the ignition switch is in the On or Accessory positions. If OK, go to Step 4. If not OK, repair the open fused ignition switch output circuit to the wiper system circuit breaker in the junction block as required.

(4) The coil battery terminal (86) is also connected to the fused ignition switch output circuit. There should be battery voltage at the cavity for terminal 86 of the wiper on/off relay when the ignition switch is in the On or Accessory positions. If OK, go to Step 5. If not OK, repair the open fused ignition switch output circuit to the wiper system circuit breaker in the junction block as required.

(5) The coil ground terminal (85) is connected to the wiper on/off relay control circuit. It is grounded by the Body Control Module (BCM) to energize the wiper on/off relay. There should be continuity between the cavity for terminal 85 of the wiper on/off relay and the wiper on/off relay control circuit cavity



## DIAGNOSIS AND TESTING (Continued)

of the 26-way instrument panel wire harness connector for the BCM at all times. If OK, use a DRB scan tool and the proper Diagnostic Procedures manual to diagnose the BCM. If not OK, repair the open wiper on/off relay control circuit to the BCM as required.

## REMOVAL AND INSTALLATION

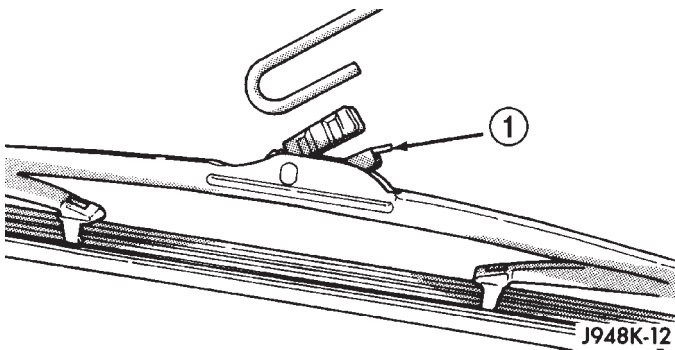
## WIPER BLADE

## REMOVAL

## WINDSHIELD

(1) Lift the wiper arm and blade off of the windshield glass until the wiper arm hinge is in its over-center position.

(2) Depress the latch release tab located on the bottom of the plastic wiper blade pivot block near the center of the blade and at the end of the wiper arm (Fig. 5).



**Fig. 5 Wiper Blade Remove/Install - Typical**

1 - RELEASE TAB

(3) Slide the wiper blade down the wiper arm towards the wiper pivot at the base of the windshield.

(4) Push the lower end of the wiper blade away from the underside of the wiper arm far enough for the plastic wiper blade pivot block to clear the hook formation on the end of the arm.

(5) Disengage the wiper blade from the wiper arm.

## REAR

(1) Disengage the rear wiper arm support from the rubber rear wiper arm park ramp on the right side of the liftgate just below the flip-up glass.

(2) Lift the wiper arm and blade away from the liftgate until the wiper arm hinge is in its over-center position.

(3) Depress the latch release tab located on the bottom of the plastic wiper blade pivot block near the center of the blade and at the end of the wiper arm (Fig. 5).

(4) Slide the wiper blade down the wiper arm towards the rear wiper motor output shaft below the center of the liftgate flip-up glass.

(5) Push the lower end of the wiper blade away from the underside of the wiper arm far enough for the plastic wiper blade pivot block to clear the hook formation on the end of the arm.

(6) Disengage the wiper blade from the wiper arm.

## INSTALLATION

## WINDSHIELD

(1) Position the wiper blade to the underside of the wiper arm.

**NOTE:** The notched retainer end of the wiper element should always be oriented towards the end of the wiper blade that is nearest to the wiper pivot.

(2) Engage the wiper blade pivot block with the hook formation on the end of the wiper arm.

(3) Slide the wiper blade up the wiper arm towards the hook formation until the plastic pivot block latch has fully engaged. Latch engagement will be accompanied by an audible click.

(4) Lower the wiper arm and blade gently onto the windshield glass.

## REAR

(1) Position the wiper blade to the underside of the wiper arm.

**NOTE:** The notched retainer end of the wiper element should always be oriented towards the end of the wiper blade that is nearest to the rear wiper motor output shaft.

(2) Engage the wiper blade pivot block with the hook formation on the end of the wiper arm.

(3) Slide the wiper blade up the wiper arm towards the hook formation until the plastic pivot block latch has fully engaged. Latch engagement will be accompanied by an audible click.

(4) Lower the wiper arm and blade gently onto the liftgate rear wiper arm park ramp.

## WIPER ARM

## REMOVAL

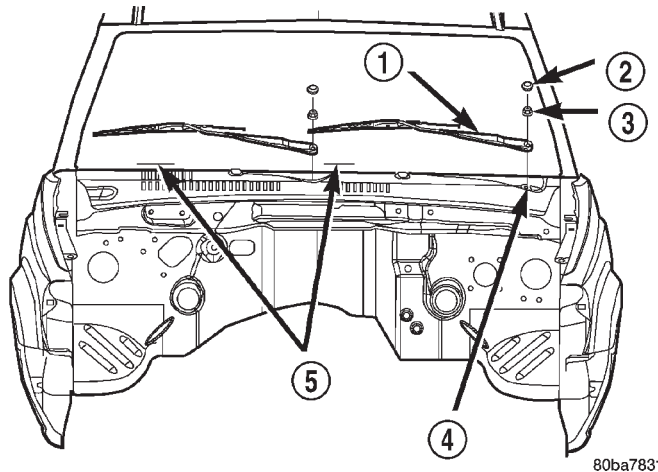
## WINDSHIELD

(1) Carefully pry the plastic nut cap off of the pivot end of the wiper arm (Fig. 6).

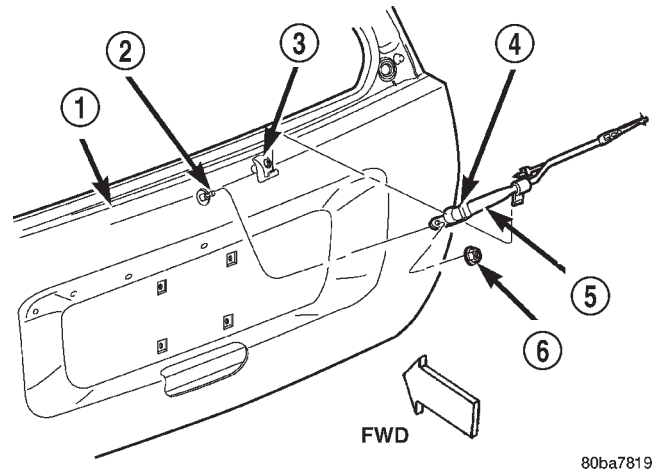
(2) Remove the nut that secures the wiper arm to the wiper pivot shaft.

(3) Use a battery terminal puller to disengage the wiper arm from the wiper pivot shaft splines (Fig. 7).

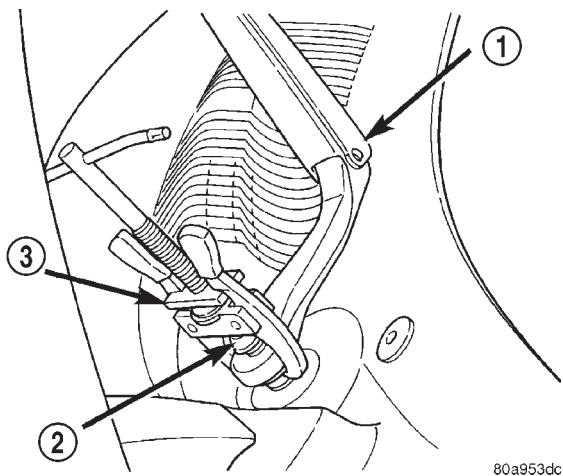
## REMOVAL AND INSTALLATION (Continued)

**Fig. 6 Wiper Arm Remove/Install**

- 1 - ARM AND BLADE
- 2 - CAP
- 3 - NUT
- 4 - PIVOT SHAFT
- 5 - ALIGNMENT LINE

**Fig. 8 Rear Wiper Arm Remove/Install**

- 1 - LIFTGATE
- 2 - REAR WIPER MOTOR OUTPUT SHAFT
- 3 - PARK RAMP
- 4 - PIVOT COVER
- 5 - WIPER ARM
- 6 - NUT

**Fig. 7 Wiper Arm Puller - Typical**

- 1 - WIPER ARM
- 2 - WIPER PIVOT
- 3 - BATTERY TERMINAL PULLER

(4) Remove the wiper arm and blade from the base of the windshield.

**REAR**

(1) Unsnap the rear wiper arm pivot cover by lifting it at the rear wiper motor output shaft end of the arm (Fig. 8).

(2) Remove the nut that secures the wiper arm to the rear wiper motor output shaft.

(3) Use a battery terminal puller to disengage the wiper arm from the rear wiper motor output shaft splines (Fig. 7).

(4) Remove the rear wiper arm and blade from the liftgate.

**INSTALLATION****WINDSHIELD**

**NOTE:** Always install the wiper arm and blade with the wiper motor in the Park position.

(1) Place the wiper arm and blade onto the base of the windshield with the pivot hole on the end of the arm positioned over the wiper pivot shaft.

(2) Align the lower edge of the blade with the wiper alignment lines located in the lower edge of the windshield glass (Fig. 6).

(3) With the wiper blade aligned, push the pivot hole on the end of the wiper arm down over the wiper pivot shaft.

(4) Install and tighten the nut that secures the wiper arm to the wiper pivot shaft. Tighten the nut to 23.7 N·m (210 in. lbs.).

(5) Operate the wipers with the windshield glass wet, then turn the wiper switch to the Off position. Check for correct wiper blade alignment and readjust if required.

(6) Install the plastic nut cap onto the wiper arm pivot nut.

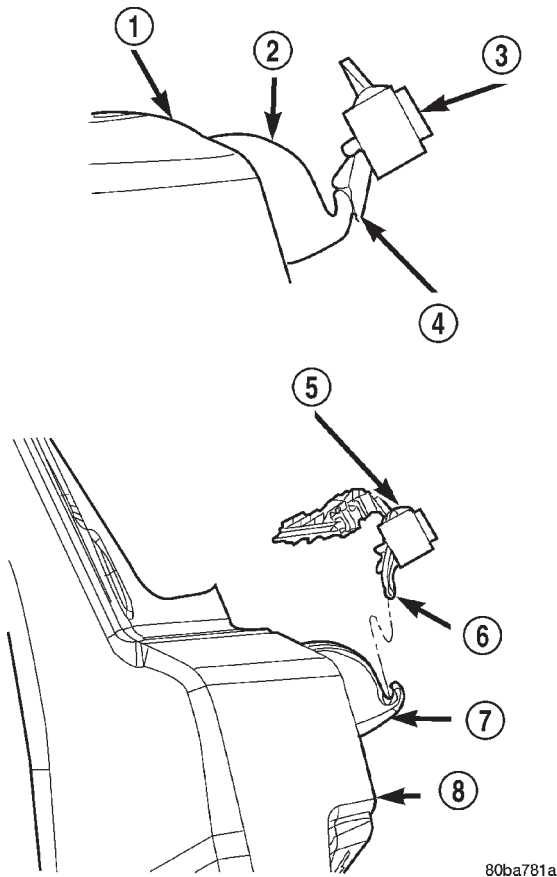
**REAR**

**NOTE:** Always install the wiper arm and blade with the wiper motor in the Park position.

REMOVAL AND INSTALLATION (Continued)

(1) Place the wiper arm and blade onto the liftgate with the wiper arm support positioned on the park ramp and the pivot hole on the end of the arm positioned over the rear wiper motor output shaft.

(2) Position the ridge of the wiper arm support on the liftgate park ramp in the Installation Position (Fig. 9).



**Fig. 9 Rear Wiper Arm Installation**

- 1 - LIFTGATE
- 2 - PARK RAMP
- 3 - WIPER ARM
- 4 - INSTALLATION POSITION
- 5 - WIPER ARM AND BLADE
- 6 - PARK POSITION
- 7 - PARK RAMP
- 8 - LIFTGATE

(3) With the wiper arm in the Installation Position, push the pivot hole on the end of the wiper arm down over the rear wiper motor output shaft.

(4) Install and tighten the nut that secures the wiper arm to the rear wiper motor output shaft. Tighten the nut to 18 N·m (160 in. lbs.).

(5) Close the rear wiper pivot cover back over the rear wiper arm mounting nut.

(6) Lift the rear wiper arm and blade away from the liftgate park ramp and place the wiper arm support in the Park Position (Fig. 9).

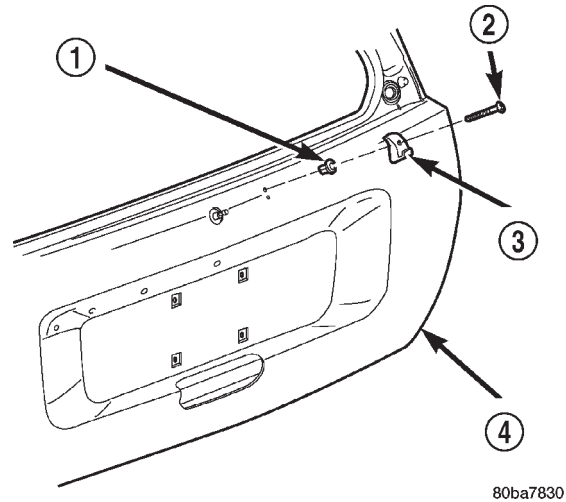
**REAR WIPER ARM PARK RAMP**

**REMOVAL**

(1) Disengage the rear wiper arm support from the rubber rear wiper arm park ramp on the right side of the liftgate just below the flip-up glass.

(2) Lift the wiper arm and blade away from the liftgate until the wiper arm hinge is in its over-center position.

(3) Remove the screw that secures the park ramp to the liftgate (Fig. 10).



80ba7830

**Fig. 10 Rear Wiper Arm Park Ramp Remove/Install**

- 1 - RIVET NUT
- 2 - SCREW
- 3 - PARK RAMP
- 4 - LIFTGATE

(4) Remove the rear wiper arm park ramp from the liftgate.

**INSTALLATION**

(1) Position the rear wiper arm park ramp onto the liftgate.

(2) Install and tighten the screw that secures the park ramp to the liftgate. Tighten the screw to 6.8 N·m (60 in. lbs.).

(3) Lower the wiper arm and blade gently onto the liftgate rear wiper arm park ramp.

**WINDSHIELD WIPER MOTOR, PIVOT AND LINKAGE MODULE**

**REMOVAL**

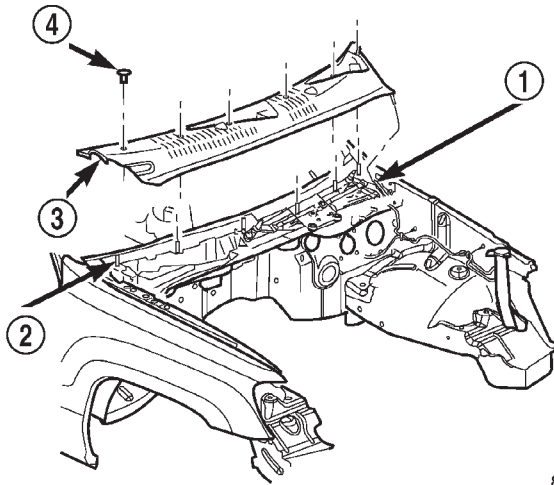
(1) Disconnect and isolate the battery negative cable.

(2) Remove the wiper arms from the wiper pivots. Refer to **Wiper Arm** in the Removal and Installation section of this group for the procedures.

## REMOVAL AND INSTALLATION (Continued)

(3) Open the hood and pull the hood to plenum seal off of the forward flanges of the cowl grille cover and the plenum panel.

(4) Remove the six plastic nuts (2 short and 4 long) that secure the cowl grille cover to the studs on the cowl top panel near the base of the windshield (Fig. 11).



80ba781t

**Fig. 11 Cowl Grille Cover Remove/Install**

- 1 - WASHER HOSE CONNECTION
- 2 - STUDS (6)
- 3 - COWL GRILLE COVER
- 4 - PLASTIC NUT (6)

(5) Lift the left end of the cowl grille cover off of the cowl plenum panel far enough to access the windshield washer plumbing.

(6) Disconnect the windshield washer supply hose at the in-line connector.

(7) Remove the cowl grille cover from the cowl plenum and cowl top panels through the opening between the hood and the windshield.

(8) Remove the four screws that secure the wiper motor, pivot and linkage module to the cowl plenum panel (Fig. 12).

(9) Lift the left end of the wiper motor, pivot and linkage module far enough to access the wiper motor wire harness connector.

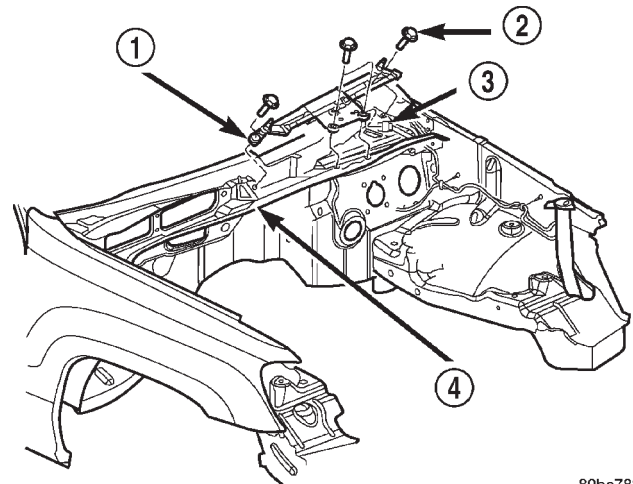
(10) Disconnect the left headlamp and dash wire harness connector from the wiper motor connector receptacle.

(11) Remove the wiper motor, pivot and linkage module from the cowl plenum.

## INSTALLATION

(1) Position the wiper motor, pivot and linkage module into the cowl plenum.

(2) Lift the left end of the wiper motor, pivot and linkage module far enough to access the wiper motor wire harness connector.



80ba781e

**Fig. 12 Wiper Motor, Pivot and Linkage Module Remove/Install**

- 1 - WIPER MOTOR, PIVOT AND LINKAGE MODULE
- 2 - SCREW (4)
- 3 - WIRE HARNESS CONNECTOR
- 4 - LOWER COWL PLENUM PANEL

(3) Reconnect the left headlamp and dash wire harness connector to the wiper motor connector receptacle.

(4) Loosely install one of the wiper motor, pivot and linkage module mounting screws to the mounting hole near the pivot on the right end of the module to locate the module in the plenum.

(5) Working from left to right, install and tighten the four screws that secure the wiper motor, pivot and linkage module to the cowl plenum panel. Tighten the screws to 8 N·m (72 in. lbs.).

(6) Position the cowl grille cover onto the cowl plenum and cowl top panels through the opening between the hood and the windshield.

(7) Lift the left end of the cowl grille cover off of the cowl plenum panel far enough to access the windshield washer plumbing.

(8) Reconnect the windshield washer supply hose at the in-line connector.

(9) Install the six plastic nuts that secure the cowl grille cover to the studs on the cowl top panel near the base of the windshield. These nuts are to be installed by pushing them onto the studs in the following sequence:

(a) First, install the short nuts to the third stud from the right, then the second stud from the left.

(b) Next, install long nuts to the right outboard stud, then the left outboard stud.

(c) Finally, install the two remaining long nuts to the third stud from the left, then the second stud from the right.

(10) Starting at the ends and working toward the center, push the hood to plenum seal onto the forward flanges of the cowl grille cover and the plenum panel.



REMOVAL AND INSTALLATION (Continued)

(11) Install the wiper arms onto the wiper pivots. Refer to **Wiper Arm** in the Removal and Installation section of this group for the procedures.

(12) Reconnect and isolate the battery negative cable.

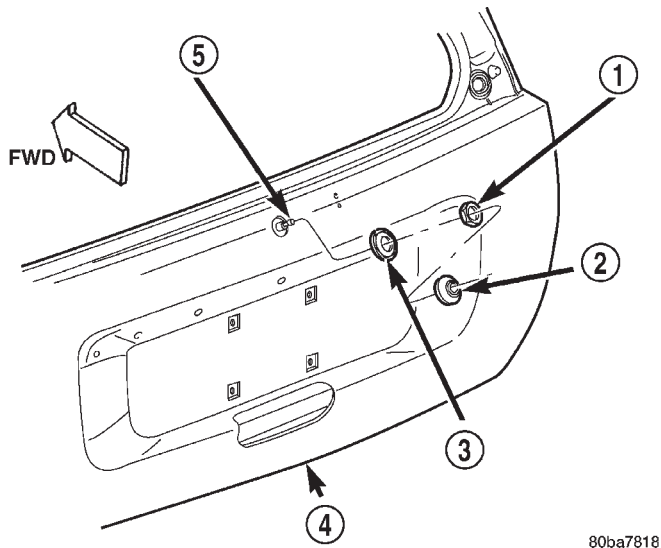
**REAR WIPER MOTOR MODULE**

**REMOVAL**

(1) Disconnect and isolate the battery negative cable.

(2) From the outside of the liftgate, remove the rear wiper arm from the rear wiper motor output shaft. Refer to **Wiper Arm** in the Removal and Installation section of this group for the procedures.

(3) Use a door trim panel removal tool to gently pry at the base of the nut cover where it meets the wiper motor output shaft bezel and grommet on the outer liftgate panel until it unsnaps from the rear wiper motor output shaft (Fig. 13). Be certain to use proper caution to protect the outer liftgate panel and its paint finish from damage during this procedure.



**Fig. 13 Rear Wiper Motor Output Shaft Remove/Install**

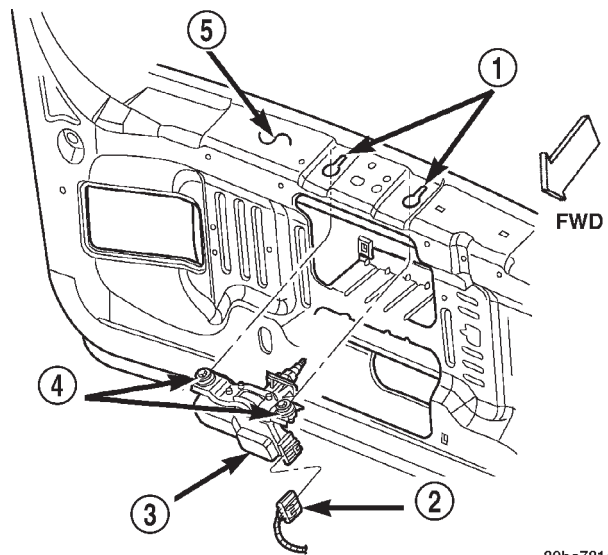
- 1 - NUT
- 2 - NUT COVER
- 3 - BEZEL AND GASKET
- 4 - LIFTGATE OUTER PANEL
- 5 - REAR WIPER MOTOR OUTPUT SHAFT

(4) Remove the nut that secures the rear wiper motor output shaft to the outer liftgate panel.

(5) Remove the bezel and gasket from the rear wiper motor output shaft.

(6) Remove the trim panel from the inside of the liftgate. Refer to **Liftgate Trim Panel** in the Removal and Installation section of Group 23 - Body for the procedures.

(7) Disconnect the liftgate wire harness connector from the rear wiper motor module connector receptacle (Fig. 14).



80ba781c

**Fig. 14 Rear Wiper Motor Module Remove/Install**

- 1 - KEYED SLOTS
- 2 - WIRE HARNESS CONNECTOR
- 3 - REAR WIPER MOTOR MODULE
- 4 - NUT (2)
- 5 - LIFTGATE INNER PANEL

(8) Loosen the two nuts that secure the rear wiper motor mounting bracket to the liftgate inner panel.

(9) Slide the rear wiper motor module and mounting bracket forward far enough to disengage the mounting nuts from the keyed holes in the liftgate inner panel.

(10) Remove the rear wiper motor module from the liftgate inner panel.

**INSTALLATION**

(1) Position the rear wiper motor module to the liftgate inner panel.

(2) Insert the rear wiper motor output shaft through the hole in the liftgate outer panel and engage the mounting nuts in the keyed holes in the liftgate inner panel.

(3) From the outside of the liftgate, center the rear wiper motor output shaft in the liftgate outer panel mounting hole and install the gasket and bezel over the centered shaft.

(4) Install and tighten the nut that secures the rear wiper motor output shaft to the outer liftgate panel. Tighten the nut to 4.8 N·m (43 in. lbs.).

(5) From the inside of the liftgate, install and tighten the two nuts that secure the rear wiper motor mounting bracket to the liftgate inner panel. Tighten the nuts to 5.3 N·m (47 in. lbs.).



## REMOVAL AND INSTALLATION (Continued)

(6) Reconnect the liftgate wire harness connector to the rear wiper motor module connector receptacle.

(7) Install the trim panel onto the inside of the liftgate. Refer to **Liftgate Trim Panel** in the Removal and Installation section of Group 23 - Body for the procedures.

(8) From the outside of the liftgate, press the nut cover firmly and evenly over the rear wiper motor output shaft bezel using thumb pressure until it snaps into place.

(9) Install the rear wiper arm onto the rear wiper motor output shaft. Refer to **Wiper Arm** in the Removal and Installation section of this group for the procedures.

(10) Reconnect the battery negative cable.

## WIPER AND WASHER SWITCH

**WARNING: ON VEHICLES EQUIPPED WITH AIR-BAGS, REFER TO GROUP 8M - PASSIVE RESTRAINT SYSTEMS BEFORE ATTEMPTING ANY STEERING WHEEL, STEERING COLUMN, OR INSTRUMENT PANEL COMPONENT DIAGNOSIS OR SERVICE. FAILURE TO TAKE THE PROPER PRECAUTIONS COULD RESULT IN ACCIDENTAL AIR-BAG DEPLOYMENT AND POSSIBLE PERSONAL INJURY.**

## REMOVAL

(1) Disconnect and isolate the battery negative cable.

(2) Remove the screw that secures the lower tilting steering column shroud to the steering column multi-function switch mounting housing (Fig. 15).

(3) Unsnap the two halves of the tilting steering column shroud from each other and remove both halves from the steering column.

(4) Disconnect the instrument panel wire harness connector from the wiper and washer (right multi-function) switch connector receptacle.

(5) Remove the two screws that secure the right multi-function switch to the multi-function switch mounting housing (Fig. 16).

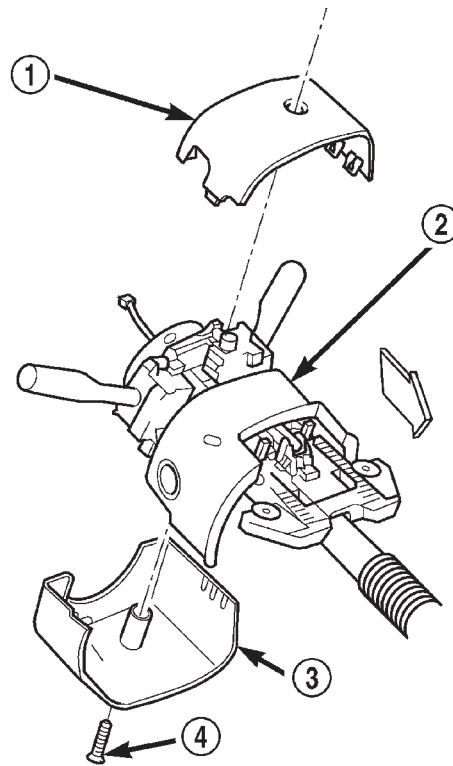
(6) Remove the right multi-function switch from the multi-function switch mounting housing.

## INSTALLATION

(1) Position the right multi-function switch onto the multi-function switch mounting housing.

(2) Install and tighten the two screws that secure the right multi-function switch to the multi-function switch mounting housing. Tighten the screws to 2.5 N·m (22 in. lbs.).

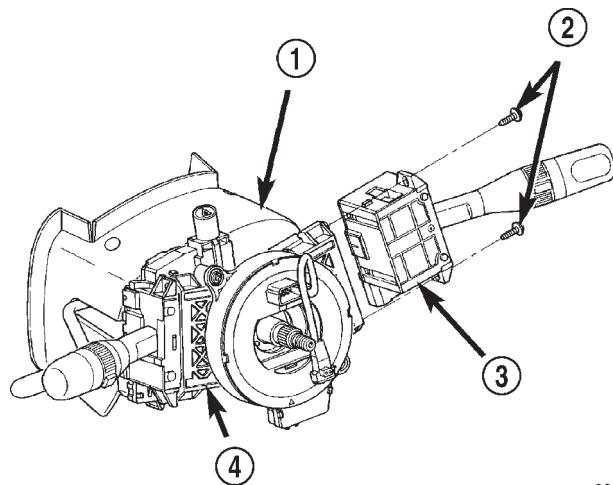
(3) Reconnect the instrument panel wire harness connector to the right multi-function switch connector receptacle.



80b04f0f

**Fig. 15 Steering Column Shrouds Remove/Install**

- 1 - UPPER TILTING COLUMN SHROUD
- 2 - FIXED COLUMN SHROUD
- 3 - LOWER TILTING COLUMN SHROUD
- 4 - SCREW



80ba77ce

**Fig. 16 Right Multi-Function Switch Remove/Install**

- 1 - STEERING COLUMN
- 2 - SCREWS (2)
- 3 - RIGHT MULTI-FUNCTION SWITCH
- 4 - MULTI-FUNCTION SWITCH MOUNTING HOUSING

(4) Position the lower tilting steering column shroud to the underside of the steering column.

## REMOVAL AND INSTALLATION (Continued)

(5) Install and tighten the screw that secures the lower tilting steering column shroud to the multi-function switch mounting housing. Tighten the screw to 1.9 N·m (17 in. lbs.).

(6) Position the upper tilting column shroud over the steering column with the hazard warning switch button inserted through the hole in the upper surface of the shroud. Align the upper tilting steering column shroud to the lower shroud and snap the two shroud halves together.

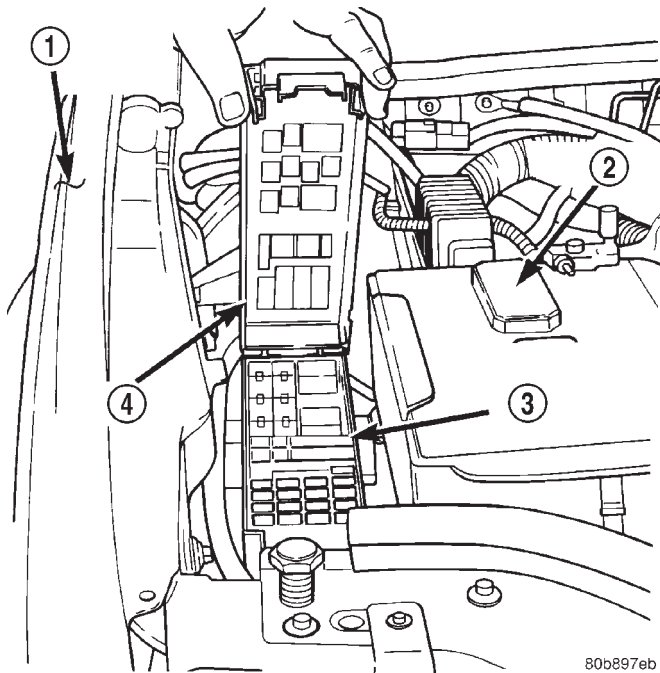
(7) Reconnect the battery negative cable.

## WIPER RELAYS

## REMOVAL

(1) Disconnect and isolate the battery negative cable.

(2) Remove the cover from the Power Distribution Center (PDC) (Fig. 17).



**Fig. 17 Power Distribution Center**

- 1 - RIGHT FENDER
- 2 - BATTERY
- 3 - POWER DISTRIBUTION CENTER
- 4 - COVER

(3) See the fuse and relay layout label affixed to the underside of the PDC cover for wiper high/low relay and wiper on/off relay identification and location.

(4) Remove the wiper high/low relay or wiper on/off relay from the PDC.

## INSTALLATION

(1) See the fuse and relay layout label affixed to the underside of the PDC cover for the proper wiper high/low relay or wiper on/off relay location.

(2) Position the wiper high/low relay or wiper on/off relay in the proper receptacle in the PDC.

(3) Align the wiper high/low relay or wiper on/off relay terminals with the terminal cavities in the PDC receptacle.

(4) Push down firmly on the wiper high/low relay or wiper on/off relay until the terminals are fully seated in the terminal cavities in the PDC receptacle.

(5) Install the cover onto the PDC.

(6) Reconnect the battery negative cable.

## WASHER NOZZLE AND PLUMBING

## REMOVAL

## WINDSHIELD

This procedure can be used to remove either of the two windshield washer nozzles or the combination wye fitting/check valve unit.

(1) Disconnect and isolate the battery negative cable.

(2) Remove the wiper arms from the wiper pivots. Refer to **Wiper Arm** in the Removal and Installation section of this group for the procedures.

(3) Open the hood and pull the hood to plenum seal off of the forward flanges of the cowl grille cover and the plenum panel.

(4) Remove the six plastic nuts (2 short and 4 long) that secure the cowl grille cover to the studs on the cowl top panel near the base of the windshield (Fig. 18).

(5) Lift the left end of the cowl grille cover off of the cowl plenum panel far enough to access the windshield washer plumbing.

(6) Disconnect the windshield washer supply hose at the in-line connector.

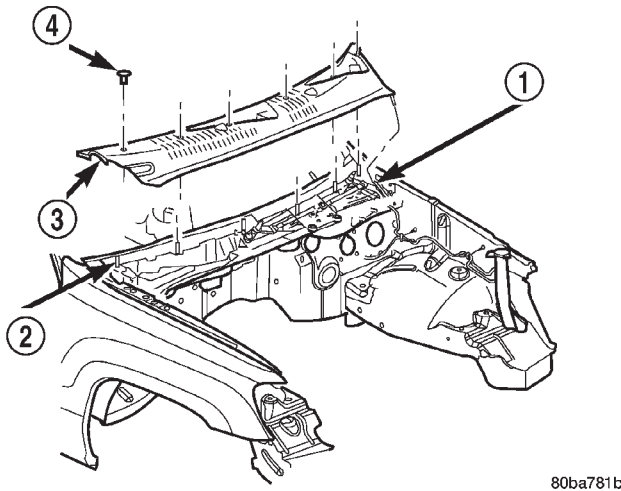
(7) Remove the cowl grille cover from the cowl plenum and cowl top panels through the opening between the hood and the windshield.

(8) From the underside of the cowl grille cover, disconnect the washer hose(s) from the barbed nipple(s) of the windshield washer nozzle(s) or the combination wye fitting/check valve unit.

(9) The combination wye fitting/check valve unit can now be removed from cowl grille cover. To remove the windshield washer nozzles from the cowl grille cover, go to Step 10.

(10) From the underside of the cowl grille cover, release the latches of the windshield washer nozzle and push the nozzle out through the mounting hole to the top side of the cowl grille cover.

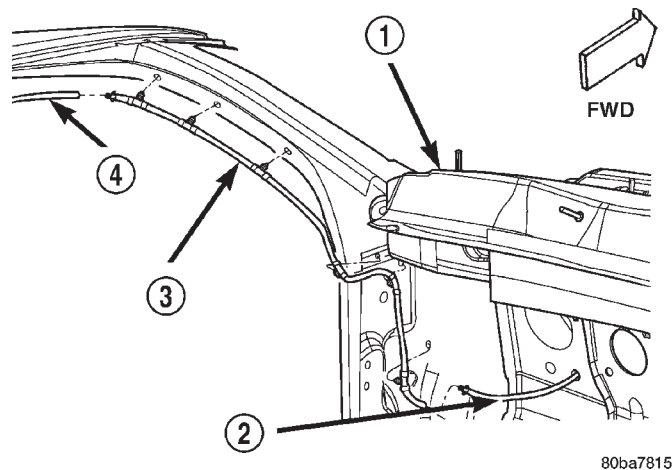
## REMOVAL AND INSTALLATION (Continued)

**Fig. 18 Cowl Grille Cover Remove/Install**

- 1 - WASHER HOSE CONNECTION
- 2 - STUDS (6)
- 3 - COWL GRILLE COVER
- 4 - PLASTIC NUT (6)

## REAR

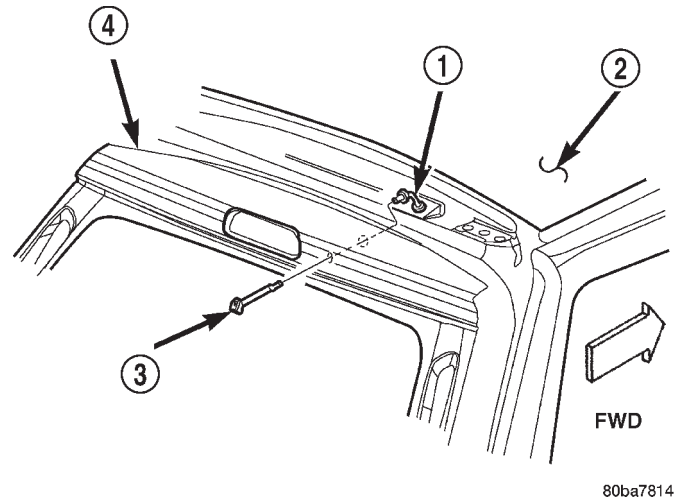
The headliner washer hose (Fig. 19) is serviced only as a unit with the headliner. If this washer hose is damaged or faulty, the headliner unit must be replaced. The remaining washer hoses for the rear washer nozzle plumbing are available for service replacement. The check valve for the rear washer nozzle is integral to the nozzle.

**Fig. 19 Rear Washer Nozzle Plumbing**

- 1 - UPPER COWL PLENUM PANEL
- 2 - WASHER HOSE FROM ENGINE COMPARTMENT
- 3 - A-PILLAR WASHER HOSE
- 4 - HEADLINER WASHER HOSE

(1) Using a trim stick or another suitable wide flat-bladed tool, gently pry at the sides of the rear washer nozzle to release the latches that secure it to the liftgate outer panel.

(2) Pull the rear washer nozzle out from the liftgate outer panel far enough to access the washer supply hose (Fig. 20).

**Fig. 20 Rear Washer Nozzle Remove/Install**

- 1 - HEADLINER WASHER HOSE
- 2 - ROOF PANEL
- 3 - WASHER NOZZLE
- 4 - LIFTGATE

(3) Disconnect the washer supply hose from the barbed nipple of the rear washer nozzle.

(4) Remove the rear washer nozzle from the liftgate.

## INSTALLATION

## WINDSHIELD

(1) From the top side of the cowl grille cover, insert the nipple end of the windshield washer nozzle through the mounting hole in the cowl grille cover.

(2) Push firmly and evenly on the top of the windshield washer nozzle until the latches snap into place on the underside of the cowl grille cover.

(3) From the underside of the cowl grille cover, reconnect the washer hose(s) to the barbed nipple(s) of the windshield washer nozzle(s) or the combination wye fitting/check valve unit.

(4) Install the washer hoses for the windshield washer nozzles or the combination wye fitting/check valve unit into their routing clips on the underside of the cowl grille cover.

(5) Position the cowl grille cover onto the cowl plenum and cowl top panels through the opening between the hood and the windshield.

(6) Lift the left end of the cowl grille cover off of the cowl plenum panel far enough to access the windshield washer plumbing.

(7) Reconnect the windshield washer supply hose at the in-line connector.

## REMOVAL AND INSTALLATION (Continued)

(8) Install the six plastic nuts that secure the cowl grille cover to the studs on the cowl top panel near the base of the windshield. These nuts are to be installed by pushing them onto the studs in the following sequence:

(a) First, install the short nuts to the third stud from the right, then the second stud from the left.

(b) Next, install long nuts to the right outboard stud, then the left outboard stud.

(c) Finally, install the two remaining long nuts to the third stud from the left, then the second stud from the right.

(9) Starting at the ends and working toward the center, push the hood to plenum seal onto the forward flanges of the cowl grille cover and the plenum panel.

(10) Install the wiper arms onto the wiper pivots. Refer to **Wiper Arm** in the Removal and Installation section of this group for the procedures.

(11) Reconnect and isolate the battery negative cable.

**REAR**

(1) Position the rear washer nozzle to the liftgate.

(2) Reconnect the washer supply hose to the barbed nipple of the rear washer nozzle.

(3) Insert the rear washer nozzle supply hose and nipple into the mounting hole in the liftgate outer panel.

(4) Push firmly and evenly on the rear washer nozzle until the latches snap into place on the inside of the liftgate outer panel mounting hole.

**WASHER PUMP****REMOVAL**

The windshield and rear washer pumps can be removed from the washer reservoir without removing the reservoir from the vehicle. The same procedure is used to remove either washer pump and motor unit.

(1) Disconnect and isolate the battery negative cable.

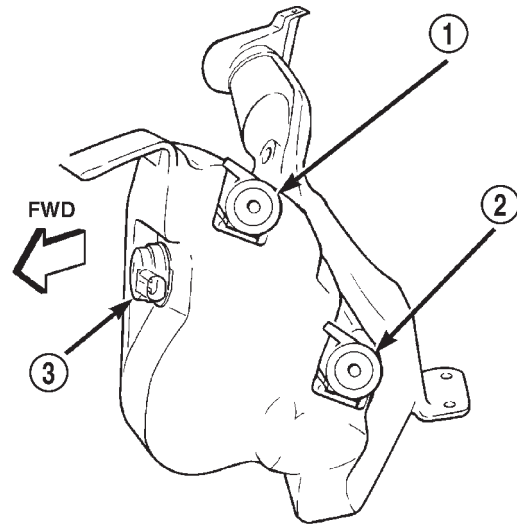
(2) Raise and support the vehicle.

(3) Remove the liner from the left front fender wheel house. Refer to **Front Fender** in the Removal and Installation section of Group 23 - Body for the procedures.

(4) Disconnect the left headlamp and dash wire harness connector from the inoperative windshield or rear washer pump connector receptacle (Fig. 21).

(5) Disconnect the washer hose from the barbed outlet nipple of the inoperative washer pump and allow the washer fluid to drain into a clean container for reuse.

(6) Using a trim stick or another suitable wide flat-bladed tool, gently pry the barbed inlet nipple of



80ba7a00

**Fig. 21 Washer Pumps (Viewed from Bottom of Reservoir)**

- 1 - REAR WASHER PUMP/MOTOR
- 2 - WINDSHIELD WASHER PUMP/MOTOR
- 3 - WASHER FLUID LEVEL SWITCH

the washer pump out of the rubber grommet seal in the reservoir. Care must be taken not to damage the reservoir.

(7) Remove the rubber grommet seal from the washer pump mounting hole in the washer reservoir and discard.

**INSTALLATION**

(1) Install a new rubber grommet seal into the washer pump mounting hole in the washer reservoir. Always use a new rubber grommet seal on the reservoir.

(2) Position the barbed inlet nipple of the washer pump into the rubber grommet seal in the reservoir.

(3) Press firmly and evenly on the washer pump until the barbed inlet nipple is fully seated in the rubber grommet seal in the washer reservoir mounting hole.

(4) Reconnect the washer hose to the barbed outlet nipple of the washer pump.

(5) Reconnect the left headlamp and dash wire harness connector to the windshield or rear washer pump connector receptacle.

(6) Install the liner into the left front fender wheel house. Refer to **Front Fender** in the Removal and Installation section of Group 23 - Body for the procedures.

(7) Lower the vehicle.

(8) Fill the washer reservoir with the washer fluid drained from the reservoir during the removal procedure.

(9) Reconnect the battery negative cable.



## REMOVAL AND INSTALLATION (Continued)

## WASHER RESERVOIR

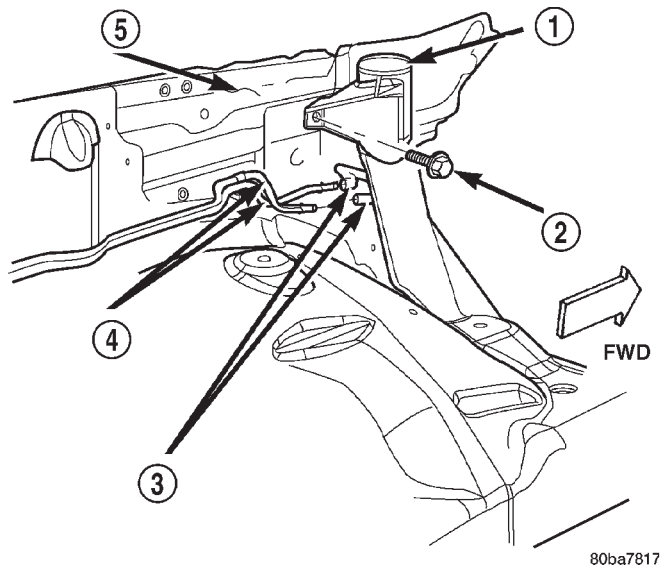
## REMOVAL

(1) Disconnect and isolate the battery negative cable.

(2) Remove the liner from the left front fender wheel house. Refer to **Front Fender** in the Removal and Installation section of Group 23 - Body for the procedures.

(3) Remove the air cleaner housing from the top of the left front fender wheel house. Refer to **Air Cleaner Housing** in the Removal and Installation section of Group 14 - Fuel System for the procedures.

(4) Disconnect the two washer reservoir washer hoses from the two engine compartment washer hoses at the in-line connectors located on the top of the left front fender wheel house (Fig. 22).



**Fig. 22 Washer Reservoir Filler Neck Mounting**

- 1 - WASHER RESERVOIR
- 2 - SCREW
- 3 - WASHER HOSES FROM PUMPS
- 4 - WASHER HOSES TO NOZZLES
- 5 - LEFT FENDER INNER SHIELD

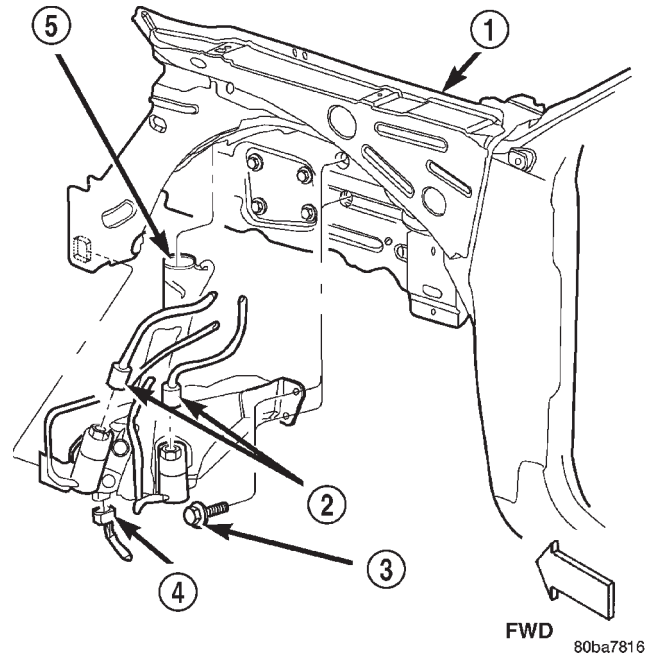
(5) Open the washer reservoir filler cap and unsnap the filler cap hinge from the hook on the filler neck.

(6) Remove the one screw that secures the washer reservoir filler neck to the left inner fender shield.

(7) Raise and support the vehicle.

(8) Disconnect the left headlamp and dash wire harness connectors from the two washer pump connector receptacles (Fig. 23).

(9) Remove the two screws that secure the inboard mounting tab of the washer reservoir to the left inner wheel house.



**Fig. 23 Washer Reservoir Remove/Install**

- 1 - LEFT FENDER INNER SHIELD
- 2 - SCREW (2)
- 3 - WASHER PUMP WIRE HARNESS CONNECTORS
- 4 - WASHER FLUID LEVEL SENSOR WIRE HARNESS CONNECTOR
- 5 - WASHER RESERVOIR

(10) Pull the bottom of the washer reservoir rearward far enough to access the washer fluid level sensor wire harness connector on the front of the reservoir.

(11) Disconnect the left headlamp and dash wire harness connector from the washer fluid level sensor connector receptacle.

(12) Pull the bottom of the washer reservoir rearward far enough to disengage the outboard mounting tab from the mounting slot on the inner fender shield.

(13) Rotate the washer reservoir far enough so that the inboard mounting tab clears the front suspension components, then lower the reservoir far enough to remove the filler neck from the engine compartment.

(14) Remove the washer reservoir from the left front fender wheel house.

## INSTALLATION

(1) Position the washer reservoir into the left front fender wheel house.

(2) Raise the washer reservoir filler neck through the hole in the left front fender wheelhouse extension into the engine compartment and orient the inboard mounting tab over the top of the front suspension components.



REMOVAL AND INSTALLATION (Continued)

(3) Pull the bottom of the washer reservoir rearward far enough to engage the outboard mounting tab with the mounting slot on the inner fender shield.

(4) Pull the bottom of the washer reservoir rearward far enough to access the washer fluid level sensor connector receptacle on the front of the reservoir.

(5) Reconnect the left headlamp and dash wire harness connector to the washer fluid level sensor connector receptacle.

(6) Install and tighten the two screws that secure the inboard mounting tab of the washer reservoir to the left inner wheel house. Tighten the screws to 7.4 N·m (66 in. lbs.).

(7) Reconnect the left headlamp and dash wire harness connectors to the two washer pump connector receptacles.

(8) Lower the vehicle.

(9) Install and tighten the one screw that secures the washer reservoir filler neck to the left inner fender shield. Tighten the screw to 7.4 N·m (66 in. lbs.).

(10) Install the washer reservoir filler cap hinge onto the hook on the filler neck and close the cap.

(11) Reconnect the two washer reservoir washer hoses to the two engine compartment washer hoses at the in-line connectors located on the top of the left front fender wheel house.

(12) Install the air cleaner housing onto the top of the left front fender wheel house. Refer to **Air Cleaner Housing** in the Removal and Installation section of Group 14 - Fuel System for the procedures.

(13) Install the liner into the left front fender wheel house. Refer to **Front Fender** in the Removal and Installation section of Group 23 - Body for the procedures.

(14) Reconnect the battery negative cable.

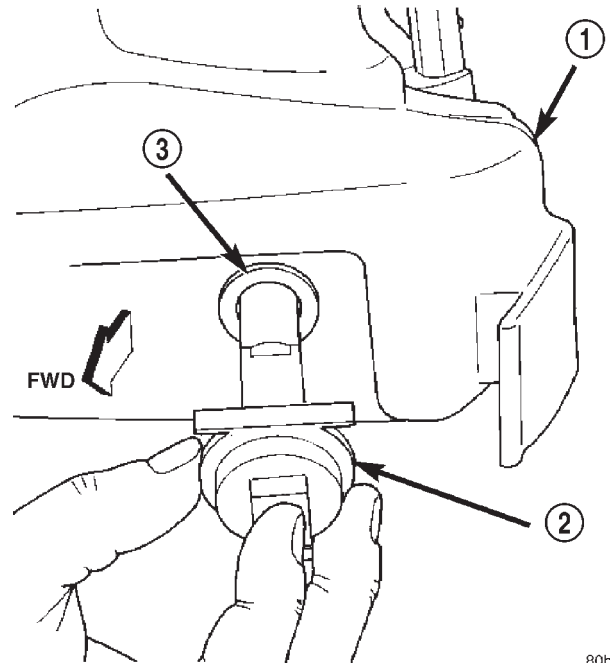
pump and allow the washer fluid to drain into a clean container for reuse.

(6) Remove the two screws that secure the inboard mounting tab of the washer reservoir to the left inner wheel house.

(7) Pull the bottom of the washer reservoir rearward far enough to access the washer fluid level sensor wire harness connector on the front of the reservoir.

(8) Disconnect the left headlamp and dash wire harness connector from the washer fluid level sensor connector receptacle.

(9) Using a trim stick or another suitable wide flat-bladed tool, gently pry the barbed nipple of the washer fluid level sensor out of the rubber grommet seal on the front of the reservoir (Fig. 24). Care must be taken not to damage the reservoir.



80ba79f2

**Fig. 24 Washer Fluid Level Sensor Remove/Install**

- 1 - WASHER RESERVOIR
- 2 - WASHER FLUID LEVEL SENSOR
- 3 - GROMMET SEAL

**WASHER FLUID LEVEL SENSOR**

**REMOVAL**

The washer fluid level sensor can be removed from the washer reservoir without removing the reservoir from the vehicle.

(1) Disconnect and isolate the battery negative cable.

(2) Remove the one screw that secures the washer reservoir filler neck to the left inner fender shield.

(3) Raise and support the vehicle.

(4) Remove the liner from the left front fender wheel house. Refer to **Front Fender** in the Removal and Installation section of Group 23 - Body for the procedures.

(5) Disconnect the washer hose from the barbed outlet nipple of the rearmost (windshield) washer

(10) Remove the washer fluid level sensor and float from the washer reservoir.

(11) Remove the rubber grommet seal from the washer fluid level sensor mounting hole in the washer reservoir and discard.

**INSTALLATION**

(1) Install a new rubber grommet seal into the washer fluid level sensor mounting hole in the front of the washer reservoir. Always use a new rubber grommet seal on the reservoir.

## REMOVAL AND INSTALLATION (Continued)

(2) Position the float of the washer fluid level sensor through the rubber grommet seal in the washer reservoir. The connector receptacle of the washer fluid level sensor should be pointed downward.

(3) Press firmly and evenly on the washer fluid level sensor until the barbed nipple is fully seated in the rubber grommet seal in the washer reservoir mounting hole.

(4) Reconnect the left headlamp and dash wire harness connector to the washer fluid level sensor connector receptacle.

(5) Reconnect the washer hose to the barbed outlet nipple of the washer pump.

(6) Install and tighten the two screws that secure the inboard mounting tab of the washer reservoir to the left inner wheel house. Tighten the screws to 7.4 N·m (66 in. lbs.).

(7) Install the liner into the left front fender wheel house. Refer to **Front Fender** in the Removal and Installation section of Group 23 - Body for the procedures.

(8) Lower the vehicle.

(9) Install and tighten the one screw that secures the washer reservoir filler neck to the left inner fender shield. Tighten the screw to 7.4 N·m (66 in. lbs.).

(10) Fill the washer reservoir with the washer fluid drained from the reservoir during the removal procedure.

(11) Reconnect the battery negative cable.

# LAMPS

## TABLE OF CONTENTS

	page		page
HEADLAMP SERVICE .....	1	LAMP SYSTEMS SERVICE .....	16
LAMP BULB SERVICE .....	8	BULB APPLICATION .....	18
LAMP SERVICE .....	12		

## HEADLAMP SERVICE

### TABLE OF CONTENTS

	page		page
<b>DESCRIPTION AND OPERATION</b>		<b>ADJUSTMENTS</b>	
HEADLAMPS .....	1	VEHICLE PREPARATION FOR LAMP	
<b>DIAGNOSIS AND TESTING</b>		ALIGNMENT .....	4
DIAGNOSTIC PROCEDURES .....	1	LAMP ALIGNMENT SCREEN PREPARATION .....	5
SYSTEM DIAGNOSIS .....	2	HEADLAMP ADJUSTMENT .....	6
AUTO HEADLAMP SENSOR (AHL) .....	4	FOG LAMP ADJUSTMENT .....	6

### DESCRIPTION AND OPERATION

#### HEADLAMPS

##### DESCRIPTION

Headlamps on the Grand Cherokee are modular in design. The turn/park lamp module is incorporated into the headlamp module. The module contains five bulbs; a dual filament headlamp low beam bulb, a single filament high beam bulb, two turnsignal/park bulbs, and a side marker bulb.

##### OPERATION

All headlamp, turnsignal, park lamp, and high beam operations are controlled by the multifunction switch located on the left side of the steering column. Exterior lamps and bulbs are serviceable separately.

### DIAGNOSIS AND TESTING

#### DIAGNOSTIC PROCEDURES

**WARNING: EYE PROTECTION SHOULD BE USED WHEN SERVICING GLASS COMPONENTS. PERSONAL INJURY CAN RESULT.**

**CAUTION: Do not touch the glass of halogen bulbs with fingers or other possibly oily surface, reduced bulb life will result.**

**Do not use bulbs with higher candle power than indicated in the Bulb Application table at the end of this group. Damage to lamp and/or Daytime Running Lamp Module can result.**

**Do not use fuses, circuit breakers or relays having greater amperage value than indicated on the fuse panel or in the Owners Manual.**

When a vehicle experiences problems with the headlamp system, verify the condition of the battery connections, fuses, charging system, headlamp bulbs, wire connectors, relay, high beam switch, dimmer switch, and headlamp switch. Refer to Group 8W, Wiring Diagrams for component locations and circuit information.

Each vehicle is equipped with various lamp assemblies. A good ground is necessary for proper lighting operation. Grounding is provided by the lamp socket when it comes in contact with the metal body, or through a separate ground wire.

When changing lamp bulbs check the socket for corrosion. If corrosion is present, clean it with a wire brush and coat the inside of the socket lightly with Mopar Multi-Purpose Grease or equivalent.

When it is necessary to remove components to service another, it should not be necessary to apply excessive force or bend a component to remove it. Before damaging a trim component, verify hidden fasteners or captured edges are not holding the component in place.

## DIAGNOSIS AND TESTING (Continued)

## SYSTEM DIAGNOSIS

## HEADLAMPS

CONDITION	POSSIBLE CAUSES	CORRECTION
HEADLAMPS ARE DIM WITH ENGINE IDLING OR IGNITION TURNED OFF	<ol style="list-style-type: none"> <li>1. Loose or corroded battery cables.</li> <li>2. Loose or worn generator drive belt.</li> <li>3. Charging system output too low.</li> <li>4. Battery has insufficient charge.</li> <li>5. Battery is sulfated or shorted.</li> <li>6. Poor lighting circuit Z1-ground.</li> <li>7. Both headlamp bulbs defective.</li> </ol>	<ol style="list-style-type: none"> <li>1. Clean and secure battery cable clamps and posts.</li> <li>2. Adjust or replace generator drive belt.</li> <li>3. Test and repair charging system, refer to Group 8A,</li> <li>4. Test battery state-of -charge, refer to Group 8A.</li> <li>5. Load test battery, refer to Group 8A.</li> <li>6. Test for voltage drop across Z1-ground locations, refer to Group 8W.</li> <li>7. Replace both headlamp bulbs.</li> </ol>
HEADLAMP BULBS BURN OUT FREQUENTLY	<ol style="list-style-type: none"> <li>1. Charging system output too high.</li> <li>2. Loose or corroded terminals or splices in circuit.</li> </ol>	<ol style="list-style-type: none"> <li>1. Test and repair charging system, refer to Group 8A.</li> <li>2. Inspect and repair all connectors and splices, refer to Group 8W.</li> </ol>
HEADLAMPS ARE DIM WITH ENGINE RUNNING ABOVE IDLE*	<ol style="list-style-type: none"> <li>1. Charging system output too low.</li> <li>2. Poor lighting circuit Z1-ground.</li> <li>3. High resistance in headlamp circuit.</li> <li>4. Both headlamp bulbs defective.</li> </ol>	<ol style="list-style-type: none"> <li>1. Test and repair charging system, refer to Group 8A.</li> <li>2. Test for voltage drop across Z1-ground locations, refer to Group 8W.</li> <li>3. Test amperage draw of headlamp circuit.</li> <li>4. Replace both headlamp bulbs.</li> </ol>
HEADLAMPS FLASH RANDOMLY	<ol style="list-style-type: none"> <li>1. Poor lighting circuit Z1-ground.</li> <li>2. High resistance in headlamp circuit.</li> <li>3. Loose or corroded terminals or splices in circuit.</li> </ol>	<ol style="list-style-type: none"> <li>1. Test for voltage drop across Z1-ground locations, refer to Group 8W.</li> <li>2. Test amperage draw of headlamp circuit. Should not exceed 30 amps.</li> <li>3. Inspect and repair all connectors and splices, refer to Group 8W.</li> </ol>
HEADLAMPS DO NOT ILLUMINATE	<ol style="list-style-type: none"> <li>1. No voltage to headlamps.</li> <li>2. No Z1-ground at headlamps.</li> <li>3. Faulty headlamp switch.</li> <li>4. Blown fuse for headlamps.</li> <li>5. Broken connector terminal or wire splice in headlamp circuit.</li> <li>6. Both headlamp bulbs defective.</li> </ol>	<ol style="list-style-type: none"> <li>1. Repair open headlamp circuit, refer to Group 8W.</li> <li>2. Repair circuit ground, refer to Group 8W.</li> <li>3. Refer to BCM diagnostics.</li> <li>4. Replace fuse refer to Group 8W.</li> <li>5. Repair connector terminal or wire splice.</li> <li>6. Replace both headlamp bulbs.</li> </ol>

\*Canada vehicles must have lamps ON.

DIAGNOSIS AND TESTING (Continued)

FOG LAMP

CONDITION	POSSIBLE CAUSES	CORRECTION
FOG LAMPS ARE DIM WITH ENGINE IDLING OR IGNITION TURNED OFF.	<ol style="list-style-type: none"> <li>1. Loose or corroded battery cables.</li> <li>2. Loose or worn generator drive belt.</li> <li>3. Charging system output too low.</li> <li>4. Battery has insufficient charge.</li> <li>5. Battery is sulfated or shorted.</li> <li>6. Poor lighting circuit Z1-ground.</li> </ol>	<ol style="list-style-type: none"> <li>1. Clean and secure battery cable clamps and posts.</li> <li>2. Adjust or replace generator drive belt.</li> <li>3. Test and repair charging system. Refer to Group 8A,</li> <li>4. Test battery state-of -charge. Refer to Group 8A.</li> <li>5. Load test battery. Refer to Group 8A.</li> <li>6. Test for voltage drop across Z1-ground locations. Refer to Group 8W.</li> </ol>
FOG LAMP BULBS BURN OUT FREQUENTLY	<ol style="list-style-type: none"> <li>1. Charging system output too high.</li> <li>2. Loose or corroded terminals or splices in circuit.</li> </ol>	<ol style="list-style-type: none"> <li>1. Test and repair charging system. Refer to Group 8A.</li> <li>2. Inspect and repair all connectors and splices. Refer to Group 8W.</li> </ol>
FOG LAMPS ARE DIM WITH ENGINE RUNNING ABOVE IDLE	<ol style="list-style-type: none"> <li>1. Charging system output too low.</li> <li>2. Poor lighting circuit Z1-ground.</li> <li>3. High resistance in fog lamp circuit.</li> </ol>	<ol style="list-style-type: none"> <li>1. Test and repair charging system. Refer to Group 8A.</li> <li>2. Test for voltage drop across Z1-ground locations. Refer to Group 8W.</li> <li>3. Test amperage draw of fog lamp circuit.</li> </ol>
FOG LAMPS FLASH RANDOMLY	<ol style="list-style-type: none"> <li>1. Poor lighting circuit Z1-ground.</li> <li>2. High resistance in fog lamp circuit.</li> <li>3. Faulty multifunction switch.</li> <li>4. Loose or corroded terminals or splices in circuit.</li> </ol>	<ol style="list-style-type: none"> <li>1. Test for voltage drop across Z1-ground locations. Refer to Group 8W.</li> <li>2. Test amperage draw of fog lamp circuit.</li> <li>3. Refer to Group 8W BCM diagnostics.</li> <li>4. Inspect and repair all connectors and splices. Refer to Group 8W.</li> </ol>
FOG LAMPS DO NOT ILLUMINATE	<ol style="list-style-type: none"> <li>1. Blown fuse for fog lamp.</li> <li>2. No Z1-ground at fog lamps.</li> <li>3. Faulty multifunction switch.</li> <li>4. Broken connector terminal or wire splice in fog lamp circuit.</li> <li>5. Defective or burned out bulb.</li> </ol>	<ol style="list-style-type: none"> <li>1. Replace fuse. Refer to Group 8W.</li> <li>2. Repair circuit ground. Refer to Group 8W.</li> <li>3. Refer to Group 8W BCM diagnostics.</li> <li>4. Repair connector terminal or wire splice.</li> <li>5. Replace bulb.</li> </ol>



## DIAGNOSIS AND TESTING (Continued)

## DAYTIME RUNNING LAMP

CONDITION	POSSIBLE CAUSES	CORRECTION
DAYTIME RUNNING LAMPS DO NOT WORK	<ol style="list-style-type: none"> <li>1. Poor connection at DRL module.</li> <li>2. Parking brake engaged.</li> <li>3. Parking brake circuit shorted to ground.</li> <li>4. Headlamp circuit shorted to ground.</li> <li>5. Defective DRL relay.</li> <li>6. Body controller not programmed with Canadian country code.</li> <li>7. DRL relay is missing.</li> <li>8. Blown fuse for DRL.</li> </ol>	<ol style="list-style-type: none"> <li>1. Secure connector on DRL module.</li> <li>2. Disengage parking brake.</li> <li>3. Check cluster telltale, refer to Group 8W.</li> <li>4. Refer to Group 8W.</li> <li>5. Replace DRL relay.</li> <li>6. Check country code.</li> <li>7. Install DRL relay.</li> <li>8. Replace fuse refer to Group 8W.</li> </ol>
Clicking or chattering when DRL is on.	<ol style="list-style-type: none"> <li>1. Mechanical relay is installed in the junction block.</li> </ol>	<ol style="list-style-type: none"> <li>1. Ensure that the DRL relay is installed in the proper socket in junction block, and that no mechanical relay exists in the low beam socket.</li> </ol>

## AUTO HEADLAMP SENSOR (AHL)

## DESCRIPTION

The auto headlamp sensor is the key sensor for the auto headlamp system. The sensor needs real sunlight to properly register the light level. When auto headlamps are enabled indoors, the headlamps may be turned on. The sensor is located in the center of the defroster grille at the base of the windshield.

## OPERATION

There are no faults set in the Body Control Module (BCM) for a bad or missing AHL Sensor. Symptom of a missing sensor or unconnected sensor would be that the Headlamps and Parklamps turn on when the vehicle is started and there is a high level of ambient light present (ie. daytime). Auto headlamps should not function in the presence of daylight.

## ADJUSTMENTS

## VEHICLE PREPARATION FOR LAMP

## ALIGNMENT

- (1) Verify headlamp dimmer switch and high beam indicator operation.
- (2) Correct defective components that could hinder proper lamp alignment.
- (3) Verify proper tire inflation.
- (4) Clean lamp lenses.
- (5) Verify that luggage area is not heavily loaded.
- (6) Fuel tank should be FULL. Add 2.94 kg (6.5 lbs.) of weight over the fuel tank for each estimated gallon of missing fuel.

ADJUSTMENTS (Continued)

**LAMP ALIGNMENT SCREEN PREPARATION**

(1) Position vehicle on a level surface perpendicular to a flat wall 7.62 meters (25 ft) away from front of headlamp lens (Fig. 1).

(2) If necessary, tape a line on the floor 7.62 meters (25 ft) away from and parallel to the wall.

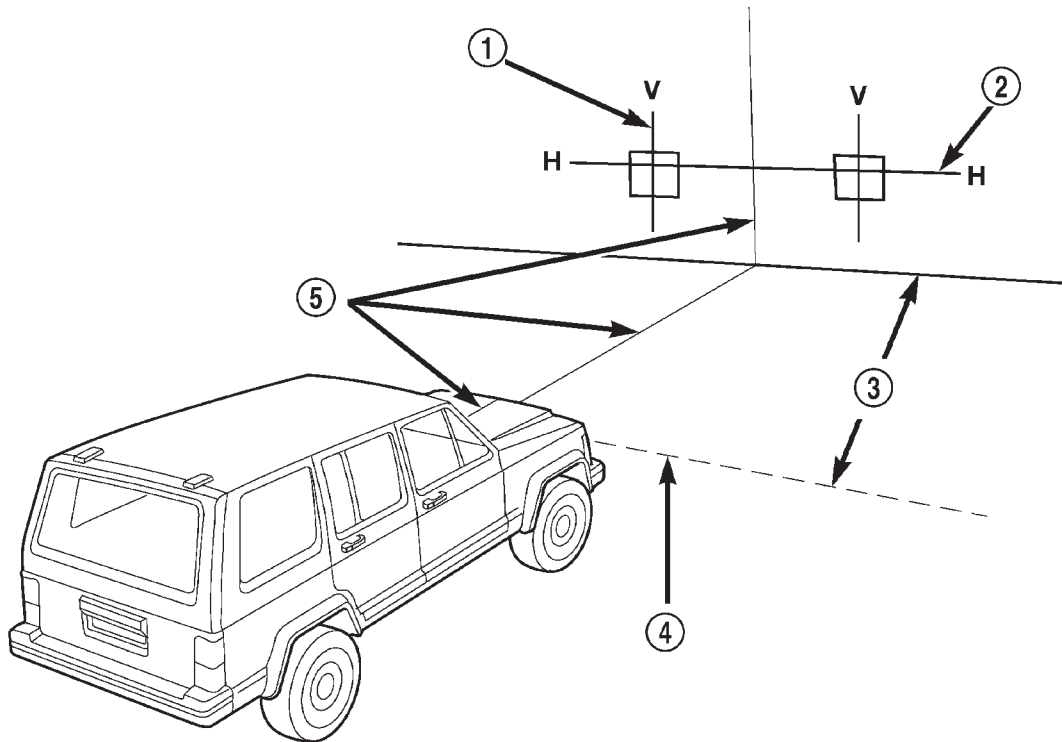
(3) Measure from the floor up 1.27 meters (5 ft) and tape a line on the wall at the centerline of the vehicle. Sight along the centerline of the vehicle (from rear of vehicle forward) to verify accuracy of the line placement.

(4) Rock vehicle side-to-side three times to allow suspension to stabilize.

(5) Jounce front suspension three times by pushing downward on front bumper and releasing.

(6) Measure the distance from the center of headlamp lens to the floor. Transfer measurement to the alignment screen (with tape). Use this line for up/down adjustment reference.

(7) Measure distance from the centerline of the vehicle to the center of each headlamp being aligned. Transfer measurements to screen (with tape) to each side of vehicle centerline. Use these lines for left/right adjustment reference.



80a624c0

**Fig. 1 Headlamp Alignment Screen—Typical**

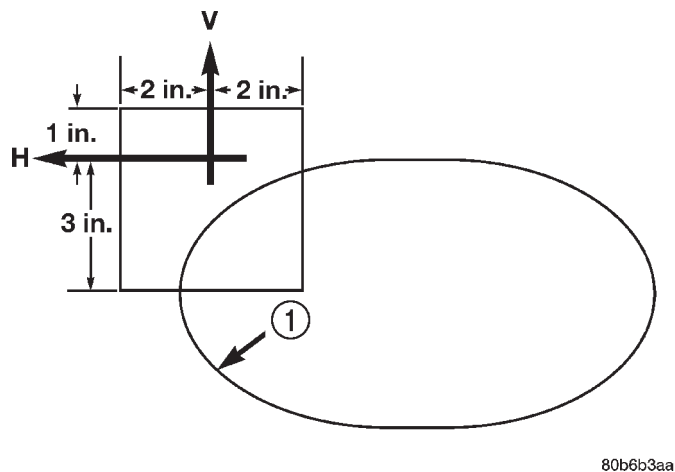
- |  |                        |
|--|------------------------|
| 1 - CENTER OF VEHICLE TO CENTER OF HEADLAMP LENS | 4 - FRONT OF HEADLAMP  |
| 2 - FLOOR TO CENTER OF HEADLAMP LENS             | 5 - VEHICLE CENTERLINE |
| 3 - 7.62 METERS (25 FEET)                        |                        |

## ADJUSTMENTS (Continued)

## HEADLAMP ADJUSTMENT

A properly aimed low beam will project the top edge of the beam intensity pattern on the screen from 25 mm (1 in.) above to 75 mm (3 in.) below headlamp centerline. The side-to-side left edge of the beam intensity pattern should be from 50 mm (2 in.) left to 50 mm (2 in.) right of headlamp centerline (Fig. 2).

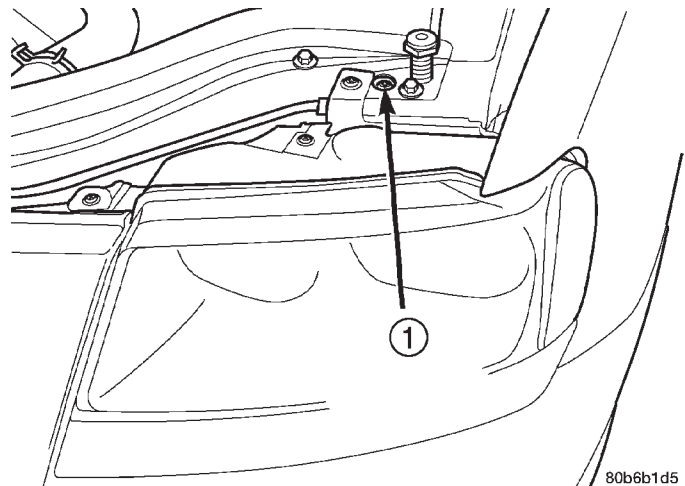
- (1) Clean front of the headlamps.
- (2) Place headlamps on LOW beam.
- (3) Cover front of the headlamp that is not being adjusted.
- (4) Turn adjustment screw (Fig. 3) and (Fig. 4) until the top edge of the beam intensity pattern is positioned within 25 mm (1 in.) above or 75 mm (3 in.) below the headlamp horizontal centerline.
- (5) Cover front of the headlamp and adjust the other headlamp beam as instructed below.
- (6) Rotate the adjustment screw until the top edge of the beam intensity pattern is positioned within 25 mm (1 in.) above or 75 mm (3 in.) below the headlamp horizontal centerline.



80b6b3aa

**Fig. 2 Low Beam Pattern**

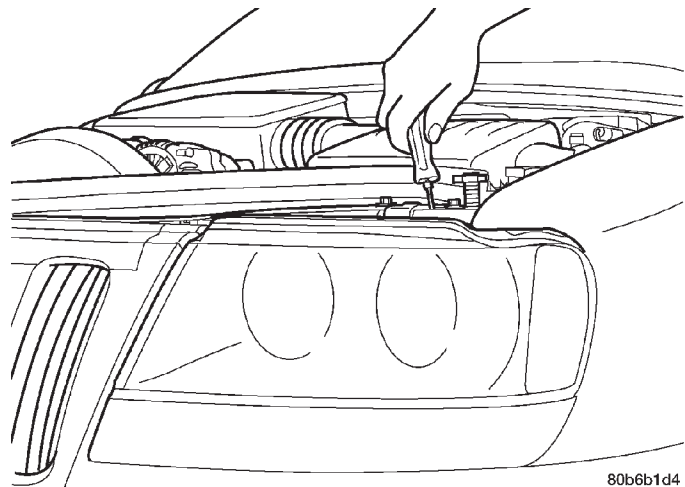
1 - LOW BEAM INTENSITY PATTERN (ISO-CANDELA CURVE)



80b6b1d5

**Fig. 3 Headlamp Beam Adjustment Screw**

1 - ADJUSTMENT SCREW LOCATION



80b6b1d4

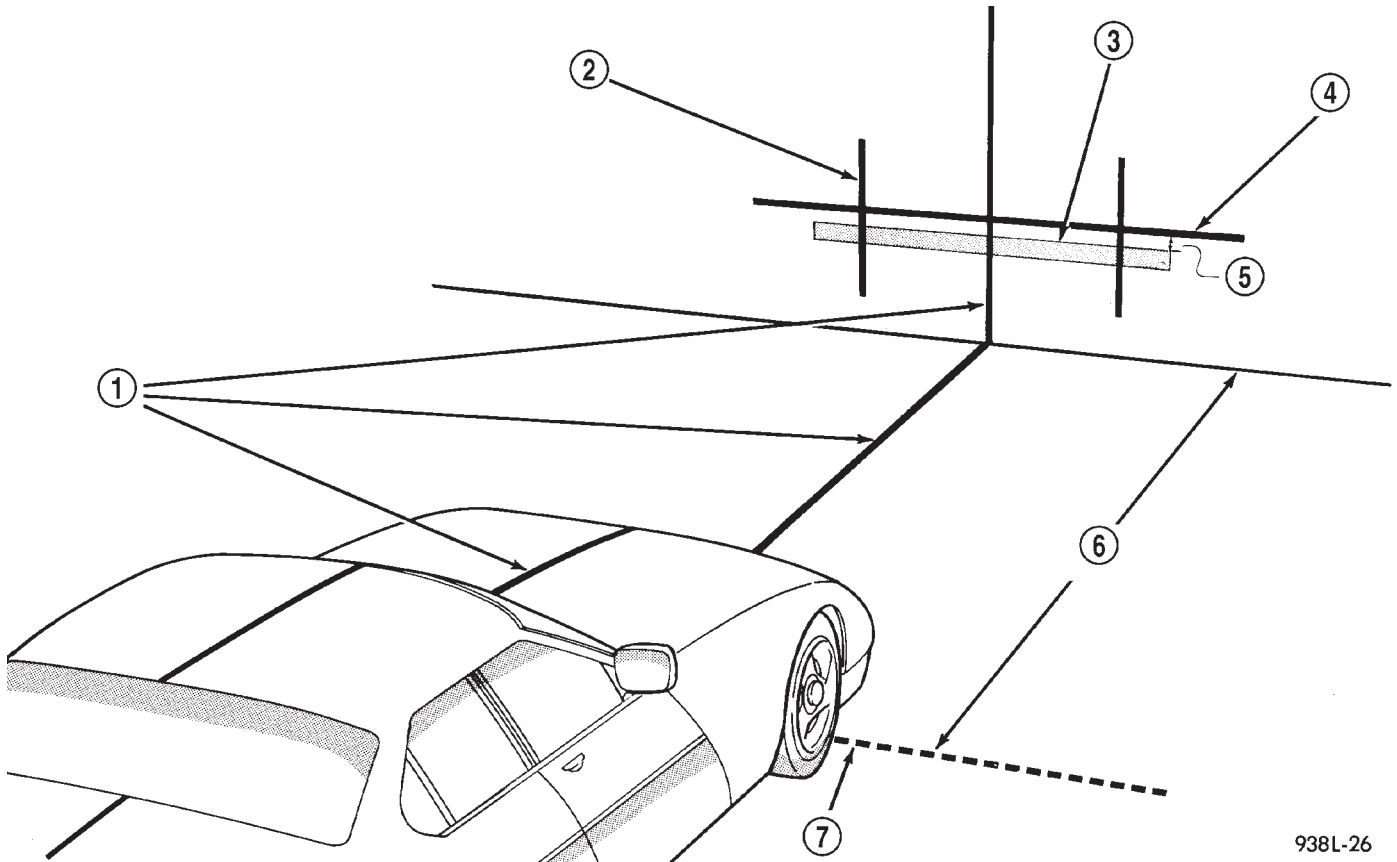
**Fig. 4 Headlamp Beam Adjustment**

## FOG LAMP ADJUSTMENT

Prepare an alignment screen. A properly aligned fog lamp will project a pattern on the alignment screen 100 mm (4 in.) below the fog lamp centerline and straight ahead (Fig. 5).

Rotate the adjustment screw to adjust beam height (Fig. 6).

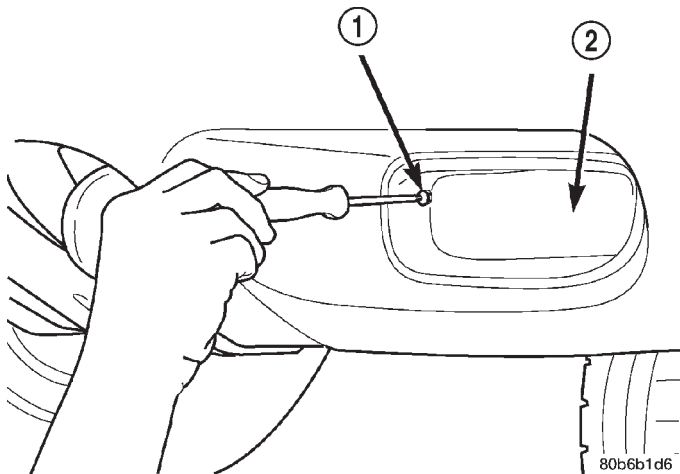
ADJUSTMENTS (Continued)



938L-26

**Fig. 5 Fog Lamp Alignment—Typical**

- |  |                           |
|--|---------------------------|
| 1 - VEHICLE CENTERLINE                           | 5 - 100 mm (4 in.)        |
| 2 - CENTER OF VEHICLE TO CENTER OF FOG LAMP LENS | 6 - 7.62 METERS (25 FEET) |
| 3 - HIGH-INTENSITY AREA                          | 7 - FRONT OF FOG LAMP     |
| 4 - FLOOR TO CENTER OF FOG LAMP LENS             |                           |



80b6b1d6

**Fig. 6 Fog Lamp Adjustment**

- |                      |
|----------------------|
| 1 - ADJUSTMENT SCREW |
| 2 - FOG LAMP         |

# LAMP BULB SERVICE

## TABLE OF CONTENTS

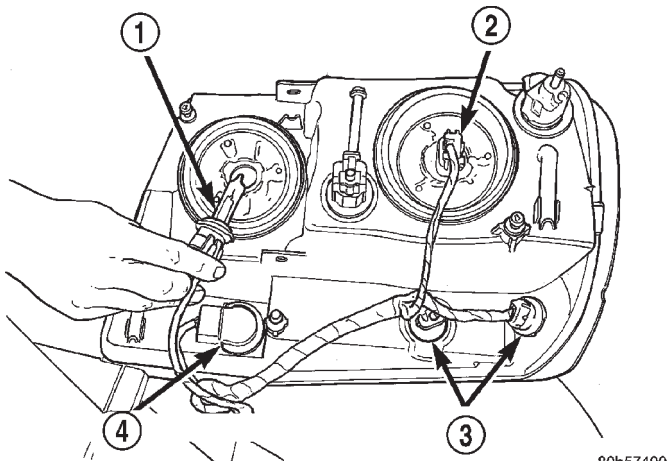
	page		page
<b>REMOVAL AND INSTALLATION</b>			
HEADLAMP BULB .....	8	LICENSE PLATE LAMP BULB .....	10
FOG LAMP BULB.....	8	CENTER HIGH MOUNTED STOP LAMP (CHMSL) BULB.....	10
FRONT TURN SIGNAL BULB.....	9	UNDERHOOD LAMP BULB .....	10
PARK LAMP BULB.....	9	DOOR COURTESY LAMP BULB.....	10
FRONT SIDE MARKER LAMP BULB .....	9	VISOR VANITY LAMP BULB.....	11
TAIL, BRAKE, TURN SIGNAL AND BACK-UP LAMP BULBS .....	9	DOME/READING LAMP BULB .....	11
BACK-UP LAMP BULB.....	9	OVERHEAD CONSOLE READING LAMP BULB ..	11
REAR SIDE MARKER LAMP BULB .....	9	CARGO LAMP BULB .....	11

## REMOVAL AND INSTALLATION

### HEADLAMP BULB

#### REMOVAL

- (1) Remove headlamp.
- (2) Turn bulb socket one quarter turn counter clockwise.
- (3) Remove socket from lamp (Fig. 1).
- (4) Pull bulb from socket.



**Fig. 1 Headlamp Bulb**

80b57490

- 1 - HIGH BEAM BULB
- 2 - LOW BEAM BULB
- 3 - MARKER BULB
- 4 - PARK/TURN SIGNAL BULB

#### INSTALLATION

**CAUTION: Do not touch the bulb glass with fingers or other oily surfaces. Reduced bulb life will result.**

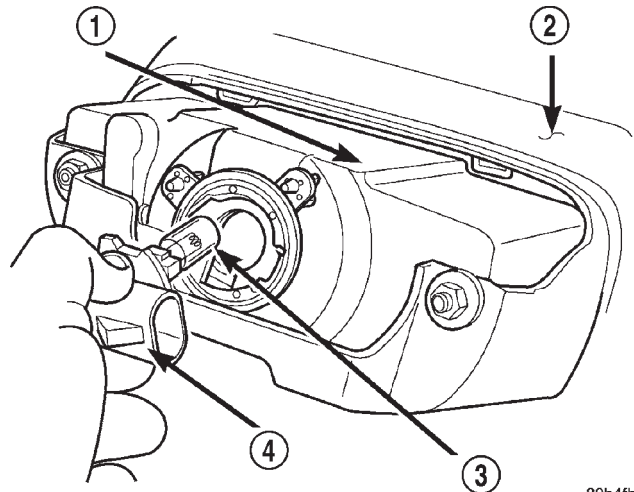
- (1) Position bulb into socket and push into place.
- (2) Position bulb socket in headlamp and turn bulb socket one quarter turn clockwise.

- (3) Install headlamp.

### FOG LAMP BULB

#### REMOVAL

- (1) Disconnect fog lamp harness connector.
- (2) Rotate bulb socket 1/4 turn counter clockwise.
- (3) Remove bulb socket from lamp (Fig. 2).



**Fig. 2 Fog Lamp Bulb**

80b4fb14

- 1 - FOG LAMP
- 2 - FASCIA
- 3 - BULB
- 4 - BULB SOCKET

#### INSTALLATION

**CAUTION: Do not touch the bulb glass with fingers or other oily surfaces. Reduced bulb life will result.**

- (1) Position bulb socket in fog lamp.
- (2) Rotate bulb socket 1/4 turn clockwise.
- (3) Connect fog lamp harness connector.



REMOVAL AND INSTALLATION (Continued)

**FRONT TURN SIGNAL BULB**

**REMOVAL**

- (1) Remove headlamp module.
- (2) Rotate turn signal bulb socket 1/4 turn counter clockwise (Fig. 1).
- (3) Remove bulb socket from module.
- (4) Pull bulb from socket.

**INSTALLATION**

- (1) Press bulb into socket.
- (2) Position bulb socket in module.
- (3) Rotate turn signal bulb socket 1/4 turn clockwise.
- (4) Install headlamp module.

**PARK LAMP BULB**

**REMOVAL**

- (1) Remove the headlamp module. Refer to Headlamp Removal/Installation procedure.
- (2) Rotate the headlamp module to access the bulb sockets (Fig. 1).
- (3) Remove the park lamp socket.
- (4) Grasp the bulb and remove from socket.

**INSTALLATION**

- (1) Engage the bulb in the lamp socket.
- (2) Install the lamp socket into the headlamp module.
- (3) Install the headlamp module on the vehicle.

**FRONT SIDE MARKER LAMP BULB**

**REMOVAL**

- (1) Remove headlamp module.
- (2) Rotate side marker bulb socket 1/4 turn counter clockwise (Fig. 1).
- (3) Remove bulb socket from module.
- (4) Pull bulb from socket.

**INSTALLATION**

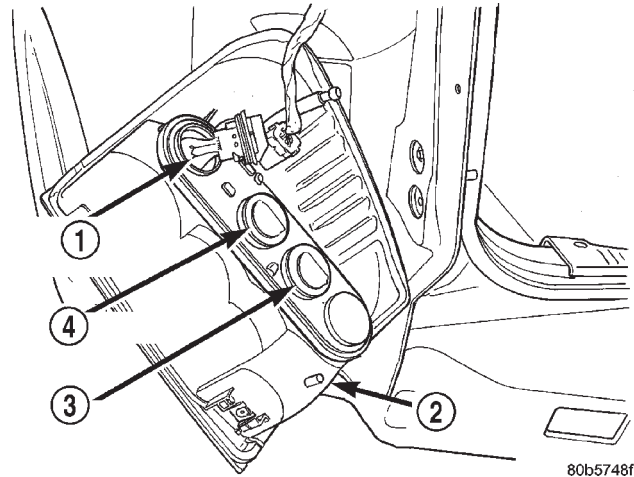
- (1) Press bulb into socket.
- (2) Position bulb socket in module.
- (3) Rotate side marker bulb socket 1/4 turn clockwise.
- (4) Install headlamp module.

**TAIL, BRAKE, TURN SIGNAL AND BACK-UP LAMP BULBS**

The brake, turn signal, back-up, and side marker lamp bulbs are incorporated into the tail lamp.

**REMOVAL**

- (1) Remove tail lamp.
- (2) Grasp bulb socket and rotate counterclockwise.
- (3) Separate socket from lamp
- (4) Pull bulb from socket (Fig. 3).



**Fig. 3 Tail Lamp Bulbs**

- 1 - TAIL/STOP BULB
- 2 - TAIL LAMP
- 3 - BACK-UP BULB
- 4 - TURN SIGNAL BULB

**INSTALLATION**

- (1) Position bulb in socket and push into place.
- (2) Position bulb socket in lamp and rotate clockwise.
- (3) Install lamp.

**BACK-UP LAMP BULB**

**REMOVAL**

- (1) Remove tail lamp.
- (2) Grasp bulb socket and rotate counterclockwise.
- (3) Separate socket from lamp
- (4) Pull bulb from socket (Fig. 3).

**INSTALLATION**

- (1) Position bulb in socket and push into place.
- (2) Position bulb socket in lamp and rotate clockwise.
- (3) Install lamp.

**REAR SIDE MARKER LAMP BULB**

**REMOVAL**

- (1) Remove the tail lamp assembly.
- (2) Remove the bulb socket from the lamp (Fig. 3).
- (3) Grasp the bulb and remove.

**INSTALLATION**

- (1) Install the bulb in the socket.
- (2) Install the bulb socket in the lamp.
- (3) Position the tail lamp assembly on the vehicle. Install the screws.

## REMOVAL AND INSTALLATION (Continued)

## LICENSE PLATE LAMP BULB

## REMOVAL

- (1) Remove lamp assembly from liftgate lamp module.
- (2) Rotate bulb socket counterclockwise to disconnect bulb socket from lamp.
- (3) Remove bulb from socket.

## INSTALLATION

- (1) Install bulb in socket.
- (2) Install socket and bulb assembly in lamp housing.
- (3) Install lamp assembly in liftgate lamp module.

## CENTER HIGH MOUNTED STOP LAMP (CHMSL) BULB

## REMOVAL

- (1) Remove screws attaching lamp housing to liftgate.
- (2) Rotate bulb socket 1/4 turn and pull from housing (Fig. 4).
- (3) Grasp bulb and pull from socket.

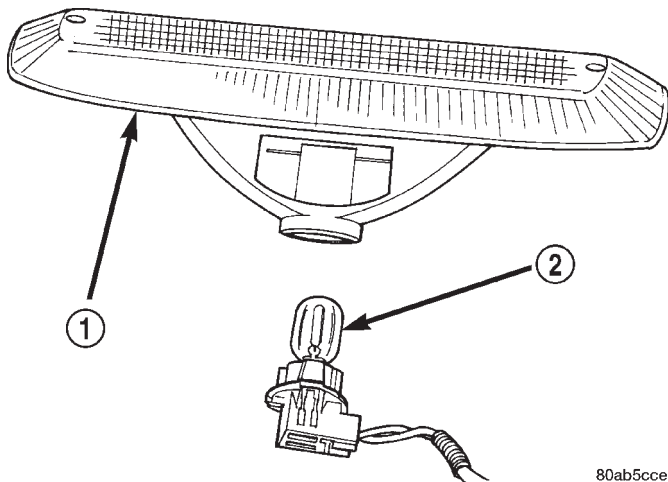


Fig. 4 CHMSL Bulb

80ab5cce

- 1 - CHMSL
- 2 - CHMSL BULB

## INSTALLATION

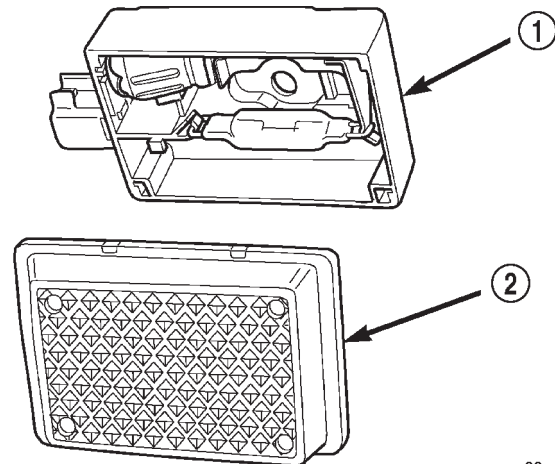
- (1) Push bulb into socket.
- (2) Position socket in lamp and rotate 1/4 turn.
- (3) Install screws attaching the lamp housing to liftgate.

## UNDERHOOD LAMP BULB

## REMOVAL

- (1) Insert a small flat blade in access slot between lamp base and lamp lens.
- (2) Pry lamp lens upward and remove lamp lens (Fig. 5).

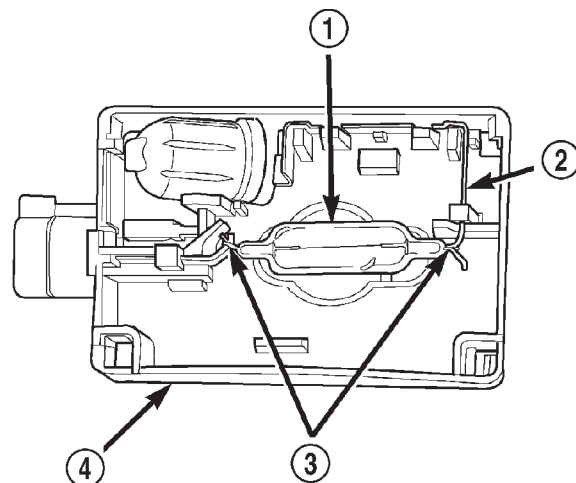
- (3) Depress bulb terminal inward (Fig. 6) to release bulb.



80ad847e

Fig. 5 Underhood Lamp Lens

- 1 - LAMP
- 2 - LAMP LENS



80add414

Fig. 6 Underhood Lamp Bulb

- 1 - BULB
- 2 - DEPRESS TERMINAL INWARD
- 3 - BULB WIRE LOOP
- 4 - LAMP BASE

## INSTALLATION

- (1) Engage replacement bulb wire loop to terminal closest to lamp base wire connector.
- (2) Depress opposite terminal inward and engage remaining bulb wire loop.
- (3) Position lamp lens on lamp base and press into place.

## DOOR COURTESY LAMP BULB

## REMOVAL

- (1) Remove door trim panel. Refer to Group 23, Body Components for service procedures.

REMOVAL AND INSTALLATION (Continued)

- (2) Remove bulb socket from lamp.
- (3) Pull bulb from socket.

**INSTALLATION**

- (1) Position bulb in socket and press into place.
- (2) Install bulb socket in lamp.
- (3) Install door trim panel.

**VISOR VANITY LAMP BULB**

**REMOVAL**

- (1) Using a small flat blade, carefully pry each corner of the lens out of the lamp.
- (2) Separate the lens from the lamp.
- (3) Grasp the bulb and pull out.

**INSTALLATION**

- (1) Position the bulb in the socket and push in place.
- (2) Position the lens on the lamp and snap into place.

**DOME/READING LAMP BULB**

**REMOVAL**

- (1) Rotate the grab handle down.
- (2) Remove the screws retaining the grab handle/dome lens.
- (3) Remove grab handle/lens from module.
- (4) Remove bulb from lamp terminals.

**INSTALLATION**

- (1) Insert bulb into lamp terminals.
- (2) Position the grab handle/lens on lamp module.
- (3) Install the screws retaining the grab handle/lens to the lamp module.

**OVERHEAD CONSOLE READING LAMP BULB**

**REMOVAL**

- (1) Remove the overhead console.
- (2) Rotate the console until the bulb is visible (Fig. 7).
- (3) Grasp the bulb and remove from the socket.

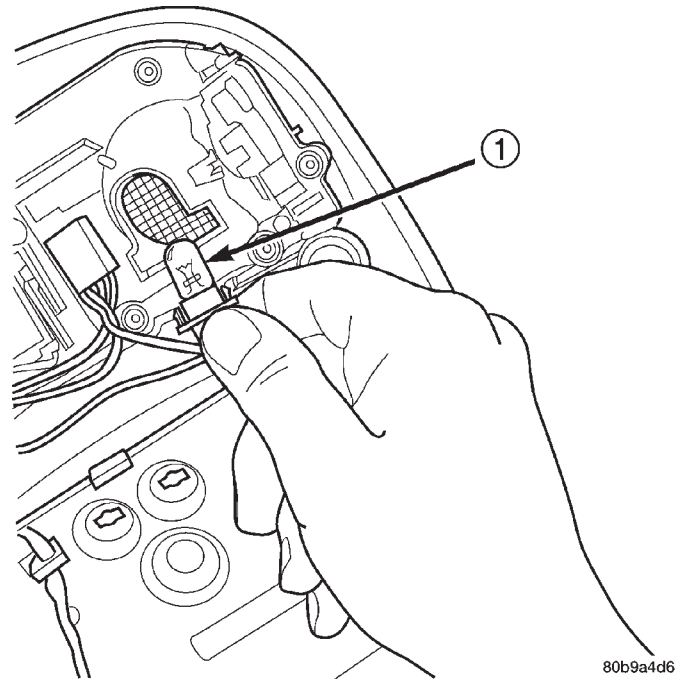
**INSTALLATION**

- (1) Push the bulb into the bulb socket.
- (2) Install the console on the headliner and roof panel.
- (3) Align the screw hole and install the screw.

**CARGO LAMP BULB**

**REMOVAL**

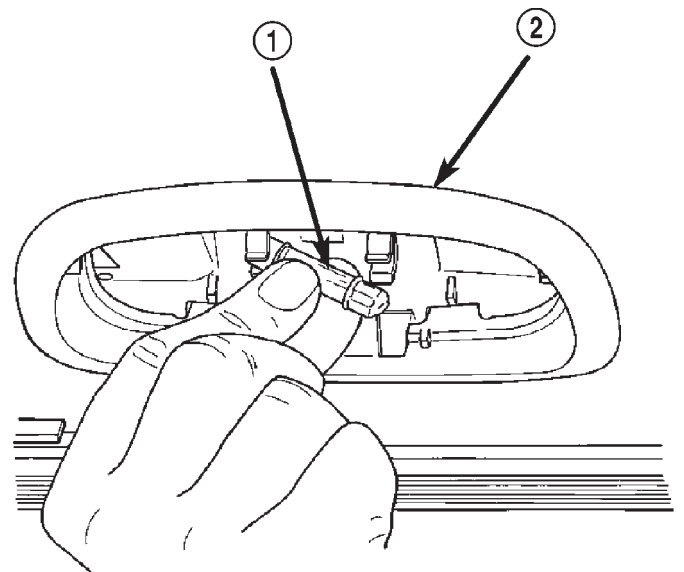
- (1) Using a small flat blade, pry forward corners of lamp lens from lamp.



**Fig. 7 Overhead Console Reading Lamp Bulb**

1 - BULB

- (2) Pull bulb from lamp (Fig. 8).



**Fig. 8 Cargo Lamp Bulb**

1 - CARGO LAMP BULB  
2 - CARGO LAMP

**INSTALLATION**

- (1) Position bulb in lamp and press into place.
- (2) Position lamp lens on lamp and press into place.

# LAMP SERVICE

## TABLE OF CONTENTS

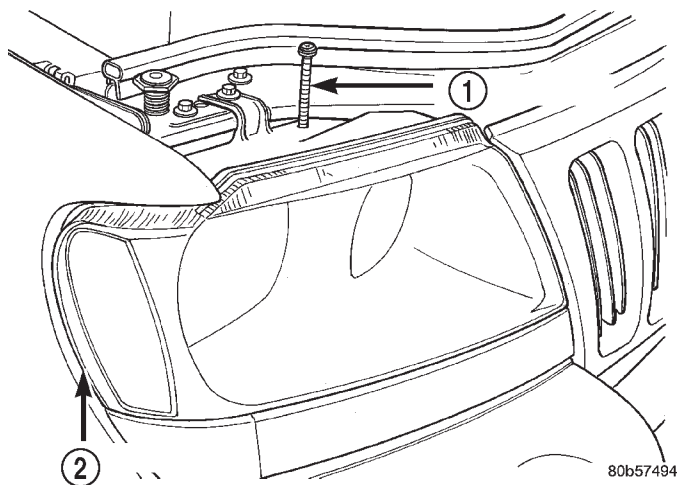
	page		page
<b>REMOVAL AND INSTALLATION</b>			
HEADLAMP .....	12	LICENSE PLATE LAMP .....	13
FOG LAMP .....	13	CENTER HIGH MOUNTED STOP LAMP (CHMSL) .....	14
FRONT TURN SIGNAL LAMP .....	13	UNDERHOOD LAMP .....	14
PARK LAMP .....	13	DOOR COURTESY LAMP .....	14
FRONT SIDE MARKER LAMP .....	13	VISOR VANITY LAMP .....	15
BACK-UP LAMP .....	13	READING LAMP .....	15
TAIL, BRAKE, TURN SIGNAL, BACK-UP, AND SIDE MARKER LAMP .....	13	DOME /READING LAMP .....	15
REAR SIDE MARKER LAMP .....	13	CARGO LAMP .....	15
		TRANSMISSION SELECTOR LAMP .....	15

## REMOVAL AND INSTALLATION

### HEADLAMP

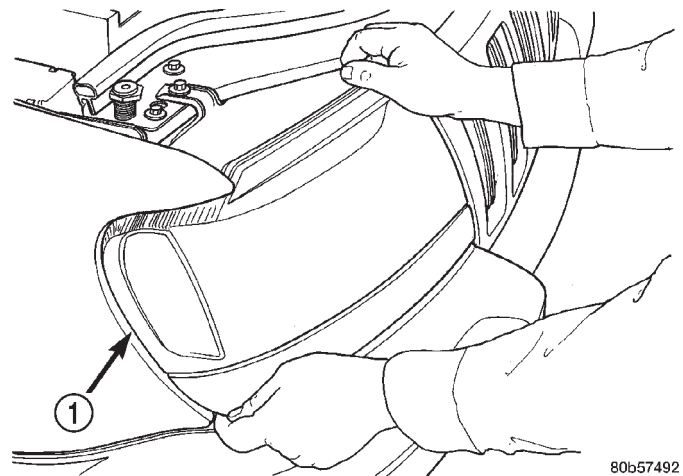
#### REMOVAL

- (1) Remove jack screw attaching top of headlamp to headlamp mounting module (Fig. 1).
- (2) Grasp upper inboard and lower outboard corners of headlamp (Fig. 2) and forcefully pull headlamp outward.
- (3) Remove all bulb sockets from headlamp module.
- (4) Separate headlamp from vehicle.



**Fig. 1 Headlamp Jackscrew**

- 1 - JACKSCREW
- 2 - HEADLAMP



**Fig. 2 Headlamp Removal**

- 1 - HEADLAMP

#### INSTALLATION

**CAUTION:** Do not touch the bulb glass with fingers or other oily surfaces. Reduced bulb life will result.

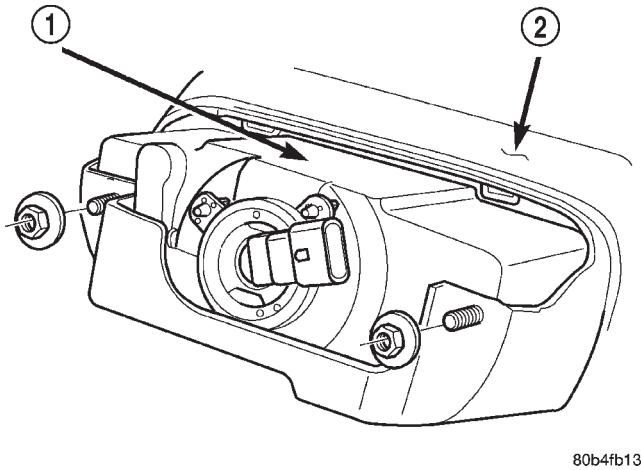
- (1) Install all bulb sockets in headlamp module.
- (2) Position headlamp on vehicle and align ball studs with sockets.
- (3) Forcefully push headlamp inward to secure ball studs with sockets.
- (4) Install jack screw attaching top of headlamp to headlamp mounting module.

REMOVAL AND INSTALLATION (Continued)

**FOG LAMP**

**REMOVAL**

- (1) Disengage fog lamp electrical connector.
- (2) Remove nuts attaching fog lamp to fascia (Fig. 3).
- (3) Separate fog lamp from vehicle.



**Fig. 3 Fog Lamp**

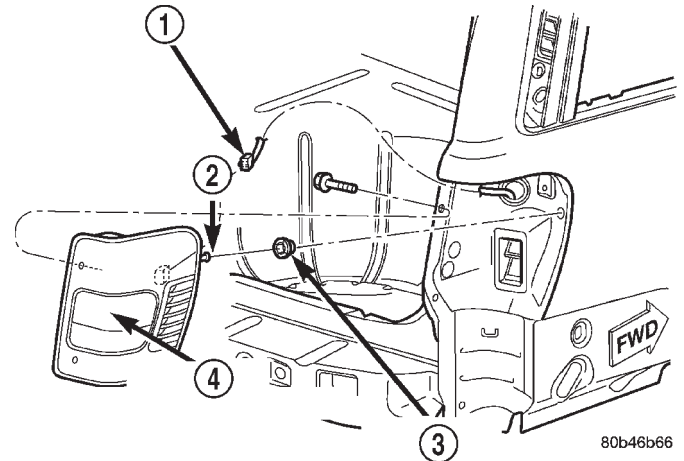
- 1 - FOG LAMP  
2 - FASCIA

**TAIL, BRAKE, TURN SIGNAL, BACK-UP, AND SIDE MARKER LAMP**

The brake, turn signal, back-up, and side marker lamps are incorporated in the tail lamp.

**REMOVAL**

- (1) Remove screws attaching lamp to body (Fig. 4).
- (2) Grasp lamp and pull from body to disengage alignment pin.
- (3) Disconnect lamp wire harness connector.
- (4) Separate lamp from vehicle.



**Fig. 4 Tail Lamp**

- 1 - CONNECTOR  
2 - PIN  
3 - RETAINER  
4 - TAILLAMP (STOP, TURN, BACK-UP SIDE MARKER)

**INSTALLATION**

- (1) Position fog lamp in fascia.
- (2) Install nuts attaching fog lamp to fascia.
- (3) Engage fog lamp electrical connector.
- (4) Align fog lamp, if necessary.

**FRONT TURN SIGNAL LAMP**

The front turn signal lamp is incorporated in the headlamp module. If the front turn signal lamp is damaged or is in need of service, replace the headlamp module.

**PARK LAMP**

The park lamp is integral with the headlamp module and not serviced as a separate unit.

**FRONT SIDE MARKER LAMP**

The front side marker lamp is incorporated in the headlamp module. If the front side marker lamp is damaged or is in need of service, replace the headlamp module.

**BACK-UP LAMP**

The back-up lamp is incorporated in the tail lamp assembly. Refer to Tail Lamp Removal and Installation for service procedures.

**INSTALLATION**

- (1) Position lamp at vehicle.
- (2) Connect lamp wire harness connector.
- (3) Align pin with retainer and press lamp inward to engage.
- (4) Install screws attaching lamp to body.

**REAR SIDE MARKER LAMP**

**NOTE:** The rear side marker lamp is incorporated into the tail lamp assembly. Refer to tail lamp removal for proper service procedures.

**LICENSE PLATE LAMP**

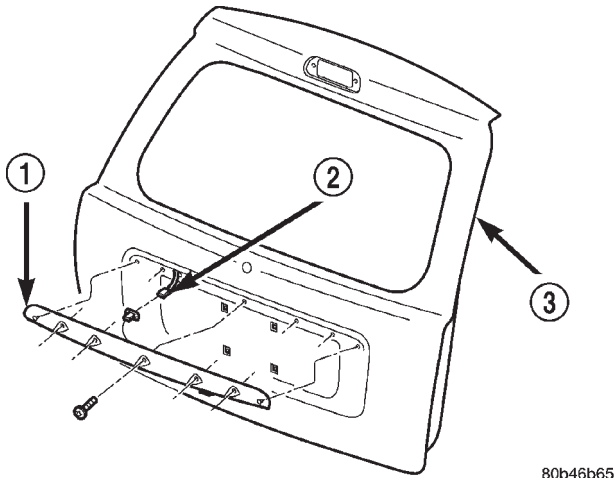
**REMOVAL**

- (1) Remove the screws attaching lamp assembly to liftgate. (Fig. 5).
- (2) Pull the lamp assembly away from the sheet-metal at extreme outboard edges to disengage the push pins.



## REMOVAL AND INSTALLATION (Continued)

- (3) Separate lamp assembly harness wiring connector.
- (4) Remove lamp.

**Fig. 5 License Plate Lamp Housing**

- 1 - LICENSE PLATE LAMP
- 2 - CONNECTOR
- 3 - LIFTGATE

**INSTALLATION**

- (1) Connect bulb harness to lamp assembly.
- (2) Position lamp assembly on liftgate and press outboard fasteners in place.
- (3) Install screws in lamp assembly.

**CENTER HIGH MOUNTED STOP LAMP (CHMSL)****REMOVAL**

- (1) Remove screws attaching CHMSL to liftgate (Fig. 6).
- (2) Disconnect wire harness connector.
- (3) Separate CHMSL from vehicle.

**INSTALLATION**

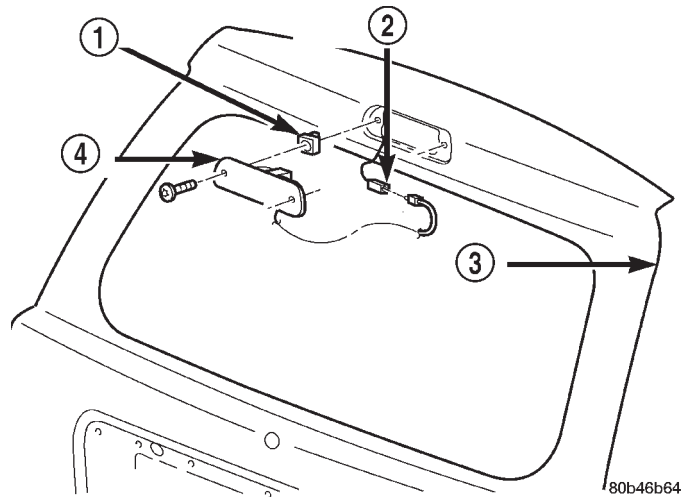
- (1) Connect wire harness connector.
- (2) Position CHMSL on liftgate.
- (3) Install screws attaching CHMSL to liftgate.

**UNDERHOOD LAMP****REMOVAL**

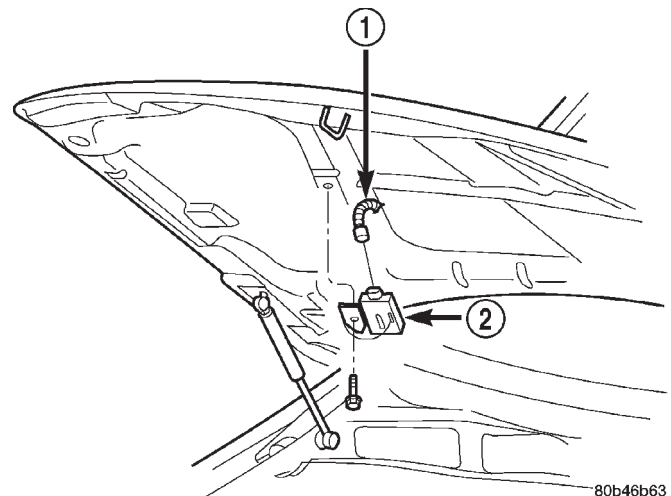
- (1) Disconnect wire harness connector from lamp.
- (2) Remove screw attaching underhood lamp to inner hood panel (Fig. 7).
- (3) Separate underhood lamp from vehicle.

**INSTALLATION**

- (1) Position underhood lamp on hood inner panel.

**Fig. 6 Center High Mounted Stop Lamp**

- 1 - PUSH-IN NUT
- 2 - CONNECTOR
- 3 - LIFTGATE
- 4 - CHMSL

**Fig. 7 Underhood Lamp**

- 1 - CONNECTOR
- 2 - UNDERHOOD LAMP

- (2) Install screw attaching lamp base to inner hood panel.
- (3) Fold lamp housing over and firmly press onto base to snap into place.
- (4) Connect wire harness connector to lamp.

**DOOR COURTESY LAMP****REMOVAL**

- (1) Remove door trim panel. See Group 23 Body Systems for proper service procedures
- (2) Disengage electrical connectors.
- (3) Depress locking tabs and remove lamp module.
- (4) Remove bulb socket.

REMOVAL AND INSTALLATION (Continued)

**INSTALLATION**

- (1) Install bulb socket in lamp module.
- (2) Align lamp module with door trim panel opening.
- (3) Snap lamp module into place.
- (4) Install door panel.

**VISOR VANITY LAMP**

**REMOVAL**

- (1) Fold down visor.
- (2) Using a small flat blade, and staring at the base of the lamp assembly, carefully pry the base of the lamp from the visor.
- (3) Disconnect the vanity lamp visor and remove the lamp from the vehicle.

**INSTALLATION**

- (1) Position the lamp at the visor and connect the wire connector.
- (2) Press the lamp in place.

**READING LAMP**

The reading lamp is serviced in the Dome/Reading Lamp section, or the Overhead Console Reading Lamp section.

**DOME /READING LAMP**

**REMOVAL**

- It will be necessary to partially remove the headliner to remove the bulb socket.
- (1) Remove the screws holding the grab handle/lens assembly to the headliner and roof panel.
  - (2) Lower the headliner as needed. Refer to Group 23, Body Components for service procedure.
  - (3) Separate the lamp socket from the headliner and roof panel.
  - (4) Disconnect the wire connector.

**INSTALLATION**

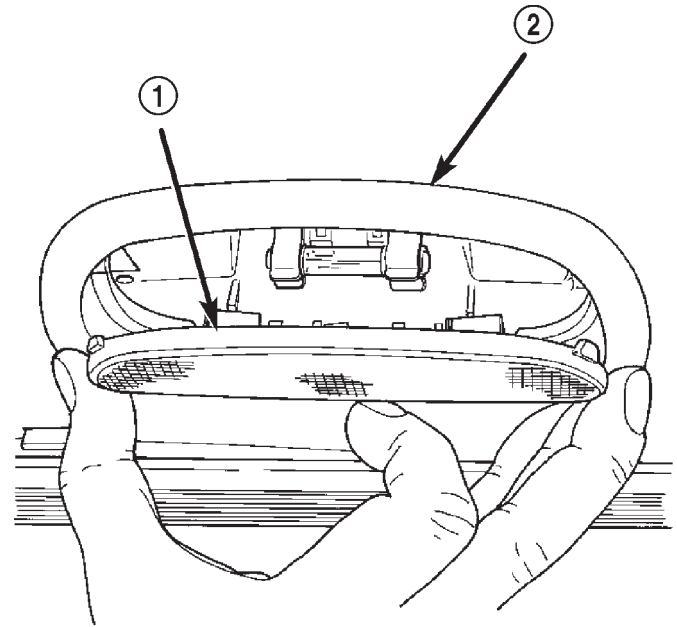
- (1) Position the lamp socket on the headliner and roof panel.
- (2) Connect the wire harness.
- (3) Install the headliner.
- (4) Position the grab handle/lens on the lamp module.
- (5) Install the screws retaining the grab handle/lens into the lamp socket.

**CARGO LAMP**

**REMOVAL**

- (1) Using a small flat blade, pry forward corners of lamp lens from lamp (Fig. 8).
- (2) Separate lens from lamp.

- (3) Using a trim stick, pry front and rear edges of lamp from headliner.
- (4) Disconnect lamp connector from lamp.
- (5) Separate lamp from headliner.



80b9a50d

**Fig. 8 Cargo Lamp**

- 1 - CARGO LAMP LENS
- 2 - CARGO LAMP

**INSTALLATION**

- (1) Position lamp at headliner.
- (2) Connect lamp connector to lamp.
- (3) Position lamp in headliner.
- (4) Position lens on lamp and press into place.

**TRANSMISSION SELECTOR LAMP**

**DESCRIPTION**

The Transmission Range Indicator Lamp, mounted on the floor console, uses electroluminescent technology as the light source. This lamp requires a 120 volt AC signal that is provided by a power converter included as part of the assembly. The module is not serviceable separately. Because of a potential shock hazard, diagnostic testing of the lamp assembly should be avoided. Refer to TRANSMISSION, Range Selector Assembly Removal and Installation.

# LAMP SYSTEMS SERVICE

## TABLE OF CONTENTS

	page		page
<b>DESCRIPTION AND OPERATION</b>		<b>REMOVAL AND INSTALLATION</b>	
HEADLAMP SWITCH . . . . .	16	AUTO HEADLAMP SENSOR . . . . .	16
DRL MODULE . . . . .	16	DAYTIME RUNNING LAMP MODULE . . . . .	17
TAIL/STOP/TURN/BACK-UP LAMPS . . . . .	16		

## DESCRIPTION AND OPERATION

### HEADLAMP SWITCH

#### DESCRIPTION

The headlamp switch is integral to the exterior lighting switch, which is part of the left (lighting) multi-function switch unit located on the left side of the steering column. A knob on the end of the left control stalk controls all of the exterior lighting functions. The exterior lighting switch is hard wired to the Body Control Module (BCM) through the instrument wire harness.

#### OPERATION

The exterior lighting switch uses a hard wired 5 volt reference circuit from the BCM, resistor multiplexing and a hard wired switch output circuit in the instrument panel harness to provide the BCM with a 0-5 volt signal that indicates the status of all the exterior lighting switch settings. The headlamp switch cannot be repaired. It must be replaced. Refer to Group 8E for removal and installation procedures, and Group 8W for wiring.

### DRL MODULE

#### DESCRIPTION

The Daytime Running Lights (Headlamps) System is installed on vehicles manufactured for sale in Canada only. A separate module, mounted in the junction block under the dash, controls the DRL.

#### OPERATION

The headlamps are illuminated when the engine is running, headlamp switch off, and the parking brake released. The lamps are illuminated at a reduced intensity.

## TAIL/STOP/TURN/BACK-UP LAMPS

### DESCRIPTION

The taillamps on the Grand Cherokee are mounted at the rear of the vehicle, outboard of the rear hatch and integrated into the lines of the vehicle. The tail-lamp module contains a housing, lens, and three bulbs. A dual filament bulb is used for tail and stop functions. A single filament bulb is used for turn signal operations. A separate bulb is used for back-up illumination.

### OPERATION

All exterior lighting function are controlled by the multifunction switch. Stop lamp functions are controlled by the stoplamp switch. The back-up lamps are controlled by the back-up lamp switch.

## REMOVAL AND INSTALLATION

### AUTO HEADLAMP SENSOR

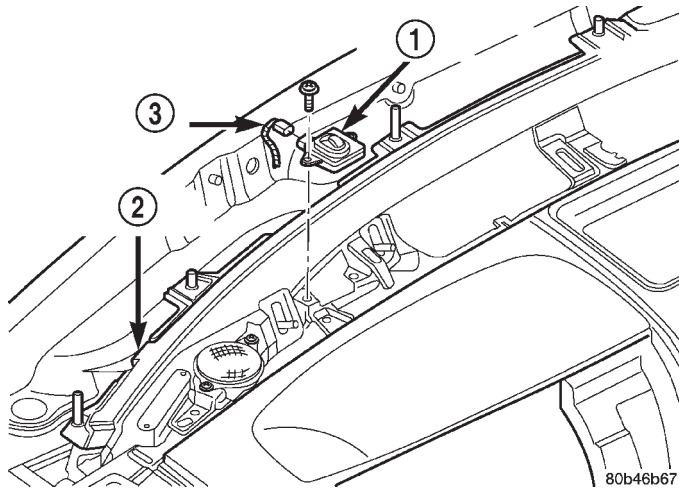
#### REMOVAL

- (1) Remove instrument panel top cover. Refer to Group 8E, Instrument Panel for service procedures.
- (2) Remove screw attaching auto headlamp sensor to instrument panel (Fig. 1).
- (3) Disengage harness connector from auto headlamp sensor.
- (4) Separate auto headlamp sensor from instrument panel.

#### INSTALLATION

- (1) Position auto headlamp sensor on instrument panel.
- (2) Engage harness connector to auto headlamp sensor.
- (3) Install screw attaching auto headlamp sensor to instrument panel.
- (4) Install instrument panel top cover. Refer to Group 8E, Instrument Panel for service procedures.

## REMOVAL AND INSTALLATION (Continued)



**Fig. 1 Auto Headlamp Sensor**

- 1 - AUTO HEADLAMP SENSOR
- 2 - I/P ASSEMBLY
- 3 - CONNECTOR

**DAYTIME RUNNING LAMP MODULE****REMOVAL**

(1) Lower the junction block to access the daytime running lamp module. Refer to Group 80, Power Distribution Center for service procedures.

(2) Pull the module from the junction block.

**INSTALLATION**

(1) Position the module in the junction block and press to secure.

(2) Install the junction block. Refer to Group 80, Power Distribution Center for service procedures.

# BULB APPLICATION

## TABLE OF CONTENTS

	page		page
<b>SPECIFICATIONS</b>		<b>INTERIOR LAMPS</b> . . . . .	18
EXTERIOR LAMPS. . . . .	18		

### SPECIFICATIONS

#### EXTERIOR LAMPS

**CAUTION:** Do not use bulbs that have a higher candle power than the bulb listed in the Bulb Application Table. Damage to lamp can result. Do not touch halogen bulbs with fingers or other oily surfaces. Bulb life will be reduced.

The following Bulb Application Table lists the lamp title on the left side of the column and trade number or part number on the right.

<b>LAMP</b>	<b>BULB</b>
Back-up . . . . .	3157
Center High Mounted Stop Lamp . . . . .	921
Fog lamp . . . . .	9005
Front Turn Signal . . . . .	3157/3157NA
Front Side Marker . . . . .	194/194NA
High Beam . . . . .	9005XS
Low Beam . . . . .	9006XS
License Plate . . . . .	168
Tail/Brake . . . . .	3157
Rear Turn Signal . . . . .	3157
Underhood Lamp . . . . .	561

#### INTERIOR LAMPS

**CAUTION:** Do not use bulbs that have a higher candle power than the bulb listed in the Bulb Application Table. Damage to lamp can result.

Service procedures for most of the lamps in the instrument panel, are located in Group 8E. Some components have lamps that can only be serviced by an Authorized Service Center (ASC) after the component is removed from the vehicle. Contact local dealer for location of nearest ASC.

<b>LAMP</b>	<b>BULB</b>
A/C Heater . . . . .	not serviced
Ash Receiver . . . . .	161
Climate Control . . . . .	74
Passenger Assist Handle . . . . .	214-2
Front Reading . . . . .	192
Glove Compartment . . . . .	194
Telltale/Hazard Lamp . . . . .	74
Heater . . . . .	not serviced
Overhead Console . . . . .	192
Radio . . . . .	ASC
Rear Cargo . . . . .	214-2
Under Panel Courtesy . . . . .	906
Cluster Illumination . . . . .	103
Sunvisor Vanity . . . . .	Chrysler p/n 6501966



# PASSIVE RESTRAINT SYSTEMS

## TABLE OF CONTENTS

	page		page
<b>DESCRIPTION AND OPERATION</b>		<b>REMOVAL AND INSTALLATION</b>	
AIRBAG SYSTEM . . . . .	1	DRIVER SIDE AIRBAG MODULE . . . . .	6
DRIVER SIDE AIRBAG MODULE . . . . .	2	DRIVER SIDE AIRBAG MODULE TRIM COVER . . . . .	7
PASSENGER SIDE AIRBAG MODULE . . . . .	3	PASSENGER SIDE AIRBAG MODULE . . . . .	9
AIRBAG CONTROL MODULE . . . . .	3	AIRBAG CONTROL MODULE . . . . .	10
CLOCKSPRING . . . . .	4	CLOCKSPRING . . . . .	12
<b>DIAGNOSIS AND TESTING</b>		<b>ADJUSTMENTS</b>	
AIRBAG SYSTEM . . . . .	4	CLOCKSPRING CENTERING . . . . .	14
<b>SERVICE PROCEDURES</b>		<b>SPECIAL TOOLS</b>	
AIRBAG SYSTEM . . . . .	5	PASSIVE RESTRAINT SYSTEMS . . . . .	15

## DESCRIPTION AND OPERATION

### AIRBAG SYSTEM

#### DESCRIPTION

A dual front airbag system is standard factory-installed safety equipment on this model. Both the driver and passenger side airbag modules are certified to new federal regulations, which allows them to deploy with less force than prior airbags. The primary passenger restraints in this vehicle are the standard equipment factory-installed seat belts, which require active use by the vehicle occupants. The airbag system is a supplemental passive restraint that was designed and is intended to enhance the protection for the front seat occupants of the vehicle **only** when used in conjunction with the seat belts. See the owner's manual in the vehicle glove box for more information on the features, use and operation of all of the factory-installed passenger restraints, including the airbag system.

The dual front airbag system consists of the following components:

- Airbag Control Module (ACM)
- Airbag indicator lamp
- Clockspring
- Driver and passenger side airbag modules (including the airbag inflators)
- Driver and passenger side knee blockers
- Wire harness and connections.

This group provides complete service information for the ACM, both airbag modules, and the clockspring. Complete service information for the other airbag system components can be located as follows:

- Refer to **Instrument Cluster** in the proper section of Group 8E - Instrument Panel Systems for complete service information for the airbag indicator lamp.

- Refer to **Steering Column Opening Cover and Instrument Panel Steering Column Bracket** in the Removal and Installation section of Group 8E - Instrument Panel Systems for complete service information on the driver side knee blocker.

- Refer to **Glove Box** in the Removal and Installation section of Group 8E - Instrument Panel Systems for complete service information on the passenger side knee blocker.

- Refer to **Airbag System** in the Contents of Group 8W - Wiring Diagrams for complete service information and circuit diagrams for the airbag system wiring components.

See the proper Diagnostic Procedures manual to test or diagnose a problem with any component of the airbag system.

#### OPERATION

The airbag system electrical circuits are continuously monitored and controlled by a microprocessor and software contained within the Airbag Control Module (ACM). The ACM also contains an impact sensor and a safing sensor, which are monitored by the ACM to determine when an impact occurs that is severe enough to require airbag system protection. When a frontal impact is severe enough, the ACM initiates the inflator units of both airbag modules to deploy the airbags.

An airbag indicator lamp in the instrument cluster lights for about six to eight seconds as a bulb test each time the ignition switch is turned to the On

## DESCRIPTION AND OPERATION (Continued)

position. Following the bulb test, the airbag indicator lamp is turned on or off by the ACM to indicate the status of the airbag system. If the airbag indicator lamp comes on at any time other than during the bulb test, it indicates that there is a problem in the airbag system circuits. Such a problem may cause the airbags not to deploy when required, or to deploy when not required.

The driver side airbag module includes an inflatable airbag and an inflator unit behind a trim cover in the hub area of the steering wheel. The passenger side airbag module includes a second inflatable airbag and an inflator unit behind an airbag door in the instrument panel above the glove box.

During a frontal vehicle impact, the knee blockers work in concert with properly adjusted seat belts to restrain the driver and front seat passenger in the proper position for an airbag deployment. The knee blockers also work to absorb and distribute the crash energy from the driver and front seat passenger to the structure of the instrument panel. The driver side knee blocker is integral to the instrument panel steering column opening cover, but receives additional support from a stamped and welded metal bracket located directly behind the steering column opening cover and mounted to the instrument panel steering column support bracket. The passenger side knee blocker is integral to the glove box door.

Following are general descriptions of the major components in the airbag system.

**WARNING:**

- **THE AIRBAG SYSTEM IS A SENSITIVE, COMPLEX ELECTROMECHANICAL UNIT. BEFORE ATTEMPTING TO DIAGNOSE OR SERVICE ANY AIRBAG SYSTEM OR RELATED STEERING WHEEL, STEERING COLUMN, OR INSTRUMENT PANEL COMPONENTS YOU MUST FIRST DISCONNECT AND ISOLATE THE BATTERY NEGATIVE (GROUND) CABLE. THEN WAIT TWO MINUTES FOR THE SYSTEM CAPACITOR TO DISCHARGE BEFORE FURTHER SYSTEM SERVICE. THIS IS THE ONLY SURE WAY TO DISABLE THE AIRBAG SYSTEM. FAILURE TO DO THIS COULD RESULT IN ACCIDENTAL AIRBAG DEPLOYMENT AND POSSIBLE PERSONAL INJURY.**

- **THE DRIVER SIDE AIRBAG MODULE INFLATOR ASSEMBLY CONTAINS SODIUM AZIDE AND POTASSIUM NITRATE. THESE MATERIALS ARE POISONOUS AND EXTREMELY FLAMMABLE. CONTACT WITH ACID, WATER, OR HEAVY METALS MAY PRODUCE HARMFUL AND IRRITATING GASES (SODIUM HYDROXIDE IS FORMED IN THE PRESENCE OF MOISTURE) OR COMBUSTIBLE COMPOUNDS. THE PASSENGER AIRBAG MODULE CONTAINS ARGON GAS PRESSURIZED TO OVER 2500 PSI. DO NOT ATTEMPT TO DISMANTLE AN AIRBAG MODULE OR**

**TAMPER WITH ITS INFLATOR. DO NOT PUNCTURE, INCINERATE, OR BRING INTO CONTACT WITH ELECTRICITY. DO NOT STORE AT TEMPERATURES EXCEEDING 93° C (200° F).**

- **REPLACE AIRBAG SYSTEM COMPONENTS ONLY WITH PARTS SPECIFIED IN THE CHRYSLER MOPAR PARTS CATALOG. SUBSTITUTE PARTS MAY APPEAR INTERCHANGEABLE, BUT INTERNAL DIFFERENCES MAY RESULT IN INFERIOR OCCUPANT PROTECTION.**

- **THE FASTENERS, SCREWS, AND BOLTS ORIGINALLY USED FOR THE AIRBAG SYSTEM COMPONENTS HAVE SPECIAL COATINGS AND ARE SPECIFICALLY DESIGNED FOR THE AIRBAG SYSTEM. THEY MUST NEVER BE REPLACED WITH ANY SUBSTITUTES. ANY TIME A NEW FASTENER IS NEEDED, REPLACE IT WITH THE CORRECT FASTENERS PROVIDED IN THE SERVICE PACKAGE OR SPECIFIED IN THE CHRYSLER MOPAR PARTS CATALOG.**

- **WHEN A STEERING COLUMN HAS AN AIRBAG MODULE ATTACHED, NEVER PLACE THE COLUMN ON THE FLOOR OR ANY OTHER SURFACE WITH THE STEERING WHEEL OR AIRBAG MODULE FACE DOWN.**

**DRIVER SIDE AIRBAG MODULE****DESCRIPTION**

The driver side airbag module protective trim cover is the most visible part of the driver side airbag system. The driver side airbag module is mounted directly to the steering wheel. Located under the airbag module trim cover are the horn switch, the folded airbag cushion, and the airbag cushion supporting components. The resistive membrane-type horn switch is secured within a plastic tray inserted in a sewn fabric pouch on the airbag cushion retaining strap between the trim cover and the folded airbag cushion.

The driver side airbag module cannot be repaired, and must be replaced if deployed or in any way damaged. The driver side airbag module trim cover and the horn switch are available for service replacement.

**OPERATION**

The driver side airbag module includes a stamped metal housing to which the cushion and an inflator unit are attached and sealed. The conventional pyrotechnic-type inflator assembly is mounted to studs on the back of the airbag module housing. The inflator seals the hole in the airbag cushion so it can discharge the gas it produces directly into the cushion when supplied with the proper electrical signal. Following an airbag deployment, the airbag cushion

## DESCRIPTION AND OPERATION (Continued)

quickly deflates by venting this gas towards the instrument panel through the porous fabric material used on the steering wheel side of the airbag cushion.

The protective trim cover is fitted to the front of the airbag module and forms a decorative cover in the center of the steering wheel. The inside of the trim cover has locking blocks molded into it that engage a lip on the airbag module metal housing. Two stamped metal retainers then fit over the inflator mounting studs on the back of the airbag module housing and are engaged in slots on the inside of the cover, securely locking the trim cover into place. The trim cover will split at predetermined breakout lines, then fold back out of the way along with the horn switch and tray unit upon airbag deployment.

## PASSENGER SIDE AIRBAG MODULE

### DESCRIPTION

The instrument panel top pad is the most visible part of the passenger side airbag system. Located under the instrument panel top pad are the steel airbag door, the passenger side airbag cushion and the airbag cushion supporting components.

The passenger side airbag module includes an extruded aluminum housing within which the cushion and inflator are mounted and sealed. Two stamped metal brackets, one on each end of the housing, enclose the cushion and inflator and also serve as the mounting brackets for the module.

Following a passenger side airbag deployment, the passenger side airbag module and the instrument panel top pad must be replaced. If inspection reveals that the passenger side airbag module mounting points on the instrument panel structural duct have been cracked or damaged, the instrument panel assembly must also be replaced. The passenger side airbag module cannot be repaired, and must be replaced if deployed or in any way damaged.

### OPERATION

The hybrid-type inflator assembly includes a small canister of highly compressed argon gas. The inflator seals the hole in the airbag cushion so it can discharge the gas it produces directly into the cushion when supplied with the proper electrical signal. Following an airbag deployment, the airbag cushion quickly deflates by venting this gas through the porous fabric material used on each end panel of the airbag cushion.

The passenger side airbag module is secured with screws to the instrument panel structural duct beneath the instrument panel top pad and above the glove box opening. The instrument panel top pad above the glove box opening conceals the steel airbag door and a predetermined hinge line beneath its dec-

orative cover. Upon airbag deployment, the top pad will bend at the hinge line and the door will fold back out of the way onto the top of the instrument panel.

## AIRBAG CONTROL MODULE

### DESCRIPTION

The Airbag Control Module (ACM) is secured with screws to a mount that is welded onto the floor panel transmission tunnel underneath the center floor console in the passenger compartment of the vehicle. The ACM contains an electronic microprocessor, an electronic impact sensor, an electromechanical safing sensor, and an energy storage capacitor.

The ACM cannot be repaired or adjusted and, if damaged or faulty, it must be replaced.

### OPERATION

The microprocessor in the ACM contains the airbag system logic. The airbag system logic includes On-Board Diagnostics (OBD), and the ability to control the airbag indicator lamp by communicating with the instrument cluster circuitry over the Programmable Communication Interface (PCI) data bus. The microprocessor continuously monitors all of the airbag system electrical circuits to determine the system readiness. If the ACM detects a monitored system fault, it sends messages to the instrument cluster over the PCI data bus to turn on the airbag indicator lamp. Refer to **Instrument Cluster** in the proper section of Group 8E - Instrument Panel Systems for more information on the airbag indicator lamp.

One electronic impact sensor is used in this airbag system. The impact sensor is an accelerometer that senses the rate of vehicle deceleration, which provides verification of the direction and severity of an impact. The impact sensor is calibrated for the specific vehicle, and is only serviced as a unit with the ACM. A pre-programmed decision algorithm in the ACM microprocessor determines when the deceleration rate as signaled by the impact sensor indicates an impact that is severe enough to require airbag system protection. When the programmed conditions are met, the ACM sends an electrical signal to deploy the airbags.

In addition to the electronic impact sensor, there is an electromechanical sensor within the ACM called a safing sensor. The safing sensor is a normally open series switch located in the airbag deployment circuit of the ACM. This sensor detects impact energy of a lesser magnitude than the electronic impact sensor, and must be closed in order for the airbags to deploy.

The ACM also contains an energy-storage capacitor. This capacitor stores enough electrical energy to

## DESCRIPTION AND OPERATION (Continued)

deploy the airbags for up to one second following a battery disconnect or failure during an impact. The purpose of the capacitor is to provide backup airbag system protection in case there is a loss of battery power supply to the ACM.

## CLOCKSPRING

## DESCRIPTION

The clockspring assembly is mounted with two screws to the multi-function switch mounting housing near the top of the steering column behind the steering wheel. The clockspring is used to maintain a continuous electrical circuit between the fixed instrument panel wire harness connector on the steering column and several electrical components that rotate with the steering wheel. The rotating components include the driver side airbag module, the horn switch, the vehicle speed control switches and, if the vehicle is so equipped, the remote radio switches.

The clockspring cannot be repaired. If the clockspring is faulty, damaged, or if the driver side airbag has been deployed, the clockspring must be replaced.

## OPERATION

The clockspring assembly consists of a plastic case which contains a flat, ribbon-like, electrically conductive tape that winds and unwinds like a clockspring with the steering wheel rotation. The electrically conductive tape consists of several fine gauge copper wire leads sandwiched between two narrow strips of plastic film.

Like the clockspring in a timepiece, the clockspring tape has travel limits and can be damaged by being wound too tightly. To prevent this from occurring, the clockspring is centered when it is installed on the steering column. Centering the clockspring indexes the clockspring tape to other steering components so that it can operate within its designed travel limits. However, if the clockspring is removed for service or if the steering column is disconnected from the steering gear allowing the clockspring tape to change position relative to the other steering components, it must be re-centered following completion of the service or it may be damaged. Refer to **Clockspring Centering** in the Adjustments section of this group for the proper centering procedures.

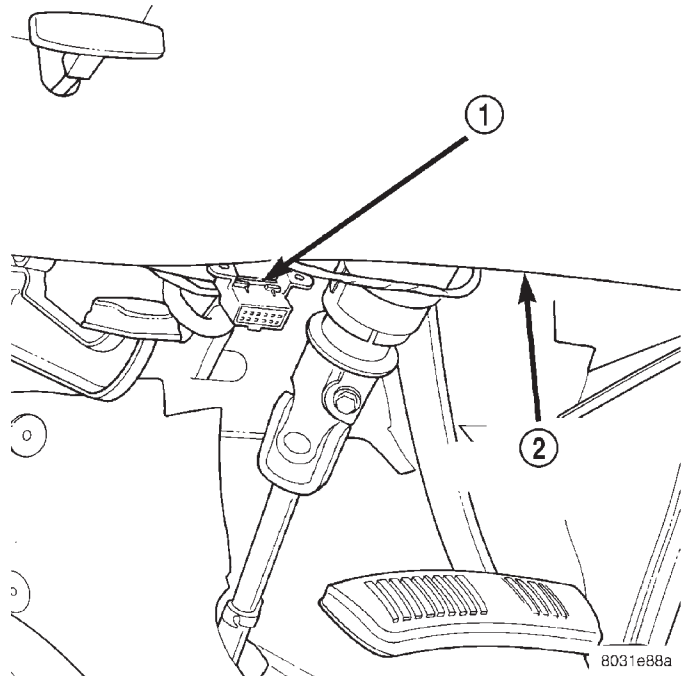
Service replacement clocksprings are shipped pre-centered and with a locking pin installed. This locking pin should not be removed until the clockspring has been installed on the steering column. If the locking pin is removed before the clockspring is installed on a steering column, the locking pin cannot be reinstalled and the clockspring centering procedure must be performed.

## DIAGNOSIS AND TESTING

## AIRBAG SYSTEM

A DRBIII® scan tool is required for diagnosis of the airbag system. See the proper Diagnostic Procedures manual for more information.

(1) Connect the DRBIII® scan tool to the 16-way data link wire harness connector. The connector is located on the driver side lower edge of the instrument panel, outboard of the steering column (Fig. 1).



**Fig. 1 16-Way Data Link Connector - Typical**

- 1 - 16-WAY DATA LINK CONNECTOR
- 2 - BOTTOM OF INSTRUMENT PANEL

(2) Turn the ignition switch to the On position. Exit the vehicle with the DRBIII®. Be certain that the DRBIII® contains the latest version of the proper DRB software.

(3) Using the DRBIII®, read and record the active Diagnostic Trouble Code (DTC) data.

(4) Read and record any stored DTC data.

(5) See the proper Diagnostic Procedures manual if any DTC is found in Step 3 or Step 4.

(6) After completing the necessary repairs, try to erase the stored DTC data. If any problems remain, the stored DTC data will not erase. See the proper Diagnostic Procedures manual for the procedures to diagnose any active/stored DTC that will not erase.

(7) With the ignition switch still in the On position, check to be certain that nobody is in the vehicle.

(8) From outside of the vehicle (away from the airbags in case of an accidental deployment) turn the ignition switch to the Off position for about ten sec-



## DIAGNOSIS AND TESTING (Continued)

onds, and then back to the On position. Observe the airbag indicator lamp in the instrument cluster. It should light for six to eight seconds, and then go out. This indicates that the airbag system is functioning normally.

**NOTE:** If the airbag indicator lamp fails to light, or lights and stays on, there is an airbag system malfunction. See the proper Diagnostic Procedures manual to diagnose the problem.

## SERVICE PROCEDURES

## AIRBAG SYSTEM

## NON-DEPLOYED

At no time should any source of electricity be permitted near the inflator on the back of an airbag module. When carrying a non-deployed airbag module, the trim cover or airbag side of the module should be pointed away from the body to minimize injury in the event of an accidental deployment. If the module is placed on a bench or any other surface, the trim cover or airbag side of the module should be face up to minimize movement in the event of an accidental deployment.

In addition, the airbag system should be disarmed whenever any steering wheel, steering column, or instrument panel components require diagnosis or service. Failure to observe this warning could result in accidental airbag deployment and possible personal injury. Refer to **Group 8E - Instrument Panel Systems** for additional service procedures on the instrument panel components. Refer to **Group 19 - Steering** for additional service procedures on the steering wheel and steering column components.

## DISPOSAL OF NON-DEPLOYED AIRBAG MODULES

All damaged or faulty and non-deployed driver side or passenger side airbag modules which are replaced on vehicles are to be returned. If an airbag module assembly is faulty or damaged and non-deployed, refer to the parts return list in the current Chrysler Corporation Warranty Policies and Procedures manual for the proper handling and disposal procedures.

## DEPLOYED

Any vehicle which is to be returned to use after an airbag deployment, must have both airbag modules, the clockspring, and the instrument panel top pad replaced. These components will be damaged or weakened as a result of an airbag deployment, which may or may not be obvious during a visual inspection, and are not intended for reuse.

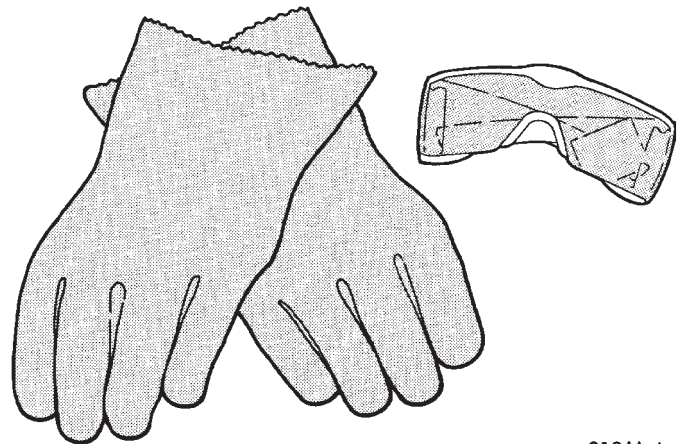
Other vehicle components should be closely inspected, but are to be replaced only as required by the extent of the visible damage incurred.

## STORAGE

An airbag module must be stored in its original, special container until used for service. Also, it must be stored in a clean, dry environment; away from sources of extreme heat, sparks, and high electrical energy. Always place or store an airbag module on a surface with its trim cover or airbag side facing up, to minimize movement in case of an accidental deployment.

## CLEANUP PROCEDURE

Following an airbag system deployment, the vehicle interior will contain a powdery residue. This residue consists primarily of harmless particulate by-products of the small pyrotechnic charge used to initiate the airbag deployment propellant. However, this residue will also contain traces of sodium hydroxide powder, a chemical by-product of the propellant material that is used to generate the nitrogen gas that inflates the airbag. Since sodium hydroxide powder can irritate the skin, eyes, nose, or throat, be sure to wear safety glasses, rubber gloves, and a long-sleeved shirt during cleanup (Fig. 2).



918M-4

*Fig. 2 Wear Safety Glasses and Rubber Gloves - Typical*

**WARNING: IF YOU EXPERIENCE SKIN IRRITATION DURING CLEANUP, RUN COOL WATER OVER THE AFFECTED AREA. ALSO, IF YOU EXPERIENCE IRRITATION OF THE NOSE OR THROAT, EXIT THE VEHICLE FOR FRESH AIR UNTIL THE IRRITATION CEASES. IF IRRITATION CONTINUES, SEE A PHYSICIAN.**

Begin the cleanup by removing the airbag modules from the vehicle. Refer to **Driver Side Airbag Module** and **Passenger Side Airbag Module** in the



## SERVICE PROCEDURES (Continued)

Removal and Installation section of this group for the procedures.

Use a vacuum cleaner to remove any residual powder from the vehicle interior. Clean from outside the vehicle and work your way inside, so that you avoid kneeling or sitting on a non-cleaned area.

Be sure to vacuum the heater and air conditioning outlets as well (Fig. 3). Run the heater and air conditioner blower on the lowest speed setting and vacuum any powder expelled from the outlets. You may need to vacuum the interior of the vehicle a second time to recover all of the powder.

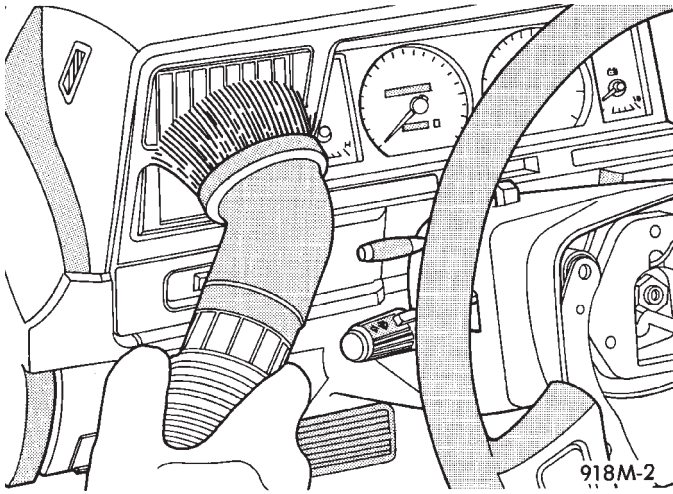


Fig. 3 Vacuum Heater and A/C Outlets - Typical

Place the deployed airbag modules in your vehicular scrap pile.

## REMOVAL AND INSTALLATION

## DRIVER SIDE AIRBAG MODULE

The following procedure is for replacement of a faulty or damaged driver side airbag module. If the driver side airbag has been deployed, the clockspring must also be replaced. Refer to **Clockspring** in the Removal and Installation section of this group for the additional service procedures for the clockspring.

**WARNING:**

• **THE AIRBAG SYSTEM IS A SENSITIVE, COMPLEX ELECTROMECHANICAL UNIT. BEFORE ATTEMPTING TO DIAGNOSE OR SERVICE ANY AIRBAG SYSTEM OR RELATED STEERING WHEEL, STEERING COLUMN, OR INSTRUMENT PANEL COMPONENTS YOU MUST FIRST DISCONNECT AND ISOLATE THE BATTERY NEGATIVE (GROUND) CABLE. THEN WAIT TWO MINUTES FOR THE SYSTEM CAPACITOR TO DISCHARGE BEFORE FURTHER SYSTEM SERVICE. THIS IS THE ONLY SURE WAY TO DISABLE THE AIRBAG SYSTEM. FAILURE TO DO THIS COULD RESULT IN ACCIDENTAL AIR-**

**BAG DEPLOYMENT AND POSSIBLE PERSONAL INJURY.**

• **WHEN REMOVING A DEPLOYED AIRBAG MODULE, RUBBER GLOVES, EYE PROTECTION, AND A LONG-SLEEVED SHIRT SHOULD BE WORN. THERE MAY BE DEPOSITS ON THE AIRBAG MODULE AND OTHER INTERIOR SURFACES. IN LARGE DOSES, THESE DEPOSITS MAY CAUSE IRRITATION TO THE SKIN AND EYES.**

## REMOVAL

(1) Disconnect and isolate the battery negative cable. If either of the airbags has not been deployed, wait two minutes for the system capacitor to discharge before further service.

(2) From the underside of the steering wheel, remove the two screws that secure the driver side airbag module to the steering wheel (Fig. 4).

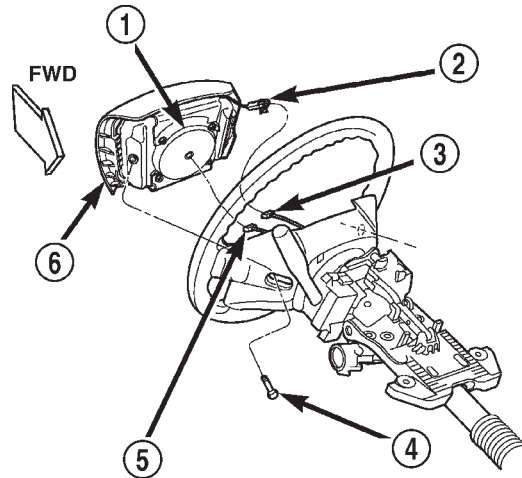


Fig. 4 Driver Side Airbag Module Remove/Install

- 1 - INFLATOR
- 2 - HORN SWITCH FEED WIRE CONNECTOR
- 3 - STEERING WHEEL WIRE HARNESS CONNECTOR
- 4 - SCREW (2)
- 5 - CLOCKSPRING WIRE HARNESS CONNECTOR
- 6 - DRIVER SIDE AIRBAG MODULE

(3) Pull the airbag module away from the steering wheel far enough to access the two wire harness connectors on the back of the airbag module.

(4) Disconnect the steering wheel wire harness connector from the horn switch feed wire connector, which is secured to the upper trim cover retainer on the back of the airbag module.

(5) The clockspring airbag wire harness connector is a tight snap-fit into the airbag module connector receptacle, which is located on the airbag inflator on the back of the airbag module. Firmly grasp and pull or gently pry on the clockspring airbag wire harness connector to disconnect it from the airbag module.

## REMOVAL AND INSTALLATION (Continued)

**Do not pull on the clockspring wire harness to disengage the connector from the airbag module connector receptacle.**

(6) Remove the driver side airbag module from the steering wheel.

(7) If the driver side airbag has been deployed, the clockspring must be replaced. Refer to **Clockspring** in the Removal and Installation section of this group for the clockspring service procedures.

## INSTALLATION

## WARNING:

- USE EXTREME CARE TO PREVENT ANY FOREIGN MATERIAL FROM ENTERING THE DRIVER SIDE AIRBAG MODULE, OR BECOMING ENTRAPPED BETWEEN THE AIRBAG CUSHION AND THE DRIVER SIDE AIRBAG TRIM COVER. FAILURE TO OBSERVE THIS WARNING COULD RESULT IN OCCUPANT INJURIES UPON AIRBAG DEPLOYMENT.

- THE DRIVER SIDE AIRBAG MODULE TRIM COVER MUST NEVER BE PAINTED. REPLACEMENT TRIM COVERS ARE SERVICED IN THE ORIGINAL COLORS. PAINT MAY CHANGE THE WAY IN WHICH THE MATERIAL OF THE TRIM COVER RESPONDS TO AN AIRBAG DEPLOYMENT. FAILURE TO OBSERVE THIS WARNING COULD RESULT IN OCCUPANT INJURIES UPON AIRBAG DEPLOYMENT.

(1) When installing the driver side airbag module, reconnect the clockspring airbag wire harness connector to the airbag module connector receptacle by pressing straight in on the connector. You can be certain that the connector is fully engaged by listening carefully for a distinct audible click as the connector snaps into place.

(2) Reconnect the steering wheel wire harness connector to the horn switch feed wire connector, which is secured to the upper trim cover retainer on the back of the airbag module.

(3) Carefully position the driver side airbag module in the steering wheel. Be certain that the steering wheel and clockspring wire harnesses in the steering wheel hub area are not pinched between the airbag module and the steering wheel.

(4) From the underside of the steering wheel, install and tighten the two driver side airbag module mounting screws. Tighten the screws to 10.2 N·m (90 in. lbs.).

(5) Do not reconnect the battery negative cable at this time. Refer to **Airbag System** in the Diagnosis and Testing section of this group for the proper procedures.

## DRIVER SIDE AIRBAG MODULE TRIM COVER

## WARNING:

- THE AIRBAG SYSTEM IS A SENSITIVE, COMPLEX ELECTROMECHANICAL UNIT. BEFORE ATTEMPTING TO DIAGNOSE OR SERVICE ANY AIRBAG SYSTEM OR RELATED STEERING WHEEL, STEERING COLUMN, OR INSTRUMENT PANEL COMPONENTS YOU MUST FIRST DISCONNECT AND ISOLATE THE BATTERY NEGATIVE (GROUND) CABLE. THEN WAIT TWO MINUTES FOR THE SYSTEM CAPACITOR TO DISCHARGE BEFORE FURTHER SYSTEM SERVICE. THIS IS THE ONLY SURE WAY TO DISABLE THE AIRBAG SYSTEM. FAILURE TO DO THIS COULD RESULT IN ACCIDENTAL AIRBAG DEPLOYMENT AND POSSIBLE PERSONAL INJURY.

- THE HORN SWITCH IS INTEGRAL TO THE DRIVER SIDE AIRBAG MODULE. SERVICE OF THIS COMPONENT SHOULD BE PERFORMED ONLY BY CHRYSLER-TRAINED AND AUTHORIZED DEALER SERVICE TECHNICIANS. FAILURE TO TAKE THE PROPER PRECAUTIONS OR TO FOLLOW THE PROPER PROCEDURES COULD RESULT IN ACCIDENTAL, INCOMPLETE, OR IMPROPER AIRBAG DEPLOYMENT AND POSSIBLE OCCUPANT INJURIES.

## REMOVAL

(1) Disconnect and isolate the battery negative cable. If either of the airbags has not been deployed, wait two minutes for the system capacitor to discharge before further service.

(2) Remove the driver side airbag module from the steering wheel. Refer to **Driver Side Airbag Module** in the Removal and Installation section of this group for the procedures.

(3) Remove the four nuts that secure the upper and lower trim cover retainers to the studs on the back of the driver side airbag housing (Fig. 5).

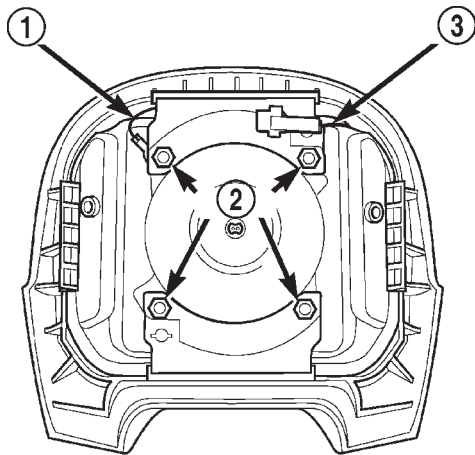
(4) Remove the upper and lower trim cover retainers from the airbag housing studs (Fig. 6).

(5) Disengage the horn switch feed wire connector retainer from the mounting hole in the upper trim cover retainer.

(6) Remove the horn switch ground wire eyelet from the upper airbag housing stud.

(7) Disengage the four trim cover locking blocks from the lip around the outside edge of the driver side airbag housing and remove the housing from the cover (Fig. 7).

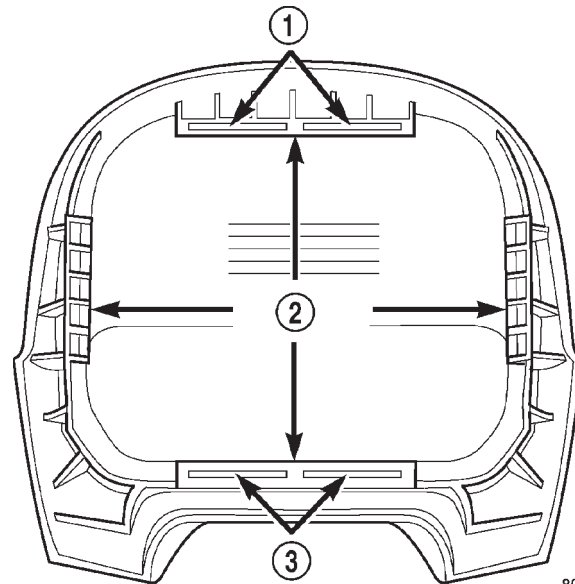
REMOVAL AND INSTALLATION (Continued)



80b3c534

**Fig. 5 Driver Side Airbag Trim Cover Retainer Nuts Remove/Install**

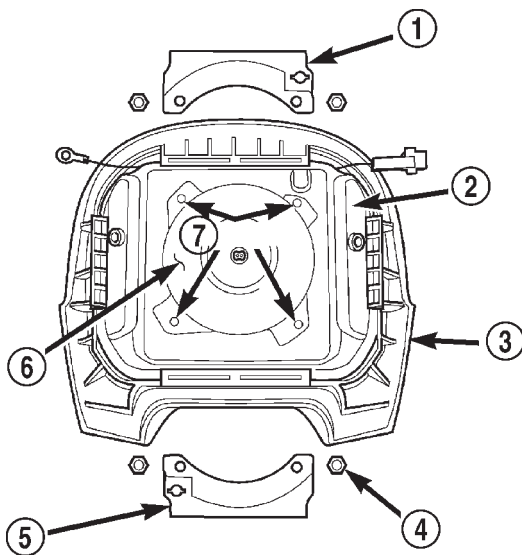
- 1 - HORN SWITCH GROUND WIRE
- 2 - NUTS
- 3 - HORN SWITCH FEED WIRE



80b3c536

**Fig. 7 Driver Side Airbag Trim Cover Remove/Install**

- 1 - RETAINER SLOTS
- 2 - LOCKING BLOCKS
- 3 - RETAINER SLOTS



80b3c535

**Fig. 6 Driver Side Airbag Trim Cover Retainers Remove/Install**

- 1 - UPPER RETAINER
- 2 - AIRBAG HOUSING
- 3 - TRIM COVER
- 4 - NUT (4)
- 5 - LOWER INFLATOR
- 6 - INFLATOR
- 7 - STUDS

ENTRAPPED BETWEEN THE AIRBAG CUSHION AND THE DRIVER SIDE AIRBAG TRIM COVER. FAILURE TO OBSERVE THIS WARNING COULD RESULT IN OCCUPANT INJURIES UPON AIRBAG DEPLOYMENT.

- THE DRIVER SIDE AIRBAG MODULE TRIM COVER MUST NEVER BE PAINTED. REPLACEMENT TRIM COVERS ARE SERVICED IN THE ORIGINAL COLORS. PAINT MAY CHANGE THE WAY IN WHICH THE MATERIAL OF THE TRIM COVER RESPONDS TO AN AIRBAG DEPLOYMENT. FAILURE TO OBSERVE THIS WARNING COULD RESULT IN OCCUPANT INJURIES UPON AIRBAG DEPLOYMENT.

NOTE: If the horn switch and tray have been removed from the sewn pouch in the airbag cushion retaining strap, be certain that they are properly reinstalled with the horn switch feed wire and ground wire properly oriented before assembling the trim cover onto the airbag module. Refer to Horn Switch in the Removal and Installation section of Group 8G - Horn Systems for more information.

**INSTALLATION**

**WARNING:**

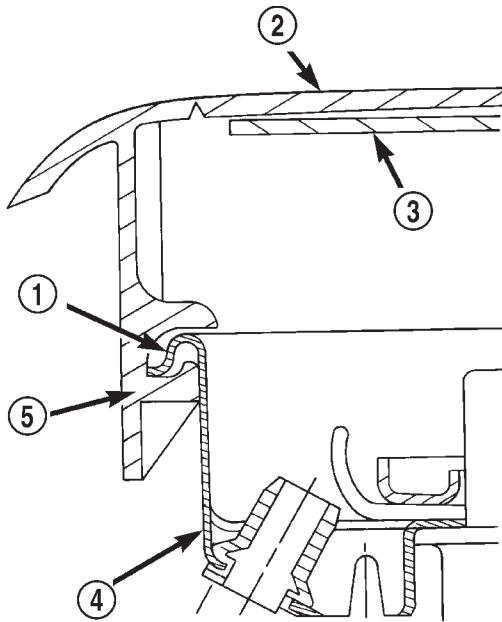
- USE EXTREME CARE TO PREVENT ANY FOREIGN MATERIAL FROM ENTERING THE DRIVER SIDE AIRBAG MODULE, OR BECOMING

(1) Carefully position the driver side airbag module in the trim cover. Be certain that the horn switch feed and ground wires are not pinched between the airbag housing and the trim cover locking blocks.

(2) Engage the upper and lower trim cover locking blocks with the lip of the driver side airbag housing, then engage the locking blocks on each side of the

## REMOVAL AND INSTALLATION (Continued)

trim cover with the lip of the housing. Be certain that each of the locking blocks is fully engaged on the lip of the airbag housing (Fig. 8).



80a0f19f

**Fig. 8 Driver Side Airbag Trim Cover Locking Blocks Engaged**

- 1 - LIP
- 2 - TRIM COVER
- 3 - HORN SWITCH
- 4 - AIRBAG HOUSING
- 5 - LOCKING BLOCK

(3) Install the horn switch ground wire eyelet over the upper airbag housing stud.

(4) Install the upper and lower airbag trim cover retainers over the airbag housing studs. Be certain that the tabs on each retainer are engaged in the retainer slots of the upper and lower trim cover locking blocks (Fig. 7).

(5) Install and tighten the trim cover retainer mounting nuts on the airbag housing studs. Tighten the nuts to 6.8 N·m (60 in. lbs.).

(6) Install the horn switch feed wire connector retainer into the mounting hole in the upper trim cover retainer.

(7) Install the driver side airbag module onto the steering wheel. Refer to **Driver Side Airbag Module** in the Removal and Installation section of this group for the procedures.

## PASSENGER SIDE AIRBAG MODULE

The following procedure is for replacement of a faulty or damaged passenger side airbag module. If the passenger side airbag has been deployed, the instrument panel structural duct must be inspected

and the instrument panel top pad must be replaced. Refer to **Instrument Panel Top Pad** in the Removal and Installation section of Group 8E - Instrument Panel Systems for the additional service procedures for the instrument panel top pad. If inspection of the instrument panel structural duct reveals any damage around the mounting points for the passenger side airbag module, the instrument panel assembly must be replaced. Refer to **Instrument Panel Assembly** in the Removal and Installation section of Group 8E - Instrument Panel Systems for the additional service procedures for the instrument panel assembly.

### WARNING:

- **THE AIRBAG SYSTEM IS A SENSITIVE, COMPLEX ELECTROMECHANICAL UNIT. BEFORE ATTEMPTING TO DIAGNOSE OR SERVICE ANY AIRBAG SYSTEM OR RELATED STEERING WHEEL, STEERING COLUMN, OR INSTRUMENT PANEL COMPONENTS YOU MUST FIRST DISCONNECT AND ISOLATE THE BATTERY NEGATIVE (GROUND) CABLE. THEN WAIT TWO MINUTES FOR THE SYSTEM CAPACITOR TO DISCHARGE BEFORE FURTHER SYSTEM SERVICE. THIS IS THE ONLY SURE WAY TO DISABLE THE AIRBAG SYSTEM. FAILURE TO DO THIS COULD RESULT IN ACCIDENTAL AIRBAG DEPLOYMENT AND POSSIBLE PERSONAL INJURY.**

- **WHEN REMOVING A DEPLOYED AIRBAG MODULE, RUBBER GLOVES, EYE PROTECTION, AND A LONG-SLEEVED SHIRT SHOULD BE WORN. THERE MAY BE DEPOSITS ON THE AIRBAG MODULE AND OTHER INTERIOR SURFACES. IN LARGE DOSES, THESE DEPOSITS MAY CAUSE IRRITATION TO THE SKIN AND EYES.**

### REMOVAL

(1) Disconnect and isolate the battery negative cable. If either of the airbags has not been deployed, wait two minutes for the system capacitor to discharge before further service.

(2) Remove the top pad from the instrument panel. Refer to **Instrument Panel Top Pad** in the Removal and Installation section of Group 8E - Instrument Panel Systems for the procedures.

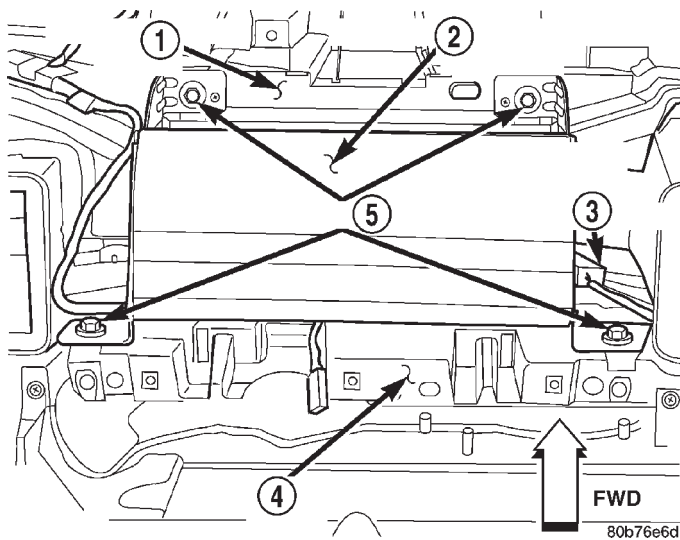
(3) Disconnect the instrument panel wire harness connector from the passenger side airbag module wire harness connector, which is secured to the outside of the outboard airbag module end bracket.

(4) Remove the two screws that secure the two airbag module end bracket front mounting tabs to the front of the instrument panel structural duct (Fig. 9).

(5) Remove the two screws that secure the two airbag module end bracket rear mounting tabs to the



## REMOVAL AND INSTALLATION (Continued)



**Fig. 9 Passenger Side Airbag Module Remove/Install**

- 1 - STRUCTURAL DUCT
- 2 - PASSENGER SIDE AIRBAG MODULE
- 3 - WIRE HARNESS CONNECTOR
- 4 - STRUCTURAL DUCT
- 5 - SCREWS

rear of the structural duct, just above the instrument panel upper glove box opening reinforcement.

(6) Remove the passenger side airbag module from the instrument panel.

## INSTALLATION

## WARNING:

- USE EXTREME CARE TO PREVENT ANY FOREIGN MATERIAL FROM ENTERING THE PASSENGER SIDE AIRBAG MODULE, OR BECOMING ENTRAPPED BETWEEN THE AIRBAG CUSHION AND THE INSTRUMENT PANEL TOP COVER. FAILURE TO OBSERVE THIS WARNING COULD RESULT IN OCCUPANT INJURIES UPON AIRBAG DEPLOYMENT.

- THE INSTRUMENT PANEL TOP COVER MUST NEVER BE PAINTED. REPLACEMENT TOP COVERS ARE SERVICED IN THE ORIGINAL COLORS. PAINT MAY CHANGE THE WAY IN WHICH THE MATERIAL OF THE TOP COVER RESPONDS TO AN AIRBAG DEPLOYMENT. FAILURE TO OBSERVE THIS WARNING COULD RESULT IN OCCUPANT INJURIES UPON AIRBAG DEPLOYMENT.

(1) Carefully position the passenger side airbag module onto the instrument panel structural duct.

(2) Install and tighten the four screws that secure the passenger side airbag module to the instrument panel structural duct. Tighten the screws to 11.8 N·m (105 in. lbs.).

(3) Reconnect the instrument panel wire harness connector to the passenger side airbag module wire harness connector, which is secured to the outside of the outboard airbag module end bracket. Be certain that the airbag module wire harness connector is fully engaged and latched.

(4) Install the top pad onto the instrument panel. Refer to **Instrument Panel Top Pad** in the Removal and Installation section of Group 8E - Instrument Panel Systems for the procedures.

(5) Do not reconnect the battery negative cable at this time. Refer to **Airbag System** in the Diagnosis and Testing section of this group for the proper procedures.

## AIRBAG CONTROL MODULE

## WARNING:

- THE AIRBAG CONTROL MODULE CONTAINS THE IMPACT SENSOR, WHICH ENABLES THE SYSTEM TO DEPLOY THE AIRBAG. BEFORE ATTEMPTING TO DIAGNOSE OR SERVICE ANY AIRBAG SYSTEM OR RELATED STEERING WHEEL, STEERING COLUMN, OR INSTRUMENT PANEL COMPONENTS YOU MUST FIRST DISCONNECT AND ISOLATE THE BATTERY NEGATIVE (GROUND) CABLE. THEN WAIT TWO MINUTES FOR THE SYSTEM CAPACITOR TO DISCHARGE BEFORE FURTHER SYSTEM SERVICE. THIS IS THE ONLY SURE WAY TO DISABLE THE AIRBAG SYSTEM. FAILURE TO DO THIS COULD RESULT IN ACCIDENTAL AIRBAG DEPLOYMENT AND POSSIBLE PERSONAL INJURY.

- NEVER STRIKE OR KICK THE AIRBAG CONTROL MODULE, AS IT CAN DAMAGE THE IMPACT SENSOR OR AFFECT ITS CALIBRATION. IF AN AIRBAG CONTROL MODULE IS ACCIDENTALLY DROPPED DURING SERVICE, THE MODULE MUST BE SCRAPPED AND REPLACED WITH A NEW UNIT. FAILURE TO OBSERVE THIS WARNING COULD RESULT IN ACCIDENTAL, INCOMPLETE, OR IMPROPER AIRBAG DEPLOYMENT AND POSSIBLE OCCUPANT INJURIES.

## REMOVAL

(1) Disconnect and isolate the battery negative cable. If either of the airbags has not been deployed, wait two minutes for the system capacitor to discharge before further service.

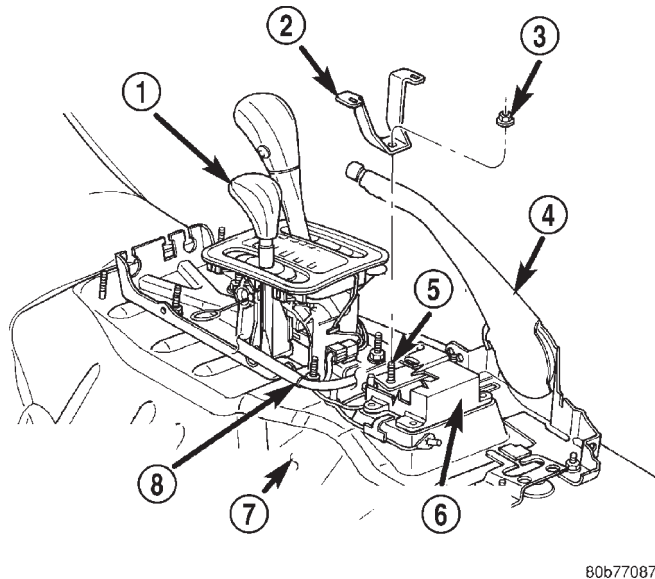
(2) Remove the center floor console from the floor panel transmission tunnel. Refer to **Floor Console** in the Removal and Installation section of Group 23 - Body for the procedures.

(3) Remove the nut that secures the center console bracket to the stud on the floor panel transmission



REMOVAL AND INSTALLATION (Continued)

tunnel in front of the Airbag Control Module (ACM) (Fig. 10).



80b77087

**Fig. 10 Center Console Bracket Remove/Install**

- 1 - SHIFTER ASSEMBLY
- 2 - CENTER CONSOLE BRACKET
- 3 - NUT
- 4 - PARK BRAKE
- 5 - STUD
- 6 - AIRBAG CONTROL MODULE
- 7 - FLOOR PANEL TRANSMISSION TUNNEL
- 8 - INSTRUMENT PANEL WIRE HARNESS

(4) Remove the center console bracket from the stud on the floor panel transmission tunnel.

(5) Disconnect the instrument panel wire harness connector from the ACM. To disconnect the instrument panel wire harness connector from the ACM (Fig. 11):

(a) Slide the red Connector Position Assurance (CPA) lock on the top of the connector toward the left side of the vehicle.

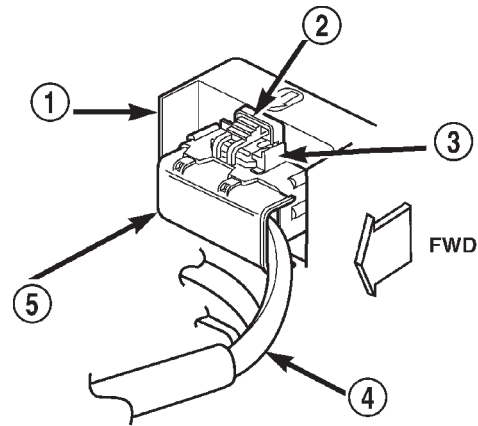
(b) Depress the connector latch tab and pull the connector straight away from the ACM connector receptacle.

(6) Remove the four screws that secure the ACM to the mount that is welded onto the floor panel transmission tunnel (Fig. 12).

(7) Remove the ACM from the mount on the floor panel transmission tunnel.

**INSTALLATION**

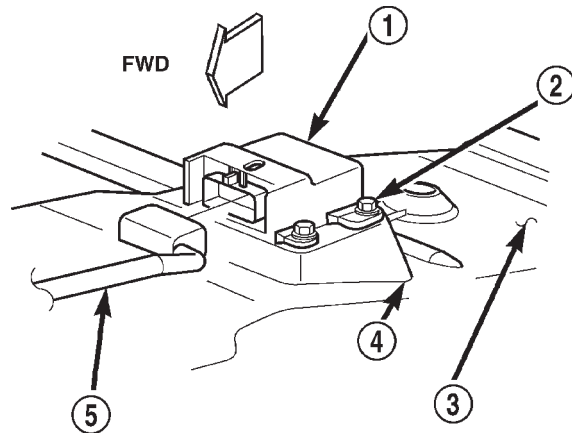
(1) Carefully position the ACM to the mount that is welded onto the floor panel transmission tunnel. The bottom of the ACM housing is keyed. When the ACM is correctly positioned the bottom of the housing will fit flush with the mount, and the arrow on



80b3c538

**Fig. 11 Airbag Control Module Wire Harness Connector**

- 1 - AIRBAG CONTROL MODULE
- 2 - LATCH TAB
- 3 - CPA LOCK
- 4 - INSTRUMENT PANEL WIRE HARNESS
- 5 - CONNECTOR



80b3c539

**Fig. 12 Airbag Control Module Remove/Install**

- 1 - AIRBAG CONTROL MODULE
- 2 - SCREW (4)
- 3 - FLOOR PANEL TRANSMISSION TUNNEL
- 4 - BRACKET
- 5 - INSTRUMENT PANEL WIRE HARNESS

the ACM housing will be pointed forward in the vehicle.

(2) Install and tighten the four screws that secure the ACM to the mount that is welded onto the floor panel transmission tunnel. Tighten the screws to 7.9 N·m (70 in. lbs.).

(3) Reconnect the instrument panel wire harness connector to the ACM connector receptacle. Be certain that the connector latch and the red CPA lock are fully engaged (Fig. 11).

## REMOVAL AND INSTALLATION (Continued)

(4) Install the center console bracket onto the stud on the floor panel transmission tunnel in front of the ACM.

(5) Install and tighten the nut that secures the center console bracket to the stud on the floor panel transmission tunnel. Tighten the nut to 28.2 N·m (250 in. lbs.).

(6) Install the center floor console onto the floor panel transmission tunnel. Refer to **Floor Console** in the Removal and Installation section of Group 23 - Body for the procedures.

(7) Do not reconnect the battery negative cable at this time. Refer to **Airbag System** in the Diagnosis and Testing section of this group for the proper procedures.

## CLOCKSPRING

The clockspring cannot be repaired. It must be replaced if faulty or damaged, or if the driver side airbag has been deployed.

**WARNING: THE AIRBAG SYSTEM IS A SENSITIVE, COMPLEX ELECTROMECHANICAL UNIT. BEFORE ATTEMPTING TO DIAGNOSE OR SERVICE ANY AIRBAG SYSTEM OR RELATED STEERING WHEEL, STEERING COLUMN, OR INSTRUMENT PANEL COMPONENTS YOU MUST FIRST DISCONNECT AND ISOLATE THE BATTERY NEGATIVE (GROUND) CABLE. THEN WAIT TWO MINUTES FOR THE SYSTEM CAPACITOR TO DISCHARGE BEFORE FURTHER SYSTEM SERVICE. THIS IS THE ONLY SURE WAY TO DISABLE THE AIRBAG SYSTEM. FAILURE TO DO THIS COULD RESULT IN ACCIDENTAL AIRBAG DEPLOYMENT AND POSSIBLE PERSONAL INJURY.**

## REMOVAL

**NOTE:** Before starting this procedure, be certain to turn the steering wheel until the front wheels are in the straight-ahead position.

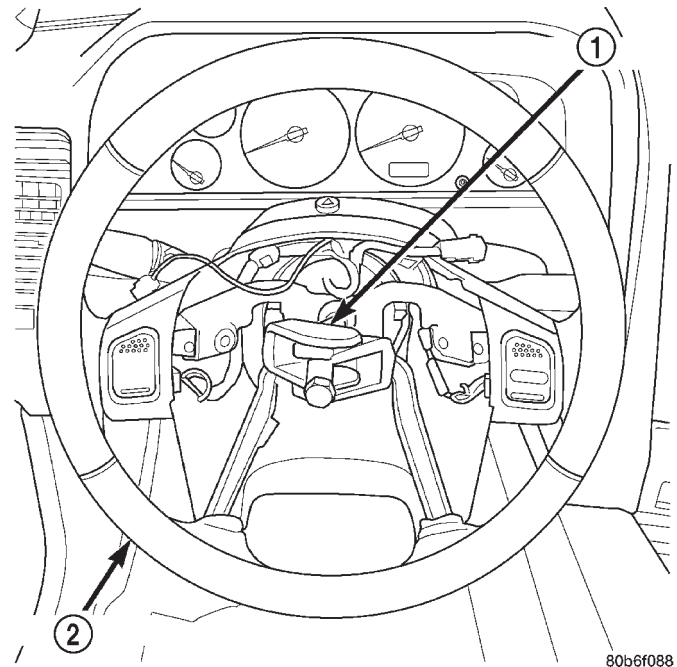
(1) Place the front wheels in the straight-ahead position.

(2) Remove the driver side airbag module from the steering wheel. Refer to **Driver Side Airbag Module** in the Removal and Installation section of this group for the procedures.

(3) Disconnect the steering wheel wire harness connector from the upper clockspring connector receptacle, which is located between the two upper spokes of the armature within the hub cavity of the steering wheel.

(4) Remove the nut that secures the steering wheel armature to the steering column upper shaft, which is located within the hub cavity of the steering wheel.

(5) Pull the steering wheel off of the steering column upper shaft spline using a two-jawed puller (Special Tool C-3894-A) (Fig. 13). When installing the puller onto the steering wheel, be certain that each jaw of the puller is seated in the pocket that is cast into the underside of the steering wheel armature on each side of the hub (Fig. 14). Also, if the clockspring is to be reused, be certain not to damage or deform the clockspring case when positioning the jaws of the puller below the steering wheel armature hub.



**Fig. 13 Steering Wheel Remove/Install**

- 1 - PULLER  
2 - STEERING WHEEL

(6) Remove the screw that secures the lower tilting steering column shroud to the steering column multi-function switch mounting housing (Fig. 15).

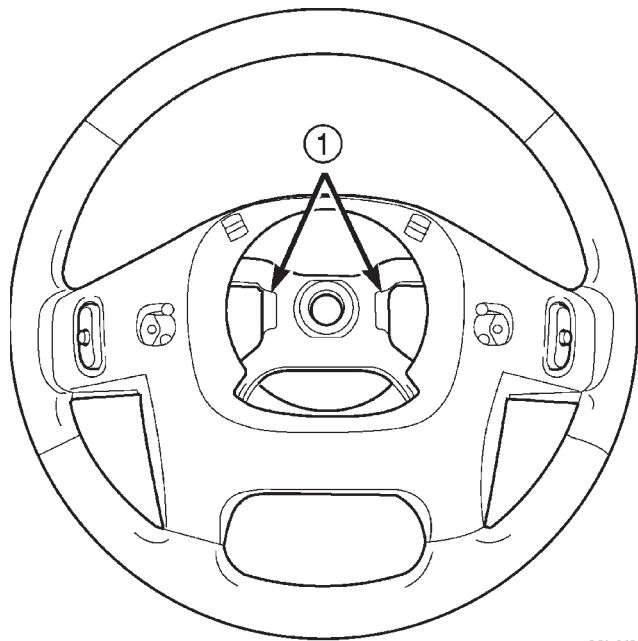
(7) Unsnap the two halves of the tilting steering column shroud from each other and remove both halves from the steering column.

(8) Disconnect the two instrument panel wire harness connectors from the lower clockspring connector receptacles.

(9) Remove the two screws that secure the clockspring case to the multi-function switch mounting housing (Fig. 16).

(10) Remove the clockspring from the steering column by sliding the clockspring hub up and off of the steering column upper shaft. The clockspring cannot be repaired. It must be replaced if faulty or damaged, or if the driver side airbag has been deployed.

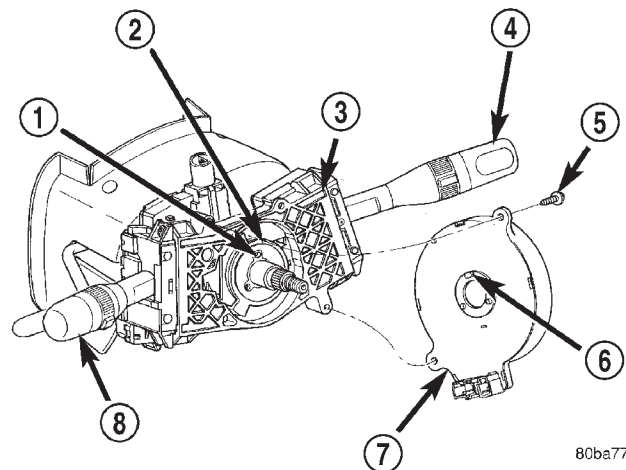
REMOVAL AND INSTALLATION (Continued)



80b6f089

**Fig. 14 Steering Wheel Armature Pockets**

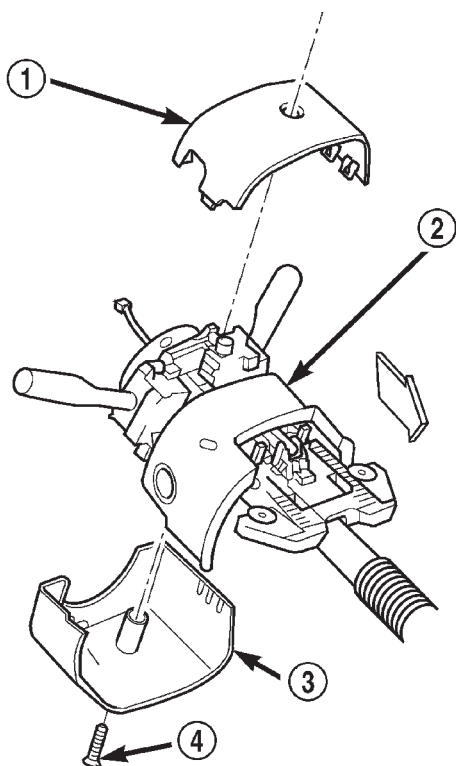
- 1 - STEERING WHEEL POCKETS



80ba77cE

**Fig. 16 Clockspring Remove/Install**

- 1 - OBLONG HOLE
- 2 - TURN SIGNAL CANCELLING CAM
- 3 - MULTI-FUNCTION SWITCH MOUNTING HOUSING
- 4 - RIGHT MULTI-FUNCTION SWITCH
- 5 - SCREW (2)
- 6 - OBLONG PIN
- 7 - CLOCKSPRING
- 8 - LEFT MULTI-FUNCTION SWITCH



80b04f0f

**Fig. 15 Steering Column Shrouds Remove/Install**

- 1 - UPPER TILTING COLUMN SHROUD
- 2 - FIXED COLUMN SHROUD
- 3 - LOWER TILTING COLUMN SHROUD
- 4 - SCREW

**INSTALLATION**

If the clockspring is not properly centered in relation to the steering wheel, steering shaft and steering gear, it may be damaged. Refer to **Clockspring Centering** in the Adjustments section of this group before installing or reinstalling a clockspring.

Service replacement clocksprings are shipped pre-centered and with a locking pin installed. This locking pin should not be removed until the clockspring has been installed on the steering column. If the locking pin is removed before the clockspring is installed on a steering column, the locking pin cannot be reinstalled and the clockspring centering procedure must be performed.

**NOTE:** Before starting this procedure, be certain that the front wheels are still in the straight-ahead position.

(1) While holding the centered clockspring hub and case stationary in relationship to each other, slide the clockspring down over the steering column upper shaft.

(2) Align and seat the three pins in the clockspring hub with the three holes in the hub of the turn signal cancelling cam. It should be noted that when the clockspring is properly centered the uppermost pin in the clockspring hub is an oblong pin, and it will only fit in the oblong hole in the hub of the turn signal cancelling cam.

## REMOVAL AND INSTALLATION (Continued)

(3) Align and seat the one pin and the two mounting holes on the clockspring case to their respective holes in the multi-function switch mounting housing.

(4) Install and tighten the two clockspring mounting screws. Tighten the screws to 2.5 N·m (22 in. lbs.).

(5) Reconnect the two instrument panel wire harness connectors to the lower clockspring connector receptacles.

(6) Position the lower tilting steering column shroud to the steering column (Fig. 15). Install and tighten the screw that secures the shroud to the multi-function switch mounting housing. Tighten the screw to 1.9 N·m (17 in. lbs.).

(7) Position the upper tilting column shroud to the steering column with the hazard warning switch button inserted through the hole in the upper surface of the shroud. Align the upper tilting steering column shroud to the lower shroud and snap the two shroud halves together.

(8) Install the steering wheel to the steering column upper shaft. Be certain to index the alignment splines in the hub of the steering wheel armature with the splines on the shaft. Pull the clockspring wire harness through the hole between the two upper steering wheel armature spokes.

(9) Install and tighten the steering wheel mounting nut. Tighten the nut to 47 N·m (420 in. lbs.). Be certain not to pinch the wire harnesses between the steering wheel and the nut.

(10) Reconnect the steering wheel wire harness connector to the upper clockspring connector receptacle, which is located between the two upper spokes of the armature within the hub cavity of the steering wheel.

(11) Install the driver side airbag module onto the steering wheel. Refer to **Driver Side Airbag Module** in the Removal and Installation section of this group for the procedures.

## ADJUSTMENTS

## CLOCKSPRING CENTERING

The clockspring is designed to wind and unwind when the steering wheel is rotated, but is only designed to rotate the same number of turns (about five complete rotations) as the steering wheel can be turned from stop to stop. Centering the clockspring indexes the clockspring tape to other steering components so that it can operate within its designed travel limits. The rotor of a centered clockspring can be rotated two and one-half turns in either direction from the centered position, without damaging the clockspring tape.

However, if the clockspring is removed for service or if the steering column is disconnected from the

steering gear, the clockspring tape can change position relative to the other steering components. The clockspring must then be re-centered following completion of the service or the clockspring tape may be damaged.

Service replacement clocksprings are shipped pre-centered and with a locking pin installed. This locking pin should not be removed until the clockspring has been installed on the steering column. If the locking pin is removed before the clockspring is installed on a steering column, the locking pin cannot be reinstalled and the clockspring centering procedure must be performed.

**WARNING: THE AIRBAG SYSTEM IS A SENSITIVE, COMPLEX ELECTROMECHANICAL UNIT. BEFORE ATTEMPTING TO DIAGNOSE OR SERVICE ANY AIRBAG SYSTEM OR RELATED STEERING WHEEL, STEERING COLUMN, OR INSTRUMENT PANEL COMPONENTS YOU MUST FIRST DISCONNECT AND ISOLATE THE BATTERY NEGATIVE (GROUND) CABLE. THEN WAIT TWO MINUTES FOR THE SYSTEM CAPACITOR TO DISCHARGE BEFORE FURTHER SYSTEM SERVICE. THIS IS THE ONLY SURE WAY TO DISABLE THE AIRBAG SYSTEM. FAILURE TO DO THIS COULD RESULT IN ACCIDENTAL AIRBAG DEPLOYMENT AND POSSIBLE PERSONAL INJURY.**

**NOTE: Before starting this procedure, be certain to turn the steering wheel until the front wheels are in the straight-ahead position.**

(1) Place the front wheels in the straight-ahead position.

(2) Remove the clockspring from the steering column. Refer to **Clockspring** in the Removal and Installation section of this group for the procedures.

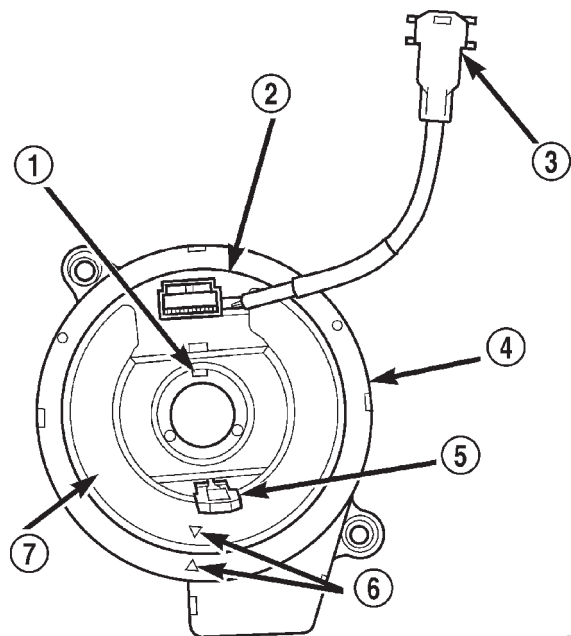
(3) Hold the clockspring case in one hand so that it is oriented as it would be when it is installed on the steering column.

(4) Use your other hand to rotate the clockspring hub clockwise to the end of its travel. **Do not apply excessive torque.**

(5) From the end of the clockwise travel, rotate the hub about two and one-half turns counterclockwise. It should be noted that when the clockspring is properly centered the arrows on the clockspring hub label and the clockspring case should be aligned (Fig. 17), and the uppermost pin in the clockspring hub should be an oblong pin.

(6) The clockspring is now centered. Secure the clockspring hub to the clockspring case to maintain clockspring centering until it is reinstalled on the steering column.

## ADJUSTMENTS (Continued)



80b9a4c8

**Fig. 17 Clockspring Alignment Arrows**

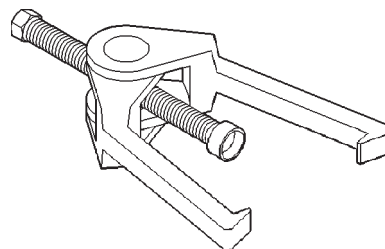
- 1 - OBLONG HUB PIN
- 2 - CLOCKSPRING HUB
- 3 - DRIVER SIDE AIRBAG WIRE HARNESS CONNECTOR
- 4 - CLOCKSPRING CASE
- 5 - LOCKING PIN
- 6 - ALIGNMENT ARROWS
- 7 - LABEL

(7) The front wheels should still be in the straight-ahead position. Install the clockspring onto the steer-

ing column. Refer to **Clockspring** in the Removal and Installation section of this group for the procedures.

## SPECIAL TOOLS

## PASSIVE RESTRAINT SYSTEMS

**Puller C-3894-A**





# ELECTRICALLY HEATED SYSTEMS

## TABLE OF CONTENTS

	page		page
REAR WINDOW DEFOGGER SYSTEM . . . . .	1	HEATED SEAT SYSTEM . . . . .	8

# REAR WINDOW DEFOGGER SYSTEM

## TABLE OF CONTENTS

	page		page
<b>DESCRIPTION AND OPERATION</b>			
REAR WINDOW DEFOGGER SYSTEM . . . . .	1	REAR GLASS HEATING GRID . . . . .	4
OUTSIDE MIRROR HEATING GRID . . . . .	2	REAR WINDOW DEFOGGER RELAY . . . . .	5
REAR GLASS HEATING GRID . . . . .	2	REAR WINDOW DEFOGGER SWITCH . . . . .	5
REAR WINDOW DEFOGGER RELAY . . . . .	3	<b>SERVICE PROCEDURES</b>	
REAR WINDOW DEFOGGER SWITCH . . . . .	3	REAR GLASS HEATING GRID REPAIR . . . . .	6
<b>DIAGNOSIS AND TESTING</b>		<b>REMOVAL AND INSTALLATION</b>	
REAR WINDOW DEFOGGER SYSTEM . . . . .	3	REAR WINDOW DEFOGGER RELAY . . . . .	7

## DESCRIPTION AND OPERATION

### REAR WINDOW DEFOGGER SYSTEM

#### DESCRIPTION

An electrically heated rear window defogger is standard factory-installed equipment on this model. Electrically heated outside rear view mirrors are available factory-installed optional equipment. When the rear window defogger system is turned on, electric heater grids on the liftgate flip-up glass and behind both outside rear view mirror glasses are energized. These electric heater grids produce heat to help clear the rear window glass and the outside rear view mirrors of ice, snow, or fog. The rear window defogger system control circuit uses ignition switched battery current, so the system will only operate when the ignition switch is in the On position.

This group covers the following components of the rear window defogger system:

- Outside mirror heating grid
- Rear glass heating grid
- Rear window defogger relay
- Rear window defogger switch.

Certain functions and features of the rear window defogger system rely upon resources shared with other electronic modules in the vehicle over the Pro-

grammable Communications Interface (PCI) data bus network. The PCI data bus network allows the sharing of sensor information. This helps to reduce wire harness complexity, internal controller hardware, and component sensor current loads. At the same time, this system provides increased reliability, enhanced diagnostics, and allows the addition of many new feature capabilities. For diagnosis of these electronic modules or of the PCI data bus network, the use of a DRB scan tool and the proper Diagnostic Procedures manual are recommended.

The other electronic modules that may affect power lock system operation are as follows:

- **Body Control Module (BCM)** - Refer to **Body Control Module** in the Description and Operation section of Group 8E - Instrument Panel Systems for more information.
- **Driver Door Module (DDM)** - Refer to **Door Module** in the Power Lock System section of Group 8P - Power Lock Systems.
- **Passenger Door Module (PDM)** - Refer to **Door Module** in the Power Lock System section of Group 8P - Power Lock Systems.

Refer to **Rear Window Defogger** and **Power Mirrors** in the Contents of Group 8W - Wiring Diagrams for complete circuit diagrams. Following are general descriptions of the major components in the power lock system.

## DESCRIPTION AND OPERATION (Continued)

## OPERATION

The rear window defogger system is controlled by a momentary switch that is integral to the heating and air conditioning control unit located in the center stack area of the instrument panel. A Light-Emitting Diode (LED) in the switch button will light to indicate when the rear window defogger system is turned on. The BCM, which contains the rear window defogger system timer and control logic, monitors the status of the defogger switch through a hard-wired input. The BCM then sends control outputs through a hard wired circuit to energize or de-energize the defogger relay.

The electrically heated outside rear view mirror heating grids are also controlled by the rear window defogger switch. When the BCM receives an input from the switch, it also sends a defogger switch status message to the DDM and the PDM over the PCI data bus. The DDM and PDM respond to the defogger switch status messages by energizing or de-energizing the battery current feed to their respective outside rear view mirror heating grids.

The rear window defogger system will be automatically turned off after a programmed time interval of about ten minutes. After the initial time interval has expired, if the defogger switch is turned on again during the same ignition cycle, the defogger system will automatically turn off after about five minutes. The defogger system will automatically shut off if the ignition switch is turned to the Off position, or it can be turned off manually by depressing the rear window defogger switch again.

See the owner's manual in the vehicle glove box for more information on the features, use and operation of the rear window defogger system.

## OUTSIDE MIRROR HEATING GRID

## DESCRIPTION

Electrically heated outside rear view mirrors are standard equipment on this model. These mirrors feature an electric heating grid located behind the mirror glass of each power operated outside rear view mirror. These heating grids consist of a single resistor wire routed in a grid-like pattern and captured between two thin sheets of plastic. When electrical current is passed through the resistor wire, it produces enough heat energy to clear the outside mirror glass of ice, snow or fog. Battery current is directed to the outside mirror heating grid only when the rear window defogger switch is in the On position.

If the outside mirror heating grids and the rear window heating grid are all inoperative, refer to **Rear Window Defogger System** in the Diagnosis and Testing section of this group for diagnosis. If the

outside mirror heating grids are inoperative, but the rear window heating grid is operating as designed, refer to **Power Mirror** in the Diagnosis and Testing section of Group 8T - Power Mirror Systems for diagnosis of the outside mirror heating grids.

The heating grid behind each outside mirror glass cannot be repaired and, if faulty or damaged, the entire power mirror unit must be replaced. Refer to **Power Mirror** in the Removal and Installation section of Group 8T - Power Mirror Systems for the service procedures.

## OPERATION

The outside mirror heating grids are energized and de-energized by the Driver Door Module (DDM) and the Passenger Door Module (PDM) based upon the rear window defogger switch status. The Body Control Module (BCM) monitors the rear window defogger switch. When the BCM receives an input from the switch, it sends a defogger switch status message to the DDM and the PDM over the Programmable Communications Interface data bus. The DDM and PDM respond to the defogger switch status messages by energizing or de-energizing the battery current feed to their respective outside rear view mirror heating grids.

## REAR GLASS HEATING GRID

## DESCRIPTION

The electrically heated rear window glass is standard equipment on this model. The liftgate flip-up glass has two electrically conductive vertical bus bars and a series of horizontal grid lines made of a silver-ceramic material, which is baked on and bonded to the inside surface of the glass. These grid lines and the bus bars comprise a parallel electrical circuit. A spade type terminal near the top of each bus bar accept the connectors from the two coiled liftgate wire harness take outs.

The grid lines and bus bars are highly resistant to abrasion. However, it is possible for an open circuit to occur in an individual grid line, resulting in no current flow through the line. The grid lines can be damaged or scraped off with sharp instruments. Care should be taken when cleaning the glass or removing foreign materials, decals, or stickers from the glass. Normal glass cleaning solvents or hot water used with rags or toweling is recommended.

A repair kit is available to repair the grid lines and bus bars, or to reinstall the heated glass terminals. Refer to **Rear Glass Heating Grid Repair** in the Service Procedures section of this group for the repair procedures.

## DESCRIPTION AND OPERATION (Continued)

**OPERATION**

The rear glass heating grid is energized and de-energized by the rear window defogger relay. The Body Control Module (BCM) monitors the rear window defogger switch. When the BCM receives an input from the switch, it energizes or de-energizes the rear window defogger relay through a hard wired control output. The rear defogger relay switches fused battery current to the rear window grid lines through the bus bars. The grid lines heat the rear window glass to clear the surface of ice, snow or fog. Protection for the rear glass heating grid circuit is provided by a fuse in the Power Distribution Center (PDC).

**REAR WINDOW DEFOGGER SWITCH****DESCRIPTION**

The rear window defogger switch is integral to the heating and air conditioning control unit, which is located in the instrument panel center stack below the radio receiver. This momentary switch provides a hard wired ground signal to the Body Control Module (BCM) each time it is depressed. A Light Emitting Diode (LED) in the push button for the rear window defogger switch illuminates to indicate when the rear window defogger system is turned on.

The rear window defogger switch and the rear window defogger switch LED indicator cannot be repaired and, if faulty or damaged, the entire heating and air conditioning control unit must be replaced. Refer to **Heater-A/C Control** in the Removal and Installation section of Group 24 - Heating and Air Conditioning for the service procedures.

**OPERATION**

When the rear window defogger switch push button is depressed, it momentarily closes the rear window defogger switch sense circuit for the BCM to ground. The BCM monitors the rear window defogger switch sense circuit. Each time the BCM rear window defogger timer and logic circuitry sees another input from the switch, it toggles a control output to the rear window defogger relay. Energizing the rear window defogger relay provides electrical current to the rear window defogger grid and to the LED indicator in the switch, which lights to indicate when the defogger system is turned on. A dedicated fuse in the junction block protects the rear window defogger relay output circuit to the LED indicator.

**REAR WINDOW DEFOGGER RELAY****DESCRIPTION**

The rear window defogger relay is an electromechanical device that switches fused battery current to the rear glass heating grid and the Light-Emitting

Diode (LED) indicator of the rear window defogger switch, when the Body Control Module (BCM) rear window defogger timer and logic circuitry grounds the relay coil. The rear window defogger relay is located in the junction block, under the left end of the instrument panel in the passenger compartment.

The rear window defogger relay is a International Standards Organization (ISO) relay. Relays conforming to the ISO specifications have common physical dimensions, current capacities, terminal patterns, and terminal functions.

The rear window defogger relay cannot be repaired or adjusted and, if faulty or damaged, it must be replaced.

**OPERATION**

The ISO relay consists of an electromagnetic coil, a resistor or diode, and three (two fixed and one movable) electrical contacts. The movable (common feed) relay contact is held against one of the fixed contacts (normally closed) by spring pressure. When the electromagnetic coil is energized, it draws the movable contact away from the normally closed fixed contact, and holds it against the other (normally open) fixed contact.

When the electromagnetic coil is de-energized, spring pressure returns the movable contact to the normally closed position. The resistor or diode is connected in parallel with the electromagnetic coil in the relay, and helps to dissipate voltage spikes that are produced when the coil is de-energized.

**DIAGNOSIS AND TESTING****REAR WINDOW DEFOGGER SYSTEM**

**WARNING: ON VEHICLES EQUIPPED WITH AIRBAGS, REFER TO GROUP 8M - PASSIVE RESTRAINT SYSTEMS BEFORE ATTEMPTING ANY STEERING WHEEL, STEERING COLUMN, OR INSTRUMENT PANEL COMPONENT DIAGNOSIS OR SERVICE. FAILURE TO TAKE THE PROPER PRECAUTIONS COULD RESULT IN ACCIDENTAL AIRBAG DEPLOYMENT AND POSSIBLE PERSONAL INJURY.**

For complete circuit diagrams, refer to **Rear Window Defogger** in the Contents of Group 8W - Wiring Diagrams. The operation of the electrically heated rear window defogger system can be confirmed in one of the following manners:

1. Turn the ignition switch to the On position. While monitoring the instrument panel voltmeter, depress the rear window defogger switch to the On position. When the rear window defogger switch is

## DIAGNOSIS AND TESTING (Continued)

turned On, a distinct voltmeter needle deflection should be noted.

2. Turn the ignition switch to the On position. Depress the rear window defogger switch to the On position. The rear window defogger operation can be checked by feeling the rear window or outside rear view mirror glass. A distinct difference in temperature between the grid lines and the adjacent clear glass or the mirror glass can be detected within three to four minutes of operation.

3. Using a 12-volt DC voltmeter, contact the rear glass heating grid terminal A (right side) with the negative lead, and terminal B (left side) with the positive lead (Fig. 1). The voltmeter should read battery voltage.

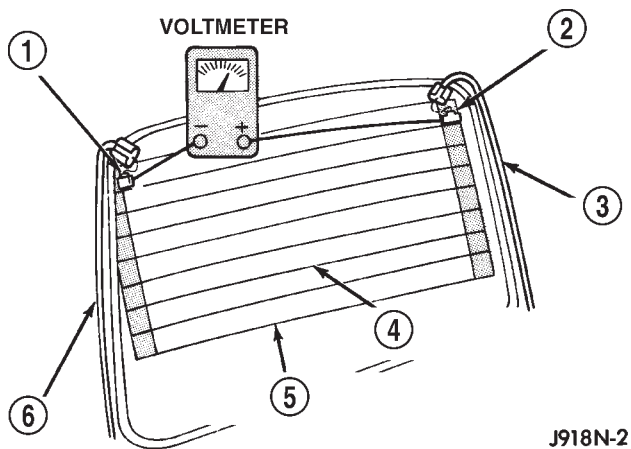


Fig. 1 Rear Window Glass Grid Test

- 1 - TERMINAL "A"
- 2 - TERMINAL "B"
- 3 - FEED WIRE
- 4 - MID-POINT "C" (TYPICAL)
- 5 - HEATED REAR WINDOW DEFOGGER GRID
- 6 - GROUND WIRE

The above checks will confirm rear window defogger system operation. Illumination of the rear window defogger switch LED indicator means that there is battery current available at the output of the rear window defogger relay, but does not confirm that battery current is reaching the rear glass heating grid lines.

If the rear window defogger system does not operate, the problem should be isolated in the following manner:

(1) Confirm that the ignition switch is in the On position.

(2) Ensure that the rear glass heating grid feed and ground terminals are connected to the glass. Confirm that the ground wire has continuity to ground.

(3) Check the fused B(+) fuse in the Power Distribution Center (PDC). The fuse must be tight in its

receptacles and all electrical connections must be secure.

When the above steps have been completed and the rear glass heating grid is still inoperative, one or more of the following is faulty:

- Rear window defogger switch
- Rear window defogger relay
- Body Control Module (BCM)
- Rear window grid lines (all grid lines would have to be broken or one of the feed wires disconnected for the entire system to be inoperative).

When the above steps have been completed and the heated mirror glass heating grid is still inoperative, one or more of the following is faulty:

- Body Control Module (BCM)
- Programmable Communications Interface (PCI) data bus
- Driver Door Module (DDM) or Passenger Door Module (PDM)
- Outside rear view mirror heating grids.

If turning the rear window defogger system on produces a severe voltmeter deflection, check for a short circuit between the rear window defogger relay output and the rear glass heating grid.

## REAR GLASS HEATING GRID

For complete circuit diagrams, refer to **Rear Window Defogger** in the Contents of Group 8W - Wiring Diagrams. To detect breaks in the rear glass heating grid lines, the following procedure is required:

(1) Turn the ignition switch to the On position. Turn the rear window defogger system on. The rear window defogger switch LED indicator should light. If OK, go to Step 2. If not OK, refer to **Rear Window Defogger Relay** in the Diagnosis and Testing section of this group.

(2) Using a 12-volt DC voltmeter, contact the rear glass heating grid vertical bus bar on the right side of the vehicle with the negative lead. With the positive lead, contact the rear glass heating grid vertical bus bar on the left side of the vehicle. The voltmeter should read battery voltage. If OK, go to Step 3. If not OK, repair the open rear window defogger relay output circuit to the rear window defogger relay as required.

(3) With the positive voltmeter lead still contacting the rear glass heating grid vertical bus bar on the left side of the vehicle, move the negative lead of the voltmeter to a good body ground point. The voltage reading should not change. If OK, go to Step 4. If not OK, repair the ground circuit to ground as required.

(4) Connect the negative lead of the voltmeter to the right side bus bar and touch each grid line at midpoint C with the positive lead. A reading of approximately six volts indicates a line is good. A



## DIAGNOSIS AND TESTING (Continued)

reading of zero volts indicates a break in the grid line between midpoint C and the left side rear glass heating grid bus bar. A reading of ten to fourteen volts indicates a break between midpoint C and the right side rear heating grid bus bar. Move the positive lead on the grid line towards the break and the voltage reading will change as soon as the break is crossed.

**REAR WINDOW DEFOGGER SWITCH**

For complete circuit diagrams, refer to **Rear Window Defogger** in the Contents of Group 8W - Wiring Diagrams.

**WARNING: ON VEHICLES EQUIPPED WITH AIR-BAGS, REFER TO GROUP 8M - PASSIVE RESTRAINT SYSTEMS BEFORE ATTEMPTING ANY STEERING WHEEL, STEERING COLUMN, OR INSTRUMENT PANEL COMPONENT DIAGNOSIS OR SERVICE. FAILURE TO TAKE THE PROPER PRECAUTIONS COULD RESULT IN ACCIDENTAL AIR-BAG DEPLOYMENT AND POSSIBLE PERSONAL INJURY.**

(1) Disconnect and isolate the battery negative cable. Remove the heater and air conditioner control unit from the instrument panel and disconnect the 11-way (manual temperature control) or 16-way (automatic zone control) instrument panel wire harness connector from the heater and air conditioner control receptacle.

(2) Check for continuity between the ground circuit cavity of the 11-way or 16-way instrument panel wire harness connector for the heater and air conditioner control and a good ground. There should be continuity. If OK, go to Step 3. If not OK, repair the open ground circuit to ground as required.

(3) Connect two jumper wires to the heater and air conditioner control 11-way or 16-way connector receptacle. Connect one jumper from the ground circuit terminal in the 11-way or 16-way heater and air conditioner control connector receptacle to a good ground. Connect the other jumper from the fused rear window defogger relay output circuit terminal of the 11-way or 16-way connector receptacle to a 12-volt battery feed. The rear window defogger switch LED indicator should light. If OK, go to Step 4. If not OK, replace the faulty heater and air conditioner control unit.

(4) Check for continuity between the ground circuit and rear window defogger switch sense circuit terminals of the 11-way or 16-way heater and air conditioner control connector receptacle. There should be momentary continuity as the rear window defogger switch push button is depressed, and then no continuity. If OK, go to Step 5. If not OK, replace the faulty heater and air conditioner control unit.

(5) Disconnect the 22-way instrument panel wire harness connector from the Body Control Module (BCM) connector receptacle. Check for continuity between the rear window defogger switch sense circuit cavity of the 11-way or 16-way instrument panel wire harness connector for the heater and air conditioner control and a good ground. There should be no continuity. If OK, go to Step 6. If not OK, repair the shorted rear window defogger switch sense circuit as required.

(6) Check for continuity between the rear window defogger switch sense circuit cavities of the 11-way or 16-way instrument panel wire harness connector for the heater and air conditioner control and the 22-way instrument panel wire harness connector for the BCM. There should be continuity. If OK, refer to **Rear Window Defogger Relay** in the Diagnosis and Testing section of this group. If not OK, repair the open rear window defogger switch sense circuit as required.

**REAR WINDOW DEFOGGER RELAY**

**WARNING: ON VEHICLES EQUIPPED WITH AIR-BAGS, REFER TO GROUP 8M - PASSIVE RESTRAINT SYSTEMS BEFORE ATTEMPTING ANY STEERING WHEEL, STEERING COLUMN, OR INSTRUMENT PANEL COMPONENT DIAGNOSIS OR SERVICE. FAILURE TO TAKE THE PROPER PRECAUTIONS COULD RESULT IN ACCIDENTAL AIR-BAG DEPLOYMENT AND POSSIBLE PERSONAL INJURY.**

**RELAY TEST**

The rear window defogger relay (Fig. 2) is located in the junction block, under the left end of the instrument panel in the passenger compartment. Remove the rear window defogger relay from the junction block to perform the following tests:

(1) A relay in the de-energized position should have continuity between terminals 87A and 30, and no continuity between terminals 87 and 30. If OK, go to Step 2. If not OK, replace the faulty relay.

(2) Resistance between terminals 85 and 86 (electromagnet) should be  $75 \pm 10$  ohms. If OK, go to Step 3. If not OK, replace the faulty relay.

(3) Connect a battery to terminals 85 and 86. There should now be continuity between terminals 30 and 87, and no continuity between terminals 87A and 30. If OK, refer to **Relay Circuit Test** in the Diagnosis and Testing section of this group. If not OK, replace the faulty relay.

## DIAGNOSIS AND TESTING (Continued)

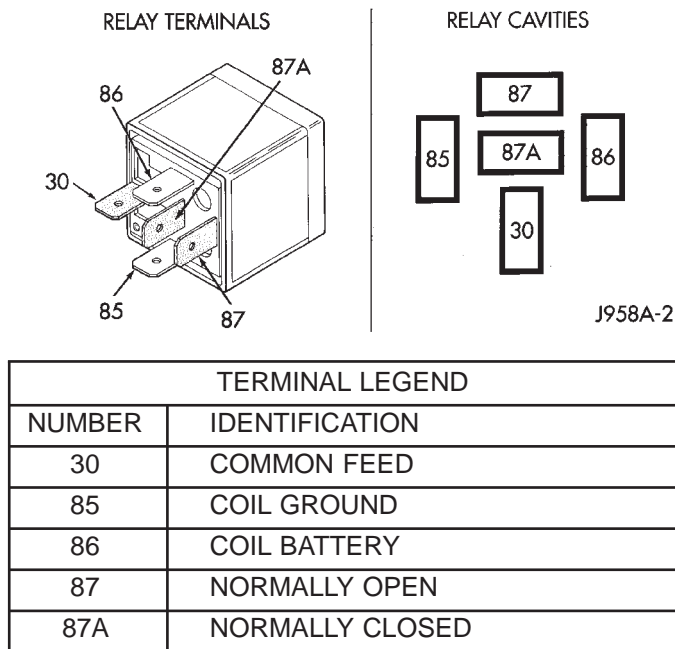


Fig. 2 Rear Window Defogger Relay

## RELAY CIRCUIT TEST

(1) The relay common feed terminal cavity (30) is connected to battery voltage and should be hot at all times. If OK, go to Step 2. If not OK, repair the open fused B(+) circuit to the Power Distribution Center (PDC) fuse as required.

(2) The relay normally closed terminal (87A) is connected to terminal 30 in the de-energized position, but is not used for this application. Go to Step 3.

(3) The relay normally open terminal (87) is connected to the common feed terminal (30) in the energized position. This terminal supplies battery voltage to the rear glass heating grid and to the fuse in the junction block that feeds the rear window defogger switch LED indicator. There should be continuity between the cavity for relay terminal 87 and the rear glass heating grid and the rear window defogger switch LED indicator at all times. If OK, go to Step 4. If not OK, repair the open rear window defogger relay output circuit as required.

(4) The coil battery terminal (86) is connected to the electromagnet in the relay. It is connected to battery voltage and should be hot at all times. Check for battery voltage at the cavity for relay terminal 86. If OK, go to Step 5. If not OK, repair the open fused B(+) circuit to the PDC fuse as required.

(5) The coil ground terminal (85) is connected to the electromagnet in the relay. This terminal is provided with ground by the Body Control Module (BCM) rear window defogger timer and logic circuitry to energize the defogger relay. There should be continuity to the rear window defogger relay control circuit cavity of the 22-way instrument panel wire

harness connector for the BCM. If OK, use a DRB scan tool and the proper Diagnostic Procedures manual to test the BCM. If not OK, repair the open rear window defogger relay control circuit as required.

## SERVICE PROCEDURES

## REAR GLASS HEATING GRID REPAIR

Repair of the rear glass heating grid lines, bus bars, and terminals can be accomplished using a Mopar Rear Window Defogger Repair Kit (Part Number 4267922) or equivalent.

**WARNING: MATERIALS CONTAINED IN THE REPAIR KIT MAY CAUSE SKIN OR EYE IRRITATION. THE KIT CONTAINS EPOXY RESIN AND AMINE TYPE HARDENER, WHICH ARE HARMFUL IF SWALLOWED. AVOID CONTACT WITH THE SKIN AND EYES. FOR SKIN CONTACT, WASH THE AFFECTED AREAS WITH SOAP AND WATER. FOR CONTACT WITH THE EYES, FLUSH WITH PLENTY OF WATER. DO NOT TAKE INTERNALLY. IF TAKEN INTERNALLY, INDUCE VOMITING AND CALL A PHYSICIAN IMMEDIATELY. USE WITH ADEQUATE VENTILATION. DO NOT USE NEAR FIRE OR FLAME. CONTAINS FLAMMABLE SOLVENTS. KEEP OUT OF THE REACH OF CHILDREN.**

(1) Mask the repair area on the inside of the rear glass so that the conductive epoxy can be applied neatly. Extend the epoxy application onto the rear glass heating grid bus bar or grid line on each side of the break (Fig. 3).

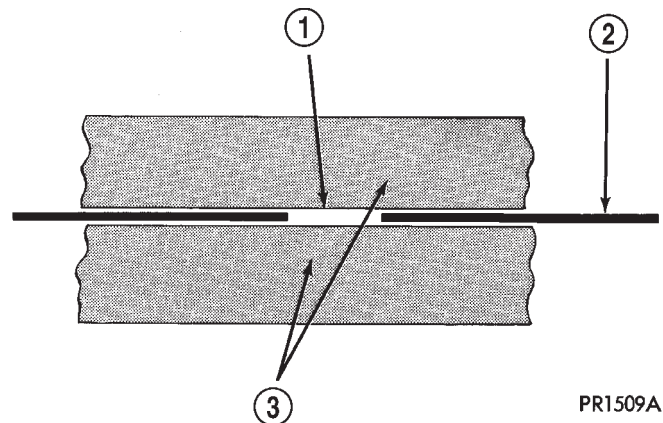


Fig. 3 Grid Line Repair - Typical

- 1 - BREAK
- 2 - GRID LINE
- 3 - MASKING TAPE

(2) Follow the instructions in the repair kit for preparing the damaged area.

## SERVICE PROCEDURES (Continued)

(3) Remove the package separator clamp and mix the two conductive epoxy components thoroughly within the packaging. Fold the package in half and cut the center corner to dispense the epoxy.

(4) For rear glass heating grid line repairs, mask the area to be repaired with masking tape or a template.

(5) Apply the epoxy through the slit in the masking tape or template. Overlap both ends of the break by at least 19 millimeters (0.75 inch).

(6) For a rear glass heating grid terminal replacement, mask the adjacent areas so the epoxy can be extended onto the adjacent grid line as well as onto the bus bar. Apply a thin layer of epoxy to the area where the terminal was previously fastened and onto the adjacent grid line.

(7) Apply a thin layer of conductive epoxy to the terminal and place it in the proper location on the rear glass heating grid bus bar. To prevent the terminal from moving while the epoxy is curing, it must be wedged or clamped.

(8) Carefully remove the masking tape or template.

**CAUTION:** Do not allow the glass surface to exceed 204° C (400° F) or the glass may fracture.

(9) Allow the epoxy to cure for 24 hours at room temperature, or use a heat gun with a 260° to 371° C (500° to 700° F) range for fifteen minutes. Hold the heat gun approximately 25.4 centimeters (10 inches) from the repair.

(10) After the conductive epoxy is properly cured, remove the wedge or clamp from the terminal. Do not attach the wire harness connectors until the curing process is complete.

(11) Check the operation of the rear glass heating grid.

## REMOVAL AND INSTALLATION

## REAR WINDOW DEFOGGER RELAY

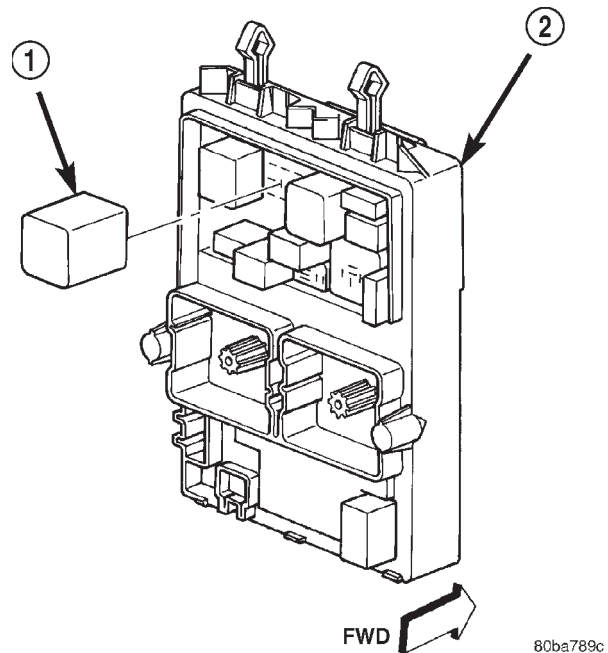
**WARNING: ON VEHICLES EQUIPPED WITH AIRBAGS, REFER TO GROUP 8M - PASSIVE RESTRAINT SYSTEMS BEFORE ATTEMPTING ANY STEERING WHEEL, STEERING COLUMN, OR INSTRUMENT PANEL COMPONENT DIAGNOSIS OR SERVICE. FAILURE TO TAKE THE PROPER PRECAUTIONS COULD RESULT IN ACCIDENTAL AIRBAG DEPLOYMENT AND POSSIBLE PERSONAL INJURY.**

## REMOVAL

(1) Disconnect and isolate the battery negative cable.

(2) Remove the steering column opening cover from the instrument panel. Refer to **Steering Column Opening Cover** in the Removal and Installation section of Group 8E - Instrument Panel Systems for the procedures.

(3) The rear window defogger relay is located on the right side of the combination flasher in the junction block (Fig. 4).



**Fig. 4 Junction Block**

- 1 - COMBINATION FLASHER  
2 - JUNCTION BLOCK

(4) Remove the rear window defogger relay from the junction block.

## INSTALLATION

(1) Position the rear window defogger relay in the proper receptacle in the junction block.

(2) Align the rear window defogger relay terminals with the terminal cavities in the junction block receptacle.

(3) Push in firmly on the rear window defogger relay until the terminals are fully seated in the terminal cavities in the junction block receptacle.

(4) Install the steering column opening cover onto the instrument panel. Refer to **Steering Column Opening Cover** in the Removal and Installation section of Group 8E - Instrument Panel Systems for the procedures.

(5) Reconnect the battery negative cable.

# HEATED SEAT SYSTEM

## TABLE OF CONTENTS

	page		page
<b>DESCRIPTION AND OPERATION</b>		HEATED SEAT MODULE .....	12
HEATED SEAT ELEMENT AND SENSOR .....	10	HEATED SEAT SENSOR .....	14
HEATED SEAT MODULE .....	9	HEATED SEAT SWITCH .....	10
HEATED SEAT SWITCH .....	9	HEATED SEAT SYSTEM .....	10
HEATED SEAT SYSTEM .....	8	<b>REMOVAL AND INSTALLATION</b>	
<b>DIAGNOSIS AND TESTING</b>		HEATED SEAT MODULE .....	14
HEATED SEAT ELEMENT .....	12	HEATED SEAT SWITCH .....	14

## DESCRIPTION AND OPERATION

### HEATED SEAT SYSTEM

#### DESCRIPTION

Individually controlled driver and passenger side electrically heated front seats are available factory-installed optional equipment on this model, when it is also equipped with the power seat option. The heated seat system allows both the driver and the front seat passenger the option to select one of two seat heating ranges, Low or High, or to turn the individual seat heaters Off using the heated seat switches located in the center lower bezel near the bottom of the instrument panel center stack. The heated seat switch circuit operates on ignition switched battery current supplied through a fuse in the junction block, only when the ignition switch is in the On position.

This group covers the following components of the heated seat system:

- Heated seat elements and sensors
- Heated seat module (or memory heated seat module)
- Heated seat switches.

The heated seat system also relies upon resources shared with other electronic modules in the vehicle over the Programmable Communications Interface (PCI) data bus network. The PCI data bus network allows the sharing of sensor information. This helps to reduce wire harness complexity, internal controller hardware, and component sensor current loads. At the same time, this system provides increased reliability, enhanced diagnostics, and allows the addition of many new feature capabilities. For diagnosis of these electronic modules or of the PCI data bus network, the use of a DRB scan tool and the proper Diagnostic Procedures manual are recommended.

The electronic modules that may affect heated seat system operation are as follows:

- **Body Control Module (BCM)** - Refer to **Body Control Module** in the Description and Operation section of Group 8E - Instrument Panel Systems for more information.

- **Heated Seat Module (HSM)** - Refer to **Heated Seat Module** in the Description and Operation section of this group for more information.

- **Memory Heated Seat Module (MHSM)** - If the vehicle is equipped with the Memory System, refer to **Memory Seat Module** in the Memory System section of Group 8R - Power Seat Systems for more information.

Refer to **Power Seats Premium I/III** in the Contents of Group 8W - Wiring Diagrams for complete circuit diagrams. Following are general descriptions of the major components in the heated seat system.

#### OPERATION

The heated seat system will only operate when the ignition switch is in the On position, and the surface temperature at the front seat heating element sensors is below the designed temperature set points of the system. The heated seat system will not operate in ambient temperatures greater than about 41° C (105° F). The front seat heating elements and sensors are hard wired to the Heated Seat Module (HSM) or the Memory Heated Seat Module (MHSM).

The heated seat switches are hard wired to the Body Control Module (BCM). The BCM monitors the heated seat switch inputs, then sends heated seat switch status messages to the HSM or MHSM over the Programmable Communications Interface (PCI) data bus. The HSM or MHSM contains the control logic for the heated seat system. The HSM or MHSM responds to the heated seat switch status messages, ignition switch status messages, and the front seat heating element sensor inputs by controlling the output to the front seat heating elements through integral solid-state relays.

When a seat heater is turned on, the sensor located on the seat cushion electric heater element



## DESCRIPTION AND OPERATION (Continued)

provides the HSM or MHSM with an input indicating the surface temperature of the seat cushion. If the surface temperature input is below the temperature set point for the selected Low or High heated seat switch position, the HSM or MHSM energizes the integral solid-state relay, which supplies battery current to the heating elements in the seat cushion and back. When the sensor input indicates the correct temperature set point has been achieved, the HSM or MHSM de-energizes the solid-state relay. The HSM or MHSM will continue to cycle the solid-state relay as needed to maintain the temperature set point.

The HSM or MHSM and the seat heater elements operate on non-switched battery current supplied through the power seat circuit breaker in the junction block. However, the HSM or MHSM will automatically turn off the heating elements if it detects an open in the sensor circuit, a short in the heating element circuit causing an excessive current draw, or when the ignition switch is turned to the Off position.

See the owner's manual in the vehicle glove box for more information on the features, use and operation of the heated seat system.

## HEATED SEAT SWITCH

### DESCRIPTION

The heated seat switches are mounted in the center lower bezel, which is located near the bottom of the instrument panel center stack. The two three-position rocker-type switches, one switch for each front seat, provide a resistor multiplexed signal to the Body Control Module (BCM) through separate hard wired circuits. Each switch has an Off, Low, and High position so that both the driver and the front seat passenger can select a preferred seat heating mode. Each switch has two Light-Emitting Diodes (LED), one each for the Low position and the High position, which light to indicate that the heater for the seat that the switch controls is turned on. Each switch is also back lit by a replaceable incandescent bulb.

The heated seat switches and their LEDs cannot be repaired. If either switch or LED is faulty or damaged, the entire switch unit must be replaced. The incandescent switch illumination bulb and bulb holder units are available for service replacement.

### OPERATION

There are three positions that can be selected with each of the heated seat switches: Off, Low, or High. When the top of the switch rocker is fully depressed, the High position is selected and the high position LED indicator illuminates. When the bottom of the switch rocker is fully depressed, the Low position is

selected and the low position LED indicator illuminates. When the switch rocker is moved to its neutral position, Off is selected and both LED indicators are extinguished.

Both switches provide separate resistor multiplexed hard wire inputs to the BCM to indicate the selected switch position. The BCM monitors the switch inputs and sends heated seat switch status messages to the Heated Seat Module (HSM) or the Memory Heated Seat Module (MHSM) over the Programmable Communications Interface (PCI) data bus. The HSM or MHSM responds to the heated seat switch status messages by controlling the output to the seat heater elements of the selected seat. The Low heat position set point is about 36° C (97° F), and the High heat position set point is about 41° C (105° F).

## HEATED SEAT MODULE

### DESCRIPTION

There are two different electronic modules that can be used in the optional heated seat system. The Heated Seat Module (HSM) is used on vehicles that are not equipped with the optional Memory System. The Memory Heated Seat Module (MHSM) is used on vehicles that are equipped with the optional Memory System and the optional heated seat system. A third electronic module, the Memory Seat Module (MSM), is used on vehicles equipped with the Memory System without the optional heated seat system. Refer to **Memory System** in the Memory System section of Group 8R - Power Seat Systems for more information on the memory system option.

All three modules are packaged in an identical molded plastic housing which is mounted on a bracket that is located between the power seat track and the seat cushion frame under the forward edge of the driver side front seat cushion. The HSM or MHSM is used to control all of the heated seat system functions for both front seats. The HSM or MHSM contains a central processing unit and interfaces with other electronic modules in the vehicle on the Programmable Communications Interface (PCI) data bus network.

For diagnosis of the HSM, MHSM or the PCI data bus, a DRB scan tool and the proper Diagnostic Procedures manual are recommended. The HSM or MHSM cannot be repaired and, if faulty or damaged, it must be replaced.

### OPERATION

The HSM or MHSM receives message inputs from the BCM over the PCI data bus and hard wired inputs from the front seat heating element sensors through the element return circuits. The program-



## DESCRIPTION AND OPERATION (Continued)

ming in the HSM or MHSM allows it to process the information from these inputs and send control outputs to the integral solid state relays to regulate the flow of battery current and the temperature of the front seat heating elements.

## HEATED SEAT ELEMENT AND SENSOR

### DESCRIPTION

The heated seat system includes two seat heating elements in each front seat, one for the seat cushion and the other for the seat back. Two types of heated seat elements are offered. All Laredo models use two resistor wire heating elements for each seat that are connected in series with the Heated Seat Module (HSM). All Limited models use two carbon fiber mesh heating elements for each seat that are connected in parallel with the Memory Heated Seat Module (MHSM). The temperature sensor is a Negative Temperature Coefficient (NTC) thermistor. One temperature sensor is used for each seat, and it is located on the seat cushion heating element for all models.

The seat heating elements are sewn into the seat cushion cover trim and seat back cover trim units. The heated seat elements and the temperature sensor cannot be adjusted or repaired and, if faulty or damaged, the seat cushion cover trim unit or seat back cover trim unit must be replaced. Refer to **Bucket Seat Cushion Cover** or **Bucket Seat Back Cover** in the Removal and Installation section of Group 23 - Body for the seat cushion cover trim and seat back cover trim service procedures.

### OPERATION

The heated seat elements resist the flow of electrical current. When battery current is passed through the elements, the energy lost by the resistance of the elements to the current flow is released in the form of heat. The temperature sensor is a NTC thermistor. When the temperature of the seat cushion cover rises, the resistance of the sensor decreases. The HSM or MHSM supplies a five-volt current to one side of each sensor, and monitors the voltage drop through the sensor on a return circuit. The MSM or MHSM uses this temperature sensor input to monitor the temperature of the seat, and regulates the current flow to the seat heating elements accordingly.

## DIAGNOSIS AND TESTING

### HEATED SEAT SYSTEM

Following are tests that will help to diagnose the components and circuits that are hard wired inputs or outputs of the heated seat system. However, these tests may not prove conclusive in the diagnosis of

this system. In order to obtain conclusive testing of the heated seat system, the Programmable Communications Interface (PCI) data bus network and all of the electronic modules that provide inputs to, or receive outputs from the heated seat system components must be checked.

The most reliable, efficient, and accurate means to diagnose the heated seat system requires the use of a DRB scan tool and the proper Diagnostic Procedures manual. The DRB scan tool can provide confirmation that the PCI data bus is functional, that all of the electronic modules are sending and receiving the proper messages on the PCI data bus, and that the Heated Seat Module (HSM) or Memory Heated Seat Module (MHSM) is receiving the proper hard wired inputs and relaying the proper hard wired outputs to perform its heated seat system functions.

For complete circuit diagrams, refer to **Power Seats Premium I/III** in the Contents of Group 8W - Wiring Diagrams.

**WARNING: ON VEHICLES EQUIPPED WITH AIRBAGS, REFER TO GROUP 8M - PASSIVE RESTRAINT SYSTEMS BEFORE ATTEMPTING ANY STEERING WHEEL, STEERING COLUMN, OR INSTRUMENT PANEL COMPONENT DIAGNOSIS OR SERVICE. FAILURE TO TAKE THE PROPER PRECAUTIONS COULD RESULT IN ACCIDENTAL AIRBAG DEPLOYMENT AND POSSIBLE PERSONAL INJURY.**

### PRELIMINARY TEST

Before testing the individual components in the heated seat system, check the following:

- If the heated seat switch LED indicators do not light with the ignition switch in the On position and the heated seat switch in the Low or High position, check the fused ignition switch output (run) fuse in the junction block. If OK, refer to **Heated Seat Switch** in the Diagnosis and Testing section of this group. If not OK, repair the shorted circuit or component as required and replace the faulty fuse.
- If the heated seat switch LED indicators light, but the heating elements do not heat, check the power seat circuit breaker in the junction block. If OK, refer to **Heated Seat Element** in the Diagnosis and Testing section of this group. If not OK, replace the faulty power seat circuit breaker.

### HEATED SEAT SWITCH

For complete circuit diagrams, refer to **Power Seats Premium I/III** in the Contents of Group 8W - Wiring Diagrams.

## DIAGNOSIS AND TESTING (Continued)

**WARNING: ON VEHICLES EQUIPPED WITH AIR-BAGS, REFER TO GROUP 8M - PASSIVE RESTRAINT SYSTEMS BEFORE ATTEMPTING ANY STEERING WHEEL, STEERING COLUMN, OR INSTRUMENT PANEL COMPONENT DIAGNOSIS OR SERVICE. FAILURE TO TAKE THE PROPER PRECAUTIONS COULD RESULT IN ACCIDENTAL AIR-BAG DEPLOYMENT AND POSSIBLE PERSONAL INJURY.**

(1) Check the fused ignition switch output (run) fuse in the junction block. If OK, go to Step 2. If not OK, repair the shorted circuit or component as required and replace the faulty fuse.

(2) Turn the ignition switch to the On position. Check for battery voltage at the fused ignition switch output (run) fuse in the junction block. If OK, go to Step 3. If not OK, repair the open fused ignition switch output (run) circuit to the ignition switch as required.

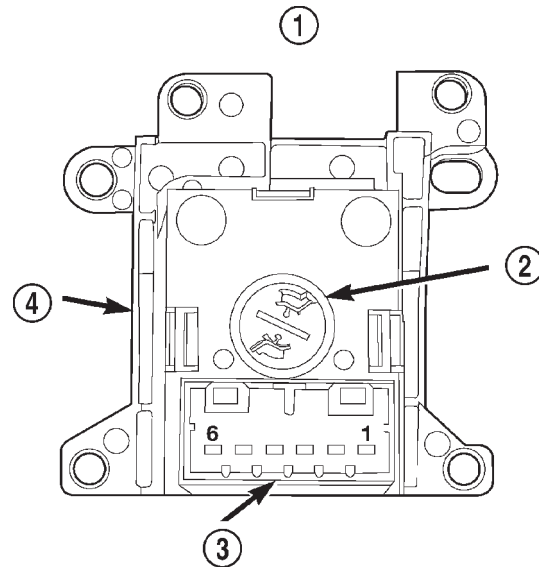
(3) Disconnect and isolate the battery negative cable. Remove the lower center bezel from the instrument panel and disconnect the instrument panel wire harness connectors from both heated seat switch connector receptacles. Check for continuity between the ground circuit cavity of the instrument panel wire harness connector for the inoperative heated seat switch(es) and a good ground. There should be continuity. If OK, go to Step 4. If not OK, repair the open ground circuit to ground as required.

(4) Reconnect the battery negative cable. Turn the ignition switch to the On position. Check for battery voltage at the fused ignition switch output (run) circuit cavity of the instrument panel wire harness connector for the inoperative heated seat switch(es). If OK, turn the ignition switch to the Off position, disconnect and isolate the battery negative cable, and go to Step 5. If not OK, repair the open fused ignition switch output (run) circuit to the junction block fuse as required.

(5) Test the heated seat switch(es) (Fig. 1) as shown in the Heated Seat Switch Test chart. If OK, go to Step 6. If not OK, replace the faulty heated seat switch(es).

(6) Disconnect the 22-way instrument panel wire harness connector from the Body Control Module (BCM) connector receptacle. Check for continuity between the seat heater switch sensor ground circuit cavity of the instrument panel wire harness connector for the inoperative heated seat switch(es) and a good ground. There should be no continuity. If OK, go to Step 7. If not OK, repair the shorted seat heater switch sensor ground circuit as required.

(7) Check for continuity between the seat heater switch sensor ground circuit cavities of the instrument panel wire harness connector for the inoperative heated seat switch(es) and the 22-way



80b8986d

**Fig. 1 Heated Seat Switch**

- 1 - LEFT SHOWN (RIGHT TYPICAL)
- 2 - ILLUMINATION LAMP
- 3 - CONNECTOR RECEPTACLE
- 4 - HEATED SEAT SWITCH

HEATED SEAT SWITCH TEST		
SWITCH POSITION	RESISTANCE BETWEEN	RESISTANCE (OHMS)
Off	Pin 1 & 6	55
Low	Pin 1 & 6	1430
High	Pin 1 & 6	365
All resistance values are $\pm 1\%$ .		

instrument panel wire harness connector for the BCM. There should be continuity. If OK, go to Step 8. If not OK, repair the open seat heater switch sensor ground circuit as required.

(8) Check for continuity between the seat heater switch mux circuit cavity of the instrument panel wire harness connector for the inoperative heated seat switch and a good ground. There should be no continuity. If OK, go to Step 9. If not OK, repair the shorted seat heater switch mux circuit as required.

(9) Check for continuity between the seat heater switch mux circuit cavity of the instrument panel wire harness connector for the inoperative heated seat switch and the 22-way instrument panel wire harness connector for the BCM. There should be continuity. If OK, use a DRB scan tool and the proper Diagnostic Procedures manual to test the BCM. If not OK, repair the open seat heater switch mux circuit as required.

## DIAGNOSIS AND TESTING (Continued)

**HEATED SEAT MODULE**

Before testing the heated seat module, test the heated seat switch, the heated seat elements, and the heated seat sensor. Refer to **Heated Seat Switch**, **Heated Seat Element** and **Heated Seat Sensor** in the Diagnosis and Testing section of this group. If testing of the heated seat switch, elements, and sensor reveals no problems, proceed as follows. For complete circuit diagrams, refer to **Power Seat Premium I/III** in the Contents of Group 8W - Wiring Diagrams.

(1) Disconnect and isolate the battery negative cable. Disconnect both power seat wire harness connectors from the Heated Seat Module (HSM) or Memory Heated Seat Module (MHSM). Check for continuity between each of the two Z1 ground circuit cavities of the C2 power seat wire harness connector for the HSM or MHSM and a good ground. There should be continuity. If OK, go to Step 2. If not OK, repair the open ground circuit to ground as required.

(2) Check for continuity between the Z2 ground circuit cavity of the C1 power seat wire harness connector for the HSM or MHSM and a good ground. There should be continuity. If OK, go to Step 3. If not OK, repair the open ground circuit to ground as required.

(3) Reconnect the battery negative cable. Check for battery voltage at each of the two fused B(+) circuit cavities of the C2 power seat wire harness connector for the HSM or MHSM. If OK, use a DRB scan tool and the proper Diagnostic Procedures manual to test the HSM or MHSM. If not OK, repair the open fused B(+) circuit to the power seat circuit breaker in the junction block as required.

**HEATED SEAT ELEMENT**

Two types of heated seat elements are offered, which require two different testing methods. All Laredo models use resistor wire heating elements for each seat that are connected in series with the Heated Seat Module (HSM) or the Memory Heated Seat Module (MHSM). All Limited models use carbon fiber mesh heating elements for each seat that are connected in parallel with the HSM or the MHSM. For complete circuit diagrams, refer to **Power Seats Premium I/III** in the Contents of Group 8W - Wiring Diagrams.

**RESISTOR WIRE ELEMENT**

(1) Disconnect and isolate the battery negative cable. Disconnect the 4-way heated seat cushion element wire harness connector from the power seat wire harness. The power seat wire harness connectors for the seat cushion and seat back heating elements are secured to a bracket located under the rear edge of the seat cushion frame.

(2) Check for continuity between the seat heater B(+) driver circuit cavity of the 4-way heated seat cushion element wire harness connector and the seat cushion frame. There should be no continuity. If OK, go to Step 3. If not OK, replace the faulty seat cushion cover trim and element unit.

(3) Check for continuity between the seat heater B(+) driver circuit and the heated seat driver circuit cavities of the 4-way heated seat cushion element wire harness connector. There should be continuity. If OK, go to Step 4. If not OK, replace the faulty seat cushion cover trim and element unit.

(4) Disconnect the C2 connector of the power seat wire harness from the Heated Seat Module (HSM) or Memory Heated Seat Module (MHSM) connector receptacle. Check for continuity between the seat heater B(+) driver circuit cavity of the 4-way power seat wire harness connector for the heated seat cushion element and the seat cushion frame. There should be no continuity. If OK, go to Step 5. If not OK, repair the shorted seat heater B(+) driver circuit as required.

(5) Check for continuity between the seat heater B(+) driver circuit cavities of the 4-way power seat wire harness connector for the heated seat cushion element and the C2 power seat wire harness connector for the HSM or MHSM. There should be continuity. If OK, go to Step 6. If not OK, repair the open seat heater B(+) driver circuit as required.

(6) Disconnect the 2-way heated seat back element wire harness connector from the power seat wire harness. The power seat wire harness connectors for the seat cushion heating element and the seat back heating element are secured to a bracket located under the rear edge of the seat cushion frame.

(7) Check for continuity between the heated seat driver circuit cavity of the 2-way power seat wire harness connector for the heated seat back element and the seat cushion frame. There should be no continuity. If OK, go to Step 8. If not OK, repair the shorted heated seat driver circuit as required.

(8) Check for continuity between the heated seat driver circuit cavities of the 2-way power seat wire harness connector for the heated seat back element and the 4-way power seat wire harness connector for the heated seat cushion element. There should be continuity. If OK, go to Step 9. If not OK, repair the open heated seat driver circuit as required.

(9) Check for continuity between the heated seat driver circuit cavity of the 2-way heated seat back element wire harness connector and the seat cushion frame. There should be no continuity. If OK, go to Step 10. If not OK, replace the faulty seat back cover trim and element unit.

(10) Check for continuity between the driver seat heater ground circuit cavity of the 2-way power seat



## DIAGNOSIS AND TESTING (Continued)

wire harness connector for the heated seat back element and the seat cushion frame. There should be no continuity. If OK, go to Step 11. If not OK, repair the shorted driver seat heater ground circuit as required.

(11) Check for continuity between the driver seat heater ground circuit cavities of the 2-way power seat wire harness connector for the heated seat back element and the C2 power seat wire harness connector for the HSM or MHSM. There should be continuity. If OK, refer to **Heated Seat Sensor** in the Diagnosis and Testing section of this group. If not OK, repair the open driver seat heater ground circuit as required.

**CARBON FIBER ELEMENT**

(1) If both the seat cushion and seat back elements fail to heat, go to Step 2. If only the seat back element fails to heat, go to Step 11. If only a portion of the heated seat cushion element fails to heat, replace the faulty seat cushion cover trim and element unit.

(2) Disconnect and isolate the battery negative cable. Disconnect the green 2-way heated seat jumper wire harness connector from the power seat wire harness. The power seat wire harness connector for the heated seat jumper is secured to a bracket located under the rear edge of the seat cushion frame. Check for continuity between the two cavities in the heated seat jumper half of the green wire harness connector. There should be continuity. If OK, to Step 3. If not OK, repair the open jumper circuit as required.

(3) Check for continuity between one cavity in the heated seat jumper half of the green wire harness connector and the seat back frame. There should be no continuity. If OK, go to Step 4. If not OK, repair the shorted jumper circuit as required.

(4) Disconnect the C2 connector of the power seat wire harness from the Heated Seat Module (HSM) or Memory Heated Seat Module (MHSM) connector receptacle. Check for continuity between the ground circuit cavities in the C2 connector and the power seat wire harness half of the 2-way green heated seat jumper wire harness connector. There should be continuity. If OK, go to Step 5. If not OK, repair the open ground circuit as required.

(5) Check for continuity between the ground circuit (Z1) cavities in the C2 connector and a good ground. There should be no continuity. If OK, go to Step 6. If not OK, repair the shorted ground circuit (Z1) as required.

(6) Disconnect the 4-way heated seat element wire harness connector from the power seat wire harness. The 4-way heated seat element wire harness connector is secured next to the 2-way green heated seat jumper wire harness connector on a bracket located under the rear edge of the seat cushion frame. Check

for continuity between the heated seat driver circuit cavities in the power seat wire harness halves of the 2-way green heated seat jumper wire harness connector and the 4-way heated seat element wire harness connector. There should be continuity. If OK, go to Step 7. If not OK, repair the open heated seat driver circuit as required.

(7) Check for continuity between the heated seat driver circuit cavity in the power seat wire harness half of the 2-way green heated seat jumper wire harness connector and a good ground. There should be no continuity. If OK, go to Step 8. If not OK, repair the shorted heated seat driver circuit as required.

(8) Check for continuity between the seat heater B(+) driver circuit cavities in the power seat wire harness half of the 4-way heated seat element wire harness connector and the C2 HSM or MHSM wire harness connector. There should be continuity. If OK, go to Step 9. If not OK, repair the open seat heater B(+) driver circuit as required.

(9) Check for continuity between the seat heater B(+) driver circuit cavity in the power seat wire harness half of the 4-way heated seat element wire harness connector and a good ground. There should be no continuity. If OK, go to Step 10. If not OK, repair the shorted seat heater B(+) driver circuit as required.

(10) Check the total heated seat element resistance between the heated seat driver circuit and the seat heater B(+) driver circuit cavities in the heated seat element half of the 4-way heated seat element wire harness connector. The resistance should be about 2.20 ohms  $\pm$  10%. If OK, refer to **Heated Seat Sensor** in the Diagnosis and Testing section of this group. If not OK, go to Step 11.

(11) Disconnect the black 2-way heated seat back element wire harness connector from the heated seat cushion element wire harness. The black 2-way heated seat back element wire harness connector is tucked under the seat cushion trim cover located near the rear edge of the seat cushion frame. Check the resistance of the heated seat back element between the two cavities in the seat back half of the black 2-way heated seat back element wire harness connector. The resistance should be about 5.51 ohms  $\pm$  10%. If OK, go to Step 12. If not OK, replace the faulty seat back cover trim and element unit.

(12) With the black 2-way heated seat back element wire harness connector still disconnected from the heated seat cushion element wire harness connector, check the resistance of the heated seat cushion elements between the heated seat driver circuit and the seat heater B(+) driver circuit cavities in the heated seat element half of the 4-way heated seat element wire harness connector. The resistance should be about 3.67 ohms  $\pm$  10%. If OK, refer to

## DIAGNOSIS AND TESTING (Continued)

**Heated Seat Sensor** in the Diagnosis and Testing section of this group. If not OK, replace the faulty seat cushion cover trim and element unit.

**HEATED SEAT SENSOR**

For complete circuit diagrams, refer to **Power Seats Premium I/III** in the Contents of Group 8W - Wiring Diagrams.

(1) Disconnect and isolate the battery negative cable. Disconnect the 4-way heated seat cushion element wire harness connector from the power seat wire harness. The power seat wire harness connectors for the seat cushion and seat back heating elements are secured to a bracket located under the rear edge of the seat cushion frame.

(2) Check for continuity between the seat sensor 5V supply circuit cavity of the 4-way heated seat cushion element wire harness connector and the seat cushion frame. There should be no continuity. If OK, go to Step 3. If not OK, replace the faulty seat cushion cover trim and element unit.

(3) Using an ohmmeter, check the resistance between the seat sensor 5V supply circuit and the seat temperature sensor input circuit cavities of the 4-way heated seat cushion element wire harness connector. The sensor resistance should be between 14 kilohms at 15° C (60° F) and 5 kilohms at 30° C (85° F). If OK, go to Step 4. If not OK, replace the faulty seat cushion cover trim and element unit.

(4) Disconnect the C1 connector of the power seat wire harness from the Heated Seat Module (HSM) or Memory Heated Seat Module (MHSM) connector receptacle. Check for continuity between the seat sensor 5V supply circuit cavity of the 4-way power seat wire harness connector for the heated seat cushion element and the seat cushion frame. There should be no continuity. If OK, go to Step 5. If not OK, repair the shorted seat sensor 5V supply circuit as required.

(5) Check for continuity between the seat sensor 5V supply circuit cavities of the 4-way power seat wire harness connector for the heated seat cushion element and the C1 power seat wire harness connector for the HSM or MHSM. There should be continuity. If OK, go to Step 6. If not OK, repair the open seat sensor 5V supply circuit as required.

(6) Check for continuity between the seat temperature sensor input circuit cavity of the 4-way power seat wire harness connector for the heated seat cushion element and the seat cushion frame. There should be no continuity. If OK, go to Step 7. If not OK, repair the shorted seat temperature sensor input circuit as required.

(7) Check for continuity between the seat temperature sensor input circuit cavities of the 4-way power seat wire harness connector for the heated seat cush-

ion element and the C1 power seat wire harness connector for the HSM or MHSM. There should be continuity. If OK, refer to **Heated Seat Module** in the Diagnosis and Testing section of this group. If not OK, repair the open seat temperature sensor input circuit as required.

**REMOVAL AND INSTALLATION****HEATED SEAT SWITCH**

**WARNING: ON VEHICLES EQUIPPED WITH AIRBAGS, REFER TO GROUP 8M - PASSIVE RESTRAINT SYSTEMS BEFORE ATTEMPTING ANY STEERING WHEEL, STEERING COLUMN, OR INSTRUMENT PANEL COMPONENT DIAGNOSIS OR SERVICE. FAILURE TO TAKE THE PROPER PRECAUTIONS COULD RESULT IN ACCIDENTAL AIRBAG DEPLOYMENT AND POSSIBLE PERSONAL INJURY.**

**REMOVAL**

(1) Disconnect and isolate the battery negative cable.

(2) Remove the center lower bezel from the instrument panel. Refer to **Instrument Panel Center Lower Bezel** in the Removal and Installation section of Group 8E - Instrument Panel Systems for the procedures.

(3) Remove the four screws that secure the heated seat switch to the back of the instrument panel center lower bezel (Fig. 2).

(4) Remove the heated seat switch from the back of the instrument panel center lower bezel.

**INSTALLATION**

(1) Position the heated seat switch onto the back of the instrument panel center lower bezel.

(2) Install and tighten the four screws that secure the heated seat switch to the back of the instrument panel center lower bezel. Tighten the screws to 1.5 N·m (13 in. lbs.).

(3) Install the center lower bezel onto the instrument panel. Refer to **Instrument Panel Center Lower Bezel** in the Removal and Installation section of Group 8E - Instrument Panel Systems for the procedures.

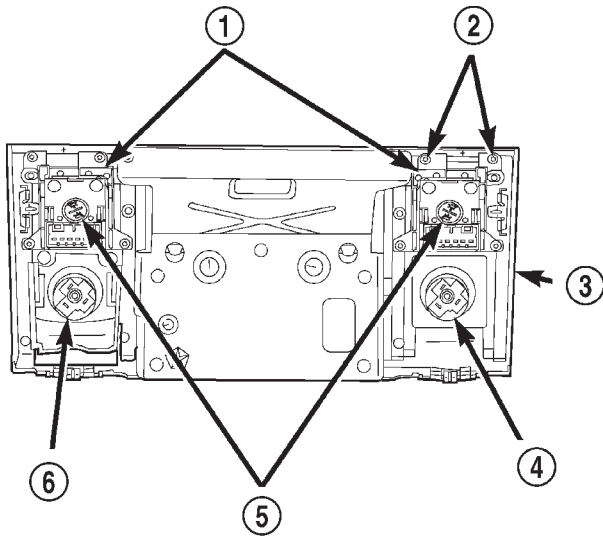
(4) Reconnect the battery negative cable.

**HEATED SEAT MODULE****REMOVAL**

(1) Disconnect and isolate the battery negative cable.



REMOVAL AND INSTALLATION (Continued)



80b8986c

**Fig. 2 Heated Seat Switch Remove/Install**

- 1 - HEATED SEAT SWITCHES
- 2 - SCREWS (4)
- 3 - CENTER LOWER BEZEL
- 4 - CIGAR LIGHTER
- 5 - ILLUMINATION LAMPS
- 6 - POWER OUTLET

(2) Remove the driver side front bucket seat from the power seat track unit. Refer to **Bucket Seat Track Adjuster** in the Removal and Installation section of Group 23 - Body for the procedures.

(3) Lift the heated seat module and its mounting bracket off of the two forward studs on the upper mounting rails of the power seat track and move the unit away from the seat far enough to access the power seat wire harness connectors (Fig. 3).

(4) Disconnect the two power seat wire harness connectors from the heated seat module connector receptacles.

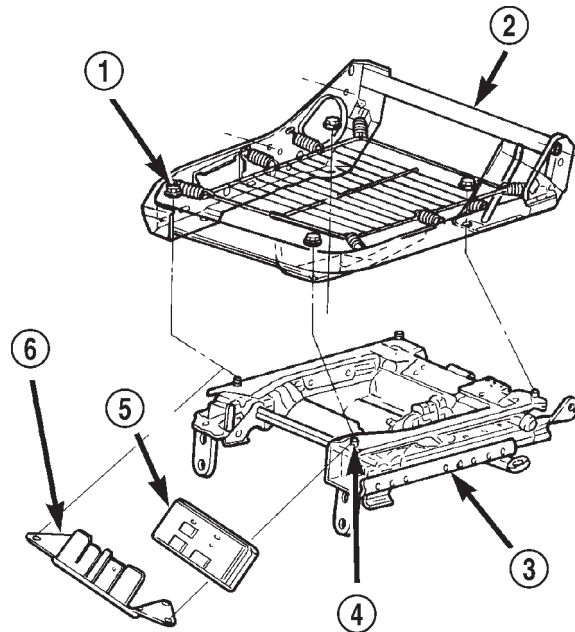
(5) There are two snap clips that are molded into the lower side of the heated seat module which help to secure the module to the riser portion of the stepped mounting bracket. Using a trim stick or another suitable wide flat-bladed tool, gently pry each of the two snap clips while pulling the module away from the mounting bracket.

(6) Slide the heated seat module off of the two mounting bracket slide tabs.

**INSTALLATION**

(1) Slide the heated seat module onto the two mounting bracket slide tabs. Be certain that the two snap clips that are molded into the lower side of the heated seat module are fully engaged in the holes in riser portion of the stepped mounting bracket.

(2) Position the heated seat module and mounting bracket unit to the front of the power seat track unit.



80ba7a4d

**Fig. 3 Heated Seat Module Remove/Install**

- 1 - NUT (4)
- 2 - SEAT CUSHION FRAME
- 3 - POWER SEAT TRACK
- 4 - STUD (4)
- 5 - MODULE
- 6 - BRACKET

(3) Reconnect the two power seat wire harness connectors to the heated seat module connector receptacles.

(4) Position the heated seat module mounting bracket over the two forward studs on the upper mounting rails of the power seat track.

(5) Install the driver side front bucket seat onto the power seat track unit. Refer to **Bucket Seat Track Adjuster** in the Removal and Installation section of Group 23 - Body for the procedures.

(6) Reconnect the battery negative cable.

**NOTE:** If the vehicle is equipped with the optional Memory System, following installation, it will be necessary to initialize the Memory Heated Seat Module (MHSM). In order to function properly, the MHSM must "learn" the sensor values of each of the power seat motor position transducers in each of the adjuster hard stop positions. This is done by performing the "Reset Guard Band" procedure using a DRB scan tool and the proper Diagnostic Procedures manual.

REMOVAL AND INSTALLATION (Continued)

**WARNING: THE "RESET GUARD BAND" PROCEDURE WILL CAUSE THE DRIVER SIDE FRONT SEAT TO AUTOMATICALLY ADJUST TO EACH OF ITS TRAVEL LIMITS. BE CERTAIN THAT NO ONE IS SEATED IN THE VEHICLE AND THAT THERE IS**

**NOTHING IN THE VEHICLE THAT WILL OBSTRUCT SEAT MOVEMENT. FAILURE TO OBSERVE THIS WARNING COULD RESULT IN PERSONAL INJURIES AND/OR VEHICLE DAMAGE.**

# POWER DISTRIBUTION SYSTEMS

## TABLE OF CONTENTS

	page		page
<b>DESCRIPTION AND OPERATION</b>		<b>REMOVAL AND INSTALLATION</b>	
POWER DISTRIBUTION CENTER.....	1	POWER DISTRIBUTION CENTER.....	6
POWER DISTRIBUTION SYSTEM.....	1	IGNITION-OFF DRAW FUSE.....	7
IGNITION-OFF DRAW FUSE.....	2	JUNCTION BLOCK.....	7
JUNCTION BLOCK.....	3	REAR POWER OUTLET.....	9
IGNITION-OFF DRAW CONNECTOR.....	4	<b>DISASSEMBLY AND ASSEMBLY</b>	
REAR POWER OUTLET.....	5	POWER DISTRIBUTION CENTER.....	10
<b>DIAGNOSIS AND TESTING</b>		<b>SPECIAL TOOLS</b>	
REAR POWER OUTLET.....	5	POWER DISTRIBUTION SYSTEMS.....	15

### DESCRIPTION AND OPERATION

#### POWER DISTRIBUTION SYSTEM

##### DESCRIPTION

This group covers the various standard and optional power distribution components used on this model. The power distribution system for this vehicle consists of the following components:

- Power Distribution Center (PDC)
- Junction Block (JB)
- Rear Power Outlet.

The power distribution system also incorporates various types of circuit control and protection features, including:

- Automatic resetting circuit breakers
- Blade-type fuses
- Bus bars
- Cartridge fuses
- Circuit splice blocks
- Flashers
- Fusible links
- Relays.

Following are general descriptions of the major components in the power distribution system. See the owner's manual in the vehicle glove box for more information on the features and use of all of the power distribution system components. Refer to the index in this service manual for the location of complete circuit diagrams for the various power distribution system components.

### OPERATION

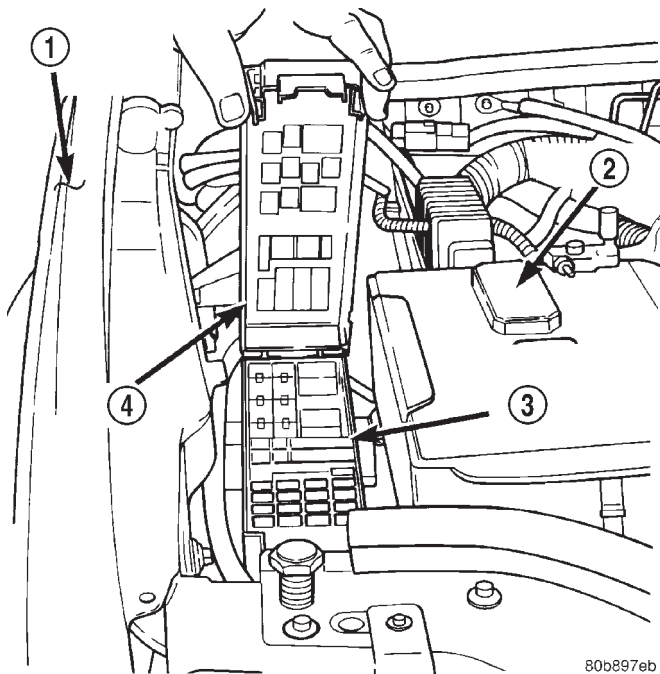
The power distribution system for this vehicle is designed to provide safe, reliable, and centralized distribution points for the electrical current required to operate all of the many standard and optional factory-installed electrical and electronic powertrain, chassis, safety, security, comfort and convenience systems. At the same time, the power distribution system was designed to provide ready access to these electrical distribution points for the vehicle technician to use when conducting diagnosis and repair of faulty circuits. The power distribution system can also prove useful for the sourcing of additional electrical circuits that may be required to provide the electrical current needed to operate many accessories that the vehicle owner may choose to have installed in the aftermarket.

#### POWER DISTRIBUTION CENTER

##### DESCRIPTION

All of the electrical current distributed throughout this vehicle is directed through the standard equipment Power Distribution Center (PDC) (Fig. 1). The molded plastic PDC housing is located in the right front corner of the engine compartment, between the battery and the right front inner fender shield. The PDC houses up to fifteen maxi-type cartridge fuses, which replace all in-line fusible links. The PDC also houses up to thirteen blade-type mini fuses, and up to ten International Standards Organization (ISO) relays (two standard-type and eight micro-type).

## DESCRIPTION AND OPERATION (Continued)



**Fig. 1 Power Distribution Center Location**

- 1 - RIGHT FENDER
- 2 - BATTERY
- 3 - POWER DISTRIBUTION CENTER
- 4 - COVER

The PDC housing is secured in the engine compartment at three points. Integral mounts on both sides of the PDC housing engage and latch to stanchions that are integral to the molded plastic battery support. The PDC is integral to the right headlamp and dash wire harness, which exits from the bottom of the PDC housing. The PDC housing has a molded plastic cover that includes two integral latches at the front and pivot hooks at the back that snap over a hinge pin on the rear of the PDC housing. The PDC cover is easily opened or removed for service access and has a convenient fuse and relay layout map integral to the inside surface of the cover to ensure proper component identification. A fuse puller is also stored on the inside of the PDC cover.

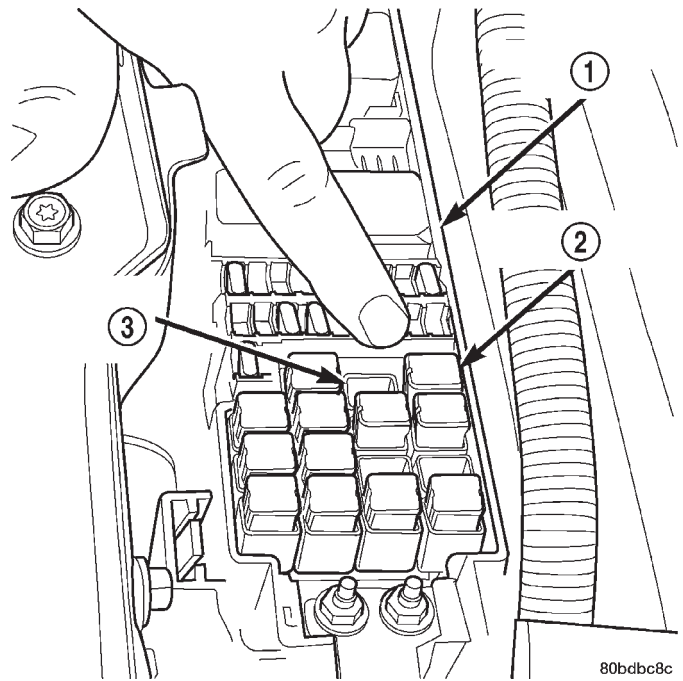
The PDC cover, the PDC housing lower cover, the PDC relay wedges, the PDC relay cassettes and the PDC B(+) terminal stud module are available for service replacement. The PDC main housing unit, the fuse wedges and the bus bars cannot be repaired and are only serviced as a unit with the right headlamp and dash wire harness. If the PDC main housing unit, fuse wedges or the bus bars are faulty or damaged, the right headlamp and dash wire harness unit must be replaced.

## OPERATION

All of the current from the battery and the generator output enters the PDC through two cables and a single two-holed eyelet that is secured with nuts to the two PDC B(+) terminal studs just inside the front end of the PDC housing. The PDC cover is unlatched and opened to access the battery and generator output connection B(+) terminal studs, the fuses or the relays. Internal connection of all of the PDC circuits is accomplished by an intricate combination of hard wiring and bus bars. Refer to **Power Distribution** in the index of this service manual for the location of complete PDC circuit diagrams.

## IGNITION-OFF DRAW FUSE

## DESCRIPTION



**Fig. 2 Ignition-Off Draw Fuse**

- 1 - POWER DISTRIBUTION CENTER
- 2 - IGNITION-OFF DRAW FUSE
- 3 - IOD FUSE STORAGE CAVITY

All vehicles are equipped with an Ignition-Off Draw (IOD) fuse (Fig. 2) that is removed from its cavity in the Power Distribution Center (PDC) when the vehicle is shipped from the factory. Dealer personnel are to remove the IOD fuse from the storage location and install it into PDC fuse cavity 15 as part of the preparation procedures performed just prior to new vehicle delivery.

## DESCRIPTION AND OPERATION (Continued)

The PDC has a molded plastic cover that can be removed to provide service access to all of the fuses and relays in the PDC. An integral latch and hinges are molded into the PDC cover for easy removal. A fuse layout map is integral to the underside of the PDC cover to ensure proper fuse and relay identification. The IOD fuse is a 50 ampere maxi-type cartridge fuse and, when removed, it is stored in a spare fuse cavity within the PDC.

## OPERATION

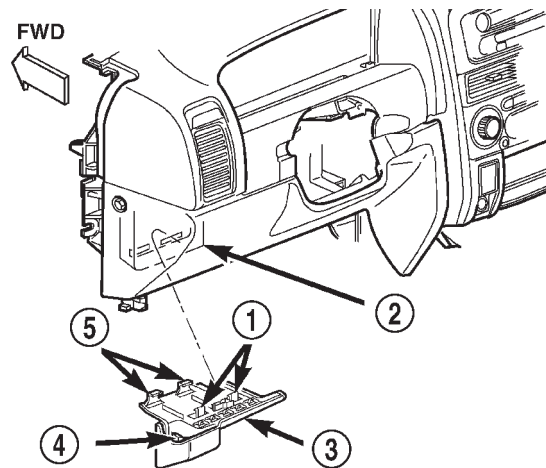
The term ignition-off draw identifies a normal condition where power is being drained from the battery with the ignition switch in the Off position. The IOD fuse feeds the memory and sleep mode functions for some of the electronic modules in the vehicle as well as various other accessories that require battery current when the ignition switch is in the Off position, including the clock. The only reason the IOD fuse is removed is to reduce the normal IOD of the vehicle electrical system during new vehicle transportation and pre-delivery storage to reduce battery depletion, while still allowing vehicle operation so that the vehicle can be loaded, unloaded and moved as needed by both vehicle transportation company and dealer personnel.

The IOD fuse is removed from PDC fuse cavity 15 when the vehicle is shipped from the assembly plant. Dealer personnel must install the IOD fuse when the vehicle is being prepared for delivery in order to restore full electrical system operation. Once the vehicle is prepared for delivery, the IOD function of this fuse becomes transparent and the fuse that has been assigned the IOD designation becomes only another Fused B(+) circuit fuse. The IOD fuse serves no useful purpose to the dealer technician in the service or diagnosis of any vehicle system or condition, other than the same purpose as that of any other standard circuit protection device.

The IOD fuse can be used by the vehicle owner as a convenient means of reducing battery depletion when a vehicle is to be stored for periods not to exceed about thirty days. However, it must be remembered that removing the IOD fuse will not eliminate IOD, but only reduce this normal condition. If a vehicle will be stored for more than about thirty days, the battery negative cable should be disconnected to eliminate normal IOD; and, the battery should be tested and recharged at regular intervals during the vehicle storage period to prevent the battery from becoming discharged or damaged. Refer to **Battery** in the index of this service manual for the location of additional service information covering the battery.

## JUNCTION BLOCK

## DESCRIPTION



80b6b36f

**Fig. 3 Junction Block Location**

- 1 - REAR LATCHES
- 2 - JUNCTION BLOCK AND BODY CONTROL MODULE UNIT
- 3 - INSTRUMENT PANEL FUSE COVER
- 4 - SIDE LATCH
- 5 - FRONT LATCHES

An electrical Junction Block (JB) is concealed beneath the driver side of the instrument panel in the passenger compartment of the vehicle (Fig. 3). The JB combines the functions previously provided by a separate fuseblock module and relay center. The JB serves to simplify and centralize numerous electrical components, as well as to distribute electrical current to many of the accessory systems in the vehicle. It also eliminates the need for numerous splice connections. The JB houses up to thirty-three blade-type mini fuses, up to two blade-type automatic resetting circuit breakers, the electronic combination flasher, the Daytime Running Lamp (DRL) module (Canada only) and up to twelve International Standards Organization (ISO) relays (three standard-type and nine micro-type). The JB also incorporates an integral connector and mounting for the Body Control Module (BCM). The BCM is secured with four screws directly to the dash panel side of the JB. Refer to **Body Control Module** in the index of this service manual for the location of more information covering the BCM.

The molded plastic JB housing has integral mounts that are secured with two screws and two snap retainers to the instrument panel steering column support bracket behind the instrument panel steering column opening cover. The JB is concealed above the molded plastic instrument panel fuse cover. Integral latches molded into the fuse cover secure it to the JB, the BCM and the 16-way data link connector tab



## DESCRIPTION AND OPERATION (Continued)

of the instrument panel steering column support bracket. The fuse cover can be pulled downward to disengage the latches and provide service access to all of the fuses, relays and wire harness connectors of the JB. The fuse cover has a fuse puller and spare fuses secured to its upper surface. Refer to **Instrument Panel Fuse Cover** in the index of this service manual for the location of additional service information covering the fuse cover.

The JB unit cannot be repaired and is only serviced as an assembly. If any internal circuit or the JB housing is faulty or damaged, the entire JB unit must be replaced. The BCM is available for separate service replacement.

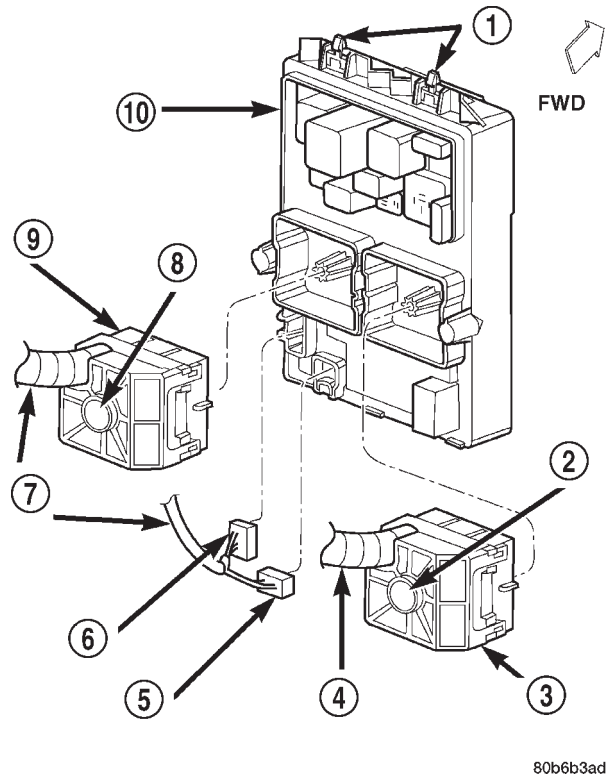
## OPERATION

All of the circuits entering and leaving the JB do so through up to five wire harness connectors, which are connected to the JB through integral connector receptacles molded into the JB housing. Internal connection of all of the JB circuits is accomplished by a printed circuit board. There are also two separate wire harness connections to connector receptacles that are integral to the BCM. Refer to **Junction Block** in the index of this service manual for the location of complete JB circuit diagrams.

## IGNITION-OFF DRAW CONNECTOR

## DESCRIPTION

All vehicles are equipped with an Ignition-Off Draw (IOD) connector that is located in a molded connector receptacle on the lower rear surface of the Junction Block (JB) housing (Fig. 4). The JB is concealed above the molded plastic instrument panel fuse cover. Integral latches molded into the fuse cover secure it the JB, the Body Control Module (BCM) and the 16-way data link connector tab of the instrument panel steering column support bracket. The fuse cover can be pulled downward to disengage the latches and provide service access to all of the fuses, relays and wire harness connectors of the JB. Refer to **Instrument Panel Fuse Cover** in the index of this service manual for the location of additional service information covering the fuse cover.



80b6b3ad

**Fig. 4 Ignition-Off Draw Connector**

- 1 - SNAP CLIPS
- 2 - SCREW
- 3 - BULKHEAD CONNECTOR
- 4 - LEFT BODY WIRE HARNESS
- 5 - IOD CONNECTOR
- 6 - FUSED B+ CONNECTOR
- 7 - RIGHT BODY WIRE HARNESS
- 8 - SCREW
- 9 - BULKHEAD CONNECTOR
- 10 - JUNCTION BLOCK

## OPERATION

The term ignition-off draw identifies a normal condition where power is being drained from the battery with the ignition switch in the Off position. The IOD connector feeds the memory and sleep mode functions for some of the electronic modules in the vehicle as well as various other accessories that require battery current when the ignition switch is in the Off position, including the clock.

## DESCRIPTION AND OPERATION (Continued)

The IOD connector can be used by the vehicle owner as a convenient means of reducing battery depletion when a vehicle is to be stored for periods not to exceed about twenty days (short-term storage). Simply disconnect the IOD connector from the JB receptacle. However, it must be remembered that disconnecting the IOD connector will not eliminate IOD, but only reduce this normal condition. When a vehicle will not be used for more than twenty days, but less than thirty days, remove the IOD fuse from the Power Distribution Center (PDC). If a vehicle will be stored for more than about thirty days, the battery negative cable should be disconnected to eliminate normal IOD; and, the battery should be tested and recharged at regular intervals during the vehicle storage period to prevent the battery from becoming discharged or damaged. Refer to **Ignition-Off Draw Fuse** and **Battery** in the index in this service manual for the location of additional service information covering the ignition-off draw fuse and the battery.

## REAR POWER OUTLET

## DESCRIPTION

A rear accessory power outlet is optional equipment on this model. The rear power outlet is installed in the lower right quarter trim panel near the right liftgate opening pillar in the cargo area of the vehicle. The power outlet base and mount are secured by a snap fit within the quarter trim panel. A plastic protective cap snaps into the power outlet base when the power outlet is not being used, and hangs from the power outlet base mount by an integral bail strap while the power outlet is in use. While the power outlet is very similar to a cigar lighter base unit, it does not include the two small spring-clip retainers inside the bottom of the receptacle shell that are used to secure the cigar lighter heating element to the insulated contact.

The power outlet receptacle unit and the accessory power outlet protective cap are available for service. The power outlet receptacle cannot be repaired and, if faulty or damaged, it must be replaced.

## OPERATION

The power outlet base or receptacle shell is connected to ground, and an insulated contact in the bottom of the shell is connected to battery current. The power outlet receives battery voltage from a fuse in the Power Distribution Center (PDC) through a fuse in the Junction Block (JB) at all times. Refer to **Horn/Cigar Lighter/Power Outlet** in the index of this service manual for the location of complete rear power outlet circuit diagrams.

## DIAGNOSIS AND TESTING

## REAR POWER OUTLET

Refer to **Horn/Cigar Lighter/Power Outlet** in the index of this service manual for the location of complete rear power outlet circuit diagrams.

**WARNING: ON VEHICLES EQUIPPED WITH AIRBAGS, DISABLE THE AIRBAG SYSTEM BEFORE ATTEMPTING ANY STEERING WHEEL, STEERING COLUMN, OR INSTRUMENT PANEL COMPONENT DIAGNOSIS OR SERVICE. DISCONNECT AND ISOLATE THE BATTERY NEGATIVE (GROUND) CABLE, THEN WAIT TWO MINUTES FOR THE AIRBAG SYSTEM CAPACITOR TO DISCHARGE BEFORE PERFORMING FURTHER DIAGNOSIS OR SERVICE. THIS IS THE ONLY SURE WAY TO DISABLE THE AIRBAG SYSTEM. FAILURE TO TAKE THE PROPER PRECAUTIONS COULD RESULT IN ACCIDENTAL AIRBAG DEPLOYMENT AND POSSIBLE PERSONAL INJURY.**

(1) Check the fused B(+) fuse in the Junction Block (JB). If OK, go to Step 2. If not OK, repair the shorted circuit or component as required and replace the faulty fuse.

(2) Check for battery voltage at the fused B(+) fuse in the JB. If OK, go to Step 3. If not OK, repair the open fused B(+) circuit to the Power Distribution Center (PDC) as required.

(3) Remove the plastic protective cap from the rear power outlet receptacle. Check for continuity between the inside circumference of the rear power outlet receptacle and a good ground. There should be continuity. If OK, go to Step 4. If not OK, go to Step 5.

(4) Check for battery voltage at the insulated contact located at the back of the rear power outlet receptacle. If not OK, go to Step 5.

(5) Disconnect and isolate the battery negative cable. Remove the rear power outlet from the right quarter trim panel. Check for continuity between the ground circuit cavity of the rear power outlet wire harness connector and a good ground. There should be continuity. If OK, go to Step 6. If not OK, repair the open ground circuit to ground as required.

(6) Connect the battery negative cable. Check for battery voltage at the fused B(+) circuit cavity of the rear power outlet wire harness connector. If OK, replace the faulty rear power outlet receptacle base. If not OK, repair the open fused B(+) circuit to the JB fuse as required.

## REMOVAL AND INSTALLATION

## POWER DISTRIBUTION CENTER

The Power Distribution Center (PDC) main housing unit, the PDC fuse wedges and the PDC bus bars cannot be repaired and are only serviced as a unit with the right headlamp and dash wire harness. If the PDC main housing unit, the fuse wedges or the bus bars are faulty or damaged, the entire PDC and right headlamp and dash wire harness unit must be replaced.

## REMOVAL

(1) Disconnect and isolate the battery negative cable.

(2) Disconnect each of the right headlamp and dash wire harness connectors. Refer to **Connector Locations** in the index of this service manual for the location of more information on the right headlamp and dash wire harness connector locations.

(3) Remove all of the fasteners that secure each of the right headlamp and dash wire harness ground eyelets to the vehicle body and chassis components. Refer to **Connector Locations** in the index of this service manual for the location of more information on the ground eyelet locations.

(4) Disengage each of the retainers that secure the right headlamp and dash wire harness to the vehicle body and chassis components. Refer to **Connector Locations** in the index of this service manual for the location of more information on the right headlamp and dash wire harness retainer locations.

(5) Unlatch and open the PDC cover.

(6) Remove the two nuts that secure the two-holed eyelet of the battery wire harness PDC take outs to the PDC B(+) terminal studs (Fig. 5).

(7) Remove the battery wire harness PDC take out eyelet from the B(+) terminal studs.

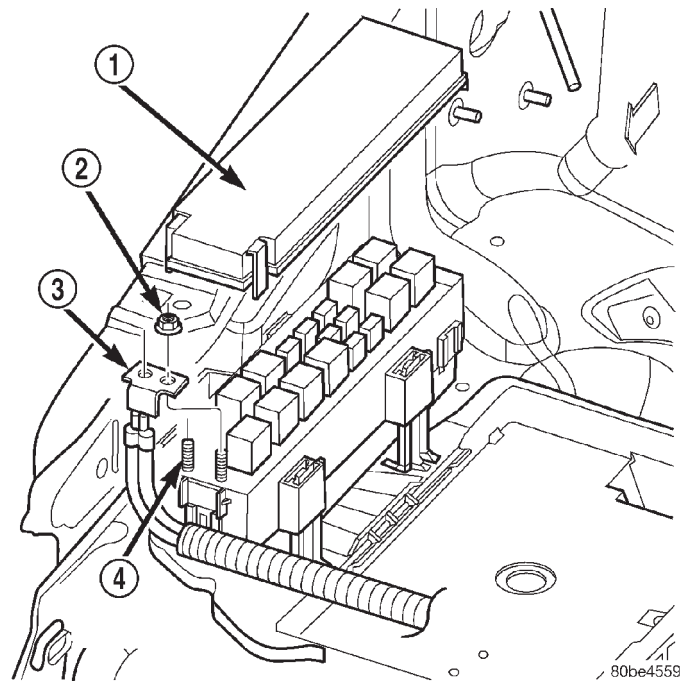
(8) Disengage the latches on the PDC housing mounts from the tabs on the PDC mounting stanchions of the battery support, and pull the PDC housing upward to disengage the mounts from the stanchions (Fig. 6).

(9) Remove the PDC and the right headlamp and dash wire harness from the engine compartment as a unit.

## INSTALLATION

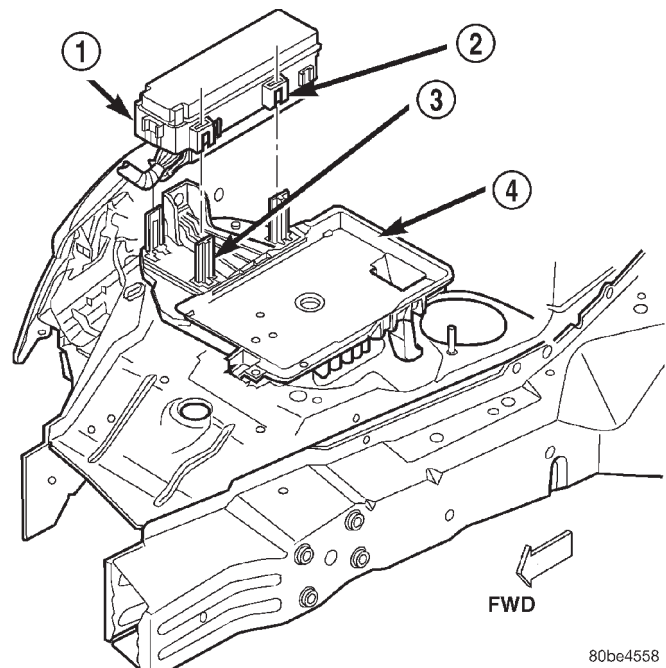
(1) Position the PDC and the right headlamp and dash wire harness unit in the engine compartment.

(2) Engage the PDC housing mounts with the stanchions of the battery support and push the unit downward until the mount latches fully engage the mounting tabs on the stanchions.



**Fig. 5 Power Distribution Center Connections**

- 1 - PDC COVER
- 2 - NUT (2)
- 3 - EYELET
- 4 - B(+) TERMINAL STUDS



**Fig. 6 Power Distribution Center Remove/Install**

- 1 - POWER DISTRIBUTION CENTER
- 2 - MOUNTS
- 3 - STANCHIONS (3)
- 4 - BATTERY SUPPORT

## REMOVAL AND INSTALLATION (Continued)

(3) Install the two-holed eyelet of the battery wire harness PDC take outs onto the two PDC B(+) terminal studs.

(4) Install and tighten the nuts that secure the eyelet of the battery wire harness PDC take outs to the B(+) terminal studs. Tighten the nuts to 11.3 N·m (100 in. lbs.).

(5) Engage each of the retainers that secure the right headlamp and dash wire harness to the vehicle body and chassis components. Refer to **Connector Locations** in the index of this service manual for the location of more information on the right headlamp and dash wire harness retainer locations.

(6) Install all of the fasteners that secure each of the right headlamp and dash wire harness ground eyelets to the vehicle body and chassis components. Refer to **Connector Locations** in the index of this service manual for the location of more information on the ground eyelet locations.

(7) Reconnect each of the right headlamp and dash wire harness connectors. Refer to **Connector Locations** in the index of this service manual for the location of more information on the right headlamp and dash wire harness connector locations. For connectors secured with screws, tighten the screws to 4.3 N·m (38 in. lbs.).

(8) Reconnect the battery negative cable.

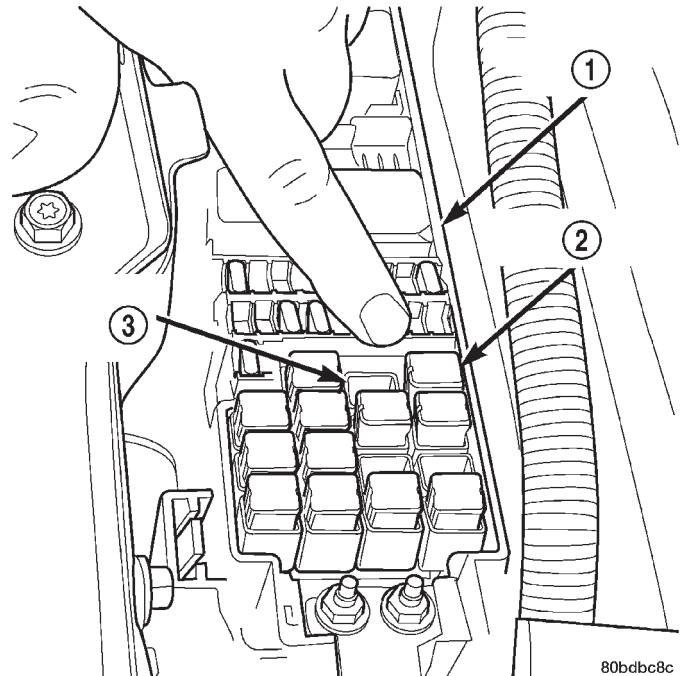
**IGNITION-OFF DRAW FUSE**

The Ignition-Off Draw (IOD) fuse is removed from Power Distribution Center (PDC) fuse cavity 15 (Fig. 7) when the vehicle is shipped from the assembly plant. Dealer personnel must install the IOD fuse when the vehicle is being prepared for delivery in order to restore full electrical system operation.

**NOTE:** When removing or installing the IOD fuse, it is important that the ignition switch be in the Off position. Failure to place the ignition switch in the Off position can cause the radio display to become scrambled when the IOD fuse is installed. Removing and installing the IOD fuse again with the ignition switch in the Off position will usually correct the scrambled radio display condition.

**REMOVAL**

- (1) Turn the ignition switch to the Off position.
- (2) Unlatch and open the cover of the PDC.
- (3) Remove the IOD fuse from fuse cavity 15 of the PDC.
- (4) Store the removed IOD fuse by installing it in the unused fuse storage cavity 11 of the PDC.
- (5) Close and latch the PDC cover.



**Fig. 7 Ignition-Off Draw Fuse**

- 1 - POWER DISTRIBUTION CENTER
- 2 - IGNITION-OFF DRAW FUSE
- 3 - IOD FUSE STORAGE CAVITY

**INSTALLATION**

- (1) Turn the ignition switch to the Off position.
- (2) Unlatch and open the cover of the PDC.
- (3) Remove the stored IOD fuse from fuse storage cavity 11 of the PDC.
- (4) Align the terminal receptacles of the IOD fuse with the terminal blades in fuse cavity 15 of the PDC.
- (5) Use a thumb to press the IOD fuse firmly down into PDC fuse cavity 15.
- (6) Close and latch the PDC cover.

**JUNCTION BLOCK**

**WARNING:** ON VEHICLES EQUIPPED WITH AIRBAGS, DISABLE THE AIRBAG SYSTEM BEFORE ATTEMPTING ANY STEERING WHEEL, STEERING COLUMN, OR INSTRUMENT PANEL COMPONENT DIAGNOSIS OR SERVICE. DISCONNECT AND ISOLATE THE BATTERY NEGATIVE (GROUND) CABLE, THEN WAIT TWO MINUTES FOR THE AIRBAG SYSTEM CAPACITOR TO DISCHARGE BEFORE PERFORMING FURTHER DIAGNOSIS OR SERVICE. THIS IS THE ONLY SURE WAY TO DISABLE THE AIRBAG SYSTEM. FAILURE TO TAKE THE PROPER PRECAUTIONS COULD RESULT IN ACCIDENTAL AIRBAG DEPLOYMENT AND POSSIBLE PERSONAL INJURY.



## REMOVAL AND INSTALLATION (Continued)

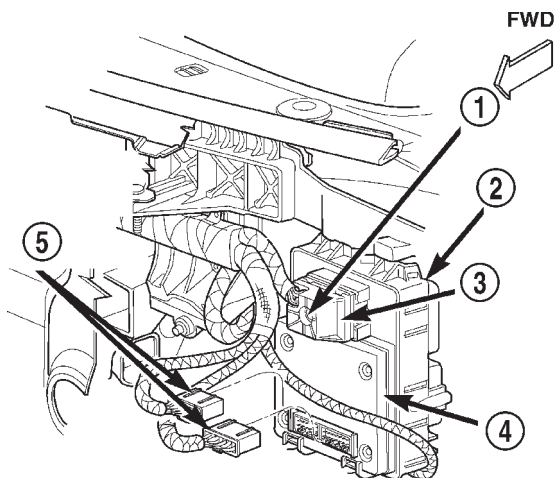
## REMOVAL

(1) Disconnect and isolate the battery negative cable.

(2) Remove the fuse cover from the bottom of the Junction Block (JB). Refer to **Instrument Panel Fuse Cover** in the index of this service manual for the location of the fuse cover removal procedures.

(3) Remove the steering column opening cover from the instrument panel. Refer to **Steering Column Opening Cover** in the index of this service manual for the location of steering column opening cover removal procedures.

(4) Reach behind the JB to disconnect the two instrument panel wire harness connectors from the Body Control Module (BCM) connector receptacles located near the bottom of the JB (Fig. 8).



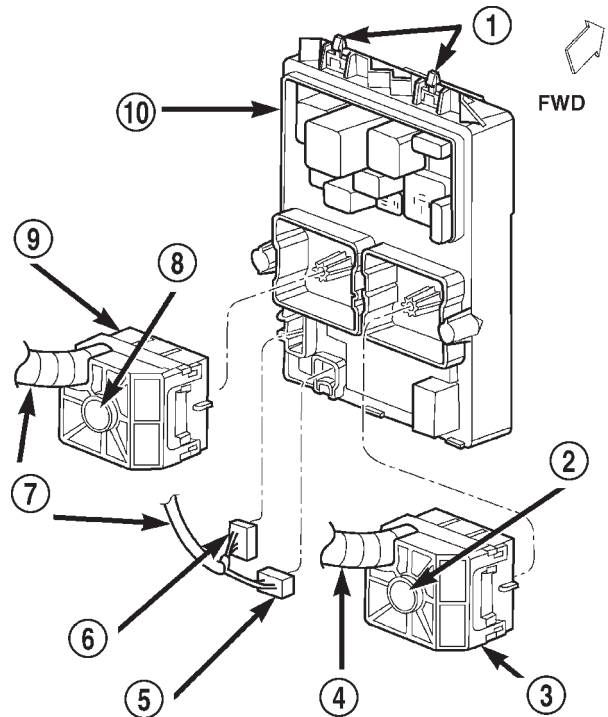
**Fig. 8 Junction Block Connections**

- 1 - SCREW
- 2 - JUNCTION BLOCK
- 3 - BULKHEAD CONNECTOR
- 4 - BODY CONTROL MODULE
- 5 - INSTRUMENT PANEL WIRE HARNESS CONNECTORS

(5) Reach behind the JB to remove the screw that secures the instrument panel wire harness bulkhead connector to the connector receptacle located near the top of the JB and disconnect the connector.

(6) Disconnect the fused B(+) and the IOD wire harness connectors from the connector receptacles located near the bottom of the JB (Fig. 9).

(7) Remove the screws that secure the right and left body wire harness bulkhead connectors to the connector receptacles located near the center of the JB and disconnect the connectors.



80b6b3ad

**Fig. 9 Junction Block Connections**

- 1 - SNAP CLIPS
- 2 - SCREW
- 3 - BULKHEAD CONNECTOR
- 4 - LEFT BODY WIRE HARNESS
- 5 - IOD CONNECTOR
- 6 - FUSED B+ CONNECTOR
- 7 - RIGHT BODY WIRE HARNESS
- 8 - SCREW
- 9 - BULKHEAD CONNECTOR
- 10 - JUNCTION BLOCK

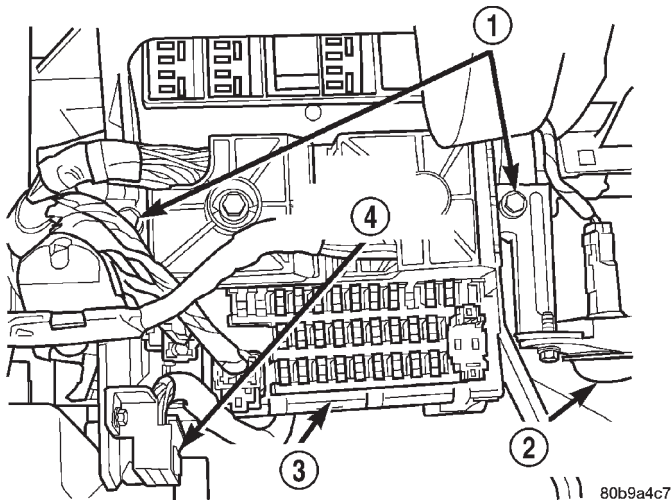
(8) Remove the two screws that secure the JB to the instrument panel steering column support bracket (Fig. 10).

(9) To disengage the two snap clips that secure the top of the JB to the instrument panel steering column support bracket, grasp the bottom of the junction block firmly with both hands and pull it downward sharply.

(10) Remove the JB from the instrument panel steering column support bracket.



## REMOVAL AND INSTALLATION (Continued)



**Fig. 10 Junction Block Remove/Install**

- 1 - SCREW (2)
- 2 - DRIVER SIDE COURTESY LAMP
- 3 - JUNCTION BLOCK
- 4 - 16 WAY DATA LINK CONNECTOR

## INSTALLATION

**NOTE:** If the Junction Block (JB) is being replaced with a new unit, be certain to transfer each of the optional fuses, circuit breakers and relays from the faulty JB to the proper cavities of the replacement JB. Refer to Junction Block in the index of this service manual for the location of complete circuit diagrams and cavity assignments for the JB. The Body Control Module (BCM) must also be transferred to the new JB. Refer to Body Control Module in the index of this service manual for the location of the BCM removal and installation procedures.

(1) Position the JB into its mounting location on the instrument panel steering column support bracket.

(2) Align the snap clips at the top of the JB with the mounting holes in the instrument panel steering column support bracket.

(3) Grasp the bottom of the JB firmly with both hands and push it upward sharply to engage the two snap clips that secure the top of the JB to the instrument panel steering column support bracket.

(4) Install and tighten the two screws that secure the JB to the instrument panel steering column support bracket. Tighten the screws to 2.2 N·m (20 in. lbs.).

(5) Reconnect the right and left body wire harness bulkhead connectors to the connector receptacles located near the center of the JB.

(6) Install and tighten the screws that secure the right and left body wire harness bulkhead connectors

to the connector receptacles located near the center of the JB. Tighten the screws to 2.2 N·m (20 in. lbs.).

(7) Reconnect the fused B(+) and the IOD wire harness connectors to the connector receptacles located near the bottom of the JB.

(8) Reach behind the JB to reconnect the instrument panel wire harness bulkhead connector to the connector receptacle located near the top of the JB.

(9) Install and tighten the screw that secures the instrument panel wire harness bulkhead connector to the connector receptacle located near the top of the JB. Tighten the screw to 2.2 N·m (20 in. lbs.).

(10) Reach behind the JB to reconnect the two instrument panel wire harness connectors to the BCM connector receptacles located near the bottom of the JB.

(11) Install the steering column opening cover onto the instrument panel. Refer to **Steering Column Opening Cover** in the index of this service manual for the location of the steering column opening cover installation procedures.

(12) Install the fuse cover onto the bottom of the JB. Refer to **Instrument Panel Fuse Cover** in the index of this service manual for the location of the fuse cover installation procedures.

(13) Reconnect the battery negative cable.

## REAR POWER OUTLET

**WARNING:** ON VEHICLES EQUIPPED WITH AIRBAGS, DISABLE THE AIRBAG SYSTEM BEFORE ATTEMPTING ANY STEERING WHEEL, STEERING COLUMN, OR INSTRUMENT PANEL COMPONENT DIAGNOSIS OR SERVICE. DISCONNECT AND ISOLATE THE BATTERY NEGATIVE (GROUND) CABLE, THEN WAIT TWO MINUTES FOR THE AIRBAG SYSTEM CAPACITOR TO DISCHARGE BEFORE PERFORMING FURTHER DIAGNOSIS OR SERVICE. THIS IS THE ONLY SURE WAY TO DISABLE THE AIRBAG SYSTEM. FAILURE TO TAKE THE PROPER PRECAUTIONS COULD RESULT IN ACCIDENTAL AIRBAG DEPLOYMENT AND POSSIBLE PERSONAL INJURY.

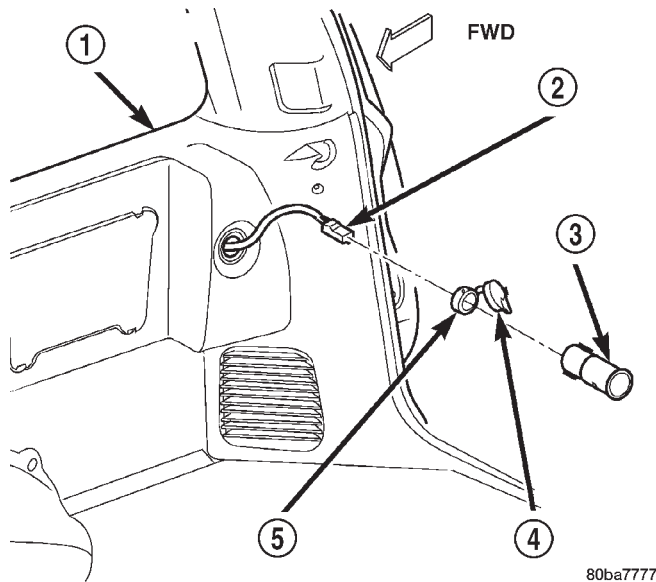
## REMOVAL

(1) Disconnect and isolate the battery negative cable.

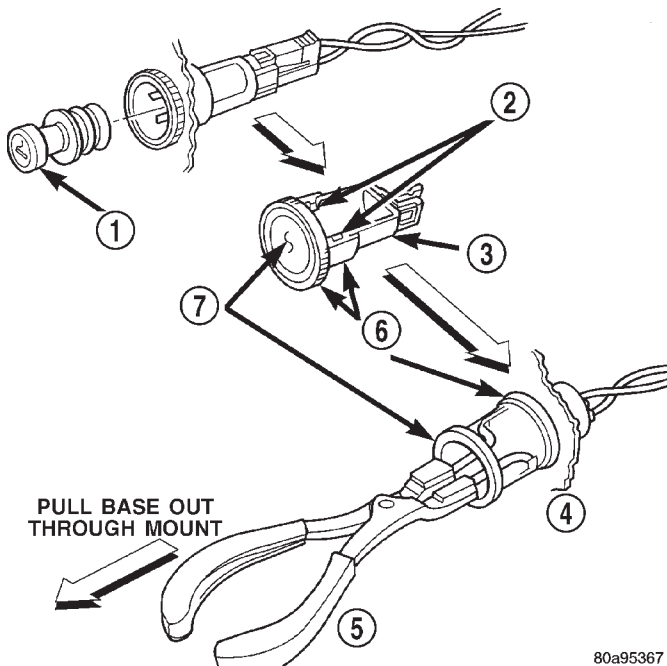
(2) Pull the protective cap out of the rear power outlet receptacle base (Fig. 11).

(3) Look inside the rear power outlet receptacle base and note the position of the rectangular retaining bosses of the mount that secures the receptacle base to the right quarter trim panel (Fig. 12).

## REMOVAL AND INSTALLATION (Continued)

**Fig. 11 Rear Power Outlet Remove/Install**

- 1 - RIGHT QUARTER TRIM PANEL
- 2 - RIGHT BODY WIRE HARNESS CONNECTOR
- 3 - RECEPTACLE BASE
- 4 - PROTECTIVE CAP
- 5 - MOUNT

**Fig. 12 Power Outlet Remove/Install - Typical**

- 1 - KNOB AND ELEMENT
- 2 - RETAINING BOSSES-ENGAGE PLIERS HERE
- 3 - BASE
- 4 - PARTIALLY REMOVED
- 5 - EXTERNAL SNAP-RING PLIERS
- 6 - MOUNT
- 7 - BASE

(4) Insert a pair of external snap ring pliers into the rear power outlet receptacle base and engage the tips of the pliers with the retaining bosses of the mount.

(5) Squeeze the pliers to disengage the mount retaining bosses from the receptacle base and, using a gentle rocking motion, pull the pliers and the receptacle base out of the mount.

(6) Pull the rear power outlet receptacle base away from the right quarter trim panel far enough to access the wire harness connector.

(7) Disconnect the right body wire harness connector from the rear power outlet receptacle base connector receptacle.

(8) Remove the rear power outlet mount from the right quarter trim panel.

**INSTALLATION**

(1) Align the splines on the outside of the rear power outlet receptacle base connector receptacle with the grooves on the inside of the mount.

(2) Insert the rear power outlet receptacle base about half way through the mount.

(3) Reconnect the right body wire harness connector to the rear power outlet receptacle base connector receptacle.

(4) Insert the rear power outlet receptacle base and mount into the right quarter trim panel as a unit until the mount is seated flush against the trim panel.

(5) Press firmly on the rear power outlet receptacle base until the retaining bosses of the mount are fully engaged in their receptacles.

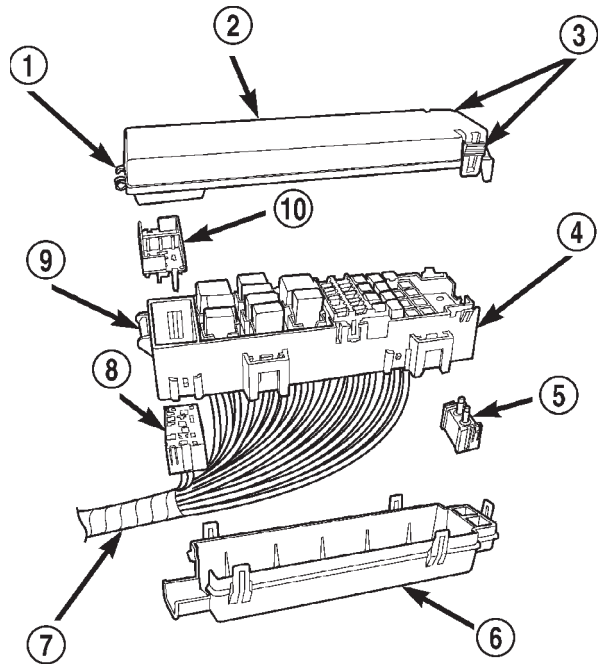
(6) Install the protective cap into the rear power outlet receptacle base.

(7) Reconnect the battery negative cable.

**DISASSEMBLY AND ASSEMBLY****POWER DISTRIBUTION CENTER**

The Power Distribution Center (PDC) cover, the PDC housing lower cover, the PDC relay wedges, the PDC relay cassettes and the PDC B(+) terminal stud module are available for service replacement (Fig. 13). The PDC cover can be simply unlatched and removed from the PDC housing without the PDC being removed or disassembled. Service of the remaining PDC components requires that the PDC be removed from its mounting and disassembled. Refer to **Wiring Repair** in the index of this service manual for the location of the wiring repair procedures.

DISASSEMBLY AND ASSEMBLY (Continued)



80be44bb

**Fig. 13 Power Distribution Center Components**

- 1 - PIVOT HOOKS
- 2 - COVER
- 3 - LATCHES
- 4 - PDC HOUSING
- 5 - B(+) TERMINAL STUD MODULE
- 6 - HOUSING LOWER COVER
- 7 - WIRE HARNESS
- 8 - RELAY CASSETTE (TYPICAL)
- 9 - HINGE PIN
- 10 - RELAY WEDGE (TYPICAL)

**DISASSEMBLY**

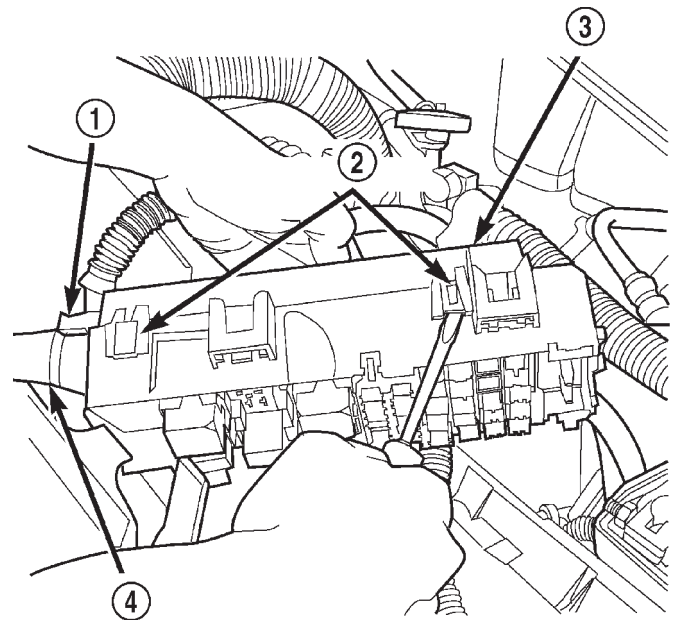
**PDC HOUSING LOWER COVER**

- (1) Remove the battery from the battery support. Refer to **Battery** in the index of this service manual for the location of the battery removal procedures.
- (2) Unlatch and remove the cover from the PDC.
- (3) Remove the two nuts that secure the two-holed eyelet of the battery wire harness PDC take out to the B(+) terminal studs near the front of the PDC.
- (4) Remove the battery wire harness PDC take out eyelet from the two PDC B(+) terminal studs.

(5) Disengage the latches on the PDC housing mounts from the tabs on the PDC mounting stanchions on the battery support, and pull the PDC housing upward to disengage the mounts from the stanchions.

(6) Where the right headlamp and dash wire harness exits the PDC, remove the tape that secures the wire harness to the trough formation on the PDC housing lower cover.

(7) Using a trim stick or another suitable wide flat-bladed tool, gently pry the latches on each side and the front of the PDC housing that secure the housing lower cover to the PDC and remove the housing lower cover (Fig. 14).



80be453f

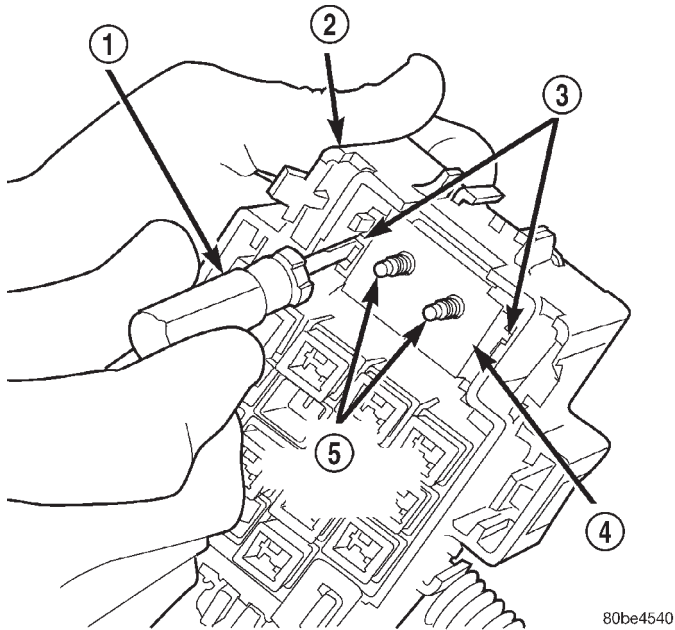
**Fig. 14 PDC Housing Lower Cover Remove/Install**

- 1 - TROUGH FORMATION
- 2 - LATCHES (5)
- 3 - PDC HOUSING LOWER COVER
- 4 - WIRE HARNESS

## DISASSEMBLY AND ASSEMBLY (Continued)

## PDC B(+) TERMINAL MODULE

- (1) Remove the PDC housing lower cover.
- (2) From the top of the PDC housing, use a small screwdriver or a terminal pick tool (Special Tool Kit 6680) to release the two latches that secure the B(+) terminal module in the PDC (Fig. 15).



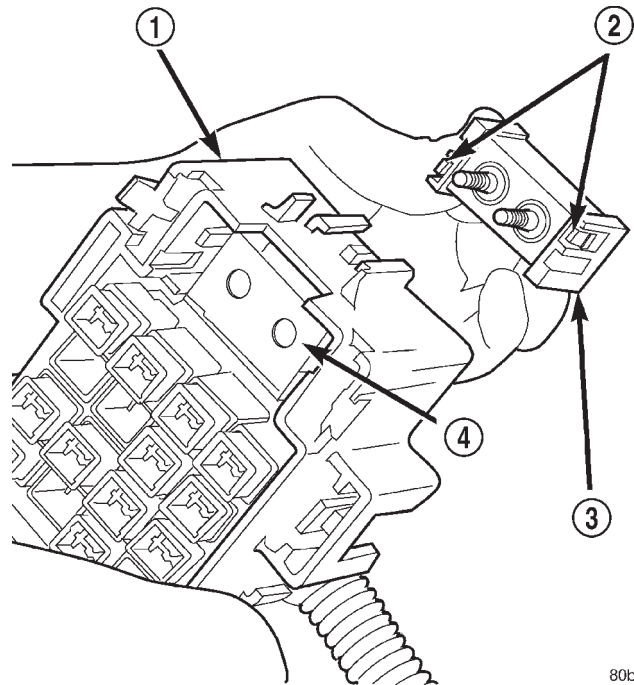
**Fig. 15 PDC B(+) Terminal Module Latches**

- 1 - FROM SPECIAL TOOL KIT 6680
- 2 - PDC HOUSING
- 3 - LATCHES
- 4 - BUS BAR
- 5 - B(+) TERMINAL STUDS

- (3) Gently and evenly press the two B(+) terminal studs down through the bus bar in the PDC.
- (4) From the bottom of the PDC housing, remove the B(+) terminal module from the PDC (Fig. 16).

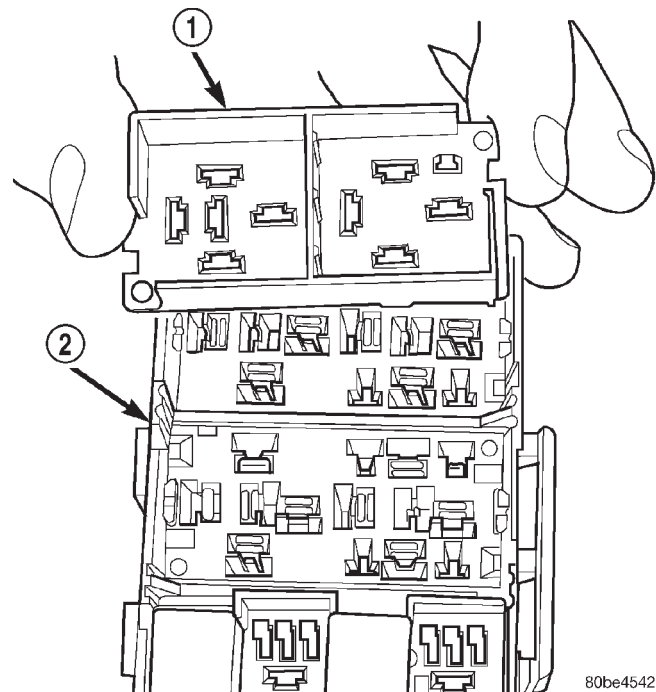
## PDC RELAY WEDGE

- (1) Remove the PDC housing lower cover.
- (2) Remove each of the relays from the PDC relay wedge to be removed.
- (3) From the bottom of the PDC housing, use a small screwdriver or a terminal pick tool (Special Tool Kit 6680) to release the two latches (yellow) that secure the relay wedge to the PDC relay cassette.
- (4) From the top of the PDC housing, remove the relay wedge from the PDC relay cassette (Fig. 17).



**Fig. 16 PDC B(+) Terminal Module Remove/Install**

- 1 - PDC HOUSING
- 2 - LATCHES
- 3 - B(+) TERMINAL MODULE
- 4 - BUS BAR



**Fig. 17 PDC Relay Wedge Remove/Install**

- 1 - RELAY WEDGE (TYPICAL)
- 2 - PDC HOUSING



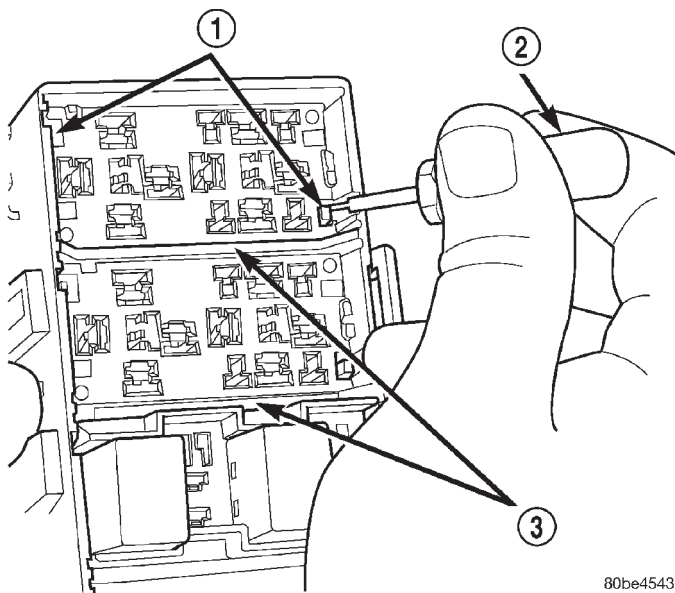
DISASSEMBLY AND ASSEMBLY (Continued)

PDC RELAY CASSETTE

(1) Remove the relay wedge from the PDC relay cassette to be removed.

**NOTE:** It may be necessary to remove relay cassettes that are not being serviced from the PDC housing in order to obtain sufficient clearance to access the faulty relay cassette. The same service procedure is repeated as necessary to remove each of the interfering relay wedges and relay cassettes from the PDC housing.

(2) From the top of the PDC housing, use a small screwdriver or a terminal pick tool (Special Tool Kit 6680) to release the two latches that secure the relay cassette in the PDC (Fig. 18).



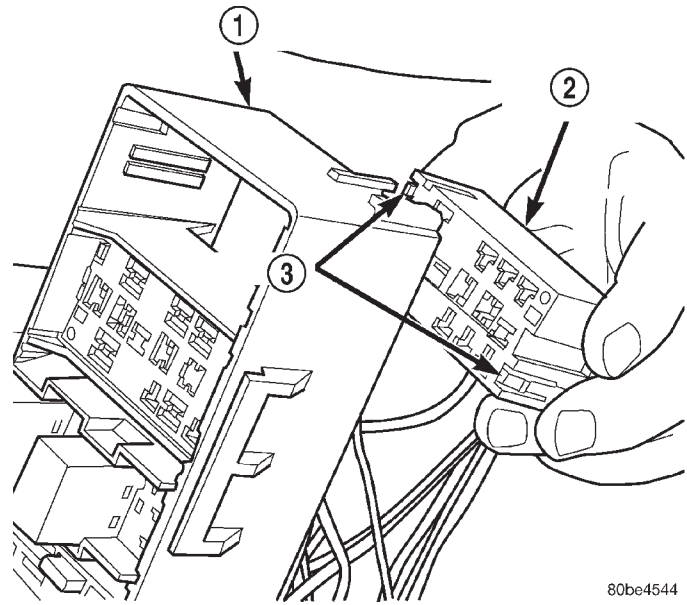
**Fig. 18 PDC Relay Cassette Latches**

- 1 - LATCHES
- 2 - FROM SPECIAL TOOL KIT 6680
- 3 - PDC RELAY CASSETTES (TYPICAL)

(3) Gently and evenly press the relay cassette down through the PDC housing.

(4) From the bottom of the PDC housing, remove the relay cassette from the PDC (Fig. 19).

**CAUTION:** Do not remove the wiring and terminals from the terminal cavities of the faulty PDC relay cassette at this time. Refer to the Assembly procedure that follows for the proper procedures for transferring the wiring and terminals to the replacement PDC relay cassette.



80be4544

**Fig. 19 PDC Relay Cassette Remove/Install**

- 1 - PDC HOUSING
- 2 - PDC RELAY CASSETTE (TYPICAL)
- 3 - LATCHES

ASSEMBLY

PDC RELAY CASSETTE

(1) Move the faulty PDC relay cassette with its wiring away from the bottom of the PDC housing far enough to allow the replacement relay cassette to be installed into the PDC.

(2) Using the faulty relay cassette as a guide, be certain that the replacement relay cassette is correctly oriented before installing it into the PDC housing.

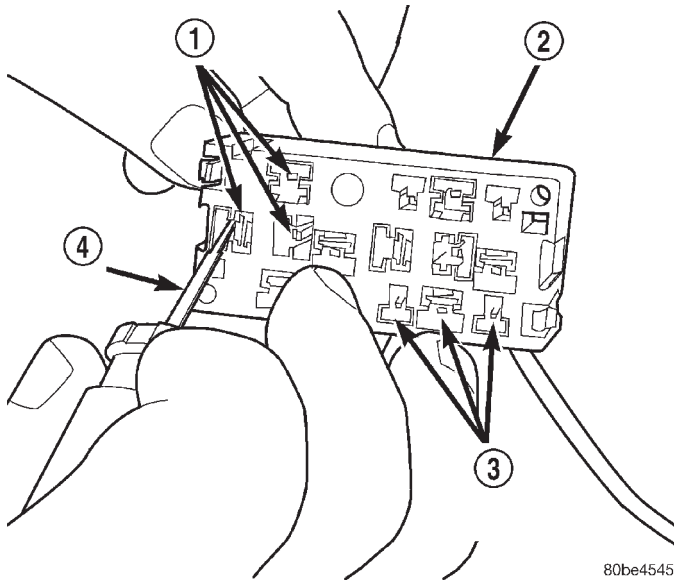
(3) From the bottom of the PDC housing, align and insert the replacement relay cassette into the PDC. Press the relay cassette up into the PDC until both of the latches are fully engaged.

**CAUTION:** Proper care must be taken to be certain that the wiring and terminals from the faulty PDC relay cassette are installed in the correct terminal cavities of the replacement relay cassette. To prevent mistakes it is recommended that the wiring and terminals be removed from the faulty relay cassette one cavity at a time, repaired or spliced as necessary, then installed securely into the correct cavity of the replacement relay cassette. If you are not absolutely certain into which cavity a terminal should be installed, refer to Power Distribution in the index of this service manual for the location of complete circuit diagrams covering the PDC.



## DISASSEMBLY AND ASSEMBLY (Continued)

(4) While pulling gently on the wire from the bottom of the faulty PDC relay cassette, use a terminal pick tool (Special Tool Kit 6680) from the top of the relay cassette to release the latch that secures the terminal in the relay cassette terminal cavity (Fig. 20).



**Fig. 20 PDC Relay Cassette Terminal Remove/Install**

- 1 - TERMINAL CAVITIES (TYPICAL)
- 2 - PDC RELAY CASSETTE (TYPICAL)
- 3 - TERMINAL LATCHES (TYPICAL)
- 4 - FROM SPECIAL TOOL KIT 6680

(5) From the bottom of the faulty PDC relay cassette, remove the wire and terminal from the relay cassette terminal cavity.

(6) Make all necessary repairs and splices to the wire for the removed terminal. Refer to **Wiring Repair** in the index of this service manual for the location of the wiring repair procedures.

(7) From the bottom of the PDC housing, align and insert the removed wire and terminal into the correct terminal cavity of the replacement relay cassette. Push the wire and terminal up into the relay cassette terminal cavity until it is fully engaged by the latch.

(8) Repeat Step 4, Step 5, Step 6 and Step 7 one wire and terminal at a time until each of the wires and terminals have been transferred from the faulty PDC relay cassette into the replacement relay cassette.

(9) Install the PDC relay wedge into the replacement PDC relay cassette.

## PDC RELAY WEDGE

(1) From the top of the PDC housing, align and insert the PDC relay wedge latch arms into the correct cavities in the relay cassette.

(2) Gently and evenly press the PDC relay wedge down into the relay cassette until both of the latches are fully engaged.

(3) Install each of the removed relays into the proper cavities of the PDC relay wedge.

(4) Install the PDC housing lower cover.

## PDC B(+) TERMINAL MODULE

(1) From the bottom of the PDC housing, align and insert the B(+) terminal module into the PDC.

(2) From the bottom of the PDC housing, align and insert the two studs of the PDC B(+) terminal module through the bus bar in the PDC.

(3) From the bottom of the PDC housing, press the B(+) terminal module gently and evenly into the PDC until both of the latches are fully engaged.

(4) Install the PDC housing lower cover.

## PDC HOUSING LOWER COVER

(1) Align the PDC housing lower cover to the bottom of the PDC.

(2) Press the PDC housing lower cover gently and evenly onto the PDC until each of the latches that secure the cover to the PDC is fully engaged.

(3) Where the right headlamp and dash wire harness enters the PDC, tape the wire harness securely to the trough formation on the PDC housing lower cover.

(4) Align the PDC housing mounts with the tabs on the PDC mounting stanchions of the battery support, and push the PDC housing downward until the latches in the PDC mounts are fully engaged on the stanchions.

(5) Install the battery wire harness PDC take out eyelet over the two PDC B(+) terminal studs.

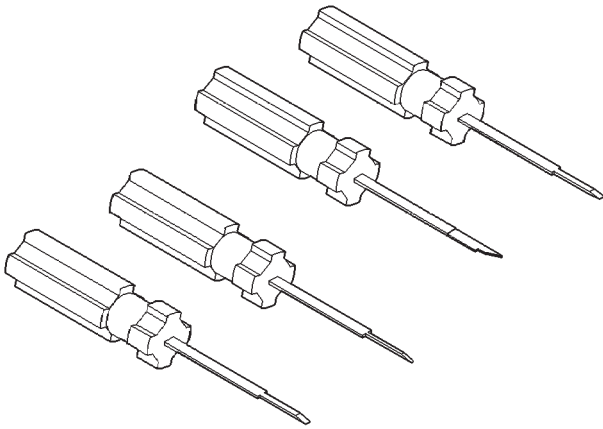
(6) Install and tighten the two nuts that secure the two-holed eyelet of the battery wire harness PDC take outs to the B(+) terminal studs near the front of the PDC. Tighten the nuts to 11.3 N·m (100 in. lbs.).

(7) Install the battery onto the battery support. Refer to **Battery** in the index of this service manual for the location of the battery installation procedures.

(8) Install the cover onto the PDC.

SPECIAL TOOLS

POWER DISTRIBUTION SYSTEMS



*Terminal Pick Kit 6680*



# POWER LOCK SYSTEMS

## TABLE OF CONTENTS

	page		page
POWER LOCK SYSTEM .....	1	REMOTE KEYLESS ENTRY SYSTEM .....	9
LIFTGATE FLIP-UP GLASS POWER RELEASE SYSTEM .....	7		

# POWER LOCK SYSTEM

## TABLE OF CONTENTS

	page		page
<b>DESCRIPTION AND OPERATION</b>		POWER LOCK SYSTEM .....	4
POWER LOCK SYSTEM .....	1	POWER LOCK MOTOR .....	5
POWER LOCK SWITCH .....	2	<b>REMOVAL AND INSTALLATION</b>	
DOOR MODULE .....	3	DOOR MODULE .....	5
POWER LOCK MOTOR .....	3		
<b>DIAGNOSIS AND TESTING</b>			
DOOR MODULE .....	4		

## DESCRIPTION AND OPERATION

### POWER LOCK SYSTEM

#### DESCRIPTION

A power operated door and liftgate lock system is standard factory-installed equipment on this model. The power lock system allows all of the doors and the liftgate to be locked or unlocked electrically by operating a switch on either front door trim panel. The power lock system receives non-switched battery current through a fuse in the Power Distribution Center (PDC), so that the power locks remain operational, regardless of the ignition switch position.

The power lock system for this vehicle also has a door lock inhibit feature, which prevents the power lock system from being energized with a power door lock switch if a front door is open with the key in the ignition and/or the exterior lamps are on. However, the locks can still be operated manually, with a key or energized with the RKE transmitter.

This vehicle also offers several customer programmable features, which allows the selection of several optional electronic features to suit individual preferences. Refer to **ELECTRONIC VEHICLE INFORMATION CENTER PROGRAMMING** in the

Service Procedures section of Group 8V - Overhead Console Systems for more information on the customer programmable feature options. Customer programmable feature options affecting the power door lock system include:

- **Auto Door Locks** - Automatically locks all of the vehicle doors and the liftgate when the vehicle reaches a speed of about 24 kilometers-per-hour (15 miles-per-hour).
- **Auto Unlock on Exit** - Automatically unlocks all of the vehicle doors and the liftgate when the driver side front door is opened, if the vehicle is stopped and the transmission gear selector is in the Park or Neutral positions. This feature is linked to the Auto Door Locks feature, and will only occur one time following each Auto Door Lock event.

The power lock system for this vehicle can also be operated remotely using the standard equipment Remote Keyless Entry (RKE) system radio frequency transmitters. Refer to **Remote Keyless Entry System** in the Remote Keyless Entry System section of this group for more information on the RKE system.

This group covers the following components of the power lock system:

- Driver Door Module (DDM)
- Passenger Door Module (PDM)
- Power lock motors

## DESCRIPTION AND OPERATION (Continued)

- Power lock switches.

Certain functions and features of the power lock system rely upon resources shared with other electronic modules in the vehicle over the Programmable Communications Interface (PCI) data bus network. The PCI data bus network allows the sharing of sensor information. This helps to reduce wire harness complexity, internal controller hardware, and component sensor current loads. At the same time, this system provides increased reliability, enhanced diagnostics, and allows the addition of many new feature capabilities. For diagnosis of these electronic modules or of the PCI data bus network, the use of a DRB scan tool and the proper Diagnostic Procedures manual are recommended.

The other electronic modules that may affect power lock system operation are as follows:

- **Body Control Module (BCM)** - Refer to **Body Control Module** in the Description and Operation section of Group 8E - Instrument Panel Systems for more information.

- **Electronic Vehicle Information Center (EVIC)** - Refer to **Electronic Vehicle Information Center** in the Description and Operation section of Group 8V - Overhead Console Systems for more information.

- **Powertrain Control Module (PCM)** - Refer to **Powertrain Control Module** in the Description and Operation section of Group 14 - Fuel System for more information.

Refer to **Power Door Locks** in the Contents of Group 8W - Wiring Diagrams for complete circuit diagrams. Following are general descriptions of the major components in the power lock system.

## OPERATION

The Passenger Door Module (PDM) contains the power door lock control logic and a power lock switch. The Driver Door Module (DDM) contains a power lock switch and controls the output to the driver side front door power lock motor, while the PDM controls the output to the power lock motors for the remaining doors and the liftgate.

When the power lock switch on the DDM is used to lock or unlock the doors, the DDM sends a control output to the driver side front door power lock motor and sends lock or unlock request messages to the PDM over the Programmable Communications Interface (PCI) data bus. The PDM responds to these messages by sending control outputs to the power lock motors of the remaining doors and the liftgate. When the power lock switch on the PDM is used to lock or unlock the doors, the PDM sends control outputs to the power lock motors in the passenger side front door, both rear doors and the liftgate, then sends lock or unlock request messages to the DDM over the Pro-

grammable Communications Interface (PCI) data bus. The DDM responds to these messages by sending control outputs to the power lock motor of the driver side front door.

In order to support the auto door locks and unlock on exit features, if enabled, the power lock system logic in the PDM needs to know the door ajar switch status, vehicle speed, and transmission gear selector lever position. The passenger side front door ajar switch is the only hard wired input to the PDM. The PDM obtains the remaining information from messages it receives from other electronic modules over the PCI data bus network.

See the owner's manual in the vehicle glove box for more information on the features, use and operation of the power lock system.

## POWER LOCK SWITCH

### DESCRIPTION

The power lock motors are controlled by a two-way momentary switch mounted on the trim panel of each front door. Each power lock switch is illuminated by a Light-Emitting Diode (LED) that is integral to the switch paddle.

The driver side front door power lock switch is integral to the Driver Door Module (DDM), and the passenger side front door power lock switch is integral to the Passenger Door Module (PDM). The power lock switches and their lamps cannot be adjusted or repaired and, if faulty or damaged, the entire DDM or PDM unit must be replaced.

### OPERATION

The front door power lock switches provide a lock and unlock signal to the door module circuitry. The Driver Door Module (DDM) circuitry controls the output to the driver side front door power lock motor, while the Passenger Door Module (PDM) circuitry controls the output to the passenger side front door, both rear door and the liftgate power lock motors.

When the DDM-integrated power lock switch is actuated, the DDM circuitry sends control outputs to the driver side front door power lock motor and sends a message to the PDM over the Programmable Communications Interface (PCI) data bus to control the output to the passenger side front door, both rear door and the liftgate power lock motors. When the PDM-integrated power lock switch is actuated, the PDM circuitry sends control outputs to the passenger side front door, both rear door and the liftgate power lock motors and sends a message to the DDM over the Programmable Communications Interface (PCI) data bus to control the output to the driver side front door power lock motor.



## DESCRIPTION AND OPERATION (Continued)

Each power lock switch is illuminated by a Light-Emitting Diode (LED) when the ignition switch is turned to the On position. See the owner's manual in the vehicle glove box for more information on the features, use and operation of the power lock switches.

## DOOR MODULE

## DESCRIPTION

A Driver Door Module (DDM) and a Passenger Door Module (PDM) are used on this model to control and integrate many of the electronic features and functions of the vehicle. The door modules are mounted to the inside surface of the trim panel on each front door. The only visible parts of the door modules are the switches and the bezel that are located on the outside of each front door trim panel. Each door module houses both the front power lock and power window switches. The DDM also houses individual switches for each passenger door power window, a power window lockout switch and the power mirror switch. The remainder of both door modules is concealed behind the front door trim panels.

The DDM and PDM each contain a central processing unit and interface with each other, as well as with other electronic modules in the vehicle over the Programmable Communications Interface (PCI) data bus network. The PCI data bus network allows the sharing of sensor information. This helps to reduce wire harness complexity, reduce internal controller hardware, and reduce component sensor current loads. At the same time, this system provides increased reliability, enhanced diagnostics, and allows the addition of many new feature capabilities.

The circuitry of the door modules controls the following hard wired outputs:

- Door and liftgate power lock motors
- Front and rear door power window motors
- Front door courtesy lamps
- Power mirror control and heating
- Rear door power window switch control and illumination.

The door modules also receive the following hard wired inputs:

- Front door ajar switch
- Front door power window switches
- Memory switch (with the Memory System option only)
  - Power lock switches
  - Power mirror position potentiometers (with the Memory System option only)
  - Power mirror switches
  - Power window lockout switch.

In addition, the DDM contains the program logic for the optional Memory System, while the PDM con-

tains the program logic and the receiver for the standard Remote Keyless Entry (RKE) System. Refer to **Memory System** in the Memory System section of Group 8R - Power Seat Systems for more information on the features of the Memory System. Refer to **Remote Keyless Entry System** in the Remote Keyless Entry System section of this group for more information on the features of the RKE system.

For diagnosis of the DDM, PDM, or the PCI data bus network, a DRB scan tool and the proper Diagnostic Procedures manual are recommended. The DDM and the PDM cannot be adjusted or repaired and, if damaged or faulty, they must be replaced.

## OPERATION

The functions and features provided by the door modules are possible because of their hard wired inputs and outputs, as well as the resources they share with each other and with the other electronic modules in the vehicle through their communication over the PCI data bus network. The door modules use their internal programming and all of these inputs to decide which functions they should perform and both the standard and optional features they should provide. Refer to **ELECTRONIC VEHICLE INFORMATION CENTER PROGRAMMING** in the Service Procedures section of Group 8V - Overhead Console Systems for more information on the customer programmable feature options.

## POWER LOCK MOTOR

## DESCRIPTION

Power operated front door, rear door and liftgate locking mechanisms are standard equipment on this model. The lock mechanisms are actuated by a reversible electric motor mounted within each door and the liftgate. The power lock motors for the doors are integral to the door latch units. The liftgate power lock motor is a separate unit secured to the latch brainplate near the center of the liftgate and operates the liftgate latch lock mechanism through a connecting linkage rod.

The power lock motors for the four doors cannot be adjusted or repaired and, if faulty or damaged, the entire door latch unit must be replaced. The liftgate power lock motor cannot be adjusted or repaired and, if faulty or damaged, the entire liftgate latch brainplate unit must be replaced.

## OPERATION

The driver side front door power lock motor is controlled by the Driver Door Module (DDM). The remaining power door lock motors and the liftgate power lock motor are controlled by the Passenger Door Module (PDM). A positive and negative battery

## DESCRIPTION AND OPERATION (Continued)

connection to the two motor terminals will cause the power lock motor plunger to move in one direction. Reversing the current through these same two connections will cause the power lock motor plunger to move in the opposite direction.

## DIAGNOSIS AND TESTING

## POWER LOCK SYSTEM

Following are tests that will help to diagnose the hard wired components and circuits of the power lock system. However, these tests may not prove conclusive in the diagnosis of this system. In order to obtain conclusive testing of the power lock system, the Programmable Communications Interface (PCI) data bus network and all of the electronic modules that provide inputs to, or receive outputs from the power lock system components must be checked.

The most reliable, efficient, and accurate means to diagnose the power lock system requires the use of a DRB scan tool and the proper Diagnostic Procedures manual. The DRB scan tool can provide confirmation that the PCI data bus is functional, that all of the electronic modules are sending and receiving the proper messages on the PCI data bus, and that the power lock motors are being sent the proper hard wired outputs by the door modules for them to perform their power lock system functions.

For complete circuit diagrams, refer to **Power Door Locks** in the Contents of Group 8W - Wiring Diagrams.

## PRELIMINARY DIAGNOSIS

As a preliminary diagnosis for the power lock system, note the system operation while you actuate both the Lock and Unlock functions with the power lock switches and with the Remote Keyless Entry (RKE) transmitter. Then, proceed as follows:

- If the entire power lock system fails to function with either the power lock switches or the RKE transmitter, check the fused B(+) fuse in the Power Distribution Center. If the fuse is OK, refer to **Door Module** in the Diagnosis and Testing section of this group.

- If the power lock system functions with both power lock switches, but not with the RKE transmitter, refer to **Remote Keyless Entry System** in the Remote Keyless Entry System section of this group.

- If the power lock system functions with the RKE transmitter, but not with one or both power lock switches, refer to **Door Module** in the Diagnosis and Testing section of this group.

- If the driver side power lock switch operates only the driver side front door power lock motor, but all other power lock motors operate with the passenger side power lock switch or the RKE transmitter,

use a DRB scan tool and the proper Diagnostic Procedures manual to diagnose the Programmable Communications Interface (PCI) data bus.

- If only one power lock motor to operate with both power lock switches and the RKE transmitter, refer to **Power Lock Motor** in the Diagnosis and Testing section of this group.

## DOOR MODULE

**NOTE: The following tests may not prove conclusive in the diagnosis of this component. The most reliable, efficient, and accurate means to diagnose this system involves the use of a DRB scan tool and the proper Diagnostic Procedures manual.**

Remember, the Driver Door Module (DDM) circuitry controls the output to the driver side front door power lock motor. The Passenger Door Module (PDM) circuitry controls the output to the power lock motors for the remaining doors and the liftgate. For complete circuit diagrams, refer to **Power Door Locks** in the Contents of Group 8W - Wiring Diagrams.

- (1) Disconnect and isolate the battery negative cable. Remove the front door trim panel. Go to Step 2.

- (2) Check the 15-way door wire harness connector for the door module to see that it is fully seated in the door module connector receptacle. If OK, go to Step 3. If not OK, install the door wire harness connector in the door module connector receptacle properly.

- (3) Disconnect the 15-way door wire harness connector for the door module from the door module connector receptacle. Check for continuity between the ground circuit cavity of the 15-way door wire harness connector for the door module and a good ground. There should be continuity. If OK, go to Step 4. If not OK, repair the open ground circuit to ground as required.

- (4) Connect the battery negative cable. Check for battery voltage at the fused B(+) circuit cavity of the 15-way door wire harness connector for the door module. If OK, go to Step 5. If not OK, repair the open fused B(+) circuit to the Power Distribution Center (PDC) fuse as required.

- (5) Disconnect and isolate the battery negative cable. Check for continuity between the door lock driver circuit cavity of the 15-way door wire harness connector for the door module and a good ground. Repeat the check for the door unlock driver circuit. In each case there should be no continuity. If OK, go to Step 6. If not OK, repair the shorted door lock or unlock driver circuit as required.

- (6) Disconnect the door or liftgate wire harness connector from the inoperative power lock motor wire

## DIAGNOSIS AND TESTING (Continued)

harness connector. Check for continuity between the door lock driver circuit cavities in the door or liftgate wire harness connector for the inoperative power lock motor and the 15-way door wire harness connector for the door module. Repeat the check for the door unlock driver circuit. In each case, there should be continuity. If OK, go to Step 7. If not OK, repair the open door lock or unlock driver circuit as required.

(7) Reconnect the 15-way door wire harness connector to the door module connector receptacle. Connect the battery negative cable. Go to Step 8.

(8) Connect the probes of a reversible DC digital voltmeter to the door lock and unlock driver circuit cavities of the door or liftgate wire harness connector for the inoperative power lock motor. Observe the voltmeter while actuating the power lock switch in the lock and unlock directions. There should be a short 12-volt voltage spike as the switch is moved to both the lock and unlock positions, and no voltage in the neutral position. If OK, refer to **Power Lock Motor** in the Diagnosis and Testing section of this group. If not OK, replace the faulty door module.

## POWER LOCK MOTOR

Remember, the Driver Door Module (DDM) circuitry controls the output to the driver side front door power lock motor. The Passenger Door Module (PDM) circuitry controls the output to the power lock motors for the remaining doors and the liftgate. For complete circuit diagrams, refer to **Power Door Locks** in the Contents of Group 8W - Wiring Diagrams.

(1) Check each power lock motor for correct operation while moving the power lock switch to both the Lock and Unlock positions. If all of the power lock motors are inoperative, go to Step 2. If one power lock motor is inoperative, go to Step 3.

(2) If all of the power lock motors except the driver side front door are inoperative, the problem may be caused by one shorted motor. Disconnecting a shorted power lock motor from the power lock circuit will allow the good power lock motors to operate. Disconnect each PDM-controlled power lock motor wire harness connector, one at a time, and recheck both the lock and unlock functions by operating the power lock switch. If all of the PDM-controlled power lock motors are still inoperative after the above test, check for a short or open circuit between the power lock motors and the PDM. If disconnecting one power lock motor causes the other motors to become functional, go to Step 3 to test the power lock motor that was last disconnected.

(3) Once it is determined which power lock motor is inoperative, that motor can be tested as follows. Disconnect the door or liftgate wire harness connector at the inoperative power lock motor. Apply 12

volts to the lock and unlock driver circuit cavities of the power lock motor connector to check its operation in one direction. Reverse the polarity to check the operation in the other direction. If OK, repair the shorted or open circuits to the DDM or PDM as required. If not OK, replace the faulty power lock motor.

## REMOVAL AND INSTALLATION

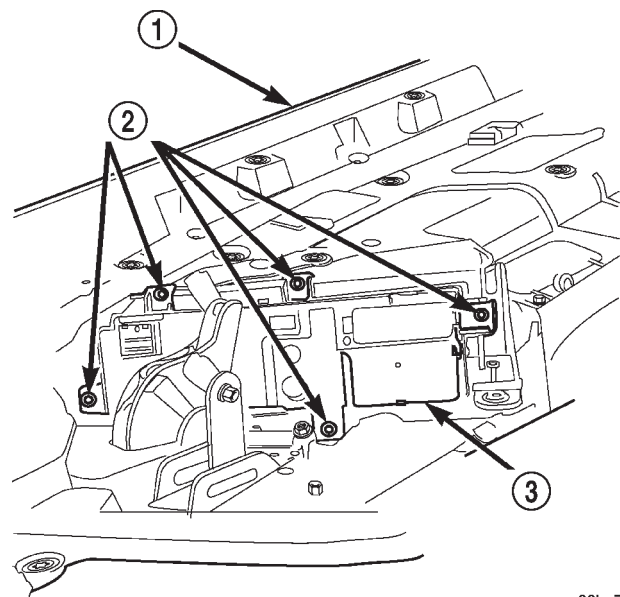
## DOOR MODULE

## REMOVAL

(1) Disconnect and isolate the battery negative cable.

(2) Remove the trim panel from the front door. Refer to **Front Door Trim Panel** in the Removal and Installation section of Group 23 - Body for the procedures.

(3) Remove the five screws that secure the door module to the back of the front door trim panel (Fig. 1).



80ba7a4a

**Fig. 1 Door Module Remove/Install**

- 1 - FRONT DOOR TRIM PANEL
- 2 - SCREW (5)
- 3 - DOOR MODULE

(4) Remove the door module from the front door trim panel.

## INSTALLATION

(1) Position the door module to the front door trim panel.

## REMOVAL AND INSTALLATION (Continued)

(2) Install and tighten the five screws that secure the door module to the back of the front door trim panel. Tighten the screws to 2.2 N·m (20 in. lbs.).

(3) Install the trim panel onto the front door. Refer to **Front Door Trim Panel** in the Removal and

Installation section of Group 23 - Body for the procedures.

(4) Reconnect the battery negative cable.

# LIFTGATE FLIP-UP GLASS POWER RELEASE SYSTEM

## TABLE OF CONTENTS

	page		page
<b>DESCRIPTION AND OPERATION</b>		<b>REMOVAL AND INSTALLATION</b>	
LIFTGATE FLIP-UP GLASS POWER RELEASE SYSTEM.....	7	LIFTGATE FLIP-UP GLASS POWER RELEASE SYSTEM COMPONENTS .....	8
<b>DIAGNOSIS AND TESTING</b>			
LIFTGATE FLIP-UP GLASS POWER RELEASE SYSTEM.....	7		

### DESCRIPTION AND OPERATION

#### LIFTGATE FLIP-UP GLASS POWER RELEASE SYSTEM

##### DESCRIPTION

A power operated liftgate flip-up glass release system includes standard factory installed equipment on this model. The liftgate flip-up glass power release system allows the flip-up glass latch to be released electrically by depressing a switch located on the bottom of the liftgate license plate lamp housing unit, above the license plate on the outside of the liftgate.

The liftgate flip-up glass release system operates on non-switched battery current supplied through a fuse in the junction block so that the system remains functional, regardless of the ignition switch position. However, a limit switch that is integral to the liftgate latch actuator unit opens to prevent the flip-up glass latch from being actuated when the liftgate latch is locked.

The liftgate flip-up glass power release system includes the following components:

- Liftgate flip-up glass limit switch
- Liftgate flip-up glass release motor
- Liftgate flip-up glass release switch.

Refer to **Power Door Locks** in the Contents of Group 8W - Wiring Diagrams for complete circuit diagrams.

##### OPERATION

When the liftgate mounted flip-up glass release switch is depressed, battery current is directed to the electric release motor that is integral to the flip-up glass latch located inside the liftgate. When the release motor is energized the latch releases and the flip-up glass can be opened. A liftgate flip-up glass limit switch is integral to the liftgate latch actuator mechanism. The limit switch automatically enables or disables the liftgate flip-up glass power release circuitry, depending upon the position of the liftgate

latch lock mechanism. When the liftgate latch is unlocked, the limit switch closes and battery current is available at the release switch. When the liftgate latch is locked, the limit switch opens, and the release switch is disabled.

See the owner's manual in the vehicle glove box for more information on the features, use and operation of the liftgate flip-up glass power release system.

### DIAGNOSIS AND TESTING

#### LIFTGATE FLIP-UP GLASS POWER RELEASE SYSTEM

For complete circuit diagrams, refer to **Power Door Locks** in Group 8W - Wiring Diagrams.

(1) Check the fused B(+) fuse in the junction block. If OK, go to Step 2. If not OK, repair the shorted circuit or component as required and replace the faulty fuse.

(2) Check for battery voltage at the fused B(+) fuse in the junction block. If OK, go to Step 3. If not OK, repair the open fused B(+) circuit to the Power Distribution Center (PDC) as required.

(3) Disconnect the liftgate wire harness connector from the liftgate flip-up glass limit switch. Check for battery voltage at the fused B(+) circuit cavity of the liftgate wire harness connector for the flip-up glass limit switch. If OK, go to Step 4. If not OK, repair the open fused B(+) circuit to the junction block fuse as required.

(4) Check for continuity between the two terminals of the liftgate flip-up glass limit switch. There should be continuity with the liftgate latch unlocked, and no continuity with the latch locked. If OK, go to Step 5. If not OK, replace the faulty liftgate flip-up glass limit switch (liftgate latch actuator unit).

(5) Disconnect the liftgate wire harness connector from the liftgate flip-up glass release switch. With the liftgate latch unlocked, check for battery voltage at the liftgate flip-up glass limit switch output circuit cavity of the liftgate wire harness connector for the



## DIAGNOSIS AND TESTING (Continued)

release switch. If OK, go to Step 6. If not OK, repair the open liftgate flip-up glass limit switch output circuit to the limit switch as required.

(6) Check for continuity between the two terminals of the liftgate flip-up glass release switch. There should be no continuity. Depress the switch, there should now be continuity. If OK, go to Step 7. If not OK, replace the faulty liftgate flip-up glass release switch.

(7) Disconnect the liftgate wire harness connector from the liftgate flip-up glass latch motor. Check for continuity between the ground circuit cavity of the liftgate wire harness connector for the latch motor and a good ground. There should be continuity. If OK, go to Step 8. If not OK, repair the open ground circuit to ground as required.

(8) With the liftgate latch unlocked and the flip-up glass release switch depressed, check for battery voltage at the liftgate flip-up glass release switch output circuit cavity of the liftgate wire harness connector for the latch motor. If OK, replace the faulty liftgate flip-up glass latch. If not OK, repair the open liftgate flip-up glass release switch output circuit to the release switch as required.

## REMOVAL AND INSTALLATION

## LIFTGATE FLIP-UP GLASS POWER RELEASE SYSTEM COMPONENTS

Service procedures for the various components used in the liftgate flip-up glass power release system can be found in the proper group as follows:

- **Liftgate flip-up glass limit switch** - Refer to **Liftgate Latch** in the Removal and Installation section of Group 23 - Body for the service procedures.

- **Liftgate flip-up glass release motor** - Refer to **Flip-Up Glass Latch** in the Removal and Installation section of Group 23 - Body for the service procedures.

- **Liftgate flip-up glass release switch** - Refer to **License Plate Lamp Housing** in the Removal and Installation section of Group 23 - Body for the service procedures.

# REMOTE KEYLESS ENTRY SYSTEM

## TABLE OF CONTENTS

	page		page
<b>DESCRIPTION AND OPERATION</b>		REMOTE KEYLESS ENTRY TRANSMITTER . . . .	12
REMOTE KEYLESS ENTRY SYSTEM . . . . .	9	<b>SERVICE PROCEDURES</b>	
REMOTE KEYLESS ENTRY RECEIVER . . . . .	11	REMOTE KEYLESS ENTRY TRANSMITTER	
REMOTE KEYLESS ENTRY TRANSMITTER . . . .	11	BATTERY REPLACEMENT . . . . .	12
<b>DIAGNOSIS AND TESTING</b>		REMOTE KEYLESS ENTRY TRANSMITTER	
REMOTE KEYLESS ENTRY SYSTEM . . . . .	11	PROGRAMMING . . . . .	13

## DESCRIPTION AND OPERATION

### REMOTE KEYLESS ENTRY SYSTEM

#### DESCRIPTION

A Radio Frequency (RF) type Remote Keyless Entry (RKE) system is standard factory-installed equipment on this model. The RKE system allows the use of a remote battery-powered radio transmitter to control the power lock system. The RKE receiver operates on non-switched battery current through a fuse in the Power Distribution Center (PDC), so that the system remains operational, regardless of the ignition switch position.

In addition to Lock and Unlock buttons, the RKE transmitters are also equipped with a Panic button. If the Panic button on the RKE transmitter is depressed, the horn will sound and the exterior lights will flash on the vehicle for about three minutes, or until the Panic button is depressed a second time. A vehicle speed of about 24 kilometers-per-hour (15 miles-per-hour) will also cancel the panic event.

The RKE system can also perform other functions on this vehicle. If the vehicle is equipped with the optional Vehicle Theft Security System (VTSS), the RKE transmitter will arm the VTSS when the Lock button is depressed, and disarm the VTSS when the Unlock button is depressed. If the vehicle is equipped with the optional Memory System, each of the two numbered and color-coded RKE transmitters can be used to recall the stored driver side front seat position, both outside power rear view mirror positions, and the radio station presets for the two assigned drivers. Refer to **Vehicle Theft Security System** in the Vehicle Theft Security System section of Group 8Q - Vehicle Theft Security Systems for more information on the VTSS features. Refer to **Memory System** in the Memory System section of Group 8R - Power Seat Systems for more information on the Memory System features.

The RKE system includes two transmitters when the vehicle is shipped from the factory, but the system can retain the vehicle access codes of up to four transmitters. The transmitter codes are retained in the RKE receiver memory, even if the battery is disconnected. If an RKE transmitter is faulty or lost, new transmitter vehicle access codes can be programmed into the system using a DRB scan tool and the proper Diagnostic Procedures manual.

This vehicle also offers several customer programmable features, which allows the selection of several optional electronic features to suit individual preferences. Refer to **ELECTRONIC VEHICLE INFORMATION CENTER PROGRAMMING** in the Service Procedures section of Group 8V - Overhead Console Systems for more information on the customer programmable feature options. Customer programmable feature options affecting the RKE system include:

- **Remote Unlock** - Allows the option of having only the driver side front door unlock when the RKE transmitter Unlock button is depressed the first time and the remaining doors and the liftgate unlock when the button is depressed a second time, or having all doors and the liftgate unlock upon the first depression of the RKE transmitter Unlock button.
- **Remote Linked to Memory** - If the vehicle is equipped with the Memory System, this feature allows the option of having the RKE transmitter Unlock button activate the recall of the stored settings, or having the recall function assigned solely to the memory switch on the driver side front door trim panel.
- **Sound Horn on Lock** - Allows the option of having the horn sound a short chirp as an audible verification that the RKE system received a valid Lock request from the RKE transmitter, or having no audible verification.
- **Flash Lights with Lock** - Allows the option of having the lights flash as an optical verification that the RKE system received a valid Lock request or

## DESCRIPTION AND OPERATION (Continued)

Unlock request from the RKE transmitter, or having no optical verification.

This group covers the following components of the RKE system:

- RKE receiver
- RKE transmitter.

Certain functions and features of the RKE system rely upon resources shared with other electronic modules in the vehicle over the Programmable Communications Interface (PCI) data bus network. The PCI data bus network allows the sharing of sensor information. This helps to reduce wire harness complexity, internal controller hardware, and component sensor current loads. At the same time, this system provides increased reliability, enhanced diagnostics, and allows the addition of many new feature capabilities. For diagnosis of these electronic modules or of the PCI data bus network, the use of a DRB scan tool and the proper Diagnostic Procedures manual are recommended.

The other electronic modules that may affect RKE system operation are as follows:

- **Body Control Module (BCM)** - Refer to **Body Control Module** in the Description and Operation section of Group 8E - Instrument Panel Systems for more information.

- **Driver Door Module (DDM)** - Refer to **Door Module** in the Power Lock System section of this group for more information.

- **Electronic Vehicle Information Center (EVIC)** - Refer to **Electronic Vehicle Information Center** in the Description and Operation section of Group 8V - Overhead Console Systems for more information.

- **Passenger Door Module (PDM)** - Refer to **Door Module** in the Power Lock System section of this group for more information.

- **Powertrain Control Module (PCM)** - Refer to **Powertrain Control Module** in the Description and Operation section of Group 14 - Fuel System for more information.

Refer to **Power Door Locks** in the Contents of Group 8W - Wiring Diagrams for complete circuit diagrams. Following are general descriptions of the major components in the RKE system.

#### COMBINATION FLASHER

The combination flasher is a smart relay that functions as both the turn signal system and the hazard warning system flasher. The combination flasher contains active electronic Integrated Circuitry (IC) elements. This flasher can be energized by the BCM to flash all of the park/turn signal/front side marker lamps as an optical alert for the RKE panic function and, if the Flash Lights with Lock programmable feature is enabled, as an optical verification for the RKE

lock event. Refer to **Combination Flasher** in the proper section of Group 8J - Turn Signal and Hazard Warning Systems for diagnosis and service of this component.

#### HORN RELAY

The horn relay is a electromechanical device that switches battery current to the horn when the horn switch grounds the relay coil. The horn relay is located in the Power Distribution Center (PDC) in the engine compartment. This relay can be energized by the BCM to sound the horns as an audible alert for the RKE panic function and, if the Sound Horn on Lock programmable feature is enabled, as an audible verification for the RKE lock event. Refer to **Horn Relay** in the proper section of Group 8G - Horn Systems for diagnosis and service of this component.

#### LOW BEAM HEADLAMP RELAY

The low beam headlamp relay is a electromechanical device that switches battery current to the headlamp low beams when the BCM grounds the relay coil. The low beam headlamp relay is located in the junction block in the passenger compartment. This relay can be energized by the BCM to flash the headlamp low beams as an optical alert for the RKE panic function. Refer to **Low Beam Headlamp Relay** in the proper section of Group 8L - Lamps for diagnosis and service of this component.

#### OPERATION

The Passenger Door Module (PDM) contains the RKE system control logic and the RKE receiver. When the RKE receiver recognizes a Lock, Unlock or Panic message from a valid RKE transmitter, the RKE receiver provides that input to the PDM. The PDM circuitry and programming responds by sending the proper messages to the other electronic modules over the Programmable Communications Interface (PCI) data bus.

When an RKE lock message is received, the doors and the liftgate lock, the interior lighting is turned off, the horn chirps (if this feature is enabled), the exterior lamps flash (if this feature is enabled) and, if the vehicle is so equipped, the Vehicle Theft Security System (VTSS) is armed. When an RKE unlock message is received, the driver side front door (or all doors and the liftgate if this feature is enabled) unlock, the interior lighting is turned on and, if the vehicle is so equipped, the VTSS is disarmed. If the vehicle is equipped with the Memory System and the RKE Linked to Memory feature is enabled, the RKE unlock message also recalls the driver seat, outside mirror and radio settings assigned to the RKE transmitter that sent the unlock signal.

## DESCRIPTION AND OPERATION (Continued)

When an RKE panic message is received, the driver side front door (or all doors and the liftgate if this feature is enabled) unlock, the interior lighting is turned on and, if the vehicle is so equipped, the VTSS is disarmed. The panic message will also cause the exterior lamps (including the headlights) to flash, and the horn to pulse for about three minutes, or until a second panic message is received. A vehicle speed of about 24 kilometers-per-hour (15 miles-per-hour) will also cancel the panic event.

See the owner's manual in the vehicle glove box for more information on the features, use and operation of the RKE system.

## REMOTE KEYLESS ENTRY TRANSMITTER

### DESCRIPTION

The Remote Keyless Entry (RKE) system Radio Frequency (RF) transmitter is equipped with three buttons, labeled Lock, Unlock, and Panic. It is also equipped with a key ring and is designed to serve as a key fob. The operating range of the transmitter radio signal is up to 10 meters (30 feet) from the RKE receiver.

Each RKE transmitter has a different vehicle access code, which must be programmed into the memory of the RKE receiver in the vehicle in order to operate the RKE system. Two transmitters are provided with the vehicle, but the RKE receiver can retain the access codes of up to four transmitters in its memory. Refer to **Remote Keyless Entry Transmitter Programming** in the Service Procedures section of this group for more information on programming additional transmitters for the RKE system.

In addition, the RKE transmitters for vehicles equipped with the optional Memory System are color-coded and have a number "1" or "2" molded into the transmitter case to coincide with the "Driver 1 (Black)" and "Driver 2 (Gray)" buttons of the memory switch on the driver side front door trim panel. These transmitters must also have their access codes programmed into the RKE receiver so that they coincide with the "Driver 1" and "Driver 2" buttons of the memory switch. Refer to **Memory System** in the Memory System section of Group 8R - Power Seat Systems for more information on the Memory System features.

The transmitter operates on two Panasonic CR2016 (or equivalent) batteries. Typical battery life is from one to two years. The transmitter cannot be repaired and, if faulty or damaged, it must be replaced.

### OPERATION

See the owner's manual in the vehicle glove box for more information on the features, use and operation of the RKE transmitters.

## REMOTE KEYLESS ENTRY RECEIVER

### DESCRIPTION

The Remote Keyless Entry (RKE) receiver is a radio frequency unit contained in the Passenger Door Module (PDM). The PDM also contains the program logic circuitry for the RKE system. The PDM is secured with screws to the back of the trim panel inside the passenger side front door. The RKE receiver has a memory function to retain the vehicle access codes of up to four RKE transmitters. The receiver is designed to retain the transmitter codes in memory, even if the battery is disconnected.

For diagnosis of the RKE receiver, the PDM, the DDM, or the Programmable Communications Interface (PCI) data bus a DRB scan tool and the proper Diagnostic Procedures manual are recommended. The RKE receiver is only serviced as a unit with the PDM and, if faulty or damaged, the entire PDM unit must be replaced.

### OPERATION

The RKE receiver is energized by one of three messages from the RKE transmitter; Unlock, Lock, or Panic. The PDM circuitry responds to these messages to lock or unlock the power lock motors that it controls. The PDM circuitry also puts Lock, Unlock, and Panic messages on the PCI data bus. These messages will result in the Driver Door Module (DDM) locking or unlocking the driver side front door, and the other electronic modules in the vehicle responding as their programming dictates.

## DIAGNOSIS AND TESTING

### REMOTE KEYLESS ENTRY SYSTEM

Following are tests that will help to diagnose the Remote Keyless Entry (RKE) system. However, these tests may not prove conclusive in the diagnosis of this system. In order to obtain conclusive testing of the RKE system, the Programmable Communications Interface (PCI) data bus network and all of the electronic modules that provide inputs to, or receive outputs from the RKE system components must be checked.

The most reliable, efficient, and accurate means to diagnose the RKE system requires the use of a DRB scan tool and the proper Diagnostic Procedures manual. The DRB scan tool can provide confirmation that the PCI data bus is functional, that all of the elec-



## DIAGNOSIS AND TESTING (Continued)

tronic modules are sending and receiving the proper messages on the PCI data bus, and that the RKE receiver is being sent the proper radio frequency signals by the RKE transmitters to perform its RKE system functions.

For complete circuit diagrams, refer to **Power Door Locks** in the Contents of Group 8W - Wiring Diagrams.

## PRELIMINARY DIAGNOSIS

As a preliminary diagnosis for the RKE system, note the system operation while you actuate both the Lock and Unlock functions with the power lock switches and with the Remote Keyless Entry (RKE) transmitter. Then, proceed as follows:

- If the entire power lock system fails to function with either the power lock switches or the RKE transmitter, check the fused B(+) fuse in the Power Distribution Center. If the fuse is OK, refer to **Door Module** in the Power Lock System section of this group.

- If the power lock system functions with both power lock switches, but not with the RKE transmitter, refer to **Remote Keyless Entry Transmitter** in the Diagnosis and Testing section of this group.

- If the driver side power lock switch operates only the driver side front door power lock motor, but all other power lock motors operate with the passenger side power lock switch or the RKE transmitter, use a DRB scan tool and the proper Diagnostic Procedures manual to diagnose the Programmable Communications Interface (PCI) data bus.

If the problem being diagnosed involves only the Sound Horn on Lock or the Flash Lights with Locks features, be certain that these programmable features are enabled. If the features are enabled and the service horn and turn signals still operate, the Body Control Module (BCM) and the PCI data bus must be tested. For diagnosis of the BCM or the PCI data bus, the use of a DRB scan tool and the proper Diagnostic Procedures manual are recommended.

## REMOTE KEYLESS ENTRY TRANSMITTER

(1) Replace the Remote Keyless Entry (RKE) transmitter batteries. Refer to **Remote Keyless Entry Transmitter Battery Replacement** in the Service Procedures section of this group. Test each of the transmitter functions. If OK, discard the faulty batteries. If not OK, go to Step 2.

(2) Program the suspect RKE transmitter and another known good transmitter into the RKE receiver. Use a DRB scan tool, as described in the proper Diagnostic Procedures manual. Refer to **Remote Keyless Entry Transmitter Programming** in the Service Procedures section of this group.

(3) Test the RKE system operation with both transmitters. If both transmitters fail to operate the power lock system, use a DRB scan tool and the proper Diagnostic Procedures manual for further diagnosis of the RKE system. If the known good transmitter operates the power locks and the suspect transmitter does not, replace the faulty transmitter.

**NOTE:** Be certain to perform the Remote Keyless Entry Transmitter Programming procedure again following this test. This procedure will erase the access code of the test transmitter from the RKE receiver.

## SERVICE PROCEDURES

## REMOTE KEYLESS ENTRY TRANSMITTER BATTERY REPLACEMENT

The Remote Keyless Entry (RKE) transmitter case snaps open and shut for battery access. To replace the RKE transmitter batteries:

(1) Using a trim stick or a thin coin, gently pry at the notch in the center seam of the RKE transmitter case halves near the key ring until the two halves unsnap.

(2) Lift the back half of the transmitter case off of the RKE transmitter.

(3) Remove the two batteries from the RKE transmitter.

(4) Replace the two batteries with new Panasonic CR2016, or their equivalent. Be certain that the batteries are installed with their polarity correctly oriented.

(5) Align the two RKE transmitter case halves with each other, and squeeze them firmly and evenly together until they snap back into place.

**NOTE:** The RKE system for this model uses a rolling code security strategy. This strategy requires that synchronization be maintained between the RKE transmitter and the RKE receiver. RKE transmitter battery removal or replacement can cause a loss of synchronization. If the RKE receiver fails to respond to the RKE transmitter following battery removal or replacement, depress and release the RKE transmitter Unlock button repeatedly while listening carefully for the power door locks in the vehicle to cycle. After between five and eight presses of the Unlock button, the power door locks should cycle, indicating that re-synchronization has occurred.



SERVICE PROCEDURES (Continued)

**REMOTE KEYLESS ENTRY TRANSMITTER  
PROGRAMMING**

To program the Remote Keyless Entry (RKE) transmitter access codes into the RKE receiver in the

Passenger Door Module (PDM) requires the use of a DRB scan tool. Refer to the proper Diagnostic Procedures manual for more information.



# VEHICLE THEFT/SECURITY SYSTEMS

## TABLE OF CONTENTS

	page		page
VEHICLE THEFT SECURITY SYSTEM.....	1	SENTRY KEY IMMOBILIZER SYSTEM .....	6

# VEHICLE THEFT SECURITY SYSTEM

## TABLE OF CONTENTS

	page		page
<b>DESCRIPTION AND OPERATION</b>		<b>DIAGNOSIS AND TESTING</b>	
VEHICLE THEFT SECURITY SYSTEM.....	1	VEHICLE THEFT SECURITY SYSTEM.....	5
DOOR AJAR SWITCH .....	3	<b>REMOVAL AND INSTALLATION</b>	
DRIVER CYLINDER LOCK SWITCH.....	3	VEHICLE THEFT SECURITY SYSTEM	
LIFTGATE AJAR SWITCH .....	4	COMPONENTS.....	5
LIFTGATE FLIP-UP GLASS AJAR SWITCH .....	4		
VEHICLE THEFT SECURITY SYSTEM LIGHT			
EMITTING DIODE .....	4		

## DESCRIPTION AND OPERATION

### VEHICLE THEFT SECURITY SYSTEM

#### DESCRIPTION

The Vehicle Theft Security System (VTSS) is an available factory-installed option on this model. The VTSS is designed to provide perimeter protection against unauthorized use or tampering by monitoring the vehicle doors, the liftgate, the liftgate flip-up glass and the ignition system. If unauthorized use or tampering is detected, the system responds by sounding the horn and flashing the exterior lamps.

The VTSS also includes the Sentry Key Immobilizer System (SKIS). The SKIS includes a steering column-mounted control module and antenna unit as well as a transponder in each ignition key. If the SKIS module does not recognize the ignition key transponder, it prevents the engine from running. Refer to **Sentry Key Immobilizer System** in the Sentry Key Immobilizer System section of this group for more information on the SKIS.

The VTSS includes the following components:

- Auto headlamp light sensor/VTSS Light Emitting Diode (LED)
- Body Control Module (BCM)
- Combination flasher

- Door ajar switch
- Driver cylinder lock switch
- Horn relay
- Liftgate ajar switch
- Liftgate flip-up glass ajar switch
- Low beam headlamp relay

Certain functions and features of the VTSS rely upon resources shared with other electronic modules in the vehicle over the Programmable Communications Interface (PCI) data bus network. The PCI data bus network allows the sharing of sensor information. This helps to reduce wire harness complexity, internal controller hardware, and component sensor current loads. At the same time, this system provides increased reliability, enhanced diagnostics, and allows the addition of many new feature capabilities. For diagnosis of these electronic modules or of the PCI data bus network, the use of a DRB scan tool and the proper Diagnostic Procedures manual are recommended.

The other electronic modules that may affect VTSS operation are as follows:

- **Body Control Module (BCM)** - Refer to **Body Control Module** in the Description and Operation section of Group 8E - Instrument Panel Systems for more information.

## DESCRIPTION AND OPERATION (Continued)

- **Driver Door Module (DDM)** - Refer to **Door Module** in the Power Lock System section of Group 8P - Power Lock Systems for more information.

- **Passenger Door Module (PDM)** - Refer to **Door Module** in the Power Lock System section of Group 8P - Power Lock Systems for more information.

Refer to **Vehicle Theft Security System** in the Contents of Group 8W - Wiring Diagrams for complete circuit diagrams. Following are general descriptions of the features and major components of the VTSS.

**COMBINATION FLASHER**

The combination flasher is a smart relay that functions as both the turn signal system and the hazard warning system flasher. The combination flasher contains active electronic Integrated Circuitry (IC) elements. This flasher can be energized by the BCM to flash all of the park/turn signal/front side marker lamps as an optical alert for the VTSS alarm function. Refer to **Combination Flasher** in the proper section of Group 8J - Turn Signal and Hazard Warning Systems for diagnosis and service of this component.

**HORN RELAY**

The horn relay is a electromechanical device that switches battery current to the horn when the horn switch grounds the relay coil. The horn relay is located in the Power Distribution Center (PDC) in the engine compartment. This relay can be energized by the BCM to sound the horns as an audible alert for the VTSS alarm function. Refer to **Horn Relay** in the proper section of Group 8G - Horn Systems for diagnosis and service of this component.

**LOW BEAM HEADLAMP RELAY**

The low beam headlamp relay is a electromechanical device that switches battery current to the headlamp low beams when the BCM grounds the relay coil. The low beam headlamp relay is located in the junction block in the passenger compartment. This relay can be energized by the BCM to flash the headlamp low beams as an optical alert for the VTSS alarm function. Refer to **Low Beam Headlamp Relay** in the proper section of Group 8L - Lamps for diagnosis and service of this component.

**OPERATION**

A Body Control Module (BCM) is used on this model to control and integrate many of the electronic functions and features included in the VTSS. In the VTSS, the BCM receives inputs indicating the status of the door ajar switch, the driver cylinder lock switch, the ignition switch, the liftgate ajar switch, and the liftgate flip-up glass ajar switch. The pro-

gramming in the BCM allows it to process the information from all of these inputs and send control outputs to energize or de-energize the combination flasher, the horn relay, the low beam headlamp relay, and the auto headlamp light sensor/VTSS Light Emitting Diode (LED).

Refer to the owner's manual in the vehicle glove box for more information on the features, use and operation of the vehicle theft security system.

**ENABLING**

The Vehicle Theft Security System (VTSS) features are provided by the BCM located in the passenger compartment. The BCM must have the VTSS functions electronically enabled in order for the VTSS to perform as designed. The logic in the BCM keeps its VTSS features dormant until it is enabled using a DRB scan tool. The VTSS features of the BCM are enabled on vehicles equipped with the VTSS option at the factory, but a service replacement BCM must be enabled by the dealer with a DRB scan tool anytime the BCM is replaced with a new unit. See the proper Diagnostic Procedures manual for more information on enabling the BCM VTSS feature.

**ARMING**

Passive arming of the VTSS occurs when the vehicle is exited with the key removed from the ignition switch, the headlamps are turned off, and the doors are locked while they are open using the power lock switch. The power lock switch will not function if the key is in the ignition switch or the headlamps are on with the driver side front door open. The VTSS will not arm if the driver side front door is locked using the key in the lock cylinder or using the mechanical lock button.

Active arming of the VTSS occurs when the Remote Keyless Entry (RKE) transmitter is used to lock the vehicle, even if the doors and/or the liftgate are open when the RKE transmitter Lock button is depressed. However, the VTSS arming will not be complete until all of the doors, the liftgate and the liftgate flip-up glass are closed. Refer to **Remote Keyless Entry System** in the Remote Keyless Entry System section of Group 8P - Power Lock Systems for more information on the RKE system components.

Following successful passive or active VTSS arming, the VTSS LED on the top of the instrument panel will flash rapidly for about fifteen seconds after the illuminated entry system times out. This indicates that VTSS arming is in progress. Once the fifteen second arming function is successfully completed, the set lamp will flash at a slower rate to indicate that the VTSS is armed.

## DESCRIPTION AND OPERATION (Continued)

## DISARMING

Passive disarming of the VTSS occurs when the vehicle is unlocked using the key to unlock the driver side front door. Active disarming of the VTSS occurs when the vehicle is unlocked by depressing the Unlock button of the Remote Keyless Entry (RKE) transmitter. Refer to **Remote Keyless Entry System** in the Remote Keyless Entry System section of Group 8P - Power Lock Systems for more information on the RKE system components. Once the alarm has been activated (horn sounding and exterior lamps flashing), either disarming method will also deactivate the alarm.

Depressing the Panic button on the RKE transmitter will also disarm the VTSS, but the horn will sound and the exterior lamps will flash for about three minutes as part of the Panic feature function. Refer to **Power Lock System** in the Power Lock System section of Group 8P - Power Lock Systems for more information on the Panic feature.

## POWER-UP MODE

When the armed VTSS senses that the battery has been disconnected and reconnected, it enters its power-up mode. In the power-up mode the alarm system remains armed following a battery failure or disconnect. If the VTSS was armed prior to a battery disconnect or failure, the technician or vehicle operator will have to be actively or passively disarm the alarm system after the battery is reconnected.

The power-up mode will also apply if the battery goes dead while the system is armed, and battery jump-starting is then attempted. The VTSS will be armed until the technician or vehicle operator has actively or passively disarmed the alarm system. If the VTSS is in the disarmed mode prior to a battery disconnect or failure, it will remain disarmed after the battery is reconnected, replaced or jump-starting is attempted.

## TAMPER ALERT

The VTSS tamper alert will sound the horn three times upon disarming, if the alarm was triggered and has since timed-out (about eighteen minutes). This feature alerts the vehicle operator that the VTSS was activated while the vehicle was unattended.

## DOOR AJAR SWITCH

## DESCRIPTION

The door ajar switches are concealed within and integral to the door latch units. The front door ajar switches are actuated by the front door latch mechanisms, and are hard wired between a body ground and the Driver Door Module (DDM) or the Passenger Door Module (PDM) through the front door wire har-

nesses. The rear door ajar switches are actuated by the rear door latch mechanisms, and are hard wired between a body ground and the Body Control Module (BCM) through the rear door and body wire harnesses.

The door ajar switches cannot be adjusted or repaired and, if faulty or damaged, the door latch unit must be replaced. Refer to **Front Door Latch** or **Rear Door Latch** in the Removal and Installation section of Group 23 - Body for the service procedures. For complete circuit diagrams, refer to **Vehicle Theft Security System** in the Contents of Group 8W - Wiring Diagrams.

## OPERATION

The front door ajar switches close a path to ground for the DDM or the PDM when a front door is opened, and opens the ground path when a front door is closed. The rear door ajar switches close a path to ground for the BCM when a rear door is opened, and opens the ground path when a rear door is closed. The DDM, PDM, or BCM reads the switch status through an internal pull-up, then sends the proper switch status messages to other electronic modules over the Programmable Communications Interface (PCI) data bus network. The door ajar switch status message is used by the BCM as an input for Vehicle Theft Security System (VTSS) operation.

## DRIVER CYLINDER LOCK SWITCH

## DESCRIPTION

The driver cylinder lock switch is integral to the key lock cylinder inside the driver side front door. The driver cylinder lock switch is a normally-open momentary switch that is hard wired between a body ground and the Driver Door Module (DDM) through the front door wire harness, and closes a path to ground through an internal resistor when the lock cylinder is rotated to the unlock position.

The driver cylinder lock switch cannot be adjusted or repaired and, if faulty or damaged, the driver side front door lock cylinder must be replaced. Refer to **Front Door Lock Cylinder** in the Removal and Installation section of Group 23 - Body for the service procedures. For complete circuit diagrams, refer to **Vehicle Theft Security System** in the Contents of Group 8W - Wiring Diagrams.

## OPERATION

The driver cylinder lock switch is actuated by the key lock cylinder when the key is inserted in the lock cylinder and turned to the unlock position. The driver cylinder lock switch closes a path to ground through an internal resistor for the DDM when the driver door key lock cylinder is in the lock or unlock



## DESCRIPTION AND OPERATION (Continued)

position, and opens the ground path when the lock cylinder is in the neutral position. The DDM reads the switch status through an internal pull-up, then sends the proper switch status messages to other electronic modules over the Programmable Communications Interface (PCI) data bus network. The driver cylinder lock switch unlock status message is used by the BCM as an input for Vehicle Theft Security System (VTSS) operation.

## LIFTGATE AJAR SWITCH

### DESCRIPTION

The two liftgate ajar switches are concealed within and integral to the two liftgate latch units in the liftgate. The two liftgate ajar switches are actuated by the liftgate latch mechanisms, and are hard wired in parallel with each other between a body ground and the Body Control Module (BCM) through the liftgate and body wire harnesses.

The liftgate ajar switches cannot be adjusted or repaired and, if faulty or damaged, the liftgate latch unit must be replaced. Refer to **Liftgate Latch** in the Removal and Installation section of Group 23 - Body for the service procedures. For complete circuit diagrams, refer to **Vehicle Theft Security System** in the Contents of Group 8W - Wiring Diagrams.

### OPERATION

Each of the liftgate ajar switches can close a path to ground for the BCM when the liftgate is opened, and opens the ground path when the liftgate is closed. The BCM reads the switch status through an internal pull-up, then sends the proper switch status messages to other electronic modules over the Programmable Communications Interface (PCI) data bus network. The liftgate ajar switch status message is used by the BCM as an input for Vehicle Theft Security System (VTSS) operation.

## LIFTGATE FLIP-UP GLASS AJAR SWITCH

### DESCRIPTION

The liftgate flip-up glass ajar switch is concealed within and integral to the liftgate flip-up glass latch unit in the liftgate. The liftgate flip-up glass ajar switch is actuated by the liftgate flip-up glass latch mechanism, and is hard wired in series between a body ground, the Body Control Module (BCM) and the rear wiper motor module through the liftgate and body wire harnesses.

The liftgate flip-up glass ajar switch cannot be adjusted or repaired and, if faulty or damaged, the liftgate flip-up glass latch unit must be replaced. Refer to **Liftgate Flip-Up Glass Latch** in the Removal and Installation section of Group 23 - Body

for the service procedures. For complete circuit diagrams, refer to **Vehicle Theft Security System** in the Contents of Group 8W - Wiring Diagrams.

### OPERATION

The liftgate flip-up glass ajar switch can close a path to ground for the BCM and the rear wiper motor module when the liftgate flip-up glass is opened, and opens the ground path when the liftgate flip-up glass is closed. The rear wiper motor module uses the liftgate flip-up glass ajar switch input to control the rear wiper operation, and will park the rear wiper blade if this input indicates that the liftgate flip-up glass is ajar. The BCM reads the switch status through an internal pull-up, then sends the proper switch status messages to other electronic modules over the Programmable Communications Interface (PCI) data bus network. The liftgate flip-up glass ajar switch status message is used by the BCM as an input for Vehicle Theft Security System (VTSS) operation.

## VEHICLE THEFT SECURITY SYSTEM LIGHT EMITTING DIODE

### DESCRIPTION

The Vehicle Theft Security System (VTSS) Light Emitting Diode (LED) is a red light-emitting diode that is integral to the auto headlamp light sensor, which is mounted on top of the instrument panel near the driver side defroster outlet. The LED is connected to fused battery current at all times and is hard wired to the Body Control Module (BCM) through the instrument panel wire harness.

The VTSS LED cannot be adjusted or repaired and, if faulty or damaged, auto headlamp light sensor/VTSS LED unit must be replaced. Refer to **Auto Headlamp Sensor** in the Removal and Installation section of Group 8L - Lamps for the service procedures. For complete circuit diagrams, refer to **Vehicle Theft Security System** in the Contents of Group 8W - Wiring Diagrams.

### OPERATION

The VTSS LED gives a visible indication of the VTSS arming status. One side of the LED is connected to battery current at all times. The other side of the LED is hard wired to the BCM, which controls the operation of the LED by switching this side of the circuit to ground. When the VTSS arming is in progress, the BCM will flash the LED rapidly on and off for about fifteen seconds. When the VTSS has been successfully armed, the BCM will flash the LED on and off continually at a much slower rate until the VTSS is disarmed.

## DIAGNOSIS AND TESTING

### VEHICLE THEFT SECURITY SYSTEM

In order to obtain conclusive testing of the Vehicle Theft Security System (VTSS), the Body Control Module (BCM) and all of the electronic modules that provide inputs to, or receive outputs from the VTSS components must be checked. The most reliable, efficient, and accurate means to diagnose the VTSS requires the use of a DRB scan tool and the proper Diagnostic Procedures manual. The DRB scan tool can provide confirmation that the Programmable Communications Interface (PCI) data bus network is functional, that all of the electronic modules are sending and receiving the proper messages on the PCI data bus, and that the BCM is receiving the proper hard wired inputs and relaying the proper hard wired outputs to perform its VTSS functions.

See the proper Diagnostic Procedures manual and the Vehicle Theft Security System menu item on the DRB scan tool for the procedures. Refer to **Vehicle Theft Security System** in the Contents of Group 8W - Wiring Diagrams for complete circuit diagrams.

## REMOVAL AND INSTALLATION

### VEHICLE THEFT SECURITY SYSTEM COMPONENTS

Service procedures for the various components used in the Vehicle Theft Security System (VTSS) can be found in the proper group as follows:

- **Auto headlamp light sensor/VTSS Light Emitting Diode (LED)** - Refer to **Auto Headlamp**

**Sensor** in the Removal and Installation section of Group 8L - Lamps for the service procedures.

- **Body Control Module (BCM)** - Refer to **Body Control Module** in the Removal and Installation section of Group 8E - Instrument Panel Systems for the service procedures.

- **Combination flasher** - Refer to **Combination Flasher** in the Removal and Installation section of Group 8J - Turn Signal and Hazard Warning Systems for the service procedures.

- **Door ajar switch** - Refer to **Front Door Latch** or **Rear Door Latch** in the Removal and Installation section of Group 23 - Body for the service procedures.

- **Driver cylinder lock switch** - Refer to **Front Door Lock Cylinder** in the Removal and Installation section of Group 23 - Body for the service procedures.

- **Horn relay** - Refer to **Horn Relay** in the Removal and Installation section of Group 8G - Horn Systems for the service procedures.

- **Liftgate ajar switch** - Refer to **Liftgate Latch** in the Removal and Installation section of Group 23 - Body for the service procedures.

- **Liftgate flip-up glass ajar switch** - Refer to **Liftgate Flip-Up Glass Latch** in the Removal and Installation section of Group 23 - Body for the service procedures.

- **Low beam headlamp relay** - Refer to **Low Beam Headlamp Relay** in the Removal and Installation section of Group 8L - Lamps for the service procedures.

# SENTRY KEY IMMOBILIZER SYSTEM

## TABLE OF CONTENTS

	page	page
<b>DESCRIPTION AND OPERATION</b>		
SENTRY KEY IMMOBILIZER SYSTEM.....	6	
SENTRY KEY IMMOBILIZER MODULE.....	7	
SENTRY KEY IMMOBILIZER SYSTEM INDICATOR LAMP.....	8	
SENTRY KEY IMMOBILIZER TRANSPONDER....	8	
<b>DIAGNOSIS AND TESTING</b>		
SENTRY KEY IMMOBILIZER SYSTEM.....	9	
<b>SERVICE PROCEDURES</b>		
SENTRY KEY IMMOBILIZER SYSTEM TRANSPONDER PROGRAMMING .....	9	
<b>REMOVAL AND INSTALLATION</b>		
SENTRY KEY IMMOBILIZER MODULE.....	10	

## DESCRIPTION AND OPERATION

### SENTRY KEY IMMOBILIZER SYSTEM

#### DESCRIPTION

The Sentry Key Immobilizer System (SKIS) is standard factory-installed equipment for this model. The SKIS is designed to provide passive protection against unauthorized vehicle use by preventing the engine from operating without a valid key. Following are some general descriptions of the features and components of the SKIS.

The SKIS includes the following components:

- Sentry Key Immobilizer Module (SKIM)
- Sentry Key Immobilizer System indicator lamp
- Sentry Key transponder

Certain functions and features of the SKIS rely upon resources shared with other electronic modules in the vehicle over the Programmable Communications Interface (PCI) data bus network. The PCI data bus network allows the sharing of sensor information. This helps to reduce wire harness complexity, internal controller hardware, and component sensor current loads. At the same time, this system provides increased reliability, enhanced diagnostics, and allows the addition of many new feature capabilities. For diagnosis of these electronic modules or of the PCI data bus network, the use of a DRBIII® scan tool and the proper Diagnostic Procedures manual are recommended.

The other electronic modules that may affect SKIS operation are as follows:

- **Body Control Module (BCM)** - Refer to **Body Control Module** in the Description and Operation section of Group 8E - Instrument Panel Systems for more information.

- **Electro-Mechanical Instrument Cluster (EMIC)** - Refer to **Instrument Cluster** in the Description and Operation section of Group 8E - Instrument Panel Systems for more information.

- **Powertrain Control Module (PCM)** - Refer to **Powertrain Control Module** in the Description and Operation section of Group 14 - Fuel System for more information.

Refer to **Fuel/Ignition System** in the Contents of Group 8W - Wiring Diagrams for complete circuit diagrams. Following are general descriptions of the features and major components of the SKIS.

#### OPERATION

The SKIS uses a Radio Frequency (RF) transceiver and electronically coded Sentry Key transponders to verify that a valid key is inserted in the ignition switch lock cylinder. If the SKIS recognizes the key as valid, it sends messages to the PCM that will allow the engine to run. If the SKIS does not recognize a valid key, the engine will not run. While the engine starting system will operate and the engine may initially start and run up to about 800 revolutions-per-minute on residual fuel pressure, the vehicle cannot be driven without a valid Sentry Key transponder.

The SKIS includes two valid Sentry Key transponders from the factory. If the customer wishes, additional non-coded blank Sentry Keys are available. These blank keys can be cut to match a valid ignition key, but the engine will not run unless the key transponder is also programmed to the vehicle. The SKIS will recognize no more than eight valid Sentry Key transponders at any one time.

The SKIS performs a self-test each time the ignition switch is turned to the On position, and will store Diagnostic Trouble Codes (DTCs) if a system malfunction is detected. The SKIS can be diagnosed, and any stored DTC can be retrieved using a DRBIII® scan tool as described in the proper Diagnostic Procedures manual.

## DESCRIPTION AND OPERATION (Continued)

See the owner's manual in the vehicle glove box for more information on the use and operation of the SKIS.

## SENTRY KEY IMMOBILIZER MODULE

### DESCRIPTION

The Sentry Key Immobilizer Module (SKIM) contains a Radio Frequency (RF) transceiver and a central processing unit, which includes the Sentry Key Immobilizer System (SKIS) program logic. The SKIS programming enables the SKIM to program and retain in memory the codes of at least two, but no more than eight electronically coded Sentry Key transponders. The SKIS programming also enables the SKIM to communicate over the Programmable Communications Interface (PCI) data bus network with the Powertrain Control Module (PCM), the Electro-Mechanical Instrument Cluster (EMIC), the Body Control Module (BCM) and/or the DRB scan tool.

The SKIM transmits and receives RF signals through a tuned antenna enclosed within a molded plastic ring formation that is integral to the SKIM housing. When the SKIM is properly installed on the steering column, the antenna ring is oriented around the circumference of the ignition lock cylinder housing.

For added system security, each SKIM is programmed with a unique "Secret Key" code and a security code. The SKIM keeps the "Secret Key" code in memory and sends the code over the PCI data bus to the PCM, which also keeps this code in its memory. The SKIM also sends the "Secret Key" code to each of the programmed Sentry Key transponders. The security code is used by the assembly plant to access the SKIS for initialization, or by the dealer technician to access the system for service. The SKIM also stores in its memory the Vehicle Identification Number (VIN), which it learns through a PCI data bus message from the PCM during initialization.

The SKIM and the PCM both use software that includes a rolling code algorithm strategy, which helps to reduce the possibility of unauthorized SKIS disarming. The rolling code algorithm ensures security by preventing an override of the SKIS through the unauthorized substitution of the SKIM or the PCM. However, the use of this strategy also means

that replacement of either the SKIM or the PCM units will require a system initialization procedure to restore system operation.

For diagnosis or initialization of the SKIM and the PCM, a DRB scan tool and the proper Diagnostic Procedures manual are required. The SKIM cannot be repaired and, if faulty or damaged, the unit must be replaced.

### OPERATION

When the ignition switch is turned to the On or Start positions, the SKIM transmits an RF signal to excite the Sentry Key transponder. The SKIM then listens for a return RF signal from the transponder of the Sentry Key that is inserted in the ignition lock cylinder. If the SKIM receives an RF signal with valid "Secret Key" and transponder identification codes, the SKIM sends a "valid key" message to the PCM over the PCI data bus. If the SKIM receives an invalid RF signal or no response, it sends "invalid key" messages to the PCM. The PCM will enable or disable engine operation based upon the status of the SKIM messages.

The SKIM also sends messages to the EMIC over the PCI data bus network to control the SKIS indicator lamp. The SKIM sends messages to the EMIC to turn the lamp on for about three seconds when the ignition switch is turned to the On position as a bulb test. After completion of the bulb test, the SKIM sends bus messages to keep the lamp off for a duration of about one second. Then the SKIM sends messages to turn the lamp on or off based upon the results of the SKIS self-tests. If the SKIS indicator lamp comes on and stays on after the bulb test, it indicates that the SKIM has detected a system malfunction and/or that the SKIS has become inoperative.

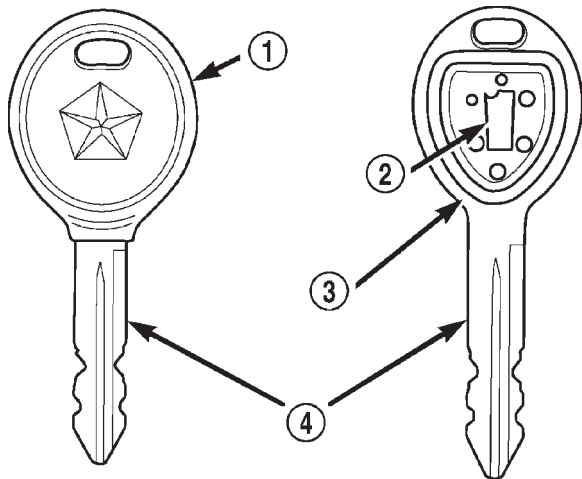
If the SKIM detects an invalid key when the ignition switch is turned to the On position, it sends messages to the EMIC to flash the SKIS indicator lamp. The SKIM can also send messages to the EMIC to flash the lamp and to the BCM to generate a single audible chime tone. These functions serve as an indication to the customer that the SKIS has been placed in its "Customer Learn" programming mode. See Sentry Key Immobilizer System Transponder Programming in this group for more information on the "Customer Learn" programming mode.



## DESCRIPTION AND OPERATION (Continued)

**SENTRY KEY IMMOBILIZER TRANSPONDER****DESCRIPTION**

The Sentry Key Immobilizer System (SKIS) uses a transponder that is integral to each of the two ignition keys that are supplied with the vehicle when it is shipped from the factory. The transponder chip is insulated within a nylon mount inserted in the head of the key, and invisible beneath a molded rubber cap (Fig. 1). For ease of identification, the molded rubber cap of ignition keys with a transponder are gray in color, while ignition keys without a transponder have a black cap.



80b5cb75

**Fig. 1 Sentry Key Immobilizer Transponder**

- 1 - MOLDED CAP
- 2 - TRANSPONDER
- 3 - MOLDED CAP REMOVED
- 4 - SENTRY KEY

The Sentry Key transponder cannot be repaired and, if faulty or damaged, it must be replaced.

**OPERATION**

Each Sentry Key transponder has a unique transponder identification code programmed into it by the manufacturer. The Sentry Key Immobilizer Module (SKIM) has a unique "Secret Key" code programmed into it by the manufacturer. When a Sentry Key transponder is programmed into the memory of the SKIM, the SKIM learns the transponder identification code from the transponder, and the transponder learns the "Secret Key" code from the SKIM. Each of these codes is stored within the transponder and in the nonvolatile memory of the SKIM. Therefore, blank keys for the SKIS must be programmed by and into the SKIM, in addition to being cut to match the mechanical coding of the ignition lock cylinder. Refer to **Sentry Key Immobilizer System Transponder**

**Programming** in the Service Procedures section of this group for more information.

The Sentry Key transponder is within the range of the SKIM transceiver antenna ring when it is inserted in the ignition lock cylinder. When the ignition switch is turned to the Start or On positions, the SKIM transceiver issues a Radio Frequency (RF) signal that excites the transponder chip. The transponder chip responds by issuing an RF signal containing its transponder identification code and the "Secret Key" code. The SKIM transceiver compares the transponder codes with the codes stored in its memory to determine whether a valid key is in the ignition lock cylinder.

**SENTRY KEY IMMOBILIZER SYSTEM INDICATOR LAMP****DESCRIPTION**

The Sentry Key Immobilizer System (SKIS) indicator lamp gives an indication when the SKIS is faulty or when the vehicle has been immobilized due to the use of an invalid ignition key. The lamp is controlled by the Electro-Mechanical Instrument Cluster (EMIC) circuitry based upon messages received from the Sentry Key Immobilizer Module (SKIM) over the Programmable Communications Interface (PCI) data bus network.

The SKIS indicator lamp uses a replaceable incandescent bulb and bulb holder on the EMIC electronic circuit board. If the SKIS indicator lamp comes on and stays on after the bulb test function, diagnosis of the SKIS and the PCI data bus should be performed with a DRB scan tool and the proper Diagnostic Procedures manual.

**OPERATION**

The SKIM sends messages to the EMIC over the PCI data bus to turn the lamp on for about three seconds when the ignition switch is turned to the On position as a bulb test. After completion of the bulb test, the SKIM sends PCI data bus messages to keep the lamp off for a duration of about one second. Then the SKIM sends messages to the instrument cluster circuitry to turn the lamp on or off based upon the results of the SKIS self-tests. If the SKIS indicator lamp comes on and stays on after the bulb test, it indicates that the SKIM has detected a system malfunction and/or that the SKIS has become inoperative.

If the SKIM detects an invalid key when the ignition switch is turned to the On position, it sends messages to the instrument cluster to flash the SKIS indicator lamp. The SKIM can also send messages to the instrument cluster to flash the lamp and to the Body Control Module (BCM) to generate a single



## DESCRIPTION AND OPERATION (Continued)

audible chime tone. These functions serve as an indication to the customer that the SKIS has been placed in its "Customer Learn" programming mode. Refer to **Sentry Key Immobilizer System Transponder Programming** in the Service Procedures section of this group for more information on the "Customer Learn" programming mode.

## DIAGNOSIS AND TESTING

## SENTRY KEY IMMOBILIZER SYSTEM

In order to obtain conclusive testing of the Sentry Key Immobilizer System (SKIS), the Sentry Key Immobilizer Module (SKIM) and all of the electronic modules that provide inputs to, or receive outputs from the SKIM must be checked. The most reliable, efficient, and accurate means to diagnose the SKIS requires the use of a DRB scan tool and the proper Diagnostic Procedures manual. The DRB scan tool can provide confirmation that the Programmable Communications Interface (PCI) data bus network is functional and that all of the electronic modules are sending and receiving the proper messages on the PCI data bus for the SKIM to perform its SKIS functions.

See the proper Diagnostic Procedures manual and the Vehicle Theft Security System menu item on the DRB scan tool for the procedures. Refer to **Fuel/Ignition System** in the Contents of Group 8W - Wiring Diagrams for complete circuit diagrams.

**WARNING: ON VEHICLES EQUIPPED WITH AIRBAGS, REFER TO GROUP 8M - PASSIVE RESTRAINT SYSTEMS BEFORE ATTEMPTING ANY STEERING WHEEL, STEERING COLUMN, OR INSTRUMENT PANEL COMPONENT DIAGNOSIS OR SERVICE. FAILURE TO TAKE THE PROPER PRECAUTIONS COULD RESULT IN ACCIDENTAL AIRBAG DEPLOYMENT AND POSSIBLE PERSONAL INJURY.**

(1) Check the fused B(+) fuse in the junction block. If OK, go to Step 2. If not OK, repair the shorted circuit or component as required and replace the faulty fuse.

(2) Check for battery voltage at the fused B(+) fuse in the junction block. If OK, go to Step 3. If not OK, repair the open fused B(+) circuit to the Power Distribution Center (PDC) fuse as required.

(3) Check the fused ignition switch output (run/start) fuse in the junction block. If OK, go to Step 4. If not OK, repair the shorted circuit or component as required and replace the faulty fuse.

(4) Turn the ignition switch to the On position. Check for battery voltage at the fused ignition switch output (run/start) fuse in the junction block. If OK,

go to Step 5. If not OK, repair the open fused ignition switch output (run/start) circuit to the ignition switch as required.

(5) Turn the ignition switch to the Off position. Disconnect and isolate the battery negative cable. Disconnect the instrument panel wire harness connector from the Sentry Key Immobilizer Module (SKIM) connector receptacle. Check for continuity between the ground circuit cavity of the instrument panel wire harness connector for the SKIM and a good ground. There should be continuity. If OK, go to Step 6. If not OK, repair the open ground circuit to ground as required.

(6) Connect the battery negative cable. Check for battery voltage at the fused B(+) circuit cavity of the instrument panel wire harness connector for the SKIM. If OK, go to Step 7. If not OK, repair the open fused B(+) circuit to the junction block fuse as required.

(7) Turn the ignition switch to the On position. Check for battery voltage at the fused ignition switch output (run/start) circuit cavity of the instrument panel wire harness connector for the SKIM. If OK, use a DRB scan tool and the proper Diagnostic Procedures manual to complete the diagnosis of the SKIS. If not OK, repair the open fused ignition switch output (run/start) circuit to the junction block fuse as required.

## SERVICE PROCEDURES

SENTRY KEY IMMOBILIZER SYSTEM  
TRANSPONDER PROGRAMMING

Two programmed Sentry Key transponders are included with the Sentry Key Immobilizer System (SKIS) when it is shipped from the factory. The Sentry Key Immobilizer Module (SKIM) can be programmed to recognize up to six additional transponders, for a total of eight Sentry Keys. The following "Customer Learn" programming procedure for the programming of additional transponders requires access to at least two of the valid Sentry Keys. If two valid Sentry Keys are not available, Sentry Key programming will require the use of a DRB scan tool and the proper Diagnostic Procedures manual.

## CUSTOMER LEARN

(1) Obtain the additional Sentry Key transponder blank(s) that are to be programmed for the vehicle. Cut the additional Sentry Key transponder blanks to match the ignition lock cylinder mechanical key codes.

## SERVICE PROCEDURES (Continued)

(2) Insert one of the two valid Sentry Key transponders into the ignition switch and turn the ignition switch to the On position.

(3) After the ignition switch has been in the On position for about three seconds, but no more than fifteen seconds later, cycle the ignition switch back to the Off position. Replace the first valid Sentry Key in the ignition lock cylinder with the second valid Sentry Key and turn the ignition switch back to the On position.

(4) About ten seconds after the completion of Step 3, the SKIS indicator lamp will start to flash and a single audible chime tone will sound to indicate that the system has entered the "Customer Learn" programming mode.

(5) Within about fifty seconds of entering the "Customer Learn" programming mode, turn the ignition switch to the Off position, replace the valid Sentry Key with a blank Sentry Key transponder, and turn the ignition switch back to the On position.

(6) About ten seconds after the completion of Step 5, a single audible chime tone will sound and the SKIS indicator lamp will stop flashing and stay on solid for about three seconds to indicate that the blank Sentry Key transponder has been successfully programmed. The SKIS will immediately return to normal system operation following exit from the "Customer Learn" programming mode.

(7) Go back to Step 2 and repeat this process for each additional Sentry Key transponder blank to be programmed.

If any of the above steps is not completed in the proper sequence, or within the allotted time, the SKIS will automatically exit the "Customer Learn" programming mode. The SKIS will also automatically exit the "Customer Learn" programming mode if it sees a non-blank Sentry Key transponder when it should see a blank, if it has already programmed eight valid Sentry Keys, or if the ignition switch is turned to the Off position for more than about fifty seconds.

## REMOVAL AND INSTALLATION

## SENTRY KEY IMMOBILIZER MODULE

**WARNING: ON VEHICLES EQUIPPED WITH AIRBAGS, REFER TO GROUP 8M - PASSIVE RESTRAINT SYSTEMS BEFORE ATTEMPTING ANY STEERING WHEEL, STEERING COLUMN, OR INSTRUMENT PANEL COMPONENT DIAGNOSIS OR SERVICE. FAILURE TO TAKE THE PROPER PRECAUTIONS COULD RESULT IN ACCIDENTAL AIRBAG DEPLOYMENT AND POSSIBLE PERSONAL INJURY.**

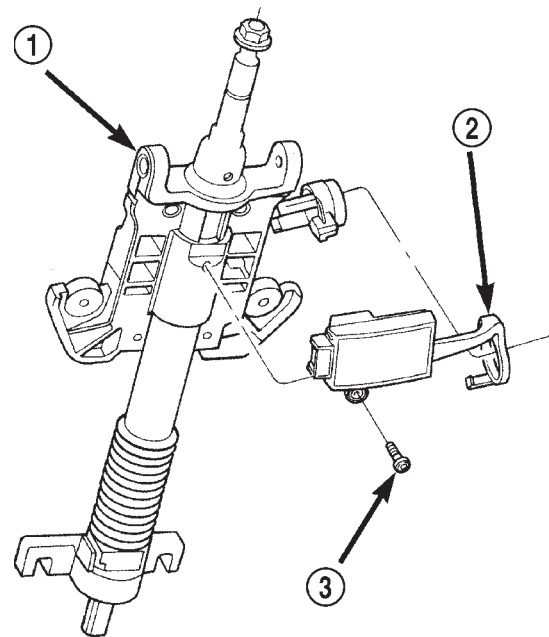
## REMOVAL

(1) Disconnect and isolate the battery negative cable.

(2) Remove the steering column opening cover from the instrument panel. Refer to **Steering Column Opening Cover** in the Removal and Installation section of Group 8E - Instrument Panel Systems for the procedures.

(3) Disconnect the instrument panel wire harness connector from the Sentry Key Immobilizer Module (SKIM) connector receptacle.

(4) Remove the one screw that secures the SKIM to the bottom of the steering column housing between the ignition switch and the ignition lock cylinder (Fig. 2).



80b76ff9

**Fig. 2 Sentry Key Immobilizer Module Remove/Install**

- 1 - STEERING COLUMN
- 2 - SKIM
- 3 - MOUNTING SCREW

(5) Pull the lower right side of the fixed column shroud away from the ignition lock cylinder far enough to disengage the antenna ring of the SKIM from around the ignition lock cylinder housing.

(6) Remove the SKIM from the steering column.

## INSTALLATION

(1) Position the SKIM under the steering column.

(2) Pull the lower right side of the fixed column shroud away from the ignition lock cylinder far enough to engage the antenna ring of the SKIM around the ignition lock cylinder housing.

## REMOVAL AND INSTALLATION (Continued)

(3) Install and tighten the one screw that secures the SKIM to the bottom of the steering column housing between the ignition switch and the ignition lock cylinder. Tighten the screw to 3.4 N·m (30 in lbs.).

(4) Reconnect the instrument panel wire harness connector to the SKIM connector receptacle.

(5) Install the steering column opening cover onto the instrument panel. Refer to **Steering Column**

**Opening Cover** in the Removal and Installation section of Group 8E - Instrument Panel Systems for the procedures.

(6) Reconnect the battery negative cable.



# POWER SEAT SYSTEMS

## TABLE OF CONTENTS

	page		page
POWER SEAT SYSTEM.....	1	MEMORY SYSTEM .....	11

# POWER SEAT SYSTEM

## TABLE OF CONTENTS

	page		page
<b>DESCRIPTION AND OPERATION</b>			
POWER SEAT SYSTEM.....	1	POWER SEAT SYSTEM.....	5
POWER LUMBAR ADJUSTER .....	2	POWER LUMBAR SWITCH .....	6
POWER LUMBAR SWITCH .....	2	POWER SEAT RECLINER .....	6
POWER SEAT RECLINER .....	3	POWER SEAT SWITCH .....	7
POWER SEAT SWITCH .....	3	POWER SEAT TRACK.....	7
POWER SEAT TRACK.....	4	<b>REMOVAL AND INSTALLATION</b>	
<b>DIAGNOSIS AND TESTING</b>			
POWER LUMBAR ADJUSTER .....	5	POWER LUMBAR SWITCH .....	8
		POWER SEAT SWITCH .....	9

## DESCRIPTION AND OPERATION

### POWER SEAT SYSTEM

#### DESCRIPTION

Driver and passenger power front seats are an available factory-installed option for this vehicle. The power seat system option allows the driver and front seat passenger to electrically adjust their seating positions for optimum control and comfort using the power seat switches located on the outboard seat cushion side shield of each front seat. The power seat system receives battery current through a fuse in the Power Distribution Center (PDC) and a circuit breaker in the junction block so that the power seats remain operational, regardless of the ignition switch position.

Two power seat options are offered on this vehicle, depending upon the model. They are as follows:

- **Six-way power seat** - This power seat is an available option on Laredo models equipped with cloth-trimmed seats and includes a six-way adjustable seat cushion track with manual seat back recliners.
- **Ten-way power seat** - This power seat option is standard on Limited models and optional on

Laredo models with leather-trimmed seats. This option includes a six-way adjustable seat cushion track with power seat back recliners and power lumbar supports.

The ten-way power seat is also available with the heated seat system option on both Laredo and Limited models; and, on Limited models only, there is a standard equipment memory system that automatically positions the power seat for two different drivers. Refer to **Heated Seat System** in the Heated Seat System section of Group 8N - Electrically Heated Systems for more information on the heated seat option. Refer to **Memory System** in the Memory System section of this group for more information on the memory system.

The power seat system includes the following components:

- Power lumbar adjuster (ten-way power seat only)
- Power lumbar switch (ten-way power seat only)
- Power seat recliner (ten-way power seat only)
- Power seat switch
- Power seat track.

Refer to **Power Seat** in the Contents of Group 8W - Wiring Diagrams for complete circuit diagrams. Following are general descriptions of the major components in the power seat system.



## DESCRIPTION AND OPERATION (Continued)

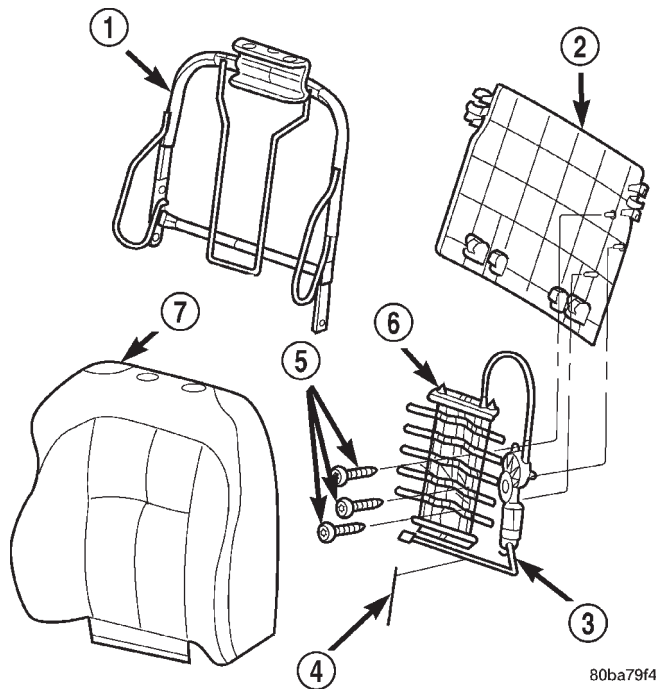
## OPERATION

The power seat system allows the driver and/or front passenger seating positions to be adjusted electrically and independently using the separate power seat switches found on the outboard seat cushion side shield of each front seat. See the owner's manual in the vehicle glove box for more information on the features, use and operation of the power seat system.

## POWER LUMBAR ADJUSTER

## DESCRIPTION

The ten-way power seat option includes an electrically operated lumbar support mechanism. The only visible evidence of this option is the separate power lumbar switch control paddle that is located on the outboard seat cushion side shield, just forward of the other power seat switch control knobs. The power lumbar adjuster and motor are concealed beneath the seat back trim cover and padding, where they are secured to a molded plastic back panel and to the seat back frame (Fig. 1).



**Fig. 1 Power Lumbar Adjuster**

- 1 - SEAT BACK FRAME
- 2 - SEAT BACK PANEL
- 3 - SEAT WIRE HARNESS
- 4 - TIE WRAP
- 5 - SCREW (3)
- 6 - POWER LUMBAR ADJUSTER
- 7 - SEAT BACK TRIM COVER AND PADDING

The power lumbar adjuster cannot be repaired, and is serviced only as a unit with the seat back frame. If the power lumbar adjuster or the seat back frame

are damaged or faulty, the entire seat back frame unit must be replaced. Refer to **Bucket Seat Back** in the Removal and Installation section of Group 23 - Body for the seat back frame service procedures.

## OPERATION

The power lumbar adjuster mechanism includes a reversible electric motor that is secured to the inboard side of the seat back panel and is connected to a worm-drive gearbox. The motor and gearbox operate the lumbar adjuster mechanism in the center of the seat back by extending and retracting a cable that actuates a lever. The action of this lever compresses or relaxes a grid of flexible slats. The more this grid is compressed, the more the slats bow outward against the center of the seat back padding, providing additional lumbar support.

## POWER LUMBAR SWITCH

## DESCRIPTION

The ten-way power seat option includes an electrically operated lumbar support mechanism. A single two-way momentary power lumbar switch is located on the outboard seat cushion side shield of each front seat, just forward of the other power seat switches. The power lumbar switch is secured to the back of the seat cushion side shield with two screws, and the switch paddle protrudes through a hole to the outside of the shield. The switch paddle is located in a shallow depression molded into the outer surface of the seat cushion side shield that helps to shroud it from unintentional actuation when entering or leaving the vehicle.

The power lumbar switches cannot be adjusted or repaired and, if faulty or damaged, they must be replaced.

## OPERATION

When the power lumbar switch paddle is actuated, a battery feed and a ground path are applied through the switch contacts to the power lumbar adjuster motor. The motor operates to move the lumbar adjuster through its drive unit in the selected direction until the switch is released, or until the travel limit of the adjuster is reached. When the switch is moved in the opposite direction, the battery feed and ground path to the motor are reversed through the switch contacts. This causes the motor to run in the opposite direction.

The power lumbar switch should not be held applied in either direction after the adjuster has reached its travel limit. The power lumbar adjuster motor contains a self-resetting circuit breaker to protect it from overload. However, consecutive or frequent resetting of the circuit breaker must not be allowed to continue, or the motor may be damaged.

DESCRIPTION AND OPERATION (Continued)

**POWER SEAT RECLINER**

**DESCRIPTION**

The ten-way power seat option includes an electrically operated seat back recliner mechanism. The only visible evidence of this option is the separate power seat recliner switch control knob that is located on the outboard seat cushion side shield, just behind the other power seat switch control knob. The power seat recliner switch is integral to the ten-way power seat switch unit, but is actuated with a separate switch knob.

The power seat recliner unit is mounted in the place of a seat hinge on the outboard side of the seat (Fig. 2). The upper hinge plate of the power seat recliner mechanism is secured with two screws to the seat back frame and is concealed beneath the seat back trim cover and padding. The lower hinge plate and the motor and drive unit of the power seat recliner mechanism is secured with two screws to the seat cushion frame, and is concealed by the outboard seat cushion side shield.

The power seat recliner cannot be repaired. If the unit is faulty or damaged, it must be replaced. Refer to **Bucket Seat Recliner** in the Removal and Installation section of Group 23 - Body for the service procedures.

**OPERATION**

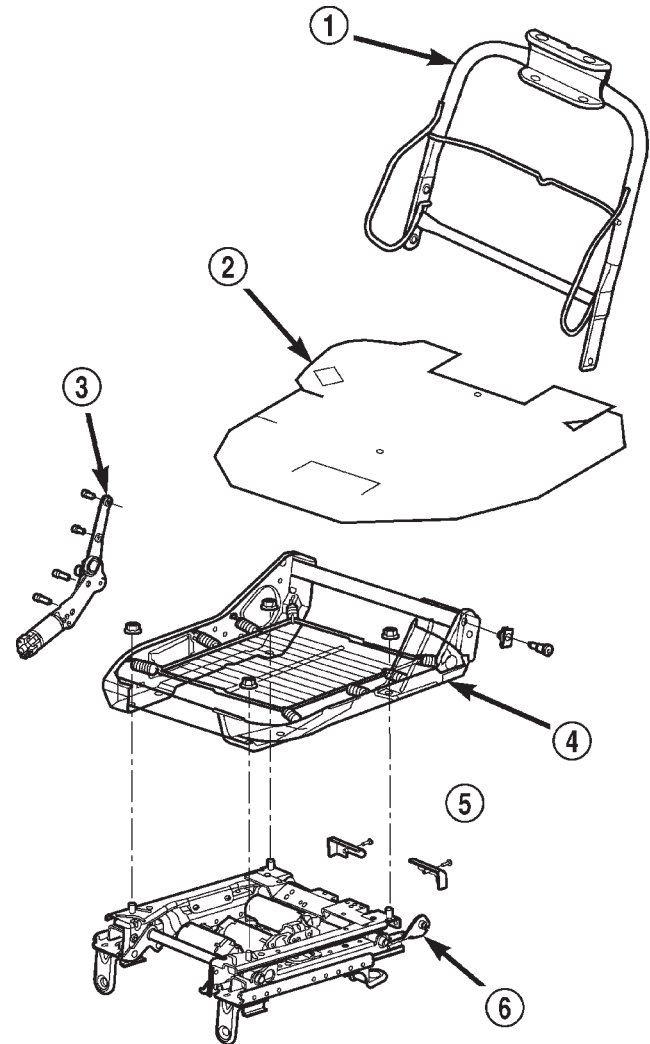
The power seat recliner includes a reversible electric motor that is secured to the lower hinge plate of the recliner unit. The motor is connected to a gearbox that moves the upper hinge plate of the power seat recliner through a screw-type drive unit. The driver side power seat recliner motor used on models equipped with the optional memory system also has a position potentiometer integral to the motor assembly, which electronically monitors the motor position.

**POWER SEAT SWITCH**

**DESCRIPTION**

Two different power seat switches are used on this vehicle, depending upon the optional power seat system installed in the vehicle. The six-way power seats are each equipped with a switch featuring three switch control knobs ganged together on the outboard seat cushion side shield (Fig. 3). The ten-way power seats are each equipped with a switch featuring two knobs ganged together on the outboard seat cushion side shield (Fig. 4).

The switch units for both power seat types are secured to the back of the seat cushion side shield with two screws. However, the control knobs for the six-way power seat switch unit remain installed during switch unit removal and installation, while both



**Fig. 2 Power Seat Recliner and Track**

80b6f0a9

- 1 - SEAT BACK FRAME
- 2 - SEAT CUSHION PAD
- 3 - POWER RECLINER
- 4 - SEAT CUSHION FRAME
- 5 - SHIELD
- 6 - POWER SEAT TRACK ADJUSTER

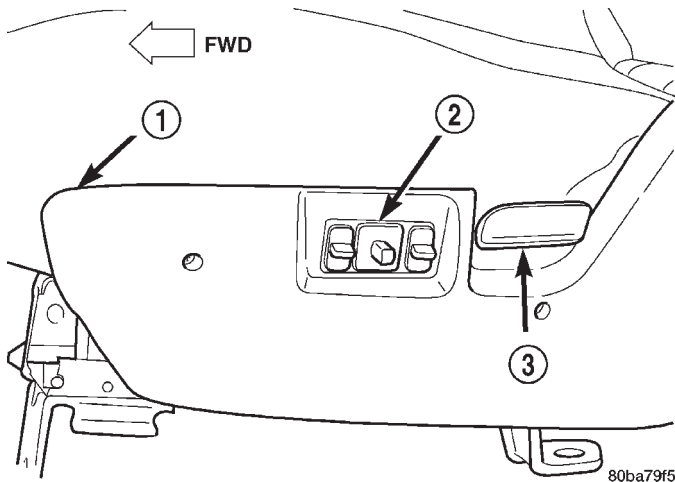
knobs for the ten-way power seat switch unit must be removed.

The individual switches in both power seat switch units cannot be repaired. If one switch is damaged or faulty, the entire power seat switch unit must be replaced.

**OPERATION**

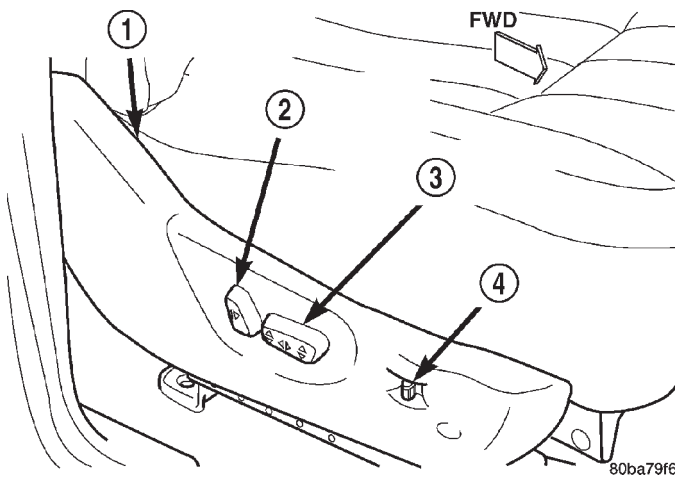
The power seat tracks of both the six-way and the ten-way power seat systems can be adjusted in six different ways using the power seat switches. The ten-way system has the additional power seat recliner switch integral to the power seat switch and also has a separate, stand-alone switch to control the power lumbar adjuster. See the owner's manual in

## DESCRIPTION AND OPERATION (Continued)



**Fig. 3 Six-Way Power Seat Switches**

- 1 - OUTBOARD SEAT CUSHION SIDE SHIELD
- 2 - POWER SEAT TRACK SWITCHES
- 3 - MECHANICAL SEAT BACK RECLINER LEVER



**Fig. 4 Ten-Way Power Seat Switches**

- 1 - OUTBOARD CUSHION SIDE SHIELD
- 2 - POWER SEAT RECLINER SWITCH
- 3 - POWER SEAT TRACK SWITCH
- 4 - POWER LUMBAR SWITCH

the vehicle glove box for more information on the power seat switch functions and the seat adjusting procedures.

When a power switch control knob or knobs are actuated, a battery feed and a ground path are applied through the switch contacts to the power seat track or recliner adjuster motor. The selected adjuster motor operates to move the seat track or recliner through its drive unit in the selected direction until the switch is released, or until the travel limit of the adjuster is reached. When the switch is moved in the opposite direction, the battery feed and ground path to the motor are reversed through the

switch contacts. This causes the adjuster motor to run in the opposite direction.

No power seat switch should be held applied in any direction after the adjuster has reached its travel limit. The power seat adjuster motors each contain a self-resetting circuit breaker to protect them from overload. However, consecutive or frequent resetting of the circuit breaker must not be allowed to continue, or the motor may be damaged.

## POWER SEAT TRACK

### DESCRIPTION

Both the six-way and the ten-way power seat options include a single electrically operated power seat track unit located under each front bucket seat. The power seat track unit replaces the standard equipment manual seat tracks. The lower half of the power seat track is secured at the front with two screws to the floor panel seat cross member, and at the rear with two screws to the floor panel. Four nuts secure the bottom of the seat cushion frame to four studs on the upper half of the power seat track unit.

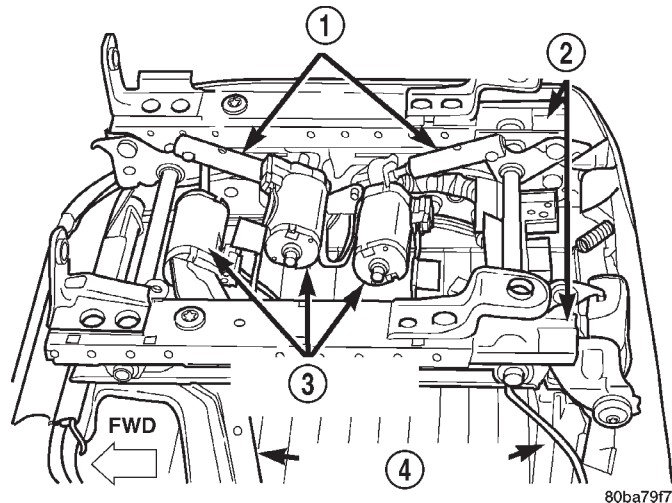
The power seat track unit cannot be repaired, and is serviced only as a complete unit. If any component in this unit is faulty or damaged, the entire power seat track unit must be replaced. Refer to **Bucket Seat Track Adjuster** in the Removal and Installation section of Group 23 - Body for the service procedures.

### OPERATION

The power seat track unit includes three reversible electric motors that are secured to the upper half of the track unit (Fig. 5). Each motor moves the seat adjuster through a combination of worm-drive gearboxes and screw-type drive units. Each of the three driver side power seat track motors used on models equipped with the optional memory system also has a position potentiometer integral to the motor assembly, which electronically monitors the motor position.

The front and rear of the seat are operated by two separate vertical adjustment motors. These motors can be operated independently of each other, tilting the entire seat assembly forward or rearward; or, they can be operated in unison by selecting the proper power seat switch functions, which will raise or lower the entire seat assembly. The third motor is the horizontal adjustment motor, which moves the seat track in the forward and rearward directions.

## DESCRIPTION AND OPERATION (Continued)



**Fig. 5 Power Seat Track - Typical**

- 1 - DRIVE UNITS
- 2 - LOWER SEAT TRACKS
- 3 - POWER SEAT MOTORS
- 4 - SEAT CUSHION FRAME

## DIAGNOSIS AND TESTING

### POWER SEAT SYSTEM

Following are tests that will help to diagnose the hard wired components and circuits of the power seat system. However, if the vehicle is also equipped with the optional memory system, these tests may not prove conclusive in the diagnosis of the driver side power seat. In order to obtain conclusive testing of the driver side power seat with the memory system option, the Programmable Communications Interface (PCI) data bus network and all of the electronic modules that provide inputs to, or receive outputs from the memory system components must be checked.

The most reliable, efficient, and accurate means to diagnose the driver side power seat with the memory system option requires the use of a DRB scan tool and the proper Diagnostic Procedures manual. The DRB scan tool can provide confirmation that the PCI data bus is functional, that all of the electronic modules are sending and receiving the proper messages on the PCI data bus, and that the memory system is receiving the proper hard wired inputs and relaying the proper hard wired outputs to perform its driver side power seat functions.

Before any testing of the power seat system is attempted, the battery should be fully-charged and all of the power seat system wire harness connections and pins cleaned and tightened to ensure proper circuit continuity and ground paths. For complete circuit diagrams, refer to **Power Seat** in the Contents of Group 8W - Wiring Diagrams.

With the dome lamp on, apply the power seat switch in the direction of the failure. If the dome lamp dims, the seat may be jamming. Check under and behind the seat for binding or obstructions. If the dome lamp does not dim, proceed with testing of the individual components and circuits.

### POWER LUMBAR ADJUSTER

Actuate the power lumbar switch to move the power lumbar adjuster in each direction. The power lumbar adjuster should move in both directions. It should be noted that the power lumbar adjuster normally operates very quietly and exhibits little visible movement. If the power lumbar adjuster fails to operate in only one direction, move the adjuster a short distance in the opposite direction and test again to be certain that the adjuster is not at its travel limit. If the power lumbar adjuster still fails to operate in only one direction, refer to **Power Lumbar Switch** in the Diagnosis and Testing section of this group. If the power lumbar adjuster fails to operate in either direction, perform the following tests. For complete circuit diagrams, refer to **Power Seat** in the Contents of Group 8W - Wiring Diagrams.

(1) Check the power seat circuit breaker in the junction block. If OK, go to Step 2. If not OK, replace the faulty power seat circuit breaker.

(2) Check for battery voltage at the power seat circuit breaker in the junction block. If OK, go to Step 3. If not OK, repair the open fused B(+) circuit to the fuse in the Power Distribution Center as required.

(3) Remove the outboard seat cushion side shield from the seat. Disconnect the seat wire harness connector from the power lumbar switch connector receptacle. Check for battery voltage at the fused B(+) circuit cavity of the power seat wire harness connector for the power lumbar switch. If OK, go to Step 4. If not OK, repair the open fused B(+) circuit to the power seat circuit breaker in the junction block as required.

(4) Check for continuity between the ground circuit cavity of the power seat wire harness connector for the power lumbar switch and a good ground. There should be continuity. If OK, go to Step 5. If not OK, repair the open ground circuit to ground as required.

(5) Test the power lumbar switch. Refer to **Power Lumbar Switch** in the Diagnosis and Testing section of this group. If the switch tests OK, test the circuits of the power seat wire harness between the power lumbar adjuster motor and the power lumbar switch for shorts or opens. If the circuits check OK, replace the faulty seat back frame assembly. If the circuits are not OK, repair the power seat wire harness as required.

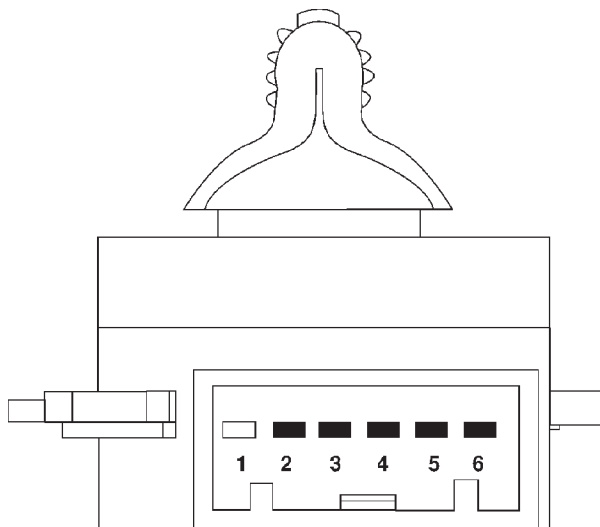


DIAGNOSIS AND TESTING (Continued)

**POWER LUMBAR SWITCH**

For complete circuit diagrams, refer to **Power Seat** in the Contents of Group 8W - Wiring Diagrams.

- (1) Disconnect and isolate the battery negative cable.
- (2) Remove the power lumbar switch from the outboard seat cushion side shield. Refer to **Power Lumbar Switch** in the Removal and Installation section of this group for the procedures.
- (3) Use an ohmmeter to test the continuity of the power lumbar switch in each switch position. See the Power Lumbar Switch Continuity chart (Fig. 6). If OK, refer to **Power Lumbar Adjuster** in the Diagnosis and Testing section of this group. If not OK, replace the faulty power lumbar switch.



POWER LUMBAR SWITCH		
LEFT SWITCH POSITION	RIGHT SWITCH POSITION	CONTINUITY BETWEEN
Off	Off	2-4, 3-5
Forward	Rearward	3-5, 4-6
Rearward	Forward	2-4, 3-6

80ba79tb

**Fig. 6 Power Lumbar Switch Continuity**

**POWER SEAT RECLINER**

Following are tests that will help to diagnose the hard wired components and circuits of the power seat system. However, if the vehicle is also equipped with the optional memory system, these tests may not prove conclusive in the diagnosis of the driver side power seat. In order to obtain conclusive testing of the driver side power seat with the memory system

option, the Programmable Communications Interface (PCI) data bus network and all of the electronic modules that provide inputs to, or receive outputs from the memory system components must be checked.

The most reliable, efficient, and accurate means to diagnose the driver side power seat with the memory system option requires the use of a DRB scan tool and the proper Diagnostic Procedures manual. The DRB scan tool can provide confirmation that the PCI data bus is functional, that all of the electronic modules are sending and receiving the proper messages on the PCI data bus, and that the memory system is receiving the proper hard wired inputs and relaying the proper hard wired outputs to perform its driver side power seat functions.

Actuate the power seat recliner switch to move the power seat recliner adjuster in each direction. The power seat recliner adjuster should move in both directions. If the power seat recliner adjuster fails to operate in only one direction, move the adjuster a short distance in the opposite direction and test again to be certain that the adjuster is not at its travel limit. If the power seat recliner adjuster still fails to operate in only one direction, refer to **Power Seat Switch** in the Diagnosis and Testing section of this group. If the power recliner adjuster fails to operate in either direction, perform the following tests. For complete circuit diagrams, refer to **Power Seat** in the Contents of Group 8W - Wiring Diagrams.

- (1) Check the power seat circuit breaker in the junction block. If OK, go to Step 2. If not OK, replace the faulty power seat circuit breaker.
- (2) Check for battery voltage at the power seat circuit breaker in the junction block. If OK, go to Step 3. If not OK, repair the open fused B(+) circuit to the fuse in the Power Distribution Center as required.
- (3) Remove the outboard seat cushion side shield from the seat. Disconnect the seat wire harness connector from the power seat switch connector receptacle. Check for battery voltage at the fused B(+) circuit cavity of the power seat wire harness connector for the power seat switch. If OK, go to Step 4. If not OK, repair the open fused B(+) circuit to the power seat circuit breaker in the junction block as required.

(4) Check for continuity between the ground circuit cavity of the power seat wire harness connector for the power seat switch and a good ground. There should be continuity. If OK, go to Step 5. If not OK, repair the open ground circuit to ground as required.

(5) Test the power seat switch. Refer to **Power Seat Switch** in the Diagnosis and Testing section of this group. If the switch tests OK, test the circuits of the power seat wire harness between the power seat recliner adjuster motor and the power seat switch for



DIAGNOSIS AND TESTING (Continued)

shorts or opens. If the circuits check OK, replace the faulty power seat recliner unit. If the circuits are not OK, repair the power seat wire harness as required.

**POWER SEAT SWITCH**

Following are tests that will help to diagnose the hard wired components and circuits of the power seat system. However, if the vehicle is also equipped with the optional memory system, these tests may not prove conclusive in the diagnosis of the driver side power seat. In order to obtain conclusive testing of the driver side power seat with the memory system option, the Programmable Communications Interface (PCI) data bus network and all of the electronic modules that provide inputs to, or receive outputs from the memory system components must be checked.

The most reliable, efficient, and accurate means to diagnose the driver side power seat with the memory system option requires the use of a DRB scan tool and the proper Diagnostic Procedures manual. The DRB scan tool can provide confirmation that the PCI data bus is functional, that all of the electronic modules are sending and receiving the proper messages on the PCI data bus, and that the memory system is receiving the proper hard wired inputs and relaying the proper hard wired outputs to perform its driver side power seat functions.

For complete circuit diagrams, refer to **Power Seat** in the Contents of Group 8W - Wiring Diagrams.

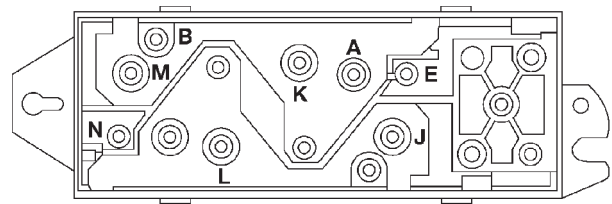
(1) Disconnect and isolate the battery negative cable.

(2) Remove the power seat switch from the outboard seat cushion side shield. Refer to **Power Seat Switch** in the Removal and Installation section of this group for the procedures.

(3) Use an ohmmeter to test the continuity of the power seat switch in each switch position. See the Power Seat Switch Continuity chart (Fig. 7) or (Fig. 8). If OK, refer to **Power Seat Track** or **Power Seat Recliner** in the Diagnosis and Testing section of this group. If not OK, replace the faulty power seat switch unit.

**POWER SEAT TRACK**

Following are tests that will help to diagnose the hard wired components and circuits of the power seat system. However, if the vehicle is also equipped with the optional memory system, these tests may not prove conclusive in the diagnosis of the driver side power seat. In order to obtain conclusive testing of the driver side power seat with the memory system option, the Programmable Communications Interface (PCI) data bus network and all of the electronic modules that provide inputs to, or receive outputs from the memory system components must be checked.



LEFT SIDE SHOWN  
(ROTATE 180° FOR RIGHT SIDE)

POWER SEAT SWITCH		
LEFT SWITCH POSITION	RIGHT SWITCH POSITION	CONTINUITY BETWEEN
OFF	OFF	B-N, B-J, B-M, B-E, B-L, B-K
VERTICAL UP	VERTICAL DOWN	A-J, A-N, B-M, B-E
VERTICAL DOWN	VERTICAL UP	A-E, A-M, B-N, B-J
HORIZONTAL FORWARD	HORIZONTAL REARWARD	A-K, B-L
FRONT TILT UP	FRONT TILT DOWN	A-J, B-E
FRONT TILT DOWN	FRONT TILT UP	A-E, B-J
REAR TILT UP	REAR TILT DOWN	A-N, B-M
REAR TILT DOWN	REAR TILT UP	A-M, B-N

80ba79fc

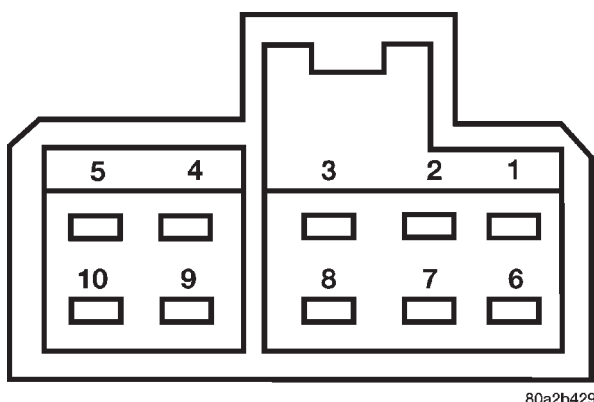
**Fig. 7 Six-Way Power Seat Switch Continuity**

The most reliable, efficient, and accurate means to diagnose the driver side power seat with the memory system option requires the use of a DRB scan tool and the proper Diagnostic Procedures manual. The DRB scan tool can provide confirmation that the PCI data bus is functional, that all of the electronic modules are sending and receiving the proper messages on the PCI data bus, and that the memory system is receiving the proper hard wired inputs and relaying the proper hard wired outputs to perform its driver side power seat functions.

Actuate the power seat switch to move all three power seat track adjusters in each direction. The power seat track adjusters should move in each of the selected directions. If a power seat track adjuster fails to operate in only one direction, move the adjuster a short distance in the opposite direction and test again to be certain that the adjuster is not at its travel limit. If the power seat track adjuster still fails to operate in only one direction, refer to **Power Seat Switch** in the Diagnosis and Testing section of this group. If the power seat track adjuster fails to operate in more than one direction, perform the following tests. For complete circuit diagrams,

## DIAGNOSIS AND TESTING (Continued)

SWITCH POSITION	CONTINUITY BETWEEN PINS	
	LEFT SEAT	RIGHT SEAT
OFF	PIN 1 to 2 PIN 1 to 3 PIN 1 to 4 PIN 1 to 6 PIN 1 to 7 PIN 1 to 8 PIN 1 to 9 PIN 1 to 10	PIN 1 to 2 PIN 1 to 3 PIN 1 to 4 PIN 1 to 6 PIN 1 to 7 PIN 1 to 8 PIN 1 to 9 PIN 1 to 10
FRONT RISER UP	PIN 1 to 10 PIN 5 to 7	PIN 1 to 7 PIN 5 to 10
FRONT RISER DOWN	PIN 1 to 7 PIN 5 to 10	PIN 1 to 10 PIN 5 to 7
CENTER SWITCH FORWARD	PIN 1 to 3 PIN 5 to 6	PIN 1 to 3 PIN 5 to 6
CENTER SWITCH REARWARD	PIN 1 to 6 PIN 3 to 5	PIN 1 to 6 PIN 3 to 5
REAR RISER UP	PIN 1 to 9 PIN 5 to 8	PIN 1 to 8 PIN 5 to 9
REAR RISER DOWN	PIN 1 to 8 PIN 5 to 9	PIN 1 to 9 PIN 5 to 8
RECLINER UP	PIN 1 to 4 PIN 2 to 5	PIN 1 to 4 PIN 2 to 5
RECLINER DOWN	PIN 1 to 2 PIN 4 to 5	PIN 1 to 2 PIN 4 to 5



80a2b429

Fig. 8 Ten-Way Power Seat Switch Continuity

refer to **Power Seat** in the Contents of Group 8W - Wiring Diagrams.

(1) Check the power seat circuit breaker in the junction block. If OK, go to Step 2. If not OK, replace the faulty power seat circuit breaker.

(2) Check for battery voltage at the power seat circuit breaker in the junction block. If OK, go to Step 3. If not OK, repair the open fused B(+) circuit to the fuse in the Power Distribution Center as required.

(3) Remove the outboard seat cushion side shield from the seat. Disconnect the seat wire harness connector from the power seat switch connector receptacle. Check for battery voltage at the fused B(+) circuit cavity of the power seat wire harness connector for the power seat switch. If OK, go to Step 4. If not OK, repair the open fused B(+) circuit to the power seat circuit breaker in the junction block as required.

(4) Check for continuity between the ground circuit cavity of the power seat wire harness connector for the power seat switch and a good ground. There should be continuity. If OK, go to Step 5. If not OK, repair the open ground circuit to ground as required.

(5) Test the power seat switch. Refer to **Power Seat Switch** in the Diagnosis and Testing section of this group. If the switch tests OK, test the circuits of the power seat wire harness between the inoperative power seat track adjuster motor and the power seat switch for shorts or opens. If the circuits check OK, replace the faulty power seat track unit. If the circuits are not OK, repair the power seat wire harness as required.

## REMOVAL AND INSTALLATION

## POWER LUMBAR SWITCH

## REMOVAL

(1) Disconnect and isolate the battery negative cable.

(2) Remove the three screws that secure the outboard seat cushion side shield to the seat cushion frame.

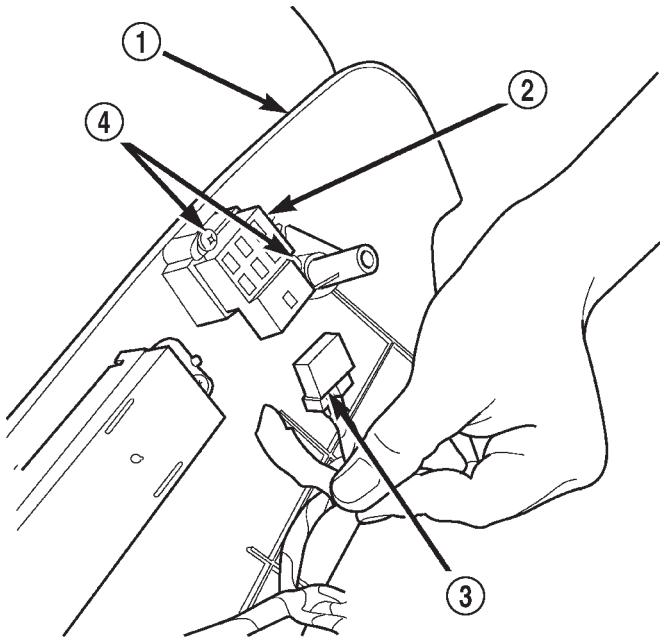
(3) Pull the outboard seat cushion side shield away from the seat cushion frame far enough to access the power lumbar switch wire harness connector.

(4) Disconnect the power seat wire harness connector from the power lumbar switch connector receptacle (Fig. 9).

(5) Remove the two screws that secure the power lumbar switch to the inside of the outboard seat cushion side shield.

(6) Remove the power lumbar switch from the outboard seat cushion side shield.

REMOVAL AND INSTALLATION (Continued)



80ba79f8

**Fig. 9 Power Lumbar Switch Remove/Install**

- 1 - OUTBOARD SEAT CUSHION SIDE SHIELD
- 2 - POWER LUMBAR SWITCH
- 3 - WIRE HARNESS CONNECTOR
- 4 - SCREWS (2)

**INSTALLATION**

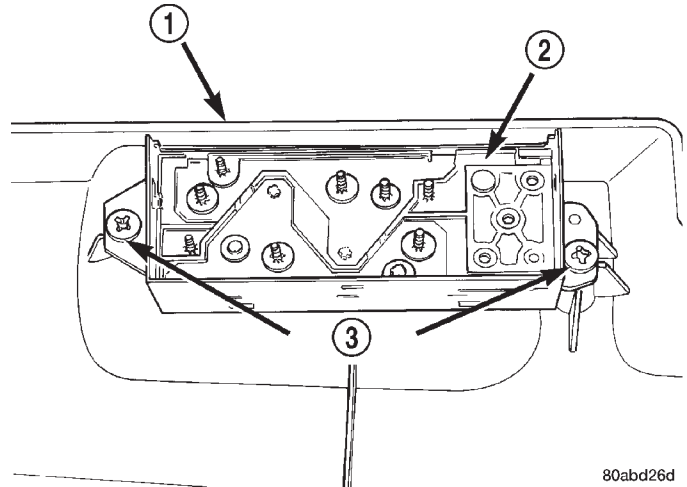
- (1) Position the power lumbar switch onto the outboard seat cushion side shield.
- (2) Install and tighten the two screws that secure the power lumbar switch to the inside of the outboard seat cushion side shield. Tighten the screws to 1.5 N·m (14 in. lbs.).
- (3) Reconnect the power seat wire harness connector to the power lumbar switch connector receptacle.
- (4) Position the outboard seat cushion side shield onto the seat cushion frame.
- (5) Install and tighten the three screws that secure the outboard seat cushion side shield to the seat cushion frame. Tighten the screws to 1.5 N·m (14 in. lbs.).
- (6) Reconnect the battery negative cable.

**POWER SEAT SWITCH**

**REMOVAL**

- (1) Disconnect and isolate the battery negative cable.
- (2) On models with the ten-way power seat system only, using a trim stick or another suitable wide flat-bladed tool, gently pry the power seat and power recliner switch knobs off of the switch stems.
- (3) Remove the three screws that secure the outboard seat cushion side shield to the seat cushion frame.

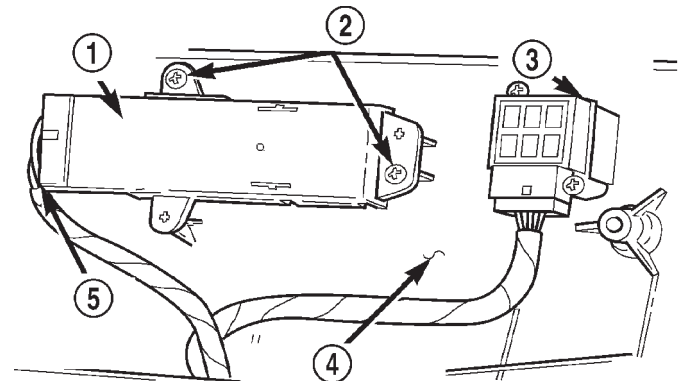
- (4) Pull the outboard seat cushion side shield away from the seat cushion frame far enough to access the power seat switch wire harness connector.
- (5) Disconnect the power seat wire harness connector from the power seat switch connector receptacle.
- (6) Remove the two screws that secure the power seat switch to the inside of the outboard seat cushion side shield (Fig. 10) or (Fig. 11).



80abd26d

**Fig. 10 Six-Way Power Seat Switches Remove/Install**

- 1 - SEAT SIDE SHIELD
- 2 - POWER SEAT SWITCH
- 3 - SCREWS



80ba79f9

**Fig. 11 Ten-Way Power Seat Switches Remove/Install**

- 1 - POWER SEAT SWITCH
- 2 - SCREWS (2)
- 3 - POWER LUMBAR SWITCH
- 4 - SEAT CUSHION SIDE SHIELD
- 5 - WIRE HARNESS CONNECTOR

- (7) Remove the power seat switch from the outboard seat cushion side shield.

## REMOVAL AND INSTALLATION (Continued)

**INSTALLATION**

(1) Position the power seat switch onto the outboard seat cushion side shield.

(2) Install and tighten the two screws that secure the power seat switch to the inside of the outboard seat cushion side shield. Tighten the screws to 1.5 N·m (14 in. lbs.).

(3) Reconnect the power seat wire harness connector to the power seat switch connector receptacle.

(4) Position the outboard seat cushion side shield onto the seat cushion frame.

(5) Install and tighten the three screws that secure the outboard seat cushion side shield to the seat cushion frame. Tighten the screws to 1.5 N·m (14 in. lbs.).

(6) On models with the ten-way power seat system only, position the power seat and power recliner switch knobs onto the switch stems and push on them firmly and evenly until they snap into place.

(7) Reconnect the battery negative cable.

# MEMORY SYSTEM

## TABLE OF CONTENTS

	page		page
<b>DESCRIPTION AND OPERATION</b>		MEMORY SYSTEM .....	13
MEMORY SYSTEM .....	11	<b>REMOVAL AND INSTALLATION</b>	
MEMORY SEAT MODULE .....	12	MEMORY SEAT MODULE .....	13
MEMORY SWITCH .....	13	MEMORY SWITCH .....	14
<b>DIAGNOSIS AND TESTING</b>			
MEMORY SWITCH .....	13		

## DESCRIPTION AND OPERATION

### MEMORY SYSTEM

#### DESCRIPTION

An electronic memory system is standard equipment on the Limited model. The memory system is able to store and recall the driver side power seat positions (including the power recliner position), and both outside power mirror positions for two drivers. For vehicles with a radio connected to the Programmable Communications Interface (PCI) data bus network, the memory system is also able to store and recall up to twenty - ten AM and ten FM - radio station presets for two drivers. The memory system also will store and recall the last station listened to for each driver, even if it is not one of the twenty preset stations.

The memory system will automatically return to all of these settings when the corresponding numbered and color-coded button (Driver 1 - Black, or Driver 2 - Gray) of the memory switch on the driver side front door trim panel is depressed, or when the doors are unlocked using the corresponding numbered and color-coded (Driver 1 - Black, or Driver 2 - Gray) Remote Keyless Entry (RKE) transmitter. A customer programmable feature of the memory system allows the RKE recall of memory features to be disabled in cases where there are more than two drivers of the vehicle.

The memory system also has a customer programmable easy exit feature that will move the driver seat rearward 55 millimeters (two inches) or to the end of its travel, whichever occurs first, when the key is removed from the ignition switch lock cylinder.

A Memory Seat Module (MSM) or Memory Heated Seat Module (MHSM) are used on this model to control and integrate the many electronic functions and features included in the memory system. On vehicles equipped with the heated seat system option, the MHSM also controls the functions and features of that system.

The memory system includes the following components:

- Memory seat module (or memory heated seat module)
- Memory switch
- Position potentiometers on both outside power mirrors
- Position potentiometers on the driver side power seat track and power seat recliner motors.
- Radio receiver (if PCI data bus capable).

Certain functions and features of the memory system rely upon resources shared with other electronic modules in the vehicle over the Programmable Communications Interface (PCI) data bus network. The PCI data bus network allows the sharing of sensor information. This helps to reduce wire harness complexity, internal controller hardware, and component sensor current loads. At the same time, this system provides increased reliability, enhanced diagnostics, and allows the addition of many new feature capabilities. For diagnosis of these electronic modules or of the PCI data bus network, the use of a DRB scan tool and the proper Diagnostic Procedures manual are recommended.

The other electronic modules that may affect memory system operation are as follows:

- **Body Control Module (BCM)** - Refer to **Body Control Module** in the Description and Operation section of Group 8E - Instrument Panel Systems for more information.
- **Driver Door Module (DDM)** - Refer to **Door Module** in the Power Lock System section of Group 8P - Power Lock Systems for more information.
- **Electronic Vehicle Information Center (EVIC)** - Refer to **Electronic Vehicle Information Center** in the Description and Operation section of Group 8V - Overhead Console Systems for more information.
- **Passenger Door Module (PDM)** - Refer to **Door Module** in the Power Lock System section of Group 8P - Power Lock Systems for more information.



## DESCRIPTION AND OPERATION (Continued)

- **Powertrain Control Module (PCM)** - Refer to **Powertrain Control Module** in the Description and Operation section of Group 14 - Fuel System for more information.

- **Radio Receiver** - Refer to **Radio Receiver** in the Description and Operation section of Group 8F - Audio Systems for more information.

Refer to **Heated Seat System** in the Heated Seat System section of Group 8N - Electrically Heated Systems for more information on this system. Refer to **Remote Keyless Entry System** in Group 8P - Power Lock Systems for more information on the RKE system. Refer to **Power Mirror** in the Outside Power Mirrors section of Group 8T - Power Mirror Systems for more information on the mirror position potentiometers. Refer to **Power Seat Track** and **Power Seat Recliner** in the Power Seat System section of this group for more information on the driver side power seat position potentiometers.

Refer to **Power Seat** in the Contents of Group 8W - Wiring Diagrams for complete circuit diagrams. Following are general descriptions of the remaining major components in the factory-installed memory system.

## OPERATION

See the owner's manual in the vehicle glove box for more information on the features, use and operation of the memory system. For diagnosis of the MSM, the PCI data bus, or the other electronic modules on the PCI data bus that provide inputs and outputs for the memory system, the use of a DRB scan tool and the proper Diagnostic Procedures manual are recommended.

## DRIVER AND PASSENGER DOOR MODULES

The Driver Door Module (DDM) monitors the memory switch through a hard wired circuit. It also monitors the unlock messages from the Remote Keyless Entry (RKE) receiver in the Passenger Door Module (PDM) sent over the Programmable Communications Interface (PCI) data bus. The DDM is programmed to send memory recall messages and memory system status messages over the PCI data bus to the other electronic modules when it detects a memory recall request.

Refer to **Door Module** in the Power Lock System section of Group 8P - Power Lock Systems for more information on the DDM and PDM.

## ELECTRONIC VEHICLE INFORMATION CENTER

The Electronic Vehicle Information Center (EVIC) serves as the user interface for the memory system. It displays memory system status messages and provides the user with the means for enabling and disabling the many customer programmable features

available on the vehicle, including those for the memory system.

See the owner's manual in the vehicle glove box for more information on the features, use and operation of the EVIC. Refer to **Electronic Vehicle Information Center** in the Description and Operation section of Group 8V - Overhead Console Systems for more information on the EVIC.

## MEMORY SEAT MODULE

### DESCRIPTION

All Limited models are equipped with a standard memory system. However, there are two versions of the Memory Seat Module (MSM). The standard version of the MSM is used on vehicles that are not equipped with the optional heated seat system. A Memory Heated Seat Module (MHSM) is used on vehicles that are equipped with the heated seat system option. A third module, the Heated Seat Module (HSM), does not have any memory system capabilities and is only available on Laredo models that are equipped with an optional heated seat system. Refer to **Heated Seat System** in the Heated Seat System section of Group 8N - Electrically Heated Systems for more information on the heated seat system option.

All three modules are packaged in an identical molded plastic housing which is mounted on a bracket that is located between the power seat track and the seat cushion frame under the forward edge of the driver side front seat cushion. The MSM or MHSM is used to control all of the driver side power seat memory functions and features. The MSM or MHSM contains a central processing unit and interfaces with other electronic modules in the vehicle on the Programmable Communications Interface (PCI) data bus network.

For diagnosis of the MSM, MHSM or the PCI data bus, a DRB scan tool and the proper Diagnostic Procedures manual are recommended. The MSM or MHSM cannot be adjusted or repaired and, if faulty or damaged, it must be replaced.

### OPERATION

The MSM receives hard wired inputs from the power seat switch and the potentiometers on each of the driver side power seat motors. The MSM receives messages over the PCI data bus from the Driver Door Module (DDM) (memory switch status), the Powertrain Control Module (PCM) (vehicle speed status), and the Body Control Module (seat belt switch status). The programming in the MSM allows it to process the information from these inputs and send control outputs to each of the driver side power seat motors. The MSM will prevent the seat memory recall function from being initiated if the driver side

DESCRIPTION AND OPERATION (Continued)

seat belt is buckled, if the transmission gear selector lever is not in the Park or Neutral positions, or if the vehicle is moving.

**MEMORY SWITCH**

**DESCRIPTION**

Vehicles equipped with the memory system have a memory switch mounted to the driver side front door trim panel. This switch is used to set and recall all of the memory system settings for up to two drivers. The memory switch is a resistor multiplexed unit that is hard wired to the Driver Door Module (DDM), which is also located on the driver side front door trim panel. The DDM sends out the memory system set and recall requests to the other electronic modules over the Programmable Communications Interface (PCI) data bus.

The memory switch cannot be adjusted or repaired and, if faulty or damaged, it must be replaced. For complete circuit diagrams, refer to **Power Mirror** in the Contents of Group 8W - Wiring Diagrams.

**OPERATION**

The memory switch has three momentary switch buttons labeled Set, 1 and 2. The Driver 1 and Driver 2 buttons are back-lit with Light-Emitting Diodes (LED) for visibility, and are also color-coded to coincide with the color-coded Driver 1 and Driver 2 Remote Keyless Entry (RKE) transmitters. The Driver 1 memory switch button and RKE transmitter are black, and the Driver 2 memory switch button and RKE transmitter are gray. The memory switch Set button also has an LED that will illuminate and flash to indicate that the memory system is in the set mode. This LED will automatically be extinguished when a set request has been successfully completed.

See the owner's manual in the vehicle glove box for more information on the features, use and operation of the memory switch. For diagnosis of the memory switch, the DDM or the PCI data bus, the use of a DRB scan tool and the proper Diagnostic Procedures manual are recommended.

**DIAGNOSIS AND TESTING**

**MEMORY SYSTEM**

Following are tests that will help to diagnose the components and circuits that provide hard wired inputs to the memory system. However, these tests may not prove conclusive in the diagnosis of this system. In order to obtain conclusive testing of the memory system, the Programmable Communications Interface (PCI) data bus network and all of the electronic modules that provide inputs to, or receive out-

puts from the memory system components must be checked.

The most reliable, efficient, and accurate means to diagnose the memory system requires the use of a DRB scan tool and the proper Diagnostic Procedures manual. The DRB scan tool can provide confirmation that the PCI data bus is functional, that all of the electronic modules are sending and receiving the proper messages on the PCI data bus, and that the memory system is receiving the proper hard wired inputs and relaying the proper hard wired outputs to perform its functions.

**MEMORY SWITCH**

For complete circuit diagrams, refer to **Power Mirrors** in the Contents of Group 8W - Wiring Diagrams.

- (1) Disconnect and isolate the battery negative cable.
- (2) Remove the driver side front door trim panel. Refer to **Front Door Trim Panel** in the Removal and Installation section of this group for the procedures.
- (3) Disconnect the memory switch wire harness connector from the driver door module connector receptacle.
- (4) Use an ohmmeter to test the resistances of the memory switch in each switch position. See the Memory Switch Test chart (Fig. 1). If OK, refer to **Memory System** in the Diagnosis and Testing section of this group. If not OK, replace the faulty memory switch.

MEMORY SWITCH		
SWITCH POSITION	RESISTANCE BETWEEN	RESISTANCE RANGE (OHMS)
NEUTRAL	A & D	14000 ± 1%
MEMORY 1 (BLACK)	A & B	4600 ± 1%
MEMORY 2 (GRAY)	A & B	1700 ± 1%
SET	A & B	300 ± 1%

*Fig. 1 Memory Switch Test*

**REMOVAL AND INSTALLATION**

**MEMORY SEAT MODULE**

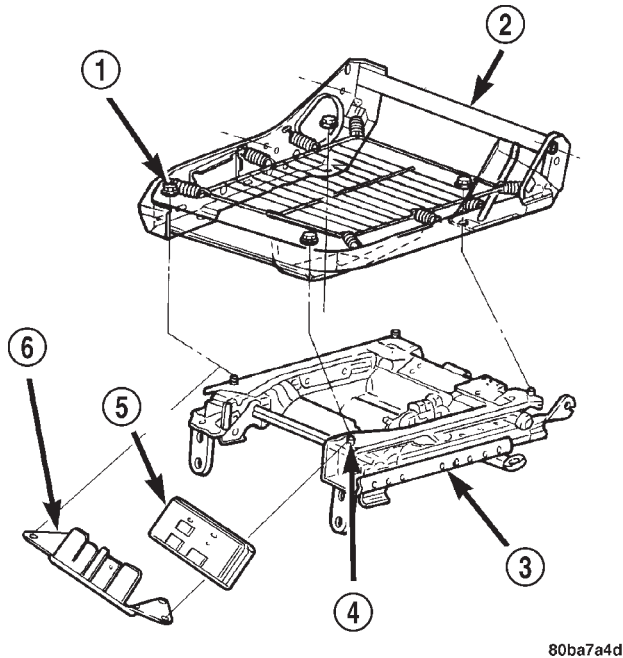
**REMOVAL**

- (1) Disconnect and isolate the battery negative cable.
- (2) Remove the driver side front bucket seat from the power seat track unit. Refer to **Bucket Seat**

## REMOVAL AND INSTALLATION (Continued)

**Track Adjuster** in the Removal and Installation section of Group 23 - Body for the procedures.

(3) Lift the memory seat module and its mounting bracket off of the two forward studs on the upper mounting rails of the power seat track and move the unit away from the seat far enough to access the power seat wire harness connectors (Fig. 2).



**Fig. 2 Memory Seat Module Remove/Install**

- 1 - NUT (4)
- 2 - SEAT CUSHION FRAME
- 3 - POWER SEAT TRACK
- 4 - STUD (4)
- 5 - MODULE
- 6 - BRACKET

(4) Disconnect the two power seat wire harness connectors from the memory seat module connector receptacles.

(5) There are two snap clips that are molded into the lower side of the memory seat module which help to secure the module to the riser portion of the stepped mounting bracket. Using a trim stick or another suitable wide flat-bladed tool, gently pry each of the two snap clips while pulling the module away from the mounting bracket.

(6) Slide the memory seat module off of the two mounting bracket slide tabs.

### INSTALLATION

(1) Slide the memory seat module onto the two mounting bracket slide tabs. Be certain that the two snap clips that are molded into the lower side of the memory seat module are fully engaged in the holes in riser portion of the stepped mounting bracket.

(2) Position the memory seat module and mounting bracket unit to the front of the power seat track unit.

(3) Reconnect the two power seat wire harness connectors to the memory seat module connector receptacles.

(4) Position the memory seat module mounting bracket over the two forward studs on the upper mounting rails of the power seat track.

(5) Install the driver side front bucket seat onto the power seat track unit. Refer to **Bucket Seat Track Adjuster** in the Removal and Installation section of Group 23 - Body for the procedures.

(6) Reconnect the battery negative cable.

**NOTE:** Following installation, it will be necessary to initialize the Memory Seat Module (MSM) or Memory Heated Seat Module (MHSM). In order to function properly, the MSM or MHSM must "learn" the sensor values of each of the power seat motor position transducers in each of the adjuster hard stop positions. This is done by performing the "Reset Guard Band" procedure using a DRB scan tool and the proper Diagnostic Procedures manual.

**WARNING:** THE "RESET GUARD BAND" PROCEDURE WILL CAUSE THE DRIVER SIDE FRONT SEAT TO AUTOMATICALLY ADJUST TO EACH OF ITS TRAVEL LIMITS. BE CERTAIN THAT NO ONE IS SEATED IN THE VEHICLE AND THAT THERE IS NOTHING IN THE VEHICLE THAT WILL OBSTRUCT SEAT MOVEMENT. FAILURE TO OBSERVE THIS WARNING COULD RESULT IN PERSONAL INJURIES AND/OR VEHICLE DAMAGE.

## MEMORY SWITCH

### REMOVAL

(1) Disconnect and isolate the battery negative cable.

(2) Remove the trim panel from the driver side front door. Refer to **Front Door Trim Panel** in the Removal and Installation section of Group 23 - Body for the procedures.

(3) Disconnect the memory switch wire harness connector from the driver door module connector receptacle.

(4) Remove the two screws that secure the memory switch to the back of the driver side front door trim panel.

(5) Remove the memory switch from the back of the driver side front door trim panel.

## REMOVAL AND INSTALLATION (Continued)

**INSTALLATION**

(1) Position the memory switch onto the back of the driver side front door trim panel.

(2) Install and tighten the two screws that secure the memory switch to the back of the driver side front door trim panel. Tighten the screws to 2.2 N·m (20 in. lbs.).

(3) Reconnect the memory switch wire harness connector to the driver door module connector receptacle.

(4) Install the trim panel onto the driver side front door. Refer to **Front Door Trim Panel** in the Removal and Installation section of Group 23 - Body for the procedures.

(5) Reconnect the battery negative cable.





# POWER WINDOW SYSTEMS

## TABLE OF CONTENTS

	page		page
<b>DESCRIPTION AND OPERATION</b>		POWER WINDOW MOTOR.....	5
POWER WINDOW SYSTEM.....	1	REAR DOOR POWER WINDOW SWITCH.....	5
POWER WINDOW MOTOR.....	2	<b>REMOVAL AND INSTALLATION</b>	
POWER WINDOW SWITCH.....	2	POWER WINDOW MOTOR.....	6
<b>DIAGNOSIS AND TESTING</b>		REAR DOOR POWER WINDOW SWITCH.....	6
POWER WINDOW SYSTEM.....	3		

### DESCRIPTION AND OPERATION

#### POWER WINDOW SYSTEM

##### DESCRIPTION

Power operated driver side and passenger side front and rear door windows are standard factory-installed equipment on this model. The power window system allows each of the door windows to be raised or lowered electrically by operating a switch on the trim panel for that door. Additionally, the master switches on the driver side front door trim panel allow of the windows to be operated from the driver seat position. A power window lockout switch on the driver side front door trim panel will allow the driver to disable all of the passenger door window switches.

The power window system operates on ignition switched battery current supplied through a fuse in the junction block, only when the ignition switch is in the On position. However, a unique feature of this system will allow the power windows to be operated for up to forty-five seconds after the ignition switch is turned to the Off position, or until a front door is opened, whichever occurs first.

An auto-down feature allows the driver side front door window to be lowered all the way, even if the window switch is released. The driver side front door window switch must be depressed in the down direction to a second detent to begin an auto-down event. Depressing the switch again in any direction will stop the window movement and cancel the auto-down event.

This group covers the following components of the power window system:

- Power window switches
- Power window motors.

Certain functions and features of the power window system rely upon resources shared with other electronic modules in the vehicle over the Programmable Communications Interface (PCI) data bus net-

work. The PCI data bus network allows the sharing of sensor information. This helps to reduce wire harness complexity, internal controller hardware, and component sensor current loads. At the same time, this system provides increased reliability, enhanced diagnostics, and allows the addition of many new feature capabilities. For diagnosis of these electronic modules or of the PCI data bus network, the use of a DRB scan tool and the proper Diagnostic Procedures manual are recommended.

The other electronic modules that may affect power window system operation are as follows:

- **Body Control Module (BCM)** - Refer to **Body Control Module** in the Description and Operation section of Group 8E - Instrument Panel Systems for more information.
- **Driver Door Module (DDM)** - Refer to **Door Module** in the Power Lock System section of Group 8P - Power Lock Systems for more information.
- **Passenger Door Module (PDM)** - Refer to **Door Module** in the Power Lock System section of Group 8P - Power Lock Systems for more information.

This group covers diagnosis and service of only the electrical components in the power window system. For service of mechanical components, such as the regulator, lift plate, window tracks, or glass refer to Group 23 - Body. Refer to **Power Windows** in the Contents of Group 8W - Wiring Diagrams for complete circuit diagrams. Following are general descriptions of the major components in the power window system.

##### OPERATION

The power window system includes the Driver Door Module (DDM) and Passenger Door Module (PDM), which are mounted in their respective front door, the rear door power window switches mounted on the rear doors, and the power window motors mounted to the window regulator in each door. The DDM houses four master power window switches, the

## DESCRIPTION AND OPERATION (Continued)

power window lockout switch and the control logic for the driver side front and rear door power windows. The PDM houses the passenger side front door power window switch and the control logic for the passenger side front and rear door power windows.

When a master power window switch on the DDM is used to operate a passenger side power window, the DDM sends the window positioning messages to the PDM over the Programmable Communications Interface (PCI) data bus. The PDM responds to these messages by sending control outputs to move the passenger side power window motors. In addition, when the power window lockout switch in the DDM is actuated to disable power window operation, this is accomplished through a lockout message sent to the PDM over the PCI data bus.

The Body Control Module (BCM) also supports and controls certain features of the power window system. The BCM receives a hard wired input from the ignition switch. The programming in the BCM allows it to process the information from this input and send ignition switch status messages to the DDM and the PDM over the PCI data bus. The DDM and PDM use this information and hard wired inputs from the front door ajar switches to control the lighting of the power window switch lamps, and to control the operation of the power window after ignition-off feature.

See the owner's manual in the vehicle glove box for more information on the features, use and operation of the power window system.

## POWER WINDOW SWITCH

### DESCRIPTION

The power window motors are controlled by a two-way momentary switch mounted on the trim panel of each passenger door, and four two-way momentary switches on the driver side front door trim panel. The driver side front door trim panel also has a two-position power window lockout switch. Each power window switch, except the lockout switch, is illuminated by a Light-Emitting Diode (LED) that is integral to the switch paddle.

The front door power window switches and the power window lockout switch are integral to the Driver Door Module (DDM) or Passenger Door Module (PDM), respectively. The front door power window switches and their lamps cannot be adjusted or repaired and, if faulty or damaged, the entire DDM or PDM unit must be replaced. The rear door power window switches and their lamps cannot be adjusted or repaired but, if faulty or damaged, only the affected rear door power window switch must be replaced. Refer to **Door Module** in the Power Lock

System section of Group 8P - Power Lock Systems for the DDM and PDM service procedures.

### OPERATION

The front door power window switches provide an up or down (or lock and unlock signal in the case of the lockout switch) to the door module circuitry. The Driver Door Module (DDM) circuitry controls the output to the driver side front and rear door power window motors, and supplies electrical current as required for the stand-alone operation of the driver side rear door power window switch. The Passenger Door Module (PDM) circuitry controls the output to the passenger side front and rear door power window motors, and supplies electrical current as required for the stand-alone operation of the passenger side rear door power window switch.

When a DDM-integrated master power window switch for a passenger side window is actuated, or when the power window lockout switch is actuated to disable the passenger door power windows, the DDM circuitry sends a message to the PDM over the Programmable Communications Interface (PCI) data bus to control the output to that power window motor(s).

The power window switch for the driver side front door power window has two detent positions in the Down direction. The first detent provides normal power window down operation. If this switch is depressed to the second detent, the Auto Down circuitry of the DDM is activated. The Auto-Down circuitry will automatically move the driver side front door window to its fully lowered position, even if the power window switch is released. The Auto-Down event will be automatically cancelled and the window movement will be stopped if the DDM circuitry detects a second input from the driver side front door power window switch, in either direction.

Each power window switch, except the lockout switch, is illuminated by a Light-Emitting Diode (LED) when the ignition switch is turned to the On position. However, when the lockout switch is placed in the Lock position, the LED for the locked-out front and rear passenger door power window switches is turned off.

See the owner's manual in the vehicle glove box for more information on the features, use and operation of the power window switches.

## POWER WINDOW MOTOR

### DESCRIPTION

Power operated front and rear door windows are standard equipment on this model. Each door has a permanent magnet reversible electric motor with an integral right angle gearbox mechanism that operates the window regulator. In addition, each power

## DESCRIPTION AND OPERATION (Continued)

window motor is equipped with an integral self-resetting circuit breaker to protect the motor from overloads.

(1) The power window motor gearbox housing is secured to the window regulator drum housing with screws. The window regulators used in all four doors are single vertical post cable-and-drum type. A molded plastic slider guided by the post is driven by the regulator cables. The slider raises and lowers the window glass through a steel lift plate attachment. Front and rear glass channels within each door guide and stabilize each end of the glass.

The power window motor and gearbox assembly cannot be repaired and, if faulty or damaged, the entire power window motor and gearbox unit must be replaced. The window regulators are available for service. Refer to **Front Door Window Regulator** or **Rear Door Window Regulator** in the Removal and Installation section of Group 23 - Body for the regulator service procedures.

## OPERATION

A positive and negative battery connection to the two motor terminals will cause the power window motor to rotate in one direction. Reversing the current through these same two connections will cause the motor to rotate in the opposite direction.

When the power window motor operates, it rotates the regulator cable drum through its gearbox. The window regulator cable drum is connected through two cables to the plastic slider on the vertical post. As the cable drum rotates, it lets cable out on one side of the drum, and takes cable in on the other side of the drum. The changes in cable length move the slider up or down the vertical post, raising or lowering the window glass.

If the window regulator or window glass bind, encounter obstructions, or reach their travel limits it overloads the power window motor. The overloading condition causes the power window motor self-resetting circuit breaker to open, which stops the motor from running.

## DIAGNOSIS AND TESTING

## POWER WINDOW SYSTEM

Following are tests that will help to diagnose the hard wired components and circuits of the power window system. However, these tests may not prove conclusive in the diagnosis of this system. In order to obtain conclusive testing of the power window system, the Programmable Communications Interface (PCI) data bus network and all of the electronic modules that provide inputs to, or receive outputs from the power window system components must be checked.

The most reliable, efficient, and accurate means to diagnose the power window system requires the use of a DRB scan tool and the proper Diagnostic Procedures manual. The DRB scan tool can provide confirmation that the PCI data bus is functional, that all of the electronic modules are sending and receiving the proper messages on the PCI data bus, and that the power window motors are being sent the proper hard wired outputs by the door modules for them to perform their power window system functions.

For complete circuit diagrams, refer to **Power Windows** in the Contents of Group 8W - Wiring Diagrams.

## ALL WINDOWS INOPERATIVE

(1) Check the operation of the power lock switch on the driver side front door. If all of the doors lock and unlock, but none of the power windows operate, use a DRB scan tool and the proper Diagnostic Procedures manual to check the Body Control Module (BCM), the Driver Door Module (DDM) and the PCI data bus for proper operation. If not OK, go to Step 2.

(2) Check the operation of the power lock switch on the passenger side front door. If the passenger doors lock and unlock, but the driver side front door does not, go to Step 5. If all of the power locks and power windows are inoperative from both front doors, go to Step 3.

(3) Check the fused B(+) fuse in the Power Distribution Center (PDC). If OK, go to Step 4. If not OK, repair the shorted circuit or component as required and replace the faulty fuse.

(4) Check for battery voltage at the fused B(+) fuse in the PDC. If OK, go to Step 5. If not OK, repair the open fused B(+) circuit to the battery as required.

(5) Disconnect and isolate the battery negative cable. Remove the trim panel from the driver side front door. Disconnect the 15-way door wire harness connector from the DDM connector receptacle. Check for continuity between the ground circuit cavity of the 15-way door wire harness connector for the DDM and a good ground. There should be continuity. If OK, go to Step 6. If not OK, repair the open ground circuit to ground as required.

(6) Reconnect the battery negative cable. Check for battery voltage at the fused B(+) circuit cavity of the 15-way door wire harness connector for the DDM. If OK, replace the faulty DDM. If not OK, repair the open fused B(+) circuit to the fuse in the PDC as required.

## PASSENGER SIDE FRONT AND REAR WINDOWS INOPERATIVE

If the driver side front and rear power windows operate, but the passenger side front and rear do not,

## DIAGNOSIS AND TESTING (Continued)

use a DRB scan tool and the proper Diagnostic Procedures manual to check the PCI data bus for proper operation.

**ONE WINDOW INOPERATIVE**

The window glass and regulator mechanism must be free to slide up and down for the power window motor to function properly. If the window glass and regulator is not free to move up and down, the motor will overload and trip the integral circuit breaker. To determine if the window glass and regulator are free, disconnect the regulator plate from the glass. Then slide the window up and down by hand.

There is an alternate method to check if the window glass and regulator mechanism is free. Position the glass between the up and down stops. Then, shake the glass in the door. Check that the glass can be moved slightly from side to side, front to rear, and up and down. Then check that the glass is not bound tight in the tracks.

If the window glass and regulator mechanism is free, refer to **Door Module** in the Diagnosis and Testing section of this group. If the glass is not free, inspect the window glass mounting and operating hardware for damage or improperly installed components. Refer to **Group 23 - Body** to check for proper installation or damage of the window glass mounting and operating hardware.

**DOOR MODULE**

**NOTE:** The following tests may not prove conclusive in the diagnosis of this component. The most reliable, efficient, and accurate means to diagnose this component requires the use of a DRB scan tool and the proper Diagnostic Procedures manual.

If the problem being diagnosed is a rear door window that does not operate from the rear door switch, but does operate from the master switch on the driver side front door, refer to **Rear Door Power Window Switch** in the Diagnosis and Testing section of this group. If the problem is a passenger side front or rear window that operates from the switch on that door, but does not operate from the master switch on the driver side front door, use a DRB scan tool and the proper Diagnostic Procedures manual to diagnose the circuitry of both door modules and the PCI data bus. For complete circuit diagrams, refer to **Power Windows** in Group 8W - Wiring Diagrams.

(1) Disconnect and isolate the battery negative cable. Remove the trim panel from the front door, but do not disconnect the door wire harness connectors from the door module. Go to Step 2.

(2) Check the 15-way door wire harness connector for the door module to see that it is fully seated in the door module connector receptacle. If OK, go to

Step 3. If not OK, properly connect the 15-way door wire harness connector for the door module to the door module connector receptacle.

(3) Disconnect the 15-way door wire harness connector from the door module connector receptacle. Check for continuity between the ground circuit cavity of the 15-way door wire harness connector for the door module and a good ground. There should be continuity. If OK, go to Step 4. If not OK, repair the open ground circuit to ground as required.

(4) Connect the battery negative cable. Check for battery voltage at the fused B(+) circuit cavity of the 15-way door wire harness connector for the door module. If OK, go to Step 5. If not OK, repair the open fused B(+) circuit to the fuse in the Power Distribution Center (PDC) as required.

(5) If the inoperative window is on a front door, go to Step 6. If the inoperative window is on a rear door go to Step 9.

(6) Disconnect and isolate the battery negative cable. Disconnect the door wire harness connector from the inoperative power window motor wire harness connector. Check for continuity between the front window driver up circuit cavity of the 15-way door wire harness connector for the door module and a good ground. Repeat the check for the front window driver down circuit. In each case there should be no continuity. If OK, go to Step 7. If not OK, repair the shorted front window driver up or down circuit as required.

(7) Check for continuity between the front window driver up circuit cavities of the 15-way door wire harness connector for the door module and the door wire harness connector for the power window motor. Repeat the check for the front window driver down circuit. In each case there should be continuity. If OK, go to Step 8. If not OK, repair the open front window driver up or down circuit as required.

(8) Reconnect the 15-way door wire harness connector back into the door module connector receptacle. Connect the battery negative cable. Connect the probes of a reversible DC digital voltmeter to the door wire harness connector for the power window motor. Observe the voltmeter while actuating the switch for that window in the up and down directions. There should be battery voltage for as long as the switch is held in both the up and down positions, and no voltage in the neutral position. If OK, refer to **Power Window Motor** in the Diagnosis and Testing section of this group. If not OK, replace the faulty door module.

(9) Check the rear door power window switch continuity. Refer to **Rear Door Power Window Switch** in the Diagnosis and Testing section of this group. If OK, go to Step 10. If not OK, replace the faulty rear door power window switch.



DIAGNOSIS AND TESTING (Continued)

(10) Disconnect and isolate the battery negative cable. Reconnect the door wire harness connector to the rear door power window switch. Disconnect the door wire harness connector from the inoperative power window motor wire harness connector. Check for continuity between the rear window driver up circuit cavity of the 15-way door wire harness connector for the door module and a good ground. Repeat the check for the rear window driver down circuit. In each case there should be no continuity. If OK, go to Step 11. If not OK, repair the shorted rear window driver up or down circuit as required.

(11) Check for continuity between the rear window driver up circuit cavities of the 15-way door wire harness connector for the door module and the power window motor wire harness connector. Repeat the check for the rear window driver down circuit. In each case there should be continuity. If OK, go to Step 12. If not OK, repair the open rear window driver up or down circuit as required.

**NOTE:** The door module feeds battery current to both terminals of the rear door power window motors when the power window lockout switch is in the Unlock position, until the master window switch on the driver side front door is actuated. The door module feeds ground to both terminals of the rear door power window motor when the power window lockout switch is in the Lock position, until the master window switch on the driver side front door is actuated.

(12) Reconnect the 15-way door wire harness connector for the door module to the door module connector receptacle. Connect the battery negative cable. Check for battery voltage at each cavity in the door wire harness connector for the power window motor. Each cavity should have battery voltage when the power window switch is in the neutral position. Each cavity should also have battery voltage in one other switch position, either up or down, and zero volts with the switch in the opposite position. If OK, refer to **Power Window Motor** in the Diagnosis and Testing section of this group. If not OK, replace the faulty door module.

**REAR DOOR POWER WINDOW SWITCH**

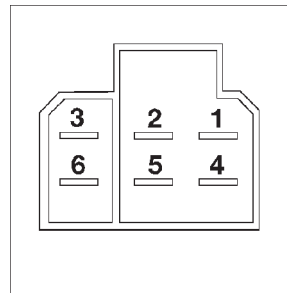
The diagnosis found here applies only to the rear door power window switches. For diagnosis of the front door power window switches, refer to **Power Window System - Door Module** in the Diagnosis and Testing section of this group. If the problem being diagnosed is an inoperative power window switch illumination lamp, but the power window switch operates as designed, replace the faulty rear door power window switch. For complete circuit dia-

grams, refer to **Power Windows** in Group 8W - Wiring Diagrams.

(1) Disconnect and isolate the battery negative cable.

(2) Remove the power window switch from the rear door trim panel. Refer to **Rear Door Power Window Switch** in the Removal and Installation section of this group.

(3) Check the rear door power window switch continuity as shown in the Rear Door Power Window Switch Continuity chart (Fig. 1). If OK, refer to **Power Window Motor** in the Diagnosis and Testing section of this group. If not OK, replace the faulty rear door power window switch.



SWITCH POSITION	CONTINUITY BETWEEN
LED	3 AND 6
OFF	1 AND 2
OFF	4 AND 5
FORWARD	1 AND 2
FORWARD	5 AND 6
REARWARD	2 AND 6
REARWARD	4 AND 5

80ba7a48

*Fig. 1 Rear Door Power Window Switch Continuity*

**POWER WINDOW MOTOR**

Before you proceed with this diagnosis, confirm proper switch operation. Refer to **Power Window System - Door Module** or **Rear Door Power Window Switch** in the Diagnosis and Testing section of this group. For complete circuit diagrams, refer to **Power Windows** in Group 8W - Wiring Diagrams.

(1) Remove the trim panel from the door with the inoperative power window. Refer to **Front Door Trim Panel** or **Rear Door Trim Panel** in the Removal and Installation section of Group 23 - Body for the procedures.

(2) Disconnect the door wire harness connector from the power window motor wire harness connector. Apply battery current to one cavity of the power window motor wire harness connector, and apply ground to the other cavity of the connector. The power window motor should operate in one direction. Remember, if the window is in the full up or full



## DIAGNOSIS AND TESTING (Continued)

down position, the motor will not operate in that direction by design. If OK, go to Step 3. If not OK, replace the faulty power window motor.

(3) Reverse the battery and ground connections to the two cavities of the power window motor wire harness connector. The power window motor should now operate in the other direction. Remember, if the window is in the full up or full down position, the motor will not operate in that direction by design. If OK, go to Step 4. If not OK, replace the faulty power window motor.

(4) If the power window motor operates in both directions, check the operation of the window glass and regulator mechanism through its complete up and down travel. There should be no binding or sticking of the window glass or regulator mechanism through the entire travel range. If not OK, refer to **Group 23 - Body** to check for proper installation or damage of the window glass mounting and operating hardware.

## REMOVAL AND INSTALLATION

## REAR DOOR POWER WINDOW SWITCH

## REMOVAL

(1) Disconnect and isolate the battery negative cable.

(2) Remove the trim panel from the rear door. Refer to **Rear Door Trim Panel** in the Removal and Installation section of Group 23 - Body for the procedures.

(3) Using a trim stick or another suitable wide flat-bladed tool, gently pry the sides of the switch receptacle on the back of the rear door trim panel away from the perimeter of the power window switch to release the switch from the receptacle (Fig. 2).

(4) Remove the power window switch from the rear door trim panel switch receptacle.

## INSTALLATION

(1) Position the power window switch to the rear door trim panel switch receptacle.

(2) Press firmly and evenly on the back of the power window switch until it snaps into rear door trim panel switch receptacle.

(3) Install the trim panel onto the rear door. Refer to **Rear Door Trim Panel** in the Removal and Installation section of Group 23 - Body for the procedures.

(4) Reconnect the battery negative cable.

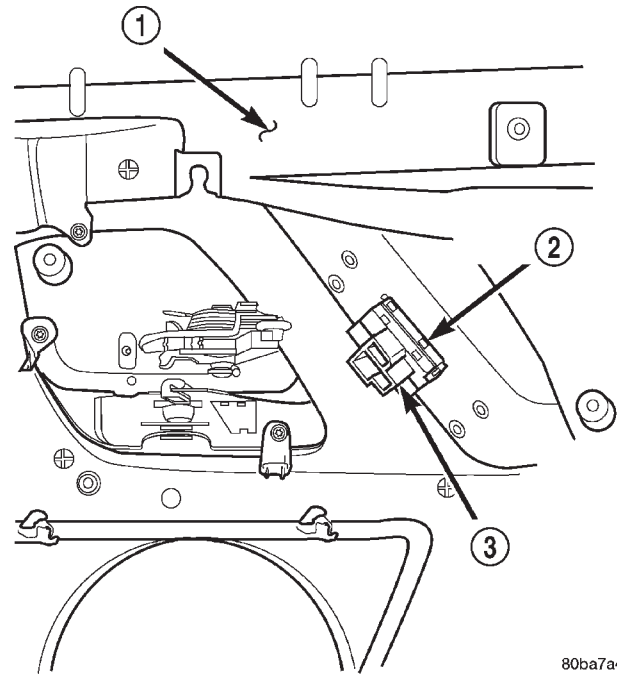


Fig. 2 Rear Door Power Window Switch Remove/Install

80ba7a49

- 1 - REAR DOOR TRIM PANEL
- 2 - TRIM PANEL RECEPTACLE
- 3 - POWER WINDOW SWITCH

## POWER WINDOW MOTOR

## REMOVAL

(1) Disconnect and isolate the battery negative cable.

(2) Remove the window regulator from the door. Refer to **Front Door Window Regulator** or **Rear Door Window Regulator** in the Removal and Installation section of Group 23 - Body for the procedures.

(3) Place the window regulator on a suitable work surface and remove the screws that secure the power window motor to the window regulator.

(4) Remove the power window motor from the window regulator.

## INSTALLATION

(1) Position the power window motor onto the window regulator.

(2) Install and tighten the screws that secure the power window motor to the window regulator. Tighten the screws to 9 N·m (80 in. lbs.).

(3) Install the window regulator onto the door. Refer to **Front Door Window Regulator** or **Rear Door Window Regulator** in the Removal and Installation section of Group 23 - Body for the procedures.

(4) Reconnect the battery negative cable.

# POWER MIRROR SYSTEMS

## TABLE OF CONTENTS

	page		page
OUTSIDE POWER MIRRORS .....	1	INSIDE POWER MIRRORS .....	6

# OUTSIDE POWER MIRRORS

## TABLE OF CONTENTS

	page		page
<b>DESCRIPTION AND OPERATION</b>		<b>POWER MIRROR SYSTEM</b> .....	3
POWER MIRROR SYSTEM .....	1	<b>REMOVAL AND INSTALLATION</b>	
POWER MIRROR .....	2	POWER MIRROR .....	5
POWER MIRROR SWITCH .....	3		
<b>DIAGNOSIS AND TESTING</b>			
POWER MIRROR .....	3		

## DESCRIPTION AND OPERATION

### POWER MIRROR SYSTEM

#### DESCRIPTION

Driver and passenger side power operated outside rear view mirrors are standard factory-installed equipment on this model. The power mirror system allows the driver to adjust both outside mirrors electrically from the driver seat position by operating a switch on the driver side front door trim panel. The power mirror system receives non-switched battery current through a fuse in the Power Distribution Center (PDC) so that the power mirrors remain operational, regardless of the ignition switch position.

The standard equipment power operated outside rear view mirrors are also equipped with the heated mirror system, which will only operate when the ignition switch is in the On position and the rear window defogger switch is turned on. When the rear window defogger switch is in the On position, electric heater grids on the rear window glass and behind both outside rear view mirror glasses are energized. These electric heater grids produce heat to help clear the rear window glass and outside rear view mirrors of ice, snow, or fog. Refer to **Outside Mirror Heating Grid** in the Rear Window Defogger System section of Group 8N - Electrically Heated Systems for more information on this feature.

A driver side automatic dimming outside mirror that dims the mirror to reduce the glare of bright lights approaching the vehicle from behind, and a memory system that automatically positions the power mirrors for two different drivers are optional factory-installed equipment on this model. Refer to **Automatic Dimming Outside Mirror** in the Inside Power Mirrors section of this group for more information on the automatic dimming outside mirror. Refer to **Memory System** in the Memory System section of Group 8R - Power Seat Systems for more information on the memory system.

This group covers the following components of the power mirror system:

- Power mirrors
- Power mirror switch.

Certain functions and features of the power mirror system rely upon resources shared with other electronic modules in the vehicle over the Programmable Communications Interface (PCI) data bus network. The PCI data bus network allows the sharing of sensor information. This helps to reduce wire harness complexity, internal controller hardware, and component sensor current loads. At the same time, this system provides increased reliability, enhanced diagnostics, and allows the addition of many new feature capabilities. For diagnosis of these electronic modules or of the PCI data bus network, the use of a DRB scan tool and the proper Diagnostic Procedures manual are recommended.

## DESCRIPTION AND OPERATION (Continued)

The other electronic modules that may affect power mirror system operation are as follows:

- **Body Control Module (BCM)** - Refer to **Body Control Module** in the Description and Operation section of Group 8E - Instrument Panel Systems for more information.

- **Driver Door Module (DDM)** - Refer to **Door Module** in the Power Lock System section of Group 8P - Power Lock Systems for more information.

- **Passenger Door Module (PDM)** - Refer to **Door Module** in the Power Lock System section of Group 8P - Power Lock Systems for more information.

Refer to **Power Mirrors** in the Contents of Group 8W - Wiring Diagrams for complete circuit diagrams. Following are general descriptions of the major components in the power mirror system.

## OPERATION

The Driver Door Module (DDM) and the Passenger Door Module (PDM) each contain the power mirror control logic for the mirror on its respective door. The DDM also houses the power mirror switch. Each door module controls the positioning of its respective outside mirror through hard wired outputs to that mirror. When the power mirror switch on the DDM is used to position the passenger side outside mirror, the DDM sends mirror positioning messages to the PDM over the Programmable Communications Interface (PCI) data bus. The PDM responds to these messages by sending control outputs to move the passenger side mirror accordingly.

Both the PDM and DDM respond to the defogger switch status messages sent by the Body Control Module (BCM) over the PCI data bus to control the electric heater grids of their respective mirrors. Refer to **Outside Mirror Heating Grid** in the Rear Window Defogger System section of Group 8N - Electrically Heated Systems for more information on this feature.

On models equipped with the optional memory system, each door module also receives a hard wired input from the two power mirror motor position potentiometers that are integral to each power mirror. Each door module then stores the Driver 1 and Driver 2 mirror position information for its respective mirror. When the DDM receives a Driver 1 or Driver 2 memory recall message from the memory switch on the driver side front door trim panel or from the Remote Keyless Entry (RKE) receiver in the PDM, the DDM positions the driver side mirror and sends a memory recall message back to the PDM over the PCI data bus to position the passenger side mirror.

See the owner's manual in the vehicle glove box for more information on the features, use and operation of the power mirror system.

## POWER MIRROR

### DESCRIPTION

Mechanically folding, power operated outside rear view mirrors are standard equipment on this model. Each power mirror housing contains two electric motors, two drive mechanisms, an electric heating grid, the mirror glass case and the mirror glass. One motor and drive controls mirror up-and-down (vertical) movement, and the other controls right-and-left (horizontal) movement. If the vehicle is equipped with the optional memory system, each mirror head also contains two position potentiometers. One position potentiometer monitors the vertical mirror motor, and the other monitors the horizontal mirror motor.

An optional driver side automatic dimming mirror is able to automatically change its reflectance level. This mirror is controlled by the circuitry of the automatic day/night inside rear view mirror. A thin layer of electrochromic material between two pieces of conductive glass make up the face of the mirror. Refer to **Automatic Dimming Outside Mirror** in the Inside Power Mirrors section of this group for more information on this feature.

The power mirror unit cannot be repaired. Only the mirror glass and glass case are serviced separately. The replacement mirror glass is supplied with an instruction sheet that details the recommended replacement procedure. If any other component of the power mirror unit is faulty or damaged, the entire power mirror unit must be replaced.

### OPERATION

Each of the two outside power mirrors includes two reversible electric motors that are secured within the power mirror housing. Each motor moves the mirror case and glass through an integral drive unit. When a power mirror motor is supplied with battery current and ground, it moves the mirror case and glass through its drive unit in one direction. When the battery current and ground feeds to the motor are reversed, it moves the mirror case and glass in the opposite direction.

The power mirrors are equipped with a standard equipment electric heating grid that is applied to the back of each outside rear view mirror glass. When an electrical current is passed through the resistor wire of the heating grid, it warms the mirror glass. Refer to **Outside Mirror Heating Grid** in the Rear Window Defogger System section of Group 8N - Electrically Heated Systems for more information on the operation of the heated mirrors and the rear window defogger system.

If the driver side mirror is equipped with the automatic dimming outside mirror option, two photocell

## DESCRIPTION AND OPERATION (Continued)

sensors on the inside rear view mirror are used to monitor light levels and adjust the reflectance of both the inside and driver side outside mirrors. This change in reflectance helps to reduce the glare of headlamps approaching the vehicle from the rear. Refer to **Automatic Dimming Outside Mirror** in the Inside Power Mirrors section of this group for more information on this feature.

If the vehicle is equipped with the optional memory system, the Driver Door Module (DDM) and the Passenger Door Module (PDM) store the mirror position information as monitored through the mirror motor position potentiometers. When the memory system requests a recall of the stored mirror position, the DDM and the PDM are able to duplicate the stored mirror positions by moving the mirror motors until the potentiometer readings match the stored values.

## POWER MIRROR SWITCH

## DESCRIPTION

Both the right and left power outside mirrors are controlled by a single multi-function switch unit located on the driver side front door trim panel. The power mirror switch unit includes a three-position rocker selector switch and four momentary directional push button switches.

The power mirror switch unit is integral to the Driver Door Module (DDM). The power mirror switch cannot be repaired or adjusted and, if faulty or damaged, the entire DDM unit must be replaced. Refer to **Door Module** in the Power Lock System section of Group 8P - Power Lock Systems for the DDM service procedures.

## OPERATION

The power mirror selector switch is moved right (right mirror control), left (left mirror control), or center to turn the power outside mirror system off. When the selector switch is in the right mirror control or left mirror control position, one of the four directional control buttons is depressed to control movement of the selected mirror up, down, right, or left. When the selector switch is in the Off position, depressing any of the directional switches will not change either mirror position.

See the owner's manual in the vehicle glove box for more information on the features, use and operation of the power mirror switches.

## DIAGNOSIS AND TESTING

## POWER MIRROR SYSTEM

Following are tests that will help to diagnose the hard wired components and circuits of the power mirror system. However, these tests may not prove conclusive in the diagnosis of this system. In order to obtain conclusive testing of the power mirror system, the Programmable Communications Interface (PCI) data bus network and all of the electronic modules that provide inputs to, or receive outputs from the power mirror system components must be checked.

The most reliable, efficient, and accurate means to diagnose the power mirror system requires the use of a DRB scan tool and the proper Diagnostic Procedures manual. The DRB scan tool can provide confirmation that the PCI data bus is functional, that all of the electronic modules are sending and receiving the proper messages on the PCI data bus, that the power mirror motors are being sent the proper hard wired outputs, and that the mirror position potentiometers are returning the proper outputs to the door modules for them to perform their power mirror system functions.

## POWER MIRROR

For complete circuit diagrams, refer to **Power Mirrors** in the Contents of Group 8W - Wiring Diagrams.

## BOTH MIRRORS INOPERATIVE

(1) Check the operation of the power lock switch on the driver side front door. If all of the doors lock and unlock, replace the faulty Driver Door Module (DDM). If not OK, go to Step 2.

(2) Check the operation of the power lock switch on the passenger side front door. If all of the doors lock and unlock, replace the faulty DDM. If not OK, go to Step 3.

(3) Check the fused B(+) fuse in the Power Distribution Center (PDC). If OK, go to Step 4. If not OK, repair the shorted circuit or component as required and replace the faulty fuse.

(4) Check for battery voltage at the fused B(+) fuse in the PDC. If OK, go to Step 5. If not OK, repair the open fused B(+) circuit to the battery as required.

(5) Disconnect and isolate the battery negative cable. Remove the trim panel from the driver side front door. Disconnect the 15-way door wire harness connector from the DDM connector receptacle. Check for continuity between the ground circuit cavity of the 15-way door wire harness connector for the DDM and a good ground. There should be continuity. If OK, go to Step 6. If not OK, repair the open ground circuit to ground as required.



DIAGNOSIS AND TESTING (Continued)

(6) Reconnect the battery negative cable. Check for battery voltage at the fused B(+) circuit cavity of the 15-way door wire harness connector for the DDM. If OK, replace the faulty DDM. If not OK, repair the open fused B(+) circuit to the fuse in the PDC as required.

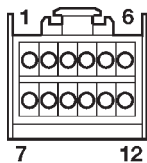
**ONE MIRROR INOPERATIVE**

(1) If the one inoperative mirror is on the passenger side, go to Step 2. If the one inoperative mirror is on the driver side, go to Step 3.

(2) Check if the passenger front door will lock and unlock using the power lock switch on the driver side front door. If OK, go to Step 3. If not OK, go to Step 6.

(3) Disconnect and isolate the battery negative cable. Remove the trim panel from the front door. Disconnect the 12-way mirror wire harness connector from the door wire harness connector.

(4) Using two jumper wires, test the mirror as shown in the Mirror Test chart (Fig. 1). If the mirror tests OK, go to Step 5. If the mirror does not test OK, replace the faulty mirror.



POWER MIRROR TEST		
APPLY 12 VOLTS TO:	APPLY GROUND TO:	MIRROR REACTION
DRIVER SIDE		
6	12	LEFT
12	6	RIGHT
11	12	UP
12	11	DOWN
PASSENGER SIDE		
1	7	LEFT
7	1	RIGHT
8	7	UP
7	8	DOWN

80ba7a46

Fig. 1 Mirror Test

(5) Disconnect the 12-way door wire harness connector from the door module connector receptacle. Check all of the circuits of the door wire harness between the connector for the mirror and the connector for the door module for opens or shorts. If all of the circuits are OK, replace the faulty door module. If any of the circuits are not OK, repair the open or shorted circuit(s) as required.

(6) Use a DRB scan tool and the proper Diagnostic Procedures manual to test and repair the faulty Programmable Communications Interface (PCI) data bus communication between the two door modules.

**NO MIRROR HEAT**

If both mirror heaters are inoperative, refer to **Outside Mirror Heating Grid** in the Rear Window Defogger System section of Group 8N - Electrically Heated Systems.

(1) Disconnect and isolate the battery negative cable. Remove the front door trim panel on the side of the inoperative mirror heater.

(2) Disconnect the 12-way door wire harness connector from the door module connector receptacle. Check for continuity between the heater switched ground circuit cavity and the heater 12V supply circuit cavity of the 12-way door wire harness connector for the door module. There should be continuity. If OK, use a DRB scan tool and the proper Diagnostic Procedures manual to test the door module and the PCI data bus. If not OK, replace the faulty power mirror unit.

**NO MIRROR DIMMING (Driver Side Only)**

(1) Test the operation of the automatic day/night mirror. Refer to **Automatic Day/Night Mirror** in the Inside Power Mirrors section of this group. If OK, go to Step 2. If not OK, repair the automatic day/night mirror unit as required.

(2) Disconnect and isolate the battery negative cable. Remove the driver side front door trim panel.

(3) Disconnect the door wire harness connector from the power mirror wire harness connector. Connect a voltmeter between the electrochromatic (+) and electrochromatic (-) circuit cavities of the door wire harness connector for the power mirror. Turn on the automatic day/night mirror system while observing the voltmeter. A voltmeter reading of  $1.45 \pm 0.05$  volts indicates a proper dimming signal is being received at the door wire harness connector for the power mirror. If OK, replace the faulty power mirror. If not OK, repair the shorted or open electrochromatic (+) or electrochromatic (-) circuit(s) to the automatic day/night mirror as required.



## DIAGNOSIS AND TESTING (Continued)

## NO MIRROR MEMORY

For diagnosis of the memory system, the use of a DRB scan tool and the proper Diagnostic Procedures manual are recommended. Refer to **Memory System** in the Memory System section of Group 8R - Power Seat Systems.

## REMOVAL AND INSTALLATION

## POWER MIRROR

## REMOVAL

(1) Disconnect and isolate the battery negative cable.

(2) Remove the trim panel from the front door. Refer to **Front Door Trim Panel** in the Removal and Installation section of Group 23 - Body for the procedures.

(3) Disconnect the power mirror wire harness connector from the door wire harness connector (Fig. 2).

(4) Remove the mirror flag seal from the inner door panel.

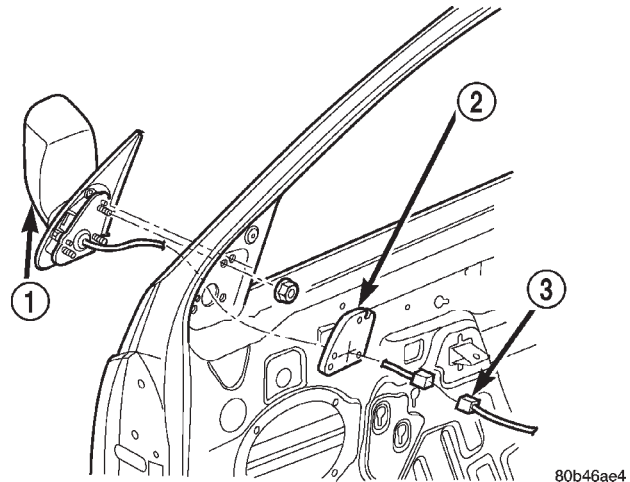
(5) Remove the three nuts that secure the power mirror mounting studs to the door flag.

(6) Remove the power mirror from the outside of the door.

## INSTALLATION

(1) Position the power mirror onto the outside of the door.

(2) Install and tighten the three nuts that secure the power mirror mounting studs to the door flag. Tighten the nuts to 7.4 N·m (65 in. lbs.).



**Fig. 2 Power Mirror Remove/Install**

- 1 - SIDEVIEW MIRROR  
2 - MIRROR FLAG SEAL  
3 - CONNECTOR

(3) Install the mirror flag seal onto the inner door panel.

(4) Reconnect the power mirror wire harness connector to the door wire harness connector.

(5) Install the trim panel onto the front door. Refer to **Front Door Trim Panel** in the Removal and Installation section of Group 23 - Body for the procedures.

(6) Reconnect the battery negative cable.

# INSIDE POWER MIRRORS

## TABLE OF CONTENTS

	page		page
<b>DESCRIPTION AND OPERATION</b>		<b>REMOVAL AND INSTALLATION</b>	
AUTOMATIC DAY/NIGHT MIRROR SYSTEM . . . . .	6	AUTOMATIC DAY/NIGHT MIRROR. . . . .	8
AUTOMATIC DIMMING OUTSIDE MIRROR . . . . .	6		
<b>DIAGNOSIS AND TESTING</b>			
AUTOMATIC DAY/NIGHT MIRROR. . . . .	7		

### DESCRIPTION AND OPERATION

#### AUTOMATIC DAY/NIGHT MIRROR SYSTEM

##### DESCRIPTION

An automatic day/night mirror system is an available factory-installed option on this model. The automatic dimming inside day/night rear view mirror system is a completely self-contained unit that replaces the standard equipment inside rear view mirror. This system will automatically change the reflectance of the inside rear view mirror to protect the driver from the unwanted headlight glare of trailing vehicles while driving at night. The automatic day/night inside mirror receives ignition switched battery current through a fuse in the junction block, and will only operate when the ignition switch is in the On position.

Vehicles equipped with the automatic day/night mirror system are also available with an optional factory-installed automatic dimming outside rear view mirror for the driver side of the vehicle. Refer to **Automatic Dimming Outside Mirror** in the Description and Operation section of this group for more information on this option.

The automatic day/night mirror sensitivity cannot be repaired or adjusted. If any component of this unit is faulty or damaged, the entire automatic day/night inside rear view mirror unit must be replaced. Refer to **Automatic Day/Night Mirror** in the Component Index of Group 8W - Wiring Diagrams for complete circuit diagrams.

##### OPERATION

The automatic day/night mirror switch allows the driver a manual control of whether the automatic dimming feature is operational. This switch is a momentary rocker-type switch located on the lower rear-facing surface of the mirror housing. When Auto is selected, a Light-Emitting Diode (LED) on the mirror housing just to the right of the switch illuminates to indicate that automatic day/night mirror is turned

on. When Off is selected, the LED is turned off. The mirror also senses the backup lamp circuit, and will automatically disable its self-dimming feature whenever the transmission gear selector is in the Reverse position.

A thin layer of electrochromatic material between two pieces of conductive glass make up the face of the mirror. Two photocell sensors are used to monitor light levels and adjust the reflectance of the mirror. The ambient photocell sensor faces forward, to detect the outside light levels. The headlamp sensor is located on the mirror housing just to the left of the switch and facing rearward, to detect the light level received at the rear window side of the mirror. When the difference between the two light levels becomes too great (the light level received at the rear of the mirror is much higher than that at the front of the mirror), the mirror begins to darken.

On models with an optional driver side automatic dimming outside mirror, the signal to control the dimming of that mirror is generated by the automatic day/night inside rear view mirror circuitry. That signal is then delivered to the driver side outside rear view mirror on a hard wired circuit.

See the owner's manual in the vehicle glove box for more information on the features, use and operation of the automatic day/night mirror system.

#### AUTOMATIC DIMMING OUTSIDE MIRROR

##### DESCRIPTION

An automatic dimming outside rear view mirror is an available factory-installed option for the driver side of the vehicle, if the vehicle is also equipped with the automatic day/night inside rear view mirror. The automatic dimming outside mirror is completely controlled by the circuitry of the automatic day/night inside rear view mirror. The automatic dimming outside mirror will automatically change the reflectance of the driver side outside rear view mirror to protect the driver from the unwanted headlight glare of trailing vehicles while driving at night. The auto-

## DESCRIPTION AND OPERATION (Continued)

matic dimming outside mirror will only operate when the ignition switch is in the On position.

The automatic dimming outside mirror sensitivity cannot be repaired or adjusted. If any component of this unit is faulty or damaged, the entire automatic dimming outside mirror unit must be replaced. Refer to **Power Mirror** in the Outside Power Mirrors section of this group for diagnosis and service of the automatic dimming outside mirror. Refer to **Automatic Day/Night Mirror** in the Component Index of Group 8W - Wiring Diagrams for complete circuit diagrams.

## OPERATION

The automatic dimming outside mirror is operated by the same controls and circuitry as the automatic day/night mirror. When the automatic day/night mirror is turned on or off, the automatic dimming outside mirror is likewise turned on or off. Like in the automatic day/night mirror, a thin layer of electrochromatic material between two pieces of conductive glass make up the face of the automatic dimming outside mirror. However, the signal to control the dimming of the outside mirror is generated by the automatic day/night inside rear view mirror circuitry.

See the owner's manual in the vehicle glove box for more information on the features, use and operation of the automatic dimming outside mirror.

## DIAGNOSIS AND TESTING

## AUTOMATIC DAY/NIGHT MIRROR

For complete circuit diagrams, refer to **Automatic Day/Night Mirror** in the Component Index of Group 8W - Wiring Diagrams.

(1) Check the fused ignition switch output (run/start) fuse in the junction block. If OK, go to Step 2. If not OK, repair the shorted circuit or component as required and replace the faulty fuse.

(2) Turn the ignition switch to the On position. Check for battery voltage at the fused ignition switch output (run/start) fuse in the junction block. If OK, go to Step 3. If not OK, repair the open fused ignition switch output (run/start) circuit to the ignition switch as required.

(3) Disconnect the overhead wire harness connector from the automatic day/night mirror connector receptacle. Check for battery voltage at the fused ignition switch output (run/start) circuit cavity of the overhead wire harness connector for the automatic day/night mirror. If OK, go to Step 4. If not OK, repair the open fused ignition switch output (run/start) circuit to the fuse in the junction block as required.

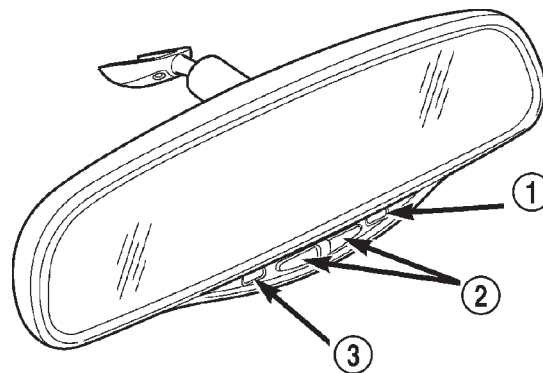
(4) Turn the ignition switch to the Off position. Check for continuity between the ground circuit cavity

of the overhead wire harness connector for the automatic day/night mirror and a good ground. There should be continuity. If OK, go to Step 5. If not OK, repair the open ground circuit to ground as required.

(5) Turn the ignition switch to the On position. Set the parking brake. Place the transmission gear selector lever in the Reverse position. Check for battery voltage at the backup lamp switch output circuit cavity of the overhead wire harness connector for the automatic day/night mirror. If OK, reconnect the overhead wire harness connector to the automatic day/night mirror connector receptacle and go to Step 6. If not OK, repair the open backup lamp switch output circuit as required.

(6) Place the transmission gear selector lever in the Neutral position. Place the automatic day/night mirror switch in the Auto (LED next to the switch is lighted) position (Fig. 1). Cover the forward facing ambient photocell sensor to keep out any ambient light.

**NOTE:** The ambient photocell sensor must be covered completely, so that no light reaches the sensor. Use a finger pressed tightly against the sensor, or cover the sensor completely with electrical tape.



80ba7a47

**Fig. 1 Automatic Day/Night Mirror**

- 1 - LED INDICATOR
- 2 - SWITCH
- 3 - HEADLAMP SENSOR

(7) Shine a light into the rearward facing headlamp photocell sensor. The automatic day/night mirror should darken. If OK, go to Step 8. If not OK, replace the faulty automatic day/night mirror unit.

(8) With the mirror darkened, place the transmission gear selector lever in the Reverse position. The automatic day/night mirror should return to its normal reflectance. If not OK, replace the faulty automatic day/night mirror unit.

## REMOVAL AND INSTALLATION

### AUTOMATIC DAY/NIGHT MIRROR

#### REMOVAL

(1) Disconnect and isolate the battery negative cable.

(2) Disconnect the overhead wire harness connector from the automatic day/night mirror connector receptacle (Fig. 2).

(3) Remove the screw that secures the automatic day/night mirror to the support button on the windshield.

(4) Slide the automatic day/night mirror mounting base upwards far enough to clear the support button on the windshield.

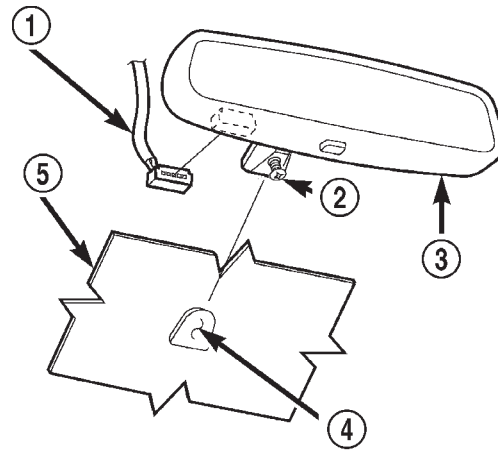
(5) Remove the automatic day/night mirror from the support button on the windshield.

#### INSTALLATION

(1) Position the automatic day/night mirror above the support button on the windshield.

(2) Slide the automatic day/night mirror mounting base downwards over the support button on the windshield.

(3) Install and tighten the screw that secures the automatic day/night mirror to the support button on the windshield. Tighten the screw to 1.7 N·m (15 in. lbs.).



80b3c6eb

**Fig. 2 Automatic Day/Night Mirror Remove/Install - Typical**

- 1 - CONNECTOR
- 2 - SCREW
- 3 - ELECTROCHROMATIC REAR VIEW MIRROR
- 4 - SUPPORT BUTTON
- 5 - WINDSHIELD

(4) Reconnect the overhead wire harness connector to the automatic day/night mirror connector receptacle.

(5) Reconnect the battery negative cable.

# CHIME/BUZZER WARNING SYSTEMS

## TABLE OF CONTENTS

	page		page
<b>DESCRIPTION AND OPERATION</b>		<b>DRIVER DOOR AJAR SWITCH</b> .....	4
CHIME WARNING SYSTEM .....	1	<b>DRIVER SEAT BELT SWITCH</b> .....	5
DRIVER DOOR AJAR SWITCH.....	3	<b>KEY-IN IGNITION SWITCH</b> .....	5
DRIVER SEAT BELT SWITCH.....	3	<b>HEADLAMP SWITCH</b> .....	6
KEY-IN IGNITION SWITCH.....	3	<b>REMOVAL AND INSTALLATION</b>	
HEADLAMP SWITCH .....	4	CHIME WARNING SYSTEM SWITCHES.....	6
<b>DIAGNOSIS AND TESTING</b>			
CHIME WARNING SYSTEM .....	4		

### DESCRIPTION AND OPERATION

#### CHIME WARNING SYSTEM

##### DESCRIPTION

A chime warning system is standard factory-installed equipment on this model. The chime warning system is designed to provide an audible warning or feedback of various conditions that may require the attention or awareness of the vehicle operator. The chime warning system has access to both non-switched and ignition switched sources of battery current so that some audible warnings may occur at any time, while others may only occur with the ignition switch in the On or Accessory positions.

A Body Control Module (BCM) is used on this model to control and integrate many of the electronic functions and features included on the vehicle. One of the functions and features that the BCM supports is the chime warning system. The BCM contains a chime tone generator and control logic to perform the functions of the chime warning system. The BCM contains a central processing unit and interfaces with other modules in the vehicle on the Programmable Communications Interface (PCI) data bus network.

The chime warning system includes the following components:

- Body Control Module (BCM)
- Driver door ajar switch
- Driver seat belt switch
- Key-in ignition switch.

Refer to **Body Control Module** in the Description and Operation section of Group 8E - Instrument Panel Systems for more information on this component. Refer to **Body Control Module** in the Contents of Group 8W - Wiring Diagrams for complete circuit diagrams. Following are general descriptions

of the remaining major components in the factory-installed chime warning system.

##### OPERATION

The chime warning system provides an audible indication to the vehicle operator under the following conditions:

- **Fasten Seat Belt Reminder** - If the driver side seat belt is not fastened with the ignition switch in the On position, a chime will sound for about six seconds.
- **Head Lamps On Warning** - If the head or park lamps are left on with the ignition switch Off and the driver side front door open, a chime will sound.
- **Key In Ignition Warning** - If the driver side front door is open while the key is in the ignition switch lock cylinder, a chime will sound.
- **Tactile Beep Support** - A beep tone is generated as audible confirmation that an Electronic Vehicle Information Center (EVIC) button was completely depressed, and/or that certain Sentry Key Immobilizer System (SKIS) functions have been completed.
- **Warning Indicator Chime** - An audible alert to the vehicle operator that supplements certain visual warning indications displayed by the Electro-Mechanical Instrument Cluster (EMIC) and/or the Electronic Vehicle Information Center (EVIC).

See the owner's manual in the vehicle glove box for more information on the features, use and operation of the chime warning system.

The BCM uses hard wired inputs, internal programming, and PCI data bus chime request message inputs to decide when a chime tone is required. This group only covers the diagnosis and service of the hard wired inputs used by the BCM to determine that a chime tone should be generated. For diagnosis of the BCM, the PCI data bus, or the other electronic



## DESCRIPTION AND OPERATION (Continued)

modules on the PCI data bus that send chime request messages to the BCM, the use of a DRB scan tool and the proper Diagnostic Procedures manual are recommended.

Refer to **Body Control Module** in the Removal and Installation section of Group 8E - Instrument Panel Systems for the BCM service procedures. The BCM can only be serviced by an authorized electronic repair station. See the latest version of the Chrysler Corporation Warranty Policies and Procedures manual for a current listing of authorized electronic repair stations.

## DRIVER DOOR MODULE

The Driver Door Module (DDM) monitors the driver door ajar switch through a hard wired circuit. The DDM is programmed to send driver door ajar messages over the Programmable Communications Interface (PCI) data bus to the Body Control Module (BCM) and the Electronic Vehicle Information Center when it detects that the driver door is ajar. The BCM and the EVIC are programmed to determine if any other monitored vehicle conditions are present that will require a chime tone (BCM) or chime tone request message (EVIC) to be generated.

Refer to **Door Module** in the Description and Operation section of Group 8P - Power Lock Systems for more information on the DDM. Refer to **Body Control Module** in the Description and Operation section of Group 8E - Instrument Panel Systems for more information on this component. Refer to **Electronic Vehicle Information Center** in the Description and Operation section of Group 8V - Overhead Console Systems for more information on this component.

## ELECTRO-MECHANICAL INSTRUMENT CLUSTER

The Electro-Mechanical Instrument Cluster (EMIC) is also supported by the chime warning system. The EMIC is programmed to send chime request messages over the Programmable Communications Interface (PCI) data bus to the Body Control Module (BCM) when it detects the following conditions:

- Airbag indicator lamp illuminated
- Anti-lock Brake System (ABS) lamp illuminated
- Check gauges lamp illuminated for one of the following conditions:
  - Charging system voltage high or low
  - Engine coolant temperature high
  - Engine coolant temperature critical
  - Engine oil pressure low
  - Low fuel warning lamp illuminated (customer programmable)
- Malfunction Indicator Lamp (MIL) illuminated

- Transmission oil temperature warning lamp illuminated.

See the owner's manual in the vehicle glove box for more information on the features, use and operation of the EMIC. Refer to **Instrument Cluster** in the Description and Operation section of Group 8E - Instrument Panel Systems for more information on the EMIC.

## ELECTRONIC VEHICLE INFORMATION CENTER

The Electronic Vehicle Information Center (EVIC) uses the chime warning system for two different kinds of support. In addition to requesting chime tones from the Body Control Module (BCM) as tactile beep support, the EVIC is programmed to send chime request messages over the Programmable Communications Interface (PCI) data bus when it detects the following conditions:

- **Door Ajar Warning** - A door is ajar above a critical speed [about 16 kilometers-per-hour (10 miles-per-hour) for the driver side front door, or about 5 kilometers-per-hour (3 miles-per-hour) for any other door].
- **Liftgate Ajar Warning** - The liftgate or liftgate flip-up glass is ajar above a critical speed [about 5 kilometers-per-hour (3 miles-per-hour)].
- **Low Coolant Level Warning** - The coolant level in the engine coolant reservoir is low.
- **Perform Service Alert** - An audible alert that a "Perform Service" reminder message is being displayed by the EVIC.
- **Turn Signal On Warning** - A turn signal remains on for about 1.6 kilometers (one mile) with no decrease in speed or throttle opening
- **Washer Fluid Low Warning** - The fluid level in the washer reservoir is low.

See the owner's manual in the vehicle glove box for more information on the features, use and operation of the EVIC. Refer to **Electronic Vehicle Information Center** in the Description and Operation section of Group 8V - Overhead Console Systems for more information on the EVIC.

## SENTRY KEY IMMOBILIZER SYSTEM

The Sentry Key Immobilizer System (SKIS) also uses tactile beep support from the chime warning system. The Sentry Key Immobilizer Module (SKIM) is programmed to send chime request messages over the Programmable Communications Interface (PCI) data bus to the Body Control Module (BCM) to provide audible confirmation that:

- The SKIM has been successfully placed in the Customer Learn mode.
- A new Sentry key transponder has been successfully programmed by the SKIM.

## DESCRIPTION AND OPERATION (Continued)

See the owner's manual in the vehicle glove box for more information on the features, use and operation of the SKIS. Refer to **Sentry Key Immobilizer System** in the Description and Operation section of Group 8Q - Vehicle Theft/Security Systems for more information on the SKIS.

**DRIVER DOOR AJAR SWITCH****DESCRIPTION**

The driver door ajar switch is concealed within and integral to the driver side front door latch unit. The driver door ajar switch is actuated by the front door latch mechanism, and is hard wired between a body ground and the Driver Door Module (DDM) through the driver side front door wire harness.

The driver door ajar switch cannot be adjusted or repaired and, if faulty or damaged, the driver side front door latch unit must be replaced. Refer to **Front Door Latch** in the Removal and Installation section of Group 23 - Body for the service procedures. Refer to **Door Module** in the Power Lock System section of Group 8P - Power Lock Systems for more information on this component. For complete circuit diagrams, refer to **Interior Lighting** in the Contents of Group 8W - Wiring Diagrams.

**OPERATION**

The driver door ajar switch closes a path to ground for the DDM when the driver side front door is opened, and opens the ground path when the driver side front door is closed. The DDM reads the switch status through an internal pull-up, then sends the proper switch status messages to other electronic modules over the Programmable Communications Interface (PCI) data bus network. The driver door ajar switch status message is used by the Body Control Module (BCM) as an input for chime warning system operation.

**DRIVER SEAT BELT SWITCH****DESCRIPTION**

The driver seat belt switch is concealed within and integral to the driver seat belt buckle-half unit. The driver seat belt switch is actuated by the seat belt buckle mechanism, and is hard wired between a body ground and the Body Control Module (BCM) through the left body wire harness with manual seats, or through the driver side power seat and left body wire harnesses with power seats.

The driver seat belt switch cannot be adjusted or repaired and, if faulty or damaged, the entire driver seat belt buckle-half unit must be replaced. Refer to **Front Shoulder Belt/Buckle** in the Removal and

Installation section of Group 23 - Body for the service procedures. Refer to **Body Control Module** in the Description and Operation section of Group 8E - Instrument Panel Systems for more information on this component. For complete circuit diagrams, refer to **Body Control Module** in the Contents of Group 8W - Wiring Diagrams.

**OPERATION**

The driver seat belt switch closes a path to ground for the BCM when the tip-half of the driver seat belt is not fastened to the buckle-half, and opens the ground path when the two halves of the seat belt are fastened. The BCM monitors the driver seat belt switch status through an internal pull-up, then sends the proper switch status messages to other electronic modules over the Programmable Communications Interface (PCI) data bus network. The driver seat belt switch status is also used by the BCM as an input for chime warning system operation.

**KEY-IN IGNITION SWITCH****DESCRIPTION**

The key-in ignition switch is concealed within and integral to the ignition switch, which is mounted on the steering column. The key-in ignition switch is actuated by the ignition lock cylinder mechanism, and is hard wired between a body ground and the Body Control Module (BCM) through the instrument panel wire harness.

The key-in ignition switch cannot be adjusted or repaired and, if faulty or damaged, the entire ignition switch unit must be replaced. Refer to **Ignition Switch and Key Cylinder** in the Removal and Installation section of Group 8D - Ignition Systems for the service procedures. Refer to **Body Control Module** in the Description and Operation section of Group 8E - Instrument Panel Systems for more information on this component. For complete circuit diagrams, refer to **Body Control Module** in the Contents of Group 8W - Wiring Diagrams.

**OPERATION**

The key-in ignition switch closes a path to ground for the BCM when the ignition key is inserted in the ignition lock cylinder, and opens the ground path when the key is removed from the ignition lock cylinder. The BCM monitors the key-in ignition switch status through an internal pull-up, then sends the proper switch status messages to other electronic modules over the Programmable Communications Interface (PCI) data bus network. The key-in ignition switch status is also used by the BCM as an input for chime warning system operation.

## DESCRIPTION AND OPERATION (Continued)

## HEADLAMP SWITCH

### DESCRIPTION

The headlamp switch is integral to the exterior lighting switch, which is part of the left (lighting) multi-function switch unit located on the left side of the steering column. A knob on the end of the left multi-function switch control stalk controls all of the exterior lighting switch functions. The exterior lighting switch is hard wired to the Body Control Module (BCM) through the instrument panel wire harness.

The exterior lighting switch cannot be adjusted or repaired and, if faulty or damaged, the entire left multi-function switch unit must be replaced. Refer to **Turn Signal and Hazard Warning Switch** in the Removal and Installation section of Group 8J - Turn Signal and Hazard Warning Systems for the service procedures. Refer to **Body Control Module** in the Description and Operation section of Group 8E - Instrument Panel Systems for more information on this component. For complete circuit diagrams, refer to **Body Control Module** in the Contents of Group 8W - Wiring Diagrams.

### OPERATION

The exterior lighting switch uses a hard wired five volt reference circuit from the BCM, resistor multiplexing and a hard wired switch output circuit in the instrument panel wire harness to provide the BCM with a zero to five volt signal that indicates the status of all of the exterior lighting switch settings. The BCM then uses control outputs to energize the headlamp and park lamp relays that activate the exterior lighting circuits.

The BCM monitors the exterior lighting switch status, then sends the proper switch status messages to other electronic modules over the Programmable Communications Interface (PCI) data bus network. The exterior lighting switch status is also used by the BCM as an input for chime warning system operation.

## DIAGNOSIS AND TESTING

### CHIME WARNING SYSTEM

Following are tests that will help to diagnose the components and circuits that provide hard wired inputs to the chime warning system. However, these tests may not prove conclusive in the diagnosis of this system. In order to obtain conclusive testing of the chime warning system, the Programmable Communications Interface (PCI) data bus network and all of the electronic modules that provide inputs to, or receive outputs from the chime warning system components must be checked.

The most reliable, efficient, and accurate means to diagnose the chime warning system requires the use of a DRB scan tool and the proper Diagnostic Procedures manual. The DRB scan tool can provide confirmation that the PCI data bus is functional, that the Body Control Module (BCM) is sending and receiving the proper messages on the PCI data bus, and that the BCM is receiving the proper hard wired inputs to perform its chime warning system functions.

### DRIVER DOOR AJAR SWITCH

The driver door ajar switch is hard wired to the Driver Door Module (DDM). The DDM communicates the switch status to the other electronic modules in the vehicle on the Programmable Communications Interface (PCI) data bus network. Be certain that the PCI data bus is functional before attempting diagnosis of the driver door ajar switch. A simple test to confirm PCI data bus operation is to operate the passenger side power mirror. If the passenger side power mirror does not operate, use a DRB scan tool and the proper Diagnostic Procedures manual to test the operation of the PCI data bus and the DDM. If the passenger side power mirror operates, the following test will diagnose a faulty driver door ajar switch and circuits. For complete circuit diagrams, refer to **Interior Lighting** in the Contents of Group 8W - Wiring Diagrams.

**WARNING: ON VEHICLES EQUIPPED WITH AIRBAGS, REFER TO GROUP 8M - PASSIVE RESTRAINT SYSTEMS BEFORE ATTEMPTING ANY STEERING WHEEL, STEERING COLUMN, OR INSTRUMENT PANEL COMPONENT DIAGNOSIS OR SERVICE. FAILURE TO TAKE THE PROPER PRECAUTIONS COULD RESULT IN ACCIDENTAL AIRBAG DEPLOYMENT AND POSSIBLE PERSONAL INJURY.**

(1) Check that the interior lighting switch on the control stalk of the left multi-function switch is not in the dome lamp disable position. Open the driver side front door and note whether the interior lamps light. They should light. If OK, refer to Key-In Ignition Switch in the Diagnosis and Testing section of this group for further diagnosis of the chime warning system. If not OK, go to Step 2.

(2) Disconnect and isolate the battery negative cable. Remove the trim panel from the driver side front door and disconnect the 4-way door wire harness connector from the front door latch connector receptacle. Check for continuity between the ground circuit cavity of the 4-way door wire harness connector for the front door latch and a good ground. There should be continuity. If OK, go to Step 3. If not OK, repair the ground circuit to ground as required.

## DIAGNOSIS AND TESTING (Continued)

(3) Disconnect the white 15-way door wire harness connector from the Driver Door Module (DDM) connector receptacle. Check for continuity between the driver door ajar switch sense circuit of the white 15-way door wire harness connector for the DDM and a good ground. There should be no continuity. If OK, go to Step 4. If not OK, repair the shorted driver door ajar switch sense circuit as required.

(4) Check for continuity between the driver door ajar switch sense circuit cavities of the white 15-way door wire harness connector for the DDM and the 4-way door wire harness connector for the front door latch. There should be continuity. If OK, go to Step 5. If not OK, repair the open driver door ajar switch sense circuit as required.

(5) Check for continuity between the ground circuit terminal and the driver door ajar switch sense circuit terminal of the front door latch connector receptacle. There should be continuity with the driver side front door open, and no continuity with the door closed. If OK, use a DRB scan tool and the proper Diagnostic Procedures manual to test the operation of the PCI data bus and the DDM. If not OK, replace the faulty driver side front door latch unit.

**DRIVER SEAT BELT SWITCH**

For complete circuit diagrams, refer to **Body Control Module** in the Contents of Group 8W - Wiring Diagrams.

**WARNING: ON VEHICLES EQUIPPED WITH AIR-BAGS, REFER TO GROUP 8M - PASSIVE RESTRAINT SYSTEMS BEFORE ATTEMPTING ANY STEERING WHEEL, STEERING COLUMN, OR INSTRUMENT PANEL COMPONENT DIAGNOSIS OR SERVICE. FAILURE TO TAKE THE PROPER PRECAUTIONS COULD RESULT IN ACCIDENTAL AIR-BAG DEPLOYMENT AND POSSIBLE PERSONAL INJURY.**

(1) Disconnect and isolate the battery negative cable. Disconnect the left body wire harness (manual seat), or the driver side power seat wire harness (power seat) from the driver seat belt switch wire harness connector located under the driver side front seat cushion. Check for continuity between the seat belt switch sense circuit and the ground circuit cavities in the seat belt switch wire harness connector. There should be continuity with the driver side seat belt tip-half and buckle-half unfastened, and no continuity with tip-half and buckle-half fastened. If OK, go to Step 2. If not OK, replace the faulty driver side seat belt buckle-half unit.

(2) Check for continuity between the ground circuit cavity in the left body wire harness connector (manual seat), or the driver side power seat wire har-

ness connector (power seat) for the driver seat belt switch and a good ground. There should be continuity. If OK, go to Step 3. If not OK, repair the open ground circuit to ground as required.

(3) Disconnect the 52-way left body wire harness connector from the junction block. Check for continuity between the seat belt switch sense circuit cavity in the left body wire harness connector (manual seat), or the driver side power seat wire harness connector (power seat) for the driver seat belt switch and a good ground. There should be no continuity. If OK, go to Step 4. If not OK, repair the shorted seat belt switch sense circuit as required.

(4) Check for continuity between the seat belt switch sense circuit cavities in the left body wire harness connector (manual seat), or the driver side power seat wire harness connector (power seat) for the driver seat belt switch and the 52-way left body wire harness connector for the junction block. There should be continuity. If OK, use a DRB scan tool and the proper Diagnostic Procedures manual to test the BCM. If not OK, repair the open seat belt switch sense circuit as required.

**KEY-IN IGNITION SWITCH**

For complete circuit diagrams, refer to **Body Control Module** in the Contents of Group 8W - Wiring Diagrams.

**WARNING: ON VEHICLES EQUIPPED WITH AIR-BAGS, REFER TO GROUP 8M - PASSIVE RESTRAINT SYSTEMS BEFORE ATTEMPTING ANY STEERING WHEEL, STEERING COLUMN, OR INSTRUMENT PANEL COMPONENT DIAGNOSIS OR SERVICE. FAILURE TO TAKE THE PROPER PRECAUTIONS COULD RESULT IN ACCIDENTAL AIR-BAG DEPLOYMENT AND POSSIBLE PERSONAL INJURY.**

(1) Disconnect and isolate the battery negative cable. Disconnect the instrument panel wire harness connector from the key-in ignition switch connector receptacle on the ignition switch. Check for continuity between the key-in ignition switch sense and ground terminals of the key-in ignition switch connector receptacle. There should be continuity with the key inserted in the ignition lock cylinder, and no continuity with the key removed from the ignition lock cylinder. If OK, go to Step 2. If not OK, replace the faulty ignition switch unit.

(2) Check for continuity between the ground circuit cavity of the instrument panel wire harness connector for the key-in ignition switch and a good ground. There should be continuity. If OK, go to Step 3. If not OK, repair the open ground circuit to ground as required.



## DIAGNOSIS AND TESTING (Continued)

(3) Disconnect the gray 26-way instrument panel wire harness connector from the Body Control Module (BCM) connector receptacle. Check for continuity between the key-in ignition switch sense circuit cavity of the instrument panel wire harness connector for the key-in ignition switch and a good ground. There should be no continuity. If OK, go to Step 4. If not OK, repair the shorted key-in ignition switch sense circuit as required.

(4) Check for continuity between the key-in ignition switch sense circuit cavities of the instrument panel wire harness connector for the key-in ignition switch and the gray 26-way instrument panel wire harness connector for the BCM. There should be continuity. If OK, use a DRB scan tool and the proper Diagnostic Procedures manual to test the BCM. If not OK, repair the open key-in ignition switch sense circuit as required.

## HEADLAMP SWITCH

Before testing the headlamp switch, turn on the exterior lighting and open the driver side front door. If the exterior lamps of the vehicle operate, but there is no chime warning issued with the driver side front door open, refer to **Driver Door Ajar Switch** in the Diagnosis and Testing section of this group. If the exterior lamps of the vehicle are inoperative, but the chime warning is issued, refer to **Lamp Diagnosis** in the Diagnosis and Testing section of Group 8L - Lamps.

If the exterior lamps and the chime warning are both inoperative, test the left (lighting) multi-function switch. Refer to **Turn Signal and Hazard Warning Switch** in the Diagnosis and Testing section of Group 8J - Turn Signal and Hazard Warning Systems to test the left (lighting) multi-function switch. If the left (lighting) multi-function switch tests OK, proceed as follows. The following tests will help to locate a short or open in the hard wired circuits between the left (lighting) multi-function switch and the Body Control Module (BCM). For complete circuit diagrams, refer to **Body Control Module** in the Contents of Group 8W - Wiring Diagrams.

**WARNING: ON VEHICLES EQUIPPED WITH AIRBAGS, REFER TO GROUP 8M - PASSIVE RESTRAINT SYSTEMS BEFORE ATTEMPTING ANY STEERING WHEEL, STEERING COLUMN, OR INSTRUMENT PANEL COMPONENT DIAGNOSIS OR SERVICE. FAILURE TO TAKE THE PROPER PRECAUTIONS COULD RESULT IN ACCIDENTAL AIRBAG DEPLOYMENT AND POSSIBLE PERSONAL INJURY.**

(1) Disconnect and isolate the battery negative cable. Disconnect the instrument panel wire harness connector from the left multi-function switch connec-

tor receptacle. Disconnect the gray 26-way instrument panel wire harness connector from the Body Control Module (BCM). Check for continuity between the headlamp switch mux circuit cavity of the instrument panel wire harness connector for the left multi-function switch and a good ground. There should be no continuity. If OK, go to Step 2. If not OK, repair the shorted headlamp switch mux circuit as required.

(2) Check for continuity between the headlamp switch mux circuit cavities of the instrument panel wire harness connector for the left multi-function switch and the gray 26-way instrument panel wire harness connector for the BCM. There should be continuity. If OK, go to Step 3. If not OK, repair the open headlamp switch mux circuit as required.

(3) Check for continuity between the headlamp switch return circuit cavity of the instrument panel wire harness connector for the left multi-function switch and a good ground. There should be no continuity. If OK, go to Step 4. If not OK, repair the shorted headlamp switch return circuit as required.

(4) Check for continuity between the headlamp switch return circuit cavities of the instrument panel wire harness connector for the left multi-function switch and the gray 26-way instrument panel wire harness connector for the BCM. There should be continuity. If OK, use a DRB scan tool and the proper Diagnostic Procedures manual to test the BCM. If not OK, repair the open headlamp switch return circuit as required.

## REMOVAL AND INSTALLATION

### CHIME WARNING SYSTEM SWITCHES

Service procedures for the various hard wired switches used in the chime warning system can be found in the proper group as follows:

- **Driver door ajar switch** - Refer to **Front Door Latch** in the Removal and Installation section of Group 23 - Body for the service procedures.

- **Driver seat belt switch** - Refer to **Front Shoulder Belt/Buckle** in the Removal and Installation section of Group 23 - Body for the service procedures.

- **Headlamp switch** - Refer to **Turn Signal and Hazard Warning Switch** in the Removal and Installation section of Group 8J - Turn Signal and Hazard Warning Systems for the service procedures.

- **Key-in ignition switch** - Refer to **Ignition Switch and Key Cylinder** in the Removal and Installation section of Group 8D - Ignition Systems for the service procedures.



# OVERHEAD CONSOLE SYSTEMS

## TABLE OF CONTENTS

	page		page
<b>DESCRIPTION AND OPERATION</b>		<b>SERVICE PROCEDURES</b>	
ELECTRONIC VEHICLE INFORMATION		ELECTRONIC VEHICLE INFORMATION	
CENTER . . . . .	1	CENTER PROGRAMMING . . . . .	7
OVERHEAD CONSOLE . . . . .	1	COMPASS VARIATION ADJUSTMENT . . . . .	8
OVERHEAD CONSOLE READING AND		COMPASS CALIBRATION . . . . .	9
COURTESY LAMP . . . . .	4	COMPASS DEMAGNETIZING . . . . .	9
UNIVERSAL GARAGE DOOR OPENER . . . . .	4	<b>REMOVAL AND INSTALLATION</b>	
AMBIENT TEMPERATURE SENSOR . . . . .	5	OVERHEAD CONSOLE . . . . .	10
<b>DIAGNOSIS AND TESTING</b>		ELECTRONIC VEHICLE INFORMATION	
ELECTRONIC VEHICLE INFORMATION		CENTER . . . . .	11
CENTER . . . . .	5	AMBIENT TEMPERATURE SENSOR . . . . .	12
AMBIENT TEMPERATURE SENSOR . . . . .	6	<b>SPECIAL TOOLS</b>	
UNIVERSAL GARAGE DOOR OPENER . . . . .	6	OVERHEAD CONSOLE SYSTEMS . . . . .	12

## DESCRIPTION AND OPERATION

### OVERHEAD CONSOLE

#### DESCRIPTION

An overhead console is standard factory-installed equipment on this model. The overhead console includes the Electronic Vehicle Information Center (EVIC) and two reading and courtesy lamps (Fig. 1). On vehicles equipped with a power sunroof option, the overhead console also houses the power sunroof switch between the two reading and courtesy lamps. The overhead console is mounted with one screw and two snap-clips to a molded plastic retainer bracket located above the headliner. The retainer bracket is secured with adhesive to the inside surface of the roof panel.

Following are general descriptions of the major components used in the overhead console. Refer to **Overhead Console** in the Contents of Group 8W - Wiring Diagrams for complete circuit diagrams.

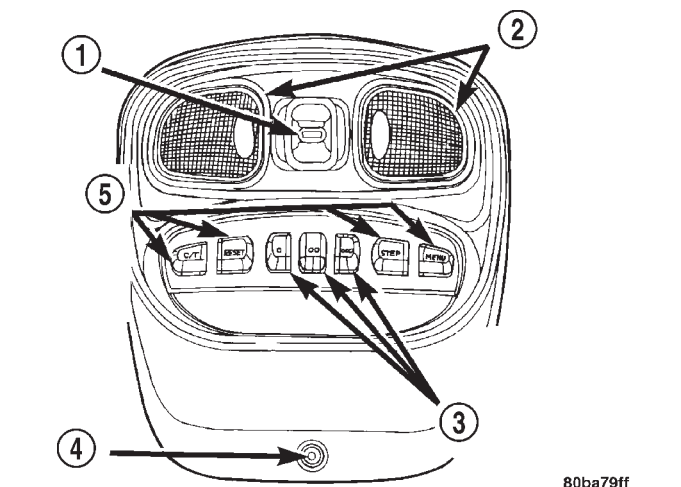
#### OPERATION

See the owner's manual in the vehicle glove box for more information on the use and operation of the various overhead console features.

### ELECTRONIC VEHICLE INFORMATION CENTER

#### DESCRIPTION

The Electronic Vehicle Information Center (EVIC) is located in the overhead console on models



80ba79ff

**Fig. 1 Overhead Console**

- 1 - POWER SUNROOF SWITCH (IF EQUIPPED)
- 2 - READING AND COURTESY LAMPS
- 3 - UNIVERSAL GARAGE DOOR OPENER PUSH BUTTONS (IF EQUIPPED)
- 4 - SCREW
- 5 - ELECTRONIC VEHICLE INFORMATION CENTER PUSH BUTTONS

equipped with this option. Two versions of the EVIC module are available on the Grand Cherokee. These two versions are identical except that the standard equipment unit for the Limited model includes an integral three-push button Universal Garage Door Opener (UGDO) transceiver. Both EVIC modules feature a large Vacuum Fluorescent Display (VFD) screen for displaying information, and four back-lit

## DESCRIPTION AND OPERATION (Continued)

push button function switches labeled C/T (compass/thermometer), RESET, STEP, and MENU. The VFD screen can also display a vehicle graphic that is used for door and liftgate ajar indications and to show if a turn signal has been left on. The EVIC messages and displays are coordinated with warning indicators in the instrument cluster to avoid duplication.

The EVIC module contains a central processing unit and interfaces with other electronic modules in the vehicle over the Programmable Communications Interface (PCI) data bus network. The PCI data bus network allows the sharing of sensor information. This helps to reduce wire harness complexity, reduce internal controller hardware, and reduce component sensor current loads. At the same time, this system provides increased reliability, enhanced diagnostics, and allows the addition of many new feature capabilities.

The EVIC includes the features of the compass mini-trip computer used on prior Grand Cherokee models, including the following display options:

- **Compass and thermometer** - provides the outside temperature and one of eight compass readings to indicate the direction the vehicle is facing.
- **Average fuel economy** - shows the average fuel economy since the last trip computer reset.
- **Distance to empty** - shows the estimated distance that can be travelled with the fuel remaining in the fuel tank. This estimated distance is computed using the average miles-per-gallon from the last 30 gallons of fuel used.
- **Instant fuel economy** - shows the present fuel economy based upon the current vehicle distance and fuel used information.
- **Trip distance** - shows the distance travelled since the last trip computer reset.
- **Elapsed time** - shows the accumulated ignition-on time since the last trip computer reset.
- **Distance to service** - shows the distance remaining until the next scheduled service interval.
- **Blank screen** - the EVIC compass/thermometer/trip computer VFD is turned off.

The EVIC also includes many features not available with prior compass mini-trip computers. The EVIC is capable of displaying the following warning messages, which are accompanied by an audible announcement consisting of a series of beep tones:

- **TURN SIGNALS ON (with vehicle graphic)** - Indicates that a turn signal has remained on for about 1.6 kilometers (one mile) with no decrease in speed or throttle opening.
- **PERFORM SERVICE** - Indicates that a customer programmable service interval distance has been reached.

- **DOOR AJAR (one or more, with vehicle graphic)** - Indicates that a door is open or not fully closed.

- **LIFTGATE AJAR (with vehicle graphic)** - Indicates that the liftgate or the liftgate flip-up glass is open or not fully closed.

- **COOLANT LEVEL LOW (with vehicle graphic)** - Indicates that the coolant level in the engine coolant reservoir is low.

- **WASHER FLUID LOW (with vehicle graphic)** - Indicates that the fluid level in the washer fluid reservoir is low.

The EVIC "Menu" push button provides the vehicle operator with a user interface, which allows the selection of several optional customer programmable electronic features to suit individual preferences. Refer to **ELECTRONIC VEHICLE INFORMATION CENTER PROGRAMMING** in the Service Procedures section of this group for more information on the customer programmable feature options.

If the vehicle is equipped with the optional memory system, the EVIC will display the following memory system messages:

- **MEMORY #X POSITION SET (X = Driver 1 or Driver 2)** - This message appears in the EVIC display each time the memory system is successfully programmed. It is accompanied by an audible announcement chime tone.

- **MEMORY SYSTEM DISABLED** - The memory system is automatically disabled while the driver side seat belt is fastened and/or while the automatic transmission gear selector is in any position except Park or Neutral. This message appears in the EVIC display as a reminder when a memory switch push button is depressed while the memory system is disabled. If the REMOTE LINKED TO MEMORY customer programmable feature has been selected, this message will also appear when the Unlock button of the Remote Keyless Entry (RKE) transmitter is depressed while the memory system is disabled.

If the vehicle is equipped with the optional Universal Garage Door Opener (UGDO) transceiver, the EVIC will also display messages and an icon indicating when the UGDO transceiver is being trained, which of the three transmitter buttons is transmitting, and when the transceiver is cleared.

Data input for all EVIC functions, including VFD dimming level, is received through PCI data bus messages. The EVIC module uses its internal programming and all of its data inputs to calculate and display the requested data. If the data displayed is incorrect, perform the self-diagnostic tests as described in this group. If these tests prove inconclusive, the use of a DRBIII® scan tool and the proper Diagnostic Procedures manual are recommended for

## DESCRIPTION AND OPERATION (Continued)

further testing of the EVIC module and the PCI data bus.

The EVIC module cannot be repaired, and is available for service only as a unit. This unit includes the push button switches and the plastic module and display lens. If any of these components is faulty or damaged, the complete EVIC module must be replaced. The incandescent bulbs used for EVIC push button back-lighting are available for service replacement.

## COMPASS

While in the compass/thermometer mode, the compass will display the direction in which the vehicle is pointed using the eight major compass headings (Examples: north is N, northeast is NE). The self-calibrating compass unit requires no adjusting in normal use. The only calibration that may prove necessary is to drive the vehicle in three complete circles at 5 to 8 kilometers-per-hour (3 to 5 miles-per-hour), on level ground, in not less than forty-eight seconds. This will reorient the compass unit to its vehicle.

The compass unit also will compensate for magnetism the body of the vehicle may acquire during normal use. However, avoid placing anything magnetic directly on the roof of the vehicle. Magnetic mounts for an antenna, a repair order hat, or a funeral procession flag can exceed the compensating ability of the compass unit if placed on the roof panel. Magnetic bit drivers used on the fasteners that hold the overhead console assembly to the roof header can also affect compass operation. If the vehicle roof should become magnetized, the demagnetizing and calibration procedures found in this group may be required to restore proper compass operation.

## THERMOMETER

The thermometer displays the outside ambient temperature in whole degrees. The temperature display can be toggled from Fahrenheit to Celsius by selecting the desired U. S./Metric option from the customer programmable features as described in **ELECTRONIC VEHICLE INFORMATION CENTER PROGRAMMING** in the Service Procedures section of this group. The displayed temperature is not an instant reading of conditions, but an average temperature. It may take the thermometer display several minutes to respond to a major temperature change, such as driving out of a heated garage into winter temperatures.

When the ignition switch is turned to the Off position, the last displayed temperature reading stays in the Body Control Module (BCM) unit memory. When the ignition switch is turned to the On position again, the EVIC will display the memory tempera-

ture for one minute; then update the display to the current average temperature reading within five minutes.

The thermometer function is supported by an ambient temperature sensor. The sensor is mounted outside the passenger compartment near the front and center of the vehicle, and is hard wired to the Body Control Module (BCM). The BCM sends temperature status messages to the EVIC module over the PCI data bus network. The ambient temperature sensor is available as a separate service item.

## OPERATION

The EVIC has access to both non-switched and ignition switched sources of battery current so that some of its features remain operational at any time, while others may only operate with the ignition switch in the On position. When the ignition switch is turned to the On position, the EVIC module VFD will return to the last function being displayed before the ignition was turned to the Off position.

The compass/thermometer display is the normal EVIC display. With the ignition switch in the On position, momentarily depressing and releasing the C/T (compass/thermometer) push button switch will cause the EVIC to return to the compass/thermometer/trip computer display mode from any other mode. While in the compass/thermometer/trip computer display mode, momentarily depressing and releasing the Step push button will step through the available trip computer display options.

The EVIC trip computer features several functions that can be reset. The functions that can be reset are: average fuel economy, trip odometer and elapsed time. With the ignition switch in the On position and with one of the functions of the trip computer that can be reset currently displayed, depressing the Reset push button twice within three seconds will perform a global reset, and all of the trip computer information that can be reset will be reset to zero. With the ignition switch in the On position and the function that is to be reset currently displayed, momentarily depressing and releasing the Reset push button once will perform a local reset, and only the value of the displayed function will be reset to zero. A global or local reset will only occur if the function currently displayed is a function that can be reset. The distance to service function can also be reset using the local reset method, but it will reset back to the Service Interval distance that is set in the EVIC programmable features mode. Refer to **ELECTRONIC VEHICLE INFORMATION CENTER PROGRAMMING** in the Service Procedures section of this group for more information on setting the Service Interval.

## DESCRIPTION AND OPERATION (Continued)

For more information on the features, control functions and setting procedures for the EVIC module, see the owner's manual in the vehicle glove box.

## UNIVERSAL GARAGE DOOR OPENER

### DESCRIPTION

The Grand Cherokee Limited model has a Universal Garage Door Opener (UGDO) transceiver as standard factory-installed equipment. The UGDO is optional on Laredo models. The UGDO transceiver is integral to the Electronic Vehicle Information Center (EVIC), which is located in the overhead console. The only visible component of the UGDO are the three transmitter push buttons centered between the four EVIC push buttons located just rearward of the EVIC display screen in the overhead console. The three UGDO transmitter push buttons are identified with one, two or three raised tactile bumps so that they be easily identified by sight or by feel.

Each of the three UGDO transmitter push buttons controls an independent radio transmitter channel. Each of these three channels can be trained to transmit a different radio frequency signal for the remote operation of garage door openers, motorized gate openers, home or office lighting, security systems or just about any other device that can be equipped with a radio receiver in the 286 to 399 MegaHertz (MHz) frequency range for remote operation. The UGDO is capable of operating systems using either rolling code or non-rolling code technology.

The EVIC module displays messages and a small house-shaped icon with one, two or three dots corresponding to the three transmitter buttons to indicate the status of the UGDO. The EVIC messages are:

- **Cleared Channels** - Indicates that all of the transmitter codes stored in the UGDO have been successfully cleared.
- **Training** - Indicates that the UGDO is in its transmitter learning mode.
- **Trained** - Indicates that the UGDO has successfully acquired a new transmitter code.
- **Transmit** - Indicates that a trained UGDO transmitter button has been depressed and that the UGDO is transmitting.

The UGDO cannot be repaired, and is available for service only as a unit with the EVIC module. This unit includes the push button switches and the plastic module and display lens. If any of these components is faulty or damaged, the complete EVIC module must be replaced.

### OPERATION

The UGDO operates on a non-switched source of battery current so the unit will remain functional, regardless of the ignition switch position. For more

information on the features, programming procedures and operation of the UGDO, see the owner's manual in the vehicle glove box.

## OVERHEAD CONSOLE READING AND COURTESY LAMP

### DESCRIPTION

The overhead console in this vehicle is equipped with two individual reading and courtesy lamps. The lamp lenses are the only visible components of these lamps. The reading and courtesy lamp lenses are mounted near the rear of the overhead console housing. Each lamp has its own switch, bulb, reflector and lens; but both lamps share a common lamp housing within the overhead console.

The overhead console reading and courtesy lamps operate on battery current that is provided at all times, regardless of the ignition switch position. The ground feed for the lamps is switched through the integral reading and courtesy lamp switches or through the door jamb switches. Each lamp is designed and aimed to provide illumination that will be directed only to that side of the vehicle on which the lamp is located.

The reading and courtesy lamp lenses and the lamp housing and reflector unit are serviced only as a unit with the overhead console housing. If either of the lamp lenses or the lamp housing is faulty or damaged, the overhead console housing unit must be replaced. The reading and courtesy lamp switches, bulb holders and wiring are only available as part of the overhead console wire harness. If either of the lamp switches or bulb holders is faulty or damaged, the overhead console wire harness unit must be replaced.

For service of the reading and courtesy lamp bulbs, refer to **Overhead Console Reading Lamp Bulbs** in the Removal and Installation section of Group 8L - Lamps. For diagnosis of the reading and courtesy lamps, refer to **Lamp Diagnosis** in the Diagnosis and Testing section of Group 8L - Lamps. For complete circuit diagrams, refer to **Overhead Console** in the Contents of Group 8W - Wiring Diagrams.

### OPERATION

All reading and courtesy lamps located in the overhead console are activated by the door jamb switches. When all of the doors are closed, these lamps can be individually activated by depressing the corresponding lens. When any door is open, depressing the lamp lenses to activate the lamp switches will not turn the lamps off.

See the owner's manual in the vehicle glove box for more information on the use and operation of the overhead console reading and courtesy lamps.



## DESCRIPTION AND OPERATION (Continued)

**AMBIENT TEMPERATURE SENSOR****DESCRIPTION**

Ambient air temperature is monitored by the Electronic Vehicle Information Center (EVIC) through ambient temperature messages received from the Body Control Module (BCM) over the Programmable Communications Interface (PCI) data bus network. The BCM receives a hard wired input from the ambient temperature sensor. The ambient temperature sensor is a variable resistor mounted to a bracket that is secured with a screw to the right side of the headlamp mounting module grille opening, behind the radiator grille and in front of the engine compartment.

Refer to **Body Control Module** in the Description and Operation section of Group 8E - Instrument Panel Systems for more information on the BCM. For complete circuit diagrams, refer to **Body Control Module** in the Contents of Group 8W - Wiring Diagrams. The ambient temperature sensor cannot be adjusted or repaired and, if faulty or damaged, it must be replaced.

**OPERATION**

The ambient temperature sensor is a variable resistor that operates on a five-volt reference signal sent to it by the BCM. The resistance in the sensor changes as temperature changes, changing the temperature sensor signal circuit voltage to the BCM. Based upon the resistance in the sensor, the BCM senses a specific voltage on the temperature sensor signal circuit, which it is programmed to correspond to a specific temperature. The BCM then sends the proper ambient temperature messages to the EVIC over the PCI data bus.

**DIAGNOSIS AND TESTING****ELECTRONIC VEHICLE INFORMATION CENTER**

If the problem with the Electronic Vehicle Information Center (EVIC) is an "Open Circuit" or "Short Circuit" shown in the compass/thermometer display, refer to **Ambient Temperature Sensor** in the Diagnosis and Testing section of this group. If the problem with the EVIC is an inaccurate or scrambled display, refer to **Self-Diagnostic Test** in the Diagnosis and Testing section of this group. If the problem with the EVIC is incorrect Vacuum Fluorescent Display (VFD) dimming levels, use a DRB scan tool and the proper Diagnostic Procedures manual to test for the correct dimming message inputs being received from the Body Control Module (BCM) over the Programmable Communications Interface (PCI) data bus. If the problem is a no-display condition, use the

following procedures. For complete circuit diagrams, refer to **Overhead Console** in the Contents of Group 8W - Wiring Diagrams.

(1) Check the fused B(+) fuse in the junction block. If OK, go to Step 2. If not OK, repair the shorted circuit or component as required and replace the faulty fuse.

(2) Check for battery voltage at the fused B(+) fuse in the junction block. If OK, go to Step 3. If not OK, repair the open fused B(+) circuit to the fused B(+) fuse in the PDC as required.

(3) Check the fused ignition switch output (run/start) fuse in the junction block. If OK, go to Step 4. If not OK, repair the shorted circuit or component as required and replace the faulty fuse.

(4) Turn the ignition switch to the On position. Check for battery voltage at the fused ignition switch output (run/start) fuse in the junction block. If OK, go to Step 5. If not OK, repair the open fused ignition switch output (run/start) circuit to the ignition switch as required.

(5) Turn the ignition switch to the Off position. Disconnect and isolate the battery negative cable. Remove the overhead console. Check for continuity between the ground circuit cavity of the roof wire harness connector for the EVIC module and a good ground. There should be continuity. If OK, go to Step 6. If not OK, repair the open ground circuit to ground as required.

(6) Connect the battery negative cable. Check for battery voltage at the fused B(+) circuit cavity of the roof wire harness connector for the EVIC module. If OK, go to Step 7. If not OK, repair the open fused B(+) circuit to the fused B(+) fuse in the junction block as required.

(7) Turn the ignition switch to the On position. Check for battery voltage at the fused ignition switch output (run/start) circuit cavity of the roof wire harness connector for the EVIC module. If OK, refer to **Self-Diagnostic Test** in the Diagnosis and Testing section of this group for further diagnosis of the EVIC module and the PCI data bus. If not OK, repair the open fused ignition switch output (run/start) circuit to the fuse in the junction block as required.

**SELF-DIAGNOSTIC TEST**

A self-diagnostic test is used to determine that the EVIC module is operating properly, and that all PCI data bus messages are being received for initial operation. Initiate the self-diagnostic test as follows:

(1) With the ignition switch in the Off position, simultaneously depress and hold the C/T button and the Reset button.

(2) Turn the ignition switch to the On position.



## DIAGNOSIS AND TESTING (Continued)

(3) Continue to hold both buttons depressed until the EVIC software version information is displayed, then release both buttons.

(4) Following completion of these tests, the EVIC module will display one of the following messages:

a. **Pass Self Test** - Momentarily depress and release the Reset button to return to the compass/thermometer/trip computer display mode. The EVIC module is working properly.

b. **Failed Self Test** - The EVIC module has an internal failure. The EVIC module is faulty and must be replaced.

c. **Failed J1850 Communication** - The EVIC module is not receiving proper message input through the PCI data bus. This can result from one or more faulty electronic modules in the vehicle, or from a faulty PCI data bus. The use of a DRB scan tool and the proper Diagnostic Procedures manual are required for further diagnosis.

**NOTE:** If the compass functions, but accuracy is suspect, it may be necessary to perform a variation adjustment. This procedure allows the compass unit to accommodate variations in the earth's magnetic field strength, based on geographic location. Refer to **Compass Variation Adjustment in the Service Procedures** section of this group.

**NOTE:** If the compass reading displays dashes, and only "CAL" appears in the display, demagnetizing may be necessary to remove excessive residual magnetic fields from the vehicle. Refer to **Compass Demagnetizing in the Service Procedures** section of this group.

## UNIVERSAL GARAGE DOOR OPENER

If the Universal Garage Door Opener (UGDO) is inoperative, but the Electronic Vehicle Information Center (EVIC) is operating normally, see the owner's manual in the vehicle glove box for instructions on training the UGDO. Retrain the UGDO with a known good transmitter as instructed in the owner's manual and test the UGDO operation again. If the unit is still inoperative, replace the faulty UGDO and EVIC module as a unit. If both the UGDO and the EVIC module are inoperative, refer to **Electronic Vehicle Information Center** in the Diagnosis and Testing section of this group for further diagnosis. For complete circuit diagrams, refer to **Overhead Console** in the Contents of Group 8W - Wiring Diagrams.

## AMBIENT TEMPERATURE SENSOR

The thermometer function is supported by the ambient temperature sensor, a wiring circuit, the

Body Control Module (BCM), the Programmable Communications Interface (PCI) data bus, and a portion of the Electronic Vehicle Information Center (EVIC) module. If any portion of the ambient temperature sensor circuit fails, the BCM will self-diagnose the circuit. A "Short Circuit" message will appear in the EVIC display in place of the temperature when the sensor is exposed to temperatures above 55° C (131° F), or if the sensor circuit is shorted. An "Open Circuit" message will appear in the EVIC display in place of the temperature when the sensor is exposed to temperatures below -40° C (-40° F), or if the sensor circuit is open.

The ambient temperature sensor circuit can also be diagnosed using the following Sensor Test, and Sensor Circuit Test. If the temperature sensor and circuit are confirmed to be OK, but the temperature display is inoperative or incorrect, refer to **Electronic Vehicle Information Center** in the Diagnosis and Testing section of this group. For complete circuit diagrams, refer to **Body Control Module** in the Contents of Group 8W - Wiring Diagrams.

### SENSOR TEST

(1) Turn the ignition switch to the Off position. Disconnect and isolate the battery negative cable. Disconnect the ambient temperature sensor wire harness connector.

(2) Measure the resistance of the ambient temperature sensor. At -40° C (-40° F), the sensor resistance is 336 kilohms. At 55° C (140° F), the sensor resistance is 2.488 kilohms. The sensor resistance should read between these two values. If OK, refer to **Sensor Circuit Test** in the Diagnosis and Testing section of this group. If not OK, replace the faulty ambient temperature sensor.

### SENSOR CIRCUIT TEST

(1) Turn the ignition switch to the Off position. Disconnect and isolate the battery negative cable. Disconnect the ambient temperature sensor wire harness connector and the 22-way Body Control Module (BCM) wire harness connector.

(2) Connect a jumper wire between the two terminals in the body half of the ambient temperature sensor wire harness connector.

(3) Check for continuity between the sensor return circuit and the ambient temperature sensor signal circuit cavities of the 22-way BCM wire harness connector. There should be continuity. If OK, go to Step 4. If not OK, repair the open sensor return circuit or ambient temperature sensor signal circuit to the ambient temperature sensor as required.

(4) Remove the jumper wire from the body half of the ambient temperature sensor wire harness connector. Check for continuity between the sensor

## DIAGNOSIS AND TESTING (Continued)

return circuit cavity of the 22-way BCM wire harness connector and a good ground. There should be no continuity. If OK, go to Step 5. If not OK, repair the shorted sensor return circuit as required.

(5) Check for continuity between the ambient temperature sensor signal circuit cavity of the 22-way BCM wire harness connector and a good ground. There should be no continuity. If OK, refer to **Electronic Vehicle Information Center** in the Diagnosis and Testing section of this group. If not OK, repair the shorted ambient temperature sensor signal circuit as required.

## SERVICE PROCEDURES

## ELECTRONIC VEHICLE INFORMATION CENTER PROGRAMMING

## EVIC PROGRAMMING MODE

The Electronic Vehicle Information Center (EVIC) provides the vehicle operator with a user interface, which allows the selection of several optional customer programmable electronic features to suit individual preferences. The EVIC must be placed into its programming mode in order to view or change the programmable features. To enter the EVIC programming mode and to view or change the selected programmable features options, proceed as follows:

- (1) Turn the ignition switch to the On position.
- (2) Depress and release the Menu push button. The first item in the programmable features menu list will appear in the EVIC display.
- (3) Momentarily depress and release the Menu push button to step through the programmable features list. Each programmable feature and its currently selected option will appear on the EVIC display in the sequence shown in the Programmable Features list that follows.
- (4) Momentarily depress and release the Step push button to step through the available options for the programmable feature being displayed.
- (5) The option that last appears in the display with a programmable feature before exiting the programming mode, becomes the newly selected programmable feature option.
- (6) The EVIC exits the programming mode and returns to its normal operating mode when the C/T push button is depressed or when the end of the programmable features menu list is reached, whichever occurs first.

## PROGRAMMABLE FEATURES

• **LANGUAGE?** - The options include English, Francaise, Deutsch, Italiana, or Espanol. The default is English. All EVIC display nomenclature, including

the trip computer functions, warning messages and the programmable features appear in the selected language.

• **DISPLAY U. S. OR METRIC?** - The options include U. S. and M. The default is U. S. This feature toggles the trip computer temperature, fuel economy and odometer display readings between U. S. and metric units of measure. It also changes the odometer display in the instrument cluster.

• **AUTO DOOR LOCKS?** - The options include Yes and No. The default is Yes. When Yes is selected, all doors and the liftgate lock automatically when vehicle speed reaches 25 kilometers-per-hour (15 miles-per-hour). If YES is selected, a second programmable feature appears, **AUTO UNLOCK ON EXIT?** - The options again include Yes and No. The default is No. When Yes is selected, following each Auto Door Lock event all doors and the liftgate will automatically unlock when the driver door is opened, if the vehicle is stopped and the transmission gear selector is in Park or Neutral. The Auto Door Unlock event will only occur once following each Auto Door Lock event.

• **REMOTE UNLOCK** - The options include Driver Door 1st and All Doors. The default is Driver Door 1st. When Diver Door 1st is selected, only the driver door unlocks when the Unlock button of the Remote Keyless Entry (RKE) transmitter is depressed once. The Unlock button of the RKE transmitter must be depressed twice to unlock all doors and the liftgate. When All Doors is selected, all doors and the liftgate unlock when the Unlock button of the RKE transmitter is depressed once.

• **REMOTE LINKED TO MEMORY?** - This programmable feature only applies to vehicles equipped with the optional memory system. The options include Yes and No. The default is No. When Yes is selected, the memory system will recall the Driver 1 or Driver 2 memory settings assigned to the RKE transmitter being used to unlock the vehicle. When No is selected, the memory system will only recall memory settings when the Driver 1 or Driver 2 push buttons of the memory switch on the driver side front door trim panel are depressed.

• **SOUND HORN ON LOCK?** - The options include Yes and No. The default is No. When Yes is selected, a short horn chirp will provide an audible confirmation when the RKE receiver recognizes a valid Lock signal from an RKE transmitter. When No is selected, no horn chirp will occur with the RKE Lock event. This feature may be selected independent of the **FLASH LIGHTS WITH LOCKS?** programmable feature.

• **FLASH LIGHTS WITH LOCKS?** - The options include Yes and No. The default is Yes. When Yes is selected, a single flash of the hazard warning

## SERVICE PROCEDURES (Continued)

lamps will provide an optical confirmation when the RKE receiver recognizes a valid Lock signal from an RKE transmitter, and two flashes of the same lamps will occur when the RKE receiver recognizes a valid Unlock signal from an RKE transmitter. When No is selected, no lamp flash will occur with the RKE Lock or Unlock event. This feature may be selected independent of the **SOUND HORN ON LOCK?** programmable feature.

- **HEADLAMP DELAY** = - The options include Off, 30 Sec, 60 Sec, and 90 Sec. The default is 90 Sec. When a time interval is selected, the headlamps will remain on for that length of time when the headlamps are turned off after the ignition is turned off, or if the Auto mode is selected on vehicles with the Auto Headlamps option. When Off is selected, the headlamp delay feature is disabled.

- **HEADLAMPS ON WITH WIPERS?** - This programmable feature only applies to vehicles equipped with the optional Auto Headlamps. The options include Yes and No. The default is No. When Yes is selected, the headlamps will turn on automatically when the windshield wipers are turned on. The headlamps will turn off when the wipers are turned off, as long as the headlamp switch is in the Auto or Off positions. When No is selected, the headlamps will only turn on if manually selected or if the Auto mode is selected and the outside ambient light levels dictate that they should be on.

- **SERVICE INTV.** = - The options include from 1000 to 12000 kilometers in 1000 kilometer increments (2000 to 7500 miles in 500 mile increments). The default is 12000 kilometers (7500 miles). The selected distance becomes the interval at which the Perform Service warning message will be displayed by the EVIC. If a new distance is selected, a second programmable feature appears, **RESET SERVICE DISTANCE?** - The options include No and Yes. The default is Yes. When Yes is selected, the accumulated distance since the last previous Perform Service warning message will be reset to zero because the service interval has been changed. When No is selected, the distance until the next Perform Service warning message is reduced by the accumulated distance since the last previous message.

- **LOW FUEL CHIME?** - The options include Yes and No. The default is Yes. When Yes is selected, a single chime will sound as an audible alert whenever the instrument cluster low fuel warning lamp lights. The chime will sound only once per ignition cycle. When No is selected, only the low fuel warning lamp in the instrument cluster will light and no chime will sound.

- **EASY EXIT SEAT?** - This programmable feature only applies to vehicles equipped with the optional memory system. The options include Yes and

No. The default is No. When Yes is selected, the driver seat moves rearward about 55 millimeters (two inches) or to the farthest rearward position, whichever comes first, when the key is removed from the ignition switch lock cylinder. This provides additional ease for exiting from the vehicle. The seat will automatically return to the memory system setting position when the Driver 1 or Driver 2 button of the memory switch on the door panel is depressed or, if the **REMOTE LINKED TO MEMORY** programmable feature is enabled, when the RKE Unlock button is depressed. While not automatic, an easy entry feature can be obtained by enabling the **EASY EXIT SEAT** feature and disabling the **REMOTE LINKED TO MEMORY** feature. Then the **EASY EXIT SEAT** feature will move the seat back, but the RKE unlock event will not reposition the seat. Thus, the seat remains positioned for easy entry, and the memory switch on the door panel can be depressed after entering the vehicle to return the seat to the desired memory position.

## COMPASS VARIATION ADJUSTMENT

Compass variance, also known as magnetic declination, is the difference in angle between magnetic north and true geographic north. In some geographic locations, the difference between magnetic and geographic north is great enough to cause the compass to give false readings. If this problem occurs, the compass variance setting may need to be changed.

To set the compass variance:

- (1) Using the Variance Settings map, find your geographic location and note the zone number (Fig. 2).

- (2) Turn the ignition switch to the On position. If the compass/thermometer data is not currently being displayed, momentarily depress and release the C/T push button to reach the compass/thermometer display.

- (3) Depress the Reset push button and hold the button down until "VARIANCE = XX" appears in the display. This takes about five seconds.

- (4) Release the Reset push button. "VARIANCE =XX" will remain in the display. "XX" equals the current variance zone setting.

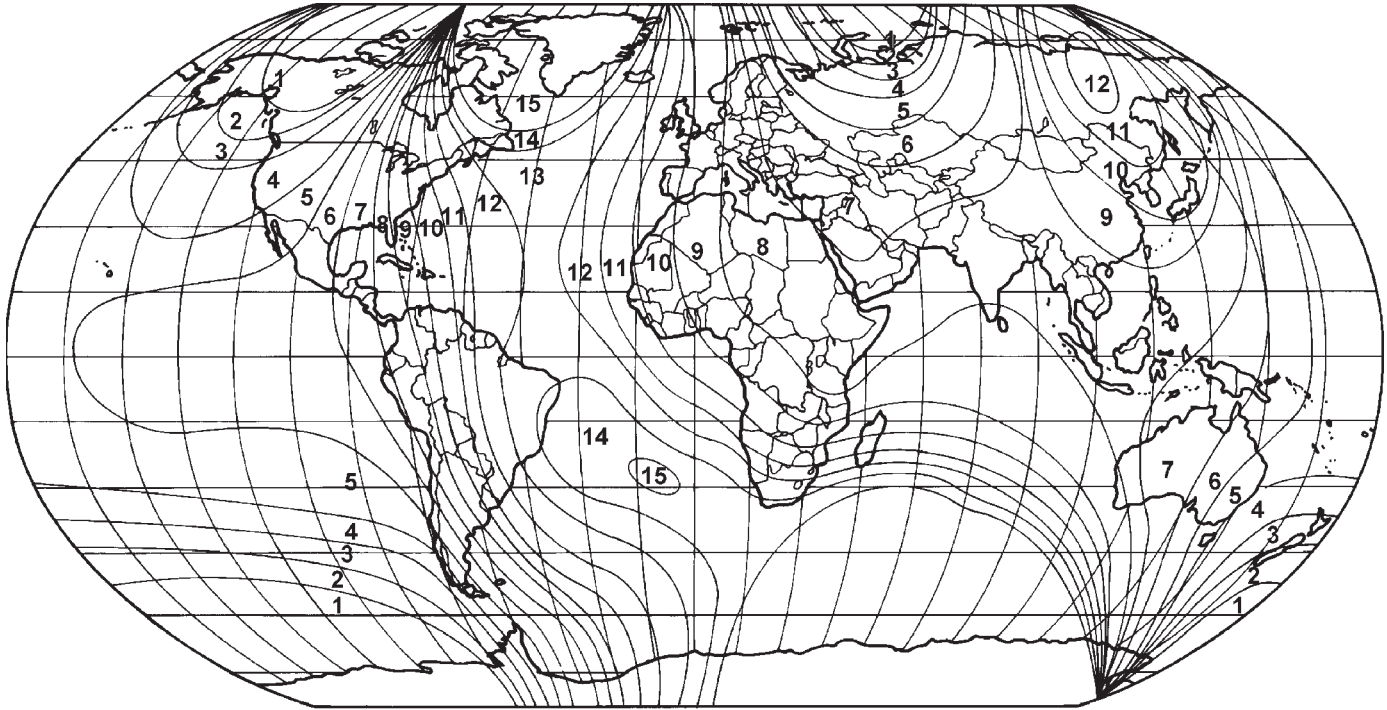
- (5) Momentarily depress and release the Step push button to step through the zone numbers, until the zone number for your geographic location appears in the display.

- (6) Momentarily depress and release the Reset push button to enter the displayed zone number into the EVIC module memory.

- (7) Confirm that the correct directions are now indicated by the compass.



## SERVICE PROCEDURES (Continued)



80a13863

**Fig. 2 Variance Settings**

## COMPASS CALIBRATION

**CAUTION:** Do not place any external magnets, such as magnetic roof mount antennas, in the vicinity of the compass. Do not use magnetic tools when servicing the overhead console.

The electronic compass unit features a self-calibrating design, which simplifies the calibration procedure. This feature automatically updates the compass calibration while the vehicle is being driven. This allows the compass unit to compensate for small changes in the residual magnetism that the vehicle may acquire during normal use. If the compass readings appear to be erratic or out of calibration, perform the following calibration procedure. Also, new service replacement Electronic Vehicle Information Center (EVIC) modules must have their compass calibrated using this procedure. Do not attempt to calibrate the compass near large metal objects such as other vehicles, large buildings, or bridges; or, near overhead or underground power lines.

**NOTE:** Whenever the compass is calibrated manually, the variance number must also be reset. Refer to **Compass Variation Adjustment** in the **Service Procedures** section of this group.

Calibrate the compass manually as follows:

(1) Turn the ignition switch to the On position. If the compass/thermometer data is not currently being

displayed, momentarily depress and release the C/T push button to reach the compass/thermometer display.

(2) Depress the Reset push button and hold the button down until "CAL" appears in the display. This takes about ten seconds, and appears about five seconds after "VARIANCE = XX" is displayed.

(3) Release the Reset push button.

(4) Drive the vehicle on a level surface, away from large metal objects and power lines, through three or more complete circles at between five and eight kilometers-per-hour (three and five miles-per-hour) in not less than 48 seconds. The "CAL" message will disappear from the display to indicate that the compass is now calibrated.

**NOTE:** If the "CAL" message remains in the display, either there is excessive magnetism near the compass, or the unit is faulty. Repeat the calibration procedure one more time.

**NOTE:** If the wrong direction is still indicated in the compass display, the area selected for calibration may be too close to a strong magnetic field. Repeat the calibration procedure in another location.

## COMPASS DEMAGNETIZING

A degaussing tool (Special Tool 6029) is used to demagnetize, or degauss, the overhead console for-

## SERVICE PROCEDURES (Continued)

ward mounting screw and the roof panel above the overhead console. Equivalent units must be rated as continuous duty for 110/115 volts and 60 Hz. They must also have a field strength of over 350 gauss at 7 millimeters (0.25 inch) beyond the tip of the probe.

To demagnetize the roof panel and the overhead console forward mounting screw, proceed as follows:

(1) Be certain that the ignition switch is in the Off position, before you begin the demagnetizing procedure.

(2) Connect the degaussing tool to an electrical outlet, while keeping the tool at least 61 centimeters (2 feet) away from the compass unit.

(3) Slowly approach the head of the overhead console forward mounting screw with the degaussing tool connected.

(4) Contact the head of the screw with the plastic coated tip of the degaussing tool for about two seconds.

(5) With the degaussing tool still energized, slowly back it away from the screw. When the tip of the tool is at least 61 centimeters (2 feet) from the screw head, disconnect the tool.

(6) Place a piece of paper approximately 22 by 28 centimeters (8.5 by 11 inches), oriented on the vehicle lengthwise from front to rear, on the center line of the roof at the windshield header (Fig. 3). The purpose of the paper is to protect the roof panel from scratches, and to define the area to be demagnetized.

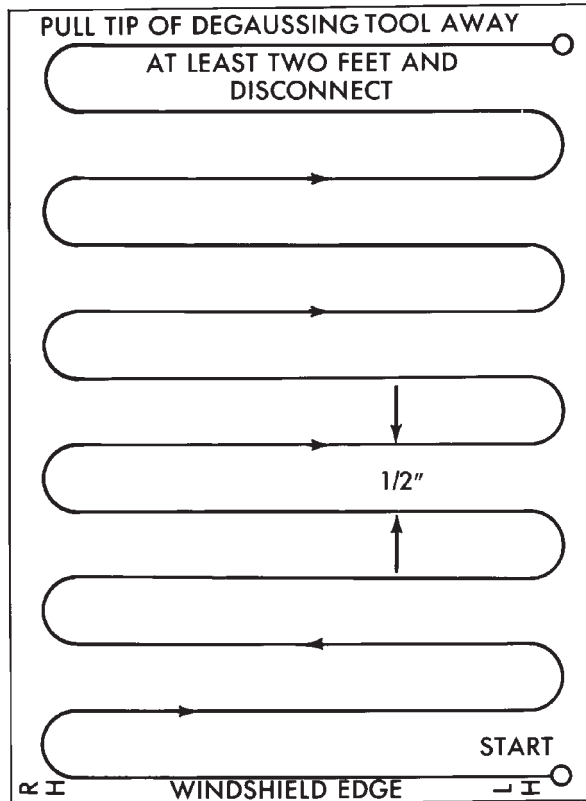
(7) Connect the degaussing tool to an electrical outlet, while keeping the tool at least 61 centimeters (2 feet) away from the compass unit.

(8) Slowly approach the center line of the roof panel at the windshield header, with the degaussing tool connected.

(9) Contact the roof panel with the plastic coated tip of the degaussing tool. Be sure that the template is in place to avoid scratching the roof panel. Using a slow, back-and-forth sweeping motion, and allowing 13 millimeters (0.50 inch) between passes, move the tool at least 11 centimeters (4 inches) to each side of the roof center line, and 28 centimeters (11 inches) back from the windshield header.

(10) With the degaussing tool still energized, slowly back it away from the roof panel. When the tip of the tool is at least 61 centimeters (2 feet) from the roof panel, disconnect the tool.

(11) Calibrate the compass and adjust the compass variance. Refer to **Compass Variation Adjustment** and **Compass Calibration** in the Service Procedures section of this group for the procedures.



J908E-27

*Fig. 3 Roof Demagnetizing Pattern*

## REMOVAL AND INSTALLATION

## OVERHEAD CONSOLE

## REMOVAL

(1) Disconnect and isolate the battery negative cable.

(2) Remove the screw that secures the front of the overhead console to the front of the overhead console retainer bracket.

(3) Insert the fingertips of both hands between the headliner and the sides of the overhead console housing in the area near the reading and courtesy lamps.

(4) Pull downward on the sides of the overhead console housing firmly and evenly to disengage the two snap clips that secure the rear of the unit from their receptacles in the overhead console retainer bracket.

(5) Lower the overhead console from the headliner far enough to access the wire harness connectors.

(6) Disconnect the roof wire harness connectors from the Electronic Vehicle Information Center connector receptacle, the reading and courtesy lamp wire harness connector and, if the vehicle is so equipped, from the back of the power sunroof switch.



## REMOVAL AND INSTALLATION (Continued)

(7) Remove the overhead console from the headliner.

## INSTALLATION

(1) Position the overhead console near the mounting location on the headliner.

(2) Reconnect the roof wire harness connectors to the Electronic Vehicle Information Center connector receptacle, the reading and courtesy lamp wire harness connector and, if the vehicle is so equipped, to the back of the power sunroof switch.

(3) Align the two snap clips on the rear of the overhead console housing with their receptacles in the overhead console retainer bracket.

(4) Push upward firmly and evenly on the sides of the overhead console housing over both of the snap clip locations until each of the two snap clips is fully engaged with its receptacle in the overhead console retainer bracket.

(5) Install and tighten the screw that secures the front of the overhead console housing to the overhead console retainer bracket. Tighten the screw to 1.2 N·m (10 in. lbs.).

(6) Reconnect the battery negative cable.

## ELECTRONIC VEHICLE INFORMATION CENTER

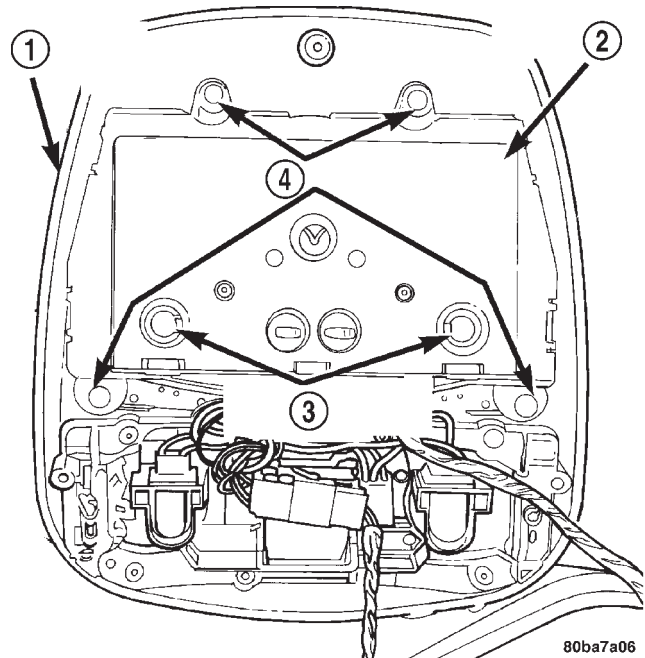
## REMOVAL

(1) Disconnect and isolate the battery negative cable.

(2) Remove the overhead console from the headliner. Refer to **Overhead Console** in the Removal and Installation section of this group for the procedures.

(3) Remove the four screws that secure the Electronic Vehicle Information Center (EVIC) module to the overhead console housing (Fig. 4).

(4) Remove the EVIC module from the overhead console housing.



**Fig. 4 Electronic Vehicle Information Center Remove/Install**

1 - OVERHEAD CONSOLE HOUSING

2 - EVIC MODULE

3 - ILLUMINATION LAMPS

4 - SCREWS (4)

## INSTALLATION

(1) Position the EVIC module onto the overhead console housing.

(2) Install and tighten the four screws that secure the EVIC module to the overhead console housing. Tighten the screws to 0.9 N·m (8 in. lbs.).

(3) Install the overhead console onto the headliner. Refer to **Overhead Console** in the Removal and Installation section of this group for the procedures.

(4) Reconnect the battery negative cable.

**NOTE:** If a new compass mini-trip computer has been installed, the compass will have to be calibrated and the variance set. Refer to **Compass Variation Adjustment and Compass Calibration** in the **Service Procedures** section of this group for the procedures.

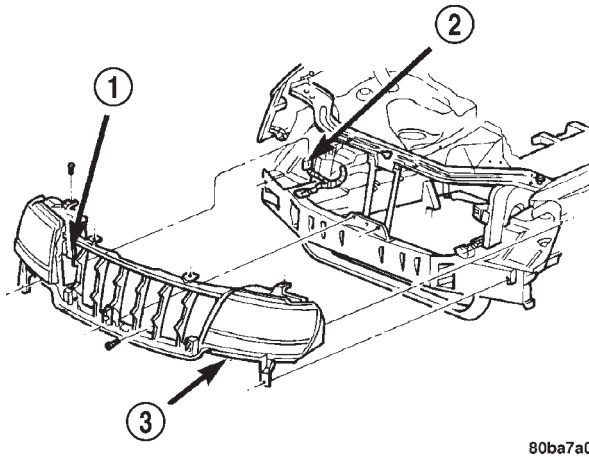
## REMOVAL AND INSTALLATION (Continued)

## AMBIENT TEMPERATURE SENSOR

## REMOVAL

(1) Disconnect and isolate the battery negative cable.

(2) Locate the ambient temperature sensor, on the right side of the radiator opening in the headlamp mounting module, behind the grille (Fig. 5).



80ba7a07

**Fig. 5 Ambient Temperature Sensor Remove/Install**

- 1 - AMBIENT TEMPERATURE SENSOR  
 2 - WIRE HARNESS CONNECTOR  
 3 - HEADLAMP MOUNTING MODULE

(3) Remove the radiator grille fascia and insert from the headlamp mounting module. Refer to **Grille** in the Removal and Installation section of Group 23 - Body for the procedures.

(4) Disconnect the wire harness connector from the ambient temperature sensor connector receptacle.

(5) Remove the one screw that secures the ambient temperature sensor bracket to the headlamp mounting module.

(6) Remove the ambient temperature sensor from the headlamp mounting module.

## INSTALLATION

(1) Position the ambient temperature sensor onto the radiator yoke.

(2) Install and tighten the one screw that secures the ambient temperature sensor bracket to the radiator yoke. Tighten the screw to 2.2 N·m (20 in. lbs.).

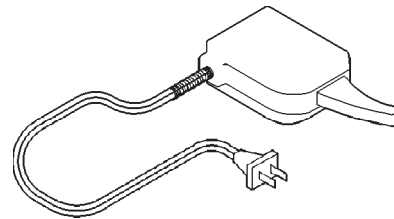
(3) Reconnect the wire harness connector to the ambient temperature sensor connector receptacle.

(4) Install the radiator grille fascia and insert onto the headlamp mounting module. Refer to **Grille** in the Removal and Installation section of Group 23 - Body for the procedures.

(5) Reconnect the battery negative cable.

## SPECIAL TOOLS

## OVERHEAD CONSOLE SYSTEMS



**Degaussing Tool 6029**

# WIRING DIAGRAMS

## CONTENTS

	page		page
AIR CONDITIONING-HEATER .....	8W-42-1	POWER DISTRIBUTION .....	8W-10-1
AIRBAG SYSTEM .....	8W-43-1	POWER LOCKS .....	8W-61-1
ANTI-LOCK BRAKES .....	8W-35-1	POWER MIRRORS .....	8W-62-1
AUDIO SYSTEM .....	8W-47-1	POWER SEATS .....	8W-63-1
BODY CONTROL MODULE .....	8W-45-1	POWER SUNROOF .....	8W-64-1
CHARGING SYSTEM .....	8W-20-1	POWER WINDOWS .....	8W-60-1
COMPONENT INDEX .....	8W-02-1	REAR LIGHTING .....	8W-51-1
CONNECTOR LOCATIONS .....	8W-90-1	REAR WINDOW DEFOGGER .....	8W-48-1
CONNECTOR PIN-OUTS .....	8W-80-1	SPLICE INFORMATION .....	8W-70-1
FRONT LIGHTING .....	8W-50-1	SPLICE LOCATIONS .....	8W-95-1
FUEL/IGNITION SYSTEMS .....	8W-30-1	STARTING SYSTEM .....	8W-21-1
GENERAL INFORMATION .....	8W-01-1	TRAILER TOW .....	8W-54-1
GROUND DISTRIBUTION .....	8W-15-1	TRANSMISSION CONTROL SYSTEM .....	8W-31-1
HORN/CIGAR LIGHTER/POWER OUTLET ..	8W-41-1	TURN SIGNALS .....	8W-52-1
INSTRUMENT CLUSTER .....	8W-40-1	VEHICLE SPEED CONTROL .....	8W-33-1
INTERIOR LIGHTING .....	8W-44-1	VEHICLE THEFT SECURITY SYSTEM .....	8W-39-1
JUNCTION BLOCK .....	8W-12-1	WIPERS .....	8W-53-1
OVERHEAD CONSOLE .....	8W-49-1		





## 8W-01 GENERAL INFORMATION

### INDEX

	page		page
<b>DESCRIPTION AND OPERATION</b>			
INTRODUCTION .....	1	TROUBLESHOOTING TESTS .....	9
CIRCUIT FUNCTIONS .....	4	TROUBLESHOOTING WIRING PROBLEMS.....	9
CIRCUIT INFORMATION .....	4	<b>SERVICE PROCEDURES</b>	
SECTION IDENTIFICATION .....	5	TERMINAL/CONNECTOR REPAIR-MOLEX	
SYMBOLS .....	5	CONNECTORS .....	10
TAKE OUTS.....	7	TERMINAL/CONNECTOR REPAIR—THOMAS	
NOTES, CAUTIONS, and WARNINGS .....	7	AND BETTS CONNECTORS.....	10
SPLICE LOCATIONS .....	7	WIRING REPAIR .....	10
CONNECTOR INFORMATION .....	7	CONNECTOR REPLACEMENT.....	11
ELECTROSTATIC DISCHARGE (ESD)		CONNECTOR AND TERMINAL	
SENSITIVE DEVICES .....	8	REPLACEMENT .....	12
<b>DIAGNOSIS AND TESTING</b>			
INTERMITTENT AND POOR CONNECTIONS.....	8	TERMINAL REPLACEMENT.....	13
TROUBLESHOOTING TOOLS .....	8	DIODE REPLACEMENT.....	14
		<b>SPECIAL TOOLS</b>	
		WIRING/TERMINAL .....	14

## DESCRIPTION AND OPERATION

### INTRODUCTION

DaimlerChrysler wiring diagrams are designed to provide information regarding the vehicles wiring content. In order to effectively use DaimlerChrysler wiring diagrams to diagnose and repair a DaimlerChrysler vehicle, it is important to understand all of their features and characteristics.

Diagrams are arranged such that the power (B+) side of the circuit is placed near the top of the page, and the ground (B-) side of the circuit is placed near the bottom of the page.

All switches, components, and modules are shown in the at rest position with the doors closed and the key removed from the ignition.

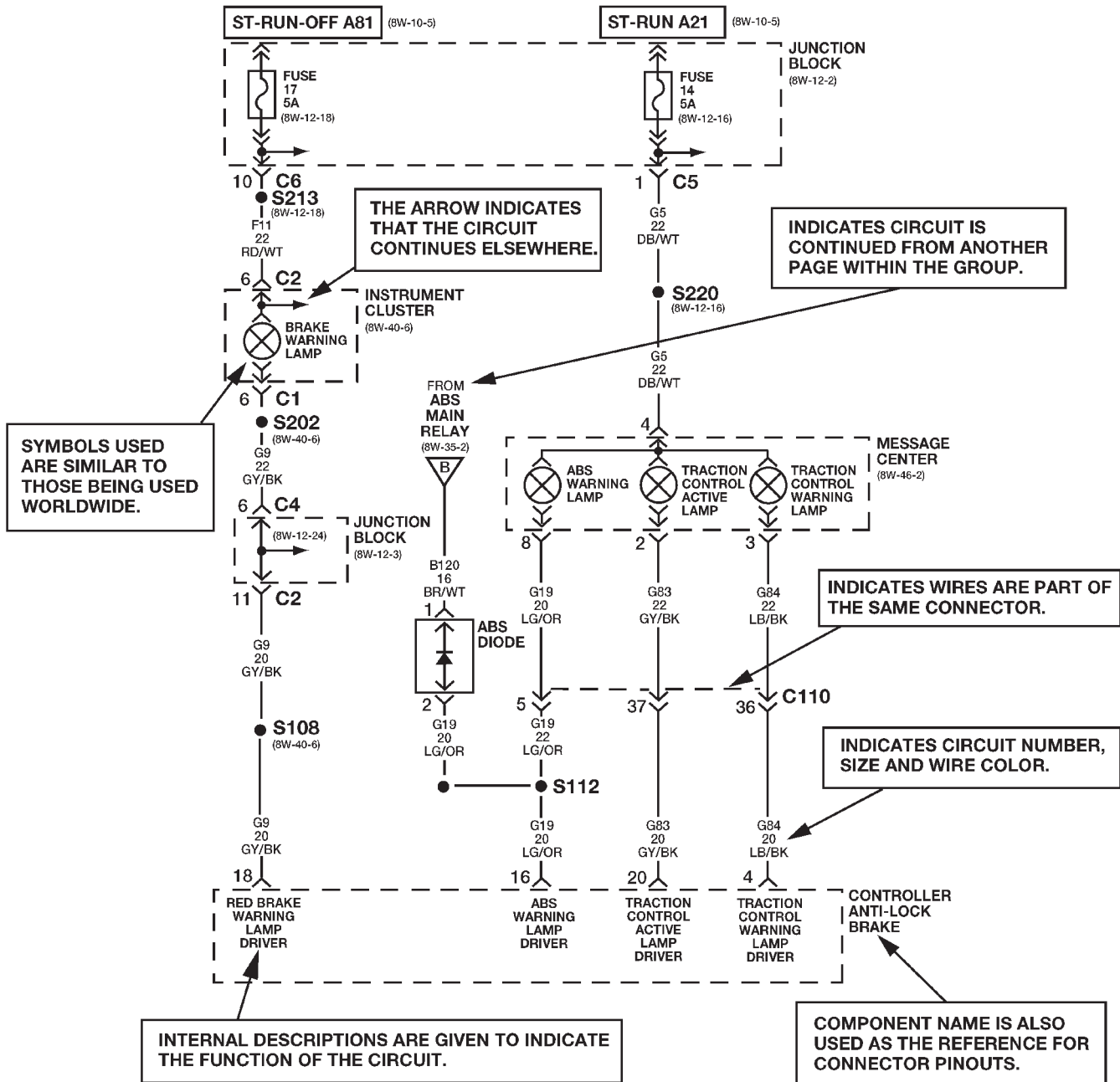
Components are shown two ways. A solid line around a component indicates that the component is complete. A dashed line around a component indicates that the component being shown is not complete. Incomplete components have a reference number to indicate the page where the component is shown complete.

It is important to realize that no attempt is made on the diagrams to represent components and wiring as they appear on the vehicle. For example, a short piece of wire is treated the same as a long one. In addition, switches and other components are shown as simply as possible, with regard to function only.



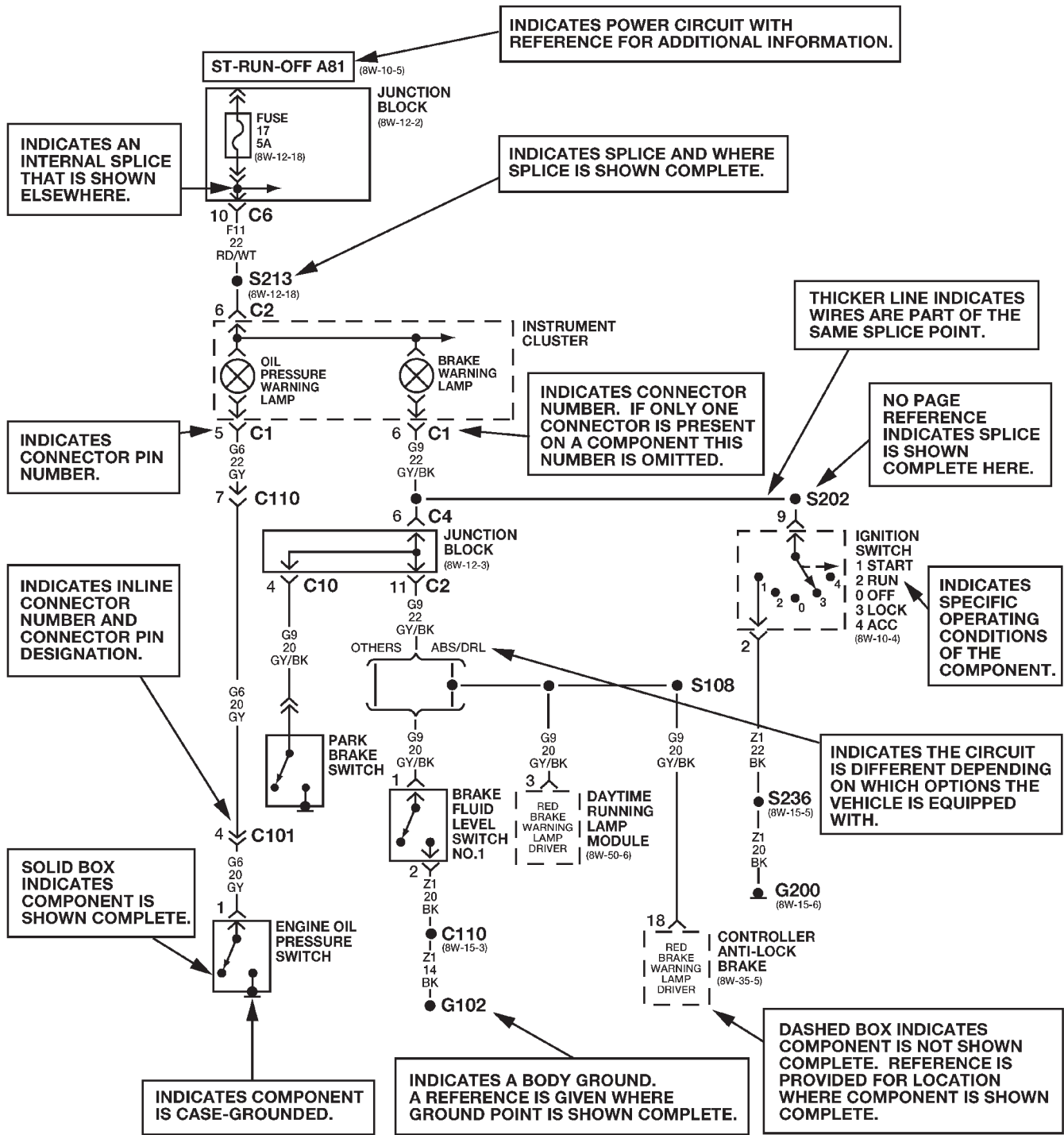
DESCRIPTION AND OPERATION (Continued)

DIAGRAMS ARE ARRANGED WITH THE POWER B+ SIDE OF THE CIRCUIT NEAR THE TOP OF THE PAGE, AND THE GROUND SIDE OF THE CIRCUIT NEAR THE BOTTOM OF THE PAGE.



The System shown here is an EXAMPLE ONLY. It does not represent the actual circuit shown in the WIRING DIAGRAM SECTION.

DESCRIPTION AND OPERATION (Continued)

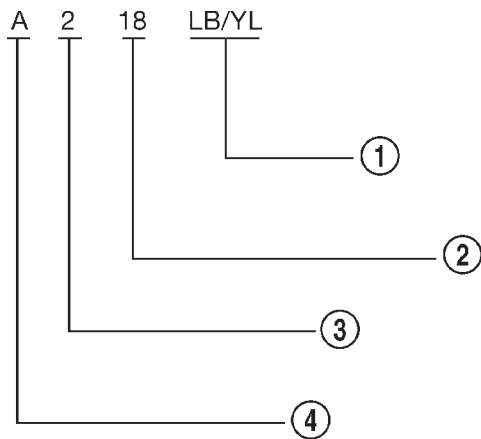


*The System shown here is an EXAMPLE ONLY. It does not represent the actual circuit shown in the WIRING DIAGRAM SECTION.*

DESCRIPTION AND OPERATION (Continued)

**CIRCUIT INFORMATION**

Each wire shown in the diagrams contains a code which identifies the main circuit, part of the main circuit, gage of wire, and color (Fig. 1).



80aff571

**Fig. 1 Wire Code Identification**

- 1 - COLOR OF WIRE (LIGHT BLUE WITH YELLOW TRACER)
- 2 - GAUGE OF WIRE (18 GAUGE)
- 3 - PART OF MAIN CIRCUIT (VARIES DEPENDING ON EQUIPMENT)
- 4 - MAIN CIRCUIT IDENTIFICATION

**WIRE COLOR CODE CHART**

COLOR CODE	COLOR	STANDARD TRACER COLOR
BL	BLUE	WT
BK	BLACK	WT
BR	BROWN	WT
DB	DARK BLUE	WT
DG	DARK GREEN	WT
GY	GRAY	BK
LB	LIGHT BLUE	BK
LG	LIGHT GREEN	BK
OR	ORANGE	BK
PK	PINK	BK or WT
RD	RED	WT
TN	TAN	WT
VT	VIOLET	WT
WT	WHITE	BK
YL	YELLOW	BK
*	WITH TRACER	

**CIRCUIT FUNCTIONS**

All circuits in the diagrams use an alpha/numeric code to identify the wire and its function. To identify which circuit code applies to a system, refer to the Circuit Identification Code Chart. This chart shows the main circuits only and does not show the secondary codes that may apply to some models.

*CIRCUIT IDENTIFICATION CODE CHART*

CIRCUIT	FUNCTION
A	BATTERY FEED
B	BRAKE CONTROLS
C	CLIMATE CONTROLS
D	DIAGNOSTIC CIRCUITS
E	DIMMING ILLUMINATION CIRCUITS
F	FUSED CIRCUITS
G	MONITORING CIRCUITS (GAUGES)
H	OPEN
I	NOT USED
J	OPEN
K	POWERTRAIN CONTROL MODULE
L	EXTERIOR LIGHTING
M	INTERIOR LIGHTING
N	NOT USED
O	NOT USED
P	POWER OPTION (BATTERY FEED)
Q	POWER OPTIONS (IGNITION FEED)
R	PASSIVE RESTRAINT
S	SUSPENSION/STEERING
T	TRANSMISSION/TRANSAXLE/ TRANSFER CASE
U	OPEN
V	SPEED CONTROL, WIPER/WASHER
W	OPEN
X	AUDIO SYSTEMS
Y	OPEN
Z	GROUNDS

## DESCRIPTION AND OPERATION (Continued)

**SECTION IDENTIFICATION**
























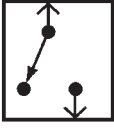
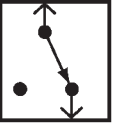




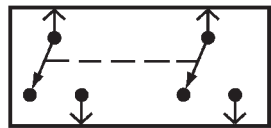
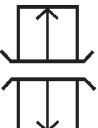



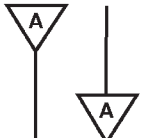






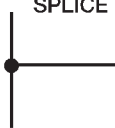










The wiring diagrams are grouped into individual sections. If a component is most likely found in a particular group, it will be shown complete (all wires, connectors, and pins) within that group. For example, the Auto Shutdown Relay is most likely to be found in Group 30, so it is shown there complete. It can, however, be shown partially in another group if it contains some associated wiring.

**SYMBOLS**

International symbols are used throughout the wiring diagrams. These symbols are consistent with those being used around the world

GROUP	TOPIC
8W-01 thru 8W-09	General Information and Diagram Overview
8W-10 thru 8W-19	Main Sources of Power and Vehicle Grounding
8W-20 thru 8W-29	Starting and Charging
8W-30 thru 8W-39	Powertrain/Drivetrain Systems
8W-40 thru 8W-49	Body Electrical items and A/C
8W-50 thru 8W-59	Exterior Lighting, Wipers, and Trailer Tow
8W-60 thru 8W-69	Power Accessories
8W-70	Splice Information
8W-80	Connector Pin Outs
8W-90	Connector Locations (including grounds)
8W-95	Splice Locations

DESCRIPTION AND OPERATION (Continued)

 BATTERY  GENERATOR STATOR COILS	 2 C123 IN-LINE CONNECTORS  2 C123
 FUSIBLE LINK  FUSE  CIRCUIT BREAKER	MULTIPLE CONNECTOR  8  5  2 C123 MALE CONNECTOR  4 C1 FEMALE CONNECTOR  6 C3
 BATT A0 HOT BAR  CHOICE BRACKET (8W-30-10) PAGE REFERENCE	 SINGLE FILAMENT LAMP  DUAL FILAMENT LAMP  ANTENNA
 CLOCKSPrING  GROUND G101  SCREW TERMINAL	NPN TRANSISTOR  PNP TRANSISTOR  TONE GENERATOR 
 OPEN SWITCH  CLOSED SWITCH	 LED  PHOTODIODE  DIODE  ZENER DIODE
 GANGED SWITCH  SLIDING DOOR CONTACT	 OXYGEN SENSOR  GAUGE  PIEZOELECTRIC CELL
 WIRE ORIGIN & DESTINATION SHOWN WITHIN CELL  WIRE DESTINATION SHOWN IN ANOTHER CELL	 RESISTOR  POTENTIOMETER  VARIABLE RESISTOR  HEATER ELEMENT
EXTERNAL SPLICE  S350 INTERNAL SPLICE  INCOMPLETE SPLICE (INTERNAL) 	NON-POLARIZED CAPACITOR  POLARIZED CAPACITOR  VARIABLE CAPACITOR 
 ONE SPEED MOTOR  TWO SPEED MOTOR  REVERSIBLE MOTOR	 COIL  SOLENOID  SOLENOID VALVE



## DESCRIPTION AND OPERATION (Continued)

**CONNECTOR INFORMATION**

**CAUTION:** Not all connectors are serviced. Some connectors are serviced only with a harness. A typical example might be the Supplemental Restraint System connectors. Always check parts availability before attempting a repair.

**IDENTIFICATION**

In-line connectors are identified by a number, as follows:

- In-line connectors located on the **engine compartment harness** are **C100** series numbers.
- Connectors located on the **instrument panel harness** are **C200** series numbers.
- Connectors located on the **body harness** are **C300** series numbers.
- **Jumper harness connectors** are **C400** series numbers.
- **Grounds and ground connectors** are identified with a "G" and follow the same series numbering as the in-line connector.

Component connectors are identified by the component name instead of a number. Multiple connectors on a component use a C1, C2, etc. identifier.

**LOCATIONS**

Section 8W-90 contains connector/ground location illustrations. The illustrations contain the connector name (or number)/ground number and component identification. Connector/ground location charts in Section 8W-90 reference the illustration number for components and connectors.

Section 8W-80 shows each connector and the circuits involved with that connector. The connectors are identified using the name/number on the Diagram pages.

**SPLICE LOCATIONS**

Splice Location charts in Section 8W-70 show the entire splice, and provide references to other sections the splice serves.

Section 8W-95 contains illustrations that show the general location of the splices in each harness. The illustrations show the splice by number, and provide a written location.

**NOTES, CAUTIONS, and WARNINGS**

Throughout this group additional important information is presented in three ways; Notes, Cautions, and Warnings.

**NOTES** are used to help describe how switches or components operate to complete a particular circuit. They are also used to indicate different conditions

that may appear on the vehicle. For example, an up-to and after condition.

**CAUTIONS** are used to indicate information that could prevent making an error that may damage the vehicle.

**WARNINGS** provide information to prevent personal injury and vehicle damage. Below is a list of general warnings that should be followed any time a vehicle is being serviced.

**WARNING: ALWAYS WEAR SAFETY GLASSES FOR EYE PROTECTION.**

**WARNING: USE SAFETY STANDS ANYTIME A PROCEDURE REQUIRES BEING UNDER A VEHICLE.**

**WARNING: BE SURE THAT THE IGNITION SWITCH ALWAYS IS IN THE OFF POSITION, UNLESS THE PROCEDURE REQUIRES IT TO BE ON.**

**WARNING: SET THE PARKING BRAKE WHEN WORKING ON ANY VEHICLE. AN AUTOMATIC TRANSMISSION SHOULD BE IN PARK. A MANUAL TRANSMISSION SHOULD BE IN NEUTRAL.**

**WARNING: OPERATE THE ENGINE ONLY IN A WELL-VENTILATED AREA.**

**WARNING: KEEP AWAY FROM MOVING PARTS WHEN THE ENGINE IS RUNNING, ESPECIALLY THE FAN AND BELTS.**

**WARNING: TO PREVENT SERIOUS BURNS, AVOID CONTACT WITH HOT PARTS SUCH AS THE RADIATOR, EXHAUST MANIFOLD(S), TAIL PIPE, CATALYTIC CONVERTER, AND MUFFLER.**

**WARNING: DO NOT ALLOW FLAME OR SPARKS NEAR THE BATTERY. GASES ARE ALWAYS PRESENT IN AND AROUND THE BATTERY.**

**WARNING: ALWAYS REMOVE RINGS, WATCHES, LOOSE HANGING JEWELRY, AND LOOSE CLOTHING.**

**TAKE OUTS**

The abbreviation T/O is used in the component location section to indicate a point in which the wiring harness branches out to a component.

## DESCRIPTION AND OPERATION (Continued)

**ELECTROSTATIC DISCHARGE (ESD) SENSITIVE DEVICES**

All ESD sensitive components are solid state and a symbol (Fig. 2) is used to indicate this. When handling any component with this symbol comply with the following procedures to reduce the possibility of electrostatic charge build up on the body and inadvertent discharge into the component. If it is not known whether the part is ESD sensitive, assume that it is.

(1) Always touch a known good ground before handling the part. This should be repeated while handling the part and more frequently after sliding across a seat, sitting down from a standing position, or walking a distance.

(2) Avoid touching electrical terminals of the part, unless instructed to do so by a written procedure.

(3) When using a voltmeter, be sure to connect the ground lead first.

(4) Do not remove the part from its protective packing until it is time to install the part.

(5) Before removing the part from its package, ground the package to a known good ground on the vehicle.



948W-193

**Fig. 2 Electrostatic Discharge Symbol****DIAGNOSIS AND TESTING****TROUBLESHOOTING TOOLS**

When diagnosing a problem in an electrical circuit there are several common tools necessary. These tools are listed and explained below.

- **Jumper Wire** - This is a test wire used to connect two points of a circuit. It can be used to bypass an open in a circuit.

**WARNING: NEVER USE A JUMPER WIRE ACROSS A LOAD, SUCH AS A MOTOR, CONNECTED BETWEEN A BATTERY FEED AND GROUND.**

- **Voltmeter** - Used to check for voltage on a circuit. Always connect the black lead to a known good ground and the red lead to the positive side of the circuit.

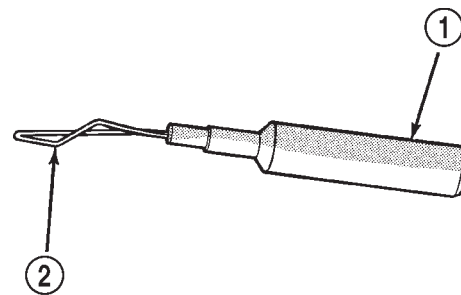
**CAUTION: Most of the electrical components used in today's vehicle are solid state. When checking**

**voltages in these circuits use a meter with a 10-megohm or greater impedance rating.**

- **Ohmmeter** - Used to check the resistance between two points of a circuit. Low or no resistance in a circuit means good continuity.

**CAUTION: - Most of the electrical components used in today's vehicle are Solid State. When checking resistance in these circuits use a meter with a 10-megohm or greater impedance rating. In addition, make sure the power is disconnected from the circuit. Circuits that are powered up by the vehicle electrical system can cause damage to the equipment and provide false readings.**

- **Probing Tools** - These tools are used for probing terminals in connectors (Fig. 3). Select the proper size tool from Special Tool Package 6807, and insert it into the terminal being tested. Use the other end of the tool to insert the meter probe.



948W-233

**Fig. 3 Probing Tool**

1 - SPECIAL TOOL 6801

2 - PROBING END

**INTERMITTENT AND POOR CONNECTIONS**

Most intermittent electrical problems are caused by faulty electrical connections or wiring. It is also possible for a sticking component or relay to cause a problem. Before condemning a component or wiring assembly check the following items.

- Connectors are fully seated
- Spread terminals, or terminal push out
- Terminals in the wiring assembly are fully seated into the connector/component and locked in position
- Dirt or corrosion on the terminals. Any amount of corrosion or dirt could cause an intermittent problem
- Damaged connector/component casing exposing the item to dirt and moisture
- Wire insulation that has rubbed through causing a short to ground
- Some or all of the wiring strands broken inside of the insulation covering.
- Wiring broken inside of the insulation

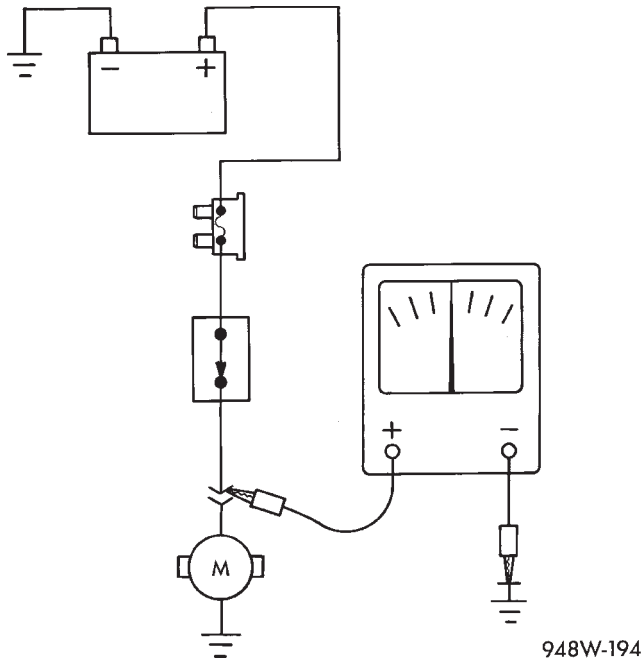
DIAGNOSIS AND TESTING (Continued)

**TROUBLESHOOTING TESTS**

Before beginning any tests on a vehicles electrical system use the Wiring Diagrams and study the circuit. Also refer to the Troubleshooting Wiring Problems in this section.

**TESTING FOR VOLTAGE POTENTIAL**

- (1) Connect the ground lead of a voltmeter to a known good ground (Fig. 4).
- (2) Connect the other lead of the voltmeter to the selected test point. The vehicle ignition may need to be turned ON to check voltage. Refer to the appropriate test procedure.



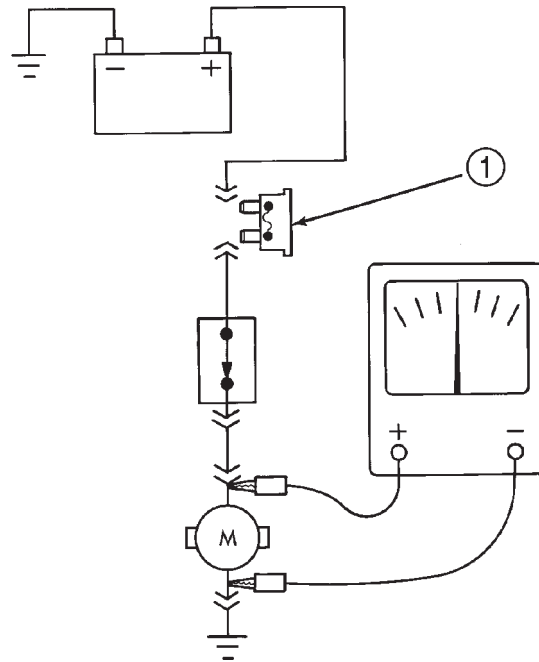
**Fig. 4 Testing for Voltage Potential**

**TESTING FOR CONTINUITY**

- (1) Remove the fuse for the circuit being checked or, disconnect the battery.
- (2) Connect one lead of the ohmmeter to one side of the circuit being tested (Fig. 5).
- (3) Connect the other lead to the other end of the circuit being tested. Low or no resistance means good continuity.

**TESTING FOR A SHORT TO GROUND**

- (1) Remove the fuse and disconnect all items involved with the fuse.
- (2) Connect a test light or a voltmeter across the terminals of the fuse.
- (3) Starting at the fuse block, wiggle the wiring harness about six to eight inches apart and watch the voltmeter/test lamp.
- (4) If the voltmeter registers voltage or the test lamp glows, there is a short to ground in that general area of the wiring harness.



**Fig. 5 Testing for Continuity**

1 - FUSE REMOVED FROM CIRCUIT

**TESTING FOR A SHORT TO GROUND ON FUSES POWERING SEVERAL LOADS**

- (1) Refer to the wiring diagrams and disconnect or isolate all items on the suspected fused circuits.
- (2) Replace the blown fuse.
- (3) Supply power to the fuse by turning ON the ignition switch or re-connecting the battery.
- (4) Start connecting the items in the fuse circuit one at a time. When the fuse blows the circuit with the short to ground has been isolated.

**TESTING FOR A VOLTAGE DROP**

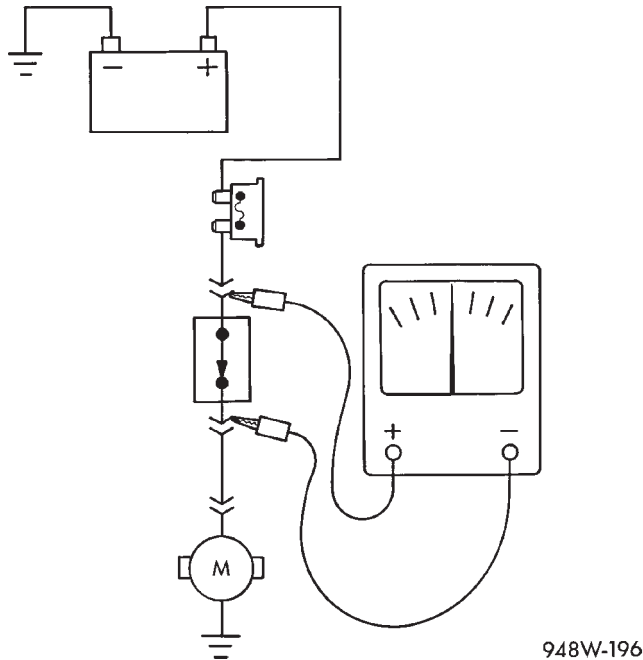
- (1) Connect the positive lead of the voltmeter to the side of the circuit closest to the battery (Fig. 6).
- (2) Connect the other lead of the voltmeter to the other side of the switch or component.
- (3) Operate the item.
- (4) The voltmeter will show the difference in voltage between the two points.

**TROUBLESHOOTING WIRING PROBLEMS**

When troubleshooting wiring problems there are six steps which can aid in the procedure. The steps are listed and explained below. Always check for non-factory items added to the vehicle before doing any diagnosis. If the vehicle is equipped with these items, disconnect them to verify these add-on items are not the cause of the problem.

- (1) Verify the problem.

## DIAGNOSIS AND TESTING (Continued)



**Fig. 6 Testing for Voltage Drop**

(2) Verify any related symptoms. Do this by performing operational checks on components that are in the same circuit. Refer to the wiring diagrams.

(3) Analyze the symptoms. Use the wiring diagrams to determine what the circuit is doing, where the problem most likely is occurring and where the diagnosis will continue.

(4) Isolate the problem area.

(5) Repair the problem.

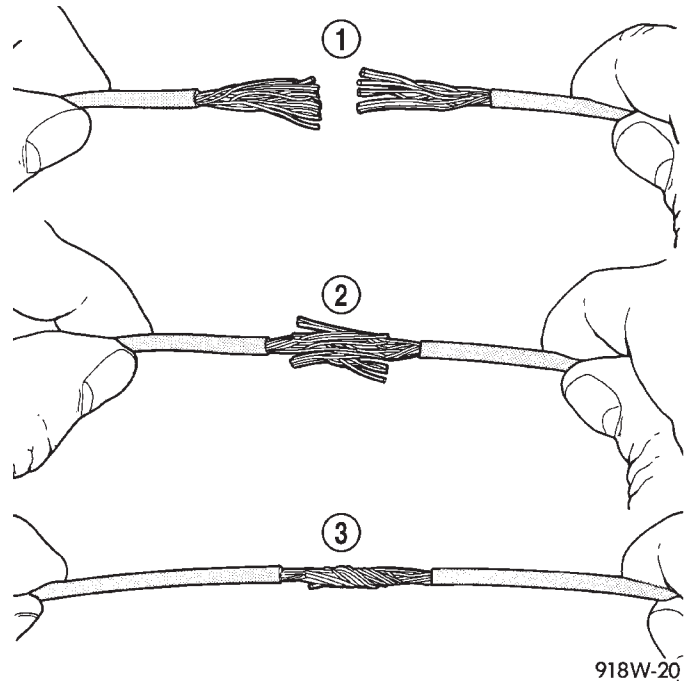
(6) Verify proper operation. For this step check for proper operation of all items on the repaired circuit. Refer to the wiring diagrams.

(7) Solder the connection together using rosin core type solder only. **Do not use acid core solder.**

(8) Center the heat shrink tubing over the joint, and heat using a heat gun. Heat the joint until the tubing is tightly sealed and sealant comes out of both ends of the tubing.

(9) Secure the wire to the existing ones to prevent chafing or damage to the insulation

(10) Connect battery and test all affected systems.



**Fig. 7 Wire Repair**

- 1 - EXAMPLE 1
- 2 - EXAMPLE 2
- 3 - EXAMPLE 3

## SERVICE PROCEDURES

## WIRING REPAIR

When replacing or repairing a wire, it is important that the correct gage be used as shown in the wiring diagrams. The wires must also be held securely in place to prevent damage to the insulation.

- (1) Disconnect battery negative cable
- (2) Remove 1 inch of insulation from each end of the wire.
- (3) Place a piece of heat shrink tubing over one side of the wire. Make sure the tubing will be long enough to cover and seal the entire repair area.
- (4) Spread the strands of the wire apart on each part of the exposed wire (example 1). (Fig. 7)
- (5) Push the two ends of wire together until the strands of wire are close to the insulation (example 2) (Fig. 7)
- (6) Twist the wires together (example 3) (Fig. 7)

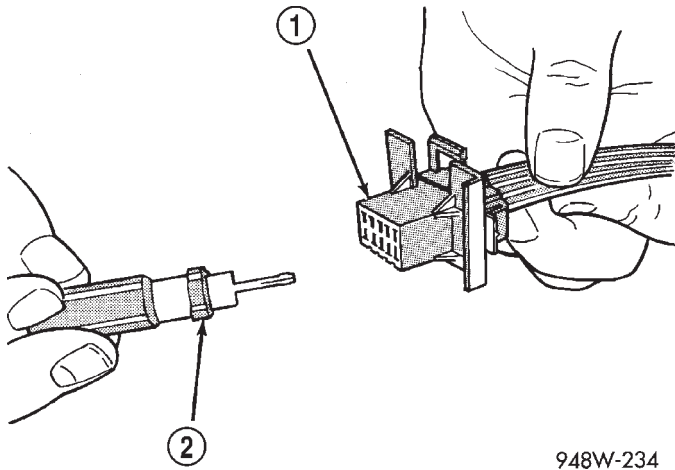
## TERMINAL/CONNECTOR REPAIR-MOLEX CONNECTORS

- (1) Disconnect battery.
- (2) Disconnect the connector from its mating half/component.
- (3) Insert the terminal releasing special tool 6742 into the terminal end of the connector (Fig. 8).
- (4) Using special tool 6742 release the locking fingers on the terminal (Fig. 9).
- (5) Pull on the wire to remove it from the connector.
- (6) Repair or replace the connector or terminal, as necessary.

## TERMINAL/CONNECTOR REPAIR—THOMAS AND BETTS CONNECTORS

- (1) Disconnect battery.
- (2) Disconnect the connector from its mating half/component.

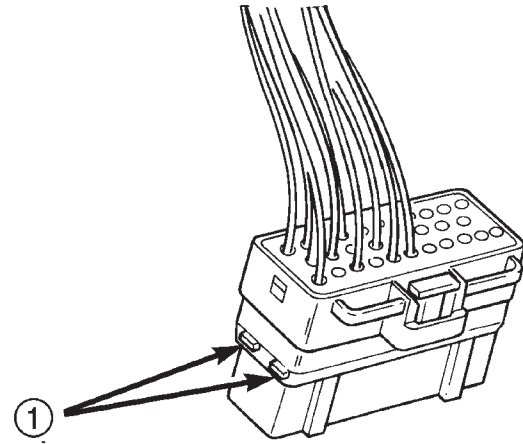
SERVICE PROCEDURES (Continued)



948W-234

**Fig. 8 Molex Connector Repair**

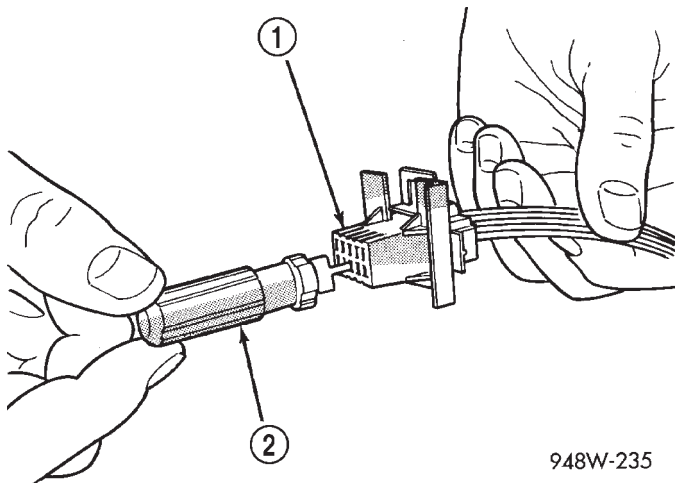
- 1 - CONNECTOR
- 2 - SPECIAL TOOL 6742



803f588a

**Fig. 10 Thomas and Betts Connector Lock Release Tabs**

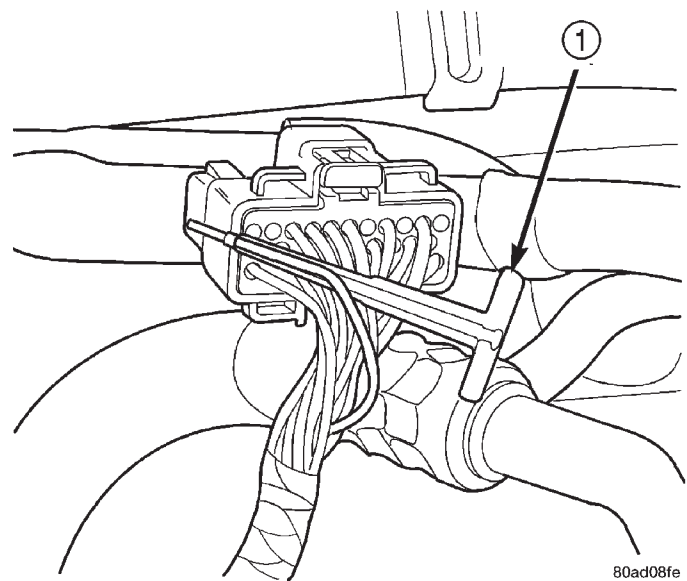
- 1 - LOCK TABS



948W-235

**Fig. 9 Using Special Tool 6742**

- 1 - CONNECTOR
- 2 - SPECIAL TOOL 6742



80ad08fe

**Fig. 11 Removing Wire Terminal**

- 1 - SPECIAL TOOL 6934

(3) Push in the two lock tabs on the side of the connector (Fig. 10).

(4) Insert the probe end of special tool 6934 into the back of the connector cavity (Fig. 11).

(5) Grasp the wire and tool 6934 and slowly remove the wire and terminal from the connector.

(6) Repair or replace the terminal.

(7) Install the wire and terminal in the connector. Fully seat the terminal in the connector.

(8) Push in the single lock tab on the side of the connector (Fig. 12).

**CONNECTOR REPLACEMENT**

(1) Disconnect battery.

(2) Disconnect the connector that is to be repaired from its mating half/component

(3) Remove the connector locking wedge, if required (Fig. 13)

(4) Position the connector locking finger away from the terminal using the proper pick from special tool kit 6680. Pull on the wire to remove the terminal from the connector (Fig. 14) (Fig. 15).

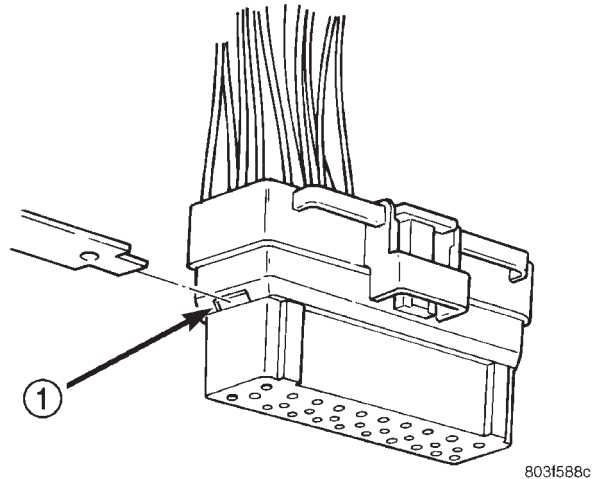
(5) Reset the terminal locking tang, if it has one.

(6) Insert the removed wire in the same cavity on the repair connector.

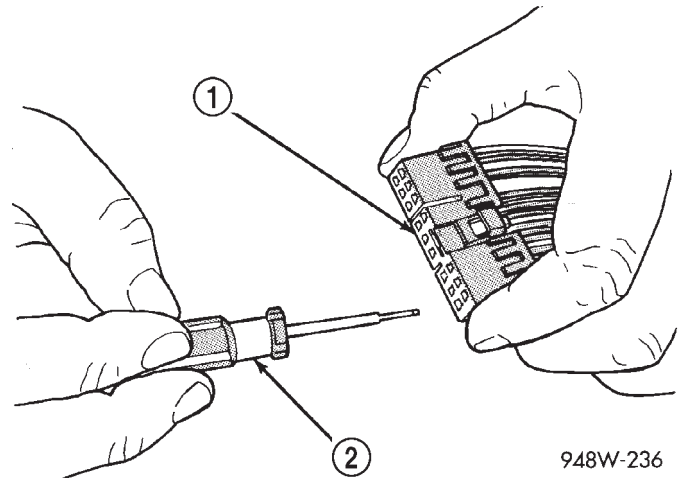
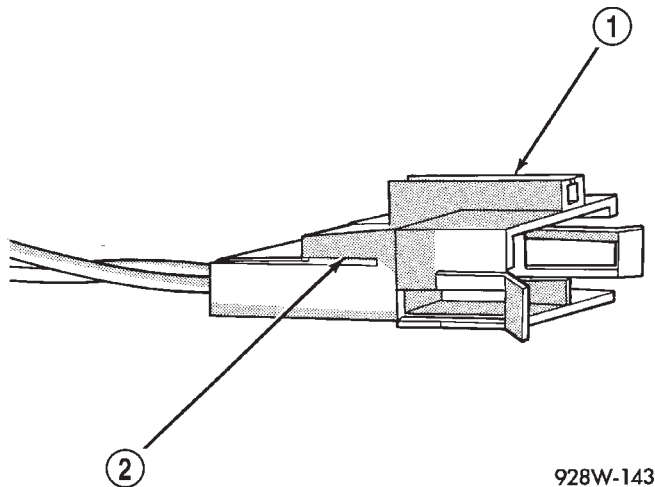
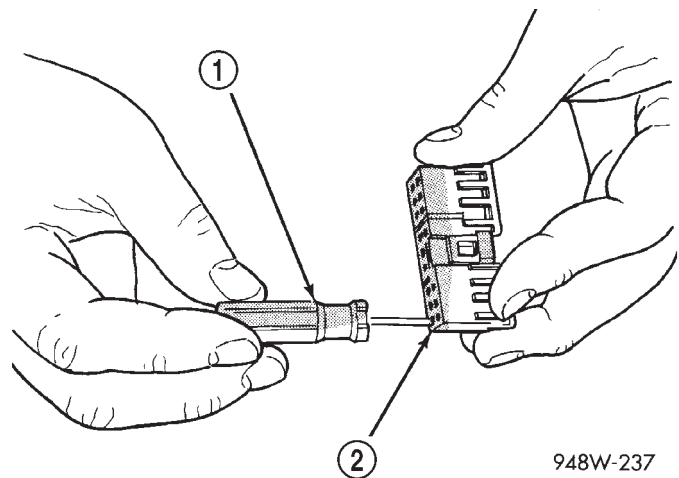
(7) Repeat steps four through six for each wire in the connector, being sure that all wires are inserted into the proper cavities. For additional connector pin-out identification, refer to the wiring diagrams.



## SERVICE PROCEDURES (Continued)

**Fig. 12 Single Lock Tab**

1 - SINGLE LOCK TAB

**Fig. 14 Terminal Removal**1 - CONNECTOR  
2 - FROM SPECIAL TOOL KIT 6680**Fig. 13 Connector Locking Wedge**1 - CONNECTOR  
2 - CONNECTOR LOCKING WEDGE TAB**Fig. 15 Terminal Removal Using Special Tool**1 - FROM SPECIAL TOOL KIT 6680  
2 - CONNECTOR

(8) Insert the connector locking wedge into the repaired connector, if required.

(9) Connect connector to its mating half/component.

(10) Connect battery and test all affected systems.

**CONNECTOR AND TERMINAL REPLACEMENT**

(1) Disconnect battery.

(2) Disconnect the connector (that is to be repaired) from its mating half/component.

(3) Cut off the existing wire connector directly behind the insulator. Remove six inches of tape from the harness.

(4) Stagger cut all wires on the harness side at 1/2 inch intervals (Fig. 16).

(5) Remove 1 inch of insulation from each wire on the harness side.

(6) Stagger cut the matching wires on the repair connector assembly in the opposite order as was done on the harness side of the repair. Allow extra length for soldered connections. Check that the overall length is the same as the original (Fig. 16).

(7) Remove 1 inch of insulation from each wire.

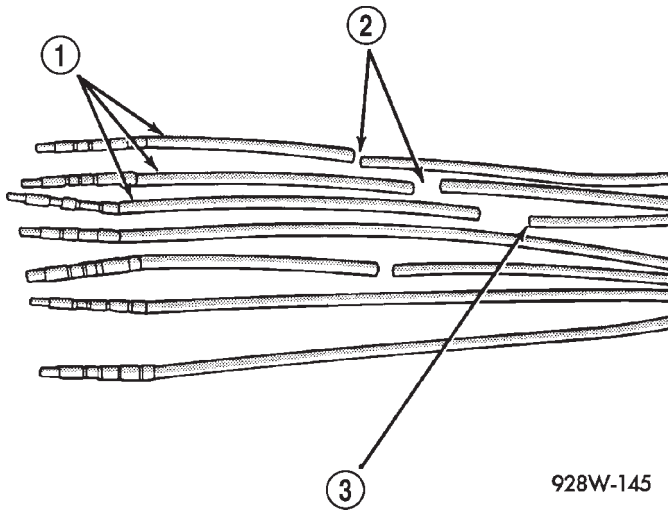
(8) Place a piece of heat shrink tubing over one side of the wire. Be sure the tubing will be long enough to cover and seal the entire repair area.

(9) Spread the strands of the wire apart on each part of the exposed wires.

(10) Push the two ends of wire together until the strands of wire are close to the insulation.

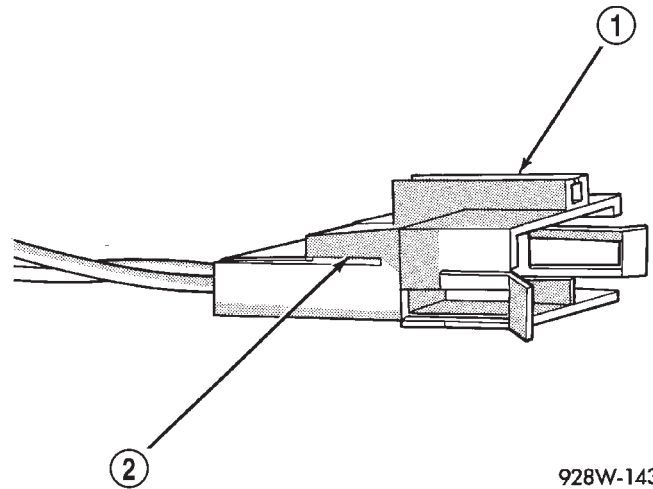
(11) Twist the wires together.

SERVICE PROCEDURES (Continued)



**Fig. 16 Stagger Cutting Wires**

- 1 - REPAIR SIDE WIRES
- 2 - STAGER CUTS
- 3 - HARNESS WIRES



**Fig. 17 Connector Locking Wedge Tab (Typical)**

- 1 - CONNECTOR
- 2 - CONNECTOR LOCKING WEDGE TAB

(12) Solder the connection together using rosin core type solder only. **Do not use acid core solder.**

(13) Center the heat shrink tubing over the joint and heat using a heat gun. Heat the joint until the tubing is tightly sealed and sealant comes out of both ends of the tubing

(14) Repeat steps 8 through 13 for each wire.

(15) Re-tape the wire harness starting 1-1/2 inches behind the connector and 2 inches past the repair.

(16) Re-connect the repaired connector.

(17) Connect the battery, and test all affected systems.

**TERMINAL REPLACEMENT**

(1) Disconnect battery.

(2) Disconnect the connector being repaired from its mating half. Remove connector locking wedge, if required (Fig. 17).

(3) Remove connector locking wedge, if required (Fig. 17).

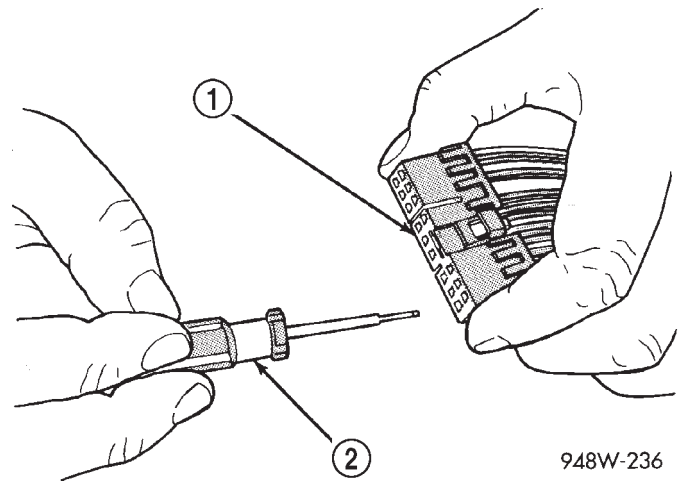
(4) Position the connector locking finger away from the terminal using the proper pick from special tool kit 6680. Pull on the wire to remove the terminal from the connector (Fig. 18) (Fig. 19).

(5) Cut the wire 6 inches from the back of the connector.

(6) Remove 1 inch of insulation from the wire on the harness side.

(7) Select a wire from the terminal repair assembly that best matches the color wire being repaired.

(8) Cut the repair wire to the proper length and remove 1 inch of insulation.



**Fig. 18 Terminal Removal**

- 1 - CONNECTOR
- 2 - FROM SPECIAL TOOL KIT 6680

(9) Place a piece of heat shrink tubing over one side of the wire. Make sure the tubing will be long enough to cover and seal the entire repair area.

(10) Spread the strands of the wire apart on each part of the exposed wires.

(11) Push the two ends of wire together until the strands of wire are close to the insulation.

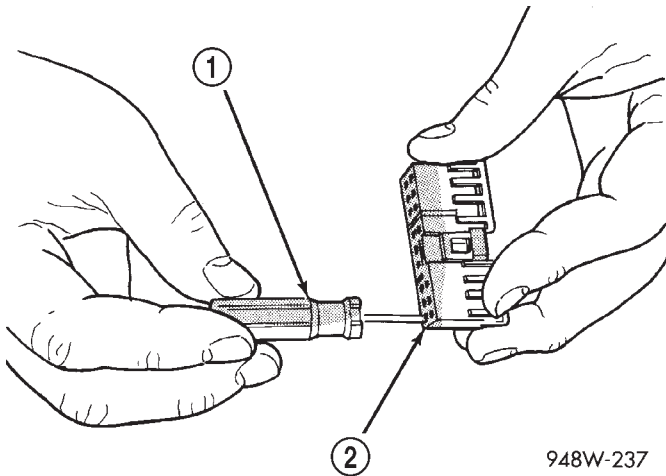
(12) Twist the wires together.

(13) Solder the connection together using rosin core type solder only. **Do not use acid core solder.**

(14) Center the heat shrink tubing over the joint and heat using a heat gun. Heat the joint until the tubing is tightly sealed and sealant comes out of both ends of the tubing.

(15) Insert the repaired wire into the connector.

## SERVICE PROCEDURES (Continued)



948W-237

**Fig. 19 Terminal Removal Using Special Tool**

- 1 - FROM SPECIAL TOOL KIT 6680  
2 - CONNECTOR

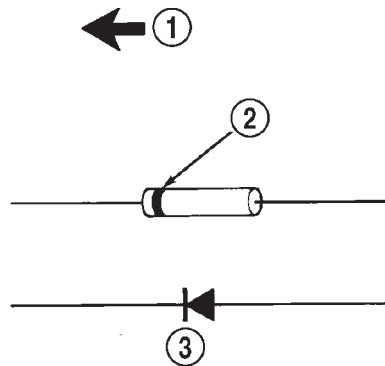
(16) Install the connector locking wedge, if required, and reconnect the connector to its mating half/component.

(17) Re-tape the wire harness starting 1-1/2 inches behind the connector and 2 inches past the repair.

(18) Connect battery, and test all affected systems.

**DIODE REPLACEMENT**

- (1) Disconnect the battery.
- (2) Locate the diode in the harness, and remove the protective covering.
- (3) Remove the diode from the harness, pay attention to the current flow direction (Fig. 20).



948W-197

**Fig. 20 Diode Identification**

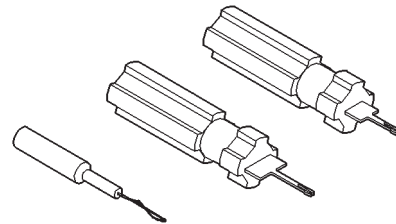
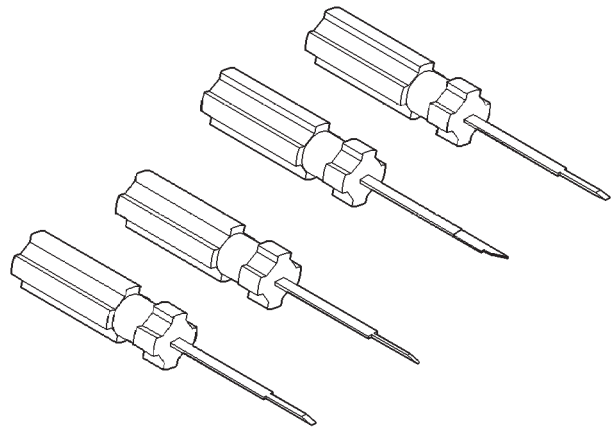
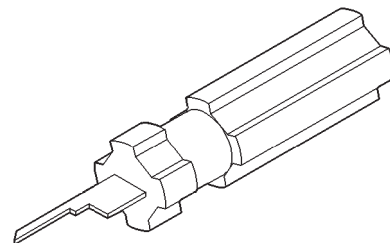
- 1 - CURRENT FLOW  
2 - BAND AROUND DIODE INDICATES CURRENT FLOW  
3 - DIODE AS SHOWN IN THE DIAGRAMS

(5) Install the new diode in the harness, making sure current flow is correct. If necessary refer to the appropriate wiring diagram for current flow.

(6) Solder the connection together using rosin core type solder only. **Do not use acid core solder.**

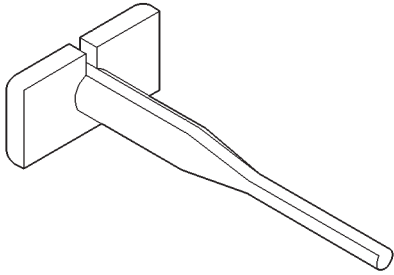
(7) Tape the diode to the harness using electrical tape making, sure the diode is completely sealed from the elements.

(8) Re-connect the battery, and test affected systems.

**SPECIAL TOOLS****WIRING/TERMINAL****Probing Tool Package 6807****Terminal Pick 6680****Terminal Removing Tool 6932**

(4) Remove the insulation from the wires in the harness. Only remove enough insulation to solder in the new diode.

SPECIAL TOOLS (Continued)



***Terminal Removing Tool 6934***





## 8W-02 COMPONENT INDEX

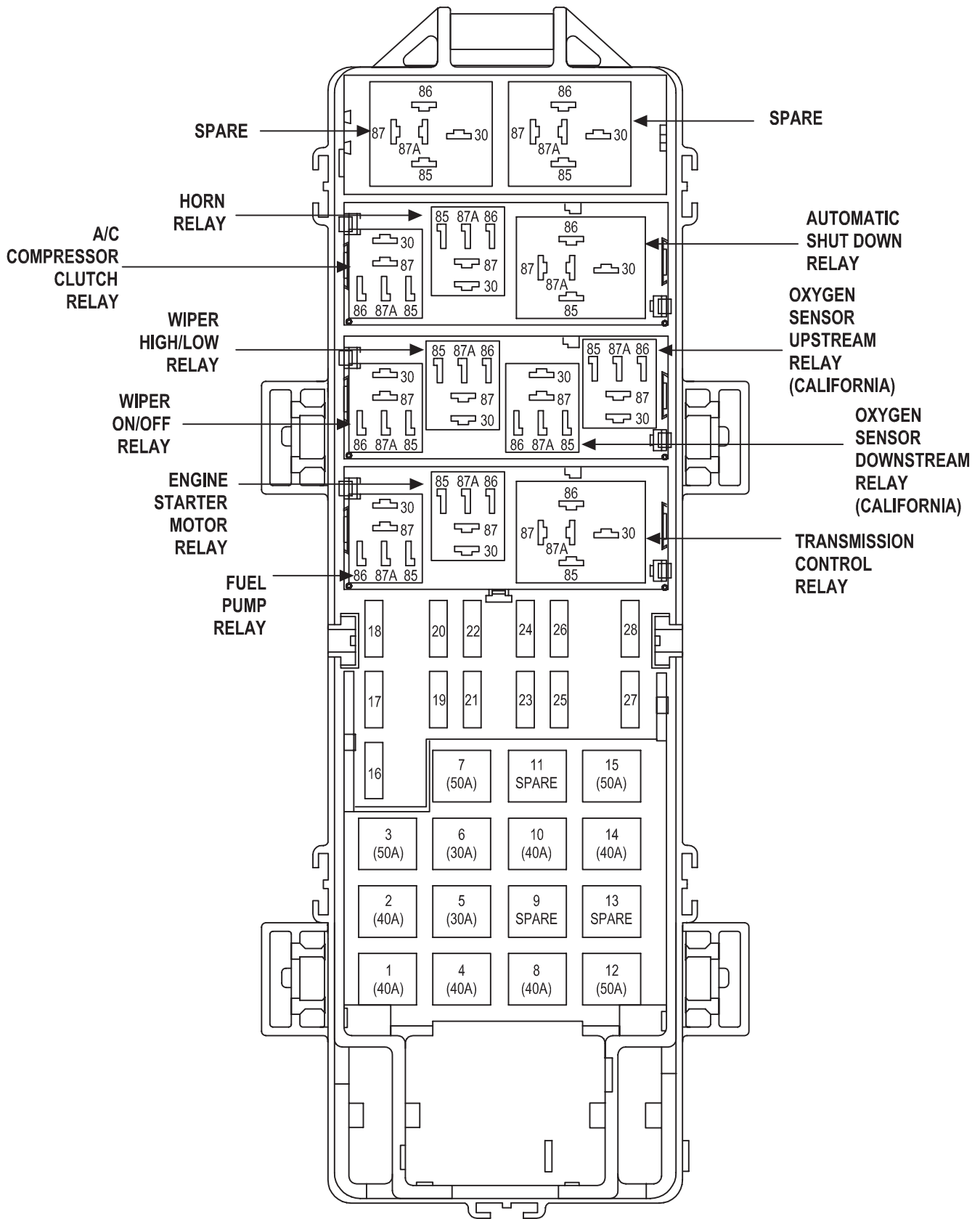
<b>Component</b>	<b>Page</b>	<b>Component</b>	<b>Page</b>
A/C Compressor Clutch Relay	8W-42	Fog Lamp Relay	8W-50
A/C Compressor Clutch	8W-42	Fog Lamps	8W-50
A/C Pressure Switches	8W-42	Front Power Outlet	8W-41
Airbag Control Module	8W-43	Fuel Injectors	8W-30
Airbags	8W-43	Fuel Pump Module	8W-30
Ambient Temperature Sensor	8W-45	Fuel Pump Relay	8W-30
Antenna Module	8W-47	Fuses (JB)	8W-12
Antenna	8W-47	Fuses (PDC)	8W-10
Ash Receiver Lamp	8W-44	Fusible Link	8W-10, 20
Automatic Day/Night Mirror	8W-49	Gauges	8W-40
Automatic Headlamp Light Sensor/VTSS LED	8W-39	Generator	8W-20
Automatic Shut Down Relay	8W-30	Glove Box Lamp	8W-44
Automatic Zone Control Module	8W-42	Grounds	8W-15
Back-Up Lamp	8W-51	G-Switch	8W-35
Battery Temperature Sensor	8W-30	Handle Courtesy Lamp Switches	8W-44
Battery	8W-20	Handle Courtesy Lamps	8W-44
Blend Door Motor/Actuators	8W-42	Headlamps	8W-50
Blower Motor Controller	8W-42	Heated Seats	8W-63
Blower Motor Resistor Block	8W-42	High Beam Relay	8W-50
Blower Motor	8W-42	Horn Relay	8W-41
Body Control Module	8W-45	Horn Switch	8W-41
Brake Lamp Switch	8W-33	Horns	8W-41
Brake Shift Interlock Solenoid	8W-30	Idle Air Control Motor	8W-30
Brake Warning Indicator Switch	8W-35	Ignition Switch	8W-10
Camshaft Position Sensor	8W-30	Illumination Lamps	8W-40
Capacitors	8W-30	Indicators	8W-40
Cargo Lamp	8W-44	Input Speed Sensor	8W-31
Center High Mounted Stop Lamp	8W-51	Instrument Cluster	8W-40
Chime	8W-40	Intake Air Temperature Sensor	8W-30
Cigar Lighter Relay	8W-41	Junction Block	8W-12
Cigar Lighter	8W-41	Lamp Assemblies	8W-51, 52
Circuit Breakers	8W-12	Leak Detection Pump	8W-30
Clockspring	8W-33, 41, 43, 47	License Lamps	8W-51
Coil On Plugs	8W-30	Liftgate Ajar Switches	8W-61
Combination Flasher	8W-52	Liftgate Flip-Up Ajar Switch	8W-61
Compact Disc Changer	8W-47	Liftgate Flip-Up Push Button Switch	8W-61
Controller Anti-Lock Brake	8W-35	Liftgate Flip-Up Release Solenoid	8W-61
Coolant Level Sensor	8W-45	Liftgate Lock Motor	8W-61
Courtesy Lamps	8W-44	Line Pressure Sensor	8W-31
Crankshaft Position Sensor	8W-30	Low Beam Relay	8W-50
Cruise Switches	8W-33	Low Beam/Daytime Running Lamp Relay	8W-50
Data Link Connector	8W-30	Manifold Absolute Pressure Sensor	8W-30
Diagnostic Junction Port	8W-30	Manual Temperature Control	8W-42
Door Courtesy Lamps	8W-44	Memory Set Switch	8W-62, 63
Door Cylinder Lock Switches	8W-61	Mode Door Motor/Actuator	8W-42
Door Lock Motor/Ajar Switches	8W-61	Multi- Function Switches	8W-50, 53
Door Modules	8W-60, 61, 62, 63	Output Speed Sensor	8W-30, 31
Duty Cycle Evap/Purge Solenoid	8W-30	Overdrive Switch	8W-31
Engine Coolant Temperature Sensor	8W-30	Overhead Map/Courtesy Lamp Switches	8W-44
Engine Oil Pressure Sensor	8W-30	Overhead Map/Courtesy Lamps	8W-44
Engine Starter Motor Relay	8W-21	Oxygen Sensor Relays	8W-30
Engine Starter Motor	8W-21	Oxygen Sensors	8W-30

<b>Component</b>	<b>Page</b>	<b>Component</b>	<b>Page</b>
Park Brake Switch . . . . .	8W-40	Speakers . . . . .	8W-47
Park Lamp Relay . . . . .	8W-50	Splice Information . . . . .	8W-70
Park Lamps . . . . .	8W-50	Sunroof Control Module . . . . .	8W-64
Park/Neutral Position Switch . . . . .	8W-31	Sunroof Delay Relay . . . . .	8W-64
Park/Turn Signal Lamps . . . . .	8W-50	Sunroof Motor Position Sensor . . . . .	8W-64
Power Amplifier . . . . .	8W-47	Sunroof Motor . . . . .	8W-64
Power Connector . . . . .	8W-41	Sunroof Switch . . . . .	8W-64
Power Distribution Center . . . . .	8W-10	Tail/Stop Lamps . . . . .	8W-51
Power Mirrors . . . . .	8W-62	Temperature Valve Actuator . . . . .	8W-42
Power Seat Motor Sensors . . . . .	8W-63	Throttle Position Sensor . . . . .	8W-30
Power Seat Motors . . . . .	8W-63	Trailer Tow Circuit Breaker . . . . .	8W-54
Power Seat Switches . . . . .	8W-63	Trailer Tow Connector . . . . .	8W-54
Power Window Motors . . . . .	8W-60	Trailer Tow Electric Brake Provision . . . . .	8W-54
Power Window Switches . . . . .	8W-60	Trailer Tow Relays . . . . .	8W-54
Powertrain Control Module . . . . .	8W-30	Transfer Case Switch . . . . .	8W-31
PRNDL/Transfer Case Illumination . . . . .	8W-44	Transmission Control Module . . . . .	8W-31
Radiator Fan Motor . . . . .	8W-42	Transmission Control Relay . . . . .	8W-31
Radiator Fan Relay . . . . .	8W-42	Transmission Solenoid . . . . .	8W-31
Radio . . . . .	8W-47	Transmission Solenoid/TRS Assembly . . . . .	8W-31
Rail Coil . . . . .	8W-30	Turn Signal Lamps . . . . .	8W-52
Rear Power Outlet . . . . .	8W-41	Underhood Lamp . . . . .	8W-44
Rear Washer Pump . . . . .	8W-53	Vehicle Information Center . . . . .	8W-49
Rear Window Defogger Relay . . . . .	8W-48	Vehicle Speed Control Servo . . . . .	8W-33
Rear Window Defogger . . . . .	8W-48	Visor/Vanity Lamps . . . . .	8W-44
Rear Wiper Motor . . . . .	8W-53	Washer Fluid Level Switch . . . . .	8W-53
Recirculation Door Motor/Actuator . . . . .	8W-42	Wheel Speed Sensors . . . . .	8W-35
Remote Radio Switches . . . . .	8W-47	Windshield Washer Pump . . . . .	8W-53
Seat Module . . . . .	8W-63	Windshield Wiper Motor . . . . .	8W-53
Sentry Key Immobilizer Module . . . . .	8W-39	Wiper High/Low Relay . . . . .	8W-53
Side Marker Lamps . . . . .	8W-50	Wiper On/Off Relay . . . . .	8W-53

## 8W-10 POWER DISTRIBUTION

<b>Component</b>	<b>Page</b>	<b>Component</b>	<b>Page</b>
A/C Compressor Clutch	8W-10-23	Fuse 16 (PDC)	8W-10-13
A/C Compressor Clutch Relay	8W-10-23	Fuse 17 (JB)	8W-10-11
Automatic Shut Down Relay	8W-10-13	Fuse 17 (PDC)	8W-10-9, 21
Battery	8W-10-8	Fuse 18 (JB)	8W-10-20
Blower Motor	8W-10-10	Fuse 18 (PDC)	8W-10-9, 22
Blower Motor Controller	8W-10-10	Fuse 19 (JB)	8W-10-18
Body Control Module	8W-10-17, 19	Fuse 19 (PDC)	8W-10-9, 22
Capacitor No. 1	8W-10-15	Fuse 20 (JB)	8W-10-18
Capacitor No. 2	8W-10-15	Fuse 21 (JB)	8W-10-19
Cigar Lighter Relay	8W-10-10	Fuse 21 (PDC)	8W-10-9, 23
Circuit Breaker No. 1 (JB)	8W-10-19	Fuse 22 (JB)	8W-10-19
Circuit Breaker No. 2 (JB)	8W-10-16	Fuse 23 (JB)	8W-10-16
Coil On Plug No. 1	8W-10-15	Fuse 24 (JB)	8W-10-16
Coil On Plug No. 2	8W-10-15	Fuse 24 (PDC)	8W-10-9, 23
Coil On Plug No. 3	8W-10-15	Fuse 25 (JB)	8W-10-16
Coil On Plug No. 4	8W-10-15	Fuse 25 (PDC)	8W-10-9, 23
Coil On Plug No. 5	8W-10-15	Fuse 26 (JB)	8W-10-10
Coil On Plug No. 6	8W-10-15	Fuse 26 (PDC)	8W-10-13
Coil On Plug No. 7	8W-10-15	Fuse 28 (JB)	8W-10-19
Coil On Plug No. 8	8W-10-15	Fuse 28 (PDC)	8W-10-12
Controller Anti-Lock Brake	8W-10-12, 23	Fuse 29 (JB)	8W-10-19
Driver Door Module	8W-10-20	Fuse 30 (JB)	8W-10-19
Engine Starter Motor	8W-10-17	Fuse 31 (JB)	8W-10-18
Engine Starter Motor Relay	8W-10-17	Fuse 32 (JB)	8W-10-19
Fog Lamp Relay	8W-10-16	Fuse 33 (JB)	8W-10-18
Fuel Injector No. 1	8W-10-14	Fusible Link	8W-10-8
Fuel Injector No. 2	8W-10-14	G200	8W-10-17
Fuel Injector No. 3	8W-10-14	Generator	8W-10-8
Fuel Injector No. 4	8W-10-14	High Beam Relay	8W-10-11
Fuel Injector No. 5	8W-10-14	Horn No. 1	8W-10-22
Fuel Injector No. 6	8W-10-14	Horn No. 2	8W-10-22
Fuel Injector No. 7	8W-10-14	Horn Relay	8W-10-22
Fuel Injector No. 8	8W-10-14	Ignition Switch	8W-10-17, 18, 19
Fuel Pump Module	8W-10-23	Junction Block	8W-10-10, 11, 16, 18, 19, 20
Fuel Pump Relay	8W-10-23	Low Beam Relay	8W-10-11
Fuse 1 (PDC)	8W-10-8, 10	Low Beam/Daytime Running Lamp Relay	8W-10-11
Fuse 2 (PDC)	8W-10-8, 10	Oxygen Sensor 1/1 Upstream	8W-10-13, 21
Fuse 3 (JB)	8W-10-11	Oxygen Sensor 1/2 Downstream	8W-10-13, 21
Fuse 3 (PDC)	8W-10-8, 11	Oxygen Sensor 2/1 Upstream	8W-10-21
Fuse 4 (PDC)	8W-10-8, 12	Oxygen Sensor 2/2 Downstream	8W-10-21
Fuse 5 (JB)	8W-10-20	Oxygen Sensor Downstream Relay	8W-10-21
Fuse 5 (PDC)	8W-10-8, 12	Oxygen Sensor Upstream Relay	8W-10-21
Fuse 6 (JB)	8W-10-11	Park Lamp Relay	8W-10-11
Fuse 6 (PDC)	8W-10-8, 13	Passenger Door Module	8W-10-20
Fuse 7 (JB)	8W-10-20	Power Distribution Center	8W-10-2, 8, 9, 10, 11, 12, 13, 17, 20, 21, 22, 23
Fuse 7 (PDC)	8W-10-8, 16	Powertrain Control Module	8W-10-13, 22
Fuse 8 (JB)	8W-10-20	Radiator Fan Relay	8W-10-16
Fuse 8 (PDC)	8W-10-8, 17	Rail Coil	8W-10-13
Fuse 9 (JB)	8W-10-20	Rear Window Defogger	8W-10-10
Fuse 10 (PDC)	8W-10-8, 16	Rear Window Defogger Relay	8W-10-10
Fuse 11 (JB)	8W-10-10	Sunroof Delay Relay	8W-10-16
Fuse 12 (JB)	8W-10-19	Trailer Tow Circuit Breaker	8W-10-10
Fuse 12 (PDC)	8W-10-8, 20	Transmission Control Module	8W-10-12
Fuse 14 (JB)	8W-10-11	Transmission Control Relay	8W-10-12
Fuse 14 (PDC)	8W-10-8, 17	Transmission Solenoid	8W-10-12
Fuse 15 (JB)	8W-10-11	Transmission Solenoid/TRS Assembly	8W-10-12
Fuse 15 (PDC)	8W-10-9, 20		
Fuse 16 (JB)	8W-10-11		

POWER DISTRIBUTION CENTER



## FUSES

FUSE NO.	AMPS	FUSED CIRCUIT	FUNCTION
1	40A	C1 12DG	FUSED B(+)
2	40A	A149 12RD/TN	FUSED B(+)
3	50A	A145 10WT/RD	FUSED B(+)
4	40A	A10 12RD/DG	FUSED B(+)
5	30A	A30 14RD/WT	FUSED B(+)
		A30 14RD/WT	
6	30A	A14 14RD/DG	FUSED B(+)
7	50A	A147 10RD/GY	FUSED B(+)
8	40A	A1 12RD	FUSED B(+)
9	-	-	-
10	40A	A16 12GY	FUSED B(+)
11	-	-	-
12	50A	A146 10OR/WT	FUSED B(+)
13	-	-	-
14	40A	A2 12PK/BK	FUSED B(+)
15	50A	A148 10PK/WT	FUSED B(+)
16	10A	F142 18OR/DG	FUSED AUTOMATIC SHUT DOWN RELAY OUTPUT
17	20A	A42 18DG	FUSED B(+)
		A42 18DG	
18	15A	F62 18RD	FUSED B(+)
		F62 18RD	
19	10A	A7 14RD/BK	FUSED B(+)
20	-	-	-
21	15A	A17 18RD/BK	FUSED B(+)
22	-	-	-
23	-	-	-
24	20A	A62 16VT/WT	FUSED B(+)
25	20A	A20 12RD/DB	FUSED B(+)
26	15A	F42 18DG/LG	FUSED AUTOMATIC SHUT DOWN RELAY OUTPUT
		F42 18DG/LG	
27	-	-	-
28	15A	T60 18BR	FUSED TRANSMISSION CONTROL RELAY OUTPUT



## RELAYS

A/C  
COMPRESSOR  
CLUTCH  
RELAY

CAVITY	CIRCUIT	FUNCTION
30	A17 18RD/BK	FUSED B(+)
85	F99 20OR	FUSED IGNITION SWITCH OUTPUT (ST-RUN)
86	C13 18DB/OR	A/C COMPRESSOR CLUTCH RELAY CONTROL
87	C2 18DB/YL	A/C COMPRESSOR CLUTCH RELAY OUTPUT
87A	-	-

AUTOMATIC  
SHUT DOWN  
RELAY

CAVITY	CIRCUIT	FUNCTION
30	A14 14RD/DG	FUSED B(+)
85	F991 20OR/DB	FUSED IGNITION SWITCH OUTPUT (ST-RUN)
	F991 20OR/DB	FUSED IGNITION SWITCH OUTPUT (ST-RUN)
86	K51 18DB/YL	AUTOMATIC SHUT DOWN RELAY CONTROL
87	A142 14DG/OR	AUTOMATIC SHUT DOWN RELAY OUTPUT
87A	-	-

ENGINE  
STARTER  
MOTOR  
RELAY

CAVITY	CIRCUIT	FUNCTION
30	A1 12RD	FUSED B(+)
85	F45 20YL/RD	FUSED IGNITION SWITCH OUTPUT (ST)
	F45 20YL/RD	FUSED IGNITION SWITCH OUTPUT (ST)
86	T24 20BR/YL	ENGINE STARTER MOTOR RELAY CONTROL
87	T40 12LG	ENGINE STARTER MOTOR RELAY OUTPUT
87A	-	-

**FUEL  
PUMP  
RELAY**

CAVITY	CIRCUIT	FUNCTION
30	A62 16VT/WT	FUSED B(+)
85	F991 20OR/DB	FUSED IGNITION SWITCH OUTPUT (ST-RUN)
	F991 20OR/DB	FUSED IGNITION SWITCH OUTPUT (ST-RUN)
86	K31 18BR	FUEL PUMP RELAY CONTROL
87	A141 16DG/BK	FUEL PUMP RELAY OUTPUT
87A	-	-

**HORN  
RELAY**

CAVITY	CIRCUIT	FUNCTION
30	F62 18RD	FUSED B(+)
85	F62 18RD	FUSED B(+)
86	X4 20GY/OR	HORN RELAY CONTROL
87	X2 18DG/RD	HORN RELAY OUTPUT
	X2 18DG/RD	HORN RELAY OUTPUT
87A	-	-

**OXYGEN  
SENSOR  
DOWNSTREAM  
RELAY  
(CALIFORNIA)**

CAVITY	CIRCUIT	FUNCTION
30	A42 18DG	FUSED B(+)
85	F99 20OR	FUSED IGNITION SWITCH OUTPUT (ST-RUN)
86	K251 18LB	OXYGEN SENSOR DOWNSTREAM RELAY CONTROL
87	K200 18VT/OR	OXYGEN SENSOR DOWNSTREAM RELAY OUTPUT
87A	-	-

**OXYGEN  
SENSOR  
UPSTREAM  
RELAY  
(CALIFORNIA)**

CAVITY	CIRCUIT	FUNCTION
30	A42 18DG	FUSED B(+)
85	F99 20OR	FUSED IGNITION SWITCH OUTPUT (ST-RUN)
86	K151 18GY	OXYGEN SENSOR UPSTREAM RELAY CONTROL
87	K100 18VT/WT	OXYGEN SENSOR UPSTREAM RELAY OUTPUT
87A	-	-

**TRANSMISSION  
CONTROL  
RELAY**

CAVITY	CIRCUIT	FUNCTION
30	A30 14RD/WT	FUSED B(+)
85	K210 18BK/YL	● GROUND
		▲ GENERATOR SOURCE
86	K30 20PK/YL	TRANSMISSION CONTROL RELAY CONTROL
87	T16 14RD	TRANSMISSION CONTROL RELAY OUTPUT
	T16 14RD	TRANSMISSION CONTROL RELAY OUTPUT
87A	-	-

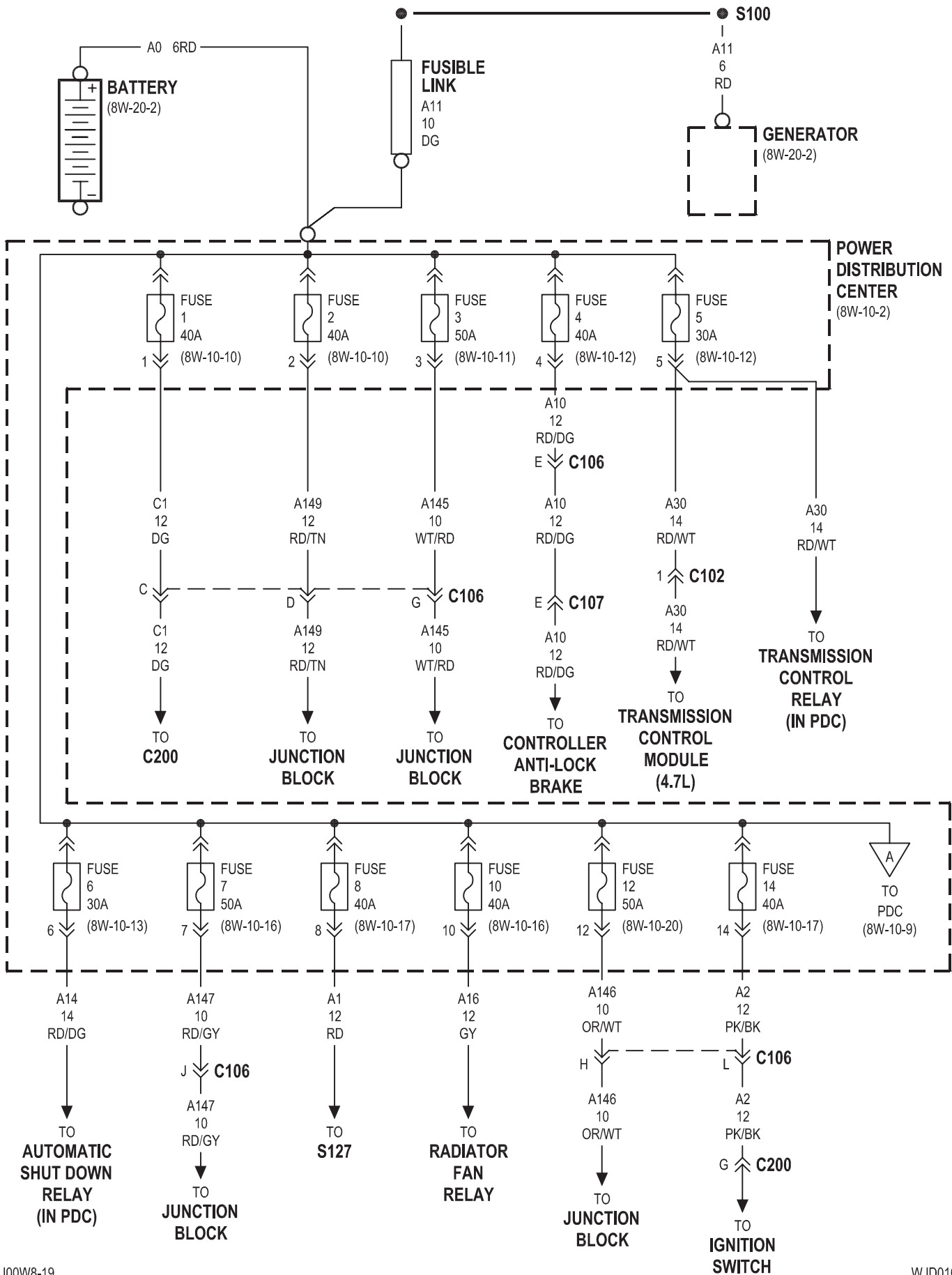
- 4.7L
- ▲ 4.0L

**WIPER  
HIGH/LOW  
RELAY**

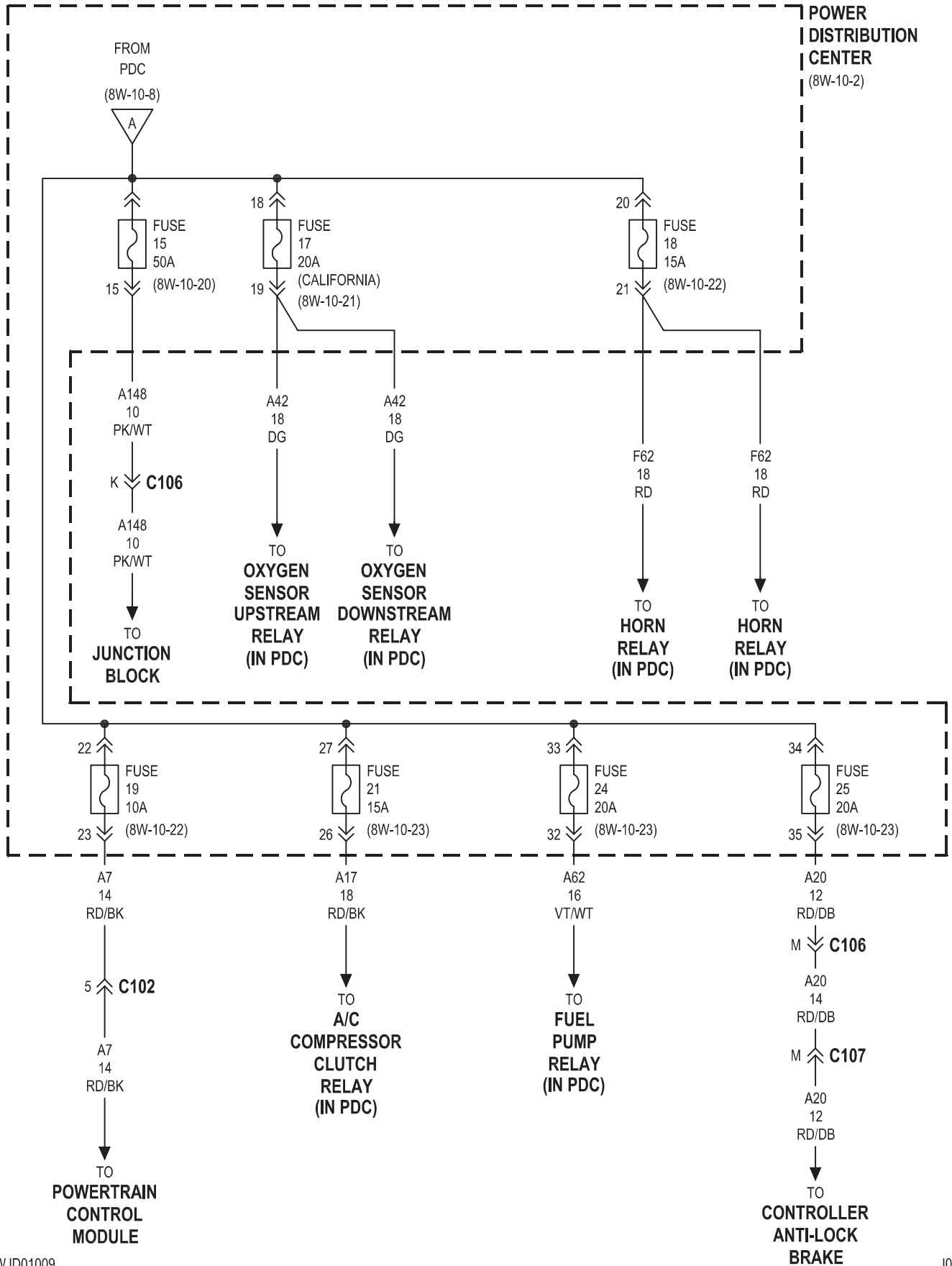
CAVITY	CIRCUIT	FUNCTION
30	V60 16YL/DG	WIPER ON/OFF RELAY OUTPUT
85	Z1 20BK	GROUND
86	V16 20VT	WIPER HIGH/LOW RELAY CONTROL
87	V4 16RD/YL	WIPER HIGH/LOW RELAY HIGH SPEED OUTPUT
87A	V3 16BR/WT	WIPER HIGH/LOW RELAY LOW SPEED OUTPUT

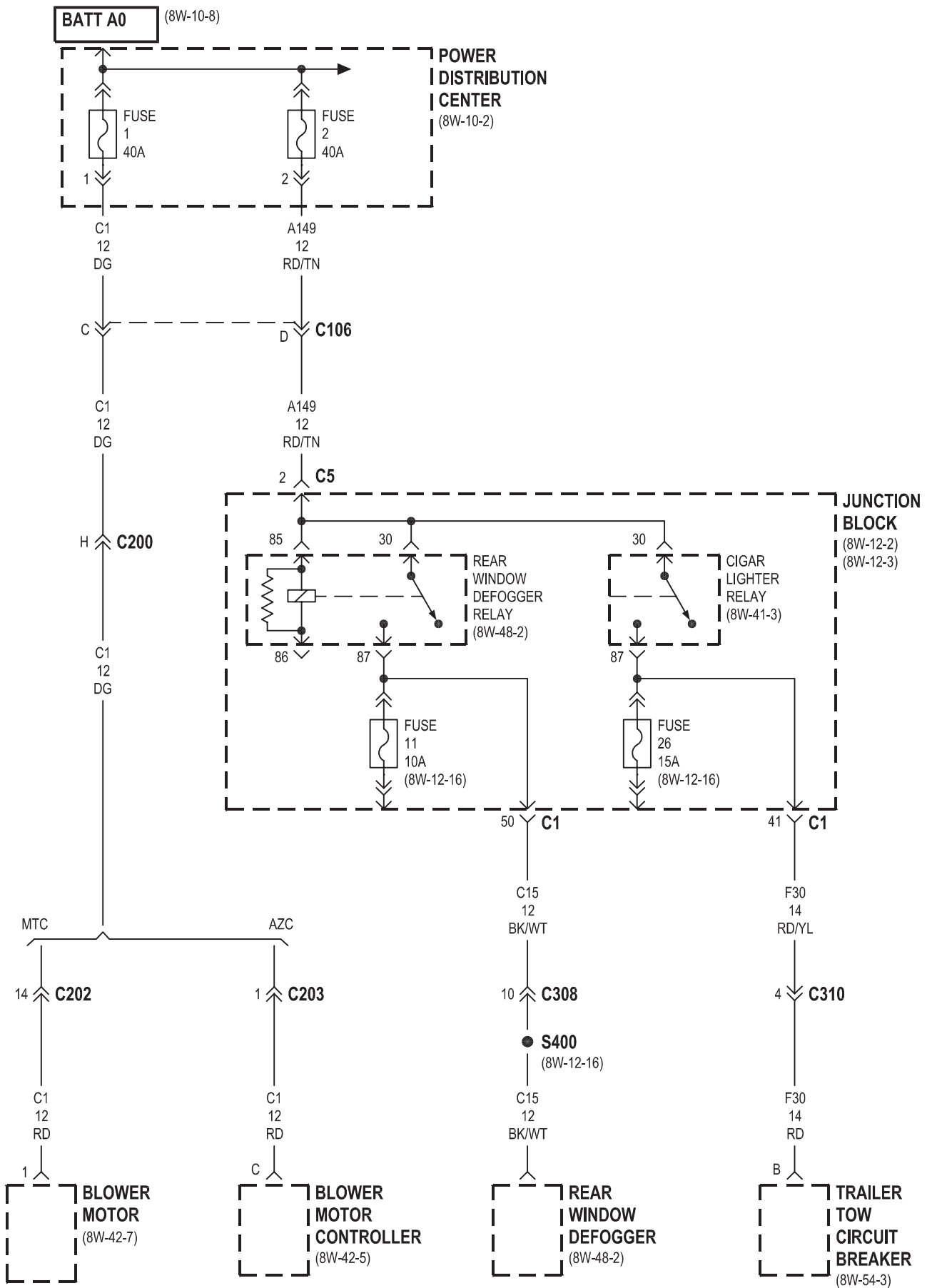
**WIPER  
ON/OFF  
RELAY**

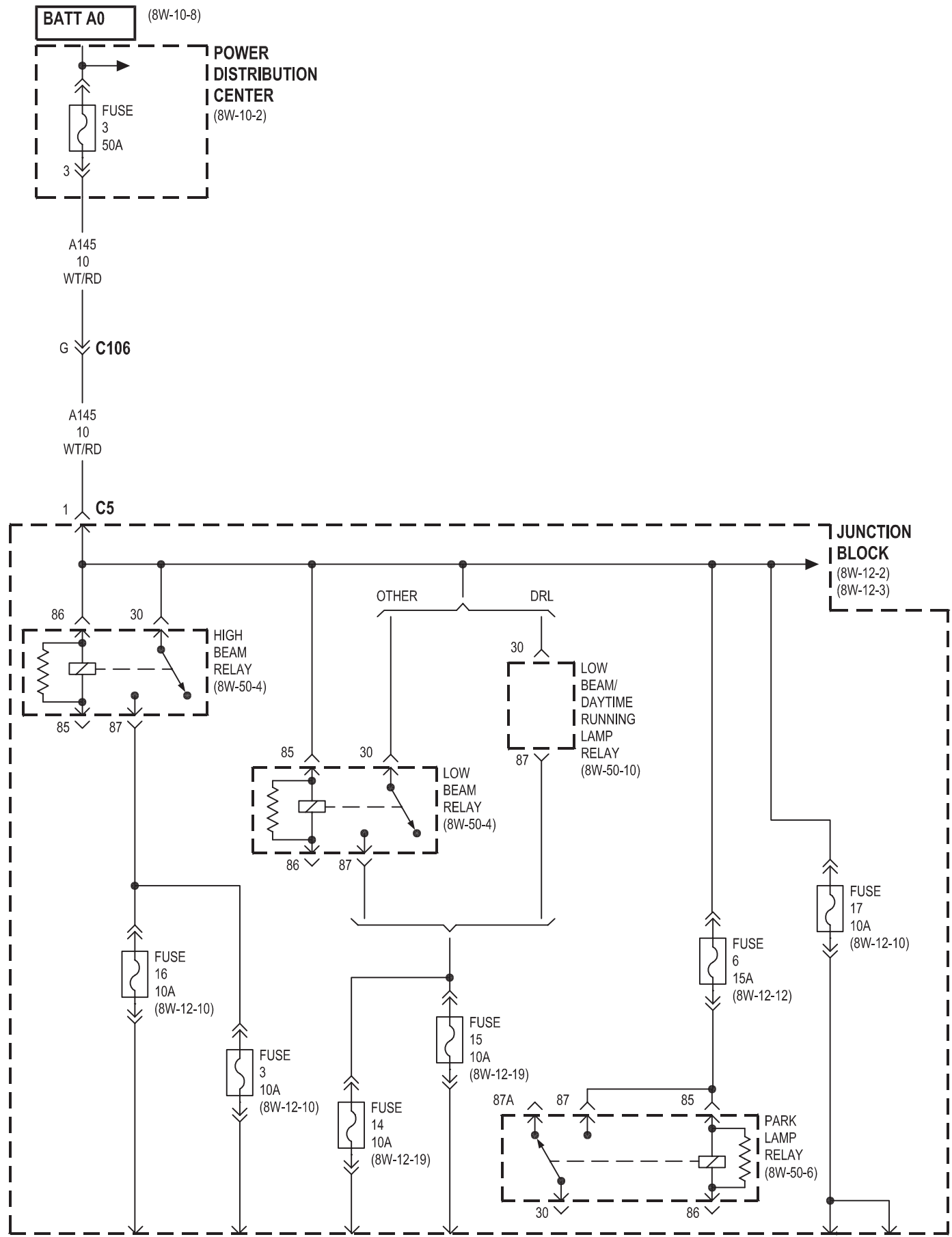
CAVITY	CIRCUIT	FUNCTION
30	V60 16YL/DG	WIPER ON/OFF RELAY OUTPUT
85	V14 20RD/VT	WIPER ON/OFF RELAY CONTROL
86	V6 16DB	FUSED IGNITION SWITCH OUTPUT (RUN-ACC)
	V6 16DB	FUSED IGNITION SWITCH OUTPUT (RUN-ACC)
87	V6 16DB	FUSED IGNITION SWITCH OUTPUT (RUN-ACC)
87A	V55 16TN/RD	WIPER PARK SWITCH SENSE

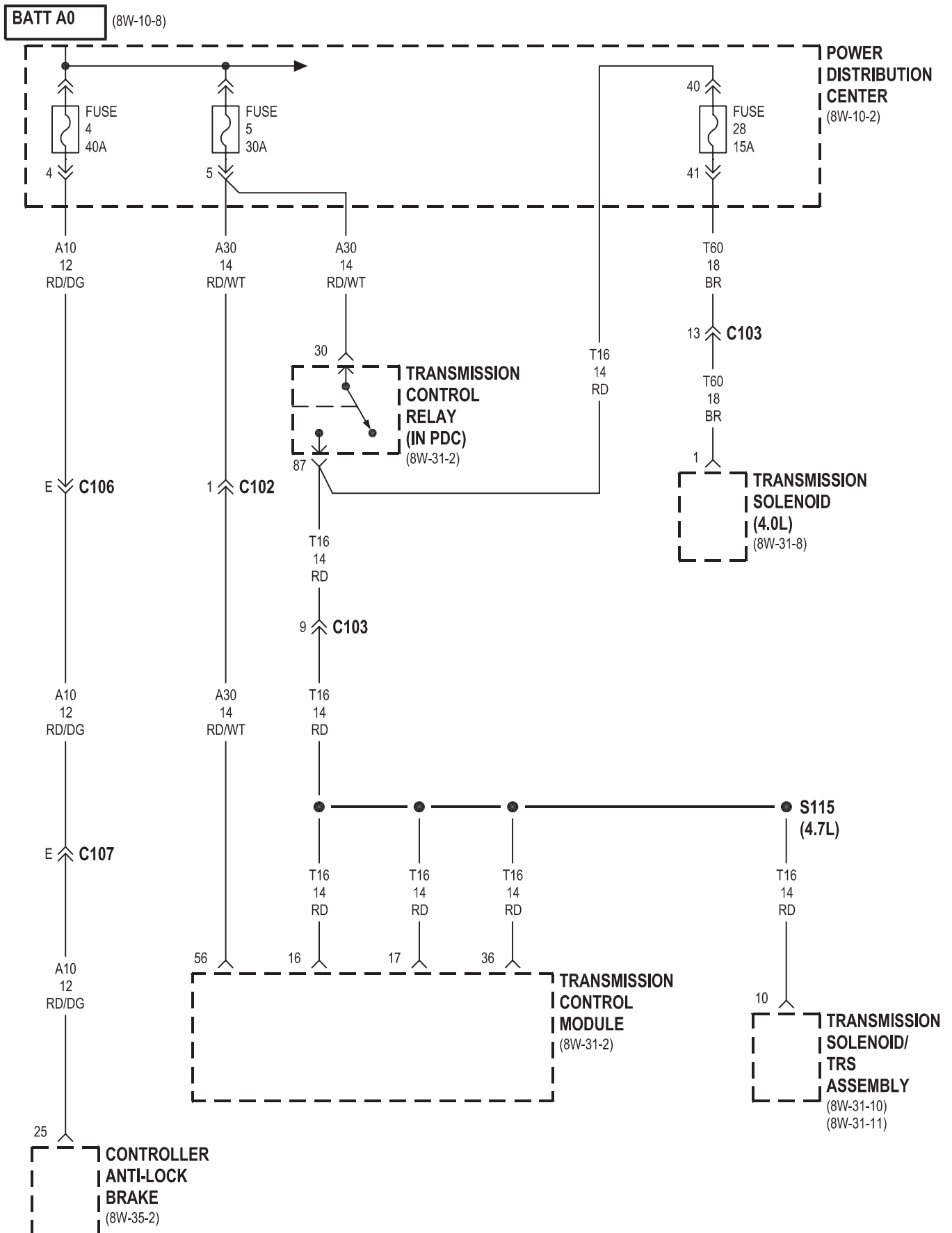


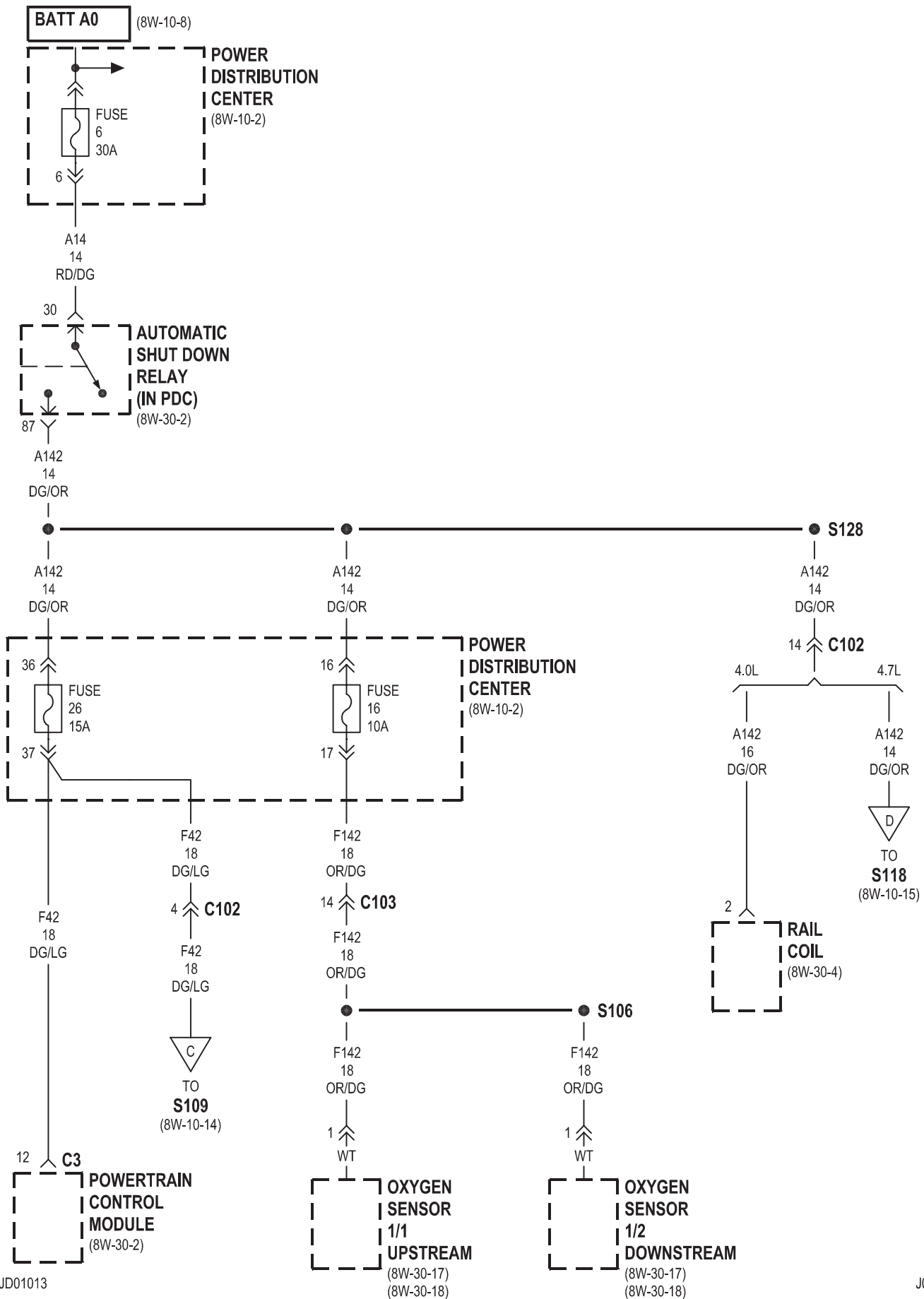




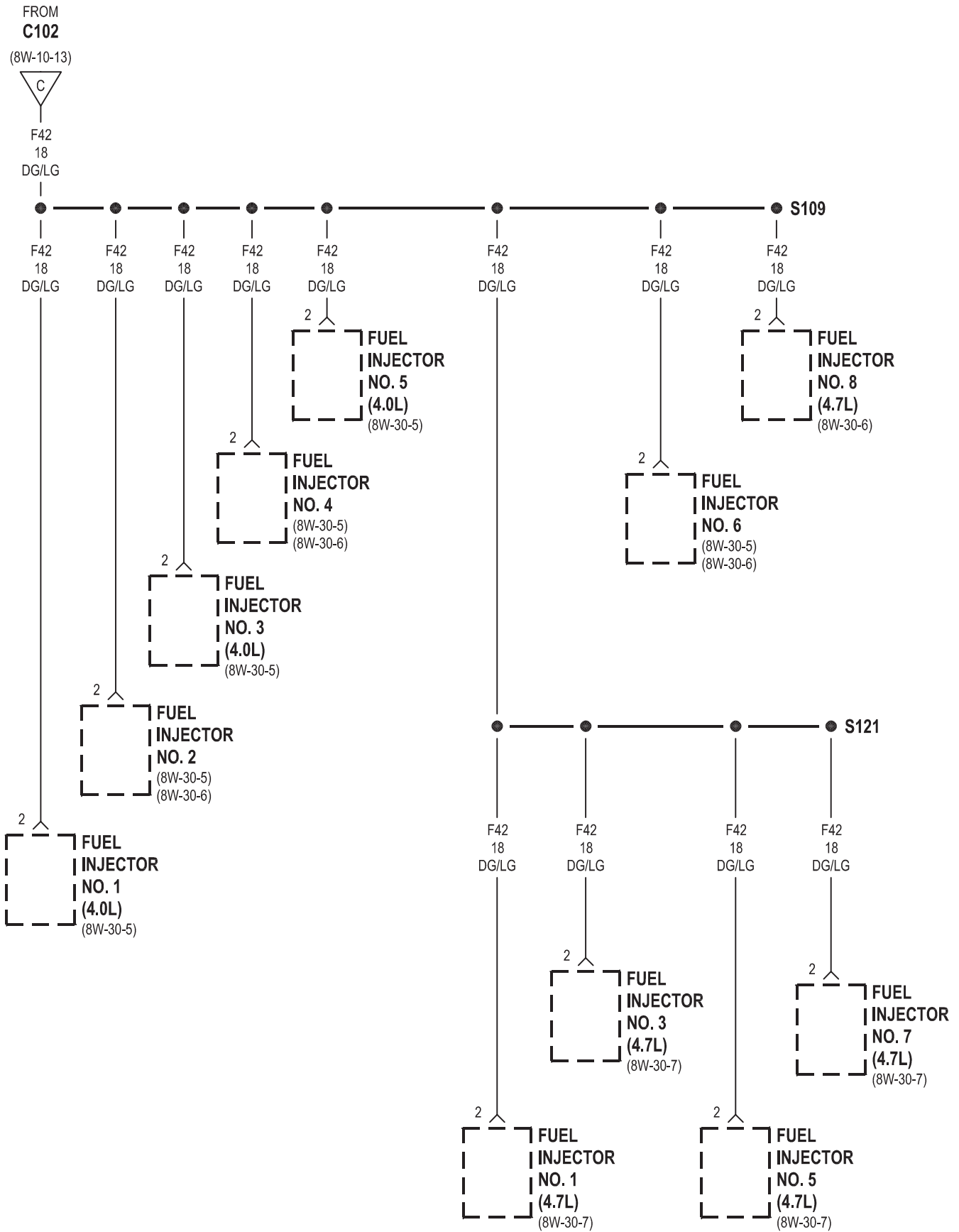


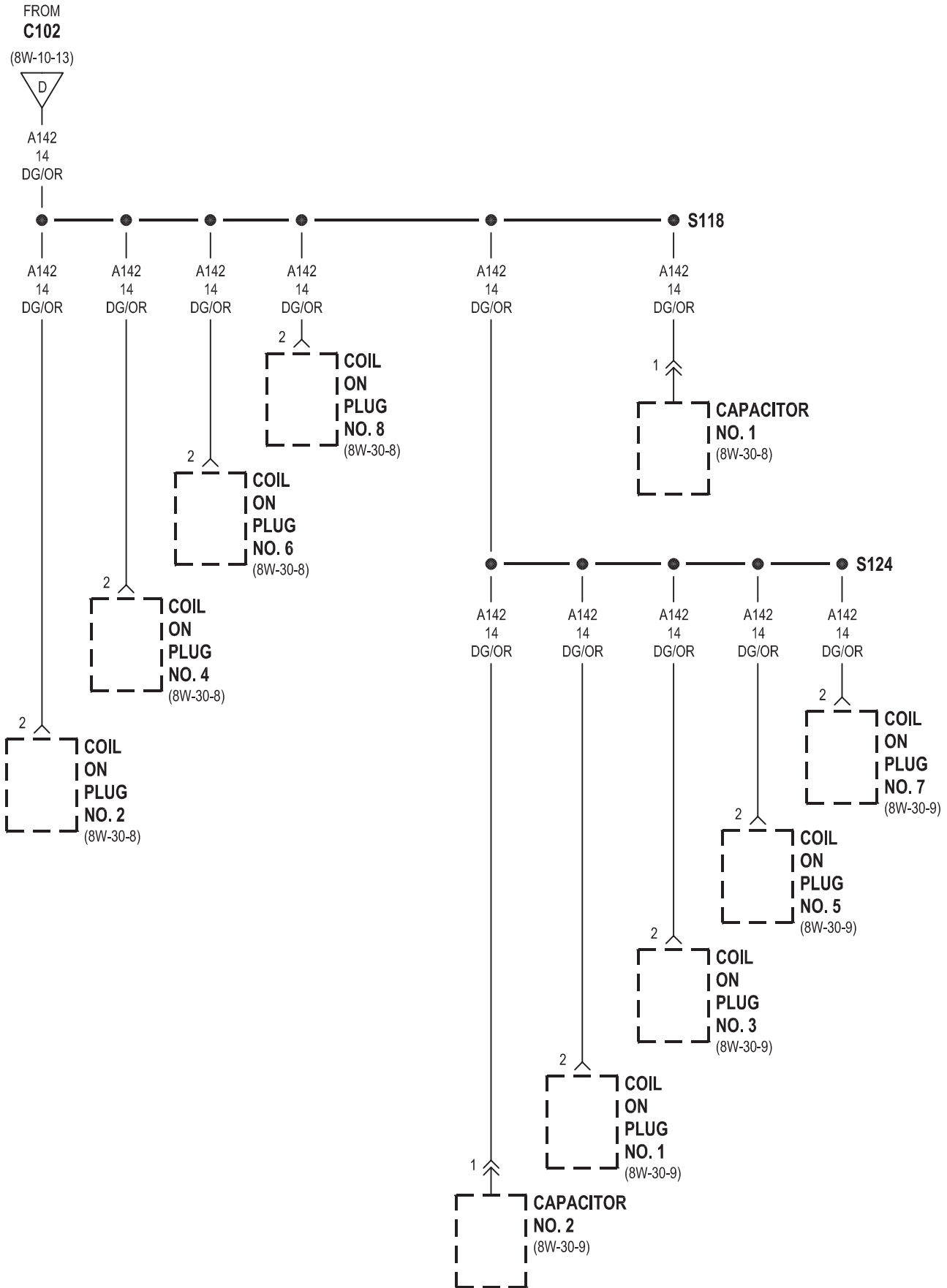


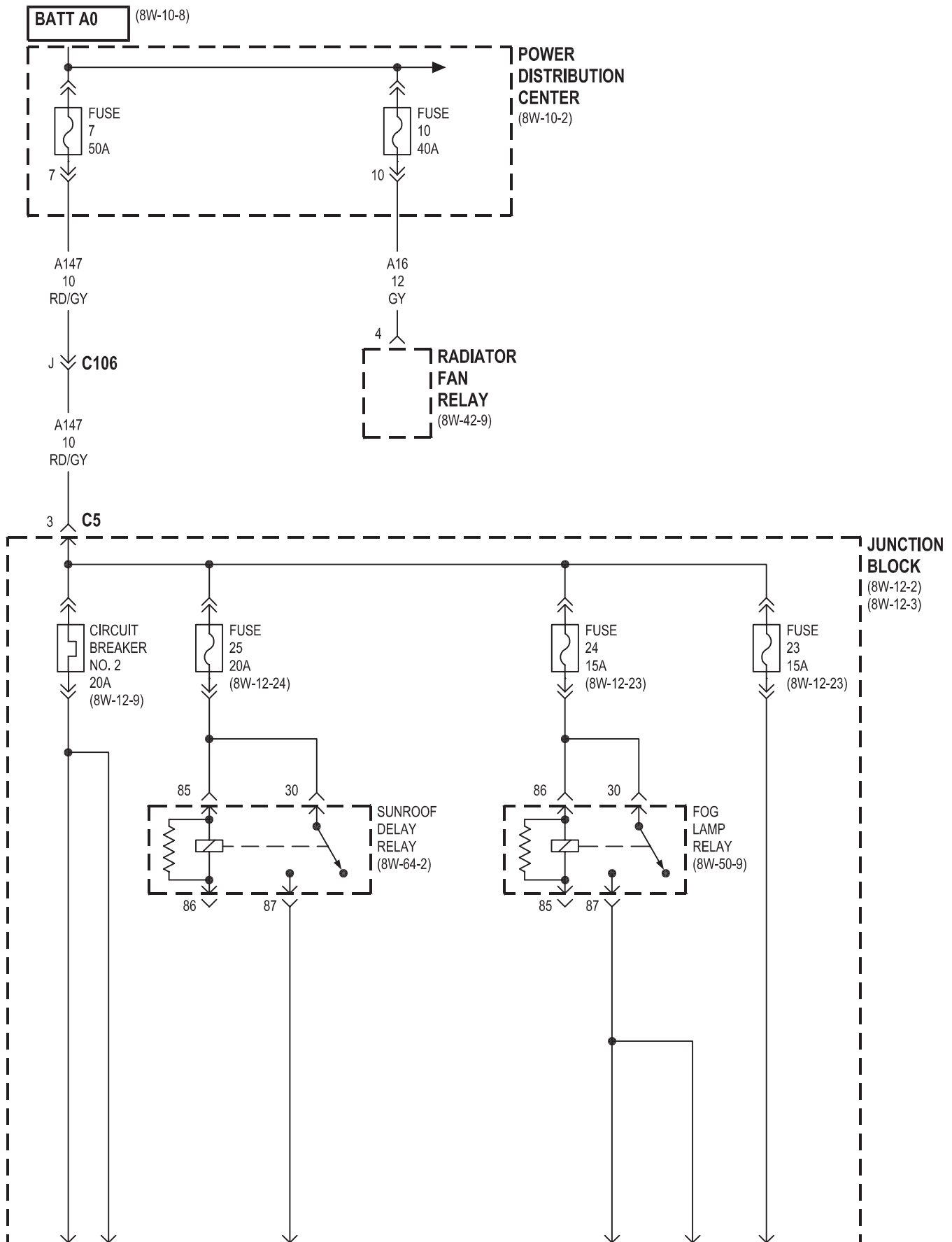


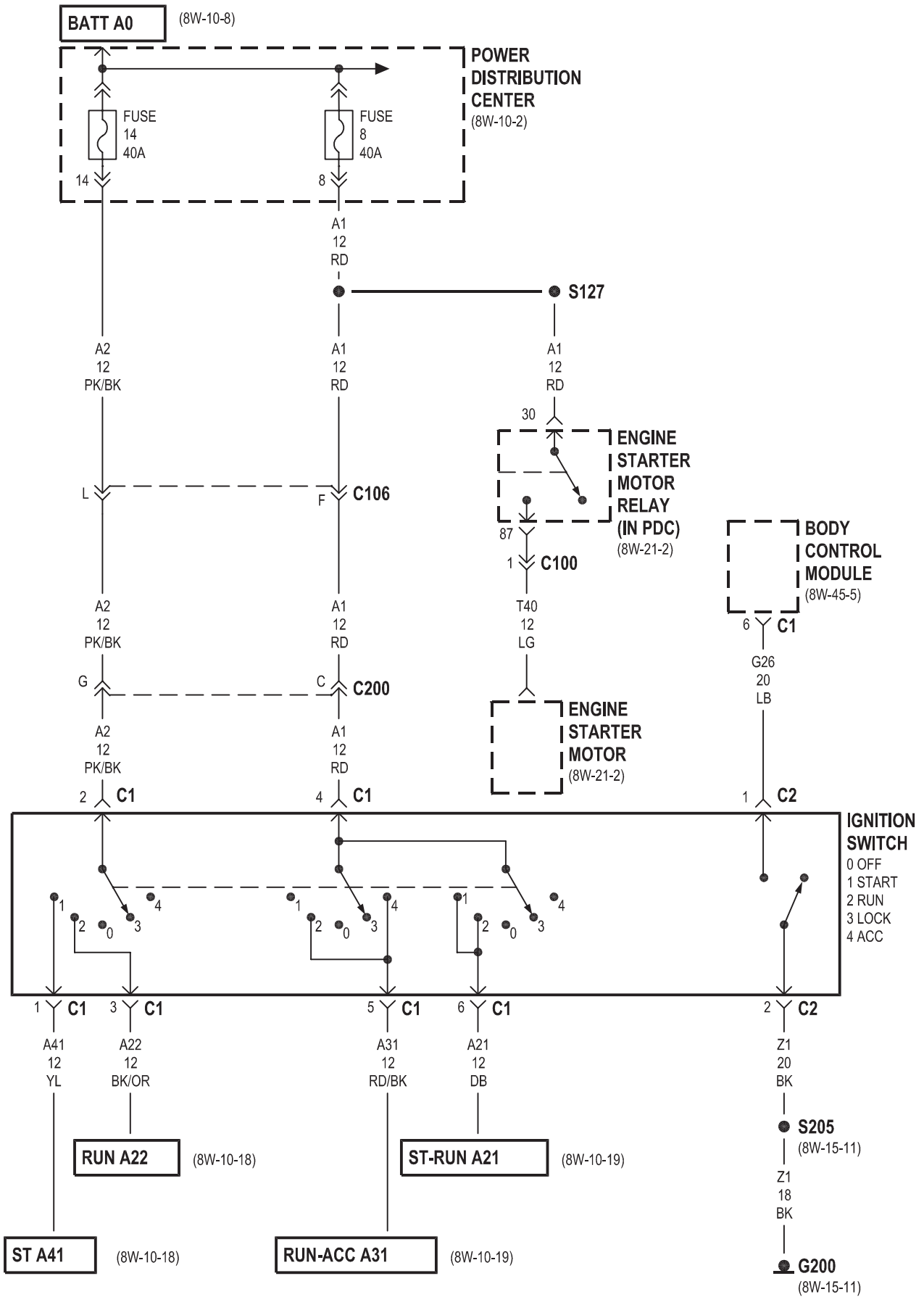


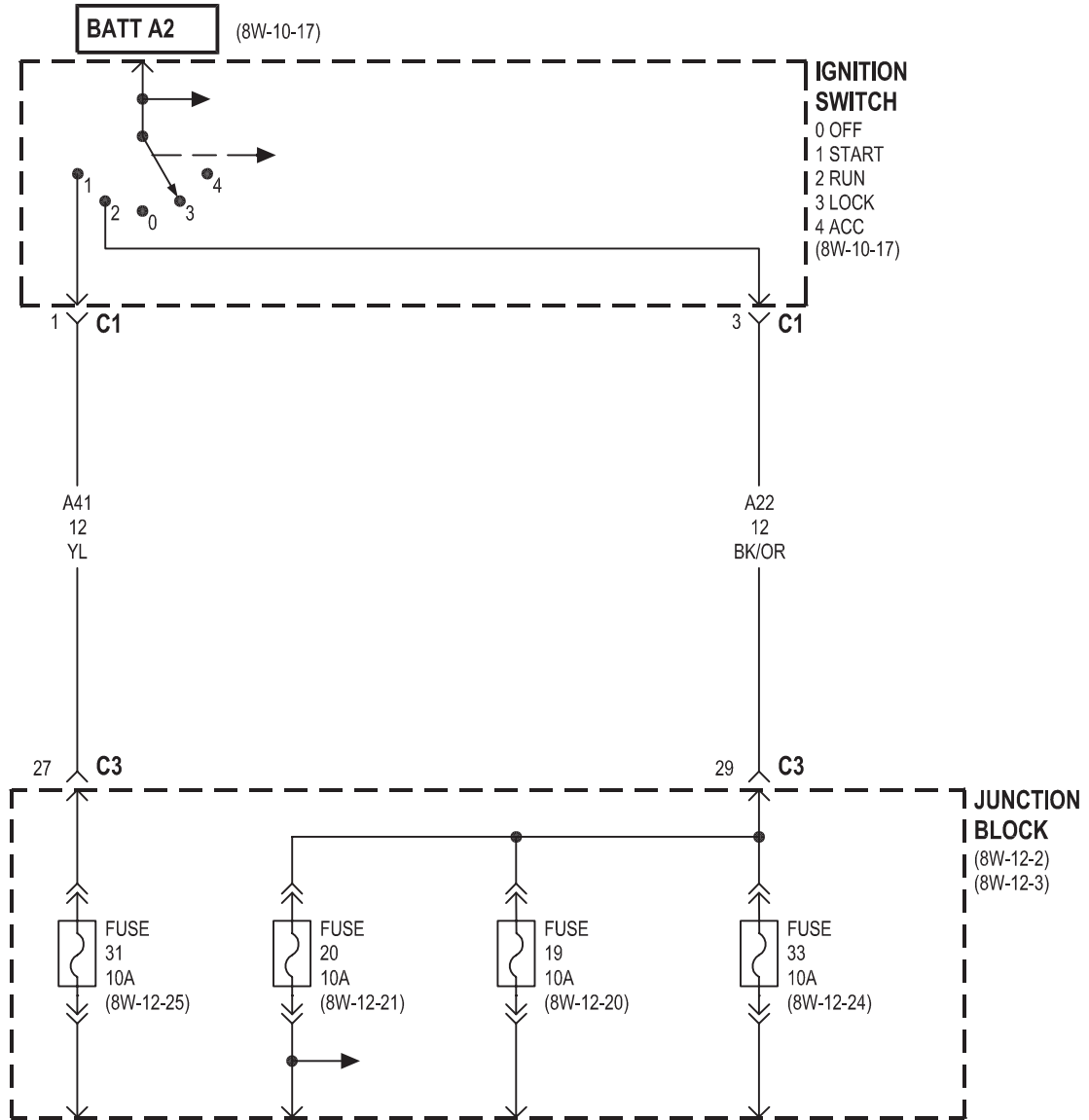




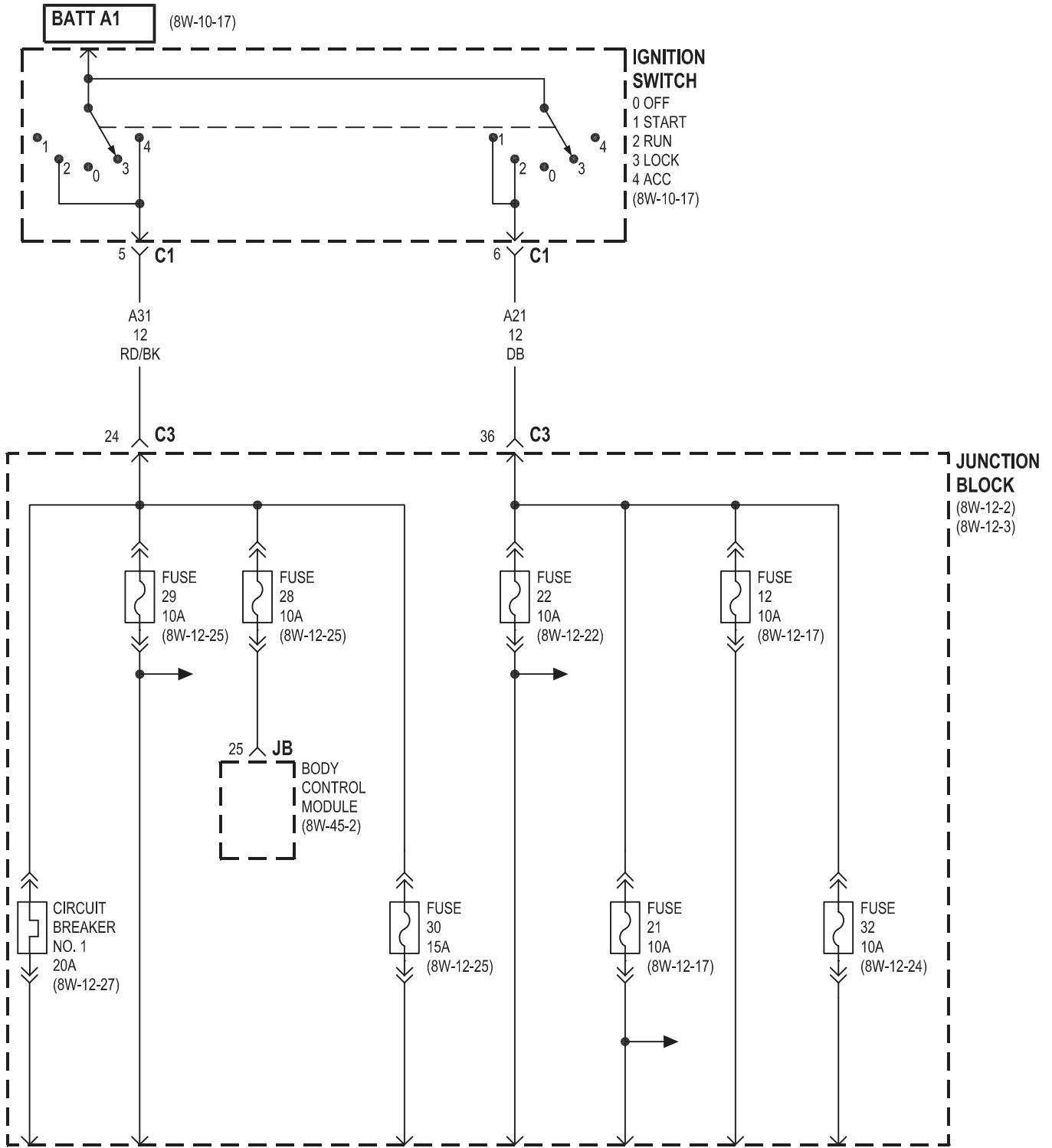


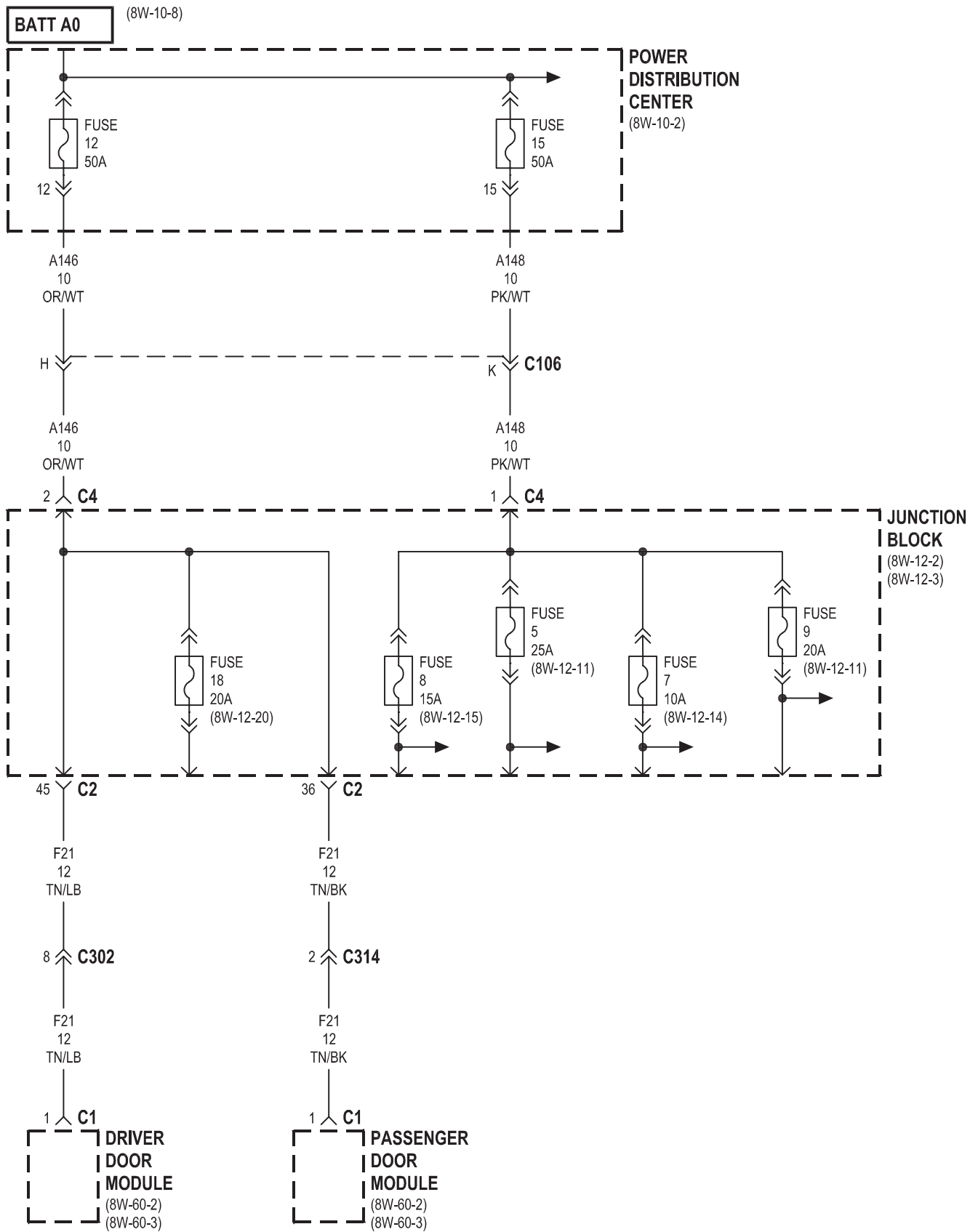


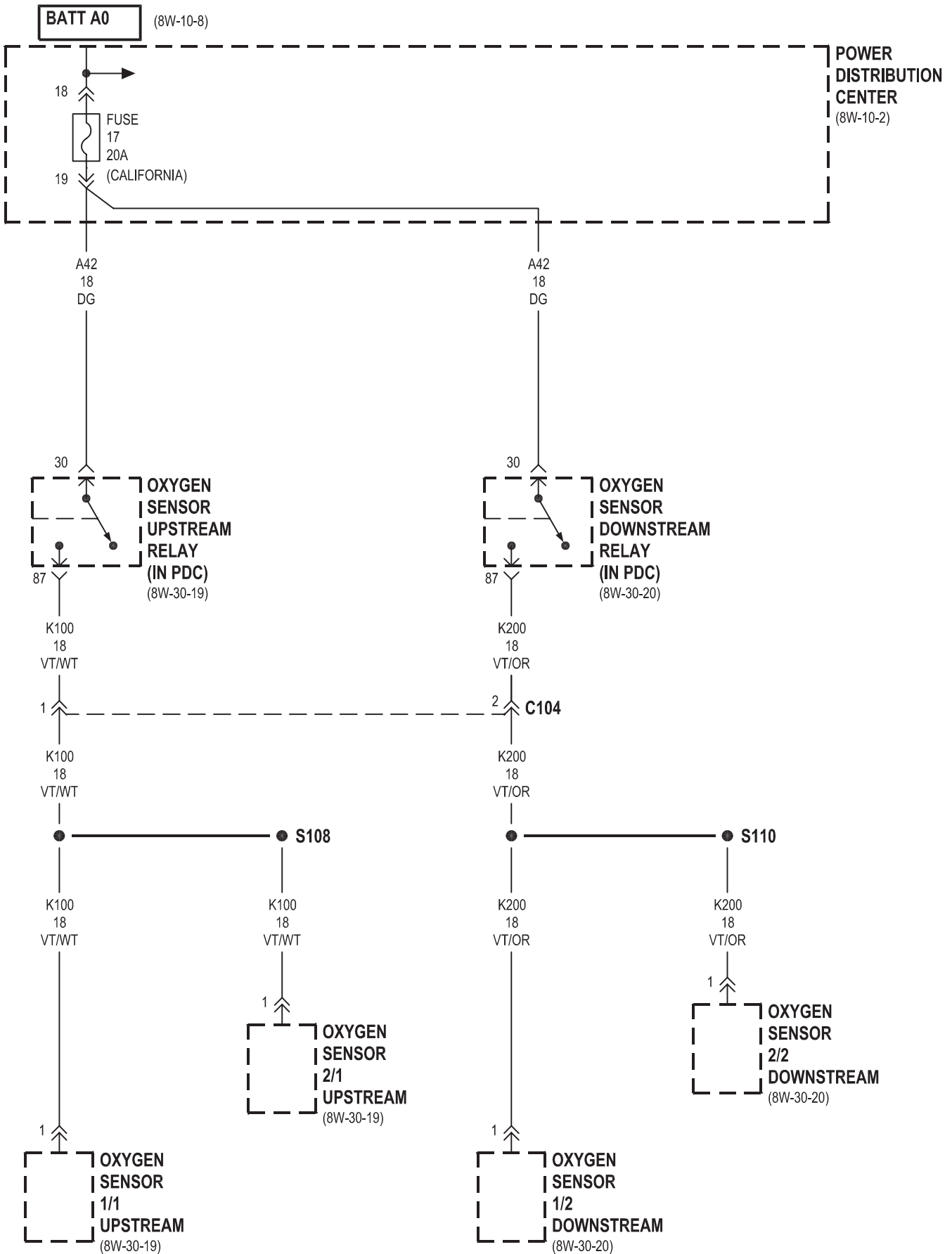


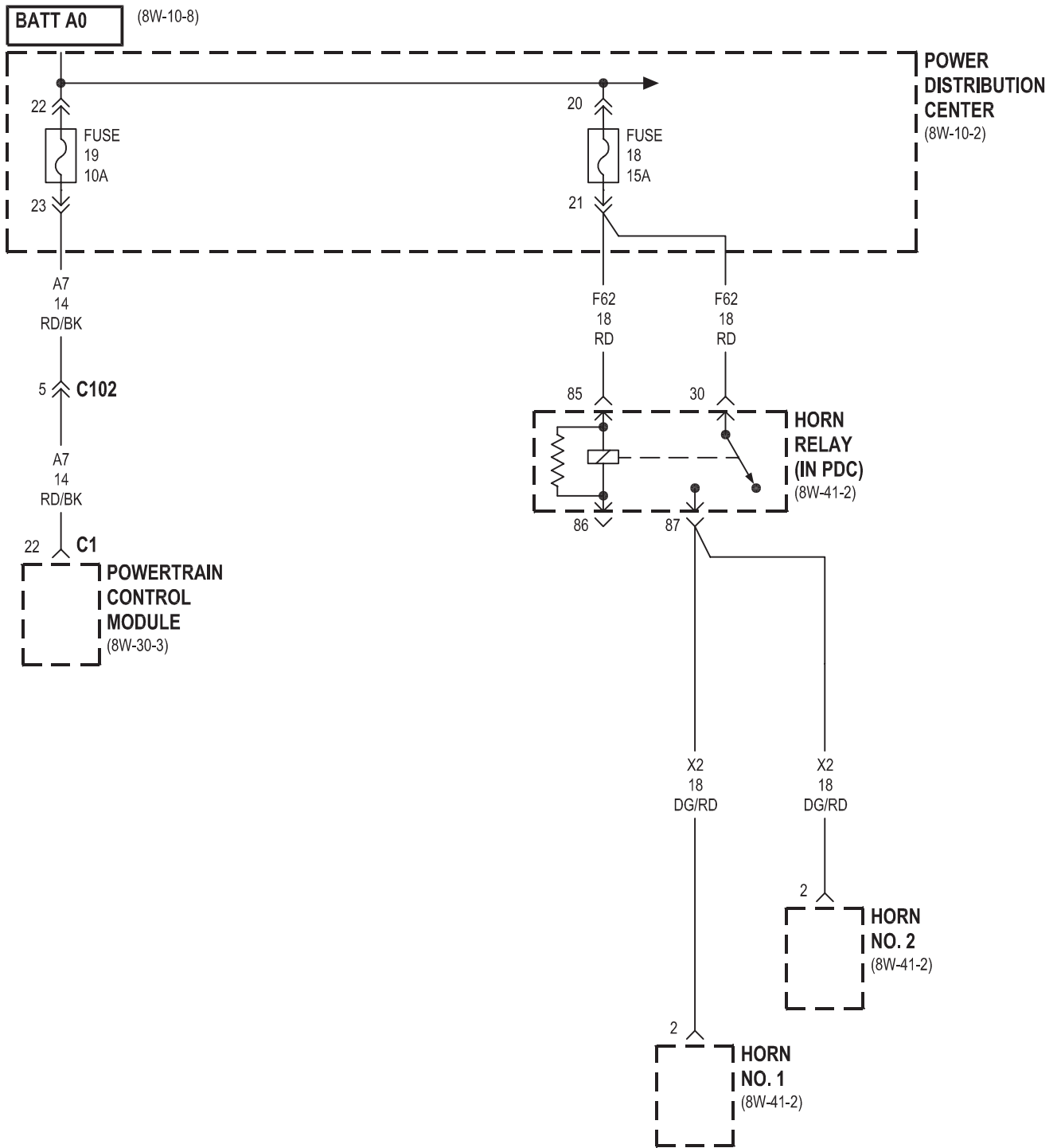


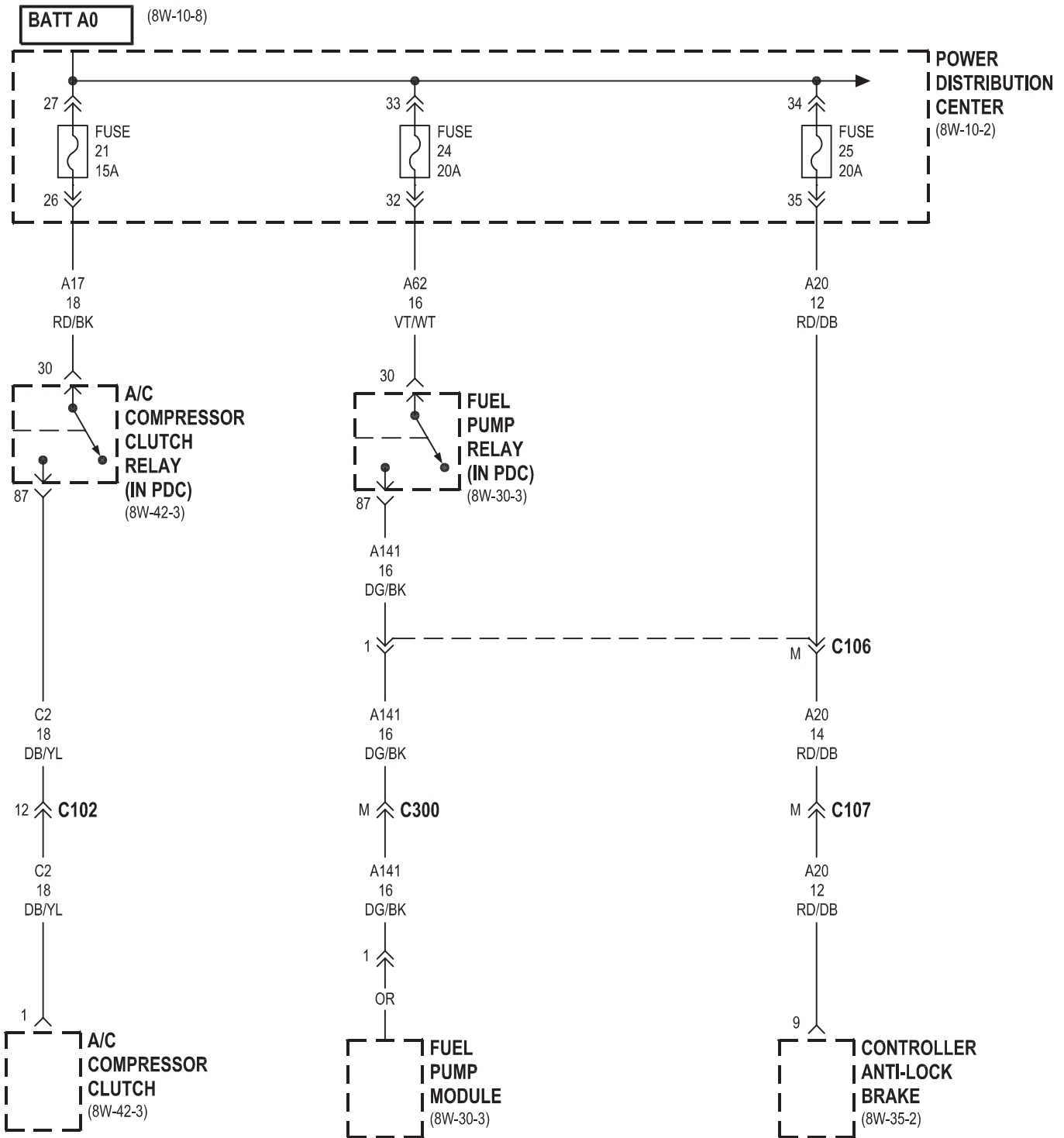












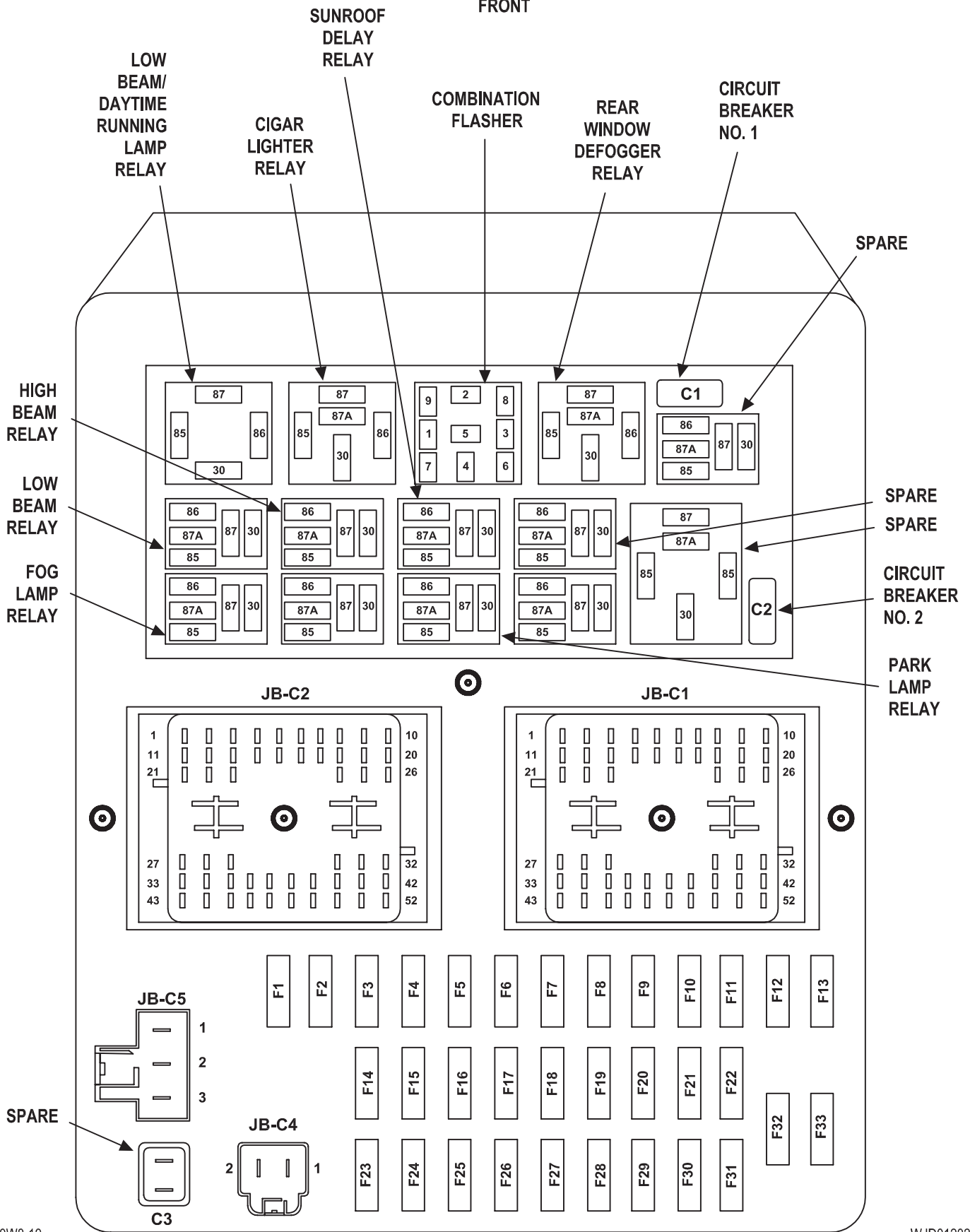




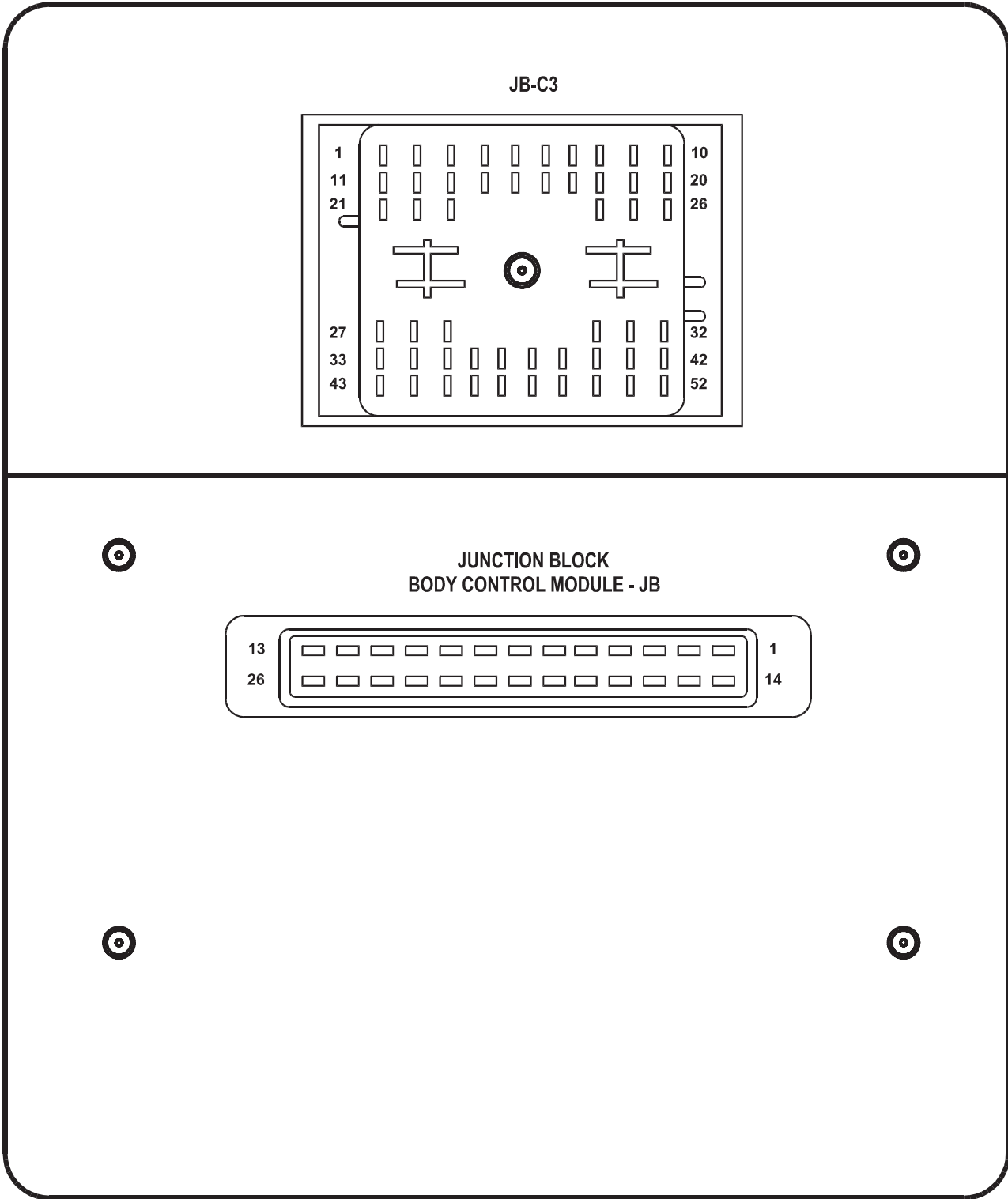
## 8W-12 JUNCTION BLOCK

<b>Component</b>	<b>Page</b>	<b>Component</b>	<b>Page</b>
A/C Compressor Clutch Relay	8W-12-17	Left Front Park/Turn Signal Lamp	8W-12-13, 31
Airbag Control Module	8W-12-24	Left Front Side Marker Lamp	8W-12-13, 31
Automatic Day/Night Mirror	8W-12-22	Left Handle Courtesy Lamp	8W-12-15
Automatic Headlamp Light Sensor/VTSS LED	8W-12-14	Left Handle Courtesy Lamp Switch	8W-12-18, 28
Automatic Shut Down Relay	8W-12-17	Left High Beam Headlamp	8W-12-10
Automatic Zone Control Module	8W-12-14, 16, 21	Left Liftgate Ajar Switch	8W-12-28
Body Control Module	8W-12-10, 12, 14, 16, 18, 19, 22, 23, 25, 26, 27, 28, 29, 32, 33	Left Low Beam Headlamp	8W-12-19
Brake Lamp Switch	8W-12-23	Left Multi- Function Switch	8W-12-10, 33
Brake Shift Interlock Solenoid	8W-12-17	Left Rear Door Lock Motor/Ajar Switch	8W-12-26
Cargo Lamp	8W-12-15, 18, 26	Left Rear Lamp Assembly	8W-12-12, 26
Chime	8W-12-28	Left Visor/Vanity Lamp	8W-12-15, 28
Cigar Lighter	8W-12-16	License Lamp No. 1	8W-12-12
Cigar Lighter Relay	8W-12-16, 25	License Lamp No. 2	8W-12-12
Circuit Breaker No. 1 (JB)	8W-12-27	Liftgate Flip-Up Ajar Switch	8W-12-28
Circuit Breaker No. 2 (JB)	8W-12-9	Liftgate Flip-Up Push Button Switch	8W-12-15
Clockspring	8W-12-29	Liftgate Lock Motor	8W-12-15
Combination Flasher	8W-12-10, 21, 26, 30, 33	Low Beam Relay	8W-12-19
Controller Anti-Lock Brake	8W-12-20, 29	Low Beam/Daytime Running Lamp Relay	8W-12-19
Data Link Connector	8W-12-10	Manual Temperature Control	8W-12-16, 21
Driver Door Module	8W-12-32	Overhead Map/Courtesy Lamp No. 1	8W-12-15
Driver Heated Seat Switch	8W-12-21	Overhead Map/Courtesy Lamp No. 1 Switch	8W-12-18, 28
Driver Lumbar Switch	8W-12-9	Overhead Map/Courtesy Lamp No. 2	8W-12-15
Driver Power Seat Switch	8W-12-9	Overhead Map/Courtesy Lamp No. 2 Switch	8W-12-18, 28
Duty Cycle Evap/Purge Solenoid	8W-12-17	Oxygen Sensor Downstream Relay	8W-12-17
Engine Starter Motor Relay	8W-12-25	Oxygen Sensor Upstream Relay	8W-12-17
Fog Lamp Relay	8W-12-23	Park Lamp Relay	8W-12-12
Front Power Outlet	8W-12-11	Park/Neutral Position Switch	8W-12-21
Fuel Pump Relay	8W-12-17	Passenger Door Module	8W-12-32
Fuse 2 (PDC)	8W-12-16	Passenger Heated Seat Switch	8W-12-21
Fuse 3 (JB)	8W-12-10	Passenger Lumbar Switch	8W-12-9
Fuse 3 (PDC)	8W-12-10, 19	Passenger Power Seat Switch	8W-12-9
Fuse 4 (JB)	8W-12-10	Power Amplifier	8W-12-11
Fuse 5 (JB)	8W-12-11	Power Connector	8W-12-11
Fuse 6 (JB)	8W-12-12	Power Distribution Center	8W-12-10, 11, 14, 16, 19, 20, 32
Fuse 7 (JB)	8W-12-14	Powertrain Control Module	8W-12-17, 29
Fuse 8 (JB)	8W-12-15	Radio	8W-12-11, 25
Fuse 9 (JB)	8W-12-11	Rear Power Outlet	8W-12-11
Fuse 11 (JB)	8W-12-16	Rear Window Defogger	8W-12-16
Fuse 12 (JB)	8W-12-17	Rear Window Defogger Relay	8W-12-16
Fuse 12 (PDC)	8W-12-20, 32	Rear Wiper Motor	8W-12-15, 28
Fuse 14 (JB)	8W-12-19	Right Courtesy Lamp	8W-12-15
Fuse 15 (JB)	8W-12-19	Right Fog Lamp	8W-12-23
Fuse 15 (PDC)	8W-12-11, 14	Right Front Park Lamp	8W-12-13
Fuse 16 (JB)	8W-12-10	Right Front Park/Turn Signal Lamp	8W-12-13, 31
Fuse 17 (JB)	8W-12-10	Right Front Side Marker Lamp	8W-12-13, 31
Fuse 18 (JB)	8W-12-20	Right Handle Courtesy Lamp	8W-12-15
Fuse 19 (JB)	8W-12-20	Right Handle Courtesy Lamp Switch	8W-12-18, 28
Fuse 20 (JB)	8W-12-21	Right High Beam Headlamp	8W-12-10
Fuse 21 (JB)	8W-12-17	Right Liftgate Ajar Switch	8W-12-28
Fuse 22 (JB)	8W-12-22	Right Low Beam Headlamp	8W-12-19
Fuse 23 (JB)	8W-12-23	Right Multi- Function Switch	8W-12-25
Fuse 24 (JB)	8W-12-23	Right Rear Lamp Assembly	8W-12-12, 30
Fuse 25 (JB)	8W-12-24	Right Visor/Vanity Lamp	8W-12-15, 28
Fuse 26 (JB)	8W-12-16	Seat Module	8W-12-9
Fuse 28 (JB)	8W-12-25	Sentry Key Immobilizer Module	8W-12-14, 22
Fuse 29 (JB)	8W-12-25	Sunroof Control Module	8W-12-24
Fuse 30 (JB)	8W-12-25	Sunroof Delay Relay	8W-12-24
Fuse 31 (JB)	8W-12-25	Temperature Valve Actuator	8W-12-21
Fuse 32 (JB)	8W-12-24	Trailer Tow Brake Lamp Relay	8W-12-20
Fuse 33 (JB)	8W-12-24	Trailer Tow Circuit Breaker	8W-12-16
G200	8W-12-33	Trailer Tow Connector	8W-12-12
Glove Box Lamp	8W-12-15	Trailer Tow Left Turn Relay	8W-12-26
High Beam Relay	8W-12-10	Trailer Tow Right Turn Relay	8W-12-30
Horn Relay	8W-12-29	Transmission Control Module	8W-12-17, 25, 29
Horn Switch	8W-12-29	Transmission Solenoid/TRS Assembly	8W-12-21
Instrument Cluster	8W-12-10, 22, 29, 30	Underhood Lamp	8W-12-14
Junction Block	8W-12-2, 3, 9, 10, 11, 12, 14, 15, 16, 17, 19, 20, 21, 22, 23, 24, 25, 26, 27, 28, 29	Vehicle Information Center	8W-12-15, 22
Left Courtesy Lamp	8W-12-15	Windshield Wiper Motor	8W-12-27, 32
Left Fog Lamp	8W-12-23	Wiper High/Low Relay	8W-12-27
Left Front Park Lamp	8W-12-13	Wiper On/Off Relay	8W-12-27, 32

JUNCTION BLOCK FRONT



JUNCTION BLOCK  
BACK



## FUSES

FUSE	AMPS	FUSED CIRCUIT	FUNCTION
1	-	-	-
2	-	-	-
3	10A	L33 18RD	FUSED HIGH BEAM RELAY OUTPUT
4	15A	INTERNAL	FUSED B(+)
5	25A	INTERNAL	FUSED B(+)
6	15A	INTERNAL	FUSED B(+)
7	10A	INTERNAL	FUSED B(+)
8	15A	INTERNAL	FUSED B(+)
9	20A	INTERNAL	FUSED B(+)
10	-	-	-
11	10A	C15 20BK/WT	FUSED REAR WINDOW DEFOGGER RELAY OUTPUT
12	10A	F991 20OR/DB	FUSED IGNITION SWITCH OUTPUT (ST-RUN)
13	-	-	-
14	10A	L43 18VT	FUSED LOW BEAM RELAY OUTPUT
15	10A	L44 18VT/RD	FUSED LOW BEAM RELAY OUTPUT
16	10A	L34 18RD/OR	FUSED HIGH BEAM RELAY OUTPUT
17	10A	INTERNAL	FUSED B(+)
18	20A	L50 16WT/TN	FUSED B(+)
19	10A	F20 18DB/PK	FUSED IGNITION SWITCH OUTPUT (RUN)
20	10A	INTERNAL	FUSED IGNITION SWITCH OUTPUT (RUN)
21	10A	INTERNAL	FUSED IGNITION SWITCH OUTPUT (ST-RUN)
22	10A	INTERNAL	FUSED IGNITION SWITCH OUTPUT (ST-RUN)
23	15A	F32 20PK/DB	FUSED B(+)
24	15A	INTERNAL	FUSED B(+)
25	20A	INTERNAL	FUSED B(+)
26	15A	F30 18RD	FUSED CIGAR LIGHTER RELAY OUTPUT
27	-	-	-
28	10A	INTERNAL	FUSED IGNITION SWITCH OUTPUT (RUN-ACC)
29	10A	INTERNAL	FUSED IGNITION SWITCH OUTPUT (RUN-ACC)
30	15A	X12 16WT/RD	FUSED IGNITION SWITCH OUTPUT (RUN-ACC)
31	10A	F45 20YL/RD	FUSED IGNITION SWITCH OUTPUT (START)
32	10A	F14 18LG/YL	FUSED IGNITION SWITCH OUTPUT (ST-RUN)
33	10A	F23 18DB/YL	FUSED IGNITION SWITCH OUTPUT (RUN)



## CIRCUIT BREAKERS

C.B.	AMPS	FUSED CIRCUIT	FUNCTION
1	20A	V6 16DB	FUSED IGNITION SWITCH OUTPUT (RUN-ACC)
2	20A	INTERNAL	FUSED B(+)
3	-	-	-

JUNCTION BLOCK  
BODY CONTROL MODULE - JB

CAVITY	CIRCUIT	FUNCTION
1	L308	PARK LAMP RELAY CONTROL
2	L26	FOG LAMP RELAY CONTROL
3	Q29	SUNROOF DELAY RELAY CONTROL
4	L307	LOW BEAM RELAY CONTROL
5	G5	FUSED IGNITION SWITCH OUTPUT (ST-RUN)
6	X4	HORN RELAY CONTROL
7	-	-
8	G80	LIFTGATE FLIP-UP AJAR SWITCH SENSE
9	L11	HIGH BEAM RELAY CONTROL
10	L91	HAZARD SWITCH SENSE
11	C80	REAR WINDOW DEFOGGER RELAY CONTROL
12	Z2	GROUND
13	-	-
14	L7	PARK LAMP RELAY OUTPUT
15	Z1	GROUND
16	M2	COURTESY LAMP DRIVER
17	-	-
18	-	-
19	M20	COURTESY LAMP DRIVER
20	V55	WIPER PARK SWITCH SENSE
21	G78	LIFTGATE AJAR SWITCH SENSE
22	G10	SEAT BELT SWITCH SENSE
23	G77	DOOR AJAR SWITCH SENSE
24	G73	LIFTGATE COURTESY DISABLE
25	V23	FUSED IGNITION SWITCH OUTPUT (RUN-ACC)
26	M1	FUSED B(+)

**CIGAR  
LIGHTER  
RELAY**

CAVITY	CIRCUIT	FUNCTION
30	INTERNAL	FUSED B(+)
85	INTERNAL	FUSED IGNITION SWITCH OUTPUT (RUN-ACC)
86	INTERNAL	GROUND
87	INTERNAL	CIGAR LIGHTER RELAY OUTPUT
87A	-	-

**FOG  
LAMP  
RELAY**

CAVITY	CIRCUIT	FUNCTION
30	INTERNAL	FUSED B(+)
85	INTERNAL	FOG LAMP RELAY CONTROL
86	INTERNAL	FUSED B(+)
87	INTERNAL	FOG LAMP RELAY OUTPUT
87A	-	-

**HIGH  
BEAM  
RELAY**

CAVITY	CIRCUIT	FUNCTION
30	INTERNAL	FUSED B(+)
85	INTERNAL	HIGH BEAM RELAY CONTROL
86	INTERNAL	FUSED B(+)
87	INTERNAL	HIGH BEAM RELAY OUTPUT
87A	-	-

**LOW  
BEAM/  
DAYTIME  
RUNNING  
LAMP  
RELAY**

CAVITY	CIRCUIT	FUNCTION
30	INTERNAL	FUSED B(+)
85	INTERNAL	GROUND
86	INTERNAL	RELAY CONTROL
87	INTERNAL	RELAY OUTPUT
87A	-	-

**LOW  
BEAM  
RELAY**

CAVITY	CIRCUIT	FUNCTION
30	INTERNAL	FUSED B(+)
85	INTERNAL	FUSED B(+)
86	INTERNAL	LOW BEAM RELAY CONTROL
87	INTERNAL	LOW BEAM RELAY OUTPUT
87A	-	-

**PARK  
LAMP  
RELAY**

CAVITY	CIRCUIT	FUNCTION
30	INTERNAL	PARK LAMP RELAY OUTPUT
85	INTERNAL	FUSED B(+)
86	INTERNAL	PARK LAMP RELAY CONTROL
87	INTERNAL	FUSED B(+)
87A	INTERNAL	GROUND

**REAR  
WINDOW  
DEFOGGER  
RELAY**

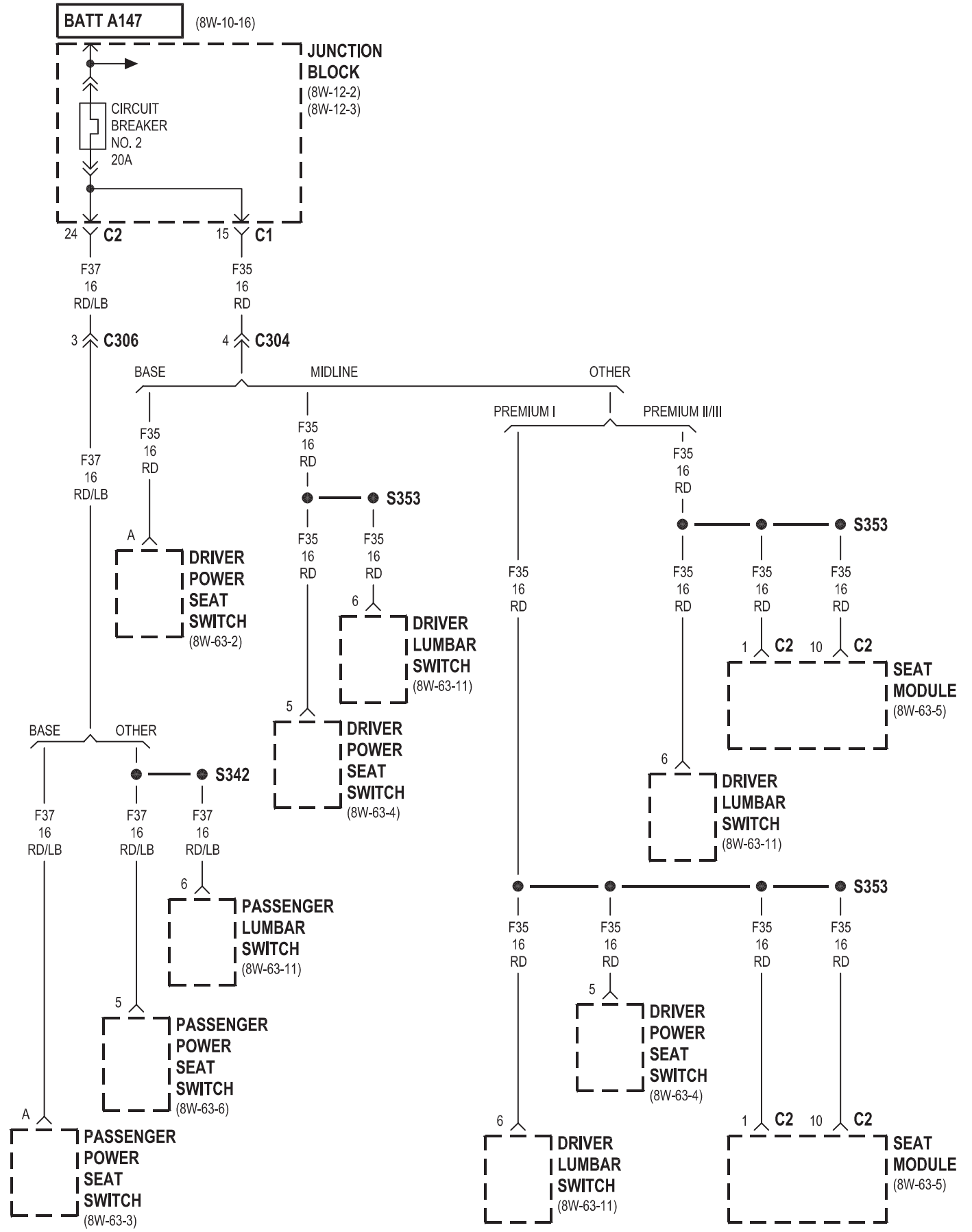
CAVITY	CIRCUIT	FUNCTION
30	INTERNAL	FUSED B(+)
85	INTERNAL	FUSED B(+)
86	INTERNAL	REAR WINDOW DEFOGGER RELAY CONTROL
87	INTERNAL	REAR WINDOW DEFOGGER RELAY OUTPUT
87A	-	-

**SUNROOF  
DELAY  
RELAY**

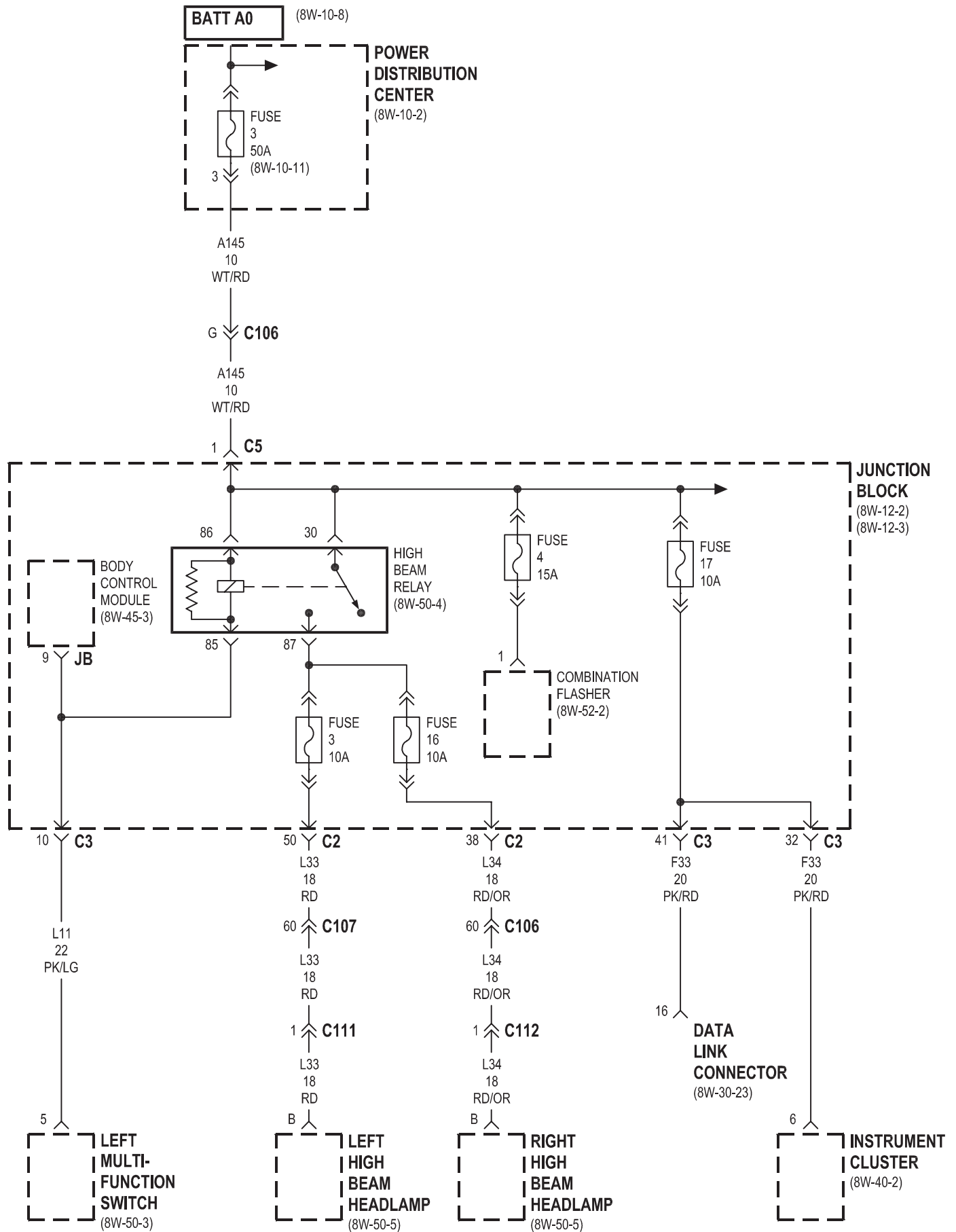
CAVITY	CIRCUIT	FUNCTION
30	INTERNAL	FUSED B(+)
85	INTERNAL	FUSED B(+)
86	INTERNAL	SUNROOF DELAY RELAY CONTROL
87	Q30 16TN	SUNROOF DELAY RELAY OUTPUT
87A	-	-

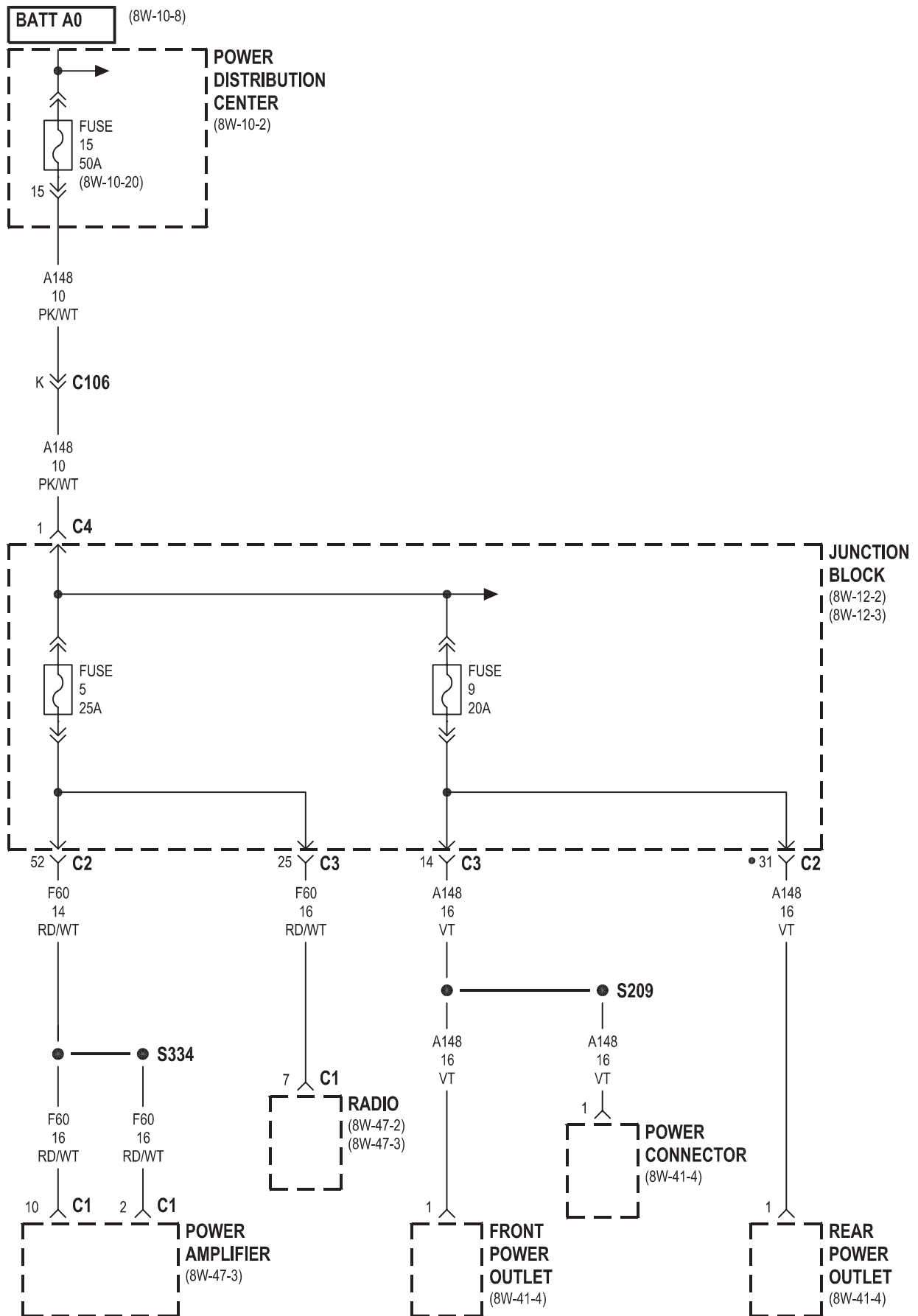
**COMBINATION  
FLASHER**

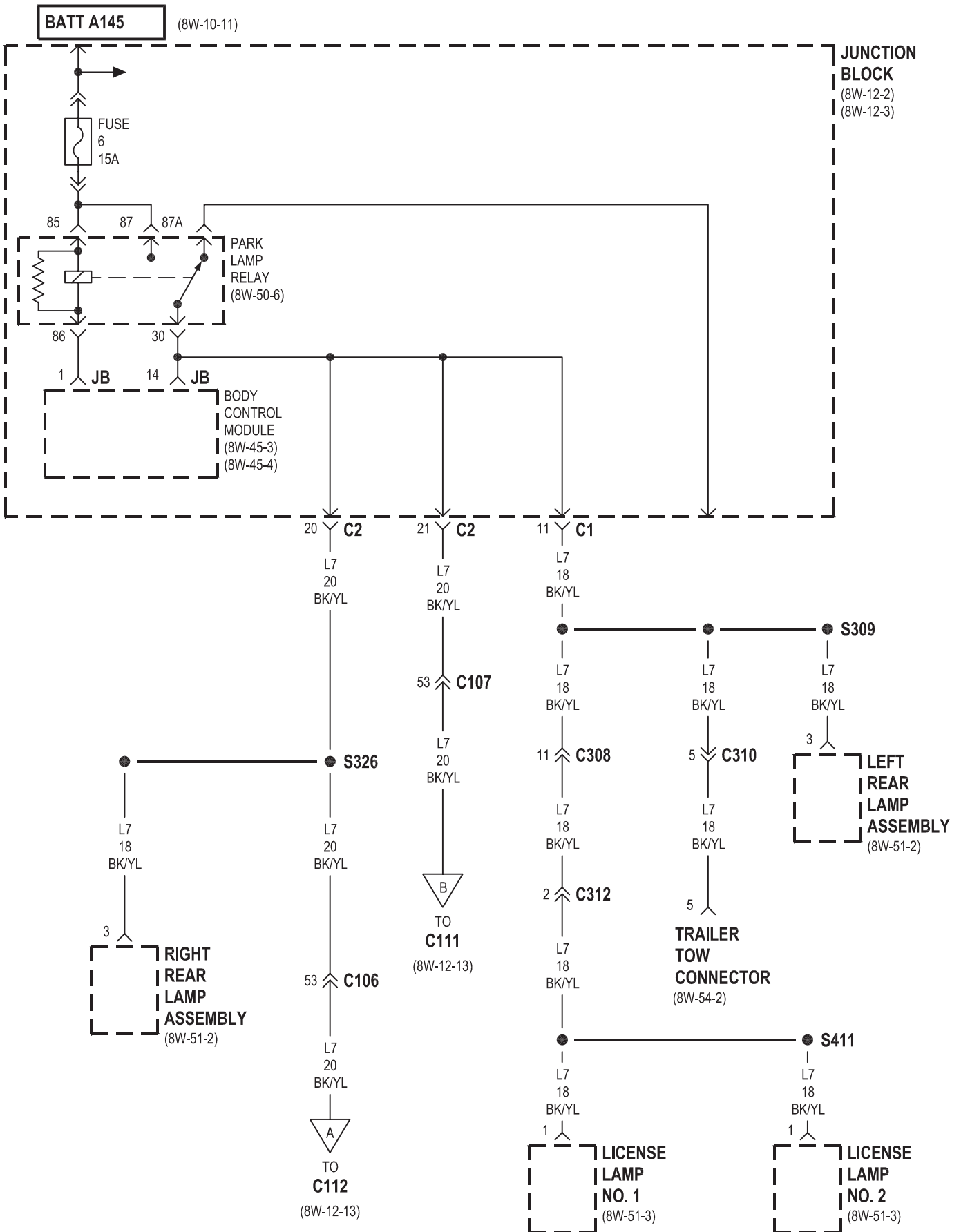
CAVITY	CIRCUIT	FUNCTION
1	INTERNAL	FUSED B(+)
2	INTERNAL	LEFT TURN SIGNAL
3	INTERNAL	RIGHT TURN SIGNAL
4	L63 18DG/RD	LEFT TURN SIGNAL
5	L62 18BR/RD	RIGHT TURN SIGNAL
6	INTERNAL	FUSED IGNITION SWITCH OUTPUT (RUN)
7	L305 20LB/WT	LEFT TURN SWITCH SENSE
8	L302 20LB/YL	RIGHT TURN SWITCH SENSE
9	INTERNAL	HAZARD SWITCH SENSE

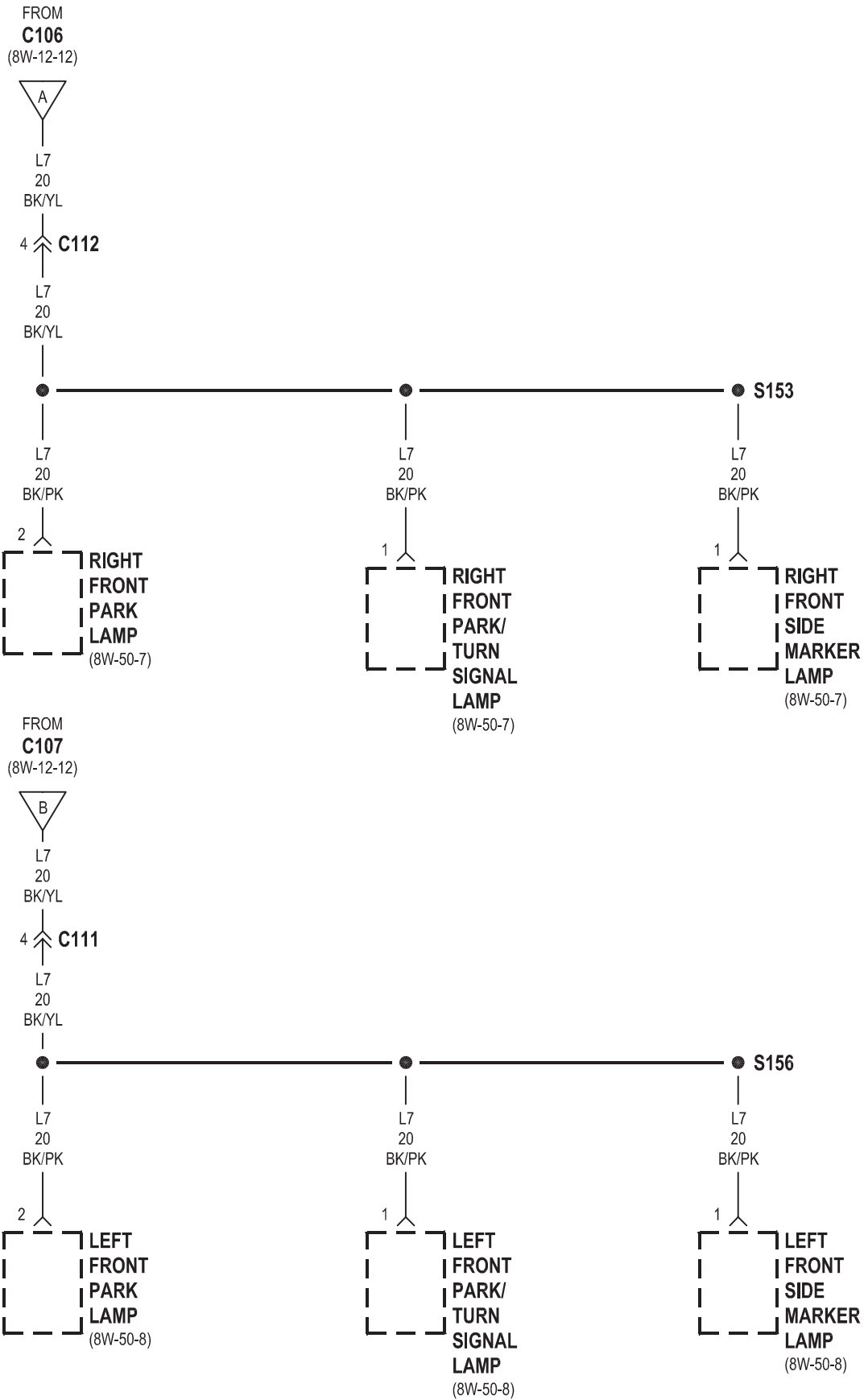


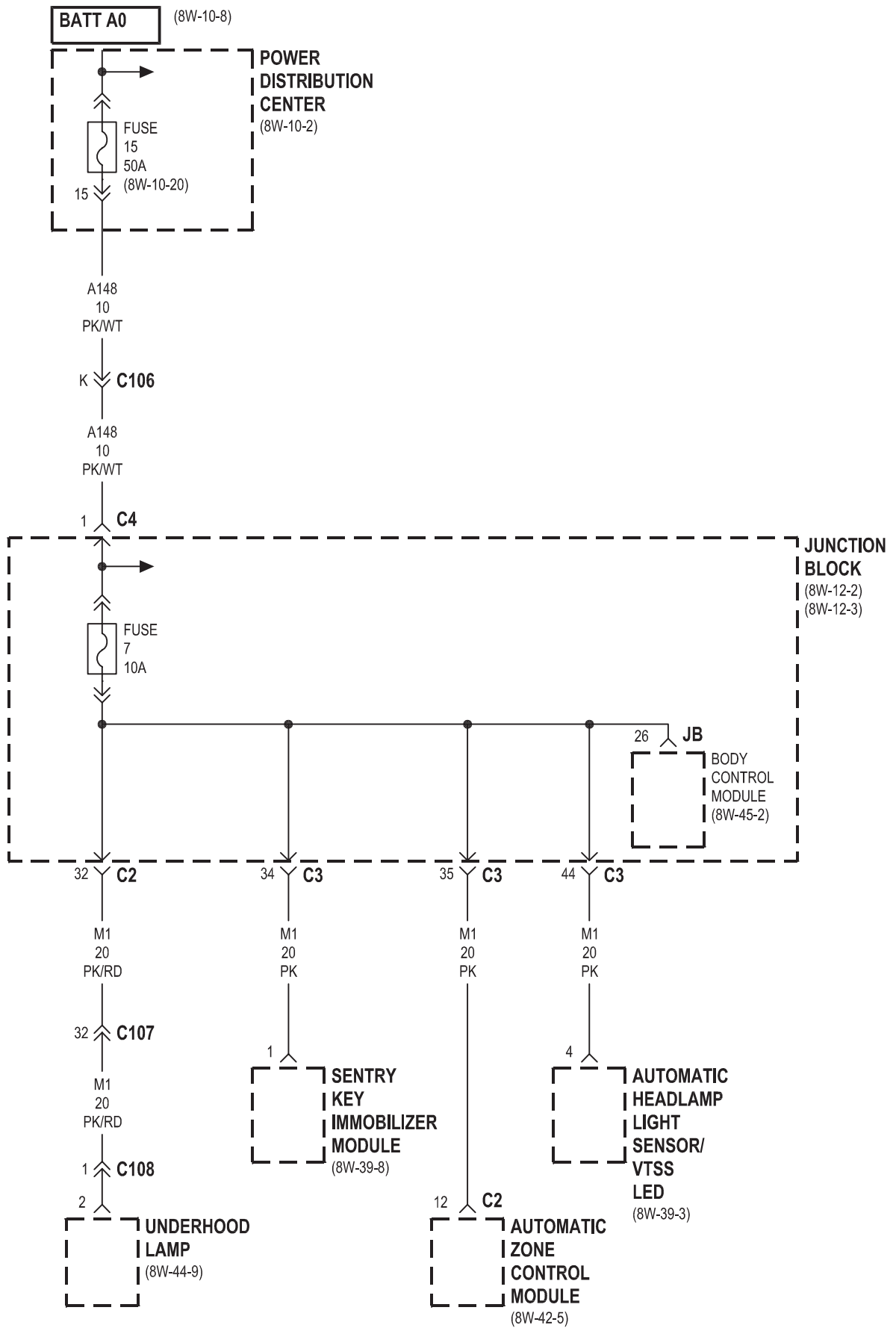




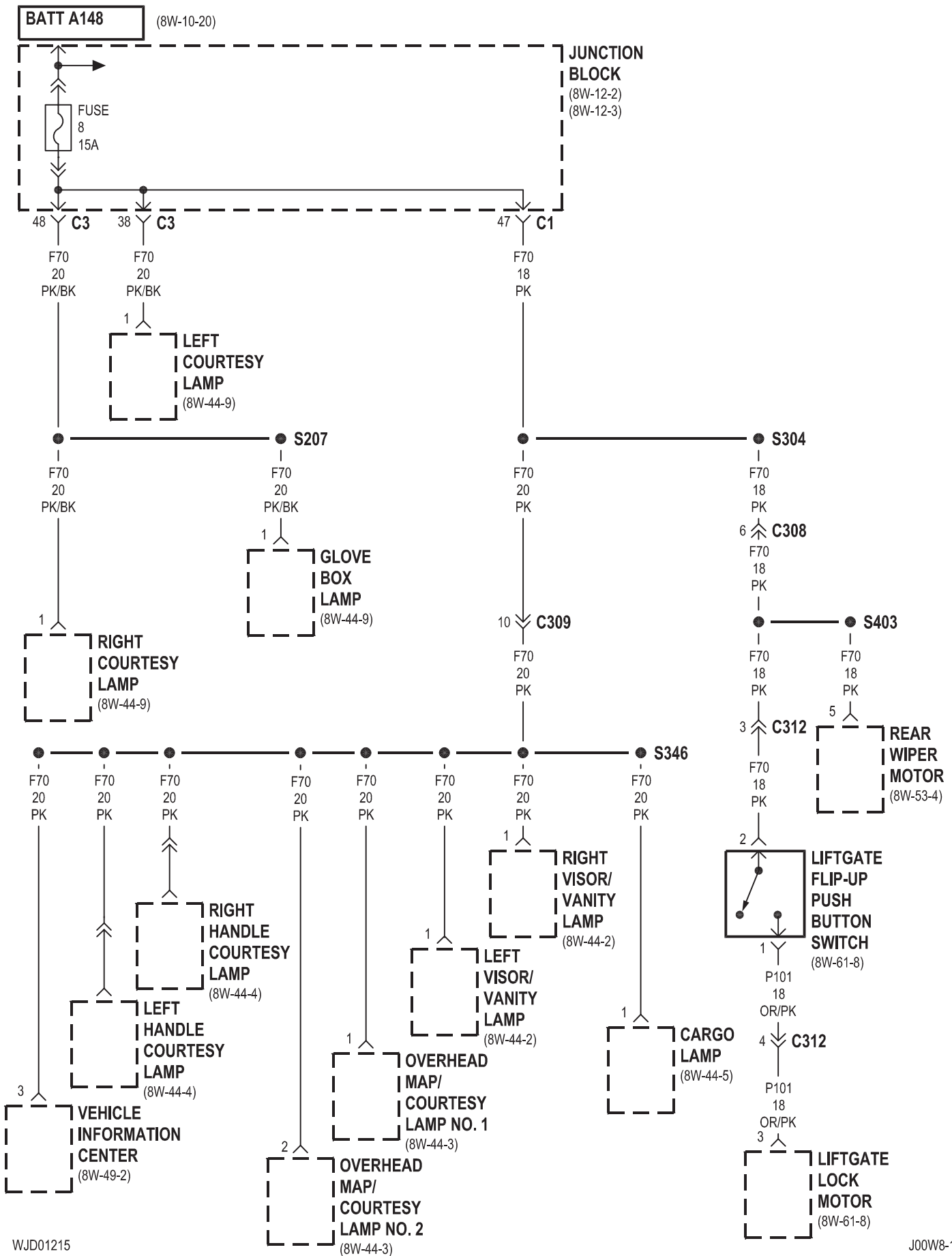


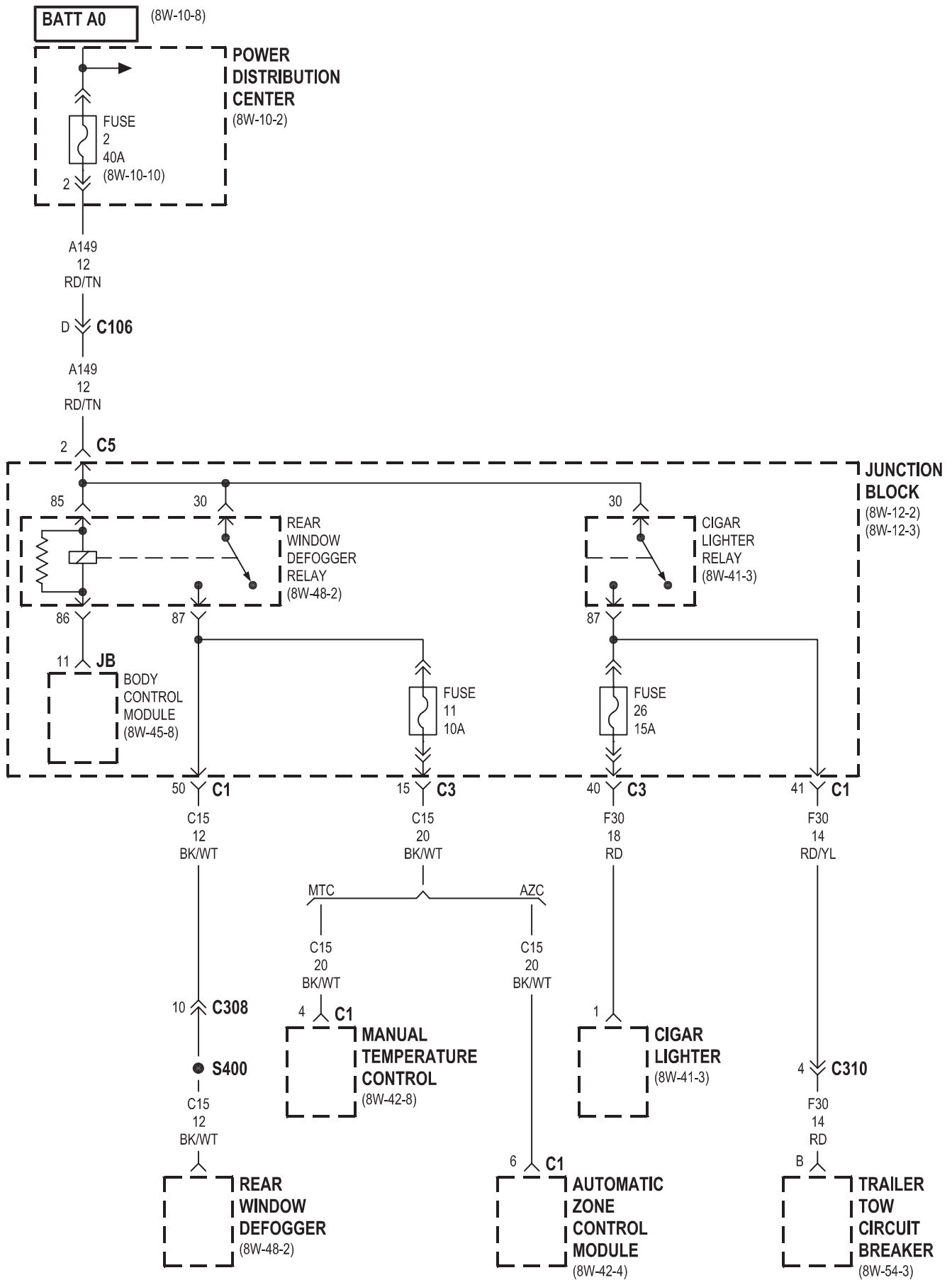


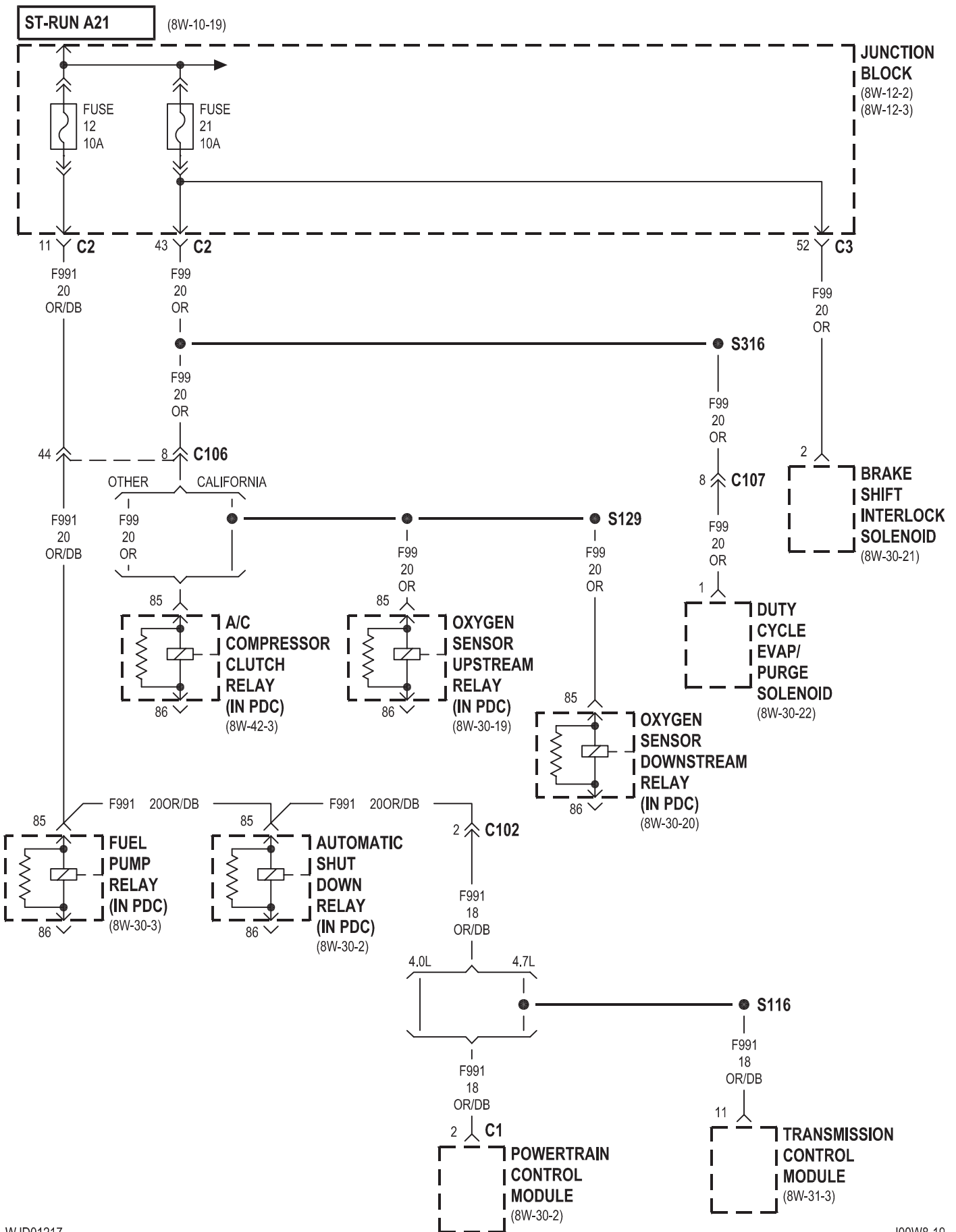


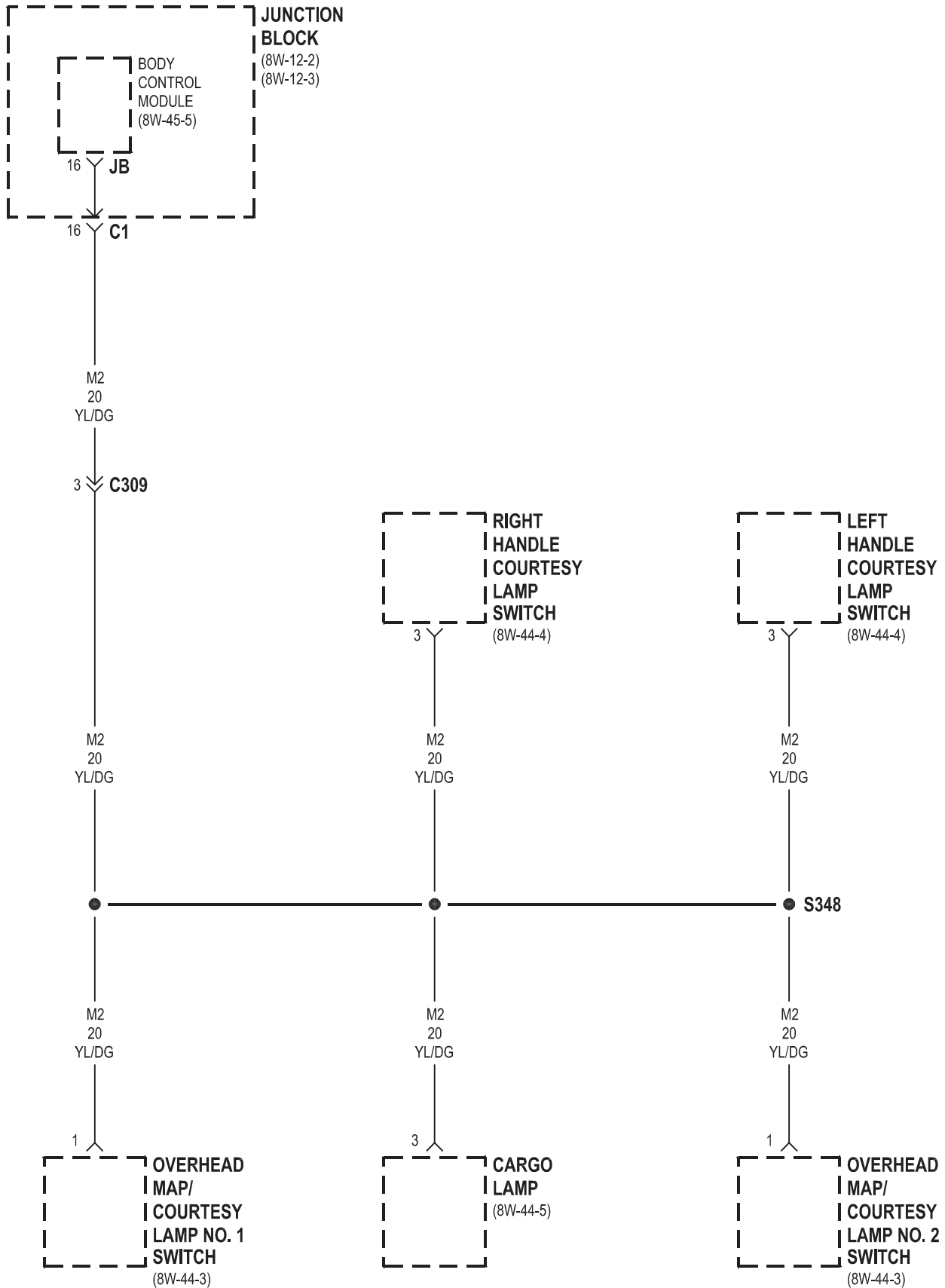


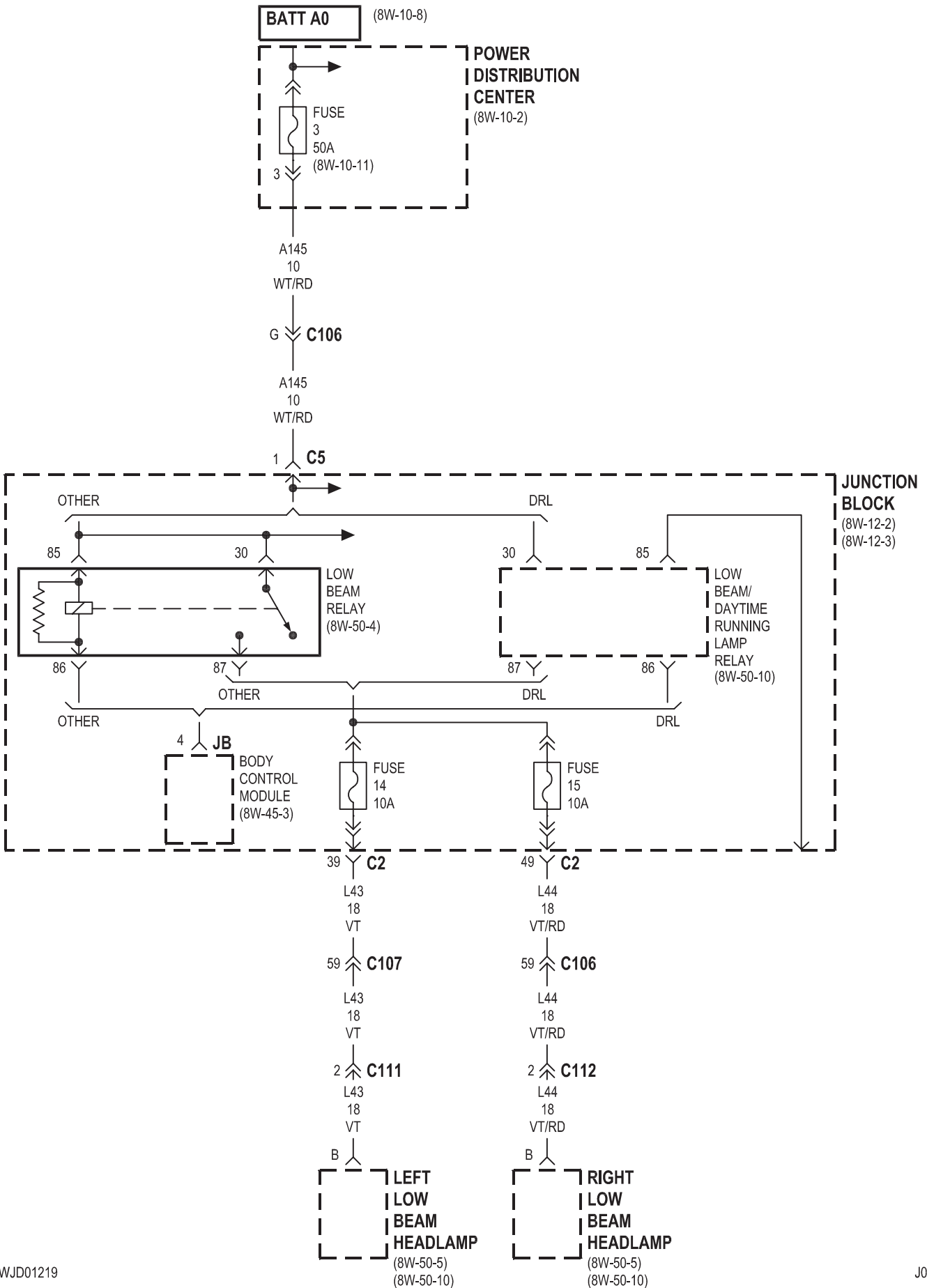




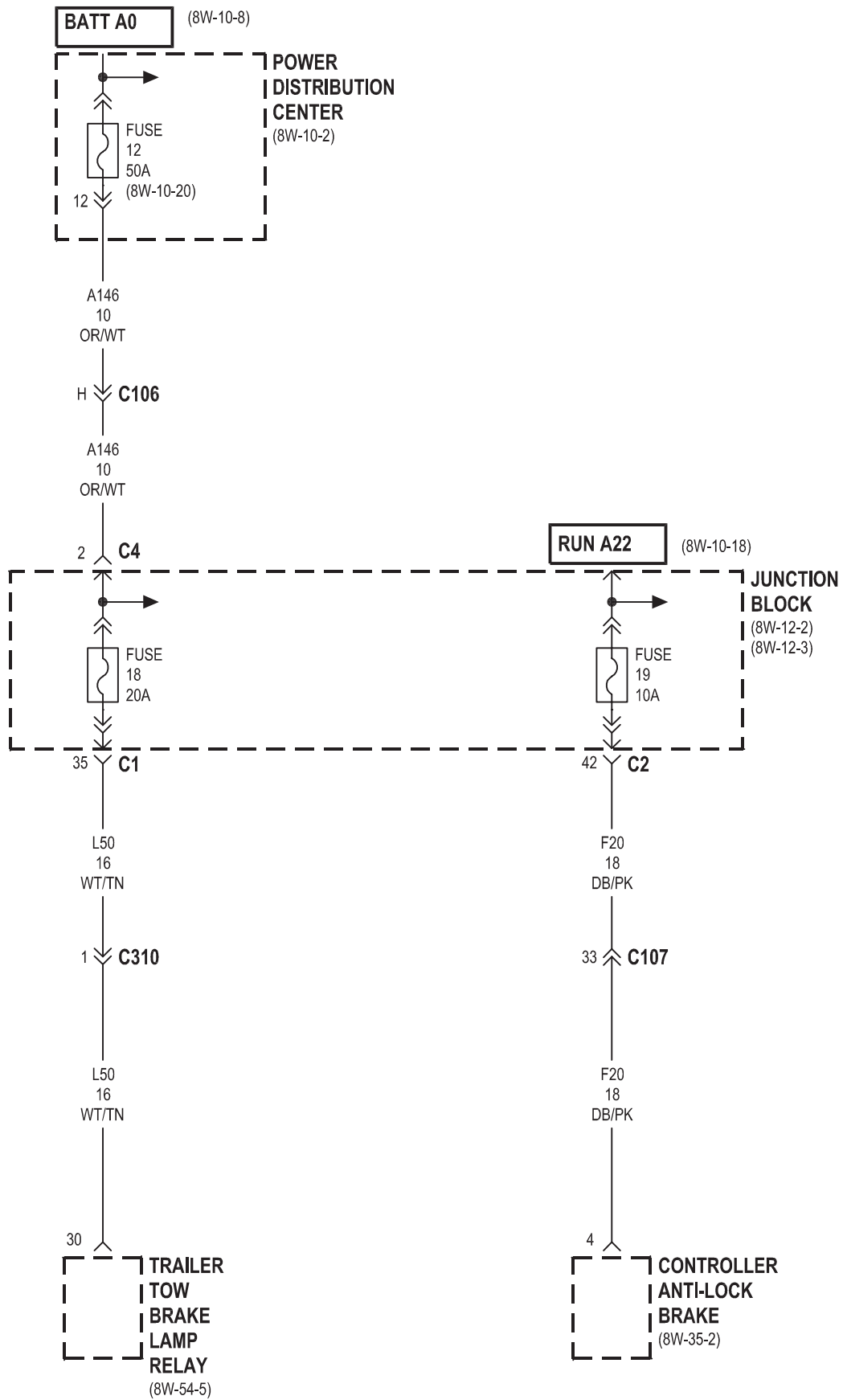


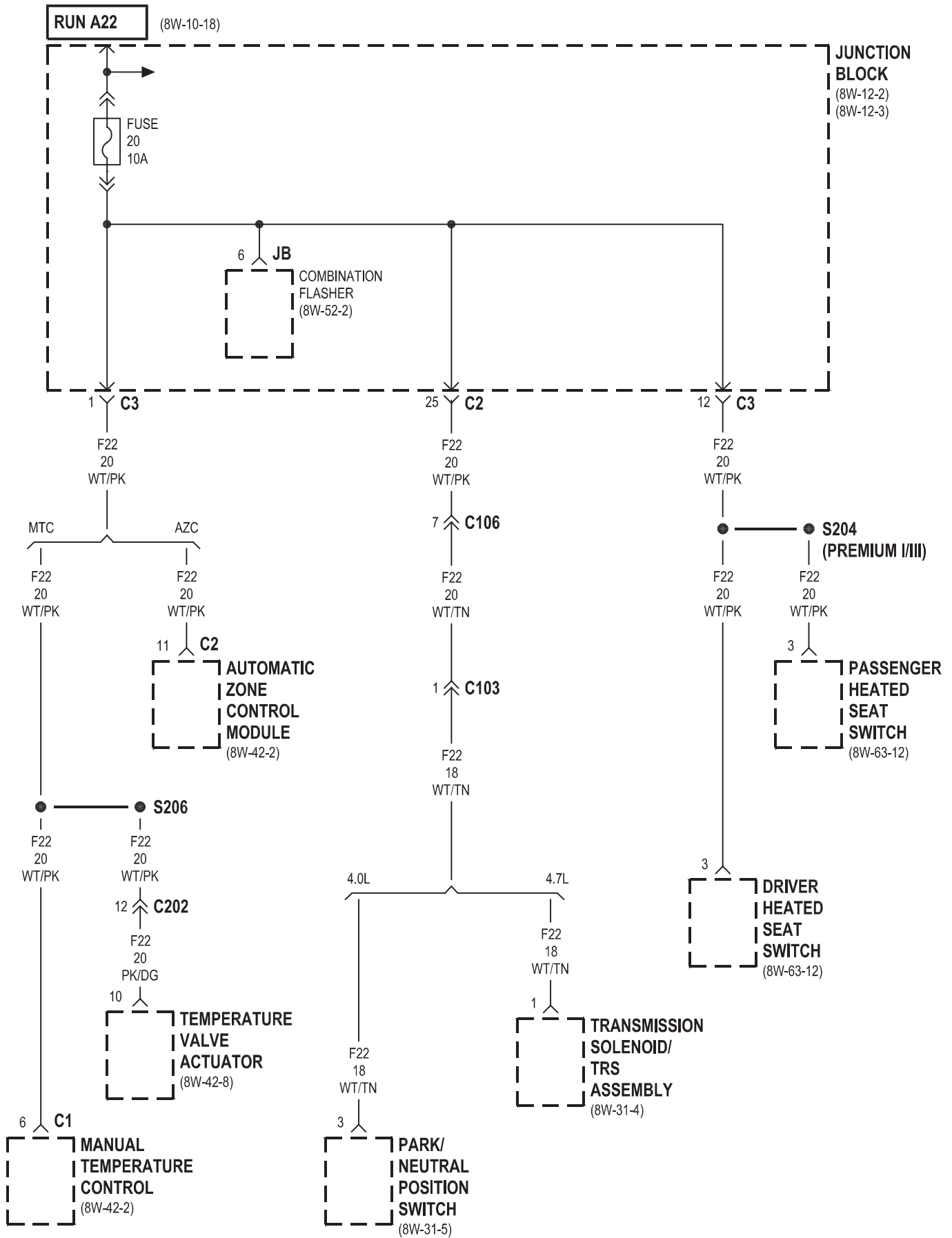


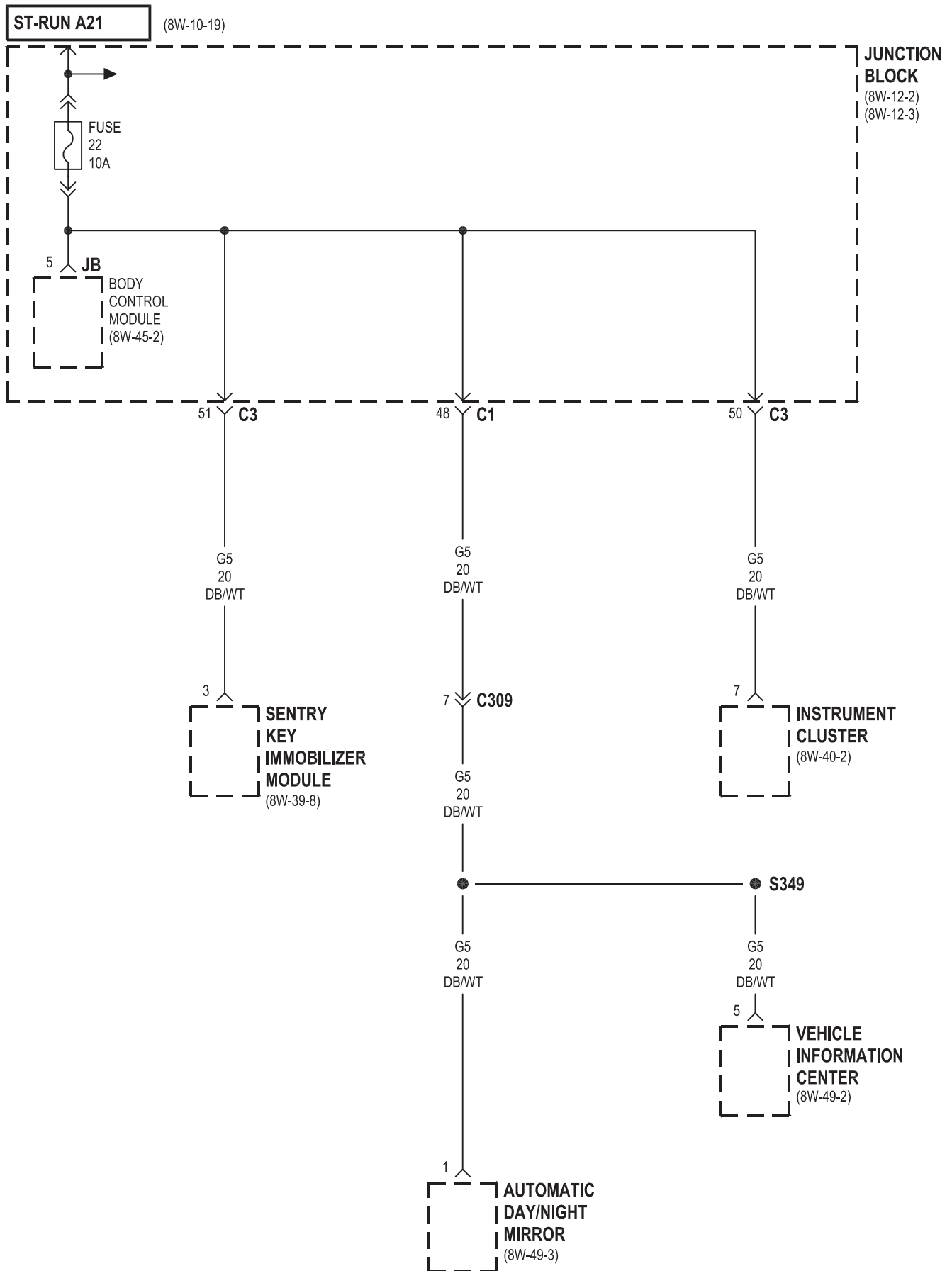


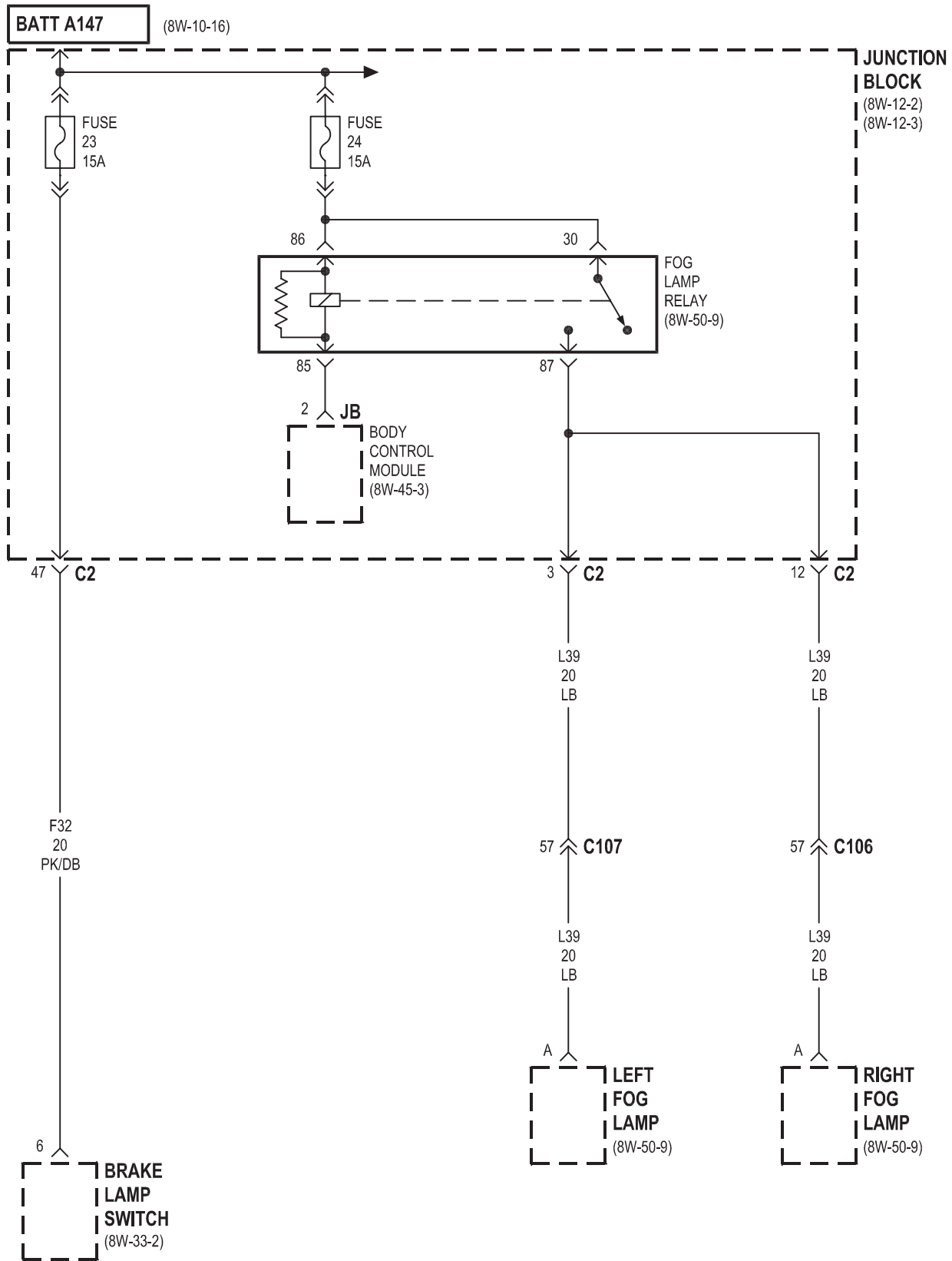


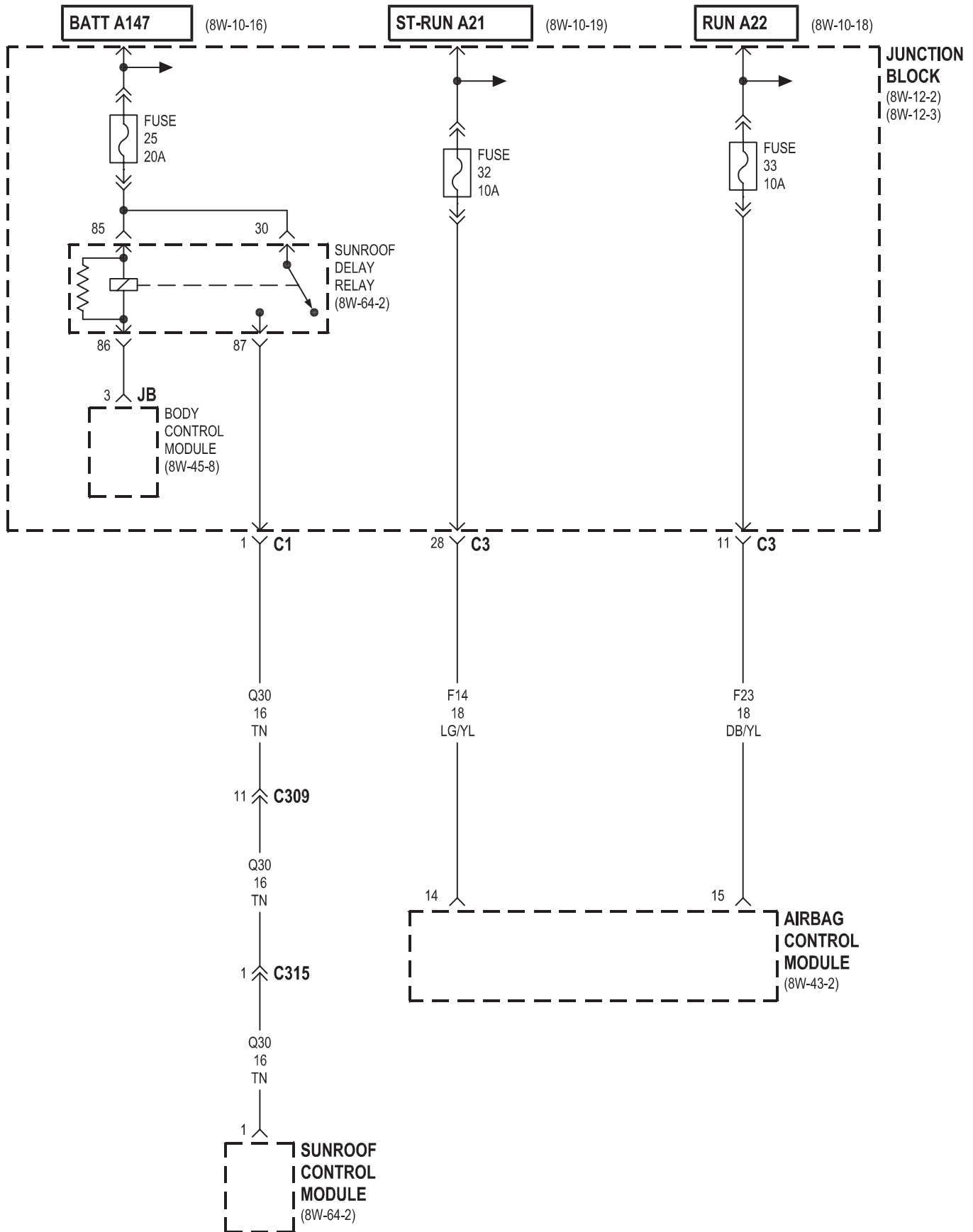




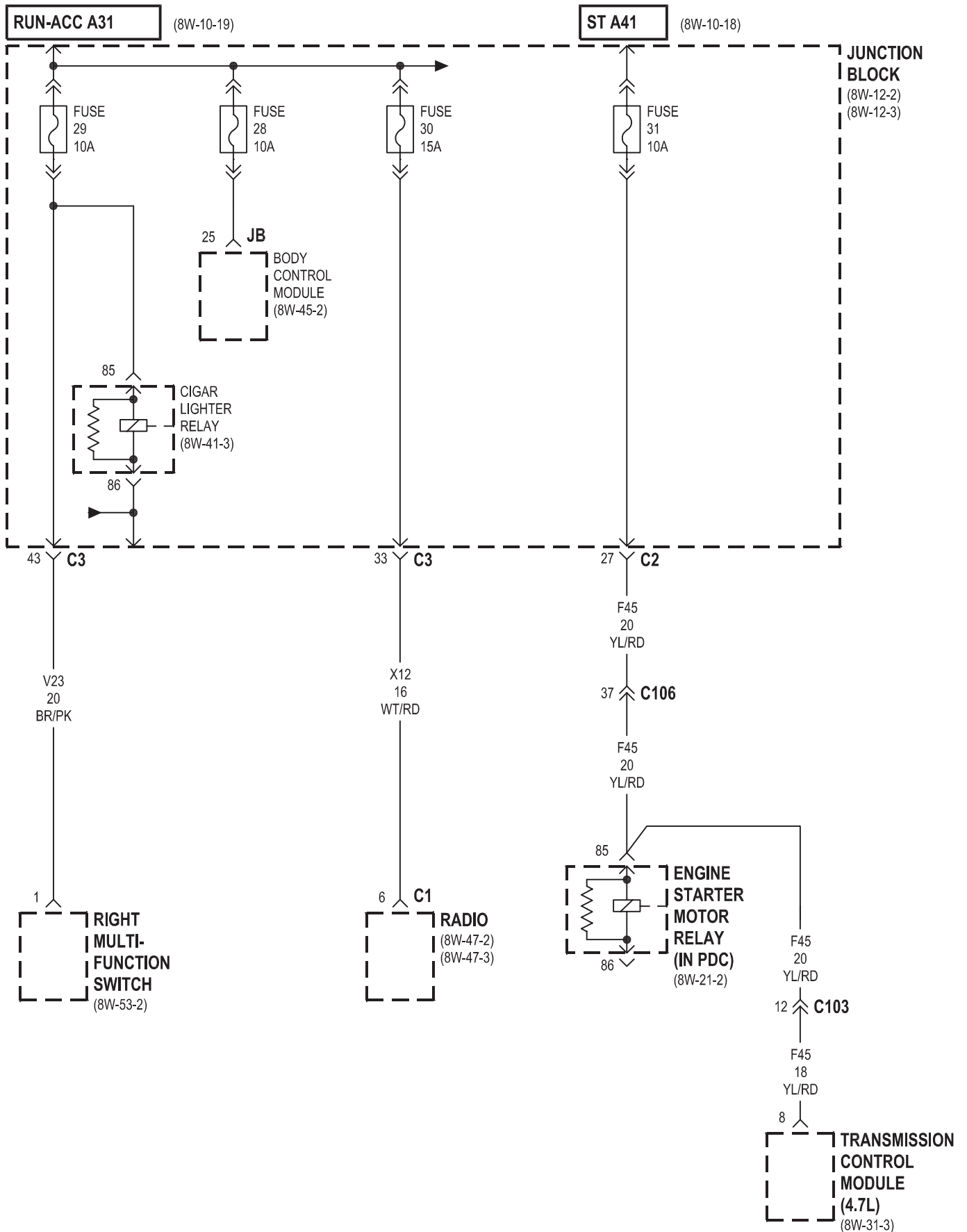


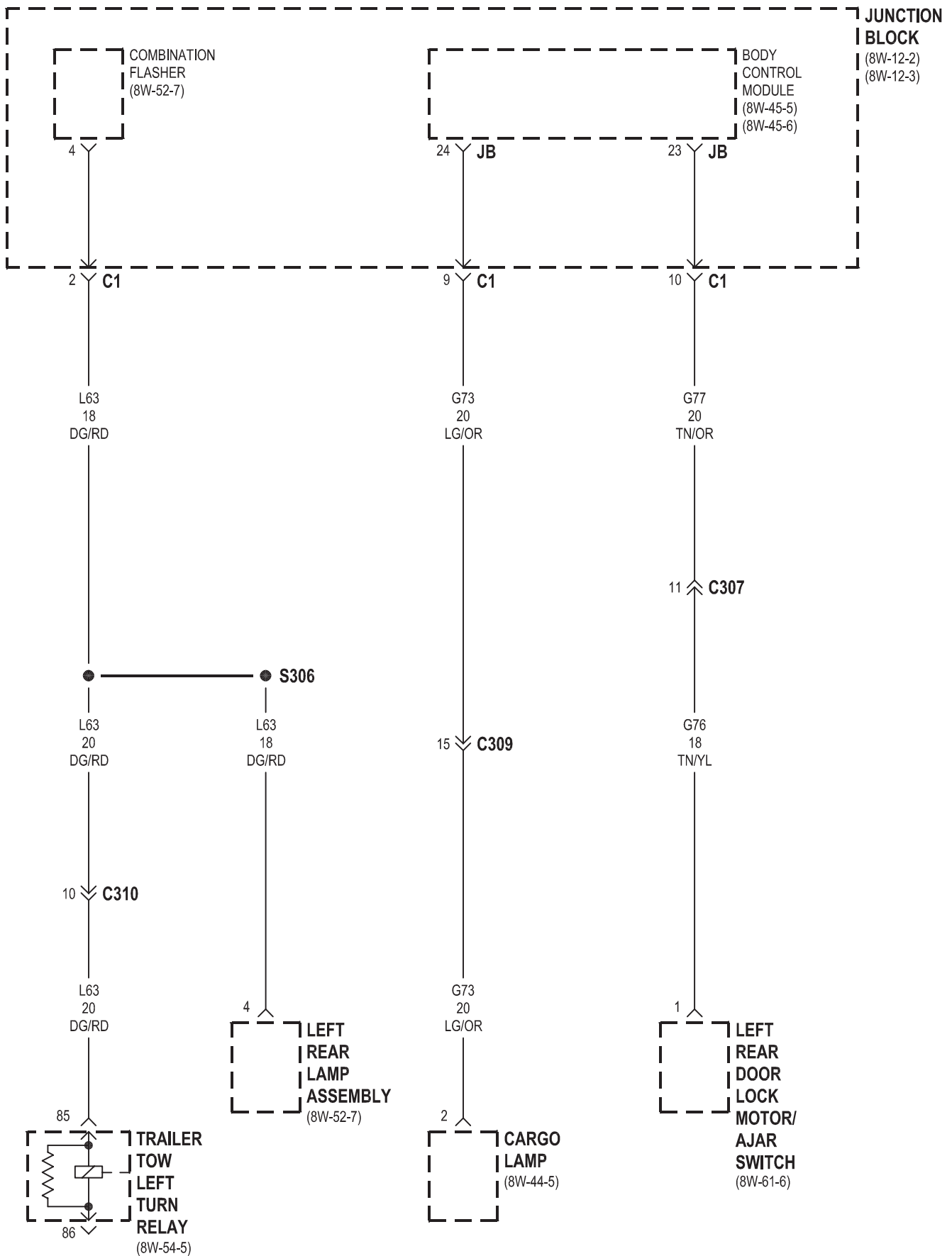


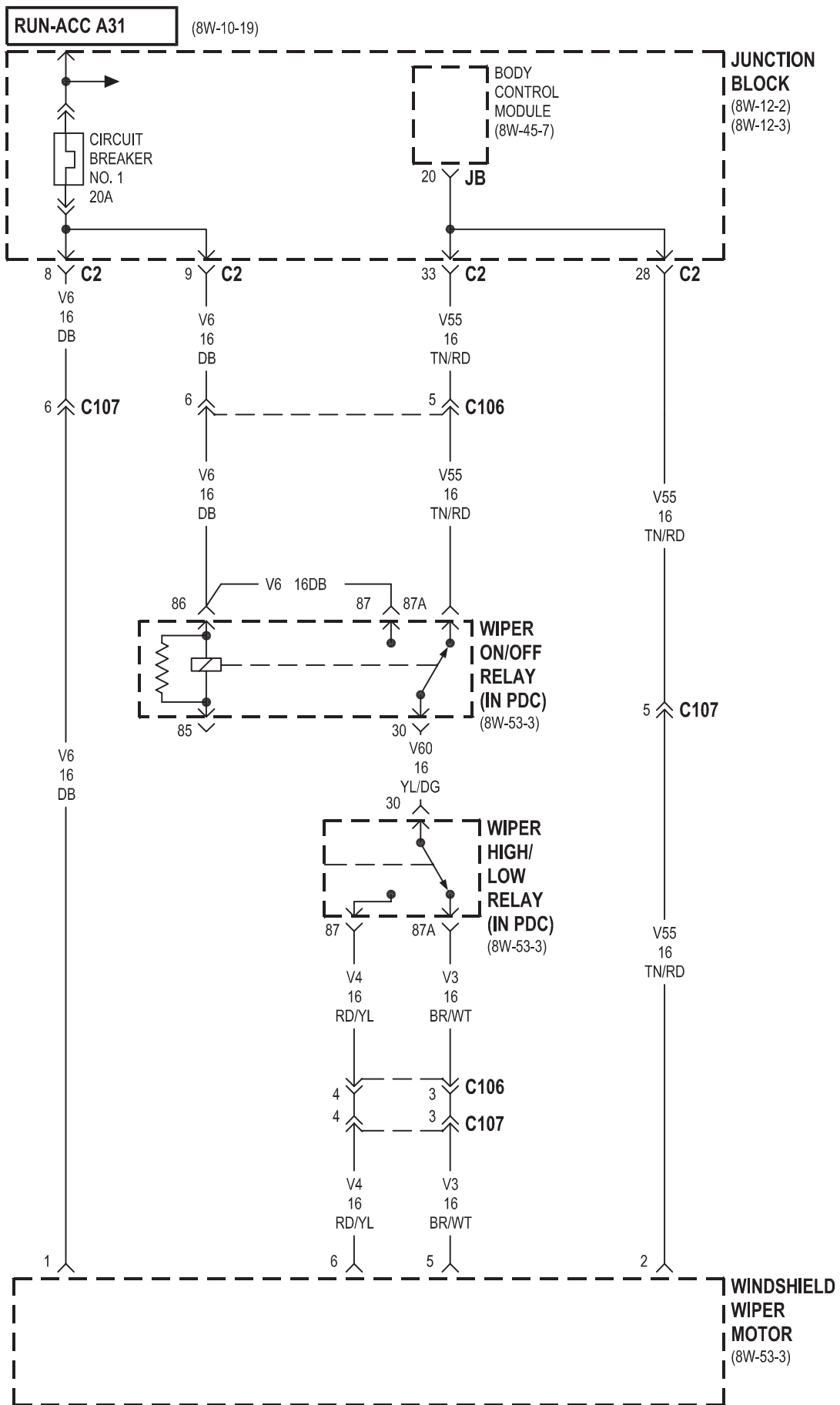


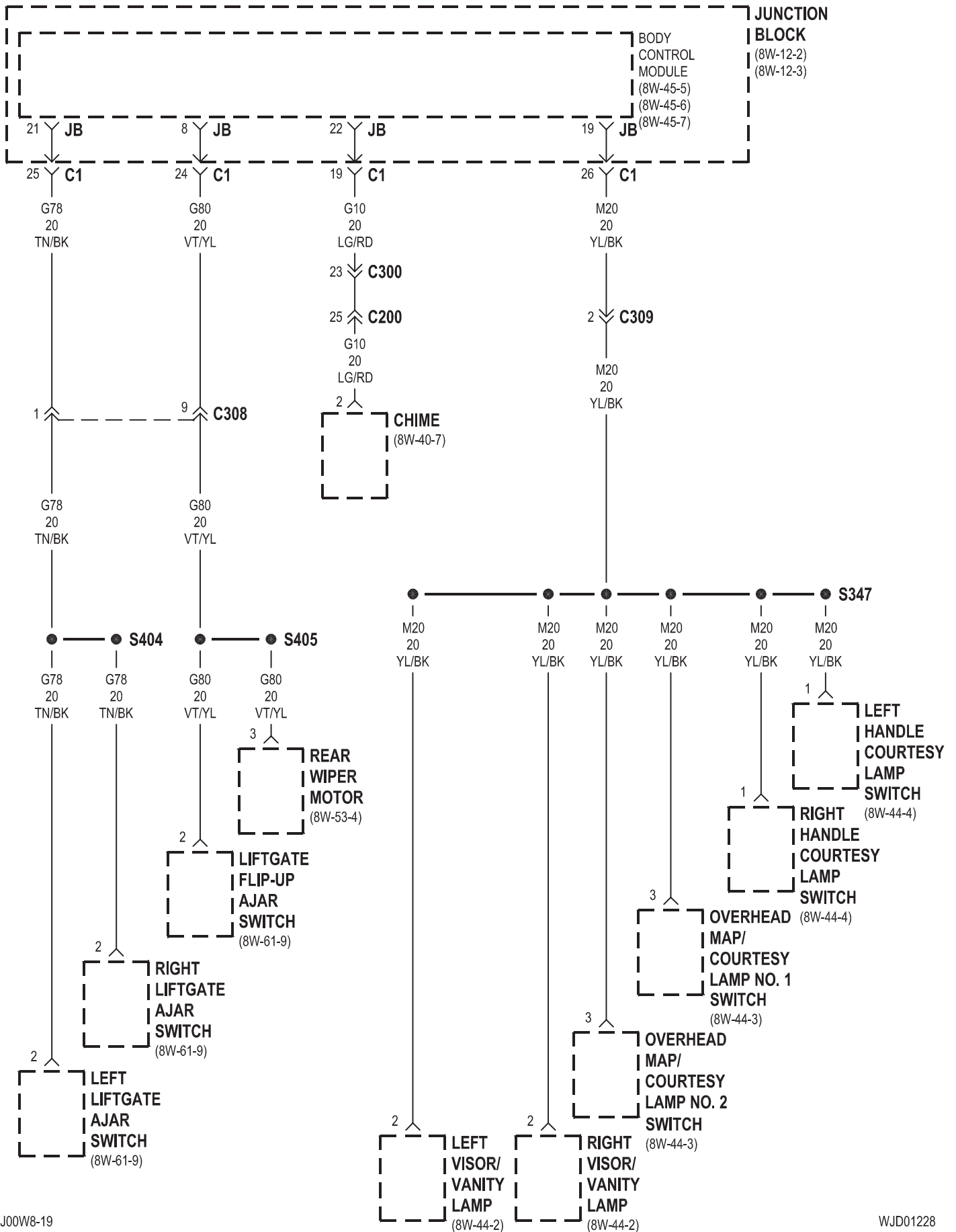


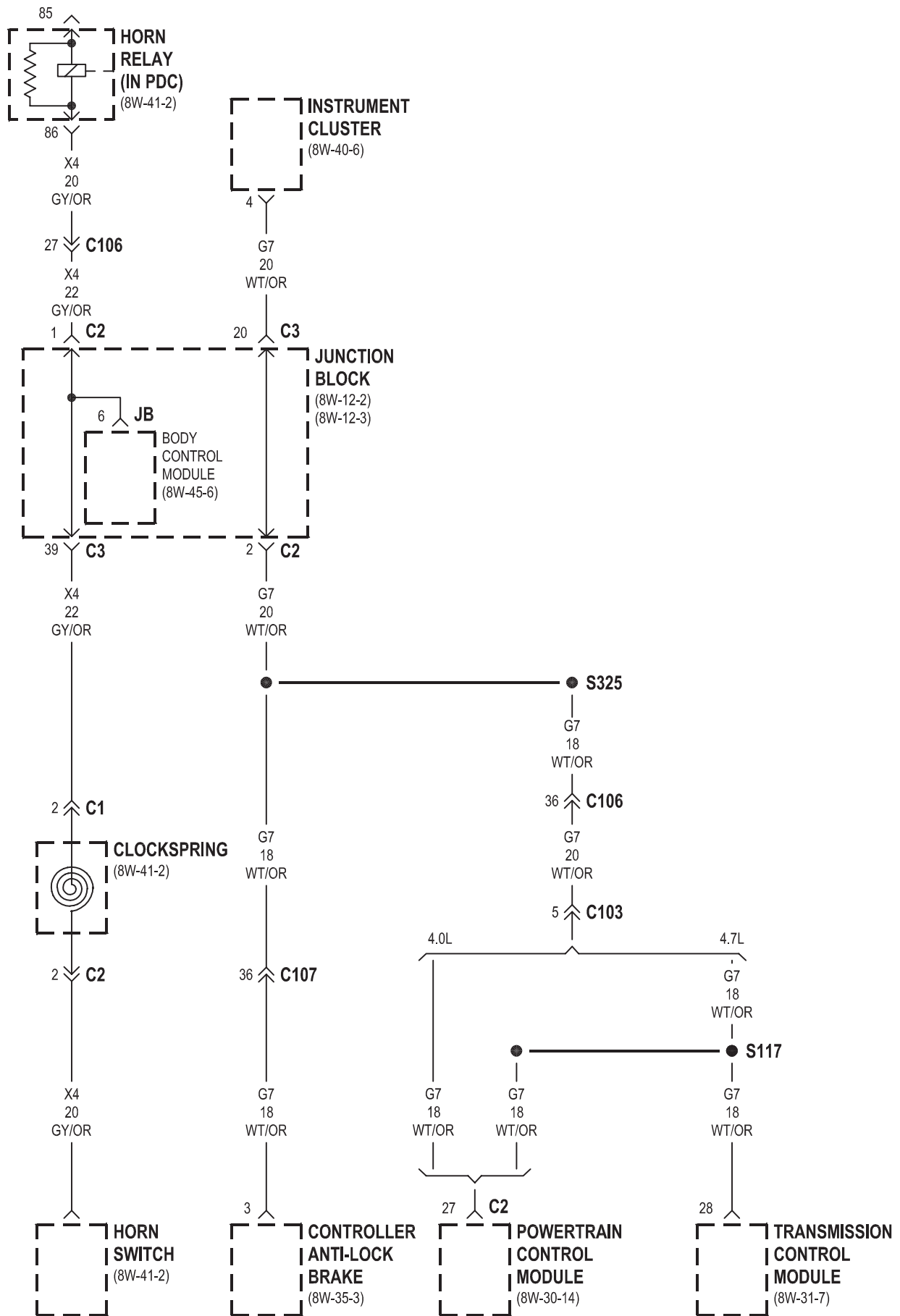




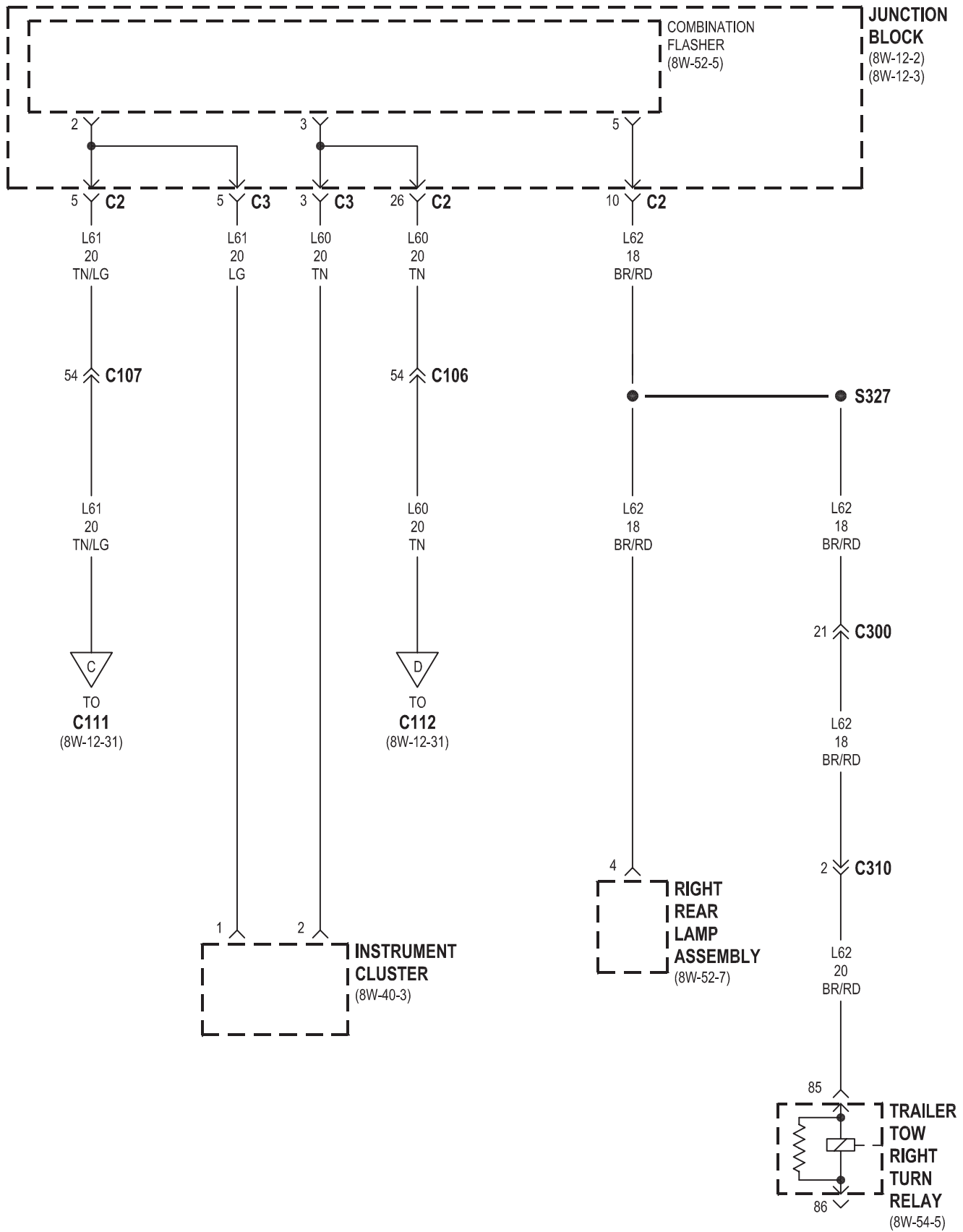


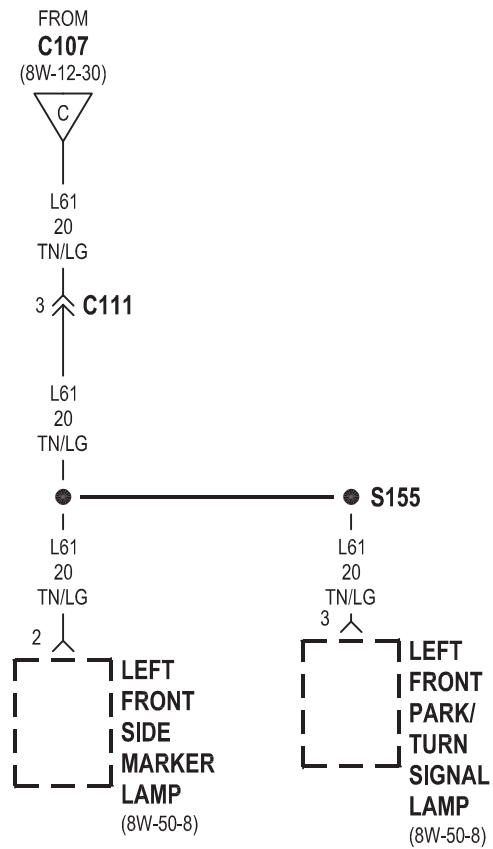
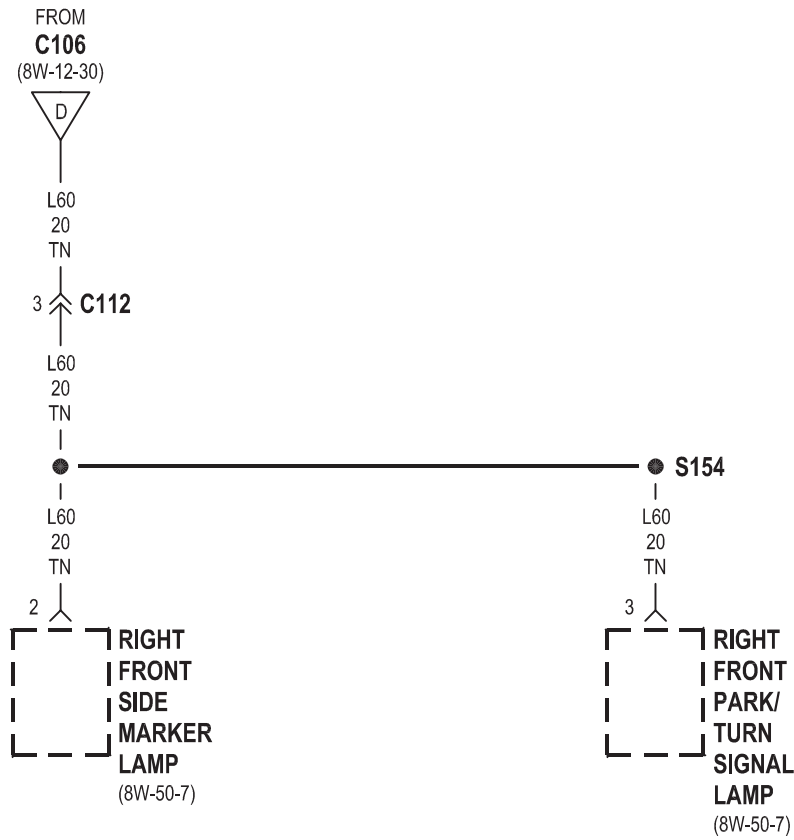


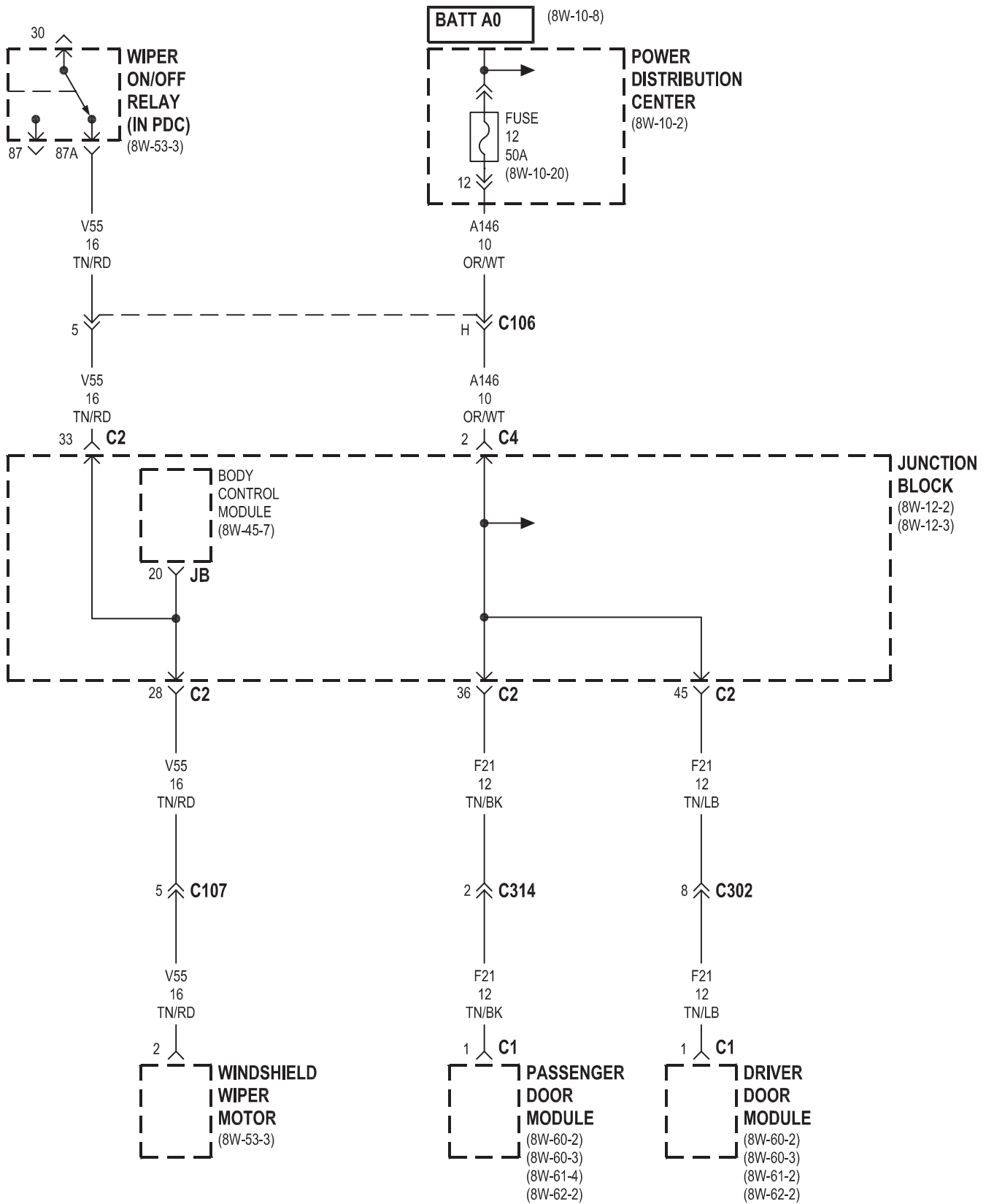


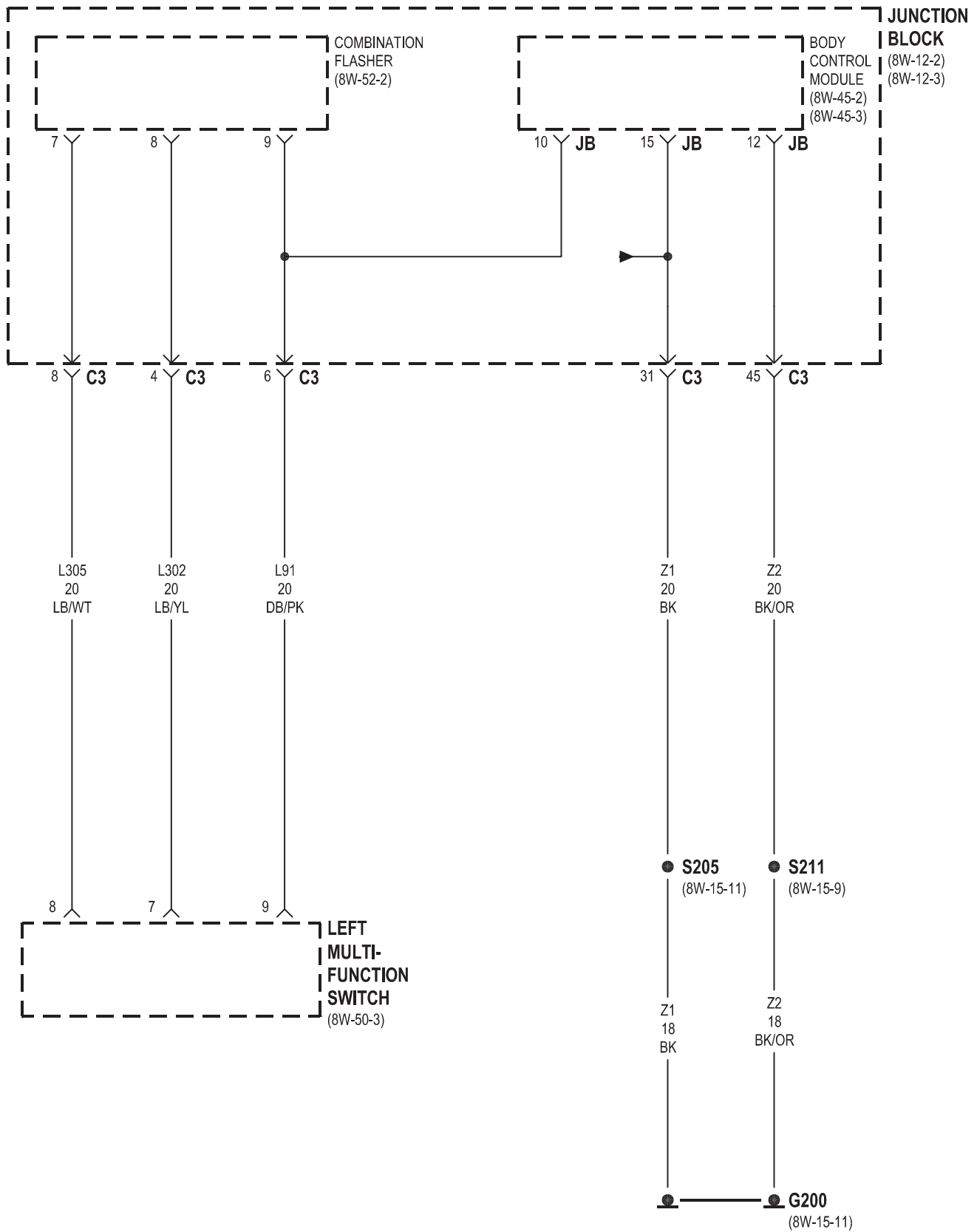










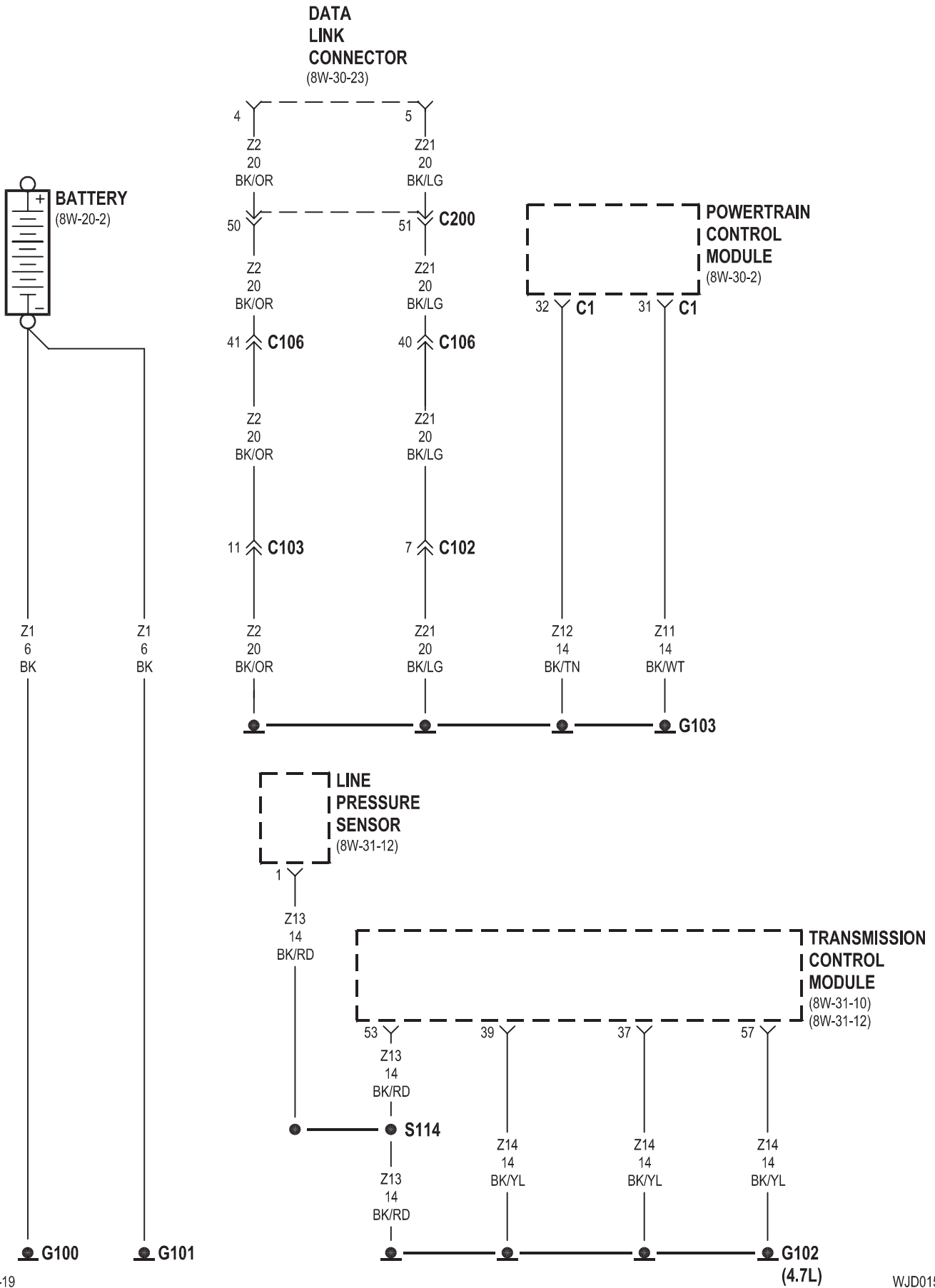


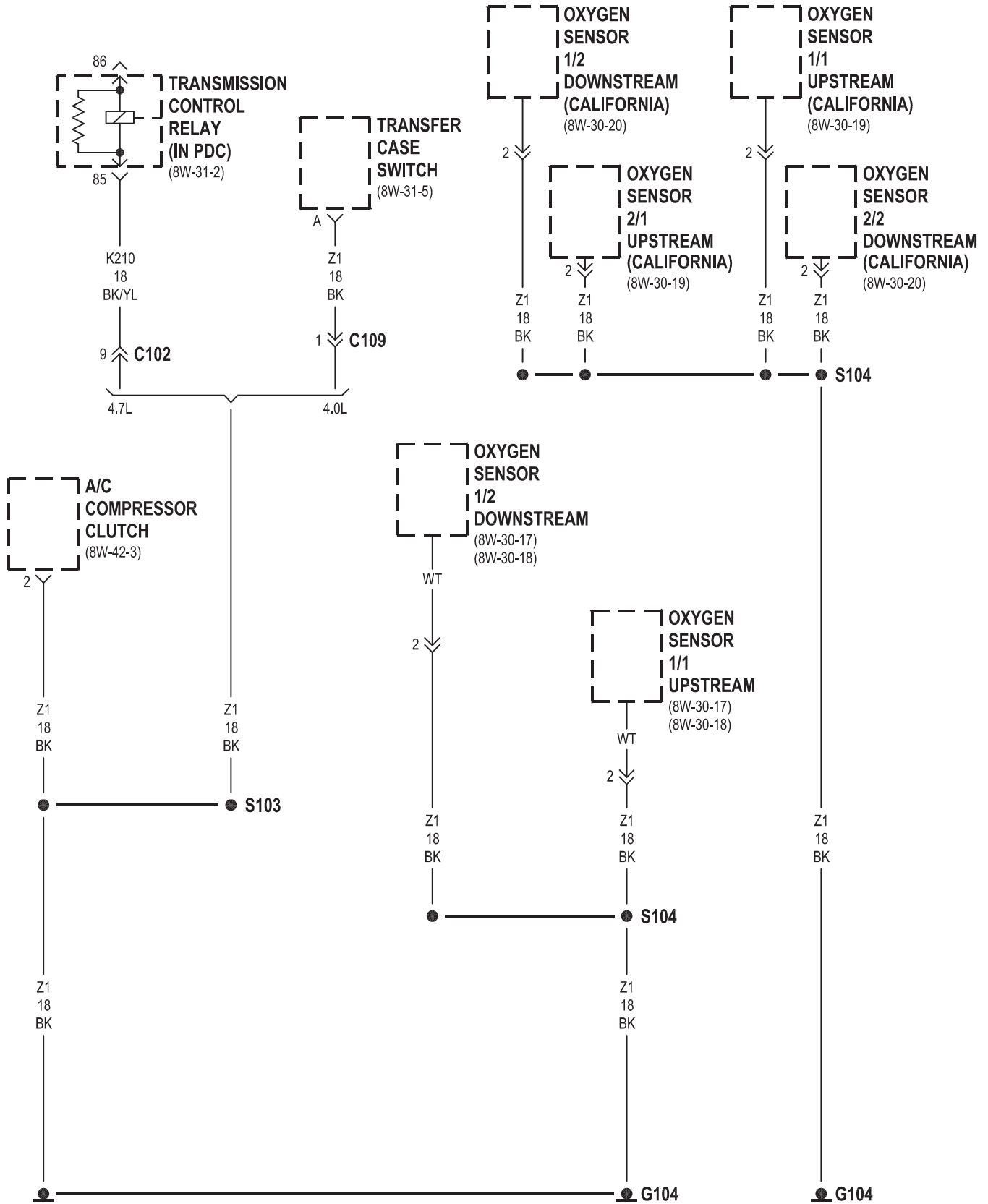


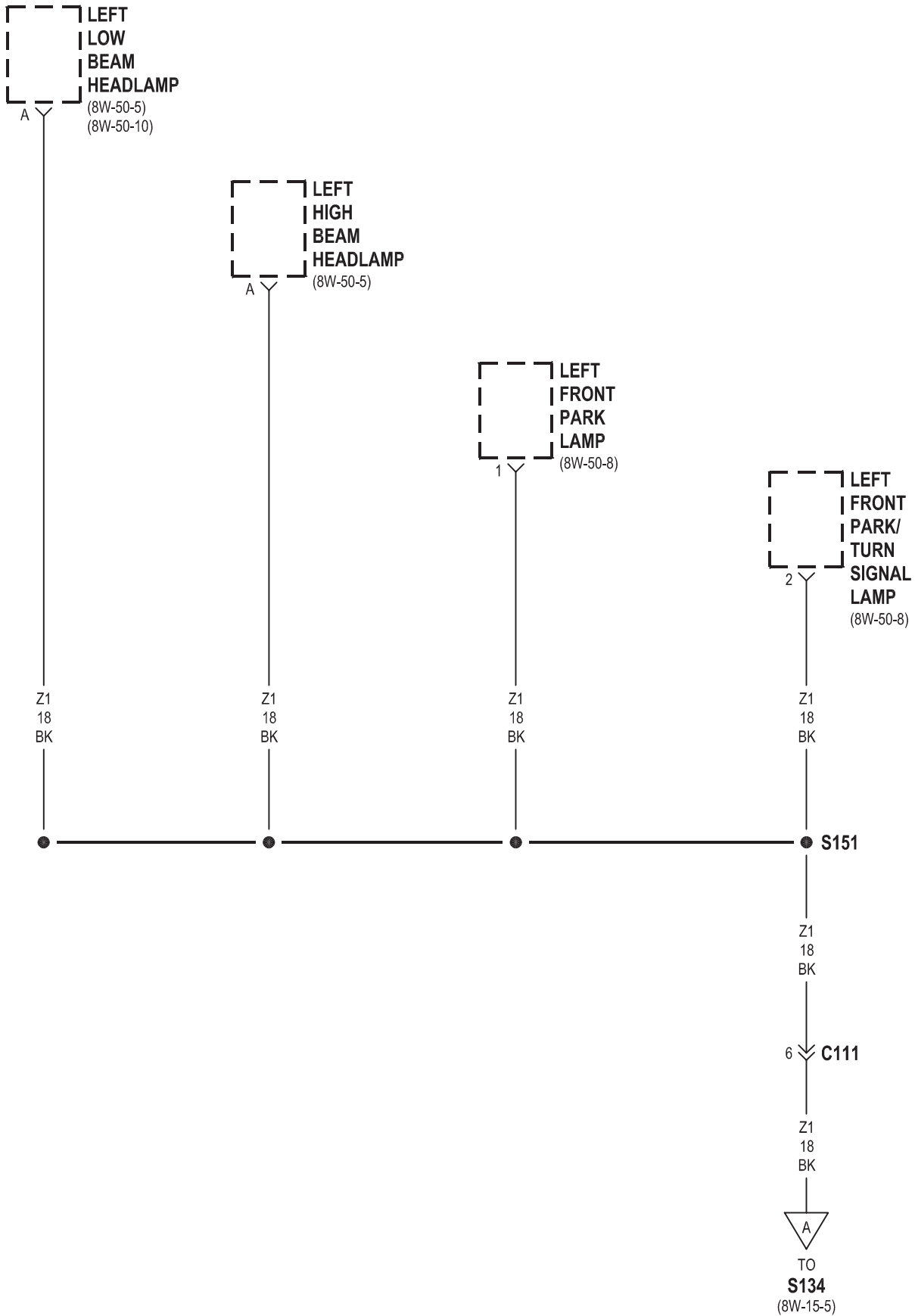


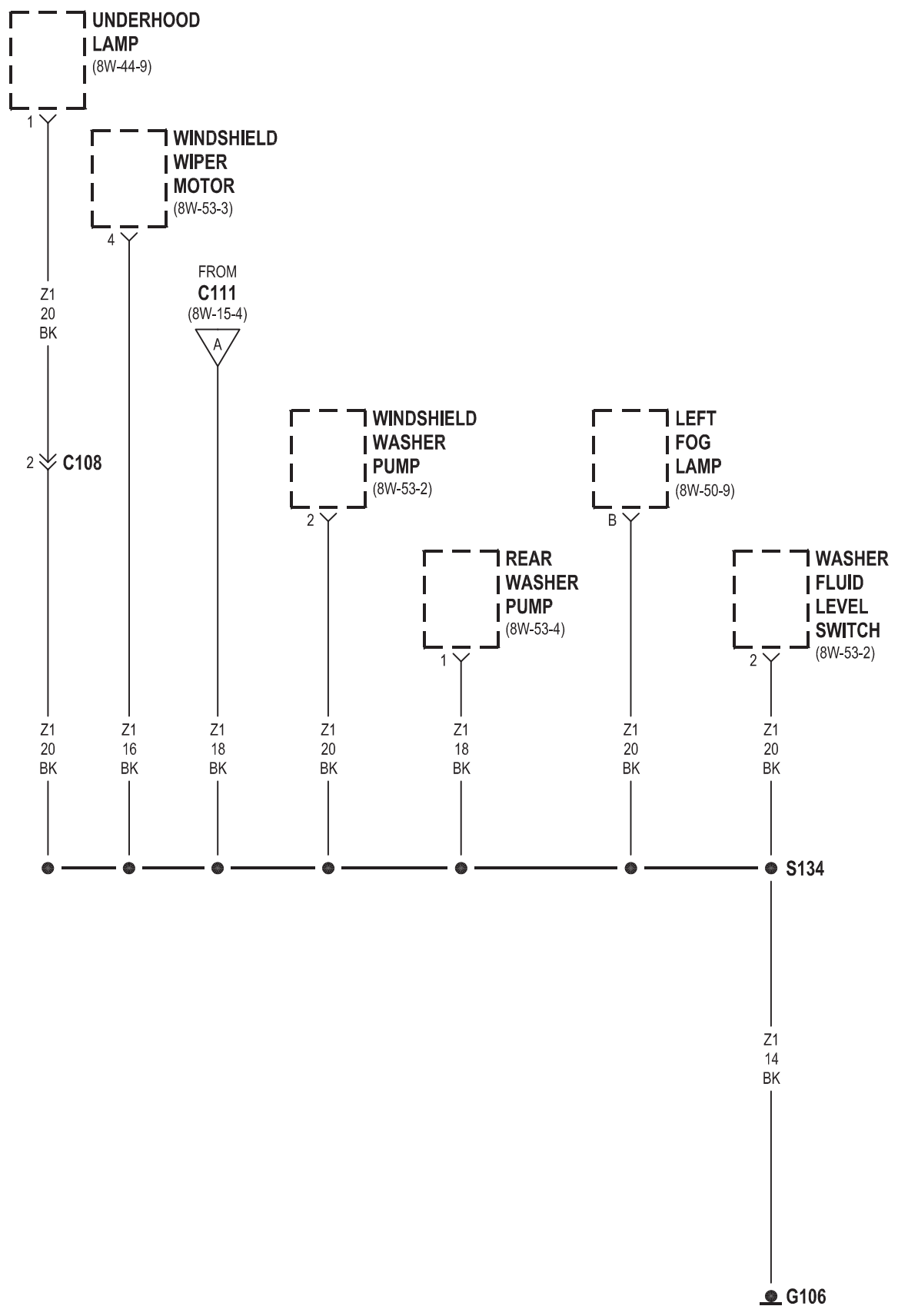
## 8W-15 GROUND DISTRIBUTION

<b>Component</b>	<b>Page</b>	<b>Component</b>	<b>Page</b>
A/C Compressor Clutch	8W-15-3	Line Pressure Sensor	8W-15-2
A/C Low Pressure Switch	8W-15-7	Low Beam/Daytime Running Lamp Relay	8W-15-8
Airbag Control Module	8W-15-12	Manual Temperature Control	8W-15-9, 11
Ash Receiver Lamp	8W-15-10	Overdrive Switch	8W-15-10
Automatic Day/Night Mirror	8W-15-14	Oxygen Sensor 1/1 Upstream	8W-15-3
Automatic Zone Control Module	8W-15-11	Oxygen Sensor 1/2 Downstream	8W-15-3
Battery	8W-15-2	Oxygen Sensor 2/1 Upstream	8W-15-3
Blower Motor Controller	8W-15-11	Oxygen Sensor 2/2 Downstream	8W-15-3
Body Control Module	8W-15-8, 9, 11	Park Lamp Relay	8W-15-8
Brake Lamp Switch	8W-15-13	Passenger Door Lock Motor/Ajar Switch	8W-15-12
Center High Mounted Stop Lamp	8W-15-15	Passenger Door Module	8W-15-12
Chime	8W-15-11	Passenger Heated Seat Switch	8W-15-10
Cigar Lighter	8W-15-10	Passenger Lumbar Switch	8W-15-13
Cigar Lighter Relay	8W-15-8	Passenger Power Seat Switch	8W-15-13
Controller Anti-Lock Brake	8W-15-8	Power Amplifier	8W-15-13
Coolant Level Sensor	8W-15-7	Power Connector	8W-15-11
Data Link Connector	8W-15-2	Powertrain Control Module	8W-15-2
Driver Door Cylinder Lock Switch	8W-15-12	PRNDL/Transfer Case Illumination	8W-15-11
Driver Door Lock Motor/Ajar Switch	8W-15-12	Radiator Fan Motor	8W-15-7
Driver Door Module	8W-15-12	Radiator Fan Relay	8W-15-7
Driver Heated Seat Switch	8W-15-10	Radio	8W-15-13
Driver Lumbar Switch	8W-15-16	Rear Power Outlet	8W-15-13
Driver Power Seat Switch	8W-15-16	Rear Washer Pump	8W-15-5
Front Power Outlet	8W-15-10	Rear Window Defogger	8W-15-15
Fuel Pump Module	8W-15-14	Rear Wiper Motor	8W-15-15
G100	8W-15-2	Right Fog Lamp	8W-15-7
G101	8W-15-2	Right Front Park Lamp	8W-15-6
G102	8W-15-2	Right Front Park/Turn Signal Lamp	8W-15-6
G103	8W-15-2	Right High Beam Headlamp	8W-15-6
G104	8W-15-3	Right Liftgate Ajar Switch	8W-15-15
G106	8W-15-5	Right Low Beam Headlamp	8W-15-6
G107	8W-15-8	Right Rear Door Lock Motor/Ajar Switch	8W-15-12
G108	8W-15-7	Right Rear Lamp Assembly	8W-15-13
G200	8W-15-11	Right Rear Power Window Switch	8W-15-12
G201	8W-15-12	Seat Module	8W-15-16
G300	8W-15-13	Sentry Key Immobilizer Module	8W-15-9
G301	8W-15-16	Sunroof Control Module	8W-15-14
Horn No. 1	8W-15-7	Sunroof Motor Position Sensor	8W-15-14
Horn No. 2	8W-15-7	Sunroof Switch	8W-15-14
Ignition Switch	8W-15-11	Temperature Valve Actuator	8W-15-9
Instrument Cluster	8W-15-9, 10	Trailer Tow Brake Lamp Relay	8W-15-14
Junction Block	8W-15-8, 9	Trailer Tow Connector	8W-15-14
Left Fog Lamp	8W-15-5	Trailer Tow Left Turn Relay	8W-15-14
Left Front Park Lamp	8W-15-4	Trailer Tow Right Turn Relay	8W-15-14
Left Front Park/Turn Signal Lamp	8W-15-4	Transfer Case Switch	8W-15-3
Left High Beam Headlamp	8W-15-4	Transmission Control Module	8W-15-2
Left Liftgate Ajar Switch	8W-15-15	Transmission Control Relay	8W-15-3
Left Low Beam Headlamp	8W-15-4	Underhood Lamp	8W-15-5
Left Multi- Function Switch	8W-15-11	Vehicle Information Center	8W-15-16
Left Rear Door Lock Motor/Ajar Switch	8W-15-16	Vehicle Speed Control Servo	8W-15-7
Left Rear Lamp Assembly	8W-15-14	Washer Fluid Level Switch	8W-15-5
Left Rear Power Window Switch	8W-15-16	Windshield Washer Pump	8W-15-5
License Lamp No. 1	8W-15-15	Windshield Wiper Motor	8W-15-5
License Lamp No. 2	8W-15-15	Wiper High/Low Relay	8W-15-7
Liftgate Flip-Up Ajar Switch	8W-15-15		
Liftgate Flip-Up Release Solenoid	8W-15-15		

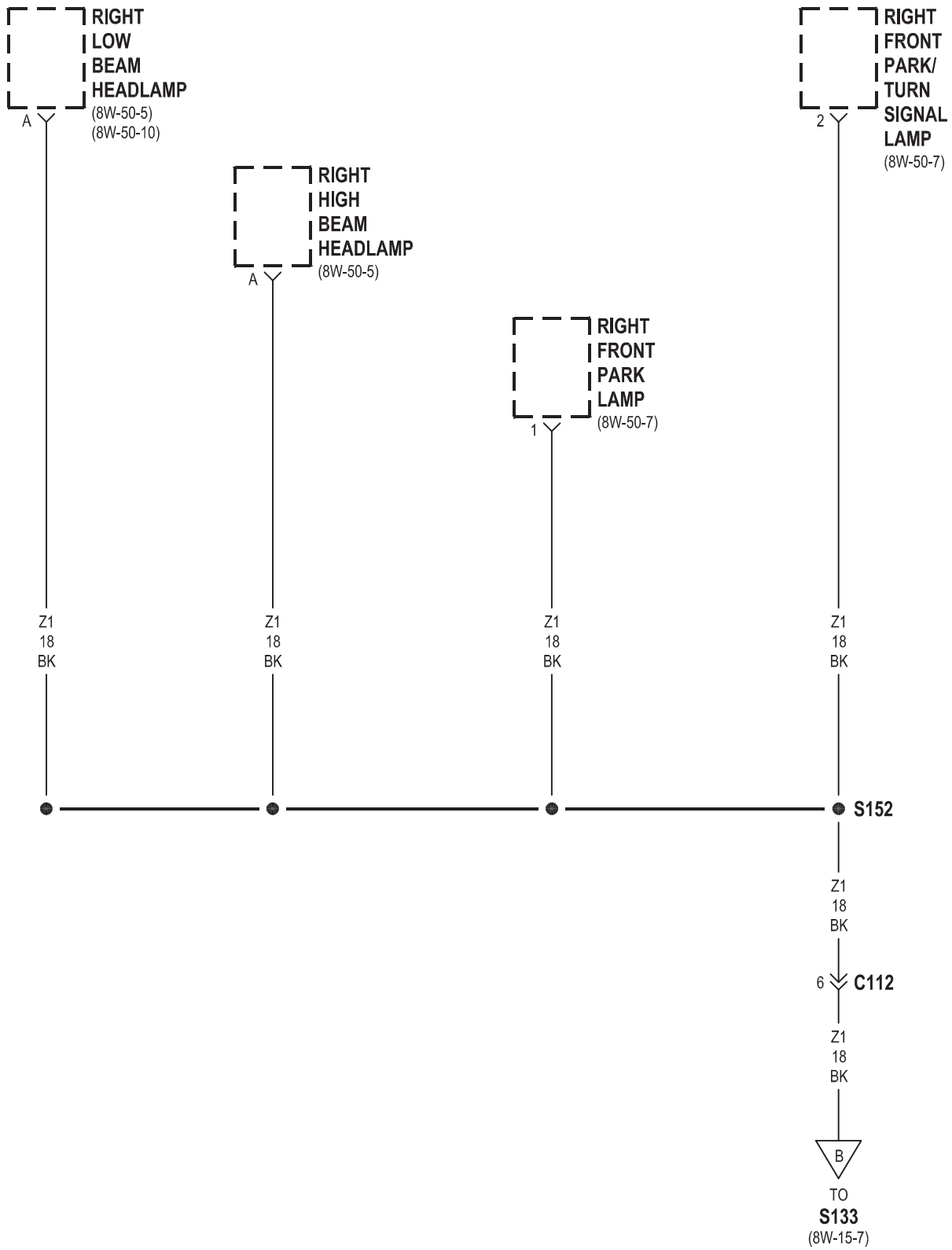


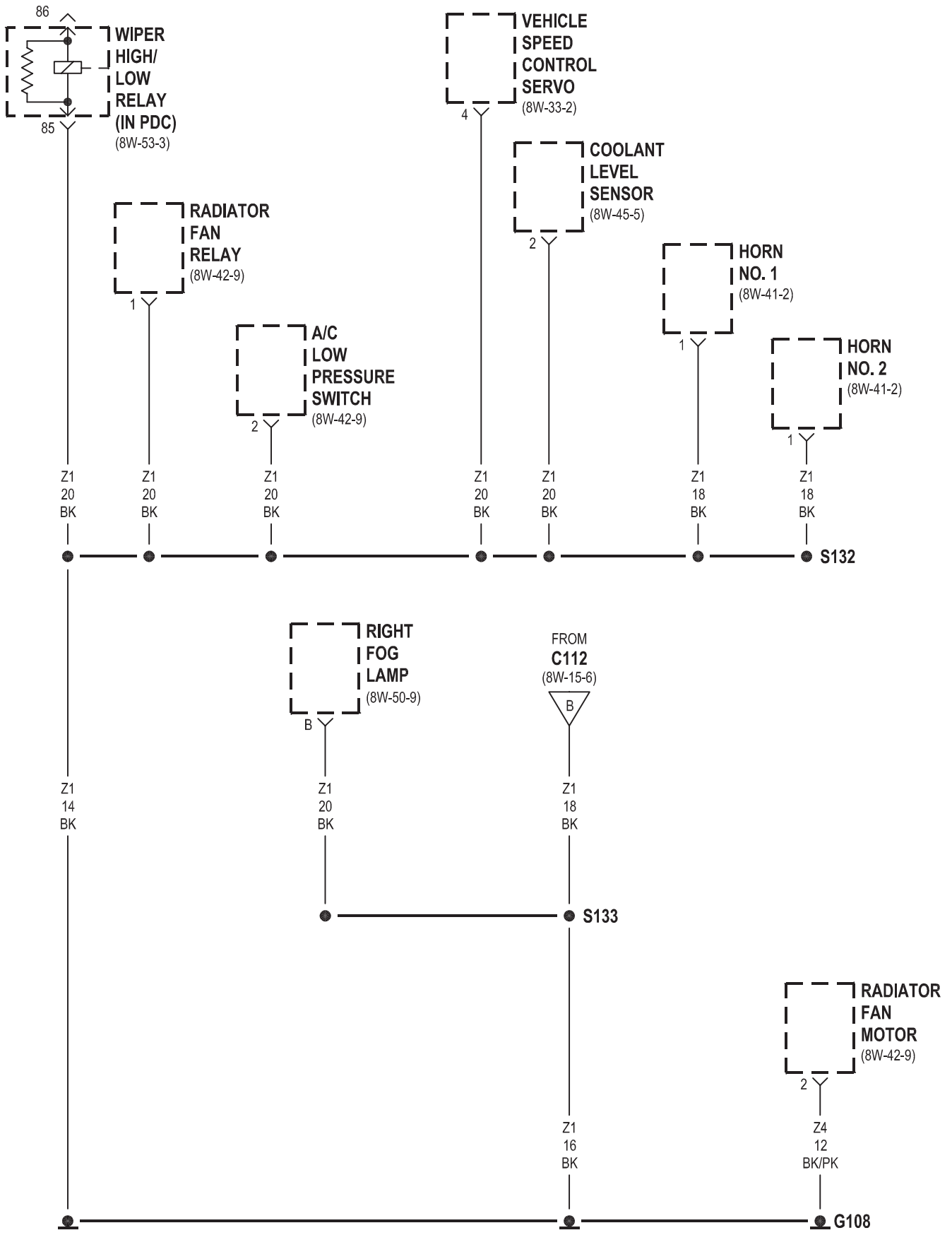


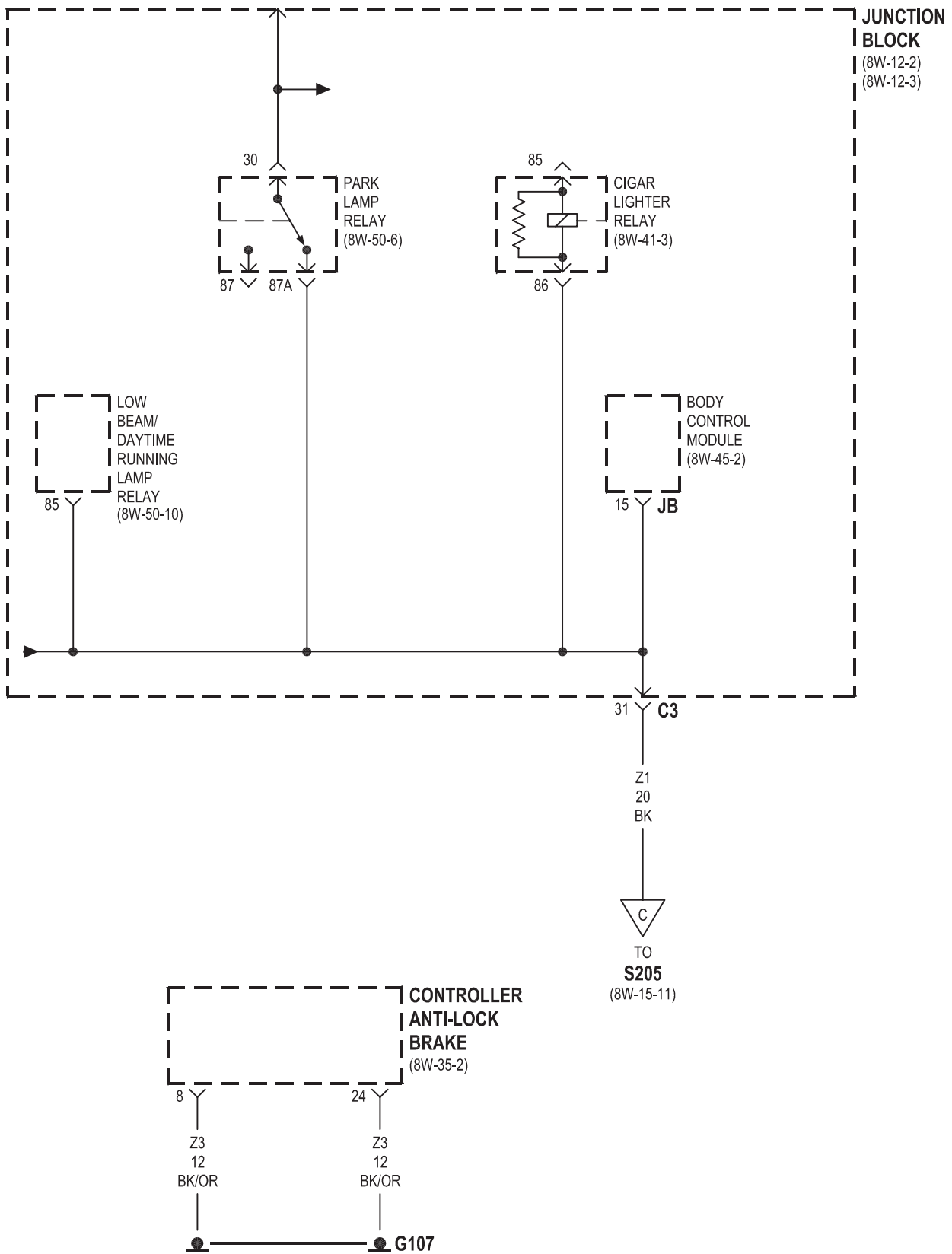


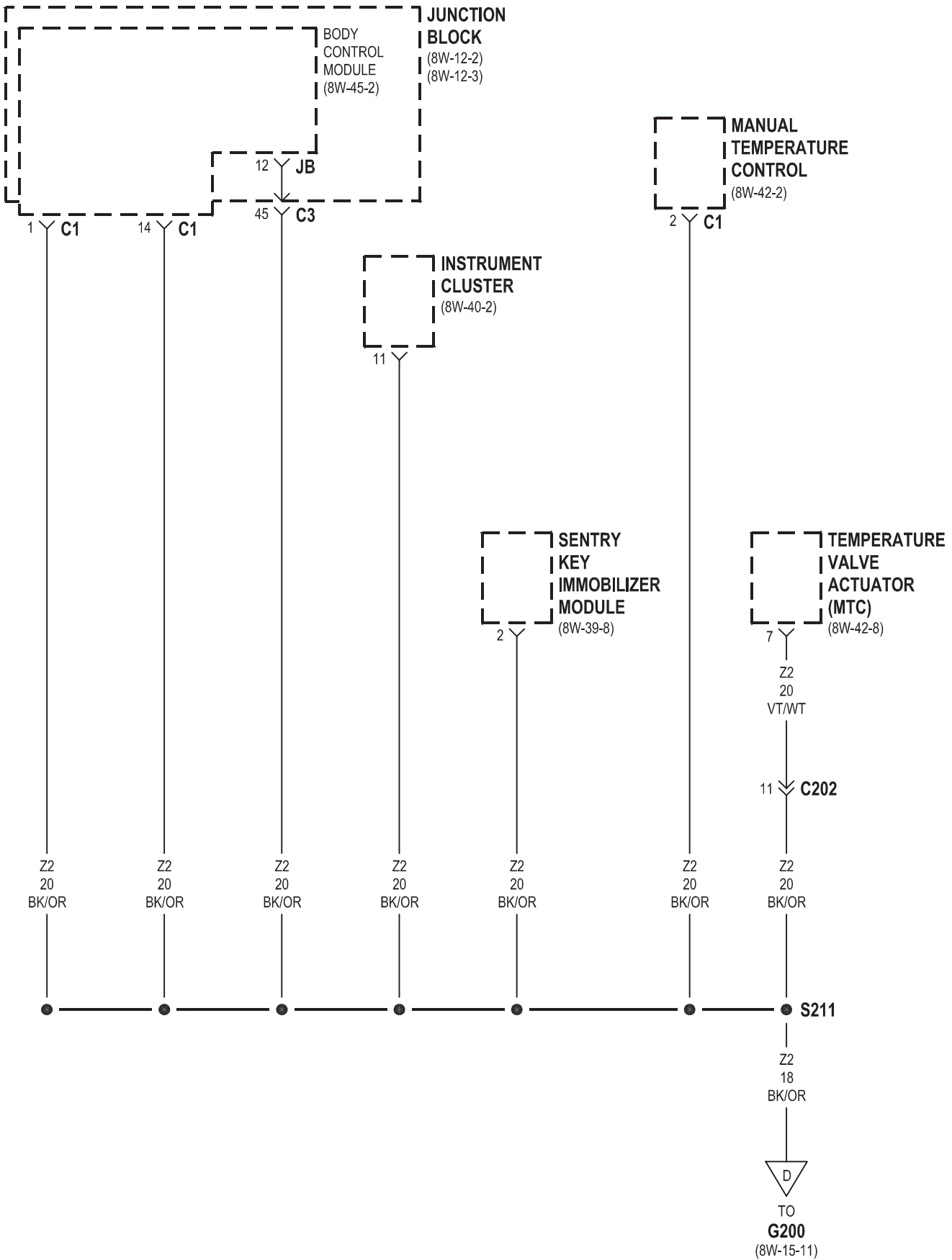


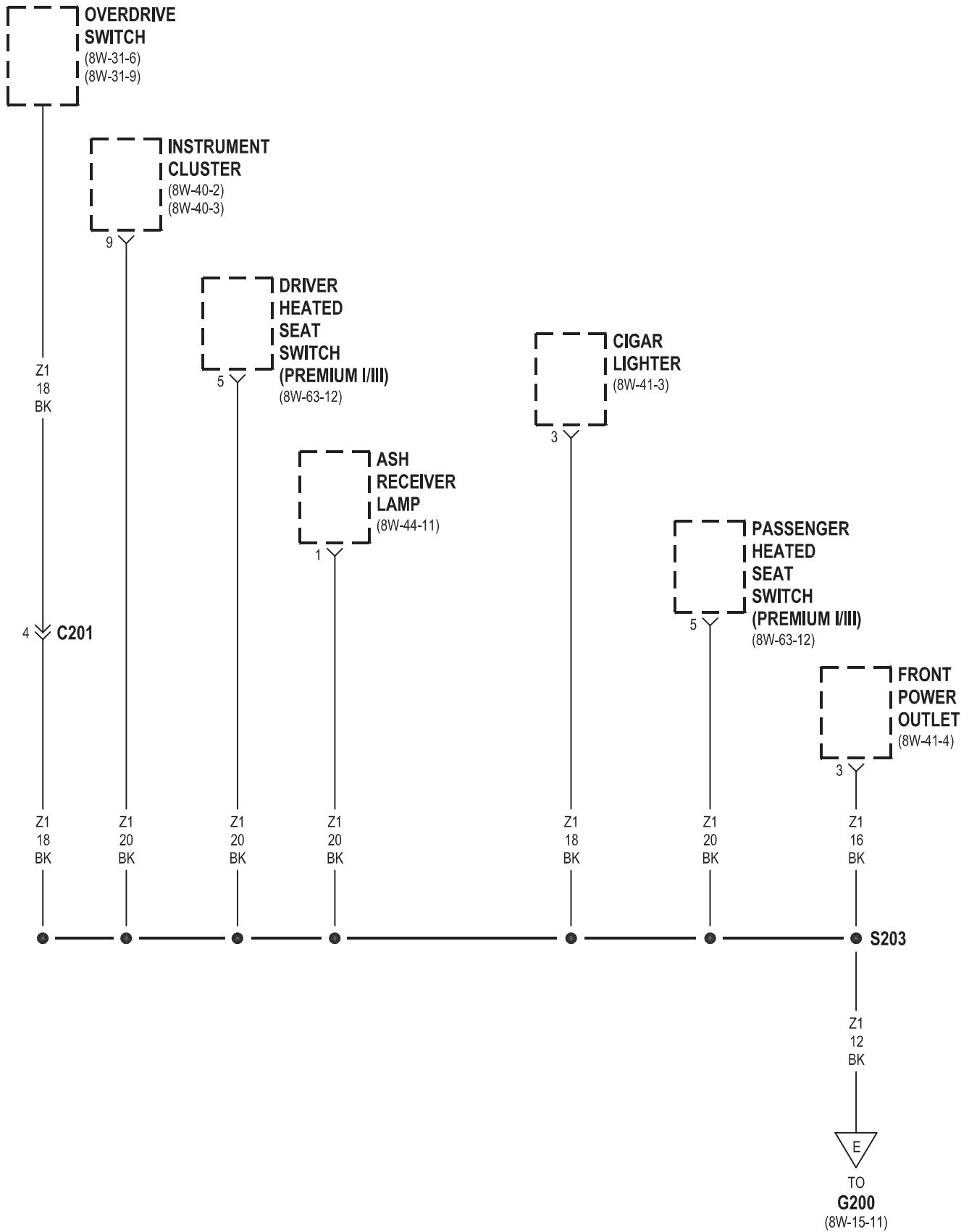




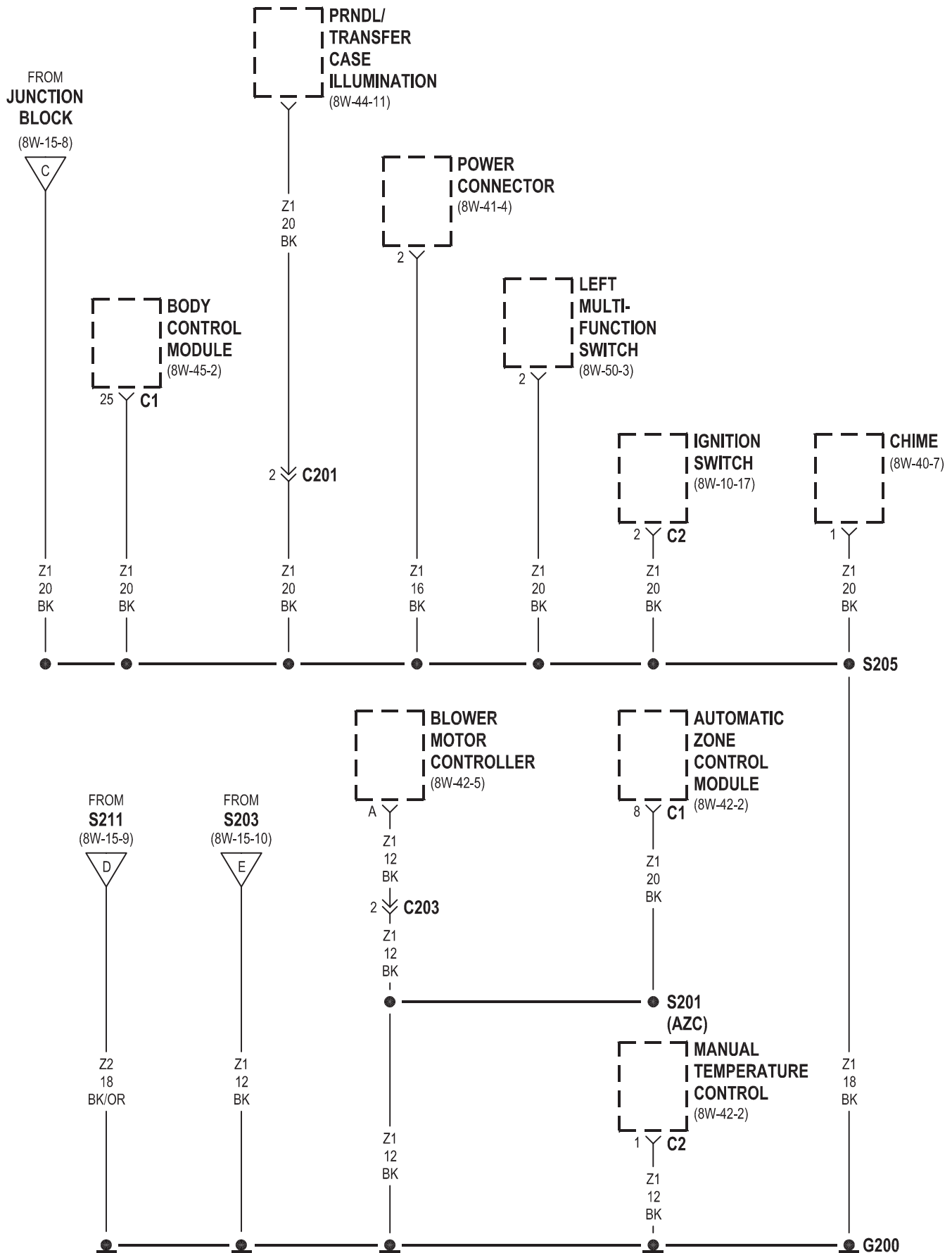


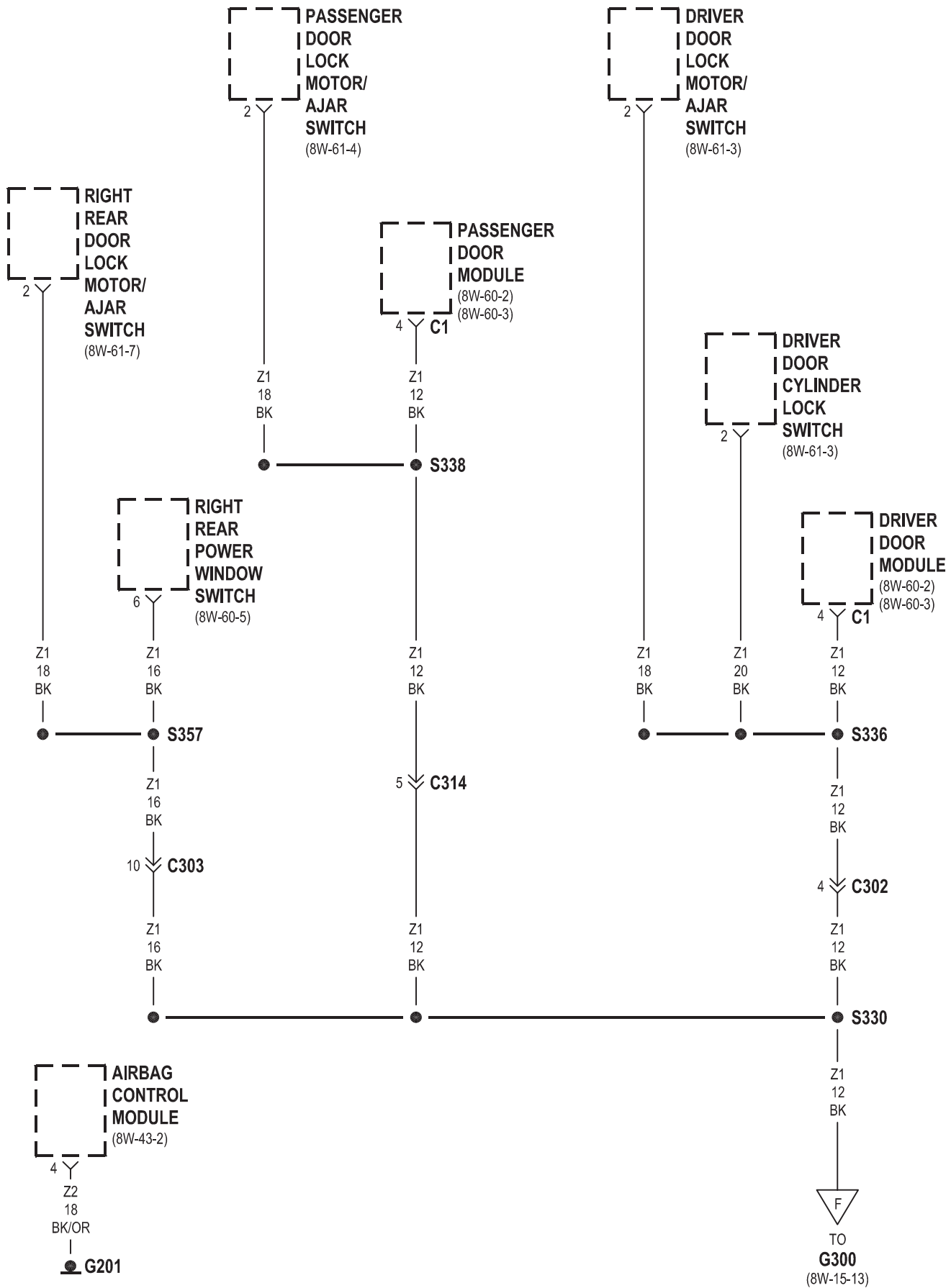


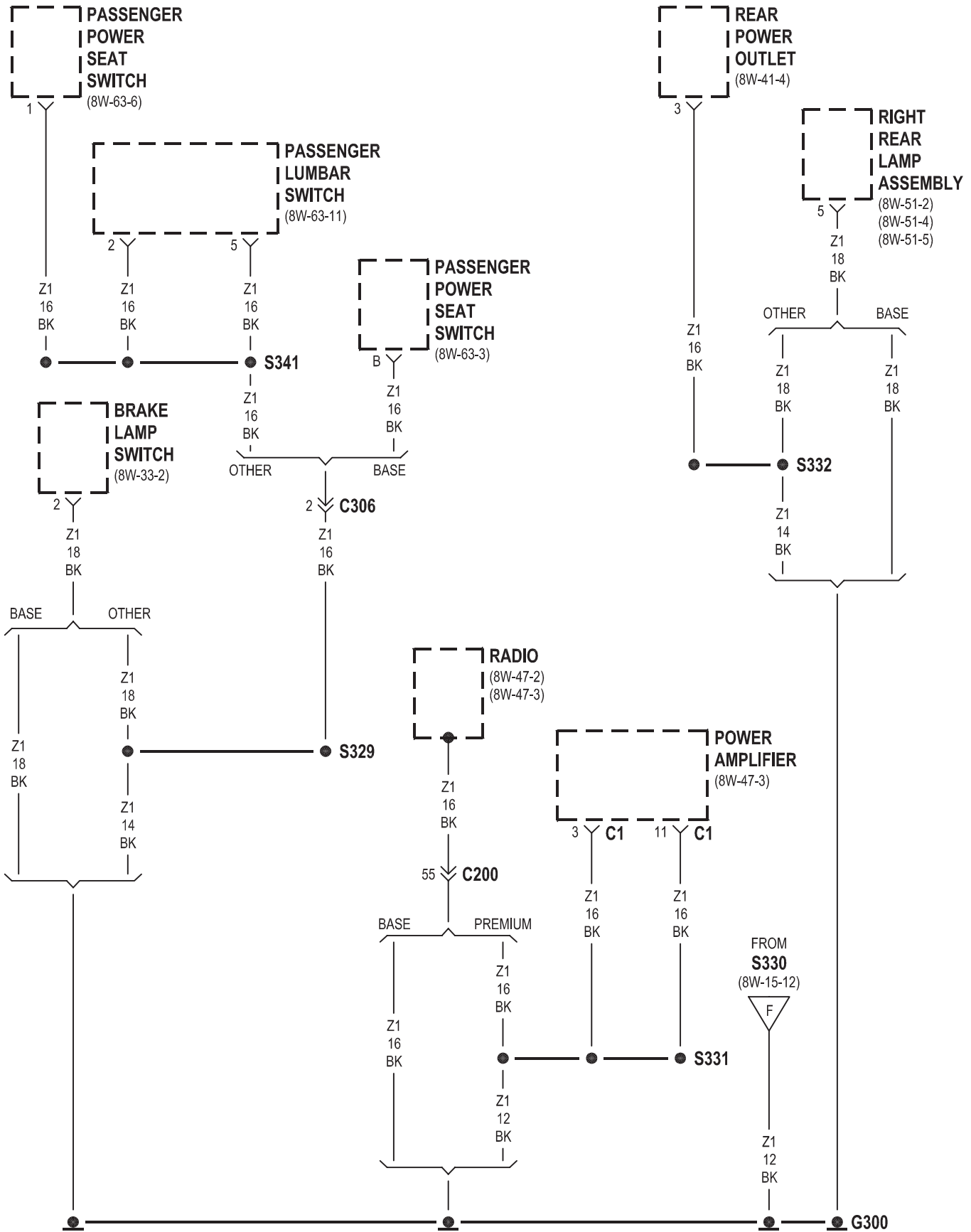


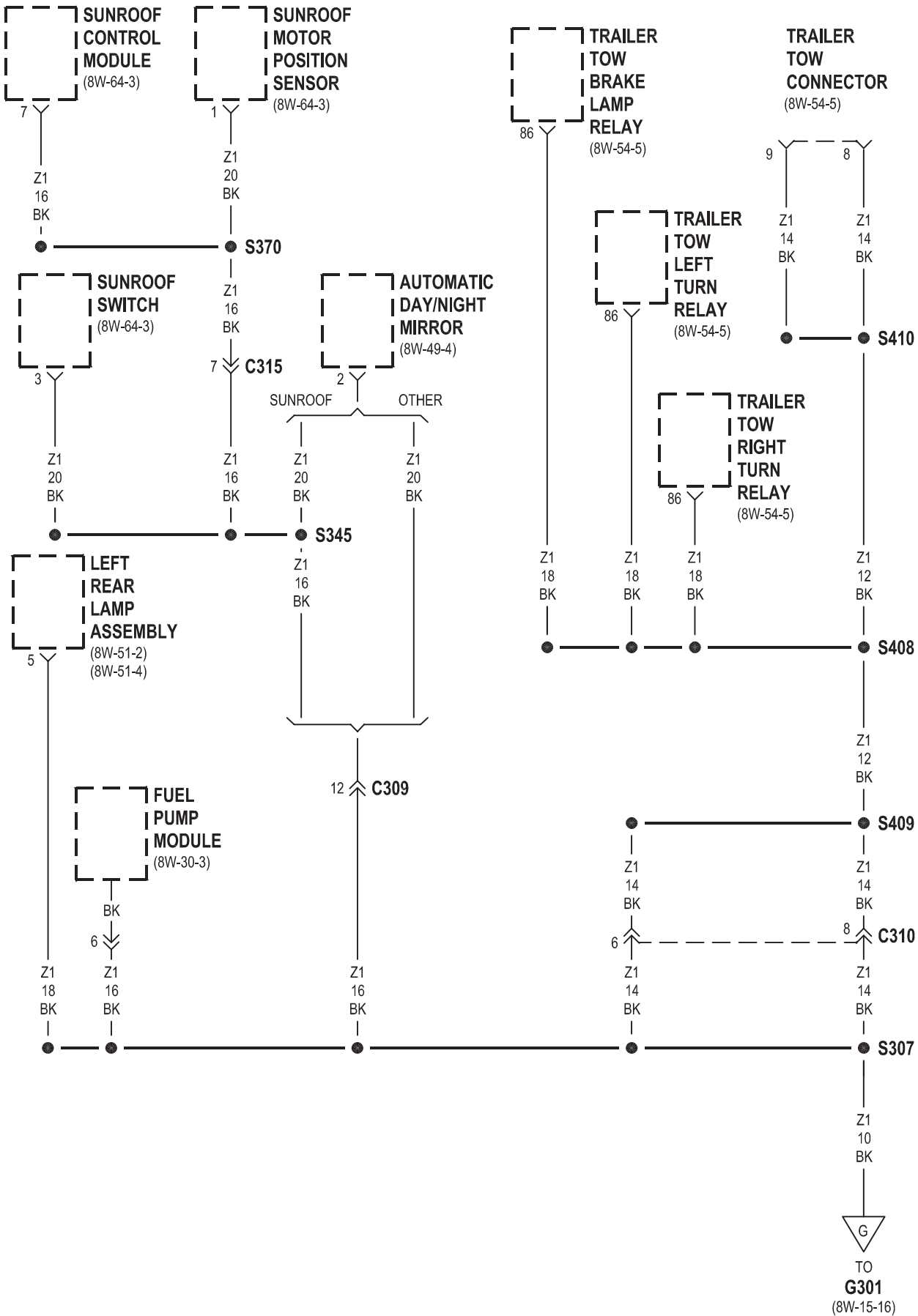


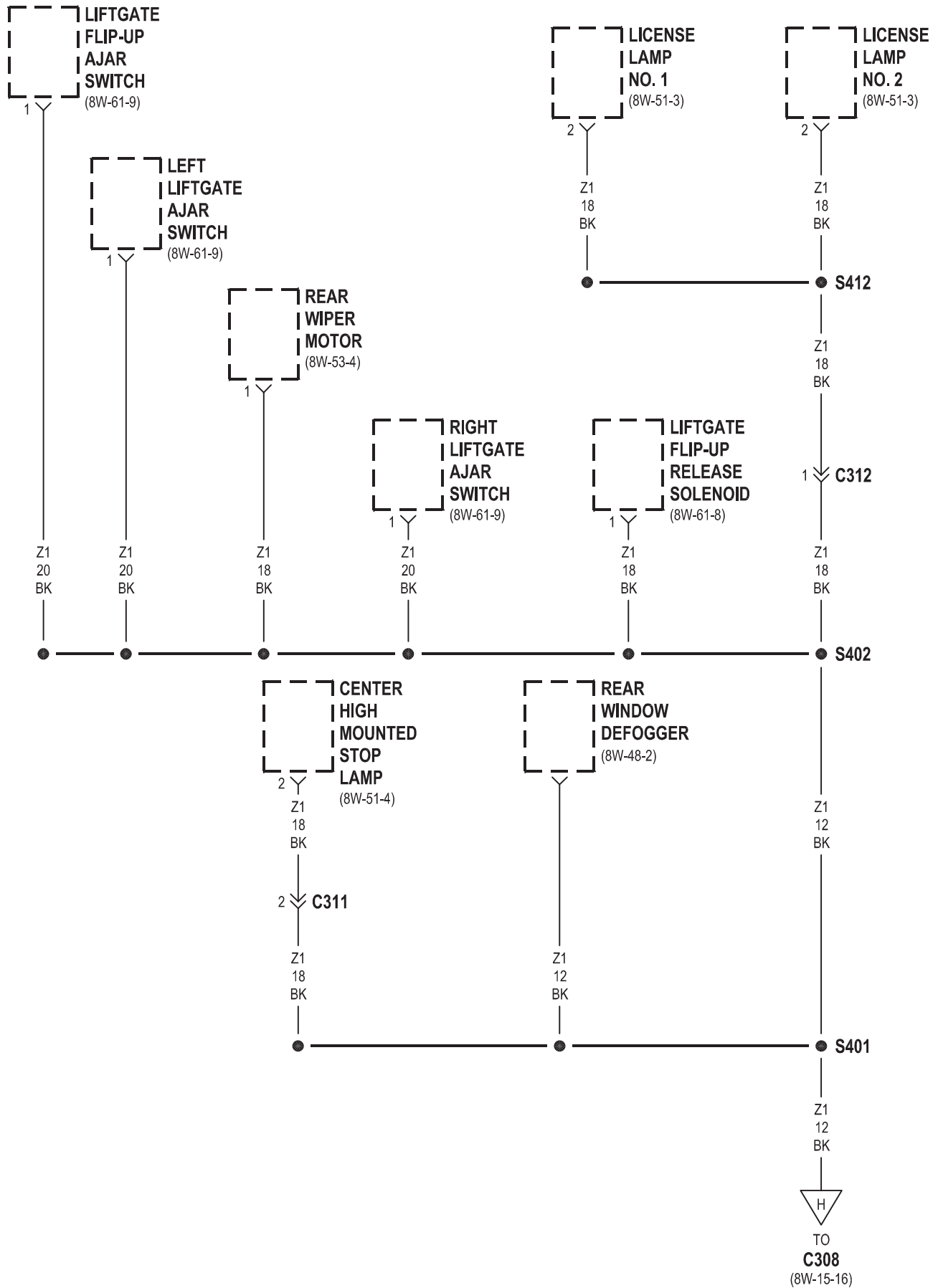




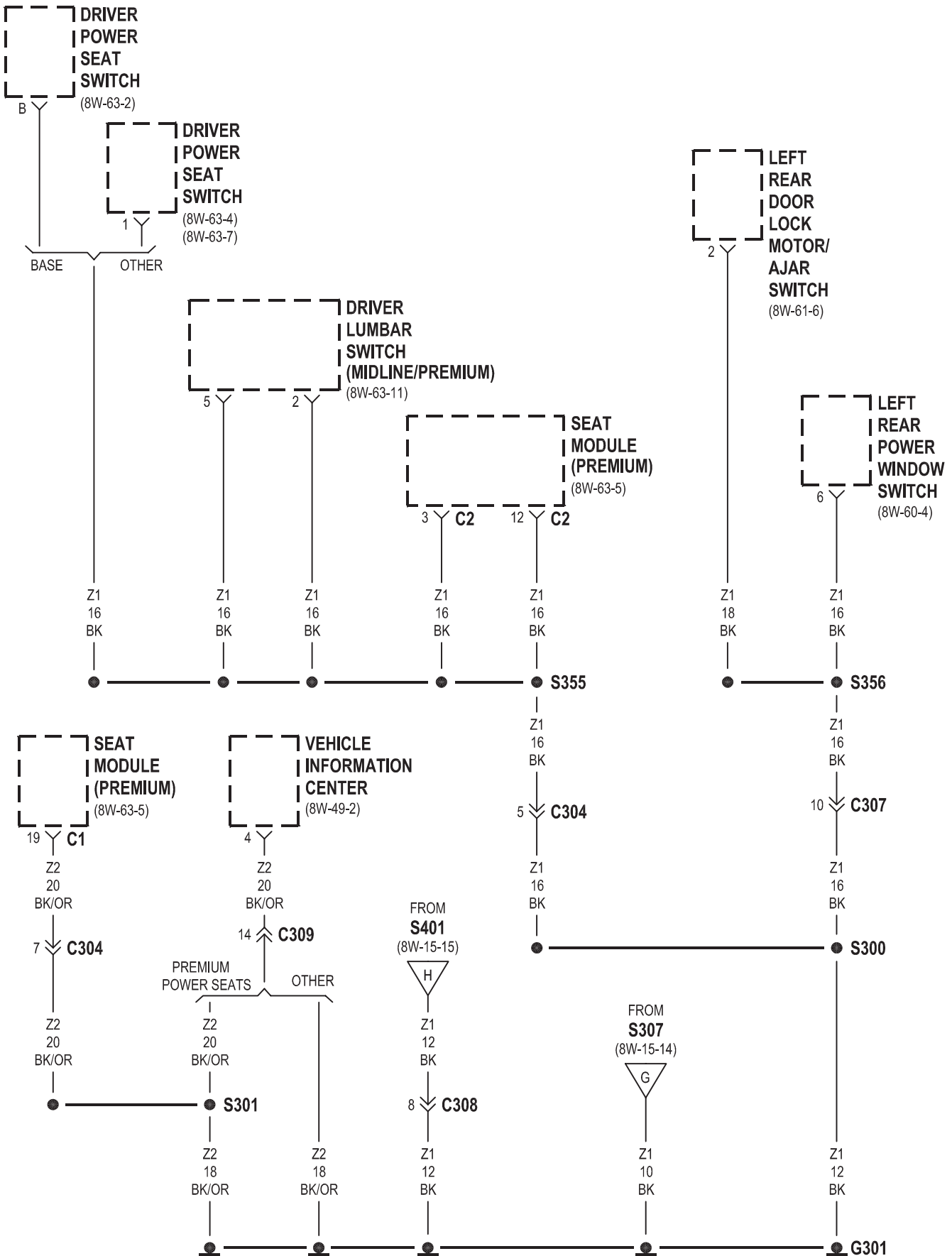






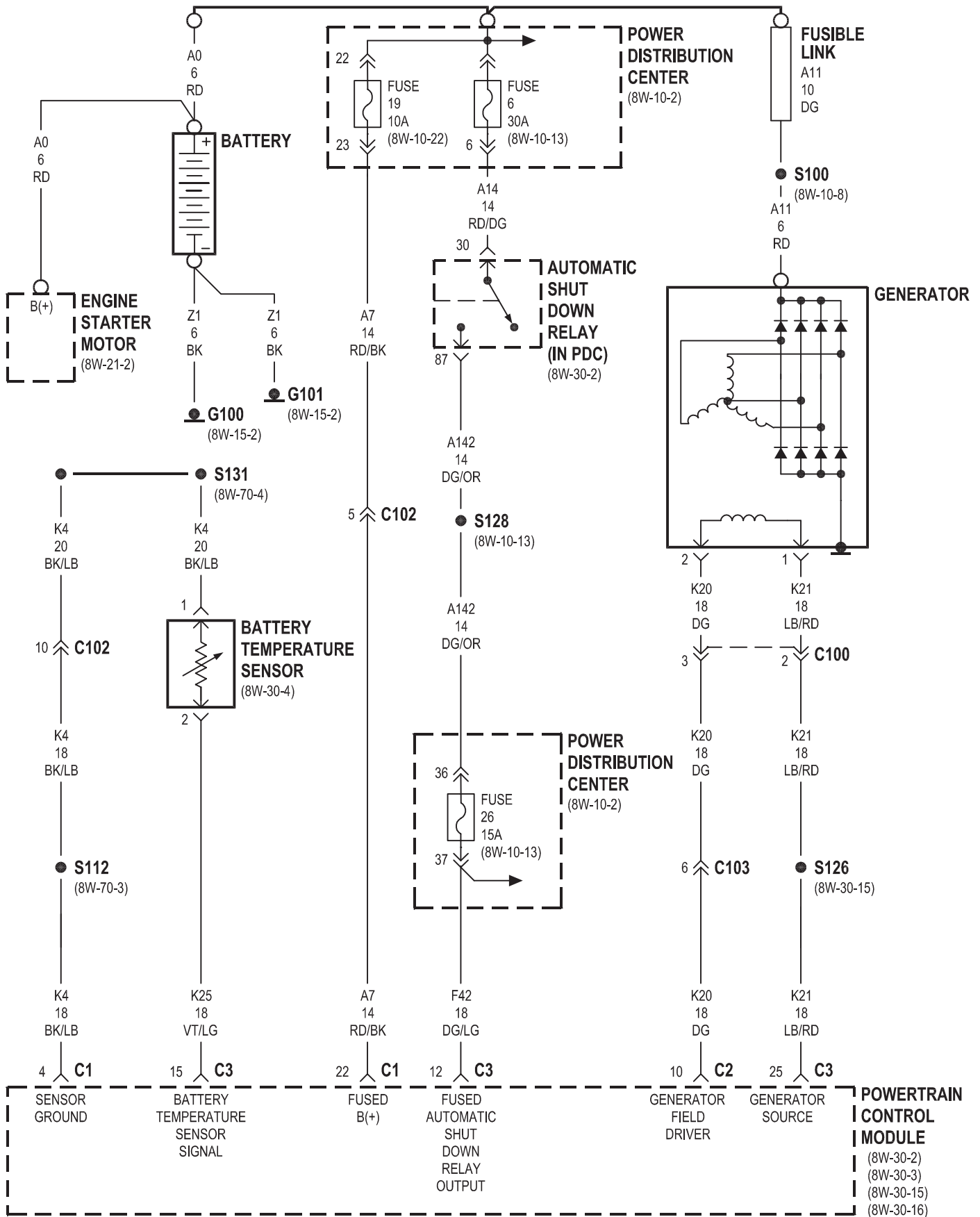






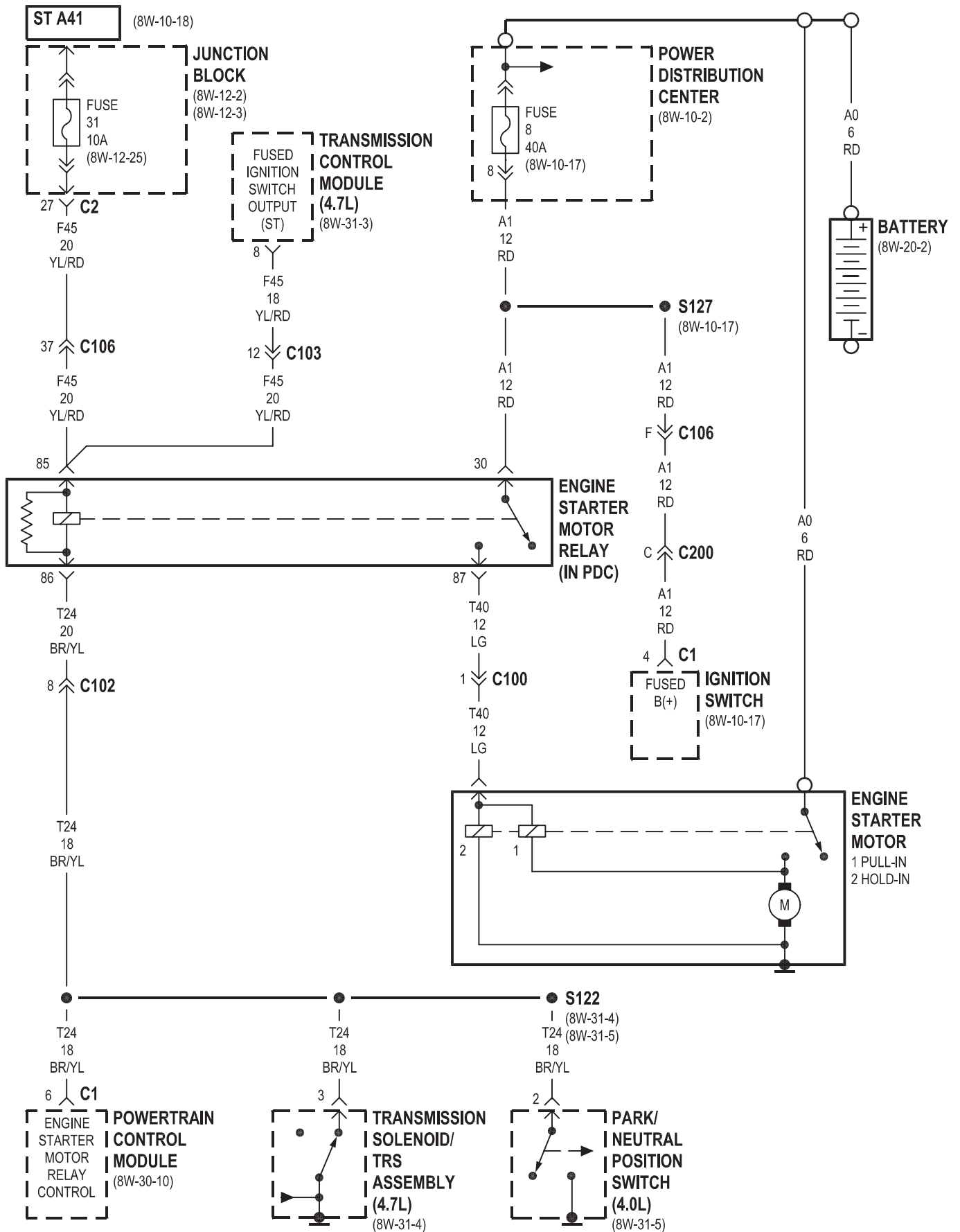
## 8W-20 CHARGING SYSTEM

<b>Component</b>	<b>Page</b>	<b>Component</b>	<b>Page</b>
Automatic Shut Down Relay .....	8W-20-2	Fusible Link .....	8W-20-2
Battery .....	8W-20-2	G100 .....	8W-20-2
Battery Temperature Sensor .....	8W-20-2	G101 .....	8W-20-2
Engine Starter Motor .....	8W-20-2	Generator .....	8W-20-2
Fuse 6 (PDC) .....	8W-20-2	Power Distribution Center .....	8W-20-2
Fuse 19 (PDC) .....	8W-20-2	Powertrain Control Module .....	8W-20-2
Fuse 26 (PDC) .....	8W-20-2		



## 8W-21 STARTING SYSTEM

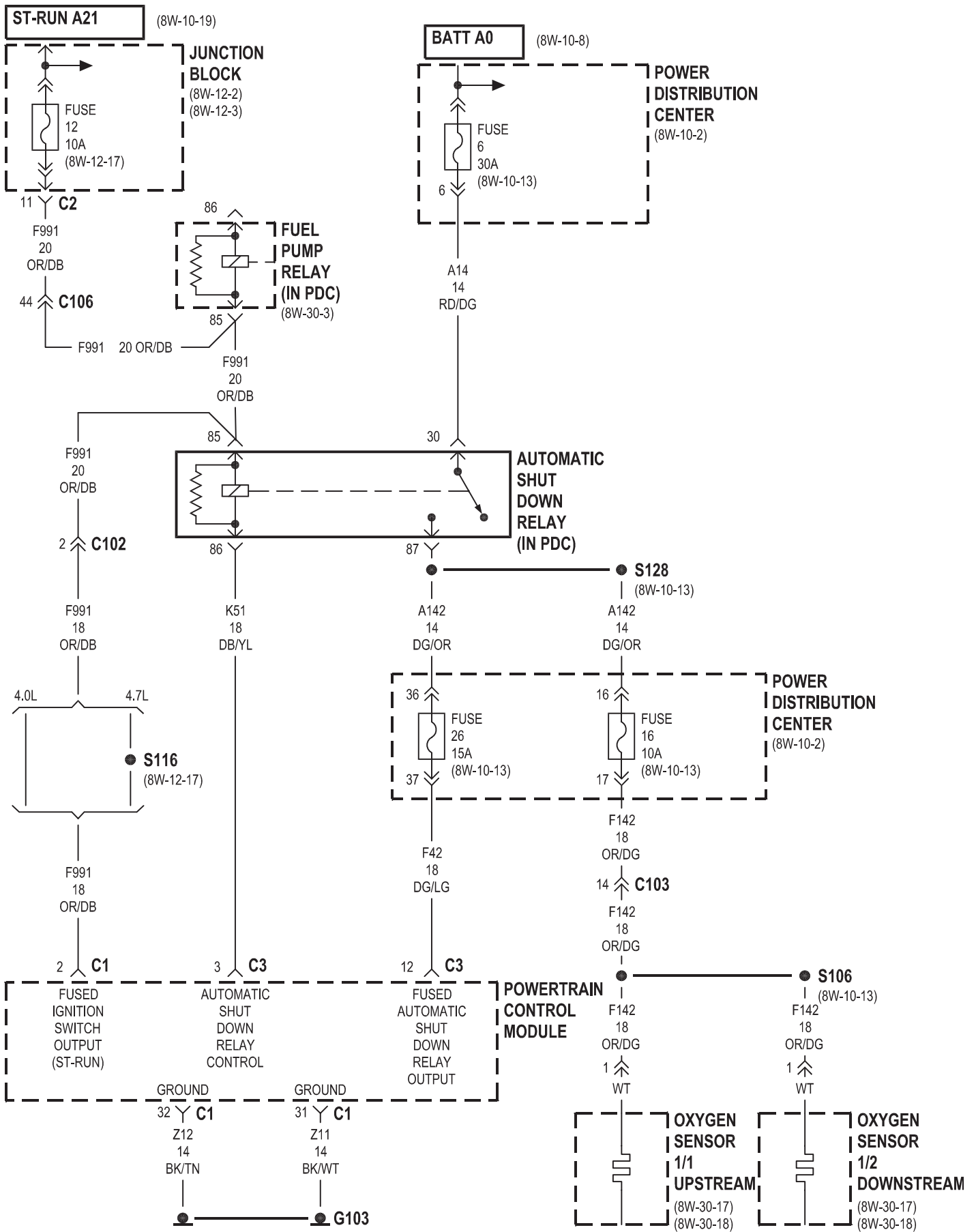
<b>Component</b>	<b>Page</b>	<b>Component</b>	<b>Page</b>
Battery .....	8W-21-2	Junction Block .....	8W-21-2
Engine Starter Motor .....	8W-21-2	Park/Neutral Position Switch .....	8W-21-2
Engine Starter Motor Relay .....	8W-21-2	Power Distribution Center .....	8W-21-2
Fuse 8 (PDC) .....	8W-21-2	Powertrain Control Module .....	8W-21-2
Fuse 31 (JB) .....	8W-21-2	Transmission Control Module .....	8W-21-2
Ignition Switch .....	8W-21-2	Transmission Solenoid/TRS Assembly .....	8W-21-2

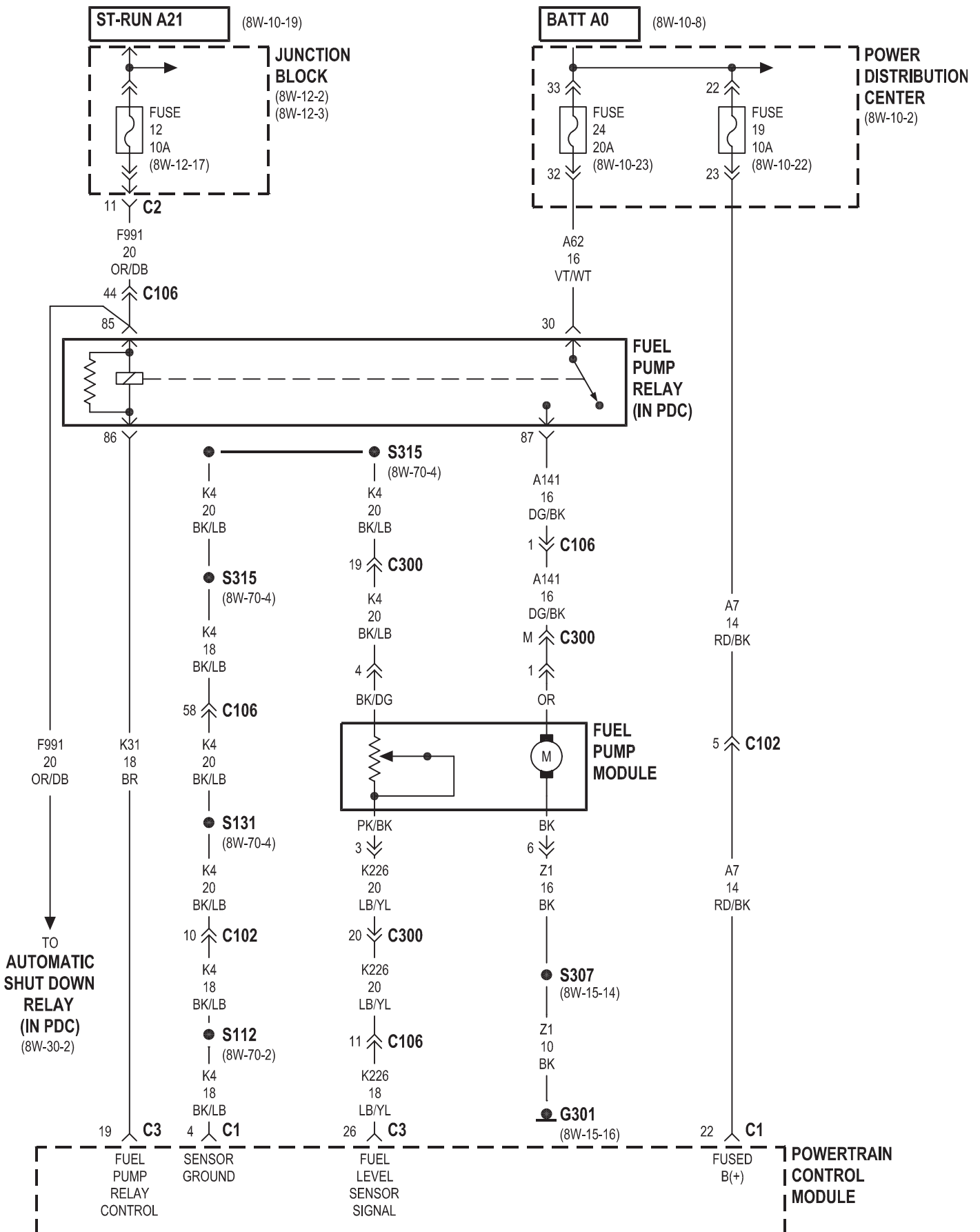


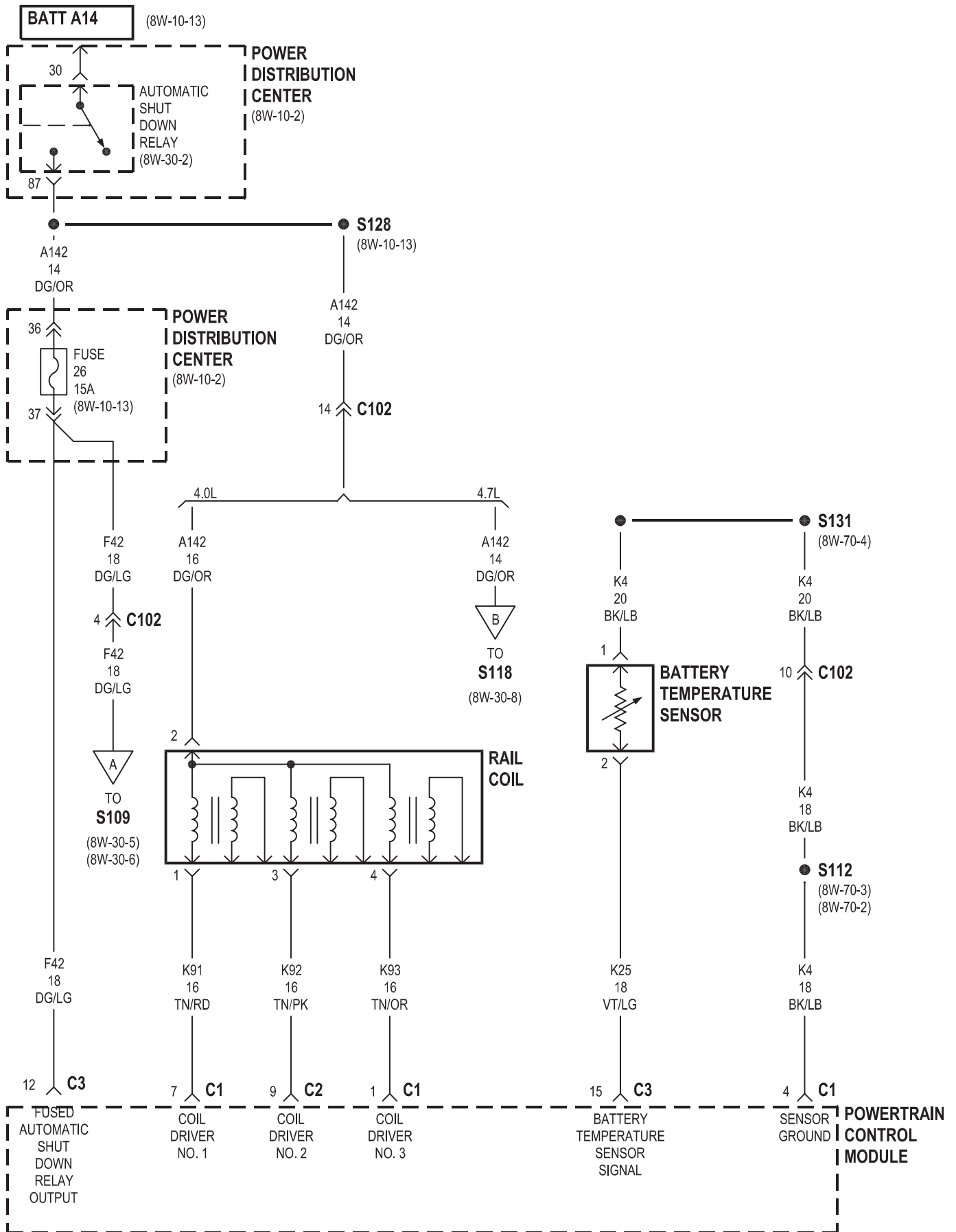


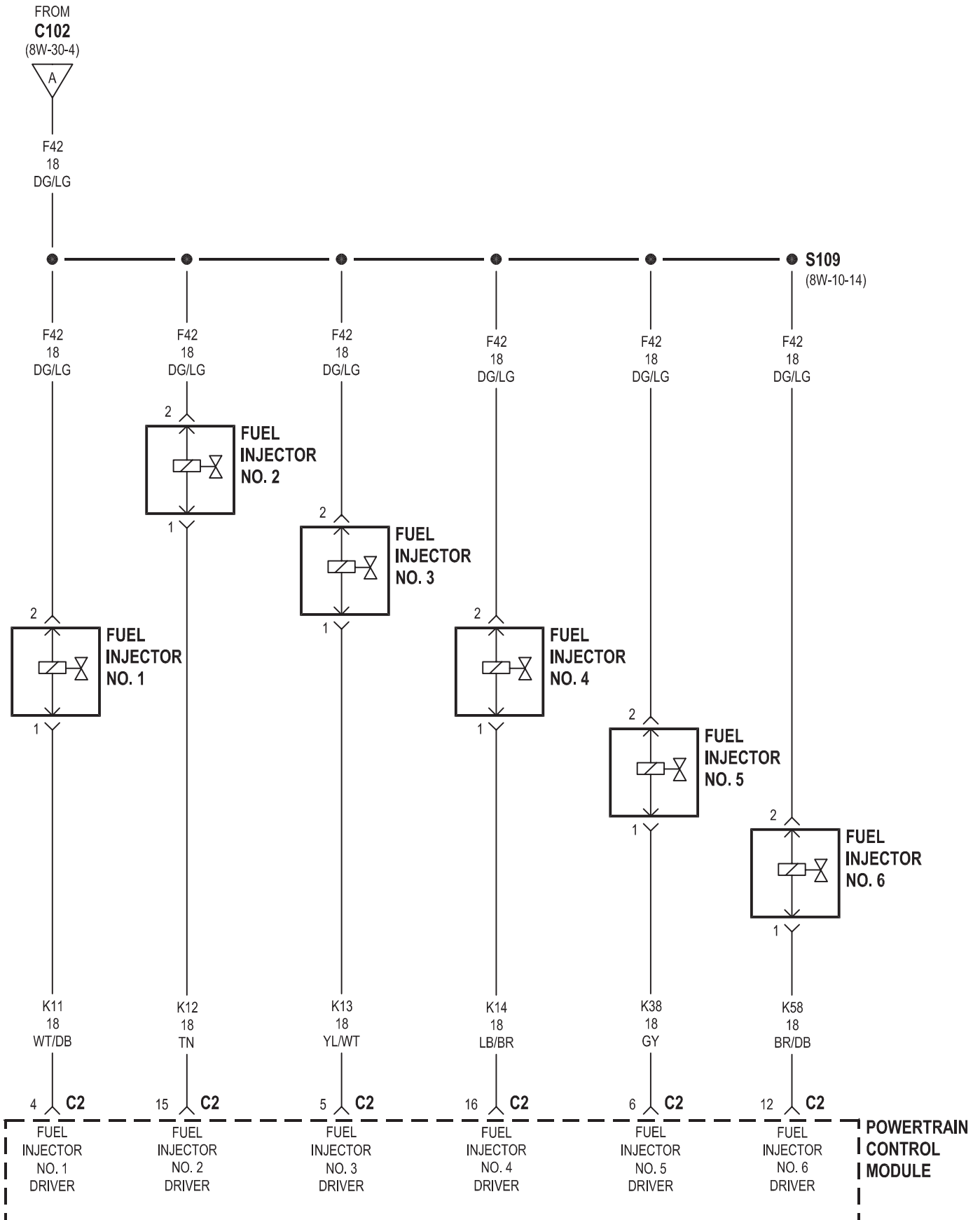
## 8W-30 FUEL/IGNITION SYSTEMS

<b>Component</b>	<b>Page</b>	<b>Component</b>	<b>Page</b>
A/C Compressor Clutch Relay . . . . .	8W-30-15	Fuse 16 (PDC) . . . . .	8W-30-2, 17, 18
A/C High Pressure Switch . . . . .	8W-30-15	Fuse 17 (JB) . . . . .	8W-30-23
Airbag Control Module . . . . .	8W-30-26	Fuse 17 (PDC) . . . . .	8W-30-19, 20
Automatic Shut Down Relay . . . . .	8W-30-2, 3, 4, 17, 18	Fuse 19 (PDC) . . . . .	8W-30-3
Automatic Zone Control Module . . . . .	8W-30-26	Fuse 21 (JB) . . . . .	8W-30-21, 22
Battery Temperature Sensor . . . . .	8W-30-4	Fuse 24 (PDC) . . . . .	8W-30-3
Body Control Module . . . . .	8W-30-23, 26	Fuse 26 (PDC) . . . . .	8W-30-2, 4
Brake Lamp Switch . . . . .	8W-30-21, 22	G103 . . . . .	8W-30-2, 23
Brake Shift Interlock Solenoid . . . . .	8W-30-21	G104 . . . . .	8W-30-15, 17, 18, 19, 20
Camshaft Position Sensor . . . . .	8W-30-10, 11	G300 . . . . .	8W-30-22
Capacitor No. 1 . . . . .	8W-30-8	G301 . . . . .	8W-30-3
Capacitor No. 2 . . . . .	8W-30-9	Generator . . . . .	8W-30-15, 16
Clockspring . . . . .	8W-30-22	Idle Air Control Motor . . . . .	8W-30-11
Coil On Plug No. 1 . . . . .	8W-30-9	Instrument Cluster . . . . .	8W-30-14, 26
Coil On Plug No. 2 . . . . .	8W-30-8	Intake Air Temperature Sensor . . . . .	8W-30-12, 13
Coil On Plug No. 3 . . . . .	8W-30-9	Junction Block . . . . .	8W-30-2, 3, 14, 21, 22, 23
Coil On Plug No. 4 . . . . .	8W-30-8	Leak Detection Pump . . . . .	8W-30-15
Coil On Plug No. 5 . . . . .	8W-30-9	Manifold Absolute Pressure Sensor . . . . .	8W-30-11, 12, 13
Coil On Plug No. 6 . . . . .	8W-30-8	Output Speed Sensor . . . . .	8W-30-14
Coil On Plug No. 7 . . . . .	8W-30-9	Overdrive Switch . . . . .	8W-30-21
Coil On Plug No. 8 . . . . .	8W-30-8	Oxygen Sensor 1/1 Upstream . . . . .	8W-30-2, 17, 18, 19
Compact Disc Changer . . . . .	8W-30-24	Oxygen Sensor 1/2 Downstream . . . . .	8W-30-2, 17, 18, 20
Controller Anti-Lock Brake . . . . .	8W-30-14, 25	Oxygen Sensor 2/1 Upstream . . . . .	8W-30-19
Crankshaft Position Sensor . . . . .	8W-30-10, 11	Oxygen Sensor 2/2 Downstream . . . . .	8W-30-20
Cruise Switch No. 1 . . . . .	8W-30-22	Oxygen Sensor Downstream Relay . . . . .	8W-30-20
Cruise Switch No. 2 . . . . .	8W-30-22	Oxygen Sensor Upstream Relay . . . . .	8W-30-19
Data Link Connector . . . . .	8W-30-23, 26	Passenger Door Module . . . . .	8W-30-24
Diagnostic Junction Port . . . . .	8W-30-23, 26	Power Distribution Center . . . . .	8W-30-2, 3, 4, 17, 18, 19, 20
Driver Door Module . . . . .	8W-30-25	Powertrain Control Module . . . . .	8W-30-2, 3, 4, 5, 6, 7, 8, 9, 10, 12, 13, 14, 15, 16, 17, 18, 19, 20, 21, 22, 23, 24
Duty Cycle Evap/Purge Solenoid . . . . .	8W-30-22	Radiator Fan Relay . . . . .	8W-30-16
Engine Coolant Temperature Sensor . . . . .	8W-30-12, 13	Radio . . . . .	8W-30-26
Engine Oil Pressure Sensor . . . . .	8W-30-12, 13	Rail Coil . . . . .	8W-30-4
Engine Starter Motor Relay . . . . .	8W-30-10	Seat Module . . . . .	8W-30-25
Fuel Injector No. 1 . . . . .	8W-30-5, 7	Sentry Key Immobilizer Module . . . . .	8W-30-26
Fuel Injector No. 2 . . . . .	8W-30-5, 6	Throttle Position Sensor . . . . .	8W-30-11
Fuel Injector No. 3 . . . . .	8W-30-5, 7	Transmission Control Module . . . . .	8W-30-11, 14, 15, 21, 23, 24
Fuel Injector No. 4 . . . . .	8W-30-5, 6	Transmission Control Relay . . . . .	8W-30-15
Fuel Injector No. 5 . . . . .	8W-30-5, 7	Transmission Solenoid . . . . .	8W-30-12, 16
Fuel Injector No. 6 . . . . .	8W-30-5, 6	Vehicle Information Center . . . . .	8W-30-25
Fuel Injector No. 7 . . . . .	8W-30-7	Vehicle Speed Control Servo . . . . .	8W-30-22
Fuel Injector No. 8 . . . . .	8W-30-6		
Fuel Pump Module . . . . .	8W-30-3		
Fuel Pump Relay . . . . .	8W-30-2, 3		
Fuse 6 (PDC) . . . . .	8W-30-2		
Fuse 12 (JB) . . . . .	8W-30-2, 3		

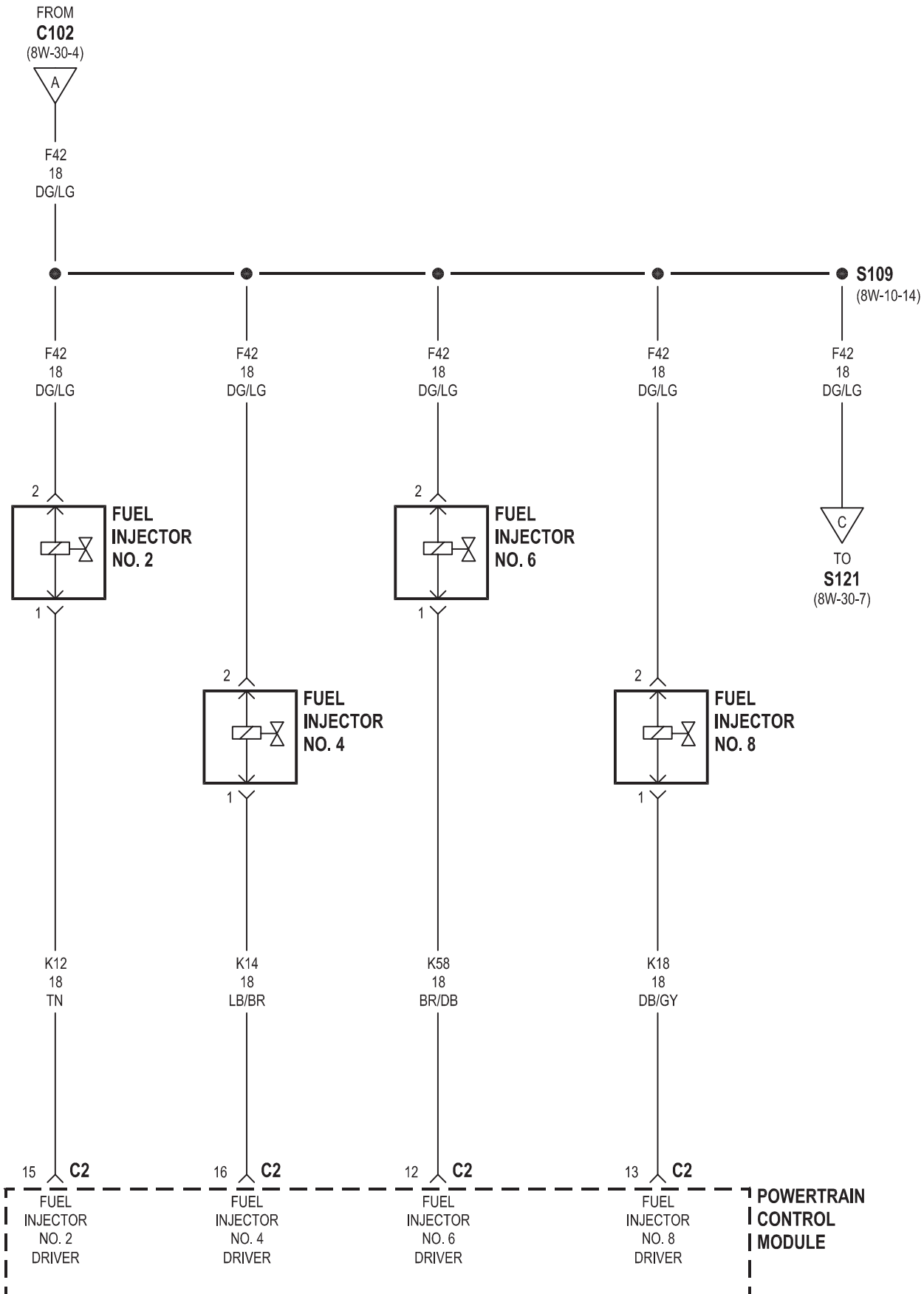


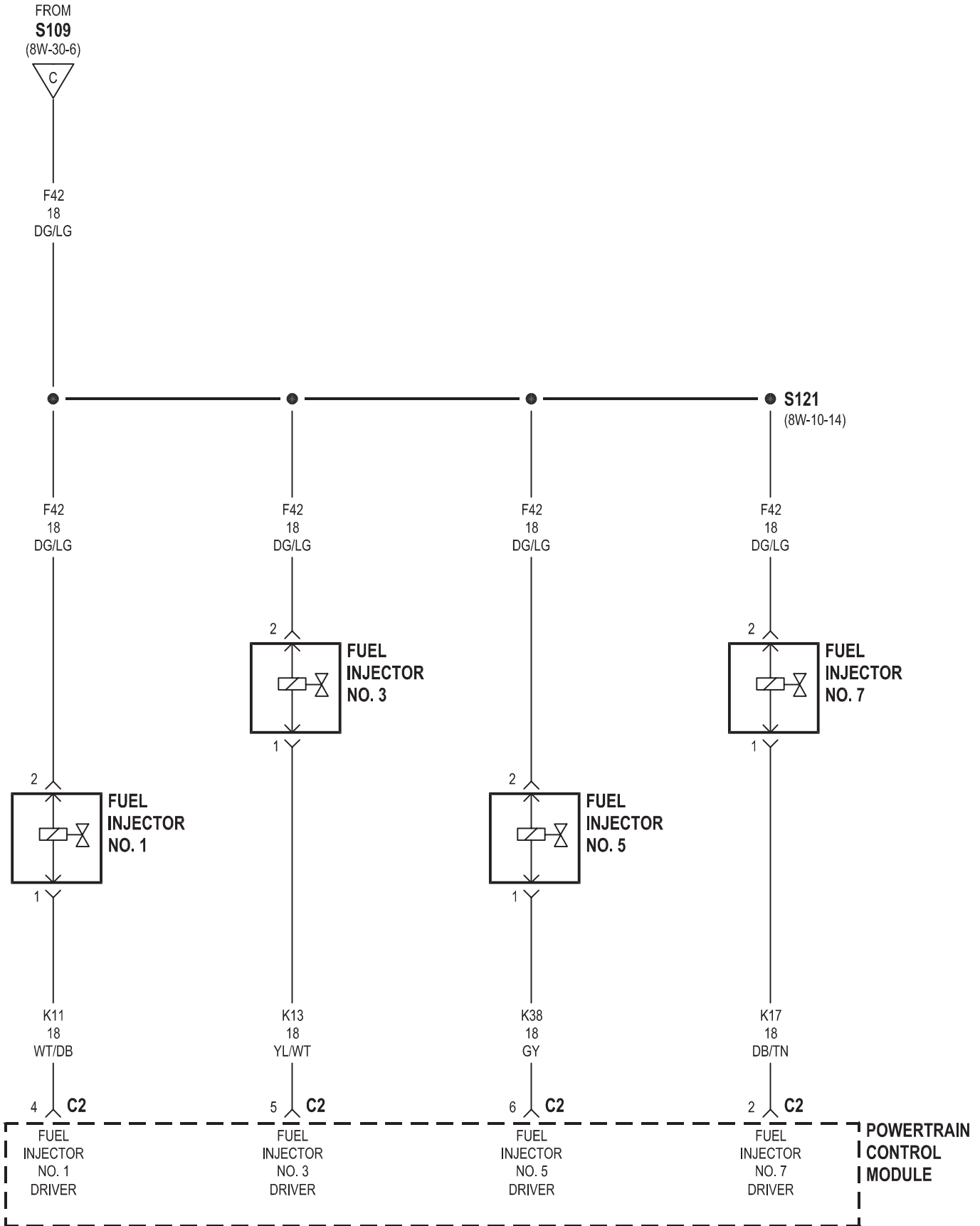


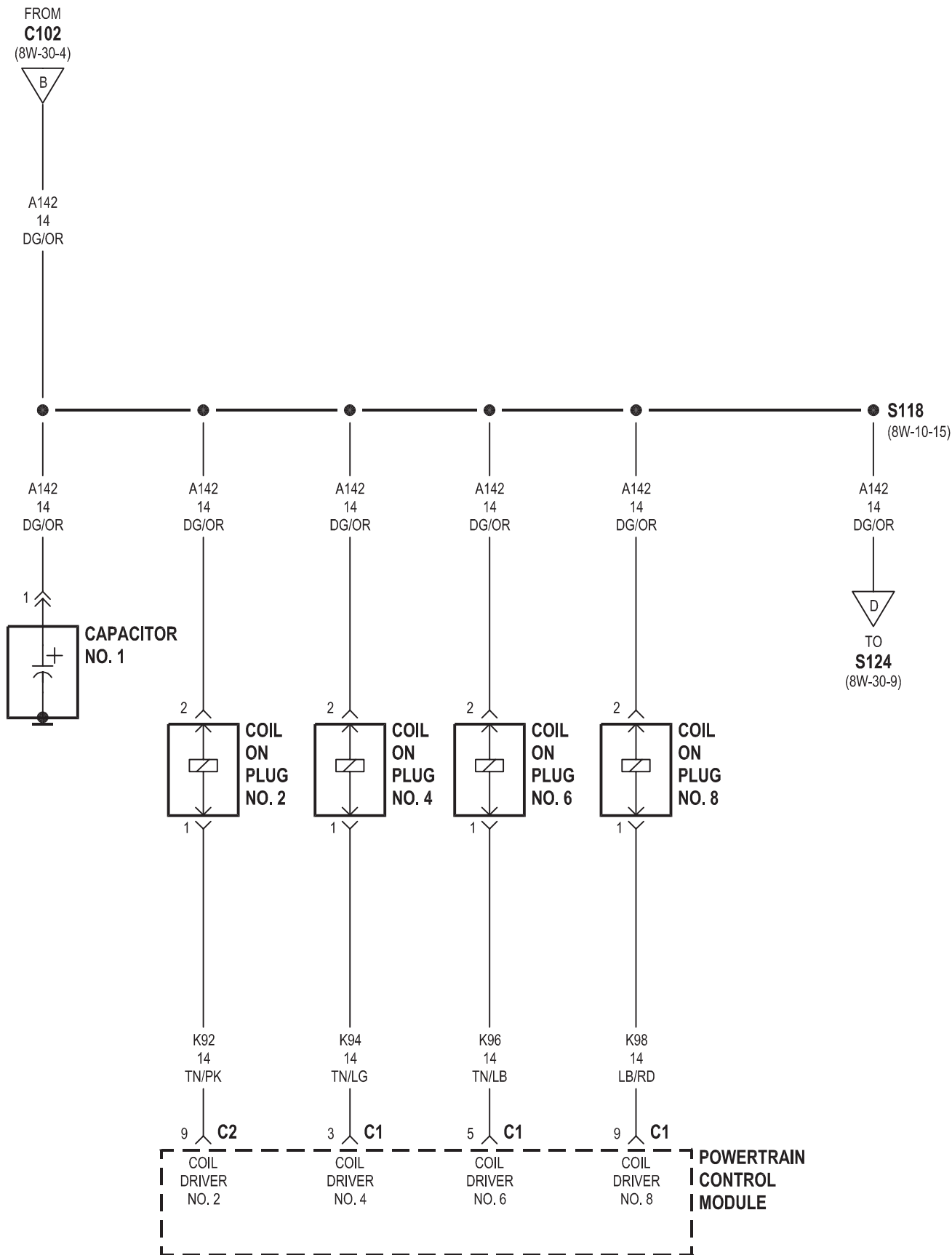


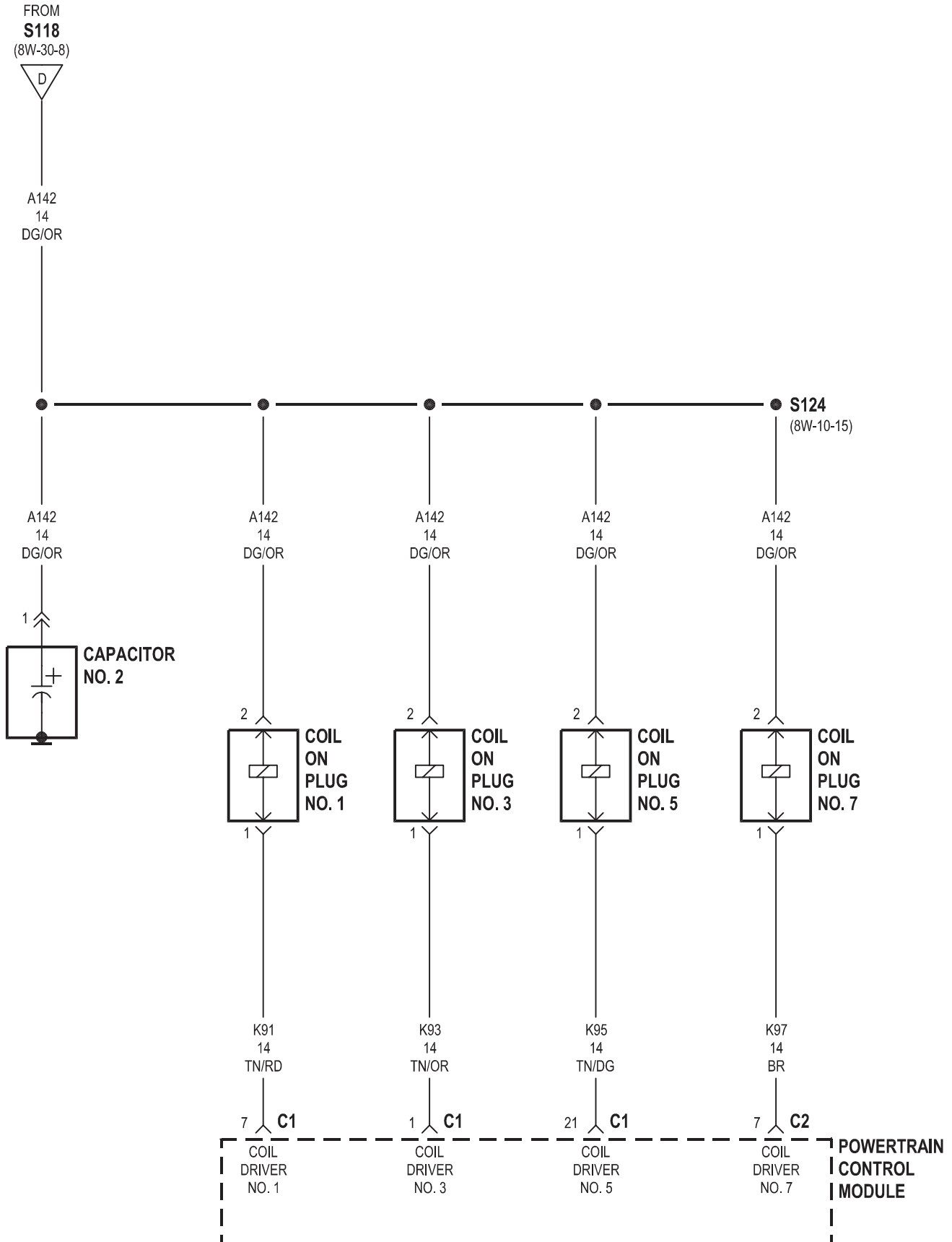


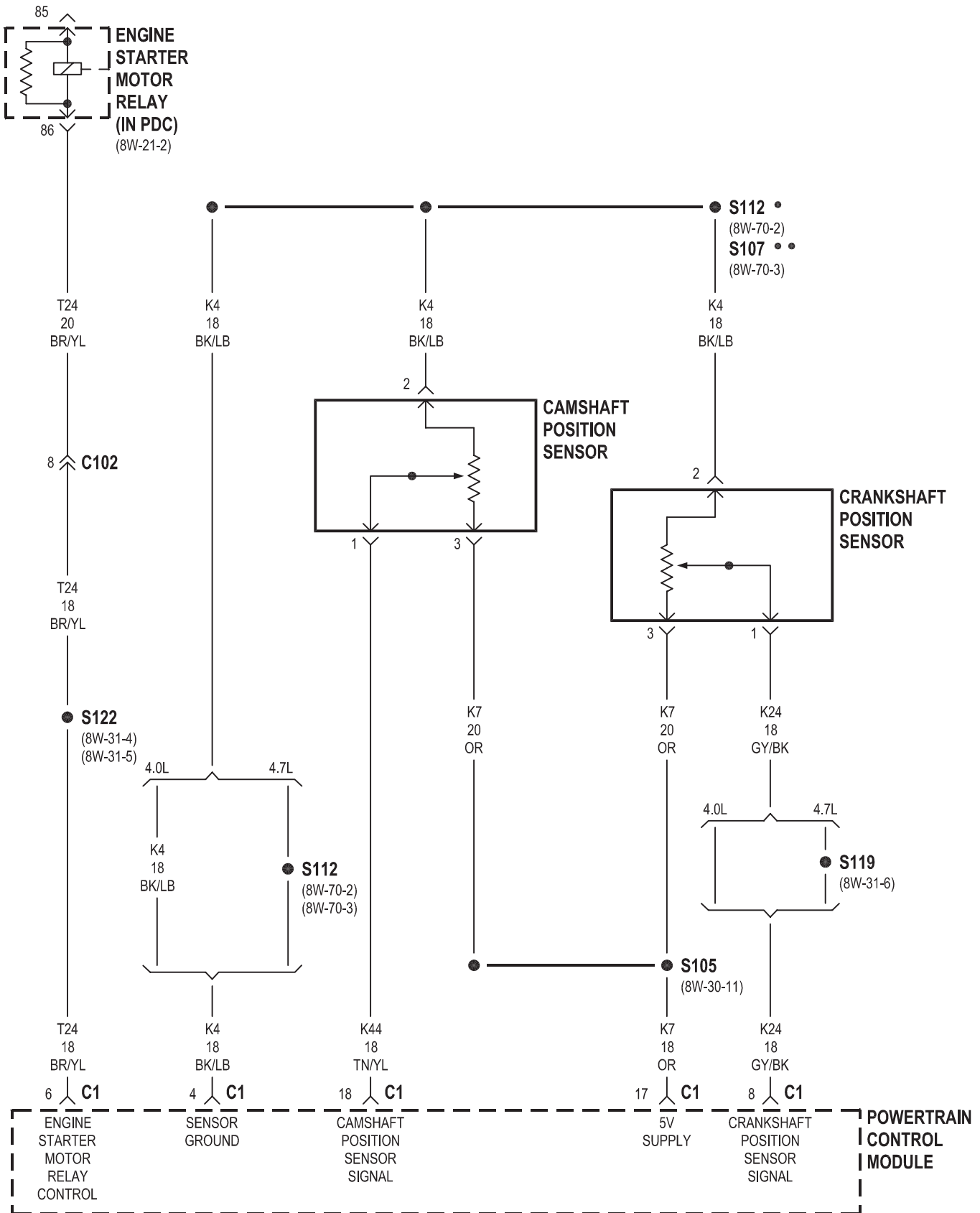






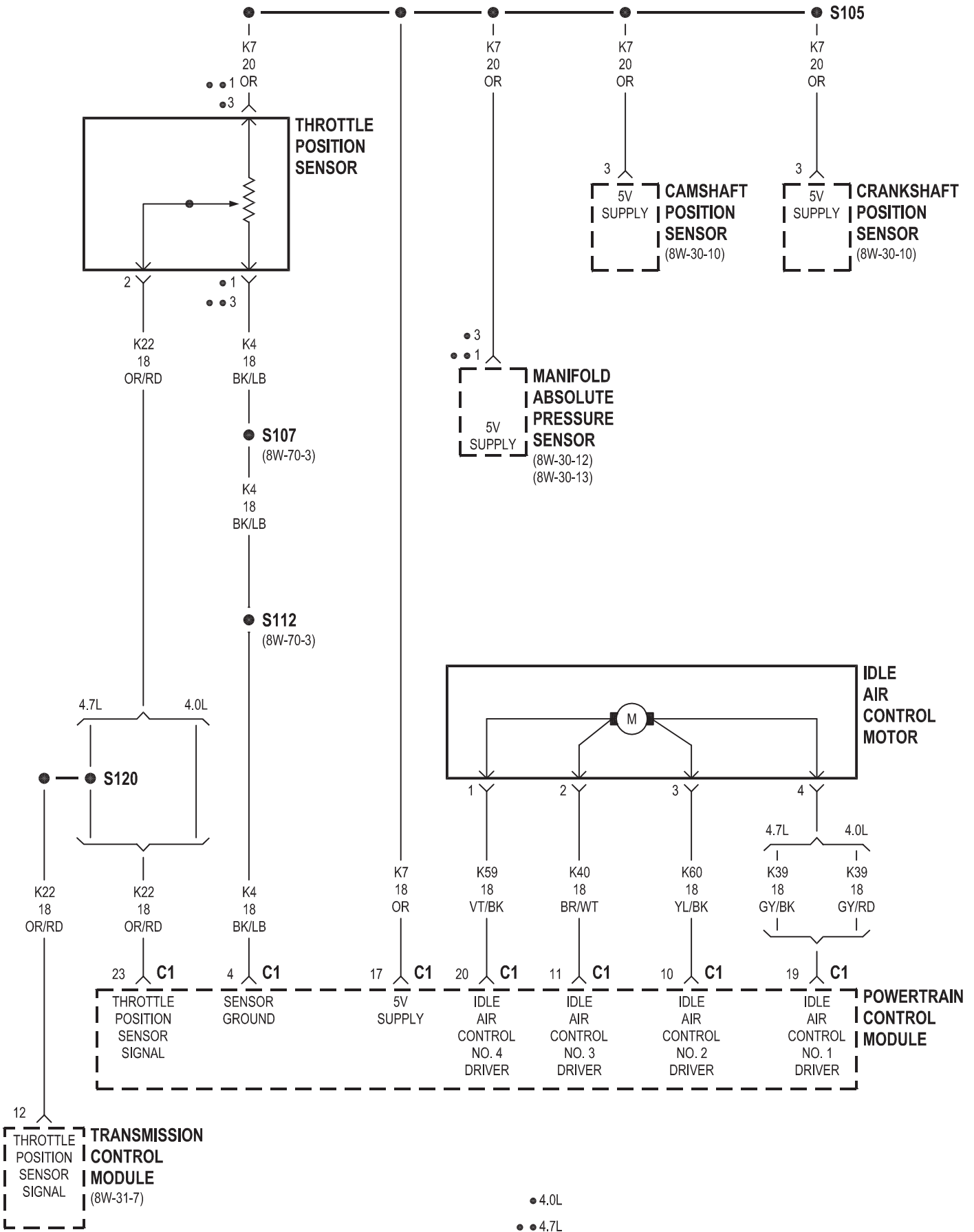




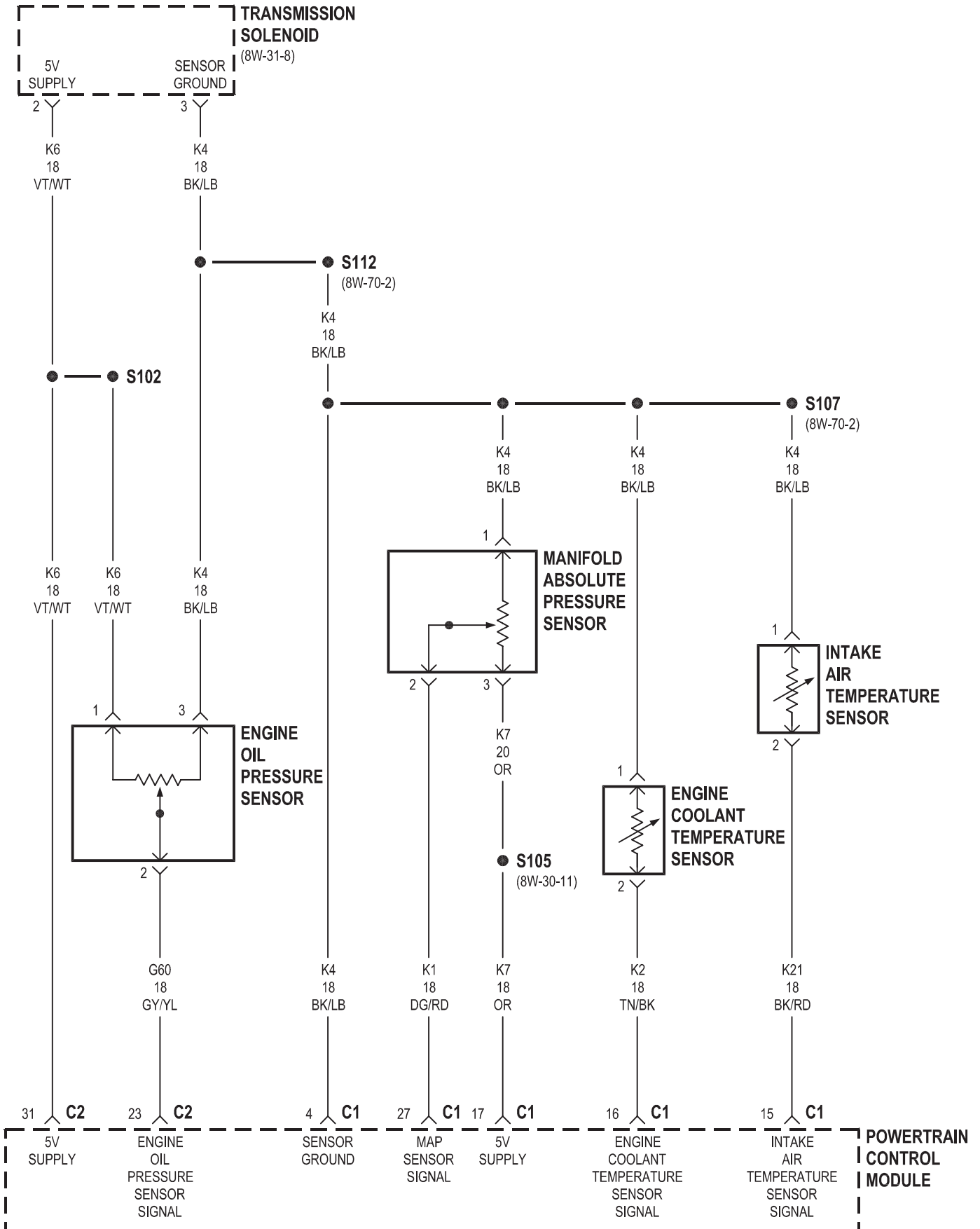


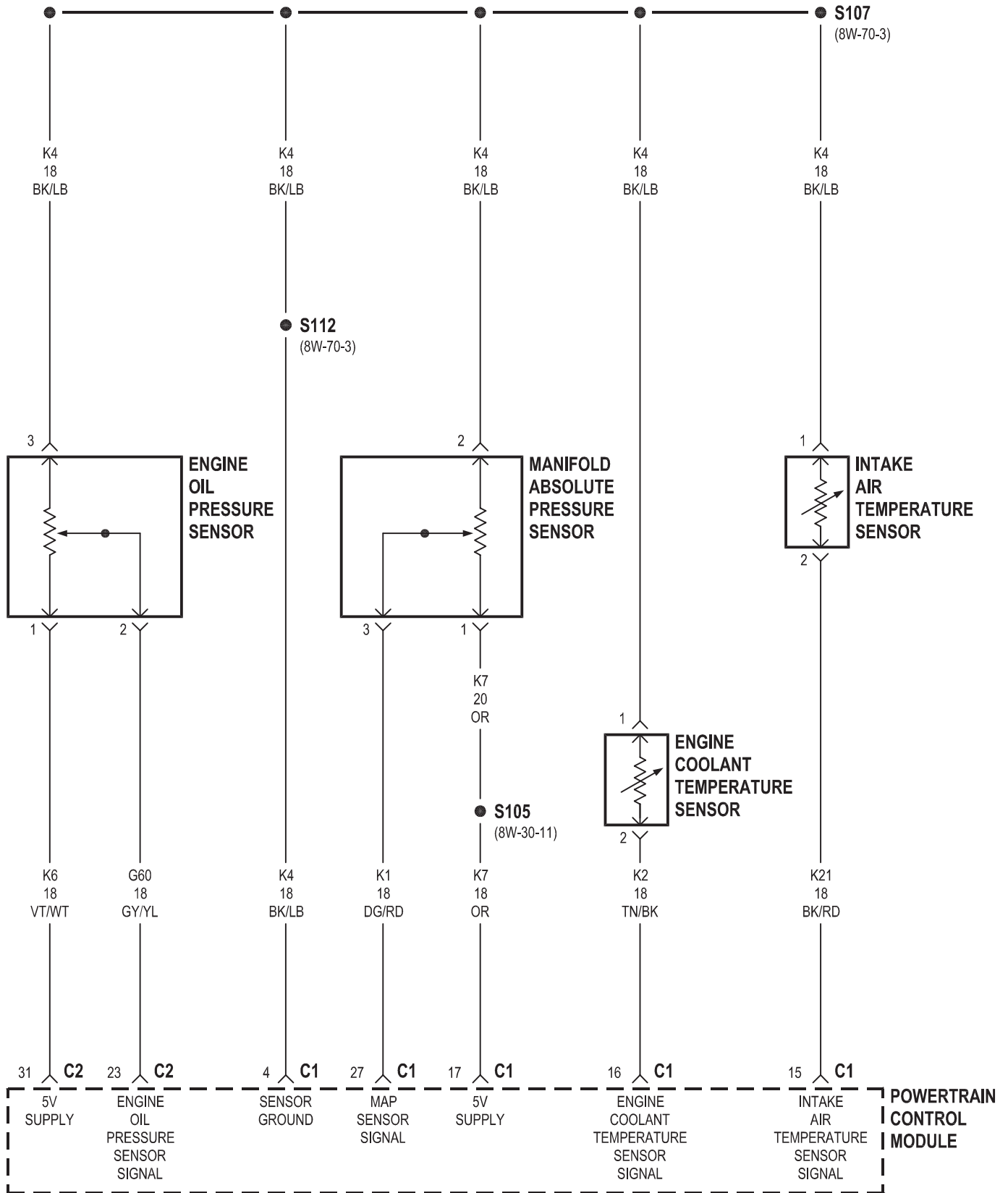
- 4.0L
- 4.7L

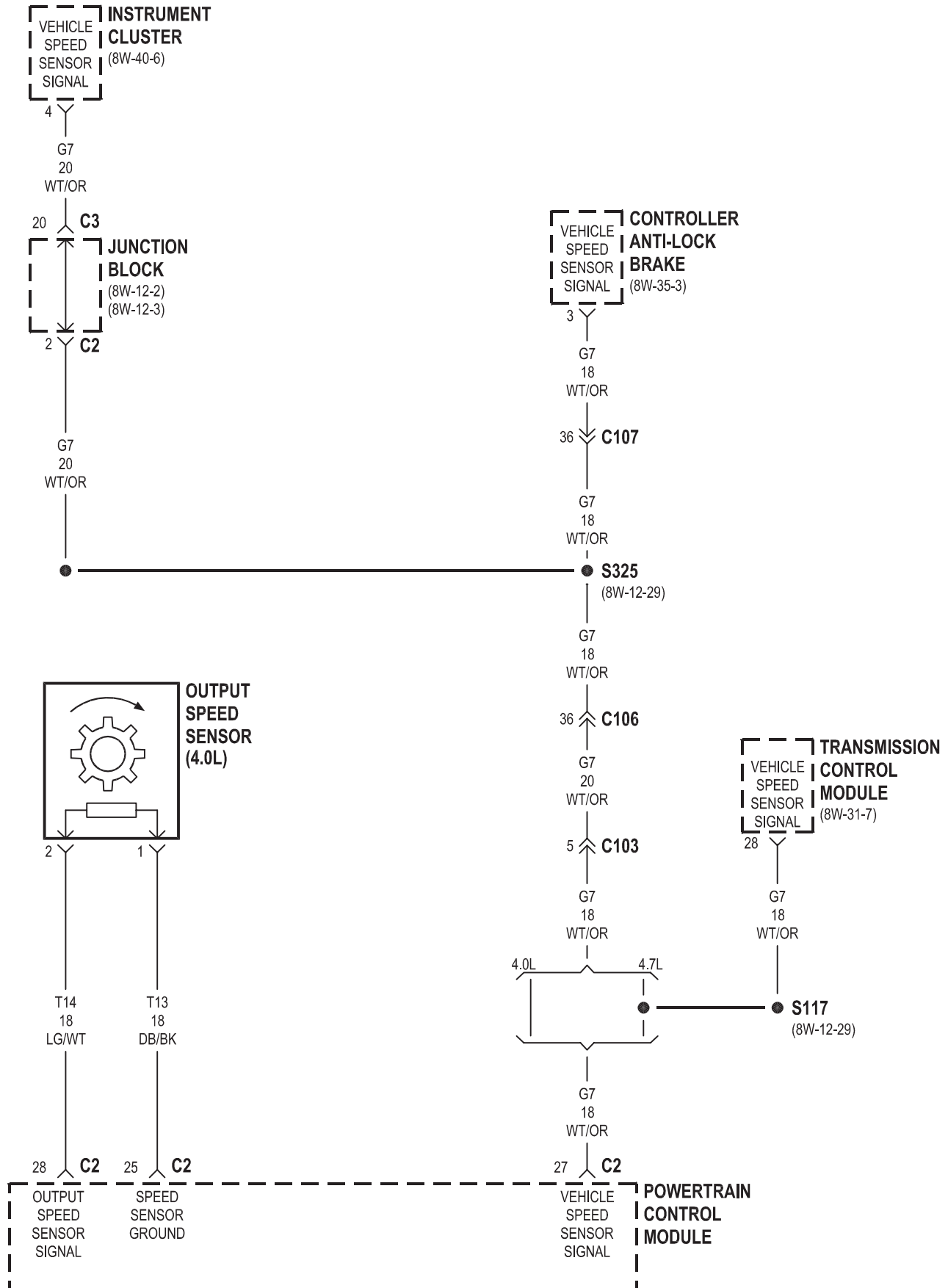


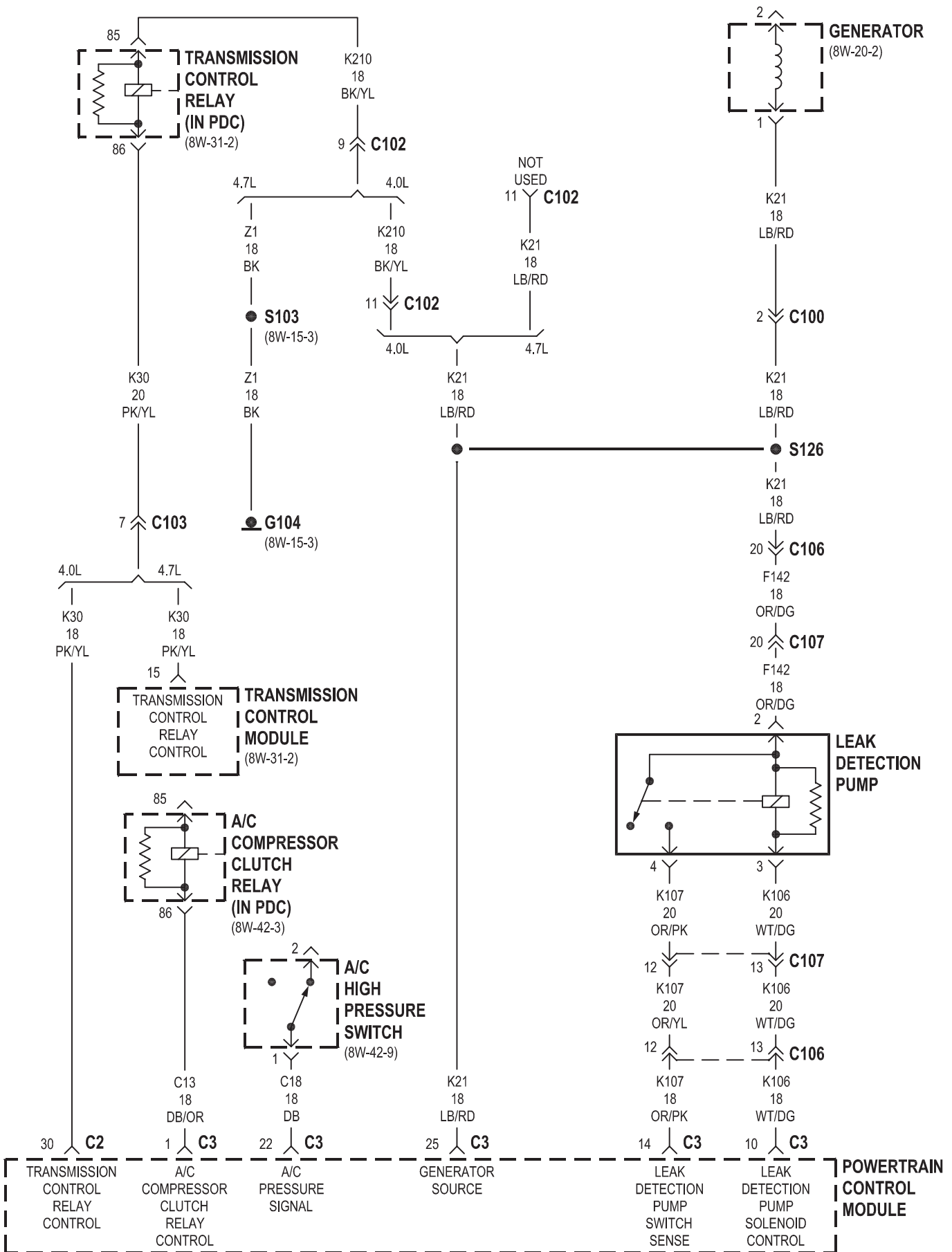


4.0L

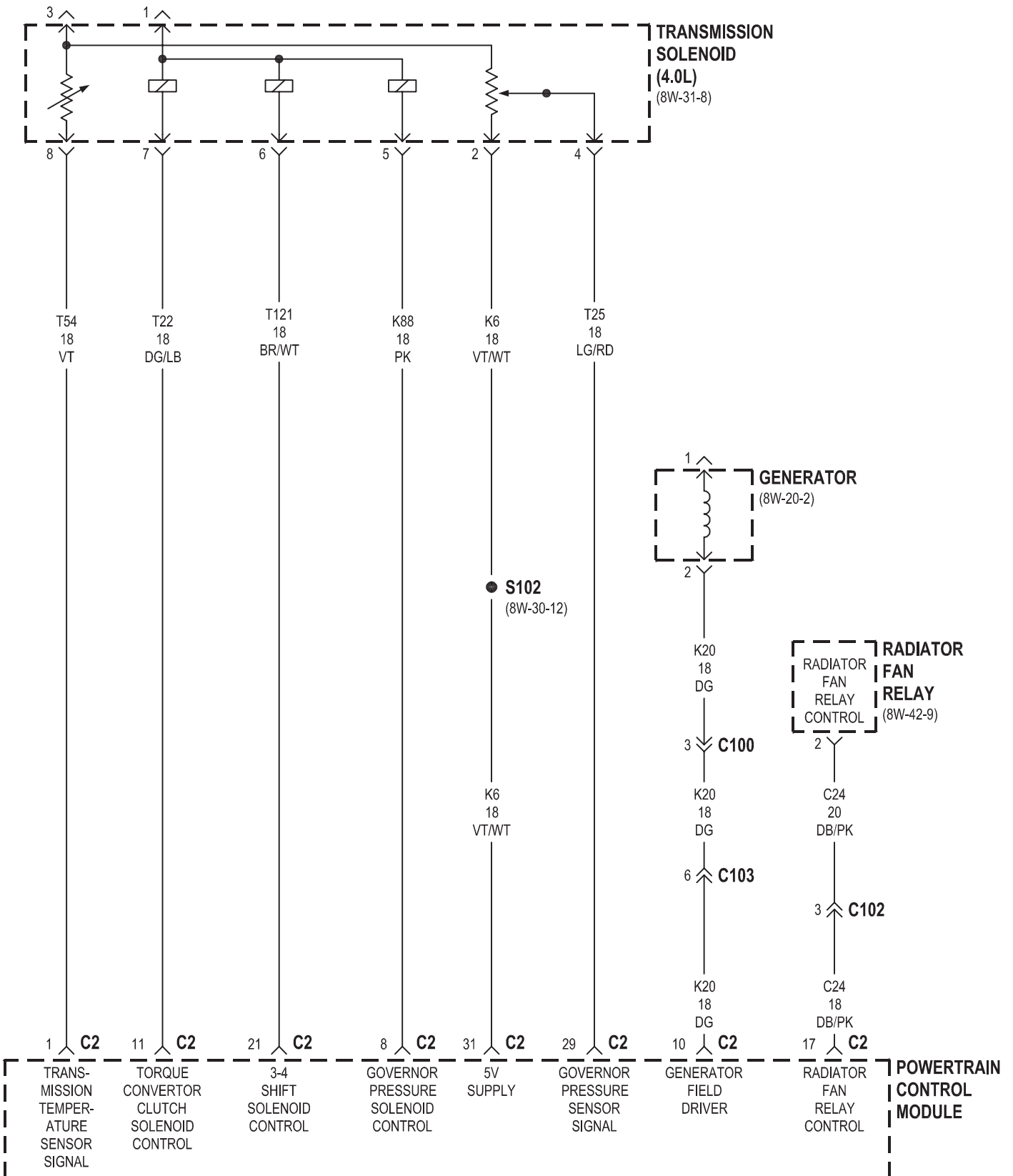


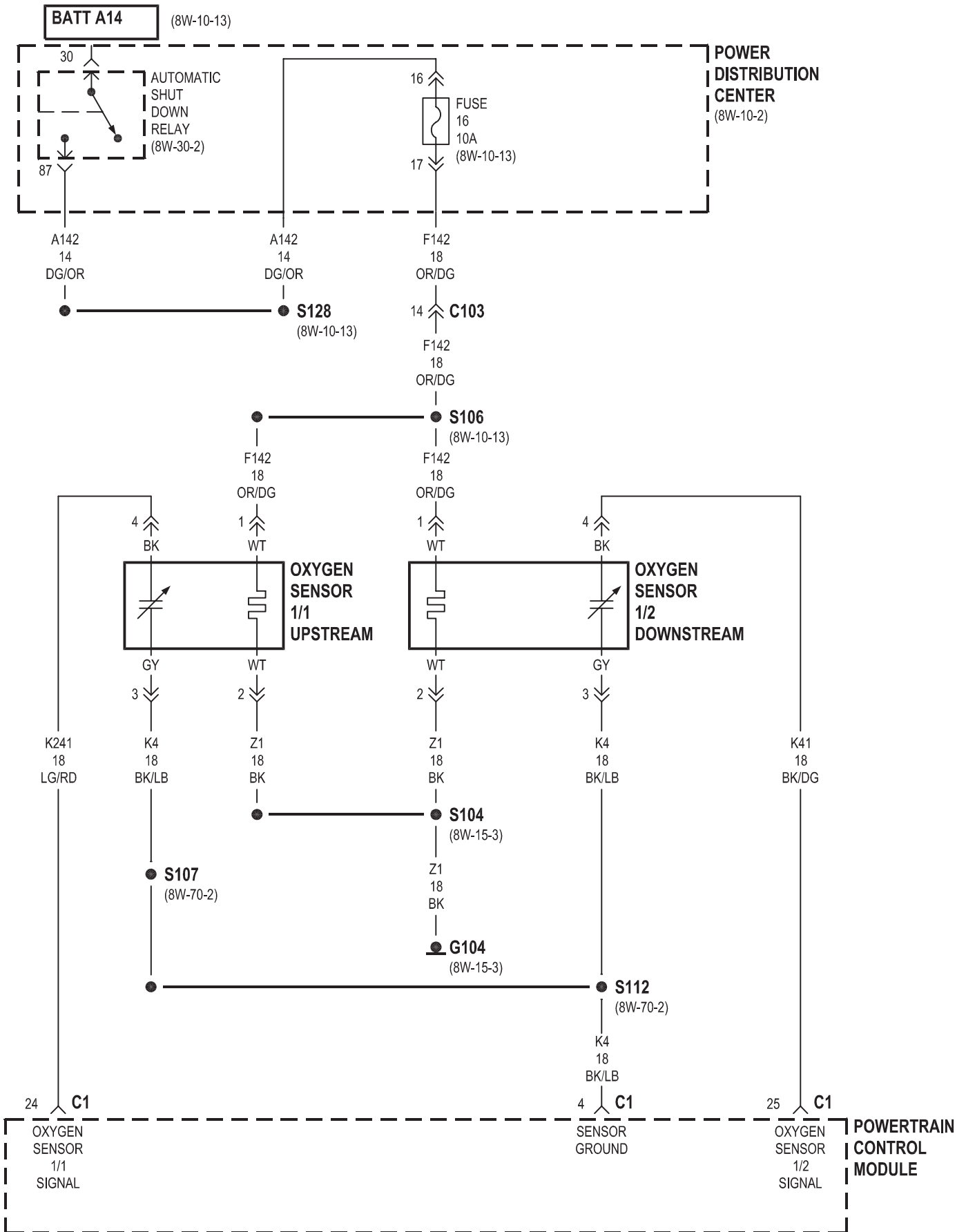




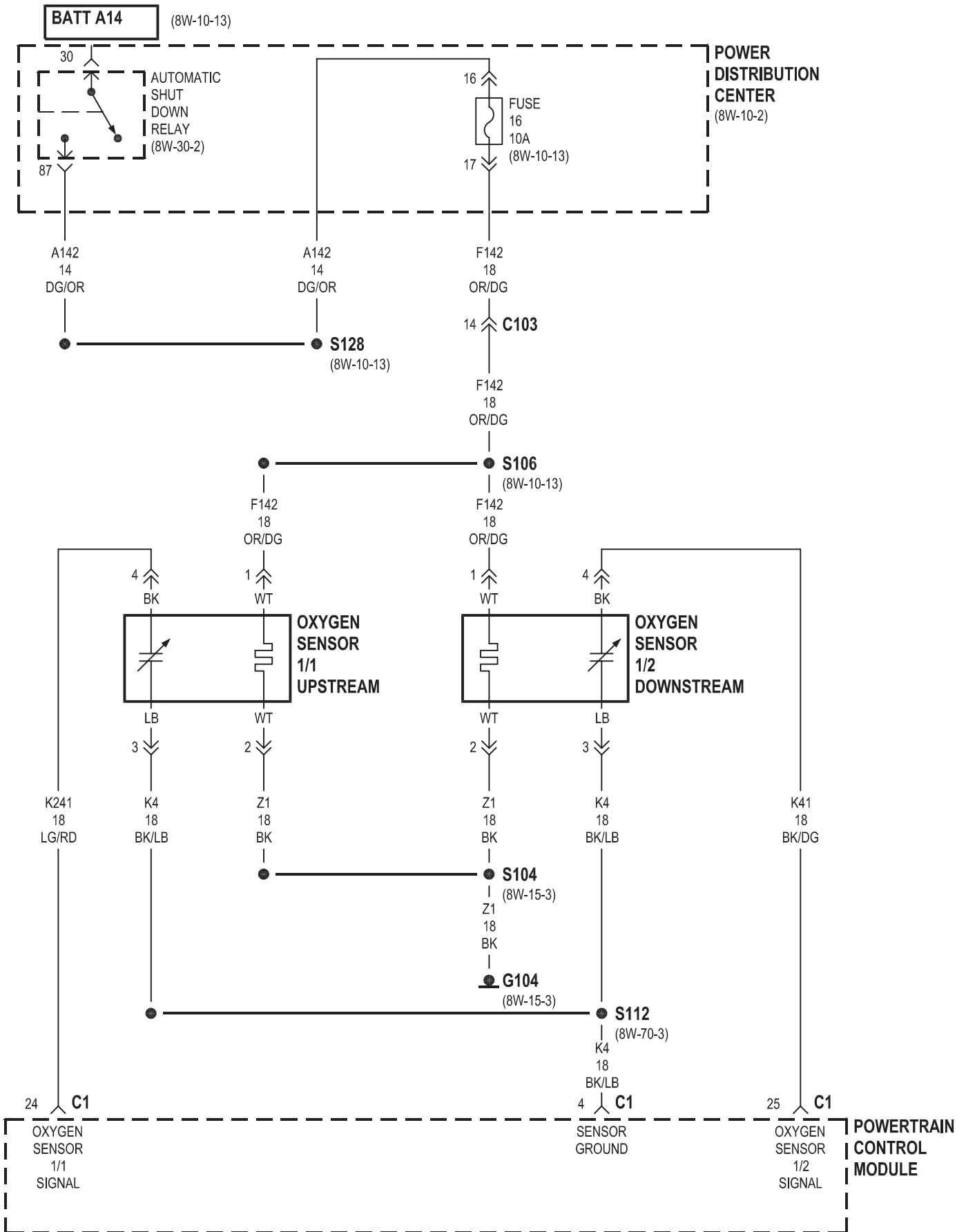


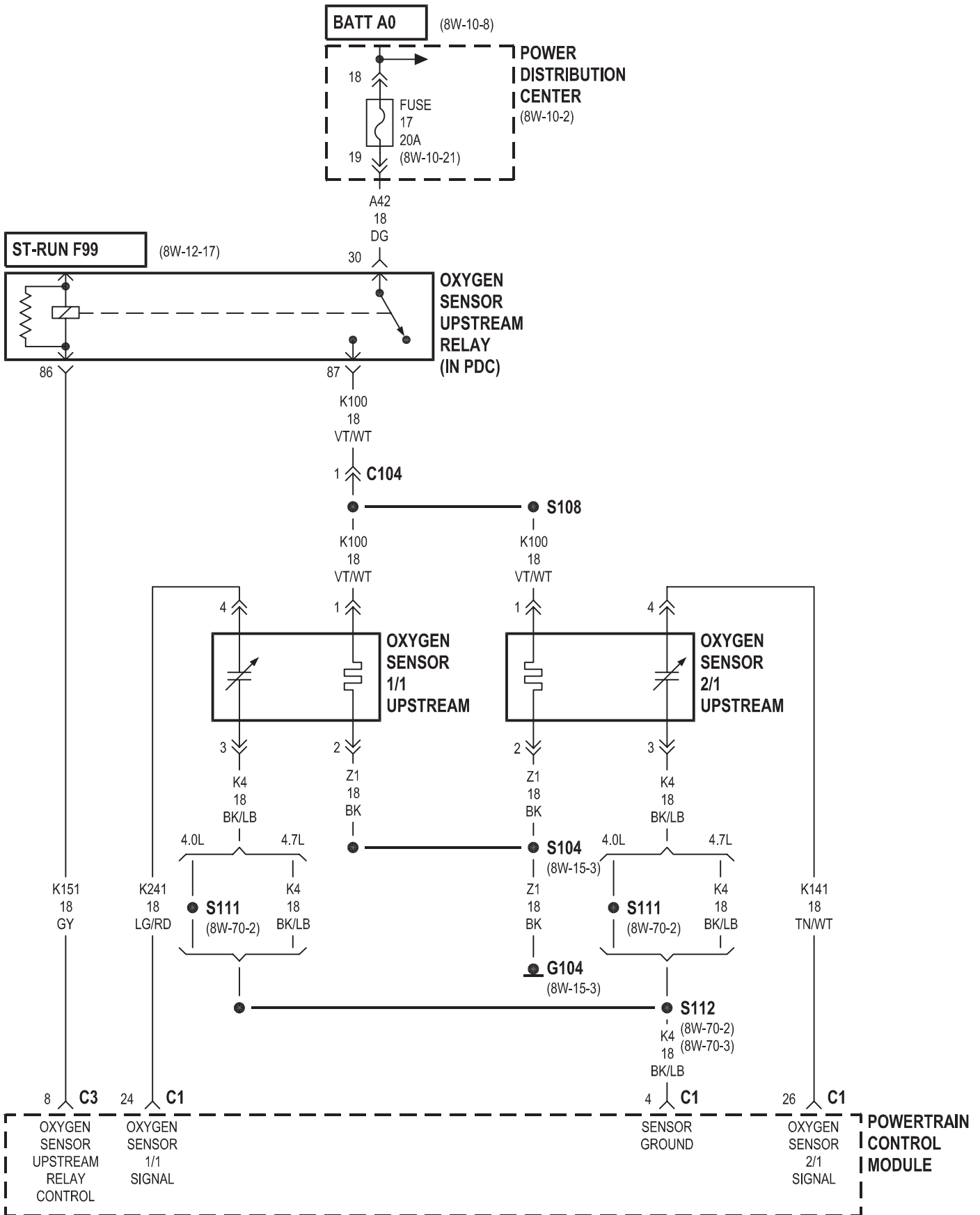


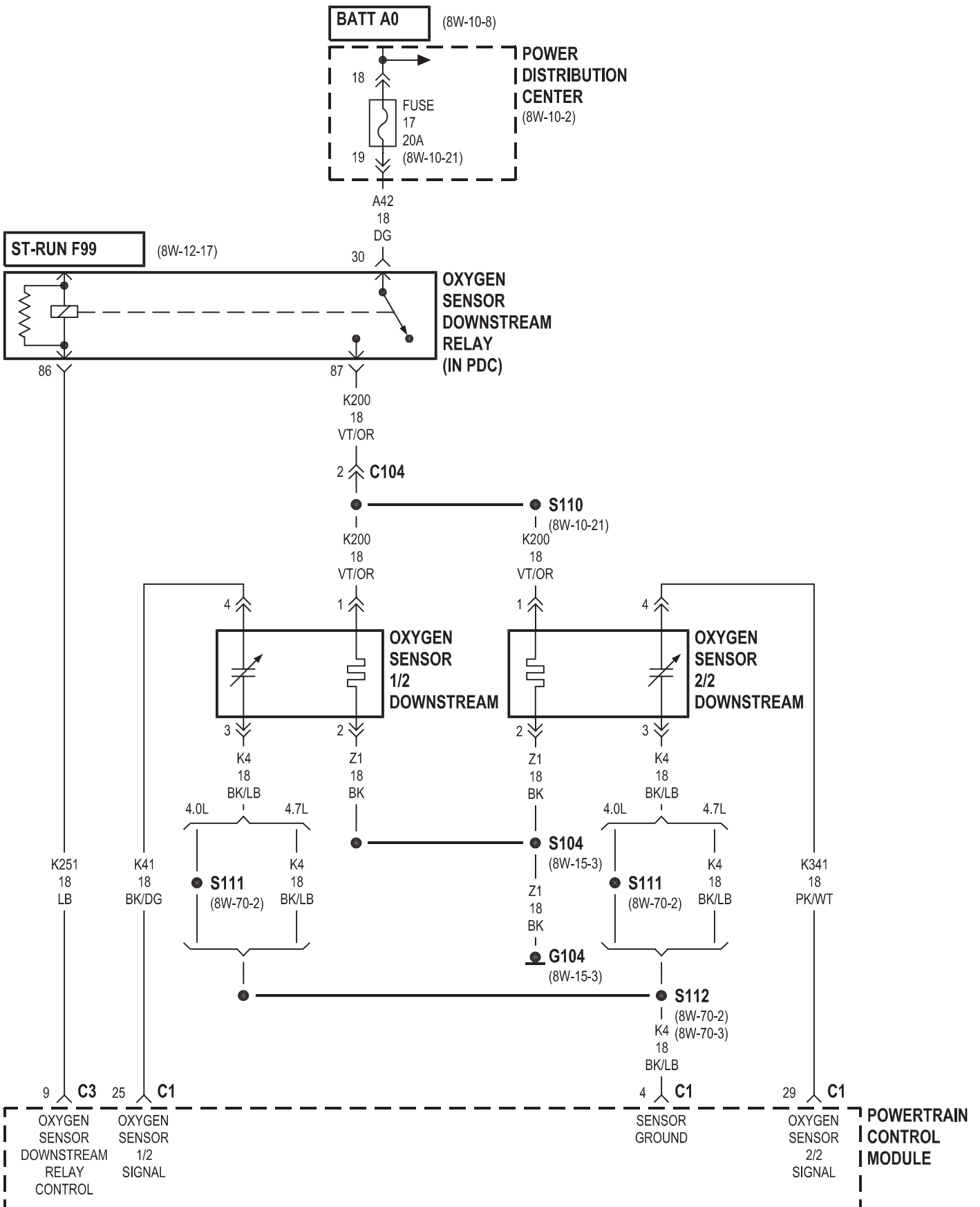




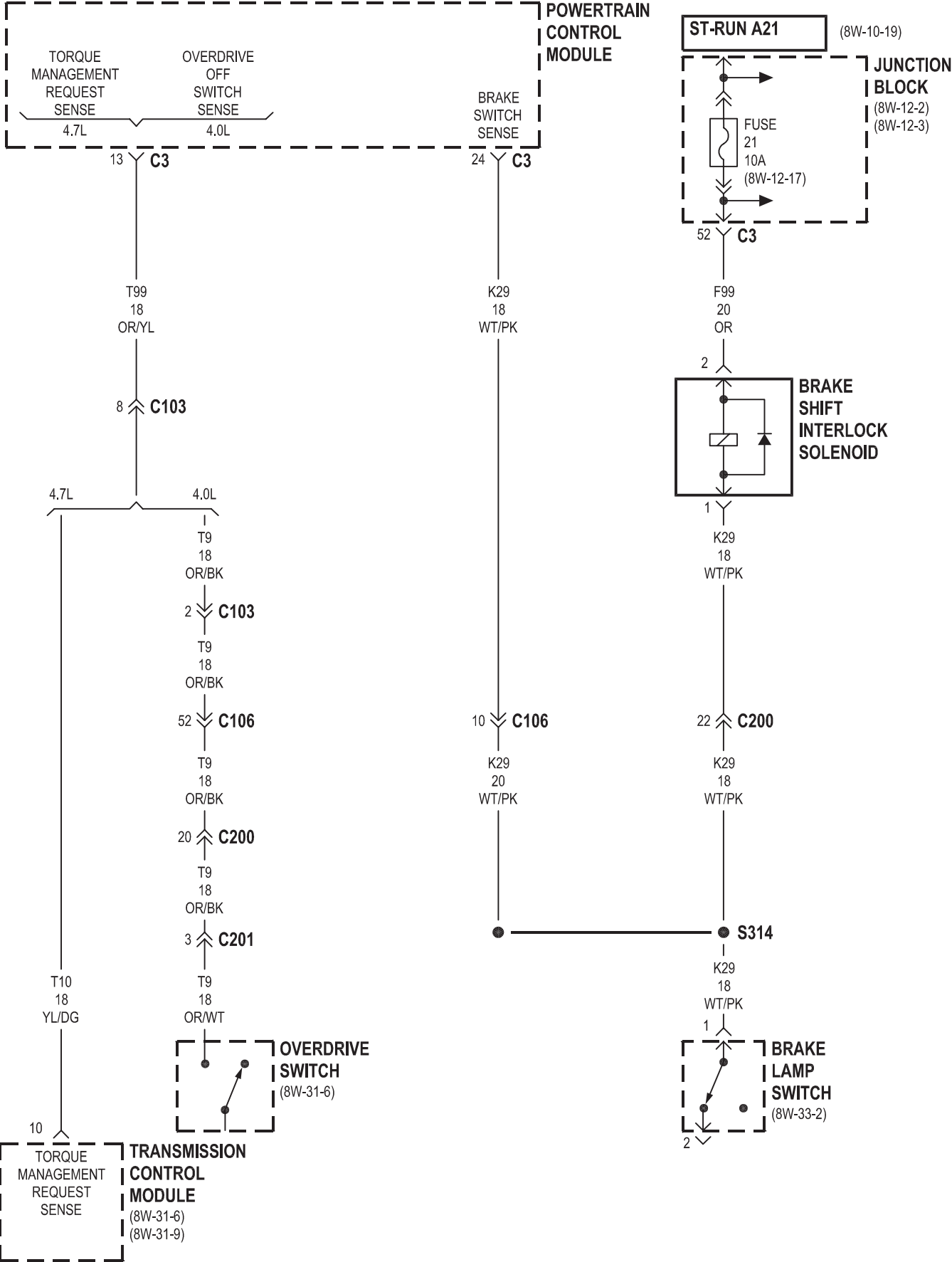
4.7L

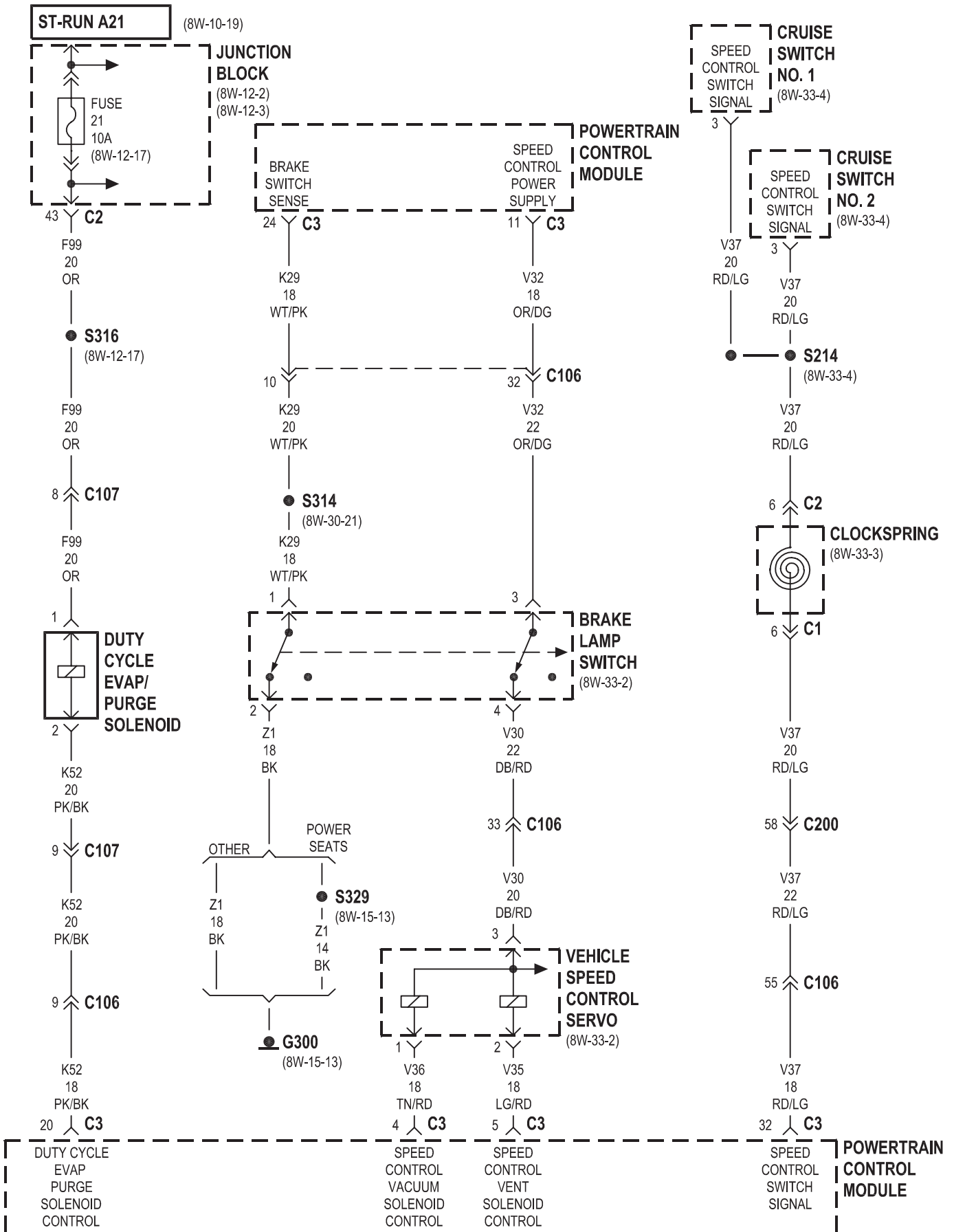


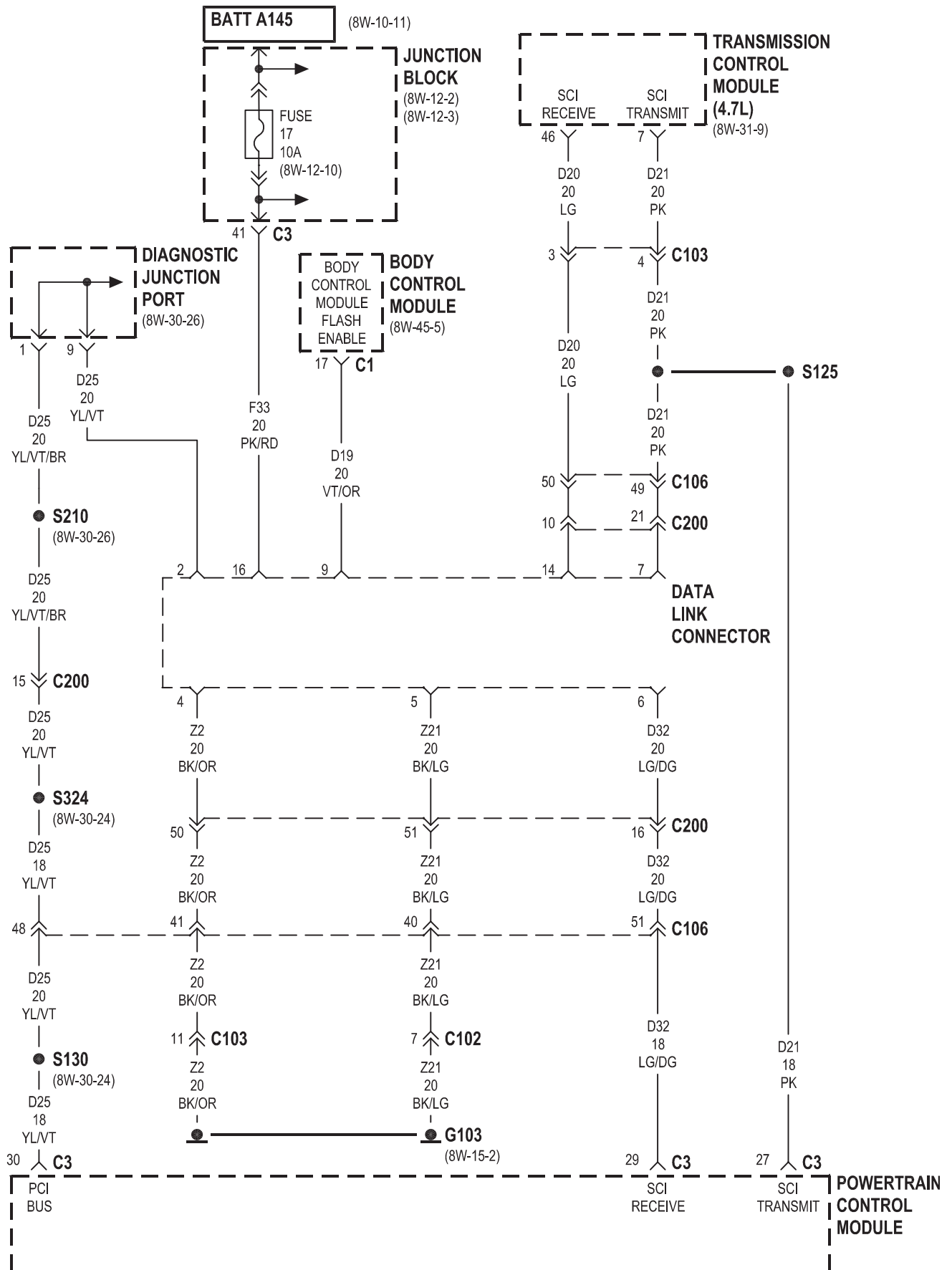


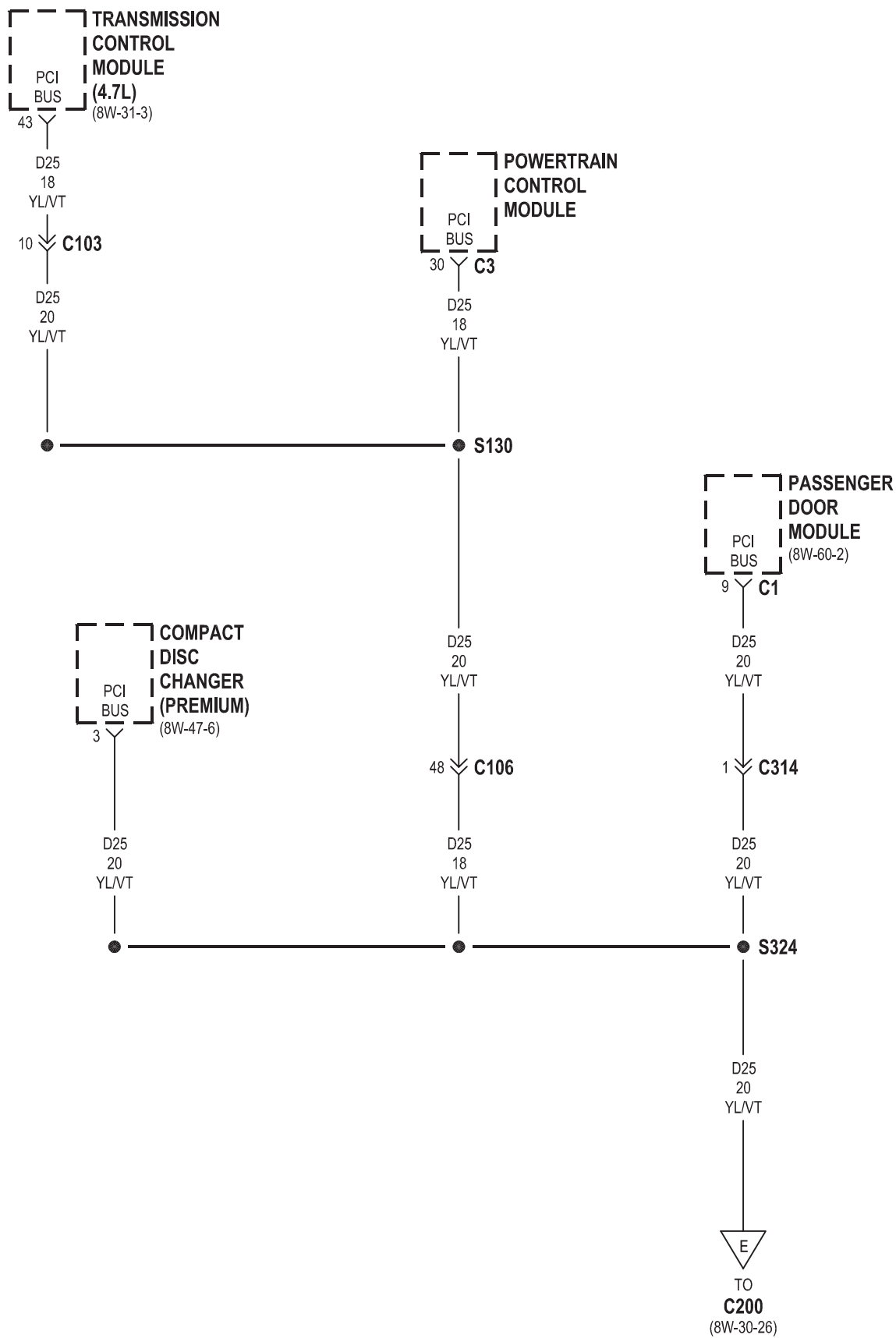


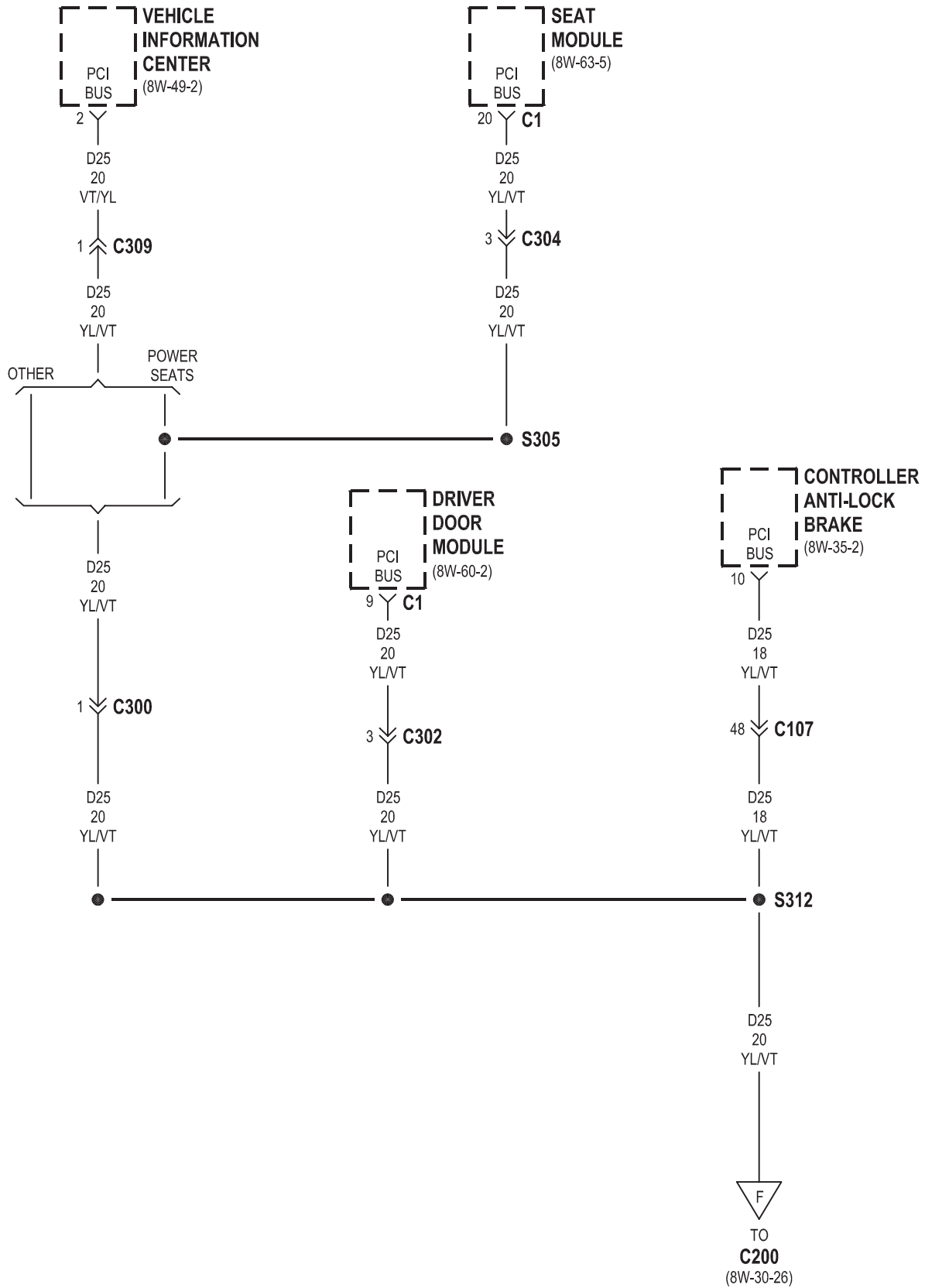




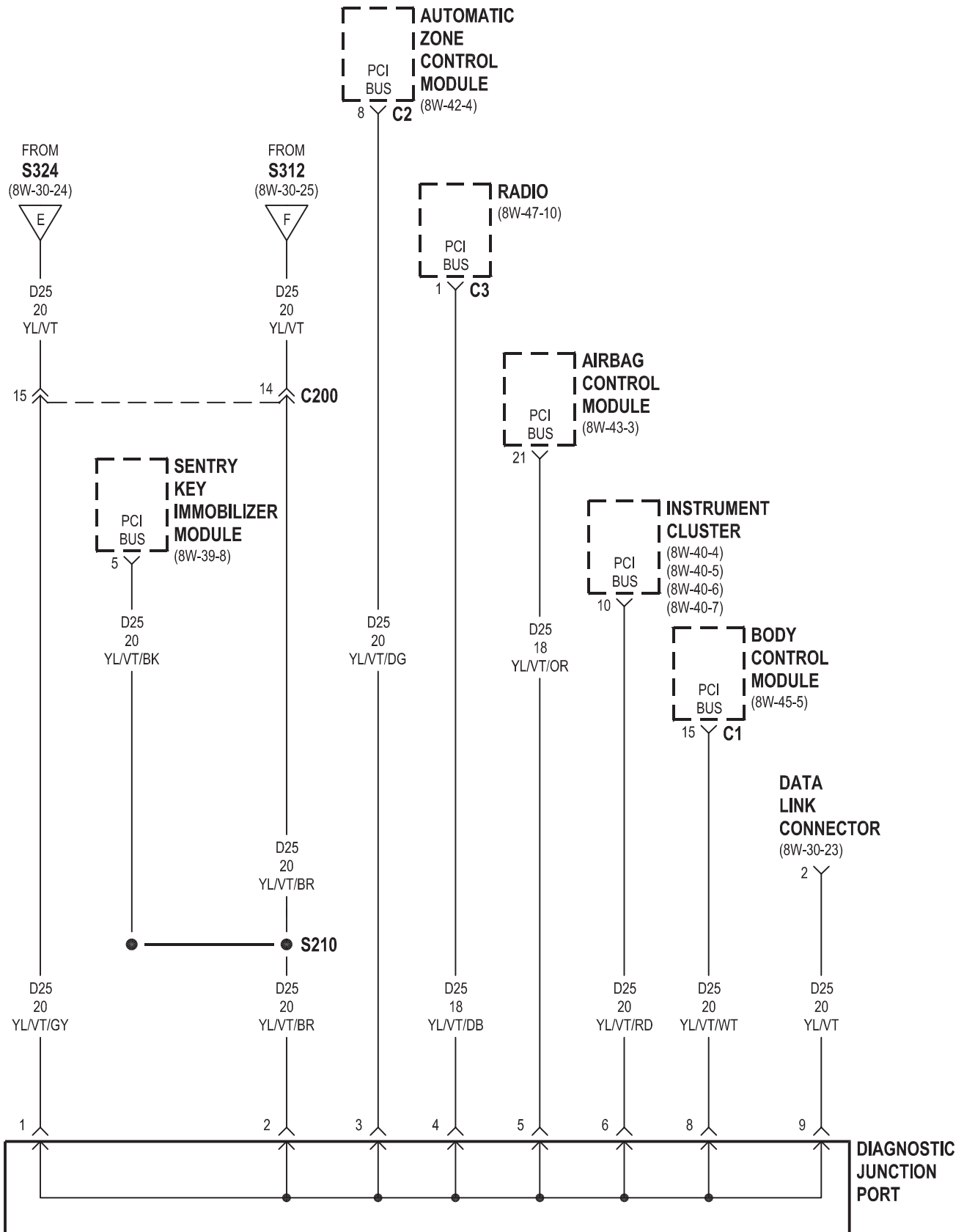






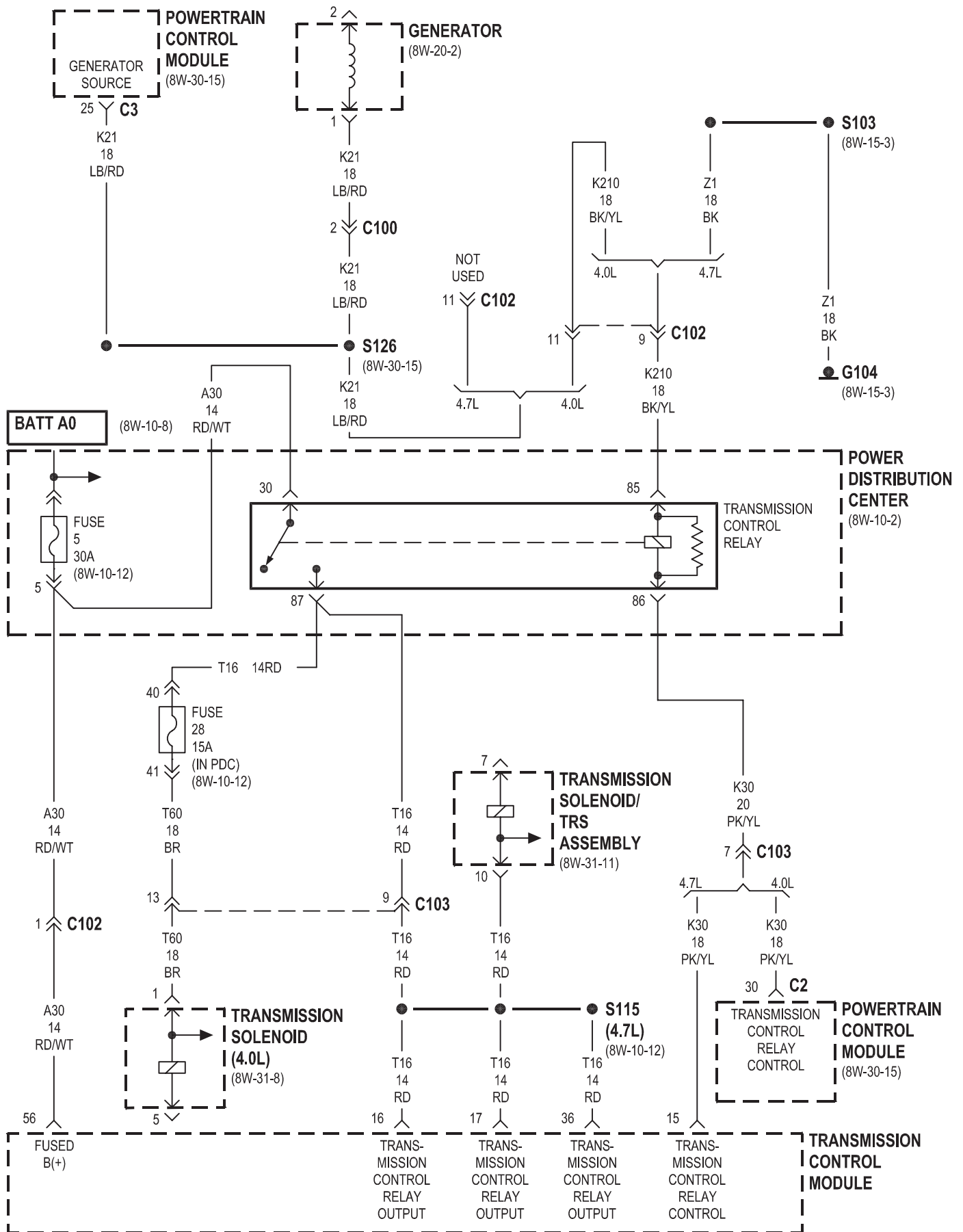




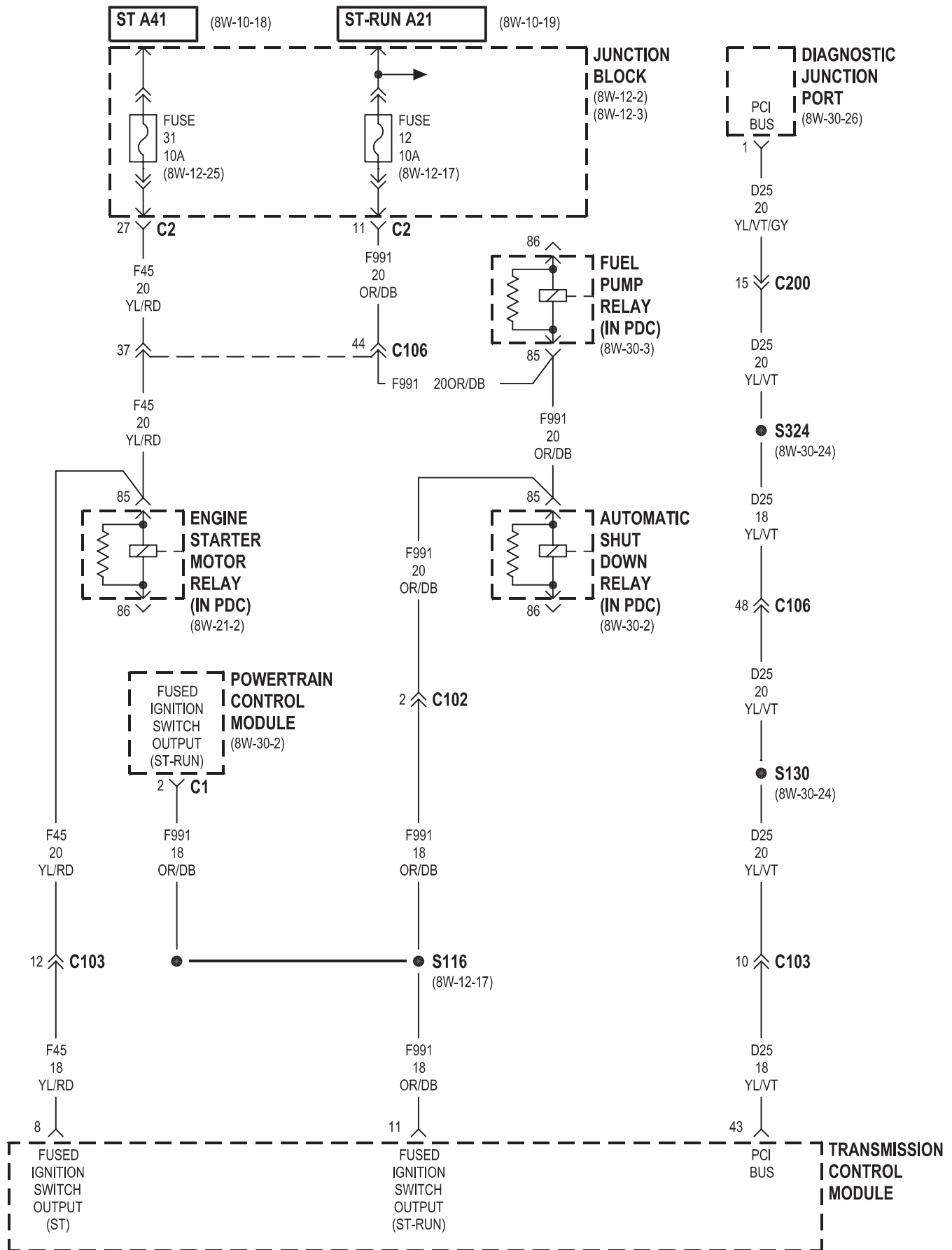


## 8W-31 TRANSMISSION CONTROL SYSTEM

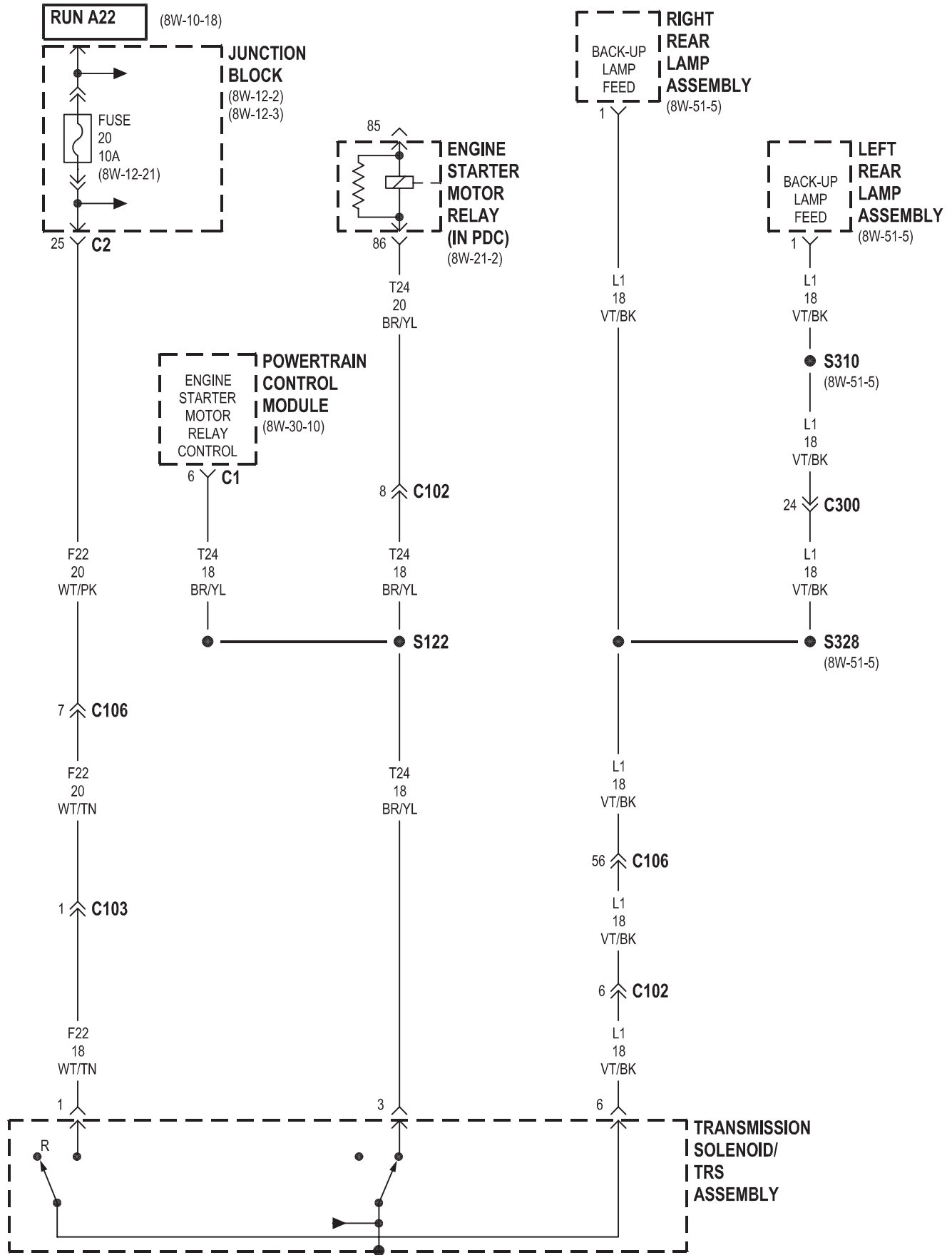
<b>Component</b>	<b>Page</b>	<b>Component</b>	<b>Page</b>
Automatic Shut Down Relay . . . . .	8W-31-3	Left Rear Lamp Assembly . . . . .	8W-31-4, 5
Controller Anti-Lock Brake . . . . .	8W-31-7	Line Pressure Sensor . . . . .	8W-31-12
Crankshaft Position Sensor . . . . .	8W-31-6	Output Speed Sensor . . . . .	8W-31-8, 12
Data Link Connector . . . . .	8W-31-9	Overdrive Switch . . . . .	8W-31-6, 9
Diagnostic Junction Port . . . . .	8W-31-3	Park/Neutral Position Switch . . . . .	8W-31-5
Engine Starter Motor Relay . . . . .	8W-31-3, 4, 5, 11	Power Distribution Center . . . . .	8W-31-2, 8
Fuel Pump Relay . . . . .	8W-31-3	Powertrain Control Module . . . . .	8W-31-2, 3, 4, 5, 6, 7, 8, 9
Fuse 5 (PDC) . . . . .	8W-31-2	Right Rear Lamp Assembly . . . . .	8W-31-4, 5
Fuse 12 (JB) . . . . .	8W-31-3	Throttle Position Sensor . . . . .	8W-31-7
Fuse 20 (JB) . . . . .	8W-31-4, 5	Transfer Case Switch . . . . .	8W-31-5
Fuse 28 (PDC) . . . . .	8W-31-2, 8, 10	Transmission Control Module . . . .	8W-31-2, 3, 6, 7, 9, 10, 11,
Fuse 31 (JB) . . . . .	8W-31-3	Transmission Control Relay . . . . .	8W-31-2, 8, 10, 11
G102 . . . . .	8W-31-10, 12	Transmission Solenoid . . . . .	8W-31-2, 8
G104 . . . . .	8W-31-2, 5	Transmission Solenoid/TRS Assembly . .	8W-31-2, 4, 10, 11, 12
G200 . . . . .	8W-31-6, 9		
Generator . . . . .	8W-31-2		
Input Speed Sensor . . . . .	8W-31-12		
Instrument Cluster . . . . .	8W-31-5, 7		
Junction Block . . . . .	8W-31-3, 4, 5, 7		



4.7L

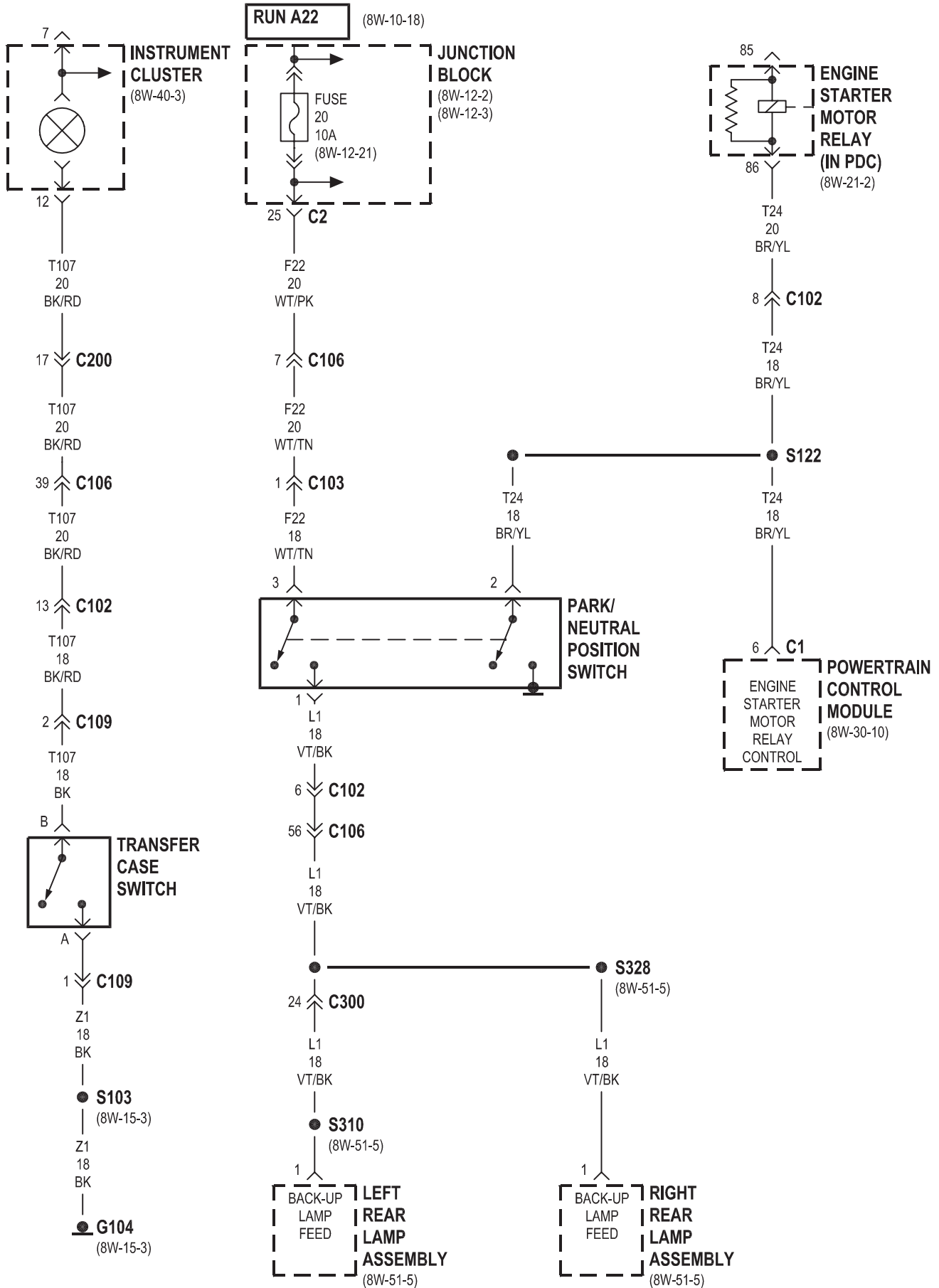


4.7L

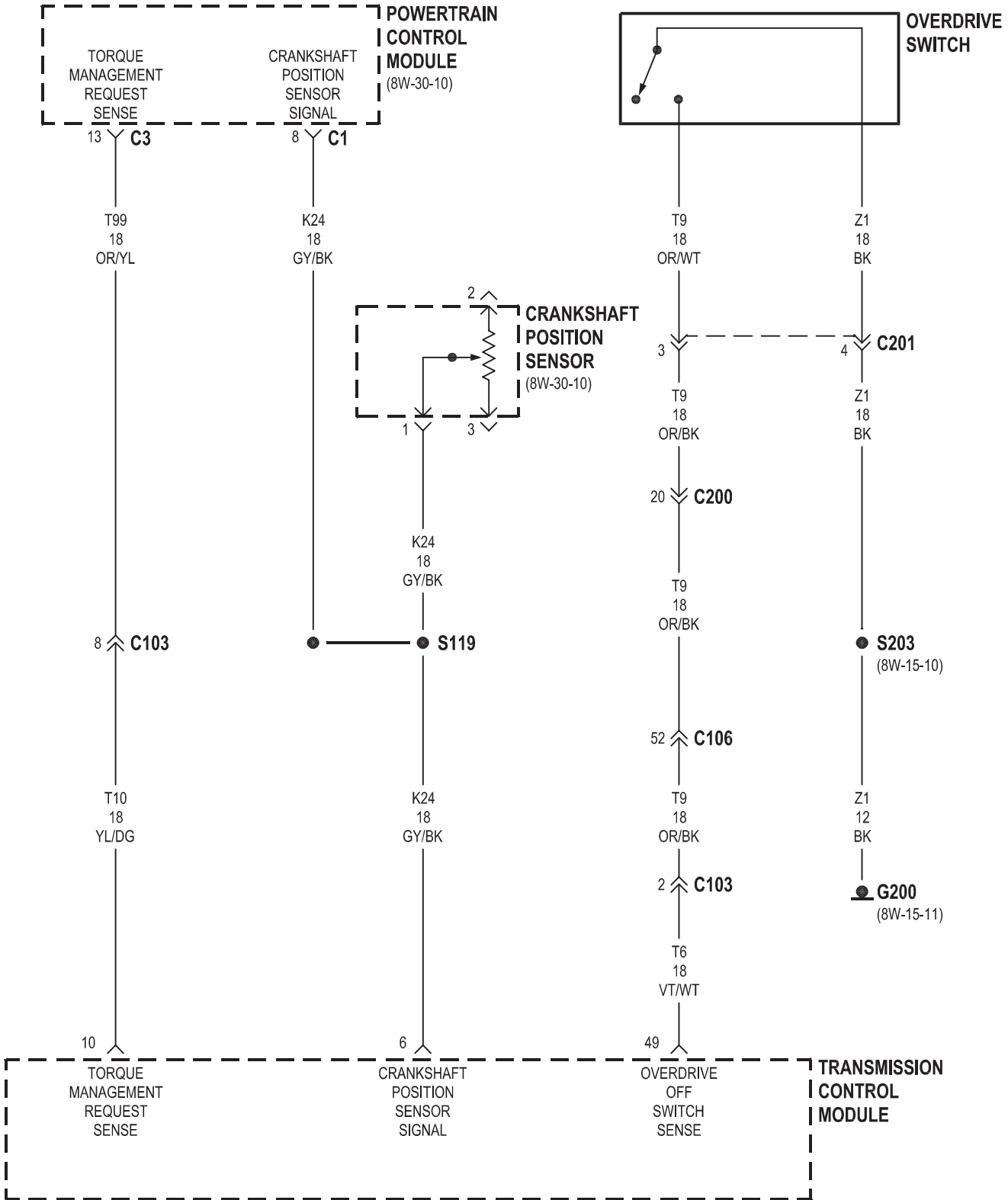


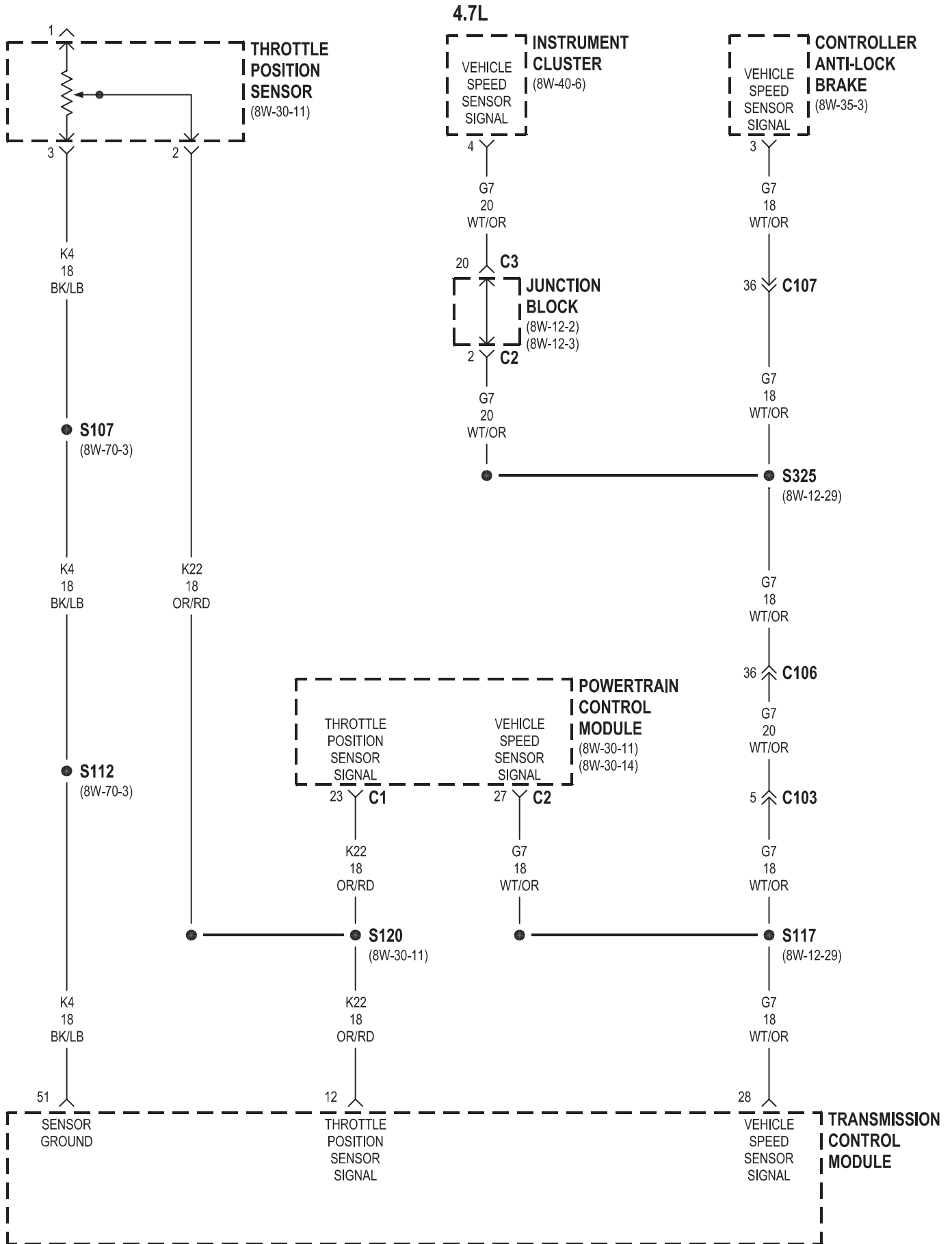


4.0L

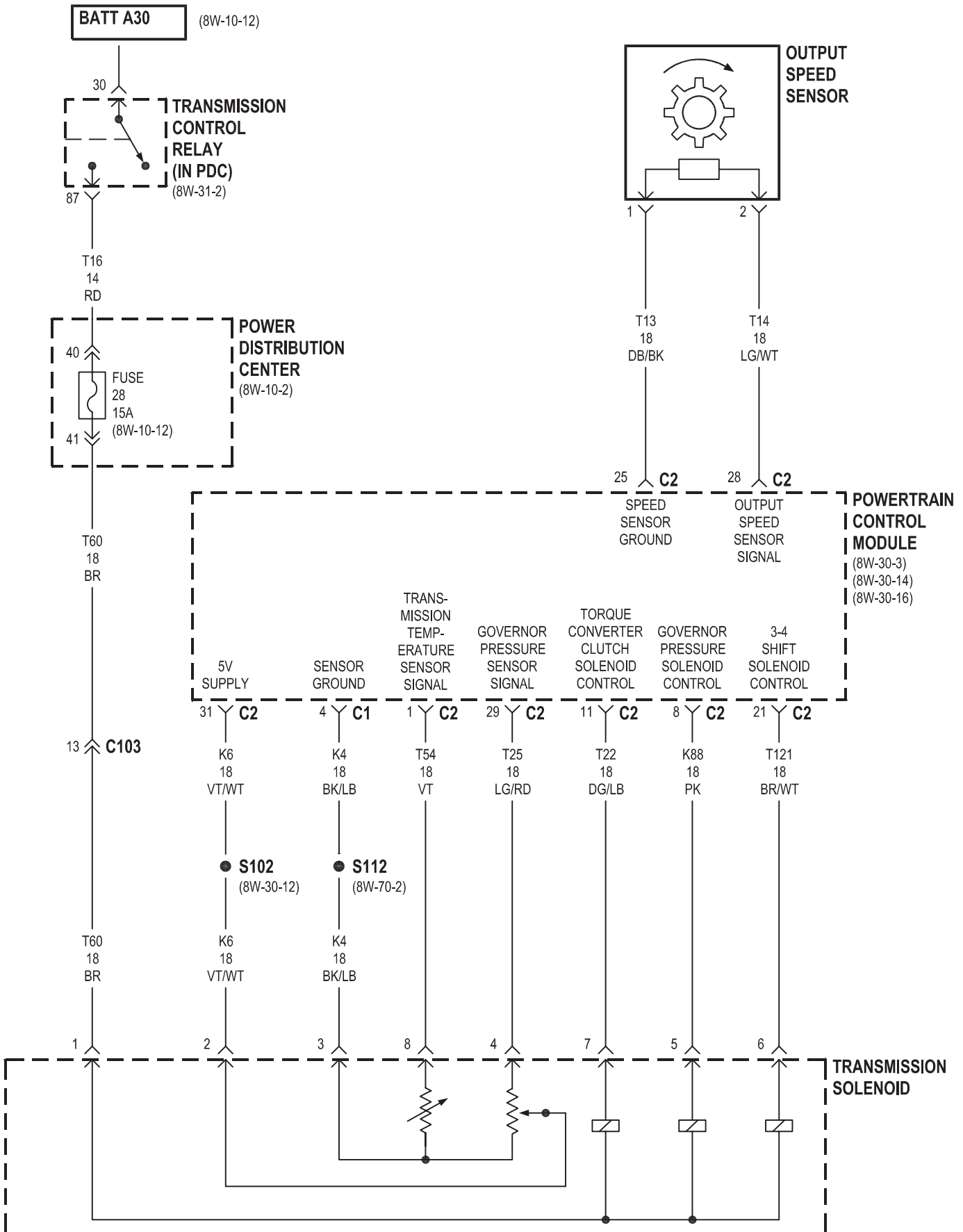


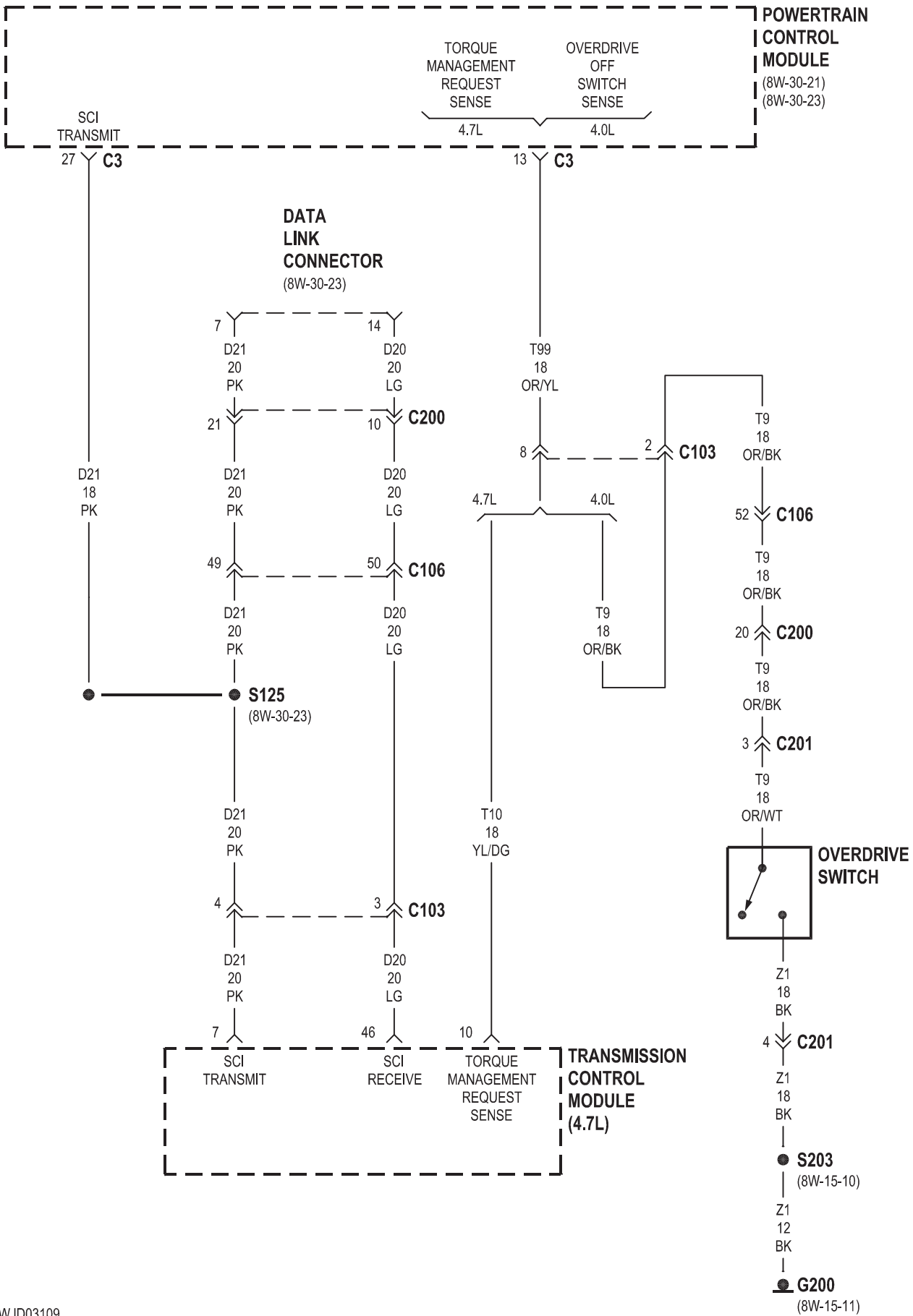
4.7L





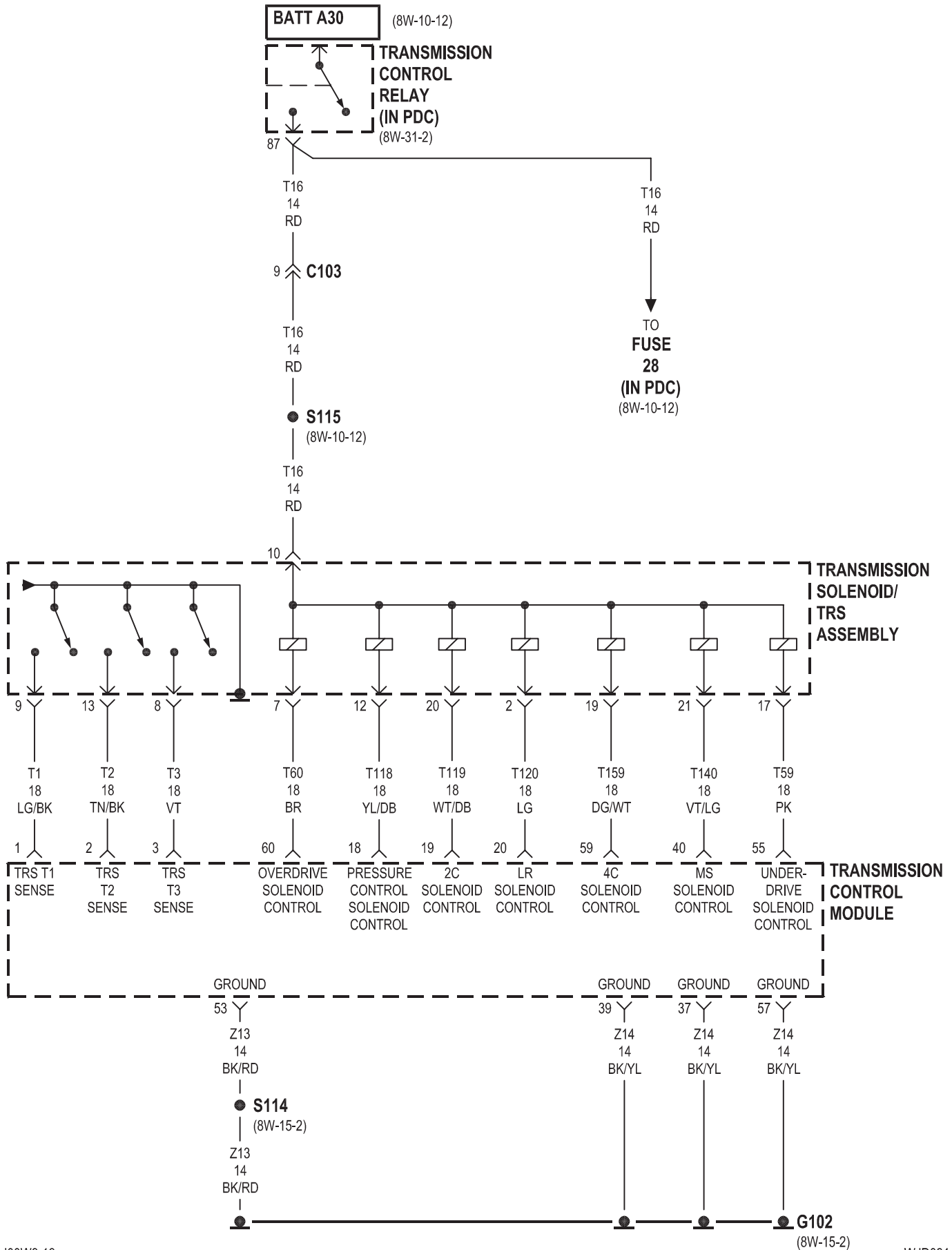
4.0L



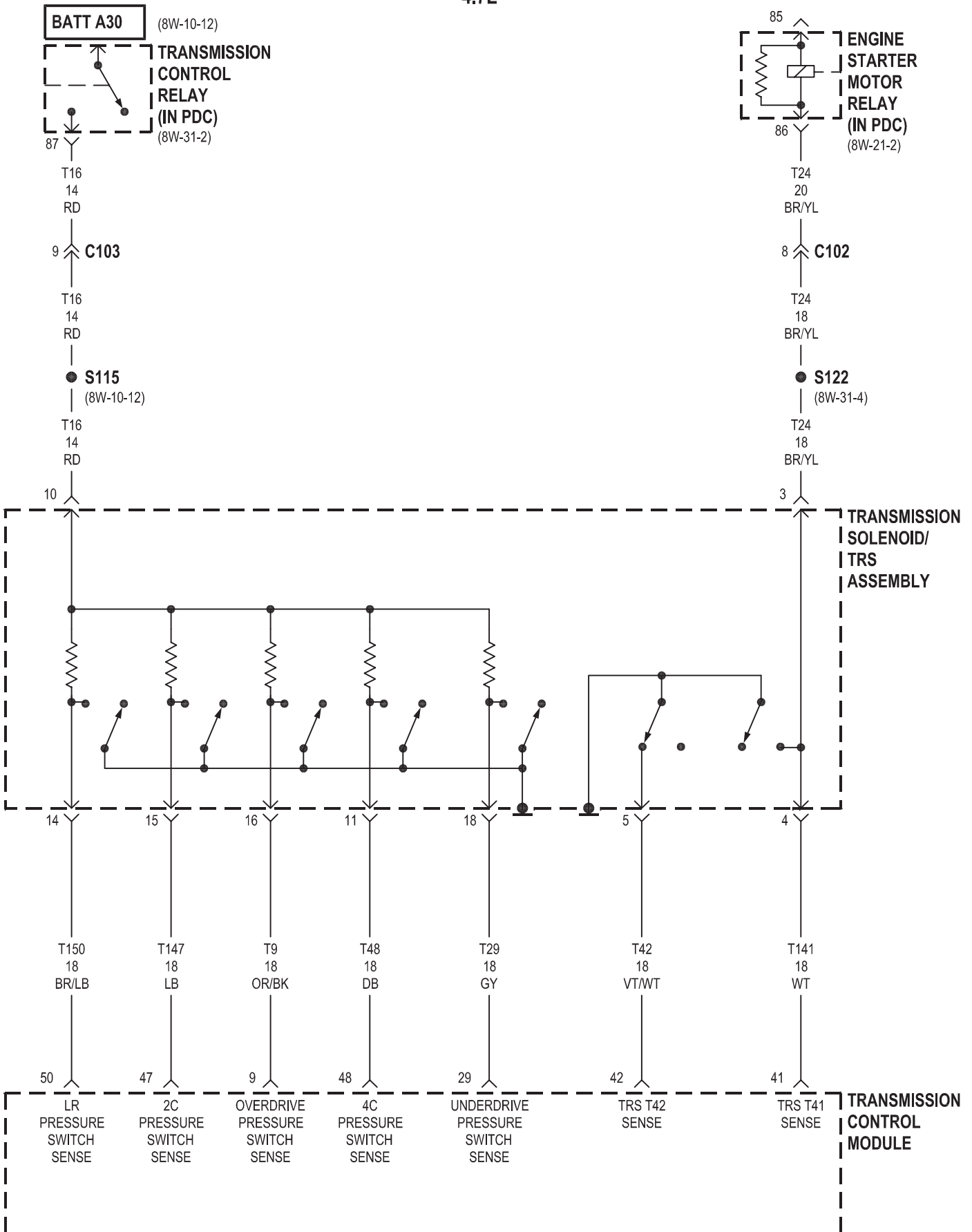




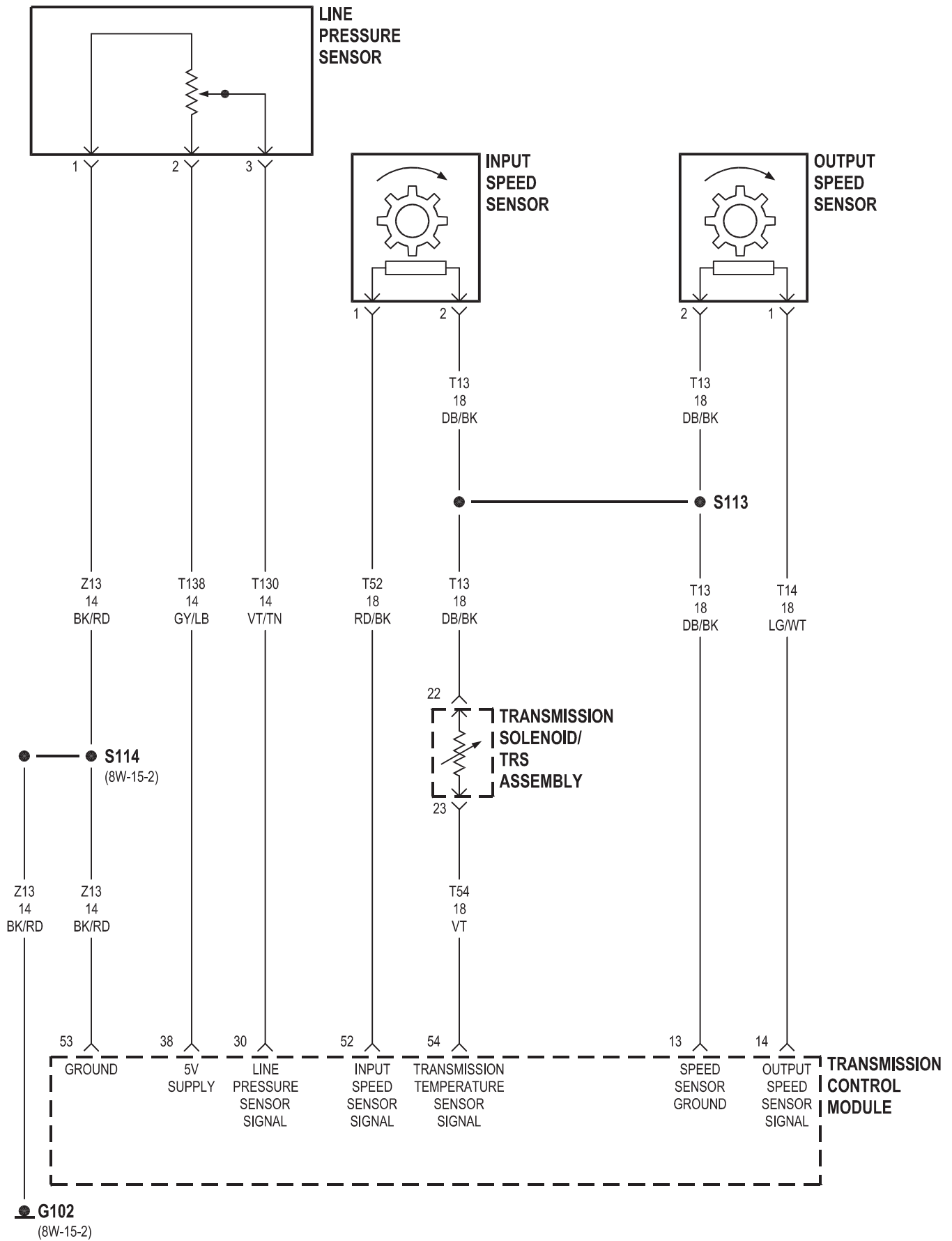
4.7L



4.7L

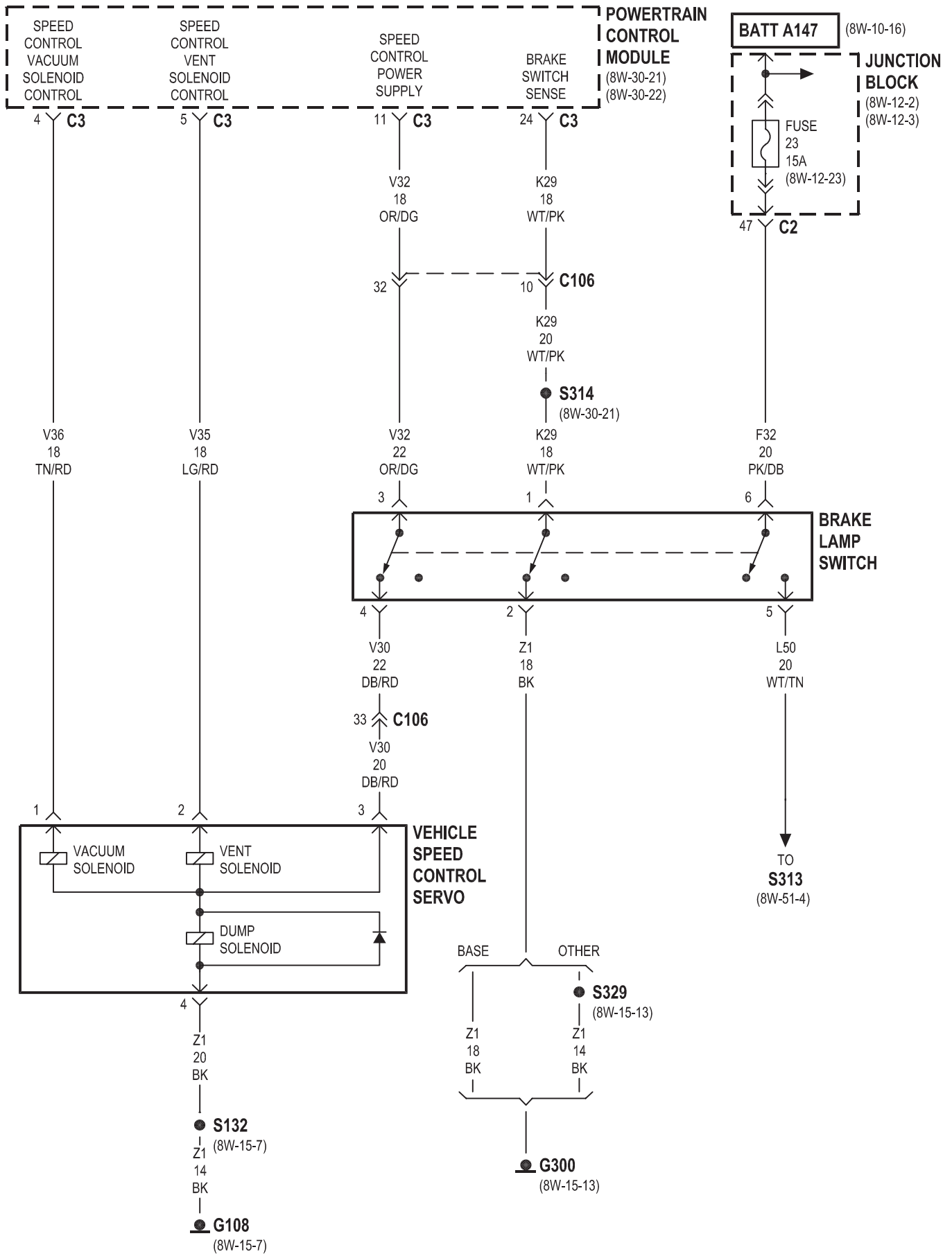


4.7L

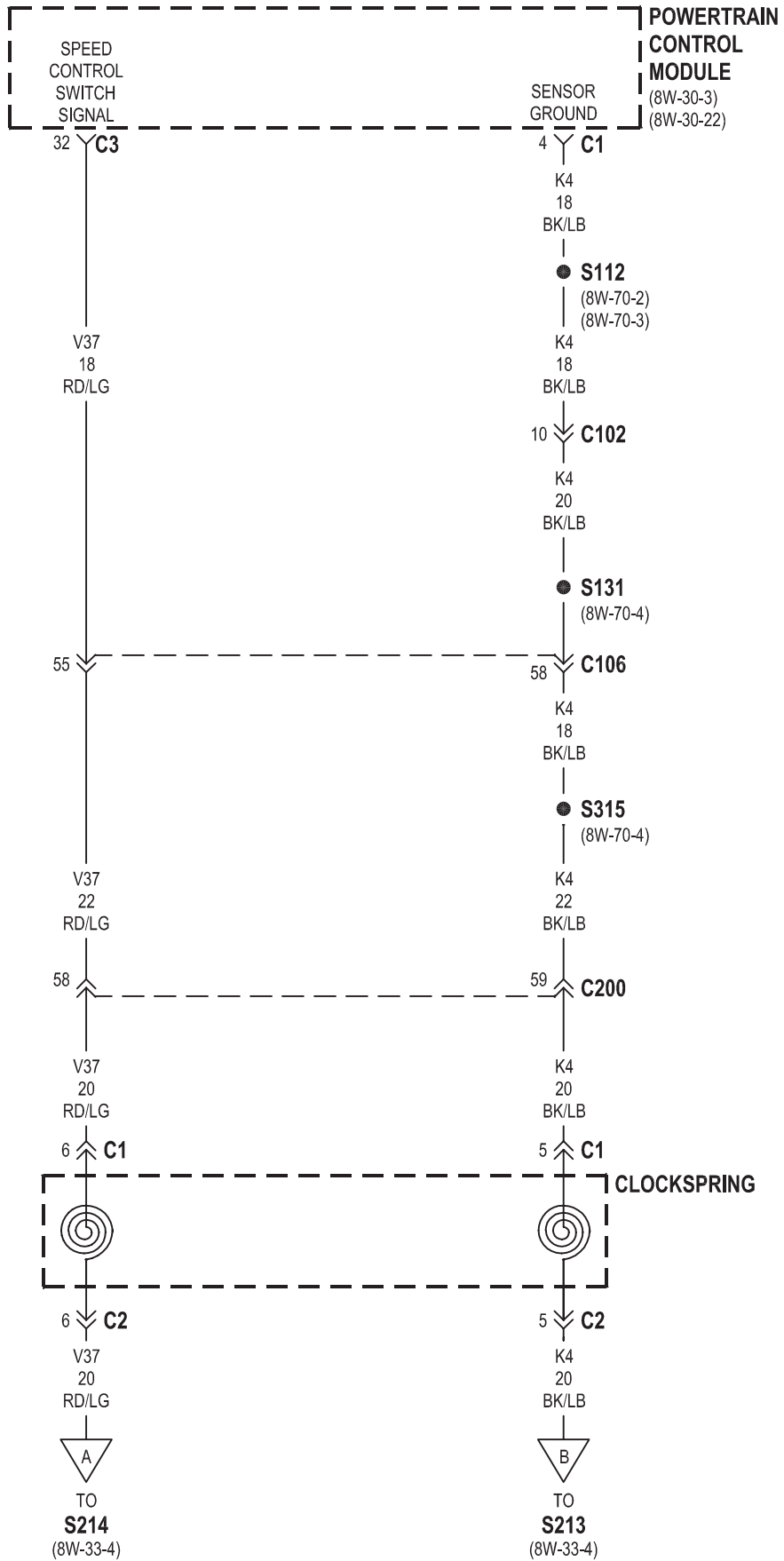


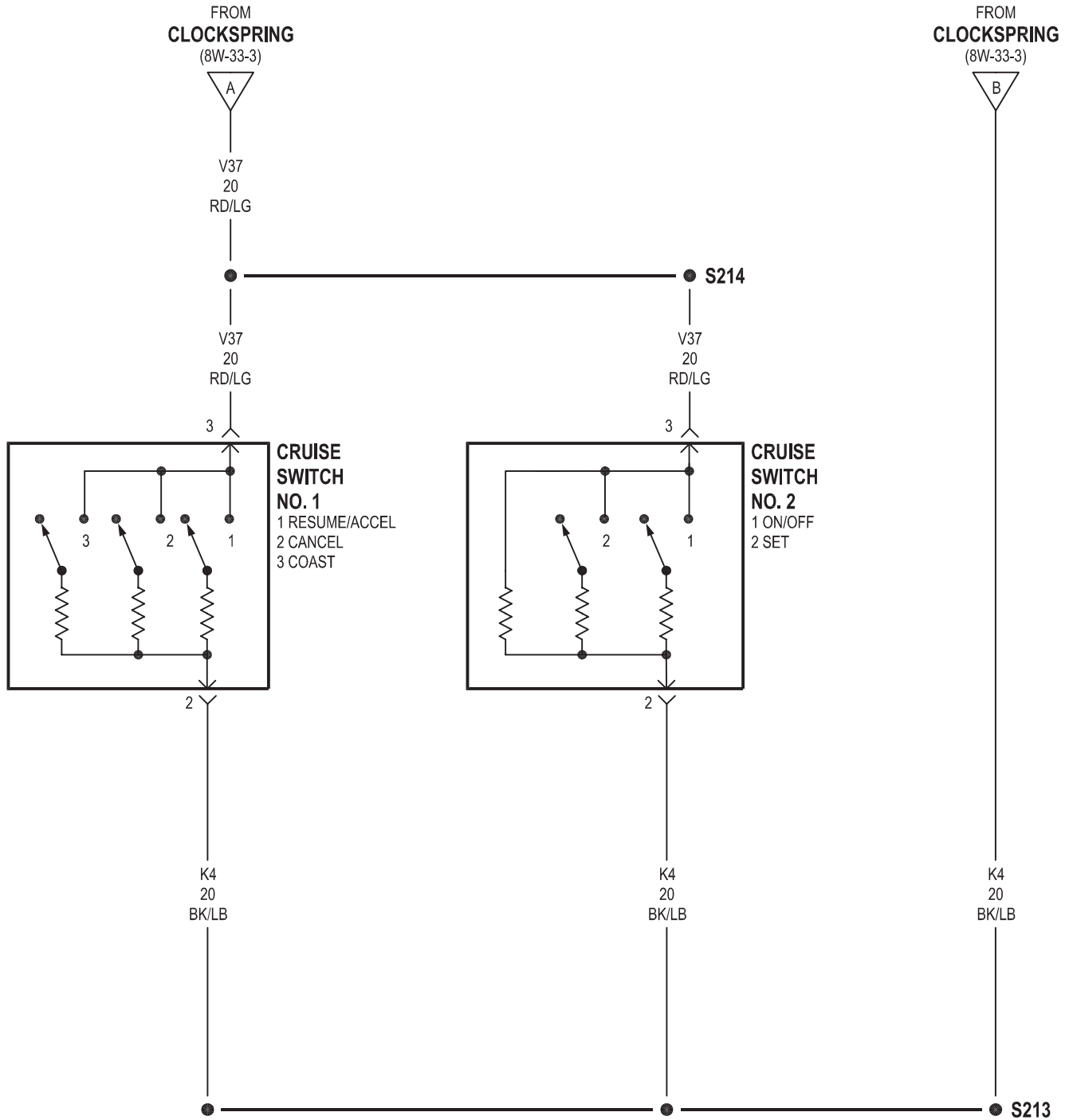
## 8W-33 VEHICLE SPEED CONTROL

<b>Component</b>	<b>Page</b>	<b>Component</b>	<b>Page</b>
Brake Lamp Switch .....	8W-33-2	G108 .....	8W-33-2
Clockspring .....	8W-33-3	G300 .....	8W-33-2
Cruise Switch No. 1 .....	8W-33-4	Junction Block .....	8W-33-2
Cruise Switch No. 2 .....	8W-33-4	Powertrain Control Module .....	8W-33-2, 3
Fuse 23 (JB) .....	8W-33-2	Vehicle Speed Control Servo .....	8W-33-2



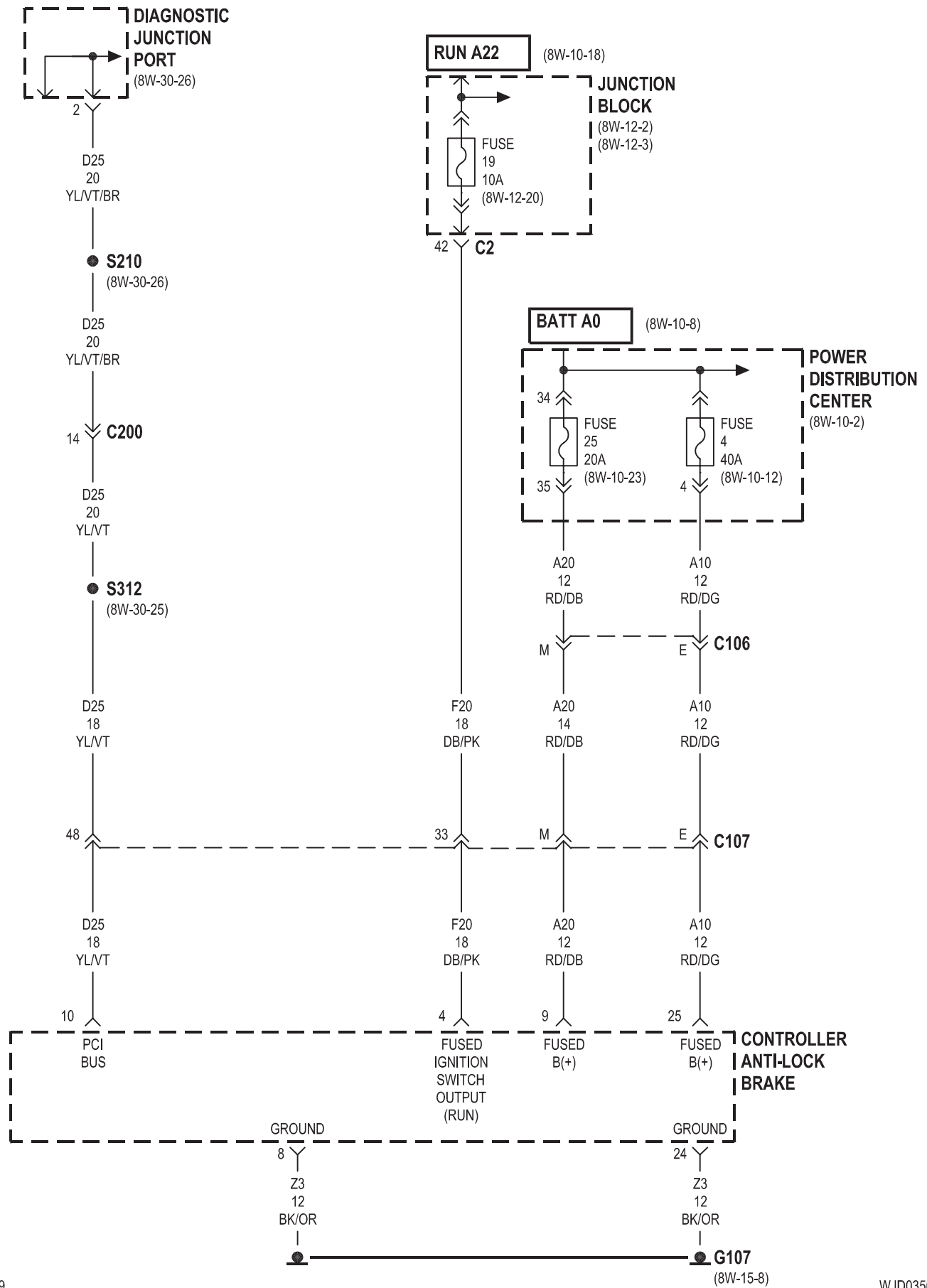


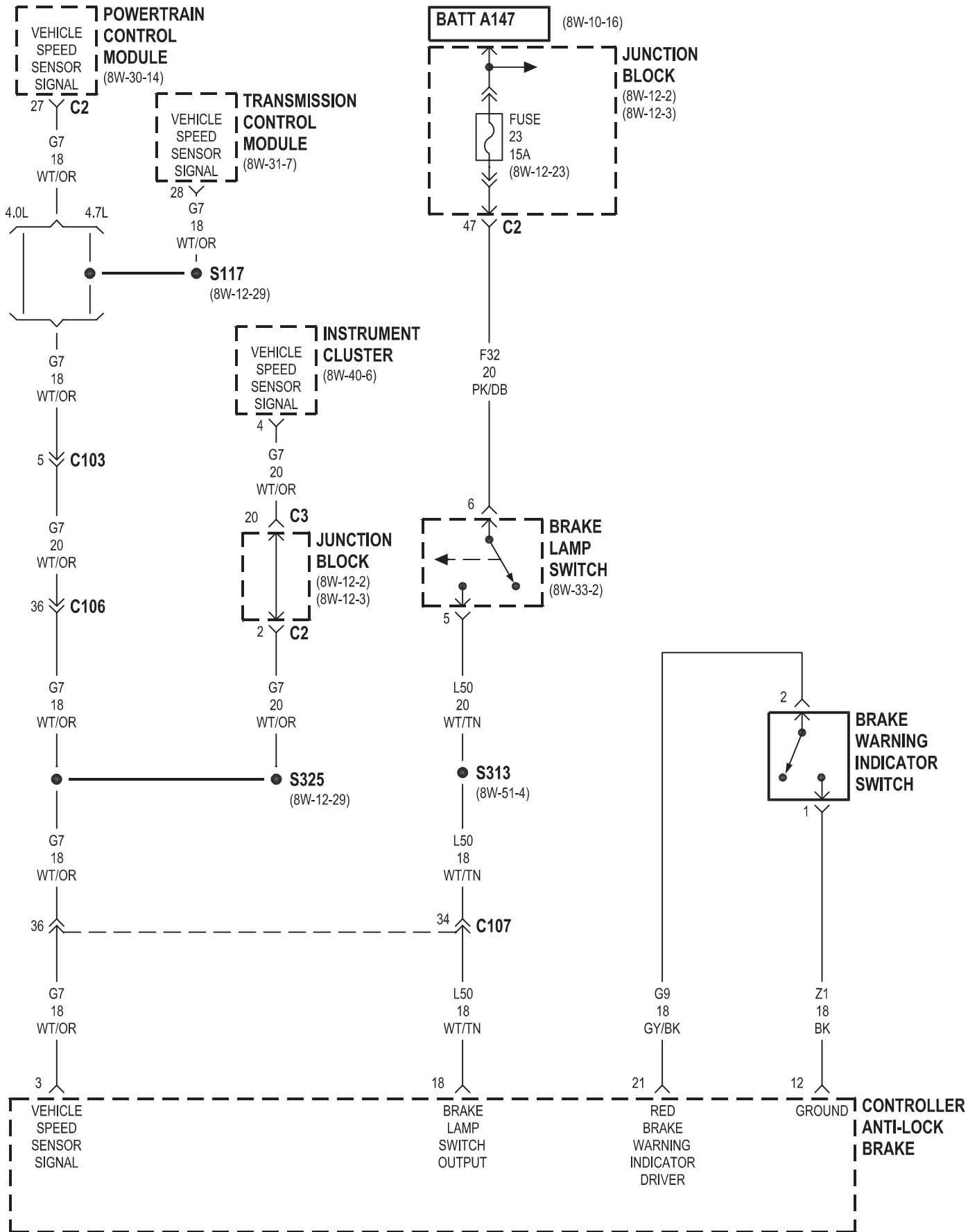




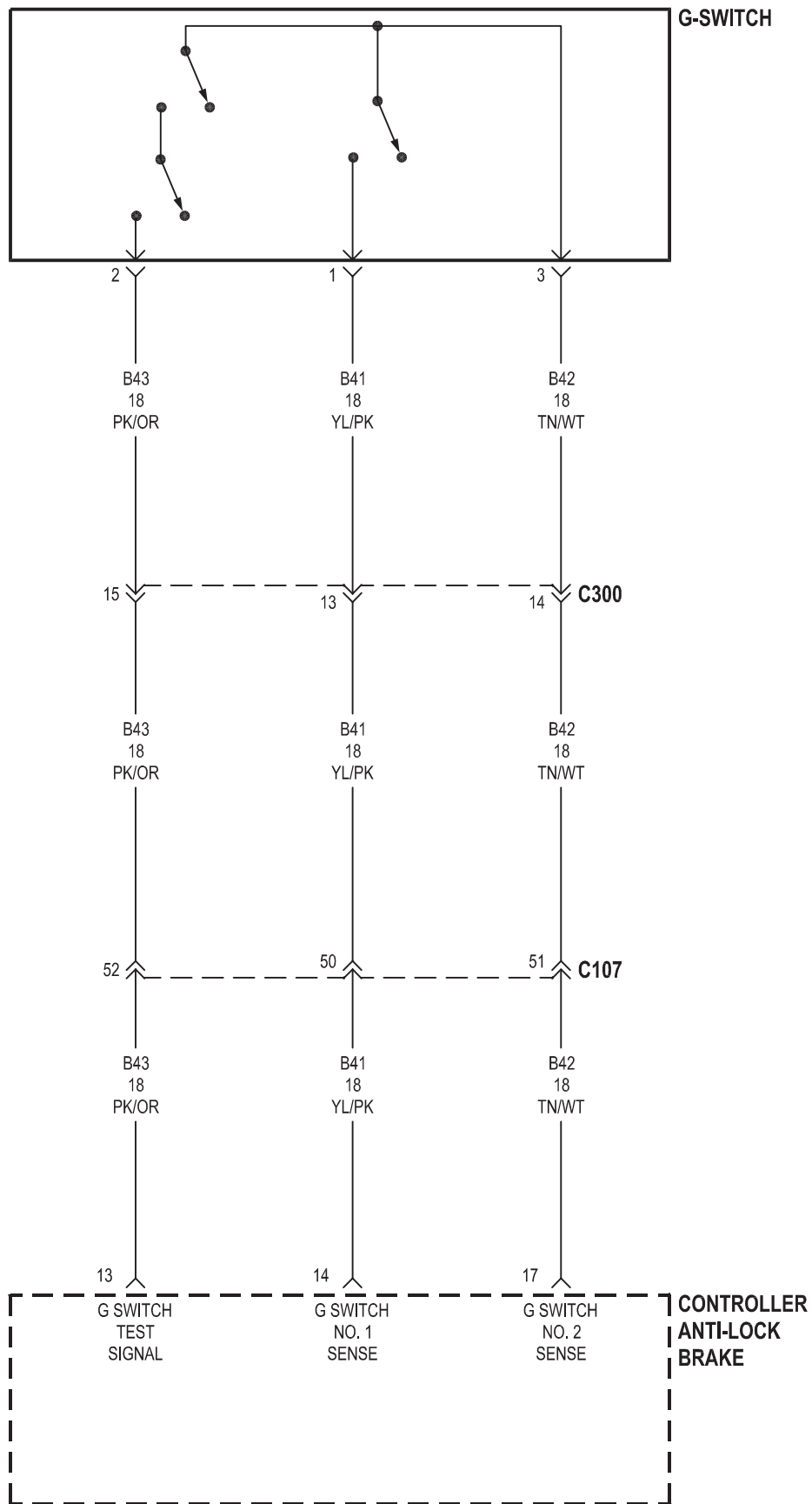
## 8W-35 ANTI-LOCK BRAKES

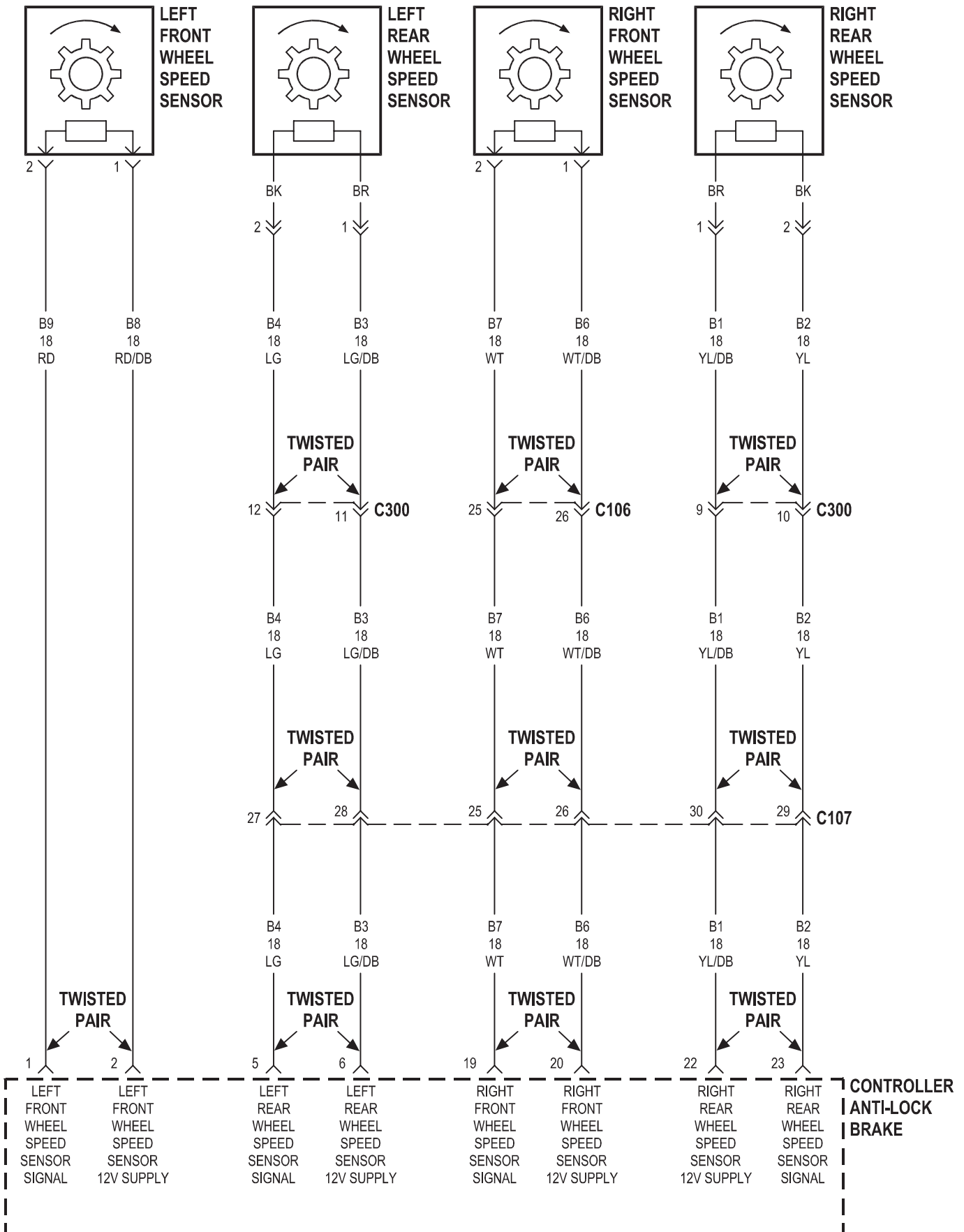
<b>Component</b>	<b>Page</b>	<b>Component</b>	<b>Page</b>
Brake Lamp Switch .....	8W-35-3	Instrument Cluster .....	8W-35-3
Brake Warning Indicator Switch .....	8W-35-3	Junction Block .....	8W-35-2, 3
Controller Anti-Lock Brake .....	8W-35-2, 3, 4, 5	Left Front Wheel Speed Sensor .....	8W-35-5
Diagnostic Junction Port .....	8W-35-2	Left Rear Wheel Speed Sensor .....	8W-35-5
Fuse 4 (PDC) .....	8W-35-2	Power Distribution Center .....	8W-35-2
Fuse 19 (JB) .....	8W-35-2	Powertrain Control Module .....	8W-35-3
Fuse 23 (JB) .....	8W-35-3	Right Front Wheel Speed Sensor .....	8W-35-5
Fuse 25 (PDC) .....	8W-35-2	Right Rear Wheel Speed Sensor .....	8W-35-5
G-Switch .....	8W-35-4	Transmission Control Module .....	8W-35-3
G107 .....	8W-35-2		







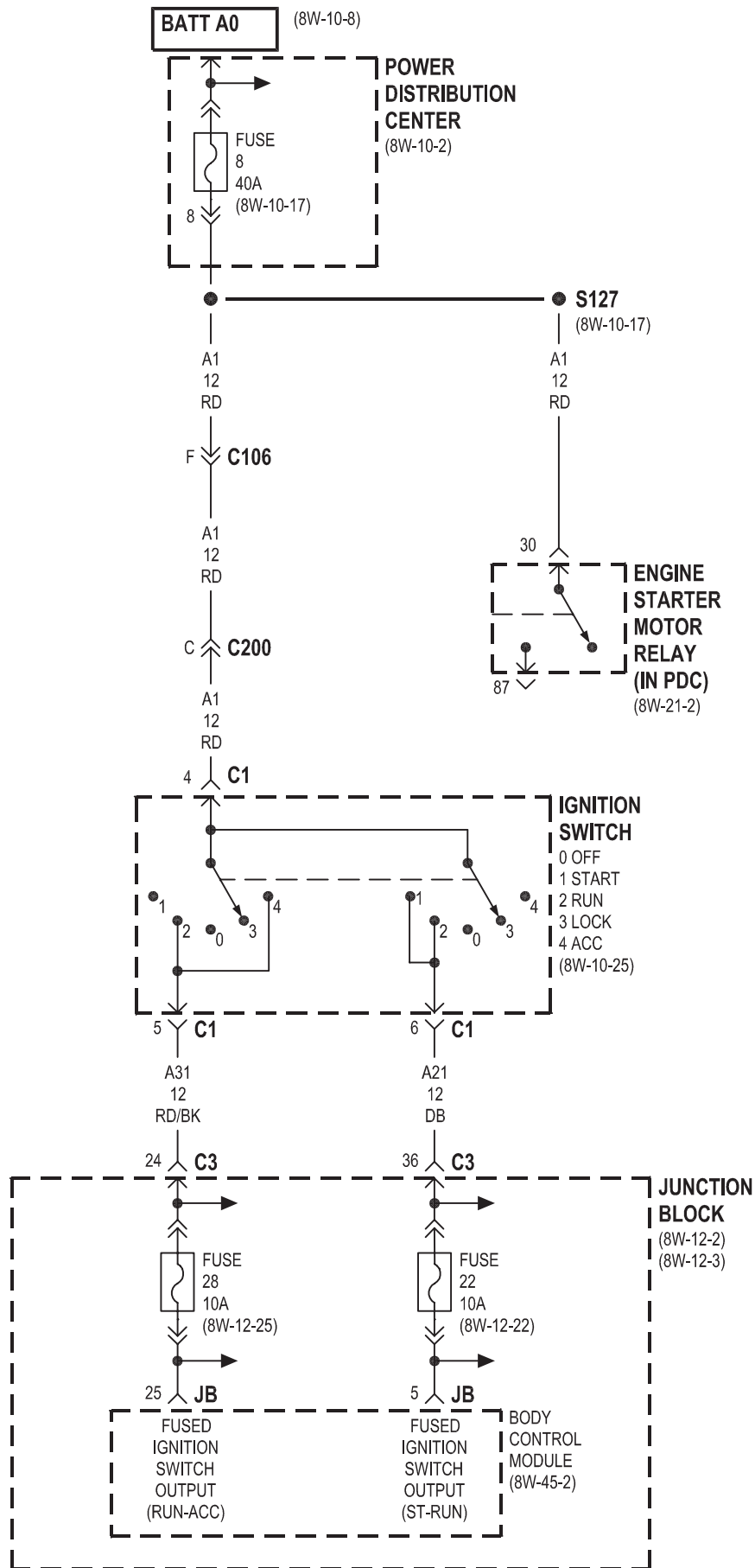




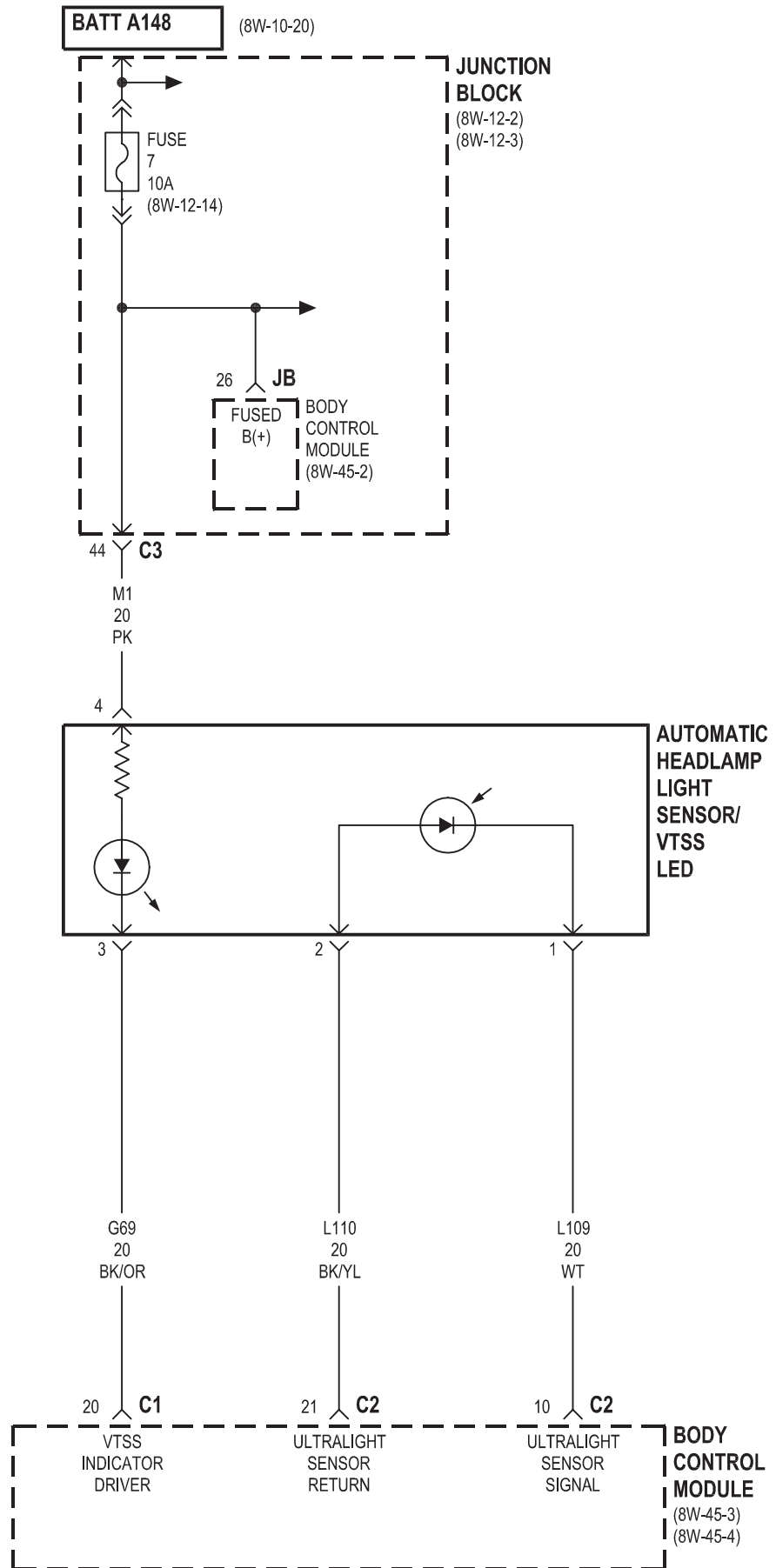


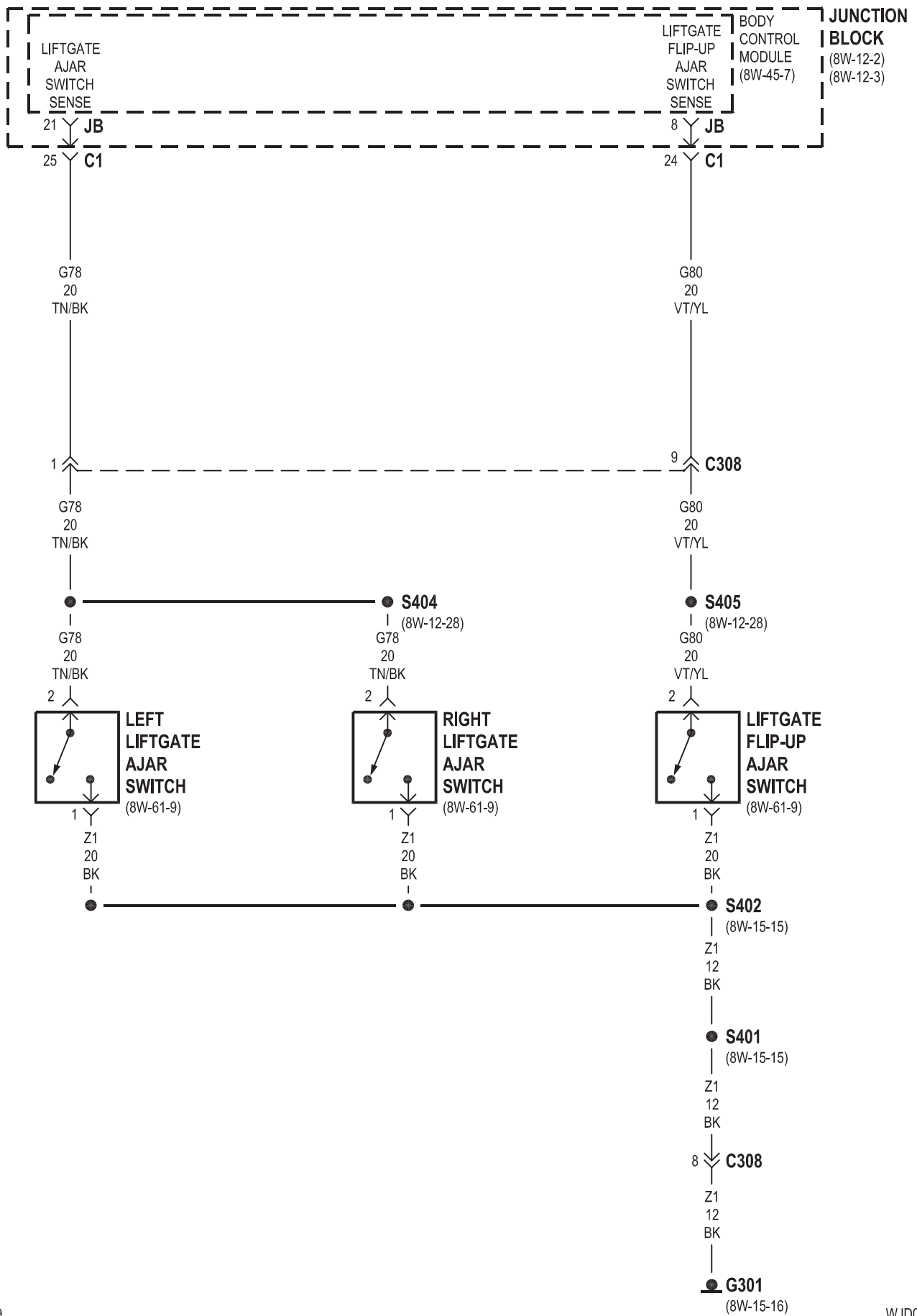
## 8W-39 VEHICLE THEFT SECURITY SYSTEM

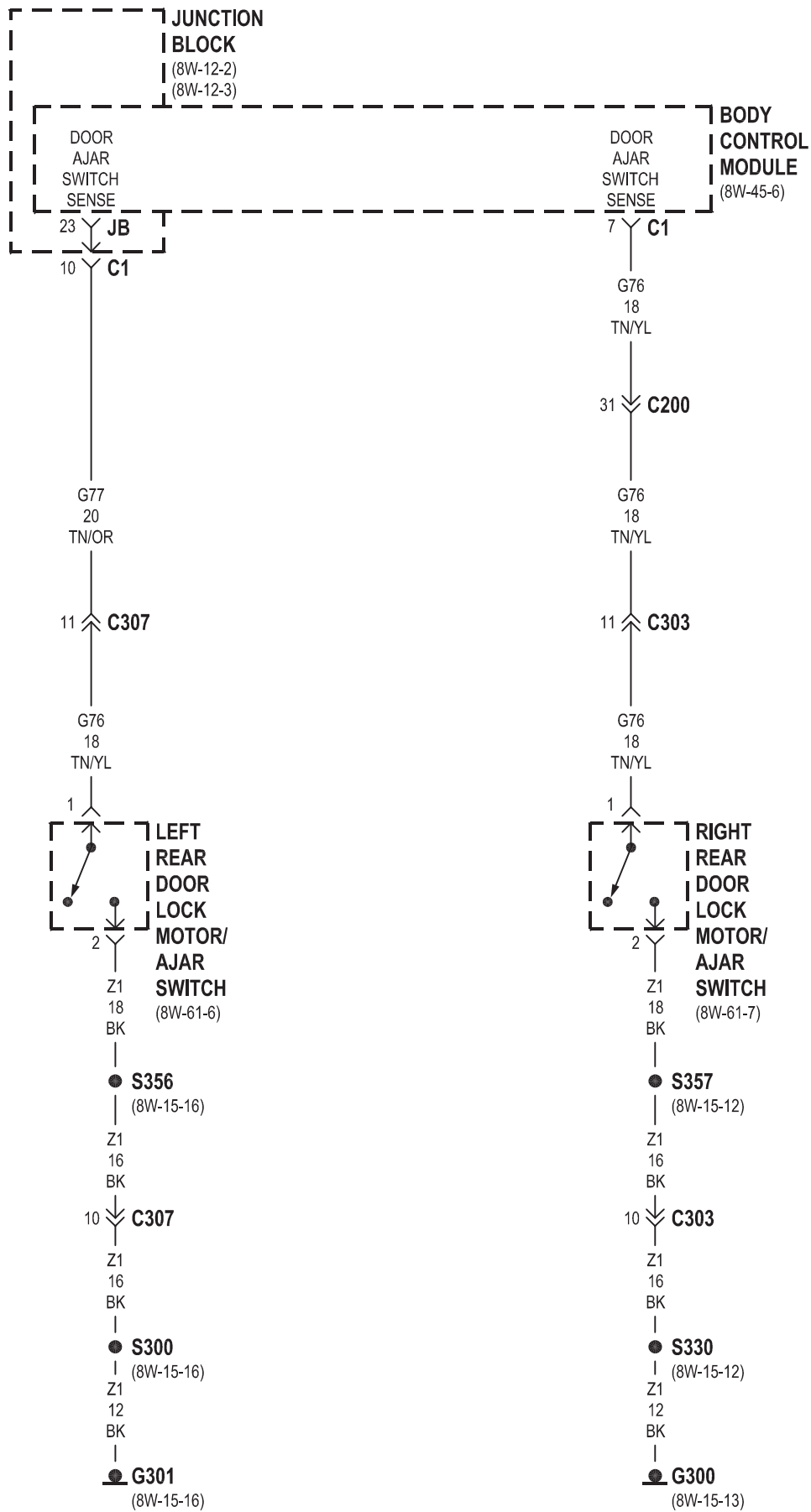
<b>Component</b>	<b>Page</b>	<b>Component</b>	<b>Page</b>
Automatic Headlamp Light		G301 .....	8W-39-4, 5
Sensor/VTSS LED .....	8W-39-3	Horn No. 1 .....	8W-39-7
Body Control Module .....	8W-39-2, 3, 4, 5, 7, 8	Horn No. 2 .....	8W-39-7
Clockspring .....	8W-39-7	Horn Relay .....	8W-39-7
Diagnostic Junction Port .....	8W-39-8	Horn Switch .....	8W-39-7
Driver Door Cylinder Lock Switch .....	8W-39-6	Ignition Switch .....	8W-39-2
Driver Door Lock Motor/Ajar Switch .....	8W-39-6	Junction Block .....	8W-39-2, 3, 4, 5, 7, 8
Driver Door Module .....	8W-39-6	Left Liftgate Ajar Switch .....	8W-39-4
Engine Starter Motor Relay .....	8W-39-2	Left Rear Door Lock Motor/Ajar Switch ...	8W-39-5
Fuse 7 (JB) .....	8W-39-3, 8	Liftgate Flip-Up Ajar Switch .....	8W-39-4
Fuse 8 (PDC) .....	8W-39-2	Passenger Door Lock Motor/Ajar Switch ...	8W-39-6
Fuse 18 (PDC) .....	8W-39-7	Passenger Door Module .....	8W-39-6
Fuse 22 (JB) .....	8W-39-2, 8	Power Distribution Center .....	8W-39-2, 7
Fuse 28 (JB) .....	8W-39-2	Right Liftgate Ajar Switch .....	8W-39-4
G108 .....	8W-39-7	Right Rear Door Lock Motor/Ajar Switch ..	8W-39-5
G200 .....	8W-39-8	Sentry Key Immobilizer Module .....	8W-39-8
G300 .....	8W-39-5, 6		

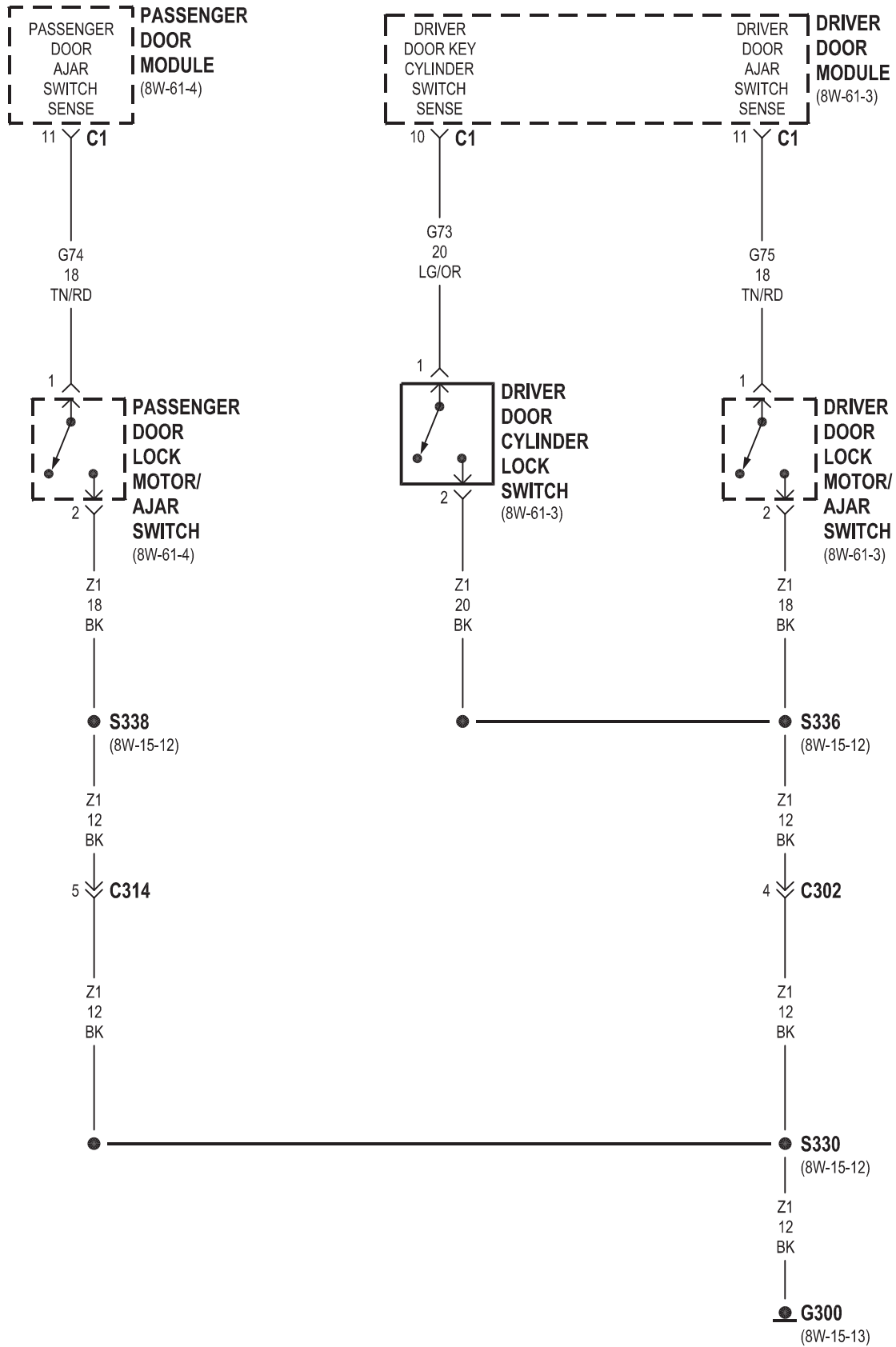


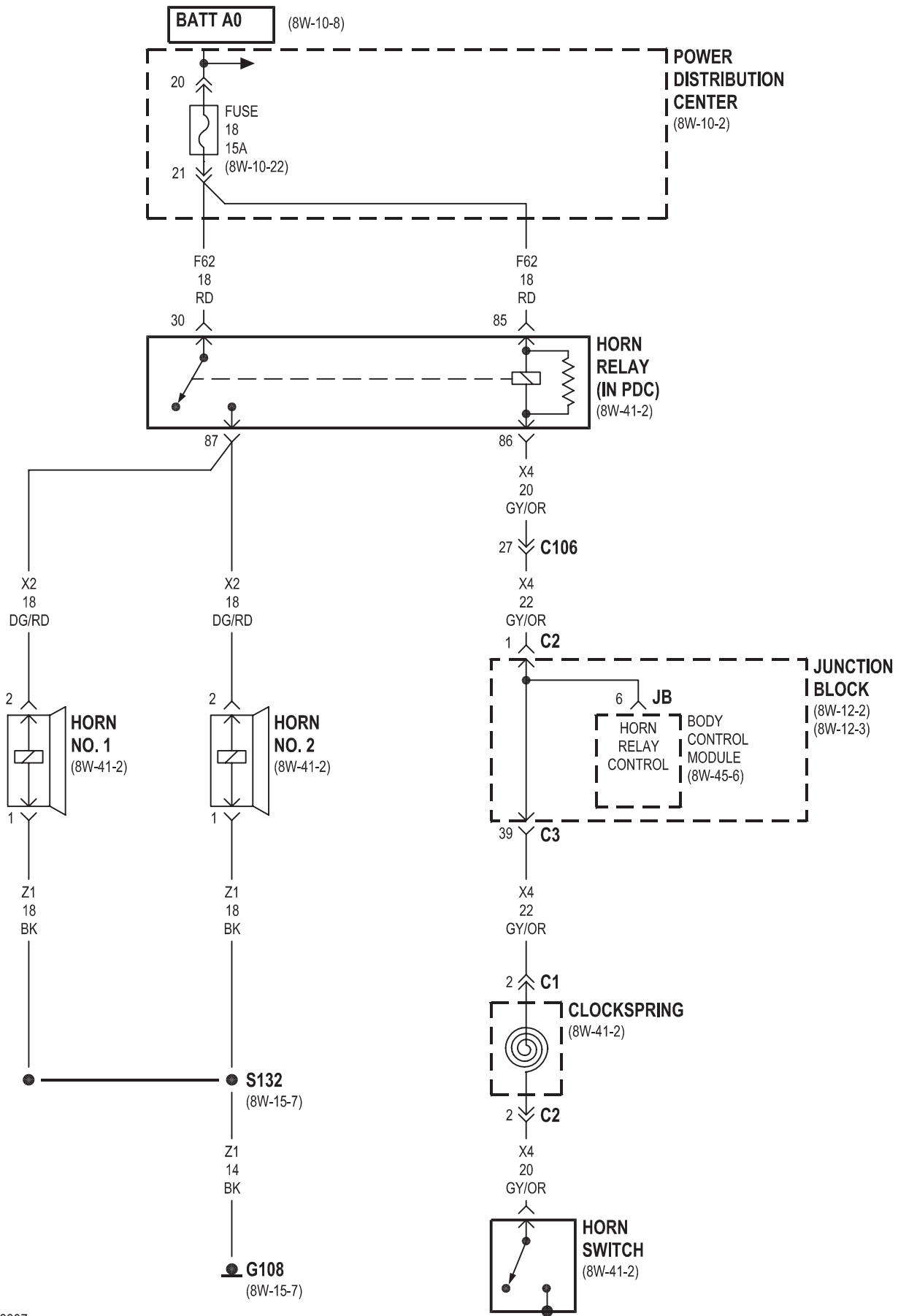




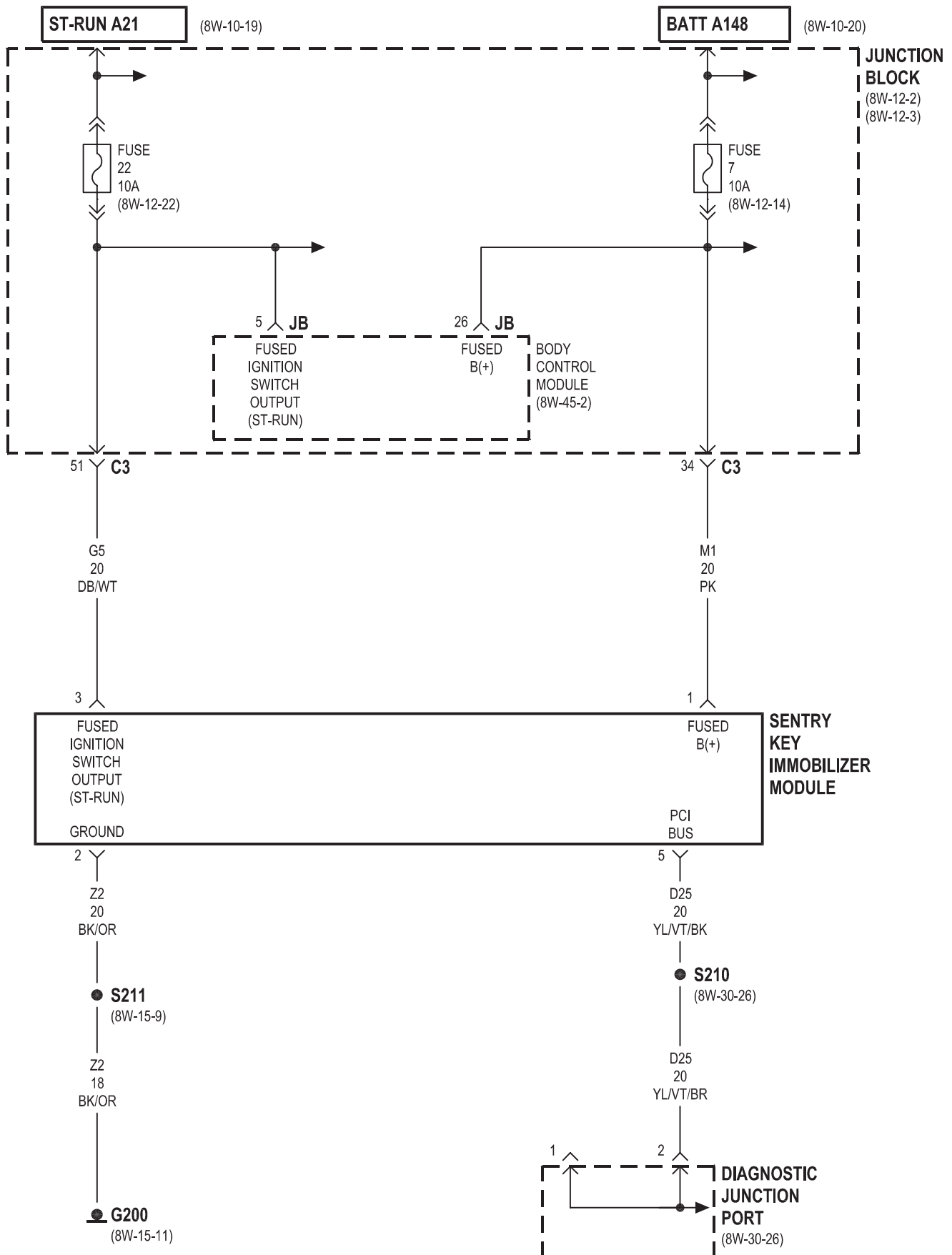






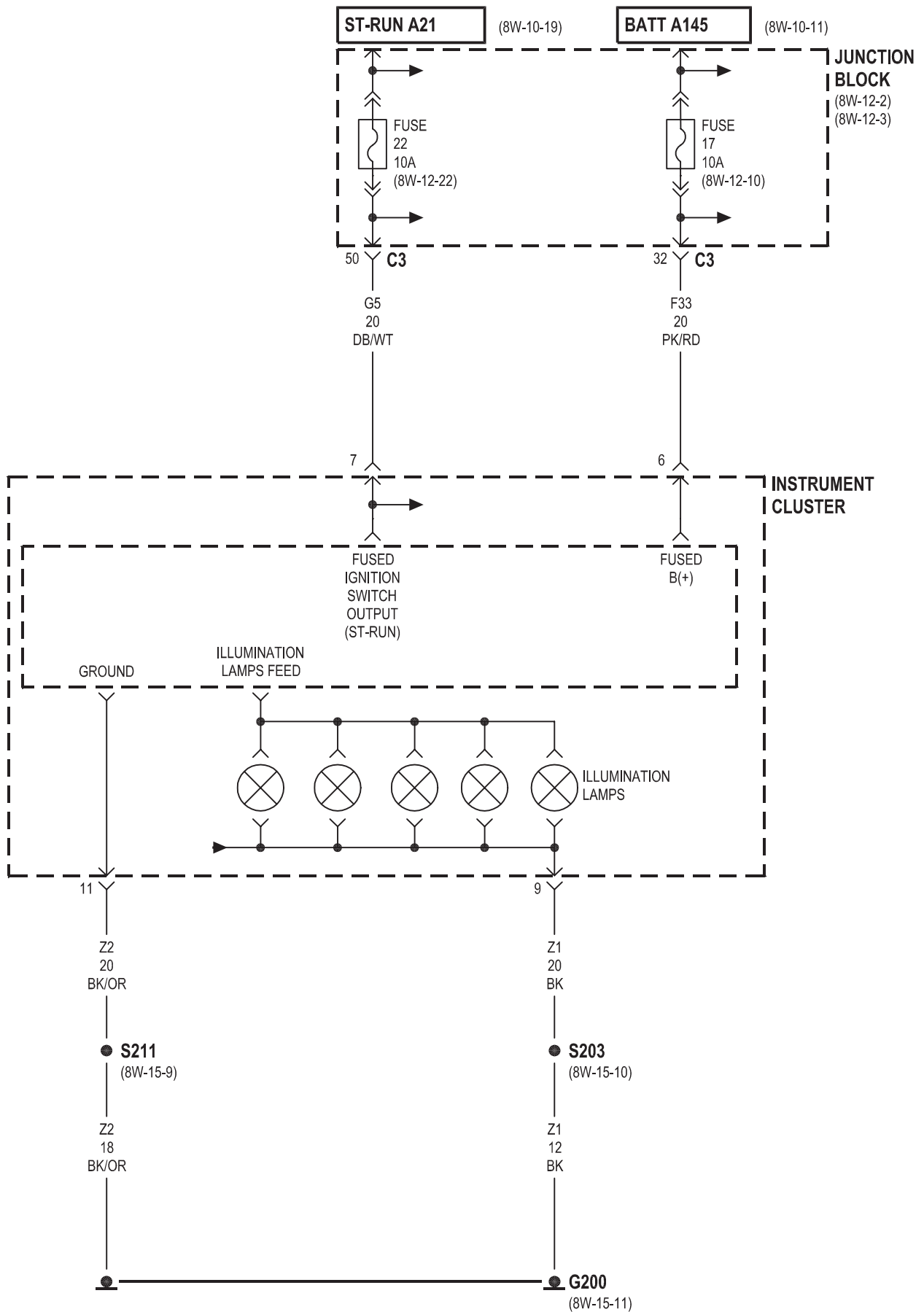


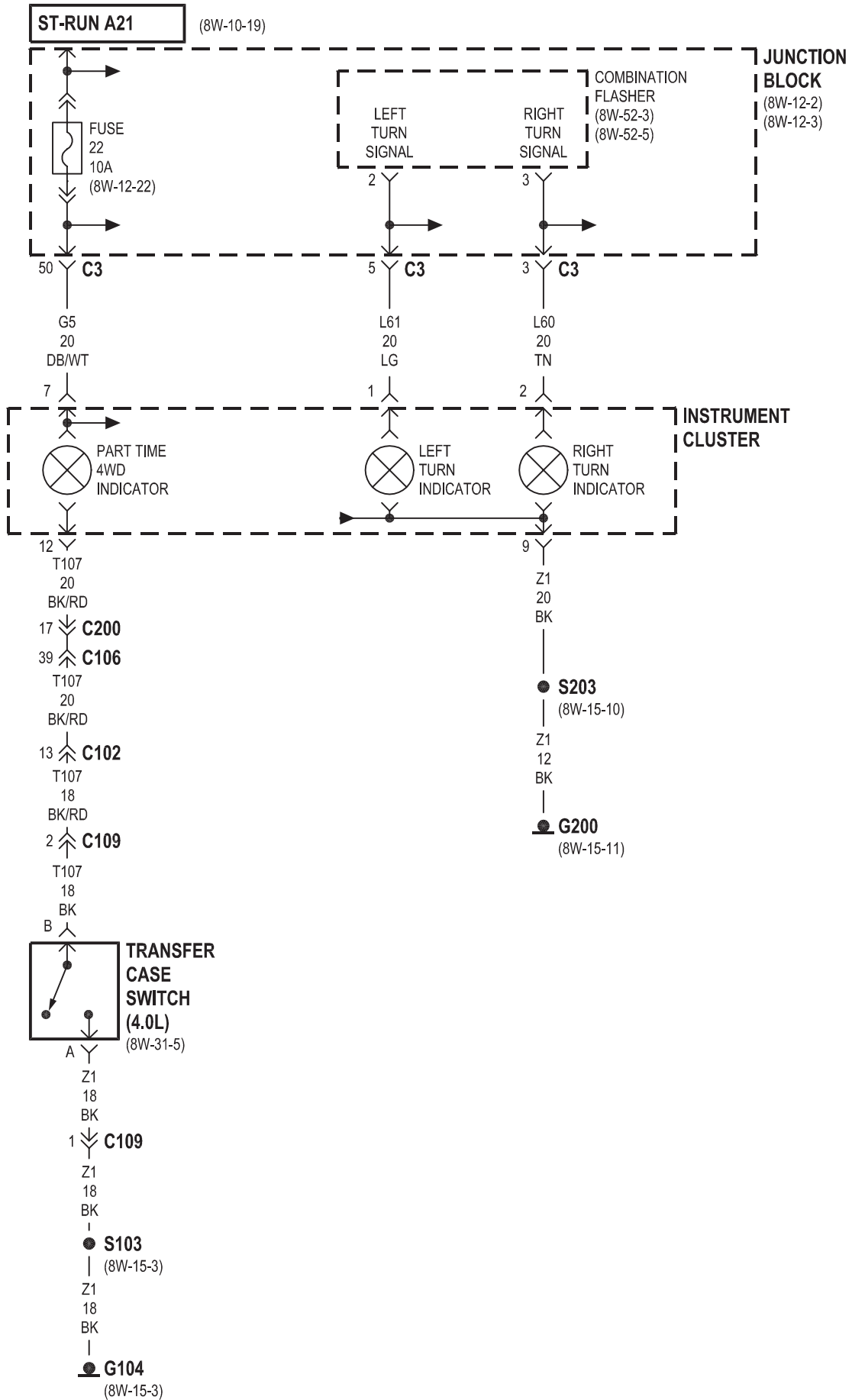


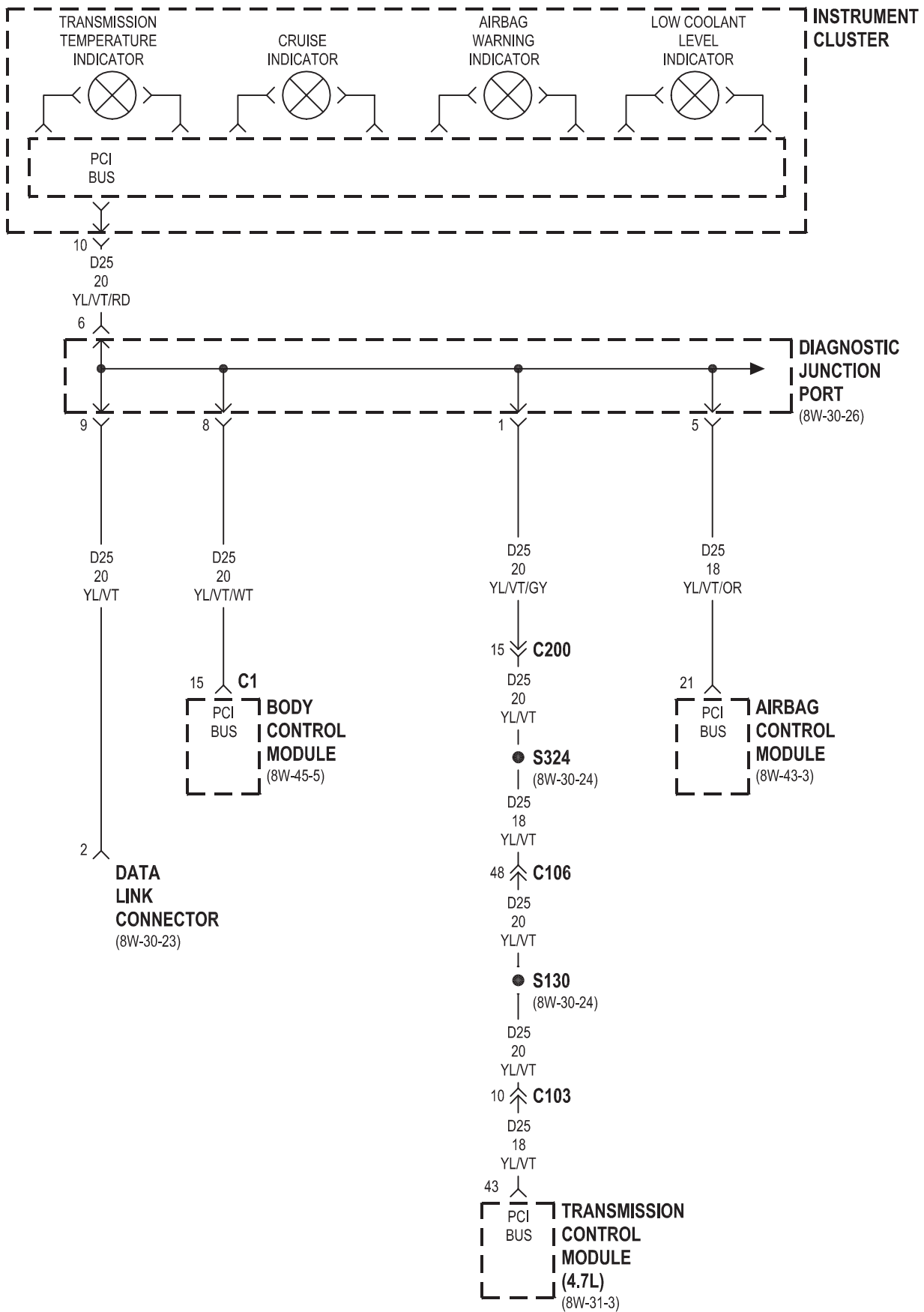


## 8W-40 INSTRUMENT CLUSTER

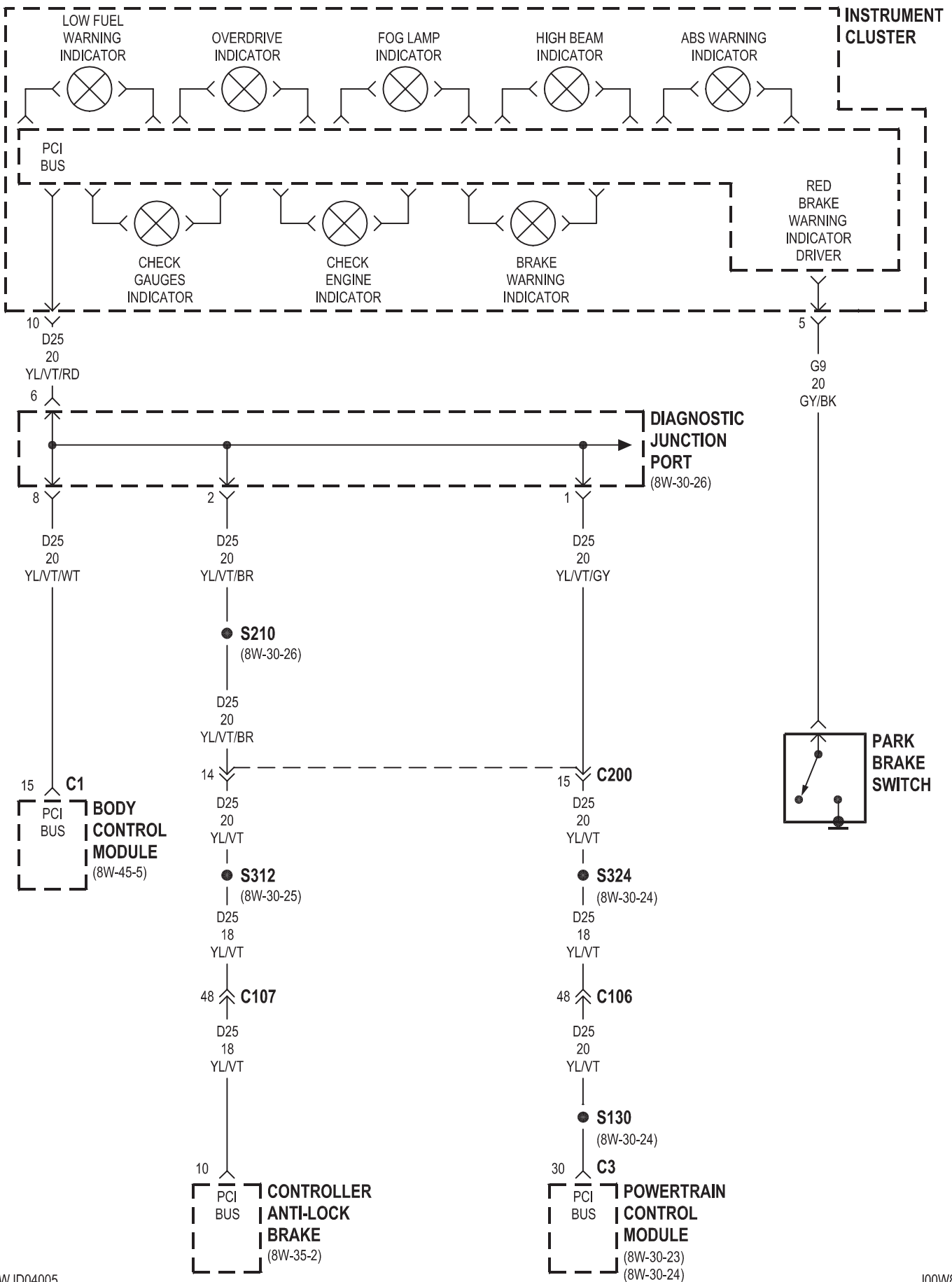
<b>Component</b>	<b>Page</b>	<b>Component</b>	<b>Page</b>
ABS Warning Indicator . . . . .	8W-40-5	Illumination Lamps . . . . .	8W-40-2
Airbag Control Module . . . . .	8W-40-4	Instrument Cluster . . . . .	8W-40-2, 3, 4, 5, 6, 7
Airbag Warning Indicator . . . . .	8W-40-4	Junction Block . . . . .	8W-40-2, 3, 6, 7
Body Control Module . . . . .	8W-40-4, 5, 7	Left Turn Indicator . . . . .	8W-40-3
Brake Warning Indicator . . . . .	8W-40-5	Low Coolant Level Indicator . . . . .	8W-40-4
Check Engine Indicator . . . . .	8W-40-5	Low Fuel Warning Indicator . . . . .	8W-40-5
Check Gauges Indicator . . . . .	8W-40-5	Oil Pressure Gauge . . . . .	8W-40-6
Chime . . . . .	8W-40-7	Overdrive Indicator . . . . .	8W-40-5
Combination Flasher . . . . .	8W-40-3	Park Brake Switch . . . . .	8W-40-5
Controller Anti-Lock Brake . . . . .	8W-40-5, 6	Part Time 4WD Indicator . . . . .	8W-40-3
Cruise Indicator . . . . .	8W-40-4	Powertrain Control Module . . . . .	8W-40-5, 6, 7
Data Link Connector . . . . .	8W-40-4	Right Turn Indicator . . . . .	8W-40-3
Diagnostic Junction Port . . . . .	8W-40-4, 5, 6, 7	Seat Belt Switch Sense . . . . .	8W-40-7
Engine Coolant Temperature Gauge . . . . .	8W-40-6	Seat Belt Warning Indicator . . . . .	8W-40-7
Fog Lamp Indicator . . . . .	8W-40-5	SKIM Indicator . . . . .	8W-40-7
Fuel Gauge . . . . .	8W-40-6	Speedometer . . . . .	8W-40-6
Fuse 17 (JB) . . . . .	8W-40-2	Tachometer . . . . .	8W-40-6
Fuse 22 (JB) . . . . .	8W-40-2, 3	Transfer Case Switch . . . . .	8W-40-3
G104 . . . . .	8W-40-3	Transmission Control Module . . . . .	8W-40-4, 6
G200 . . . . .	8W-40-2, 3, 7	Transmission Temperature Indicator . . . . .	8W-40-4
High Beam Indicator . . . . .	8W-40-5	Voltmeter . . . . .	8W-40-6

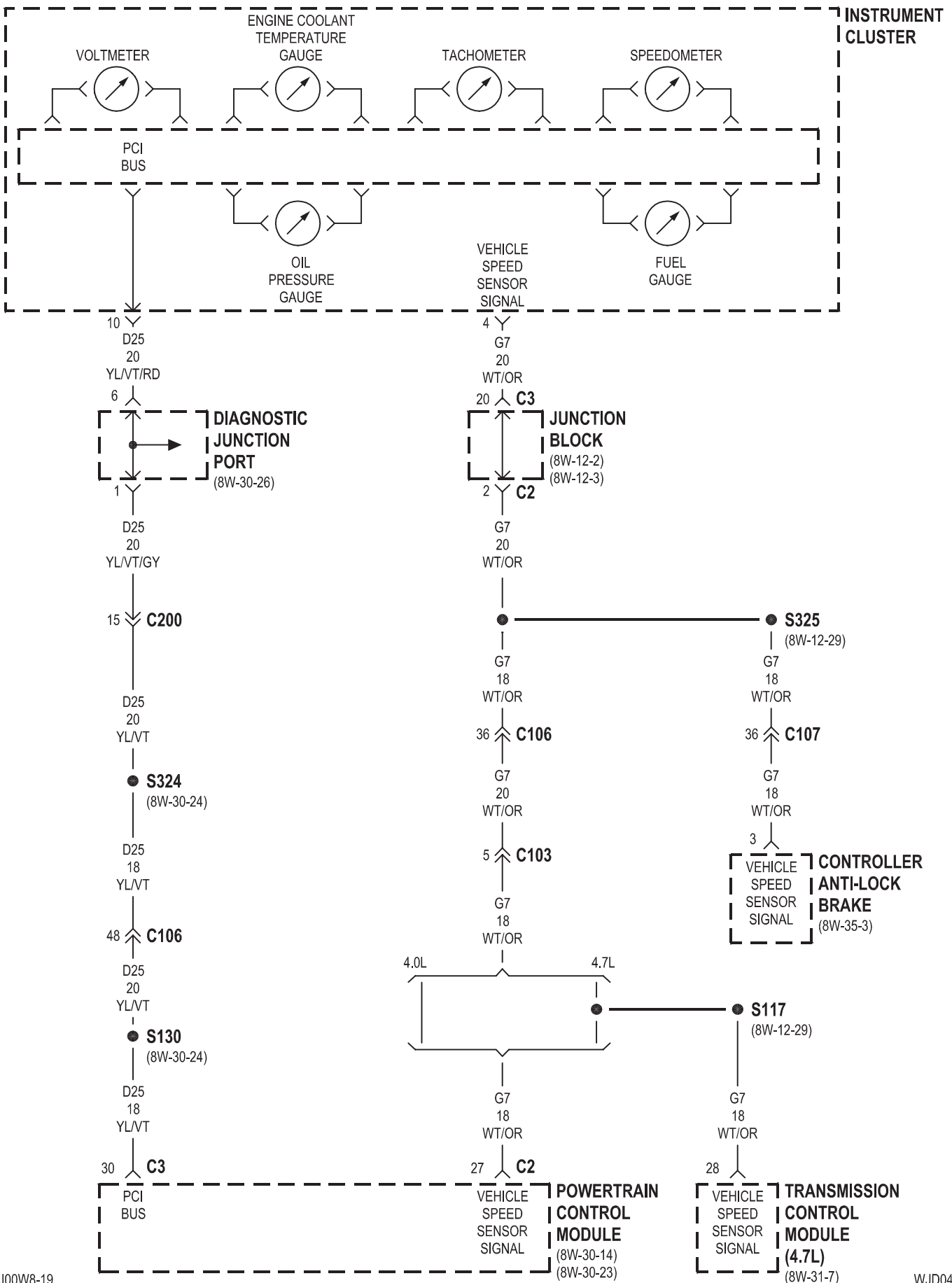


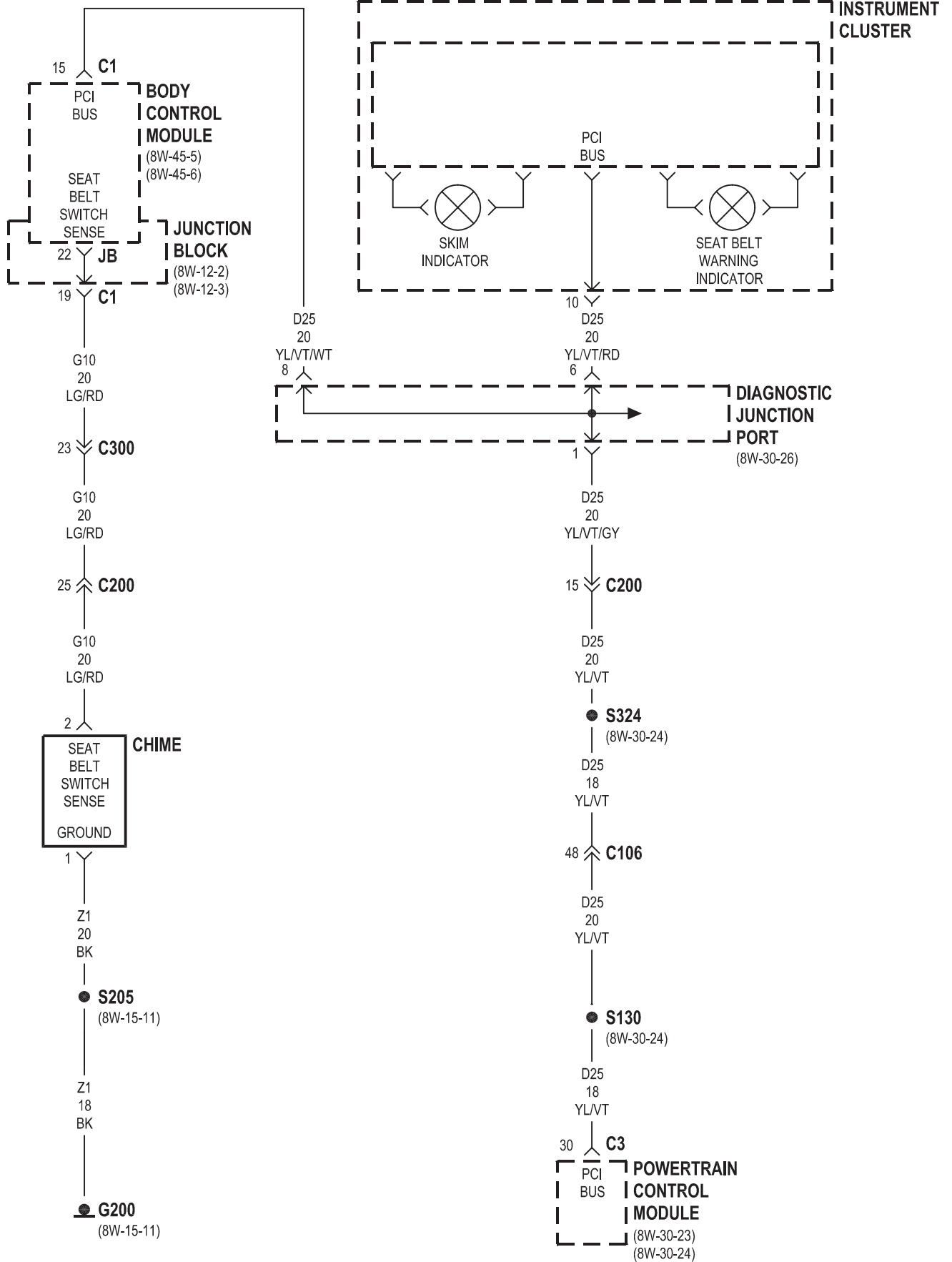








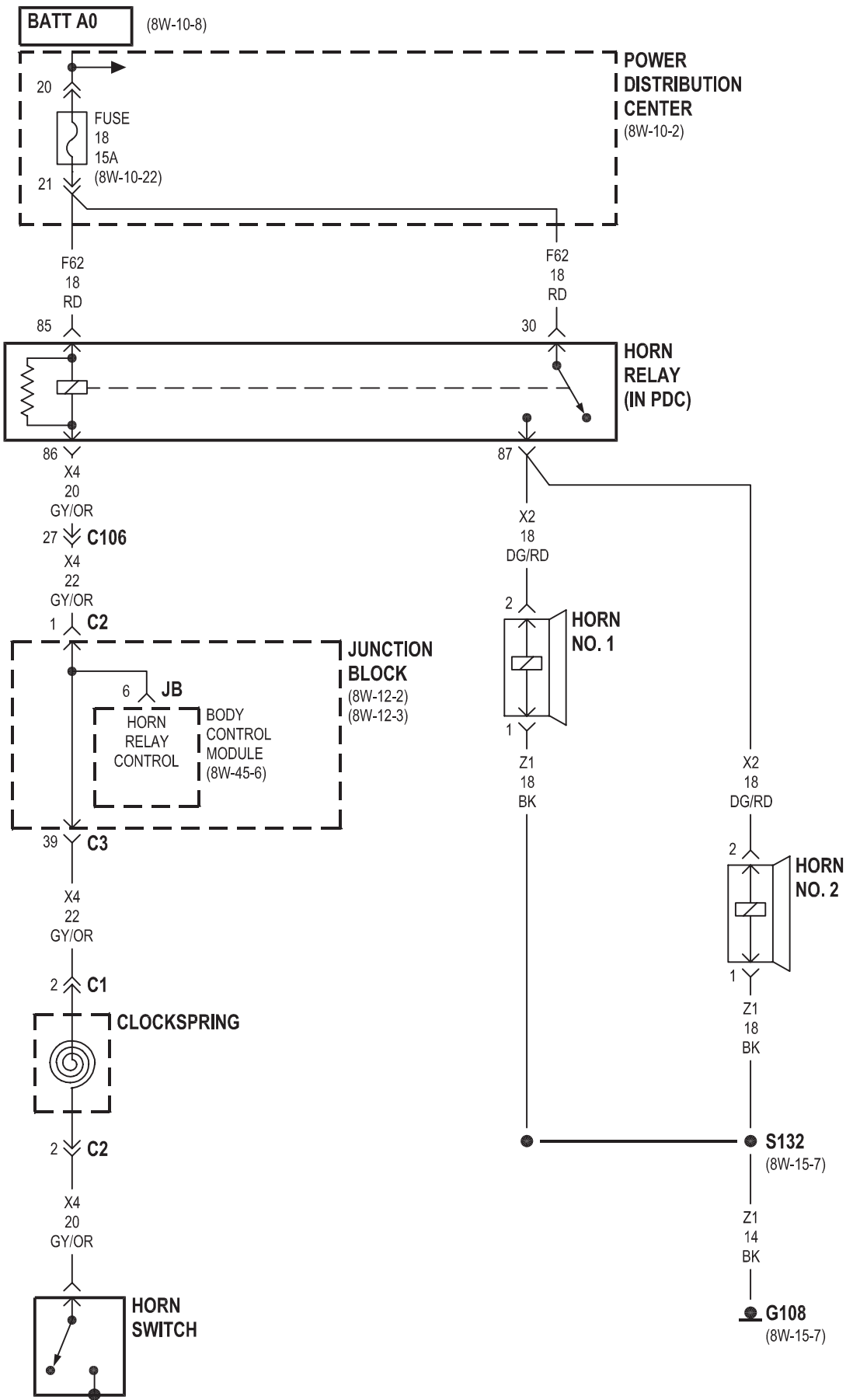




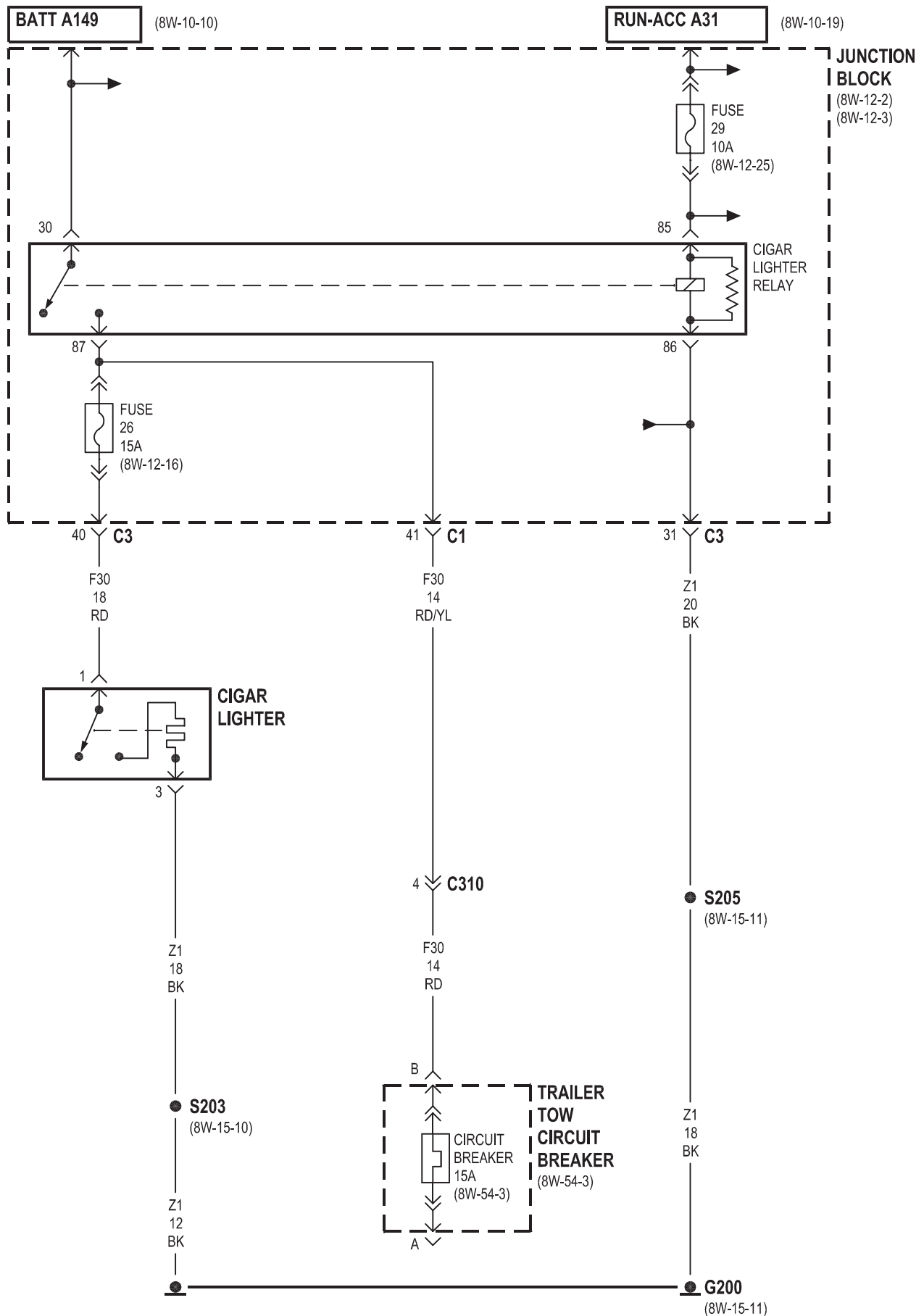


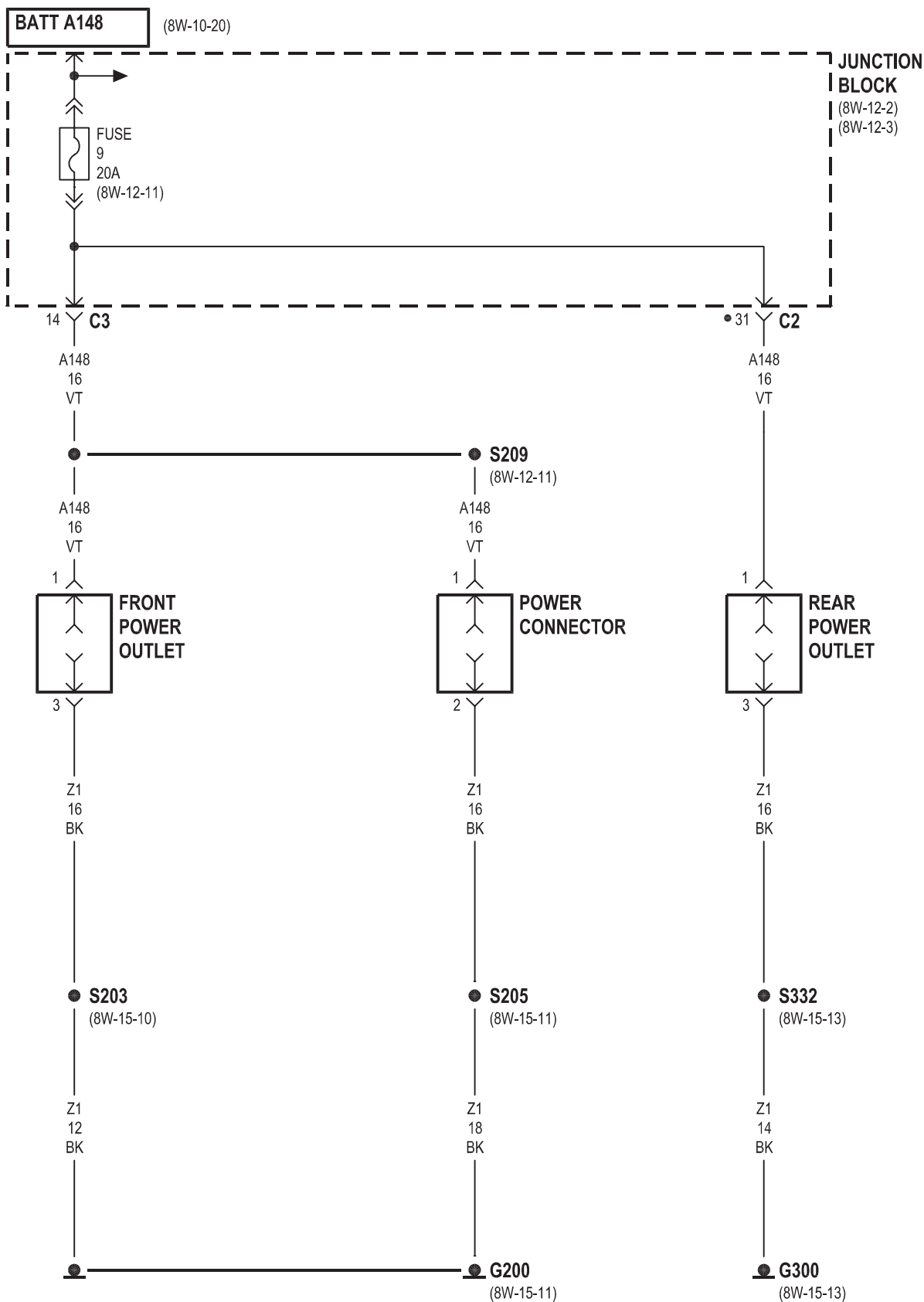
## 8W-41 HORN/CIGAR LIGHTER/POWER OUTLET

<b>Component</b>	<b>Page</b>	<b>Component</b>	<b>Page</b>
Body Control Module .....	8W-41-2	G300 .....	8W-41-4
Cigar Lighter .....	8W-41-3	Horn No. 1 .....	8W-41-2
Cigar Lighter Relay .....	8W-41-3	Horn No. 2 .....	8W-41-2
Clockspring .....	8W-41-2	Horn Relay .....	8W-41-2
Front Power Outlet .....	8W-41-4	Horn Switch .....	8W-41-2
Fuse 9 (JB) .....	8W-41-4	Junction Block .....	8W-41-2, 3, 4
Fuse 18 (PDC) .....	8W-41-2	Power Connector .....	8W-41-4
Fuse 26 (JB) .....	8W-41-3	Power Distribution Center .....	8W-41-2
Fuse 29 (JB) .....	8W-41-3	Rear Power Outlet .....	8W-41-4
G108 .....	8W-41-2	Trailer Tow Circuit Breaker .....	8W-41-3
G200 .....	8W-41-3, 4		





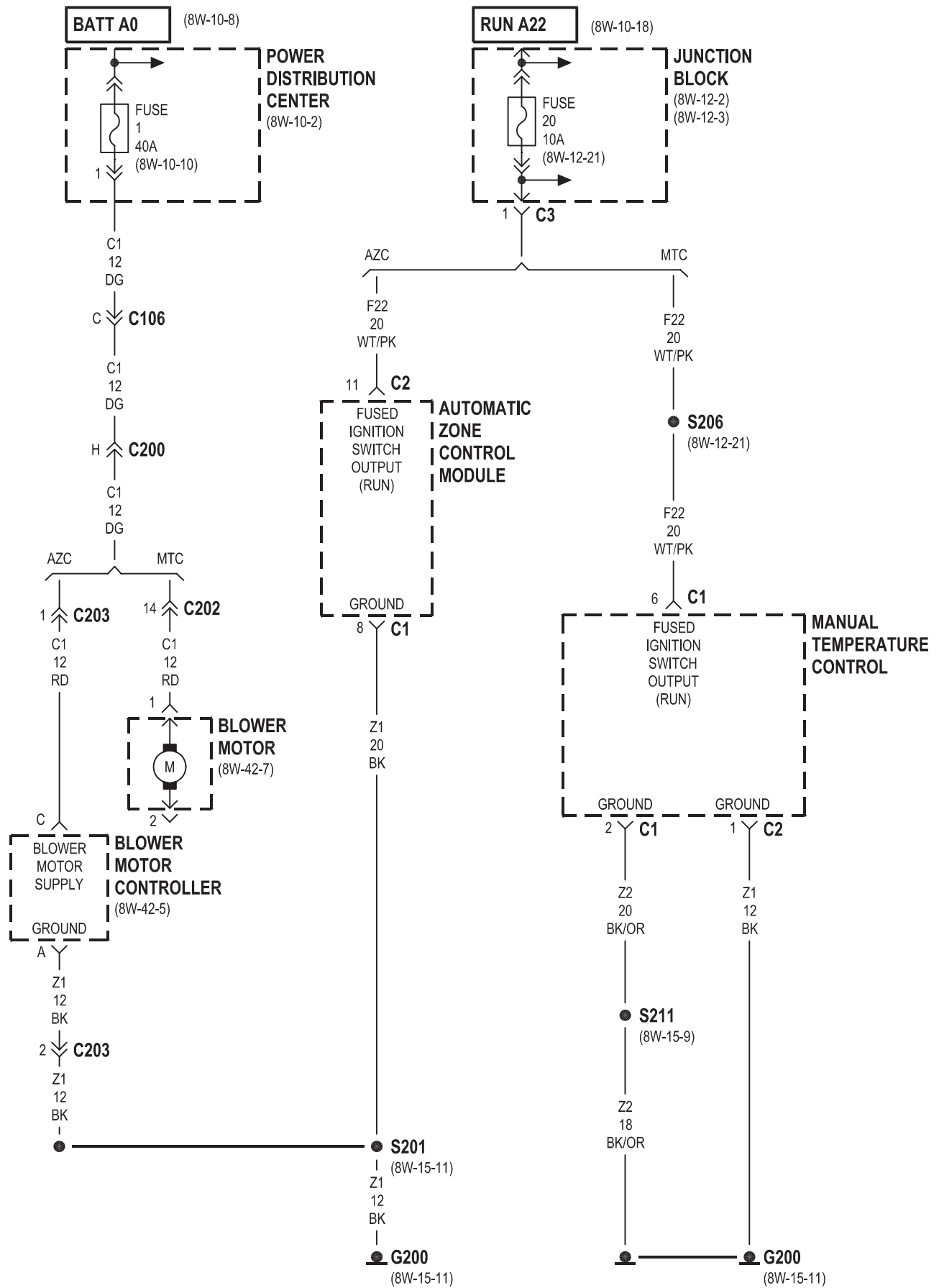


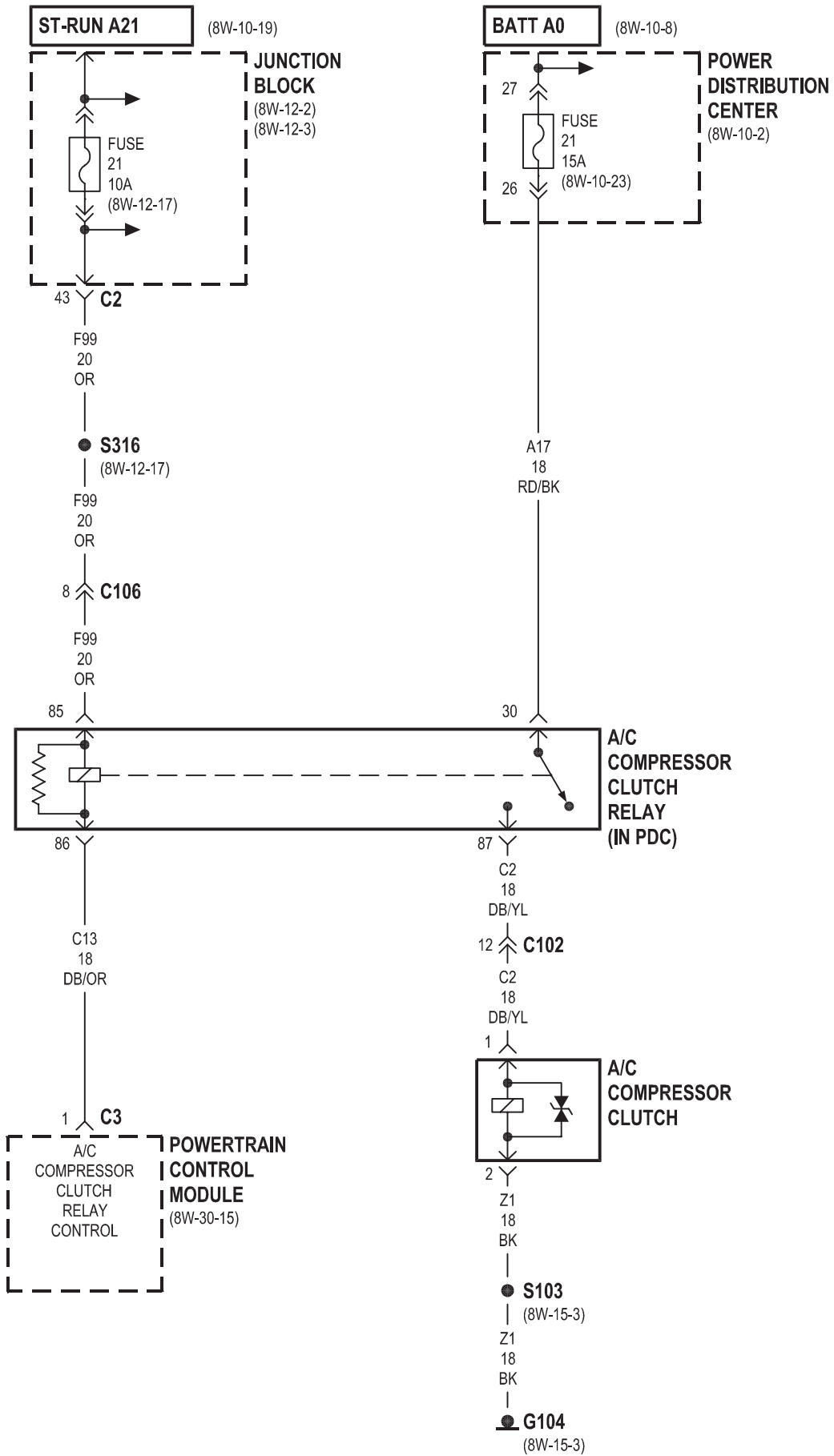


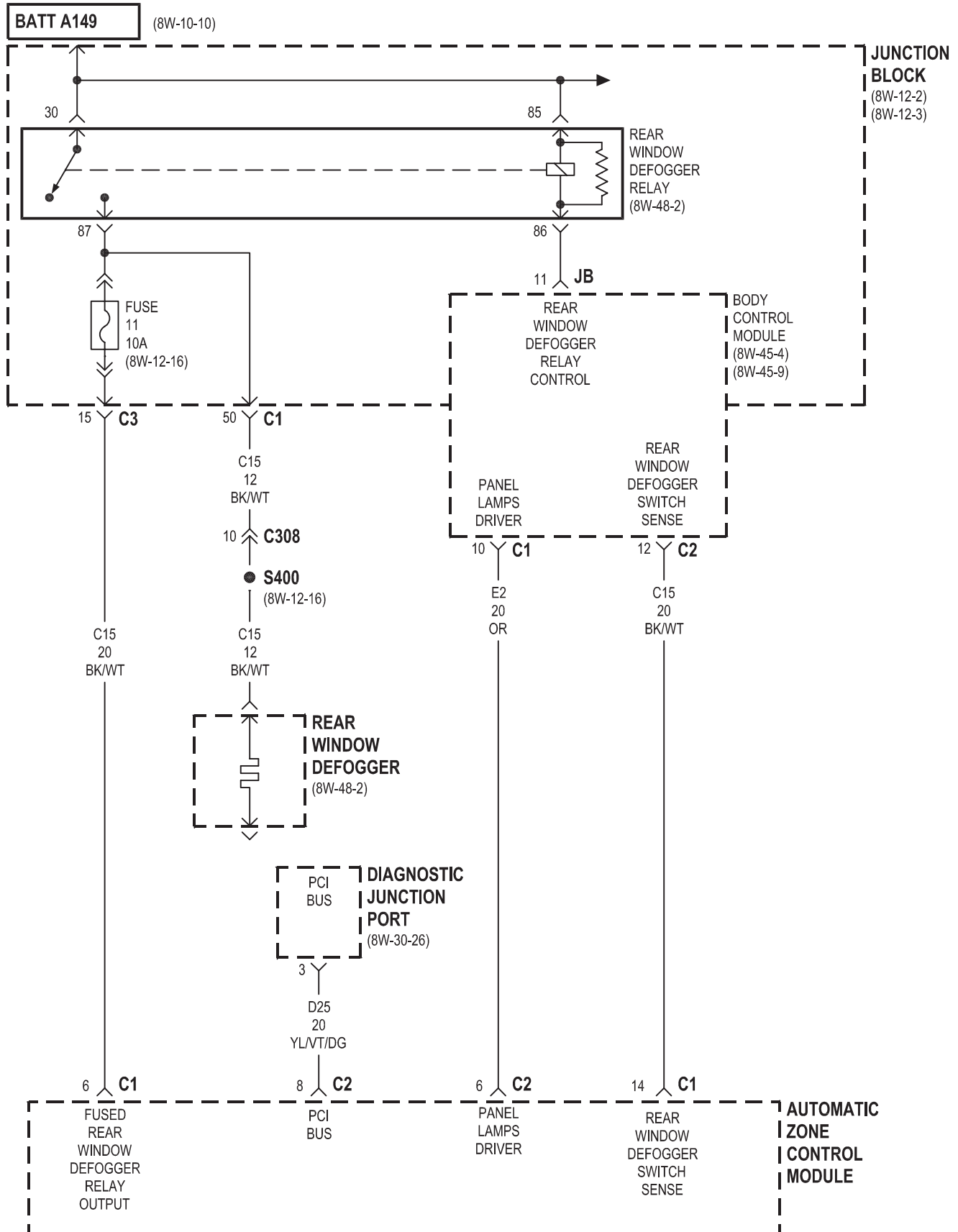
• POWER SEATS

## 8W-42 AIR CONDITIONING-HEATER

<b>Component</b>	<b>Page</b>	<b>Component</b>	<b>Page</b>
A/C Compressor Clutch . . . . .	8W-42-3	Fuse 21 (PDC) . . . . .	8W-42-3
A/C Compressor Clutch Relay . . . . .	8W-42-3	G104 . . . . .	8W-42-3
A/C High Pressure Switch . . . . .	8W-42-9	G108 . . . . .	8W-42-9
A/C Low Pressure Switch . . . . .	8W-42-9	G200 . . . . .	8W-42-2, 5, 8
Automatic Zone Control Module . . . . .	8W-42-2, 4, 5, 6	Junction Block . . . . .	8W-42-2, 3, 4, 5, 8
Blower Motor . . . . .	8W-42-2, 5, 7	Manual Temperature Control . . . . .	8W-42-2, 7, 8
Blower Motor Controller . . . . .	8W-42-2, 5	Mode Door Motor/Actuator . . . . .	8W-42-6
Blower Motor Resistor Block . . . . .	8W-42-7	Passenger Blend Door Motor/Actuator . . . . .	8W-42-6
Body Control Module . . . . .	8W-42-4, 5, 7, 8	Power Distribution Center . . . . .	8W-42-2, 3, 5, 7, 9
Diagnostic Junction Port . . . . .	8W-42-4	Powertrain Control Module . . . . .	8W-42-3, 9
Driver Blend Door Motor/Actuator . . . . .	8W-42-6	Radiator Fan Motor . . . . .	8W-42-9
Fuse 1 (PDC) . . . . .	8W-42-2, 5, 7	Radiator Fan Relay . . . . .	8W-42-9
Fuse 7 (JB) . . . . .	8W-42-5	Rear Window Defogger . . . . .	8W-42-4, 8
Fuse 10 (PDC) . . . . .	8W-42-9	Rear Window Defogger Relay . . . . .	8W-42-4, 8
Fuse 11 (JB) . . . . .	8W-42-4, 8	Recirculation Door Motor/Actuator . . . . .	8W-42-6
Fuse 20 (JB) . . . . .	8W-42-2, 8	Temperature Valve Actuator . . . . .	8W-42-8
Fuse 21 (JB) . . . . .	8W-42-3		

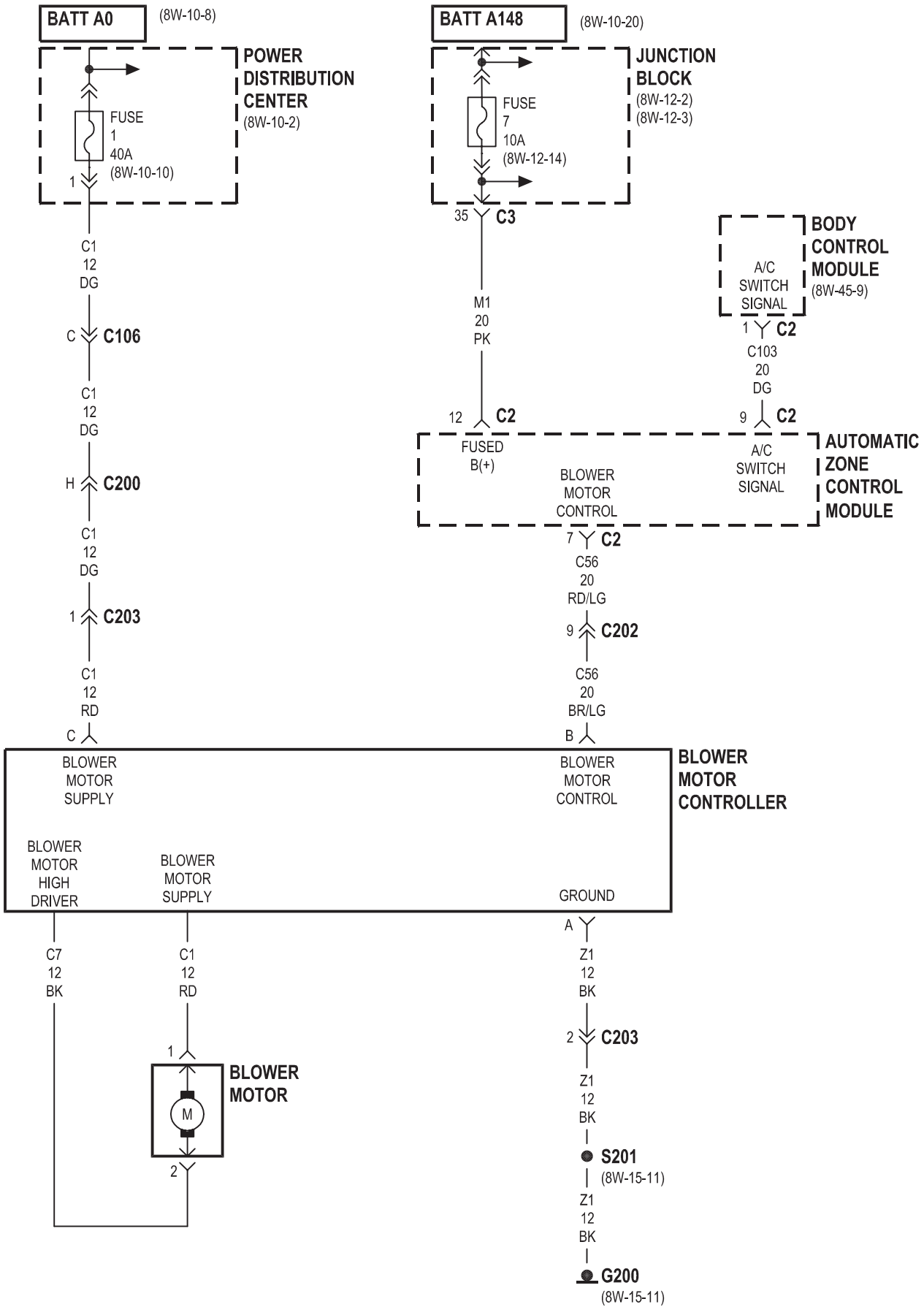




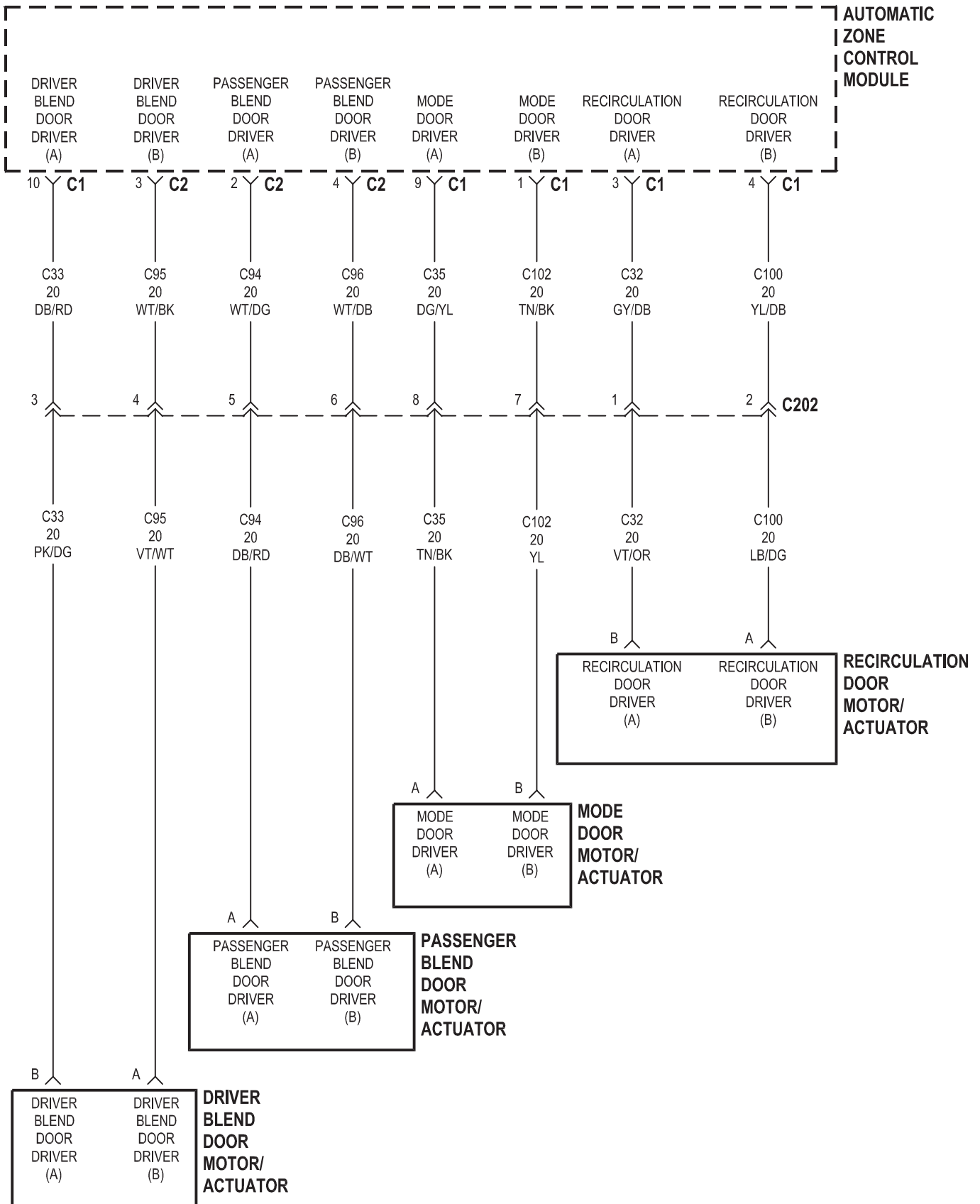


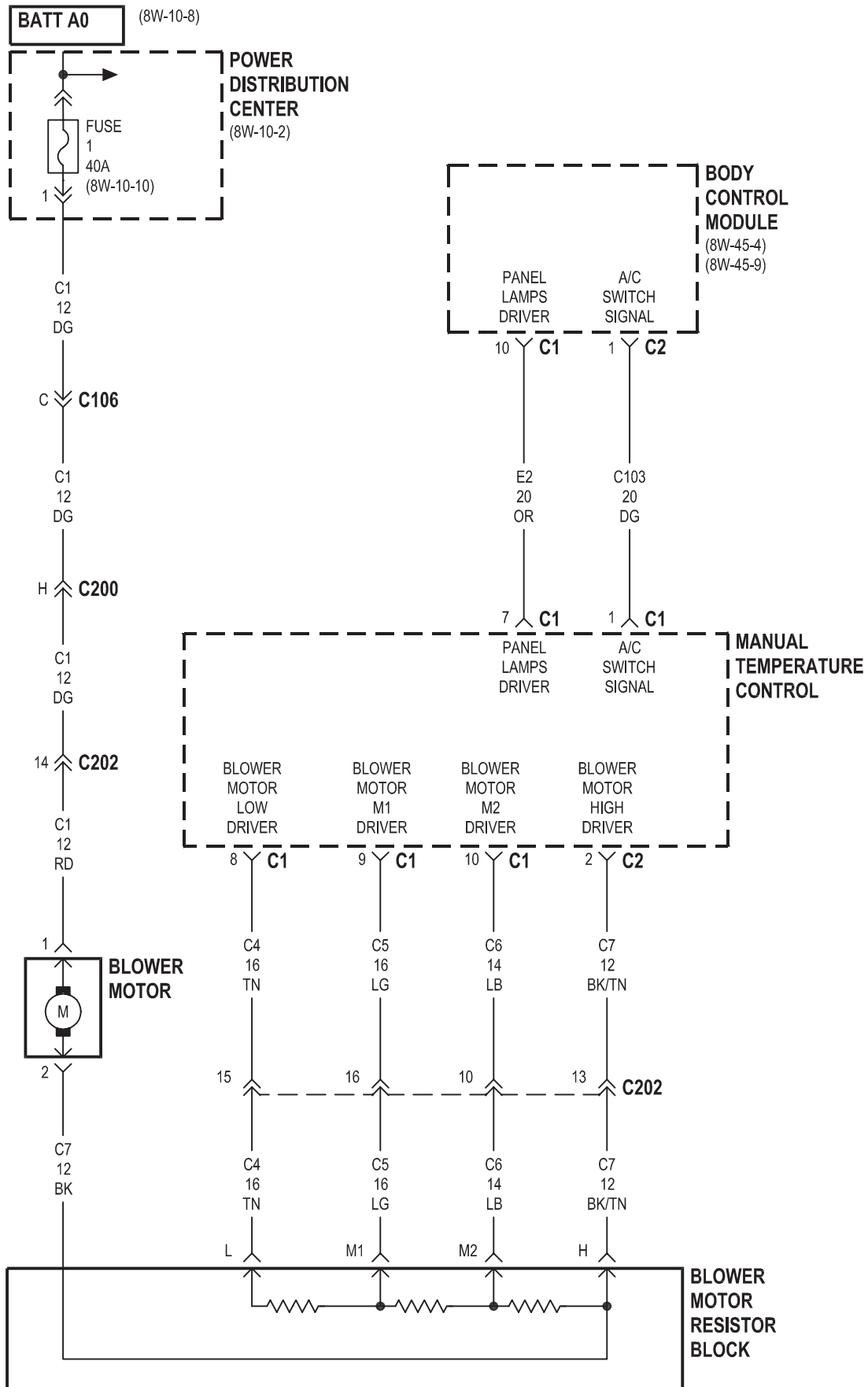


**AZC**

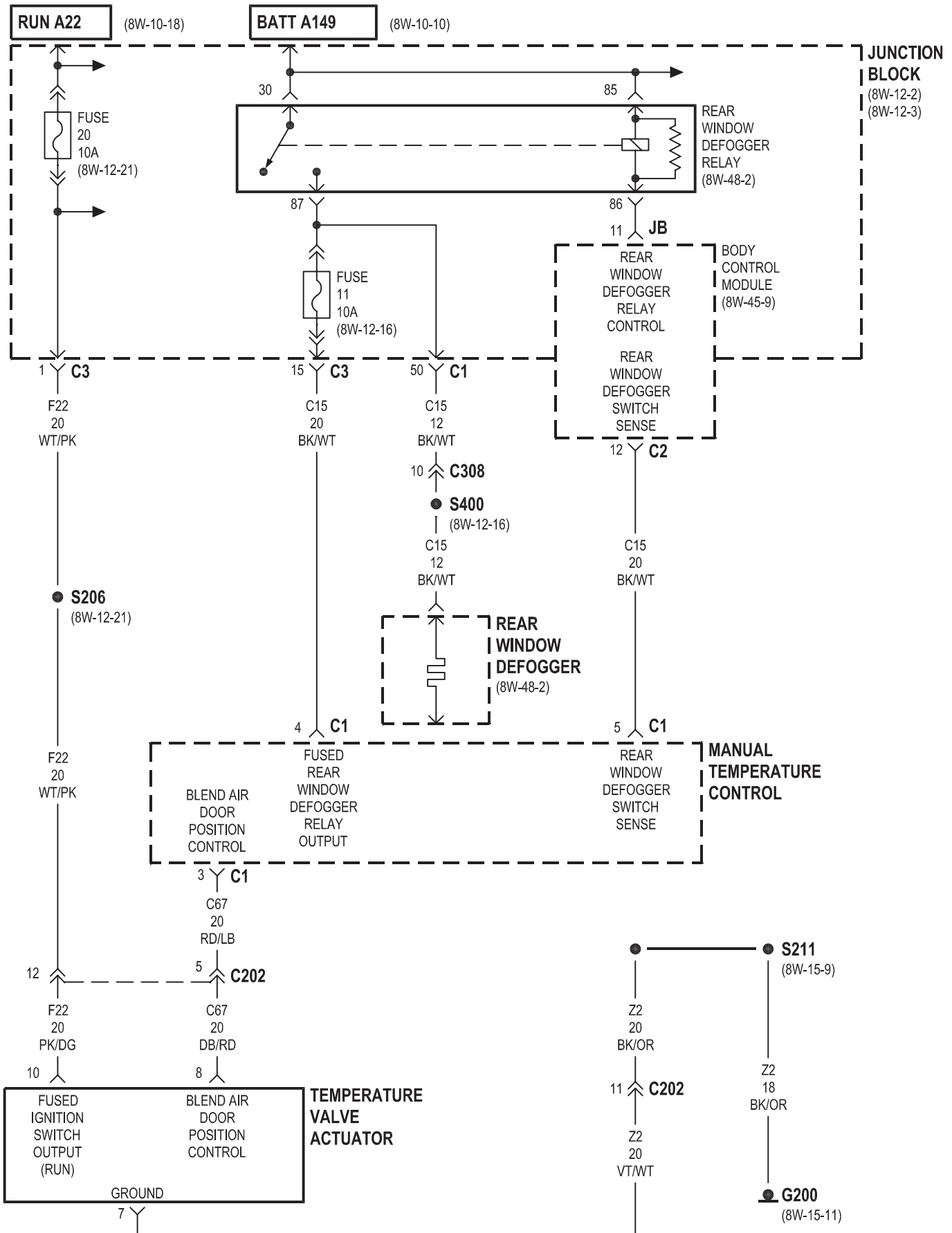


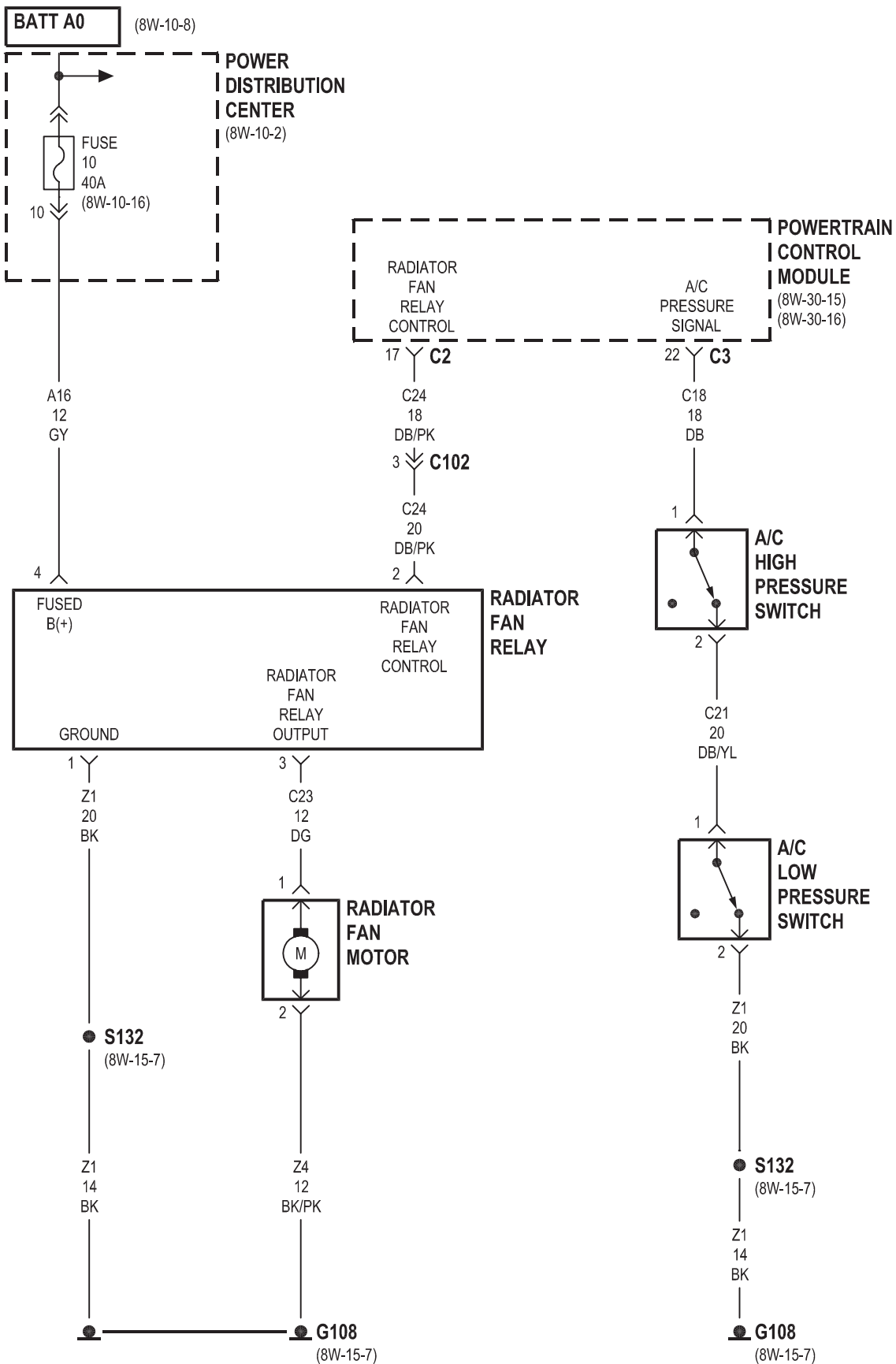
AZC





MTC



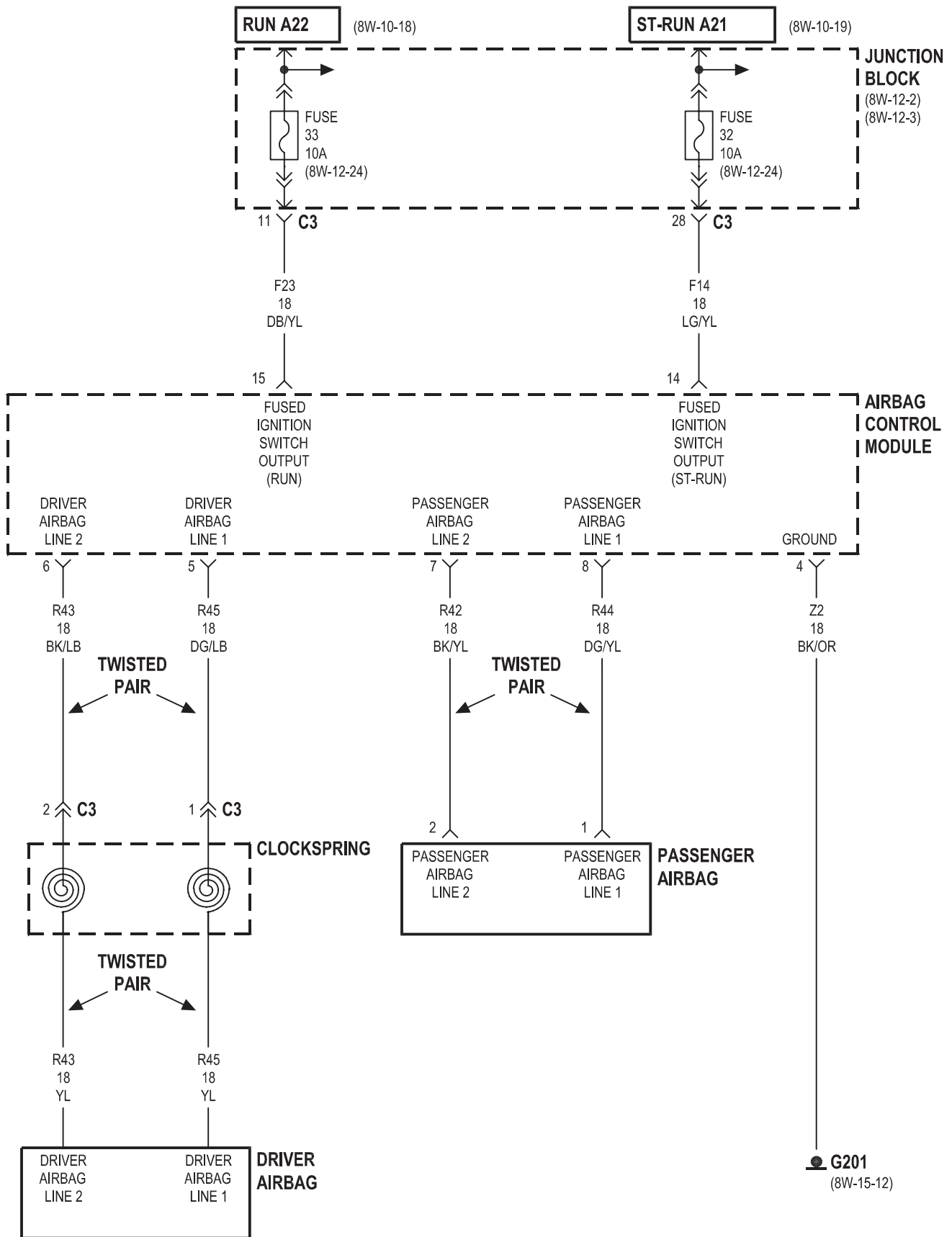


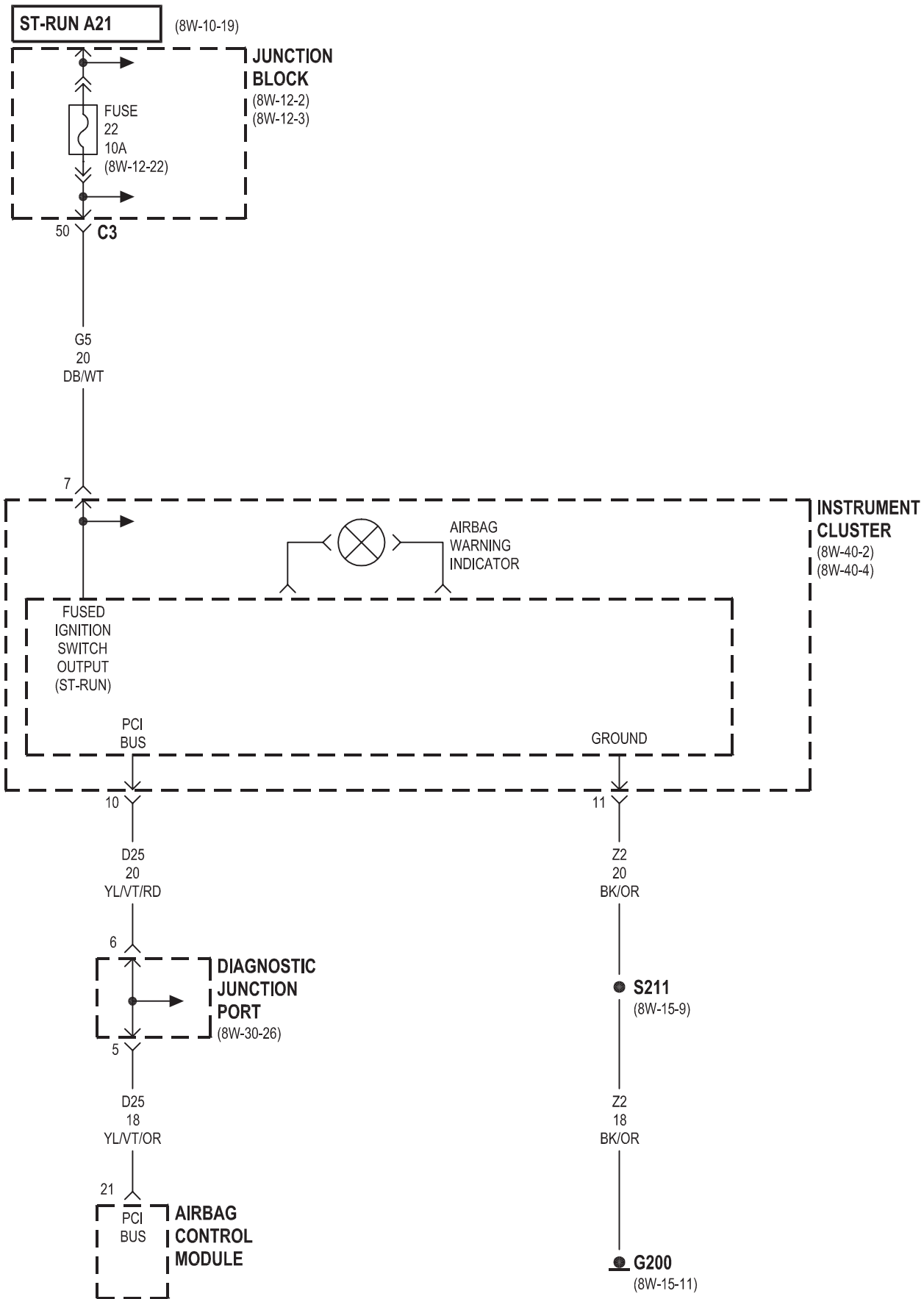




## 8W-43 AIRBAG SYSTEM

<b>Component</b>	<b>Page</b>	<b>Component</b>	<b>Page</b>
Airbag Control Module . . . . .	8W-43-2, 3	Fuse 33 (JB) . . . . .	8W-43-2
Airbag Warning Indicator . . . . .	8W-43-3	G200 . . . . .	8W-43-3
Clockspring . . . . .	8W-43-2	G201 . . . . .	8W-43-2
Diagnostic Junction Port . . . . .	8W-43-3	Instrument Cluster . . . . .	8W-43-3
Driver Airbag . . . . .	8W-43-2	Junction Block . . . . .	8W-43-2, 3
Fuse 22 (JB) . . . . .	8W-43-3	Passenger Airbag . . . . .	8W-43-2
Fuse 32 (JB) . . . . .	8W-43-2		

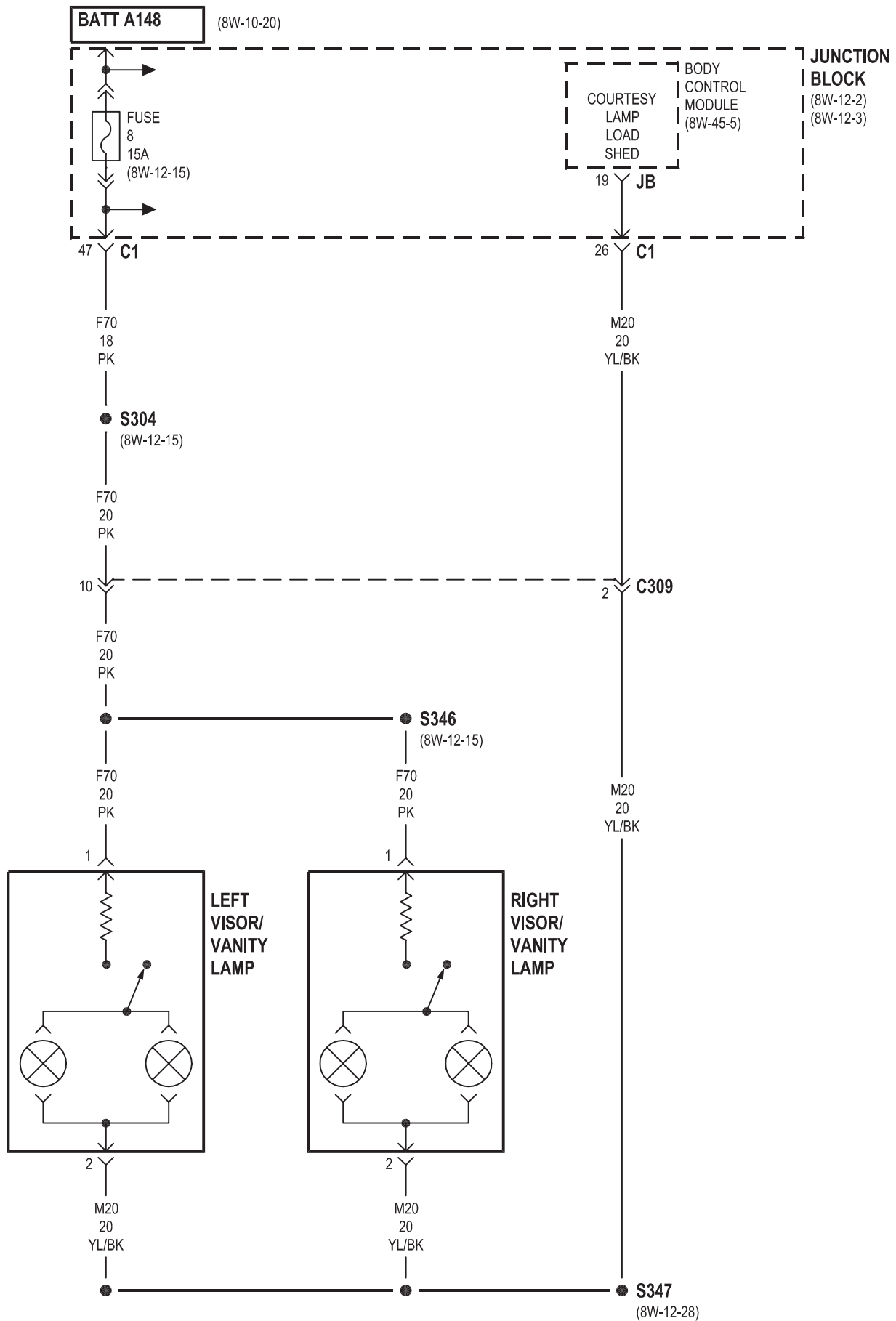




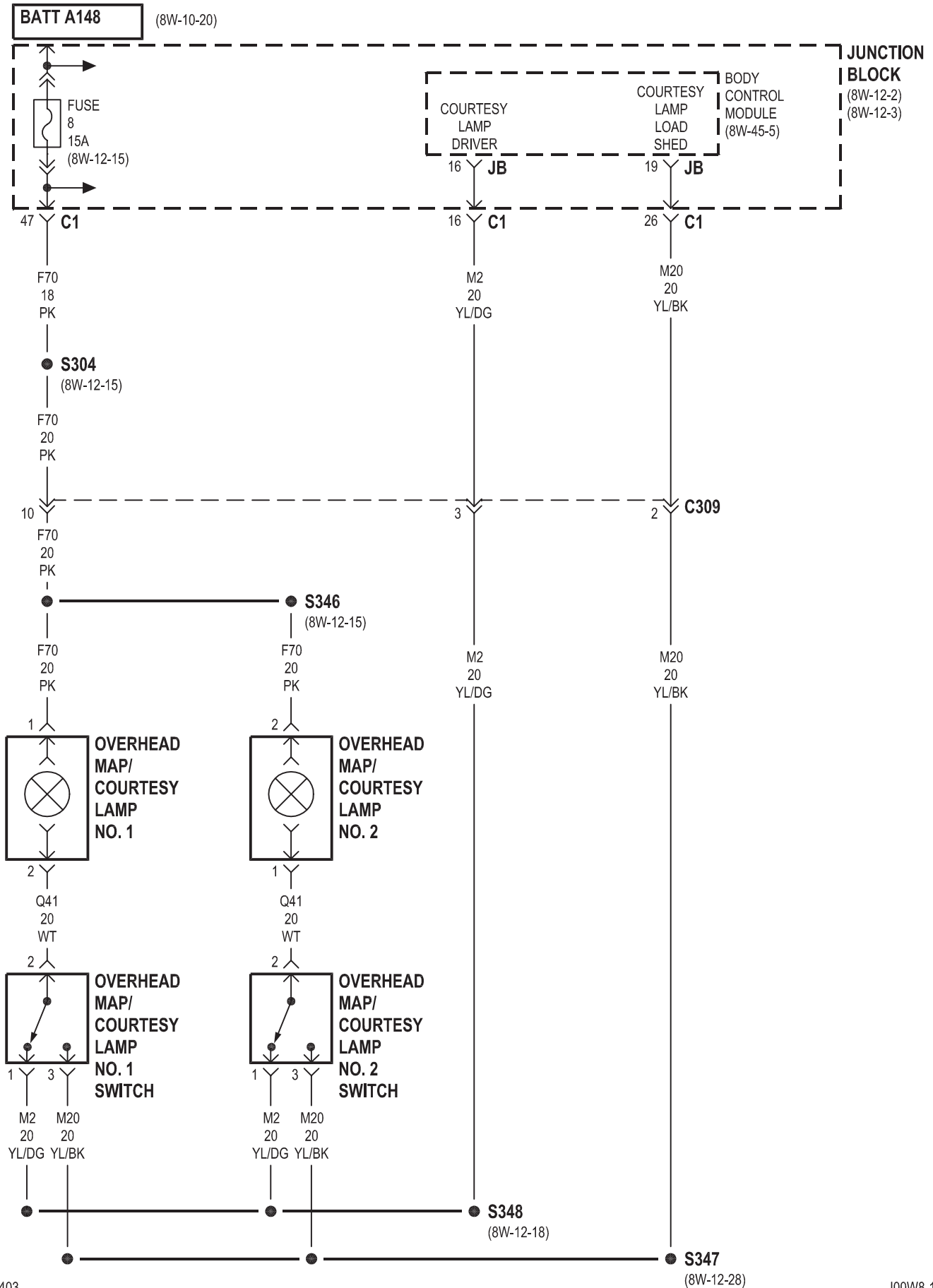


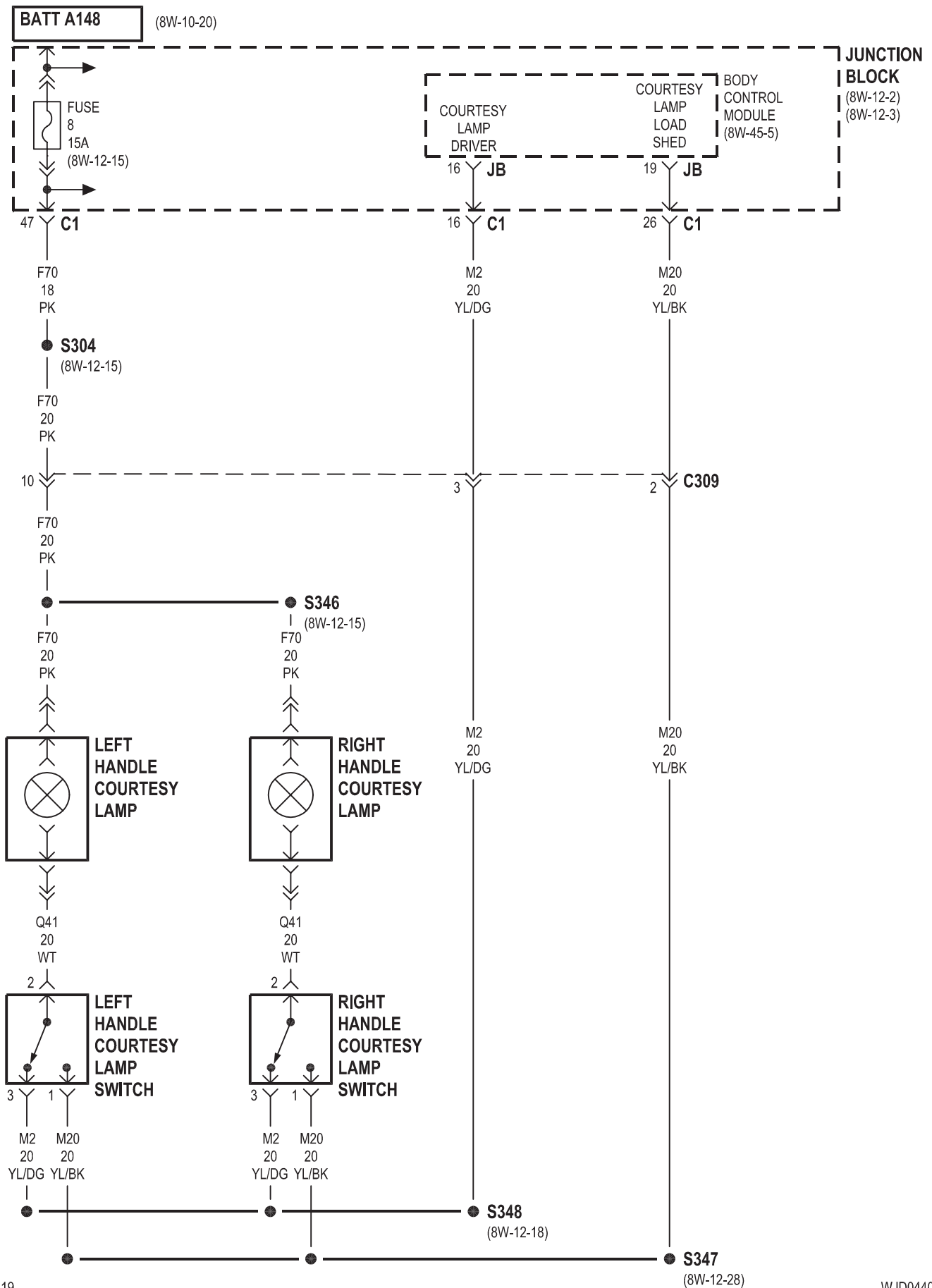
## 8W-44 INTERIOR LIGHTING

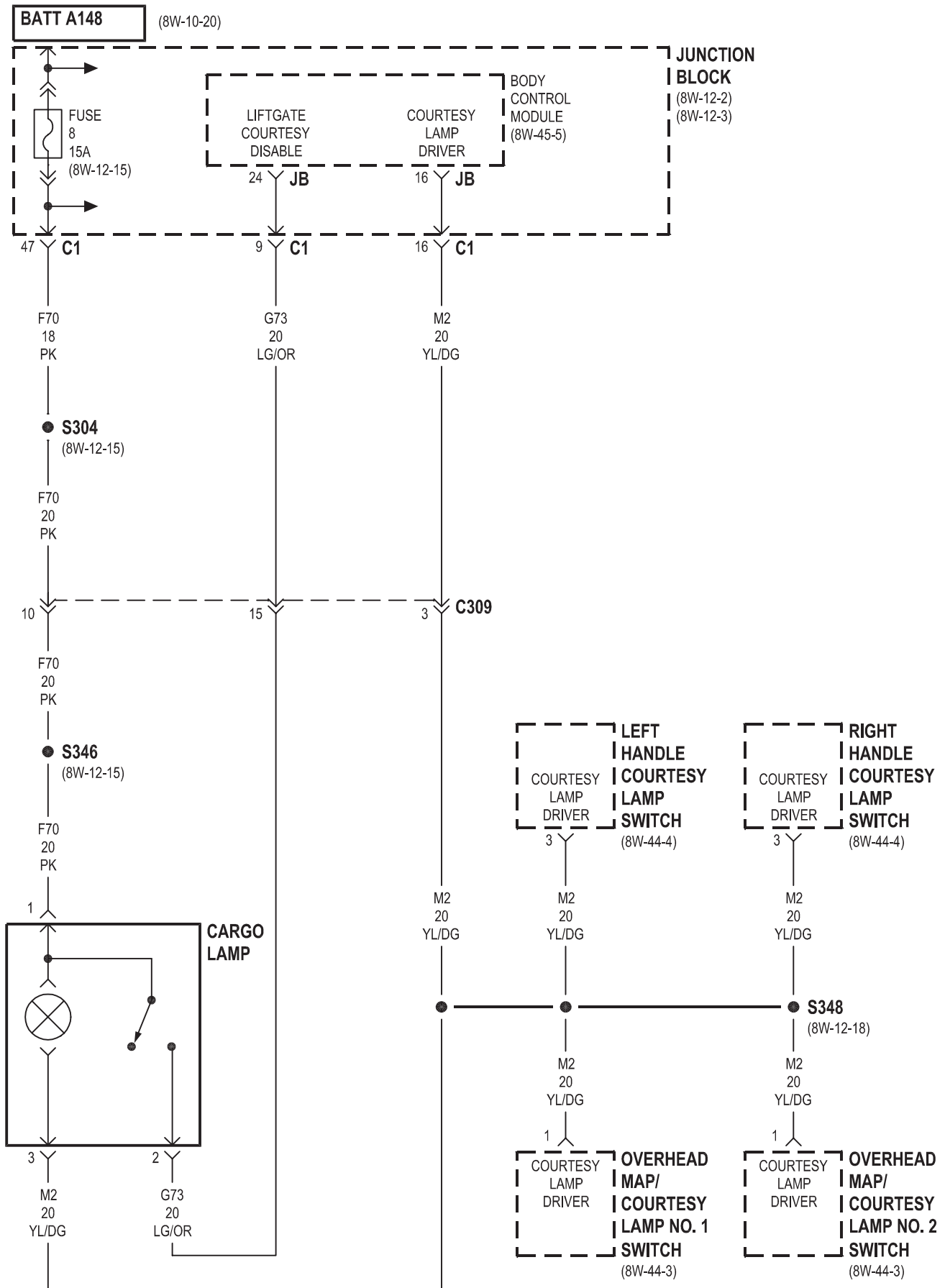
<b>Component</b>	<b>Page</b>	<b>Component</b>	<b>Page</b>
Ash Receiver Lamp . . . . .	8W-44-11	Left Visor/Vanity Lamp . . . . .	8W-44-2
Automatic Zone Control Module . . . . .	8W-44-11	Liftgate Flip-Up Ajar Switch . . . . .	8W-44-6
Body Control Module . . . . .	8W-44-2, 3, 4, 5, 6, 7, 9, 11	Manual Temperature Control . . . . .	8W-44-11
Cargo Lamp . . . . .	8W-44-5	Overhead Map/Courtesy Lamp No. 1 . . . . .	8W-44-3
Driver Door Courtesy Lamp . . . . .	8W-44-10	Overhead Map/Courtesy Lamp No. 1 Switch . . . . .	8W-44-3, 5
Driver Door Lock Motor/Ajar Switch . . . . .	8W-44-8	Overhead Map/Courtesy Lamp No. 2 . . . . .	8W-44-3
Driver Door Module . . . . .	8W-44-8, 10	Overhead Map/Courtesy Lamp No. 2 Switch . . . . .	8W-44-3, 5
Driver Heated Seat Switch . . . . .	8W-44-11	Passenger Door Courtesy Lamp . . . . .	8W-44-10
Fuse 7 (JB) . . . . .	8W-44-9	Passenger Door Lock Motor/Ajar Switch . . . . .	8W-44-8
Fuse 8 (JB) . . . . .	8W-44-2, 3, 4, 5, 9	Passenger Door Module . . . . .	8W-44-8, 10
G106 . . . . .	8W-44-9	Passenger Heated Seat Switch . . . . .	8W-44-11
G200 . . . . .	8W-44-11	PRNDL/Transfer Case Illumination . . . . .	8W-44-11
G300 . . . . .	8W-44-7, 8	Radio . . . . .	8W-44-11
G301 . . . . .	8W-44-6, 7	Right Courtesy Lamp . . . . .	8W-44-9
Glove Box Lamp . . . . .	8W-44-9	Right Handle Courtesy Lamp . . . . .	8W-44-4
Junction Block . . . . .	8W-44-2, 3, 4, 5, 6, 7, 9	Right Handle Courtesy Lamp Switch . . . . .	8W-44-4, 5
Left Courtesy Lamp . . . . .	8W-44-9	Right Liftgate Ajar Switch . . . . .	8W-44-6
Left Handle Courtesy Lamp . . . . .	8W-44-4	Right Rear Door Lock Motor/Ajar Switch . . . . .	8W-44-7
Left Handle Courtesy Lamp Switch . . . . .	8W-44-4, 5	Right Visor/Vanity Lamp . . . . .	8W-44-2
Left Liftgate Ajar Switch . . . . .	8W-44-6	Underhood Lamp . . . . .	8W-44-9
Left Multi- Function Switch . . . . .	8W-44-11		
Left Rear Door Lock Motor/Ajar Switch . . . . .	8W-44-7		

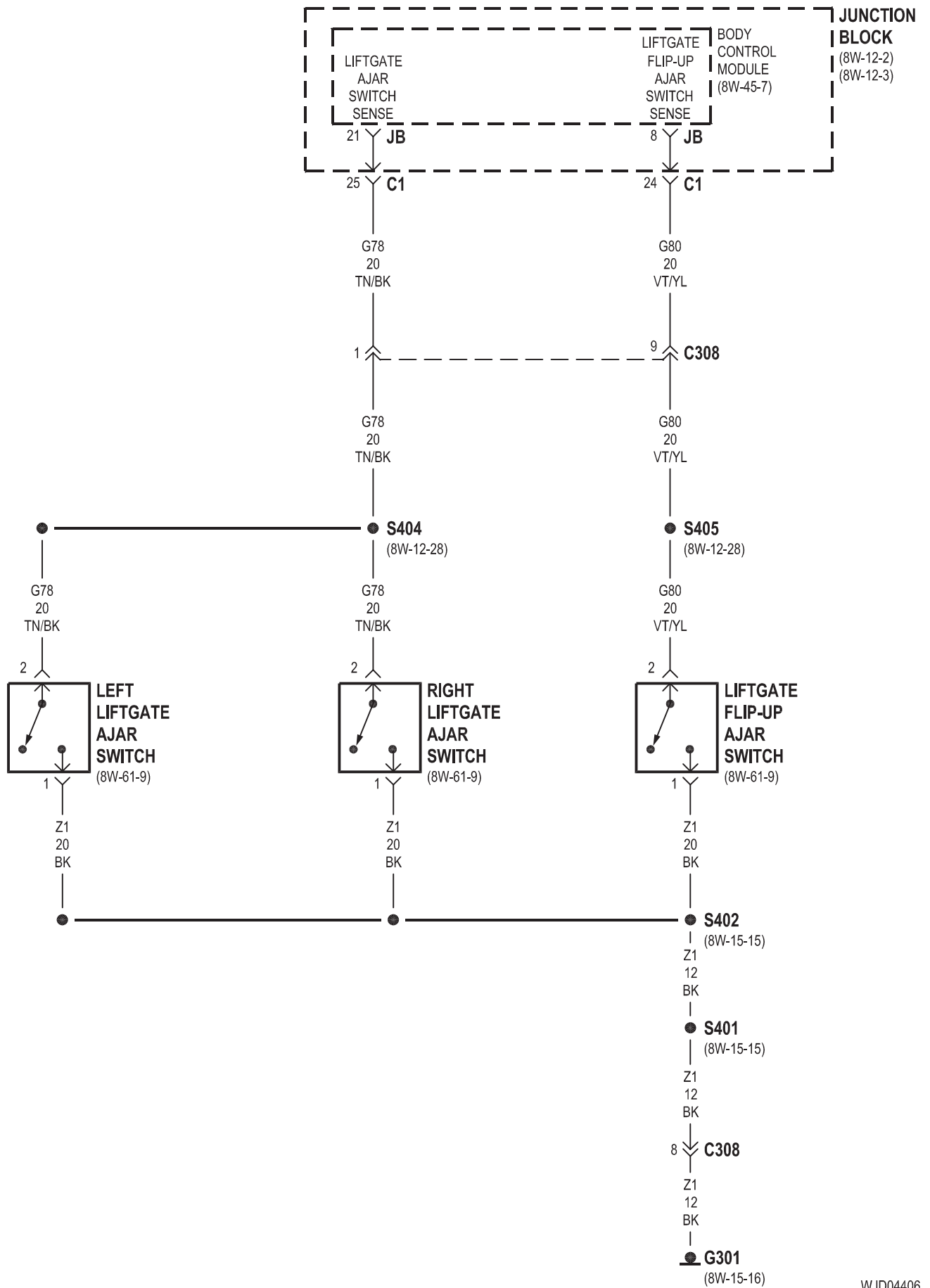


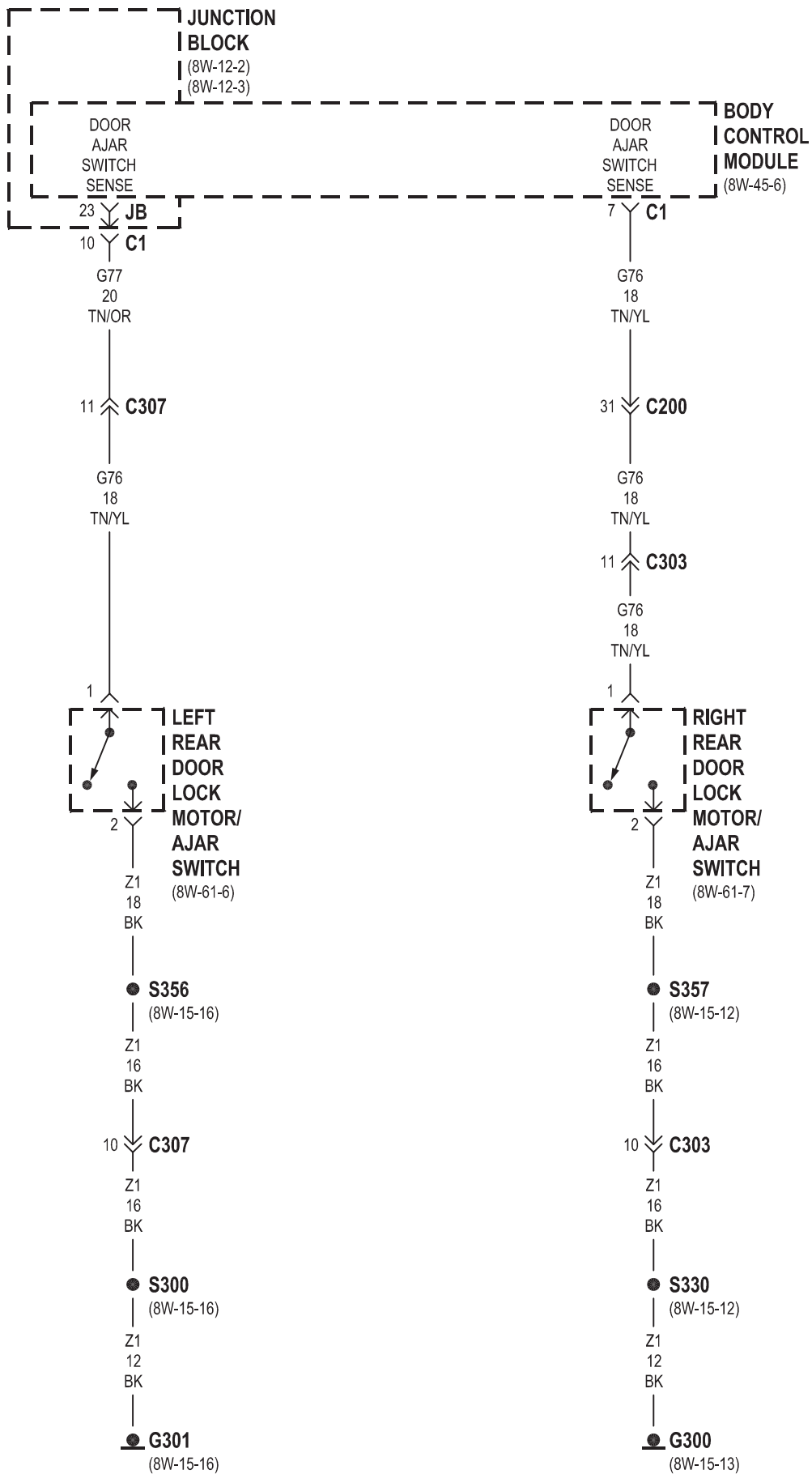


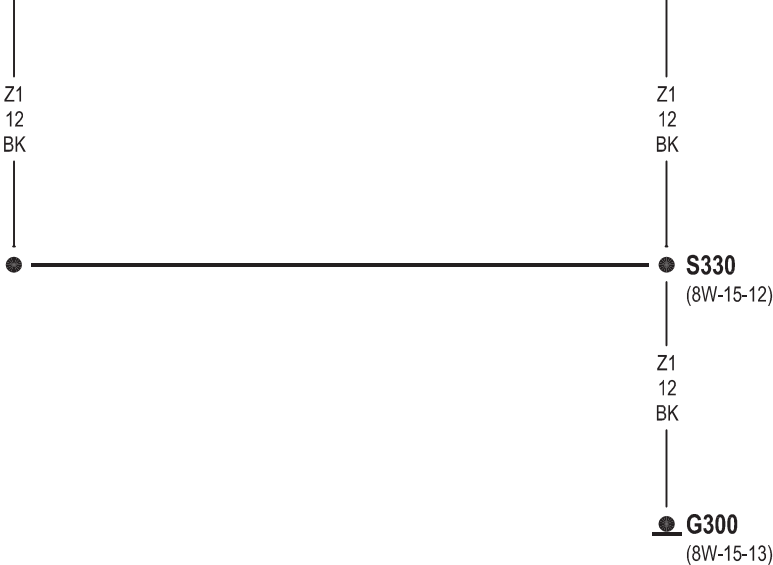
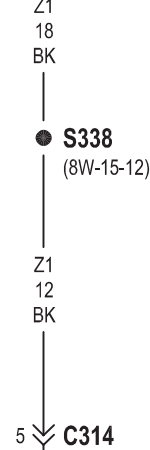
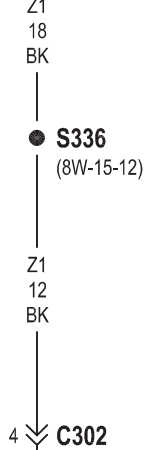
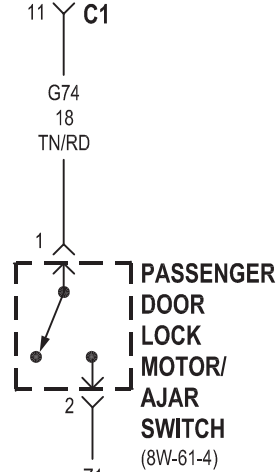
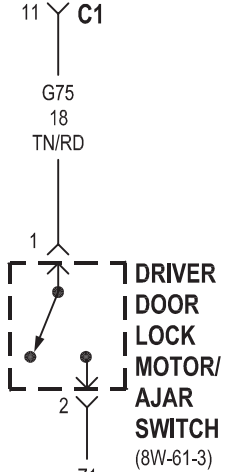
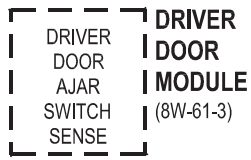




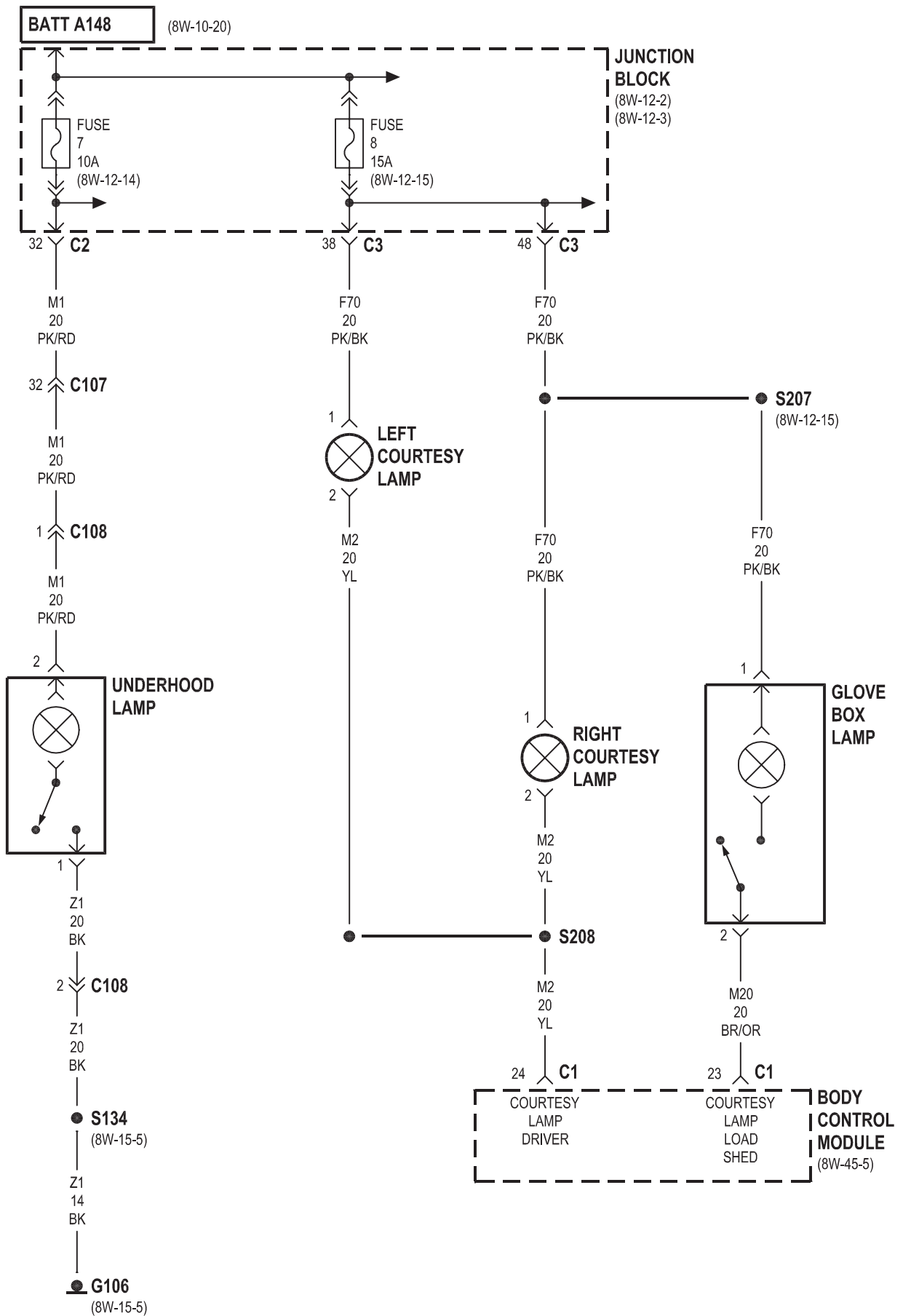


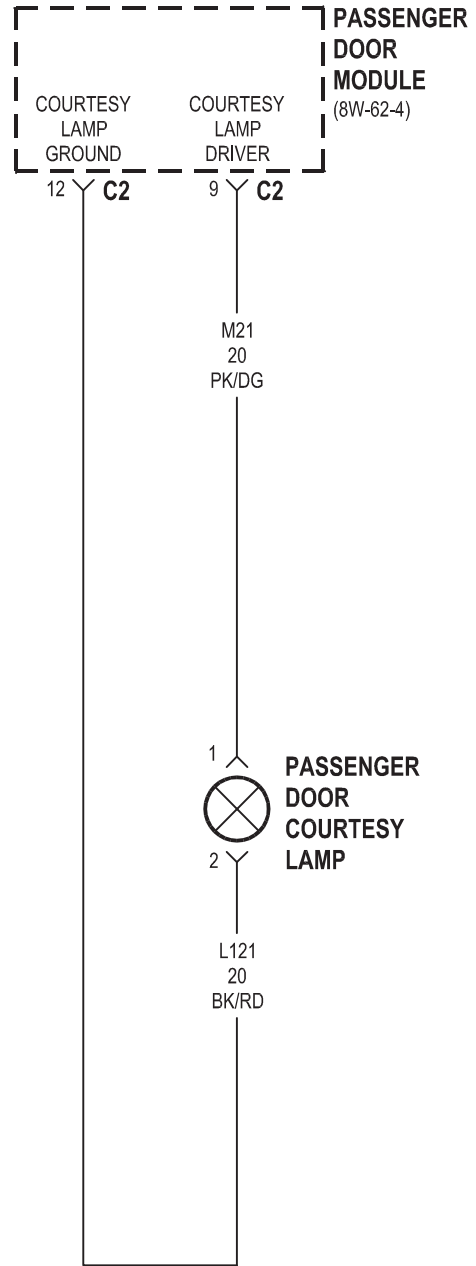
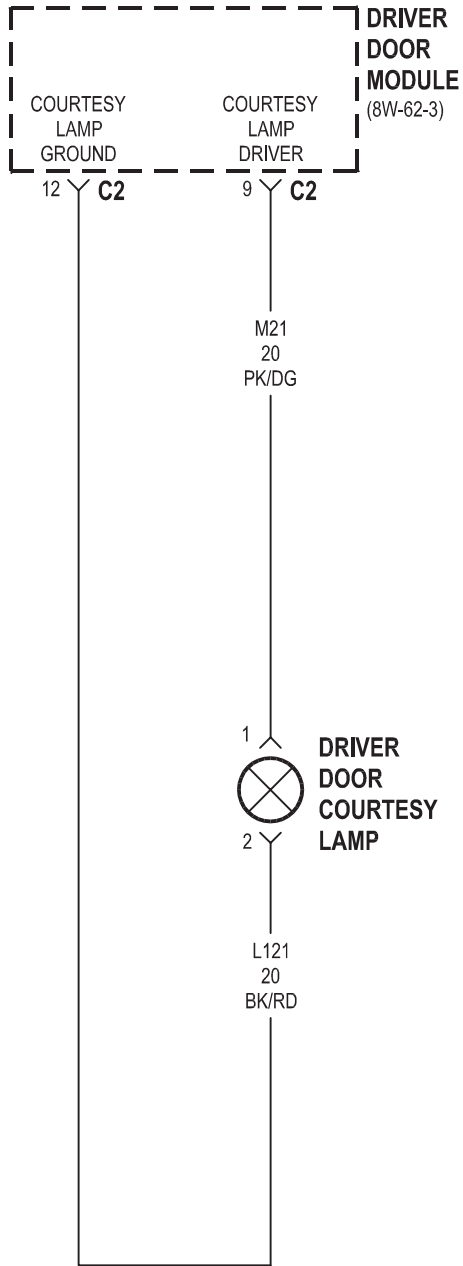


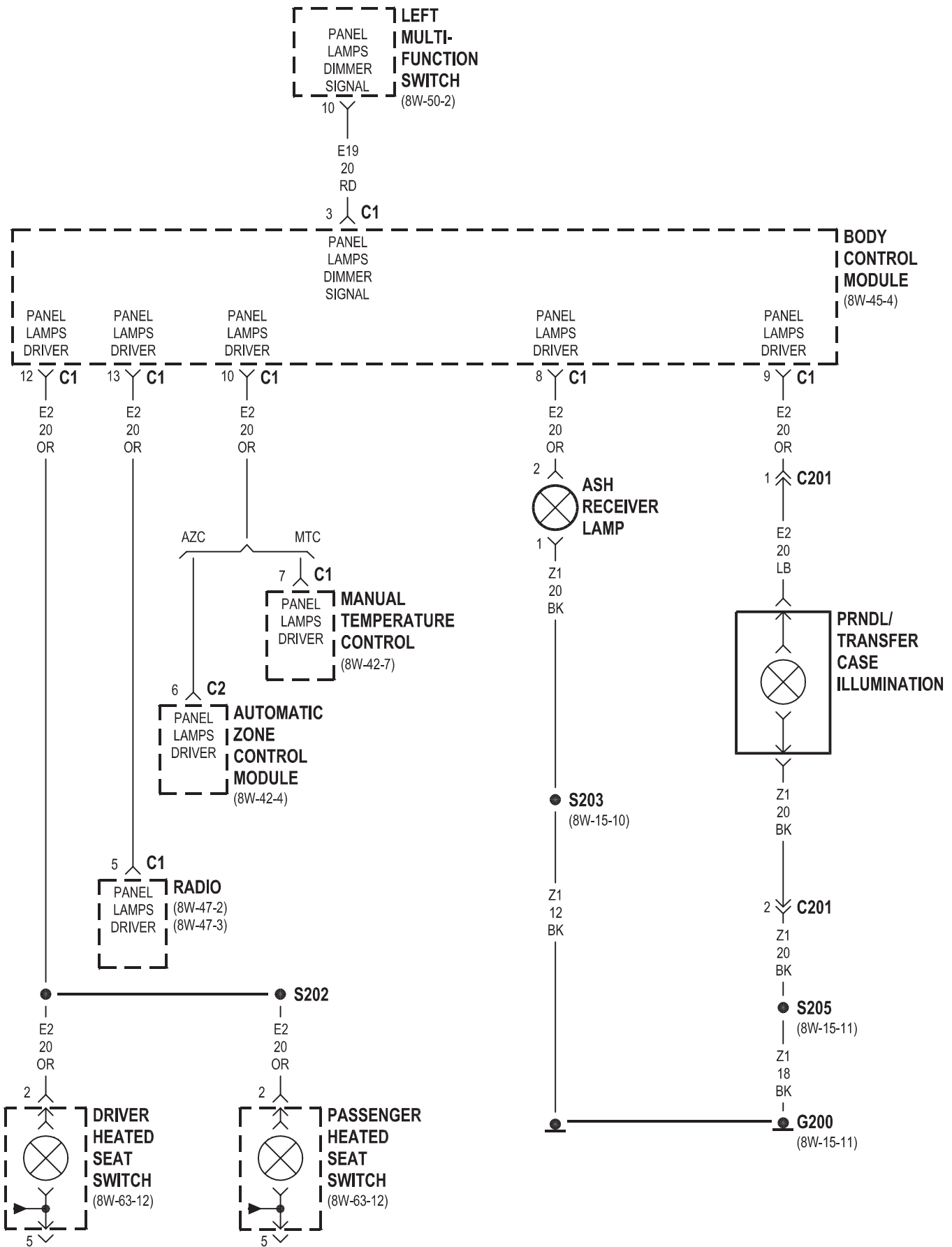








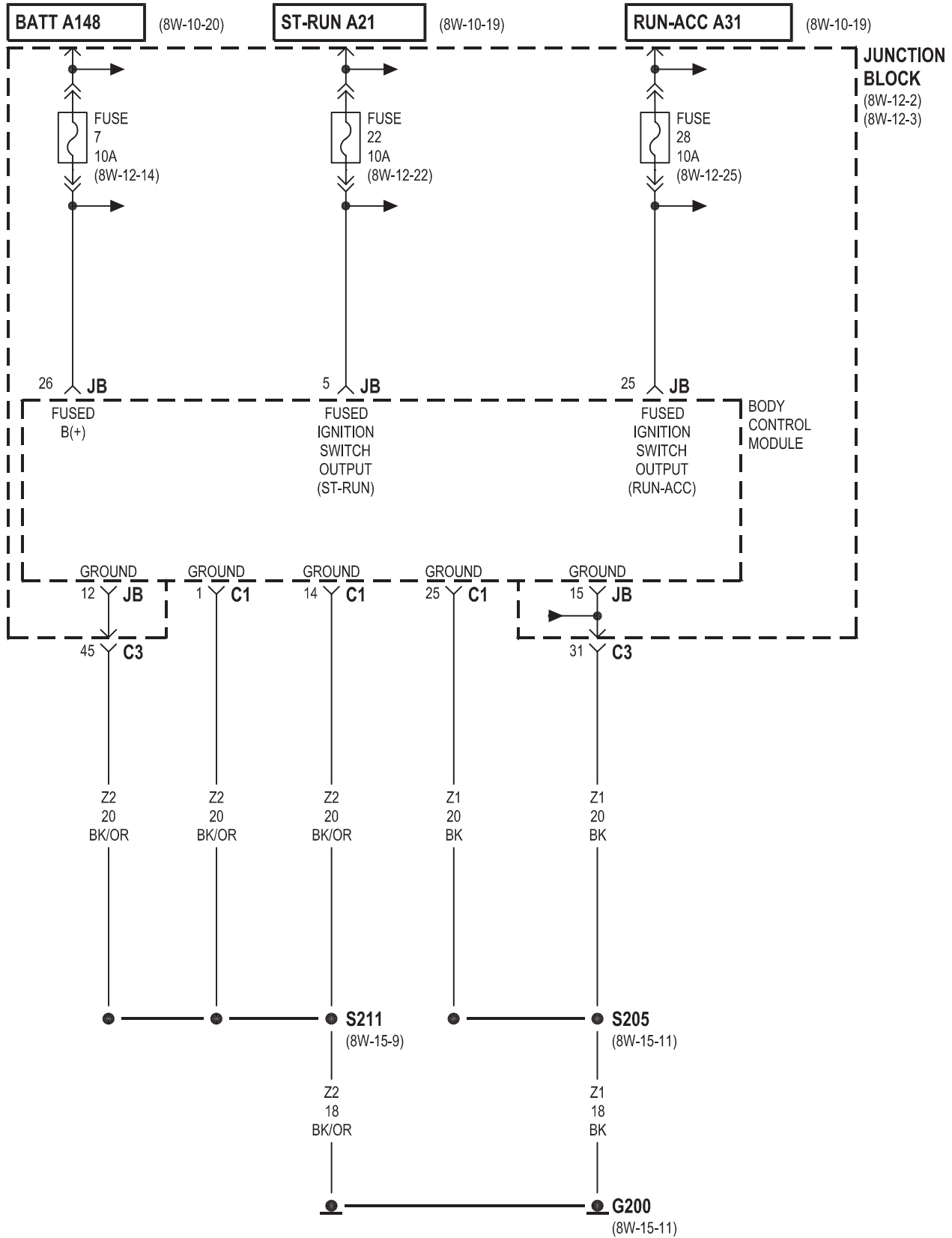




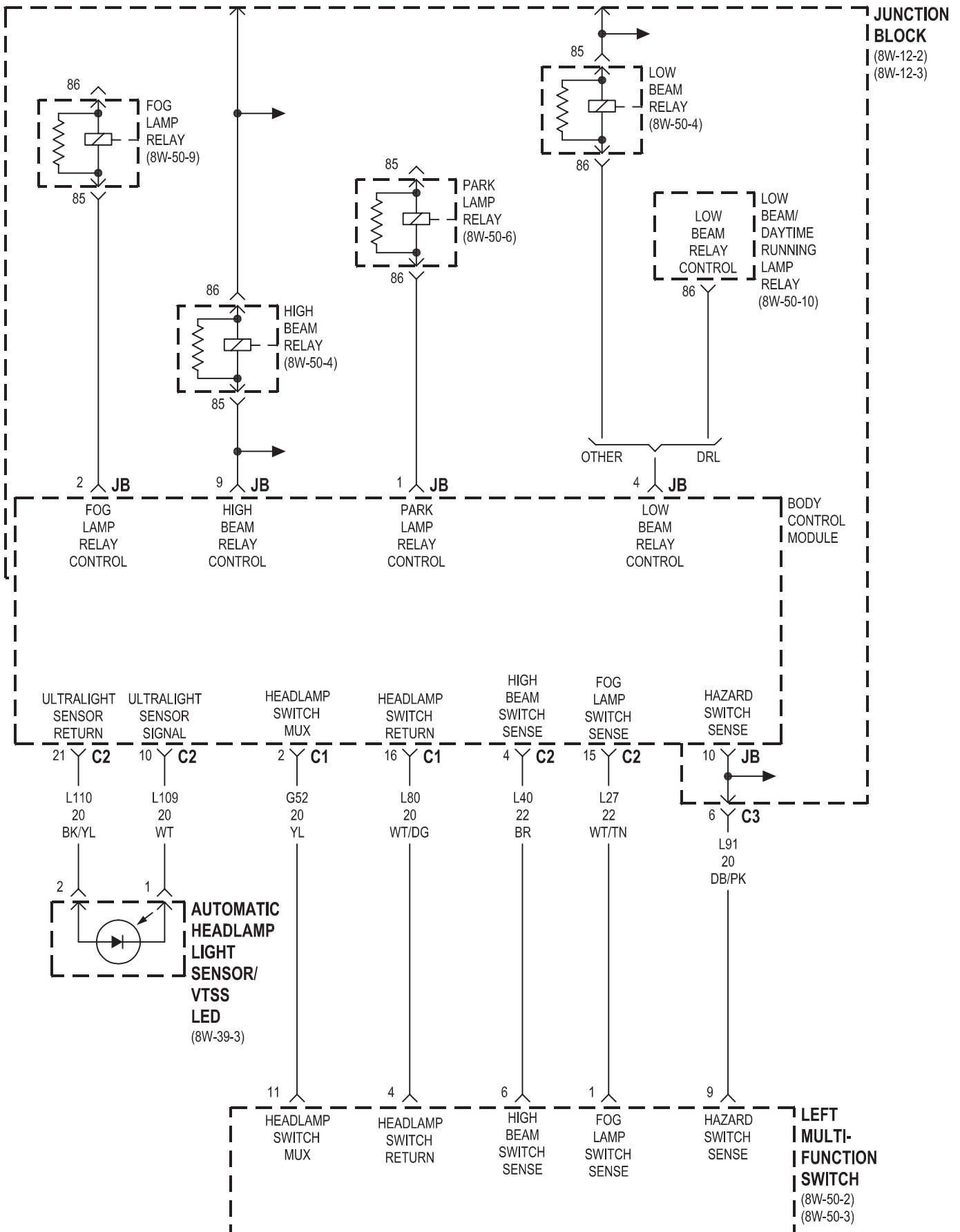


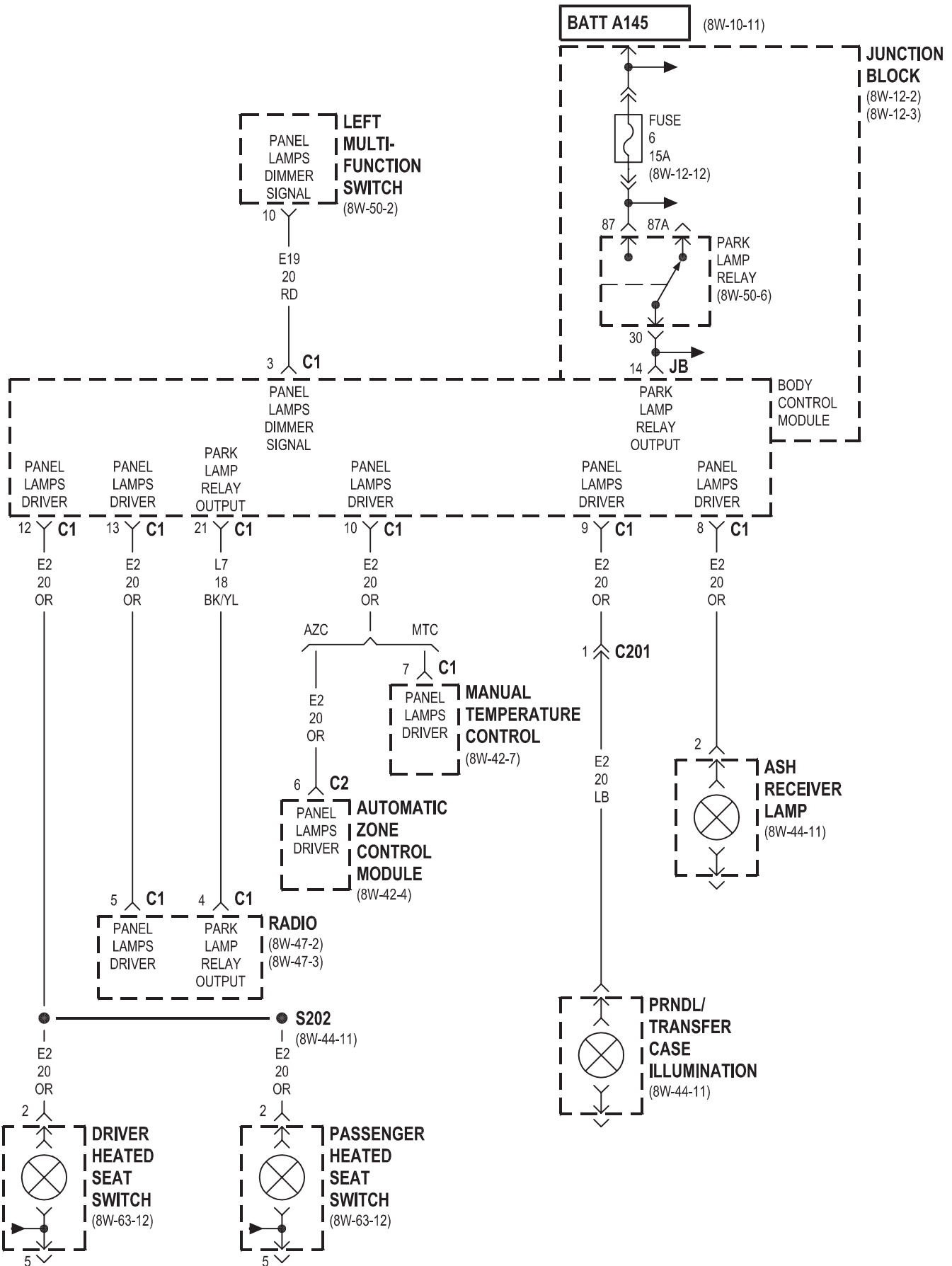
## 8W-45 BODY CONTROL MODULE

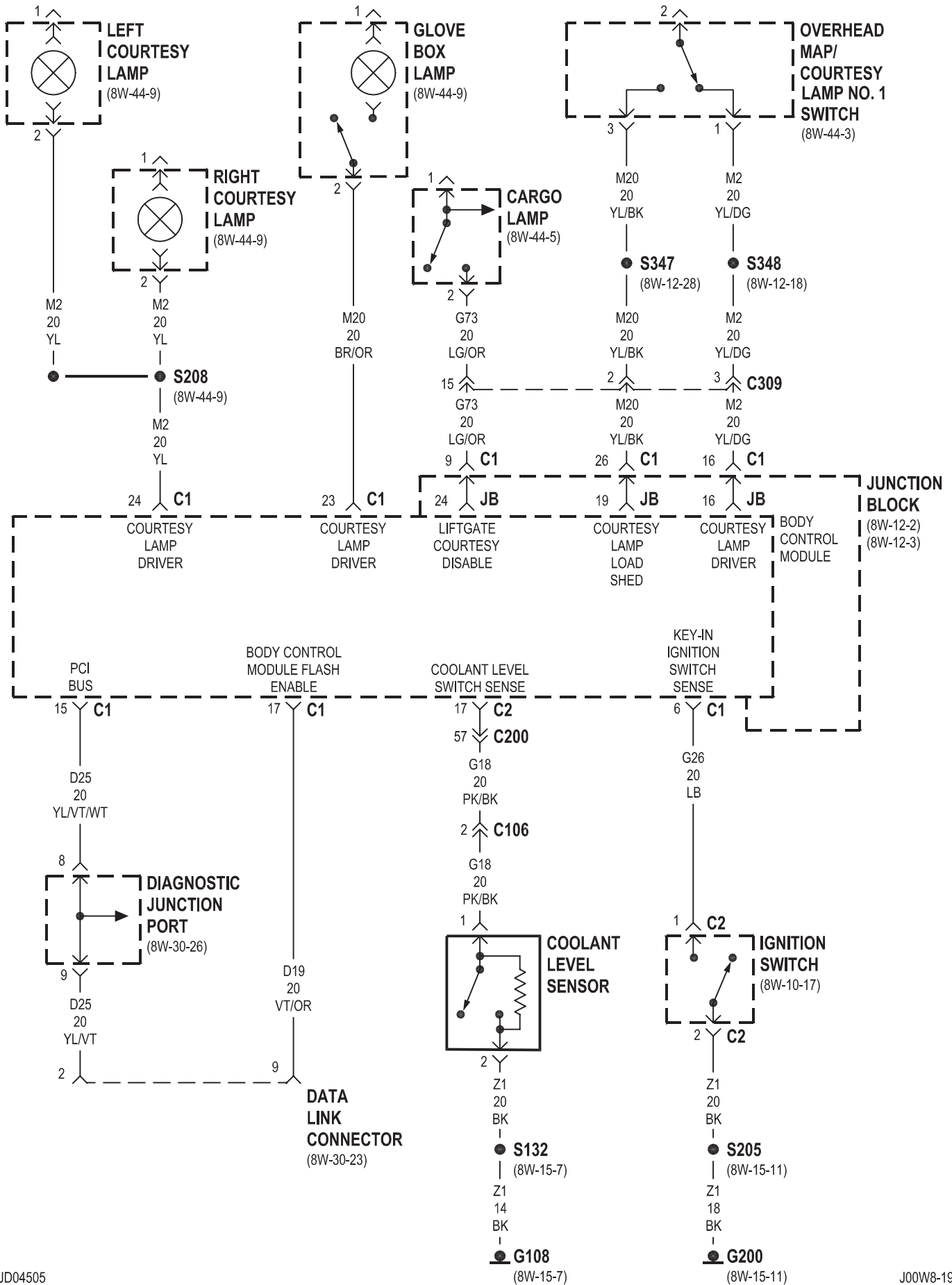
<b>Component</b>	<b>Page</b>	<b>Component</b>	<b>Page</b>
Ambient Temperature Sensor . . . . .	8W-45-6	Left Liftgate Ajar Switch . . . . .	8W-45-7
Ash Receiver Lamp . . . . .	8W-45-4	Left Multi- Function Switch . . . . .	8W-45-3, 4
Automatic Headlamp Light		Left Rear Door Lock Motor/Ajar Switch . . .	8W-45-6
Sensor/VTSS LED . . . . .	8W-45-3, 6	Left Remote Radio Switch . . . . .	8W-45-8
Automatic Zone Control Module . . . . .	8W-45-4, 9	Liftgate Flip-Up Ajar Switch . . . . .	8W-45-7
Body Control Module . . . . .	8W-45-2, 3, 4, 5, 6, 7, 8, 9	Low Beam Relay . . . . .	8W-45-3
Cargo Lamp . . . . .	8W-45-5	Low Beam/Daytime Running Lamp Relay .	8W-45-3
Chime . . . . .	8W-45-6	Manual Temperature Control . . . . .	8W-45-4, 9
Clockspring . . . . .	8W-45-8	Overhead Map/Courtesy	
Coolant Level Sensor . . . . .	8W-45-5	Lamp No. 1 Switch . . . . .	8W-45-5
Data Link Connector . . . . .	8W-45-5	Park Lamp Relay . . . . .	8W-45-3, 4
Diagnostic Junction Port . . . . .	8W-45-5	Passenger Heated Seat Switch . . . . .	8W-45-4, 9
Driver Heated Seat Switch . . . . .	8W-45-4, 9	PRNDL/Transfer Case Illumination . . . . .	8W-45-4
Fog Lamp Relay . . . . .	8W-45-3	Radio . . . . .	8W-45-4
Fuse 6 (JB) . . . . .	8W-45-4	Rear Window Defogger Relay . . . . .	8W-45-8
Fuse 7 (JB) . . . . .	8W-45-2	Rear Wiper Motor . . . . .	8W-45-7
Fuse 22 (JB) . . . . .	8W-45-2	Right Courtesy Lamp . . . . .	8W-45-5
Fuse 25 (JB) . . . . .	8W-45-8	Right Liftgate Ajar Switch . . . . .	8W-45-7
Fuse 28 (JB) . . . . .	8W-45-2	Right Multi- Function Switch . . . . .	8W-45-7
G108 . . . . .	8W-45-5	Right Rear Door Lock Motor/Ajar Switch . .	8W-45-6
G200 . . . . .	8W-45-2, 5	Right Remote Radio Switch . . . . .	8W-45-8
Glove Box Lamp . . . . .	8W-45-5	Sunroof Delay Relay . . . . .	8W-45-8
High Beam Relay . . . . .	8W-45-3	Washer Fluid Level Switch . . . . .	8W-45-7
Horn Relay . . . . .	8W-45-6	Windshield Washer Pump . . . . .	8W-45-7
Ignition Switch . . . . .	8W-45-5	Windshield Wiper Motor . . . . .	8W-45-7
Junction Block . . . . .	8W-45-2, 3, 4, 5, 6, 7, 8	Wiper On/Off Relay . . . . .	8W-45-7
Left Courtesy Lamp . . . . .	8W-45-5		

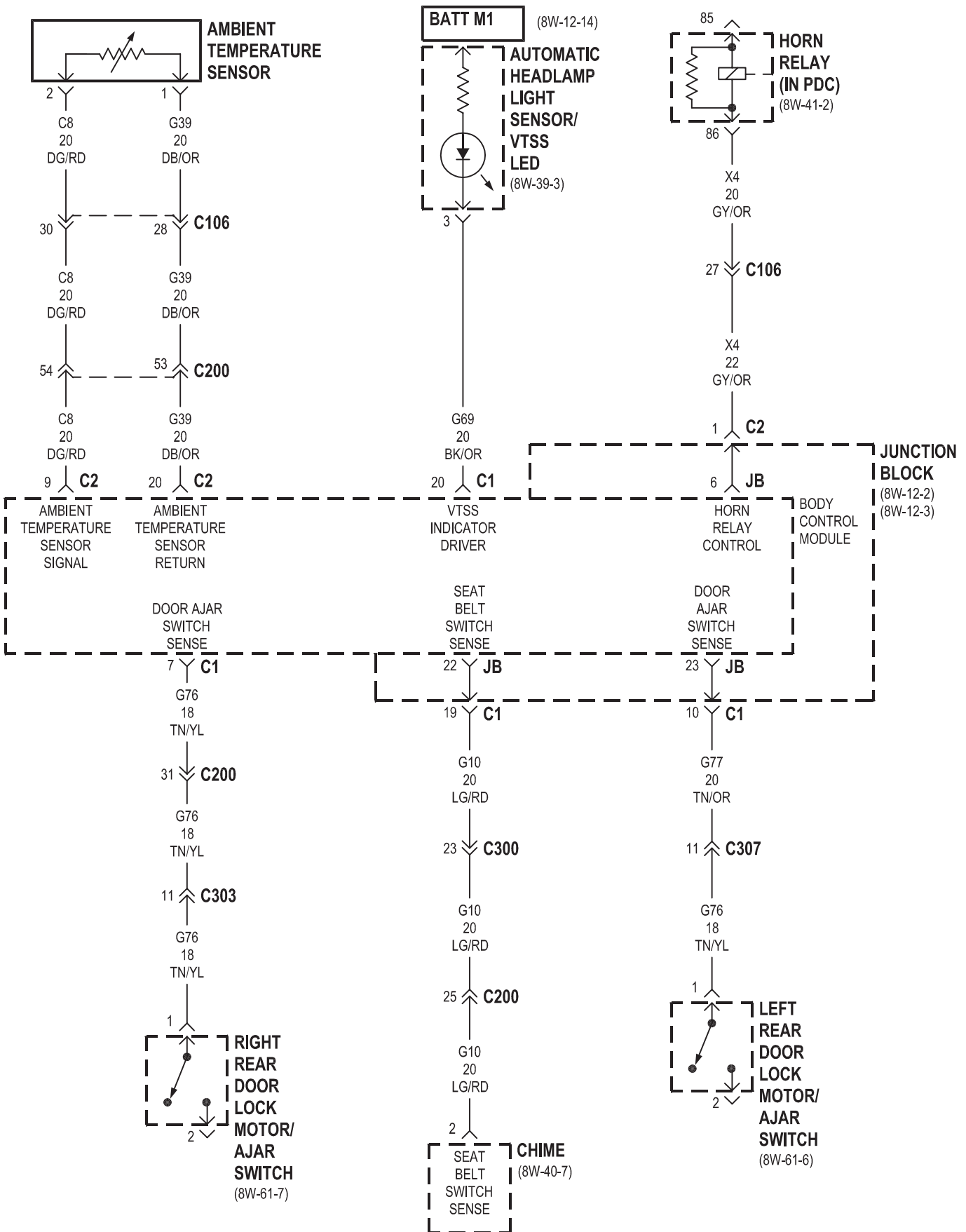


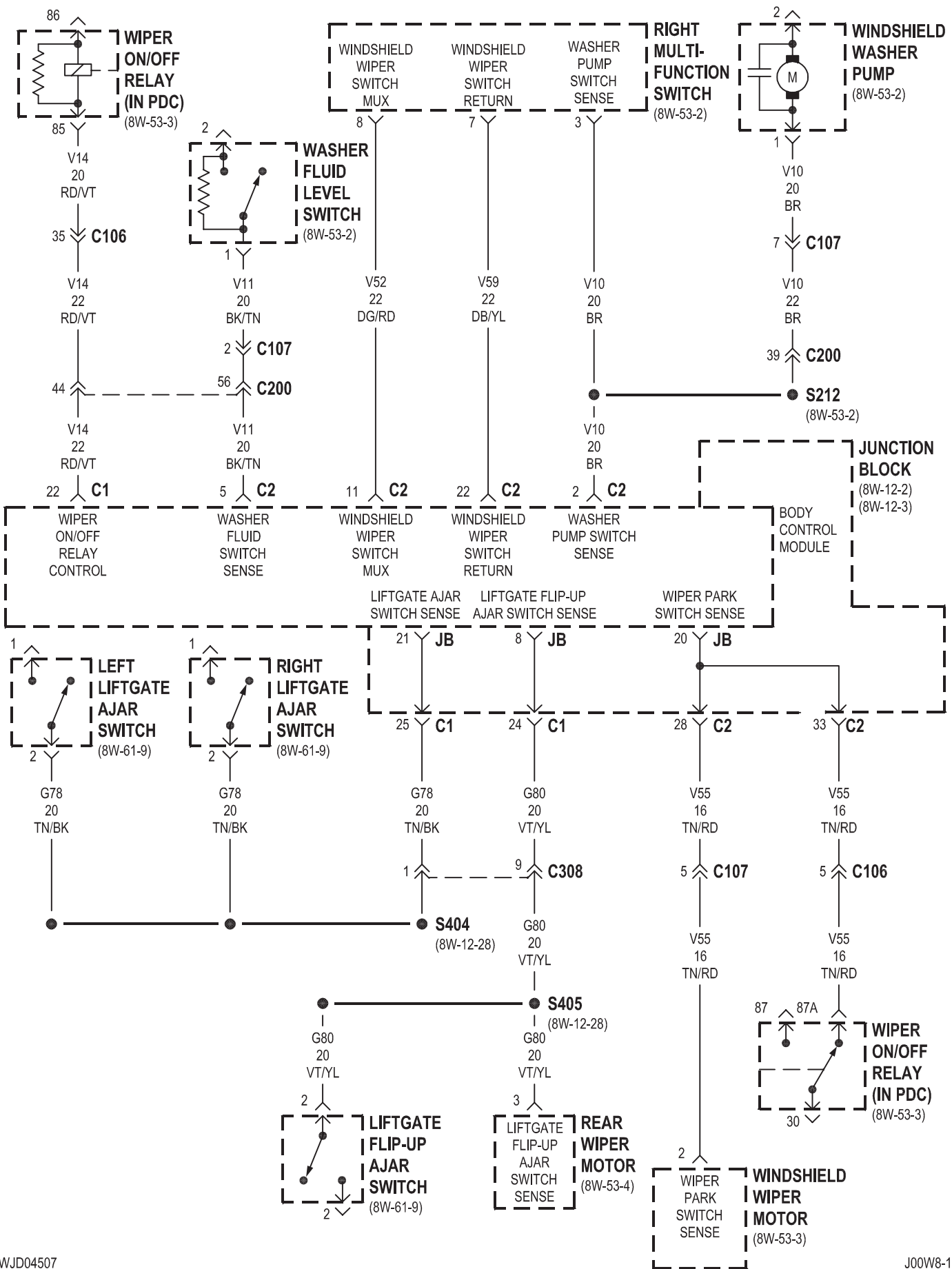


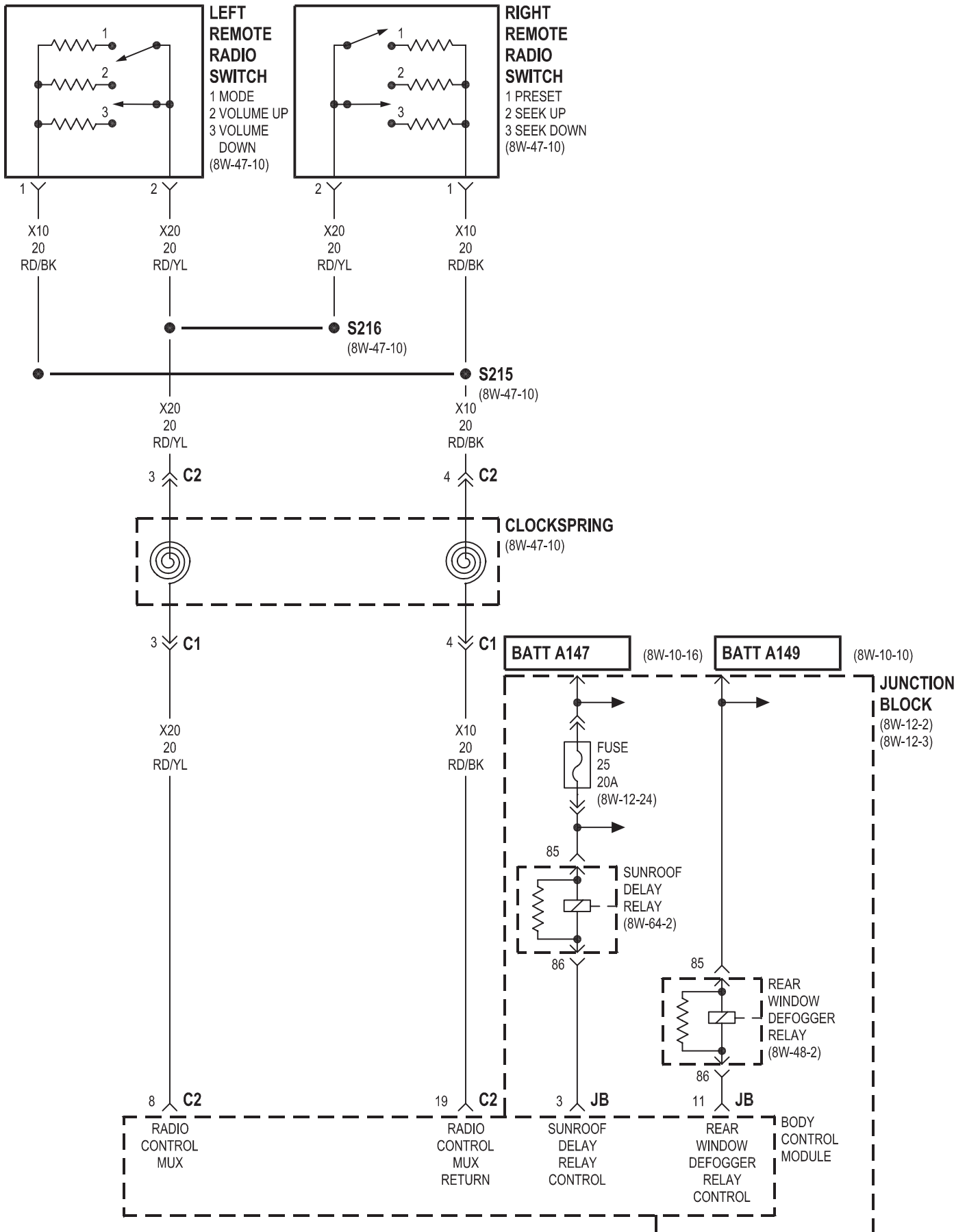




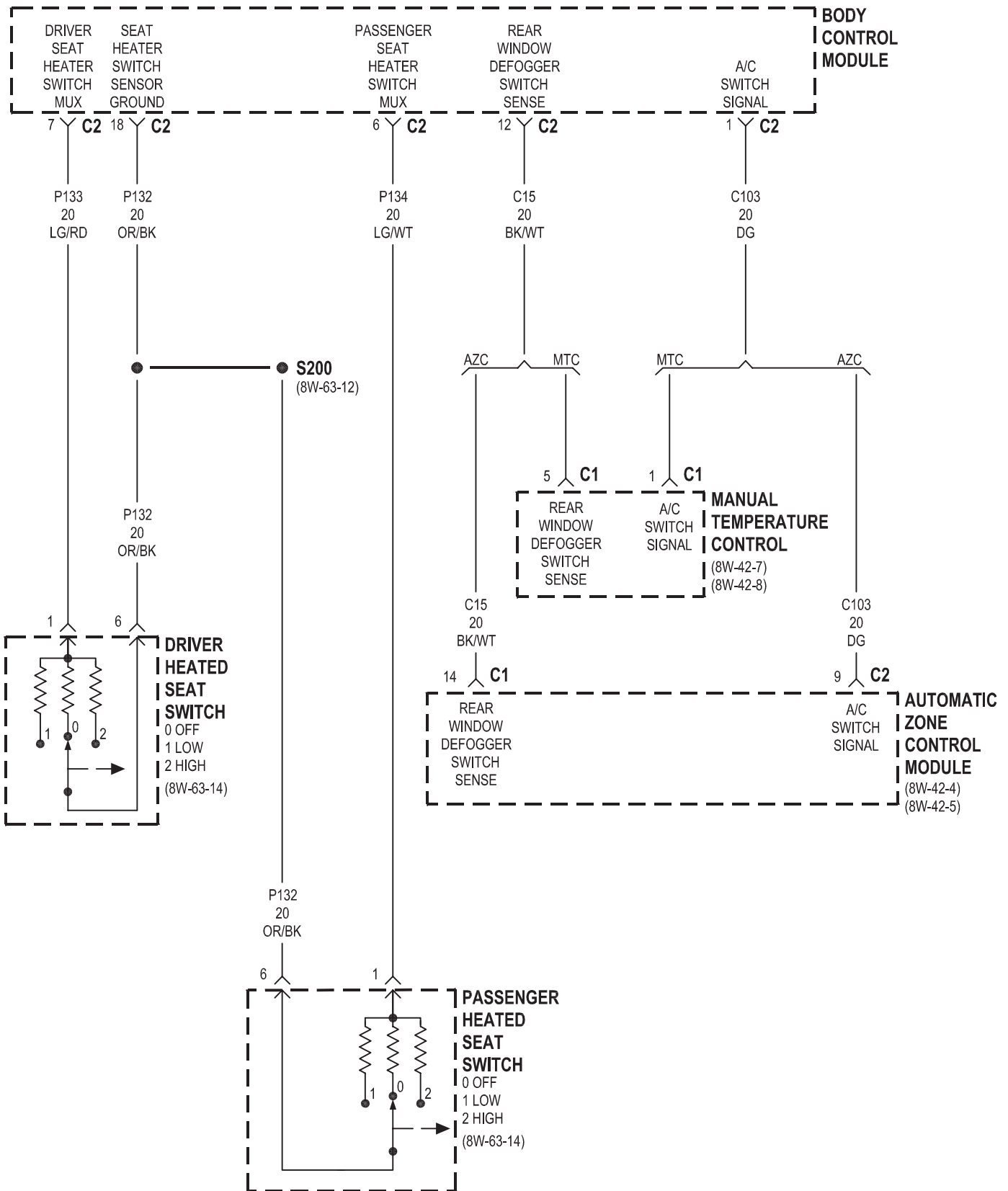








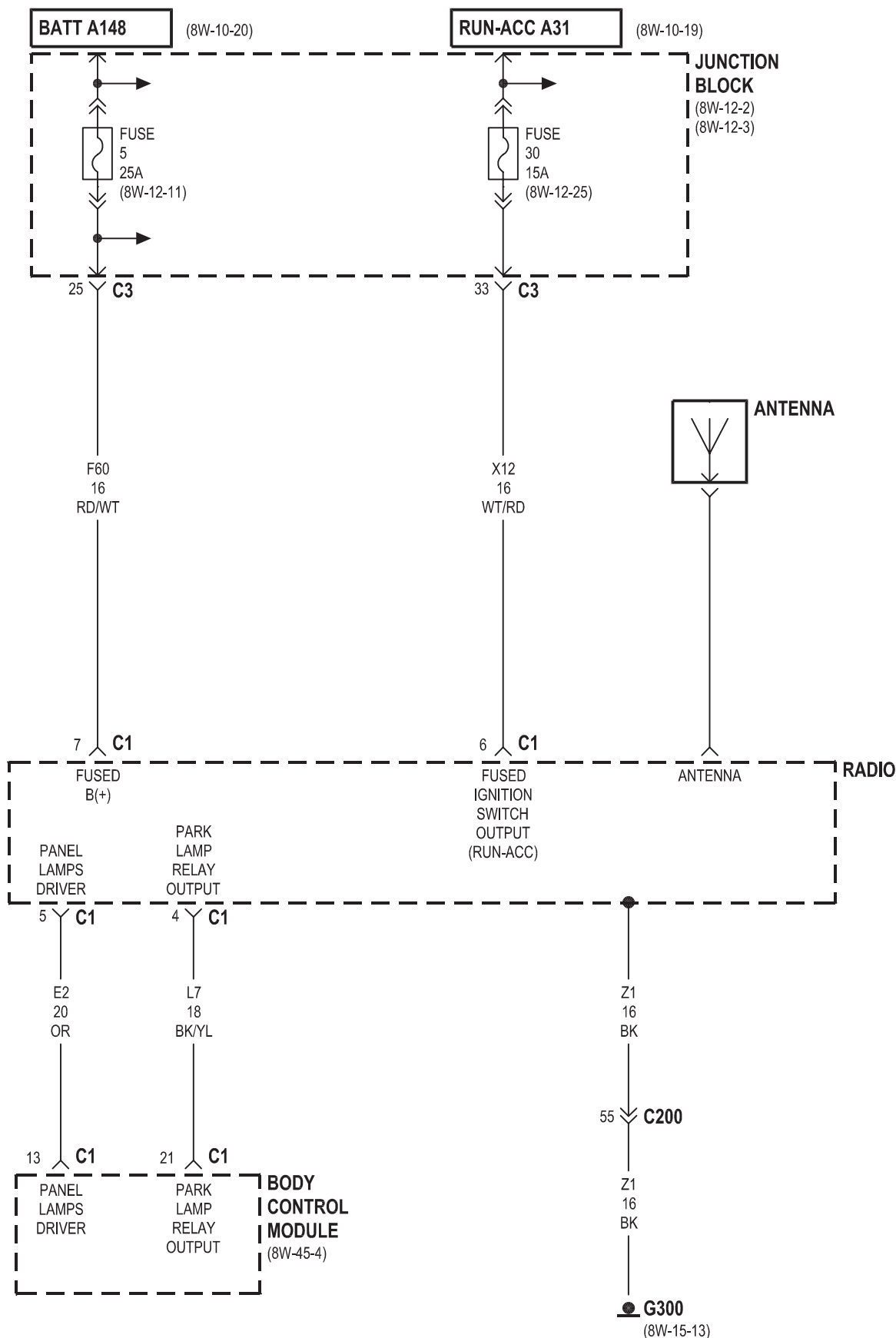




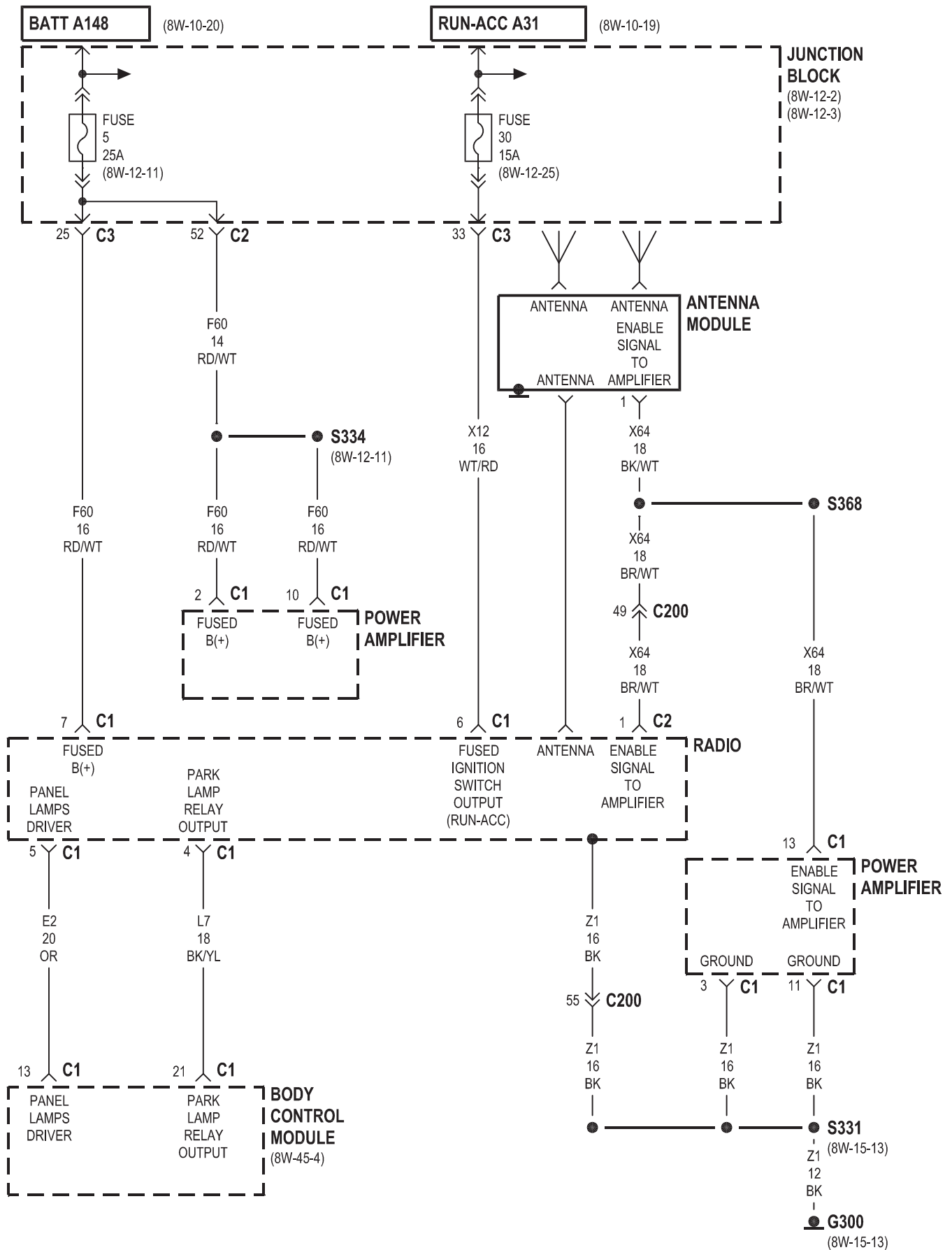


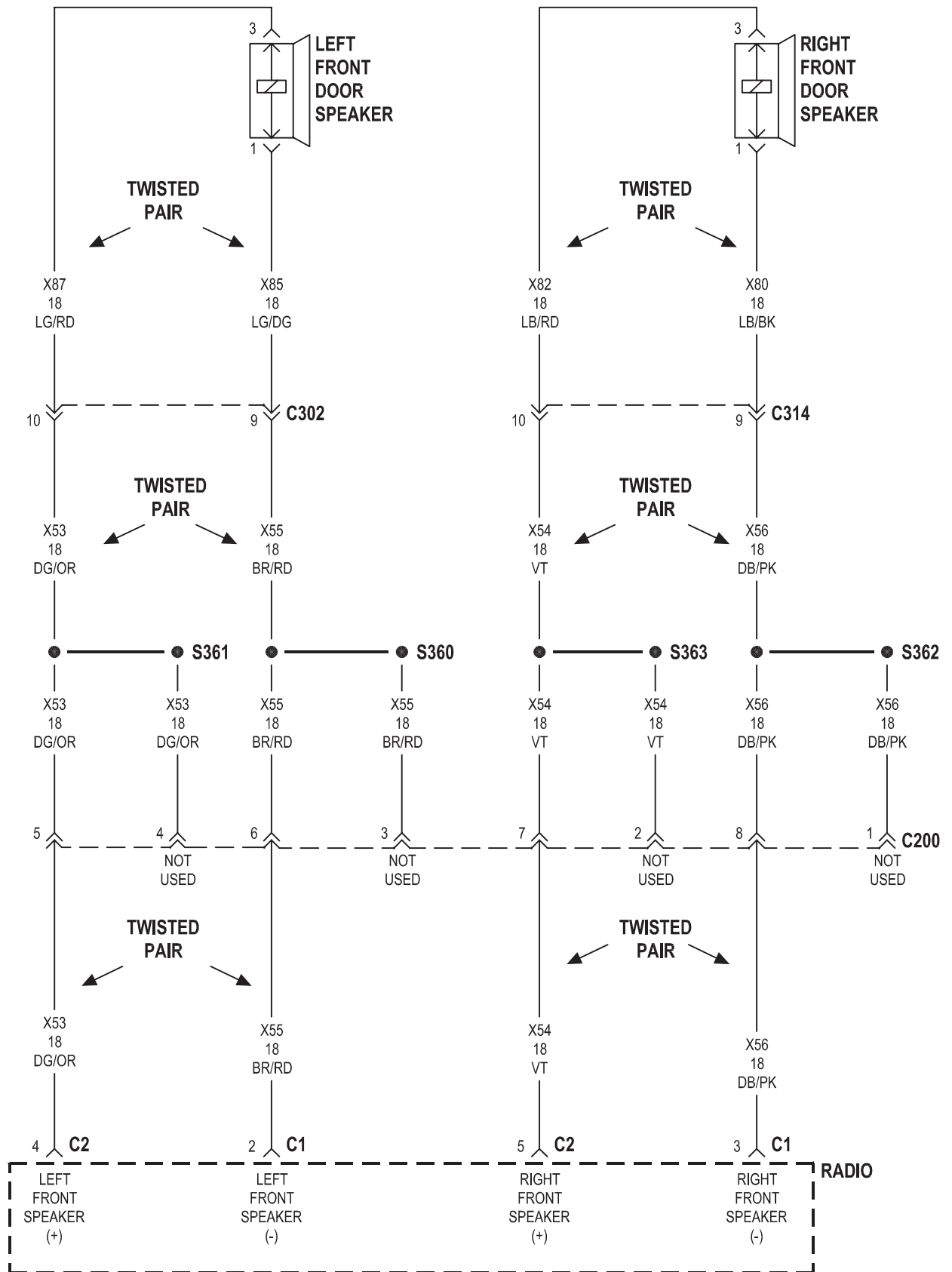
## 8W-47 AUDIO SYSTEM

<b>Component</b>	<b>Page</b>	<b>Component</b>	<b>Page</b>
Antenna .....	8W-47-2	Left Instrument Panel Speaker .....	8W-47-9
Antenna Module .....	8W-47-3	Left Rear Door Speaker .....	8W-47-5, 8
Body Control Module .....	8W-47-2, 3, 10	Left Remote Radio Switch .....	8W-47-10
Clockspring .....	8W-47-10	Power Amplifier .....	8W-47-3, 7, 8, 9
Compact Disc Changer .....	8W-47-6	Radio .....	8W-47-10
Diagnostic Junction Port .....	8W-47-6, 10	Radio .....	8W-47-2, 2, 3, 4, 5, 6, 7
Fuse 5 (JB) .....	8W-47-2, 3	Right Front Door Speaker .....	8W-47-4, 8
Fuse 30 (JB) .....	8W-47-2, 3	Right Instrument Panel Speaker .....	8W-47-9
G300 .....	8W-47-2, 3	Right Rear Door Speaker .....	8W-47-5, 8
Junction Block .....	8W-47-2, 3	Right Remote Radio Switch .....	8W-47-10
Left Front Door Speaker .....	8W-47-4, 8		

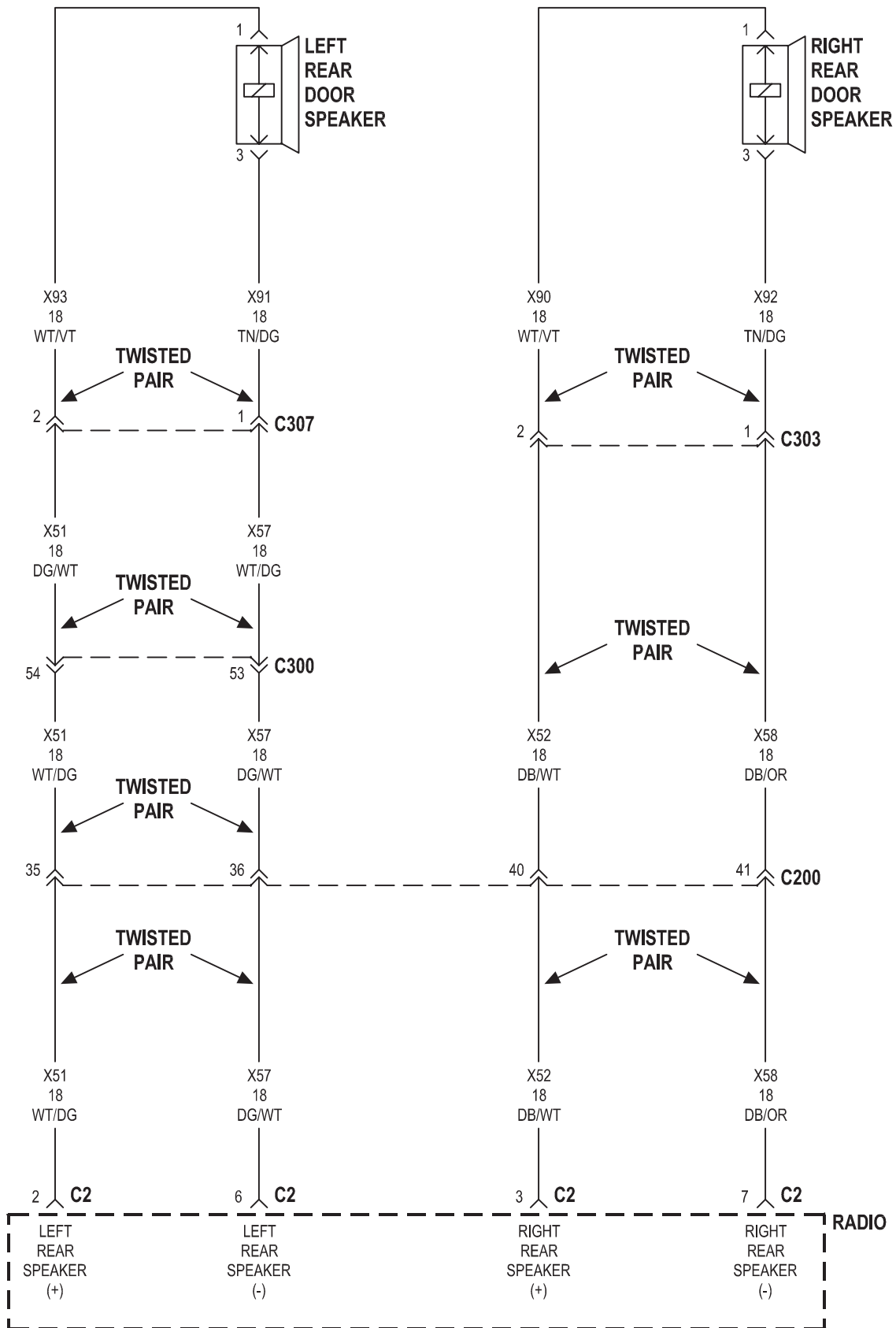


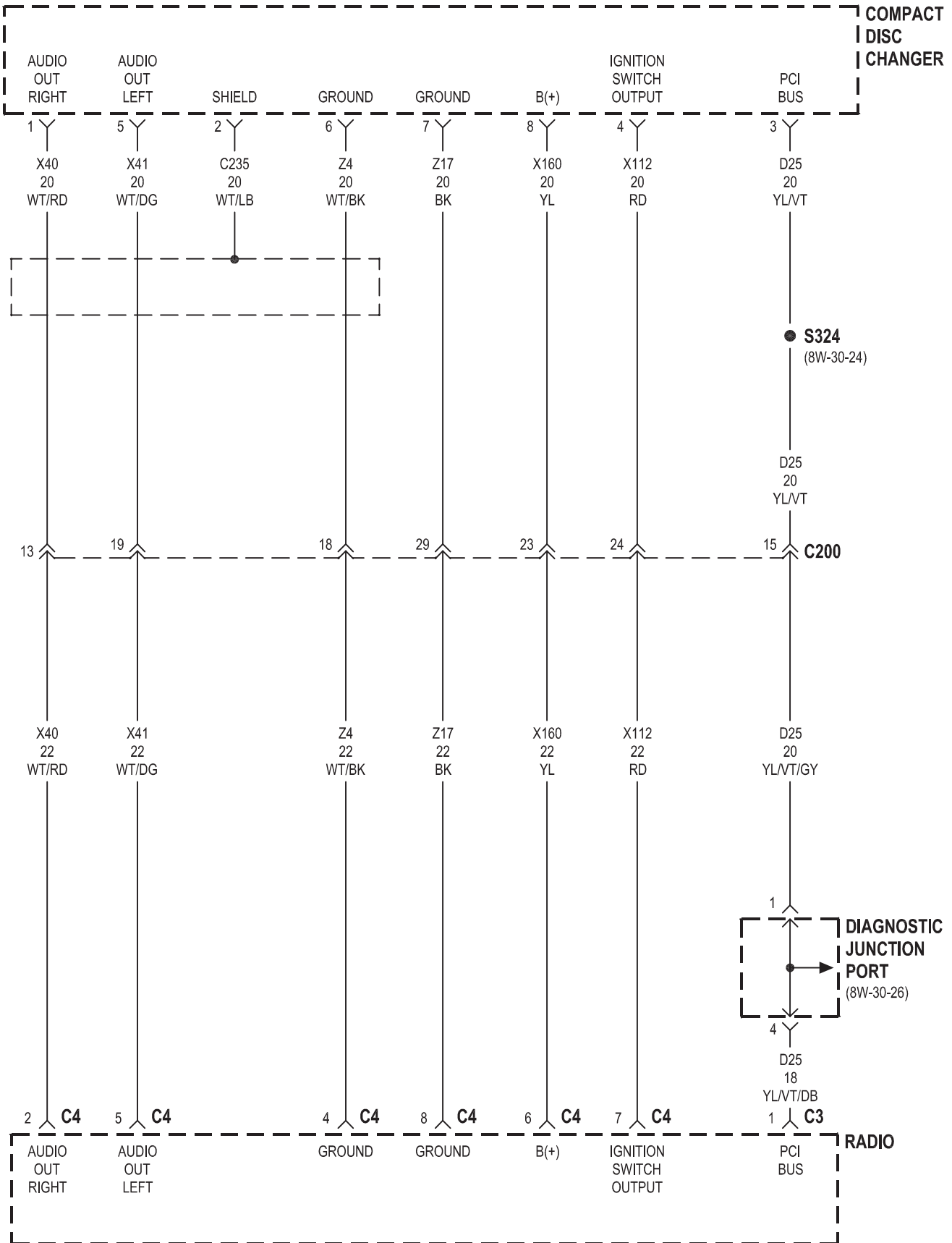
**PREMIUM**

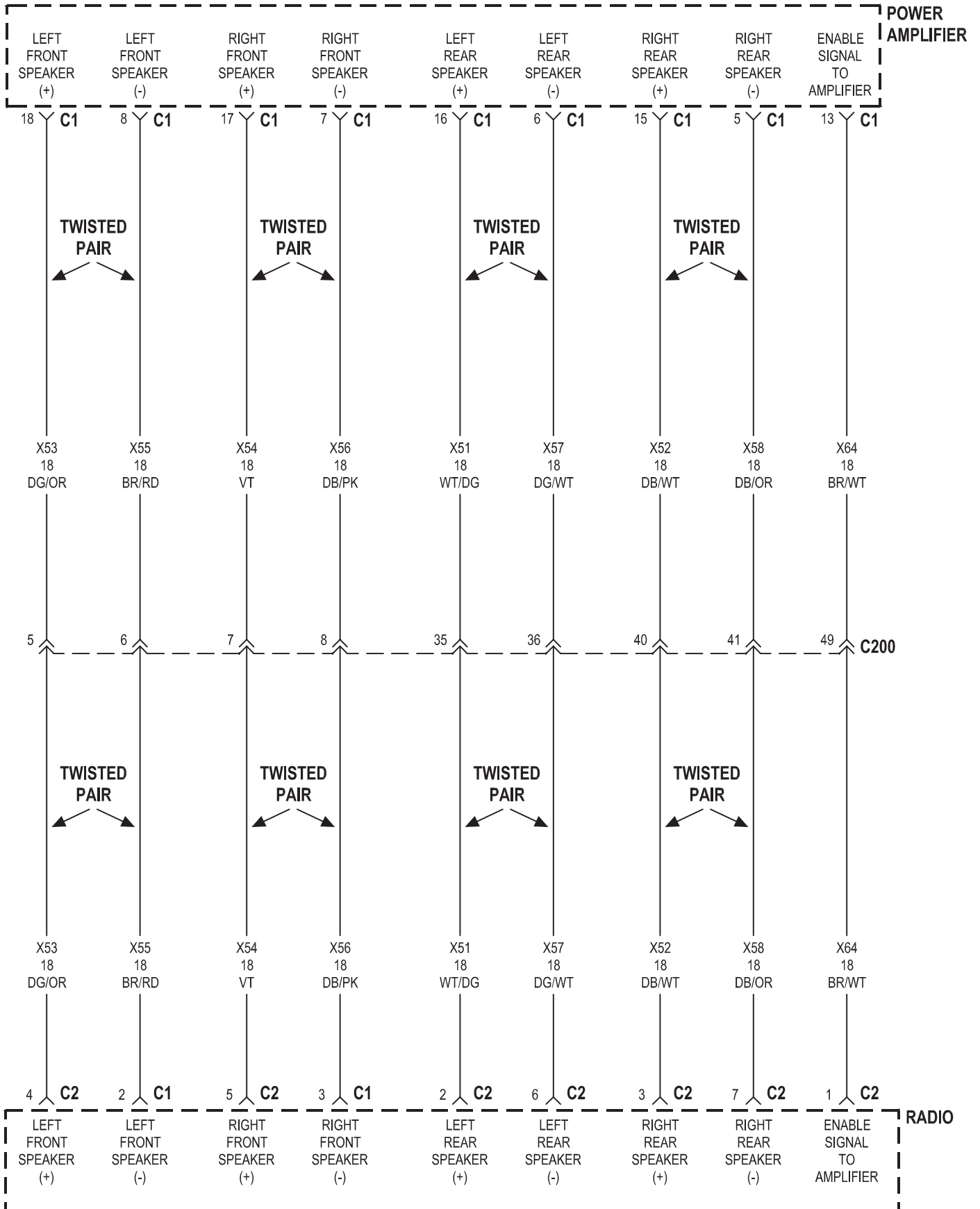


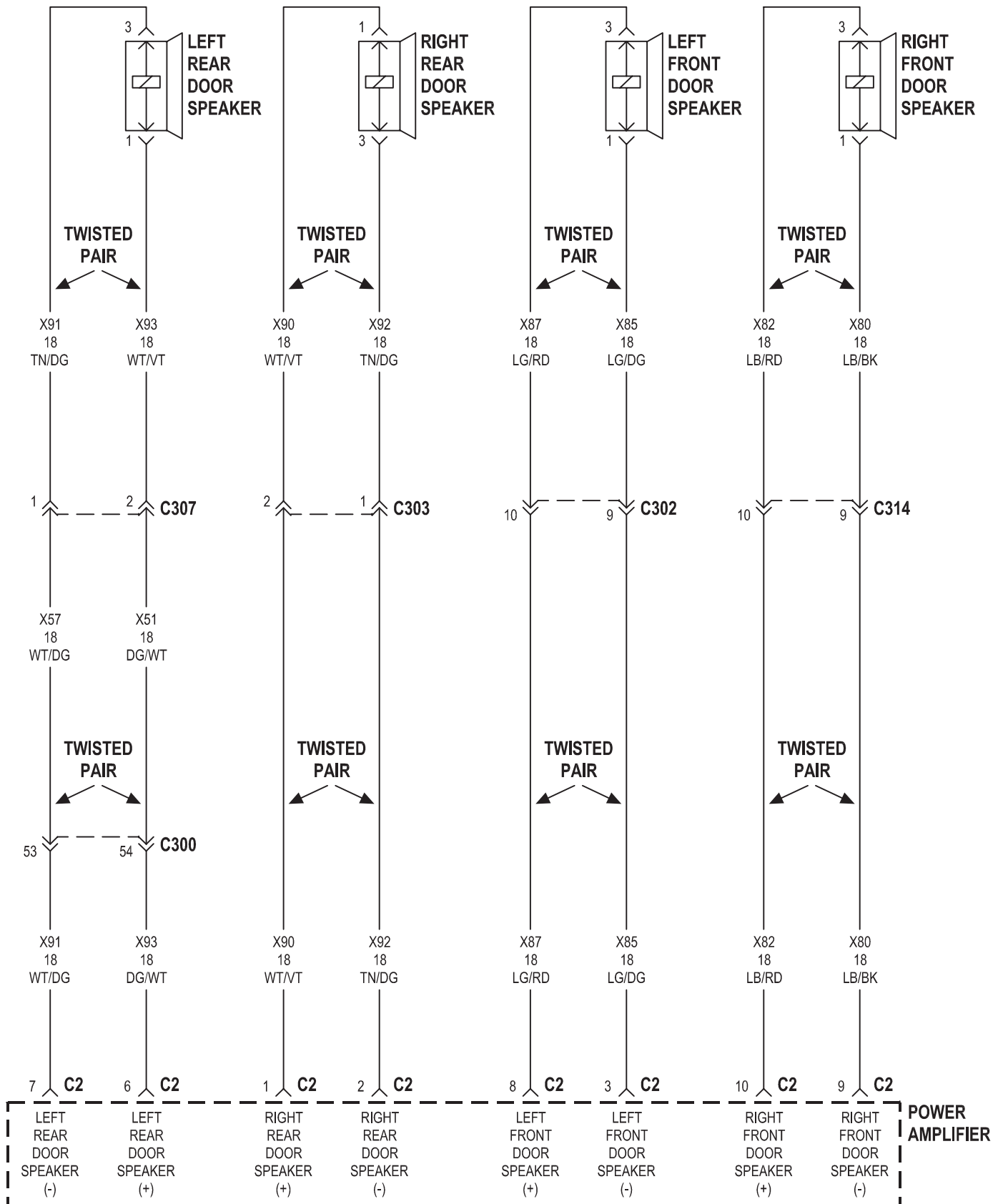


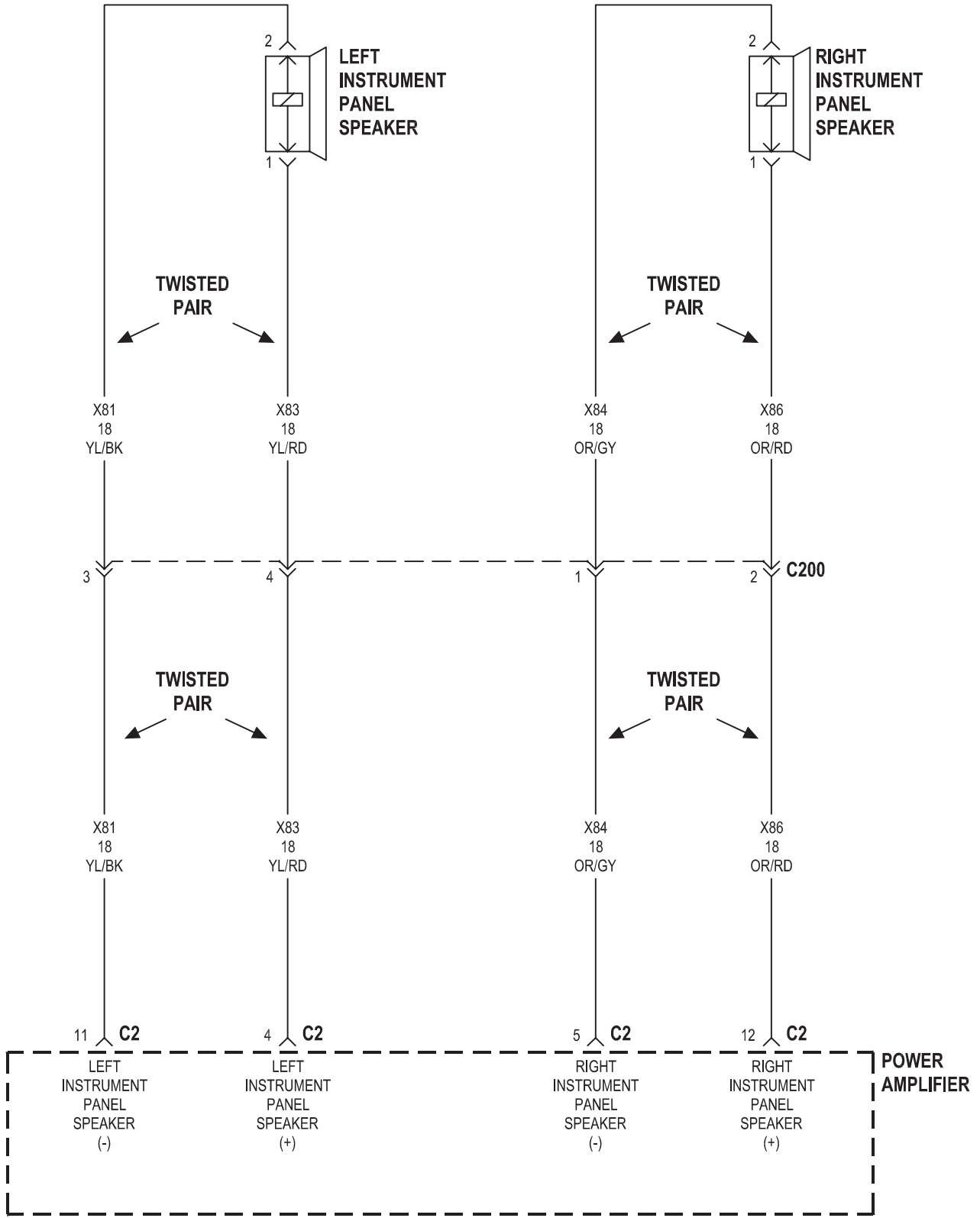


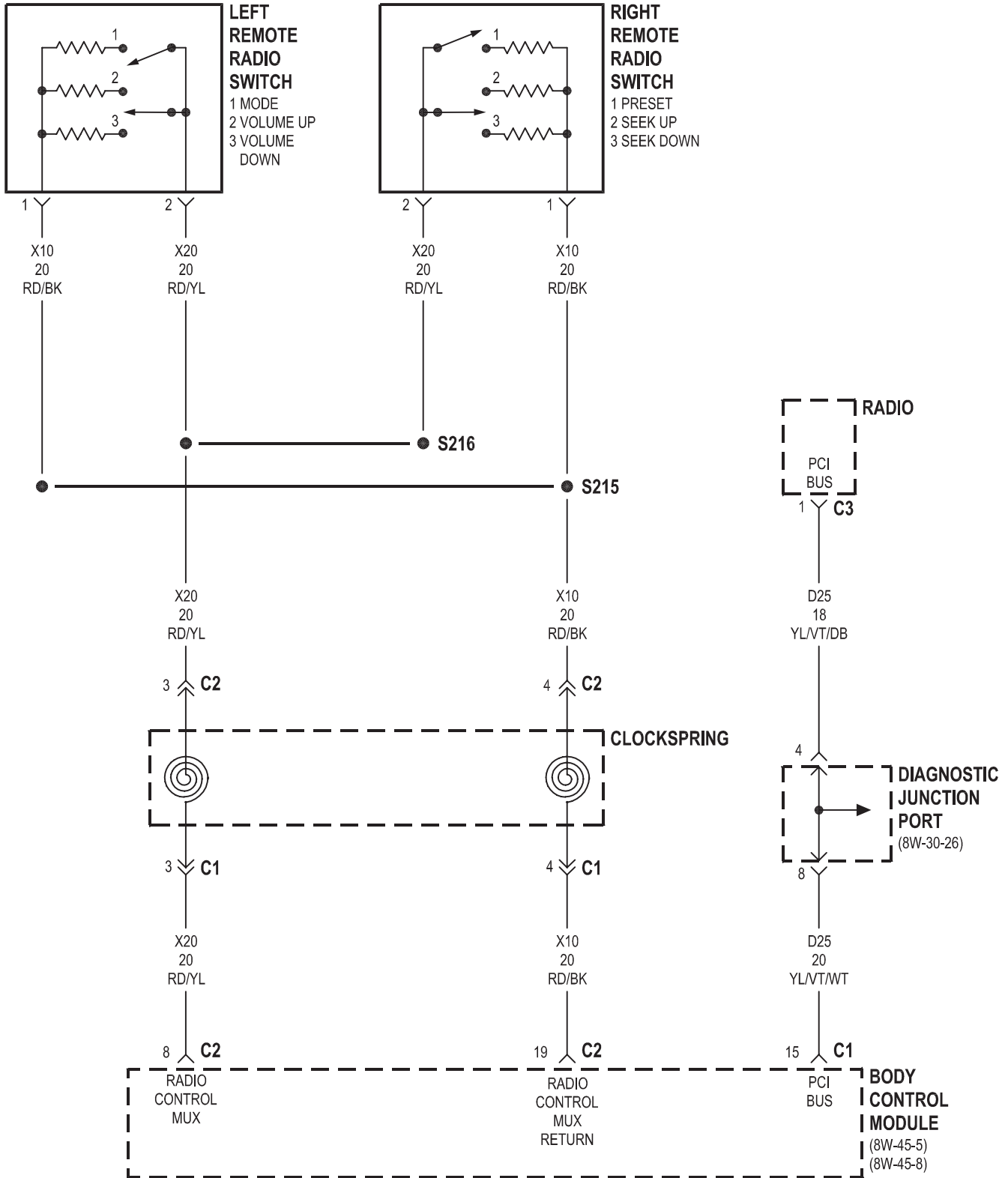








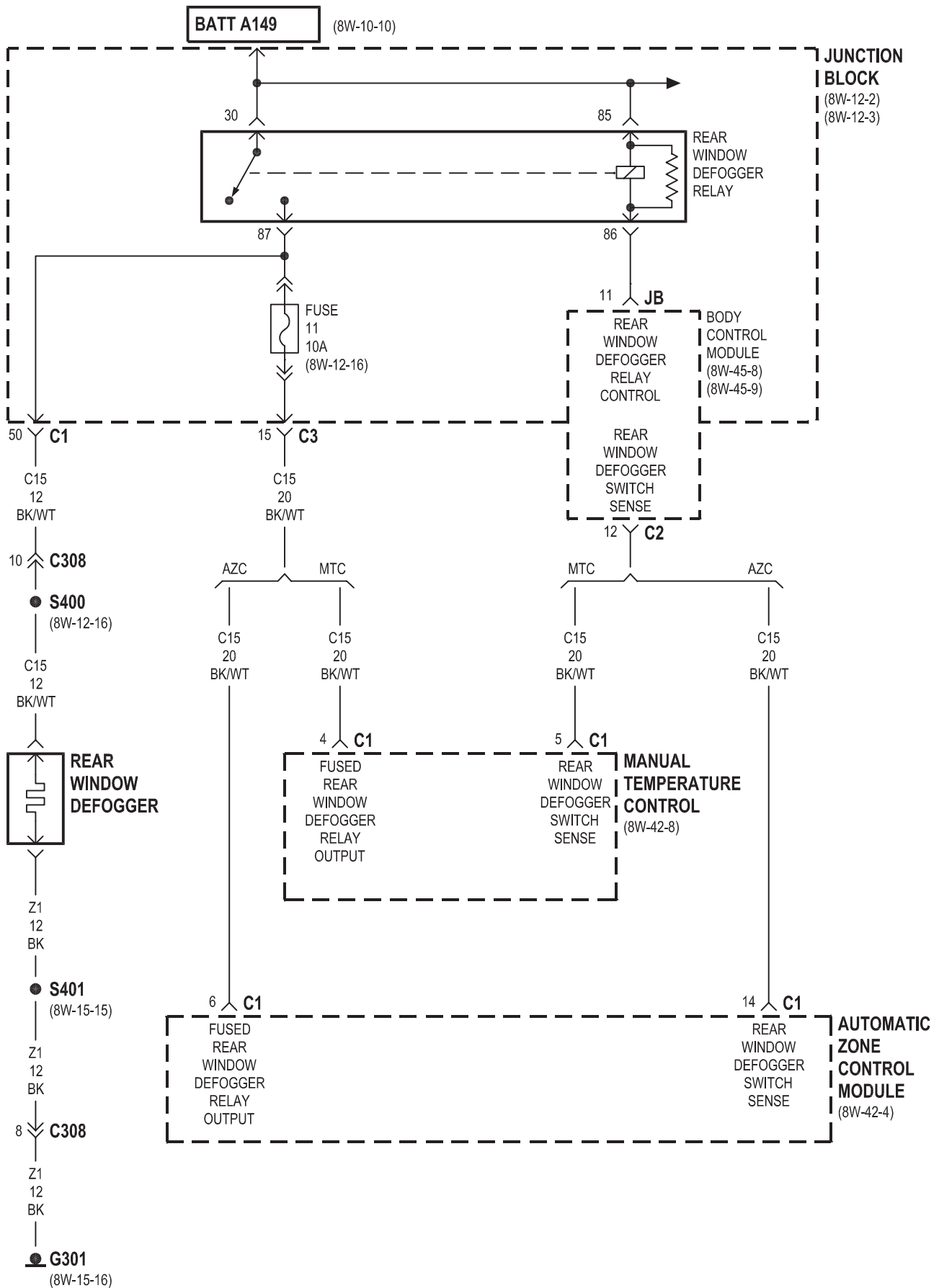






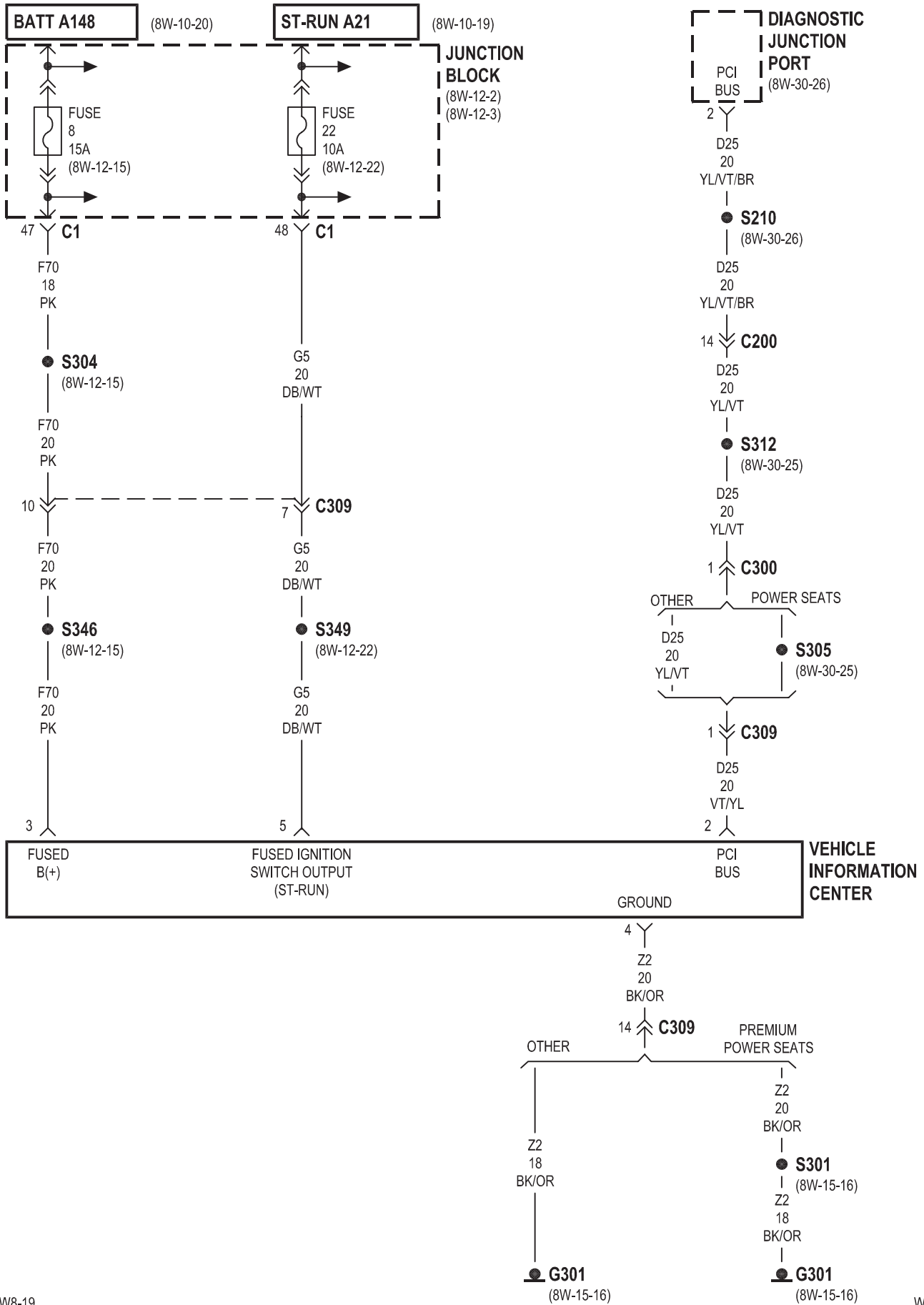
## 8W-48 REAR WINDOW DEFOGGER

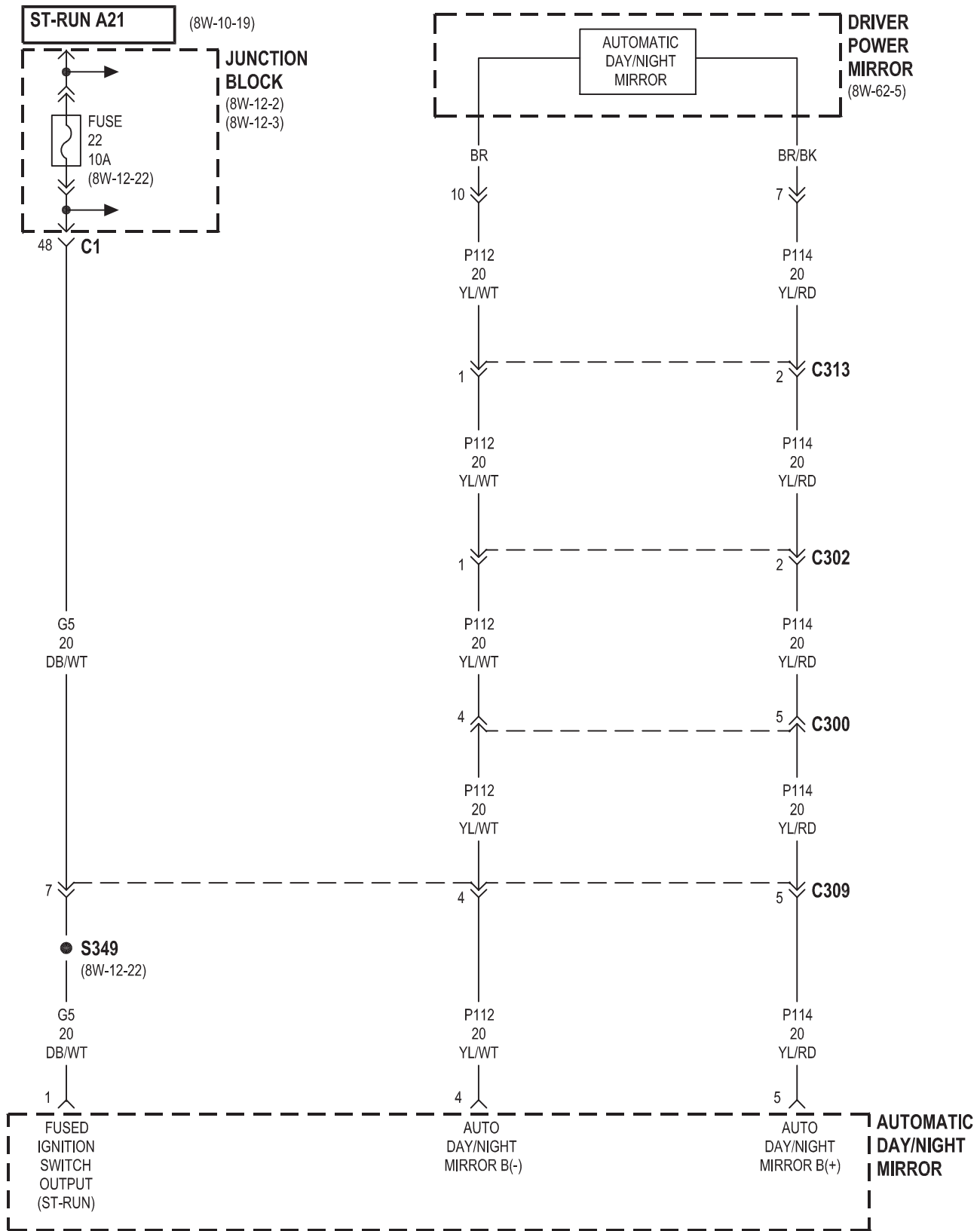
<b>Component</b>	<b>Page</b>	<b>Component</b>	<b>Page</b>
Automatic Zone Control Module . . . . .	8W-48-2	Junction Block . . . . .	8W-48-2
Body Control Module . . . . .	8W-48-2	Manual Temperature Control . . . . .	8W-48-2
Fuse 11 (JB) . . . . .	8W-48-2	Rear Window Defogger . . . . .	8W-48-2
G301 . . . . .	8W-48-2	Rear Window Defogger Relay . . . . .	8W-48-2

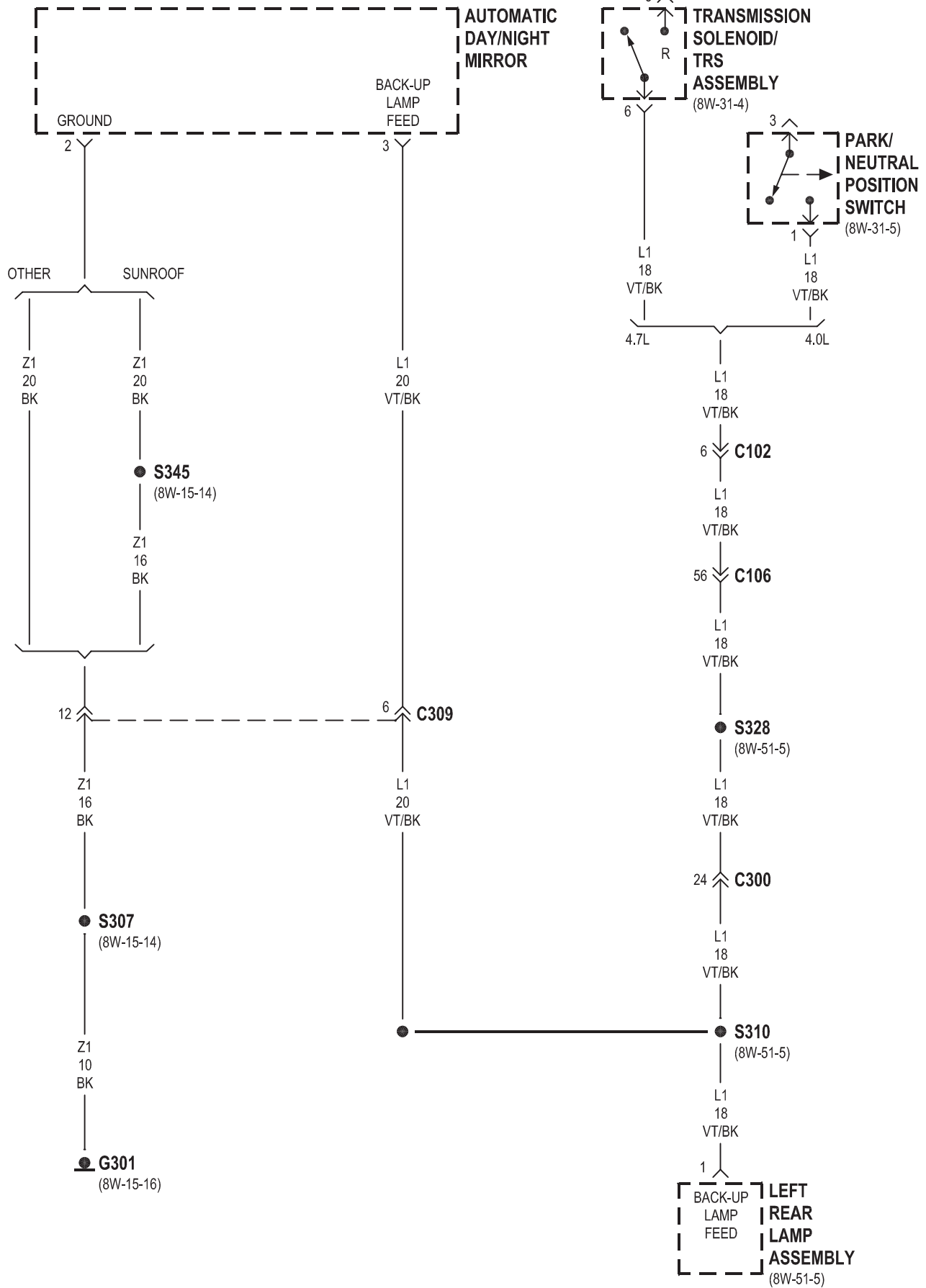


## 8W-49 OVERHEAD CONSOLE

<b>Component</b>	<b>Page</b>	<b>Component</b>	<b>Page</b>
Automatic Day/Night Mirror . . . . .	8W-49-3, 4	Junction Block . . . . .	8W-49-2, 3
Diagnostic Junction Port . . . . .	8W-49-2	Left Rear Lamp Assembly . . . . .	8W-49-4
Driver Power Mirror . . . . .	8W-49-3	Park/Neutral Position Switch . . . . .	8W-49-4
Fuse 8 (JB) . . . . .	8W-49-2	Transmission Solenoid/TRS Assembly . . . . .	8W-49-4
Fuse 22 (JB) . . . . .	8W-49-2, 3	Vehicle Information Center . . . . .	8W-49-2
G301 . . . . .	8W-49-2, 4		



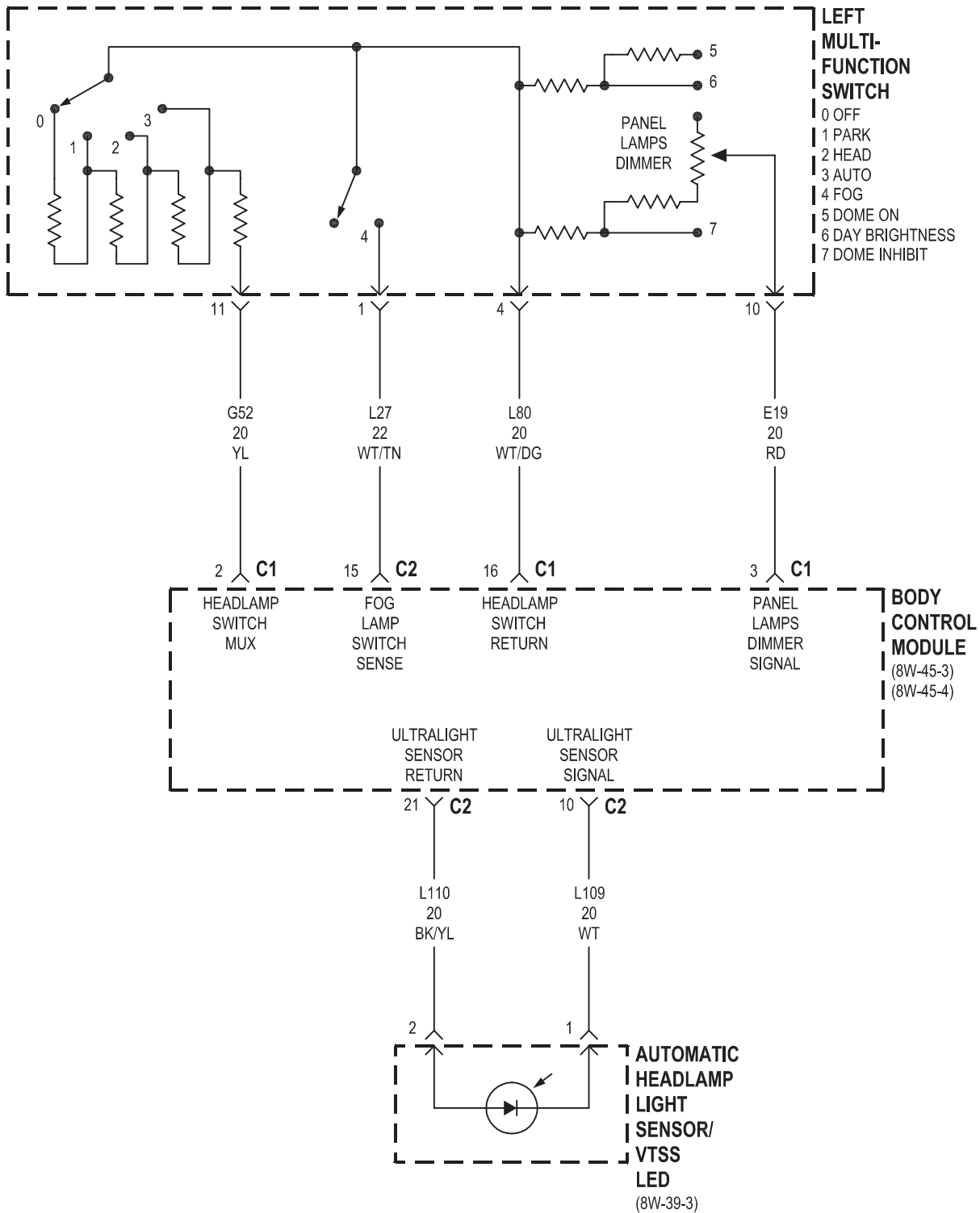


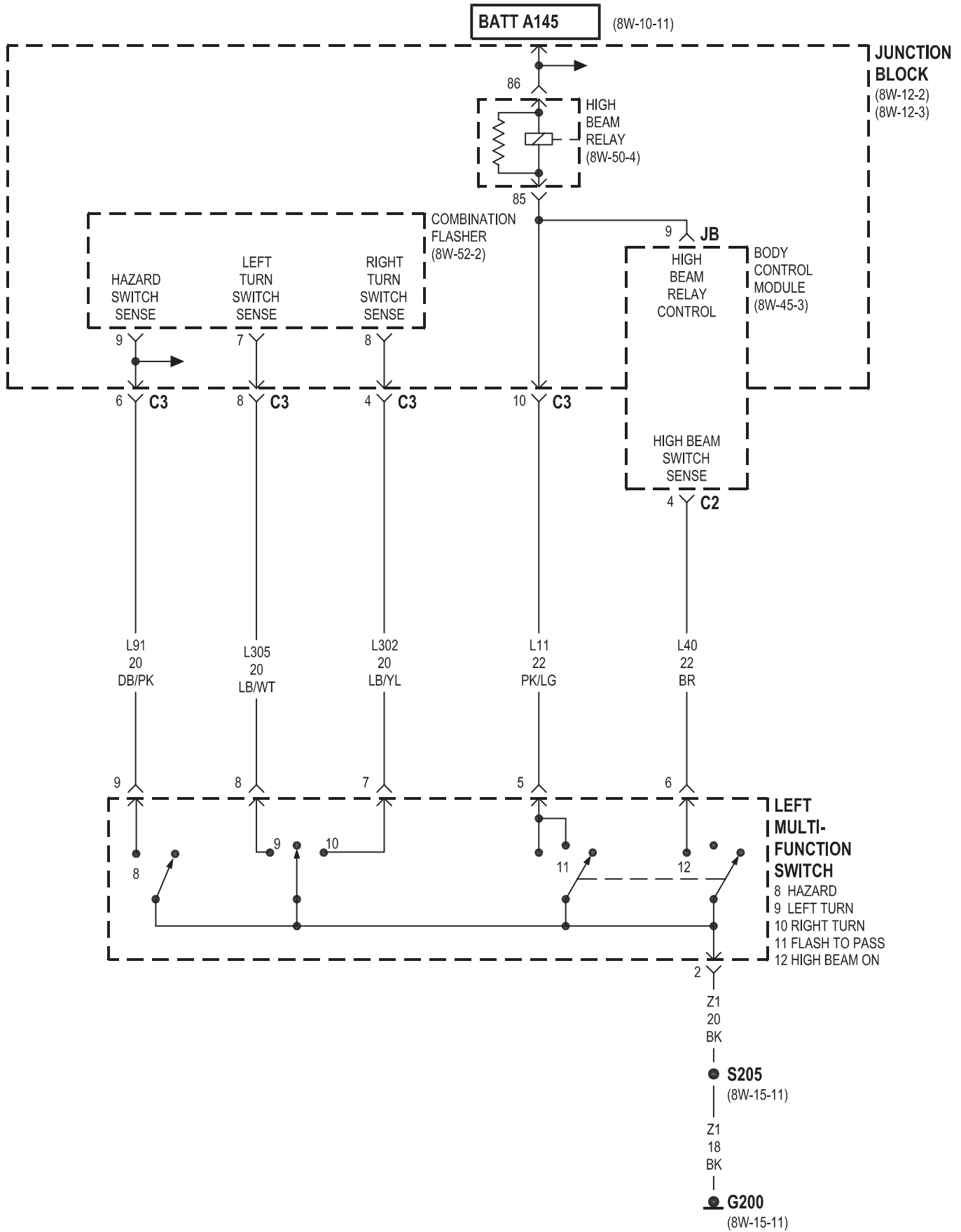


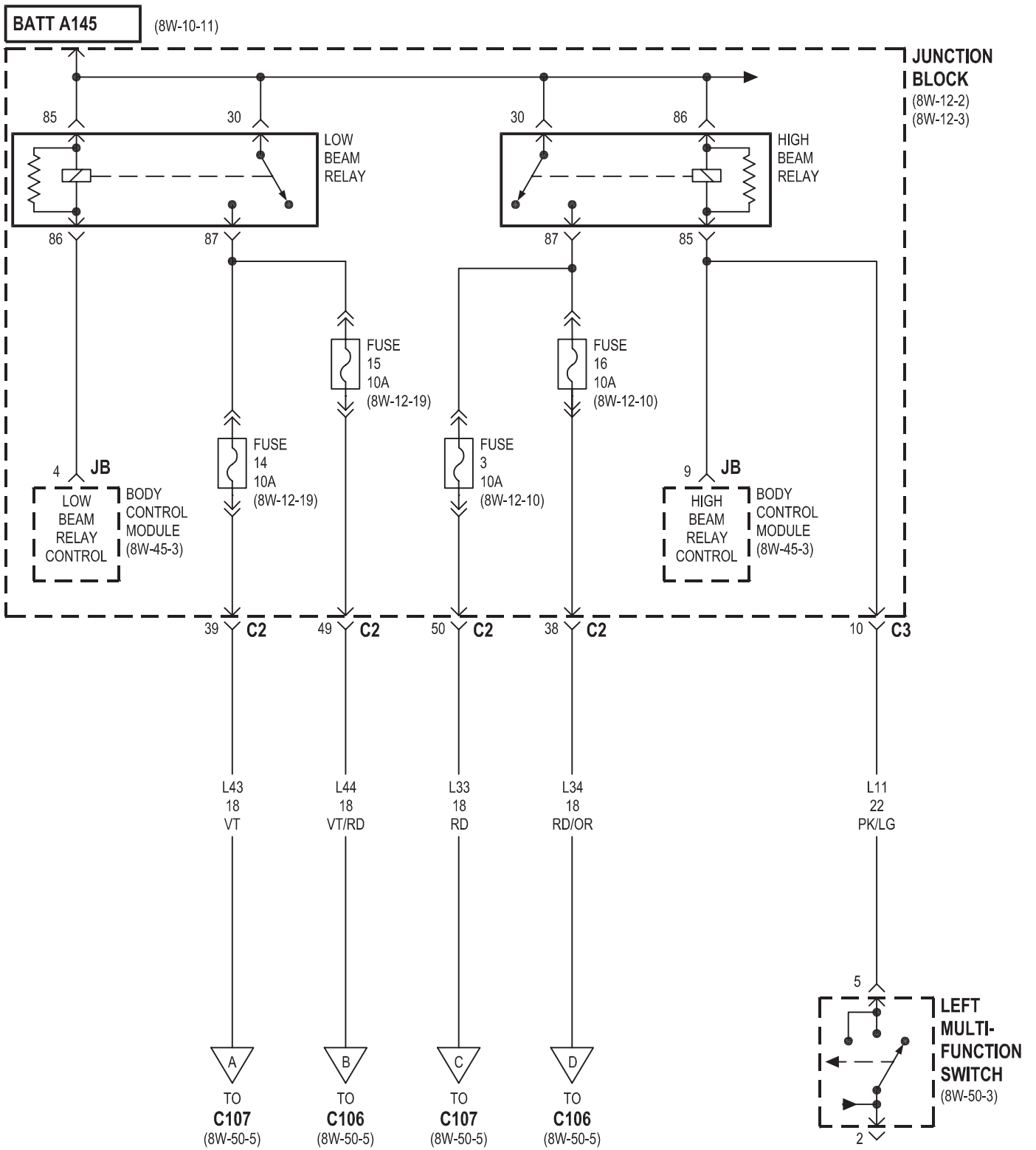


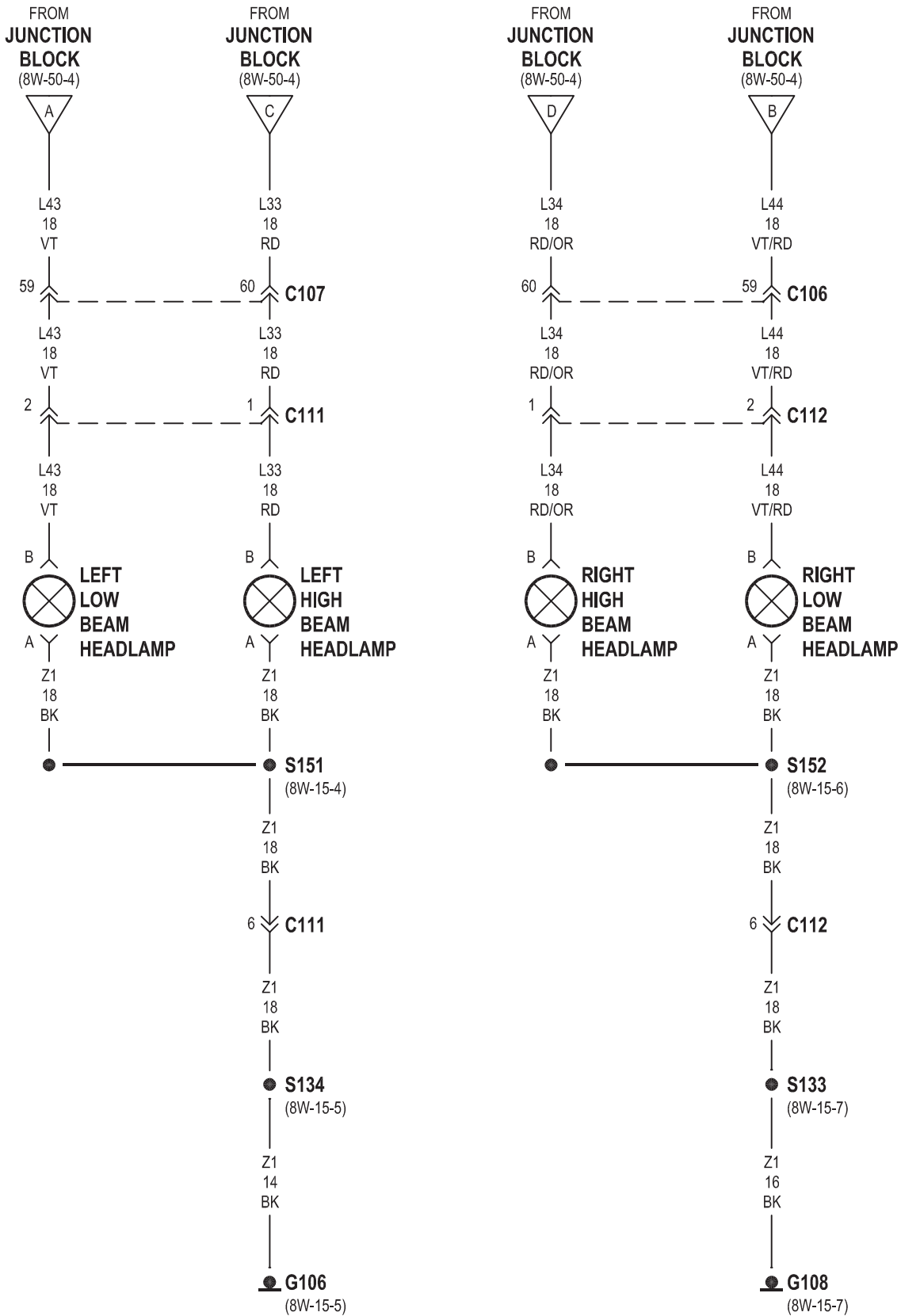
## 8W-50 FRONT LIGHTING

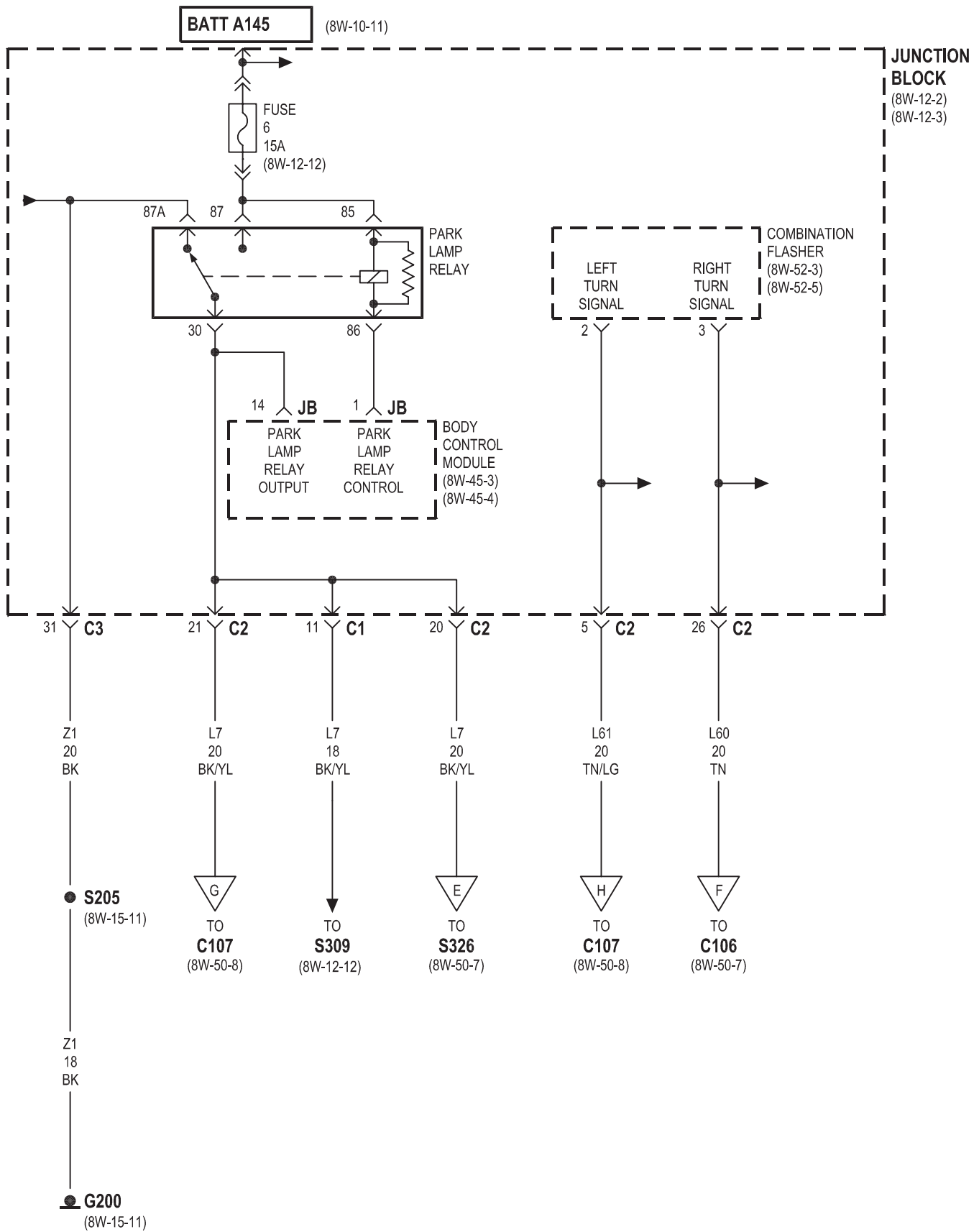
<b>Component</b>	<b>Page</b>	<b>Component</b>	<b>Page</b>
Automatic Headlamp Light		Left Front Park Lamp . . . . .	8W-50-8
Sensor/VTSS LED . . . . .	8W-50-2	Left Front Park/Turn Signal Lamp . . . . .	8W-50-8
Body Control Module . . . . .	8W-50-2, 3, 4, 6, 9, 10	Left Front Side Marker Lamp . . . . .	8W-50-8
Combination Flasher . . . . .	8W-50-3, 6	Left High Beam Headlamp . . . . .	8W-50-5
Fog Lamp Relay . . . . .	8W-50-9	Left Low Beam Headlamp . . . . .	8W-50-5, 10
Fuse 3 (JB) . . . . .	8W-50-4	Left Multi- Function Switch . . . . .	8W-50-2, 3, 4
Fuse 6 (JB) . . . . .	8W-50-6	Low Beam Relay . . . . .	8W-50-4
Fuse 14 (JB) . . . . .	8W-50-4, 10	Low Beam/Daytime Running	
Fuse 15 (JB) . . . . .	8W-50-4, 10	Lamp Relay . . . . .	8W-50-10
Fuse 16 (JB) . . . . .	8W-50-4	Park Lamp Relay . . . . .	8W-50-6
Fuse 24 (JB) . . . . .	8W-50-9	Right Fog Lamp . . . . .	8W-50-9
G106 . . . . .	8W-50-5, 8, 9, 10	Right Front Park Lamp . . . . .	8W-50-7
G108 . . . . .	8W-50-5, 7, 9, 10	Right Front Park/Turn Signal Lamp . . . . .	8W-50-7
G200 . . . . .	8W-50-3, 6, 10	Right Front Side Marker Lamp . . . . .	8W-50-7
High Beam Relay . . . . .	8W-50-3, 4	Right High Beam Headlamp . . . . .	8W-50-5
Junction Block . . . . .	8W-50-3, 4, 6, 9, 10	Right Low Beam Headlamp . . . . .	8W-50-5, 10
Left Fog Lamp . . . . .	8W-50-9	Right Rear Lamp Assembly . . . . .	8W-50-7



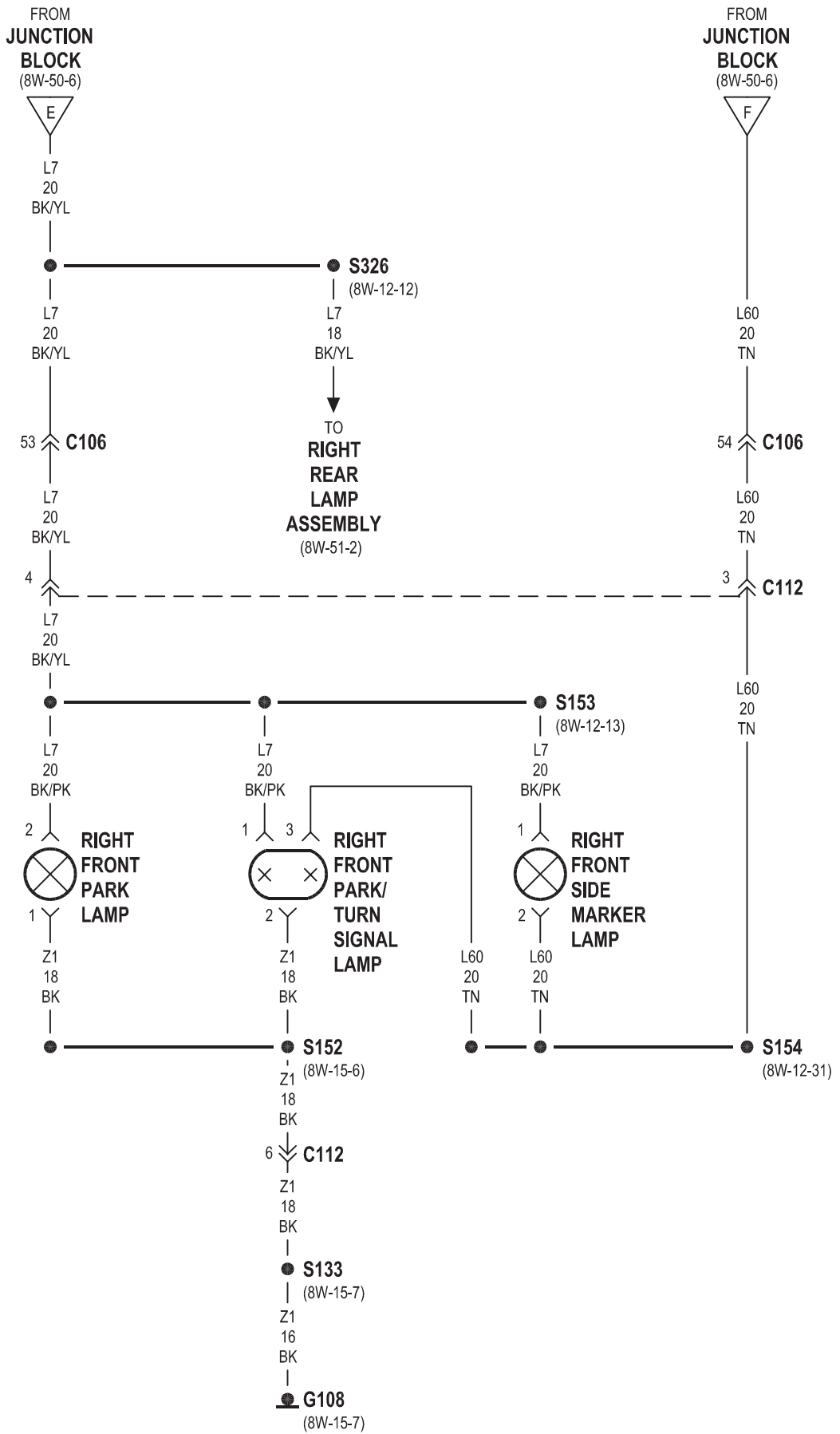


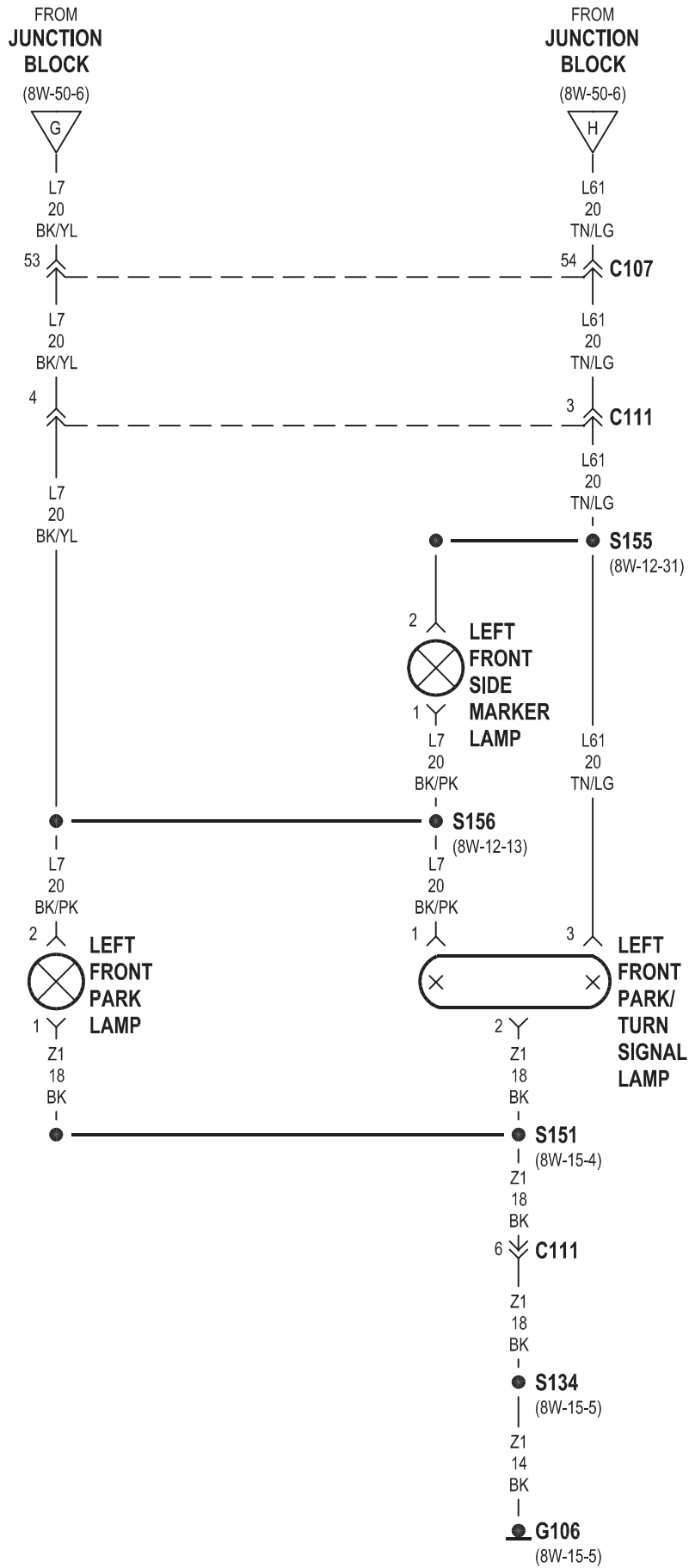


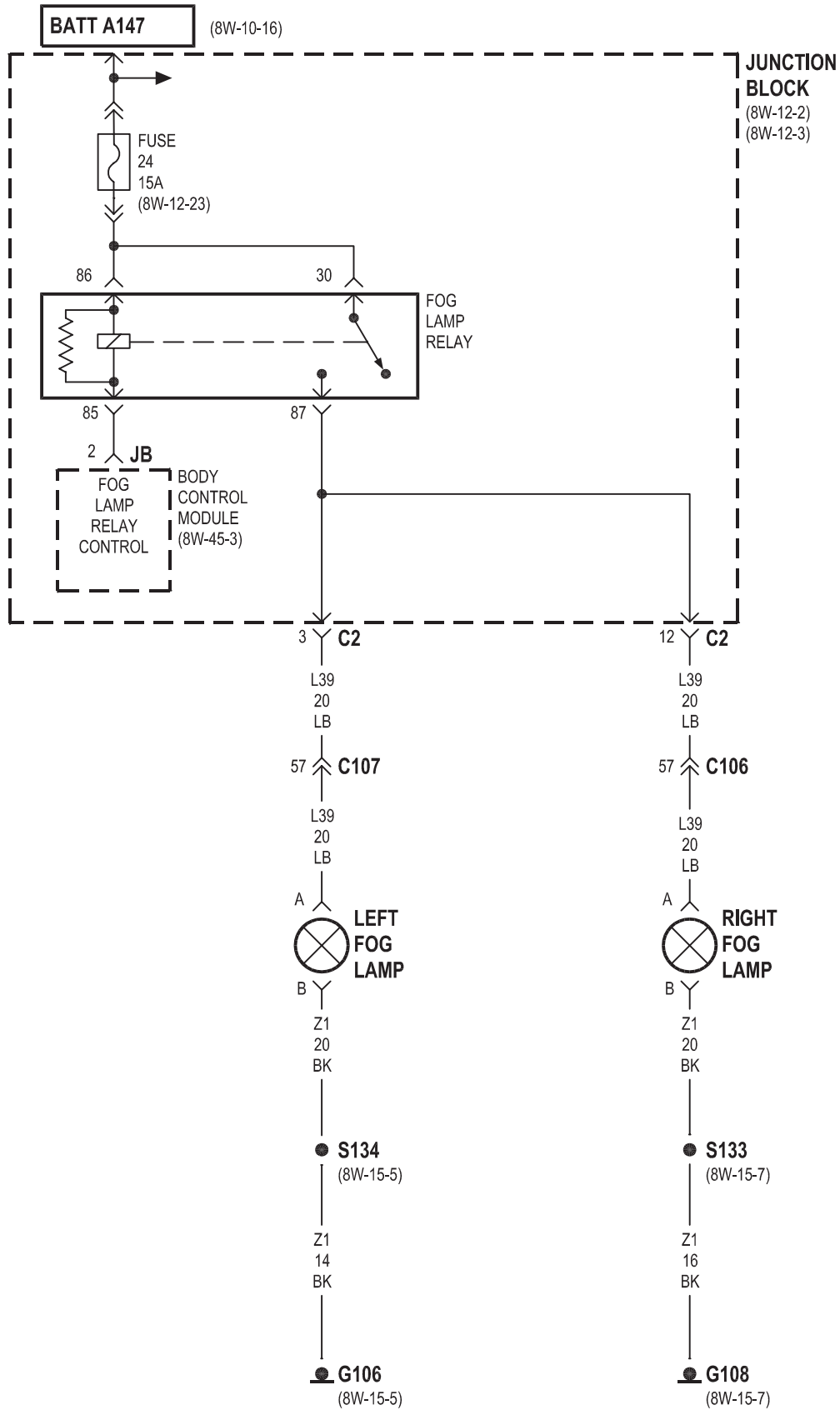




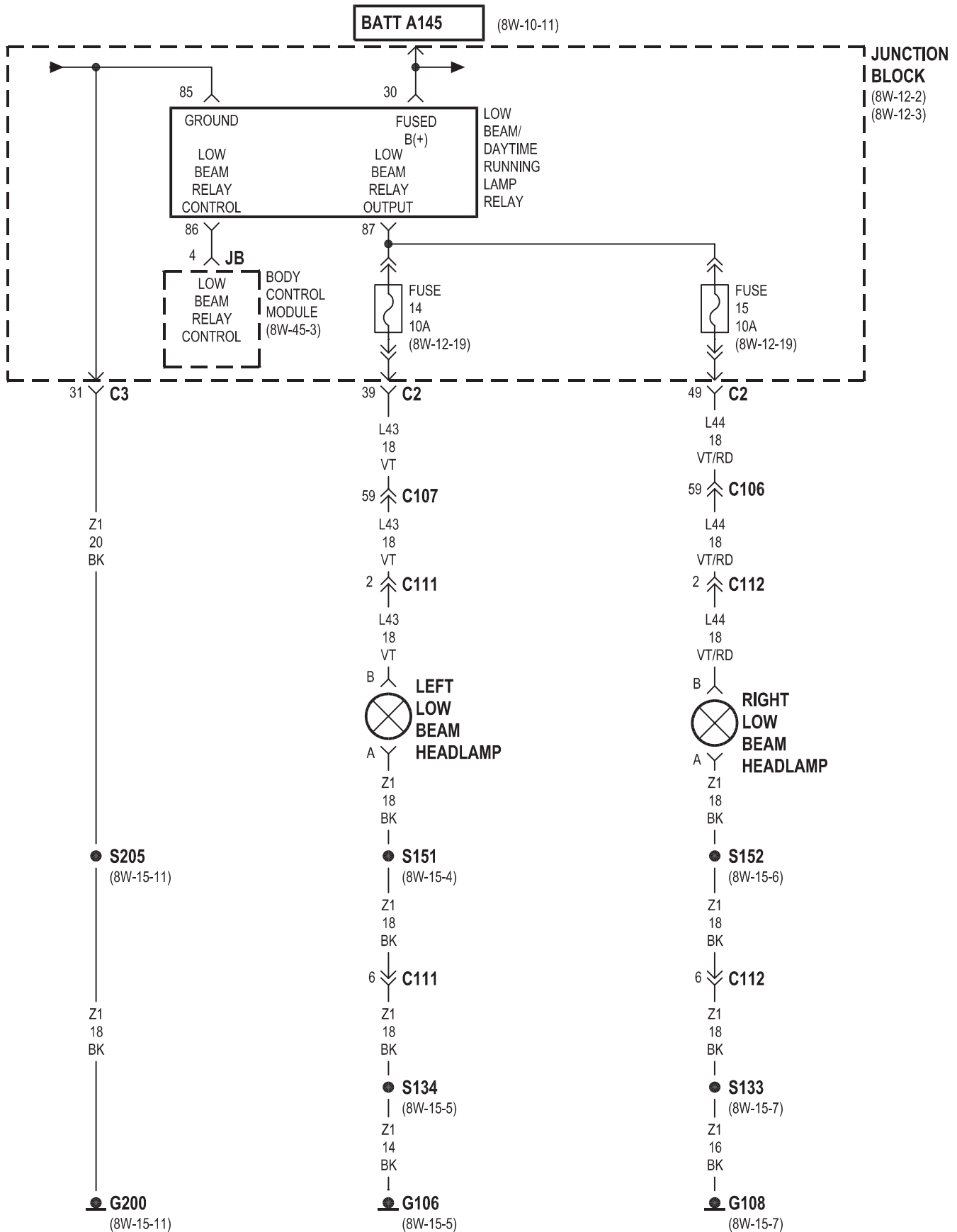






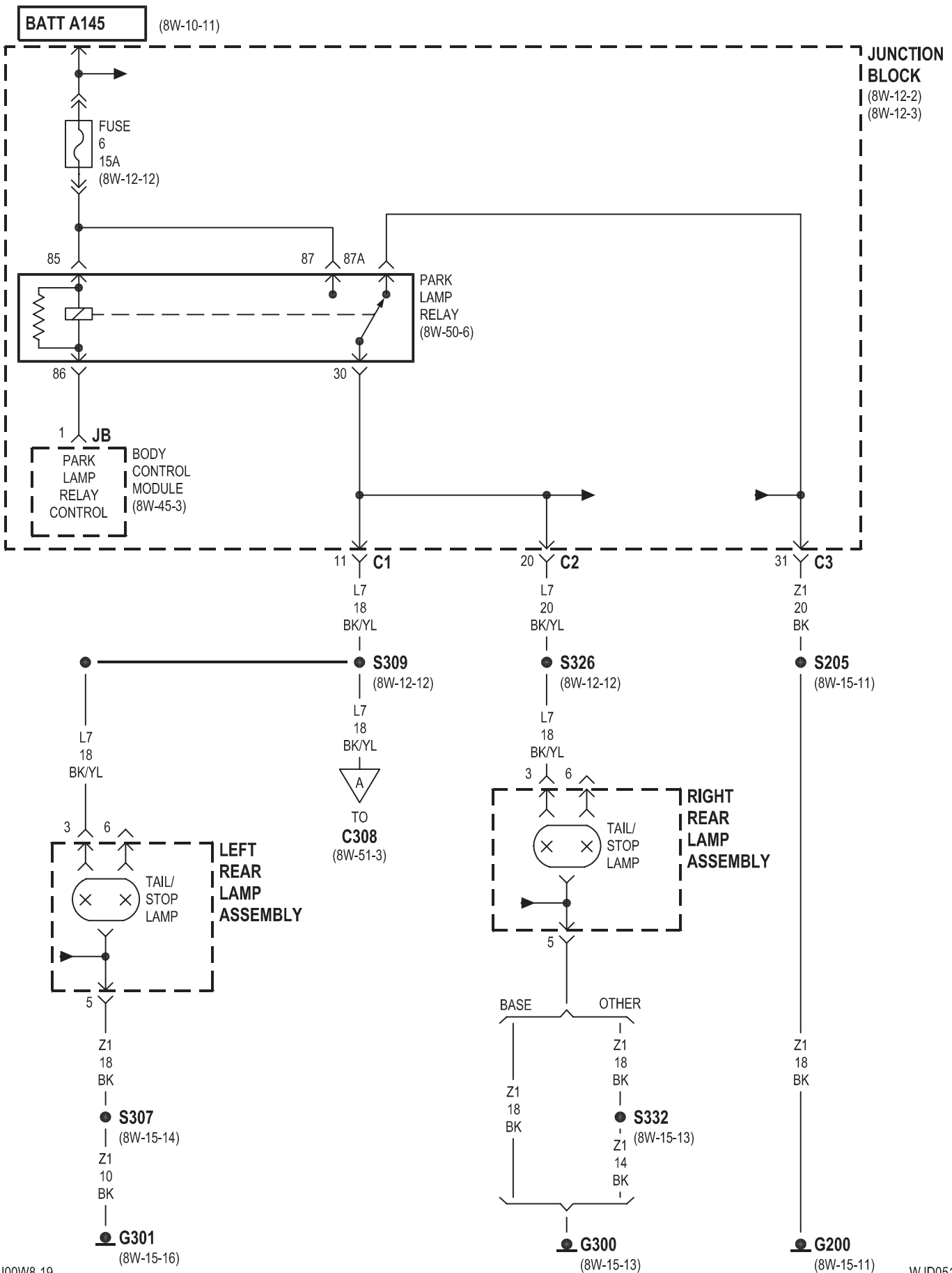


DRL

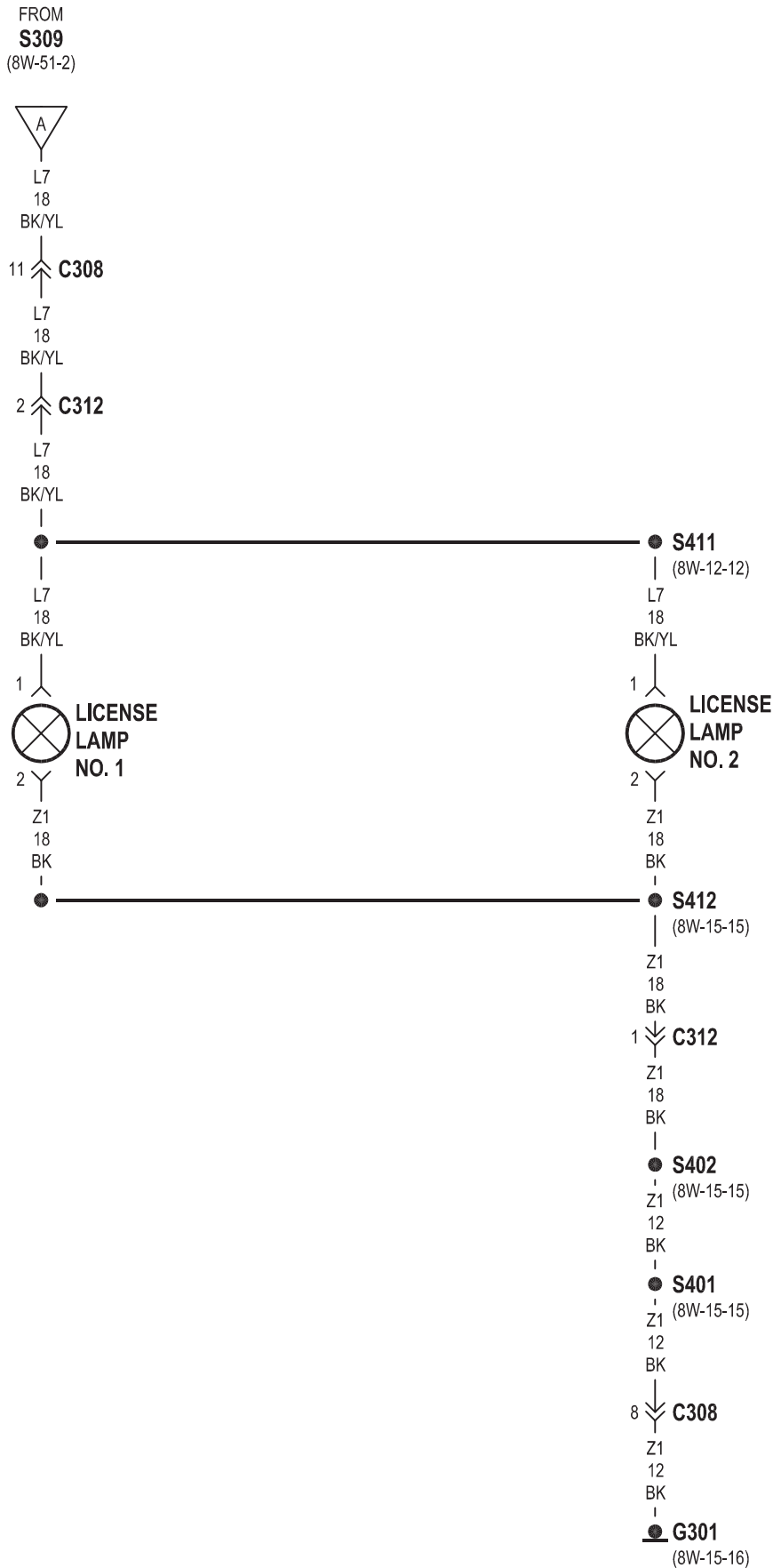


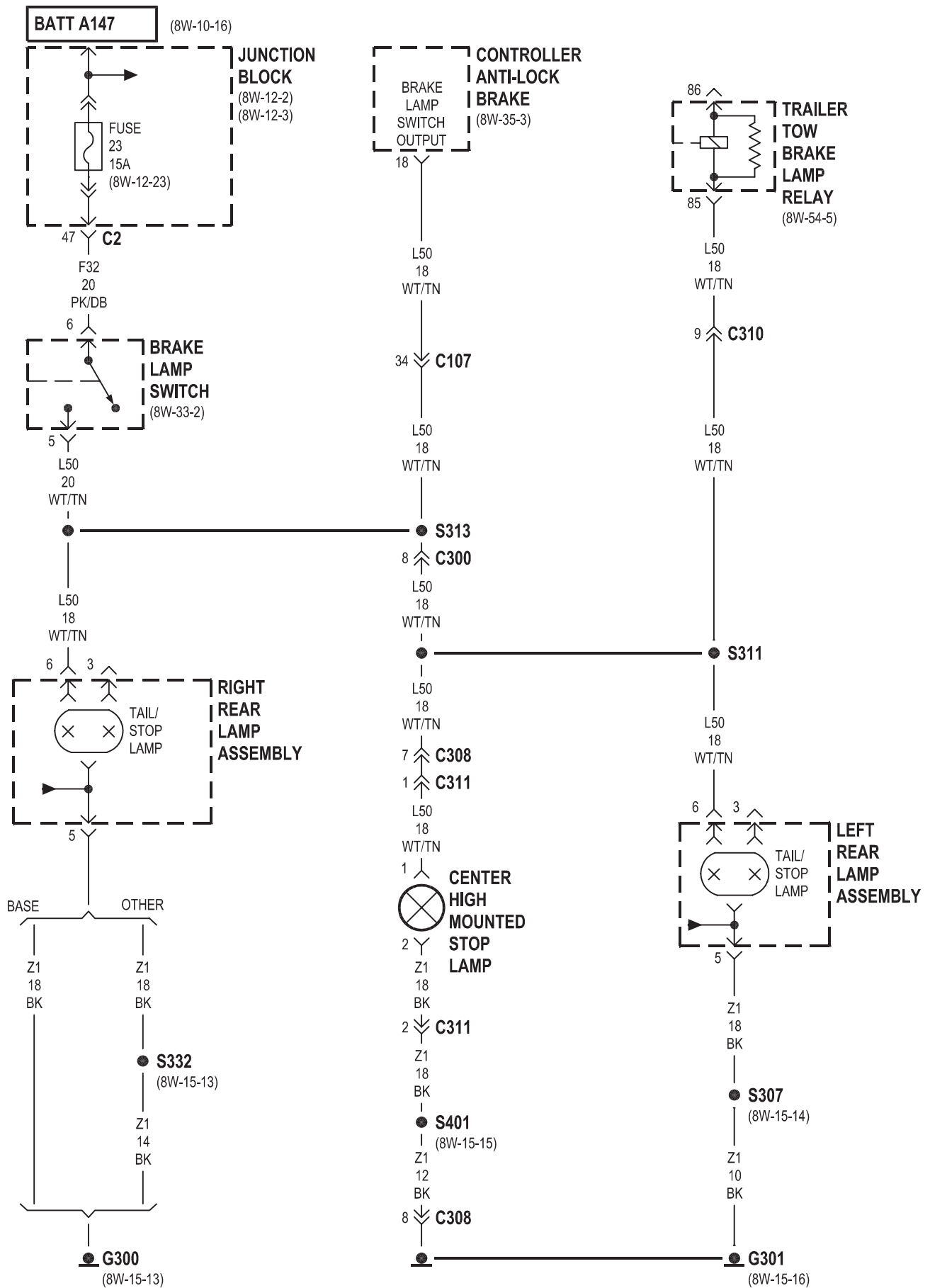
## 8W-51 REAR LIGHTING

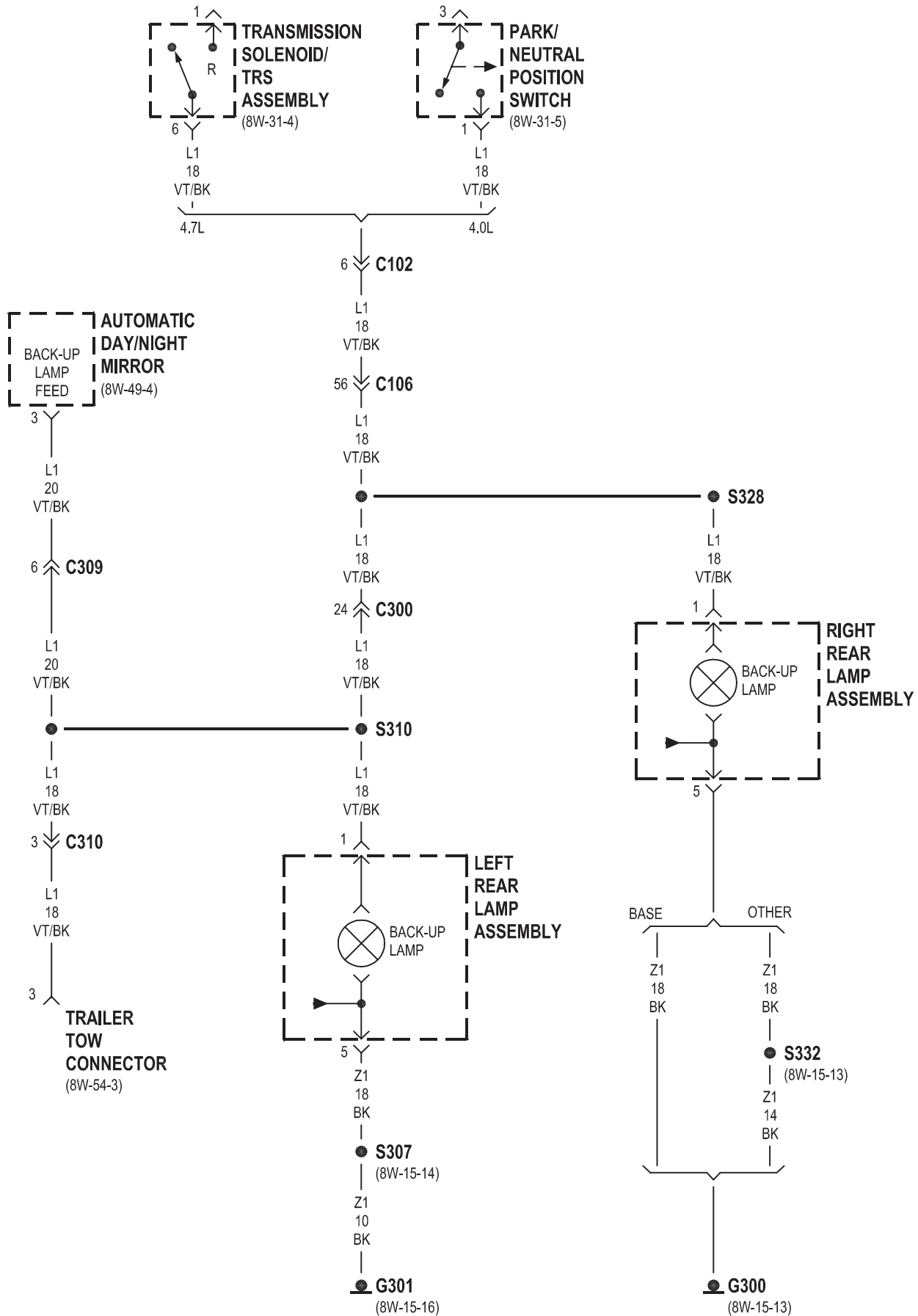
<b>Component</b>	<b>Page</b>	<b>Component</b>	<b>Page</b>
Automatic Day/Night Mirror .....	8W-51-5	Junction Block .....	8W-51-2, 4
Back-Up Lamp .....	8W-51-5	Left Rear Lamp Assembly .....	8W-51-2, 4, 5
Body Control Module .....	8W-51-2	License Lamp No. 1 .....	8W-51-3
Brake Lamp Switch .....	8W-51-4	License Lamp No. 2 .....	8W-51-3
Center High Mounted Stop Lamp .....	8W-51-4	Park Lamp Relay .....	8W-51-2
Controller Anti-Lock Brake .....	8W-51-4	Park/Neutral Position Switch .....	8W-51-5
Fuse 6 (JB) .....	8W-51-2	Right Rear Lamp Assembly .....	8W-51-2, 4, 5
Fuse 23 (JB) .....	8W-51-4	Tail/Stop Lamp .....	8W-51-2, 4
G200 .....	8W-51-2	Trailer Tow Brake Lamp Relay .....	8W-51-4
G300 .....	8W-51-2, 4, 5	Trailer Tow Connector .....	8W-51-5
G301 .....	8W-51-2, 3, 4, 5	Transmission Solenoid/TRS Assembly .....	8W-51-5

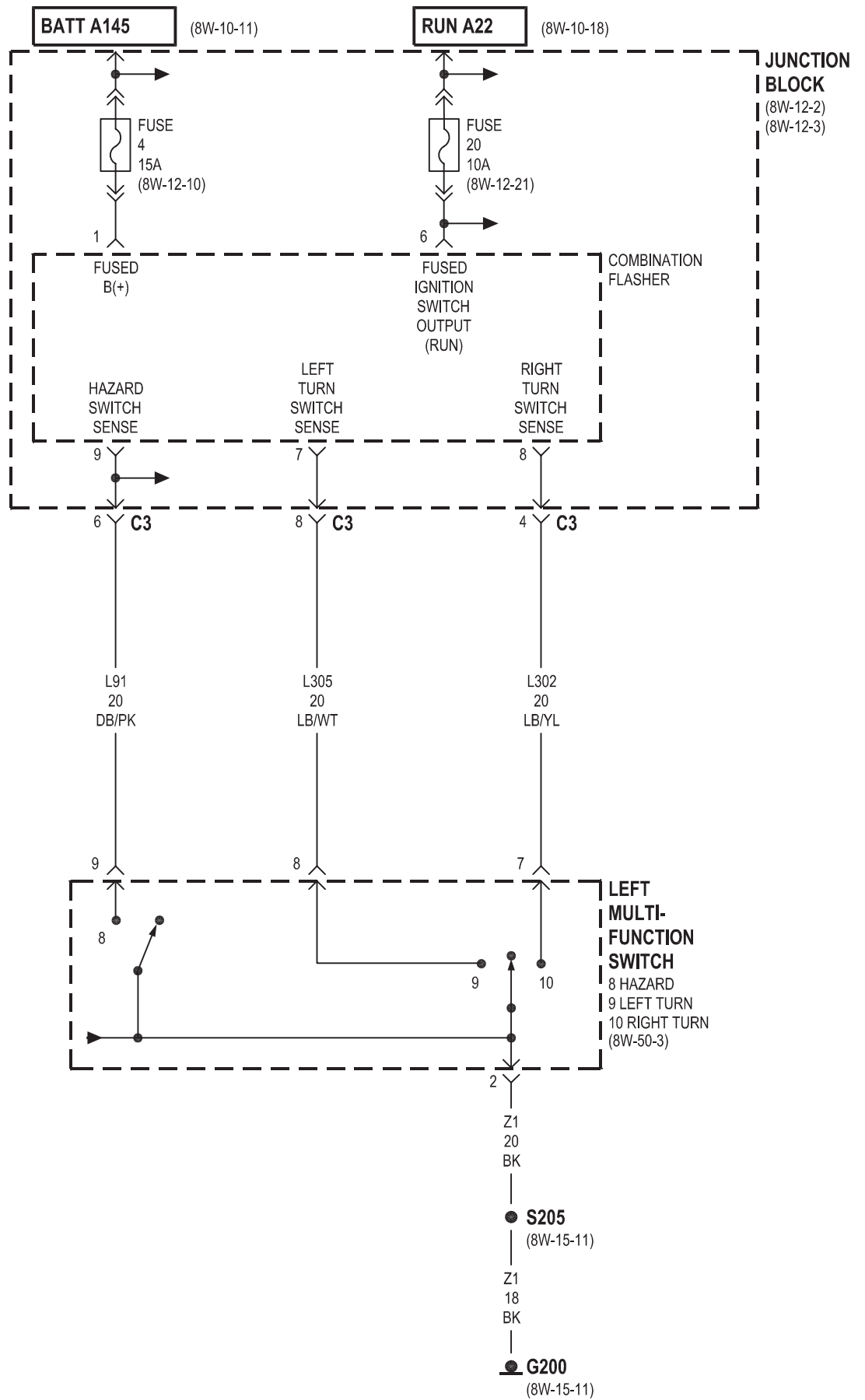


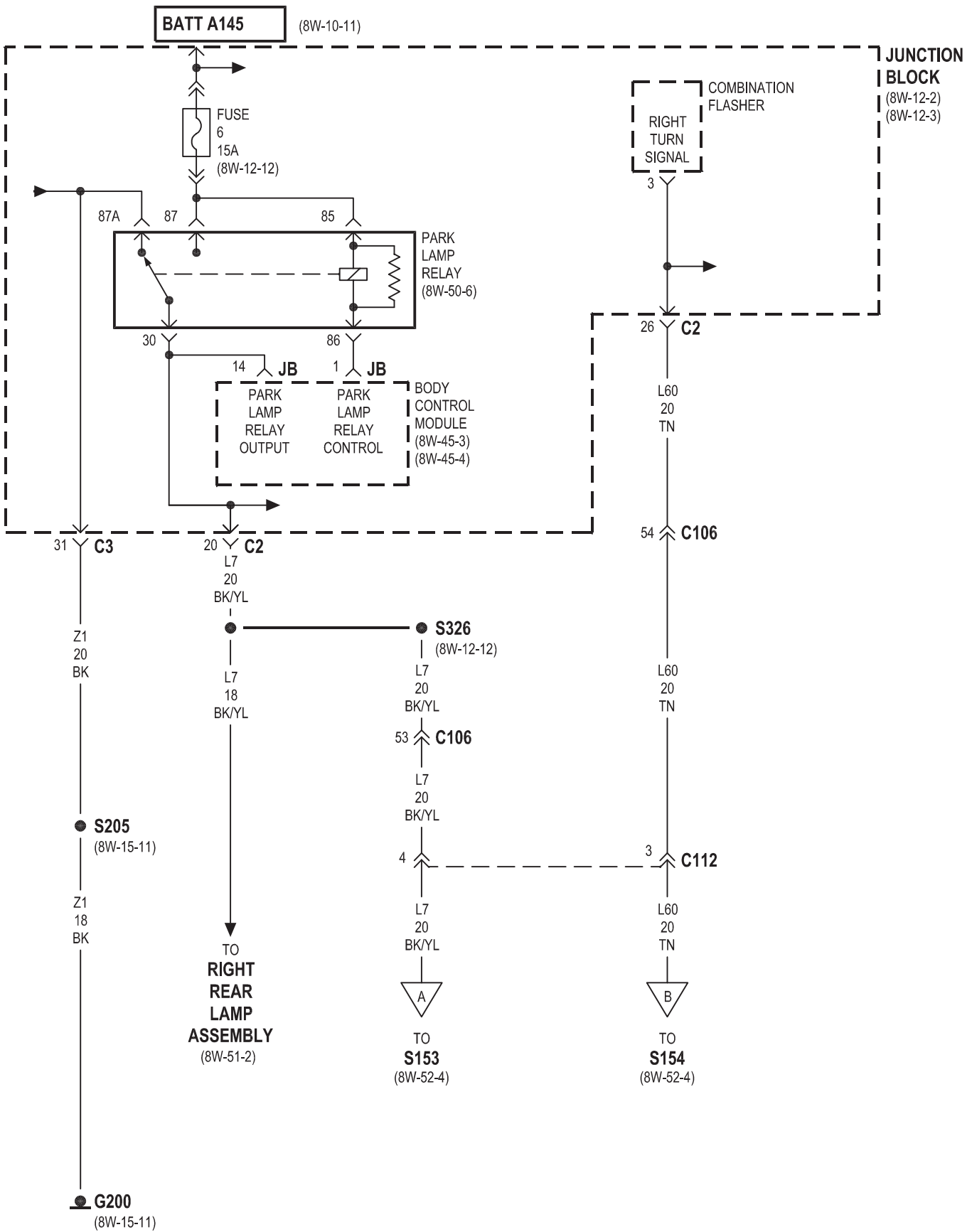


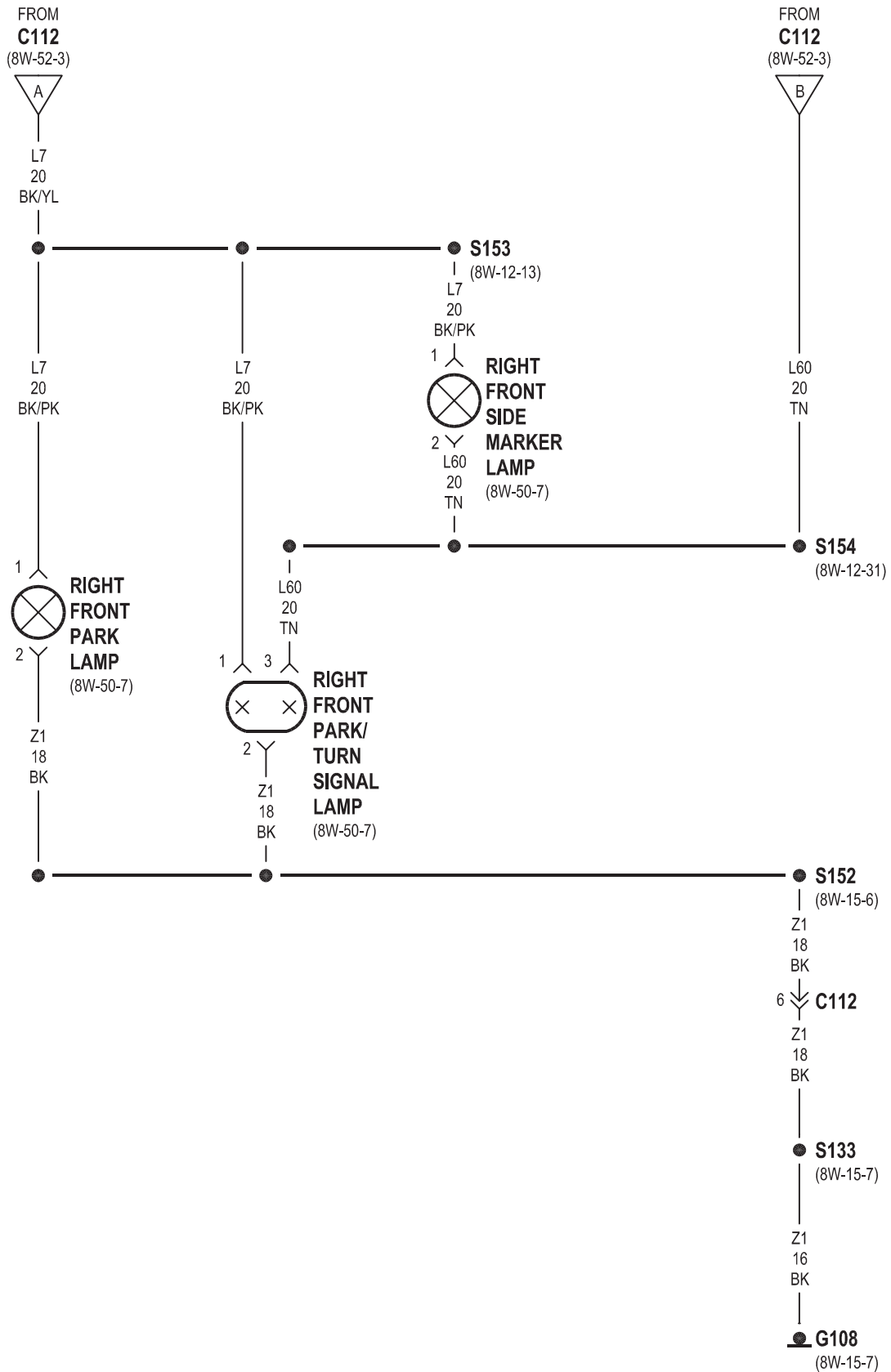




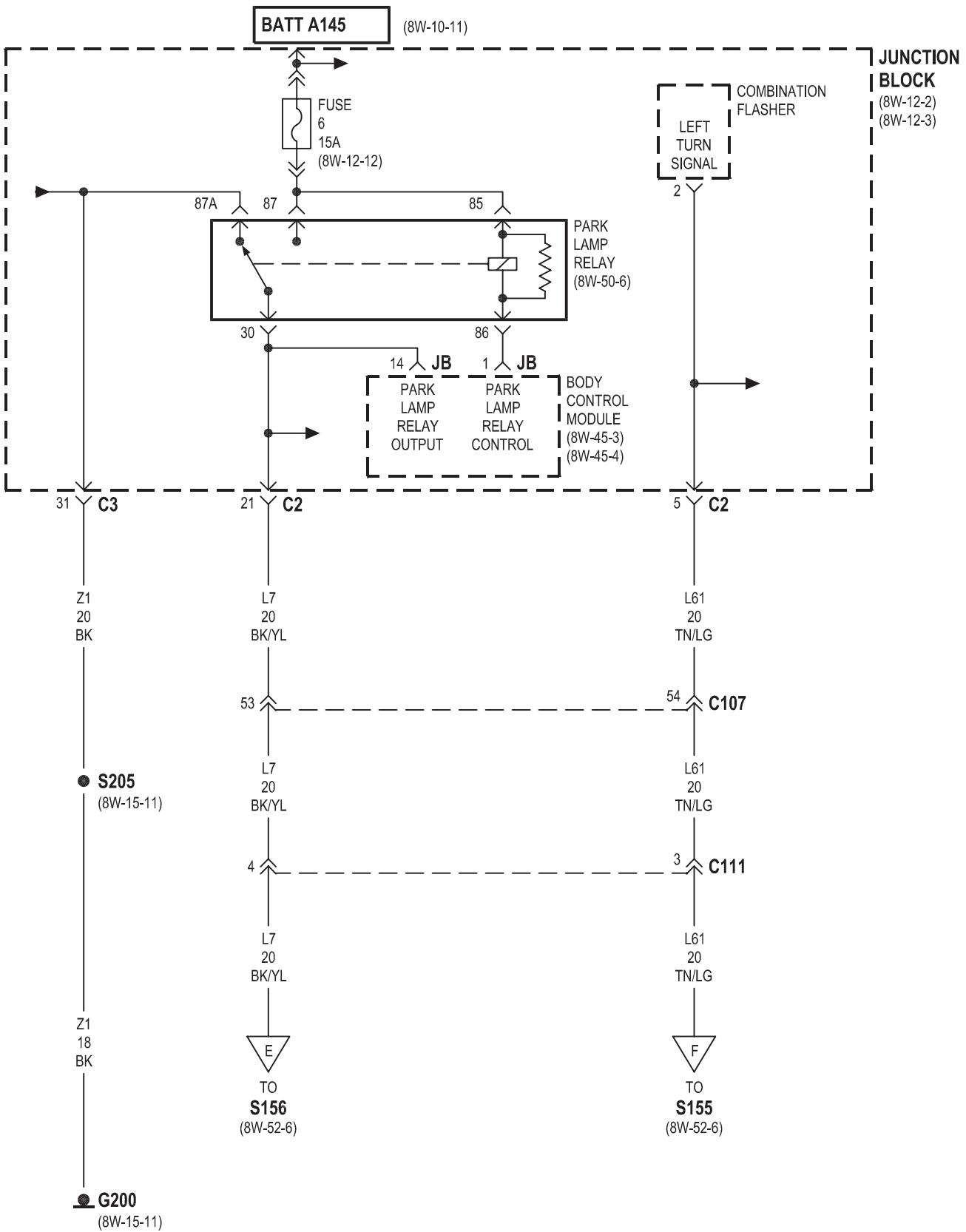


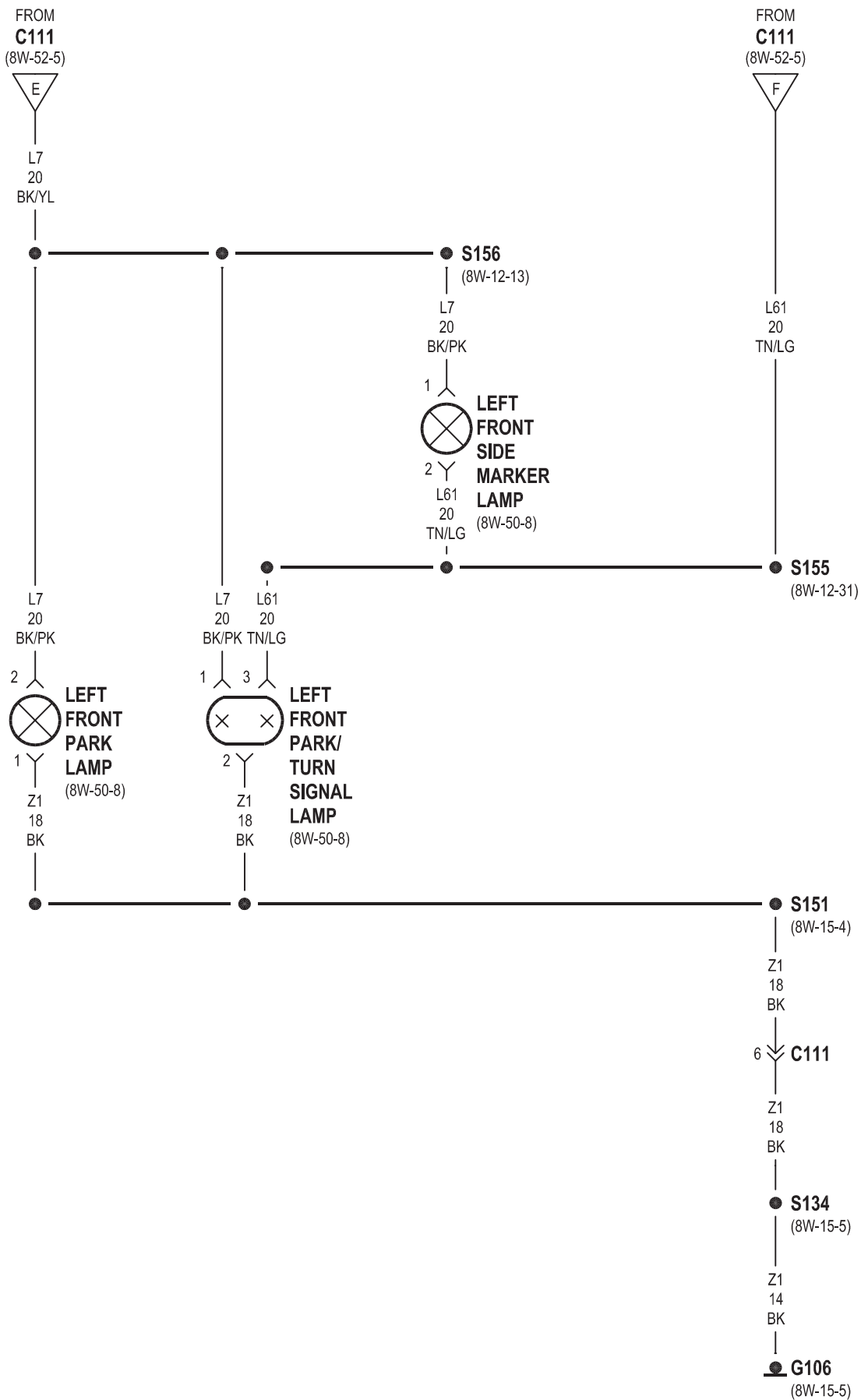


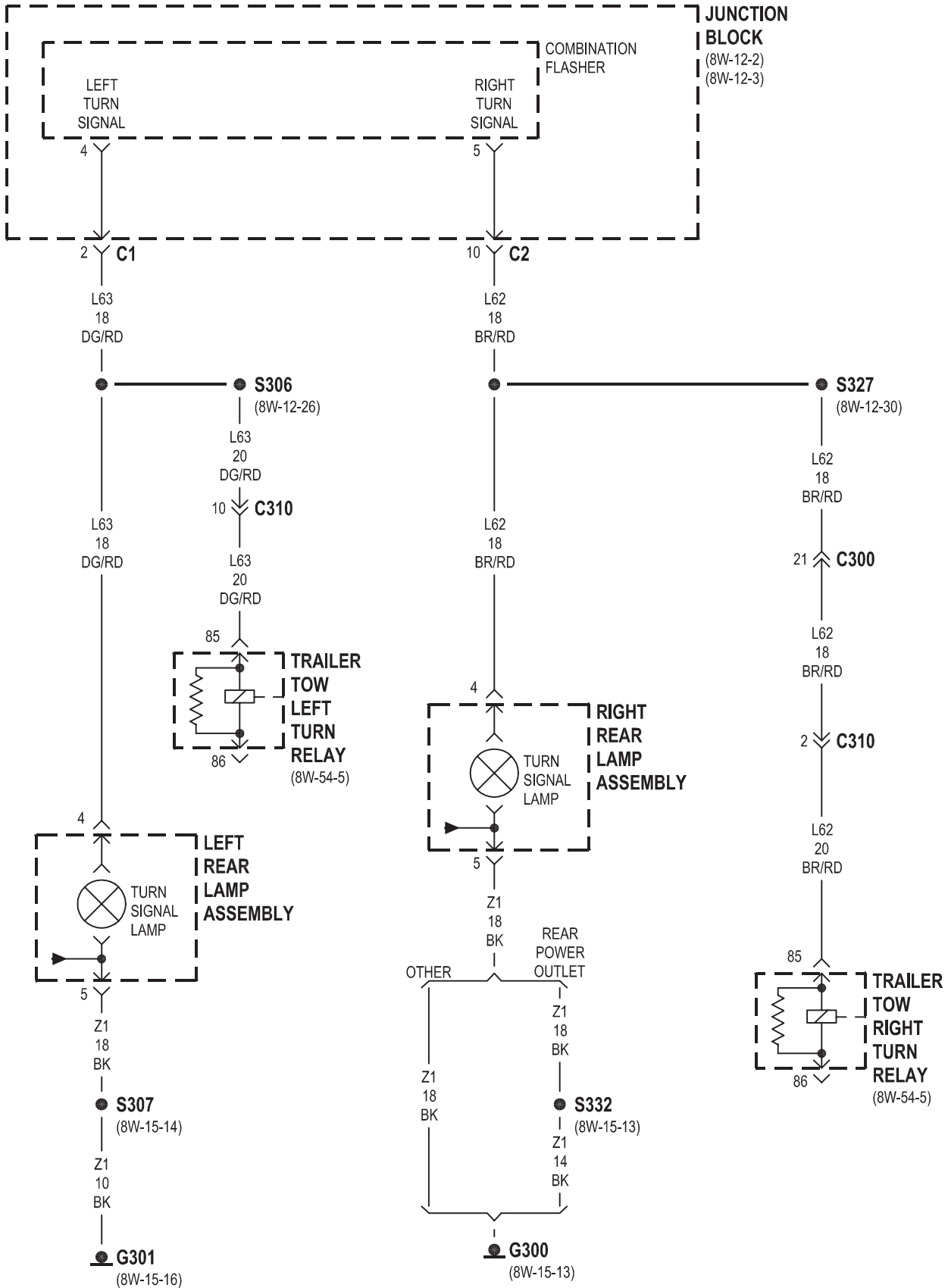








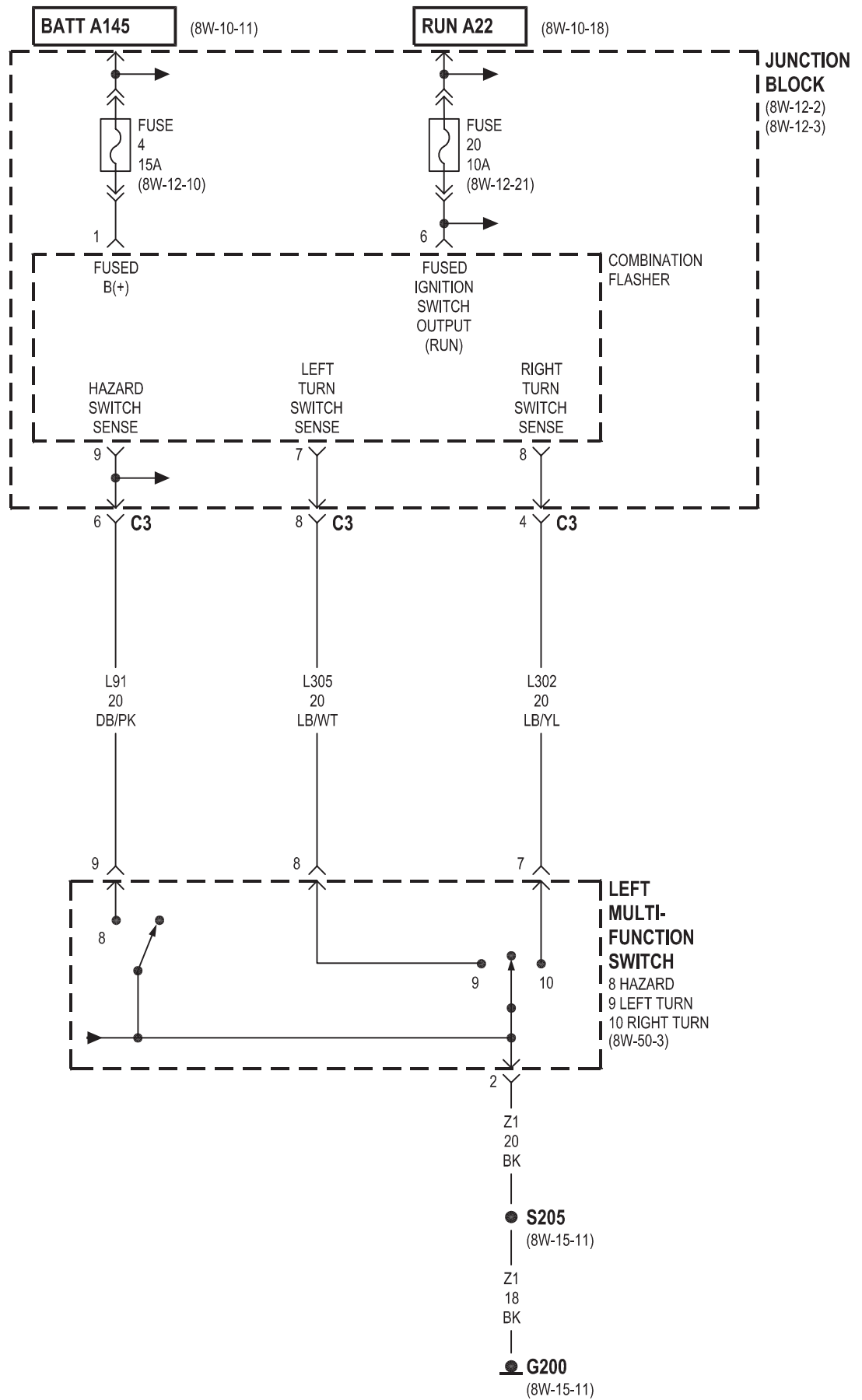




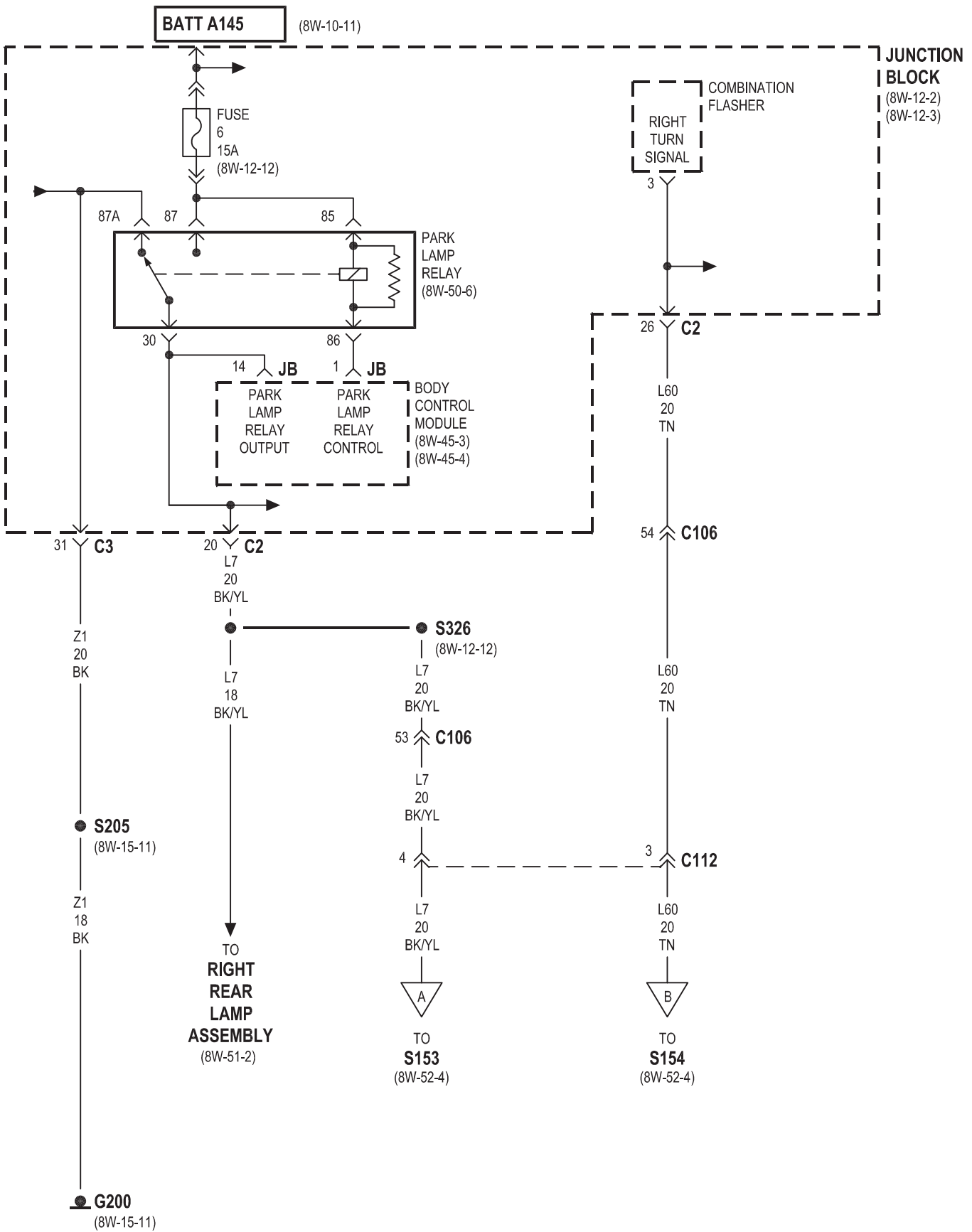


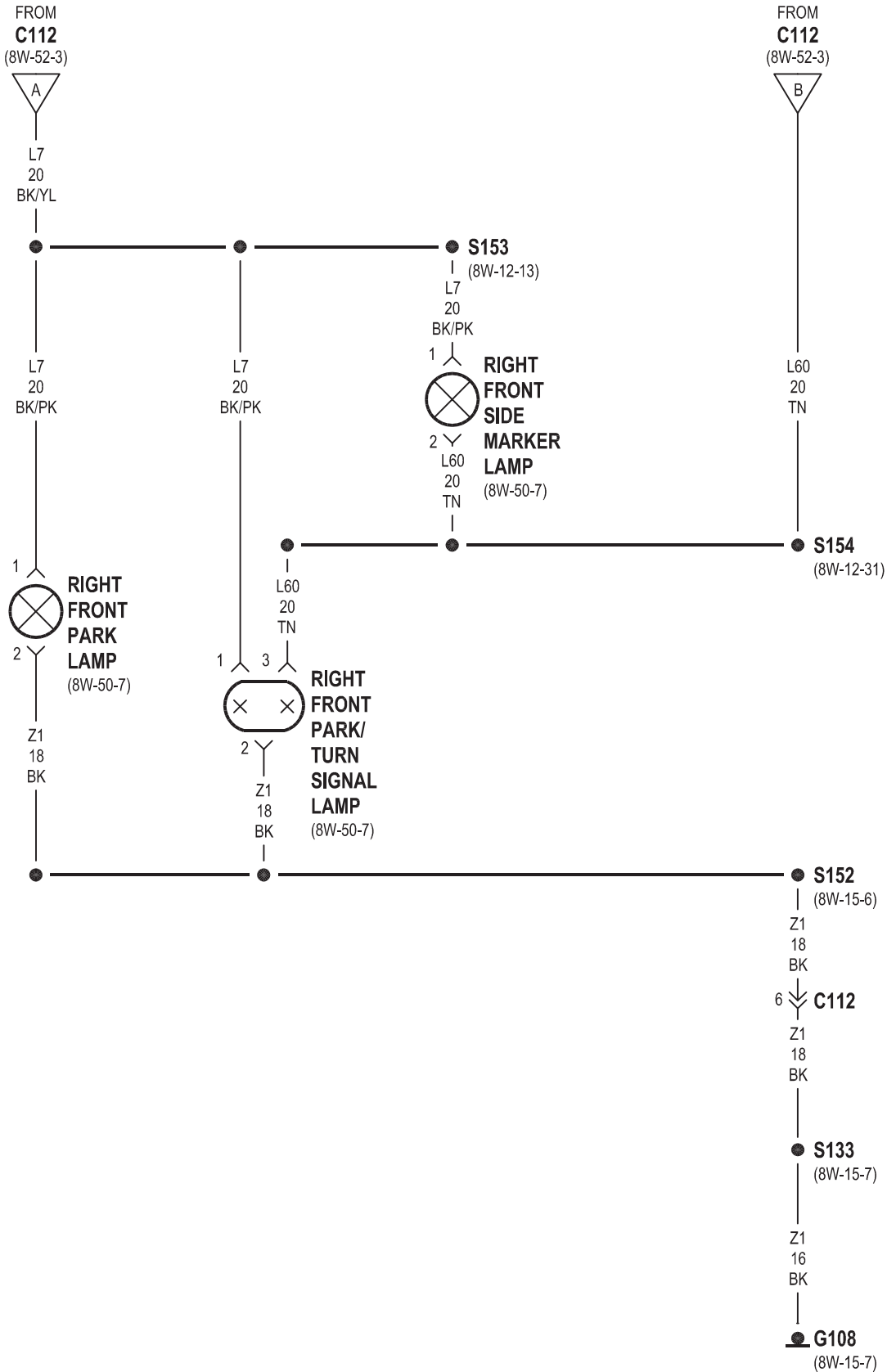
## 8W-52 TURN SIGNALS

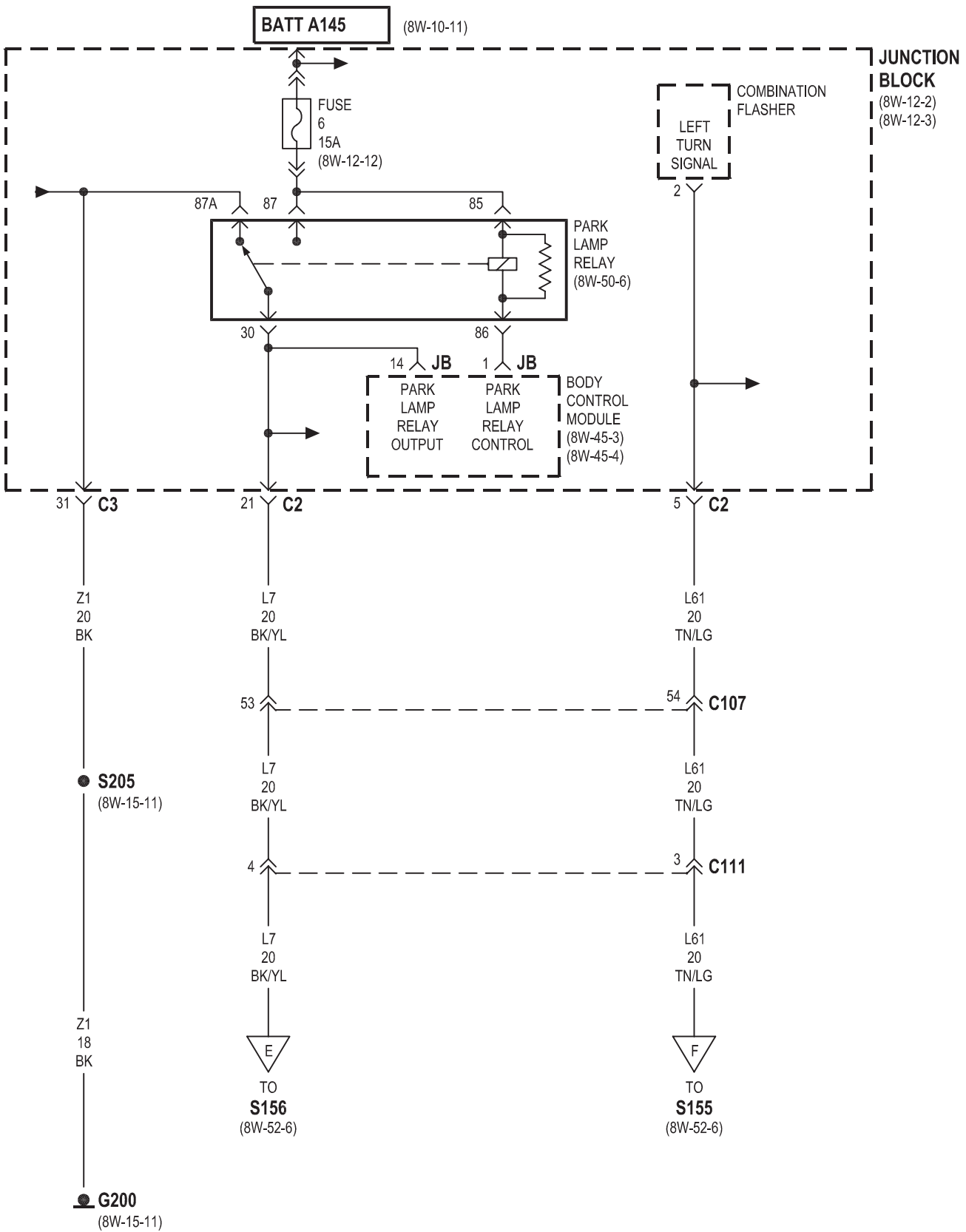
<b>Component</b>	<b>Page</b>	<b>Component</b>	<b>Page</b>
Body Control Module . . . . .	8W-52-3, 5	Left Front Park/Turn Signal Lamp . . . . .	8W-52-6
Combination Flasher . . . . .	8W-52-2, 3, 5, 7	Left Front Side Marker Lamp . . . . .	8W-52-6
Fuse 4 (JB) . . . . .	8W-52-2	Left Multi- Function Switch . . . . .	8W-52-2
Fuse 6 (JB) . . . . .	8W-52-3, 5	Left Rear Lamp Assembly . . . . .	8W-52-7
Fuse 20 (JB) . . . . .	8W-52-2	Park Lamp Relay . . . . .	8W-52-3, 5
G106 . . . . .	8W-52-6	Right Front Park Lamp . . . . .	8W-52-4
G108 . . . . .	8W-52-4	Right Front Park/Turn Signal Lamp . . . . .	8W-52-4
G200 . . . . .	8W-52-2, 3, 5	Right Front Side Marker Lamp . . . . .	8W-52-4
G300 . . . . .	8W-52-7	Right Rear Lamp Assembly . . . . .	8W-52-3, 7
G301 . . . . .	8W-52-7	Trailer Tow Left Turn Relay . . . . .	8W-52-7
Junction Block . . . . .	8W-52-2, 3, 5, 7	Trailer Tow Right Turn Relay . . . . .	8W-52-7
Left Front Park Lamp . . . . .	8W-52-6	Turn Signal Lamp . . . . .	8W-52-7

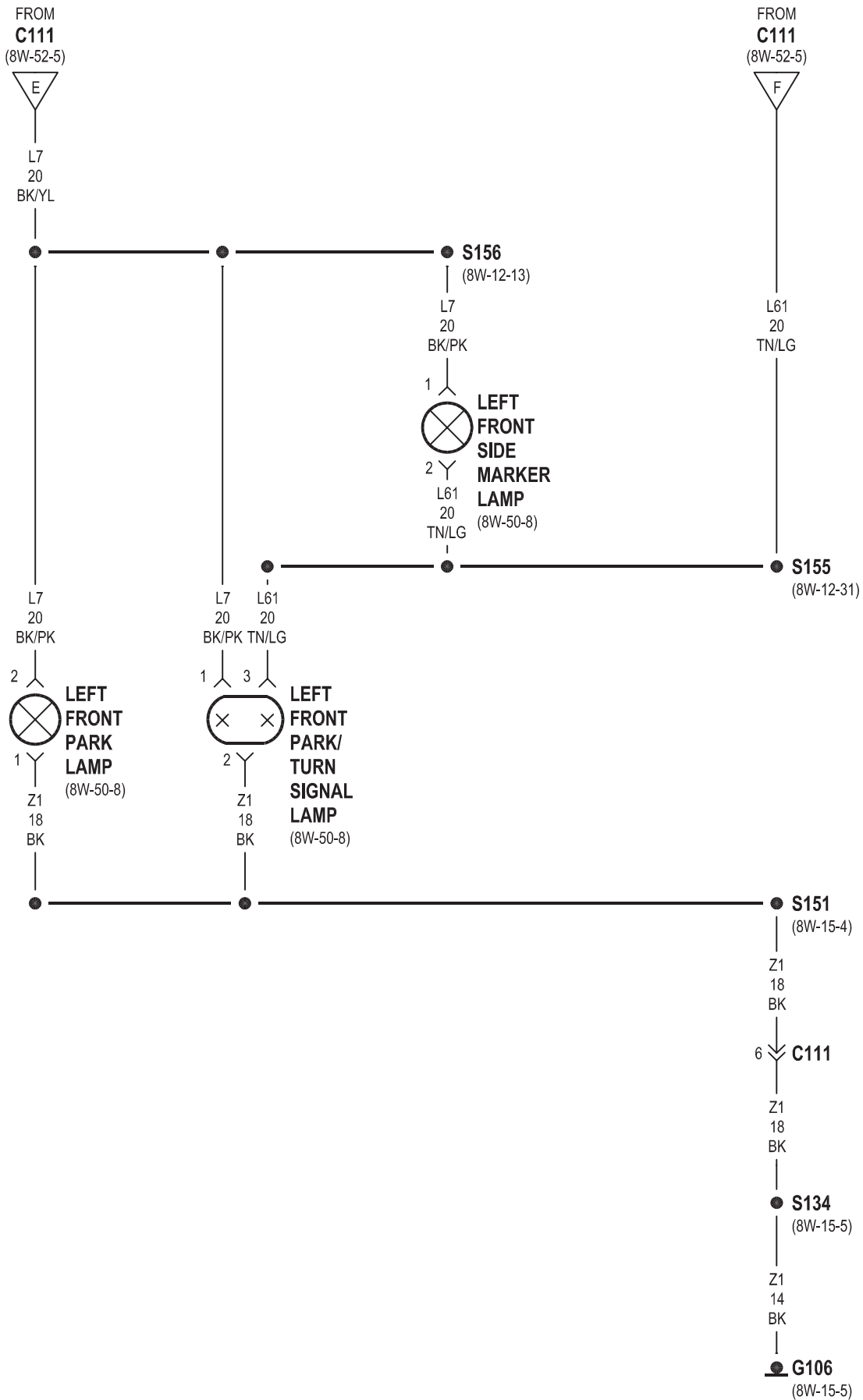


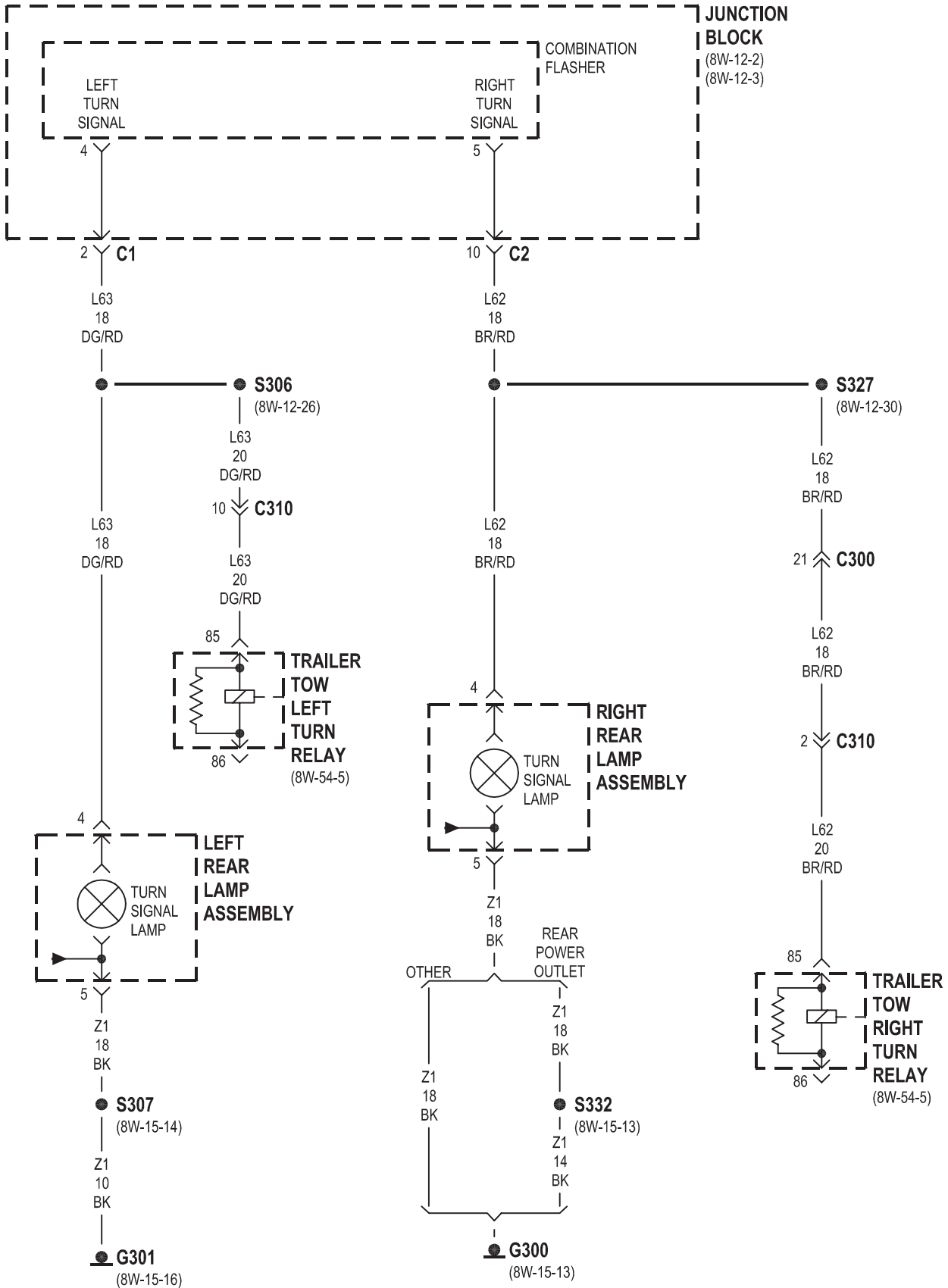










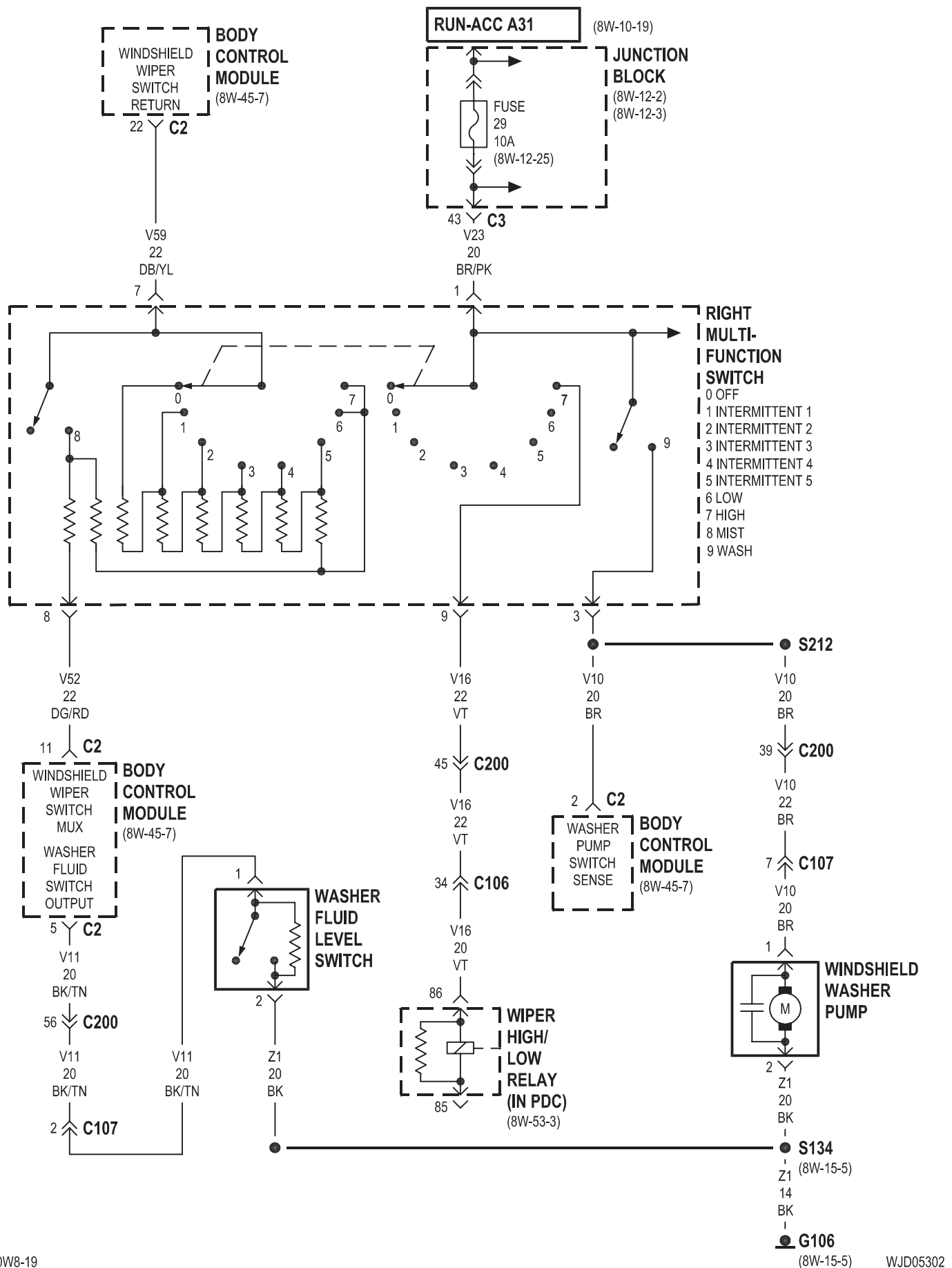


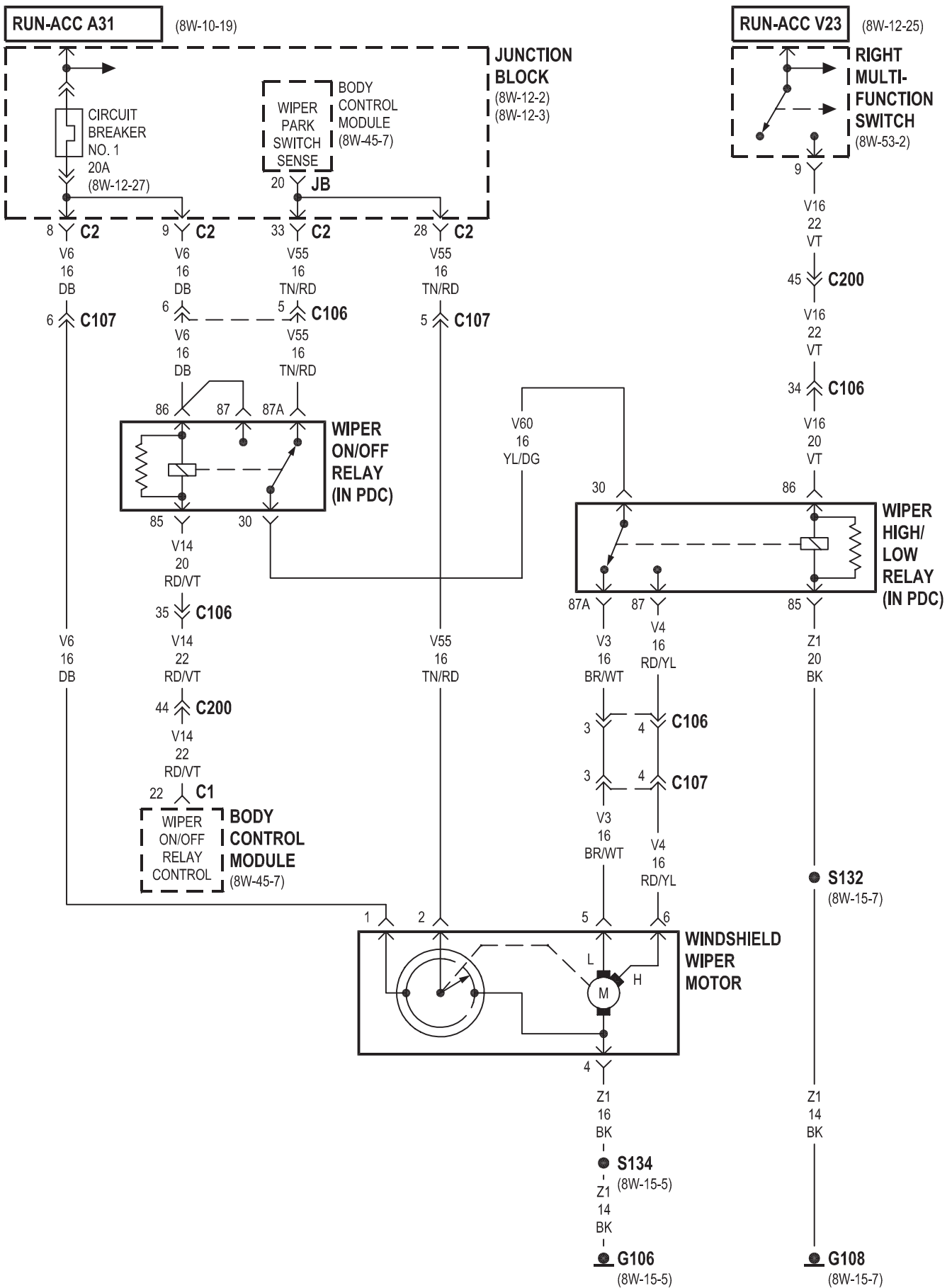


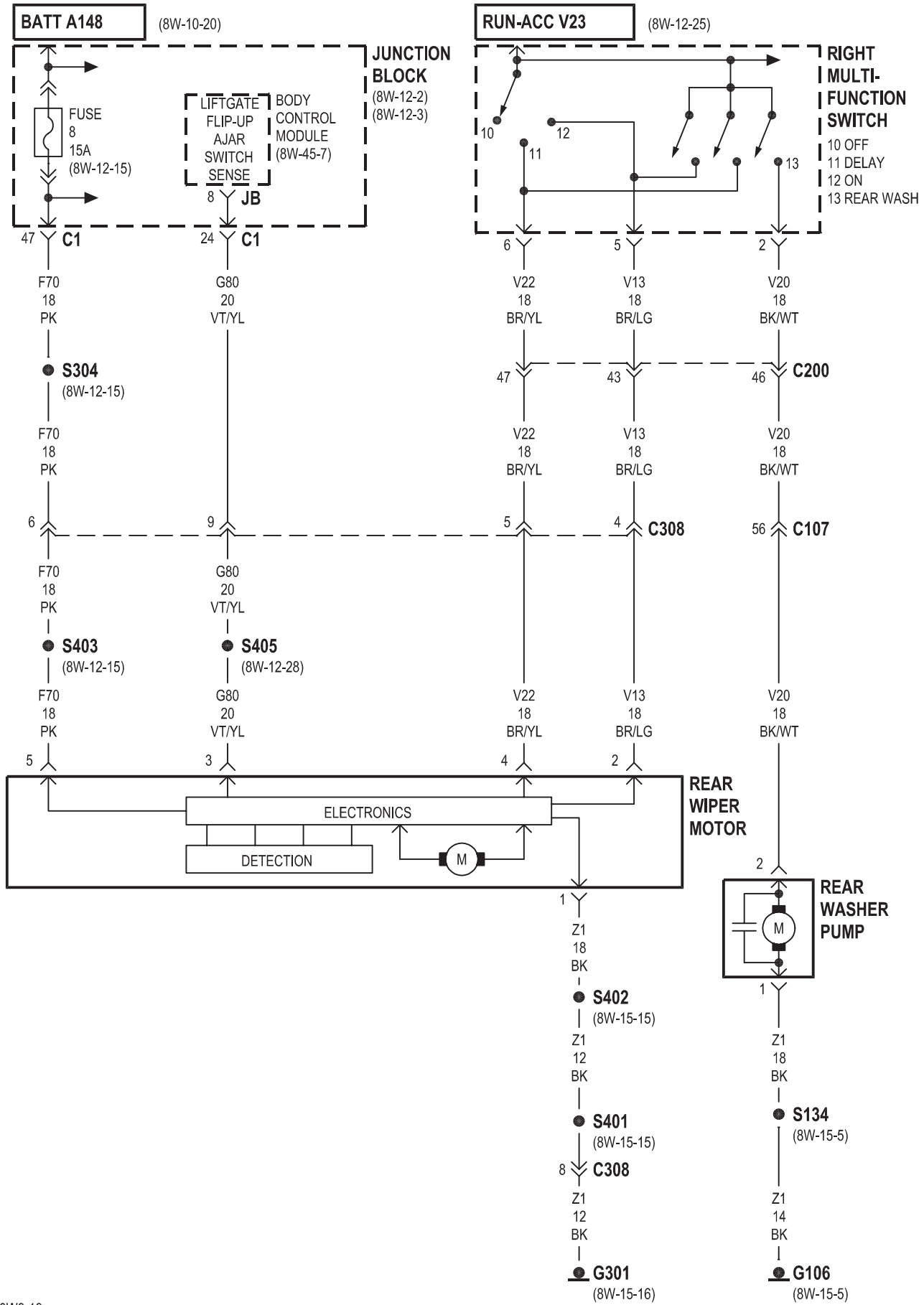


## 8W-53 WIPERS

<b>Component</b>	<b>Page</b>	<b>Component</b>	<b>Page</b>
Body Control Module . . . . .	8W-53-2, 3, 4	Rear Washer Pump . . . . .	8W-53-4
Circuit Breaker No. 1 . . . . .	8W-53-3	Rear Wiper Motor . . . . .	8W-53-4
Fuse 8 (JB) . . . . .	8W-53-4	Right Multi- Function Switch . . . . .	8W-53-2, 3, 4
Fuse 29 (JB) . . . . .	8W-53-2	Washer Fluid Level Switch . . . . .	8W-53-2
G106 . . . . .	8W-53-2, 3, 4	Windshield Washer Pump . . . . .	8W-53-2
G108 . . . . .	8W-53-3	Windshield Wiper Motor . . . . .	8W-53-3
G301 . . . . .	8W-53-4	Wiper High/Low Relay . . . . .	8W-53-2, 3
Junction Block . . . . .	8W-53-2, 3, 4	Wiper On/Off Relay . . . . .	8W-53-3

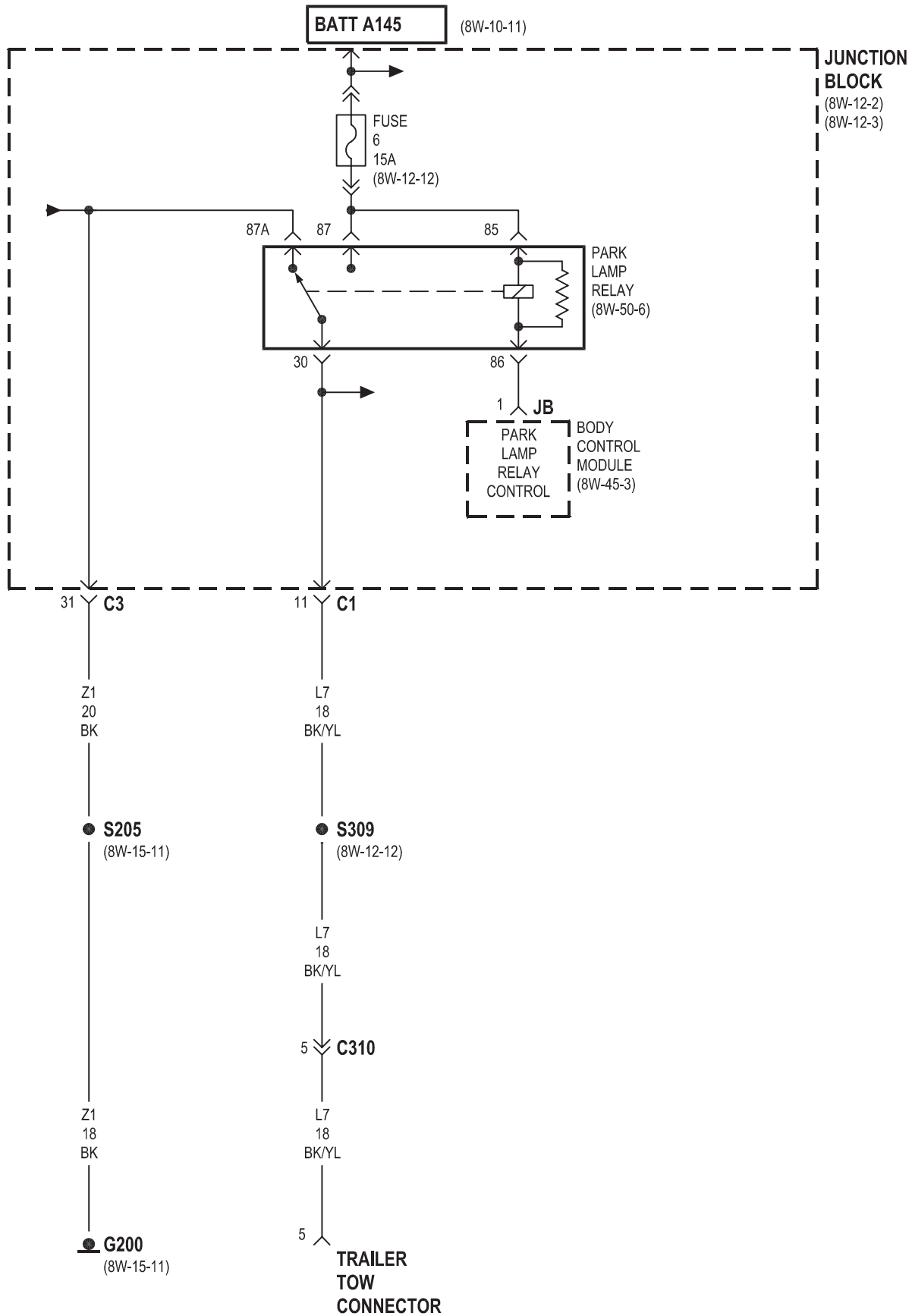




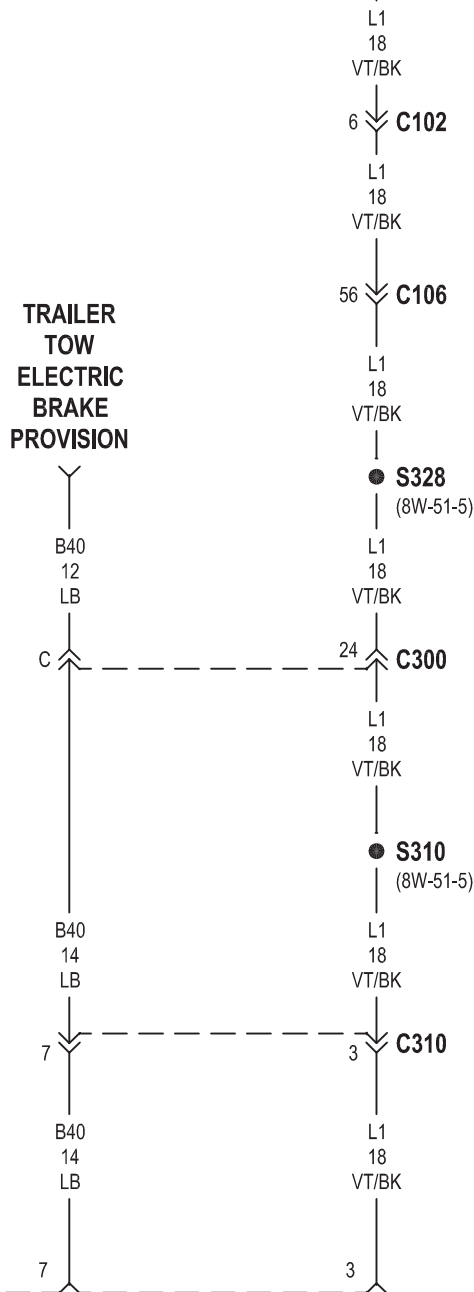
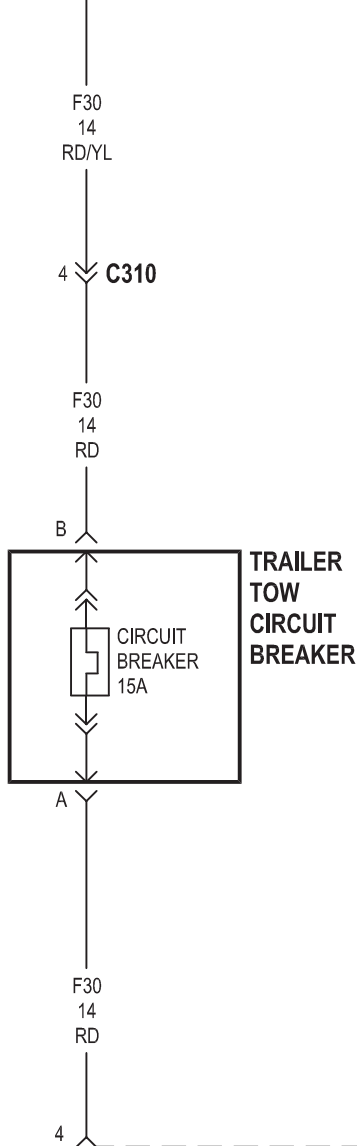
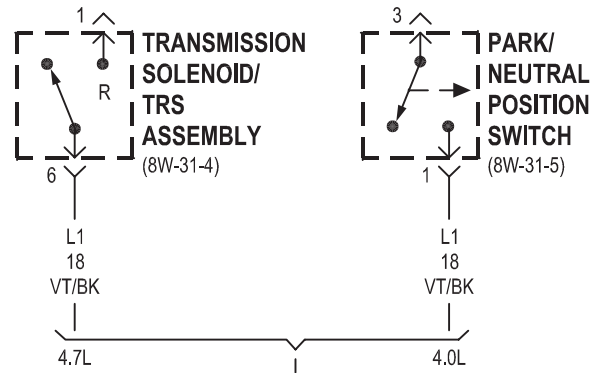
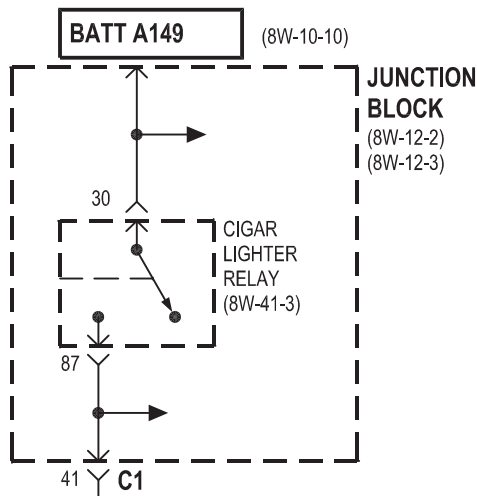


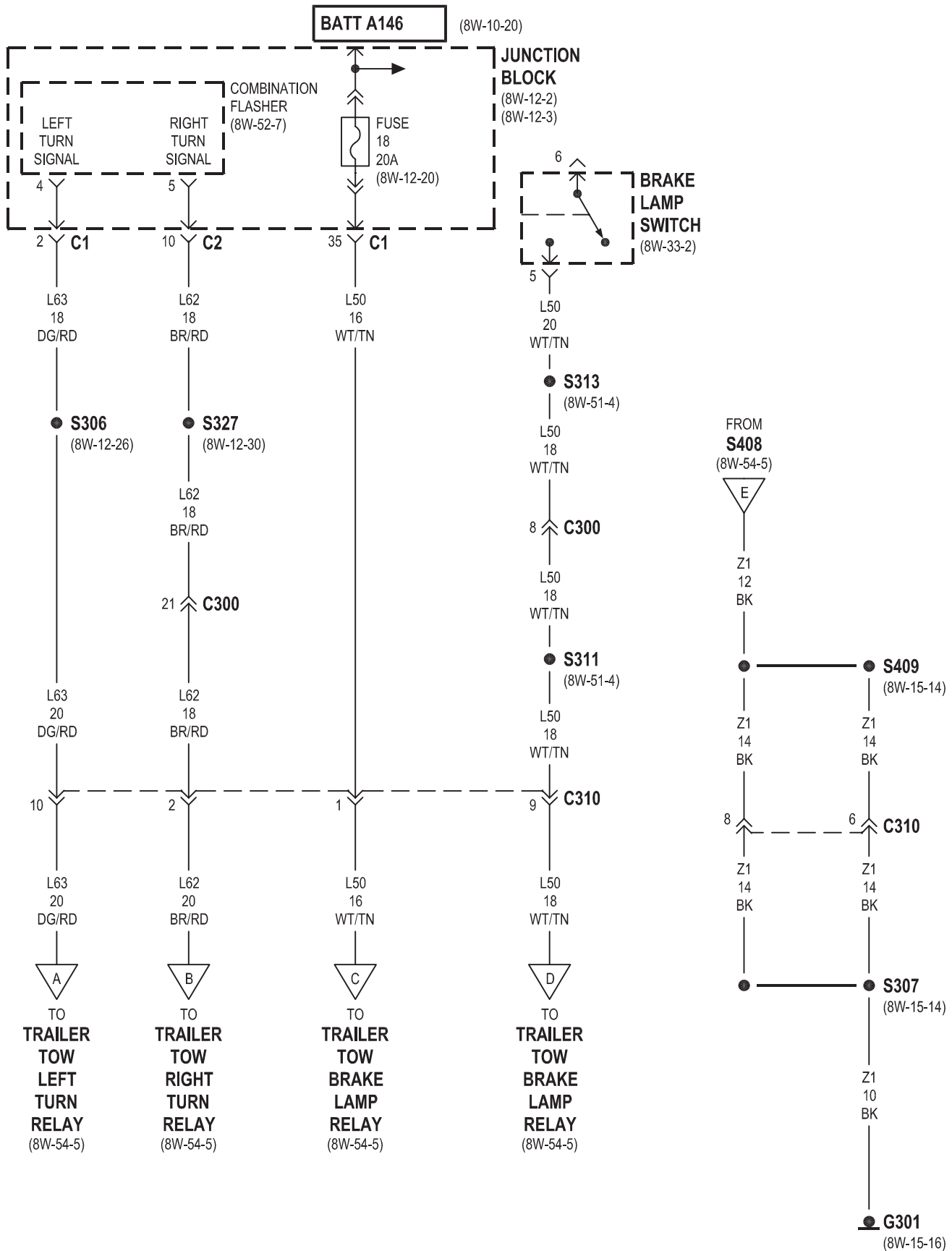
## 8W-54 TRAILER TOW

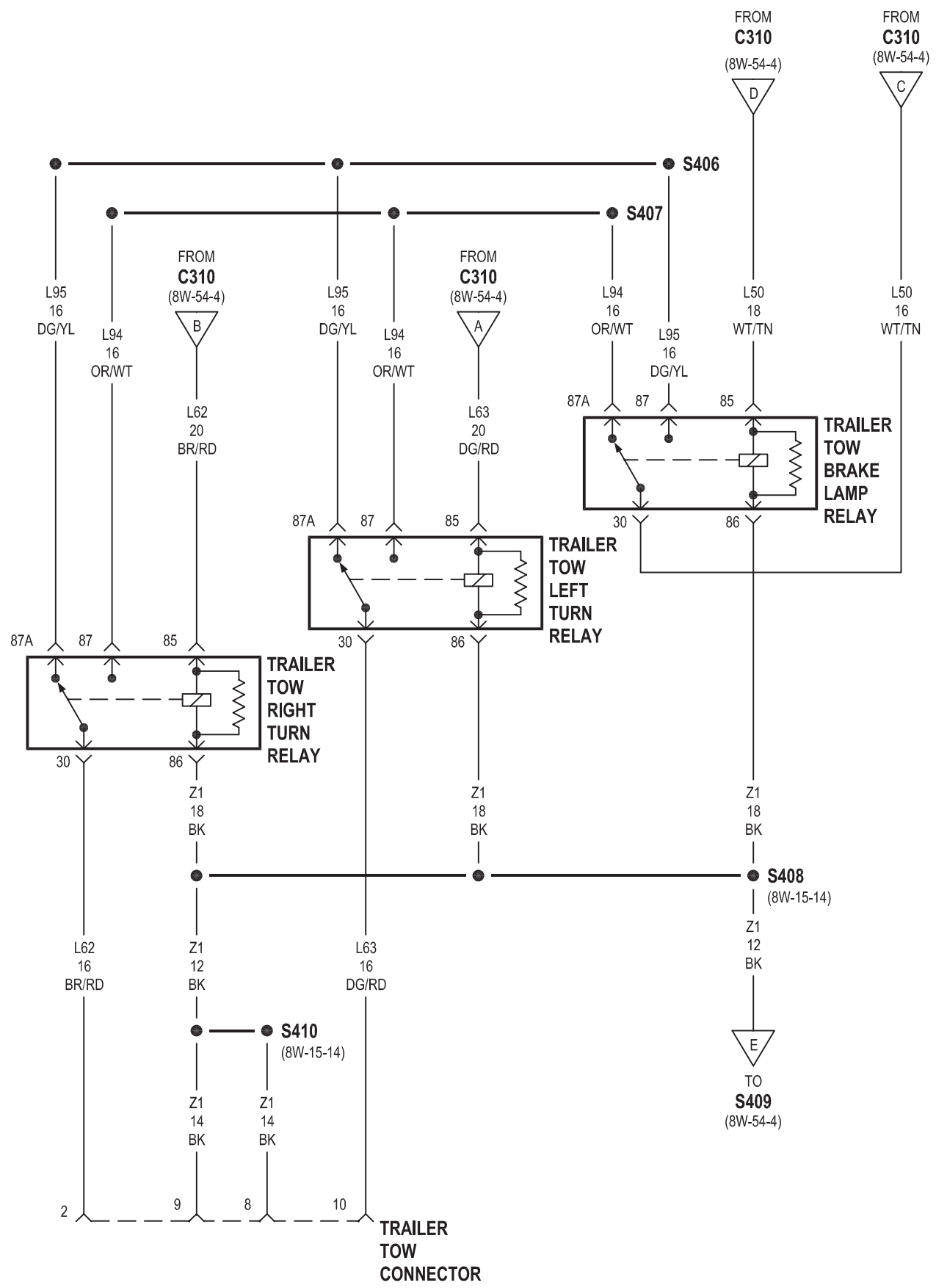
<b>Component</b>	<b>Page</b>	<b>Component</b>	<b>Page</b>
Body Control Module .....	8W-54-2	Park Lamp Relay .....	8W-54-2
Brake Lamp Switch .....	8W-54-4	Park/Neutral Position Switch .....	8W-54-3
Cigar Lighter Relay .....	8W-54-3	Trailer Tow Brake Lamp Relay .....	8W-54-5
Combination Flasher .....	8W-54-4	Trailer Tow Circuit Breaker .....	8W-54-3
Fuse 6 (JB) .....	8W-54-2	Trailer Tow Connector .....	8W-54-2, 3, 5
Fuse 18 (JB) .....	8W-54-4	Trailer Tow Electric Brake Provision .....	8W-54-3
G200 .....	8W-54-2	Trailer Tow Left Turn Relay .....	8W-54-5
G301 .....	8W-54-4	Trailer Tow Right Turn Relay .....	8W-54-5
Junction Block .....	8W-54-2, 3, 4	Transmission Solenoid/TRS Assembly .....	8W-54-3







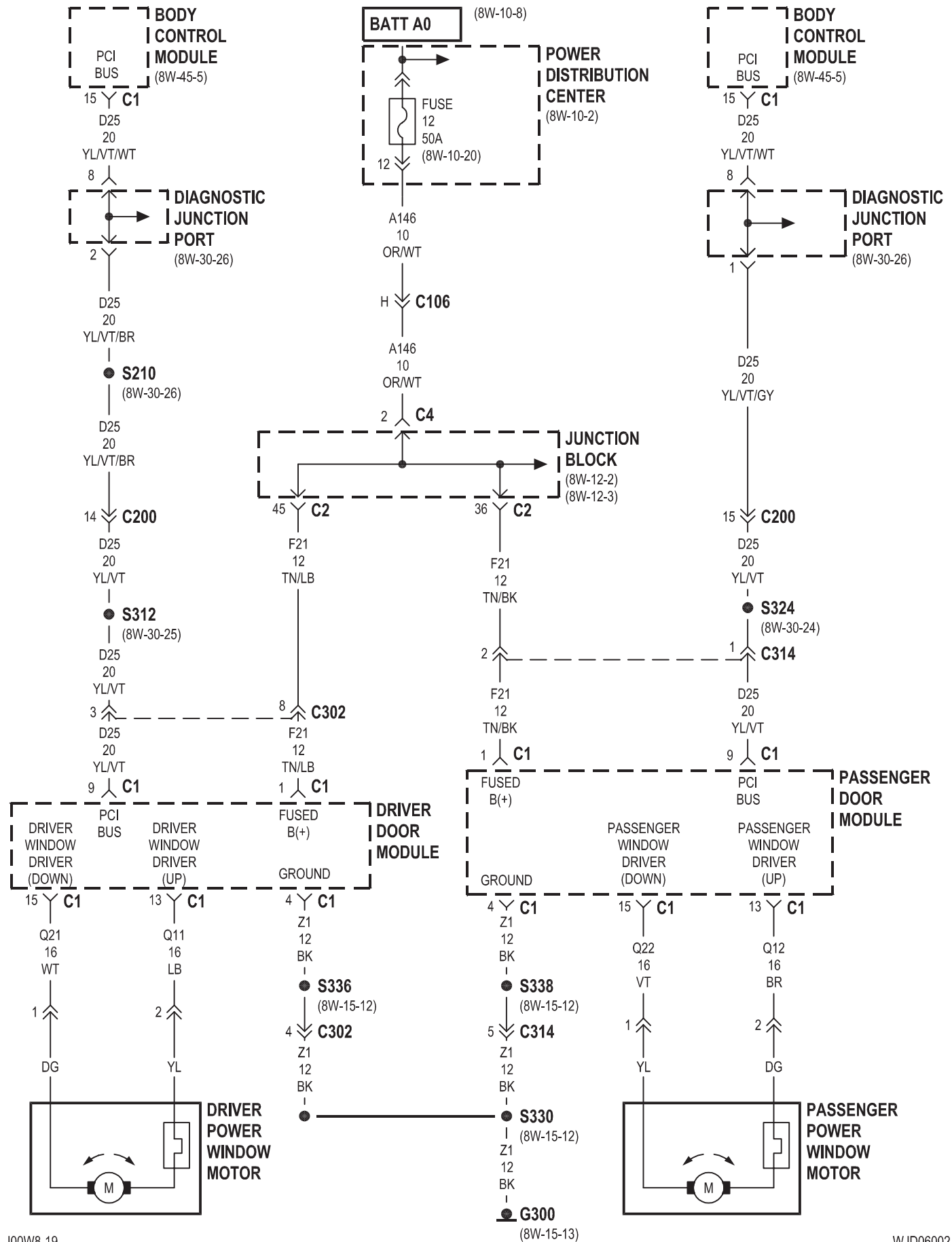




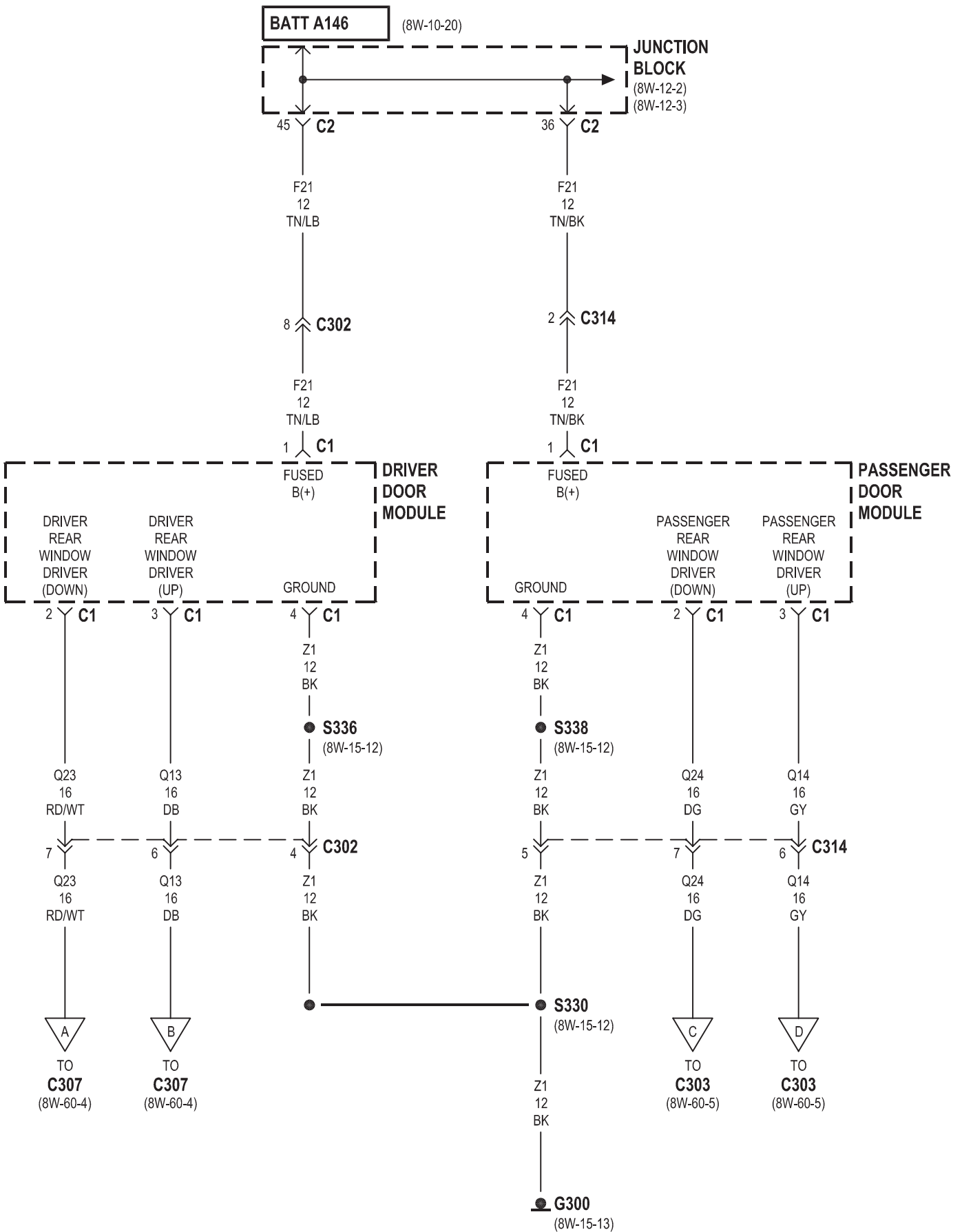


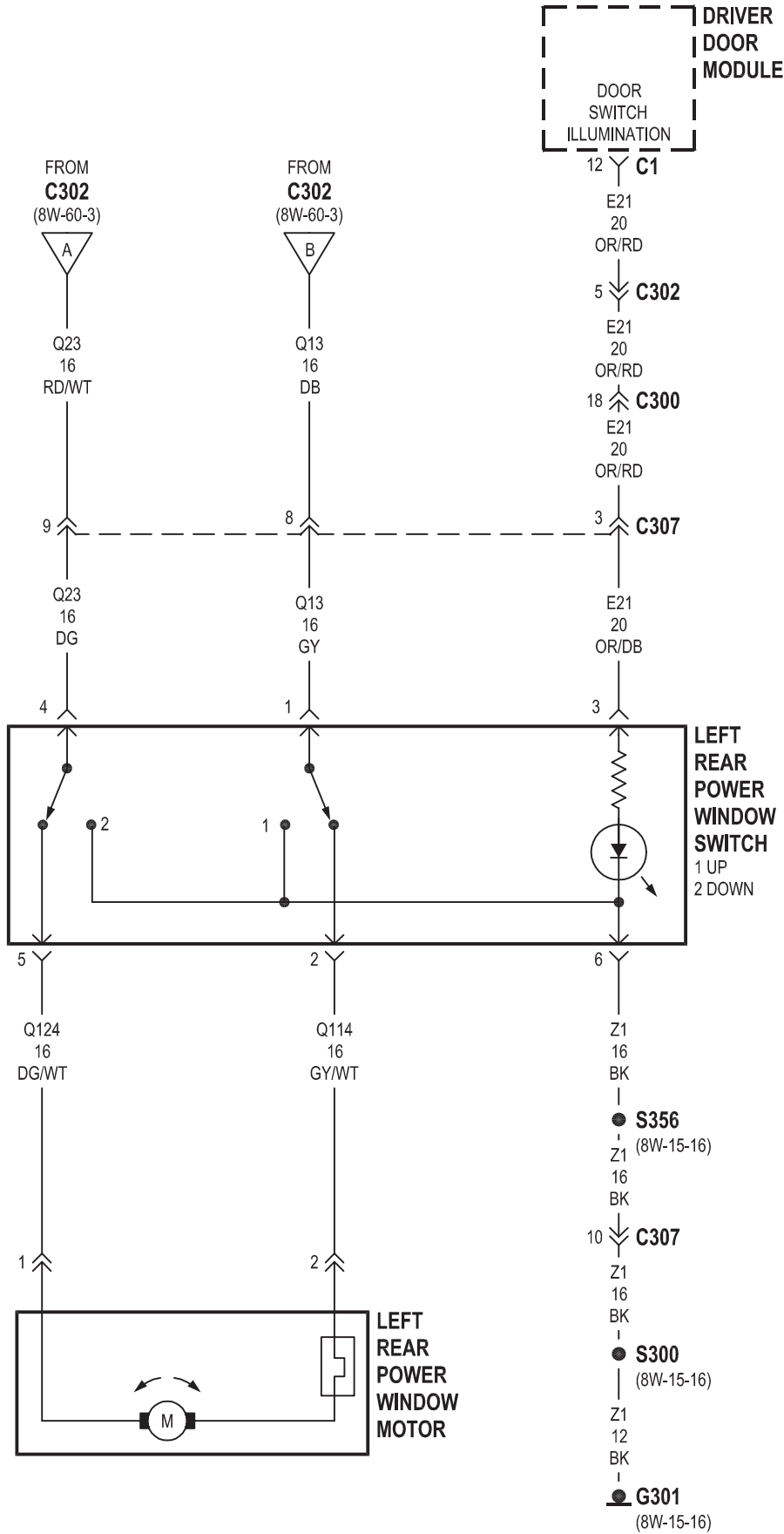
## 8W-60 POWER WINDOWS

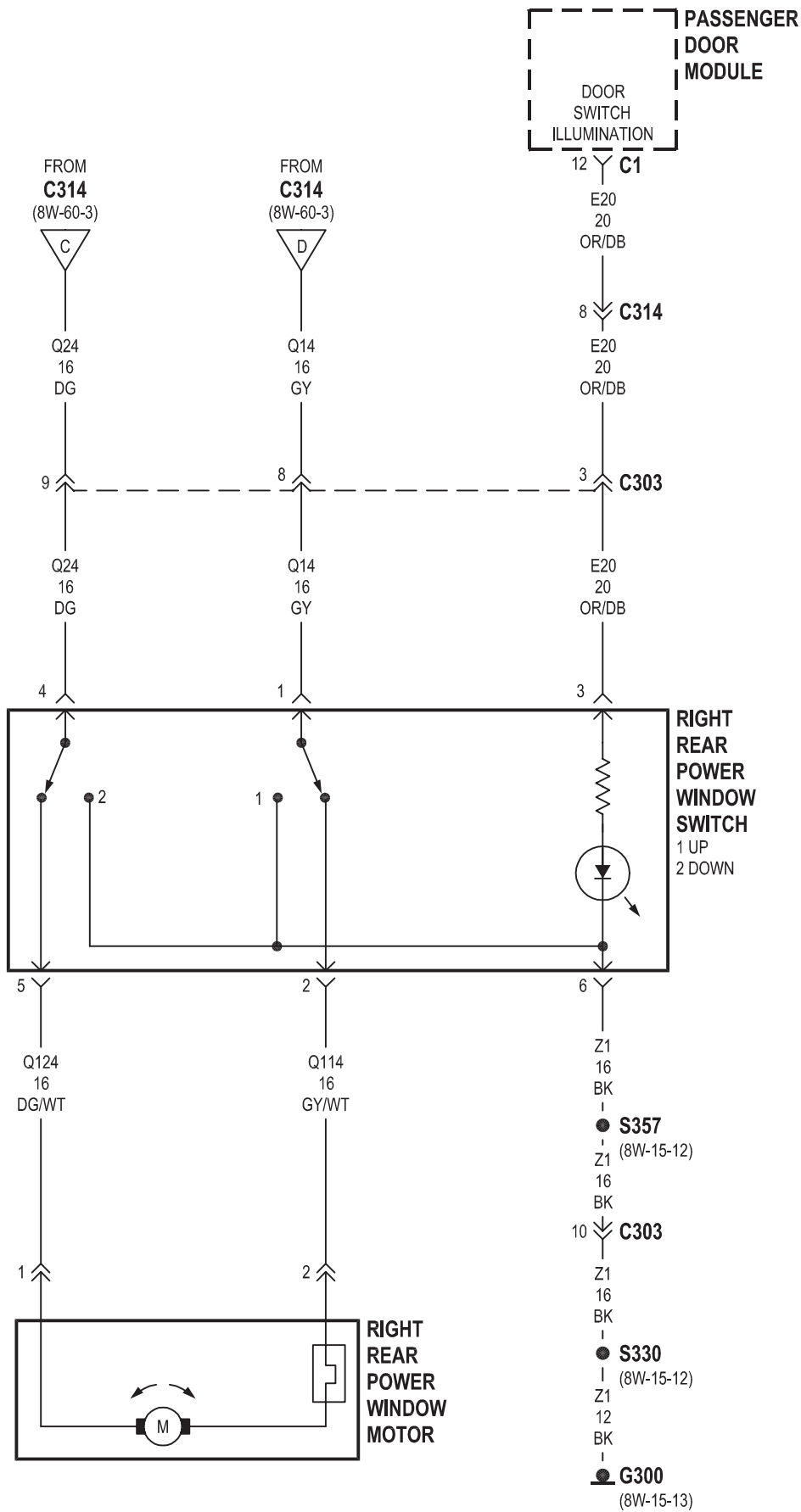
<b>Component</b>	<b>Page</b>	<b>Component</b>	<b>Page</b>
Body Control Module . . . . .	8W-60-2	Left Rear Power Window Motor . . . . .	8W-60-4
Diagnostic Junction Port . . . . .	8W-60-2	Left Rear Power Window Switch . . . . .	8W-60-4
Driver Door Module . . . . .	8W-60-2, 3, 4	Passenger Door Module . . . . .	8W-60-2, 3, 5
Driver Power Window Motor . . . . .	8W-60-2	Passenger Power Window Motor . . . . .	8W-60-2
Fuse 12 (PDC) . . . . .	8W-60-2	Power Distribution Center . . . . .	8W-60-2
G300 . . . . .	8W-60-2, 3, 5	Right Rear Power Window Motor . . . . .	8W-60-5
G301 . . . . .	8W-60-4	Right Rear Power Window Switch . . . . .	8W-60-5
Junction Block . . . . .	8W-60-2, 3		







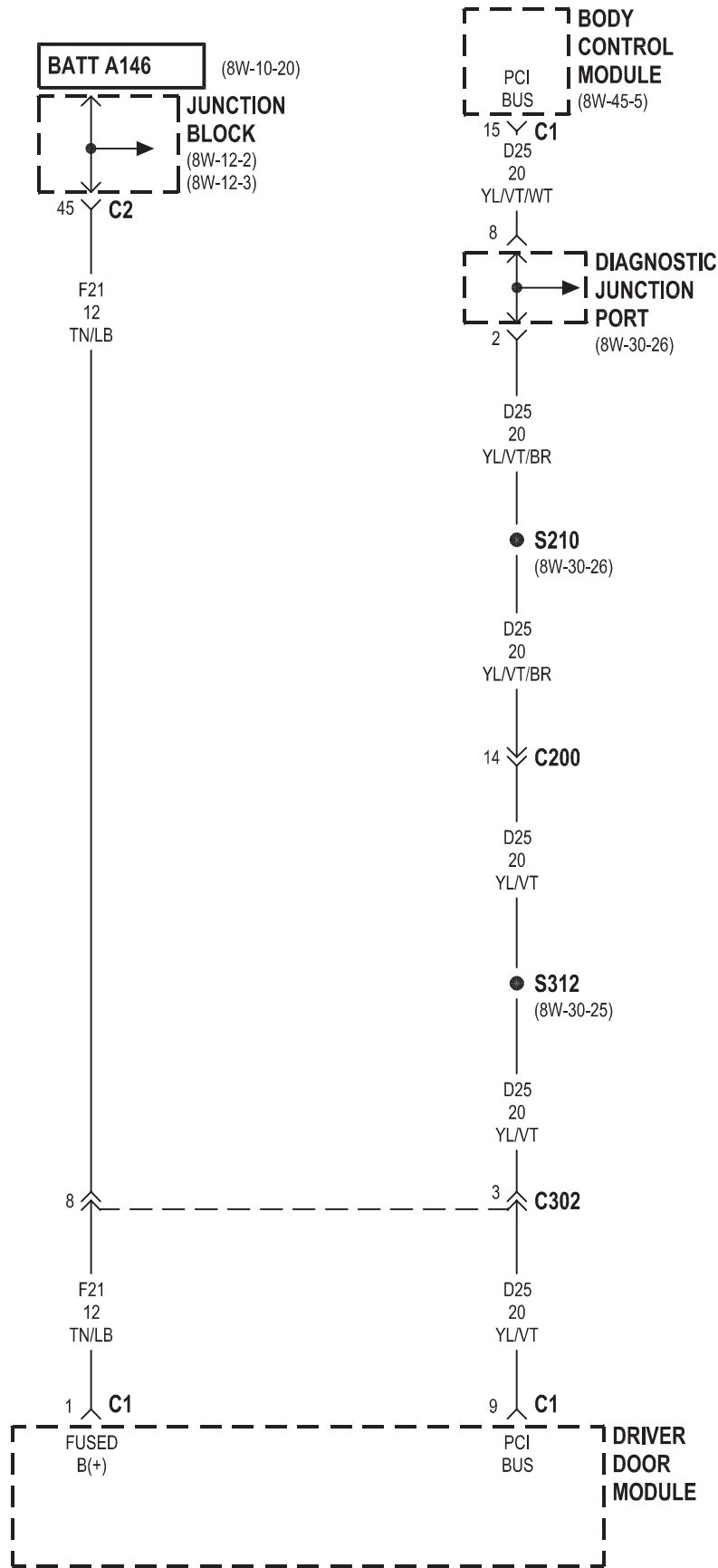




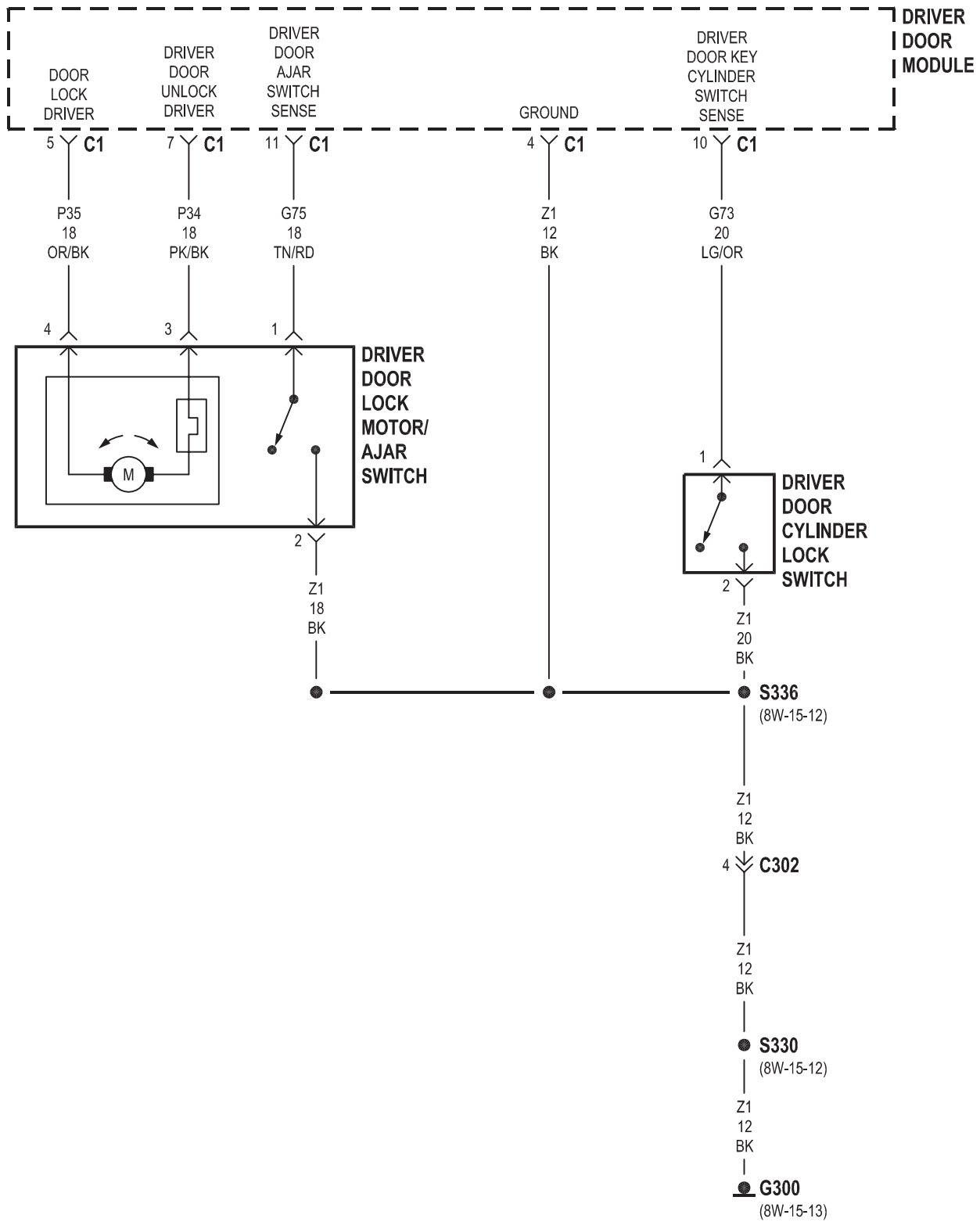


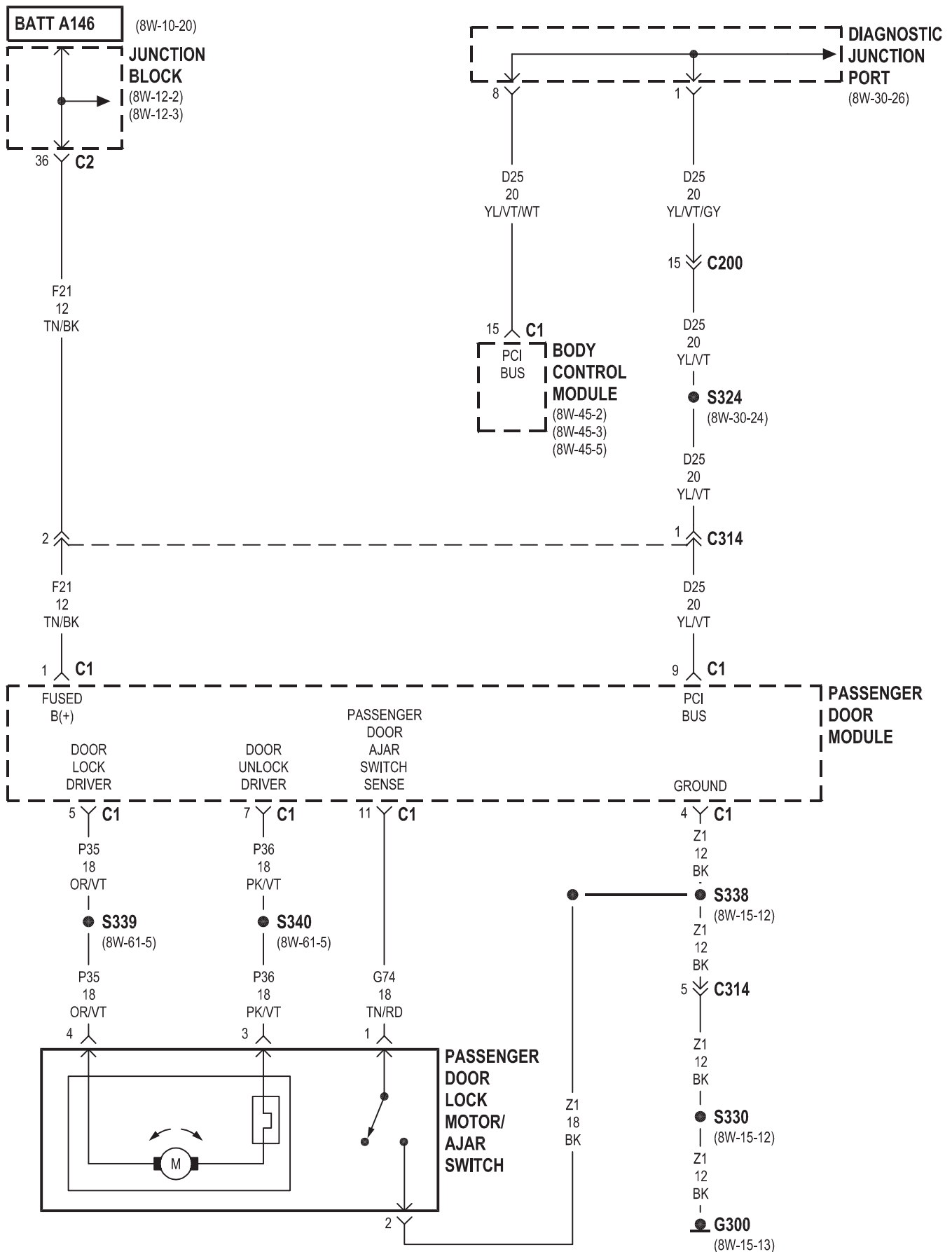
## 8W-61 POWER LOCKS

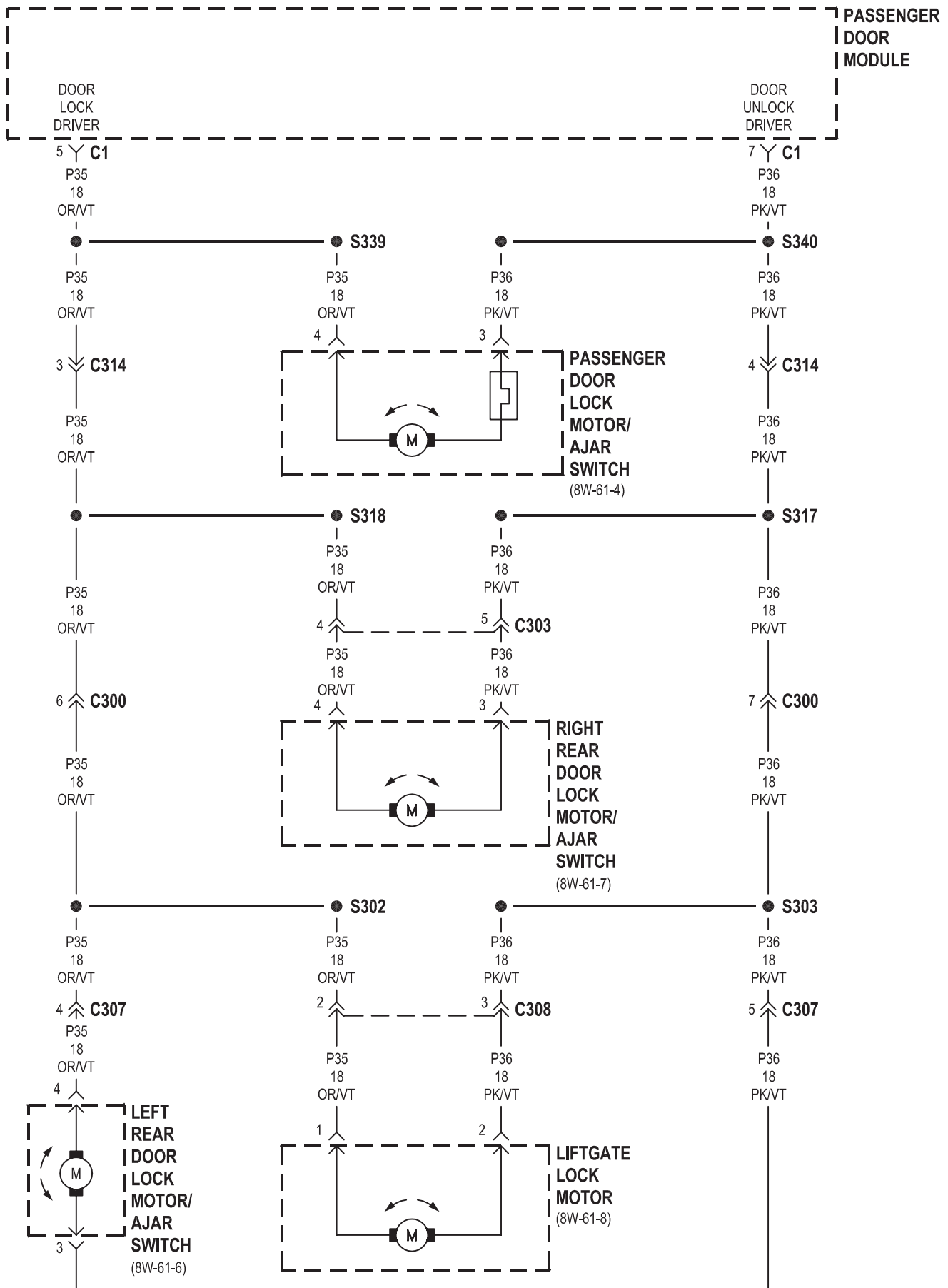
<b>Component</b>	<b>Page</b>	<b>Component</b>	<b>Page</b>
Body Control Module . . . . .	8W-61-2, 4, 6, 7, 9	Liftgate Flip-Up Ajar Switch . . . . .	8W-61-9
Diagnostic Junction Port . . . . .	8W-61-2, 4	Liftgate Flip-Up Push Button Switch . . . . .	8W-61-8
Driver Door Cylinder Lock Switch . . . . .	8W-61-3	Liftgate Flip-Up Release Solenoid . . . . .	8W-61-8
Driver Door Lock Motor/Ajar Switch . . . . .	8W-61-3	Liftgate Lock Motor . . . . .	8W-61-5, 8
Driver Door Module . . . . .	8W-61-2, 3	Passenger Door Lock Motor/Ajar Switch . . . . .	8W-61-4, 5
Fuse 8 (JB) . . . . .	8W-61-8	Passenger Door Module . . . . .	8W-61-4, 5, 6, 7, 8
G300 . . . . .	8W-61-3, 4, 7	Rear Wiper Motor . . . . .	8W-61-9
G301 . . . . .	8W-61-6, 8, 9	Right Liftgate Ajar Switch . . . . .	8W-61-9
Junction Block . . . . .	8W-61-2, 4, 6, 8, 9	Right Rear Door Lock Motor/ Ajar Switch . . . . .	8W-61-5, 7
Left Liftgate Ajar Switch . . . . .	8W-61-9		
Left Rear Door Lock Motor/Ajar Switch . . . . .	8W-61-5, 6		

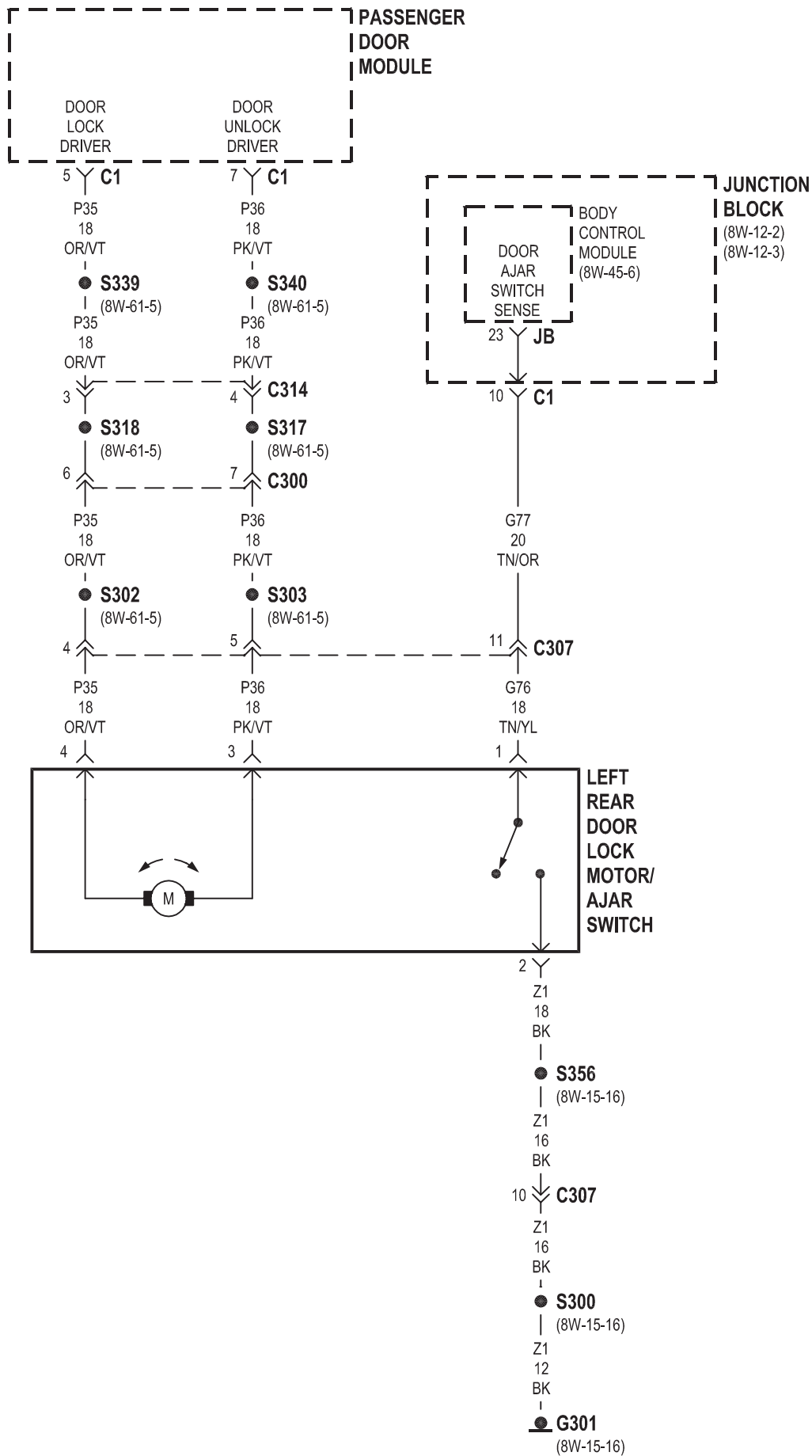


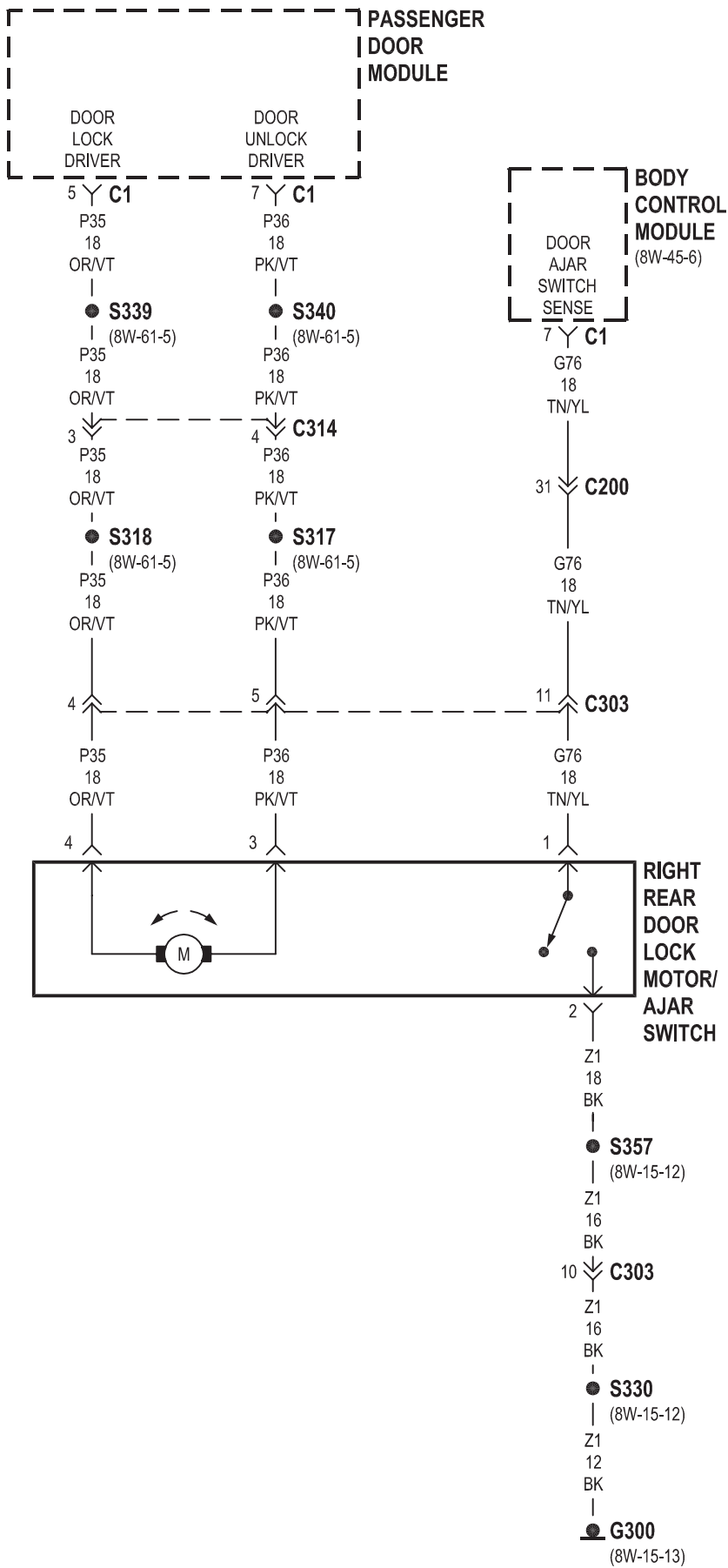


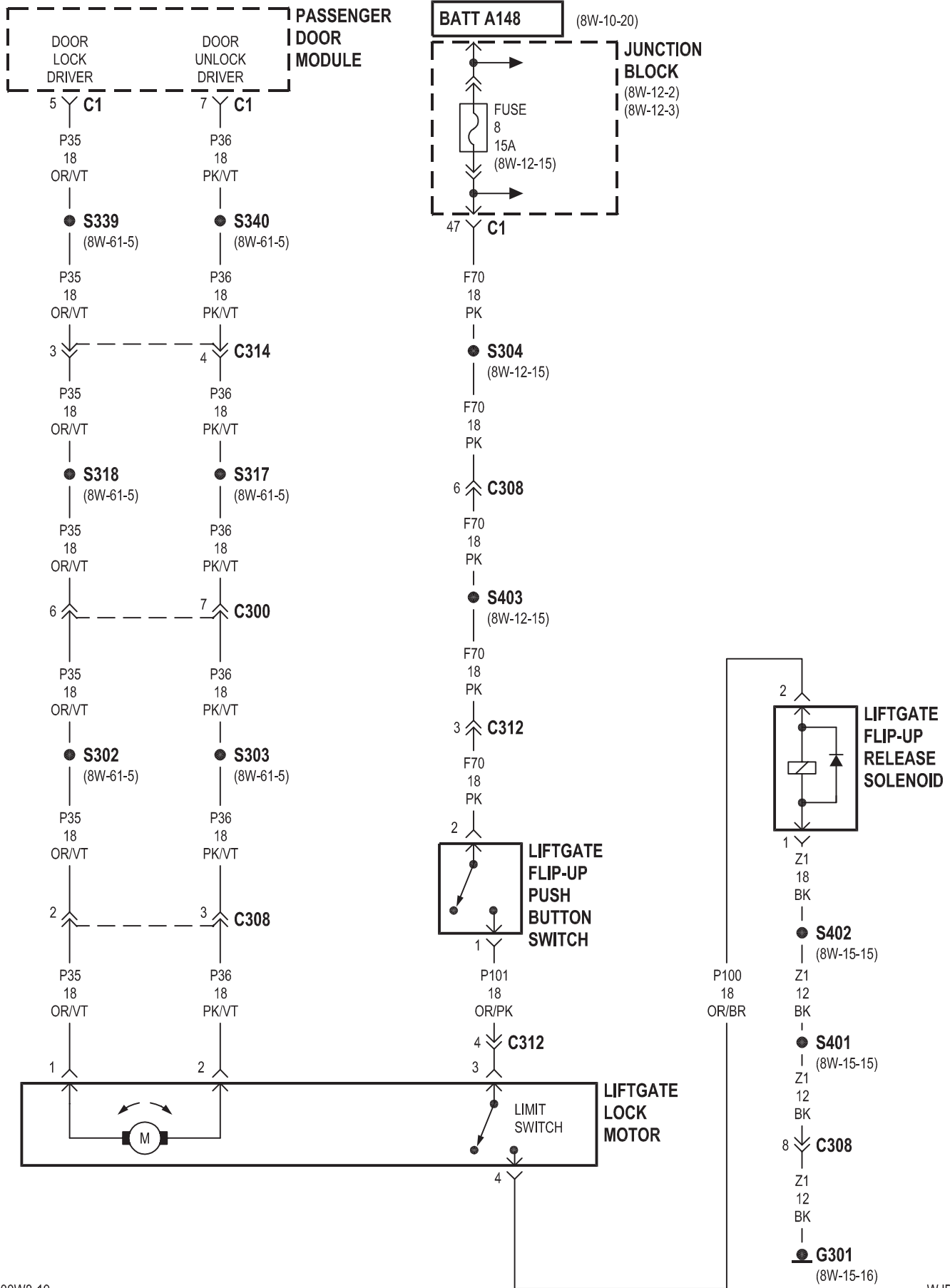




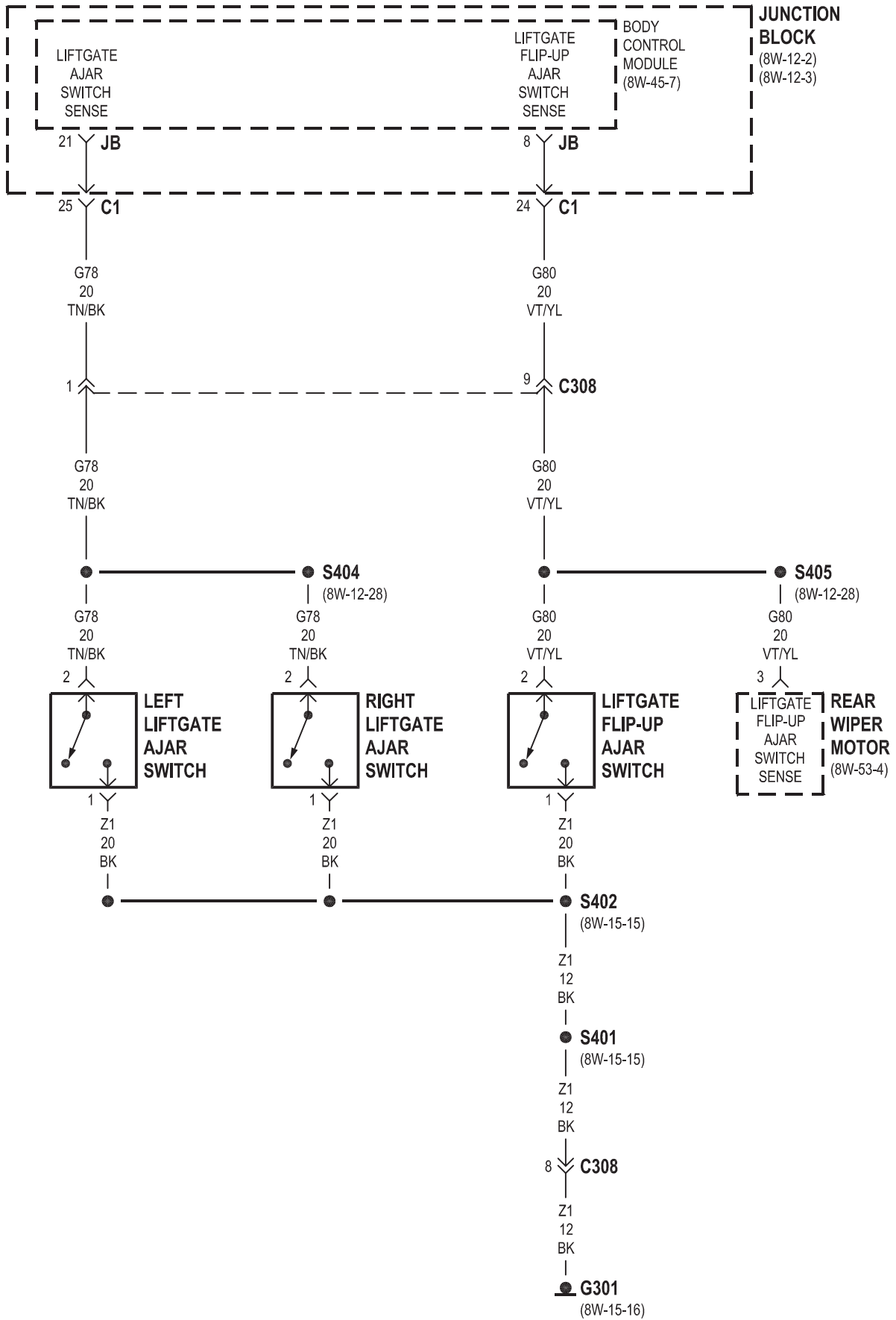








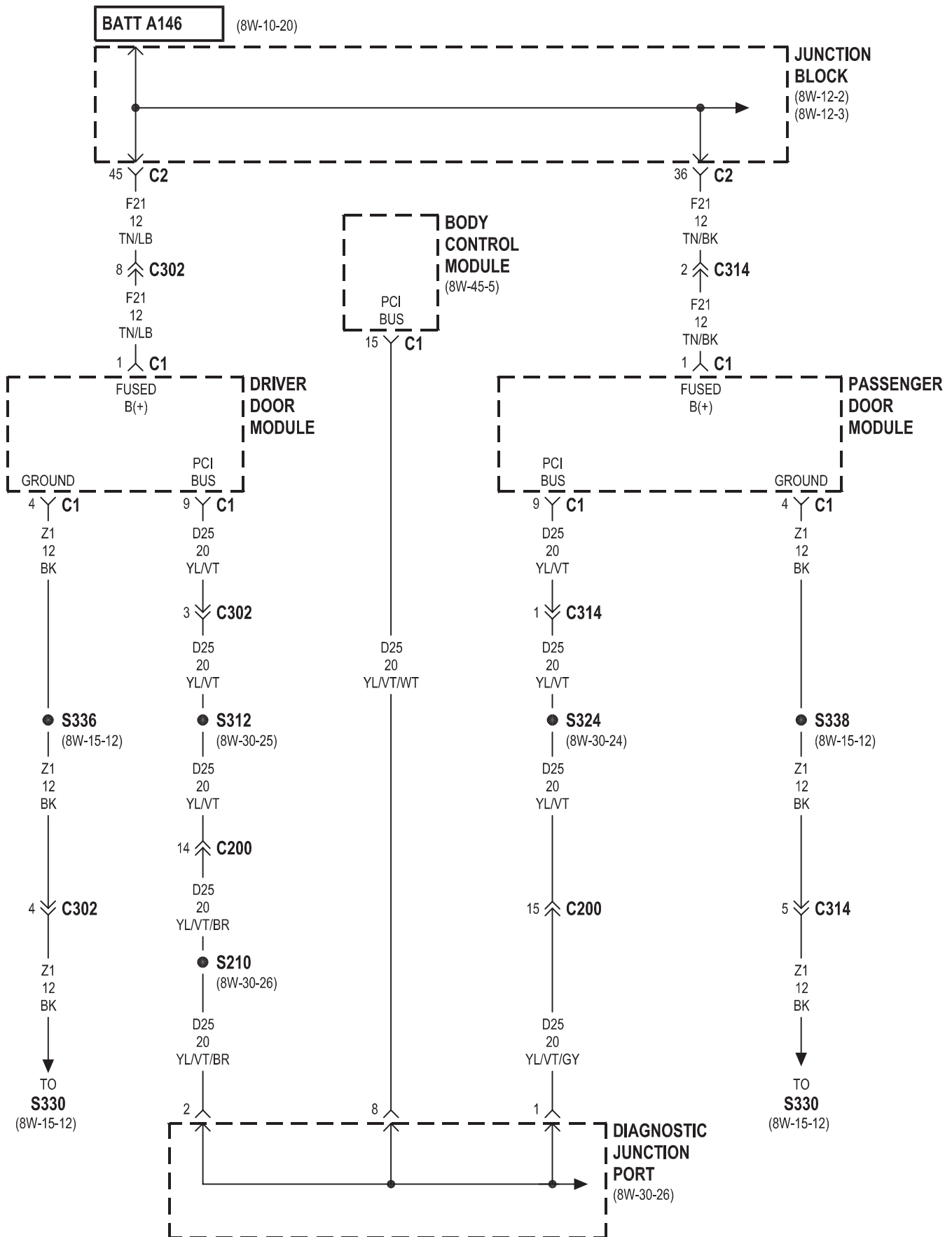


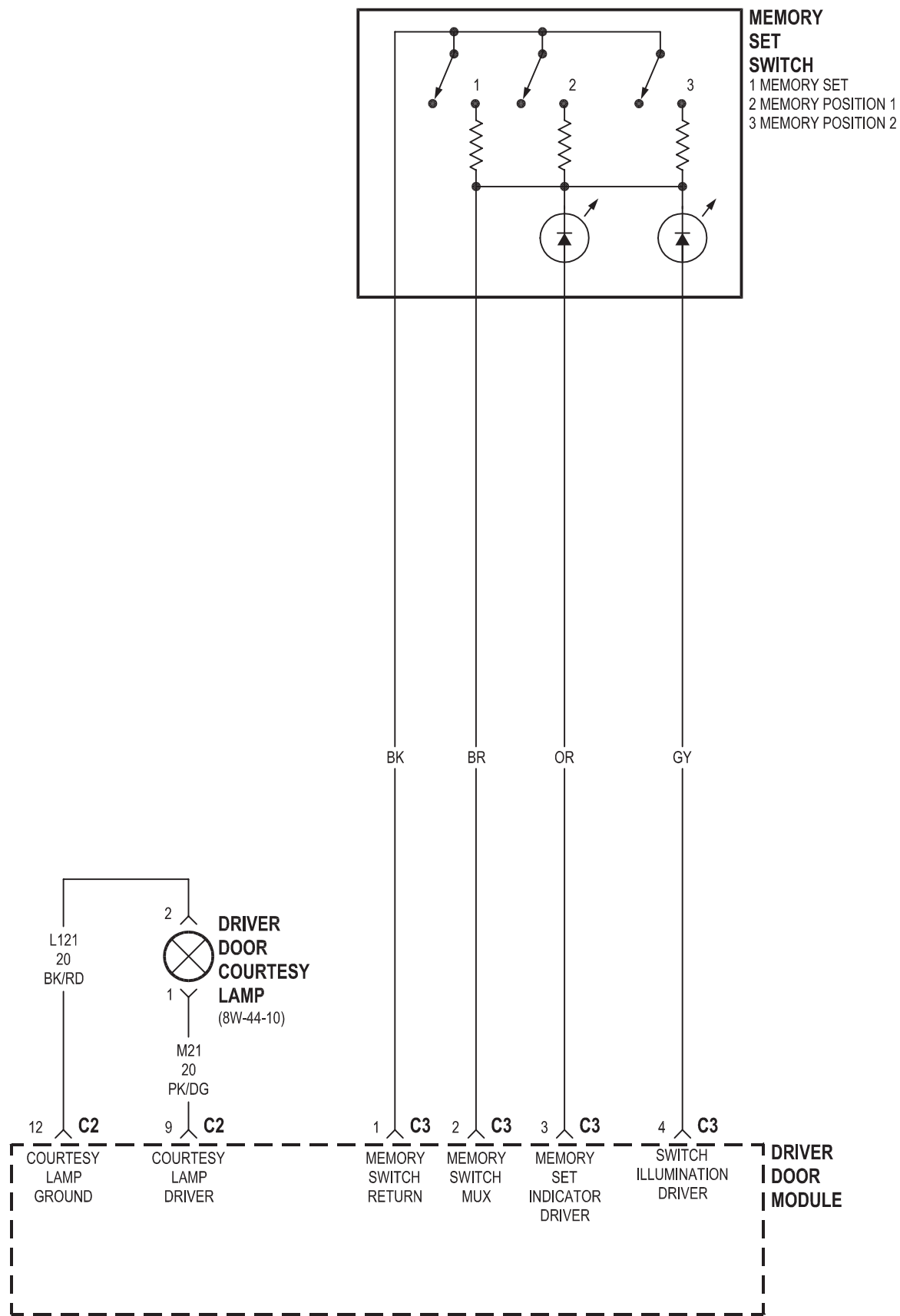


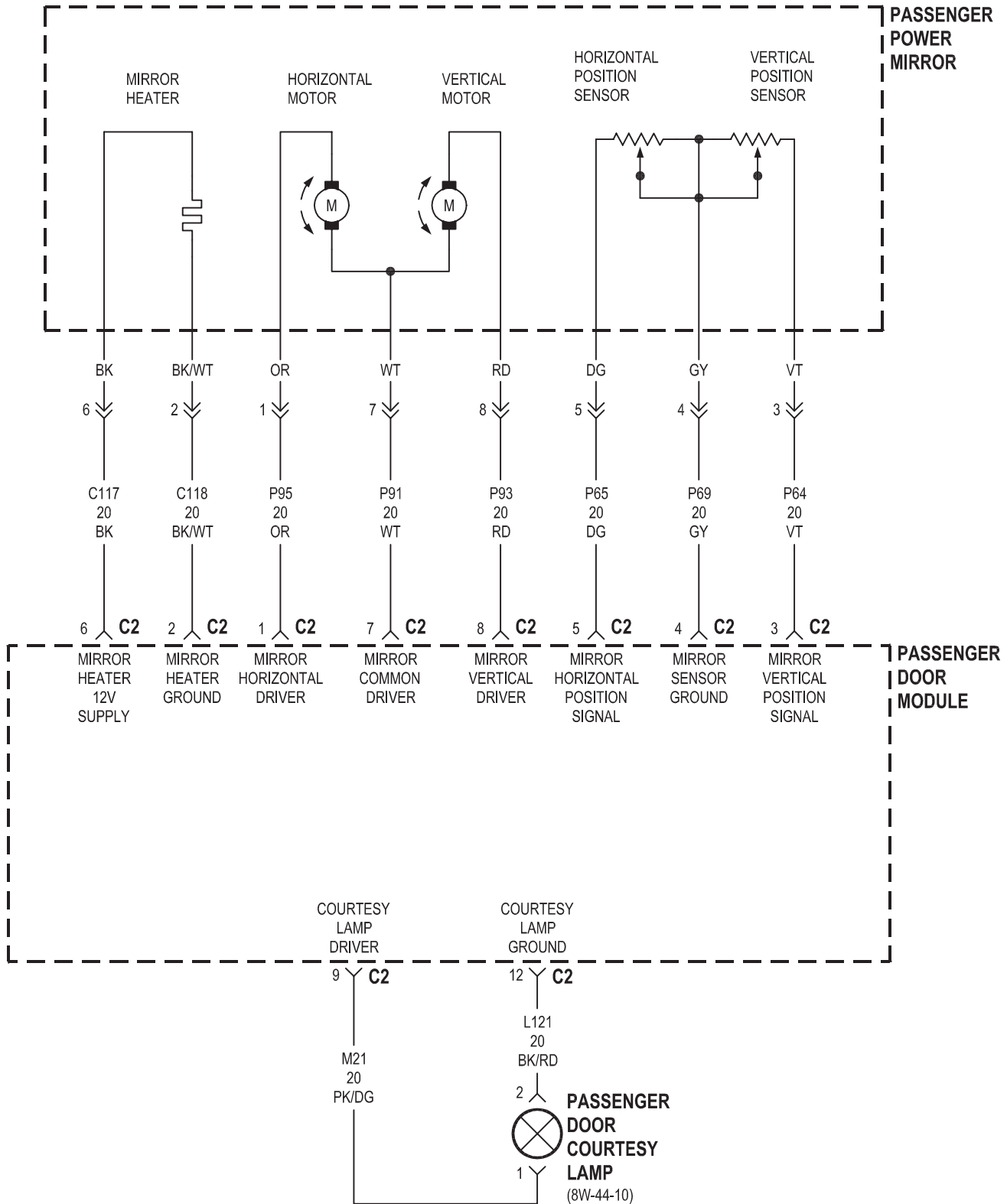


## 8W-62 POWER MIRRORS

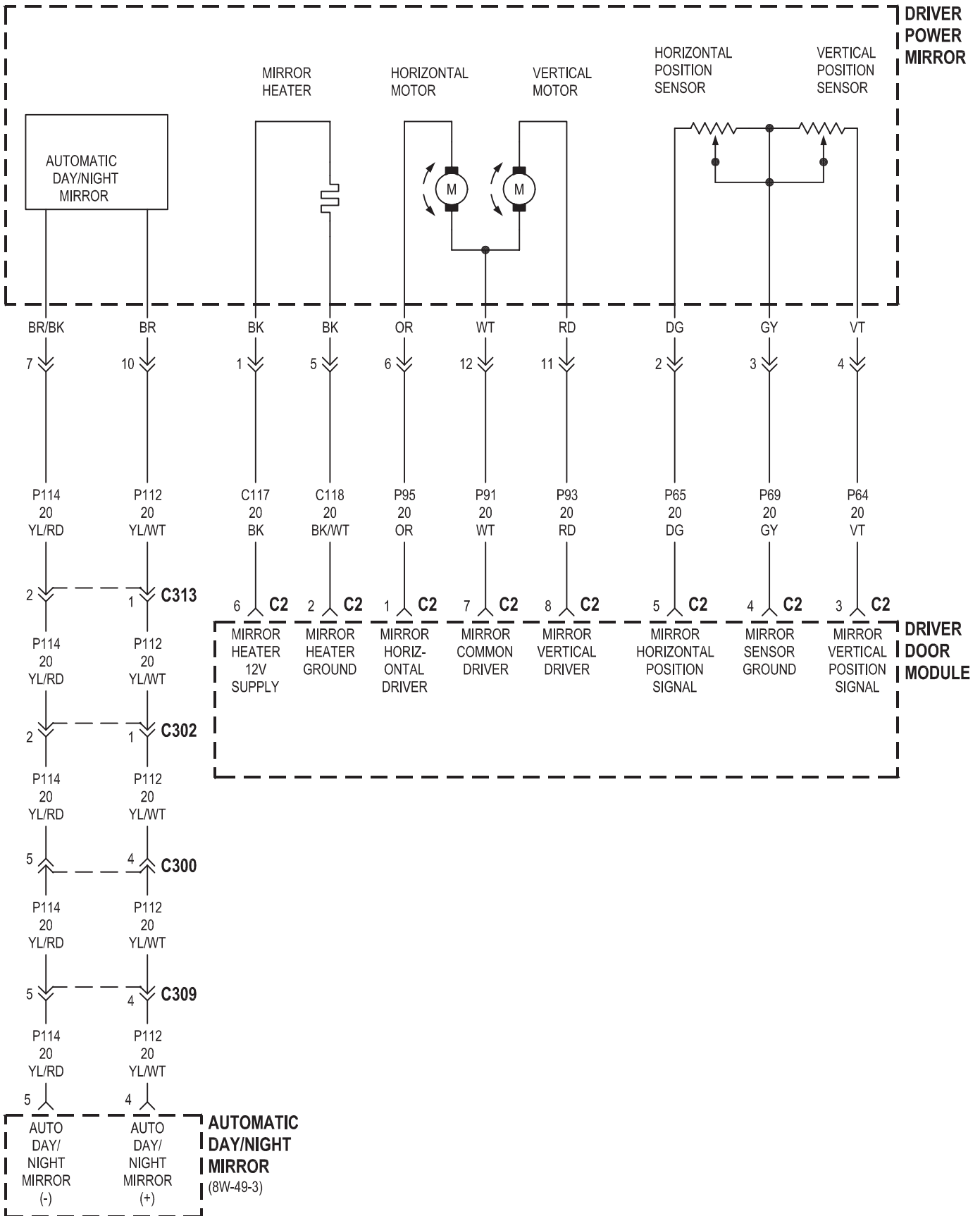
<b>Component</b>	<b>Page</b>	<b>Component</b>	<b>Page</b>
Automatic Day/Night Mirror .....	8W-62-5	Junction Block .....	8W-62-2
Body Control Module .....	8W-62-2	Memory Set Switch .....	8W-62-3
Diagnostic Junction Port .....	8W-62-2	Passenger Door Courtesy Lamp .....	8W-62-4
Driver Door Courtesy Lamp .....	8W-62-3	Passenger Door Module .....	8W-62-2, 4
Driver Door Module .....	8W-62-2, 3, 5	Passenger Power Mirror .....	8W-62-4
Driver Power Mirror .....	8W-62-5		







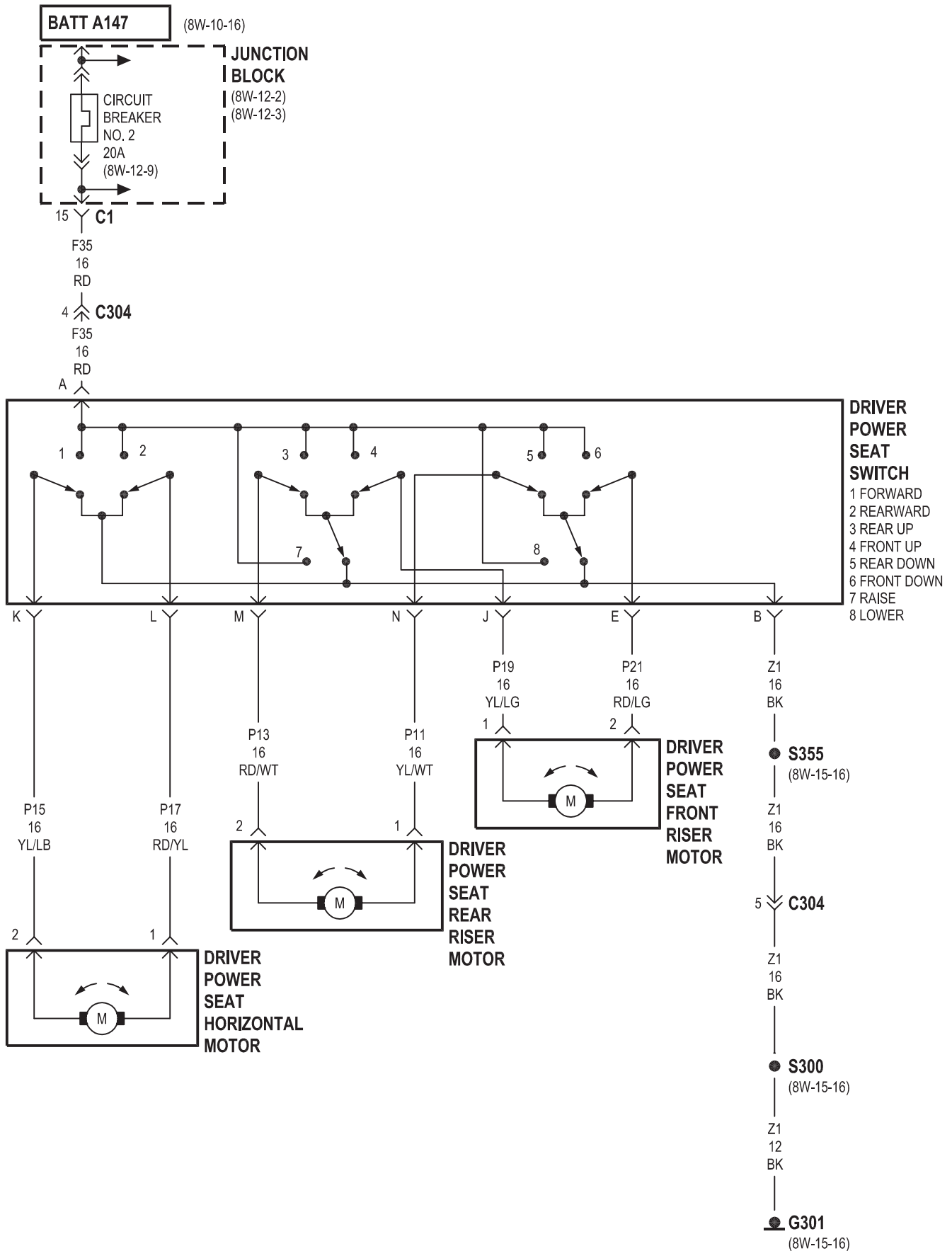


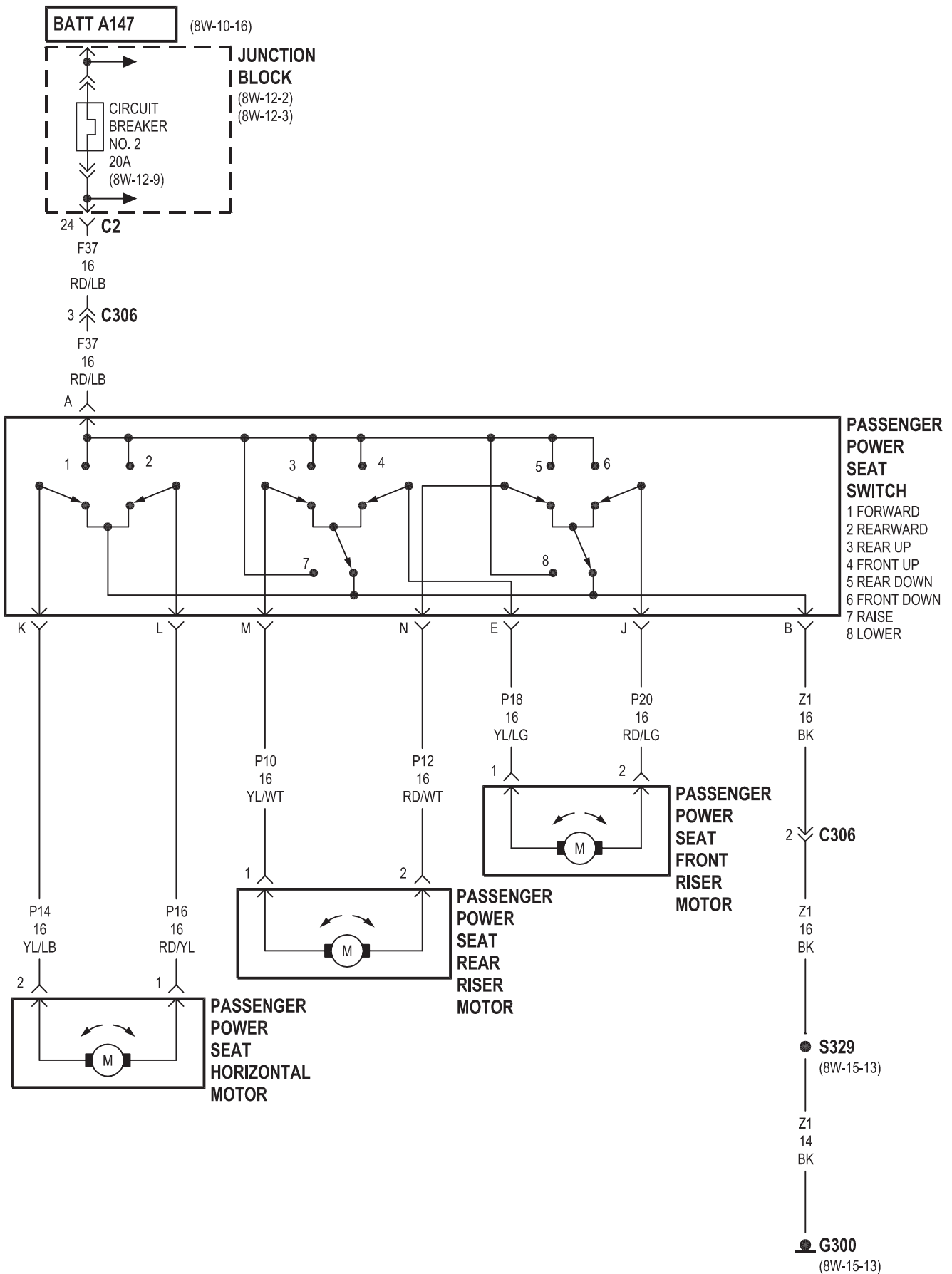


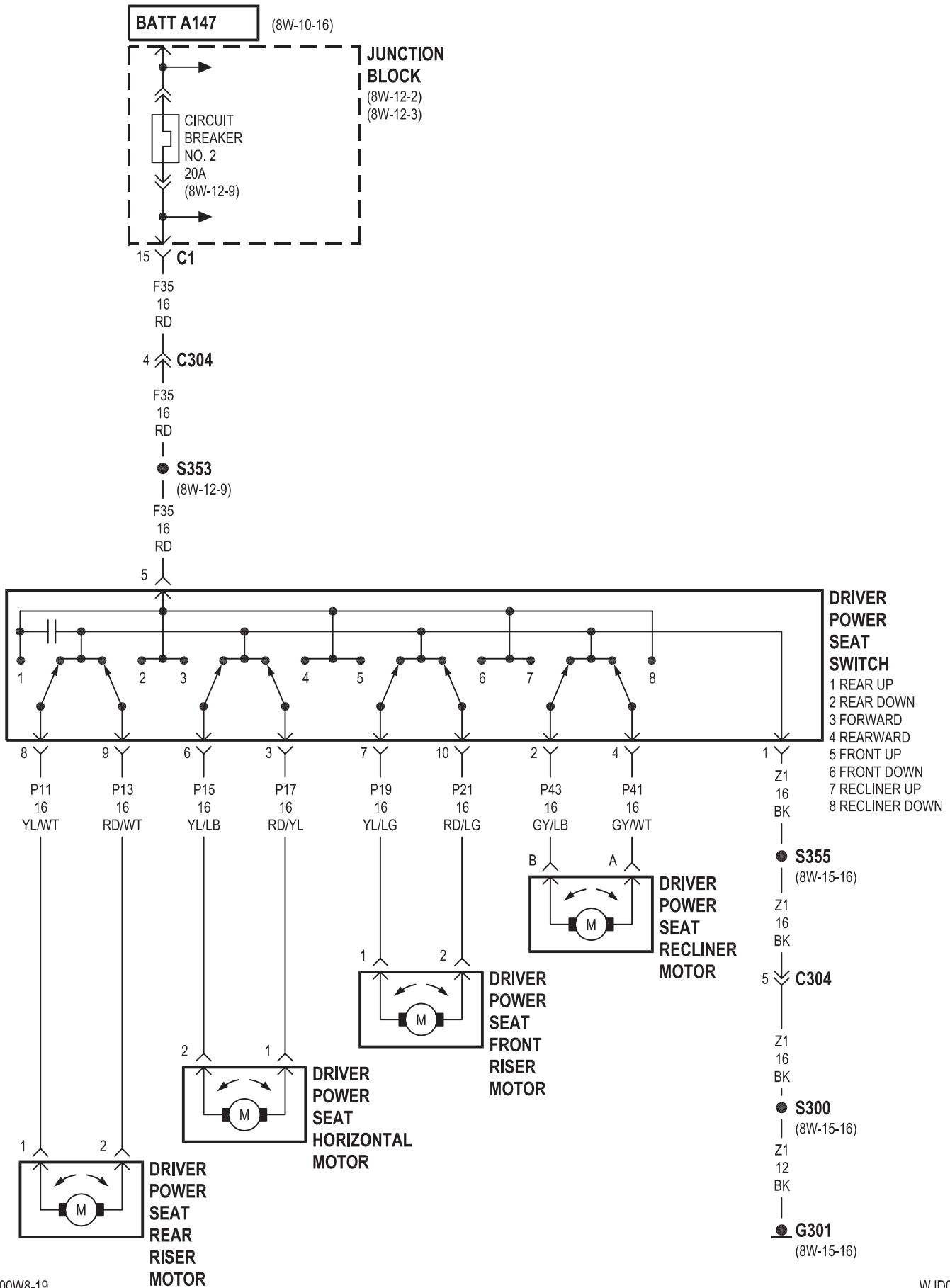


## 8W-63 POWER SEATS

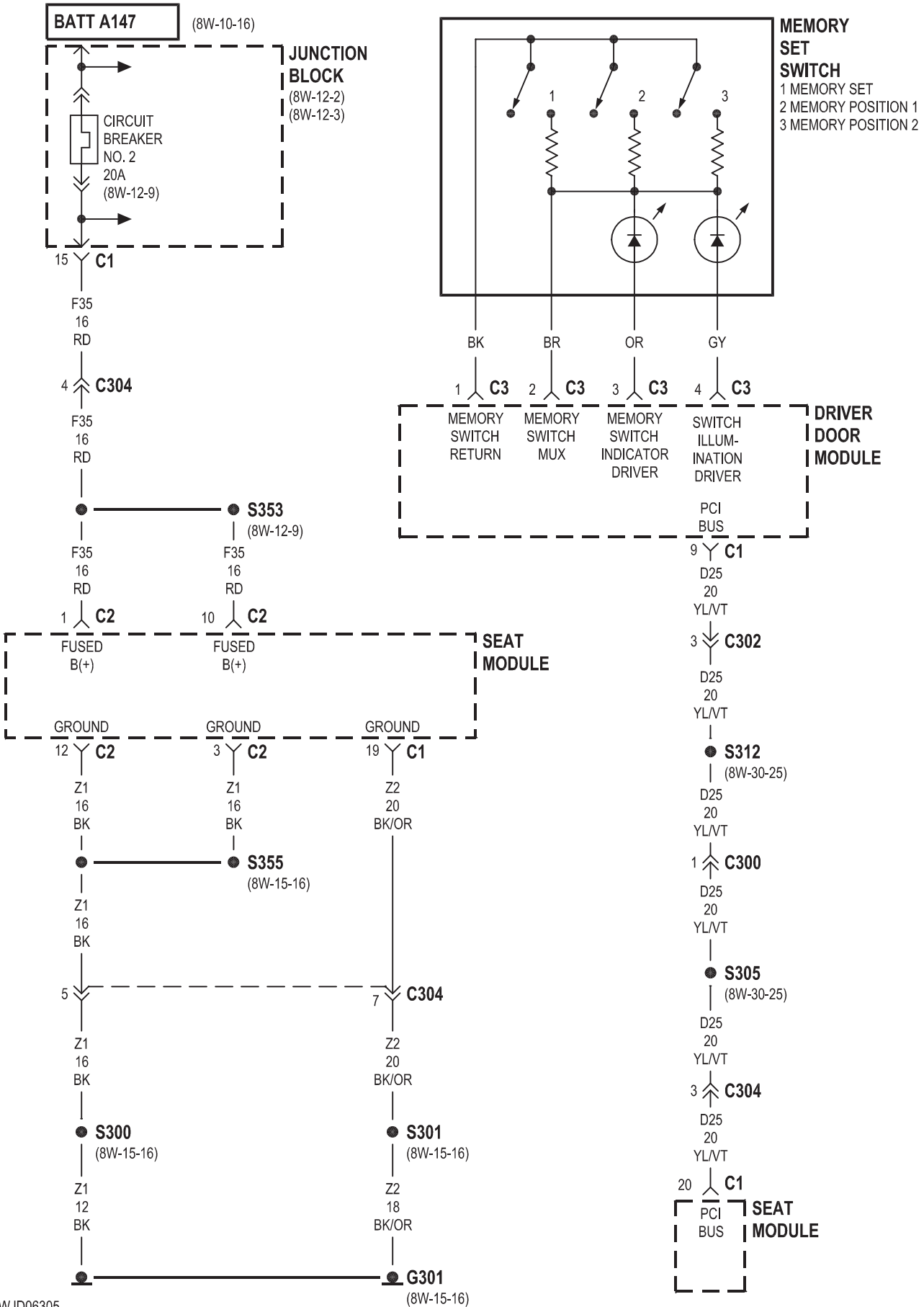
<b>Component</b>	<b>Page</b>	<b>Component</b>	<b>Page</b>
Body Control Module . . . . .	8W-63-12	Driver Power Seat Switch . . . . .	8W-63-2, 4, 7
Circuit Breaker No. 2 (JB) . . . . .	8W-63-2, 3, 4, 5, 6, 11	Fuse 20 (JB) . . . . .	8W-63-12
Driver Door Module . . . . .	8W-63-5	G200 . . . . .	8W-63-12
Driver Heated Seat Back . . . . .	8W-63-8	G300 . . . . .	8W-63-3, 6, 11
Driver Heated Seat Cushion . . . . .	8W-63-8	G301 . . . . .	8W-63-2, 4, 5, 7, 11
Driver Heated Seat Switch . . . . .	8W-63-12	Junction Block . . . . .	8W-63-2, 3, 4, 5, 6, 11, 12
Driver Lumbar Motor . . . . .	8W-63-11	Memory Set Switch . . . . .	8W-63-5
Driver Lumbar Switch . . . . .	8W-63-11	Passenger Heated Seat Back . . . . .	8W-63-8
Driver Power Seat Front Riser Motor . . . . .	8W-63-2, 4, 7	Passenger Heated Seat Cushion . . . . .	8W-63-8
Driver Power Seat Front Riser Motor Sensor . . . . .	8W-63-9	Passenger Heated Seat Switch . . . . .	8W-63-12
Driver Power Seat Horizontal Motor . . . . .	8W-63-2, 4, 7	Passenger Lumbar Motor . . . . .	8W-63-11
Driver Power Seat Horizontal Motor Sensor . . . . .	8W-63-9, 10	Passenger Lumbar Switch . . . . .	8W-63-11
Driver Power Seat Rear Riser Motor . . . . .	8W-63-2, 4, 7	Passenger Power Seat Front Riser Motor . . . . .	8W-63-3, 6
Driver Power Seat Rear Riser Motor Sensor . . . . .	8W-63-9	Passenger Power Seat Horizontal Motor . . . . .	8W-63-3, 6
Driver Power Seat Recliner Motor . . . . .	8W-63-4, 7	Passenger Power Seat Rear Riser Motor . . . . .	8W-63-3, 6
Driver Power Seat Recliner Motor Sensor . . . . .	8W-63-9, 10	Passenger Power Seat Recliner Motor . . . . .	8W-63-6
		Passenger Power Seat Switch . . . . .	8W-63-3, 6
		Seat Module . . . . .	8W-63-5, 7, 8, 9, 10

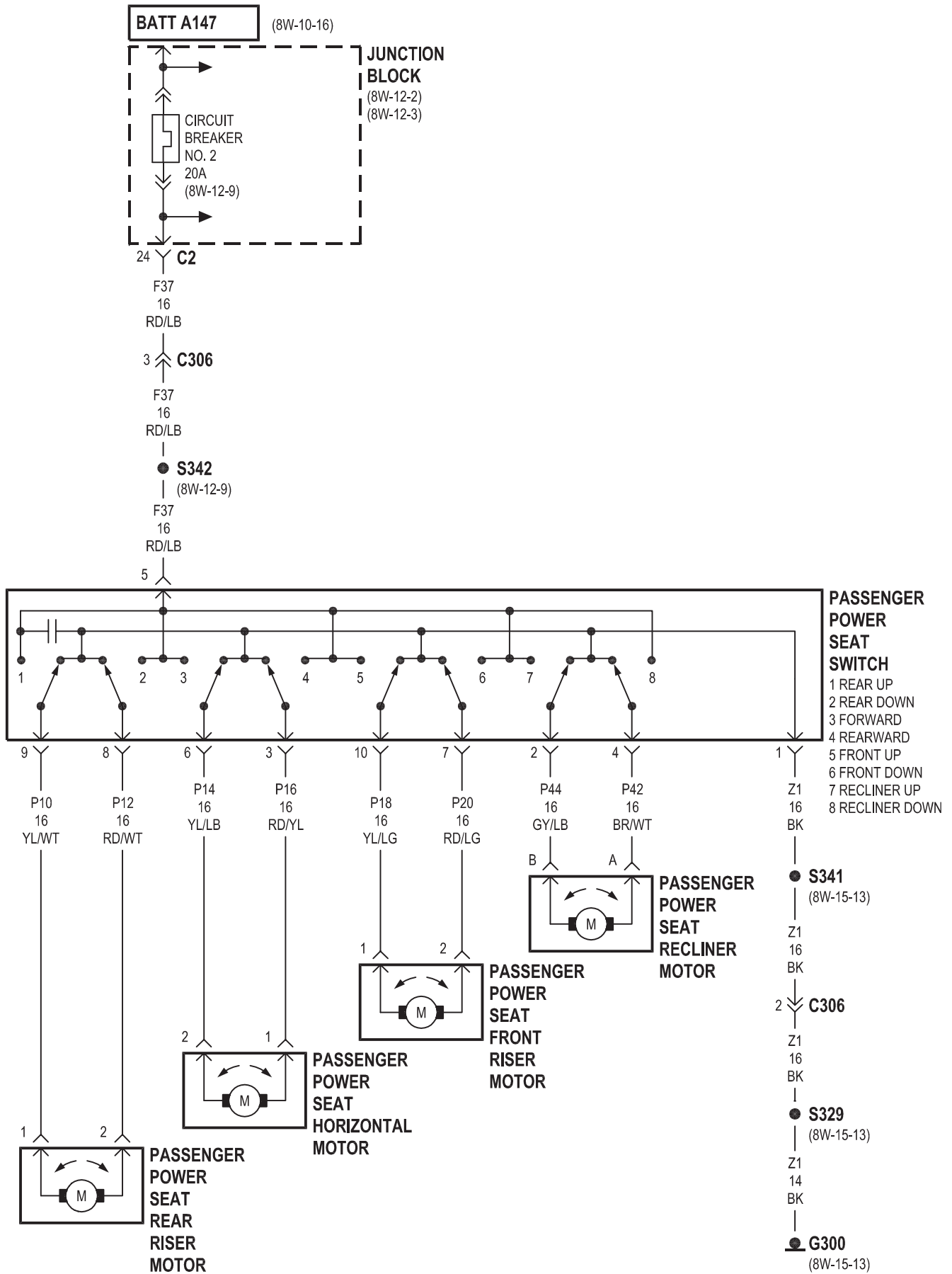


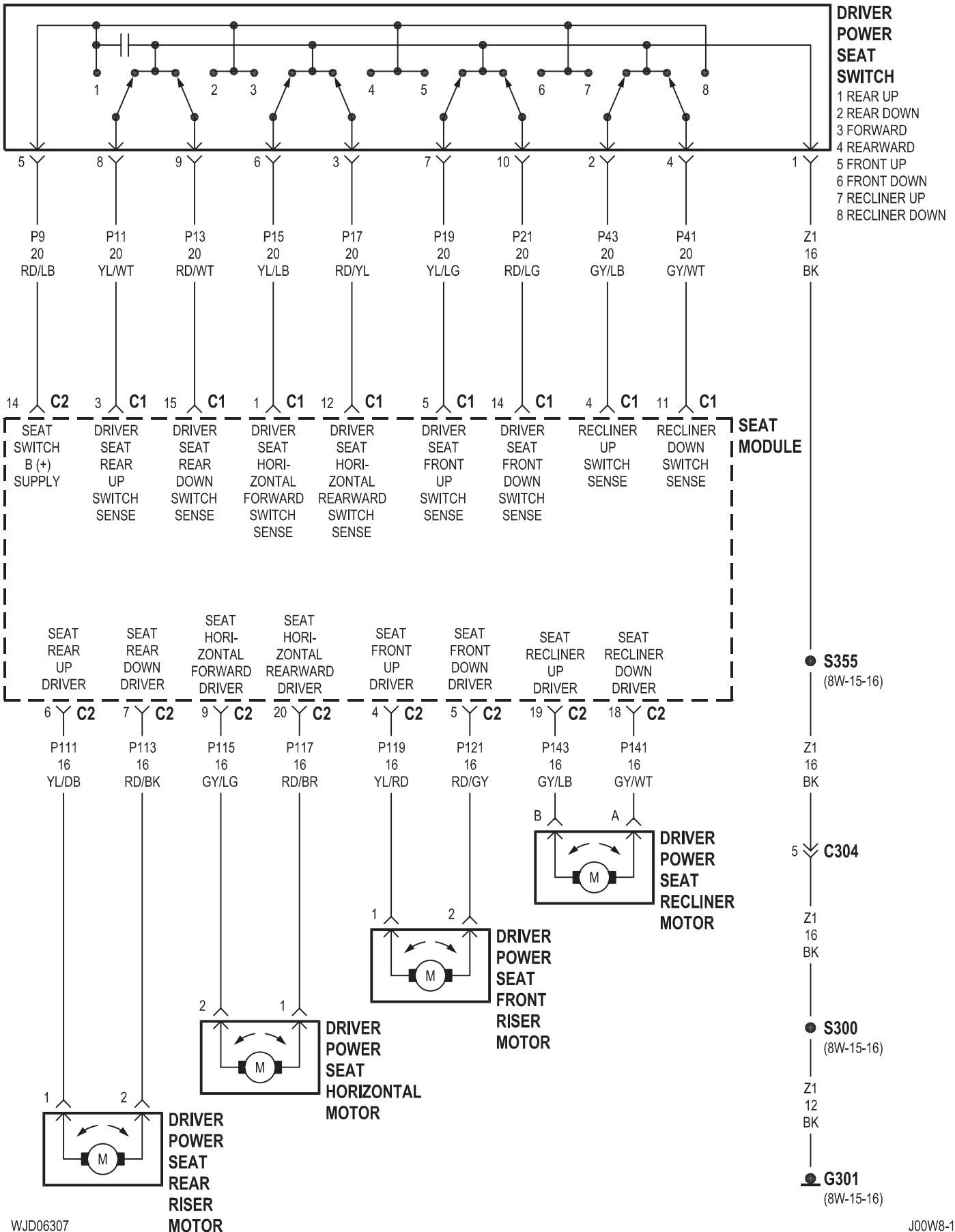


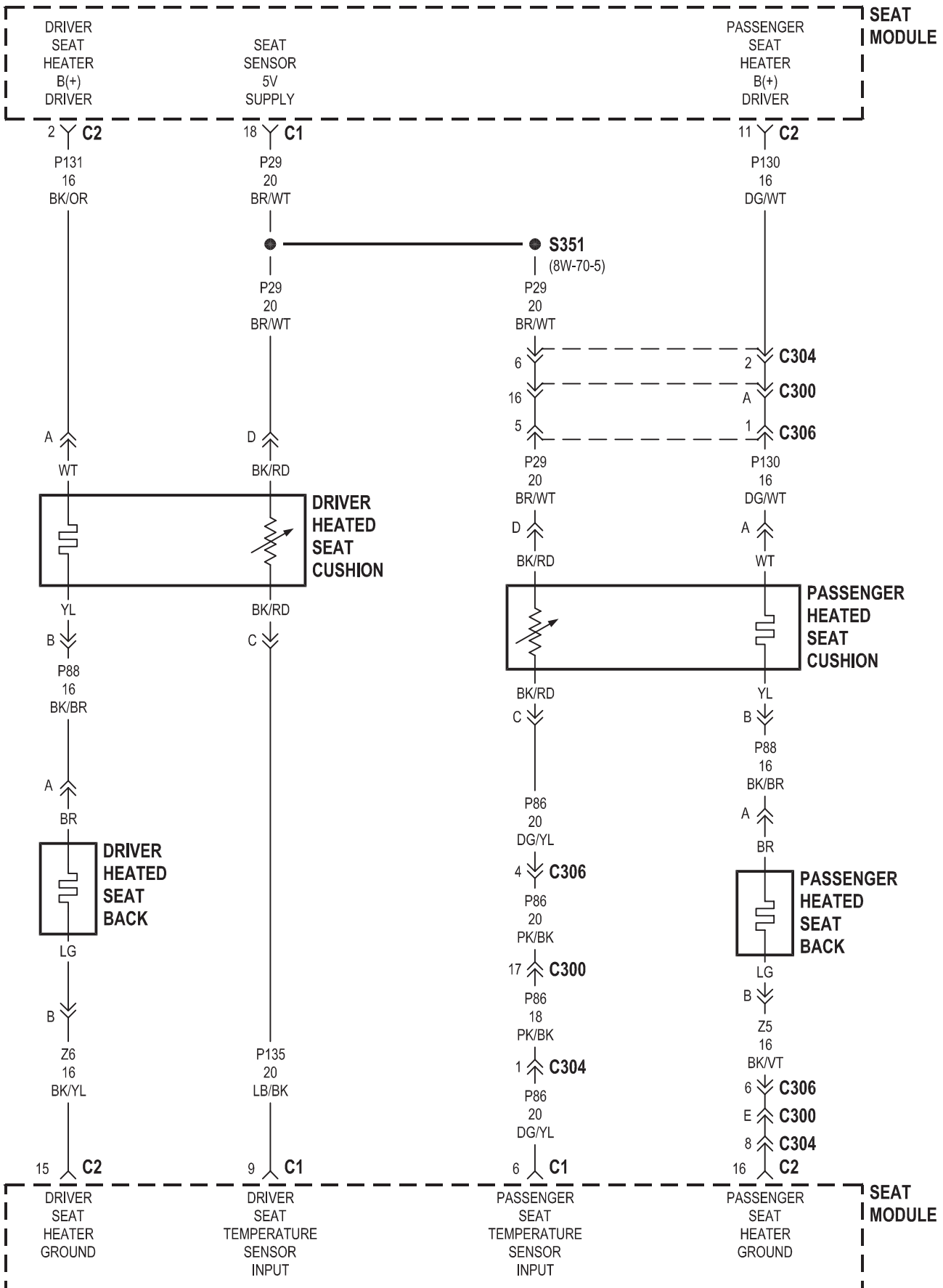


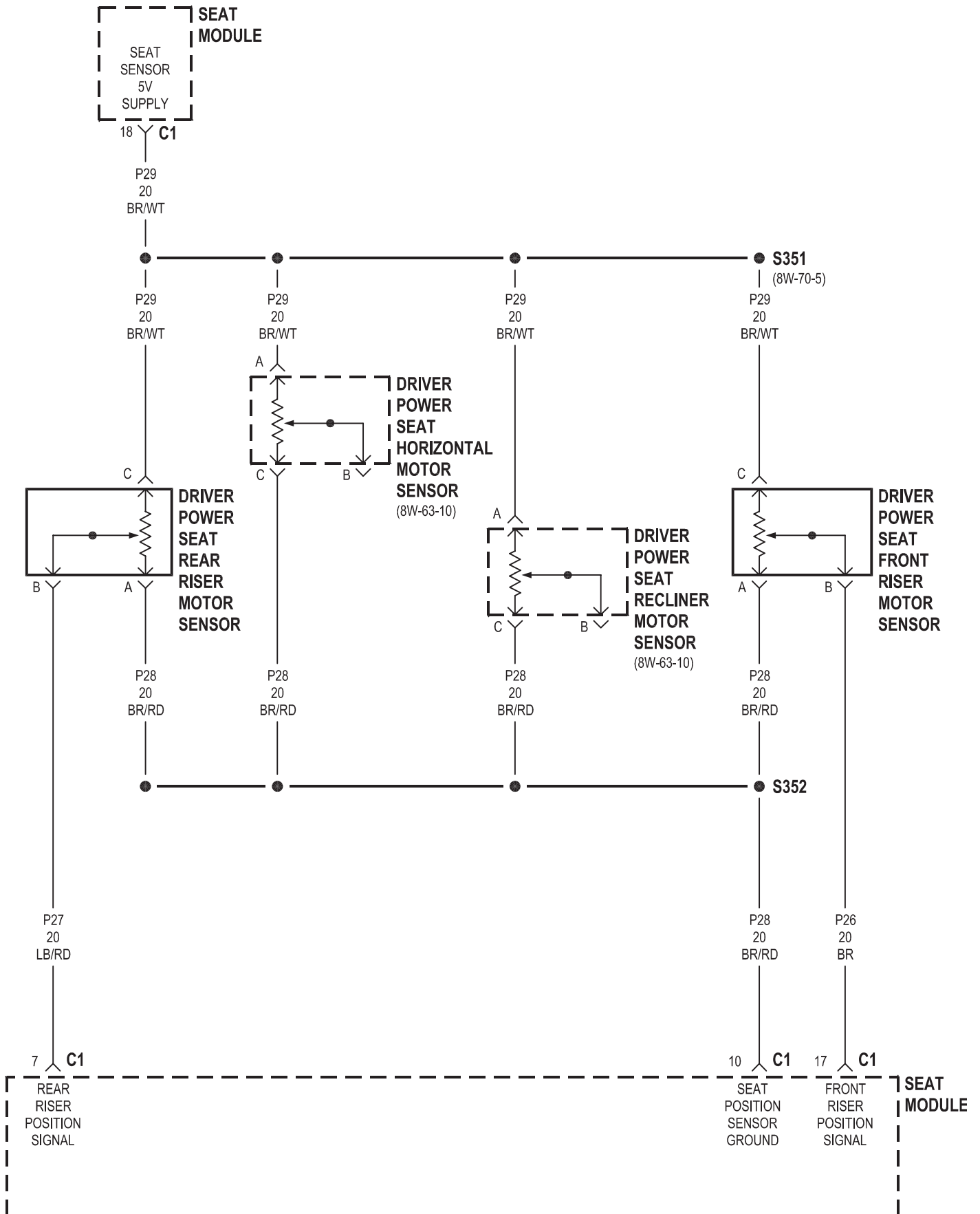


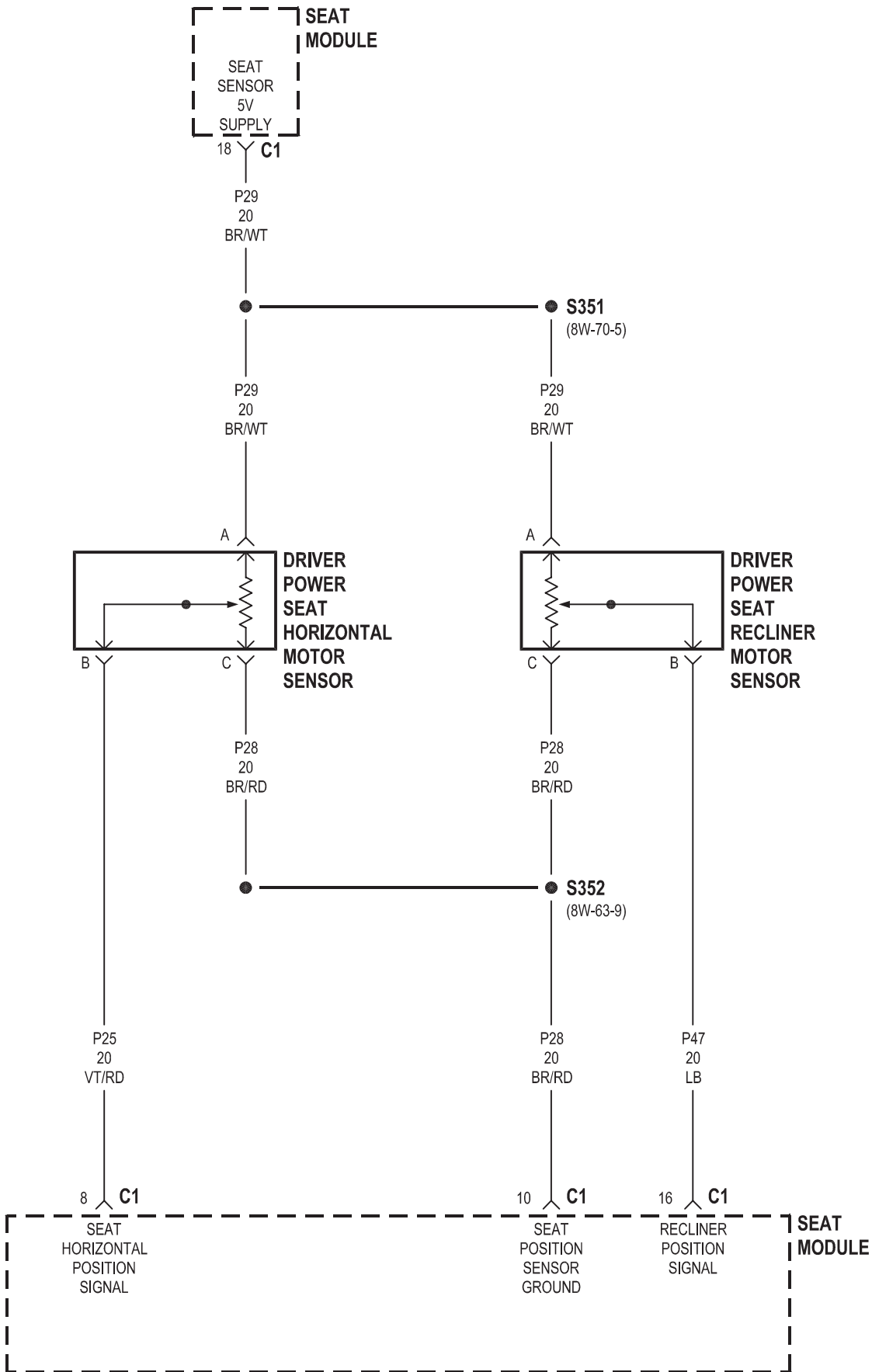




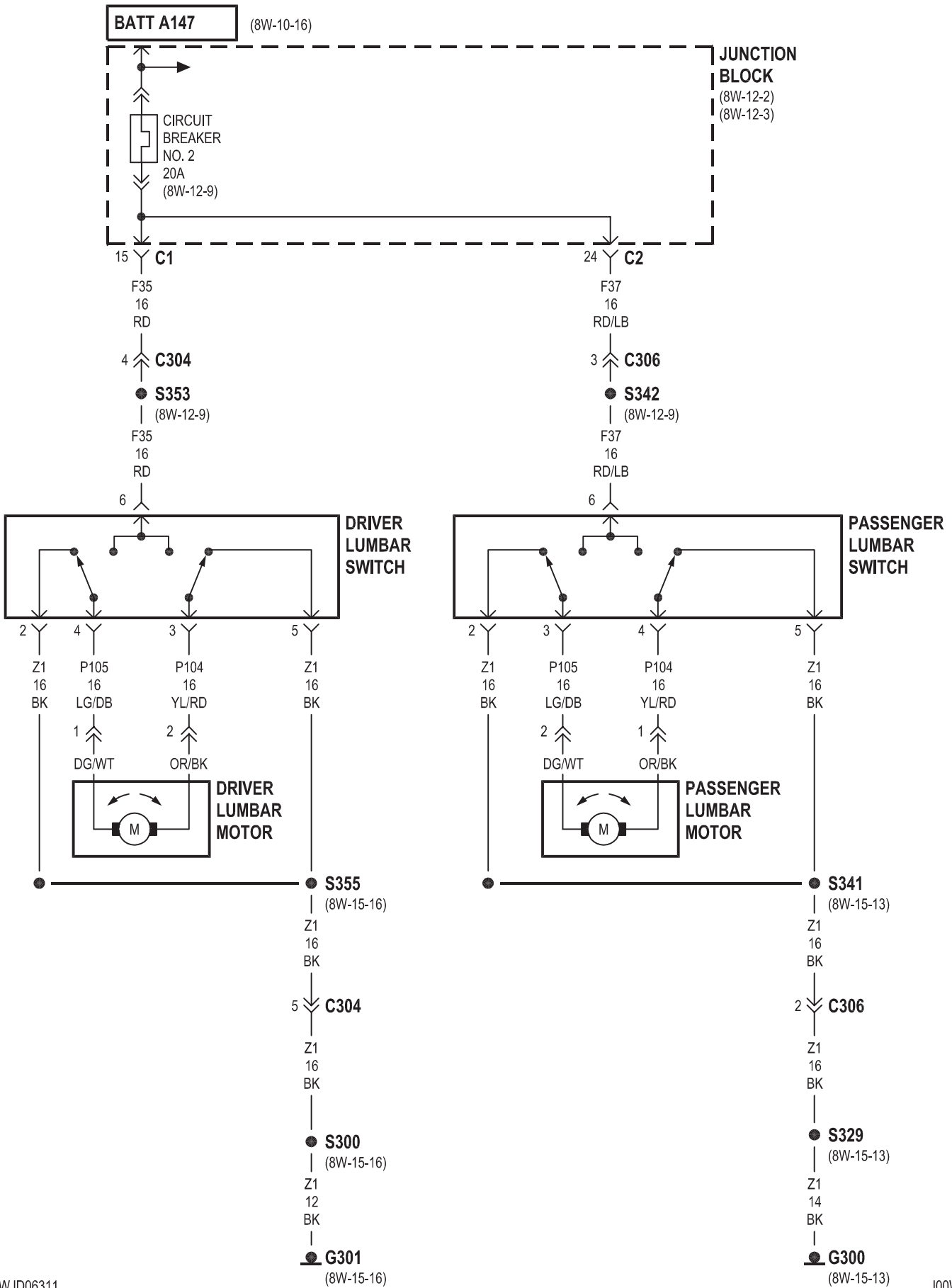


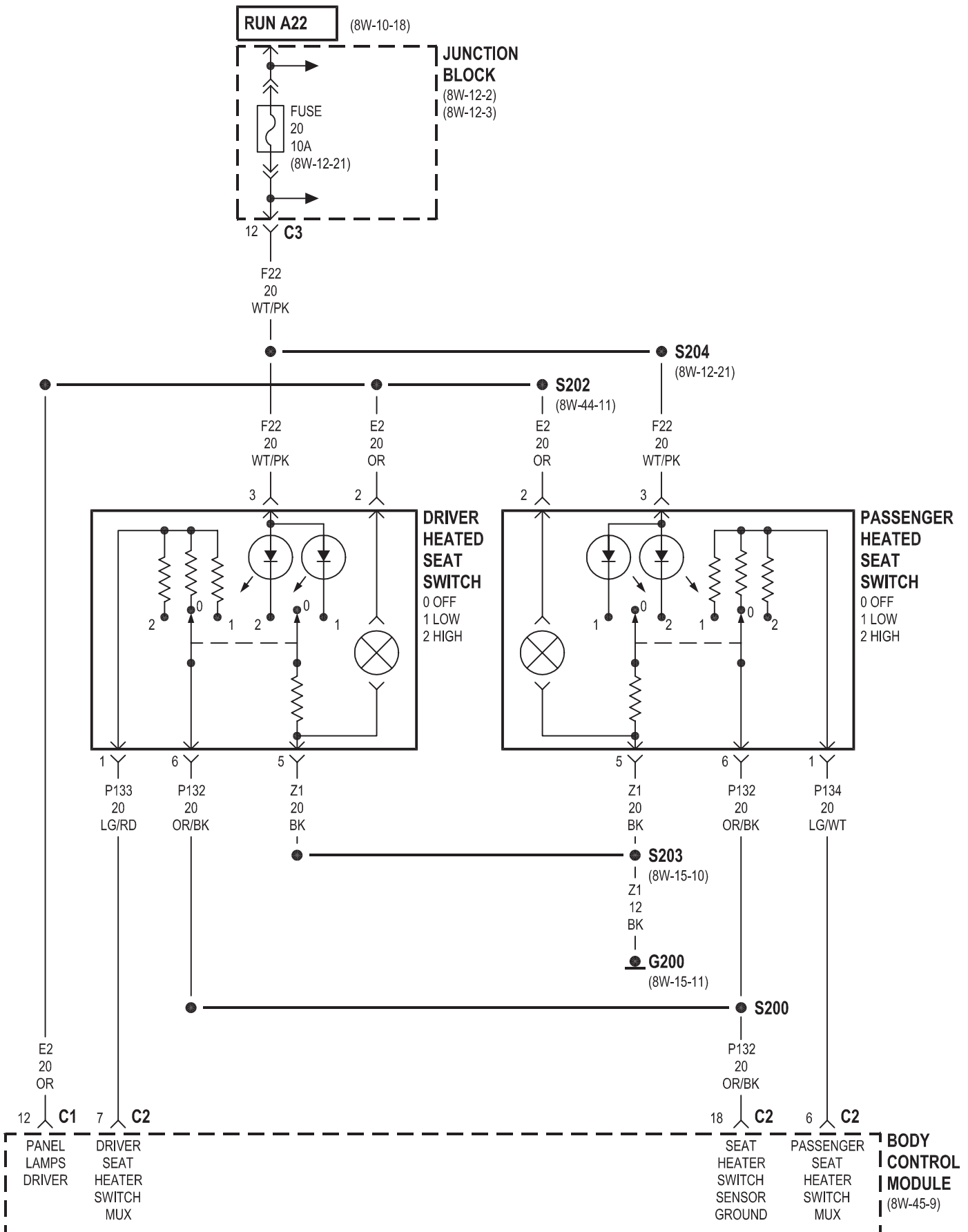






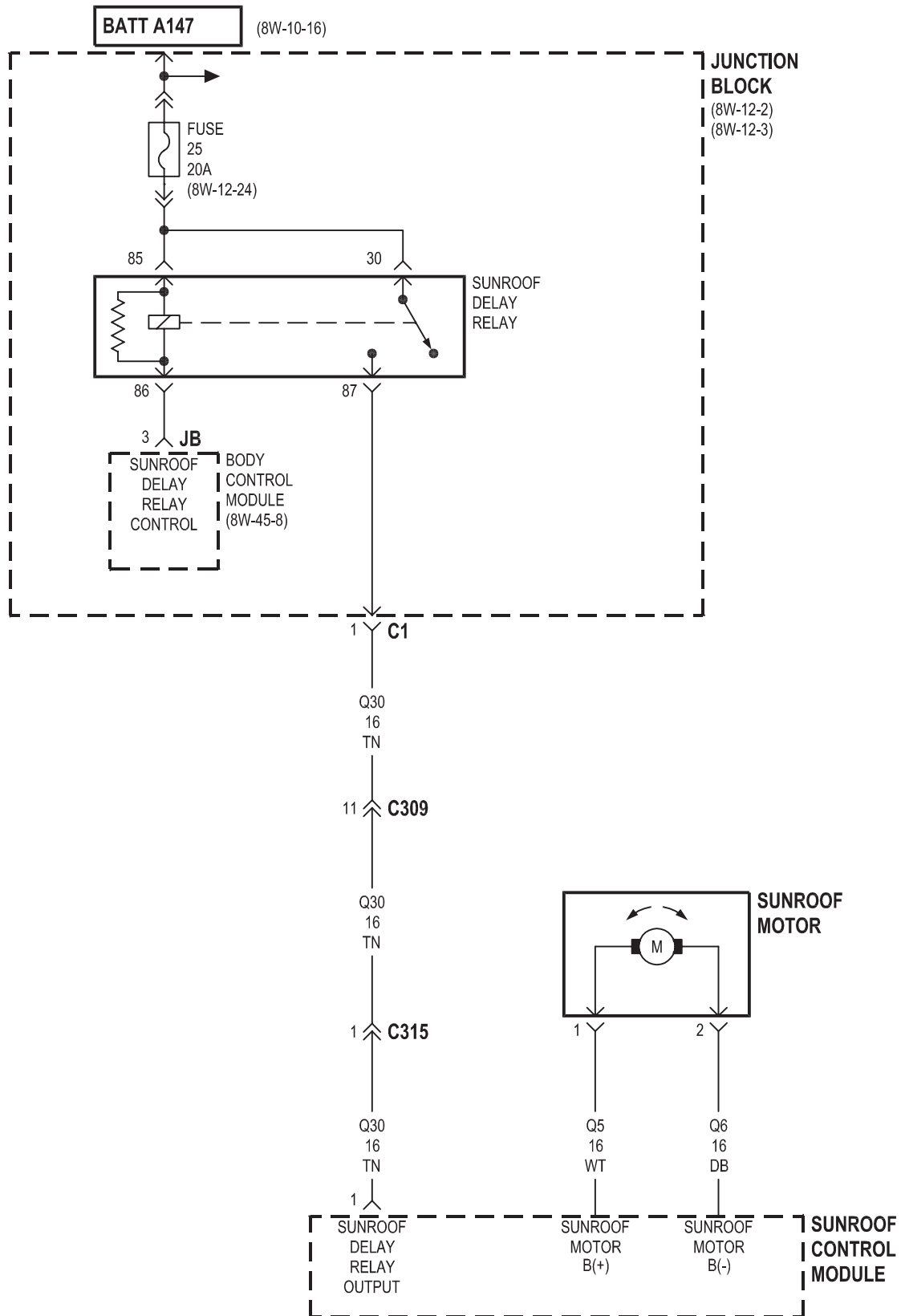


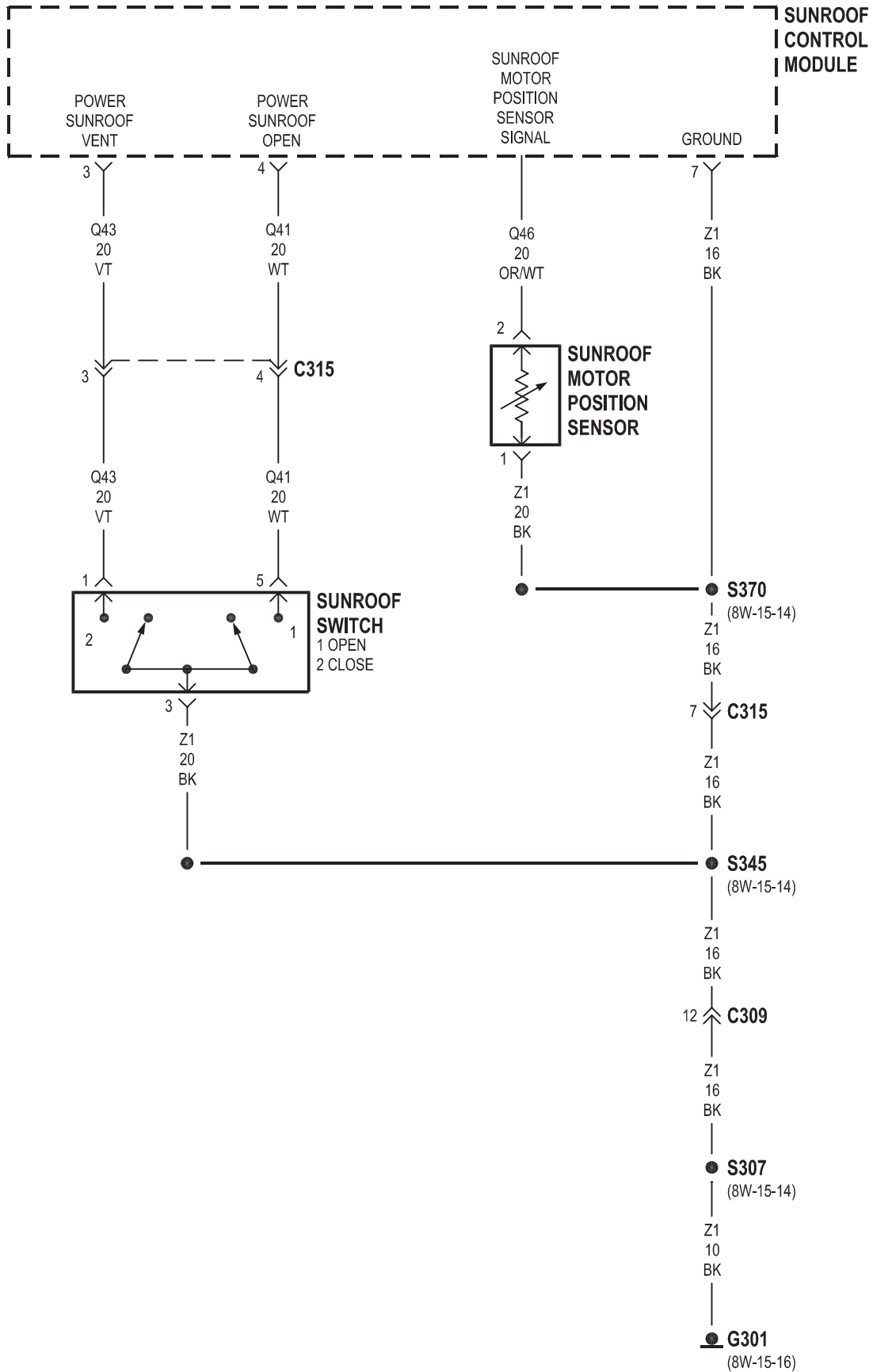




## 8W-64 POWER SUNROOF

<b>Component</b>	<b>Page</b>	<b>Component</b>	<b>Page</b>
Body Control Module .....	8W-64-2	Sunroof Delay Relay .....	8W-64-2
Fuse 25 (JB) .....	8W-64-2	Sunroof Motor .....	8W-64-2
G301 .....	8W-64-3	Sunroof Motor Position Sensor .....	8W-64-3
Junction Block .....	8W-64-2	Sunroof Switch .....	8W-64-3
Sunroof Control Module .....	8W-64-2, 3		





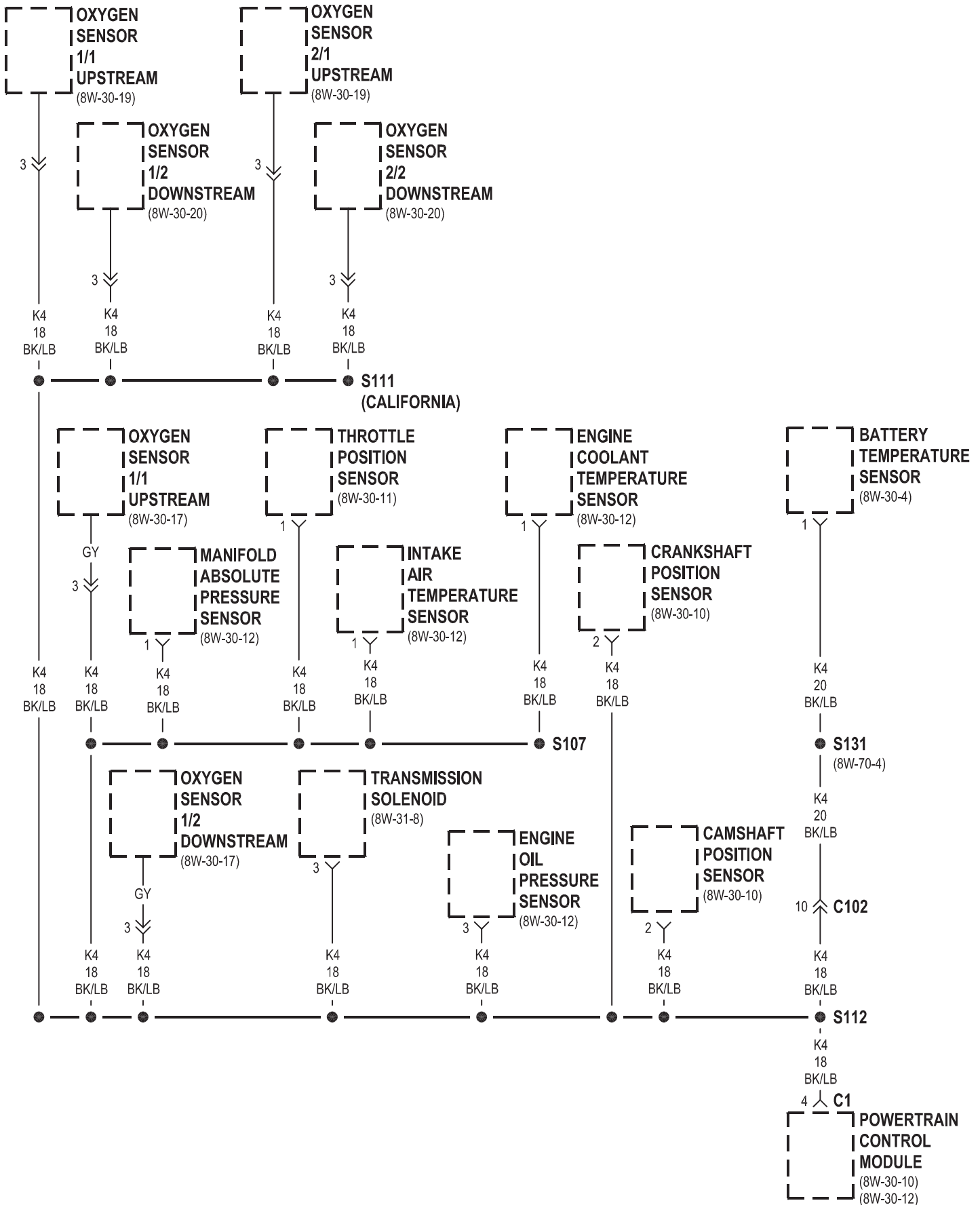




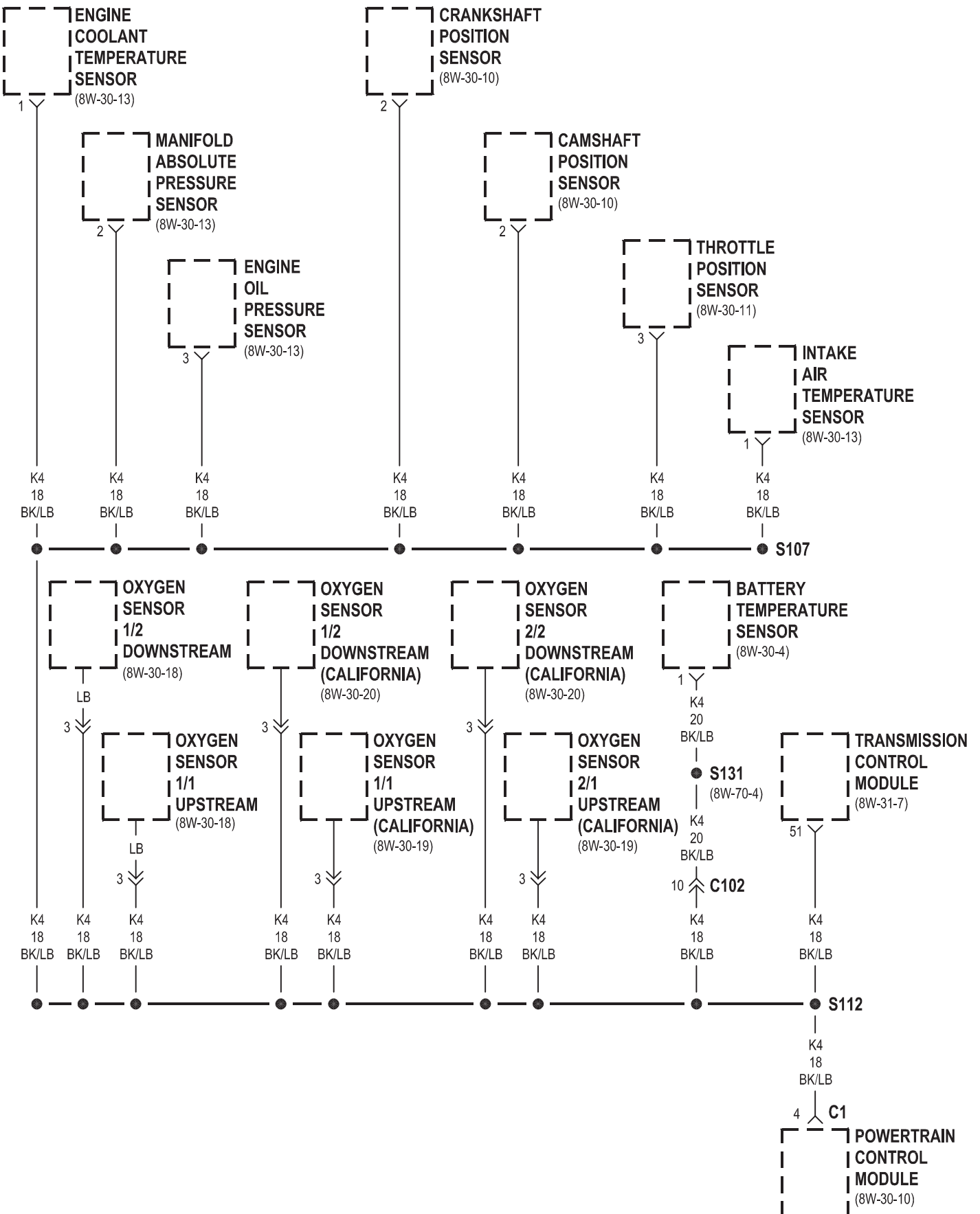
## 8W-70 SPLICE INFORMATION

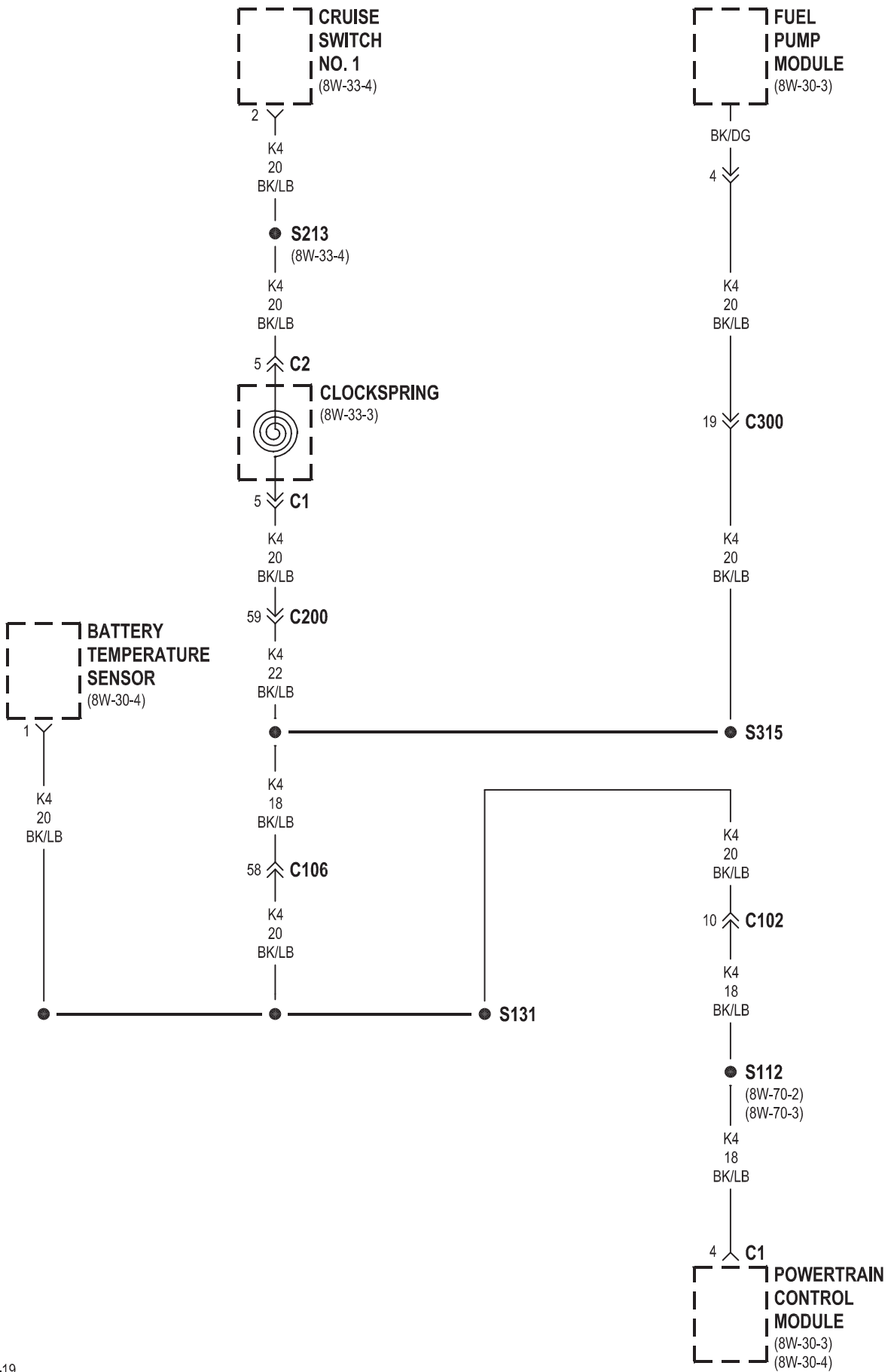
<b>Component</b>	<b>Page</b>	<b>Component</b>	<b>Page</b>
S100	8W-10-8	S305	8W-30-25
S102	8W-30-12	S306	8W-12-26
S103	8W-15-3	S307	8W-15-14
S104	8W-15-3	S309	8W-12-12
S105	8W-30-11	S310	8W-51-5
S106	8W-10-13	S311	8W-51-4
S107	8W-70-2, 3	S312	8W-30-25
S108	8W-10-21	S313	8W-51-4
S109	8W-10-14	S314	8W-30-21
S110	8W-10-21	S315	8W-70-4
S111	8W-70-2	S316	8W-12-17
S112	8W-70-2, 3	S317	8W-61-5
S113	8W-31-12	S318	8W-61-5
S114	8W-15-2	S324	8W-30-24
S115	8W-10-12	S325	8W-12-29
S116	8W-12-17	S326	8W-12-12
S117	8W-12-29	S327	8W-12-30
S118	8W-10-15	S328	8W-51-5
S119	8W-31-6	S329	8W-15-13
S120	8W-30-11	S330	8W-15-12
S121	8W-10-14	S331	8W-15-13
S122	8W-31-4, 5	S332	8W-15-13
S124	8W-10-15	S334	8W-12-11
S125	8W-30-23	S336	8W-15-12
S126	8W-30-15	S338	8W-15-12
S127	8W-10-17	S339	8W-61-5
S128	8W-10-13	S340	8W-61-5
S129	8W-12-17	S341	8W-15-13
S130	8W-30-24	S342	8W-12-9
S131	8W-70-4	S345	8W-15-14
S132	8W-15-7	S346	8W-12-15
S133	8W-15-7	S347	8W-12-28
S134	8W-15-5	S348	8W-12-18
S151	8W-15-4	S349	8W-12-22
S152	8W-15-6	S351	8W-70-5
S153	8W-12-13	S352	8W-63-9
S154	8W-12-31	S353	8W-12-9
S155	8W-12-31	S355	8W-15-16
S156	8W-12-13	S356	8W-15-16
S201	8W-15-11	S357	8W-15-12
S202	8W-44-11	S360	8W-47-4
S203	8W-15-10	S361	8W-47-4
S204	8W-12-21	S362	8W-47-4
S205	8W-15-11	S363	8W-47-4
S206	8W-12-21	S368	8W-47-3
S207	8W-12-15	S370	8W-15-14
S208	8W-44-9	S400	8W-12-16
S209	8W-12-11	S401	8W-15-15
S210	8W-30-26	S402	8W-15-15
S211	8W-15-9	S403	8W-12-15
S212	8W-53-2	S404	8W-12-28
S213	8W-33-4	S405	8W-12-28
S214	8W-33-4	S406	8W-54-5
S215	8W-47-10	S407	8W-54-5
S216	8W-47-10	S408	8W-15-14
S300	8W-15-16	S409	8W-15-14
S301	8W-15-16	S410	8W-15-14
S302	8W-61-5	S411	8W-12-12
S303	8W-61-5	S412	8W-15-15
S304	8W-12-15		

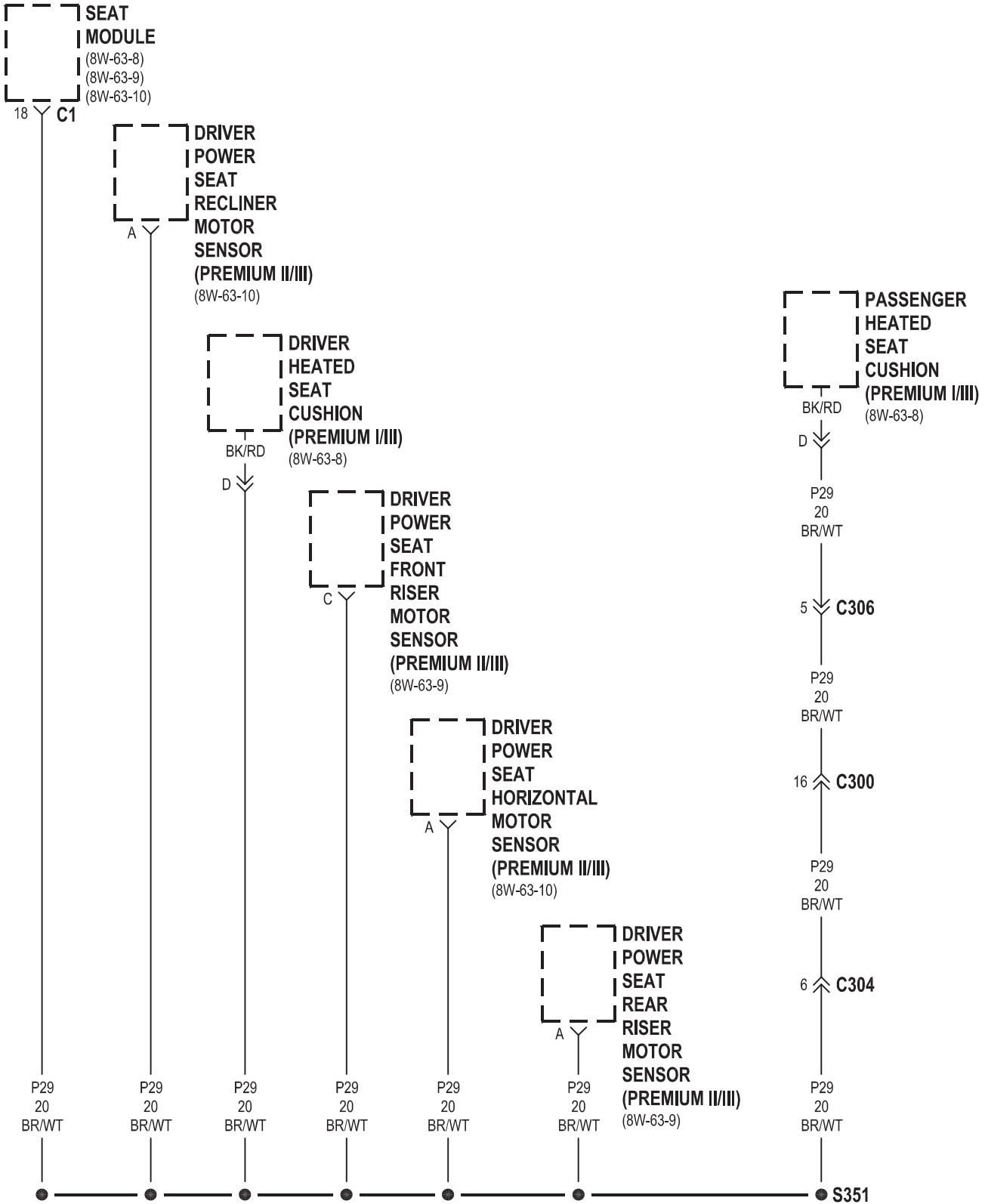
4.0L



4.7L









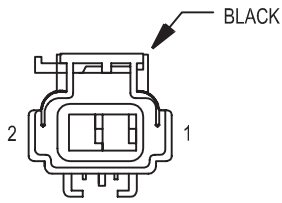


## 8W-80 CONNECTOR PIN-OUTS

<b>Component</b>	<b>Page</b>	<b>Component</b>	<b>Page</b>
A/C Compressor Clutch	8W-80-4	Chime	8W-80-26
A/C High Pressure Switch	8W-80-4	Cigar Lighter	8W-80-26
A/C Low Pressure Switch	8W-80-4	Clockspring	8W-80-27
Airbag Control Module	8W-80-4	Coil On Plug No. 1	8W-80-27
Ambient Temperature Sensor	8W-80-5	Coil On Plug No. 2	8W-80-27
Antenna Module	8W-80-5	Coil On Plug No. 3	8W-80-28
Ash Receiver Lamp	8W-80-5	Coil On Plug No. 4	8W-80-28
Automatic Day/Night Mirror	8W-80-5	Coil On Plug No. 5	8W-80-28
Automatic Headlamp Light		Coil On Plug No. 6	8W-80-28
Sensor/VTSS LED	8W-80-5	Coil On Plug No. 7	8W-80-28
Automatic Zone Control Module	8W-80-6	Coil On Plug No. 8	8W-80-29
Battery Temperature Sensor	8W-80-6	Compact Disc Changer	8W-80-29
Blower Motor	8W-80-7	Controller Anti-Lock Brake	8W-80-29
Blower Motor Controller	8W-80-7	Coolant Level Sensor	8W-80-30
Blower Motor Resistor Block	8W-80-7	Crankshaft Position Sensor	8W-80-30
Body Control Module	8W-80-8	Cruise Switch No. 1	8W-80-30
Brake Lamp Switch	8W-80-9	Cruise Switch No. 2	8W-80-31
Brake Shift Interlock Solenoid	8W-80-9	Data Link Connector	8W-80-31
Brake Warning Indicator Switch	8W-80-9	Diagnostic Junction Port	8W-80-31
C100	8W-80-9	Driver Blend Door Motor/Actuator	8W-80-32
C102	8W-80-10	Driver Door Courtesy Lamp	8W-80-32
C103	8W-80-10	Driver Cylinder Lock Switch	8W-80-32
C104	8W-80-11	Driver Door Lock Motor/Ajar Switch	8W-80-32
C106	8W-80-11, 12	Driver Door Module	8W-80-33, 34
C107	8W-80-13, 14	Driver Heated Seat Back	8W-80-34
C108	8W-80-15	Driver Heated Seat Cushion	8W-80-34
C109	8W-80-15	Driver Heated Seat Switch	8W-80-35
C111	8W-80-15	Driver Lumbar Motor	8W-80-35
C112	8W-80-15	Driver Lumbar Switch	8W-80-35
C200	8W-80-16, 17	Driver Power Mirror	8W-80-36
C201	8W-80-17	Driver Power Seat Front Riser Motor	8W-80-36
C202	8W-80-18	Driver Power Seat Front	
C203	8W-80-18	Riser Motor Sensor	8W-80-37
C300	8W-80-19, 20	Driver Power Seat Horizontal Motor	8W-80-37
C302	8W-80-20	Driver Power Seat Horizontal	
C303	8W-80-21	Motor Sensor	8W-80-37
C304	8W-80-21	Driver Power Seat Rear Riser Motor	8W-80-38
C306	8W-80-21	Driver Power Seat Rear Riser	
C307	8W-80-22	Motor Sensor	8W-80-38
C308	8W-80-22	Driver Power Seat Recliner Motor	8W-80-38
C309	8W-80-23	Driver Power Seat Recliner Motor Sensor	8W-80-38
C310	8W-80-23	Driver Power Seat Switch	8W-80-39
C311	8W-80-24	Driver Power Window Motor	8W-80-40
C312	8W-80-24	Duty Cycle Evap/Purge Solenoid	8W-80-40
C313	8W-80-24	Engine Coolant Temperature Sensor	8W-80-40
C314	8W-80-24	Engine Oil Pressure Sensor	8W-80-40
C315	8W-80-25	Front Power Outlet	8W-80-41
Camshaft Position Sensor	8W-80-25	Fuel Injector No. 1	8W-80-41
Capacitor NO. 1	8W-80-25	Fuel Injector No. 2	8W-80-41
Capacitor NO. 2	8W-80-25	Fuel Injector No. 3	8W-80-41
Cargo Lamp	8W-80-26	Fuel Injector No. 4	8W-80-41
Center High Mounted Stop Lamp	8W-80-26	Fuel Injector No. 5	8W-80-42

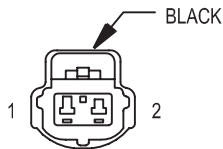
<b>Component</b>	<b>Page</b>	<b>Component</b>	<b>Page</b>
Fuel Injector No. 6	8W-80-42	Overhead Map/Courtesy Lamp NO. 2	8W-80-61
Fuel Injector No. 7	8W-80-42	Overhead Map/Courtesy Lamp NO. 2 Switch	8W-80-61
Fuel Injector No. 8	8W-80-42	Oxygen Sensor 1/1 Upstream	8W-80-62
Fuel Pump Module	8W-80-43	Oxygen Sensor 1/2 Downstream	8W-80-62
Generator	8W-80-43	Oxygen Sensor 2/1 Upstream	8W-80-63
Glove Box Lamp	8W-80-43	Oxygen Sensor 2/2 Downstream	8W-80-63
G-Switch	8W-80-44	Park/Neutral Position Switch	8W-80-63
Hood Ajar Switch	8W-80-44	Passenger Airbag	8W-80-63
Horn No. 1	8W-80-44	Passenger Blend Door Motor/Actuator	8W-80-64
Horn No. 2	8W-80-45	Passenger Door Courtesy Lamp	8W-80-64
Idle Air Control Motor	8W-80-45	Passenger Door Lock Motor/Ajar Switch	8W-80-64
Ignition Switch	8W-80-45	Passenger Door Module	8W-80-64, 65
Input Speed Sensor	8W-80-46	Passenger Heated Seat Back	8W-80-65
Instrument Cluster	8W-80-46	Passenger Heated Seat Cushion	8W-80-65
Intake Air Temperature Sensor	8W-80-46	Passenger Heated Seat Switch	8W-80-66
Junction Block	8W-80-47, 48, 49, 50	Passenger Lumbar Motor	8W-80-66
Junction Block Body Control Module	8W-80-50	Passenger Lumbar Switch	8W-80-66
Leak Detection Pump	8W-80-51	Passenger Power Mirror	8W-80-66
Left Courtesy Lamp	8W-80-51	Passenger Power Seat Front Riser Motor	8W-80-66
Left Fog Lamp	8W-80-51	Passenger Power Seat Horizontal Motor	8W-80-67
Left Front Door Speaker	8W-80-51	Passenger Power Seat Rear Riser Motor	8W-80-67
Left Front Park Lamp	8W-80-52	Passenger Power Seat Recliner Motor	8W-80-67
Left Front Park/Turn Signal Lamp	8W-80-52	Passenger Power Seat Switch	8W-80-67, 68
Left Front Side Marker Lamp	8W-80-52	Passenger Power Window Motor	8W-80-68
Left Front Wheel Speed Sensor	8W-80-52	Power Amplifier	8W-80-68, 69
Left Handle Courtesy Lamp Switch	8W-80-52	Power Connector	8W-80-69
Left High Beam Headlamp	8W-80-53	Powertrain Control Module	8W-80-70, 71, 72
Left Instrument Panel Speaker	8W-80-53	Radiator Fan Motor	8W-80-73
Left Liftgate Ajar Switch	8W-80-53	Radiator Fan Relay	8W-80-73
Left Low Beam Headlamp	8W-80-53	Radio	8W-80-73, 74
Left Multi-Function Switch	8W-80-54	Rail Coil	8W-80-74
Left Rear Door Lock Motor/Ajar Switch	8W-80-54	Rear Power Outlet	8W-80-74
Left Rear Door Speaker	8W-80-54	Rear Washer Pump	8W-80-74
Left Rear Lamp Assembly	8W-80-55	Rear Wiper Motor	8W-80-75
Left Rear Power Window Motor	8W-80-55	Recirculation Door Motor/Actuator	8W-80-75
Left Rear Power Window Switch	8W-80-55	Right Courtesy Lamp	8W-80-75
Left Rear Wheel Speed Sensor	8W-80-56	Right Fog Lamp	8W-80-75
Left Remote Radio Switch	8W-80-56	Right Front Door Speaker	8W-80-76
Left Side Repeater	8W-80-56	Right Front Park Lamp	8W-80-76
Left Visor/Vanity Lamp	8W-80-56	Right Front Park/Turn Signal Lamp	8W-80-76
License Lamp No. 1	8W-80-56	Right Front Side Marker	8W-80-76
License Lamp No. 2	8W-80-57	Right Front Wheel Speed Sensor	8W-80-77
Liftgate Flip-Up Ajar Switch	8W-80-57	Right Handle Courtesy Lamp Switch	8W-80-77
Liftgate Flip-Up Push Button Switch	8W-80-57	Right High Beam Headlamp	8W-80-77
Liftgate Flip-Up Release Solenoid	8W-80-57	Right Instrument Panel Speaker	8W-80-77
Liftgate Lock Motor	8W-80-58	Right Liftgate Ajar Switch	8W-80-78
Line Pressure Sensor	8W-80-58	Right Low Beam Headlamp	8W-80-78
Manifold Absolute Pressure Sensor	8W-80-58	Right Multi-Function Switch	8W-80-78
Manual Temperature Control	8W-80-59	Right Rear Door Lock Motor/Ajar Switch	8W-80-78
Mode Door Motor/Actuator	8W-80-59	Right Rear Door Speaker	8W-80-79
Output Speed Sensor	8W-80-60	Right Rear Lamp Assembly	8W-80-79
Overhead Map/Courtesy Lamp NO. 1	8W-80-60	Right Rear Power Window Motor	8W-80-79
Overhead Map/Courtesy Lamp NO. 1 Switch	8W-80-61	Right Rear Power Window Switch	8W-80-79

<b>Component</b>	<b>Page</b>	<b>Component</b>	<b>Page</b>
Right Rear Wheel Speed Sensor . . . . .	8W-80-80	Trailer Tow Circuit Breaker . . . . .	8W-80-84
Right Remote Radio Switch . . . . .	8W-80-80	Trailer Tow Connector . . . . .	8W-80-84
Right Side Repeater . . . . .	8W-80-80	Trailer Tow Left Turn Relay . . . . .	8W-80-84
Right Visor/Vanity Lamp . . . . .	8W-80-80	Trailer Tow Right Turn Relay . . . . .	8W-80-84
Seat Belt Switch . . . . .	8W-80-80	Transfer Case Switch . . . . .	8W-80-85
Seat Module . . . . .	8W-80-81	Transmission Control Module . . . . .	8W-80-85, 86
Sentry Key Immobilizer Module . . . . .	8W-80-82	Transmission Solenoid . . . . .	8W-80-86
Sunroof Control Module . . . . .	8W-80-82	Transmission Solenoid/TRS Assembly . . . . .	8W-80-87
Sunroof Motor . . . . .	8W-80-82	Underhood Lamp . . . . .	8W-80-87
Sunroof Motor Position Sensor . . . . .	8W-80-82	Vehicle Information Center . . . . .	8W-80-87
Sunroof Switch . . . . .	8W-80-82	Vehicle Speed Control Servo . . . . .	8W-80-87
Temperature Valve Actuator . . . . .	8W-80-83	Washer Fluid Level Switch . . . . .	8W-80-88
Throttle Position Sensor . . . . .	8W-80-83	Windshield Washer Pump . . . . .	8W-80-88
Trailer Tow Brake Lamp Relay . . . . .	8W-80-83	Windshield Wiper Motor . . . . .	8W-80-88



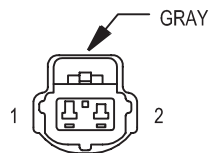
**A/C  
COMPRESSOR  
CLUTCH**

CAV	CIRCUIT	FUNCTION
1	C2 18DB/YL	A/C COMPRESSOR CLUTCH RELAY OUTPUT
2	Z1 18BK	GROUND



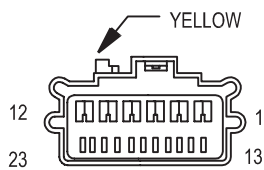
**A/C HIGH  
PRESSURE  
SWITCH**

CAV	CIRCUIT	FUNCTION
1	C18 18DB	A/C PRESSURE SIGNAL
2	C21 20DB/YL	A/C SWITCH SENSE



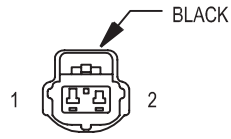
**A/C LOW  
PRESSURE  
SWITCH**

CAV	CIRCUIT	FUNCTION
1	C21 20DB/YL	A/C SWITCH SENSE
2	Z1 20BK	GROUND



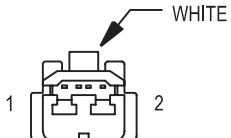
**AIRBAG CONTROL  
MODULE**

CAV	CIRCUIT	FUNCTION
1	-	-
2	-	-
3	-	-
4	Z2 18BK/OR	GROUND
5	R45 18DG/LB	DRIVER AIRBAG LINE 1
6	R43 18BK/LB	DRIVER AIRBAG LINE 2
7	R42 18BK/YL	PASSENGER AIRBAG LINE 2
8	R44 18DG/YL	PASSENGER AIRBAG LINE 1
9	-	-
10	-	-
11	-	-
12	-	-
13	-	-
14	F14 18LG/YL	FUSED IGNITION SWITCH OUTPUT (ST-RUN)
15	F23 18DB/YL	FUSED IGNITION SWITCH OUTPUT (RUN)
16	-	-
17	-	-
18	-	-
19	-	-
20	-	-
21	D25 18YL/VT/OR	PCI BUS
22	-	-
23	-	-



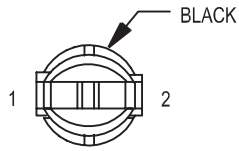
**AMBIENT TEMPERATURE SENSOR**

CAV	CIRCUIT	FUNCTION
1	G39 20DB/OR	AMBIENT TEMPERATURE SENSOR RETURN
2	C8 20DG/RD	AMBIENT TEMPERATURE SENSOR SIGNAL



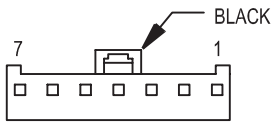
**ANTENNA MODULE**

CAV	CIRCUIT	FUNCTION
1	X64 18BK/WT	ENABLE SIGNAL TO AMPLIFIER
2	-	-



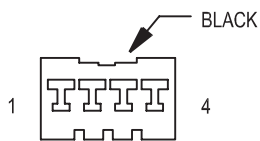
**ASH RECEIVER LAMP**

CAV	CIRCUIT	FUNCTION
1	Z1 20BK	GROUND
2	E2 20OR	PANEL LAMPS DRIVER



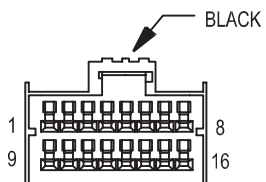
**AUTOMATIC DAY/NIGHT MIRROR**

CAV	CIRCUIT	FUNCTION
1	G5 20DB/WT	FUSED IGNITION SWITCH OUTPUT (ST-RUN)
2	Z1 20BK	GROUND
3	L1 20VT/BK	BACK-UP LAMP FEED
4	P112 20YL/WT	AUTO DAY NIGHT MIRROR (+)
5	P114 20YL/RD	AUTO DAY NIGHT MIRROR (-)
6	-	-
7	-	-



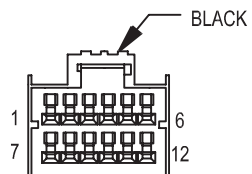
**AUTOMATIC HEADLAMP LIGHT SENSOR/VTSS LED**

CAV	CIRCUIT	FUNCTION
1	L109 20WT	ULTRALIGHT SENSOR SIGNAL
2	L110 20BK/YL	ULTRALIGHT SENSOR RETURN
3	G69 20BK/OR	VTSS INDICATOR DRIVER
4	M1 20PK	FUSED B(+)



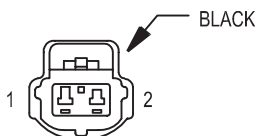
**AUTOMATIC  
ZONE CONTROL  
MODULE - C1**

CAV	CIRCUIT	FUNCTION
1	C102 20TN/BK	MODE DOOR DRIVER (B)
2	-	-
3	C32 20GY/DB	RECIRCULATION DOOR DRIVER (A)
4	C100 20YL/DB	RECIRCULATION DOOR DRIVER (B)
5	-	-
6	C15 20BK/WT	FUSED REAR WINDOW DEFOGGER RELAY OUTPUT
7	-	-
8	Z1 20BK	GROUND
9	C35 20DG/YL	MODE DOOR DRIVER (A)
10	C33 20DB/RD	DRIVER BLEND DOOR DRIVER (A)
11	-	-
12	-	-
13	-	-
14	C15 20BK/WT	REAR WINDOW DEFOGGER SWITCH SENSE
15	-	-
16	-	-



**AUTOMATIC  
ZONE CONTROL  
MODULE - C2**

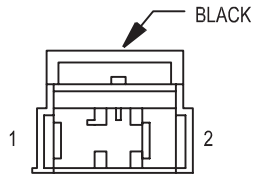
CAV	CIRCUIT	FUNCTION
1	-	-
2	C94 20WT/DG	PASSENGER BLEND DOOR DRIVER (A)
3	C95 20WT/BK	DRIVER BLEND DOOR DRIVER (B)
4	C96 20WT/DB	PASSENGER BLEND DOOR DRIVER (B)
5	-	-
6	E2 20OR	PANEL LAMPS DRIVER
7	C56 20RD/LG	BLOWER MOTOR CONTROL
8	D25 20YL/VT/DG	PCI BUS
9	C103 20DG	A/C SWITCH SIGNAL
10	-	-
11	F22 20WT/PK	FUSED IGNITION SWITCH OUTPUT (RUN)
12	M1 20PK	FUSED B(+)



**BATTERY  
TEMPERATURE  
SENSOR**

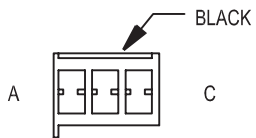
CAV	CIRCUIT	FUNCTION
1	K4 20BK/LB	SENSOR GROUND
2	K25 18VT/LG	BATTERY TEMPERATURE SENSOR SIGNAL





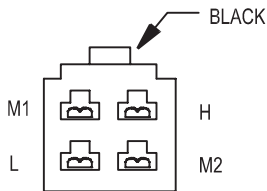
**BLOWER MOTOR**

CAV	CIRCUIT	FUNCTION
1	C1 12RD	BLOWER MOTOR SUPPLY
2	C7 12BK	BLOWER MOTOR HIGH DRIVER



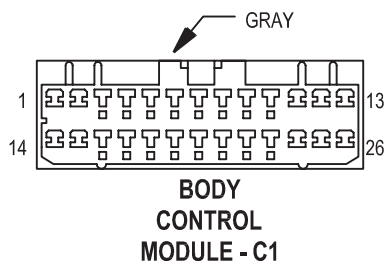
**BLOWER MOTOR CONTROLLER (AZC)**

CAV	CIRCUIT	FUNCTION
A	Z1 12BK	GROUND
B	C56 20BR/LG	BLOWER MOTOR CONTROL
C	C1 12RD	BLOWER MOTOR SUPPLY

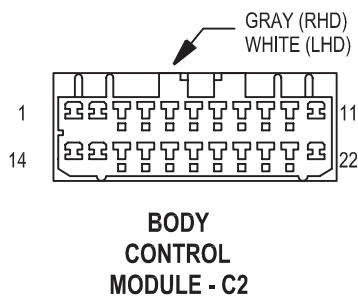


**BLOWER MOTOR RESISTOR BLOCK (MTC)**

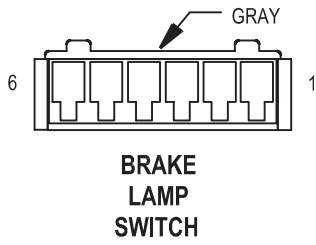
CAV	CIRCUIT	FUNCTION
L	C4 16TN	BLOWER MOTOR LOW DRIVER
M1	C5 16LG	BLOWER MOTOR M1 DRIVER
M2	C6 14LB	BLOWER MOTOR M2 DRIVER
H	C7 12BK/TN	BLOWER MOTOR HIGH DRIVER



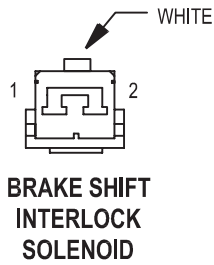
CAV	CIRCUIT	FUNCTION
1	Z2 20BK/OR	GROUND
2	G52 20YL	HEADLAMP SWITCH MUX
3	E19 20RD	PANEL LAMPS DIMMER SIGNAL
4	-	-
5	G70 20BR/TN	HOOD AJAR SWITCH SENSE
6	G26 20LB	KEY-IN IGNITION SWITCH SENSE
7	G76 18TN/YL	DOOR AJAR SWITCH SENSE
8	E2 20OR	PANEL LAMPS DRIVER
9	E2 20OR	PANEL LAMPS DRIVER
10	E2 20OR	PANEL LAMPS DRIVER
11	-	-
12	E2 20OR	PANEL LAMPS DRIVER
13	E2 20OR	PANEL LAMPS DRIVER
14	Z2 20BK/OR	GROUND
15	D25 20YL/VT/WT	PCI BUS
16	L80 20WT/DG	HEADLAMP SWITCH RETURN
17	D19 20VT/OR	BODY CONTROL MODULE FLASH ENABLE
18	-	-
19	-	-
20	G69 20BK/OR	VTSS INDICATOR DRIVER
21	L7 18BK/YL	PARK LAMP RELAY OUTPUT
22	V14 22RD/VT	WIPER ON/OFF RELAY CONTROL
23	M20 20BR/OR	COURTESY LAMP LOAD SHED
24	M2 20YL	COURTESY LAMP DRIVER
25	Z1 20BK	GROUND
26	-	-



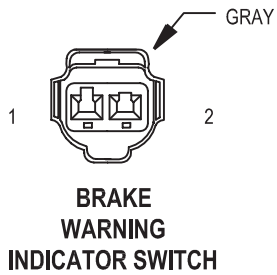
CAV	CIRCUIT	FUNCTION
1	C103 20DG	A/C SWITCH SIGNAL
2	V10 20BR	WASHER PUMP SWITCH SENSE
3	-	-
4	L40 22BR	HIGH BEAM SWITCH SENSE
5	V11 20BK/TN	WASHER FLUID SWITCH SENSE
6	P134 20LG/WT	PASSENGER SEAT HEATER SWITCH MUX
7	P133 20LG/RD	DRIVER SEAT HEATER SWITCH MUX
8	X20 20RD/YL	RADIO CONTROL MUX
9	C8 20DG/RD	AMBIENT TEMPERATURE SENSOR SIGNAL
10	L109 20WT	ULTRALIGHT SENSOR SIGNAL
11	V52 22DG/RD	WINDSHIELD WIPER SWITCH MUX
12	C15 20BK/WT	REAR WINDOW DEFOGGER SWITCH SENSE
13	-	-
14	-	-
15	L27 22WT/TN	FOG LAMP SWITCH SENSE
16	-	-
17	G18 20PK/BK	COOLANT LEVEL SWITCH SENSE
18	P132 20OR/BK	SEAT HEATER SWITCH SENSOR GROUND
19	X10 20RD/BK	RADIO CONTROL MUX RETURN
20	G39 20DB/OR	AMBIENT TEMPERATURE SENSOR RETURN
21	L110 20BK/YL	ULTRALIGHT SENSOR RETURN
22	V59 22DB/YL	WINDSHIELD WIPER SWITCH RETURN



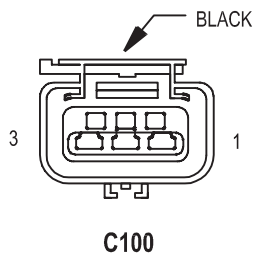
CAV	CIRCUIT	FUNCTION
1	K29 18WT/PK	BRAKE SWITCH SENSE
2	Z1 18BK	GROUND
3	V32 22OR/DG	SPEED CONTROL POWER SUPPLY
4	V30 22DB/RD	SPEED CONTROL BRAKE SWITCH OUTPUT
5	L50 20WT/TN	BRAKE LAMP SWITCH OUTPUT
6	F32 20PK/DB	FUSED B(+)



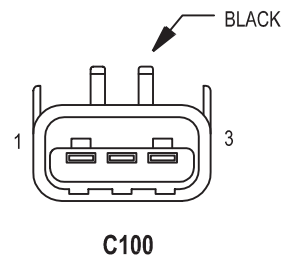
CAV	CIRCUIT	FUNCTION
1	K29 18WT/PK	BRAKE SWITCH SENSE
2	F99 20OR	FUSED IGNITION SWITCH OUTPUT (ST-RUN)



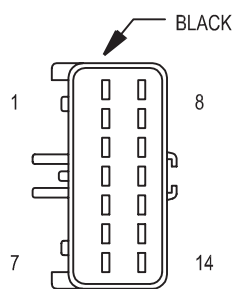
CAV	CIRCUIT	FUNCTION
1	Z1 18BK	GROUND
2	G9 18GY/BK	RED BRAKE WARNING INDICATOR DRIVER



CAV	CIRCUIT
1	T40 12LG
2	K21 18LB/RD
3	K20 18DG

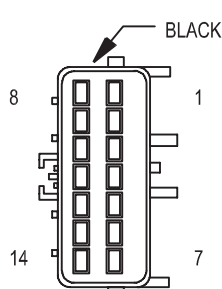


CAV	CIRCUIT
1	T40 12LG
2	K21 18LB/RD
3	K20 18DG



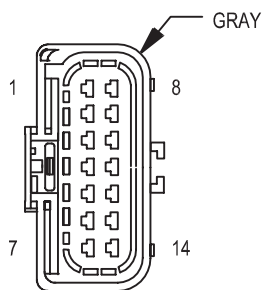
C102

CAV	CIRCUIT
1	A30 14RD/WT
2	F991 20OR/DB
3	C24 20DB/PK
4	F42 18DG/LG
5	A7 14RD/BK
6	L1 18VT/BK
7	Z21 20BK/LG
8	T24 20BR/YL
9	K210 18BK/YL
10	K4 20BK/LB
11	K21 18LB/RD
12	C2 18DB/YL
13	T107 20BK/RD ■
14	A142 14DG/OR



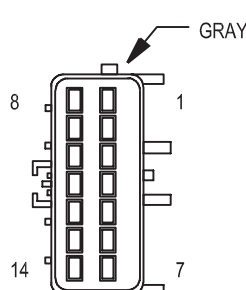
C102

CAV	CIRCUIT
1	A30 14RD/WT ▲
2	F991 18OR/DB
3	C24 18DB/PK
4	F42 18DG/LG
5	A7 14RD/BK
6	L1 18VT/BK
7	Z21 20BK/LG
8	T24 18BR/YL
9	Z1 18BK ▲
9	K210 18BK/YL ■
10	K4 18BK/LB
11	K210 18BK/YL ■
12	C2 18DB/YL
13	T107 18BK/RD ■
14	A142 16DG/OR ■
14	A142 14DG/OR ▲



C103

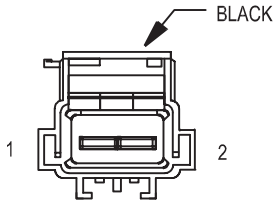
CAV	CIRCUIT
1	F22 20WT/TN
2	T9 18OR/BK
3	D20 20LG
4	D21 20PK
5	G7 20WT/OR
6	K20 18DG
7	K30 20PK/YL
8	T99 18OR/YL
9	T16 14RD
10	D25 20YL/VT
11	Z2 20BK/OR
12	F45 20YL/RD
13	T60 18BR
14	F142 18OR/DG



C103

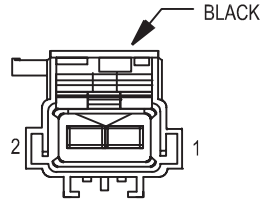
CAV	CIRCUIT
1	F22 18WT/TN
2	T6 18VT/WT ▲
2	T9 18OR/BK ■
3	D20 20LG ▲
4	D21 20PK ▲
5	G7 18WT/OR
6	K20 18DG
7	K30 18PK/YL
8	T9 18OR/BK ■
8	T10 18YL/DG ▲
9	T16 14RD ▲
10	D25 18YL/VT ▲
11	Z2 20BK/OR
12	F45 18YL/RD ▲
13	T60 18BR ■
14	F142 18OR/DG

▲ 4.7L  
■ 4.0L



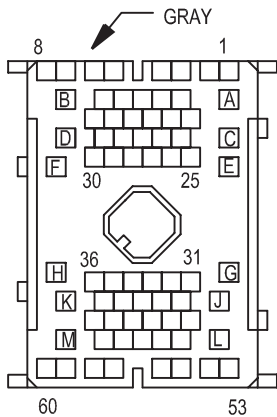
C104

CAV	CIRCUIT
1	K100 18VT/WT
2	K200 18VT/OR



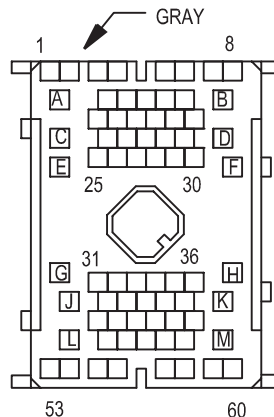
C104

CAV	CIRCUIT
1	K100 18VT/WT
2	K200 18VT/OR



C106

CAV	CIRCUIT
1	A141 16DG/BK
2	G18 20PK/BK
3	V3 16BR/WT
4	V4 16RD/YL
5	V55 16TN/RD
6	V6 16DB
7	F22 20WT/PK
8	F99 20OR
9	K52 20PK/BK
10	K29 20WT/PK
11	K226 20LB/YL
12	K107 20OR/YL
13	K106 20WT/DG
14	-
15	-
16	-
17	-
18	-
19	-
20	F142 18OR/DG
21	-
22	-
23	T99 18OR/YL
24	-
25	B7 18WT
26	B6 18WT/DB
27	X4 22GY/OR
28	G39 20DB/OR
29	-
30	C8 20DG/RD
31	-
32	V32 22OR/DG
33	V30 22DB/RD
34	V16 22VT
35	V14 22RD/VT
36	G7 18WT/OR
37	F45 20YL/RD



C106

CAV	CIRCUIT
1	A141 16DG/BK
2	G18 20PK/BK
3	V3 16BR/WT
4	V4 16RD/YL
5	V55 16TN/RD
6	V6 16DB
7	F22 20WT/TN
8	F99 20OR
9	K52 18PK/BK
10	K29 18WT/PK
11	K226 18LB/YL
12	K107 18OR/PK
13	K106 18WT/DG
14	-
15	-
16	-
17	-
18	-
19	-
20	K21 18LB/RD
21	-
22	-
23	-
24	-
25	B7 18WT
26	B6 18WT/DB
27	X4 20GY/OR
28	G39 20DB/OR
29	-
30	C8 20DG/RD
31	-
32	V32 18OR/DG
33	V30 20DB/RD
34	V16 20VT
35	V14 20RD/VT
36	G7 20WT/OR
37	F45 20YL/RD

(CONTINUED ON NEXT PAGE)

(CONTINUED)

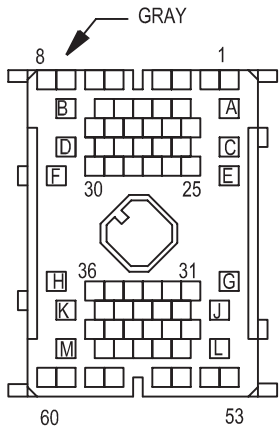
C106

38	-
39	T107 20BK/RD
40	Z21 20BK/LG
41	Z2 20BK/OR
42	-
43	-
44	F991 20OR/DB
45	-
46	-
47	-
48	D25 18YL/VT
49	D21 20PK
50	D20 20LG
51	D32 20LG/DG
52	T9 18OR/BK
53	L7 20BK/YL
54	L60 20TN
55	V37 22RD/LG
56	L1 18VT/BK
57	L39 20LB
58	K4 18BK/LB
59	L44 18VT/RD
60	L34 18RD/OR
A	-
B	-
C	C1 12DG
D	A149 12RD/TN
E	A10 12RD/DG
F	A1 12RD
G	A145 10WT/RD
H	A146 10OR/WT
J	A147 10RD/GY
K	A148 10PK/WT
L	A2 12PK/BK
M	A20 14RD/DB

C106

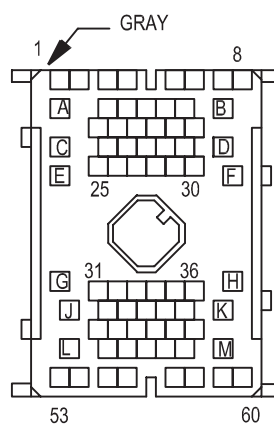
38	-
39	T107 20BK/RD
40	Z21 20BK/LG
41	Z2 20BK/OR
42	-
43	-
44	F991 20OR/DB
45	-
46	-
47	-
48	D25 20YL/VT
49	D21 20PK
50	D20 20LG
51	D32 18LG/DG
52	T9 18OR/BK
53	L7 20BK/YL
54	L60 20TN
55	V37 18RD/LG
56	L1 18VT/BK
57	L39 20LB
58	K4 20BK/LB
59	L44 18VT/RD
60	L34 18RD/OR
A	-
B	-
C	C1 12DG
D	A149 12RD/TN
E	A10 12RD/DG
F	A1 12RD
G	A145 10WT/RD
H	A146 10OR/WT
J	A147 10RD/GY
K	A148 10PK/WT
L	A2 12PK/BK
M	A20 12RD/DB





C107

CAV	CIRCUIT
1	-
2	V11 20BK/TN
3	V3 16BR/WT
4	V4 16RD/YL
5	V55 16TN/RD
6	V6 16DB
7	V10 22BR
8	F99 20OR
9	K52 20PK/BK
10	-
11	-
12	K107 20OR/YL
13	K106 20WT/DG
14	-
15	-
16	-
17	-
18	-
19	-
20	F142 18OR/DG
21	-
22	-
23	-
24	-
25	B7 18WT
26	B6 18WT/DB
27	B4 18LG
28	B3 18LG/DB
29	B2 18YL
30	B1 18YL/DB
31	-
32	M1 20PK/RD
33	F20 18DB/PK
34	L50 18WT/TN
35	-
36	G7 18WT/OR
37	-
38	-
39	-
40	-



C107

CAV	CIRCUIT
1	-
2	V11 20BK/TN
3	V3 16BR/WT
4	V4 16RD/YL
5	V55 16TN/RD
6	V6 16DB
7	V10 20BR
8	F99 20OR
9	K52 20PK/BK
10	-
11	-
12	K107 20OR/PK
13	K106 20WT/DG
14	-
15	-
16	-
17	-
18	-
19	-
20	F142 18OR/DG
21	-
22	-
23	-
24	-
25	B7 18WT
26	B6 18WT/DB
27	B4 18LG
28	B3 18LG/DB
29	B2 18YL
30	B1 18YL/DB
31	-
32	M1 20PK/RD
33	F20 18DB/PK
34	L50 18WT/TN
35	-
36	G7 18WT/OR
37	-
38	-
39	-
40	-

(CONTINUED ON NEXT PAGE)

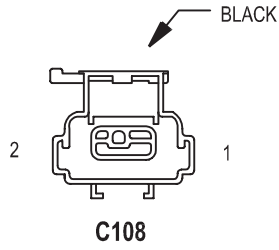
(CONTINUED)

C107

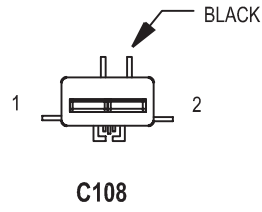
41	-
42	-
43	-
44	-
45	-
46	-
47	-
48	D25 18YL/VT
49	-
50	B41 18YL/PK
51	B42 18TN/WT
52	B43 18PK/OR
53	L7 20BK/YL
54	L61 20TN/LG
55	-
56	V20 18BK/WT
57	L39 20LB
58	-
59	L43 18VT
60	L33 18RD
A	-
B	-
C	-
D	-
E	A10 12RD/DG
F	-
G	-
H	-
J	-
K	-
L	-
M	A20 14RD/DB

C107

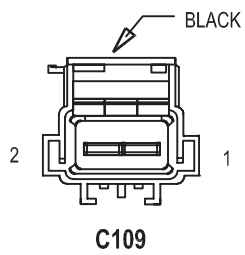
41	-
42	-
43	-
44	-
45	-
46	-
47	-
48	D25 18YL/VT
49	-
50	B41 18YL/PK
51	B42 18TN/WT
52	B43 18PK/OR
53	L7 20BK/YL
54	L61 20TN/LG
55	-
56	V20 18BK/WT
57	L39 20LB
58	-
59	L43 18VT
60	L33 18RD
A	-
B	-
C	-
D	-
E	A10 12RD/DG
F	-
G	-
H	-
J	-
K	-
L	-
M	A20 12RD/DB



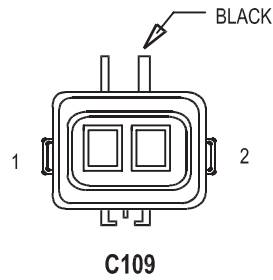
CAV	CIRCUIT
1	M1 20PK/RD
2	Z1 20BK



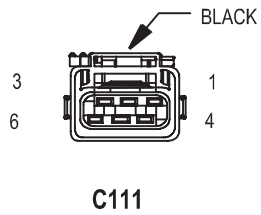
CAV	CIRCUIT
1	M1 20PK/RD
2	Z1 20BK



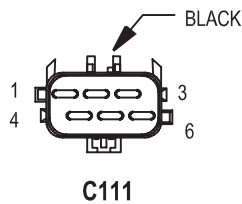
CAV	CIRCUIT
1	Z1 18BK
2	T107 18BK/RD



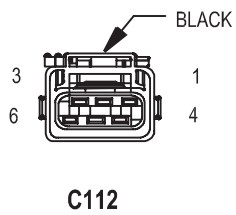
CAV	CIRCUIT
1	Z1 18BK
2	T107 18BK



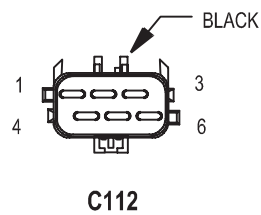
CAV	CIRCUIT
1	L33 18RD
2	L43 18VT
3	L61 20TN/LG
4	L7 20BK/YL
5	-
6	Z1 18BK



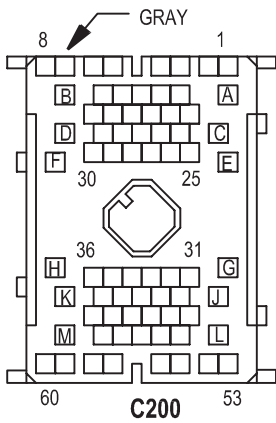
CAV	CIRCUIT
1	L33 18RD
2	L43 18VT
3	L61 20TN/LG
4	L7 20BK/YL
5	-
6	Z1 18BK



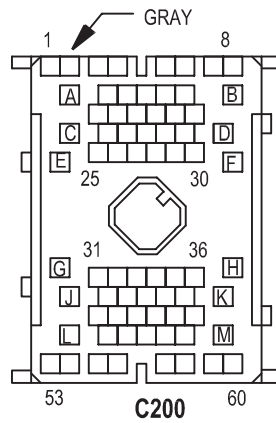
CAV	CIRCUIT
1	L34 18RD/OR
2	L44 18VT/RD
3	L60 20TN
4	L7 20BK/YL
5	-
6	Z1 18BK



CAV	CIRCUIT
1	L34 18RD/OR
2	L44 18VT/RD
3	L60 20TN
4	L7 20BK/YL
5	-
6	Z1 18BK



CAV	CIRCUIT
1	X84 18OR/GY ▼▼
1	X56 18DB/PK ▼
2	X86 18OR/RD ▼▼
2	X54 18VT ▼
3	X81 18YL/BK ▼▼
3	X55 18BR/RD ▼
4	X83 18YL/RD ▼▼
4	X53 18DG/OR ▼
5	X53 18DG/OR
6	X55 18BR/RD
7	X54 18VT
8	X56 18DB/PK
9	-
10	D20 20LG
11	-
12	-
13	X40 20WT/RD ▼▼
14	D25 20YL/VT
15	D25 20YL/VT
16	D32 20LG/DG
17	
18	Z4 20WT/BK ▼▼
19	X41 20WT/DG ▼▼
20	T9 18OR/BK
21	D21 20PK
22	K29 18WT/PK
23	X160 20YL ▼▼
24	X112 20RD ▼▼
25	G10 20LG/RD
26	-
27	-
28	-
29	Z17 20BK ▼▼
30	-
31	G76 18TN/YL
32	-
33	-
34	-
35	X51 18WT/DG
36	X57 18DG/WT
37	-
38	-
39	V10 22BR



CAV	CIRCUIT
1	X84 18OR/GY ▼▼
2	X86 18OR/RD ▼▼
3	X81 18YL/BK ▼▼
4	X83 18YL/RD ▼▼
5	X53 18DG/OR
6	X55 18BR/RD
7	X54 18VT
8	X56 18DB/PK
9	-
10	D20 20LG
11	-
12	-
13	X40 22WT/RD
14	D25 20YL/VT/BR
15	D25 20YL/VT/GY
16	D32 20LG/DG
17	T107 20BK/RD
18	Z4 22WT/BK
19	X41 22WT/DG
20	T9 18OR/BK
21	D21 20PK
22	K29 18WT/PK
23	X160 22YL
24	X112 22RD
25	G10 20LG/RD
26	-
27	-
28	-
29	Z17 22BK
30	-
31	G76 18TN/YL
32	-
33	-
34	-
35	X51 18WT/DG
36	X57 18DG/WT
37	-
38	-
39	V10 20BR

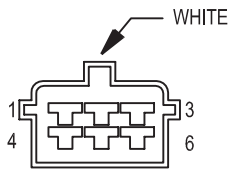
▼▼ PREMIUM AUDIO  
▼ BASE

**C200  
(CONTINUED)**

40	X52 18DB/WT
41	X58 18DB/OR
42	-
43	V13 18BR/LG
44	V14 22RD/VT
45	V16 22VT
46	V20 18BK/WT
47	V22 18BR/YL
48	-
49	X64 18BR/WT
50	Z2 20BK/OR
51	Z21 20BK/LG
52	-
53	G39 20DB/OR
54	C8 20DG/RD
55	Z1 16BK
56	V11 20BK/TN
57	G18 20PK/BK
58	V37 22RD/LG
59	K4 22BK/LB
60	-
A	-
B	-
C	A1 12RD
D	-
E	-
F	-
G	A2 12PK/BK
H	C1 12DG
J	-
K	-
L	-
M	-

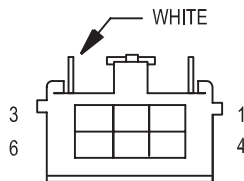
**C200  
(CONTINUED)**

40	X52 18DB/WT
41	X58 18DB/OR
42	-
43	V13 18BR/LG
44	V14 22RD/VT
45	V16 22VT
46	V20 18BK/WT
47	V22 18BR/YL
48	-
49	X64 18BR/WT
50	Z2 20BK/OR
51	Z21 20BK/LG
52	-
53	G39 20DB/OR
54	C8 20DG/RD
55	Z1 16BK
56	V11 20BK/TN
57	G18 20PK/BK
58	V37 20RD/LG
59	K4 20BK/LB
60	-
A	-
B	-
C	A1 12RD
D	-
E	-
F	-
G	A2 12PK/BK
H	C1 12DG
J	-
K	-
L	-
M	-



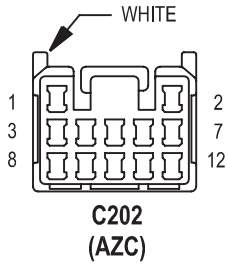
**C201**

CAV	CIRCUIT
1	E2 20OR
2	Z1 20BK
3	T9 18OR/BK
4	Z1 18BK
5	-
6	-

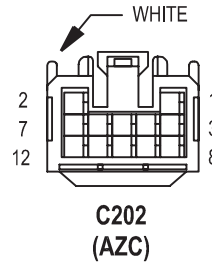


**C201**

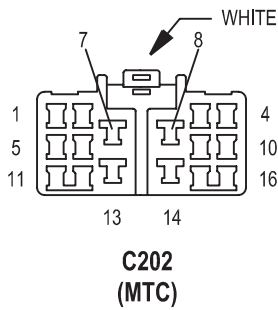
CAV	CIRCUIT
1	E2 20LB
2	Z1 20BK
3	T9 18OR/WT
4	Z1 18BK
5	-
6	-



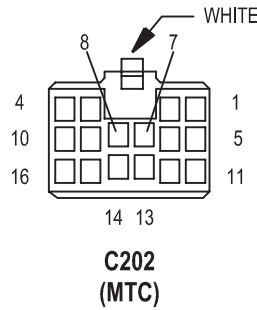
CAV	CIRCUIT
1	C32 20GY/DB
2	C100 20YL/DB
3	C33 20DB/RD
4	C95 20WT/BK
5	C94 20WT/DG
6	C96 20WT/DB
7	C102 20TN/BK
8	C35 20DG/YL
9	C56 20RD/LG
10	-
11	-
12	-



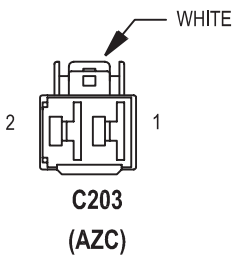
CAV	CIRCUIT
1	C32 20VT/OR
2	C100 20LB/DG
3	C33 20PK/DG
4	C95 20VT/WT
5	C94 20DB/RD
6	C96 20DB/WT
7	C102 20YL
8	C35 20TN/BK
9	C56 20BR/LG
10	-
11	-
12	-



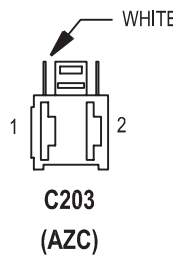
CAV	CIRCUIT
1	-
2	-
3	-
4	-
5	C67 20RD/LB
6	-
7	-
8	-
9	-
10	C6 14LB
11	Z2 20BK/OR
12	F22 20WT/PK
13	C7 12BK/TN
14	C1 12DG
15	C4 16TN
16	C5 16LG



CAV	CIRCUIT
1	-
2	-
3	-
4	-
5	C67 20DB/RD
6	WT/YL
7	-
8	-
9	-
10	C6 14LB
11	Z2 20VT/WT
12	F22 20PK/DG
13	C7 12BK/TN
14	C1 12RD
15	C4 16TN
16	C5 16LG

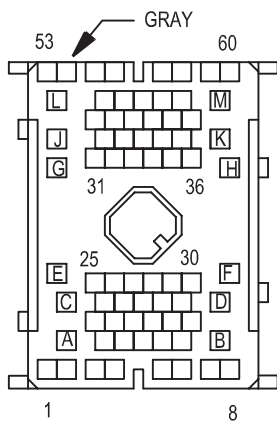


CAV	CIRCUIT
1	C1 12DG
2	Z1 12BK



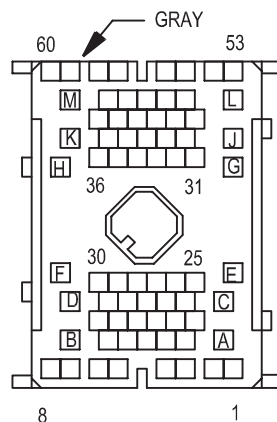
CAV	CIRCUIT
1	C1 12RD
2	Z1 12BK





C300

CAV	CIRCUIT
1	D25 20YL/VT
2	V13 18BR/LG
3	V22 18BR/YL
4	P112 20YL/WT
5	P114 20YL/RD
6	P35 18OR/VT
7	P36 18PK/VT
8	L50 18WT/TN
9	B1 18YL/DB
10	B2 18YL
11	B3 18LG/DB
12	B4 18LG
13	B41 18YL/PK
14	B42 18TN/WT
15	B43 18PK/OR
16	P29 20BR/WT ■
17	P86 20PK/BK ■
18	E21 20OR/RD
19	K4 20BK/LB
20	K226 20LB/YL
21	L62 18BR/RD
22	-
23	G10 20LG/RD
24	L1 18VT/BK
25	-
26	-
27	-
28	-
29	-
30	-
31	-
32	-
33	-
34	-
35	-
36	-
37	-
38	-
39	-
40	-
41	-
42	-
43	-
44	-
45	-
46	-
47	-
48	-
49	-
50	-
51	-
52	-
53	X57 18DG/WT ■ ■
53	X91 18WT/DG ▼



C300

CAV	CIRCUIT
1	D25 20YL/VT
2	V13 18BR/LG
3	V22 18BR/YL
4	P112 20YL/WT
5	P114 20YL/RD
6	P35 18OR/VT
7	P36 18PK/VT
8	L50 18WT/TN
9	B1 18YL/DB
10	B2 18YL
11	B3 18LG/DB
12	B4 18LG
13	B41 18YL/PK
14	B42 18TN/WT
15	B43 18PK/OR
16	P29 20BR/WT ■
17	P86 18PK/BK ■
18	E21 20OR/RD
19	K4 20BK/LB
20	K226 20LB/YL
21	L62 18BR/RD
22	-
23	G10 20LG/RD
24	L1 18VT/BK
25	-
26	-
27	-
28	-
29	-
30	-
31	-
32	-
33	-
34	-
35	-
36	-
37	-
38	-
39	-
40	-
41	-
42	-
43	-
44	-
45	-
46	-
47	-
48	-
49	-
50	-
51	-
52	-
53	X57 18WT/DG

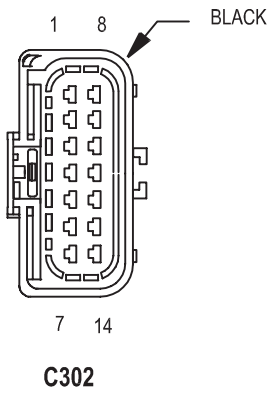
■ HEATED SEATS  
 ■ ■ BASE  
 ▼ EXCEPT BASE

**C300**  
(CONTINUED)

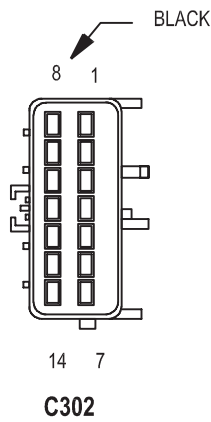
54	X51 18WT/DG	■ ■
54	X93 18DG/WT	▼
55	-	
56	-	
57	-	
58	-	
59	-	
60	-	
A	P130 16DG/WT	■
B	Q13 16DB	
C	B40 12LB	
D	-	
E	Z5 16BK/VT	■
F	-	
G	-	
H	-	
J	-	
K	-	
L	Q23 16RD/WT	
M	A141 16DG/BK	

**C300**  
(CONTINUED)

54	X51 18DG/WT	
55	-	
56	-	
57	-	
58	-	
59	-	
60	-	
A	P130 16DG/WT	■
B	Q13 16DB	
C	B40 14LB	
D	-	
E	Z5 16BK/VT	■
F	-	
G	-	
H	-	
J	-	
K	-	
L	Q23 16RD/WT	
M	A141 16DG/BK	

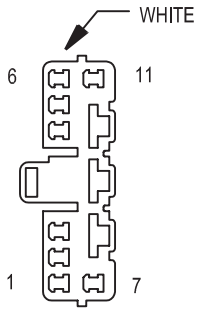


CAV	CIRCUIT
1	P112 20YL/WT
2	P114 20YL/RD
3	D25 20YL/VT
4	Z1 12BK
5	E21 20OR/RD
6	Q13 16DB
7	Q23 16RD/WT
8	F21 12TN/LB
9	X85 18LG/DG ▲ ▲
9	X55 18BR/RD ▲
10	X87 18LG/RD ▲ ▲
10	X53 18DG/OR ▲
11	-
12	-
13	-
14	-



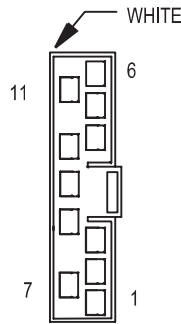
CAV	CIRCUIT
1	P112 20YL/WT
2	P114 20YL/RD
3	D25 20YL/VT
4	Z1 12BK
5	E21 20OR/RD
6	Q13 16DB
7	Q23 16RD/WT
8	F21 12TN/LB
9	X85 18LG/DG
10	X87 18LG/RD
11	-
12	-
13	-
14	-

- ▼ EXCEPT BASE
- HEATED SEATS
- ■ BASE
- ▲ BASE
- ▲ ▲ PREMIUM



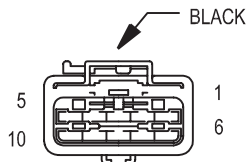
C303

CAV	CIRCUIT
1	X92 18TN/DG
2	X90 18WT/VT
3	E20 20OR/DB
4	P35 18OR/VT
5	P36 18PK/VT
6	-
7	-
8	Q14 16GY
9	Q24 16DG
10	Z1 16BK
11	G76 18TN/YL



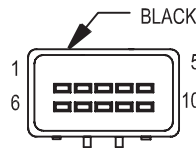
C303

CAV	CIRCUIT	
1	X92 18TN/DG	■
1	X58 18DB/OR	●
2	X52 18DB/WT	●
2	X90 18WT/VT	■
3	E20 20OR/DB	
4	P35 18OR/VT	
5	P36 18PK/VT	
6	-	
7	-	
8	Q14 16GY	
9	Q24 16DG	
10	Z1 16BK	
11	G76 18TN/YL	



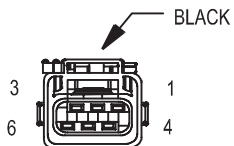
C304

CAV	CIRCUIT
1	P86 18PK/BK
2	P130 16DG/WT
3	D25 20YL/VT
4	F35 16RD
5	Z1 16BK
6	P29 20BR/WT
7	Z2 20BK/OR
8	Z5 16BK/VT
9	-
10	-



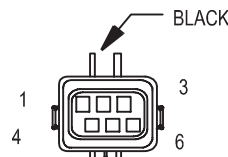
C304

CAV	CIRCUIT	
1	P86 20DG/YL	■ ■
2	P130 16DG/WT	■ ■
3	D25 20VT/YL	
4	F35 16RD	
5	Z1 16BK	
6	P29 20BR/WT	■ ■
7	Z2 20BK/OR	● ●
8	Z5 16BK/VT	■ ■
9	G10 20LG/RD	
10	-	



C306

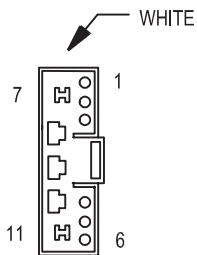
CAV	CIRCUIT
1	P130 16DG/WT
2	Z1 16BK
3	F37 16RD/LB
4	P86 20PK/BK
5	P29 20BR/WT
6	Z5 16BK/VT



C306

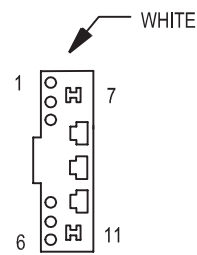
CAV	CIRCUIT	
1	P130 16DG/WT	■ ■
2	Z1 16BK	
3	F37 16RD/LB	
4	P86 20DG/YL	■ ■
5	P29 20BR/WT	■ ■
6	Z5 16BK/VT	■ ■

- PREMIUM AUDIO
- ■ HEATED SEATS
- BASE AUDIO
- ● PREMIUM POWER SEATS



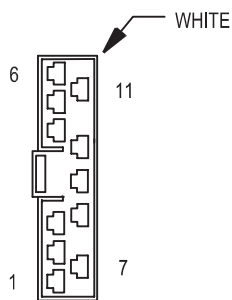
C307

CAV	CIRCUIT
1	X91 18TN/DG
2	X93 18WT/VT
3	E21 20OR/RD
4	P35 18OR/VT
5	P36 18PK/VT
6	-
7	-
8	Q13 16DB
9	Q23 16RD/WT
10	Z1 16BK
11	G77 20TN/OR



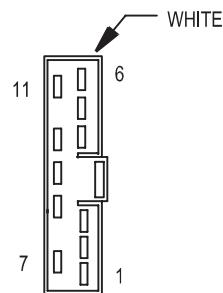
C307

CAV	CIRCUIT
1	X57 18WT/DG
2	X51 18DG/WT
3	E21 20OR/DB
4	P35 18OR/VT
5	P36 18PK/VT
6	-
7	-
8	Q13 16GY
9	Q23 16DG
10	Z1 16BK
11	G76 18TN/YL



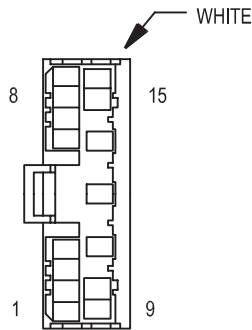
C308

CAV	CIRCUIT
1	G78 20TN/BK
2	P35 18OR/VT
3	P36 18PK/VT
4	V13 18BR/LG
5	V22 18BR/YL
6	F70 18PK
7	L50 18WT/TN
8	Z1 12BK
9	G80 20VT/YL
10	C15 12BK/WT
11	L7 18BK/YL



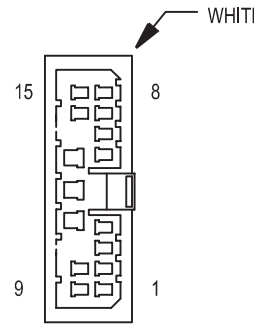
C308

CAV	CIRCUIT
1	G78 20TN/BK
2	P35 18OR/VT
3	P36 18PK/VT
4	V13 18BR/LG
5	V22 18BR/YL
6	F70 18PK
7	L50 18WT/TN
8	Z1 12BK
9	G80 20VT/YL
10	C15 12BK/WT
11	L7 18BK/YL



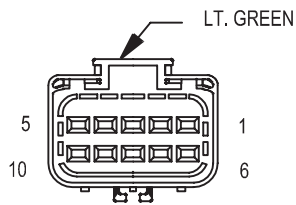
C309

CAV	CIRCUIT
1	D25 20VT/YL
2	M20 20YL/BK
3	M2 20YL/DG
4	P112 20BK/WT
5	P114 20YL/RD
6	L1 20VT/BK
7	G5 20DB/WT
8	-
9	-
10	F70 20PK
11	Q30 16TN
12	Z1 20BK ▼
12	Z1 16BK ▲▲
13	-
14	Z2 20BK/OR
15	G73 20LG/OR



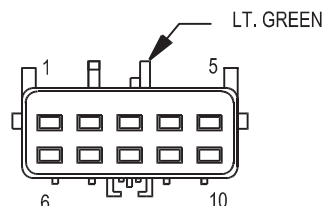
C309

CAV	CIRCUIT
1	D25 20YL/VT
2	M20 20YL/BK
3	M2 20YL/DG
4	P112 20YL/WT
5	P114 20YL/RD
6	L1 20VT/BK
7	G5 20DB/WT
8	-
9	-
10	F70 20PK
11	Q30 16TN
12	Z1 16BK
13	-
14	Z2 20BK/OR ●
14	Z2 18BK/OR ●●
15	G73 20LG/OR



C310

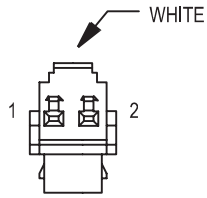
CAV	CIRCUIT
1	L50 16WT/TN
2	L62 20BR/RD
3	L1 18VT/BK
4	F30 14RD
5	L7 18BK/YL
6	Z1 14BK
7	B40 14LB
8	Z1 14BK
9	L50 18WT/TN
10	L63 20DG/RD



C310

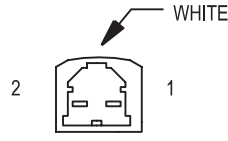
CAV	CIRCUIT
1	L50 16WT/TN
2	L62 18BR/RD
3	L1 18VT/BK
4	F30 14RD/YL
5	L7 18BK/YL
6	Z1 14BK
7	B40 14LB
8	Z1 14BK
9	L50 18WT/TN
10	L63 20DG/RD

- ▲▲ SUNROOF
- ▼ EXCEPT SUNROOF
- PREMIUM POWER SEATS
- EXCEPT PREMIUM POWER SEATS



C311

CAV	CIRCUIT
1	L50 18WT/TN
2	Z1 18BK



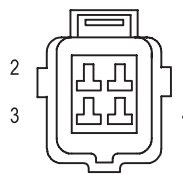
C311

CAV	CIRCUIT
1	L50 18WT/TN
2	Z1 18BK



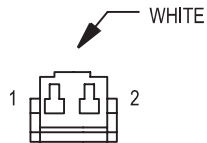
C312

CAV	CIRCUIT
1	Z1 18BK
2	L7 18BK/YL
3	F70 18PK
4	P101 18OR/PK



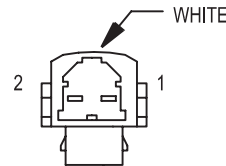
C312

CAV	CIRCUIT
1	Z1 18BK
2	L7 18BK/YL
3	F70 18PK
4	P101 18OR/PK



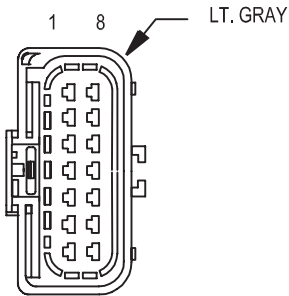
C313

CAV	CIRCUIT
1	P112 20YL/WT
2	P114 20YL/RD



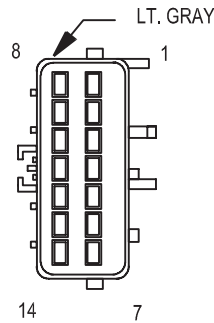
C313

CAV	CIRCUIT
1	P112 20YL/WT
2	P114 20YL/RD



C314

CAV	CIRCUIT
1	D25 20YL/VT
2	F21 12TN/BK
3	P35 18OR/VT
4	P36 18PK/VT
5	Z1 12BK
6	Q14 16GY
7	Q24 16DG
8	E20 20OR/DB
9	X80 18LB/BK ▲▲
9	X56 18DB/PK ▲
10	X82 18LB/RD ▲▲
10	X54 18VT ▲
11	-
12	-
13	-
14	-

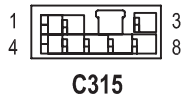


C314

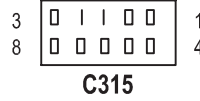
CAV	CIRCUIT
1	D25 20YL/VT
2	F21 12TN/BK
3	P35 18OR/VT
4	P36 18PK/VT
5	Z1 12BK
6	Q14 16GY
7	Q24 16DG
8	E20 20OR/DB
9	X80 18LB/BK
10	X82 18LB/RD
11	-
12	-
13	-
14	-

▲▲ PREMIUM  
▲ BASE

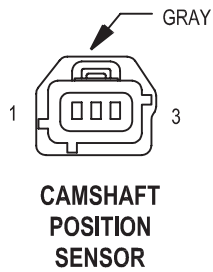




CAV	CIRCUIT
1	Q30 16TN
2	-
3	Q43 20VT
4	Q41 20WT
5	-
6	-
7	Z1 16BK
8	-

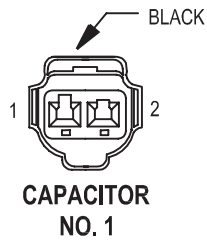


CAV	CIRCUIT
1	Q30 16TN
2	-
3	Q43 20VT
4	Q41 20WT
5	-
6	-
7	Z1 16BK
8	-



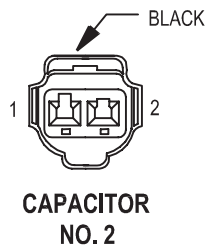
CAV	CIRCUIT	FUNCTION
1	K44 18TN/YL	CAMSHAFT POSITION SENSOR SIGNAL
2	K4 18BK/LB	SENSOR GROUND
3	K7 20OR	5V SUPPLY

**CAMSHAFT POSITION SENSOR**



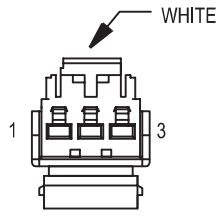
CAV	CIRCUIT	FUNCTION
1	A142 14DG/OR	AUTOMATIC SHUT DOWN RELAY OUTPUT
2	-	-

**CAPACITOR NO. 1**



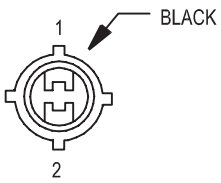
CAV	CIRCUIT	FUNCTION
1	A142 14DG/OR	AUTOMATIC SHUT DOWN RELAY OUTPUT
2	-	-

**CAPACITOR NO. 2**



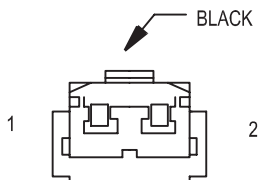
**CARGO LAMP**

CAV	CIRCUIT	FUNCTION
1	F70 20PK	FUSED B(+)
2	G73 20LG/OR	LIFTGATE COURTESY DISABLE
3	M2 20YL/DG	COURTESY LAMP DRIVER



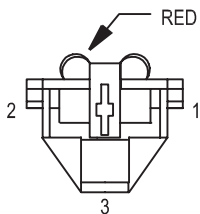
**CENTER HIGH MOUNTED STOP LAMP**

CAV	CIRCUIT	FUNCTION
1	L50 18WT/TN	BRAKE LAMP SWITCH OUTPUT
2	Z1 18BK	GROUND



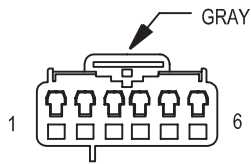
**CHIME**

CAV	CIRCUIT	FUNCTION
1	Z1 20BK	GROUND
2	G10 20LG/RD	TONE REQUEST SIGNAL



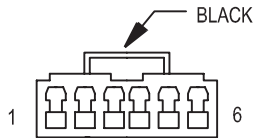
**CIGAR LIGHTER**

CAV	CIRCUIT	FUNCTION
1	F30 18RD	FUSED CIGAR LIGHTER RELAY OUTPUT
2	-	-
3	Z1 18BK	GROUND



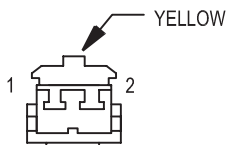
**CLOCKSPRING - C1**

CAV	CIRCUIT	FUNCTION
1	-	-
2	X4 22GY/OR	HORN RELAY CONTROL
3	X20 20RD/YL	RADIO CONTROL MUX
4	X10 20RD/BK	RADIO CONTROL MUX RETURN
5	K4 20BK/LB	SENSOR GROUND
6	V37 20RD/LG	SPEED CONTROL SWITCH SIGNAL



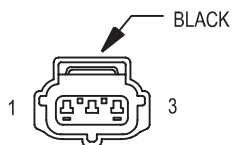
**CLOCKSPRING - C2**

CAV	CIRCUIT	FUNCTION
1	-	-
2	X4 20GY/OR	HORN RELAY CONTROL
3	X20 20RD/YL	RADIO CONTROL MUX
4	X10 20RD/BK	RADIO CONTROL MUX RETURN
5	K4 20BK/LB	SENSOR GROUND
6	V37 20RD/LG	SPEED CONTROL SWITCH SIGNAL



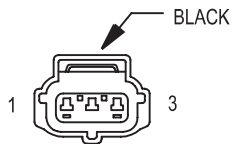
**CLOCKSPRING - C3**

CAV	CIRCUIT	FUNCTION
1	R45 18DG/LB	DRIVER AIRBAG LINE 1
2	R43 18BK/LB	DRIVER AIRBAG LINE 2



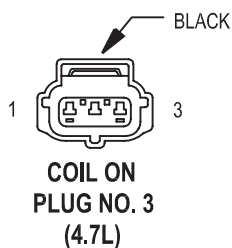
**COIL ON  
PLUG NO. 1  
(4.7L)**

CAV	CIRCUIT	FUNCTION
1	K91 14TN/RD	COIL DRIVER NO. 1
2	A142 14DG/OR	AUTOMATIC SHUT DOWN RELAY OUTPUT
3	-	-

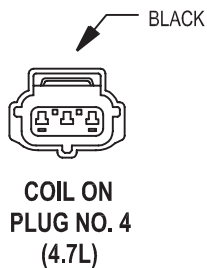


**COIL ON  
PLUG NO. 2  
(4.7L)**

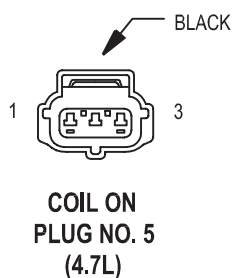
CAV	CIRCUIT	FUNCTION
1	K92 14TN/PK	COIL DRIVER NO. 2
2	A142 14DG/OR	AUTOMATIC SHUT DOWN RELAY OUTPUT
3	-	-



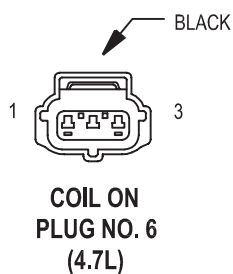
CAV	CIRCUIT	FUNCTION
1	K93 14TN/OR	COIL DRIVER NO. 3
2	A142 14DG/OR	AUTOMATIC SHUT DOWN RELAY OUTPUT
3	-	-



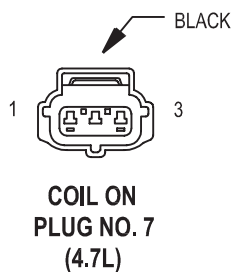
CAV	CIRCUIT	FUNCTION
1	K94 14TN/LG	COIL DRIVER NO. 4
2	A142 14DG/OR	AUTOMATIC SHUT DOWN RELAY OUTPUT
3	-	-



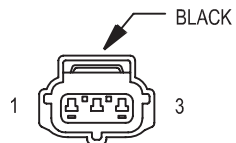
CAV	CIRCUIT	FUNCTION
1	K95 14TN/DG	COIL DRIVER NO. 5
2	A142 14DG/OR	AUTOMATIC SHUT DOWN RELAY OUTPUT
3	-	-



CAV	CIRCUIT	FUNCTION
1	K96 14TN/LB	COIL DRIVER NO. 6
2	A142 14DG/OR	AUTOMATIC SHUT DOWN RELAY OUTPUT
3	-	-

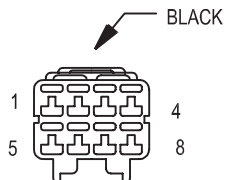


CAV	CIRCUIT	FUNCTION
1	K97 14BR	COIL DRIVER NO. 7
2	A142 14DG/OR	AUTOMATIC SHUT DOWN RELAY OUTPUT
3	-	-



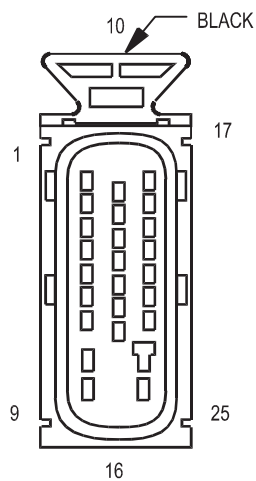
**COIL ON  
PLUG NO. 8  
(4.7L)**

CAV	CIRCUIT	FUNCTION
1	K98 14LB/RD	COIL DRIVER NO. 8
2	A142 14DG/OR	AUTOMATIC SHUT DOWN RELAY OUTPUT
3	-	-



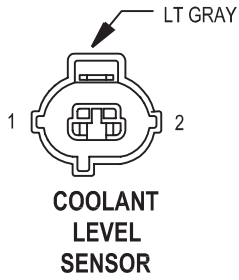
**COMPACT  
DISC  
CHANGER**

CAV	CIRCUIT	FUNCTION
1	X40 20WT/RD	AUDIO OUT RIGHT
2	C235 20WT/LB	SHIELD
3	D25 20YL/VT	PCI BUS
4	X112 20RD	IGNITION SWITCH OUTPUT
5	X41 20WT/DG	AUDIO OUT LEFT
6	Z4 20WT/BK	GROUND
7	Z17 20BK	GROUND
8	X160 20YL	B(+)

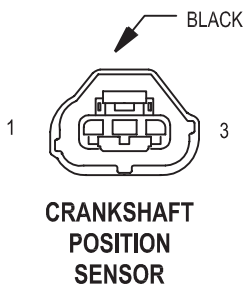


**CONTROLLER  
ANTI-LOCK  
BRAKE**

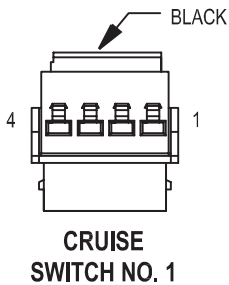
CAV	CIRCUIT	FUNCTION
1	B9 18RD	LEFT FRONT WHEEL SPEED SENSOR SIGNAL
2	B8 18RD/DB	LEFT FRONT WHEEL SPEED SENSOR 12V SUPPLY
3	G7 18WT/OR	VEHICLE SPEED SENSOR SIGNAL
4	F20 18DB/PK	FUSED IGNITION SWITCH OUTPUT (RUN)
5	B4 18LG	LEFT REAR WHEEL SPEED SENSOR SIGNAL
6	B3 18LG/DB	LEFT REAR WHEEL SPEED SENSOR 12V SUPPLY
7	-	-
8	Z3 12BK/OR	GROUND
9	A20 12RD/DB	FUSED B(+)
10	D25 18YL/VT	PCI BUS
11	-	-
12	Z1 18BK	GROUND
13	B43 18PK/OR	G SWITCH TEST SIGNAL
14	B41 18YL/PK	G SWITCH NO. 1 SENSE
15	-	-
16	-	-
17	B42 18TN/WT	G SWITCH NO. 2 SENSE
18	L50 18WT/TN	BRAKE LAMP SWITCH OUTPUT
19	B7 18WT	RIGHT FRONT WHEEL SPEED SENSOR SIGNAL
20	B6 18WT/DB	RIGHT FRONT WHEEL SPEED SENSOR 12V SUPPLY
21	G9 18GY/BK	RED BRAKE WARNING INDICATOR DRIVER
22	B1 18YL/DB	RIGHT REAR WHEEL SPEED SENSOR 12V SUPPLY
23	B2 18YL	RIGHT REAR WHEEL SPEED SENSOR SIGNAL
24	Z3 12BK/OR	GROUND
25	A10 12RD/DG	FUSED B(+)



CAV	CIRCUIT	FUNCTION
1	G18 20PK/BK	COOLANT LEVEL SWITCH SENSE
2	Z1 20BK	GROUND

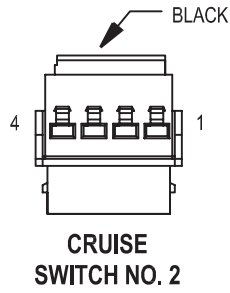


CAV	CIRCUIT	FUNCTION
1	K24 18GY/BK	CRANKSHAFT POSITION SENSOR SIGNAL
2	K4 18BK/LB	SENSOR GROUND
3	K7 20OR	5V SUPPLY

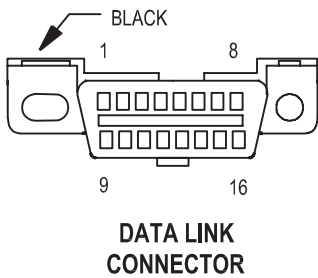


CAV	CIRCUIT	FUNCTION
1	-	-
2	K4 20BK/LB	SENSOR GROUND
3	V37 20RD/LG	SPEED CONTROL SWITCH SIGNAL
4	-	-

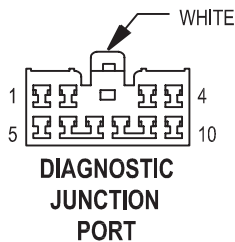




CAV	CIRCUIT	FUNCTION
1	-	-
2	K4 20BK/LB	SENSOR GROUND
3	V37 20RD/LG	SPEED CONTROL SWITCH SIGNAL
4	-	-

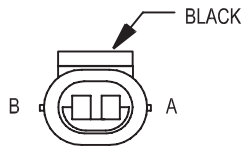


CAV	CIRCUIT	FUNCTION
1	-	-
2	D25 20YL/VT	PCI BUS
3	-	-
4	Z2 20BK/OR	GROUND
5	Z21 20BK/LG	GROUND
6	D32 20LG/DG	SCI RECEIVE
7	D21 20PK	SCI TRANSMIT
8	-	-
9	D19 20VT/OR	BODY CONTROL MODULE FLASH ENABLE
10	-	-
11	-	-
12	-	-
13	-	-
14	D20 20LG	SCI RECEIVE
15	-	-
16	F33 20PK/RD	FUSED B(+)



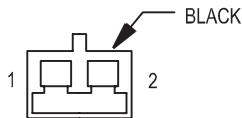
CAV	CIRCUIT	FUNCTION
1	D25 20YL/VT/GY	PCI BUS (PCM TCM PDM)
2	D25 20YL/VT/BR	PCI BUS (DDM)
3	D25 20YL/VT/DG ▲	PCI BUS (AZC)
4	D25 18YL/VT/DB	PCI BUS (RADIO)
5	D25 18YL/VT/OR	PCI BUS (ACM)
6	D25 20YL/VT/RD	PCI BUS (IC)
7	-	-
8	D25 20YL/VT/WT	PCI BUS (BCM)
9	D25 20YL/VT	PCI BUS (DLC)
10	-	-

▲ AZC



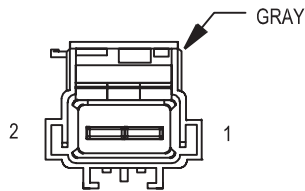
**DRIVER BLEND DOOR MOTOR/ACTUATOR (AZC)**

CAV	CIRCUIT	FUNCTION
A	C95 20VT/WT	DRIVER BLEND DOOR DRIVER (B)
B	C33 20PK/DG	DRIVER BLEND DOOR DRIVER (A)



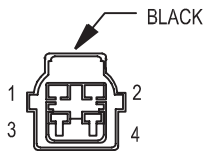
**DRIVER DOOR COURTESY LAMP**

CAV	CIRCUIT	FUNCTION
1	M21 20PK/DG	COURTESY LAMP DRIVER
2	L121 20BK/RD	COURTESY LAMP GROUND



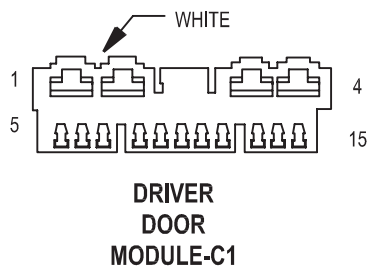
**DRIVER DOOR CYLINDER LOCK SWITCH**

CAV	CIRCUIT	FUNCTION
1	G73 20LG/OR	DRIVER DOOR KEY CYLINDER SWITCH SENSE
2	Z1 20BK	GROUND

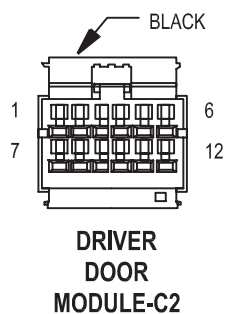


**DRIVER DOOR LOCK MOTOR/AJAR SWITCH**

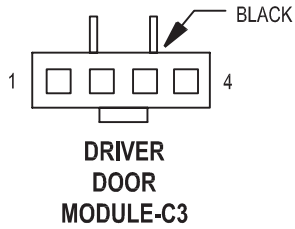
CAV	CIRCUIT	FUNCTION
1	G75 18TN/RD	DRIVER DOOR AJAR SWITCH SENSE
2	Z1 18BK	GROUND
3	P34 18PK/BK	DRIVER DOOR UNLOCK DRIVER
4	P35 18OR/BK	DOOR LOCK DRIVER



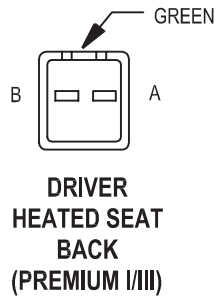
CAV	CIRCUIT	FUNCTION
1	F21 12TN/LB	FUSED B(+)
2	Q23 16RD/WT	DRIVER REAR WINDOW DRIVER (DOWN)
3	Q13 16DB	DRIVER REAR WINDOW DRIVER (UP)
4	Z1 12BK	GROUND
5	P35 18OR/BK	DOOR LOCK DRIVER
6	-	-
7	P34 18PK/BK	DRIVER DOOR UNLOCK DRIVER
8	D30 20VT/YL	DIAGNOSTIC OUT
9	D25 20YL/VT	PCI BUS
10	G73 20LG/OR	DRIVER DOOR KEY CYLINDER SWITCH SENSE
11	G75 18TN/RD	DRIVER DOOR AJAR SWITCH SENSE
12	E21 20OR/RD	DOOR SWITCH ILLUMINATION
13	Q11 16LB	DRIVER WINDOW DRIVER (UP)
14	-	-
15	Q21 16WT	DRIVER WINDOW DRIVER (DOWN)



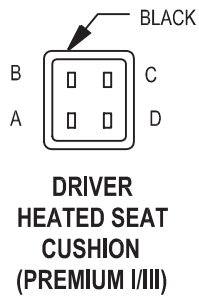
CAV	CIRCUIT	FUNCTION
1	P95 20OR	MIRROR HORIZONTAL DRIVER
2	C118 20BK/WT	MIRROR HEATER GROUND
3	P64 20VT	MIRROR VERTICAL POSITION SIGNAL
4	P69 20GY	MIRROR SENSOR GROUND
5	P65 20DG	MIRROR HORIZONTAL POSITION SIGNAL
6	C117 20BK	MIRROR HEATER 12V SUPPLY
7	P91 20WT	MIRROR COMMON DRIVER
8	P93 20RD	MIRROR VERTICAL DRIVER
9	M21 20PK/DG	COURTESY LAMP DRIVER
10	-	-
11	-	-
12	L121 20BK/RD	COURTESY LAMP GROUND



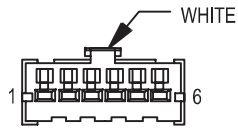
CAV	CIRCUIT	FUNCTION
1	BK	MEMORY SWITCH RETURN
2	BR	MEMORY SWITCH MUX
3	OR	MEMORY SET INDICATOR DRIVER
4	GY	SWITCH ILLUMINATION DRIVER



CAV	CIRCUIT	FUNCTION
A	P88 16BK/BR	HEATED SEAT DRIVER
B	Z6 16BK/YL	DRIVER SEAT HEATER GROUND

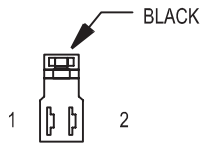


CAV	CIRCUIT	FUNCTION
A	P131 16BK/OR	DRIVER SEAT HEATER B(+) DRIVER
B	P88 16BK/BR	HEATED SEAT DRIVER
C	P135 20LB/BK	DRIVER SEAT TEMPERATURE SENSOR INPUT
D	P29 20BR/WT	SEAT SENSOR 5V SUPPLY



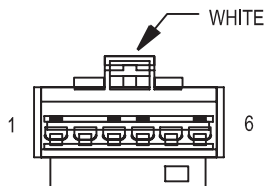
**DRIVER  
HEATED SEAT  
SWITCH**

CAV	CIRCUIT	FUNCTION
1	P133 20LG/RD	DRIVER SEAT HEATER SWITCH MUX
2	E2 20OR	PANEL LAMPS DRIVER
3	F22 20WT/PK	FUSED IGNITION SWITCH OUTPUT (RUN)
4	-	-
5	Z1 20BK	GROUND
6	P132 20OR/BK	SEAT HEATER SWITCH SENSOR GROUND



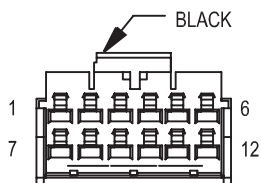
**DRIVER  
LUMBAR  
MOTOR  
(MIDLINE/PREMIUM)**

CAV	CIRCUIT	FUNCTION
1	P105 16LG/DB	LUMBAR FORWARD SWITCH SENSE
2	P104 16YL/RD	LUMBAR REARWARD SWITCH SENSE



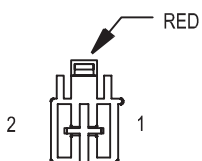
**DRIVER  
LUMBAR  
SWITCH  
(MIDLINE/PREMIUM)**

CAV	CIRCUIT	FUNCTION
1	-	-
2	Z1 16BK	GROUND
3	P104 16YL/RD	LUMBAR REARWARD SWITCH SENSE
4	P105 16LG/DB	LUMBAR FORWARD SWITCH SENSE
5	Z1 16BK	GROUND
6	F35 16RD	FUSED B(+)



**DRIVER  
POWER  
MIRROR**

CAV	CIRCUIT	FUNCTION
1	C117 20BK	MIRROR HEATER 12V SUPPLY
2	P65 20DG	MIRROR HORIZONTAL POSITION SIGNAL
3	P69 20GY	MIRROR SENSOR GROUND
4	P64 20VT	MIRROR VERTICAL POSITION SIGNAL
5	C118 20BK/WT	MIRROR HEATER GROUND
6	P95 20OR	MIRROR HORIZONTAL DRIVER
7	P114 20YL/RD	AUTO DAY NIGHT MIRROR (-)
8	-	-
9	-	-
10	P112 20YL/WT	AUTO DAY NIGHT MIRROR (+)
11	P93 20RD	MIRROR VERTICAL DRIVER
12	P91 20WT	MIRROR COMMON DRIVER

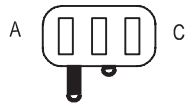


**DRIVER  
POWER SEAT  
FRONT RISER  
MOTOR**

CAV	CIRCUIT	FUNCTION
1	P19 16YL/LG ●	DRIVER SEAT FRONT UP DRIVER
1	P119 16YL/RD ●●	SEAT FRONT UP DRIVER
2	P21 16RD/LG ●	DRIVER SEAT FRONT DOWN DRIVER
2	P121 16RD/GY ●●	SEAT FRONT DOWN DRIVER

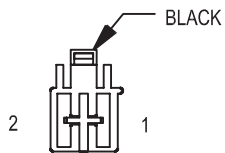
- EXCEPT PREMIUM II/III
- PREMIUM II/III





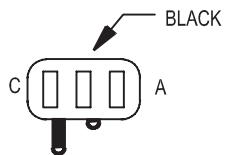
**DRIVER  
POWER SEAT  
FRONT RISER  
MOTOR SENSOR  
(PREMIUM II/III)**

CAV	CIRCUIT	FUNCTION
A	P28 20BR/RD	SEAT POSITION SENSOR GROUND
B	P26 20BR	FRONT RISER POSITION SIGNAL
C	P29 20BR/WT	SEAT SENSOR 5V SUPPLY



**DRIVER  
POWER SEAT  
HORIZONTAL  
MOTOR**

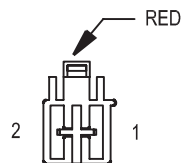
CAV	CIRCUIT	FUNCTION
1	P117 16RD/BR ●●	SEAT HORIZONTAL REARWARD DRIVER
1	P17 16RD/YL ●	DRIVER SEAT HORIZONTAL REARWARD DRIVER
2	P115 16GY/LG ●●	SEAT HORIZONTAL FORWARD DRIVER
2	P15 16YL/LB ●	DRIVER SEAT HORIZONTAL FORWARD DRIVER



**DRIVER  
POWER SEAT  
HORIZONTAL  
MOTOR SENSOR  
(PREMIUM II/III)**

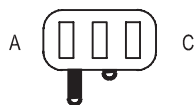
CAV	CIRCUIT	FUNCTION
A	P29 20BR/WT	SEAT SENSOR 5V SUPPLY
B	P25 20VT/RD	SEAT HORIZONTAL POSITION SIGNAL
C	P28 20BR/RD	SEAT POSITION SENSOR GROUND

- EXCEPT PREMIUM II/III
- PREMIUM II/III



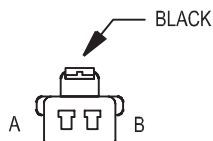
**DRIVER  
POWER SEAT  
REAR RISER  
MOTOR**

CAV	CIRCUIT	FUNCTION
1	P111 16YL/DB ●	SEAT REAR UP DRIVER
1	P11 16YL/WT ●●	DRIVER SEAT REAR UP DRIVER
2	P113 16RD/BK ●	SEAT REAR DOWN DRIVER
2	P13 16RD/WT ●●	DRIVER SEAT REAR DOWN DRIVER



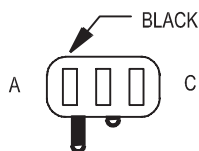
**DRIVER  
POWER SEAT  
REAR RISER  
MOTOR SENSOR  
(PREMIUM II/III)**

CAV	CIRCUIT	FUNCTION
A	P28 20BR/RD	SEAT POSITION SENSOR GROUND
B	P27 20LB/RD	REAR RISER POSITION SIGNAL
C	P29 20BR/WT	SEAT SENSOR 5V SUPPLY



**DRIVER  
POWER SEAT  
RECLINER MOTOR**

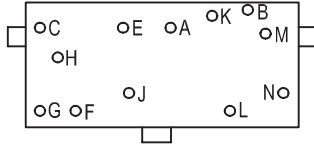
CAV	CIRCUIT	FUNCTION
A	P141 16GY/WT ●	SEAT RECLINER DOWN DRIVER
A	P41 16GY/WT ●●	RECLINER DOWN SWITCH SENSE
B	P143 16GY/LB ●	SEAT RECLINER UP DRIVER
B	P43 16GY/LB ●●	RECLINER UP SWITCH SENSE



**DRIVER POWER  
SEAT RECLINER  
MOTOR SENSOR  
(PREMIUM II/III)**

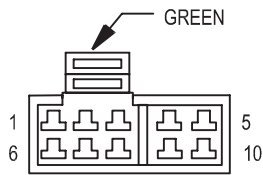
CAV	CIRCUIT	FUNCTION
A	P29 20BR/WT	SEAT SENSOR 5V SUPPLY
B	P47 20LB	RECLINER POSITION SIGNAL
C	P28 20BR/RD	SEAT POSITION SENSOR GROUND

- EXCEPT PREMIUM II/III
- PREMIUM II/III



**DRIVER  
POWER SEAT  
SWITCH  
(BASE)**

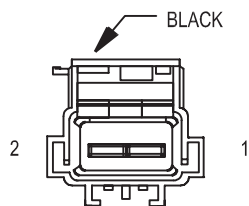
CAV	CIRCUIT	FUNCTION
A	F35 16RD	FUSED B(+)
B	Z1 16BK	GROUND
C	-	-
D	-	-
E	P21 16RD/LG	DRIVER SEAT FRONT DOWN DRIVER
F	-	-
G	-	-
H	-	-
I	-	-
J	P19 16YL/LG	DRIVER SEAT FRONT UP DRIVER
K	P15 16YL/LB	DRIVER SEAT HORIZONTAL FORWARD DRIVER
L	P17 16RD/YL	DRIVER SEAT HORIZONTAL REARWARD DRIVER
M	P13 16RD/WT	DRIVER SEAT REAR DOWN DRIVER
N	P11 16YL/WT	DRIVER SEAT REAR UP DRIVER



**DRIVER  
POWER SEAT  
SWITCH  
(MIDLINE/  
PREMIUM)**

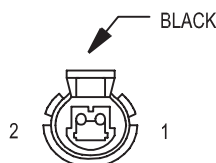
CAV	CIRCUIT	FUNCTION
1	Z1 16BK	GROUND
2	P43 16GY/LB ■	RECLINER UP SWITCH SENSE
2	P43 20GY/LB ▲	RECLINER UP SWITCH SENSE
3	P17 16RD/YL ■	DRIVER SEAT HORIZONTAL REARWARD DRIVER
3	P17 20RD/YL ▲	DRIVER SEAT HORIZONTAL REARWARD DRIVER
4	P41 16GY/WT ■	RECLINER DOWN SWITCH SENSE
4	P41 20GY/WT ▲	RECLINER DOWN SWITCH SENSE
5	F35 16RD	FUSED B(+)
5	P9 20RD/LB ▲	SEAT SWITCH B(+) SUPPLY
6	P15 20YL/LB ▲	DRIVER SEAT HORIZONTAL FORWARD DRIVER
6	P15 16YL/LB ■	DRIVER SEAT HORIZONTAL FORWARD DRIVER
7	P19 20YL/LG ▲	DRIVER SEAT FRONT UP DRIVER
7	P19 16YL/LG ■	DRIVER SEAT FRONT UP DRIVER
8	P11 20YL/WT ▲	DRIVER SEAT REAR UP DRIVER
8	P11 16YL/WT ■	DRIVER SEAT REAR UP DRIVER
9	P13 20RD/WT ▲	DRIVER SEAT REAR DOWN DRIVER
9	P13 16RD/WT ■	DRIVER SEAT REAR DOWN DRIVER
10	P21 20RD/LG ▲	DRIVER SEAT FRONT DOWN DRIVER
10	P21 16RD/LG ■	DRIVER SEAT FRONT DOWN DRIVER

▲ PREMIUM II/III  
■ MIDLINE/PREMIUM I



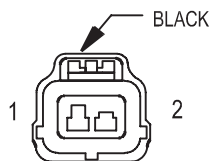
**DRIVER POWER WINDOW MOTOR**

CAV	CIRCUIT	FUNCTION
1	Q21 16WT	DRIVER WINDOW DRIVER (DOWN)
2	Q11 16LB	DRIVER WINDOW DRIVER (UP)



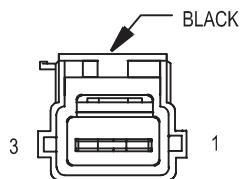
**DUTY CYCLE EVAP/PURGE SOLENOID**

CAV	CIRCUIT	FUNCTION
1	F99 20OR	FUSED IGNITION SWITCH OUTPUT (ST-RUN)
2	K52 20PK/BK	DUTY CYCLE EVAP/PURGE SOLENOID CONTROL



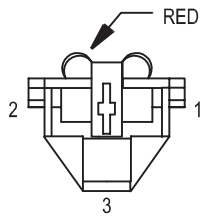
**ENGINE COOLANT TEMPERATURE SENSOR**

CAV	CIRCUIT	FUNCTION
1	K4 18BK/LB	SENSOR GROUND
2	K2 18TN/BK	ENGINE COOLANT TEMPERATURE SENSOR SIGNAL



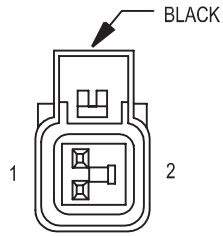
**ENGINE OIL PRESSURE SENSOR**

CAV	CIRCUIT	FUNCTION
1	K6 18VT/WT	5V SUPPLY
2	G60 18GY/YL	ENGINE OIL PRESSURE SENSOR SIGNAL
3	K4 18BK/LB	SENSOR GROUND



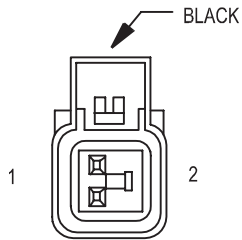
**FRONT  
POWER  
OUTLET**

CAV	CIRCUIT	FUNCTION
1	A148 16VT	FUSED B(+)
2	-	-
3	Z1 16BK	GROUND



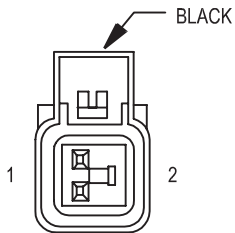
**FUEL  
INJECTOR  
NO. 1**

CAV	CIRCUIT	FUNCTION
1	K11 18WT/DB	FUEL INJECTOR NO. 1 DRIVER
2	F42 18DG/LG	FUSED AUTOMATIC SHUT DOWN RELAY OUTPUT



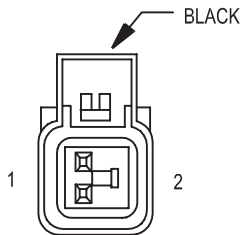
**FUEL  
INJECTOR  
NO. 2**

CAV	CIRCUIT	FUNCTION
1	K12 18TN	FUEL INJECTOR NO. 2 DRIVER
2	F42 18DG/LG	FUSED AUTOMATIC SHUT DOWN RELAY OUTPUT



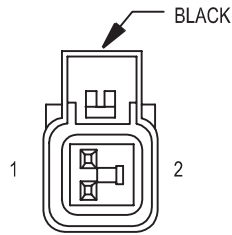
**FUEL  
INJECTOR  
NO. 3**

CAV	CIRCUIT	FUNCTION
1	K13 18YL/WT	FUEL INJECTOR NO. 3 DRIVER
2	F42 18DG/LG	FUSED AUTOMATIC SHUT DOWN RELAY OUTPUT



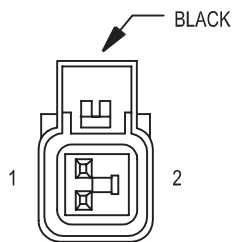
**FUEL  
INJECTOR  
NO. 4**

CAV	CIRCUIT	FUNCTION
1	K14 18LB/BR	FUEL INJECTOR NO. 4 DRIVER
2	F42 18DG/LG	FUSED AUTOMATIC SHUT DOWN RELAY OUTPUT



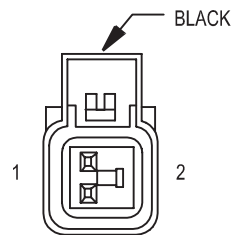
**FUEL INJECTOR NO. 5**

CAV	CIRCUIT	FUNCTION
1	K38 18GY	FUEL INJECTOR NO. 5 DRIVER
2	F42 18DG/LG	FUSED AUTOMATIC SHUT DOWN RELAY OUTPUT



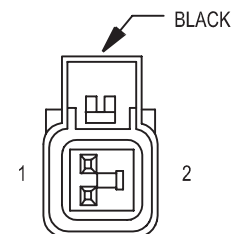
**FUEL INJECTOR NO. 6**

CAV	CIRCUIT	FUNCTION
1	K58 18BR/DB	FUEL INJECTOR NO. 6 DRIVER
2	F42 18DG/LG	FUSED AUTOMATIC SHUT DOWN RELAY OUTPUT



**FUEL INJECTOR NO. 7 (4.7L)**

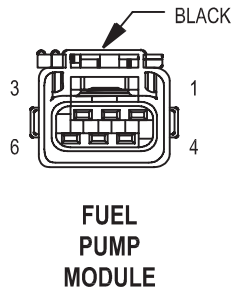
CAV	CIRCUIT	FUNCTION
1	K17 18DB/TN	FUEL INJECTOR NO. 7 DRIVER
2	F42 18DG/LG	FUSED AUTOMATIC SHUT DOWN RELAY OUTPUT



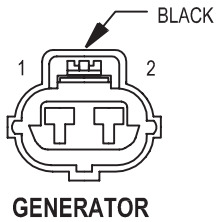
**FUEL INJECTOR NO. 8 (4.7L)**

CAV	CIRCUIT	FUNCTION
1	K18 18DB/GY	FUEL INJECTOR NO. 8 DRIVER
2	F42 18DG/LG	FUSED AUTOMATIC SHUT DOWN RELAY OUTPUT

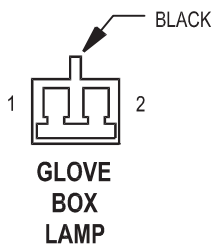




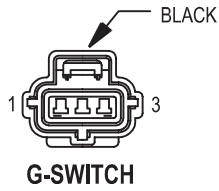
CAV	CIRCUIT	FUNCTION
1	A141 16DG/BK	FUEL PUMP RELAY OUTPUT
2	-	-
3	K226 20LB/YL	FUEL LEVEL SENSOR SIGNAL
4	K4 20BK/LB	SENSOR GROUND
5	-	-
6	Z1 16BK	GROUND



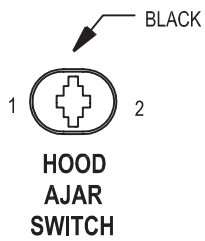
CAV	CIRCUIT	FUNCTION
1	K21 18LB/RD	GENERATOR SOURCE
2	K20 18DG	GENERATOR FIELD DRIVER



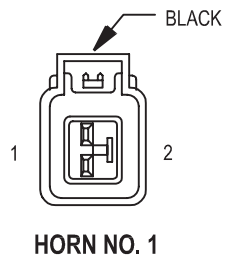
CAV	CIRCUIT	FUNCTION
1	F70 20PK/BK	FUSED B(+)
2	M20 20BR/OR	COURTESY LAMP LOAD SHED



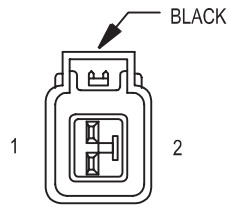
CAV	CIRCUIT	FUNCTION
1	B41 18YL/PK	G SWITCH NO. 1 SENSE
2	B43 18PK/OR	G SWITCH TEST SIGNAL
3	B42 18TN/WT	G SWITCH NO. 2 SENSE



CAV	CIRCUIT	FUNCTION
1	G70 20BR/TN	HOOD AJAR SWITCH SENSE
2	Z1 20BK	GROUND

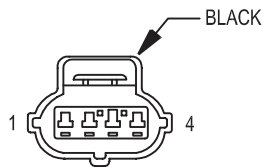


CAV	CIRCUIT	FUNCTION
1	Z1 18BK	GROUND
2	X2 18DG/RD	HORN RELAY OUTPUT



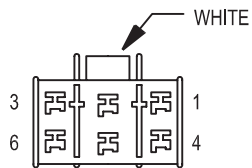
**HORN NO. 2**

CAV	CIRCUIT	FUNCTION
1	Z1 18BK	GROUND
2	X2 18DG/RD	HORN RELAY OUTPUT



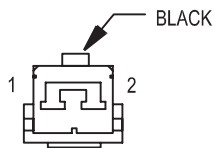
**IDLE AIR CONTROL MOTOR**

CAV	CIRCUIT	FUNCTION
1	K59 18VT/BK	IDLE AIR CONTROL NO. 4 DRIVER
2	K40 18BR/WT	IDLE AIR CONTROL NO. 3 DRIVER
3	K60 18YL/BK	IDLE AIR CONTROL NO. 2 DRIVER
4	K39 18GY/BK ●●	IDLE AIR CONTROL NO. 1 DRIVER
4	K39 18GY/RD ●	IDLE AIR CONTROL NO. 1 DRIVER



**IGNITION SWITCH - C1**

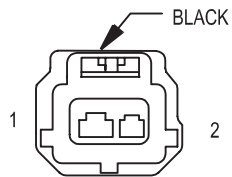
CAV	CIRCUIT	FUNCTION
1	A41 12YL	IGNITION SWITCH OUTPUT (START)
2	A2 12PK/BK	FUSED B(+)
3	A22 12BK/OR	IGNITION SWITCH OUTPUT (RUN)
4	A1 12RD	FUSED B(+)
5	A31 12RD/BK	IGNITION SWITCH OUTPUT (RUN-ACC)
6	A21 12DB	IGNITION SWITCH OUTPUT (ST-RUN)



**IGNITION SWITCH - C2**

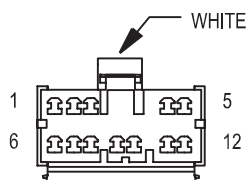
CAV	CIRCUIT	FUNCTION
1	G26 20LB	KEY-IN IGNITION SWITCH SENSE
2	Z1 20BK	GROUND

- 4.0L
- 4.7L



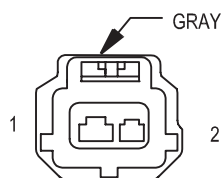
**INPUT  
SPEED  
SENSOR  
(4.7L)**

CAV	CIRCUIT	FUNCTION
1	T52 18RD/BK	INPUT SPEED SENSOR SIGNAL
2	T13 18DB/BK	SPEED SENSOR GROUND



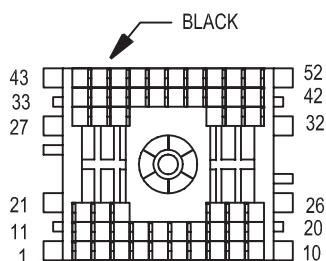
**INSTRUMENT  
CLUSTER**

CAV	CIRCUIT	FUNCTION
1	L61 20LG	LEFT TURN SIGNAL
2	L60 20TN	RIGHT TURN SIGNAL
3	-	-
4	G7 20WT/OR	VEHICLE SPEED SENSOR SIGNAL
5	G9 20GY/BK	RED BRAKE WARNING INDICATOR DRIVER
6	F33 20PK/RD	FUSED B(+)
7	G5 20DB/WT	FUSED IGNITION SWITCH OUTPUT (ST-RUN)
8	-	-
9	Z1 20BK	GROUND
10	D25 20YL/VT/RD	PCI BUS
11	Z2 20BK/OR	GROUND
12	T107 20BK/RD	PART TIME 4 WHEEL DRIVE INDICATOR DRIVER



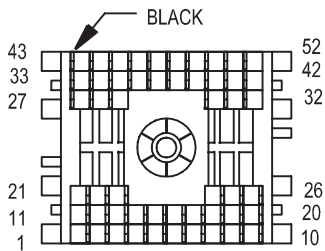
**INTAKE AIR  
TEMPERATURE  
SENSOR**

CAV	CIRCUIT	FUNCTION
1	K4 18BK/LB	SENSOR GROUND
2	K21 18BK/RD	INTAKE AIR TEMPERATURE SENSOR SIGNAL



**JUNCTION  
BLOCK - C1**

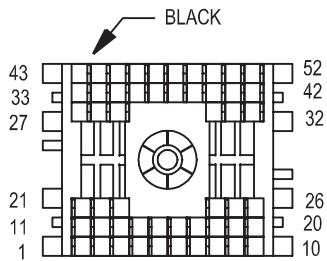
CAV	CIRCUIT	FUNCTION
1	Q30 16TN	SUNROOF DELAY RELAY OUTPUT
2	L63 18DG/RD	LEFT TURN SIGNAL
3	-	-
4	-	-
5	-	-
6	-	-
7	-	-
8	-	-
9	G73 20LG/OR	LIFTGATE COURTESY DISABLE
10	G77 20TN/OR	DOOR AJAR SWITCH SENSE
11	L7 18BK/YL	PARK LAMP RELAY OUTPUT
12	-	-
13	-	-
14	-	-
15	F35 16RD	FUSED B(+)
16	M2 20YL/DG	COURTESY LAMP DRIVER
17	-	-
18	-	-
19	G10 20LG/RD	SEAT BELT SWITCH SENSE
20	-	-
21	-	-
22	-	-
23	-	-
24	G80 20VT/YL	LIFTGATE FLIP-UP AJAR SWITCH SENSE
25	G78 20TN/BK	LIFTGATE AJAR SWITCH SENSE
26	M20 20YL/BK	COURTESY LAMP LOAD SHED
27	-	-
28	-	-
29	-	-
30	-	-
31	-	-
32	-	-
33	-	-
34	-	-
35	L50 16WT/TN	BRAKE LAMP SWITCH OUTPUT
36	-	-
37	-	-
38	-	-
39	-	-
40	-	-
41	F30 14RD/YL	CIGAR LIGHTER RELAY OUTPUT
42	-	-
43	-	-
44	-	-
45	-	-
46	-	-
47	F70 18PK	FUSED B(+)
48	G5 20DB/WT	FUSED IGNITION SWITCH OUTPUT (ST-RUN)
49	-	-
50	C15 12BK/WT	REAR WINDOW DEFOGGER RELAY OUTPUT
51	-	-
52	-	-



**JUNCTION  
BLOCK - C2**

CAV	CIRCUIT	FUNCTION
1	X4 22GY/OR	HORN RELAY CONTROL
2	G7 20WT/OR	VEHICLE SPEED SENSOR SIGNAL
3	L39 20LB	FOG LAMP RELAY OUTPUT
4	-	-
5	L61 20TN/LG	LEFT TURN SIGNAL
6	-	-
7	-	-
8	V6 16DB	FUSED IGNITION SWITCH OUTPUT (RUN-ACC)
9	V6 16DB	FUSED IGNITION SWITCH OUTPUT (RUN-ACC)
10	L62 18BR/RD	RIGHT TURN SIGNAL
11	F991 20OR/DB	FUSED IGNITION SWITCH OUTPUT (ST-RUN)
12	L39 20LB	FOG LAMP RELAY OUTPUT
13	-	-
14	-	-
15	-	-
16	-	-
17	-	-
18	-	-
19	-	-
20	L7 20BK/YL	PARK LAMP RELAY OUTPUT
21	L7 20BK/YL	PARK LAMP RELAY OUTPUT
22	-	-
23	-	-
24	F37 16RD/LB ●●	FUSED B(+)
25	F22 20WT/PK	FUSED IGNITION SWITCH OUTPUT (RUN)
26	L60 20TN	RIGHT TURN SIGNAL
27	F45 20YL/RD	FUSED IGNITION SWITCH OUTPUT (ST)
28	V55 16TN/RD	WIPER PARK SWITCH SENSE
29	-	-
30	-	-
31	A148 16VT ●●	FUSED B(+)
32	M1 20PK/RD	FUSED B(+)
33	V55 16TN/RD	WIPER PARK SWITCH SENSE
34	-	-
35	-	-
36	F21 12TN/BK	FUSED B(+)
37	-	-
38	L34 18RD/OR	FUSED RIGHT HIGH BEAM OUTPUT
39	L43 18VT	FUSED LEFT LOW BEAM OUTPUT
40	-	-
41	-	-
42	F20 18DB/PK	FUSED IGNITION SWITCH OUTPUT (RUN)
43	F99 20OR	FUSED IGNITION SWITCH OUTPUT (ST-RUN)
44	-	-
45	F21 12TN/LB	FUSED B(+)
46	-	-
47	F32 20PK/DB	FUSED B(+)
48	-	-
49	L44 18VT/RD	FUSED RIGHT LOW BEAM OUTPUT
50	L33 18RD	FUSED LEFT HIGH BEAM OUTPUT
51	-	-
52	F60 14RD/WT ●●	FUSED B(+)

●● POWER SEATS

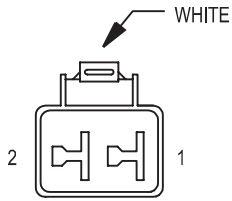


**JUNCTION  
BLOCK - C3**

■ AZC

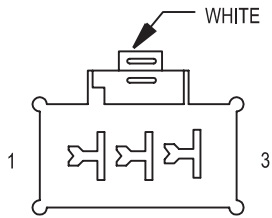
CAV	CIRCUIT	FUNCTION
1	F22 20WT/PK	FUSED IGNITION SWITCH OUTPUT (RUN)
2	-	-
3	L60 20TN	RIGHT TURN SIGNAL
4	L302 20LB/YL	RIGHT TURN SWITCH SENSE
5	L61 20LG	LEFT TURN SIGNAL
6	L91 20DB/PK	HAZARD SWITCH SENSE
7	-	-
8	L305 20LB/WT	LEFT TURN SWITCH SENSE
9	-	-
10	L11 22PK/LG	HIGH BEAM RELAY CONTROL
11	F23 18DB/YL	FUSED IGNITION SWITCH OUTPUT (RUN)
12	F22 20WT/PK	FUSED IGNITION SWITCH OUTPUT (RUN)
13	-	-
14	A148 16VT	FUSED B(+)
15	C15 20BK/WT	FUSED REAR WINDOW DEFOGGER RELAY OUTPUT
16	-	-
17	-	-
18	-	-
19	-	-
20	G7 20WT/OR	VEHICLE SPEED SENSOR SIGNAL
21	-	-
22	-	-
23	-	-
24	A31 12RD/BK	IGNITION SWITCH OUTPUT (RUN-ACC)
25	F60 16RD/WT	FUSED B(+)
26	-	-
27	A41 12YL	IGNITION SWITCH OUTPUT (START)
28	F14 18LG/YL	FUSED IGNITION SWITCH OUTPUT (ST-RUN)
29	A22 12BK/OR	IGNITION SWITCH OUTPUT (RUN)
30	-	-
31	Z1 20BK	GROUND
32	F33 20PK/RD	FUSED B(+)
33	X12 16WT/RD	FUSED IGNITION SWITCH OUTPUT (RUN-ACC)
34	M1 20PK	FUSED B(+)
35	M1 20PK ■	FUSED B(+)
36	A21 12DB	IGNITION SWITCH OUTPUT (ST-RUN)
37	-	-
38	F70 20PK/BK	FUSED B(+)
39	X4 22GY/OR	HORN RELAY CONTROL
40	F30 18RD	FUSED CIGAR LIGHTER RELAY OUTPUT
41	F33 20PK/RD	FUSED B(+)
42	-	-
43	V23 20BR/PK	FUSED IGNITION SWITCH OUTPUT (RUN-ACC)
44	M1 20PK	FUSED B(+)
45	Z2 20BK/OR	GROUND
46	-	-
47	-	-
48	F70 20PK/BK	FUSED B(+)
49	-	-
50	G5 20DB/WT	FUSED IGNITION SWITCH OUTPUT (ST-RUN)
51	G5 20DB/WT	FUSED IGNITION SWITCH OUTPUT (ST-RUN)
52	F99 20OR	FUSED IGNITION SWITCH OUTPUT (ST-RUN)





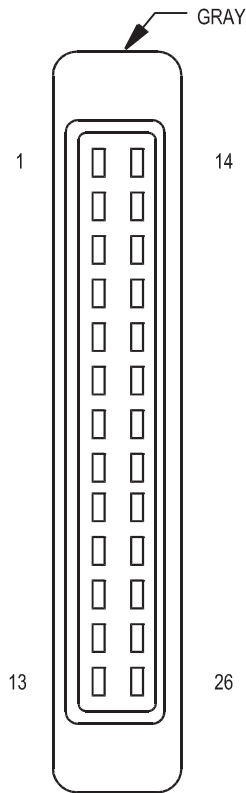
**JUNCTION  
BLOCK - C4**

CAV	CIRCUIT	FUNCTION
1	A148 10PK/WT	FUSED B(+)
2	A146 10OR/WT	FUSED B(+)



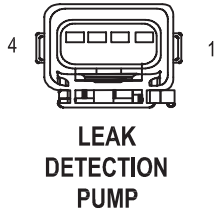
**JUNCTION  
BLOCK - C5**

CAV	CIRCUIT	FUNCTION
1	A145 10WT/RD	FUSED B(+)
2	A149 12RD/TN	FUSED B(+)
3	A147 10RD/GY	FUSED B(+)

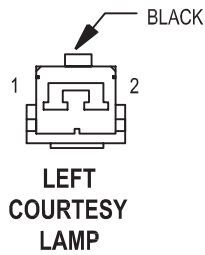


**JUNCTION  
BLOCK  
BODY  
CONTROL  
MODULE-JB**

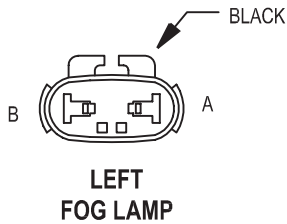
CAV	CIRCUIT	FUNCTION
1	L308	PARK LAMP RELAY CONTROL
2	L26	FOG LAMP RELAY CONTROL
3	Q29	SUNROOF DELAY RELAY CONTROL
4	L307	LOW BEAM RELAY CONTROL
5	G5	FUSED IGNITION SWITCH OUTPUT (ST-RUN)
6	X4	HORN RELAY CONTROL
7	-	-
8	-	-
9	L11	HIGH BEAM RELAY CONTROL
10	L91	HAZARD SWITCH SENSE
11	C80	REAR WINDOW DEFOGGER RELAY CONTROL
12	Z2	GROUND
13	-	-
14	L7	PARK LAMP RELAY CONTROL
15	Z1	GROUND
16	M2	COURTESY LAMP DRIVER
17	-	-
18	-	-
19	M20	COURTESY LAMP DRIVER
20	V55	WIPER PARK SWITCH SENSE
21	G78	LIFTGATE AJAR SWITCH SENSE
22	G10	SEAT BELT SWITCH SENSE
23	G77	DOOR AJAR SWITCH SENSE
24	G73	LIFTGATE COURTESY DISABLE
25	V23	FUSED IGNITION SWITCH OUTPUT (RUN-ACC)
26	M1	FUSED B(+)



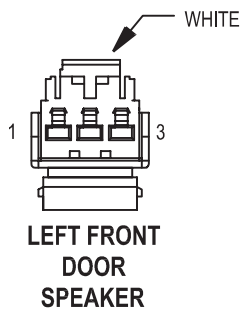
CAV	CIRCUIT	FUNCTION
1	-	-
2	F142 18OR/DG	FUSED AUTOMATIC SHUT DOWN RELAY OUTPUT
3	K106 20WT/DG	LEAK DETECTION PUMP SOLENOID CONTROL
4	K107 20OR/PK	LEAK DETECTION PUMP SWITCH SENSE



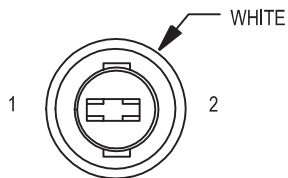
CAV	CIRCUIT	FUNCTION
1	F70 20PK/BK	FUSED B(+)
2	M2 20YL	COURTESY LAMP DRIVER



CAV	CIRCUIT	FUNCTION
A	L39 20LB	FOG LAMP RELAY OUTPUT
B	Z1 20BK	GROUND

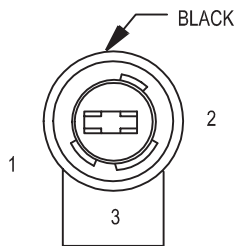


CAV	CIRCUIT	FUNCTION
1	X85 18LG/DG	LEFT FRONT DOOR SPEAKER (-)
2	-	-
3	X87 18LG/RD	LEFT FRONT DOOR SPEAKER (+)



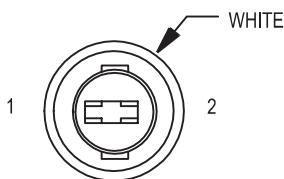
**LEFT FRONT  
PARK LAMP**

CAV	CIRCUIT	FUNCTION
1	Z1 18BK	GROUND
2	L7 20BK/PK	PARK LAMP RELAY OUTPUT



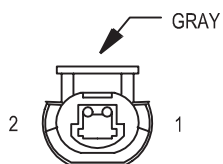
**LEFT  
FRONT  
PARK/TURN  
SIGNAL LAMP**

CAV	CIRCUIT	FUNCTION
1	L7 20BK/PK	PARK LAMP RELAY CONTROL
2	Z1 18BK	GROUND
3	L61 20TN/LG	LEFT TURN SIGNAL



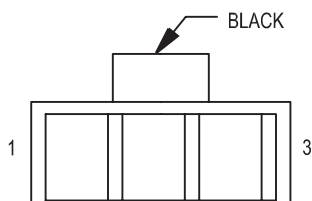
**LEFT  
FRONT SIDE  
MARKER LAMP**

CAV	CIRCUIT	FUNCTION
1	L7 20BK/PK	PARK LAMP RELAY OUTPUT
2	L61 20TN/LG	LEFT TURN SIGNAL



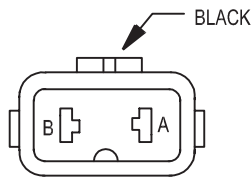
**LEFT FRONT  
WHEEL SPEED  
SENSOR**

CAV	CIRCUIT	FUNCTION
1	B8 18RD/DB	LEFT FRONT WHEEL SPEED SENSOR 12V SUPPLY
2	B9 18RD	LEFT FRONT WHEEL SPEED SENSOR SIGNAL



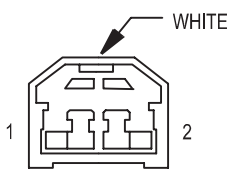
**LEFT HANDLE  
COURTESY  
LAMP SWITCH**

CAV	CIRCUIT	FUNCTION
1	M20 20YL/BK	COURTESY LAMP LOAD SHED
2	Q41 20WT	SWITCHED COURTESY LAMP DRIVER
3	M2 20YL/DG	COURTESY LAMP DRIVER



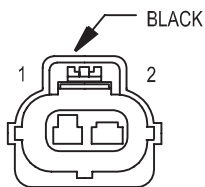
**LEFT HIGH BEAM HEADLAMP**

CAV	CIRCUIT	FUNCTION
A	Z1 18BK	GROUND
B	L33 18RD	FUSED LEFT HIGH BEAM OUTPUT



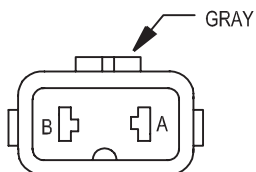
**LEFT INSTRUMENT PANEL SPEAKER**

CAV	CIRCUIT	FUNCTION
1	X83 18YL/RD	LEFT INSTRUMENT PANEL SPEAKER (+)
2	X81 18YL/BK	LEFT INSTRUMENT PANEL SPEAKER (-)



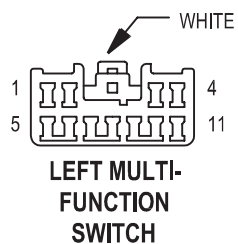
**LEFT LIFTGATE AJAR SWITCH**

CAV	CIRCUIT	FUNCTION
1	Z1 20BK	GROUND
2	G78 20TN/BK	LIFTGATE AJAR SWITCH SENSE



**LEFT LOW BEAM HEADLAMP**

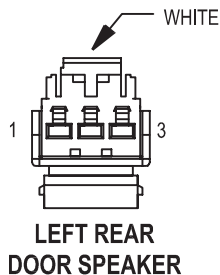
CAV	CIRCUIT	FUNCTION
A	Z1 18BK	GROUND
B	L43 18VT	FUSED LEFT LOW BEAM OUTPUT



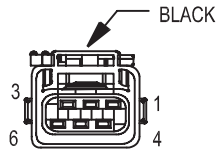
CAV	CIRCUIT	FUNCTION
1	L27 22WT/TN	FOG LAMP SWITCH SENSE
2	Z1 20BK	GROUND
3	-	-
4	L80 20WT/DG	HEADLAMP SWITCH RETURN
5	L11 22PK/LG	HIGH BEAM RELAY CONTROL
6	L40 22BR	HIGH BEAM SWITCH SENSE
7	L302 20LB/YL	RIGHT TURN SWITCH SENSE
8	L305 20LB/WT	LEFT TURN SWITCH SENSE
9	L91 20DB/PK	HAZARD SWITCH SENSE
10	E19 20RD	PANEL LAMPS DIMMER SIGNAL
11	G52 20YL	HEADLAMP SWITCH MUX



CAV	CIRCUIT	FUNCTION
1	G76 18TN/YL	DOOR AJAR SWITCH SENSE
2	Z1 18BK	GROUND
3	P36 18PK/VT	DOOR UNLOCK DRIVER
4	P35 18OR/VT	DOOR LOCK DRIVER

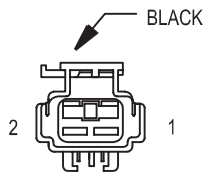


CAV	CIRCUIT	FUNCTION
1	X93 18WT/VT	LEFT REAR DOOR SPEAKER (+)
2	-	-
3	X91 18TN/DG	LEFT REAR DOOR SPEAKER (-)



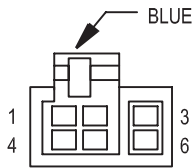
**LEFT REAR  
LAMP ASSEMBLY**

CAV	CIRCUIT	FUNCTION
1	L1 18VT/BK	BACK-UP LAMP FEED
2	-	-
3	L7 18BK/YL	PARK LAMP RELAY OUTPUT
4	L63 18DG/RD	LEFT TURN SIGNAL
5	Z1 18BK	GROUND
6	L50 18WT/TN	BRAKE LAMP SWITCH OUTPUT



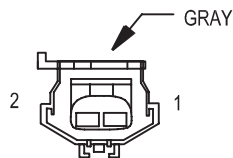
**LEFT REAR  
POWER WINDOW  
MOTOR**

CAV	CIRCUIT	FUNCTION
1	Q124 16DG/WT	WINDOW DRIVER DOWN
2	Q114 16GY/WT	WINDOW DRIVER UP



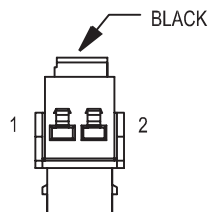
**LEFT REAR  
POWER WINDOW  
SWITCH**

CAV	CIRCUIT	FUNCTION
1	Q13 16GY	DRIVER REAR WINDOW DRIVER UP
2	Q114 16GY/WT	WINDOW DRIVER UP
3	E21 20OR/DB	DOOR SWITCH ILLUMINATION
4	Q23 16DG	DRIVER REAR WINDOW DRIVER DOWN
5	Q124 16DG/WT	WINDOW DRIVER DOWN
6	Z1 16BK	GROUND



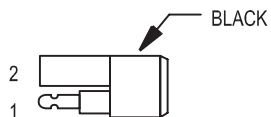
**LEFT REAR  
WHEEL SPEED  
SENSOR**

CAV	CIRCUIT	FUNCTION
1	B3 18LG/DB	LEFT REAR WHEEL SPEED SENSOR 12V SUPPLY
2	B4 18LG	LEFT REAR WHEEL SPEED SENSOR SIGNAL



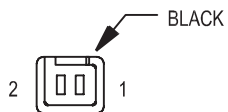
**LEFT REMOTE  
RADIO SWITCH**

CAV	CIRCUIT	FUNCTION
1	X10 20RD/BK	RADIO CONTROL MUX RETURN
2	X20 20RD/YL	RADIO CONTROL MUX



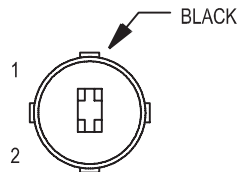
**LEFT SIDE  
REPEATER**

CAV	CIRCUIT	FUNCTION
1	Z1 18BK	GROUND
2	L61 18TN/LG	LEFT TURN SIGNAL



**LEFT VISOR/  
VANITY LAMP**

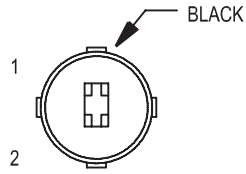
CAV	CIRCUIT	FUNCTION
1	F70 20PK	FUSED B(+)
2	M20 20YL/BK	COURTESY LAMP LOAD SHED



**LICENSE  
LAMP NO. 1**

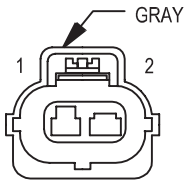
CAV	CIRCUIT	FUNCTION
1	L7 18BK/YL	PARK LAMP RELAY OUTPUT
2	Z1 18BK	GROUND





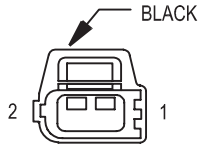
**LICENSE  
LAMP NO. 2**

CAV	CIRCUIT	FUNCTION
1	L7 18BK/YL	PARK LAMP RELAY OUTPUT
2	Z1 18BK	GROUND



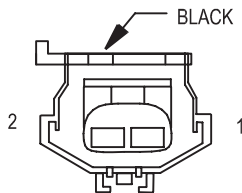
**LIFTGATE  
FLIP-UP  
AJAR SWITCH**

CAV	CIRCUIT	FUNCTION
1	Z1 20BK	GROUND
2	G80 20VT/YL	LIFTGATE FLIP-UP AJAR SWITCH SENSE



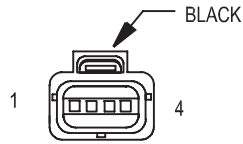
**LIFTGATE  
FLIP-UP  
PUSH BUTTON  
SWITCH**

CAV	CIRCUIT	FUNCTION
1	P101 18OR/PK	LIFTGATE FLIP-UP SWITCH OUTPUT
2	F70 18PK	FUSED B (+)



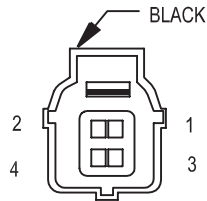
**LIFTGATE  
FLIP-UP  
RELEASE  
SOLENOID**

CAV	CIRCUIT	FUNCTION
1	Z1 18BK	GROUND
2	P100 18OR/BR	LIFTGATE GLASS LIMIT SWITCH OUTPUT



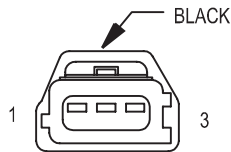
**LIFTGATE  
LOCK  
MOTOR**

CAV	CIRCUIT	FUNCTION
1	P35 18OR/VT	DOOR LOCK DRIVER
2	P36 18PK/VT	DOOR UNLOCK DRIVER
3	P101 18OR/PK	LIFTGATE FLIP-UP SWITCH OUTPUT
4	P100 18OR/BR	LIFTGATE GLASS LIMIT SWITCH OUTPUT



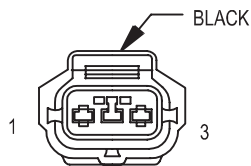
**LINE  
PRESSURE  
SENSOR  
(4.7L)**

CAV	CIRCUIT	FUNCTION
1	Z13 14BK/RD	GROUND
2	T138 14GY/LB	5V SUPPLY
3	T130 14VT/TN	LINE PRESSURE SENSOR SIGNAL
4	-	-



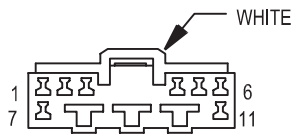
**MANIFOLD  
ABSOLUTE  
PRESSURE  
SENSOR  
(4.0L)**

CAV	CIRCUIT	FUNCTION
1	K4 18BK/LB	SENSOR GROUND
2	K1 18DG/RD	MAP SENSOR SIGNAL
3	K7 20OR	5V SUPPLY



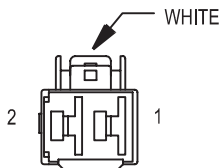
**MANIFOLD  
ABSOLUTE  
PRESSURE  
SENSOR  
(4.7L)**

CAV	CIRCUIT	FUNCTION
1	K7 20OR	5V SUPPLY
2	K4 18BK/LB	SENSOR GROUND
3	K1 18DG/RD	MAP SENSOR SIGNAL



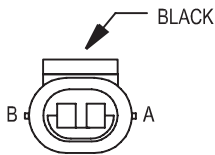
**MANUAL  
TEMPERATURE  
CONTROL - C1**

CAV	CIRCUIT	FUNCTION
1	C103 20DG	A/C SWITCH SIGNAL
2	Z2 20BK/OR	GROUND
3	C67 20RD/LB	BLEND AIR DOOR POSITION CONTROL
4	C15 20BK/WT	FUSED REAR WINDOW DEFOGGER RELAY OUTPUT
5	C15 20BK/WT	REAR WINDOW DEFOGGER SWITCH SENSE
6	F22 20WT/PK	FUSED IGNITION SWITCH OUTPUT (RUN)
7	E2 20OR	PANEL LAMPS DRIVER
8	C4 16TN	BLOWER MOTOR LOW DRIVER
9	C5 16LG	BLOWER MOTOR M1 DRIVER
10	C6 14LB	BLOWER MOTOR M2 DRIVER
11	-	-



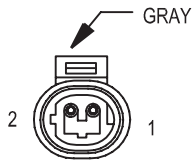
**MANUAL  
TEMPERATURE  
CONTROL - C2**

CAV	CIRCUIT	FUNCTION
1	Z1 12BK	GROUND
2	C7 12BK/TN	BLOWER MOTOR HIGH DRIVER



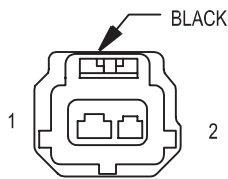
**MODE  
DOOR MOTOR/  
ACTUATOR  
(AZC)**

CAV	CIRCUIT	FUNCTION
A	C35 20TN/BK	MODE DOOR DRIVER (A)
B	C102 20YL	MODE DOOR DRIVER (B)



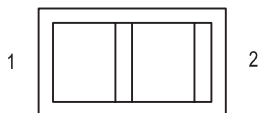
**OUTPUT  
SPEED  
SENSOR  
(4.0L)**

CAV	CIRCUIT	FUNCTION
1	T13 18DB/BK	SPEED SENSOR GROUND
2	T14 18LG/WT	OUTPUT SPEED SENSOR SIGNAL



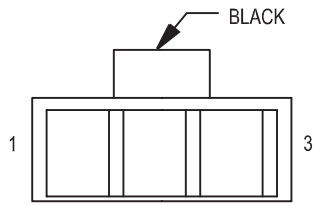
**OUTPUT  
SPEED  
SENSOR  
(4.7L)**

CAV	CIRCUIT	FUNCTION
1	T14 18LG/WT	OUTPUT SPEED SENSOR SIGNAL
2	T13 18DB/BK	SPEED SENSOR GROUND



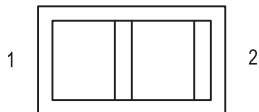
**OVERHEAD MAP/  
COURTESY LAMP  
NO. 1**

CAV	CIRCUIT	FUNCTION
1	F70 20PK	FUSED B(+)
2	Q41 20WT	SWITCHED COURTESY LAMP DRIVER



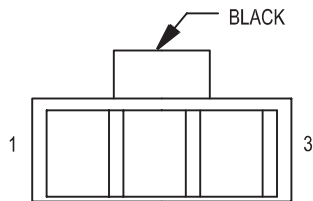
**OVERHEAD MAP/  
COURTESY LAMP  
NO. 1 SWITCH**

CAV	CIRCUIT	FUNCTION
1	M2 20YL/DG	COURTESY LAMP DRIVER
2	Q41 20WT	SWITCHED COURTESY LAMP DRIVER
3	M20 20YL/BK	COURTESY LAMP LOAD SHED



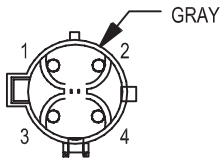
**OVERHEAD MAP/  
COURTESY LAMP  
NO. 2**

CAV	CIRCUIT	FUNCTION
1	Q41 20WT	SWITCHED COURTESY LAMP DRIVER
2	F70 20PK	FUSED B(+)



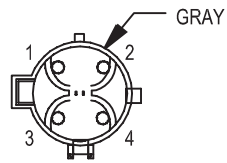
**OVERHEAD MAP/  
COURTESY LAMP  
NO. 2 SWITCH**

CAV	CIRCUIT	FUNCTION
1	M2 20YL/DG	COURTESY LAMP DRIVER
2	Q41 20WT	SWITCHED COURTESY LAMP DRIVER
3	M20 20YL/BK	COURTESY LAMP DRIVER



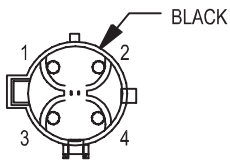
**OXYGEN  
SENSOR 1/1  
UPSTREAM  
(CALIFORNIA)**

CAV	CIRCUIT	FUNCTION
1	K100 18VT/WT	OXYGEN SENSOR UPSTREAM RELAY OUTPUT
2	Z1 18BK	GROUND
3	K4 18BK/LB	SENSOR GROUND
4	K241 18LG/RD	OXYGEN SENSOR 1/1 SIGNAL



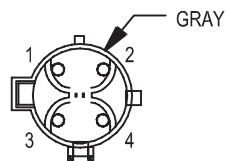
**OXYGEN  
SENSOR 1/1  
UPSTREAM  
(EXCEPT CALIFORNIA)**

CAV	CIRCUIT	FUNCTION
1	F142 18OR/DG	FUSED AUTOMATIC SHUT DOWN RELAY OUTPUT
2	Z1 18BK	GROUND
3	K4 18BK/LB	SENSOR GROUND
4	K241 18LG/RD	OXYGEN SENSOR 1/1 SIGNAL



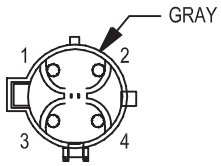
**OXYGEN  
SENSOR 1/2  
DOWNSTREAM  
(CALIFORNIA)**

CAV	CIRCUIT	FUNCTION
1	K200 18VT/OR	OXYGEN SENSOR DOWNSTREAM RELAY OUTPUT
2	Z1 18BK	GROUND
3	K4 18BK/LB	SENSOR GROUND
4	K41 18BK/DG	OXYGEN SENSOR 1/2 SIGNAL



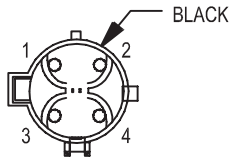
**OXYGEN  
SENSOR 1/2  
DOWNSTREAM  
(EXCEPT CALIFORNIA)**

CAV	CIRCUIT	FUNCTION
1	F142 18OR/DG	FUSED AUTOMATIC SHUT DOWN RELAY OUTPUT
2	Z1 18BK	GROUND
3	K4 18BK/LB	SENSOR GROUND
4	K41 18BK/DG	OXYGEN SENSOR 1/2 SIGNAL



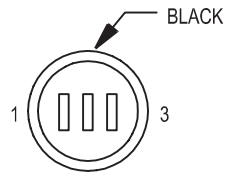
**OXYGEN  
SENSOR 2/1  
UPSTREAM  
(CALIFORNIA)**

CAV	CIRCUIT	FUNCTION
1	K100 18VT/WT	OXYGEN SENSOR UPSTREAM RELAY OUTPUT
2	Z1 18BK	GROUND
3	K4 18BK/LB	SENSOR GROUND
4	K141 18TN/WT	OXYGEN SENSOR 2/1 SIGNAL



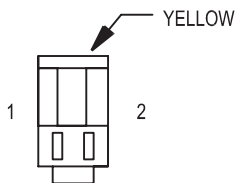
**OXYGEN  
SENSOR 2/2  
DOWNSTREAM  
(CALIFORNIA)**

CAV	CIRCUIT	FUNCTION
1	K200 18VT/OR	OXYGEN SENSOR DOWNSTREAM RELAY OUTPUT
2	Z1 18BK	GROUND
3	K4 18BK/LB	SENSOR GROUND
4	K341 18PK/WT	OXYGEN SENSOR 2/2 SIGNAL



**PARK/NEUTRAL  
POSITION  
SWITCH  
(4.0L)**

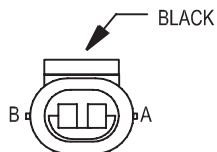
CAV	CIRCUIT	FUNCTION
1	L1 18VT/BK	BACK-UP LAMP FEED
2	T24 18BR/YL	ENGINE STARTER MOTOR RELAY CONTROL
3	F22 18WT/TN	FUSED IGNITION SWITCH OUTPUT (RUN)



**PASSENGER  
AIRBAG**

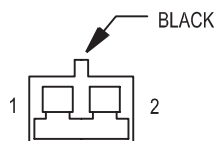
CAV	CIRCUIT	FUNCTION
1	R44 18DG/YL	PASSENGER AIRBAG LINE 1
2	R42 18BK/YL	PASSENGER AIRBAG LINE 2





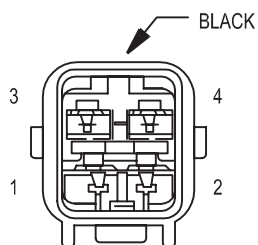
**PASSENGER BLEND DOOR MOTOR/ACTUATOR (AZC)**

CAV	CIRCUIT	FUNCTION
A	C94 20DB/RD	PASSENGER BLEND DOOR DRIVER (A)
B	C96 20DB/WT	PASSENGER BLEND DOOR DRIVER (B)



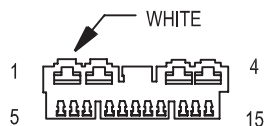
**PASSENGER DOOR COURTESY LAMP**

CAV	CIRCUIT	FUNCTION
1	M21 20PK/DG	COURTESY LAMP DRIVER
2	L121 20BK/RD	COURTESY LAMP GROUND



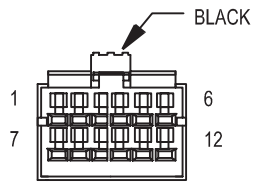
**PASSENGER DOOR LOCK MOTOR/AJAR SWITCH**

CAV	CIRCUIT	FUNCTION
1	G74 18TN/RD	PASSENGER DOOR AJAR SWITCH SENSE
2	Z1 18BK	GROUND
3	P36 18PK/VT	DOOR UNLOCK DRIVER
4	P35 18OR/VT	DOOR LOCK DRIVER



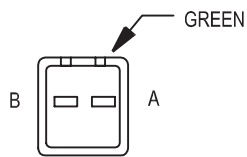
**PASSENGER DOOR MODULE - C1**

CAV	CIRCUIT	FUNCTION
1	F21 12TN/BK	FUSED B(+)
2	Q24 16DG	PASSENGER REAR WINDOW DRIVER (DOWN)
3	Q14 16GY	PASSENGER REAR WINDOW DRIVER (UP)
4	Z1 12BK	GROUND
5	P35 18OR/VT	DOOR LOCK DRIVER
6	-	-
7	P36 18PK/VT	DOOR UNLOCK DRIVER
8	-	-
9	D25 20YL/VT	PCI BUS
10	-	-
11	G74 18TN/RD	PASSENGER DOOR AJAR SWITCH SENSE
12	E20 20OR/DB	DOOR SWITCH ILLUMINATION
13	Q12 16BR	PASSENGER WINDOW DRIVER (UP)
14	-	-
15	Q22 16VT	PASSENGER WINDOW DRIVER (DOWN)



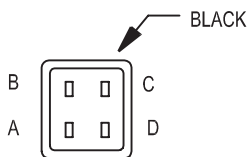
**PASSENGER  
DOOR  
MODULE-C2**

CAV	CIRCUIT	FUNCTION
1	P95 20OR	MIRROR HORIZONTAL DRIVER
2	C118 20BK/WT	MIRROR HEATER GROUND
3	P64 20VT	MIRROR VERTICAL POSITION SIGNAL
4	P69 20GY	MIRROR SENSOR GROUND
5	P65 20DG	MIRROR HORIZONTAL POSITION SIGNAL
6	C117 20BK	MIRROR HEATER 12V SUPPLY
7	P91 20WT	MIRROR COMMON DRIVER
8	P93 20RD	MIRROR VERTICAL DRIVER
9	M21 20PK/DG	COURTESY LAMP DRIVER
10	-	-
11	-	-
12	L121 20BK/RD	COURTESY LAMP GROUND



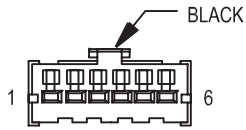
**PASSENGER  
HEATED SEAT  
BACK  
(PREMIUM I/III)**

CAV	CIRCUIT	FUNCTION
A	P88 16BK/BR	HEATED SEAT DRIVER
B	Z5 16BK/VT	GROUND



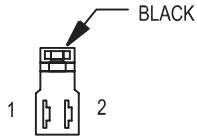
**PASSENGER  
HEATED SEAT  
CUSHION  
(PREMIUM I/III)**

CAV	CIRCUIT	FUNCTION
A	P130 16DG/WT	PASSENGER SEAT HEATER B(+) DRIVER
B	P88 16BK/BR	HEATED SEAT DRIVER
C	P86 20DG/YL	PASSENGER SEAT TEMPERATURE SENSOR INPUT
D	P29 20BR/WT	SEAT SENSOR 5V SUPPLY



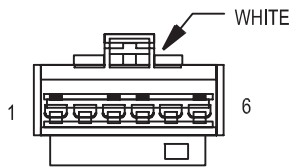
**PASSENGER HEATED SEAT SWITCH**

CAV	CIRCUIT	FUNCTION
1	P134 20LG/WT	PASSENGER SEAT HEATER SWITCH MUX
2	E2 20OR	PANEL LAMPS DRIVER
3	F22 20WT/PK	FUSED IGNITION SWITCH OUTPUT (RUN)
4	-	-
5	Z1 20BK	GROUND
6	P132 20OR/BK	SEAT HEATER SWITCH SENSOR GROUND



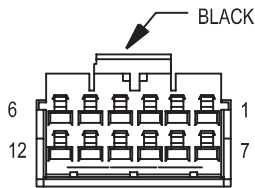
**PASSENGER LUMBAR MOTOR (MIDLINE/PREMIUM)**

CAV	CIRCUIT	FUNCTION
1	P104 16YL/RD	LUMBAR REARWARD SWITCH SENSE
2	P105 16LG/DB	LUMBAR FORWARD SWITCH SENSE



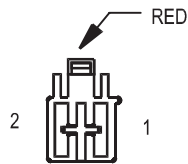
**PASSENGER LUMBAR SWITCH (MIDLINE/PREMIUM)**

CAV	CIRCUIT	FUNCTION
1	-	-
2	Z1 16BK	GROUND
3	P105 16LG/DB	LUMBAR FORWARD SWITCH SENSE
4	P104 16YL/RD	LUMBAR REARWARD SWITCH SENSE
5	Z1 16BK	GROUND
6	F37 16RD/LB	FUSED B(+)



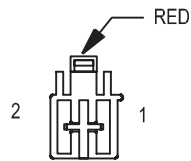
**PASSENGER POWER MIRROR**

CAV	CIRCUIT	FUNCTION
1	P95 20OR	MIRROR HORIZONTAL DRIVER
2	C118 20BK/WT	MIRROR HEATER GROUND
3	P64 20VT	MIRROR VERTICAL POSITION SIGNAL
4	P69 20GY	MIRROR SENSOR GROUND
5	P65 20DG	MIRROR HORIZONTAL POSITION SIGNAL
6	C117 20BK	MIRROR HEATER 12V SUPPLY
7	P91 20WT	MIRROR COMMON DRIVER
8	P93 20RD	MIRROR VERTICAL DRIVER
9	-	-
10	-	-
11	-	-
12	-	-



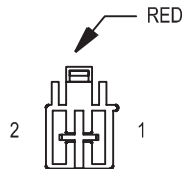
**PASSENGER POWER SEAT FRONT RISER MOTOR**

CAV	CIRCUIT	FUNCTION
1	P18 16YL/LG	PASSENGER SEAT FRONT UP DRIVER
2	P20 16RD/LG	PASSENGER SEAT FRONT DOWN DRIVER



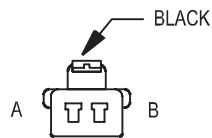
**PASSENGER  
POWER SEAT  
HORIZONTAL  
MOTOR**

CAV	CIRCUIT	FUNCTION
1	P16 16RD/YL	PASSENGER SEAT HORIZONTAL REARWARD DRIVER
2	P14 16YL/LB	PASSENGER SEAT HORIZONTAL FORWARD DRIVER



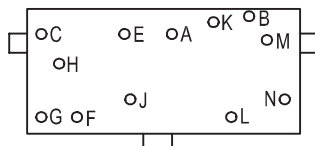
**PASSENGER  
POWER SEAT  
REAR RISER  
MOTOR**

CAV	CIRCUIT	FUNCTION
1	P10 16YL/WT	PASSENGER SEAT REAR UP DRIVER
2	P12 16RD/WT	PASSENGER SEAT REAR DOWN DRIVER



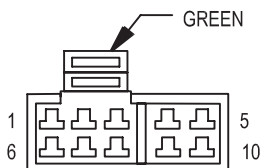
**PASSENGER  
POWER SEAT  
RECLINER MOTOR  
(MIDLINE/PREMIUM)**

CAV	CIRCUIT	FUNCTION
A	P42 16BR/WT	PASSENGER SEAT RECLINER DOWN DRIVER
B	P44 16GY/LB	PASSENGER SEAT RECLINER UP DRIVER



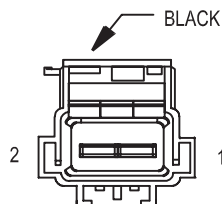
**PASSENGER  
POWER SEAT  
SWITCH  
(BASE)**

CAV	CIRCUIT	FUNCTION
A	F37 16RD/LB	FUSED B(+)
B	Z1 16BK	GROUND
C	-	-
D	-	-
E	P18 16YL/LG	PASSENGER SEAT FRONT UP DRIVER
F	-	-
G	-	-
H	-	-
I	-	-
J	P20 16RD/LG	PASSENGER SEAT FRONT DOWN DRIVER
K	P14 16YL/LB	PASSENGER SEAT HORIZONTAL FORWARD DRIVER
L	P16 16RD/YL	PASSENGER SEAT HORIZONTAL REARWARD DRIVER
M	P10 16YL/WT	PASSENGER SEAT REAR UP DRIVER
N	P12 16RD/WT	PASSENGER SEAT REAR DOWN DRIVER



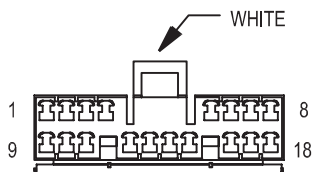
**PASSENGER  
POWER SEAT  
SWITCH  
(MIDLINE/PREMIUM)**

CAV	CIRCUIT	FUNCTION
1	Z1 16BK	GROUND
2	P44 16GY/LB	PASSENGER SEAT RECLINER UP DRIVER
3	P16 16RD/YL	PASSENGER SEAT HORIZONTAL REARWARD DRIVER
4	P42 16BR/WT	PASSENGER SEAT RECLINER DOWN DRIVER
5	F37 16RD/LB	FUSED B(+)
6	P14 16YL/LB	PASSENGER SEAT HORIZONTAL FORWARD DRIVER
7	P20 16RD/LG	PASSENGER SEAT FRONT DOWN DRIVER
8	P12 16RD/WT	PASSENGER SEAT REAR DOWN DRIVER
9	P10 16YL/WT	PASSENGER SEAT REAR UP DRIVER
10	P18 16YL/LG	PASSENGER SEAT FRONT UP DRIVER



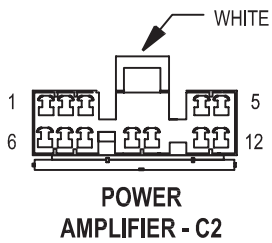
**PASSENGER  
POWER WINDOW  
MOTOR**

CAV	CIRCUIT	FUNCTION
1	Q22 16VT	PASSENGER WINDOW DRIVER (DOWN)
2	Q12 16BR	PASSENGER WINDOW DRIVER (UP)

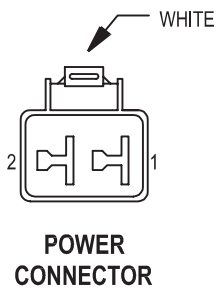


**POWER  
AMPLIFIER - C1**

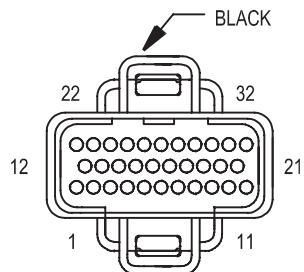
CAV	CIRCUIT	FUNCTION
1	-	-
2	F60 16RD/WT	FUSED B(+)
3	Z1 16BK	GROUND
4	-	-
5	X58 18DB/OR	RIGHT REAR SPEAKER (-)
6	X57 18DG/WT	LEFT REAR SPEAKER (-)
7	X56 18DB/PK	RIGHT FRONT SPEAKER (-)
8	X55 18BR/RD	LEFT FRONT SPEAKER (-)
9	-	-
10	F60 16RD/WT	FUSED B(+)
11	Z1 16BK	GROUND
12	-	-
13	X64 18BR/WT	ENABLE SIGNAL TO AMPLIFIER
14	-	-
15	X52 18DB/WT	RIGHT REAR SPEAKER (+)
16	X51 18WT/DG	LEFT REAR SPEAKER (+)
17	X54 18VT	RIGHT FRONT SPEAKER (+)
18	X53 18DG/OR	LEFT FRONT SPEAKER (+)



CAV	CIRCUIT	FUNCTION
1	X90 18WT/VT	RIGHT REAR DOOR SPEAKER (+)
2	X92 18TN/DG	RIGHT REAR DOOR SPEAKER (-)
3	X85 18LG/DG	LEFT FRONT DOOR SPEAKER (-)
4	X83 18YL/RD	LEFT INSTRUMENT PANEL SPEAKER (+)
5	X84 18OR/GY	RIGHT INSTRUMENT PANEL SPEAKER (-)
6	X93 18DG/WT	LEFT REAR DOOR SPEAKER (+)
7	X91 18WT/DG	LEFT REAR DOOR SPEAKER (-)
8	X87 18LG/RD	LEFT FRONT DOOR SPEAKER (+)
9	X80 18LB/BK	RIGHT FRONT DOOR SPEAKER (-)
10	X82 18LB/RD	RIGHT FRONT DOOR SPEAKER (+)
11	X81 18YL/BK	LEFT INSTRUMENT PANEL SPEAKER (-)
12	X86 18OR/RD	RIGHT INSTRUMENT PANEL SPEAKER (+)



CAV	CIRCUIT	FUNCTION
1	A148 16VT	FUSED B (+)
2	Z1 16BK	GROUND

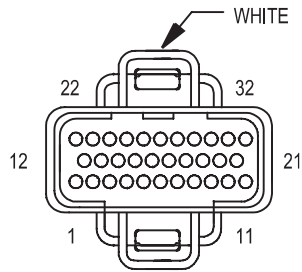


**POWERTRAIN  
CONTROL  
MODULE - C1**

CAV	CIRCUIT	FUNCTION
1	K93 16TN/OR •	COIL DRIVER NO. 3
1	K93 14TN/OR ••	COIL DRIVER NO. 3
2	F991 18OR/DB	FUSED IGNITION SWITCH OUTPUT (ST-RUN)
3	K94 14TN/LG ••	COIL DRIVER NO. 4
4	K4 18BK/LB	SENSOR GROUND
5	K96 14TN/LB ••	COIL DRIVER NO. 6
6	T24 18BR/YL	ENGINE STARTER MOTOR RELAY CONTROL
7	K91 16TN/RD •	COIL DRIVER NO. 1
7	K91 14TN/RD ••	COIL DRIVER NO. 1
8	K24 18GY/BK	CRANKSHAFT POSITION SENSOR SIGNAL
9	K98 14LB/RD ••	COIL DRIVER NO. 8
10	K60 18YL/BK	IDLE AIR CONTROL NO. 2 DRIVER
11	K40 18BR/WT	IDLE AIR CONTROL NO. 3 DRIVER
12	-	-
13	-	-
14	-	-
15	K21 18BK/RD	INTAKE AIR TEMPERATURE SENSOR SIGNAL
16	K2 18TN/BK	ENGINE COOLANT TEMPERATURE SENSOR SIGNAL
17	K7 18OR	5V SUPPLY
18	K44 18TN/YL	CAMSHAFT POSITION SENSOR SIGNAL
19	K39 18GY/RD •	IDLE AIR CONTROL NO. 1 DRIVER
19	K39 18GY/BK ••	IDLE AIR CONTROL NO. 1 DRIVER
20	K59 18VT/BK	IDLE AIR CONTROL NO. 4 DRIVER
21	K95 14TN/DG ••	COIL DRIVER NO. 5
22	A7 14RD/BK	FUSED B(+)
23	K22 18OR/RD	THROTTLE POSITION SENSOR SIGNAL
24	K241 18LG/RD	OXYGEN SENSOR 1/1 SIGNAL
25	K41 18BK/DG	OXYGEN SENSOR 1/2 SIGNAL
26	K141 18TN/WT	OXYGEN SENSOR 2/1 SIGNAL
27	K1 18DG/RD	MAP SENSOR SIGNAL
28	-	-
29	K341 18PK/WT	OXYGEN SENSOR 2/2 SIGNAL
30	-	-
31	Z11 14BK/WT	GROUND
32	Z12 14BK/TN	GROUND

•• 4.7L  
• 4.0L

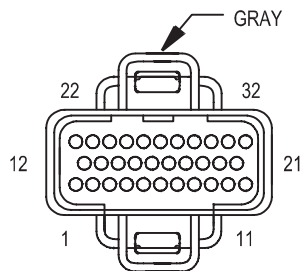




**POWERTRAIN  
CONTROL  
MODULE - C2**

CAV	CIRCUIT	FUNCTION
1	T54 18VT •	TRANSMISSION TEMPERATURE SENSOR SIGNAL
2	K17 18DB/TN ••	FUEL INJECTOR NO. 7 DRIVER
3	-	-
4	K11 18WT/DB	FUEL INJECTOR NO. 1 DRIVER
5	K13 18YL/WT	FUEL INJECTOR NO. 3 DRIVER
6	K38 18GY	FUEL INJECTOR NO. 5 DRIVER
7	K97 14BR ••	COIL DRIVER NO. 7
8	K88 18PK •	GOVERNOR PRESSURE SOLENOID CONTROL
9	K92 16TN/PK •	COIL DRIVER NO. 2
9	K92 14TN/PK ••	COIL DRIVER NO. 2
10	K20 18DG	GENERATOR FIELD DRIVER
11	T22 18DG/LB •	TORQUE CONVERTER CLUTCH SOLENOID CONTROL
12	K58 18BR/DB	FUEL INJECTOR NO. 6 DRIVER
13	K18 18DB/GY ••	FUEL INJECTOR NO. 8 DRIVER
14	-	-
15	K12 18TN	FUEL INJECTOR NO. 2 DRIVER
16	K14 18LB/BR	FUEL INJECTOR NO. 4 DRIVER
17	C24 18DB/PK	RADIATOR FAN RELAY CONTROL
18	-	-
19	-	-
20	-	-
21	T121 18BR/WT •	3-4 SHIFT SOLENOID CONTROL
22	-	-
23	G60 18GY/YL	ENGINE OIL PRESSURE SENSOR SIGNAL
24	-	-
25	T13 18DB/BK •	SPEED SENSOR GROUND
26	-	-
27	G7 18WT/OR	VEHICLE SPEED SENSOR SIGNAL
28	T14 18LG/WT •	OUTPUT SPEED SENSOR SIGNAL
29	T25 18LG/RD •	GOVERNOR PRESSURE SENSOR SIGNAL
30	K30 18PK/YL •	TRANSMISSION CONTROL RELAY CONTROL
31	K6 18VT/WT	5V SUPPLY
32	-	-

• 4.0L  
•• 4.7L



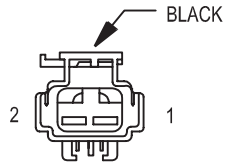
**POWERTRAIN  
CONTROL  
MODULE - C3**

CAV	CIRCUIT	FUNCTION
1	C13 18DB/OR	A/C COMPRESSOR CLUTCH RELAY CONTROL
2	-	-
3	K51 18DB/YL	AUTOMATIC SHUT DOWN RELAY CONTROL
4	V36 18TN/RD	SPEED CONTROL VACUUM SOLENOID CONTROL
5	V35 18LG/RD	SPEED CONTROL VENT SOLENOID CONTROL
6	-	-
7	-	-
8	K151 18GY ●●	OXYGEN SENSOR UPSTREAM RELAY CONTROL
9	K251 18LB ●●	OXYGEN SENSOR DOWNSTREAM RELAY CONTROL
10	K106 18WT/DG	LEAK DETECTION PUMP SOLENOID CONTROL
11	V32 18OR/DG	SPEED CONTROL POWER SUPPLY
12	F42 18DG/LG	FUSED AUTOMATIC SHUT DOWN RELAY OUTPUT
13	T99 18OR/YL ■	TORQUE MANAGEMENT REQUEST SENSE
13	T99 18OR/YL ▲	OVERDRIVE OFF SWITCH SENSE
14	K107 18OR/PK	LEAK DETECTION PUMP SWITCH SENSE
15	K25 18VT/LG	BATTERY TEMPERATURE SENSOR SIGNAL
16	-	-
17	-	-
18	-	-
19	K31 18BR	FUEL PUMP RELAY CONTROL
20	K52 18PK/BK	DUTY CYCLE EVAP/PURGE SOLENOID CONTROL
21	-	-
22	C18 18DB	A/C PRESSURE SIGNAL
23	-	-
24	K29 18WT/PK	BRAKE SWITCH SENSE
25	K21 18LB/RD	GENERATOR SOURCE
26	K226 18LB/YL	FUEL LEVEL SENSOR SIGNAL
27	D21 18PK	SCI TRANSMIT
28	-	-
29	D32 18LG/DG	SCI RECEIVE
30	D25 18YL/VT	PCI BUS
31	-	-
32	V37 18RD/LG	SPEED CONTROL SWITCH SIGNAL

▲ 4.0L

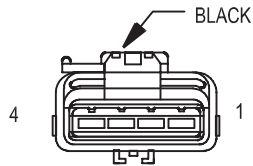
■ 4.7L

●● CALIFORNIA



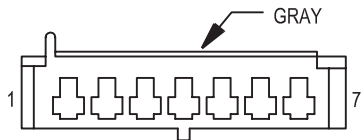
**RADIATOR FAN MOTOR**

CAV	CIRCUIT	FUNCTION
1	C23 12DG	RADIATOR FAN RELAY OUTPUT
2	Z4 12BK/PK	GROUND



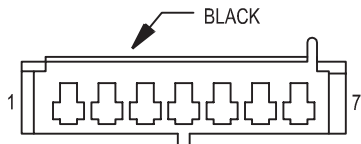
**RADIATOR FAN RELAY**

CAV	CIRCUIT	FUNCTION
1	Z1 20BK	GROUND
2	C24 20DB/PK	RADIATOR FAN RELAY CONTROL
3	C23 12DG	RADIATOR FAN RELAY OUTPUT
4	A16 12GY	FUSED B(+)



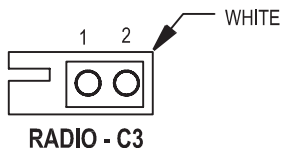
**RADIO - C1**

CAV	CIRCUIT	FUNCTION
1	-	-
2	X55 18BR/RD	LEFT FRONT SPEAKER (-)
3	X56 18DB/PK	RIGHT FRONT SPEAKER (-)
4	L7 18BK/YL	PARK LAMP RELAY OUTPUT
5	E2 20OR	PANEL LAMPS DRIVER
6	X12 16WT/RD	FUSED IGNITION SWITCH OUTPUT (RUN-ACC)
7	F60 16RD/WT	FUSED B(+)

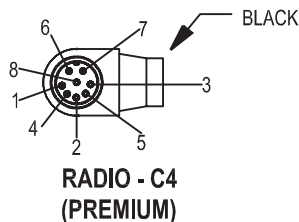


**RADIO - C2**

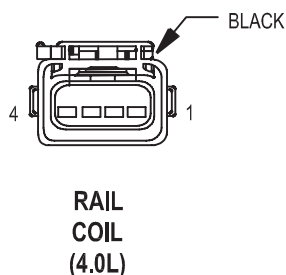
CAV	CIRCUIT	FUNCTION
1	X64 18BR/WT	ENABLE SIGNAL TO AMPLIFIER
2	X51 18WT/DG	LEFT REAR SPEAKER (+)
3	X52 18DB/WT	RIGHT REAR SPEAKER (+)
4	X53 18DG/OR	LEFT FRONT SPEAKER (+)
5	X54 18VT	RIGHT FRONT SPEAKER (+)
6	X57 18DG/WT	LEFT REAR SPEAKER (-)
7	X58 18DB/OR	RIGHT REAR SPEAKER (-)



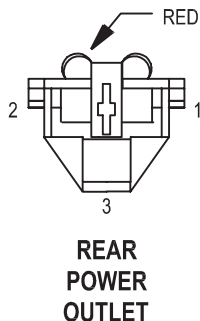
CAV	CIRCUIT	FUNCTION
1	D25 18YL/VT/DB	PCI BUS
2	-	-



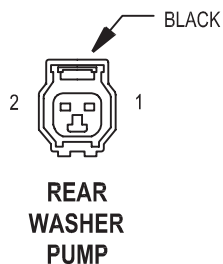
CAV	CIRCUIT	FUNCTION
1	-	-
2	X40 22WT/RD	AUDIO OUT RIGHT
3	-	-
4	Z4 22WT/BK	GROUND
5	X41 22WT/DG	AUDIO OUT LEFT
6	X160 22YL	B(+)
7	X112 22RD	IGNITION SWITCH OUTPUT
8	Z17 22BK	GROUND



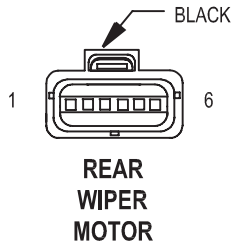
CAV	CIRCUIT	FUNCTION
1	K91 16TN/RD	COIL DRIVER NO. 1
2	A142 16DG/OR	AUTOMATIC SHUT DOWN RELAY OUTPUT
3	K92 16TN/PK	COIL DRIVER NO. 2
4	K93 16TN/OR	COIL DRIVER NO. 3



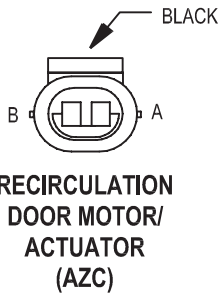
CAV	CIRCUIT	FUNCTION
1	A148 16VT	FUSED B(+)
2	-	-
3	Z1 16BK	GROUND



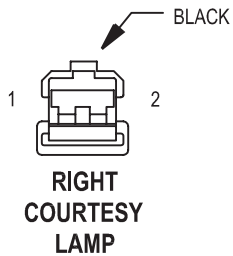
CAV	CIRCUIT	FUNCTION
1	Z1 18BK	GROUND
2	V20 18BK/WT	REAR WASHER MOTOR CONTROL



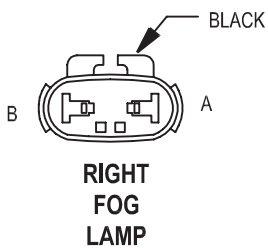
CAV	CIRCUIT	FUNCTION
1	Z1 18BK	GROUND
2	V13 18BR/LG	REAR WIPER MOTOR CONTROL
3	G80 20VT/YL	LIFTGATE FLIP-UP AJAR SWITCH SENSE
4	V22 18BR/YL	REAR WASHER SWITCH OUTPUT
5	F70 18PK	FUSED B(+)
6	-	-



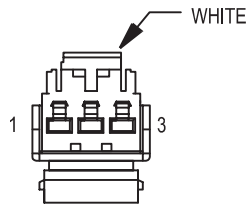
CAV	CIRCUIT	FUNCTION
A	C100 20LB/DG	RECIRCULATION DOOR DRIVER (B)
B	C32 20VT/OR	RECIRCULATION DOOR DRIVER (A)



CAV	CIRCUIT	FUNCTION
1	F70 20PK/BK	FUSED B (+)
2	M2 20YL	COURTESY LAMP DRIVER

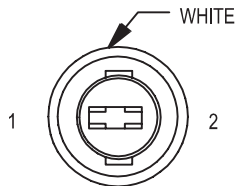


CAV	CIRCUIT	FUNCTION
A	L39 20LB	FOG LAMP RELAY OUTPUT
B	Z1 20BK	GROUND



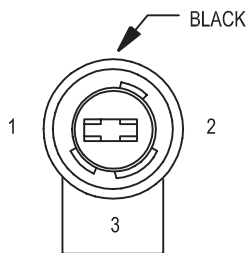
**RIGHT FRONT  
DOOR SPEAKER**

CAV	CIRCUIT	FUNCTION
1	X80 18LB/BK	RIGHT FRONT DOOR SPEAKER (-)
2	-	-
3	X82 18LB/RD	RIGHT FRONT DOOR SPEAKER (+)



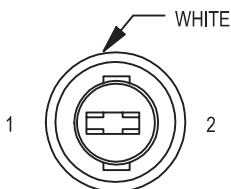
**RIGHT  
FRONT  
PARK  
LAMP**

CAV	CIRCUIT	FUNCTION
1	Z1 18BK	GROUND
2	L7 20BK/PK	PARK LAMP RELAY OUTPUT



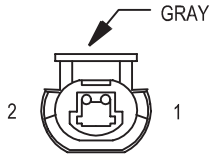
**RIGHT  
FRONT  
PARK/TURN  
SIGNAL LAMP**

CAV	CIRCUIT	FUNCTION
1	L7 20BK/PK	PARK LAMP RELAY OUTPUT
2	Z1 18BK	GROUND
3	L60 20TN	RIGHT TURN SIGNAL



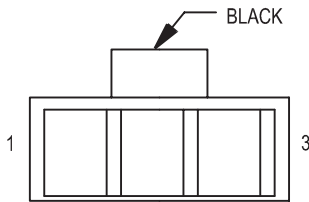
**RIGHT  
FRONT  
SIDE  
MARKER  
LAMP**

CAV	CIRCUIT	FUNCTION
1	L7 20BK/PK	PARK LAMP RELAY OUTPUT
2	L60 20TN	RIGHT TURN SIGNAL



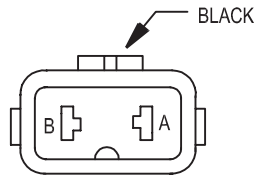
**RIGHT FRONT  
WHEEL SPEED  
SENSOR**

CAV	CIRCUIT	FUNCTION
1	B6 18WT/DB	RIGHT FRONT WHEEL SPEED SENSOR 12V SUPPLY
2	B7 18WT	RIGHT FRONT WHEEL SPEED SENSOR SIGNAL



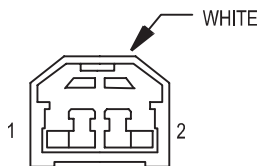
**RIGHT HANDLE  
COURTESY  
LAMP SWITCH**

CAV	CIRCUIT	FUNCTION
1	M20 20YL/BK	COURTESY LAMP LOAD SHED
2	Q41 20WT	SWITCHED COURTESY LAMP DRIVER
3	M2 20YL/DG	COURTESY LAMP DRIVER



**RIGHT HIGH BEAM  
HEADLAMP**

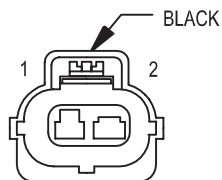
CAV	CIRCUIT	FUNCTION
A	Z1 18BK	GROUND
B	L34 18RD/OR	FUSED RIGHT HIGH BEAM OUTPUT



**RIGHT  
INSTRUMENT  
PANEL  
SPEAKER**

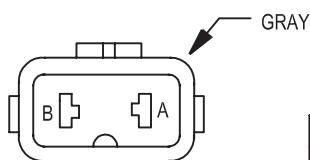
CAV	CIRCUIT	FUNCTION
1	X86 18OR/RD	RIGHT INSTRUMENT PANEL SPEAKER (+)
2	X84 18OR/GY	RIGHT INSTRUMENT PANEL SPEAKER (-)





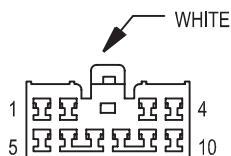
**RIGHT  
LIFTGATE  
AJAR SWITCH**

CAV	CIRCUIT	FUNCTION
1	Z1 20BK	GROUND
2	G78 20TN/BK	LIFTGATE AJAR SWITCH SENSE



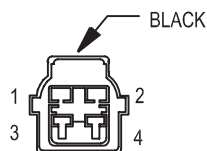
**RIGHT LOW BEAM  
HEADLAMP**

CAV	CIRCUIT	FUNCTION
A	Z1 18BK	GROUND
B	L44 18VT/RD	FUSED RIGHT LOW BEAM OUTPUT



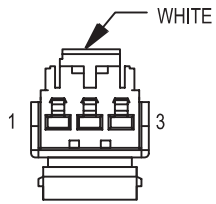
**RIGHT MULTI-  
FUNCTION  
SWITCH**

CAV	CIRCUIT	FUNCTION
1	V23 20BR/PK	FUSED IGNITION SWITCH OUTPUT (RUN-ACC)
2	V20 18BK/WT	REAR WASHER MOTOR CONTROL
3	V10 20BR	WASHER PUMP SWITCH SENSE
4	-	-
5	V13 18BR/LG	REAR WIPER MOTOR CONTROL
6	V22 18BR/YL	REAR WIPER MOTOR INTERMITTENT CONTROL
7	V59 22DB/YL	WINDSHIELD WIPER SWITCH RETURN
8	V52 22DG/RD	WINDSHIELD WIPER SWITCH MUX
9	V16 22VT	WIPER HIGH/LOW RELAY CONTROL
10	-	-



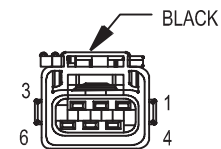
**RIGHT REAR  
DOOR LOCK  
MOTOR/AJAR  
SWITCH**

CAV	CIRCUIT	FUNCTION
1	G76 18TN/YL	DOOR AJAR SWITCH SENSE
2	Z1 18BK	GROUND
3	P36 18PK/VT	DOOR UNLOCK DRIVER
4	P35 18OR/VT	DOOR LOCK DRIVER



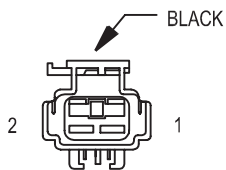
**RIGHT REAR  
DOOR  
SPEAKER**

CAV	CIRCUIT	FUNCTION
1	X90 18WT/VT	RIGHT REAR DOOR SPEAKER (+)
2	-	-
3	X92 18TN/DG	RIGHT REAR DOOR SPEAKER (-)



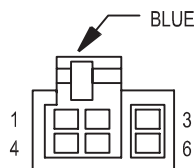
**RIGHT REAR  
LAMP ASSEMBLY**

CAV	CIRCUIT	FUNCTION
1	L1 18VT/BK	BACK-UP LAMP FEED
2	-	-
3	L7 18BK/YL	PARK LAMP RELAY OUTPUT
4	L62 18BR/RD	RIGHT TURN SIGNAL
5	Z1 18BK	GROUND
6	L50 18WT/TN	BRAKE LAMP SWITCH OUTPUT



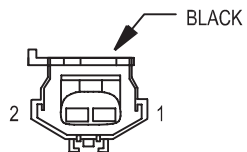
**RIGHT REAR  
POWER WINDOW  
MOTOR**

CAV	CIRCUIT	FUNCTION
1	Q124 16DG/WT	WINDOW DRIVER DOWN
2	Q114 16GY/WT	WINDOW DRIVER UP



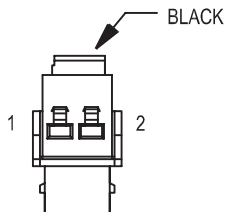
**RIGHT REAR  
POWER WINDOW  
SWITCH**

CAV	CIRCUIT	FUNCTION
1	Q14 16GY	PASSENGER REAR WINDOW DRIVER UP
2	Q114 16GY/WT	WINDOW DRIVER UP
3	E20 20OR/DB	DOOR SWITCH ILLUMINATION
4	Q24 16DG	PASSENGER REAR WINDOW DRIVER DOWN
5	Q124 16DG/WT	WINDOW DRIVER DOWN
6	Z1 16BK	GROUND



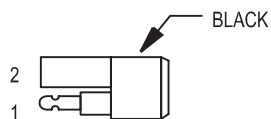
**RIGHT REAR  
WHEEL SPEED  
SENSOR**

CAV	CIRCUIT	FUNCTION
1	B1 18YL/DB	RIGHT REAR WHEEL SPEED SENSOR 12V SUPPLY
2	B2 18YL	RIGHT REAR WHEEL SPEED SENSOR SIGNAL



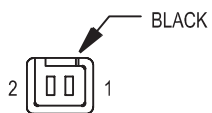
**RIGHT REMOTE  
RADIO SWITCH**

CAV	CIRCUIT	FUNCTION
1	X10 20RD/BK	RADIO CONTROL MUX RETURN
2	X20 20RD/YL	RADIO CONTROL MUX



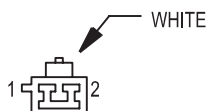
**RIGHT SIDE  
REPEATER**

CAV	CIRCUIT	FUNCTION
1	Z1 18BK	GROUND
2	L60 18TN	RIGHT TURN SIGNAL



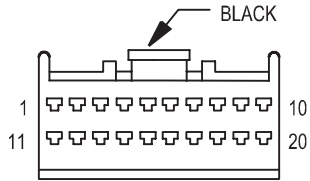
**RIGHT VISOR/  
VANITY LAMP**

CAV	CIRCUIT	FUNCTION
1	F70 20PK	FUSED B(+)
2	M20 20YL/BK	COURTESY LAMP LOAD SHED



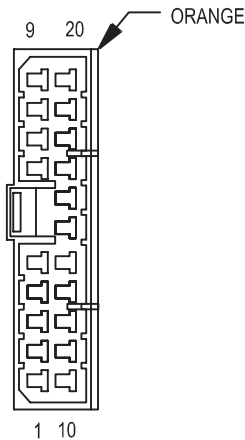
**SEAT  
BELT  
SWITCH**

CAV	CIRCUIT	FUNCTION
1	G10 20LG/RD	SEAT BELT SWITCH SENSE
2	Z1 20BK	GROUND



**SEAT  
MODULE - C1  
(PREMIUM)**

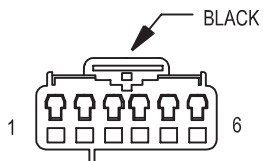
CAV	CIRCUIT	FUNCTION
1	P15 20YL/LB ●●	DRIVER SEAT HORIZONTAL FORWARD DRIVER
2	-	-
3	P11 20YL/WT ●●	DRIVER SEAT REAR UP DRIVER
4	P43 20GY/LB ●●	RECLINER UP SWITCH SENSE
5	P19 20YL/LG ●●	SEAT FRONT UP SWITCH SENSE
6	P86 20DG/YL ●	PASSENGER SEAT TEMPERATURE SENSOR INPUT
7	P27 20LB/RD ●●	REAR RISER POSITION SIGNAL
8	P25 20VT/RD ●●	SEAT HORIZONTAL POSITION SIGNAL
9	P135 20LB/BK ●	DRIVER SEAT TEMPERATURE SENSOR INPUT
10	P28 20BR/RD ●●	SEAT POSITION SENSOR GROUND
11	P41 20GY/WT ●●	RECLINER DOWN SWITCH SENSE
12	P17 20RD/YL ●●	DRIVER SEAT HORIZONTAL REARWARD DRIVER
13	-	-
14	P21 20RD/LG ●●	SEAT FRONT DOWN SWITCH SENSE
15	P13 20RD/WT ●●	DRIVER SEAT REAR DOWN DRIVER
16	P47 20LB ●●	RECLINER POSITION SIGNAL
17	P26 20BR ●●	FRONT RISER POSITION SIGNAL
18	P29 20BR/WT	SEAT SENSOR 5V SUPPLY
19	Z2 20BK/OR	GROUND
20	D25 20YL/VT	PCI BUS



**SEAT  
MODULE - C2  
(PREMIUM)**

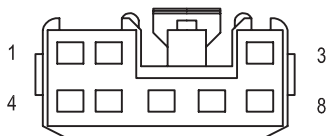
CAV	CIRCUIT	FUNCTION
1	F35 16RD	FUSED B(+)
2	P131 16BK/OR ●	DRIVER SEAT HEATER B(+) DRIVER
3	Z1 16BK	GROUND
4	P119 16YL/RD ●●	SEAT FRONT UP DRIVER
5	P121 16RD/GY ●●	SEAT FRONT DOWN DRIVER
6	P111 16YL/DB ●●	SEAT REAR UP DRIVER
7	P113 16RD/BK ●●	SEAT REAR DOWN DRIVER
8	-	-
9	P115 16GY/LG ●●	SEAT HORIZONTAL FORWARD DRIVER
10	F35 16RD	FUSED B(+)
11	P130 16DG/WT ●	PASSENGER SEAT HEATER B(+) DRIVER
12	Z1 16BK	GROUND
13	-	-
14	P9 20RD/LB ●●	SEAT SWITCH B (+) SUPPLY
15	Z6 16BK/YL ●	DRIVER SEAT HEATER GROUND
16	Z5 16BK/VT ●	PASSENGER SEAT HEATER GROUND
17	-	-
18	P141 16GY/WT ●●	SEAT RECLINER DOWN DRIVER
19	P143 16GY/LB ●●	SEAT RECLINER UP DRIVER
20	P117 16RD/BR ●●	SEAT HORIZONTAL REARWARD DRIVER

● PREMIUM I/III  
●● PREMIUM II/III



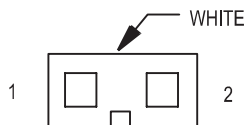
**SENTRY KEY  
IMMOBILIZER  
MODULE**

CAV	CIRCUIT	FUNCTION
1	M1 20PK	FUSED B (+)
2	Z2 20BK/OR	GROUND
3	G5 20DB/WT	FUSED IGNITION SWITCH OUTPUT (ST-RUN)
4	-	-
5	D25 20YL/VT/BK	PCI BUS
6	-	-



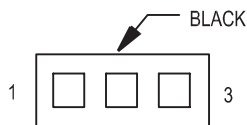
**SUNROOF  
CONTROL  
MODULE**

CAV	CIRCUIT	FUNCTION
1	Q30 16TN	SUNROOF DELAY RELAY OUTPUT
2	-	-
3	Q43 20VT	POWER SUNROOF VENT
4	Q41 20WT	POWER SUNROOF OPEN
5	-	-
6	-	-
7	Z1 16BK	GROUND
8	-	-



**SUNROOF  
MOTOR**

CAV	CIRCUIT	FUNCTION
1	Q5 16WT	SUNROOF MOTOR B(+)
2	Q6 16DB	SUNROOF MOTOR B(-)



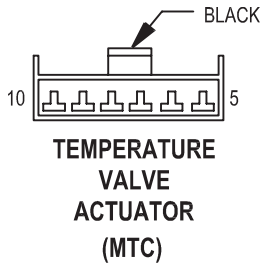
**SUNROOF  
MOTOR  
POSITION  
SENSOR**

CAV	CIRCUIT	FUNCTION
1	Z1 20BK	GROUND
2	Q46 20OR/WT	SUNROOF MOTOR POSITION SENSOR SIGNAL
3	-	-

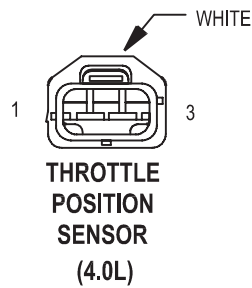


**SUNROOF  
SWITCH**

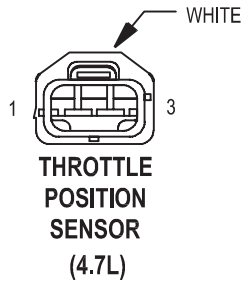
CAV	CIRCUIT	FUNCTION
1	Q43 20VT	POWER SUNROOF VENT
2	-	-
3	Z1 20BK	GROUND
4	-	-
5	Q41 20WT	POWER SUNROOF OPEN



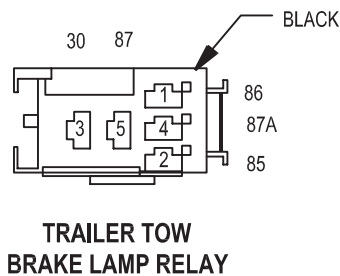
CAV	CIRCUIT	FUNCTION
5	-	-
6	-	-
7	Z2 20VT/WT	GROUND
8	C67 20DB/RD	BLEND AIR DOOR POSITION CONTROL
9	-	-
10	F22 20PK/DG	FUSED IGNITION SWITCH OUTPUT (RUN)



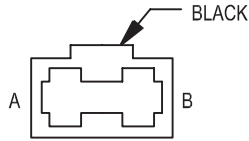
CAV	CIRCUIT	FUNCTION
1	K4 18BK/LB	SENSOR GROUND
2	K22 18OR/RD	THROTTLE POSITION SENSOR SIGNAL
3	K7 20OR	5V SUPPLY



CAV	CIRCUIT	FUNCTION
1	K7 20OR	5V SUPPLY
2	K22 18OR/RD	THROTTLE POSITION SENSOR SIGNAL
3	K4 18BK/LB	SENSOR GROUND

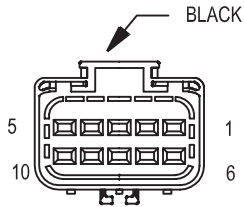


CAV	CIRCUIT	FUNCTION
30 (3)	L50 16WT/TN	BRAKE LAMP SWITCH OUTPUT
85 (2)	L50 18WT/TN	BRAKE LAMP SWITCH OUTPUT
86 (1)	Z1 18BK	GROUND
87 (5)	L95 16DG/YL	TRAILER TOW BRAKE LAMP RELAY OUTPUT
87A (4)	L94 16OR/WT	TRAILER TOW BRAKE LAMP RELAY OUTPUT



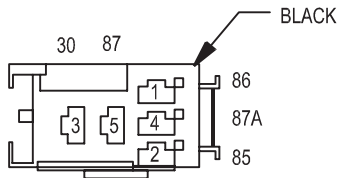
**TRAILER TOW CIRCUIT BREAKER**

CAV	CIRCUIT	FUNCTION
A	F30 14RD	FUSED CIGAR LIGHTER RELAY OUTPUT
B	F30 14RD	CIGAR LIGHTER RELAY OUTPUT



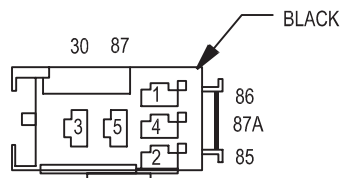
**TRAILER TOW CONNECTOR**

CAV	CIRCUIT	FUNCTION
1	-	-
2	L62 16BR/RD	RIGHT TURN SIGNAL
3	L1 18VT/BK	BACK-UP LAMP FEED
4	F30 14RD	FUSED CIGAR LIGHTER RELAY OUTPUT
5	L7 18BK/YL	PARK LAMP RELAY OUTPUT
6	-	-
7	B40 14LB	TRAILER TOW BRAKE B(+)
8	Z1 14BK	GROUND
9	Z1 14BK	GROUND
10	L63 16DG/RD	LEFT TURN SIGNAL



**TRAILER TOW LEFT TURN RELAY**

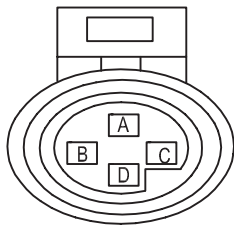
CAV	CIRCUIT	FUNCTION
30 (3)	L63 16DG/RD	LEFT TURN SIGNAL
85 (2)	L63 20DG/RD	LEFT TURN SIGNAL
86 (1)	Z1 18BK	GROUND
87 (5)	L94 16OR/WT	TRAILER TOW BRAKE LAMP RELAY OUTPUT
87A (4)	L95 16DG/YL	TRAILER TOW BRAKE LAMP RELAY OUTPUT



**TRAILER TOW RIGHT TURN RELAY**

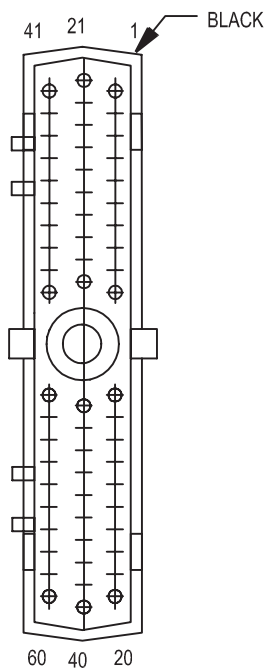
CAV	CIRCUIT	FUNCTION
30 (3)	L62 16BR/RD	RIGHT TURN SIGNAL
85 (2)	L62 20BR/RD	RIGHT TURN SIGNAL
86 (1)	Z1 18BK	GROUND
87 (5)	L94 16OR/WT	TRAILER TOW BRAKE LAMP RELAY OUTPUT
87A (4)	L95 16DG/YL	TRAILER TOW BRAKE LAMP RELAY OUTPUT





**TRANSFER CASE SWITCH (4.0L)**

CAV	CIRCUIT	FUNCTION
A	Z1 18BK	GROUND
B	T107 18BK	PART TIME 4 WHEEL DRIVE INDICATOR DRIVER
C	-	-
D	-	-



**TRANSMISSION CONTROL MODULE (4.7L)**

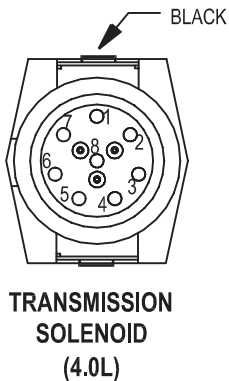
CAV	CIRCUIT	FUNCTION
1	T1 18LG/BK	TRS T1 SENSE
2	T2 18TN/BK	TRS T2 SENSE
3	T3 18VT	TRS T3 SENSE
4	-	-
5	-	-
6	K24 18GY/BK	CRANKSHAFT POSITION SENSOR SIGNAL
7	D21 20PK	SCI TRANSMIT
8	F45 18YL/RD	FUSED IGNITION SWITCH OUTPUT (ST)
9	T9 18OR/BK	OVERDRIVE PRESSURE SWITCH SENSE
10	T10 18YL/DG	TORQUE MANAGEMENT REQUEST SENSE
11	F991 18OR/DB	FUSED IGNITION SWITCH OUTPUT (ST-RUN)
12	K22 18OR/RD	THROTTLE POSITION SENSOR SIGNAL
13	T13 18DB/BK	SPEED SENSOR GROUND
14	T14 18LG/WT	OUTPUT SPEED SENSOR SIGNAL
15	K30 18PK/YL	TRANSMISSION CONTROL RELAY CONTROL
16	T16 14RD	TRANSMISSION CONTROL RELAY OUTPUT
17	T16 14RD	TRANSMISSION CONTROL RELAY OUTPUT
18	T118 18YL/DB	PRESSURE CONTROL SOLENOID CONTROL
19	T119 18WT/DB	2C SOLENOID CONTROL
20	T120 18LG	LR SOLENOID CONTROL
21	-	-
22	-	-
23	-	-
24	-	-
25	-	-
26	-	-
27	-	-
28	G7 18WT/OR	VEHICLE SPEED SENSOR SIGNAL
29	T29 18GY	UNDERDRIVE PRESSURE SWITCH SENSE

(CONTINUED ON NEXT PAGE)

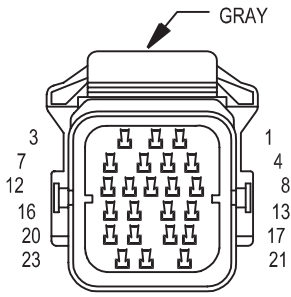
(CONTINUED)

**TRANSMISSION  
CONTROL  
MODULE  
(4.7L)  
(CONTINUED)**

CAV	CIRCUIT	FUNCTION
30	T130 14VT/TN	LINE PRESSURE SENSOR SIGNAL
31	-	-
32	-	-
33	-	-
34	-	-
35	-	-
36	T16 14RD	TRANSMISSION CONTROL RELAY OUTPUT
37	Z14 14BK/YL	GROUND
38	T138 14GY/LB	5V SUPPLY
39	Z14 14BK/YL	GROUND
40	T140 18VT/LG	MS SOLENOID CONTROL
41	T141 18WT	TRS T41 SENSE
42	T42 18VT/WT	TRS T42 SENSE
43	D25 18YL/VT	PCI BUS
44	-	-
45	-	-
46	D20 20LG	SCI RECEIVE
47	T147 18LB	2C PRESSURE SWITCH SENSE
48	T48 18DB	4C PRESSURE SWITCH SENSE
49	T6 18VT/WT	OVERDRIVE OFF SWITCH SENSE
50	T150 18BR/LB	LR PRESSURE SWITCH SENSE
51	K4 18BK/LB	SENSOR GROUND
52	T52 18RD/BK	INPUT SPEED SENSOR SIGNAL
53	Z13 14BK/RD	GROUND
54	T54 18VT	TRANSMISSION TEMPERATURE SENSOR SIGNAL
55	T59 18PK	UNDERDRIVE SOLENOID CONTROL
56	A30 14RD/WT	FUSED B(+)
57	Z14 14BK/YL	GROUND
58	-	-
59	T159 18DG/WT	4C SOLENIOD CONTROL
60	T60 18BR	OVERDRIVE SOLENOID CONTROL

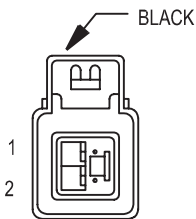


CAV	CIRCUIT	FUNCTION
1	T60 18BR	FUSED TRANSMISSION CONTROL RELAY OUTPUT
2	K6 18VT/WT	5V SUPPLY
3	K4 18BK/LB	SENSOR GROUND
4	T25 18LG/RD	GOVERNOR PRESSURE SENSOR SIGNAL
5	K88 18PK	GOVERNOR PRESSURE SOLENOID CONTROL
6	T121 18BR/WT	3-4 SHIFT SOLENOID CONTROL
7	T22 18DG/LB	TORQUE CONVERTER CLUTCH SOLENOID CONTROL
8	T54 18VT	TRANSMISSION TEMPERATURE SENSOR SIGNAL



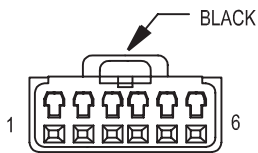
**TRANSMISSION SOLENOID/ TRS ASSEMBLY (4.7L)**

CAV	CIRCUIT	FUNCTION
1	F22 18WT/TN	FUSED IGNITION SWITCH OUTPUT (RUN)
2	T120 18LG	LR SOLENOID CONTROL
3	T24 18BR/YL	ENGINE STARTER MOTOR RELAY CONTROL
4	T141 18WT	TRS T41 SENSE
5	T42 18VT/WT	TRS T42 SENSE
6	L1 18VT/BK	BACK-UP LAMP FEED
7	T60 18BR	OVERDRIVE SOLENOID CONTROL
8	T3 18VT	TRS T3 SENSE
9	T1 18LG/BK	TRS T1 SENSE
10	T16 14RD	TRANSMISSION CONTROL RELAY OUTPUT
11	T48 18DB	4C PRESSURE SWITCH SENSE
12	T118 18YL/DB	PRESSURE CONTROL SOLENOID CONTROL
13	T2 18TN/BK	TRS T2 SENSE
14	T150 18BR/LB	LR PRESSURE SWITCH SENSE
15	T147 18LB	2C PRESSURE SWITCH SENSE
16	T9 18OR/BK	OVERDRIVE PRESSURE SWITCH SENSE
17	T59 18PK	UNDERDRIVE SOLENOID CONTROL
18	T29 18GY	UNDERDRIVE PRESSURE SWITCH SENSE
19	T159 18DG/WT	4C SOLENOID CONTROL
20	T119 18WT/DB	2C SOLENOID CONTROL
21	T140 18VT/LG	MS SOLENOID CONTROL
22	T13 18DB/BK	SPEED SENSOR GROUND
23	T54 18VT	TRANSMISSION TEMPERATURE SENSOR SIGNAL



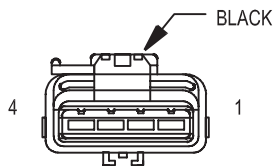
**UNDERHOOD LAMP**

CAV	CIRCUIT	FUNCTION
1	Z1 20BK	GROUND
2	M1 20PK/RD	FUSED B (+)



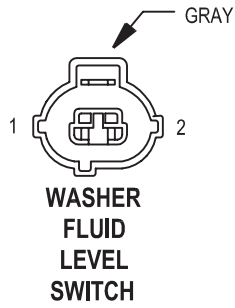
**VEHICLE INFORMATION CENTER**

CAV	CIRCUIT	FUNCTION
1	-	-
2	D25 20VT/YL	PCI BUS
3	F70 20PK	FUSED B(+)
4	Z2 20BK/OR	GROUND
5	G5 20DB/WT	FUSED IGNITION SWITCH OUTPUT (ST-RUN)
6	-	-

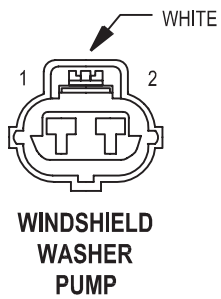


**VEHICLE SPEED CONTROL SERVO**

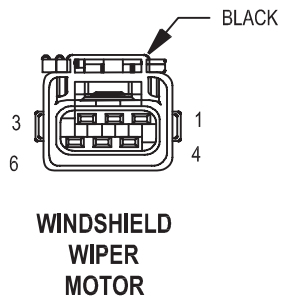
CAV	CIRCUIT	FUNCTION
1	V36 18TN/RD	SPEED CONTROL VACUUM SOLENOID CONTROL
2	V35 18LG/RD	SPEED CONTROL VENT SOLENOID CONTROL
3	V30 20DB/RD	SPEED CONTROL BRAKE SWITCH OUTPUT
4	Z1 20BK	GROUND



CAV	CIRCUIT	FUNCTION
1	V11 20BK/TN	WASHER FLUID SWITCH SENSE
2	Z1 20BK	GROUND



CAV	CIRCUIT	FUNCTION
1	V10 20BR	WASHER PUMP SWITCH SENSE
2	Z1 20BK	GROUND



CAV	CIRCUIT	FUNCTION
1	V6 16DB	FUSED IGNITION SWITCH OUTPUT (RUN-ACC)
2	V55 16TN/RD	WIPER PARK SWITCH SENSE
3	-	-
4	Z1 16BK	GROUND
5	V3 16BR/WT	WIPER HIGH/LOW RELAY LOW SPEED OUTPUT
6	V4 16RD/YL	WIPER HIGH/LOW RELAY HIGH SPEED OUTPUT

## 8W-90 CONNECTOR LOCATIONS

### DESCRIPTION AND OPERATION

#### INTRODUCTION

This section provides illustrations identifying component and connector locations in the vehicle. A connector index is provided. Use the wiring diagrams in

each section for connector number identification. Refer to the index for the proper figure number.

#### CONNECTOR/GROUND LOCATIONS

For items that are not shown in this section N/S is placed in the Fig. column.

Connector Name/Number	Color	Location	Fig.
A/C Compressor Clutch	BK	At Compressor	1
A/C High Pressure Switch	BK	Near Radiator Fan Motor	
A/C Low Pressure Switch	GY	Right Rear Engine Compartment	8
Airbag Control Module	YL	Below Center Floor Console, Near Park Brake	18, 20
Ambient Temperature Sensor	BK	On Radiator Center Support	8
Ash Receiver Lamp	BK	Below Cigarette Lighter	20
Automatic Day/Night Mirror	BK	In Front of Rear View Mirror	N/S
Automatic Headlamp Light Sensor/VTSS LED	BK	Near Left Instrument Panel Speaker	20
Automatic Zone Control Module C1	BK	Left Side of HVAC Housing	20
Automatic Zone Control Module C2	BK	Left Side of HVAC Housing	20
Battery Temperature Sensor	BK	Below Battery Tray	8
Blower Motor	BK	Behind Right Side of Instrument Panel	N/S

Connector Name/Number	Color	Location	Fig.
Blower Motor Controller (AZC)	BK	Behind Right Side of Instrument Panel	N/S
Blower Motor Resistor Block (MTC)	BK	Behind Right Side of Instrument Panel	N/S
Body Control Module C1	GY	Lower Left of Instrument Panel	21
Body Control Module C2	WT	Lower Left of Instrument Panel	21
Brake Lamp Switch	GY	Brake Pedal Arm	12
Brake Shift Interlock Solenoid	WT	Bottom of Steering Column	22
Brake Warning Indicator Switch	GY	At Master Cylinder	N/S
C100	BK	Right Front Engine Compartment	8
C102	BK	Right Rear Engine Compartment	2,5,7,8
C103	GY	Right Rear Engine Compartment	2,5,7
C104	BK	Right Rear Engine Compartment	2,5,7
C106	GY	Driver Side Near Kick Panel	10

## DESCRIPTION AND OPERATION (Continued)

Connector Name/Number	Color	Location	Fig.
C107	BK	Passenger Side Near Kick Panel	9, 12, 13
C108	BK	Left Cowl	8
C109	BK	Near Transfer Case Switch	N/S
C111	BK	Left Front Frame Near Windshield Washer Pump	9
C112	BK	Right Front Frame Near Horns	8
C200	GY	Passenger Side Near Kick Panel	10, 19, 20, 21
C201	WT	Below Center Floor Console, Near Park Brake	20
C202 (AZC)	WT	HVAC Unit Right Side of Instrument Panel	19, 20, 21
C202 (MTC)	WT	HVAC Unit Right Side of Instrument Panel	19, 20, 21
C203 (AZC)	WT	HVAC Unit Right Side Instrument Panel	19, 20, 21
C300	GY	Near Junction Block	11, 12, 13
C302	BK	Driver Door	12, 13, 16
C303	WT	Right Rear Door	10
C304	BK	Under Driver's Seat	11
C306	BK	Under Passenger Seat	10
C307	WT	Left Rear Door	11, 17
C308	WT	Top of Liftgate	14
C309	WT	Left Rear Quarter Pillar	N/S

Connector Name/Number	Color	Location	Fig.
C310	LTGN	Above Left Quarter Wheel Housing	15
C311	WT	Top of Liftgate	14
C312		Bottom Center of Liftgate	14
C313	WT	Driver's Door'	16
C314	LTGY	Passenger Door	12
C315		To Rear of Right Quarter Window	N/S
Camshaft Position Sensor	GY	Right Side of Engine	2,5
Capacitor No. 1	BK	Right Side of Engine	2
Capacitor No. 2	BK	Left Side of Engine	1
Cargo Lamp	WT	In Headliner Near Liftgate	N/S
Center High Mounted Stop Lamp	BK	Top of Liftgate	N/S
Chime	BK	At Body Control Module	N/S
Cigar Lighter	RD	Center of Instrument Panel	20
Clockspring C1	GY	Steering Column	22
Clockspring C2	BK	Steering Column	22
Clockspring C3	YL	Steering Column	22
Coil On Plug No. 1 (4.7L)	BK	Left Side of Engine Near Fuel Injector No.1	1
Coil On Plug No. 2 (4.7L)	BK	Right Side of Engine Near Fuel Injector No.2	2
Coil On Plug No. 3 (4.7L)	BK	Left Side of Engine Near Fuel Injector No.3	1

DESCRIPTION AND OPERATION (Continued)

Connector Name/Number	Color	Location	Fig.
Coil On Plug No. 4 (4.7L)	BK	Right Side of Engine Near Fuel Injector No.4	2
Coil On Plug No. 5 (4.7L)	BK	Left Side of Engine Near Fuel Injector No.5	1
Coil On Plug No. 6 (4.7L)	BK	Right Side of Engine Near Fuel Injector No.6	2
Coil On Plug No. 7 (4.7L)	BK	Left Side of Engine Near Fuel Injector No.7	1
Coil On Plug No. 8 (4.7L)	BK	Right Side of Engine Near Fuel Injector No.8	2
Compact Disc Changer	BK	Right Rear Quarter Panel	N/S
Controller Anti-Lock Brake	BK	Left Front Engine Compartment	9
Coolant Level Sensor	LTGY	Right Rear of Engine	8
Crankshaft Position Sensor	BK	Rear of Engine Near Transmission Bell Housing	2,5
Cruise Switch No. 1	BK	On Steering Wheel	N/S
Cruise Switch No. 2	BK	On Steering Wheel	N/S
Data Link Connector	BK	Under Lower Driver's Side of Instrument Panel	21
Diagnostic Junction Port	WT	At Steering Column	22
Driver Blend Door Motor/ Actuator (AZC)	BK	On HVAC Housing	N/S
Driver Door Courtesy Lamp	BK	In Driver Door	N/S
Driver Door Cylinder Lock Switch	GY	In Driver Door	16

Connector Name/Number	Color	Location	Fig.
Driver Door Lock Motor/Ajar Switch	BK	In Driver Door	16
Driver Door Module C1	WT	In Driver Door	16
Driver Door Module C2	BK	In Driver Door	N/S
Driver Door Module C3	BK	In Driver Door	N/S
Driver Heated Seat Back	GN	At Driver Seat	N/S
Driver Heated Seat Cushion	BK	At Driver Seat	N/S
Driver Heated Seat Switch	WT	Center of Instrument Panel	20
Driver Lumbar Motor	BK	Under Driver's Seat	N/S
Driver Lumbar Switch	WT	Center of Instrument Panel	N/S
Driver Power Mirror	BK	At Driver Door	N/S
Driver Power Seat Front Riser Motor	RD	Under Driver's Seat	N/S
Driver Power Seat Front Riser Motor Sensor	BK	At Driver Seat	N/S
Driver Power Seat Horizontal Motor	BK	At Driver Seat	N/S
Driver Power Seat Horizontal Motor Sensor	BK	At Driver Seat	N/S
Driver Power Seat Rear Riser Motor	RD	At Driver Seat	N/S
Driver Power Seat Rear Riser Motor Sensor	BK	At Driver Seat	N/S
Driver Power Seat Recliner Motor	BK	At Driver Seat	N/S
Driver Power Seat Recliner Motor Sensor	BK	At Driver Seat	N/S



## DESCRIPTION AND OPERATION (Continued)

Connector Name/Number	Color	Location	Fig.
Driver Power Seat Switch	GN	At Driver Seat	N/S
Driver Power Window Motor	BK	In Driver Door	16
Duty Cycle EVAP/Purge Solenoid	BK	Left Front Fender Near Controller Anti-Lock Brake	9
Engine Coolant Temperature Sensor	BK	Front of Engine	1,4
Engine Oil Pressure Sensor	BK	Side of Engine	1,5
Front Power Outlet	RD	Center of Instrument Panel	N/S
Fuel Injector No. 1	BK	At Injector	1,4
Fuel Injector No. 2	BK	At Injector	2,4
Fuel Injector No. 3	BK	At Injector	1,4
Fuel Injector No. 4	BK	At Injector	2,4
Fuel Injector No. 5	BK	At Injector	1,4
Fuel Injector No. 6	BK	At Injector	2,4
Fuel Injector No. 7	BK	At Injector	1
Fuel Injector No. 8	BK	At Injector	2
Fuel Pump Module	BK	At Fuel Tank	11
G100 (4.0L)		Near Starter	N/S
G100		Near Battery	N/S
G101		Near Battery	N/S
G102		Right Side of Engine	2
G103		Right Side of Engine	2,5
G104		Right Rear of Engine	N/S
G106		Left Side of Engine Compartment	9

Connector Name/Number	Color	Location	Fig.
G107		Left Side of Engine Compartment	9
G108		Near Power Distribution Center	N/S
G200		Near Airbag Control Module	20
G201		Near Airbag Control Module	18, 20
G300		Near Right Front Seat	N/S
G301		Near Left Front Seat	11
G-Switch	BK	Under Rear Seat	11
Generator	BK	At Generator	N/S
Glove Box Lamp	BK	Inside Glove Box	20
Hood Ajar Switch	BK	Left Side of Instrument Panel	N/S
Horn No. 1	BK	Right Front Fascia	8
Horn No. 2	BK	Right Front Fascia	8
Idle Air Control Motor	BK	Left Side of Engine Near Throttle Body	1,4
Ignition Switch C1	WT	On Steering Column	22
Ignition Switch C2	BK	On Steering Column	22
Input Speed Sensor	BK	Left Side of Transmission	3
Instrument Cluster	WT	Behind Cluster	20
Intake Air Temperature Sensor	GY	Left Side of Engine	1,4
Junction Block C1	BK	At Junction Block	11, 12, 13
Junction Block C2	BK	At Junction Block	13
Junction Block C3	BK	At Junction Block	21

DESCRIPTION AND OPERATION (Continued)

Connector Name/Number	Color	Location	Fig.
Junction Block C4	WT	At Junction Block	12, 13
Junction Block C5	WT	At Junction Block	13
Leak Detection Pump		Left Front Wheel Opening	9
Left Courtesy Lamp	BK	Left Side of Instrument Panel	22
Left Fog Lamp	BK	Left Front Fascia	9
Left Front Door Speaker	WT	In Left Front Door	16
Left Front Park Lamp	WT	At Lamp	N/S
Left Front Park/Turn Signal Lamp	BK	At Lamp	N/S
Left Front Side Marker Lamp	WT	At Lamp	N/S
Left Front Wheel Speed Sensor	GY	At Left Front Wheel Opening	N/S
Left Handle Courtesy Lamp	BK	At Lamp	N/S
Left High Beam Headlamp	BK	At Lamp	N/S
Left Instrument Panel Speaker	WT	At Speaker	20
Left Liftgate Ajar Switch	BK	In Liftgate	14
Left Low Beam Headlamp	GY	At Lamp	N/S
Left Multi-function Switch	WT	On Steering Column	22
Left Rear Door Lock Motor/Ajar Switch	BK	In Left Rear Door	17
Left Rear Door Speaker		In Left Rear Door	17
Left Rear Lamp Assembly		At Lamp Assembly	N/S
Left Rear Power Window Motor	BK	In Left Rear Door	17
Left Rear Power Window Switch	BL	In Left Rear Door	17

Connector Name/Number	Color	Location	Fig.
Left Rear Wheel Speed Sensor	GY	Near Left Rear Wheel	11
Left Visor/Vanity Lamp	BK	At Visor	N/S
License Lamp No. 1	BK	At Lamp	N/S
License Lamp No. 2	BK	At Lamp	N/S
Liftgate Flip-up Ajar Switch	GY	In Liftgate	14
Liftgate Flip-up Push Button Switch	BK	In Liftgate	N/S
Liftgate Flip-up Release Solenoid	BK	In Liftgate	14
Liftgate Lock Motor	BK	In Liftgate	14
Manifold Absolute Pressure Sensor (4.0)	BK	At Throttle Body	4
Manifold Absolute Pressure Sensor (4.7)		Right Side of Engine	1
Manual Temperature Control C1	WT	Center of Instrument Panel	20
Manual Temperature Control C2	WT	Center of Instrument Panel	20
Mode Door Motor/Actuator (AZC)	BK	Right Center of Instrument Panel	N/S
Output Speed Sensor (4.0L)	GY	Left Side of Transmission	6
Output Speed Sensor (4.7L)	BK	Left Side of Transmission	3
Overhead Map/Courtesy Lamp No.1		At Overhead Console	N/S
Overhead Map/Courtesy Lamp Switch No.1	BK	At Overhead Console	N/S

## DESCRIPTION AND OPERATION (Continued)

Connector Name/Number	Color	Location	Fig.
Overhead Map/Courtesy Lamp No.2		At Overhead Console	N/S
Overhead Map/Courtesy Lamp Switch No.2	BK	At Overhead Console	N/S
Oxygen Sensor 1/1 Upstream	GY	Left Side of Engine at Exhaust	6
Oxygen Sensor 1/2 Downstream	GY	Near Rear of Transmission	6
Oxygen Sensor 2/1 Upstream (California)	GY	Right Side of Engine at Exhaust	N/S
Oxygen Sensor 2/2 Downstream (California)	BK	Near Rear of Transmission	N/S
Park/Neutral Position Switch	BK	Left Side of Transmission	6
Passenger Airbag	YL	Passenger Side of Instrument Panel	20
Passenger Blend Door Motor/Actuator (AZC)	BK	Passenger Side of Instrument Panel	N/S
Passenger Door Courtesy Lamps	BK	In Passenger Door	N/S
Passenger Door Lock Motor/Ajar Switch	BK	In Passenger Door	N/S
Passenger Door Module C1	WT	In Passenger Door	N/S
Passenger Door Module C2	BK	In Passenger Door	N/S
Passenger Heated Seat Back	BK	At Passenger Seat	N/S
Passenger Heated Seat Cushion	BK	At Passenger Seat	N/S
Passenger Heated Seat Switch	BK	Center of Instrument Panel	N/S
Passenger Lumbar Motor	BK	At Passenger Seat	N/S

Connector Name/Number	Color	Location	Fig.
Passenger Lumbar Switch	WT	At Passenger Seat	N/S
Passenger Power Mirror	BK	In Passenger Door	N/S
Passenger Power Seat Front Riser Motor	RD	At Passenger Seat	N/S
Passenger Power Seat Horizontal Motor	RD	At Passenger Seat	N/S
Passenger Power Seat Rear Riser Motor	RD	At Passenger Seat	N/S
Passenger Power Seat Recliner Motor	BK	At Passenger Seat	N/S
Passenger Power Seat Switch	GN	At Passenger Seat	N/S
Passenger Power Window Motor	BK	In Passenger Door	N/S
Power Amplifier C1	WT	Under Rear Seat	10
Power Amplifier C2	WT	Under Rear Seat	10
Power Connector	WT	Center of Instrument Panel	20, 21
Powertrain Control Module C1	BK	Rear of Engine Compartment	2,5,7
Powertrain Control Module C2	WT	Rear of Engine Compartment	2,5,7
Powertrain Control Module C3	GY	Rear of Engine Compartment	N/S
Pressure Transducer (4.7L)	BK	Right Side of Transmission	N/S
Radiator Fan Motor	BK	At Radiator	8
Radiator Fan Relay	BK	Right Front Engine Compartment	8

## DESCRIPTION AND OPERATION (Continued)

Connector Name/Number	Color	Location	Fig.
Radio C1	GY	Center of Instrument Panel	20
Radio C2	BK	Center of Instrument Panel	20
Radio C3	WT	Center of Instrument Panel	20
Radio C4	BK	Center of Instrument Panel	20
Rail Coil	BK	Right Rear of Engine	5
Rear Power Outlet	RD	Right Rear Quarter Panel	N/S
Rear Washer Pump	BK	Left Front of Engine Compartment	9
Rear Wiper Motor	BK	In Liftgate	14
Recirculation Door Motor/ Actuator (AZC)	BK	Center of Instrument Panel	N/S
Remote Radio Switch No.1	BK	At Switch in Steering Wheel	N/S
Remote Radio Switch No.2	BK	At Switch in Steering Wheel	N/S
Right Courtesy Lamp	BK	At Lamp	21
Right Fog Lamp	BK	At Right Front Fascia	8
Right Front Door Speaker	WT	In Right Front Door	N/S
Right Front Park Lamp	WT	At Lamp	N/S
Right Front Park/Turn Signal Lamp	BK	At Lamp	N/S
Right Front Side Marker Lamp	WT	At Lamp	N/S
Right Front Wheel Speed Sensor	GY	In Right Front Wheel Opening	N/S
Right Handle Courtesy Lamp	BK	At Lamp	N/S

Connector Name/Number	Color	Location	Fig.
Right High Beam Headlamp	BK	At Lamp	N/S
Right Instrument Panel Speaker	WT	At Speaker	20
Right Liftgate Ajar Switch	BK	In Liftgate	14
Right Low Beam Headlamp	GY	At Lamp	N/S
Right Multifunction Switch	WT	On Steering Column	22
Right Rear Door Lock Motor/Ajar Switch	BK	In Right Rear Door	N/S
Right Rear Door Speaker	WT	In Right Rear Door	N/S
Right Rear Lamp Assembly	BK	At Lamp Assembly	N/S
Right Rear Power Window Motor	BK	In Right Rear Door	N/S
Right Rear Power Window Switch	BL	In Right Rear Door	N/S
Right Rear Wheel Speed Sensor	BK	Near Right Rear Wheel	11
Right Visor/Vanity Lamp	BK	At Visor	N/S
Seat Belt Switch	WT	At Driver Seat	N/S
Seat Module C1	BK	Under Seat	N/S
Seat Module C2	OR	Under Seat	N/S
Sentry Key Immobilizer Module	BK	On Steering Column	22
Sunroof Control Module		At Sunroof	N/S
Sunroof Motor	WT	At Sunroof	N/S
Sunroof Motor Position Sensor	BK	At Sunroof	N/S
Sunroof Switch		Center of Headliner, Above Rear View Mirror	N/S

## DESCRIPTION AND OPERATION (Continued)

Connector Name/Number	Color	Location	Fig.
Temperature Valve Actuator (MTC)	BK	On HVAC Housing	N/S
Throttle Position Sensor (4.0L)	WT	Left Side of Engine	4
Throttle Position Sensor (4.7L)	WT	Left Side of Engine	1
Trailer Tow Brake Lamp Relay	BK	Left Quarter Panel	N/S
Trailer Tow Circuit Breaker	BK	Left Quarter Panel	N/S
Trailer Tow Connector	BK	In Rear Bumper	15
Trailer Tow Left Turn Relay	BK	Left Quarter Panel	N/S
Trailer Tow Right Turn Relay	BK	Left Quarter Panel	N/S
Transfer Case Switch		On Transfer Case	N/S
Transmission Control Module	BK	Rear of Engine Compartment	2,7

Connector Name/Number	Color	Location	Fig.
Transmission Solenoid/TRS Assembly	GY	Left Side of Transmission	3,6
Underhood Lamp	BK	At Lamp	N/S
Vehicle Information Center	BK	In Overhead Console	N/S
Vehicle Speed Control Servo	BK	Right Front of Engine Compartment	8
Washer Fluid Level Sensor	GY	Left Front of Engine Compartment	9
Windshield Washer Pump	WT	Left Front of Engine Compartment	9
Windshield Wiper Motor	BK	Left Side of Cowl	9

DESCRIPTION AND OPERATION (Continued)

80br96e1

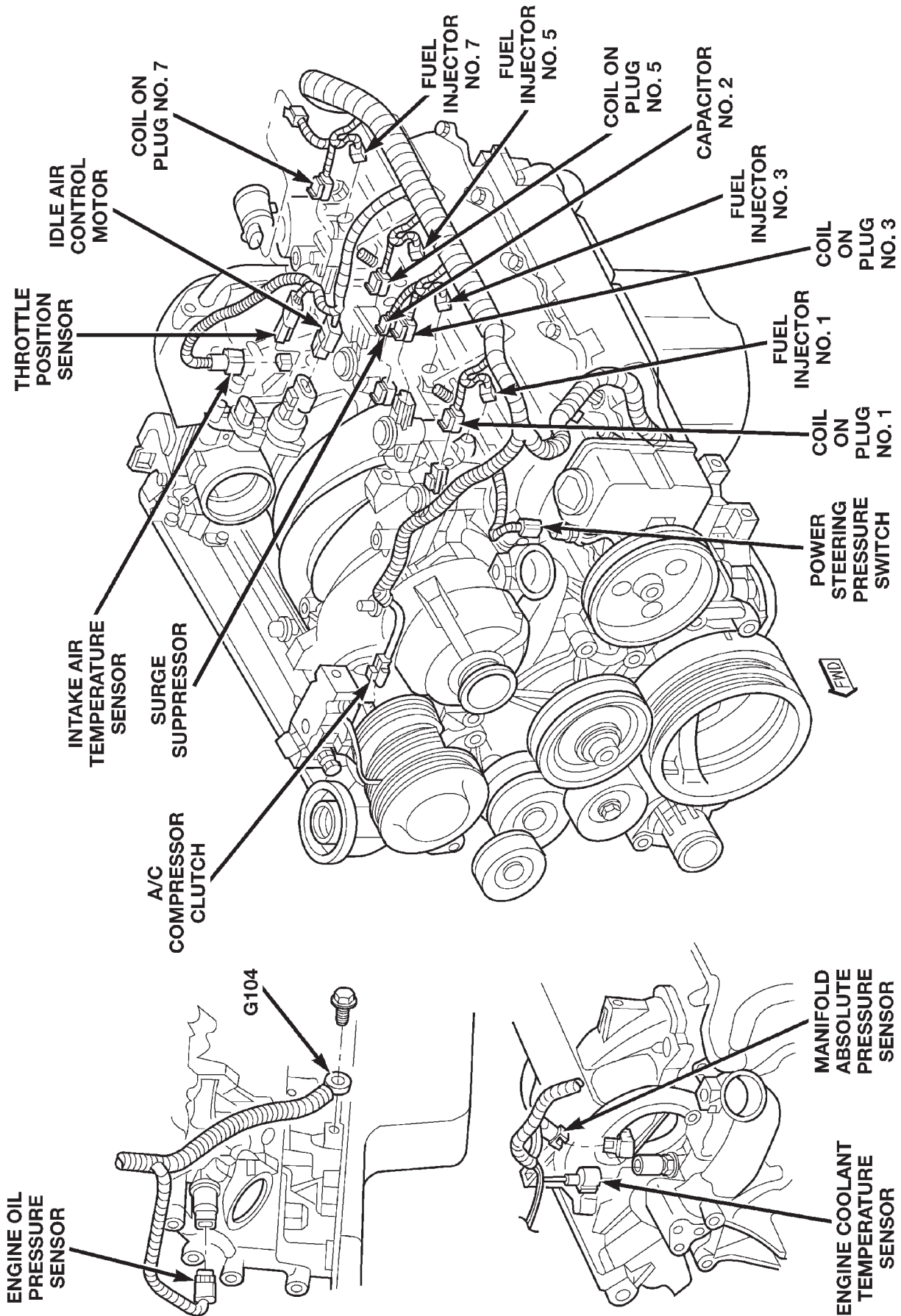


Fig. 1 Engine Connectors 4.7 Liter Left Side



DESCRIPTION AND OPERATION (Continued)

80bbcccf

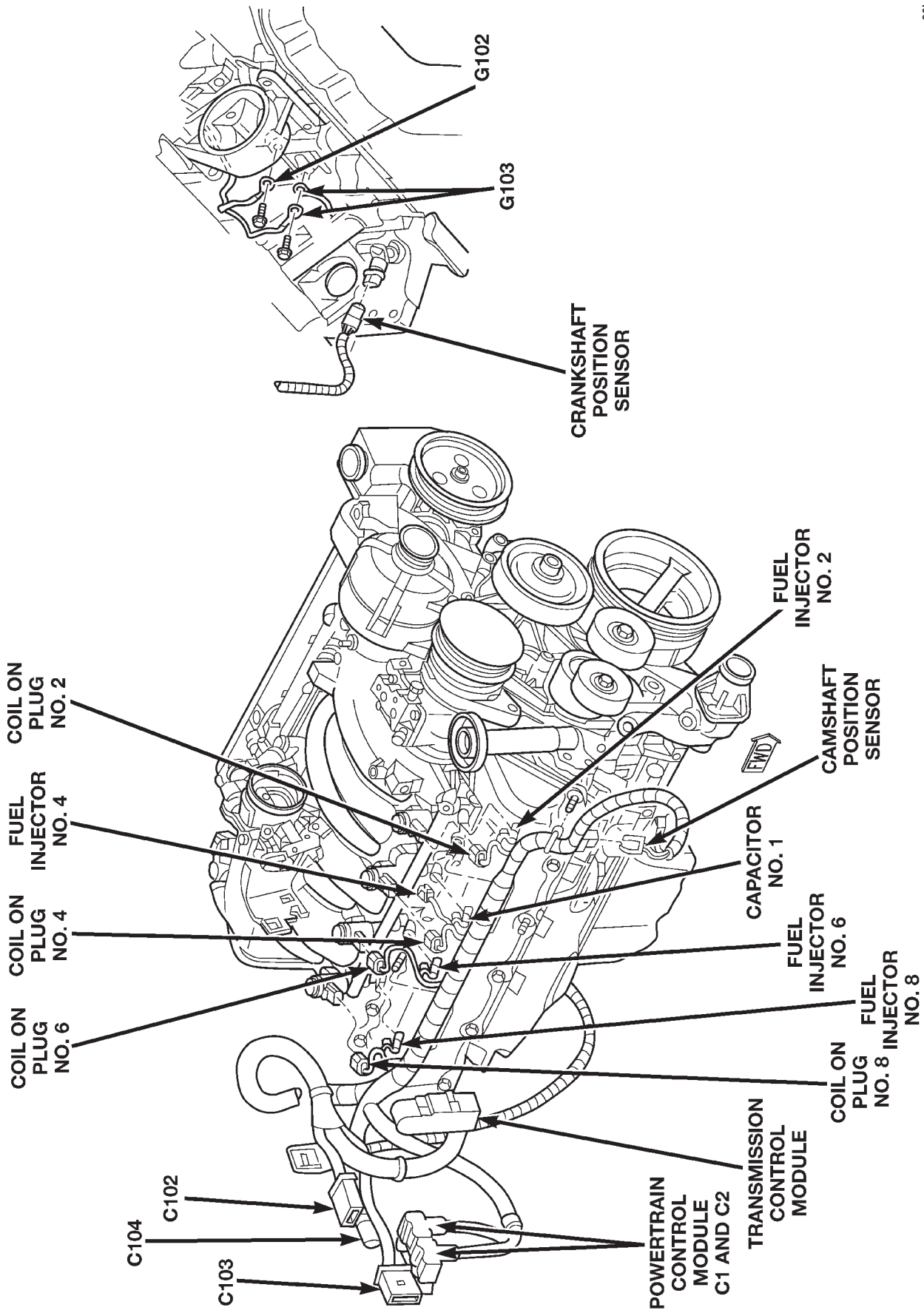


Fig. 2 Engine Connectors 4.7 Liter Right Side



DESCRIPTION AND OPERATION (Continued)

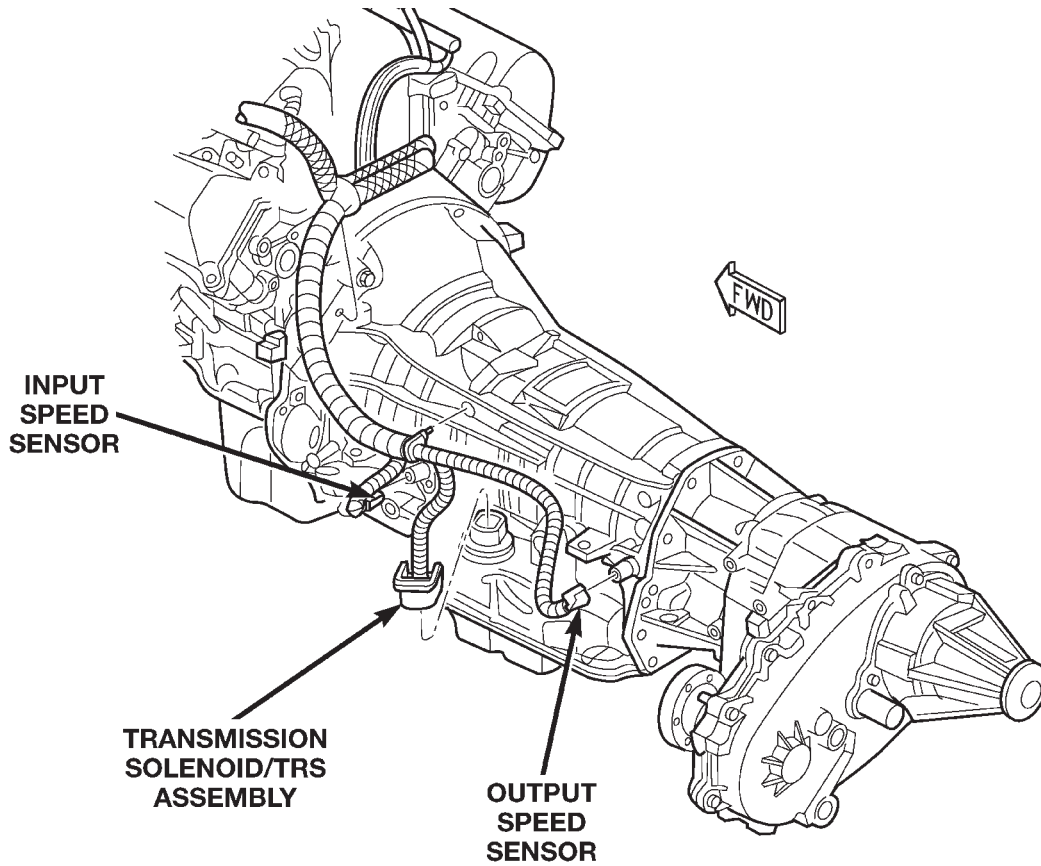


Fig. 3 Transmission Connectors 4.7 Liter Engine

80bceab6

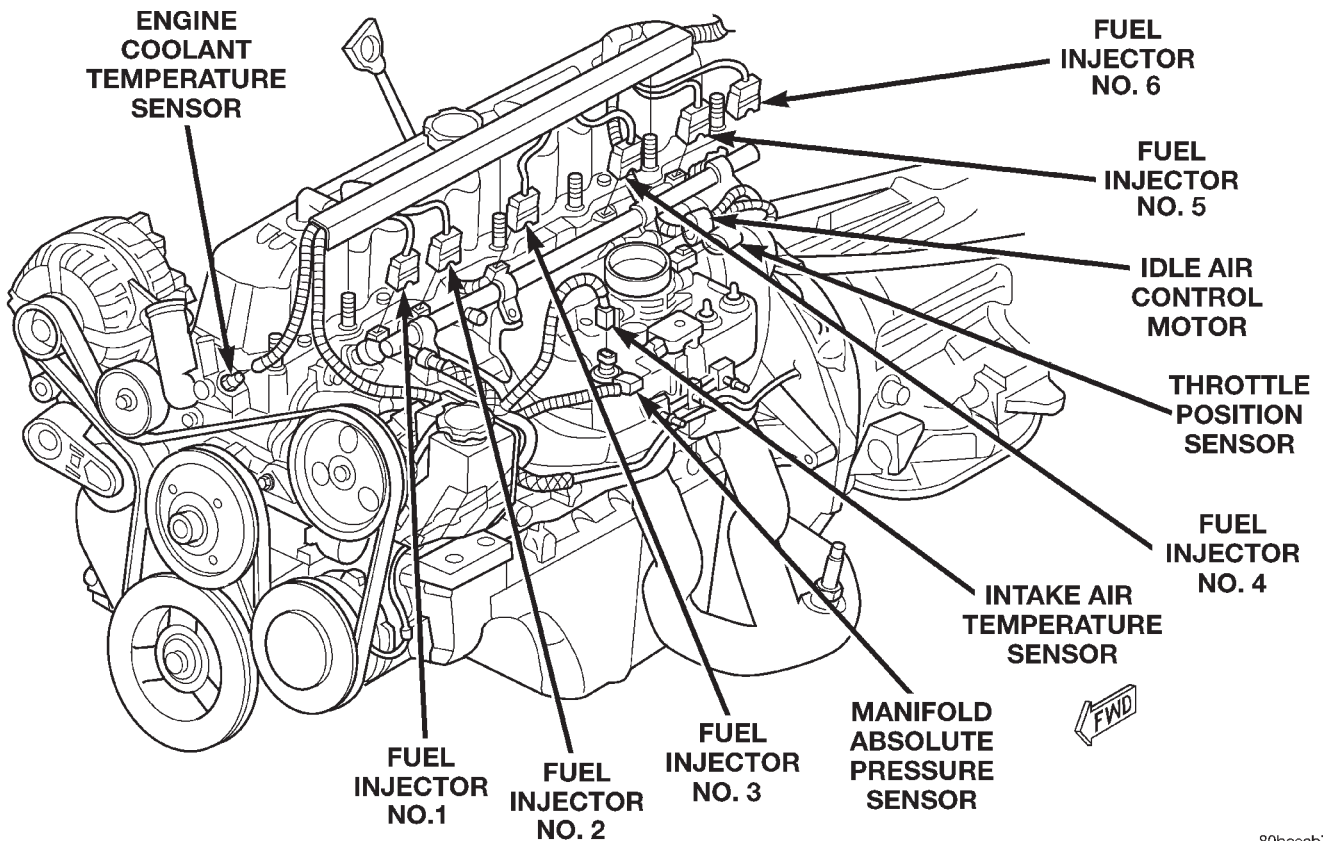


Fig. 4 Engine Connectors 4.0 Liter Left Side

80bceab7

DESCRIPTION AND OPERATION (Continued)

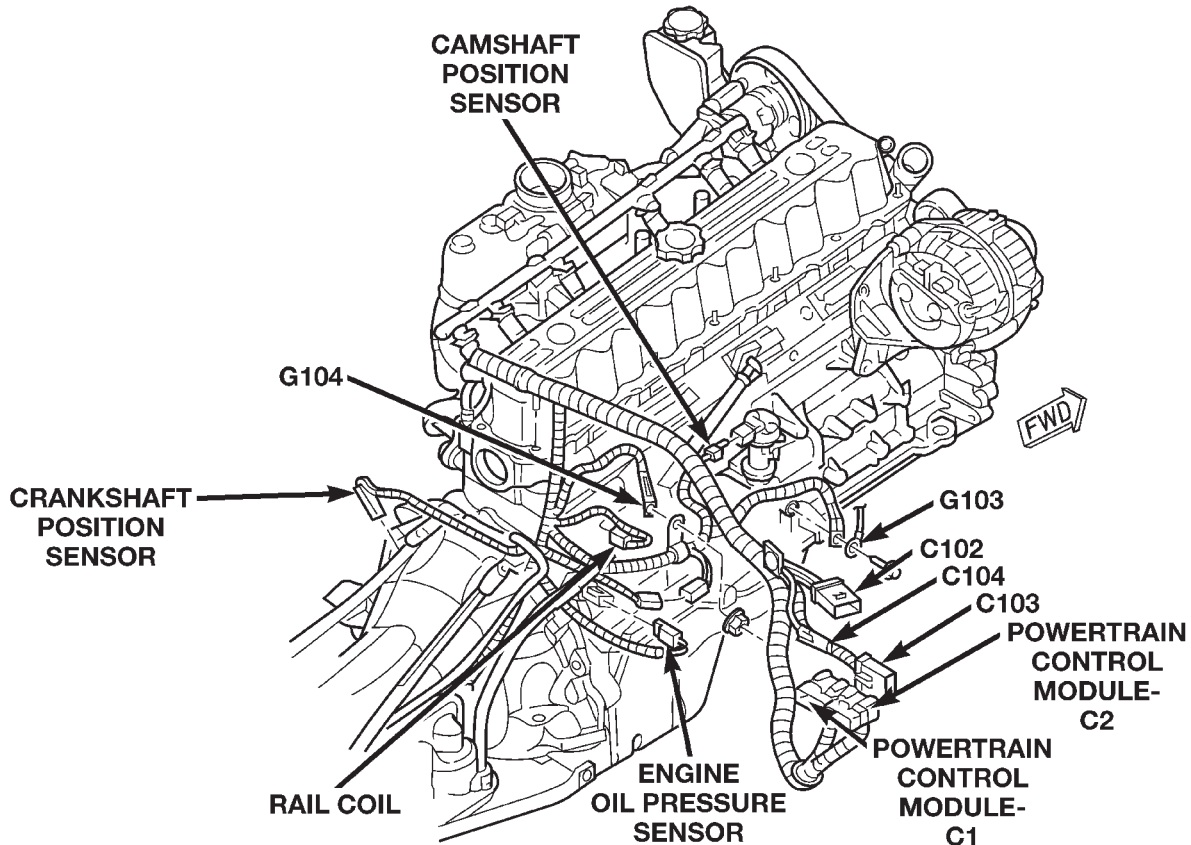


Fig. 5 Engine Connectors 4.0 Liter Right Side

80bceab0

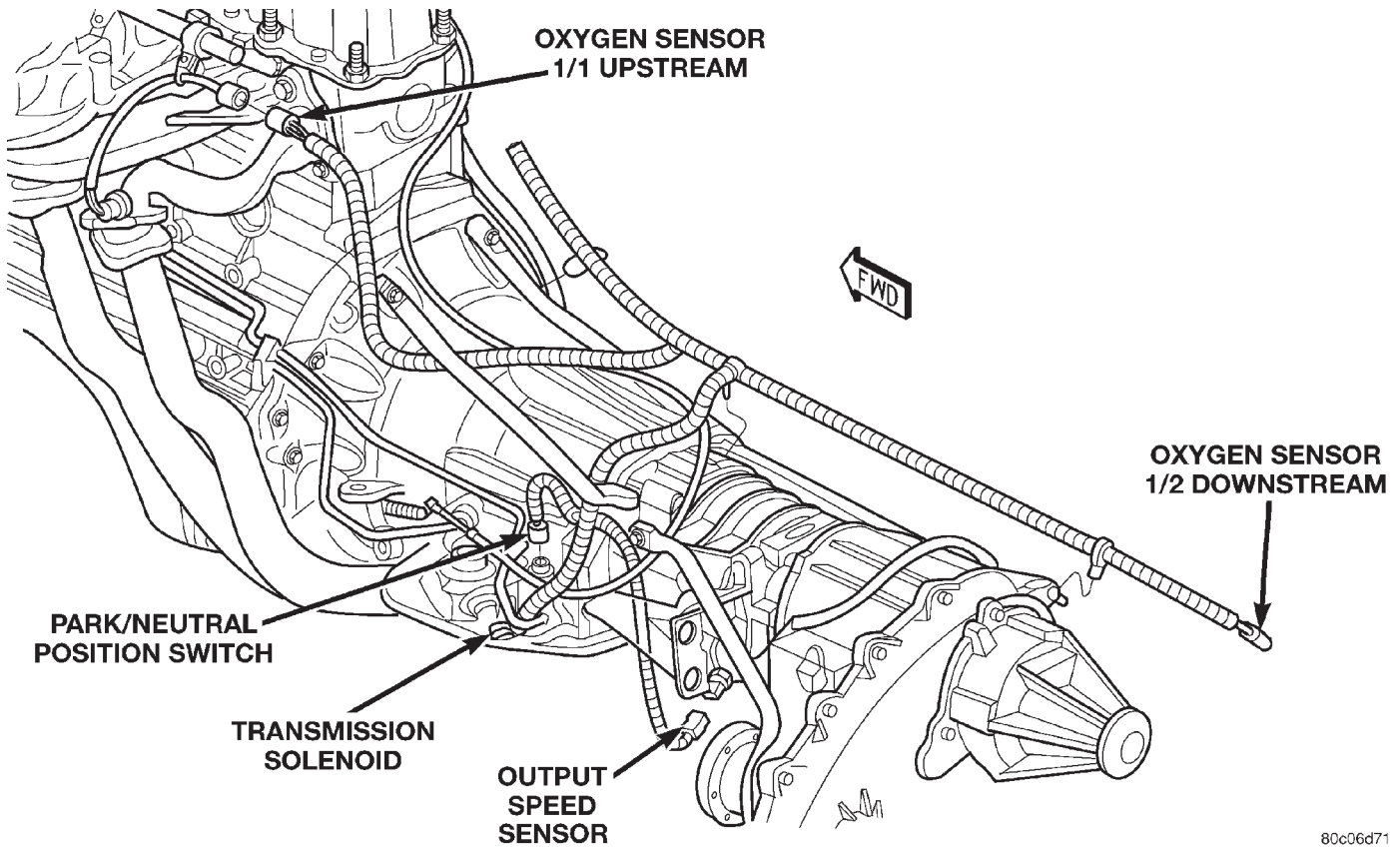
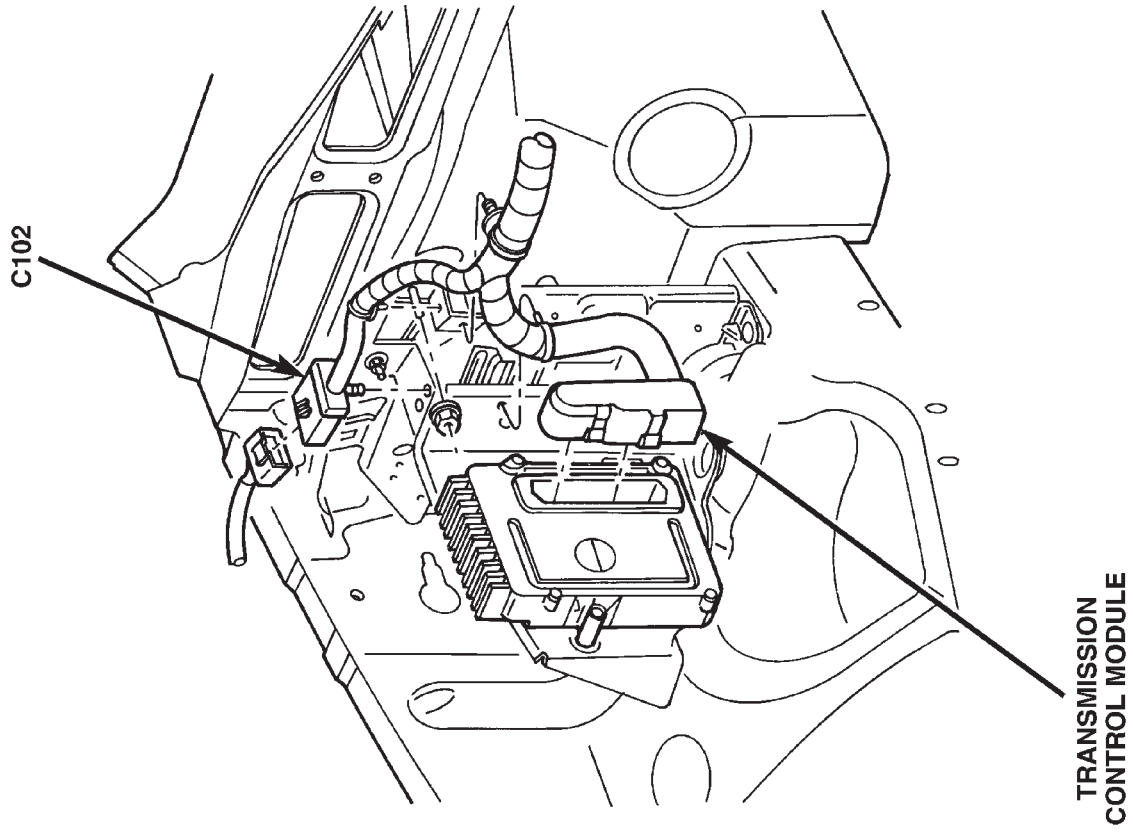


Fig. 6 Transmission Connectors 4.0 Liter Engine

80c06d71

DESCRIPTION AND OPERATION (Continued)



80b840e3

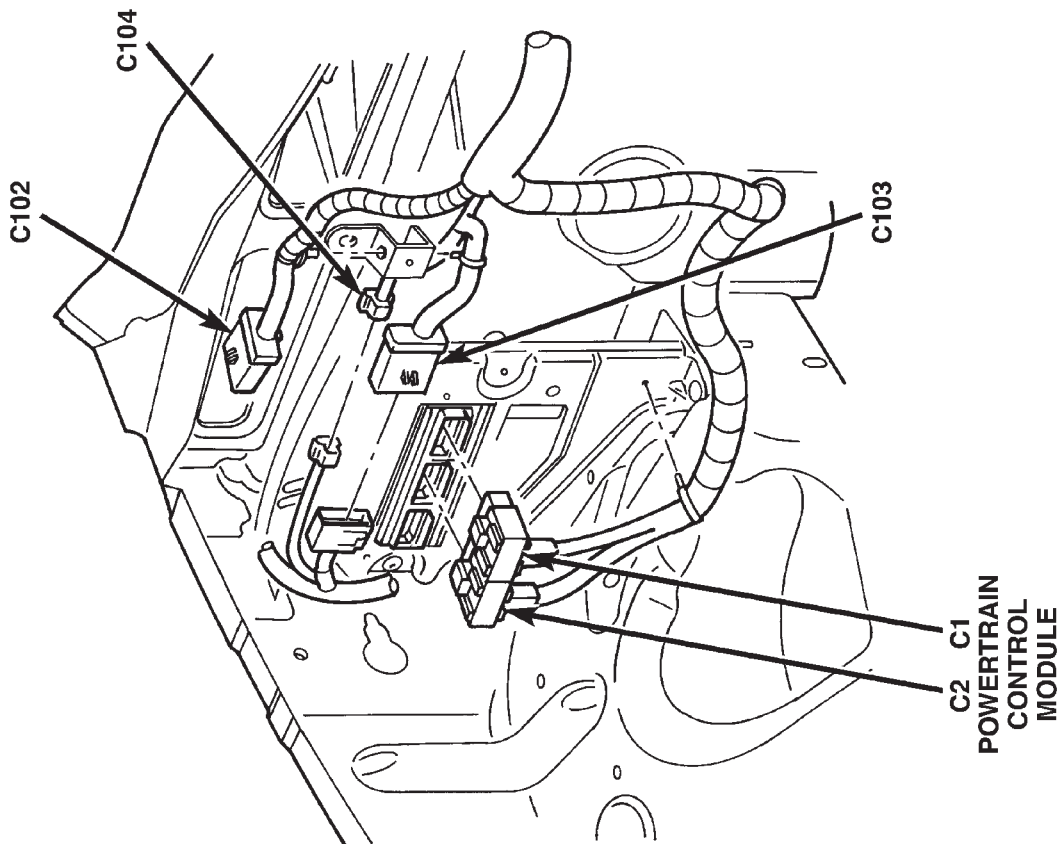


Fig. 7 Right Rear Engine Compartment

DESCRIPTION AND OPERATION (Continued)

80b196e2

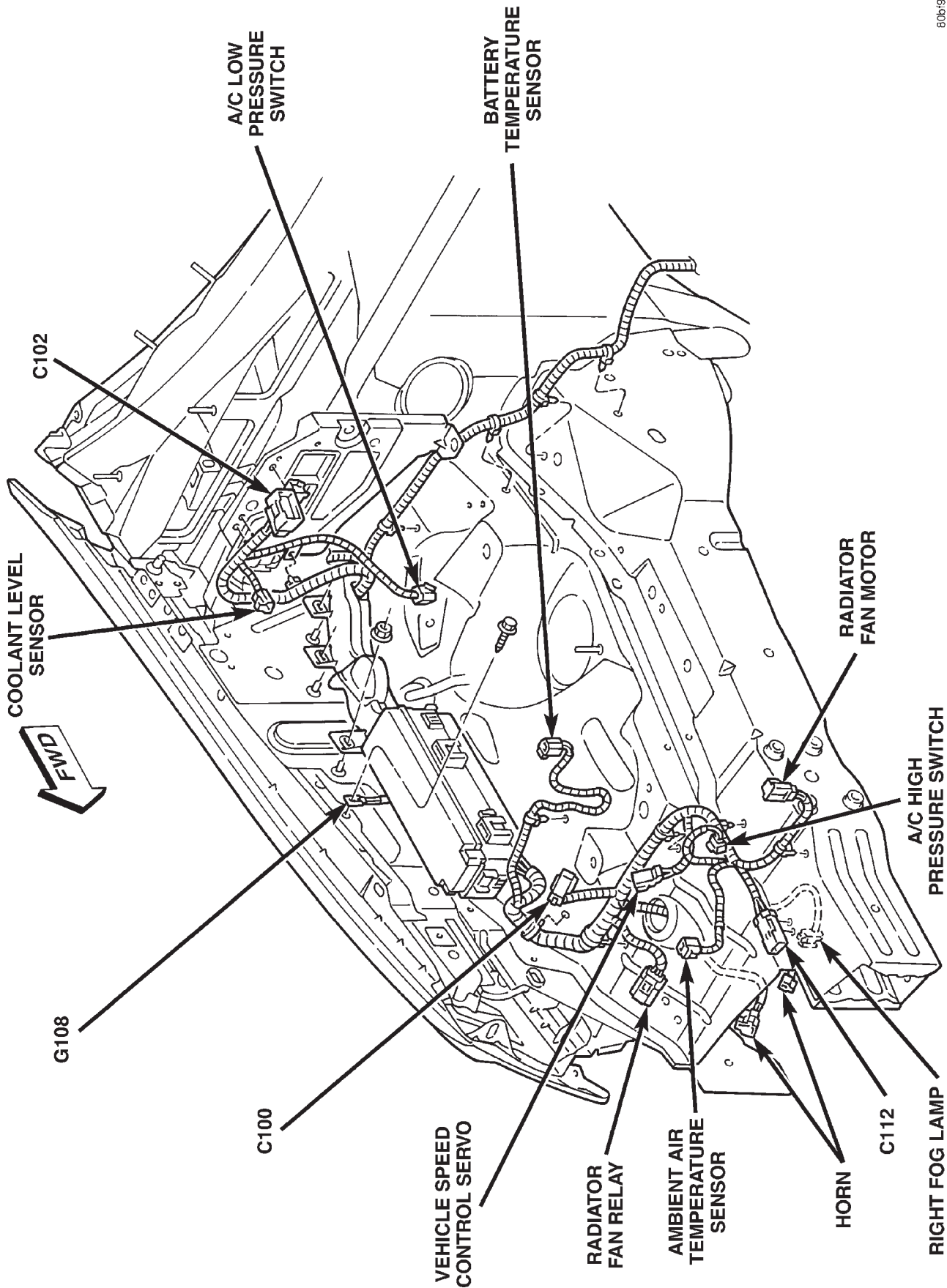


Fig. 8 Right Headlamp and Dash Connectors



DESCRIPTION AND OPERATION (Continued)

80b196e3

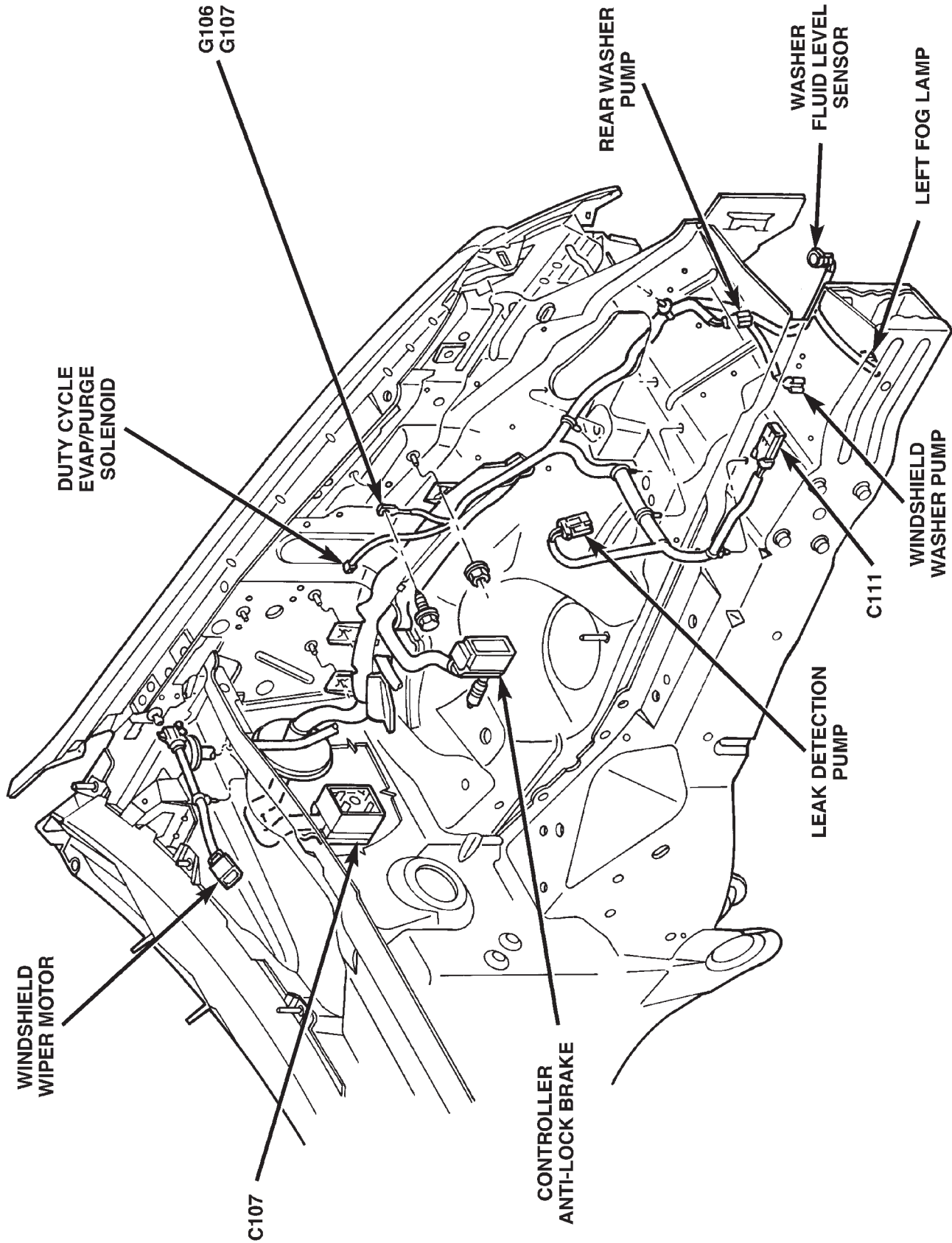
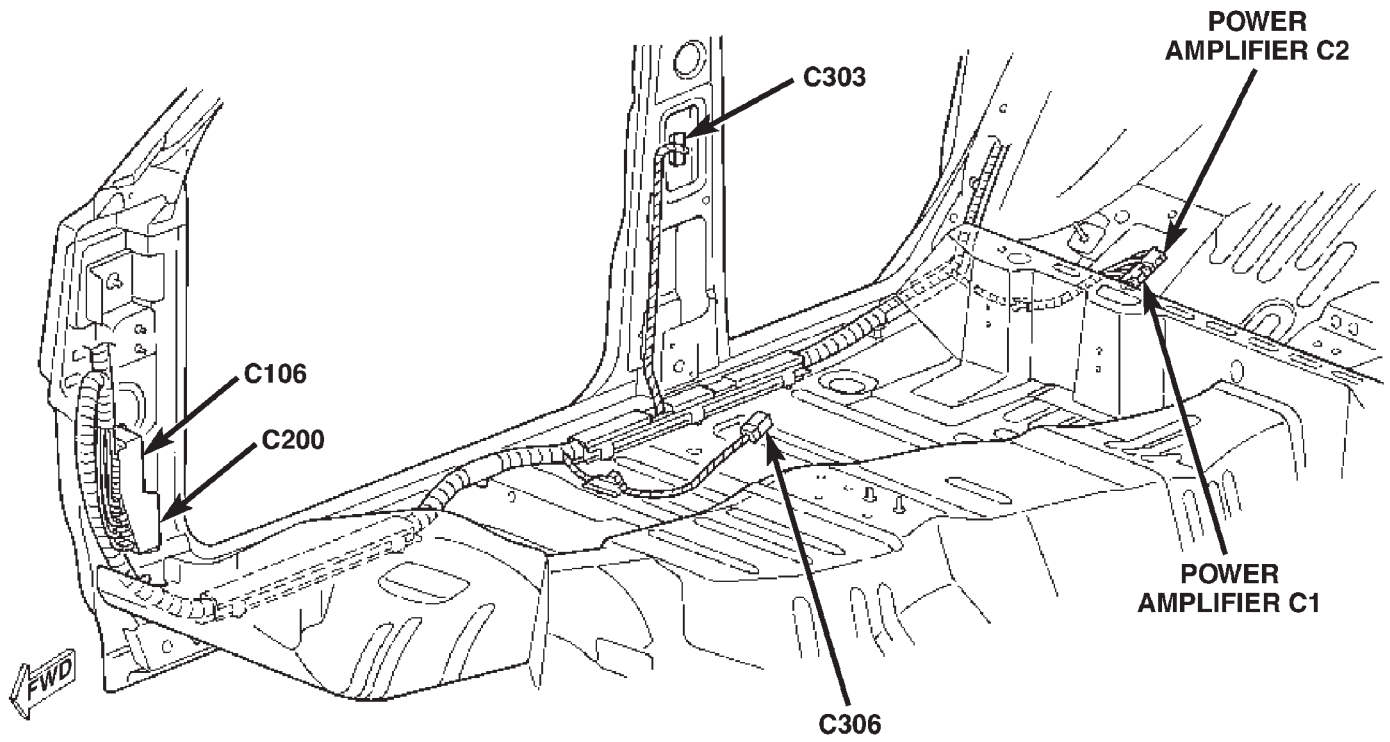


Fig. 9 Left Headlamp and Dash Connectors

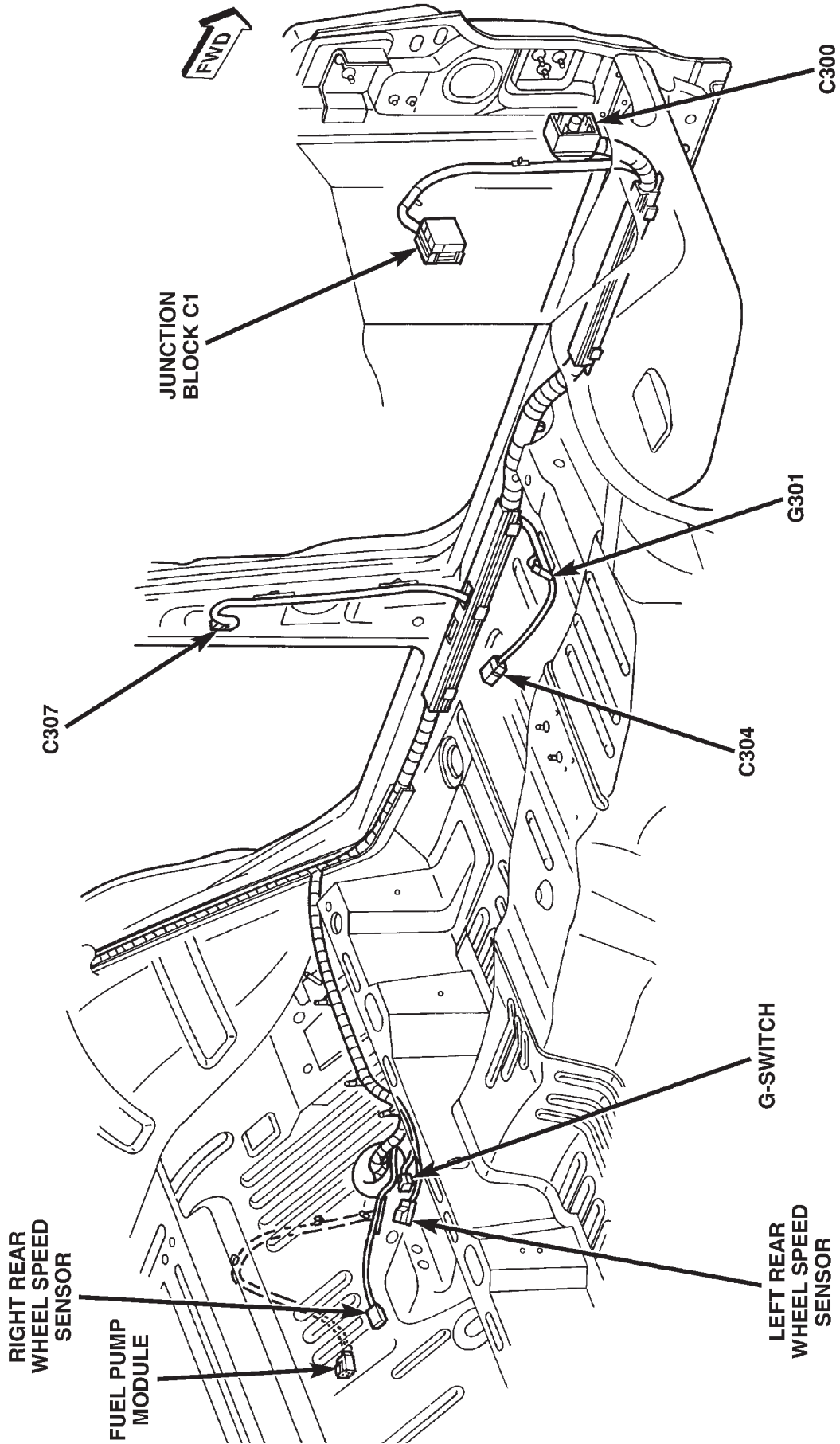
DESCRIPTION AND OPERATION (Continued)



80b46ca5

**Fig. 10 Body Connectors Right Side**

DESCRIPTION AND OPERATION (Continued)

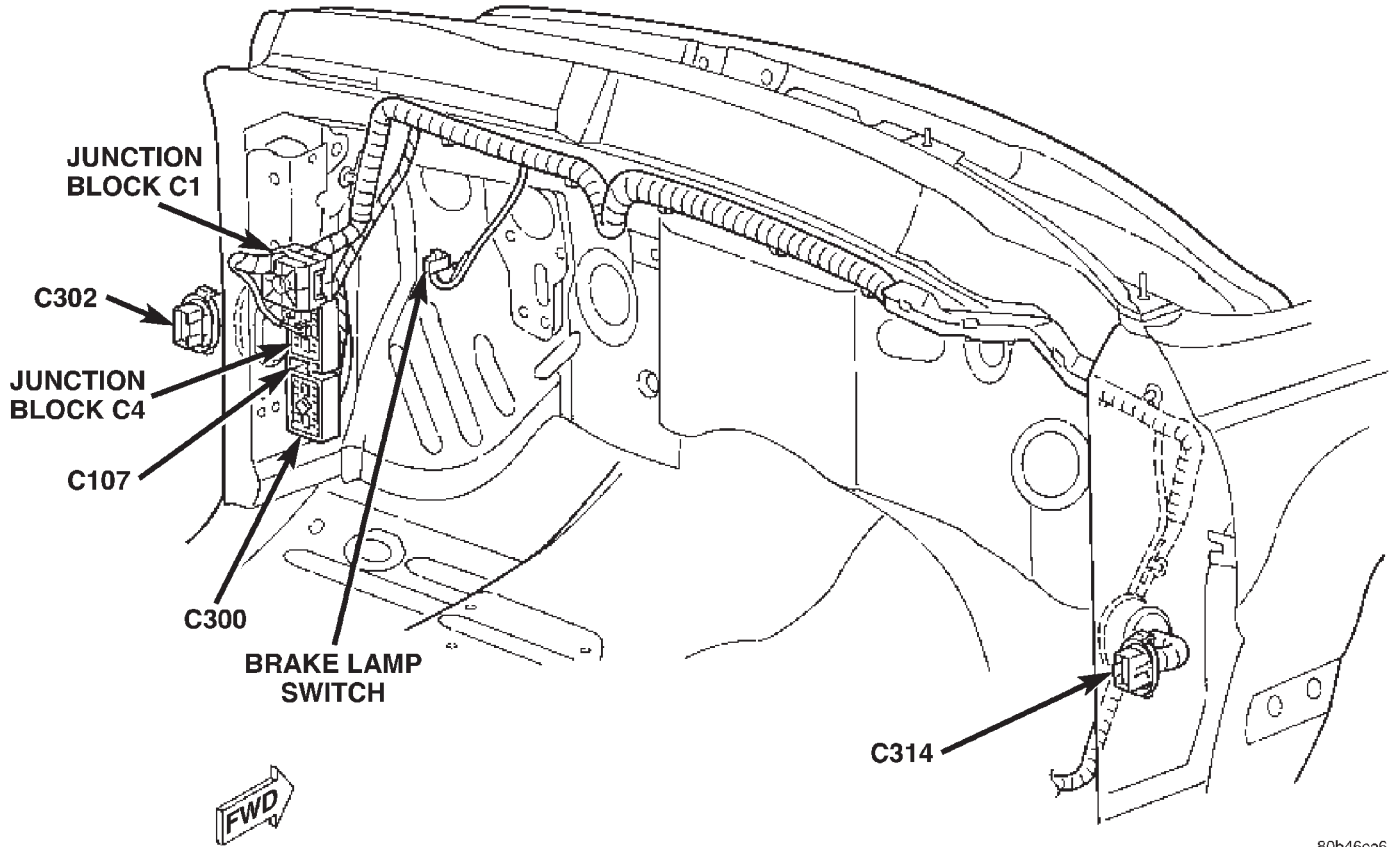


80b340e6

Fig. 11 Body Connectors Left Side

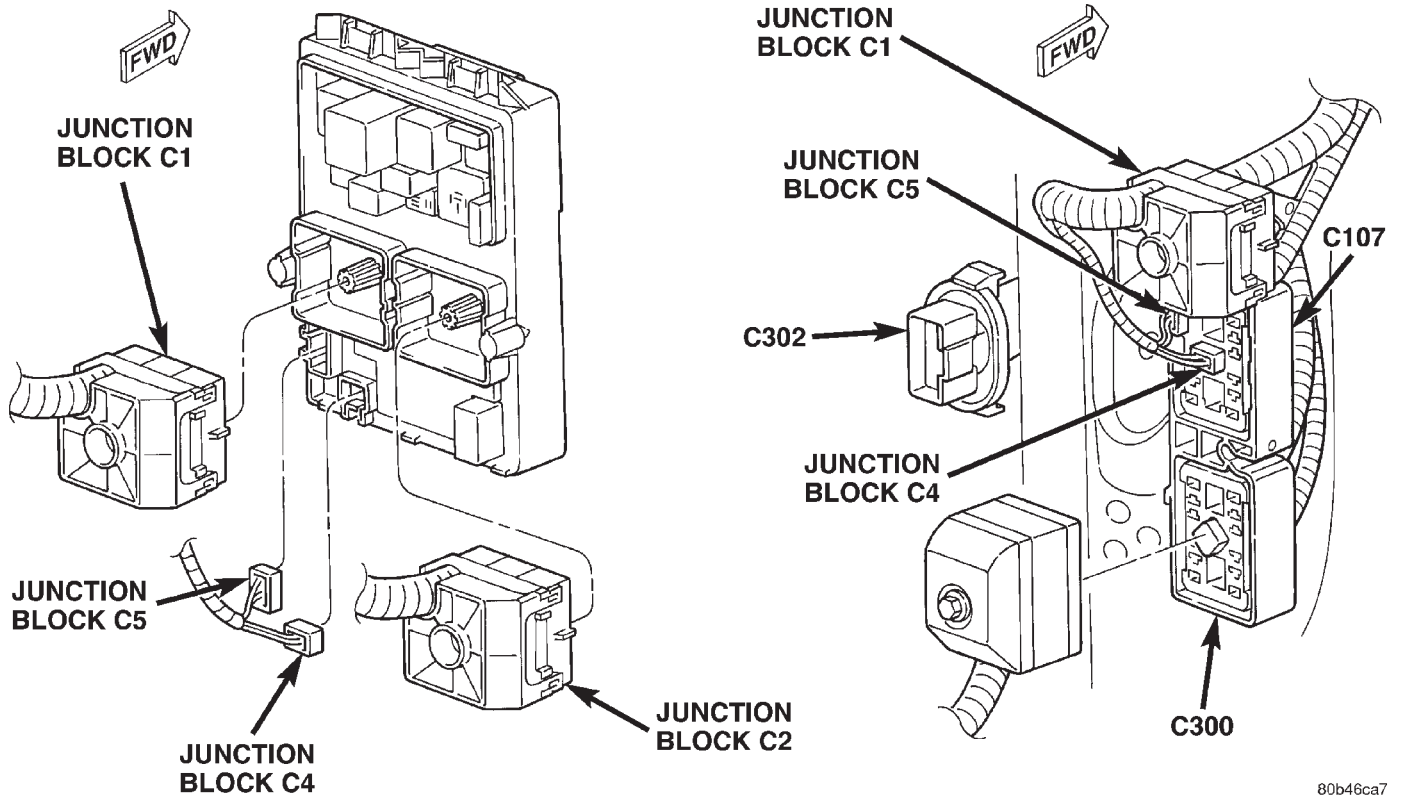


DESCRIPTION AND OPERATION (Continued)



80b46ca6

Fig. 12 Body Connectors Front



80b46ca7

Fig. 13 Junction Block

DESCRIPTION AND OPERATION (Continued)

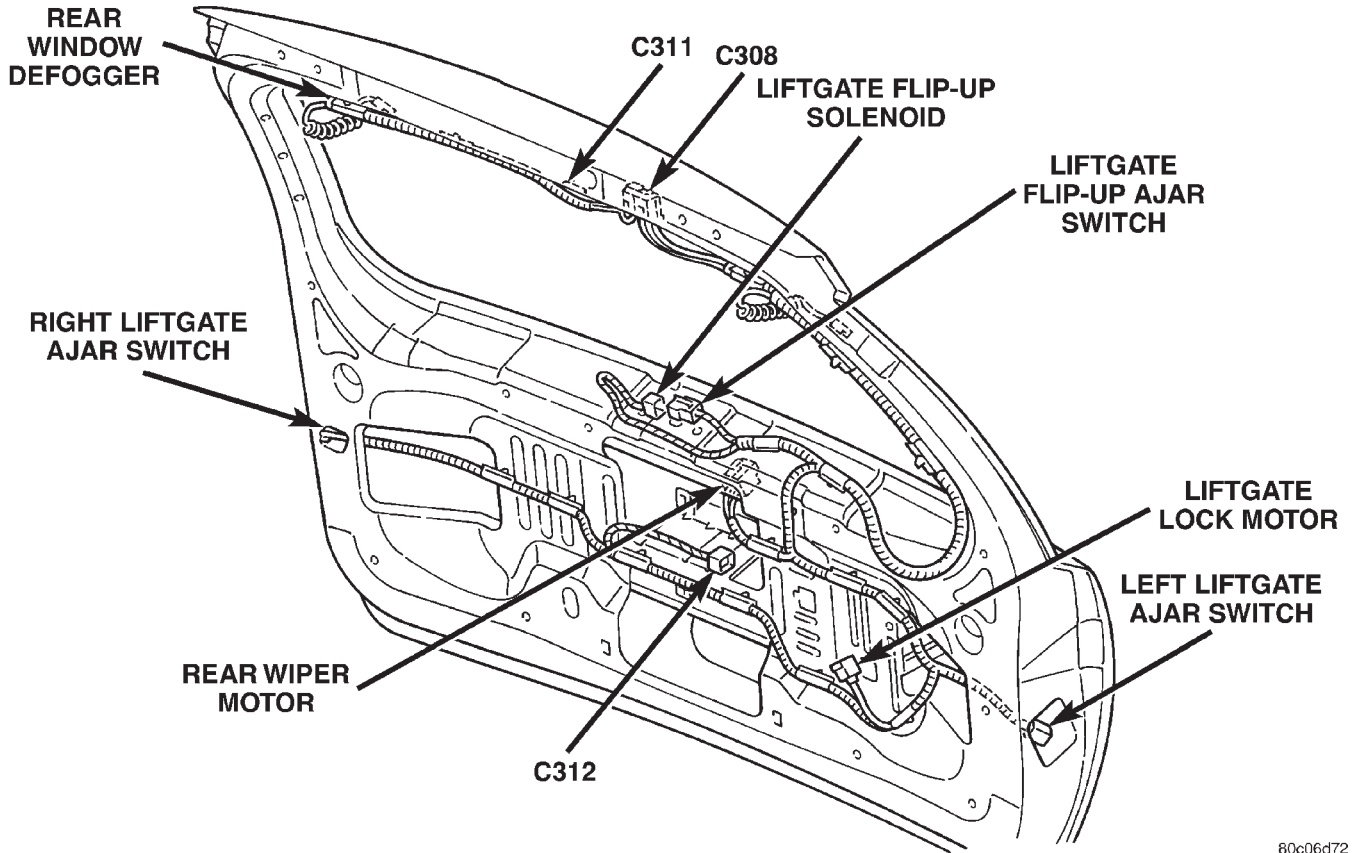


Fig. 14 Liftgate Connectors

80c06d72

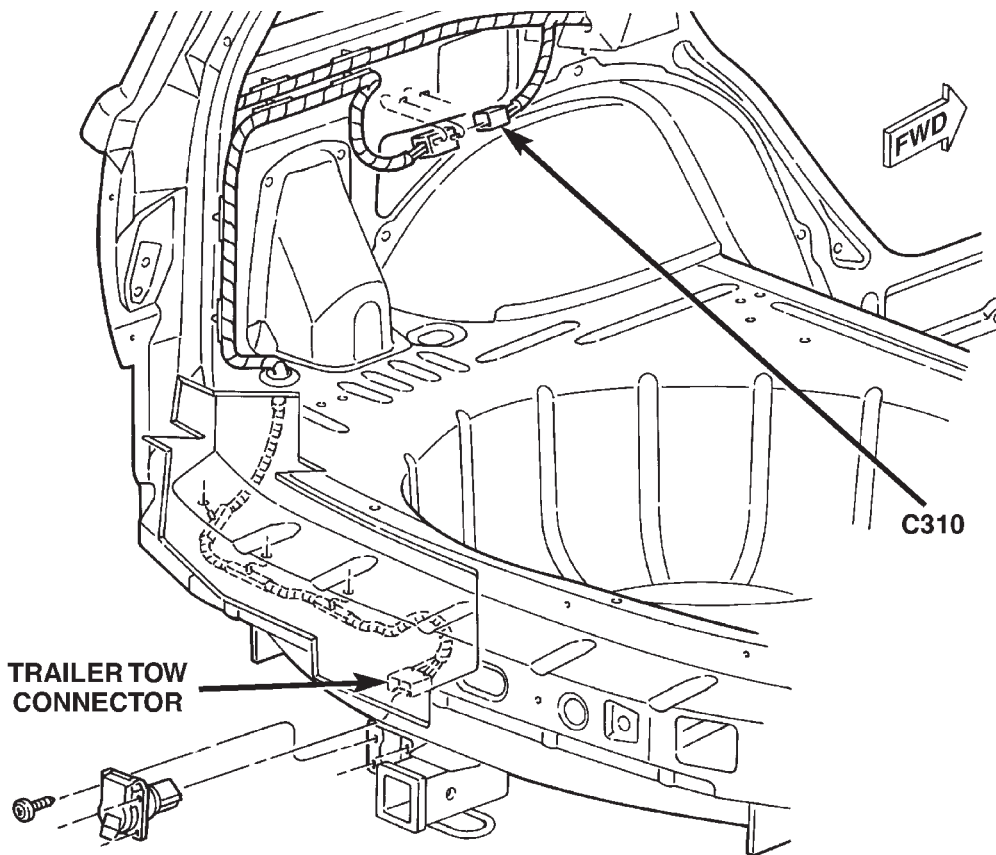


Fig. 15 Trailer Tow Connectors

80b46caa

DESCRIPTION AND OPERATION (Continued)

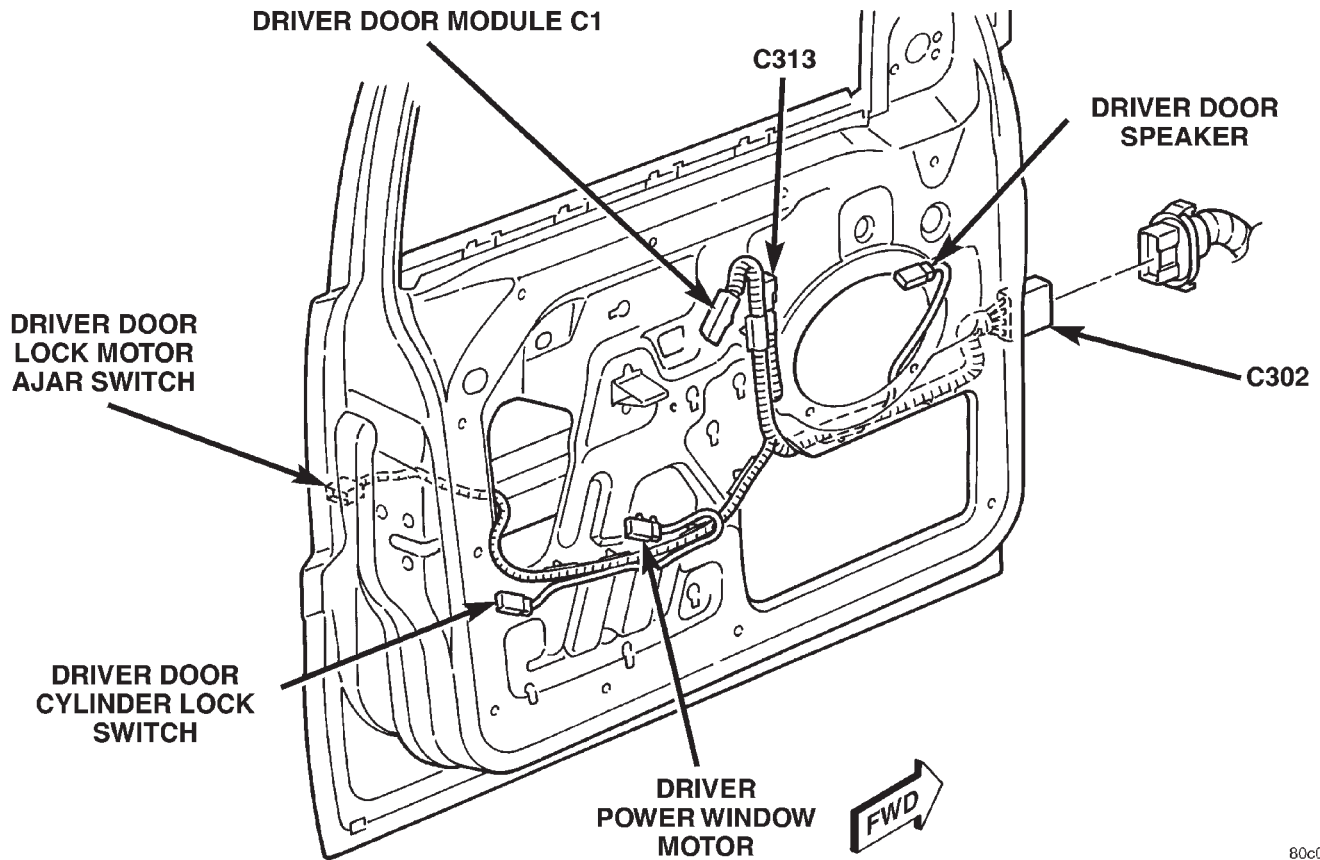


Fig. 16 Driver Door

80c06d73

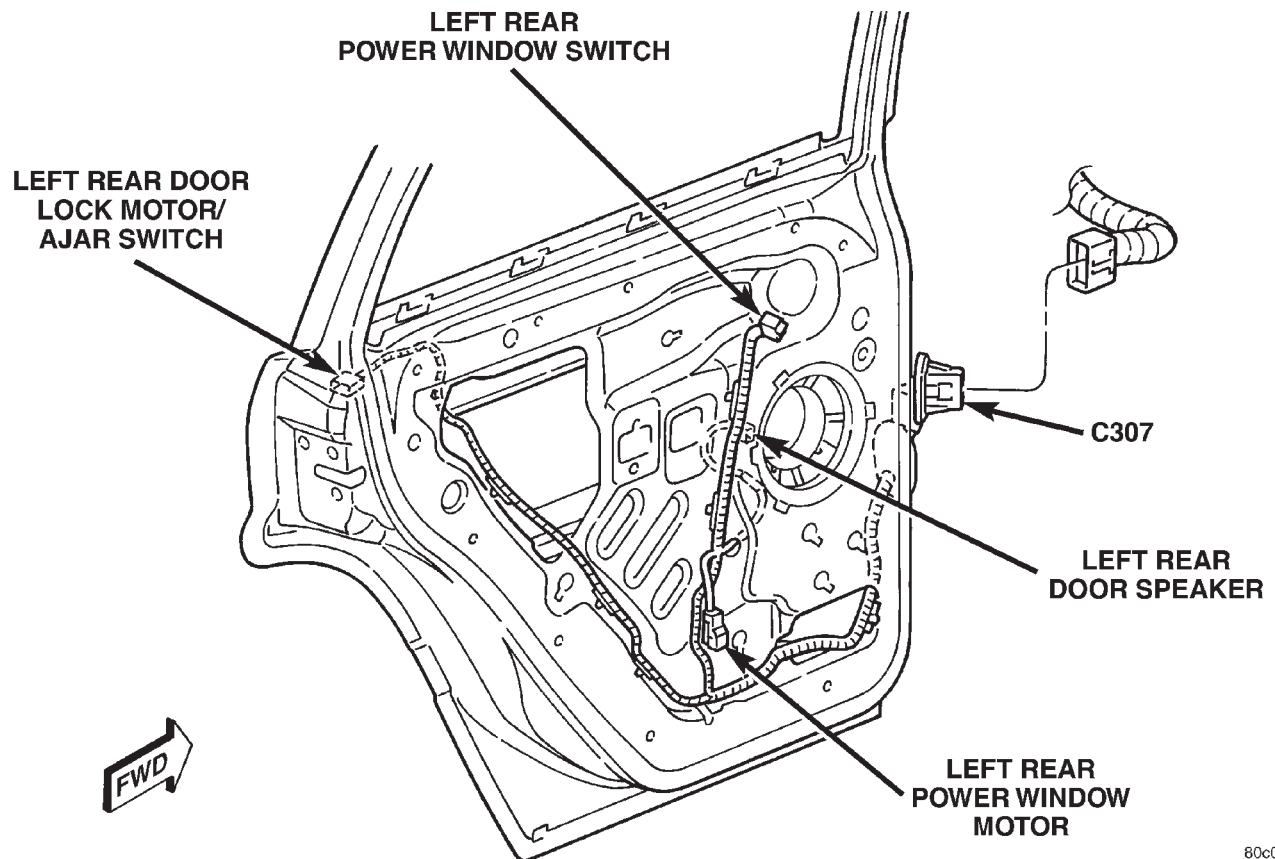


Fig. 17 Left Rear Door

80c06d74

DESCRIPTION AND OPERATION (Continued)

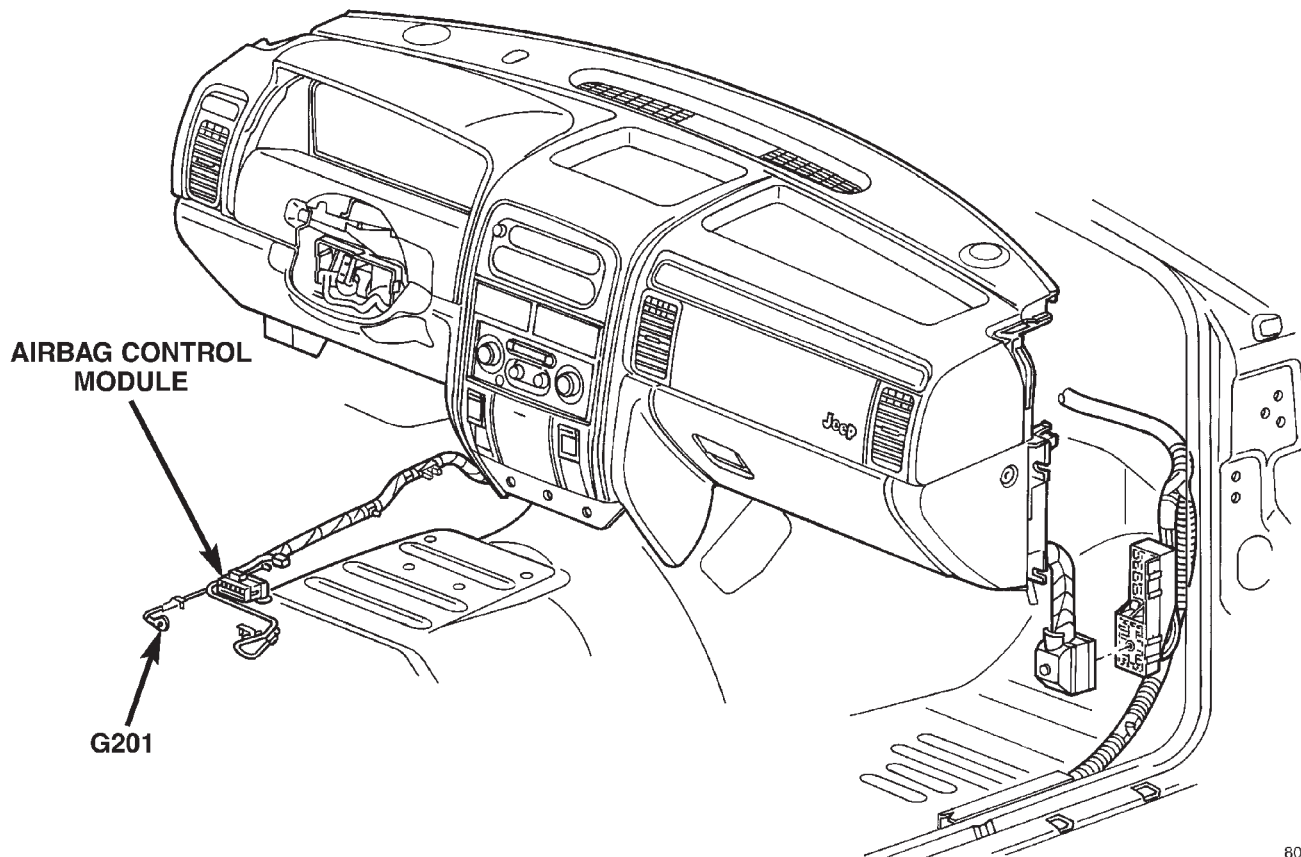


Fig. 18 Instrument Panel Front

80b46cad

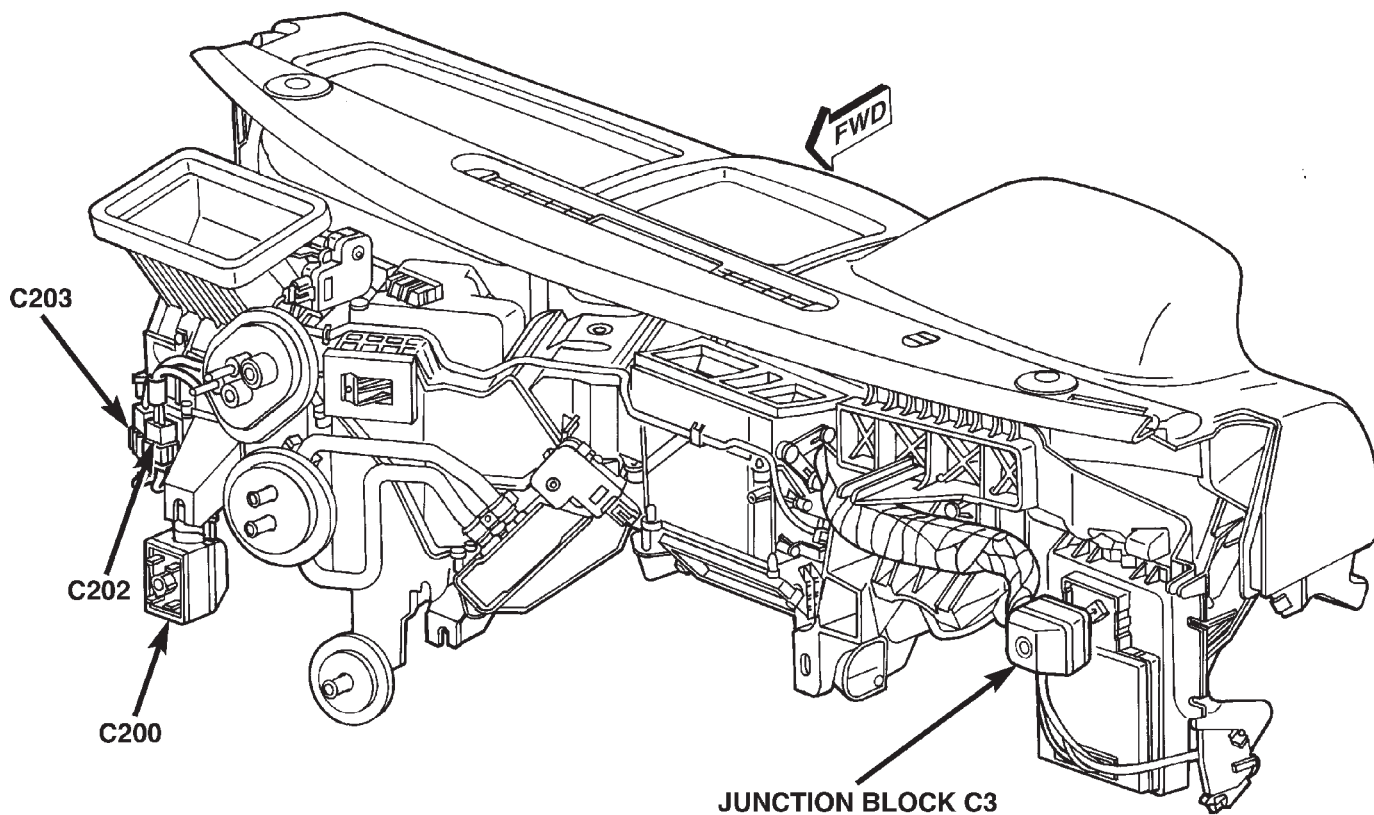


Fig. 19 Instrument Panel Rear

80b46cae

DESCRIPTION AND OPERATION (Continued)

80b196e4

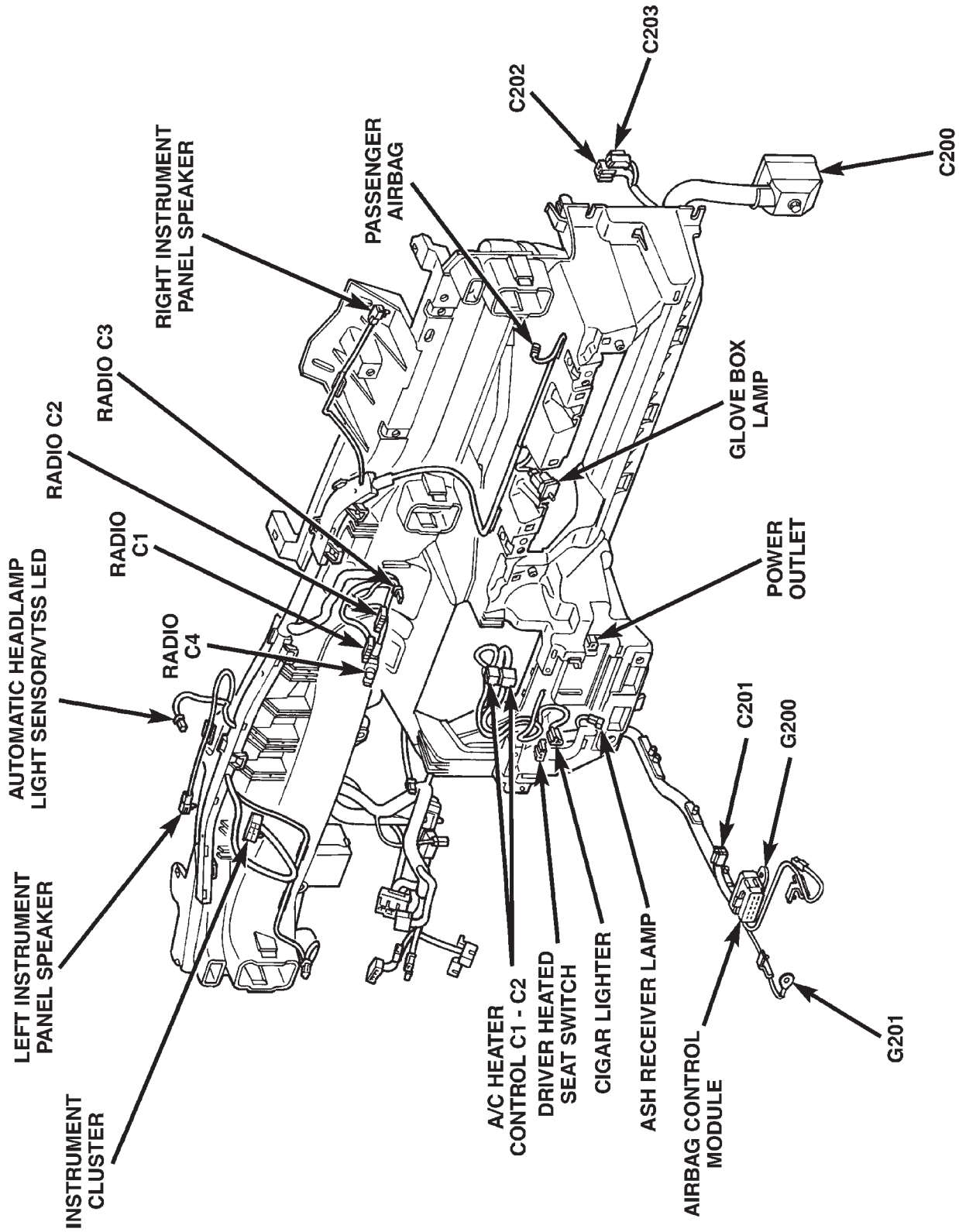


Fig. 20 Instrument Panel Front Connectors



DESCRIPTION AND OPERATION (Continued)

80b840e8

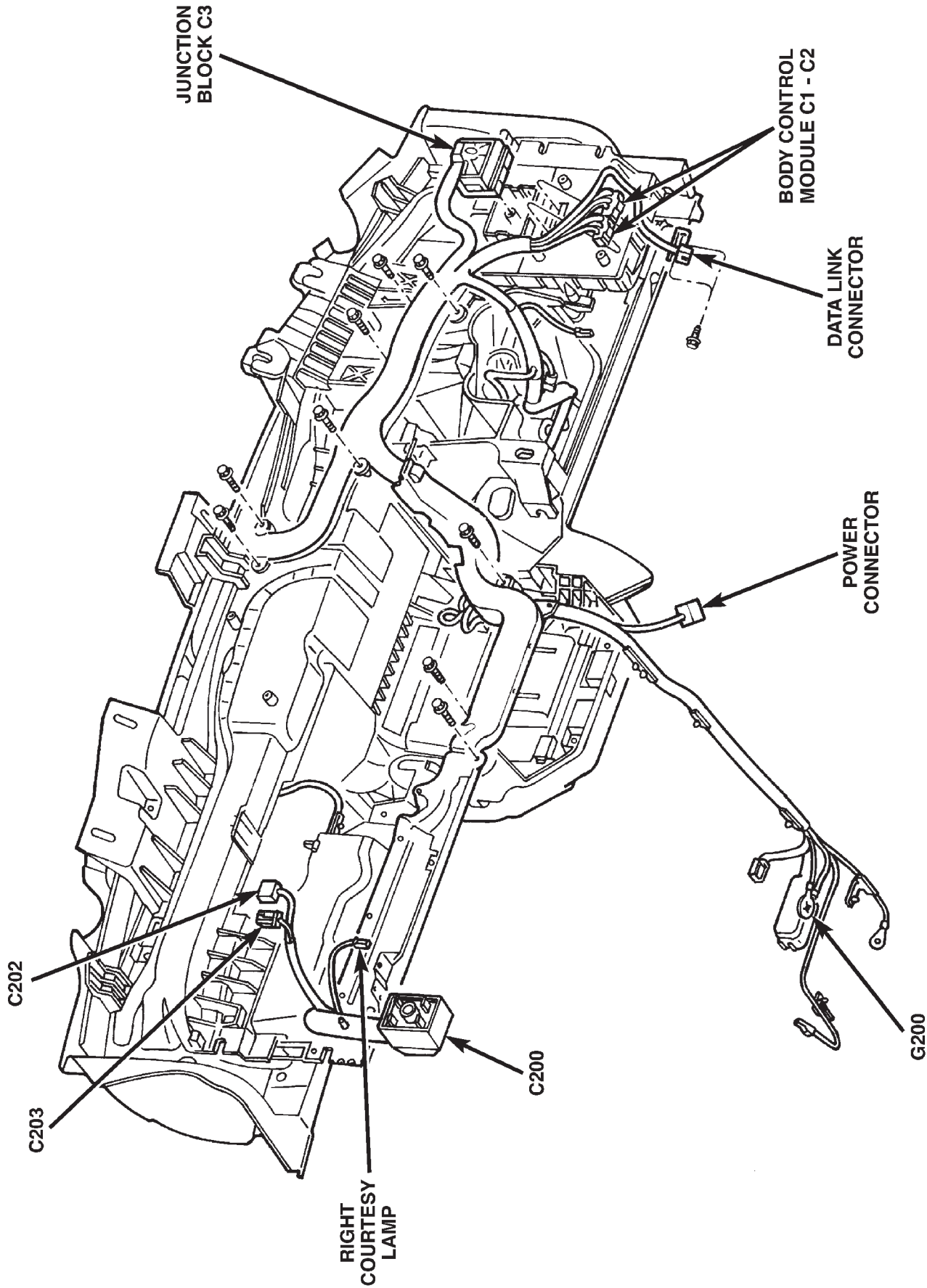


Fig. 21 Instrument Panel Rear Connectors

DESCRIPTION AND OPERATION (Continued)

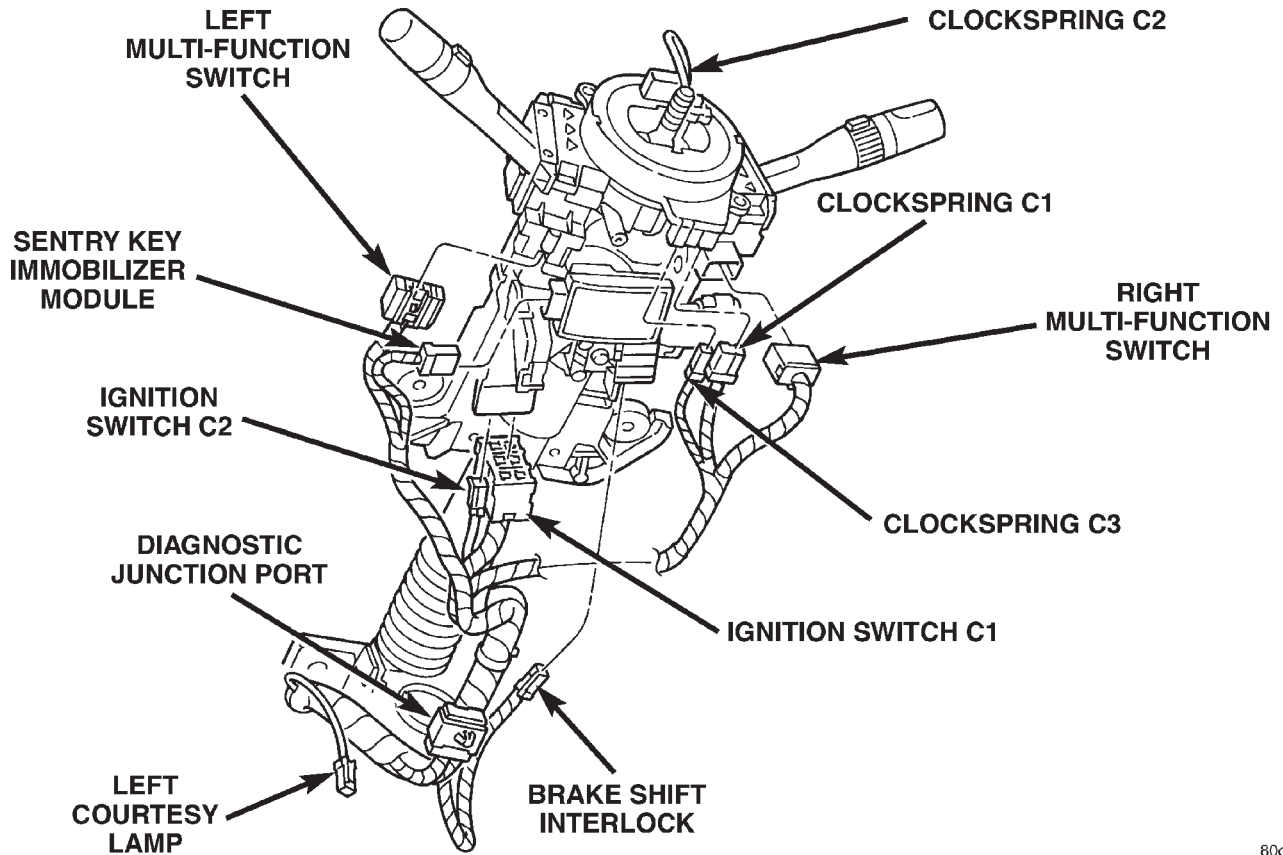


Fig. 22 Steering Column Connectors



## 8W-95 SPLICE LOCATIONS

### DESCRIPTION AND OPERATION

#### INTRODUCTION

This section provides illustrations identifying the general location of the splices in this vehicle. A splice index is provided. Use the wiring diagrams in each

section for splice number identification. Refer to the index for proper splice number.

#### SPLICE LOCATIONS

For splices that are not shown in the figures in this section a N/S is placed in the Fig. column.

Splice Number	Location	Fig.
S100	Near T/O for Power Distribution Center Eyelet	N/S
S102	Near T/O for Rail Coil	5
S103 (4.0L)	Near T/O for Oxygen Sensor 1/1 Upstream	5
S103 (4.7L)	Near T/O for Engine Oil Pressure Switch	N/S
S104 (4.0L)	In T/O for G104	5
S104 (4.7L)	Near T/O for Oxygen Sensors	3
S105 (4.7)	Near T/O for Fuel Injector No.7	1
S105 (4.0)	Near T/O for Crankshaft Position sensor	5
S106	In T/O for Oxygen Sensors	5, 6
S107 (4.7L)	Near T/O for Fuel Injector No. 7	1
S107 (4.0L)	Near T/O for Fuel Injector No. 5	4
S108 (4.7L)	Near T/O for C103	2
S108 (4.0L)	Top of Engine in Fuel Injector Harness	4
S109 (4.0L)	Near T/O for Fuel Injector No. 2	4
S109 (4.7L)	Near T/O for Fuel Injector No. 6	2
S110	T/O for Oxygen Sensor (California)	N/S
S111	In T/O for 2/2 Downstream Oxygen Sensor	N/S
S112 (4.0L)	Engine Harness In T/O for C102 C103 C104	4
S112 (4.7L)	Near T/O for Fuel Injector No. 8	2
S113	Near T/O for Transmission Control Module	2

Splice Number	Location	Fig.
S114	Near T/O for Transmission Control Module	2
S115	Near T/O for Transmission Control Module	2
S116	Near T/O for C102, C103 and C104	2
S117	Near T/O for C102, C103 and C104	2
S118	Near T/O for Fuel Injector No.4	2
S119	In T/O for Crankshaft Position Sensor	N/S
S120	In T/O for Crankshaft Position Sensor	N/S
S121	Near T/O for Idle Air Control Motor	1
S122 (4.0L)	Near T/O for Rail Coil	5
S122 (4.7L)	Near T/O for Oxygen Sensors	3
S124	Near T/O for Idle Air Control Motor	1
S125	At T/O for Powertrain Control Module C3	N/S
S126	In Trough Near T/O for Powertrain Control Module C3	7
S127	In Trough Near T/O for Powertrain Control Module C3	7
S128	In Trough Near T/O for Powertrain Control Module C3	7
S129	In Trough Near T/O for Powertrain Control Module C3	7
S130	In T/O for Powertrain Control Module C3	7

## DESCRIPTION AND OPERATION (Continued)

Splice Number	Location	Fig.
S131	In Trough Near T/O for Power Distribution Center	7
S132	Between Troughs in Right Engine Compartment	7
S133	Near T/O for Battery Temperature Sensor	7
S134	In Trough Near T/O for Controller Anti-lock Brake	8
S151	In Headlamp Assembly	N/S
S152	In Headlamp Assembly	N/S
S153	In Headlamp Assembly	N/S
S154	In Headlamp Assembly	N/S
S155	In Headlamp Assembly	N/S
S156	In Headlamp Assembly	N/S
S200	Near T/O for Passenger Heated Seat Switch	17
S201	Near T/O for Front Power Outlet	17
S202	Near T/O for Passenger Heated Seat Switch	17
S203	Near T/O for Cigar Lighter	17
S204	In Trough Near T/O for Power Connector	17
S205	In Trough Near T/O for Power Connector	17
S206	In Trough Opposite End of Power Connector	17
S207	In Trough Near T/O for Radio Connectors	17
S208	In Trough Near T/O for Radio Connectors	17
S209	In trough Near T/O for Left Courtesy Lamp	17
S210	In trough Near T/O for Left Courtesy Lamp	17
S211	In trough Near T/O for Left Courtesy Lamp	17
S212	In trough Near T/O for Left Courtesy Lamp	17
S213	Near T/O for Cruise Switch No.1	N/S
S214	Near T/O for Cruise Switch No.1	N/S
S215	Near T/O for Horn Switch	N/S
S216	Near T/O for Remote Radio Switch No.2	N/S

Splice Number	Location	Fig.
S300	Near T/O for G301	10
S301	In T/O for C304	10
S302	In Sill Trough Near T/O for C307	10
S303	In Sill Trough Near T/O for C307	10
S304	In Sill Trough Near T/O for C307	10
S305	In Sill Trough Near T/O for C307	10
S306	Near T/O for C310	16
S307	Near T/O for C310	16
S309	Between T/O's for C310 and Left Rear Lamp Assembly	16
S310	Between T/O's for C310 and Left Rear Lamp Assembly	16
S311	Near T/O for Left Rear Lamp Assembly	16
S312	Near T/O for Brake Lamp Switch	11
S313	Near T/O for Brake Lamp Switch	11
S314	Near T/O for Brake Lamp Switch	11
S315	In Center Spline Near T/O for Brake Lamp Switch	11
S316	In Center Spline Trough Side	11
S317	Between Troughs Near T/O for C314	11
S318	Between Troughs Near T/O for C314	11
S324	In T/O for C200	N/S
S325	Near T/O for Junction Block C5	N/S
S326	Between T/O for C106 and Sill Trough	9
S327	Between T/O for C106 and Sill Trough	9
S328	Between T/O for C106 and Sill Trough	9
S329	In Sill Trough Near T/O for G300	9
S330	Near T/O for C306	9
S331	In Sill Trough Near T/O for C303	9

## DESCRIPTION AND OPERATION (Continued)

Splice Number	Location	Fig.
S332	In Sill Trough Near T/O for C303	9
S334	In T/O for Power Amplifier C1	9
S336	Near T/O for Driver Power Window Motor	13
S338	Near T/O for Passenger Power Window Motor	14
S339	Near T/O for Passenger Power Window Motor	14
S340	Near T/O for Passenger Door Module C1	14
S341	Near T/O for C306	N/S
S342	Near T/O for C306	N/S
S345	Near T/O for Left Handle Courtesy Lamp	N/S
S346	Near T/O for Left Visor/Vanity Lamp	N/S
S347	Near T/O for Left Visor/Vanity Lamp	N/S
S348	Near T/O for Automatic Day/Night Mirror	N/S
S349	Near T/O for Automatic Day/Night Mirror	N/S
S351	Near T/O for Seat Belt Switch	N/S
S352	Near T/O for Seat Belt Switch	N/S
S353	Near T/O for Driver Lumbar Switch	N/S
S355	Near T/O for C304 and C306	N/S
S356	Near T/O for Left Rear Door Lock Motor/Ajar Switch	15

Splice Number	Location	Fig.
S357	Near T/O for Right Rear Door Lock Motor/Ajar Switch	15
S360	In T/O for C302	11
S361	In T/O for C302	11
S362	In T/O for C200	9
S363	In T/O for C200	9
S368	Near T/O for Power Amplifier C1	9
S370	Near T/O for Sunroof Module	N/S
S400	Near Rear Window Defogger Ground Connector	12
S401	Near Rear Window Defogger Ground Connector	12
S402	Near T/O for Liftgate Flip-Up Ajar Switch	12
S403	Near T/O for Rear Wiper Motor	12
S404	Near T/O for Liftgate Lock Motor	12
S405	In T/O for Rear Wiper Motor	N/S
S406	In T/O for Trailer Tow Right Turn Relay	N/S
S407	In T/O for Trailer Tow Left Turn Relay	N/S
S408	Near T/O for Trailer Tow Circuit Breaker	16
S409	In T/O for C310	16
S410	At Trailer Tow Connector	16
S411	Near T/O for License Lamp No.1	N/S
S412	In T/O for C312	N/S

DESCRIPTION AND OPERATION (Continued)

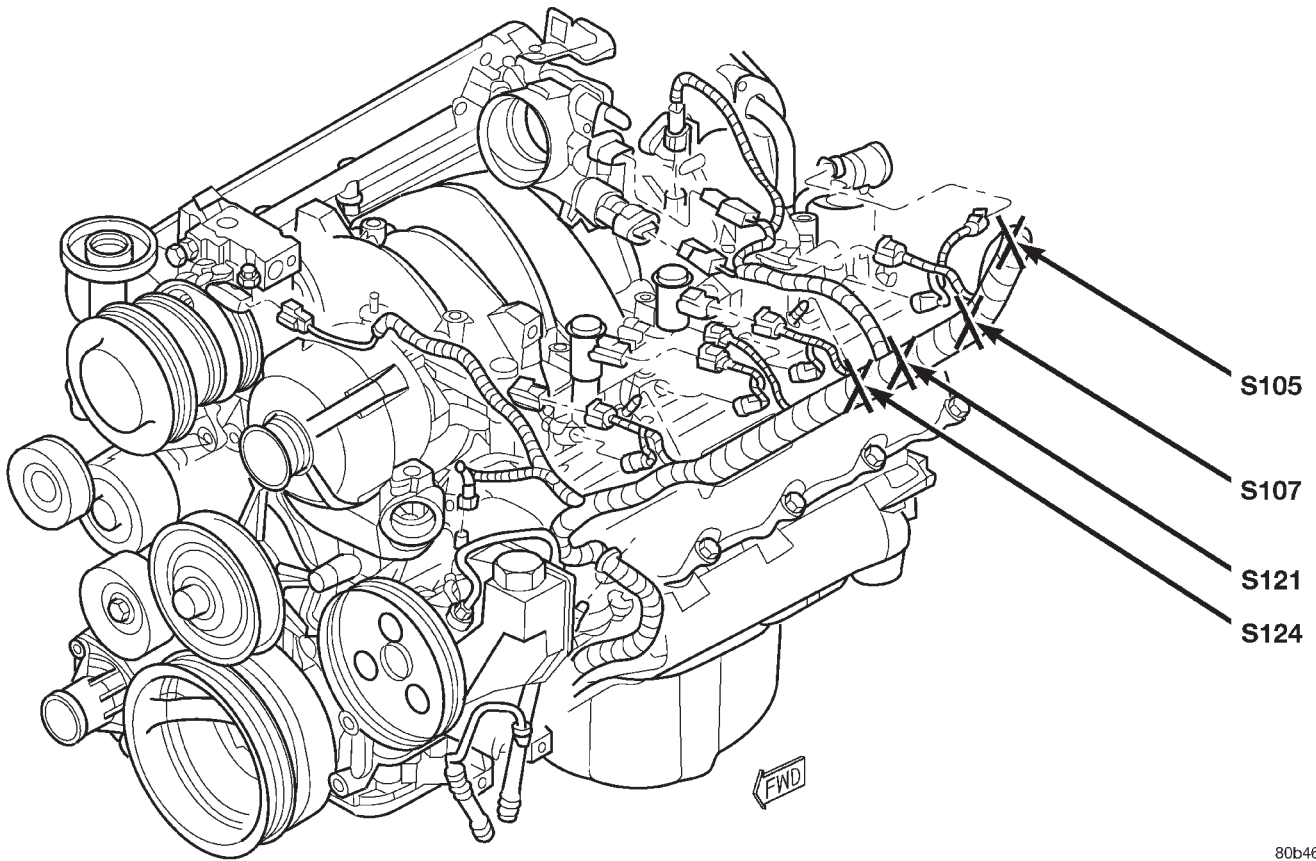


Fig. 1 Engine Splices 4.7 Liter Left Side

80b46cb0

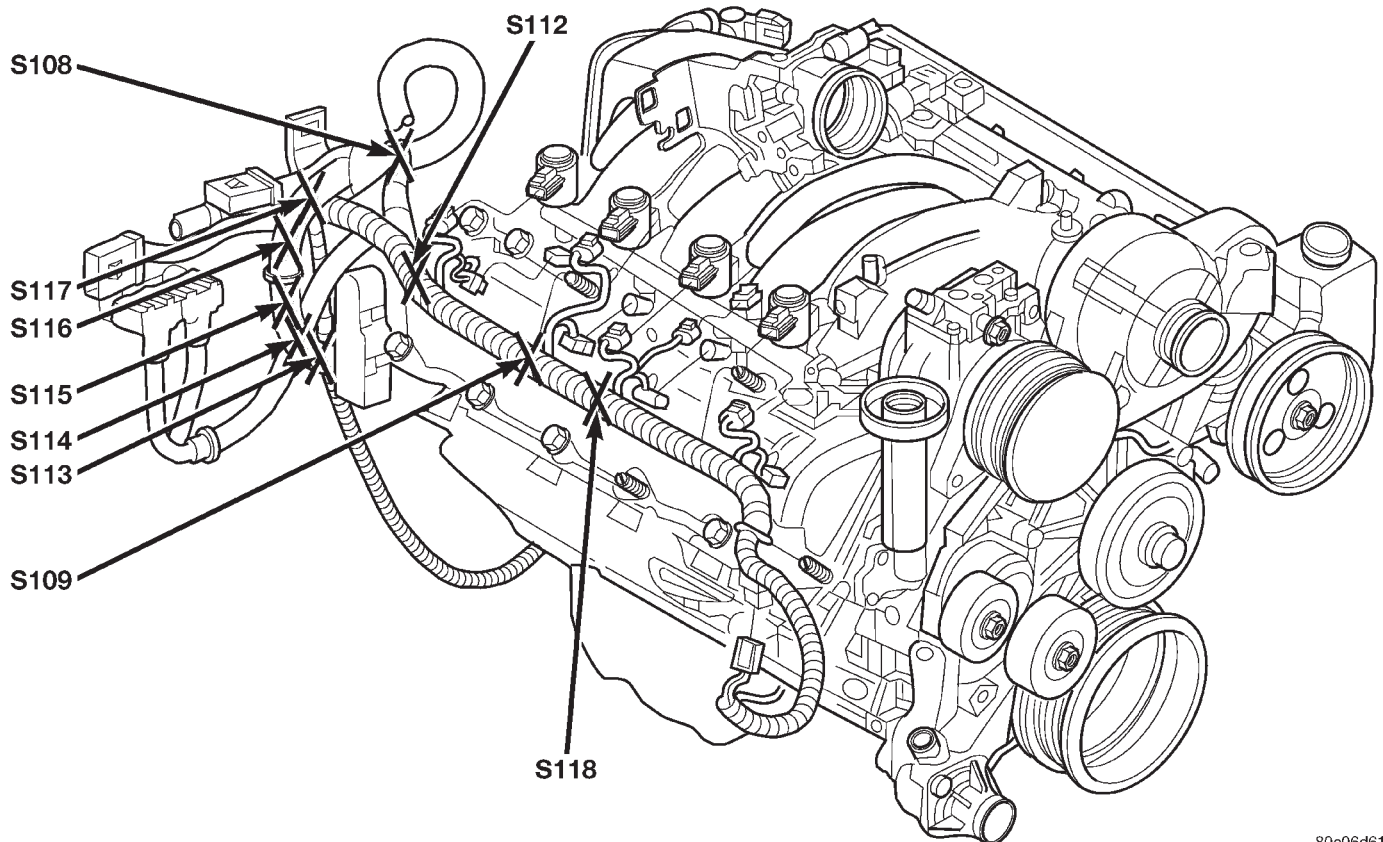
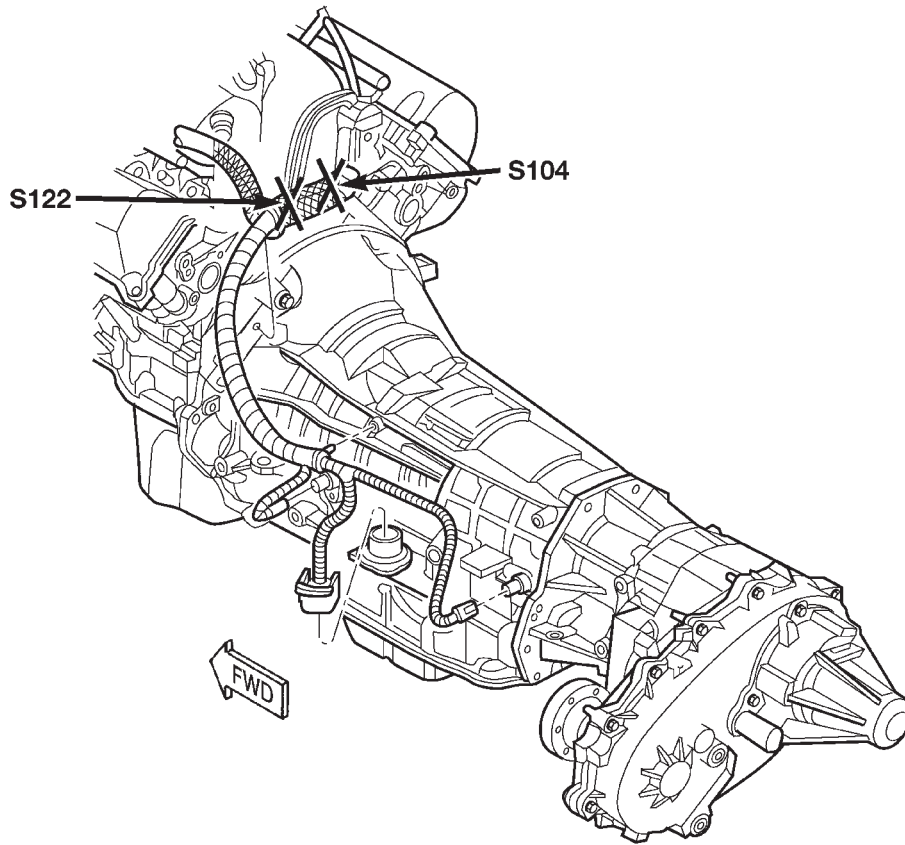


Fig. 2 Engine Splices 4.7 Liter Right Side

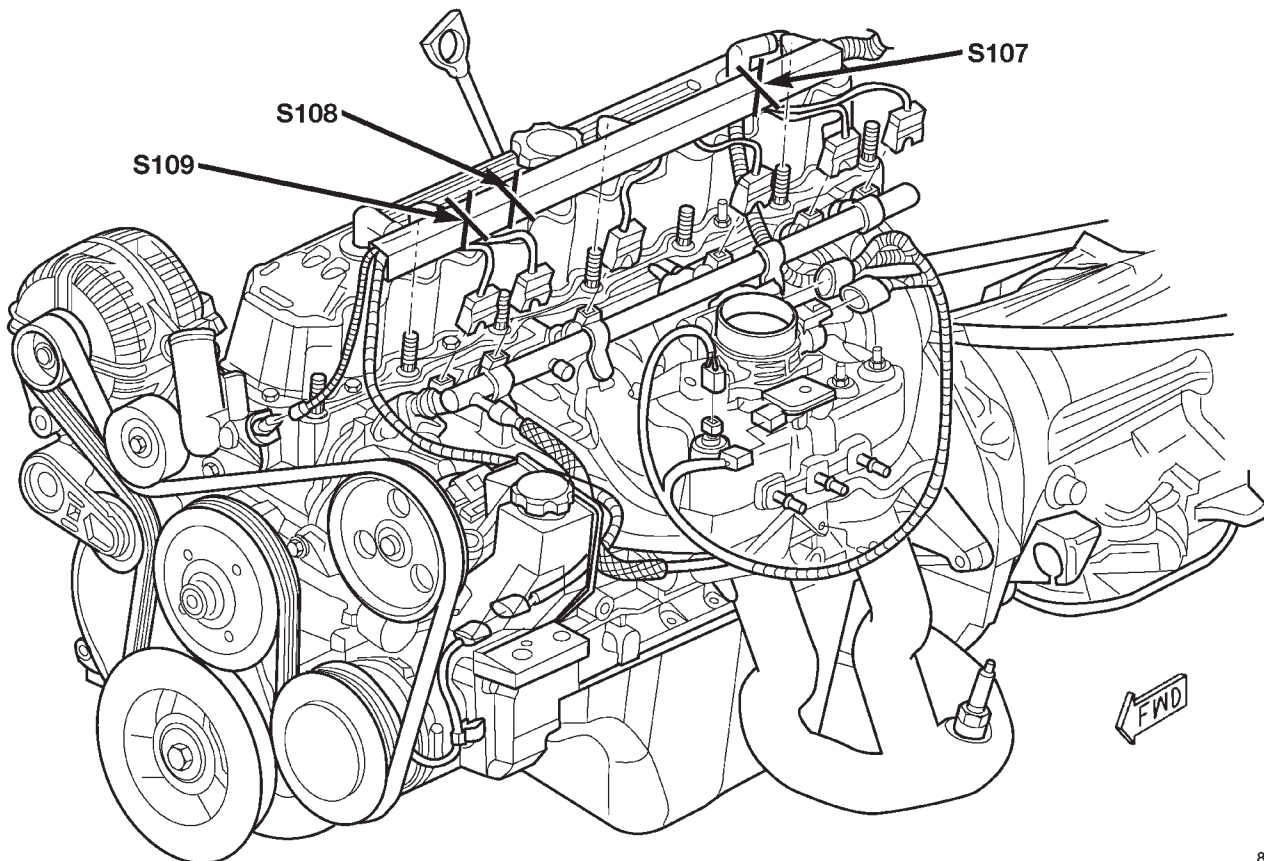
80c06d61

DESCRIPTION AND OPERATION (Continued)



**Fig. 3 Transmission Splices 4.7 Liter Engine**

80b46cb2

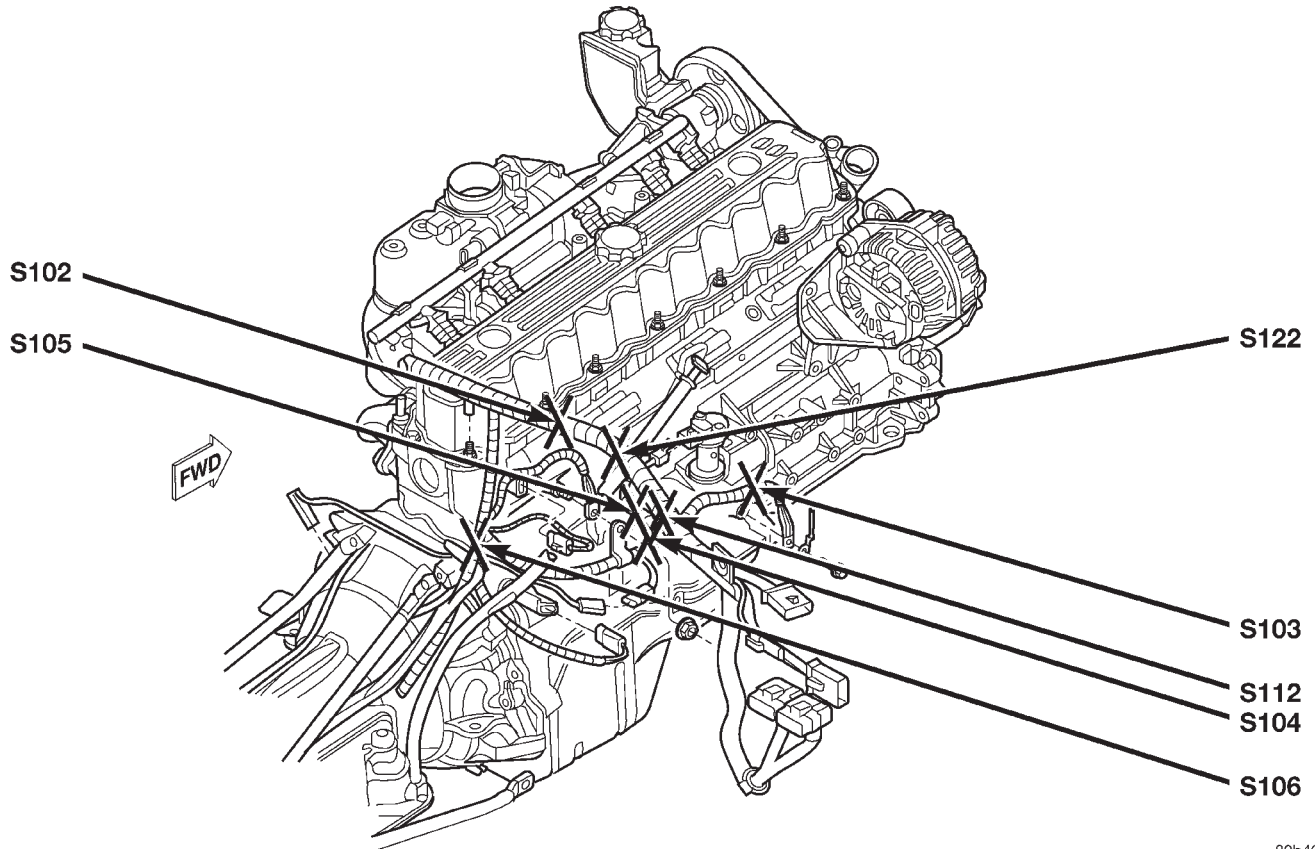


**Fig. 4 Engine Splices 4.0 Liter Left Side**

80b46cb3

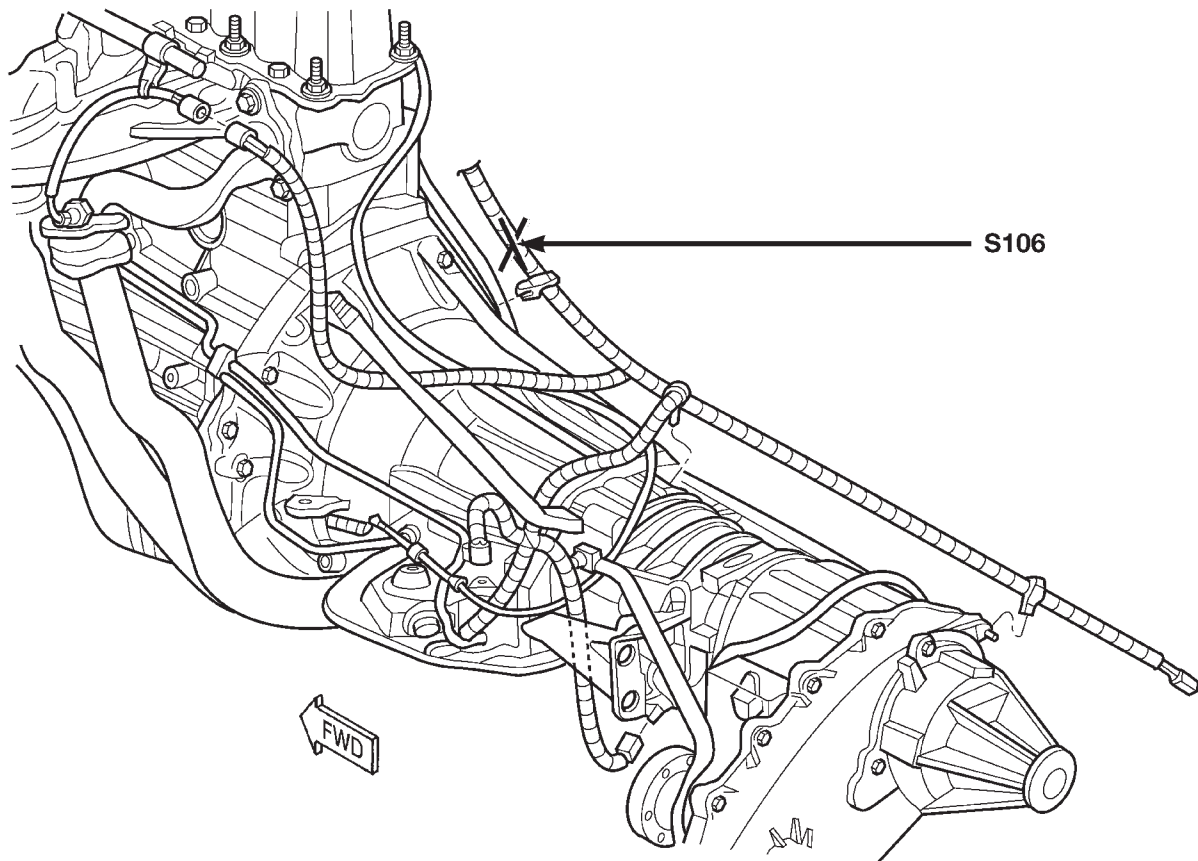


DESCRIPTION AND OPERATION (Continued)



**Fig. 5 Engine Splices 4.0 Liter Right Side**

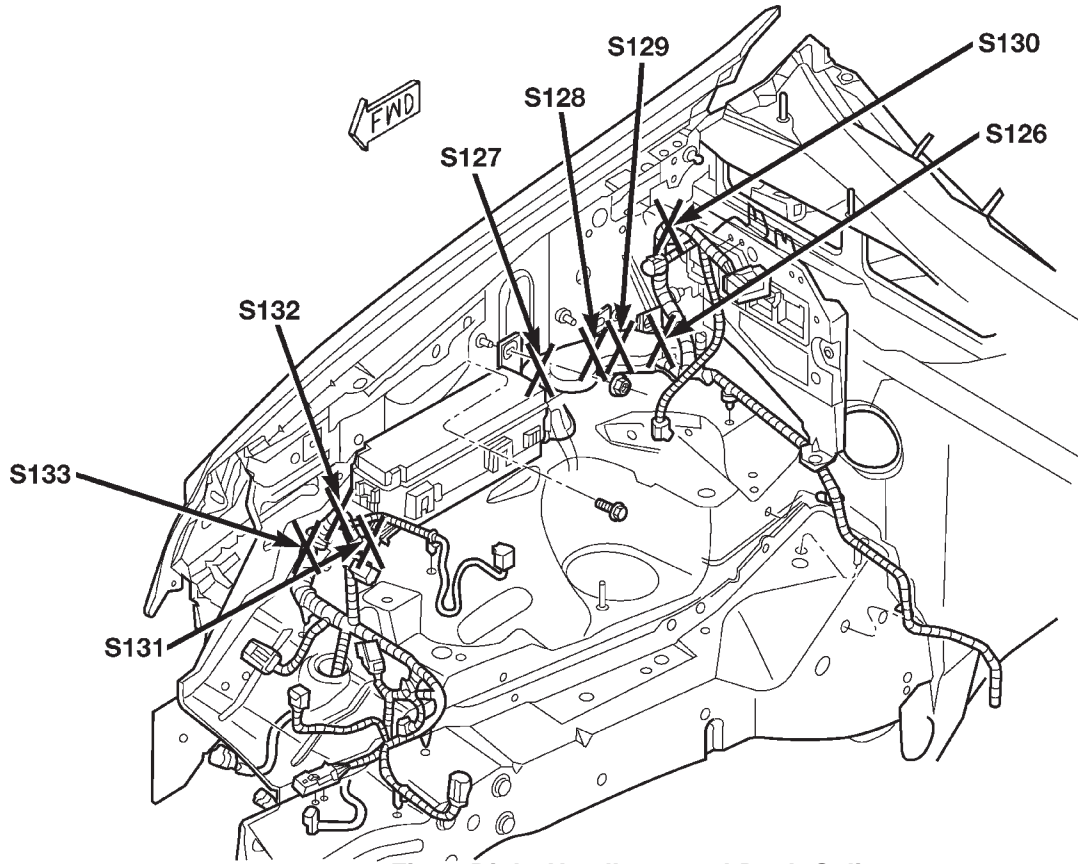
80b46cb4



**Fig. 6 Transmission Splices 4.0 Liter**

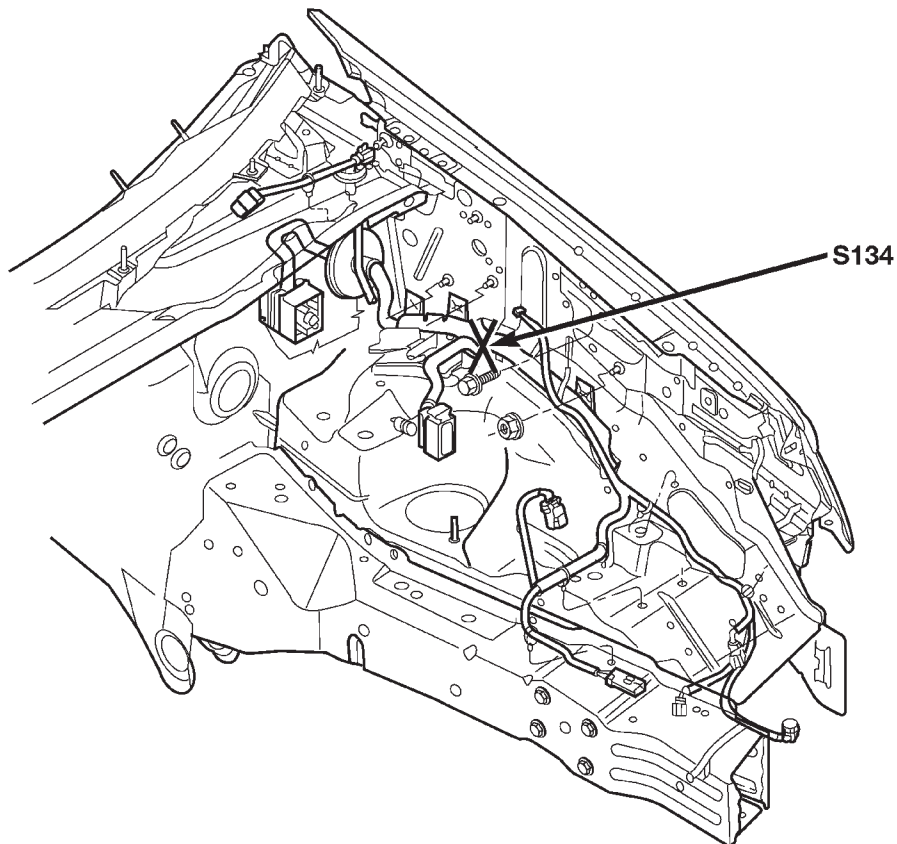
80bceafe

DESCRIPTION AND OPERATION (Continued)



**Fig. 7 Right Headlamp and Dash Splices**

80c06d62



**Fig. 8 Left Headlamp and Dash Splices**

80c06d63



DESCRIPTION AND OPERATION (Continued)

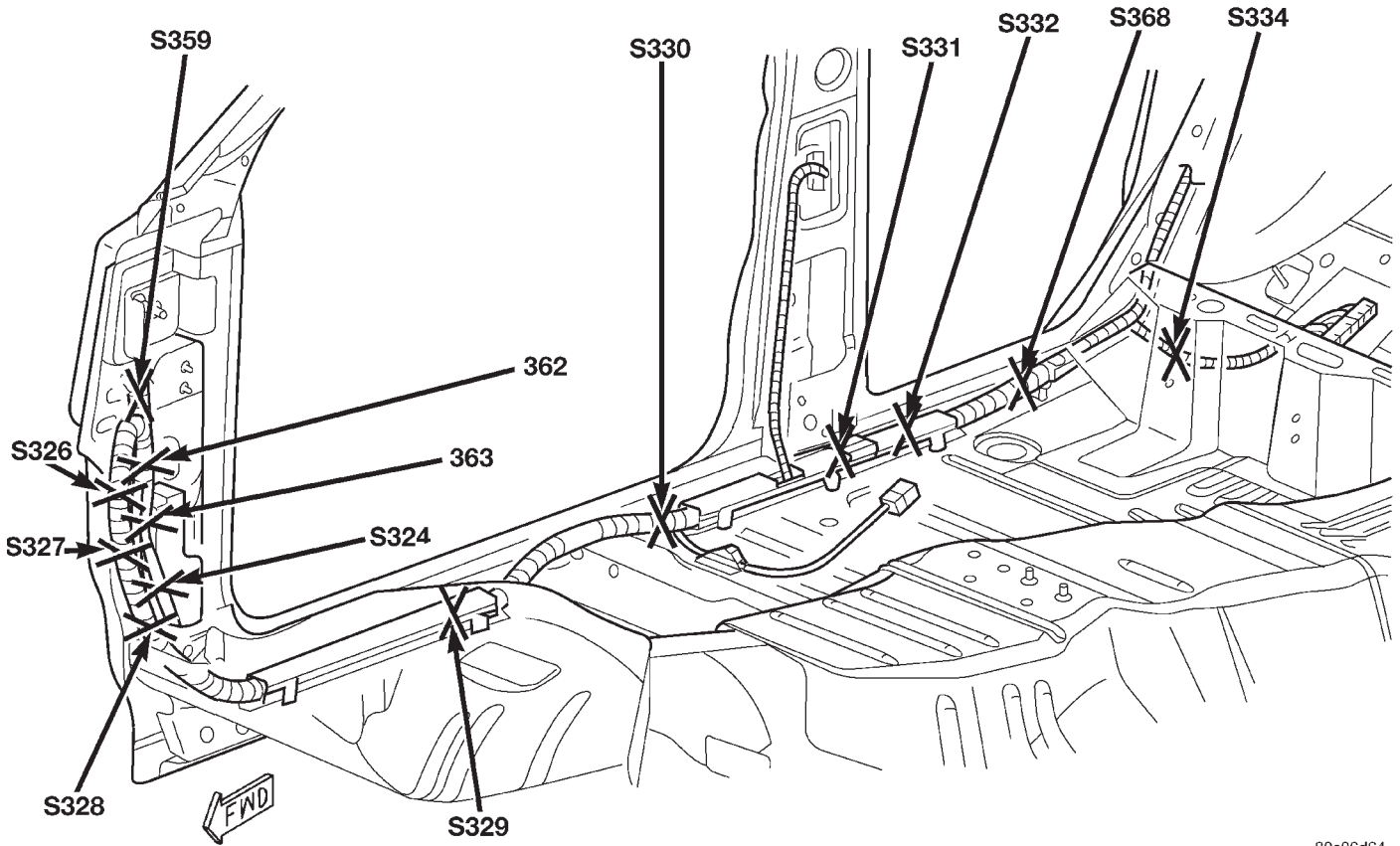


Fig. 9 Body Splices Right Side

80c06d64

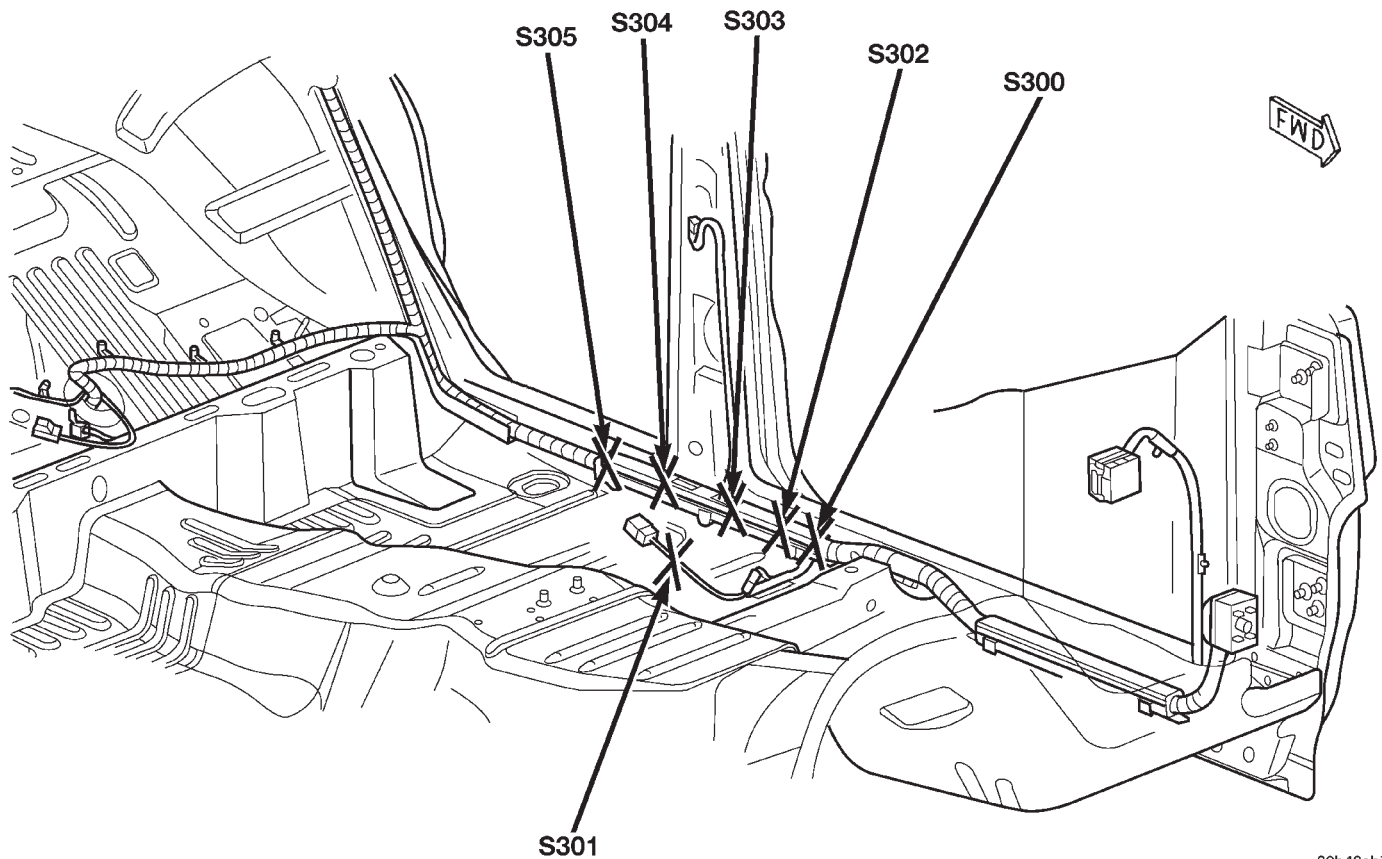
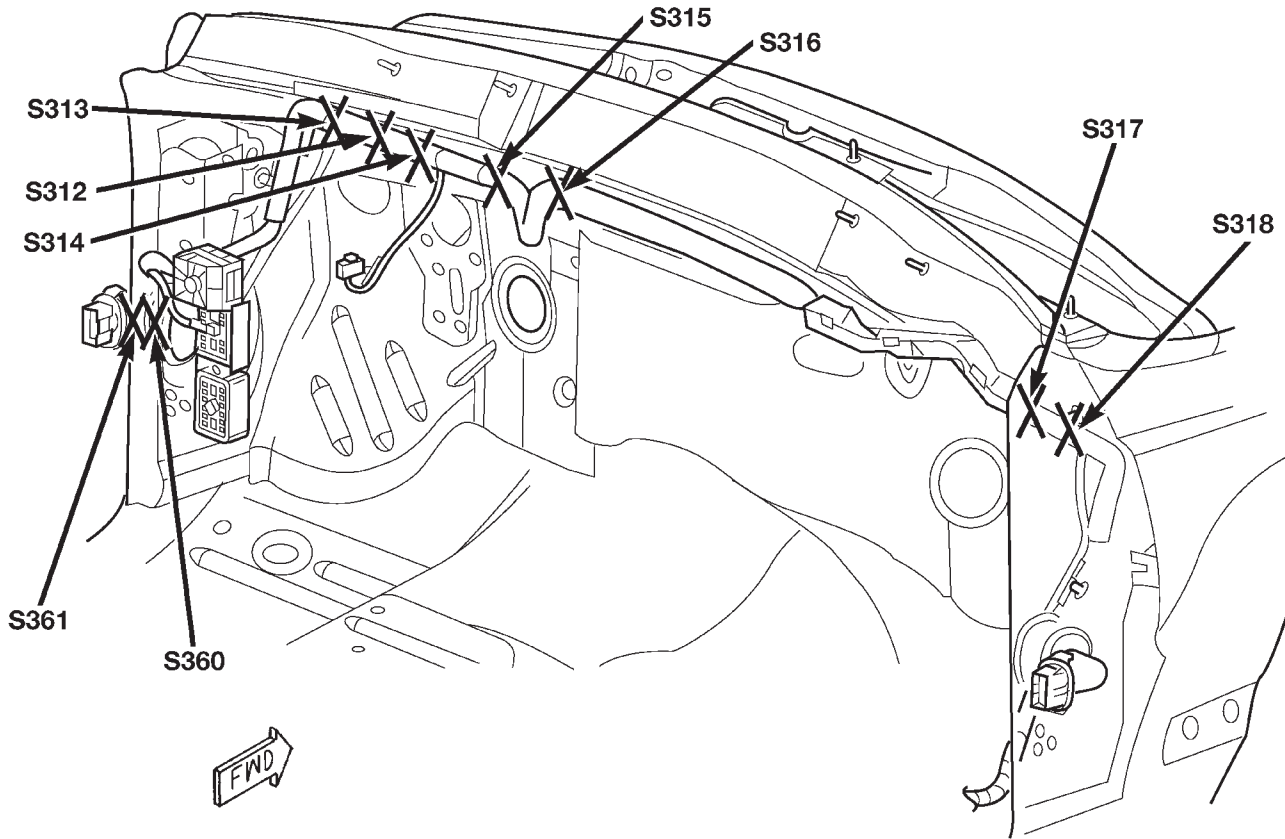


Fig. 10 Body Splices Left Side

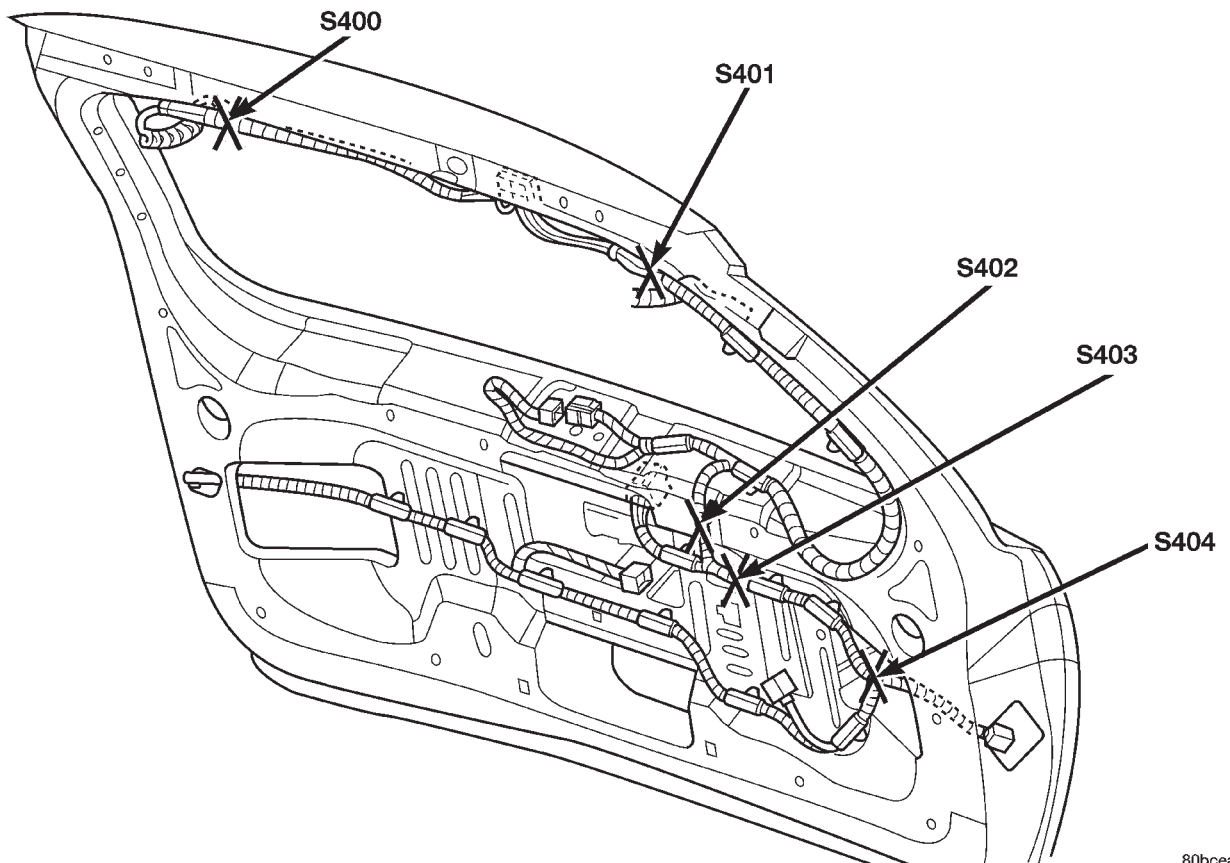
80b46cb7

DESCRIPTION AND OPERATION (Continued)



**Fig. 11 Body Splices Front**

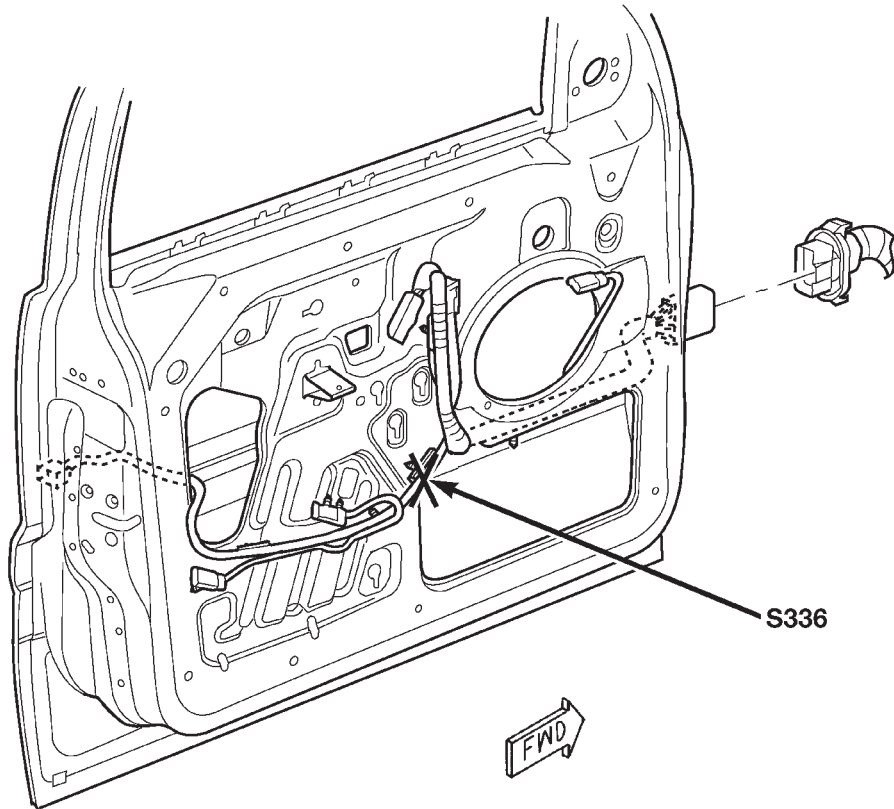
80c06d65



**Fig. 12 Liftgate Splices**

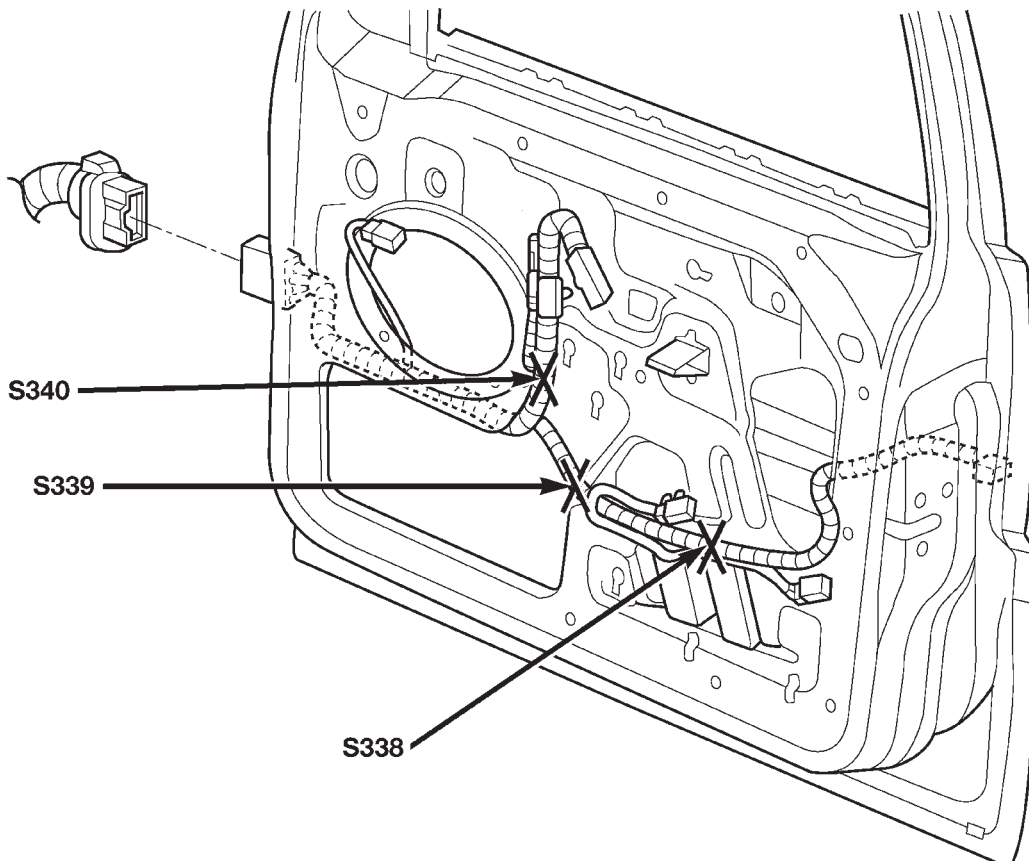
80bceaf8

DESCRIPTION AND OPERATION (Continued)



**Fig. 13 Driver Door Splices**

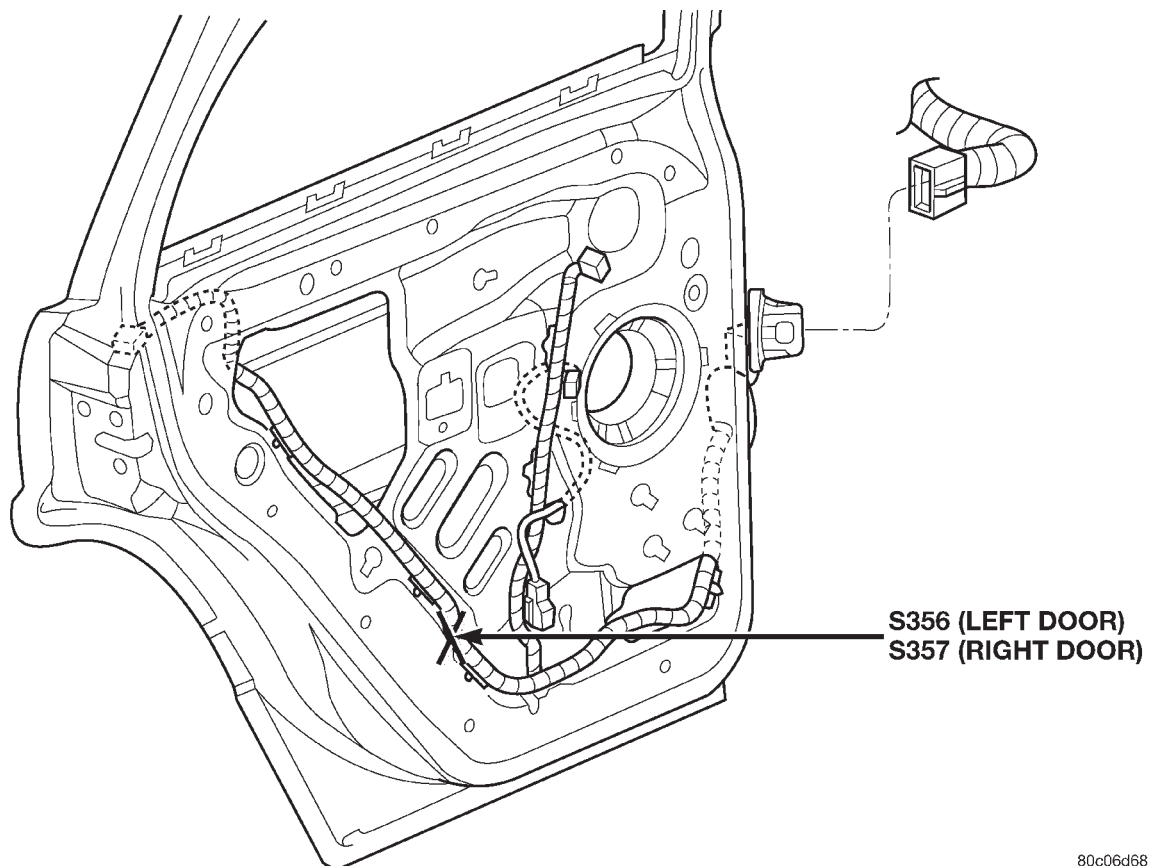
80c06d66



**Fig. 14 Passenger Door Splices**

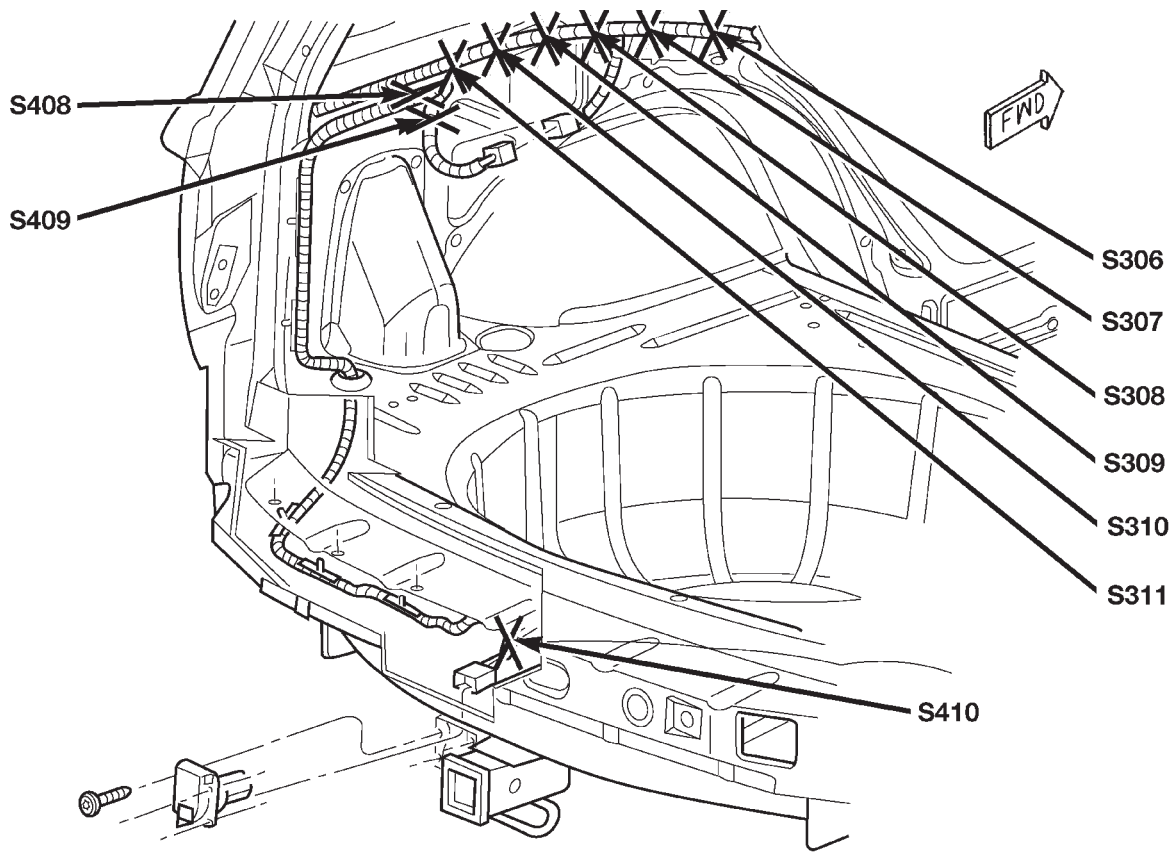
80c06d67

DESCRIPTION AND OPERATION (Continued)



**Fig. 15 Rear Door Splices**

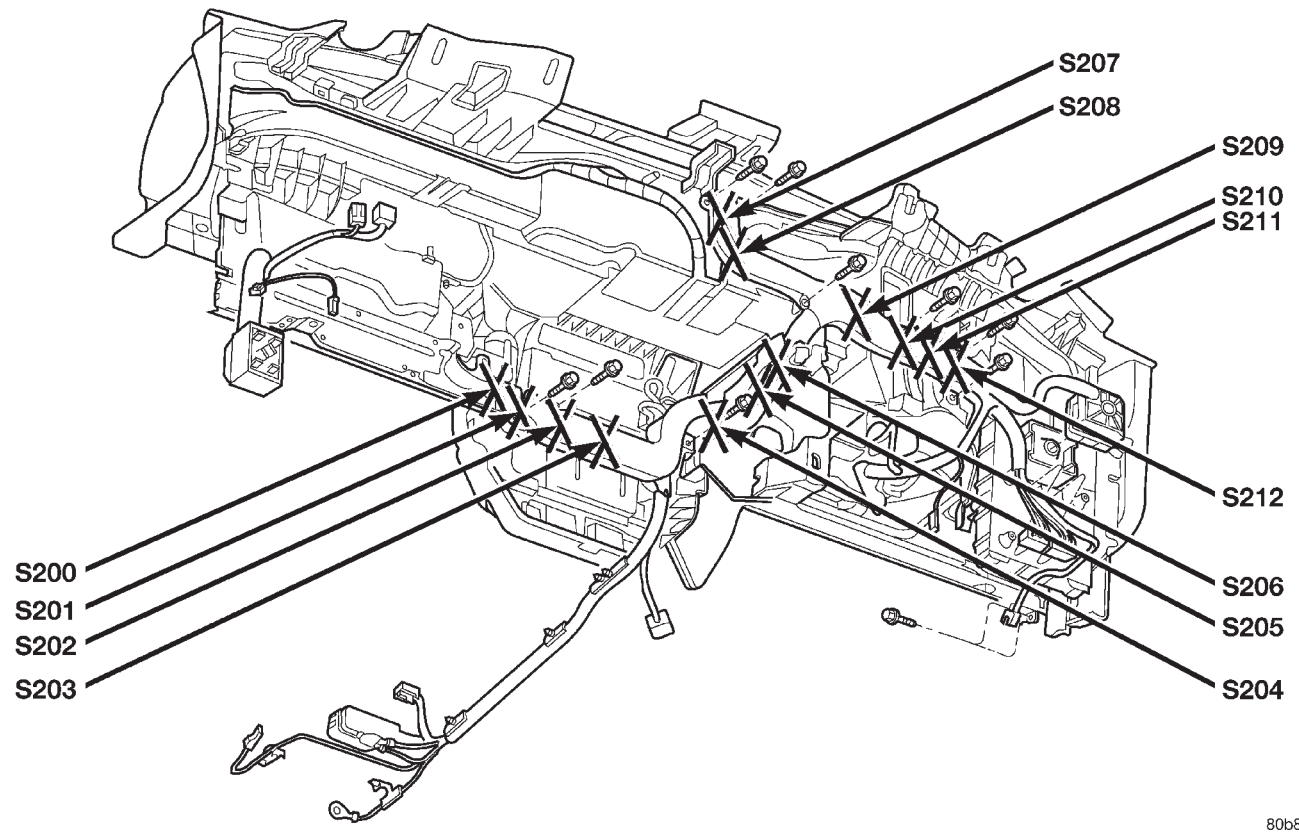
80c06d68



**Fig. 16 Trailer Tow Harness Splices**

80bceaf9

DESCRIPTION AND OPERATION (Continued)



**Fig. 17 Instrument Panel Splices**

80b840d7

# ENGINE

## TABLE OF CONTENTS

	page	page
4.0L ENGINE.....	1	61
4.7L ENGINE.....		

## 4.0L ENGINE

### TABLE OF CONTENTS

	page	page
<b>DESCRIPTION AND OPERATION</b>		
ENGINE.....	2	
LUBRICATION SYSTEM.....	3	
CYLINDER BLOCK.....	5	
CYLINDER HEAD.....	5	
CRANKSHAFT.....	5	
PISTON AND CONNECTING ROD.....	5	
CAMSHAFT.....	6	
ROCKER ARM.....	6	
VALVES.....	7	
VALVE SPRING.....	7	
VALVE STEM SEAL.....	7	
CYLINDER HEAD COVER.....	7	
HYDRAULIC TAPPET.....	7	
OIL PAN.....	7	
INTAKE MANIFOLD.....	8	
EXHAUST MANIFOLD.....	8	
<b>DIAGNOSIS AND TESTING</b>		
ENGINE DIAGNOSIS—INTRODUCTION.....	8	
SERVICE DIAGNOSIS—PERFORMANCE.....	9	
SERVICE DIAGNOSIS—MECHANICAL.....	10	
HYDRAULIC TAPPETS.....	12	
INTAKE MANIFOLD LEAKAGE DIAGNOSIS.....	12	
CYLINDER COMPRESSION PRESSURE TEST ..	13	
CYLINDER HEAD GASKET FAILURE DIAGNOSIS.....	13	
CYLINDER COMBUSTION PRESSURE LEAKAGE TEST.....	14	
ENGINE OIL LEAK INSPECTION.....	14	
ENGINE OIL PRESSURE.....	15	
<b>SERVICE PROCEDURES</b>		
FORM-IN-PLACE GASKETS & SEALERS.....	15	
ENGINE GASKET SURFACE PREPARATION....	16	
ENGINE PERFORMANCE.....	16	
HONING CYLINDER BORES.....	17	
REPAIR DAMAGED OR WORN THREADS.....	18	
HYDROSTATIC LOCK.....	18	
ENGINE OIL.....	18	
VALVE TIMING.....	20	
PISTON FITTING.....	20	
PISTON RING—FITTING.....	21	
FITTING CONNECTING ROD BEARINGS.....	23	
FITTING CRANKSHAFT MAIN BEARINGS.....	26	
<b>REMOVAL AND INSTALLATION</b>		
ENGINE MOUNTS—FRONT.....	29	
ENGINE MOUNT—REAR.....	29	
ENGINE BENDING BRACES.....	31	
ENGINE ASSEMBLY.....	31	
INTAKE AND EXHAUST MANIFOLD.....	34	
CYLINDER HEAD COVER.....	35	
ROCKER ARMS AND PUSH RODS.....	35	
VALVE STEM SEAL AND SPRING.....	36	
CYLINDER HEAD.....	37	
VALVES AND VALVE SPRINGS.....	39	
HYDRAULIC TAPPETS.....	39	
VIBRATION DAMPER.....	40	
TIMING CASE COVER.....	40	
TIMING CHAIN AND SPROCKETS.....	41	
CAMSHAFT.....	42	
CAMSHAFT BEARINGS.....	43	
CRANKSHAFT MAIN BEARINGS.....	44	
OIL PAN.....	46	
PISTONS AND CONNECTING RODS.....	48	
CRANKSHAFT OIL SEALS—REAR.....	49	
OIL PUMP.....	50	
TIMING CASE COVER OIL SEAL.....	50	
<b>DISASSEMBLY AND ASSEMBLY</b>		
VALVE SERVICE.....	51	
CYLINDER BLOCK.....	53	
<b>CLEANING AND INSPECTION</b>		
INTAKE AND EXHAUST MANIFOLD.....	54	
CYLINDER HEAD.....	54	
CYLINDER HEAD COVER.....	54	
ROCKER ARMS AND PUSH RODS.....	54	



HYDRAULIC TAPPETS.....54  
 CYLINDER BLOCK.....55  
**SPECIFICATIONS**  
 SPECIFICATIONS .....56

TORQUE SPECIFICATIONS.....59  
**SPECIAL TOOLS**  
 4.0L ENGINE .....60

DESCRIPTION AND OPERATION

ENGINE

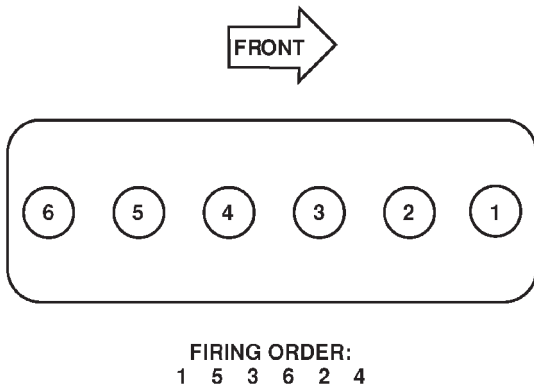
DESCRIPTION

The 4.0 Liter (242 CID) six-cylinder engine is an In-line, lightweight, overhead valve engine. This engine is designed for unleaded fuel.

The engine cylinder head has dual quench-type combustion chambers that create turbulence and fast burning of the air/fuel mixture. This results in better fuel economy.

The cylinders are numbered 1 through 6 from front to rear. The firing order is 1-5-3-6-2-4 (Fig. 1).

The crankshaft rotation is clockwise, when viewed from the front of the engine. The crankshaft rotates within seven main bearings. The camshaft rotates within four bearings.



80b770a2

Fig. 1 Engine Firing Order

The engine Build Date Code is located on a machined surface on the right side of the cylinder block between the No.2 and No.3 cylinders (Fig. 2).

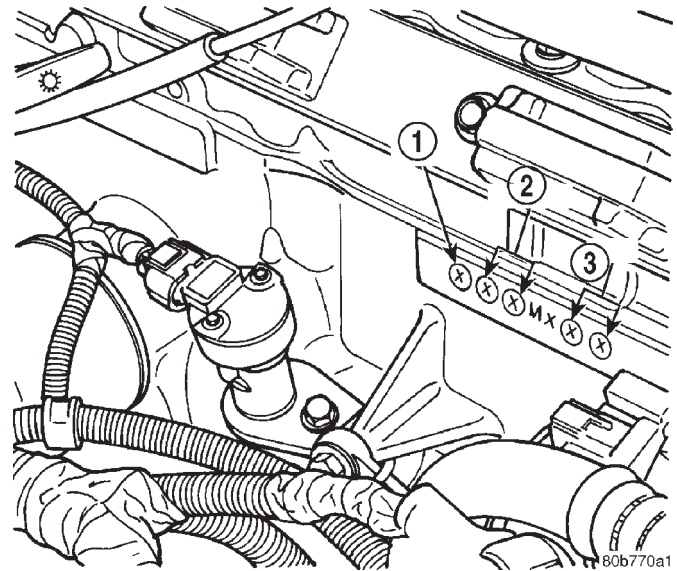


Fig. 2 Build Date Code Location

- 1 - YEAR
- 2 - MONTH
- 3 - DAY

The digits of the code identify:

- 1st Digit—The year (8 = 1998).
- 2nd & 3rd Digits—The month (01 - 12).
- 4th & 5th Digits—The engine type/fuel system/compression ratio (MX = A 4.0 Liter (242 CID) 8.7:1 compression ratio engine with a multi-point fuel injection system).
- 6th & 7th Digits—The day of engine build (01 - 31).

(1) **FOR EXAMPLE:** Code \* 801MX12 \* identifies a 4.0 Liter (242 CID) engine with a multi-point fuel injection system, 8.7:1 compression ratio and built on January 12, 1998.



## DESCRIPTION AND OPERATION (Continued)

**LUBRICATION SYSTEM****DESCRIPTION**

A gear-type positive displacement pump is mounted at the underside of the block opposite the No. 4 main bearing.

**OPERATION**

The pump draws oil through the screen and inlet tube from the sump at the rear of the oil pan. The oil is driven between the drive and idler gears and pump body, then forced through the outlet to the block. An oil gallery in the block channels the oil to the inlet side of the full flow oil filter. After passing through the filter element, the oil passes from the center outlet of the filter through an oil gallery that channels the oil up to the main gallery which extends the entire length of the block.

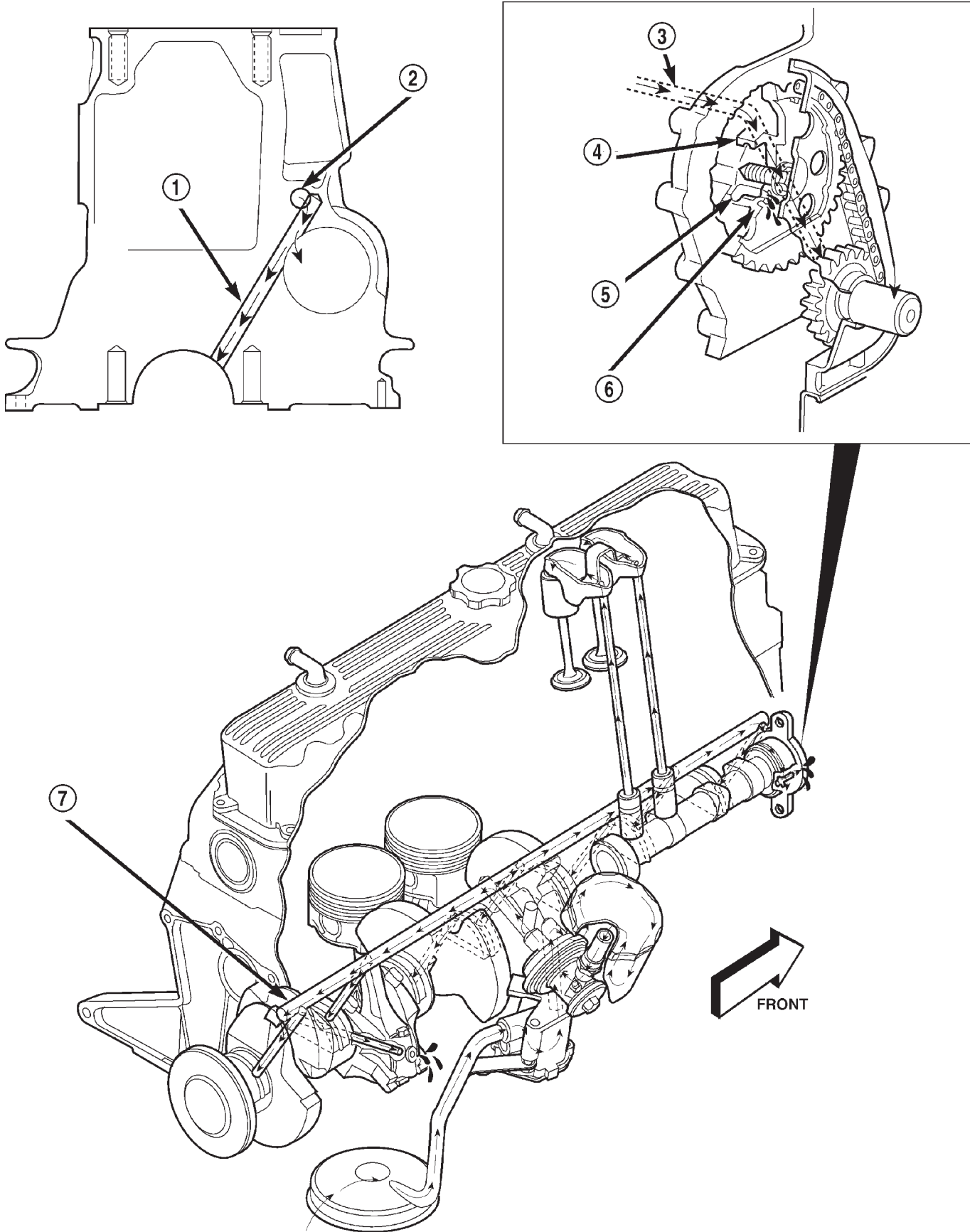
Galleries extend downward from the main oil gallery to the upper shell of each main bearing. The crankshaft is drilled internally to pass oil from the

main bearing journals (except number 4 main bearing journal) to the connecting rod journals. Each connecting rod bearing cap has a small squirt hole, oil passes through the squirt hole and is thrown off as the rod rotates. This oil throwoff lubricates the camshaft lobes, camshaft position sensor drive gear, cylinder walls, and piston pins.

The hydraulic valve tappets receive oil directly from the main oil gallery. Oil is provided to the camshaft bearing through galleries. The front camshaft bearing journal passes oil through the camshaft sprocket to the timing chain. Oil drains back to the oil pan under the number one main bearing cap.

The oil supply for the rocker arms and bridged pivot assemblies is provided by the hydraulic valve tappets which pass oil through hollow push rods to a hole in the corresponding rocker arm. Oil from the rocker arm lubricates the valve train components, then passes down through the push rod guide holes in the cylinder head past the valve tappet area, and returns to the oil pan.

DESCRIPTION AND OPERATION (Continued)



Oil Lubrication System—4.0L Engine

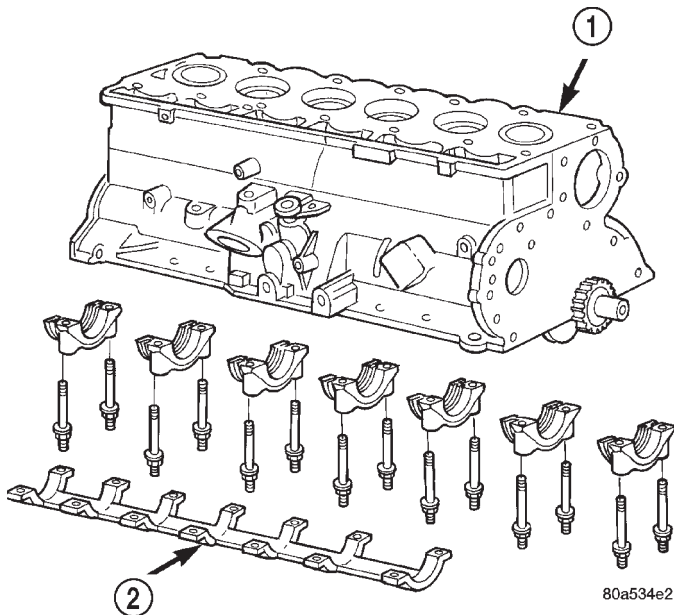
DESCRIPTION AND OPERATION (Continued)

- 1 - CAM/CRANK MAIN GALLERY (7)
- 2 - TAPPET GALLERY
- 3 - TAPPET GALLERY
- 4 - CAMSHAFT BEARING
- 5 - NUMBER 1 CAMSHAFT BEARING JOURNAL
- 6 - CAMSHAFT SPROCKET
- 7 - TAPPET GALLERY

**CYLINDER BLOCK**

**DESCRIPTION**

The cylinder block is a cast iron inline six cylinder design. The cylinder block is drilled forming galleries for both oil and coolant (Fig. 3).



**Fig. 3 4.0L Cylinder Block with Main Bearing Caps and Cap Brace**

- 1 - BLOCK
- 2 - MAIN BEARING CAP BRACE

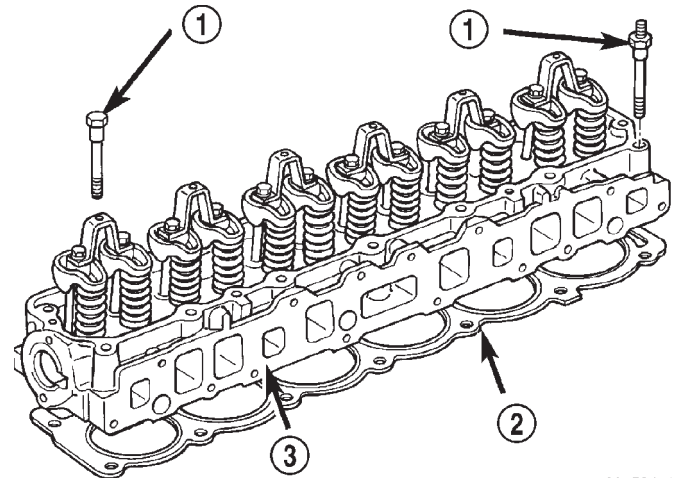
**CYLINDER HEAD**

**DESCRIPTION**

The cylinder head is made of cast iron containing twelve valves made of chrome plated heat resistant steel, valve stem seals, springs, retainers and keepers. The cylinder head and valve seats can be resurfaced for service purposes.

The valve guides are integral to the cylinder head, They are not replaceable. However, they are serviceable.

The cylinder head uses dual quench-type design combustion chambers which cause turbulence in the cylinders allowing faster burning of the air/fuel mixture, resulting in better fuel economy (Fig. 4).



**Fig. 4 Cylinder Head 4.0L Engine**

- 1 - CYLINDER HEAD BOLTS
- 2 - CYLINDER HEAD GASKET
- 3 - CYLINDER HEAD

**CRANKSHAFT**

**DESCRIPTION**

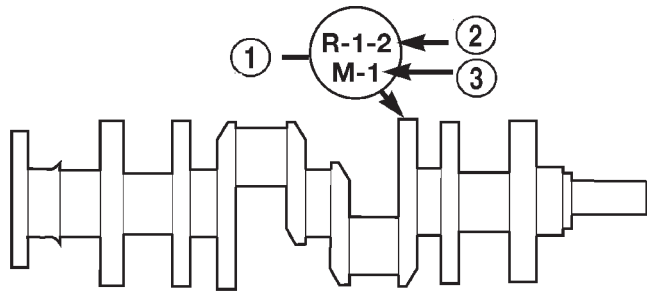
The crankshaft is constructed of nodular cast iron. The crankshaft is a crossshaped four throw design with eight counterweights for balancing purposes. The crankshaft is supported by seven select main bearings with the number three serving as the thrust washer location. The main journals of the crankshaft are cross drilled to improve rod bearing lubrication. The select fit main bearing markings are located on the crankshaft counter weights. The crankshaft rear oil seal is a two piece design. The front oil seal is a one piece design retained in the timing chain cover (Fig. 5).

**PISTON AND CONNECTING ROD**

**DESCRIPTION**

The pistons are made of a high strength aluminum. The piston skirts are coated with a solid lubricant (Molykote) to reduce friction and provide scuff resistance. The connecting rods are made of cast iron. A pressed fit piston pin is used to attach the piston and connecting rod.

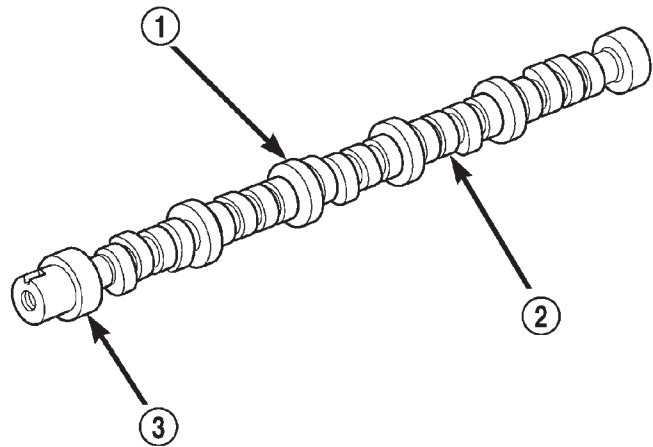
DESCRIPTION AND OPERATION (Continued)



80ba7a6b

**Fig. 5 Crankshaft with Select Fit Marking Location**

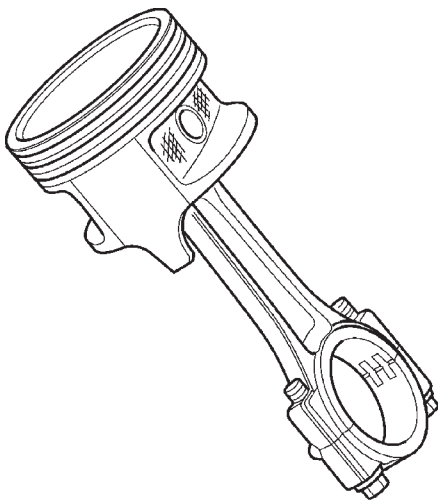
- 1 - 1/4" LETTERS
- 2 - (ROD)
- 3 - (MAIN)



80bfe13b

**Fig. 7 Camshaft—Typical**

- 1 - CAMSHAFT
- 2 - LOBES
- 3 - BEARING JOURNAL



80bcea5c

**Fig. 6 Piston and Connecting Rod Assembly**

**CAMSHAFT**

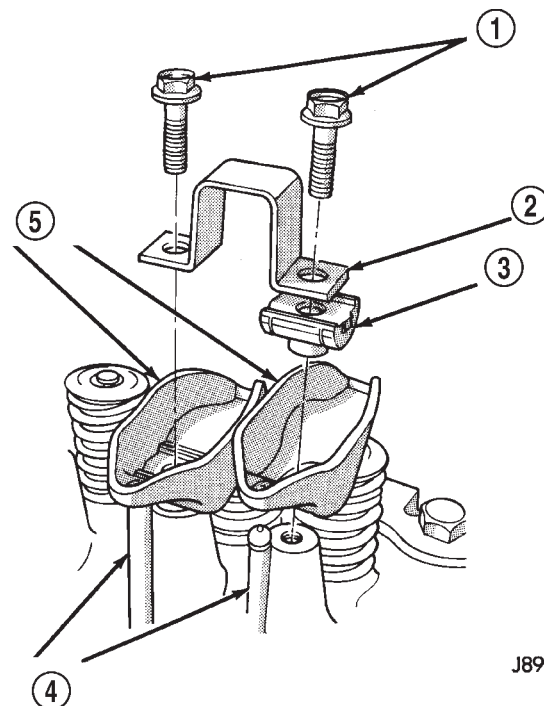
**DESCRIPTION**

The camshaft is made of gray cast iron with twelve machined lobes and four bearing journals. When the camshaft rotates the lobes actuate the tappets and push rods, forcing upward on the rocker arms which applies downward force on the valves.

**ROCKER ARM**

**DESCRIPTION**

The rocker arms are made of stamped steel and have a operational ratio of 1.6:1. When the push rods are forced upward by the camshaft lobes the push rod presses upward on the rocker arms, the rocker arms pivot, forcing downward pressure on the valves forcing the valves to move downward and off from their seats (Fig. 8).



J8909-8

**Fig. 8 Rocker Arms 4.0L Engine**

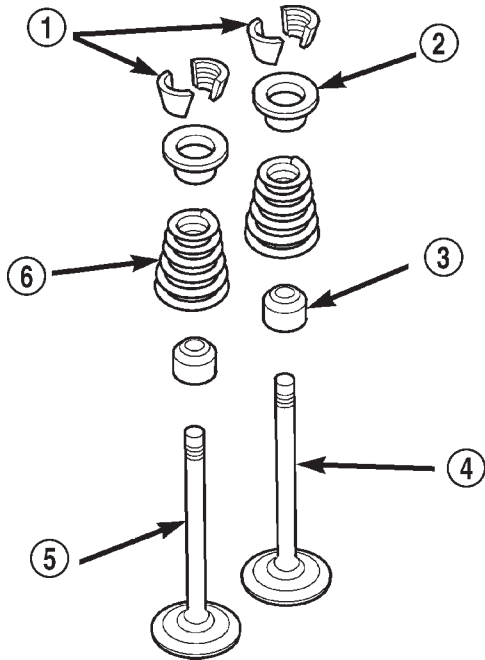
- 1 - CAPSCREWS
- 2 - BRIDGE
- 3 - PIVOT ASSEMBLY
- 4 - PUSH RODS
- 5 - ROCKER ARMS

DESCRIPTION AND OPERATION (Continued)

**VALVES**

**DESCRIPTION**

The valves are made of heat resistant steel and have chrome plated stems to prevent scuffing. All valves use three bead locks to promote valve rotation (Fig. 9).



80b7704b

**Fig. 9 Valve and Keeper Configuration 4.0L Engine**

- 1 - VALVE LOCKS (3-BEAD)
- 2 - RETAINER
- 3 - VALVE STEM OIL SEAL
- 4 - INTAKE VALVE
- 5 - EXHAUST VALVE
- 6 - VALVE SPRING

**VALVE SPRING**

**DESCRIPTION**

The valve springs are made of high strength silicon chrome spring steel. The springs are common for both intake and exhaust valves. (Fig. 9).

**VALVE STEM SEAL**

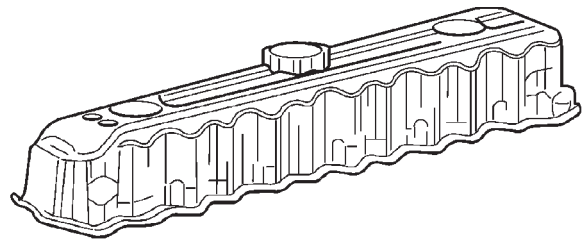
**DESCRIPTION**

The valve stem seals are made of rubber and incorporate a garter spring to maintain consistent lubrication control (Fig. 9).

**CYLINDER HEAD COVER**

**DESCRIPTION**

The cylinder head cover is made of stamped steel and incorporates the Crankcase Ventilation (CCV) Hoses and the oil fill opening.



80bcea5b

**Fig. 10 Cylinder Head Cover**

**HYDRAULIC TAPPET**

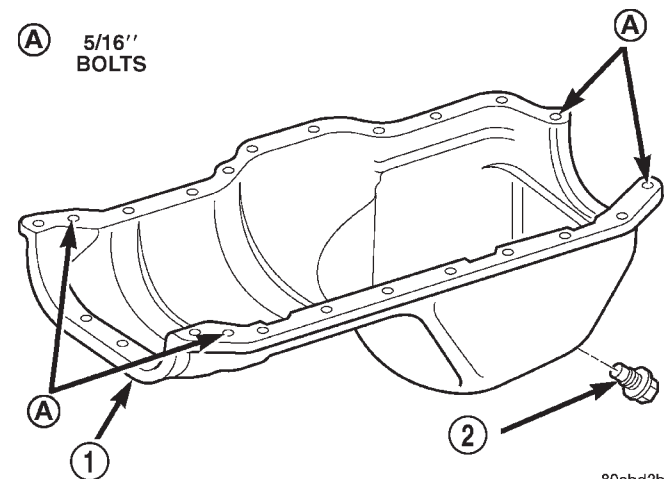
**DESCRIPTION**

Valve lash is controlled by hydraulic tappets located inside the cylinder block, in tappet bores above the camshaft.

**OIL PAN**

**DESCRIPTION**

The oil pan is made of stamped steel. The oil pan gasket is a one piece steel backbone silicone coated gasket.



80abd2b5

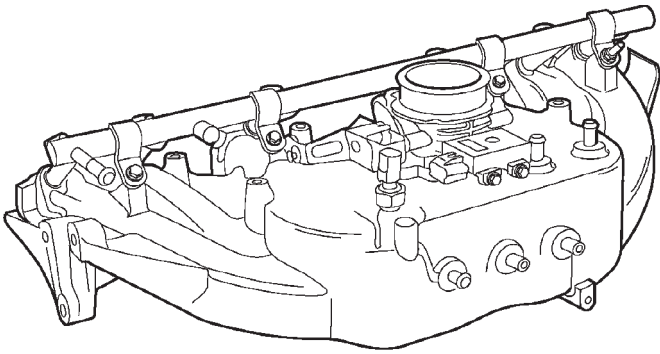
**Fig. 11 Oil Pan**

- 1 - OIL PAN
- 2 - OIL PAN DRAIN PLUG

## DESCRIPTION AND OPERATION (Continued)

**INTAKE MANIFOLD****DESCRIPTION**

The intake manifold is made of cast aluminum and uses eleven bolts to mount to the cylinder head. This mounting style improves sealing and reduces the chance of leaks.



80bc4bb8

**Fig. 12 Intake Manifold 4.0L Engine**

**EXHAUST MANIFOLD****DESCRIPTION**

The two exhaust manifolds are log style and are made of high silicon molybdenum cast iron. The exhaust manifolds share a common gasket with the intake manifold. The exhaust manifolds also incorporate ball flange outlets for improved sealing and strain free connections.

**DIAGNOSIS AND TESTING****ENGINE DIAGNOSIS—INTRODUCTION**

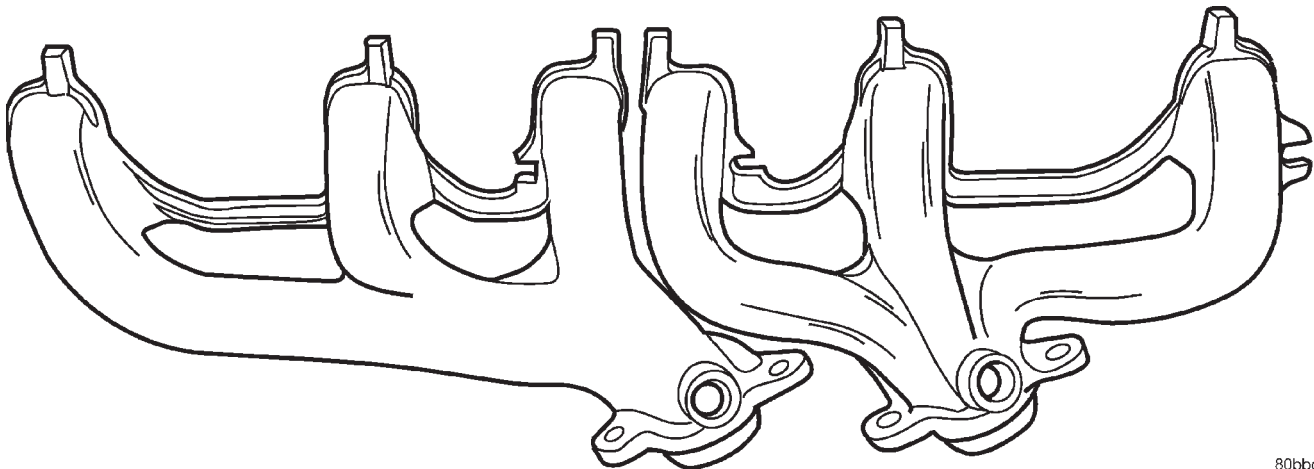
Engine diagnosis is helpful in determining the causes of malfunctions not detected and remedied by routine maintenance.

These malfunctions may be classified as either performance (e.g., engine idles rough and stalls) or mechanical (e.g., a strange noise).

Refer to the Service Diagnosis—Performance chart and the Service Diagnosis—Mechanical chart for possible causes and corrections of malfunctions. Refer to Group 14, Fuel System for the fuel system diagnosis.

Additional tests and diagnostic procedures may be necessary for specific engine malfunctions that can not be isolated with the Service Diagnosis charts. Information concerning additional tests and diagnosis is provided within the following diagnosis:

- Cylinder Compression Pressure Test.
- Cylinder Combustion Pressure Leakage Test.
- Engine Cylinder Head Gasket Failure Diagnosis.
- Intake Manifold Leakage Diagnosis.



80bbccb8

**Fig. 13 Exhaust Manifolds 4.0L Engine**



DIAGNOSIS AND TESTING (Continued)

**SERVICE DIAGNOSIS—PERFORMANCE**

*ENGINE PERFORMANCE DIAGNOSIS CHART*

CONDITION	POSSIBLE CAUSES	CORRECTION
ENGINE WILL NOT CRANK	<ol style="list-style-type: none"> <li>1. Weak or dead battery</li> <li>2. Corroded or loose battery connections</li> <li>3. Faulty starter or related circuit(s)</li> <li>4. Siezed accessory drive component</li> <li>5. Engine internal mechanical failure or hydro-static lock</li> </ol>	<ol style="list-style-type: none"> <li>1. Charge/Replace Battery. Refer to Group 8A, Battery, for correct procedures. Check charging system. Refer to Group 8C, Charging Systems, for correct procedures.</li> <li>2. Clean/tighten suspect battery/starter connections</li> <li>3. Check starting system. Refer to Group 8B, Starting Systems, for correct diagnostics/procedures</li> <li>4. Remove accessory drive belt and attempt to start engine. If engine starts, repair/replace siezed component.</li> <li>5. Refer to Group 9, Engine, for correct diagnostics/procedures</li> </ol>
ENGINE CRANKS BUT WILL NOT START	<ol style="list-style-type: none"> <li>1. No spark</li> <li>2. No fuel</li> <li>3. Low or no engine compression</li> </ol>	<ol style="list-style-type: none"> <li>1. Check for spark. Refer to Group 8D, Ignition System, for correct procedures.</li> <li>2. Perform fuel pressure test, and if necessary, inspect fuel injector(s) and driver circuits. Refer to Group 14, Fuel System, for correct procedures.</li> <li>3. Perform cylinder compression pressure test. Refer to Group 9, Engine, for correct procedures.</li> </ol>
ENGINE LOSS OF POWER	<ol style="list-style-type: none"> <li>1. Worn or burned distributor rotor</li> <li>2. Worn distributor shaft</li> <li>3. Worn or incorrect gapped spark plugs</li> <li>4. Dirt or water in fuel system</li> <li>5. Faulty fuel pump</li> <li>6. Incorrect valve timing</li> <li>7. Blown cylinder head gasket</li> <li>8. Low compression</li> <li>9. Burned, warped, or pitted valves</li> <li>10. Plugged or restricted exhaust system</li> <li>11. Faulty ignition cables</li> <li>12. Faulty ignition coil</li> </ol>	<ol style="list-style-type: none"> <li>1. Install new distributor rotor</li> <li>2. Remove and repair distributor (Refer to group 8D, Ignition System)</li> <li>3. Clean plugs and set gap. (Refer to group 8D, Ignition System)</li> <li>4. Clean system and replace fuel filter</li> <li>5. Install new fuel pump</li> <li>6. Correct valve timing</li> <li>7. Install new cylinder head gasket</li> <li>8. Test cylinder compression</li> <li>9. Install/Reface valves as necessary</li> <li>10. Install new parts as necessary</li> <li>11. Replace any cracked or shorted cables</li> <li>12. Test and replace, as necessary (Refer to Group 8D, ignition system)</li> </ol>



## DIAGNOSIS AND TESTING (Continued)

CONDITION	POSSIBLE CAUSES	CORRECTION
ENGINE STALLS OR ROUGH IDLE	<ol style="list-style-type: none"> <li>1. Carbon build-up on throttle plate</li> <li>2. Engine idle speed too low</li> <li>3. Worn or incorrectly gapped spark plugs</li> <li>4. Worn or burned distributor rotor</li> <li>5. Spark plug cables defective or crossed</li> <li>6. Faulty coil</li> <li>7. Intake manifold vacuum leak</li> <li>8. EGR valve leaking or stuck open</li> </ol>	<ol style="list-style-type: none"> <li>1. Remove throttle body and de-carbon. (Refer to Group 14 for correct procedures)</li> <li>2. Check Idle Air Control circuit. (Refer to Group 14, Fuel System)</li> <li>3. Replace or clean and re-gap spark plugs (Refer to group 8D, Ignition System)</li> <li>4. Install new distributor rotor</li> <li>5. Check for correct firing order or replace spark plug cables. (Refer to Group 8D, Ignition System for correct procedures.)</li> <li>6. Test and replace, if necessary (Refer to group 8D, Ignition System)</li> <li>7. Inspect intake manifold gasket and vacuum hoses. Replace if necessary (Refer to Group 11, Exhaust System &amp; Intake Manifold)</li> <li>8. Test and replace, if necessary (Refer to group 25, Emission Control Systems)</li> </ol>
ENGINE MISSES ON ACCELERATION	<ol style="list-style-type: none"> <li>1. Worn or incorrectly gapped spark plugs</li> <li>2. Spark plug cables defective or crossed</li> <li>3. Dirt in fuel system</li> <li>4. Burned, warped or pitted valves</li> <li>5. Faulty coil</li> </ol>	<ol style="list-style-type: none"> <li>1. Replace spark plugs or clean and set gap. (Refer to group 8D, Ignition System)</li> <li>2. Check Idle Air Control circuit. (Refer to Group 14, Fuel System)</li> <li>3. Clean fuel system</li> <li>4. Install new valves</li> <li>5. Test and replace as necessary (refer to group 8D, Ignition System)</li> </ol>

## SERVICE DIAGNOSIS—MECHANICAL

## ENGINE MECHANICAL DIAGNOSIS CHART

CONDITION	POSSIBLE CAUSES	CORRECTION
NOISY VALVES/ LIFTERS	<ol style="list-style-type: none"> <li>1. High or low oil level in crankcase</li> <li>2. Thin or diluted oil</li> <li>3. Low oil pressure</li> <li>4. Dirt in tappets/lash adjusters</li> <li>5. Bent push rod(s)</li> <li>6. Worn rocker arms</li> <li>7. Worn tappets/lash adjusters</li> </ol>	<ol style="list-style-type: none"> <li>1. Check for correct oil level. Adjust oil level by draining or adding as needed</li> <li>2. Change oil (Refer to Engine Oil Service in this group)</li> <li>3. Check engine oil level. If ok, Perform oil pressure test. Refer to this group for engine oil pressure test/specifications</li> <li>4. Clean/replace hydraulic tappets/lash adjusters</li> <li>5. Install new push rods</li> <li>6. Inspect oil supply to rocker arms and replace worn arms as needed</li> <li>7. Install new hydraulic tappets/lash adjusters</li> </ol>

DIAGNOSIS AND TESTING (Continued)

CONDITION	POSSIBLE CAUSES	CORRECTION
	8. Worn valve guides 9. Excessive runout of valve seats or valve faces	8. Inspect all valve guides and replace as necessary 9. Grind valves and seats
CONNECTING ROD NOISE	1. Insufficient oil supply 2. Low oil pressure 3. Thin or diluted oil 4. Excessive connecting rod bearing clearance 5. Connecting rod journal out of round 6. Misaligned connecting rods	1. Check engine oil level. (Refer to group 0, Lubrication and Maintenance) 2. Check engine oil level. If ok, Perform oil pressure test. Refer to this group for engine oil pressure test/specifications 3. Change oil to correct viscosity. Refer to this group for correct procedure/engine oil specifications Measure bearings for correct clearance with plasti-gage. Repair as necessary 5. Replace crankshaft or grind journals 6. Replace bent connecting rods
MAIN BEARING NOISE	1. Insufficient oil supply 2. Low oil pressure 3. Thin or diluted oil 4. Excessive main bearing clearance 5. Excessive end play 6. Crankshaft main journal out of round or worn 7. Loose flywheel or torque converter	1. Check engine oil level. (Refer to group 0, Lubrication and Maintenance) 2. Check engine oil level. If ok, Perform oil pressure test. Refer to this group for engine oil pressure test/specifications 3. Change oil to correct viscosity. Refer to this group for correct procedure/engine oil specifications 4. Measure bearings for correct clearance. Repair as necessary 5. Check crankshaft thrust bearing for excessive wear on flanges 6. Grind journals or replace crankshaft 7. Inspect crankshaft, flexplate/flywheel and bolts for damage. Tighten to correct torque
LOW OIL PRESSURE	1. Low oil level 2. Faulty oil pressure sending unit 3. Clogged oil filter 4. Worn oil pump 5. Thin or diluted oil 6. Excessive bearing clearance 7. Oil pump relief valve stuck 8. Oil pump suction tube loose, broken, bent or clogged 9. Oil pump cover warped or cracked	1. Check oil level and fill if necessary 2. Install new sending unit 3. Install new oil filter 4. Replace worn gears or oil pump assy 5. Change oil to correct viscosity. Refer to this group for correct procedure/engine oil specifications 6. Measure bearings for correct clearance 7. Remove valve to inspect, clean and reinstall 8. Inspect suction tube and clean or replace if necessary 9. Install new oil pump

## DIAGNOSIS AND TESTING (Continued)

CONDITION	POSSIBLE CAUSES	CORRECTION
OIL LEAKS	<ol style="list-style-type: none"> <li>Misaligned or deteriorated gaskets</li> <li>Loose fastener, broken or porous metal part</li> <li>Front or rear crankshaft oil seal leaking</li> <li>Leaking oil gallery plug or cup plug</li> </ol>	<ol style="list-style-type: none"> <li>Replace gasket</li> <li>Tighten, repair or replace the part</li> <li>Replace seal</li> <li>Remove and reseal threaded plug. Replace cup style plug</li> </ol>
EXCESSIVE OIL CONSUMPTION OR SPARK PLUGS OIL FOULED	<ol style="list-style-type: none"> <li>PCV System malfunction</li> <li>Defective valve stem seal(s)</li> <li>Worn or broken piston rings</li> <li>Scuffed pistons/cylinder walls</li> <li>Carbon in oil control ring groove</li> <li>Worn valve guides</li> <li>Piston rings fitted too tightly in grooves</li> </ol>	<ol style="list-style-type: none"> <li>Refer to group 25, Emission Control System for correct operation</li> <li>Repair or replace seal(s)</li> <li>Hone cylinder bores. Install new rings</li> <li>Hone cylinder bores and replace pistons as required</li> <li>Remove rings and de-carbon piston</li> <li>Inspect/replace valve guides as necessary</li> <li>Remove rings and check ring end gap and side clearance. Replace if necessary</li> </ol>

## HYDRAULIC TAPPETS

## LEAK-DOWN TEST

After cleaning and inspection, test each tappet for specified leak-down rate tolerance to ensure zero-lash operation (Fig. 14).

Swing the weighted arm of the hydraulic valve tappet tester away from the ram of the Leak-Down Tester.

(1) Place a 7.925-7.950 mm (0.312-0.313 inch) diameter ball bearing on the plunger cap of the tappet.

(2) Lift the ram and position the tappet (with the ball bearing) inside the tester cup.

(3) Lower the ram, then adjust the nose of the ram until it contacts the ball bearing. DO NOT tighten the hex nut on the ram.

(4) Fill the tester cup with hydraulic valve tappet test oil until the tappet is completely submerged.

(5) Swing the weighted arm onto the push rod and pump the tappet plunger up and down to remove air. When the air bubbles cease, swing the weighted arm away and allow the plunger to rise to the normal position.

(6) Adjust the nose of the ram to align the pointer with the SET mark on the scale of the tester and tighten the hex nut.

(7) Slowly swing the weighted arm onto the push rod.

(8) Rotate the cup by turning the handle at the base of the tester clockwise one revolution every 2 seconds.

(9) Observe the leak-down time interval from the instant the pointer aligns with the START mark on the scale until the pointer aligns with the 0.125 mark. A normally functioning tappet will require 20-110 seconds to leak-down. Discard tappets with leak-down time interval not within this specification.

## INTAKE MANIFOLD LEAKAGE DIAGNOSIS

An intake manifold air leak is characterized by lower than normal manifold vacuum. Also, one or more cylinders may not be functioning.

**WARNING: USE EXTREME CAUTION WHEN THE ENGINE IS OPERATING. DO NOT STAND IN A DIRECT LINE WITH THE FAN. DO NOT PUT YOUR HANDS NEAR THE PULLEYS, BELTS OR THE FAN. DO NOT WEAR LOOSE CLOTHING.**

- Start the engine.
- Spray a small stream of water at the suspected leak area.
- If a change in RPM is observed the area of the suspected leak has been found.
- Repair as required.

## DIAGNOSIS AND TESTING (Continued)

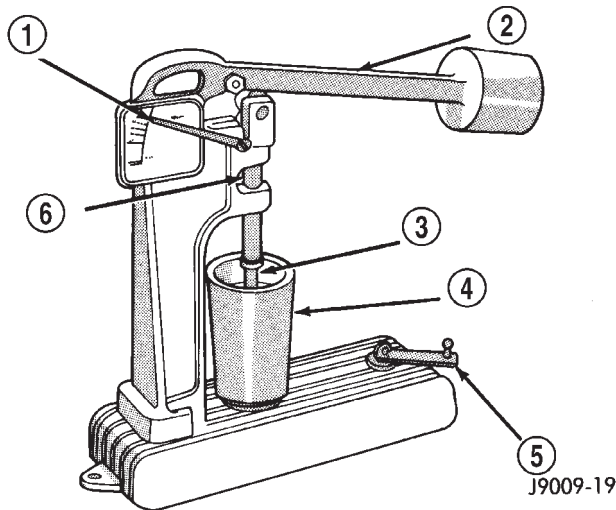


Fig. 14 Leak-Down Tester

- 1 - POINTER
- 2 - WEIGHTED ARM
- 3 - RAM
- 4 - CUP
- 5 - HANDLE
- 6 - PUSH ROD

**CYLINDER COMPRESSION PRESSURE TEST**

The results of a cylinder compression pressure test can be utilized to diagnose several engine malfunctions.

Ensure the battery is completely charged and the engine starter motor is in good operating condition. Otherwise the indicated compression pressures may not be valid for diagnosis purposes.

(1) Clean the spark plug recesses with compressed air.

(2) Remove the spark plugs.

(3) Secure the throttle in the wide-open position.

(4) Disable the fuel system. (Refer to Group 14, Fuel System for the correct procedure)

(5) Disconnect the ignition coil.

(6) Insert a compression pressure gauge and rotate the engine with the engine starter motor for three revolutions.

(7) Record the compression pressure on the 3rd revolution. Continue the test for the remaining cylinders.

Refer to Engine Specifications for the correct engine compression pressures.

**CYLINDER HEAD GASKET FAILURE DIAGNOSIS**

A cylinder head gasket leak can be located between adjacent cylinders or between a cylinder and the adjacent water jacket.

- Possible indications of the cylinder head gasket leaking between adjacent cylinders are:
  - Loss of engine power

- Engine misfiring
- Poor fuel economy
- Possible indications of the cylinder head gasket leaking between a cylinder and an adjacent water jacket are:

- Engine overheating
- Loss of coolant
- Excessive steam (white smoke) emitting from exhaust
- Coolant foaming

**CYLINDER-TO-CYLINDER LEAKAGE TEST**

To determine if an engine cylinder head gasket is leaking between adjacent cylinders, follow the procedures in Cylinder Compression Pressure Test in this section. An engine cylinder head gasket leaking between adjacent cylinders will result in approximately a 50–70% reduction in compression pressure.

**CYLINDER-TO-WATER JACKET LEAKAGE TEST**

**WARNING: USE EXTREME CAUTION WHEN THE ENGINE IS OPERATING WITH COOLANT PRESSURE CAP REMOVED.**

**VISUAL TEST METHOD**

With the engine cool, remove the coolant pressure cap. Start the engine and allow it to warm up until thermostat opens.

If a large combustion/compression pressure leak exists, bubbles will be visible in the coolant.

**COOLING SYSTEM TESTER METHOD**

**WARNING: WITH COOLING SYSTEM TESTER IN PLACE, PRESSURE WILL BUILD UP FAST. EXCESSIVE PRESSURE BUILT UP, BY CONTINUOUS ENGINE OPERATION, MUST BE RELEASED TO A SAFE PRESSURE POINT. NEVER PERMIT PRESSURE TO EXCEED 138 kPa (20 psi).**

Install Cooling System Tester 7700 or equivalent to pressure cap neck. Start the engine and observe the tester's pressure gauge. If gauge pulsates with every power stroke of a cylinder a combustion pressure leak is evident.

**CHEMICAL TEST METHOD**

Combustion leaks into the cooling system can also be checked by using Bloc-Chek Kit C-3685-A or equivalent. Perform test following the procedures supplied with the tool kit.

## DIAGNOSIS AND TESTING (Continued)

**CYLINDER COMBUSTION PRESSURE LEAKAGE TEST**

The combustion pressure leakage test provides an accurate means for determining engine condition.

Combustion pressure leakage testing will detect:

- Exhaust and intake valve leaks (improper seating).
- Leaks between adjacent cylinders or into water jacket.
- Any causes for combustion/compression pressure loss.

(1) Check the coolant level and fill as required. DO NOT install the radiator cap.

(2) Start and operate the engine until it attains normal operating temperature, then turn the engine OFF.

- (3) Remove the spark plugs.
- (4) Remove the oil filler cap.

(5) Remove the air cleaner.

(6) Calibrate the tester according to the manufacturer's instructions. The shop air source for testing should maintain 483 kPa (70 psi) minimum, 1,379 kPa (200 psi) maximum and 552 kPa (80 psi) recommended.

(7) Perform the test procedures on each cylinder according to the tester manufacturer's instructions. While testing, listen for pressurized air escaping through the throttle body, tailpipe and oil filler cap opening. Check for bubbles in the radiator coolant.

All gauge pressure indications should be equal, with no more than 25% leakage.

**FOR EXAMPLE:** At 552 kPa (80 psi) input pressure, a minimum of 414 kPa (60 psi) should be maintained in the cylinder.

Refer to the Cylinder Combustion Pressure Leakage Test Diagnosis chart.

*CYLINDER COMBUSTION PRESSURE LEAKAGE DIAGNOSIS CHART*

CONDITION	POSSIBLE CAUSE	CORRECTION
AIR ESCAPES THROUGH THROTTLE BODY	Intake valve bent, burnt, or not seated properly	Inspect valve and valve seat. Reface or replace, as necessary
AIR ESCAPES THROUGH TAILPIPE	Exhaust valve bent, burnt, or not seated properly	Inspect valve and valve seat. Reface or replace, as necessary
AIR ESCAPES THROUGH RADIATOR	Head gasket leaking or cracked cylinder head or block	Remove cylinder head and inspect. Replace defective part
MORE THAN 50% LEAKAGE FROM ADJACENT CYLINDERS	Head gasket leaking or crack in cylinder head or block between adjacent cylinders	Remove cylinder head and inspect. Replace gasket, head, or block as necessary
MORE THAN 25% LEAKAGE AND AIR ESCAPES THROUGH OIL FILLER CAP OPENING ONLY	Stuck or broken piston rings; cracked piston; worn rings and/or cylinder wall	Inspect for broken rings or piston. Measure ring gap and cylinder diameter, taper and out-of-round. Replace defective part as necessary

**ENGINE OIL LEAK INSPECTION**

Begin with a thorough visual inspection of the engine, particularly at the area of the suspected leak. If an oil leak source is not readily identifiable, the following steps should be followed:

(1) Do not clean or degrease the engine at this time because some solvents may cause rubber to swell, temporarily stopping the leak.

(2) Add an oil soluble dye (use as recommended by manufacturer). Start the engine and let idle for approximately 15 minutes. Check the oil dipstick to make sure the dye is thoroughly mixed as indicated with a bright yellow color under a black light.

(3) Using a black light, inspect the entire engine for fluorescent dye, particularly at the suspected area of oil leak. If the oil leak is found and identified, repair per service manual instructions.

(4) If dye is not observed, drive the vehicle at various speeds for approximately 24km (15 miles), and repeat inspection.

(4) **If the oil leak source is not positively identified at this time**, proceed with the air leak detection test method.

**Air Leak Detection Test Method**

(1) Disconnect the breather cap to air cleaner hose at the breather cap end. Cap or plug breather cap nipple.

(2) Remove the PCV valve from the cylinder head cover. Cap or plug the PCV valve grommet.

(3) Attach an air hose with pressure gauge and regulator to the dipstick tube.

**CAUTION:** Do not subject the engine assembly to more than 20.6 kpa (3 PSI) of test pressure.



## DIAGNOSIS AND TESTING (Continued)

(4) Gradually apply air pressure from 1 psi to 2.5 psi maximum while applying soapy water at the suspected source. Adjust the regulator to the suitable test pressure that provide the best bubbles which will pinpoint the leak source. If the oil leak is detected and identified, repair per service manual procedures.

(5) If the leakage occurs at the rear oil seal area, refer to the section, Inspection for Rear Seal Area Leak.

(6) If no leaks are detected, turn off the air supply and remove the air hose and all plugs and caps. Install the PCV valve and breather cap hose.

(7) Clean the oil off the suspect oil leak area using a suitable solvent. Drive the vehicle at various speeds approximately 24 km (15 miles). Inspect the engine for signs of an oil leak by using a black light.

**INSPECTION FOR REAR SEAL AREA LEAKS**

Since it is sometimes difficult to determine the source of an oil leak in the rear seal area of the engine, a more involved inspection is necessary. The following steps should be followed to help pinpoint the source of the leak.

If the leakage occurs at the crankshaft rear oil seal area:

- (1) Disconnect the battery.
- (2) Raise the vehicle.
- (3) Remove torque converter or clutch housing cover and inspect rear of block for evidence of oil. Use a black light to check for the oil leak:
  - (a) Circular spray pattern generally indicates seal leakage or crankshaft damage.
  - (b) Where leakage tends to run straight down, possible causes are a porous block, distributor seal, camshaft bore cup plugs oil galley pipe plugs, oil filter runoff, and main bearing cap to cylinder block mating surfaces.
- (4) If no leaks are detected, pressurize the crankcase as outlined in the, Inspection (Engine oil Leaks in general)

**CAUTION: Do not exceed 20.6 kPa (3 psi).**

(5) If the leak is not detected, very slowly turn the crankshaft and watch for leakage. If a leak is detected between the crankshaft and seal while slowly turning the crankshaft, it is possible the crankshaft seal surface is damaged. The seal area on the crankshaft could have minor nicks or scratches that can be polished out with emery cloth.

**CAUTION: Use extreme caution when crankshaft polishing is necessary to remove minor nicks and scratches. The crankshaft seal flange is especially machined to complement the function of the rear oil seal.**

(6) For bubbles that remain steady with shaft rotation, no further inspection can be done until disassembled.

**ENGINE OIL PRESSURE**

(1) Disconnect connector and remove oil pressure sending unit.

(2) Install Oil Pressure Line and Gauge Tool C-3292 or equivalent. Start engine and record pressure. Refer to Oil Pressure in Engine Specifications for the correct pressures.

**SERVICE PROCEDURES****FORM-IN-PLACE GASKETS & SEALERS**

There are numerous places where form-in-place gaskets are used on the engine. Care must be taken when applying form-in-place gaskets to assure obtaining the desired results. **Do not use form-in-place gasket material unless specified.** Bead size, continuity, and location are of great importance. Too thin a bead can result in leakage while too much can result in spill-over which can break off and obstruct fluid feed lines. A continuous bead of the proper width is essential to obtain a leak-free gasket.

There are numerous types of form-in-place gasket materials that are used in the engine area. Mopar® Engine RTV GEN II, Mopar® ATF-RTV, and Mopar® Gasket Maker gasket materials, each have different properties and can not be used in place of the other.

**MOPAR® ENGINE RTV GEN II**

Mopar® Engine RTV GEN II is used to seal components exposed to engine oil. This material is a specially designed black silicone rubber RTV that retains adhesion and sealing properties when exposed to engine oil. Moisture in the air causes the material to cure. This material is available in three ounce tubes and has a shelf life of one year. After one year this material will not properly cure. Always inspect the package for the expiration date before use.

**MOPAR® ATF RTV**

Mopar® ATF RTV is a specifically designed black silicone rubber RTV that retains adhesion and sealing properties to seal components exposed to automatic transmission fluid, engine coolants, and moisture. This material is available in three ounce tubes and has a shelf life of one year. After one year this material will not properly cure. Always inspect the package for the expiration date before use.

**MOPAR® GASKET MAKER**

Mopar® Gasket Maker is an anaerobic type gasket material. The material cures in the absence of air when squeezed between two metallic surfaces. It will not cure if left in the uncovered tube. The anaerobic

## SERVICE PROCEDURES (Continued)

material is for use between two machined surfaces. Do not use on flexible metal flanges.

**MOPAR® GASKET SEALANT**

Mopar® Gasket Sealant is a slow drying, permanently soft sealer. This material is recommended for sealing threaded fittings and gaskets against leakage of oil and coolant. Can be used on threaded and machined parts under all temperatures. This material is used on engines with multi-layer steel (MLS) cylinder head gaskets. This material also will prevent corrosion. Mopar® Gasket Sealant is available in a 13 oz. aerosol can or 4oz./16 oz. can w/applicator.

**FORM-IN-PLACE GASKET AND SEALER APPLICATION**

Assembling parts using a form-in-place gasket requires care but it's easier than using pre-cut gaskets.

Mopar® Gasket Maker material should be applied sparingly 1 mm (0.040 in.) diameter or less of sealant to one gasket surface. Be certain the material surrounds each mounting hole. Excess material can easily be wiped off. Components should be torqued in place within 15 minutes. The use of a locating dowel is recommended during assembly to prevent smearing material off the location.

Mopar® Engine RTV GEN II or ATF RTV gasket material should be applied in a continuous bead approximately 3 mm (0.120 in.) in diameter. All mounting holes must be circled. For corner sealing, a 3.17 or 6.35 mm (1/8 or 1/4 in.) drop is placed in the center of the gasket contact area. Uncured sealant may be removed with a shop towel. Components should be torqued in place while the sealant is still wet to the touch (within 10 minutes). The usage of a locating dowel is recommended during assembly to prevent smearing material off the location.

Mopar® Gasket Sealant in an aerosol can should be applied using a thin, even coat sprayed completely over both surfaces to be joined, and both sides of a gasket. Then proceed with assembly. Material in a can w/applicator can be brushed on evenly over the sealing surfaces. Material in an aerosol can should be used on engines with multi-layer steel gaskets.

**ENGINE GASKET SURFACE PREPARATION**

To ensure engine gasket sealing, proper surface preparation must be performed, especially with the use of aluminum engine components and multi-layer steel cylinder head gaskets.

**Never** use the following to clean gasket surfaces:

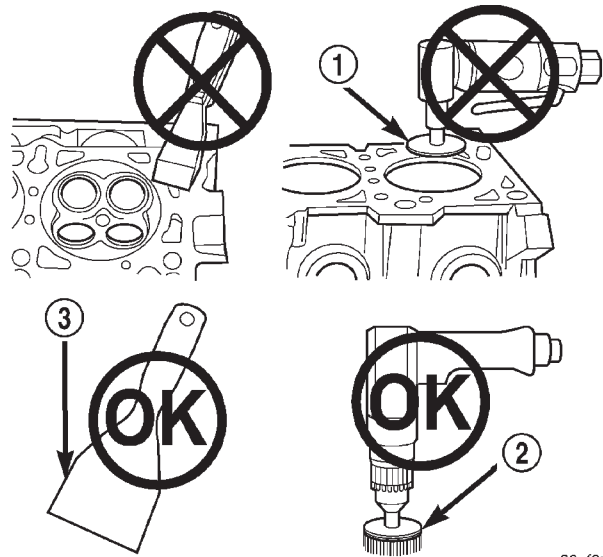
- Metal scraper
- Abrasive pad or paper to clean cylinder block and head
- High speed power tool with an abrasive pad or a wire brush (Fig. 15)

**NOTE: Multi-Layer Steel (MLS) head gaskets require a scratch free sealing surface.**

Only use the following for cleaning gasket surfaces:

- Solvent or a commercially available gasket remover
- Plastic or wood scraper (Fig. 15)
- Drill motor with 3M Roloc™ Bristle Disc (white or yellow) (Fig. 15)

**CAUTION: Excessive pressure or high RPM (beyond the recommended speed), can damage the sealing surfaces. The mild (white, 120 grit) bristle disc is recommended. If necessary, the medium (yellow, 80 grit) bristle disc may be used on cast iron surfaces with care.**



80af61d9

**Fig. 15 Proper Tool Usage For Surface Preparation**

- 1 - ABRASIVE PAD
- 2 - 3M ROLOC™ BRISTLE DISC
- 3 - PLASTIC/WOOD SCRAPER

**ENGINE PERFORMANCE**

To provide best vehicle performance and lowest vehicle emissions, it is most important that the tune-up be done accurately. Use the specifications listed on the Vehicle Emission Control Information label found on the engine compartment hood.

(1) Test battery specific gravity. Add water, if necessary. Clean and tighten battery connections.

(2) Test cranking amperage draw (refer to Group 8B, Battery/Starter for the proper procedure).

(3) Tighten the intake manifold bolts (refer to Group 11, Exhaust System and Intake Manifold for the proper specifications).

(4) Perform cylinder compression test:

**CAUTION: DO NOT overspeed the engine.**



SERVICE PROCEDURES (Continued)

- (a) Check engine oil level and add oil, if necessary.
- (b) Drive the vehicle until engine reaches normal operating temperature.
- (c) Select a route free from traffic and other forms of congestion, observe all traffic laws and briskly accelerate through the gears several times. The higher engine speed may help clean out valve seat deposits which can prevent accurate compression readings.
- (d) Disconnect electrical connectors from coil towers and then remove coil towers.
- (e) Remove all spark plugs from engine. As spark plugs are being removed, check electrodes for abnormal firing indicators - fouled, hot, oily, etc. Record cylinder number of spark plug for future reference.
- (f) Be sure throttle blades are fully open during the compression check.
- (g) Insert compression gauge adaptor into the No.1 spark plug hole. Crank engine until maximum pressure is reached on gauge. Record this pressure as No.1 cylinder pressure.
- (h) Repeat for all remaining cylinders.
- (i) Record the findings and compare them with the compression standards listed under Engine Specifications.
- (j) If cylinder(s) have abnormally low compression pressures, repeat procedure.
- (k) If the same cylinder(s) repeat an abnormally low reading, it could indicate the existence of a problem in the cylinder.

**NOTE:** The recommended compression pressures are to be used only as a guide to diagnosing engine problems. An engine should NOT be disassembled to determine the cause of low compression unless some malfunction is present.

- (5) Clean or replace spark plugs as necessary. Adjust gap (refer to Group 8D, Ignition System for gap adjustment and torque).
- (6) Perform a combustion analysis.
- (7) Test fuel pump for pressure (refer to Group 14, Fuel System for the proper specifications).
- (8) Inspect air filter element (refer to Group 0, Lubrication and Maintenance for the proper procedure).
- (9) Inspect crankcase ventilation system (refer to Group 0, Lubrication and Maintenance for the proper procedure).
- (10) For emission controls refer to Group 25, Emission Controls System for service procedures.
- (11) Inspect and adjust accessory belt drives (refer to Group 7, Cooling System for the proper adjustments).
- (12) Road test vehicle as a final test.

**HONING CYLINDER BORES**

Before honing, stuff plenty of clean shop towels under the bores and over the crankshaft to keep abrasive materials from entering the crankshaft area.

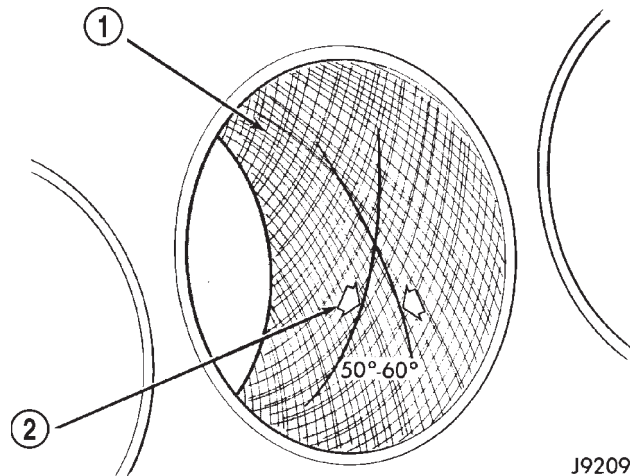
(1) Used carefully, the Cylinder Bore Sizing Hone C-823 equipped with 220 grit stones, is the best tool for this job. In addition to deglazing, it will reduce taper and out-of-round as well as removing light scuffing, scoring or scratches. Usually a few strokes will clean up a bore and maintain the required limits.

**CAUTION: DO NOT use rigid type hones to remove cylinder wall glaze.**

(2) Deglazing of the cylinder walls may be done if the cylinder bore is straight and round. Use a cylinder surfacing hone, Honing Tool C-3501, equipped with 280 grit stones (C-3501-3810). 20-60 strokes, depending on the bore condition, will be sufficient to provide a satisfactory surface. Using honing oil C-3501-3880 or a light honing oil available from major oil distributors.

**CAUTION: DO NOT use engine or transmission oil, mineral spirits or kerosene.**

(3) Honing should be done by moving the hone up and down fast enough to get a crosshatch pattern. The hone marks should INTERSECT at 50° to 60° for proper seating of rings (Fig. 16).



J9209-12

**Fig. 16 Cylinder Bore Crosshatch Pattern**

- 1 - CROSSHATCH PATTERN
- 2 - INTERSECT ANGLE

(4) A controlled hone motor speed between 200 and 300 RPM is necessary to obtain the proper crosshatch angle. The number of up and down strokes per minute can be regulated to get the desired 50° to 60°

## SERVICE PROCEDURES (Continued)

angle. Faster up and down strokes increase the cross-hatch angle.

(5) After honing, it is necessary that the block be cleaned to remove all traces of abrasive. Use a brush to wash parts with a solution of hot water and detergent. Dry parts thoroughly. Use a clean, white, lint-free cloth to check that the bore is clean. Oil the bores after cleaning to prevent rusting.

## REPAIR DAMAGED OR WORN THREADS

**CAUTION:** Be sure that the tapped holes maintain the original center line.

Damaged or worn threads can be repaired. Essentially, this repair consists of:

- Drilling out worn or damaged threads.
- Tapping the hole with a special Heli-Coil Tap, or equivalent.
- Installing an insert into the tapped hole to bring the hole back to its original thread size.

## HYDROSTATIC LOCK

When an engine is suspected of hydrostatic lock (regardless of what caused the problem), follow the steps below.

- (1) Perform the Fuel Pressure Release Procedure (refer to Group 14, Fuel System).
- (2) Disconnect the battery negative cable.
- (3) Inspect air cleaner, induction system and intake manifold to ensure system is dry and clear of foreign material.
- (4) Place a shop towel around the spark plugs to catch any fluid that may possibly be under pressure in the cylinder head. Remove the plugs from the engine.

**CAUTION:** DO NOT use the starter motor to rotate the crankshaft. Severe damage could occur.

- (5) With all spark plugs removed, rotate the crankshaft using a breaker bar and socket.
- (6) Identify the fluid in the cylinders (i.e. coolant, fuel, oil, etc.).
- (7) Make sure all fluid has been removed from the cylinders.
- (8) Repair engine or components as necessary to prevent this problem from occurring again.
- (9) Squirt engine oil into the cylinders to lubricate the walls. This will prevent damage on restart.
- (10) Install new spark plugs. Tighten the engine spark plugs to the specified torque.
- (11) Drain engine oil. Remove and discard the oil filter.
- (12) Install the drain plug. Tighten the plug to the recommended torque.
- (13) Install a new oil filter.

(14) Fill engine crankcase with the specified amount and grade of oil.

(15) Connect the battery negative cable.

(16) Start the engine and check for any leaks.

## ENGINE OIL

**WARNING:** NEW OR USED ENGINE OIL CAN BE IRRITATING TO THE SKIN. AVOID PROLONGED OR REPEATED SKIN CONTACT WITH ENGINE OIL. CONTAMINANTS IN USED ENGINE OIL, CAUSED BY INTERNAL COMBUSTION, CAN BE HAZARDOUS TO YOUR HEALTH. THOROUGHLY WASH EXPOSED SKIN WITH SOAP AND WATER. DO NOT WASH SKIN WITH GASOLINE, DIESEL FUEL, THINNER, OR SOLVENTS, HEALTH PROBLEMS CAN RESULT. DO NOT POLLUTE, DISPOSE OF USED ENGINE OIL PROPERLY.

## ENGINE OIL SPECIFICATION

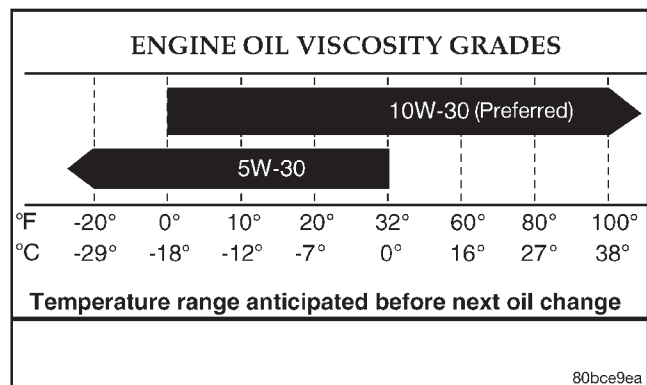
**CAUTION:** Do not use non-detergent or straight mineral oil when adding or changing crankcase lubricant. Engine failure can result.

## API SERVICE GRADE CERTIFIED

Use an engine oil that is API Service Grade Certified. MOPAR® provides engine oils that conform to this service grade.

## SAE VISCOSITY

An SAE viscosity grade is used to specify the viscosity of engine oil. Use only engine oils with multiple viscosities such as 5W-30 or 10W-30 in the 4.0L engines. These are specified with a dual SAE viscosity grade which indicates the cold-to-hot temperature viscosity range. Select an engine oil that is best suited to your particular temperature range and variation (Fig. 17).



**Fig. 17 Temperature/Engine Oil Viscosity—4.0L Engine**

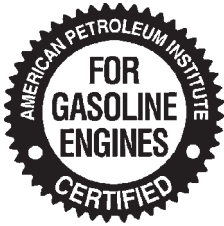
SERVICE PROCEDURES (Continued)

**ENERGY CONSERVING OIL**

An Energy Conserving type oil is recommended for gasoline engines. The designation of ENERGY CONSERVING is located on the label of an engine oil container.

**CONTAINER IDENTIFICATION**

Standard engine oil identification notations have been adopted to aid in the proper selection of engine oil. The identifying notations are located on the label of engine oil plastic bottles and the top of engine oil cans (Fig. 18).

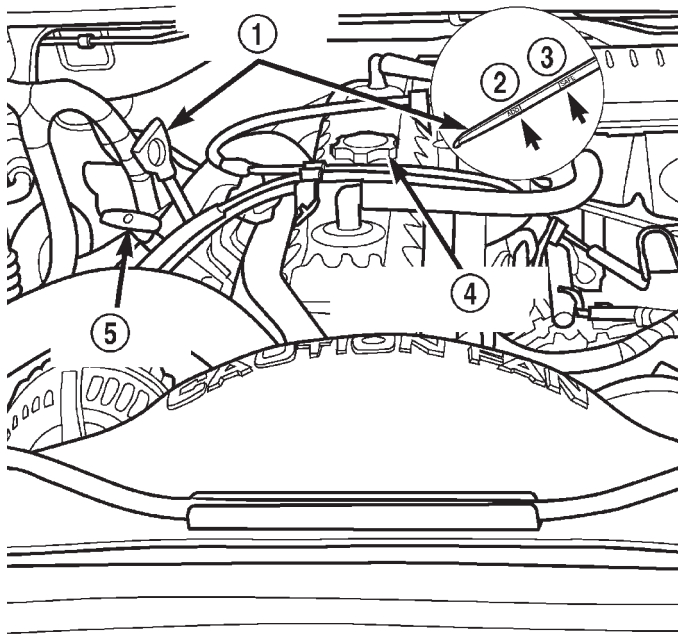


9400-9

*Fig. 18 Engine Oil Container Standard Notations*

**OIL LEVEL INDICATOR (DIPSTICK)**

The engine oil level indicator is located at the right rear of the engine on the 4.0L engine. (Fig. 19).



80ba789b

*Fig. 19 Engine Oil Dipstick 4.0L Engine*

- 1 - ENGINE OIL DIPSTICK
- 2 - ADD
- 3 - SAFE
- 4 - ENGINE OIL FILL CAP
- 5 - TRANSMISSION DIPSTICK

**CRANKCASE OIL LEVEL INSPECTION**

**CAUTION: Do not overfill crankcase with engine oil, pressure loss or oil foaming can result.**

Inspect engine oil level approximately every 800 kilometers (500 miles). Unless the engine has exhibited loss of oil pressure, run the engine for about five minutes before checking oil level. Checking engine oil level on a cold engine is not accurate.

To ensure proper lubrication of an engine, the engine oil must be maintained at an acceptable level. The acceptable levels are indicated between the ADD and SAFE marks on the engine oil dipstick.

- (1) Position vehicle on level surface.
- (2) With engine OFF, allow approximately ten minutes for oil to settle to bottom of crankcase, remove engine oil dipstick.
- (3) Wipe dipstick clean.
- (4) Install dipstick and verify it is seated in the tube.
- (5) Remove dipstick, with handle held above the tip, take oil level reading.
- (6) Add oil only if level is below the ADD mark on dipstick.

**ENGINE OIL CHANGE**

Change engine oil at mileage and time intervals described in Maintenance Schedules.

Run engine until achieving normal operating temperature.

- (1) Position the vehicle on a level surface and turn engine off.
- (2) Hoist and support vehicle on safety stands.
- (3) Remove oil fill cap.
- (4) Place a suitable drain pan under crankcase drain.
- (5) Remove drain plug from crankcase and allow oil to drain into pan. Inspect drain plug threads for stretching or other damage. Replace drain plug if damaged.
- (6) Install drain plug in crankcase.
- (7) Lower vehicle and fill crankcase with specified type and amount of engine oil described in this section.
- (8) Install oil fill cap.
- (9) Start engine and inspect for leaks.
- (10) Stop engine and inspect oil level.

**ENGINE OIL FILTER CHANGE**

**FILTER SPECIFICATION**

All engines are equipped with a high quality full-flow, disposable type oil filter. DaimlerChrysler Corporation recommends a Mopar or equivalent oil filter be used.

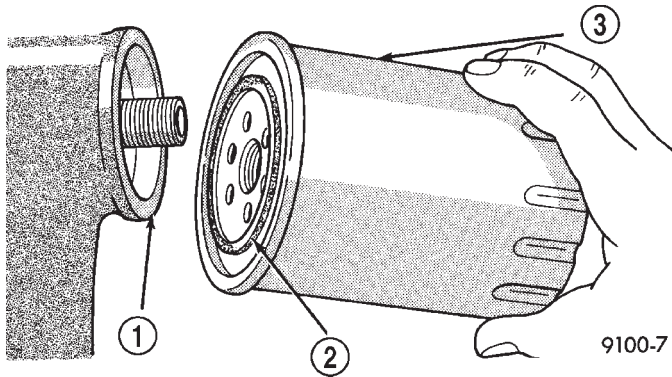
## SERVICE PROCEDURES (Continued)

## OIL FILTER REMOVAL

- (1) Position a drain pan under the oil filter.
- (2) Using a suitable oil filter wrench loosen filter.
- (3) Rotate the oil filter counterclockwise to remove it from the cylinder block oil filter boss.
- (4) When filter separates from cylinder block oil filter boss, tip gasket end upward to minimize oil spill. Remove filter from vehicle.
- (5) With a wiping cloth, clean the gasket sealing surface of oil and grime.

## OIL FILTER INSTALLATION

- (1) Lightly lubricate oil filter gasket with engine oil.
- (2) Thread filter onto adapter nipple. When gasket makes contact with sealing surface, (Fig. 20) hand tighten filter one full turn, do not over tighten.
- (3) Add oil, verify crankcase oil level and start engine. Inspect for oil leaks.



**Fig. 20 Oil Filter Sealing Surface—Typical**

- 1 - SEALING SURFACE
- 2 - RUBBER GASKET
- 3 - OIL FILTER

## USED ENGINE OIL DISPOSAL

Care should be exercised when disposing used engine oil after it has been drained from a vehicle engine. Refer to the WARNING at beginning of this section.

## VALVE TIMING

- Disconnect the coil rail and remove from engine.  
Remove spark plugs.  
Remove the engine cylinder head cover.  
Remove the capscrews, bridge and pivot assembly, and rocker arms from above the No.1 cylinder.  
Alternately loosen each capscrew, one turn at a time, to avoid damaging the bridge.  
Rotate the crankshaft until the No.6 piston is at top dead center (TDC) on the compression stroke.  
Rotate the crankshaft counterclockwise (viewed from the front of the engine) 90°.

Install a dial indicator on the end of the No.1 cylinder intake valve push rod. Use rubber tubing to secure the indicator stem on the push rod.

Set the dial indicator pointer at zero.

Rotate the crankshaft clockwise (viewed from the front of the engine) until the dial indicator pointer indicates 0.305 mm (0.012 inch) travel distance (lift).

The timing notch index on the vibration damper should be aligned with the TDC mark on the timing degree scale.

If the timing notch is more than 13 mm (1/2 inch) away from the TDC mark in either direction, the valve timing is incorrect.

If the valve timing is incorrect, the cause may be a broken camshaft pin. It is not necessary to replace the camshaft because of pin failure. A spring pin is available for service replacement.

## PISTON FITTING

## BORE GAGE METHOD

(1) To correctly select the proper size piston, a cylinder bore gauge, capable of reading in 0.003 mm (.0001 in.) INCREMENTS is required. If a bore gauge is not available, do not use an inside micrometer.

(2) Measure the inside diameter of the cylinder bore at a point 49.5 mm (1-15/16 inches) below top of bore. Start perpendicular (across or at 90 degrees) to the axis of the crankshaft at point A and then take an additional bore reading 90 degrees to that at point B (Fig. 22).

(3) The coated pistons will be serviced with the piston pin and connecting rod pre-assembled. **The coated piston connecting rod assembly can be used to service previous built engines and MUST be replaced as complete sets.** Tin coated pistons should not be used as replacements for coated pistons.

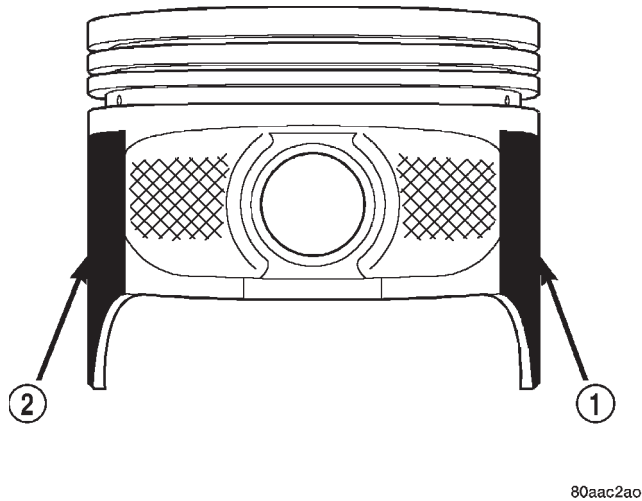
(4) The coating material is applied to the piston after the final piston machining process. Measuring the outside diameter of a coated piston will not provide accurate results (Fig. 21). Therefore measuring the inside diameter of the cylinder bore with a dial Bore Gauge is **MANDATORY**. To correctly select the proper size piston, a cylinder bore gauge capable of reading in 0.003 mm (.0001 in.) increments is required.

(5) Piston installation into the cylinder bore requires slightly more pressure than that required for non-coated pistons. The bonded coating on the piston will give the appearance of a line-to-line fit with the cylinder bore.



SERVICE PROCEDURES (Continued)

PISTON SIZE CHART



CYLINDER BORE SIZE	PISTON LETTER SIZE
98.438 - 98.448 mm (3.8755 - 3.8759 in.)	A
98.448 - 98.458 mm (3.8759 - 3.8763 in.)	B
98.458 - 98.468 mm (3.8763 - 3.8767 in.)	C
98.468 - 98.478 mm (3.8767 - 3.8771 in.)	D
98.478 - 98.488 mm (3.8771 - 3.8775 in.)	E
98.488 - 98.498 mm (3.8775 - 3.8779 in.)	F

**Fig. 21 Moly Coated Piston**

- 1 - MOLY COATED
- 2 - MOLY COATED

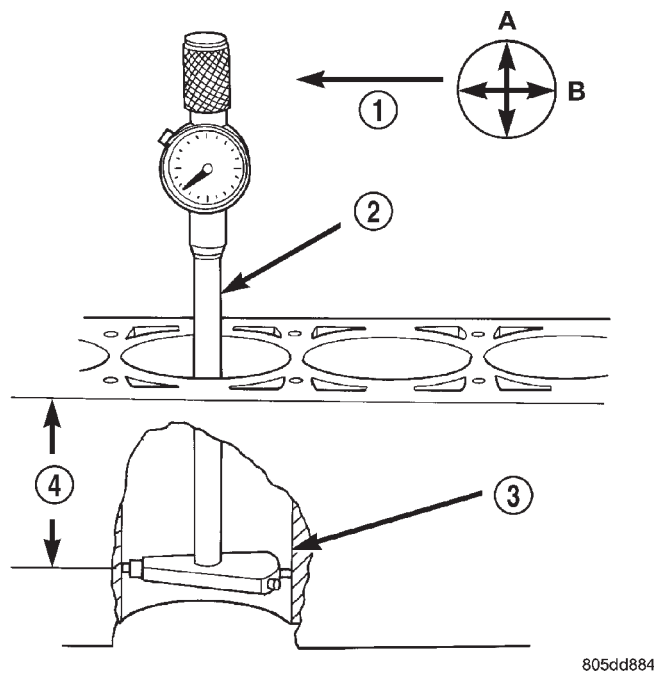
the grooves or lands. This will change ring-to-groove clearances and will damage the ring-to-land seating.

(2) Be sure the piston ring grooves are free of nicks and burrs.

(3) Measure the ring side clearance with a feeler gauge fitted snugly between the ring land and ring (Fig. 23) (Fig. 24). Rotate the ring in the groove. It must move freely around circumference of the groove.

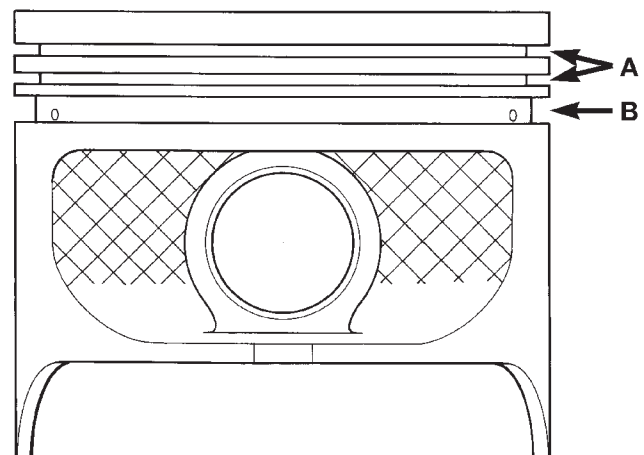
GROOVE HEIGHT

- A 1.530-1.555 mm (0.0602-0.0612 in)
- B 4.035-4.060 mm (0.1589-0.1598 in)



**Fig. 22 Bore Gauge**

- 1 - FRONT
- 2 - BORE GAUGE
- 3 - CYLINDER BORE
- 4 - 49.5 MM  
(1-15/16 in)



**Fig. 23 Piston Dimensions**

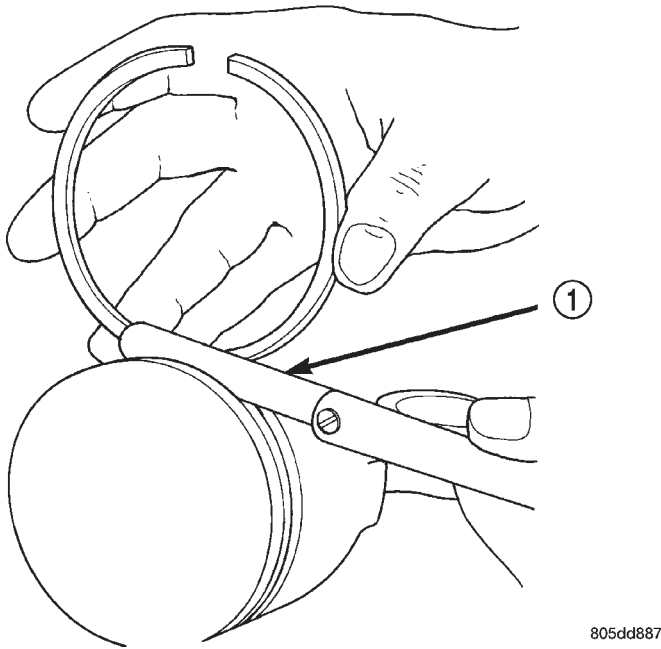
(4) Place ring in the cylinder bore and push down with inverted piston to position near lower end of the ring travel. Measure ring gap with a feeler gauge fitting snugly between ring ends (Fig. 25).

(5) The oil control rings are symmetrical, and can be installed with either side up. It is not necessary to

**PISTON RING—FITTING**

(1) Carefully clean the carbon from all ring grooves. Oil drain openings in the oil ring groove and pin boss must be clear. DO NOT remove metal from

SERVICE PROCEDURES (Continued)



805dd887

**Fig. 24 Ring Side Clearance Measurement**

1 - FEELER GAUGE

RING SIDE CLEARANCE CHART

ITEM	SPECIFICATION
Top Compression Ring	0.042 - 0.084 mm (0.0017 - 0.0033 in.)
Second Compression Ring	0.042 - 0.084 mm (0.0017 - 0.0033 in.)
Oil Control Ring	0.06 - 0.21 mm (0.0024 - 0.0083 in.)

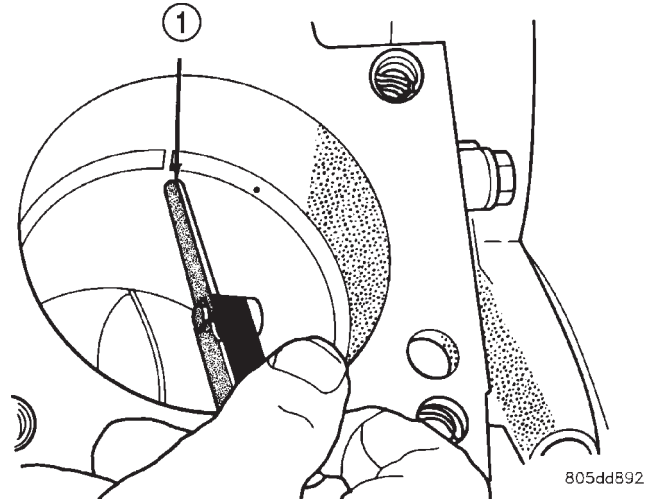
use a tool to install the upper and lower rails. Insert oil rail spacer first, then side rails.

(6) The two compression rings are different and cannot be interchanged. The top compression ring can be identified by the shiny coating on the outer sealing surface and can be installed with either side up (Fig. 26).

(7) The second compression ring has a slight chamfer on the bottom of the inside edge and a dot on the top for correct installation (Fig. 27).

(8) Using a ring installer, install the second compression ring with the dot facing up (Fig. 27) (Fig. 29).

(9) Using a ring installer, install the top compression ring (either side up).



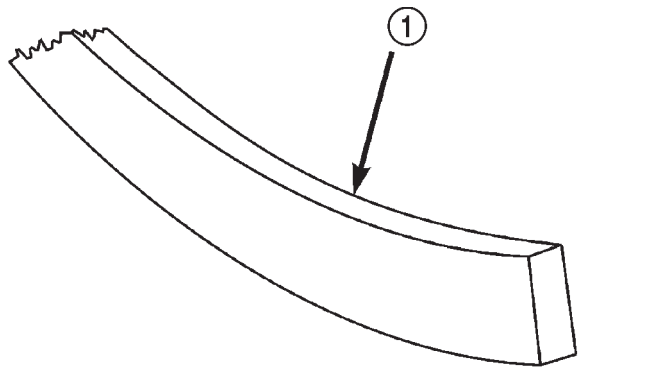
805dd892

**Fig. 25 Gap Measurement**

1 - FEELER GAUGE

RING GAP MEASUREMENT CHART

ITEM	SPECIFICATION
Top Compression Ring	0.229 - 0.610 mm (0.0090 - 0.0240 in.)
Second Compression Ring	0.483 - 0.965 mm (0.0190 - 0.080 in.)
Oil Control Ring	0.254 - 1.500 mm (0.010 - 0.060 in.)



80a7231f

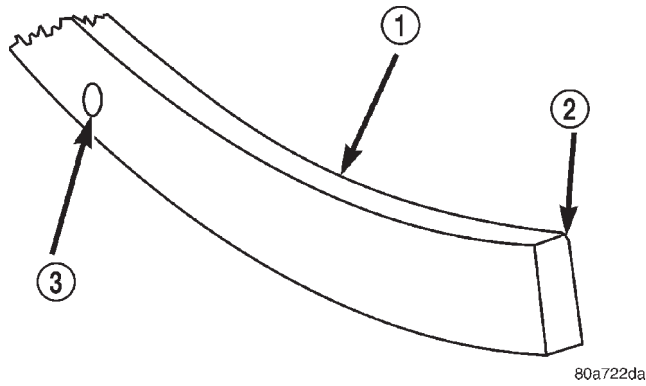
**Fig. 26 Top Compression ring identification**

1 - TOP COMPRESSION RING

**Ring Gap Orientation**

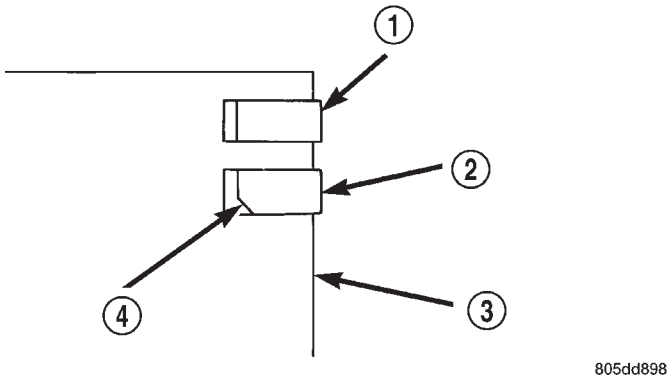
- Position the gaps on the piston as shown (Fig. 30).
- Oil spacer - Gap on center line of piston skirt.
- Oil rails - gap 180° apart on centerline of piston pin bore.

SERVICE PROCEDURES (Continued)



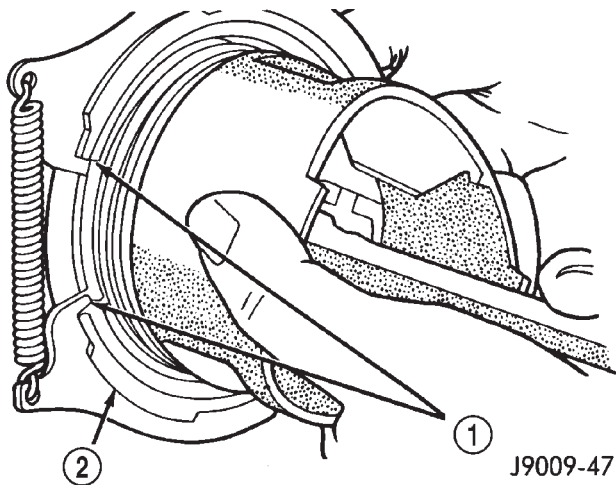
**Fig. 27 Second Compression Ring Identification**

- 1 - SECOND COMPRESSION RING
- 2 - CHAMFER
- 3 - ONE DOT



**Fig. 28 Compression Ring Chamfer Location**

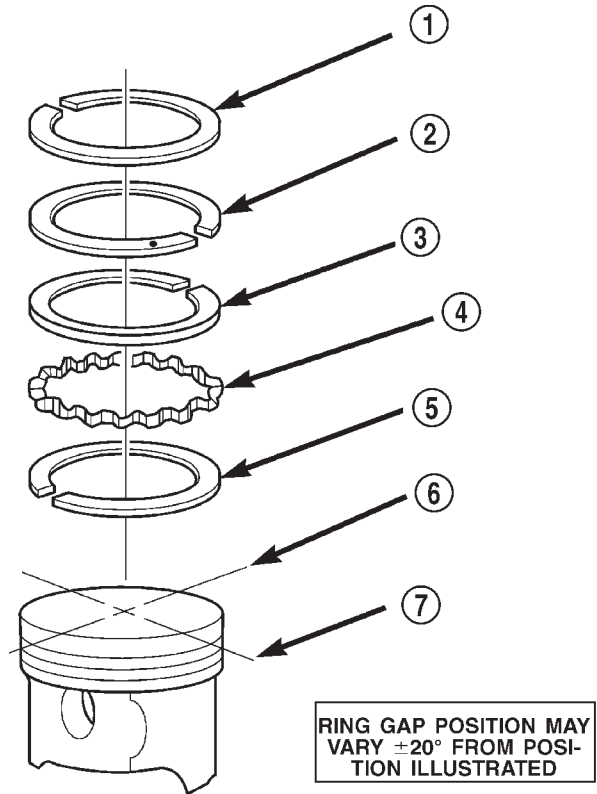
- 1 - TOP COMPRESSION RING
- 2 - SECOND COMPRESSION RING
- 3 - PISTON
- 4 - CHAMFER



**Fig. 29 Compression Ring Installation**

- 1 - COMPRESSION RING
- 2 - RING EXPANDER RECOMMENDED

- No. 2 Compression ring - Gap 180° from top oil rail gap.
- No. 1 Compression ring - Gap 180° from No. 2 compression ring gap.



**Fig. 30 Ring Gap Orientation**

- 1 - TOP COMPRESSION RING
- 2 - BOTTOM COMPRESSION RING
- 3 - TOP OIL CONTROL RAIL
- 4 - OIL RAIL SPACER
- 5 - BOTTOM OIL CONTROL RAIL
- 6 - IMAGINARY LINE PARALLEL TO PISTON PIN
- 7 - IMAGINARY LINE THROUGH CENTER OF PISTON SKIRT

**FITTING CONNECTING ROD BEARINGS**

**INSPECTION**

**BEARINGS**

Inspect the connecting rod bearings for scoring and bent alignment tabs (Fig. 31) (Fig. 32). Check the bearings for normal wear patterns, scoring, grooving, fatigue and pitting (Fig. 33). Replace any bearing that shows abnormal wear.

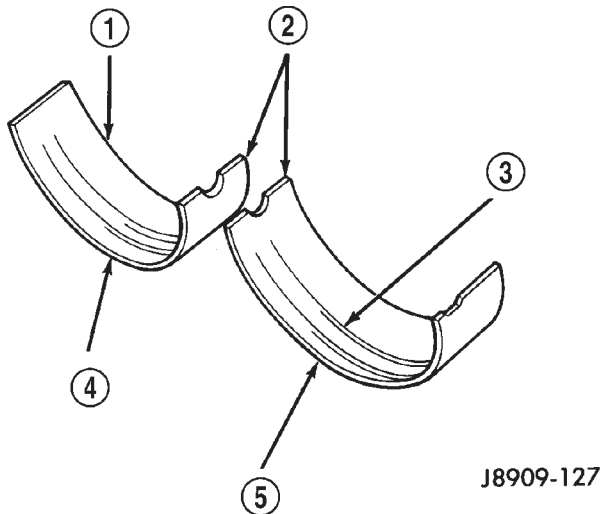
Inspect the connecting rod journals for signs of scoring, nicks and burrs.

**CONNECTING RODS**

Misaligned or bent connecting rods can cause abnormal wear on pistons, piston rings, cylinder

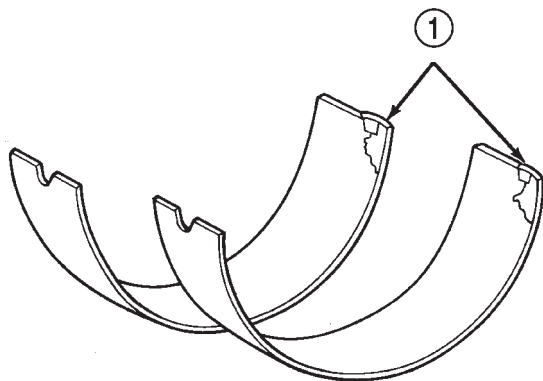


SERVICE PROCEDURES (Continued)



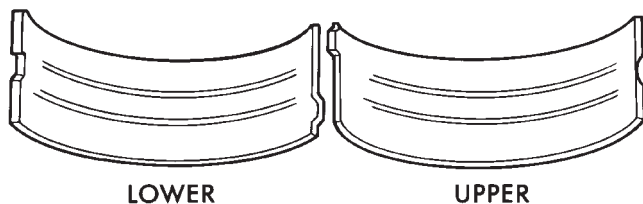
**Fig. 31 Connecting Rod Bearing Inspection**

- 1 - UPPER BEARING HALF
- 2 - MATING EDGES
- 3 - GROOVES CAUSED BY ROD BOLTS SCRATCHING JOURNAL DURING INSTALLATION
- 4 - WEAR PATTERN — ALWAYS GREATER ON UPPER BEARING
- 5 - LOWER BEARING HALF



**Fig. 32 Locking Tab Inspection**

- 1 - ABNORMAL CONTACT AREA CAUSED BY LOCKING TABS NOT FULLY SEATED OR BEING BENT

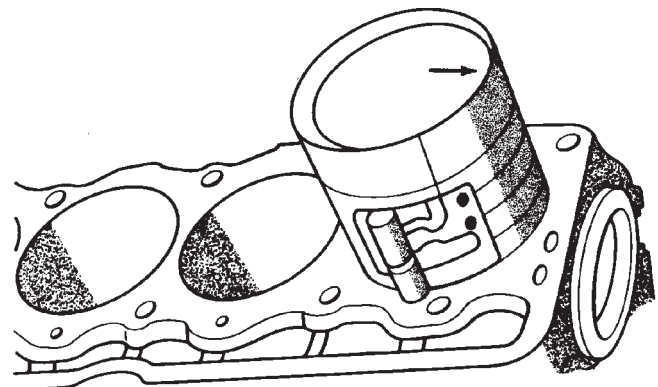


**Fig. 33 Scoring Caused by Insufficient Lubrication or by Damaged Crankshaft Pin Journal**

walls, connecting rod bearings and crankshaft connecting rod journals. If wear patterns or damage to any of these components indicate the probability of a misaligned connecting rod, inspect it for correct rod alignment. Replace misaligned, bent or twisted connecting rods.

**BEARING-TO-JOURNAL CLEARANCE**

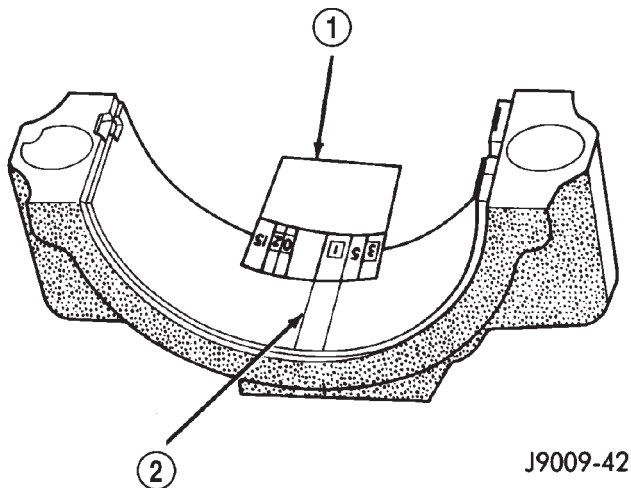
- (1) Wipe the oil from the connecting rod journal.
- (2) Use short rubber hose sections over rod bolts during installation.
- (3) Lubricate the upper bearing insert and install in connecting rod.
- (4) Use piston ring compressor to install the rod and piston assemblies. The oil squirt holes in the rods must face the camshaft. The arrow on the piston crown should point to the front of the engine (Fig. 34). Verify that the oil squirt holes in the rods face the camshaft and that the arrows on the pistons face the front of the engine.



**Fig. 34 Rod and Piston Assembly Installation**

- (5) Install the lower bearing insert in the bearing cap. The lower insert must be dry. Place strip of Plastigage across full width of the lower insert at the center of bearing cap. Plastigage must not crumble in use. If brittle, obtain fresh stock.
- (6) Install bearing cap and connecting rod on the journal and tighten nuts to 45 N·m (33 ft. lbs.) torque. DO NOT rotate crankshaft. Plastigage will smear, resulting in inaccurate indication.
- (7) Remove the bearing cap and determine amount of bearing-to-journal clearance by measuring the width of compressed Plastigage (Fig. 35). Refer to Engine Specifications for the proper clearance. **Plastigage should indicate the same clearance across the entire width of the insert. If the clearance varies, it may be caused by either a tapered journal, bent connecting rod or foreign material trapped between the insert and cap or rod.**
- (8) If the correct clearance is indicated, replacement of the bearing inserts is not necessary. Remove

SERVICE PROCEDURES (Continued)



J9009-42

**Fig. 35 Measuring Bearing Clearance with Plastigage**

- 1 - PLASTIGAGE SCALE
- 2 - COMPRESSED PLASTIGAGE

(9) If bearing-to-journal clearance exceeds the specification, install a pair of 0.0254 mm (0.001 inch) undersize bearing inserts. All the odd size inserts must be on the bottom. The sizes of the service replacement bearing inserts are stamped on the backs of the inserts. Measure the clearance as described in the previous steps.

(10) The clearance is measured with a pair of 0.0254 mm (0.001 inch) undersize bearing inserts installed. This will determine if two 0.0254 mm (0.001 inch) undersize inserts or another combination is needed to provide the correct clearance (refer to Connecting Rod Bearing Fitting Chart).

the Plastigage from crankshaft journal and bearing insert. Proceed with installation.

CONNECTING ROD BEARING FITTING CHART

CRANKSHAFT JOURNAL		CORRESPONDING ROD BEARING INSERT	
Color Code	Diameter	Upper Insert Size	Lower Insert Size
Yellow	53.2257 - 53.2079 mm (2.0955 - 2.0948 in.)	Yellow - Standard	Yellow - Standard
Orange	53.2079 - 53.1901 mm (2.0948 - 2.0941 in.) 0.0178 mm (0.0007 in.) Undersize	Yellow - Standard	Blue - Undersize 0.025 mm (0.001 in.)
Blue	53.1901 - 53.1724 mm (2.0941 - 2.0934 in.) 0.0356 mm (0.0014 in.) Undersize	Blue - Undersize 0.025 mm (0.001 in.)	Blue - Undersize 0.025 mm (0.001 in.)
Red	52.9717 - 52.9539 mm (2.0855 - 2.0848 in.) 0.254 mm (0.010 in.) Undersize	Red - Undersize 0.254 mm (0.010 in.)	Red - Undersize 0.254 mm (0.010 in.)

(11) **FOR EXAMPLE:** If the initial clearance was 0.0762 mm (0.003 inch), 0.025 mm (0.001 inch) undersize inserts would reduce the clearance by 0.025 mm (0.001 inch). The clearance would be 0.002 inch and within specification. A 0.051 mm (0.002 inch) undersize insert would reduce the initial clear-

ance an additional 0.013 mm (0.0005 inch). The clearance would then be 0.038 mm (0.0015 inch).

(12) Repeat the Plastigage measurement to verify your bearing selection prior to final assembly.

(13) Once you have selected the proper insert, install the insert and cap. Tighten the connecting rod bolts to 45 N·m (33 ft. lbs.) torque.

## SERVICE PROCEDURES (Continued)

## SIDE CLEARANCE MEASUREMENT

Slide snug-fitting feeler gauge between the connecting rod and crankshaft journal flange (Fig. 36). Refer to Engine Specifications for the proper clearance. Replace the connecting rod if the side clearance is not within specification.

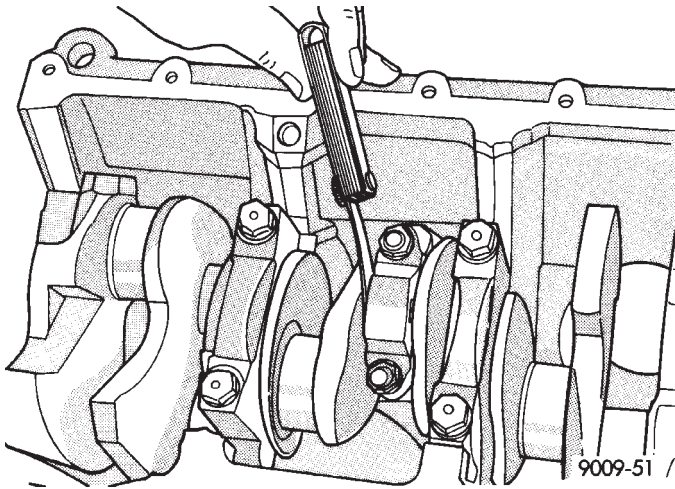


Fig. 36 Checking Connecting Rod Side Clearance—Typical

## FITTING CRANKSHAFT MAIN BEARINGS

## INSPECTION

Wipe the inserts clean and inspect for abnormal wear patterns and for metal or other foreign material imbedded in the lining. Normal main bearing insert wear patterns are illustrated (Fig. 37). In general the lower bearing half will have a heavier wear pattern.

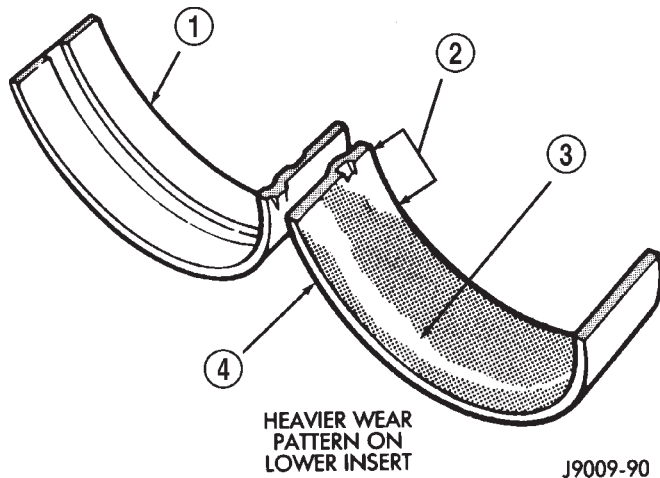


Fig. 37 Main Bearing Wear Patterns

- 1 - UPPER INSERT
- 2 - NO WEAR IN THIS AREA
- 3 - LOW AREA IN BEARING LINING
- 4 - LOWER INSERT

**NOTE:** If any of the crankshaft journals are scored, remove the engine for crankshaft repair.

Inspect the back of the inserts for fractures, scrapings or irregular wear patterns.

Inspect the upper insert locking tabs for damage.

Replace all damaged or worn bearing inserts.

## FITTING BEARINGS (CRANKSHAFT INSTALLED)

The main bearing caps, numbered (front to rear) from 1 through 7 have an arrow to indicate the forward position. The upper main bearing inserts are grooved to provide oil channels while the lower inserts are smooth.

Each bearing insert pair is selectively fitted to its respective journal to obtain the specified operating clearance. In production, the select fit is obtained by using various-sized color-coded bearing insert pairs as listed in the Main Bearing Fitting Chart. The bearing color code appears on the edge of the insert. **The size is not stamped on bearing inserts used for engine production.**

The main bearing journal size (diameter) is identified by a color-coded paint mark (Fig. 38) on the adjacent cheek or counterweight towards the rear of the crankshaft (flange end). The rear main journal, is identified by a color-coded paint mark on the crankshaft rear flange.

When required, upper and lower bearing inserts of different sizes may be used as a pair. A standard size insert is sometimes used in combination with a 0.025 mm (0.001 inch) undersize insert to reduce the clearance by 0.013 mm (0.0005 inch). **Never use a pair of bearing inserts with greater than a 0.025 mm (0.001 inch) difference in size. Refer to the Bearing Insert Pair Chart.**

**NOTE:** When replacing inserts, the odd size inserts must be either all on the top (in cylinder block) or all on the bottom (in main bearing cap).

Once the bearings have been properly fitted, proceed to Crankshaft Main Bearing—Installation.

## BEARING-TO-JOURNAL CLEARANCE (CRANKSHAFT INSTALLED)

When using Plastigage, check only one bearing clearance at a time.

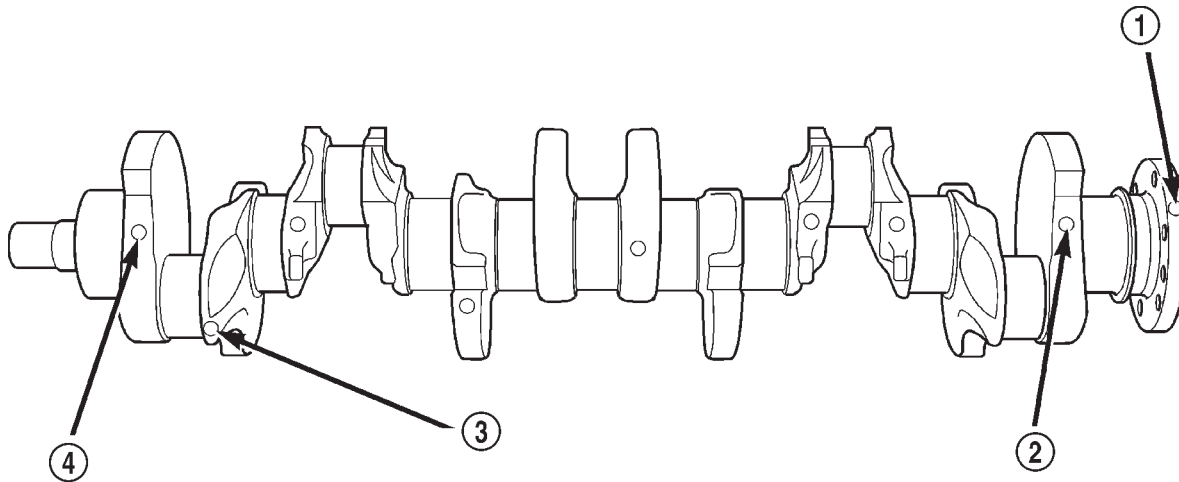
Install the grooved main bearings into the cylinder block and the non-grooved bearings into the bearing caps.

Install the crankshaft into the upper bearings dry.

Place a strip of Plastigage across full width of the crankshaft journal to be checked.

Install the bearing cap and tighten the bolts to 108 N·m (80 ft. lbs.) torque.

SERVICE PROCEDURES (Continued)



80a9f121

**Fig. 38 Crankshaft Journal Size Paint I. D. Location**

- 1 - NO. 7 MAIN JOURNAL SIZE PAINT MARK
- 2 - NO. 6 CONNECTING ROD JOURNAL SIZE PAINT MARK
- 3 - NO. 1 CONNECTING ROD JOURNAL SIZE PAINT MARK
- 4 - NO. 1 MAIN JOURNAL SIZE PAINT MARK

BEARING INSERT PAIRS CHART

INSERT	CORRECT	INCORRECT
UPPER	STANDARD	STANDARD
LOWER	0.025 mm (0.001 in.) UNDERSIZE	0.051 mm (0.002 in.) UNDERSIZE

**NOTE: DO NOT rotate the crankshaft. This will cause the Plastigage to shift, resulting in an inaccurate reading. Plastigage must not be permitted to crumble. If brittle, obtain fresh stock.**

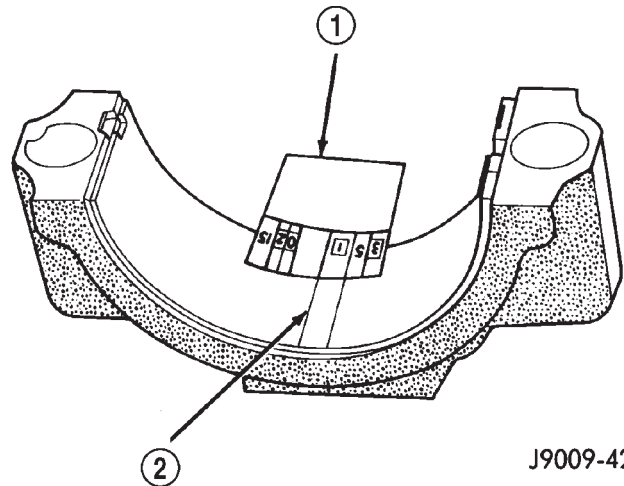
Remove the bearing cap. Determine the amount of clearance by measuring the width of the compressed Plastigage with the scale on the Plastigage envelope (Fig. 39). Refer to Engine Specifications for the proper clearance.

Plastigage should indicate the same clearance across the entire width of the insert. If clearance varies, it may indicate a tapered journal or foreign material trapped behind the insert.

If the specified clearance is indicated and there are no abnormal wear patterns, replacement of the bearing inserts is not necessary. Remove the Plastigage from the crankshaft journal and bearing insert. Proceed to Crankshaft Main Bearing—Installation.

If the clearance exceeds specification, install a pair of 0.025 mm (0.001 inch) undersize bearing inserts and measure the clearance as described in the previous steps.

The clearance indicate with the 0.025 mm (0.001 inch) undersize insert pair installed will determine if



J9009-42

**Fig. 39 Measuring Bearing Clearance with Plastigage**

- 1 - PLASTIGAGE SCALE
- 2 - COMPRESSED PLASTIGAGE

this insert size or some other combination will provide the specified clearance. **FOR EXAMPLE:** If the clearance was 0.0762 mm (0.003 inch) originally, a pair of 0.0254 mm (0.001 inch) undersize inserts would reduce the clearance by 0.0254 mm (0.001 inch). The clearance would then be 0.0508 mm (0.002 inch) and within the specification. A 0.051 mm (0.002 inch) undersize bearing insert and a 0.0254 mm (0.001 inch) undersize insert would reduce the original clearance an additional 0.0127 mm (0.0005 inch). The clearance would then be 0.0381 mm (0.0015 inch).

## SERVICE PROCEDURES (Continued)

**CAUTION:** Never use a pair of inserts that differ more than one bearing size as a pair.

**FOR EXAMPLE:** DO NOT use a standard size upper insert and a 0.051 mm (0.002 inch) undersize lower insert.

If the clearance exceeds specification using a pair of 0.051 mm (0.002 inch) undersize bearing inserts, measure crankshaft journal diameter with a micrometer. If the journal diameter is correct, the crankshaft bore in the cylinder block may be misaligned, which requires cylinder block replacement or machining to true bore.

Replace the crankshaft or grind to accept the appropriate undersize bearing inserts if:

- Journal diameters 1 through 6 are less than 63.4517 mm (2.4981 inches)
- Journal 7 diameter is less than 63.4365 mm (2.4975 inches).

Once the proper clearances have been obtained, proceed to Crankshaft Main Bearing—Installation.

### MAIN BEARING JOURNAL DIAMETER (CRANKSHAFT REMOVED)

Remove the crankshaft from the cylinder block (refer to Cylinder Block - Disassemble).

Clean the oil off the main bearing journal.

Determine the maximum diameter of the journal with a micrometer. Measure at two locations 90° apart at each end of the journal.

The maximum allowable taper and out of round is 0.013 mm (0.0005 inch). Compare the measured diameter with the journal diameter specification (Main Bearing Fitting Chart). Select inserts required to obtain the specified bearing-to-journal clearance.

Install the crankshaft into the cylinder block (refer to Cylinder Block - Assemble and Crankshaft Main Bearings - Installation).

### MAIN BEARING FITTING CHART

Crankshaft Journals #1-6		Corresponding Crankshaft Bearing Insert	
Color Code	Diameter	Upper Insert Size	Lower Insert Size
Yellow	63.5025 -63.4898 mm (2.5001 - 2.4996 in.)	Yellow - Standard	Yellow - Standard
Orange	63.4898 - 63.4771 mm (2.4996 - 2.4991 in.) 0.0127 mm (0.0005 in.) Undersize	Yellow - Standard	Blue - Undersize 0.025 mm (0.001 in.)
Blue	63.4771 - 63.4644 mm (2.4991 - 2.4986 in.) 0.0254 mm (0.001 in.) Undersize	Blue - Undersize 0.025 mm (0.001 in.)	Blue - Undersize 0.025 mm (0.001 in.)
Green	63.4644 - 63.4517 mm (2.4986 - 2.4981 in.) 0.0381 mm (0.0015 in.) Undersize	Blue - Undersize 0.025 mm (0.001 in.)	Green - Undersize 0.051 mm (0.002 in.)
Red	63.2485 - 63.2358 mm (2.4901 - 2.4896 in.) 0.254 mm (0.010 in.) Undersize	Red - Undersize 0.254 mm (0.010 in.)	Red - Undersize 0.254 mm (0.010 in.)



SERVICE PROCEDURES (Continued)

Crankshaft Journal #7 Only		Corresponding Bearing Insert	
Color Code	Diameter	Upper Insert Size	Lower Insert Size
Yellow	63.4873 - 63.4746 mm (2.4995 - 2.4990 in.)	Yellow - Standard	Yellow - Standard
Orange	63.4746 - 63.4619 mm (2.4990 - 2.4985 in.) 0.0127 mm (0.0005 in.) Undersize	Yellow - Standard	Blue - Undersize 0.025 mm (0.001 in.)
Blue	63.4619 - 63.4492 mm (2.4985 - 2.4980 in.) 0.0254 mm (0.001 in.) Undersize	Blue - Undersize 0.025 mm (0.001 in.)	Blue - Undersize 0.025 mm (0.001 in.)
Green	63.4492 - 63.4365 mm (2.4980 - 2.4975 in.) 0.0381 mm (0.0015 in.) Undersize	Blue - Undersize 0.025 mm (0.001 in.)	Green - Undersize 0.051 mm (0.002 in.)
Red	63.2333 - 63.2206 mm (2.4895 - 2.4890 in.) 0.254 mm (0.010 in.) Undersize	Red - Undersize 0.254 mm (0.010 in.)	Red - Undersize 0.254 mm (0.010 in.)

REMOVAL AND INSTALLATION

ENGINE MOUNTS—FRONT

The front mounts support the engine at each side. These insulators are made of resilient rubber.

REMOVAL

- (1) Disconnect the negative cable from the battery.
- (2) Raise the vehicle.
- (3) Support the engine.
- (4) Remove the insulator assembly-to-lower front sill bolts (Fig. 40) (Fig. 41).
- (5) Raise the engine slightly.
- (6) Remove the through bolt nut and through bolt. Remove the insulator (Fig. 40) (Fig. 41).
- (7) If required, remove the engine bracket from the block.

INSTALLATION

- (1) If removed, install the engine bracket to the block. Tighten the bolts to 61 N·m (45 ft. lbs.) torque.
- (2) Install the insulator assembly to the lower front sill. Tighten the bolts to 61 N·m (45 ft. lbs.) torque.
- (3) With the engine insulator assembly and engine bracket in position, install the through bolt and nut. Tighten the through bolt nut to 61 N·m (45 ft. lbs.) torque.

- (4) Remove the engine support.
- (5) Lower the vehicle.
- (6) Connect the negative cable to the battery.

ENGINE MOUNT—REAR

A resilient rubber cushion bracket assembly supports the transmission at the rear. This bracket is attached to the crossmember.

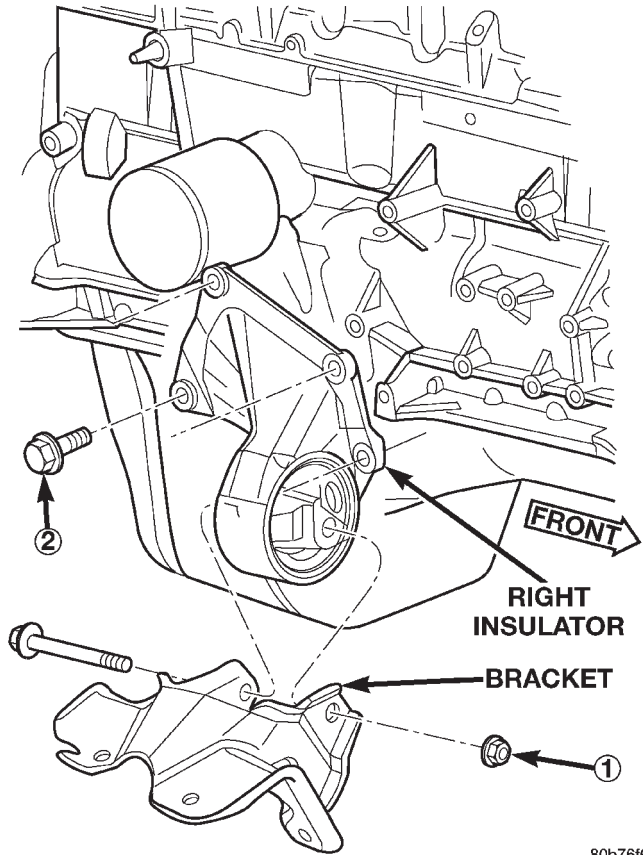
REMOVAL

- (1) Disconnect the negative cable from the battery.
- (2) Raise the vehicle and support the transmission.
- (3) Remove the bolts holding the isolator mount assembly to the transmission (Fig. 42) (Fig. 43).
- (4) Raise the transmission SLIGHTLY.
- (5) Remove the through bolt and nut. Remove the rear isolator mount assembly.
- (6) If necessary, remove the bolts holding the rear mount bracket to the crossmember.

INSTALLATION

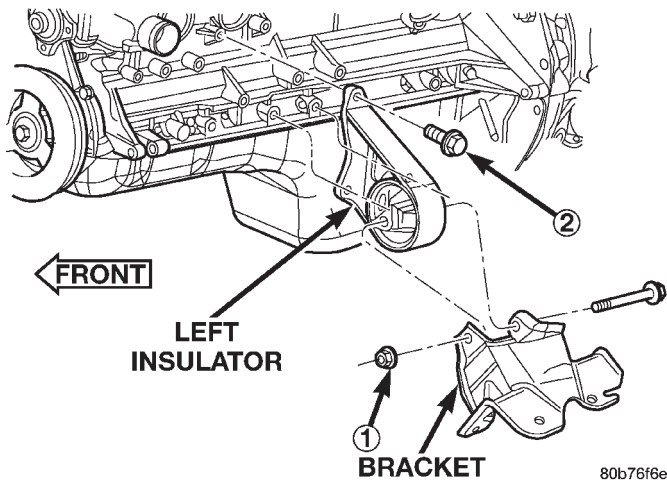
- (1) Position the rear mount bracket assembly onto the crossmember and install the bolts. Tighten the bolts to 46 N·m (34 ft. lbs.)
- (2) Position isolator mount into mount bracket and install through bolt and nut. DO NOT tighten the bolt at this time.
- (3) Lower the transmission.

REMOVAL AND INSTALLATION (Continued)



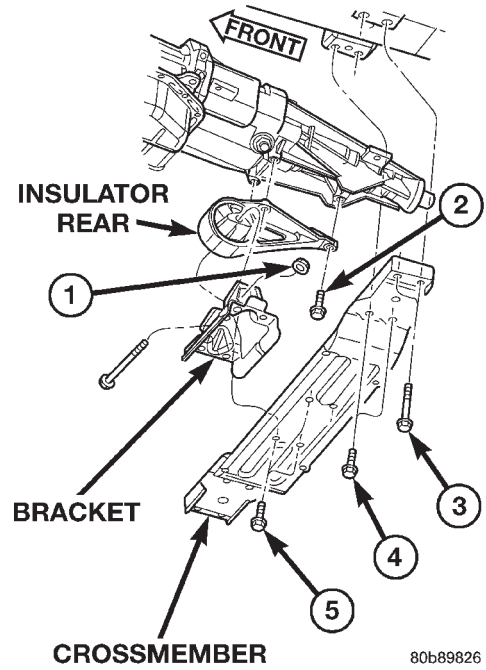
80b76f6d

**Fig. 40 Front Engine Mount—Right Side**



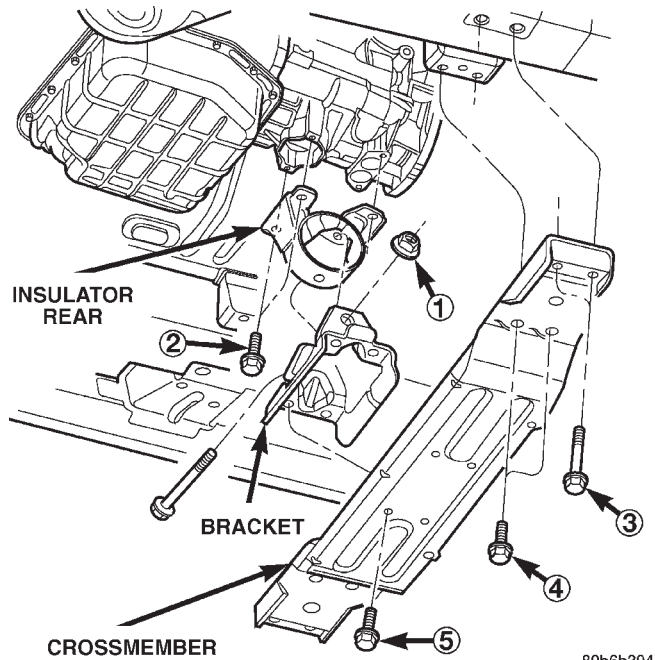
80b76f6e

**Fig. 41 Front Engine Mount—Left Side**



80b89826

**Fig. 42 Rear Engine Mount—(4X2)**



80b6b394

**Fig. 43 Rear Engine Mount—(4X4)**

ITEM	DESCRIPTION	TORQUE
1	NUT (Qty 1 Per side)	61N-m (45 ft. lbs.)
2	Bolt (Qty 4 Per Side)	



## REMOVAL AND INSTALLATION (Continued)

ITEM	DESCRIPTION	TORQUE
1	NUT (Qty 1)	45 N·m (33 ft. lbs.)
2	BOLT (Qty 4)	46 N·m (34 ft. lbs.)
3	BOLT (Qty 2 Per Side)	68 N·m (50 ft. lbs.)
4	BOLT (Qty 2 Per Side)	46 N·m (34 ft. lbs.)
5	BOLT (Qty 4)	46 N·m (34 ft. lbs.)

- (4) Remove the transmission support.
- (5) Install the mount fastening bolts and tighten to 54 N·m (40 ft. lbs.) torque.
- (6) Tighten the through bolt nut to 50 N·m (37 ft. lbs.).
- (7) Lower the vehicle.
- (8) Connect the negative cable to the battery.

## ENGINE BENDING BRACES

## REMOVAL

The engine bending braces are used to add strength to the powertrain and to address some minor NVH concerns.

**NOTE:** Before the engine or the transmission can be removed the engine bending braces must be removed.

- (1) Raise and support vehicle.

**NOTE:** Both left and right side bending braces are removed the sameway. Only the right side is shown.

**NOTE:** The exhaust does not require removal to preform this procedure.

- (2) Remove the exhaust hanger bracket retaining bolt.
- (3) Remove locknut and transmission bending brace bar.
- (4) Remove engine-to-bending brace retaining bolt, bending brace bar and cross bar.

## INSTALLATION

**NOTE:** DO NOT tighten the retaining hardware until all bending braces are in place.

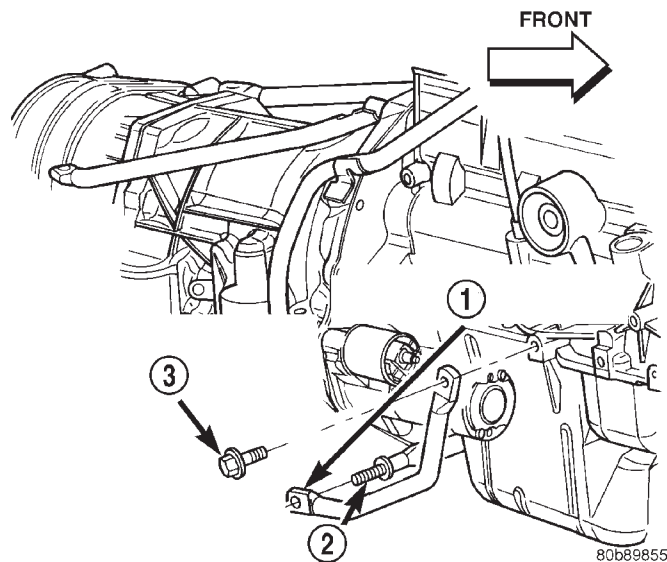
(1) Position the cross brace into the engine-to-transmission brace, then position the engine-to-transmission brace and install retaining bolt.

(2) Position the transmission bending brace onto through brace and install new locknut.

(3) Position exhaust hanger and transmission brace, install retaining bolt (Fig. 45).

(4) Tighten engine-to-transmission brace retaining bolt (Fig. 44) to 40 N·m (30 ft. lbs.).

(5) Tighten transmission brace retaining bolts (Fig. 45) to 40 N·m (30 ft. lbs.), then tighten transmission brace retaining lock nuts (Fig. 45) to 108 N·m (80 ft. lbs.).



**Fig. 44 Engine-to-Transmission Bending Braces**

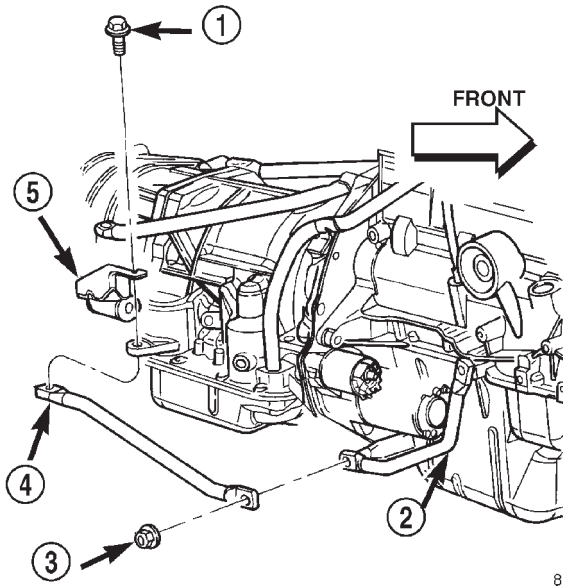
- 1 - ENGINE-TO-TRANSMISSION BENDING BRACE
- 2 - CROSS BRACE
- 3 - ENGINE-TO-TRANSMISSION BENDING BRACE RETAINING BOLT

## ENGINE ASSEMBLY

## REMOVAL

- (1) Disconnect the battery negative cable.
- (2) Mark the hinge locations on the hood panel for alignment reference during installation. Remove the engine compartment lamp. Remove the hood.
- (3) Remove the radiator drain cock and radiator cap to drain the coolant. DO NOT waste usable coolant. If the solution is clean, drain the coolant into a clean container for reuse.
- (4) Remove the upper radiator hose and coolant recovery hose.
- (5) Remove the lower radiator hose.
- (6) Remove upper radiator support retaining bolts and remove radiator support.
- (7) Remove the fan assembly from the water pump. Refer to ENGINE COOLING.

## REMOVAL AND INSTALLATION (Continued)



80b89856

**Fig. 45 Transmission Bending Braces and Exhaust Hanger**

- 1 - TRANSMISSION BENDING BRACE RETAINING BOLT
- 2 - ENGINE-TO-TRANSMISSION BENDING BRACE
- 3 - LOCKNUT
- 4 - TRANSMISSION BRACE
- 5 - EXHAUST HANGER

(8) Remove the fan shroud. Refer to ENGINE COOLING.

(9) Disconnect the transmission fluid cooler lines (automatic transmission).

(10) Discharge the A/C system. Refer to HEATING and AIR CONDITIONING.

(11) Remove the service valves and cap the compressor ports.

(12) Remove the radiator or radiator/condenser (if equipped with A/C).

(13) Disconnect the heater hoses at the engine thermostat housing and water pump.

(14) Disconnect the accelerator cable, transmission line pressure cable and speed control cable (if equipped) from the throttle body.

(15) Remove cables from the bracket and secure out of the way.

(16) Disconnect the body ground at the engine.

(17) Disconnect the following connectors and secure their harness out of the way.

- Power steering pressure switch
- Coolant temperature sensor
- Six (6) fuel injector connectors
- Intake air temperature sensor
- Throttle position sensor
- Map sensor
- Crankshaft position sensor
- Oxygen sensor
- Camshaft position sensor

• Generator connector and B+ terminal wire  
(18) Disconnect the coil rail electrical connections and the oil pressure switch connector.

(19) Perform the fuel pressure release procedure. Refer to FUEL SYSTEM for correct procedure.

(20) Disconnect the fuel supply line at the injector rail. (Refer to QUICK-CONNECT FITTINGS for the correct procedure.)

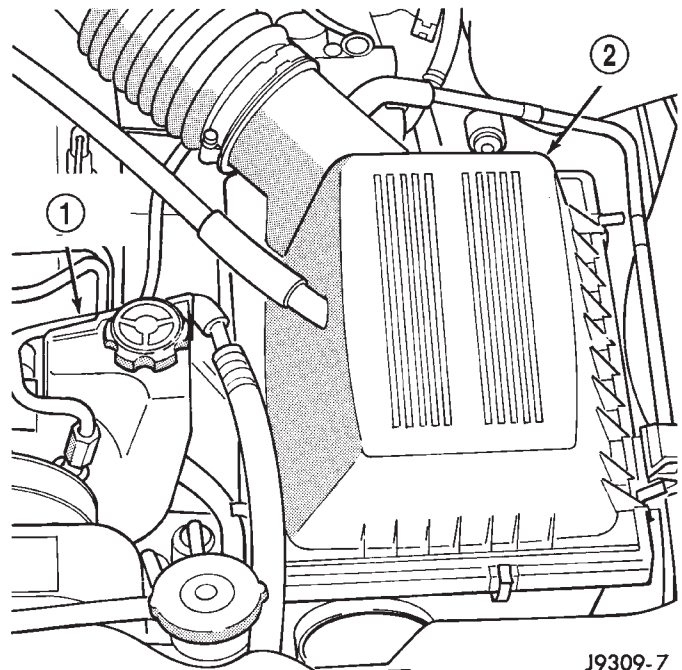
(21) Remove the fuel line bracket from the intake manifold.

(22) Remove the air cleaner assembly (Fig. 46).

(23) Disconnect the hoses from the fittings at the steering gear.

(24) Drain the pump reservoir.

(25) Cap the fittings on the hoses and steering gear to prevent foreign objects from entering the system.



J9309-7

**Fig. 46 Air Cleaner Assembly & Power Steering Pump**

- 1 - POWER STEERING PUMP
- 2 - AIR CLEANER ASSEMBLY

(26) Raise and support the vehicle.

(27) Disconnect the wires from the engine starter motor solenoid.

(28) Remove the engine starter motor.

(29) Disconnect the oxygen sensor from the exhaust pipe.

(30) Disconnect the exhaust pipe from the manifold.

(31) Remove the exhaust pipe support.

(32) Remove the bending brace. Refer to Engine Bending Brace in this section for procedure.

## REMOVAL AND INSTALLATION (Continued)

(33) Remove the engine flywheel/converter housing access cover.

(34) Mark the converter and drive plate location.

(35) Remove the converter-to-drive plate bolts.

(36) Remove the upper engine flywheel/converter housing bolts and loosen the bottom bolts.

(37) Remove the engine mount cushion-to-engine compartment bracket bolts.

(38) Lower the vehicle.

(39) Attach a lifting device to the engine.

(40) Raise the engine off the front supports.

(41) Place a support or floor jack under the converter (or engine flywheel) housing.

(42) Remove the remaining converter (or engine flywheel) housing bolts.

(43) Lift the engine out of the engine compartment.

## INSTALLATION

**CAUTION:** When installing the engine into a vehicle equipped with an automatic transmission, be careful not to damage the trigger wheel on the engine flywheel.

(1) Attach a lifting device to the engine and lower the engine into the engine compartment. For easier installation, it may be necessary to remove the engine mount bracket as an aid in alignment of the engine to the transmission.

(2) Align the transmission torque converter housing with the engine.

(3) Loosely install the converter housing lower bolts and install the next higher bolt and nut on each side.

(4) Tighten all 4 bolts finger tight.

(5) Install the engine mount brackets (if removed).

(6) Lower the engine and engine mount brackets onto the engine compartment cushions. Install the bolts and finger tighten the nuts.

(7) Remove the engine lifting device.

(8) Raise and support the vehicle.

(9) Install the remaining engine flywheel/converter housing bolts. Tighten all bolts to 38 N·m (28 ft. lbs.) torque.

(10) Install the converter-to-drive plate bolts.

(11) Ensure the installation reference marks are aligned.

(12) Install the engine flywheel/converter housing access cover.

(13) Install the exhaust pipe support and tighten the screw.

(14) Install the engine bending brace.

(15) Tighten the engine mount-to-bracket bolts.

(16) Connect the vehicle speed sensor wire connections and tighten the screws.

(17) Connect the exhaust pipe to the manifold.

(18) Install the engine starter motor and connect the cable.

(19) Connect the wires to the engine starter motor solenoid.

(20) Lower the vehicle.

(21) Connect all the vacuum hoses and wire connectors identified during engine removal.

(22) Remove protective caps from the power steering hoses.

(23) Connect the hoses to the fittings at the steering gear. Tighten the nut to 52 N·m (38 ft. lbs.) torque.

(24) Fill the pump reservoir with fluid.

(25) Inspect the fuel supply line o-ring(s) and replace if necessary. Connect fuel supply line to injector rail and verify connection by pulling outward on the line.

(26) Install the fuel line bracket to the intake manifold.

(27) Connect the coil rail electrical connectors and oil pressure switch connector.

(28) Connect the following electrical connectors:

- Power steering pressure switch
- Coolant temperature sensor
- Six (6) fuel injector connectors
- Intake air temperature sensor
- Throttle position sensor
- Map sensor
- Crankshaft position sensor
- Oxygen sensor
- Camshaft position sensor
- Generator connector and B+ terminal wire

(29) Connect all previously removed vacuum hoses.

(30) Connect the body ground strap.

(31) Install the throttle, transmission line pressure, and speed control cables to their mounting bracket and connect them to the throttle body.

(32) Connect the heater hoses at the engine thermostat housing and water pump.

(33) Install the fan assembly to the water pump.

(34) Place the fan shroud in position over the fan.

(35) Install the radiator or radiator/condenser.

(36) Connect the service valves to the A/C compressor ports, if equipped with A/C.

(37) Charge the air conditioner system (refer to HEATING and AIR CONDITIONING).

(38) Connect the radiator hoses and automatic transmission fluid cooler pipes, if equipped.

(39) Install the fan shroud to the radiator or radiator/condenser (if equipped with A/C).

(40) Install upper radiator support.

(41) Connect the upper radiator hose and tighten the clamp.

(42) Connect the lower radiator hose and tighten the clamp.

## REMOVAL AND INSTALLATION (Continued)

(43) Fill crankcase with engine oil. Refer to LUBRICATION and MAINTENANCE for correct capacities.

(44) Fill the cooling system with reusable coolant or new coolant Refer to COOLING SYSTEM.

(45) Align the hood to the scribe marks. Install the hood.

(46) Install the air cleaner assembly.

(47) Install the battery and connect the battery cable.

**WARNING: USE EXTREME CAUTION WHEN THE ENGINE IS OPERATING. DO NOT STAND IN A DIRECT LINE WITH THE FAN. DO NOT PUT YOUR HANDS NEAR THE PULLEYS, BELTS OR FAN. DO NOT WEAR LOOSE CLOTHING.**

(48) Start the engine, inspect for leaks and correct the fluid levels, as necessary.

## INTAKE AND EXHAUST MANIFOLD

## REMOVAL

**NOTE: THE ENGINE INTAKE AND EXHAUST MANIFOLD MUST BE REMOVED AND INSTALLED TOGETHER. THE MANIFOLDS USE A COMMON GASKET AT THE CYLINDER HEAD.**

- (1) Disconnect the battery negative cable.
- (2) Remove air cleaner inlet hose from throttle body assembly.
- (3) Remove the air cleaner assembly.
- (4) Remove the throttle cable, vehicle speed control cable (if equipped) and the transmission line pressure cable.
- (5) Disconnect the following electrical connections and secure their harness out of the way:
  - Throttle Position Sensor
  - Idle Air Control Motor
  - Coolant Temperature Sensor (at thermostat housing)
  - Intake Air Temperature Sensor
  - Oxygen Sensor
  - Crank Position Sensor
  - Six (6) Fuel Injector Connectors
- (6) Disconnect the Map Sensor, HVAC, and Brake Booster vacuum supply hoses at the intake manifold.
- (7) Perform the fuel pressure release procedure. (Refer to Group 14, Fuel Systems for correct procedure)
- (8) Disconnect and remove the fuel system supply line from the fuel rail assembly. (Refer to Group 14, Quick Connect Fittings for correct procedures)
- (9) Remove the accessory drive belt (refer to Group 7, Cooling System). Loosen the tensioner.

(10) Remove the power steering pump and bracket from the intake manifold and set aside.

(11) Raise the vehicle.

(12) Disconnect the exhaust pipes from the engine exhaust manifolds.

(13) Lower the vehicle.

(14) Remove the intake manifold and engine exhaust manifolds.

## INSTALLATION

If the manifold is being replaced, ensure all the fitting, etc. are transferred to the replacement manifold.

(1) Install a new engine exhaust/intake manifold gasket over the alignment dowels on the cylinder head.

(2) Position the engine exhaust manifolds to the cylinder head. Install fastener Number 3 and finger tighten at this time (Fig. 47).

(3) Install intake manifold on the cylinder head dowels.

(4) Install washer and fastener Numbers 1, 2, 4, 5, 8, 9, 10 and 11 (Fig. 47).

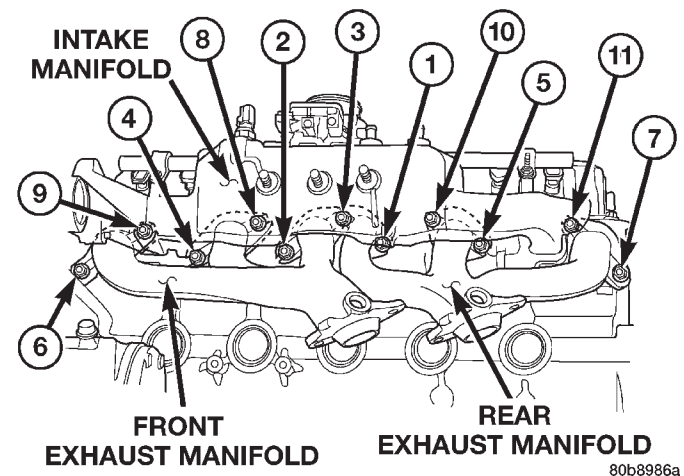
(5) Install washer and fastener Numbers 6 and 7 (Fig. 47).

(6) Tighten the fasteners in sequence and to the specified torque (Fig. 47).

• Fastener Numbers 1 through 5—Tighten to 33 N-m (24 ft. lbs.) torque.

• Fastener Numbers 6 and 7—Tighten to 14 N-m (126 in. lbs.) torque.

• Fastener Numbers 8 through 11—Tighten to 33 N-m (24 ft. lbs.) torque.



**Fig. 47 Intake and Exhaust Manifolds—4.0L**

(7) Install the power steering pump and bracket to the intake manifold. Tighten the belt to specification. (Refer to Group 7, Cooling System for the correct procedures)

(8) Install the fuel system supply line to the fuel rail assembly. **Before connecting the fuel supply**



## REMOVAL AND INSTALLATION (Continued)

**line to the fuel rail inspect the O-rings and replace if necessary. Refer to Group 14, Fuel System for the correct procedure.**

(9) Connect all electrical connections on the intake manifold.

(10) Connect the vacuum hoses previously removed.

(11) Install throttle cable, vehicle speed control cable (if equipped).

(12) Install the transmission line pressure cable (if equipped). Refer to Group 21, Transmission for the adjustment procedures.

(13) Install air cleaner assembly.

(14) Connect air inlet hose to the throttle body assembly.

(15) Raise the vehicle.

(16) Connect the exhaust pipes to the engine exhaust manifolds. Tighten the bolts to 31 N·m (23 ft. lbs.)

(17) Lower the vehicle.

(18) Connect the battery negative cable.

(19) Start the engine and check for leaks.

## CYLINDER HEAD COVER

The cylinder head cover is isolated from the cylinder head via grommets and a reusable molded rubber gasket. The grommet and limiter are retained in the cylinder head cover.

There are two cylinder head bolts that have a pin to locate the cylinder head cover gasket, they are located at position 8 and 9 (Fig. 49)

## REMOVAL

(1) Disconnect negative cable from battery.

(2) Disconnect the Crankcase Ventilation (CCV) vacuum hose from engine cylinder head cover.

(3) Disconnect the fresh air inlet hose from the engine cylinder head cover.

(4) Disconnect the accelerator, transmission, and speed (if equipped) control cables from the throttle body (Fig. 48).

(5) Remove the three bolts that fasten the control cable bracket to the intake manifold.

(6) Remove control cables from cylinder head cover clip.

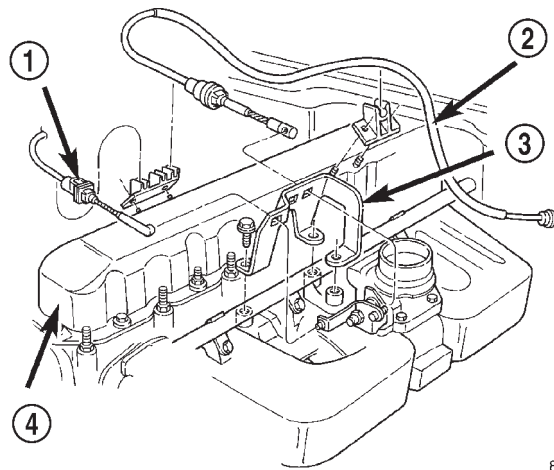
(7) Position control cables and bracket away from cylinder head cover secure with tie straps.

(8) Remove the engine cylinder head cover mounting bolts.

(9) Remove the engine cylinder head cover and gasket.

## INSTALLATION

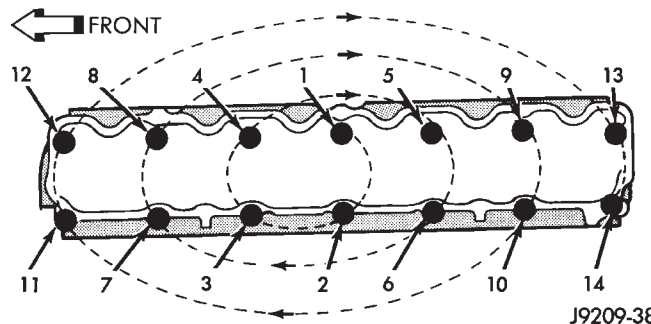
(1) If a replacement cover is installed, transfer the CCV valve grommet and oil filler cap from the original cover to the replacement cover.



80a7e396

**Fig. 48 Engine Cylinder Head Cover**

- 1 - TRANS CONTROL CABLE
- 2 - ACCELERATOR CABLE
- 3 - CONTROL CABLE BRACKET
- 4 - CYLINDER HEAD COVER



J9209-38

**Fig. 49 Cylinder Head Cover Gasket Locator Pins at #8 & #9**

(2) Install cylinder head cover and gasket. Tighten the mounting bolts to 10 N·m (85 in. lbs.) torque.

(3) Connect the CCV hoses.

(4) Install control cables and bracket on intake manifold and tighten bolts to 8.7 N·m (77 in. lbs.) torque.

(5) Connect control cables to throttle body linkage.

(6) Snap control cables into cylinder head cover clip.

(7) Connect negative cable to battery.

## ROCKER ARMS AND PUSH RODS

This procedure can be done with the engine in or out of the vehicle.

## REMOVAL

(1) Remove the engine cylinder head cover.

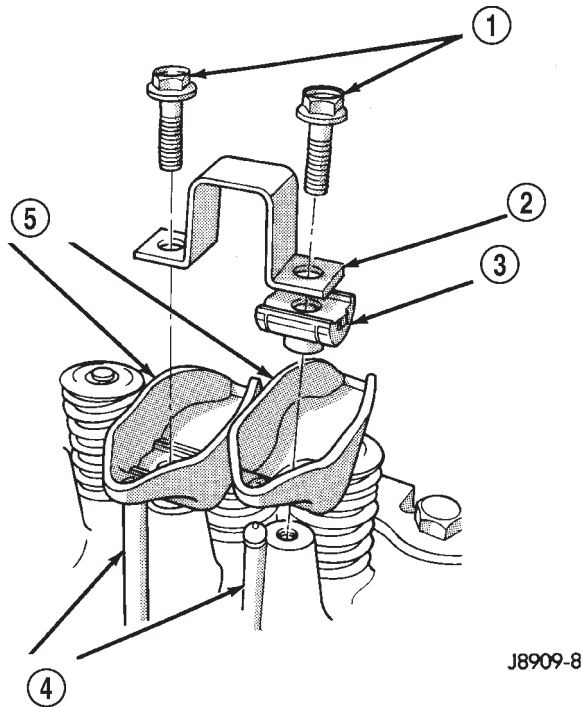
(2) Check for rocker arm bridges which are causing misalignment of the rocker arm to valve tip area.

## REMOVAL AND INSTALLATION (Continued)

(3) Remove the capscrews at each bridge and pivot assembly (Fig. 50). Alternately loosen the capscrews one turn at a time to avoid damaging the bridges.

(4) Remove the bridges, pivots and corresponding pairs of rocker arms (Fig. 50). Place them on a bench in the same order as removed.

(5) Remove the push rods and place them on a bench in the same order as removed.



J8909-8

**Fig. 50 Rocker Arm Assembly**

- 1 - CAPSCREWS
- 2 - BRIDGE
- 3 - PIVOT ASSEMBLY
- 4 - PUSH RODS
- 5 - ROCKER ARMS

## INSTALLATION

(1) Lubricate the ball ends of the push rods with Mopar Engine Oil Supplement, or equivalent and install push rods in their original locations. Ensure that the bottom end of each push rod is centered in the tappet plunger cap seat.

(2) Using Mopar Engine Oil Supplement, or equivalent, lubricate the area of the rocker arm that the pivot contacts. Install rocker arms, pivots and bridge above each cylinder in their originally position.

(3) Loosely install the capscrews through each bridge.

(4) At each bridge, tighten the capscrews alternately, one turn at a time, to avoid damaging the bridge. Tighten the capscrews to 28 N·m (21 ft. lbs.) torque.

(5) Install the engine cylinder head cover.

## VALVE STEM SEAL AND SPRING

This procedure can be done with the engine cylinder head installed on the block.

## REMOVAL

Inspect the valve stems, especially the grooves for nicks, and high spots. If excessive nicks or high spots are found the valve or valves should be replaced.

Each valve spring is held in place by a retainer and a set of conical valve locks. The locks can be removed only by compressing the valve spring.

(1) Remove the engine cylinder head cover.

(2) Remove capscrews, bridge and pivot assemblies and rocker arms for access to each valve spring to be removed.

(3) Remove push rods. **Retain the push rods, bridges, pivots and rocker arms in the same order and position as removed.**

(4) Inspect the springs and retainer for cracks and possible signs of weakening.

(5) Remove the spark plug(s) adjacent to the cylinder(s) below the valve springs to be removed.

(6) Connect an air hose to the adapter and apply air pressure slowly. Maintain at least 621 kPa (90 psi) of air pressure in the cylinder to hold the valves against their seats. For vehicles equipped with an air conditioner, use a flexible air adaptor when servicing the No.1 cylinder.

(7) Tap the retainer or tip with a rawhide hammer to loosen the lock from the retainer. Use Valve Spring Compressor Tool MD-998772A to compress the spring and remove the locks (Fig. 51).

(8) Remove valve spring and retainer (Fig. 51).

(9) Remove valve stem oil seals (Fig. 51). Note the valve seals are different for intake and exhaust valves. The top of each seal is marked either INT (Gray) or EXH (Brown). DO NOT mix the seals.

**NOTE:** If valves, valve springs or seals are to be inspected / replaced at this time, refer to Valves and Valve Springs in this section for proper inspection procedures.

## INSTALLATION

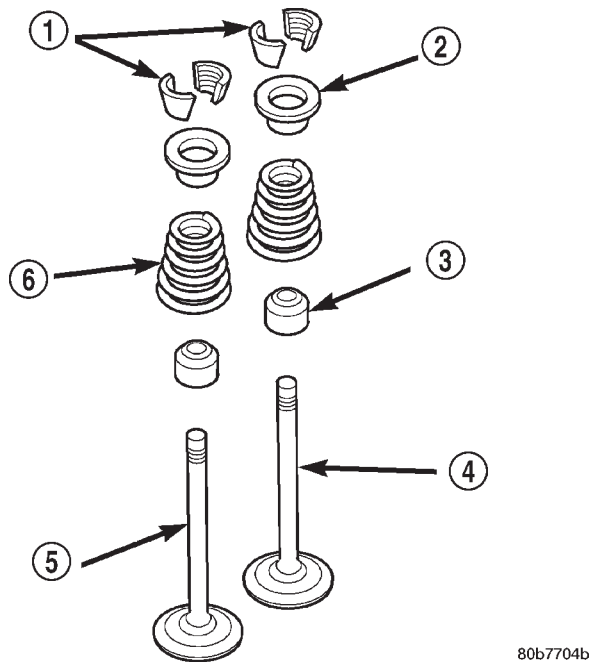
**CAUTION:** Install oil seals carefully to prevent damage from the sharp edges of the valve spring lock groove.

(1) Lightly push the valve seal over the valve stem and valve guide boss. Be sure the seal is completely seated on the valve guide boss.

(2) Install valve spring and retainer.

(3) Compress the valve spring with Valve Spring Compressor Tool MD-998772A and insert the valve locks. Release the spring tension and remove the

REMOVAL AND INSTALLATION (Continued)



80b7704b

**Fig. 51 Valve and Valve Components**

- 1 - VALVE LOCKS (3-BEAD)
- 2 - RETAINER
- 3 - VALVE STEM OIL SEAL
- 4 - INTAKE VALVE
- 5 - EXHAUST VALVE
- 6 - VALVE SPRING

tool. Tap the spring from side-to-side to ensure that the spring is seated properly on the engine cylinder head.

(4) Release air pressure and disconnect the air hose. Remove the adaptor from the spark plug hole and install the spark plug.

(5) Repeat the procedures for each remaining valve spring to be removed.

(6) Install the push rods. Ensure the bottom end of each rod is centered in the plunger cap seat of the hydraulic valve tappet.

(7) Install the rocker arms, pivots and bridge at their original location.

(8) Tighten the bridge capscrews alternately, one at a time, to avoid damaging the bridge. Tighten the capscrews to 28 N·m (21 ft. lbs.) torque.

(9) Install the engine cylinder head cover.

**CYLINDER HEAD**

This procedure can be done with the engine in or out of the vehicle.

**REMOVAL**

(1) Disconnect the battery negative cable.

**WARNING: DO NOT REMOVE THE CYLINDER BLOCK DRAIN PLUGS OR LOOSEN THE RADIATOR**

**DRAIN COCK WITH THE SYSTEM HOT AND PRESSURIZED BECAUSE SERIOUS BURNS FROM THE COOLANT CAN OCCUR.**

(2) Drain the coolant and disconnect the hoses at the engine thermostat housing and the water pump inlet. **DO NOT** waste reusable coolant. If the solution is clean and is being drained only to service the engine or cooling system, drain the coolant into a clean container for reuse.

(3) Remove the air cleaner assembly.

(4) Remove the engine cylinder head cover.

(5) Remove the capscrews, bridge and pivot assemblies and rocker arms.

(6) Remove the push rods. **Retain the push rods, bridges, pivots and rocker arms in the same order as removed.**

(7) Loosen the accessory drive belt at the power steering pump. (Refer to Group 7, Cooling System for the correct procedure). Slip the belt off of the power steering pulley.

(8) Remove the A/C compressor mounting bolts and secure the compressor to the side.

(9) Remove the power steering pump and bracket from the intake manifold and water pump. Set the pump and bracket aside. **DO NOT** disconnect the hoses.

(10) Perform the Fuel System Pressure Release procedure. (Refer to Group 14, Fuel System)

(11) Disconnect the fuel supply line at the fuel rail. (Refer to Group 14, Quick-Connect Fittings for the correct procedures)

(12) Remove the intake and engine exhaust manifolds from the engine cylinder head. (Refer to Group 11, Exhaust System and Intake Manifold for the proper procedures)

(13) Disconnect the coil rail electrical connectors and remove the coil rail.

(14) Remove spark plugs.

(15) Disconnect the temperature sending unit wire connector.

(16) Remove the engine cylinder head bolts. Bolt No.14 cannot be removed until the head is moved forward (Fig. 52). Pull bolt No.14 out as far as it will go and then suspend the bolt in this position (tape around the bolt).

(17) Remove the engine cylinder head and gasket (Fig. 52).

(18) If this was the first time the bolts were removed, put a paint dab on the top of the bolt. If the bolts have a paint dab on the top of the bolt or it isn't known if they were used before, discard the bolts.

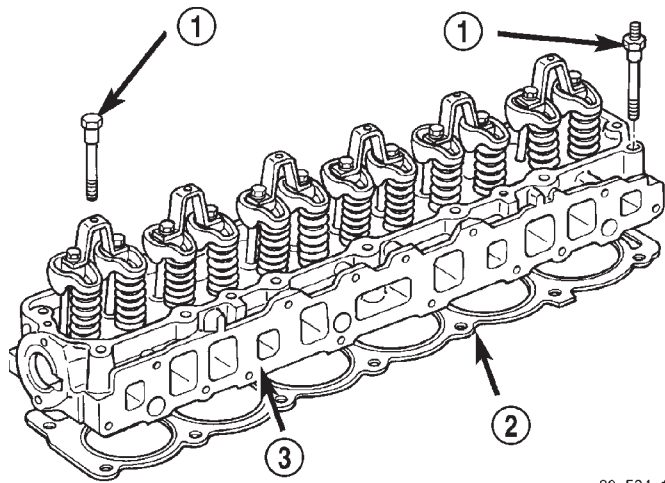
(19) Stuff clean lint free shop towels into the cylinder bores.



REMOVAL AND INSTALLATION (Continued)

**NOTE:** If the valves, springs, or seals are to be inspected/replaced at this time, refer to Valves and Valve Springs in this section for proper inspection procedures.

**CAUTION:** During the final tightening sequence, bolt No.11 will be tightened to a lower torque than the rest of the bolts. **DO NOT** overtighten bolt No.11.



80a534a1

**Fig. 52 Engine Cylinder Head Assembly**

- 1 - CYLINDER HEAD BOLTS
- 2 - CYLINDER HEAD GASKET
- 3 - CYLINDER HEAD

**INSTALLATION**

The engine cylinder head gasket is a composition gasket. The gasket is to be installed **DRY**. **DO NOT use a gasket sealing compound on the gasket.**

If the engine cylinder head is to be replaced and the original valves used, measure the valve stem diameter. Only standard size valves can be used with a service replacement engine cylinder head unless the replacement head valve stem guide bores are reamed to accommodate oversize valve stems. Remove all carbon buildup and reface the valves.

(1) Remove the shop towels from the cylinder bores. Coat the bores with clean engine oil.

(2) Position the engine cylinder head gasket (with the numbers facing up) using the alignment dowels in the cylinder block, to position the gasket.

**CAUTION:** Engine cylinder head bolts should be reused only once. Replace the head bolts if they were used before or if they have a paint dab on the top of the bolt.

(3) With bolt No.14 held in place (tape around bolt), install the engine cylinder head over the same dowels used to locate the gasket. Remove the tape from bolt No.14.

(4) Coat the threads of stud bolt No.11 with Loctite 592 sealant, or equivalent.

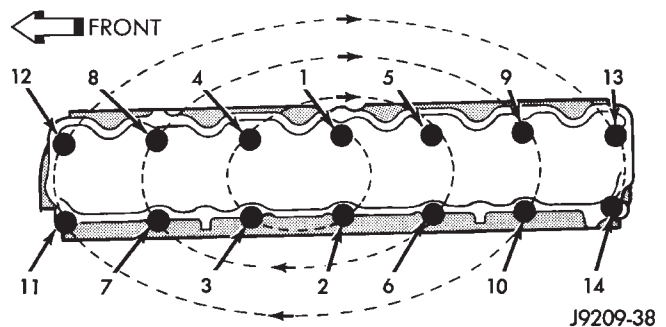
(5) Tighten the engine cylinder head bolts in sequence according to the following procedure (Fig. 53).

- (a) Tighten all bolts in sequence (1 through 14) to 30 N·m (22 ft. lbs.) torque.
- (b) Tighten all bolts in sequence (1 through 14) to 61 N·m (45 ft. lbs.) torque.
- (c) Check all bolts to verify they are set to 61 N·m (45 ft. lbs.) torque.
- (d) Tighten bolts in sequence:
  - Bolts 1 through 10 to 149 N·m (110 ft. lbs.) torque.
  - Bolt 11 to 135 N·m (100 ft. lbs.) torque.
  - Bolts 12 through 14 to 149 N·m (110 ft. lbs.) torque.

*CYLINDER HEAD BOLTS*

POSITION	DESCRIPTION
1,4,5,12,13	1/2 in.-13 BOLT
8,9	1/2 in.-13 BOLT WITH DOWEL POINT
2,3,6,7,10,11,14	1/2 in.-13 WITH 7/16 in.-14 STUD END
All bolts are 12 point drives for rocker cover clearance	

- (e) Check all bolts in sequence to verify the correct torque.
- (f) If not already done, clean and mark each bolt with a dab of paint after tightening. Should you encounter bolts which were painted in an earlier service operation, replace them.



**Fig. 53 Engine Cylinder Head Bolt Tightening Sequence**

(6) Install the spark plugs and tighten to 37 N·m (27 ft. lbs.) torque.

(7) Connect the temperature sending unit wire connector.

(8) Install the ignition coil rail and coil rail electrical connectors.

## REMOVAL AND INSTALLATION (Continued)

(9) Install the intake and engine exhaust manifolds (refer to procedures in this section).

(10) Install the fuel line and the vacuum advance hose.

(11) Attach the power steering pump and bracket.

(12) Install the push rods, rocker arms, pivots and bridges in the order they were removed (refer to Rocker Arms and Push Rods in this section).

(13) Install the engine cylinder head cover.

(14) Attach the air conditioner compressor mounting bracket to the engine cylinder head and block. Tighten the bolts to 40 N·m (30 ft. lbs.) torque.

(15) Attach the air conditioning compressor to the bracket. Tighten the bolts to 27 N·m (20 ft. lbs.) torque.

**CAUTION: The serpentine drive belt must be routed correctly. Incorrect routing can cause the water pump to turn in the opposite direction causing the engine to overheat.**

(16) Install the serpentine drive belt. (refer to Group 7, Cooling System for the proper procedure).

(17) Install the air cleaner and ducting.

(18) Connect the hoses to the engine thermostat housing and fill the cooling system to the specified level (refer to Group 7, Cooling Systems for the proper procedure).

(19) The automatic transmission throttle linkage and cable must be adjusted after completing the engine cylinder head installation (refer to Group 21, Transmissions for the proper procedures).

(20) Install the temperature sending unit and connect the wire connector.

(21) If equipped with air conditioning, install A/C compressor and charge A/C system (refer to Group 24 Heating and Air Conditioning).

(22) Connect negative cable to battery.

**WARNING: USE EXTREME CAUTION WHEN THE ENGINE IS OPERATING. DO NOT STAND IN DIRECT LINE WITH THE FAN. DO NOT PUT HANDS NEAR THE PULLEYS, BELTS OR FAN. DO NOT WEAR LOOSE CLOTHING.**

(23) Operate the engine with the radiator cap off. Inspect for leaks and continue operating the engine until the engine thermostat opens. Add coolant, if required.

## VALVES AND VALVE SPRINGS

This procedure is done with the engine cylinder head removed from the block.

### REMOVAL

(1) Remove the engine cylinder head from the cylinder block.

(2) Use Valve Spring Compressor Tool MD-998772A and compress each valve spring.

(3) Remove the valve locks, retainers, springs and valve stem oil seals. Discard the oil seals.

(4) Use a smooth stone or a jewelers file to remove any burrs on the top of the valve stem, especially around the groove for the locks.

(5) Remove the valves, and place them in a rack in the same order as removed.

### INSTALLATION

(1) Thoroughly clean the valve stems and the valve guide bores.

(2) Lightly lubricate the stem.

(3) Install the valve in the original valve guide bore.

(4) Install the replacement valve stem oil seals on the valve stems. If the 0.381 mm (0.015 inch) oversize valve stems are used, oversize oil seals are required.

(5) Position the valve spring and retainer on the engine cylinder head and compress the valve spring with Valve Spring Compressor Tool MD-998772A.

(6) Install the valve locks and release the tool.

(7) Tap the valve spring from side to side with a hammer to ensure that the spring is properly seated at the engine cylinder head. Also tap the top of the retainer to seat the valve locks.

(8) Install the engine cylinder head.

## HYDRAULIC TAPPETS

Retain all the components in the same order as removed.

### REMOVAL

(1) Remove the engine cylinder head (Refer to cylinder head r&i in this section).

(2) Remove the push rods.

(3) Remove the tappets through the push rod openings in the cylinder block with a Hydraulic Valve Tappet Removal/Installation Tool (Fig. 54).

### INSTALLATION

It is not necessary to charge the tappets with engine oil. They will charge themselves within a very short period of engine operation.

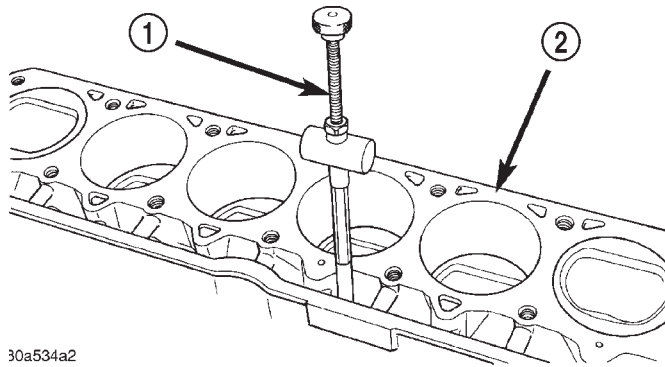
(1) Dip each tappet in Mopar Engine Oil Supplement, or equivalent.

(2) Use Hydraulic Valve Tappet Removal/Installation Tool to install each tappet in the same bore from where it was originally removed.

(3) Install the cylinder head assy (Refer to cylinder head r&i in this section).

(4) Install the push rods in their original locations.

## REMOVAL AND INSTALLATION (Continued)



30a534a2

**Fig. 54 Hydraulic Valve Tappet Removal—  
Installation Tool**

- 1 - HYDRAULIC TAPPET REMOVAL TOOL  
2 - CYLINDER BLOCK

(5) Install the rocker arms and bridge and pivot assemblies at their original locations. Loosely install the capscrews at each bridge.

(6) Tighten the capscrews alternately, one turn at a time, to avoid damaging the bridges. Tighten the capscrews to 28 N·m (21 ft. lbs.) torque.

(7) Pour the remaining Mopar Engine Oil Supplement, or equivalent over the entire valve actuating assembly. The Mopar Engine Oil Supplement, or equivalent must remain with the engine oil for at least 1 609 km (1,000 miles). The oil supplement need not be drained until the next scheduled oil change.

(8) Install the engine cylinder head cover.

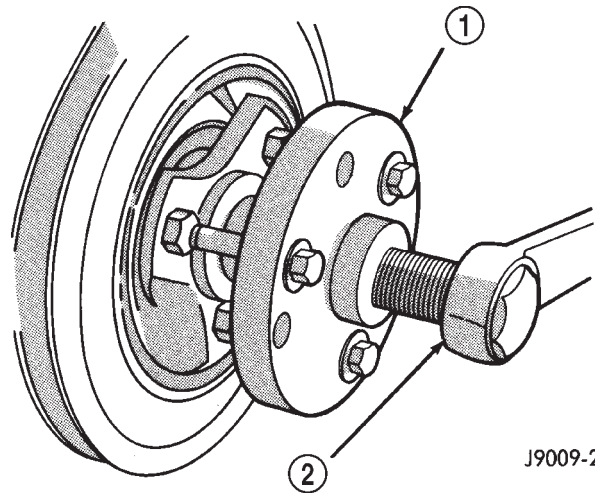
## VIBRATION DAMPER

### REMOVAL

- (1) Disconnect negative cable from battery.
- (2) Remove the serpentine drive belt and fan shroud. Refer to Group 7, Cooling Systems for the procedures.
- (3) Remove the vibration damper retaining bolt and washer.
- (4) Use Vibration Damper Removal Tool 7697 to remove the damper from the crankshaft (Fig. 55).

### INSTALLATION

- (1) Apply Mopar Silicone Rubber Adhesive Sealant to the keyway in the crankshaft and insert the key. With the key in position, align the keyway on the vibration damper hub with the crankshaft key and tap the damper onto the crankshaft.
- (2) Install the vibration damper retaining bolt and washer.
- (3) Tighten the damper retaining bolt to 108 N·m (80 ft. lbs.) torque.



J9009-20

**Fig. 55 Vibration Damper Removal Tool 7697**

- 1 - VIBRATION DAMPER REMOVAL TOOL  
2 - WRENCH

(4) Install the serpentine drive belt. (Refer to Group 7, Cooling Systems for the proper specifications and procedures).

(5) Connect negative cable to battery.

## TIMING CASE COVER

### REMOVAL

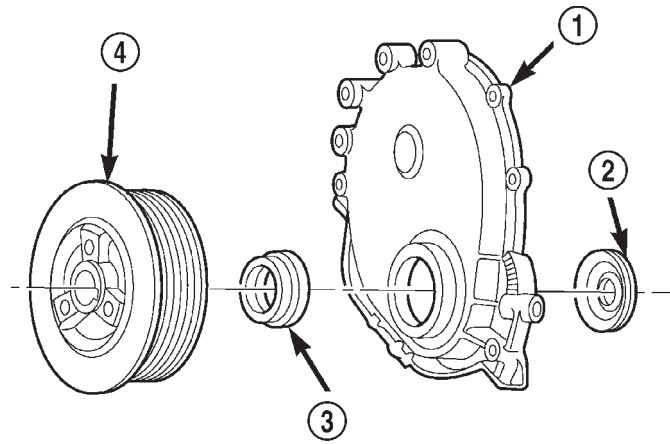
- (1) Disconnect negative cable from battery.
- (2) Remove the vibration damper.
- (3) Remove the fan and hub assembly and remove the fan shroud.
- (4) Remove the accessory drive brackets that are attached to the timing case cover.
- (5) Remove the A/C compressor (if equipped) and generator bracket assembly from the engine cylinder head and move to one side.
- (6) Remove the oil pan-to-timing case cover bolts and timing case cover-to-cylinder block bolts.
- (7) Remove the timing case cover and gasket from the engine.
- (8) Pry the crankshaft oil seal from the front of the timing case cover (Fig. 56).

### INSTALLATION

Clean the timing case cover, oil pan and cylinder block gasket surfaces.

- (1) Install a new crankshaft oil seal in the timing case cover. The open end of the seal should be toward the inside of the cover. Support the cover at the seal area while installing the seal. Force it into position with Seal Installation Tool 6139.
- (2) Position the gasket on the cylinder block.
- (3) Position the timing case cover on the oil pan gasket and the cylinder block.

REMOVAL AND INSTALLATION (Continued)

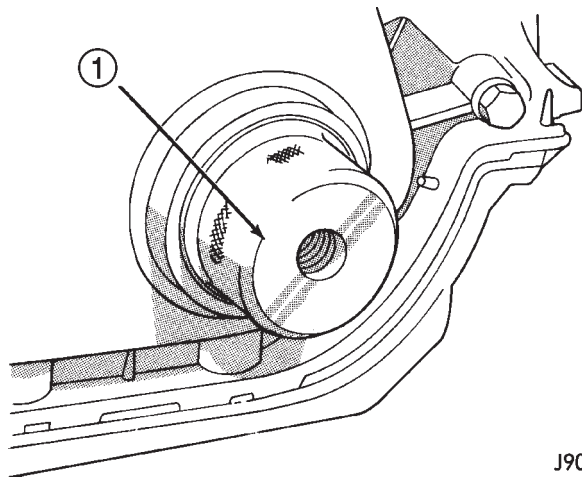


80abd2b1

**Fig. 56 Timing Case Cover Components**

- 1 - TIMING CASE COVER
- 2 - OIL SLINGER
- 3 - CRANKSHAFT OIL SEAL
- 4 - VIBRATION DAMPER PULLEY

(4) Insert Timing Case Cover Alignment and Seal Installation Tool 6139 in the crankshaft opening in the cover (Fig. 57).



J9009-23

**Fig. 57 Timing Case Cover Alignment and Seal Installation Tool 6139**

- 1 - TIMING CASE COVER ALIGNMENT AND SEAL INSTALLATION TOOL

(5) Install the timing case cover-to-cylinder block and the oil pan-to-timing case cover bolts.

(6) Tighten the 1/4 inch cover-to-block bolts to 7 N·m (60 in. lbs.) torque. Tighten the 5/16 inch front cover-to-block bolts to 22 N·m (192 in. lbs.) torque. Tighten the oil pan-to-cover 1/4 inch bolts to 9.5 N·m (84 in. lbs.) torque.

(7) Remove the cover alignment tool.

(8) Apply a light film of engine oil on the vibration damper hub contact surface of the seal.

(9) Apply Mopar Silicone Rubber Adhesive Sealant to the keyway in the crankshaft and insert the key. With the key inserted in the keyway in the crankshaft, install the vibration damper, washer and bolt. Lubricate and tighten the bolt to 108 N·m (80 ft. lbs.) torque.

(10) Install the A/C compressor (if equipped) and generator bracket assembly.

(11) Install the engine fan and hub assembly and shroud.

(12) Install the serpentine drive belt.

(13) Connect negative cable to battery.

**TIMING CHAIN AND SPROCKETS**

**REMOVAL**

(1) Disconnect negative cable from battery.

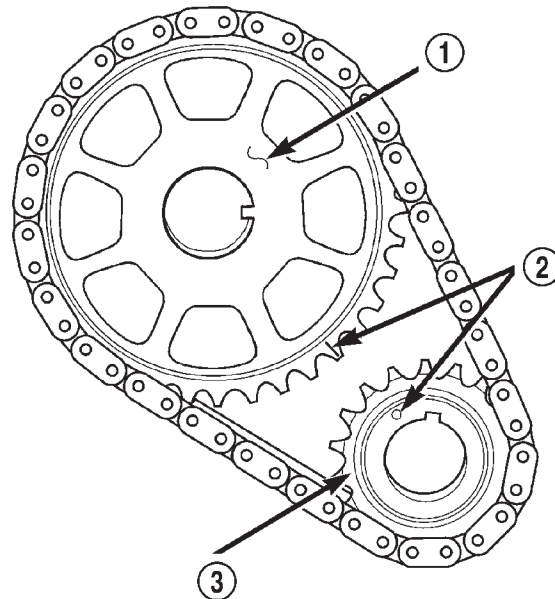
(2) Remove the fan and shroud.

(3) Remove the serpentine drive belt.

(4) Remove the crankshaft vibration damper.

(5) Remove the timing case cover.

(6) Rotate crankshaft until the "0" timing mark is closest to and on the center line with camshaft sprocket timing mark (Fig. 58).



80bfe0fa

**Fig. 58 Crankshaft—Camshaft Alignment**

- 1 - CAMSHAFT SPROCKET
- 2 - TIMING MARKS
- 3 - CRANKSHAFT SPROCKET

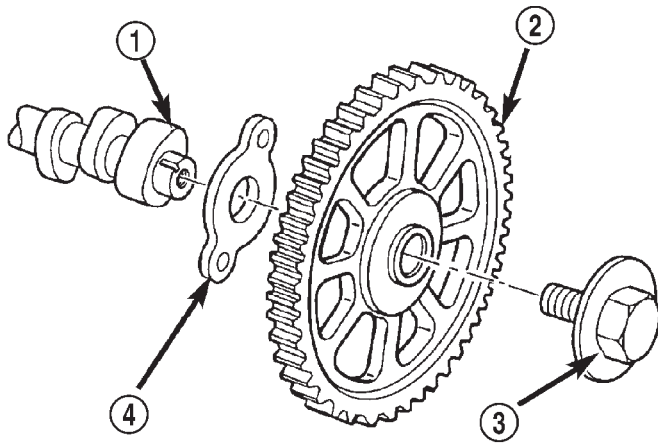
(7) Remove the oil slinger from the crankshaft.

(8) Remove the camshaft sprocket bolt and washer (Fig. 59).

(9) Remove the crankshaft sprocket, camshaft sprocket and timing chain as an assembly.



## REMOVAL AND INSTALLATION (Continued)



80ble167

**Fig. 59 Camshaft Sprocket and Thrust Plate**

- 1 - CAMSHAFT
- 2 - CAMSHAFT SPROCKET W/INTEGRAL KEY
- 3 - BOLT & CUP WASHER
- 4 - THRUST PLATE

(10) Installation of the timing chain with the timing marks on the crankshaft and camshaft sprockets properly aligned ensures correct valve timing. A worn or stretched timing chain will adversely affect valve timing. If the timing chain deflects more than 12.7 mm (1/2 inch) replace it.

### INSTALLATION

Assemble the timing chain, crankshaft sprocket and camshaft sprocket with the timing marks aligned (Fig. 58).

(1) Apply Mopar Silicone Rubber Adhesive Sealant to the keyway in the crankshaft and insert the key. With the key in the keyway on the crankshaft, install the assembly on the crankshaft and camshaft.

(2) Install the camshaft sprocket bolt and washer (Fig. 59). Tighten the bolt to 68 N·m (50 ft. lbs.) torque.

(3) To verify correct installation of the timing chain, rotate the crankshaft 2 revolutions. The camshaft and crankshaft sprocket timing mark should align (Fig. 58).

(4) Install the crankshaft oil slinger.

(5) Replace the oil seal in the timing case cover.

(6) Install the timing case cover and gasket.

(7) With the key installed in the crankshaft keyway, install the vibration damper, washer and bolt. Lubricate and tighten the bolt to 108 N·m (80 ft. lbs.) torque.

(8) Install the serpentine drive belt. (refer to Group 7, Cooling System for the proper procedure).

(9) Install the fan and hub assembly. Install the shroud.

(10) Connect negative cable to battery.

## CAMSHAFT

### REMOVAL

**WARNING: THE COOLANT IN A RECENTLY OPERATED ENGINE IS HOT AND PRESSURIZED. RELEASE THE PRESSURE BEFORE REMOVING THE DRAIN COCK, CAP AND DRAIN PLUGS.**

(1) Disconnect negative cable from battery.

(2) Drain the cooling system. DO NOT waste reusable coolant. If the solution is clean, drain it into a clean container for reuse.

(3) Remove the radiator or radiator and condenser, if equipped with A/C (refer to Group 7, Cooling System for the proper procedure).

(4) Remove the distributor cap and mark the position of the rotor.

(5) Remove the front fascia and/or grille, as required.

(6) Disconnect camshaft position sensor electrical connector and remove camshaft position sensor.

(7) Remove the engine cylinder head cover.

(8) Remove the rocker arms, bridges and pivots.

(9) Remove the push rods.

(10) Remove the engine cylinder head and gasket.

(11) Remove the hydraulic valve tappets from the engine cylinder block.

(12) Remove the vibration damper.

(13) Remove the timing case cover.

(14) Remove the timing chain and sprockets.

(15) Remove the two thrust plate retaining screws and thrust plate.

(16) Remove the camshaft (Fig. 60).

### INSTALLATION

(1) Inspect the cam lobes for wear.

(2) Inspect the bearing journals for uneven wear pattern or finish.

(3) Inspect the bearings for wear.

(4) Inspect the distributor drive gear for wear.

(5) If the camshaft thrust surface appears to have excessive wear, examine the oil pressure relief holes in the rear cam journal. The oil pressure relief holes must be free of debris.

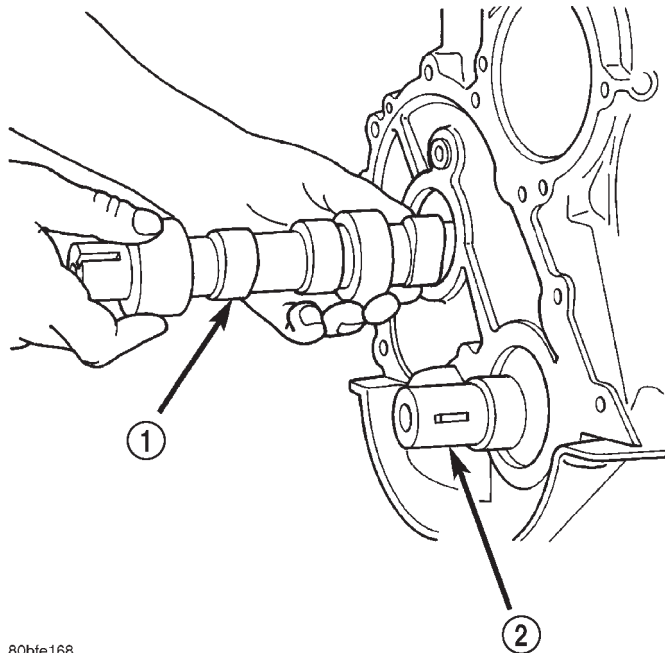
(6) Lubricate the camshaft with Mopar Engine Oil Supplement, or equivalent.

(7) Carefully install the camshaft to prevent damage to the camshaft bearings (Fig. 60).

(8) Inspect thrust plate surfaces for excessive wear, position thrust plate and install retaining screws. Tighten screws to 24 N·m (18 ft. lbs.).

(9) Install the timing chain, crankshaft sprocket and camshaft sprocket with the timing marks aligned.

REMOVAL AND INSTALLATION (Continued)



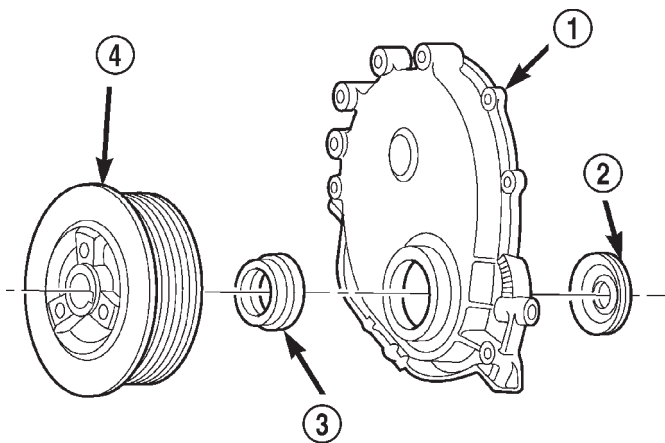
**Fig. 60 Camshaft**

- 1 - CAMSHAFT
- 2 - CRANKSHAFT

(10) Install the camshaft sprocket bolt / cup washer. Tighten the bolt to 68 N·m (50 ft. lbs.).

(11) Install the timing case cover with a replacement oil seal (Fig. 61). Refer to Timing Case Cover Installation.

(12) Install the vibration damper (Fig. 61).



**Fig. 61 Timing Case Cover Components**

- 1 - TIMING CASE COVER
- 2 - OIL SLINGER
- 3 - CRANKSHAFT OIL SEAL
- 4 - VIBRATION DAMPER PULLEY

(13) Install the hydraulic valve tappets.  
 (14) Install the cylinder head gasket with the numbers facing up.

(15) Install the cylinder head and head bolts (Refer to cylinder head R&I in this section for torque values and tightening sequence).

(16) Install the push rods.

(17) Install the rocker arms and pivot and bridge assemblies. Tighten each of the capscrews for each bridge alternately, one turn at a time, to avoid damaging the bridge (Refer to Rocker Arms and Push Rods in this section).

(18) Install the engine cylinder head cover.

(19) Position the oil pump gear. Refer to Camshaft position sensor in the Component Removal/Installation section of Group 14, Fuel Systems.

(20) Install the Camshaft position sensor and ignition coil rail. Refer to Camshaft position sensor in the Component Removal/Installation section of Group 14, Fuel Systems.

(21) Install the serpentine drive belt and tighten to the specified tension (refer to Group 7, Cooling System for the proper procedure).

**NOTE:** During installation, lubricate the hydraulic valve tappets and all valve components with Mopar Engine Oil Supplement, or equivalent. The Mopar Engine Oil Supplement, or equivalent must remain with the engine oil for at least 1609 km (1,000 miles). The oil supplement need not be drained until the next scheduled oil change.

(22) Install the A/C condenser and receiver/drier assembly, if equipped (refer to Group 24, Heating and Air Conditioning).

**CAUTION:** Both service valves must be opened before the air conditioning system is operated.

(23) Install the radiator, connect the hoses and fill the cooling system to the specified level (refer to Group 7, Cooling System for the proper procedure).

(24) Install the grille and fascia, if removed.

(25) Connect negative cable to battery.

**CAMSHAFT BEARINGS**

**REMOVAL**

The camshaft rotates within four steel-shelled, babbitt-lined bearings that are pressed into the cylinder block and then line reamed. The camshaft bearing bores and bearing diameters are not the same size. They are stepped down in 0.254 mm (0.010 inch) increments from the front bearing (largest) to the rear bearing (smallest). This permits easier removal and installation of the camshaft. The camshaft bearings are pressure lubricated. Camshaft end play is maintained by the thrust plate.

(1) Remove the camshaft. Refer to Camshaft in this section for procedure.

## REMOVAL AND INSTALLATION (Continued)

**NOTE:** It is not advisable to attempt to replace camshaft bearings unless special removal and installation tools are available, such as recommended tool 8544 Camshaft Bushing Remover Installer.

(2) Using Special tool, remove the camshaft bearings.

**INSTALLATION**

(1) Inspect the camshaft bearing journals for uneven wear pattern or finish.

(2) Inspect the camshaft lobes and distributor gear for wear.

(3) Inspect the camshaft thrust plate for wear. If the plate shows excessive wear inspect the camshaft oil pressure relief holes in the rear cam journal. The relief holes must be clean and free of debris.

**CAUTION:** Make sure outside diameter of number 1 bearing is clean. Make sure that the bearing is properly installed in the engine block, align the oil hole in the bearing with the oil gallery in the bearing bore. Failure to do so will cause inadequate oil supply for the sprockets and timing chain.

(4) Using special tool, install new camshaft bearings.

(5) Lubricate the camshaft with Mopar® engine oil supplement, or equivalent.

(6) Carefully install the camshaft to prevent damage to the camshaft bearings

(7) Position the thrust plate and install the two retaining screws. Tighten screws to 24 N-m (18 ft. lbs.).

(8) Install the camshaft sprocket, crankshaft sprocket and timing chain with the timing marks aligned. Install the sprocket bolt.

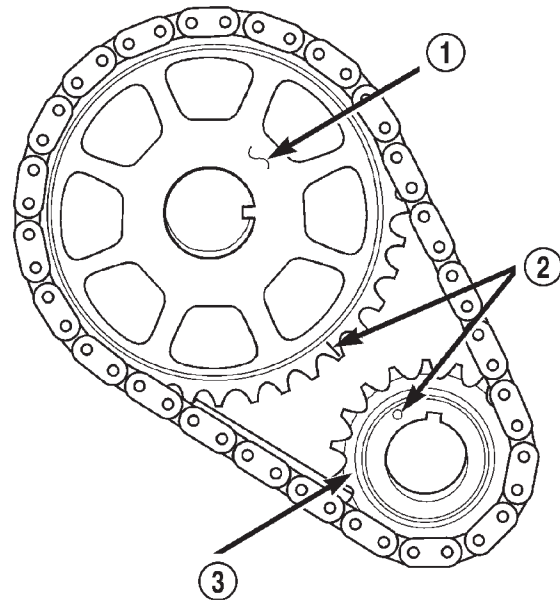
(9) Tighten the camshaft sprocket bolt and washer to 68 N-m (50 ft. lbs.).

(10) To verify correct installation of the timing chain, turn the crankshaft two full revolutions then position the camshaft sprocket timing mark as shown in (Fig. 62).

(11) Install the timing chain cover refer to the procedure in this section.

**CRANKSHAFT MAIN BEARINGS****REMOVAL**

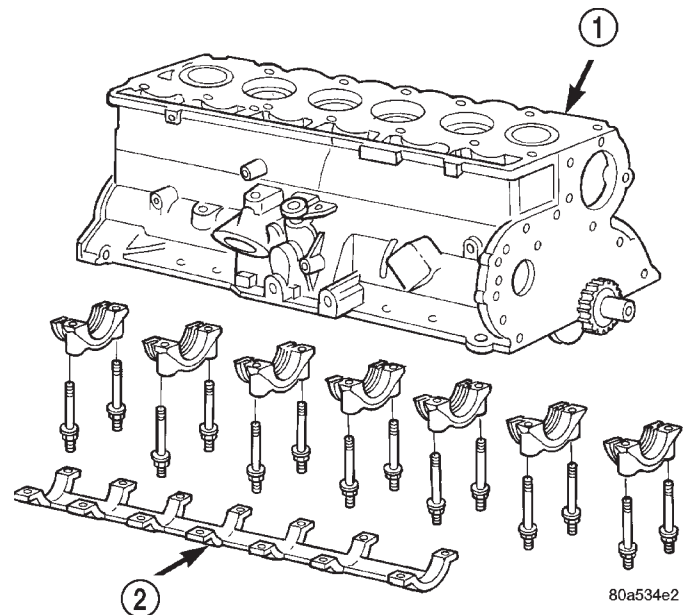
- (1) Disconnect negative cable from battery.
- (2) Remove the spark plugs.
- (3) Raise the vehicle.
- (4) Remove the oil pan and oil pump.
- (5) Remove main bearing cap brace (Fig. 63).
- (6) Remove only one main bearing cap and lower insert at a time (Fig. 64).



80bfe0fa

**Fig. 62 Crankshaft / Camshaft Chain Drive Installation—Typical**

- 1 - CAMSHAFT SPROCKET
- 2 - TIMING MARKS
- 3 - CRANKSHAFT SPROCKET



80a534e2

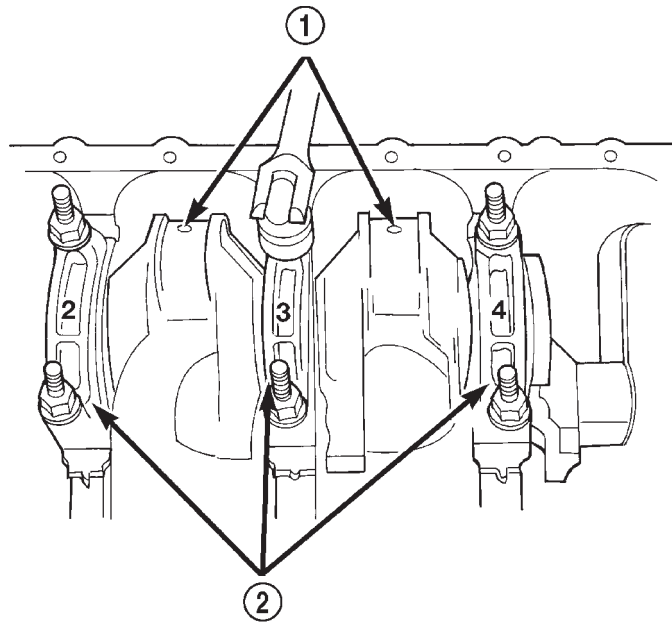
**Fig. 63 Main Bearing Caps and Brace.**

- 1 - BLOCK
- 2 - MAIN BEARING CAP BRACE

- (7) Remove the lower insert from the bearing cap.
- (8) Remove the upper insert by LOOSENING (DO NOT REMOVE) all of the other bearing caps. Now insert a small cotter pin tool in the crankshaft jour-



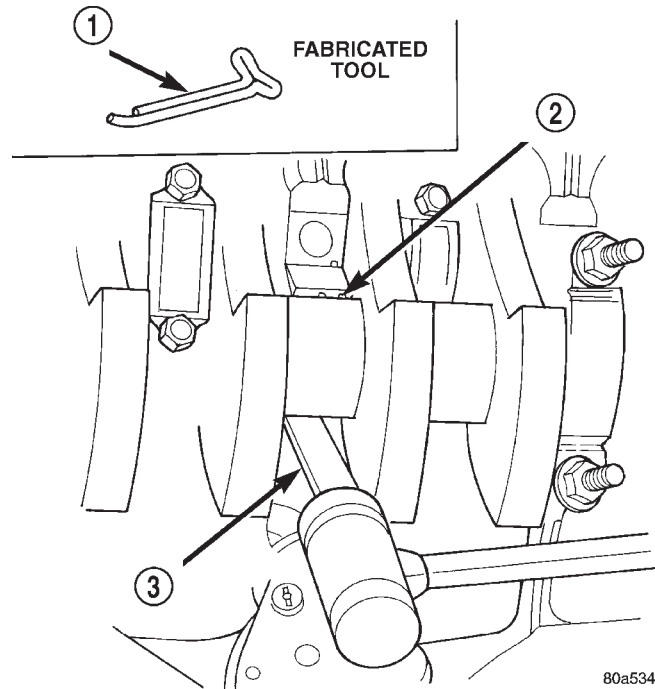
REMOVAL AND INSTALLATION (Continued)



80a534e3

**Fig. 64 Removing Main Bearing Caps and Lower Inserts**

- 1 - CONNECTING ROD JOURNAL
- 2 - MAIN BEARING CAPS



80a534e4

**Fig. 65 Removing Upper Inserts**

- 1 - COTTER PIN
- 2 - BEARING INSERT
- 3 - TONGUE DEPRESSOR

nal oil hole. Bend the cotter pin as illustrated to fabricate the tool (Fig. 65). With the cotter pin tool in place, rotate the crankshaft so that the upper bearing insert will rotate in the direction of its locking tab. Because there is no hole in the No.3 main journal, use a tongue depressor or similar soft-faced tool to remove the bearing insert (Fig. 65). After moving the insert approximately 25 mm (1 inch), it can be removed by applying pressure under the tab.

(9) Using the same procedure described above, remove the remaining bearing inserts one at a time for inspection.

**INSTALLATION**

(1) Lubricate the bearing surface of each insert with engine oil.

(2) Loosen all the main bearing caps. Install the main bearing upper inserts.

(3) Install the lower bearing inserts into the main bearing caps.

(4) On the rear main cap, apply Mopar® Gasket Maker sealer on both sides of cylinder block as shown in (Fig. 66). The dab of sealer should be 3 mm (0.125 in.) in diameter.

(5) Apply Mopar® Gasket Maker on the rear bearing cap. The bead should be 2.3 mm (0.09 in.) in diameter. DO NOT apply sealer to the lip of the seal.

(6) Install the main bearing cap(s) and lower insert(s).

(7) Tighten the bolts of caps 1, 2, 4, 5, 6, and 7 to 54 N·m (40 ft. lbs.) torque. Now tighten these bolts to 95 N·m (70 ft. lbs.) torque. Finally, tighten these bolts to 108 N·m (80 ft. lbs.) torque.

(8) Push the crankshaft forward and backward. Load the crankshaft front or rear and tighten cap bolt No.3 to 54 N·m (40 ft. lbs.) torque. Then tighten to 95 N·m (70 ft. lbs.) torque and finally tighten to 108 N·m (80 ft. lbs.) torque.

(9) Rotate the crankshaft after tightening each main bearing cap to ensure the crankshaft rotates freely.

(10) Check crankshaft end play. Crankshaft end play is controlled by the thrust bearing which is flange and installed at the No.2 main bearing position.

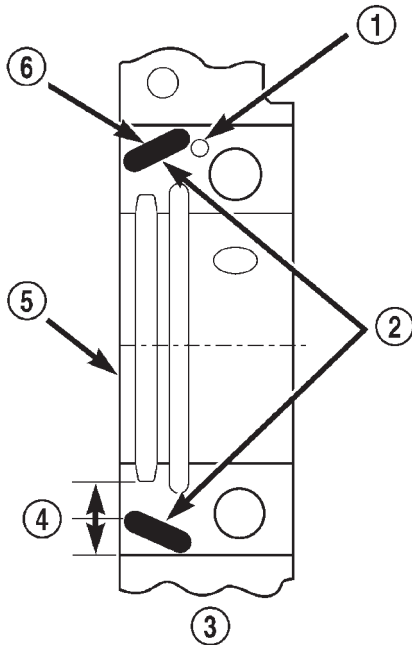
(a) Attach a magnetic base dial indicator to the cylinder block at either the front or rear of the engine.

(b) Position the dial indicator rod so that it is parallel to the center line of the crankshaft.

(c) Pry the crankshaft forward, position the dial indicator to zero.

(d) Pry the crankshaft forward and backward. Note the dial indicator readings. End play is the difference between the high and low measurements (Fig. 67). Correct end play is 0.038-0.165 mm (0.0015-0.0065 inch). The desired specifications are 0.051-0.064 mm (0.002-0.0025 inch).

## REMOVAL AND INSTALLATION (Continued)

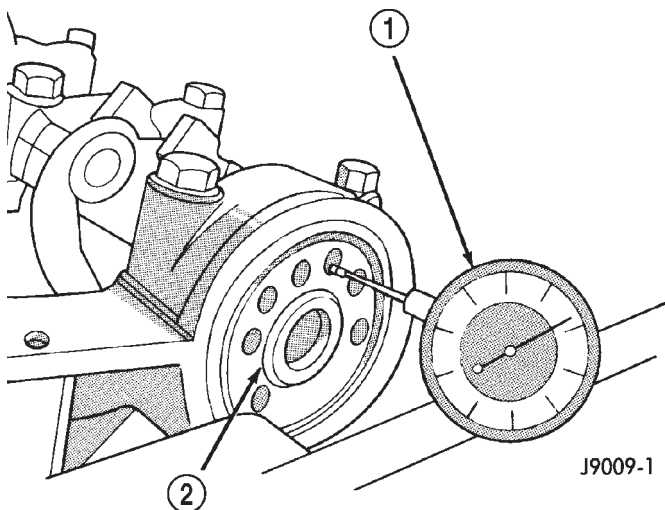


80bfe13c

Fig. 66 Location of Sealer

- 1 - DOWEL
- 2 - SEALER LOCATIONS
- 3 - CYLINDER BLOCK
- 4 - HALFWAY BETWEEN
- 5 - REAR FACE OF CYLINDER BLOCK
- 6 - 3mm (0.125 in.)

(e) If end play is not within specification, inspect crankshaft thrust faces for wear. If no wear is apparent, replace the thrust bearing and measure end play. If end play is still not within specification, replace the crankshaft.



J9009-1

Fig. 67 Crankshaft End Play Measurement

- 1 - DIAL INDICATOR
- 2 - CRANKSHAFT

(11) If the crankshaft was removed, install the crankshaft into the cylinder block (refer to Cylinder Block - Assemble).

(12) Install main bearing cap brace tighten nuts to 47 N·m (35 ft. lbs.) torque.

(13) Install oil pump assy. and tighten attaching bolts to 23 N·m (17 ft. lbs.)

(14) Install the oil pan.

(15) Install the drain plug. Tighten the plug to 34 N·m (25 ft. lbs.) torque.

(16) Lower the vehicle.

(17) Install the spark plugs. Tighten the plugs to 37 N·m (27 ft. lbs.) torque.

(18) Fill the oil pan with engine oil to the full mark on the dipstick level.

(19) Connect negative cable to battery.

## OIL PAN

## REMOVAL

(1) Disconnect negative cable from battery.

(2) Raise the vehicle.

(3) Remove the oil pan drain plug and drain the engine oil.

(4) Disconnect the exhaust pipe at the exhaust manifold.

(5) Disconnect the exhaust hanger at the catalytic converter and lower the pipe.

(6) Remove the starter motor.

(7) Remove the engine flywheel and transmission torque converter housing access cover.

(8) If equipped with an oil level sensor, disconnect the sensor.

(9) Position a jack stand directly under the engine vibration damper.

(10) Place a piece of wood (2 x 2) between the jack stand and the engine vibration damper.

(11) Remove the engine mount through bolts.

(12) Using the jack stand, raise the engine until adequate clearance is obtained to remove the oil pan.

(13) Remove transmission oil cooling lines (if equipped) and oxygen sensor wiring supports that are attached to the oil pan studs.

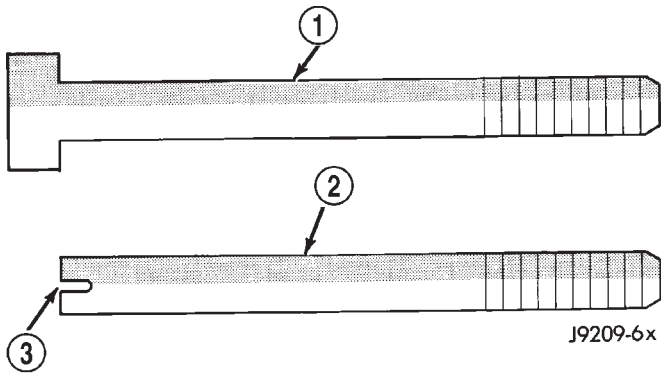
(14) Remove the oil pan bolts and studs. Carefully slide the oil pan and gasket to the rear. If equipped with an oil level sensor, take care not to damage the sensor.

## INSTALLATION

(1) Clean the block and pan gasket surfaces.

(2) Fabricate 4 alignment dowels from 1 1/2 x 1/4 inch bolts. Cut the head off the bolts and cut a slot into the top of the dowel. This will allow easier installation and removal with a screwdriver (Fig. 68).

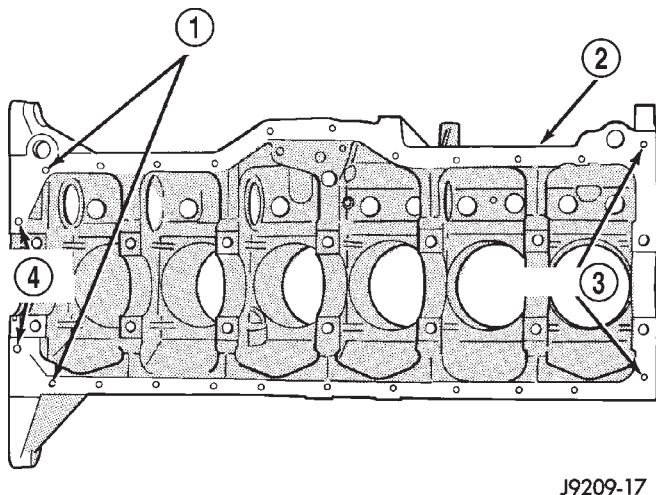
REMOVAL AND INSTALLATION (Continued)



**Fig. 68 Fabrication of Alignment Dowels**

- 1 - 1/4" x 1 1/2" BOLT
- 2 - DOWEL
- 3 - SLOT

(3) Install two dowels in the timing case cover. Install the other two dowels in the cylinder block (Fig. 69).



**Fig. 69 Position of Dowels in Cylinder Block**

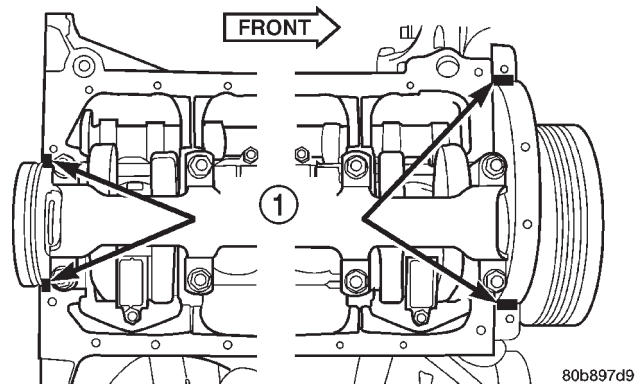
- 1 - DOWEL HOLES
- 2 - CYLINDER BLOCK
- 3 - 5/16" HOLES
- 4 - 5/16" HOLES

(4) Apply Mopar® Silicone Rubber Adhesive Sealant on cylinder block to rear main bearing cap corners and cylinder block to front cover joints (four places) (Fig. 70).

(5) Slide the one-piece gasket over the dowels and onto the block and timing case cover.

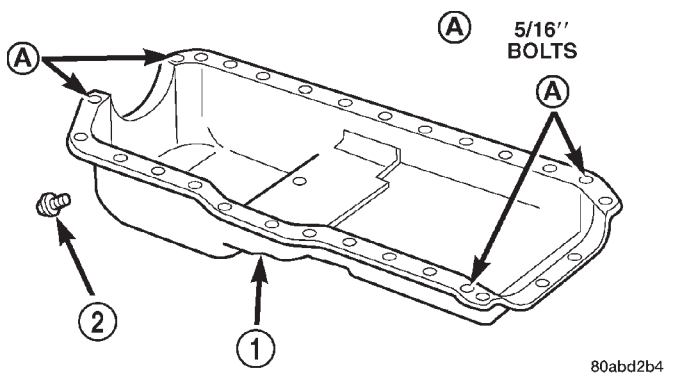
(6) Position the oil pan over the dowels and onto the gasket. If equipped with an oil level sensor, take care not to damage the sensor.

(7) Install the 1/4 inch oil pan bolts. Tighten these bolts to 9.5 N·m (84 in. lbs.) torque. Install the 5/16 inch oil pan bolts (Fig. 71). Tighten these bolts to 15 N·m (132 in. lbs.) torque.



**Fig. 70 Oil Pan Sealer Location**

- 1 - SEALER LOCATIONS



**Fig. 71 Position of 5/16 inch Oil Pan Bolts**

- 1 - OIL PAN
- 2 - OIL PAN DRAIN PLUG

(8) Remove the dowels. Install the remaining 1/4 inch oil pan bolts. Tighten these bolts to 9.5 N·m (84 in. lbs.) torque.

(9) Lower the engine until it is properly located on the engine mounts.

(10) Install the through bolts and tighten the nuts.

(11) Lower the jack stand and remove the piece of wood.

(12) Install the engine flywheel and transmission torque converter housing access cover.

(13) Install the engine starter motor.

(14) Connect the exhaust pipe to the hanger and to the engine exhaust manifold.

(15) Install transmission oil cooling lines (if equipped) and oxygen sensor wiring supports that attach to the oil pan studs.

(16) Install the oil pan drain plug (Fig. 71). Tighten the plug to 34 N·m (25 ft. lbs.) torque.

(17) Lower the vehicle.

(18) Connect negative cable to battery.

(19) Fill the oil pan with engine oil to the specified level.

## REMOVAL AND INSTALLATION (Continued)

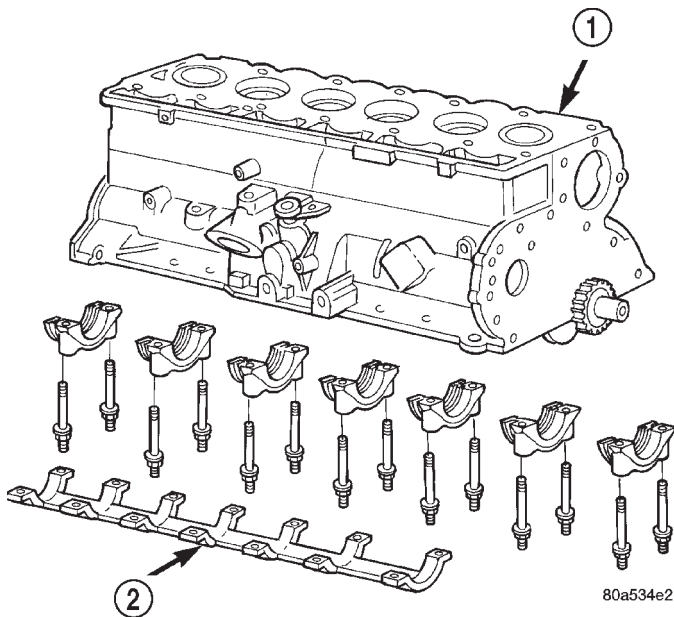
**WARNING: USE EXTREME CAUTION WHEN THE ENGINE IS OPERATING. DO NOT STAND IN A DIRECT LINE WITH THE FAN. DO NOT PUT YOUR HANDS NEAR THE PULLEYS, BELTS OR FAN. DO NOT WEAR LOOSE CLOTHING.**

(20) Start the engine and inspect for leaks.

## PISTONS AND CONNECTING RODS

## REMOVAL

- (1) Remove the engine cylinder head cover.
- (2) Remove the rocker arms, bridges and pivots.
- (3) Remove the push rods.
- (4) Remove the engine cylinder head.
- (5) Position the pistons one at a time near the bottom of the stroke. Use a ridge reamer to remove the ridge from the top end of the cylinder walls. Use a protective cloth to collect the cuttings.
- (6) Raise the vehicle.
- (7) Drain the engine oil.
- (8) Remove the oil pan and gasket.
- (9) Remove main bearing cap brace (Fig. 72).



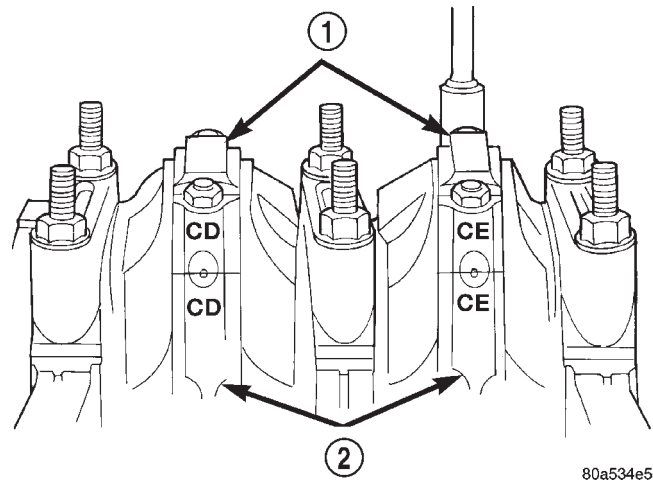
**Fig. 72 Main Bearings Caps and Brace**

- 1 - BLOCK  
2 - MAIN BEARING CAP BRACE

(10) Remove the connecting rod bearing caps and inserts. Mark the caps and rods with the cylinder bore location. The connecting rods and caps are stamped with a two letter combination (Fig. 73).

(11) Lower the vehicle until it is about 2 feet from the floor.

**CAUTION: Ensure that the connecting rod bolts DO NOT scratch the crankshaft journals or cylinder**

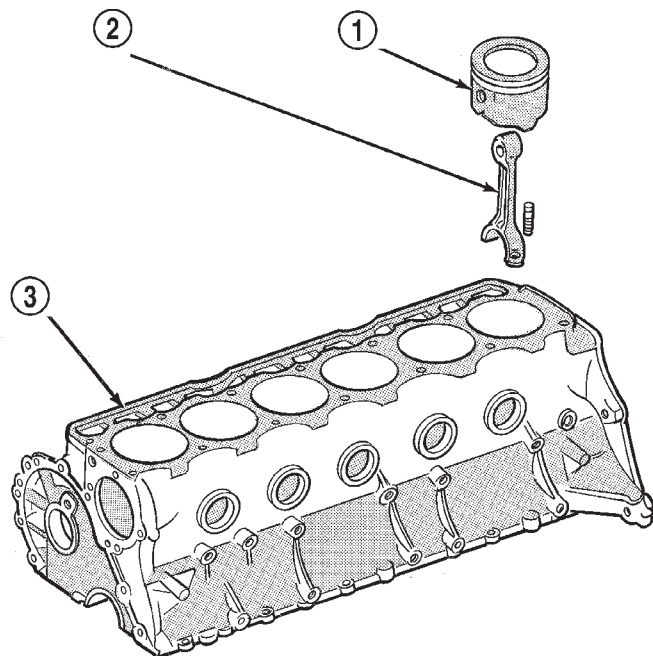


**Fig. 73 Stamped Connecting Rods and Caps**

- 1 - CONNECTING ROD CAP  
2 - CONNECTING ROD

walls. Short pieces of rubber hose, slipped over the rod bolts will provide protection during removal.

(12) Have an assistant push the piston and connecting rod assemblies up and through the top of the cylinder bores (Fig. 74).



**Fig. 74 Removal of Connecting Rod and Piston Assembly**

- 1 - PISTON  
2 - CONNECTING ROD  
3 - BLOCK

J9509-84



## REMOVAL AND INSTALLATION (Continued)

## INSTALLATION

(1) Clean the cylinder bores thoroughly. Apply a light film of clean engine oil to the bores with a clean lint-free cloth.

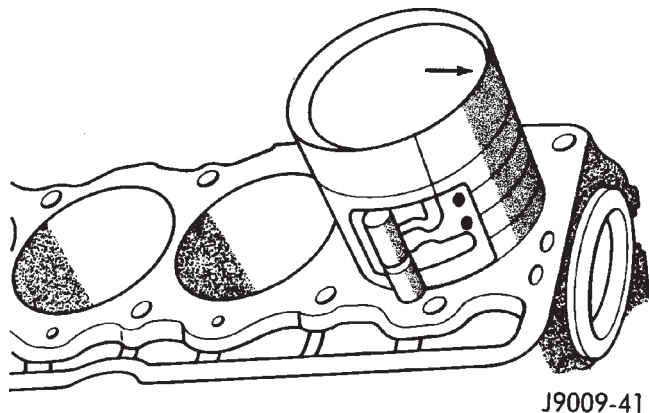
(2) Install the piston rings on the pistons if removed.

(3) Lubricate the piston and rings with clean engine oil.

**CAUTION:** Ensure that connecting rod bolts DO NOT scratch the crankshaft journals or cylinder walls. Short pieces of rubber hose slipped over the connecting rod bolts will provide protection during installation.

(4) Use a piston ring compressor to install the connecting rod and piston assemblies through the top of the cylinder bores (Fig. 75).

(5) Ensure the arrow on the piston top points to the front of the engine (Fig. 75).



**Fig. 75 Rod and Piston Assembly Installation**

(6) Raise the vehicle.

(7) Each bearing insert is fitted to its respective journal to obtain the specified clearance between the bearing and the journal. In production, the select fit is obtained by using various-sized, color-coded bearing inserts as listed in the Connecting Rod Bearing Fitting Chart. The color code appears on the edge of the bearing insert. The size is not stamped on inserts used for production of engines.

(8) The rod journal is identified during the engine production by a color-coded paint mark on the adjacent cheek or counterweight toward the flange (rear) end of the crankshaft. The color codes used to indicate journal sizes are listed in the Connecting Rod Bearing Fitting Chart.

(9) When required, upper and lower bearing inserts of different sizes may be used as a pair (refer to Connecting Rod Bearing Fitting Chart). A standard size insert is sometimes used in combination with a 0.025 mm (0.001 inch) undersize insert to reduce clearance 0.013 mm (0.0005 inch).

**CAUTION:** DO NOT intermix bearing caps. Each connecting rod and bearing cap are stamped with the cylinder number. The stamp is located on a machined surface adjacent to the oil squirt hole that faces the camshaft side of the cylinder block.

(10) Install the connecting rod bearing caps and inserts in the same positions as removed.

**CAUTION:** Verify that the oil squirt holes in the rods face the camshaft and that the arrows on the pistons face the front of the engine.

(11) Install main bearing cap brace (Fig. 72). Tighten nuts to 47 N·m (35 ft. lbs.).

(12) Install the oil pan and gaskets as outlined in the installation procedure.

(13) Lower the vehicle.

(14) Install the engine cylinder head, push rods, rocker arms, bridges, pivots and engine cylinder head cover.

(15) Fill the crankcase with engine oil.

## CRANKSHAFT OIL SEALS—REAR

The crankshaft rear main bearing oil seal consists of two half pieces of viton with a single lip that effectively seals the rear of the crankshaft. Replace the upper and lower seal halves as a unit to ensure leak-free operation.

## REMOVAL

- (1) Remove transmission inspection cover.
- (2) Remove oil pan. Refer to procedure in this section
- (3) Remove main bearing cap brace.
- (4) Remove rear main bearing cap (No.7).
- (5) Push upper seal out of the groove. Ensure that the crankshaft and seal groove are not damaged.
- (6) Remove lower half of the seal from the bearing cap.

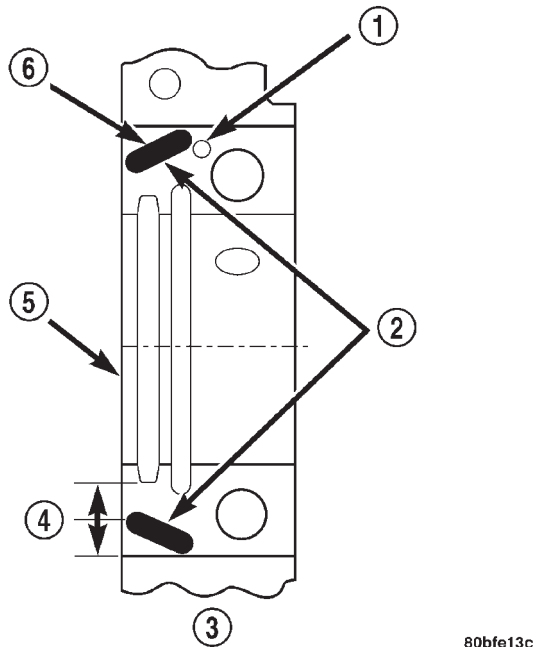
## INSTALLATION

- (1) Wipe the seal surface area of the crankshaft until it is clean.
- (2) Apply a thin coat of engine oil.
- (3) Coat lip of the seal with engine oil.
- (4) Carefully position the upper seal into the groove in the cylinder block. The lip of the seal faces toward the front of the engine.
- (5) Apply Mopar® Gasket Maker sealer on both sides of cylinder block as shown in (Fig. 76). The dab of sealer should be 3 mm (0.125 in.) in diameter.
- (6) Apply Mopar® Gasket Maker on the rear bearing cap (Fig. 76). The bead should be 2.3 mm (0.09 in.) in diameter. DO NOT apply sealer to the lip of the seal.

## REMOVAL AND INSTALLATION (Continued)

(7) Position the lower seal into the bearing cap recess and seat it firmly. Be sure the seal is flush with the cylinder block pan rail.

(8) Coat the outer curved surface of the lower seal with soap and the lip of the seal with engine oil.



**Fig. 76 Location of Sealer**

- 1 - DOWEL
- 2 - SEALER LOCATIONS
- 3 - CYLINDER BLOCK
- 4 - HALFWAY BETWEEN
- 5 - REAR FACE OF CYLINDER BLOCK
- 6 - 3mm (0.125 in.)

(9) Install the rear main bearing cap. DO NOT strike the cap more than twice for proper engagement.

(10) Tighten all main bearing bolts to 108 N·m (80 ft. lbs.) torque.

(11) Install the main bearing cap brace. Tighten nuts to 47 N·m (35 ft. lbs.).

(12) Install the oil pan gasket and oil pan. Tighten 1/4 - 20 screws to 14 N·m (120 in. lbs.). Tighten 5/16 - 18 screws to 18 N·m (156 in. lbs.)

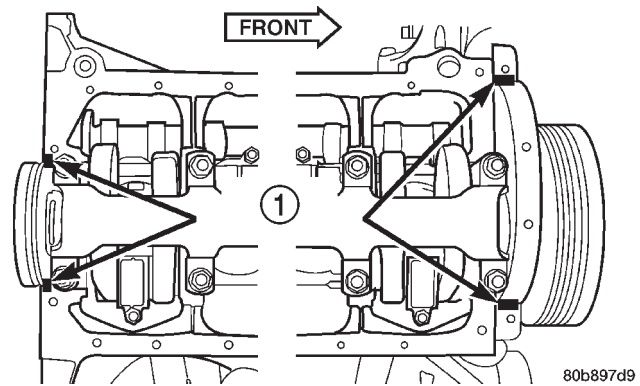
(13) Apply Mopar® Silicone Rubber Adhesive Sealant on cylinder block to rear main bearing cap corners and cylinder block to front cover joints (four places) (Fig. 77)

(14) Install transmission inspection cover.

## OIL PUMP

A gear-type oil pump is mounted at the underside of the cylinder block opposite the No.4 main bearing.

The pump incorporates a nonadjustable pressure relief valve to limit maximum pressure to 517 kPa



**Fig. 77 Oil Pan Sealer Location**

1 - SEALER LOCATIONS

(75 psi). In the relief position, the valve permits oil to bypass through a passage in the pump body to the inlet side of the pump.

Oil pump removal or replacement will not affect the distributor timing because the distributor drive gear remains in mesh with the camshaft gear.

## REMOVAL

- (1) Drain the engine oil.
- (2) Remove the oil pan.
- (3) Remove the pump-to-cylinder block attaching bolts. Remove the pump assembly with gasket (Fig. 78).

**CAUTION:** If the oil pump is not to be serviced, DO NOT disturb position of oil inlet tube and strainer assembly in pump body. If the tube is moved within the pump body, a replacement tube and strainer assembly must be installed to assure an airtight seal.

## INSTALLATION

- (1) Install the oil pump on the cylinder block using a replacement gasket. Tighten the bolts to 23 N·m (17 ft. lbs.) torque.
- (2) Install the oil pan.
- (3) Fill the oil pan with oil to the specified level.

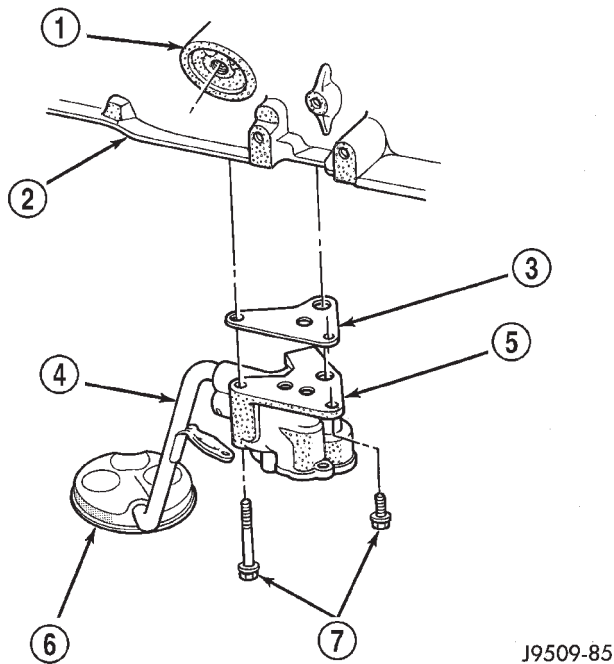
## TIMING CASE COVER OIL SEAL

This procedure is done with the timing case cover installed.

## REMOVAL

- (1) Disconnect negative cable from battery.
- (2) Remove the serpentine drive belt.
- (3) Remove the vibration damper.
- (4) Remove the radiator shroud.
- (5) Carefully remove the oil seal. Make sure seal bore is clean.

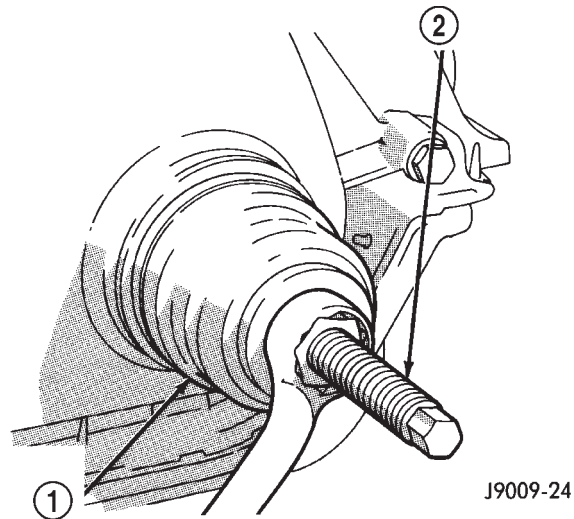
REMOVAL AND INSTALLATION (Continued)



**Fig. 78 Oil Pump Assembly**

- 1 - OIL FILTER ADAPTOR
- 2 - BLOCK
- 3 - GASKET
- 4 - OIL INLET TUBE
- 5 - OIL PUMP
- 6 - STRAINER ASSEMBLY
- 7 - ATTACHING BOLTS

J9509-85



J9009-24

**Fig. 79 Timing Case Cover Oil Seal Installation**

- 1 - SEAL INSTALLATION TOOL
- 2 - DRAW SCREW TOOL

**INSTALLATION**

(1) Position the replacement oil seal on Timing Case Cover Alignment and Seal Installation Tool 6139 with seal open end facing inward. Apply a light film of Perfect Seal, or equivalent, on the outside diameter of the seal. Lightly coat the crankshaft with engine oil.

(2) Position the tool and seal over the end of the crankshaft and insert a draw screw tool into Seal Installation Tool 6139 (Fig. 79). Tighten the nut against the tool until it contacts the cover.

(3) Remove the tools. Apply a light film of engine oil on the vibration damper hub contact surface of the seal.

(4) Apply Mopar Silicone Rubber Adhesive Sealant to the keyway in the crankshaft and insert the key. With the key inserted in the keyway in the crankshaft, install the vibration damper, washer and bolt. Lubricate and tighten the bolt to 108 N·m (80 ft. lbs.) torque.

(5) Install the serpentine belt and tighten to the specified tension (refer to Group 7, Cooling Systems for the proper specifications and procedures).

(6) Install the radiator shroud.

(7) Connect negative cable to battery.

**DISASSEMBLY AND ASSEMBLY**

**VALVE SERVICE**

Clean all carbon deposits from the combustion chambers, valve ports, valve stems, valve stem guides and head.

Clean all grime and gasket material from the engine cylinder head machined gasket surface.

Inspect for cracks in the combustion chambers and valve ports.

Inspect for cracks on the exhaust seat.

Inspect for cracks in the gasket surface at each coolant passage.

Inspect valves for burned, cracked or warped heads.

Inspect for scuffed or bent valve stems.

Replace valves displaying any damage.

**VALVE REFACING**

(1) Use a valve refacing machine to reface the intake and exhaust valves to the specified angle.

(2) After refacing, a margin of at least 0.787 mm (0.031 inch) must remain (Fig. 80). If the margin is less than 0.787 mm (0.031 inch), the valve must be replaced.

**VALVE SEAT REFACING**

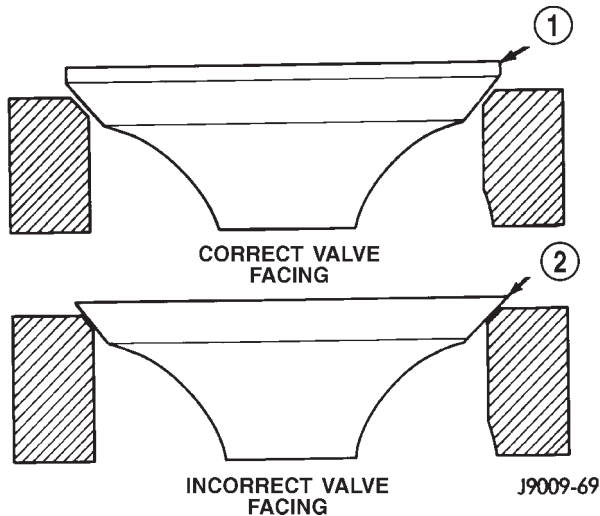
(1) Install a pilot of the correct size in the valve guide bore. Reface the valve seat to the specified angle with a good dressing stone. Remove only enough metal to provide a smooth finish.

(2) Use tapered stones to obtain the specified seat width when required.

(3) Control valve seat runout to a maximum of 0.0635 mm (0.0025 in.) (Fig. 81).

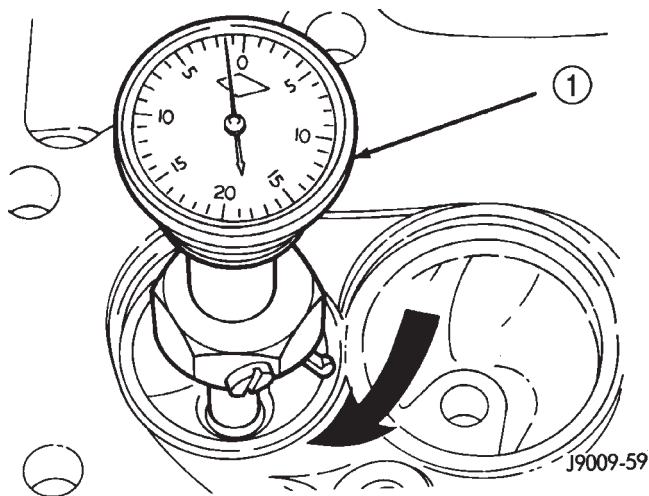


DISASSEMBLY AND ASSEMBLY (Continued)



**Fig. 80 Valve Facing Margin**

- 1 - VALVE MARGIN
- 2 - NO MARGIN



**Fig. 81 Measurement of Valve Seat Runout**

- 1 - DIAL INDICATOR

**VALVE STEM OIL SEAL REPLACEMENT**

Valve stem oil seals are installed on each valve stem to prevent rocker arm lubricating oil from entering the combustion chamber through the valve guide bores. One seal is marked INT (intake valve) and the other is marked EXH (exhaust valve).

Replace the oil seals whenever valve service is performed or if the seals have deteriorated.

**VALVE GUIDES**

The valve guides are an integral part of the engine cylinder head and are not replaceable.

When the valve stem guide clearance is excessive, the valve guide bores must be reamed oversize. Service valves with oversize stems are available in 0.076

mm (0.003 inch) and 0.381 mm (0.015 inch) increments.

Corresponding oversize valve stem seals are also available and must be used with valves having 0.381 mm (0.015 inch) oversize stems.

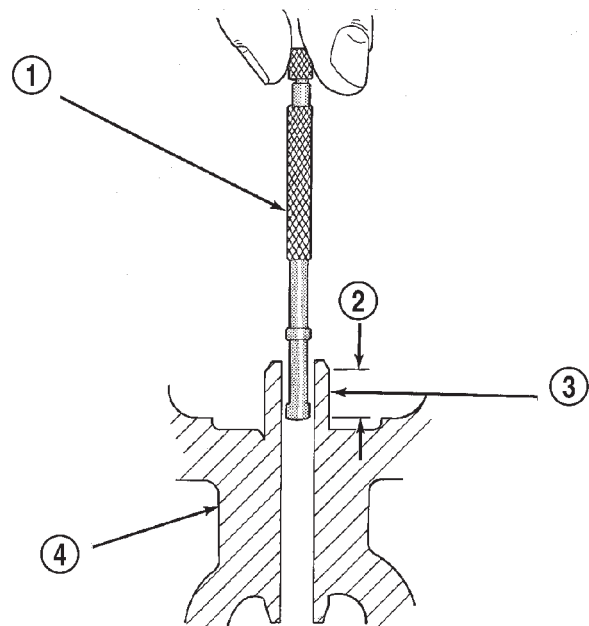
**NOTE:** If the valve guides are reamed oversize, the valve seats must be ground to ensure that the valve seat is concentric to the valve guide.

**VALVE STEM-TO-GUIDE CLEARANCE MEASUREMENT**

Valve stem-to-guide clearance may be measured by either of the following two methods.

**PREFERRED METHOD**

- (1) Remove the valve from the head.
- (2) Clean the valve stem guide bore with solvent and a bristle brush.
- (3) Insert a telescoping gauge into the valve stem guide bore approximately 9.525 mm (.375 inch) from the valve spring side of the head (Fig. 82).



J9509-87

**Fig. 82 Measurement of Valve Guide Bore Diameter**

- 1 - GAUGE
- 2 - 9.525 MM (3/8 INCH)
- 3 - VALVE STEM GUIDE
- 4 - CYLINDER HEAD

(4) Remove and measure telescoping gauge with a micrometer.

(5) Repeat the measurement with contacts lengthwise to engine cylinder head.

DISASSEMBLY AND ASSEMBLY (Continued)

(6) Compare the crosswise to lengthwise measurements to determine out-of-roundness. If the measurements differ by more than 0.0635 mm (0.0025 in.), ream the guide bore to accommodate an oversize valve stem.

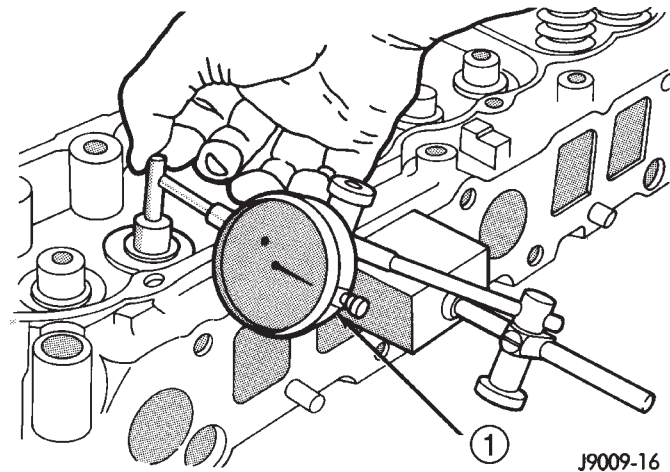
(7) Compare the measured valve guide bore diameter with specifications (7.95-7.97 mm or 0.313-0.314 inch). If the measurement differs from specification by more than 0.076 mm (0.003 inch), ream the guide bore to accommodate an oversize valve stem.

**ALTERNATIVE METHOD**

(1) Use a dial indicator to measure the lateral movement of the valve stem (stem-to-guide clearance). This must be done with the valve installed in its guide and just off the valve seat (Fig. 83).

(2) Correct clearance is 0.025-0.0762 mm (0.001-0.003 inch). If indicated movement exceeds the specification ream the valve guide to accommodate an oversize valve stem.

**NOTE: Valve seats must be ground after reaming the valve guides to ensure that the valve seat is concentric to the valve guide.**



**Fig. 83 Measurement of Lateral Movement of Valve Stem**

1 - DIAL INDICATOR

**VALVE SPRING TENSION TEST**

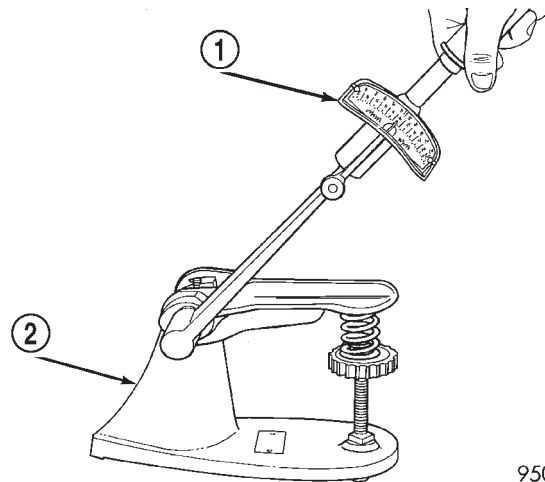
Use a universal Valve Spring Tester and a torque wrench to test each valve spring for the specified tension value (Fig. 84).

Replace valve springs that are not within specifications.

**CYLINDER BLOCK**

**DISASSEMBLY**

Refer to the applicable sections for detailed instructions.



9509-79

**Fig. 84 Valve Spring Tester**

1 - TORQUE WRENCH  
2 - VALVE SPRING TESTER

- (1) Drain the engine oil. Remove and discard the oil filter.
- (2) Remove the water pump from the cylinder block.
- (3) Remove the vibration damper.
- (4) Remove the timing case cover and lay the cover upside down.
- (5) Position a drift punch into the slot in the back of the cover and tap the old seal out.
- (6) Remove the oil slinger from crankshaft.
- (7) Remove the camshaft retaining bolt and remove the sprockets and chain as an assembly.
- (8) Remove the camshaft.
- (9) Remove the oil pan and gasket.
- (10) Remove the front and rear oil galley plugs.
- (11) Remove the oil pump.
- (12) Remove the connecting rods and the pistons. Remove the connecting rod and piston assemblies through the top of the cylinder bores.
- (13) Remove the crankshaft.

**ASSEMBLY**

Refer to the applicable sections for detailed instructions.

- (1) Install the crankshaft.
- (2) Install the connecting rods and the pistons through the top of the cylinder bores.
- (3) Install the oil pump.
- (4) Install the oil pan and gasket.
- (5) Install the camshaft.
- (6) Install the sprockets and chain as an assembly.
- (7) Install the oil slinger from the crankshaft.
- (8) Install the timing case cover seal.
- (9) Install the timing case cover.
- (10) Install the vibration damper.

## DISASSEMBLY AND ASSEMBLY (Continued)

(11) Install the water pump. Tighten the mounting bolts to 31 N·m (23 ft. lbs.) torque.

(12) Lubricate the oil filter seal with clean engine oil. Tighten oil filter to 18 N·m (156 in. lbs.) torque.

(13) Install the engine into the vehicle.

(14) Fill the engine with clean lubrication oil (refer to Group 0, Lubrication and Maintenance).

(15) Fill the cooling system.

## CLEANING AND INSPECTION

## INTAKE AND EXHAUST MANIFOLD

Clean the mating surfaces of the cylinder head and the manifold if the original manifold is to be installed.

## CYLINDER HEAD

## CLEANING

Thoroughly clean the engine cylinder head and cylinder block mating surfaces. Clean the intake and engine exhaust manifold and engine cylinder head mating surfaces. Remove all gasket material and carbon.

Check to ensure that no coolant or foreign material has fallen into the tappet bore area.

Remove the carbon deposits from the combustion chambers and top of the pistons.

## INSPECTION

Use a straightedge and feeler gauge to check the flatness of the engine cylinder head and block mating surfaces.

## CYLINDER HEAD COVER

## CLEANING

Remove any original sealer from the cover sealing surface of the engine cylinder head and clean the surface using a fabric cleaner.

Remove all residue from the sealing surface using a clean, dry cloth.

## INSPECTION

Inspect the engine cylinder head cover for cracks. Replace the cover, if cracked.

The original dark grey gasket material should NOT be removed. If sections of the gasket material are missing or are compressed, replace the engine cylinder head cover. However, sections with minor damage such as small cracks, cuts or chips may be repaired with a hand held applicator. The new material must be smoothed over to maintain gasket height. Allow the gasket material to cure prior to engine cylinder head cover installation.

## ROCKER ARMS AND PUSH RODS

## CLEANING

Clean all the components with cleaning solvent.

Use compressed air to blow out the oil passages in the rocker arms and push rods.

## INSPECTION

Inspect the pivot surface area of each rocker arm. Replace any that are scuffed, pitted, cracked or excessively worn.

Inspect the valve stem tip contact surface of each rocker arm and replace any rocker arm that is deeply pitted.

Inspect each push rod end for excessive wear and replace as required. If any push rod is excessively worn because of lack of oil, replace it and inspect the corresponding hydraulic tappet for excessive wear.

Inspect the push rods for straightness by rolling them on a flat surface or by shining a light between the push rod and the flat surface.

A wear pattern along the length of the push rod is not normal. Inspect the engine cylinder head for obstruction if this condition exists.

## HYDRAULIC TAPPETS

## CLEANING

Clean each tappet assembly in cleaning solvent to remove all varnish, gum and sludge deposits.

## INSPECTION

Inspect for indications of scuffing on the side and base of each tappet body.

Inspect each tappet base for concave wear with a straightedge positioned across the base. If the base is concave, the corresponding lobe on the camshaft is also worn. Replace the camshaft and defective tappets.

After cleaning and inspection, test each tappet for specified leak-down rate tolerance to ensure zero-lash operation (Fig. 85).

Swing the weighted arm of the hydraulic valve tappet tester away from the ram of the Leak-Down Tester.

(1) Place a 7.925-7.950 mm (0.312-0.313 inch) diameter ball bearing on the plunger cap of the tappet.

(2) Lift the ram and position the tappet (with the ball bearing) inside the tester cup.

(3) Lower the ram, then adjust the nose of the ram until it contacts the ball bearing. DO NOT tighten the hex nut on the ram.

(4) Fill the tester cup with hydraulic valve tappet test oil until the tappet is completely submerged.

CLEANING AND INSPECTION (Continued)

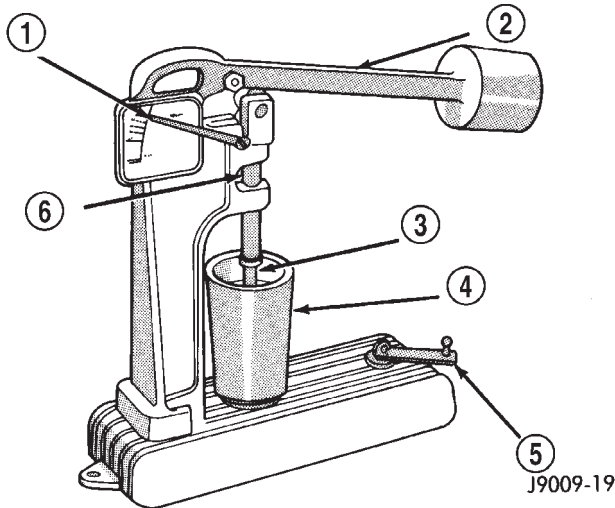
(5) Swing the weighted arm onto the push rod and pump the tappet plunger up and down to remove air. When the air bubbles cease, swing the weighted arm away and allow the plunger to rise to the normal position.

(6) Adjust the nose of the ram to align the pointer with the SET mark on the scale of the tester and tighten the hex nut.

(7) Slowly swing the weighted arm onto the push rod.

(8) Rotate the cup by turning the handle at the base of the tester clockwise one revolution every 2 seconds.

(9) Observe the leak-down time interval from the instant the pointer aligns with the START mark on the scale until the pointer aligns with the 0.125 mark. A normally functioning tappet will require 20-110 seconds to leak-down. Discard tappets with leak-down time interval not within this specification.



**Fig. 85 Leak-Down Tester**

- 1 - POINTER
- 2 - WEIGHTED ARM
- 3 - RAM
- 4 - CUP
- 5 - HANDLE
- 6 - PUSH ROD

**CYLINDER BLOCK**

**CLEANING**

Thoroughly clean the oil pan and engine block gasket surfaces.

Use compressed air to clean out:

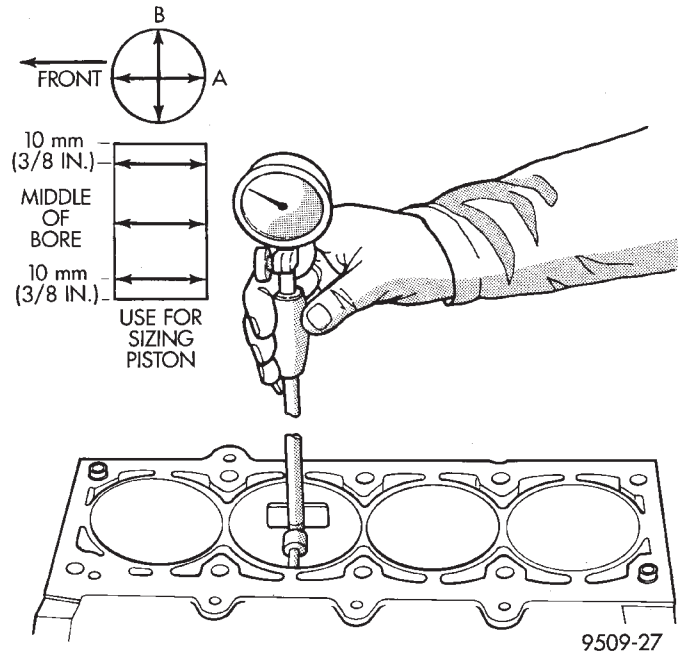
- The galley at the oil filter adaptor hole.
- The front and rear oil galley holes.
- The feed holes for the crankshaft main bearings.

Once the block has been completely cleaned, apply Loctite PST pipe sealant with Teflon 592 to the

threads of the front and rear oil galley plugs. Tighten the plugs to 34 N·m (25 ft. lbs.) torque.

**INSPECTION**

(1) It is mandatory to use a dial bore gauge to measure each cylinder bore diameter (Fig. 86). To correctly select the proper size piston, a cylinder bore gauge, capable of reading in 0.003 mm (.0001 in.) INCREMENTS is required. If a bore gauge is not available, do not use an inside micrometer.



**Fig. 86 Cylinder Bore Measurement**

(2) Measure the inside diameter of the cylinder bore at three levels below top of bore. Start perpendicular (across or at 90 degrees) to the axis of the crankshaft and then take two additional reading.

(3) Measure the cylinder bore diameter crosswise to the cylinder block near the top of the bore. Repeat the measurement near the middle of the bore, then repeat the measurement near the bottom of the bore.

(4) Determine taper by subtracting the smaller diameter from the larger diameter.

(5) Rotate measuring device 90° and repeat steps above.

(6) Determine out-of-roundness by comparing the difference between each measurement.

(7) If cylinder bore taper does not exceed 0.025 mm (0.001 inch) and out-of-roundness does not exceed 0.025 mm (0.001 inch), the cylinder bore can be honed. If the cylinder bore taper or out-of-round condition exceeds these maximum limits, the cylinder must be bored and then honed to accept an oversize piston. A slight amount of taper always exists in the cylinder bore after the engine has been in use for a period of time.



## SPECIFICATIONS

## SPECIFICATIONS

## 4.0L ENGINE

DESCRIPTION	SPECIFICATION
Engine Type	In-line 6 Cylinder
Bore and Stroke	98.4 x 86.69 mm (3.88 x 3.413 in.)
Displacement	4.0L (242 cu. in.)
Compression Ratio	8.8:1
Firing Order	1-5-3-6-2-4
Lubrication	Pressure Feed-Full Flow Filtration
Cooling System	Liquid Cooled-Forced Circulation
Cylinder Block	Cast Iron
Crankshaft	Cast Nodular Iron
Cylinder Head	Cast Iron
Camshaft	Cast Iron
Pistons	Aluminum Alloy
Combustion Chamber	Dual-Quench
Connecting Rods	Cast Iron
<b>CAMSHAFT</b>	
Hydraulic Tappet Clearance	Zero Lash
Bearing Clearance	0.025 to 0.076 mm (0.001 to 0.003 in.)
Bearing Journal Diameter	
No. 1	51.54 to 51.56 mm (2.029 to 2.030 in.)
No. 2	51.28 to 51.31 mm (2.019 to 2.020 in.)
No. 3	51.03 to 51.05 mm (2.009 to 2.010 in.)
No. 4	50.78 to 50.80 mm (1.999 to 2.000 in.)
Base Circle Runout (MAX)	0.03 mm  (0.001 in.)
Valve Lift	
Intake	10.350 mm (0.4075 in.)
Exhaust	10.528 mm (0.4145 in.)

DESCRIPTION	SPECIFICATION
<b>Valve Timing</b>	
Intake	
Opens	12.4° BTDC
Closes	60.9° ABDC
Exhaust	
Opens	49.8 BBDC
Closes	29.2° ATDC
Valve Overlap	41.6°
Intake Duration	253.3°
Exhaust Duration	259.°
<b>CRANKSHAFT</b>	
End Play	0.038 to 0.165 mm (0.0015 to 0.0065 in.)
Main Bearing Journal Diameter	
No. 1-6	63.489 to 63.502 mm (2.4996 to 2.5001 in.)
No. 7	63.449 to 63.487 mm (2.4980 to 2.4995 in.)
Main Bearing Journal Width	
No. 1	27.58 to 27.89 mm (1.086 to 1.098 in.)
No. 3	32.28 to 32.33 mm (1.271 to 1.273 in.)
No. 2-4-5-6-7	30.02 to 30.18 mm (1.182 to 1.188 in.)
Main Bearing Clearance	0.03 to 0.06 mm (0.001 to 0.0025 in.)
Preferred	0.051 mm (0.002 in.)
Connecting Rod Journal Diameter	53.17 to 53.23 mm (2.0934 to 2.0955 in.)
Connecting Rod Journal Width	27.18 to 27.33 mm  (1.070 to 1.076 in.)
Out-of-Round (MAX)	0.013 mm (0.0005 in.)
Taper (MAX)	0.013 mm (0.0005 in.)
<b>CYLINDER BLOCK</b>	
Deck Height	240.03 to 240.18 mm (9.450 to 9.456 in.)
Deck Clearance (Below Block)	0.546 mm (0.0215 in.)

## SPECIFICATIONS (Continued)

DESCRIPTION	SPECIFICATION
Cylinder Bore Diameter Standard	98.45 to 98.48 mm (3.8759 to 3.8775 in.)
Taper	0.025 mm (0.001 in.)
Out-of-Round	0.025 mm (0.001 in.)
Tappet Bore Diameter	23.000 to 23.025 mm (0.9055 to 0.9065 in.)
Flatness	0.03 mm per 25 mm (0.001 in. per 1 in.) 0.05 mm per 152 mm (0.002 in. per 6 in.)
Flatness Max.	0.20 mm max. for total length (0.008 in. max. for total length)
Main Bearing Bore Diameter	68.3514 to 68.3768 mm (2.691 to 2.692 in.)
<b>CONNECTING ROD</b>	
Total Weight (Less Bearing)	663 to 671 grams (23.39 to 23.67 oz.)
Length (Center-to-Center)	155.52 to 155.62 mm (6.123 to 6.127 in.)
Piston Pin Bore Diameter	23.59 to 23.62 mm (0.9288 to 0.9298 in.)
Bore (Less Bearings)	56.08 to 56.09 mm (2.2080 to 2.2085 in.)
Bearing Clearance  Preferred	0.025 to 0.076 mm (0.001 to 0.003 in.) 0.044 to 0.050 mm (0.0015 to 0.0020 in.)
Side Clearance	0.25 to 0.48 mm (0.010 to 0.019 in.)
Twist (Max.)	0.006 mm per mm (0.002 in. per inch)
Bend (Max.)	0.002 mm per mm (0.006 in. per inch.)
<b>CYLINDER COMPRESSION PRESSURE</b>	
Pressure Range	827 to 1,034 kPa (120 to 150 psi)
Max. Variation Between Cylinders	206 kPa (30 psi)

DESCRIPTION	SPECIFICATION
<b>CYLINDER HEAD</b>	
Combustion Chamber	55.22 to 58.22 cc (3.37 to 3.55 cu. in.)
Valve Guide I. D. (Integral)	7.95 to 7.97 mm (0.313 to 0.314 in.)
Valve Stem-to-Guide Clearance	0.025 to 0.076 mm (0.001 to 0.003 in.)
Valve Seat Angle Intake Exhaust	44.5° 44.5°
Valve Seat Width	1.02 to 1.52 mm (0.040 to 0.060 in.)
Valve Seat Runout	0.064 mm (0.0025 in.)
Flatness	0.03 mm per 25 mm (0.001 in. per 1 in.) 0.05 mm per 152 mm (0.002 in. per 6 in.)
Flatness Max.	0.20 mm - max. for total length (0.008 in. max. for total length)
<b>ROCKER ARMS, PUSH RODS &amp; TAPPETS</b>	
Rocker Arm Ratio	1.6:1
Push Rod Length (Pink)	244.856 to 245.364 mm (9.640 to 9.660 in.)
Push Rod Diameter	7.92 to 8.00 mm (0.312 to 0.315 in.)
Hydraulic Tappet Diameter	22.962 to 22.974 mm (0.904 to 0.9045 in.)
Tappet-to-Bore Clearance	0.025 to 0.063 mm (0.001 to 0.0025 in.)
<b>VALVES</b>	
Valve Length (Overall) Intake  Exhaust	122.479 to 122.860 mm (4.822 to 4.837 in.) 122.860 to 123.241 mm (4.837 to 4.852 in.)
Valve Stem Diameter	7.899 to 7.925 mm (0.311 to 0.312 in.)
Stem-to-Guide Clearance	0.025 to 0.076 mm (0.001 to 0.003 in.)



## SPECIFICATIONS (Continued)

DESCRIPTION	SPECIFICATION
Valve Head Diameter Intake	48.387 to 48.641 mm (1.905 to 1.915 in.)
Exhaust	37.973 to 38.227 mm (1.495 to 1.505 in.)
Valve Face Angle Intake	46.5°
Exhaust	46.5°
Tip Refinishing (Max. Allowable)	0.25 mm (0.010 in.)
<b>VALVE SPRINGS</b>	
Free Length (Approx.)	48 mm (1.890 in.)
Spring Load Valve Closed	316 to 351 N @ 41.656 mm (71 to 79 lbf. @ 1.64 in.)
Valve Open	898.6 to 969.7 N @ 30.89 mm (202 to 218 lbf @ 1.216 in.)
Inside Diameter	21.0 mm to 21.51 mm (0.827 to 0.847 in.)
Installed Height	41.656 mm (1.64 in.)
<b>PISTONS</b>	
Weight (Less Pin)	417 to 429 grams (14.7 to 15.1 oz.)
Piston Pin Bore (Centerline to Piston Top)	40.61 to 40.72 mm (1.599 to 1.603 in.)
Piston-to-Bore Clearance	0.018 to 0.038 mm (0.0008 to 0.0015 in.)
Ring Gap Clearance Top Compression Ring	0.229 to 0.610 mm (0.0090 to 0.0240 in.)
2nd Compression Ring	0.483 to 0.965 mm (0.0190 to 0.0380 in.)
Oil Control Steel Rails	0.254 to 1.500 mm (0.010 to 0.060 in.)
Ring Side Clearance Compression Rings	0.042 to 0.084 mm (0.0017 to 0.0033 in.)
Oil Control Rings	0.06 to 0.21 mm (0.0024 to 0.0083 in.)

DESCRIPTION	SPECIFICATION
Piston Ring Groove Height Compression Rings	1.530 to 1.555 mm (0.0602 to 0.0612 in.)
Oil Control Ring	4.035 to 4.060 mm (0.1589 to 0.1598 in.)
Piston Ring Groove Diameter No.1 Compression Ring	88.39 to 88.65 mm (3.48 to 3.49 in.)
No.2 Compression Ring	87.63 to 87.88 mm (3.45 to 3.46 in.)
Oil Control Ring	89.66 to 89.92 mm (3.53 to 3.54 in.)
Piston Pin Bore Diameter	23.650 to 23.658 mm (0.9312 to 0.9315 in.)
Piston Pin Diameter	23.637 to 23.640 mm (0.9306 to 0.9307 in.)
Piston-to-Pin Clearance	0.0102 to 0.0208 mm (0.0005 to 0.0009 in.)
Piston-to-Pin Connecting Rod (Press Fit)	8.9 kN (2000 lbf.)
<b>OIL PUMP</b>	
Gear-to-Body Clearance (Radial)	0.051 to 0.102 mm (0.002 to 0.004 in.)
Gear-to-Body Clearance (Radial) Preferred	0.051 mm (0.002 in.)
Gear End Clearance Plastigage	0.051 to 0.152 mm (0.002 to 0.006 in.)
Gear End Clearance Plastigage (Preferred)	0.051 mm (0.002 in.)
Gear End Clearance Feeler Gauge	0.1016 to 0.2032 mm (0.004 to 0.008 in.)
Gear End Clearance Feeler Gauge (Preferred)	0.1778 mm (0.007 in.)
<b>Oil Pressure</b>	
At Idle Speed	89.6 kPa (13 psi)
At 1600 rpm & Higher	255 to 517 kPa (37 to 75 psi)
Oil Pressure Relief	517 kPa (75 psi)

SPECIFICATIONS (Continued)

**TORQUE SPECIFICATIONS**

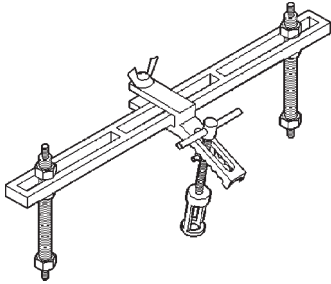
4.0L ENGINE

DESCRIPTION	N-m	Ft. Lbs.	In. Lbs.
A/C Compressor—Bolts	28	—	250
Block Heater—Nut	2	—	16
Camshaft Sprocket—Bolt	68	50	—
Camshaft Thrust Plate to Cylinder Block—Screws	24	18	—
Clutch Cover to Flywheel— Bolts	54	40	—
Coil Bracket to Block—Bolts	22	—	192
Connecting Rod—Nuts	45	33	—
Cylinder Block—Drain Plugs	34	25	—
Cylinder Head—Bolts	135	100	—
Cylinder Head Cover—Bolts	10	—	85
Distributor Clamp—Bolts	23	—	204
Engine Mounts—Front			
Support Bracket Bolts	61	45	—
Support Cushion Bolts/Nuts	41	30	—
Support Cushion Bracket Bolts	54	40	—
Support Cushion Bracket Stud Nuts	41	30	—
Support Cushion Thru-Bolt	65	48	—
Engine Mounts—Rear			
Crossmember to Sill Bolts— (Automatic)	41	30	—
Insulator Stud Assembly—Nut	41	30	—
Support Cushion/ Crossmember— Nuts	22	—	192
Support Cushion/Bracket— Nuts (Manual)	75	55	—
Transmission Support Bracket—Bolt (Manual)	46	34	—
Transmission Support Bracket/ Cushion—Bolt (4WD Auto)	75	55	—
Transmission Support Adaptor Bracket—Bolts (2WD Auto)	75	55	—
Exhaust Manifold/Pipe—Nuts	27	20	—

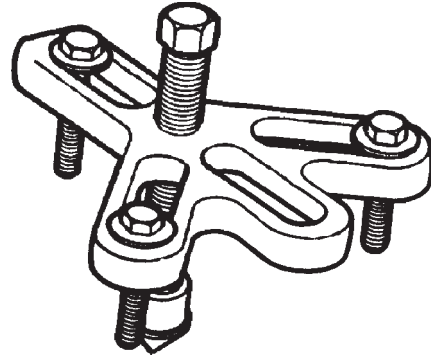
DESCRIPTION	N-m	Ft. Lbs.	In. Lbs.
Intake/Exhaust Manifold			
Fasteners #1-5	33	24	—
Fasteners #6 and 7	14	—	126
Fasteners #8-11	33	24	—
Flywheel to Converter Housing—Bolts	38	28	—
Flywheel to Crankshaft—Bolts	143	105	—
Front Cover to Block—Bolts			
1/4-20	7	—	60
5/16-18	22	—	192
Fuel Rail—Bolts/Stud	12	—	108
Generator—Bolts	57	42	—
Generator Bracket to Engine—Bolts	47	35	—
Idle Pulley to Cylinder Head—Bolt	47	35	—
Main Bearing Cap—Bolts	108	80	—
Oil Filter	18	—	156
Oil Filter Connector to			
Adaptor	47	35	—
Block	68	50	—
Adaptor Bolts	102	50	—
Oil Galley—Plug	41	30	—
Oil Pan—Bolts			
1/4-20	9.5	—	84
5/16-18	15	—	132
Oil Pan—Drain Plug	34	25	—
Oil Pump			
Mounting Bolts	23	—	204
Cover Bolts	8	—	70
Rocker Arm Assembly to Cylinder			
Head—Capscrews	30	21	—
Spark Plugs	37	27	—
Starter Motor—Mounting Bolts	45	33	—
Thermostat Housing—Bolts	18	—	156
Throttle Body—Bolts	10	—	90
Vibration Damper—Bolt	108	80	—
Water Pump to Block—Bolts	23	17	—

SPECIAL TOOLS

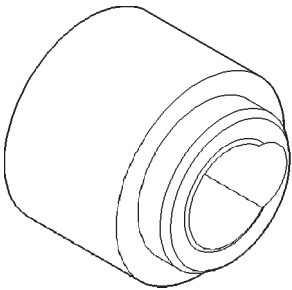
4.0L ENGINE



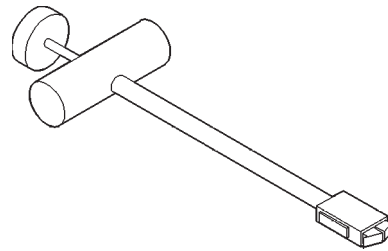
**Valve Spring Compressor Tool MD-998772A**



**Vibration Damper Removal Tool 7697**



**Timing Case Cover Alignment and Seal installation  
Tool 6139**



**Hydraulic Valve Tappet Removal/Installation Tool  
C-4129-A**

## 4.7L ENGINE

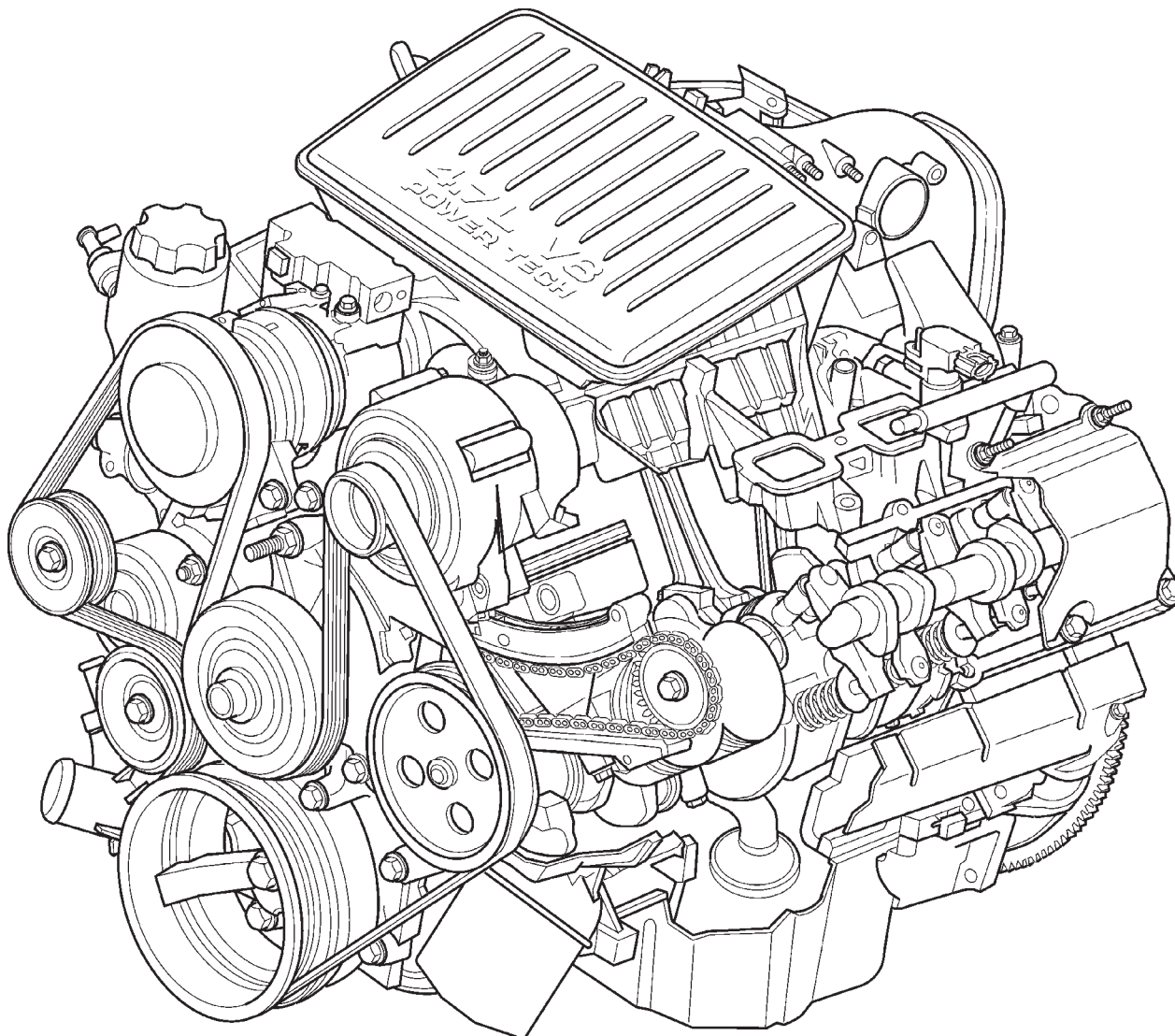
### TABLE OF CONTENTS

	page		page
<b>DESCRIPTION AND OPERATION</b>			
ENGINE	62	HYDROSTATIC LOCK	86
ENGINE IDENTIFICATION	62	ENGINE OIL	86
ENGINE LUBRICATION SYSTEM	63	<b>REMOVAL AND INSTALLATION</b>	
CYLINDER BLOCK	65	ENGINE MOUNTS—LEFT AND RIGHT	88
CRANKSHAFT	65	ENGINE MOUNT—REAR	89
PISTON AND CONNECTING ROD	66	STRUCTURAL COVER	90
CYLINDER HEAD	66	ENGINE	90
VALVE GUIDES	66	INTAKE MANIFOLD	93
VALVES	66	EXHAUST MANIFOLDS	94
VALVE STEM SEAL	66	CYLINDER HEAD COVERS	97
VALVE SPRING	66	ROCKER ARMS	98
HYDRAULIC LASH ADJUSTER	66	VALVE STEM SEALS AND SPRINGS	99
TIMING DRIVE SYSTEM	66	CYLINDER HEADS	99
CAMSHAFT	67	VALVES AND VALVE SPRINGS	104
ROCKER ARM	67	HYDRAULIC LASH ADJUSTER	105
CYLINDER HEAD COVER	67	CRANKSHAFT DAMPER	106
OIL PAN	67	TIMING CHAIN COVER	107
STRUCTURAL DUST COVER	67	TIMING CHAIN AND SPROCKETS	108
INTAKE MANIFOLD	67	IDLER SHAFT—TIMING DRIVE	114
EXHAUST MANIFOLD	67	CAMSHAFTS—IN VEHICLE	115
<b>DIAGNOSIS AND TESTING</b>			
ENGINE DIAGNOSIS—INTRODUCTION	67	CRANKSHAFT MAIN BEARINGS	120
INTAKE MANIFOLD LEAKAGE DIAGNOSIS	68	OIL PAN	122
CYLINDER COMPRESSION PRESSURE TEST	68	PISTON AND CONNECTING ROD	123
CYLINDER HEAD GASKET FAILURE		CRANKSHAFT	125
DIAGNOSIS	68	FLEXPLATE	127
CYLINDER COMBUSTION PRESSURE		OIL PUMP	128
LEAKAGE TEST	69	ENGINE OIL PRESSURE SENDING UNIT	129
ENGINE OIL LEAK INSPECTION	69	CRANKSHAFT OIL SEAL—FRONT	129
CHECKING ENGINE OIL PRESSURE	70	CRANKSHAFT OIL SEAL—REAR	131
HYDRAULIC LASH ADJUSTER NOISE		ENGINE CORE PLUGS	132
DIAGNOSIS	71	<b>DISASSEMBLY AND ASSEMBLY</b>	
ENGINE DIAGNOSIS—PERFORMANCE	71	VALVE SERVICE	133
ENGINE—MECHANICAL	73	OIL PUMP	133
ENGINE—LUBRICATION	74	<b>CLEANING AND INSPECTION</b>	
<b>SERVICE PROCEDURES</b>			
ENGINE TIMING—VERIFICATION	75	INTAKE MANIFOLD	134
TIMING CHAIN—MEASURING WEAR	77	EXHAUST MANIFOLD	134
PISTONS—FITTING	78	CYLINDER HEADS	134
PISTON RINGS—FITTING	79	PISTON AND CONNECTING ROD	134
CONNECTING ROD BEARINGS—FITTING	80	CRANKSHAFT JOURNALS	135
CRANKSHAFT MAIN BEARINGS	81	OIL PAN	135
FORM-IN-PLACE GASKETS & SEALERS	83	OIL PUMP	135
ENGINE GASKET SURFACE PREPARATION	84	CYLINDER BLOCK	137
ENGINE PERFORMANCE	84	<b>SPECIFICATIONS</b>	
HONING CYLINDER BORES	85	4.7L ENGINE	137
REPAIR DAMAGED OR WORN THREADS	85	TORQUE	140
		<b>SPECIAL TOOLS</b>	
		4.7L ENGINE	141

## DESCRIPTION AND OPERATION

### ENGINE

#### DESCRIPTION



80b3b148

The 4.7 liter (287 CID) eight-cylinder engine is an 90° single overhead camshaft engine. The cast iron cylinder block is made up of two different components; the first component is the cylinder bore and upper block, the second component is the bedplate that comprises the lower portion of the cylinder block and houses the lower half of the crankshaft main bearings. The cylinders are numbered from front to rear with the left bank being numbered 1,3,5 and 7, and the right bank being numbered 2,4,6 and 8. The firing order is 1-8-4-3-6-5-7-2. The engine serial

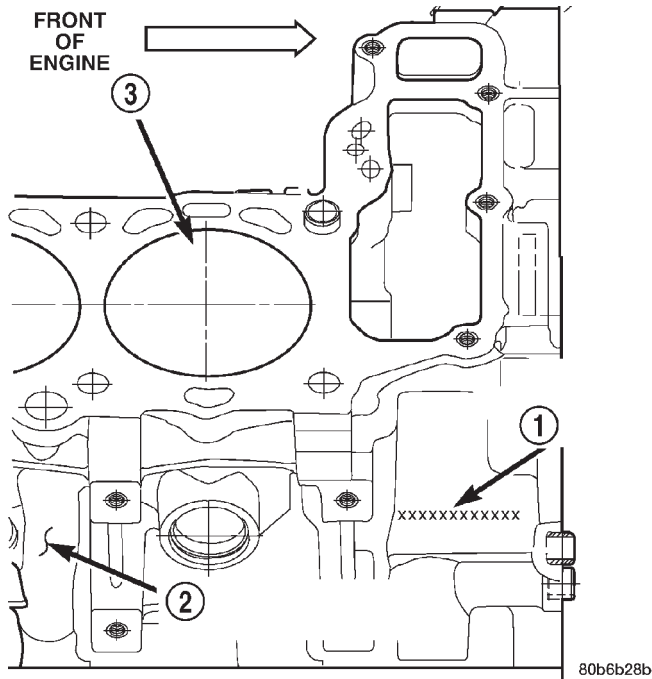
number is located at the right front side of the engine block (Fig. 1)

### ENGINE IDENTIFICATION

#### DESCRIPTION

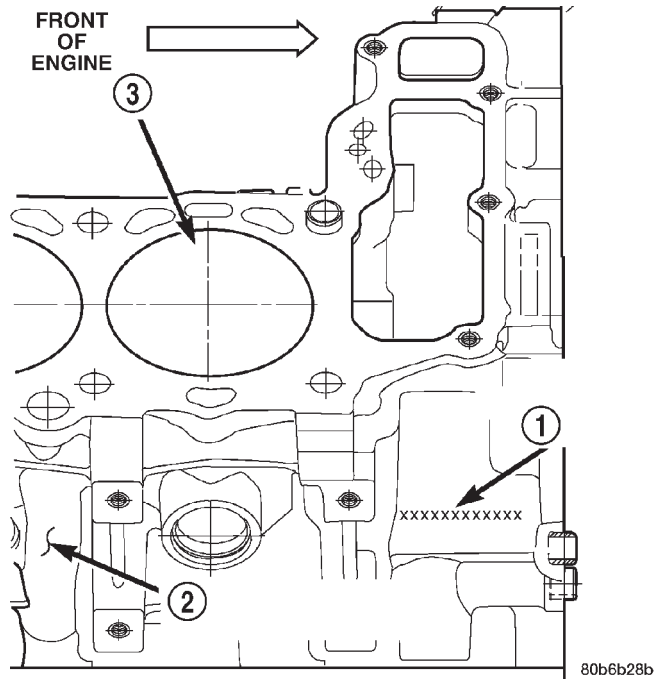
The engine is stamped with the vehicles identification number. This area is located at the right front side of the engine block. The engine build date code is included in the yellow bar code sticker on the oil fill housing (Fig. 2).

DESCRIPTION AND OPERATION (Continued)



**Fig. 1 Engine Identification Location.**

- 1 - VEHICLE VIN NUMBER LOCATION
- 2 - CYLINDER BLOCK RIGHT HAND SIDE
- 3 - CYLINDER BORE #2



**Fig. 2 4.7L Engine Identification**

- 1 - VEHICLE VIN NUMBER LOCATION
- 2 - CYLINDER BLOCK RIGHT HAND SIDE
- 3 - CYLINDER BORE #2

**ENGINE LUBRICATION SYSTEM**

**DESCRIPTION**

The lubrication system (Fig. 3) is a full flow filtration pressure feed type.

**OPERATION**

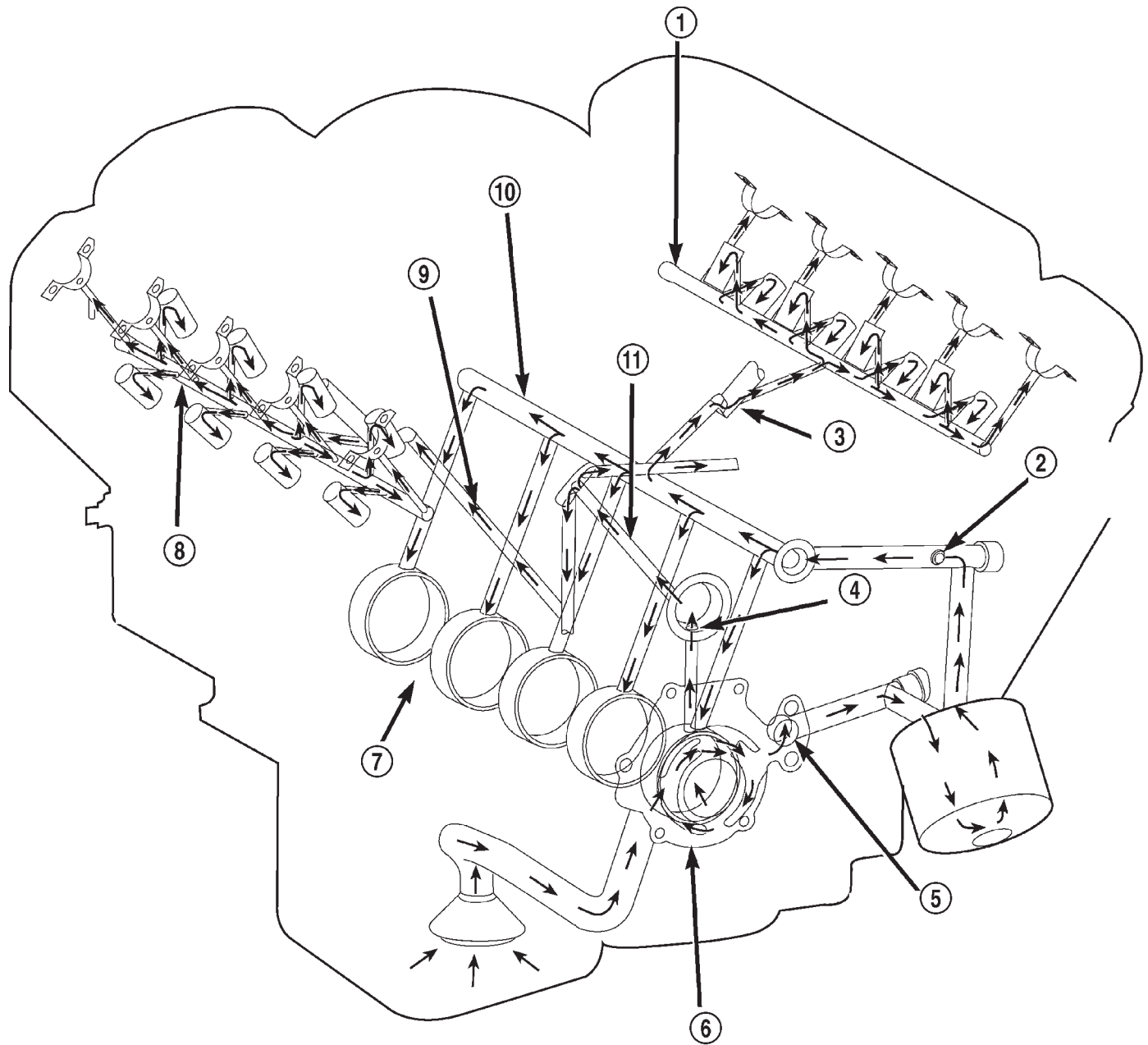
Oil from the oil pan is pumped by a gerotor type oil pump directly mounted to the crankshaft nose. Oil pressure is controlled by a relief valve mounted inside the oil pump housing. For lubrication flow refer to (Fig. 3).

The camshaft exhaust valve lobes and rocker arms are lubricated through a small hole in the rocker

arm; oil flows through the lash adjuster then through the rocker arm and onto the camshaft lobe. Due to the orientation of the rocker arm, the camshaft intake lobes are not lubed in the same manner as the exhaust lobes. The intake lobes are lubed through internal passages in the camshaft. Oil flows through a bore in the number 3 camshaft bearing bore, and as the camshaft turns, a hole in the camshaft aligns with the hole in the camshaft bore allowing engine oil to enter the camshaft tube. The oil then exits through 1.6mm (0.063 in.) holes drilled into the intake lobes, lubricating the lobes and the rocker arms.



DESCRIPTION AND OPERATION (Continued)



80b3c714

**Fig. 3 Engine Oil Lubrication System**

- |                                    |  |
|------------------------------------|--|
| 1 - LEFT CYLINDER HEAD OIL GALLERY | 7 - TO CRANKSHAFT MAIN JOURNALS            |
| 2 - OIL PRESSURE SENSOR LOCATION   | 8 - RIGHT CYLINDER HEAD OIL GALLERY        |
| 3 - TO LEFT CYLINDER HEAD          | 9 - TO RIGHT CYLINDER HEAD                 |
| 4 - OIL FEED TO IDLER SHAFT        | 10 - CYLINDER BLOCK MAIN GALLERY           |
| 5 - OIL PUMP OUTLET TO BLOCK       | 11 - OIL FEED TO BOTH SECONDARY TENSIONERS |
| 6 - OIL PUMP                       |  |

DESCRIPTION AND OPERATION (Continued)

ENGINE LUBRICATION FLOW CHART—BLOCK: TABLE 1

FROM	TO
Oil Pickup Tube	Oil Pump
Oil Pump	Oil Filter
Oil Filter	Block Main Oil Gallery
Block Main Oil Gallery	1. Crankshaft Main Journal 2. Left Cylinder Head* 3. Right Cylinder Head*
Crankshaft Main Journals	Crankshaft Rod Journals
Crankshaft Number One Main Journal	1. Front Timing Chain Idler Shaft 2. Both Secondary Chain Tensioners
Left Cylinder Head	See Table 2
Right Cylinder Head	See Table 2
* The cylinder head gaskets have an oil restricter to control oil flow to the cylinder heads.	

ENGINE LUBRICATION FLOW CHART—CYLINDER HEADS: TABLE 2

FROM	TO
Cylinder Head Oil Port (in bolt hole)	Diagonal Cross Drilling to Main Oil Gallery
Main Oil Gallery (drilled through head from rear to front)	1. Base of Camshaft Towers 2. Lash Adjuster Towers
Base of Camshaft Towers	Vertical Drilling Through Tower to Camshaft Bearings**
Lash Adjuster Towers	Diagonal Drillings to Hydraulic Lash Adjuster Pockets
** The number three camshaft bearing journal feeds oil into the hollow camshaft tubes. Oil is routed to the intake lobes, which have oil passages drilled into them to lubricate the rocker arms.	

**CYLINDER BLOCK**

**DESCRIPTION**

The cylinder block is made of cast iron. The block is a closed deck design with the left bank forward. To provide high rigidity and improved NVH an enhanced compacted graphite bedplate is bolted to the block. The block design allows coolant flow between the cylinders bores, and an internal coolant bypass to a single poppet inlet thermostat is included in the cast aluminum front cover.

**CRANKSHAFT**

**DESCRIPTION**

The crankshaft is constructed of nodular cast iron. The crankshaft is a crossshaped four throw design with eight counterweights for balancing purposes. The crankshaft is supported by five select main bearings with the number three serving as the thrust washer location. The main journals of the crankshaft are cross drilled to improve rod bearing lubrication. The number eight counterweight has provisions for crankshaft position sensor target wheel mounting. The select fit main bearing markings are located on the rear side of the target wheel. The crankshaft oil seals are one piece design. The front oil seal is retained in the timing chain cover, and the rear seal is pressed in to a bore formed by the cylinder block and the bedplate assembly.

## DESCRIPTION AND OPERATION (Continued)

## PISTON AND CONNECTING ROD

## DESCRIPTION

**CAUTION:** Do not use a metal stamp to mark connecting rods as damage may result, instead use ink or a scratch awl.

## EARLY BUILD

The pistons are made of a high strength aluminum alloy with an anodized top ring groove and crown. Piston skirts are coated with a solid lubricant (Molykote) to reduce friction and provide scuff resistance. The connecting rods are made of forged powdered metal, with a "fractured cap" design. A pressed fit piston pin is used to attach the piston and connecting rod.

## LATE BUILD

The pistons are made of high strength aluminum alloy. The top ring groove and crown are **Not** anodized, instead the top ring is coated with an anti-scuff coating to reduce friction on the top ring. The piston skirts are coated with a solid lubricant (Molykote) to reduce friction and provide scuff resistance. The connecting rods are made of forged powdered metal, with a "fractured cap" design. A pressed fit piston pin is used to attach the piston and connecting rod.

## CYLINDER HEAD

## DESCRIPTION

The cylinder heads are made of an aluminum alloy. The cylinder head features two valves per cylinder with pressed in powdered metal valve guides. The cylinder heads also provide enclosures for the timing chain drain, necessitating unique left and right cylinder heads.

## VALVE GUIDES

## DESCRIPTION

The valve guides are made of powdered metal and are pressed into the cylinder head. The guides are not replaceable or serviceable, and valve guide reaming is not recommended. If the guides are worn beyond acceptable limits, replace the cylinder heads.

## VALVES

## DESCRIPTION

The valves are made of heat resistant steel and have chrome plated stems to prevent scuffing. Each valve is actuated by a roller rocker arm which pivots on a stationary lash adjuster. All valves use three bead lock keepers to retain the springs and promote valve rotation.

## VALVE STEM SEAL

## DESCRIPTION

The valve stem seals are made of rubber and incorporate an integral steel valve spring seat. The inte-

gral garter spring maintains consistent lubrication control to the valve stems.

## VALVE SPRING

## DESCRIPTION

The valve springs are made from high strength chrome silicon steel. The springs are common for intake and exhaust applications. The valve spring seat is integral with the valve stem seal, which is a positive type seal to control lubrication.

## HYDRAULIC LASH ADJUSTER

## DESCRIPTION

Valve lash is controlled by hydraulic lash adjusters that are stationary mounted in the cylinder heads. The lash adjusters have a hole in the ball plunger that feeds oil through the rocker arm squirt holes for rocker arm roller and camshaft lobe lubrication.

## TIMING DRIVE SYSTEM

## DESCRIPTION

The timing drive system has been designed to provide quiet performance and reliability to support a **non-free wheeling** engine. Specifically the intake valves are non-free wheeling and can be easily damaged with forceful engine rotation if camshaft-to-crankshaft timing is incorrect. The timing drive system consists of a primary chain and two secondary timing chain drives.

## OPERATION

The primary timing chain is a single inverted tooth type. The primary chain drives the large fifty tooth idler sprocket directly from a 25 tooth crankshaft sprocket. Primary chain motion is controlled by a pivoting leaf spring tensioner arm and a fixed guide. The arm and the guide both use nylon plastic wear faces for low friction and long wear. The primary chain receives oil splash lubrication from the secondary chain drive and oil pump leakage. The idler sprocket assembly connects the primary and secondary chain drives. The idler sprocket assembly consists of two integral thirty tooth sprockets and a fifty tooth sprocket that is splined to the assembly. The spline joint is a non - serviceable press fit anti rattle type. A spiral ring is installed on the outboard side of the fifty tooth sprocket to prevent spline disengagement. The idler sprocket assembly spins on a stationary idler shaft. The idler shaft is press-fit into the cylinder block. A large washer on the idler shaft bolt and the rear flange of the idler shaft are used to control sprocket thrust movement. Pressurized oil is routed through the center of the idler shaft to provide lubrication for the two bushings used in the idler sprocket assembly.

## DESCRIPTION AND OPERATION (Continued)

There are two secondary drive chains, both are inverted tooth type, one to drive the camshaft in each SOHC cylinder head. There are no shaft speed changes in the secondary chain drive system. Each secondary chain drives a thirty tooth cam sprocket directly from the thirty tooth sprocket on the idler sprocket assembly. A fixed chain guide and a hydraulic oil damped tensioner are used to maintain tension in each secondary chain system. The hydraulic tensioners for the secondary chain systems are fed pressurized oil from oil reservoir pockets in the block. Each tensioner also has a mechanical ratchet system that limits chain slack if the tensioner piston bleeds down after engine shut down. The tensioner arms and guides also utilize nylon wear faces for low friction and long wear. The secondary timing chains receive lubrication from a small orifice in the tensioners. This orifice is protected from clogging by a fine mesh screen which is located on the back of the hydraulic tensioners.

### CAMSHAFT

#### DESCRIPTION

The camshafts consist of powdered metal steel lobes which are sinter-bonded to a steel tube. A steel post or nose piece is friction-welded to the steel camshaft tube. Five bearing journals are machined into the camshaft, four on the steel tube and one on the steel nose piece. Camshaft end play is controlled by two thrust walls that border the nose piece journal. Engine oil enters the hollow camshafts at the third journal and lubricates every intake lobe rocker through a drilled passage in the intake lobe.

### ROCKER ARM

#### DESCRIPTION

The rocker arms are steel stampings with an integral roller bearing. The rocker arms incorporate a 2.8 mm (0.11 inch) oil hole in the lash adjuster socket for roller and camshaft lubrication.

### CYLINDER HEAD COVER

#### DESCRIPTION

The cylinder head covers are made of die cast magnesium, and are not interchangeable from side-to-side. It is imperative that nothing rest on the cylinder head covers. Prolonged contact with other items may wear a hole in the cylinder head cover.

### OIL PAN

#### DESCRIPTION

The engine oil pan is made of laminated steel and has a single plane sealing surface. The sandwich style oil pan gasket has an integrated windage tray and steel carrier. The sealing area of the gasket is molded with rubber and is designed to be reused as long as the gasket is not cut, torn or ripped.

### STRUCTURAL DUST COVER

#### DESCRIPTION

The structural dust cover is made of die cast aluminum and joins the lower half of the transmission bell housing to the engine bedplate.

#### OPERATION

The structural cover provides additional powertrain stiffness and reduces noise and vibration.

### INTAKE MANIFOLD

#### DESCRIPTION

The intake manifold is made of a composite material and features long runners which maximizes low end torque. The intake manifold uses single plane sealing which consist of eight individual press in place port gaskets to prevent leaks. Eight studs and two bolts are used to fasten the intake to the head.

### EXHAUST MANIFOLD

#### DESCRIPTION

The exhaust manifolds are log style with a patented flow enhancing design to maximize performance. The exhaust manifolds are made of high silicon molybdenum cast iron. A perforated core graphite exhaust manifold gasket is used to improve sealing to the cylinder head. The exhaust manifolds are covered by a three layer laminated heat shield for thermal protection and noise reduction. The heat shields are fastened with a torque prevailing nut that is backed off slightly to allow for the thermal expansion of the exhaust manifold.

## DIAGNOSIS AND TESTING

### ENGINE DIAGNOSIS—INTRODUCTION

Engine diagnosis is helpful in determining the causes of malfunctions not detected and remedied by routine maintenance.

These malfunctions may be classified as either performance (e.g., engine idles rough and stalls) or mechanical (e.g., a strange noise).

## DIAGNOSIS AND TESTING (Continued)

Refer to the Service Diagnosis—Performance chart and the Service Diagnosis—Mechanical chart for possible causes and corrections of malfunctions. Refer to Group 14, Fuel System for the fuel system diagnosis.

Additional tests and diagnostic procedures may be necessary for specific engine malfunctions that can not be isolated with the Service Diagnosis charts. Information concerning additional tests and diagnosis is provided within the following diagnosis:

- Cylinder Compression Pressure Test.
- Cylinder Combustion Pressure Leakage Test.
- Engine Cylinder Head Gasket Failure Diagnosis.
- Intake Manifold Leakage Diagnosis.

**INTAKE MANIFOLD LEAKAGE DIAGNOSIS**

An intake manifold air leak is characterized by lower than normal manifold vacuum. Also, one or more cylinders may not be functioning.

**WARNING: USE EXTREME CAUTION WHEN THE ENGINE IS OPERATING. DO NOT STAND IN A DIRECT LINE WITH THE FAN. DO NOT PUT YOUR HANDS NEAR THE PULLEYS, BELTS OR THE FAN. DO NOT WEAR LOOSE CLOTHING.**

- (1) Start the engine.
- (2) Spray a small stream of water at the suspected leak area.
- (3) If a change in RPM is observed the area of the suspected leak has been found.
- (4) Repair as required.

**CYLINDER COMPRESSION PRESSURE TEST**

The results of a cylinder compression pressure test can be utilized to diagnose several engine malfunctions.

Ensure the battery is completely charged and the engine starter motor is in good operating condition. Otherwise the indicated compression pressures may not be valid for diagnosis purposes.

- (1) Disconnect the ignition coil tower electrical connectors and remove ignition coil towers.
- (2) Remove the spark plugs.
- (3) Clean the spark plug recesses with compressed air.
- (4) Secure the throttle in the wide-open position.
- (5) Disable the fuel system. (Refer to Group 14, Fuel System for the correct procedure)
- (6) Insert a compression pressure gauge and rotate the engine with the engine starter motor for three revolutions.
- (7) Record the compression pressure on the 3rd revolution. Continue the test for the remaining cylinders.

Refer to Engine Specifications for the correct engine compression pressures.

**CYLINDER HEAD GASKET FAILURE DIAGNOSIS**

A cylinder head gasket leak can be located between adjacent cylinders or between a cylinder and the adjacent water jacket.

• Possible indications of the cylinder head gasket leaking between adjacent cylinders are:

- Loss of engine power
- Engine misfiring
- Poor fuel economy

• Possible indications of the cylinder head gasket leaking between a cylinder and an adjacent water jacket are:

- Engine overheating
- Loss of coolant
- Excessive steam (white smoke) emitting from exhaust
- Coolant foaming

**CYLINDER-TO-CYLINDER LEAKAGE TEST**

To determine if an engine cylinder head gasket is leaking between adjacent cylinders, follow the procedures in Cylinder Compression Pressure Test in this section. An engine cylinder head gasket leaking between adjacent cylinders will result in approximately a 50–70% reduction in compression pressure.

**CYLINDER-TO-WATER JACKET LEAKAGE TEST**

**WARNING: USE EXTREME CAUTION WHEN THE ENGINE IS OPERATING WITH COOLANT PRESSURE CAP REMOVED.**

**VISUAL TEST METHOD**

With the engine cool, remove the coolant pressure cap. Start the engine and allow it to warm up until thermostat opens.

If a large combustion/compression pressure leak exists, bubbles will be visible in the coolant.

**COOLING SYSTEM TESTER METHOD**

**WARNING: WITH COOLING SYSTEM TESTER IN PLACE, PRESSURE WILL BUILD UP FAST. EXCESSIVE PRESSURE BUILT UP, BY CONTINUOUS ENGINE OPERATION, MUST BE RELEASED TO A SAFE PRESSURE POINT. NEVER PERMIT PRESSURE TO EXCEED 138 kPa (20 psi).**

Install Cooling System Tester 7700 or equivalent to pressure cap neck. Start the engine and observe the tester's pressure gauge. If gauge pulsates with every power stroke of a cylinder a combustion pressure leak is evident.



DIAGNOSIS AND TESTING (Continued)

CHEMICAL TEST METHOD

Combustion leaks into the cooling system can also be checked by using Bloc-Chek Kit C-3685-A or equivalent. Perform test following the procedures supplied with the tool kit.

CYLINDER COMBUSTION PRESSURE LEAKAGE TEST

The combustion pressure leakage test provides an accurate means for determining engine condition.

Combustion pressure leakage testing will detect:

- Exhaust and intake valve leaks (improper seating).
- Leaks between adjacent cylinders or into water jacket.
- Any causes for combustion/compression pressure loss.

(1) Check the coolant level and fill as required. DO NOT install the radiator cap.

(2) Start and operate the engine until it attains normal operating temperature, then turn the engine OFF.

(3) Disconnect ignition coil tower electrical connectors.

(4) Remove ignition coil towers.

(5) Remove the spark plugs.

(6) Remove the oil filler cap.

(7) Remove the air cleaner.

(8) Calibrate the tester according to the manufacturer's instructions. The shop air source for testing should maintain 483 kPa (70 psi) minimum, 1,379 kPa (200 psi) maximum and 552 kPa (80 psi) recommended.

(9) Perform the test procedures on each cylinder according to the tester manufacturer's instructions. While testing, listen for pressurized air escaping through the throttle body, tailpipe and oil filler cap opening. Check for bubbles in the radiator coolant.

All gauge pressure indications should be equal, with no more than 25% leakage.

**FOR EXAMPLE:** At 552 kPa (80 psi) input pressure, a minimum of 414 kPa (60 psi) should be maintained in the cylinder.

Refer to the Cylinder Combustion Pressure Leakage Test Diagnosis chart.

CYLINDER COMBUSTION PRESSURE LEAKAGE DIAGNOSIS CHART

CONDITION	POSSIBLE CAUSE	CORRECTION
AIR ESCAPES THROUGH THROTTLE BODY	Intake valve bent, burnt, or not seated properly	Inspect valve and valve seat. Reface or replace, as necessary
AIR ESCAPES THROUGH TAILPIPE	Exhaust valve bent, burnt, or not seated properly	Inspect valve and valve seat. Reface or replace, as necessary
AIR ESCAPES THROUGH RADIATOR	Head gasket leaking or cracked cylinder head or block	Remove cylinder head and inspect. Replace defective part
MORE THAN 50% LEAKAGE FROM ADJACENT CYLINDERS	Head gasket leaking or crack in cylinder head or block between adjacent cylinders	Remove cylinder head and inspect. Replace gasket, head, or block as necessary
MORE THAN 25% LEAKAGE AND AIR ESCAPES THROUGH OIL FILLER CAP OPENING ONLY	Stuck or broken piston rings; cracked piston; worn rings and/or cylinder wall	Inspect for broken rings or piston. Measure ring gap and cylinder diameter, taper and out-of-round. Replace defective part as necessary

ENGINE OIL LEAK INSPECTION

Begin with a thorough visual inspection of the engine, particularly at the area of the suspected leak. If an oil leak source is not readily identifiable, the following steps should be followed:

(1) Do not clean or degrease the engine at this time because some solvents may cause rubber to swell, temporarily stopping the leak.

(2) Add an oil soluble dye (use as recommended by manufacturer). Start the engine and let idle for approximately 15 minutes. Check the oil dipstick to

make sure the dye is thoroughly mixed as indicated with a bright yellow color under a black light.

(3) Using a black light, inspect the entire engine for fluorescent dye, particularly at the suspected area of oil leak. If the oil leak is found and identified, repair per service manual instructions.

(4) If dye is not observed, drive the vehicle at various speeds for approximately 24km (15 miles), and repeat inspection.



## DIAGNOSIS AND TESTING (Continued)

(4) **If the oil leak source is not positively identified at this time**, proceed with the air leak detection test method.

**Air Leak Detection Test Method**

(1) Disconnect the breather cap to air cleaner hose at the breather cap end. Cap or plug breather cap nipple.

(2) Remove the PCV valve from the cylinder head cover. Cap or plug the PCV valve grommet.

(3) Attach an air hose with pressure gauge and regulator to the dipstick tube.

**CAUTION: Do not subject the engine assembly to more than 20.6 kpa (3 PSI) of test pressure.**

(4) Gradually apply air pressure from 1 psi to 2.5 psi maximum while applying soapy water at the suspected source. Adjust the regulator to the suitable test pressure that provide the best bubbles which will pinpoint the leak source. If the oil leak is detected and identified, repair per service manual procedures.

(5) If the leakage occurs at the rear oil seal area, refer to the section, Inspection for Rear Seal Area Leak.

(6) If no leaks are detected, turn off the air supply and remove the air hose and all plugs and caps. Install the PCV valve and breather cap hose.

(7) Clean the oil off the suspect oil leak area using a suitable solvent. Drive the vehicle at various speeds approximately 24 km (15 miles). Inspect the engine for signs of an oil leak by using a black light.

**INSPECTION FOR REAR SEAL AREA LEAKS**

Since it is sometimes difficult to determine the source of an oil leak in the rear seal area of the engine, a more involved inspection is necessary. The following steps should be followed to help pinpoint the source of the leak.

If the leakage occurs at the crankshaft rear oil seal area:

(1) Disconnect the battery.  
 (2) Raise the vehicle.  
 (3) Remove torque converter or clutch housing cover and inspect rear of block for evidence of oil. Use a black light to check for the oil leak:

(a) Circular spray pattern generally indicates seal leakage or crankshaft damage.

(b) Where leakage tends to run straight down, possible causes are a porous block, camshaft position sensor ( 4.0L ) seal, camshaft bore cup plugs oil galley pipe plugs, oil filter runoff, and main bearing cap to cylinder block mating surfaces.

(4) If no leaks are detected, pressurize the crankcase as outlined in the, Inspection (Engine oil Leaks in general)

**CAUTION: Do not exceed 20.6 kPa (3 psi).**

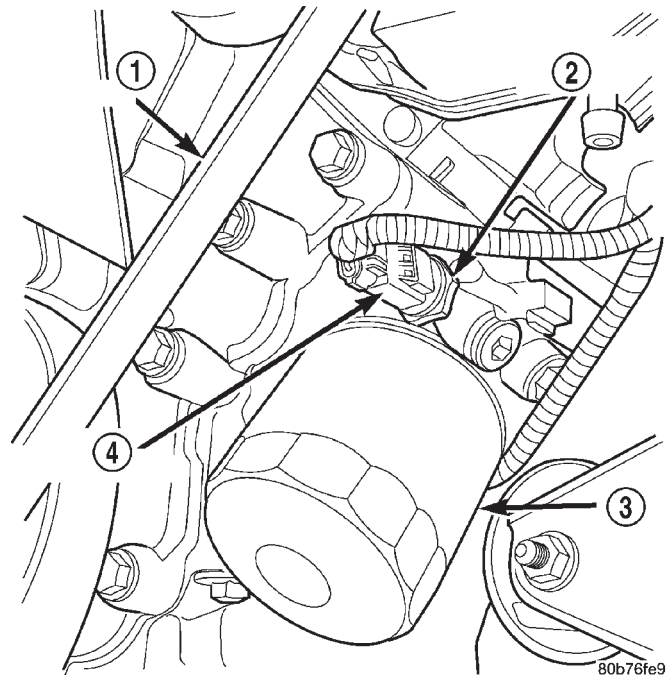
(5) If the leak is not detected, very slowly turn the crankshaft and watch for leakage. If a leak is detected between the crankshaft and seal while slowly turning the crankshaft, it is possible the crankshaft seal surface is damaged. The seal area on the crankshaft could have minor nicks or scratches that can be polished out with emery cloth.

**CAUTION: Use extreme caution when crankshaft polishing is necessary to remove minor nicks and scratches. The crankshaft seal flange is especially machined to complement the function of the rear oil seal.**

(6) For bubbles that remain steady with shaft rotation, no further inspection can be done until disassembled.

**CHECKING ENGINE OIL PRESSURE**

(1) Remove oil pressure sending unit (Fig. 4) and install gauge assembly C-3292.



**Fig. 4 Oil Pressure Sending Unit**

- 1 - BELT
- 2 - OIL PRESSURE SENSOR
- 3 - OIL FILTER
- 4 - ELEC. CONNECTOR

(2) Run engine until thermostat opens.

(3) Oil Pressure:

- Curb Idle—25 Kpa (4 psi) minimum
- 3000 rpm—170 - 550 KPa (25 - 80 psi)

DIAGNOSIS AND TESTING (Continued)

(4) If oil pressure is 0 at idle, shut off engine. Check for a clogged oil pick-up screen or a pressure relief valve stuck open.

**HYDRAULIC LASH ADJUSTER NOISE DIAGNOSIS**

A tappet-like noise may be produced from several items. Check the following items.

(1) Engine oil level too high or too low. This may cause aerated oil to enter the adjusters and cause them to be spongy.

(2) Insufficient running time after rebuilding cylinder head. Low speed running up to 1 hour may be required.

(3) Turn engine off and let set for a few minutes before restarting. Repeat this several times after engine has reached normal operating temperature.

(4) Low oil pressure.

(5) The oil restrictor in cylinder head gasket or the oil passage to the cylinder head is plugged with debris.

(6) Air ingested into oil due to broken or cracked oil pump pick up.

(7) Worn valve guides.

(8) Rocker arm ears contacting valve spring retainer.

(9) Rocker arm loose, adjuster stuck or at maximum extension and still leaves lash in the system.

(10) Faulty lash adjuster.

a. Check lash adjusters for sponginess while installed in cylinder head and cam on camshaft at base circle. Depress part of rocker arm over adjuster. Normal adjusters should feel very firm. Spongy adjusters can be bottomed out easily.

b. Remove suspected lash adjusters, and replace.

c. Before installation, make sure adjusters are at least partially full of oil. This can be verified by little or no plunger travel when lash adjuster is depressed.

**ENGINE DIAGNOSIS—PERFORMANCE**

CONDITION	POSSIBLE CAUSE	CORRECTION
ENGINE WILL NOT START	1. Weak battery.  2. Corroded or loose battery connections.  3. Faulty starter.  4. Faulty coil towers or coil rail.  5. Incorrect spark plug gap.  6. Contamination in fuel system.  7. Faulty fuel pump.  8. Incorrect engine timing.	1. Test battery. Charge or replace as necessary. Refer to Group 8A, Battery.  2. Clean and tighten battery connections. Apply a coat of light mineral grease to terminals.  3. Test starting system. Refer to Group 8B, Starting.  4. Test and replace as needed. Refer to Group 8D, Ignition System.  5. Set gap. Refer to Group 8D, Ignition System.  6. Clean system and replace fuel filter.  7. Test fuel pump and replace as needed. Refer to Group 14, Fuel System.  8. Check for a worn timing chain(s) or a loose camshaft sprocket.

## DIAGNOSIS AND TESTING (Continued)

CONDITION	POSSIBLE CAUSE	CORRECTION
ENGINE STALLS OR IDLES ROUGH	<ol style="list-style-type: none"> <li>1. Idle speed too low.</li> <li>2. Incorrect fuel mixture.</li> <li>3. Intake manifold leakage.</li> <li>4. Faulty coil towers or coil rail.</li> </ol>	<ol style="list-style-type: none"> <li>1. Test minimum air flow. Refer to Group 14, Fuel System.</li> <li>2. Refer to Group 14, Fuel System.</li> <li>3. Inspect intake manifold, manifold gasket, and vacuum hoses. Refer to Intake Manifold in this section.</li> <li>4. Test and replace as necessary. Refer to Group 8D, Ignition System.</li> </ol>
ENGINE LOSS OF POWER	<ol style="list-style-type: none"> <li>1. Dirty or incorrectly gapped plugs.</li> <li>2. Contamination in fuel system.</li> <li>3. Faulty fuel pump.</li> <li>4. Incorrect valve timing.</li> <li>5. Leaking cylinder head gasket.</li> <li>6. Low compression.</li> <li>7. Burned, warped, or pitted valves.</li> <li>8. Plugged or restricted exhaust system.</li> <li>9. Faulty coil towers or rail coil system.</li> </ol>	<ol style="list-style-type: none"> <li>1. Clean plugs and set gap. Refer to Group 8D, Ignition System.</li> <li>2. Clean system and replace fuel filter.</li> <li>3. Test and replace as necessary. Refer to Group 14, Fuel System.</li> <li>4. Check for a worn timing chain(s) or a loose camshaft sprocket.</li> <li>5. Replace cylinder head gasket.</li> <li>6. Test compression of each cylinder.</li> <li>7. Replace valves.</li> <li>8. Install new parts, as necessary.</li> <li>9. Test and replace as necessary. Refer to Group 8D, Ignition System.</li> </ol>
ENGINE MISSES ON ACCELERATION	<ol style="list-style-type: none"> <li>1. Dirty or incorrectly gapped spark plugs.</li> <li>2. Contamination in Fuel System.</li> <li>3. Burned, warped, or pitted valves.</li> <li>4. Faulty coil towers or rail coil system.</li> </ol>	<ol style="list-style-type: none"> <li>1. Clean spark plugs and set gap. Refer to Group 8D, Ignition System.</li> <li>2. Clean fuel system and replace fuel filter.</li> <li>3. Replace valves.</li> <li>4. Test and replace as necessary. Refer to Group 8D, Ignition System.</li> </ol>
ENGINE MISSES AT HIGH SPEED	<ol style="list-style-type: none"> <li>1. Dirty or incorrect spark plug gap.</li> <li>2. Faulty coil towers or rail coil system.</li> <li>3. Dirty fuel injector(s).</li> <li>4. Contamination in fuel system.</li> </ol>	<ol style="list-style-type: none"> <li>1. Clean spark plugs and set gap. Refer to Group 8D, Ignition System.</li> <li>2. Test and replace as necessary. Refer to Group 8D, Ignition System.</li> <li>Test and replace as necessary. Refer to Group 14, Fuel System.</li> <li>4. Clean system and replace fuel filter.</li> </ol>

DIAGNOSIS AND TESTING (Continued)

**ENGINE—MECHANICAL**

CONDITION	POSSIBLE CAUSES	CORRECTION
NOISY VALVES	<ol style="list-style-type: none"> <li>1. High or low oil level in crankcase</li> <li>2. Thin or diluted oil.</li> <li>3. Low oil pressure.</li> <li>4. Dirt in lash adjusters.</li> <li>5. Worn rocker arms.</li>   <li>6. Worn lash adjusters.</li> <li>7. Worn valve guides.</li> <li>8. Excessive runout of valve seats or valve faces.</li> </ol>	<ol style="list-style-type: none"> <li>1. Check for correct oil level.</li> <li>2. Change oil and filter.</li> <li>3. Check oil pump output pressure</li> <li>4. Clean lash adjusters.</li> <li>5. Replace rocker arm. Inspect camshaft and lash adjuster for wear. Replace as necessary.</li> <li>6. Replace lash adjusters.</li> <li>7. Replace cylinder head.</li> <li>8. Grind valve seats and valves.</li> </ol>
CONNECTING ROD NOISE	<ol style="list-style-type: none"> <li>1. Insufficient oil supply.</li> <li>2. Low oil pressure.</li> <li>3. Thin or diluted oil.</li> <li>4. Excessive bearing clearance.</li>   <li>5. Connecting rod journal out-of-round.</li> <li>6. Bent connecting rod.</li> </ol>	<ol style="list-style-type: none"> <li>1. Verify oil level.</li> <li>2. Check oil pump output pressure.</li> <li>3. Change oil and filter.</li> <li>4. Measure bearing clearance. Replace as necessary.</li> <li>5. Repair or replace crankshaft.</li> <li>6. Replace bent connecting rod.</li> </ol>
MAIN BEARING NOISE	<ol style="list-style-type: none"> <li>1. Insufficient oil supply.</li> <li>2. Low oil pressure.</li> <li>3. Thin or diluted oil.</li> <li>4. Excessive bearing clearance.</li> <li>5. Excessive end play.</li>   <li>6. Crankshaft journal out-of-round, worn.</li> <li>7. Loose flywheel or torque converter.</li> </ol>	<ol style="list-style-type: none"> <li>1. Check and correct oil level.</li> <li>2. Check oil pump output pressure. Change oil and filter.</li> <li>4. Replace bearings.</li> <li>6. Check front and rear thrust washers at No. 3 main bearing location.</li> <li>6. Grind journals or replace crankshaft.</li> <li>7. Tighten to correct torque.</li> </ol>

## DIAGNOSIS AND TESTING (Continued)

## ENGINE—LUBRICATION

CONDITION	POSSIBLE CAUSE	CORRECTION
Oil Leaks	<ol style="list-style-type: none"> <li>1. Gaskets and O-Rings               <ol style="list-style-type: none"> <li>(a) Misaligned, Torn or Deteriorated.</li> <li>(b) Loose fastener, broken or porous metal.</li> </ol> </li> <li>2. Crankshaft Rear Seal               <ol style="list-style-type: none"> <li>(a) Misaligned, inverted or torn lip.</li> <li>(b) Torn, cut or shaved seal back bead.</li> </ol> </li> <li>3. Crankshaft Seal Flange               <ol style="list-style-type: none"> <li>(a) Scratched, nicked or grooved.</li> </ol> </li> <li>4. Cylinder block to mating surface.               <ol style="list-style-type: none"> <li>(a) Inadequate sealant.</li> <li>(b) Oil hole burr.</li> </ol> </li> <li>5. Oil Pan to Rear Main Cap Sealant.               <ol style="list-style-type: none"> <li>(a) Inadequate or mislocated sealant.</li> <li>(b) Torn, cut or damaged oil pan gasket.</li> <li>(c) Cracked or damaged oil pan.</li> </ol> </li> <li>6. Chain Case Cover Seal               <ol style="list-style-type: none"> <li>(a) Misaligned, or misinstalled.</li> <li>(b) Torn, cut or damaged seal casing or cover bore.</li> <li>(c) Scratched or damaged vibration damper hub.</li> </ol> </li> </ol>	<ol style="list-style-type: none"> <li>1.           <ol style="list-style-type: none"> <li>(a) Replace.</li> </ol>           Tighten, repair or replace.         </li> <li>2.           <ol style="list-style-type: none"> <li>(a) Replace seal.</li> <li>(b) Replace Seal.</li> </ol> </li> <li>3.           <ol style="list-style-type: none"> <li>(a) Replace or polish if necessary.</li> </ol> </li> <li>4.           <ol style="list-style-type: none"> <li>(a) Apply sealant per service manual.</li> <li>(b) Carefully stone or chamfer hole.</li> </ol> </li> <li>5.           <ol style="list-style-type: none"> <li>(a) Apply sealant per service manual.</li> <li>(b) Replace gasket.</li> <li>(c) Replace oil pan.</li> </ol> </li> <li>6.           <ol style="list-style-type: none"> <li>(a) Replace.</li> <li>(b) Replace seal.</li> </ol> </li> <li>(c) Minor damaged can be polished out; otherwise replace vibration damper.</li> </ol>
Oil Pressure Drop	<ol style="list-style-type: none"> <li>1. Low Oil Level.</li> <li>2. Faulty Oil Pressure Sending Unit.</li> <li>3. Low Oil Pressure</li> <li>4. Clogged Oil Filter.</li> <li>5. Worn Parts in Oil Pump.</li> <li>6. Thin or Diluted Oil.</li> <li>7. Oil Pump Relief Valve Stuck.</li> <li>8. Oil Pump Suction Tube Loose, Bent or Cracked.</li> <li>9. Oil Pump Cover Warped or Cracked.</li> </ol>	<ol style="list-style-type: none"> <li>1. Check engine oil level correct as necessary.</li> <li>2. Replace sending unit.</li> <li>3. Check main bearing oil clearance.</li> <li>4. Replace oil filter.</li> <li>5. Replace oil pump.</li> <li>Change oil to correct viscosity.</li> <li>7. Replace oil pump.</li> <li>8. Replace suction tube.</li> <li>9. Replace oil pump.</li> </ol>
Oil Pumping at Rings; Spark Plugs Fouling	<ol style="list-style-type: none"> <li>1. Worn Scuffed or Broken Rings.</li> <li>2. Carbon in Oil Ring Slot.</li> <li>3. Rings Fitted too Tightly in Grooves.</li> <li>4. Worn Valve Guides</li> <li>5. Leaking Intake Gasket</li> <li>6. Leaking Valve Guide Seals.</li> </ol>	<ol style="list-style-type: none"> <li>1. Hone cylinder bores and replace rings.</li> <li>2. Replace Rings.</li> <li>3. Measure piston grooves, if incorrect depth replace piston. Replace rings.</li> <li>Service guides per service manual.</li> <li>5. Replace intake gaskets.</li> <li>6. Replace seals.</li> </ol>

## SERVICE PROCEDURES

### ENGINE TIMING—VERIFICATION

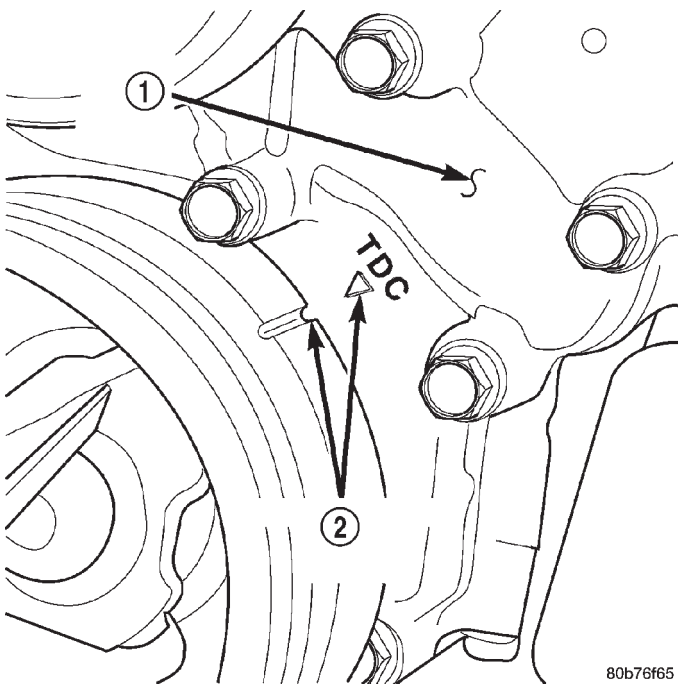
**CAUTION:** The 4.7L is a non free-wheeling design engine. Therefore, correct engine timing is critical.

**NOTE:** Components referred to as left hand or right hand are as viewed from the drivers position inside the vehicle.

**NOTE:** The blue link plates on the chains and the dots on the camshaft drive sprockets may not line up during the timing verification procedure. The blue link plates are lined up with the sprocket dots only when re-timing the complete timing drive. Once the timing drive is rotated blue link-to-dot alignment is no longer valid.

Engine base timing can be verified by the following procedure:

- (1) Remove the cylinder head covers. Refer to the procedure in this section.
- (2) Using a mirror, locate the TDC arrow on the front cover (Fig. 5). Rotate the crankshaft until the mark on the crankshaft damper is aligned with the TDC arrow on the front cover. The engine is now at TDC.



**Fig. 5 Engine Top Dead Center (TDC) Indicator Mark**

- 1 - TIMING CHAIN COVER
- 2 - CRANKSHAFT TIMING MARKS

(3) Note the location of the V8 mark stamped into the camshaft drive gears (Fig. 6). If the V8 mark on each camshaft drive gear is at the twelve o'clock position, the engine is at TDC on the exhaust stroke. If the V8 mark on each gear is at the six o'clock position, the engine is at TDC on the compression stroke.

(4) If both of the camshaft drive gears are off in the same or opposite directions, the primary chain or both secondary chains are at fault. Refer to Timing Chain and Sprockets procedure in this section.

(5) If only one of the camshaft drive gears is off and the other is correct, the problem is confined to one secondary chain. Refer to Single camshaft timing, in this procedure.

(6) If both camshaft drive gear V8 marks are at the twelve o'clock or the six o'clock position the engine base timing is correct. Reinstall the cylinder head covers.

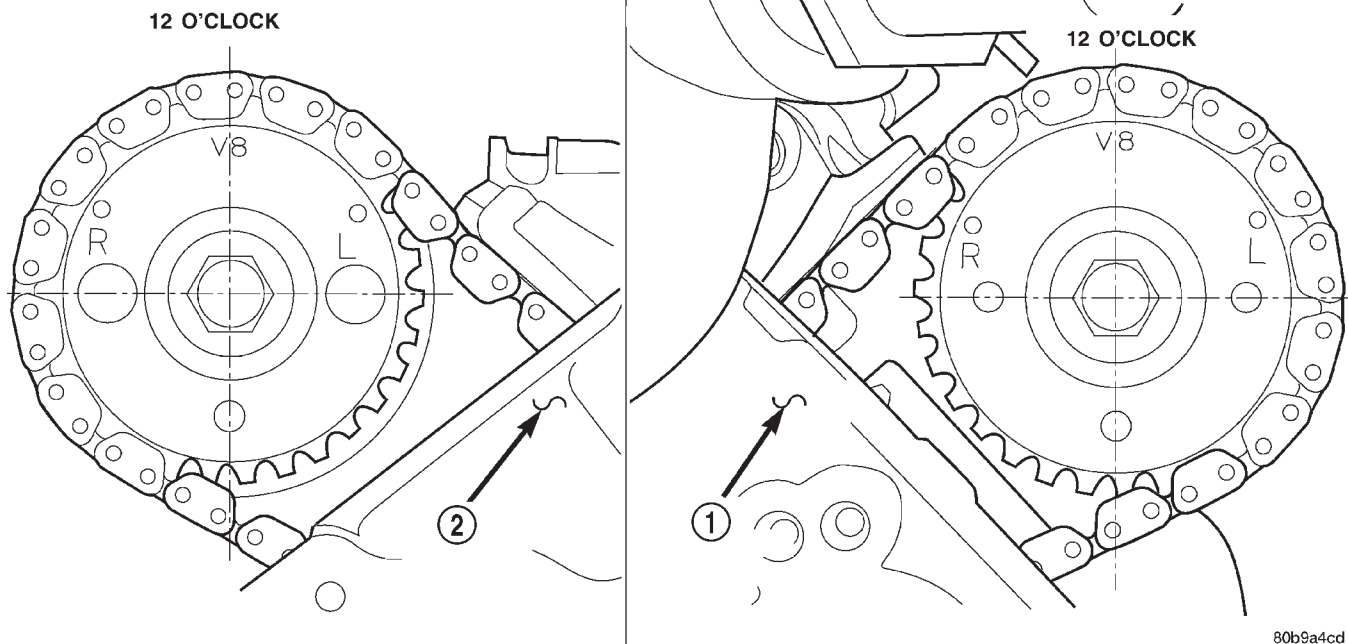
### SINGLE CAMSHAFT TIMING

**NOTE:** to adjust the timing on one camshaft, perform the following procedure.

- (1) Using Chain Tensioner Wedge, special tool 8350, stabilize the secondary chain drive. For reference purposes, mark the chain-to-sprocket position (Fig. 7).



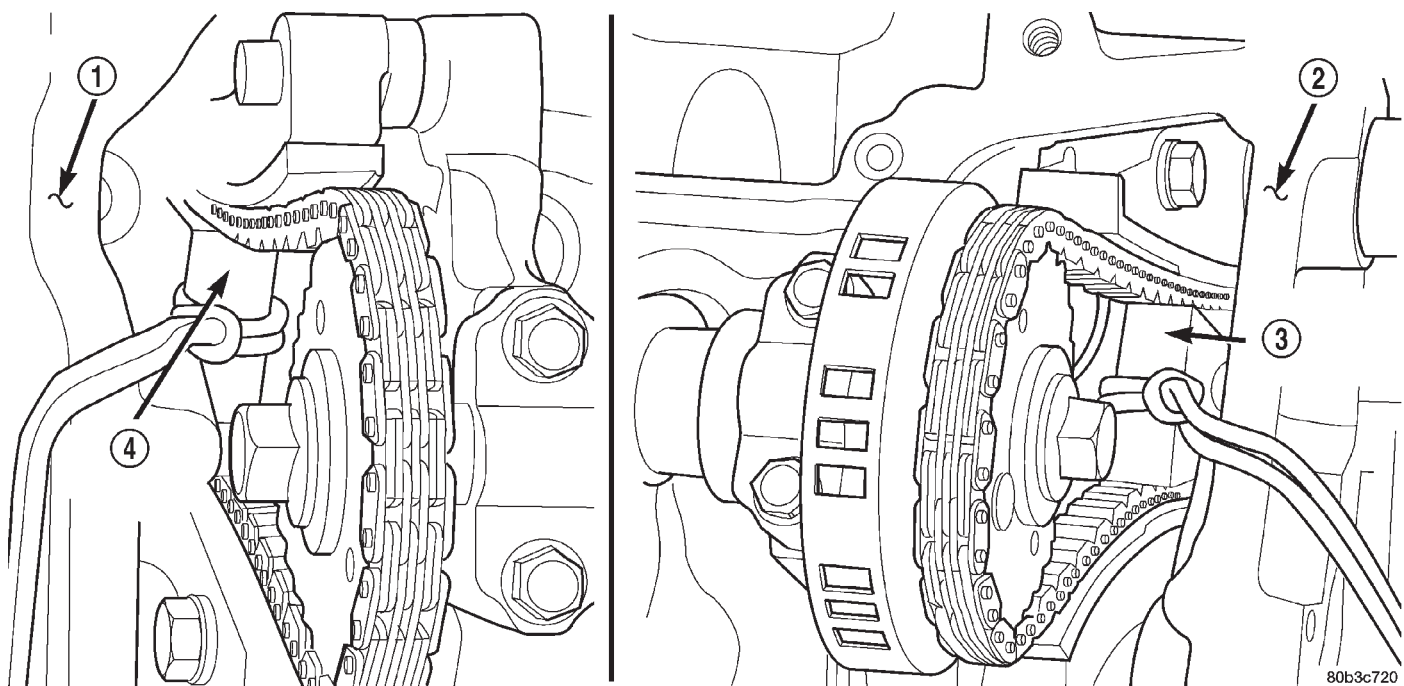
SERVICE PROCEDURES (Continued)



80b9a4cd

**Fig. 6 Camshaft Sprocket V8 Marks**

- 1 - LEFT CYLINDER HEAD
- 2 - RIGHT CYLINDER HEAD



80b3c720

**Fig. 7 Securing Timing Chain Tensioners Using Timing Chain Wedge**

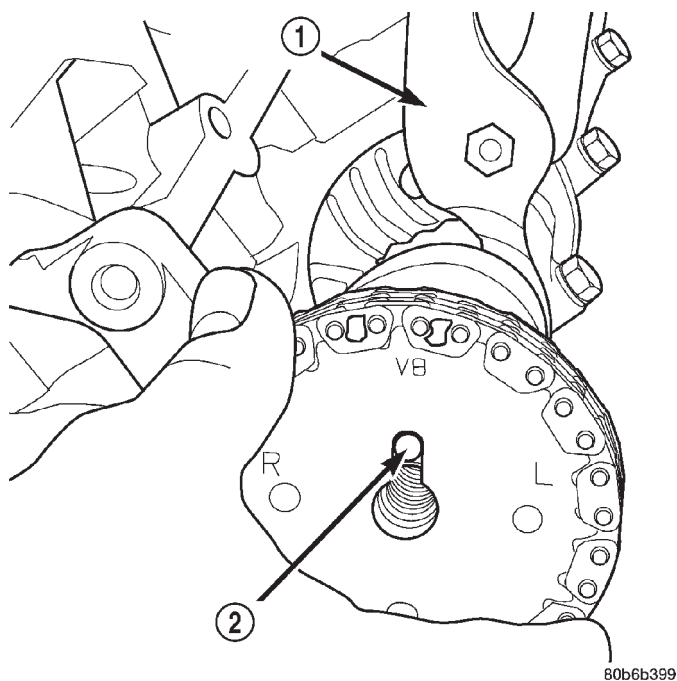
- 1 - LEFT CYLINDER HEAD
- 2 - RIGHT CYLINDER HEAD
- 3 - SPECIAL TOOL 8350 WEDGE
- 4 - SPECIAL TOOL 8350 WEDGE

SERVICE PROCEDURES (Continued)

- (2) Remove the camshaft drive gear retaining bolt.
- (3) Carefully remove the camshaft drive gear from the camshaft.
- (4) Re-index the camshaft drive gear in the chain until the V8 mark is at the same position as the V8 mark on the opposite camshaft drive gear.

**NOTE:** When gripping the camshaft, place the pliers on the tube portion of the camshaft only. Do not grip the lobes or the sprocket areas.

- (5) Using a suitable pair of adjustable pliers, rotate the camshaft until the alignment dowel on the camshaft is aligned with the slot in the camshaft drive gear (Fig. 8).

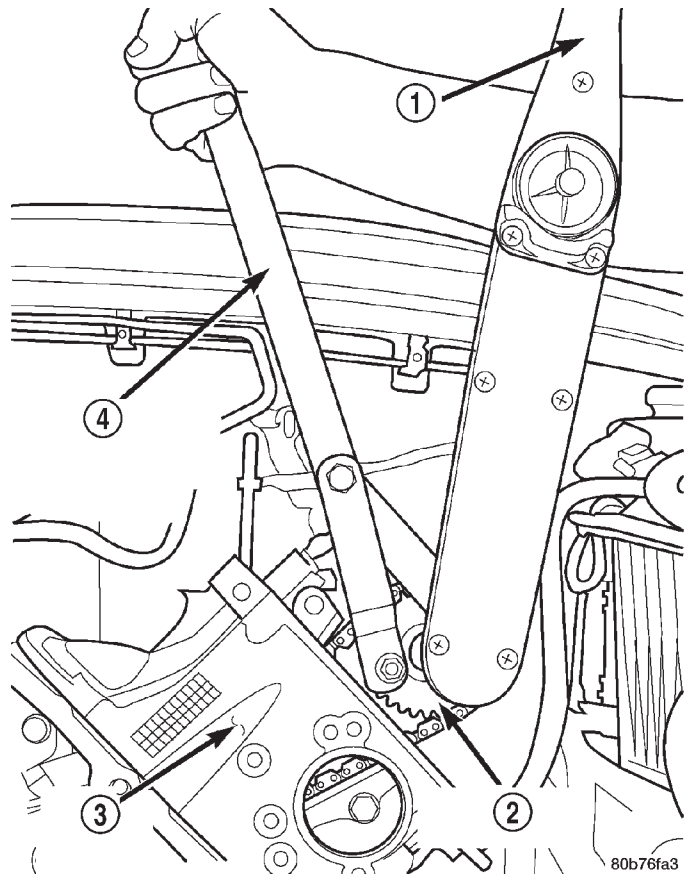


**Fig. 8 Camshaft Dowel To Sprocket Alignment**

- 1 - ADJUSTABLE PLIERS
- 2 - CAMSHAFT DOWEL

**CAUTION:** Remove excess oil from camshaft sprocket retaining bolt before reinstalling bolt. Failure to do so may cause over-torquing of bolt resulting in bolt failure.

- (6) Position the camshaft drive gear onto the camshaft, remove oil from bolt then install the retaining bolt. Using Special Tools, Spanner Wrench 6958 with Adapter Pins 8346 and a suitable torque wrench, Tighten retaining bolt to 122N·m (90 ft. Lbs.) (Fig. 9) (Fig. 10).
- (7) Remove special tool 8350.
- (8) Rotate the crankshaft two full revolutions, then reverify that the camshaft drive gear V8 marks are in fact aligned.



**Fig. 9 Camshaft Sprocket Installation—Left Cylinder Head**

- 1 - TORQUE WRENCH
- 2 - CAMSHAFT SPROCKET
- 3 - LEFT CYLINDER HEAD
- 4 - SPECIAL TOOL 6958 SPANNER WITH ADAPTER PINS 8346

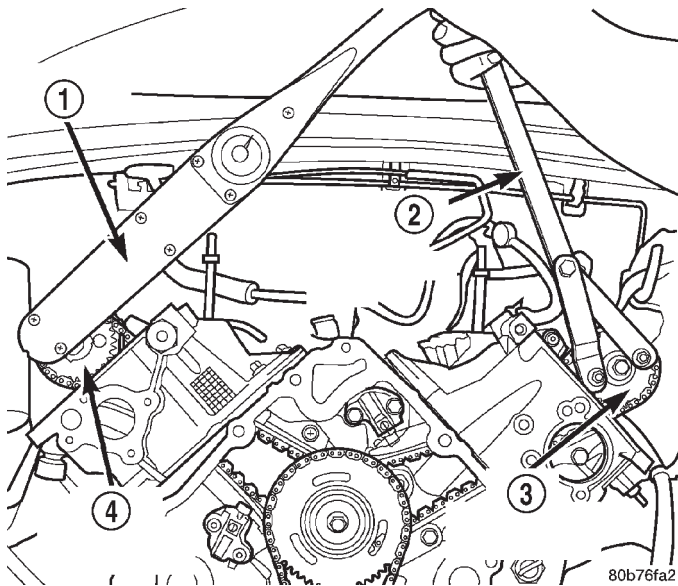
- (9) Install the cylinder head covers. Refer to Cylinder Head Cover in this section.

**TIMING CHAIN—MEASURING WEAR**

**NOTE:** This procedure must be performed with the timing chain cover removed.

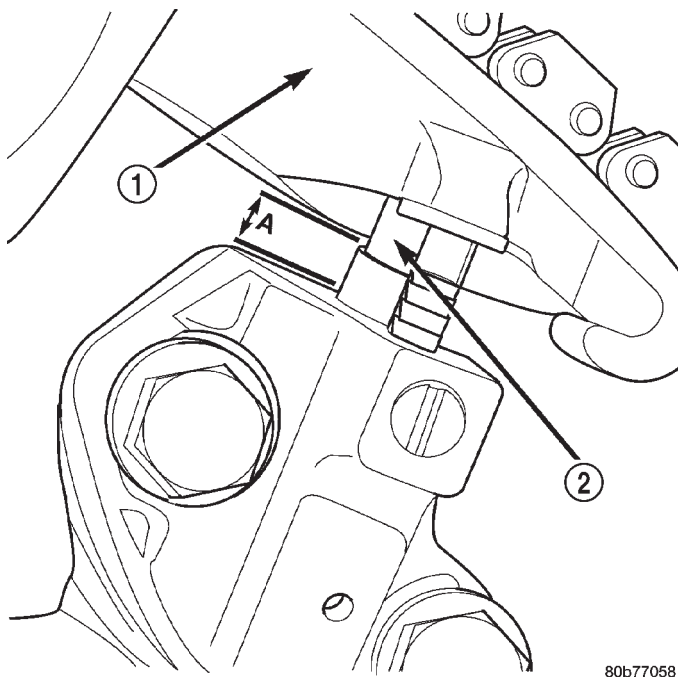
- (1) Remove the timing chain cover. Refer to Timing Chain Cover in this section for procedure.
- (2) To determine if the secondary timing chains are worn, rotate the engine clockwise until maximum tensioner piston extension is obtained. Measure the distance between the secondary timing chain tensioner housing and the step ledge on the piston (Fig. 11). The measurement at point (A) must be less than 15mm (.5906 inches).
- (3) If the measurement exceeds the specification the secondary timing chains are worn and require replacement. Refer to Timing Chain and Sprockets in this section for procedure.

SERVICE PROCEDURES (Continued)



**Fig. 10 Camshaft Sprocket Installation—Right Cylinder Head**

- 1 - TORQUE WRENCH
- 2 - SPECIAL TOOL 6958 WITH ADAPTER PINS 8346
- 3 - LEFT CAMSHAFT SPROCKET
- 4 - RIGHT CAMSHAFT SPROCKET



**Fig. 11 Measuring Secondary Timing Chains For Stretch**

- 1 - SECONDARY TENSIONER ARM
- 2 - SECONDARY CHAIN TENSIONER PISTON

**PISTONS—FITTING**

**BORE GAGE METHOD**

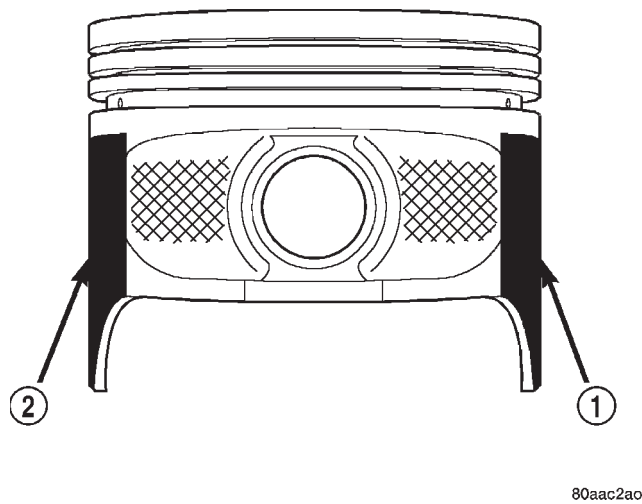
(1) To correctly select the proper size piston, a cylinder bore gauge, capable of reading in 0.003 mm (.0001 in.) INCREMENTS is required. If a bore gauge is not available, do not use an inside micrometer.

(2) Measure the inside diameter of the cylinder bore at a point 49.5 mm (1-15/16 inches) below top of bore. Start perpendicular (across or at 90 degrees) to the axis of the crankshaft at point A and then take an additional bore reading 90 degrees to that at point B (Fig. 13).

(3) The coated pistons will be serviced with the piston pin and connecting rod pre-assembled. Tin coated pistons should not be used as replacements for coated pistons.

(4) The coating material is applied to the piston after the final piston machining process. Measuring the outside diameter of a coated piston will not provide accurate results (Fig. 12). Therefore measuring the inside diameter of the cylinder bore with a dial Bore Gauge is **MANDATORY**. To correctly select the proper size piston, a cylinder bore gauge capable of reading in 0.003 mm (.0001 in.) increments is required.

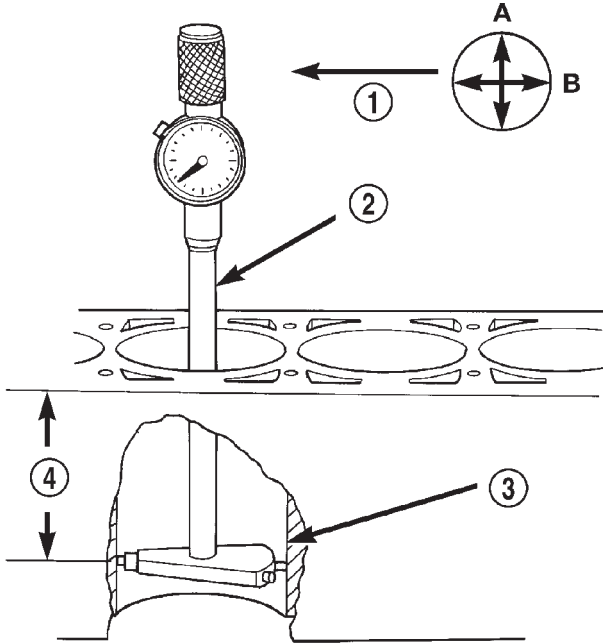
(5) Piston installation into the cylinder bore requires slightly more pressure than that required for non-coated pistons. The bonded coating on the piston will give the appearance of a line-to-line fit with the cylinder bore.



**Fig. 12 Moly Coated Piston**

- 1 - MOLY COATED
- 2 - MOLY COATED

SERVICE PROCEDURES (Continued)



**Fig. 13 Bore Gauge—Typical**

805dd884

- 1 - FRONT
- 2 - BORE GAUGE
- 3 - CYLINDER BORE
- 4 - 49.5 MM (1-15/16 in)

**PISTON RINGS—FITTING**  
**RING END GAP**

Before reinstalling used rings or installing new rings, the ring clearances must be checked.

- (1) Wipe the cylinder bore clean.
- (2) Insert the ring in the cylinder bore.

**NOTE:** The ring gap measurement must be made with the ring positioned at least 12mm (0.50 inch.) from bottom of cylinder bore.

(3) Using a piston, to ensure that the ring is squared in the cylinder bore, slide the ring downward into the cylinder.

(4) Using a feeler gauge check the ring end gap (Fig. 14). Replace any rings not within specification.

**PISTON RING SIDE CLEARANCE**

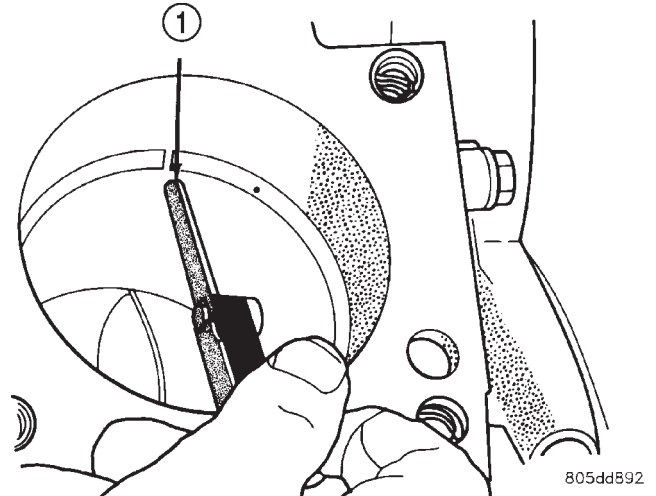
**NOTE:** Make sure the piston ring grooves are clean and free of nicks and burrs.

(5) Measure the ring side clearance as shown (Fig. 15) make sure the feeler gauge fits snugly between the ring land and the ring. Replace any ring not within specification.

(6) Rotate the ring around the piston, the ring must rotate in the groove with out binding.

**EARLY BUILD**

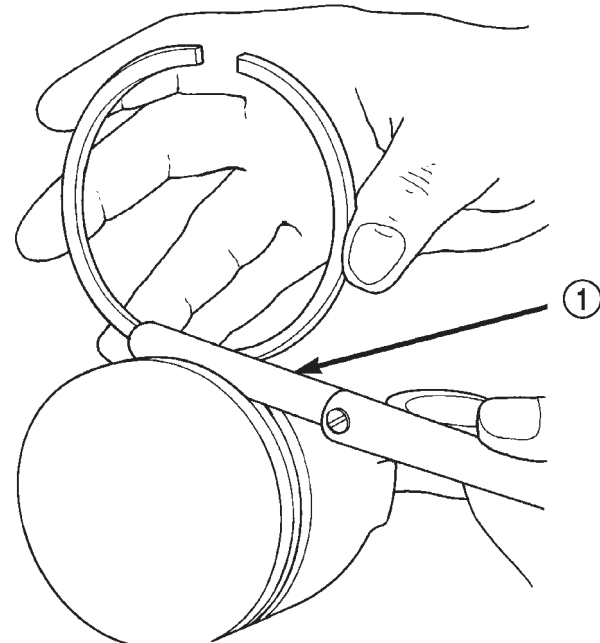
(7) The No. 1 and No. 2 piston rings have a different cross section. Ensure No. 2 ring is installed with manufacturers I. D. mark (Dot) facing up, towards top of the piston.



**Fig. 14 Ring End Gap Measurement—Typical**

- 1 - FEELER GAUGE

805dd892



**Fig. 15 Measuring Piston Ring Side Clearance**

- 1 - FEELER GAUGE

805dd887

**LATE BUILD**

The No. 1 and No. 2 piston rings have a different cross section. Ensure No. 2 ring is installed with manufacturers I.D. mark (Dot) facing up, towards top of the piston. On late build engines the piston top ring groove and crown are not anodized therefore, the No. 1 piston ring is coated with an anti-friction coating. Care must be used to ensure that when installing piston rings on late build engines that the correct No. 1 piston ring be installed, failure to use the correct piston ring can cause severe damage to the piston and/or cylinder block.



## SERVICE PROCEDURES (Continued)

2000 WJ Service Manual  
 Publication No. 81-370-0047  
 TSB 26-12-99 December, 1999

## PISTON RING SPECIFICATION CHART

Ring Position	Groove Clearance	Maximum Clearance
Upper Ring	.051-.094mm (0.0020-.0037 in.)	0.11mm (0.004 in.)
Intermediate Ring	0.04-0.08mm (0.0016-0.0031 in.)	0.10mm (0.004 in.)
Oil Control Ring (Steel Rails)	.019-.229mm (.0007-.0090 in.)	.25mm (0.010 in.)
Ring Position	Ring Gap	Wear Limit
Upper Ring	0.20-0.36mm (0.008-0.014 in.)	0.40mm (0.0016in.)
Intermediate Ring	0.37-0.63mm (0.014-0.025 in.)	0.71mm (0.028in.)
Oil Control Ring (Steel Rail)	0.025-0.76mm (0.010- 0.030 in.)	1.52mm (0.060in.)

**NOTE:** Piston rings are installed in the following order:

- Oil ring expander.
- Upper oil ring side rail.
- Lower oil ring side rail.
- No. 2 Intermediate piston ring.
- No. 1 Upper piston ring.

(8) Install the oil ring expander.

(9) Install upper side rail (Fig. 16) by placing one end between the piston ring groove and the expander ring. Hold end firmly and press down the portion to be installed until side rail is in position. Repeat this step for the lower side rail.

(10) Install No. 2 intermediate piston ring using a piston ring installer (Fig. 17).

(11) Install No. 1 upper piston ring using a piston ring installer (Fig. 17).

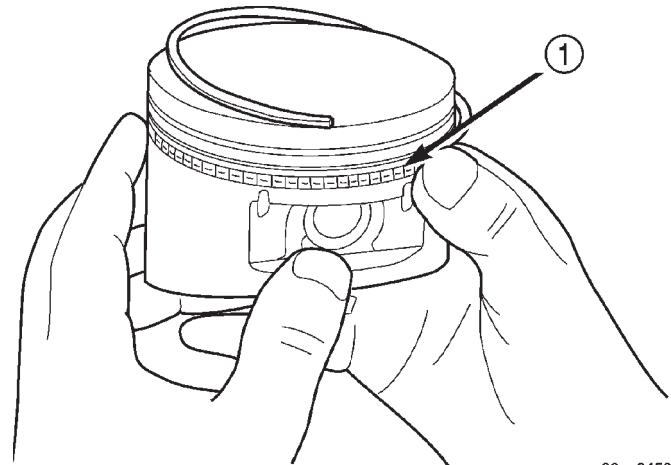
(12) Position piston ring end gaps as shown in (Fig. 18). It is important that expander ring gap is at least 45° from the side rail gaps, but not on the piston pin center or on the thrust direction.

## CONNECTING ROD BEARINGS—FITTING

Inspect the connecting rod bearings for scoring and bent alignment tabs (Fig. 19) (Fig. 20). Check the bearings for normal wear patterns, scoring, grooving, fatigue and pitting (Fig. 21). Replace any bearing that shows abnormal wear.

Inspect the connecting rod journals for signs of scoring, nicks and burrs.

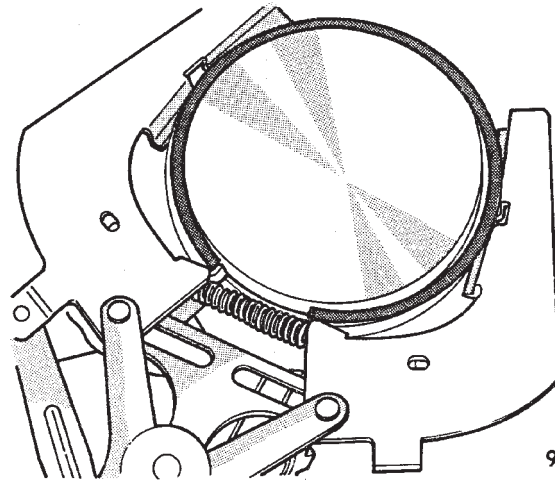
Misaligned or bent connecting rods can cause abnormal wear on pistons, piston rings, cylinder walls, connecting rod bearings and crankshaft connecting rod journals. If wear patterns or damage to any of these components indicate the probability of a misaligned con-



**Fig. 16 Side Rail—Installation**

80ae8450

1 - SIDE RAIL END



9309-47

**Fig. 17 Upper and Intermediate Rings—Installation**

necting rod, inspect it for correct rod alignment. Replace misaligned, bent or twisted connecting rods.

(1) Wipe the oil from the connecting rod journal.

(2) Lubricate the upper bearing insert and install in connecting rod.

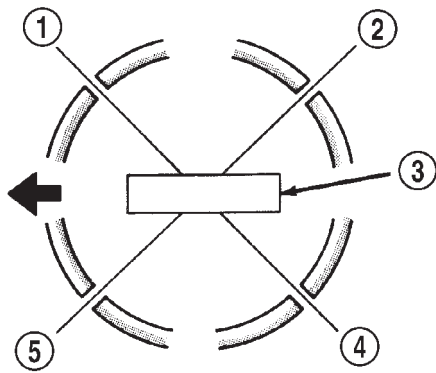
(3) Use piston ring compressor and Guide Pins Special Tool 8507 (Fig. 22) to install the rod and piston assemblies. The oil slinger slots in the rods must face front of the engine. The "F"'s near the piston wrist pin bore should point to the front of the engine.

(4) Install the lower bearing insert in the bearing cap. The lower insert must be dry. Place strip of Plastigage across full width of the lower insert at the center of bearing cap. Plastigage must not crumble in use. If brittle, obtain fresh stock.

(5) Install bearing cap and connecting rod on the journal and tighten bolts to 27 N·m (20 ft. lbs.) plus a 90° turn. DO NOT rotate crankshaft. Plastigage will smear, resulting in inaccurate indication.

(6) Remove the bearing cap and determine amount of bearing-to-journal clearance by measuring the width of compressed Plastigage (Fig. 23). Refer to

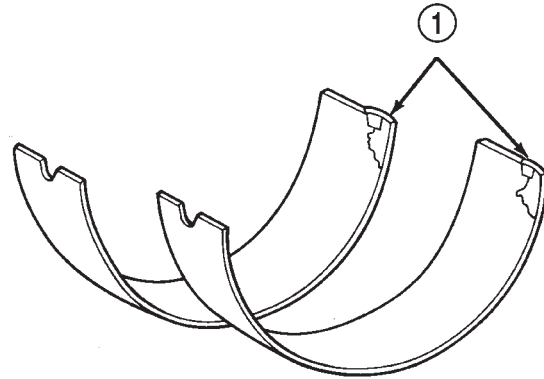
SERVICE PROCEDURES (Continued)



RR09B48

**Fig. 18 Piston Ring End Gap Position**

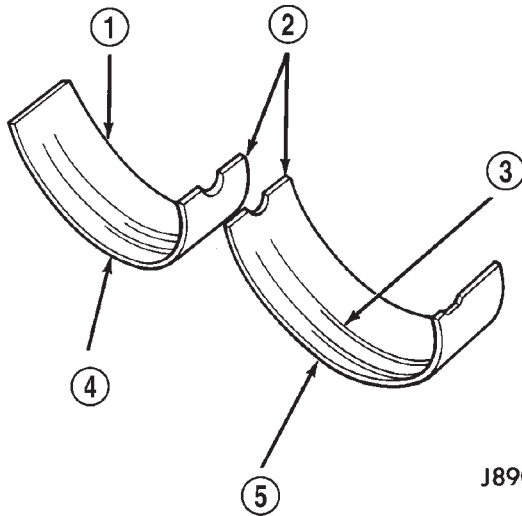
- 1 - SIDE RAIL UPPER
- 2 - NO. 1 RING GAP
- 3 - PISTON PIN
- 4 - SIDE RAIL LOWER
- 5 - NO. 2 RING GAP AND SPACER EXPANDER GAP



J8909-128

**Fig. 20 Locking Tab Inspection**

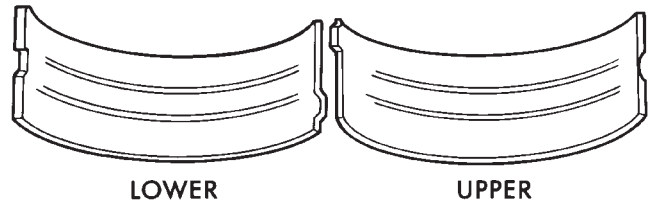
- 1 - ABNORMAL CONTACT AREA CAUSED BY LOCKING TABS NOT FULLY SEATED OR BEING BENT



J8909-127

**Fig. 19 Connecting Rod Bearing Inspection**

- 1 - UPPER BEARING HALF
- 2 - MATING EDGES
- 3 - GROOVES CAUSED BY ROD BOLTS SCRATCHING JOURNAL DURING INSTALLATION
- 4 - WEAR PATTERN — ALWAYS GREATER ON UPPER BEARING
- 5 - LOWER BEARING HALF



J8909-129

**Fig. 21 Scoring Caused by Insufficient Lubrication or by Damaged Crankshaft Pin Journal**

(7) If the correct clearance is indicated, replacement of the bearing inserts is not necessary. Remove the Plastigage from crankshaft journal and bearing insert. Proceed with installation.

(8) If bearing-to-journal clearance exceeds the specification, determine which services bearing set to use the bearing sizes are as follows:

(9) Repeat the Plastigage measurement to verify your bearing selection prior to final assembly.

(10) Once you have selected the proper insert, install the insert and cap. Tighten the connecting rod bolts to 27 N·m (20 ft. lbs.) plus a 90° turn.

Slide snug-fitting feeler gauge between the connecting rod and crankshaft journal flange (Fig. 24). Refer to Engine Specifications for the proper clearance. Replace the connecting rod if the side clearance is not within specification.

Engine Specifications for the proper clearance. **Plastigage should indicate the same clearance across the entire width of the insert. If the clearance varies, it may be caused by either a tapered journal, bent connecting rod or foreign material trapped between the insert and cap or rod.**

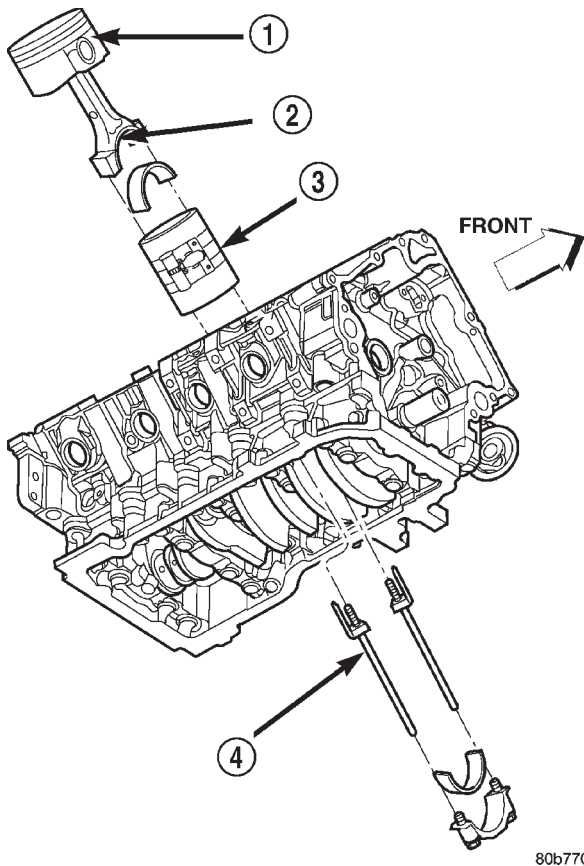
**CRANKSHAFT MAIN BEARINGS**

**INSPECTION**

Wipe the inserts clean and inspect for abnormal wear patterns and for metal or other foreign material imbedded in the lining. Normal main bearing insert wear patterns are illustrated (Fig. 25).



SERVICE PROCEDURES (Continued)

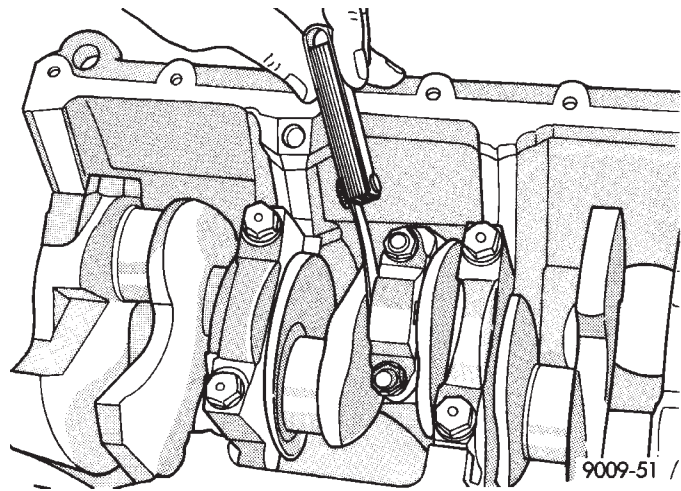


80b77088

**Fig. 22 Piston and Connecting Rod—Installation**

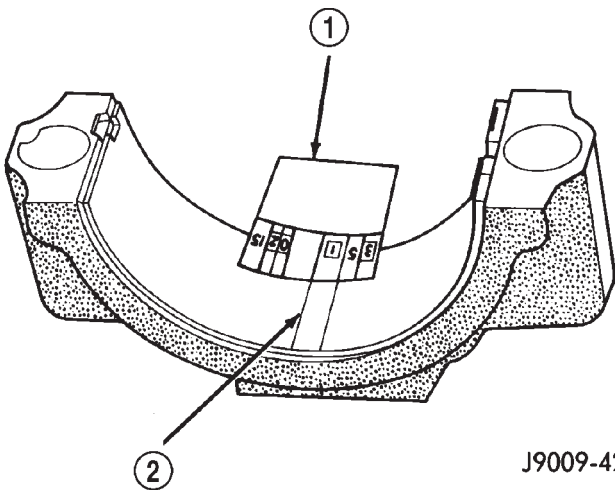
- 1 - "F" TOWARD FRONT OF ENGINE
- 2 - OIL SLINGER SLOT
- 3 - RING COMPRESSOR
- 4 - SPECIAL TOOL 8507

Bearing Mark	SIZE	USED WITH JOURNAL SIZE
.025 US	.025 mm (.001 in.)	50.983-50.967 mm (2.0073-2.0066 in.)
Std.	STANDARD	50.992-51.008 mm (2.0076-2.0082 in.)
.250 US	.250 mm (.010 in.)	50.758-50.742 mm (1.9984-1.9978 in.)



9009-51 /

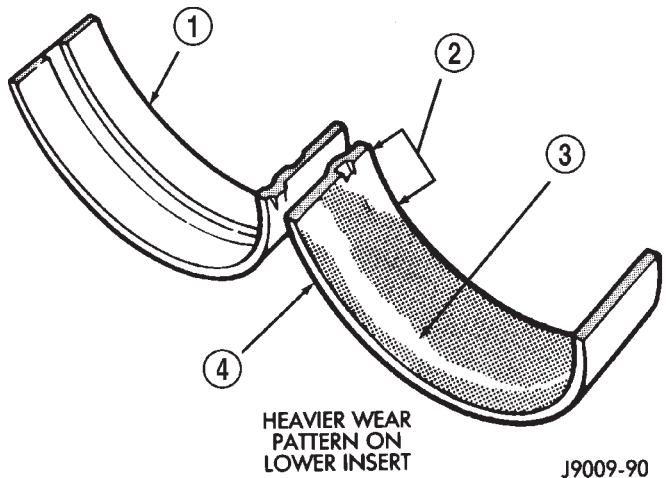
**Fig. 24 Checking Connecting Rod Side Clearance—Typical**



J9009-42

**Fig. 23 Measuring Bearing Clearance with Plastigage**

- 1 - PLASTIGAGE SCALE
- 2 - COMPRESSED PLASTIGAGE



J9009-90

**Fig. 25 Main Bearing Wear Patterns**

- 1 - UPPER INSERT
- 2 - NO WEAR IN THIS AREA
- 3 - LOW AREA IN BEARING LINING
- 4 - LOWER INSERT

**NOTE:** If any of the crankshaft journals are scored, remove the engine for crankshaft repair.

SERVICE PROCEDURES (Continued)

Inspect the back of the inserts for fractures, scrapings or irregular wear patterns.  
 Inspect the upper insert locking tabs for damage.  
 Replace all damaged or worn bearing inserts.

**MAIN BEARING JOURNAL DIAMETER  
(CRANKSHAFT REMOVED)**

Remove the crankshaft from the cylinder block. Refer to Crankshaft in this section for procedure.

Clean the oil off the main bearing journal.

Determine the maximum diameter of the journal with a micrometer. Measure at two locations 90° apart at each end of the journal.

The maximum allowable taper is 0.008mm (0.0004 inch.) and maximum out of round is 0.005mm (0.002 inch). Compare the measured diameter with the journal diameter specification (Main Bearing Fitting Chart). Select inserts required to obtain the specified bearing-to-journal clearance.

Install the crankshaft into the cylinder block. Refer to Crankshaft in this section for procedure.

**CRANKSHAFT MAIN BEARING SELECTION**

(1) Service main bearings are available in three grades. The chart below identifies the three service grades available.

GRADE MARKING	SIZE mm (in.)	FOR USE WITH JOURNAL SIZE
A	.008 mm U/S (.0004 in.) U/S	63.488-63.496 mm (2.4996-2.4999 in.)
B	STANDARD	63.496-63.504 mm (2.4996-2.4999 in.)
C	.008 mm O/S (.0004 in.) O/S	63.504-63.512 mm (2.5002-2.5005 in.)

**FORM-IN-PLACE GASKETS & SEALERS**

There are numerous places where form-in-place gaskets are used on the engine. Care must be taken when applying form-in-place gaskets to assure obtaining the desired results. **Do not use form-in-place gasket material unless specified.** Bead size, continuity, and location are of great importance. Too thin a bead can result in leakage while too much can result in spill-over which can break off and obstruct fluid feed lines. A continuous bead of the proper width is essential to obtain a leak-free gasket.

There are numerous types of form-in-place gasket materials that are used in the engine area. Mopar®

Engine RTV GEN II, Mopar® ATF-RTV, and Mopar® Gasket Maker gasket materials, each have different properties and can not be used in place of the other.

**MOPAR® ENGINE RTV GEN II**

Mopar® Engine RTV GEN II is used to seal components exposed to engine oil. This material is a specially designed black silicone rubber RTV that retains adhesion and sealing properties when exposed to engine oil. Moisture in the air causes the material to cure. This material is available in three ounce tubes and has a shelf life of one year. After one year this material will not properly cure. Always inspect the package for the expiration date before use.

**MOPAR® ATF RTV**

Mopar® ATF RTV is a specifically designed black silicone rubber RTV that retains adhesion and sealing properties to seal components exposed to automatic transmission fluid, engine coolants, and moisture. This material is available in three ounce tubes and has a shelf life of one year. After one year this material will not properly cure. Always inspect the package for the expiration date before use.

**MOPAR® GASKET MAKER**

Mopar® Gasket Maker is an anaerobic type gasket material. The material cures in the absence of air when squeezed between two metallic surfaces. It will not cure if left in the uncovered tube. The anaerobic material is for use between two machined surfaces. Do not use on flexible metal flanges.

**MOPAR® GASKET SEALANT**

Mopar® Gasket Sealant is a slow drying, permanently soft sealer. This material is recommended for sealing threaded fittings and gaskets against leakage of oil and coolant. Can be used on threaded and machined parts under all temperatures. This material is used on engines with multi-layer steel (MLS) cylinder head gaskets. This material also will prevent corrosion. Mopar® Gasket Sealant is available in a 13 oz. aerosol can or 4oz./16 oz. can w/applicator.

**FORM-IN-PLACE GASKET AND SEALER APPLICATION**

Assembling parts using a form-in-place gasket requires care but it's easier than using pre-cut gaskets.

Mopar® Gasket Maker material should be applied sparingly 1 mm (0.040 in.) diameter or less of sealant to one gasket surface. Be certain the material surrounds each mounting hole. Excess material can easily be wiped off. Components should be torqued in place within 15 minutes. The use of a locating dowel is recommended during assembly to prevent smearing material off the location.

Mopar® Engine RTV GEN II or ATF RTV gasket material should be applied in a continuous bead

## SERVICE PROCEDURES (Continued)

approximately 3 mm (0.120 in.) in diameter. All mounting holes must be circled. For corner sealing, a 3.17 or 6.35 mm (1/8 or 1/4 in.) drop is placed in the center of the gasket contact area. Uncured sealant may be removed with a shop towel. Components should be torqued in place while the sealant is still wet to the touch (within 10 minutes). The usage of a locating dowel is recommended during assembly to prevent smearing material off the location.

Mopar® Gasket Sealant in an aerosol can should be applied using a thin, even coat sprayed completely over both surfaces to be joined, and both sides of a gasket. Then proceed with assembly. Material in a can w/applicator can be brushed on evenly over the sealing surfaces. Material in an aerosol can should be used on engines with multi-layer steel gaskets.

## ENGINE GASKET SURFACE PREPARATION

To ensure engine gasket sealing, proper surface preparation must be performed, especially with the use of aluminum engine components and multi-layer steel cylinder head gaskets.

**Never** use the following to clean gasket surfaces:

- Metal scraper
- Abrasive pad or paper to clean cylinder block and head
- High speed power tool with an abrasive pad or a wire brush (Fig. 26)

**NOTE: Multi-Layer Steel (MLS) head gaskets require a scratch free sealing surface.**

Only use the following for cleaning gasket surfaces:

- Solvent or a commercially available gasket remover
- Plastic or wood scraper (Fig. 26)
- Drill motor with 3M Roloc™ Bristle Disc (white or yellow) (Fig. 26)

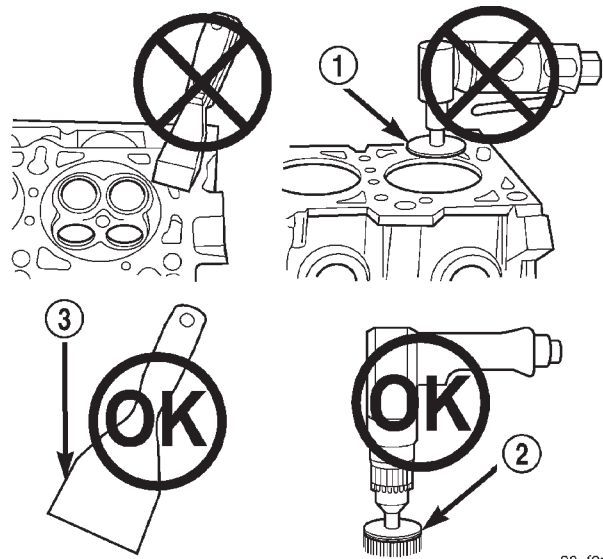
**CAUTION: Excessive pressure or high RPM (beyond the recommended speed), can damage the sealing surfaces. The mild (white, 120 grit) bristle disc is recommended. If necessary, the medium (yellow, 80 grit) bristle disc may be used on cast iron surfaces with care.**

## ENGINE PERFORMANCE

To provide best vehicle performance and lowest vehicle emissions, it is most important that the tune-up be done accurately. Use the specifications listed on the Vehicle Emission Control Information label found on the engine compartment hood.

(1) Test battery specific gravity. Add water, if necessary. Clean and tighten battery connections.

(2) Test cranking amperage draw (refer to Group 8B, Battery/Starter for the proper procedure).



80af61d9

**Fig. 26 Proper Tool Usage For Surface Preparation**

- 1 - ABRASIVE PAD  
2 - 3M ROLOC™ BRISTLE DISC  
3 - PLASTIC/WOOD SCRAPER

(3) Tighten the intake manifold bolts (refer to Group 11, Exhaust System and Intake Manifold for the proper specifications).

(4) Perform cylinder compression test:

**CAUTION: DO NOT overspeed the engine.**

(a) Check engine oil level and add oil, if necessary.

(b) Drive the vehicle until engine reaches normal operating temperature.

(c) Select a route free from traffic and other forms of congestion, observe all traffic laws and briskly accelerate through the gears several times. The higher engine speed may help clean out valve seat deposits which can prevent accurate compression readings.

(d) Disconnect electrical connectors from coil towers and then remove coil towers.

(e) Remove all spark plugs from engine. As spark plugs are being removed, check electrodes for abnormal firing indicators - fouled, hot, oily, etc. Record cylinder number of spark plug for future reference.

(f) Be sure throttle blades are fully open during the compression check.

(g) Insert compression gauge adaptor into the No.1 spark plug hole. Crank engine until maximum pressure is reached on gauge. Record this pressure as No.1 cylinder pressure.

(h) Repeat for all remaining cylinders.

## SERVICE PROCEDURES (Continued)

(i) Record the findings and compare them with the compression standards listed under Engine Specifications.

(j) If cylinder(s) have abnormally low compression pressures, repeat procedure.

(k) If the same cylinder(s) repeat an abnormally low reading, it could indicate the existence of a problem in the cylinder.

**NOTE:** The recommended compression pressures are to be used only as a guide to diagnosing engine problems. An engine should NOT be disassembled to determine the cause of low compression unless some malfunction is present.

(5) Clean or replace spark plugs as necessary. Adjust gap (refer to Group 8D, Ignition System for gap adjustment and torque).

(6) Perform a combustion analysis.

(7) Test fuel pump for pressure (refer to Group 14, Fuel System for the proper specifications).

(8) Inspect air filter element (refer to Group 0, Lubrication and Maintenance for the proper procedure).

(9) Inspect crankcase ventilation system (refer to Group 0, Lubrication and Maintenance for the proper procedure).

(10) For emission controls refer to Group 25, Emission Controls System for service procedures.

(11) Inspect and adjust accessory belt drives (refer to Group 7, Cooling System for the proper adjustments).

(12) Road test vehicle as a final test.

## HONING CYLINDER BORES

Before honing, stuff plenty of clean shop towels under the bores and over the crankshaft to keep abrasive materials from entering the crankshaft area.

(1) Used carefully, the Cylinder Bore Sizing Hone C-823 equipped with 220 grit stones, is the best tool for this job. In addition to deglazing, it will reduce taper and out-of-round as well as removing light scuffing, scoring or scratches. Usually a few strokes will clean up a bore and maintain the required limits.

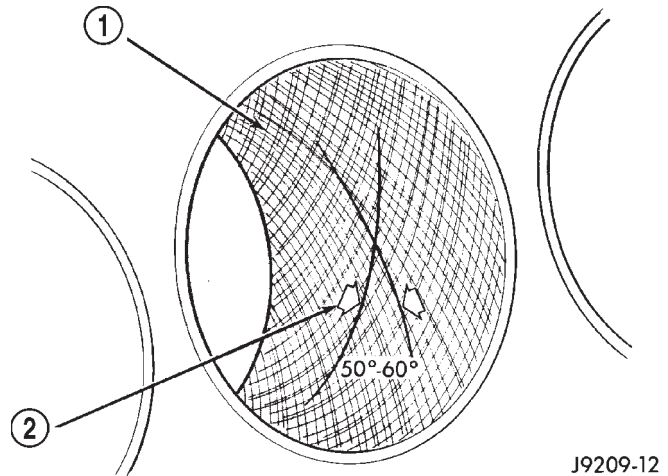
**CAUTION:** DO NOT use rigid type hones to remove cylinder wall glaze.

(2) Deglazing of the cylinder walls may be done if the cylinder bore is straight and round. Use a cylinder surfacing hone, Honing Tool C-3501, equipped with 280 grit stones (C-3501-3810). 20-60 strokes, depending on the bore condition, will be sufficient to provide a satisfactory surface. Using honing oil

C-3501-3880 or a light honing oil available from major oil distributors.

**CAUTION:** DO NOT use engine or transmission oil, mineral spirits or kerosene.

(3) Honing should be done by moving the hone up and down fast enough to get a crosshatch pattern. The hone marks should INTERSECT at 50° to 60° for proper seating of rings (Fig. 27).



J9209-12

**Fig. 27 Cylinder Bore Crosshatch Pattern**

- 1 - CROSSHATCH PATTERN  
2 - INTERSECT ANGLE

(4) A controlled hone motor speed between 200 and 300 RPM is necessary to obtain the proper crosshatch angle. The number of up and down strokes per minute can be regulated to get the desired 50° to 60° angle. Faster up and down strokes increase the crosshatch angle.

(5) After honing, it is necessary that the block be cleaned to remove all traces of abrasive. Use a brush to wash parts with a solution of hot water and detergent. Dry parts thoroughly. Use a clean, white, lint-free cloth to check that the bore is clean. Oil the bores after cleaning to prevent rusting.

## REPAIR DAMAGED OR WORN THREADS

**CAUTION:** Be sure that the tapped holes maintain the original center line.

Damaged or worn threads can be repaired. Essentially, this repair consists of:

- Drilling out worn or damaged threads.
- Tapping the hole with a special Heli-Coil Tap, or equivalent.
- Installing an insert into the tapped hole to bring the hole back to its original thread size.



## SERVICE PROCEDURES (Continued)

**HYDROSTATIC LOCK**

When an engine is suspected of hydrostatic lock (regardless of what caused the problem), follow the steps below.

- (1) Perform the Fuel Pressure Release Procedure (refer to Group 14, Fuel System).
- (2) Disconnect the battery negative cable.
- (3) Inspect air cleaner, induction system and intake manifold to ensure system is dry and clear of foreign material.
- (4) Place a shop towel around the spark plugs to catch any fluid that may possibly be under pressure in the cylinder head. Remove the plugs from the engine.

**CAUTION: DO NOT use the starter motor to rotate the crankshaft. Severe damage could occur.**

- (5) With all spark plugs removed, rotate the crankshaft using a breaker bar and socket.
- (6) Identify the fluid in the cylinders (i.e. coolant, fuel, oil, etc.).
- (7) Make sure all fluid has been removed from the cylinders.
- (8) Repair engine or components as necessary to prevent this problem from occurring again.
- (9) Squirt engine oil into the cylinders to lubricate the walls. This will prevent damage on restart.
- (10) Install new spark plugs. Tighten the engine spark plugs to the specified torque.
- (11) Drain engine oil. Remove and discard the oil filter.
- (12) Install the drain plug. Tighten the plug to the recommended torque.
- (13) Install a new oil filter.
- (14) Fill engine crankcase with the specified amount and grade of oil.
- (15) Connect the battery negative cable.
- (16) Start the engine and check for any leaks.

**ENGINE OIL**

**WARNING: NEW OR USED ENGINE OIL CAN BE IRRITATING TO THE SKIN. AVOID PROLONGED OR REPEATED SKIN CONTACT WITH ENGINE OIL. CONTAMINANTS IN USED ENGINE OIL, CAUSED BY INTERNAL COMBUSTION, CAN BE HAZARDOUS TO YOUR HEALTH. THOROUGHLY WASH EXPOSED SKIN WITH SOAP AND WATER. DO NOT WASH SKIN WITH GASOLINE, DIESEL FUEL, THINNER, OR SOLVENTS, HEALTH PROBLEMS CAN RESULT. DO NOT POLLUTE, DISPOSE OF USED ENGINE OIL PROPERLY.**

**ENGINE OIL SPECIFICATION**

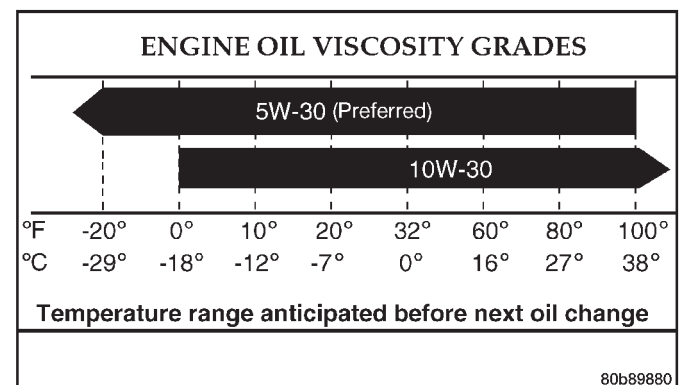
**CAUTION: Do not use non-detergent or straight mineral oil when adding or changing crankcase lubricant. Engine failure can result.**

**API SERVICE GRADE CERTIFIED**

Use an engine oil that is API Service Grade Certified. MOPAR® provides engine oils that conform to this service grade.

**SAE VISCOSITY**

An SAE viscosity grade is used to specify the viscosity of engine oil. Use only engine oils with multiple viscosities such as 5W-30 or 10W-30 in the 4.7L engines. These are specified with a dual SAE viscosity grade which indicates the cold-to-hot temperature viscosity range. Select an engine oil that is best suited to your particular temperature range and variation (Fig. 28).



**Fig. 28 Temperature/Engine Oil Viscosity—4.7L Engine**

**ENERGY CONSERVING OIL**

An Energy Conserving type oil is recommended for gasoline engines. The designation of ENERGY CONSERVING is located on the label of an engine oil container.

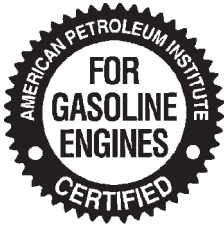
**CONTAINER IDENTIFICATION**

Standard engine oil identification notations have been adopted to aid in the proper selection of engine oil. The identifying notations are located on the label of engine oil plastic bottles and the top of engine oil cans (Fig. 29).

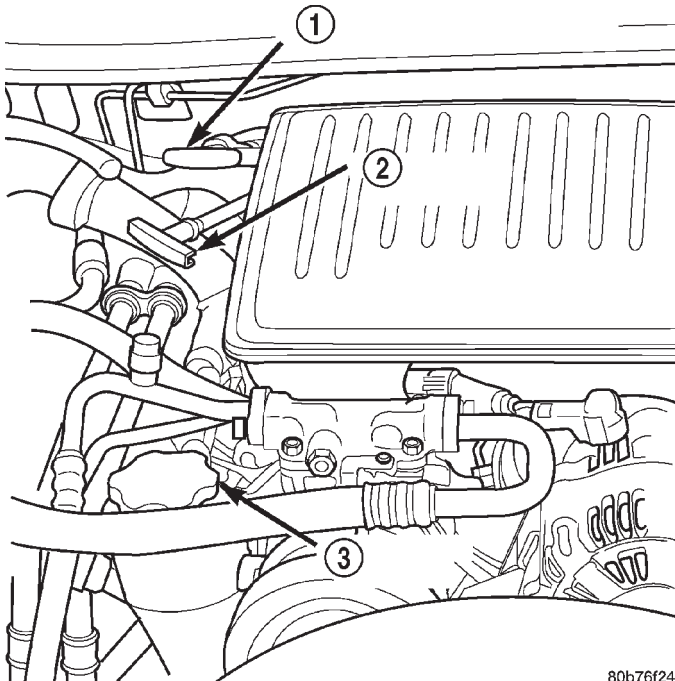
**OIL LEVEL INDICATOR (DIPSTICK)**

The engine oil level indicator is located at the right rear of the engine on the 4.7L engines. (Fig. 30).

## SERVICE PROCEDURES (Continued)



9400-9

**Fig. 29 Engine Oil Container Standard Notations**

80b76f24

**Fig. 30 Engine Oil Dipstick 4.7L Engine**

- 1 - TRANSMISSION DIPSTICK
- 2 - ENGINE OIL DIPSTICK
- 3 - ENGINE OIL FILL CAP

**CRANKCASE OIL LEVEL INSPECTION**

**CAUTION:** Do not overfill crankcase with engine oil, pressure loss or oil foaming can result.

Inspect engine oil level approximately every 800 kilometers (500 miles). Unless the engine has exhibited loss of oil pressure, run the engine for about five minutes before checking oil level. Checking engine oil level on a cold engine is not accurate.

To ensure proper lubrication of an engine, the engine oil must be maintained at an acceptable level. The acceptable levels are indicated between the ADD and SAFE marks on the engine oil dipstick.

- (1) Position vehicle on level surface.
- (2) With engine OFF, allow approximately ten minutes for oil to settle to bottom of crankcase, remove engine oil dipstick.

- (3) Wipe dipstick clean.
- (4) Install dipstick and verify it is seated in the tube.
- (5) Remove dipstick, with handle held above the tip, take oil level reading.
- (6) Add oil only if level is below the ADD mark on dipstick.

**ENGINE OIL CHANGE**

Change engine oil at mileage and time intervals described in Maintenance Schedules.

Run engine until achieving normal operating temperature.

- (1) Position the vehicle on a level surface and turn engine off.
- (2) Hoist and support vehicle on safety stands.
- (3) Remove oil fill cap.
- (4) Place a suitable drain pan under crankcase drain.
- (5) Remove drain plug from crankcase and allow oil to drain into pan. Inspect drain plug threads for stretching or other damage. Replace drain plug if damaged.
- (6) Install drain plug in crankcase.
- (7) Lower vehicle and fill crankcase with specified type and amount of engine oil described in this section.
- (8) Install oil fill cap.
- (9) Start engine and inspect for leaks.
- (10) Stop engine and inspect oil level.

**ENGINE OIL FILTER CHANGE****FILTER SPECIFICATION**

All engines are equipped with a high quality full-flow, disposable type oil filter. DaimlerChrysler Corporation recommends a Mopar or equivalent oil filter be used.

**OIL FILTER REMOVAL**

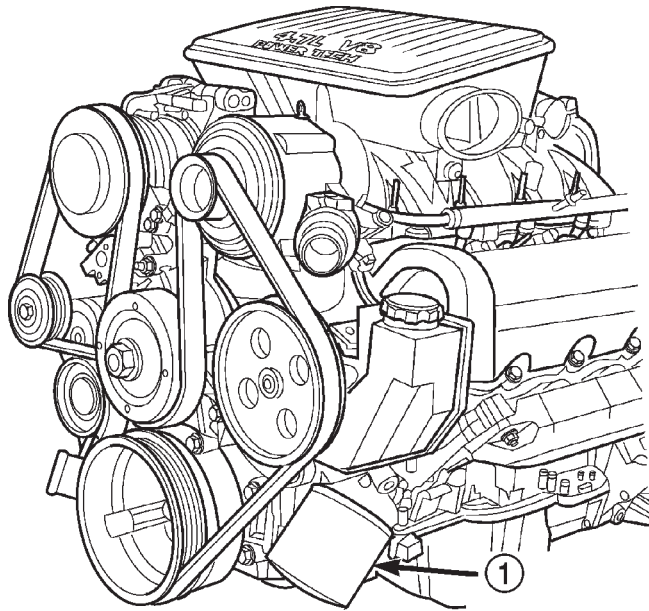
- (1) Position a drain pan under the oil filter.
- (2) Using a suitable oil filter wrench loosen filter.
- (3) Rotate the oil filter counterclockwise (Fig. 31) to remove it from the cylinder block oil filter boss.
- (4) When filter separates from cylinder block oil filter boss, tip gasket end upward to minimize oil spill. Remove filter from vehicle.
- (5) With a wiping cloth, clean the gasket sealing surface of oil and grime.

**OIL FILTER INSTALLATION**

- (1) Lightly lubricate oil filter gasket with engine oil.
- (2) Thread filter onto adapter nipple. When gasket makes contact with sealing surface, (Fig. 32) hand tighten filter one full turn, do not over tighten.



## SERVICE PROCEDURES (Continued)

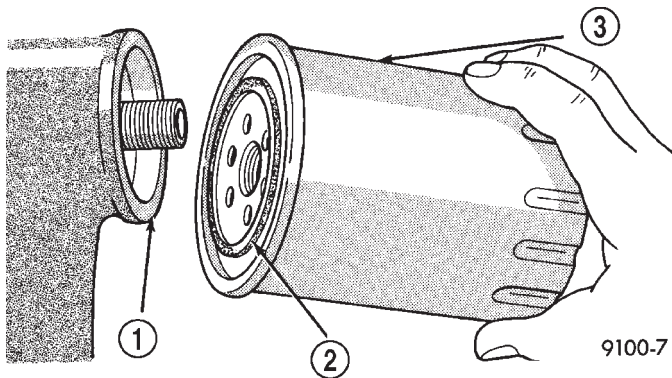


80b76f81

**Fig. 31 Oil Filter—4.7L Engine**

1 - ENGINE OIL FILTER

(3) Add oil, verify crankcase oil level and start engine. Inspect for oil leaks.



9100-7

**Fig. 32 Oil Filter Sealing Surface—Typical**

1 - SEALING SURFACE  
2 - RUBBER GASKET  
3 - OIL FILTER

**USED ENGINE OIL DISPOSAL**

Care should be exercised when disposing used engine oil after it has been drained from a vehicle engine. Refer to the **WARNING** at beginning of this section.

## REMOVAL AND INSTALLATION

### ENGINE MOUNTS—LEFT AND RIGHT

**REMOVAL**

(1) Disconnect the negative cable from the battery.

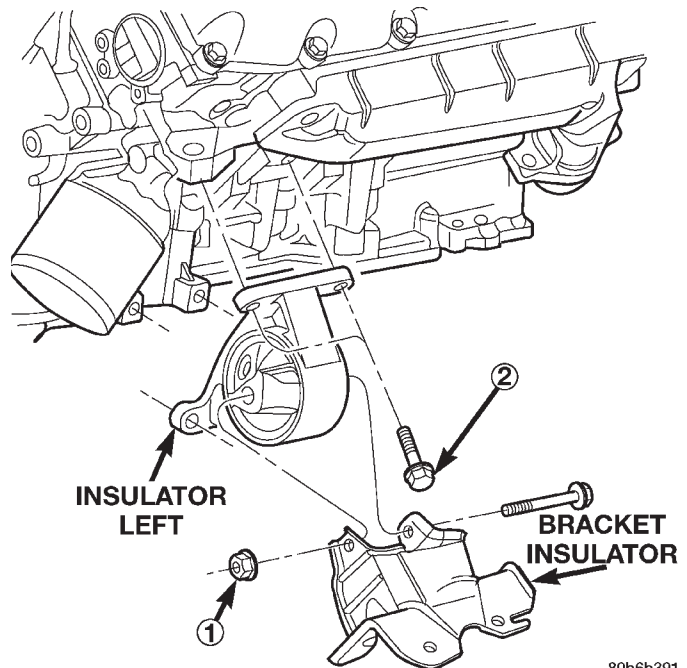
**CAUTION:** Remove the fan blade, fan clutch and fan shroud before raising engine. Failure to do so may cause damage to the fan blade, fan clutch and fan shroud.

(2) Remove the fan blade, fan clutch and fan shroud. Refer to Group 7. for procedure.

(3) Remove the engine oil filter.

(4) Support the engine with a suitable jack and a block of wood across the full width of the engine oil pan.

(5) Remove the four cylinder block-to-insulator mount bolts and the nut from the engine insulator mount through bolt (Fig. 33) (Fig. 34).



80b6b391

**Fig. 33 Engine Insulator Mount—Left**

(6) Using the jack, raise the engine high enough to remove the engine insulator mount through bolt and the insulator mount.

REMOVAL AND INSTALLATION (Continued)

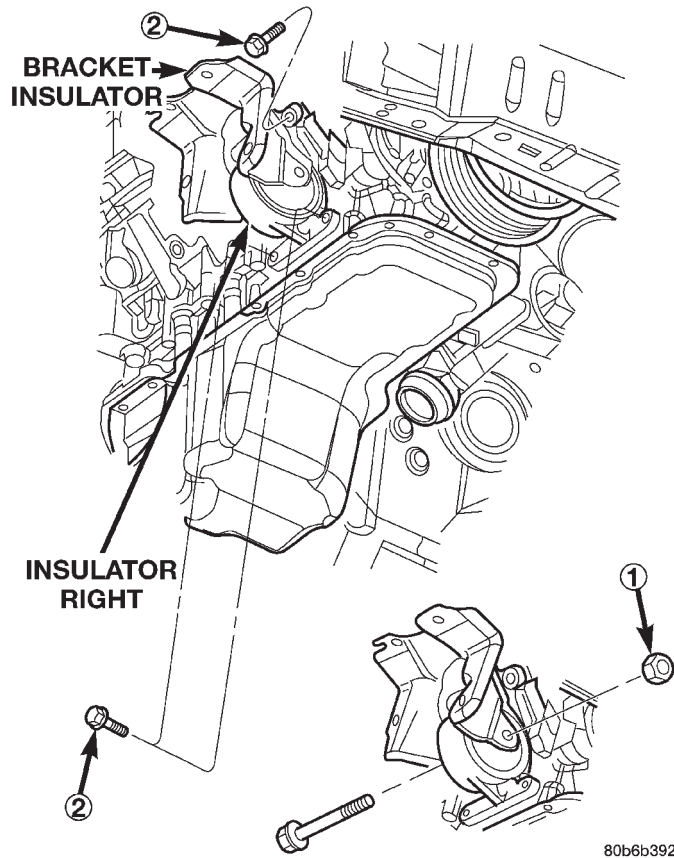


Fig. 34 Engine Insulator Mount—Right

ITEM	DESCRIPTION	TORQUE
1	NUT (Qty 1 Per Side)	61N-m (45 ft. lbs)
2	BOLT (Qty 4 Per Side)	61N-m (45 ft. lbs.)

INSTALLATION

- (1) Position the insulator mount and install the insulator mount through bolt.
- (2) Lower the engine until the four cylinder block-to-insulator mount bolts can be installed.
- (3) Remove the jack and block of wood.
- (4) Torque the cylinder block-to-insulator mount bolts to 61N-m ( 45 ft. lbs.).
- (5) Install and torque the through bolt retaining nut to 61N-m (45 ft. lbs.).
- (6) Install the fan blade, fan clutch and fan shroud.

ENGINE MOUNT—REAR

REMOVAL

- (1) Raise vehicle on hoist.
- (2) Using a suitable jack, support transmission.
- (3) Remove the lock nut from the insulator mount through bolt and the four insulator-to-transmission mounting bolts.
- (4) Raise the transmission enough to remove the through bolt and insulator mount (Fig. 35) (Fig. 36).

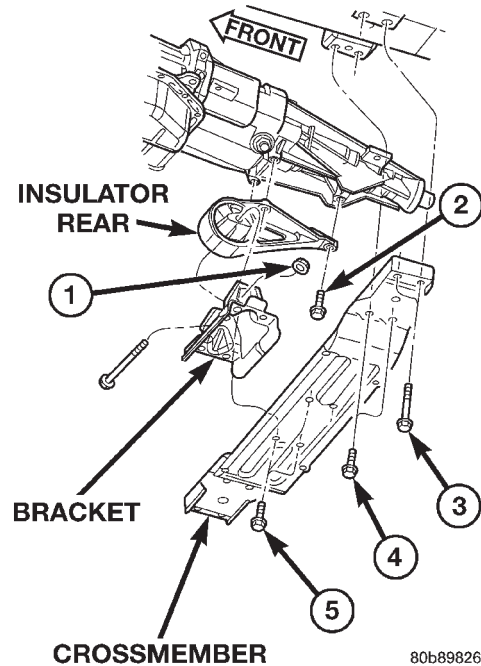


Fig. 35 Engine Rear Mount—4X2

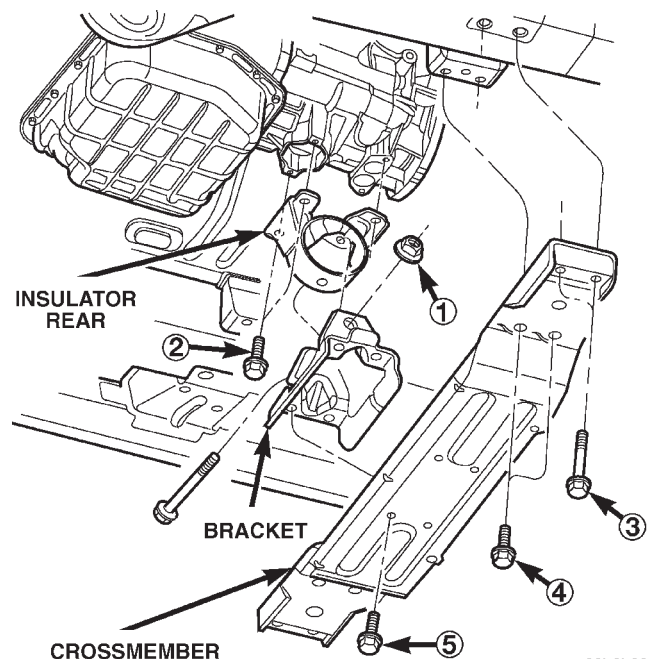


Fig. 36 Engine Rear Mount—4X4

## REMOVAL AND INSTALLATION (Continued)

ITEM	DESCRIPTION	TORQUE
1	NUT (Qty 1)	45 N·m (33 ft. lbs.)
2	BOLT (Qty 4)	46 N·m (34 ft. lbs.)
3	BOLT (Qty 2 Per Side)	68 N·m (50 ft. lbs.)
4	BOLT (Qty 2 Per Side)	46 N·m (34 ft. lbs.)
5	BOLT (Qty 4)	46 N·m (34 ft. lbs.)

## INSTALLATION

(1) Position the insulator mount and install the through bolt.

(2) Lower the transmission enough to install the four insulator-to-transmission mounting bolts. Torque the bolts to 46N·m (34 ft. lbs.).

(3) Install the through bolt lock nut. Torque nut to 68N·m (50 ft. lbs.).

(4) Remove jack, lower vehicle.

## STRUCTURAL COVER

## REMOVAL

(1) Raise vehicle on hoist.

(2) Remove the left hand exhaust pipe from exhaust manifold. Refer to Group 11, Exhaust System.

(3) Loosen the right hand exhaust manifold-to-exhaust pipe retaining bolts.

(4) Remove the eight bolts retaining structural cover (Fig. 37).

(5) Pivot the exhaust pipe downward and remove the structural cover.

## INSTALLATION

**CAUTION:** The structural cover must be installed as described in the following steps. Failure to do so will cause severe damage to the cover.

(1) Position the structural cover in the vehicle.

(2) Install all four bolts retaining the cover-to-engine. DO NOT tighten the bolts at this time.

(3) Install the four cover-to-transmission bolts. Do NOT tighten at this time.

**CAUTION:** The structural cover must be held tightly against both the engine and the transmission bell

housing during tightening sequence. Failure to do so may cause damage to the cover.

(4) Starting with the two rear cover-to-engine bolts, tighten bolts (1) (Fig. 37) to 54 N·m (40 ft. lbs.), then tighten bolts (2) (Fig. 37) and (3) to 54 N·m (40 ft. lbs.) in the sequence shown.

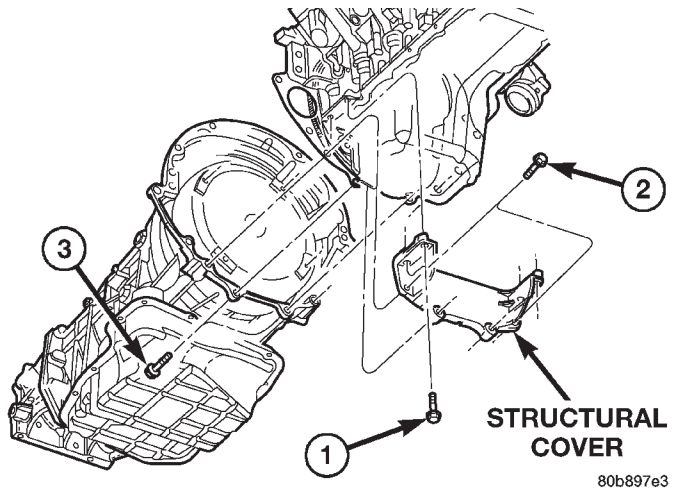


Fig. 37 Structural Cover

SEQUENCE	ITEM	TORQUE
1	BOLT (Qty 4)	54 N·m (40 ft. lbs.)
2	BOLT (Qty 2)	54 N·m (40 ft. lbs.)
3	BOLT (Qty 2)	54 N·m (40 ft. lbs.)

(5) Install the exhaust pipe on left hand exhaust manifold.

(6) Tighten exhaust manifold-to-exhaust pipe retaining bolts to 20–26 N·m (15–20 ft. lbs.).

## ENGINE

## REMOVAL

(1) Disconnect the battery negative cable.

(2) Remove the front fascia. Refer to BODY for correct procedure.

(3) Raise vehicle on hoist.

(4) Remove exhaust crossover pipe from exhaust manifolds. Refer to Group 11, Exhaust System.

(5) Disconnect two ground straps from the lower left hand side and one ground strap from the lower right hand side of the engine.

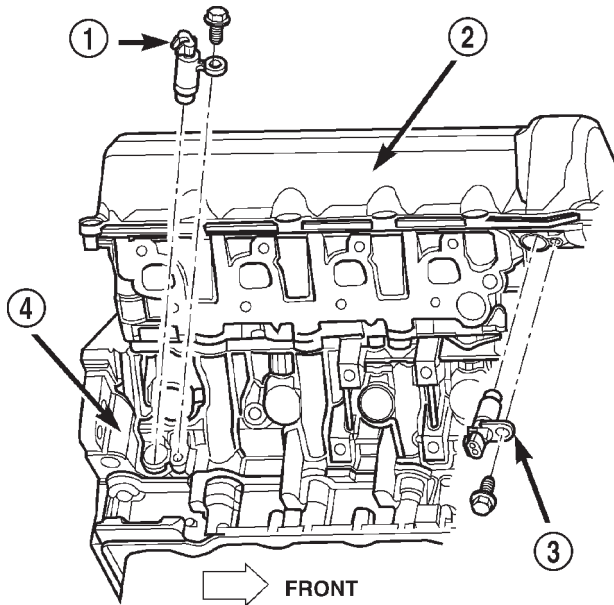
(6) Disconnect crankshaft position sensor. (Fig. 38)

(7) Remove structural cover. Refer to Structural Cover in this section for procedure.

(8) Remove starter. Refer to STARTING SYSTEM.

REMOVAL AND INSTALLATION (Continued)

- (9) Remove rubber splash shield.
- (10) Drain cooling system. Refer to COOLING SYSTEM.

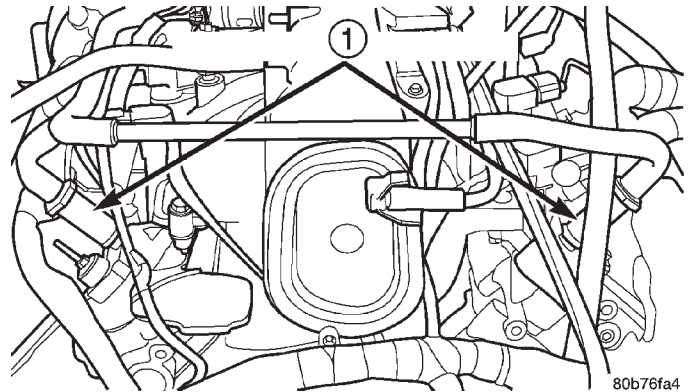


80b77057

**Fig. 38 Crankshaft Position Sensor**

- 1 - CRANKSHAFT POSITION SENSOR
- 2 - CYLINDER HEAD COVER
- 3 - CAMSHAFT POSITION SENSOR
- 4 - RIGHT SIDE CYLINDER BLOCK

- (11) Remove torque converter bolts (Automatic Transmission Only). Refer to TRANSMISSION.
- (12) Remove transmission to engine mounting bolts.
- (13) Disconnect the engine block heater power cable from the block heater.
- (14) Lower vehicle.
- (15) Remove throttle body resonator assembly and inlet hose.
- (16) Disconnect throttle and speed control cables.
- (17) Disconnect tube from both the left and right side crankcase breathers, then remove the breathers (Fig. 39).
- (18) Discharge A/C system. Refer to HEATING and AIR CONDITIONING.
- (19) Remove shroud, fan assemblies and accessory drive belt. Refer to COOLING SYSTEM for procedure.
- (20) Remove A/C compressor.
- (21) Disconnect transmission oil cooler lines at the radiator.
- (22) Disconnect radiator lower hose at the thermostat housing. Refer to Group 7.
- (23) Remove A/C condenser. Refer to HEATING and AIR CONDITIONING.



80b76fa4

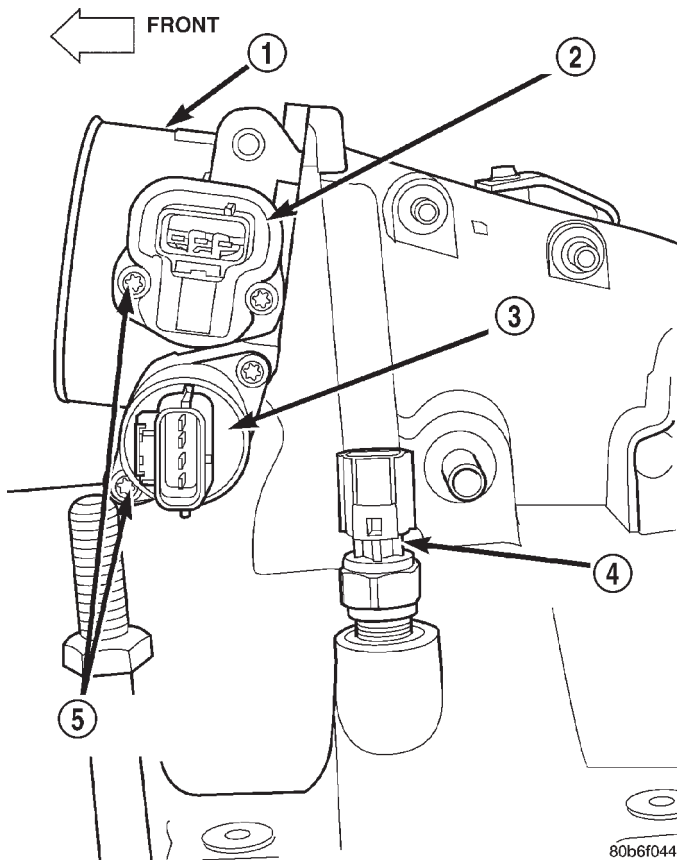
**Fig. 39 Crankcase Breather Connection Points**

- 1 - CRANKCASE BREATHERS

- (24) Remove radiator. Refer to COOLING SYSTEM.
- (25) Remove generator.
- (26) Disconnect the two heater hoses from the timing chain cover.
- (27) Disconnect engine harness at the following points :
  - Intake air temperature (IAT) sensor (Fig. 40)
  - Fuel Injectors
  - Throttle Position (TPS) Switch
  - Idle Air Control (IAC) Motor
  - Engine Oil Pressure Switch
  - Engine Coolant Temperature (ECT) Sensor
  - Manifold absolute pressure (MAP) Sensor
  - Camshaft Position (CMP) Sensor
  - Coil Over Plugs
- (28) Release fuel rail pressure then disconnect the fuel supply quick connect fitting at the fuel rail. Refer to FUEL SYSTEM for procedure.
- (29) Remove power steering pump and position out of the way.
- (30) Disconnect ground straps from the left side of the engine.
- (31) Install Engine Lifting Fixture Special Tool 8347 (Fig. 41) following these steps.
  - Holding the lifting fixture at a slight angle, slide the large bore in the front plate over the hex portion of the lifting stud.
  - Position the two remaining fixture arms onto the two lifting studs in the cylinder heads.
  - Pull forward and upward on the lifting fixture so that the lifting stud rest in the slotted area below the large bore.
  - Secure the lifting fixture to the three studs using three 7/16 - 14 N/C locknuts.
  - Make sure the lifting loop in the lifting fixture is in the last hole (closest to the throttle body) to minimize the angle of engine during removal.
- (32) Disconnect body ground strap at the right side cowl.



## REMOVAL AND INSTALLATION (Continued)

**Fig. 40 Throttle Body Connection Points**

- 1 - THROTTLE BODY
- 2 - TPS
- 3 - IAC MOTOR
- 4 - IAT SENSOR
- 5 - MOUNTING SCREWS

**NOTE:** It will be necessary to support the transmission in order to remove the engine.

(33) Position a suitable jack under the transmission.

(34) Remove the engine mount through bolts.

(35) Raise engine slightly, then remove both left and right side engine mounts from engine. Refer to Engine Mounts—Front in this section.

(36) Remove engine from the vehicle.

**INSTALLATION**

(1) Position engine in the vehicle.

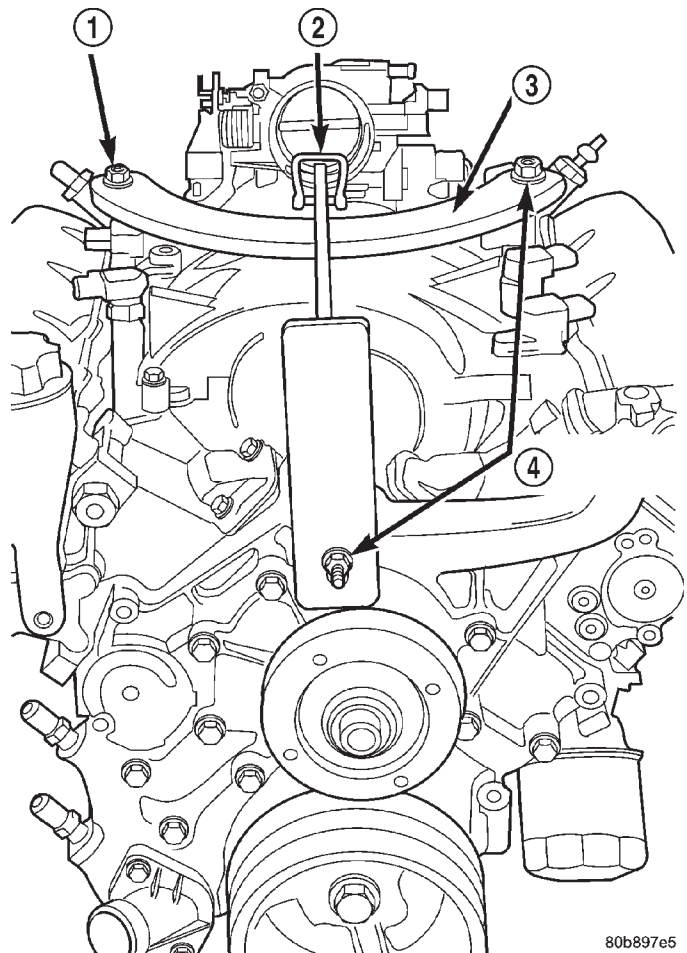
(2) Install both left and right side engine mounts onto engine.

Position both the left and right side engine mount brackets and install the through bolts and nuts.

(3) Install transmission to engine mounting bolts. Tighten the bolts to 41 N·m (30 ft. lbs.).

(4) Remove jack from under the transmission.

(5) Remove engine lifting fixture special tool 8347 (Fig. 41).

**Fig. 41 Engine Lifting Fixture Attachment Locations**

- 1 - ATTACHING LOCATION
- 2 - ADJUSTABLE HOOK
- 3 - SPECIAL TOOL 8347 ENGINE LIFT FIXTURE
- 4 - ATTACHING LOCATIONS

(6) Connect ground straps on the left side of the engine.

(7) Install power steering pump.

(8) Connect fuel supply line quick connect fitting.

(9) Connect engine harness at the following points (Fig. 40) :

- Intake Air Temperature (IAT) Sensor
- Idle Air Control (IAC) Motor
- Fuel Injectors
- Throttle Position (TPS) Switch
- Engine Oil Pressure Switch
- Engine Coolant Temperature (ECT) Sensor
- Manifold Absolute Pressure (MAP) Sensor
- Camshaft Position (CMP) Sensor
- Coil Over Plugs

(10) Install generator.

(11) Install radiator.

(12) Install A/C condenser.

(13) Connect radiator lower hose at the thermostat housing.

REMOVAL AND INSTALLATION (Continued)

- (14) Connect the transmission oil cooler lines to the radiator.
- (15) Install A/C compressor. Tighten the A/C compressor and generator M10 mounting bolts 40–68N·M (30–50 ft. lbs.) and the M8 bolts 22–34 N·m (200–300 in. lbs.).
- (16) Install accessory drive belt, fan assembly and shroud.
- (17) Install breathers, then connect tube to both crankcase breathers (Fig. 39).
- (18) Connect throttle and speed control cables.
- (19) Install throttle body resonator assembly and inlet hose.
- (20) Raise vehicle.
- (21) Connect two ground straps on the lower left hand side of the engine and one ground strap on the lower right side.
- (22) Install torque converter bolts.
- (23) Connect crankshaft position sensor (Fig. 38).
- (24) Install starter.
- (25) Install rubber splash shield.

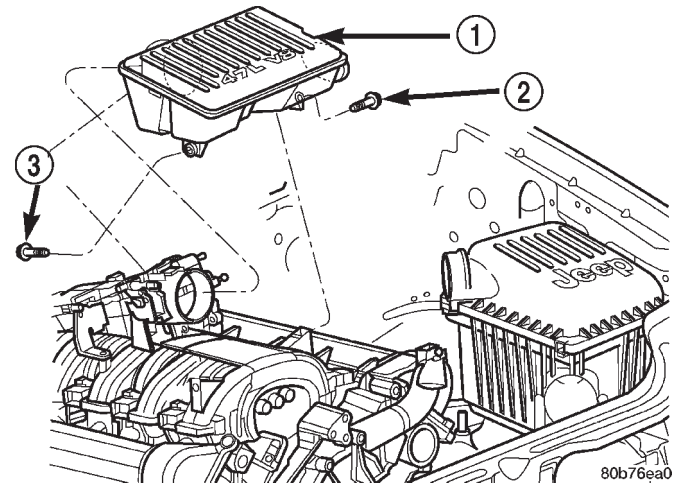
**CAUTION:** The structural cover requires a specific torque sequence. Failure to follow this sequence may cause severe damage to the cover.

- (26) Install structural cover. Refer to Structural Cover in this section.
- (27) Install exhaust crossover pipe.
- (28) Install engine block heater power cable, If equipped.
- (29) Lower vehicle.
- (30) Check and fill engine oil.
- (31) Recharge the A/C system.
- (32) Refill the engine cooling system.
- (33) Connect the battery negative cable.
- (34) Start engine and check for leaks.

**INTAKE MANIFOLD**

**REMOVAL**

- (1) Disconnect negative cable from battery.
- (2) Remove air cleaner housing and throttle body resonator (Fig. 42).
- (3) Disconnect throttle and speed control cables.
- (4) Disconnect electrical connectors for the following components: Refer to FUEL SYSTEM for location.
  - Manifold Absolute Pressure (MAP) Sensor
  - Intake Air Temperature (IAT) Sensor
  - Throttle Position (TPS) Sensor
  - Coolant Temperature (CTS) Sensor
  - Idle Air Control (IAC) Motor
- (5) Disconnect vapor purge hose, brake booster hose, speed control servo hose, positive crankcase ventilation (PCV) hose.



**Fig. 42 Throttle Body Resonator**

- 1 - THROTTLE BODY RESONATOR
- 2 - BOLT
- 3 - BOLT

- (6) Remove accessory drive belt. Refer to COOLING SYSTEM.
- (7) Disconnect generator electrical connections.
- (8) Unbolt the generator and move it away from the intake manifold for clearance.
- (9) Disconnect air conditioning compressor electrical connections.
- (10) Unbolt the air conditioning compressor and move it away from the intake manifold for clearance.
- (11) Disconnect left and right radio suppressor straps.
- (12) Disconnect and remove ignition coil towers.
- (13) Remove top oil dipstick tube retaining bolt and ground strap.
- (14) Bleed fuel system. Refer to FUEL SYSTEM.
- (15) Remove fuel rail.
- (16) Remove throttle body assembly and mounting bracket.
- (17) Drain cooling system below coolant temperature level. Refer to COOLING SYSTEM.
- (18) Remove coolant temperature sensor. Refer to FUEL SYSTEM.
- (19) Remove cowl to hood seal. Refer to BODY.
- (20) Remove right side engine lifting stud.
- (21) Remove intake manifold retaining fasteners, in
  - (21) reverse order of tightening sequence (Fig. 43).

**NOTE:** Intake must be lifted upward and level in the front and rear to clear the cowl. Interference with the cowl will occur during removal.

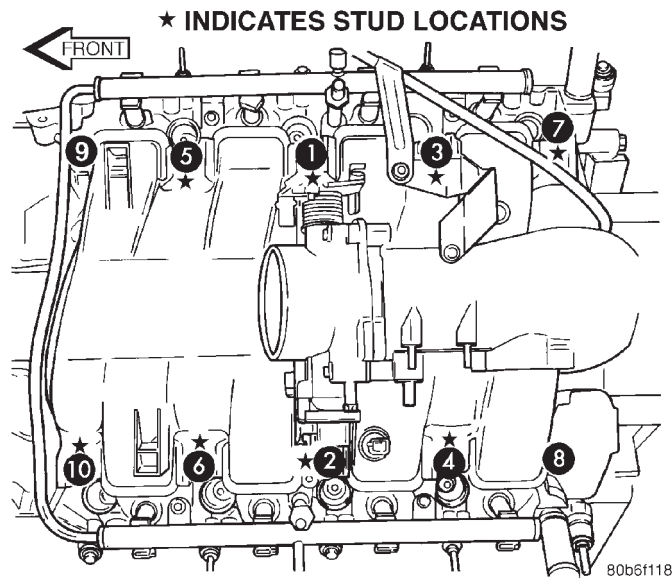
- (22) Remove intake manifold.



## REMOVAL AND INSTALLATION (Continued)

## INSTALLATION

- (1) Install intake manifold gaskets.
- (2) Install intake manifold.
- (3) Install intake manifold retaining bolts and tighten in sequence shown in (Fig. 43) to 12 N-m (105 in. lbs.).



**Fig. 43 Intake Manifold Tightening Sequence**

- (4) Install left and right radio suppressor straps.
- (5) Install throttle body assembly.
- (6) Install throttle cable bracket.
- (7) Connect throttle cable and speed control cable to throttle body.
- (8) Install fuel rail.
- (9) Install ignition coil towers.
- (10) Install coolant temperature sensor.
- (11) Connect electrical connectors for the following components:
  - Manifold Absolute Pressure (MAP) Sensor
  - Intake Air Temperature (IAT) Sensor
  - Throttle Position (TPS) Sensor
  - Coolant Temperature (CTS) Sensor
  - Idle Air Control (IAC) Motor
  - Ignition coil towers
  - Fuel injectors
- (12) Install top oil dipstick tube retaining bolt and ground strap.
- (13) Install right side engine lifting stud.
- (14) Install generator including electrical connections.
- (15) Connect Vapor purge hose, Brake booster hose, Speed control servo hose, Positive crankcase ventilation (PCV) hose.
- (16) Install air conditioning compressor including electrical connections.
- (17) Fill cooling system. Refer to Group 7, Cooling System for procedure.

- (18) Install accessory drive belt.
- (19) Install cowl to hood seal. Refer to BODY.
- (20) Install air cleaner housing and throttle body resonator. Tighten resonator bolts 4.5 N-m (40 in. lbs.).
- (21) Connect negative cable to battery.

## EXHAUST MANIFOLDS

## RIGHT EXHAUST MANIFOLD

## REMOVAL

- (1) Disconnect negative cable for battery.
- (2) Remove battery from vehicle.
- (3) Remove Power Distribution Center (PDC) fasteners and set aside.
- (4) Remove battery tray assembly.
- (5) Remove washer bottle assembly.
- (6) Remove accessory drive belt. Refer to Group 7, Cooling System for procedures.
- (7) Remove A/C compressor from mounting and set aside.
- (8) Remove A/C accumulator support bracket fastener.
- (9) Drain coolant below heater hose level. Refer to Group 7, Cooling System for procedures.
- (10) Remove heater hoses at engine.
- (11) Remove fasteners attaching exhaust manifold heat shield.
- (12) Remove heat shield.
- (13) Remove upper exhaust manifold attaching fasteners.
- (14) Raise vehicle on hoist.
- (15) Disconnect exhaust pipe from manifold.
- (16) Remove fasteners attaching starter. Move starter aside.
- (17) Remove lower exhaust manifold attaching fasteners.
- (18) Remove exhaust manifold and gasket. Manifold is removed from below the engine compartment.

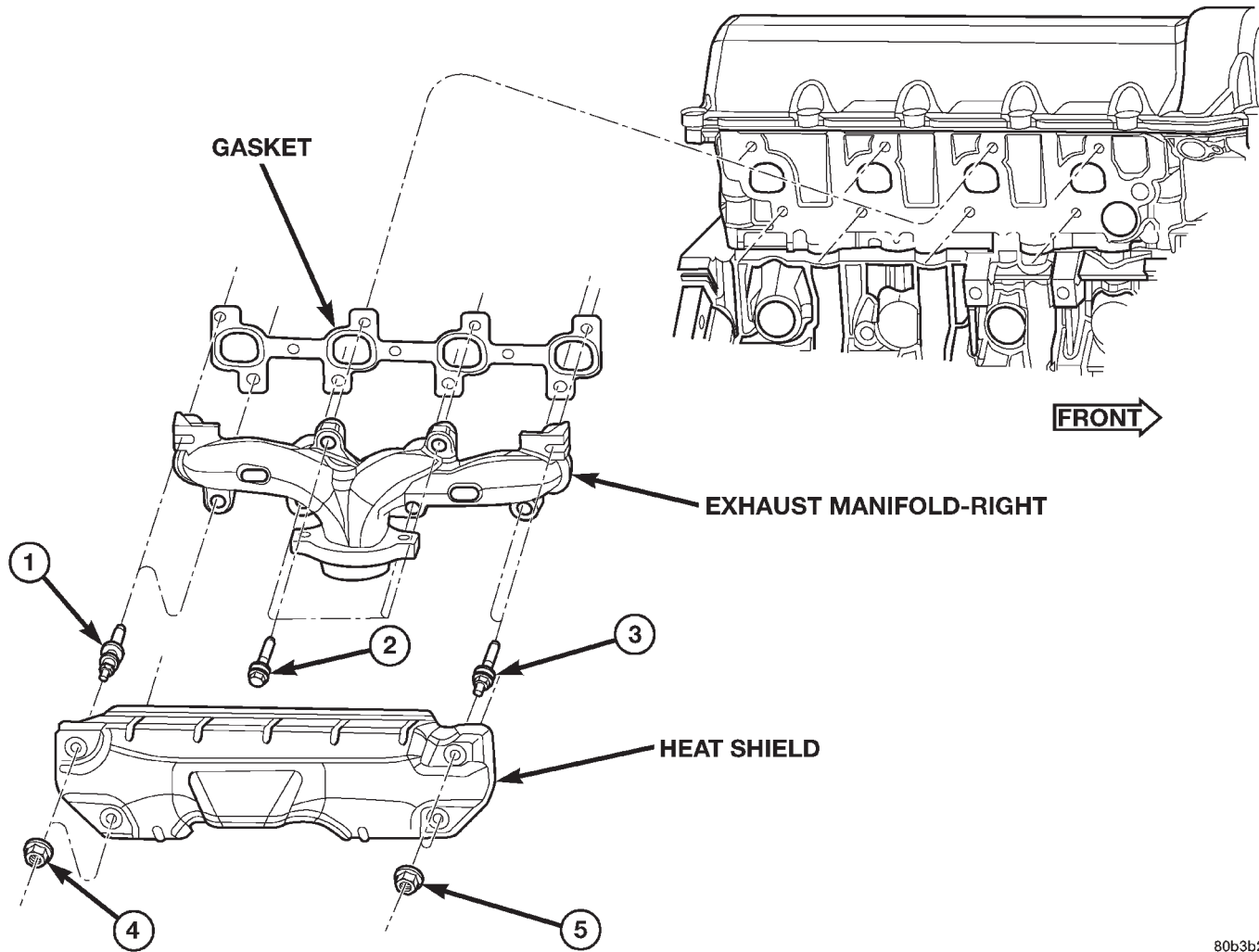
## INSTALLATION

- (1) Install exhaust manifold and gasket from below engine compartment.
- (2) Install lower exhaust manifold fasteners. DO NOT tighten until all fasteners are in place.
- (3) Lower vehicle and install upper exhaust manifold fasteners. Tighten all manifold bolts starting at center and working outward to 25 N-m (18 ft. lbs.).

**CAUTION: Over tightening heat shield fasteners, may cause shield to distort and/or crack.**

- (4) Install exhaust manifold heat shield. Tighten fasteners to 8 N-m (72 in. lbs.), then loosen 45 degrees.
- (5) Install starter and fasteners.

REMOVAL AND INSTALLATION (Continued)



80b3b29e

**Fig. 44 Exhaust Manifold—Right**

ITEM	DESCRIPTION	TORQUE	ITEM	DESCRIPTION	TORQUE
1	Stud (Qty 2)	25 N·m (18 ft. lbs.)	4	Nut (Qty 2)	8 N·m (72 in. lbs.), then loosen 45 degrees
2	Bolt (Qty 4)		5	Nut (Qty 2)	
3	Stud (Qty 2)				

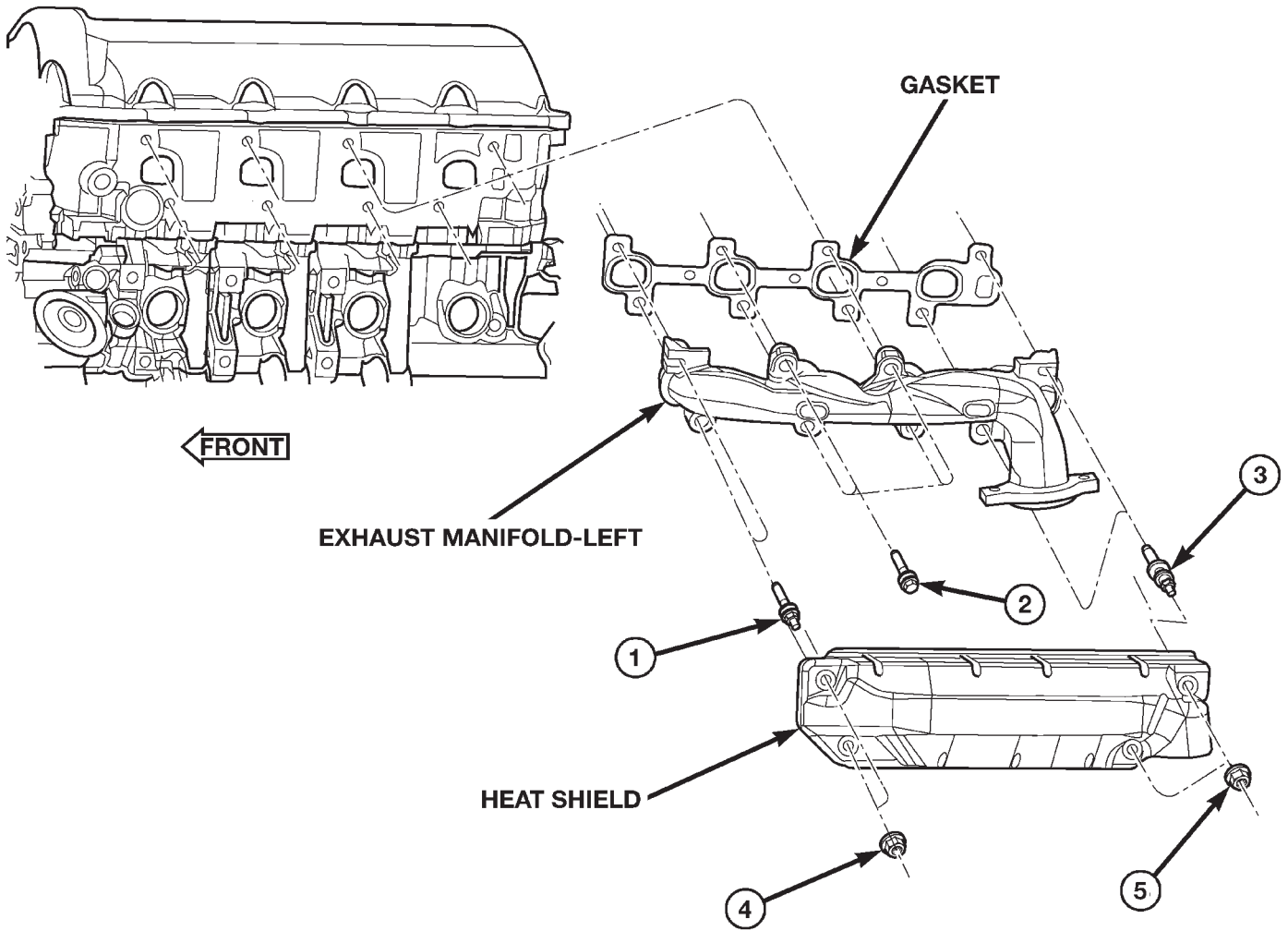
- (6) Connect exhaust pipe to manifold.
- (7) Connect heater hoses at engine.
- (8) Install fastener attaching A/C accumulator.
- (9) Install A/C compressor and fasteners.
- (10) Install accessory drive belt.
- (11) Install washer bottle and battery tray assembly.
- (12) Install PDC.
- (13) Install battery and connect cables.
- (14) Fill cooling system. Refer to Group 7, Cooling System for procedure.

**LEFT EXHAUST MANIFOLD**

**REMOVAL**

- (1) Disconnect negative cable for battery.
- (2) Hoist vehicle.
- (3) Disconnect exhaust pipe at manifold.
- (4) Lower vehicle.
- (5) Remove air cleaner housing and tube.
- (6) Remove the front two exhaust heat shield retaining fasteners. Raise vehicle and remove the fasteners at rear of heat shield.
- (7) Remove heat shield (Fig. 45).

REMOVAL AND INSTALLATION (Continued)



80b3b29a

Fig. 45 Exhaust Manifold—Left

ITEM	DESCRIPTION	TORQUE	ITEM	DESCRIPTION	TORQUE
1	Stud (Qty 2)	25 N·m (18 ft. lbs.)	4	Nut (Qty 2)	8 N·m (72 in. lbs.), then loosen 45 degrees
2	Bolt (Qty 4)		5	Nut (Qty 2)	
3	Stud (Qty 2)				

(8) Lower vehicle and remove the upper exhaust manifold retaining bolts (Fig. 45).

(9) Raise vehicle and remove the lower exhaust manifold retaining bolts (Fig. 45).

(10) Remove exhaust manifold and gasket (Fig. 45). Manifold is removed from below the engine compartment.

**INSTALLATION**

(1) Install exhaust manifold and gasket from below engine compartment.

(2) Install lower exhaust manifold fasteners (Fig. 45). DO NOT tighten until all fasteners are in place.

(3) Lower vehicle and install upper exhaust manifold fasteners (Fig. 45). Tighten all manifold bolts starting at center and working outward to 25 N·m (18 ft. lbs.).

**CAUTION:** Over tightening heat shield fasteners, may cause shield to distort and/or crack.

REMOVAL AND INSTALLATION (Continued)

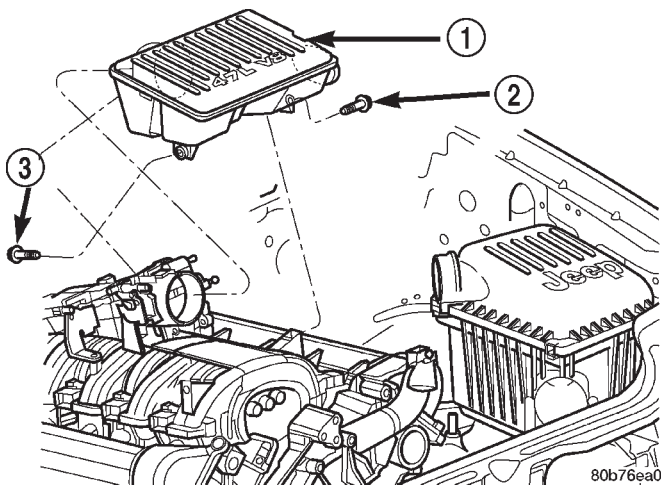
- (4) Install exhaust manifold heat shield (Fig. 45). Tighten fasteners to 8 N·m (72 in. lbs.), then loosen 45 degrees.
- (5) Install air cleaner housing and tube.
- (6) Connect exhaust pipe to manifold.
- (7) Connect negative cable to battery.

**CYLINDER HEAD COVERS**

**CYLINDER HEAD COVER LEFT**

**REMOVAL**

- (1) Disconnect negative cable from battery.
- (2) Remove air cleaner housing and throttle body resonator (Fig. 46).



**Fig. 46 Throttle Body Resonator**

- 1 - THROTTLE BODY RESONATOR
- 2 - BOLT
- 3 - BOLT

- (3) Disconnect injector connectors and un-clip the injector harness.
- (4) Route injector harness in front of cylinder head cover.
- (5) Remove the cylinder head cover mounting bolts.
- (6) Remove cylinder head cover and gasket.

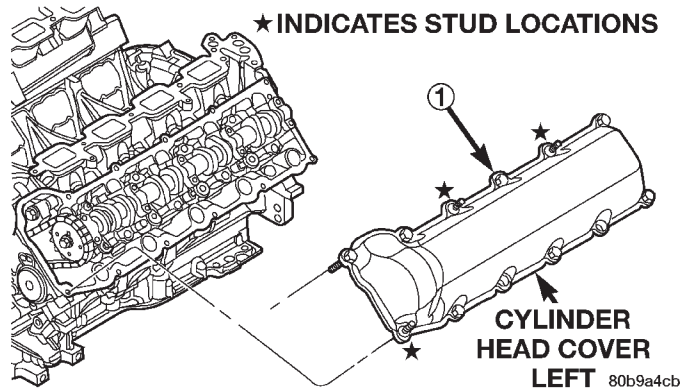
**NOTE:** The gasket may be used again, provided no cuts, tears, or deformation has occurred.

**INSTALLATION**

**CAUTION:** Do not use harsh cleaners to clean the cylinder head covers. Severe damage to covers may occur.

- (1) Clean cylinder head cover and both sealing surfaces. Inspect and replace gasket as necessary.

- (2) Install cylinder head cover and hand start all fasteners. Verify that all studs are in the correct location shown in (Fig. 47).



**Fig. 47 Cylinder Head Cover—Left**

ITEM	DESCRIPTION	TORQUE
1	Cover Fasteners	12 N·m (105 in. lbs.)

- (3) Tighten cylinder head cover bolts and double ended studs to 12 N·m (105 in. lbs.).
- (4) Connect injector electrical connectors and injector harness retaining clips.
- (5) Install air cleaner assembly and throttle body resonator. Tighten resonator bolts 4.5 N·m (40 in. lbs.).
- (6) Connect negative cable to battery.

**CAUTION:** DO NOT allow other components including the wire harness to rest on or against the cylinder head cover. Prolonged contact with other objects may wear a hole in the engine cylinder head cover.

**CYLINDER HEAD COVER RIGHT**

**REMOVAL**

- (1) Disconnect and remove battery from engine compartment.
- (2) Remove air cleaner housing and throttle body resonator (Fig. 46).
- (3) Disconnect battery lugs from Power Distribution Center (PDC).
- (4) Un-clip PDC and move to the left side of the fender well.
- (5) Drain cooling system, below the level of the heater hoses. Refer to COOLING SYSTEM.
- (6) Remove accessory drive belt. Refer to COOLING SYSTEM.
- (7) Remove air conditioning compressor retaining bolts and move compressor to the left.

## REMOVAL AND INSTALLATION (Continued)

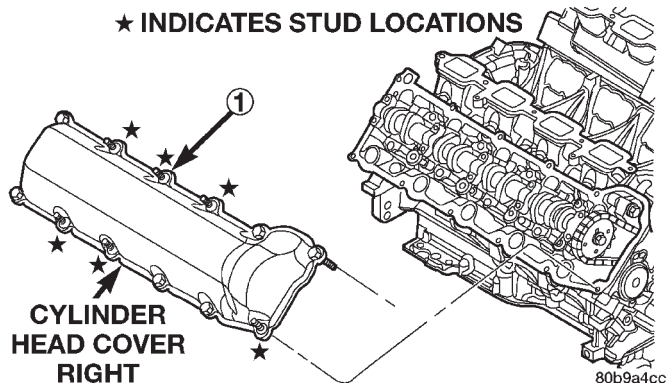
- (8) Remove battery tray and disconnect battery temperature sensor.
- (9) Remove heater hoses from front of engine.
- (10) Loosen air conditioning accumulator bracket.
- (11) Disconnect injector and ignition coil connectors.
- (12) Disconnect and remove positive crankcase ventilation (PCV) hose.
- (13) Remove oil fill tube.
- (14) Un-clip injector and ignition coil harness and move away from cylinder head cover.
- (15) Remove right rear breather tube and filter assembly.
- (16) Remove cylinder head cover retaining bolts.
- (17) Remove cylinder head cover.

**NOTE:** The gasket may be used again, provided no cuts, tears, or deformation has occurred.

## INSTALLATION

**CAUTION:** Do not use harsh cleaners to clean the cylinder head covers. Severe damage to covers may occur.

- (1) Clean cylinder head cover and both sealing surfaces. Inspect and replace gasket as necessary.
- (2) Install cylinder head cover and hand start all fasteners. Verify that all double ended studs are in the correct location shown in (Fig. 48).



**Fig. 48** Cylinder Head Cover—Right

ITEM	DESCRIPTION	TORQUE
1	Cover Fasteners	12 N·m (105 in. lbs.)

- (3) Tighten cylinder head cover bolts and double ended studs to 12 N·m (105 in. lbs.).
- (4) Install right rear breather tube and filter assembly.
- (5) Connect injector, ignition coil electrical connectors and harness retaining clips.
- (6) Install the oil fill tube.

- (7) Install PCV hose.
- (8) Tighten air conditioning accumulator bracket.
- (9) Install heater hoses.
- (10) Connect battery temperature sensor and install battery tray.
- (11) Install air conditioning compressor retaining bolts.
- (12) Install accessory drive belt.
- (13) Fill Cooling system.
- (14) Connect PDC and install battery lugs.
- (15) Install throttle body resonator and air cleaner housing. Tighten resonator bolts 4.5 N·m (40 in. lbs.).
- (16) Install battery and connect battery cables.

**CAUTION:** DO NOT allow other components including the wire harness to rest on or against the engine cylinder head cover. Prolonged contact with other objects may wear a hole in the cylinder head cover.

## ROCKER ARMS

## REMOVAL

**NOTE:** Disconnect the battery negative cable to prevent accidental starter engagement.

- (1) Remove the cylinder head cover. Refer to Cylinder Head Cover in this section.
- (2) For rocker arm removal on cylinders 3 and 5 Rotate the crankshaft until cylinder #1 is at TDC exhaust stroke.
- (3) For rocker arm removal on cylinders 2 and 8 Rotate the crankshaft until cylinder #1 is at TDC compression stroke.
- (4) For rocker arm removal on cylinders 4 and 6 Rotate the crankshaft until cylinder #3 is at TDC compression stroke.
- (5) For rocker arm removal on cylinders 1 and 7 Rotate the crankshaft until cylinder #2 is at TDC compression stroke.
- (6) Using special tool 8516 press downward on the valve spring, remove rocker arm (Fig. 49).

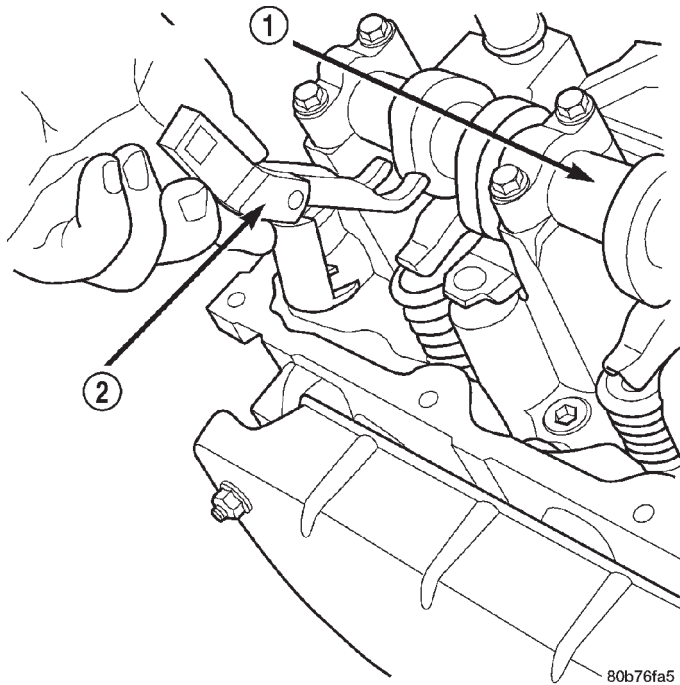
## INSTALLATION

**CAUTION:** Make sure the rocker arms are installed with the concave pocket over the lash adjusters. Failure to do so may cause severe damage to the rocker arms and/or lash adjusters.

**NOTE:** Coat the rocker arms with clean engine oil prior to installation.



REMOVAL AND INSTALLATION (Continued)



**Fig. 49 Rocker Arm—Removal**

- 1 - CAMSHAFT
- 2 - SPECIAL TOOL 8516

- (1) For rocker arm installation on cylinders 3 and 5 Rotate the crankshaft until cylinder #1 is at TDC exhaust stroke.
- (2) For rocker arm installation on cylinders 2 and 8 Rotate the crankshaft until cylinder #1 is at TDC compression stroke.
- (3) For rocker arm installation on cylinders 4 and 6 Rotate the crankshaft until cylinder #3 is at TDC compression stroke.
- (4) For rocker arm installation on cylinders 1 and 7 Rotate the crankshaft until cylinder #2 is at TDC compression stroke.
- (5) Using special tool 8516 press downward on the valve spring, install rocker arm (Fig. 49).
- (6) Install the cylinder head cover.

**VALVE STEM SEALS AND SPRINGS**

To service valve stem seals or springs refer to cylinder head removal procedures outlined in this section.

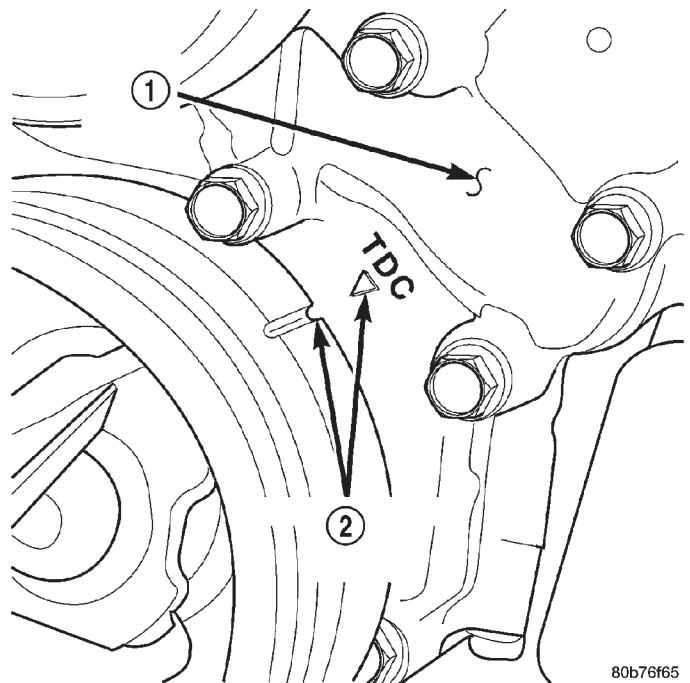
**CYLINDER HEADS**

**CYLINDER HEAD—LEFT**

**REMOVAL**

- (1) Disconnect the negative cable from the battery.
- (2) Raise the vehicle on a hoist.
- (3) Disconnect the exhaust pipe at the left side exhaust manifold.

- (4) Drain the engine coolant. Refer to COOLING SYSTEM.
- (5) Lower the vehicle.
- (6) Remove the intake manifold. Refer to procedure in this section.
- (7) Remove the cylinder head cover. Refer to procedure in this section.
- (8) Remove the fan shroud and fan blade assembly. Refer to COOLING SYSTEM.
- (9) Remove accessory drive belt. Refer to COOLING SYSTEM.
- (10) Remove the power steering pump and set aside.
- (11) Rotate the crankshaft until the damper timing mark is aligned with TDC indicator mark (Fig. 50).



**Fig. 50 Engine Top Dead Center (TDC) Indicator Mark**

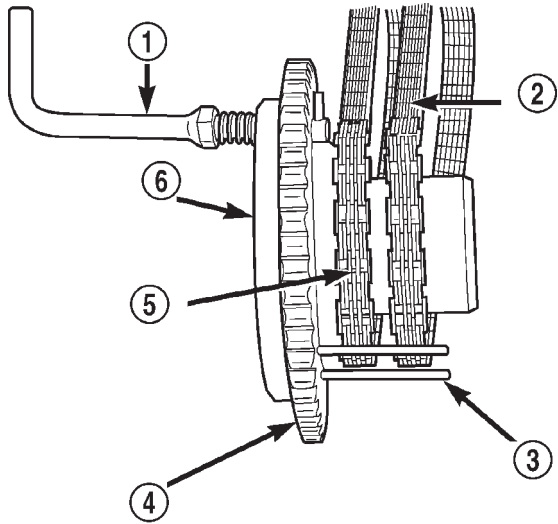
- 1 - TIMING CHAIN COVER
- 2 - CRANKSHAFT TIMING MARKS

- (12) Verify the V8 mark on the camshaft sprocket is at the 12 o'clock position (Fig. 52). Rotate the crankshaft one turn if necessary.
- (13) Remove the crankshaft damper. Refer to Crankshaft Damper in this section.
- (14) Remove the timing chain cover. Refer to procedure in this section.
- (15) Lock the secondary timing chains to the idler sprocket using Special Tool 8515 (Fig. 51).

**NOTE: Mark the secondary timing chain prior to removal to aid in installation.**



REMOVAL AND INSTALLATION (Continued)



80b77055

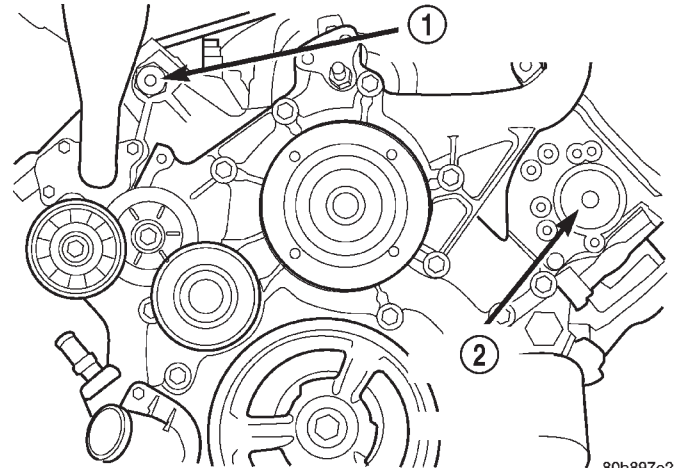
**Fig. 51 Using Special Tool 8515 to Hold Chains to Idler Sprocket.**

- 1 - LOCK ARM
- 2 - RIGHT CAMSHAFT CHAIN
- 3 - SECONDARY CHAINS RETAINING PINS (4)
- 4 - IDLER SPROCKET
- 5 - LEFT CAMSHAFT CHAIN
- 6 - SPECIAL TOOL 8515

(16) Mark the secondary timing chain, one link on each side of the V8 mark on the camshaft drive gear (Fig. 52).

(17) Remove the left side secondary chain tensioner. Refer to Timing Chain and Sprockets in this section.

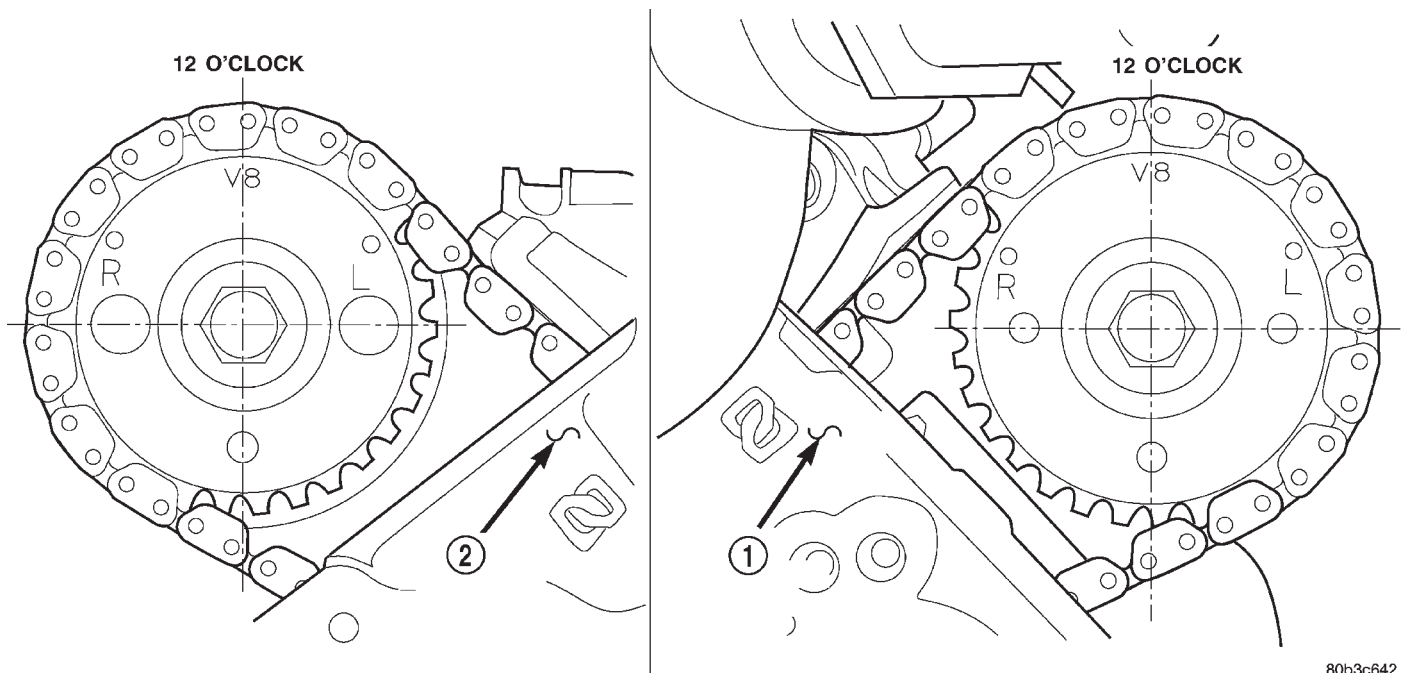
(18) Remove the cylinder head access plug (Fig. 53).



80b897e2

**Fig. 53 Cylinder Head Access Plugs**

- 1 - RIGHT CYLINDER HEAD ACCESS PLUG
- 2 - LEFT CYLINDER HEAD ACCESS PLUG



80b3c642

**Fig. 52 Camshaft Sprocket V8 Marks**

- 1 - LEFT CYLINDER HEAD
- 2 - RIGHT CYLINDER HEAD

REMOVAL AND INSTALLATION (Continued)

- (19) Remove the left side secondary chain guide. Refer to Timing Chain and Sprockets in this section.
- (20) Remove the retaining bolt and the camshaft drive gear.

**CAUTION:** Do not allow the engine to rotate. Severe damage to the valve train can occur.

**CAUTION:** Do not overlook the four smaller bolts at the front of the cylinder head. Do not attempt to remove the cylinder head without removing these four bolts.

**NOTE:** The cylinder head is attached to the cylinder block with fourteen bolts.

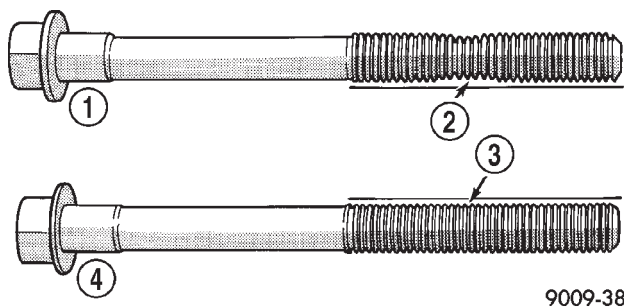
- (21) Remove the cylinder head retaining bolts.
- (22) Remove the cylinder head and gasket. Discard the gasket.

**CAUTION:** Do not lay the cylinder head on its gasket sealing surface, due to the design of the cylinder head gasket any distortion to the cylinder head sealing surface may prevent the gasket from properly sealing resulting in leaks.

INSTALLATION

**NOTE:** The cylinder head bolts are tightened using a torque plus angle procedure. The bolts must be examined **BEFORE** reuse. If the threads are necked down the bolts should be replaced.

Necking can be checked by holding a straight edge against the threads. If all the threads do not contact the scale, the bolt should be replaced (Fig. 54).

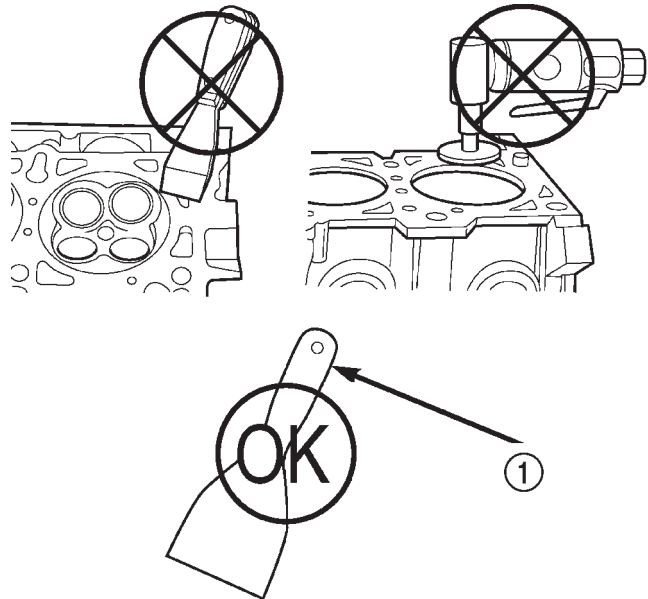


**Fig. 54 Checking Cylinder Head Bolts for Stretching (Necking)**

- 1 - STRETCHED BOLT
- 2 - THREADS ARE NOT STRAIGHT ON LINE
- 3 - THREADS ARE STRAIGHT ON LINE
- 4 - UNSTRETCHED BOLT

**CAUTION:** When cleaning cylinder head and cylinder block surfaces, **DO NOT** use a metal scraper because the surfaces could be cut or ground. Use only a wooden or plastic scraper.

- (1) Clean the cylinder head and cylinder block mating surfaces (Fig. 55).



80b76eba

**Fig. 55 Proper Tool Usage for Surface Preparation**  
1 - PLASTIC/WOOD SCRAPER

- (2) Position the new cylinder head gasket on the locating dowels.

**CAUTION:** When installing cylinder head, use care not damage the tensioner arm or the guide arm.

- (3) Position the cylinder head onto the cylinder block. Make sure the cylinder head seats fully over the locating dowels.

**NOTE:** The four smaller cylinder head mounting bolts require sealant to be added to them before installing. Failure to do so may cause leaks.

- (4) Lubricate the cylinder head bolt threads with clean engine oil and install the ten M11 bolts.
- (5) Coat the four M8 cylinder head bolts with **Mopar® Lock and Seal Adhesive** then install the bolts.

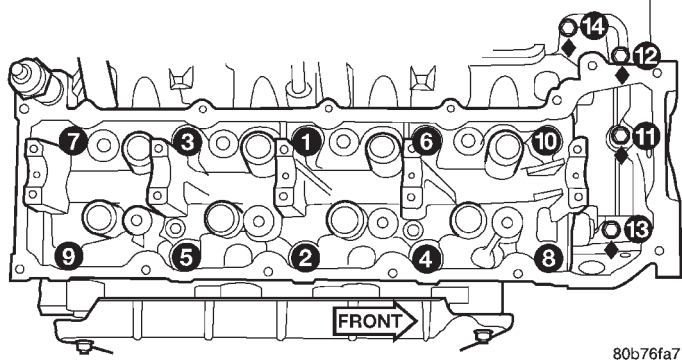
**NOTE:** The cylinder head bolts are tightened using an angle torque procedure, however, the bolts are not a torque-to-yield design.

- (6) Tighten the bolts in sequence (Fig. 56) using the following steps and torque values:

## REMOVAL AND INSTALLATION (Continued)

- Step 1: Tighten bolts 1–10, 20 N·m (15 ft. lbs.).
- Step 2: Tighten bolts 1–10, 47 N·m (35 ft. lbs.). Tighten bolts 11–14, 25 N·m (18 ft. lbs.).
- Step 3: Tighten bolts 1–10, 90 degrees. Tighten bolts 11–14, 30 N·m (22 ft. lbs.).

## ◆ INDICATES SEALER APPLIED TO THREADS



**Fig. 56 Cylinder Head Tightening Sequence**

(7) Position the secondary chain onto the camshaft drive gear, making sure one marked chain link is on either side of the V8 mark on the gear and position the gear onto the camshaft.

- (8) Install the camshaft drive gear retaining bolt.
- (9) Install the left side secondary chain guide.
- (10) Install the cylinder head access plug.
- (11) Re-set and Install the left side secondary chain tensioner.
- (12) Remove Special Tool 8515.
- (13) Install the timing chain cover.
- (14) Install the crankshaft damper. Tighten damper bolt 175 N·m (130 Ft. Lbs.).
- (15) Install the power steering pump.
- (16) Install the fan blade assembly and fan shroud.
- (17) Install the cylinder head cover.
- (18) Install the intake manifold.
- (19) Refill the cooling system
- (20) Raise the vehicle.
- (21) Install the exhaust pipe onto the left exhaust manifold.
- (22) Lower the vehicle.
- (23) Connect the negative cable to the battery.
- (24) Start the engine and check for leaks.

## CYLINDER HEAD—RIGHT

## REMOVAL

- (1) Disconnect battery negative cable.
- (2) Raise the vehicle on a hoist.
- (3) Disconnect the exhaust pipe at the right side exhaust manifold.
- (4) Drain the engine coolant. Refer to COOLING SYSTEM.
- (5) Lower the vehicle.

(6) Remove the intake manifold. Refer to procedure in this section.

(7) Remove the cylinder head cover. Refer to procedure in this section.

(8) Remove the fan shroud. Refer to COOLING SYSTEM.

(9) Remove oil fill housing from cylinder head.

(10) Remove accessory drive belt. Refer to COOLING SYSTEM.

(11) Rotate the crankshaft until the damper timing mark is aligned with TDC indicator mark (Fig. 50).

(12) Verify the V8 mark on the camshaft sprocket is at the 12 o'clock position (Fig. 52). Rotate the crankshaft one turn if necessary.

(13) Remove the crankshaft damper. Refer to Crankshaft Damper in this section.

(14) Remove the timing chain cover. Refer to Timing Chain Cover in this section.

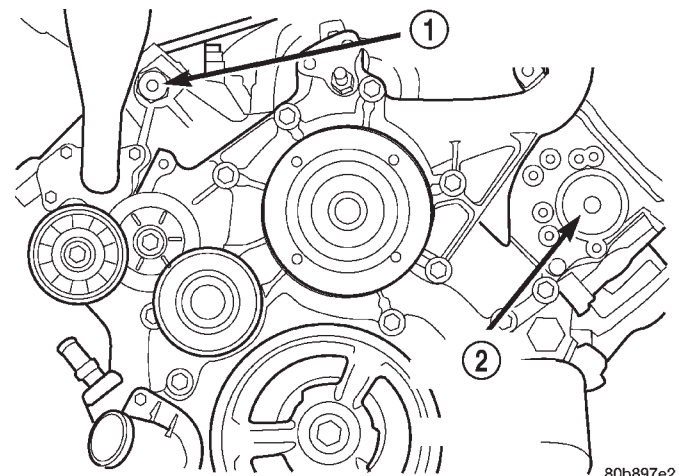
(15) Lock the secondary timing chains to the idler sprocket using Special Tool 8515 (Fig. 51).

**NOTE:** Mark the secondary timing chain prior to removal to aid in installation.

(16) Mark the secondary timing chain, one link on each side of the V8 mark on the camshaft drive gear (Fig. 52).

(17) Remove the right side secondary chain tensioner. Refer to Timing Chain and Sprockets in this section.

(18) Remove the cylinder head access plug (Fig. 57).



**Fig. 57 Cylinder Head Access Plugs**

- 1 - RIGHT CYLINDER HEAD ACCESS PLUG
- 2 - LEFT CYLINDER HEAD ACCESS PLUG

(19) Remove the right side secondary chain guide. Refer to Timing Chain and Sprockets in this section.

(20) Remove the retaining bolt and the camshaft drive gear.

## REMOVAL AND INSTALLATION (Continued)

**CAUTION:** Do not allow the engine to rotate. severe damage to the valve train can occur.

**CAUTION:** Do not overlook the four smaller bolts at the front of the cylinder head. Do not attempt to remove the cylinder head without removing these four bolts.

**CAUTION:** Do not hold or pry on the camshaft target wheel for any reason. A damaged target wheel can result in a vehicle no start condition.

**NOTE:** The cylinder head is attached to the cylinder block with fourteen bolts.

(21) Remove the cylinder head retaining bolts.

(22) Remove the cylinder head and gasket. Discard the gasket.

**CAUTION:** Do not lay the cylinder head on its gasket sealing surface, do to the design of the cylinder head gasket any distortion to the cylinder head sealing surface may prevent the gasket from properly sealing resulting in leaks.

## INSTALLATION

**NOTE:** The cylinder head bolts are tightened using a torque plus angle procedure. The bolts must be examined BEFORE reuse. If the threads are necked down the bolts should be replaced.

Necking can be checked by holding a straight edge against the threads. If all the threads do not contact the scale, the bolt should be replaced (Fig. 54).

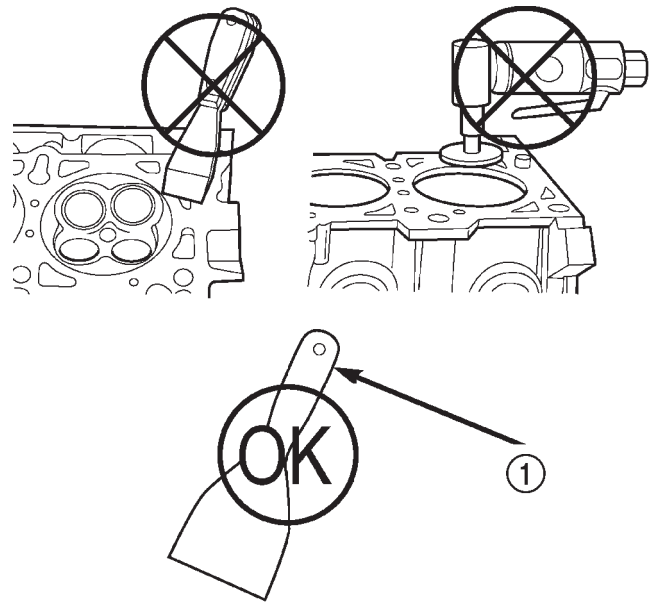
**CAUTION:** When cleaning cylinder head and cylinder block surfaces, DO NOT use a metal scraper because the surfaces could be cut or ground. Use only a wooden or plastic scraper.

(1) Clean the cylinder head and cylinder block mating surfaces (Fig. 58).

(2) Position the new cylinder head gasket on the locating dowels.

**CAUTION:** When installing cylinder head, use care not damage the tensioner arm or the guide arm.

(3) Position the cylinder head onto the cylinder block. Make sure the cylinder head seats fully over the locating dowels.



80b76eba

**Fig. 58 Proper Tool Usage For Surface Preparation**  
1 - PLASTIC/WOOD SCRAPER

**NOTE:** The four smaller cylinder head mounting bolts require sealant to be added to them before installing. Failure to do so may cause leaks.

(4) Lubricate the cylinder head bolt threads with clean engine oil and install the ten M10 bolts.

(5) Coat the four M8 cylinder head bolts with **Mopar Lock and Seal Adhesive** then install the bolts.

**NOTE:** The cylinder head bolts are tightened using an angle torque procedure, however, the bolts are not a torque-to-yield design.

(6) Tighten the bolts in sequence (Fig. 59) using the following steps and torque values:

- Step 1: Tighten bolts 1-10, 20 N·m (15 ft. lbs.).
- Step 2: Tighten bolts 1-10, 47 N·m (35 ft. lbs.). Tighten bolts 11-14, 25 N·m (18 ft. lbs.).
- Step 3: Tighten bolts 1-10, 90 degrees. Tighten bolts 11-14, 30 N·m (22 ft. lbs.).

(7) Position the secondary chain onto the camshaft drive gear, making sure one marked chain link is on either side of the V8 mark on the gear and position the gear onto the camshaft.

(8) Install the camshaft drive gear retaining bolt.

(9) Install the right side secondary chain guide.

(10) Install the cylinder head access plug.

(11) Re-set and install the right side secondary chain tensioner.

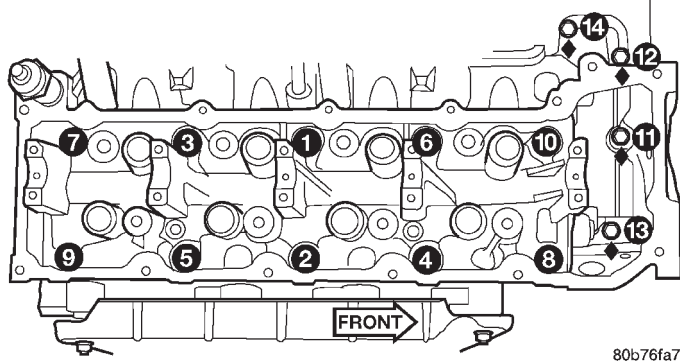
(12) Remove Special Tool 8515.

(13) Install the timing chain cover.



## REMOVAL AND INSTALLATION (Continued)

◆ INDICATES SEALER APPLIED TO THREADS

**Fig. 59 Cylinder Head Tightening Sequence**

- (14) Install the crankshaft damper. Tighten damper bolt 175 N·m (130 Ft. Lbs.).
- (15) Install accessory drive belt.
- (16) Install the fan shroud.
- (17) Install the cylinder head cover.
- (18) Install the intake manifold.
- (19) Install oil fill housing onto cylinder head.
- (20) Refill the cooling system.
- (21) Raise the vehicle.
- (22) Install the exhaust pipe onto the right exhaust manifold.
- (23) Lower the vehicle.
- (24) Reconnect battery negative cable.
- (25) Start the engine and check for leaks.

**VALVES AND VALVE SPRINGS****REMOVAL**

**NOTE:** The cylinder heads must be removed in order to preform this procedure.

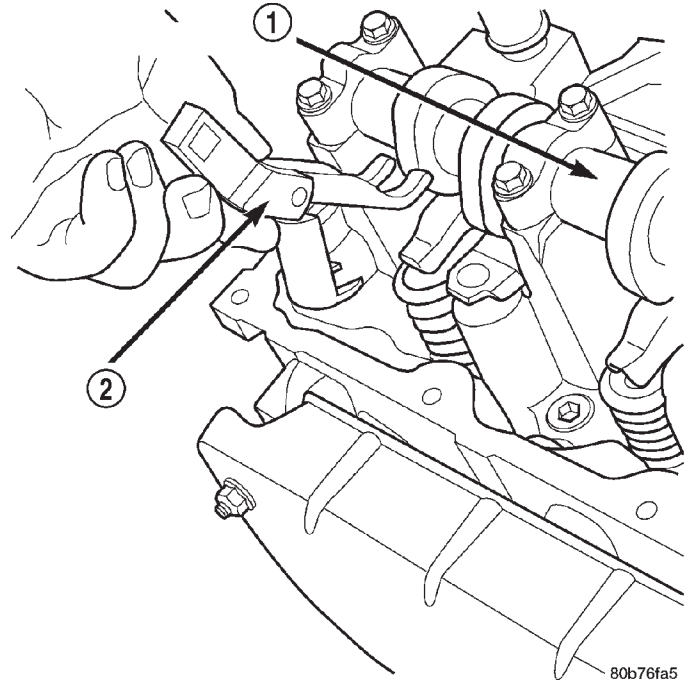
- (1) Using Special Tool 8516 Valve Spring Compressor, remove the rocker arms and the hydraulic lash adjusters (Fig. 60).
- (2) Remove the camshaft bearing caps and the camshaft.

**NOTE:** All eight valve springs and valve are removed in the same manner; this procedure only covers one valve and valve spring.

- (3) Using Special Tool C-3422-B or C-3422-C Valve Spring Compressor and Special tool 8519 Adapter, compress the valve spring.

**NOTE:** It may be necessary to tap the top of the valve spring to loosen the spring retainers locks enough to be removed.

- (4) Remove the two spring retainer lock halves.

**Fig. 60 Rocker Arm—Removal**

- 1 - CAMSHAFT
- 2 - SPECIAL TOOL 8516

**NOTE:** the valve spring is under tension use care when releasing the valve spring compressor.

- (5) Remove the valve spring compressor.
- (6) Remove the spring retainer, and the spring.

**NOTE:** Check for sharp edges on the keeper grooves. Remove any burrs from the valve stem before removing the valve from the cylinder head.

- (7) Remove the valve from the cylinder head.

**NOTE:** The valve stem seals are common between intake and exhaust.

- (8) Remove the valve stem seal. Mark the valve for proper installation.

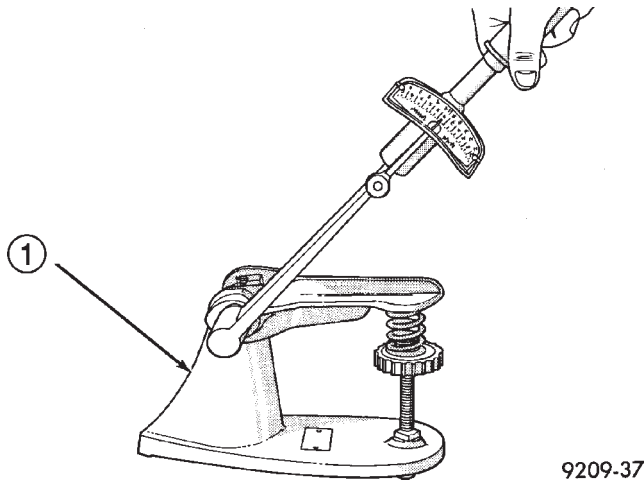
**TESTING VALVE SPRINGS**

**NOTE:** Whenever the valves are removed from the cylinder head it is recommended that the valve springs be inspected and tested for reuse.

Inspect the valve springs for physical signs of wear or damage. Turn table of tool C-647 until surface is in line with the 40.69 mm (1.602 in.) mark on the threaded stud and the zero mark on the front. Place spring over the stud on the table and lift compressing lever to set tone device. Pull on torque wrench until Ping is heard. Take reading on torque wrench

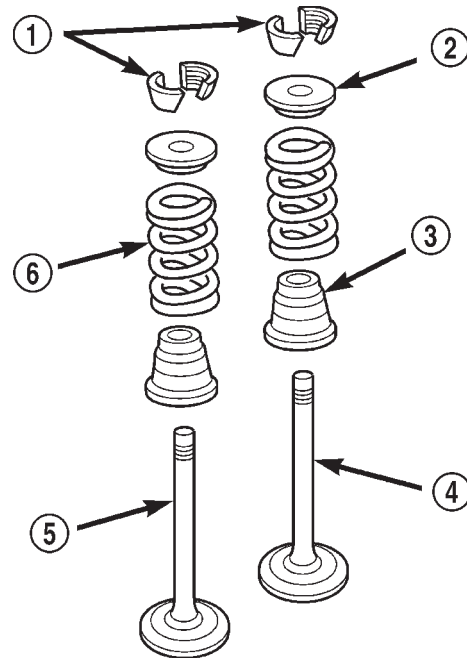
REMOVAL AND INSTALLATION (Continued)

at this instant. Multiply this reading by two. This will give the spring load at test length. Fractional measurements are indicated on the table for finer adjustments. Refer to Specifications Section to obtain specified height and allowable tensions. Replace any springs that do not meet specifications. (Fig. 61)



**Fig. 61 Testing Valve Springs**

1 - SPECIAL TOOL C-647



**Fig. 62 Valve Assembly Configuration**

- 1 - VALVE LOCKS (3-BEAD)
- 2 - RETAINER
- 3 - VALVE STEM OIL SEAL
- 4 - INTAKE VALVE
- 5 - EXHAUST VALVE
- 6 - VALVE SPRING

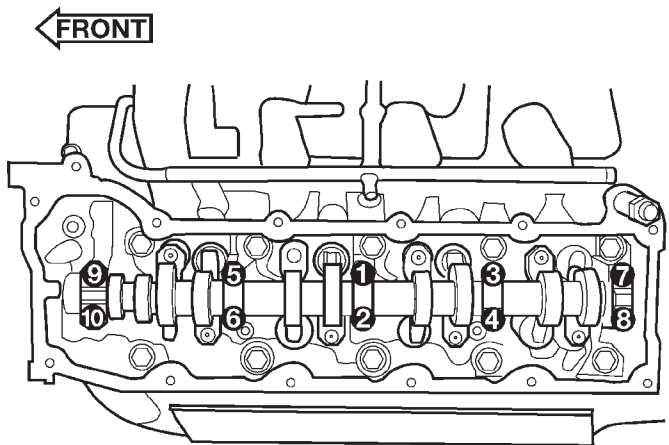
**INSTALLATION**

- (1) coat the valve stem with clean engine oil and insert it into the cylinder head.
- (2) Install the valve stem seal. make sure the seal is fully seated and that the garter spring at the top of the seal is intact.
- (3) Install the spring and the spring retainer.
- (4) Using the valve spring compressor, compress the spring and install the two valve spring retainer halves.
- (5) Release the valve spring compressor and make sure the two spring retainer halves and the spring retainer are fully seated.
- (6) lubricate the camshaft journal with clean engine oil then Position the camshaft (with the sprocket dowel on the left camshaft at 11 o'clock and the right camshaft at 12 o'clock), then position the camshaft bearing caps.
- (7) Install the camshaft bearing cap retaining bolts. Tighten the bolts 9-13 N·m (100 in. lbs.) in 1/2 turn increments in the sequence shown (Fig. 63).
- (8) Position the hydraulic lash adjusters and rocker arms (Fig. 60).

**HYDRAULIC LASH ADJUSTER**

**REMOVAL**

- (1) Remove cylinder head cover(s). Refer to procedure in this section.
- (2) Remove rocker arm(s). Refer to procedure in this section.



**Fig. 63 Camshaft Bearing Caps Tightening Sequence**

80b6b398



## REMOVAL AND INSTALLATION (Continued)

**CAUTION:** If lash adjusters and rocker arms are to be reused, always mark position for reassembly in their original positions.

- (3) Remove lash adjuster(s).

## INSTALLATION

(1) Install hydraulic lash adjuster making sure adjusters are at least partially full of oil. This can be verified by little or no plunger travel when lash adjuster is depressed.

(2) Install rocker arm(s). Refer to procedure in this section.

(3) Install cylinder head cover(s). Refer to procedure in this section.

## CRANKSHAFT DAMPER

## REMOVAL

(1) Disconnect negative cable from battery.

(2) Remove accessory drive belt. Refer to COOLING SYSTEM.

(3) Drain cooling system. Refer to COOLING SYSTEM.

(4) Remove radiator upper hose.

(5) Remove upper fan shroud. Refer to COOLING SYSTEM.

(6) Using Special Tools 6958 Spanner with Adapter Pins 8346, loosen fan and viscous assembly from water pump (Fig. 64).

(7) Remove fan and viscous assembly.

(8) Disconnect electrical connector for fan mounted inside radiator shroud.

**NOTE:** Transmission cooler line snaps into shroud lower right hand corner.

(9) Remove crankshaft damper bolt.

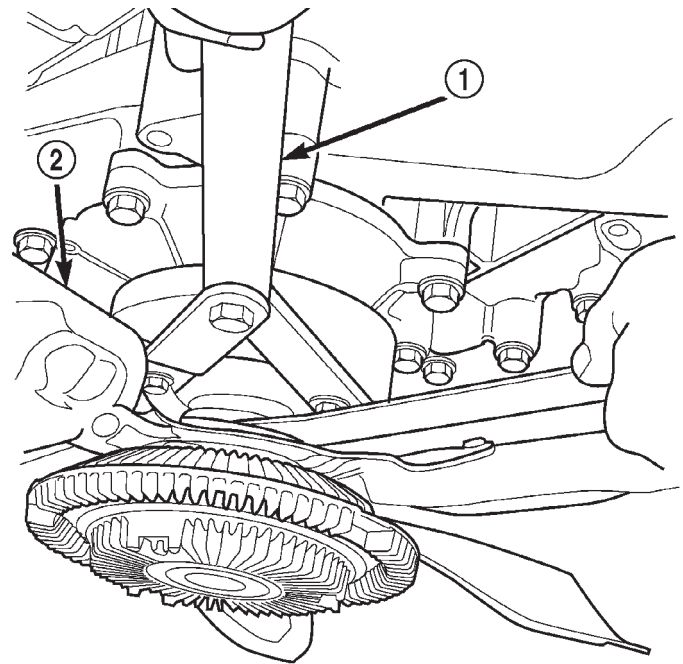
(10) Remove damper using Special Tools 8513 Insert and 1026 Three Jaw Puller (Fig. 65).

## INSTALLATION

**CAUTION:** To prevent severe damage to the Crankshaft, Damper or Special Tool 8512, thoroughly clean the damper bore and the crankshaft nose before installing Damper.

(1) Align crankshaft damper slot with key in crankshaft. Slide damper onto crankshaft slightly.

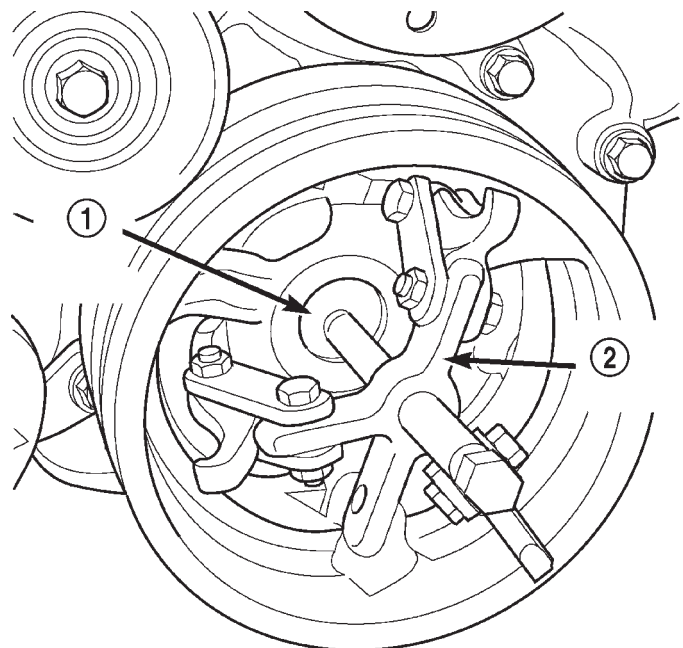
**CAUTION:** Special Tool 8512, is assembled in a specific sequence. Failure to assemble this tool in this sequence can result in tool failure and severe damage to either the tool or the crankshaft.



80b6b293

**Fig. 64 Fan Assembly—Removal/Installation**

- 1 - SPECIAL TOOL 6958 SPANNER WRENCH WITH ADAPTER PINS 8346  
2 - FAN



80b6b292

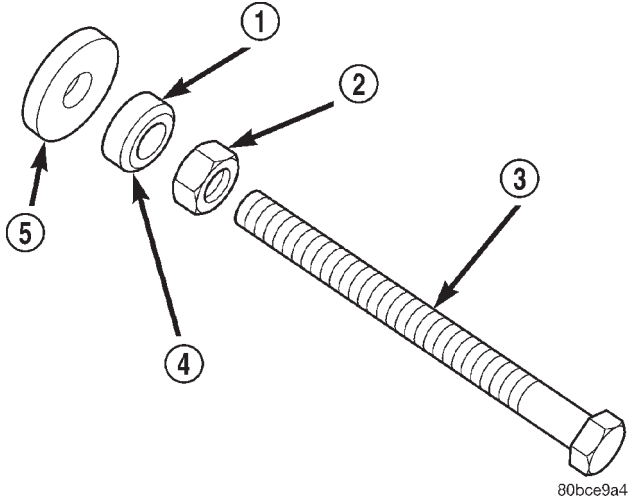
**Fig. 65 Crankshaft Damper—Removal**

- 1 - SPECIAL TOOL 8513 INSERT  
2 - SPECIAL TOOL 1026

(2) Assemble Special Tool 8512 as follows, The nut is threaded onto the shaft first. Then the roller bearing is placed onto the threaded rod (The hardened

REMOVAL AND INSTALLATION (Continued)

bearing surface of the bearing **MUST** face the nut). Then the hardened washer slides onto the threaded rod (Fig. 66). Once assembled coat the threaded rod's threads with Mopar® Nickel Anti-Seize or (Loctite No. 771).



80bce9a4

**Fig. 66 Proper Assembly Method for Special Tool 8512**

- 1 - BEARING
- 2 - NUT
- 3 - THREADED ROD
- 4 - BEARING HARDENED SURFACE (FACING NUT)
- 5 - HARDENED WASHER

(3) Using Special Tool 8512, press damper onto crankshaft (Fig. 67).

(4) Install then tighten crankshaft damper bolt to 175 N·m (130 ft. lbs.).

(5) Install fan blade assembly.

(6) Install radiator upper shroud and tighten fasteners to 11 N·m (95 in. lbs.).

(7) Connect electrical connector for shroud fan.

(8) Install radiator upper hose.

(9) Install accessory drive belt.

(10) Refill cooling system.

(11) Connect negative cable to battery.

**TIMING CHAIN COVER**

**REMOVAL**

(1) Disconnect the battery negative cable.

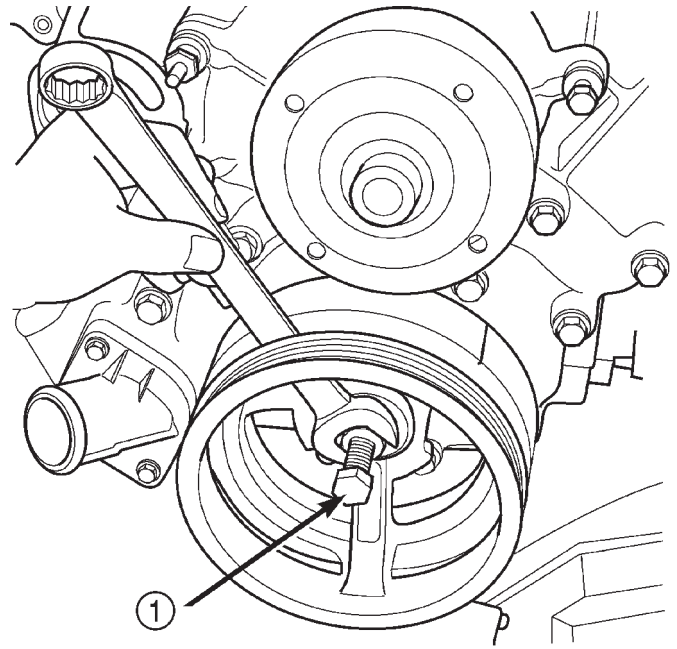
(2) Drain cooling system and remove viscous fan drive assembly. Refer to Group 7, Cooling System for procedures.

(3) Remove radiator shroud. Refer to Group 7, Cooling System for procedure.

(4) Disconnect both heater hoses at timing cover.

(5) Disconnect lower radiator hose at engine.

(6) Remove crankshaft damper. Refer to procedure in this section.

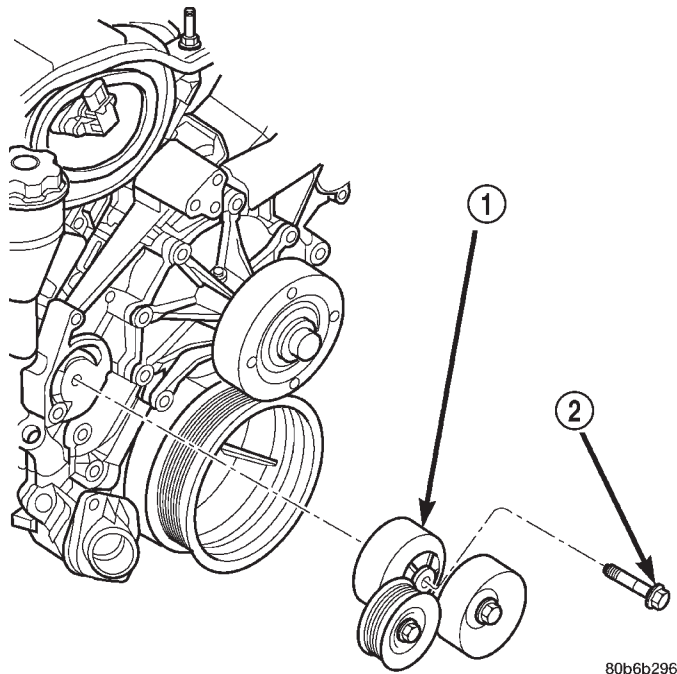


80b6b294

**Fig. 67 Crankshaft Damper—Installation**

- 1 - SPECIAL TOOL 8512

(7) Remove accessory drive belt tensioner assembly (Fig. 68).



80b6b296

**Fig. 68 Accessory Drive Belt Tensioner**

- 1 - TENSIONER ASSEMBLY
- 2 - FASTENER TENSIONER TO FRONT COVER

(8) Remove the generator and A/C compressor.

(9) Remove cover and gasket (Fig. 69).

## REMOVAL AND INSTALLATION (Continued)

## INSTALLATION

(1) Clean timing chain cover and block surface. Inspect cover gasket and replace as necessary.

(2) Install cover and gasket. Tighten fasteners in sequence as shown in (Fig. 69) to 54 N·m (40 ft. lbs.).

★ INDICATES STUD LOCATIONS

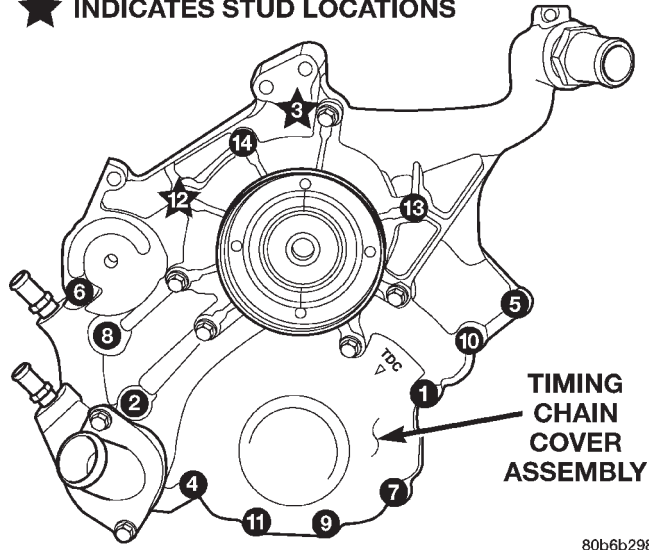


Fig. 69 Timing Chain Cover Fasteners

- (3) Install the A/C compressor and generator.  
 (4) Install crankshaft damper. Refer to procedure in this section.  
 (5) Install accessory drive belt tensioner assembly. Tighten fastener to 54 N·m (40 ft. lbs.).  
 (6) Install lower radiator hose.  
 (7) Install both heater hoses.  
 (8) Install radiator shroud and viscous fan drive assembly. Refer to Group 7, Cooling System for procedure.  
 (9) Fill cooling system. Refer to Group 7, Cooling System for procedures.  
 (10) Connect the battery negative cable.

## TIMING CHAIN AND SPROCKETS

## REMOVAL

- (1) Disconnect negative cable from battery.  
 (2) Drain cooling system. Refer to Group 7, Cooling System for procedures.  
 (3) Remove right and left cylinder head covers. Refer to procedure in this section.  
 (4) Remove radiator fan shroud. Refer to Group 7, Cooling System for procedure.  
 (5) Rotate engine until timing mark on crankshaft damper aligns with TDC mark on timing chain cover (Fig. 70) (#1 cylinder exhaust stroke) and the camshaft sprocket "V8" marks are at the 12 o'clock position (Fig. 71).

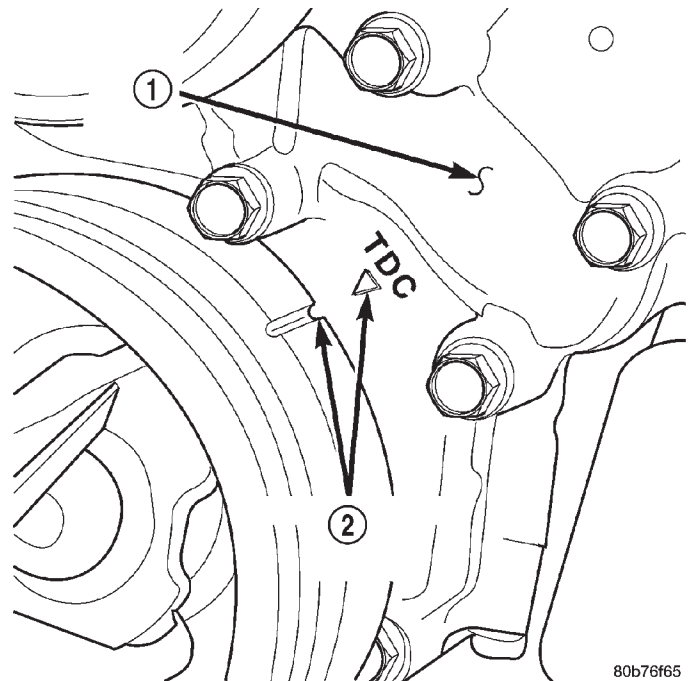


Fig. 70 Engine Top Dead Center (TDC) Indicator Mark

- 1 - TIMING CHAIN COVER  
 2 - CRANKSHAFT TIMING MARKS

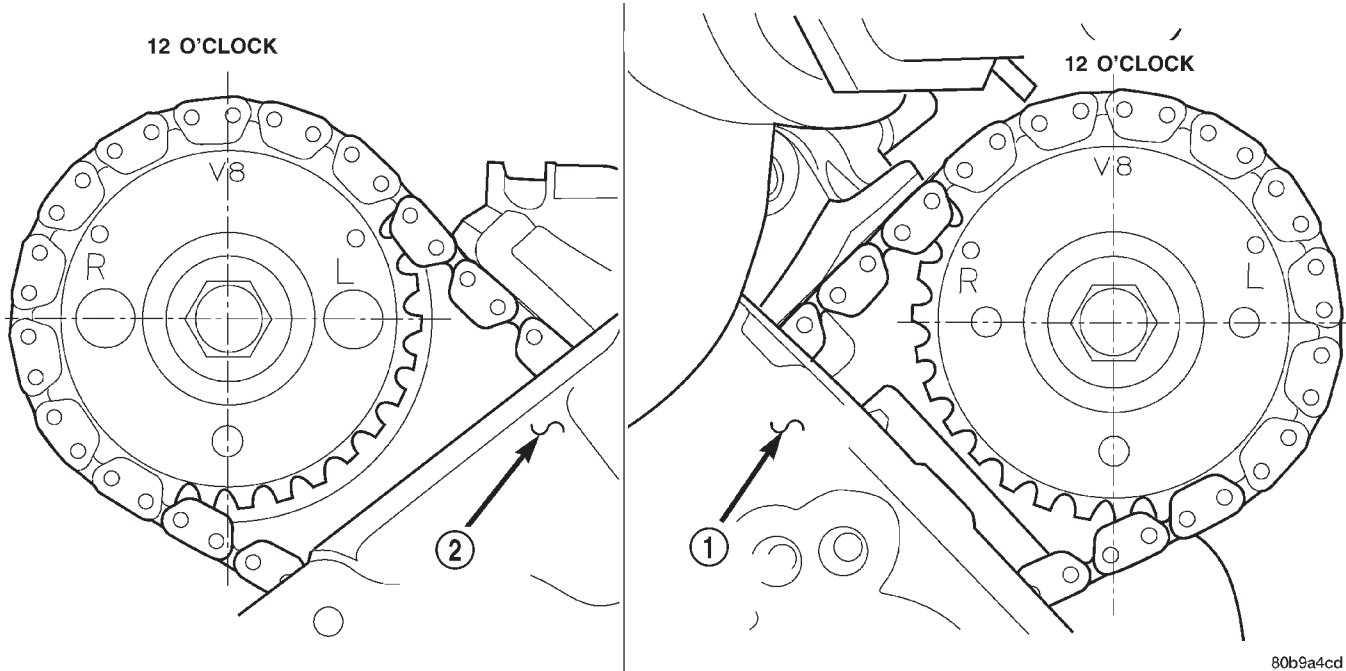
- (6) Remove power steering pump. Refer to Group 19, Steering for procedures.  
 (7) Remove access plugs (2) from left and right cylinder heads for access to chain guide fasteners (Fig. 72).  
 (8) Remove the oil fill housing to gain access to the right side tensioner arm fastener.  
 (9) Remove crankshaft damper and timing chain cover. Refer to procedures in this section.  
 (10) Collapse and pin primary chain tensioner (Fig. 73).

**CAUTION:** Plate behind left secondary chain tensioner could fall into oil pan. Therefore, cover pan opening.

- (11) Remove secondary chain tensioners.  
 (12) Remove camshaft position sensor from right cylinder head (Fig. 74).

**CAUTION:** Care should be taken not to damage camshaft target wheel. Do not hold target wheel while loosening or tightening camshaft sprocket. Do not place the target wheel near a magnetic source of any kind. A damaged or magnetized target wheel could cause a vehicle no start condition.

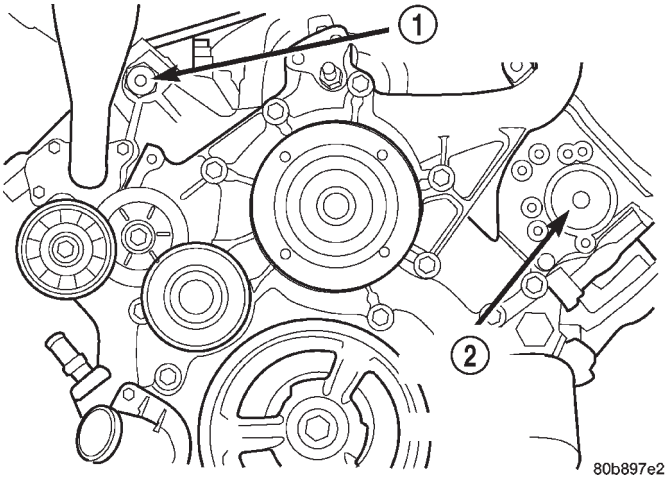
REMOVAL AND INSTALLATION (Continued)



80b9a4cd

**Fig. 71 Camshaft Sprocket V8 Marks**

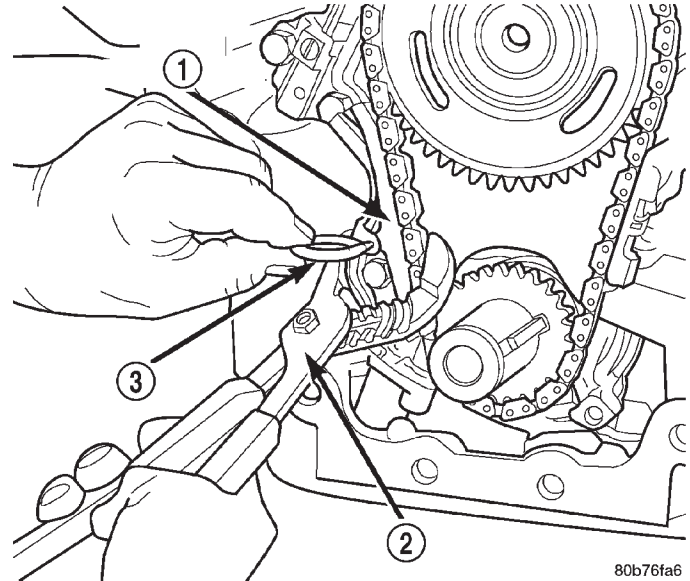
- 1 - LEFT CYLINDER HEAD
- 2 - RIGHT CYLINDER HEAD



80b897e2

**Fig. 72 Cylinder Head Access Plug Location**

- 1 - RIGHT CYLINDER HEAD ACCESS PLUG
- 2 - LEFT CYLINDER HEAD ACCESS PLUG



80b76fa6

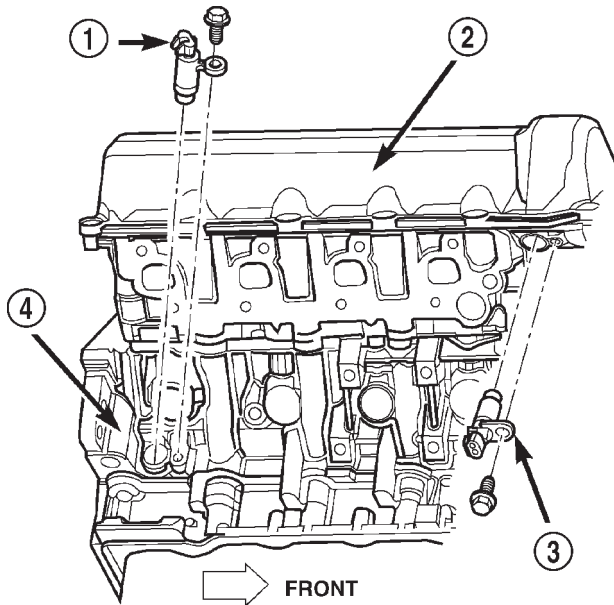
**Fig. 73 Collapsing And Pinning Primary Chain Tensioner**

- 1 - PRIMARY CHAIN TENSIONER
- 2 - ADJUSTABLE PLIERS
- 3 - SPECIAL TOOL 8514

**CAUTION:** Do not forcefully rotate the camshafts or crankshaft independently of each other. Damaging intake valve to piston contact will occur. Ensure negative battery cable is disconnected to guard against accidental starter engagement.



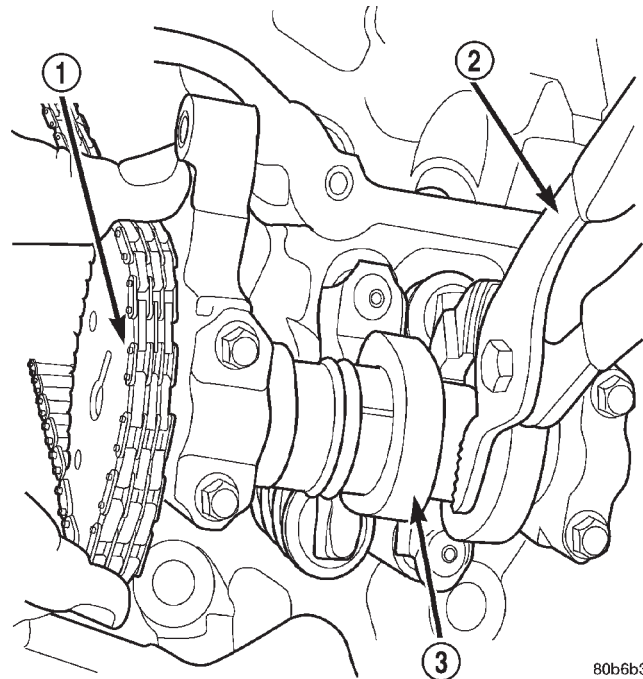
## REMOVAL AND INSTALLATION (Continued)



80b77057

**Fig. 74 Camshaft Position Sensor—Removal**

- 1 - CRANKSHAFT POSITION SENSOR
- 2 - CYLINDER HEAD COVER
- 3 - CAMSHAFT POSITION SENSOR
- 4 - RIGHT SIDE CYLINDER BLOCK



80b6b395

**Fig. 75 Camshaft Rotation—Left Side**

- 1 - CAMSHAFT SPROCKET AND CHAIN
- 2 - ADJUSTABLE PLIERS
- 3 - CAMSHAFT

(13) Remove left and right camshaft sprocket bolts.

(14) While holding the left camshaft steel tube with adjustable pliers, (Fig. 75) remove the left camshaft sprocket. Slowly rotate the camshaft approximately 15 degrees clockwise to a neutral position.

(15) While holding the right camshaft steel tube with adjustable pliers, (Fig. 76) remove the right camshaft sprocket. Slowly rotate the camshaft approximately 45 degrees counterclockwise to a neutral position.

(16) Remove idler sprocket assembly bolt.

(17) Slide the idler sprocket assembly and crank sprocket forward simultaneously to remove the primary and secondary chains.

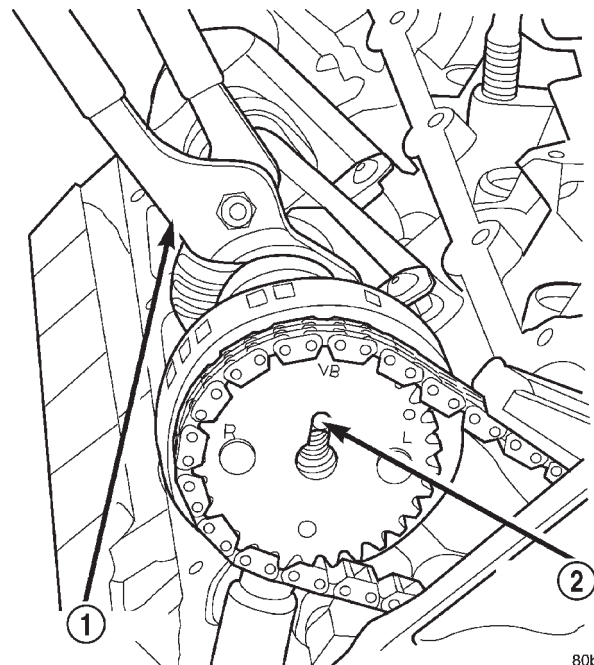
(18) Remove both pivoting tensioner arms and chain guides.

(19) Remove chain tensioner.

**INSPECTION OF COMPONENTS**

Inspect the following components:

- Sprockets for excessive tooth wear. Some tooth markings are normal and not a cause for sprocket replacement.
- Idler sprocket assembly bushing and shaft for excessive wear.
- Idler sprocket assembly spline joint. The joint should be tight with no backlash or axial movement.
- Chain guides and tensioner arms. Replace these parts if grooving in plastic face is more than 1 mm



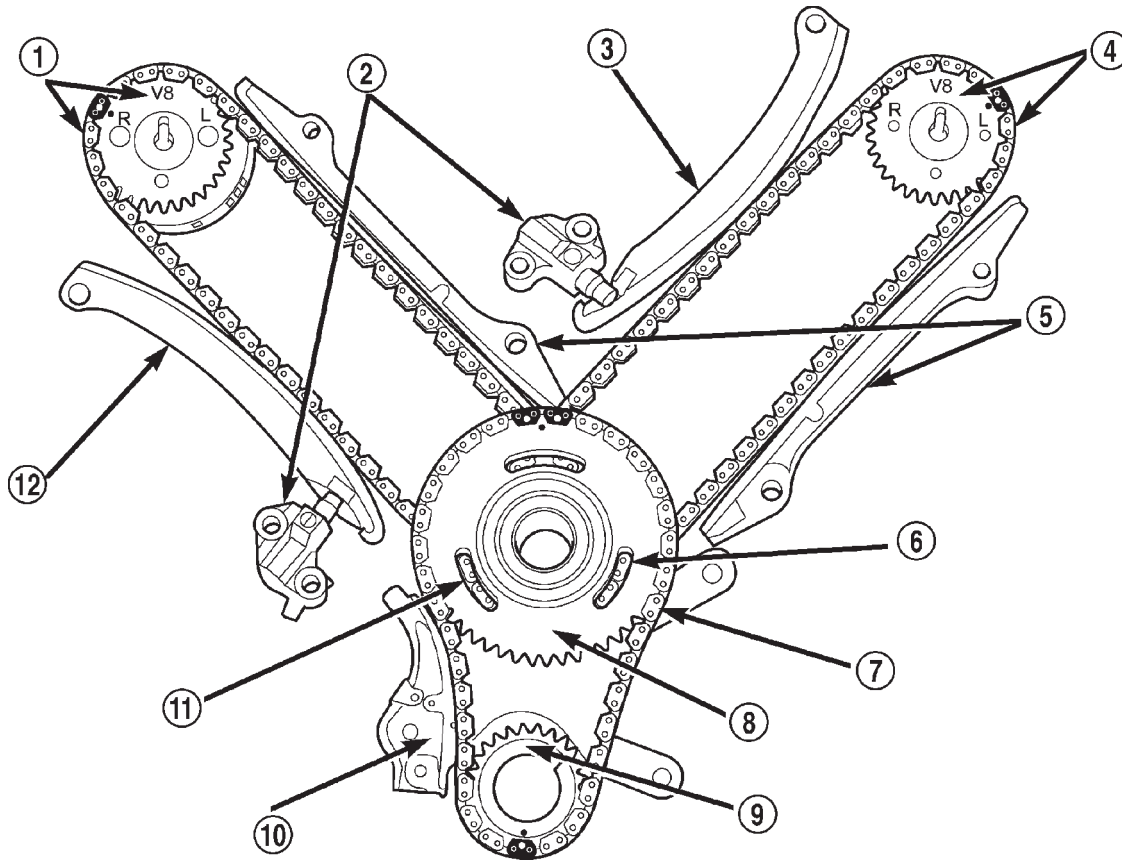
80ba7755

**Fig. 76 Camshaft Rotation—Right Side**

- 1 - ADJUSTABLE PLIERS
- 2 - CAMSHAFT DOWEL

(0.039 in.) deep. If plastic face is severely grooved or melted, the tensioner lube jet may be clogged. The tensioner should be replaced.

REMOVAL AND INSTALLATION (Continued)



80b3c710

**Fig. 77 Timing Chain System**

- |   |  |
|---|--|
| 1 - RIGHT CAMSHAFT SPROCKET AND SECONDARY CHAIN | 7 - PRIMARY CHAIN                            |
| 2 - SECONDARY TIMING CHAIN TENSIONER            | 8 - IDLER SPROCKET                           |
| 3 - SECONDARY TENSIONER ARM                     | 9 - CRANKSHAFT SPROCKET                      |
| 4 - LEFT CAMSHAFT SPROCKET AND SECONDARY CHAIN  | 10 - PRIMARY CHAIN TENSIONER                 |
| 5 - CHAIN GUIDE                                 | 11 - TWO PLATED LINKS ON LEFT CAMSHAFT CHAIN |
| 6 - TWO PLATED LINKS ON RIGHT CAMSHAFT CHAIN    | 12 - SECONDARY TENSIONER ARM                 |

- secondary chain tensioner piston and ratcheting device. Inspect for evidence of heavy contact between tensioner piston and tensioner arm. If this condition exist the tensioner tensioner arm and chain should be replaced.

- Primary chain tensioner plastic faces. Replace as required.

**INSTALLATION**

(1) Using a vise, lightly compress the secondary chain tensioner piston until the piston step is flush with the tensioner body. Using a pin or suitable tool, release ratchet pawl by pulling pawl back against spring force through access hole on side of tensioner. While continuing to hold pawl back, Push ratchet device to approximately 2 mm from the tensioner body. Install Special Tool 8514 lock pin into hole on front of tensioner. Slowly open vise to transfer piston spring force to lock pin (Fig. 78).

(2) Position primary chain tensioner over oil pump and insert bolts into lower two holes on tensioner bracket. Tighten bolts to 28 N·m (250 in. lbs.).

**CAUTION: Overtightening the tensioner arm torx® bolt can cause severe damage to the cylinder head. Tighten torx® bolt to specified torque only.**

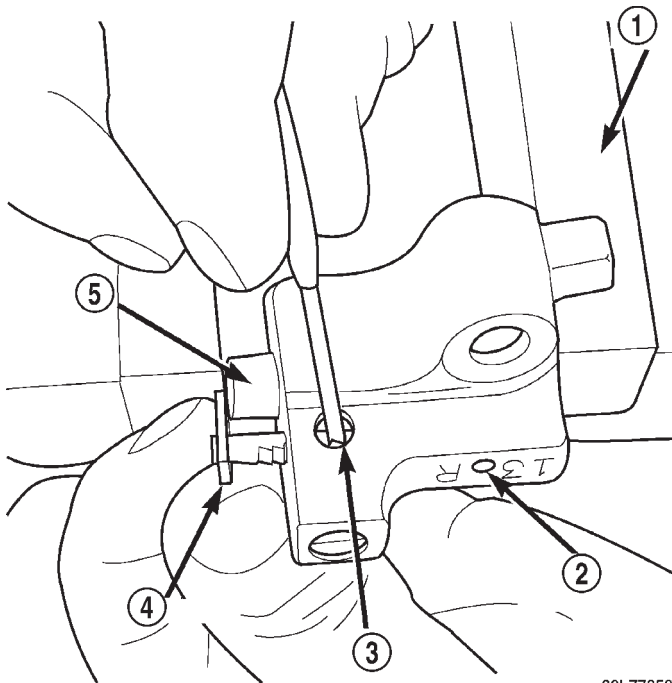
(3) Install right side chain tensioner arm. Apply Mopar® Lock N, Seal to torx® bolt, tighten bolt to 17 N·m (150 in. lbs.).

**NOTE: The silver bolts retain the guides to the cylinder heads and the black bolts retain the guides to the engine block.**

(4) Install the left side chain guide. Tighten the bolts to 28 N·m (250 in. lbs.).



## REMOVAL AND INSTALLATION (Continued)



80b77052

**Fig. 78 Resetting Secondary Chain Tensioners**

- 1 - VISE
- 2 - INSERT LOCK PIN
- 3 - RATCHET PAWL
- 4 - RATCHET
- 5 - PISTON

**CAUTION:** Overtightening the tensioner arm torx® bolt can cause severe damage to the cylinder head. Tighten torx® bolt to specified torque only.

(5) Install left side chain tensioner arm. Apply Mopar® Lock N, Seal to torx® bolt, tighten bolt to 17 N·m (150 in. lbs.).

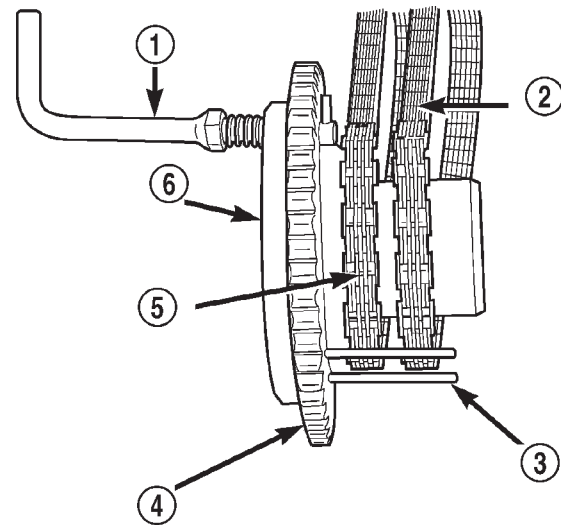
(6) Install the right side chain guide. Tighten the bolts to 28 N·m (250 in. lbs.).

(7) Install both secondary chains onto the idler sprocket. Align two plated links on the secondary chains to be visible through the two lower openings on the idler sprocket (4 o'clock and 8 o'clock). Once the secondary timing chains are installed, position special tool 8515 to hold chains in place for installation (Fig. 79).

(8) Align primary chain double plated links with the timing mark at 12 o'clock on the idler sprocket. Align the primary chain single plated link with the timing mark at 6 o'clock on the crankshaft sprocket (Fig. 77).

(9) Lubricate idler shaft and bushings with clean engine oil.

(10) Install all chains, crankshaft sprocket, and idler sprocket as an assembly (Fig. 80). After guiding both secondary chains through the block and cylinder head openings, affix chains with a elastic strap or the

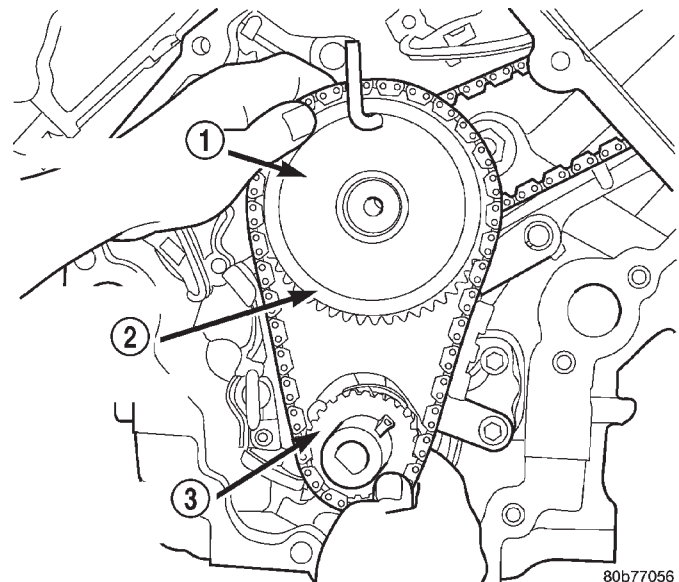


80b77055

**Fig. 79 Installing Secondary Timing Chains on Idler Sprocket**

- 1 - LOCK ARM
- 2 - RIGHT CAMSHAFT CHAIN
- 3 - SECONDARY CHAINS RETAINING PINS (4)
- 4 - IDLER SPROCKET
- 5 - LEFT CAMSHAFT CHAIN
- 6 - SPECIAL TOOL 8515

equivalent, This will maintain tension on chains to aid in installation.



80b77056

**Fig. 80 Installing Idler Gear, Primary and Secondary Timing Chains**

- 1 - SPECIAL TOOL 8515
- 2 - PRIMARY CHAIN IDLER SPROCKET
- 3 - CRANKSHAFT SPROCKET

## REMOVAL AND INSTALLATION (Continued)

**NOTE:** It will be necessary to slightly rotate camshafts for sprocket installation.

(11) Align left camshaft sprocket "L" dot to plated link on chain.

(12) Align right camshaft sprocket "R" dot to plated link on chain.

**CAUTION:** Remove excess oil from the camshaft sprocket bolt. Failure to do so can result in over-torque of bolt resulting in bolt failure.

(13) Remove Special Tool 8515, then attach both sprockets to camshafts. Remove excess oil from bolts, then install sprocket bolts, but do not tighten at this time.

(14) Verify that all plated links are aligned with the marks on all sprockets and the "V8" marks on camshaft sprockets are at the 12 o'clock position (Fig. 77).

**CAUTION:** Ensure the plate between the left secondary chain tensioner and block is correctly installed.

(15) Install both secondary chain tensioners. Tighten bolts to 28 N·m (250 in. lbs.).

**NOTE:** Left and right secondary chain tensioners are not common.

(16) Before installing idler sprocket bolt, lubricate washer with oil, and tighten idler sprocket assembly retaining bolt to 34 N·m (25 ft. lbs.).

(17) Remove all locking pins (3) from tensioners.

**CAUTION:** After pulling locking pins out of each tensioner, DO NOT manually extend the tensioner(s) ratchet. Doing so will over tension the chains, resulting in noise and/or high timing chain loads.

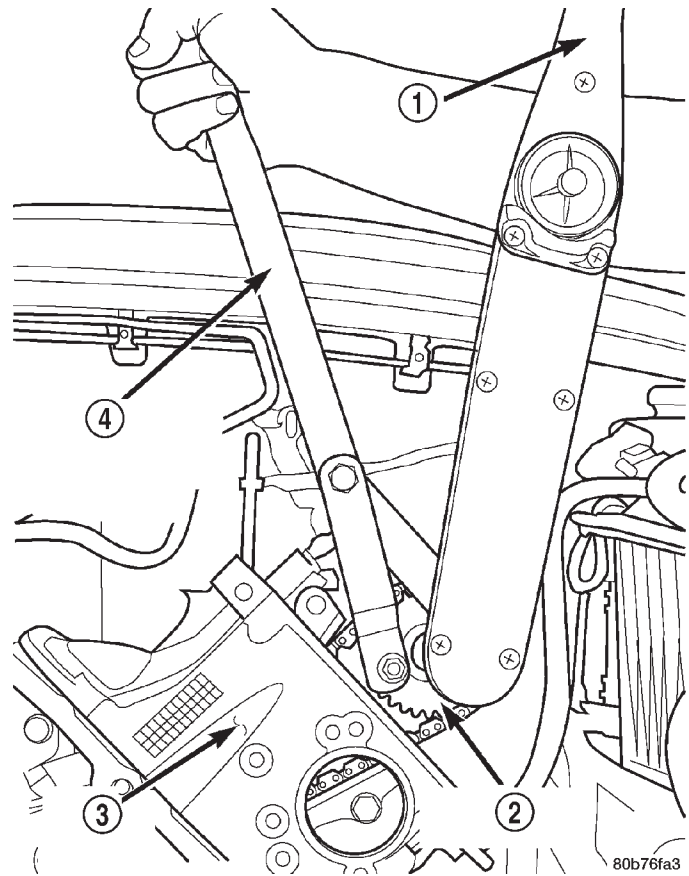
(18) Using Special Tool 6958, Spanner with Adapter Pins 8346, tighten left (Fig. 81) and right (Fig. 82). camshaft sprocket bolts to 122 N·m (90 ft. lbs.).

(19) Rotate engine two full revolutions. Verify timing marks are at the follow locations:

- primary chain idler sprocket dot is at 12 o'clock (Fig. 77)
- primary chain crankshaft sprocket dot is at 6 o'clock (Fig. 77)
- secondary chain camshaft sprockets "V8" marks are at 12 o'clock (Fig. 77)

(20) Lubricate all three chains with engine oil.

(21) After installing all chains, it is recommended that the idler gear end play be checked (Fig. 83). The end play must be within 0.10–0.25 mm (0.004–0.010 in.). If not within specification, the idler gear must be replaced.



**Fig. 81 Tightening Left Side Camshaft Sprocket Bolt**

- 1 - TORQUE WRENCH
- 2 - CAMSHAFT SPROCKET
- 3 - LEFT CYLINDER HEAD
- 4 - SPECIAL TOOL 6958 SPANNER WITH ADAPTER PINS 8346

(22) Install timing chain cover and crankshaft damper. Refer to procedures in this section.

(23) Install cylinder head covers. Refer to procedures in this section.

**NOTE:** Before installing threaded plug in right cylinder head, the plug must be coated with sealant to prevent leaks.

(24) Coat the large threaded access plug with **Mopar® Thread Sealant with Teflon**, then install into the right cylinder head and tighten to 81 N·m (60 ft. lbs.) (Fig. 72).

(25) Install the oil fill housing.

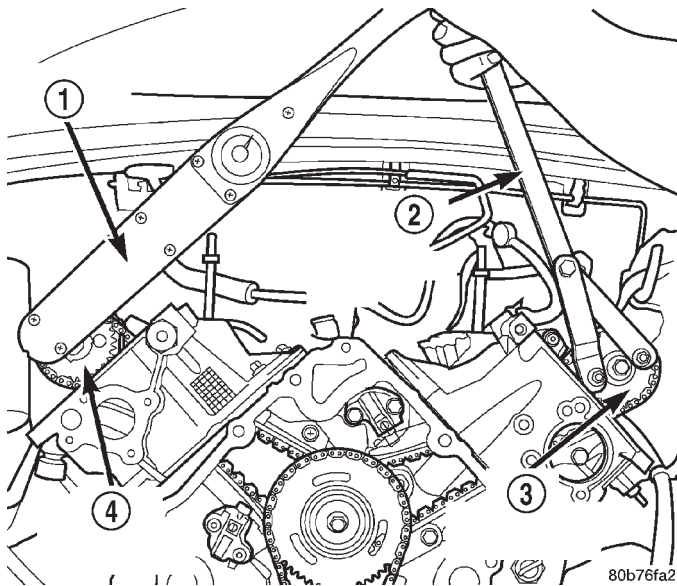
(26) Install access plug in left cylinder head (Fig. 72).

(27) Install power steering pump. Refer to Group 19, Steering for procedure.

(28) Install radiator fan shroud. Refer to Group 7, Cooling System for procedure.

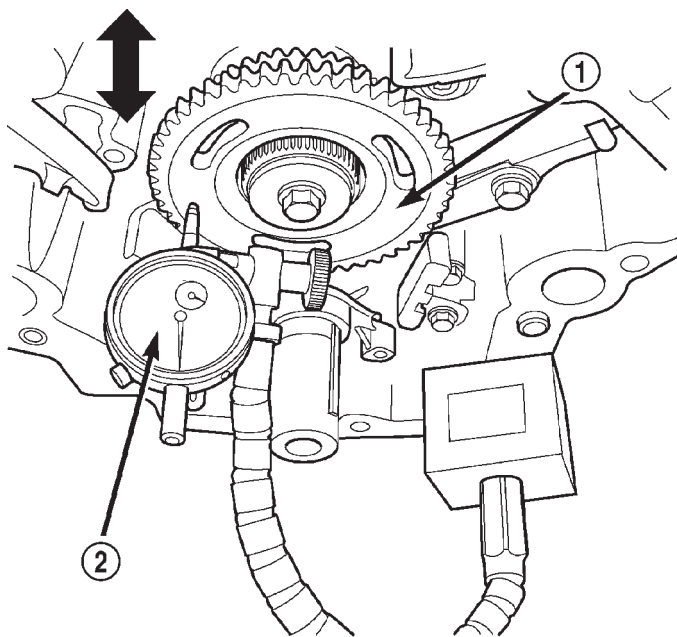
(29) Fill cooling system. Refer to Group 7, Cooling System for coolant fill procedure.

## REMOVAL AND INSTALLATION (Continued)



**Fig. 82 Tightening Right Side Camshaft Sprocket Bolt**

- 1 - TORQUE WRENCH
- 2 - SPECIAL TOOL 6958 WITH ADAPTER PINS 8346
- 3 - LEFT CAMSHAFT SPROCKET
- 4 - RIGHT CAMSHAFT SPROCKET



**Fig. 83 Measuring Idler Gear End Play**

- 1 - IDLER SPROCKET ASSEMBLY
- 2 - DIAL INDICATOR

(30) Connect negative cable to battery.

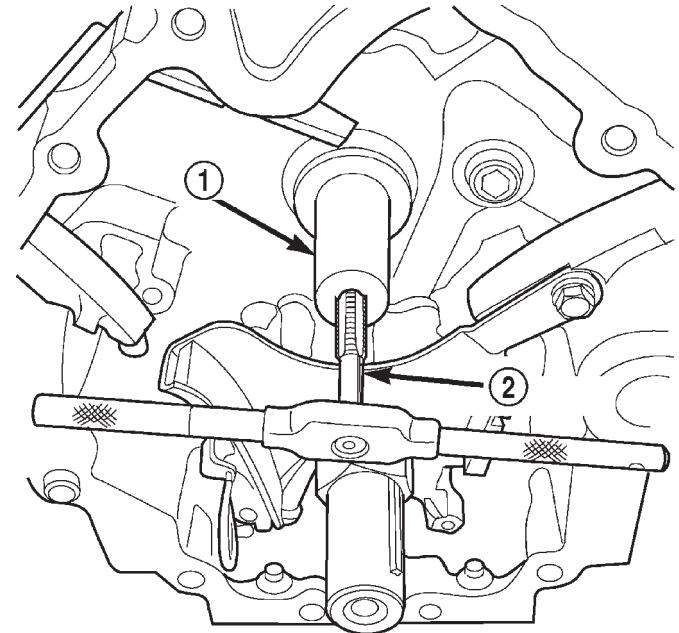
## IDLER SHAFT—TIMING DRIVE

## REMOVAL

(1) Remove the timing chain and sprockets. Refer to procedure in this section.

**NOTE:** To remove the idler shaft, it is necessary to tap threads into the shaft to install the removal tool.

(2) Using a 12 mm X 1.75 tap, cut threads in the idler shaft center bore (Fig. 84).



**Fig. 84 Tapping Idler Shaft For Special Tool 8517**

- 1 - IDLER SHAFT
- 2 - TAP 12mm X 1.75

(3) Cover the radiator core with a suitable cover.

**CAUTION:** Use care when removing idler shaft, **DO NOT** strike the radiator cooling fins with the slide hammer.

(4) Using Special Tool 8517 Slide Hammer, remove the idler shaft (Fig. 85).

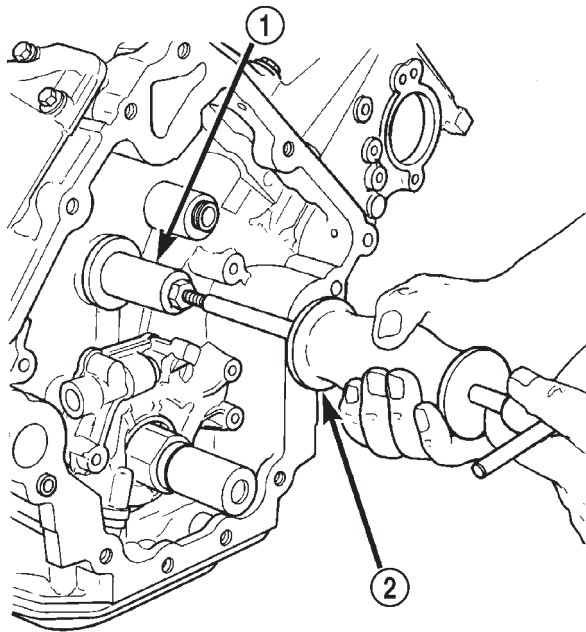
## INSTALLATION

- (1) Thoroughly clean the idler shaft bore.
- (2) Position the idler shaft in the bore.

**NOTE:** The two lubrication holes in the idler shaft do not require any special alignment.

**NOTE:** Before using the retaining bolt to install the idler shaft, coat the threads and the pilot on the idler shaft with clean engine oil.

## REMOVAL AND INSTALLATION (Continued)



80b6b396

**Fig. 85 Removing Idler Shaft**

- 1 - IDLER SHAFT  
2 - SPECIAL TOOL 8517

(3) Using the primary idler sprocket retaining bolt and washer, carefully draw the idler shaft into the bore until fully seated.

(4) Coat the idler shaft with clean engine oil and install the timing chains and sprockets. Refer to procedure in this section.

**CAMSHAFTS—IN VEHICLE****LEFT CAMSHAFT****REMOVAL**

**CAUTION:** When the timing chain is removed and the cylinder heads are still installed, **DO NOT** forcefully rotate the camshafts or crankshaft independently of each other. Severe valve and/or piston damage can occur.

**CAUTION:** When removing the cam sprocket, timing chains or camshaft, Failure to use Special Tool 8350 will result in hydraulic tensioner ratchet over extension, requiring timing chain cover removal to reset the tensioner ratchet.

(1) Remove cylinder head cover. Refer to Cylinder Head Cover in this section.

(2) Set engine to TDC cylinder #1, camshaft sprocket V8 marks at the 12 o'clock position.

(3) Mark one link on the secondary timing chain on both sides of the V8 mark on the camshaft sprocket to aid in installation.

**CAUTION:** Do not hold or pry on the camshaft target wheel (Located on the right side camshaft sprocket) for any reason, Severe damage will occur to the target wheel resulting in a vehicle no start condition.

(4) Loosen but **DO NOT** remove the camshaft sprocket retaining bolt. Leave the bolt snug against the sprocket.

**NOTE:** The timing chain tensioners must be secured prior to removing the camshaft sprockets. Failure to secure tensioners will allow the tensioners to extend, requiring timing chain cover removal in order to reset tensioners.

**CAUTION:** Do not force wedge past the narrowest point between the chain strands. Damage to the tensioners may occur.

(5) Position Special Tool 8350 timing chain wedge between the timing chain strands, tap the tool to securely wedge the timing chain against the tensioner arm and guide (Fig. 86).

(6) Hold the camshaft with adjustable pliers while removing the camshaft sprocket bolt and sprocket (Fig. 87).

(7) Using the pliers, gently allow the camshaft to rotate 15° clockwise until the camshaft is in the neutral position (no valve load).

(8) Starting at the outside working inward, loosen the camshaft bearing cap retaining bolts 1/2 turn at a time. Repeat until all load is off the bearing caps.

**CAUTION:** **DO NOT STAMP OR STRIKE THE CAMSHAFT BEARING CAPS. SEVERE DAMAGE WILL OCCUR TO THE BEARING CAPS.**

**NOTE:** When the camshaft is removed the rocker arms may slide downward, mark the rocker arms before removing camshaft.

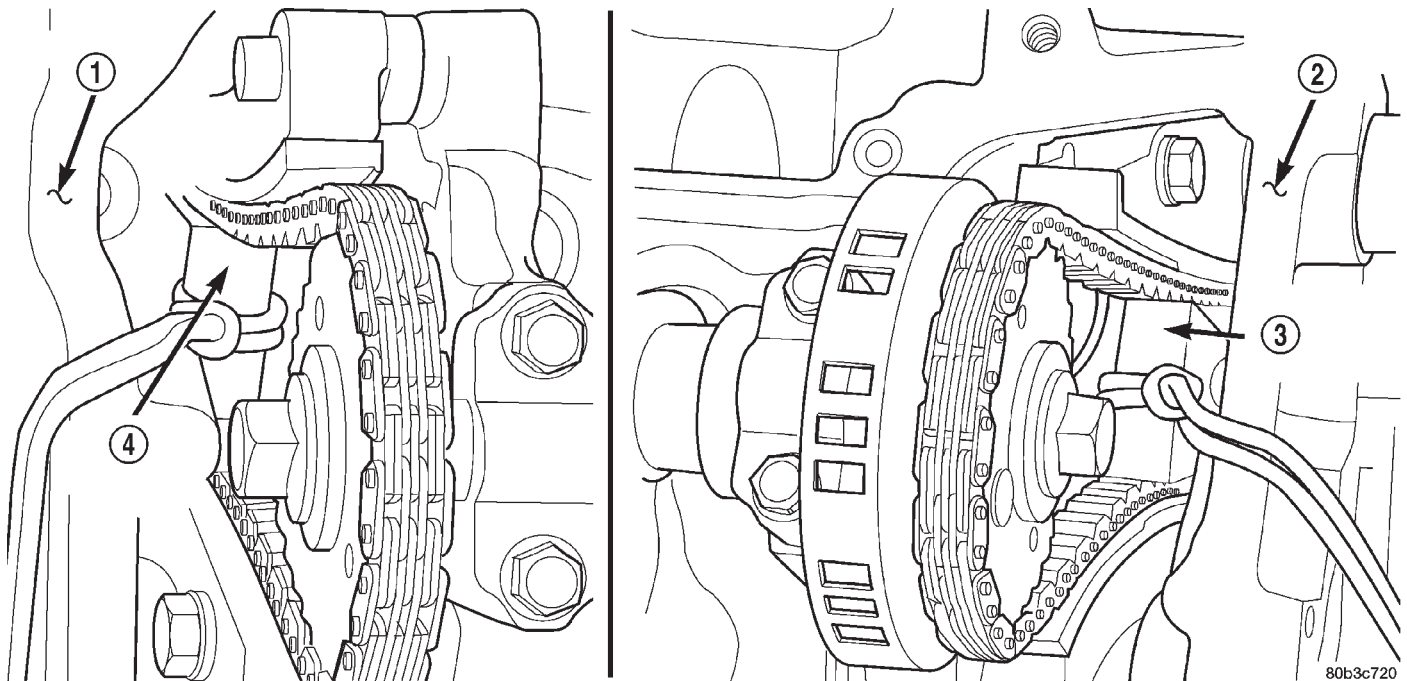
(9) Remove the camshaft bearing caps and the camshaft.

**INSTALLATION**

(1) Lubricate camshaft journals with clean engine oil.



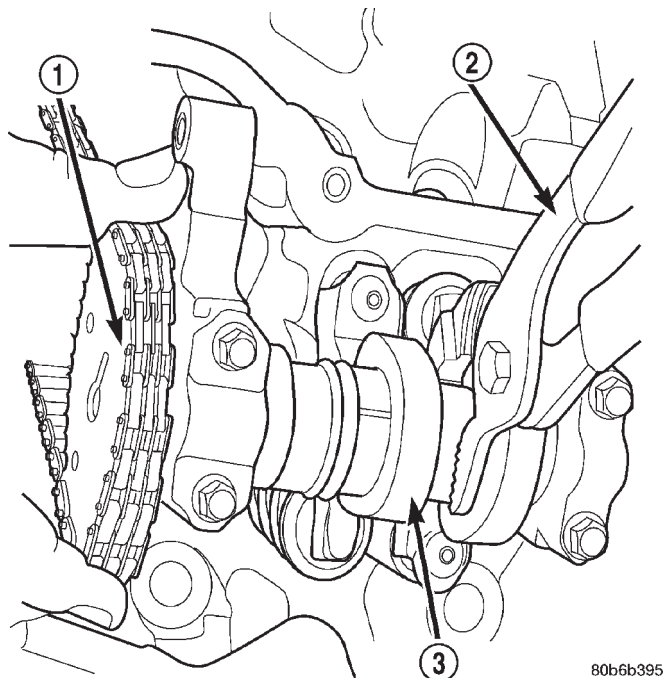
## REMOVAL AND INSTALLATION (Continued)



**Fig. 86 Securing Timing Chain Tensioners Using Timing Chain Wedge**

- 1 - LEFT CYLINDER HEAD  
2 - RIGHT CYLINDER HEAD

- 3 - SPECIAL TOOL 8350 WEDGE  
4 - SPECIAL TOOL 8350 WEDGE



**Fig. 87 Camshaft Sprocket and Chain**

- 1 - CAMSHAFT SPROCKET AND CHAIN  
2 - ADJUSTABLE PLIERS  
3 - CAMSHAFT

**NOTE:** Position the left side camshaft so that the camshaft sprocket dowel is near the 1 o'clock posi-

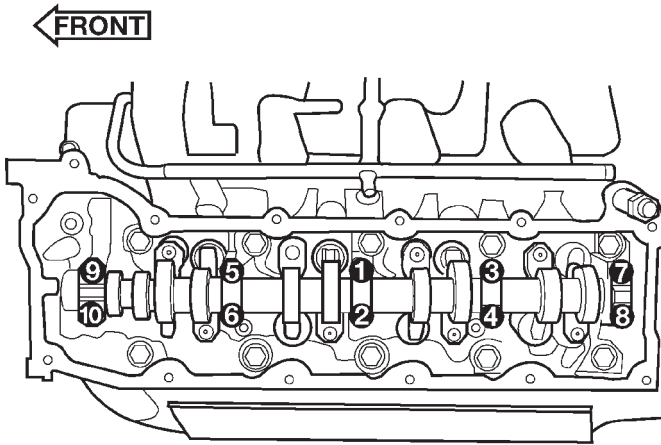
tion. This will place the camshaft at the neutral position easing the installation of the camshaft bearing caps.

- (2) Position the camshaft into the cylinder head.
- (3) Install the camshaft bearing caps, hand tighten the retaining bolts.
- (4) Working in  $\frac{1}{2}$  turn increments, tighten the bearing cap retaining bolts starting with the middle cap working outward (Fig. 88).
- (5) Torque the camshaft bearing cap retaining bolts to 11 N·m (100 in. lbs.).
- (6) Position the camshaft drive gear into the timing chain aligning the V8 mark between the two marked chain links (Two links marked during removal) (Fig. 89).
- (7) Using the adjustable pliers, rotate the camshaft until the camshaft sprocket dowel is aligned with the slot in the camshaft sprocket. Install the sprocket onto the camshaft (Fig. 90).

**CAUTION:** Remove excess oil from camshaft sprocket bolt. Failure to do so can cause bolt over-torque resulting in bolt failure.

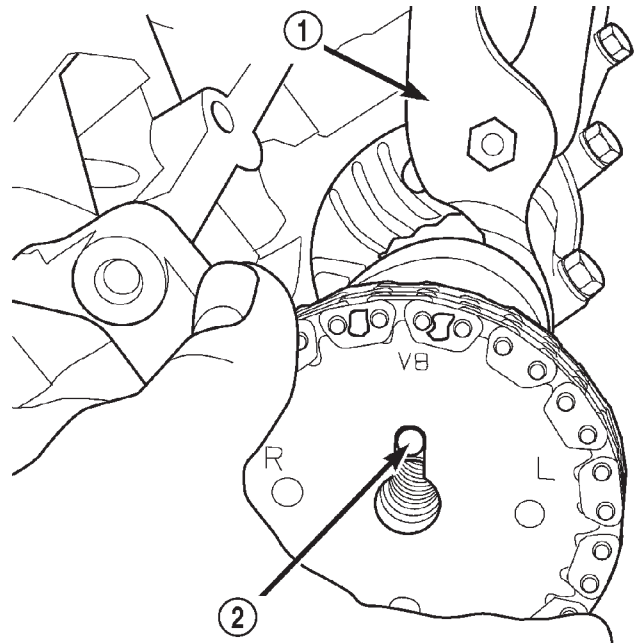
- (8) Remove excess oil from bolt, then install the camshaft sprocket retaining bolt and hand tighten.
- (9) Remove Special Tool 8350 timing chain wedge (Fig. 86).

REMOVAL AND INSTALLATION (Continued)



80b6b398

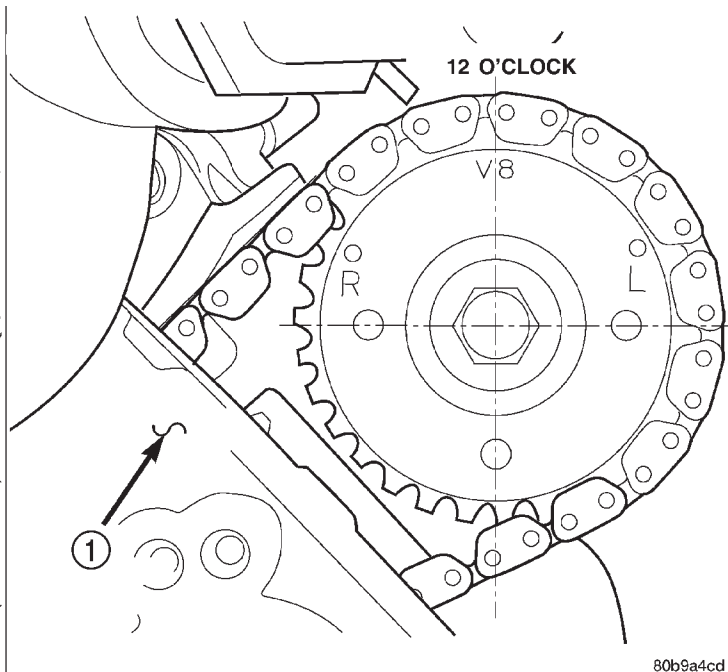
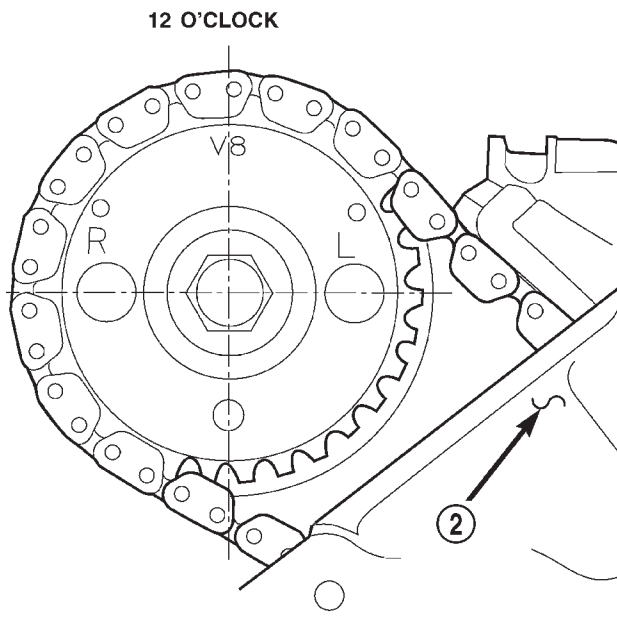
**Fig. 88 Camshaft Bearing Caps Tightening Sequence**



80b6b399

**Fig. 90 Camshaft Sprocket Installation**

- 1 - ADJUSTABLE PLIERS
- 2 - CAMSHAFT DOWEL



80b9a4cd

**Fig. 89 Timing Chain to Sprocket Alignment**

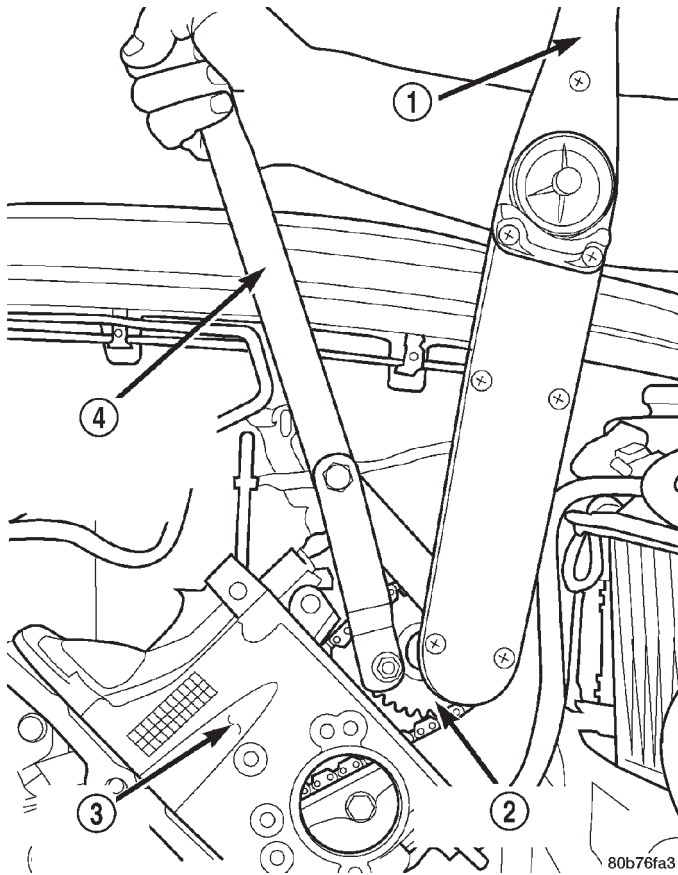
- 1 - LEFT CYLINDER HEAD
- 2 - RIGHT CYLINDER HEAD



## REMOVAL AND INSTALLATION (Continued)

(10) Using Special Tool 6958 spanner wrench with adapter pins 8346 (Fig. 91), torque the camshaft sprocket retaining bolt to 122 N·m (90 ft. lbs.).

(11) Install the cylinder head cover.



**Fig. 91 Tightening Left Side Cam Sprocket Retaining Bolt**

- 1 - TORQUE WRENCH
- 2 - CAMSHAFT SPROCKET
- 3 - LEFT CYLINDER HEAD
- 4 - SPECIAL TOOL 6958 SPANNER WITH ADAPTER PINS 8346

## RIGHT CAMSHAFT

## REMOVAL

**CAUTION:** When the timing chain is removed and the cylinder heads are still installed, **DO NOT** forcefully rotate the camshafts or crankshaft independently of each other. Severe valve and/or piston damage can occur.

**CAUTION:** When removing the cam sprocket, timing chains or camshaft, Failure to use special tool 8350 will result in hydraulic tensioner ratchet over extension, Requiring timing chain cover removal to re-set the tensioner ratchet.

(1) Remove the cylinder head covers. Refer to Cylinder Head Cover in this section.

(2) Set engine to TDC cylinder #1, camshaft sprocket V8 marks at the 12 o'clock position.

(3) Mark one link on the secondary timing chain on both sides of the V8 mark on the camshaft sprocket to aid in installation.

**CAUTION:** Do not hold or pry on the camshaft target wheel for any reason, Severe damage will occur to the target wheel. A damaged target wheel could cause a vehicle no start condition.

(4) Loosen but **DO NOT** remove the camshaft sprocket retaining bolt. Leave bolt snug against sprocket.

**NOTE:** The timing chain tensioners must be secured prior to removing the camshaft sprockets. Failure to secure tensioners will allow the tensioners to extend, requiring timing chain cover removal in order to reset tensioners.

**CAUTION:** Do not force wedge past the narrowest point between the chain strands. Damage to the tensioners may occur.

(5) Position Special Tool 8350 timing chain wedge between the timing chain strands. Tap the tool to securely wedge the timing chain against the tensioner arm and guide (Fig. 92).

(6) Remove the camshaft position sensor (Fig. 93).

(7) Hold the camshaft with adjustable pliers while removing the camshaft sprocket bolt and sprocket (Fig. 94).

(8) Using the pliers, gently allow the camshaft to rotate 45° counter-clockwise until the camshaft is in the neutral position (no valve load).

(9) Starting at the outside working inward, loosen the camshaft bearing cap retaining bolts 1/2 turn at a time. Repeat until all load is off the bearing caps.

**CAUTION:** DO NOT STAMP OR STRIKE THE CAMSHAFT BEARING CAPS. SEVERE DAMAGE WILL OCCUR TO THE BEARING CAPS.

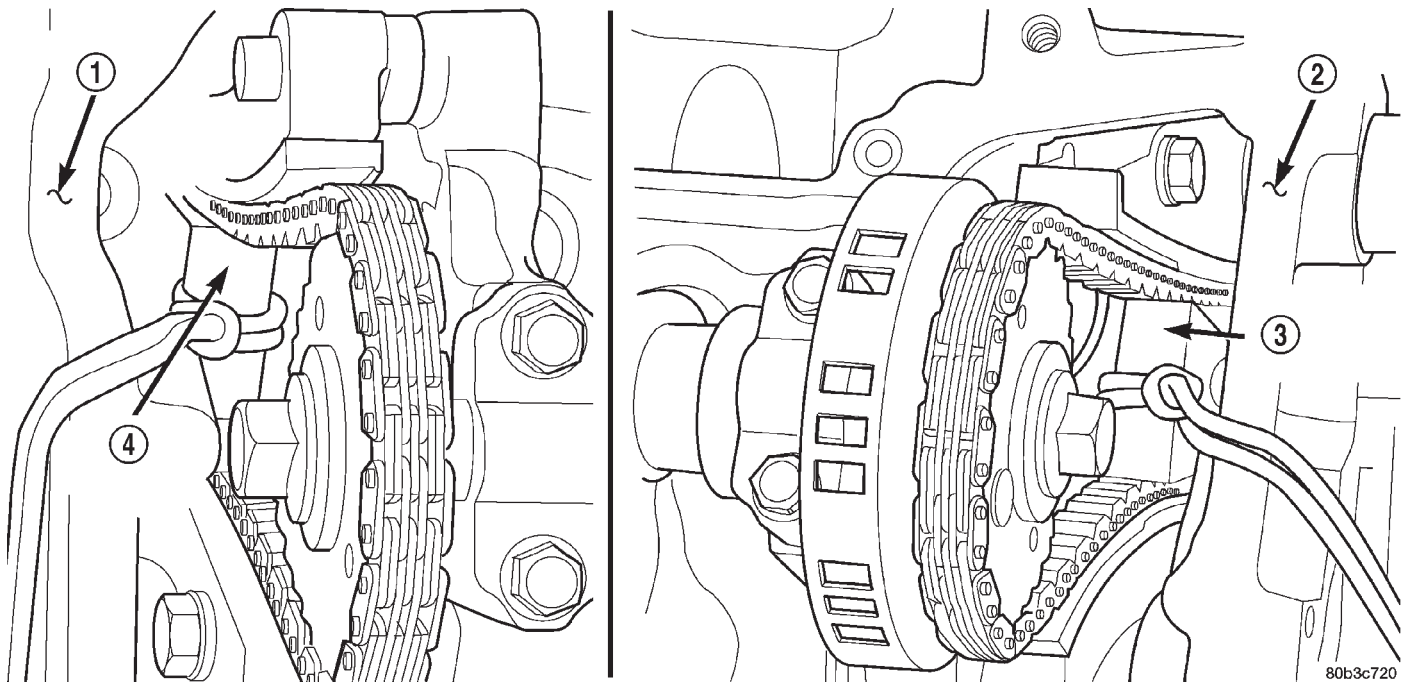
**NOTE:** When the camshaft is removed the rocker arms may slide downward, mark the rocker arms before removing camshaft.

(10) Remove the camshaft bearing caps and the camshaft.

## INSTALLATION

(1) Lubricate camshaft journals with clean engine oil.

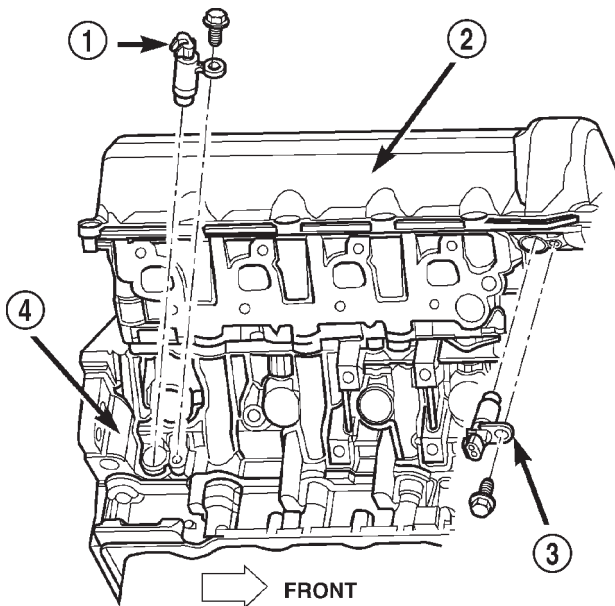
REMOVAL AND INSTALLATION (Continued)



**Fig. 92 Securing Timing Chain Tensioners Using Timing Chain Wedge**

- 1 - LEFT CYLINDER HEAD
- 2 - RIGHT CYLINDER HEAD

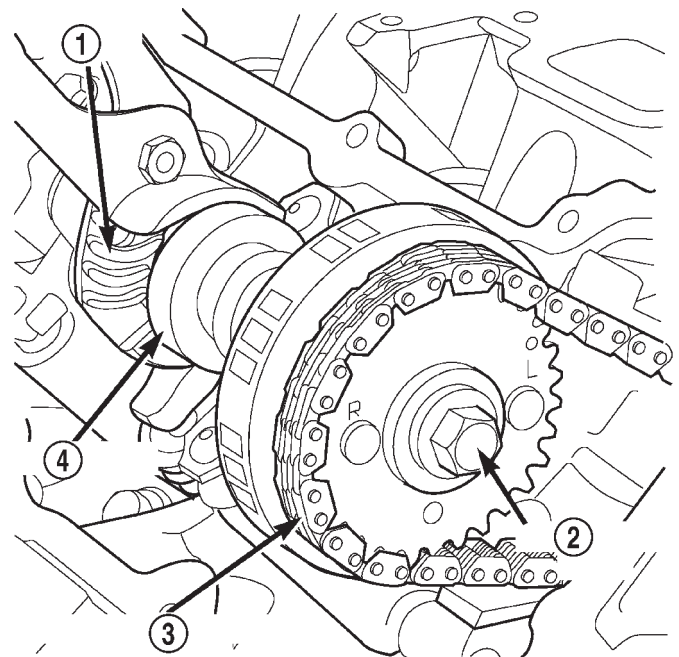
- 3 - SPECIAL TOOL 8350 WEDGE
- 4 - SPECIAL TOOL 8350 WEDGE



80b77057

**Fig. 93 Camshaft Position Sensor**

- 1 - CRANKSHAFT POSITION SENSOR
- 2 - CYLINDER HEAD COVER
- 3 - CAMSHAFT POSITION SENSOR
- 4 - RIGHT SIDE CYLINDER BLOCK



80ba775a

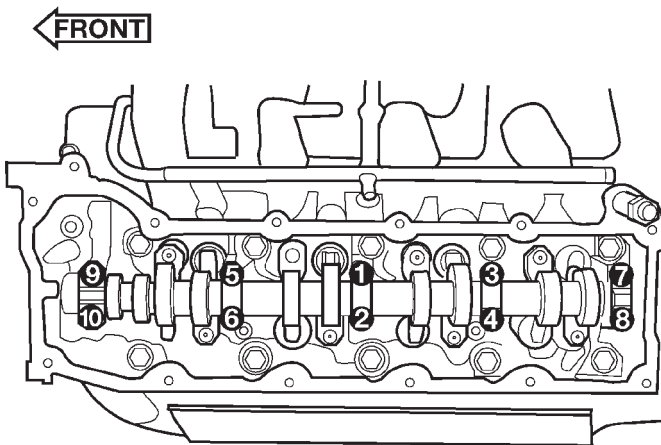
**Fig. 94 Camshaft Sprocket and Chain**

- 1 - ADJUSTABLE PLIERS
- 2 - SPROCKET BOLT
- 3 - CAMSHAFT SPROCKET AND CHAIN
- 4 - CAMSHAFT

## REMOVAL AND INSTALLATION (Continued)

**NOTE:** Position the right side camshaft so that the camshaft sprocket dowel is near the 10 o'clock position, This will place the camshaft at the neutral position easing the installation of the camshaft bearing caps.

- (2) Position the camshaft into the cylinder head.
- (3) Install the camshaft bearing caps, hand tighten the retaining bolts.
- (4) Working in 1/2 turn increments, tighten the bearing cap retaining bolts starting with the middle cap working outward (Fig. 95).



80b6b398

**Fig. 95 Camshaft Bearing Caps Tightening Sequence**

(5) Torque the camshaft bearing cap retaining bolts to 11 N·m (100 in. lbs.).

(6) Position the camshaft drive gear into the timing chain aligning the V8 mark between the two marked chain links (Two links marked during removal) (Fig. 96).

(7) Using the adjustable pliers, rotate the camshaft until the camshaft sprocket dowel is aligned with the slot in the camshaft sprocket. Install the sprocket onto the camshaft (Fig. 97).

**CAUTION:** Remove excess oil from camshaft sprocket bolt. Failure to do so can cause bolt over-torque resulting in bolt failure.

(8) Remove excess oil from camshaft sprocket bolt, then install the camshaft sprocket retaining bolt and hand tighten.

(9) Remove timing chain wedge special tool 8350 (Fig. 92).

(10) Using Special Tool 6958 spanner wrench with adapter pins 8346 (Fig. 98), torque the camshaft sprocket retaining bolt to 122 N·m (90 ft. lbs.).

(11) Install the camshaft position sensor (Fig. 93).

(12) Install the cylinder head cover.

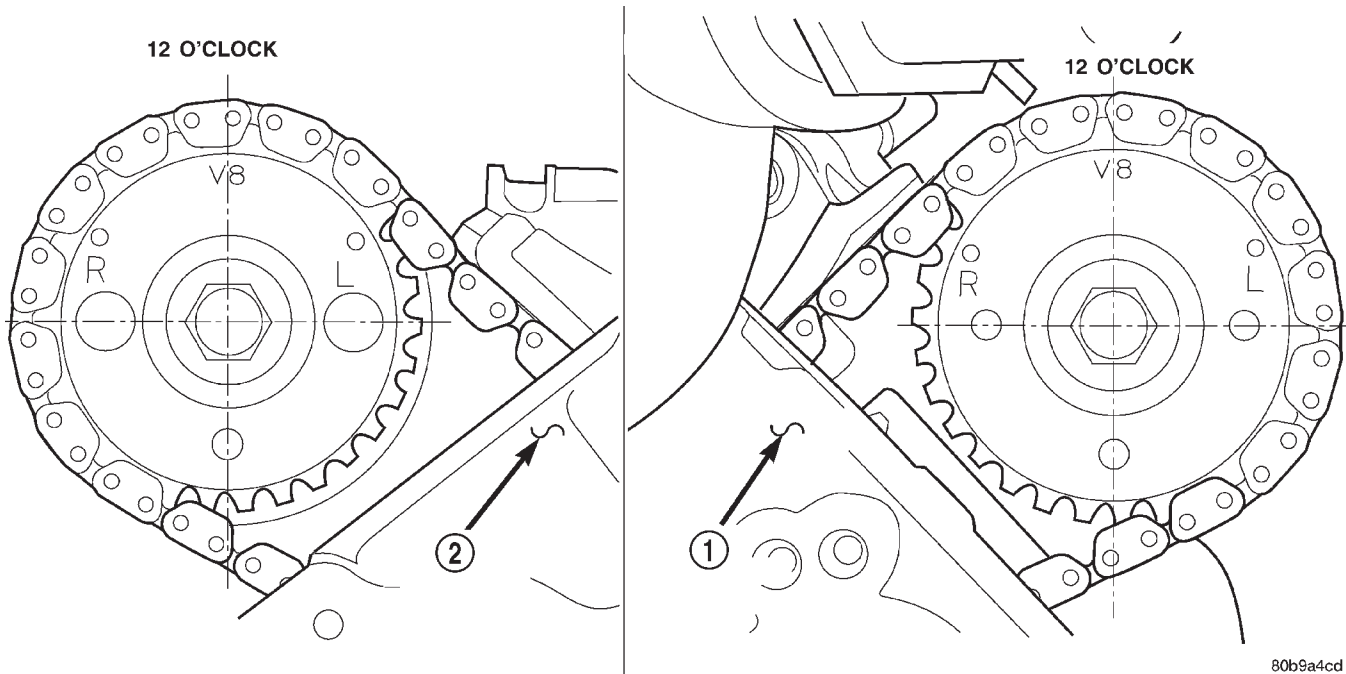
## CRANKSHAFT MAIN BEARINGS

### CRANKSHAFT MAIN BEARING SELECTION

The main bearings are "select fit" to achieve proper oil clearances. For main bearing selection, the crankshaft position sensor target wheel has grade identification marks stamped into it (Fig. 99). These marks are read from left to right, corresponding with journal number 1, 2, 3, 4 and 5. The crankshaft position sensor target wheel is mounted to the number 8 counter weight on the crankshaft.

**NOTE:** Service main bearings color coded. These color codes identify what size (grade) the bearing is.

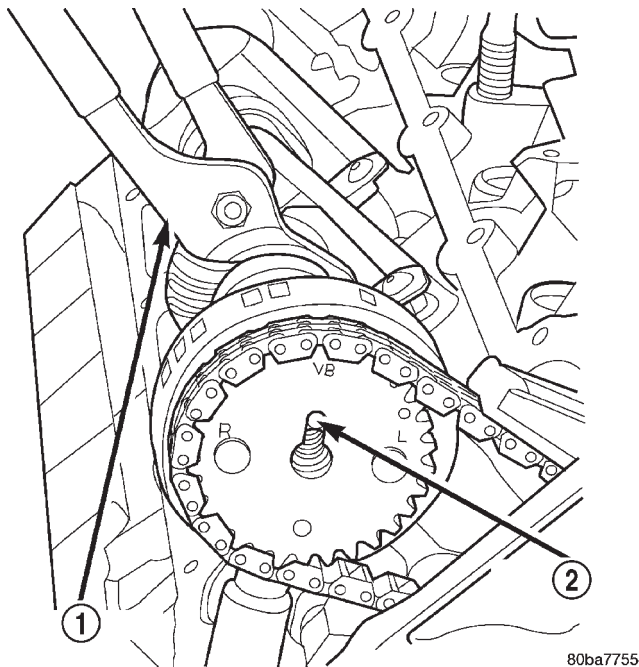
REMOVAL AND INSTALLATION (Continued)



80b9a4cd

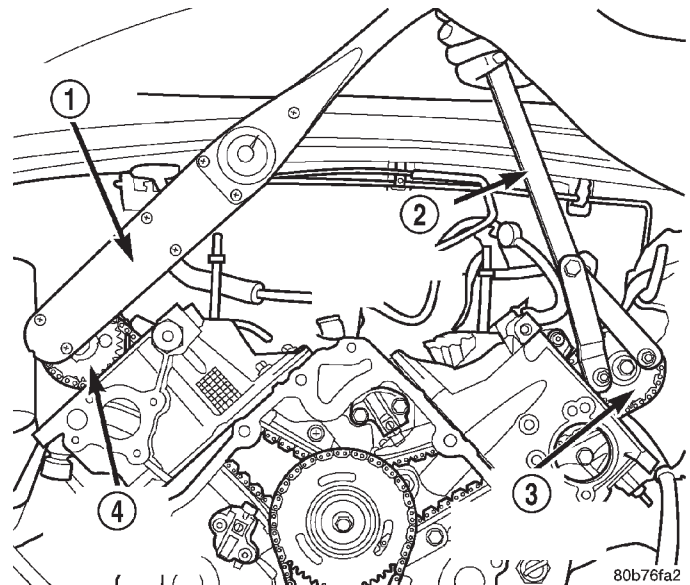
**Fig. 96 Timing Chain to Sprocket Alignment**

- 1 - LEFT CYLINDER HEAD
- 2 - RIGHT CYLINDER HEAD



**Fig. 97 Camshaft Sprocket Installation**

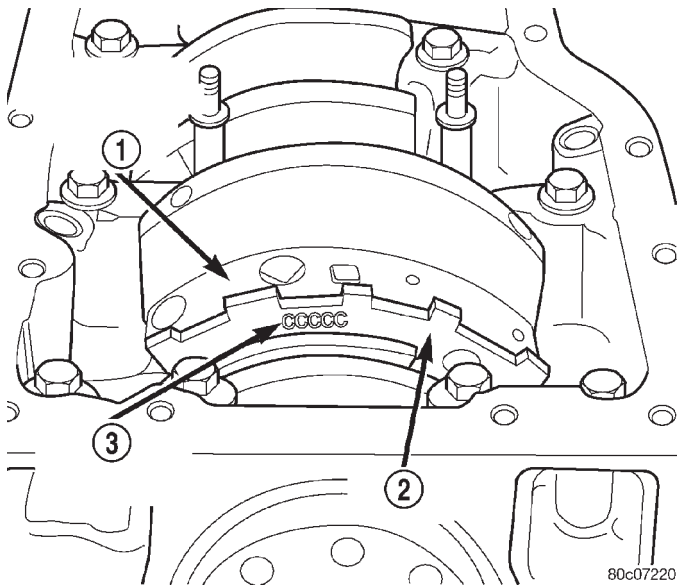
- 1 - ADJUSTABLE PLIERS
- 2 - CAMSHAFT DOWEL



**Fig. 98 Tightening Right Side Cam Sprocket Retaining Bolt**

- 1 - TORQUE WRENCH
- 2 - SPECIAL TOOL 6958 WITH ADAPTER PINS 8346
- 3 - LEFT CAMSHAFT SPROCKET
- 4 - RIGHT CAMSHAFT SPROCKET

REMOVAL AND INSTALLATION (Continued)



**Fig. 99 Main Bearing Markings on Target Wheel**

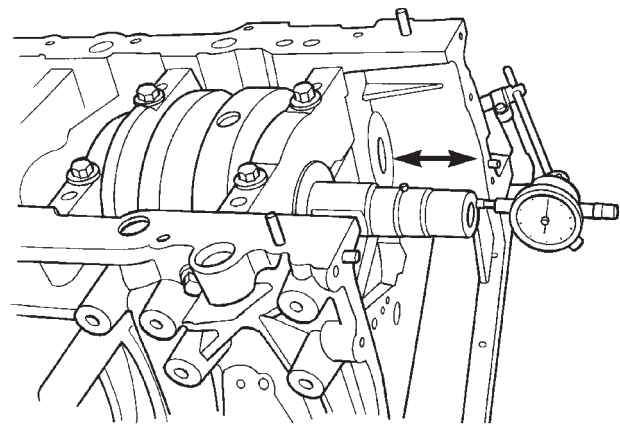
- 1 - REARMOST CRANKSHAFT COUNTER WEIGHT
- 2 - TARGET WHEEL
- 3 - MAIN BEARING SELECT FIT MARKINGS

MAIN BEARING SELECTION CHART—4.7L

GRADE MARKING	SIZE mm (in.)	FOR USE WITH JOURNAL SIZE
A	0.008 mm U/S (0.0004 in.) U/S	63.488–63.496 mm (2.4996–2.4999 in.)
B	NOMINAL	63.496–63.504 mm (2.4999–2.5002 in.)
C	0.008 mm O/S (0.0004 in.) O/S	63.504–63.512 mm (2.5002–2.5005 in.)

CHECKING CRANKSHAFT END PLAY

- (1) Mount a dial indicator to a stationary point at front of engine. Locate the probe perpendicular against nose of crankshaft (Fig. 100).
- (2) Move the crankshaft all the way to the rear of it's travel.
- (3) Zero the dial indicator.
- (4) Move the crankshaft all the way to the front of it's travel and read the dial indicator. Refer to Crankshaft End Play Specification Chart.



80aff4eb

**Fig. 100 Checking Crankshaft End Play—Typical**  
CRANKSHAFT END PLAY SPECIFICATION CHART

<b>New Part:</b>	0.052 - 0.282mm (0.002 - 0.011 in.)
<b>Specification</b>	
<b>Wear Limit:</b>	0.43mm (0.017 in.)

OIL PAN

REMOVAL

- (1) Disconnect negative cable from battery.
- (2) Raise vehicle on hoist.
- (3) Remove structural cover. Refer to Structural Cover in this section for procedure.
- (4) Remove exhaust system Y-pipe.
- (5) Remove starter. Refer to Group 8B, Starting.
- (6) Drain engine oil.
- (7) Un-clip transmission lines from support on oil pan stud. Move lines for oil pan clearance.

**CAUTION: DO NOT pry on the oil pan gasket when removing the oil pan, The oil pan gasket is mounted to the cylinder block in three locations and will remain attached to block when lowering oil pan. Gasket can not be removed with oil pan.**

- (8) Remove oil pan bolts and oil pan.
- (9) Remove oil pump pickup tube.
- (10) Remove oil pan gasket.

INSTALLATION

- (1) Clean oil pan and all sealing surfaces. Inspect oil pan gasket and replace as necessary.
- (2) Install oil pan gasket.

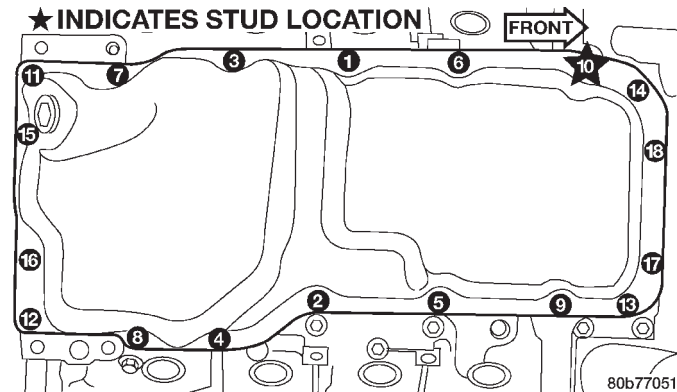


REMOVAL AND INSTALLATION (Continued)

**NOTE:** When installing oil pan gasket/windage tray, start four pan bolts at each corner before tightening oil pickup tube. This will keep pan gasket in alignment.

(3) Install oil pump pick-up tube using a new O-ring. First tighten bolt at O-ring end of tube to 28 N·m (20 ft. lbs.). Tighten remain tube support fasteners to 28 N·m (20 ft. lbs.).

(4) Install oil pan and tighten fasteners to 15 N·m (11 ft. lbs.) (Fig. 101).



**Fig. 101 Oil Pan Tightening Sequence**

- (5) Reconnect transmission oil cooler lines to oil pan stud bolt.
- (6) Install starter.
- (7) Install exhaust system Y-pipe.
- (8) Install structural cover. Refer to Structural Cover in this section for procedure.
- (9) Lower vehicle.
- (10) Fill engine with proper amount of oil.
- (11) Connect negative cable to battery.

**PISTON AND CONNECTING ROD**

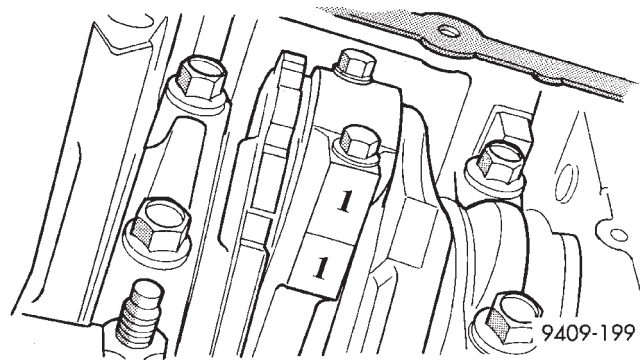
**REMOVAL**

- (1) Disconnect negative cable from battery.
- (2) Remove the following components: (Refer to procedures in this section)
  - Oil pan and gasket/windage tray.
  - Cylinder head covers.
  - Timing chain cover.
  - Cylinder head(s).
- (3) If necessary, remove top ridge of cylinder bores with a reliable ridge reamer before removing pistons from cylinder block. **Be sure to keep tops of pistons covered during this operation.** Pistons and connecting rods must be removed from top of cylinder block. When removing piston and connecting rod assemblies from the engine, rotate crankshaft so the each connecting rod is centered in cylinder bore.

**CAUTION:** DO NOT use a number stamp or a punch to mark connecting rods or caps, as damage to connecting rods could occur

**NOTE:** Connecting rods and bearing caps are not interchangeable and should be marked before removing to ensure correct reassembly.

(4) Mark connecting rod and bearing cap positions using a permanent ink marker or scribe tool (Fig. 102).



**Fig. 102 Identify Connecting Rod to Cylinder Position—Typical**

**CAUTION:** Care must be taken not to damage the fractured rod and cap joint face surfaces, as engine damage may occur.

(5) Remove connecting rod cap. Install Special Tool 8507 Connecting Rod Guides into the connecting rod being removed. Remove piston from cylinder bore. Repeat this procedure for each piston being removed.

**CAUTION:** Care must be taken not to nick crankshaft journals, as engine damage may occur

(6) Immediately after piston and connecting rod removal, install bearing cap on the mating connecting rod to prevent damage to the fractured cap and rod surfaces.

(7) Carefully remove piston rings from piston(s), starting from the top ring down.

**PISTON RINGS—INSTALLATION**

(1) The No. 1 and No. 2 piston rings have a different cross section. Ensure No. 2 ring is installed with manufacturers I. D. mark (Dot) facing up, towards top of the piston.



## REMOVAL AND INSTALLATION (Continued)

**NOTE:** Piston rings are installed in the following order:

- Oil ring expander.
- Upper oil ring side rail.
- Lower oil ring side rail.
- No. 2 Intermediate piston ring.
- No. 1 Upper piston ring.

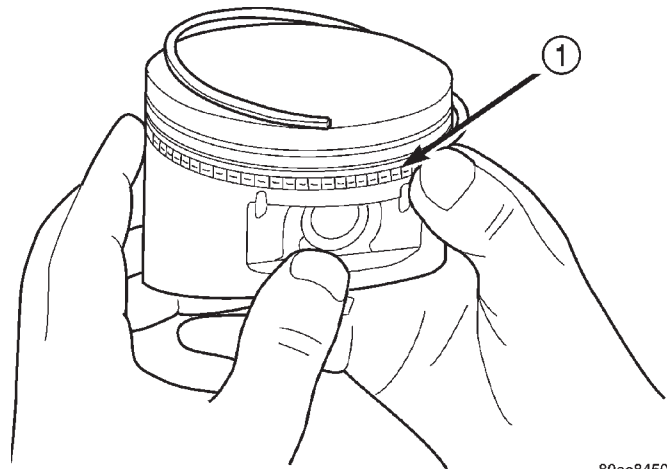
(2) Install the oil ring expander.

(3) Install upper side rail (Fig. 103) by placing one end between the piston ring groove and the expander ring. Hold end firmly and press down the portion to be installed until side rail is in position. Repeat this step for the lower side rail.

(4) Install No. 2 intermediate piston ring using a piston ring installer (Fig. 104).

(5) Install No. 1 upper piston ring using a piston ring installer (Fig. 104).

(6) Position piston ring end gaps as shown in (Fig. 105). It is important that expander ring gap is at least 45° from the side rail gaps, but not on the piston pin center or on the thrust direction.



80ae8450

**Fig. 103 Side Rail—Installation**

1 - SIDE RAIL END

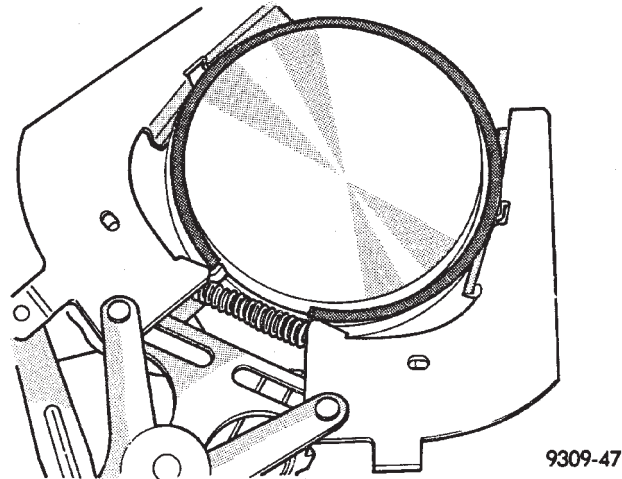
## INSTALLATION

(1) Before installing piston and connecting rod assemblies in to the bore, ensure all rings are in position shown in (Fig. 105).

(2) Immerse the piston head and rings in clean engine oil. Position a ring compressor over the piston and rings. Tighten ring compressor. **Ensure position of rings do not change during this operation.**

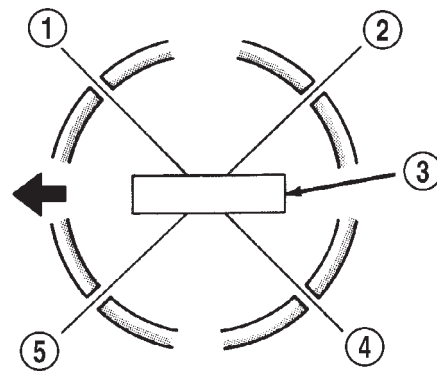
(3) Position bearing onto connecting rod. Ensure that hole in bearing shell aligns with hole in connecting rod. Lubricate bearing surface with clean engine oil.

(4) Install Special Tool 8507 Connecting Rod Guides into connecting rod bolt threads (Fig. 106).



9309-47

**Fig. 104 Upper and Intermediate Rings—Installation**



RR09B48

**Fig. 105 Piston Ring End Gap Position**

- 1 - SIDE RAIL UPPER
- 2 - NO. 1 RING GAP
- 3 - PISTON PIN
- 4 - SIDE RAIL LOWER
- 5 - NO. 2 RING GAP AND SPACER EXPANDER GAP

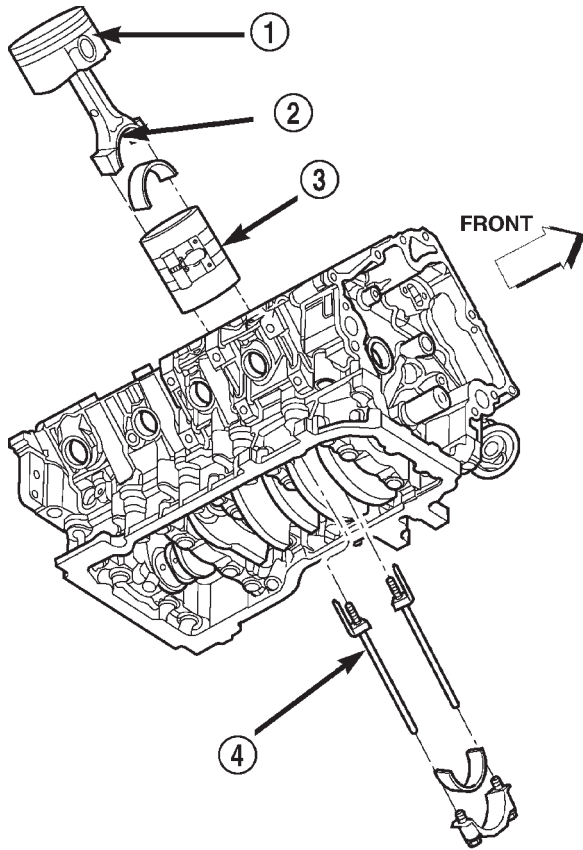
(5) The pistons are marked on the piston pin bore surface with an raised "F" indicating installation position. This mark must be pointing toward the front of engine on both cylinder banks. The connecting rod oil slinger slot faces the front of the engine (Fig. 107).

(6) Wipe cylinder bore clean and lubricate with engine oil.

(7) Rotate crankshaft until connecting rod journal is on the center of cylinder bore. Insert rod and piston into cylinder bore and carefully position connecting rod guides over crankshaft journal.

(8) Tap piston down in cylinder bore using a hammer handle. While at the same time, guide connecting rod into position on rod journal.

REMOVAL AND INSTALLATION (Continued)



80b77088

**Fig. 106 Piston and Connecting Rod—Installation**

- 1 - "F" TOWARD FRONT OF ENGINE
- 2 - OIL SLINGER SLOT
- 3 - RING COMPRESSOR
- 4 - SPECIAL TOOL 8507

**CAUTION: Connecting Rod Bolts are Torque to Yield Bolts and Must Not Be Reused. Always replace the Rod Bolts whenever they are loosened or removed.**

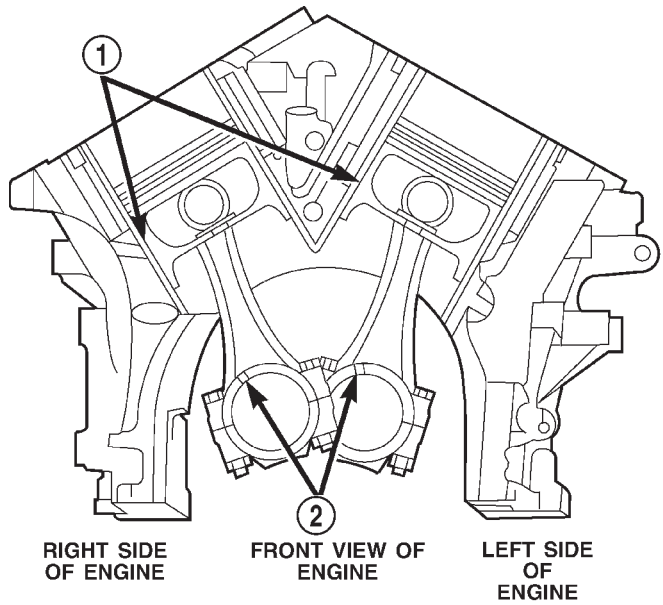
(9) Lubricate rod bolts and bearing surfaces with engine oil. Install connecting rod cap and bearing. Tighten bolts to 27 N·m (20 ft. lbs.) plus 90°.

(10) Install the following components: (Refer to procedures in this section)

- Cylinder head(s).
- Timing chain and cover.
- Cylinder head covers.
- Oil pan and gasket/windage tray.

(11) Fill crankcase with proper engine oil to correct level.

(12) Connect negative cable to battery.



80b3c711

**Fig. 107 Piston and Connecting Rod Positioning**

- 1 - MAJOR THRUST SIDE OF PISTON
- 2 - OIL SLINGER SLOT

**CRANKSHAFT**

**REMOVAL**

**NOTE: To remove the crankshaft from the engine, the engine must be removed from the vehicle.**

(1) Remove the engine. Refer to Engine Assembly in this section for procedure.

(2) Remove the engine oil pump. Refer to Oil Pump in this section for procedure.

**CAUTION: DO NOT pry on the oil pan gasket when removing the oil pan, The oil pan gasket is mounted to the cylinder block in three locations and will remain attached to block when removing oil pan. Gasket can not be removed with oil pan.**

(3) Remove oil pan bolts and oil pan.

(4) Remove the oil pump pickup tube and oil pan gasket /windage tray.

(5) Remove the bedplate mounting bolts. Note the location of the three stud bolts for installation.

(6) Remove the connecting rods from the crankshaft.

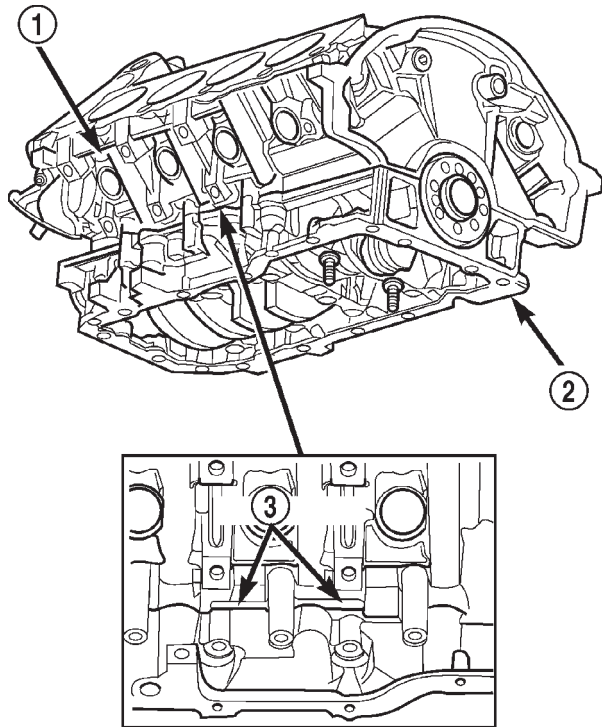
**CAUTION: The bedplate to cylinder block mating surface is a critical sealing surface. Do not pry on or damage this surface in anyway.**

## REMOVAL AND INSTALLATION (Continued)

**NOTE:** The bedplate contains the lower main bearing halves. Use care when handling bedplate as not to drop or damage bearing halves. Installing main bearing halves in the wrong position will cause severe damage to the crankshaft.

**NOTE:** The bedplate has pry points cast into it. Use these points only. The pry points are on both the left and right sides, only the left side is shown.

(7) Carefully pry on the pry points (Fig. 108) to loosen the bedplate then remove the bedplate.



80c07275

**Fig. 108 Bedplate Pry Point Location**

- 1 - CYLINDER BLOCK
- 2 - BEDPLATE
- 3 - PRY POINT

**CAUTION:** When removing the crankshaft, use care not to damage bearing surfaces on the crankshaft.

- (8) Remove the crankshaft.
- (9) Remove the crankshaft tone wheel.

## INSPECTION

**NOTE:** Thoroughly inspect the connecting rod bearing bores and main bearing bores for scoring, blueing or severe scratches. Further disassembly may be required.

If connecting rod bearing bores show damage, the cylinder heads must be removed to service the piston

and rod assemblies. If the bedplate or the cylinder block main bearing bores show damage the engine must be replaced.

(1) If required, remove the main bearing halves from the cylinder block and bedplate.

(2) Thoroughly clean the bedplate to cylinder block sealing surfaces and main bearing bores. Remove all oil and sealant residue.

(3) Inspect the bedplate main bearing bores for cracks, scoring or severe blueing. If either condition exists the engine must be replaced.

(4) Inspect the crankshaft thrust washer for scoring, scratches or blueing. If either condition exist replace the thrust washer.

(5) Inspect the oil pan gasket/windage tray for splits, tears or cracks in the gasket sealing surfaces. Replace gasket as necessary.

## INSTALLATION

**CAUTION:** Main bearings are select fit. Refer to Crankshaft Main Bearings in this section for proper bearing selections.

(1) Lubricate upper main bearing halves with clean engine oil.

**CAUTION:** When installing crankshaft, use care not to damage bearing surfaces on the crankshaft.

**NOTE:** Apply sealant to the tone wheel retaining screws prior to installation.

(2) Install the crankshaft tone wheel. torque the mounting screws to 22 N·m (21 ft. lbs.).

(3) Install the thrust washer (Fig. 109).

(4) Position crankshaft in cylinder block.

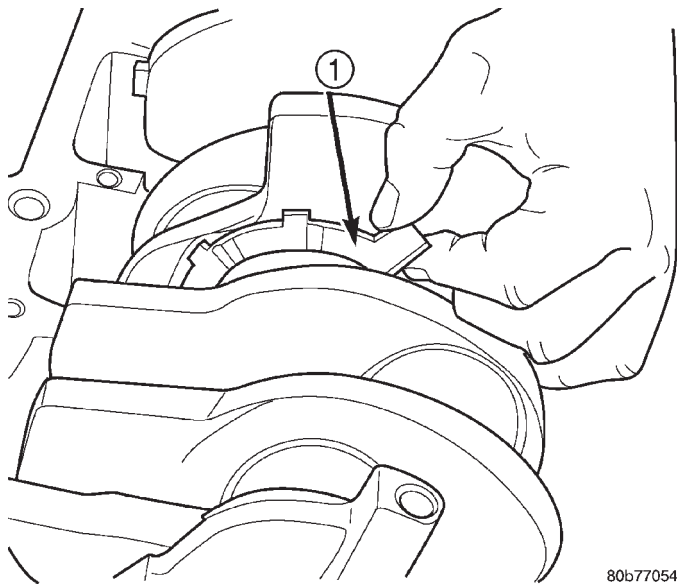
**CAUTION:** The bedplate to cylinder block mating surface must be coated with sealant prior to installation. Failure to do so will cause severe oil leaks.

**NOTE:** The installation time to install the bedplate after the sealant has been applied is critical.

**NOTE:** Make sure that the bedplate and cylinder block sealing surfaces are clean and free of oil or other contaminants. Contaminants on the sealing surfaces may cause main bearing distortion and/or oil leaks.

(5) Apply a 2.5mm (0.100 inch) (Fig. 110) bead of Mopar® Gen II Silicone Rubber Adhesive sealant to the cylinder block-to-bedplate mating surface as shown (Fig. 111).

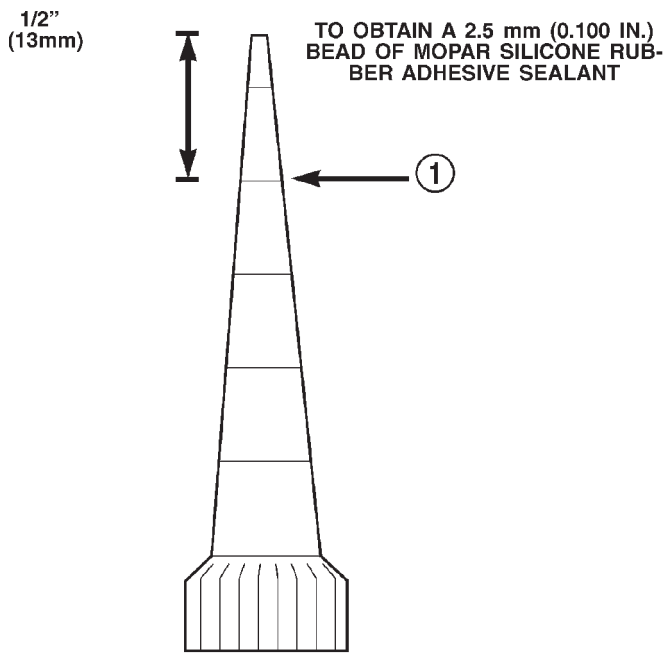
REMOVAL AND INSTALLATION (Continued)



80b77054

**Fig. 109 Crankshaft Thrust Washer Installation**

1 - CRANKSHAFT THRUST WASHER



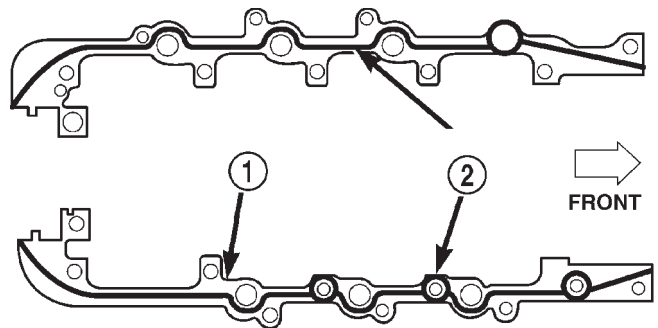
80b897e0

**Fig. 110 Cutting Applicator to Achieve 2.5mm (0.100 in.) Bead**

1 - CUT HERE

(6) Coat the crankshaft main bearing journals with clean engine oil and position the bedplate onto the cylinder block.

**NOTE:** Lubricate the bedplate retaining bolts with clean engine oil prior to installation.



80ba77f6

**Fig. 111 Cylinder Block-to-Bedplate Sealant Bead Location**

1 - CYLINDER BLOCK  
2 - SEALANT BEAD LOCATION

(7) Install the bedplate retaining bolts, making sure to place the stud bolts in the correct location, Torque the bolts in the sequence shown (Fig. 112).

- Tighten bolts **A - L** to 54 N·m (40 ft. lbs.)
- Tighten bolts **1-10** to 2.8 N·m (25 in. lbs.)
- Turn bolts **1-10** an additional 90°.
- Tighten bolts **A1- A6** to 27 N·m (20 ft. lbs.)

(8) Measure crankshaft end play. Refer to Crankshaft Main Bearings in this section for procedure.

(9) Install the connecting rods and measure side clearance. Refer to Connecting Rod Bearings in this section for procedure.

(10) Position the oil pan gasket/windage tray, using a new o-ring, install the oil pickup tube. Torque the bolt to 28N·n (20 ft. lbs.) torque the nuts to 28N·m (20 ft. lbs.).

(11) Install the oil pan. Torque the retaining bolts to 15 N·m (11 ft. lbs.) in the sequence shown (Fig. 113).

(12) Install the engine.

**FLEXPLATE**

**REMOVAL**

(1) Remove the transmission. Refer to Group 21, Transmission and Transfer Case for procedure.

(2) Remove the bolts and flexplate.

**INSTALLATION**

(1) Position the flexplate onto the crankshaft and install the bolts hand tight.

(2) Tighten the flexplate retaining bolts to 60 N·m (45 ft. lbs.) in the sequence shown (Fig. 114).

(3) Install the transmission.



REMOVAL AND INSTALLATION (Continued)

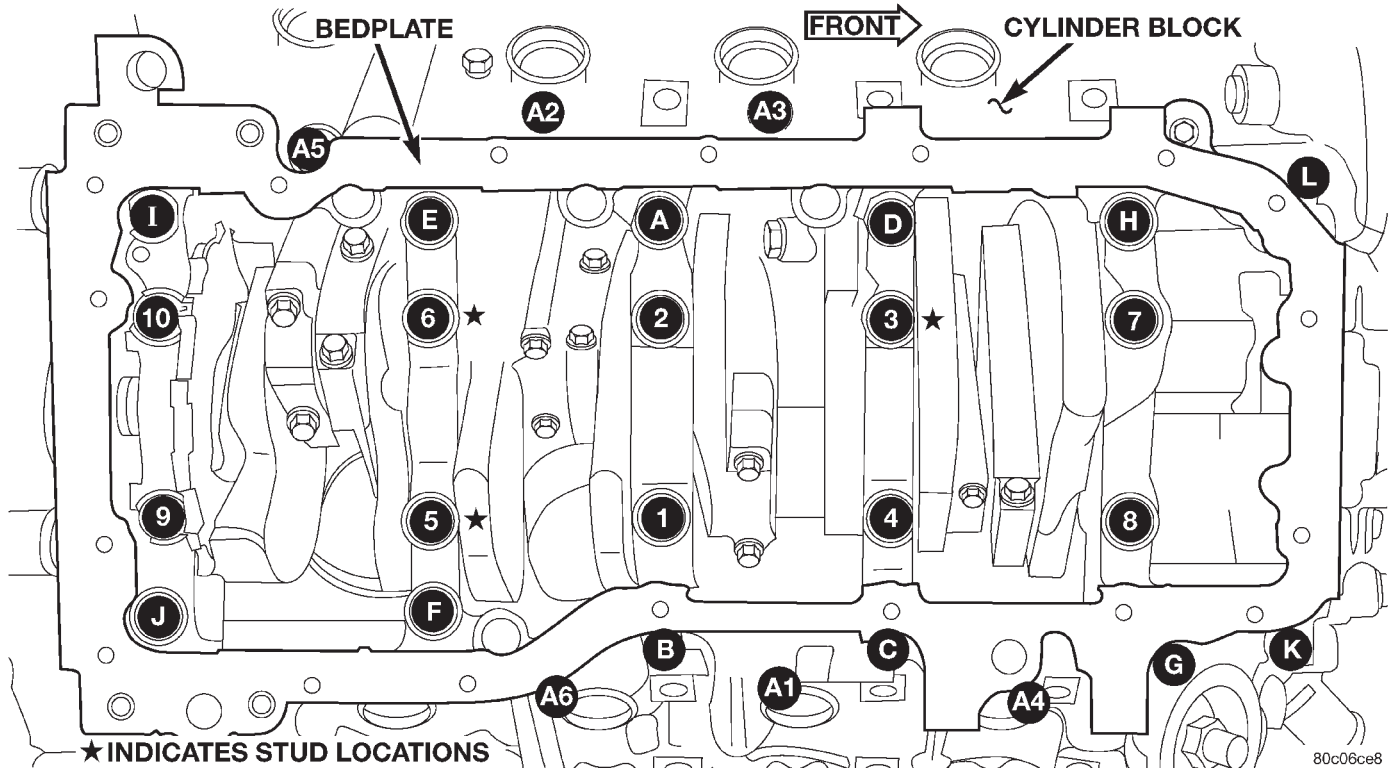


Fig. 112 Bedplate Tightening Sequence

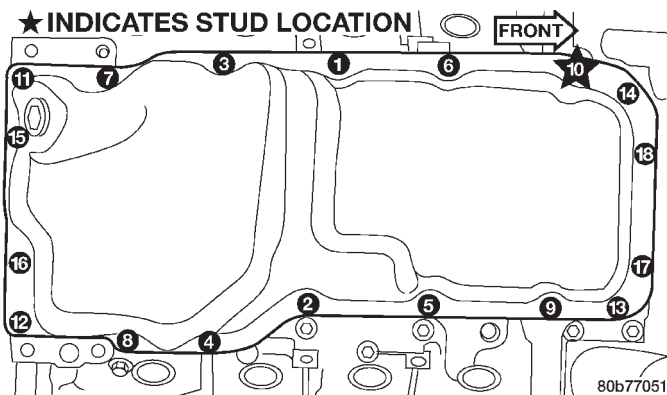


Fig. 113 Oil Pan Tightening Sequence

**OIL PUMP**

**REMOVAL**

- (1) Remove the oil pan and pick-up tube. Refer to the procedure in this section.
- (2) Remove the timing chain cover. Refer to the procedure in this section.
- (3) Remove the timing chains and tensioners. Refer to Timing Chain and Sprockets in this section.
- (4) Remove the four bolts, primary timing chain tensioner and the oil pump.

**INSTALLATION**

- (1) Position the oil pump onto the crankshaft and install two oil pump retaining bolts.

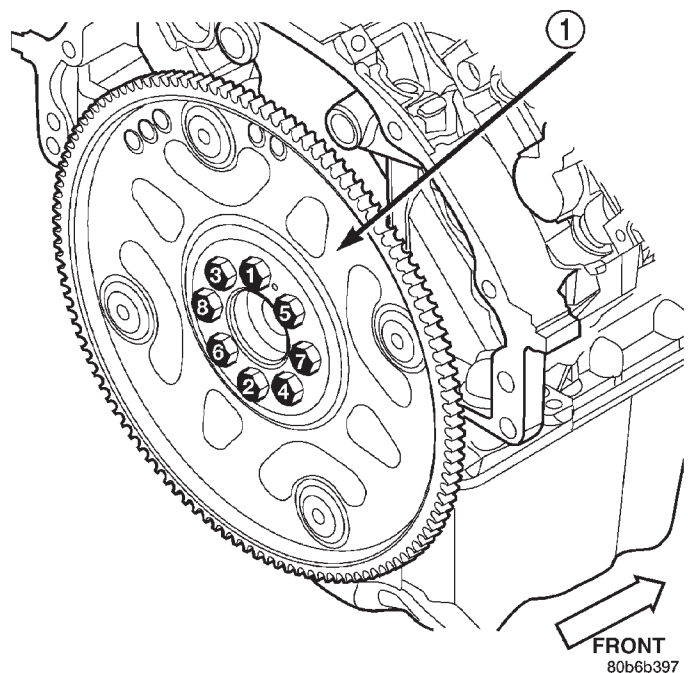
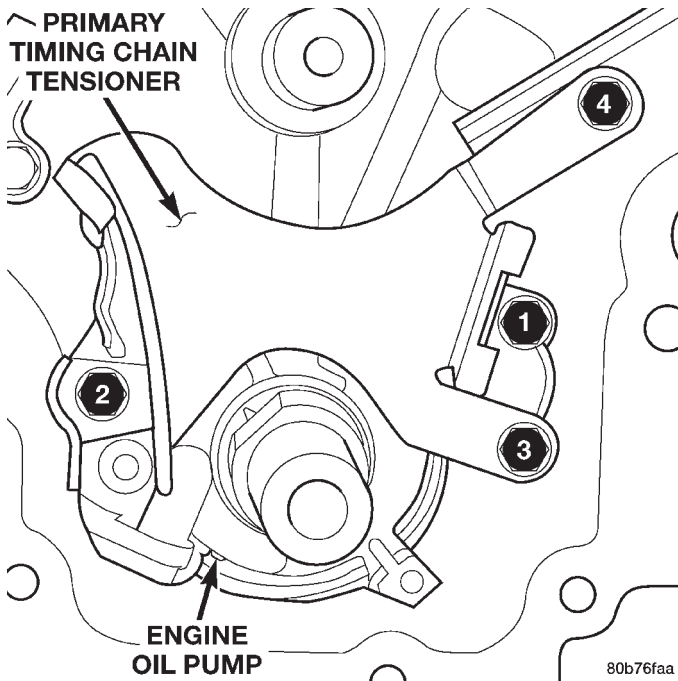


Fig. 114 Flexplate Tightening Sequence

1 - FLEXPLATE

- (2) Position the primary timing chain tensioner and install the two retaining bolts.
- (3) Tighten the oil pump and primary timing chain tensioner retaining bolts to 28 N·m (250 in. lbs.) in the sequence shown (Fig. 115).

REMOVAL AND INSTALLATION (Continued)



**Fig. 115 Oil Pump and Primary Timing Chain Tightening Sequence**

- (4) Install the secondary timing chain tensioners and timing chains.
- (5) Install the timing chain cover.
- (6) Install the pick-up tube and oil pan.

**ENGINE OIL PRESSURE SENDING UNIT**

**REMOVAL**

- (1) Disconnect the negative cable from the battery.
- (2) Raise vehicle on hoist.
- (3) Remove front splash shield.
- (4) Disconnect oil pressure sender wire (Fig. 116).
- (5) Remove the pressure sender (Fig. 116).

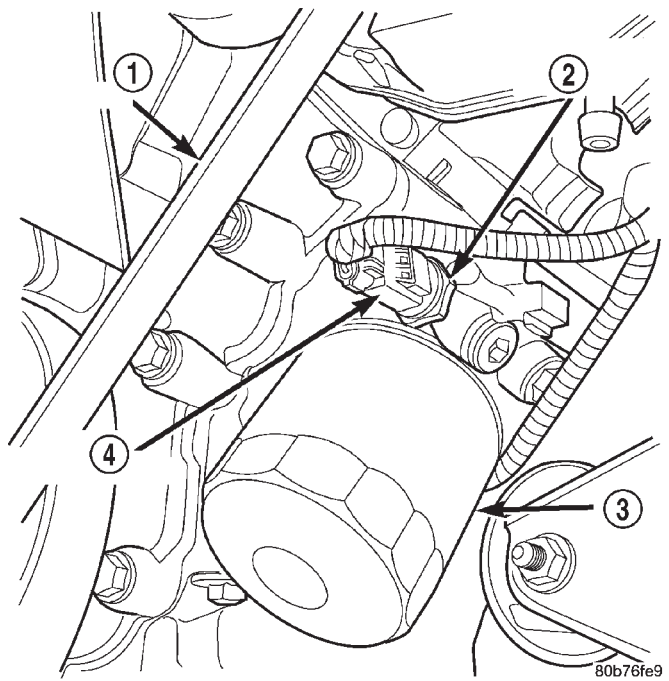
**INSTALLATION**

- (1) Install oil pressure sender.
- (2) Connect oil pressure sender wire.
- (3) Install front splash shield.
- (4) Lower vehicle.
- (5) Connect the negative battery cable.

**CRANKSHAFT OIL SEAL—FRONT**

**REMOVAL**

- (1) Disconnect negative cable from battery.
- (2) Remove accessory drive belt refer to Group 7, Cooling System for procedure.
- (3) Remove A/C compressor mousing fasteners and set aside.
- (4) Drain cooling system. Refer to Group 7, Cooling System for procedure.
- (5) Remove upper radiator hose.



**Fig. 116 Oil Pressure Sending Unit**

- 1 - BELT
- 2 - OIL PRESSURE SENSOR
- 3 - OIL FILTER
- 4 - ELEC. CONNECTOR

- (6) Using Special Tools 6958 Spanner with Adapter Pins 8346 loosen fan and viscous assembly from water pump (Fig. 117).
- (7) Remove fan and viscous assembly
- (8) Disconnect electrical connector for fan mounted inside radiator shroud.
- (9) Remove radiator shroud attaching fasteners.

**NOTE: Transmission cooler line snaps into shroud lower right hand corner.**

- (10) Remove radiator shroud.
- (11) Remove crankshaft damper bolt.
- (12) Remove damper using Special Tools 8513 Insert and 1026 Three Jaw Puller (Fig. 118).
- (13) Using Special Tool 8511, remove crankshaft front seal (Fig. 119).

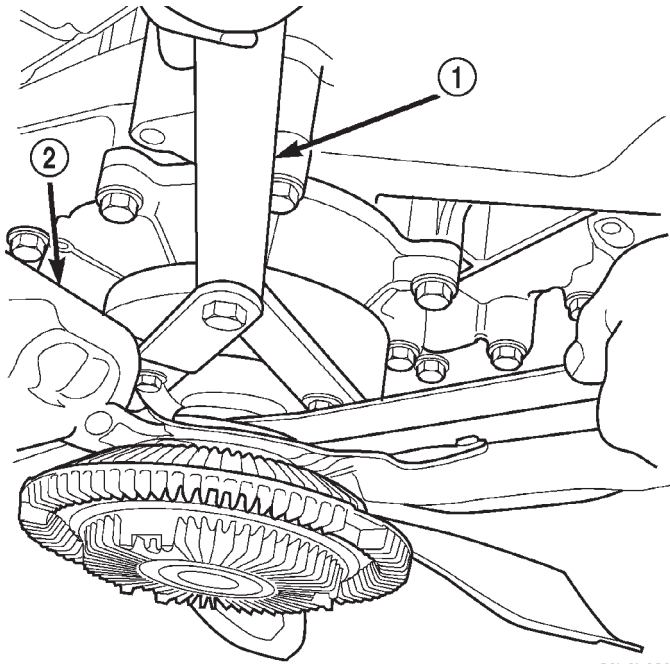
**INSTALLATION**

**CAUTION: To prevent severe damage to the Crankshaft, Damper or Special Tool 8512, thoroughly clean the damper bore and the crankshaft nose before installing Damper.**

- (1) Using Special Tool 8348 and 8512, install crankshaft front seal (Fig. 120).



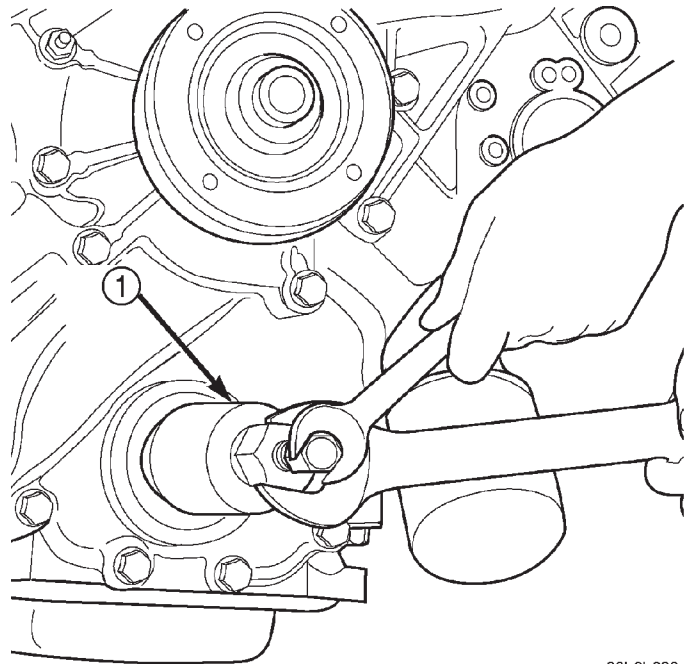
REMOVAL AND INSTALLATION (Continued)



80b6b293

**Fig. 117 Fan Assembly—Removal/Installation**

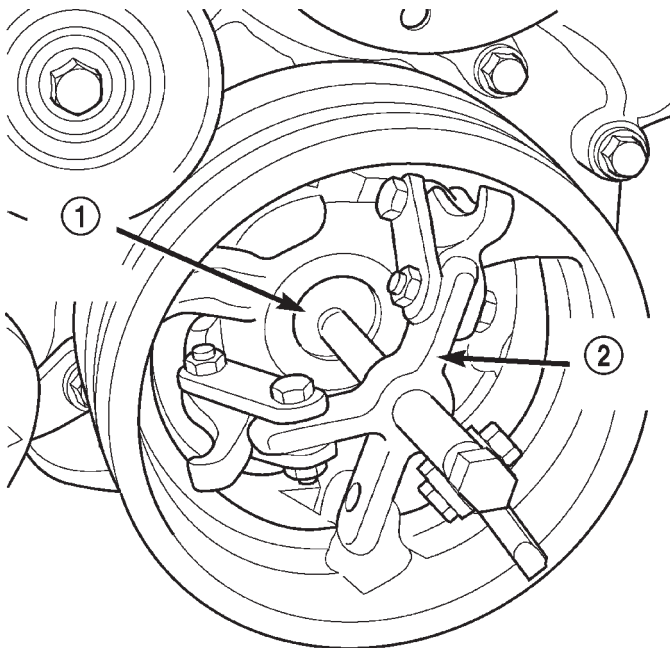
- 1 - SPECIAL TOOL 6958 SPANNER WRENCH WITH ADAPTER PINS 8346
- 2 - FAN



80b6b290

**Fig. 119 Crankshaft Front Seal—Removal**

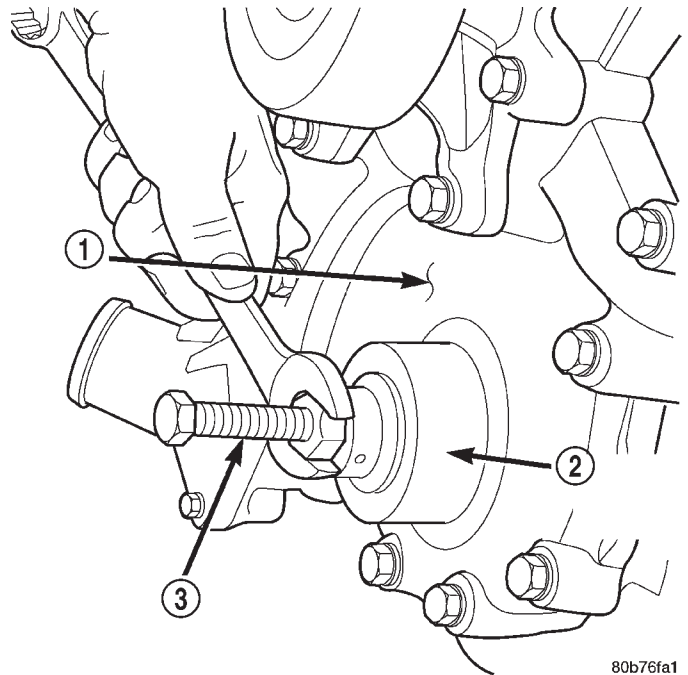
- 1 - SPECIAL TOOL 8511



80b6b292

**Fig. 118 Crankshaft Damper—Removal**

- 1 - SPECIAL TOOL 8513 INSERT
- 2 - SPECIAL TOOL 1026



80b76fa1

**Fig. 120 Crankshaft Front Seal—Installation**

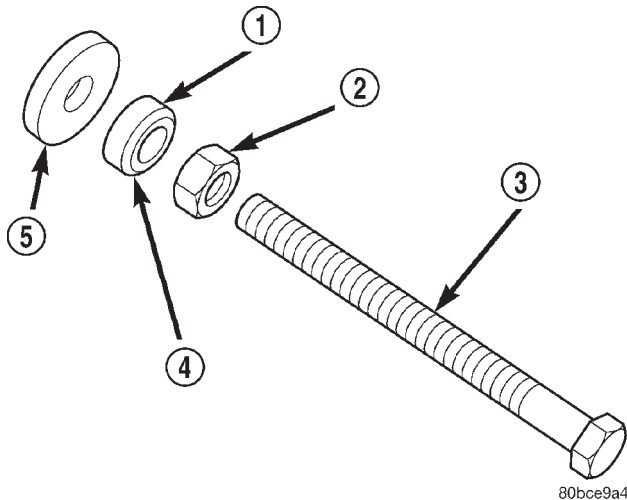
- 1 - TIMING CHAIN COVER
- 2 - SPECIAL TOOL 8348
- 3 - SPECIAL TOOL 8512

**CAUTION:** Special Tool 8512, is assembled in a specific sequence. Failure to assemble this tool in

this sequence can result in tool failure and severe damage to either the tool or the crankshaft.

## REMOVAL AND INSTALLATION (Continued)

(2) Assemble Special Tool 8512 as follows, The nut is threaded onto the shaft first. Then the roller bearing is placed onto the threaded rod (The hardened bearing surface of the bearing **MUST** face the nut). Then the hardened washer slides onto the threaded rod (Fig. 121). Once assembled coat the threaded rod's threads with Mopar® Nickel Anti-Seize or (Loctite No. 771).



**Fig. 121 Proper Assembly Method for Special Tool 8512**

- 1 - BEARING
- 2 - NUT
- 3 - THREADED ROD
- 4 - BEARING HARDENED SURFACE (FACING NUT)
- 5 - HARDENED WASHER

(3) Align crankshaft damper slot with key in crankshaft. Slide damper onto crankshaft slightly.

(4) Using Special Tool 8512 press damper onto crankshaft (Fig. 122).

(5) Install then tighten crankshaft damper bolt to 175 N·m (130 ft. lbs.).

(6) Install radiator shroud and tighten fasteners to 11 N·m (95 in. lbs.).

(7) Connect electrical connector for shroud fan.

(8) Install fan and viscous assembly.

(9) Using Special Tools 6958 Spanner with Adapter Pins 8346 tighten fan and viscous assembly to water pump (Fig. 117).

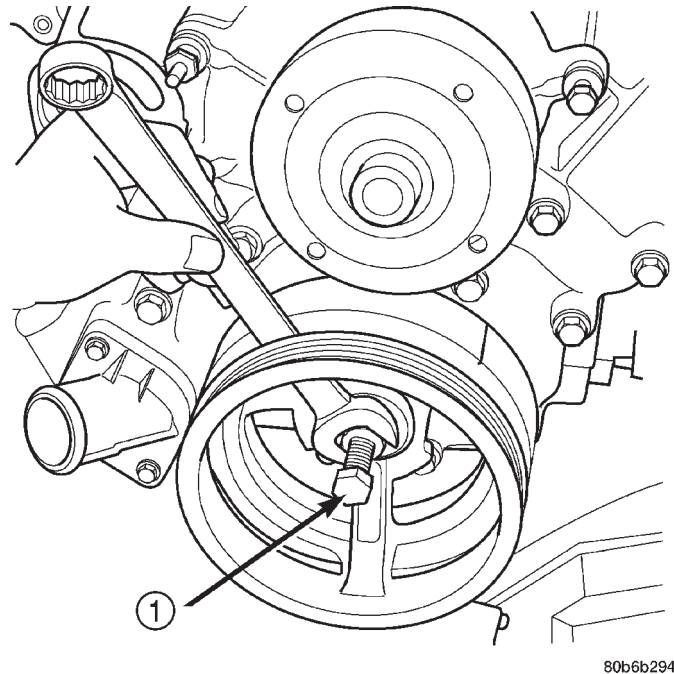
(10) Install upper radiator hose.

(11) Install A/C compressor and tighten fasteners to 54 N·m (40 ft. lbs.).

(12) Install accessory drive belt refer to Group 7, Cooling System for procedure.

(13) Refill cooling system. Refer to Group 7, Cooling System for procedure.

(14) Connect negative cable to battery.



**Fig. 122 Crankshaft Damper—Installation**

1 - SPECIAL TOOL 8512

## CRANKSHAFT OIL SEAL—REAR

## REMOVAL

**NOTE:** This procedure can be preformed in vehicle.

(1) If being preformed in vehicle, remove the transmission. Refer to Group 21, Transmission and Transfer Case.

(2) Remove the flexplate. Refer to procedure in this section.

**NOTE:** The crankshaft oil seal **CAN NOT** be reused after removal.

**NOTE:** The crankshaft rear oil seal remover Special Tool 8506 must be installed deeply into the seal. Continue to tighten the removal tool into the seal until the tool can not be turned farther. Failure to install tool correctly the first time will cause tool to pull free of seal without removing seal from engine.

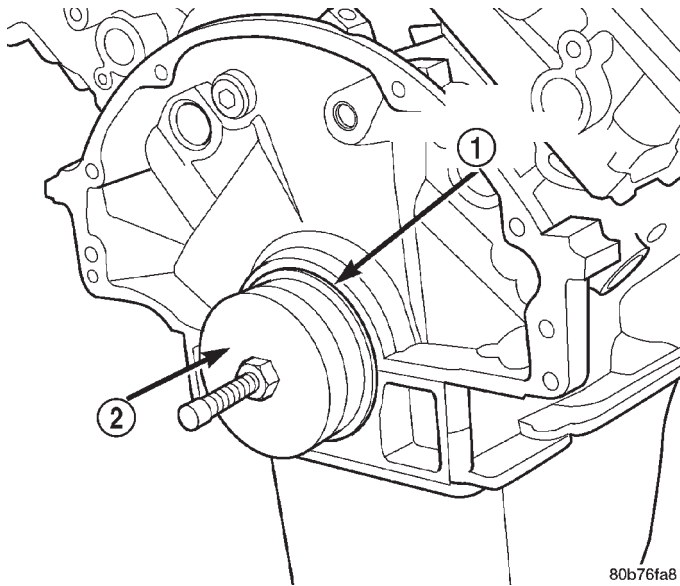
(3) Using Special Tool 8506 (Fig. 123), remove the crankshaft rear oil seal.

## INSTALLATION

(1) Position the magnetic seal guide Special Tool 8349-2 (Fig. 124) onto the crankshaft rear face. Then position the crankshaft rear oil seal onto the guide.

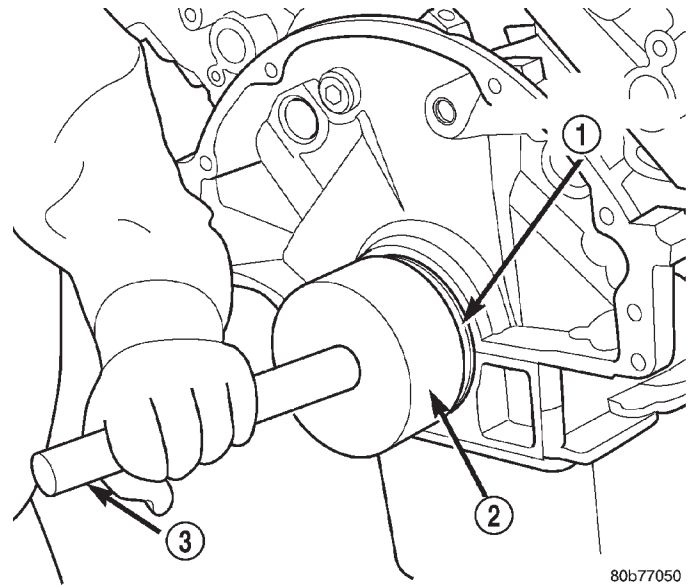
(2) Using Special Tools 8349 Crankshaft Rear Oil Seal Installer and C-4171 Driver Handle (Fig. 125), with a hammer, tap the seal into place. Continue to

REMOVAL AND INSTALLATION (Continued)



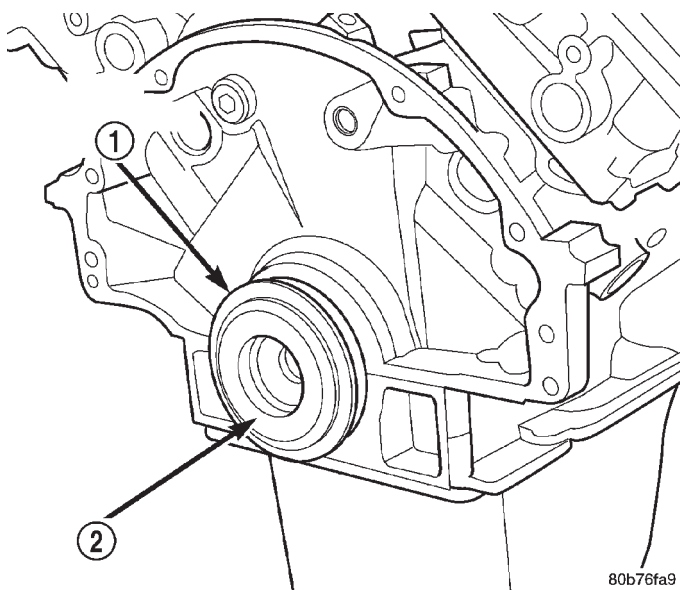
**Fig. 123 Crankshaft Rear Oil Seal Removal**

- 1 - REAR CRANKSHAFT SEAL
- 2 - SPECIAL TOOL 8506



**Fig. 125 Crankshaft Rear Oil Seal Installation**

- 1 - REAR CRANKSHAFT SEAL
- 2 - SPECIAL TOOL 8349-1 INSTALLER
- 3 - SPECIAL TOOL C-4171 HANDLE



**Fig. 124 Crankshaft Rear Oil Seal Guide Special Tool 8349-2 and Oil Seal**

- 1 - REAR CRANKSHAFT SEAL
- 2 - SPECIAL TOOL 8349-2 GUIDE

tap on the driver handle until the seal installer seats against the cylinder block crankshaft bore.

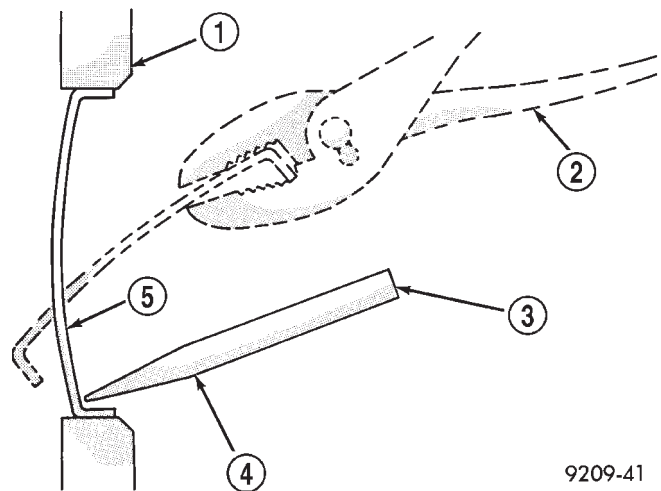
- (3) Install the flexplate.
- (4) If removed, install the transmission.

**ENGINE CORE PLUGS**

**REMOVAL**

(1) Drain the cooling system. Refer to Group 7, Cooling System for procedure.

(2) Using a blunt tool such as a drift or a screw driver and a hammer, strike the bottom edge of the cup plug (Fig. 126).



**Fig. 126 Engine Core Plug Removal**

- 1 - CYLINDER BLOCK
- 2 - REMOVE PLUG WITH PLIERS
- 3 - STRIKE HERE WITH HAMMER
- 4 - DRIFT PUNCH
- 5 - CUP PLUG

REMOVAL AND INSTALLATION (Continued)

(3) Using a suitable pair of pliers, grasp the core plug and remove.

INSTALLATION

**NOTE:** Thoroughly clean core plug bore, remove all of the old sealer.

(1) Coat the edges of the engine core plug and the core plug bore with Mopar Gasket Maker, or equivalent.

**NOTE:** It is not necessary to wait for the sealant to cure on the core plugs. The cooling system can be filled and the vehicle returned to service immediately.

(2) Using proper plug driver, drive core plug into the core plug bore. The sharp edge of the core plug should be at least 0.50 mm (0.020 in.) inside the lead in chamfer.

(3) Refill the cooling system.

DISASSEMBLY AND ASSEMBLY

VALVE SERVICE

REFACING

**NOTE:** Valve seats that are worn or burned can be reworked, provided that correct angle and seat width are maintained. Otherwise the cylinder head must be replaced.

**NOTE:** When refacing valves and valve seats, it is important that the correct size valve guide pilot be used for reseating stones. A true and complete surface must be obtained.

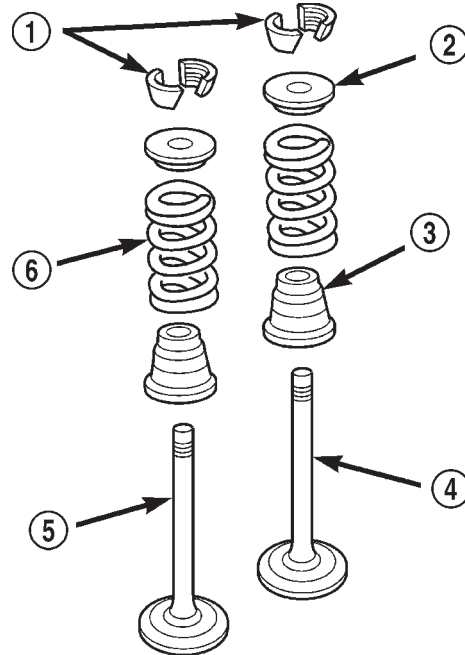
(1) Using a suitable dial indicator measure the center of the valve seat Total run out must not exceed 0.051 mm (0.002 in).

(2) Apply a small amount of Prussian blue to the valve seat, insert the valve into the cylinder head, while applying light pressure on the valve rotate the valve. Remove the valve and examine the valve face. If the blue is transferred below the top edge of the valve face, lower the valve seat using a 15 degree stone. If the blue is transferred to the bottom edge of the valve face, raise the valve seat using a 65 degree stone.

(3) When the seat is properly positioned the width of the intake seat must be 1.75 – 2.36 mm (0.0689 – 0.0928 in.) and the exhaust seat must be 1.71 – 2.32 mm (0.0673 – 0.0911 in.).

(4) Check the valve spring installed height after refacing the valve and seat. The installed height for both intake and exhaust valve springs must not exceed 41.44 mm (1.6315 in.).

(5) The valve seat and valve face must maintain a face angle of 44.5 – 45 degrees angle.



80b8983f

**Fig. 127 Valve Assembly Configuration**

- 1 – VALVE LOCKS (3-BEAD)
- 2 – RETAINER
- 3 – VALVE STEM OIL SEAL
- 4 – INTAKE VALVE
- 5 – EXHAUST VALVE
- 6 – VALVE SPRING

OIL PUMP

DISASSEMBLE

- (1) Remove oil pump cover screws and lift off cover plate.
- (2) Remove pump inner and outer rotors.

**NOTE:** Once the oil pressure relief valve, cup plug, and pin are removed, the pump assembly must be replaced.

(3) If it is necessary to remove the pressure relief valve, drive the roll pin from pump housing and remove cup plug, spring and valve.

ASSEMBLE

- (1) Wash all parts in a suitable solvent and inspect carefully for damage or wear.
- (2) Install inner and outer rotors.
- (3) Install oil pump cover plate and install cover bolts and tighten them to 12 N·m (105 in. lbs.).



## DISASSEMBLY AND ASSEMBLY (Continued)

(4) Prime oil pump before installation by filling rotor cavity with engine oil.

(5) If oil pressure is low and pump is within specifications, inspect for worn engine bearings or other causes for oil pressure loss.

## CLEANING AND INSPECTION

## INTAKE MANIFOLD

## CLEANING

**NOTE:** There is **NO** approved repair procedure for the intake manifold. If severe damage is found during inspection, the intake manifold must be replaced.

Before installing the intake manifold thoroughly clean the mating surfaces. Use a suitable cleaning solvent, then air dry.

## INSPECTION

(1) Inspect the intake sealing surface for cracks, nicks and distortion.

(2) Inspect the intake manifold vacuum hose fittings for looseness or blockage.

(3) Inspect the manifold to throttle body mating surface for cracks, nicks and distortion.

## EXHAUST MANIFOLD

## CLEANING

(1) Clean the exhaust manifold using a suitable cleaning solvent, then allow to air dry.

(2) Clean all gasket residue from the manifold mating surface.

## INSPECTION

(1) Inspect the exhaust manifold for cracks in the mating surface and at every mounting bolt hole.

(2) Using a straight edge and a feeler gauge, check the mating surface for warp and twist.

(3) Inspect the manifold to exhaust pipe mating surface for cracks, gouges, or other damage that would prevent sealing.

## CYLINDER HEADS

## CLEANING

## CYLINDER HEAD GASKET SURFACE PREPARATION

To ensure engine gasket sealing, proper surface preparation must be performed, especially with the use of aluminum engine components.

Never use the following to clean gasket surfaces:

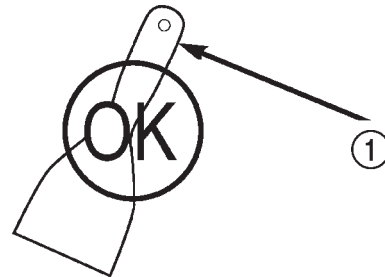
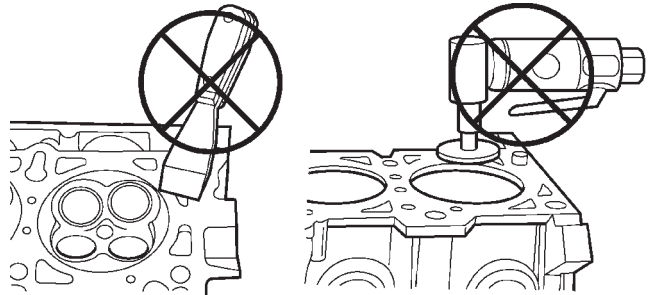
- **never use a metal scraper.**

- **never use an abrasive pad or paper to clean the cylinder block.**

- **never use a high speed power tool or wire brush on any gasket sealing surface** (Fig. 128).

Only use the following for cleaning gasket surfaces:

- use Mopar® Brake and Parts Cleaner
- use only a plastic or wood scraper (Fig. 128)



80b76eba

**Fig. 128 Proper Tool Usage For Surface Preparation**

1 – PLASTIC/WOOD SCRAPER

## INSPECTION

(1) Inspect the cylinder head for out-of-flatness, using a straightedge and a feeler gauge. If tolerances exceed 0.0508 mm (0.002 in.) replace the cylinder head.

(2) Inspect the valve seats for damage. Service the valve seats as necessary.

(3) Inspect the valve guides for wear, cracks or looseness. If either condition exist, replace the cylinder head.

## PISTON AND CONNECTING ROD

## CLEANING

**CAUTION:** **DO NOT** use a wire wheel or other abrasive cleaning device to clean the pistons or connecting rods. The pistons have a Moly coating, this coating must not be damaged.

(1) Using a suitable cleaning solvent clean the pistons in warm water and towel dry.

(2) Use a wood or plastic scraper to clean the ring land grooves.

## CLEANING AND INSPECTION (Continued)

**CAUTION: DO NOT** remove the piston pin from the piston and connecting rod assembly.

## INSPECTION

Check the crankshaft connecting rod journal for excessive wear, taper and scoring.

Check the pistons for taper and elliptical shape before they are fitted into the cylinder bore.

Replace any piston and connecting rod not meeting the specifications.

## CRANKSHAFT JOURNALS

## CLEANING

Use only suitable cleaning solvents. Never use an abrasive cleanser.

## INSPECTION

**CAUTION: After any journal grind, it is important that the final paper or cloth polish be in the same direction as the engine rotates.**

The crankshaft connecting rod and main journals should be checked for excessive wear, taper and scoring. The maximum taper or out-of-round on any crankshaft journal is 0.025 mm (0.001 inch).

Journal grinding should not exceed 0.305 mm (0.012 inch) under the standard journal diameter. **DO NOT** grind thrust faces of No.3 main bearing. **DO NOT** nick crank pin or bearing fillets. After grinding, remove rough edges from crankshaft oil holes and clean out all oil passages.

## OIL PAN

## CLEANING

(1) Clean oil pan in solvent and wipe dry with a clean cloth.

(2) Clean the oil pan gasket surface. **DO NOT** use a grinder wheel or other abrasive tool to clean sealing surface.

(3) Clean oil screen and tube thoroughly in clean solvent.

## INSPECTION

(1) Inspect oil drain plug and plug hole for stripped or damaged threads. Repair as necessary.

(2) Inspect the oil pan mounting flange for bends or distortion. Straighten flange, if necessary.

## OIL PUMP

## CLEANING

(1) Wash all parts in a suitable solvent.

## INSPECTION

**CAUTION: Oil pump pressure relief valve and spring should not be removed from the oil pump. If these components are disassembled and removed from the pump the entire oil pump assembly must be replaced.**

(1) Clean all parts thoroughly. Mating surface of the oil pump housing should be smooth. If the pump cover is scratched or grooved the oil pump assembly should be replaced.

(2) Lay a straight edge across the pump cover surface (Fig. 129). If a 0.025 mm (0.001 in.) feeler gauge can be inserted between the cover and the straight edge the oil pump assembly should be replaced.

(3) Measure the thickness of the outer rotor (Fig. 130). If the outer rotor thickness measures at 12.005 mm (0.400 in.) or less the oil pump assembly must be replaced.

(4) Measure the diameter of the outer rotor. If the outer rotor diameter measures at 85.925 mm (0.400 in.) or less the oil pump assembly must be replaced.

(5) Measure the thickness of the inner rotor (Fig. 131). If the inner rotor thickness measures at 12.005 mm (0.400 in.) or less then the oil pump assembly must be replaced.

(6) Slide outer rotor into the body of the oil pump. Press the outer rotor to one side of the oil pump body and measure clearance between the outer rotor and the body (Fig. 132). If the measurement is 0.47mm (0.0186 in.) or more the oil pump assembly must be replaced.

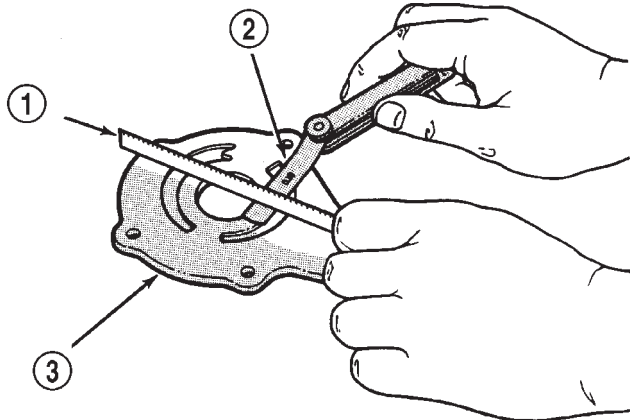
(7) Install the inner rotor into the oil pump body. Measure the clearance between the inner and outer rotors (Fig. 133). If the clearance between the rotors is 0.150 mm (0.006 in.) or more the oil pump assembly must be replaced.

(8) Place a straight edge across the body of the oil pump (between the bolt holes), if a feeler gauge of .095 mm (0.0038 in.) or greater can be inserted between the straightedge and the rotors, the pump must be replaced (Fig. 134).

**NOTE: 4.7 Oil pump is released as an assembly. There are no Chrysler part numbers for Sub-Assembly components. In the event the oil pump is not functioning or out of specification it must be replaced as an assembly.**



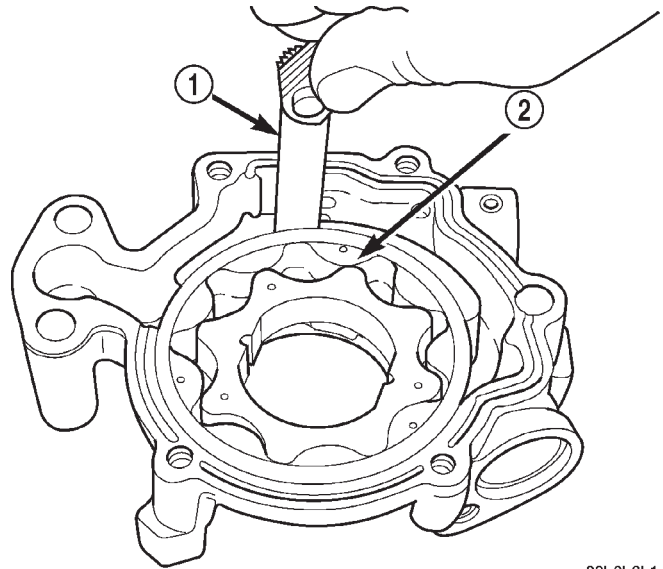
CLEANING AND INSPECTION (Continued)



9309-184

**Fig. 129 Checking Oil Pump Cover Flatness**

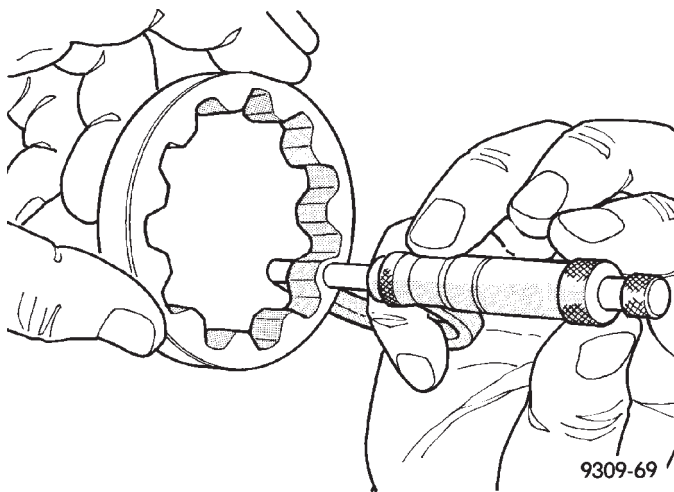
- 1 - STRAIGHT EDGE
- 2 - FEELER GAUGE
- 3 - OIL PUMP COVER



80b6b3b1

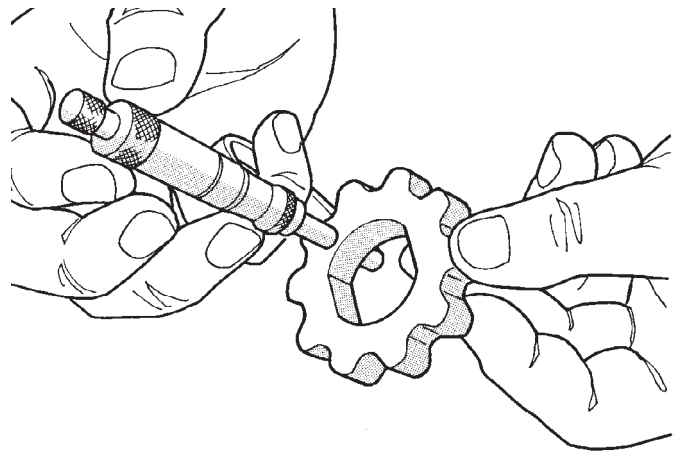
**Fig. 132 Measuring Outer Rotor Clearance in Housing**

- 1 - FEELER GAUGE
- 2 - OUTER ROTOR



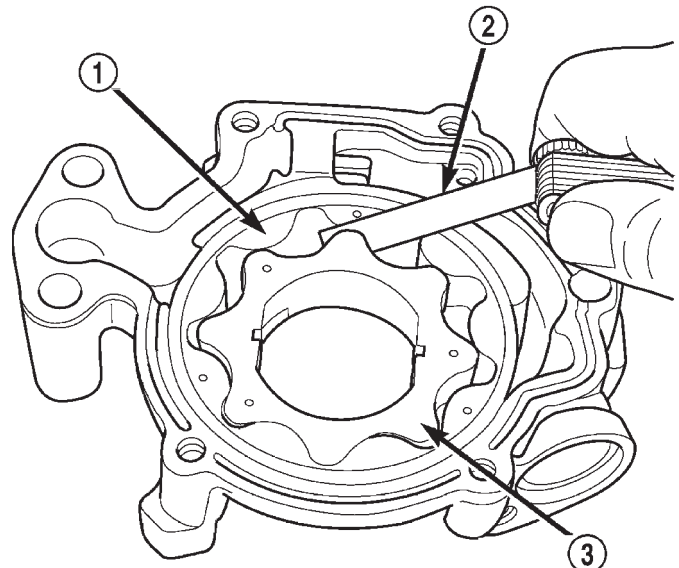
9309-69

**Fig. 130 Measuring Outer Rotor Thickness**



9309-70

**Fig. 131 Measuring Inner Rotor Thickness**

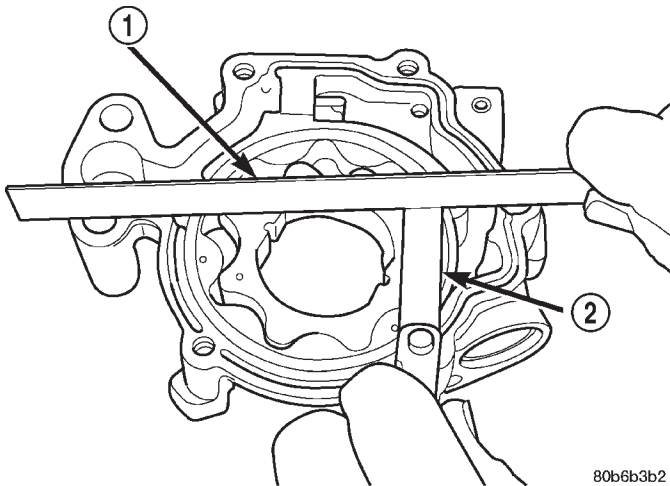


80b6b3b0

**Fig. 133 Measuring Clearance Between Rotors**

- 1 - OUTER ROTOR
- 2 - FEELER GAUGE
- 3 - INNER ROTOR

CLEANING AND INSPECTION (Continued)



**Fig. 134 Measuring Clearance Over Rotors**

- 1 - STRAIGHT EDGE
- 2 - FEELER GAUGE

**CYLINDER BLOCK**

**CLEANING**

Thoroughly clean the oil pan and engine block gasket surfaces.

Use compressed air to clean out:

- The galley at the oil filter adaptor hole.
- The front and rear oil galley holes.
- The feed holes for the crankshaft main bearings.

Once the block has been completely cleaned, apply Loctite PST pipe sealant with Teflon 592 to the threads of the front and rear oil galley plugs. Tighten the plugs to 34 N·m (25 ft. lbs.) torque.

**INSPECTION**

(1) It is mandatory to use a dial bore gauge to measure each cylinder bore diameter. To correctly select the proper size piston, a cylinder bore gauge, capable of reading in 0.003 mm (.0001 in.) INCREMENTS is required. If a bore gauge is not available, do not use an inside micrometer (Fig. 135).

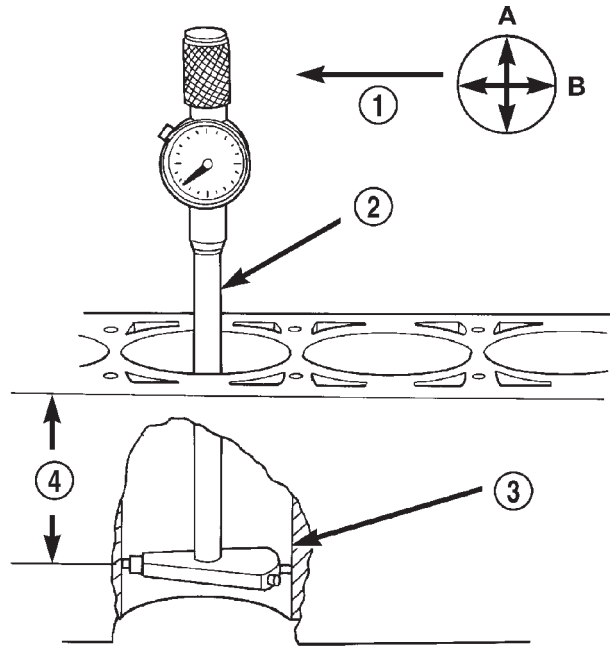
(2) Measure the inside diameter of the cylinder bore at three levels below top of bore. Start perpendicular (across or at 90 degrees) to the axis of the crankshaft and then take two additional reading.

(3) Measure the cylinder bore diameter crosswise to the cylinder block near the top of the bore. Repeat the measurement near the middle of the bore, then repeat the measurement near the bottom of the bore.

(4) Determine taper by subtracting the smaller diameter from the larger diameter.

(5) Rotate measuring device 90° and repeat steps above.

(6) Determine out-of-roundness by comparing the difference between each measurement.



**Fig. 135 Bore Gauge—Typical**

- 1 - FRONT
- 2 - BORE GAUGE
- 3 - CYLINDER BORE
- 4 - 49.5 MM (1-15/16 in)

(7) If cylinder bore taper does not exceed 0.025 mm (0.001 inch) and out-of-roundness does not exceed 0.025 mm (0.001 inch), the cylinder bore can be honed. If the cylinder bore taper or out-of-round condition exceeds these maximum limits, the cylinder block must be replaced. A slight amount of taper always exists in the cylinder bore after the engine has been in use for a period of time.

**SPECIFICATIONS**

**4.7L ENGINE**

DESCRIPTION	SPECIFICATION
<b>GENERAL SPECIFICATIONS</b>	
Engine Type	90° SOHC V-8 16-Valve
Displacement	4.7 Liters / 4701cc (287 Cubic Inches)
Bore	93.0 mm (3.66 in.)
Stroke	86.5 mm (3.40 in.)
Compression Ratio	9.0:1
Cylinder Compression Pressure	965-1241 Kpa (140-180 PSI)
Horsepower	235 BHP @ 4800 RPM
Torque	295 LB-FT @ 3200 RPM

## SPECIFICATIONS (Continued)

DESCRIPTION	SPECIFICATION
Lead Cylinder	#1 Left Bank
Firing Order	1-8-4-3-6-5-7-2
<b>CYLINDER BLOCK</b>	
Cylinder Block	Cast Iron
Bore Diameter	93.010 ± .0075 mm (3.6619 ± 0.0003 in.)
Out of Round (MAX)	0.076 mm (0.003 in.)
Taper (MAX)	0.051 mm (0.002 in.)
<b>PISTONS</b>	
Material	Aluminum Alloy
Diameter	92.975 mm (3.6605 in.)
Weight	367.5 grams (12.96 oz)
<b>Ring Groove Diameter</b>	
No. 1	83.73 - 83.97 mm (3.296 - 3.269 in.)
No. 2	82.833 - 83.033 mm (3.261 - 3.310 in.)
No. 3	83.88 - 84.08 mm (3.302 - 3.310 in.)
<b>PISTON PINS</b>	
Type	Pressed Fit
Clearance In Piston	0.010 - 0.019 mm (0.0004 - 0.0008 in.)
Diameter	24.013 - 24.016 mm (0.9454 - 0.9456 in.)
<b>PISTON RINGS</b>	
<b>Ring Gap</b>	
Top Compression Ring	0.37 - 0.63 mm (0.0146 - 0.0249 in.)
Second Compression Ring	0.37 - 0.63 mm (0.0146 - 0.0249 in.)
Oil Control (Steel Rails)	0.25 - 0.76 mm (0.0099 - 0.30 in.)
<b>Side Clearance</b>	
Top Compression Ring	.051 -.094 mm (0.0020 - 0.0037 in.)
Second Compression Ring	0.040 - 0.080 mm (0.0016 - 0.0031 in.)

DESCRIPTION	SPECIFICATION
Oil Ring (Steel Ring)	.019 -.229 mm (.0007 -.0091 in.)
<b>Ring Width</b>	
Top Compression Ring	1.472 - 1.490 mm (0.057 - 0.058 in.)
Second Compression Ring	1.472 - 1.490 mm (0.057 - 0.058 in.)
Oil Ring (Steel Rails)	0.445 - 0.470 mm (0.017 - 0.018 in.)
<b>CONNECTING RODS</b>	
Bearing Clearance	0.010 - 0.048 mm (0.0004 - 0.0019 in.)
Side Clearance	0.10 - 0.35 mm (0.004 - 0.0138 in.)
Piston Pin Bore Diameter (Interference Fit)	.022 -.045 mm (0.0009 - 0.0018 in.)
Bearing Bore Out of Round (MAX)	0.004 mm (0.0002 in.)
Total Weight (Less Bearing)	578 grams (20.388 ounces)
<b>CRANKSHAFT</b>	
<b>Main Bearing Journal</b>	
Diameter	63.488 - 63.512 mm (2.4996 - 2.5005 in.)
Bearing Clearance	0.004 - 0.032 mm (0.0002 - 0.0013 in.)
Out of Round (MAX)	0.005 mm (0.0002 in.)
Taper (MAX)	0.008 mm (0.0004 in.)
End Play	0.052 - 0.282 mm (0.0021 - 0.0112 in.)
End Play (MAX)	0.282 mm (0.0112 in.)
<b>Connecting Rod Journal</b>	
Diameter	50.992 - 51.008 mm (2.0076 - 2.0082 in.)
Bearing Clearance	0.010 - 0.048 mm (0.0004 - 0.0019 in.)
Out of Round (MAX)	0.005 mm (0.0002 in.)
Taper (MAX)	0.008 mm (0.0004 in.)

SPECIFICATIONS (Continued)

DESCRIPTION	SPECIFICATION
<b>CAMSHAFT</b>	
Bore Diameter	26.02 - 26.04 mm (1.0245 - 1.0252 in.)
Bearing Journal Diameter	25.975 - 25.995 mm (1.0227 - 1.0235 in.)
Bearing Clearance	0.025 - 0.065 mm (0.001 - 0.0026 in.)
Bearing Clearance (MAX)	0.065 mm (0.0026 in.)
End Play	.075 -.200 mm (0.003 - 0.0079 in.)
End Play (MAX)	.200 mm (0.0079 in.)
<b>VALVE TIMING</b>	
<b>Intake</b>	
Opens (ATDC)	3.6°
Closes (ATDC)	247.1°
Duration	243.5°
<b>Exhaust</b>	
Opens (BTDC)	232.5°
Closes (ATDC)	21.2°
Duration	253.70°
Valve Overlap	17.6°
<b>VALVES</b>	
Face Angle	45° - 45.5°
<b>Head Diameter</b>	
Intake	48.52 - 48.78 mm (1.9103 - 1.9205 in.)
Exhaust	36.87 - 37.13 mm (1.4516 - 1.4618 in.)
<b>Length (Overall)</b>	
Intake	113.45 - 114.21 mm (4.4666 - 4.4965)
Exhaust	114.92 - 115.68 mm (4.5244 - 4.5543 in.)
<b>Stem Diameter</b>	
Intake	6.931 - 6.957 mm (0.2729 - 0.2739 in.)
Exhaust	6.902 - 6.928 mm (0.2717 - 0.2728 in.)

DESCRIPTION	SPECIFICATION
<b>Stem - to - Guide Clearance</b>	
Intake	.018 -.069 mm (0.0008 - 0.0028 in.)
Exhaust	.047 -.098 mm (0.0019 - 0.0039 in.)
<b>Max. Allowable Stem - to - Guide Clearance (Rocking Method)</b>	
Intake	0.069 mm (0.0028 in.)
Exhaust	0.098 mm (0.0039 in.)
<b>Valve Lift (Zero Lash)</b>	
Intake	11.25 mm (0.443 in.)
Exhaust	10.90 mm (0.4292 in.)
<b>VALVE SPRING</b>	
<b>Free Length (Approx)</b>	
Intake and Exhaust	48.6 mm (1.9134 in.)
<b>Spring Force (Valve Closed)</b>	
Intake and Exhaust	315.5 - 352.5 N @ 40.89 mm (70.92722 - 79.24515lbs. @ 1.6099 in.)
<b>Spring Force (Valve Open)</b>	
Intake and Exhaust	786.0 - 860.0 N @ 29.64 mm 176.6998 - 193.3357 lbs. @ 1.167 in.)
<b>Number of Coils</b>	
Intake and Exhaust	6.69
<b>Wire Diameter</b>	
Intake and Exhaust	4.2799 - 4.3561 mm (0.1685 - 0.1715 in.)

SPECIFICATIONS (Continued)

DESCRIPTION	SPECIFICATION
<b>Installed Height</b> (Top of Valve Stem Seal to Bottom of Retainer) Nominal	
<b>Early Build</b>	
Intake	40.97 mm (1.613 in.)
Exhaust	40.81 mm (1.606 in.)
<b>Late Build</b>	
Intake	40.11 mm (1.5792 in.)
Exhaust	40.13 mm (1.58 in.)
<b>CYLINDER HEAD</b>	
Gasket Thickness (Compressed)	.7 mm (0.0276 in.)
Valve Seat Angle	44.5° - 45.0°
Valve Seat Runout (MAX)	0.051 mm (0.002 in.)
<b>Valve Seat Width</b>	
Intake	1.75 - 2.36 mm (0.0698 - 0.0928 in.)
Exhaust	1.71 - 2.32 mm (0.0673 - 0.0911 in.)
Guide Bore Diameter (Std.)	6.975 - 7.00 mm (0.2747 - 0.2756 in.)
Cylinder Head Warpage (Flatness)	0.0508 mm (0.002 in.)
<b>OIL PUMP</b>	
Clearance Over Rotors (MAX)	.035 -.095 mm (0.0014 - 0.0038 in.)
Cover Out - of -Flat (MAX)	.025 mm (0.001 in.)
Inner and Outer Rotor Thickness	12.08 mm (0.4756 in.)
Outer Rotor Clearance (MAX)	85.96 mm (3.3843 in.)
Outer Rotor Diameter (MIN)	85.925 mm (0.400 in.)
Tip Clearance Between Rotors (MAX)	.150 mm (0.006 in.)
<b>OIL PRESSURE</b>	
At Curb Idle Speed (MIN)*	25 kPa (4 psi)

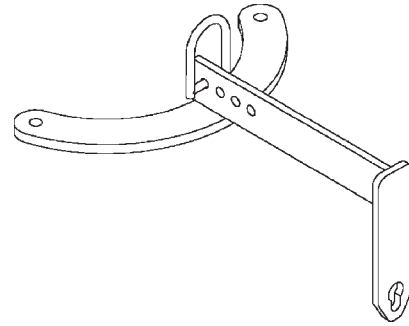
DESCRIPTION	SPECIFICATION
@ 3000 rpm	170 - 550 kPa (25 - 80 psi)
<b>* CAUTION: If pressure is zero at curb idle, DO NOT run engine at 3000 rpm.</b>	

**TORQUE**

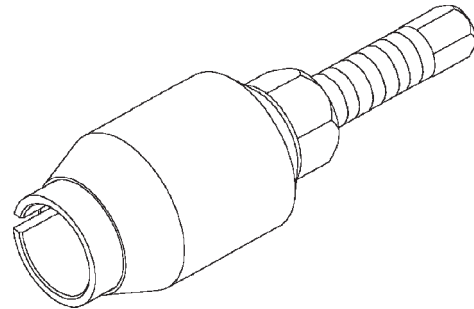
DESCRIPTION	N-m	Ft. Lbs.	In. Lbs.
Camshaft			
Non - Oiled Sprocket Bolt	122	90	—
Bearing Cap Bolts	11	—	100
Timing Chain Cover—Bolts	54	40	—
Connecting Rod Cap—Bolts	27	20	—
<b>PLUS 90° TURN</b>			
Bed Plate—Bolts	Refer to Procedure		
Crankshaft Damper—Bolt	175	130	—
Cylinder Head—Bolts			
M11 Bolts	81	60	—
M8 Bolts	28	—	250
Cylinder Head Cover—Bolts	12	—	105
Exhaust Manifold—Bolts	25	18	—
Exhaust Manifold Heat Shield—Nuts	8	—	72
Then loosen 45°			
Flexplate—Bolts	60	45	—
Engine Mount Bracket to Block—Bolts	61	45	—
Rear Mount to Transmission—Bolts	46	34	—
Generator Mounting—Bolts			
M10 Bolts	54	40	—
M8 Bolts	28	—	250
Intake Manifold—Bolts	12	—	105
Refer to Procedure for Tightening Sequence			
Oil Pan—Bolts	15	—	130
Oil Pan—Drain Plug	34	25	—
Oil Pump—Bolts	28	—	250
Oil Pump Cover—Bolts	12	—	105
Oil Pickup Tube—Bolt and Nut	28	—	250

SPECIFICATIONS (Continued)

DESCRIPTION	N-m	Ft. Lbs.	In. Lbs.
Oil Dipstick Tube—Bolt	28	—	250
Oil Fill Tube—Bolts	12	—	105
Timing Chain Guide—Bolts	28	—	250
Timing Chain Tensioner Arm—Special Pin Bolt	17	—	150
Hydraulic Tensioner—Bolts	28	—	250
Timing Chain Primary Tensioner—Bolts	28	—	250
Timing Drive Idler Sprocket— Bolt	34	25	—
Thermostat Housing—Bolts	12	—	105
Water Pump—Bolts	54	40	—



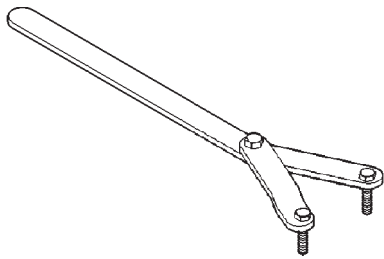
**Engine Lift Fixture 8347**



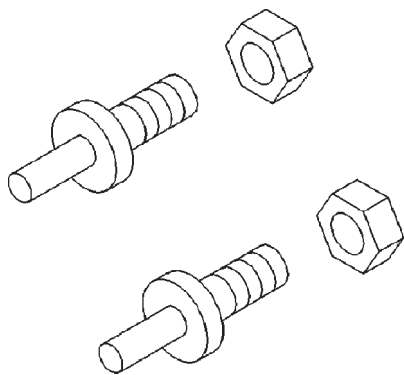
**Front Crankshaft Seal Remover 8511**

SPECIAL TOOLS

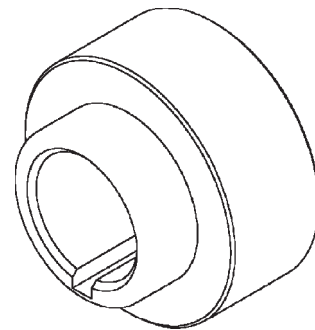
4.7L ENGINE



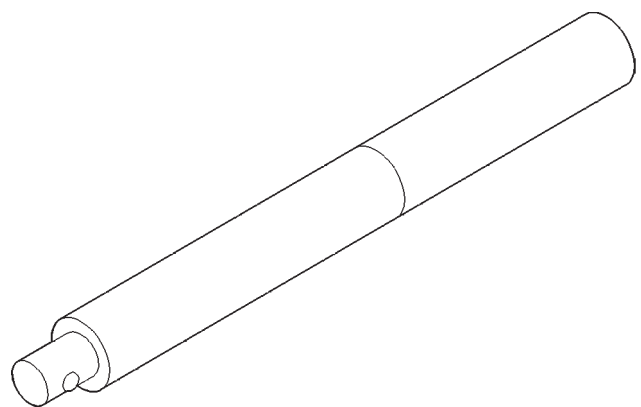
**Spanner Wrench 6958**



**Adapter Pins 8346**



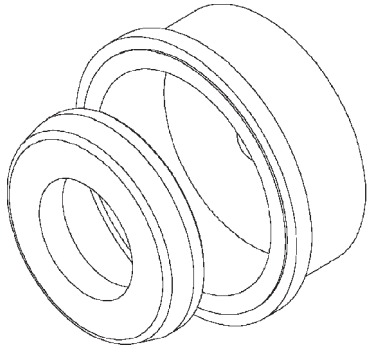
**Front Crankshaft Seal Installer 8348**



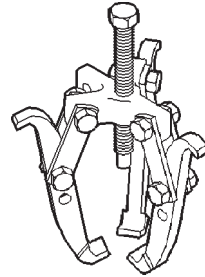
**Handle C-4171**



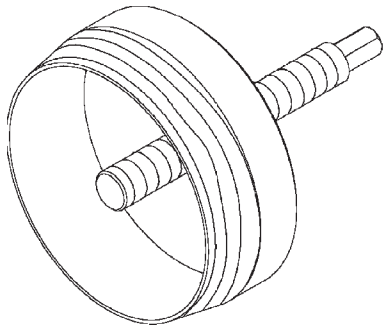
SPECIAL TOOLS (Continued)



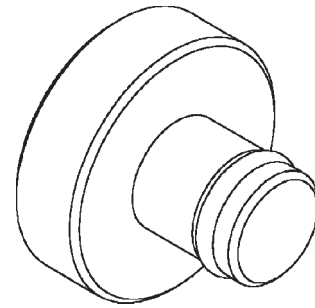
**Rear Crankshaft Seal Installer 8349**



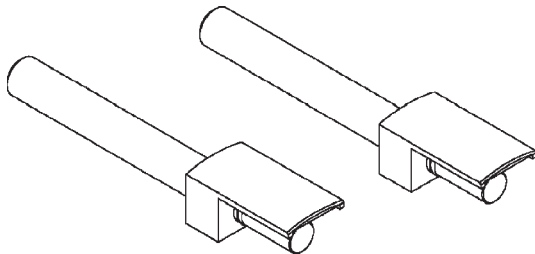
**Puller 1026**



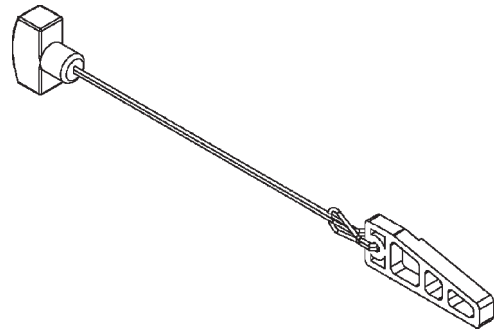
**Rear Crankshaft Seal Remover 8506**



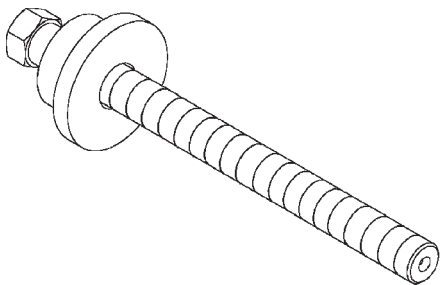
**Crankshaft Damper Removal Insert 8513**



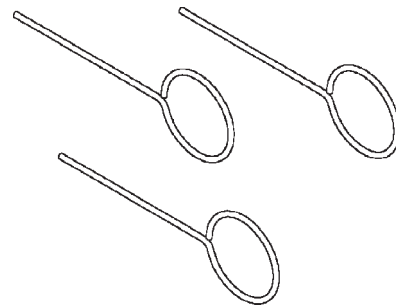
**Connecting Rod Guides 8507**



**Chain Tensioner Wedge 8350**

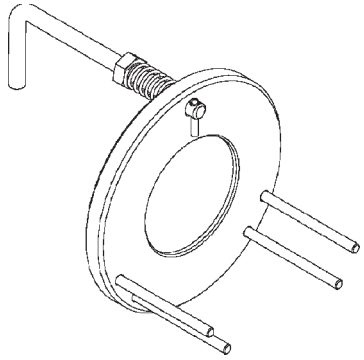


**Crankshaft Damper Installer 8512**

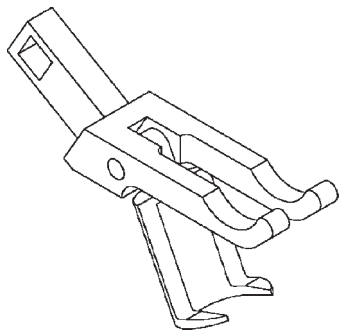


**Chain Tensioner Pins 8514**

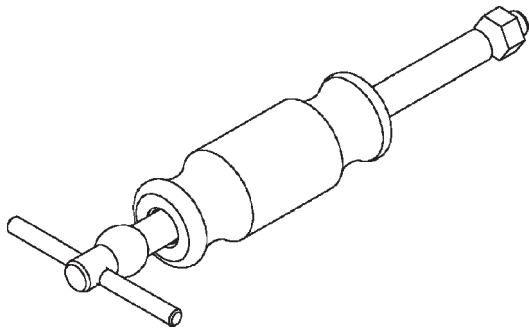
SPECIAL TOOLS (Continued)



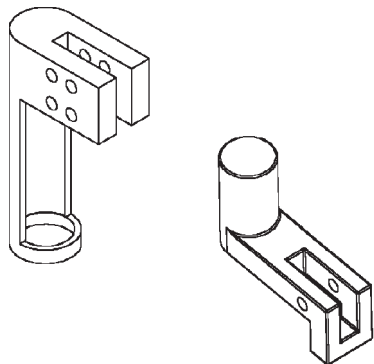
**Secondary Chain Holder 8515**



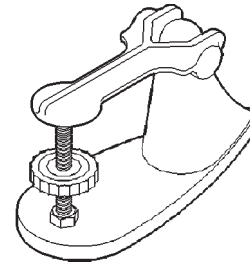
**Remover, Rocker Arm 8516**



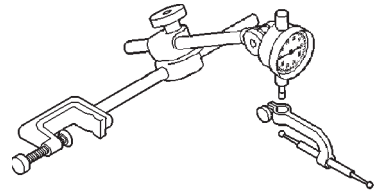
**Idler Shaft Remover 8517**



**Valve Spring Compressor Adapters 8519**

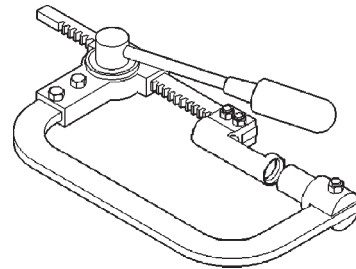


**Valve Spring Tester C-647**

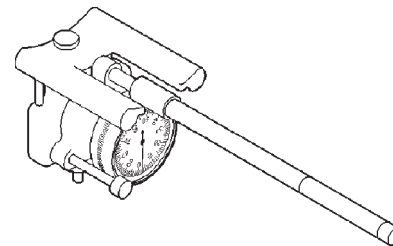


8011d42b

**Dial Indicator C-3339**

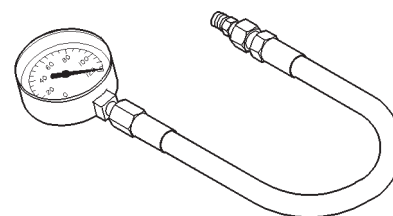


**Valve Spring Compressor C-3422-B**



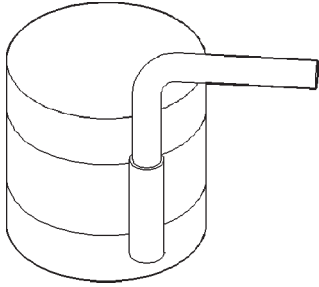
8011c9fa

**Bore Size Indicator C-119**

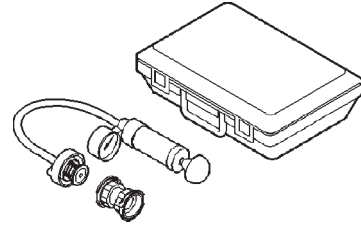


**Oil Pressure Gauge C-3292**

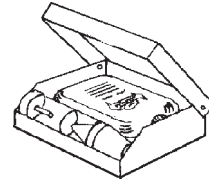
SPECIAL TOOLS (Continued)



***Piston Ring Compressor C-385***



***Pressure Tester Kit 7700***



***Bloc-Chek-Kit C-3685-A***

# EXHAUST SYSTEM

## TABLE OF CONTENTS

	page		page
<b>DESCRIPTION AND OPERATION</b>		<b>EXHAUST PIPE</b> . . . . .	7
EXHAUST SYSTEM . . . . .	1	<b>MUFFLER AND TAILPIPE</b> . . . . .	10
CATALYTIC CONVERTER . . . . .	3	<b>CLEANING AND INSPECTION</b>	
HEAT SHIELDS . . . . .	6	CATALYTIC CONVERTER . . . . .	11
MUFFLER . . . . .	5	EXHAUST PIPE . . . . .	11
TAILPIPE . . . . .	5	<b>SPECIFICATIONS</b>	
<b>DIAGNOSIS AND TESTING</b>		TORQUE . . . . .	12
EXHAUST SYSTEM DIAGNOSIS . . . . .	6		
<b>REMOVAL AND INSTALLATION</b>			
CATALYTIC CONVERTER . . . . .	10		

### DESCRIPTION AND OPERATION

#### EXHAUST SYSTEM

##### DESCRIPTION

**WARNING: THE NORMAL OPERATING TEMPERATURE OF THE EXHAUST SYSTEM IS VERY HIGH. THEREFORE, NEVER WORK AROUND OR ATTEMPT TO SERVICE ANY PART OF THE EXHAUST SYSTEM UNTIL IT IS COOLED. SPECIAL CARE SHOULD BE TAKEN WHEN WORKING NEAR THE CATALYTIC CONVERTER. THE TEMPERATURE OF THE CONVERTER RISES TO A HIGH LEVEL AFTER A SHORT PERIOD OF ENGINE OPERATION TIME.**

**CAUTION: Avoid application of rust prevention compounds or undercoating materials to exhaust system floor pan heat shields. Light overspray near the edges is permitted. Application of coating will result in excessive floor pan temperatures and objectionable fumes.**

The exhaust system uses a single muffler with a welded tail pipe.

The 4.0L and 4.7L Federal Emissions vehicles use a single catalytic converter, while the California models use two additional mini catalytic converters inline with the exhaust pipe below the exhaust manifolds.

The 4.0L and 4.7L exhaust manifolds are equipped with ball flange outlets to assure a tight seal and strain free connections.

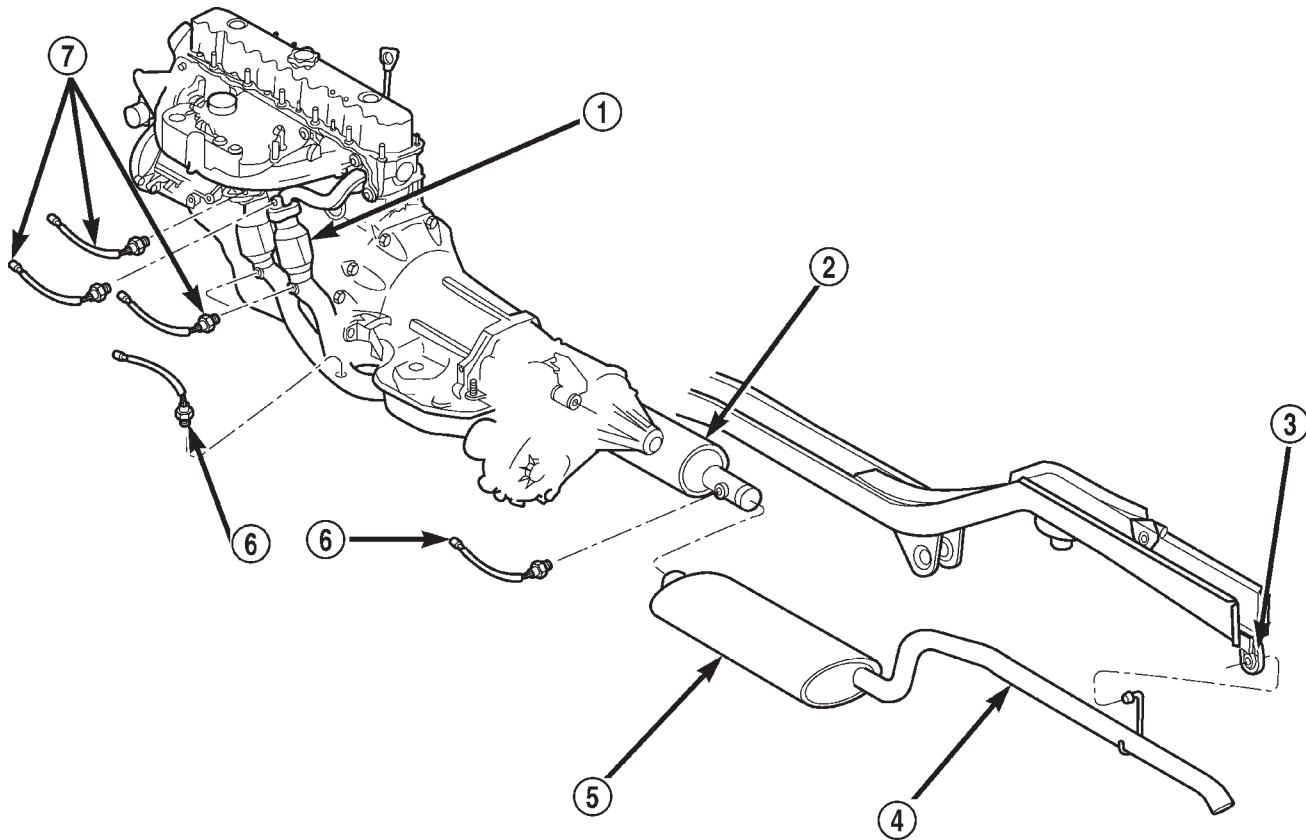
The exhaust system must be properly aligned to prevent stress, leakage and body contact. If the system contacts any body panel, it may amplify objectionable noises originating from the engine or body.

When inspecting an exhaust system, critically inspect for cracked or loose joints, stripped screw or bolt threads, corrosion damage and worn, cracked or broken hangers. Replace all components that are badly corroded or damaged. **DO NOT** attempt to repair.

When replacement is required, use original equipment parts (or their equivalent). This will assure proper alignment and provide acceptable exhaust noise levels.

## DESCRIPTION AND OPERATION (Continued)

The basic exhaust system consists of exhaust manifold(s), exhaust pipe with oxygen sensors, catalytic converter(s), heat shield(s), muffler and tailpipe (Fig. 1) (Fig. 2).

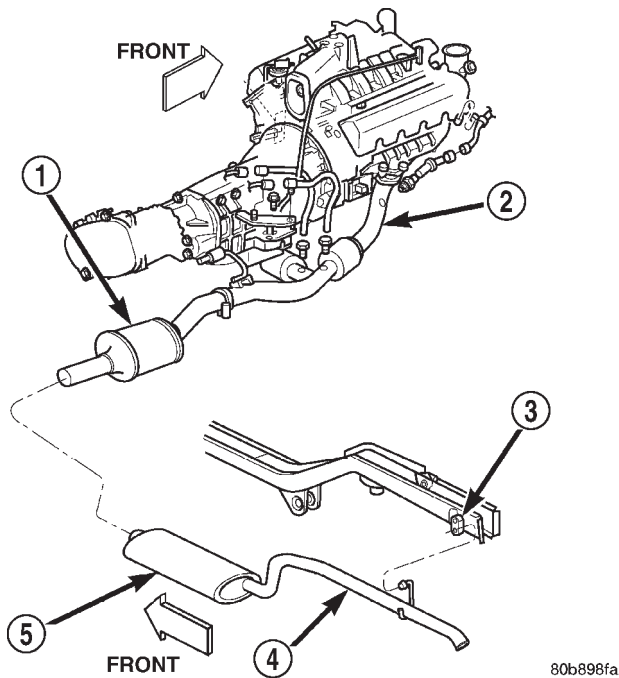


80be47d6

**Fig. 1 Exhaust System—4.0L**

- |  |                                      |
|--|--------------------------------------|
| 1 - MINI CONVERTERS (2)                  | 5 - MUFFLER                          |
| 2 - CATALYTIC CONVERTER                  | 6 - OXYGEN SENSORS (FEDERAL)         |
| 3 - TAILPIPE HANGER REAR MOUNT INSULATOR | 7 - OXYGEN SENSORS (CALIFORNIA ONLY) |
| 4 - TAILPIPE                             |                                      |

DESCRIPTION AND OPERATION (Continued)



**Fig. 2 Exhaust System—4.7L**

- 1 - CATALYTIC CONVERTER
- 2 - EXHAUST PIPE
- 3 - TAIL PIPE HANGER REAR MOUNT INSULATOR
- 4 - TAILPIPE
- 5 - MUFFLER

**CATALYTIC CONVERTER**

**DESCRIPTION**

**WARNING:** THE NORMAL OPERATING TEMPERATURE OF THE EXHAUST SYSTEM IS VERY HIGH. THEREFORE, NEVER WORK AROUND OR ATTEMPT TO SERVICE ANY PART OF THE EXHAUST SYSTEM UNTIL IT IS COOLED. SPECIAL CARE SHOULD BE TAKEN WHEN WORKING NEAR THE CATALYTIC CONVERTER. THE TEMPERATURE OF THE CONVERTER RISES TO A HIGH LEVEL AFTER A SHORT PERIOD OF ENGINE OPERATION TIME.

**CAUTION:** DO NOT remove spark plug wires from plugs or by any other means short out cylinders. Failure of the catalytic converter can occur due to a temperature increase caused by unburned fuel passing through the converter.

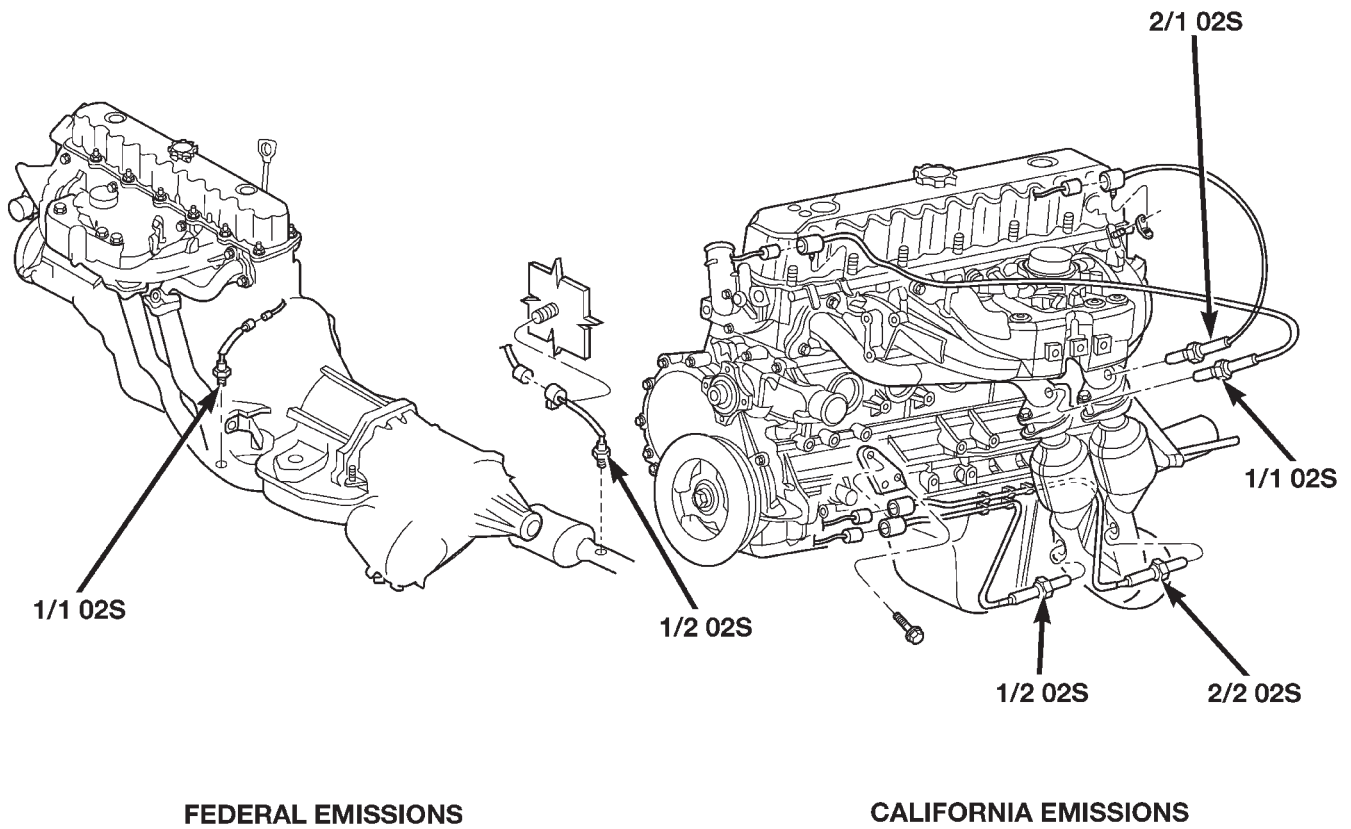
The stainless steel catalytic converter body is designed to last the life of the vehicle. Excessive heat can result in bulging or other distortion, but excessive heat will not be the fault of the converter. If unburned fuel enters the converter, overheating may occur. If a converter is heat-damaged, correct the cause of the damage at the same time the converter is replaced. Also, inspect all other components of the exhaust system for heat damage.

**Unleaded gasoline must be used to avoid contaminating the catalyst core.**



DESCRIPTION AND OPERATION (Continued)

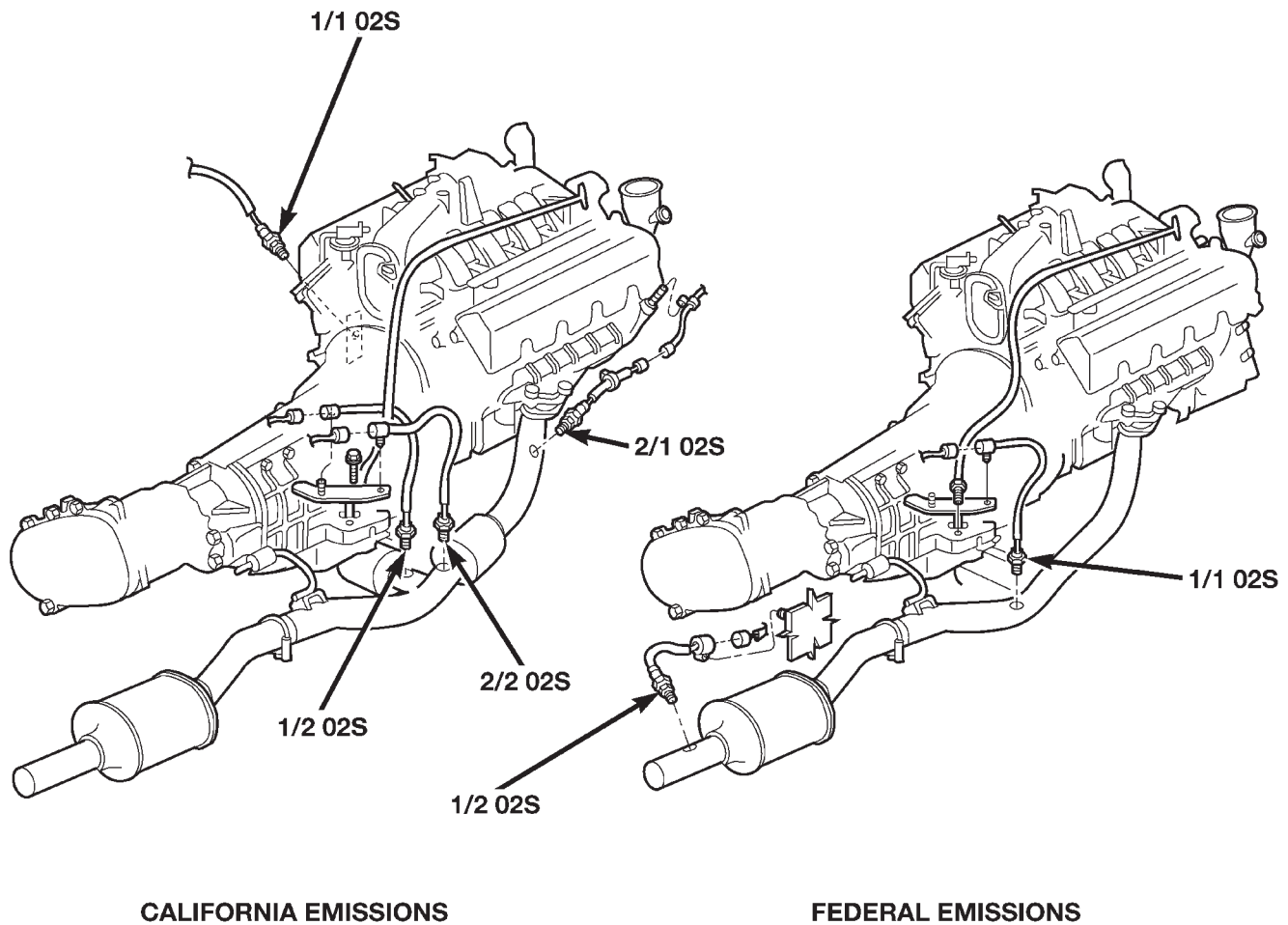
Federal emission vehicles use only one catalytic converter. However, California emission vehicles incorporate two mini catalytic converters located after the exhaust manifolds and before the inline catalytic converter (Fig. 3) (Fig. 4).



80b3c678

**Fig. 3 4.0L Catalytic Converter and O2 Sensor Configuration—California and Federal Emissions**

DESCRIPTION AND OPERATION (Continued)



80b3c679

**Fig. 4 4.7L Catalytic Converter and O2 Sensor Configuration—California and Federal Emissions**

**MUFFLER**

**DESCRIPTION**

Both the 4.0L and 4.7L engines use a stainless steel muffler to control exhaust noise levels and exhaust back pressure. The muffler and tailpipe are a one piece assembly.

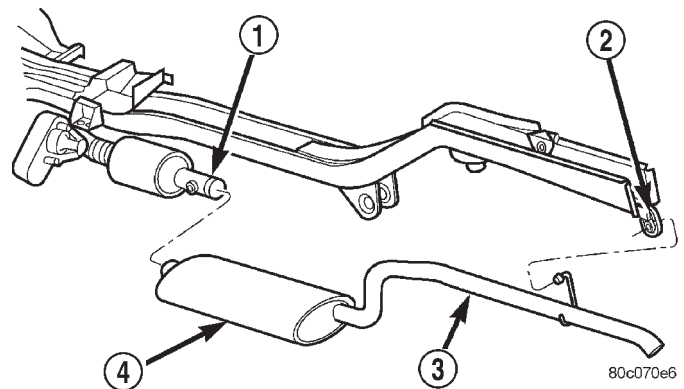
**TAILPIPE**

**DESCRIPTION**

The tailpipe is also made of stainless steel (Fig. 5).

**OPERATION**

The Tailpipe channels the exhaust out of the muffler and out from under the vehicle to control noise and prevent exhaust gas fumes from entering the passenger compartment



80c070e6

**Fig. 5 Muffler and Tailpipe Assembly**

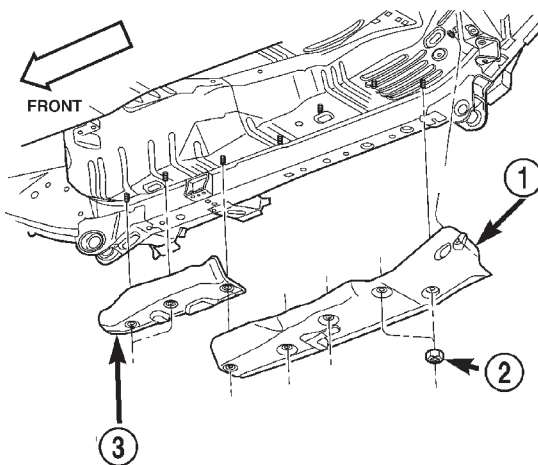
- 1 - CATALYTIC CONVERTER
- 2 - TAILPIPE HANGER
- 3 - TAILPIPE
- 4 - MUFFLER

DESCRIPTION AND OPERATION (Continued)

HEAT SHIELDS

DESCRIPTION

Heat shields are needed to protect both the vehicle and the environment from the high temperatures developed by the catalytic converter. The catalytic converter releases additional heat into the exhaust system. Under severe operating conditions, the temperature increases in the area of the converter. Such conditions can exist when the engine misfires or otherwise does not operate at peak efficiency (Fig. 6).



80b89850

**Fig. 6 Front and Rear Floor Pan Heat Shields**

- 1 - REAR FLOOR PAN HEAT SHIELD
- 2 - HEAT SHIELD RETAINING NUTS (QTY 8) TIGHTEN TO 2 N·m (20 IN. LBS.)
- 3 - FRONT FLOOR PAN HEAT SHIELD

DIAGNOSIS AND TESTING

EXHAUST SYSTEM DIAGNOSIS

EXHAUST SYSTEM DIAGNOSIS

CONDITION	POSSIBLE CAUSE	CORRECTION
<b>EXCESSIVE EXHAUST NOISE</b>	<ol style="list-style-type: none"> <li>1. Leaks at pipe joints.</li> <li>2. Burned or blown out muffler.</li> <li>3. Burned or rusted-out exhaust pipe.</li> <li>4. Exhaust pipe leaking at manifold flange.</li> <li>5. Exhaust manifold cracked or broken.</li> <li>6. Leak between exhaust manifold and cylinder head.</li> <li>7. Restriction in muffler or tailpipe.</li> <li>8. Exhaust system contacting body or chassis.</li> </ol>	<ol style="list-style-type: none"> <li>1. Tighten clamps at leaking joints.</li> <li>2. Replace muffler assembly. Check exhaust system.</li> <li>3. Replace exhaust pipe.</li> <li>4. Tighten connection attaching nuts.</li> <li>5. Replace exhaust manifold.</li> <li>6. Tighten exhaust manifold to cylinder head stud nuts or bolts.</li> <li>7. Remove restriction, if possible. Replace muffler or tailpipe, as necessary.</li> <li>8. Re-align exhaust system to clear surrounding components.</li> </ol>
<b>LEAKING EXHAUST GASES</b>	<ol style="list-style-type: none"> <li>1. Leaks at pipe joints.</li> <li>2. Damaged or improperly installed gaskets (4.0L only).</li> </ol>	<ol style="list-style-type: none"> <li>1. Tighten/replace clamps at leaking joints.</li> <li>2. Replace gaskets as necessary (4.0L only).</li> </ol>

REMOVAL AND INSTALLATION

EXHAUST PIPE

REMOVAL

**WARNING: IF TORCHES ARE USED WHEN WORKING ON THE EXHAUST SYSTEM, DO NOT ALLOW THE FLAME NEAR THE FUEL LINES.**

**WARNING: THE NORMAL OPERATING TEMPERATURE OF THE EXHAUST SYSTEM IS VERY HIGH. THEREFORE, NEVER WORK AROUND OR ATTEMPT TO SERVICE ANY PART OF THE EXHAUST SYSTEM UNTIL IT IS COOLED. SPECIAL CARE SHOULD BE TAKEN WHEN WORKING NEAR THE CATALYTIC CONVERTER. THE TEMPERATURE OF THE CONVERTER RISES TO A HIGH LEVEL AFTER A SHORT PERIOD OF ENGINE OPERATION TIME.**

- (1) Raise and support the vehicle.
- (2) Saturate the bolts and nuts with heat valve lubricant. Allow 5 minutes for penetration.
- (3) Remove the oxygen sensor from the exhaust pipe (Fig. 7) (Fig. 8).
- (4) Heat the exhaust pipe and catalytic converter connection with a torch until the metal becomes cherry red. While the metal is still cherry red, twist the catalytic converter back and forth to separate it from the exhaust pipe (Fig. 9).

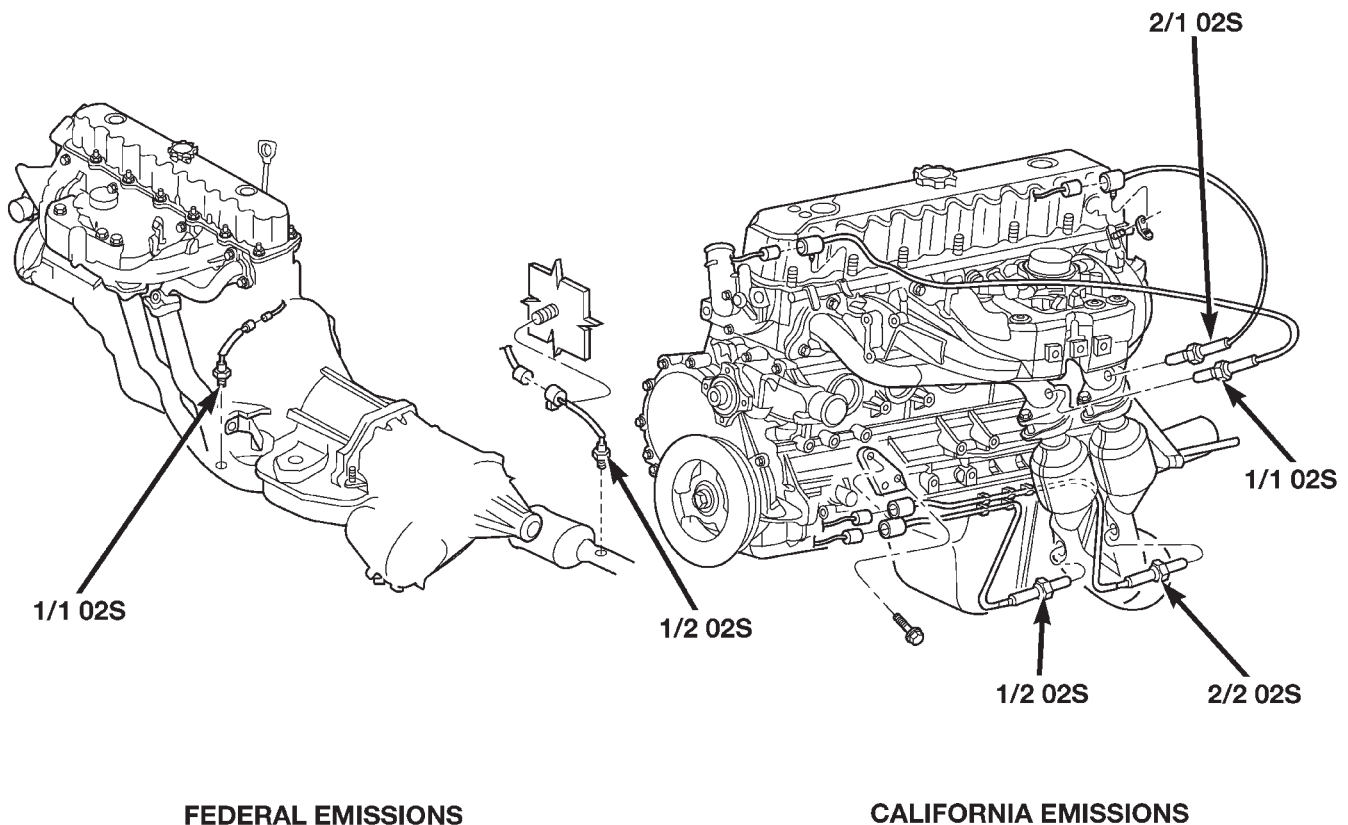
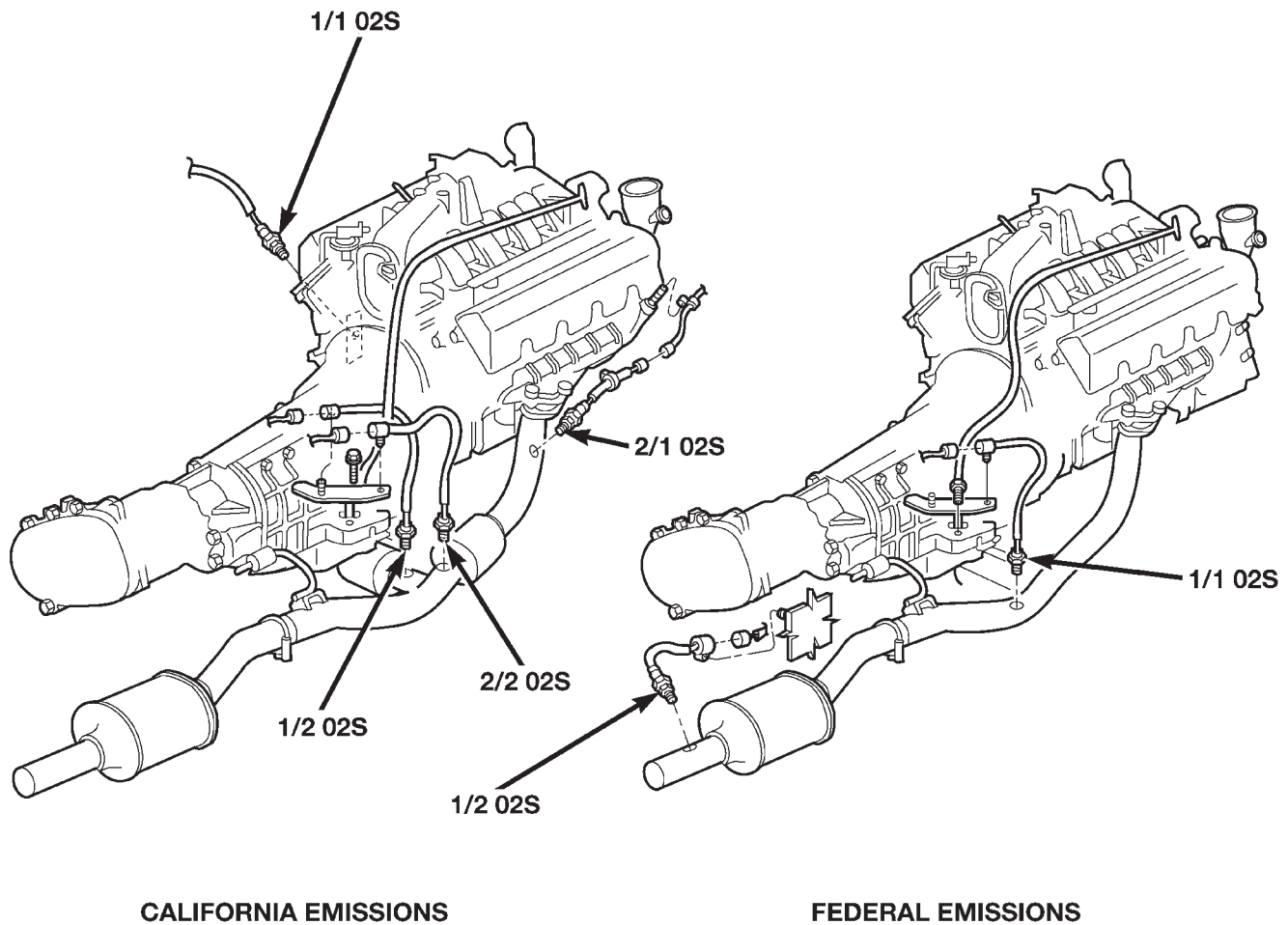


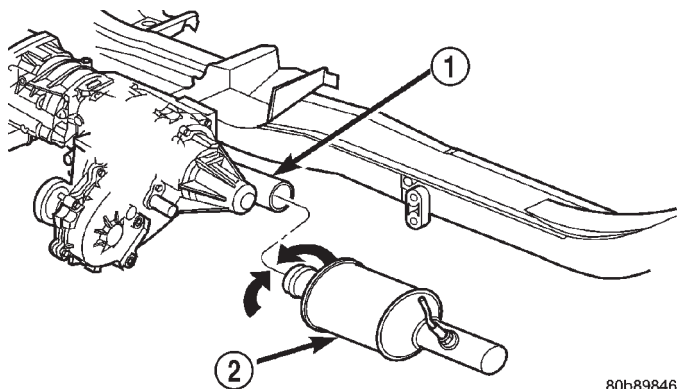
Fig. 7 O2 Sensor Location 4.0L

REMOVAL AND INSTALLATION (Continued)



80b3c679

**Fig. 8 O2 Sensor Location 4.7L**



80b89846

**Fig. 9 Catalytic Converter—Removal**

- 1 - EXHAUST PIPE
- 2 - CATALYTIC CONVERTER

(5) Disconnect the exhaust pipe from the exhaust manifold. (Fig. 10) (Fig. 11).

(6) Remove the exhaust clamp from the muffler and catalytic converter connection. Disconnect the muffler from the catalytic converter. If needed:

(7) Disconnect the tail pipe from the hanger (Fig. 12).

(8) Remove the muffler and tail pipe.

**INSTALLATION**

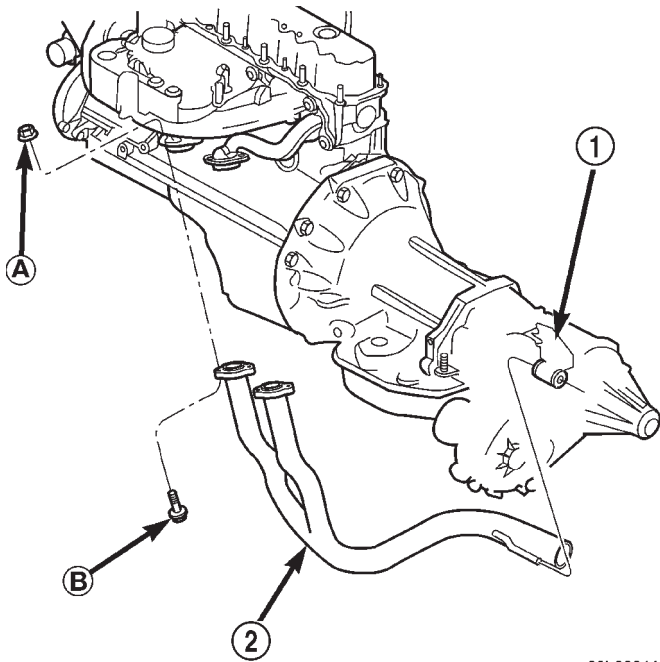
**NOTE:** When servicing the exhaust system, replace the factory installed uni-clamp with standard u-bolt clamps.

(1) If the catalytic converter was removed, Install the catalytic converter onto the exhaust pipe (Fig. 9).

(2) Position the muffler and tail pipe onto the catalytic converter.

(3) Connect the tail pipe hanger to the rear mount bracket insulator (Fig. 12).

REMOVAL AND INSTALLATION (Continued)

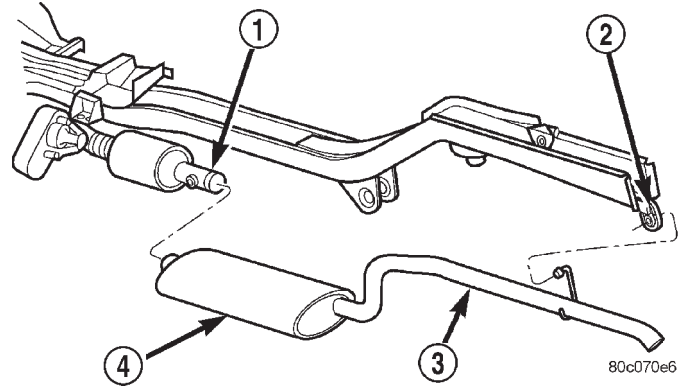


80b89844

**Fig. 10 Exhaust Pipe 4.0L**

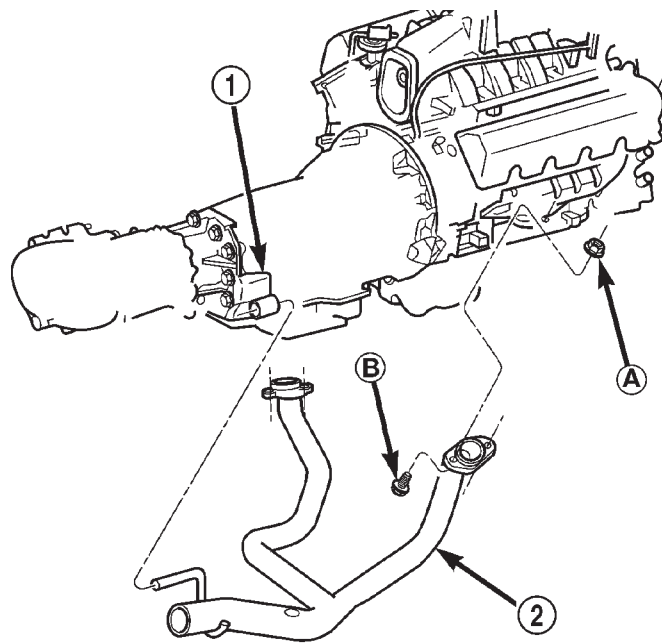
- 1 - EXHAUST HANGER
- 2 - EXHAUST PIPE

ITEM	DESCRIPTION
A	NUT Qty.4 Torque to 31 N·m (23 ft. lbs.)
B	BOLT Qty.4



**Fig. 12 Muffler and Tail Pipe**

- 1 - CATALYTIC CONVERTER
- 2 - TAILPIPE HANGER
- 3 - TAILPIPE
- 4 - MUFFLER



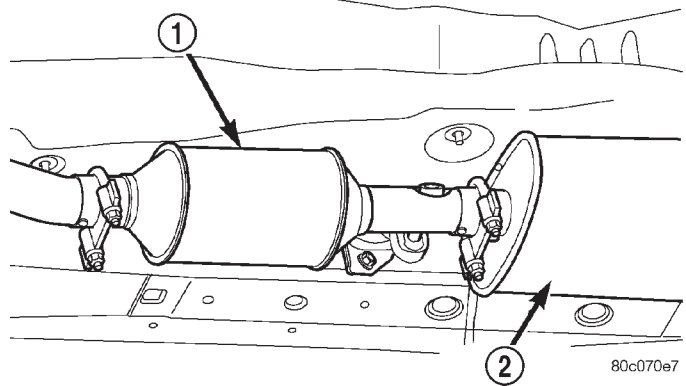
80b89845

**Fig. 11 Exhaust Pipe 4.7L**

- 1 - EXHAUST PIPE HANGER
- 2 - EXHAUST PIPE

**NOTE:** When servicing the exhaust system, replace the factory installed uni-clamp with standard u-bolt clamps.

(5) Position the exhaust clamp over the exhaust pipe/catalytic converter connection. Tighten clamp retaining nuts to 61 N·m (45 ft. lbs.). (Fig. 13)



**Fig. 13 Installing Exhaust Clamps**

- 1 - CATALYTIC CONVERTER
- 2 - MUFFLER

(4) Connect the exhaust pipe to the engine exhaust manifold. Tighten the nuts to 31 N·m (23 ft. lbs.) (Fig. 10) (Fig. 11).



## REMOVAL AND INSTALLATION (Continued)

(6) Coat the oxygen sensor with anti-seize compound. Install the sensor and tighten the nut to 48 N·m (35 ft. lbs.) torque (Fig. 8) (Fig. 7).

(7) Lower the vehicle.

(8) Start the engine and inspect for exhaust leaks and exhaust system contact with the body panels. Adjust the alignment, if needed.

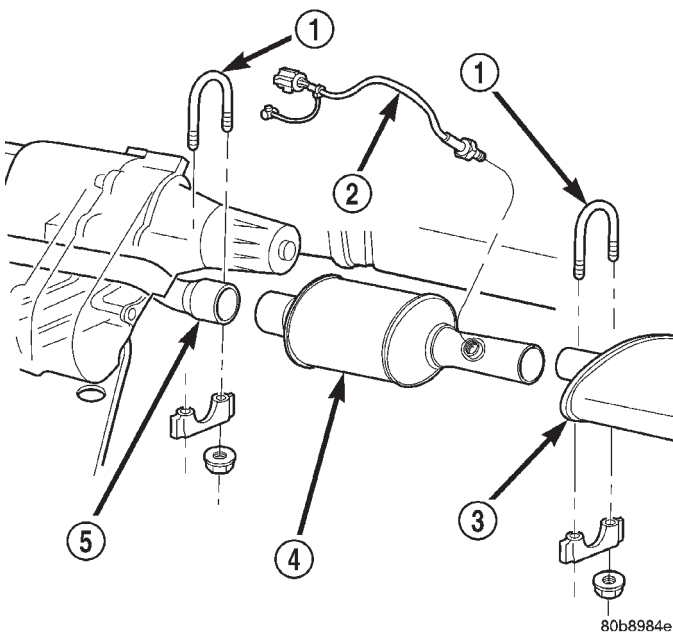
(9) After initial start-up, check the engine exhaust manifold to exhaust pipe nuts for proper torque.

## CATALYTIC CONVERTER

## REMOVAL

**WARNING: IF TORCHES ARE USED WHEN WORKING ON THE EXHAUST SYSTEM, DO NOT ALLOW THE FLAME NEAR THE FUEL LINES.**

- (1) Raise and support the vehicle.
- (2) Saturate the bolts and nuts with heat valve lubricant. Allow 5 minutes for penetration.
- (3) Remove exhaust clamp from the catalytic converter and exhaust pipe connection (Fig. 14).
- (4) Remove exhaust clamp from the catalytic converter and muffler connection (Fig. 14).
- (5) Disconnect oxygen sensor wiring (Fig. 14).

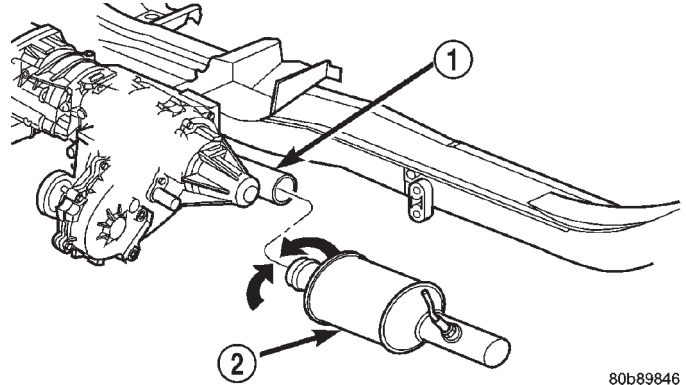


**Fig. 14 Exhaust Pipe-to-Catalytic Converter-to-Muffler Connection**

- 1 - EXHAUST CLAMP ASSEMBLY
- 2 - OXYGEN SENSOR
- 3 - MUFFLER
- 4 - CATALYTIC CONVERTER
- 5 - EXHAUST PIPE

(6) Heat the exhaust pipe, catalytic converter and muffler connections with a torch until the metal becomes cherry red.

(7) While the metal is still cherry red, twist the catalytic converter back and forth to separate it from the exhaust pipe and the muffler (Fig. 15).



**Fig. 15 Catalytic Converter—Removal**

- 1 - EXHAUST PIPE
- 2 - CATALYTIC CONVERTER

## INSTALLATION

(1) Position the exhaust clamp over the exhaust pipe/catalytic converter connection (Fig. 14). Tighten the nuts to 61 N·m (45 ft. lbs.) torque.

(2) Install the muffler onto the catalytic converter until the alignment tab is inserted into the alignment slot.

(3) Install the exhaust clamp at the muffler and catalytic converter connection (Fig. 14). Tighten the clamp nuts to 47 N·m (35 ft. lbs.) torque.

(4) Connect oxygen sensor wiring (Fig. 14).

(5) Lower the vehicle.

(6) Start the engine and inspect for exhaust leaks and exhaust system contact with the body panels. Adjust the alignment, if needed.

## MUFFLER AND TAILPIPE

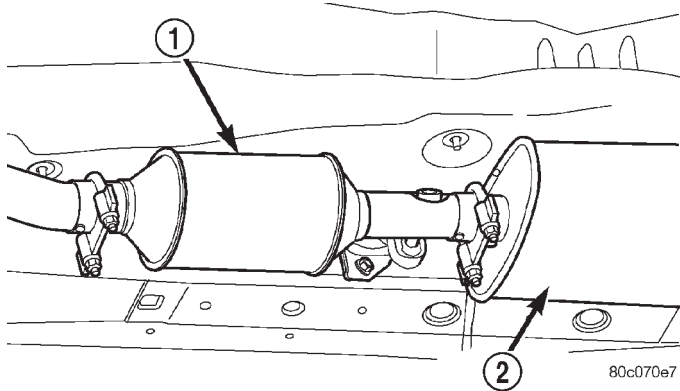
## REMOVAL

All original equipment exhaust systems are manufactured with the tailpipe welded to the muffler. Service replacement mufflers and tailpipes are either clamped together or welded together.

**WARNING: IF TORCHES ARE USED WHEN WORKING ON THE EXHAUST SYSTEM, DO NOT ALLOW THE FLAME NEAR THE FUEL LINES.**

- (1) Raise and support the vehicle.
- (2) Saturate the bolts and nuts with heat valve lubricant. Allow 5 minutes for penetration.
- (3) Remove the exhaust clamp from the catalytic converter and muffler connection (Fig. 16).

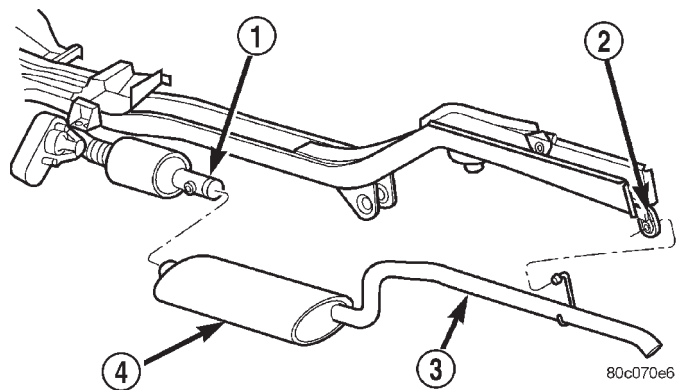
REMOVAL AND INSTALLATION (Continued)



**Fig. 16 Exhaust Pipe-to-Muffler Clamp**

- 1 - CATALYTIC CONVERTER
- 2 - MUFFLER

- (4) Heat the catalytic converter-to-muffler connection with a torch until the metal becomes cherry red.
- (5) While the metal is still cherry red, remove the tailpipe/muffler assembly from the catalytic converter.
- (6) Remove the tailpipe from the tailpipe hanger (Fig. 17).
- (7) Remove the tailpipe/muffler assembly (Fig. 17).



**Fig. 17 Muffler and TailPipe Assembly**

- 1 - CATALYTIC CONVERTER
- 2 - TAILPIPE HANGER
- 3 - TAILPIPE
- 4 - MUFFLER

**INSTALLATION**

- (1) If the tailpipe hanger assembly was removed, install the hanger to the frame. Tighten the bolts to 22 N·m (192 in. lbs.) torque.
- (2) Position the tailpipe and muffler onto the tailpipe hanger (Fig. 17).
- (3) Install the muffler onto the catalytic converter. Make sure that the tailpipe has sufficient clearance from the floor pan. Install exhaust clamp and tighten the nuts to 47 N·m (35 ft. lbs.) torque (Fig. 16).
- (4) Lower the vehicle.
- (5) Start the engine and inspect for exhaust leaks and exhaust system contact with the body panels. Adjust the alignment, if needed.

**CLEANING AND INSPECTION**

**EXHAUST PIPE**

**CLEANING**

Clean ends of pipes to assure mating of all parts.

**INSPECTION**

Discard rusted clamps, broken or worn supports and attaching parts. Replace a component with original equipment parts, or equivalent. This will assure proper alignment with other parts in the system and provide acceptable exhaust noise levels.

**CATALYTIC CONVERTER**

**CLEANING**

Clean ends of pipes and muffler to assure a good seal at mating surfaces.

**INSPECTION**

Look at the stainless steel body of the converter, inspect for bulging or other distortion that could be a result of overheating. If the converter has a heat shield attached make sure it is not bent or loose.

If you suspect internal damage to the catalyst, tapping the bottom of the catalyst with a rubber mallet may indicate a damaged core.

## SPECIFICATIONS

## TORQUE

DESCRIPTION	N·m	Ft. Lbs.	In. Lbs.
Catalytic Converter-to- Exhaust Pipe U-bolt rod clamp	61	45	—
Exhaust Pipe-to-Manifold— Nuts	31	23	—
Floor Pan Heat Shield— Bolts/Nuts	2.5	—	20
Muffler-to-Catalytic Converter U-bolt rod clamp	47	35	—
Rear Tailpipe Hanger— Bolts	22	—	192

# FRAME AND BUMPERS

## TABLE OF CONTENTS

	page		page
BUMPERS .....	1	FRAME .....	5

## BUMPERS

### TABLE OF CONTENTS

	page		page
<b>DESCRIPTION AND OPERATION</b>		FRONT ABSORBER.....	2
BUMPERS.....	1	REAR FASCIA .....	2
<b>REMOVAL AND INSTALLATION</b>		REAR ABSORBER.....	4
FRONT FASCIA .....	1		

### DESCRIPTION AND OPERATION

#### BUMPERS

##### DESCRIPTION

The bumpers on the Jeep Grand Cherokee are made up of an absorber attached to the unibody frame rails and covered by the front and rear fascia. Some Grand Cherokee models also have a tow hook support bracket fastened to the front unibody rail crossmember.

##### OPERATION

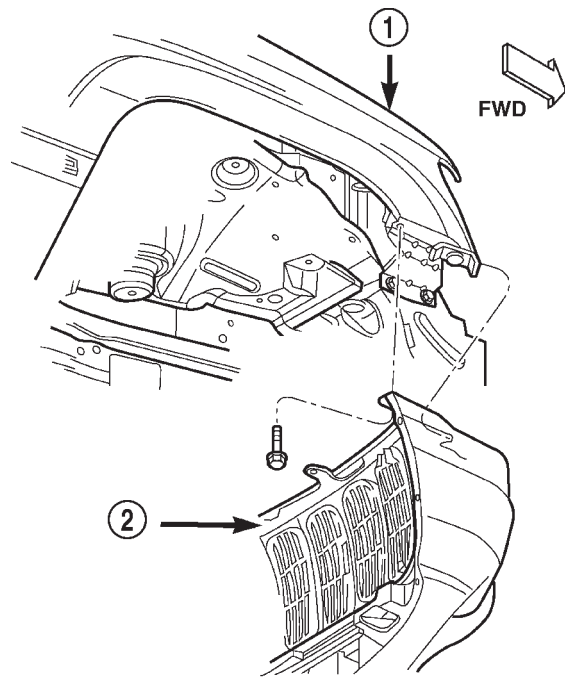
The bumpers absorb minor impacts and protect exterior sheetmetal components.

### REMOVAL AND INSTALLATION

#### FRONT FASCIA

##### REMOVAL

- (1) Raise and support vehicle.
- (2) Turn front wheels to access rivets and remove plastic rivets attaching fascia to wheel liner.
- (3) Remove bolts attaching fascia to fender (Fig. 1).



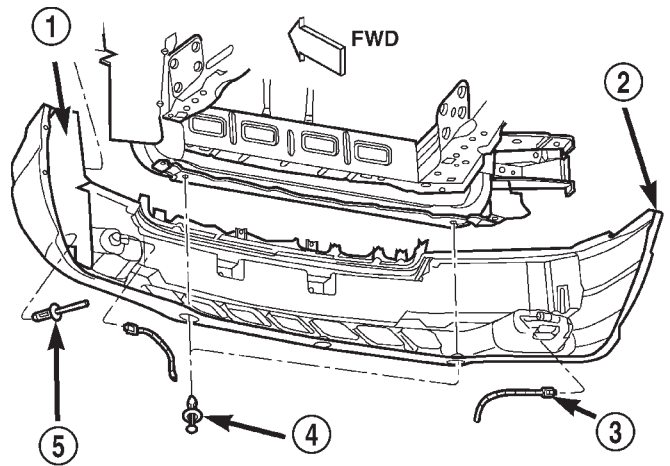
80b46af0

**Fig. 1 Front Fascia**

- 1 - BODY
- 2 - FASCIA

## REMOVAL AND INSTALLATION (Continued)

- (4) Remove plastic push pin fasteners attaching front fascia to lower radiator crossmember splash shield (Fig. 2).
- (5) Disengage fog lamp connectors, if equipped.
- (6) Remove screws attaching fascia/grille to upper radiator crossmember (Fig. 3).
- (7) Slide fascia forward to separate from vehicle.



80b46aec

**Fig. 2 Front Fascia**

- 1 - WHEEL LINER
- 2 - FASCIA
- 3 - FOG LAMP CONNECTOR
- 4 - PLASTIC PUSH PIN
- 5 - PLASTIC RIVET

## INSTALLATION

- (1) Slide fascia onto vehicle engaging fascia with tabs on bottom of front fenders.
- (2) Install screws attaching fascia/grille to upper radiator crossmember.
- (3) Install bolts attaching fascia to fender.
- (4) Engage fog lamp connectors, if equipped.
- (5) Install plastic rivets attaching fascia to wheel liner.
- (6) Install plastic push pin fasteners attaching front fascia to lower radiator crossmember splash shield.
- (7) Remove supports and lower vehicle.

## FRONT ABSORBER

## REMOVAL

- (1) Remove front fascia.
- (2) Remove the retainer attaching the absorber to the fascia.
- (3) Separate the absorber from the fascia.

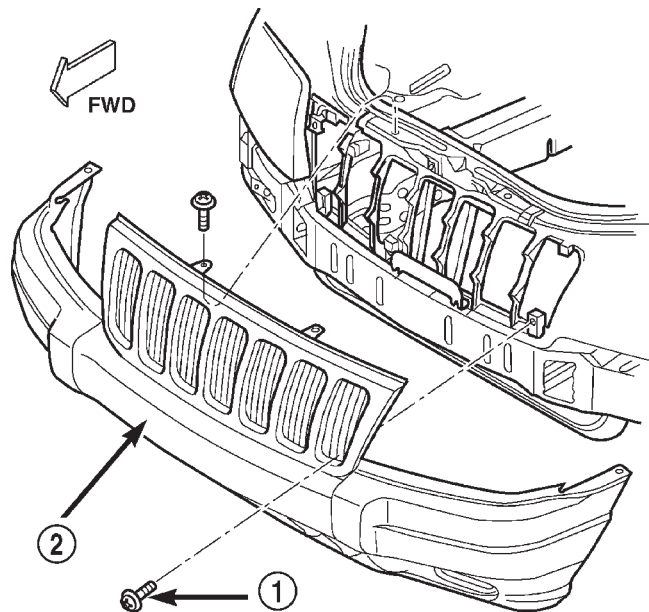
## INSTALLATION

- (1) Position the absorber on the fascia.
- (2) Install the retainer attaching the absorber to the fascia.
- (3) Install front fascia.

## REAR FASCIA

## REMOVAL

- (1) Raise and support vehicle.
- (2) Remove tires.
- (3) Remove plastic push pins attaching fascia to fuel tank skid plate.
- (4) Remove plastic rivets attaching fascia to wheel liner.
- (5) Remove nuts attaching upper edge of fascia to quarter panel and wheel liner (Fig. 4).
- (6) Remove plastic push pins attaching fascia to liftgate opening (Fig. 5).
- (7) Remove screws attaching fascia to liftgate opening.
- (8) Remove D pillar trim and scuff plate outboard screws.
- (9) Remove the rearward tie down screws and the aperture trim panel.
- (10) Carefully peel back the rubber body sealer patch to access the retainer clips.
- (11) Release the forward and rearward retainer clips on both sides of the fascia.
- (12) Grasp forward edges of fascia and pull outward to disengage retainers attaching fascia to quarter panel (Fig. 6).
- (13) Separate fascia from vehicle.

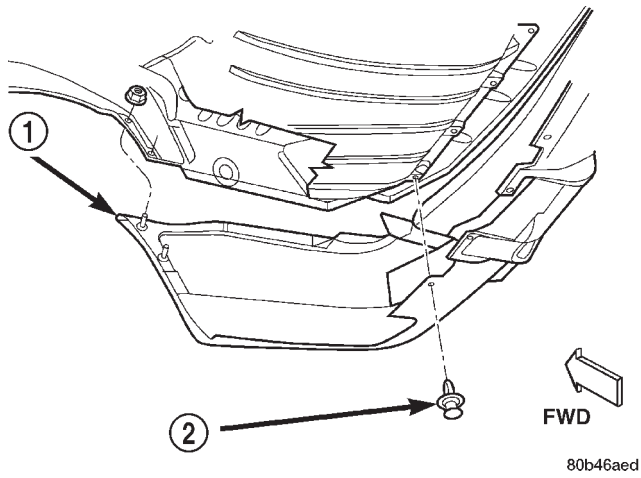


80b46aeb

**Fig. 3 Front Fascia**

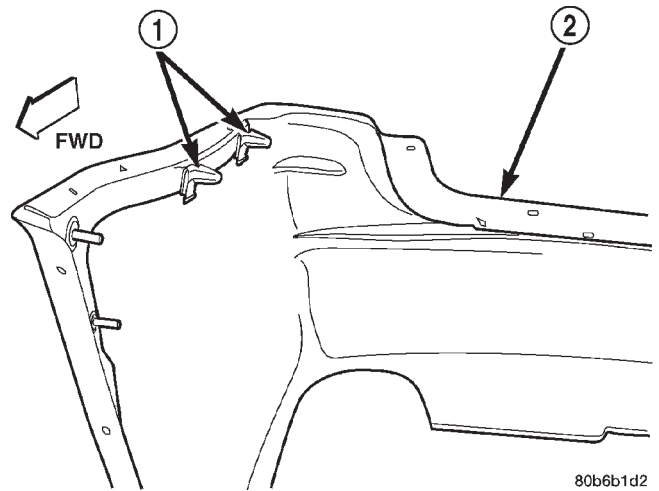
- 1 - SCREW
- 2 - FASCIA

REMOVAL AND INSTALLATION (Continued)



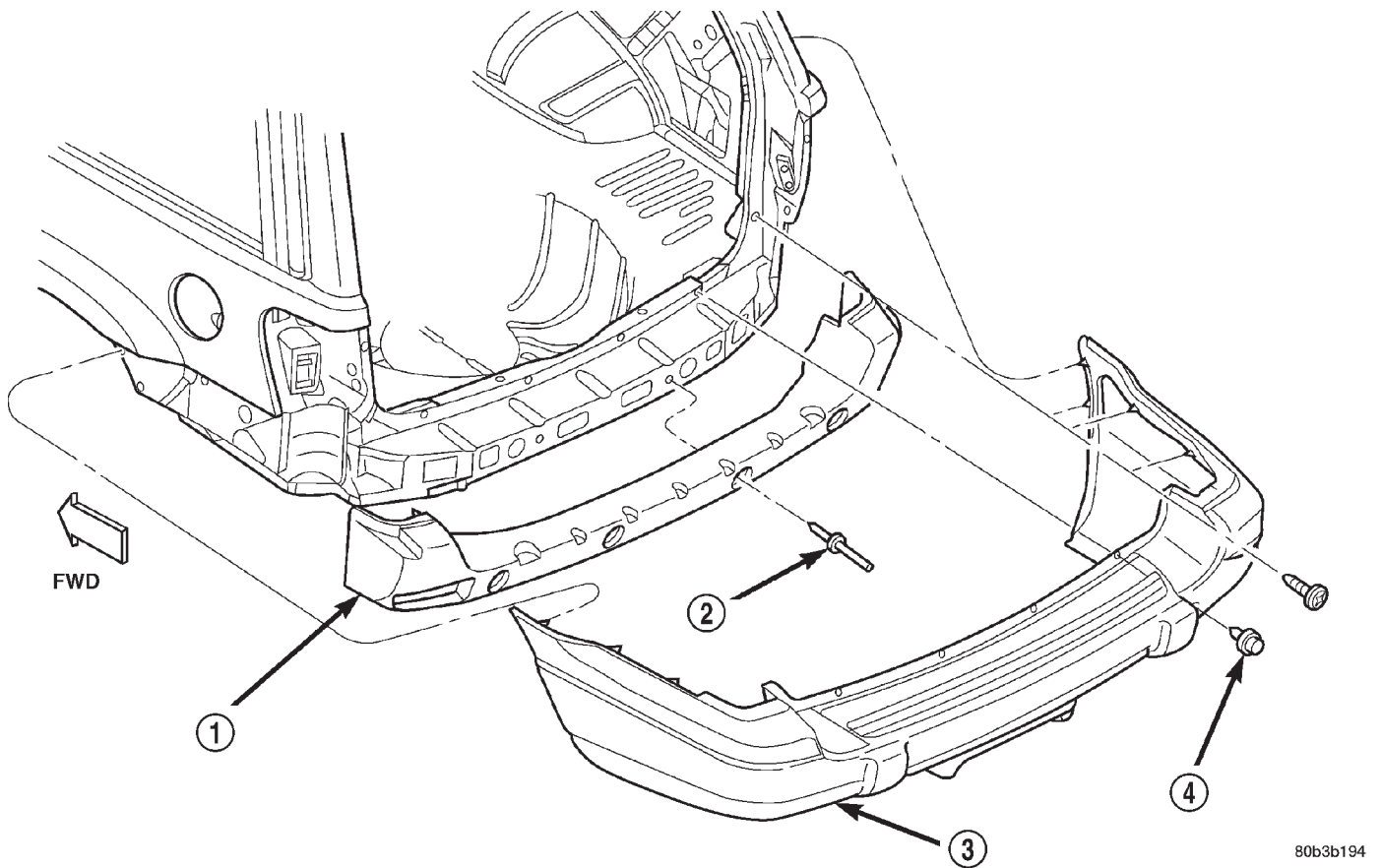
**Fig. 4 Rear Fascia Attachment**

- 1 - FASCIA
- 2 - PLASTIC PUSH PIN



**Fig. 6 Rear Fascia Retainers**

- 1 - RETAINER
- 2 - FASCIA



**Fig. 5 Rear Fascia**

- 1 - ABSORBER
- 2 - RIVET
- 3 - FASCIA
- 4 - PLASTIC PUSH PIN



## REMOVAL AND INSTALLATION (Continued)

**INSTALLATION**

(1) Position fascia on vehicle aligning retainers with slots in quarter panel (Fig. 7).

(2) Press forward edges of fascia inward to engage retainers.

(3) Install screws attaching fascia to liftgate opening.

(4) Install plastic push pins attaching fascia to liftgate opening.

(5) Install nuts attaching upper edge of fascia to quarter panel and wheel liner.

(6) Install plastic rivets attaching fascia to wheel liner.

(7) Install support lower vehicle.

(8) Install plastic push pins attaching fascia to fuel tank skid plate.

(9) Install the interior trim panels removed to access fascia retainers.

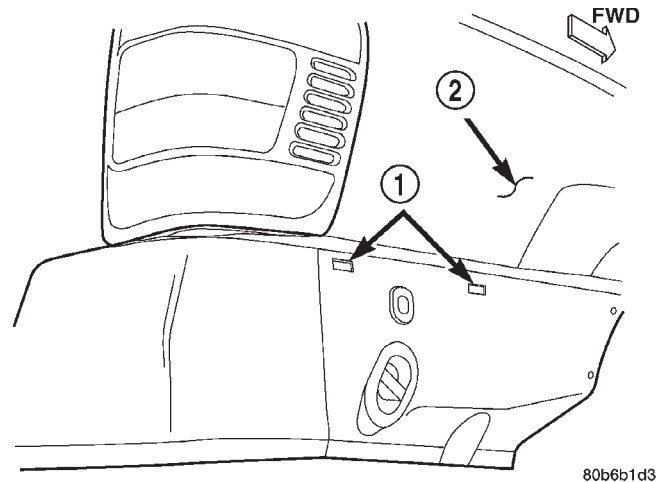
(10) Install tie down loop screws.

(11) Install tires.

**REAR ABSORBER****REMOVAL**

(1) Remove rear fascia.

(2) Remove rivets attaching absorber to rear cross-member (Fig. 5).



**Fig. 7 Fascia Attachment**

- 1 - SLOT  
2 - QUARTER PANEL

(3) Separate absorber from vehicle.

**INSTALLATION**

(1) Position absorber on vehicle.

(2) Install rivets attaching absorber to rear cross-member.

(3) Install rear fascia.

# FRAME

## TABLE OF CONTENTS

	page		page
<b>DESCRIPTION AND OPERATION</b>		<b>FUEL TANK SKID PLATE</b> .....	6
FRAME .....	5	<b>REAR TOW HOOK</b> .....	6
<b>REMOVAL AND INSTALLATION</b>		<b>TRAILER HITCH</b> .....	6
FRONT TOW HOOK .....	5	<b>SPECIFICATIONS</b>	
FRONT SKID PLATE .....	5	FRAME DIMENSIONS .....	7
TRANSFER CASE SKID PLATE .....	6	TORQUE SPECIFICATIONS .....	10

## DESCRIPTION AND OPERATION

### FRAME

#### DESCRIPTION

Jeep Grand Cherokee vehicles do not have a conventional frame. They are constructed as a unitized body and frame. Jeep unibodies are constructed from special high strength steel and coated metals. This process reduces weight and provides strength to withstand the forces applied against structural members. The structural members provide a unibody that has great structural strength.

## REMOVAL AND INSTALLATION

### FRONT TOW HOOK

#### REMOVAL

- (1) Remove bolts that attach tow hook bracket to the lower crossmember (Fig. 1).
- (2) Separate tow hook bracket from lower crossmember.

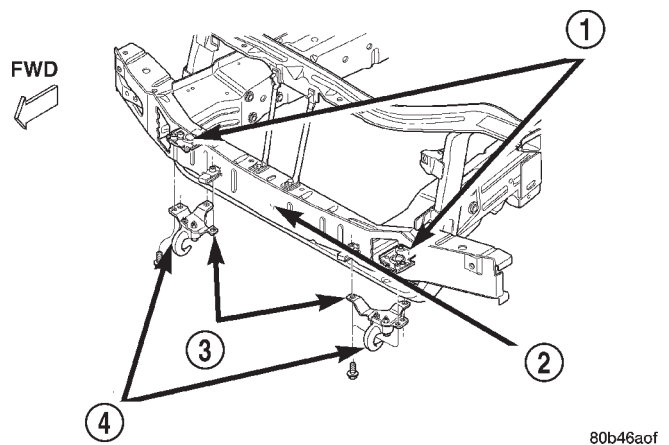
#### INSTALLATION

- (1) Position tow hook bracket at the lower crossmember.
- (2) Install bolts attaching tow hook bracket to crossmember. Tighten bolts to 54 N·m (40 ft. lbs.) torque.

### FRONT SKID PLATE

#### REMOVAL

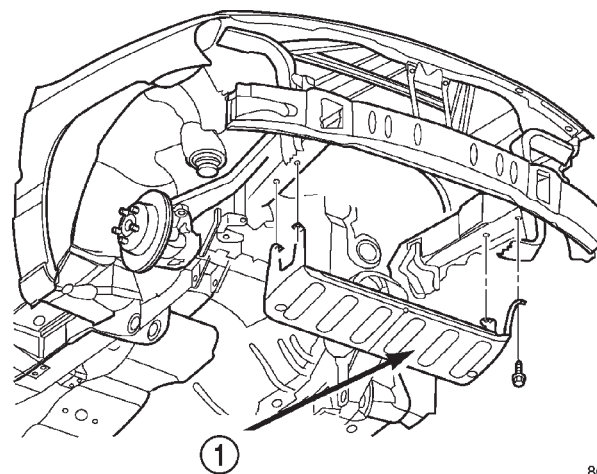
- (1) Position a support under skid plate.
- (2) Remove bolts attaching skid plate to frame (Fig. 2).
- (3) Separate skid plate from frame.



80b46aof

**Fig. 1 Front Tow Hook**

- 1 - TAPPING PLATE
- 2 - CROSSMEMBER
- 3 - BRACKET
- 4 - TOW HOOK



80b46a10

**Fig. 2 Front Skid Plate**

- 1 - SKID PLATE

## REMOVAL AND INSTALLATION (Continued)

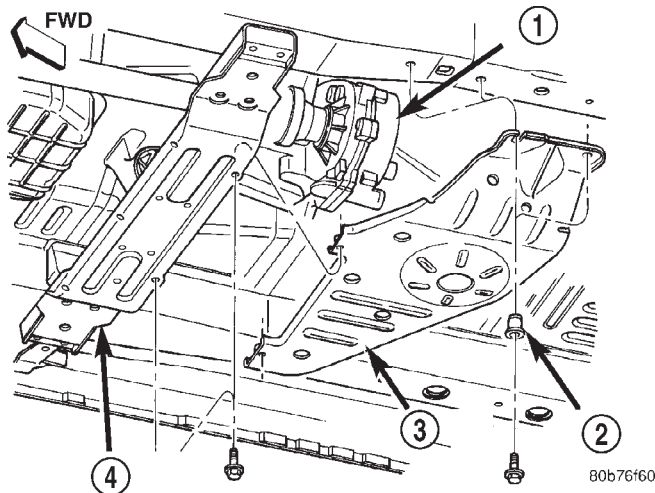
## INSTALLATION

- (1) Position skid plate on a support.
  - (2) Raise it into position
  - (3) Install bolts attaching skid plate to frame.
- Tighten bolts to 54 N·m (40 ft. lbs.) torque.

## TRANSFER CASE SKID PLATE

## REMOVAL

- (1) Support skid plate.
- (2) Remove bolts that attach skid plate to transmission support crossmember and frame sill (Fig. 3).
- (3) Remove support and skid plate from vehicle.



**Fig. 3 Transfer Case Skid Plate**

- 1 - TRANSFER CASE
- 2 - NUTSERT
- 3 - SKID PLATE
- 4 - CROSSMEMBER

## INSTALLATION

- (1) Install nutserts, if removed.
- (2) Position and support skid plate at the frame sill and transmission support crossmember.
- (3) Attach skid plate to frame sill and crossmember with the bolts. Tighten bolts to 34 N·m (25 ft. lbs) torque.

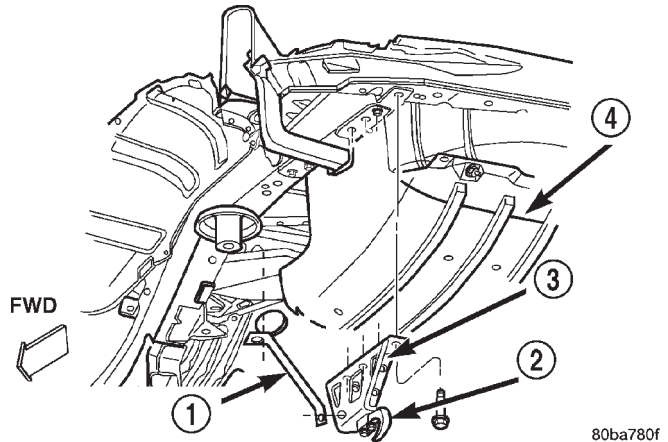
## FUEL TANK SKID PLATE

The fuel tank skid plate is integrated with the fuel tank. Refer to Fuel Tank for service procedures

## REAR TOW HOOK

## REMOVAL

- (1) Remove rear tow hook to frame brace.
- (2) Remove bolts attaching the tow hook bracket to frame (Fig. 4).
- (3) Separate tow hook bracket from frame.



**Fig. 4 Rear Tow Hook**

- 1 - TOW HOOK BRACE
- 2 - TOW HOOK
- 3 - BRACKET
- 4 - FUEL TANK

## INSTALLATION

- (1) position tow hook bracket on frame.
- (2) Install bolts attaching tow hook bracket to frame. Tighten bolts to 68 N·m (50 ft. lbs.) torque.
- (3) Install rear tow hook to frame brace.

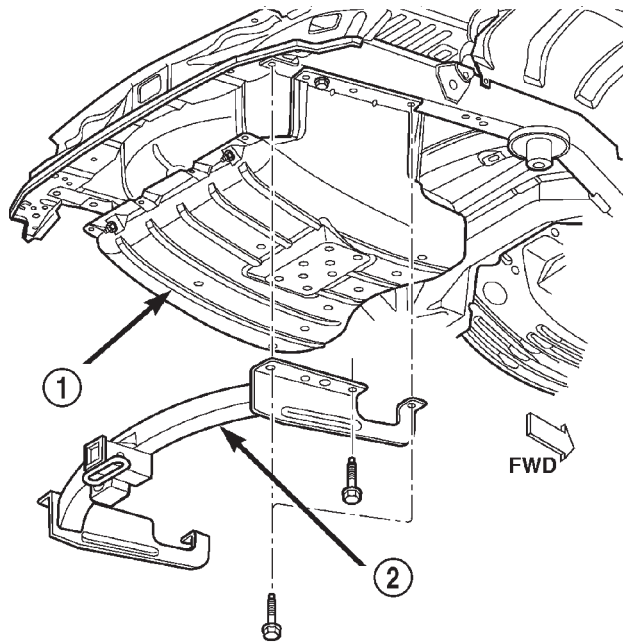
## TRAILER HITCH

## REMOVAL

- (1) Raise and support vehicle.
- (2) Remove rear fascia.
- (3) Remove screws attaching trailer harness plug to trailer hitch.
- (4) Disconnect harness connector from harness plug.
- (5) Position support stands under trailer hitch.

## REMOVAL AND INSTALLATION (Continued)

- (6) Remove bolts attaching trailer hitch to frame rails (Fig. 5).
- (7) Separate trailer hitch from vehicle.



80b3c72a

**Fig. 5 Trailer Hitch**

- 1 - FUEL TANK
- 2 - TRAILER HITCH

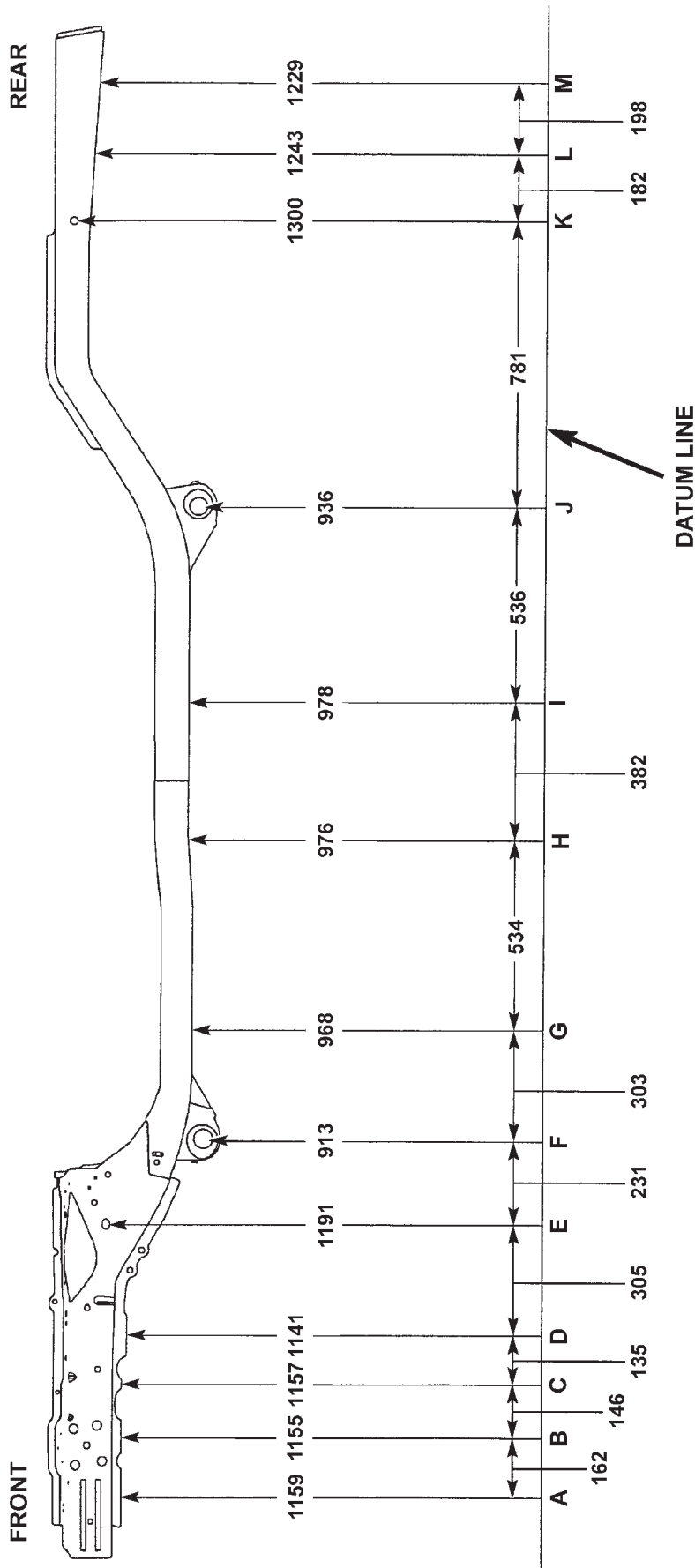
**INSTALLATION**

- (1) Position trailer hitch on support stands.
- (2) Position trailer hitch on vehicle.
- (3) Install bolts attaching trailer hitch to frame rails. Tighten bolts to 68 N·m (50 lbs.) torque.
- (4) Connect harness connector to harness plug.
- (5) Position harness plug in trailer hitch and install screws.
- (6) Install rear fascia.
- (7) Remove supports and lower vehicle.

**SPECIFICATIONS****FRAME DIMENSIONS**

SPECIFICATIONS (Continued)

SIDE VIEW



SIDE VIEW

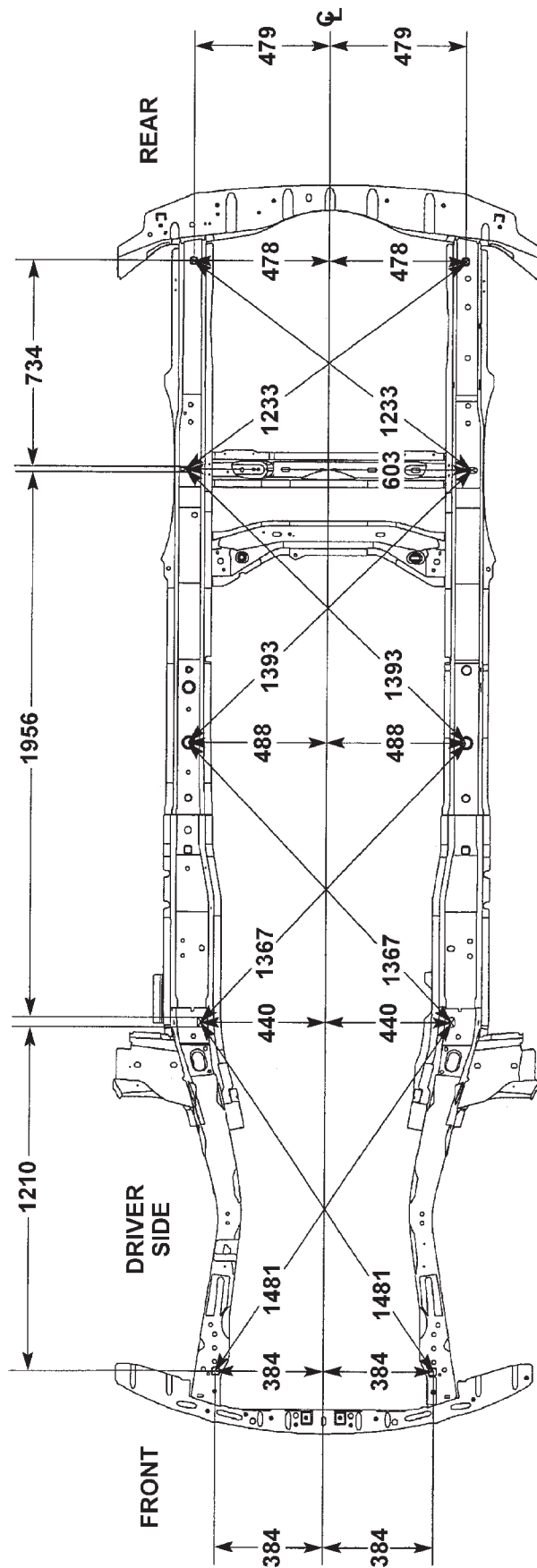
DATUM HEIGHT DIMENSIONS ARE PERPENDICULAR TO DATUM PLANE.  
 DATUM LENGTH DIMENSIONS ARE PARALLEL TO CENTERLINE OF VEHICLE,  
 AND ARE MEASURED CENTER-TO-CENTER.

ALL MEASUREMENTS ARE IN MILLIMETERS

80b6f6ba

SPECIFICATIONS (Continued)

BOTTOM VIEW



BOTTOM VIEW

BOTTOM VIEW POINT-TO-POINT DIMENSIONS ARE TAKEN WITH TRAM BAR POINTERS SET AT EQUAL LENGTHS. BOLTS AND STUDS ARE MEASURED TO CENTER. HOLES ARE MEASURED TO CLOSEST EDGE.

ALL MEASUREMENTS ARE IN MILLIMETERS

80b6f6bb



## SPECIFICATIONS (Continued)

## TORQUE SPECIFICATIONS

<b>DESCRIPTION</b>	<b>TORQUE</b>
Front Tow Hook Bolt . . . . .	54 N·m (40 ft. lbs.)
Front Skid Plate Bolt . . . . .	54 N·m (40 ft. lbs.)
Rear Tow Hook Bolt . . . . .	68 N·m (50 ft. lbs.)
Trailer Hitch Bolts . . . . .	68 N·m (50 ft. lbs.)
Transfer Case Skid Plate Bolts . .	34 N·m (25ft. lbs.)

# FUEL SYSTEM

## TABLE OF CONTENTS

	page		page
FUEL DELIVERY SYSTEM.....	1	FUEL INJECTION SYSTEM .....	30

# FUEL DELIVERY SYSTEM

## TABLE OF CONTENTS

	page		page
<b>DESCRIPTION AND OPERATION</b>			
PCM VIN REPROGRAMMING .....	1	QUICK-CONNECT FITTINGS .....	13
FUEL DELIVERY SYSTEM.....	1	<b>REMOVAL AND INSTALLATION</b>	
FUEL PUMP MODULE .....	2	FUEL FILTER/FUEL PRESSURE REGULATOR...	15
FUEL PUMP.....	2	FUEL PUMP MODULE .....	16
FUEL GAUGE SENDING UNIT.....	3	FUEL PUMP INLET FILTER .....	17
FUEL FILTER/FUEL PRESSURE REGULATOR...	3	FUEL GAUGE SENDING UNIT.....	18
FUEL TANK .....	4	FUEL INJECTOR RAIL/FUEL DAMPER—4.0L	
FUEL INJECTORS .....	4	ENGINE .....	19
FUEL INJECTOR RAIL/FUEL DAMPER—4.0L		FUEL INJECTOR RAIL—4.7L V-8 ENGINE.....	20
ENGINE .....	5	FUEL INJECTORS .....	21
FUEL INJECTOR RAIL—4.7L ENGINE .....	5	FUEL TANK .....	22
FUEL TANK FILLER TUBE CAP .....	6	FUEL TANK FILLER TUBE CAP .....	25
FUEL TUBES/LINES/HOSES AND CLAMPS.....	6	ACCELERATOR PEDAL.....	25
QUICK-CONNECT FITTINGS .....	7	THROTTLE CABLE—4.0L ENGINE.....	25
<b>DIAGNOSIS AND TESTING</b>		THROTTLE CABLE—4.7L V-8 ENGINE.....	26
FUEL PUMP PRESSURE TEST .....	7	<b>SPECIFICATIONS</b>	
FUEL PUMP CAPACITY TEST .....	9	FUEL TANK CAPACITY .....	27
FUEL PRESSURE LEAK DOWN TEST.....	9	FUEL SYSTEM PRESSURE.....	27
FUEL PUMP AMPERAGE TEST .....	11	FUEL REQUIREMENTS .....	27
FUEL GAUGE SENDING UNIT .....	11	TORQUE CHART.....	29
FUEL INJECTOR TEST .....	12		
<b>SERVICE PROCEDURES</b>			
FUEL SYSTEM PRESSURE RELEASE			
PROCEDURE .....	12		

### DESCRIPTION AND OPERATION

#### PCM VIN REPROGRAMMING

#### OPERATION

**USE THE DRB SCAN TOOL TO REPROGRAM THE NEW POWERTRAIN CONTROL MODULE (PCM) WITH THE VEHICLES ORIGINAL IDENTIFICATION NUMBER (VIN) AND THE VEHICLES ORIGINAL MILEAGE. IF THIS STEP IS**

**NOT DONE, A DIAGNOSTIC TROUBLE CODE (DTC) MAY BE SET.**

### FUEL DELIVERY SYSTEM

#### DESCRIPTION

The fuel delivery system consists of:

- the fuel pump module containing the electric fuel pump, fuel gauge sending unit (fuel level sensor) and a separate fuel filter located at bottom of pump module

## DESCRIPTION AND OPERATION (Continued)

- a separate combination fuel filter/fuel pressure regulator
- fuel tubes/lines/hoses
- quick-connect fittings
- fuel injector rail
- fuel injectors
- fuel tank
- fuel tank filler/vent tube assembly
- fuel tank filler tube cap
- accelerator pedal
- throttle cable

## OPERATION

The fuel tank assembly consists of: the fuel tank, fuel tank shield, fuel tank straps, fuel pump module assembly, fuel pump module locknut/gasket, and roll-over valve (refer to Emission Control System for roll-over valve information).

A fuel filler/vent tube assembly using a pressure/vacuum, 1/4 turn fuel filler cap is used. The fuel filler tube contains a flap door located below the fuel fill cap.

Also to be considered part of the fuel system is the evaporation control system. This is designed to reduce the emission of fuel vapors into the atmosphere. The description and function of the Evaporative Control System is found in Emission Control Systems.

Both fuel filters (at bottom of fuel pump module and within fuel pressure regulator) are designed for extended service. They do not require normal scheduled maintenance. Filters should only be replaced if a diagnostic procedure indicates to do so.

## FUEL PUMP MODULE

## DESCRIPTION

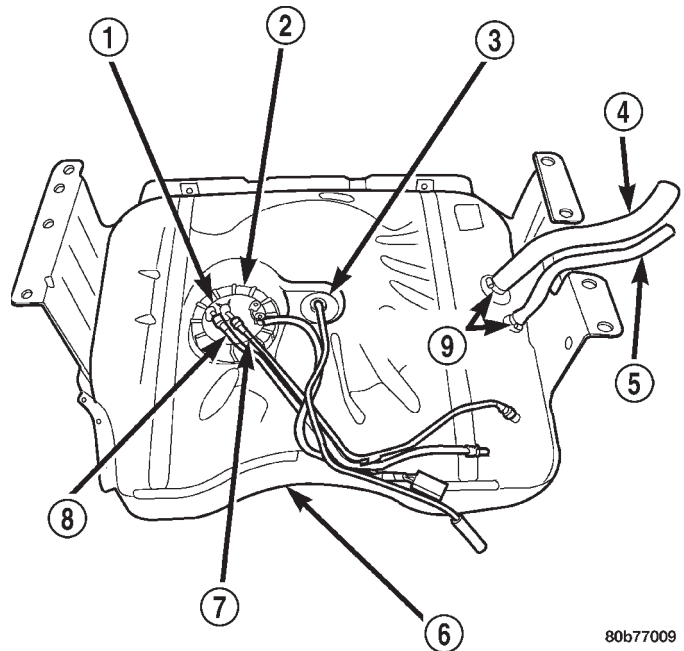
The fuel pump module is installed in the top of the fuel tank (Fig. 1). The fuel pump module (Fig. 2) contains the following components:

- A separate fuel pick-up filter (strainer)
- An electric fuel pump
- A threaded locknut to retain module to tank
- A gasket between tank flange and module
- Fuel gauge sending unit (fuel level sensor)
- Fuel supply tube (line) connection
- Fuel return tube (line) connection

The fuel gauge sending unit and pick-up filter may be serviced separately. If the electrical fuel pump requires service, the entire fuel pump module must be replaced.

## OPERATION

Refer to Fuel Pump, Fuel Filter/Fuel Pressure Regulator and Fuel Gauge Sending Unit.



80677009

**Fig. 1 Fuel Tank/Fuel Pump Module Location (Top View)**

- 1 - FUEL PUMP MODULE
- 2 - LOCKNUT
- 3 - ROLL OVER VALVE
- 4 - FUEL FILL HOSE
- 5 - FUEL VENT HOSE
- 6 - FUEL TANK
- 7 - FUEL SUPPLY (PRESSURE) LINE
- 8 - FUEL RETURN LINE
- 9 - CLAMPS

## FUEL PUMP

## DESCRIPTION

The fuel pump is located inside of the fuel pump module. A 12 volt, permanent magnet, electric motor powers the fuel pump.

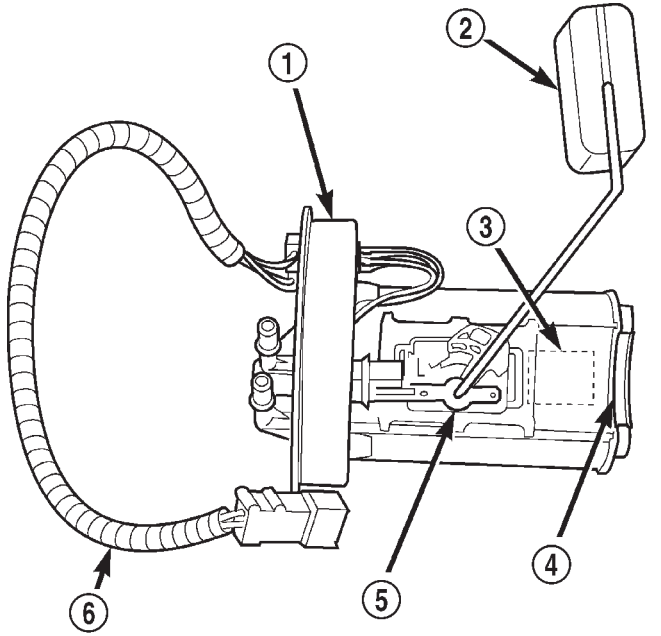
## OPERATION

Voltage to operate the electric pump is supplied through the fuel pump relay.

Fuel is drawn in through a filter at the bottom of the module and pushed through the electric motor gearset to the pump outlet.

**Check Valve Operation:** The pump outlet contains a one-way check valve to prevent fuel flow back into the tank and to maintain fuel supply line pressure (engine warm) when pump is not operational. It is also used to keep the fuel supply line full of gasoline when pump is not operational. After the vehicle has cooled down, fuel pressure may drop to 0 psi (cold fluid contracts), but liquid gasoline will remain in fuel supply line between the check valve and fuel injectors. **Fuel pressure that has dropped to 0**

DESCRIPTION AND OPERATION (Continued)



80ba7722

**Fig. 2 Fuel Pump Module Components**

- 1 - FUEL PUMP MODULE
- 2 - FUEL GAUGE FLOAT
- 3 - ELECTRIC FUEL PUMP
- 4 - INLET FILTER
- 5 - FUEL GAUGE SENDING UNIT
- 6 - PIGTAIL HARNESS

**psi on a cooled down vehicle (engine off) is a normal condition.** Refer to the Fuel Pressure Leak Down Test for more information.

**FUEL GAUGE SENDING UNIT**

**DESCRIPTION**

The fuel gauge sending unit (fuel level sensor) is attached to the side of the fuel pump module. The sending unit consists of a float, an arm, and a variable resistor track (card).

**OPERATION**

The fuel pump module has 4 different circuits (wires). Two of these circuits are used for the fuel gauge sending unit for fuel gauge operation, and for certain OBD II emission requirements. The other 2 wires are used for electric fuel pump operation.

**For Fuel Gauge Operation:** A constant current source of about 32 mA is supplied to the resistor track on the fuel gauge sending unit. This is fed directly from the Powertrain Control Module (PCM). The resistor track is used to vary the voltage depending on fuel tank float level. As fuel level increases, the float and arm move up, which decreases voltage. As fuel level decreases, the float and arm move down, which increases voltage. The varied voltage

signal is returned back to the PCM through the sensor return circuit. Output voltages will vary from about .6 volts at FULL, to about 8.6 volts at EMPTY (Jeep models), or, about 7.0 volts at EMPTY (Dodge Truck models). **NOTE: For diagnostic purposes, this voltage can only be verified with the fuel gauge sending unit circuit closed (i.e. having all of the sending units electrical connectors connected).**

Both of the electrical circuits between the fuel gauge sending unit and the PCM are hard-wired (not multi-plexed). After the voltage signal is sent from the resistor track, and back to the PCM, the PCM will interpret the resistance (voltage) data and send a message across the multi-plex bus circuits to the instrument panel cluster. Here it is translated into the appropriate fuel gauge level reading. Refer to Instrument Panel for additional information.

**For OBD II Emission Monitor Requirements:** The PCM will monitor the voltage output sent from the resistor track on the sending unit to indicate fuel level. The purpose of this feature is to prevent the OBD II system from recording/setting false misfire and fuel system monitor diagnostic trouble codes. The feature is activated if the fuel level in the tank is less than approximately 15 percent of its rated capacity. If equipped with a Leak Detection Pump (EVAP system monitor), this feature will also be activated if the fuel level in the tank is more than approximately 85 percent of its rated capacity.

**FUEL FILTER/FUEL PRESSURE REGULATOR**

**DESCRIPTION**

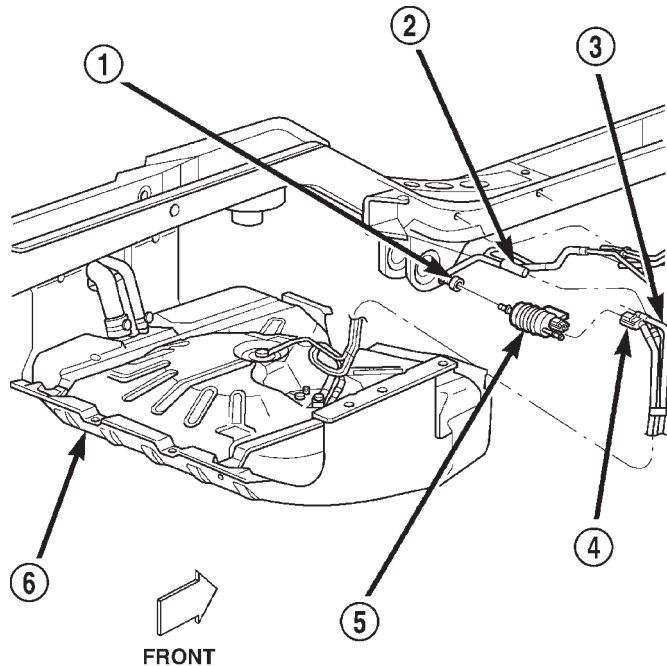
The combination fuel filter/pressure regulator is located in front of the fuel tank and above the rear axle (Fig. 3). It is transversely mounted to a chassis crossmember (left-to-right). **Fuel Line Identification:** The filter/regulator is equipped with 3 fuel line fittings (2 at one end and 1 at the other end). The single fitting facing the left side of the vehicle is the supply line to the fuel rail (Fig. 3). The 2 fittings facing the right side of the vehicle are connected to the fuel tank. Of these 2 fittings, the fitting towards the **front** is used for fuel return to the fuel tank. The fitting towards the **rear** is a pressure line.

**OPERATION**

**Fuel Pressure Regulator Operation:** The pressure regulator is a mechanical device that is not controlled by engine vacuum or the Powertrain Control Module (PCM).

The regulator is calibrated to maintain fuel system operating pressure of approximately 339 kPa ± 34 kPa (49.2 psi ± 5 psi) at the fuel injectors. It contains a diaphragm, calibrated springs and a fuel

## DESCRIPTION AND OPERATION (Continued)



80bfe151

**Fig. 3 Fuel Filter/Fuel Pressure Regulator Location**

- 1 - FUEL SUPPLY LINE (TO FUEL RAIL)
- 2 - EVAP LINE
- 3 - FUEL RETURN LINE (MALE)
- 4 - FUEL PRESSURE LINE (FEMALE)
- 5 - FUEL FILTER/PRESSURE REGULATOR
- 6 - FUEL TANK

return valve. The internal fuel filter is also part of the assembly.

Fuel is supplied to the filter/regulator by the electric fuel pump. The regulator acts as a check valve to maintain some fuel pressure when the engine is not operating. This will help to start the engine. A second check valve is located at the outlet end of the electric fuel pump.

If fuel pressure at the pressure regulator exceeds approximately 49 psi, an internal diaphragm closes. Excess fuel is then routed into a separate fuel return line and returned to the fuel tank through the top of the fuel pump module.

Both fuel filters (at bottom of fuel pump module and within fuel pressure regulator) are designed for extended service. They do not require normal scheduled maintenance. Filters should only be replaced if a diagnostic procedure indicates to do so.

**FUEL TANK****DESCRIPTION**

The fuel tank is constructed of a plastic material. Its main functions are for fuel storage and for placement of the fuel pump module.

**OPERATION**

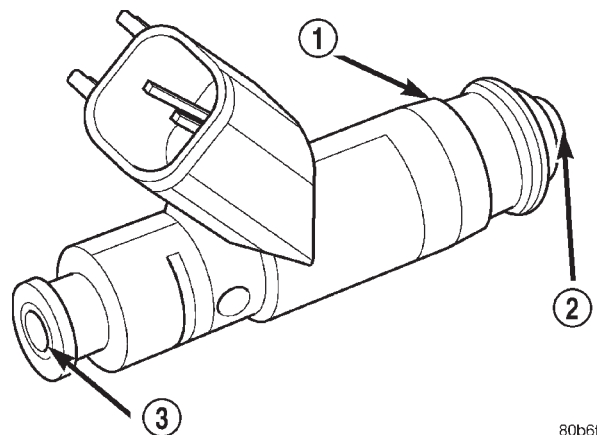
All models pass a full 360 degree rollover test without fuel leakage. To accomplish this, fuel and vapor flow controls are required for all fuel tank connections.

A rollover valve(s) is mounted into the top of the fuel tank (or pump module). Refer to Emission Control System for rollover valve information.

An evaporation control system is connected to the rollover valve(s) to reduce emissions of fuel vapors into the atmosphere. When fuel evaporates from the fuel tank, vapors pass through vent hoses or tubes to a charcoal canister where they are temporarily held. When the engine is running, the vapors are drawn into the intake manifold. Certain models are also equipped with a self-diagnosing system using a Leak Detection Pump (LDP). Refer to Emission Control System for additional information.

**FUEL INJECTORS****DESCRIPTION**

A separate fuel injector (Fig. 4) is used for each individual cylinder.



80b6f035

**Fig. 4 Fuel Injector—4.0L/4.7L Engines**

- 1 - FUEL INJECTOR
- 2 - NOZZLE
- 3 - TOP (FUEL ENTRY)

DESCRIPTION AND OPERATION (Continued)

**OPERATION**

The fuel injectors are electrical solenoids. The injector contains a pintle that closes off an orifice at the nozzle end. When electric current is supplied to the injector, the armature and needle move a short distance against a spring, allowing fuel to flow out the orifice. Because the fuel is under high pressure, a fine spray is developed in the shape of a pencil stream. The spraying action atomizes the fuel, adding it to the air entering the combustion chamber.

The top (fuel entry) end of the injector (Fig. 4) is attached into an opening on the fuel rail.

The nozzle (outlet) ends of the injectors are positioned into openings in the intake manifold just above the intake valve ports of the cylinder head. The engine wiring harness connector for each fuel injector is equipped with an attached numerical tag (INJ 1, INJ 2 etc.). This is used to identify each fuel injector.

The injectors are electrically energized, individually and in a sequential order by the Powertrain Control Module (PCM). The PCM will adjust injector pulse width by switching the ground path to each individual injector on and off. Injector pulse width is the period of time that the injector is energized. The PCM will adjust injector pulse width based on various inputs it receives.

Battery voltage is supplied to the injectors through the ASD relay.

The PCM determines injector pulse width based on various inputs.

**FUEL INJECTOR RAIL/FUEL DAMPER—4.0L ENGINE**

**DESCRIPTION**

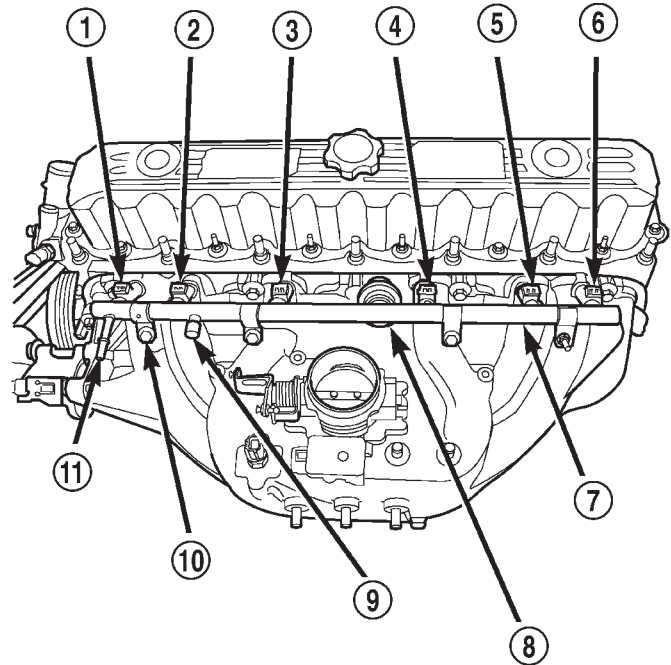
The fuel injector rail is used to mount the fuel injectors to the engine (Fig. 5). On the 4.0L 6-cylinder engine, a **fuel damper** is located near the center of the fuel rail (Fig. 5).

**OPERATION**

The fuel injector rail supplies the necessary fuel to each individual fuel injector.

High pressure fuel from the fuel pump is routed to the fuel rail. The fuel rail then supplies the necessary fuel to each individual fuel injector.

The fuel damper is used only to help control fuel pressure pulsations. These pulsations are the result of the firing of the fuel injectors. It is **not used** as a fuel pressure regulator. The fuel pressure regulator is **not mounted** to the fuel rail on any engine. It is located near the front of the fuel tank above the rear axle. Refer to Fuel Filter/Fuel Pressure Regulator in this group for information.



80bfe150

**Fig. 5 Fuel Injector Rail/Fuel Damper—4.0L Engine**

- 1 - INJ. #1
- 2 - INJ. #2
- 3 - INJ. #3
- 4 - INJ. #4
- 5 - INJ. #5
- 6 - INJ. #6
- 7 - FUEL INJECTOR RAIL
- 8 - FUEL DAMPER
- 9 - PRESSURE TEST PORT CAP
- 10 - MOUNTING BOLTS (4)
- 11 - QUICK-CONNECT FITTING

A fuel pressure test port is located on the fuel rail (Fig. 5). A quick-connect fitting with a safety latch is used to attach the fuel line to the fuel rail.

The fuel rail is not repairable.

**FUEL INJECTOR RAIL—4.7L ENGINE**

**DESCRIPTION**

The fuel injector rail is used to mount the fuel injectors to the engine. It is mounted to the intake manifold (Fig. 6).

**OPERATION**

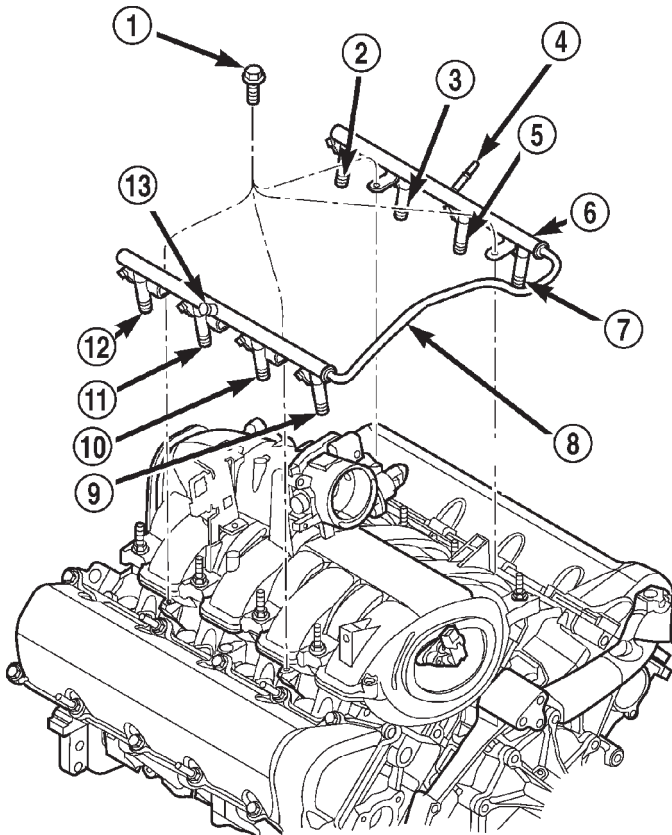
High pressure fuel from the fuel pump is routed to the fuel rail. The fuel rail then supplies the necessary fuel to each individual fuel injector.

A fuel pressure test port is located on the fuel rail (Fig. 6). A quick-connect fitting with a safety latch is used to attach the fuel line to the fuel rail.

The fuel rail is not repairable.



## DESCRIPTION AND OPERATION (Continued)



80b898e4

**Fig. 6 Fuel Injector Rail—4.7L V-8 Engine**

- 1 - MOUNTING BOLTS (4)
- 2 - INJ.#7
- 3 - INJ.#5
- 4 - QUICK-CONNECT FITTING
- 5 - INJ.#3
- 6 - FUEL INJECTOR RAIL
- 7 - INJ.#1
- 8 - CONNECTOR TUBE
- 9 - INJ.#2
- 10 - INJ.#4
- 11 - INJ.#6
- 12 - INJ.#8
- 13 - PRESSURE TEST PORT CAP

**CAUTION: 4.7L Engine Only:** The left and right sections of the fuel rail are joined with a connector tube (Fig. 6). Do not attempt to separate the rail halves at this tube. Due to the design of this connecting tube, it does not use any clamps. Never attempt to install a clamping device of any kind to the tube. When removing the fuel rail assembly for any reason, be careful not to bend or kink the connector tube.

## FUEL TANK FILLER TUBE CAP

### DESCRIPTION

The plastic fuel tank filler tube cap is threaded onto the end of the fuel fill tube. Certain models are equipped with a 1/4 turn cap.

### OPERATION

The loss of any fuel or vapor out of fuel filler tube is prevented by the use of a pressure-vacuum fuel fill cap. Relief valves inside the cap will release fuel tank pressure at predetermined pressures. Fuel tank vacuum will also be released at predetermined values. This cap must be replaced by a similar unit if replacement is necessary. This is in order for the system to remain effective.

**CAUTION:** Remove fill cap before servicing any fuel system component to relieve tank pressure. If equipped with a California emissions package and a Leak Detection Pump (LDP), the cap must be tightened securely. If cap is left loose, a Diagnostic Trouble Code (DTC) may be set.

## FUEL TUBES/LINES/HOSES AND CLAMPS

### DESCRIPTION

Also refer to Quick-Connect Fittings.

**WARNING: THE FUEL SYSTEM IS UNDER A CONSTANT PRESSURE (EVEN WITH THE ENGINE OFF). BEFORE SERVICING ANY FUEL SYSTEM HOSES, FITTINGS OR LINES, THE FUEL SYSTEM PRESSURE MUST BE RELEASED. REFER TO THE FUEL SYSTEM PRESSURE RELEASE PROCEDURE IN THIS GROUP.**

The lines/tubes/hoses used on fuel injected vehicles are of a special construction. This is due to the higher fuel pressures and the possibility of contaminated fuel in this system. If it is necessary to replace these lines/tubes/hoses, only those marked EFM/EFI may be used.

**If equipped:** The hose clamps used to secure rubber hoses on fuel injected vehicles are of a special rolled edge construction. This construction is used to prevent the edge of the clamp from cutting into the hose. Only these rolled edge type clamps may be used in this system. All other types of clamps may cut into the hoses and cause high-pressure fuel leaks.

Use new original equipment type hose clamps.

DESCRIPTION AND OPERATION (Continued)

**QUICK-CONNECT FITTINGS**

**DESCRIPTION**

Different types of quick-connect fittings are used to attach various fuel system components, lines and tubes. These are: a single-tab type, a two-tab type or a plastic retainer ring type. Some are equipped with safety latch clips. Some may require the use of a special tool for disconnection and removal. Refer to Quick-Connect Fittings Removal/Installation for more information.

**CAUTION:** The interior components (o-rings, clips) of quick-connect fittings are not serviced separately, but new plastic spacers are available for some types. If service parts are not available, do not attempt to repair the damaged fitting or fuel line (tube). If repair is necessary, replace the complete fuel line (tube) assembly.

**DIAGNOSIS AND TESTING**

**FUEL PUMP PRESSURE TEST**

Use this test in conjunction with other fuel system tests. Refer to the Fuel Pump Capacity Test, Fuel Pressure Leak Down Test and Fuel Pump Amperage Test.

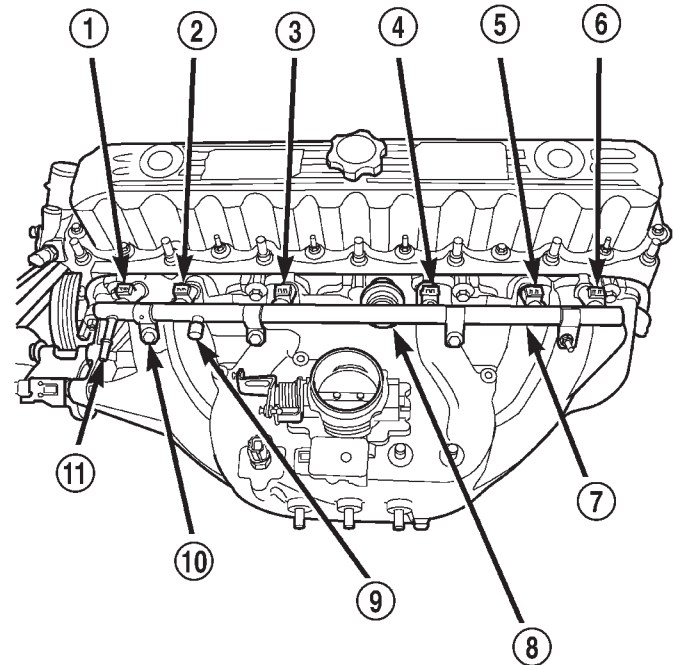
**Check Valve Operation:** The electric fuel pump outlet contains a one-way check valve to prevent fuel flow back into the tank and to maintain fuel supply line pressure (engine warm) when pump is not operational. It is also used to keep the fuel supply line full of gasoline when pump is not operational. After the vehicle has cooled down, fuel pressure may drop to 0 psi (cold fluid contracts), but liquid gasoline will remain in fuel supply line between the check valve and fuel injectors. **Fuel pressure that has dropped to 0 psi on a cooled down vehicle (engine off) is a normal condition.** When the electric fuel pump is activated, fuel pressure should **immediately** (1–2 seconds) rise to specification.

The fuel system is equipped with a combination fuel filter/fuel pressure regulator. The fuel pressure regulator is not controlled by engine vacuum.

**WARNING: THE FUEL SYSTEM IS UNDER CONSTANT FUEL PRESSURE EVEN WITH THE ENGINE OFF. BEFORE DISCONNECTING FUEL LINE AT FUEL RAIL, THIS PRESSURE MUST BE RELEASED. REFER TO THE FUEL SYSTEM PRESSURE RELEASE PROCEDURE.**

(1) Remove pressure test port cap at fuel rail test port (Fig. 7) or (Fig. 8). Connect 0–414 kPa (0-60 psi) fuel pressure gauge (from gauge set 5069) to test port

pressure fitting on fuel rail (Fig. 9). **The DRB III Scan Tool along with the PEP module, the 500 psi pressure transducer, and the transducer-to-test port adapter may also be used in place of the fuel pressure gauge.**



80bfe150

**Fig. 7 Test Port Cap Location—4.0L Engine**

- 1 – INJ. #1
- 2 – INJ. #2
- 3 – INJ. #3
- 4 – INJ. #4
- 5 – INJ. #5
- 6 – INJ. #6
- 7 – FUEL INJECTOR RAIL
- 8 – FUEL DAMPER
- 9 – PRESSURE TEST PORT CAP
- 10 – MOUNTING BOLTS (4)
- 11 – QUICK-CONNECT FITTING

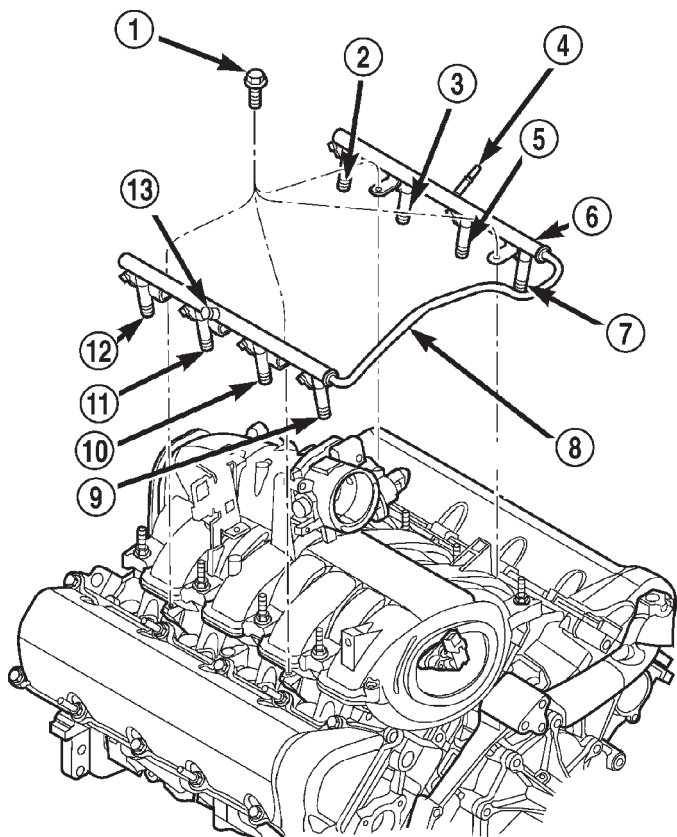
(2) Start and warm engine and note pressure gauge reading. The DRB scan tool may also be used to power fuel pump. Fuel pressure should be 339 kPa ± 34 kPa (49.2 psi ± 5 psi) at idle.

(3) If engine runs, but pressure is below 44.2 psi, determine if fuel pump or filter/regulator is defective. Proceed to next step:

(a) Check for a kinked fuel supply line somewhere between fuel rail and fuel pump module.

(b) If line is not kinked and pressure is low, raise vehicle and disconnect fuel pressure line at fuel filter/fuel pressure regulator (Fig. 10). Three fuel lines are attached to filter/regulator. The **fuel pressure line** is attached to the right side of fil-

DIAGNOSIS AND TESTING (Continued)



80b898e4

**Fig. 8 Test Port Cap Location—4.7L V-8 Engine**

- 1 - MOUNTING BOLTS (4)
- 2 - INJ.#7
- 3 - INJ.#5
- 4 - QUICK-CONNECT FITTING
- 5 - INJ.#3
- 6 - FUEL INJECTOR RAIL
- 7 - INJ.#1
- 8 - CONNECTOR TUBE
- 9 - INJ.#2
- 10 - INJ.#4
- 11 - INJ.#6
- 12 - INJ.#8
- 13 - PRESSURE TEST PORT CAP

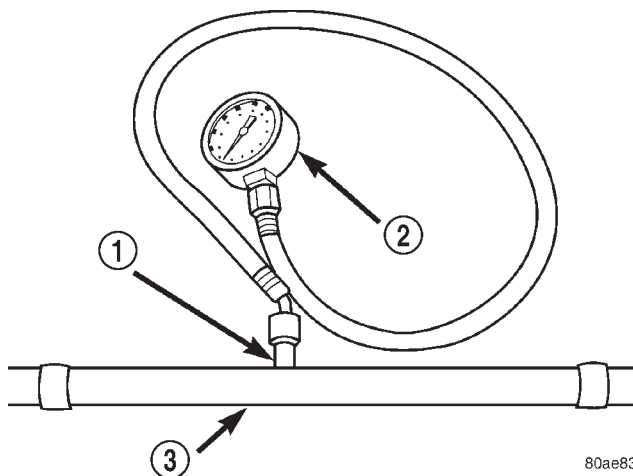
ter/regulator. It is also the most rearward of the two (Fig. 10).

(c) Install Special 5/16" Fuel Line Adapter Tool # 6539 between disconnected fuel line and filter/regulator fitting

(d) Attach 0-60 psi fuel pressure test gauge to "T" fitting on tool 6539.

(e) Use DRB scan tool to power fuel pump. If pressure is now within specifications, replace fuel filter/fuel pressure regulator.

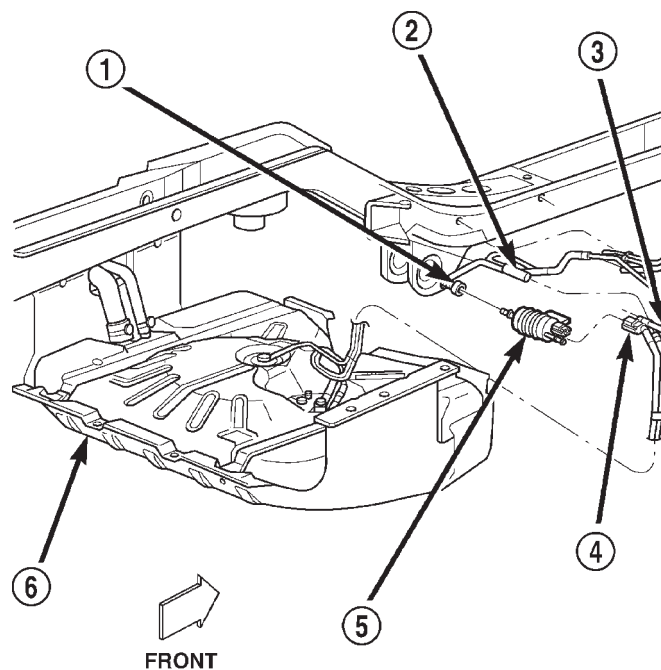
(f) If pressure is still low, replace fuel pump module.



80ae8310

**Fig. 9 Fuel Pressure Test Gauge (Typical Gauge Installation at Test Port)**

- 1 - SERVICE (TEST) PORT
- 2 - FUEL PRESSURE TEST GAUGE
- 3 - FUEL RAIL



FRONT

80bfe151

**Fig. 10 Fuel Filter/Fuel Pressure Regulator Location**

- 1 - FUEL SUPPLY LINE (TO FUEL RAIL)
- 2 - EVAP LINE
- 3 - FUEL RETURN LINE (MALE)
- 4 - FUEL PRESSURE LINE (FEMALE)
- 5 - FUEL FILTER/PRESSURE REGULATOR
- 6 - FUEL TANK

## DIAGNOSIS AND TESTING (Continued)

(4) If operating pressure is above 54.2 psi, electric fuel pump is OK, but fuel pressure regulator is defective. Replace fuel filter/fuel pressure regulator.

(5) Install test port cap to fuel rail test port.

## FUEL PUMP CAPACITY TEST

**Before performing this test, verify fuel pump pressure. Refer to Fuel Pump Pressure Test. Use this test in conjunction with the Fuel Pressure Leak Down Test.**

(1) Release fuel system pressure. Refer to Fuel Pressure Release Procedure.

(2) Disconnect fuel supply line at fuel rail. Refer to Quick-Connect Fittings. Some engines may require air cleaner housing removal before line disconnection.

(3) Obtain correct Fuel Line Pressure Test Adapter Tool Hose. Tool number 6539 is used for 5/16" fuel lines and tool number 6631 is used for 3/8" fuel lines.

(4) Connect correct Fuel Line Pressure Test Adapter Tool Hose into disconnected fuel supply line. Insert other end of Adaptor Tool Hose into a graduated container.

(5) Remove fuel fill cap.

(6) To activate fuel pump and pressurize system, obtain DRB scan tool and actuate ASD Fuel System Test.

(7) A good fuel pump will deliver at least 1/4 liter of fuel in 7 seconds. Do not operate fuel pump for longer than 7 seconds with fuel line disconnected as fuel pump module reservoir may run empty.

(a) If capacity is lower than specification, but fuel pump can be heard operating through fuel fill cap opening, check for a kinked/damaged fuel supply line somewhere between fuel rail and fuel pump module.

(b) If line is not kinked/damaged, and fuel pressure is OK, but capacity is low, replace fuel filter/fuel pressure regulator. The filter/regulator may be serviced separately on certain applications. Refer to Fuel Filter/Fuel Pressure Regulator Removal/Installation for additional information.

(c) If both fuel pressure and capacity are low, replace fuel pump module assembly. Refer to Fuel Pump Module Removal/Installation.

## FUEL PRESSURE LEAK DOWN TEST

Use this test in conjunction with the Fuel Pump Pressure Test and Fuel Pump Capacity Test.

**Check Valve Operation:** The electric fuel pump outlet contains a one-way check valve to prevent fuel flow back into the tank and to maintain fuel supply line pressure (engine warm) when pump is not operational. It is also used to keep the fuel supply line full of gasoline when pump is not operational. After the vehicle has cooled down, fuel pressure may drop to 0 psi (cold fluid contracts), but liquid gasoline will

remain in fuel supply line between the check valve and fuel injectors. **Fuel pressure that has dropped to 0 psi on a cooled down vehicle (engine off) is a normal condition.** When the electric fuel pump is activated, fuel pressure should **immediately** (1–2 seconds) rise to specification.

Abnormally long periods of cranking to restart a **hot** engine that has been shut down for a short period of time may be caused by:

- Fuel pressure bleeding past a fuel injector(s).
- Fuel pressure bleeding past the check valve in the fuel pump module.
- A defective fuel filter/pressure regulator.

Two #6539, 5/16", Fuel Line Pressure Test Adapter Hose Tools are required for the following tests.

(1) Release fuel system pressure. Refer to Fuel Pressure Release Procedure.

(2) Raise vehicle.

**Fuel Line Identification:** The fuel filter/pressure regulator is located in front of the fuel tank and above the rear axle. It is transversely mounted to a chassis crossmember (left-to-right). The filter/regulator is equipped with 3 fuel line fittings (2 at one end and 1 at the other end). The single fitting facing the left side of the vehicle is the supply line to the fuel rail (Fig. 11). The 2 fittings facing the right side of the vehicle are connected to the fuel tank. Of these 2 fittings, the fitting towards the **front** is used for fuel return to the fuel tank. The fitting towards the **rear** is a pressure line. This **rear** fitting must be disconnected for the following step.

(3) See previous step. Disconnect fuel pressure line at **rear** of filter/regulator. This is a 5/16" quick-connect fitting (Fig. 11). Refer to Quick-Connect Fittings for procedures.

(4) Obtain correct Fuel Line Pressure Test Adapter Hose Tool # 6539 for 5/16" fuel lines. Connect one end of this Special Tool into the disconnected fuel pressure line. Connect the other end of the Tool into fitting on filter/regulator.

(5) Lower vehicle.

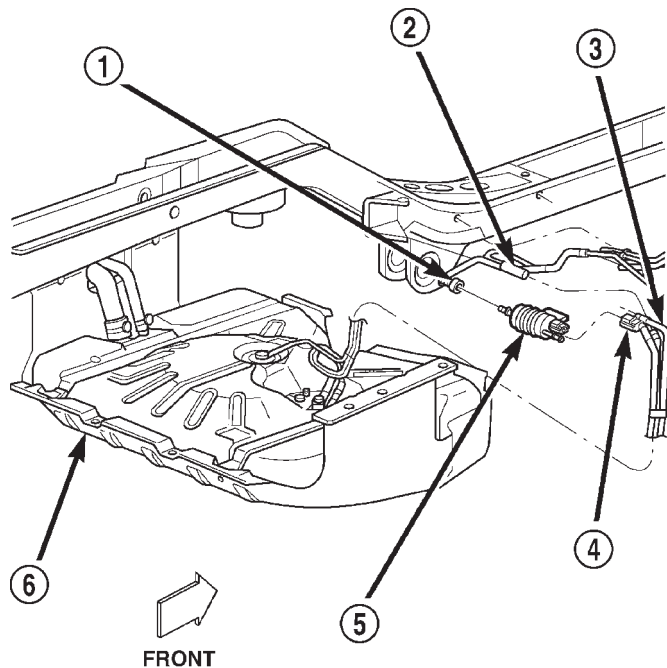
(6) Disconnect the fuel inlet line at fuel rail. Refer to Quick-Connect Fittings for procedures. On some engines, air cleaner housing removal may be necessary before fuel line disconnection.

(7) Obtain a second Fuel Line Pressure Test Adapter Hose Tool # 6539 for 5/16" fuel lines. Connect this tool between disconnected fuel line and fuel rail (Fig. 12).

(8) Connect the 0-414 kPa (0-60 psi) fuel pressure test gauge (from Gauge Set 5069) to the test port on the appropriate Adaptor Tool. **NOTE: The DRB III Scan Tool along with the PEP module, the 500 psi pressure transducer, and the transducer-to-test port adapter may also be used in place of the fuel pressure gauge.**



## DIAGNOSIS AND TESTING (Continued)



80bfe151

**Fig. 11 Disconnect Fuel Pressure Line at Filter/Regulator**

- 1 - FUEL SUPPLY LINE (TO FUEL RAIL)
- 2 - EVAP LINE
- 3 - FUEL RETURN LINE (MALE)
- 4 - FUEL PRESSURE LINE (FEMALE)
- 5 - FUEL FILTER/PRESSURE REGULATOR
- 6 - FUEL TANK

**CAUTION:** The fittings on both tools must be in good condition and free from any small leaks before performing the proceeding test.

(9) Start engine and bring to normal operating temperature.

(10) Observe fuel pressure test gauge (or DRB screen). Normal operating pressure should be  $339 \text{ kPa} \pm 34 \text{ kPa}$  ( $49.2 \text{ psi} \pm 5 \text{ psi}$ ).

(11) Shut engine off.

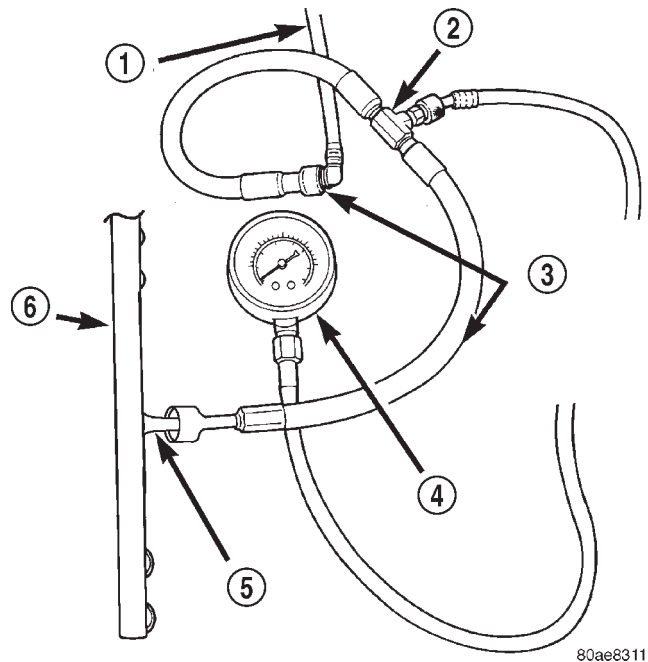
(12) Pressure should not fall below **30 psi for five minutes.**

(13) If pressure falls below 30 psi, it must be determined if a fuel injector, the supply check valve within the fuel pump module, the fuel filter/pressure regulator, or a fuel tube/line is leaking.

(14) Again, start engine and bring to normal operating temperature.

(15) Shut engine off.

(16) **Testing for fuel injector or fuel rail leakage:** Clamp off the rubber hose portion of the 6539 Adaptor Tool between the fuel rail and the test port "T" on Adapter Tool (be sure clamping pressure is



80ae8311

**Fig. 12 Connecting Adapter Tool—Typical**

- 1 - VEHICLE FUEL LINE
- 2 - TEST PORT "T"
- 3 - SPECIAL TOOL 6923, 6631, 6541 OR 6539
- 4 - FUEL PRESSURE TEST GAUGE
- 5 - FUEL LINE CONNECTION AT RAIL
- 6 - FUEL RAIL

sufficient). If pressure now holds at or above 30 psi, a fuel injector or the fuel rail is leaking.

(17) Again, start engine and bring to normal operating temperature.

(18) Shut engine off.

(19) Raise vehicle.

(20) **Testing for fuel filter/pressure regulator leakage:** While continuing to securely clamp between the fuel rail and the test port "T" on Adaptor Tool 6539, securely clamp off **any** rubber hose portion of the Adaptor Tool 6539 that was installed between the fuel pressure line and the filter/regulator fitting (by restricting the pump module supply line's backflow, you isolate any leakdown originating from the filter/regulator via the tank return line.) If the pressure falls below 30 psi within 5 minutes, the filter/regulator is leaking. If it now holds at or above 30 psi, the electric fuel pump check valve is leaking or a fuel tube/line is leaking. A fuel odor presence would indicate the latter.

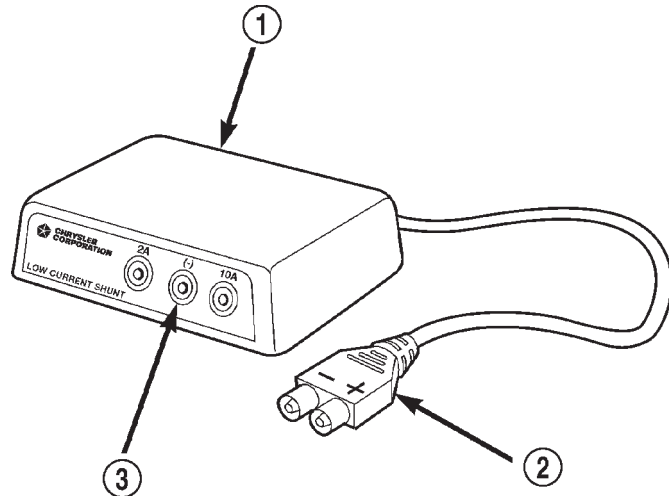
The electric fuel pump is not serviced separately. If replacement is necessary, replace the fuel pump module assembly. The filter/regulator may be replaced separately. Refer to Fuel Filter/Fuel Pressure Regulator Removal/Installation for additional information.

## DIAGNOSIS AND TESTING (Continued)

## FUEL PUMP AMPERAGE TEST

This amperage (current draw) test is to be done in conjunction with the Fuel Pump Pressure Test, Fuel Pump Capacity Test and Fuel Pressure Leak Down Test. Before performing the amperage test, be sure the temperature of the fuel tank is above 50° F (10° C).

The DRB Scan Tool along with the DRB Low Current Shunt (LCS) adapter (Fig. 13) and its test leads will be used to check fuel pump amperage specifications.



80add391

**Fig. 13 Low Current Shunt Adapter**

- 1 - LOW CURRENT SHUNT ADAPTER
- 2 - PLUG TO DRB
- 3 - TEST LEAD RECEPTACLES

(1) Be sure fuel tank contains fuel before starting test. If tank is empty or near empty, amperage readings will be incorrect.

(2) Obtain LCS adapter.

(3) Plug cable from LCS adapter into DRB scan tool at SET 1 receptacle.

(4) Plug DRB into vehicle 16-way connector (data link connector).

(5) Connect (-) and (+) test cable leads into LCS adapter receptacles. Use **10 amp (10A +)** receptacle and common (-) receptacles.

(6) Gain access to MAIN MENU on DRB screen.

(7) Press DVOM button on DRB.

(8) Using left/right arrow keys, highlight CHANNEL 1 function on DRB screen.

(9) Press ENTER three times.

(10) Using up/down arrow keys, highlight RANGE on DRB screen (screen will default to 2 amp scale).

(11) Press ENTER to change 2 amp scale to 10 amp scale. **This step must be done to prevent damage to DRB scan tool or LCS adapter (blown fuse).**

(12) Remove cover from Power Distribution Center (PDC).

(13) Remove fuel pump relay from PDC. Refer to label on PDC cover for relay location.

**WARNING: BEFORE PROCEEDING TO NEXT STEP, NOTE THE FUEL PUMP WILL BE ACTIVATED AND SYSTEM PRESSURE WILL BE PRESENT. THIS WILL OCCUR AFTER CONNECTING TEST LEADS FROM LCS ADAPTER INTO FUEL PUMP RELAY CAVITIES. THE FUEL PUMP WILL OPERATE EVEN WITH IGNITION KEY IN OFF POSITION. BEFORE ATTACHING TEST LEADS, BE SURE ALL FUEL LINES AND FUEL SYSTEM COMPONENTS ARE CONNECTED.**

**CAUTION: TO PREVENT POSSIBLE DAMAGE TO THE VEHICLE ELECTRICAL SYSTEM AND LCS ADAPTER, THE TEST LEADS MUST BE CONNECTED INTO RELAY CAVITIES EXACTLY AS SHOWN IN FOLLOWING STEPS.**

Depending upon vehicle model, year or engine configuration, three different types of relays may be used: Type-1, type-2 and type-3.

(14) If equipped with **type-1 relay** (Fig. 14), attach test leads from LCS adapter into PDC relay cavities number 30 and 87. For location of these cavities, refer to numbers stamped to bottom of relay (Fig. 14).

(15) If equipped with **type-2 relay** (Fig. 15), attach test leads from LCS adapter into PDC relay cavities number 30 and 87. For location of these cavities, refer to numbers stamped to bottom of relay (Fig. 15).

(16) If equipped with **type-3 relay** (Fig. 16), attach test leads from LCS adapter into PDC relay cavities number 3 and 5. For location of these cavities, refer to numbers stamped to bottom of relay (Fig. 16).

(17) When LCS adapter test leads are attached into relay cavities, fuel pump **will be activated**. Determine fuel pump amperage on DRB screen. Amperage should be below 10.0 amps. If amperage is below 10.0 amps, and specifications for the Fuel Pump Pressure, Fuel Pump Capacity and Fuel Pressure Leak Down tests were met, the fuel pump module is OK.

(18) If amperage is more than 10.0 amps, replace fuel pump module assembly. The electric fuel pump is not serviced separately.

(19) Disconnect test leads from relay cavities immediately after testing.

## FUEL GAUGE SENDING UNIT

The fuel gauge sending unit contains a variable resistor (track). As the float moves up or down, elec-



DIAGNOSIS AND TESTING (Continued)

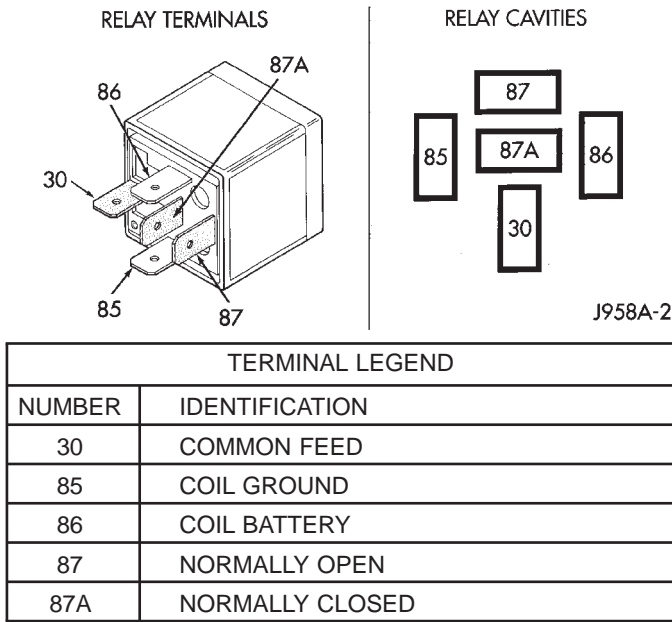


Fig. 14 Type-1 Relay

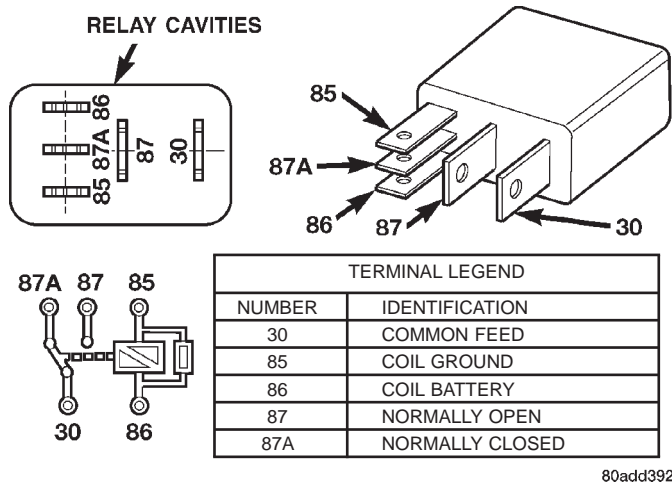


Fig. 15 Type-2 Relay

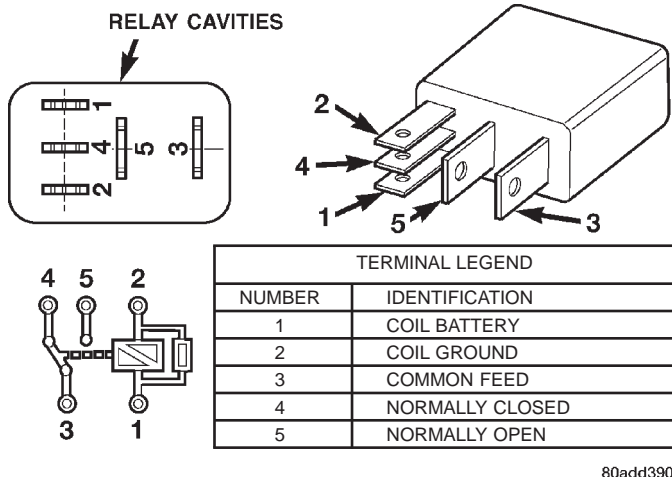


Fig. 16 Type-3 Relay

trical resistance will change. Refer to Instrument Panel and Gauges for Fuel Gauge testing. To test the gauge sending unit only, it must be removed from vehicle. The unit is part of the fuel pump module. Refer to Fuel Pump Module Removal/Installation for procedures. Measure the resistance across the sending unit terminals. With float in up position, resistance should be 20 ohms (+/- 5%). With float in down position, resistance should be 270 ohms (+/- 5%).

FUEL INJECTOR TEST

To perform a complete test of the fuel injectors and their circuitry, use the DRB scan tool and refer to the appropriate Powertrain Diagnostics Procedures manual. To test the injector only, refer to the following:

Disconnect the fuel injector wire harness connector from the injector. The injector is equipped with 2 electrical terminals (pins). Place an ohmmeter across the terminals. Resistance reading should be approximately 12 ohms ±1.2 ohms at 20°C (68°F).

SERVICE PROCEDURES

FUEL SYSTEM PRESSURE RELEASE PROCEDURE

Use following procedure if the fuel injector rail is, or is not equipped with a fuel pressure test port.

- (1) Remove fuel fill cap.
- (2) Remove fuel pump relay from Power Distribution Center (PDC). For location of relay, refer to label on underside of PDC cover.
- (3) Start and run engine until it stalls.
- (4) Attempt restarting engine until it will no longer run.
- (5) Turn ignition key to OFF position.

**CAUTION:** Steps 1, 2, 3 and 4 must be performed to relieve high pressure fuel from within fuel rail. Do not attempt to use following steps to relieve this pressure as excessive fuel will be forced into a cylinder chamber.

- (6) Unplug connector from any fuel injector.
- (7) Attach one end of a jumper wire with alligator clips (18 gauge or smaller) to either injector terminal.
- (8) Connect other end of jumper wire to positive side of battery.
- (9) Connect one end of a second jumper wire to remaining injector terminal.

**CAUTION:** Powering an injector for more than a few seconds will permanently damage the injector.

SERVICE PROCEDURES (Continued)

(10) Momentarily touch other end of jumper wire to negative terminal of battery for no more than a few seconds.

(11) Place a rag or towel below fuel line quick-connect fitting at fuel rail.

(12) Disconnect quick-connect fitting at fuel rail. Refer to Quick-Connect Fittings.

(13) Return fuel pump relay to PDC.

(14) One or more Diagnostic Trouble Codes (DTC's) may have been stored in PCM memory due to fuel pump relay removal. The DRB scan tool must be used to erase a DTC.

QUICK-CONNECT FITTINGS

Also refer to Fuel Tubes/Lines/Hoses and Clamps.

Different types of quick-connect fittings are used to attach various fuel system components, lines and tubes. These are: a single-tab type, a two-tab type or a plastic retainer ring type. Safety latch clips are used on certain components/lines. Certain fittings may require use of a special tool for disconnection.

DISCONNECTING

**WARNING: THE FUEL SYSTEM IS UNDER A CONSTANT PRESSURE (EVEN WITH ENGINE OFF). BEFORE SERVICING ANY FUEL SYSTEM HOSE, FITTING OR LINE, FUEL SYSTEM PRESSURE MUST BE RELEASED. REFER TO FUEL SYSTEM PRESSURE RELEASE PROCEDURE.**

**CAUTION:** The interior components (o-rings, spacers) of some types of quick-connect fitting are not serviced separately. If service parts are not available, do not attempt to repair a damaged fitting or fuel line. If repair is necessary, replace complete fuel line assembly.

(1) Perform fuel pressure release procedure. Refer to Fuel Pressure Release Procedure in this group.

(2) Disconnect negative battery cable from battery.

(3) Clean fitting of any foreign material before disassembly.

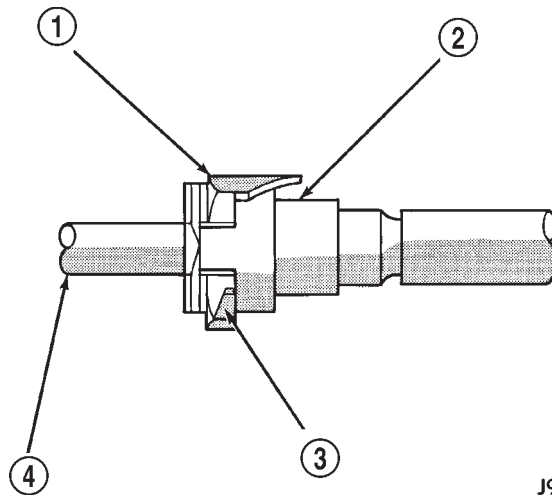
(4) **Single-Tab Type Fitting:** This type of fitting is equipped with a single pull tab (Fig. 17). The tab is removable. After tab is removed, quick-connect fitting can be separated from fuel system component.

(a) Press release tab on side of fitting to release pull tab (Fig. 18). **If release tab is not pressed prior to releasing pull tab, pull tab will be damaged.**

(b) While pressing release tab on side of fitting, use screwdriver to pry up pull tab (Fig. 18).

(c) Raise pull tab until it separates from quick-connect fitting (Fig. 19).

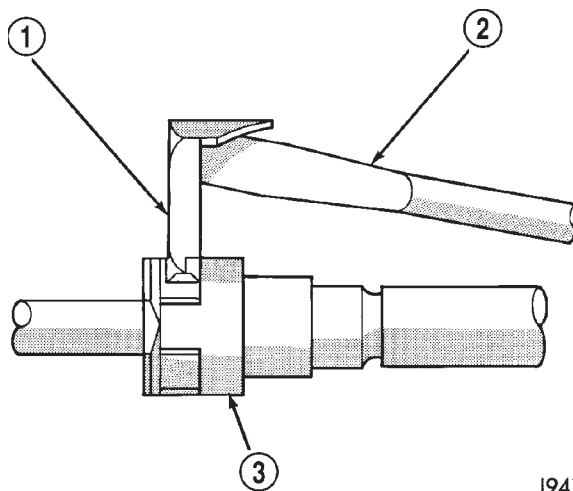
(5) **Two-Tab Type Fitting:** This type of fitting is equipped with tabs located on both sides of fitting (Fig. 20). The tabs are supplied for disconnecting quick-connect fitting from component being serviced.



J9414-24

**Fig. 17 Single-Tab Type Fitting**

- 1 - PULL TAB
- 2 - QUICK-CONNECT FITTING
- 3 - PRESS HERE TO REMOVE PULL TAB
- 4 - INSERTED TUBE END



J9414-25

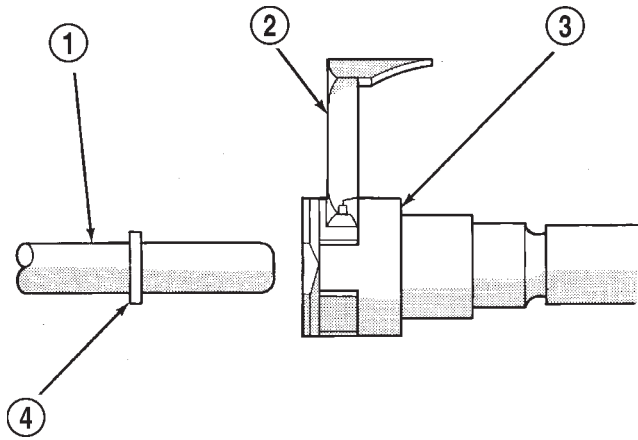
**Fig. 18 Disconnecting Single-Tab Type Fitting**

- 1 - PULL TAB
- 2 - SCREWDRIVER
- 3 - QUICK-CONNECT FITTING

(a) To disconnect quick-connect fitting, squeeze plastic retainer tabs (Fig. 20) against sides of quick-connect fitting with your fingers. Tool use is not required for removal and may damage plastic retainer.

(b) Pull fitting from fuel system component being serviced.

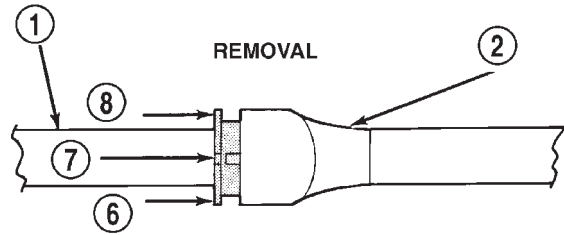
SERVICE PROCEDURES (Continued)



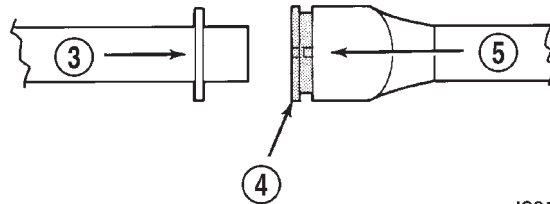
J9414-26

**Fig. 19 Removing Pull Tab**

- 1 - FUEL TUBE OR FUEL SYSTEM COMPONENT
- 2 - PULL TAB
- 3 - QUICK-CONNECT FITTING
- 4 - FUEL TUBE STOP



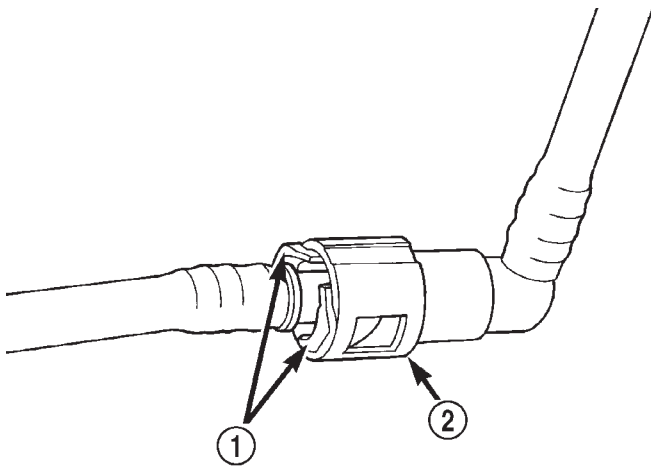
INSTALLATION



J9314-100

**Fig. 21 Plastic Retainer Ring Type Fitting**

- 1 - FUEL TUBE
- 2 - QUICK CONNECT FITTING
- 3 - PUSH
- 4 - PLASTIC RETAINER
- 5 - PUSH
- 6 - PUSH
- 7 - PUSH
- 8 - PUSH



80a35405

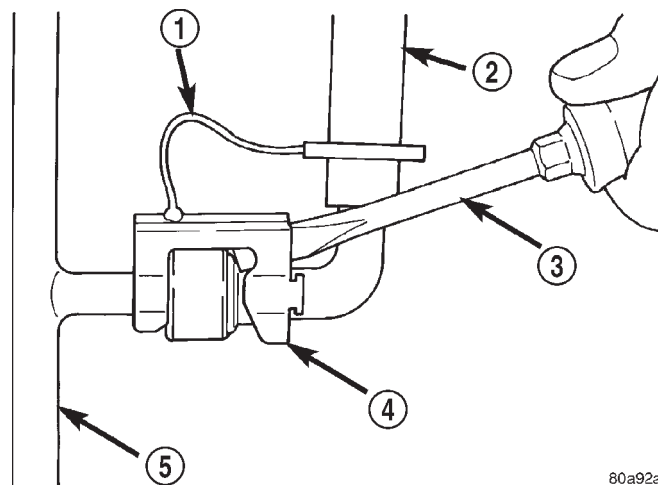
**Fig. 20 Typical Two-Tab Type Quick-Connect Fitting**

- 1 - TAB(S)
- 2 - QUICK-CONNECT FITTING

(c) The plastic retainer will remain on component being serviced after fitting is disconnected. The o-rings and spacer will remain in quick-connect fitting connector body.

(6) **Plastic Retainer Ring Type Fitting:** This type of fitting can be identified by the use of a full-round plastic retainer ring (Fig. 21) usually black in color.

(a) To release fuel system component from quick-connect fitting, firmly push fitting towards component being serviced while firmly pushing plastic retainer ring into fitting (Fig. 21). With plastic ring depressed, pull fitting from component. **The plastic retainer ring must be pressed squarely into fitting body. If this retainer is cocked during removal, it may be difficult to discon-**



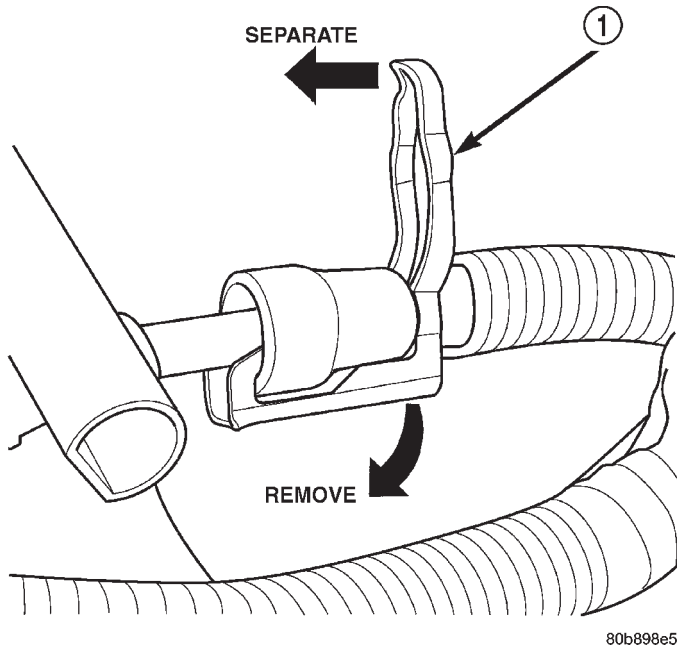
80a92a66

**Fig. 22 Latch Clip—Type 1**

- 1 - TETHER STRAP
- 2 - FUEL LINE
- 3 - SCREWDRIVER
- 4 - LATCH CLIP
- 5 - FUEL RAIL

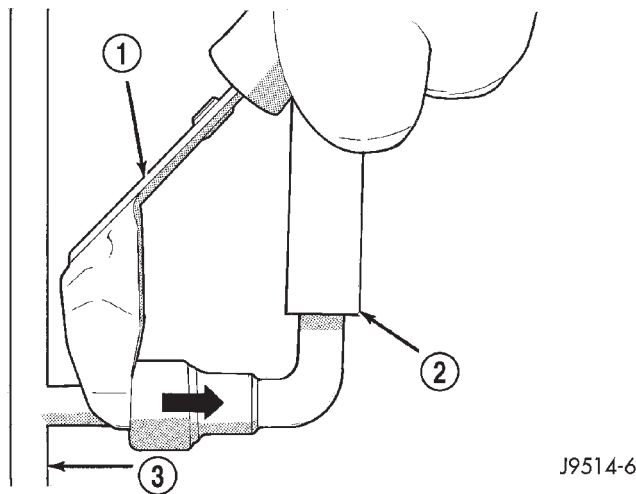
**nect fitting. Use an open-end wrench on shoulder of plastic retainer ring to aid in disconnection.**

SERVICE PROCEDURES (Continued)



**Fig. 23 Latch Clip—Type 2**

1 - LATCH CLIP



**Fig. 24 Fuel Line Disconnection Using Special Tool**

1 - SPECIAL FUEL LINE TOOL  
 2 - FUEL LINE  
 3 - FUEL RAIL

(b) After disconnection, plastic retainer ring will remain with quick-connect fitting connector body.

(c) Inspect fitting connector body, plastic retainer ring and fuel system component for damage. Replace as necessary.

(7) **Latch Clips:** Depending on vehicle model and engine, 2 different types of safety latch clips are used (Fig. 22) or (Fig. 23). Type-1 is tethered to fuel line and type-2 is not. A special tool will be necessary to disconnect fuel line after latch clip is removed. The

latch clip may be used on certain fuel line/fuel rail connection, or to join fuel lines together.

(a) Type 1: Pry up on latch clip with a screwdriver (Fig. 22).

(b) Type 2: Separate and unlatch 2 small arms on end of clip (Fig. 23) and swing away from fuel line.

(c) Slide latch clip toward fuel rail while lifting with screwdriver.

(d) Insert special fuel line removal tool (Snap-On number FIH 9055-1 or equivalent) into fuel line (Fig. 24). Use tool to release locking fingers in end of line.

(e) With special tool still inserted, pull fuel line from fuel rail.

(f) After disconnection, locking fingers will remain within quick-connect fitting at end of fuel line.

(8) Disconnect quick-connect fitting from fuel system component being serviced.

**CONNECTING**

(1) Inspect quick-connect fitting body and fuel system component for damage. Replace as necessary.

(2) Prior to connecting quick-connect fitting to component being serviced, check condition of fitting and component. Clean parts with a lint-free cloth. Lubricate with clean engine oil.

(3) Insert quick-connect fitting into fuel tube or fuel system component until built-on stop on fuel tube or component rests against back of fitting.

(4) Continue pushing until a click is felt.

(5) Single-tab type fitting: Push new tab down until it locks into place in quick-connect fitting.

(6) Verify a locked condition by firmly pulling on fuel tube and fitting (15-30 lbs.).

(7) Latch Clip Equipped: Install latch clip (snaps into position). **If latch clip will not fit, this indicates fuel line is not properly installed to fuel rail (or other fuel line). Recheck fuel line connection.**

(8) Connect negative cable to battery.

(9) Start engine and check for leaks.

**REMOVAL AND INSTALLATION**

**FUEL FILTER/FUEL PRESSURE REGULATOR**

The combination Fuel Filter/Fuel Pressure Regulator is remotely mounted to the vehicle body, above the rear axle and near the front of the fuel tank (Fig. 25) or (Fig. 26).

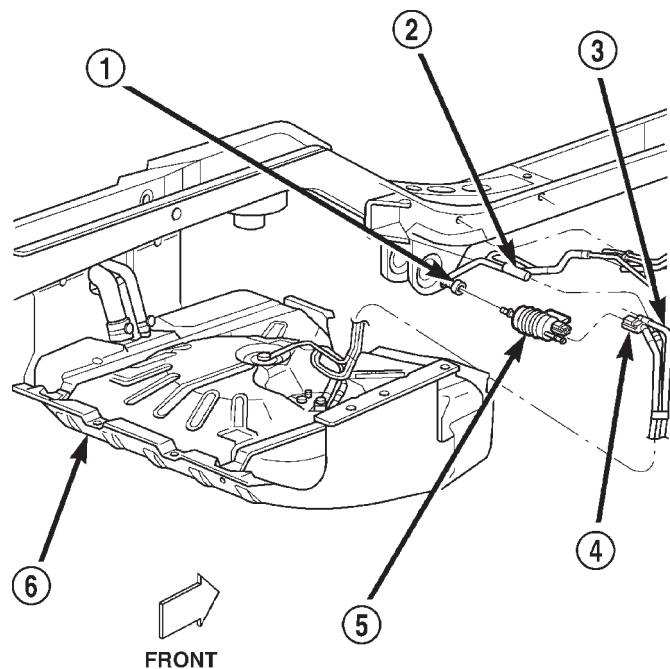
**REMOVAL**

(1) Perform Fuel System Pressure Release Procedure.

(2) Disconnect negative battery cable at battery.

## REMOVAL AND INSTALLATION (Continued)

- (3) Raise vehicle.
- (4) Clean area around 3 filter/regulator fittings.
- (5) Disconnect fuel supply, fuel return and fuel pressure lines at filter/regulator (Fig. 25). Refer to Quick-Connect Fittings.
- (6) Remove 2 mounting bolts (Fig. 26) and remove filter/regulator.



80bfe151

**Fig. 25 Fuel Filter/Fuel Pressure Regulator Location**

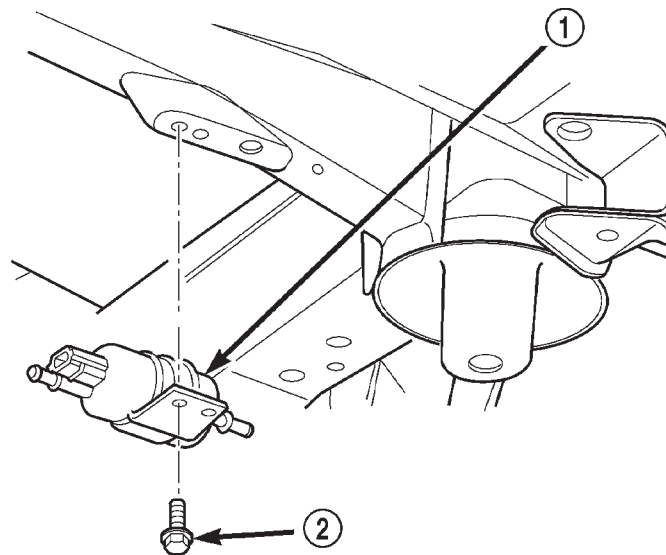
- 1 - FUEL SUPPLY LINE (TO FUEL RAIL)
- 2 - EVAP LINE
- 3 - FUEL RETURN LINE (MALE)
- 4 - FUEL PRESSURE LINE (FEMALE)
- 5 - FUEL FILTER/PRESSURE REGULATOR
- 6 - FUEL TANK

**INSTALLATION**

- (1) Before installing filter/regulator, be sure all fittings are cleaned of all dirt and contaminants.
- (2) Be sure o-ring is positioned into fuel return fitting in filter/regulator.
- (3) Apply a small amount of clean engine oil to o-rings.
- (4) Position filter/regulator to body and install 2 bolts. Tighten bolts to 3 N·m (30 in. lbs.) torque.
- (5) Connect 3 fittings. Refer to Quick-Connect Fittings.
- (6) Connect negative battery cable to battery.
- (7) Start engine and check for leaks.

**FUEL PUMP MODULE**

Fuel tank removal will be necessary for fuel pump module removal.



80ba7723

**Fig. 26 Fuel Filter/Fuel Pressure Regulator Removal/Installation**

- 1 - FUEL FILTER/FUEL PRESSURE REGULATOR
- 2 - MOUNTING BOLTS (2)

**REMOVAL**

**WARNING: THE FUEL SYSTEM IS UNDER A CONSTANT PRESSURE (EVEN WITH THE ENGINE OFF). BEFORE SERVICING FUEL PUMP MODULE, FUEL SYSTEM PRESSURE MUST BE RELEASED.**

- (1) Perform Fuel System Pressure Release Procedure.
- (2) Drain fuel tank and remove tank. Refer to Fuel Tank Removal/Installation.
- (3) Thoroughly wash and clean area around pump module to prevent contaminants from entering tank.
- (4) Disconnect fuel return and pressure lines from fuel pump module fittings (Fig. 27). Refer to Quick-Connect Fittings for procedures.
- (5) The plastic fuel pump module locknut is threaded onto fuel tank (Fig. 27). Install Special Tool 6856 to fuel pump module locknut and remove locknut (Fig. 28). The fuel pump module will spring up slightly after locknut is removed.
- (6) Remove module from fuel tank.

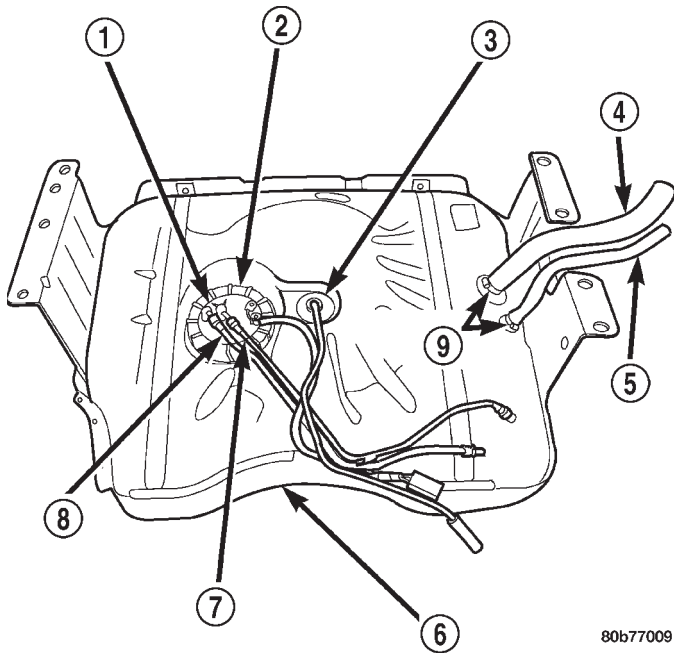
**INSTALLATION**

**CAUTION: Whenever fuel pump module is serviced, module gasket must be replaced.**

- (1) Thoroughly clean locknut threads and mating fuel tank threads. Use a soap/water solution. Do not use carburetor cleaner to clean threads.



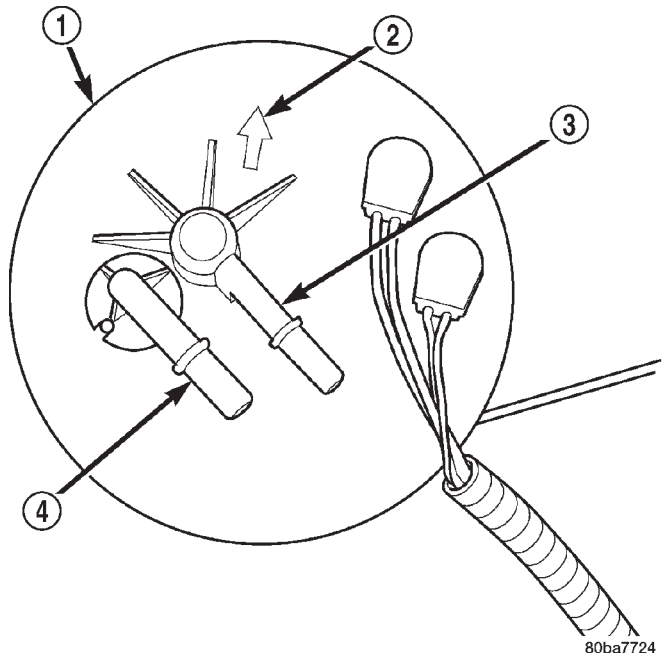
REMOVAL AND INSTALLATION (Continued)



80b77009

**Fig. 27 Top View of Fuel Tank and Fuel Pump Module**

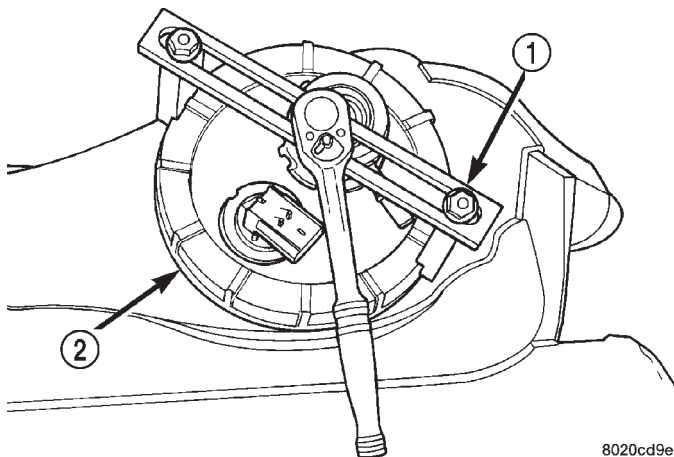
- 1 - FUEL PUMP MODULE
- 2 - LOCKNUT
- 3 - ROLL OVER VALVE
- 4 - FUEL FILL HOSE
- 5 - FUEL VENT HOSE
- 6 - FUEL TANK
- 7 - FUEL SUPPLY (PRESSURE) LINE
- 8 - FUEL RETURN LINE
- 9 - CLAMPS



80ba7724

**Fig. 29 Fuel Pump Module Indexing Arrow**

- 1 - FUEL PUMP MODULE
- 2 - INDEXING ARROW
- 3 - FUEL SUPPLY (PRESSURE) FITTING
- 4 - FUEL RETURN FITTING



8020cd9e

**Fig. 28 Locknut Removal/Installation—TYPICAL**

- 1 - SPECIAL TOOL 6856
- 2 - LOCKNUT

- (2) Using new gasket, position fuel pump module into opening in fuel tank.
- (3) Apply clean water to locknut threads.
- (4) Position locknut over top of fuel pump module.

(5) Rotate module until indexing arrow at top of module (Fig. 29) is pointed toward rear of vehicle. Align arrow to tick mark on top of fuel tank. **This step must be done to prevent float/float rod assembly from contacting sides of fuel tank.**

- (6) Install Special Tool 6856 to locknut.
- (7) Tighten locknut to 74 N·m (55 ft. lbs.) torque.
- (8) Connect fuel return and pressure lines to fuel pump module fittings (Fig. 27). Refer to Quick-Connect Fittings.
- (9) Install fuel tank. Refer to Fuel Tank Installation.

**FUEL PUMP INLET FILTER**

The fuel pump inlet filter (strainer) is located on the bottom of fuel pump module (Fig. 30). The fuel pump module is located on top of fuel tank.

**REMOVAL**

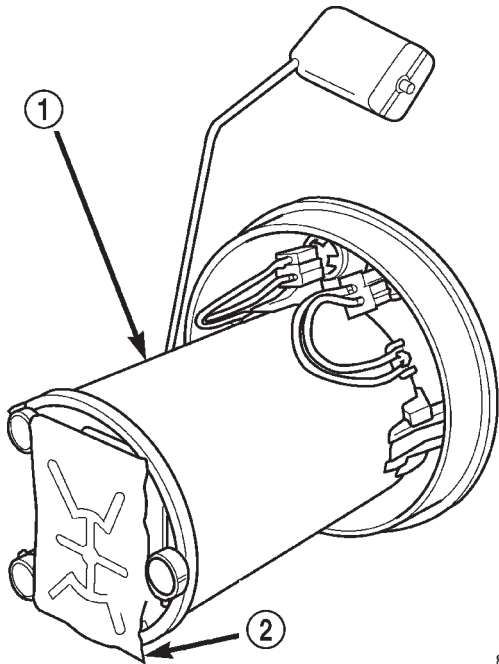
- (1) Remove fuel tank. Refer to Fuel Tank Removal/Installation.
- (2) Remove fuel pump module. Refer to Fuel Pump Module Removal/Installation.
- (3) Remove filter by prying from bottom of module with 2 screwdrivers. Filter is snapped to module.
- (4) Clean bottom of pump module.

**INSTALLATION**

- (1) Snap new filter to bottom of module.



REMOVAL AND INSTALLATION (Continued)



80ba7725

**Fig. 30 Fuel Pump Inlet Filter**

- 1 - FUEL PUMP MODULE
- 2 - FUEL PUMP INLET FILTER

(2) Install fuel pump module. Refer to Fuel Pump Module Removal/Installation.

(3) Install fuel tank. Refer to Fuel Tank Removal/Installation.

**FUEL GAUGE SENDING UNIT**

The fuel gauge sending unit (fuel level sensor) and float assembly is located on the side of fuel pump module (Fig. 31). The fuel pump module is located within the fuel tank.

**REMOVAL**

(1) Remove fuel tank. Refer to Fuel Tank Removal/Installation.

(2) Remove fuel pump module. Refer to Fuel Pump Module Removal/Installation.

(3) Remove electrical wire connector at sending unit terminals.

(4) Press upward on release tab (Fig. 32) to remove sending unit from pump module.

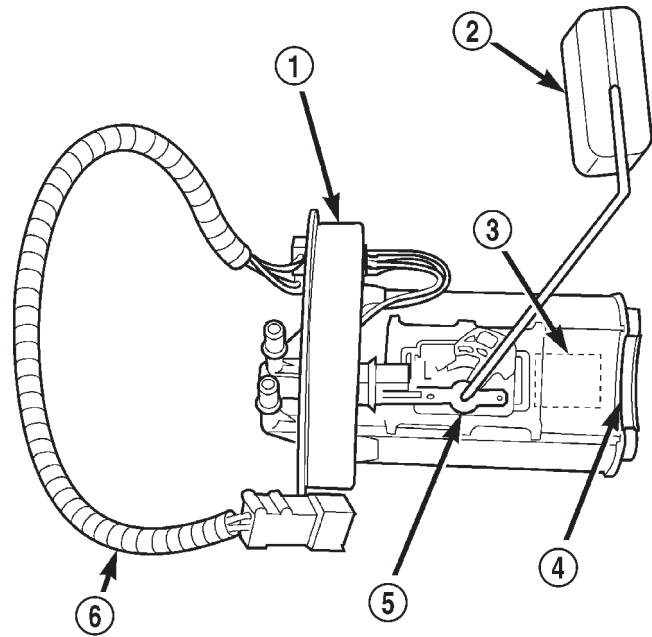
**INSTALLATION**

(1) Position sending unit to pump module and snap into place.

(2) Connect electrical connector to terminals.

(3) Install fuel pump module. Refer to Fuel Pump Module Removal/Installation.

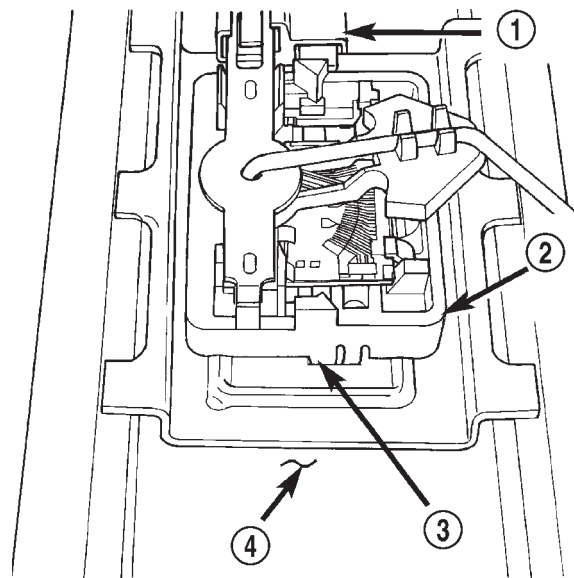
(4) Install fuel tank. Refer to Fuel Tank Removal/Installation.



80ba7722

**Fig. 31 Fuel Gauge Sending Unit Location**

- 1 - FUEL PUMP MODULE
- 2 - FUEL GAUGE FLOAT
- 3 - ELECTRIC FUEL PUMP
- 4 - INLET FILTER
- 5 - FUEL GAUGE SENDING UNIT
- 6 - PIGTAIL HARNESS



80a56b60

**Fig. 32 Fuel Gauge Sending Unit Release Tab**

- 1 - ELECTRICAL CONNECTOR
- 2 - FUEL GAUGE SENDING UNIT
- 3 - RELEASE TAB
- 4 - FUEL PUMP MODULE

REMOVAL AND INSTALLATION (Continued)

**FUEL INJECTOR RAIL/FUEL DAMPER—4.0L ENGINE**

**REMOVAL**

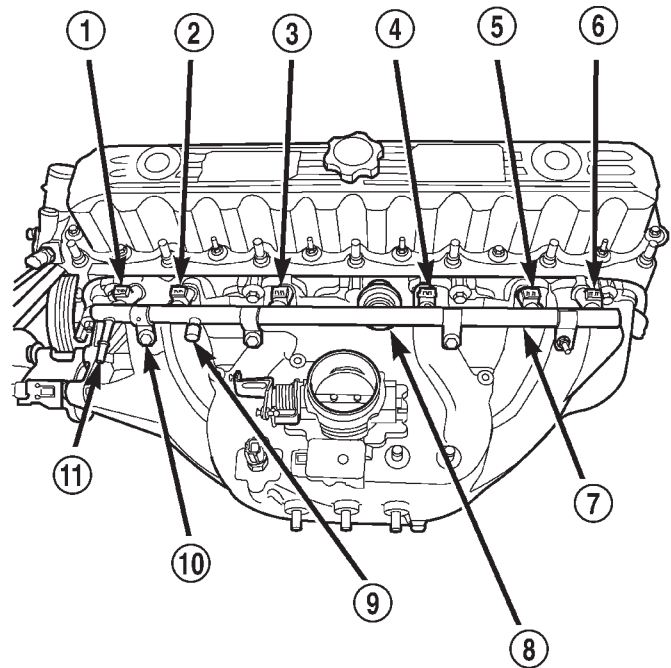
The fuel damper is not serviced separately.

**WARNING: THE FUEL SYSTEM IS UNDER CONSTANT FUEL PRESSURE EVEN WITH ENGINE OFF. THIS PRESSURE MUST BE RELEASED BEFORE SERVICING FUEL RAIL.**

- (1) Remove fuel tank filler tube cap.
- (2) Perform Fuel System Pressure Release Procedure.
- (3) Disconnect negative battery cable from battery.
- (4) Remove air tube at top of throttle body. Note: Some engine/vehicles may require removal of air cleaner ducts at throttle body.
- (5) Disconnect electrical connectors at all 6 fuel injectors. To remove connector refer to (Fig. 34). Push red colored slider away from injector (1). While pushing slider, depress tab (2) and remove connector (3) from injector. The factory fuel injection wiring harness is numerically tagged (INJ 1, INJ 2, etc.) for injector position identification. If harness is not tagged, note wiring location before removal.
- (6) Remove oxygen sensor wiring clip nuts at fuel rail mounting studs (certain emissions packages only).
- (7) Disconnect fuel supply line latch clip and fuel line at fuel rail. Refer to Quick-Connect Fittings.
- (8) Disconnect throttle cable at throttle body. Refer to Throttle Cable Removal/Installation.
- (9) Disconnect speed control cable at throttle body (if equipped). Refer to Speed Control Cable.
- (10) Disconnect automatic transmission cable at throttle body (if equipped).
- (11) Remove cable routing bracket at intake manifold.
- (12) Clean dirt/debris from each fuel injector at intake manifold.
- (13) Remove fuel rail mounting nuts/bolts (Fig. 33).
- (14) Remove fuel rail by gently rocking until all fuel injectors have cleared machined holes at intake manifold.
- (15) If fuel injectors are to be removed, refer to Fuel Injector Removal/Installation.

**INSTALLATION**

- (1) If fuel injectors are to be installed, refer to Fuel Injector Removal/Installation.
- (2) Clean each injector bore at intake manifold.
- (3) Apply a small amount of clean engine oil to each injector o-ring. This will aid in installation.



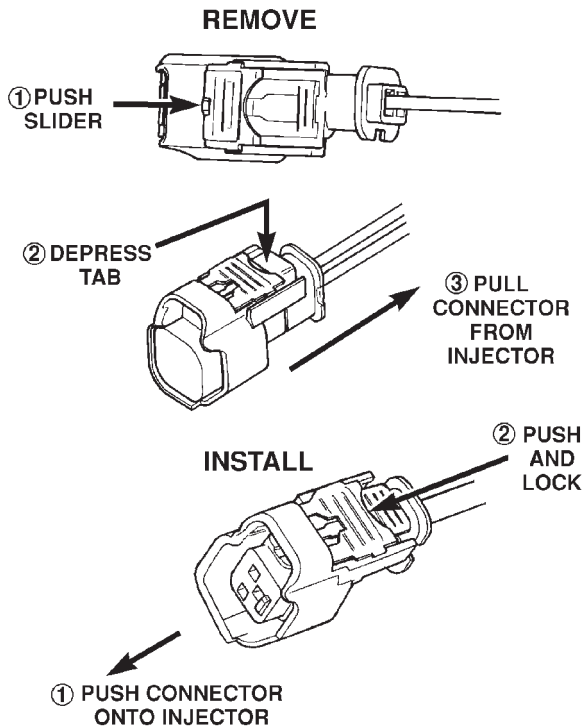
80bfe150

**Fig. 33 Fuel Rail Mounting—4.0L Engine**

- 1 - INJ. #1
- 2 - INJ. #2
- 3 - INJ. #3
- 4 - INJ. #4
- 5 - INJ. #5
- 6 - INJ. #6
- 7 - FUEL INJECTOR RAIL
- 8 - FUEL DAMPER
- 9 - PRESSURE TEST PORT CAP
- 10 - MOUNTING BOLTS (4)
- 11 - QUICK-CONNECT FITTING

- (4) Position tips of all fuel injectors into the corresponding injector bore in intake manifold. Seat injectors into manifold.
- (5) Install and tighten fuel rail mounting bolts to  $11 \pm 3$  N·m ( $100 \pm 25$  in. lbs.) torque.
- (6) Connect electrical connectors at all fuel injectors. To install connector, refer to (Fig. 34). Push connector onto injector (1) and then push and lock red colored slider (2). Verify connector is locked to injector by lightly tugging on connector.
- (7) Connect fuel line and fuel line latch clip to fuel rail. Refer Quick-Connect Fittings.
- (8) Install protective cap to pressure test port fitting (if equipped).
- (9) Install cable routing bracket to intake manifold.
- (10) Connect throttle cable at throttle body.
- (11) Connect speed control cable at throttle body (if equipped).

## REMOVAL AND INSTALLATION (Continued)



80b6f033

**Fig. 34 Remove/Install Injector Connector—4.0L Engine**

(12) Connect automatic transmission cable at throttle body (if equipped).

(13) Install oxygen sensor wiring clip nuts to fuel rail mounting studs (certain emissions packages only).

(14) Install air tube (or duct) at top of throttle body.

(15) Install fuel tank cap.

(16) Connect negative battery cable to battery.

(17) Start engine and check for fuel leaks.

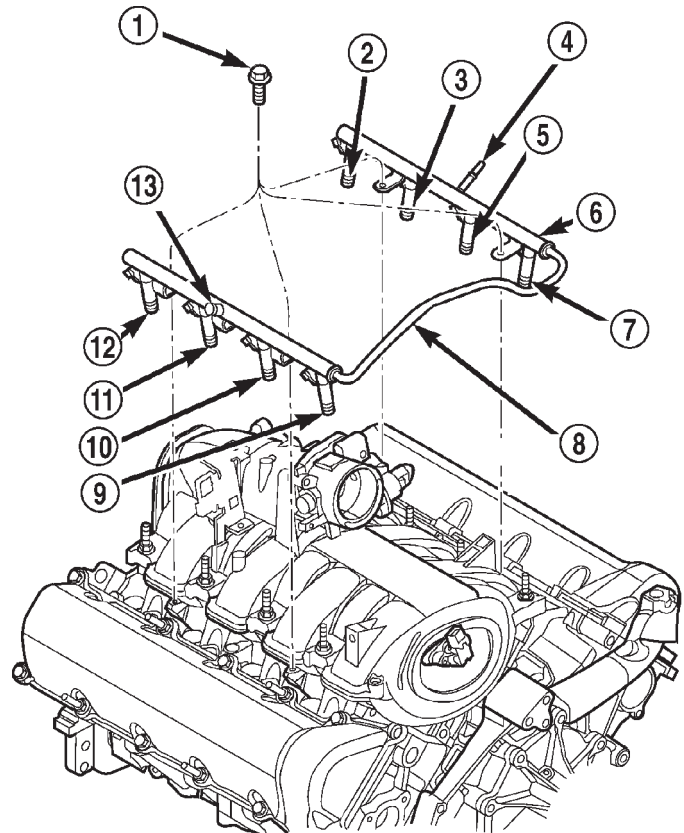
## FUEL INJECTOR RAIL—4.7L V-8 ENGINE

**WARNING: THE FUEL SYSTEM IS UNDER CONSTANT PRESSURE EVEN WITH ENGINE OFF. BEFORE SERVICING FUEL RAIL, FUEL SYSTEM PRESSURE MUST BE RELEASED.**

**CAUTION:** The left and right fuel rails are replaced as an assembly. Do not attempt to separate rail halves at connector tube (Fig. 35). Due to design of tube, it does not use any clamps. Never attempt to install a clamping device of any kind to tube. When removing fuel rail assembly for any reason, be careful not to bend or kink tube.

### REMOVAL

(1) Remove fuel tank filler tube cap.



80b898e4

**Fig. 35 Fuel Rail Mounting—4.7L V-8 Engine**

- 1 - MOUNTING BOLTS (4)
- 2 - INJ.#7
- 3 - INJ.#5
- 4 - QUICK-CONNECT FITTING
- 5 - INJ.#3
- 6 - FUEL INJECTOR RAIL
- 7 - INJ.#1
- 8 - CONNECTOR TUBE
- 9 - INJ.#2
- 10 - INJ.#4
- 11 - INJ.#6
- 12 - INJ.#8
- 13 - PRESSURE TEST PORT CAP

(2) Perform Fuel System Pressure Release Procedure.

(3) Remove negative battery cable at battery.

(4) Remove air duct at throttle body air box.

(5) Remove air box at throttle body.

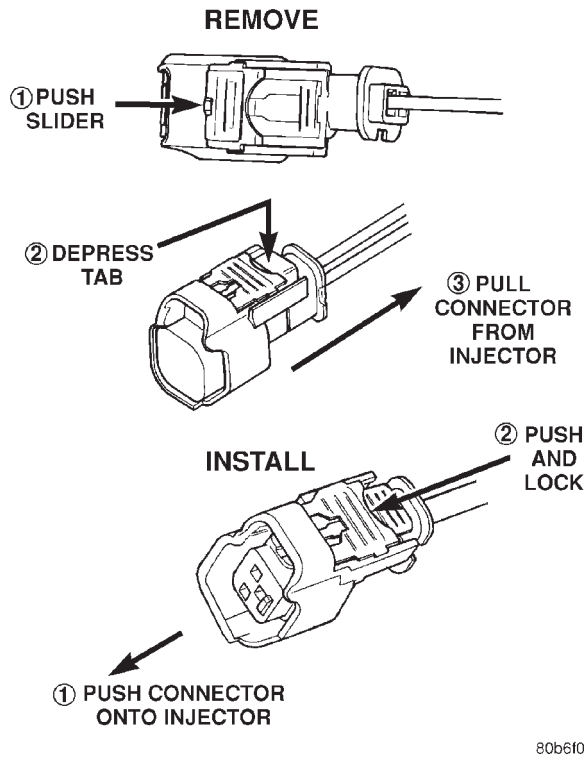
(6) Remove wiring at rear of generator.

(7) Disconnect fuel line latch clip and fuel line at fuel rail. A special tool will be necessary for fuel line disconnection. Refer to Quick-Connect Fittings.

(8) Remove vacuum lines at throttle body.

(9) Disconnect electrical connectors at all 8 fuel injectors. To remove connector refer to (Fig. 36). Push red colored slider away from injector (1). While pushing slider, depress tab (2) and remove connector (3)

## REMOVAL AND INSTALLATION (Continued)



**Fig. 36 Remove/Install Injector Connector—4.7L V-8 Engine**

from injector. The factory fuel injection wiring harness is numerically tagged (INJ 1, INJ 2, etc.) for injector position identification. If harness is not tagged, note wiring location before removal.

(10) Disconnect electrical connectors at throttle body.

(11) Disconnect electrical connectors at MAP and IAT sensors.

(12) Remove first three ignition coils on each bank (cylinders #1, 3, 5, 2, 4 and 6). Refer to Ignition Coil Removal/Installation.

(13) Remove 4 fuel rail mounting bolts (Fig. 35).

(14) Gently rock and pull **left** side of fuel rail until fuel injectors just start to clear machined holes in cylinder head. Gently rock and pull **right** side of rail until injectors just start to clear cylinder head holes. Repeat this procedure (left/right) until all injectors have cleared cylinder head holes.

(15) Remove fuel rail (with injectors attached) from engine.

(16) If fuel injectors are to be removed, refer to Fuel Injector Removal/Installation.

### INSTALLATION

(1) If fuel injectors are to be installed, refer to Fuel Injector Removal/Installation.

(2) Apply a small amount of engine oil to each fuel injector o-ring. This will help in fuel rail installation.

(3) Position fuel rail/fuel injector assembly to machined injector openings in cylinder head.

(4) Guide each injector into cylinder head. Be careful not to tear injector o-rings.

(5) Push **right** side of fuel rail down until fuel injectors have bottomed on cylinder head shoulder. Push **left** fuel rail down until injectors have bottomed on cylinder head shoulder.

(6) Install 4 fuel rail mounting bolts and tighten to 27 N·m (20 ft. lbs.).

(7) Install ignition coils. Refer to Ignition Coil Removal/Installation.

(8) Connect electrical connectors to throttle body.

(9) Connect electrical connectors to MAP and IAT sensors.

(10) Connect electrical connectors at all fuel injectors. To install connector, refer to (Fig. 36). Push connector onto injector (1) and then push and lock red colored slider (2). Verify connector is locked to injector by lightly tugging on connector.

(11) Connect vacuum lines to throttle body.

(12) Connect fuel line latch clip and fuel line to fuel rail. Refer to Quick-Connect Fittings.

(13) Connect wiring to rear of generator.

(14) Install air box to throttle body.

(15) Install air duct to air box.

(16) Connect battery cable to battery.

(17) Start engine and check for leaks.

## FUEL INJECTORS

**WARNING: THE FUEL SYSTEM IS UNDER CONSTANT PRESSURE EVEN WITH ENGINE OFF. BEFORE SERVICING FUEL INJECTOR(S), FUEL SYSTEM PRESSURE MUST BE RELEASED.**

To remove one or more fuel injectors, the fuel rail assembly must be removed from engine.

### REMOVAL

(1) Perform Fuel System Pressure Release Procedure.

(2) Remove fuel injector rail. Refer to Fuel Injector Rail Removal/Installation.

(3) Remove clip(s) retaining injector(s) to fuel rail (Fig. 37).

(4) Remove injector(s) from fuel rail.

### INSTALLATION

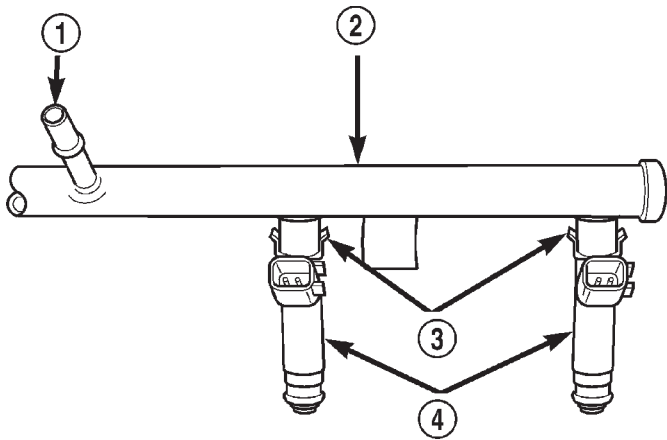
(1) Apply a small amount of engine oil to each fuel injector o-ring. This will help in fuel rail installation.

(2) Install injector(s) and injector clip(s) to fuel rail.

(3) Install fuel rail assembly. Refer to Fuel Injector Rail Removal/Installation.

(4) Start engine and check for leaks.

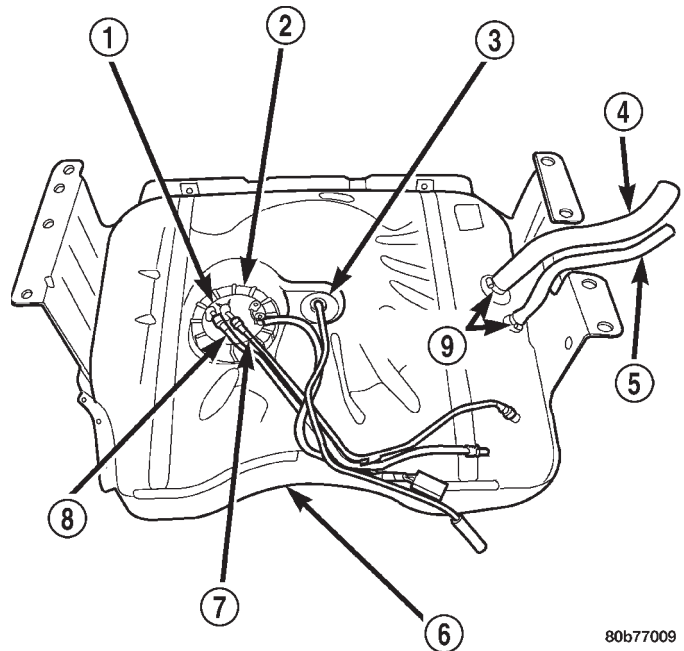
## REMOVAL AND INSTALLATION (Continued)



80b898e8

**Fig. 37 Fuel Injector Mounting—Typical (4.7L V-8 Engine Shown)**

- 1 - INLET FITTING
- 2 - FUEL INJECTOR RAIL
- 3 - CLIP
- 4 - FUEL INJECTOR



80b77009

**Fig. 38 Fuel Tank Assembly (Top View)**

- 1 - FUEL PUMP MODULE
- 2 - LOCKNUT
- 3 - ROLL OVER VALVE
- 4 - FUEL FILL HOSE
- 5 - FUEL VENT HOSE
- 6 - FUEL TANK
- 7 - FUEL SUPPLY (PRESSURE) LINE
- 8 - FUEL RETURN LINE
- 9 - CLAMPS

## FUEL TANK

**WARNING: THE FUEL SYSTEM IS UNDER CONSTANT FUEL PRESSURE EVEN WITH ENGINE OFF. PRESSURE MUST BE RELEASED BEFORE SERVICING FUEL TANK.**

Two different procedures may be used to drain fuel tank (through tank vent fitting or using DRB scan tool). The quickest is draining through tank vent fitting.

As an alternative procedure, the electric fuel pump may be activated allowing tank to be drained at fuel rail connection. Refer to DRB scan tool for fuel pump activation procedures. Before disconnecting fuel line at fuel rail, release fuel pressure. Refer to the Fuel System Pressure Release Procedure for procedures. Attach end of Special Adapter Hose Tool number 6539 at fuel rail disconnection. Position opposite end of 6539 to an approved gasoline draining station. Activate fuel pump with DRB and drain tank until empty.

If electric fuel pump is not operating, tank **MUST** be drained through vent fitting.

## REMOVAL

- (1) Release fuel system pressure. Refer to Fuel System Pressure Release Procedure.
- (2) Disconnect negative battery cable at battery.
- (3) Raise and support vehicle.
- (4) Working from front of fuel tank, loosen clamp at fuel vent hose at fuel tank end of hose (Fig. 38). Remove hose at tank fitting.

(5) Obtain a length of 3/8" O. D. thinwall, clear tubing.

(6) Position 3/8" O. D. tubing into tank vent fitting. Attach 3/8" tubing to an approved gasoline draining station. Drain tank until empty.

(7) Remove rear tow hooks (if equipped).

(8) Remove optional trailer hitch (if equipped).

(9) Remove fuel tank-to-rear bumper fascia clips (Fig. 39).

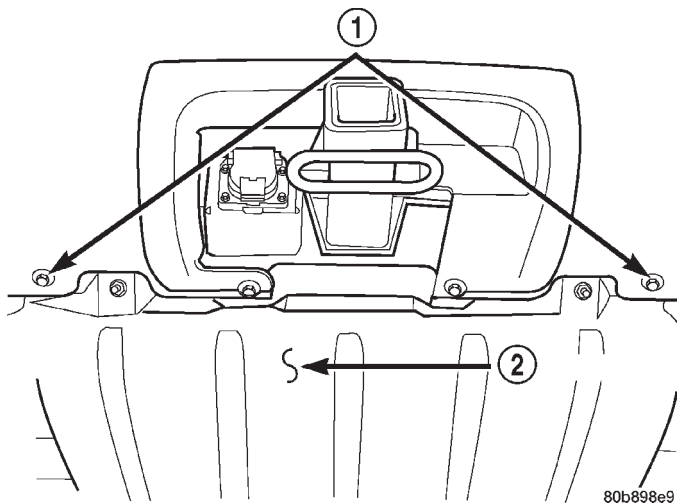
(10) Remove fuel tank heat shield mounting bolts (Fig. 40).

**CAUTION: To protect fuel tank from exhaust heat, shield must re-installed after tank installation.**

**WARNING: PLACE SHOP TOWEL AROUND FUEL LINES TO CATCH ANY EXCESS FUEL.**

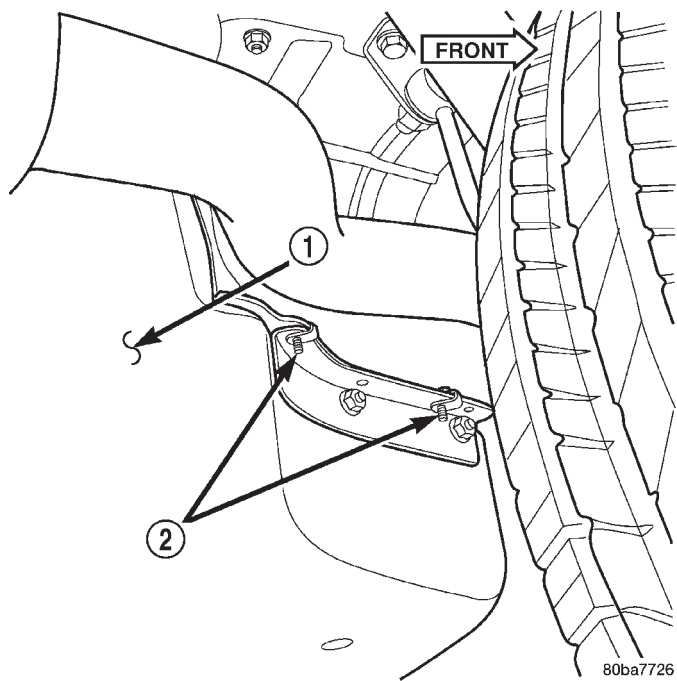


REMOVAL AND INSTALLATION (Continued)



**Fig. 39 Fuel Tank-to-Rear Bumper Fascia Clips**

- 1 - CLIPS
- 2 - FUEL TANK



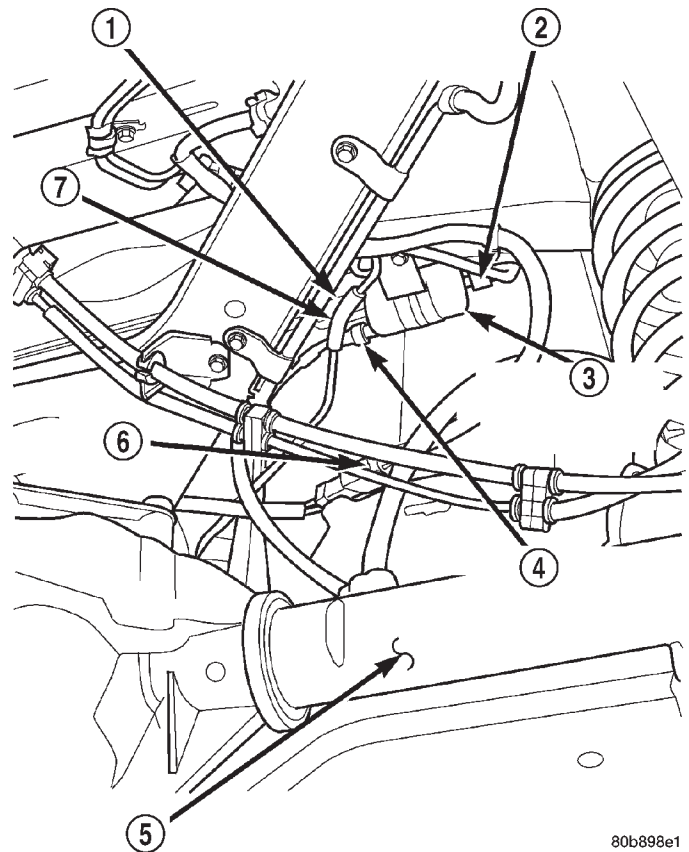
**Fig. 40 Fuel Tank Heat Shield Bolts**

- 1 - FUEL TANK
- 2 - HEAT SHIELD

(11) Disconnect fuel return line at fuel filter/fuel pressure regulator (Fig. 41). Refer to Quick-Connect Fittings for procedures.

(12) Disconnect fuel pressure line at fuel filter/fuel pressure regulator (Fig. 41). Refer to Quick-Connect Fittings for procedures.

(13) Disconnect EVAP canister vent line near front of tank (Fig. 41).



**Fig. 41 Fuel Filter/Fuel Pressure Regulator**

- 1 - FUEL RETURN LINE
- 2 - FUEL SUPPLY LINE (TO FUEL RAIL)
- 3 - FUEL FILTER/FUEL PRESSURE REGULATOR
- 4 - FUEL PRESSURE LINE
- 5 - REAR AXLE
- 6 - ELEC. CONNECTOR
- 7 - EVAP LINE

(14) Disconnect fuel pump module electrical connector (pigtail harness) near front of tank (Fig. 41). Harness connector is clipped to body.

(15) Cut and discard tie strap supporting rear axle vent hose to tank vent hose (Fig. 42).

(16) Remove clamp on axle vent hose at rear axle.

(17) Remove vent hose from fitting at rear axle.

(18) Loosen fill and vent hose clamps at body (Fig. 42). Disconnect fill and vent hoses at filler tube assembly.

(19) Place hydraulic jack to bottom of fuel tank.

(20) Remove tank-to-frame mounting bolts (Fig. 43).

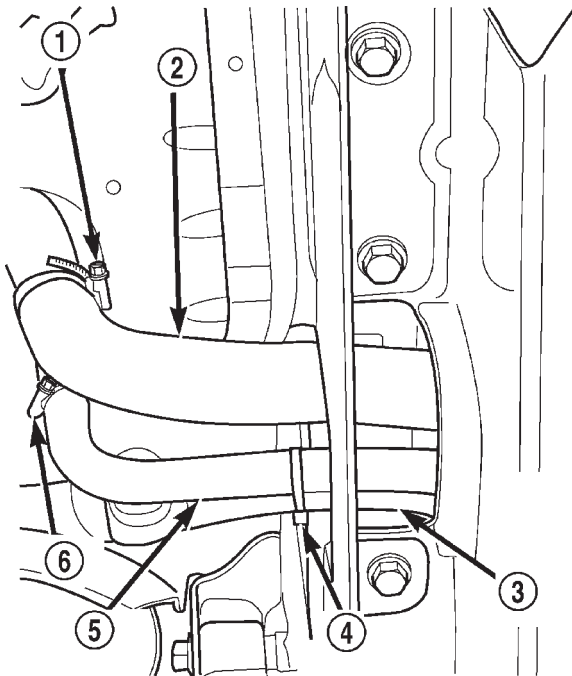
(21) Carefully lower tank until clear of vehicle. Place tank on floor.

(22) If necessary, remove two fuel tank strap nuts (Fig. 43).

(23) If fuel pump module removal is necessary, refer to Fuel Pump Module Removal/Installation.



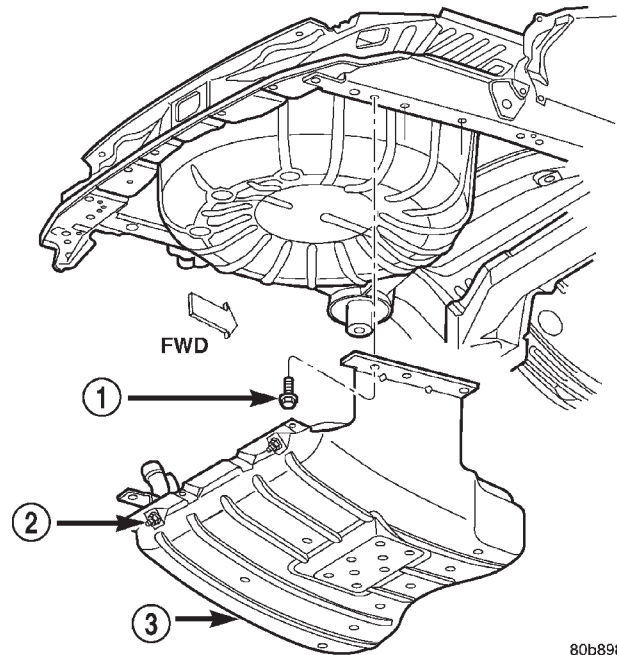
## REMOVAL AND INSTALLATION (Continued)



80b898f2

**Fig. 42 Fill and Vent Hoses**

- 1 - CLAMP
- 2 - FILL HOSE
- 3 - REAR AXLE VENT HOSE
- 4 - TIE STRAP
- 5 - VENT HOSE
- 6 - CLAMP



80b898f1

**Fig. 43 Fuel Tank Mounting**

- 1 - TANK MOUNTING BOLTS
- 2 - STRAP NUTS
- 3 - FUEL TANK/SHIELD ASSEMBLY

(24) If hoses are to be removed at fuel tank end, note painted alignment (indexing) markings on hoses, and molded indexing tangs on tank before removal. Remove hoses.

(25) If necessary, remove 3 fuel filler tube assembly mounting bolts (Fig. 44) and remove fuel filler tube.

**INSTALLATION**

(1) If fuel pump module is being installed, refer to Fuel Pump Module Removal/Installation.

(2) If necessary, position fuel filler tube assembly to body. Install 3 bolts and tighten to 2 N·m (15 in. lbs.) torque.

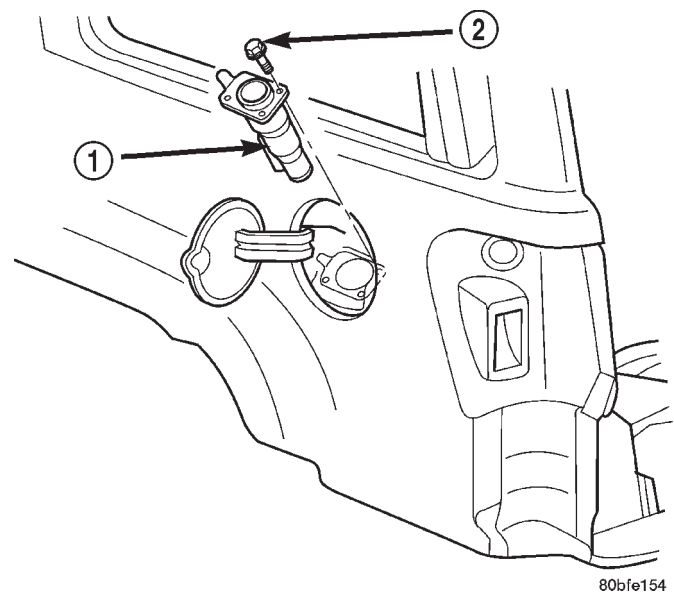
(3) Install fuel fill/vent hoses to tank fittings. To prevent hoses from kinking, rotate each hose until painted indexing mark on hose is aligned to molded indexing tang on tank.

(4) Install hose clamps to hoses. Tighten clamp screws to 3 N·m (25 in. lbs.) torque.

(5) Position fuel tank to hydraulic jack.

(6) Raise tank into position.

(7) Install fuel tank mounting bolts. Tighten bolts to 81 N·m (60 ft. lbs.) torque.



80bfe154

**Fig. 44 Fuel Filler Tube**

- 1 - FUEL FILLER TUBE
- 2 - MOUNTING BOLTS (3)

(8) Install fuel fill and vent hoses to fuel fill tube at body. Install clamps and tighten clamp screws to 3 N·m (25 in. lbs.) torque.

(9) Connect fuel pump module pigtail harness electrical connector near front of tank.

REMOVAL AND INSTALLATION (Continued)

- (10) Connect both fuel lines to fuel filter/fuel pressure regulator. Refer to Quick-Connect Fittings for procedures.
- (11) Connect EVAP hose near front of tank.
- (12) Position rear axle vent hose and install new tie strap.
- (13) Install new clamp to rear axle vent hose.
- (14) Install vent hose to fitting at rear axle and tighten clamp.
- (15) Install heat shield bolts.
- (16) Install trailer hitch (if equipped).
- (17) Install rear tow hooks (if equipped).
- (18) Install fuel tank-to-rear bumper fascia clips.
- (19) Lower vehicle and connect negative battery cable to battery.
- (20) Check for leaks.

FUEL TANK FILLER TUBE CAP

REMOVAL/INSTALLATION

If replacement of the 1/4 turn fuel tank filler tube cap is necessary, it must be replaced with an identical cap to be sure of correct system operation.

**CAUTION:** Remove the fuel tank filler tube cap to relieve fuel tank pressure. The cap must be removed prior to disconnecting any fuel system component or before draining the fuel tank.

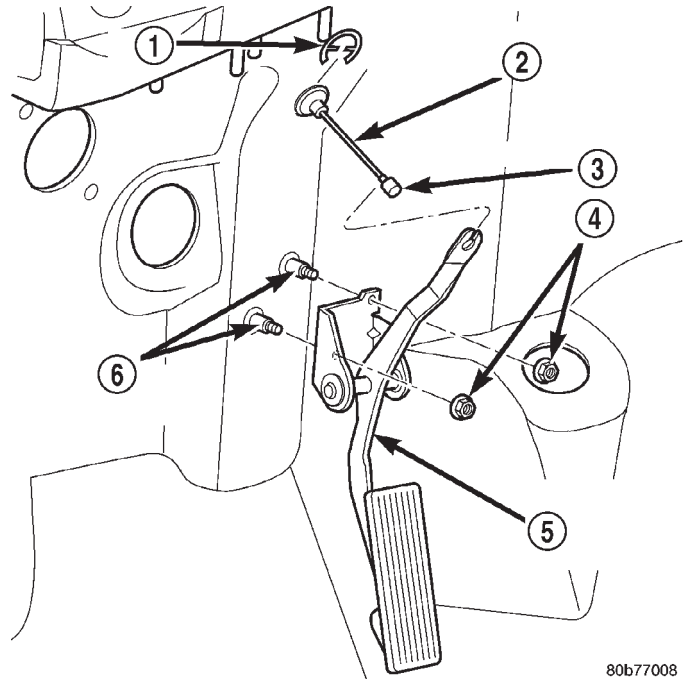
ACCELERATOR PEDAL

The accelerator pedal is connected to the throttle body linkage by the throttle cable. The cable is protected by a plastic sheathing and is connected to the throttle body linkage by a ball socket. It is connected to the accelerator pedal arm by a plastic retainer (clip) (Fig. 45). This retainer (clip) snaps into the top of the accelerator pedal arm. A retainer clip (Fig. 45) is also used to fasten cable to dash panel.

REMOVAL

**CAUTION:** Be careful not to damage or kink the cable core wire (within the cable sheathing) while servicing accelerator pedal or throttle cable.

- (1) From inside vehicle, hold up accelerator pedal. Remove plastic cable retainer (clip) and throttle cable core wire from upper end of pedal arm. Plastic cable retainer (clip) snaps into pedal arm.
- (2) Remove accelerator pedal bracket nuts. Remove accelerator pedal assembly.



80b77008

Fig. 45 Accelerator Pedal Mounting

- 1 - CLIP
- 2 - ACCELERATOR CABLE
- 3 - CABLE CONNECTOR
- 4 - MOUNTING NUTS (2)
- 5 - PEDAL/BRACKET ASSEMBLY
- 6 - MOUNTING STUDS (2)

INSTALLATION

- (1) Place accelerator pedal assembly over studs protruding from floor pan. Tighten mounting nuts to 12 N·m ± 2 N·m (105 in. lbs. ± 20 in. lbs.) torque.
- (2) Slide throttle cable into opening in top of pedal arm. Push plastic cable retainer (clip) into pedal arm opening until it snaps into place.
- (3) Before starting engine, operate accelerator pedal to check for any binding.

THROTTLE CABLE—4.0L ENGINE

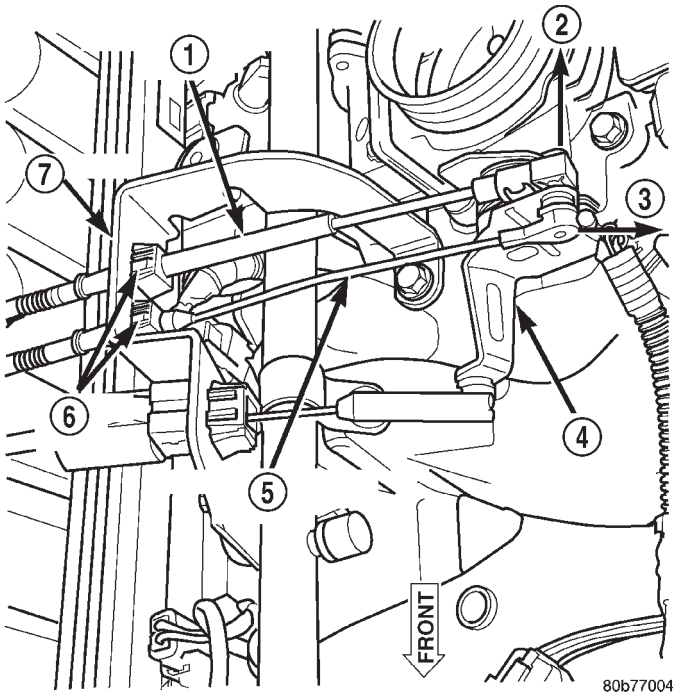
REMOVAL

**CAUTION:** Be careful not to damage or kink the cable core wire (within the cable sheathing) while servicing accelerator pedal or throttle cable.

- (1) From inside vehicle, hold up accelerator pedal. Remove plastic cable retainer (clip) and throttle cable core wire from upper end of pedal arm (Fig. 45). Plastic cable retainer (clip) snaps into pedal arm.

## REMOVAL AND INSTALLATION (Continued)

- (2) Remove cable core wire at pedal arm.
- (3) From inside vehicle, remove clip holding cable to dashpanel (Fig. 45).
- (4) Remove cable housing from dash panel and pull into engine compartment.
- (5) Remove (unsnap) cable from routing clips on engine valve cover.



**Fig. 46 Throttle (Accelerator) Cable at Throttle Body—4.0L Engine**

- 1 - ACCELERATOR CABLE
- 2 - OFF
- 3 - OFF
- 4 - THROTTLE BODY BELLCRANK
- 5 - SPEED CONTROL CABLE
- 6 - RELEASE TABS
- 7 - BRACKET

(6) Remove cable connector at throttle body bellcrank ball by unsnapping rearward (Fig. 46).

(7) Remove throttle cable from bracket by compressing release tabs (Fig. 46) and pushing cable through hole in bracket.

(8) Remove throttle cable from vehicle.

## INSTALLATION

(1) Slide throttle cable through hole in bracket until release tabs lock into bracket.

(2) Connect cable ball end to throttle body bellcrank ball (snaps on).

(3) Snap cable into routing clips on engine valve cover.

(4) Slide rubber grommet away from plastic cable housing.

(5) Install rubber grommet into dash panel until seated.

(6) Push cable housing into rubber grommet and through opening in dash panel.

(7) From inside vehicle, install clip holding cable to dashpanel (Fig. 45).

(8) From inside vehicle, slide throttle cable core wire into opening in top of pedal arm.

(9) Push cable retainer (clip) into pedal arm opening until it snaps in place.

(10) Before starting engine, operate accelerator pedal to check for any binding.

## THROTTLE CABLE—4.7L V-8 ENGINE

## REMOVAL

**CAUTION:** Be careful not to damage or kink the cable core wire (within the cable sheathing) while servicing accelerator pedal or throttle cable.

(1) From inside vehicle, hold up accelerator pedal. Remove plastic cable retainer (clip) and throttle cable core wire from upper end of pedal arm (Fig. 45). Plastic cable retainer (clip) snaps into pedal arm.

(2) Remove cable core wire at pedal arm.

(3) From inside vehicle, remove clip holding cable to dashpanel (Fig. 45).

(4) Remove air box at throttle body.

(5) Unsnap cable from plenum routing clip.

(6) Remove cable housing from dash panel and pull into engine compartment.

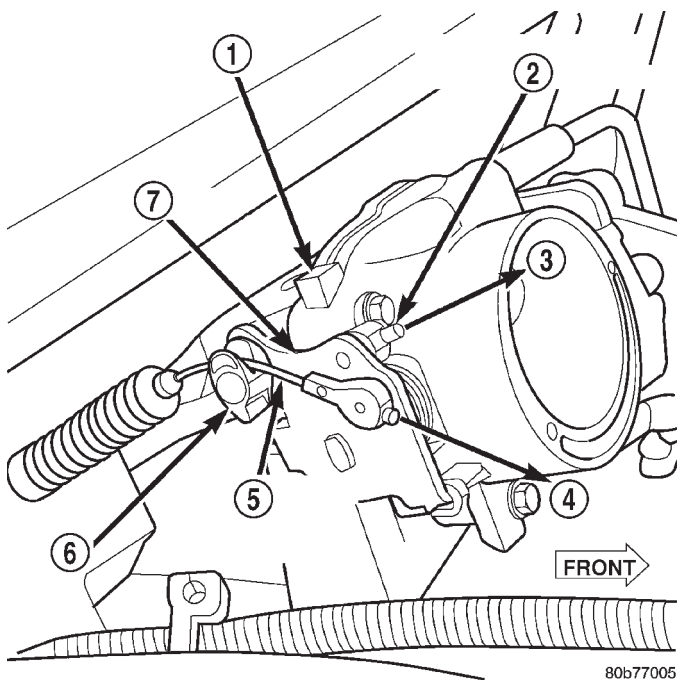
(7) Using finger pressure only, disconnect accelerator cable connector at throttle body bellcrank pin by pushing connector off bellcrank pin towards front of vehicle (Fig. 47). **DO NOT try to pull connector off perpendicular to the bellcrank pin. Connector will be broken.**

REMOVAL AND INSTALLATION (Continued)

(8) Lift accelerator cable from top of cable cam (Fig. 47).

(9) Press tab (Fig. 48) to release plastic cable mount from bracket. **Press on tab only enough to release cable from bracket. If tab is pressed too much, it will be broken.** Slide plastic mount (Fig. 48) towards passenger side of vehicle to remove cable from bracket.

(10) Remove throttle cable from vehicle.



**Fig. 47 Accelerator Cable at Bell Crank—4.7L V-8 Engine**

- 1 - THROTTLE BODY
- 2 - SPEED CONTROL CABLE CONNECTOR
- 3 - OFF
- 4 - OFF
- 5 - ACCELERATOR CABLE CONNECTOR
- 6 - CABLE CAM
- 7 - BELLCRANK

**INSTALLATION**

(1) Slide accelerator cable plastic mount into bracket. Continue sliding until tab (Fig. 48) is aligned to hole in mounting bracket.

(2) Route accelerator cable over top of cable cam.

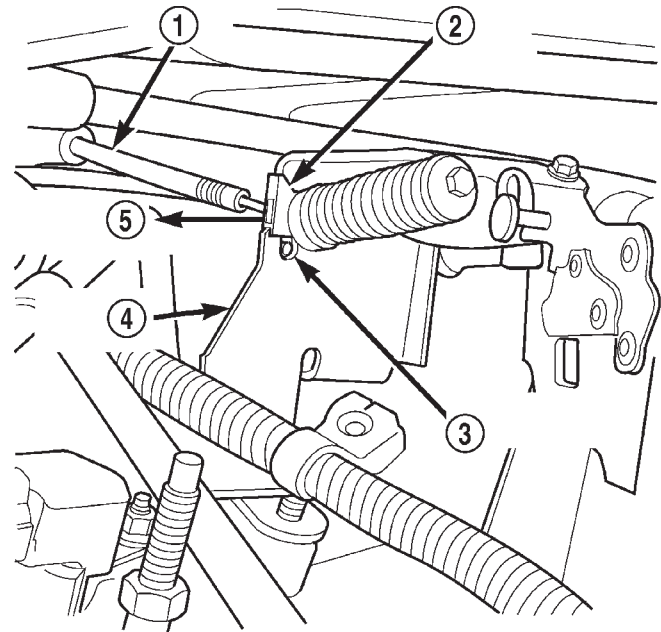
(3) Connect cable end to throttle body bellcrank pin (snaps on rearward).

(4) Slide rubber grommet away from plastic cable housing.

(5) Install rubber grommet into dash panel until seated.

(6) Push cable housing into rubber grommet and through opening in dash panel.

(7) From inside vehicle, install clip holding cable to dashpanel (Fig. 45).



80b77006

**Fig. 48 Accelerator Cable Release Tab—4.7L V-8 Engine**

- 1 - ACCELERATOR CABLE
- 2 - PLASTIC CABLE MOUNT
- 3 - PRESS TAB FOR REMOVAL
- 4 - CABLE BRACKET
- 5 - SLIDE FOR REMOVAL

(8) From inside vehicle, slide throttle cable core wire into opening in top of pedal arm.

(9) Push cable retainer (clip) into pedal arm opening until it snaps in place.

(10) Snap cable into plenum routing clip.

(11) Install air box to throttle body.

(12) Before starting engine, operate accelerator pedal to check for any binding.

**SPECIFICATIONS**

**FUEL TANK CAPACITY**

Models	Liters	U. S. Gallons
All	78	20.5
Nominal refill capacities are shown. A variation may be observed from vehicle to vehicle due to manufacturing tolerance and refill procedure.		

**FUEL SYSTEM PRESSURE**

339 kPa ± 34 kPa (49.2 psi ± 5 psi).

**FUEL REQUIREMENTS**

Your engine is designed to meet all emissions regulations and provide excellent fuel economy and per-



## SPECIFICATIONS (Continued)

formance when using high quality unleaded gasoline having an octane rating of 87. The use of premium gasoline is not recommended. The use of premium gasoline will provide no benefit over high quality regular gasoline, and in some circumstances may result in poorer performance.

Light spark knock at low engine speeds is not harmful to your engine. However, continued heavy spark knock at high speeds can cause damage and immediate service is required. Engine damage resulting from operation with a heavy spark knock may not be covered by the new vehicle warranty.

Poor quality gasoline can cause problems such as hard starting, stalling and hesitations. If you experience these symptoms, try another brand of gasoline before considering service for the vehicle.

Over 40 auto manufacturers world-wide have issued and endorsed consistent gasoline specifications (the Worldwide Fuel Charter, WWFC) to define fuel properties necessary to deliver enhanced emissions, performance and durability for your vehicle. We recommend the use of gasolines that meet the WWFC specifications if they are available.

### REFORMULATED GASOLINE

Many areas of the country require the use of cleaner burning gasoline referred to as "reformulated" gasoline. Reformulated gasoline contain oxygenates, and are specifically blended to reduce vehicle emissions and improve air quality.

We strongly supports the use of reformulated gasoline. Properly blended reformulated gasoline will provide excellent performance and durability for the engine and fuel system components.

### GASOLINE/OXYGENATE BLENDS

Some fuel suppliers blend unleaded gasoline with oxygenates such as 10% ethanol, MTBE, and ETBE. Oxygenates are required in some areas of the country during the winter months to reduce carbon monoxide emissions. Fuels blended with these oxygenates may be used in your vehicle.

**CAUTION: DO NOT use gasoline containing METHANOL. Gasoline containing methanol may damage critical fuel system components.**

### MMT IN GASOLINE

MMT is a manganese-containing metallic additive that is blended into some gasoline to increase octane. Gasoline blended with MMT provide no performance advantage beyond gasoline of the same octane number without MMT. Gasoline blended with MMT reduce spark plug life and reduce emission system performance in some vehicles. We recommend that gasolines free of MMT be used in your vehicle. The

MMT content of gasoline may not be indicated on the gasoline pump; therefore, you should ask your gasoline retailer whether or not his/her gasoline contains MMT.

It is even more important to look for gasoline without MMT in Canada because MMT can be used at levels higher than allowed in the United States. MMT is prohibited in Federal and California reformulated gasoline.

### SULFUR IN GASOLINE

If you live in the northeast United States, your vehicle may have been designed to meet California low emission standards with Cleaner-Burning California reformulated gasoline with low sulfur. If such fuels are not available in states adopting California emission standards, your vehicles will operate satisfactorily on fuels meeting federal specifications, but emission control system performance may be adversely affected. Gasoline sold outside of California is permitted to have higher sulfur levels which may affect the performance of the vehicle's catalytic converter. This may cause the Malfunction Indicator Lamp (MIL), Check Engine or Service Engine Soon light to illuminate. We recommend that you try a different brand of unleaded gasoline having lower sulfur to determine if the problem is fuel related prior to returning your vehicle to an authorized dealer for service.

**CAUTION: If the Malfunction Indicator Lamp (MIL), Check Engine or Service Engine Soon light is flashing, immediate service is required; see on-board diagnostics system section.**

### MATERIALS ADDED TO FUEL

All gasoline sold in the United States and Canada are required to contain effective detergent additives. Use of additional detergents or other additives is not needed under normal conditions.

### FUEL SYSTEM CAUTIONS

**CAUTION: Follow these guidelines to maintain your vehicle's performance:**

- The use of leaded gas is prohibited by Federal law. Using leaded gasoline can impair engine performance, damage the emission control system, and could result in loss of warranty coverage.
- An out-of-tune engine, or certain fuel or ignition malfunctions, can cause the catalytic converter to overheat. If you notice a pungent burning odor or some light smoke, your engine may be out of tune or malfunctioning and may require immediate service. Contact your dealer for service assistance.

SPECIFICATIONS (Continued)

- When pulling a heavy load or driving a fully loaded vehicle when the humidity is low and the temperature is high, use a premium unleaded fuel to help prevent spark knock. If spark knock persists, lighten the load, or engine piston damage may result.
- The use of fuel additives which are now being sold as octane enhancers is not recommended. Most of these products contain high concentrations of methanol. Fuel system damage or vehicle performance problems resulting from the use of such fuels or additives is not the responsibility of Daimler-Chrysler Corporation and may not be covered under the new vehicle warranty.

**NOTE: Intentional tampering with emissions control systems can result in civil penalties being assessed against you.**

**TORQUE CHART**

<b>DESCRIPTION</b>	<b>TORQUE</b>
Accelerator Pedal Bracket	
Mounting Nuts . . . . .	12 N·m ± 2 N·m (105 in. lbs. ± 20 in. lbs.)
Fuel Filter/Fuel Press. Reg. Bolts . . . . .	3 N·m (26 in. lbs.)
Fuel Hose Clamps . . . . .	3 N·m (26 in. lbs.)
Fuel Injector Rail Mounting	
Bolts—4.0L Engine . . . . .	11 N·m (100 in. lbs.)
Fuel Injector Rail Mounting	
Bolts—4.7L V-8 Engine . . . . .	11 N·m (100 in. lbs.)
Fuel Pump Module Locknut . . . . .	74 N·m (55 ft. lbs.)
Fuel Tank Filler Tube-to-Body	
Mounting Bolts . . . . .	2 N·m (15 in. lbs.)
Fuel Tank Mounting Bolts . . . . .	81 N·m (60 ft. lbs.)



# FUEL INJECTION SYSTEM

## TABLE OF CONTENTS

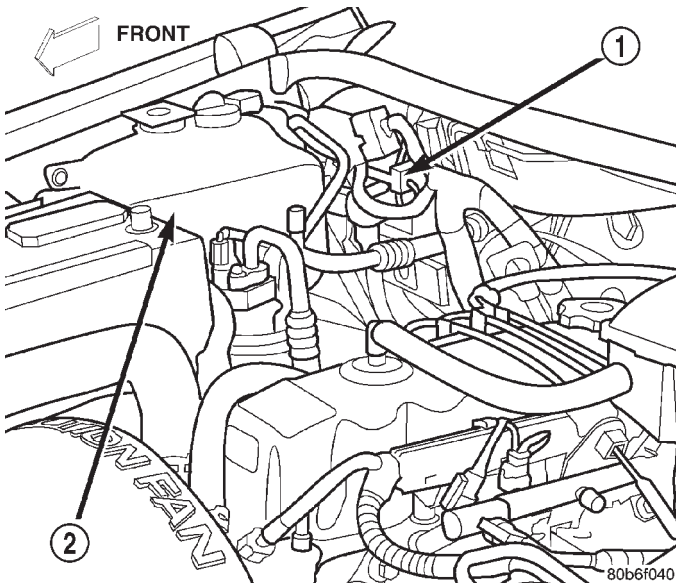
	page		page
<b>DESCRIPTION AND OPERATION</b>		<b>RELAY TESTING</b> . . . . .	47
POWERTRAIN CONTROL MODULE (PCM) . . . . .	31	THROTTLE BODY MINIMUM AIR FLOW CHECK PROCEDURE . . . . .	49
MODES OF OPERATION . . . . .	32	<b>REMOVAL AND INSTALLATION</b>	
AUTOMATIC SHUTDOWN (ASD) RELAY SENSE—PCM INPUT . . . . .	34	AUTOMATIC SHUTDOWN (ASD) RELAY . . . . .	49
BATTERY VOLTAGE—PCM INPUT . . . . .	34	FUEL PUMP RELAY . . . . .	50
BRAKE SWITCH—PCM INPUT . . . . .	34	OXYGEN SENSOR HEATER RELAYS . . . . .	50
ENGINE COOLANT TEMPERATURE SENSOR—PCM INPUT . . . . .	35	THROTTLE BODY—4.0L ENGINE . . . . .	50
FIVE VOLT SENSOR SUPPLIES—PRIMARY AND SECONDARY . . . . .	35	THROTTLE BODY—4.7L V-8 ENGINE . . . . .	50
FUEL LEVEL SENSOR—PCM INPUT . . . . .	35	THROTTLE POSITION SENSOR (TPS)—4.0L ENGINE . . . . .	51
IGNITION CIRCUIT SENSE—PCM INPUT . . . . .	35	THROTTLE POSITION SENSOR (TPS)—4.7L V-8 ENGINE . . . . .	52
INTAKE MANIFOLD AIR TEMPERATURE SENSOR—PCM INPUT . . . . .	35	IDLE AIR CONTROL (IAC) MOTOR—4.0L ENGINE . . . . .	52
MANIFOLD ABSOLUTE PRESSURE (MAP) SENSOR—PCM INPUT . . . . .	36	IDLE AIR CONTROL (IAC) MOTOR—4.7L V-8 ENGINE . . . . .	53
OIL PRESSURE SENSOR—PCM INPUT . . . . .	37	MANIFOLD ABSOLUTE PRESSURE (MAP) SENSOR—4.0L ENGINE . . . . .	54
OXYGEN SENSOR—PCM INPUT . . . . .	37	MANIFOLD ABSOLUTE PRESSURE (MAP) SENSOR—4.7L V-8 ENGINE . . . . .	54
POWER GROUNDS . . . . .	38	POWERTRAIN CONTROL MODULE (PCM) . . . . .	54
SENSOR RETURN—PCM INPUT . . . . .	38	OXYGEN SENSOR . . . . .	56
THROTTLE POSITION SENSOR (TPS)—PCM INPUT . . . . .	38	RADIATOR FAN COOLING RELAY . . . . .	57
VEHICLE SPEED AND DISTANCE—PCM INPUT . . . . .	39	AIR CLEANER ELEMENT (FILTER) . . . . .	58
AUTO SHUTDOWN (ASD) RELAY—PCM OUTPUT . . . . .	39	AIR CLEANER HOUSING/RESONATOR/ DUCTS . . . . .	59
J1850—PCM INPUTS/OUTPUTS . . . . .	39	ENGINE COOLANT TEMPERATURE SENSOR—4.0L ENGINE . . . . .	60
DATA LINK CONNECTOR—PCM INPUT AND OUTPUT . . . . .	39	ENGINE COOLANT TEMPERATURE SENSOR—4.7L V-8 ENGINE . . . . .	60
FUEL INJECTORS—PCM OUTPUT . . . . .	40	INTAKE MANIFOLD AIR TEMPERATURE SENSOR—4.0L ENGINE . . . . .	61
FUEL PUMP RELAY-PCM OUTPUT . . . . .	40	INTAKE MANIFOLD AIR TEMPERATURE SENSOR—4.7L V-8 ENGINE . . . . .	61
IDLE AIR CONTROL (IAC) MOTOR—PCM OUTPUT . . . . .	40	<b>SPECIFICATIONS</b>	
OXYGEN SENSOR HEATER RELAYS—PCM OUTPUT . . . . .	41	TORQUE CHART . . . . .	62
RADIATOR COOLING FAN RELAY—PCM OUTPUT . . . . .	41	<b>SPECIAL TOOLS</b>	
THROTTLE BODY . . . . .	41	FUEL SYSTEM . . . . .	63
<b>DIAGNOSIS AND TESTING</b>			
VISUAL INSPECTION . . . . .	42		

## DESCRIPTION AND OPERATION

### POWERTRAIN CONTROL MODULE (PCM)

#### DESCRIPTION

The Powertrain Control Module (PCM) is located in the engine compartment (Fig. 1). The PCM is referred to as JTEC.



**Fig. 1 PCM Location**

- 1 - PCM  
2 - COOLANT TANK

#### OPERATION

(1) Also refer to Modes of Operation.

The PCM operates the fuel system. The PCM is a pre-programmed, triple microprocessor digital computer. It regulates ignition timing, air-fuel ratio, emission control devices, charging system, certain transmission features, speed control, air conditioning compressor clutch engagement and idle speed. The PCM can adapt its programming to meet changing operating conditions.

The PCM receives input signals from various switches and sensors. Based on these inputs, the PCM regulates various engine and vehicle operations through different system components. These components are referred to as Powertrain Control Module (PCM) Outputs. The sensors and switches that provide inputs to the PCM are considered Powertrain Control Module (PCM) Inputs.

The PCM adjusts ignition timing based upon inputs it receives from sensors that react to: engine rpm, manifold absolute pressure, engine coolant temperature, throttle position, transmission gear selection (automatic transmission), vehicle speed and the brake switch.

The PCM adjusts idle speed based on inputs it receives from sensors that react to: throttle position, vehicle speed, transmission gear selection, engine coolant temperature and from inputs it receives from the air conditioning clutch switch and brake switch.

Based on inputs that it receives, the PCM adjusts ignition coil dwell. The PCM also adjusts the generator charge rate through control of the generator field and provides speed control operation.

#### NOTE: PCM Inputs:

- A/C request
- Auto shutdown (ASD) sense
- Battery temperature
- Battery voltage
- Brake switch
- J1850 bus circuits
- Camshaft position sensor signal
- Crankshaft position sensor
- Data link connections for DRB scan tool
- Engine coolant temperature sensor
- Five volts (primary)
- Five volts (secondary)
- Fuel level
- Generator (battery voltage) output
- Ignition circuit sense (ignition switch in on/off/crank/run position)
- Intake manifold air temperature sensor
- Leak detection pump (switch) sense (if equipped)
- Manifold absolute pressure (MAP) sensor
- Oil pressure
- Overdrive/override switch
- Oxygen sensors
- Park/neutral switch (auto. trans. only)
- Power ground
- Sensor return
- Signal ground
- Speed control multiplexed single wire input
- Throttle position sensor
- Transmission governor pressure sensor
- Transmission temperature sensor
- Vehicle speed (from ABS module)

#### NOTE: PCM Outputs:

- A/C clutch relay
- Auto shutdown (ASD) relay
- J1850 (+/-) circuits for: speedometer, voltmeter, fuel gauge, oil pressure gauge/lamp, engine temp. gauge and speed control warn. lamp
- Data link connection for DRB scan tool
- EGR valve control solenoid (if equipped)
- EVAP canister purge solenoid
- Fuel injectors
- Fuel pump relay
- Generator field driver (-)

## DESCRIPTION AND OPERATION (Continued)

- Generator field driver (+)
- Generator lamp (if equipped)
- Idle air control (IAC) motor
- Ignition coil
- Leak detection pump
- Malfunction indicator lamp (Check engine lamp).

Driven through J1850 circuits.

- Overdrive indicator lamp (if equipped). Driven through J1850 circuits.

- Oxygen sensor heater relays (if equipped).
- Radiator cooling fan relay (pulse width modulated)
- Speed control source
- Speed control vacuum solenoid
- Speed control vent solenoid
- Tachometer (if equipped). Driven through J1850 circuits.
- Transmission convertor clutch circuit
- Transmission 3-4 shift solenoid
- Transmission relay
- Transmission temperature lamp (if equipped)
- Transmission variable force solenoid

## MODES OF OPERATION

### OPERATION

As input signals to the Powertrain Control Module (PCM) change, the PCM adjusts its response to the output devices. For example, the PCM must calculate different injector pulse width and ignition timing for idle than it does for wide open throttle (WOT).

The PCM will operate in two different modes:

#### **Open Loop and Closed Loop.**

During Open Loop modes, the PCM receives input signals and responds only according to preset PCM programming. Input from the oxygen (O<sub>2</sub>S) sensors is not monitored during Open Loop modes.

During Closed Loop modes, the PCM will monitor the oxygen (O<sub>2</sub>S) sensors input. This input indicates to the PCM whether or not the calculated injector pulse width results in the ideal air-fuel ratio. This ratio is 14.7 parts air-to-1 part fuel. By monitoring the exhaust oxygen content through the O<sub>2</sub>S sensor, the PCM can fine tune the injector pulse width. This is done to achieve optimum fuel economy combined with low emission engine performance.

The fuel injection system has the following modes of operation:

- Ignition switch ON
- Engine start-up (crank)
- Engine warm-up
- Idle
- Cruise
- Acceleration
- Deceleration
- Wide open throttle (WOT)

- Ignition switch OFF

The ignition switch On, engine start-up (crank), engine warm-up, acceleration, deceleration and wide open throttle modes are Open Loop modes. The idle and cruise modes, (with the engine at operating temperature) are Closed Loop modes.

### IGNITION SWITCH (KEY-ON) MODE

This is an Open Loop mode. When the fuel system is activated by the ignition switch, the following actions occur:

- The PCM pre-positions the idle air control (IAC) motor.
- The PCM determines atmospheric air pressure from the MAP sensor input to determine basic fuel strategy.
- The PCM monitors the engine coolant temperature sensor input. The PCM modifies fuel strategy based on this input.
- Intake manifold air temperature sensor input is monitored.
- Throttle position sensor (TPS) is monitored.
- The auto shutdown (ASD) relay is energized by the PCM for approximately three seconds.
- The fuel pump is energized through the fuel pump relay by the PCM. The fuel pump will operate for approximately three seconds unless the engine is operating or the starter motor is engaged.
- The O<sub>2</sub>S sensor heater element is energized via the O<sub>2</sub>S relays. The O<sub>2</sub>S sensor input is not used by the PCM to calibrate air-fuel ratio during this mode of operation.

### ENGINE START-UP MODE

This is an Open Loop mode. The following actions occur when the starter motor is engaged.

The PCM receives inputs from:

- Battery voltage
- Engine coolant temperature sensor
- Crankshaft position sensor
- Intake manifold air temperature sensor
- Manifold absolute pressure (MAP) sensor
- Throttle position sensor (TPS)
- Starter motor relay
- Camshaft position sensor signal

The PCM monitors the crankshaft position sensor. If the PCM does not receive a crankshaft position sensor signal within approximately 3 seconds of cranking the engine, it will shut down the fuel injection system.

The fuel pump is activated by the PCM through the fuel pump relay.

Voltage is applied to the fuel injectors with the ASD relay via the PCM. The PCM will then control the injection sequence and injector pulse width by

## DESCRIPTION AND OPERATION (Continued)

turning the ground circuit to each individual injector on and off.

The PCM determines the proper ignition timing according to input received from the crankshaft position sensor.

**ENGINE WARM-UP MODE**

This is an Open Loop mode. During engine warm-up, the PCM receives inputs from:

- Battery voltage
- Crankshaft position sensor
- Engine coolant temperature sensor
- Intake manifold air temperature sensor
- Manifold absolute pressure (MAP) sensor
- Throttle position sensor (TPS)
- Camshaft position sensor signal
- Park/neutral switch (gear indicator signal—auto.

trans. only)

- Air conditioning select signal (if equipped)
- Air conditioning request signal (if equipped)

Based on these inputs the following occurs:

• Voltage is applied to the fuel injectors with the ASD relay via the PCM. The PCM will then control the injection sequence and injector pulse width by turning the ground circuit to each individual injector on and off.

• The PCM adjusts engine idle speed through the idle air control (IAC) motor and adjusts ignition timing.

• The PCM operates the A/C compressor clutch through the clutch relay. This is done if A/C has been selected by the vehicle operator and requested by the A/C thermostat.

• When engine has reached operating temperature, the PCM will begin monitoring O<sub>2</sub>S sensor input. The system will then leave the warm-up mode and go into closed loop operation.

**IDLE MODE**

When the engine is at operating temperature, this is a Closed Loop mode. At idle speed, the PCM receives inputs from:

- Air conditioning select signal (if equipped)
- Air conditioning request signal (if equipped)
- Battery voltage
- Crankshaft position sensor
- Engine coolant temperature sensor
- Intake manifold air temperature sensor
- Manifold absolute pressure (MAP) sensor
- Throttle position sensor (TPS)
- Camshaft position sensor signal
- Battery voltage
- Park/neutral switch (gear indicator signal—auto.

trans. only)

- Oxygen sensors

Based on these inputs, the following occurs:

• Voltage is applied to the fuel injectors with the ASD relay via the PCM. The PCM will then control injection sequence and injector pulse width by turning the ground circuit to each individual injector on and off.

• The PCM monitors the O<sub>2</sub>S sensor input and adjusts air-fuel ratio by varying injector pulse width. It also adjusts engine idle speed through the idle air control (IAC) motor.

• The PCM adjusts ignition timing by increasing and decreasing spark advance.

• The PCM operates the A/C compressor clutch through the clutch relay. This happens if A/C has been selected by the vehicle operator and requested by the A/C thermostat.

**CRUISE MODE**

When the engine is at operating temperature, this is a Closed Loop mode. At cruising speed, the PCM receives inputs from:

- Air conditioning select signal (if equipped)
- Air conditioning request signal (if equipped)

• Battery voltage

• Engine coolant temperature sensor

• Crankshaft position sensor

• Intake manifold air temperature sensor

• Manifold absolute pressure (MAP) sensor

• Throttle position sensor (TPS)

• Camshaft position sensor signal

• Park/neutral switch (gear indicator signal—auto. trans. only)

- Oxygen (O<sub>2</sub>S) sensors

Based on these inputs, the following occurs:

• Voltage is applied to the fuel injectors with the ASD relay via the PCM. The PCM will then adjust the injector pulse width by turning the ground circuit to each individual injector on and off.

• The PCM monitors the O<sub>2</sub>S sensor input and adjusts air-fuel ratio. It also adjusts engine idle speed through the idle air control (IAC) motor.

• The PCM adjusts ignition timing by turning the ground path to the coil on and off.

• The PCM operates the A/C compressor clutch through the clutch relay. This happens if A/C has been selected by the vehicle operator and requested by the A/C thermostat.

**ACCELERATION MODE**

This is an Open Loop mode. The PCM recognizes an abrupt increase in throttle position or MAP pressure as a demand for increased engine output and vehicle acceleration. The PCM increases injector pulse width in response to increased throttle opening.



## DESCRIPTION AND OPERATION (Continued)

**DECELERATION MODE**

When the engine is at operating temperature, this is an Open Loop mode. During hard deceleration, the PCM receives the following inputs.

- Air conditioning select signal (if equipped)
- Air conditioning request signal (if equipped)
- Battery voltage
- Engine coolant temperature sensor
- Crankshaft position sensor
- Intake manifold air temperature sensor
- Manifold absolute pressure (MAP) sensor
- Throttle position sensor (TPS)
- Camshaft position sensor signal
- Park/neutral switch (gear indicator signal—auto.

trans. only)

- Vehicle speed

If the vehicle is under hard deceleration with the proper rpm and closed throttle conditions, the PCM will ignore the oxygen sensor input signal. The PCM will enter a fuel cut-off strategy in which it will not supply a ground to the injectors. If a hard deceleration does not exist, the PCM will determine the proper injector pulse width and continue injection.

Based on the above inputs, the PCM will adjust engine idle speed through the idle air control (IAC) motor.

The PCM adjusts ignition timing by turning the ground path to the coil on and off.

**WIDE OPEN THROTTLE MODE**

This is an Open Loop mode. During wide open throttle operation, the PCM receives the following inputs.

- Battery voltage
- Crankshaft position sensor
- Engine coolant temperature sensor
- Intake manifold air temperature sensor
- Manifold absolute pressure (MAP) sensor
- Throttle position sensor (TPS)
- Camshaft position sensor signal

During wide open throttle conditions, the following occurs:

- Voltage is applied to the fuel injectors with the ASD relay via the PCM. The PCM will then control the injection sequence and injector pulse width by turning the ground circuit to each individual injector on and off. The PCM ignores the oxygen sensor input signal and provides a predetermined amount of additional fuel. This is done by adjusting injector pulse width.

- The PCM adjusts ignition timing by turning the ground path to the coil on and off.

**IGNITION SWITCH OFF MODE**

When ignition switch is turned to OFF position, the PCM stops operating the injectors, ignition coil, ASD relay and fuel pump relay.

**AUTOMATIC SHUTDOWN (ASD) RELAY SENSE—PCM INPUT****DESCRIPTION**

The ASD relay is located in the Power Distribution Center (PDC). The PDC is located in the engine compartment. Refer to label on PDC cover for relay location.

**OPERATION**

A 12 volt signal at this input indicates to the PCM that the ASD has been activated. The relay is used to connect the oxygen sensor heater element, ignition coil and fuel injectors to 12 volt + power supply.

This input is used only to sense that the ASD relay is energized. If the powertrain control module (PCM) does not see 12 volts at this input when the ASD should be activated, it will set a diagnostic trouble code (DTC).

**BATTERY VOLTAGE—PCM INPUT****OPERATION**

The battery voltage input provides power to the Powertrain Control Module (PCM). It also informs the PCM what voltage level is supplied to the ignition coil and fuel injectors.

If battery voltage is low, the PCM will increase injector pulse width (period of time that the injector is energized). This is done to compensate for the reduced flow through injector caused by the lowered voltage.

**BRAKE SWITCH—PCM INPUT****OPERATION**

When the brake light switch is activated, the Powertrain Control Module (PCM) receives an input indicating that the brakes are being applied. After receiving this input, the PCM maintains idle speed to a scheduled rpm through control of the Idle Air Control (IAC) motor. The brake switch input is also used to disable vent and vacuum solenoid output signals to the speed control servo.

## DESCRIPTION AND OPERATION (Continued)

**ENGINE COOLANT TEMPERATURE SENSOR—PCM INPUT****DESCRIPTION**

The Engine Coolant Temperature (ECT) sensor is used to sense engine coolant temperature. The sensor protrudes into an engine water jacket.

The ECT sensor is a two-wire Negative Thermal Coefficient (NTC) sensor. Meaning, as engine coolant temperature increases, resistance (voltage) in the sensor decreases. As temperature decreases, resistance (voltage) in the sensor increases.

**OPERATION**

At key-on, the Powertrain Control Module (PCM) sends out a regulated 5 volt signal to the ECT sensor. The PCM then monitors the signal as it passes through the ECT sensor to the sensor ground (sensor return).

When the engine is cold, the PCM will operate in Open Loop cycle. It will demand slightly richer air-fuel mixtures and higher idle speeds. This is done until normal operating temperatures are reached.

The PCM uses inputs from the ECT sensor for the following calculations:

- for engine coolant temperature gauge operation through CCD or PCI (J1850) communications
- Injector pulse-width
- Spark-advance curves
- ASD relay shut-down times
- Idle Air Control (IAC) motor key-on steps
- Pulse-width prime-shot during cranking
- O<sub>2</sub> sensor closed loop times
- Purge solenoid on/off times
- EGR solenoid on/off times (if equipped)
- Leak Detection Pump operation (if equipped)
- Radiator fan relay on/off times (if equipped)
- Target idle speed

**FIVE VOLT SENSOR SUPPLIES—PRIMARY AND SECONDARY****DESCRIPTION**

Two different Powertrain Control Module (PCM) five volt supply circuits are used; primary and secondary.

**OPERATION**

These 2 circuits will:

- supply the required 5 volt power source to the Crankshaft Position (CKP) sensor.
- supply the required 5 volt power source to the Camshaft Position (CMP) sensor.
- supply a reference voltage for the Manifold Absolute Pressure (MAP) sensor.

- supply a reference voltage for the Throttle Position Sensor (TPS) sensor.
- supply the required 5 volt power source to the oil pressure sensor.
- supply the required 5 volt power source for the Vehicle Speed Sensor (VSS) (if equipped).
- supply the 5 volt power source to the transmission pressure sensor (if equipped with an RE automatic transmission).

**FUEL LEVEL SENSOR—PCM INPUT****DESCRIPTION**

The fuel level sensor (fuel gauge sending unit) is located on the fuel pump module.

**OPERATION**

Refer to Fuel Gauge Sending Unit in the Fuel Delivery section for information.

**IGNITION CIRCUIT SENSE—PCM INPUT****DESCRIPTION**

This circuit ties the ignition switch to the Powertrain Control Module (PCM).

**OPERATION**

The ignition circuit sense input tells the PCM the ignition switch has energized the ignition circuit.

Battery voltage is supplied to the PCM through the ignition switch when the ignition is in the RUN or START position. This is referred to as the "ignition sense" circuit and is used to "wake up" the PCM. Voltage on the ignition input can be as low as 6 volts and the PCM will still function. Voltage is supplied to this circuit to power the PCM's 5 volt primary and 5 volt secondary circuits. This allows the PCM to perform fuel, ignition and emissions control functions.

**INTAKE MANIFOLD AIR TEMPERATURE SENSOR—PCM INPUT****DESCRIPTION**

The 2-wire Intake Manifold Air Temperature (IAT) sensor is installed in the intake manifold with the sensor element extending into the air stream.

The IAT sensor is a two-wire Negative Thermal Coefficient (NTC) sensor. Meaning, as intake manifold temperature increases, resistance (voltage) in the sensor decreases. As temperature decreases, resistance (voltage) in the sensor increases.

**OPERATION**

The IAT sensor provides an input voltage to the Powertrain Control Module (PCM) indicating the density of the air entering the intake manifold based



## DESCRIPTION AND OPERATION (Continued)

upon intake manifold temperature. At key-on, a 5-volt power circuit is supplied to the sensor from the PCM. The sensor is grounded at the PCM through a low-noise, sensor-return circuit.

The PCM uses this input to calculate the following:

- Injector pulse-width
- Adjustment of spark timing (to help prevent spark knock with high intake manifold air-charge temperatures)

The resistance values of the IAT sensor is the same as for the Engine Coolant Temperature (ECT) sensor.

## MANIFOLD ABSOLUTE PRESSURE (MAP) SENSOR—PCM INPUT

### DESCRIPTION

On the 4.0L six-cylinder engine the MAP sensor is mounted to the engine throttle body. On the 4.7L V-8 engine the MAP sensor is mounted to front of the intake manifold.

### OPERATION

The MAP sensor is used as an input to the Powertrain Control Module (PCM). It contains a silicon based sensing unit to provide data on the manifold vacuum that draws the air/fuel mixture into the combustion chamber. The PCM requires this information to determine injector pulse width and spark advance. When manifold absolute pressure (MAP) equals Barometric pressure, the pulse width will be at maximum.

A 5 volt reference is supplied from the PCM and returns a voltage signal to the PCM that reflects manifold pressure. The zero pressure reading is 0.5V and full scale is 4.5V. For a pressure swing of 0–15 psi, the voltage changes 4.0V. To operate the sensor, it is supplied a regulated 4.8 to 5.1 volts. Ground is provided through the low-noise, sensor return circuit at the PCM.

The MAP sensor input is the number one contributor to fuel injector pulse width. The most important function of the MAP sensor is to determine barometric pressure. The PCM needs to know if the vehicle is at sea level or at a higher altitude, because the air density changes with altitude. It will also help to correct for varying barometric pressure. Barometric pressure and altitude have a direct inverse correlation; as altitude goes up, barometric goes down. At key-on, the PCM powers up and looks at MAP voltage, and based upon the voltage it sees, it knows the current barometric pressure (relative to altitude). Once the engine starts, the PCM looks at the voltage again, continuously every 12 milliseconds, and compares the current voltage to what it was at key-on. The difference between current voltage and what it was at key-on, is manifold vacuum.

During key-on (engine not running) the sensor reads (updates) barometric pressure. A normal range can be obtained by monitoring a known good sensor.

As the altitude increases, the air becomes thinner (less oxygen). If a vehicle is started and driven to a very different altitude than where it was at key-on, the barometric pressure needs to be updated. Any time the PCM sees Wide Open Throttle (WOT), based upon Throttle Position Sensor (TPS) angle and RPM, it will update barometric pressure in the MAP memory cell. With periodic updates, the PCM can make its calculations more effectively.

The PCM uses the MAP sensor input to aid in calculating the following:

- Manifold pressure
- Barometric pressure
- Engine load
- Injector pulse-width
- Spark-advance programs
- Shift-point strategies (certain automatic transmissions only)
- Idle speed
- Decel fuel shutoff

The MAP sensor signal is provided from a single piezoresistive element located in the center of a diaphragm. The element and diaphragm are both made of silicone. As manifold pressure changes, the diaphragm moves causing the element to deflect, which stresses the silicone. When silicone is exposed to stress, its resistance changes. As manifold vacuum increases, the MAP sensor input voltage decreases proportionally. The sensor also contains electronics that condition the signal and provide temperature compensation.

The PCM recognizes a decrease in manifold pressure by monitoring a decrease in voltage from the reading stored in the barometric pressure memory cell. The MAP sensor is a linear sensor; meaning as pressure changes, voltage changes proportionately. The range of voltage output from the sensor is usually between 4.6 volts at sea level to as low as 0.3 volts at 26 in. of Hg. Barometric pressure is the pressure exerted by the atmosphere upon an object. At sea level on a standard day, no storm, barometric pressure is approximately 29.92 in Hg. For every 100 feet of altitude, barometric pressure drops 1.0 in. Hg. If a storm goes through it can change barometric pressure from what should be present for that altitude. You should know what the average pressure and corresponding barometric pressure is for your area.

## DESCRIPTION AND OPERATION (Continued)

**OIL PRESSURE SENSOR—PCM INPUT****DESCRIPTION**

The 3-wire, solid-state engine oil pressure sensor (sending unit) is located in an engine oil pressure gallery.

**OPERATION**

The oil pressure sensor uses three circuits. They are:

- A 5-volt power supply from the Powertrain Control Module (PCM)
- A sensor ground through the PCM's sensor return
- A signal to the PCM relating to engine oil pressure

The oil pressure sensor has a 3-wire electrical function very much like the Manifold Absolute Pressure (MAP) sensor. Meaning different pressures relate to different output voltages.

A 5-volt supply is sent to the sensor from the PCM to power up the sensor. The sensor returns a voltage signal back to the PCM relating to engine oil pressure. This signal is then transferred (bussed) to the instrument panel on either a CCD or PCI bus circuit (depending on vehicle line) to operate the oil pressure gauge and the check gauges lamp. Ground for the sensor is provided by the PCM through a low-noise sensor return.

**OXYGEN SENSOR—PCM INPUT****DESCRIPTION**

The Oxygen Sensors (O<sub>2</sub>S) are attached to, and protrude into the vehicle exhaust system. Depending on the emission package, the vehicle may use a total of either 2 or 4 sensors.

**Federal Emissions Package:** Two sensors are used: upstream (referred to as 1/1) and downstream (referred to as 1/2). With this emission package, the upstream sensor (1/1) is located just before the main catalytic convertor. The downstream sensor (1/2) is located just after the main catalytic convertor.

**4.7L V-8 With California Emissions Package:** On this emissions package, 4 sensors are used: 2 upstream (referred to as 1/1 and 2/1) and 2 downstream (referred to as 1/2 and 2/2). With this emission package, the right upstream sensor (2/1) is located in the right exhaust downpipe just before the mini-catalytic convertor. The left upstream sensor (1/1) is located in the left exhaust downpipe just before the mini-catalytic convertor. The right downstream sensor (2/2) is located in the right exhaust downpipe just after the mini-catalytic convertor, and before the main catalytic convertor. The left downstream sensor (1/2) is located in the left exhaust

downpipe just after the mini-catalytic convertor, and before the main catalytic convertor.

**4.0L 6-Cylinder With California Emissions**

**Package:** On this emissions package, 4 sensors are used: 2 upstream (referred to as 1/1 and 2/1) and 2 downstream (referred to as 1/2 and 2/2). With this emission package, the rear/upper upstream sensor (2/1) is located in the exhaust downpipe just before the rear mini-catalytic convertor. The front/upper upstream sensor (1/1) is located in the exhaust downpipe just before the front mini-catalytic convertor. The rear/lower downstream sensor (2/2) is located in the exhaust downpipe just after the rear mini-catalytic convertor, and before the main catalytic convertor. The front/lower downstream sensor (1/2) is located in the exhaust downpipe just after the front mini-catalytic convertor, and before the main catalytic convertor.

**OPERATION**

An O<sub>2</sub> sensor is a galvanic battery that provides the PCM with a voltage signal (0-1 volt) inversely proportional to the amount of oxygen in the exhaust. In other words, if the oxygen content is low, the voltage output is high; if the oxygen content is high the output voltage is low. The PCM uses this information to adjust injector pulse-width to achieve the 14.7-to-1 air/fuel ratio necessary for proper engine operation and to control emissions.

The O<sub>2</sub> sensor must have a source of oxygen from outside of the exhaust stream for comparison. Current O<sub>2</sub> sensors receive their fresh oxygen (outside air) supply through the wire harness. This is why it is important to never solder an O<sub>2</sub> sensor connector, or pack the connector with grease.

Four wires (circuits) are used on each O<sub>2</sub> sensor: a 12-volt feed circuit for the sensor heating element; a ground circuit for the heater element; a low-noise sensor return circuit to the PCM, and an input circuit from the sensor back to the PCM to detect sensor operation.

**Oxygen Sensor Heaters/Heater Relays:**

Depending on the emissions package, the heating elements within the sensors will be supplied voltage from either the ASD relay, or 2 separate oxygen sensor relays. Refer to Wiring Diagrams to determine which relays are used.

The O<sub>2</sub> sensor uses a Positive Thermal Co-efficient (PTC) heater element. As temperature increases, resistance increases. At ambient temperatures around 70°F, the resistance of the heating element is approximately 4.5 ohms on 4.0L engines. It is approximately 13.5 ohms on the 4.7L engine. As the sensor's temperature increases, resistance in the heater element increases. This allows the heater to maintain the optimum operating temperature of

## DESCRIPTION AND OPERATION (Continued)

approximately 930°-1100°F (500°-600° C). Although the sensors operate the same, there are physical differences, due to the environment that they operate in, that keep them from being interchangeable.

Maintaining correct sensor temperature at all times allows the system to enter into closed loop operation sooner. Also, it allows the system to remain in closed loop operation during periods of extended idle.

In Closed Loop operation, the PCM monitors certain O<sub>2</sub> sensor input(s) along with other inputs, and adjusts the injector pulse width accordingly. During Open Loop operation, the PCM ignores the O<sub>2</sub> sensor input. The PCM adjusts injector pulse width based on preprogrammed (fixed) values and inputs from other sensors.

**Upstream Sensor (Non-California Emissions):** The upstream sensor (1/1) provides an input voltage to the PCM. The input tells the PCM the oxygen content of the exhaust gas. The PCM uses this information to fine tune fuel delivery to maintain the correct oxygen content at the downstream oxygen sensor. The PCM will change the air/fuel ratio until the upstream sensor inputs a voltage that the PCM has determined will make the downstream sensor output (oxygen content) correct.

The upstream oxygen sensor also provides an input to determine catalytic convertor efficiency.

**Downstream Sensor (Non-California Emissions):** The downstream oxygen sensor (1/2) is also used to determine the correct air-fuel ratio. As the oxygen content changes at the downstream sensor, the PCM calculates how much air-fuel ratio change is required. The PCM then looks at the upstream oxygen sensor voltage and changes fuel delivery until the upstream sensor voltage changes enough to correct the downstream sensor voltage (oxygen content).

The downstream oxygen sensor also provides an input to determine catalytic convertor efficiency.

**Upstream Sensors (California Engines):** Two upstream sensors are used (1/1 and 2/1). The 1/1 sensor is the first sensor to receive exhaust gases from the #1 cylinder. They provide an input voltage to the PCM. The input tells the PCM the oxygen content of the exhaust gas. The PCM uses this information to fine tune fuel delivery to maintain the correct oxygen content at the downstream oxygen sensors. The PCM will change the air/fuel ratio until the upstream sensors input a voltage that the PCM has determined will make the downstream sensors output (oxygen content) correct.

The upstream oxygen sensors also provide an input to determine mini-catalyst efficiency. Main catalytic convertor efficiency is not calculated with this package.

**Downstream Sensors (California Engines):**

Two downstream sensors are used (1/2 and 2/2). The downstream sensors are used to determine the correct air-fuel ratio. As the oxygen content changes at the downstream sensor, the PCM calculates how much air-fuel ratio change is required. The PCM then looks at the upstream oxygen sensor voltage, and changes fuel delivery until the upstream sensor voltage changes enough to correct the downstream sensor voltage (oxygen content).

The downstream oxygen sensors also provide an input to determine mini-catalyst efficiency. Main catalytic convertor efficiency is not calculated with this package.

Engines equipped with either a downstream sensor(s), or a post-catalytic sensor, will monitor catalytic convertor efficiency. If efficiency is below emission standards, the Malfunction Indicator Lamp (MIL) will be illuminated and a Diagnostic Trouble Code (DTC) will be set. Refer to Monitored Systems in Emission Control Systems for additional information.

## POWER GROUNDS

## OPERATION

The Powertrain Control Module (PCM) has 2 main grounds. Both of these grounds are referred to as power grounds. All of the high-current, noisy, electrical devices are connected to these grounds as well as all of the sensor returns. Sensor return is a low-noise, low-current, dedicated ground.

The power ground is used to control ground circuits for the following PCM loads:

- Generator field winding
- Fuel injectors
- Ignition coil(s)
- Certain relays/solenoids
- Certain sensors

## SENSOR RETURN—PCM INPUT

## OPERATION

The Sensor Return circuits are internal to the Powertrain Control Module (PCM).

Sensor Return provides a low-noise ground reference for all engine control system sensors. Refer to Power Grounds for more information.

## THROTTLE POSITION SENSOR (TPS)—PCM INPUT

## DESCRIPTION

The 3-wire Throttle Position Sensor (TPS) is mounted on the throttle body and is connected to the throttle blade.

## DESCRIPTION AND OPERATION (Continued)

**OPERATION**

The TPS is a 3-wire variable resistor that provides the Powertrain Control Module (PCM) with an input signal (voltage) that represents the throttle blade position of the throttle body. The sensor is connected to the throttle blade shaft. As the position of the throttle blade changes, the resistance (output voltage) of the TPS changes.

The PCM supplies approximately 5 volts to the TPS. The TPS output voltage (input signal to the PCM) represents the throttle blade position. The PCM receives an input signal voltage from the TPS. This will vary in an approximate range of from 2.6 volts at minimum throttle opening (idle), to 4.49 volts at wide open throttle. Along with inputs from other sensors, the PCM uses the TPS input to determine current engine operating conditions. In response to engine operating conditions, the PCM will adjust fuel injector pulse width and ignition timing.

The PCM needs to identify the actions and position of the throttle blade at all times. This information is needed to assist in performing the following calculations:

- Ignition timing advance
- Fuel injection pulse-width
- Idle (learned value or minimum TPS)
- Off-idle (0.06 volt)
- Wide Open Throttle (WOT) open loop (2.608 volts above learned idle voltage)
  - Deceleration fuel lean out
  - Fuel cutoff during cranking at WOT (2.608 volts above learned idle voltage)
    - A/C WOT cutoff (certain automatic transmissions only)

**VEHICLE SPEED AND DISTANCE—PCM INPUT****OPERATION**

Vehicle speed and distance covered are measured by the Rear Wheel Speed Sensor. The sensor is mounted to the rear axle. A signal is sent from this sensor to the Controller Antilock Brake (CAB) computer. A signal is then sent from the CAB to the Powertrain Control Module (PCM) to determine vehicle speed and distance covered. The PCM will then determine strategies for fuel system and speed control system operation.

Refer to Odometer and Trip Odometer in Group 8E, Instrument Panel for additional information.

**AUTO SHUTDOWN (ASD) RELAY—PCM OUTPUT****DESCRIPTION**

The 5-pin, 12-volt, Automatic Shutdown (ASD) relay is located in the Power Distribution Center (PDC). Refer to label on PDC cover for relay location.

**OPERATION**

The ASD relay supplies battery voltage (12+ volts) to the fuel injectors and ignition coil(s). With certain emissions packages it also supplies 12-volts to the oxygen sensor heating elements.

The ground circuit for the coil within the ASD relay is controlled by the Powertrain Control Module (PCM). The PCM operates the ASD relay by switching its ground circuit on and off.

The ASD relay will be shut-down, meaning the 12-volt power supply to the ASD relay will be deactivated by the PCM if:

- the ignition key is left in the ON position. This is if the engine has not been running for approximately 1.8 seconds.
- there is a crankshaft position sensor signal to the PCM that is lower than pre-determined values.

The PCM will sense if or when the ASD relay has been activated through a "sense circuit". Refer to Automatic Shut-Down (ASD) Relay Sense-PCM Input for additional information.

**J1850—PCM INPUTS/OUTPUTS****OPERATION**

The Powertrain Control Module (PCM) sends certain output signals through the J1850 bus circuits. These signals are used to control certain instrument panel located items and to determine certain identification numbers.

Refer to Instrument Panel and Gauges for additional information.

**DATA LINK CONNECTOR—PCM INPUT AND OUTPUT****DESCRIPTION**

The data link connector is located at the lower edge of the instrument panel near the steering column.

**OPERATION**

The 16-way data link connector (diagnostic scan tool connector) links the Diagnostic Readout Box (DRB) scan tool or the Mopar Diagnostic System (MDS) with the Powertrain Control Module (PCM).



## DESCRIPTION AND OPERATION (Continued)

**FUEL INJECTORS—PCM OUTPUT****DESCRIPTION**

The fuel injectors are connected to the engine with the fuel injector rail.

**OPERATION**

The nozzle ends of the injectors are positioned into openings in the intake manifold just above the intake valve ports of the cylinder head. The engine wiring harness connector for each fuel injector is equipped with an attached numerical tag (INJ 1, INJ 2 etc.). This is used to identify each fuel injector with its respective cylinder number.

The injectors are energized individually in a sequential order by the Powertrain Control Module (PCM). The PCM will adjust injector pulse width by switching the ground path to each individual injector on and off. Injector pulse width is the period of time that the injector is energized. The PCM will adjust injector pulse width based on various inputs it receives.

Battery voltage (12 volts +) is supplied to the injectors through the ASD relay. The ASD relay will shut-down the 12 volt power source to the fuel injectors if the PCM senses the ignition is on, but the engine is not running. This occurs after the engine has not been running for approximately 1.8 seconds.

The PCM determines injector on-time (pulse width) based on various inputs.

**FUEL PUMP RELAY-PCM OUTPUT****DESCRIPTION**

The 5-pin, 12-volt, fuel pump relay is located in the Power Distribution Center (PDC). Refer to the label on the PDC cover for relay location.

**OPERATION**

The Powertrain Control Module (PCM) energizes the electric fuel pump through the fuel pump relay. The fuel pump relay is energized by first applying battery voltage to it when the ignition key is turned ON, and then applying a ground signal to the relay from the PCM.

Whenever the ignition key is turned ON, the electric fuel pump will operate. But, the PCM will shut-down the ground circuit to the fuel pump relay in approximately 1–3 seconds unless the engine is operating or the starter motor is engaged.

**IDLE AIR CONTROL (IAC) MOTOR—PCM OUTPUT****DESCRIPTION**

The IAC stepper motor is mounted to the throttle body, and regulates the amount of air bypassing the control of the throttle plate. As engine loads and ambient temperatures change, engine rpm changes. A pintle on the IAC stepper motor protrudes into a passage in the throttle body, controlling air flow through the passage. The IAC is controlled by the Powertrain Control Module (PCM) to maintain the target engine idle speed.

**OPERATION**

At idle, engine speed can be increased by retracting the IAC motor pintle and allowing more air to pass through the port, or it can be decreased by restricting the passage with the pintle and diminishing the amount of air bypassing the throttle plate.

The IAC is called a stepper motor because it is moved (rotated) in steps, or increments. Opening the IAC opens an air passage around the throttle blade which increases RPM.

The PCM uses the IAC motor to control idle speed (along with timing) and to reach a desired MAP during decel (keep engine from stalling).

The IAC motor has 4 wires with 4 circuits. Two of the wires are for 12 volts and ground to supply electrical current to the motor windings to operate the stepper motor in one direction. The other 2 wires are also for 12 volts and ground to supply electrical current to operate the stepper motor in the opposite direction.

To make the IAC go in the opposite direction, the PCM just reverses polarity on both windings. If only 1 wire is open, the IAC can only be moved 1 step (increment) in either direction. To keep the IAC motor in position when no movement is needed, the PCM will energize both windings at the same time. This locks the IAC motor in place.

In the IAC motor system, the PCM will count every step that the motor is moved. This allows the PCM to determine the motor pintle position. If the memory is cleared, the PCM no longer knows the position of the pintle. So at the first key ON, the PCM drives the IAC motor closed, regardless of where it was before. This zeros the counter. From this point the PCM will back out the IAC motor and keep track of its position again.

When engine rpm is above idle speed, the IAC is used for the following:

- Off-idle dashpot (throttle blade will close quickly but idle speed will not stop quickly)
- Deceleration air flow control

## DESCRIPTION AND OPERATION (Continued)

- A/C compressor load control (also opens the passage slightly before the compressor is engaged so that the engine rpm does not dip down when the compressor engages)

- Power steering load control

The PCM can control polarity of the circuit to control direction of the stepper motor.

**IAC Stepper Motor Program:** The PCM is also equipped with a memory program that records the number of steps the IAC stepper motor most recently advanced to during a certain set of parameters. For example: The PCM was attempting to maintain a 1000 rpm target during a cold start-up cycle. The last recorded number of steps for that may have been 125. That value would be recorded in the memory cell so that the next time the PCM recognizes the identical conditions, the PCM recalls that 125 steps were required to maintain the target. This program allows for greater customer satisfaction due to greater control of engine idle.

Another function of the memory program, which occurs when the power steering switch (if equipped), or the A/C request circuit, requires that the IAC stepper motor control engine rpm, is the recording of the last targeted steps into the memory cell. The PCM can anticipate A/C compressor loads. This is accomplished by delaying compressor operation for approximately 0.5 seconds until the PCM moves the IAC stepper motor to the recorded steps that were loaded into the memory cell. Using this program helps eliminate idle-quality changes as loads change. Finally, the PCM incorporates a "No-Load" engine speed limiter of approximately 1800 - 2000 rpm, when it recognizes that the TPS is indicating an idle signal and IAC motor cannot maintain engine idle.

A (factory adjusted) set screw is used to mechanically limit the position of the throttle body throttle plate. **Never attempt to adjust the engine idle speed using this screw.** All idle speed functions are controlled by the IAC motor through the PCM.

## OXYGEN SENSOR HEATER RELAYS—PCM OUTPUT

### DESCRIPTION

The 2 oxygen (O<sub>2</sub>) sensor heater relays (upstream and downstream) are located in the Powertrain Distribution Center (PDC).

### OPERATION

Engines equipped with the California (NAE) Emissions Package use **four O<sub>2</sub> sensors**.

Two of the four sensor heater elements (upstream sensors 1/1 and 2/1) are controlled by the upstream heater relay through output signals from the Powertrain Control Module (PCM).

The other two heater elements (downstream sensors 1/2 and 2/2) are controlled by the downstream heater relay through output signals from the PCM.

To avoid a large simultaneous current surge, power is delayed to the 2 downstream heater elements by the PCM for approximately 2 seconds.

## RADIATOR COOLING FAN RELAY—PCM OUTPUT

### DESCRIPTION

The pulse width modulated (PWM) radiator cooling fan relay is located behind the front bumper fascia below the right headlamp.

### OPERATION

The PWM relay is used to control the speed of the electric radiator cooling fan. It allows for multiple fan speeds. This allows for improved fan noise and A/C performance, better engine cooling, and additional vehicle power.

PWM relay operation is controlled by the Powertrain Control Module (PCM). To operate the PWM relay, the PCM looks at inputs from:

- Engine coolant temperature
- Ambient temperature from the body controller
- Vehicle speed
- Transmission oil temperature
- A/C switch position (A/C request)

## THROTTLE BODY

### DESCRIPTION

The throttle body is located on the intake manifold. Fuel does not enter the intake manifold through the throttle body. Fuel is sprayed into the manifold by the fuel injectors.

### OPERATION

Filtered air from the air cleaner enters the intake manifold through the throttle body. The throttle body contains an air control passage controlled by an Idle Air Control (IAC) motor. The air control passage is used to supply air for idle conditions. A throttle valve (plate) is used to supply air for above idle conditions.

Certain sensors are attached to the throttle body. The accelerator pedal cable, speed control cable and transmission control cable (when equipped) are connected to the throttle body linkage arm.

A (factory adjusted) set screw is used to mechanically limit the position of the throttle body throttle plate. **Never attempt to adjust the engine idle speed using this screw.** All idle speed functions are controlled by the PCM.

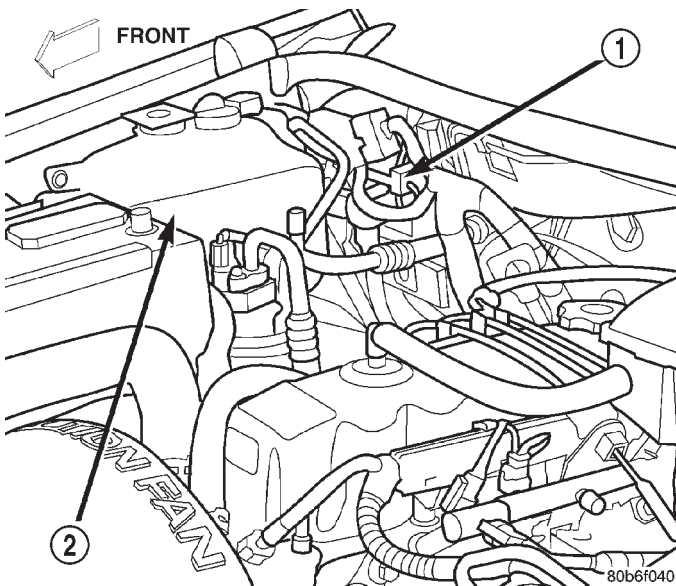


## DIAGNOSIS AND TESTING

### VISUAL INSPECTION

A visual inspection for loose, disconnected or incorrectly routed wires, vacuum lines and hoses should be made. This should be done before attempting to diagnose or service the fuel injection system. A visual check will help spot these faults and save unnecessary test and diagnostic time. A thorough visual inspection will include the following checks:

(1) Verify three 32-way electrical connectors are fully inserted into connector of Powertrain Control Module (PCM) (Fig. 2).



**Fig. 2 Powertrain Control Module (PCM) Location**

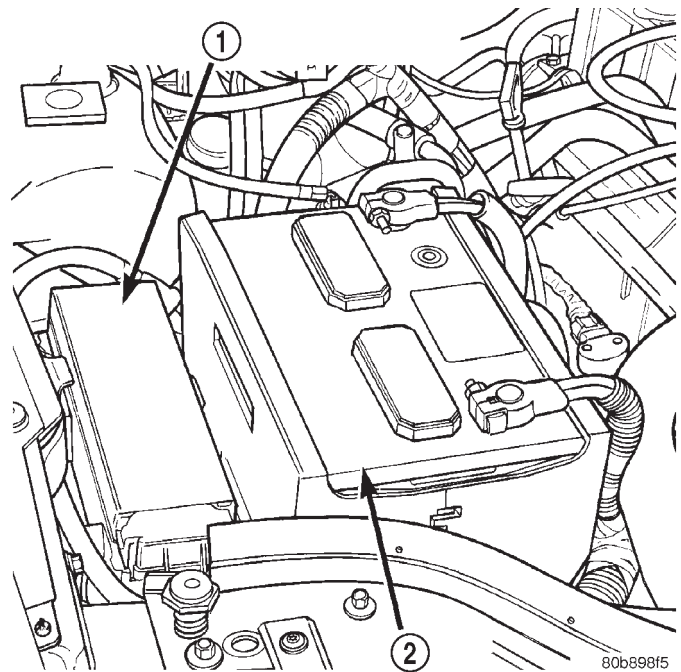
- 1 - PCM
- 2 - COOLANT TANK

(2) Inspect battery cable connections. Be sure they are clean and tight.

(3) Inspect fuel pump relay and air conditioning compressor clutch relay (if equipped). Inspect ASD and oxygen sensor heater relay connections. Inspect starter motor relay connections. Inspect relays for signs of physical damage and corrosion. The relays are located in the Power Distribution Center (PDC) (Fig. 3). Refer to label on PDC cover for relay location.

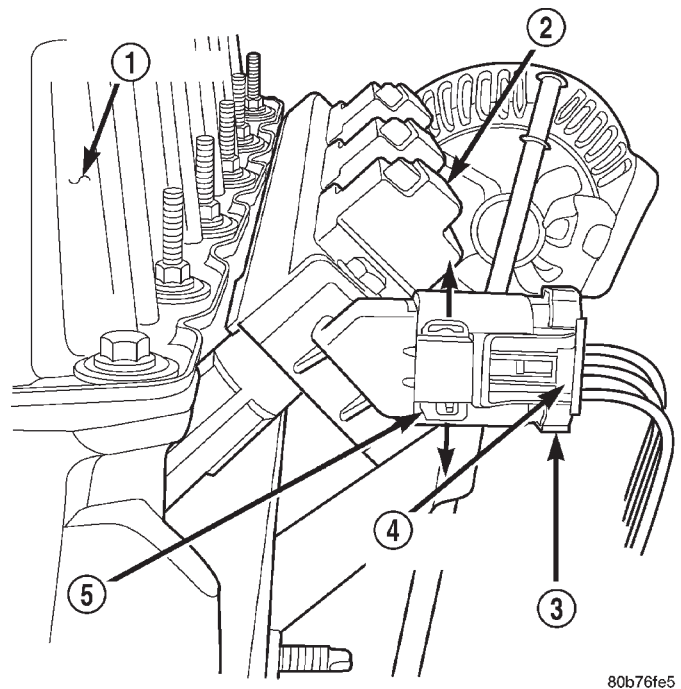
(4) Inspect ignition coil connections (Fig. 4) or (Fig. 5).

(5) Verify camshaft position sensor wire connector is firmly connected (Fig. 6) or (Fig. 7).



**Fig. 3 Power Distribution Center (PDC) Location**

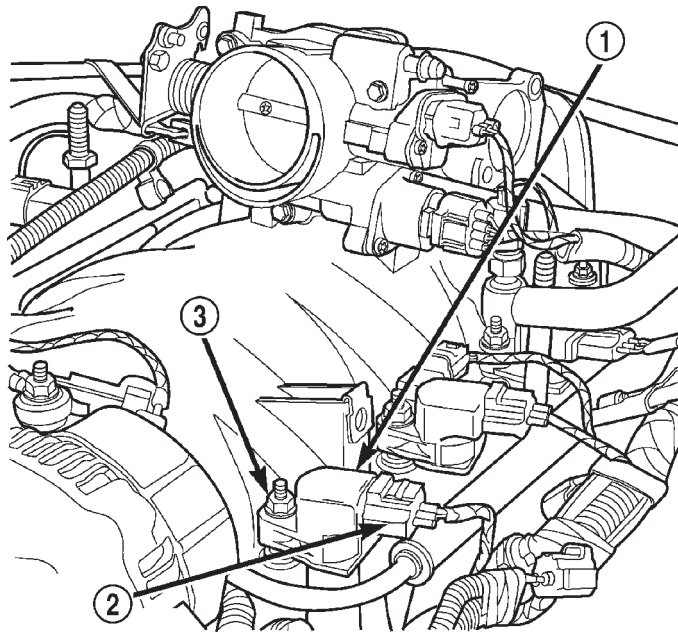
- 1 - POWER DISTRIBUTION CENTER (PDC)
- 2 - BATTERY



**Fig. 4 Ignition Coil Connector—4.0L Engine**

- 1 - REAR OF VALVE COVER
- 2 - COIL RAIL
- 3 - COIL CONNECTOR
- 4 - RELEASE LOCK
- 5 - SLIDE TAB

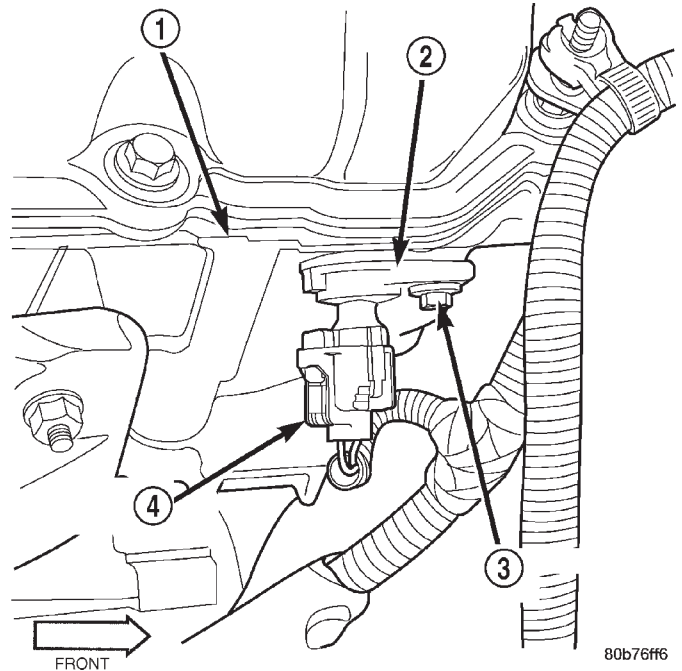
DIAGNOSIS AND TESTING (Continued)



80b76fe7

**Fig. 5 Ignition Coil Connector—4.7L V-8 Engine**

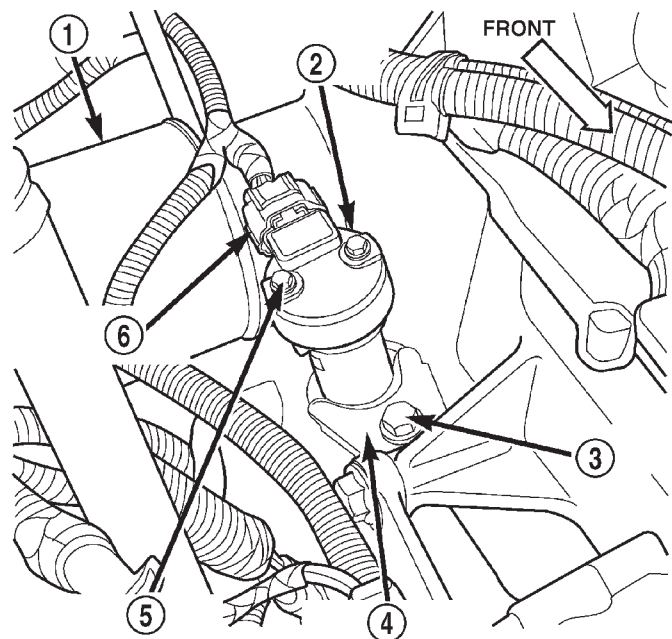
- 1 - IGNITION COIL
- 2 - COIL ELECTRICAL CONNECTOR
- 3 - COIL MOUNTING STUD/NUT



80b76ff6

**Fig. 7 Camshaft Position Sensor—4.7L V-8 Engine**

- 1 - RIGHT CYLINDER HEAD
- 2 - CAMSHAFT POSITION SENSOR
- 3 - MOUNTING BOLT
- 4 - ELEC. CONNECTOR

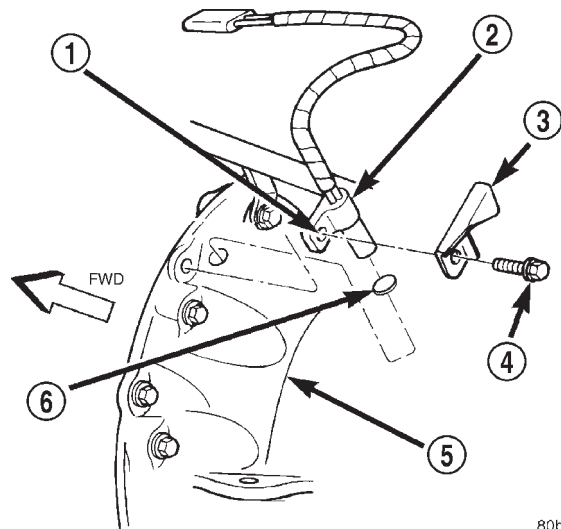


80b76ff4

**Fig. 6 Camshaft Position Sensor—4.0L Engine**

- 1 - OIL FILTER
- 2 - CAMSHAFT POSITION SENSOR
- 3 - CLAMP BOLT
- 4 - HOLD-DOWN CLAMP
- 5 - MOUNTING BOLTS (2)
- 6 - ELEC. CONNECTOR

(6) Verify crankshaft position sensor wire connector is firmly connected (Fig. 8) or (Fig. 9).

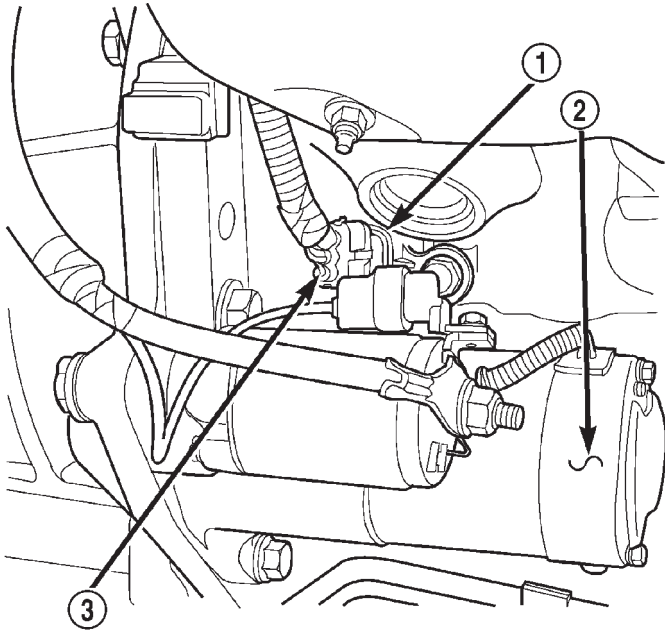


80b89904

**Fig. 8 Crankshaft Position Sensor—4.0L Engine**

- 1 - SLOTTED HOLE
- 2 - CRANKSHAFT POSITION SENSOR
- 3 - WIRE SHIELD
- 4 - MOUNTING BOLT
- 5 - TRANSMISSION HOUSING
- 6 - PAPER SPACER

## DIAGNOSIS AND TESTING (Continued)



80b76ff0

**Fig. 9 Crankshaft Position Sensor—4.7L V-8 Engine**

- 1 - CRANKSHAFT POSITION SENSOR
- 2 - STARTER
- 3 - ELEC. CONNECTOR

(7) Verify generator output wire (B+ wire) and generator field connector are firmly connected to generator.

(8) Inspect system body grounds for loose or dirty connections. Refer to Group 8, Wiring for ground locations.

(9) Verify crankcase ventilation (CCV) operation. Refer to Emission Control System for additional information.

(10) Inspect all fuel line quick-connect fittings for damage or leaks.

(11) Verify hose connections to all ports of vacuum fittings on intake manifold, and for emission system are tight and not leaking.

(12) Inspect accelerator cable, transmission throttle cable (if equipped) and speed control cable connections (if equipped). Check their connections to throttle body linkage for any binding or restrictions.

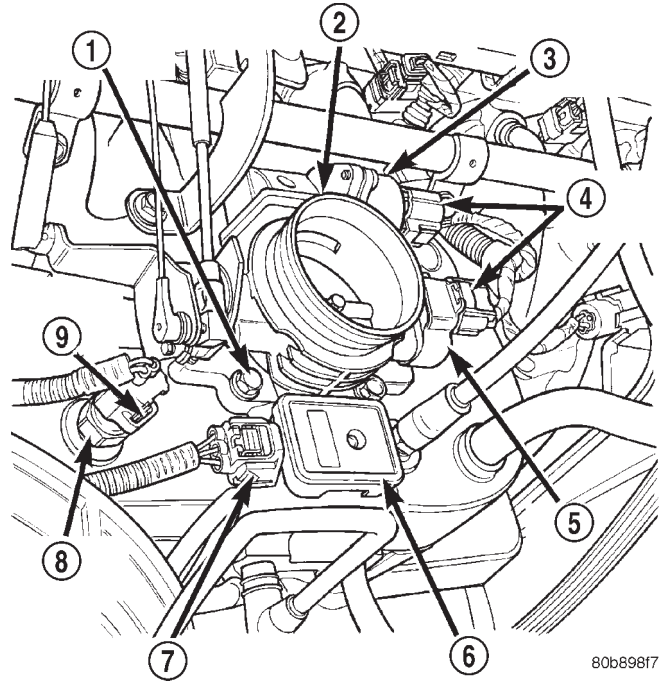
(13) Verify vacuum booster hose is firmly connected to fitting on intake manifold. Also check connection to brake vacuum booster.

(14) Inspect air cleaner inlet and air cleaner element for dirt or restrictions.

(15) Inspect radiator grille area, radiator fins and air conditioning condenser for restrictions.

(16) 4.0L Engine: Verify MAP, Intake Manifold Air Temperature (IAT) sensor, TPS and Idle Air Control (IAC) motor connectors are firmly connected (Fig. 10). Be sure throttle body mounting bolts (Fig. 10) are tight.

(17) 4.7L Engine: Verify Intake Manifold Air Temperature (IAT) sensor, TPS and Idle Air Control (IAC) motor connectors are firmly connected (Fig. 11). Be sure throttle body mounting bolts (Fig. 11) are tight.



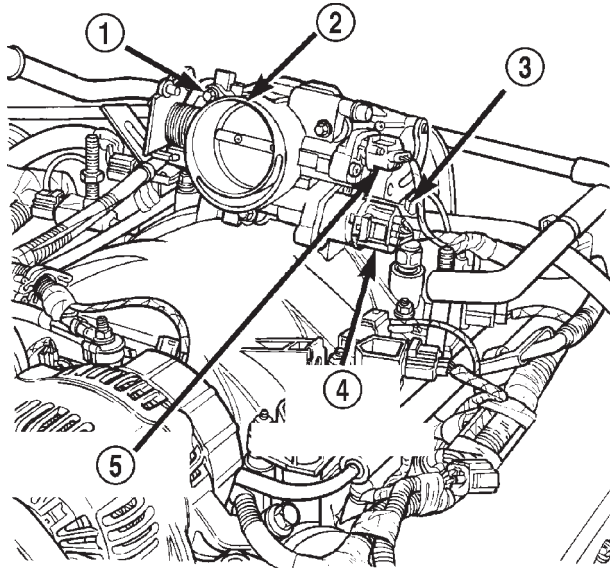
80b898f7

**Fig. 10 IAT, MAP, IAC, TPS Sensor Locations—4.0L Engine**

- 1 - MOUNTING BOLTS (4)
- 2 - THROTTLE BODY
- 3 - IAC MOTOR
- 4 - ELEC. CONN.
- 5 - TPS
- 6 - MAP SENSOR
- 7 - ELEC. CONN.
- 8 - IAT SENSOR
- 9 - ELEC. CONN.

(18) 4.0L Engine: Verify wire harness connector is firmly connected to Engine Coolant Temperature (ECT) sensor (Fig. 12).

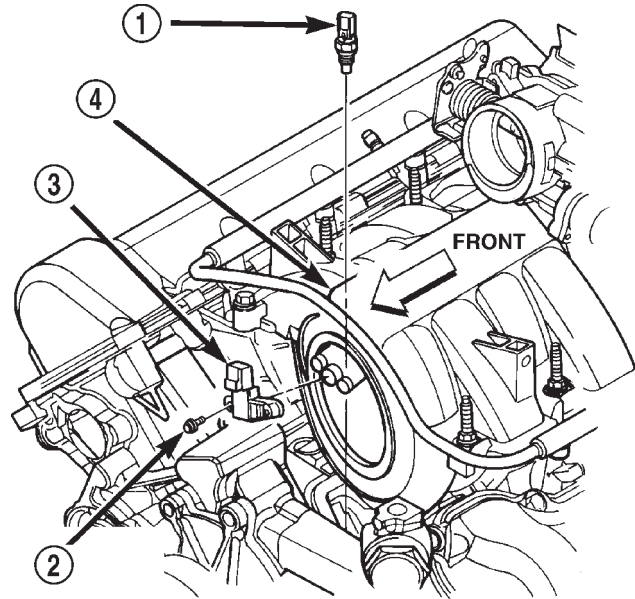
DIAGNOSIS AND TESTING (Continued)



80b898f6

**Fig. 11 IAT, IAC, TPS Sensor Locations—4.7L V-8 Engine**

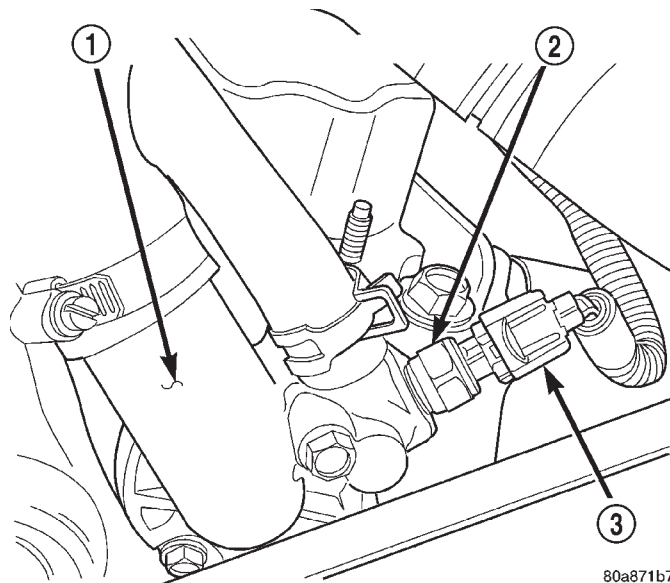
- 1 - MOUNTING BOLTS (3)
- 2 - THROTTLE BODY
- 3 - IAT SENSOR CONNECTOR
- 4 - IAC MOTOR CONNECTOR
- 5 - TPS CONNECTOR



80b898f8

**Fig. 13 MAP and ECT Sensor Locations—4.7L V-8 Engine**

- 1 - ECT SENSOR
- 2 - MOUNTING BOLTS (2)
- 3 - MAP SENSOR
- 4 - INTAKE MANIFOLD



80a871b7

**Fig. 12 ECT Sensor Location—4.0L Engine**

- 1 - THERMOSTAT HOUSING
- 2 - ENGINE COOLANT TEMPERATURE SENSOR
- 3 - ELECTRICAL CONNECTOR

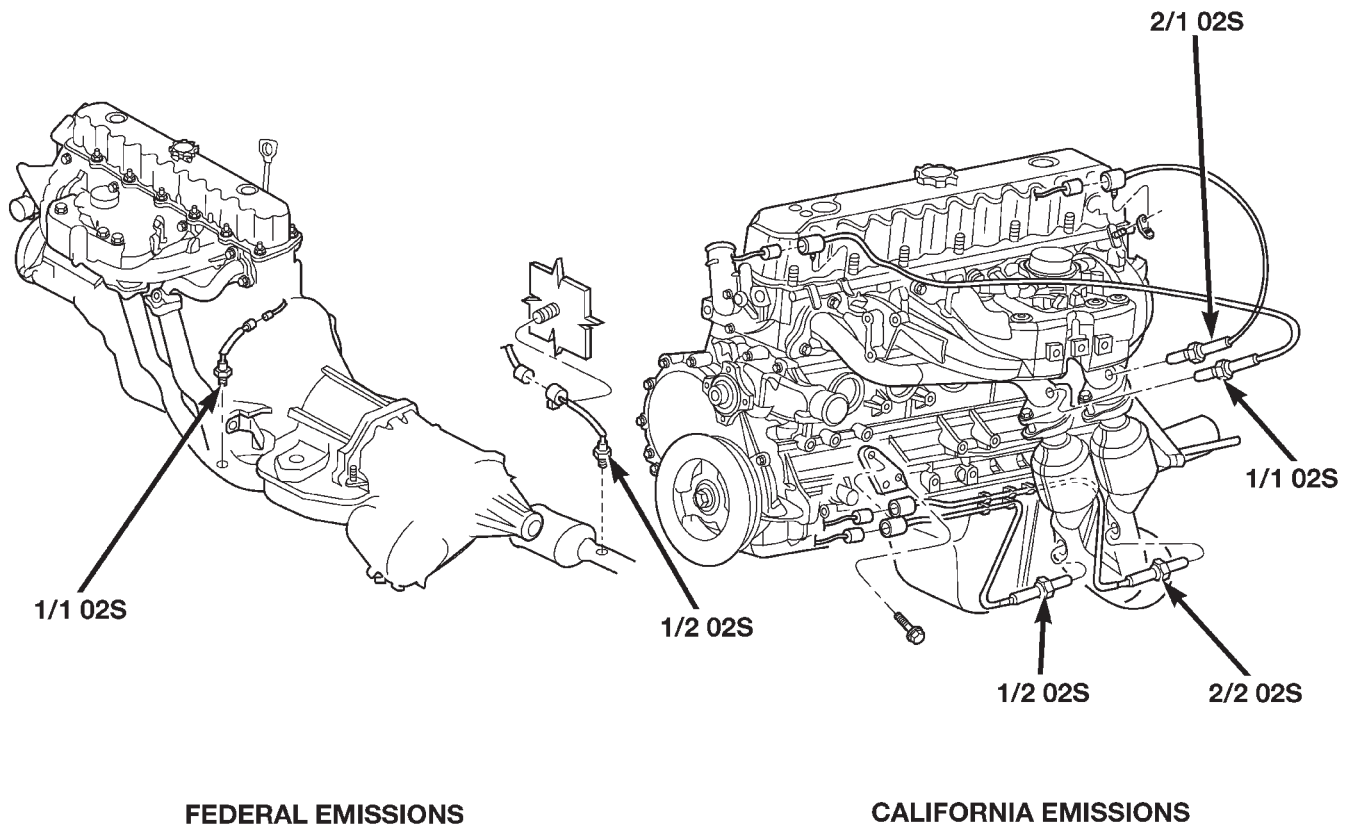
(19) 4.7L Engine: Verify MAP and Engine Coolant Temperature (ECT) sensor electrical connectors are firmly connected to sensors (Fig. 13).

(20) Verify fuel injector wire harness connectors are firmly connected to injectors in correct order. Each harness connector is numerically tagged with injector number (INJ 1, INJ 2 etc.) of its corresponding fuel injector and cylinder number.

(21) Raise and support vehicle.



## DIAGNOSIS AND TESTING (Continued)



FEDERAL EMISSIONS

CALIFORNIA EMISSIONS

80b3c678

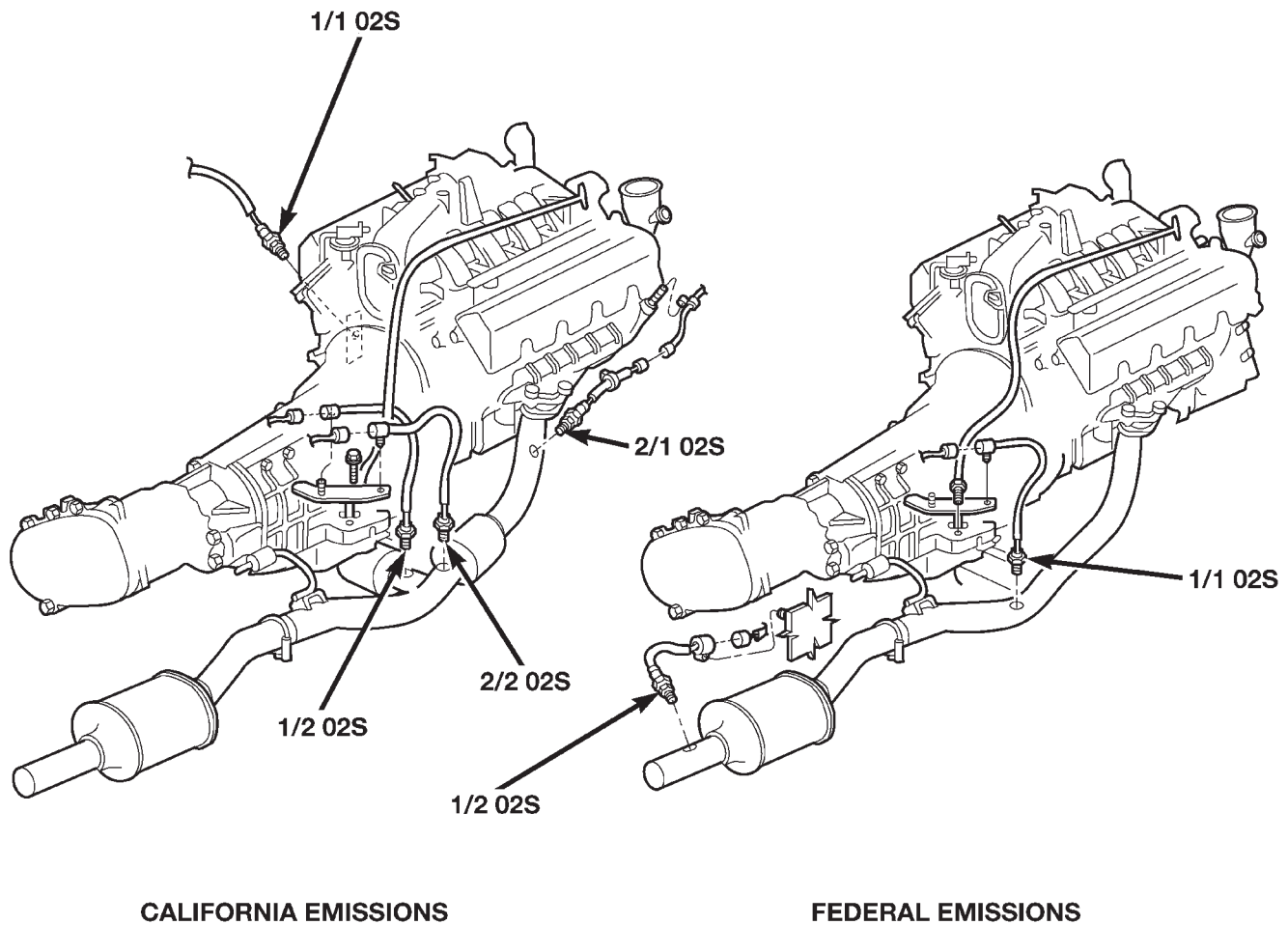
**Fig. 14 Oxygen Sensor Locations—4.0L Engine**

(22) Verify all oxygen sensor wire connectors are firmly connected to sensors. Inspect sensors and connectors for damage (Fig. 14) or (Fig. 15).

(23) Inspect for pinched or leaking fuel tubes/lines. Inspect for pinched, cracked or leaking fuel hoses.

(24) Inspect for exhaust system restrictions such as pinched exhaust pipes, collapsed muffler or plugged catalytic convertor.

## DIAGNOSIS AND TESTING (Continued)



CALIFORNIA EMISSIONS

FEDERAL EMISSIONS

80b3c679

**Fig. 15 Oxygen Sensor Locations—4.7L V-8 Engine**

(25) If equipped with automatic transmission, verify electrical harness is firmly connected to park/neutral switch and to transmission components.

(26) Verify fuel pump module pigtail harness electrical connector (Fig. 16) is firmly connected to body harness connector.

(27) Inspect fuel line harness (from fuel pump module) at fuel filter/fuel pressure regulator (Fig. 16) for chaffing, cracks or leaks.

(28) Verify battery cable and solenoid feed wire connections to starter solenoid are tight and clean.

(29) Inspect for chaffed wires or wires rubbing up against other components.

(30) Inspect for chaffed vacuum lines or lines rubbing up against other components.

**RELAY TESTING**

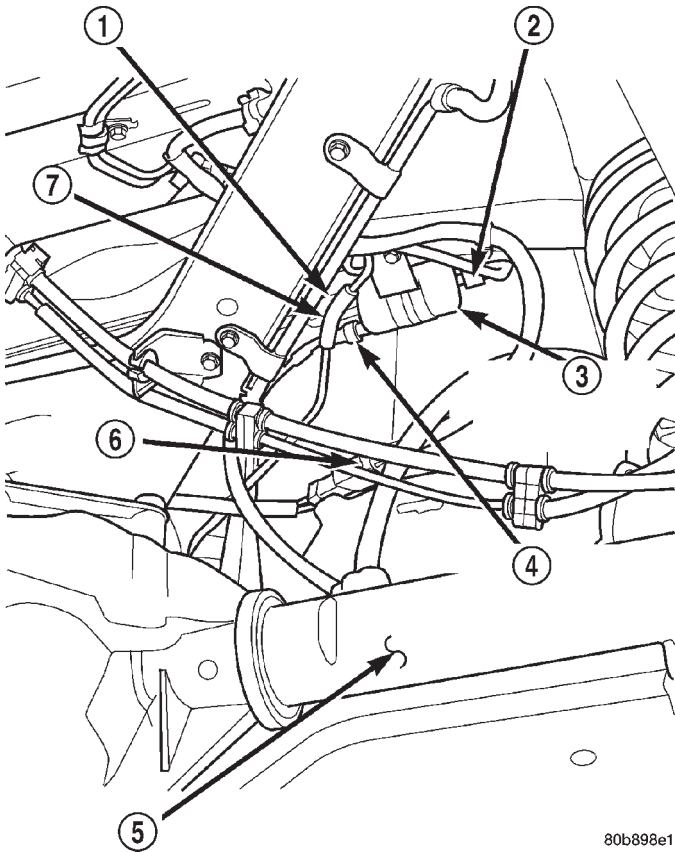
**To perform a complete test of the fuel pump, ASD or oxygen sensor heater relay, or its circuitry, refer to the DRB scan tool and the appropriate Powertrain Diagnostic Manual. To test the relay only, refer to the following:** The terminals on bottom of each relay are numbered (Fig. 17) or (Fig. 18).

**OPERATION**

- Terminal number 30 is connected to battery voltage. For both the ASD and fuel pump relays, terminal 30 is connected to battery voltage at all times.
- The PCM grounds coil side of relay through terminal number 85.



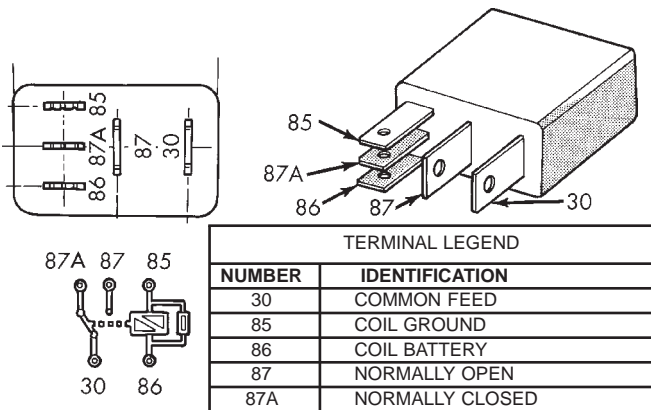
DIAGNOSIS AND TESTING (Continued)



80b898e1

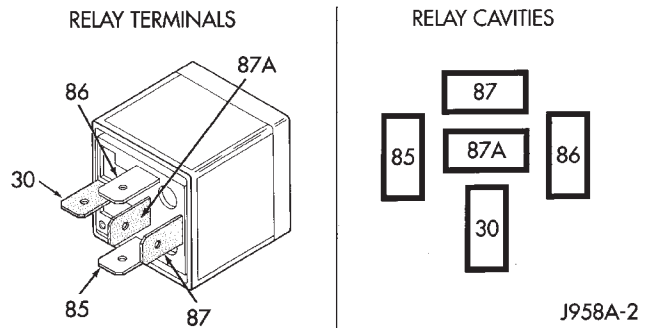
**Fig. 16 Fuel Filter/Fuel Pressure Regulator Location**

- 1 - FUEL RETURN LINE
- 2 - FUEL SUPPLY LINE (TO FUEL RAIL)
- 3 - FUEL FILTER/FUEL PRESSURE REGULATOR
- 4 - FUEL PRESSURE LINE
- 5 - REAR AXLE
- 6 - ELEC. CONNECTOR
- 7 - EVAP LINE



**Fig. 17 Relay Terminals**

- Terminal number 86 supplies voltage to coil side of relay.
- When the PCM de-energizes the relay, terminal number 87A connects to terminal 30. This is the OFF position. In the OFF position, voltage is not supplied



TERMINAL LEGEND	
NUMBER	IDENTIFICATION
30	COMMON FEED
85	COIL GROUND
86	COIL BATTERY
87	NORMALLY OPEN
87A	NORMALLY CLOSED

**Fig. 18 Relay Terminals**

to rest of circuit. Terminal 87A is the center terminal on relay.

- When the PCM energizes the ASD and fuel pump relays, terminal 87 connects to terminal 30. This is the ON position. Terminal 87 supplies voltage to rest of circuit.

**TESTING**

The following procedure applies only to ASD, oxygen sensor heater and fuel pump relays.

- (1) Remove relay from PDC connector before testing.
- (2) With relay removed from vehicle, use an ohmmeter to check resistance between terminals 85 and 86. The resistance should be between  $75 \pm 5$  ohms.
- (3) Connect ohmmeter between terminals 30 and 87A. Ohmmeter should show continuity between terminals 30 and 87A.
- (4) Connect ohmmeter between terminals 87 and 30. Ohmmeter should not show continuity at this time.
- (5) Connect one end of a jumper wire (16 gauge or smaller) to relay terminal 85. Connect other end of jumper wire to ground side of a 12 volt power source.
- (6) Connect one end of another jumper wire (16 gauge or smaller) to power side of 12 volt power source. **Do not attach other end of jumper wire to relay at this time.**

**WARNING: DO NOT ALLOW OHMMETER TO CONTACT TERMINALS 85 OR 86 DURING THIS TEST.**

- (7) Attach other end of jumper wire to relay terminal 86. This activates relay. The ohmmeter should now show continuity between relay terminals 87 and

DIAGNOSIS AND TESTING (Continued)

30. Ohmmeter should not show continuity between relay terminals 87A and 30.

(8) Disconnect jumper wires.

(9) Replace relay if it did not pass continuity and resistance tests. If relay passed tests, it operates properly. Check remainder of relay circuits using DRB scan tool. Also refer to Wiring Diagrams.

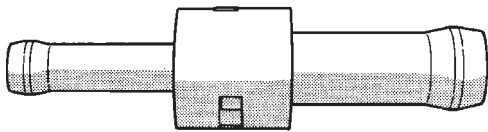
**THROTTLE BODY MINIMUM AIR FLOW CHECK PROCEDURE**

**4.0L 6-Cylinder Engine**

The following test procedure has been developed to check throttle body calibrations for correct idle conditions. The procedure should be used to diagnose the throttle body for conditions that may cause idle problems. **This procedure should be used only after normal diagnostic procedures have failed to produce results that indicate a throttle body related problem. Be sure to check for proper operation of the idle air control motor before performing this test.**

A special fixed orifice tool (number 6714) (Fig. 19) must be used for the following test.

SPECIAL TOOL 6714



J9414-7

**Fig. 19 Fixed Orifice Tool 6714**

(1) Start engine and bring to operating temperature. Be sure all accessories are off before performing this test.

(2) Shut off engine and remove air duct and air resonator box from top of throttle body.

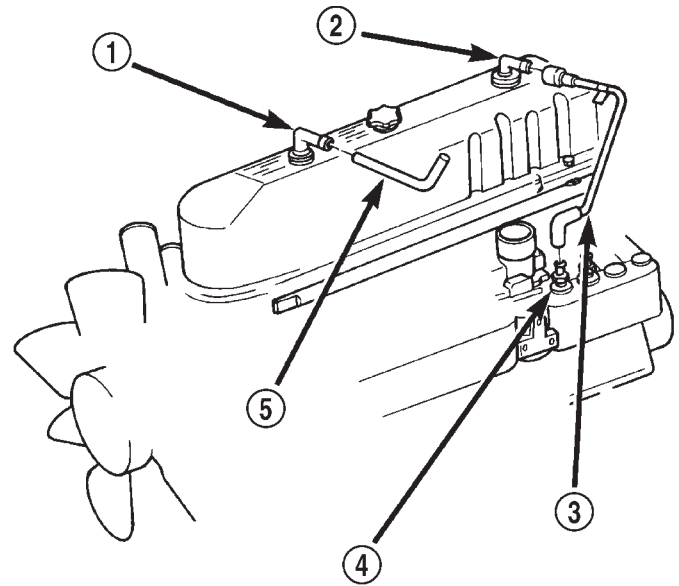
(3) Disconnect rear CCV breather tube (Fig. 20) at intake manifold fitting. Let CCV tube hang disconnected at side of engine.

(4) Attach a short piece of rubber hose to special tool 6714 (insert rubber hose to either end of tool). Install this hose/tool assembly to intake manifold fitting.

(5) Connect DRB scan tool to 16-way data link connector. This connector is located at lower edge of instrument panel near steering column.

(6) Start the engine and allow to warm up.

(7) Using the DRB scan tool, scroll through the menus as follows: select—Stand Alone DRB III, select 1999 Diagnostics, select—Engine, select—System Test, select—Minimum Air Flow.



80b898f9

**Fig. 20 Fixed Orifice Fitting and CCV Breather Tubes**

- 1 - AIR INLET FITTING
- 2 - FIXED ORIFICE FITTING
- 3 - CCV BREATHER TUBE (REAR)
- 4 - INT. MAN. FITTING
- 5 - CCV BREATHER TUBE (FRONT)

(8) The DRB scan tool will count down to stabilize the idle rpm and display the minimum air flow idle rpm. The idle rpm should be between **500 and 900 rpm**. If the idle speed is outside of these specifications, replace the throttle body.

(9) Disconnect the DRB scan tool from vehicle.

(10) Remove orifice tool and connect CCV tube to engine.

(11) Install air duct and air box to throttle body.

**REMOVAL AND INSTALLATION**

**AUTOMATIC SHUTDOWN (ASD) RELAY**

The ASD relay is located in the Power Distribution Center (PDC) (Fig. 21). Refer to label on PDC cover for relay location.

**REMOVAL**

- (1) Remove PDC cover.
- (2) Remove relay from PDC.
- (3) Check condition of relay terminals and PDC connector terminals for damage or corrosion. Repair if necessary before installing relay.
- (4) Check for pin height (pin height should be the same for all terminals within the PDC connector). Repair if necessary before installing relay.

## REMOVAL AND INSTALLATION (Continued)

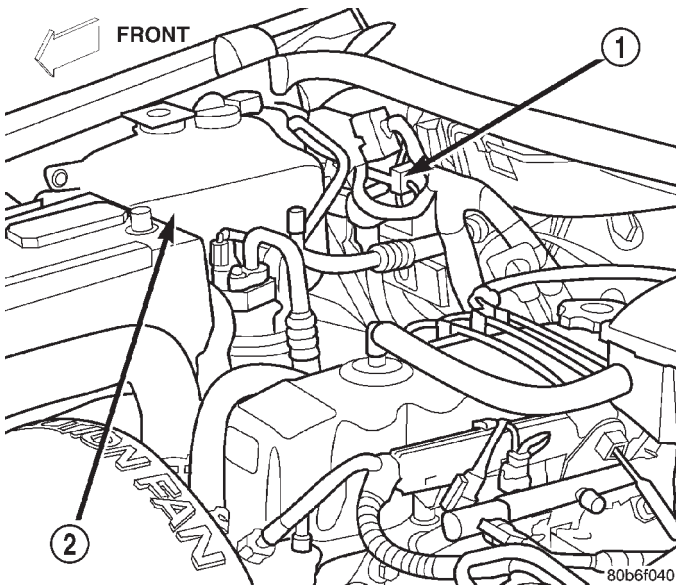


Fig. 21 Power Distribution Center (PDC) Location

- 1 - PCM  
2 - COOLANT TANK

## INSTALLATION

- (1) Install relay to PDC.
- (2) Install cover to PDC.

## FUEL PUMP RELAY

The fuel pump relay is located in the Power Distribution Center (PDC) (Fig. 21). Refer to label on PDC cover for relay location.

## REMOVAL

- (1) Remove PDC cover.
- (2) Remove relay from PDC.
- (3) Check condition of relay terminals and PDC connector terminals for damage or corrosion. Repair if necessary before installing relay.
- (4) Check for pin height (pin height should be the same for all terminals within the PDC connector). Repair if necessary before installing relay.

## INSTALLATION

- (1) Install relay to PDC.
- (2) Install cover to PDC.

## OXYGEN SENSOR HEATER RELAYS

The oxygen sensor heater relays are located in the Power Distribution Center (PDC) (Fig. 21). Refer to label on PDC cover for relay location.

## REMOVAL

- (1) Remove PDC cover.
- (2) Remove relay from PDC.
- (3) Check condition of relay terminals and PDC connector terminals for damage or corrosion. Repair if necessary before installing relay.
- (4) Check for pin height (pin height should be the same for all terminals within the PDC connector). Repair if necessary before installing relay.

## INSTALLATION

- (1) Install relay to PDC.
- (2) Install cover to PDC.

## THROTTLE BODY—4.0L ENGINE

A (factory adjusted) set screw is used to mechanically limit the position of the throttle body throttle plate. **Never attempt to adjust the engine idle speed using this screw.** All idle speed functions are controlled by the Powertrain Control Module (PCM).

## REMOVAL

- (1) Remove air cleaner duct and air resonator box at throttle body.
- (2) Disconnect throttle body electrical connectors at MAP sensor, IAC motor and TPS (Fig. 22).
- (3) Remove all control cables from throttle body (lever) arm. Refer to Accelerator Pedal and Throttle Cable.
- (4) Remove four throttle body mounting bolts.
- (5) Remove throttle body from intake manifold.
- (6) Discard old throttle body-to-intake manifold gasket.

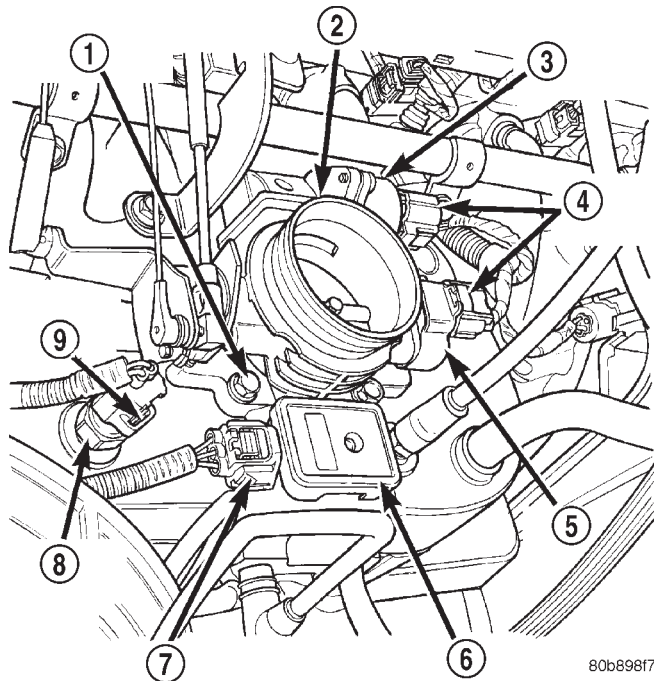
## INSTALLATION

- (1) Clean the mating surfaces of the throttle body and the intake manifold.
- (2) Install new throttle body-to-intake manifold gasket.
- (3) Install throttle body to intake manifold.
- (4) Install four mounting bolts. Tighten bolts to 11 N·m (100 in. lbs.) torque.
- (5) Install control cables.
- (6) Install electrical connectors.
- (7) Install air duct and air box at throttle body.

## THROTTLE BODY—4.7L V-8 ENGINE

A (factory adjusted) set screw is used to mechanically limit the position of the throttle body throttle plate. **Never attempt to adjust the engine idle speed using this screw.** All idle speed functions are controlled by the Powertrain Control Module (PCM).

REMOVAL AND INSTALLATION (Continued)



**Fig. 22 Throttle Body and Sensor Locations—4.0L Engine**

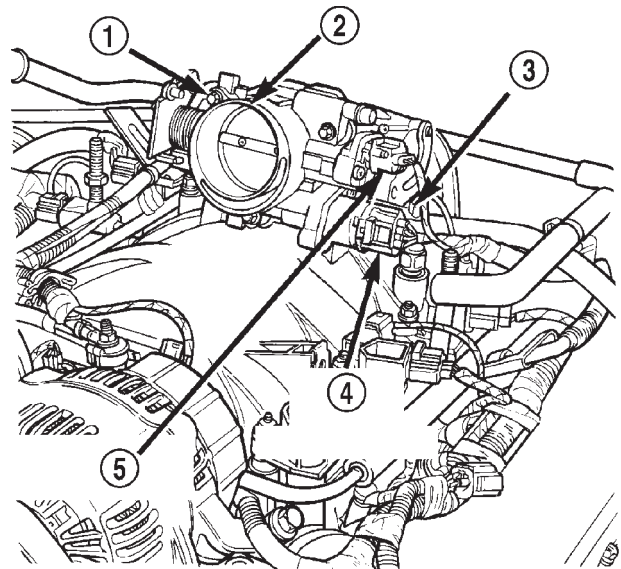
- 1 - MOUNTING BOLTS (4)
- 2 - THROTTLE BODY
- 3 - IAC MOTOR
- 4 - ELEC. CONN.
- 5 - TPS
- 6 - MAP SENSOR
- 7 - ELEC. CONN.
- 8 - IAT SENSOR
- 9 - ELEC. CONN.

**REMOVAL**

- (1) Remove the air duct and air resonator box at throttle body.
- (2) Disconnect throttle body electrical connectors at IAC motor and TPS (Fig. 23).
- (3) Remove vacuum line at throttle body.
- (4) Remove all control cables from throttle body (lever) arm. Refer to Accelerator Pedal and Throttle Cable.
- (5) Remove three throttle body mounting bolts (Fig. 23).
- (6) Remove throttle body from intake manifold.

**INSTALLATION**

- (1) Clean throttle body-to-intake manifold o-ring.
- (2) Clean mating surfaces of throttle body and intake manifold.
- (3) Install throttle body to intake manifold by positioning throttle body to manifold alignment pins.
- (4) Install three mounting bolts. Tighten bolts to 12 N·m (105 in. lbs.) torque.



80b898/6

**Fig. 23 Throttle Body, Sensors and Electrical Connectors—4.7L V-8 Engine**

- 1 - MOUNTING BOLTS (3)
- 2 - THROTTLE BODY
- 3 - IAT SENSOR CONNECTOR
- 4 - IAC MOTOR CONNECTOR
- 5 - TPS CONNECTOR

- (5) Install control cables.
- (6) Install vacuum line to throttle body.
- (7) Install electrical connectors.
- (8) Install air duct/air box at throttle body.

**THROTTLE POSITION SENSOR (TPS)—4.0L ENGINE**

The TPS is mounted to the throttle body.

**REMOVAL**

- (1) Disconnect TPS electrical connector (Fig. 24).
- (2) Remove TPS mounting screws (Fig. 25).
- (3) Remove TPS.

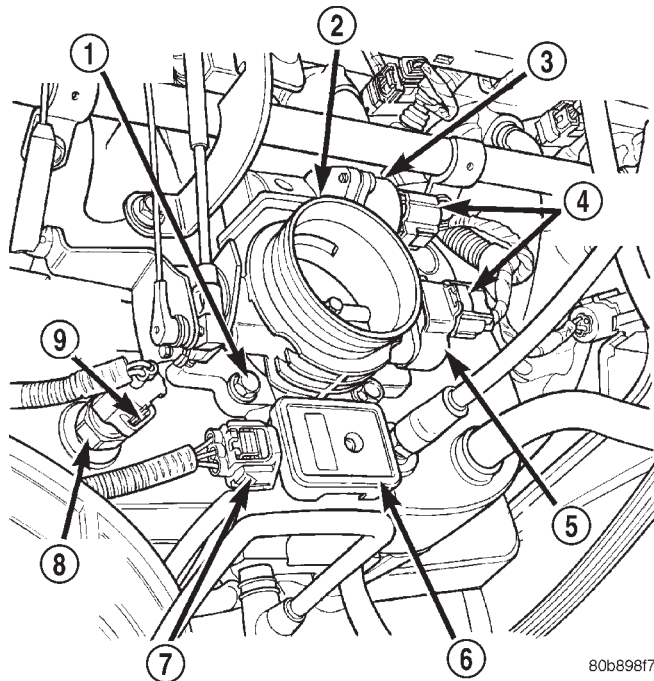
**INSTALLATION**

The throttle shaft end of throttle body slides into a socket in the TPS (Fig. 26). The TPS must be installed so that it can be rotated a few degrees. (If sensor will not rotate, install sensor with throttle shaft on other side of socket tangs). The TPS will be under slight tension when rotated.

- (1) Install TPS and retaining screws.
- (2) Tighten screws to 7 N·m (60 in. lbs.) torque.
- (3) Connect TPS electrical connector to TPS.
- (4) Manually operate throttle (by hand) to check for any TPS binding before starting engine.

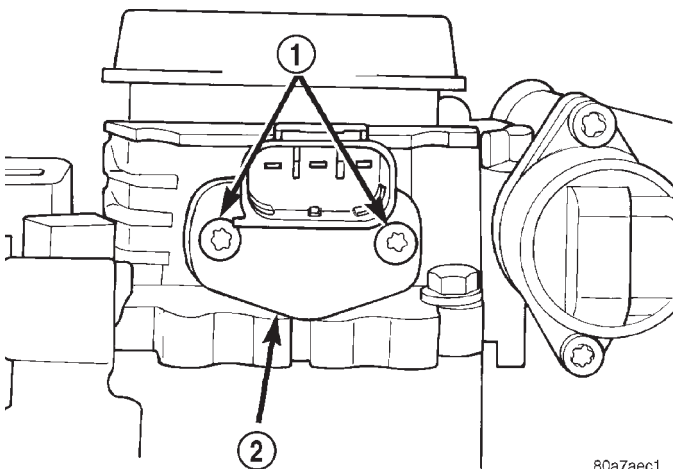


## REMOVAL AND INSTALLATION (Continued)



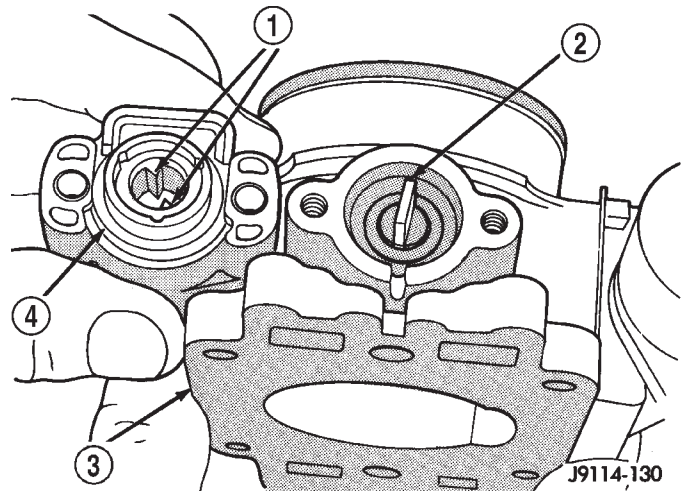
**Fig. 24 TPS Electrical Connector—4.0L Engine**

- 1 - MOUNTING BOLTS (4)
- 2 - THROTTLE BODY
- 3 - IAC MOTOR
- 4 - ELEC. CONN.
- 5 - TPS
- 6 - MAP SENSOR
- 7 - ELEC. CONN.
- 8 - IAT SENSOR
- 9 - ELEC. CONN.



**Fig. 25 TPS Mounting Screws—4.0L Engine**

- 1 - MOUNTING SCREWS
- 2 - TPS



**Fig. 26 Throttle Position Sensor Installation—4.0L Engine**

- 1 - TANGS
- 2 - THROTTLE SHAFT
- 3 - THROTTLE BODY
- 4 - TPS

## THROTTLE POSITION SENSOR (TPS)—4.7L V-8 ENGINE

### REMOVAL

The TPS is located on the throttle body.

- (1) Remove air duct and air resonator box at throttle body.
- (2) Disconnect TPS electrical connector (Fig. 23).
- (3) Remove two TPS mounting bolts (screws) (Fig. 27).
- (4) Remove TPS from throttle body.

### INSTALLATION

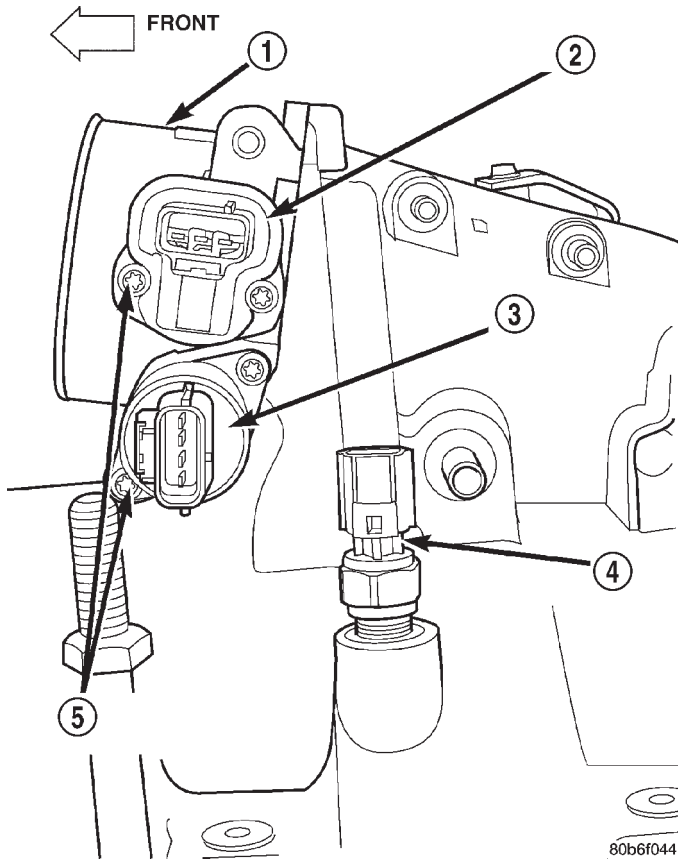
The throttle shaft end of throttle body slides into a socket in TPS (Fig. 28). The TPS must be installed so that it can be rotated a few degrees. If sensor will not rotate, install sensor with throttle shaft on other side of socket tangs. The TPS will be under slight tension when rotated.

- (1) Install TPS and two retaining bolts.
- (2) Tighten bolts to 7 N·m (60 in. lbs.) torque.
- (3) Manually operate throttle control lever by hand to check for any binding of TPS.
- (4) Connect TPS electrical connector to TPS.
- (5) Install air duct/air box to throttle body.

## IDLE AIR CONTROL (IAC) MOTOR—4.0L ENGINE

The IAC motor is located on the throttle body.

REMOVAL AND INSTALLATION (Continued)



**Fig. 27 TPS Mounting Bolts—4.7L V-8 Engine**

- 1 - THROTTLE BODY
- 2 - TPS
- 3 - IAC MOTOR
- 4 - IAT SENSOR
- 5 - MOUNTING SCREWS

**REMOVAL**

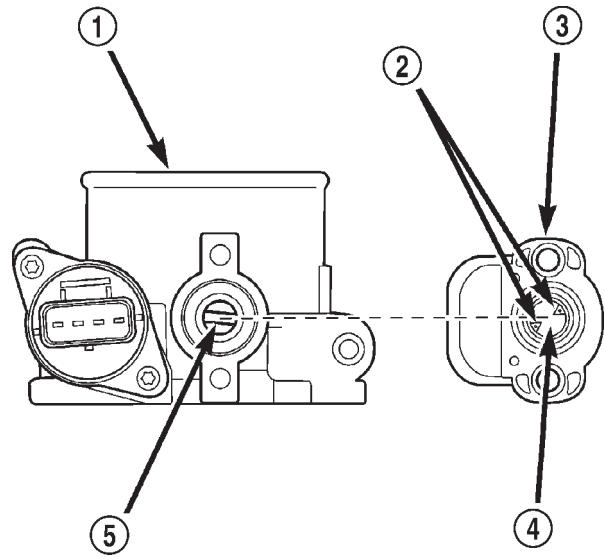
- (1) Remove air duct and air resonator box at throttle body.
- (2) Disconnect electrical connector from IAC motor (Fig. 24).
- (3) Remove two mounting bolts (screws) (Fig. 29).
- (4) Remove IAC motor from throttle body.

**INSTALLATION**

- (1) Install IAC motor to throttle body.
- (2) Install and tighten two mounting bolts (screws) to 7 N·m (60 in. lbs.) torque.
- (3) Install electrical connector.
- (4) Install air cleaner duct/air box to throttle body.

**IDLE AIR CONTROL (IAC) MOTOR—4.7L V-8 ENGINE**

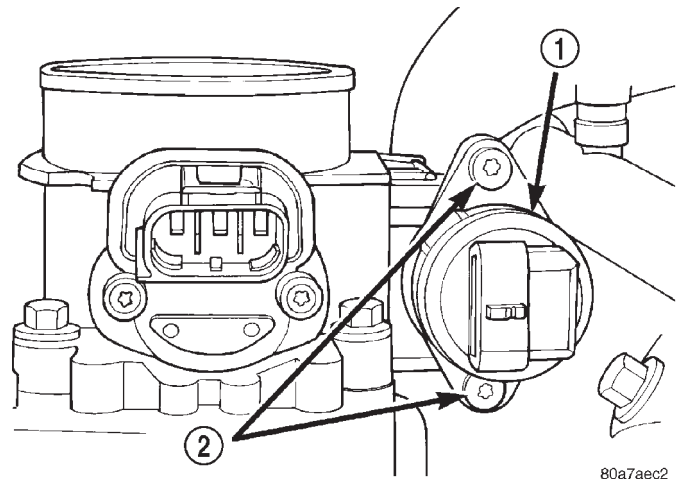
The IAC motor is located on the throttle body.



80b89900

**Fig. 28 TPS Installation—4.7L V-8 Engine**

- 1 - THROTTLE BODY
- 2 - LOCATING TANGS
- 3 - THROTTLE POSITION SENSOR
- 4 - SOCKET
- 5 - THROTTLE SHAFT



**Fig. 29 Mounting Bolts (Screws)—IAC Motor—4.0L Engine**

- 1 - IDLE AIR CONTROL MOTOR
- 2 - MOUNTING SCREWS

**REMOVAL**

- (1) Remove air duct and air resonator box at throttle body.
- (2) Disconnect electrical connector from IAC motor (Fig. 23).



## REMOVAL AND INSTALLATION (Continued)

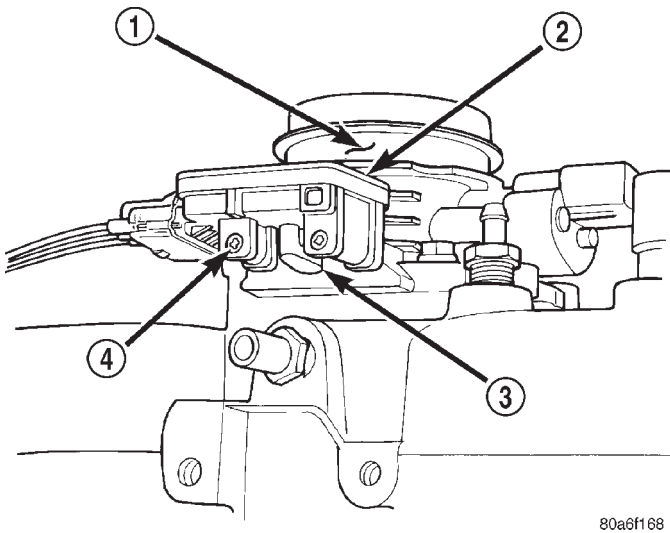
- (3) Remove two mounting bolts (screws) (Fig. 27).
- (4) Remove IAC motor from throttle body.

## INSTALLATION

- (1) Install IAC motor to throttle body.
- (2) Install and tighten two mounting bolts (screws) to 7 N·m (60 in. lbs.) torque.
- (3) Install electrical connector.
- (4) Install air duct/air box to throttle body.

## MANIFOLD ABSOLUTE PRESSURE (MAP) SENSOR—4.0L ENGINE

The MAP sensor is mounted to the side of the throttle body (Fig. 24). An L-shaped rubber fitting is used to connect the MAP sensor to throttle body (Fig. 30).



80a8f168

**Fig. 30 Rubber L-Shaped Fitting—MAP Sensor-to-Throttle Body—4.0L Engine**

- 1 - THROTTLE BODY
- 2 - MAP SENSOR
- 3 - RUBBER FITTING
- 4 - MOUNTING SCREWS (2)

## REMOVAL

- (1) Remove air cleaner duct and air resonator box at throttle body.
- (2) Remove two MAP sensor mounting bolts (screws) (Fig. 30).
- (3) While removing MAP sensor, slide the rubber L-shaped fitting (Fig. 30) from the throttle body.
- (4) Remove rubber L-shaped fitting from MAP sensor.

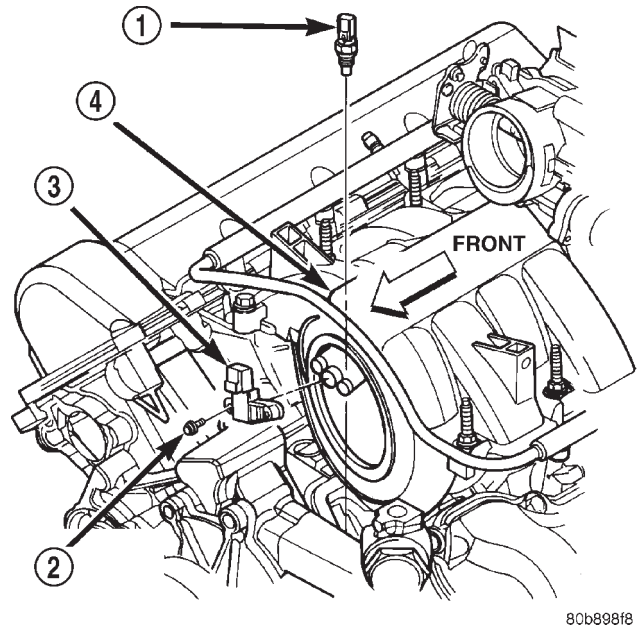
## INSTALLATION

- (1) Install rubber L-shaped fitting to MAP sensor.
- (2) Position sensor to throttle body while guiding rubber fitting over throttle body vacuum nipple.

- (3) Install MAP sensor mounting bolts (screws). Tighten screws to 3 N·m (25 in. lbs.) torque.
- (4) Install air cleaner/duct/air box.

## MANIFOLD ABSOLUTE PRESSURE (MAP) SENSOR—4.7L V-8 ENGINE

The MAP sensor is located on the front of the intake manifold (Fig. 31). An o-ring seals the sensor to the intake manifold.



80b898f8

**Fig. 31 MAP and ECT Sensor Locations—4.7L V-8 Engine**

- 1 - ECT SENSOR
- 2 - MOUNTING BOLTS (2)
- 3 - MAP SENSOR
- 4 - INTAKE MANIFOLD

## REMOVAL

- (1) Disconnect electrical connector at sensor.
- (2) Clean area around MAP sensor.
- (3) Remove 2 sensor mounting bolts (Fig. 31).
- (4) Remove MAP sensor from intake manifold.

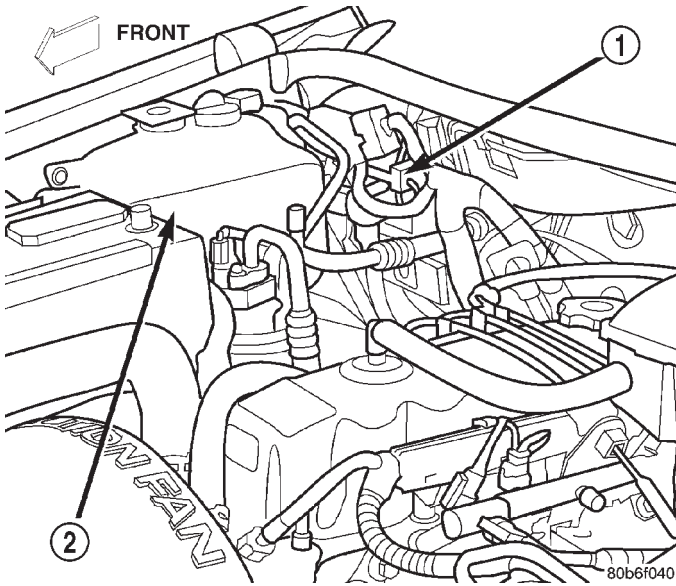
## INSTALLATION

- (1) Clean MAP sensor mounting hole at intake manifold.
- (2) Check MAP sensor o-ring seal for cuts or tears.
- (3) Position sensor into manifold.
- (4) Install MAP sensor mounting bolts (screws). Tighten screws to 3 N·m (25 in. lbs.) torque.
- (5) Connect electrical connector.

## POWERTRAIN CONTROL MODULE (PCM)

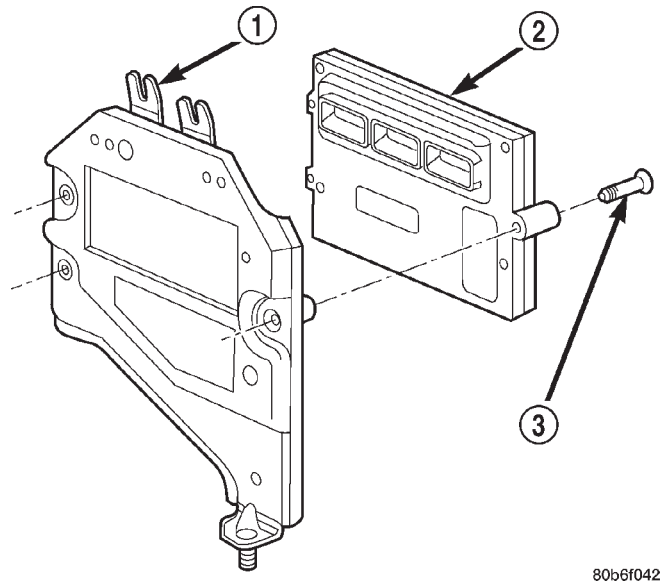
The PCM is located on the cowl panel in right/rear side of engine compartment (Fig. 32).

REMOVAL AND INSTALLATION (Continued)



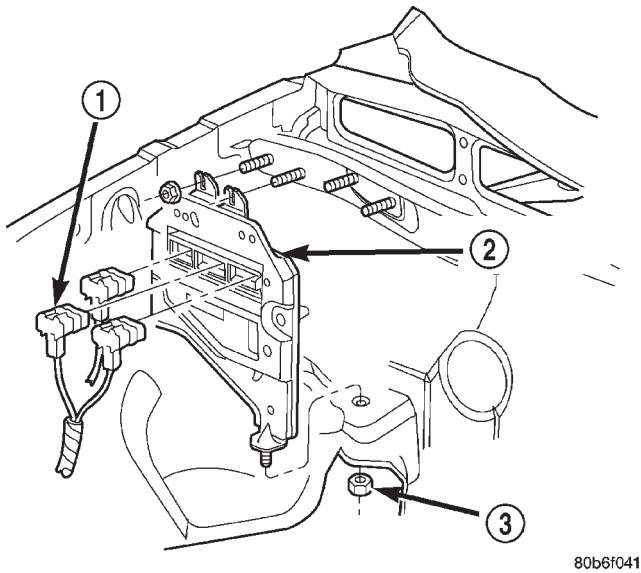
**Fig. 32 Powertrain Control Module (PCM) Location**

- 1 - PCM
- 2 - COOLANT TANK



**Fig. 34 Powertrain Control Module (PCM) Mounting Bracket**

- 1 - PCM BRACKET
- 2 - PCM
- 3 - PCM-TO-BRACKET SCREWS (3)



**Fig. 33 Powertrain Control Module (PCM) 32-Way Connectors**

- 1 - 3 32-WAY CONNECTORS
- 2 - PCM/BRACKET ASSEMBLY
- 3 - BRACKET NUTS (3)

**REMOVAL**

To avoid possible voltage spike damage to PCM, ignition key must be off, and negative battery cable must be disconnected before unplugging PCM connectors.

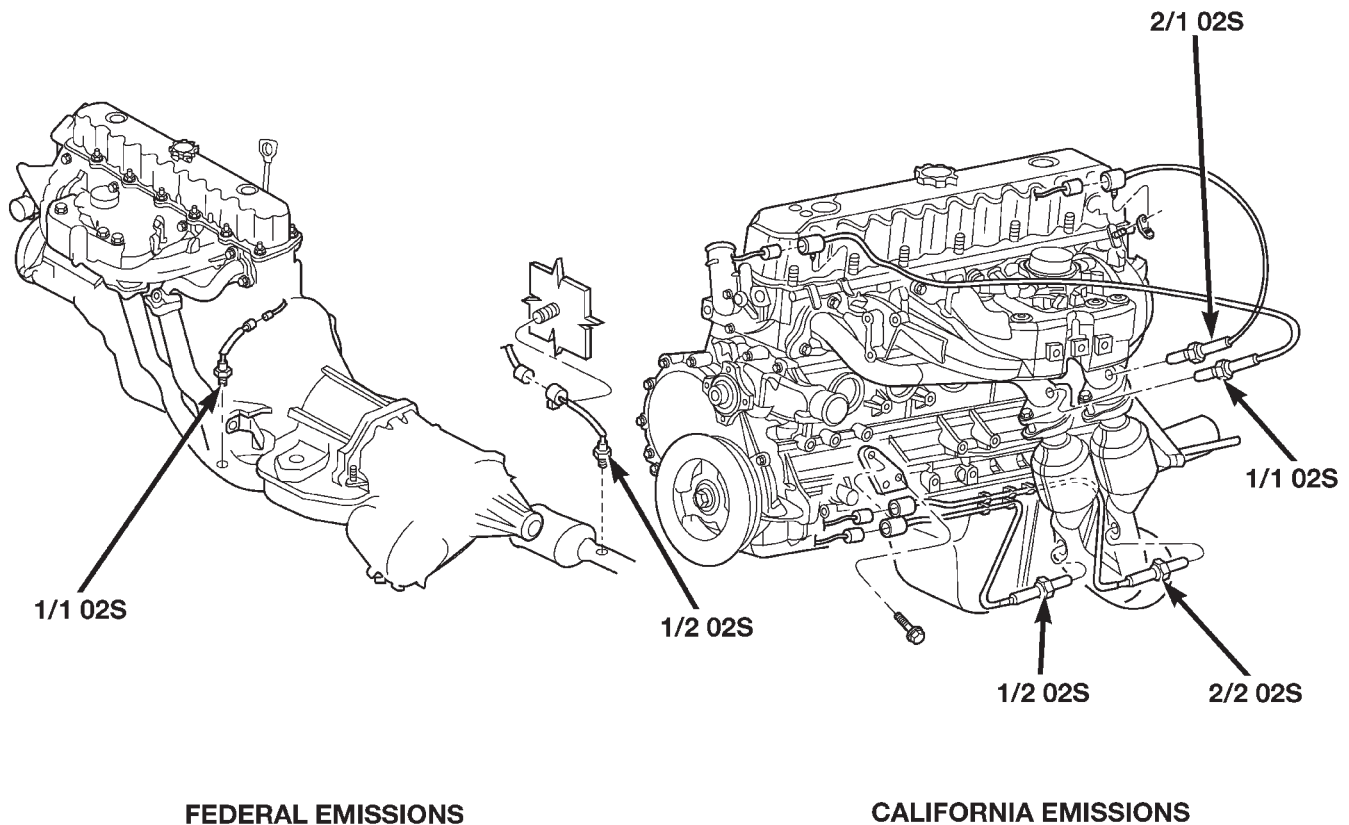
- (1) Disconnect negative battery cable at battery.
- (2) If equipped, remove Transmission Control Module (TCM).

- (3) Remove coolant reserve/overflow tank.
- (4) Remove cover over electrical connectors. Cover snaps onto PCM.
- (5) Carefully unplug three 32-way connectors at PCM.
- (6) Remove three PCM bracket-to-body mounting nuts (Fig. 33).
- (7) Remove PCM/PCM bracket assembly from vehicle.
- (8) Remove 3 PCM-to-PCM bracket bolts (screws) (Fig. 34).

**INSTALLATION**

- (1) Check pins in three 32-way electrical connectors for damage. Repair as necessary.
- (2) Install PCM to its mounting bracket. Tighten three mounting bolts to 3 N·m (25 in. lbs.) torque.
- (3) Install PCM/PCM bracket to body. Install 3 nuts and tighten 9 N·m (80 in. lbs.) torque.
- (4) Install three 32-way connectors.
- (5) Install cover over electrical connectors. Cover snaps onto PCM.
- (6) Install coolant reserve/overflow tank.
- (7) If equipped, install Transmission Control Module (TCM).
- (8) Connect negative cable to battery.
- (9) Use the DRB scan tool to reprogram new PCM with vehicle's original Identification Number (VIN) and original vehicle mileage.

## REMOVAL AND INSTALLATION (Continued)



FEDERAL EMISSIONS

CALIFORNIA EMISSIONS

80b3c678

*Fig. 35 Oxygen Sensor Locations—4.0L Engine***OXYGEN SENSOR****REMOVAL**

Never apply any type of grease to the oxygen sensor electrical connector, or attempt any soldering of the sensor wiring harness. For sensor operation, it must have a comparison source of oxygen from outside the exhaust system. This fresh air is supplied to the sensor through its pigtail wiring harness.

Oxygen sensor (O2S) locations are shown in (Fig. 35) and (Fig. 36).

**WARNING: THE EXHAUST MANIFOLD, EXHAUST PIPES AND CATALYTIC CONVERTER(S) BECOME VERY HOT DURING ENGINE OPERATION. ALLOW ENGINE TO COOL BEFORE REMOVING OXYGEN SENSOR.**

- (1) Raise and support vehicle.
- (2) Disconnect O2S pigtail harness from main wiring harness.
- (3) If equipped, disconnect sensor wire harness mounting clips from engine or body.

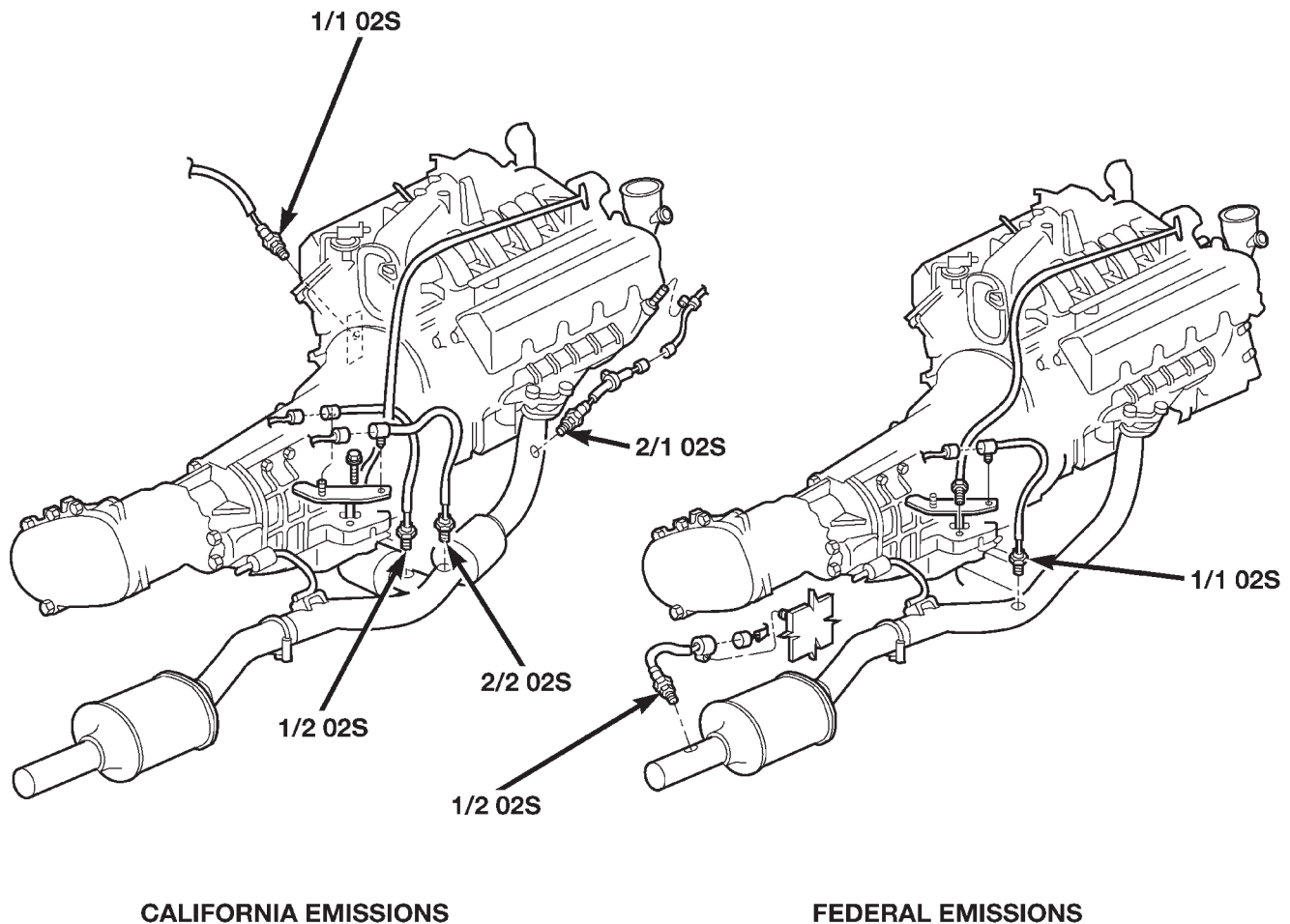
**CAUTION: When disconnecting sensor electrical connector, do not pull directly on wire going into sensor.**

- (4) Remove O2S sensor with an oxygen sensor removal and installation tool.

**INSTALLATION**

Threads of new oxygen sensors are factory coated with anti-seize compound to aid in removal. **DO NOT add any additional anti-seize compound to threads of a new oxygen sensor.**

## REMOVAL AND INSTALLATION (Continued)



**Fig. 36 Oxygen Sensor Locations—4.7L V-8 Engine**

(1) Install O2S sensor. Tighten to 30 N·m (22 ft. lbs.) torque.

(2) Connect O2S sensor wire connector to main wiring harness.

(3) If equipped, connect sensor wire harness mounting clips to engine or body. **When Equipped: The O2S pigtail harness must be clipped and/or bolted back to their original positions on engine or body to prevent mechanical damage to wiring.**

(4) Lower vehicle.

## RADIATOR FAN COOLING RELAY

### REMOVAL

The Pulse Width Modulated (PWM) cooling fan relay is located below the right headlamp behind the bumper fascia (Fig. 37).

(1) Remove front bumper and grill assembly.

(2) Remove 1 support bolt near front of reservoir (Fig. 37).

(3) Remove 2 reservoir mounting bolts.

(4) Remove reservoir from vehicle to gain access to vacuum hose (Fig. 38). Disconnect vacuum hose from reservoir fitting at rear of reservoir.

(5) Disconnect electrical connector at relay (Fig. 39).

(6) Remove 2 relay mounting bolts (Fig. 39) and remove relay.

### INSTALLATION

(1) Position relay to body and install 2 bolts. Tighten bolts to 3 N·m (25 in. lbs.) torque.

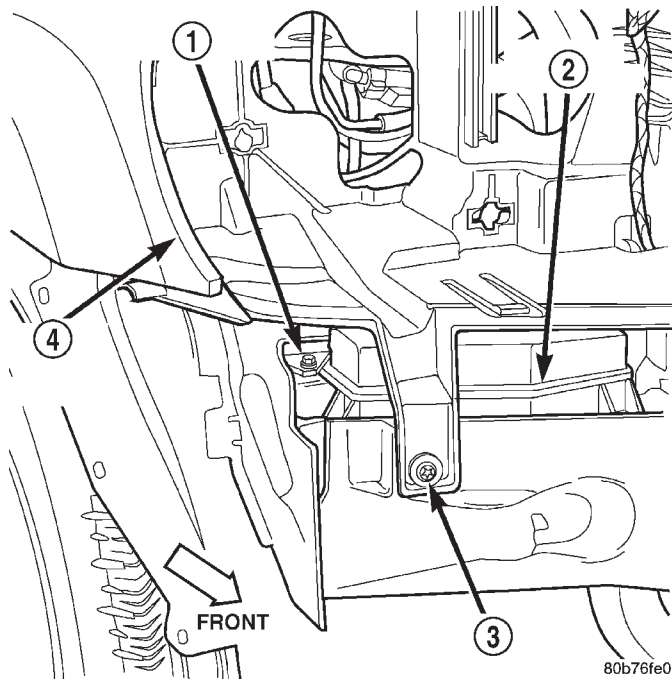
(2) Connect electrical connector to relay.

(3) Connect vacuum hose to reservoir.

(4) Install reservoir and tighten 2 bolts to 3 N·m (25 in. lbs.) torque.

(5) Install front bumper and grill assembly.

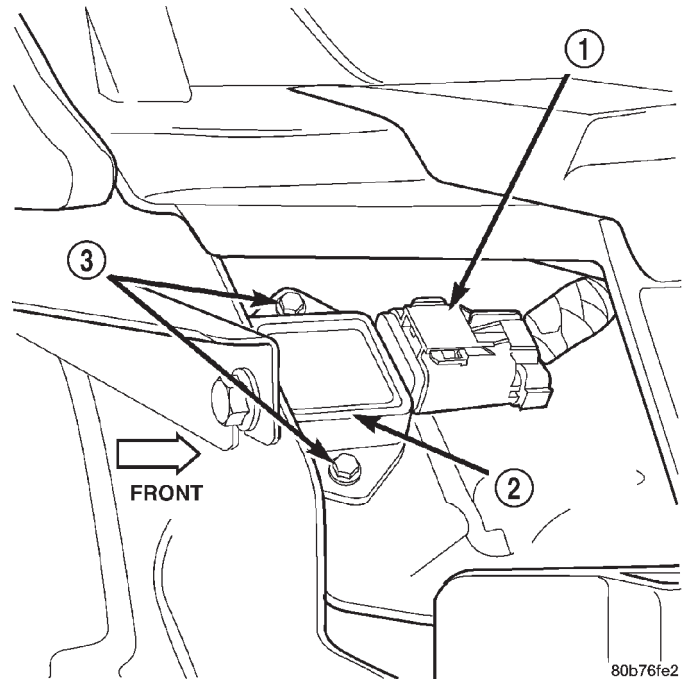
## REMOVAL AND INSTALLATION (Continued)



80b76fe0

**Fig. 37 Radiator Cooling Fan Relay Location**

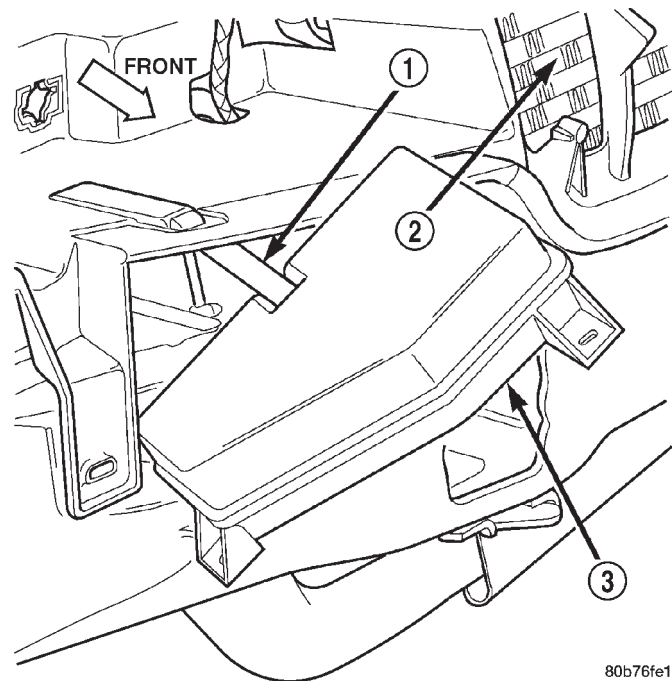
- 1 - RADIATOR FAN RELAY
- 2 - VACUUM RESERVOIR
- 3 - BOLT
- 4 - RIGHT FRONT FENDER



80b76fe2

**Fig. 39 Radiator Cooling Fan Relay Removal/Installation**

- 1 - ELECTRICAL CONNECTOR
- 2 - RADIATOR FAN RELAY
- 3 - MOUNTING BOLTS (2)



80b76fe1

**Fig. 38 Vacuum Reservoir Removal/Installation**

- 1 - VACUUM HOSE
- 2 - RADIATOR
- 3 - VACUUM RESERVOIR

**AIR CLEANER ELEMENT (FILTER)****REMOVAL**

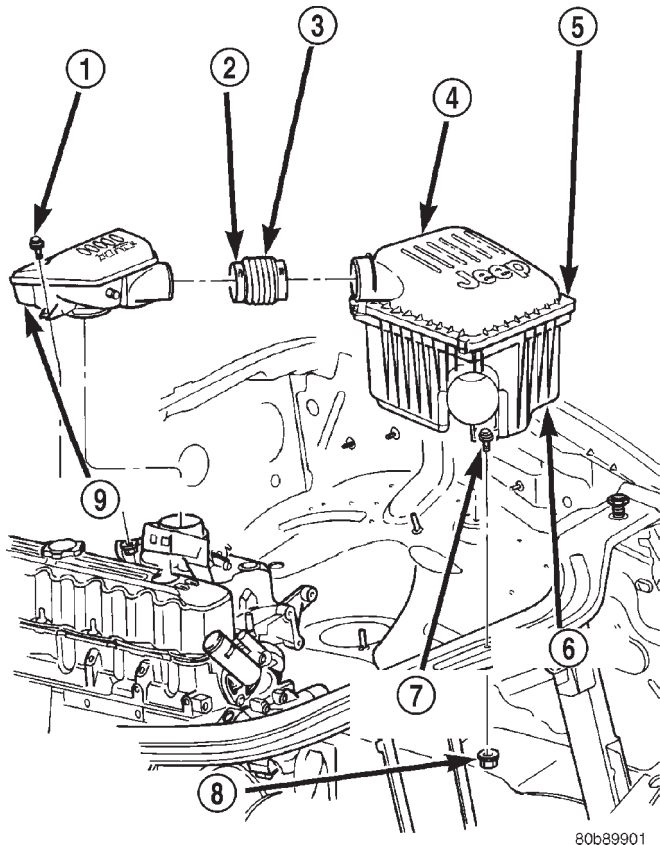
- (1) Unlatch four clips retaining air cleaner cover to air cleaner housing (Fig. 40) or (Fig. 41).
- (2) Lift cover up and position to the side.
- (3) Remove air cleaner element.

**INSTALLATION**

- (1) Clean inside of air cleaner housing before installing new element.
- (2) Install air cleaner element into housing.
- (3) Latch clips and clamp cover down to secure. Be sure air cleaner cover is properly seated to air cleaner housing.



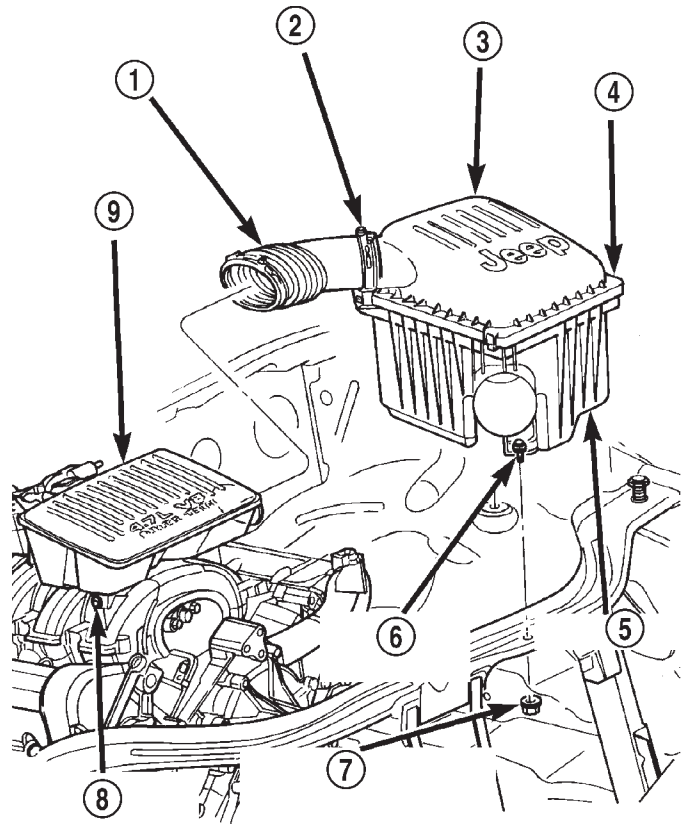
REMOVAL AND INSTALLATION (Continued)



80b89901

**Fig. 40 Air Cleaner Assembly —4.0L Engine**

- 1 - RESONATOR BOLTS
- 2 - CLAMPS
- 3 - AIR DUCT
- 4 - AIR CLEANER COVER
- 5 - CLIPS
- 6 - HOUSING
- 7 - HOUSING BOLTS (3)
- 8 - LOWER HOUSING NUTS (3)
- 9 - RESONATOR



80b89902

**Fig. 41 Air Cleaner Assembly —4.7L V-8 Engine**

- 1 - AIR DUCT
- 2 - CLAMPS
- 3 - AIR CLEANER COVER
- 4 - CLIPS
- 5 - HOUSING
- 6 - HOUSING BOLTS (3)
- 7 - LOWER HOUSING NUTS (3)
- 8 - RESONATOR BOLTS
- 9 - RESONATOR

**AIR CLEANER HOUSING/RESONATOR/DUCTS**

**REMOVAL**

- (1) Disconnect air cleaner cover-to-air duct clamp (Fig. 40) or (Fig. 41).
- (2) Disconnect air duct at housing.
- (3) **Each of the 3 air cleaner housing mounting bolts is attached with 2 nuts (an upper nut and lower nut). DO NOT REMOVE BOLTS. To prevent stripping bolts, only remove lower nuts. The lower housing nuts are located under left front inner fender (Fig. 40) or (Fig. 41).**
  - (a) To gain access to lower nuts, raise vehicle.
  - (b) Remove clips retaining rubber inner fender shield.
  - (c) Pry back shield enough to gain access to lower nuts.
  - (d) Remove 3 nuts.

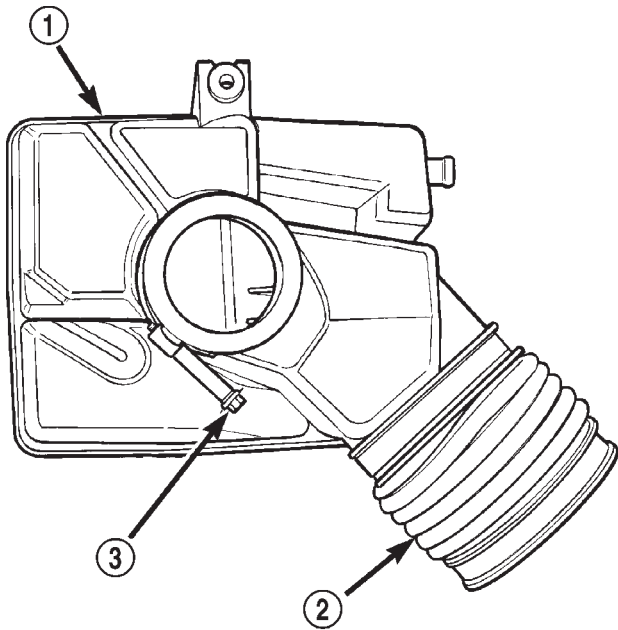
- (e) Remove air cleaner assembly from vehicle.
- (4) 4.0L Engine: If resonator is to be removed, disconnect breather tube at resonator, disconnect air duct clamp at resonator (Fig. 40) and remove 1 resonator mounting bolt. Remove resonator from throttle body by loosening clamp (Fig. 42).
- (5) 4.7L V-8 Engine: If resonator is to be removed, disconnect breather tube at resonator, disconnect air duct clamp at resonator (Fig. 41) and remove 2 resonator mounting bolts (at sides of resonator). Remove resonator from throttle body by loosening clamp at throttle body.

**INSTALLATION**

- (1) Position air cleaner assembly to body and install 3 nuts. Tighten nuts to 10 N·m (93 in. lbs.) torque. **To prevent excessive vibration transmitted through housing, the nuts must be properly torqued. Do not overtighten nuts.**



## REMOVAL AND INSTALLATION (Continued)



80b89903

**Fig. 42 Air Cleaner Resonator Clamp (Bottom View)—4.0L Engine**

- 1 - RESONATOR
- 2 - AIR DUCT
- 3 - CLAMP

(2) If resonator was removed: Install resonator and bolts. Tighten bolts to 4 N·m (35 in. lbs.) torque. Tighten clamp at throttle body to 4 N·m (35 in. lbs.) torque.

(3) Position fender liner and install clips.

(4) Connect air duct at housing (Fig. 40) or (Fig. 41).

(5) Tighten air duct clamp.

## ENGINE COOLANT TEMPERATURE SENSOR—4.0L ENGINE

### REMOVAL

**WARNING: HOT, PRESSURIZED COOLANT CAN CAUSE INJURY BY SCALDING. COOLING SYSTEM MUST BE PARTIALLY DRAINED BEFORE REMOVING THE ENGINE COOLANT TEMPERATURE (ECT) SENSOR. REFER TO GROUP 7, COOLING.**

(1) Partially drain cooling system. Refer to Group 7, Cooling.

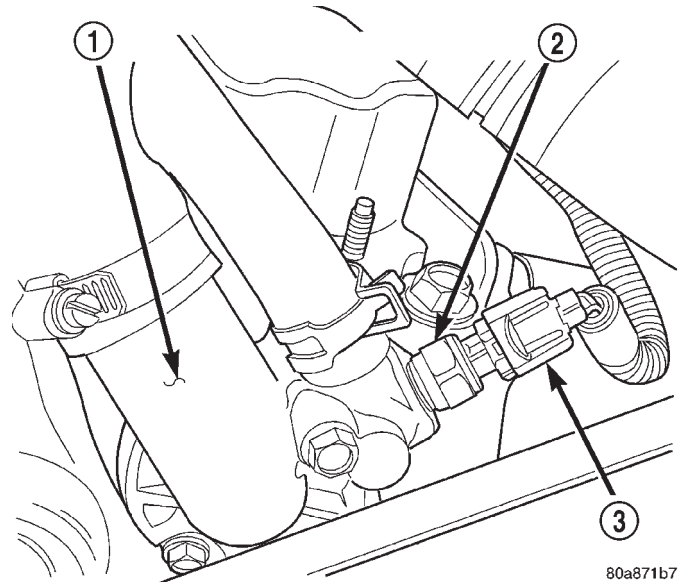
(2) Disconnect electrical connector from ECT sensor (Fig. 43).

(3) Remove sensor from thermostat housing.

### INSTALLATION

(1) Install sensor.

(2) Tighten to 11 N·m (8 ft. lbs.) torque.



80a871b7

**Fig. 43 Engine Coolant Temperature Sensor—4.0L Engine**

- 1 - THERMOSTAT HOUSING
- 2 - ENGINE COOLANT TEMPERATURE SENSOR
- 3 - ELECTRICAL CONNECTOR

(3) Connect electrical connector to sensor.

(4) Replace any lost engine coolant. Refer to Group 7, Cooling System.

## ENGINE COOLANT TEMPERATURE SENSOR—4.7L V-8 ENGINE

### REMOVAL

**WARNING: HOT, PRESSURIZED COOLANT CAN CAUSE INJURY BY SCALDING. COOLING SYSTEM MUST BE PARTIALLY DRAINED BEFORE REMOVING THE ENGINE COOLANT TEMPERATURE (ECT) SENSOR. REFER TO GROUP 7, COOLING.**

The ECT sensor is located near the front of the intake manifold (Fig. 44).

(1) Partially drain cooling system. Refer to Group 7, Cooling.

(2) Disconnect electrical connector from ECT sensor.

(3) Remove sensor from intake manifold.

### INSTALLATION

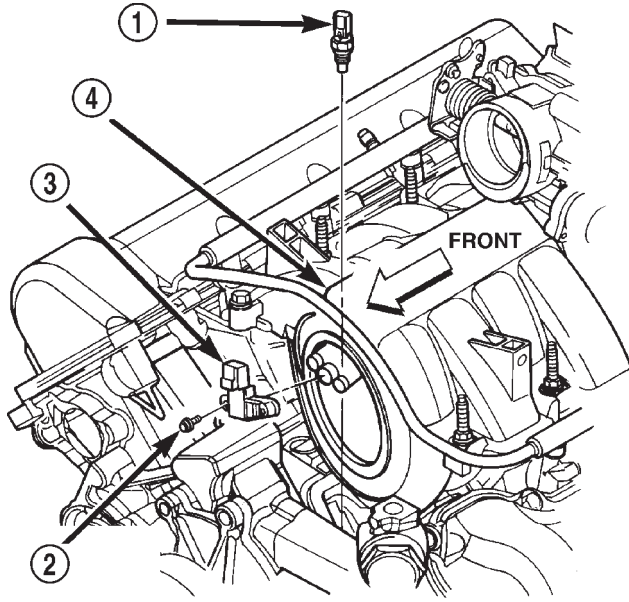
(1) Install sensor.

(2) Tighten to 11 N·m (8 ft. lbs.) torque.

(3) Connect electrical connector to sensor.

(4) Replace any lost engine coolant. Refer to Group 7, Cooling System.

REMOVAL AND INSTALLATION (Continued)



80b898f8

**Fig. 44 Engine Coolant Temperature Sensor—4.7L V-8 Engine**

- 1 - ECT SENSOR
- 2 - MOUNTING BOLTS (2)
- 3 - MAP SENSOR
- 4 - INTAKE MANIFOLD

**INTAKE MANIFOLD AIR TEMPERATURE SENSOR—4.0L ENGINE**

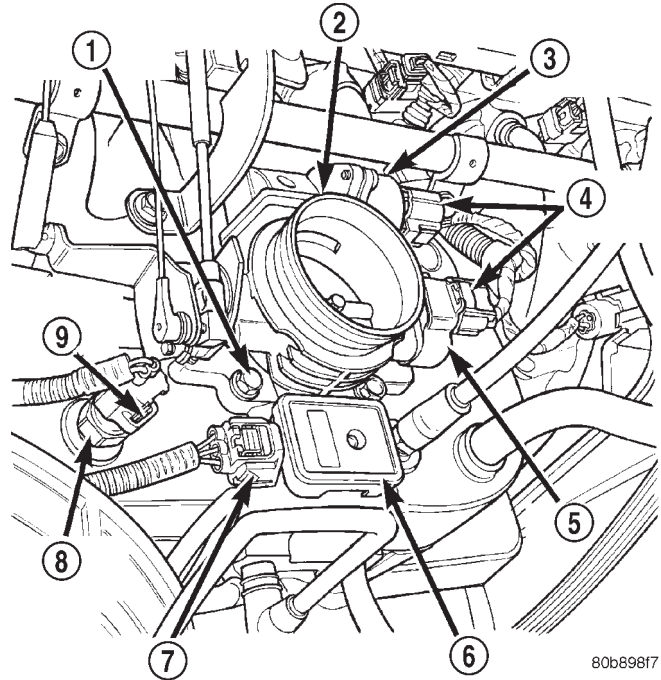
The Intake Manifold Air Temperature (IAT) sensor is installed into the intake manifold plenum near the front of the throttle body (Fig. 45).

**REMOVAL**

- (1) Disconnect electrical connector from sensor.
- (2) Remove sensor from intake manifold.

**INSTALLATION**

- (1) Install sensor into intake manifold. Tighten sensor to 28 N·m (20 ft. lbs.) torque.
- (2) Connect electrical connector to sensor.



80b898f7

**Fig. 45 Intake Manifold Air Sensor Location—4.0L Engine**

- 1 - MOUNTING BOLTS (4)
- 2 - THROTTLE BODY
- 3 - IAC MOTOR
- 4 - ELEC. CONN.
- 5 - TPS
- 6 - MAP SENSOR
- 7 - ELEC. CONN.
- 8 - IAT SENSOR
- 9 - ELEC. CONN.

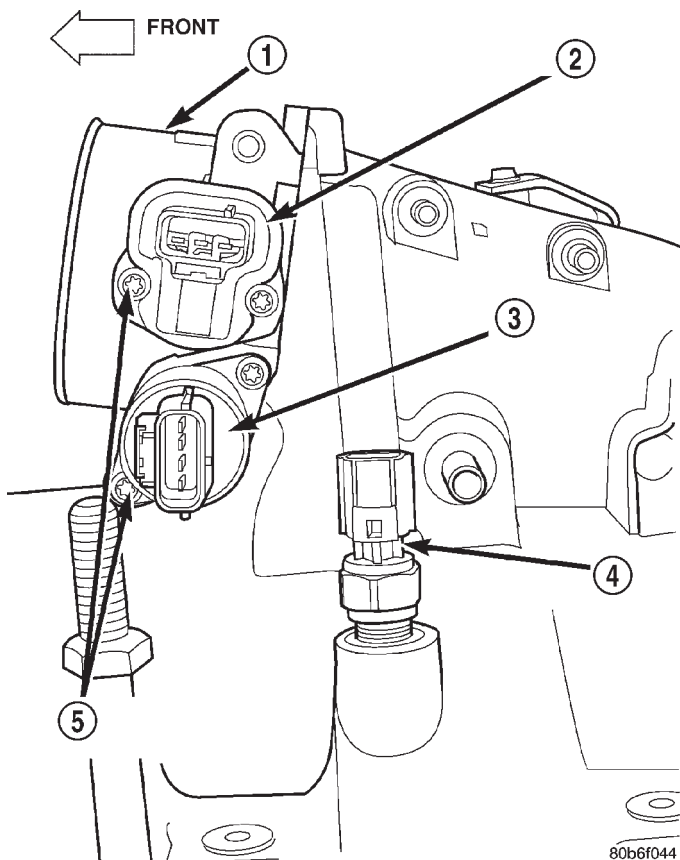
**INTAKE MANIFOLD AIR TEMPERATURE SENSOR—4.7L V-8 ENGINE**

The Intake Manifold Air Temperature (IAT) sensor is installed into the intake manifold plenum near the left side of the throttle body (Fig. 46).

**REMOVAL**

- (1) Disconnect electrical connector from sensor.
- (2) Remove sensor from intake manifold.

REMOVAL AND INSTALLATION (Continued)



**Fig. 46 Intake Manifold Air Sensor Location—4.7L V-8 Engine**

- 1 - THROTTLE BODY
- 2 - TPS
- 3 - IAC MOTOR
- 4 - IAT SENSOR
- 5 - MOUNTING SCREWS

**INSTALLATION**

- (1) Install sensor into intake manifold. Tighten sensor to 28 N·m (20 ft. lbs.) torque.
- (2) Connect electrical connector to sensor.

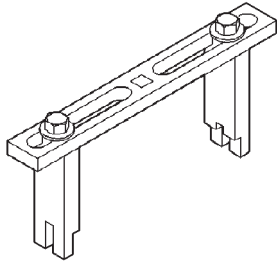
**SPECIFICATIONS**

**TORQUE CHART**

<b>DESCRIPTION</b>	<b>TORQUE</b>
Air Cleaner Housing Mount. Nuts . . . . .	10 N·m (93 in. lbs.)
Air Cleaner Air Duct Clamps . . . . .	4 N·m (35 in. lbs.)
Air Cleaner Resonator Bolts . . . . .	4 N·m (35 in. lbs.)
Engine Coolant Temperature Sensor—4.0L Engine . . . . .	11 N·m (96 in. lbs.)
Engine Coolant Temperature Sensor—4.7L Engine . . . . .	11 N·m (96 in. lbs.)
Fuel Hose Clamps . . . . .	1 N·m (10 in. lbs.)
IAC Motor-To-Throttle Body Bolts—4.0L Engine . . . . .	7 N·m (60 in. lbs.)
IAC Motor-To-Throttle Body Bolts—4.7L Engine . . . . .	7 N·m (60 in. lbs.)
Intake Manifold Air Temp. Sensor—4.0L Engine . . . . .	28 N·m (20 ft. lbs.)
Intake Manifold Air Temp. Sensor—4.7L Engine . . . . .	28 N·m (20 ft. lbs.)
MAP Sensor Mounting Screws—4.0L Engine . . . . .	3 N·m (25 in. lbs.)
MAP Sensor Mounting Screws—4.7L Engine . . . . .	3 N·m (25 in. lbs.)
Oxygen Sensor—All Engines . . . . .	30 N·m (22 ft. lbs.)
PCM-to-Mounting Bracket Screws . . . . .	3 N·m (25 in. lbs.)
PCM-to-Mounting Bracket Screws . . . . .	9 N·m (80 in. lbs.)
Radiator Cooling Fan Relay Bolts . . . . .	3 N·m (25 in. lbs.)
Throttle Body Mounting Bolts—4.0L Engine . . . . .	11 N·m (100 in. lbs.)
Throttle Body Mounting Bolts—4.7L Engine . . . . .	12 N·m (105 in. lbs.)
TPS Mounting Screws—4.0L Engine . . . . .	7 N·m (60 in. lbs.)
TPS Mounting Screws—4.7L Engine . . . . .	7 N·m (60 in. lbs.)

SPECIAL TOOLS

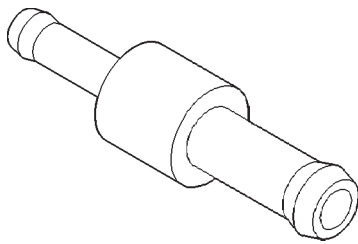
FUEL SYSTEM



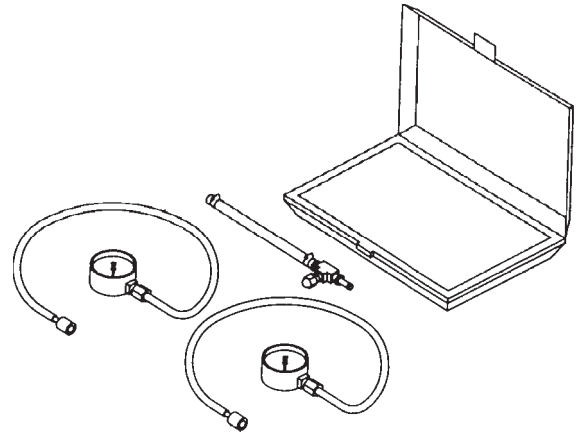
**Spanner Wrench—6856**



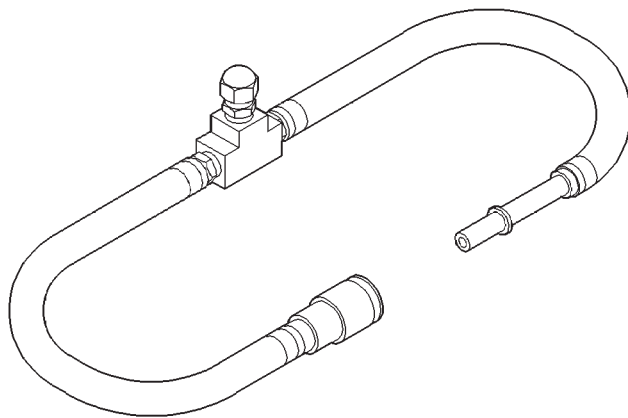
**O2S (Oxygen Sensor) Remover/Installer—C-4907**



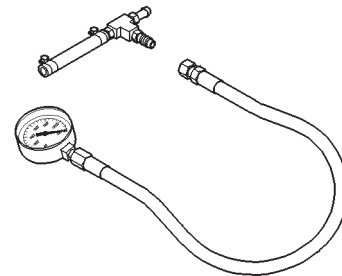
**Fitting, Air Metering—6714**



**Test Kit, Fuel Pressure—5069**



**Adapters, Fuel Pressure Test—6539 and/or 6631**



**Test Kit, Fuel Pressure—C-4799-B**



**Fuel Line Removal Tool—6782**



# STEERING

## TABLE OF CONTENTS

	page		page
POWER STEERING .....	1	STEERING LINKAGE .....	22
POWER STEERING PUMP .....	6	STEERING COLUMN .....	26
POWER STEERING GEAR .....	11		

## POWER STEERING

### TABLE OF CONTENTS

	page		page
<b>DESCRIPTION AND OPERATION</b>		<b>STEERING FLOW AND PRESSURE.....</b>	<b>4</b>
POWER STEERING SYSTEM .....	1		
<b>DIAGNOSIS AND TESTING</b>			
POWER STEERING SYSTEM DIAGNOSIS			
CHARTS .....	2		

### DESCRIPTION AND OPERATION

#### POWER STEERING SYSTEM

##### DESCRIPTION

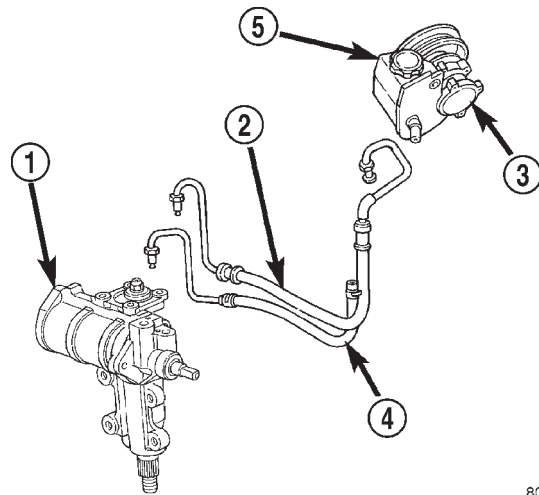
The power steering pump (Fig. 1) is a constant flow rate and displacement vane type pump. The pump reservoir is attached to the pump body. The pump is connected to the steering by the pressure and return hoses. The steering gear (Fig. 1) used is a recirculating ball type gear. A tilt and non-tilt column provide steering input.

The power steering system consists of:

- Hydraulic pump
- Recirculating ball steering gear
- Steering column
- Steering linkage
- Cooler (optional)

##### OPERATION

The rack piston balls act as a rolling thread between the worm shaft and rack piston. The worm shaft is supported by a thrust bearing at the lower end and a bearing assembly at the upper end. When the worm shaft is turned from input from the steering column the rack piston moves. The rack piston teeth mesh with the pitman shaft. Turning the worm shaft turns the pitman shaft, which moves the steering linkage.



80c07226

**Fig. 1 Power Steering Gear & Pump**

- 1 - STEERING GEAR
- 2 - PRESSURE HOSE
- 3 - PUMP
- 4 - RETURN HOSE
- 5 - RESERVOIR



## DIAGNOSIS AND TESTING

## POWER STEERING SYSTEM DIAGNOSIS CHARTS

## STEERING NOISE

There is some noise in all power steering systems. One of the most common is a hissing sound evident at a standstill parking. Or when the steering wheel is at the end of it's travel. Hiss is a high frequency noise similar to that of a water tap being closed slowly. The noise is present in all valves that have a high velocity fluid passing through an orifice. There is no relationship between this noise and steering performance.

CONDITION	POSSIBLE CAUSES	CORRECTION
OBJECTIONAL HISS OR WHISTLE	<ol style="list-style-type: none"> <li>1. Steering intermediate shaft to dash panel seal.</li> <li>2. Noisy valve in power steering gear.</li> </ol>	<ol style="list-style-type: none"> <li>1. Check and repair seal at dash panel.</li> <li>2. Replace steering gear.</li> </ol>
RATTLE OR CLUNK	<ol style="list-style-type: none"> <li>1. Gear mounting bolts loose.</li> <li>2. Loose or damaged suspension components/track bar.</li> <li>3. Loose or damaged steering linkage.</li> <li>4. Internal gear noise.</li> <li>5. Pressure hose in contact with other components.</li> </ol>	<ol style="list-style-type: none"> <li>1. Tighten bolts to specification.</li> <li>2. Inspect and repair suspension.</li> <li>3. Inspect and repair steering linkage.</li> <li>4. Replace gear.</li> <li>5. Reposition hose.</li> </ol>
CHIRP OR SQUEAL	<ol style="list-style-type: none"> <li>1. Loose belt.</li> <li>2. Belt routing.</li> </ol>	<ol style="list-style-type: none"> <li>1. Adjust or replace.</li> <li>2. Verify belt routing is correct.</li> </ol>
WHINE OR GROWL	<ol style="list-style-type: none"> <li>1. Low fluid level.</li> <li>2. Pressure hose in contact with other components.</li> <li>3. Internal pump noise.</li> <li>4. Air in the system.</li> </ol>	<ol style="list-style-type: none"> <li>1. Fill to proper level.</li> <li>2. Reposition hose.</li> <li>3. Replace pump.</li> <li>4. Perform pump initial operation.</li> </ol>
SUCKING AIR SOUND	<ol style="list-style-type: none"> <li>1. Loose return line clamp.</li> <li>2. O-ring missing or damaged on hose fitting.</li> <li>3. Low fluid level.</li> <li>4. Air leak between pump and reservoir.</li> </ol>	<ol style="list-style-type: none"> <li>1. Replace clamp.</li> <li>2. Replace o-ring.</li> <li>3. Fill to proper level.</li> <li>4. Repair as necessary.</li> </ol>
SCRUBBING OR KNOCKING	<ol style="list-style-type: none"> <li>1. Wrong tire size.</li> <li>2. Wrong gear.</li> </ol>	<ol style="list-style-type: none"> <li>1. Verify tire size.</li> <li>2. Verify gear.</li> </ol>

DIAGNOSIS AND TESTING (Continued)

*BINDING AND STICKING*

CONDITION	POSSIBLE CAUSE	CORRECTION
DIFFICULT TO TURN WHEEL STICKS OR BINDS	<ol style="list-style-type: none"> <li>1. Low fluid level.</li> <li>2. Tire pressure.</li> <li>3. Steering component.</li> <li>4. Loose belt.</li> <li>5. Low pump pressure.</li> <li>6. Column shaft coupler binding.</li> <li>7. Steering gear worn or out of adjustment.</li> <li>8. Ball joints binding.</li> <li>9. Belt routing.</li> </ol>	<ol style="list-style-type: none"> <li>1. Fill to proper level.</li> <li>2. Adjust tire pressure.</li> <li>3. Inspect and lube.</li> <li>4. Adjust or replace.</li> <li>5. Pressure test and replace if necessary.</li> <li>6. Replace coupler.</li> <li>7. Repair or replace gear.</li> <li>8. Inspect and repair as necessary.</li> <li>9. Verify belt routing is correct.</li> </ol>

*INSUFFICIENT ASST. OR POOR RETURN TO CENTER*

CONDITION	POSSIBLE CAUSE	CORRECTION
HARD TURNING OR MOMENTARY INCREASE IN TURNING EFFORT	<ol style="list-style-type: none"> <li>1. Tire pressure.</li> <li>2. Low fluid level.</li> <li>3. Loose belt.</li> <li>4. Lack of lubrication.</li> <li>5. Low pump pressure.</li> <li>6. Internal gear leak.</li> <li>7. Belt routing.</li> </ol>	<ol style="list-style-type: none"> <li>1. Adjust tire pressure.</li> <li>2. Fill to proper level.</li> <li>3. Adjust or replace.</li> <li>4. Inspect and lubricate steering and suspension compnents.</li> <li>5. Pressure test and repair as necessary.</li> <li>6. Pressure and flow test, and repair as necessary.</li> <li>7. Verify belt routing is correct.</li> </ol>
STEERING WHEEL DOES NOT WANT TO RETURN TO CENTER POSITION	<ol style="list-style-type: none"> <li>1. Tire pressure.</li> <li>2. Wheel alignment.</li> <li>3. Lack of lubrication.</li> <li>4. High friction in steering gear.</li> <li>5. Ball joints binding.</li> </ol>	<ol style="list-style-type: none"> <li>1. Adjust tire pressure.</li> <li>2. Align front end.</li> <li>3. Inspect and lubricate steering and suspension compnents.</li> <li>4. Test and adjust as necessary.</li> <li>5. Inspect and repair as necessary.</li> </ol>

Some roads will cause a vehicle to drift, due to the crown in the road.

## DIAGNOSIS AND TESTING (Continued)

## LOOSE STEERING AND VEHICLE LEADS/DRIFTS

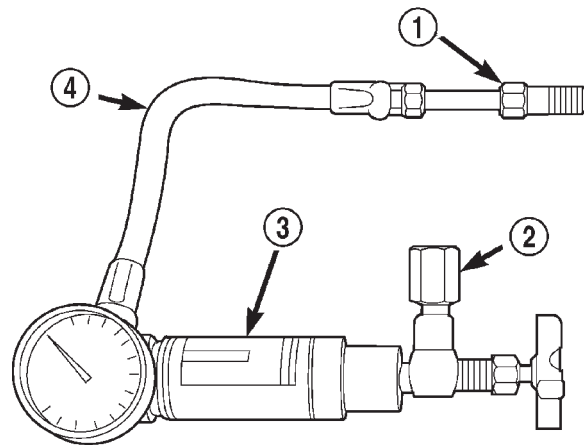
CONDITION	POSSIBLE CAUSE	CORRECTION
EXCESSIVE PLAY IN STEERING WHEEL	<ol style="list-style-type: none"> <li>1. Worn or loose suspension or steering components.</li> <li>2. Worn or loose wheel bearings.</li> <li>3. Steering gear mounting.</li> <li>4. Gear out of adjustment.</li> <li>5. Worn or loose steering coupler.</li> </ol>	<ol style="list-style-type: none"> <li>1. Repair as necessary.</li> <li>2. Repair as necessary.</li> <li>3. Tighten gear mounting bolts to specification.</li> <li>4. Adjust gear to specification.</li> <li>5. Repair as necessary.</li> </ol>
VEHICLE PULLS TO ONE SIDE DURING BRAKING	<ol style="list-style-type: none"> <li>1. Tire Pressure.</li> <li>2. Air in brake hydraulics system.</li> <li>3. Worn brake components.</li> </ol>	<ol style="list-style-type: none"> <li>1. Adjust tire pressure.</li> <li>2. Bleed brake system.</li> <li>3. Repair as necessary.</li> </ol>
VEHICLE LEADS OR DRIFTS FROM STRAIGHT AHEAD DIRECTION ON UNCROWNED ROAD.	<ol style="list-style-type: none"> <li>1. Tire pressure.</li> <li>2. Radial tire lead.</li> <li>3. Brakes dragging.</li> <li>4. Wheel alignment.</li> <li>5. Weak or broken spring.</li> <li>6. Loose or worn steering/suspension components.</li> <li>7. Cross caster out of spec.</li> </ol>	<ol style="list-style-type: none"> <li>1. Adjust tire pressure.</li> <li>2. Cross front tires.</li> <li>3. Repair as necessary.</li> <li>4. Align vehicle.</li> <li>5. Replace spring.</li> <li>6. Repair as necessary.</li> <li>7. Adjust or replace axle as necessary.</li> </ol>

## STEERING FLOW AND PRESSURE

The following procedure is used to test the operation of the power steering system on the vehicle. This test will provide the gallons per minute (GPM) or flow rate of the power steering pump along with the maximum relief pressure. Perform test any time a power steering system problem is present. This test will determine if the power steering pump or power steering gear is not functioning properly. The following pressure and flow test is performed using Power Steering Analyzer Tool kit 6815 (Fig. 2) and Adapter Kit 6893.

## FLOW AND PRESSURE TEST

- (1) Check the power steering belt to ensure it is in good condition and adjusted properly.
- (2) Connect pressure gauge hose from the Power Steering Analyzer to Tube 6865.
- (3) Connect Adapter 6826 to Power Steering Analyzer test valve end.
- (4) Disconnect the high pressure hose from the power steering pump.
- (5) Connect Tube 6865 to the pump hose fitting.
- (6) Connect the power steering hose from the steering gear to Adapter 6826.
- (7) Open the test valve completely.



80ae82e2

Fig. 2 Power Steering Analyzer

- 1 - TUBE
- 2 - ADAPTER FITTINGS
- 3 - ANALYZER
- 4 - GAUGE HOSE

- (8) Start engine and let idle long enough to circulate power steering fluid through flow/pressure test gauge.

DIAGNOSIS AND TESTING (Continued)

(9) Shut off the engine and check the fluid level, add fluid as necessary. Start engine again and let idle.

(10) The initial pressure reading should be 345-552 kPa (50-80 psi). If pressure is higher inspect the hoses for restrictions and repair as necessary.

(11) Increase the engine speed to 1500 RPM and read the flow meter. The reading should be 2.4 - 2.8 GPM, if the reading is below this specification the pump should be replaced.

**CAUTION:** This next step involves testing maximum pump pressure output and flow control valve operation. Do not leave valve closed for more than three seconds as the pump could be damaged.

(12) Close valve fully three times for three seconds and record highest pressure indicated each time. **All three readings must be at pump relief pressure specifications and within 345 kPa (50 psi) of each other.**

- Pressures above specifications but not within 345 kPa (50 psi) of each other, replace pump.

- Pressures within 345 kPa (50 psi) of each other but below specifications, replace pump.

(13) Open the test valve and turn the steering wheel to the extreme left and right positions against the stops. Record the highest pressure reading at each position. Compare readings to the pump specifications chart. If pressures readings are not within 50 psi. of each other, the gear is leaking internally and must be repaired.

**CAUTION:** Do not force the pump to operate against the stops for more than 2 to 4 seconds at a time because, pump damage will result.

*PUMP SPECIFICATIONS*

ENGINE	RELIEF PRESSURE ± 50	FLOW RATE (GPM)
4.0L	9653 kPa (1400 psi)	1500 RPM 2.4 - 2.8 GPM
4.7L	9653 kPa (1400 psi)	

# POWER STEERING PUMP

## TABLE OF CONTENTS

	page		page
<b>DESCRIPTION AND OPERATION</b>		POWER STEERING PUMP - 4.7L.....	7
POWER STEERING PUMP .....	6	<b>DISASSEMBLY AND ASSEMBLY</b>	
POWER STEERING PRESSURE LINE.....	6	PUMP PULLEY .....	8
POWER STEERING RETURN LINE .....	6	PUMP RESERVOIR .....	9
<b>DIAGNOSIS AND TESTING</b>		<b>SPECIFICATIONS</b>	
PUMP LEAKAGE DIAGNOSIS .....	7	TORQUE CHART.....	10
<b>SERVICE PROCEDURES</b>		<b>SPECIAL TOOLS</b>	
POWER STEERING PUMP - INITIAL OPERATION.....	7	POWER STEERING PUMP .....	10
<b>REMOVAL AND INSTALLATION</b>			
POWER STEERING PUMP - 4.0L .....	7		

## DESCRIPTION AND OPERATION

### POWER STEERING PUMP

#### DESCRIPTION

Hydraulic pressure for the power steering system is provided by a belt driven power steering pump (Fig. 1). The pump shaft has a pressed-on drive pulley that is belt driven by the crankshaft pulley.

#### OPERATION

The power steering pump is a constant flow rate and displacement, vane-type pump. The pump internal parts operate submerged in fluid. The flow control orifice is part of the high pressure line fitting. The pressure relief valve inside the flow control valve limits the pump pressure. The reservoir is attached to the pump body with spring clips. The power steering pump is connected to the steering gear by the pressure and return hoses.

**NOTE:** Power steering pumps have different pressure rates and are not interchangeable with other pumps.

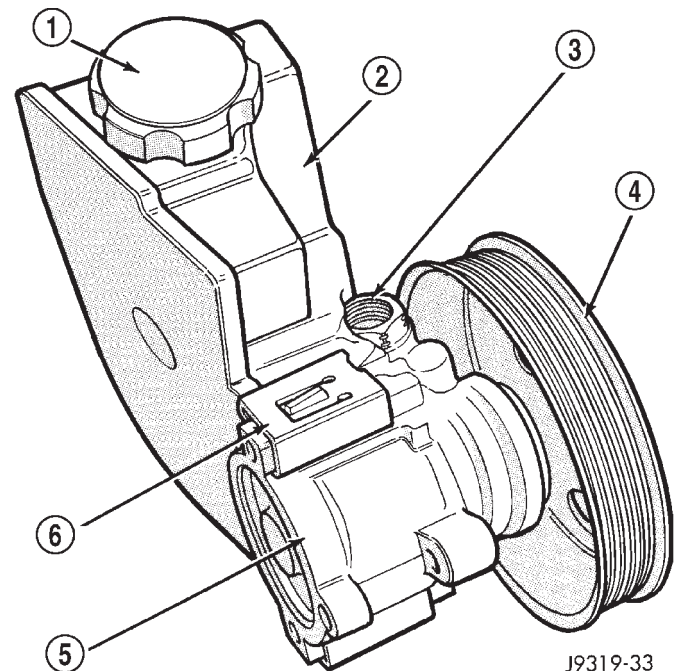
### POWER STEERING PRESSURE LINE

#### DESCRIPTION

The hose consists of two metal ends and rubber center section that contains a tuning cable. The pump end uses a quick connect fitting.

#### OPERATION

Power steering pressure line, is used to transfer high pressure power steering fluid, from the power steering pump to the power steering gear.



J9319-33

**Fig. 1 Pump With Integral Reservoir**

- 1 - CAP
- 2 - FLUID RESERVOIR (TYPICAL)
- 3 - HIGH-PRESSURE FITTING
- 4 - DRIVE PULLEY
- 5 - PUMP BODY
- 6 - RESERVOIR CLIP

### POWER STEERING RETURN LINE

#### DESCRIPTION

Power steering return line is a hose which is clamped at the pump and the gear.

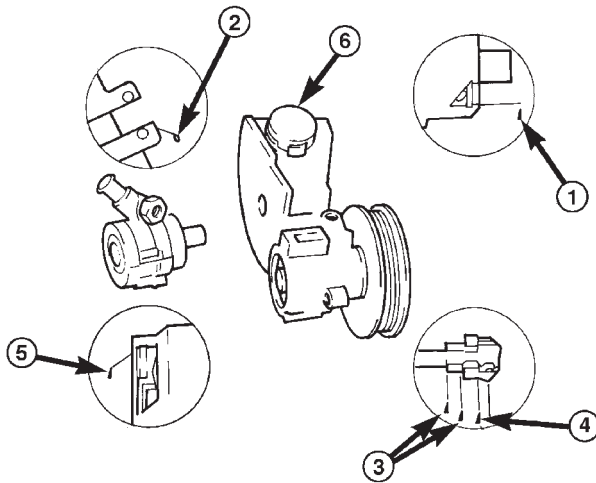
DESCRIPTION AND OPERATION (Continued)

**OPERATION**

Power steering return line, is used to transfer low pressure power steering fluid, from the power steering gear to the power steering pump.

**DIAGNOSIS AND TESTING**

**PUMP LEAKAGE DIAGNOSIS**



1. BUSHING (BEARING) WORN, SEAL WORN. REPLACE PUMP.
2. REPLACE RESERVOIR O-RING SEAL.
3. TORQUE HOSE FITTING NUT TO SPECIFICATIONS. IF LEAKAGE PERSISTS, REPLACE O-RING SEAL.
4. TORQUE FITTING TO SPECIFICATIONS. IF LEAKAGE PERSISTS, REPLACE O-RING SEAL.
5. REPLACE PUMP.
6. CHECK OIL LEVEL: IF LEAKAGE PERSISTS WITH THE LEVEL CORRECT AND CAP TIGHT, REPLACE THE CAP.

80a1c3c3

(3) Add fluid if necessary. Repeat the above procedure until the fluid level remains constant after running the engine.

(4) Raise the front wheels off the ground.

(5) Slowly turn the steering wheel right and left, lightly contacting the wheel stops at least 20 times.

(6) Check the fluid level add if necessary.

(7) Lower the vehicle, start the engine and turn the steering wheel slowly from lock to lock.

(8) Stop the engine and check the fluid level and refill as required.

(9) If the fluid is extremely foamy or milky looking, allow the vehicle to stand a few minutes and repeat the procedure.

**CAUTION:** Do not run a vehicle with foamy fluid for an extended period. This may cause pump damage.

**REMOVAL AND INSTALLATION**

**POWER STEERING PUMP - 4.0L**

**REMOVAL**

(1) Remove serpentine drive belt, refer to Group 7 Cooling.

(2) Remove pressure and return hoses from pump and drain the pump.

(3) Loosen the pump bracket bolt at the engine block.

(4) Remove 3 pump mounting bolts (Fig. 2) through pulley access holes.

(5) Tilt pump downward and remove from engine.

(6) Remove pulley from pump.

**INSTALLATION**

(1) Install pulley on pump.

(2) Install pump on the engine mounting bracket.

(3) Install 3 pump mounting bolts and tighten to 27 N·m (20 ft. lbs.).

(4) Tighten pump bracket bolt to 57 N·m (42 ft. lbs.).

(5) Install the pressure line on the pump and tighten to 28 N·m (21 ft. lbs.).

(6) Install return hoses on pump.

(7) Install drive belt, refer to Group 7 Cooling.

(8) Add power steering fluid, refer to Power Steering Pump Initial Operation.

**POWER STEERING PUMP - 4.7L**

**REMOVAL**

(1) Remove the serpentine drive belt. Refer to Group 7 Cooling.

(2) Remove the pressure and return hoses from pump and drain pump.

**SERVICE PROCEDURES**

**POWER STEERING PUMP - INITIAL OPERATION**

**WARNING:** THE FLUID LEVEL SHOULD BE CHECKED WITH ENGINE OFF TO PREVENT INJURY FROM MOVING COMPONENTS.

**CAUTION:** Use MOPAR Power Steering Fluid or equivalent. Do not use automatic transmission fluid and do not overfill.

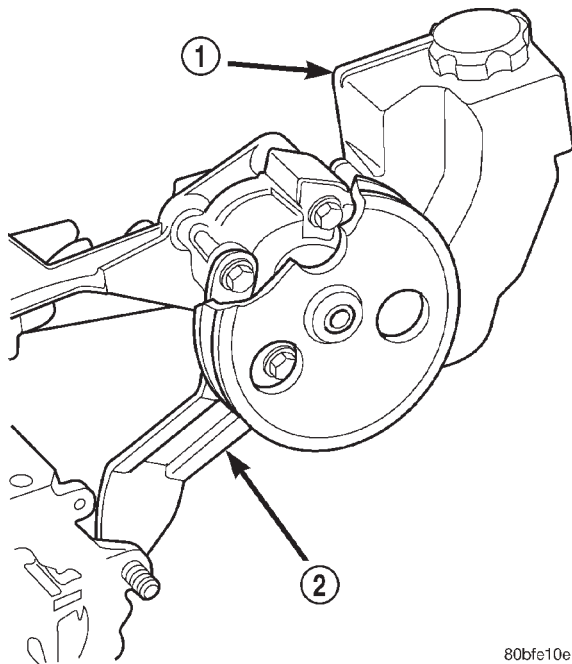
Wipe filler cap clean, then check the fluid level. The dipstick should indicate **COLD** when the fluid is at normal ambient temperature.

(1) Fill the pump fluid reservoir to the proper level and let the fluid settle for at least two minutes.

(2) Start the engine and let run for a few seconds then turn engine off.



## REMOVAL AND INSTALLATION (Continued)

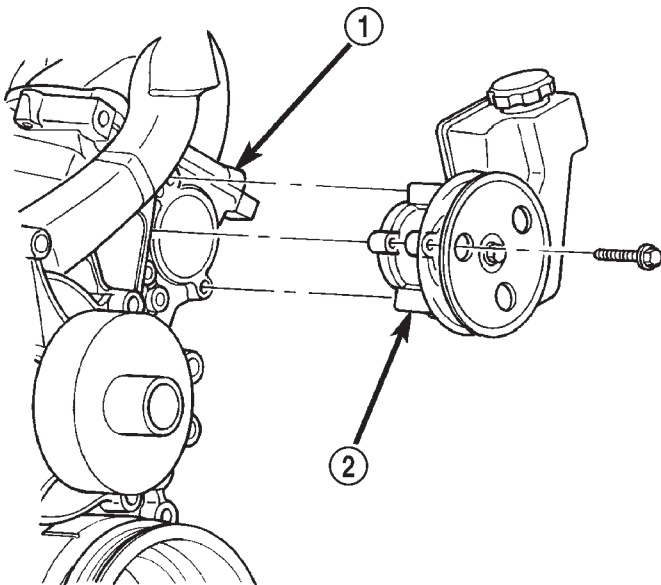


80bfe10e

**Fig. 2 PUMP MOUNTING – 4.0L**

- 1 – PUMP ASSEMBLY  
2 – PUMP BRACKET

- (3) Remove 3 pump mounting bolts through pulley access holes (Fig. 3).  
(4) Remove the pump from the vehicle.



80b89871

**Fig. 3 Pump Mounting**

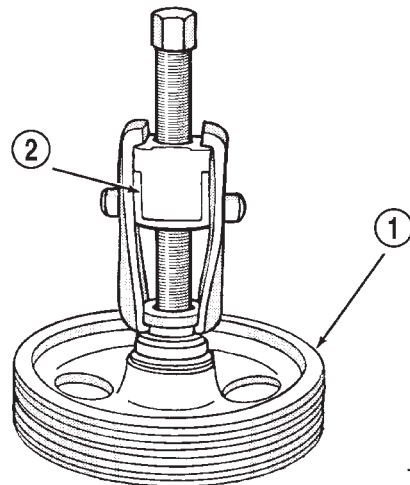
- 1 – LEFT CYLINDER HEAD  
2 – PUMP

**INSTALLATION**

- (1) Position the pump on the left cylinder head and install bolts through pulley access holes. Tighten bolts to 40 N·m (30 ft. lbs.).  
(2) Install the pressure and return hoses to pump.  
(3) Install serpentine drive belt, refer to Group 7 Cooling.  
(4) Add power steering fluid. Refer to Power Steering Pump Initial Operation in this section.

**DISASSEMBLY AND ASSEMBLY****PUMP PULLEY****DISASSEMBLY**

- (1) Remove pump assembly.  
(2) Remove pulley from pump with Puller C-4333 or equivalent puller (Fig. 4).



J9319-45

**Fig. 4 Pulley Removal**

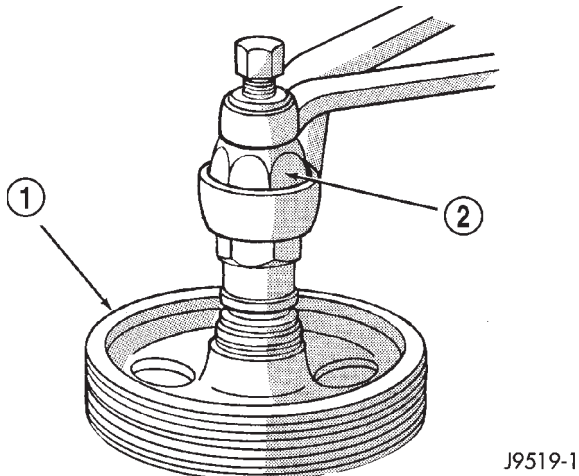
- 1 – POWER STEERING PUMP DRIVE PULLEY  
2 – SPECIAL TOOL C-4333

**ASSEMBLY**

**NOTE:** The pulley is marked front for installation.

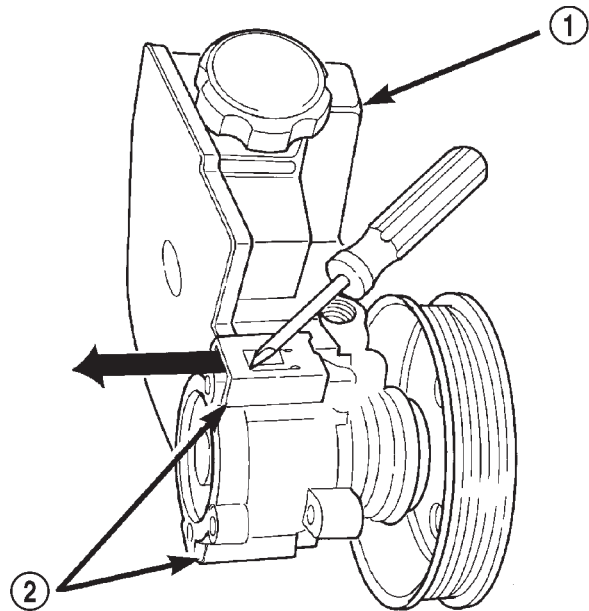
- (1) Replace pulley if bent, cracked, or loose.  
(2) Install pulley on pump with Installer C-4063-B or equivalent installer (Fig. 5). The front edge of the pulley hub must be flush with the end of the shaft. Ensure the tool and pulley are aligned with the pump shaft.  
(3) Install pump assembly.  
(4) With Serpentine Belt, run engine until warm (5 min.) and note any belt chirp. If chirp exists, move pulley outward approximately 0.5 mm (0.020 in.). If noise increases, press on 1.0 mm (0.040 in.). **Be careful that pulley does not contact mounting bolts.**

DISASSEMBLY AND ASSEMBLY (Continued)



**Fig. 5 Pulley Installation**

- 1 - POWER STEERING PUMP DRIVE PULLEY
- 2 - SPECIAL TOOL C-4063-B



**Fig. 6 Pump Reservoir Clips**

- 1 - RESERVOIR
- 2 - RETAINING CLIPS

**PUMP RESERVOIR**

**DISASSEMBLY**

- (1) Remove power steering pump.
- (2) Clean exterior of pump.
- (3) Clamp the pump body in a soft jaw vice.
- (4) Pry up tab and slide the retaining clips off (Fig. 6).

**NOTE: Use new retaining clips for installation.**

- (5) Remove fluid reservoir from pump body. Remove and discard O-ring seal.

**ASSEMBLY**

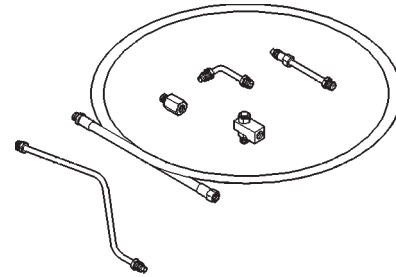
- (1) Lubricate new O-ring Seal with Mopar Power Steering Fluid or equivalent.

- (2) Install O-ring seal in housing.
- (3) Install reservoir onto housing.
- (4) Slide and tap in **new** reservoir retainer clips until tab locks to housing.
- (5) Install power steering pump.
- (6) Add power steering fluid, refer to Pump Initial Operation.

SPECIFICATIONS

TORQUE CHART

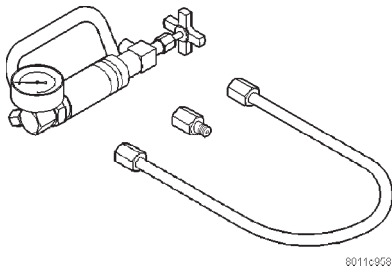
DESCRIPTION	TORQUE
<b>Power Steering Pump</b>	
Bracket Bolt-4.0L . . . . .	57 N·m (42 ft. lbs.)
Pump Bolts-4.0L . . . . .	27 N·m (20 ft. lbs.)
Pump Bolts-4.7L . . . . .	40 N·m (30 ft. lbs.)
Flow Control Valve . . . . .	75 N·m (55 ft. lbs.)
Pressure Line . . . . .	20-38 N·m (14-28 ft. lbs.)
Return Line . . . . .	20-38 N·m (14-28 ft. lbs.)



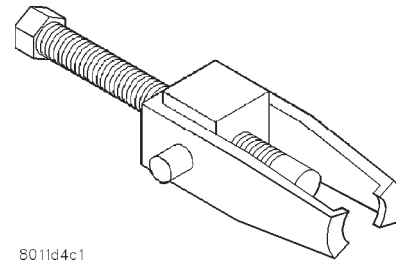
**Adapters, Power Steering Flow/Pressure Tester 6893**

SPECIAL TOOLS

POWER STEERING PUMP

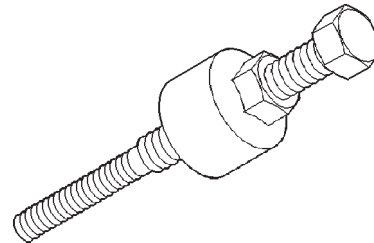


**Analyzer Set, Power Steering Flow/Pressure 6815**



8011d4c1

**Puller C-4333**



**Installer, Power Steering Pulley C-4063B**

# POWER STEERING GEAR

## TABLE OF CONTENTS

	page		page
<b>DESCRIPTION AND OPERATION</b>		<b>RACK PISTON/VALVE ASSEMBLY</b> . . . . .	16
POWER STEERING GEAR . . . . .	11	<b>ADJUSTMENTS</b>	
<b>DIAGNOSIS AND TESTING</b>		STEERING GEAR . . . . .	20
POWER STEERING GEAR LEAKAGE . . . . .	12	<b>SPECIFICATIONS</b>	
<b>REMOVAL AND INSTALLATION</b>		POWER STEERING GEAR . . . . .	20
STEERING GEAR . . . . .	12	TORQUE CHART . . . . .	20
<b>DISASSEMBLY AND ASSEMBLY</b>		<b>SPECIAL TOOLS</b>	
STUB SHAFT HOUSING . . . . .	13	POWER STEERING GEAR . . . . .	21
PITMAN SHAFT/SEALS/BEARINGS . . . . .	14		

### DESCRIPTION AND OPERATION

#### POWER STEERING GEAR

##### DESCRIPTION

The power steering gear is a recirculating ball type gear (Fig. 1).

The following gear components can be serviced:

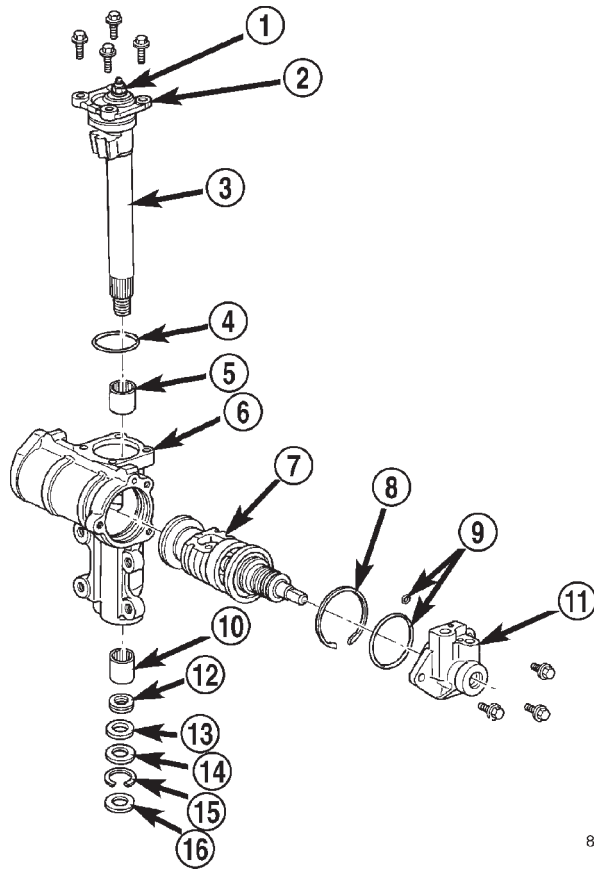
- Pitman Shaft and Cover
- Pitman Shaft Bearings
- Pitman Shaft Oil Seal/Dust Seal
- Stud Shaft Housing with Seal
- O-Rings and Teflon Rings

**NOTE:** If rack piston assembly is damaged the gear must be replaced.

##### OPERATION

The gear acts as a rolling thread between the worm shaft and rack piston. The worm shaft is supported by a thrust bearing at the lower end and a bearing assembly at the upper end. When the worm shaft is turned the rack piston moves. The rack piston teeth mesh with the pitman shaft. Turning the worm shaft turns the pitman shaft, which turns the steering linkage.

## DESCRIPTION AND OPERATION (Continued)



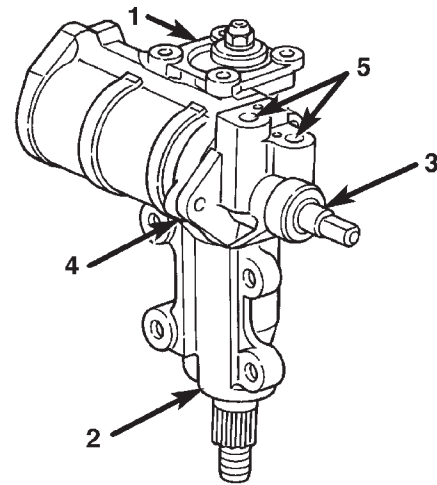
**Fig. 1 Recirculating Ball Type Gear**

- 1 - ADJUSTER NUT
- 2 - COVER
- 3 - PITMAN SHAFT
- 4 - O-RING
- 5 - BEARING
- 6 - GEAR HOUSING
- 7 - RACK PISTON
- 8 - RETAINING RING
- 9 - O-RING
- 10 - BEARING
- 11 - STUB SHAFT HOUSING
- 12 - PITMAN SHAFT SEAL
- 13 - PLASTIC BACKUP WASHER
- 14 - METAL BACKUP WASHER
- 15 - RETAINING RING
- 16 - DUST SEAL

80b5cb09

## DIAGNOSIS AND TESTING

### POWER STEERING GEAR LEAKAGE



- 1. PITMAN SHAFT COVER O-RING - REPLACE O-RING
- 2. PITMAN SHAFT SEAL - REPLACE SEAL
- 3. STUB SHAFT SEAL - REPLACE STUB SHAFT HOUSING
- 4. STUB SHAFT HOUSING O-RING - REPLACE O-RING
- 5. PRESSURE AND RETURN LINE FITTINGS - TIGHTEN TO SPECIFICATION

80c07227

## REMOVAL AND INSTALLATION

### STEERING GEAR

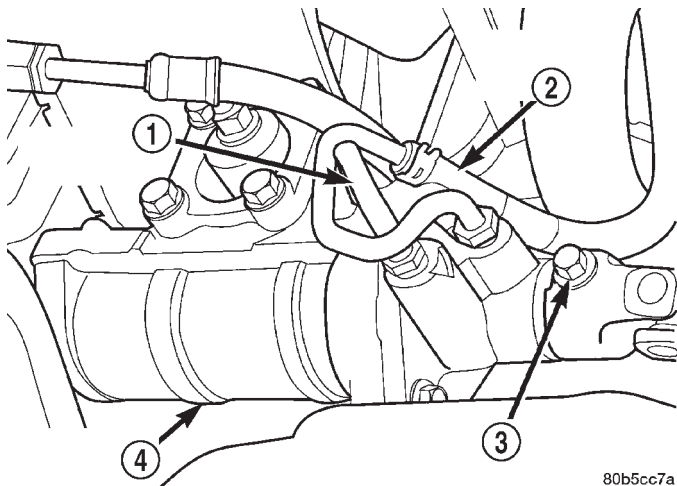
#### REMOVAL

- (1) Place the front wheels in the straight ahead position with the steering wheel centered.
- (2) Remove the air cleaner housing, refer to Group 14 Fuel System.
- (3) Remove and cap the pressure and return lines (Fig. 2) from the steering gear.
- (4) Remove the column coupler shaft bolt (Fig. 2) and remove the shaft from the gear.
- (5) Remove left front wheel and tire assembly.
- (6) Remove pitman arm from gear with Puller C-4150A.
- (7) Remove windshield washer reservoir refer to Group 8 Electrical.
- (8) Remove the steering gear mounting bolts. Remove the steering gear out of the engine compartment (Fig. 3).

#### INSTALLATION

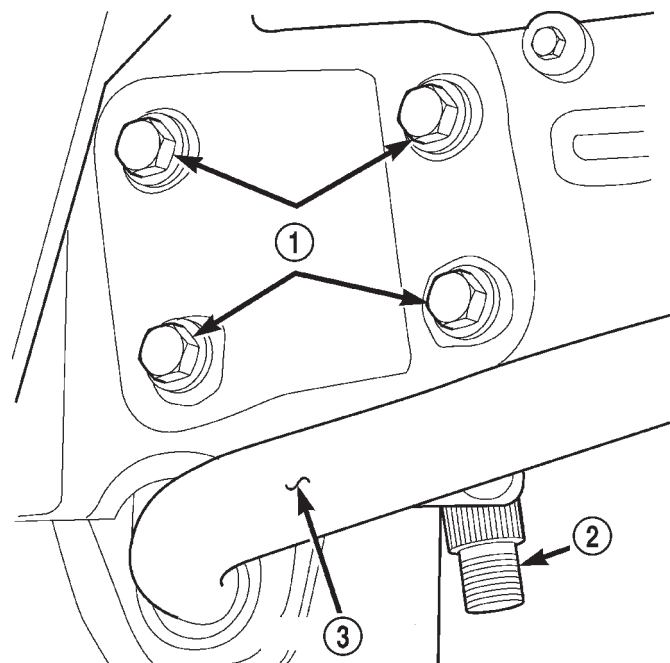
- (1) Position the steering gear on the frame rail and install the bolts. Tighten the bolts to 108 N·m (80 ft. lbs.) torque.
- (2) Install the pitman arm and tighten nut to 251 N·m (185 ft. lbs.).
- (3) Install windshield washer reservoir refer to Group 8 Electrical.

REMOVAL AND INSTALLATION (Continued)



**Fig. 2 Pressure And Return Lines**

- 1 - PRESSURE LINE
- 2 - RETURN LINE
- 3 - COUPLER BOLT
- 4 - STEERING GEAR



**Fig. 3 Steering Gear Mounting**

- 1 - MOUNTING BOLTS
- 2 - PITMAN SHAFT
- 3 - STABILIZER BAR

- (4) Install the wheel and tire assembly.
- (5) Install the pressure and return hoses to the steering gear and tighten to 20-38 N·m (14-28 ft. lbs.).
- (6) Install the column coupler shaft.
- (7) Install the air cleaner housing refer to Group 14 Fuel System.

- (8) Fill the power steering pump.

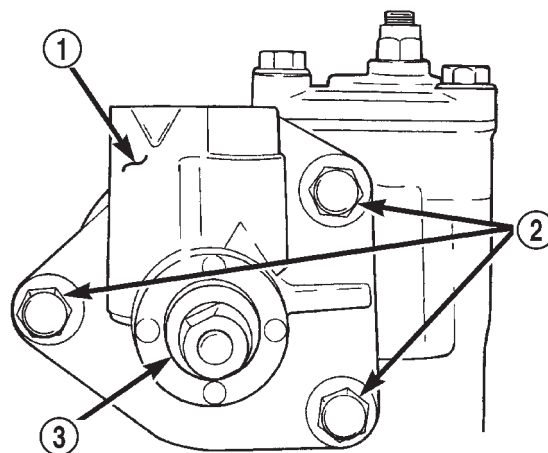
DISASSEMBLY AND ASSEMBLY

STUB SHAFT HOUSING

**NOTE:** If stub shaft housing, seal or bearing is damaged the housing must be replaced.

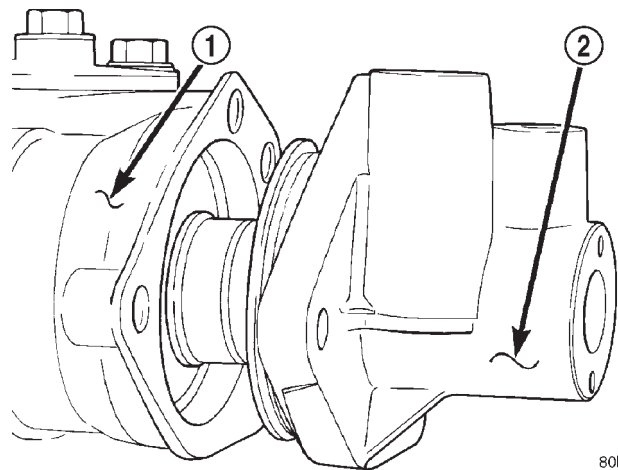
DISASSEMBLY

- (1) Remove stub shaft housing bolts (Fig. 4).
- (2) Remove housing from the steering gear (Fig. 5).
- (3) Remove stub shaft housing o-rings (Fig. 6).



**Fig. 4 Stub Shaft Housing**

- 1 - STUB SHAFT HOUSING
- 2 - MOUNTING BOLTS
- 3 - STUB SHAFT SEAL

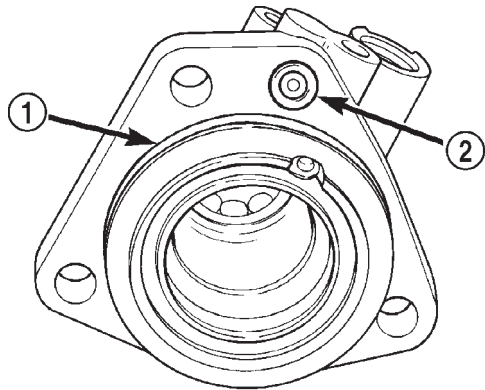


**Fig. 5 Housing Removal**

- 1 - STEERING GEAR
- 2 - STUB SHAFT HOUSING



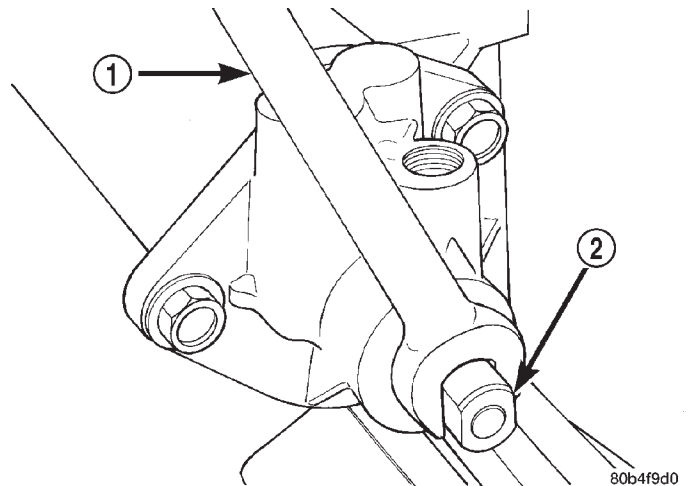
## DISASSEMBLY AND ASSEMBLY (Continued)



80b4b858

**Fig. 6 O-Rings**

- 1 - O-RING  
2 - O-RING



80b4f9d0

**Fig. 7 Center Stub Shaft**

- 1 - WRENCH  
2 - STUB SHAFT

**ASSEMBLY**

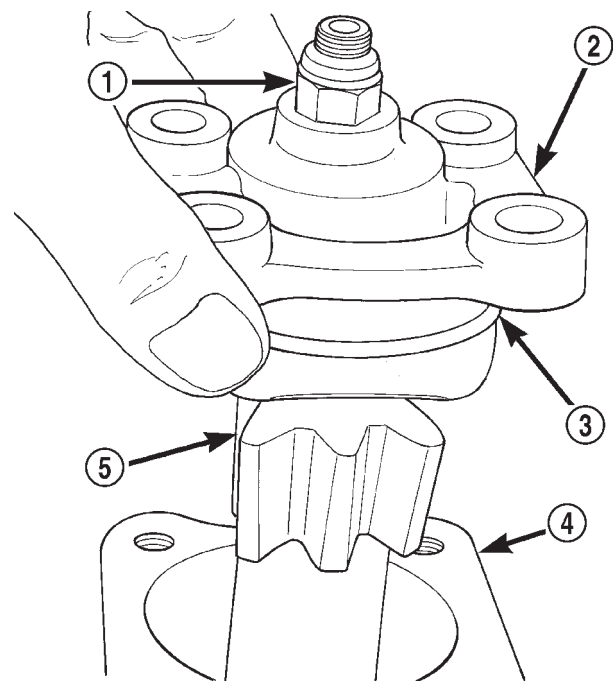
- (1) Grease stub shaft seal with **special grease** supplied with new stub shaft housing.
- (2) Install new stub shaft housing o-rings.
- (3) Install housing on the steering gear.
- (4) Install the housing bolts and tighten to 62 N·m (46 ft. lbs.).

**PITMAN SHAFT/SEALS/BEARINGS****DISASSEMBLY**

- (1) Clean exposed end of pitman shaft and housing with a wire brush.
- (2) Rotate the stub shaft with a wrench (Fig. 7) from stop to stop and count the number of turns.
- (3) Center the stub shaft by rotating it from the stop 1/2 of the total amount of turns.

**NOTE:** The pitman shaft will not clear the housing if it is not centered.

- (4) Remove pitman shaft cover bolts and remove the shaft assembly (Fig. 8).
- (5) Remove pitman shaft cover o-ring.
- (6) Remove pitman shaft dust seal from the housing with a Puller 7794-A and Slide Hammer C-637 (Fig. 9).
- (7) Remove the pitman shaft oil seal retaining ring with snap ring pliers (Fig. 10).
- (8) Remove oil seal metal backup washer then plastic backup washer from the housing (Fig. 11).
- (9) Remove pitman shaft oil seal from the housing with a Puller 7794-A and Slide Hammer C-637 (Fig. 12).

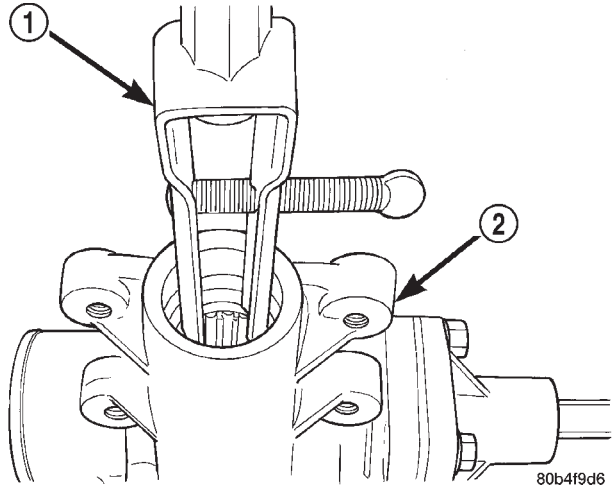


80b4f9d1

**Fig. 8 Cover and Pitman Shaft**

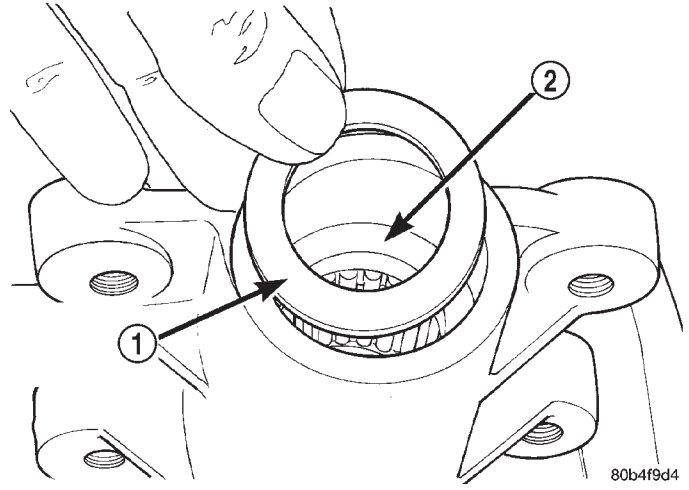
- 1 - ADJUSTER NUT  
2 - PITMAN SHAFT COVER  
3 - O-RING  
4 - GEAR HOUSING  
5 - PITMAN SHAFT

DISASSEMBLY AND ASSEMBLY (Continued)



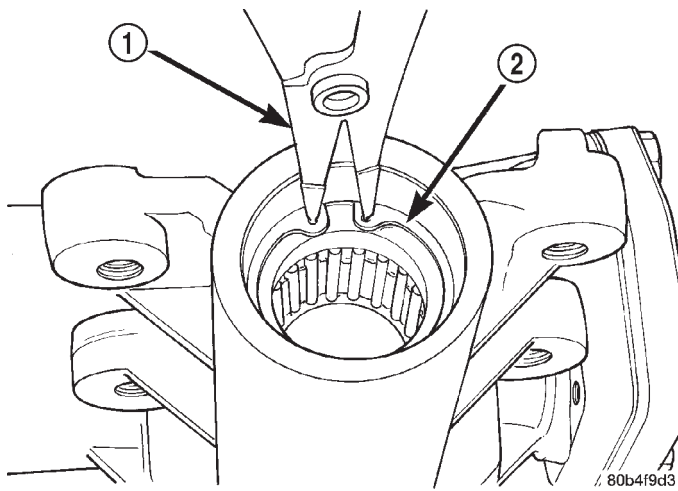
**Fig. 9 Dust Seal Removal**

- 1 - PULLER
- 2 - STEERING GEAR



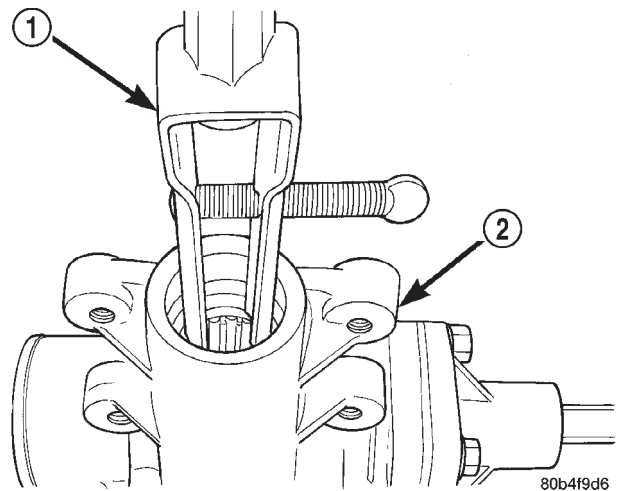
**Fig. 11 Backup Washers**

- 1 - METAL BACK UP WASHER
- 2 - PLASTIC BACK UP WASHER



**Fig. 10 Oil Seal Retaining Ring**

- 1 - SNAP RING PLIERS
- 2 - RETAINING RING

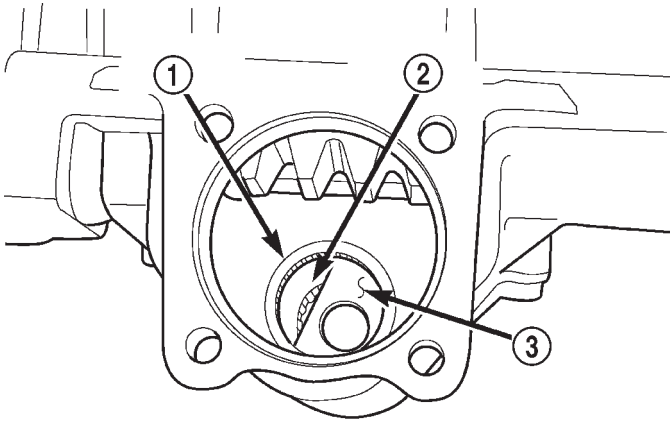


**Fig. 12 Oil Seal Removal**

- 1 - PULLER
- 2 - STEERING GEAR

## DISASSEMBLY AND ASSEMBLY (Continued)

(10) Drop Driver 8277 through the top bearing and align the driver up with the lower bearing. (Fig. 13). Install Handle C-4171 into the driver and remove the lower bearing.



80b5cb4f

**Fig. 13 Bearing Driver**

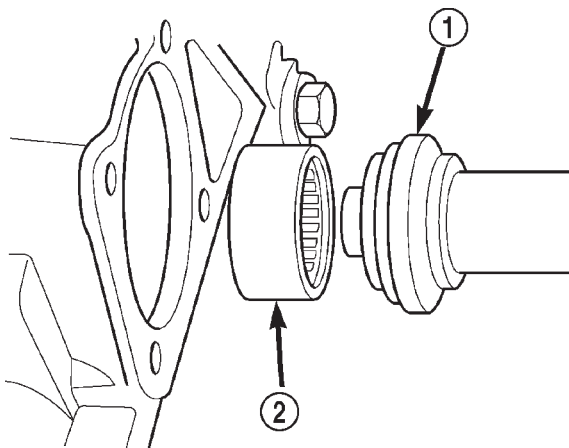
- 1 - UPPER BEARING
- 2 - LOWER BEARING
- 3 - DRIVER

(11) Turn the gear over and remove the upper bearing with Driver 8277 and Handle C-4171.

## ASSEMBLY

(1) Install upper pitman shaft bearing, with Driver 8294 and Handle C-4171 (Fig. 14). Drive bearing into housing until the driver bottoms out.

**NOTE:** Install upper pitman shaft bearing with the part number/letters facing the driver.

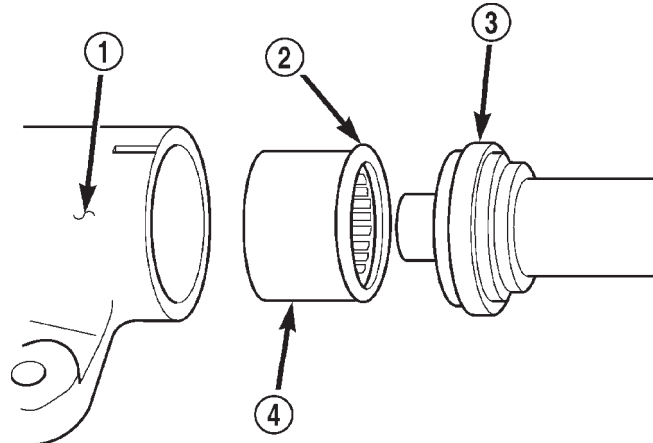


80b6b1a5

**Fig. 14 Upper Pitman Shaft Bearing**

- 1 - DRIVER
- 2 - UPPER BEARING

(2) Install lower pitman shaft bearing with the other side Driver 8294 and Handle C-4171 (Fig. 15). Drive bearing into housing until the bearing shoulder is seated against the housing.



80b6b1a6

**Fig. 15 Lower Pitman Shaft Bearing**

- 1 - STEERING GEAR
- 2 - BEARING SHOULDER
- 3 - DRIVER
- 4 - LOWER BEARING

(3) Coat the oil seal and backup washers with **special grease** supplied with the new seal.

(4) Install the oil seal with Driver 8294 and Handle C-4171.

(5) Install plastic backup washer.

**NOTE:** The plastic backup washer has a lip on the inside diameter that faces down towards the oil seal.

(6) Install metal backup washer.

(7) Install the retainer ring with snap ring pliers.

(8) Coat the dust seal with **special grease** supplied with the new seal.

(9) Install dust seal with Driver 8294 and Handle C-4171.

(10) Install new pitman shaft cover o-ring.

(11) Install pitman shaft assembly into the housing.

(12) Install cover bolts and tighten to 62 N·m (46 ft. lbs.).

(13) Perform over-center rotation torque adjustment.

## RACK PISTON/VALVE ASSEMBLY

## DISASSEMBLY

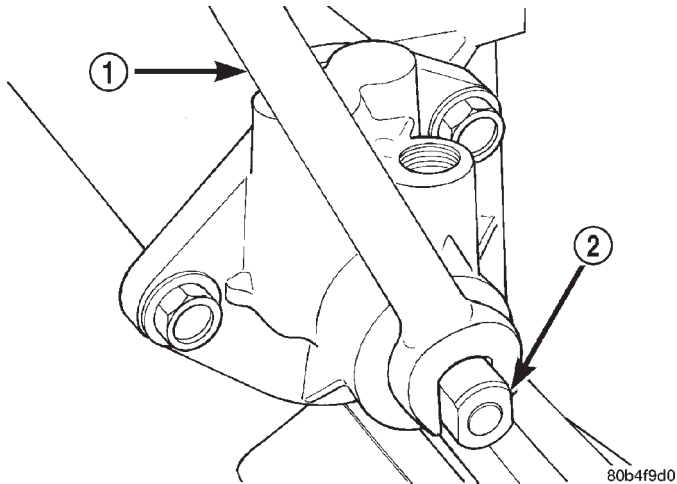
(1) Clean exposed end of pitman shaft and housing with a wire brush.

(2) Rotate the stub shaft with a wrench (Fig. 16) from stop to stop and count the number of turns.

DISASSEMBLY AND ASSEMBLY (Continued)

(3) Center the stub shaft by rotating it from the stop 1/2 of the total amount of turns.

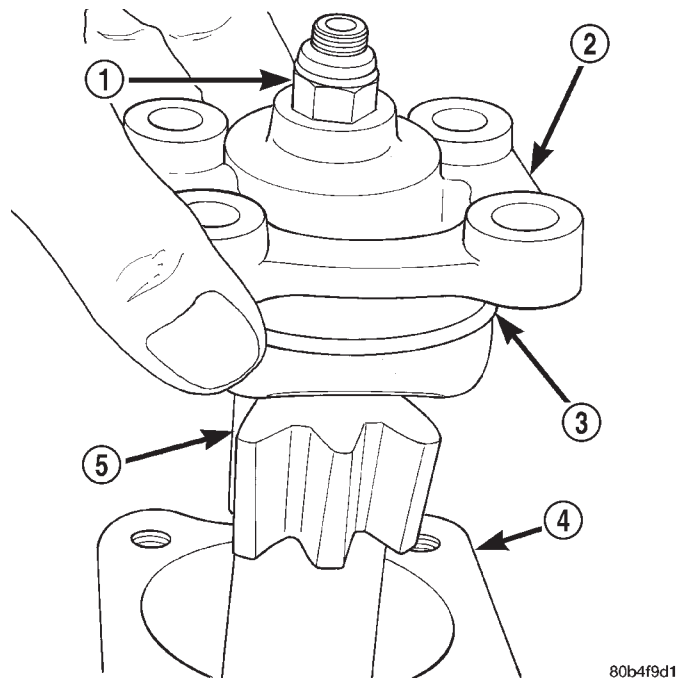
**NOTE:** The pitman shaft will not clear the housing if it is not centered.



**Fig. 16 Center Stub Shaft**

- 1 - WRENCH
- 2 - STUB SHAFT

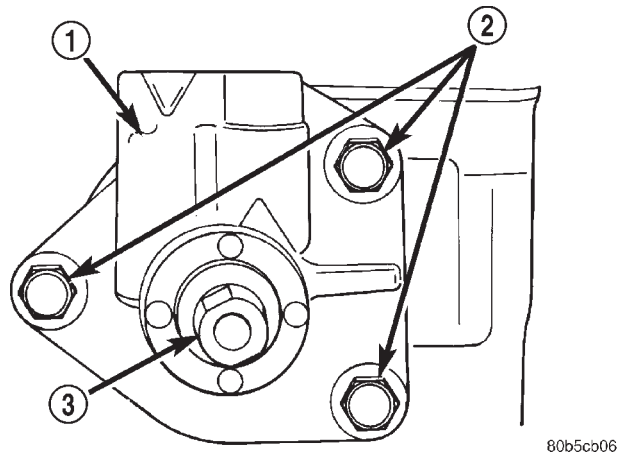
(4) Remove pitman shaft cover bolts and remove the shaft assembly (Fig. 17).



**Fig. 17 Cover and Pitman Shaft**

- 1 - ADJUSTER NUT
- 2 - PITMAN SHAFT COVER
- 3 - O-RING
- 4 - GEAR HOUSING
- 5 - PITMAN SHAFT

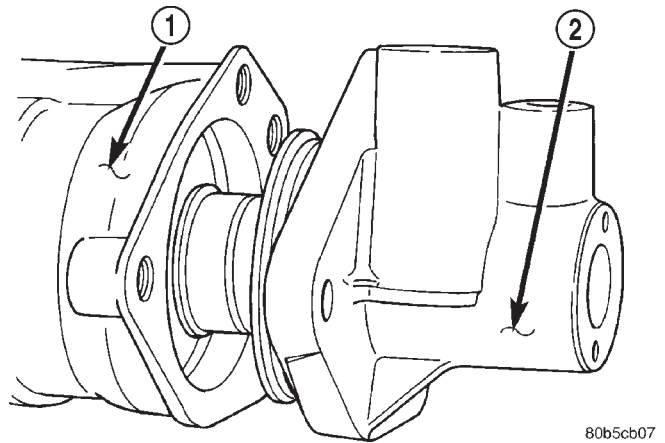
(5) Remove the pitman shaft cover o-ring.  
 (6) Remove stub shaft housing bolts (Fig. 18).



**Fig. 18 Stub Shaft Housing**

- 1 - STUB SHAFT HOUSING
- 2 - MOUNTING BOLTS
- 3 - STUB SHAFT

(7) Remove the housing from the stub shaft (Fig. 19).

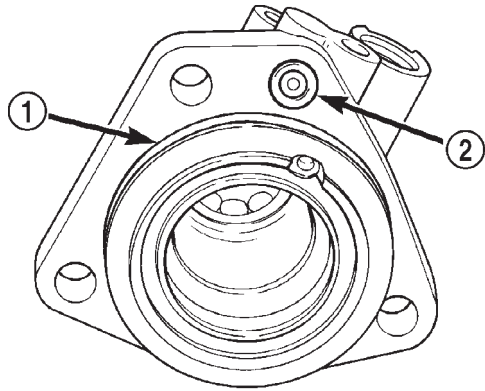


**Fig. 19 Housing Removal**

- 1 - STEERING GEAR
- 2 - STUB SHAFT HOUSING

DISASSEMBLY AND ASSEMBLY (Continued)

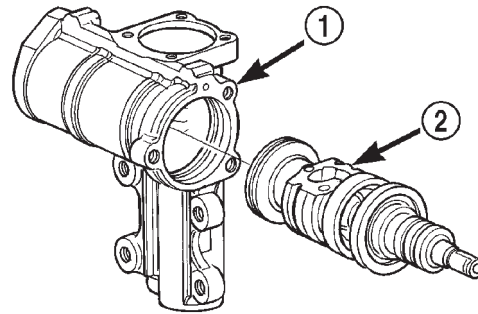
(8) Remove stub shaft housing o-rings (Fig. 20).



80b4b858

**Fig. 20 O-Rings**

- 1 - O-RING
- 2 - O-RING

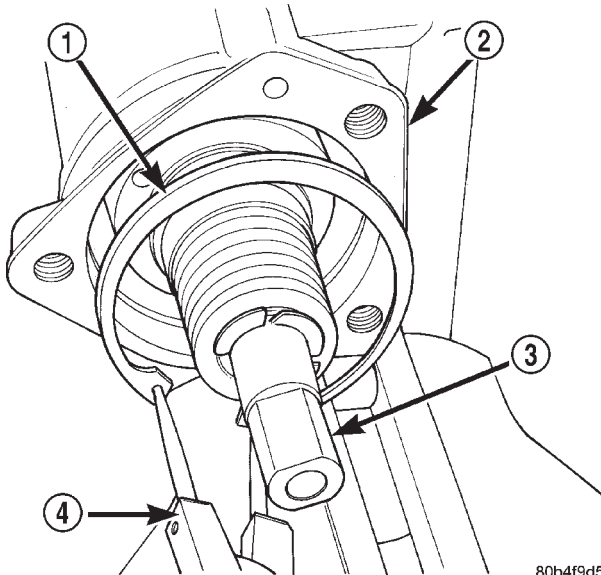


80b4f9d7

**Fig. 22 Rack Piston/Valve Assembly**

- 1 - GEAR HOUSING
- 2 - RACK PISTON VALVE ASSEMBLY

(9) Remove the rack piston/valve assembly retaining ring with snap ring pliers (Fig. 21).



80b4f9d5

**Fig. 21 Retaining Ring**

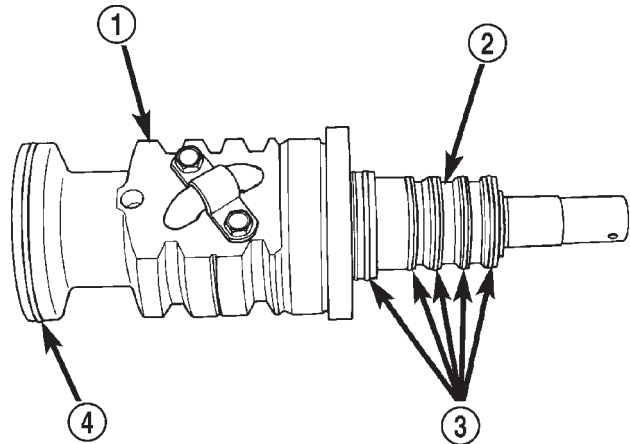
- 1 - RETAINING RING
- 2 - GEAR HOUSING
- 3 - STUB SHAFT
- 4 - SNAP RING PLIERS

(10) Pull the rack piston/valve assembly out of the gear housing (Fig. 22).

**NOTE:** If the rack piston is damage the gear assembly must be replaced.

(11) Remove teflon rings and o-ring (Fig. 23) from the rack piston/valve assembly.

**CAUTION:** The rack piston teflon ring and o-ring must be replaced whenever the assembly is removed from the housing.



80b6b1a3

**Fig. 23 Teflon Rings And O-Ring**

- 1 - RACK PISTON
- 2 - VALVE
- 3 - TEFLON RINGS
- 4 - TEFLON AND O-RING

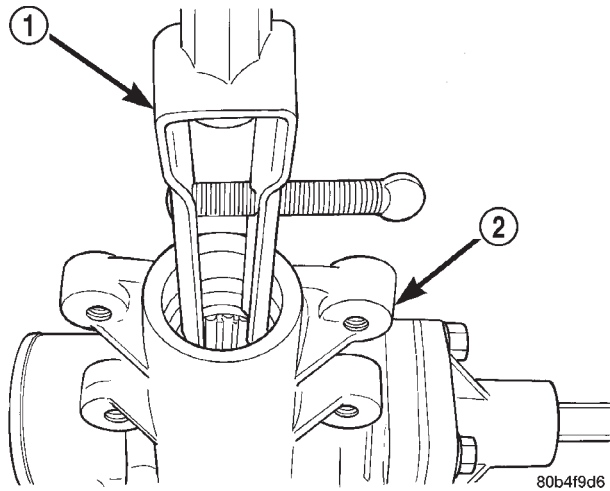
(12) Remove pitman shaft dust seal from the housing with Puller 7794-A and Slide Hammer C-637 (Fig. 24).

(13) Remove pitman shaft oil seal retaining ring from the housing with snap ring pliers (Fig. 25).

(14) Remove metal backup washer then plastic backup washer from the housing (Fig. 26).

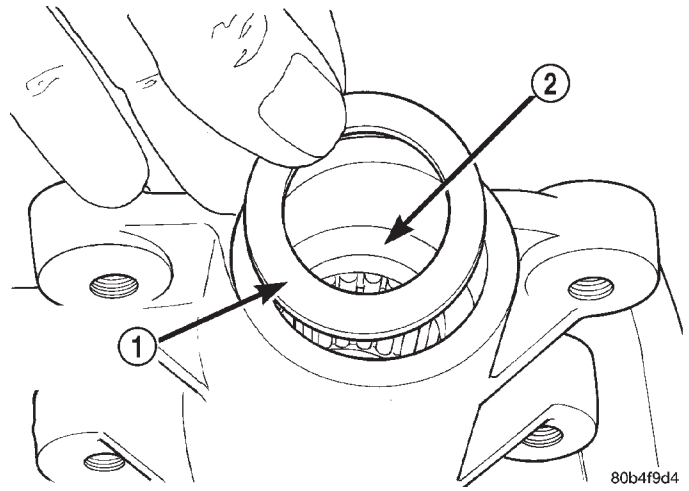
(15) Remove oil seal from the housing with a Puller 7794-A and Slide Hammer C-637 (Fig. 27).

DISASSEMBLY AND ASSEMBLY (Continued)



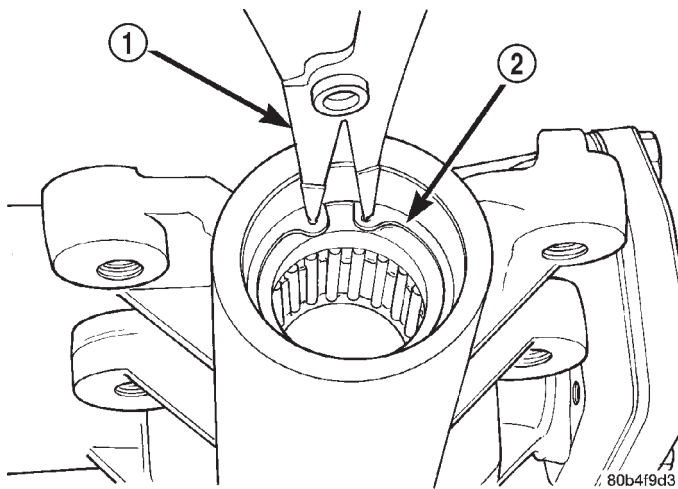
**Fig. 24 Dust Seal**

- 1 - PULLER
- 2 - STEERING GEAR



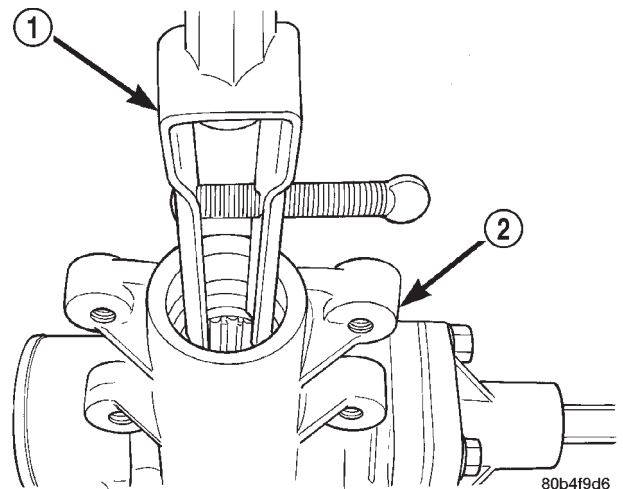
**Fig. 26 Oil Seal Backup Washers**

- 1 - METAL BACK UP WASHER
- 2 - PLASTIC BACK UP WASHER



**Fig. 25 Oil Seal Retaining Ring**

- 1 - SNAP RING PLIERS
- 2 - RETAINING RING



**Fig. 27 Oil Seal Removal**

- 1 - PULLER
- 2 - STEERING GEAR

**ASSEMBLY**

(1) Coat the oil seal and backup washers with **special grease** supplied with the new seal.

(2) Install the oil seal with Driver 8294 and Handle C-4171.

(3) Install plastic backup washer.

**NOTE:** The plastic backup washer has a lip on the inside diameter that faces down towards the oil seal.

(4) Install metal backup washer.

(5) Install the retainer ring with snap ring pliers.

(6) Coat the dust seal with **special grease** supplied with the new seal.

(7) Install dust seal with Driver 8294 and Handle C-4171.

(8) Lubricate new o-ring and teflon rings with power steering fluid and install on the rack piston/valve assembly.

(9) Lubricate the rack piston/valve assembly with power steering fluid.

(10) Slide the assembly into the gear housing.

(11) Install new stub shaft housing o-rings and install the housing. Tighten the housing bolts to 62 N·m (46 ft. lbs.).

(12) Install new o-ring on the pitman shaft cover.

(13) Install the pitman shaft into the gear housing.

(14) Install the pitman shaft cover bolts and tighten to 62 N·m (46 ft. lbs.).

(15) Perform over-center rotation torque adjustment.



## ADJUSTMENTS

### STEERING GEAR

**NOTE:** Adjusting the steering gear in the vehicle is not recommended. Remove gear from the vehicle and drain the fluid. Then mount gear in a vise to perform adjustments.

#### OVER-CENTER

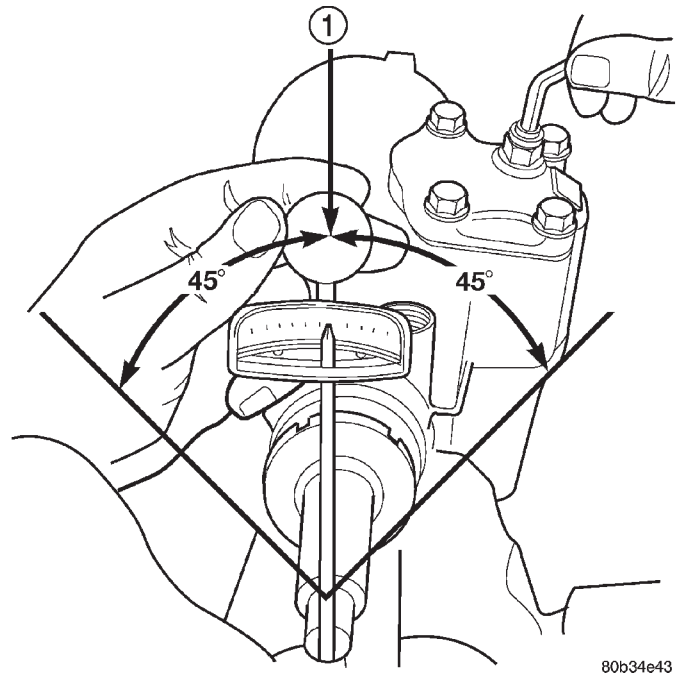
- (1) Rotate the stub shaft with Socket 8343 from stop to stop and count the number of turns.
- (2) Center the stub shaft by rotating it from the stop 1/2 of the total amount of turns.
- (3) Place torque wrench and Socket 8343 in a vertical position on the stub shaft. Rotate the wrench 45 degrees each side of the center and record the highest rotational torque in this range (Fig. 28). This is the Over-Center Rotating Torque.

**NOTE:** The stub shaft must rotate smoothly without sticking or binding.

- (4) Rotate the stub shaft between 90° and 180° to the left of center and record the left off-center preload. Repeat this to the right of center and record the right off-center preload. The average of these two recorded readings is the Preload Rotating Torque.
- (5) The Over-Center Rotating Torque should be 0.45-0.80 N·m (4-7 in. lbs.) **higher** than the Preload Rotating Torque.
- (6) If an adjustment to the Over-Center Rotating Torque is necessary, first loosen the adjuster lock nut. Then turn the pitman shaft adjuster screw back (COUNTERCLOCKWISE) until fully extended, then turn back in (CLOCKWISE) one full turn.
- (7) Remeasure Over-Center Rotating Torque. If necessary turn the adjuster screw and repeat measurement until correct Over-Center Rotating Torque is reached.

**NOTE:** To increase the Over-Center Rotating Torque turn the screw **CLOCKWISE**.

- (8) Prevent the adjuster screw from turning while tightening adjuster lock nut. Tighten the adjuster lock nut to 37-52 N·m (27-38 ft. lbs.).



**Fig. 28** Checking Over-center Rotation Torque

1 - CENTER

## SPECIFICATIONS

### POWER STEERING GEAR

#### Steering Gear

Type ..... Recirculating Ball  
 Overall Ratio ..... 12.7:1

#### Pitman Shaft Overcenter Drag

New Gear (under 400 miles) ..... 0.45-0.80 N·m  
 (4-7 in. lbs.) + Worm Shaft Preload  
 Used Gear (over 400 miles) ..... 0.5-0.6 N·m  
 (4-5 in. lbs.) + Worm Shaft Preload

## TORQUE CHART

#### DESCRIPTION

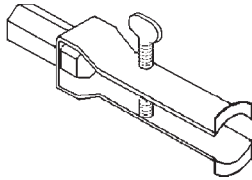
#### TORQUE

#### Power Steering Gear

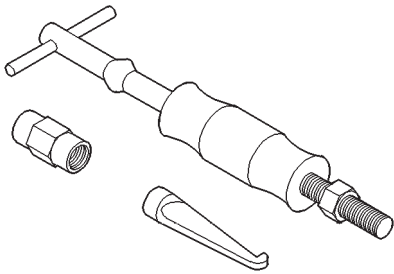
Adjustment Screw Locknut ..... 37-52 N·m  
 (27-38 ft. lbs.)  
 Gear to Frame Bolts ..... 108 N·m (80 ft. lbs.)  
 Pitman Shaft Nut ..... 251 N·m (185 ft. lbs.)  
 Pitman Shaft Cover Bolts ... 62 N·m (46 ft. lbs.)  
 Stub Shaft Housing Bolts ... 62 N·m (46 ft. lbs.)  
 Pressure Line ..... 20-38 N·m (14-28 ft. lbs.)  
 Return Line ..... 20-38 N·m (14-28 ft. lbs.)

SPECIAL TOOLS

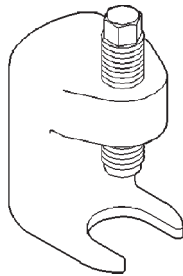
POWER STEERING GEAR



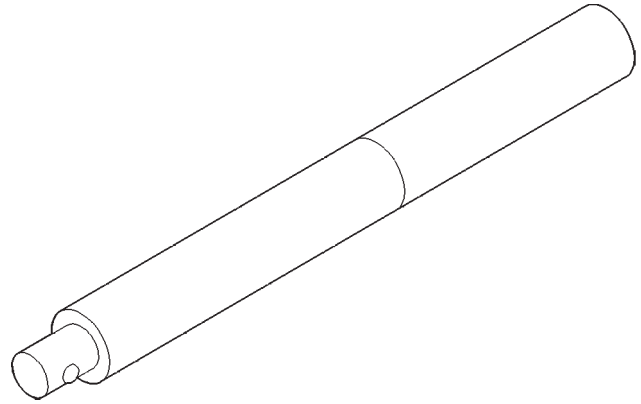
**Puller Seal 7794-A**



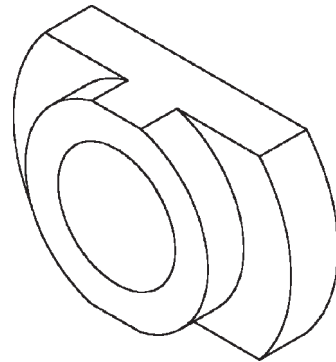
**Slide Hammer C-637**



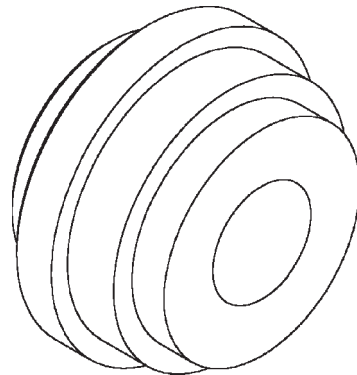
**Remover, Pitman Arm C-4150A**



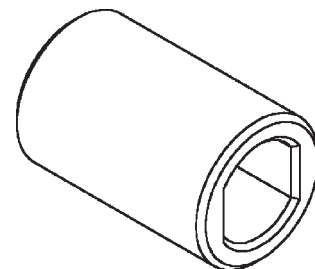
**Handle C-4171**



**Driver 8277**



**Driver 8294**



**Socket 8343**

# STEERING LINKAGE

## TABLE OF CONTENTS

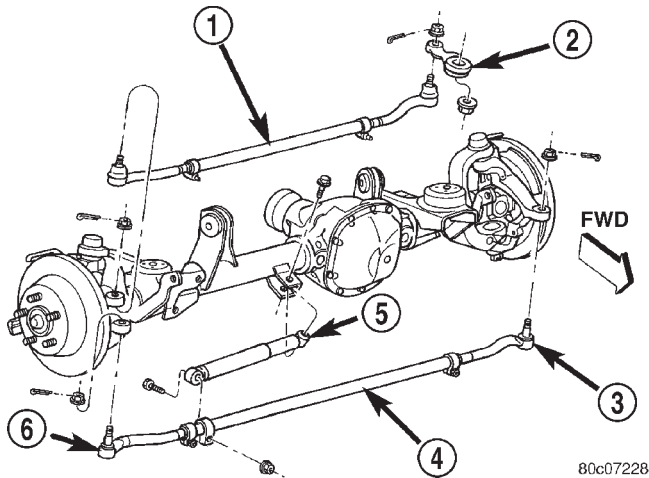
	page	page
<b>DESCRIPTION AND OPERATION</b>		
STEERING LINKAGE .....	22	
TIE ROD ENDS .....	22	
PITMAN ARM .....	22	
DRAG LINK AND ENDS .....	22	
STEERING DAMPER .....	23	
<b>REMOVAL AND INSTALLATION</b>		
TIE ROD .....	23	
PITMAN ARM .....	23	
DRAG LINK .....	24	
STEERING DAMPER .....	24	
<b>SPECIFICATIONS</b>		
TORQUE CHART .....	24	
<b>SPECIAL TOOLS</b>		
STEERING LINKAGE .....	25	

## DESCRIPTION AND OPERATION

### STEERING LINKAGE

#### DESCRIPTION

The steering linkage consists of a pitman arm, drag link, tie rod, and steering dampener (Fig. 1). An adjustment sleeve on the tie rod is used to set wheel toe position. The sleeve on the drag link is used for steering wheel centering.



**Fig. 1 Steering Linkage**

- 1 - DRAG LINK
- 2 - PITMAN ARM
- 3 - TIE ROD END
- 4 - TIE ROD
- 5 - DAMPER
- 6 - TIE ROD END

**CAUTION:** If any steering components are replaced or serviced an alignment must be performed, to ensure the vehicle meets all alignment specifications.

**CAUTION:** Components attached with a nut and cotter pin must be torqued to specification. Then if the slot in the nut does not line up with the cotter pin hole, tighten nut until it is aligned. Never loosen the nut to align the cotter pin hole.

### TIE ROD ENDS

#### DESCRIPTION

The ends are forged, with a lubed for life ball socket.

#### OPERATION

The tie rod ends connect the drag link to the wheel assembly. The tie rod provides toe alignment and transfers steering input from the drag link to the wheels.

### PITMAN ARM

#### DESCRIPTION

The pitman arm is attached at one end of the steering gear's sector shaft. The other end is connected to the drag link.

#### OPERATION

The pitman arm transfers rotary motion into side to side motion.

### DRAG LINK AND ENDS

#### DESCRIPTION

The drag link and ends are comprised of two forged ends connected by a steel adjusting tube. The drag link connects the steering gear pitman arm to the steering knuckle. The larger offset end is attached to the pitman arm.

DESCRIPTION AND OPERATION (Continued)

**OPERATION**

The sleeve is used for steering wheel centering.

**STEERING DAMPER**

**DESCRIPTION**

The damper is mounted to the axle housing and the tie rod end. The damper consists of steel tube shock absorber with a permanent bushed end.

**OPERATION**

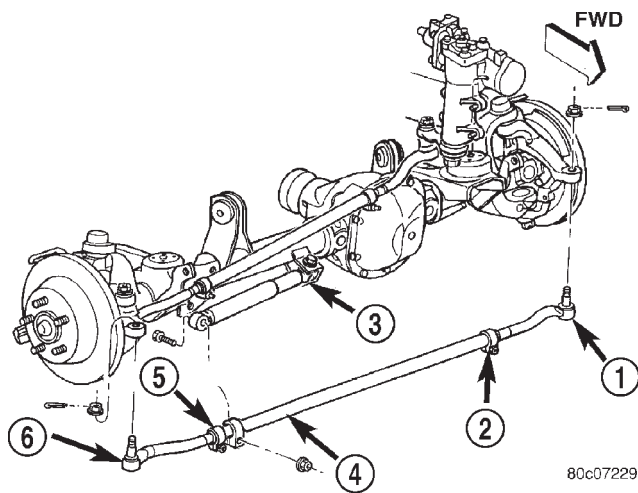
The steering damper provides steering system damping.

**REMOVAL AND INSTALLATION**

**TIE ROD**

**REMOVAL**

- (1) Raise and support the vehicle.
- (2) Remove wheel and tire assemblies.
- (3) Remove the damper nut from the tie rod clamp (Fig. 2).
- (4) Remove the damper from the tie rod.
- (5) Remove the cotter pins and nuts from the tie rod ends at the steering knuckles (Fig. 2).
- (6) Remove the tie rod ends from the steering knuckles with Puller C-3894-A..
- (7) Loosen the adjustment sleeve clamp bolts and unscrew the tie rod ends from the sleeve.



**Fig. 2 Tie Rod Assembly**

- 1 - TIE ROD END
- 2 - CLAMP
- 3 - DAMPER
- 4 - TIE ROD
- 5 - CLAMP
- 6 - TIE ROD END

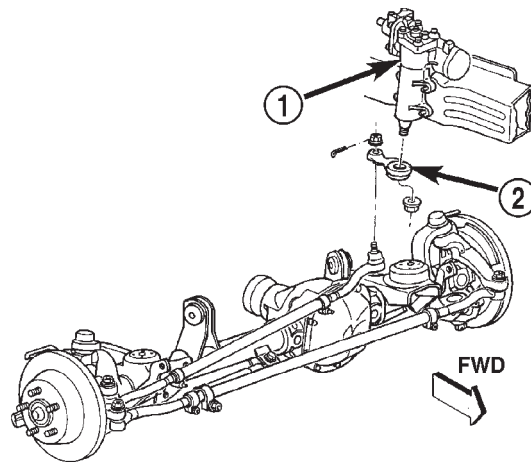
**INSTALLATION**

- (1) Screw the tie rod ends into the adjustment sleeve.
- (2) Install the tie rod on the steering knuckles and install the nuts.
- (3) Tighten the nuts to 47 N·m (35 ft. lbs.). Install new cotter pins and bend end 60°.
- (4) Position the adjustment sleeve clamp bolts to their original location and tighten to 68 N·m (50 ft. lbs.). Tighten bolts with E-coated clamp and yellow tag to 41 N·m (30 ft. lbs.)
- (5) Install the damper on the tie rod and install the nut.
- (6) Tighten the nut to 41 N·m (30 ft. lbs.).
- (7) Install wheel and tire assemblies.
- (8) Remove support and lower the vehicle.
- (9) Perform toe position adjustment.

**PITMAN ARM**

**REMOVAL**

- (1) Remove the cotter pin and nut from the drag link at the pitman arm (Fig. 3).
- (2) Remove the drag link ball stud from the pitman arm with a puller.
- (3) Remove the nut and washer from the steering gear shaft. Mark the pitman shaft and pitman arm for installation reference. Remove the pitman arm from steering gear with Puller C-4150A.



80c0722a

**Fig. 3 Pitman Arm**

- 1 - STEERING GEAR
- 2 - PITMAN ARM

**INSTALLATION**

- (1) Align and install the pitman arm on steering gear shaft.
- (2) Install the washer and nut on the shaft and tighten the nut to 251 N·m (185 ft. lbs.).

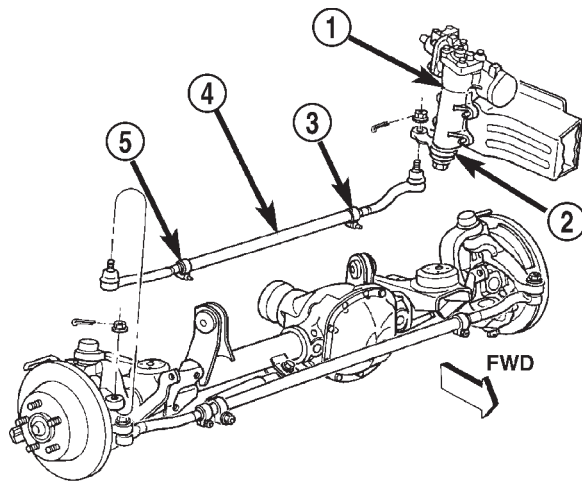
REMOVAL AND INSTALLATION (Continued)

(3) Install drag link ball stud to pitman arm. Install nut and tighten to 88 N·m (65 ft. lbs.). Install a new cotter pin.

**DRAG LINK**

**REMOVAL**

- (1) Raise and support the vehicle.
- (2) Remove right wheel and tire assembly.
- (3) Remove the cotter pins and nuts at the right steering knuckle and pitman arm (Fig. 4).
- (4) Remove the drag link from the steering knuckle and pitman arm Puller C-3894-A.
- (5) Loosen adjustment sleeve clamp bolts and unscrew the tie rod ends from the adjustment sleeve.



**Fig. 4 Drag Link Assembly**

- 1 - STEERING GEAR
- 2 - PITMAN ARM
- 3 - CLAMP
- 4 - DRAG LINK
- 5 - CLAMP

80c0722c

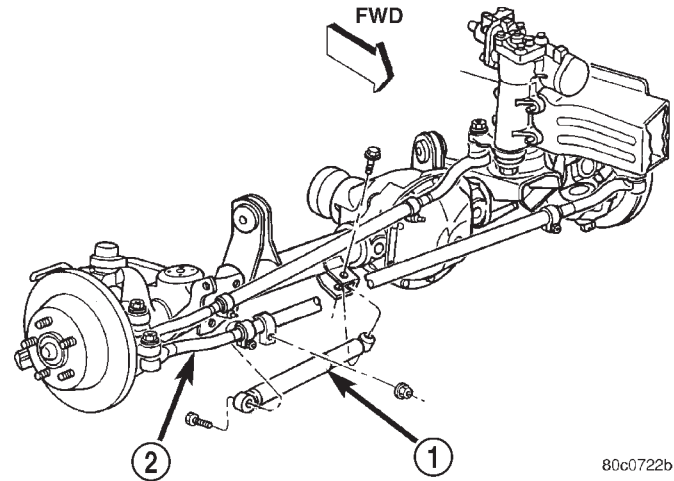
**INSTALLATION**

- (1) Screw the tie rod ends into the adjustment sleeve.
- (2) Install the drag link onto the right steering knuckle and pitman arm.
- (3) Tighten the nut at the steering knuckle to 47 N·m (35 ft. lbs.). Tighten the pitman nut to 88 N·m (65 ft. lbs.). Install new cotter pins.
- (4) Position clamp bolts to their original position and tighten to 68 N·m (50 ft. lbs.). Tighten bolts with E-coated clamp and yellow tag to 41 N·m (30 ft. lbs.).
- (5) Install right wheel and tire assembly.
- (6) Remove support and lower the vehicle.
- (7) Center the steering wheel.

**STEERING DAMPER**

**REMOVAL**

- (1) Remove the nut from the ball stud at the tie rod.
- (2) Remove the steering damper from the tie rod.
- (3) Remove the steering damper nut and bolt from the axle bracket (Fig. 5).



**Fig. 5 Steering Damper**

80c0722b

- 1 - DAMPER
- 2 - TIE ROD

**INSTALLATION**

- (1) Install the steering damper to the axle bracket and tie rod.
- (2) Install the steering damper bolt in the axle bracket and tighten bolt to 88 N·m (65 ft. lbs.).
- (3) Install the nut at the tie rod and tighten to 41 N·m (30 ft. lbs.).

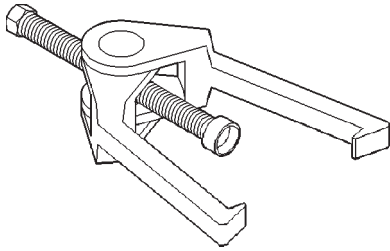
**SPECIFICATIONS**

**TORQUE CHART**

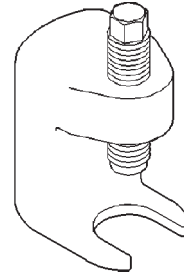
DESCRIPTION	TORQUE
<b>Pitman Arm</b>	
Shaft Nut . . . . .	251 N·m (185 ft. lbs.)
<b>Drag Link</b>	
Pitman Arm Nut . . . . .	88 N·m (65 ft. lbs.)
Knuckle Nut . . . . .	47 N·m (35 ft. lbs.)
Clamp Nuts . . . . .	68 N·m (50 ft. lbs.)
E-coated Clamp Nuts With Yellow Tag . .	41 N·m (30 ft. lbs.)
<b>Tie Rod</b>	
Knuckle Nut . . . . .	47 N·m (35 ft. lbs.)
Clamp Nuts . . . . .	68 N·m (50 ft. lbs.)
E-coated Clamp Nuts With Yellow Tag . .	41 N·m (30 ft. lbs.)
<b>Steering Damper</b>	
Axle Bolt . . . . .	88 N·m (65 ft. lbs.)
Tie Rod Nut . . . . .	41 N·m (30 ft. lbs.)

SPECIAL TOOLS

STEERING LINKAGE



***Puller C-3894-A***



***Remover Pitman C-4150A***



# STEERING COLUMN

## TABLE OF CONTENTS

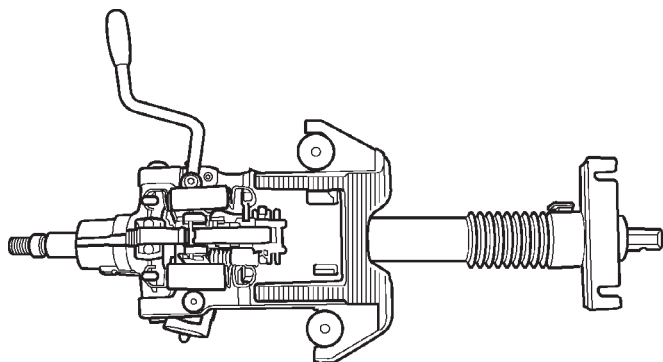
	page		page
<b>DESCRIPTION AND OPERATION</b>		<b>SPECIFICATIONS</b>	
STEERING COLUMN . . . . .	26	TORQUE CHART . . . . .	30
<b>REMOVAL AND INSTALLATION</b>		<b>SPECIAL TOOLS</b>	
STEERING COLUMN . . . . .	26	STEERING COLUMN . . . . .	30

## DESCRIPTION AND OPERATION

### STEERING COLUMN

#### DESCRIPTION

The tilt column (Fig. 1) has been designed to be serviced as an assembly, less the wiring, switches, shrouds, steering wheel, etc. Most steering column components can be serviced without removing the steering column from the vehicle.



80b6f0a2

**Fig. 1 Steering Column**

#### SERVICE WARNINGS AND CAUTIONS

To service the steering wheel, switches or airbag, refer to Group 8M and follow all WARNINGS and CAUTIONS.

**WARNING: THE AIRBAG SYSTEM IS A SENSITIVE, COMPLEX ELECTRO-MECHANICAL UNIT. BEFORE ATTEMPTING TO DIAGNOSE, REMOVE OR INSTALL THE AIRBAG SYSTEM COMPONENTS YOU MUST FIRST DISCONNECT AND ISOLATE THE BATTERY NEGATIVE (GROUND) CABLE. THEN WAIT TWO MINUTES FOR THE SYSTEM CAPACITOR TO DISCHARGE. FAILURE TO DO SO COULD RESULT IN ACCIDENTAL DEPLOYMENT OF THE AIRBAG AND POSSIBLE PERSONAL INJURY. THE FASTENERS, SCREWS, AND BOLTS, ORIGINALLY USED FOR**

**THE AIRBAG COMPONENTS, HAVE SPECIAL COATINGS AND ARE SPECIFICALLY DESIGNED FOR THE AIRBAG SYSTEM. THEY MUST NEVER BE REPLACED WITH ANY SUBSTITUTES. ANYTIME A NEW FASTENER IS NEEDED, REPLACE WITH THE CORRECT FASTENERS PROVIDED IN THE SERVICE PACKAGE OR FASTENERS LISTED IN THE PARTS BOOKS.**

**CAUTION: Safety goggles should be worn at all times when working on steering columns.**

## REMOVAL AND INSTALLATION

### STEERING COLUMN

**WARNING: BEFORE SERVICING THE STEERING COLUMN THE AIRBAG SYSTEM MUST BE DISARMED. FAILURE TO DO SO MAY RESULT IN ACCIDENTAL DEPLOYMENT OF THE AIRBAG AND POSSIBLE PERSONAL INJURY. REFER TO GROUP 8M RESTRAINT SYSTEMS FOR SERVICE PROCEDURES.**

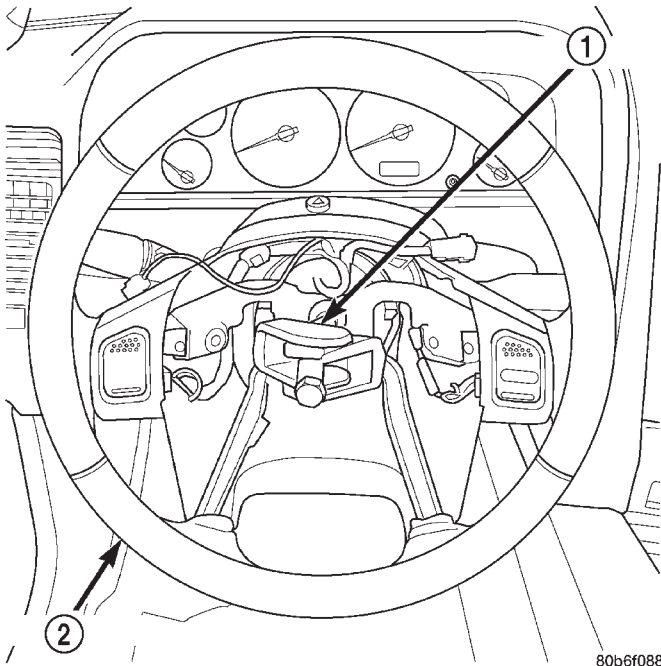
#### REMOVAL

- (1) Position front wheels straight ahead.
- (2) Disconnect and isolate the negative (ground) cable from the battery.
- (3) Remove the airbag, refer to Group 8M Restraint Systems for service procedures.
- (4) Remove the steering wheel nut and remove wheel with Puller C-3894-A (Fig. 2).

**NOTE: Ensure the puller jaws are seated in the pockets (Fig. 3) of the steering wheel armature.**

- (5) Remove the cluster bezel by pulling it from the instrument panel (Fig. 4).
- (6) Remove the knee blocker cover (Fig. 5), refer to Group 8E Instrument Panel Systems.
- (7) Remove the lower steering column shroud mounting screw (Fig. 6).

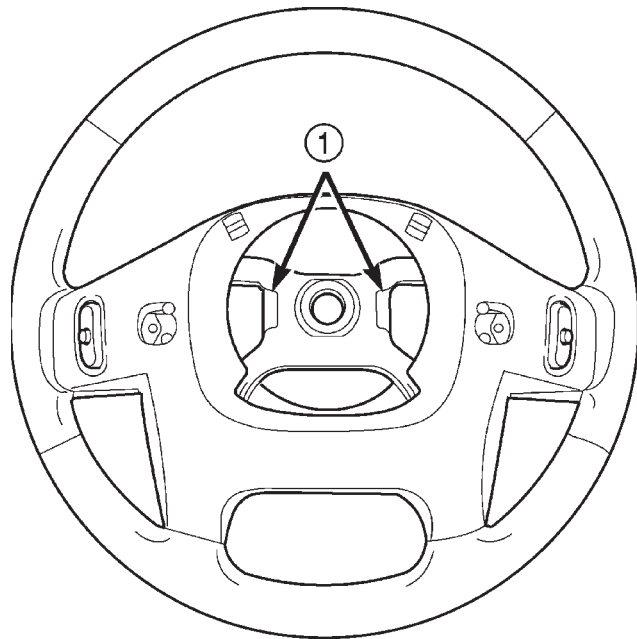
REMOVAL AND INSTALLATION (Continued)



**Fig. 2 Steering Wheel Puller**

- 1 - PULLER
- 2 - STEERING WHEEL

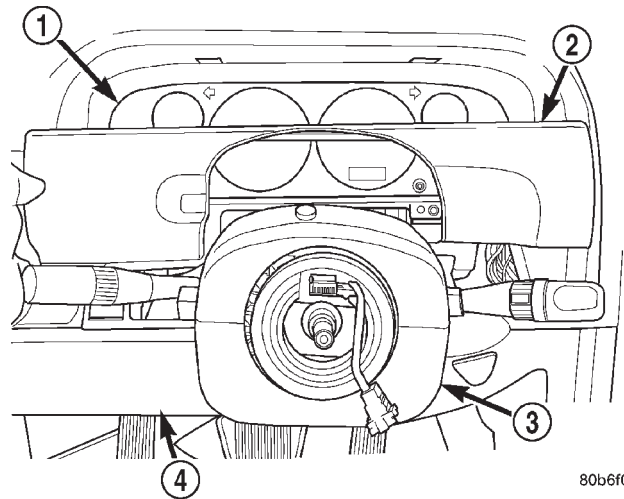
80b6f088



**Fig. 3 Steering Wheel Pockets**

- 1 - STEERING WHEEL POCKETS

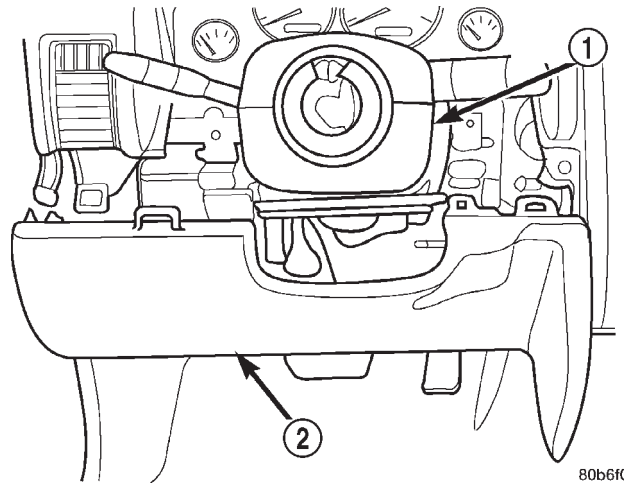
80b6f089



80b6f08a

**Fig. 4 Cluster Bezel**

- 1 - CLUSTER
- 2 - CLUSTER BEZEL
- 3 - STEERING COLUMN
- 4 - KNEE BLOCKER COVER

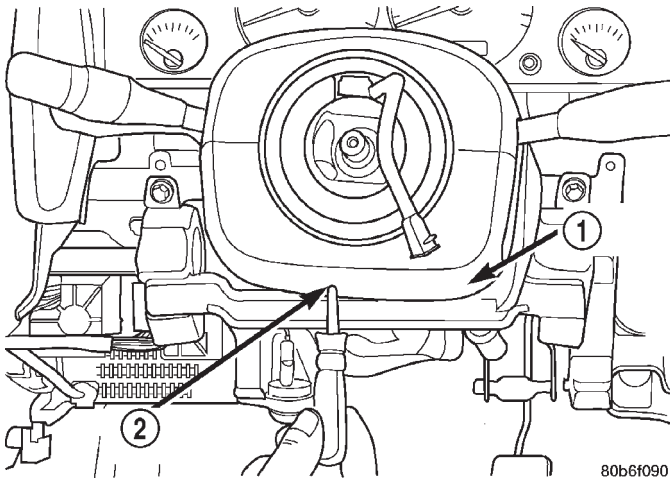


80b6f08b

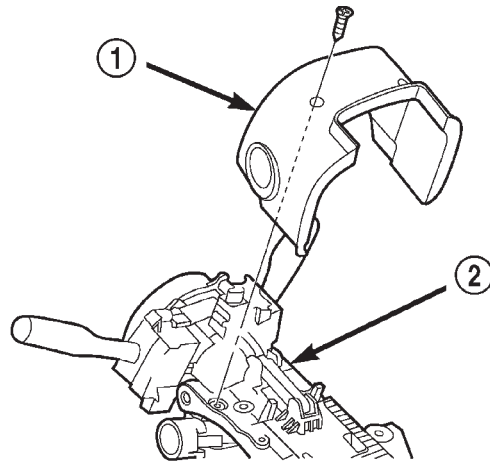
**Fig. 5 Knee Blocker Cover**

- 1 - STEERING COLUMN
- 2 - KNEE BLOCKER COVER

## REMOVAL AND INSTALLATION (Continued)

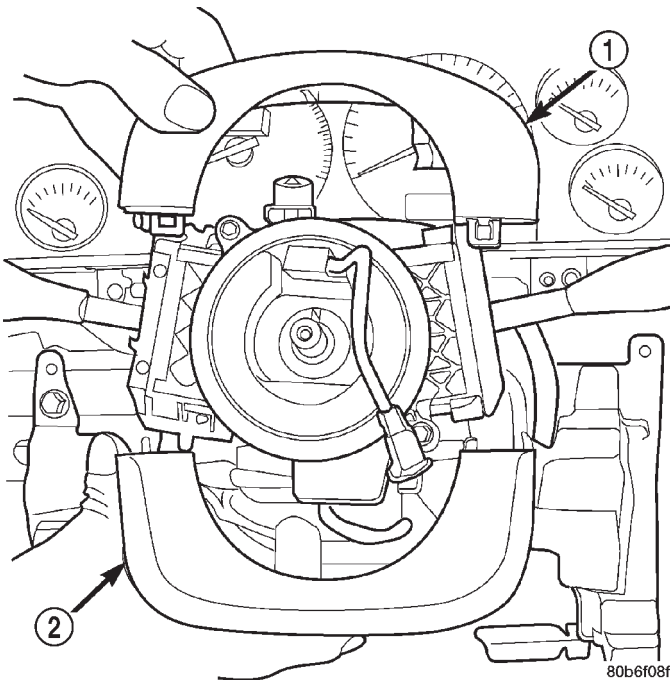
**Fig. 6 Column Shroud Mounting Screw**

- 1 - LOWER SHROUD
- 2 - ACCESS HOLE

**Fig. 8 Upper Fixed Shroud**

- 1 - UPPER FIXED SHROUD
- 2 - COLUMN

(8) Unsnap the two halves of the column shrouds by pressing on the sides of the upper shroud and tilting the rear of the upper shroud up. Remove the shrouds from the steering column (Fig. 7).

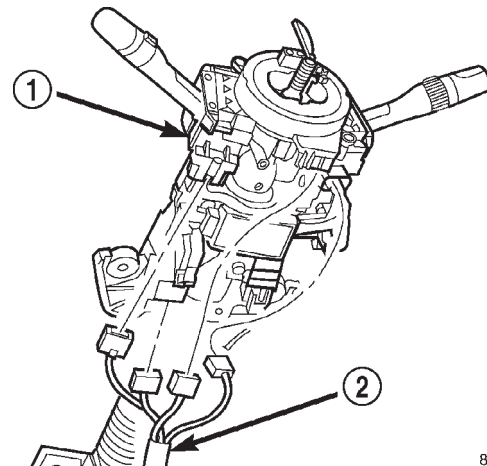
**Fig. 7 Column Shrouds**

- 1 - UPPER SHROUD
- 2 - LOWER SHROUD

(9) Remove the upper fixed shroud mounting screws and remove the shroud (Fig. 8).

(10) Disconnect the multifunction switch (Fig. 9) and ignition switch harness.

(11) Remove the multifunction switch screw from underneath the switch (Fig. 10). Slide the multifunc-

**Fig. 9 Multifunction Switch Harness**

- 1 - MULTIFUNCTION SWITCH
- 2 - MULTIFUNCTION SWITCH HARNESS

tion switch and clock spring off the column as an assembly (Fig. 11).

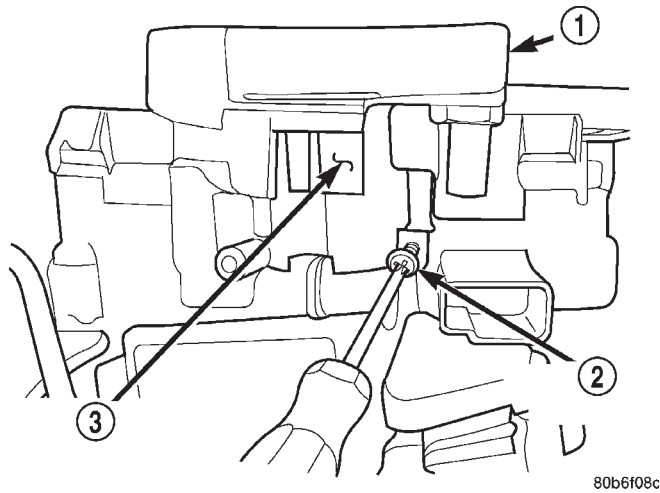
(12) Turn the ignition key to the on position then release and remove the shifter interlock cable (Fig. 12) from the ignition lock cylinder housing.

(13) Remove the column coupler bolt (Fig. 13) and slide the coupler off the column shaft.

(14) Remove the column mounting nuts (Fig. 13) and lower column off mounting studs. Remove the column from the vehicle.

(15) Remove the ignition switch, cylinder and SKIM (Fig. 14), refer to Group 8D Ignition System.

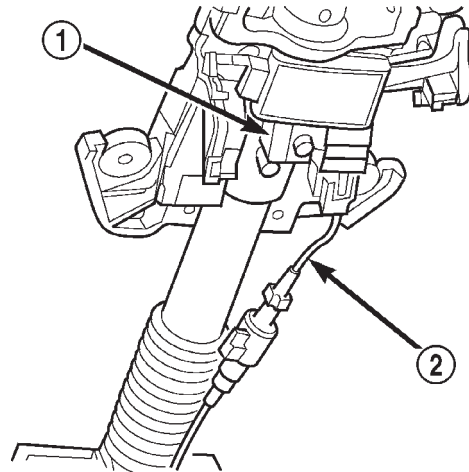
REMOVAL AND INSTALLATION (Continued)



80b6f08c

**Fig. 10 Multifunction Switch Screw**

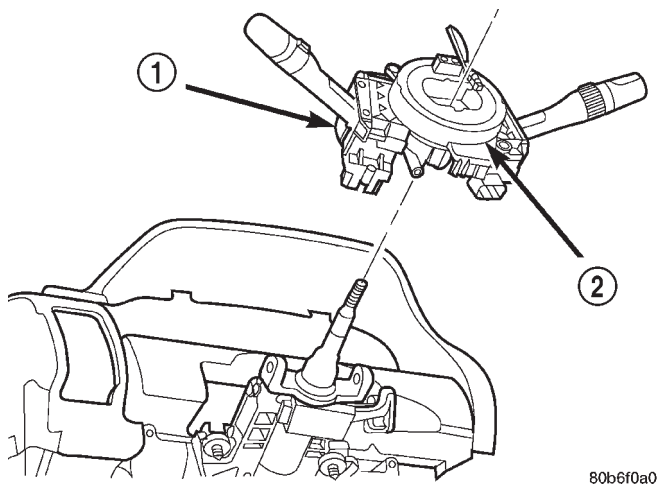
- 1 - CLOCK SPRING
- 2 - MOUNTING SCREW
- 3 - MULTIFUNCTION SWITCH ASSEMBLY



80b6f09b

**Fig. 12 Shifter Interlock Cable**

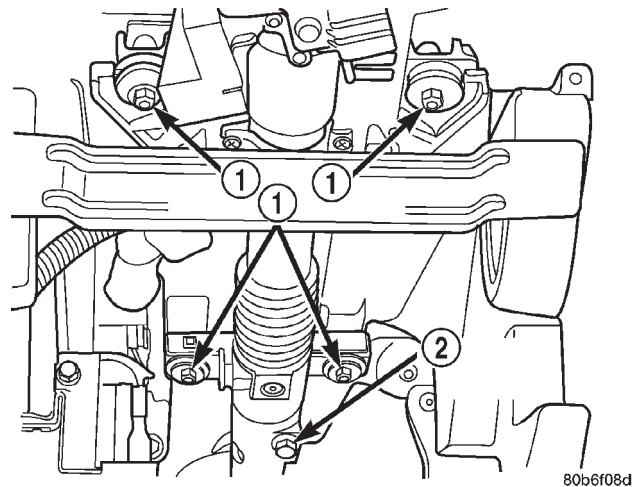
- 1 - LOCK CYLINDER HOUSING
- 2 - INTERLOCK CABLE



80b6f0a0

**Fig. 11 Multifunction Switch And Clock Spring**

- 1 - MULTIFUNCTION SWITCH
- 2 - CLOCK SPRING



80b6f08d

**Fig. 13 Column Coupler Bolt And Mounting Nuts**

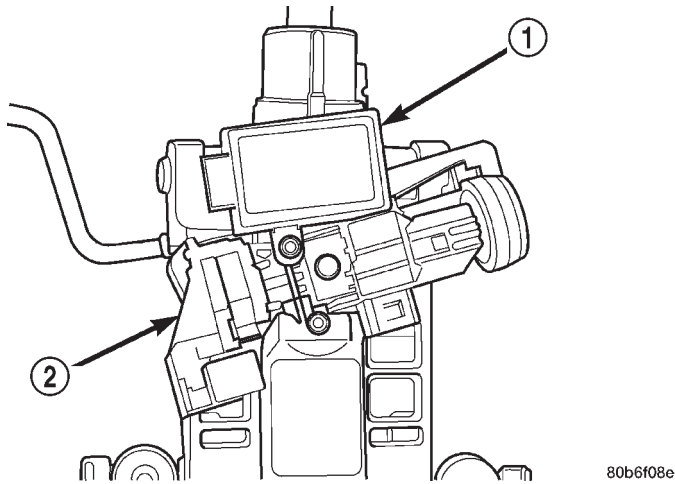
- 1 - COLUMN MOUNTING NUTS
- 2 - COUPLER BOLT

**INSTALLATION**

- (1) Install the ignition switch, cylinder and SKIM, refer to Group 8D Ignition System.
- (2) Install the column into the vehicle and lift the column up onto the mounting studs. Install the mounting nuts and tighten to 12 N·m (105 in. lbs.).
- (3) Slid the coupler onto the column shaft and install the coupler bolt. Tighten the coupler bolt to 49 N·m (36 ft. lbs.).
- (4) Turn the ignition key to the on position then release and install the shifter interlock cable (Fig. 12) into ignition lock cylinder housing.
- (5) Verify ignition switch and shifter interlock operation. Refer to Group 21 Transmission for interlock cable adjustment if necessary.

- (6) Slide the multifunction switch and clock spring onto the column as an assembly (Fig. 11).
- (7) Install the multifunction switch mounting screw (Fig. 10).
- (8) Connect the multifunction switch (Fig. 9) and ignition switch harness.
- (9) Install the upper fixed shroud and mounting screws (Fig. 8).
- (10) Install the lower steering column shroud to the steering column. Install and tighten the mounting screw.
- (11) Install the upper column shroud. Align the upper shroud to the lower shroud and snap the two shroud halves together.
- (12) Install the knee blocker cover (Fig. 5), refer to Group 8E Instrument Panel Systems.

## REMOVAL AND INSTALLATION (Continued)



80b6f08e

**Fig. 14 Ignition Switch And SKIM**

- 1 - SKIM  
2 - IGNITION SWITCH

(13) Install the cluster bezel by pulling it from the instrument panel (Fig. 4).

(14) Align the steering wheel with the column index spline and install the wheel on the column shaft. Pull the clockspring wire harness through the steering wheel armature spokes.

(15) Install and tighten the steering wheel mounting nut to 61 N·m (45 ft. lbs.).

(16) Connect the steering wheel wire harness connector to the clock spring connector.

(17) Install the airbag, refer to Group 8M Restraint Systems for service procedures.

(18) Connect the negative (ground) cable to the battery.

## SPECIFICATIONS

## TORQUE CHART

**DESCRIPTION****TORQUE****Steering Column**

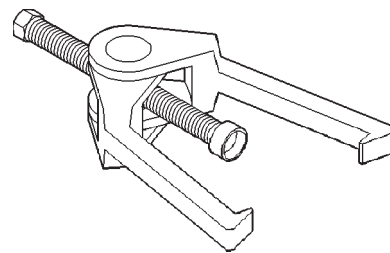
Steering Wheel Nut . . . . . 61 N·m (45 ft. lbs.)

Column Bracket Nuts . . . . . 12 N·m (105 in. lbs.)

Shaft Coupler Bolts . . . . . 49 N·m (36 ft. lbs.)

## SPECIAL TOOLS

## STEERING COLUMN

**Puller C-3894-A**

# TRANSMISSION AND TRANSFER CASE

## TABLE OF CONTENTS

	page		page
42RE AUTOMATIC TRANSMISSION .....	1	NV242 TRANSFER CASE .....	275
45RFE AUTOMATIC TRANSMISSION .....	181	NV247 TRANSFER CASE .....	308

# 42RE AUTOMATIC TRANSMISSION

## TABLE OF CONTENTS

	page		page
<b>DESCRIPTION AND OPERATION</b>			
42RE AUTOMATIC TRANSMISSION .....	2	ANALYZING ROAD TEST .....	55
RECOMMENDED FLUID .....	10	HYDRAULIC PRESSURE TEST .....	55
FLUID .....	10	AIR TESTING TRANSMISSION CLUTCH AND BAND OPERATION .....	57
TORQUE CONVERTER .....	11	CONVERTER HOUSING FLUID LEAK DIAGNOSIS .....	58
OIL PUMP .....	16	DIAGNOSIS TABLES AND CHARTS—RE TRANSMISSION .....	59
VALVE BODY .....	17	<b>SERVICE PROCEDURES</b>	
ACCUMULATOR .....	38	FLUID LEVEL CHECK .....	72
PISTONS .....	39	FLUID AND FILTER REPLACEMENT .....	72
FRONT CLUTCH .....	42	TRANSMISSION FILL PROCEDURE .....	73
REAR CLUTCH .....	43	CONVERTER DRAINBACK CHECK VALVE SERVICE .....	74
OVERDRIVE CLUTCH .....	44	OIL PUMP VOLUME CHECK .....	74
OVERRUNNING CLUTCH .....	45	FLUSHING COOLERS AND TUBES .....	74
PLANETARY GEARSET .....	45	ALUMINUM THREAD REPAIR .....	75
BANDS .....	45	<b>REMOVAL AND INSTALLATION</b>	
SERVOS .....	46	TRANSMISSION .....	75
GEARSHIFT MECHANISM .....	47	TORQUE CONVERTER .....	79
CONVERTER DRAINBACK VALVE .....	47	PARK/NEUTRAL POSITION SWITCH .....	79
POWERTRAIN CONTROL MODULE (PCM) .....	47	GEARSHIFT CABLE .....	79
ELECTRONIC GOVERNOR .....	49	SHIFTER .....	81
GOVERNOR PRESSURE CURVES .....	50	BRAKE TRANSMISSION SHIFT INTERLOCK .....	83
OVERDRIVE OFF SWITCH .....	51	GOVERNOR SOLENOID AND PRESSURE SENSOR .....	84
BRAKE TRANSMISSION SHIFT INTERLOCK MECHANISM .....	51	VALVE BODY .....	84
<b>DIAGNOSIS AND TESTING</b>			
AUTOMATIC TRANSMISSION DIAGNOSIS .....	51	OVERDRIVE UNIT .....	86
EFFECTS OF INCORRECT FLUID LEVEL .....	51	OVERDRIVE HOUSING BUSHING .....	88
CAUSES OF BURNT FLUID .....	52	OUTPUT SHAFT REAR BEARING .....	88
FLUID CONTAMINATION .....	52	OUTPUT SHAFT FRONT BEARING .....	89
PRELIMINARY DIAGNOSIS .....	53	<b>DISASSEMBLY AND ASSEMBLY</b>	
PARK/NEUTRAL POSITION SWITCH .....	53	VALVE BODY .....	89
OVERDRIVE ELECTRICAL CONTROLS .....	53	TRANSMISSION .....	109
BRAKE TRANSMISSION SHIFT INTERLOCK .....	53	OVERRUNNING CLUTCH CAM/OVERDRIVE PISTON RETAINER .....	120
GEARSHIFT CABLE .....	54		
THROTTLE VALVE CABLE .....	54		
ROAD TESTING .....	54		



FRONT SERVO PISTON .....	122	REAR CLUTCH .....	158
REAR SERVO PISTON.....	122	PLANETARY GEARTRAIN .....	158
OIL PUMP AND REACTION SHAFT SUPPORT..	123	OVERDRIVE UNIT .....	158
FRONT CLUTCH .....	127	<b>ADJUSTMENTS</b>	
REAR CLUTCH .....	129	BRAKE TRANSMISSION SHIFT INTERLOCK...	159
PLANETARY GEARTRAIN/OUTPUT SHAFT ....	132	TRANSMISSION THROTTLE VALVE CABLE	
OVERDRIVE UNIT .....	137	ADJUSTMENT.....	159
<b>CLEANING AND INSPECTION</b>		GEARSHIFT CABLE.....	161
VALVE BODY .....	154	BAND ADJUSTMENTS.....	162
TRANSMISSION.....	155	VALVE BODY.....	162
OVERRUNNING CLUTCH/LOW-REVERSE		<b>SCHEMATICS AND DIAGRAMS</b>	
DRUM/OVERDRIVE PISTON RETAINER.....	156	HYDRAULIC SCHEMATICS .....	164
ACCUMULATOR.....	156	<b>SPECIFICATIONS</b>	
FRONT SERVO .....	156	TRANSMISSION.....	176
REAR SERVO .....	156	<b>SPECIAL TOOLS</b>	
OIL PUMP AND REACTION SHAFT SUPPORT..	156	RE TRANSMISSIONS.....	177
FRONT CLUTCH .....	157		

## DESCRIPTION AND OPERATION

### 42RE AUTOMATIC TRANSMISSION

#### DESCRIPTION

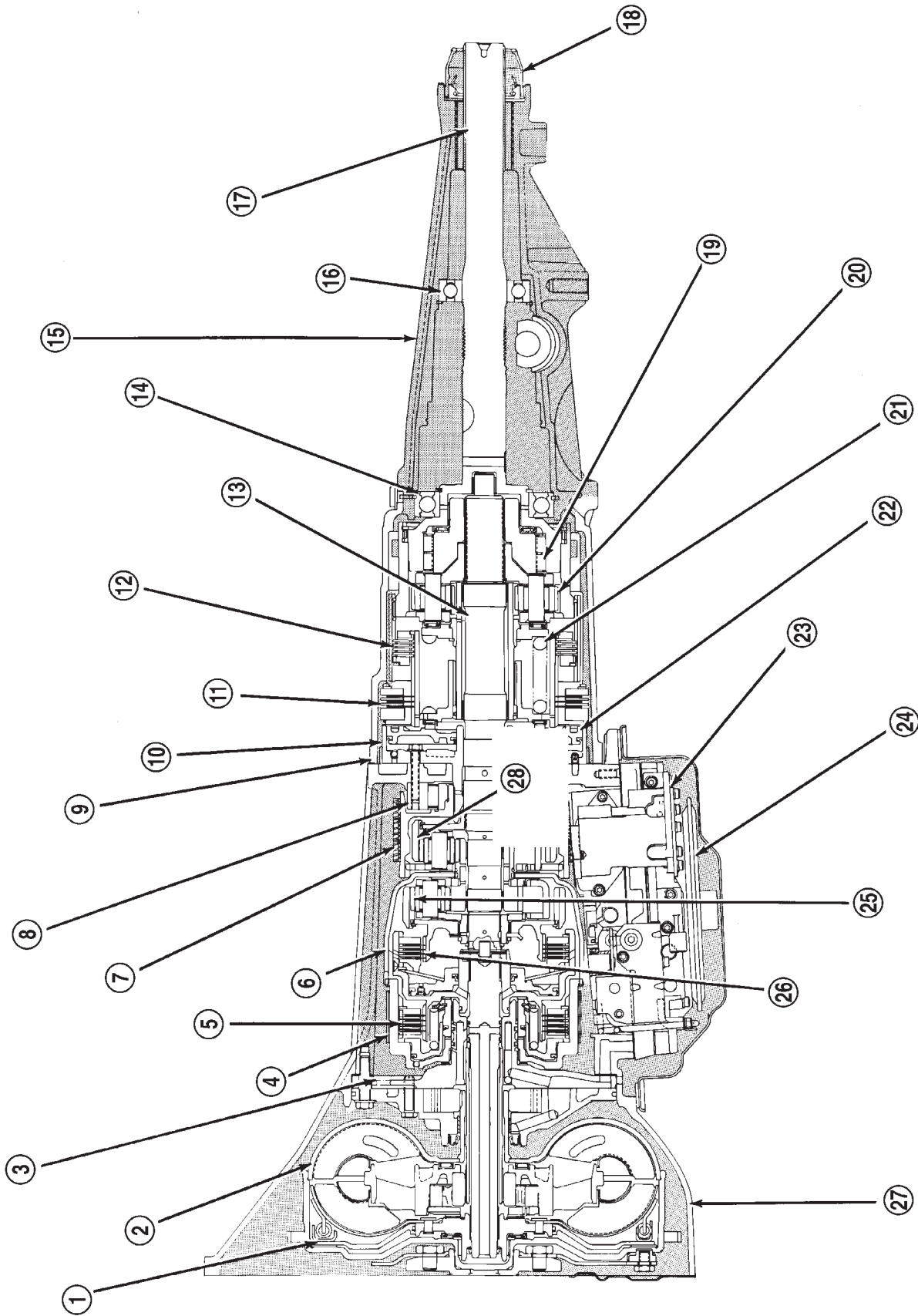
The 42RE is a four speed fully automatic transmission (Fig. 1) with an electronic governor. The 42RE is equipped with a lock-up clutch in the torque converter. First through third gear ranges are provided by the clutches, bands, overrunning clutch, and planetary gear sets in the transmission. Fourth gear range is provided by the overdrive unit that contains an overdrive clutch, direct clutch, planetary gear set, and overrunning clutch.

The transmission contains a front, rear, and direct clutch which function as the input driving components. They also contain the kickdown (front) and the low/reverse (rear) bands which, along with the over-

running clutch and overdrive clutch, serve as the holding components. The driving and holding components combine to select the necessary planetary gear components, in the front, rear, or overdrive planetary gear set, transfer the engine power from the input shaft through to the output shaft.

The valve body is mounted to the lower side of the transmission and contains the valves to control pressure regulation, fluid flow control, and clutch/band application. The oil pump is mounted at the front of the transmission and is driven by the torque converter hub. The pump supplies the oil pressure necessary for clutch/band actuation and transmission lubrication.

The 42RE transmission is cooled by an integral fluid cooler inside the radiator.



J9321-407

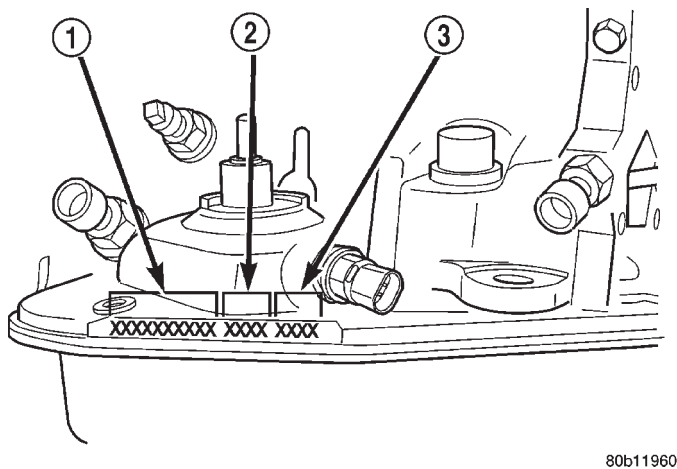
Fig. 1 42RE Transmission

## DESCRIPTION AND OPERATION (Continued)

- |  |                                   |
|--|-----------------------------------|
| 1 – CONVERTER CLUTCH                             | 15 – HOUSING                      |
| 2 – TORQUE CONVERTER                             | 16 – REAR BEARING                 |
| 3 – OIL PUMP AND REACTION SHAFT SUPPORT ASSEMBLY | 17 – OUTPUT SHAFT                 |
| 4 – FRONT BAND                                   | 18 – SEAL                         |
| 5 – FRONT CLUTCH                                 | 19 – OVERDRIVE OVERRUNNING CLUTCH |
| 6 – DRIVING SHELL                                | 20 – OVERDRIVE PLANETARY GEAR     |
| 7 – REAR BAND                                    | 21 – DIRECT CLUTCH SPRING         |
| 8 – TRANSMISSION OVERRUNNING CLUTCH              | 22 – OVERDRIVE CLUTCH PISTON      |
| 9 – OVERDRIVE UNIT                               | 23 – VALVE BODY ASSEMBLY          |
| 10 – PISTON RETAINER                             | 24 – FILTER                       |
| 11 – OVERDRIVE CLUTCH                            | 25 – FRONT PLANETARY GEAR         |
| 12 – DIRECT CLUTCH                               | 26 – REAR CLUTCH                  |
| 13 – INTERMEDIATE SHAFT                          | 27 – TRANSMISSION                 |
| 14 – FRONT BEARING                               | 28 – REAR PLANETARY GEAR          |

## IDENTIFICATION

Transmission identification numbers are stamped on the left side of the case just above the oil pan gasket surface (Fig. 2). Refer to this information when ordering replacement parts.



80b11960

**Fig. 2 Transmission Part And Serial Number Location**

- 1 – PART NUMBER  
2 – BUILD DATE  
3 – SERIAL NUMBER

## GEAR RATIOS

The 42RE gear ratios are:

- **1st** 2.74:1
- **2nd** 1.54:1
- **3rd** 1.00:1
- **4th** 0.69:1
- **Rev.** 2.21

## OPERATION

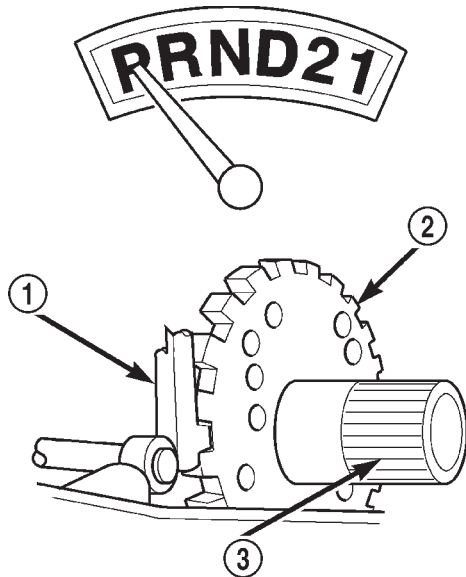
The application of each driving or holding component is controlled by the valve body based upon the manual lever position and governor pressure. The governor pressure is a variable pressure input to the valve body and is one of the signals that a shift is necessary. First through fourth gear are obtained by selectively applying and releasing the different clutches and bands. Engine power is thereby routed to the various planetary gear assemblies which combine with the overrunning clutch assemblies to generate the different gear ratios. The torque converter clutch is hydraulically applied and is released when fluid is vented from the hydraulic circuit by the torque converter control (TCC) solenoid on the valve body. The torque converter clutch is controlled by the Powertrain Control Module (PCM). The torque converter clutch engages in fourth gear, and in third gear when the O/D switch is OFF, when the vehicle is cruising on a level plane after the vehicle has warmed up. The torque converter clutch will disengage momentarily when an increase in engine load is sensed by the PCM, such as when the vehicle begins to go uphill or the throttle pressure is increased. The torque converter clutch feature increases fuel economy and reduces the transmission fluid temperature.

Since the overdrive clutch is applied in fourth gear only and the direct clutch is applied in all ranges except fourth gear, the transmission operation for park, neutral, and first through third gear will be described first. Once these powerflows are described, the third to fourth shift sequence will be described.

DESCRIPTION AND OPERATION (Continued)

**PARK POWERFLOW**

As the engine is running and the crankshaft is rotating, the flexplate and torque converter, which are also bolted to it, are all rotating in a clockwise direction as viewed from the front of the engine. The notched hub of the torque converter is connected to the oil pump's internal gear, supplying the transmission with oil pressure. As the converter turns, it turns the input shaft in a clockwise direction. As the input shaft is rotating, the front clutch hub-rear clutch retainer and all their associated parts are also rotating, all being directly connected to the input shaft. The power flow from the engine through the front-clutch-hub and rear-clutch-retainer stops at the rear-clutch-retainer. Therefore, no power flow to the output shaft occurs because no clutches are applied. The only mechanism in use at this time is the parking sprag (Fig. 3), which locks the parking gear on the output shaft to the transmission case.



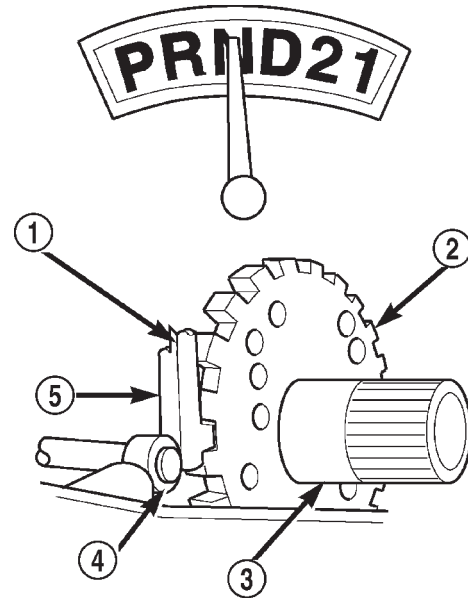
80c070a6

**Fig. 3 Park Powerflow**

- 1 - LEVER ENGAGED FOR PARK
- 2 - PARK SPRAG
- 3 - OUTPUT SHAFT

**NEUTRAL POWERFLOW**

With the gear selector in the neutral position (Fig. 4), the power flow of the transmission is essentially the same as in the park position. The only operational difference is that the parking sprag has been disengaged, unlocking the output shaft from the transmission case and allowing it to move freely.

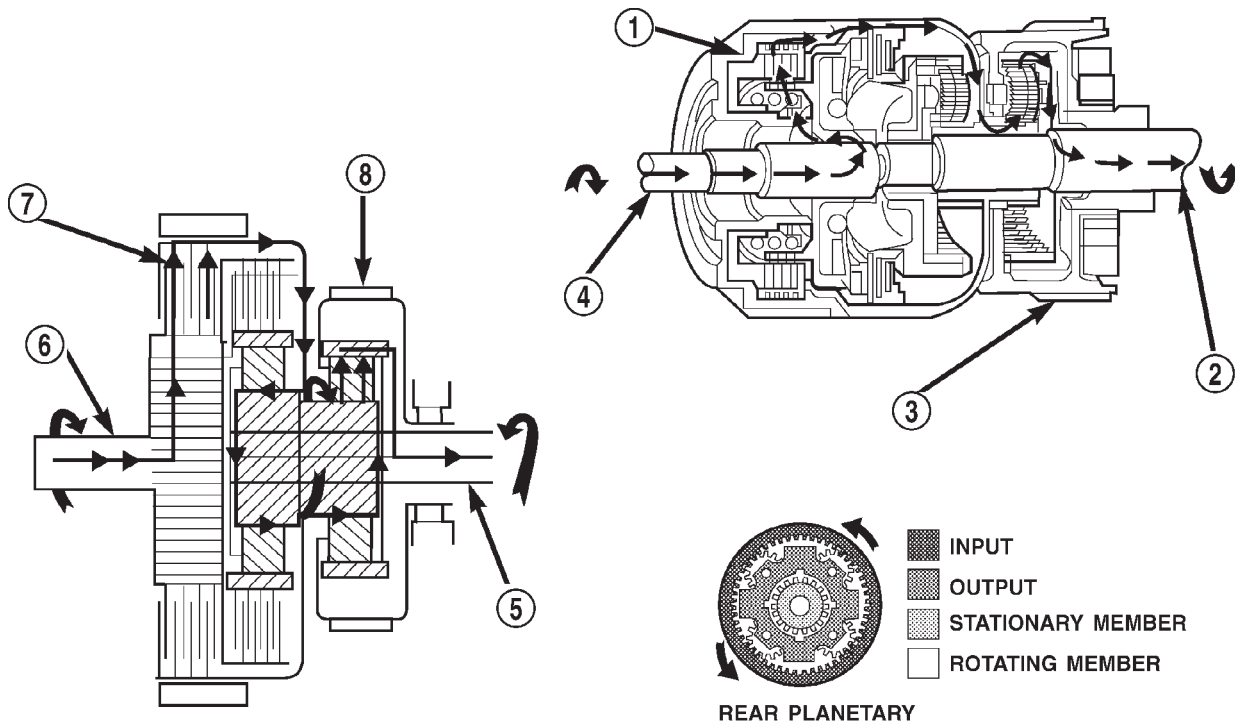


80c070a7

**Fig. 4 Neutral Powerflow**

- 1 - LEVER DISENGAGED FOR NEUTRAL
- 2 - PARK SPRAG
- 3 - OUTPUT SHAFT
- 4 - CAM
- 5 - LEVER

DESCRIPTION AND OPERATION (Continued)



**Fig. 5 Reverse Powerflow**

- 1 - FRONT CLUTCH ENGAGED
- 2 - OUTPUT SHAFT
- 3 - LOW/REVERSE BAND APPLIED
- 4 - INPUT SHAFT

- 5 - OUTPUT SHAFT
- 6 - INPUT SHAFT
- 7 - FRONT CLUTCH ENGAGED
- 8 - LOW/REVERSE BAND APPLIED

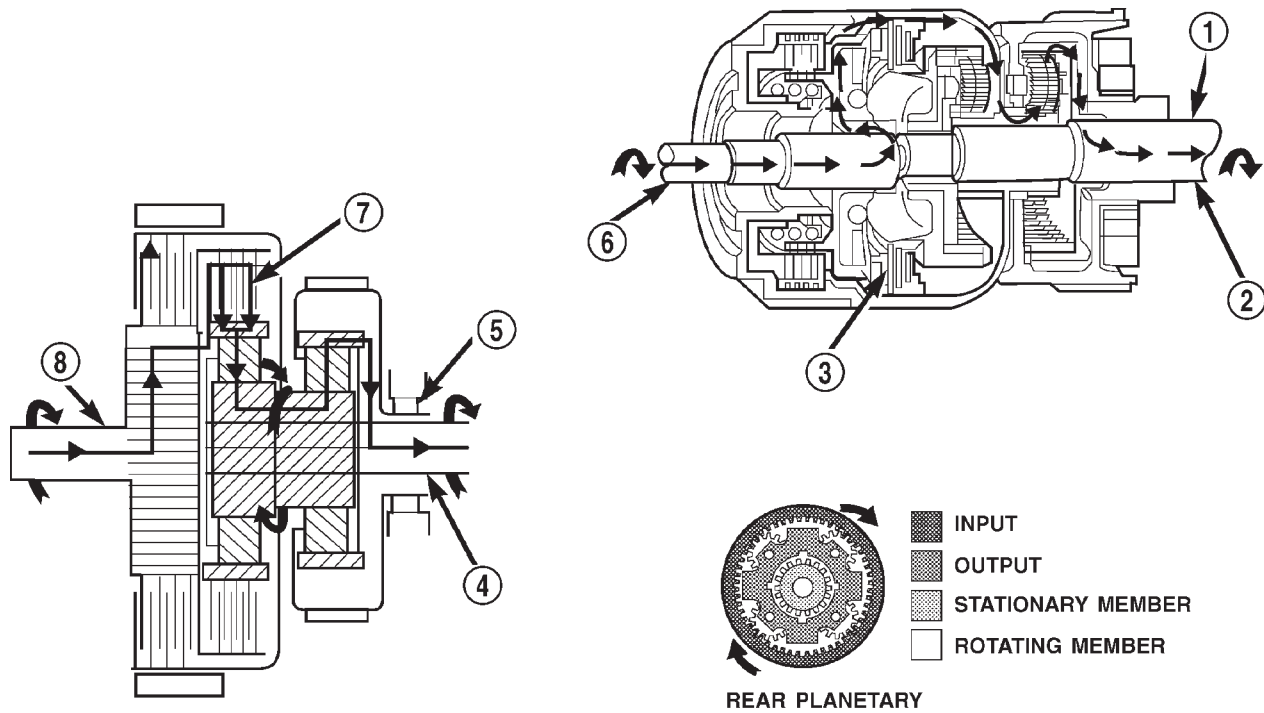
80c070a8

**REVERSE POWERFLOW**

When the gear selector is moved into the reverse position (Fig. 5), the front clutch and the rear band are applied. With the application of the front clutch, engine torque is applied to the sun gear, turning it in a clockwise direction. The clockwise rotation of the sun gear causes the rear planet pinions to rotate against engine rotation in a counterclockwise direction. The rear band is holding the low reverse drum, which is splined to the rear carrier. Since the rear carrier is being held, the torque from the planet pin-

ions is transferred to the rear annulus gear, which is splined to the output shaft. The output shaft in turn rotates with the annulus gear in a counterclockwise direction giving a reverse gear output. The entire transmission of torque is applied to the rear planetary gearset only. Although there is torque input to the front gearset through the sun gear, no other member of the gearset is being held. During the entire reverse stage of operation, the front planetary gears are in an idling condition.

DESCRIPTION AND OPERATION (Continued)



80c070a9

**Fig. 6 First Gear Powerflow**

- |                                 |                                 |
|---------------------------------|---------------------------------|
| 1 - OUTPUT SHAFT                | 5 - OVER-RUNNING CLUTCH HOLDING |
| 2 - OVER-RUNNING CLUTCH HOLDING | 6 - INPUT SHAFT                 |
| 3 - REAR CLUTCH APPLIED         | 7 - REAR CLUTCH APPLIED         |
| 4 - OUTPUT SHAFT                | 8 - INPUT SHAFT                 |

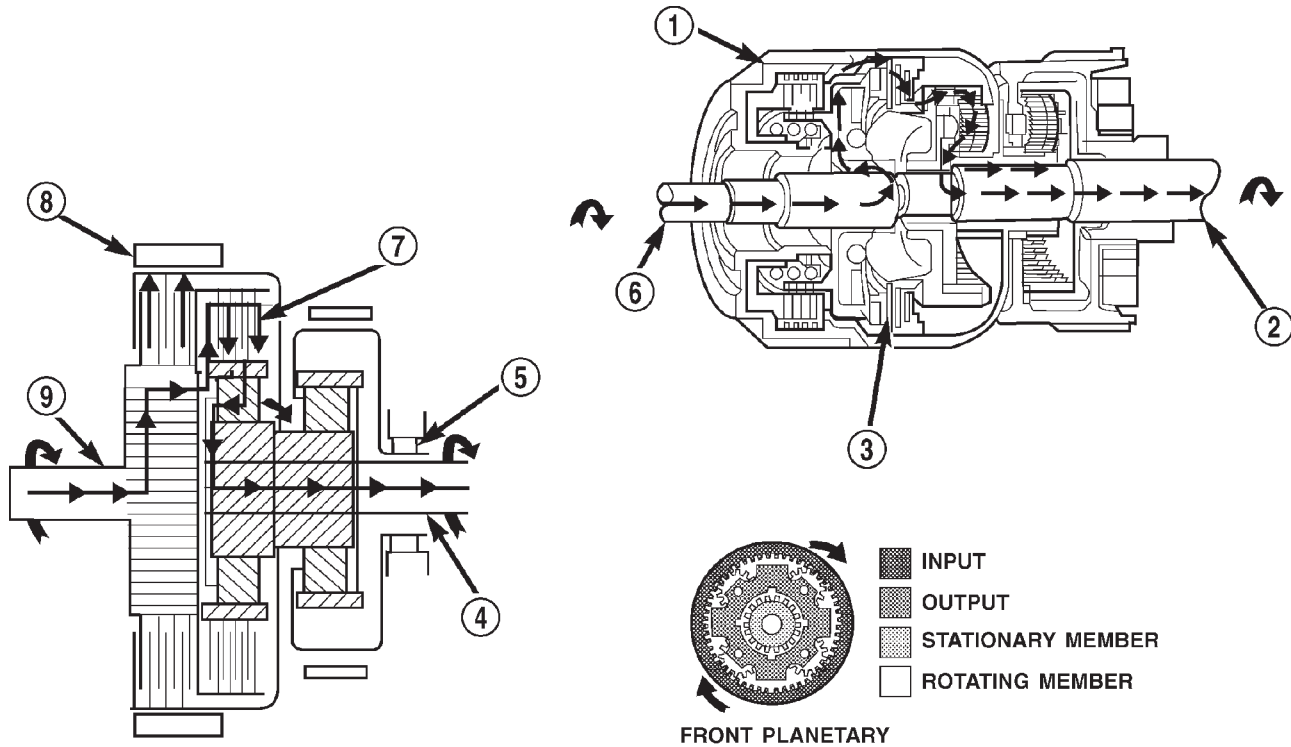
**FIRST GEAR POWERFLOW**

When the gearshift lever is moved into the drive position the transmission goes into first gear (Fig. 6). As soon as the transmission is shifted from park or neutral to drive, the rear clutch applies, applying the rear clutch pack to the front annulus gear. Engine torque is now applied to the front annulus gear turning it in a clockwise direction. With the front annulus gear turning in a clockwise direction, it causes the front planets to turn in a clockwise direction. The rotation of the front planets cause the sun to revolve in a counterclockwise direction. The sun gear now transfers its counterclockwise rotation to the rear

planets which rotate back in a clockwise direction. With the rear annulus gear stationary, the rear planet rotation on the annulus gear causes the rear planet carrier to revolve in a counterclockwise direction. The rear planet carrier is splined into the low-reverse drum, and the low reverse drum is splined to the inner race of the over-running clutch. With the over-running clutch locked, the planet carrier is held, and the resulting torque provided by the planet pinions is transferred to the rear annulus gear. The rear annulus gear is splined to the output shaft and rotated along with it (clockwise) in an underdrive gear reduction mode.



DESCRIPTION AND OPERATION (Continued)



**Fig. 7 Second Gear Powerflow**

- 1 - KICKDOWN BAND APPLIED
- 2 - OUTPUT SHAFT
- 3 - REAR CLUTCH ENGAGED
- 4 - OUTPUT SHAFT
- 5 - OVER-RUNNING CLUTCH FREE-WHEELING

- 6 - INPUT SHAFT
- 7 - REAR CLUTCH APPLIED
- 8 - KICKDOWN BAND APPLIED
- 9 - INPUT SHAFT

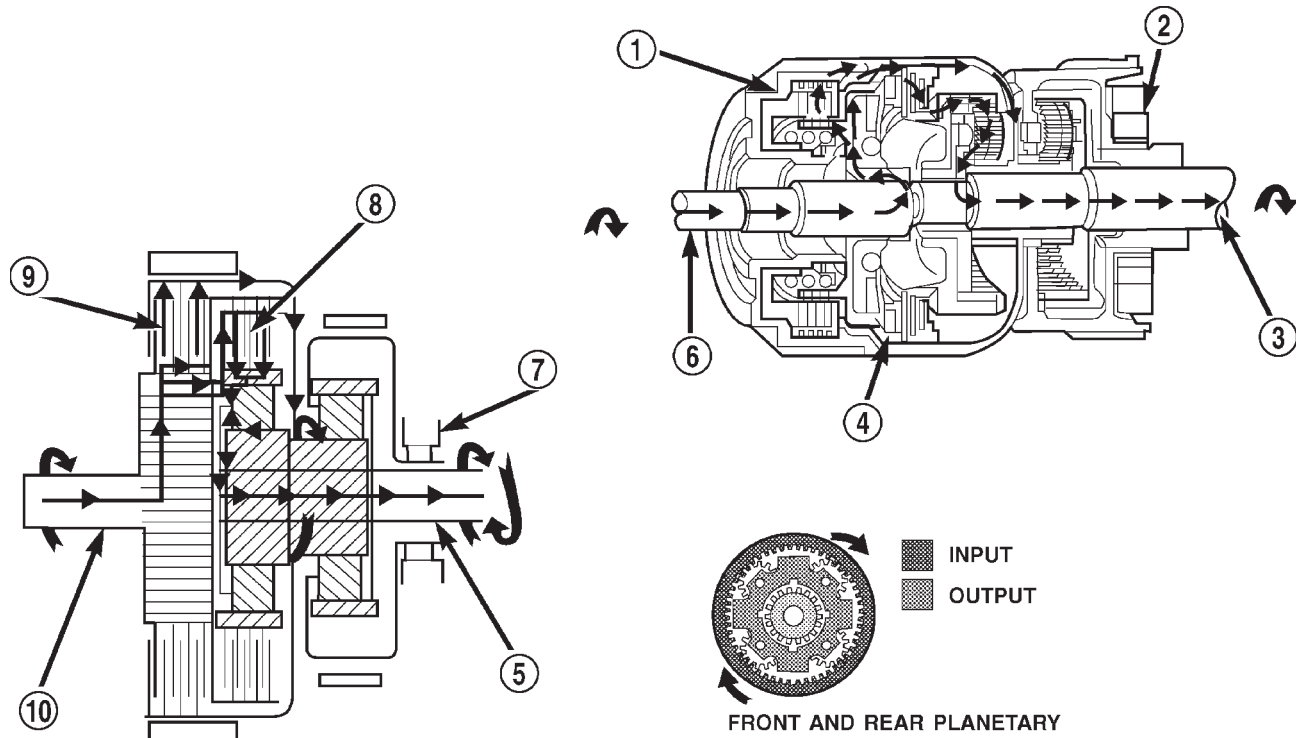
80c070aa

**SECOND GEAR POWERFLOW**

In drive-second (Fig. 7), the same elements are applied as in manual-second. Therefore, the power flow will be the same, and both gears will be discussed as one in the same. In drive-second, the transmission has proceeded from first gear to its shift point, and is shifting from first gear to second. The second gear shift is obtained by keeping the rear clutch applied and applying the front (kickdown) band. The front band holds the front clutch retainer that is locked to the sun gear driving shell. With the rear clutch still applied, the input is still on the front annulus gear turning it clockwise at engine speed.

Now that the front band is holding the sun gear stationary, the annulus rotation causes the front planets to rotate in a clockwise direction. The front carrier is then also made to rotate in a clockwise direction but at a reduced speed. This will transmit the torque to the output shaft, which is directly connected to the front planet carrier. The rear planetary annulus gear will also be turning because it is directly splined to the output shaft. All power flow has occurred in the front planetary gear set during the drive-second stage of operation, and now the over-running clutch, in the rear of the transmission, is disengaged and freewheeling on its hub.

DESCRIPTION AND OPERATION (Continued)



80c070ab

**Fig. 8 Direct Drive Powerflow**

- |                                       |                                       |
|---------------------------------------|---------------------------------------|
| 1 - FRONT CLUTCH APPLIED              | 6 - INPUT SHAFT                       |
| 2 - OVER-RUNNING CLUTCH FREE-WHEELING | 7 - OVER-RUNNING CLUTCH FREE-WHEELING |
| 3 - OUTPUT SHAFT                      | 8 - REAR CLUTCH APPLIED               |
| 4 - REAR CLUTCH APPLIED               | 9 - FRONT CLUTCH APPLIED              |
| 5 - OUTPUT SHAFT                      | 10 - INPUT SHAFT                      |

**DIRECT DRIVE POWERFLOW**

The vehicle has accelerated and reached the shift point for the 2-3 upshift into direct drive (Fig. 8). When the shift takes place, the front band is released, and the front clutch is applied. The rear clutch stays applied as it has been in all the forward gears. With the front clutch now applied, engine torque is now on the front clutch retainer, which is locked to the sun gear driving shell. This means that the sun gear is now turning in engine rotation (clockwise) and at engine speed. The rear clutch is still applied so engine torque is also still on the front

annulus gear. If two members of the same planetary set are driven, direct drive results. Therefore, when two members are rotating at the same speed and in the same direction, it is the same as being locked up. The rear planetary set is also locked up, given the sun gear is still the input, and the rear annulus gear must turn with the output shaft. Both gears are turning in the same direction and at the same speed. The front and rear planet pinions do not turn at all in direct drive. The only rotation is the input from the engine to the connected parts, which are acting as one common unit, to the output shaft.

## DESCRIPTION AND OPERATION (Continued)

## FOURTH GEAR POWERFLOW

Fourth gear overdrive range is electronically controlled and hydraulically activated. Various sensor inputs are supplied to the powertrain control module to operate the overdrive solenoid on the valve body. The solenoid contains a check ball that opens and closes a vent port in the 3-4 shift valve feed passage. The overdrive solenoid (and check ball) are not energized in first, second, third, or reverse gear. The vent port remains open, diverting line pressure from the 2-3 shift valve away from the 3-4 shift valve. The overdrive control switch must be in the ON position to transmit overdrive status to the PCM. A 3-4 upshift occurs only when the overdrive solenoid is energized by the PCM. The PCM energizes the overdrive solenoid during the 3-4 upshift. This causes the solenoid check ball to close the vent port allowing line pressure from the 2-3 shift valve to act directly on the 3-4 upshift valve. Line pressure on the 3-4 shift valve overcomes valve spring pressure moving the valve to the upshift position. This action exposes the feed passages to the 3-4 timing valve, 3-4 quick fill valve, 3-4 accumulator, and ultimately to the overdrive piston. Line pressure through the timing valve moves the overdrive piston into contact with the overdrive clutch. The direct clutch is disengaged before the overdrive clutch is engaged. The boost valve provides increased fluid apply pressure to the overdrive clutch during 3-4 upshifts, and when accelerating in fourth gear. The 3-4 accumulator cushions overdrive clutch engagement to smooth 3-4 upshifts. The accumulator is charged at the same time as apply pressure acts against the overdrive piston.

## RECOMMENDED FLUID

**NOTE:** Refer to the Service Procedures section of this Group for fluid level checking procedures.

## FLUID TYPE

Mopar® ATF Plus 3, Type 7176 automatic transmission fluid is the recommended fluid for Chrysler automatic transmissions.

**Dexron II fluid IS NOT recommended. Clutch chatter can result from the use of improper fluid.**

## FLUID ADDITIVES

Fluid additives other than Mopar® approved fluorescent leak detection dyes are not to be used in this transmission.

## FLUID

**NOTE:** Refer to the maintenance schedules in Group 0, Lubrication and Maintenance for the rec-

ommended maintenance (fluid/filter change) intervals for this transmission.

**NOTE:** Refer to Service Procedures in this group for fluid level checking procedures.

## DESCRIPTION

Mopar® ATF Plus 3, Type 7176, automatic transmission fluid is the recommended fluid for Daimler-Chrysler automatic transmissions.

**Dexron II fluid IS NOT recommended. Clutch chatter can result from the use of improper fluid.**

Mopar® ATF Plus 3, Type 7176, automatic transmission fluid when new is red in color. The ATF is dyed red so it can be identified from other fluids used in the vehicle such as engine oil or antifreeze. The red color is not permanent and is not an indicator of fluid condition. As the vehicle is driven, the ATF will begin to look darker in color and may eventually become brown. **This is normal.** A dark brown/black fluid accompanied with a burnt odor and/or deterioration in shift quality may indicate fluid deterioration or transmission component failure.

## FLUID ADDITIVES

DaimlerChrysler strongly recommends against the addition of any fluids to the transmission, other than those automatic transmission fluids listed above. Exceptions to this policy are the use of special dyes to aid in detecting fluid leaks.

Various "special" additives and supplements exist that claim to improve shift feel and/or quality. These additives and others also claim to improve converter clutch operation and inhibit overheating, oxidation, varnish, and sludge. These claims have not been supported to the satisfaction of DaimlerChrysler and these additives **must not be used.** The use of transmission "sealers" should also be avoided, since they may adversely affect the integrity of transmission seals.

## OPERATION

The automatic transmission fluid is selected based upon several qualities. The fluid must provide a high level of protection for the internal components by providing a lubricating film between adjacent metal components. The fluid must also be thermally stable so that it can maintain a consistent viscosity through a large temperature range. If the viscosity stays constant through the temperature range of operation, transmission operation and shift feel will remain consistent. Transmission fluid must also be a good conductor of heat. The fluid must absorb heat from the internal transmission components and transfer that heat to the transmission case.

DESCRIPTION AND OPERATION (Continued)

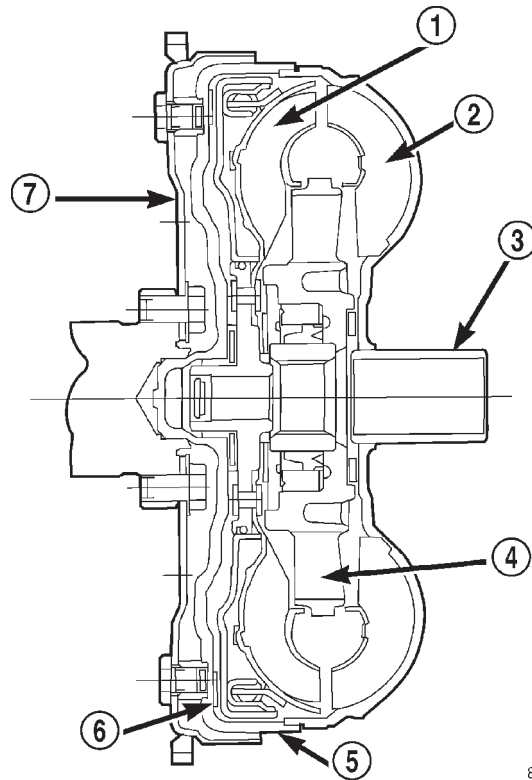
**TORQUE CONVERTER**

**DESCRIPTION**

The torque converter (Fig. 9) is a hydraulic device that couples the engine crankshaft to the transmission. The torque converter consists of an outer shell with an internal turbine, a stator, an overrunning clutch, an impeller and an electronically applied converter clutch. The converter clutch provides reduced engine speed and greater fuel economy when engaged. Clutch engagement also provides reduced transmission fluid temperatures. The converter clutch engages in third gear. The torque converter hub drives the transmission oil (fluid) pump.

The torque converter is a sealed, welded unit that is not repairable and is serviced as an assembly.

**CAUTION:** The torque converter must be replaced if a transmission failure resulted in large amounts of metal or fiber contamination in the fluid. If the fluid is contaminated, flush the fluid cooler and lines.

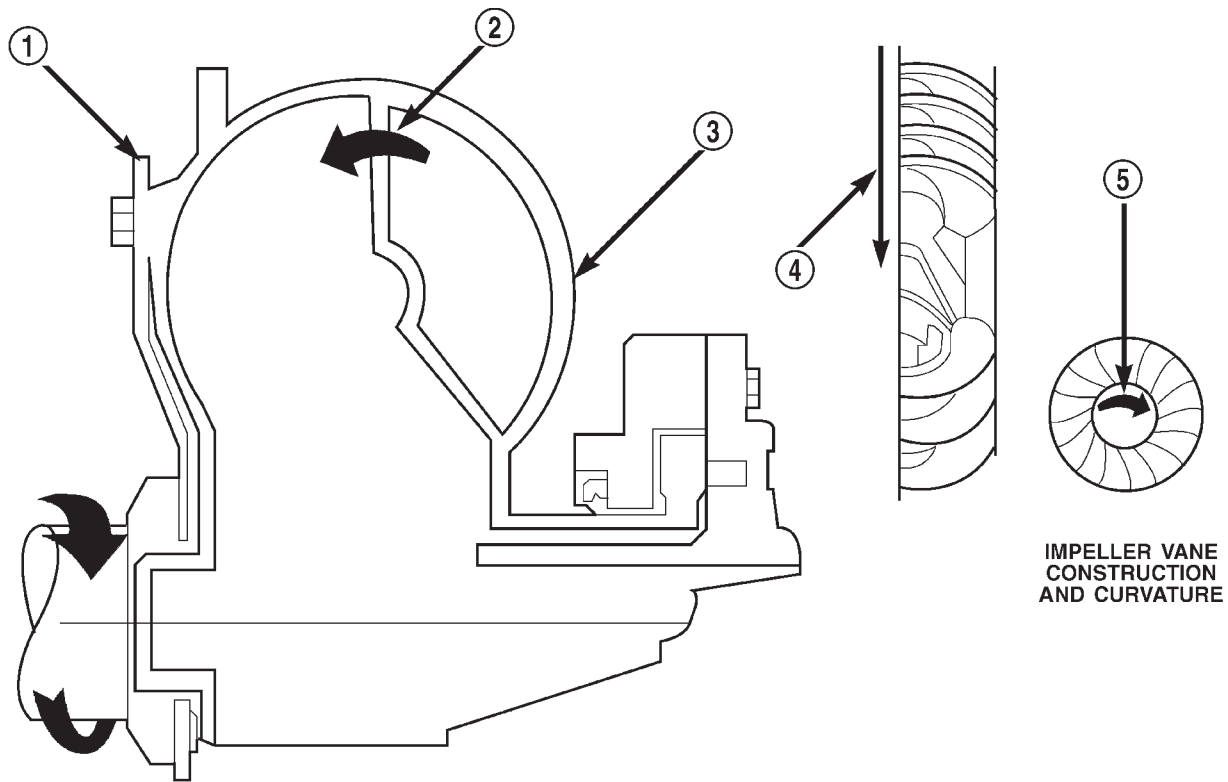


80c07135

**Fig. 9 Torque Converter Assembly**

- 1 - TURBINE
- 2 - IMPELLER
- 3 - HUB
- 4 - STATOR
- 5 - FRONT COVER
- 6 - CONVERTER CLUTCH DISC
- 7 - DRIVE PLATE

DESCRIPTION AND OPERATION (Continued)



IMPELLER VANE  
CONSTRUCTION  
AND CURVATURE

80bfe26a

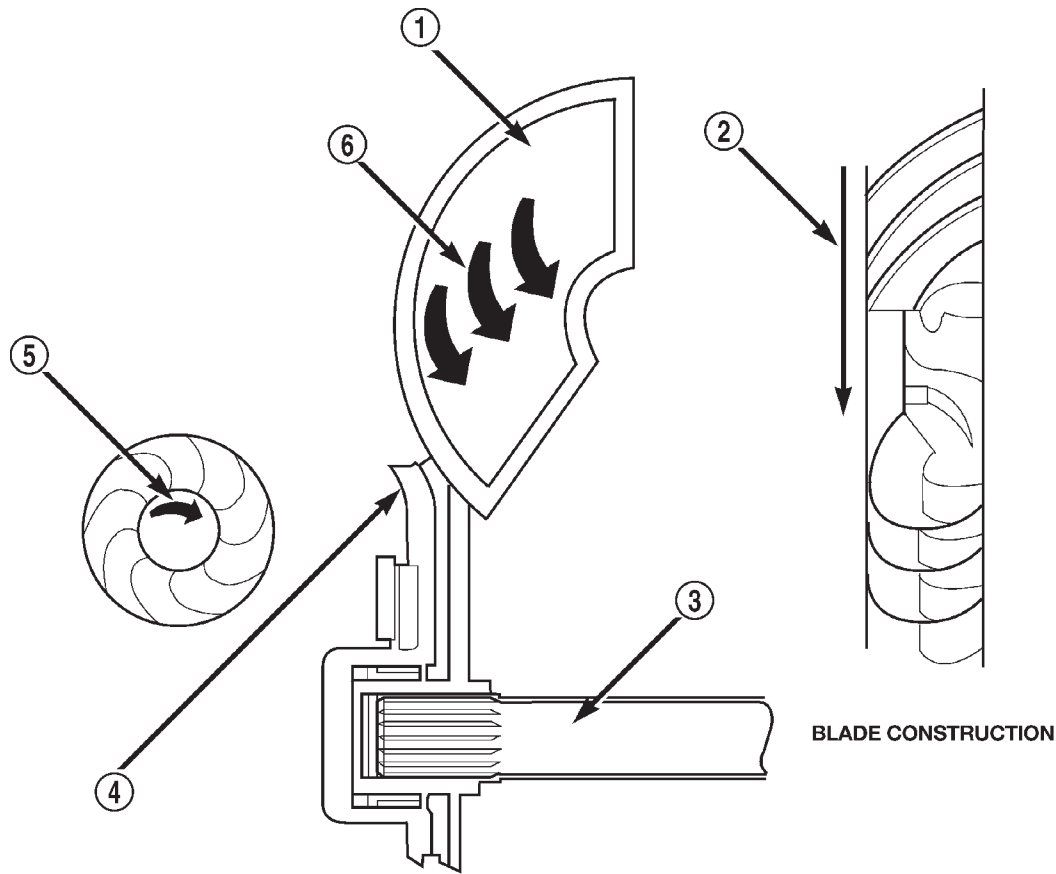
**Fig. 10 Impeller**

- |   |                     |
|---|---------------------|
| 1 - ENGINE FLEXPLATE                                    | 4 - ENGINE ROTATION |
| 2 - OIL FLOW FROM IMPELLER SECTION INTO TURBINE SECTION | 5 - ENGINE ROTATION |
| 3 - IMPELLER VANES AND COVER ARE INTEGRAL               |                     |

**IMPELLER**

The impeller (Fig. 10) is an integral part of the converter housing. The impeller consists of curved blades placed radially along the inside of the housing on the transmission side of the converter. As the converter housing is rotated by the engine, so is the impeller, because they are one and the same and are the driving member of the system.

DESCRIPTION AND OPERATION (Continued)



80bfe26b

**Fig. 11 Turbine**

- |                     |                                       |
|---------------------|---------------------------------------|
| 1 - TURBINE VANE    | 4 - PORTION OF TORQUE CONVERTER COVER |
| 2 - ENGINE ROTATION | 5 - ENGINE ROTATION                   |
| 3 - INPUT SHAFT     | 6 - OIL FLOW WITHIN TURBINE SECTION   |

**TURBINE**

The turbine (Fig. 11) is the output, or driven, member of the converter. The turbine is mounted within the housing opposite the impeller, but is not attached to the housing. The input shaft is inserted through the center of the impeller and splined into the turbine. The design of the turbine is similar to the impeller, except the blades of the turbine are curved in the opposite direction.



DESCRIPTION AND OPERATION (Continued)

STATOR

The stator assembly (Fig. 12) is mounted on a stationary shaft which is an integral part of the oil pump. The stator is located between the impeller and turbine within the torque converter case (Fig. 13). The stator contains an over-running clutch, which allows the stator to rotate only in a clockwise direction. When the stator is locked against the over-running clutch, the torque multiplication feature of the torque converter is operational.

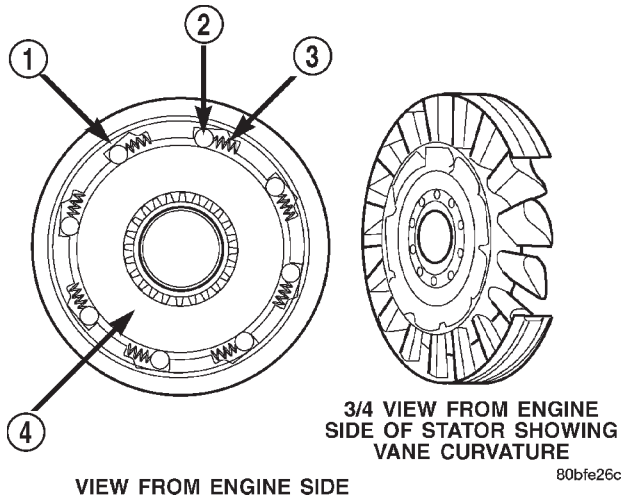


Fig. 12 Stator Components

- 1 - CAM (OUTER RACE)
- 2 - ROLLER
- 3 - SPRING
- 4 - INNER RACE

TORQUE CONVERTER CLUTCH (TCC)

The TCC (Fig. 14) was installed to improve the efficiency of the torque converter that is lost to the slippage of the fluid coupling. Although the fluid coupling provides smooth, shock-free power transfer, it is natural for all fluid couplings to slip. If the impeller and turbine were mechanically locked together, a zero slippage condition could be obtained. A hydraulic piston was added to the turbine, and a friction material was added to the inside of the front cover to provide this mechanical lock-up.

OPERATION

The converter impeller (Fig. 15) (driving member), which is integral to the converter housing and bolted to the engine drive plate, rotates at engine speed. The converter turbine (driven member), which reacts from fluid pressure generated by the impeller, rotates and turns the transmission input shaft.

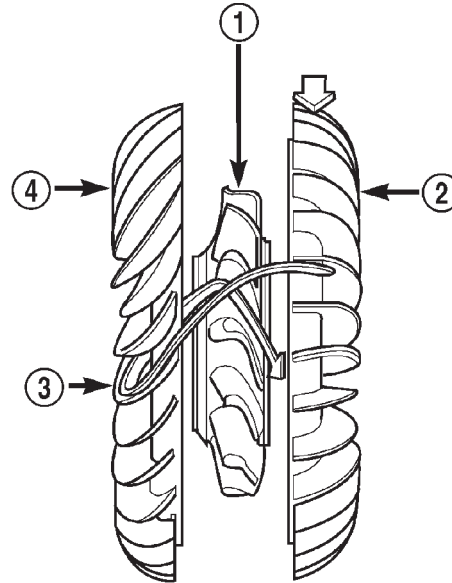


Fig. 13 Stator Location

- 1 - STATOR
- 2 - IMPELLER
- 3 - FLUID FLOW
- 4 - TURBINE

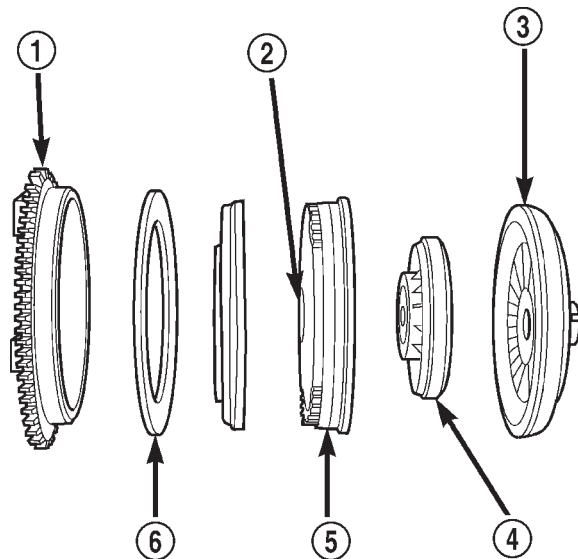


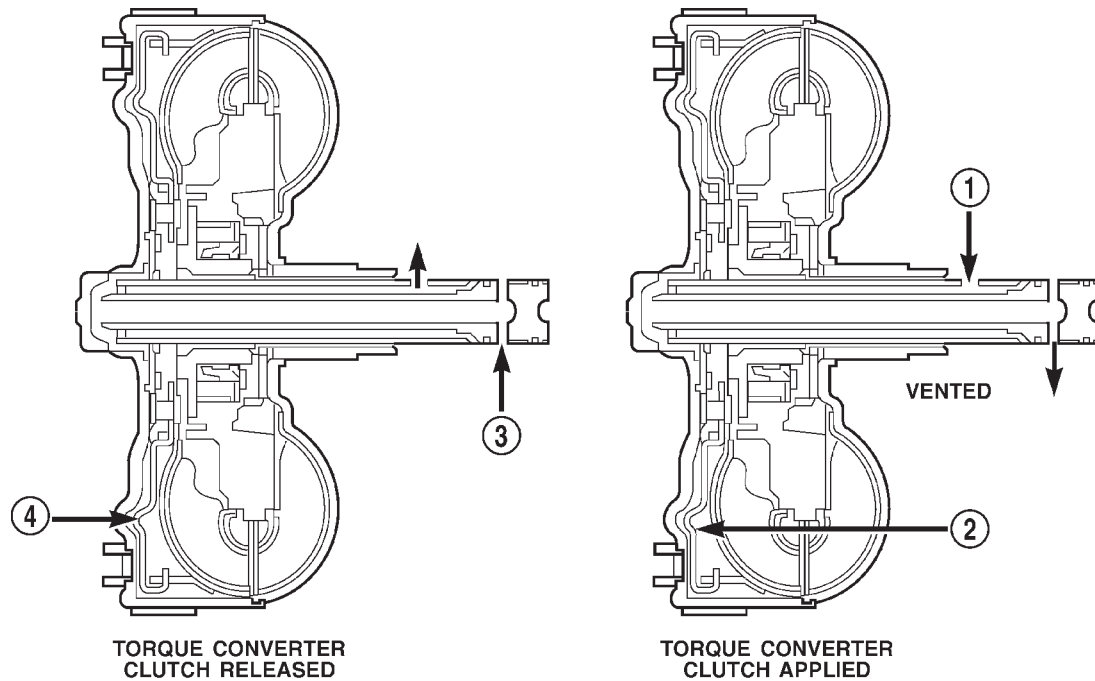
Fig. 14 Torque Converter Clutch (TCC)

- 1 - IMPELLER FRONT COVER
- 2 - THRUST WASHER ASSEMBLY
- 3 - IMPELLER
- 4 - STATOR
- 5 - TURBINE
- 6 - FRICTION DISC

80bfe26d

80bfe26f

DESCRIPTION AND OPERATION (Continued)



**Fig. 15 Torque Converter Fluid Operation**

- |                                       |  |
|---------------------------------------|--|
| 1 - APPLY PRESSURE                    | 3 - RELEASE PRESSURE                   |
| 2 - THE PISTON MOVES SLIGHTLY FORWARD | 4 - THE PISTON MOVES SLIGHTLY REARWARD |

80bfe276

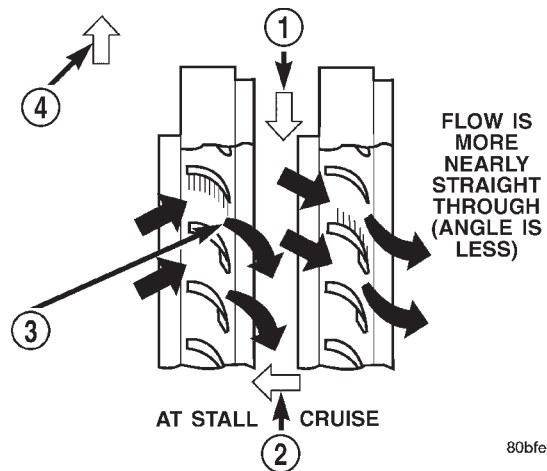
**TURBINE**

As the fluid that was put into motion by the impeller blades strikes the blades of the turbine, some of the energy and rotational force is transferred into the turbine and the input shaft. This causes both of them (turbine and input shaft) to rotate in a clockwise direction following the impeller. As the fluid is leaving the trailing edges of the turbine's blades it continues in a "hindering" direction back toward the impeller. If the fluid is not redirected before it strikes the impeller, it will strike the impeller in such a direction that it would tend to slow it down.

**STATOR**

Torque multiplication is achieved by locking the stator's over-running clutch to its shaft (Fig. 16). Under stall conditions (the turbine is stationary), the oil leaving the turbine blades strikes the face of the stator blades and tries to rotate them in a counter-clockwise direction. When this happens the over-running clutch of the stator locks and holds the stator from rotating. With the stator locked, the oil strikes the stator blades and is redirected into a "helping" direction before it enters the impeller. This circulation of oil from impeller to turbine, turbine to stator, and stator to impeller, can produce a maximum torque multiplication of about 2.4:1. As the turbine begins to match the speed of the impeller, the fluid

that was hitting the stator in such a way as to cause it to lock-up is no longer doing so. In this condition of operation, the stator begins to free wheel and the converter acts as a fluid coupling.



80bfe26e

**Fig. 16 Stator Operation**

- |  |
|--|
| 1 - DIRECTION STATOR WILL FREE WHEEL DUE TO OIL PUSHING ON BACKSIDE OF VANES |
| 2 - FRONT OF ENGINE  |
| 3 - INCREASED ANGLE AS OIL STRIKES VANES                                     |
| 4 - DIRECTION STATOR IS LOCKED UP DUE TO OIL PUSHING AGAINST STATOR VANES    |

## DESCRIPTION AND OPERATION (Continued)

## TORQUE CONVERTER CLUTCH (TCC)

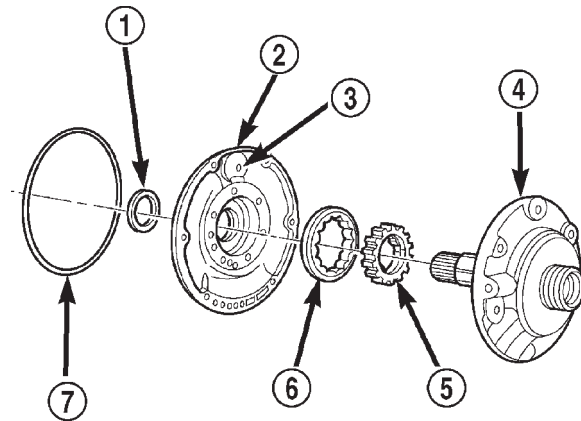
In a standard torque converter, the impeller and turbine are rotating at about the same speed and the stator is freewheeling, providing no torque multiplication. By applying the turbine's piston to the front cover's friction material, a total converter engagement can be obtained. The result of this engagement is a direct 1:1 mechanical link between the engine and the transmission.

Converter clutch engagement in third or fourth gear range is controlled by sensor inputs to the powertrain control module. Inputs that determine clutch engagement are: coolant temperature, engine rpm, vehicle speed, throttle position, and manifold vacuum. The torque converter clutch is engaged by the clutch solenoid on the valve body. The clutch can be engaged in third and fourth gear ranges depending on overdrive control switch position. If the overdrive control switch is in the normal ON position, the clutch will engage after the shift to fourth gear, and above approximately 72 km/h (45 mph). If the control switch is in the OFF position, the clutch will engage after the shift to third gear, at approximately 56 km/h (35 mph) at light throttle.

## OIL PUMP

## DESCRIPTION

The oil pump (Fig. 17) is located in the pump housing inside the bell housing of the transmission case. The oil pump consists of an inner and outer gear, a housing, and a cover that also serves as the reaction shaft support.



80be45f7

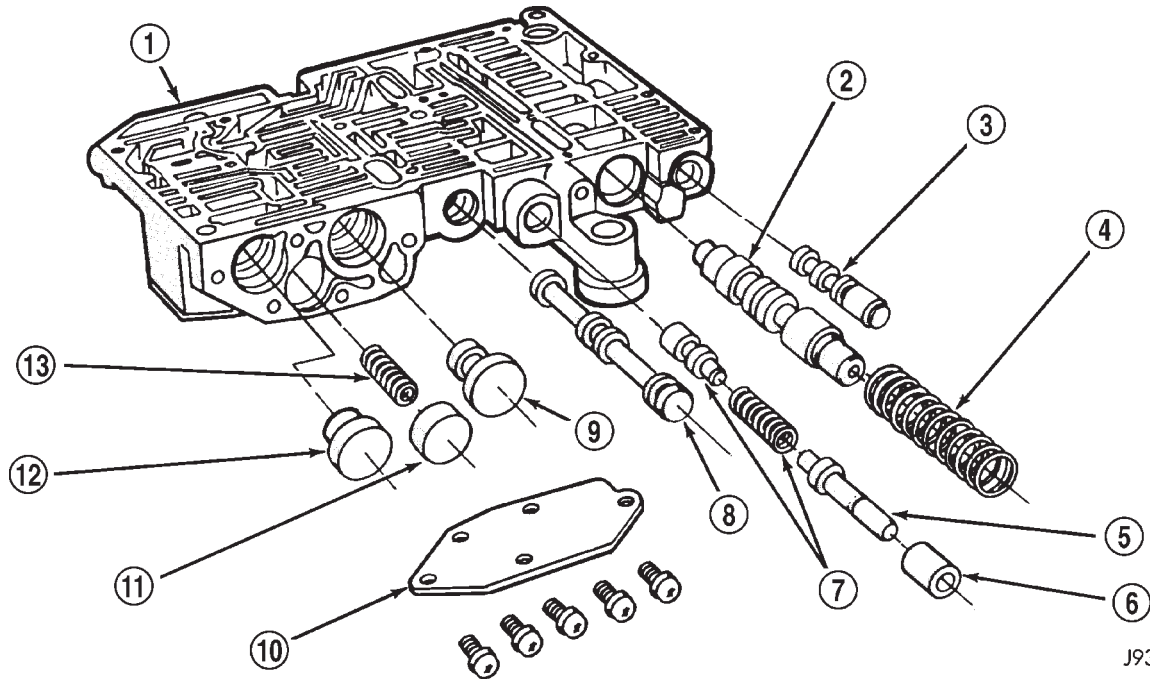
**Fig. 17 Oil Pump Assembly**

- 1 - OIL SEAL
- 2 - OIL PUMP BODY
- 3 - VENT
- 4 - REACTION SHAFT SUPPORT
- 5 - INNER ROTOR
- 6 - OUTER ROTOR
- 7 - "O" RING

## OPERATION

As the torque converter rotates, the converter hub rotates the inner and outer gears. As the gears rotate, the clearance between the gear teeth increases in the crescent area, and creates a suction at the inlet side of the pump. This suction draws fluid through the pump inlet from the oil pan. As the clearance between the gear teeth in the crescent area decreases, it forces pressurized fluid into the pump outlet and to the valve body.

DESCRIPTION AND OPERATION (Continued)



J9321-155

**Fig. 18 Upper Housing Control Valve Locations**

- |                               |                                   |
|-------------------------------|-----------------------------------|
| 1 - UPPER HOUSING             | 8 - MANUAL VALVE                  |
| 2 - REGULATOR VALVE           | 9 - 1-2 GOVERNOR PLUG             |
| 3 - SWITCH VALVE              | 10 - GOVERNOR PLUG COVER          |
| 4 - REGULATOR VALVE SPRING    | 11 - THROTTLE PLUG                |
| 5 - KICKDOWN VALVE            | 12 - 2-3 GOVERNOR PLUG            |
| 6 - KICKDOWN DETENT           | 13 - SHUTTLE VALVE PRIMARY SPRING |
| 7 - THROTTLE VALVE AND SPRING |                                   |

**VALVE BODY**

**DESCRIPTION**

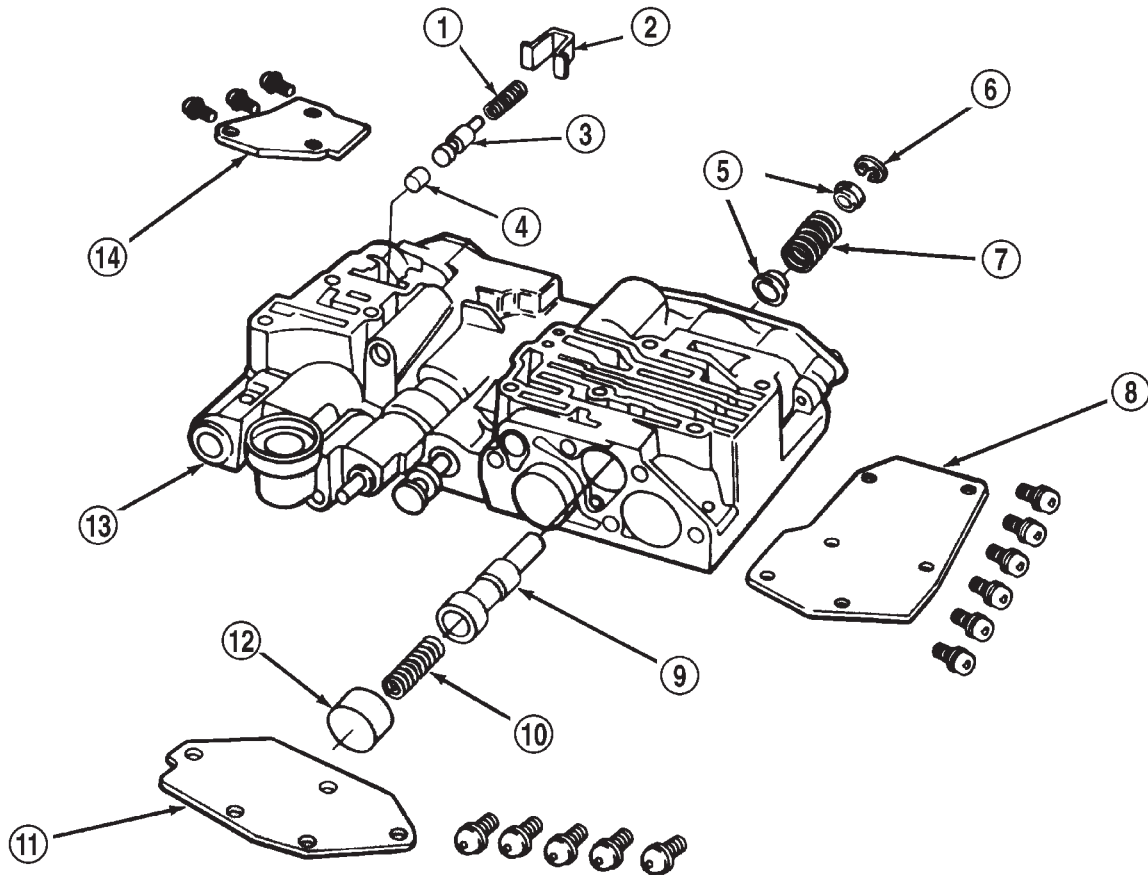
The valve body consists of a cast aluminum valve body, a separator plate, and transfer plate. The valve body contains valves and check balls that control fluid delivery to the torque converter clutch, bands, and frictional clutches. The valve body contains the following components (Fig. 18), (Fig. 19), (Fig. 20), and (Fig. 21):

- Regulator valve
- Regulator valve throttle pressure plug
- Line pressure plug and sleeve
- Kickdown valve
- Kickdown limit valve
- 1-2 shift valve
- 1-2 control valve
- 2-3 shift valve

- 2-3 governor plug
- 3-4 shift valve
- 3-4 timing valve
- 3-4 quick fill valve
- 3-4 accumulator
- Throttle valve
- Throttle pressure plug
- Switch valve
- Manual valve
- Converter clutch lock-up valve
- Converter clutch lock-up timing Valve
- Shuttle valve
- Shuttle valve throttle plug
- Boost Valve
- 10 check balls

By adjusting the spring pressure acting on the regulator valve, transmission line pressure can be adjusted.

## DESCRIPTION AND OPERATION (Continued)

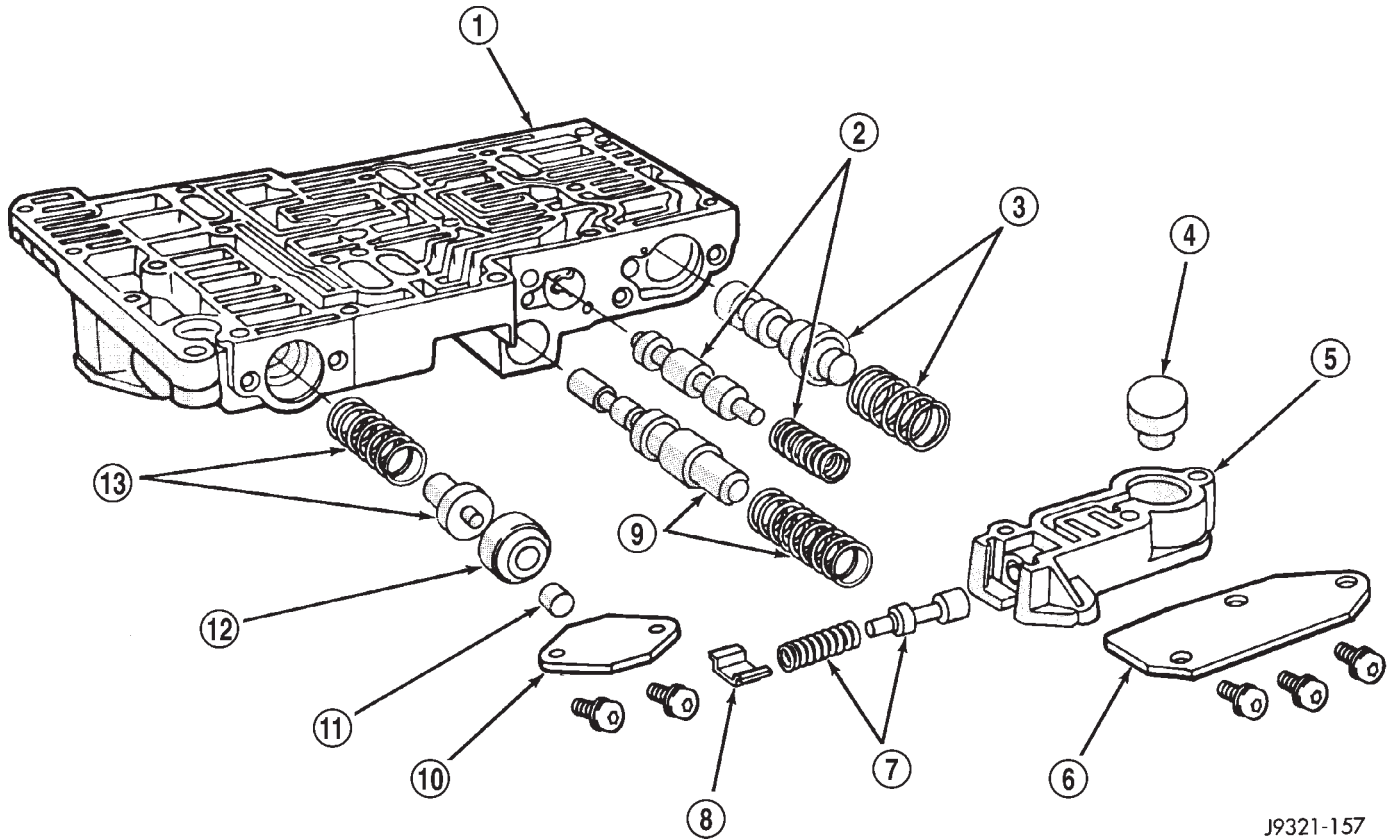


J9421-217

**Fig. 19 Shuttle and Boost Valve Locations**

- |                                    |                                   |
|------------------------------------|-----------------------------------|
| 1 - SPRING                         | 8 - SHUTTLE VALVE COVER           |
| 2 - RETAINER                       | 9 - SHUTTLE VALVE                 |
| 3 - BOOST VALVE                    | 10 - SHUTTLE VALVE PRIMARY SPRING |
| 4 - BOOST VALVE PLUG               | 11 - GOVERNOR PLUG COVER          |
| 5 - SPRING GUIDES                  | 12 - THROTTLE PLUG                |
| 6 - E-CLIP                         | 13 - UPPER HOUSING                |
| 7 - SHUTTLE VALVE SECONDARY SPRING | 14 - BOOST VALVE COVER            |

DESCRIPTION AND OPERATION (Continued)



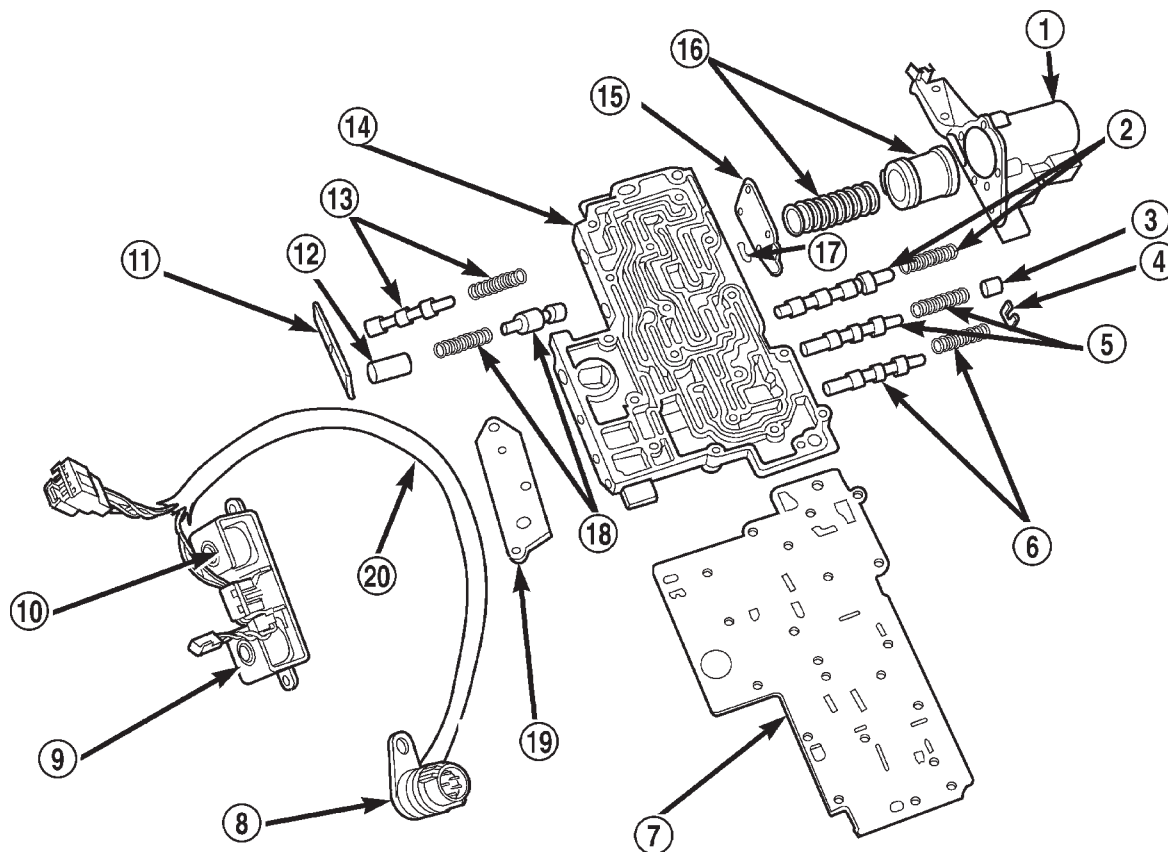
J9321-157

**Fig. 20 Upper Housing Shift Valve and Pressure Plug Locations**

- |                                |  |
|--------------------------------|--|
| 1 - UPPER HOUSING              | 8 - RETAINER                           |
| 2 - 1-2 SHIFT VALVE AND SPRING | 9 - 1-2 SHIFT CONTROL VALVE AND SPRING |
| 3 - 2-3 SHIFT VALVE AND SPRING | 10 - PRESSURE PLUG COVER               |
| 4 - 2-3 THROTTLE PLUG          | 11 - LINE PRESSURE PLUG                |
| 5 - LIMIT VALVE HOUSING        | 12 - PLUG SLEEVE                       |
| 6 - LIMIT VALVE COVER          | 13 - THROTTLE PRESSURE SPRING AND PLUG |
| 7 - LIMIT VALVE AND SPRING     |  |



## DESCRIPTION AND OPERATION (Continued)

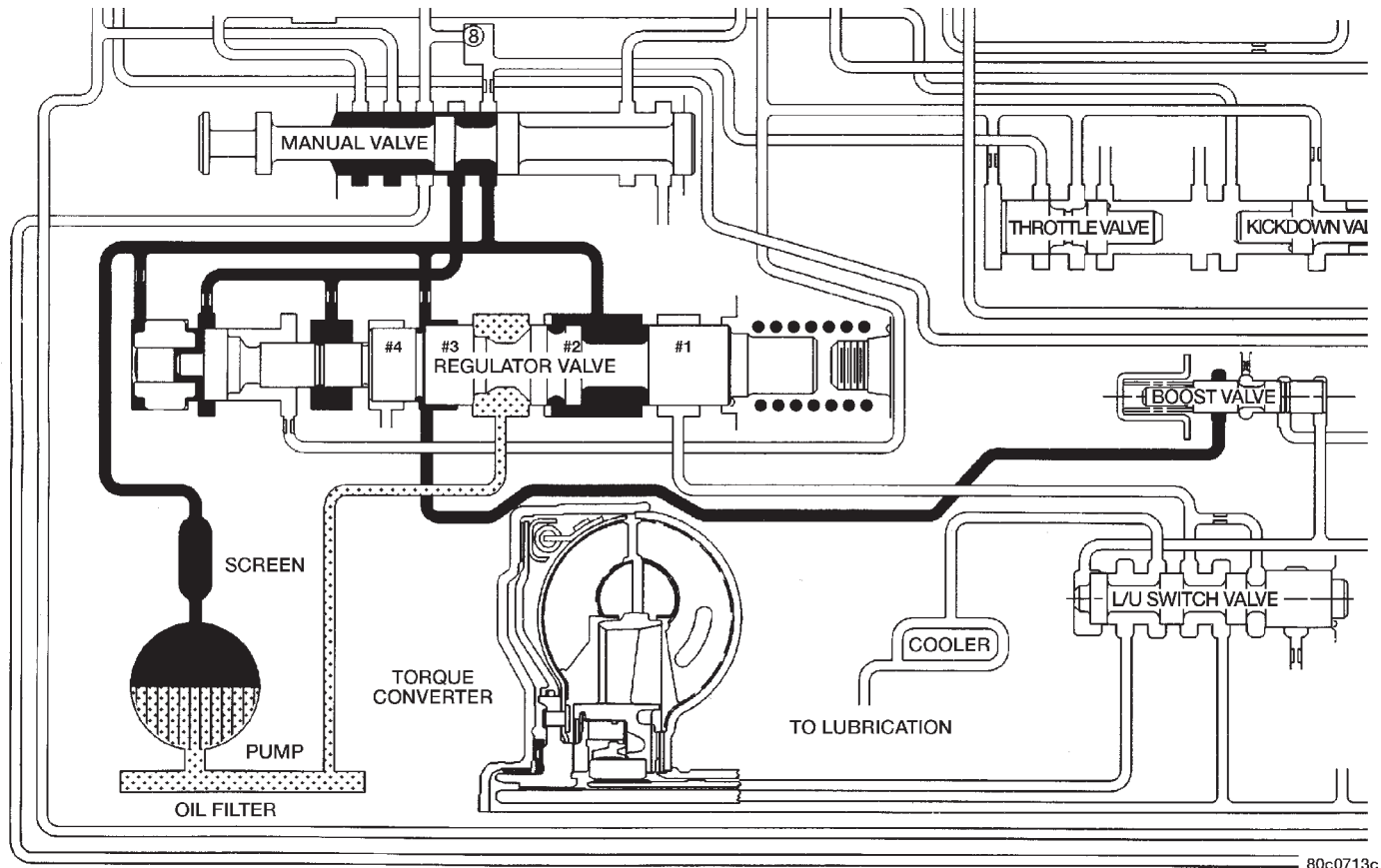


80c072b5

**Fig. 21 Lower Housing Shift Valves and Springs**

- |  |  |
|--|--|
| 1 - 3-4 ACCUMULATOR HOUSING                  | 11 - TIMING VALVE COVER                |
| 2 - 3-4 SHIFT VALVE AND SPRING               | 12 - PLUG                              |
| 3 - PLUG                                     | 13 - 3-4 TIMING VALVE AND SPRING       |
| 4 - SPRING RETAINER                          | 14 - LOWER HOUSING                     |
| 5 - CONVERTER CLUTCH VALVE AND SPRING        | 15 - ACCUMULATOR END PLATE             |
| 6 - CONVERTER CLUTCH TIMING VALVE AND SPRING | 16 - 3-4 ACCUMULATOR PISTON AND SPRING |
| 7 - OVERDRIVE SEPARATOR PLATE                | 17 - E-CLIP                            |
| 8 - CASE CONNECTOR                           | 18 - 3-4 QUICK FILL SPRING AND VALVE   |
| 9 - CONVERTER CLUTCH SOLENOID                | 19 - SOLENOID GASKET                   |
| 10 - OVERDRIVE SOLENOID                      | 20 - HARNESS                           |

DESCRIPTION AND OPERATION (Continued)



80c0713c

**Fig. 22 Regulator Valve in Park Position**

**OPERATION**

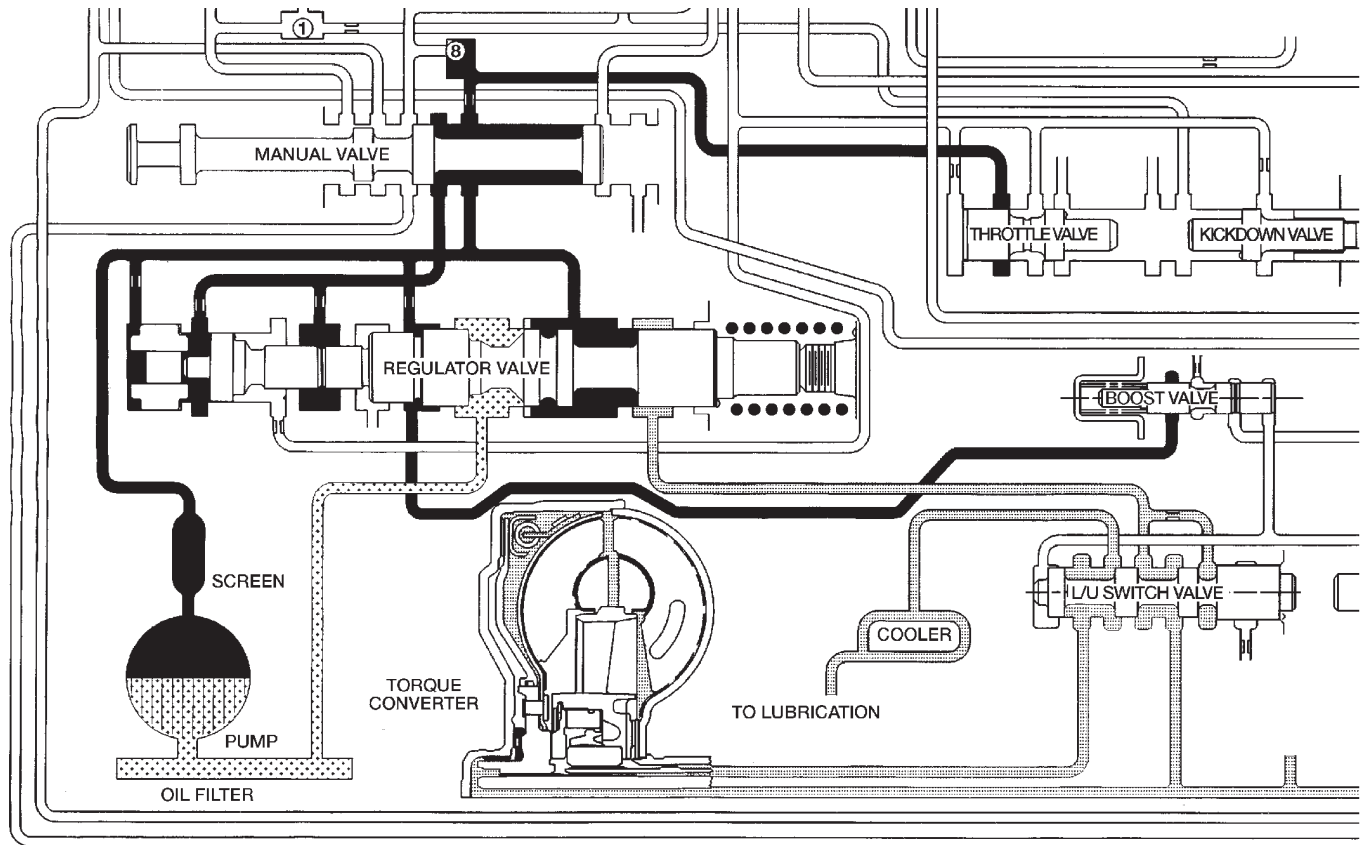
**NOTE:** Refer to the Hydraulic Schematics for a visual aid in determining valve location, operation and design.

**REGULATOR VALVE**

The pressure regulator valve is needed to control the hydraulic pressure within the system and reduce the amount of heat produced in the fluid. The pressure regulator valve is located in the valve body near the manual valve. The pressure regulator valve train controls the maximum pressure in the lines by metering the dumping of fluid back into the sump. Regulated pressure is referred to as "line pressure."

The regulator valve (Fig. 22) has a spring on one end that pushes the valve to the left. This closes a dump (vent) that is used to lower pressure. The closing of the dump will cause the oil pressure to increase. Oil pressure on the opposite end of the valve pushes the valve to the right, opening the dump and lowering oil pressure. The result is spring pressure working against oil pressure to maintain the oil at specific pressures. With the engine running, fluid flows from the pump to the pressure regulator valve, manual valve, and the interconnected circuits. As fluid is sent through passages to the regulator valve, the pressure pushes the valve to the right against the large spring. It is also sent to the reaction areas on the left side of the throttle pressure plug and the line pressure plug. With the gear selector in the park position, fluid recirculates through the regulator and manual valves back to the sump.

## DESCRIPTION AND OPERATION (Continued)



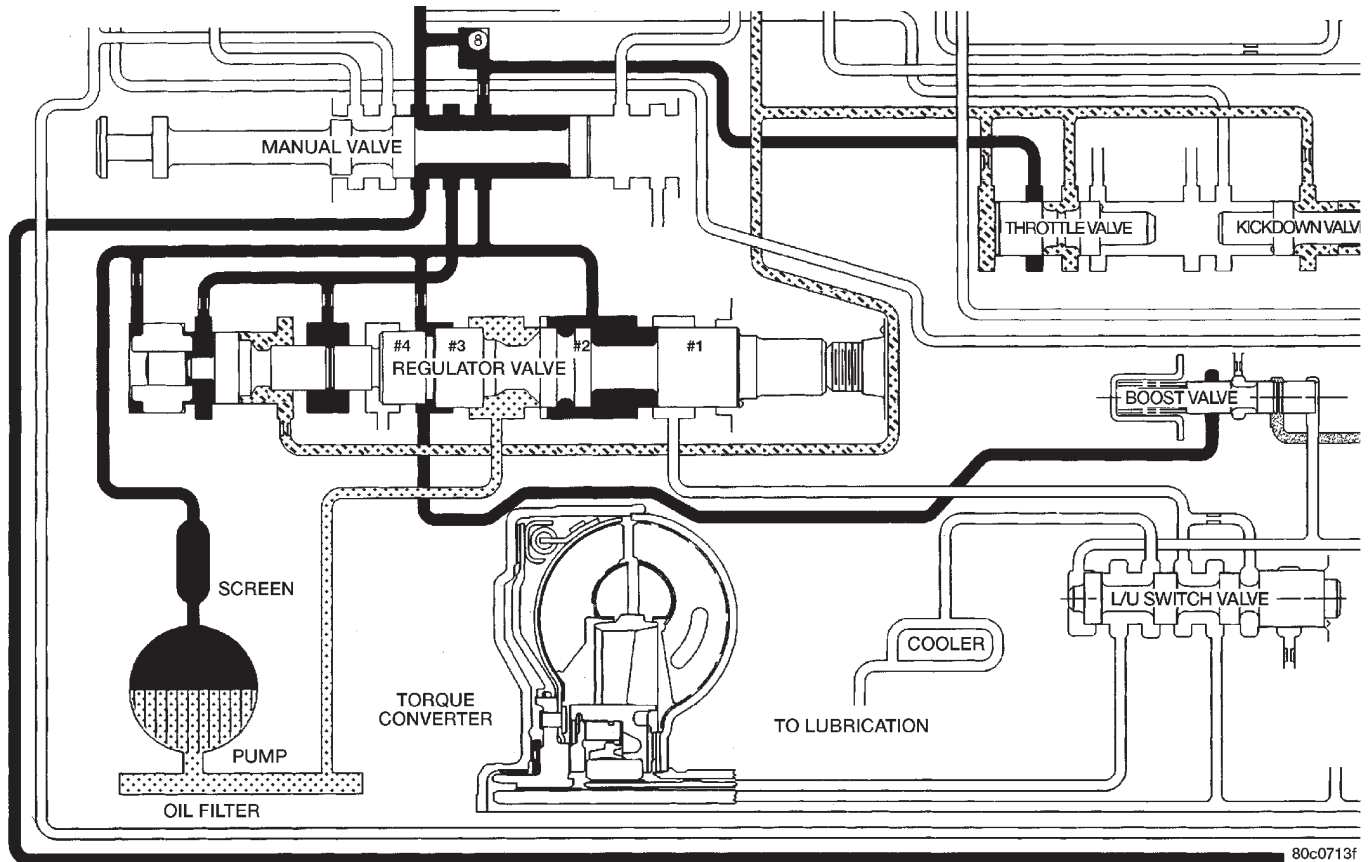
80c0713e

**Fig. 23 Regulator Valve in Neutral Position**

Meanwhile, the torque converter is filled slowly. In all other gear positions (Fig. 23), fluid flows between two right side lands to the switch valve and torque converter. At low pump speeds, the flow is controlled by the pressure valve groove to reduce pressure to the torque converter. After the torque converter and switch valve fill with fluid, the switch valve becomes the controlling metering device for torque converter pressure. The regulator valve then begins to control the line pressure for the other transmission circuits. The balance of the fluid pressure pushing the valve to the right and the spring pressure pushing to the

left determines the size of the metering passage at land #2 (land #1 being at the far right of the valve in the diagram). As fluid leaks past the land, it moves into a groove connected to the filter or sump. As the land meters the fluid to the sump, it causes the pressure to reduce and the spring decreases the size of the metering passage. When the size of the metering passage is reduced, the pressure rises again and the size of the land is increased again. Pressure is regulated by this constant balance of hydraulic and spring pressure.

DESCRIPTION AND OPERATION (Continued)

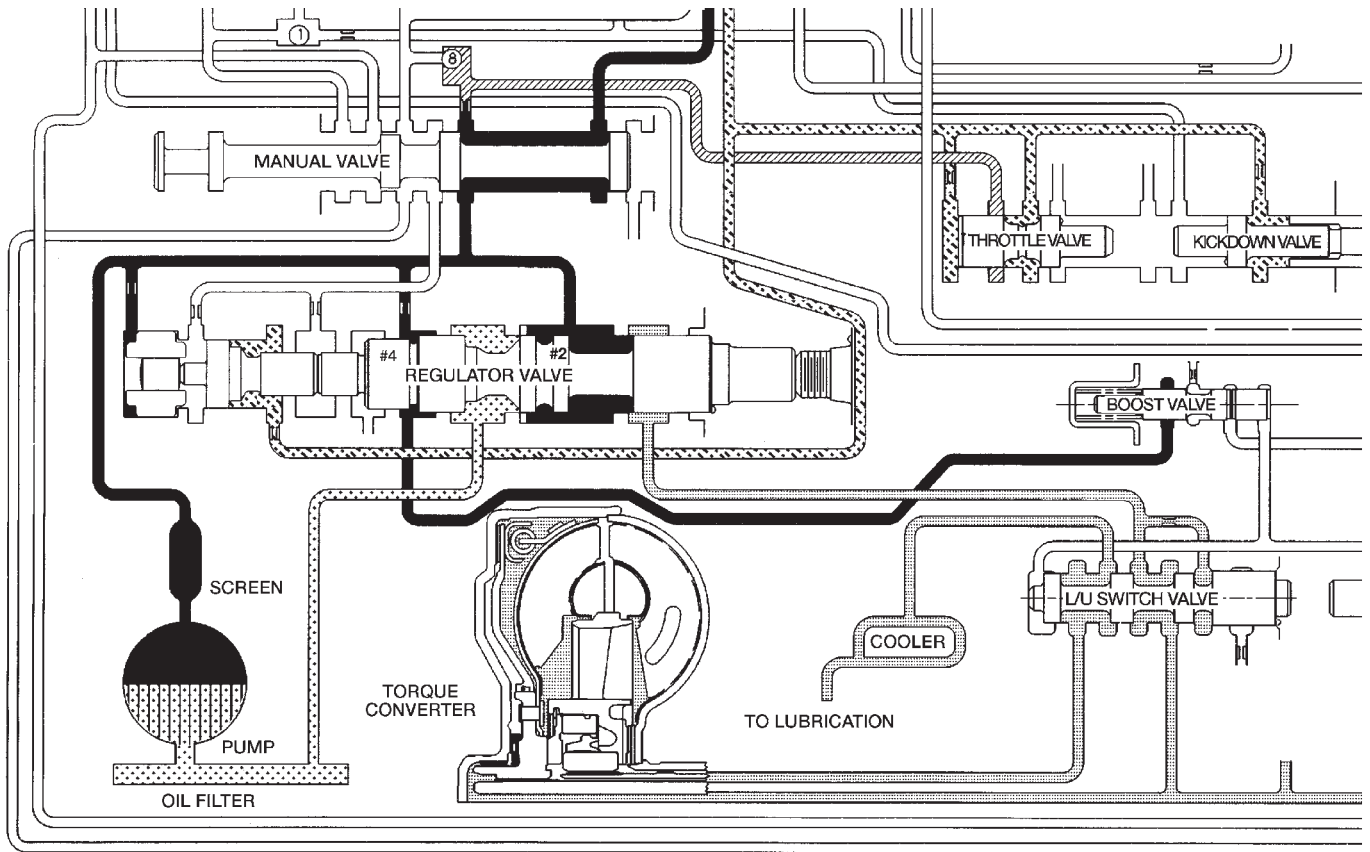


**Fig. 24 Regulator Valve in Drive Position**

The metering at land #2 establishes the line pressure throughout the transmission. It is varied according to changes in throttle position, engine speed, and transmission condition within a range of 57-94 psi (except in reverse) (Fig. 24). The regulated line pressure in reverse (Fig. 25) is held at much higher pressures than in the other gear positions: 145-280 psi.

The higher pressure for reverse is achieved by the manual valve blocking the supply of line pressure to the reaction area left of land #4. With this pressure blocked, there is less area for pressure to act on to balance the force of the spring on the right. This allows line pressure to push the valve train to the right, reducing the amount of fluid returned to the pump's inlet, increasing line pressure.

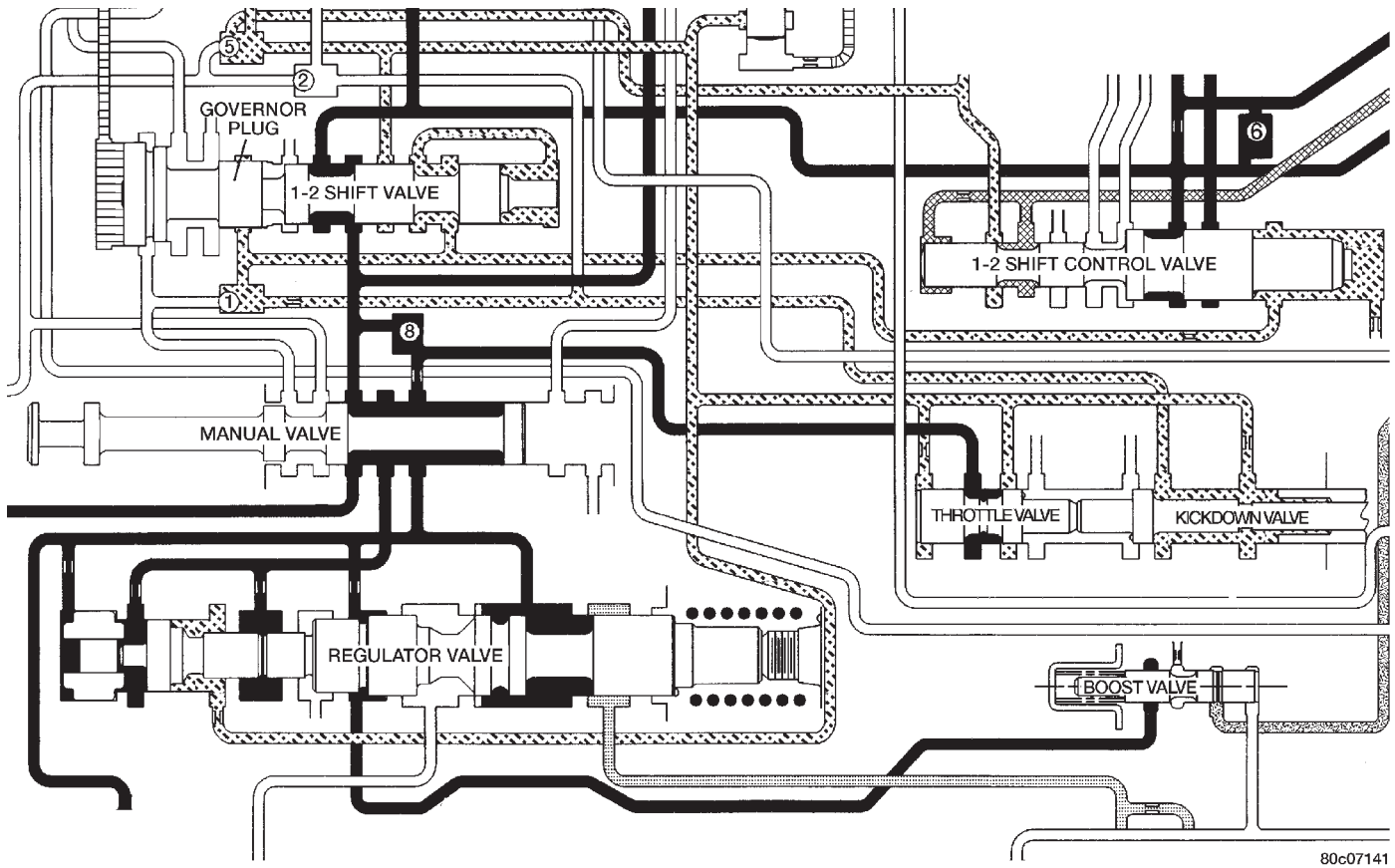
DESCRIPTION AND OPERATION (Continued)



80c07140

**Fig. 25 Regulator Valve in Reverse Position**

DESCRIPTION AND OPERATION (Continued)



80c07141

**Fig. 26 Kickdown Valve—Wide Open Throttle**

**KICKDOWN VALVE**

When the throttle valve is as far over to the left as it can go, the maximum line pressure possible will enter the throttle pressure circuit. In this case, throttle pressure will equal line pressure. With the kickdown valve (Fig. 26) pushed into the bore as far as it will go, fluid initially flows through the annular groove of the 2-3 shift valve (which will be in the direct drive position to the right).

After passing the annular groove, the fluid is routed to the spring end of the 2-3 shift valve. Fluid pressure reacting on the area of land #1 overcomes governor pressure, downshifting the 2-3 shift valve into the kickdown, or second gear stage of operation. The valve is held in the kickdown position by throttle pressure routed from a seated check ball (#2). Again, if vehicle speed is low enough, throttle pressure will also push the 1-2 shift valve left to seat its governor plug, and downshift to drive breakaway.



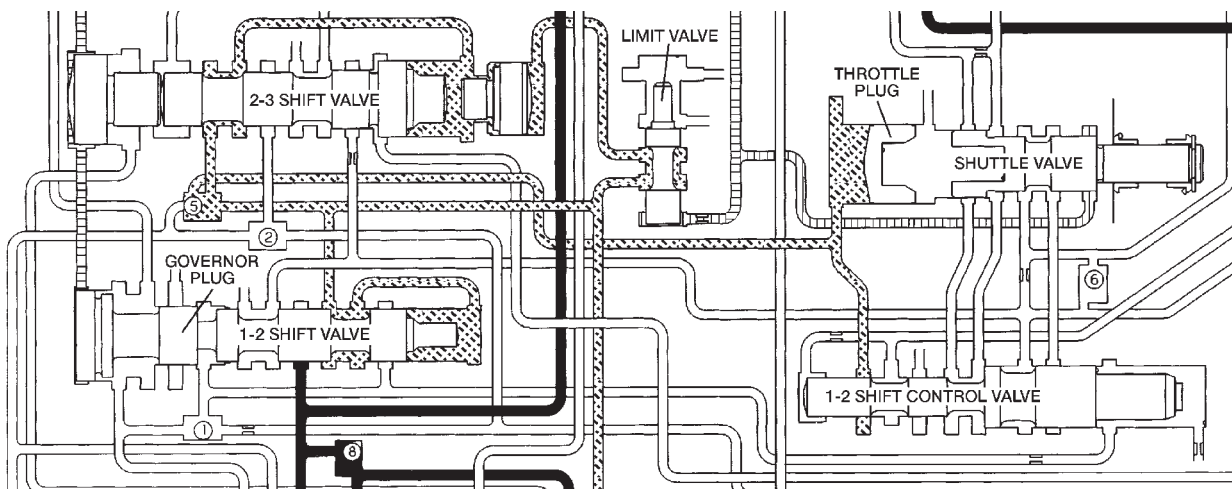
DESCRIPTION AND OPERATION (Continued)

KICKDOWN LIMIT VALVE

The purpose of the limit valve is to prevent a 3-2 downshift at higher speeds when a part-throttle downshift is not desirable. At these higher speeds only a full throttle 3-2 downshift will occur. At low road speeds (Fig. 27) the limit valve does not come into play and does not affect the downshifts. As the vehicle's speed increases (Fig. 28), the governor pressure also increases. The increased governor pressure acts on the reaction area of the bottom land of the limit valve overcoming the spring force trying to push the valve toward the bottom of its bore. This pushes the valve upward against the spring and bottoms the valve against the top of the housing. With the valve bottomed against the housing, the throttle pressure supplied to the valve will be closed off by the bottom land of the limit valve. When the supply of throttle pressure has been shut off, the 3-2 part throttle downshift plug becomes inoperative, because no pressure is acting on its reaction area.

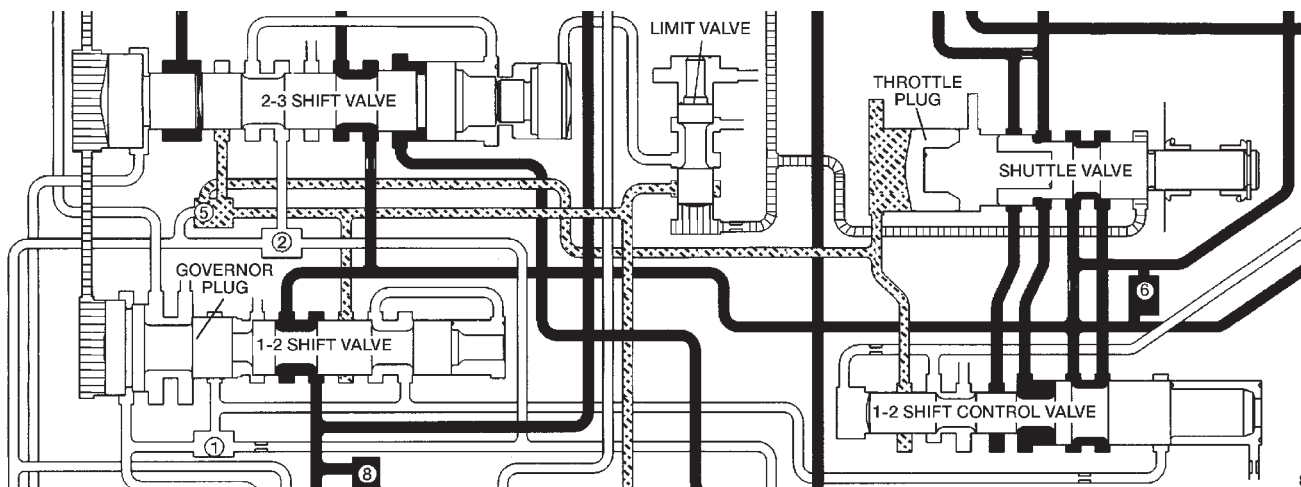
1-2 SHIFT VALVE

The 1-2 shift valve assembly (Fig. 29), or mechanism, consists of: the 1-2 shift valve, governor plug, and a spring on the end of the valve. After the manual valve has been placed into a forward gear range, line pressure is directed to the 1-2 shift valve. As the throttle is depressed, throttle pressure is applied to the right side of the 1-2 shift valve assembly. With throttle pressure applied to the right side of the valve, there is now both spring pressure and throttle pressure acting on the valve, holding it against the governor plug. As the vehicle begins to move and build speed, governor pressure is created and is applied to the left of the valve at the governor plug.



80c07142

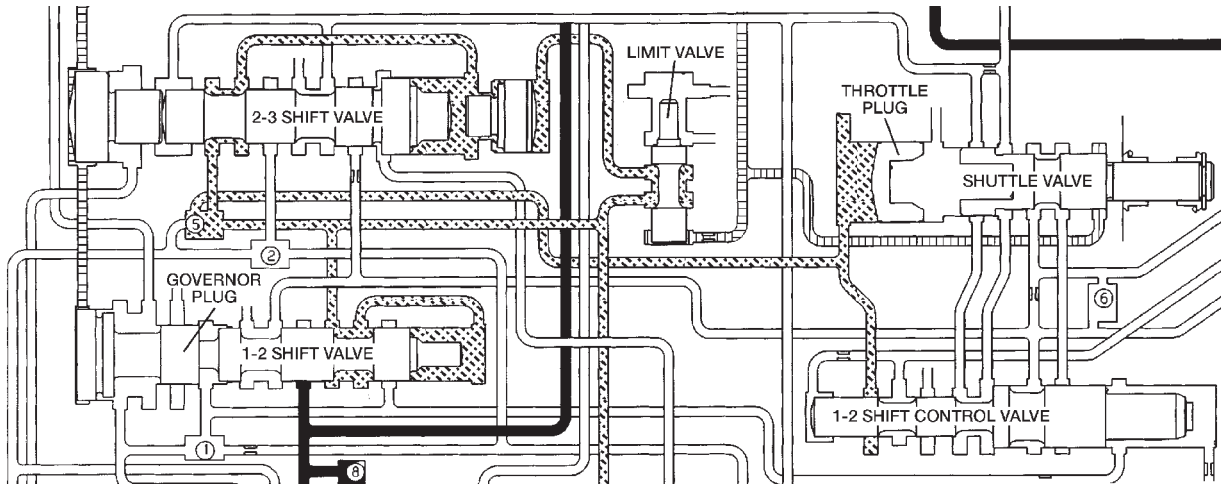
Fig. 27 Kickdown Limit Valve-Low Speeds



80c07143

Fig. 28 Kickdown Limit Valve-High Speeds

DESCRIPTION AND OPERATION (Continued)



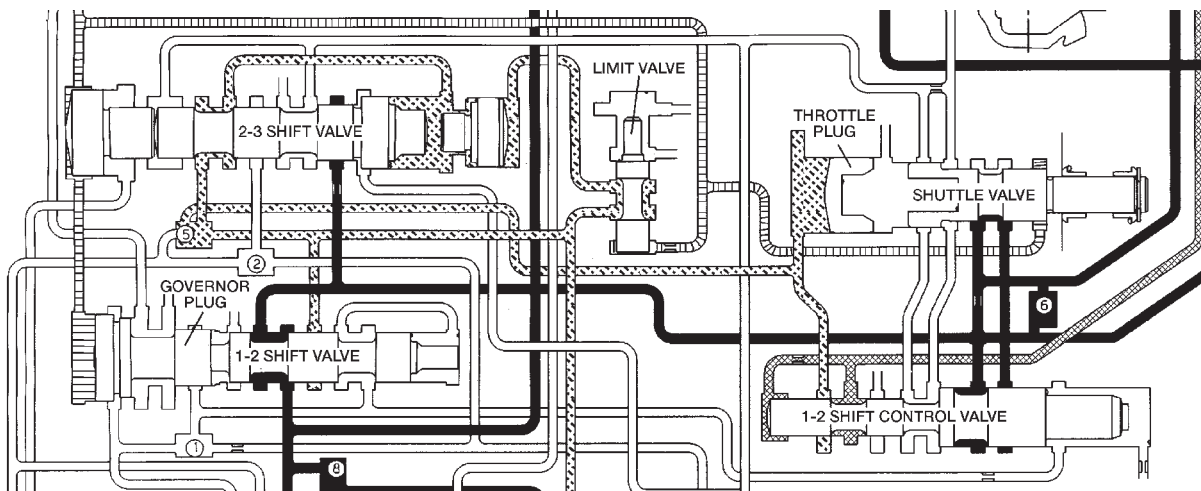
80c07144

**Fig. 29 1-2 Shift Valve-Before Shift**

When governor pressure builds to a point where it can overcome the combined force of the spring and throttle pressure on the other side of the valve, the valve will begin to move over to the right. As the valve moves to the right, the middle land of the valve will close off the circuit supplying the throttle pressure to the right side of the valve. When the throttle pressure is closed off, the valve will move even farther to the right, allowing line pressure to enter another circuit and energize the front servo, applying the front band (Fig. 30).

The governor plug serves a dual purpose:

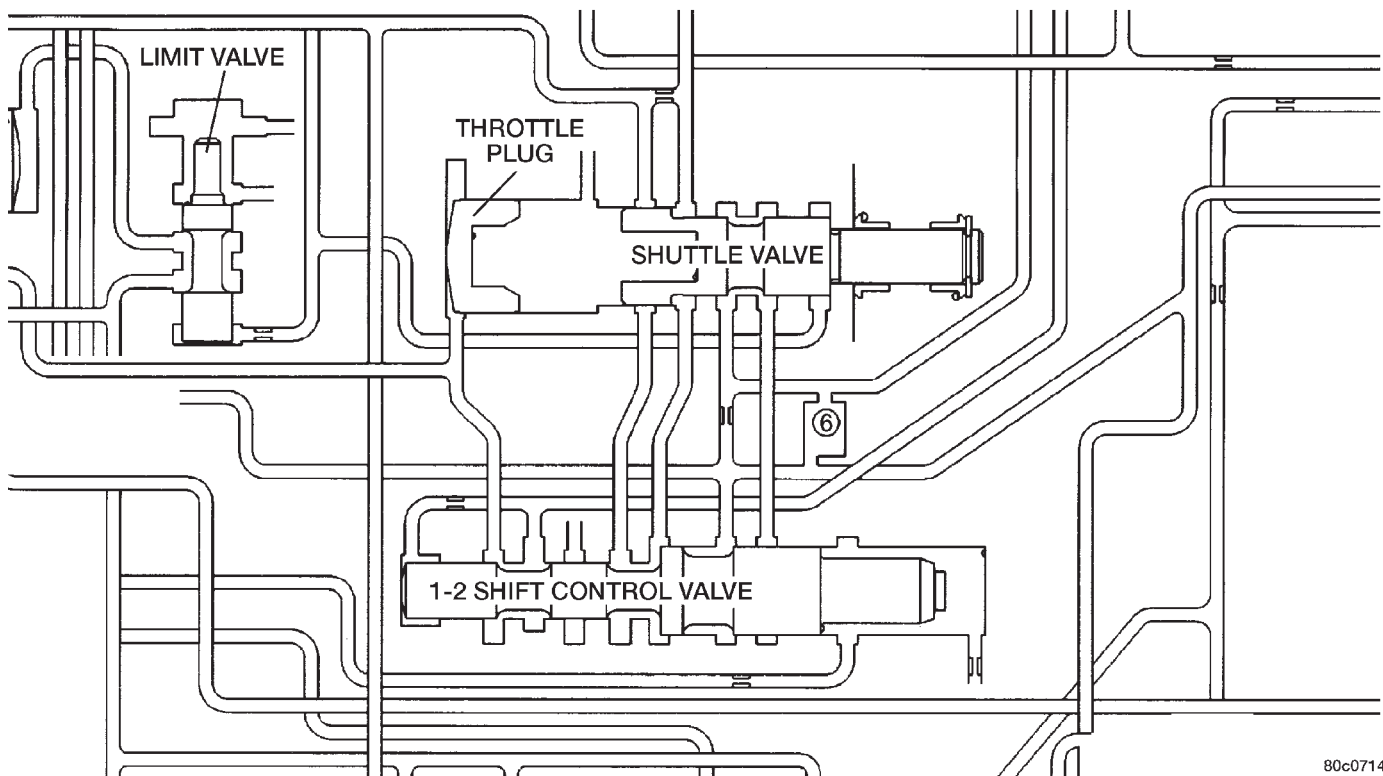
- It allows the shift valves to move either left or right, allowing both upshifts and downshifts.
- When in a manual selection position, it will be hydraulically "blocked" into position so no upshift can occur.



80c07145

**Fig. 30 1-2 Shift Valve-After Shift**

## DESCRIPTION AND OPERATION (Continued)



80c07146

**Fig. 31 1-2 Shift Control Valve**

The physical blocking of the upshift while in the manual "1" position is accomplished by the directing of line pressure between both lands of the governor plug. The line pressure reacts against the larger land of the plug, pushing the plug back against the end plate overcoming governor pressure. With the combination of the line pressure and spring pressure, the valve cannot move, preventing any upshift.

#### 1-2 SHIFT CONTROL VALVE

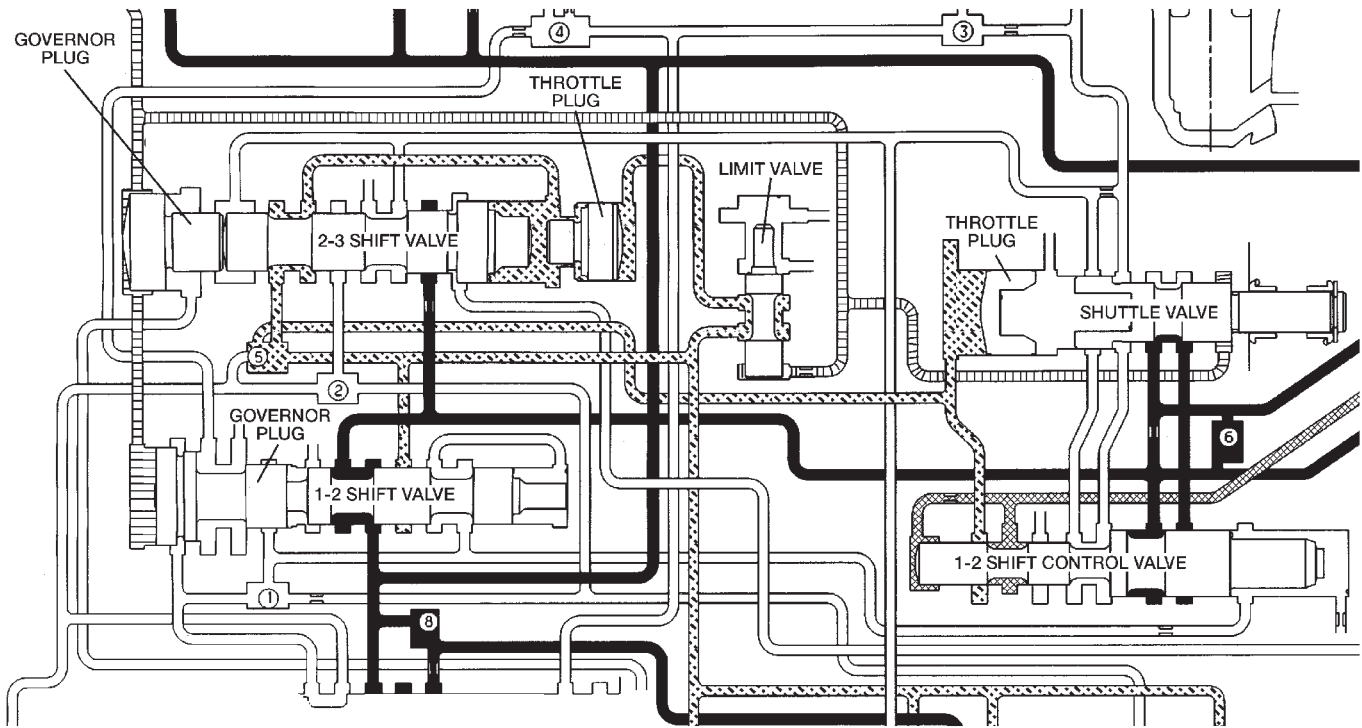
It contains a valve with four lands and a spring. It is used as both a "relay" and "balanced" valve.

The valve has two specific operations (Fig. 31):

- Aid in quality of the 1-2 upshift.
- Aid in the quality and timing of the 3-2 kick-down ranges.

When the manual valve is set to the Drive position and the transmission is in the first or second gear range, 1-2 shift control or "modulated throttle pressure" is supplied to the middle of the accumulator piston by the 1-2 shift control valve. During the 1-2 upshift, this pressure is used to control the kickdown servo apply pressure that is needed to apply the kick-down and accumulator pistons. Thus, the 1-2 shift point is "cushioned" and the quality is improved. During a WOT kickdown, kickdown pressure is applied between the kickdown valve and the 1-2 shift control valve. This additional pressure is directed to the 1-2 shift control's spring cavity, adding to the spring load on the valve. The result of this increased "modulated" throttle pressure is a firmer WOT upshift.

## DESCRIPTION AND OPERATION (Continued)



80c07147

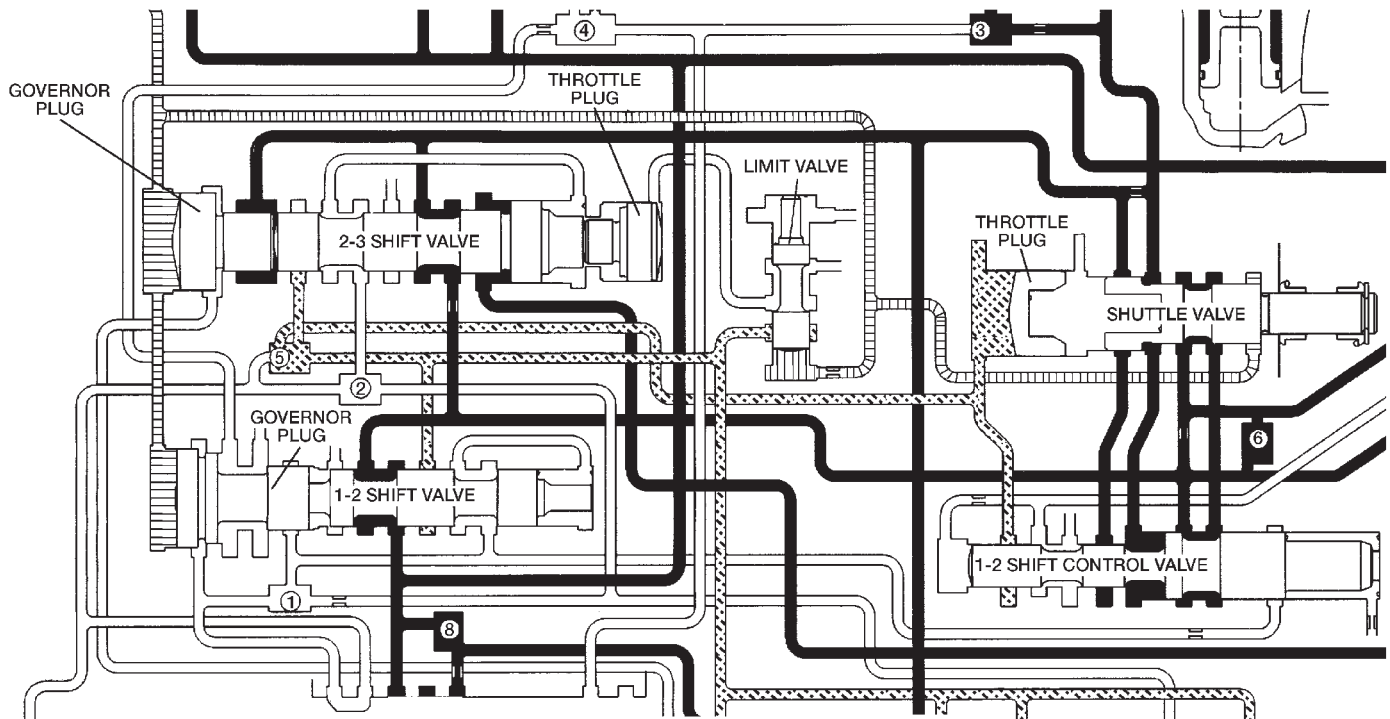
**Fig. 32 2-3 Shift Valve-Before Shift**

### 2-3 SHIFT VALVE

The 2-3 shift valve mechanism (Fig. 32) consists of the 2-3 shift valve, governor plug and spring, and a throttle plug. After the 1-2 shift valve has completed its operation and applied the front band, line pressure is directed to the 2-3 shift valve through the connecting passages from the 1-2 shift valve. The line pressure will then dead-end at land #2 until the 2-3 valve is ready to make its shift. Now that the vehicle is in motion and under acceleration, there is throttle pressure being applied to the spring side of the valve and between lands #3 and #4.

As vehicle speed increases, governor pressure increases proportionately, until it becomes great enough to overcome the combined throttle and spring pressure on the right side of the valve. When this happens, the governor plug is forced against the shift valve moving it to the right. The shift valve causes land #4 to close the passage supplying throttle pressure to the 2-3 shift valve. Without throttle pressure present in the circuit now, the governor plug will push the valve over far enough to bottom the valve in its bore. This allows land #2 to direct line pressure to the front clutch.

## DESCRIPTION AND OPERATION (Continued)



80c07148

**Fig. 33 2-3 Shift Valve-After Shift**

After the shift (Fig. 33), line pressure is directed to the land between the shift valve and the governor plug, and to the release side of the kickdown servo. This releases the front band and applies the front clutch, shifting into third gear or direct drive. The rear clutch remains applied, as it has been in the other gears. During a manual "1" or manual "2" gear selection, line pressure is sent between the two lands of the 2-3 governor plug. This line pressure at the governor plug locks the shift valve into the second gear position, preventing an upshift into direct drive. The theory for the blocking of the valve is the same as that of the 1-2 shift valve.

DESCRIPTION AND OPERATION (Continued)

3-4 SHIFT VALVE

The PCM energizes the overdrive solenoid during the 3-4 upshift (Fig. 34). This causes the solenoid check ball to close the vent port allowing line pressure from the 2-3 shift valve to act directly on the 3-4 upshift valve. Line pressure on the 3-4 shift valve overcomes valve spring pressure moving the valve to the upshift position (Fig. 35). This action exposes the feed passages to the 3-4 timing valve, 3-4 quick fill valve, 3-4 accumulator, and ultimately to the overdrive piston.

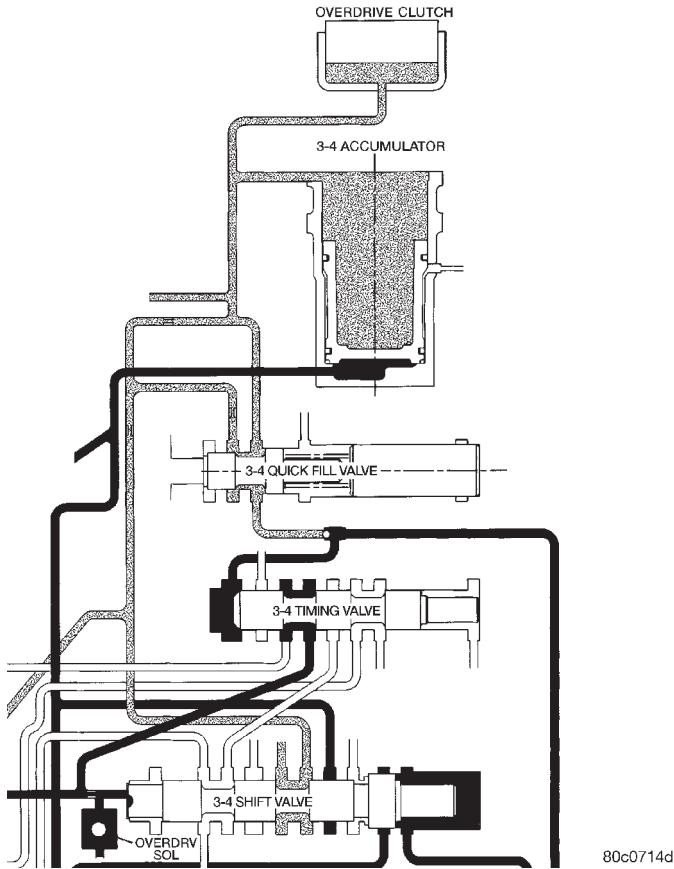


Fig. 34 3-4 Shift Valve Before Shift

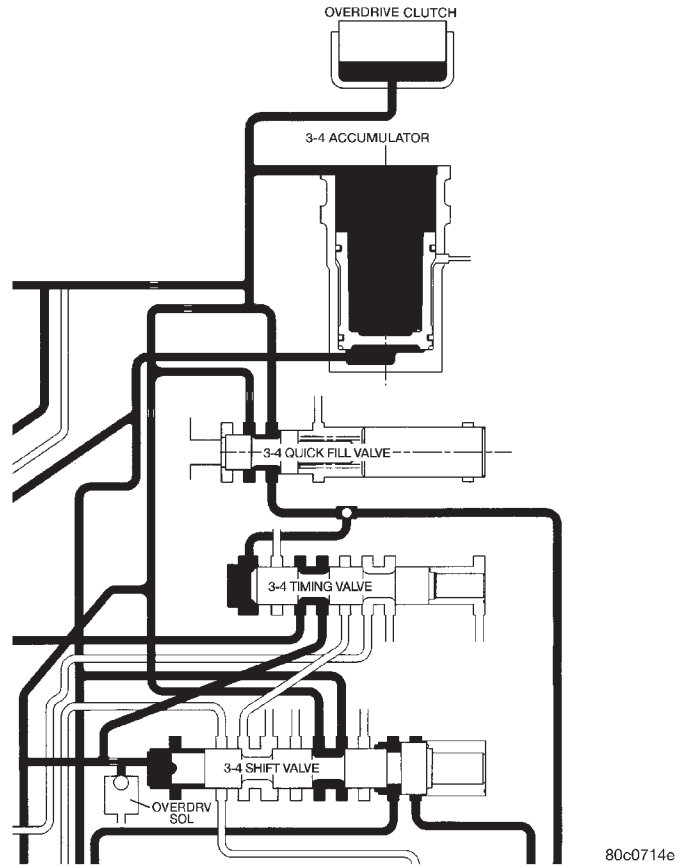


Fig. 35 3-4 Shift Valve After Shift

80c0714d

80c0714e



DESCRIPTION AND OPERATION (Continued)

3-4 TIMING VALVE

The 3-4 timing valve is moved by line pressure coming through the 3-4 shift valve (Fig. 36). The timing valve holds the 2-3 shift valve in an upshift position. The purpose is to prevent the 2-3 valve from up or downshifting before the 3-4 valve (Fig. 37).

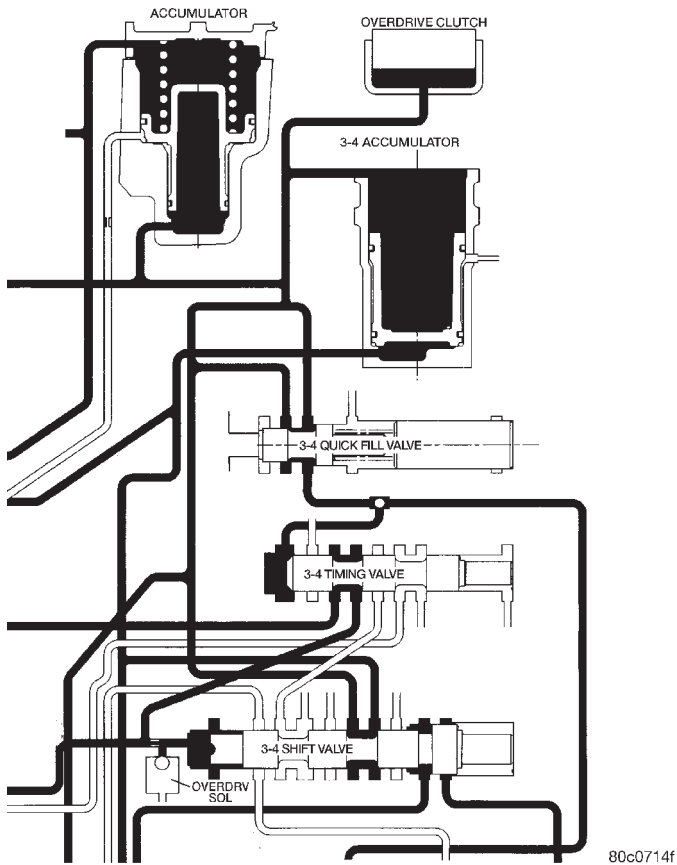


Fig. 36 3-4 Timing Valve Allowing 4-3 Shift

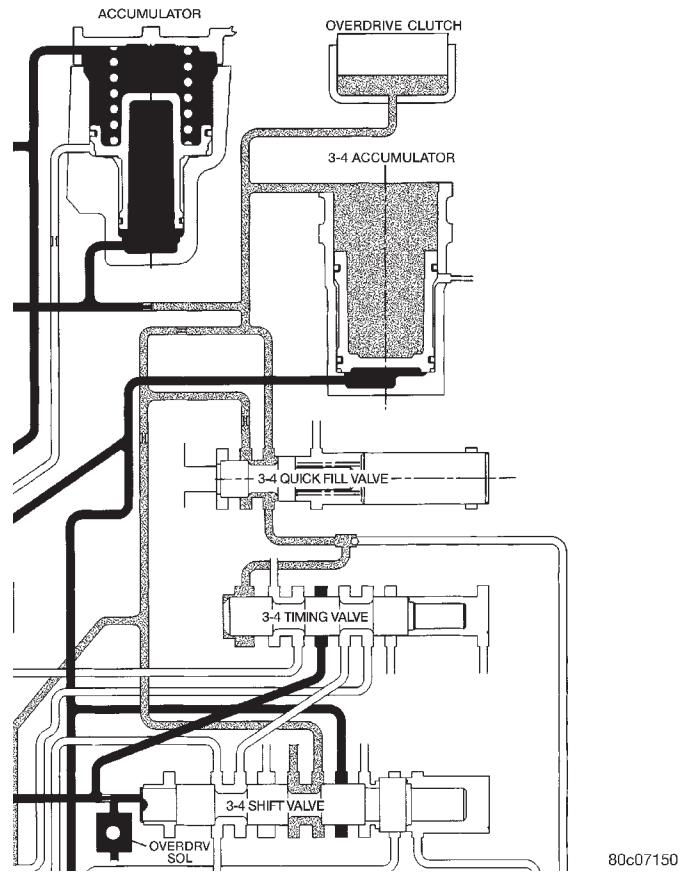


Fig. 37 3-4 Timing Valve Allowing 3-2 Shift

80c0714f

80c07150

DESCRIPTION AND OPERATION (Continued)

3-4 QUICK FILL VALVE

The 3-4 quick fill valve provides faster engagement of the overdrive clutch during 3-4 upshifts. The valve temporarily bypasses the clutch piston feed orifice at the start of a 3-4 upshift (Fig. 39). This exposes a larger passage into the piston retainer resulting in a much faster clutch fill and apply sequence. The quick fill valve does not bypass the regular clutch feed orifice throughout the 3-4 upshift. Instead, once a pre-determined pressure develops within the clutch, the valve closes the bypass. Clutch fill is then completed through the regular feed orifice.

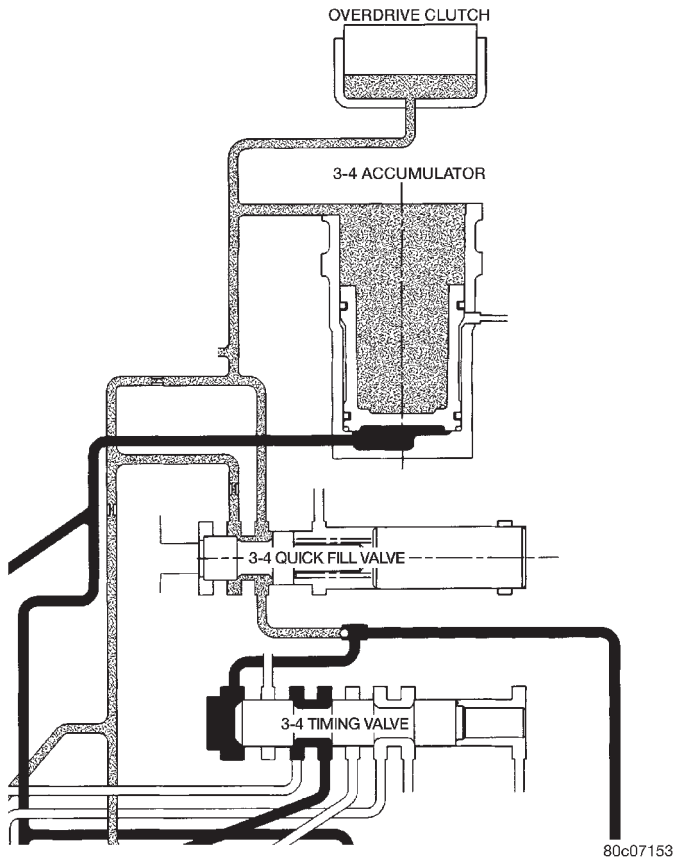


Fig. 38 3-4 Quick Fill Valve Before Shift

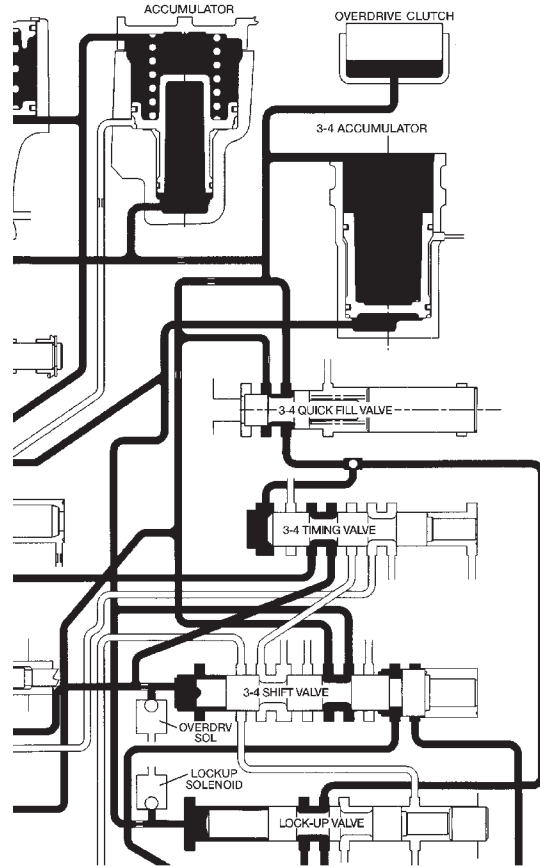
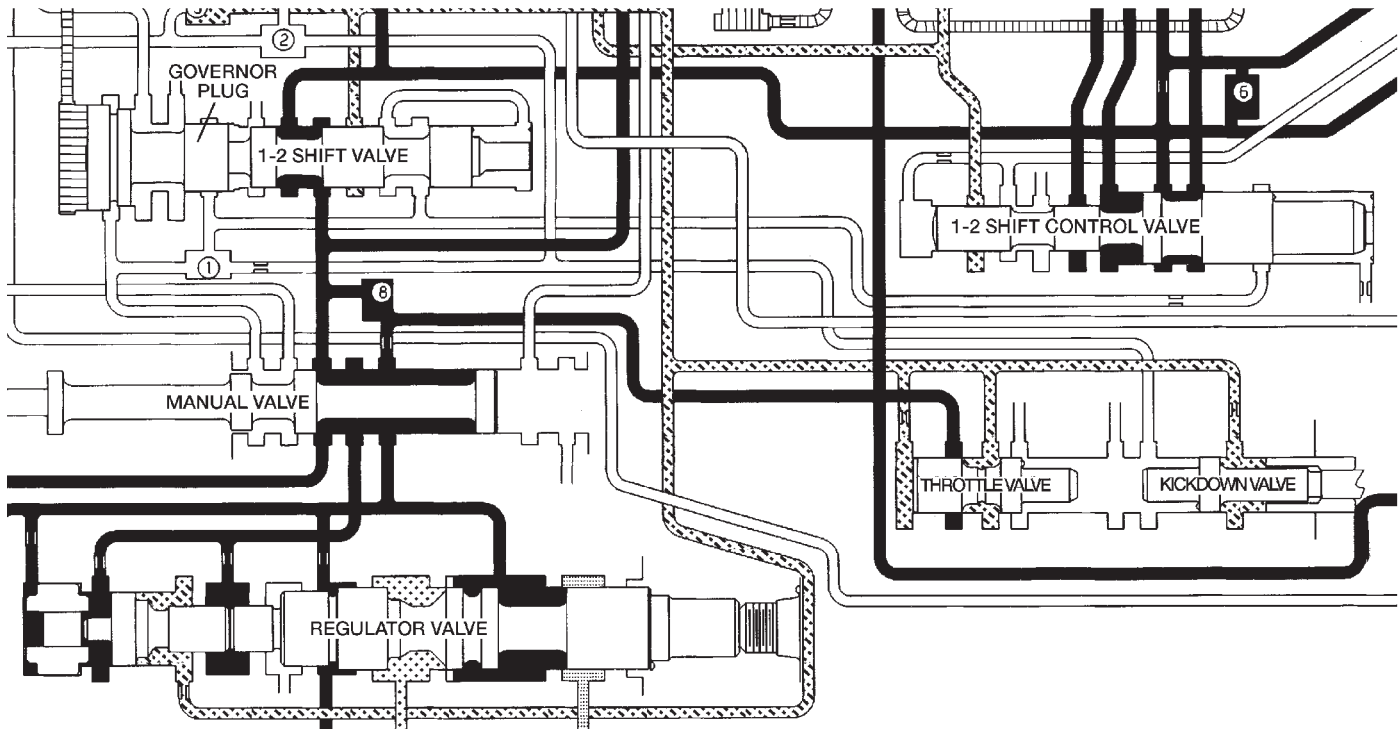


Fig. 39 3-4 Quick Fill Valve After Shift

80c07154

## DESCRIPTION AND OPERATION (Continued)



80c07149

**Fig. 40 Throttle Valve**

#### THROTTLE VALVE

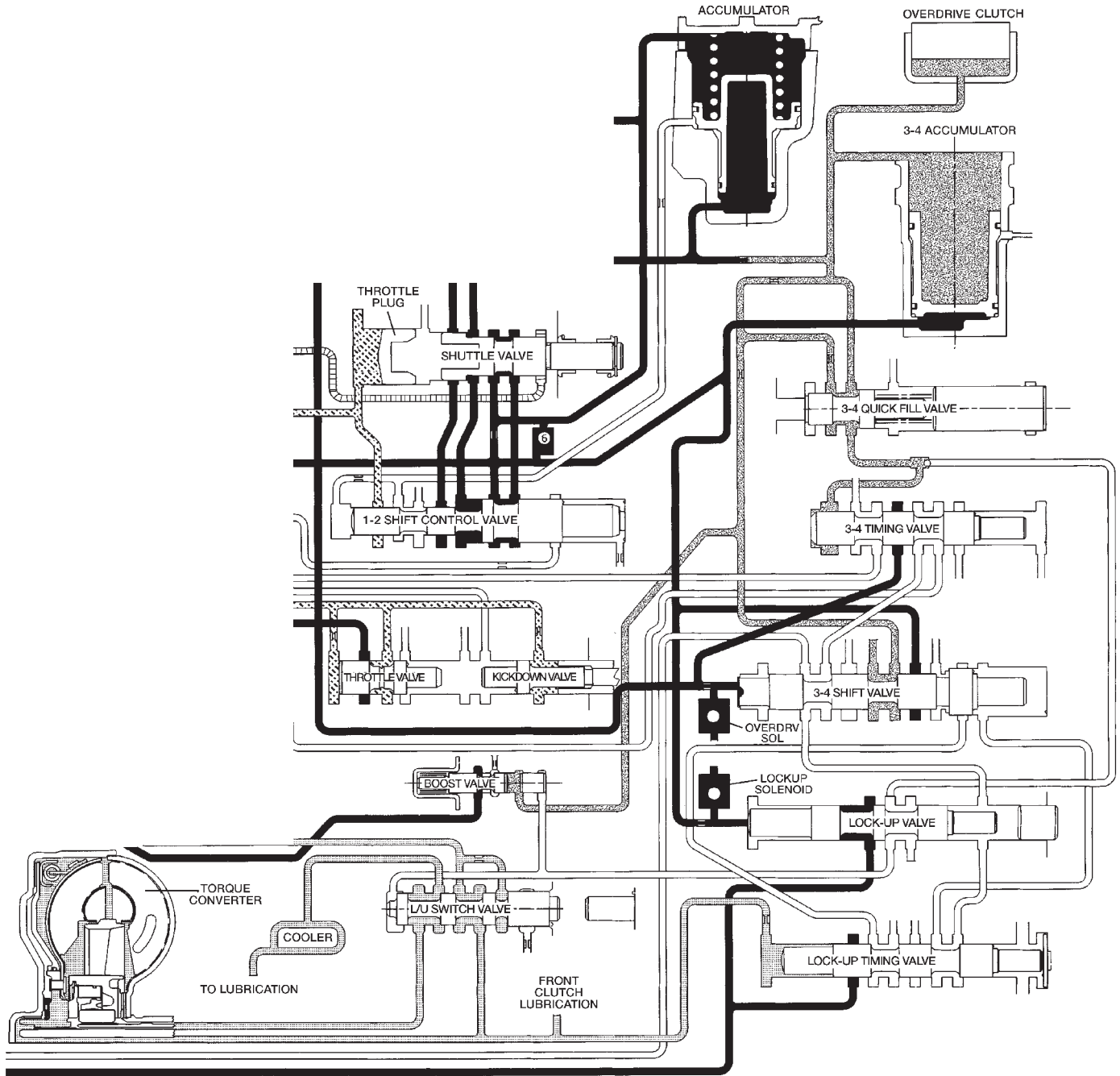
In all gear positions the throttle valve (Fig. 40) is being supplied with line pressure. The throttle valve meters and reduces the line pressure that now becomes throttle pressure. The throttle valve is moved by a spring and the kickdown valve, which is mechanically connected to the throttle. The larger the throttle opening, the higher the throttle pressure (to a maximum of line pressure). The smaller the throttle opening, the lower the throttle pressure (to a minimum of zero at idle). As engine speed increases, the increase in pump speed increases pump output. The increase in pressure and volume must be regulated to maintain the balance within the transmission. To do this, throttle pressure is routed to the reaction area on the right side of the throttle pressure plug (in the regulator valve).

The higher engine speed and line pressure would open the vent too far and reduce line pressure too much. Throttle pressure, which increases with engine speed (throttle opening), is used to oppose the movement of the pressure valve to help control the metering passage at the vent. The throttle pressure is combined with spring pressure to reduce the force of the throttle pressure plug on the pressure valve. The larger spring at the right closes the regulator valve

passage and maintains or increases line pressure. The increased line pressure works against the reaction area of the line pressure plug and the reaction area left of land #3 simultaneously moves the regulator valve train to the right and controls the metering passage.

The kickdown valve, along with the throttle valve, serve to delay upshifts until the correct vehicle and engine speed have been reached. It also controls downshifts upon driver demand, or increased engine load. If these valves were not in place, the shift points would be at the same speed for all throttle positions. The kickdown valve is actuated by a cam connected to the throttle. This is accomplished through either a linkage or a cable. The cam forces the kickdown valve toward the throttle valve compressing the spring between them and moving the throttle valve. As the throttle valve land starts to uncover its port, line pressure is "metered" out into the circuits and viewed as throttle pressure. This increased throttle pressure is metered out into the circuits it is applied to: the 1-2 and 2-3 shift valves. When the throttle pressure is high enough, a 3-2 downshift will occur. If the vehicle speed is low enough, a 2-1 downshift will occur.

DESCRIPTION AND OPERATION (Continued)



80c0714a

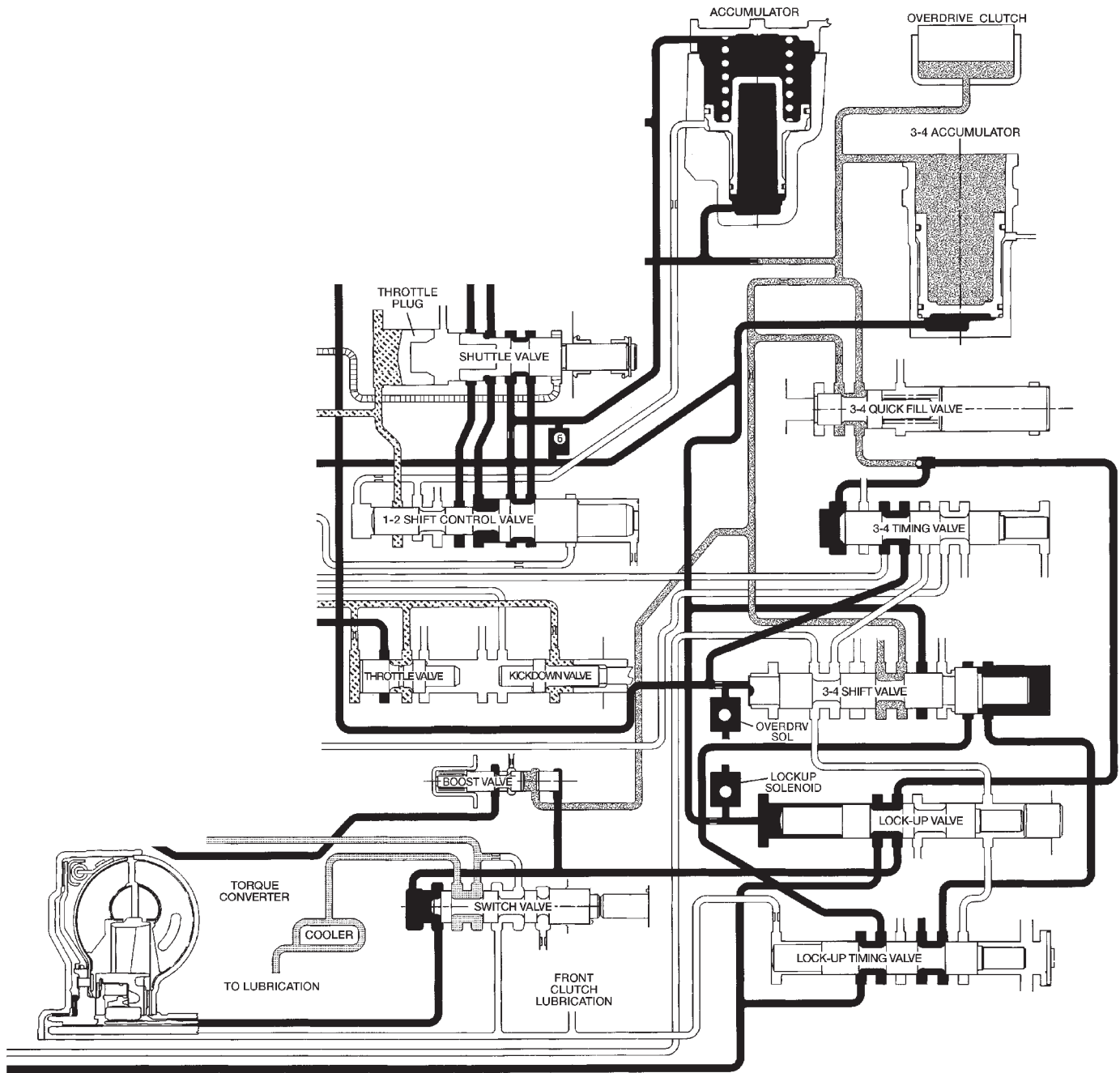
**Fig. 41 Switch Valve-Torque Converter Unlocked**

**SWITCH VALVE**

When the transmission is in Drive Second just before the TCC application occurs (Fig. 41), the pressure regulator valve is supplying torque converter pressure to the switch valve. The switch valve directs this pressure through the transmission input shaft, into the converter, through the converter, back out

between the input shaft and the reaction shaft, and back up to the switch valve. From the switch valve, the fluid pressure is directed to the transmission cooler, and lubrication pressure returns from the cooler to lubricate different portions of the transmission.

DESCRIPTION AND OPERATION (Continued)



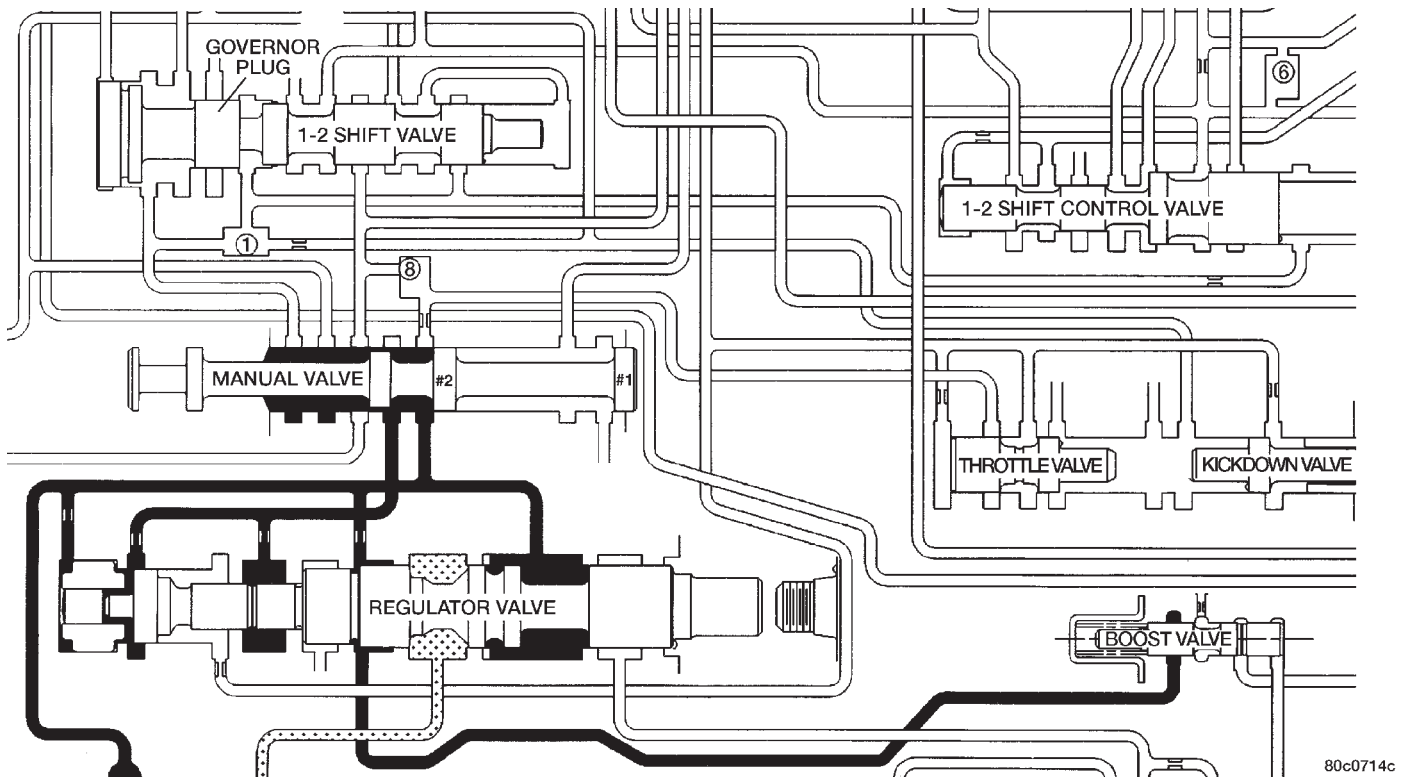
80c0714b

**Fig. 42 Switch Valve-Torque Converter Locked**

Once the TCC control valve has moved to the left (Fig. 42), line pressure is directed to the tip of the switch valve, forcing the valve to the right. The switch valve now vents oil from the front of the piston in the torque converter, and supplies line pressure to the (rear) apply side of the torque converter piston. This pressure differential causes the piston to

apply against the friction material, cutting off any further flow of line pressure oil. After the switch valve is shuttled right allowing line pressure to engage the TCC, torque converter pressure is directed past the switch valve into the transmission cooler and lubrication circuits.

DESCRIPTION AND OPERATION (Continued)



80c0714c

**Fig. 43 Manual Valve**

**MANUAL VALVE**

The manual valve (Fig. 43) is a relay valve. The purpose of the manual valve is to direct fluid to the correct circuit needed for a specific gear or driving range. The manual valve, as the name implies, is manually operated by the driver with a lever located on the side of the valve body. The valve is connected mechanically by either a cable or linkage to the gear-shift mechanism. The valve is held in each of its positions by a spring-loaded roller or ball that engages the "roostercomb" of the manual valve.

**CONVERTER CLUTCH LOCK-UP VALVE**

The torque converter clutch (TCC) lock-up valve controls the back (ON) side of the torque converter clutch. When the PCM energizes the TCC solenoid to engage the converter clutch piston, pressure is applied to the TCC lock-up valve which moves to the right and applies pressure to the torque converter clutch.

**CONVERTER CLUTCH LOCK-UP TIMING VALVE**

The torque converter clutch (TCC) lock-up timing valve is there to block any 4-3 downshift until the TCC is completely unlocked and the clutch is disengaged.

**SHUTTLE VALVE**

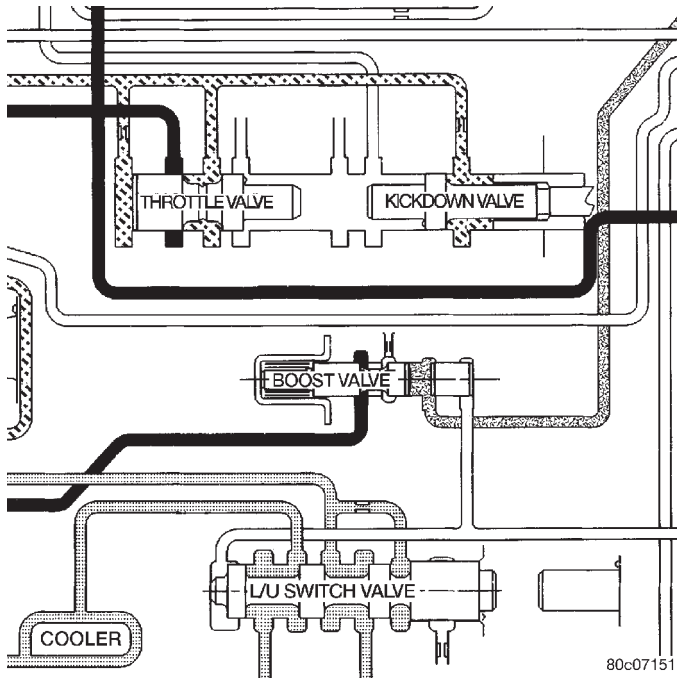
The assembly is contained in a bore in the valve body above the shift valves. When the manual valve is positioned in the Drive range, throttle pressure acts on the throttle plug of the shuttle valve (Fig. 31) to move it against a spring, increasing the spring force on the shuttle valve. During a part or full throttle 1-2 upshift, the throttle plug is bottomed by throttle pressure, holding the shuttle valve to the right against governor pressure, and opening a by-pass circuit. The shuttle valve controls the quality of the kickdown shift by restricting the rate of fluid discharge from the front clutch and servo discharge circuits. During a 3-2 kickdown, fluid discharges through the shuttle by-pass circuit. When the shuttle valve closes the by-pass circuit, fluid discharge is restricted and controlled for the application of the front band. During a 2-3 "lift foot" upshift, the shuttle valve by-passes the restriction to allow full fluid flow through the by-pass groove for a faster release of the band.



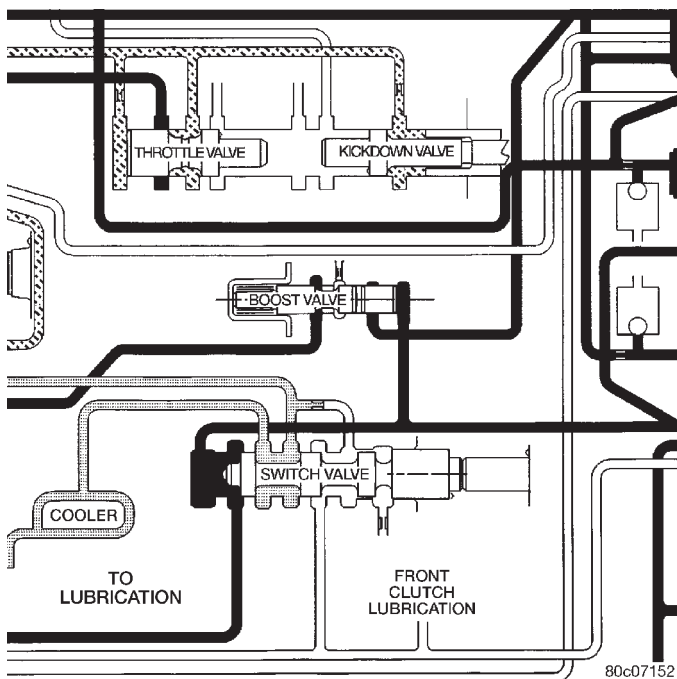
DESCRIPTION AND OPERATION (Continued)

**BOOST VALVE**

The boost valve (Fig. 44) provides increased fluid apply pressure to the overdrive clutch during 3-4 upshifts (Fig. 45), and when accelerating in fourth gear.



**Fig. 44 Boost Valve Before Lock-up**

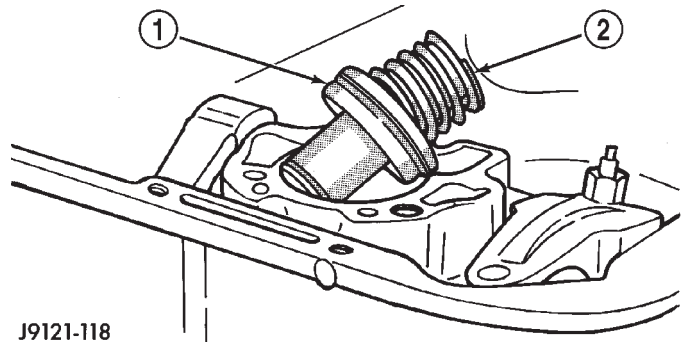


**Fig. 45 Boost Valve After Lock-up**

**ACCUMULATOR**

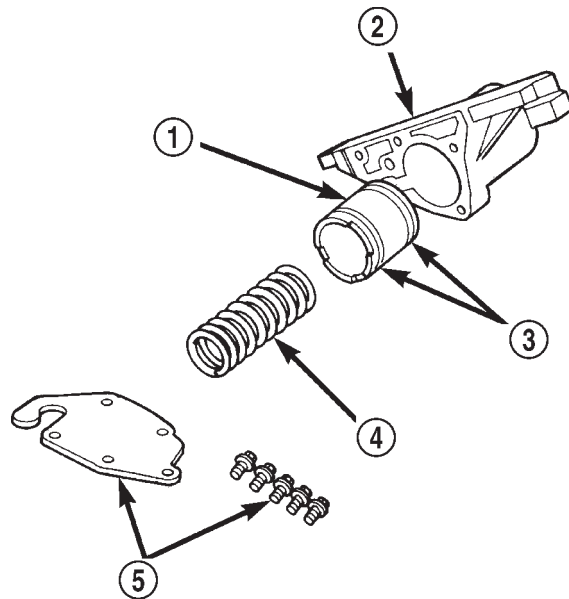
**DESCRIPTION**

The accumulator (Fig. 46) is a hydraulic device that has the sole purpose of cushioning the application of a band or clutch. The accumulator consists of a dual-land piston and a spring located in a bore in the transmission case. The 3-4 accumulator is located in a housing attached to the side of the valve body (Fig. 47).



**Fig. 46 Accumulator**

- 1 - ACCUMULATOR PISTON
- 2 - PISTON SPRING



**Fig. 47 3-4 Accumulator and Housing**

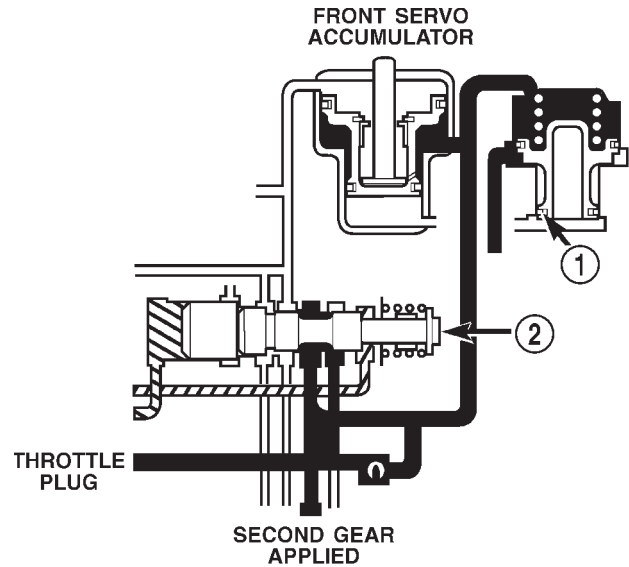
- 1 - ACCUMULATOR PISTON
- 2 - 3-4 ACCUMULATOR HOUSING
- 3 - TEFLON SEALS
- 4 - PISTON SPRING
- 5 - COVER PLATE AND SCREWS

DESCRIPTION AND OPERATION (Continued)

**OPERATION**

Both the accumulator and the 3-4 accumulator function the same. Line pressure is directed between the lands of the piston (Fig. 48), bottoming it against the accumulator plate. The accumulator stays in this position after the transmission is placed into a Drive position. When the 1-2 upshift occurs (Fig. 49), line pressure is directed to the large end of the piston and then to the kickdown servo. As the line pressure reaches the accumulator, the combination of spring pressure and line pressure forces the piston away from the accumulator plate. This causes a balanced pressure situation, which results in a cushioned band application. After the kickdown servo has become immovable, line pressure will finish pushing the accumulator up into its bore. When the large end of the accumulator piston is seated in its bore, the band or clutch is fully applied.

**NOTE:** The accumulator is shown in the inverted position for illustrative purposes.

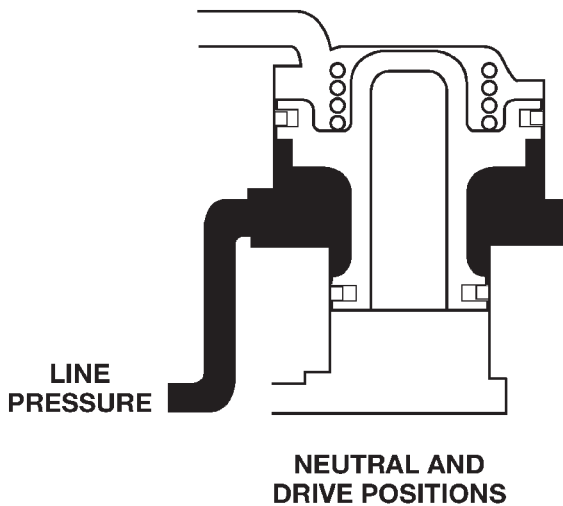


80bfe271

**Fig. 49 Accumulator in Second Gear Position**

- 1 - BOTTOM IN BORE
- 2 - SHUTTLE VALVE

**BOTTOMED AGAINST ACCUMULATOR PLATE**



80bfe270

**Fig. 48 Accumulator in Neutral and Drive Positions**

**PISTONS**

**DESCRIPTION**

There are several sizes and types of pistons used in an automatic transmission. Some pistons are used to apply clutches, while others are used to apply bands. They all have in common the fact that they are round or circular in shape, located within a smooth walled cylinder, which is closed at one end and converts fluid pressure into mechanical movement. The fluid pressure exerted on the piston is contained within the system through the use of piston rings or seals.

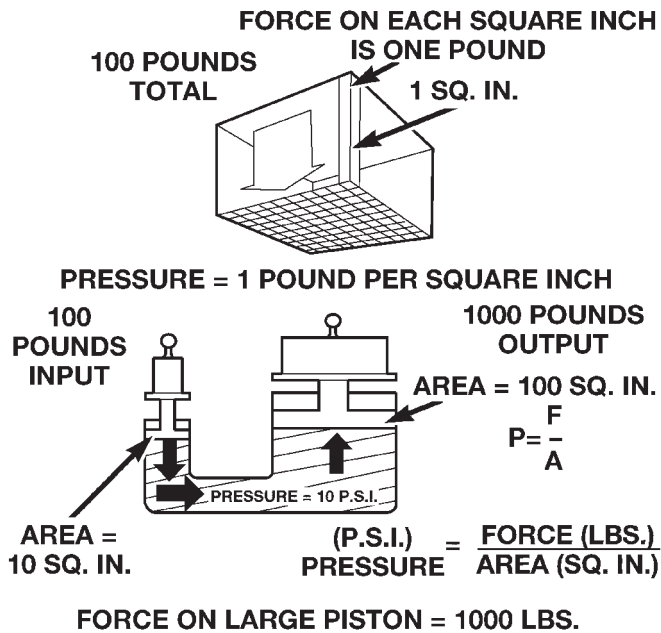
**OPERATION**

The principal which makes this operation possible is known as Pascal's Law. Pascal's Law can be stated as: "Pressure on a confined fluid is transmitted equally in all directions and acts with equal force on equal areas."

DESCRIPTION AND OPERATION (Continued)

**PRESSURE**

Pressure (Fig. 50) is nothing more than force (lbs.) divided by area (in. or ft.), or force per unit area. Given a 100 lb. block and an area of 100 sq. in. on the floor, the pressure exerted by the block is: 100 lbs. 100 in. or 1 pound per square inch, or PSI as it is commonly referred to.



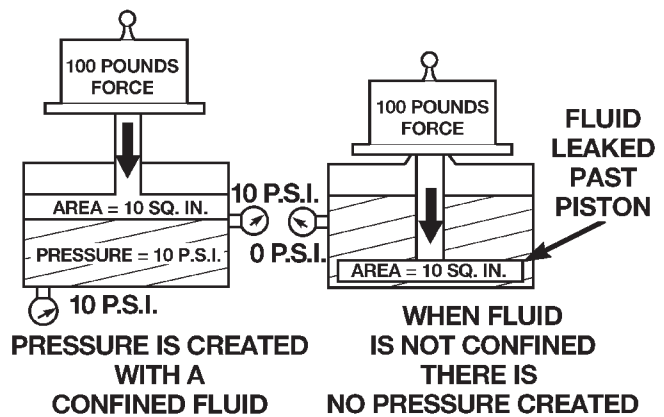
80bfe272

**Fig. 50 Force and Pressure Relationship**

**PRESSURE ON A CONFINED FLUID**

Pressure is exerted on a confined fluid (Fig. 51) by applying a force to some given area in contact with the fluid. A good example of this is a cylinder filled with fluid and equipped with a piston that is closely fitted to the cylinder wall. If a force is applied to the piston, pressure will be developed in the fluid. Of

course, no pressure will be created if the fluid is not confined. It will simply "leak" past the piston. There must be a resistance to flow in order to create pressure. Piston sealing is extremely important in hydraulic operation. Several kinds of seals are used to accomplish this within a transmission. These include but are not limited to O-rings, D-rings, lip seals, sealing rings, or extremely close tolerances between the piston and the cylinder wall. The force exerted is downward (gravity), however, the principle remains the same no matter which direction is taken. The pressure created in the fluid is equal to the force applied, divided by the piston area. If the force is 100 lbs., and the piston area is 10 sq. in., then the pressure created equals 10 PSI. Another interpretation of Pascal's Law is that regardless of container shape or size, the pressure will be maintained throughout, as long as the fluid is confined. In other words, the pressure in the fluid is the same everywhere within the container.



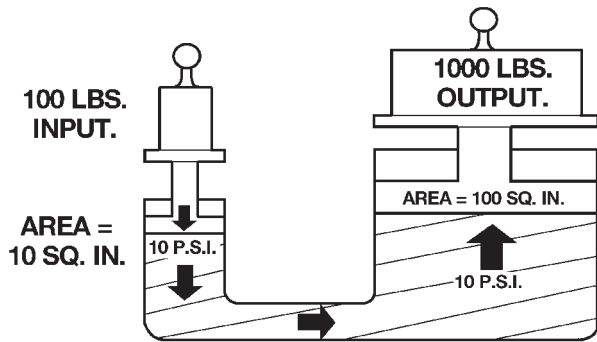
80bfe273

**Fig. 51 Pressure on a Confined Fluid**

DESCRIPTION AND OPERATION (Continued)

**FORCE MULTIPLICATION**

Using the 10 PSI example used in the illustration (Fig. 52), a force of 1000 lbs. can be moved with a force of only 100 lbs. The secret of force multiplication in hydraulic systems is the total fluid contact area employed. The illustration, (Fig. 52), shows an area that is ten times larger than the original area. The pressure created with the smaller 100 lb. input is 10 PSI. The concept "pressure is the same everywhere" means that the pressure underneath the larger piston is also 10 PSI. Pressure is equal to the force applied divided by the contact area. Therefore, by means of simple algebra, the output force may be found. This concept is extremely important, as it is also used in the design and operation of all shift valves and limiting valves in the valve body, as well as the pistons, of the transmission, which activate the clutches and bands. It is nothing more than using a difference of area to create a difference in pressure to move an object.

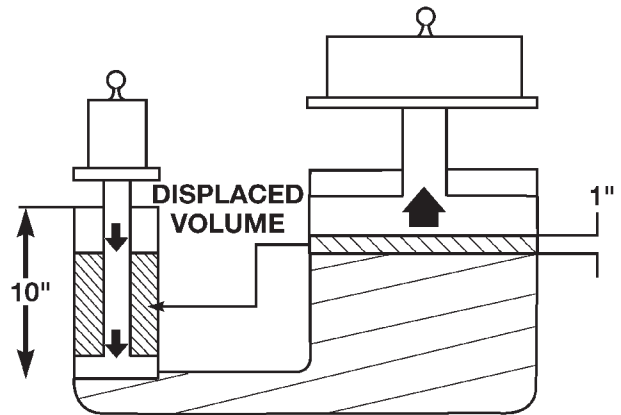


80bfe274

**Fig. 52 Force Multiplication**

**PISTON TRAVEL**

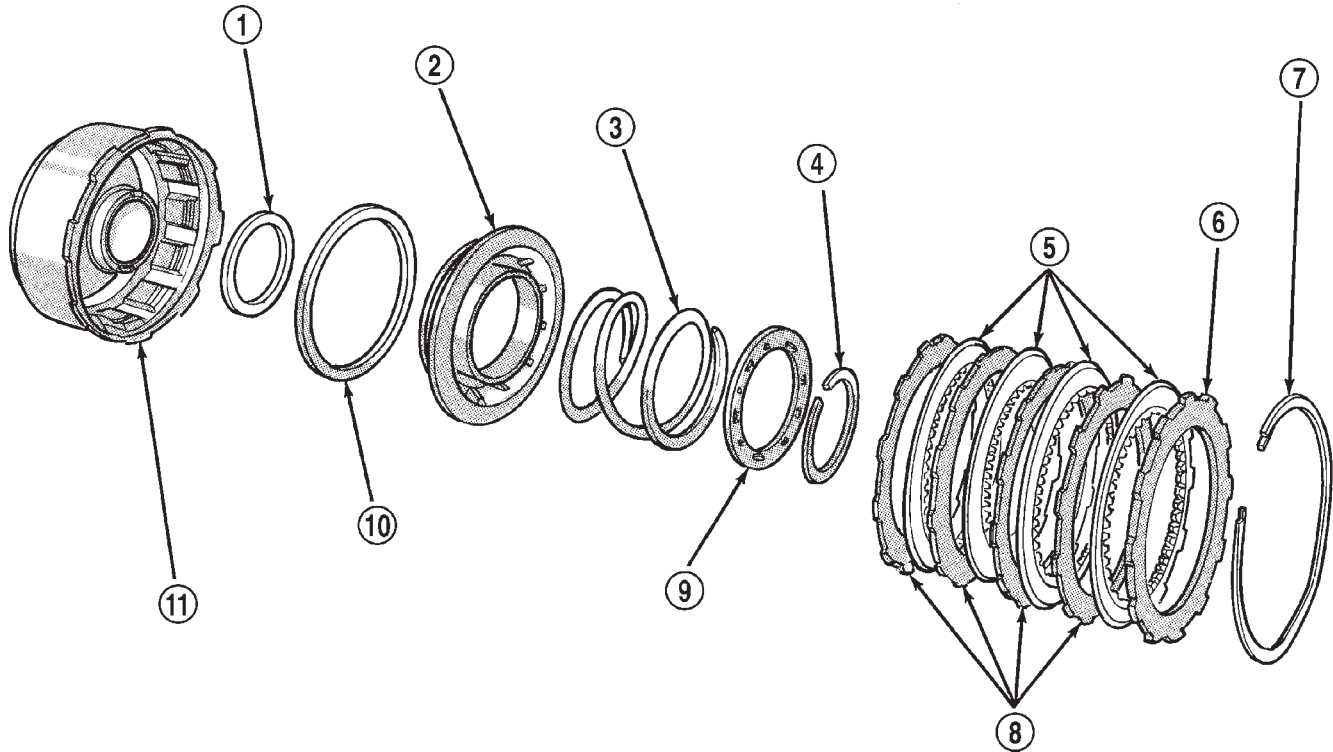
The relationship between hydraulic lever and a mechanical lever is the same. With a mechanical lever it's a weight-to-distance output rather than a pressure-to-area output. Using the same forces and areas as in the previous example, the smaller piston (Fig. 53) has to move ten times the distance required to move the larger piston one inch. Therefore, for every inch the larger piston moves, the smaller piston moves ten inches. This principle is true in other instances also. A common garage floor jack is a good example. To raise a car weighing 2000 lbs., an effort of only 100 lbs. may be required. For every inch the car moves upward, the input piston at the jack handle must move 20 inches downward.



80bfe275

**Fig. 53 Piston Travel**

## DESCRIPTION AND OPERATION (Continued)



J9321-222

**Fig. 54 Front Clutch**

- |                               |                            |
|-------------------------------|----------------------------|
| 1 - RETAINER HUB SEAL         | 7 - SNAP RING (WAVED)      |
| 2 - CLUTCH PISTON             | 8 - CLUTCH PLATES          |
| 3 - PISTON SPRING             | 9 - SPRING RETAINER        |
| 4 - SPRING RETAINER SNAP RING | 10 - PISTON SEAL           |
| 5 - CLUTCH DISCS              | 11 - FRONT CLUTCH RETAINER |
| 6 - PRESSURE PLATE            |                            |

**FRONT CLUTCH****DESCRIPTION**

The front clutch assembly (Fig. 54) is composed of the front clutch retainer, pressure plate, four clutch plates, four driving discs, piston, piston return spring, return spring retainer, and snap rings. The front clutch is the forwardmost component in the transmission geartrain and is directly behind the oil pump and is considered a driving component.

**NOTE: The number of discs and plates may vary with each engine and vehicle combination.**

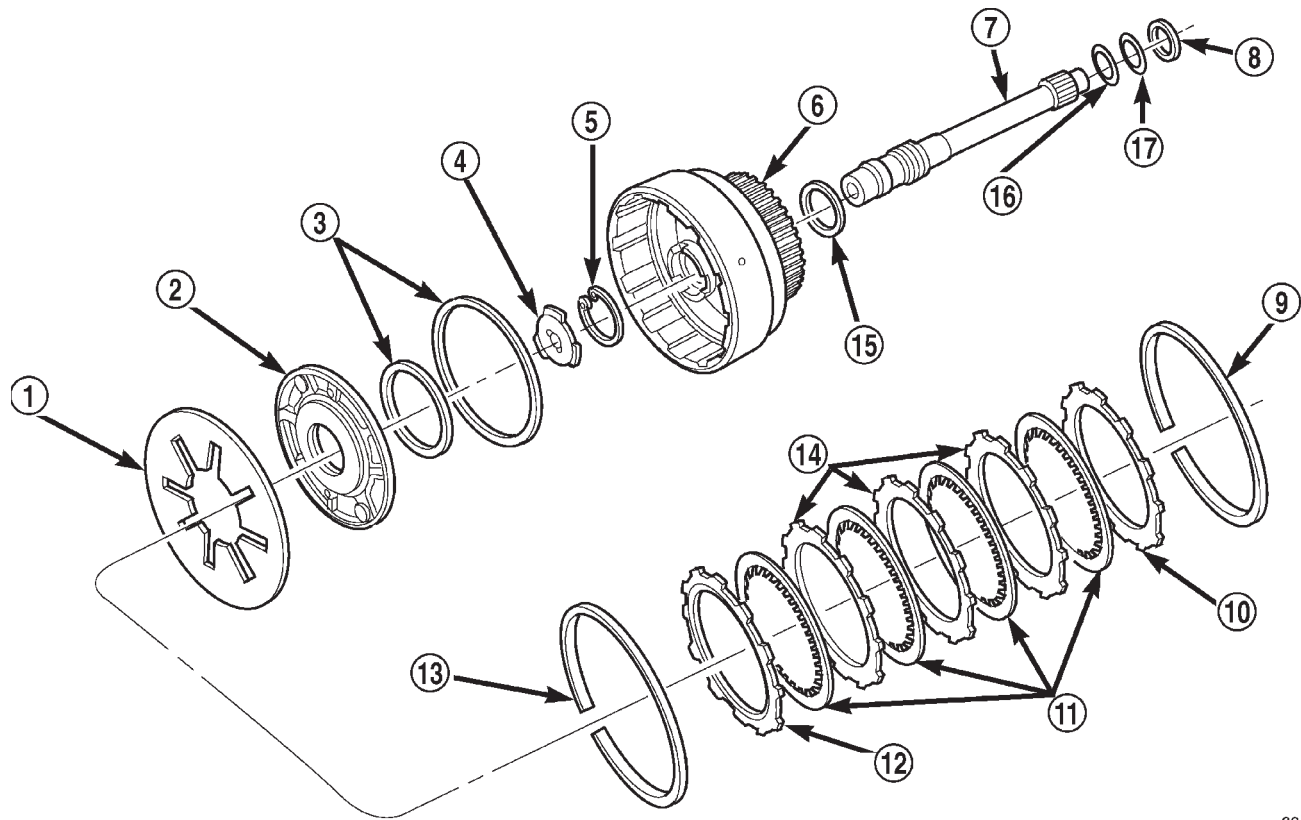
**OPERATION**

To apply the clutch, pressure is applied between the clutch retainer and piston. The fluid pressure is provided by the oil pump, transferred through the control valves and passageways, and enters the clutch through the hub of the reaction shaft support.

With pressure applied between the clutch retainer and piston, the piston moves away from the clutch retainer and compresses the clutch pack. This action applies the clutch pack, allowing torque to flow through the input shaft into the driving discs, and into the clutch plates and pressure plate that are lugged to the clutch retainer. The waved snap ring is used to cushion the application of the clutch pack. In some transmissions, the snap ring is selective and used to adjust clutch pack clearance.

When pressure is released from the piston, the spring returns the piston to its fully released position and disengages the clutch. The release spring also helps to cushion the application of the clutch assembly. When the clutch is in the process of being released by the release spring, fluid flows through a vent and one-way ball-check-valve located in the clutch retainer. The check-valve is needed to eliminate the possibility of plate drag caused by centrifugal force acting on the residual fluid trapped in the clutch piston retainer.

DESCRIPTION AND OPERATION (Continued)



80c070a4

**Fig. 55 Rear Clutch**

- |  |   |
|--|---|
| <ul style="list-style-type: none"> <li>1 - PISTON SPRING</li> <li>2 - REAR CLUTCH PISTON</li> <li>3 - CLUTCH PISTON SEALS</li> <li>4 - OUTPUT SHAFT THRUST WASHER (METAL)</li> <li>5 - INPUT SHAFT SNAP RING</li> <li>6 - REAR CLUTCH RETAINER</li> <li>7 - INPUT SHAFT</li> <li>8 - REAR CLUTCH THRUST WASHER (FIBER)</li> <li>9 - CLUTCH PACK SNAP RING (SELECTIVE)</li> </ul> | <ul style="list-style-type: none"> <li>10 - TOP PRESSURE PLATE</li> <li>11 - CLUTCH DISCS (4)</li> <li>12 - BOTTOM PRESSURE PLATE</li> <li>13 - WAVE SPRING</li> <li>14 - CLUTCH PLATES (3)</li> <li>15 - RETAINER SEAL RING</li> <li>16 - SHAFT REAR SEAL RING (PLASTIC)</li> <li>17 - SHAFT FRONT SEAL RING (TEFLON)</li> </ul> |
|--|---|

**REAR CLUTCH**

**DESCRIPTION**

The rear clutch assembly (Fig. 55) is composed of the rear clutch retainer, pressure plate, three clutch plates, four driving discs, piston, Belleville spring, and snap rings. The Belleville spring acts as a lever to multiply the force applied on to it by the apply piston. The increased apply force on the rear clutch pack, in comparison to the front clutch pack, is needed to hold against the greater torque load imposed onto the rear pack. The rear clutch is directly behind the front clutch and is considered a driving component.

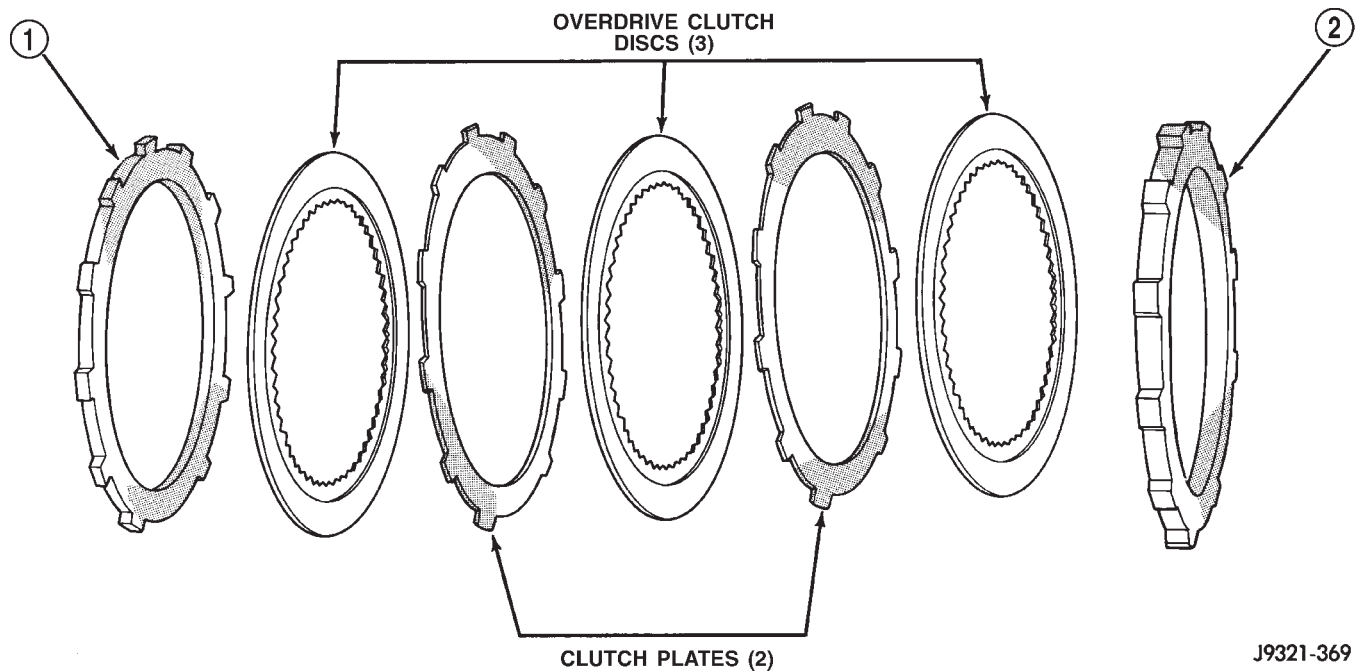
**NOTE:** The number of discs and plates may vary with each engine and vehicle combination.

**OPERATION**

To apply the clutch, pressure is applied between the clutch retainer and piston. The fluid pressure is provided by the oil pump, transferred through the control valves and passageways, and enters the clutch through the hub of the reaction shaft support. With pressure applied between the clutch retainer and piston, the piston moves away from the clutch retainer and compresses the clutch pack. This action applies the clutch pack, allowing torque to flow through the input shaft into the driving discs, and into the clutch plates and pressure plate that are lugged to the clutch retainer. The waved snap ring is used to cushion the application of the clutch pack. In some transmissions, the snap ring is selective and used to adjust clutch pack clearance.



## DESCRIPTION AND OPERATION (Continued)



J9321-369

**Fig. 56 Overdrive Clutch**

1 - REACTION PLATE

2 - PRESSURE PLATE

When pressure is released from the piston, the spring returns the piston to its fully released position and disengages the clutch. The release spring also helps to cushion the application of the clutch assembly. When the clutch is in the process of being released by the release spring, fluid flows through a vent and one-way ball-check-valve located in the clutch retainer. The check-valve is needed to eliminate the possibility of plate drag caused by centrifugal force acting on the residual fluid trapped in the clutch piston retainer.

## OVERDRIVE CLUTCH

### DESCRIPTION

The overdrive clutch (Fig. 56) is composed of the pressure plate, two clutch plates, three holding discs, overdrive piston retainer, piston, piston spacer, and snap rings. The overdrive clutch is the forwardmost component in the transmission overdrive unit and is considered a holding component. The overdrive piston retainer, piston, and piston spacer are located on the rear of the main transmission case.

**NOTE:** The number of discs and plates may vary with each engine and vehicle combination.

### OPERATION

To apply the clutch, pressure is applied between the piston retainer and piston. The fluid pressure is

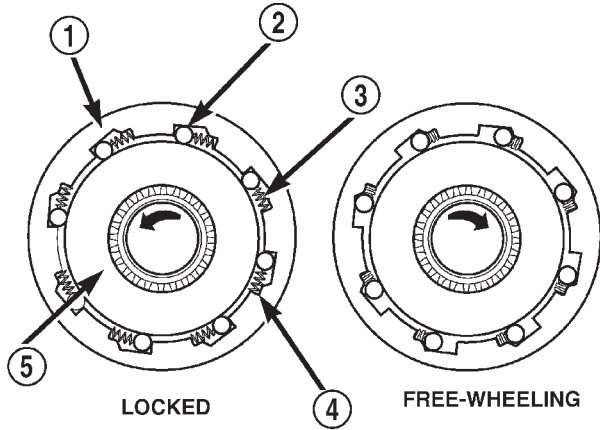
provided by the oil pump, transferred through the control valves and passageways, and enters the clutch through passages at the lower rear portion of the valve body area. With pressure applied between the piston retainer and piston, the piston moves away from the piston retainer and compresses the clutch pack. This action applies the clutch pack, allowing torque to flow through the intermediate shaft into the overdrive planetary gear set. The overdrive clutch discs are attached to the overdrive clutch hub while the overdrive clutch plates, reaction plate, and pressure plate are lugged to the overdrive housing. This allows the intermediate shaft to transfer the engine torque to the planetary gear and overrunning clutch. This drives the planetary gear inside the annulus, which is attached to the overdrive clutch drum and output shaft, creating the desired gear ratio. The waved snap ring is used to cushion the application of the clutch pack.

DESCRIPTION AND OPERATION (Continued)

**OVERRUNNING CLUTCH**

**DESCRIPTION**

The overrunning clutch (Fig. 57) consists of an inner race, an outer race (or cam), rollers and springs, and the spring retainer. The number of rollers and springs depends on what transmission and which overrunning clutch is being dealt with.



**Fig. 57 Overrunning Clutch**

- 1 - OUTER RACE (CAM)
- 2 - ROLLER
- 3 - SPRING
- 4 - SPRING RETAINER
- 5 - INNER RACE (HUB)

80be45f8

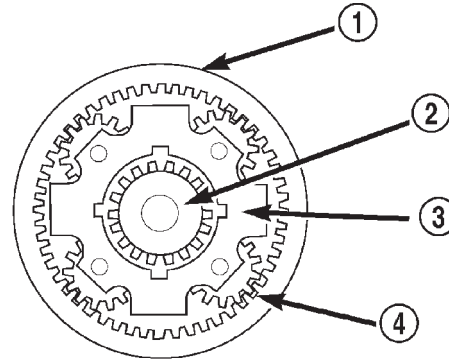
**OPERATION**

As the inner race is rotated in a clockwise direction (as viewed from the front of the transmission), the race causes the rollers to roll toward the springs, causing them to compress against their retainer. The compression of the springs increases the clearance between the rollers and cam. This increased clearance between the rollers and cam results in a free-wheeling condition. When the inner race attempts to rotate counterclockwise, the action causes the rollers to roll in the same direction as the race, aided by the pushing of the springs. As the rollers try to move in the same direction as the inner race, they are wedged between the inner and outer races due to the design of the cam. In this condition, the clutch is locked and acts as one unit.

**PLANETARY GEARSET**

**DESCRIPTION**

The planetary gearsets (Fig. 58) are designated as the front, rear, and overdrive planetary gear assemblies and located in such order. A simple planetary gearset consists of three main members:



**Fig. 58 Planetary Gearset**

- 1 - ANNULUS GEAR
- 2 - SUN GEAR
- 3 - PLANET CARRIER
- 4 - PLANET PINIONS (4)

80be45fc

- The sun gear which is at the center of the system.
- The planet carrier with planet pinion gears which are free to rotate on their own shafts and are in mesh with the sun gear.
- The annulus gear, which rotates around and is in mesh with the planet pinion gears.

**NOTE:** The number of pinion gears does not affect the gear ratio, only the duty rating.

**OPERATION**

With any given planetary gearset, several conditions must be met for power to be able to flow:

- One member must be held.
- Another member must be driven or used as an input.
- The third member may be used as an output for power flow.
- For direct drive to occur, two gear members in the front planetary gearset must be driven.

**NOTE:** Gear ratios are dependent on the number of teeth on the annulus and sun gears.

**BANDS**

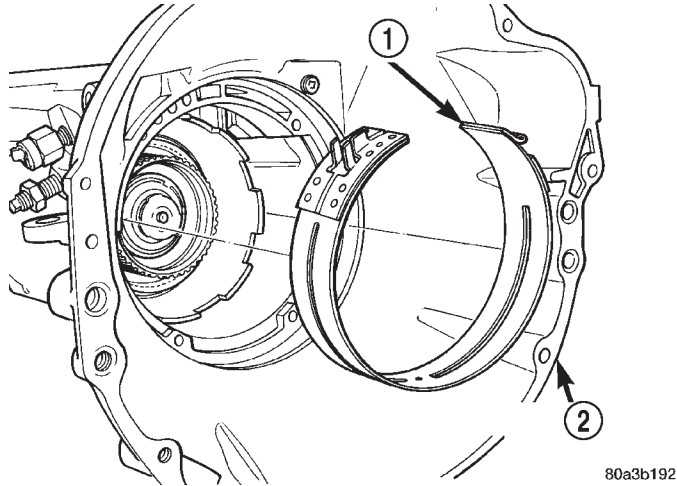
**DESCRIPTION**

**KICKDOWN (FRONT) BAND**

The kickdown, or "front", band (Fig. 59) holds the common sun gear of the planetary gear sets. The front (kickdown) band is made of steel, and faced on its inner circumference with a friction-type lining.

DESCRIPTION AND OPERATION (Continued)

One end of the band is anchored to the transmission case, and the other is acted on with a pushing force by a servo piston. The front band is a single-wrap design (the band does not completely encompass/wrap the drum that it holds).

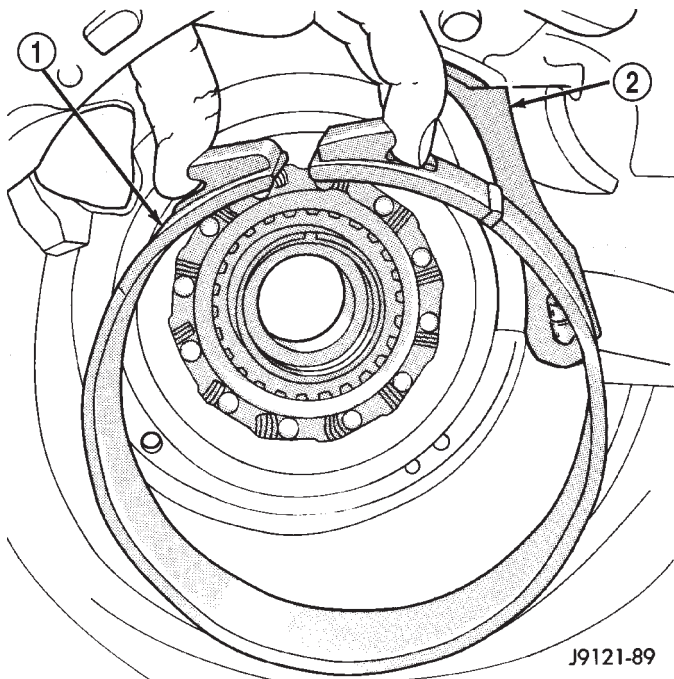


**Fig. 59 Front Band**

- 1 - FRONT BAND
- 2 - TRANSMISSION HOUSING

LOW/REVERSE (REAR) BAND

The low/reverse band, or "rear", band (Fig. 60) is similar in appearance and operation to the front band.



**Fig. 60 Rear Band**

- 1 - REAR BAND
- 2 - BAND LINK

OPERATION

KICKDOWN (FRONT) BAND

The kickdown band holds the common sun gear of the planetary gear sets by applying and holding the front clutch retainer, which is splined to the sun gear driving shell, and in turn splined directly to the sun gear. The application of the band by the servo is typically done by an apply lever and link bar.

LOW/REVERSE (REAR) BAND

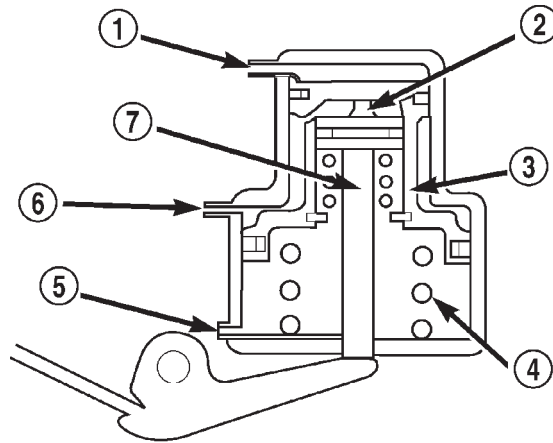
The rear band holds the rear planet carrier stationary by being mounted around and applied to the low/reverse drum.

SERVOS

DESCRIPTION

KICKDOWN (FRONT) SERVO

The kickdown servo (Fig. 61) consists of a two-land piston with an inner piston, a piston rod and guide, and a return spring. The dual-land piston uses seal rings on its outer diameters and an O-ring for the inner piston.



**Fig. 61 Front Servo**

- 1 - VENT
- 2 - INNER PISTON
- 3 - PISTON
- 4 - SPRING
- 5 - RELEASE PRESSURE
- 6 - APPLY PRESSURE
- 7 - PISTON ROD

LOW/REVERSE (REAR) SERVO

The rear (low/reverse) servo consists of a single stage or diameter piston and a spring loaded plug. The spring is used to cushion the application of the rear (low/reverse) band.

## DESCRIPTION AND OPERATION (Continued)

**OPERATION****KICKDOWN (FRONT) SERVO**

The application of the piston is accomplished by applying pressure between the two lands of the piston. The pressure acts against the larger lower land to push the piston downward, allowing the piston rod to extend though its guide against the apply lever. Release of the servo at the 2-3 upshift is accomplished by a combination of spring and line pressure, acting on the bottom of the larger land of the piston. The small piston is used to cushion the application of the band by bleeding oil through a small orifice in the larger piston. The release timing of the kickdown servo is very important to obtain a smooth but firm shift. The release has to be very quick, just as the front clutch application is taking place. Otherwise, engine runaway or a shift hesitation will occur. To accomplish this, the band retains its holding capacity until the front clutch is applied, giving a small amount of overlap between them.

**LOW/REVERSE (REAR) SERVO**

While in the de-energized state (no pressure applied), the piston is held up in its bore by the piston spring. The plug is held down in its bore, in the piston, by the plug spring. When pressure is applied to the top of the piston, the plug is forced down in its bore, taking up any clearance. As the piston moves, it causes the plug spring to compress, and the piston moves down over the plug. The piston continues to move down until it hits the shoulder of the plug and fully applies the band. The period of time from the initial application, until the piston is against the shoulder of the plug, represents a reduced shocking of the band that cushions the shift.

**GEARSHIFT MECHANISM****DESCRIPTION**

The gear shift mechanism provides six shift positions which are:

- Park (P)
- Reverse (R)
- Neutral (N)
- Drive (D)
- Manual second (2)
- Manual low (1)

**OPERATION**

Manual low (1) range provides first gear only. Overrun braking is also provided in this range. Manual second (2) range provides first and second gear only.

Drive range provides first, second third and overdrive fourth gear ranges. The shift into overdrive

fourth gear range occurs only after the transmission has completed the shift into D third gear range. No further movement of the shift mechanism is required to complete the 3-4 shift.

The fourth gear upshift occurs automatically when the overdrive selector switch is in the ON position. No upshift to fourth gear will occur if any of the following are true:

- The transmission fluid temperature is below 10° C (50° F) or above 121° C (250° F).
- The shift to third is not yet complete.
- Vehicle speed is too low for the 3-4 shift to occur.
- Battery temperature is below -5° C (23° F).

**CONVERTER DRAINBACK VALVE****DESCRIPTION**

The drainback valve is located in the transmission cooler outlet (pressure) line.

**OPERATION**

The valve prevents fluid from draining from the converter into the cooler and lines when the vehicle is shut down for lengthy periods. Production valves have a hose nipple at one end, while the opposite end is threaded for a flare fitting. All valves have an arrow (or similar mark) to indicate direction of flow through the valve.

**POWERTRAIN CONTROL MODULE (PCM)****DESCRIPTION**

The Powertrain Control Module (PCM) is located in the engine compartment (Fig. 62). The PCM is referred to as JTEC.

**OPERATION**

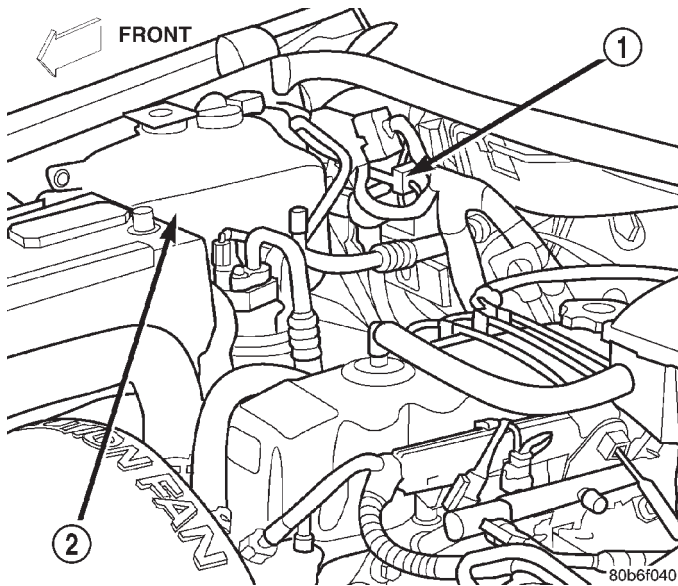
(1) Also refer to Modes of Operation.

The PCM operates the fuel system. The PCM is a pre-programmed, triple microprocessor digital computer. It regulates ignition timing, air-fuel ratio, emission control devices, charging system, certain transmission features, speed control, air conditioning compressor clutch engagement and idle speed. The PCM can adapt its programming to meet changing operating conditions.

The PCM receives input signals from various switches and sensors. Based on these inputs, the PCM regulates various engine and vehicle operations through different system components. These components are referred to as Powertrain Control Module (PCM) Outputs. The sensors and switches that provide inputs to the PCM are considered Powertrain Control Module (PCM) Inputs.



## DESCRIPTION AND OPERATION (Continued)



**Fig. 62 PCM Location**

- 1 - PCM  
2 - COOLANT TANK

The PCM adjusts ignition timing based upon inputs it receives from sensors that react to: engine rpm, manifold absolute pressure, engine coolant temperature, throttle position, transmission gear selection (automatic transmission), vehicle speed and the brake switch.

The PCM adjusts idle speed based on inputs it receives from sensors that react to: throttle position, vehicle speed, transmission gear selection, engine coolant temperature and from inputs it receives from the air conditioning clutch switch and brake switch.

Based on inputs that it receives, the PCM adjusts ignition coil dwell. The PCM also adjusts the generator charge rate through control of the generator field and provides speed control operation.

**NOTE: PCM Inputs:**

- A/C request
- Auto shutdown (ASD) sense
- Battery temperature
- Battery voltage
- Brake switch
- J1850 bus circuits
- Camshaft position sensor signal
- Crankshaft position sensor
- Data link connections for DRB scan tool
- Engine coolant temperature sensor
- Five volts (primary)
- Five volts (secondary)
- Fuel level

- Generator (battery voltage) output
- Ignition circuit sense (ignition switch in on/off/crank/run position)
- Intake manifold air temperature sensor
- Leak detection pump (switch) sense (if equipped)
- Manifold absolute pressure (MAP) sensor
- Oil pressure
- Overdrive/override switch
- Oxygen sensors
- Park/neutral switch (auto. trans. only)
- Power ground
- Sensor return
- Signal ground
- Speed control multiplexed single wire input
- Throttle position sensor
- Transmission governor pressure sensor
- Transmission temperature sensor
- Vehicle speed (from ABS module)

**NOTE: PCM Outputs:**

- A/C clutch relay
- Auto shutdown (ASD) relay
- J1850 (+/-) circuits for: speedometer, voltmeter, fuel gauge, oil pressure gauge/lamp, engine temp. gauge and speed control warn. lamp
- Data link connection for DRB scan tool
- EGR valve control solenoid (if equipped)
- EVAP canister purge solenoid
- Fuel injectors
- Fuel pump relay
- Generator field driver (-)
- Generator field driver (+)
- Generator lamp (if equipped)
- Idle air control (IAC) motor
- Ignition coil
- Leak detection pump
- Malfunction indicator lamp (Check engine lamp). Driven through J1850 circuits.
- Overdrive indicator lamp (if equipped). Driven through J1850 circuits.
- Oxygen sensor heater relays (if equipped).
- Radiator cooling fan relay (pulse width modulated)
- Speed control source
- Speed control vacuum solenoid
- Speed control vent solenoid
- Tachometer (if equipped). Driven through J1850 circuits.
- Transmission convertor clutch circuit
- Transmission 3-4 shift solenoid
- Transmission relay
- Transmission temperature lamp (if equipped)
- Transmission variable force solenoid

DESCRIPTION AND OPERATION (Continued)

**ELECTRONIC GOVERNOR**

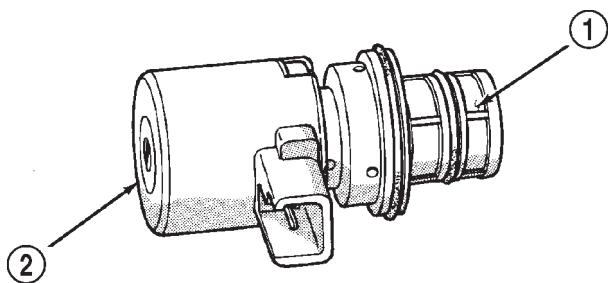
**DESCRIPTION**

Governor pressure is controlled electronically. Components used for governor pressure control include:

- Governor body
- Valve body transfer plate
- Governor pressure solenoid valve
- Governor pressure sensor
- Fluid temperature thermistor
- Throttle position sensor (TPS)
- Transmission speed sensor
- Powertrain control module (PCM)

**GOVERNOR PRESSURE SOLENOID VALVE**

The solenoid valve is a duty-cycle solenoid which regulates the governor pressure needed for upshifts and downshifts. It is an electro-hydraulic device located in the governor body on the valve body transfer plate (Fig. 63).



J9321-408A

**Fig. 63 Governor Pressure Solenoid Valve**

- 1 - SOLENOID FILTER
- 2 - GOVERNOR PRESSURE SOLENOID

**GOVERNOR PRESSURE SENSOR**

The governor pressure sensor measures output pressure of the governor pressure solenoid valve (Fig. 64).

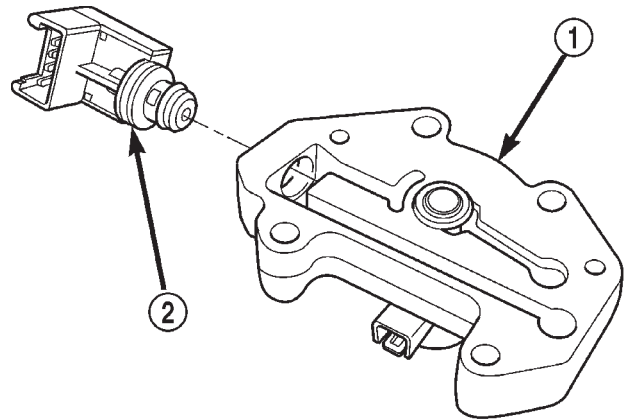
**GOVERNOR BODY AND TRANSFER PLATE**

The transfer plate is designed to supply transmission line pressure to the governor pressure solenoid valve and to return governor pressure.

The governor pressure solenoid valve is mounted in the governor body. The body is bolted to the lower side of the transfer plate (Fig. 64).

**TRANSMISSION FLUID TEMPERATURE THERMISTOR**

Transmission fluid temperature readings are supplied to the transmission control module by the thermistor. The temperature readings are used to control engagement of the fourth gear overdrive clutch, the converter clutch, and governor pressure. Normal resistance value for the thermistor at room temperature is approximately 1000 ohms.



80c072af

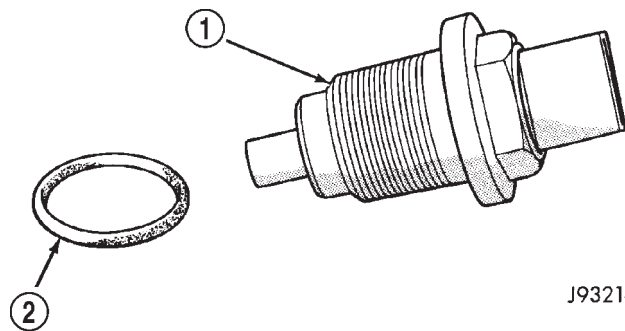
**Fig. 64 Governor Pressure Sensor**

- 1 - GOVERNOR BODY
- 2 - GOVERNOR PRESSURE SENSOR/TRANSMISSION FLUID TEMPERATURE THERMISTOR

The thermistor is part of the governor pressure sensor assembly and is immersed in transmission fluid at all times.

**TRANSMISSION SPEED SENSOR**

The speed sensor (Fig. 65) is located in the overdrive gear case. The sensor is positioned over the park gear and monitors transmission output shaft rotating speed.



J9321-411

**Fig. 65 Transmission Output Speed Sensor**

- 1 - TRANSMISSION OUTPUT SHAFT SPEED SENSOR
- 2 - SEAL

**OPERATION**

Compensation is required for performance variations of two of the input devices. Though the slope of the transfer functions is tightly controlled, offset may vary due to various environmental factors or manufacturing tolerances.

The pressure transducer is affected by barometric pressure as well as temperature. Calibration of the zero pressure offset is required to compensate for shifting output due to these factors.

Normal calibration will be performed when sump temperature is above 50 degrees F, or in the absence



## DESCRIPTION AND OPERATION (Continued)

of sump temperature data, after the first 10 minutes of vehicle operation. Calibration of the pressure transducer offset occurs each time the output shaft speed falls below 200 RPM. Calibration shall be repeated each 3 seconds the output shaft speed is below 200 RPM. A .5 second pulse of 95% duty cycle is applied to the governor pressure solenoid valve and the transducer output is read during this pulse. Averaging of the transducer signal is necessary to reject electrical noise.

Under cold conditions (below 50 degrees F sump), the governor pressure solenoid valve response may be too slow to guarantee 0 psi during the .5 second calibration pulse. Calibration pulses are continued during this period, however the transducer output values are discarded. Transducer offset must be read at key-on, under conditions which promote a stable reading. This value is retained and becomes the offset during the "cold" period of operation.

**GOVERNOR PRESSURE SOLENOID VALVE**

The inlet side of the solenoid valve is exposed to normal transmission line pressure. The outlet side of the valve leads to the valve body governor circuit.

The solenoid valve regulates line pressure to produce governor pressure. The average current supplied to the solenoid controls governor pressure. One amp current produces zero kPa/psi governor pressure. Zero amps sets the maximum governor pressure.

The powertrain control module (PCM) turns on the trans control relay which supplies electrical power to the solenoid valve. Operating voltage is 12 volts (DC). The PCM controls the ground side of the solenoid using the governor pressure solenoid control circuit.

**GOVERNOR PRESSURE SENSOR**

The sensor output signal provides the necessary feedback to the PCM. This feedback is needed to adequately control governor pressure.

**GOVERNOR BODY AND TRANSFER PLATE**

The transfer plate channels line pressure to the solenoid valve through the governor body. It also channels governor pressure from the solenoid valve to the governor circuit. It is the solenoid valve that develops the necessary governor pressure.

**TRANSMISSION FLUID TEMPERATURE THERMISTOR**

The PCM prevents engagement of the converter clutch and overdrive clutch, when fluid temperature is below approximately 10°C (50°F).

If fluid temperature exceeds 126°C (260°F), the PCM causes a 4-3 downshift and engage the converter clutch. Engagement is according to the third gear converter clutch engagement schedule.

The overdrive OFF lamp in the instrument panel illuminates when the shift back to third occurs. The transmission will not allow fourth gear operation until fluid temperature decreases to approximately 110°C (230°F).

**TRANSMISSION SPEED SENSOR**

Speed sensor signals are triggered by the park gear lugs as they rotate past the sensor pickup face. Input signals from the sensor are sent to the transmission control module for processing. The vehicle speed sensor also serves as a backup for the transmission speed sensor. Signals from this sensor are shared with the powertrain control module.

**GOVERNOR PRESSURE CURVES****DESCRIPTION**

There are four governor pressure curves programmed into the transmission control module. The different curves allow the control module to adjust governor pressure for varying conditions. One curve is used for operation when fluid temperature is at, or below, -1°C (30°F). A second curve is used when fluid temperature is at, or above, 10°C (50°F) during normal city or highway driving. A third curve is used during wide-open throttle operation. The fourth curve is used when driving with the transfer case in low range.

**OPERATION****LOW TRANSMISSION FLUID TEMPERATURE**

When the transmission fluid is cold the conventional governor can delay shifts, resulting in higher than normal shift speeds and harsh shifts. The electronically controlled low temperature governor pressure curve is higher than normal to make the transmission shift at normal speeds and sooner. The PCM uses a temperature sensor in the transmission oil sump to determine when low temperature governor pressure is needed.

**NORMAL OPERATION**

Normal operation is refined through the increased computing power of the PCM and through access to data on engine operating conditions provided by the PCM that were not available with the previous stand-alone electronic module. This facilitated the development of a load adaptive shift strategy - the ability to alter the shift schedule in response to vehicle load condition. One manifestation of this capability is grade "hunting" prevention - the ability of the transmission logic to delay an upshift on a grade if the engine does not have sufficient power to maintain speed in the higher gear. The 3-2 downshift and

**DESCRIPTION AND OPERATION (Continued)**

the potential for hunting between gears occurs with a heavily loaded vehicle or on steep grades. When hunting occurs, it is very objectionable because shifts are frequent and accompanied by large changes in noise and acceleration.

**WIDE OPEN THROTTLE OPERATION**

In wide-open throttle (WOT) mode, adaptive memory in the PCM assures that up-shifts occur at the preprogrammed optimum speed. WOT operation is determined from the throttle position sensor, which is also a part of the emission control system. The initial setting for the WOT upshift is below the optimum engine speed. As WOT shifts are repeated, the PCM learns the time required to complete the shifts by comparing the engine speed when the shifts occur to the optimum speed. After each shift, the PCM adjusts the shift point until the optimum speed is reached. The PCM also considers vehicle loading, grade and engine performance changes due to high altitude in determining when to make WOT shifts. It does this by measuring vehicle and engine acceleration and then factoring in the shift time.

**TRANSFER CASE LOW RANGE OPERATION**

On four-wheel drive vehicles operating in low range, the engine can accelerate to its peak more rapidly than in Normal range, resulting in delayed shifts and undesirable engine "flare". The low range governor pressure curve is also higher than normal to initiate upshifts sooner. The PCM compares electronic vehicle speed signal used by the speedometer to the transmission output shaft speed signal to determine when the transfer case is in low range.

**OVERDRIVE OFF SWITCH****DESCRIPTION**

The overdrive OFF (control) switch is located in the shifter handle. The switch is a momentary contact device that signals the PCM to toggle current status of the overdrive function.

**OPERATION**

At key-on, overdrive operation is allowed. Pressing the switch once causes the overdrive OFF mode to be entered and the overdrive OFF switch lamp to be illuminated. Pressing the switch a second time causes normal overdrive operation to be restored and the overdrive lamp to be turned off. The overdrive OFF mode defaults to ON after the ignition switch is cycled OFF and ON. The normal position for the control switch is the ON position. The switch must be in this position to energize the solenoid and allow a 3-4 upshift. The control switch indicator light illuminates only when the overdrive switch is turned to the OFF

position, or when illuminated by the transmission control module.

**BRAKE TRANSMISSION SHIFT INTERLOCK MECHANISM****DESCRIPTION**

The Brake Transmission Shifter/Ignition Interlock (BTSI), is a cable and solenoid operated system. It interconnects the automatic transmission floor mounted shifter to the steering column ignition switch (Fig. 66).

**OPERATION**

The system locks the shifter into the PARK position. The interlock system is engaged whenever the ignition switch is in the LOCK or ACCESSORY position. An additional electrically activated feature will prevent shifting out of the PARK position unless the brake pedal is depressed at least one-half an inch. A magnetic holding device in line with the park lock cable is energized when the ignition is in the RUN position. When the key is in the RUN position and the brake pedal is depressed, the shifter is unlocked and will move into any position. The interlock system also prevents the ignition switch from being turned to the LOCK or ACCESSORY position, unless the shifter is fully locked into the PARK position.

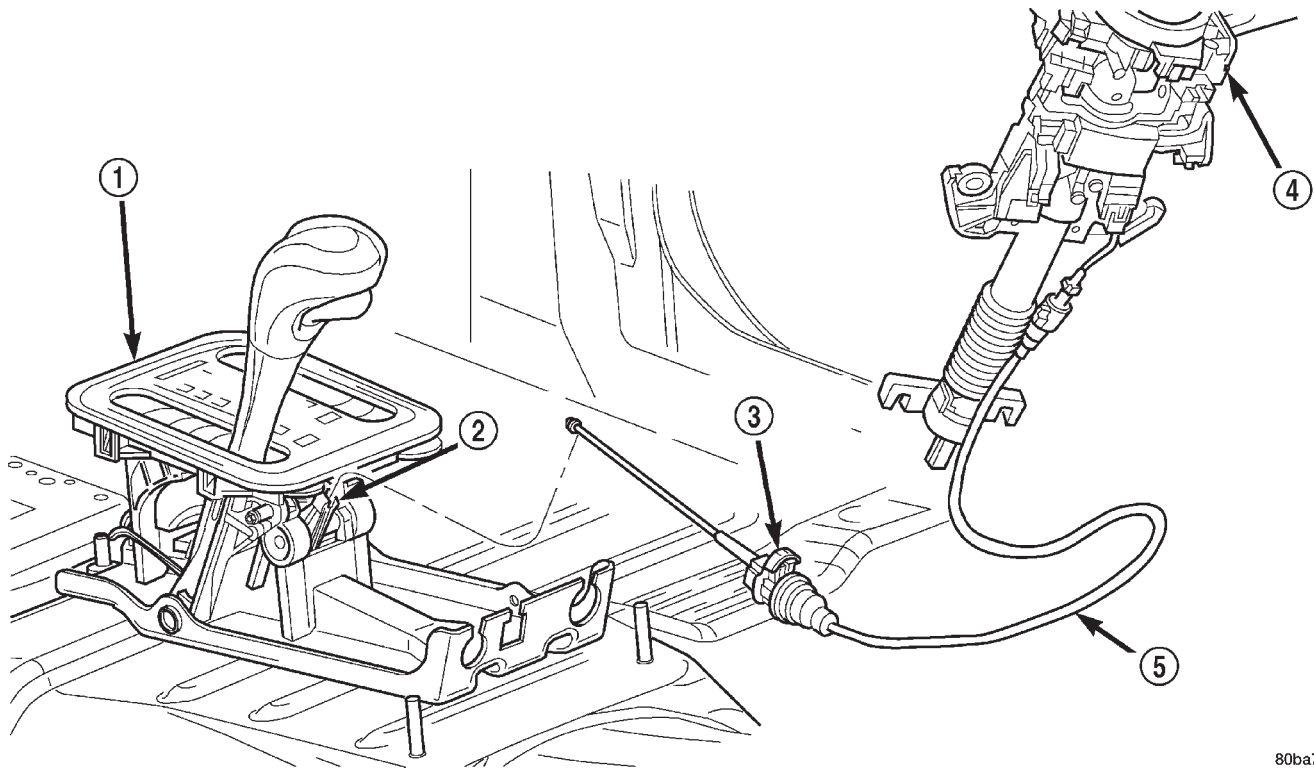
**DIAGNOSIS AND TESTING****AUTOMATIC TRANSMISSION DIAGNOSIS**

Automatic transmission problems can be a result of poor engine performance, incorrect fluid level, incorrect linkage or cable adjustment, band or hydraulic control pressure adjustments, hydraulic system malfunctions or electrical/mechanical component malfunctions. Begin diagnosis by checking the easily accessible items such as: fluid level and condition, linkage adjustments and electrical connections. A road test will determine if further diagnosis is necessary.

**EFFECTS OF INCORRECT FLUID LEVEL**

A low fluid level allows the pump to take in air along with the fluid. Air in the fluid will cause fluid pressures to be low and develop slower than normal. If the transmission is overfilled, the gears churn the fluid into foam. This aerates the fluid and causing the same conditions occurring with a low level. In either case, air bubbles cause fluid overheating, oxidation and varnish buildup which interferes with valve, clutch and servo operation. Foaming also causes fluid expansion which can result in fluid overflow from the transmission vent or fill tube. Fluid

## DIAGNOSIS AND TESTING (Continued)



80ba79c2

**Fig. 66 Ignition Interlock Cable**

- 1 - SHIFT MECHANISM
- 2 - SHIFTER BTSI LEVER
- 3 - ADJUSTMENT CLIP

- 4 - STEERING COLUMN ASSEMBLY
- 5 - INTERLOCK CABLE

overflow can easily be mistaken for a leak if inspection is not careful.

### CAUSES OF BURNT FLUID

Burnt, discolored fluid is a result of overheating which has two primary causes.

(1) A result of restricted fluid flow through the main and/or auxiliary cooler. This condition is usually the result of a faulty or improperly installed drainback valve, a damaged main cooler, or severe restrictions in the coolers and lines caused by debris or kinked lines.

(2) Heavy duty operation with a vehicle not properly equipped for this type of operation. Trailer towing or similar high load operation will overheat the transmission fluid if the vehicle is improperly equipped. Such vehicles should have an auxiliary transmission fluid cooler, a heavy duty cooling system, and the engine/axle ratio combination needed to handle heavy loads.

### FLUID CONTAMINATION

Transmission fluid contamination is generally a result of:

- adding incorrect fluid

- failure to clean dipstick and fill tube when checking level

- engine coolant entering the fluid
- internal failure that generates debris
- overheat that generates sludge (fluid breakdown)
- failure to reverse flush cooler and lines after repair
- failure to replace contaminated converter after repair

The use of non recommended fluids can result in transmission failure. The usual results are erratic shifts, slippage, abnormal wear and eventual failure due to fluid breakdown and sludge formation. Avoid this condition by using recommended fluids only.

The dipstick cap and fill tube should be wiped clean before checking fluid level. Dirt, grease and other foreign material on the cap and tube could fall into the tube if not removed beforehand. Take the time to wipe the cap and tube clean before withdrawing the dipstick.

Engine coolant in the transmission fluid is generally caused by a cooler malfunction. The only remedy is to replace the radiator as the cooler in the radiator is not a serviceable part. If coolant has circulated

## DIAGNOSIS AND TESTING (Continued)

through the transmission for some time, an overhaul may also be necessary; especially if shift problems had developed.

The transmission cooler and lines should be reverse flushed whenever a malfunction generates sludge and/or debris. The torque converter should also be replaced at the same time.

Failure to flush the cooler and lines will result in recontamination. Flushing applies to auxiliary coolers as well. The torque converter should also be replaced whenever a failure generates sludge and debris. This is necessary because normal converter flushing procedures will not remove all contaminants.

### PRELIMINARY DIAGNOSIS

Two basic procedures are required. One procedure for vehicles that are drivable and an alternate procedure for disabled vehicles (will not back up or move forward).

#### VEHICLE IS DRIVEABLE

- (1) Check for transmission fault codes using DRB scan tool.
- (2) Check fluid level and condition.
- (3) Adjust throttle and gearshift linkage if complaint was based on delayed, erratic, or harsh shifts.
- (4) Road test and note how transmission upshifts, downshifts, and engages.
- (5) Perform stall test if complaint is based on sluggish acceleration. Or, if abnormal throttle opening is needed to maintain normal speeds with a properly tuned engine.
- (6) Perform hydraulic pressure test if shift problems were noted during road test.
- (7) Perform air-pressure test to check clutch-band operation.

#### VEHICLE IS DISABLED

- (1) Check fluid level and condition.
- (2) Check for broken or disconnected gearshift or throttle linkage.
- (3) Check for cracked, leaking cooler lines, or loose or missing pressure-port plugs.
- (4) Raise and support vehicle on safety stands, start engine, shift transmission into gear, and note following:
  - (a) If propeller shaft turns but wheels do not, problem is with differential or axle shafts.
  - (b) If propeller shaft does not turn and transmission is noisy, stop engine. Remove oil pan, and check for debris. If pan is clear, remove transmission and check for damaged drive plate, converter, oil pump, or input shaft.

- (c) If propeller shaft does not turn and transmission is not noisy, perform hydraulic-pressure test to determine if problem is hydraulic or mechanical.

### PARK/NEUTRAL POSITION SWITCH

The center terminal of the park/neutral position switch is the starter-circuit terminal. It provides the ground for the starter solenoid circuit through the selector lever in PARK and NEUTRAL positions only. The outer terminals on the switch are for the backup lamp circuit.

#### SWITCH TEST

To test the switch, remove the wiring connector. Test for continuity between the center terminal and the transmission case. Continuity should exist only when the transmission is in PARK or NEUTRAL.

Shift the transmission into REVERSE and test continuity at the switch outer terminals. Continuity should exist only when the transmission is in REVERSE. Continuity should not exist between the outer terminals and the case.

Check gearshift linkage adjustment before replacing a switch that tests faulty.

### OVERDRIVE ELECTRICAL CONTROLS

The overdrive off switch, valve body solenoid, case connectors and related wiring can all be tested with a 12 volt test lamp or a volt/ohmmeter. Check continuity of each component when diagnosis indicates this is necessary. Refer to Group 8W, Wiring Diagrams, for component locations and circuit information.

Switch and solenoid continuity should be checked whenever the transmission fails to shift into fourth gear range.

### BRAKE TRANSMISSION SHIFT INTERLOCK

- (1) Verify that the key can only be removed in the PARK position
- (2) When the shift lever is in PARK And the shift handle pushbutton is in the "OUT" position, the ignition key cylinder should rotate freely from OFF to LOCK. When the shifter is in any other gear or neutral position, the ignition key cylinder should not rotate to the LOCK position.
- (3) Shifting out of PARK should be possible when the ignition key cylinder is in the OFF position.
- (4) Shifting out of PARK should not be possible while applying 25 lb. maximum handle pushbutton force and ignition key cylinder is in the RUN or START positions unless the foot brake pedal is depressed approximately 1/2 inch (12 mm).



## DIAGNOSIS AND TESTING (Continued)

SHIFT LEVER POSITION	TRANSMISSION CLUTCHES AND BANDS					OVERDRIVE CLUTCHES		
	FRONT CLUTCH	FRONT BAND	REAR CLUTCH	REAR BAND	OVERRUN. CLUTCH	OVERDRIVE CLUTCH	DIRECT CLUTCH	OVERRUN. CLUTCH
Reverse	X			X			X	
Drive Range								
First			X		X		X	X
Second		X	X				X	X
Third	X		X				X	X
Fourth	X		X			X		
2-Range (Manual Second)		X	X		X		X	X
1-Range (Manual Low)			X	X	X		X	X

J9421-218

**Clutch And Band Application Chart**

(5) Shifting out of PARK should not be possible when the ignition key cylinder is in the ACCESSORY or LOCK positions.

(6) Shifting between any gears, NEUTRAL or into PARK may be done without depressing foot brake pedal with ignition switch in RUN or START positions and vehicle stationary or in motion.

**GEARSHIFT CABLE**

(1) The floor shifter lever and gate positions should be in alignment with all transmission PARK, NEUTRAL, and gear detent positions.

(2) Engine starts must be possible with floor shift lever in PARK or NEUTRAL gate positions only. Engine starts must not be possible in any other gear position.

(3) With floor shift lever handle push-button not depressed and lever in:

(a) PARK position—Apply forward force on center of handle and remove pressure. Engine starts must be possible.

(b) PARK position—Apply rearward force on center of handle and remove pressure. Engine starts must be possible.

(c) NEUTRAL position—Normal position. Engine starts must be possible.

(d) NEUTRAL position—Engine running and brakes applied, apply forward force on center of shift handle. Transmission shall not be able to shift from neutral to reverse.

**THROTTLE VALVE CABLE**

Transmission throttle valve cable adjustment is extremely important to proper operation. This adjustment positions the throttle valve, which controls shift speed, quality, and part-throttle downshift sensitivity.

If cable setting is too loose, early shifts and slippage between shifts may occur. If the setting is too tight, shifts may be delayed and part throttle downshifts may be very sensitive. Refer to the Adjustments section for the proper adjustment procedure.

**ROAD TESTING**

Before road testing, be sure the fluid level and control cable adjustments have been checked and adjusted if necessary. Verify that diagnostic trouble codes have been resolved.

Observe engine performance during the road test. A poorly tuned engine will not allow accurate analysis of transmission operation.

Operate the transmission in all gear ranges. Check for shift variations and engine flare which indicates slippage. Note if shifts are harsh, spongy, delayed, early, or if part throttle downshifts are sensitive.

Slippage indicated by engine flare, usually means clutch, band or overrunning clutch problems. If the condition is advanced, an overhaul will be necessary to restore normal operation.

A slipping clutch or band can often be determined by comparing which internal units are applied in the various gear ranges. The Clutch and Band Application chart provides a basis for analyzing road test results.

DIAGNOSIS AND TESTING (Continued)

**ANALYZING ROAD TEST**

Refer to the Clutch and Band Application chart and note which elements are in use in the various gear ranges.

Note that the rear clutch is applied in all forward ranges (D, 2, 1). The transmission overrunning clutch is applied in first gear (D, 2 and 1 ranges) only. The rear band is applied in 1 and R range only.

Note that the overdrive clutch is applied only in fourth gear and the overdrive direct clutch and overrunning clutch are applied in all ranges except fourth gear.

For example: If slippage occurs in first gear in D and 2 range but not in 1 range, the transmission overrunning clutch is faulty. Similarly, if slippage occurs in any two forward gears, the rear clutch is slipping.

Applying the same method of analysis, note that the front and rear clutches are applied simultaneously only in D range third and fourth gear. If the transmission slips in third gear, either the front clutch or the rear clutch is slipping.

If the transmission slips in fourth gear but not in third gear, the overdrive clutch is slipping. By selecting another gear which does not use these clutches, the slipping unit can be determined. For example, if the transmission also slips in Reverse, the front clutch is slipping. If the transmission does not slip in Reverse, the rear clutch is slipping.

If slippage occurs during the 3-4 shift or only in fourth gear, the overdrive clutch is slipping. Similarly, if the direct clutch were to fail, the transmission would lose both reverse gear and overrun braking in 2 position (manual second gear).

If the transmission will not shift to fourth gear, the control switch, overdrive solenoid or related wiring may also be the problem cause.

This process of elimination can be used to identify a slipping unit and check operation. Proper use of the Clutch and Band Application Chart is the key.

Although road test analysis will help determine the slipping unit, the actual cause of a malfunction usually cannot be determined until hydraulic and air pressure tests are performed. Practically any condition can be caused by leaking hydraulic circuits or sticking valves.

Unless a malfunction is obvious, such as no drive in D range first gear, do not disassemble the transmission. Perform the hydraulic and air pressure tests to help determine the probable cause.

**HYDRAULIC PRESSURE TEST**

Hydraulic test pressures range from a low of one psi (6.895 kPa) governor pressure, to 300 psi (2068 kPa) at the rear servo pressure port in reverse.

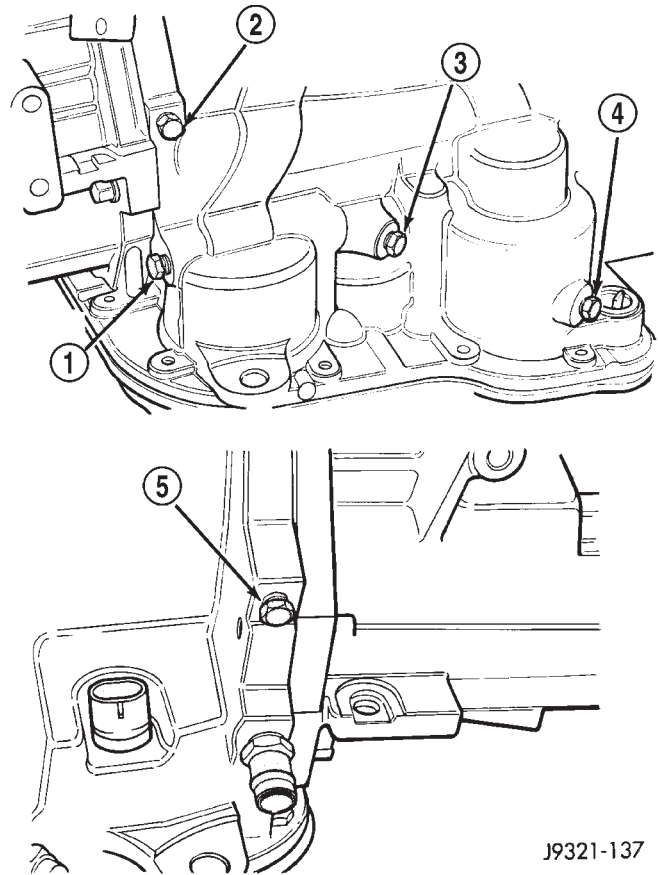
An accurate tachometer and pressure test gauges are required. Test Gauge C-3292 has a 100 psi range and is used at the accumulator, governor, and front servo ports. Test Gauge C-3293-SP has a 300 psi range and is used at the rear servo and overdrive ports where pressures exceed 100 psi.

**Pressure Test Port Locations**

Test ports are located at both sides of the transmission case (Fig. 67).

Line pressure is checked at the accumulator port on the right side of the case. The front servo pressure port is at the right side of the case just behind the filler tube opening.

The rear servo and governor pressure ports are at the right rear of the transmission case. The overdrive clutch pressure port is at the left rear of the case.



J9321-137

**Fig. 67 Pressure Test Port Locations**

- 1 - REAR SERVO TEST PORT
- 2 - GOVERNOR TEST PORT
- 3 - ACCUMULATOR TEST PORT
- 4 - FRONT SERVO TEST PORT
- 5 - OVERDRIVE CLUTCH TEST PORT



## DIAGNOSIS AND TESTING (Continued)

## Test One - Transmission In Manual Low

**NOTE: This test checks pump output, pressure regulation, and condition of the rear clutch and servo circuit. Both test gauges are required for this test.**

(1) Connect tachometer to engine. Position tachometer so it can be observed from driver seat if helper will be operating engine. Raise vehicle on hoist that will allow rear wheels to rotate freely.

(2) Connect 100 psi Gauge C-3292 to accumulator port. Then connect 300 psi Gauge C-3293-SP to rear servo port.

(3) Disconnect throttle and gearshift cables from levers on transmission valve body manual shaft.

(4) Have helper start and run engine at 1000 rpm.

(5) Move transmission shift lever fully forward into 1 range.

(6) Gradually move transmission throttle lever from full forward to full rearward position and note pressures on both gauges:

- Line pressure at accumulator port should be 54-60 psi (372-414 kPa) with throttle lever forward and gradually increase to 90-96 psi (621-662 kPa) as throttle lever is moved rearward.

- Rear servo pressure should be same as line pressure within 3 psi (20.68 kPa).

## Test Two—Transmission In 2 Range

**NOTE: This test checks pump output, line pressure and pressure regulation. Use 100 psi Test Gauge C-3292 for this test.**

(1) Leave vehicle in place on hoist and leave Test Gauge C-3292 connected to accumulator port.

(2) Have helper start and run engine at 1000 rpm.

(3) Move transmission shift lever one detent rearward from full forward position. This is 2 range.

(4) Move transmission throttle lever from full forward to full rearward position and read pressure on gauge.

(5) Line pressure should be 54-60 psi (372-414 kPa) with throttle lever forward and gradually increase to 90-96 psi (621-662 kPa) as lever is moved rearward.

## Test Three—Transmission In D Range Third Gear

**NOTE: This test checks pressure regulation and condition of the clutch circuits. Both test gauges are required for this test.**

(1) Turn OD switch off.

(2) Leave vehicle on hoist and leave Gauge C-3292 in place at accumulator port.

(3) Move Gauge C-3293-SP over to front servo port for this test.

(4) Have helper start and run engine at 1600 rpm for this test.

(5) Move transmission shift lever two detents rearward from full forward position. This is D range.

(6) Read pressures on both gauges as transmission throttle lever is gradually moved from full forward to full rearward position:

- Line pressure at accumulator in D range third gear, should be 54-60 psi (372-414 kPa) with throttle lever forward and increase as lever is moved rearward.

- Front servo pressure in D range third gear, should be within 3 psi (21 kPa) of line pressure up to kickdown point.

## Test Four—Transmission In Reverse

**NOTE: This test checks pump output, pressure regulation and the front clutch and rear servo circuits. Use 300 psi Test Gauge C-3293-SP for this test.**

(1) Leave vehicle on hoist and leave gauge C-3292 in place at accumulator port.

(2) Move 300 psi Gauge C-3293-SP back to rear servo port.

(3) Have helper start and run engine at 1600 rpm for test.

(4) Move transmission shift lever four detents rearward from full forward position. This is Reverse range.

(5) Move transmission throttle lever fully forward then fully rearward and note reading at Gauge C-3293-SP.

(6) Pressure should be 145 - 175 psi (1000-1207 kPa) with throttle lever forward and increase to 230 - 280 psi (1586-1931 kPa) as lever is gradually moved rearward.

## Test Five—Governor Pressure

**NOTE: This test checks governor operation by measuring governor pressure response to changes in vehicle speed. It is usually not necessary to check governor operation unless shift speeds are incorrect or if the transmission will not downshift. The test should be performed on the road or on a hoist that will allow the rear wheels to rotate freely.**

(1) Move 100 psi Test Gauge C-3292 to governor pressure port.

(2) Move transmission shift lever two detents rearward from full forward position. This is D range.

(3) Have helper start and run engine at curb idle speed. Then firmly apply service brakes so wheels will not rotate.

(4) Note governor pressure:

DIAGNOSIS AND TESTING (Continued)

- Governor pressure should be no more than 20.6 kPa (3 psi) at curb idle speed and wheels not rotating.

- If pressure exceeds 20.6 kPa (3 psi), a fault exists in governor pressure control system.

(5) Release brakes, slowly increase engine speed, and observe speedometer and pressure test gauge (do not exceed 30 mph on speedometer). Governor pressure should increase in proportion to vehicle speed. Or approximately 6.89 kPa (1 psi) for every 1 mph.

(6) Governor pressure rise should be smooth and drop back to no more than 20.6 kPa (3 psi), after engine returns to curb idle and brakes are applied to prevent wheels from rotating.

(7) Compare results of pressure test with analysis chart.

Test Six—Transmission In Overdrive Fourth Gear

**NOTE:** This test checks line pressure at the overdrive clutch in fourth gear range. Use 300 psi Test Gauge C-3293-SP for this test. The test should be performed on the road or on a chassis dyno.

(1) Remove tachometer; it is not needed for this test.

(2) Move 300 psi Gauge to overdrive clutch pressure test port. Then remove other gauge and reinstall test port plug.

(3) Lower vehicle.

(4) Turn OD switch on.

(5) Secure test gauge so it can be viewed from drivers seat.

(6) Start engine and shift into D range.

(7) Increase vehicle speed gradually until 3-4 shift occurs and note gauge pressure.

(8) Pressure should be 469-496 kPa (68-72 psi) with closed throttle and increase to 620-827 kPa (90-120 psi) at 1/2 to 3/4 throttle. Note that pressure can increase to around 896 kPa (130 psi) at full throttle.

(9) Return to shop or move vehicle off chassis dyno.

**AIR TESTING TRANSMISSION CLUTCH AND BAND OPERATION**

Air-pressure testing can be used to check transmission front/rear clutch and band operation. The test can be conducted with the transmission either in the vehicle or on the work bench, as a final check, after overhaul.

Air-pressure testing requires that the oil pan and valve body be removed from the transmission. The servo and clutch apply passages are shown (Fig. 68).

*PRESSURE TEST ANALYSIS CHART*

TEST CONDITION	INDICATION
Line pressure OK during any one test	Pump and regulator valve OK
Line pressure OK in R but low in D, 2, 1	Leakage in rear clutch area (seal rings, clutch seals)
Pressure low in D Fourth Gear Range	Overdrive clutch piston seal, or check ball problem
Pressure OK in 1, 2 but low in D3 and R	Leakage in front clutch area
Pressure OK in 2 but low in R and 1	Leakage in rear servo
Front servo pressure low in 2	Leakage in servo; broken servo ring or cracked servo piston
Pressure low in all positions	Clogged filter, stuck regulator valve, worn or faulty pump, low oil level
Governor pressure too high at idle speed	Governor pressure solenoid valve system fault. Refer to diagnostic book.
Governor pressure low at all mph figures	Faulty governor pressure solenoid, transmission control module, or governor pressure sensor
Lubrication pressure low at all throttle positions	Clogged fluid cooler or lines, seal rings leaking, worn pump bushings, pump, clutch retainer, or clogged filter.
Line pressure high	Output shaft plugged, sticky regulator valve
Line pressure low	Sticky regulator valve, clogged filter, worn pump

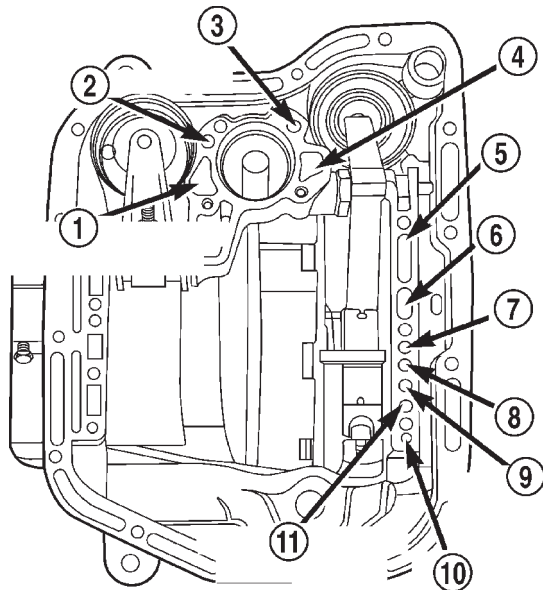
**Front Clutch Air Test**

Place one or two fingers on the clutch housing and apply air pressure through front clutch apply passage. Piston movement can be felt and a soft thump heard as the clutch applies.

**Rear Clutch Air Test**

Place one or two fingers on the clutch housing and apply air pressure through rear clutch apply passage. Piston movement can be felt and a soft thump heard as the clutch applies.

## DIAGNOSIS AND TESTING (Continued)



80b1717e

**Fig. 68 Air Pressure Test Passages**

- 1 - LINE PRESSURE TO ACCUMULATOR
- 2 - REAR SERVO APPLY
- 3 - FRONT SERVO APPLY
- 4 - FRONT SERVO RELEASE
- 5 - PUMP SUCTION
- 6 - PUMP PRESSURE
- 7 - FRONT CLUTCH APPLY
- 8 - REAR CLUTCH APPLY
- 9 - TO TORQUE CONVERTOR
- 10 - TO COOLER
- 11 - FROM TORQUE CONVERTER

**Front Servo Air Test**

Apply air pressure to the front servo apply passage. The servo rod should extend and cause the band to tighten around the drum. Spring pressure should release the servo when air pressure is removed.

**Rear Servo Air Test**

Apply air pressure to the rear servo apply passage. The servo rod should extend and cause the band to tighten around the drum. Spring pressure should release the servo when air pressure is removed.

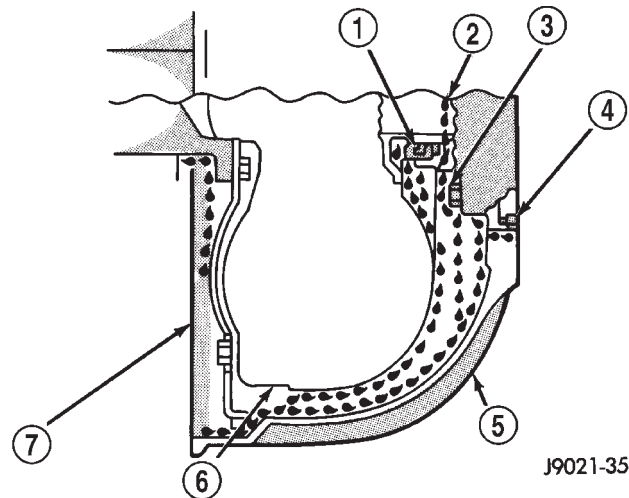
**CONVERTER HOUSING FLUID LEAK DIAGNOSIS**

When diagnosing converter housing fluid leaks, two items must be established before repair.

- (1) Verify that a leak condition actually exists.
- (2) Determined the true source of the leak.

Some suspected converter housing fluid leaks may not be leaks at all. They may only be the result of residual fluid in the converter housing, or excess fluid spilled during factory fill or fill after repair. Converter housing leaks have several potential

sources. Through careful observation, a leak source can be identified before removing the transmission for repair. Pump seal leaks tend to move along the drive hub and onto the rear of the converter. Pump O-ring or pump body leaks follow the same path as a seal leak (Fig. 69). Pump vent or pump attaching bolt leaks are generally deposited on the inside of the converter housing and not on the converter itself (Fig. 69). Pump seal or gasket leaks usually travel down the inside of the converter housing. Front band lever pin plug leaks are generally deposited on the housing and not on the converter.



J9021-35

**Fig. 69 Converter Housing Leak Paths**

- 1 - PUMP SEAL
- 2 - PUMP VENT
- 3 - PUMP BOLT
- 4 - PUMP GASKET
- 5 - CONVERTER HOUSING
- 6 - CONVERTER
- 7 - REAR MAIN SEAL LEAK

**TORQUE CONVERTER LEAK POINTS**

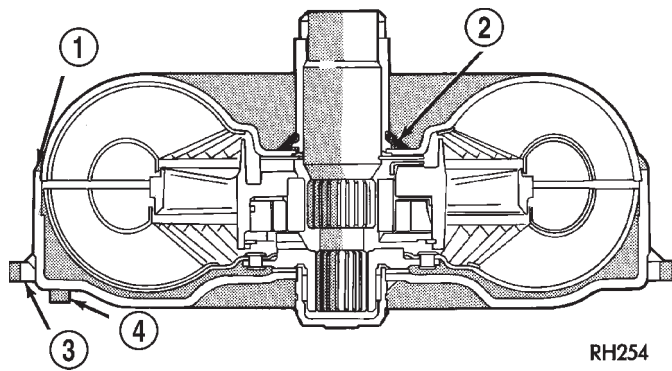
Possible sources of converter leaks are:

- (1) Leaks at the weld joint around the outside diameter weld (Fig. 70).
- (2) Leaks at the converter hub weld (Fig. 70).

**CONVERTER HOUSING AREA LEAK CORRECTION**

- (1) Remove converter.
- (2) Tighten front band adjusting screw until band is tight around front clutch retainer. This prevents front/rear clutches from coming out when oil pump is removed.
- (3) Remove oil pump and remove pump seal. Inspect pump housing drainback and vent holes for obstructions. Clear holes with solvent and wire.
- (4) Inspect pump bushing and converter hub. If bushing is scored, replace it. If converter hub is scored, either polish it with crocus cloth or replace converter.

## DIAGNOSIS AND TESTING (Continued)



**Fig. 70 Converter Leak Points—Typical**

- 1 - OUTSIDE DIAMETER WELD
- 2 - TORQUE CONVERTER HUB WELD
- 3 - STARTER RING GEAR
- 4 - LUG

(5) Install new pump seal, O-ring, and gasket. Replace oil pump if cracked, porous or damaged in any way. Be sure to loosen the front band before installing the oil pump, damage to the oil pump seal may occur if the band is still tightened to the front clutch retainer.

(6) Loosen kickdown lever pin access plug three turns. Apply Loctite 592, or Permatex No. 2 to plug threads and tighten plug to 17 N·m (150 in. lbs.) torque.

(7) Adjust front band.

(8) Lubricate pump seal and converter hub with transmission fluid or petroleum jelly and install converter.

(9) Install transmission and converter housing dust shield.

(10) Lower vehicle.

## DIAGNOSIS TABLES AND CHARTS—RE TRANSMISSION

The diagnosis charts provide additional reference when diagnosing a transmission fault. The charts provide general information on a variety of transmission, overdrive unit and converter clutch fault conditions.

The hydraulic flow charts in the Schematics and Diagrams section of this group, outline fluid flow and hydraulic circuitry. Circuit operation is provided for neutral, third, fourth and reverse gear ranges. Normal working pressures are also supplied for each of the gear ranges.

## DIAGNOSIS AND TESTING (Continued)

## DIAGNOSIS CHARTS

CONDITION	POSSIBLE CAUSES	CORRECTION
HARSH ENGAGEMENT (FROM NEUTRAL TO DRIVE OR REVERSE)	1. Fluid Level Low	1. Add Fluid
	2. Throttle Linkage Misadjusted	2. Adjust linkage - setting may be too long.
	3. Mount and Driveline Bolts Loose	3. Check engine mount, transmission mount, propeller shaft, rear spring to body bolts, rear control arms, crossmember and axle bolt torque. Tighten loose bolts and replace missing bolts.
	4. U-Joint Worn/Broken	4. Remove propeller shaft and replace U-Joint.
	5. Axle Backlash Incorrect	5. Check per Service Manual. Correct as needed.
	6. Hydraulic Pressure Incorrect	6. Check pressure. Remove, overhaul or adjust valve body as needed.
	7. Band Misadjusted.	7. Adjust rear band.
	8. Valve Body Check Balls Missing.	8. Inspect valve body for proper check ball installation.
	9. Axle Pinion Flange Loose.	9. Replace nut and check pinion threads before installing new nut. Replace pinion gear if threads are damaged.
	10. Clutch, band or planetary component damaged.	10. Remove, disassemble and repair transmission as necessary.
	11. Converter Clutch Faulty.	11. Replace converter and flush cooler and line before installing new converter.



DIAGNOSIS AND TESTING (Continued)

CONDITION	POSSIBLE CAUSES	CORRECTION
<b>DELAYED ENGAGEMENT (FROM NEUTRAL TO DRIVE OR REVERSE)</b>	1. Fluid Level Low.	1. Correct level and check for leaks.
	2. Filter Clogged.	2. Change filter.
	3. Gearshift Linkage Misadjusted.	3. Adjust linkage and repair linkage if worn or damaged.
	4. Torque Converter Drain Back (Oil drains from torque converter into transmission sump)	4. If vehicle moves normally after 5 seconds after shifting into gear, no repair is necessary. If longer, inspect pump bushing for wear. Replace pump house.
	5. Rear Band Misadjusted.	5. Adjust band.
	6. Valve Body Filter Plugged.	6. Replace fluid and filter. If oil pan and old fluid were full of clutch disc material and/or metal particles, overhaul will be necessary.
	7. Oil Pump Gears Worn/Damaged.	7. Remove transmission and replace oil pump.
	8. Governor Circuit and Solenoid Valve Electrical Fault.	8. Test with DRB scan tool and repair as required.
	9. Hydraulic Pressure Incorrect.	9. Perform pressure test, remove transmission and repair as needed.
	10. Reaction Shaft Seal Rings Worn/Broken.	10. Remove transmission, remove oil pump and replace seal rings.
	11. Rear Clutch/Input Shaft, Rear Clutch Seal Rings Damaged.	11. Remove and disassemble transmission and repair as necessary.
	12. Regulator Valve Stuck.	12. Clean.
	13. Cooler Plugged.	13. Transfer case failure can plug cooler.
<b>NO DRIVE RANGE (REVERSE OK)</b>	1. Fluid Level Low.	1. Add fluid and check for leaks if drive is restored.
	2. Gearshift Linkage/Cable Loose/Misadjusted.	2. Repair or replace linkage components.
	3. Rear Clutch Burnt.	3. Remove and disassemble transmission and rear clutch and seals. Repair/replace worn or damaged parts as needed.
	4. Valve Body Malfunction.	4. Remove and disassemble valve body. Replace assembly if any valves or bores are damaged.
	5. Transmission Overrunning Clutch Broken.	5. Remove and disassemble transmission. Replace overrunning clutch.
	6. Input Shaft Seal Rings Worn/Damaged.	6. Remove and disassemble transmission. Replace seal rings and any other worn or damaged parts.
	7. Front Planetary Failed Broken.	7. Remove and repair.



## DIAGNOSIS AND TESTING (Continued)

CONDITION	POSSIBLE CAUSES	CORRECTION
NO DRIVE OR REVERSE (VEHICLE WILL NOT MOVE)	1. Fluid Level Low.	1. Add fluid and check for leaks if drive is restored.
	2. Gearshift Linkage/Cable Loose/Misadjusted.	2. Inspect, adjust and reassemble linkage as needed. Replace worn/damaged parts.
	3. U-Joint/Axle/Transfer Case Broken.	3. Perform preliminary inspection procedure for vehicle that will not move. Refer to procedure in diagnosis section.
	4. Filter Plugged.	4. Remove and disassemble transmission. Repair or replace failed components as needed. Replace filter. If filter and fluid contained clutch material or metal particles, an overhaul may be necessary. Perform lube flow test. Flush oil. Replace cooler as necessary.
	5. Oil Pump Damaged.	5. Perform pressure test to confirm low pressure. Replace pump body assembly if necessary.
	6. Valve Body Malfunctioned.	6. Check and inspect valve body. Replace valve body (as assembly) if any valve or bore is damaged. Clean and reassemble correctly if all parts are in good condition.
	7. Transmission Internal Component Damaged.	7. Remove and disassemble transmission. Repair or replace failed components as needed.
	8. Park Sprag not Releasing - Check Stall Speed, Worn/Damaged/Stuck.	8. Remove, disassemble, repair.
	9. Torque Converter Damage.	9. Inspect and replace as required.

DIAGNOSIS AND TESTING (Continued)

CONDITION	POSSIBLE CAUSES	CORRECTION
<p>SHIFTS DELAYED OR ERRATIC (SHIFTS ALSO HARSH AT TIMES)</p>	<p>1. Fluid Level Low/High.</p>	<p>1. Correct fluid level and check for leaks if low.</p>
	<p>2. Fluid Filter Clogged.</p>	<p>2. Replace filter. If filter and fluid contained clutch material or metal particles, an overhaul may be necessary. Perform lube flow test.</p>
	<p>3. Throttle Linkage Misadjusted.</p>	<p>3. Adjust linkage as described in service section.</p>
	<p>4. Throttle Linkage Binding.</p>	<p>4. Check cable for binding. Check for return to closed throttle at transmission.</p>
	<p>5. Gearshift Linkage/Cable Misadjusted.</p>	<p>5. Adjust linkage/cable as described in service section.</p>
	<p>6. Clutch or Servo Failure.</p>	<p>6. Remove valve body and air test clutch, and band servo operation. Disassemble and repair transmission as needed.</p>
	<p>7. Governor Circuit Electrical Fault.</p>	<p>7. Test using DRB scan tool and repair as required.</p>
	<p>8. Front Band Misadjusted.</p>	<p>8. Adjust band.</p>
	<p>9. Pump Suction Passage Leak.</p>	<p>9. Check for excessive foam on dipstick after normal driving. Check for loose pump bolts, defective gasket. Replace pump assembly if needed.</p>
<p>NO REVERSE (D RANGES OK)</p>	<p>1. Gearshift Linkage/Cable Misadjusted/Damaged.</p>	<p>1. Repair or replace linkage parts as needed.</p>
	<p>2. Park Sprag Sticking.</p>	<p>2. Replace overdrive annulus gear.</p>
	<p>3. Rear Band Misadjusted/Worn.</p>	<p>3. Adjust band; replace.</p>
	<p>4. Valve Body Malfunction.</p>	<p>4. Remove and service valve body. Replace valve body if any valves or valve bores are worn or damaged.</p>
	<p>5. Rear Servo Malfunction.</p>	<p>5. Remove and disassemble transmission. Replace worn/damaged servo parts as necessary.</p>
	<p>6. Direct Clutch in Overdrive Worn</p>	<p>6. Disassemble overdrive. Replace worn or damaged parts.</p>
	<p>7. Front Clutch Burnt.</p>	<p>7. Remove and disassemble transmission. Replace worn, damaged clutch parts as required.</p>
<p>HAS FIRST/REVERSE ONLY (NO 1-2 OR 2-3 UPSHIFT)</p>	<p>1. Governor Circuit Electrical Fault.</p>	<p>1. Test using DRB scan tool and repair as required.</p>
	<p>2. Valve Body Malfunction.</p>	<p>2. Repair stuck 1-2 shift valve or governor plug.</p>
	<p>3. Front Servo/Kickdown Band Damaged/Burned.</p>	<p>3. Repair/replace.</p>

## DIAGNOSIS AND TESTING (Continued)

CONDITION	POSSIBLE CAUSES	CORRECTION
MOVES IN 2ND OR 3RD GEAR, ABRUPTLY DOWNSHIFTS TO LOW	1. Valve Body Malfunction.	1. Remove, clean and inspect. Look for stuck 1-2 valve or governor plug.
	2. Governor Valve Sticking.	2. Remove, clean and inspect. Replace faulty parts.
NO LOW GEAR (MOVES IN 2ND OR 3RD GEAR ONLY)	1. Governor Valve Sticking.	1. Remove governor, clean, inspect and repair as required.
	2. Governor Circuit Electrical Fault.	2. Test with DRB scan tool and repair as required.
	3. Valve Body Malfunction.	3. Remove, clean and inspect. Look for sticking 1-2 shift valve, 2-3 shift valve, governor plug or broken springs.
	4. Front Servo Piston Cocked in Bore.	4. Inspect servo and repair as required.
	5. Front Band Linkage Malfunction.	5. Inspect linkage and look for bind in linkage.
NO KICKDOWN OR NORMAL DOWNSHIFT	1. Throttle Linkage Misadjusted.	1. Adjust linkage.
	2. Accelerator Pedal Travel Restricted.	2. Verify floor mat is not under pedal, repair worn accelerator cable or bent brackets.
	3. Valve Body Hydraulic Pressures Too High or Too Low Due to Valve Body Malfunction or Incorrect Hydraulic Control Pressure Adjustments.	3. Perform hydraulic pressure tests to determine cause and repair as required. Correct valve body pressure adjustments as required.
	4. Governor Circuit Electrical Fault.	4. Test with DRB scan tool and repair as required.
	5. Valve Body Malfunction.	5. Perform hydraulic pressure tests to determine cause and repair as required. Correct valve body pressure adjustments as required.
	6. TPS Malfunction.	6. Replace sensor, check with DRB scan tool.
	7. PCM Malfunction.	7. Check with DRB scan tool and replace if required.
	8. Valve Body Malfunction.	8. Repair sticking 1-2, 2-3 shift valves, governor plugs, 3-4 solenoid, 3-4 shift valve, 3-4 timing valve.
STUCK IN LOW GEAR (WILL NOT UPSHIFT)	1. Throttle Linkage Misadjusted/ Stuck.	1. Adjust linkage and repair linkage if worn or damaged. Check for binding cable or missing return spring.
	2. Gearshift Linkage Misadjusted.	2. Adjust linkage and repair linkage if worn or damaged.
	3. Governor Component Electrical Fault.	3. Check operating pressures and test with DRB scan tool, repair faulty component.
	4. Front Band Out of Adjustment.	4. Adjust Band.
	5. Clutch or Servo Malfunction.	5. Air pressure check operation of clutches and bands. Repair faulty component.

## DIAGNOSIS AND TESTING (Continued)

CONDITION	POSSIBLE CAUSES	CORRECTION
CREEPS IN NEUTRAL	1. Gearshift Linkage Misadjusted.	1. Adjust linkage.
	2. Rear Clutch Dragging/Warped.	2. Disassemble and repair.
	3. Valve Body Malfunction.	3. Perform hydraulic pressure test to determine cause and repair as required.
BUZZING NOISE	1. Fluid Level Low.	1. Add fluid and check for leaks.
	2. Shift Cable Misassembled.	2. Route cable away from engine and bell housing.
	3. Valve Body Misassembled.	3. Remove, disassemble, inspect valve body. Reassemble correctly if necessary. Replace assembly if valves or springs are damaged. Check for loose bolts or screws.
	4. Pump Passages Leaking.	4. Check pump for porous casting, scores on mating surfaces and excess rotor clearance. Repair as required. Loose pump bolts.
	5. Cooling System Cooler Plugged.	5. Flow check cooler circuit. Repair as needed.
	6. Overrunning Clutch Damaged.	6. Replace clutch.
SLIPS IN REVERSE ONLY	1. Fluid Level Low.	1. Add fluid and check for leaks.
	2. Gearshift Linkage Misadjusted.	2. Adjust linkage.
	3. Rear Band Misadjusted.	3. Adjust band.
	4. Rear Band Worn.	4. Replace as required.
	5. Overdrive Direct Clutch Worn.	5. Disassemble overdrive. Repair as needed.
	6. Hydraulic Pressure Too Low.	6. Perform hydraulic pressure tests to determine cause.
	7. Rear Servo Leaking.	7. Air pressure check clutch-servo operation and repair as required.
	8. Band Linkage Binding.	8. Inspect and repair as required.

## DIAGNOSIS AND TESTING (Continued)

CONDITION	POSSIBLE CAUSES	CORRECTION
SLIPS IN FORWARD DRIVE RANGES	1. Fluid Level Low.	1. Add fluid and check for leaks.
	2. Fluid Foaming.	2. Check for high oil level, bad pump gasket or seals, dirt between pump halves and loose pump bolts. Replace pump if necessary.
	3. Throttle Linkage Misadjusted.	3. Adjust linkage.
	4. Gearshift Linkage Misadjusted.	4. Adjust linkage.
	5. Rear Clutch Worn.	5. Inspect and replace as needed.
	6. Low Hydraulic Pressure Due to Worn Pump, Incorrect Control Pressure Adjustments, Valve Body Warpage or Malfunction, Sticking, Leaking Seal Rings, Clutch Seals Leaking, Servo Leaks, Clogged Filter or Cooler Lines.	6. Perform hydraulic and air pressure tests to determine cause.
	7. Rear Clutch Malfunction, Leaking Seals or Worn Plates.	7. Air pressure check clutch-servo operation and repair as required.
	8. Overrunning Clutch Worn, Not Holding (Slips in 1 Only).	8. Replace Clutch.
SLIPS IN LOW GEAR "D" ONLY, BUT NO IN 1 POSITION	Overrunning Clutch Faulty.	Replace overrunning clutch.
GROWLING, GRATING OR SCRAPING NOISES	1. Drive Plate Broken.	1. Replace.
	2. Torque Converter Bolts Hitting Dust Shield.	2. Dust shield bent. Replace or repair.
	3. Planetary Gear Set Broken/ Seized.	3. Check for debris in oil pan and repair as required.
	4. Overrunning Clutch Worn/Broken.	4. Inspect and check for debris in oil pan. Repair as required.
	5. Oil Pump Components Scored/ Binding.	5. Remove, inspect and repair as required.
	6. Output Shaft Bearing or Bushing Damaged.	6. Remove, inspect and repair as required.
	7. Clutch Operation Faulty.	7. Perform air pressure check and repair as required.
	8. Front and Rear Bands Misadjusted.	8. Adjust bands.

DIAGNOSIS AND TESTING (Continued)

CONDITION	POSSIBLE CAUSES	CORRECTION
DRAGS OR LOCKS UP	1. Fluid Level Low.	1. Check and adjust level.
	2. Clutch Dragging/Failed.	2. Air pressure check clutch operation and repair as required.
	3. Front or Rear Band Misadjusted.	3. Adjust bands.
	4. Case Leaks Internally.	4. Check for leakage between passages in case.
	5. Servo Band or Linkage Malfunction.	5. Air pressure check servo operation and repair as required.
	6. Overrunning Clutch Worn.	6. Remove and inspect clutch. Repair as required.
	7. Planetary Gears Broken.	7. Remove, inspect and repair as required (look for debris in oil pan).
	8. Converter Clutch Dragging.	8. Check for plugged cooler. Perform flow check. Inspect pump for excessive side clearance. Replace pump as required.
NO 4-3 DOWNSHIFT	1. Circuit Wiring and/or Connectors Shorted.	1. Test wiring and connectors with test lamp and volt/ohmmeter. Repair wiring as necessary. Replace connectors and/or harnesses as required.
	2. PCM Malfunction.	2. Check PCM operation with DRB scan tool. Replace PCM only if faulty.
	3. TPS Malfunction.	3. Check TPS with DRB scan tool at PCM.
	4. Lockup Solenoid Not Venting.	4. Remove valve body and replace solenoid assembly if plugged or shorted.
	5. Overdrive Solenoid Not Venting.	5. Remove valve body and replace solenoid if plugged or shorted.
	6. Valve Body Valve Sticking.	6. Repair stuck 3-4 shift valve or lockup timing valve.
NO 4-3 DOWNSHIFT WHEN CONTROL SWITCH IS TURNED OFF	1. Control Switch Open/Shorted.	1. Test and replace switch if faulty.
	2. Overdrive Solenoid Connector Shorted.	2. Test solenoids and replace if seized or shorted.
	3. PCM Malfunction.	3. Test with DRB scan tool. Replace PCM if faulty.
	4. Valve Body Stuck Valves.	4. Repair stuck 3-4, lockup or lockup timing valve.
CLUNK NOISE FROM DRIVELINE ON CLOSED THROTTLE 4-3 DOWNSHIFT	1. Transmission Fluid Low.	1. Add Fluid.
	2. Throttle Cable Misadjusted.	2. Adjust cable.
	3. Overdrive Clutch Select Spacer Wrong Spacer.	3. Replace overdrive piston thrust plate spacer.



## DIAGNOSIS AND TESTING (Continued)

CONDITION	POSSIBLE CAUSES	CORRECTION
3-4 UPSHIFT OCCURS IMMEDIATELY AFTER 2-3 SHIFT	1. Overdrive Solenoid Connector or Wiring Shorted.	1. Test connector and wiring for loose connections, shorts or ground and repair as needed.
	2. TPS Malfunction.	2. Test TPS and replace as necessary. Check with DRB scan tool.
	3. PCM Malfunction.	3. Test PCM with DRB scan tool and replace controller if faulty.
	4. Overdrive Solenoid Malfunction.	4. Replace solenoid.
	5. Valve Body Malfunction.	5. Remove, disassemble, clean and inspect valve body components. Make sure all valves and plugs slide freely in bores. Polish valves with crocus cloth if needed.
WHINE/NOISE RELATED TO ENGINE SPEED	1. Fluid Level Low.	1. Add fluid and check for leaks.
	2. Shift Cable Incorrect Routing.	2. Check shift cable for correct routing. Should not touch engine or bell housing.

## DIAGNOSIS AND TESTING (Continued)

CONDITION	POSSIBLE CAUSES	CORRECTION
NO 3-4 UPSHIFT	1. Dash O/D Switch In OFF Position.	1. Turn control switch to ON position.
	2. Overdrive Circuit Fuse Blown.	2. Replace fuse. Determine why fuse failed and repair as necessary (i.e., shorts or grounds in circuit).
	3. O/D Switch Wire Shorted/Open Cut.	3. Check wires/connections with 12V test lamp and voltmeter. Repair damaged or loose wire/connection as necessary.
	4. Distance or Coolant Sensor Malfunction.	4. Check with DRB scan tool and repair or replace as necessary.
	5. TPS Malfunction.	5. Check with DRB scan tool and replace if necessary.
	6. Neutral Switch to PCM Wire Shorted/Cut.	6. Test switch as described in service section and replace if necessary. Engine no start.
	7. PCM Malfunction.	7. Check with DRB scan tool and replace if necessary.
	8. Overdrive Solenoid Shorted/Open.	8. Replace solenoid if shorted or open and repair loose or damaged wires (DRB scan tool).
	9. Solenoid Feed Orifice in Valve Body Blocked.	9. Remove, disassemble, and clean valve body thoroughly. Check feed orifice.
	10. Overdrive Clutch Failed.	10. Disassemble overdrive and repair as needed.
	11. Hydraulic Pressure Low.	11. Pressure test transmission to determine cause.
	12. Valve Body Valve Stuck.	12. Repair stuck 3-4 shift valve, 3-4 timing valve.
	13. O/D Piston Incorrect Spacer.	13. Remove unit, check end play and install correct spacer.
	14. Overdrive Piston Seal Failure.	14. Replace both seals.
	15. O/D Check Valve/Orifice Failed.	15. Check for free movement and secure assembly (in piston retainer). Check ball bleed orifice.

## DIAGNOSIS AND TESTING (Continued)

CONDITION	POSSIBLE CAUSES	CORRECTION
SLIPS IN OVERDRIVE FOURTH GEAR	1. Fluid Level Low.	1. Add fluid and check for leaks.
	2. Overdrive Clutch Pack Worn.	2. Remove overdrive unit and rebuild clutch pack.
	3. Overdrive Piston Retainer Bleed Orifice Blown Out.	3. Disassemble transmission, remove retainer and replace orifice.
	4. Overdrive Piston or Seal Malfunction.	4. Remove overdrive unit. Replace seals if worn. Replace piston if damaged. If piston retainer is damaged, remove and disassemble the transmission.
	5. 3-4 Shift Valve, Timing Valve or Accumulator Malfunction.	5. Remove and overhaul valve body. Replace accumulator seals. Make sure all valves operate freely in bores and do not bind or stick. Make sure valve body screws are correctly tightened and separator plates are properly positioned.
	6. Overdrive Unit Thrust Bearing Failure.	6. Disassemble overdrive unit and replace thrust bearing (NO. 1 thrust bearing is between overdrive piston and clutch hub; NO. 2 thrust bearing is between the planetary gear and the direct clutch spring plate; NO. 3 thrust bearing is between overrunning clutch hub and output shaft).
	7. O/D Check Valve/Bleed Orifice Failure.	7. Check for function/secure orifice insert in O/D piston retainer.
DELAYED 3-4 UPSHIFT (SLOW TO ENGAGE)	1. Fluid Level Low.	1. Add fluid and check for leaks.
	2. Throttle Valve Cable Misadjusted.	2. Adjust throttle valve cable.
	3. Overdrive Clutch Pack Worn/ Burnt.	3. Remove unit and rebuild clutch pack.
	4. TPS Faulty.	4. Test with DRB scan tool and replace as necessary.
	5. Overdrive Clutch Bleed Orifice Plugged.	5. Disassemble transmission and replace orifice.
	6. Overdrive Solenoid or Wiring Shorted/Open.	6. Test solenoid and check wiring for loose/corroded connections or shorts/grounds. Replace solenoid if faulty and repair wiring if necessary.
	7. Overdrive Excess Clearance.	7. Remove unit. Measure end play and select proper spacer.
	8. O/D Check Valve Missing or Stuck.	8. Check for presence of check valve. Repair or replace as required.
TORQUE CONVERTER LOCKS UP IN SECOND AND/OR THIRD GEAR	Lockup Solenoid, Relay or Wiring Shorted/Open.	Test solenoid, relay and wiring for continuity, shorts or grounds. Replace solenoid and relay if faulty. Repair wiring and connectors as necessary.
HARSH 1-2, 2-3, 3-4 OR 3-2 SHIFTS	Lockup Solenoid Malfunction.	Remove valve body and replace solenoid assembly.

## DIAGNOSIS AND TESTING (Continued)

CONDITION	POSSIBLE CAUSES	CORRECTION
NO START IN PARK OR NEUTRAL	1. Gearshift Linkage/Cable Misadjusted.	1. Adjust linkage/cable.
	2. Neutral Switch Wire Open/Cut.	2. Check continuity with test lamp. Repair as required.
	3. Neutral Switch Faulty.	3. Refer to service section for test and replacement procedure.
	4. Neutral Switch Connect Faulty.	4. Connectors spread open. Repair.
	5. Valve Body Manual Lever Assembly Bent/Worn/Broken.	5. Inspect lever assembly and replace if damaged.
NO REVERSE (OR SLIPS IN REVERSE)	1. Direct Clutch Pack (front clutch) Worn.	1. Disassemble unit and rebuild clutch pack.
	2. Rear Band Misadjusted.	2. Adjust band.
	3. Front Clutch Malfunctioned/ Burned.	3. Air-pressure test clutch operation. Remove and rebuild if necessary.
	4. Overdrive Thrust Bearing Failure.	4. Disassemble geartrain and replace bearings.
	5. Direct Clutch Spring Collapsed/ Broken.	5. Remove and disassemble unit. Check clutch position and replace spring.
OIL LEAKS	1. Fluid Lines and Fittings Loose/ Leaks/Damaged.	1. Tighten fittings. If leaks persist, replace fittings and lines if necessary.
	2. Fill Tube (where tube enters case) Leaks/Damaged.	2. Replace tube seal. Inspect tube for cracks in fill tube.
	3. Pressure Port Plug Loose Loose/Damaged.	3. Tighten to correct torque. Replace plug or reseal if leak persists.
	4. Pan Gasket Leaks.	4. Tighten pan screws (150 in. lbs.). If leaks persist, replace gasket.
	5. Valve Body Manual Lever Shaft Seal Leaks/Worn.	5. Replace shaft seal.
	6. Rear Bearing Access Plate Leaks.	6. Replace gasket. Tighten screws.
	7. Gasket Damaged or Bolts are Loose.	7. Replace bolts or gasket or tighten both.
	8. Adapter/Extension Gasket Damaged Leaks/Damaged.	8. Replace gasket.
	9. Neutral Switch Leaks/Damaged.	9. Replace switch and gasket.
	10. Converter Housing Area Leaks.	10. Check for leaks at seal caused by worn seal or burr on converter hub (cutting seal), worn bushing, missing oil return, oil in front pump housing or hole plugged. Check for leaks past O-ring seal on pump or past pump-to-case bolts; pump housing porous, oil coming out vent due to overfill or leak past front band shaft access plug.
	11. Pump Seal Leaks/Worn/ Damaged.	11. Replace seal.
	12. Torque Converter Weld Leak/Cracked Hub.	12. Replace converter.
	13. Case Porosity Leaks.	13. Replace case.

## DIAGNOSIS AND TESTING (Continued)

CONDITION	POSSIBLE CAUSES	CORRECTION
NOISY OPERATION IN FOURTH GEAR ONLY	1. Overdrive Clutch Discs, Plates or Snap Rings Damaged.	1. Remove unit and rebuild clutch pack.
	2. Overdrive Piston or Planetary Thrust Bearing Damaged.	2. Remove and disassemble unit. Replace either thrust bearing if damaged.
	3. Output Shaft Bearings Scored/Damaged.	3. Remove and disassemble unit. Replace either bearing if damaged.
	4. Planetary Gears Worn/Chipped.	4. Remove and overhaul overdrive unit.
	5. Overdrive Unit Overrunning Clutch Rollers Worn/Scored.	5. Remove and overhaul overdrive unit.

## SERVICE PROCEDURES

## FLUID LEVEL CHECK

Transmission fluid level should be checked monthly under normal operation. If the vehicle is used for trailer towing or similar heavy load hauling, check fluid level and condition weekly. Fluid level is checked with the engine running at curb idle speed, the transmission in NEUTRAL and the transmission fluid at normal operating temperature.

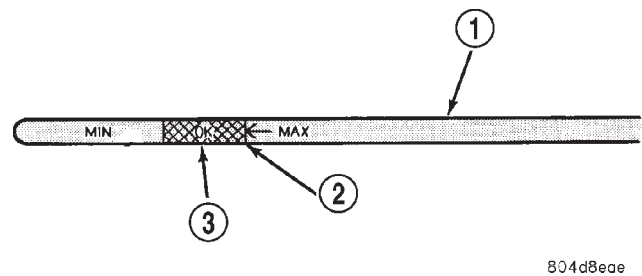
## FLUID LEVEL CHECK PROCEDURE

- (1) Transmission fluid must be at normal operating temperature for accurate fluid level check. Drive vehicle if necessary to bring fluid temperature up to normal hot operating temperature of 82°C (180°F).
- (2) Position vehicle on level surface.
- (3) Start and run engine at curb idle speed.
- (4) Apply parking brakes.
- (5) Shift transmission momentarily into all gear ranges. Then shift transmission back to Neutral.
- (6) Clean top of filler tube and dipstick to keep dirt from entering tube.
- (7) Remove dipstick (Fig. 71) and check fluid level as follows:
  - (a) Correct acceptable level is in crosshatch area.
  - (b) Correct maximum level is to MAX arrow mark.
  - (c) Incorrect level is at or below MIN line.
  - (d) If fluid is low, add only enough Mopar® ATF Plus 3 to restore correct level. Do not overfill.

**CAUTION: Do not overfill the transmission. Overfilling may cause leakage out the pump vent which can be mistaken for a pump seal leak. Overfilling will also cause fluid aeration and foaming as the excess fluid is picked up and churned by the gear train. This will significantly reduce fluid life.**

## FLUID AND FILTER REPLACEMENT

Refer to the Maintenance Schedules in Group 0, Lubrication and Maintenance, for proper service



804d8ee

**Fig. 71 Dipstick Fluid Level Marks—Typical**

- 1 - DIPSTICK
- 2 - MAXIMUM CORRECT FLUID LEVEL
- 3 - ACCEPTABLE FLUID LEVEL

intervals. The service fluid fill after a filter change is approximately 3.8 liters (4.0 quarts).

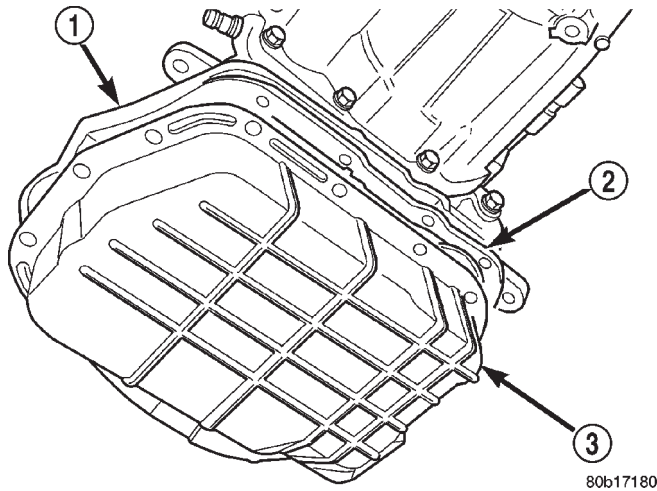
## REMOVAL

- (1) Hoist and support vehicle on safety stands.
- (2) Place a large diameter shallow drain pan beneath the transmission pan.
- (3) Remove bolts holding front and sides of pan to transmission (Fig. 72).
- (4) Loosen bolts holding rear of pan to transmission.
- (5) Slowly separate front of pan away from transmission allowing the fluid to drain into drain pan.
- (6) Hold up pan and remove remaining bolt holding pan to transmission.
- (7) While holding pan level, lower pan away from transmission.
- (8) Pour remaining fluid in pan into drain pan.
- (9) Remove screws holding filter to valve body (Fig. 73).
- (10) Separate filter from valve body and pour fluid in filter into drain pan.
- (11) Dispose of used trans fluid and filter properly.

## INSPECTION

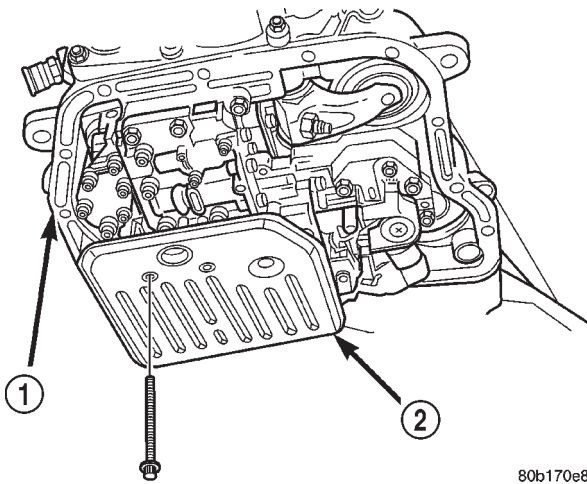
Inspect bottom of pan and magnet for excessive amounts of metal or fiber contamination. A light coating of clutch or band material on the bottom of the pan does not indicate a problem unless accompa-

SERVICE PROCEDURES (Continued)



**Fig. 72 Transmission Pan**

- 1 - TRANSMISSION
- 2 - GASKET
- 3 - PAN



**Fig. 73 Transmission Filter**

- 1 - TRANSMISSION
- 2 - FILTER

nied by slipping condition or shift lag. If fluid and pan are contaminated with excessive amounts or debris, refer to the diagnosis section of this group.

Check the adjustment of the front and rear bands, adjust if necessary.

**CLEANING**

- (1) Using a suitable solvent, clean pan and magnet.
- (2) Using a suitable gasket scraper, clean gasket material from gasket surface of transmission case and the gasket flange around the pan.

**INSTALLATION**

- (1) Place replacement filter in position on valve body.
- (2) Install screws to hold filter to valve body (Fig. 73). Tighten screws to 4 N·m (35 in. lbs.) torque.
- (3) Place new gasket in position on pan and install pan on transmission.
- (4) Place pan in position on transmission.
- (5) Install screws to hold pan to transmission (Fig. 72). Tighten bolts to 17 N·m (150 in. lbs.) torque.
- (6) Lower vehicle and fill transmission with Mopar® ATF Plus 3, type 7176 fluid.

**TRANSMISSION FILL PROCEDURE**

To avoid overfilling transmission after a fluid change or overhaul, perform the following procedure:

- (1) Remove dipstick and insert clean funnel in transmission fill tube.
- (2) Add following initial quantity of Mopar® ATF Plus 3 to transmission:
  - (a) If only fluid and filter were changed, add **3 pints (1-1/2 quarts)** of ATF Plus 3 to transmission.
  - (b) If transmission was completely overhauled, torque converter was replaced or drained, and cooler was flushed, add **12 pints (6 quarts)** of ATF Plus 3 to transmission.
- (3) Apply parking brakes.
- (4) Start and run engine at normal curb idle speed.
- (5) Apply service brakes, shift transmission through all gear ranges then back to NEUTRAL, set parking brake, and leave engine running at curb idle speed.
- (6) Remove funnel, insert dipstick and check fluid level. If level is low, **add fluid to bring level to MIN mark on dipstick.** Check to see if the oil level is equal on both sides of the dipstick. If one side is noticeably higher than the other, the dipstick has picked up some oil from the dipstick tube. Allow the oil to drain down the dipstick tube and re-check.
- (7) Drive vehicle until transmission fluid is at normal operating temperature.
- (8) With the engine running at curb idle speed, the gear selector in NEUTRAL, and the parking brake applied, check the transmission fluid level.

**CAUTION: Do not overfill transmission, fluid foaming and shifting problems can result.**

- (9) Add fluid to bring level up to MAX arrow mark.
- When fluid level is correct, shut engine off, release park brake, remove funnel, and install dipstick in fill tube.



## SERVICE PROCEDURES (Continued)

**CONVERTER DRAINBACK CHECK VALVE SERVICE**

The converter drainback check valve is located in the cooler outlet (pressure) line near the radiator tank. The valve prevents fluid drainback when the vehicle is parked for lengthy periods. The valve check ball is spring loaded and has an opening pressure of approximately 2 psi.

The valve is serviced as an assembly; it is not repairable. Do not clean the valve if restricted, or contaminated by sludge, or debris. If the valve fails, or if a transmission malfunction occurs that generates significant amounts of sludge and/or clutch particles and metal shavings, the valve must be replaced.

The valve must be removed whenever the cooler and lines are reverse flushed. The valve can be flow tested when necessary. The procedure is exactly the same as for flow testing a cooler.

If the valve is restricted, installed backwards, or in the wrong line, it will cause an overheating condition and possible transmission failure.

**CAUTION:** The drainback valve is a one-way flow device. It must be properly oriented in terms of flow direction for the cooler to function properly. The valve must be installed in the pressure line. Otherwise flow will be blocked and would cause an overheating condition and eventual transmission failure.

**OIL PUMP VOLUME CHECK**

Measuring the oil pump output volume will determine if sufficient oil flow to the transmission oil cooler exists, and whether or not an internal transmission failure is present.

Verify that the transmission fluid is at the proper level. Refer to the Fluid Level Check procedure in this section. If necessary, fill the transmission to the proper level with Mopar® ATF+3, type 7176, Automatic Transmission Fluid.

(1) Disconnect the **To cooler** line at the cooler inlet and place a collecting container under the disconnected line.

**CAUTION:** With the fluid set at the proper level, fluid collection should not exceed (1) quart or internal damage to the transmission may occur.

(2) Run the engine **at curb idle speed**, with the shift selector in neutral.

(3) If one quart of transmission fluid is collected in the container in 20 seconds or less, oil pump flow vol-

ume is within acceptable limits. If fluid flow is intermittent, or it takes more than 20 seconds to collect one quart of fluid, refer to the Hydraulic Pressure tests in this section for further diagnosis.

(4) Re-connect the **To cooler** line to the transmission cooler inlet.

(5) Refill the transmission to proper level.

**FLUSHING COOLERS AND TUBES**

When a transmission failure has contaminated the fluid, the oil cooler(s) must be flushed. The torque converter must also be replaced. This will insure that metal particles or sludged oil are not later transferred back into the reconditioned (or replaced) transmission.

The only recommended procedure for flushing coolers and lines is to use Tool 6906A Cooler Flusher.

**WARNING: WEAR PROTECTIVE EYEWEAR THAT MEETS THE REQUIREMENTS OF OSHA AND ANSI Z87.1-1968. WEAR STANDARD INDUSTRIAL RUBBER GLOVES.**

**KEEP LIGHTED CIGARETTES, SPARKS, FLAMES, AND OTHER IGNITION SOURCES AWAY FROM THE AREA TO PREVENT THE IGNITION OF COMBUSTIBLE LIQUIDS AND GASES. KEEP A CLASS (B) FIRE EXTINGUISHER IN THE AREA WHERE THE FLUSHER WILL BE USED.**

**KEEP THE AREA WELL VENTILATED.**

**DO NOT LET FLUSHING SOLVENT COME IN CONTACT WITH YOUR EYES OR SKIN: IF EYE CONTAMINATION OCCURS, FLUSH EYES WITH WATER FOR 15 TO 20 SECONDS. REMOVE CONTAMINATED CLOTHING AND WASH AFFECTED SKIN WITH SOAP AND WATER. SEEK MEDICAL ATTENTION.**

**COOLER FLUSH USING TOOL 6906A**

(1) Remove cover plate filler plug on Tool 6906A. Fill reservoir 1/2 to 3/4 full of fresh flushing solution. Flushing solvents are petroleum based solutions generally used to clean automatic transmission components. **DO NOT** use solvents containing acids, water, gasoline, or any other corrosive liquids.

(2) Reinstall filler plug on Tool 6906A.

(3) Verify pump power switch is turned OFF. Connect red alligator clip to positive (+) battery post. Connect black (-) alligator clip to a good ground.

(4) Disconnect the cooler lines at the transmission.

**NOTE: When flushing transmission cooler and lines, ALWAYS reverse flush.**

SERVICE PROCEDURES (Continued)

**NOTE:** The converter drainback valve must be removed and an appropriate replacement hose installed to bridge the space between the transmission cooler line and the cooler fitting. Failure to remove the drainback valve will prevent reverse flushing the system. A suitable replacement hose can be found in the adapter kit supplied with the flushing tool.

- (5) Connect the BLUE pressure line to the OUTLET (From) cooler line.
- (6) Connect the CLEAR return line to the INLET (To) cooler line
- (7) Turn pump ON for two to three minutes to flush cooler(s) and lines.
- (8) Turn pump OFF.
- (9) Disconnect CLEAR suction line from reservoir at cover plate. Disconnect CLEAR return line at cover plate, and place it in a drain pan.
- (10) Turn pump ON for 30 seconds to purge flushing solution from cooler and lines. Turn pump OFF.
- (11) Place CLEAR suction line into a one quart container of Mopar® ATF Plus 3, type 7176 automatic transmission fluid.
- (12) Turn pump ON until all transmission fluid is removed from the one quart container and lines. This purges any residual cleaning solvent from the transmission cooler and lines. Turn pump OFF.
- (13) Disconnect alligator clips from battery. Reconnect flusher lines to cover plate, and remove flushing adapters from cooler lines.

**ALUMINUM THREAD REPAIR**

Damaged or worn threads in the aluminum transmission case and valve body can be repaired by the use of Heli-Coils, or equivalent. This repair consists of drilling out the worn-out damaged threads. Then tap the hole with a special Heli-Coil tap, or equivalent, and installing a Heli-Coil insert, or equivalent, into the hole. This brings the hole back to its original thread size.

Heli-Coil, or equivalent, tools and inserts are readily available from most automotive parts suppliers.

**REMOVAL AND INSTALLATION**

**TRANSMISSION**

The overdrive unit can be removed and serviced separately. It is not necessary to remove the entire transmission assembly to perform overdrive unit repairs.

If only the overdrive unit requires service, refer to the overdrive unit removal and installation procedures.

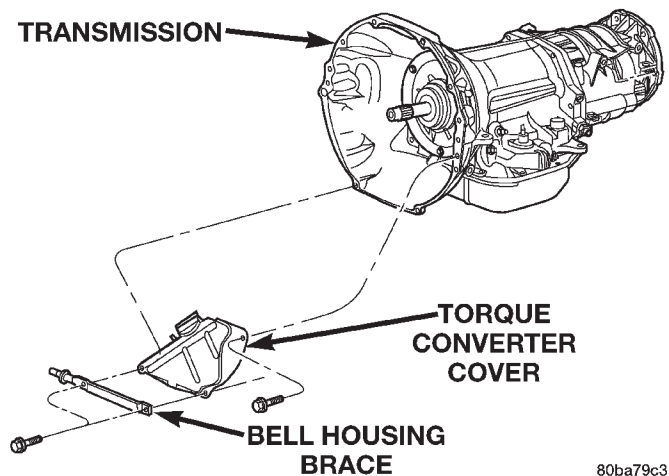
**CAUTION:** The transmission and torque converter must be removed as an assembly to avoid component damage. The converter driveplate, pump bushing, or oil seal can be damaged if the converter is left attached to the driveplate during removal. Be sure to remove the transmission and converter as an assembly.

**REMOVAL**

- (1) Disconnect battery negative cable.
- (2) Disconnect and lower or remove necessary exhaust components.
- (3) Disconnect fluid cooler lines at transmission.
- (4) Remove starter motor.
- (5) Disconnect and remove crankshaft position sensor. Retain sensor attaching bolts.

**CAUTION:** The crankshaft position sensor will be damaged if the transmission is removed, or installed, while the sensor is still bolted to the engine block, or transmission (4.0L only). To avoid damage, be sure to remove the sensor before removing the transmission.

- (6) Remove the bolts holding the bell housing brace to the transmission.
- (7) Remove nut holding the bell housing brace to the engine to transmission bending brace.
- (8) Remove the bell housing brace from the transmission (Fig. 74).
- (9) Remove the bolt holding the torque converter cover to the transmission.
- (10) Remove the torque converter cover from the transmission.



80ba79c3

**Fig. 74 Bell Housing Brace and Converter Cover**

- (11) If transmission is being removed for overhaul, remove transmission oil pan, drain fluid and reinstall pan.

## REMOVAL AND INSTALLATION (Continued)

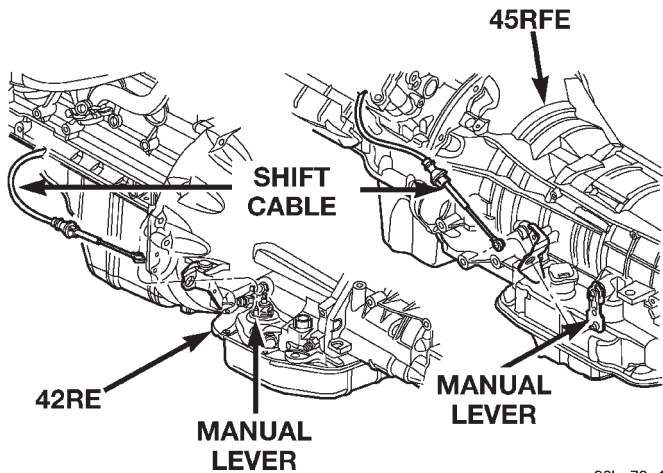
(12) Remove fill tube bracket bolts and pull tube out of transmission. Retain fill tube seal. On 4 x 4 models, it will also be necessary to remove bolt attaching transfer case vent tube to converter housing.

(13) Rotate crankshaft in clockwise direction until converter bolts are accessible. Then remove bolts one at a time. Rotate crankshaft with socket wrench on dampener bolt.

(14) Mark propeller shaft and axle yokes for assembly alignment. Then disconnect and remove propeller shaft. On 4 x 4 models, remove both propeller shafts.

(15) Disconnect wires from park/neutral position switch and transmission solenoid.

(16) Disconnect gearshift cable from transmission manual valve lever (Fig. 75).

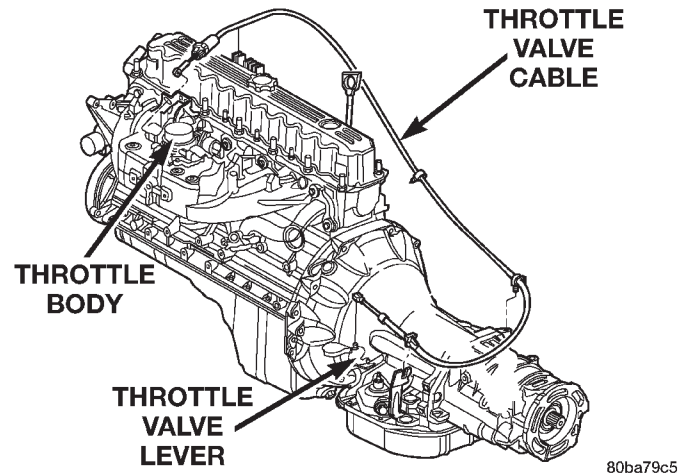


**Fig. 75 Transmission Shift Cable**

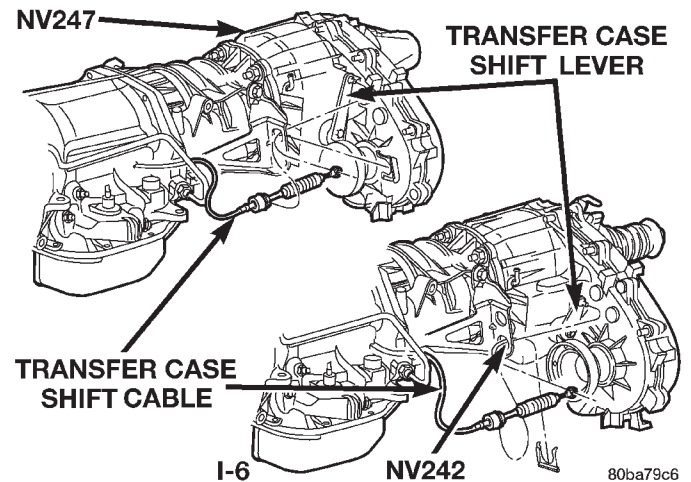
(17) Disconnect throttle valve cable from transmission bracket and throttle valve lever (Fig. 76).

(18) Disconnect transfer case shift cable from the transfer case shift lever (Fig. 77).

(19) Remove the clip securing the transfer case shift cable into the cable support bracket.



**Fig. 76 Throttle Valve Cable**



**Fig. 77 Transfer Case Shift Cable**

(20) Disconnect transmission fluid cooler lines at transmission fittings and clips.

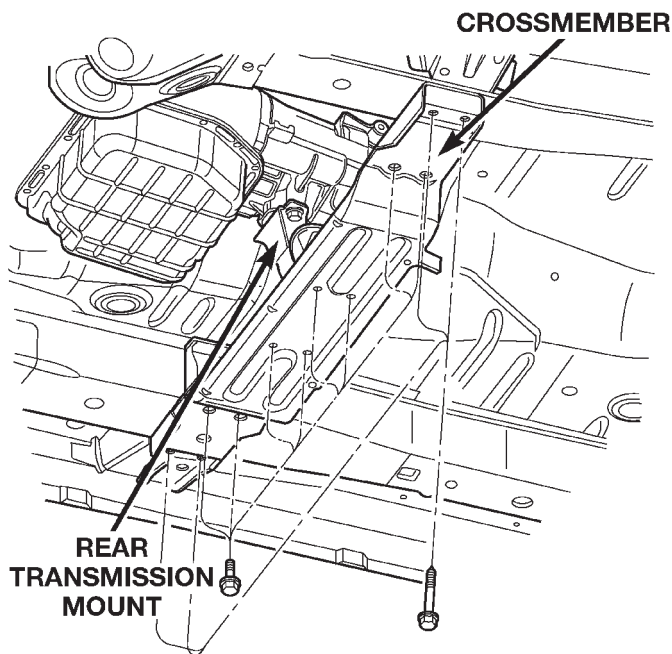
(21) Support rear of engine with safety stand or jack.

(22) Raise transmission slightly with service jack to relieve load on crossmember and supports.

REMOVAL AND INSTALLATION (Continued)

(23) Remove bolts securing rear support and cushion to transmission and crossmember (Fig. 78).

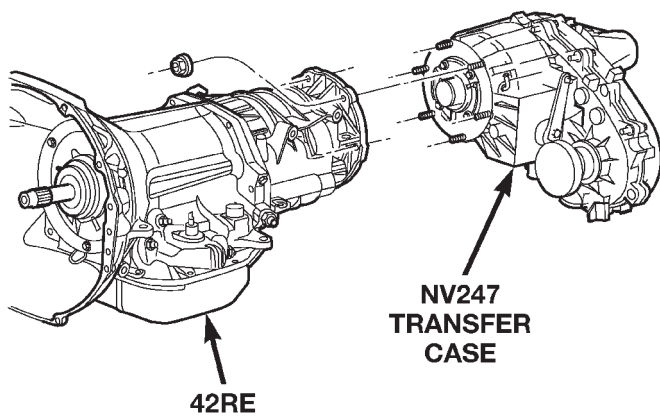
(24) Remove bolts attaching crossmember to frame and remove crossmember.



80ba79c7

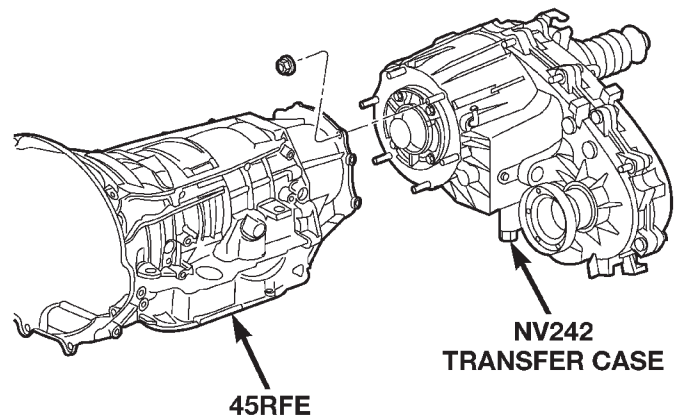
**Fig. 78 Rear Transmission Crossmember**

(25) Remove transfer case (Fig. 79) and (Fig. 80).



80ba79c9

**Fig. 79 Remove NV247 Transfer Case**

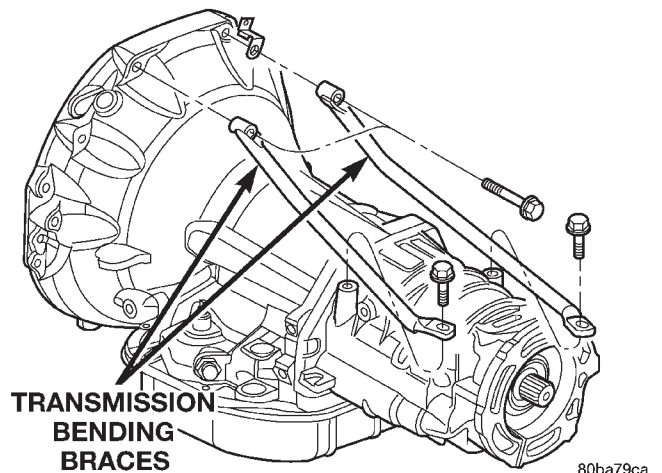


80ba79c8

**Fig. 80 Remove NV242 Transfer Case**

(26) Remove bolts holding the upper transmission bending braces to the torque converter housing and the overdrive unit (Fig. 81).

(27) Remove all remaining converter housing bolts.



80ba79ca

**Fig. 81 Remove Upper Transmission Bending Braces**

(28) Carefully work transmission and torque converter assembly rearward off engine block dowels.

(29) Hold torque converter in place during transmission removal.

(30) Lower transmission and remove assembly from under the vehicle.

(31) To remove torque converter, carefully slide torque converter out of the transmission.



## REMOVAL AND INSTALLATION (Continued)

## INSTALLATION

(1) Check torque converter hub and hub drive notches for sharp edges burrs, scratches, or nicks. Polish the hub and notches with 320/400 grit paper and crocus cloth if necessary. The hub must be smooth to avoid damaging pump seal at installation.

(2) Lubricate oil pump seal lip with transmission fluid.

(3) Align converter and oil pump.

(4) Carefully insert converter in oil pump. Then rotate converter back and forth until fully seated in pump gears.

(5) Check converter seating with steel scale and straightedge (Fig. 82). Surface of converter lugs should be 1/2 in. to rear of straightedge when converter is fully seated.

(6) Temporarily secure converter with C-clamp.

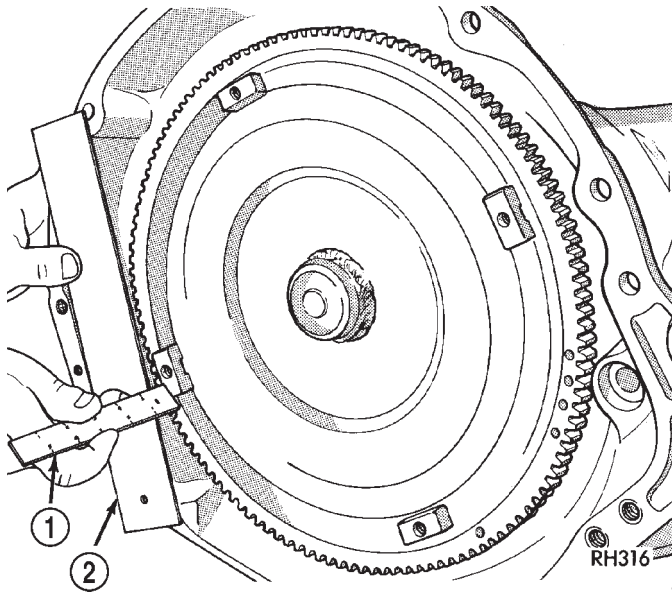


Fig. 82 Typical Method Of Checking Converter Seating

1 - SCALE

2 - STRAIGHTEDGE

(7) Position transmission on jack and secure it with chains.

(8) Check condition of converter driveplate. Replace the plate if cracked, distorted or damaged. **Also be sure transmission dowel pins are seated in engine block and protrude far enough to hold transmission in alignment.**

(9) Apply a light coating of Mopar® High Temp grease to the torque converter hub pocket in the rear of the crankshaft.

(10) Raise transmission and align converter with drive plate and converter housing with engine block.

(11) Move transmission forward. Then raise, lower or tilt transmission to align converter housing with engine block dowels.

(12) Carefully work transmission forward and over engine block dowels until converter hub is seated in crankshaft.

(13) Install two bolts to attach converter housing to engine.

(14) Install the upper transmission bending braces to the torque converter housing and the overdrive unit. Tighten the bolts to 41 N·m (30 ft. lbs.).

(15) Install remaining torque converter housing to engine bolts. Tighten to 68 N·m (50 ft. lbs.).

(16) Install rear transmission crossmember. Tighten crossmember to frame bolts to 68 N·m (50 ft. lbs.).

(17) Install rear support to transmission. Tighten bolts to 47 N·m (35 ft. lbs.).

(18) Lower transmission onto crossmember and install bolts attaching transmission mount to crossmember. Tighten clevis bracket to crossmember bolts to 47 N·m (35 ft. lbs.). Tighten the clevis bracket to rear support bolt to 68 N·m (50 ft. lbs.).

(19) Remove engine support fixture.

(20) Install crankshaft position sensor.

(21) Install new plastic retainer grommet on any shift cable that was disconnected. Grommets should not be reused. Use pry tool to remove rod from grommet and cut away old grommet. Use pliers to snap new grommet into cable and to snap grommet onto lever.

(22) Connect gearshift and throttle valve cable to transmission.

(23) Connect wires to park/neutral position switch and transmission solenoid connector. Be sure transmission harnesses are properly routed.

**CAUTION:** It is essential that correct length bolts be used to attach the converter to the driveplate. Bolts that are too long will damage the clutch surface inside the converter.

(24) Install torque converter-to-driveplate bolts. Tighten bolts to 31 N·m (270 in. lbs.).

(25) Install converter housing access cover. Tighten bolt to 23 N·m (200 in. lbs.).

(26) Install the bell housing brace to the torque converter cover and the engine to transmission bending brace. Tighten the bolts and nut to 41 N·m (30 ft. lbs.).

(27) Install starter motor and cooler line bracket.

(28) Connect cooler lines to transmission.

(29) Install transmission fill tube. Install new seal on tube before installation.

(30) Install exhaust components.

(31) Install transfer case. Tighten transfer case nuts to 35 N·m (26 ft. lbs.).

REMOVAL AND INSTALLATION (Continued)

- (32) Install the transfer case shift cable to the cable support bracket and the transfer case shift lever.
- (33) Align and connect propeller shaft(s).
- (34) Adjust gearshift linkage and throttle valve cable if necessary.
- (35) Lower vehicle.
- (36) Fill transmission with Mopar® ATF Plus 3, Type 7176 fluid.

TORQUE CONVERTER

REMOVAL

- (1) Remove transmission and torque converter from vehicle.
- (2) Place a suitable drain pan under the converter housing end of the transmission.

**CAUTION:** Verify that transmission is secure on the lifting device or work surface, the center of gravity of the transmission will shift when the torque converter is removed creating an unstable condition. The torque converter is a heavy unit. Use caution when separating the torque converter from the transmission.

- (3) Pull the torque converter forward until the center hub clears the oil pump seal.
- (4) Separate the torque converter from the transmission.

INSTALLATION

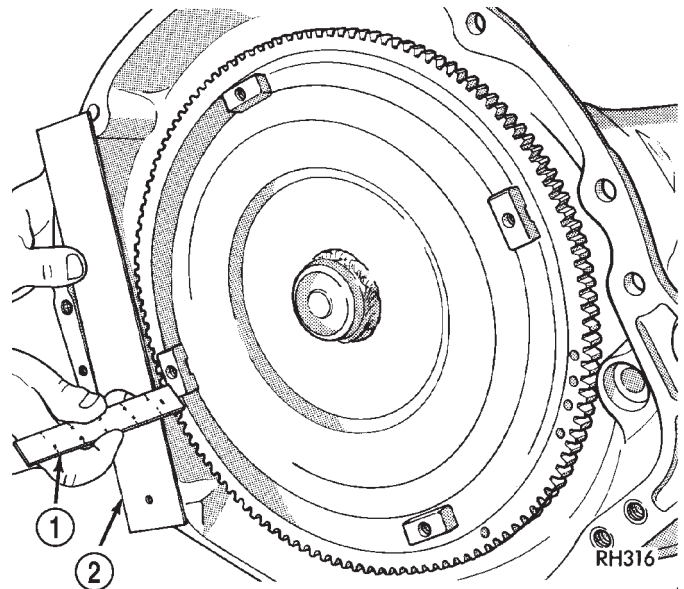
Check converter hub and drive notches for sharp edges, burrs, scratches, or nicks. Polish the hub and notches with 320/400 grit paper or crocus cloth if necessary. The hub must be smooth to avoid damaging the pump seal at installation. Check that the torque converter hub o-ring on the 45RFE torque converter hub is not damaged. Replace if necessary.

- (1) Lubricate oil pump seal lip with transmission fluid.
- (2) Place torque converter in position on transmission.

**CAUTION:** Do not damage oil pump seal or bushing while inserting torque converter into the front of the transmission.

- (3) Align torque converter to oil pump seal opening.
- (4) Insert torque converter hub into oil pump.
- (5) While pushing torque converter inward, rotate converter until converter is fully seated in the oil pump gears.
- (6) Check converter seating with a scale and straightedge (Fig. 83). Surface of converter lugs

- should be 1/2 in. to rear of straightedge when converter is fully seated.
- (7) If necessary, temporarily secure converter with C-clamp attached to the converter housing.
- (8) Install the transmission in the vehicle.
- (9) Fill the transmission with the recommended fluid.



**Fig. 83 Checking Torque Converter Seating—Typical**  
 1 - SCALE  
 2 - STRAIGHTEDGE

PARK/NEUTRAL POSITION SWITCH

REMOVAL

- (1) Raise vehicle and position drain pan under switch.
- (2) Disconnect switch wires.
- (3) Remove switch from case.

INSTALLATION

- (1) Move shift lever to Park and Neutral positions. Verify that switch operating lever fingers are centered in switch opening in case (Fig. 84).
- (2) Install new seal on switch and install switch in case. Tighten switch to 34 N-m (25 ft. lbs.) torque.
- (3) Test continuity of new switch with 12V test lamp.
- (4) Connect switch wires and lower vehicle.
- (5) Top off transmission fluid level.

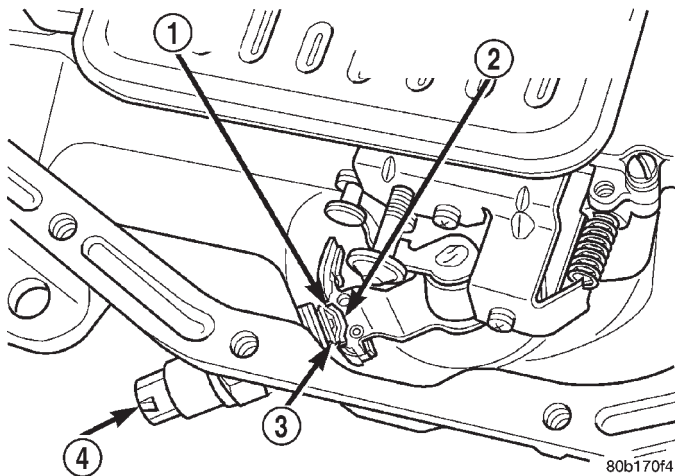
GEARSHIFT CABLE

REMOVAL

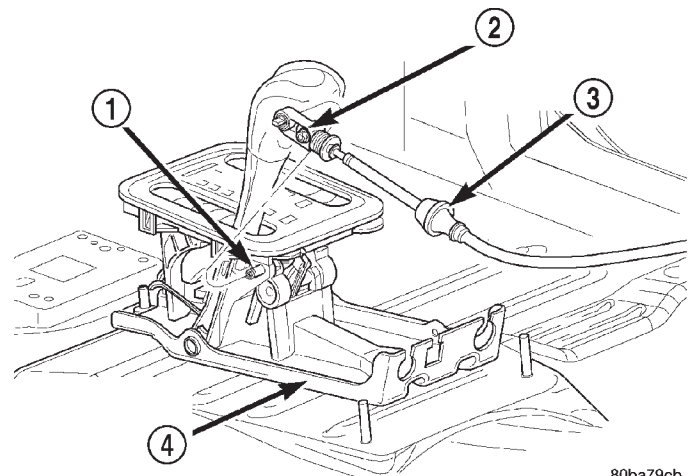
- (1) Shift transmission into Park.
- (2) Raise vehicle.



## REMOVAL AND INSTALLATION (Continued)

**Fig. 84 Park/Neutral Position Switch**

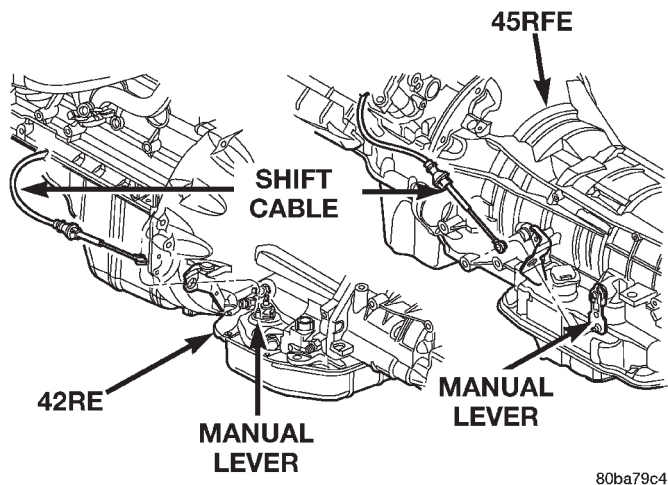
- 1 - NEUTRAL CONTACT
- 2 - MANUAL LEVER AND SWITCH PLUNGER IN REVERSE POSITION
- 3 - PARK CONTACT
- 4 - SWITCH

**Fig. 86 Transmission Shift Cable at Shifter**

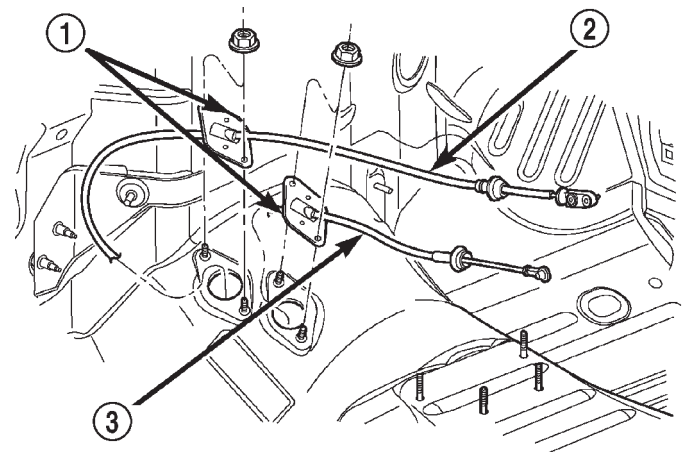
- 1 - SHIFT LEVER PIN
- 2 - ADJUSTMENT SCREW
- 3 - SHIFT CABLE
- 4 - SHIFTER ASSEMBLY BRACKET

(3) Remove the shift cable eyelet from the transmission manual shift lever (Fig. 85).

(4) Remove shift cable from the cable support bracket.

**Fig. 85 Remove Shift Cable From Transmission**

- (5) Lower vehicle.
- (6) Remove shift lever bezel and necessary console parts for access to shift lever assembly and shift cable.
- (7) Disconnect cable at shift lever and shifter assembly bracket (Fig. 86).
- (8) Remove the nuts holding the shift cable seal plate to the floor pan (Fig. 87).
- (9) Pull cable through floor panel opening.
- (10) Remove shift cable from vehicle.

**Fig. 87 Shift Cables at Floor Pan**

- 1 - SEAL PLATES
- 2 - TRANSMISSION SHIFT CABLE
- 3 - TRANSFER CASE SHIFT CABLE

**INSTALLATION**

- (1) Route cable through hole in floor pan.
- (2) Install seal plate to studs in floor pan.
- (3) Install nuts to hold seal plate to floor pan. Tighten nuts to 7 N·m (65 in. lbs.).
- (4) Install the shift cable to the shifter assembly bracket. Push cable into the bracket until secure.
- (5) Place the floor shifter lever in park position.
- (6) Loosen the adjustment screw on the shift cable.
- (7) Snap the shift cable onto the shift lever pin.
- (8) Raise the vehicle.
- (9) Install the shift cable to the shift cable support bracket.

## REMOVAL AND INSTALLATION (Continued)

(10) Shift the transmission into PARK. PARK is the rearmost detent position on the transmission manual shift lever.

(11) Snap the shift cable onto the transmission manual shift lever.

(12) Lower vehicle.

(13) Verify that the shift lever is in the PARK position.

(14) Tighten the adjustment screw to 7 N·m (65 in. lbs.).

(15) Verify correct shifter operation.

(16) Install shift lever bezel and any console parts removed for access to shift lever assembly and shift cable.

## SHIFTER

## REMOVAL

(1) Shift transmission into Park.

(2) Remove shift lever bezel and any necessary console parts for access to shift lever assembly and shifter cables.

(3) Disconnect the transmission shift cable at shift lever and shifter assembly bracket (Fig. 88).

(4) Disconnect the brake transmission interlock cable from the shifter BTSI lever and the shifter assembly bracket.

(5) Disconnect the transfer case shift cable from the transfer case shift lever pin (Fig. 90).

(6) Remove the clip holding the transfer case shift cable to the shifter assembly bracket.

(7) Remove the transfer case shift cable from the shifter assembly bracket.

(8) Disengage all wiring connectors from the shifter assembly.

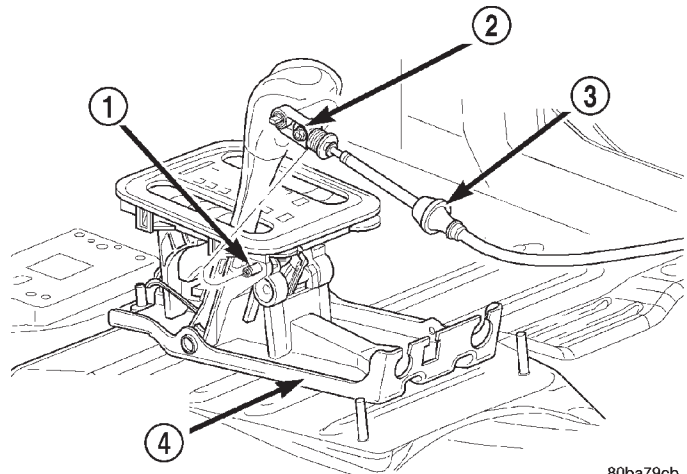
(9) Remove all nuts holding the shifter assembly to the floor pan (Fig. 91).

(10) Remove the shifter assembly from the vehicle.

## INSTALLATION

(1) Install shifter assembly onto the shifter assembly studs on the floor pan.

(2) Install the nuts to hold the shifter assembly onto the floor pan. Tighten nuts to 28 N·m (250 in. lbs.).



**Fig. 88 Transmission Shift Cable at Shifter**

- 1 - SHIFT LEVER PIN
- 2 - ADJUSTMENT SCREW
- 3 - SHIFT CABLE
- 4 - SHIFTER ASSEMBLY BRACKET

(3) Install wiring harness to the shifter assembly bracket. Engage any wire connectors removed from the shifter assembly.

(4) Install the transfer case shift cable to the shifter assembly bracket. Install clip to hold cable to the bracket.

(5) Snap the transfer case shift cable onto the transfer case shift lever pin.

(6) Install the brake transmission interlock cable into the shifter assembly bracket and into the shifter BTSI lever.

(7) Install the shift cable to the shifter assembly bracket. Push cable into the bracket until secure.

(8) Place the floor shifter lever in park position.

(9) Loosen the adjustment screw on the shift cable.

(10) Snap the shift cable onto the shift lever pin.

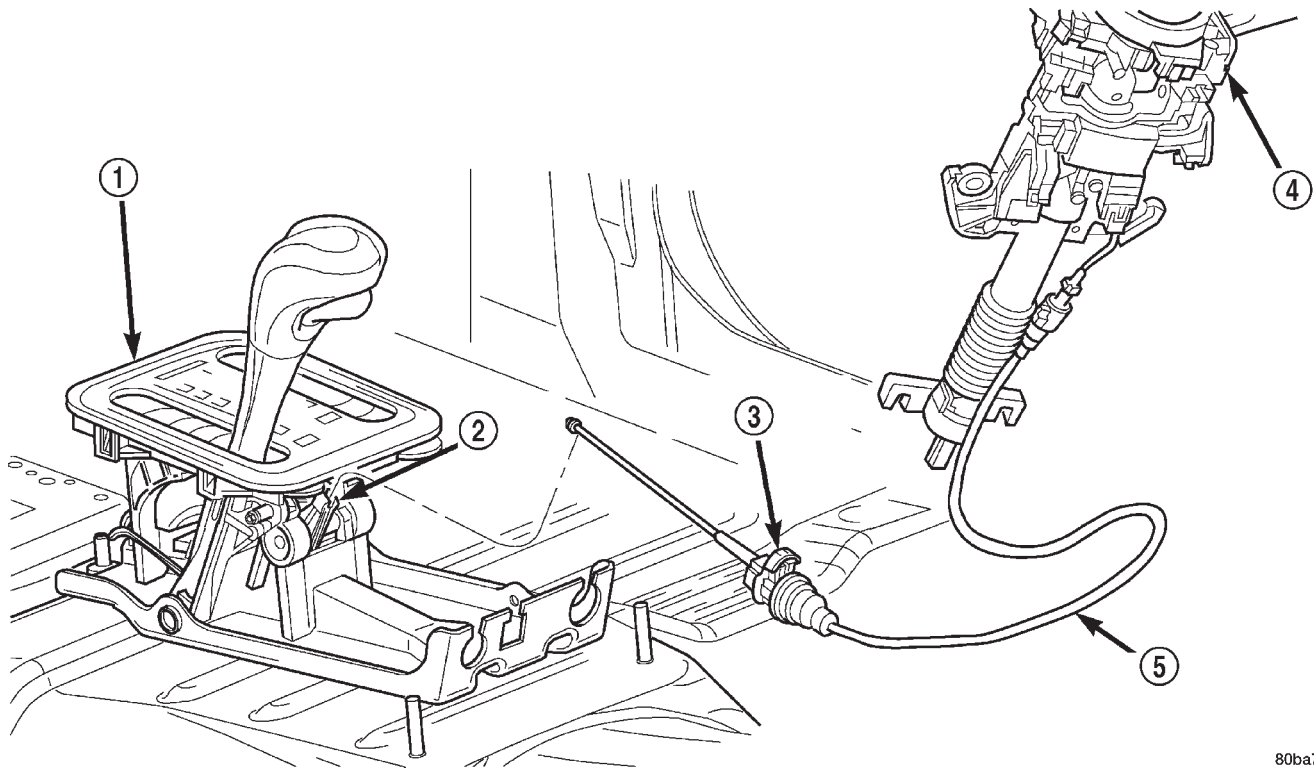
(11) Verify that the shift lever is in the PARK position.

(12) Tighten the adjustment screw to 7 N·m (65 in. lbs.).

(13) Verify correct shifter operation.

(14) Install shift lever bezel and any console parts removed for access to shift lever assembly and shift cables.

REMOVAL AND INSTALLATION (Continued)

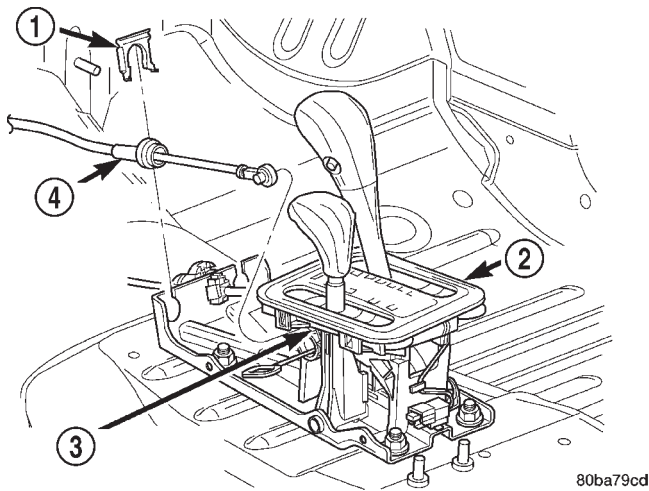


80ba79c2

**Fig. 89 Brake Transmission Interlock Cable**

- 1 - SHIFT MECHANISM
- 2 - SHIFTER BTSI LEVER
- 3 - ADJUSTMENT CLIP

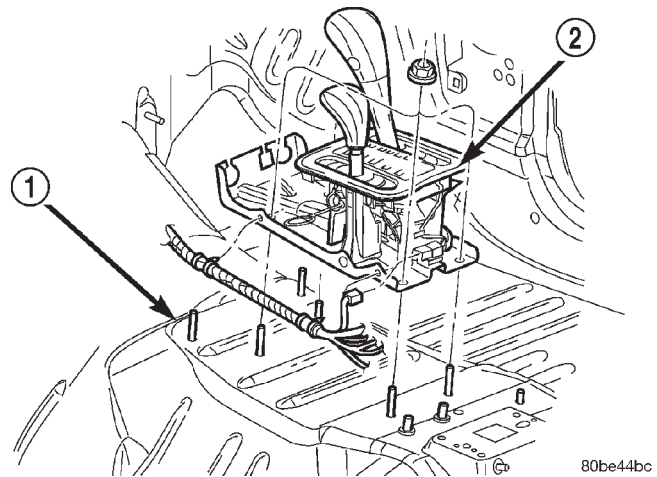
- 4 - STEERING COLUMN ASSEMBLY
- 5 - INTERLOCK CABLE



80ba79cd

**Fig. 90 Transfer Case Shift Cable**

- 1 - CLIP
- 2 - SHIFTER
- 3 - TRANSFER CASE SHIFT LEVER PIN
- 4 - TRANSFER CASE SHIFT CABLE

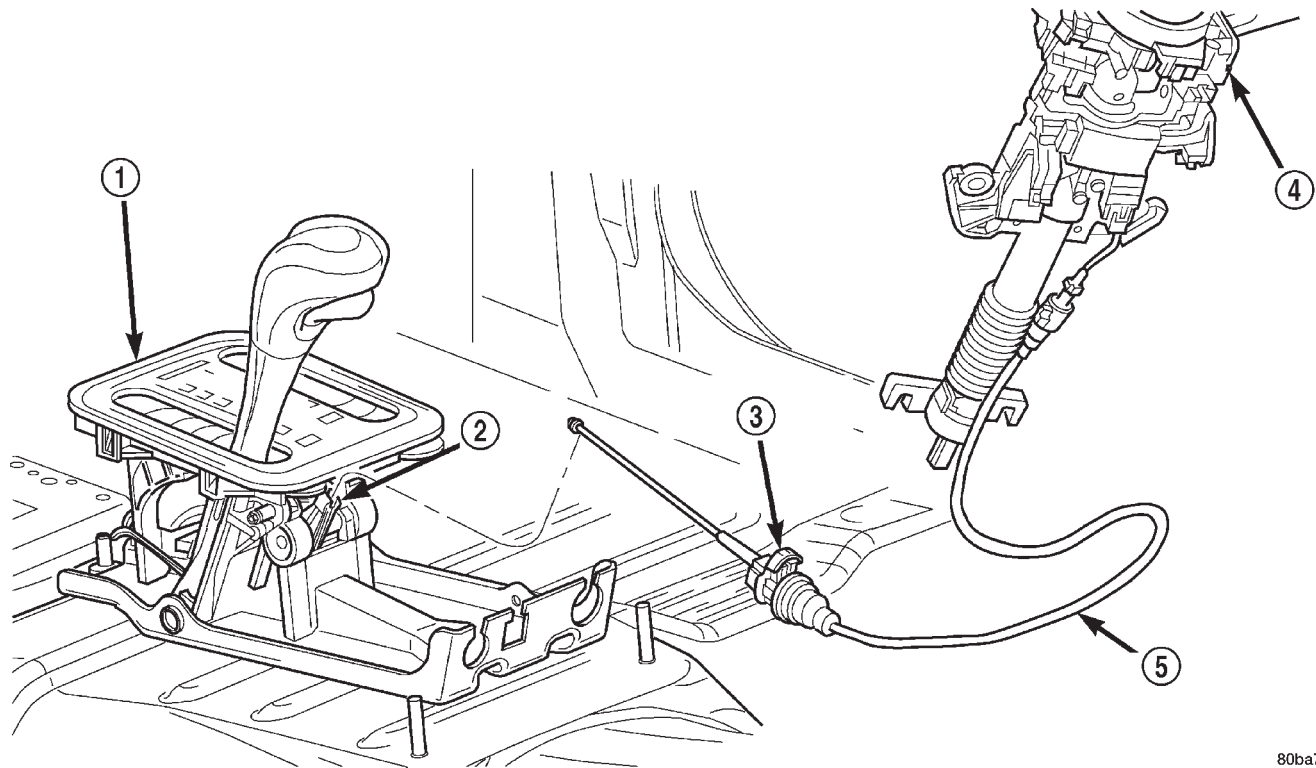


80be44bc

**Fig. 91 Shifter Assembly**

- 1 - FLOOR PAN
- 2 - SHIFTER ASSEMBLY

## REMOVAL AND INSTALLATION (Continued)



80ba79c2

**Fig. 92 Brake Transmission Shift Interlock**

- 1 - SHIFT MECHANISM
- 2 - SHIFTER BTSI LEVER
- 3 - ADJUSTMENT CLIP

- 4 - STEERING COLUMN ASSEMBLY
- 5 - INTERLOCK CABLE

**BRAKE TRANSMISSION SHIFT INTERLOCK****REMOVAL**

- (1) Lower the steering column.
- (2) Remove the transmission shift interlock cable from steering column (Fig. 92).
- (3) Remove the center console and related trim. Refer to Group 23, Body, for proper procedures.
- (4) Disconnect the BTSI cable from the shift BTSI lever and remove the cable from the shifter assembly bracket.
- (5) Disengage the wire connector at the solenoid on the cable
- (6) Release the BTSI cable from any remaining clips.
- (7) Remove BTSI cable from the vehicle.

**INSTALLATION**

**NOTE:** The gearshift cable must be secured into position and properly adjusted before the installation of the Brake Transmission Interlock Cable (BTSI).

- (1) Snap the BTSI cable assembly into the steering column.
- (2) Snap BTSI cable solenoid tie strap into hole in steering column tube.
- (3) Engage the wiring connector from brake light switch into BTSI cable solenoid housing.
- (4) Route BTSI cable to the shifter mechanism.
- (5) Install the BTSI cable end fitting into shifter BTSI lever.
- (6) Pull rearward on the BTSI cable housing and install the cable housing into the shifter assembly bracket.
- (7) Place the ignition key cylinder in the LOCK position.
- (8) Snap BTSI cable adjuster ears into floor shifter bracket and
- (9) Push the cable adjuster lock clamp downward to lock it.
- (10) Install the center console and related trim. Refer to Group 23, Body, for proper procedures.
- (11) Test the BTSI cable operation.



## REMOVAL AND INSTALLATION (Continued)

**GOVERNOR SOLENOID AND PRESSURE SENSOR****REMOVAL**

- (1) Hoist and support vehicle on safety stands.
- (2) Remove transmission fluid pan and filter.
- (3) Disengage wire connectors from pressure sensor and solenoid (Fig. 93).
- (4) Remove screws holding pressure solenoid retainer to governor body.
- (5) Separate solenoid retainer from governor (Fig. 94).
- (6) Pull solenoid from governor body (Fig. 95).
- (7) Pull pressure sensor from governor body.
- (8) Remove bolts holding governor body to valve body.
- (9) Separate governor body from valve body (Fig. 96).
- (10) Remove governor body gasket.

**INSTALLATION**

Before installing the pressure sensor and solenoid in the governor body, replace O-ring seals, clean the gasket surfaces and replace gasket.

- (1) Place gasket in position on back of governor body (Fig. 96).
- (2) Place governor body in position on valve body.
- (3) Install bolts to hold governor body to valve body.
- (4) Lubricate O-ring on pressure sensor with transmission fluid.
- (5) Align pressure sensor to bore in governor body.
- (6) Push pressure sensor into governor body.
- (7) Lubricate O-ring, on pressure solenoid, with transmission fluid.
- (8) Align pressure solenoid to bore in governor body (Fig. 95).
- (9) Push solenoid into governor body.
- (10) Place solenoid retainer in position on governor (Fig. 94).
- (11) Install screws to hold pressure solenoid retainer to governor body.
- (12) Engage wire connectors into pressure sensor and solenoid (Fig. 93).
- (13) Install transmission fluid pan and (new) filter.
- (14) Lower vehicle and road test to verify repair.

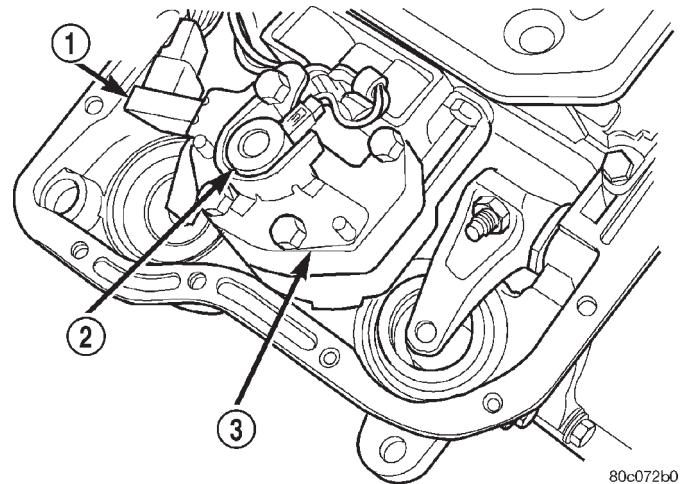
**VALVE BODY**

The valve body can be removed for service without having to remove the transmission assembly.

The valve body can be disassembled for cleaning and inspection of the individual components. Refer to Disassembly and Assembly section for proper procedures.

The only replaceable valve body components are:

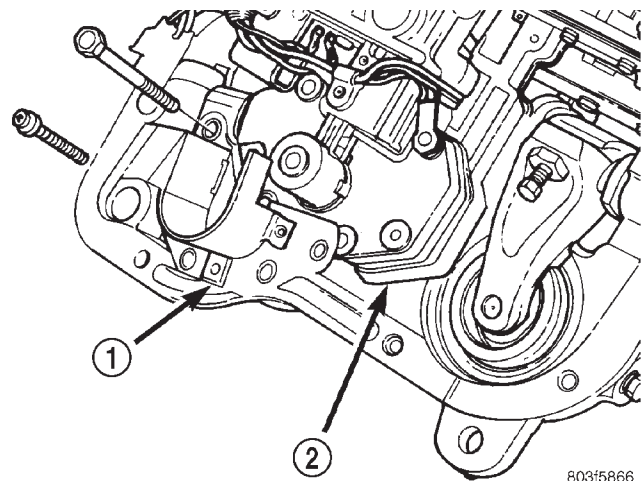
- Manual lever.



80c072b0

**Fig. 93 Governor Solenoid And Pressure Sensor**

- 1 - PRESSURE SENSOR
- 2 - PRESSURE SOLENOID
- 3 - GOVERNOR



803f5866

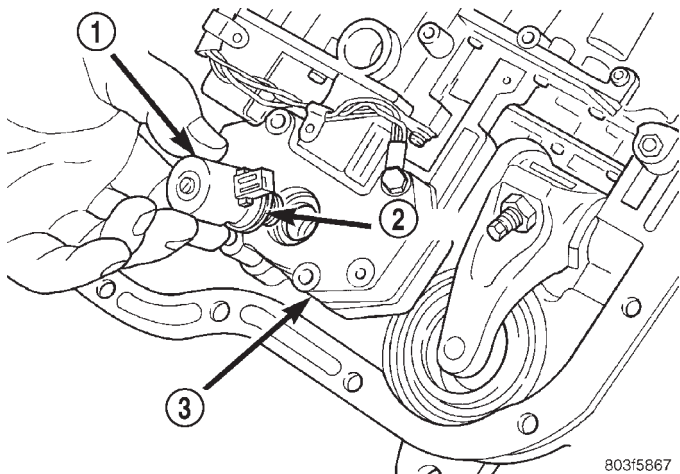
**Fig. 94 Pressure Solenoid Retainer**

- 1 - PRESSURE SOLENOID RETAINER
- 2 - GOVERNOR

- Manual lever washer, seal, E-clip, and shaft seal.
- Manual lever detent ball.
- Throttle lever.
- Fluid filter.
- Pressure adjusting screw bracket.
- Governor pressure solenoid.
- Governor pressure sensor (includes transmission temperature thermistor).
  - Converter clutch/overdrive solenoid assembly and harness.
  - Governor housing gasket.
  - Solenoid case connector O-rings.

The remaining valve body components are serviced only as part of a complete valve body assembly.

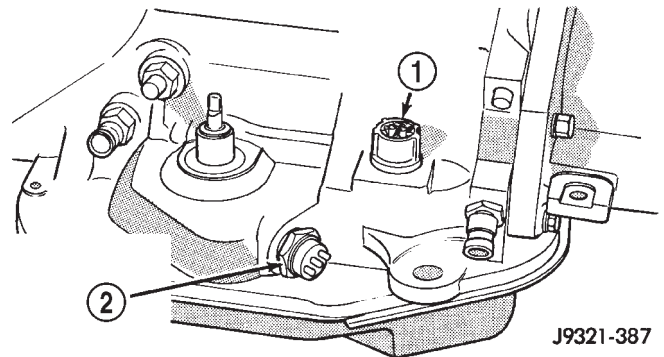
REMOVAL AND INSTALLATION (Continued)



**Fig. 95 Pressure Solenoid and O-ring**

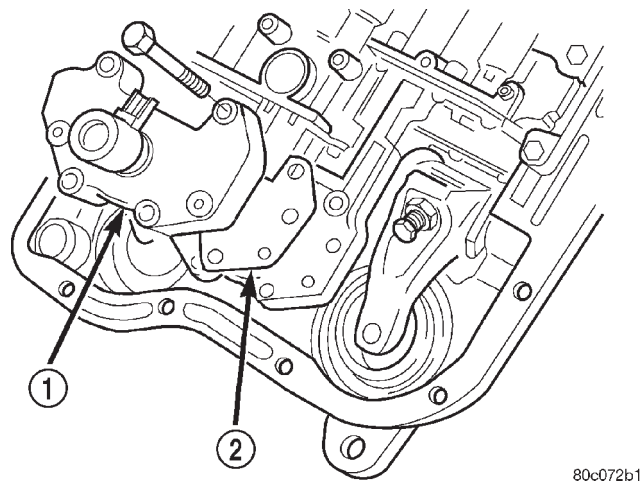
- 1 - PRESSURE SOLENOID
- 2 - O-RING
- 3 - GOVERNOR

(10) Work manual lever shaft and electrical connector out of transmission case.  
 (11) Lower valve body, rotate valve body away from case, pull park rod out of sprag, and remove valve body (Fig. 98).



**Fig. 97 Transmission Case Connector**

- 1 - SOLENOID CASE CONNECTOR
- 2 - PARK/NEUTRAL POSITION SWITCH CONNECTOR TERMINAL

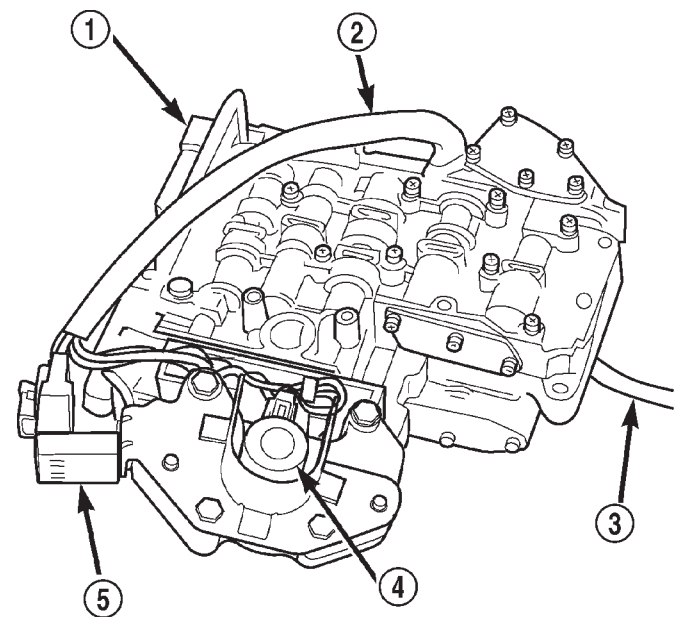


**Fig. 96 Governor Body and Gasket**

- 1 - GOVERNOR BODY
- 2 - GASKET

**REMOVAL**

- (1) Shift transmission into NEUTRAL.
- (2) Raise vehicle.
- (3) Remove gearshift and throttle levers from shaft of valve body manual lever.
- (4) Disconnect wires at solenoid case connector (Fig. 97).
- (5) Position drain pan under transmission oil pan.
- (6) Remove transmission oil pan and gasket.
- (7) Remove fluid filter from valve body.
- (8) Remove bolts attaching valve body to transmission case.
- (9) Lower valve body enough to remove accumulator piston and springs.



**Fig. 98 Valve Body**

- 1 - VALVE BODY
- 2 - WIRE HARNESS
- 3 - PARK ROD
- 4 - GOVERNOR PRESSURE SOLENOID
- 5 - GOVERNOR PRESSURE SENSOR

**INSTALLATION**

- (1) Check condition of O-ring seals on valve body harness connector (Fig. 99). Replace seals on connector body if cut or worn.



## REMOVAL AND INSTALLATION (Continued)

(2) Check condition of manual lever shaft seal in transmission case. Replace seal if lip is cut or worn. Install new seal with 15/16 deep well socket (Fig. 100).

(3) Check condition of seals on accumulator piston (Fig. 101). Install new piston seals, if necessary.

(4) Place valve body manual lever in low (1 position) so ball on park lock rod will be easier to install in sprag.

(5) Lubricate shaft of manual lever with petroleum jelly. This will ease inserting shaft through seal in case.

(6) Lubricate seal rings on valve body harness connector with petroleum jelly.

(7) Position valve body in case and work end of park lock rod into and through pawl sprag. Turn propeller shaft to align sprag and park lock teeth if necessary. The rod will click as it enters pawl. Move rod to check engagement.

**CAUTION:** It is possible for the park rod to displace into a cavity just above the pawl sprag during installation. Make sure the rod is actually engaged in the pawl and has not displaced into this cavity.

(8) Install accumulator springs and piston into case. Then swing valve body over piston and outer spring to hold it in place.

(9) Align accumulator piston and outer spring, manual lever shaft and electrical connector in case.

(10) Then seat valve body in case and install one or two bolts to hold valve body in place.

(11) Tighten valve body bolts alternately and evenly to 11 N·m (100 in. lbs.) torque.

(12) Install new fluid filter on valve body. Tighten filter screws to 4 N·m (35 in. lbs.) torque.

(13) Install throttle and gearshift levers on valve body manual lever shaft.

(14) Check and adjust front and rear bands if necessary.

(15) Connect solenoid case connector wires.

(16) Install oil pan and new gasket. Tighten pan bolts to 17 N·m (13 ft. lbs.) torque.

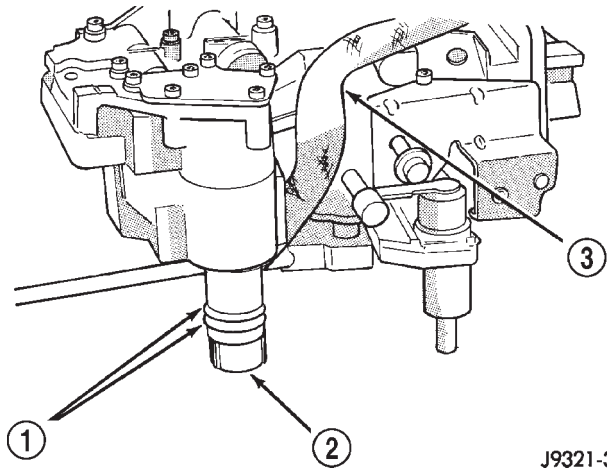
(17) Lower vehicle and fill transmission with Mopar® ATF Plus 3, type 7176 fluid.

(18) Check and adjust gearshift and throttle valve cables, if necessary.

## OVERDRIVE UNIT

## REMOVAL

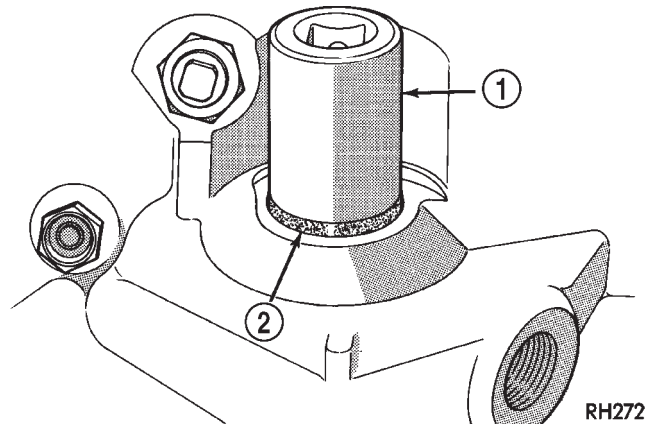
(1) Shift transmission into Park.  
 (2) Raise vehicle.  
 (3) Remove transfer case, if equipped.  
 (4) Mark propeller shaft universal joint(s) and axle pinion yoke, or the companion flange and flange



J9321-389

**Fig. 99 Valve Body Harness Connector O-Ring Seal**

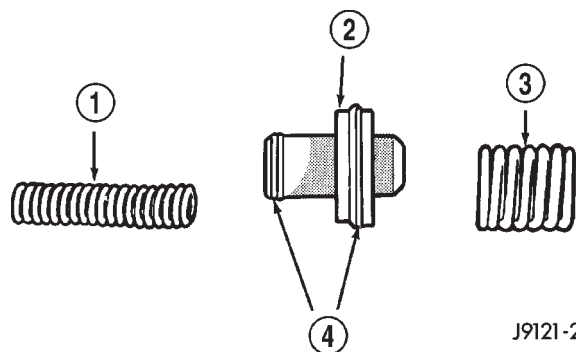
- 1 - CONNECTOR O-RINGS  
 2 - VALVE BODY HARNESS CONNECTOR  
 3 - HARNESS



RH272

**Fig. 100 Manual Lever Shaft Seal**

- 1 - 15/16" SOCKET  
 2 - SEAL



J9121-230

**Fig. 101 Accumulator Piston Components**

- 1 - INNER SPRING  
 2 - ACCUMULATOR PISTON  
 3 - OUTER SPRING  
 4 - SEAL RINGS

REMOVAL AND INSTALLATION (Continued)

yoke, for alignment reference at installation, if necessary.

(5) Disconnect and remove the rear propeller shaft, if necessary.

(6) Remove transmission oil pan, remove gasket, drain oil and reinstall pan.

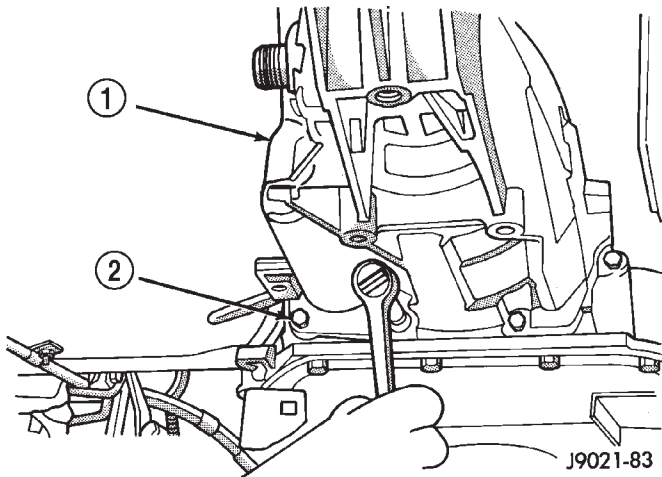
(7) If overdrive unit had malfunctioned, or if fluid is contaminated, remove entire transmission. If diagnosis indicated overdrive problems only, remove just the overdrive unit.

(8) Support transmission with transmission jack.

(9) Remove vehicle speed sensor.

(10) Remove bolts attaching overdrive unit to transmission (Fig. 102).

**CAUTION:** Support the overdrive unit with a jack before moving it rearward. This is necessary to prevent damaging the intermediate shaft. Do not allow the shaft to support the entire weight of the overdrive unit.



**Fig. 102 Overdrive Unit Bolts**

- 1 - OVERDRIVE UNIT
- 2 - ATTACHING BOLTS (7)

(11) Carefully work overdrive unit off intermediate shaft. Do not tilt unit during removal. Keep it as level as possible.

(12) If overdrive unit does not require service, immediately insert Alignment Tool 6227-2 in splines of planetary gear and overrunning clutch to prevent splines from rotating out of alignment. If misalignment occurs, overdrive unit will have to be disassembled in order to realign splines.

(13) Remove and retain overdrive piston thrust bearing. Bearing may remain on piston or in clutch hub during removal.

(14) Position drain pan on workbench.

(15) Place overdrive unit over drain pan. Tilt unit to drain residual fluid from case.

(16) Examine fluid for clutch material or metal fragments. If fluid contains these items, overhaul will be necessary.

(17) If overdrive unit does not require any service, leave alignment tool in position. Tool will prevent accidental misalignment of planetary gear and overrunning clutch splines.

**INSTALLATION**

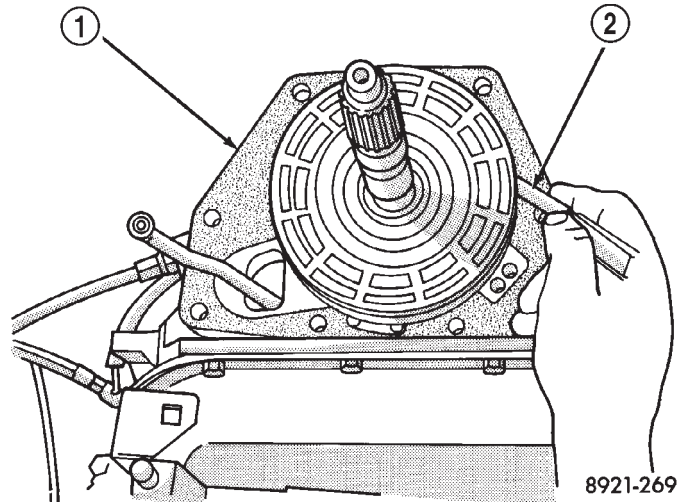
(1) Be sure overdrive unit Alignment Tool 6227-2 is fully seated before moving unit. If tool is not seated and gear splines rotate out of alignment, overdrive unit will have to be disassembled in order to realign splines.

(2) If overdrive piston retainer was not removed during service and original case gasket is no longer reusable, prepare new gasket by trimming it.

(3) Cut out old case gasket around piston retainer with razor knife (Fig. 103).

(4) Use old gasket as template and trim new gasket to fit.

(5) Position new gasket over piston retainer and on transmission case. Use petroleum jelly to hold gasket in place if necessary. Do not use any type of sealer to secure gasket. Use petroleum jelly only.



**Fig. 103 Trimming Overdrive Case Gasket**

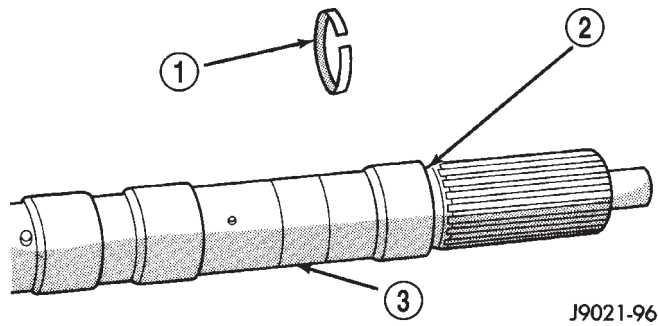
- 1 - GASKET
- 2 - SHARP KNIFE

(6) Install selective spacer on intermediate shaft, if removed. Spacer goes in groove just rearward of shaft rear splines (Fig. 104).

(7) Install thrust bearing in overdrive unit sliding hub. Use petroleum jelly to hold bearing in position.

**CAUTION:** Be sure the shoulder on the inside diameter of the bearing is facing forward.

## REMOVAL AND INSTALLATION (Continued)



**Fig. 104 Intermediate Shaft Selective Spacer Location**

- 1 - SELECTIVE SPACER
- 2 - SPACER GROOVE
- 3 - INTERMEDIATE SHAFT

(8) Verify that splines in overdrive planetary gear and overrunning clutch hub are aligned with Alignment Tool 6227-2. Overdrive unit cannot be installed if splines are not aligned. If splines have rotated out of alignment, unit will have to be disassembled to realign splines.

(9) Carefully slide Alignment Tool 6227-2 out of overdrive planetary gear and overrunning clutch splines.

(10) Raise overdrive unit and carefully slide it straight onto intermediate shaft. Insert park rod into park lock reaction plug at same time. Avoid tilting overdrive during installation as this could cause planetary gear and overrunning clutch splines to rotate out of alignment. If this occurs, it will be necessary to remove and disassemble overdrive unit to realign splines.

(11) Work overdrive unit forward on intermediate shaft until seated against transmission case.

(12) Install bolts attaching overdrive unit to transmission unit. Tighten bolts in diagonal pattern to 34 N·m (25 ft. lbs).

(13) Install speed sensor.

(14) Connect speed sensor and overdrive wires.

(15) Install the transfer case, if equipped.

(16) Align and install rear propeller shaft, if necessary.

## OVERDRIVE HOUSING BUSHING

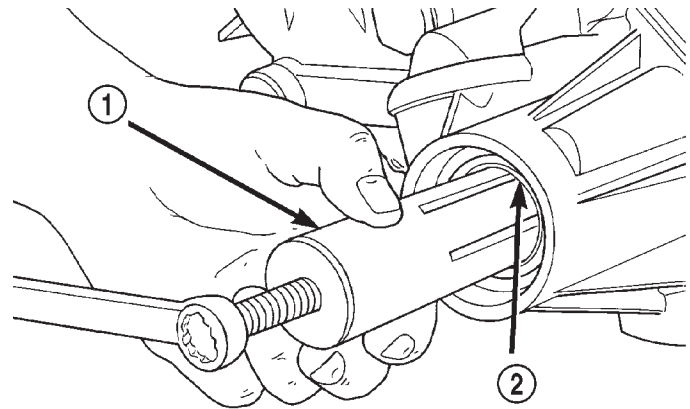
### REMOVAL

(1) Remove overdrive housing yoke seal.

(2) Insert Remover 6957 into overdrive housing. Tighten tool to bushing and remove bushing (Fig. 105).

### INSTALLATION

(1) Align bushing oil hole with oil slot in overdrive housing.

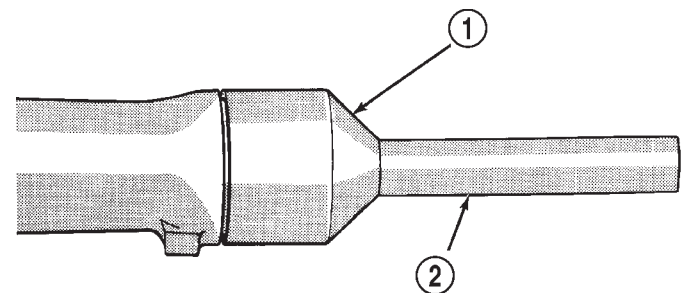


**Fig. 105 Bushing Removal—Typical**

- 1 - REMOVER 6957
- 2 - EXTENSION HOUSING BUSHING

(2) Tap bushing into place with Installer 6951 and Handle C-4171.

(3) Install new oil seal in housing using Seal Installer C-3995-A (Fig. 106).



**Fig. 106 Overdrive Housing Seal Installation**

- 1 - SPECIAL TOOL C-3995-A OR C-3972-A
- 2 - SPECIAL TOOL C-4471

## OUTPUT SHAFT REAR BEARING

### REMOVAL

(1) Remove overdrive unit from the vehicle.

(2) Remove overdrive geartrain from housing.

(3) Remove snap ring holding output shaft rear bearing into overdrive housing (Fig. 107).

(4) Using a suitable driver inserted through the rear end of housing, drive bearing from housing.

### INSTALLATION

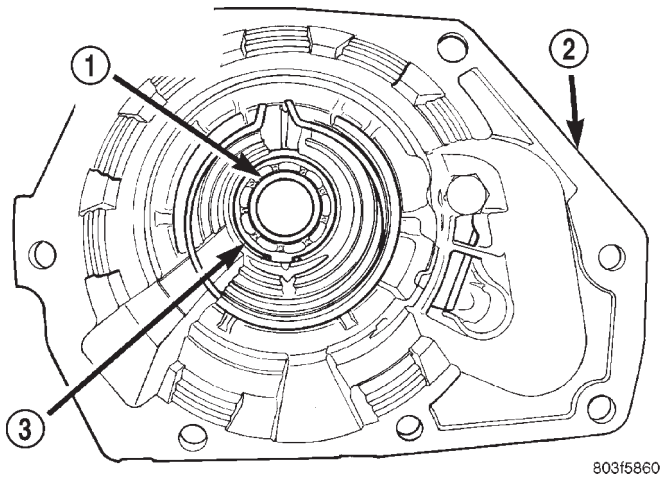
(1) Place replacement bearing in position in housing.

(2) Using a suitable driver, drive bearing into housing until the snap ring groove is visible.

(3) Install snap ring to hold bearing into housing (Fig. 107).

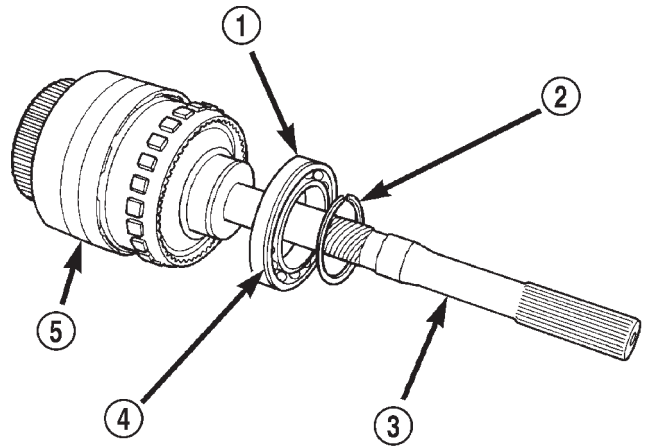
REMOVAL AND INSTALLATION (Continued)

- (4) Install overdrive geartrain into housing.
- (5) Install overdrive unit in vehicle.



**Fig. 107 Output Shaft Rear Bearing**

- 1 - OUTPUT SHAFT REAR BEARING
- 2 - OVERDRIVE HOUSING
- 3 - SNAP RING



**Fig. 108 Output Shaft Front Bearing**

- 1 - OUTPUT SHAFT FRONT BEARING
- 2 - SNAP RING
- 3 - OUTPUT SHAFT
- 4 - GROOVE TO REAR
- 5 - OVERDRIVE GEARTRAIN

**OUTPUT SHAFT FRONT BEARING**

**REMOVAL**

- (1) Remove overdrive unit from the vehicle.
- (2) Remove overdrive geartrain from housing.
- (3) Remove snap ring holding output shaft front bearing to overdrive geartrain. (Fig. 108).
- (4) Pull bearing from output shaft.

**INSTALLATION**

- (1) Place replacement bearing in position on geartrain with locating retainer groove toward the rear.
- (2) Push bearing onto shaft until the snap ring groove is visible.
- (3) Install snap ring to hold bearing onto output shaft (Fig. 108).
- (4) Install overdrive geartrain into housing.
- (5) Install overdrive unit in vehicle.

**DISASSEMBLY AND ASSEMBLY**

**VALVE BODY**

Remove the valve body from the transmission, refer to Removal and Installation procedures section in this group.

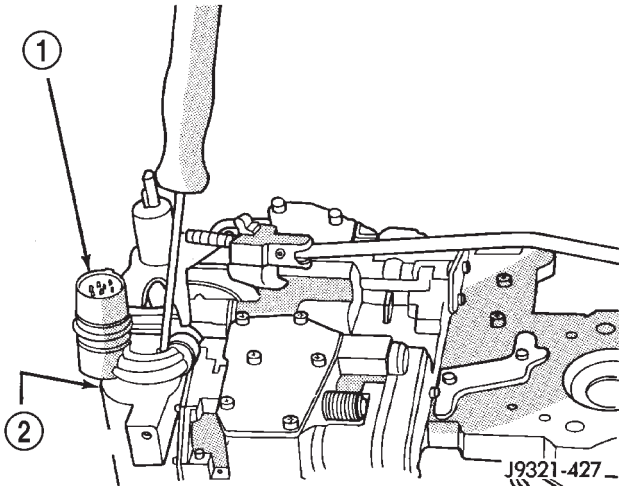
**DISASSEMBLY**

**CAUTION:** Do not clamp any valve body component in a vise. This practice can damage the component resulting in unsatisfactory operation after

assembly and installation. Do not use pliers to remove any of the valves, plugs or springs and do not force any of the components out or into place. The valves and valve body housings will be damaged if force is used. Tag or mark the valve body springs for reference as they are removed. Do not allow them to become intermixed.

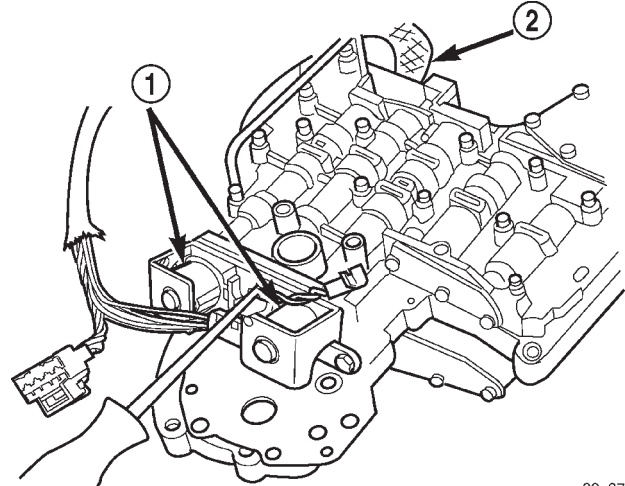
- (1) Remove fluid filter.
- (2) Disconnect wires from governor pressure sensor and solenoid.
- (3) Remove screws attaching governor body and retainer plate to transfer plate.
- (4) Remove retainer plate, governor body and gasket from transfer plate.
- (5) Remove governor pressure sensor from governor body
- (6) Remove governor pressure solenoid by pulling it straight out of bore in governor body. Remove and discard solenoid O-rings if worn, cut, or torn.
- (7) Remove small shoulder bolt that secures solenoid harness case connector to 3-4 accumulator housing (Fig. 109). **Retain shoulder bolt. Either tape it to harness or thread it back into accumulator housing after connector removal.**
- (8) Unhook overdrive/converter solenoid harness from 3-4 accumulator cover plate (Fig. 110).
- (9) Turn valve body over and remove screws that attach overdrive/converter solenoid assembly to valve body (Fig. 111).
- (10) Remove solenoid and harness assembly from valve body (Fig. 112).
- (11) Remove boost valve cover (Fig. 113).
- (12) Remove boost valve retainer, valve spring and boost valve (Fig. 114).





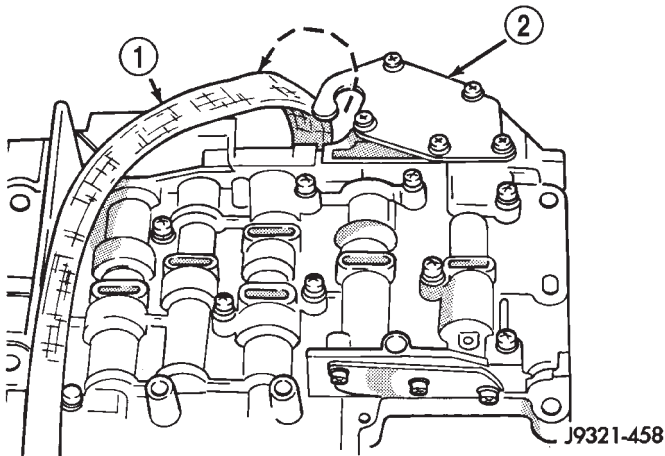
**Fig. 109 Solenoid Harness Case Connector  
 Shoulder Bolt**

- 1 - SOLENOID HARNESS CASE CONNECTOR
- 2 - 3-4 ACCUMULATOR HOUSING



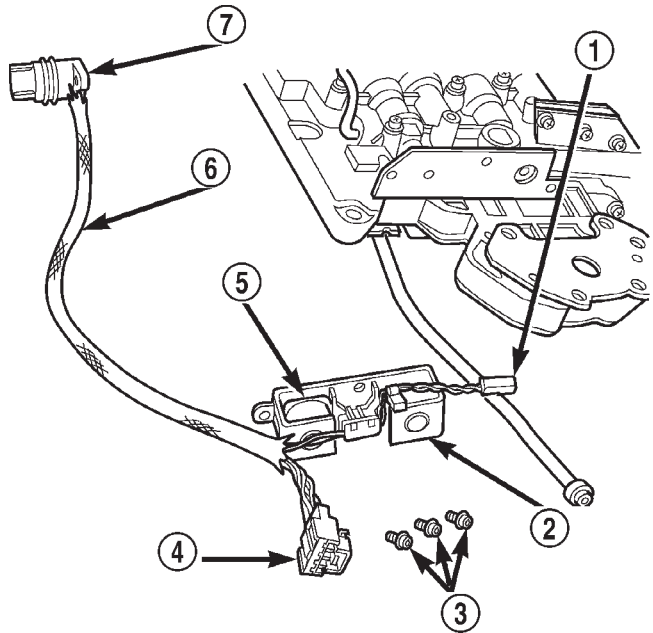
**Fig. 111 Solenoid Assembly Screws**

- 1 - OVERDRIVE/CONVERTER CLUTCH SOLENOID ASSEMBLY
- 2 - HARNESS



**Fig. 110 Unhooking Solenoid Harness From  
 Accumulator Cover Plate**

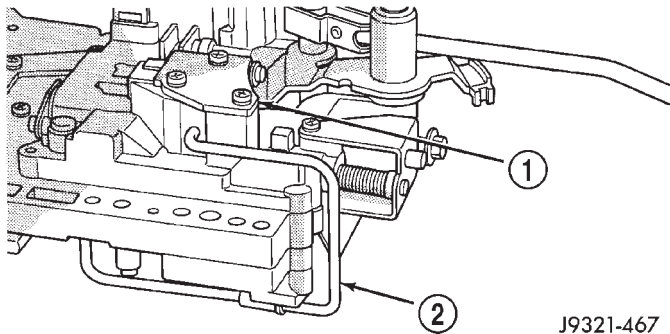
- 1 - OVERDRIVE/CONVERTER SOLENOID WIRE HARNESS
- 2 - 3-4 ACCUMULATOR COVER PLATE



**Fig. 112 Solenoid Assembly**

- 1 - GOVERNOR SOLENOID WIRES
- 2 - CONVERTER CLUTCH SOLENOID
- 3 - SOLENOID SCREWS
- 4 - GOVERNOR SENSOR WIRES
- 5 - OVERDRIVE SOLENOID
- 6 - HARNESS
- 7 - CASE CONNECTOR

DISASSEMBLY AND ASSEMBLY (Continued)



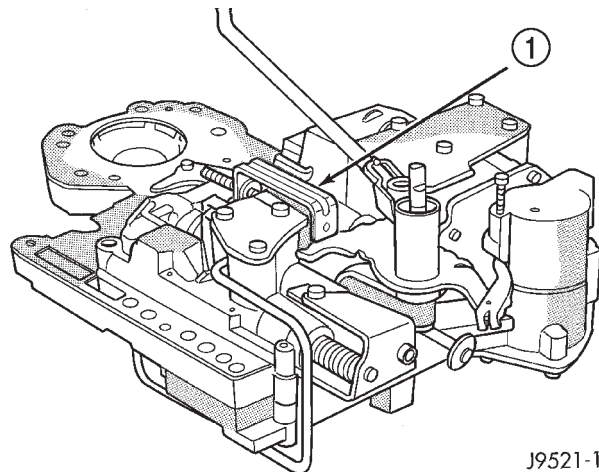
**Fig. 113 Boost Valve Cover Location**

- 1 - BOOST VALVE HOUSING AND COVER
- 2 - BOOST VALVE TUBE

J9321-467

(17) Position pencil magnet next to detent housing to catch detent ball and spring. Then carefully remove Retainer Tool 6583 and remove detent ball and spring (Fig. 119).

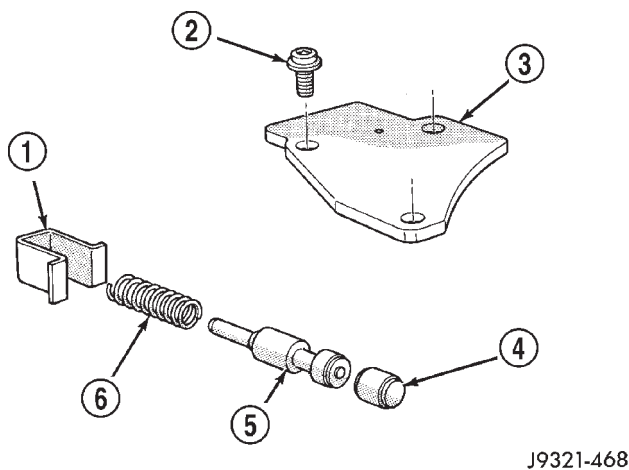
(18) Remove screws attaching pressure adjusting screw bracket to valve body and transfer plate (Fig. 120). Hold bracket firmly against spring tension while removing last screw.



**Fig. 115 Detent Ball And Spring**

- 1 - SPECIAL TOOL 6583 POSITIONED ON DETENT HOUSING

J9521-178



**Fig. 114 Boost Valve Components**

- 1 - SPRING AND VALVE RETAINER
- 2 - COVER SCREWS
- 3 - BOOST VALVE COVER
- 4 - BOOST VALVE PLUG
- 5 - BOOST VALVE
- 6 - BOOST VALVE SPRING

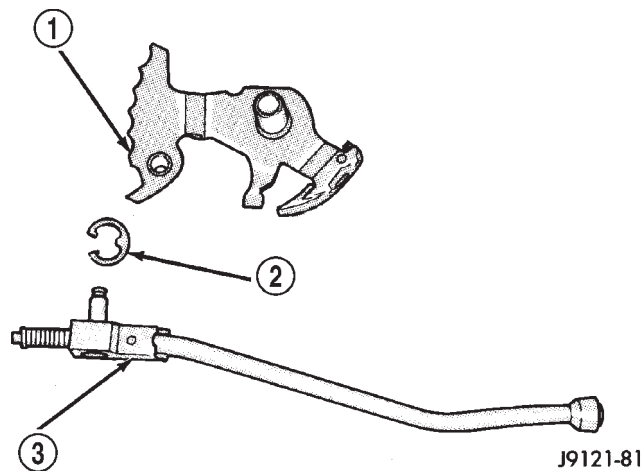
J9321-468

(13) Secure detent ball and spring with Retainer Tool 6583 (Fig. 115).

(14) Remove park rod E-clip and separate rod from manual lever (Fig. 116).

(15) Remove E-clip and washer that retains throttle lever shaft in manual lever (Fig. 117).

(16) Remove manual lever and throttle lever (Fig. 118). Rotate and lift manual lever off valve body and throttle lever shaft. Then slide throttle lever out of valve body.



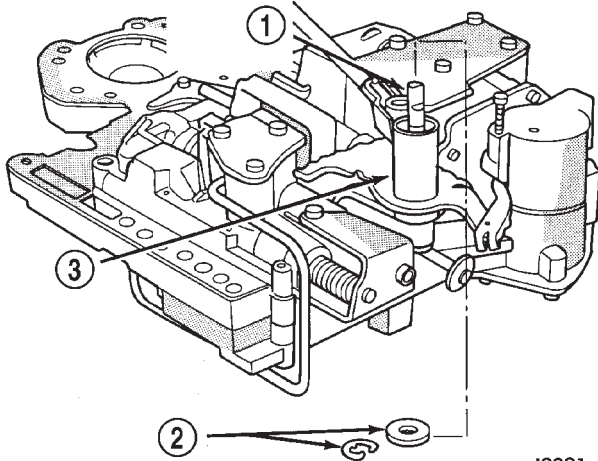
**Fig. 116 Park Rod**

- 1 - MANUAL LEVER
- 2 - E-CLIP
- 3 - PARK ROD

J9121-81



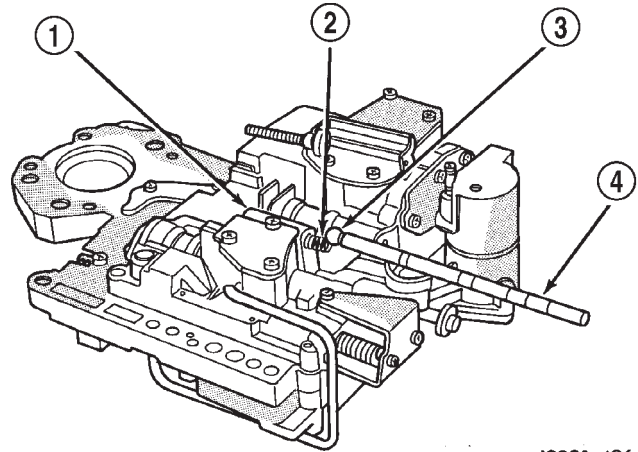
DISASSEMBLY AND ASSEMBLY (Continued)



J9321-424

**Fig. 117 Throttle Lever E-Clip And Washer**

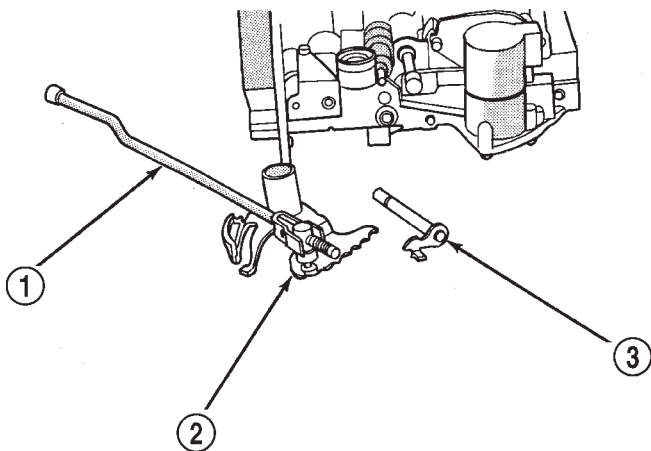
- 1 - THROTTLE LEVER SHAFT
- 2 - E-CLIP AND WASHER
- 3 - MANUAL SHAFT



J9321-426

**Fig. 119 Detent Ball And Spring**

- 1 - DETENT HOUSING
- 2 - DETENT SPRING
- 3 - DETENT BALL
- 4 - PENCIL MAGNET



J9321-425

**Fig. 118 Manual And Throttle Lever**

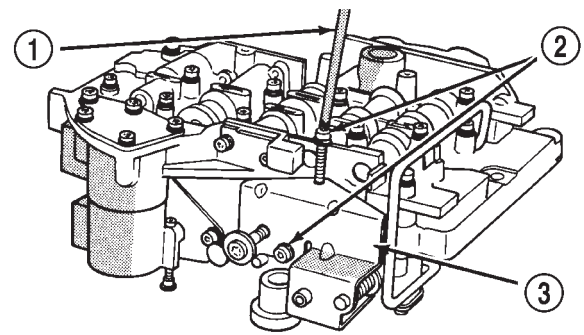
- 1 - PARK ROD
- 2 - MANUAL LEVER ASSEMBLY
- 3 - THROTTLE LEVER

(19) Remove adjusting screw bracket, line pressure adjusting screw, pressure regulator valve spring and switch valve spring (Fig. 121). **Do not remove throttle pressure adjusting screw from bracket and do not disturb setting of either adjusting screw during removal.**

(20) Turn upper housing over and remove switch valve, regulator valve and spring, and manual valve (Fig. 122).

(21) Remove kickdown detent, kickdown valve, and throttle valve and spring (Fig. 122).

(22) Loosen left-side 3-4 accumulator housing attaching screw about 2-3 threads. Then remove center and right-side housing attaching screws (Fig. 123).



J9321-430

**Fig. 120 Adjusting Screw Bracket Fastener**

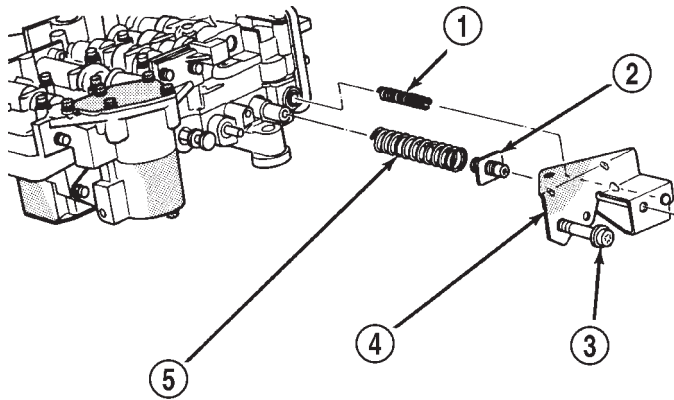
- 1 - T25 TORX BIT
- 2 - REMOVE THESE SCREWS FIRST
- 3 - BRACKET
- 4 - BRACKET
- 5 - REMOVE THIS SCREW LAST

(23) Carefully rotate 3-4 accumulator housing upward and remove 3-4 shift valve spring and converter clutch valve plug and spring (Fig. 124).

(24) Remove left-side screw and remove 3-4 accumulator housing from valve body (Fig. 125).

(25) Bend back tabs on boost valve tube brace (Fig. 126).

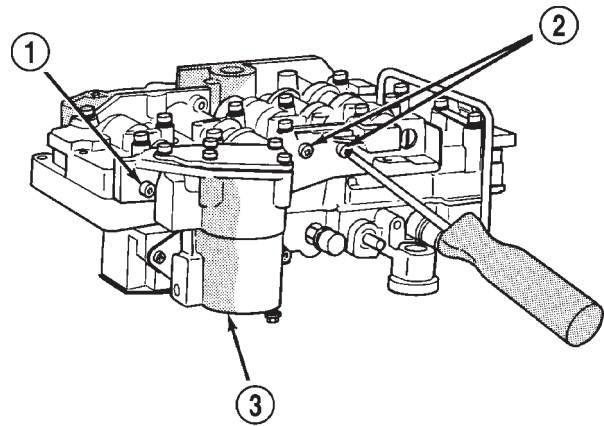
DISASSEMBLY AND ASSEMBLY (Continued)



J9321-431

**Fig. 121 Adjusting Screw Bracket And Spring**

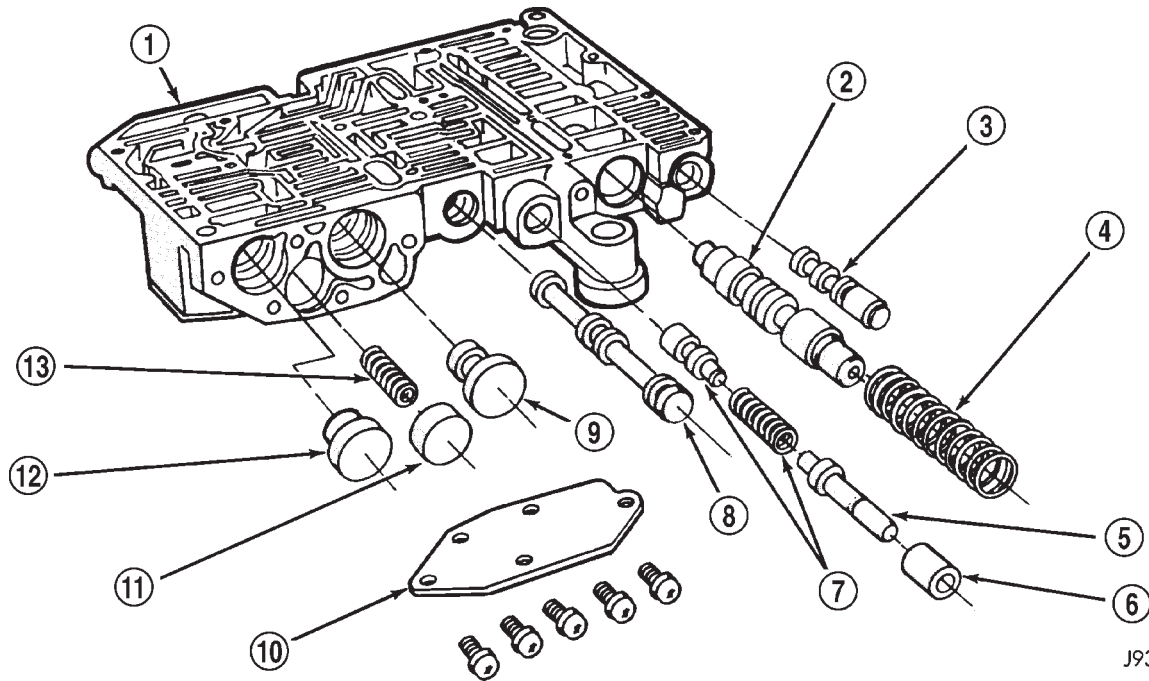
- 1 - SWITCH VALVE SPRING
- 2 - LINE PRESSURE SCREW
- 3 - THROTTLE PRESSURE ADJUSTING SCREW
- 4 - ADJUSTING SCREW BRACKET
- 5 - PRESSURE REGULATOR VALVE SPRING



J9321-432

**Fig. 123 Accumulator Housing Screw Locations**

- 1 - LOOSEN THIS SCREW
- 2 - REMOVE THESE SCREWS
- 3 - 3-4 ACCUMULATOR HOUSING

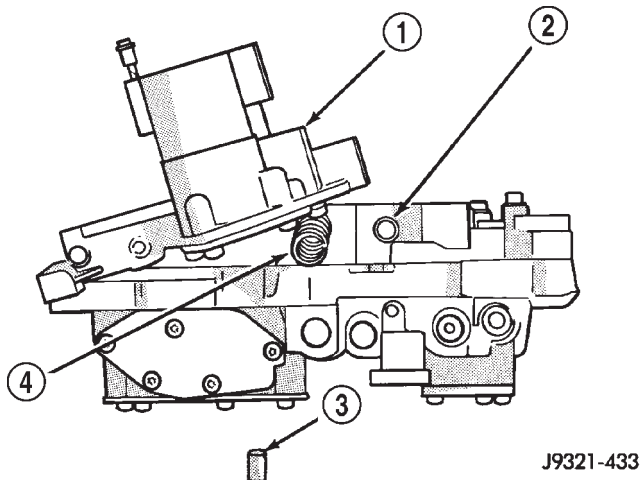


J9321-155

**Fig. 122 Upper Housing Control Valve Locations**

- 1 - UPPER HOUSING
- 2 - REGULATOR VALVE
- 3 - SWITCH VALVE
- 4 - REGULATOR VALVE SPRING
- 5 - KICKDOWN VALVE
- 6 - KICKDOWN DETENT
- 7 - THROTTLE VALVE AND SPRING
- 8 - MANUAL VALVE
- 9 - 1-2 GOVERNOR PLUG
- 10 - GOVERNOR PLUG COVER
- 11 - THROTTLE PLUG
- 12 - 2-3 GOVERNOR PLUG
- 13 - SHUTTLE VALVE PRIMARY SPRING

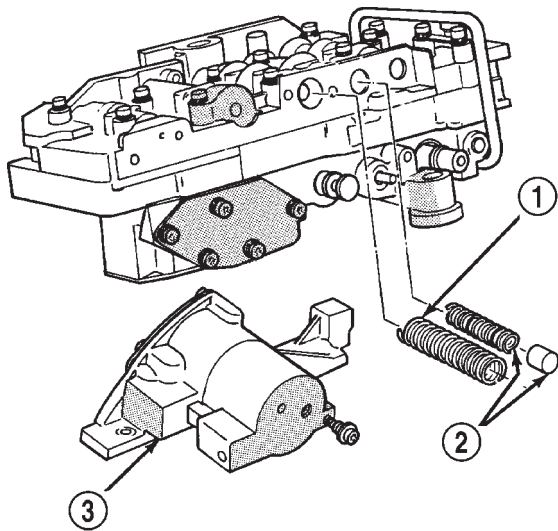
## DISASSEMBLY AND ASSEMBLY (Continued)



J9321-433

**Fig. 124 3-4 Shift And Converter Clutch Valve Springs And Plug**

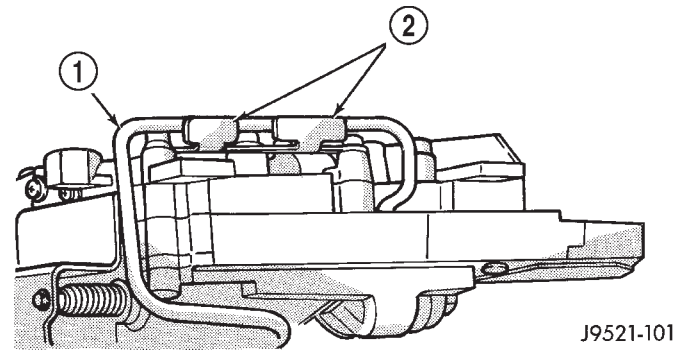
- 1 - ACCUMULATOR HOUSING
- 2 - CONVERTER CLUTCH VALVE SPRING
- 3 - CLUTCH VALVE PLUG
- 4 - 3-4 SHIFT VALVE SPRING



J9321-434

**Fig. 125 Accumulator Housing, Valve Springs And Plug**

- 1 - 3-4 SHIFT VALVE SPRING
- 2 - CONVERTER CLUTCH VALVE SPRING AND PLUG
- 3 - 3-4 ACCUMULATOR HOUSING



J9521-101

**Fig. 126 Boost Valve Tube Brace**

- 1 - BOOST VALVE TUBE
- 2 - TUBE BRACE (DOUBLE TAB)

(26) Remove boost valve connecting tube (Fig. 127). Disengage tube from upper housing port first. Then rock opposite end of tube back and forth to work it out of lower housing.

**CAUTION: Do not use tools to loosen or pry the connecting tube out of the valve body housings. Loosen and remove the tube by hand only.**

(27) Turn valve body over so lower housing is facing upward (Fig. 128). In this position, the two check balls in upper housing will remain in place and not fall out when lower housing and separator plate are removed.

(28) Remove screws attaching valve body lower housing to upper housing and transfer plate (Fig. 128). **Note position of boost valve tube brace for assembly reference.**

(29) Remove lower housing and overdrive separator plate from transfer plate (Fig. 128).

(30) Remove the ECE check ball from the transfer plate (Fig. 129). The ECE check ball is approximately 4.8 mm (3/16 in.) in diameter.

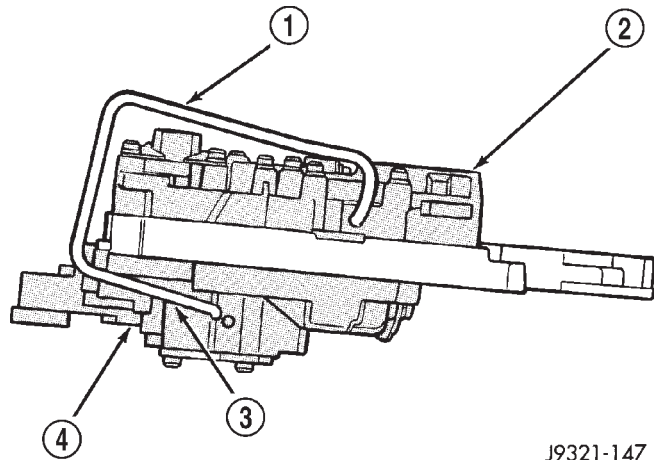
(31) Remove transfer plate from upper housing (Fig. 130).

DISASSEMBLY AND ASSEMBLY (Continued)

(32) Turn transfer plate over so upper housing separator plate is facing upward.

(33) Remove upper housing separator plate from transfer plate (Fig. 131). Note position of filter in separator plate for assembly reference.

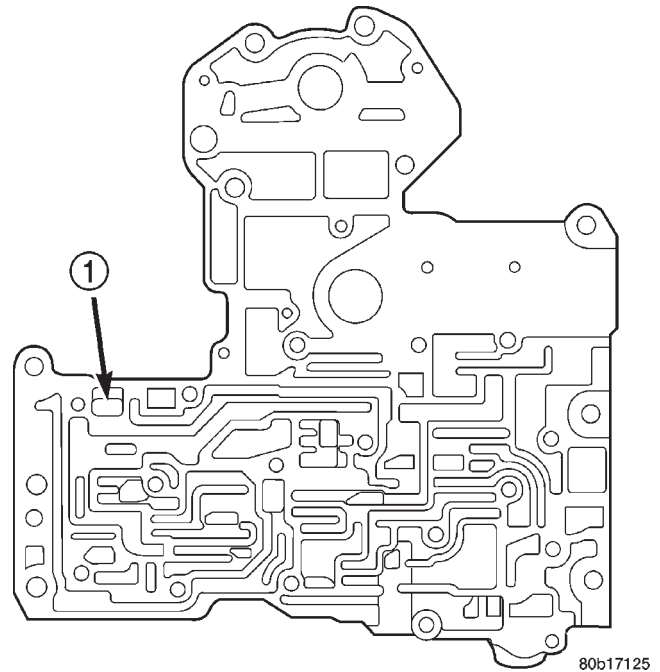
(34) Remove rear clutch and rear servo check balls from transfer plate. Note check ball location for assembly reference (Fig. 132).



**Fig. 127 Boost Valve Tube**

J9321-147

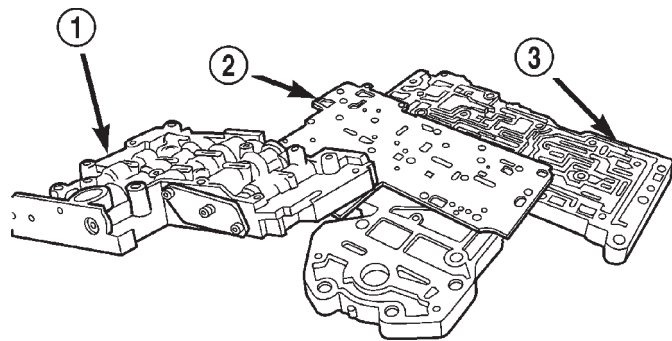
- 1 - BOOST VALVE TUBE
- 2 - LOWER HOUSING
- 3 - DISENGAGE THIS END OF TUBE FIRST
- 4 - UPPER HOUSING



80b17125

**Fig. 129 ECE Check Ball**

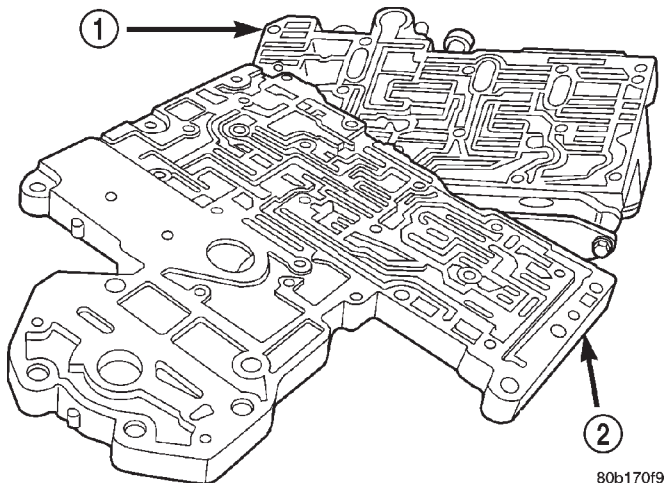
- 1 - ECE CHECK BALL (3/16")



80b170f8

**Fig. 128 Lower Housing**

- 1 - LOWER HOUSING
- 2 - OVERDRIVE SEPARATOR PLATE
- 3 - TRANSFER PLATE AND UPPER HOUSING



80b170f9

**Fig. 130 Transfer Plate**

- 1 - UPPER HOUSING
- 2 - TRANSFER PLATE

**VALVE BODY UPPER HOUSING**

(1) Note location of check balls in valve body upper housing (Fig. 133). Then remove the one large diameter and the six smaller diameter check balls.

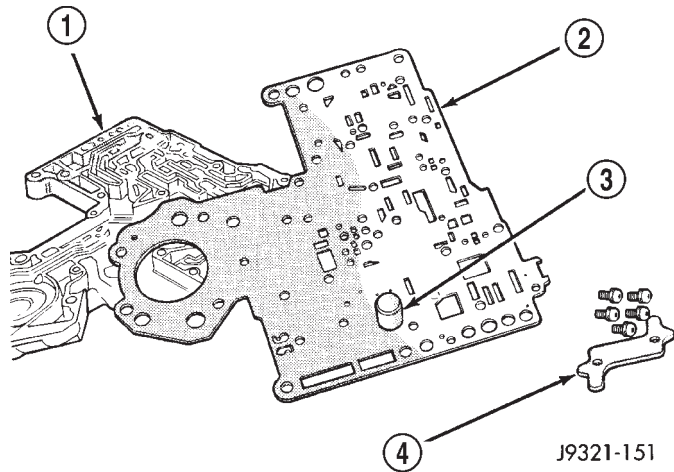
(2) Remove governor plug and shuttle valve covers (Fig. 135).

(3) Remove E-clip that secures shuttle valve secondary spring on valve stem (Fig. 134).

(4) Remove throttle plug, primary spring, shuttle valve, secondary spring, and spring guides (Fig. 135).



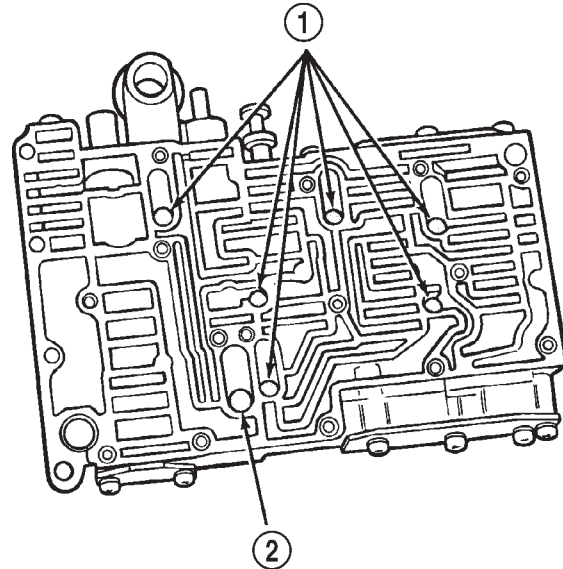
DISASSEMBLY AND ASSEMBLY (Continued)



**Fig. 131 Upper Housing Separator Plate**

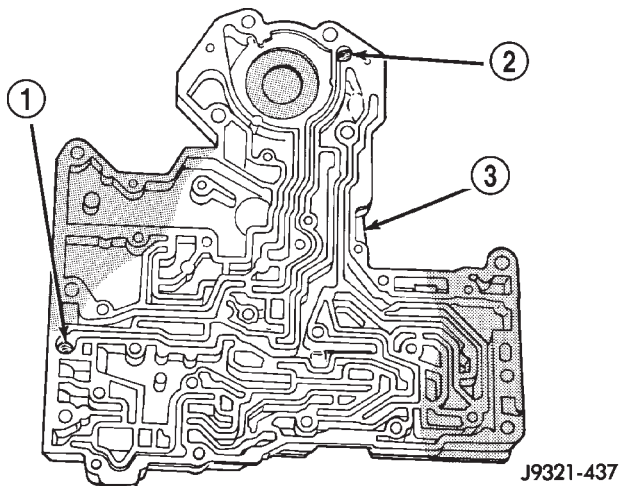
- 1 - TRANSFER PLATE
- 2 - UPPER HOUSING SEPARATOR PLATE
- 3 - FILTER SCREEN
- 4 - BRACE

- (10) Remove 1-2 shift valve and spring (Fig. 136).
- (11) Remove 2-3 shift valve and spring from valve body (Fig. 136).
- (12) Remove pressure plug cover (Fig. 136).
- (13) Remove line pressure plug, sleeve, throttle pressure plug and spring (Fig. 136).



**Fig. 133 Check Ball Locations In Upper Housing**

- 1 - SMALL DIAMETER CHECK BALLS (6)
- 2 - LARGE DIAMETER CHECK BALL (1)



**Fig. 132 Rear Clutch And Rear Servo Check Ball Locations**

- 1 - REAR CLUTCH CHECK BALL
- 2 - REAR SERVO CHECK BALL
- 3 - TRANSFER PLATE

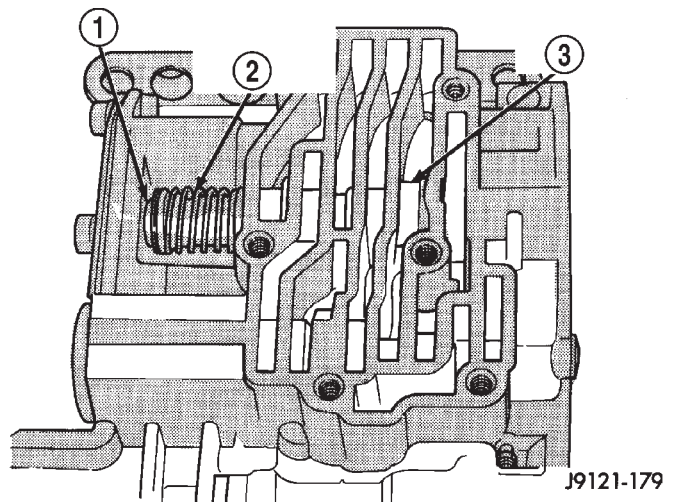
(5) Remove boost valve retainer, spring and valve if not previously removed.

(6) Remove throttle plug and 1-2 and 2-3 governor plugs (Fig. 122).

(7) Turn upper housing around and remove limit valve and shift valve covers (Fig. 136).

(8) Remove limit valve housing. Then remove retainer, spring, limit valve, and 2-3 throttle plug from limit valve housing (Fig. 136).

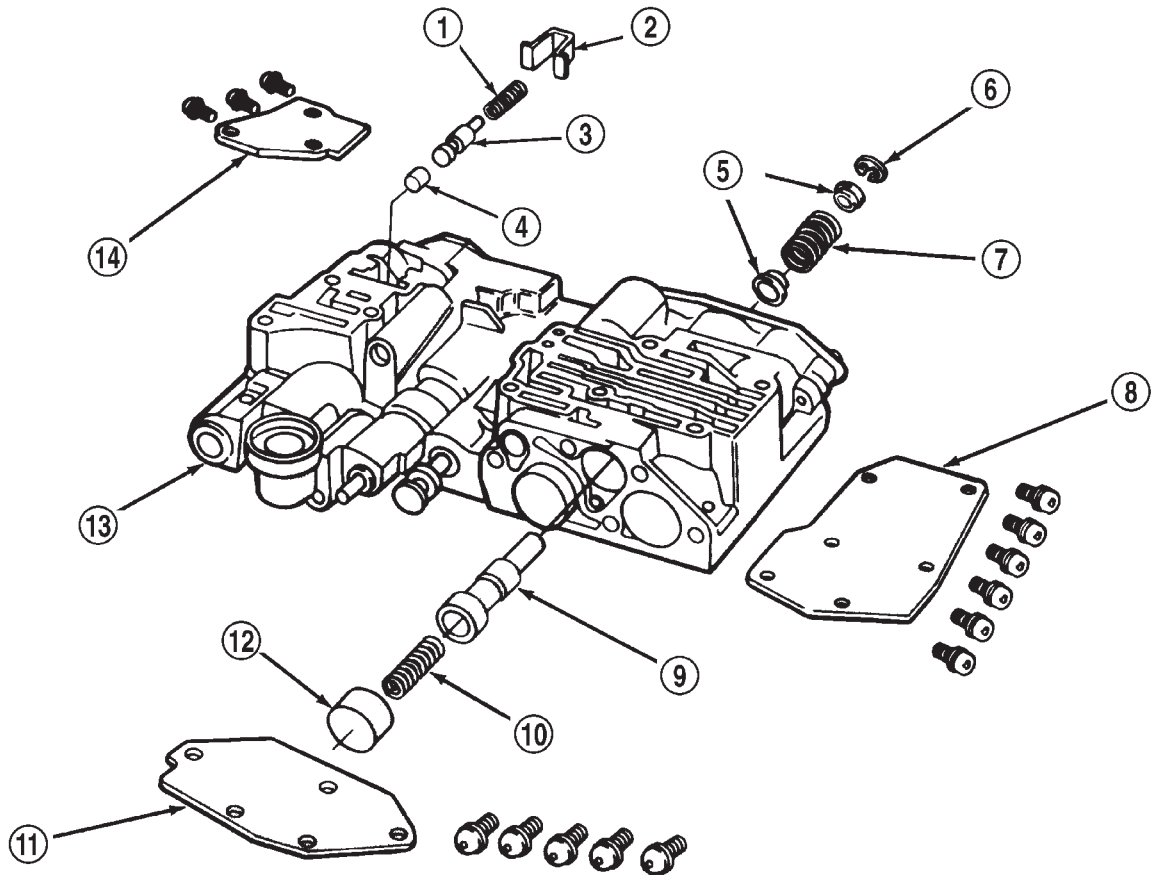
(9) Remove 1-2 shift control valve and spring (Fig. 136).



**Fig. 134 Shuttle Valve E-Clip And Secondary Spring Location**

- 1 - E-CLIP
- 2 - SECONDARY SPRING AND GUIDES
- 3 - SHUTTLE VALVE

DISASSEMBLY AND ASSEMBLY (Continued)



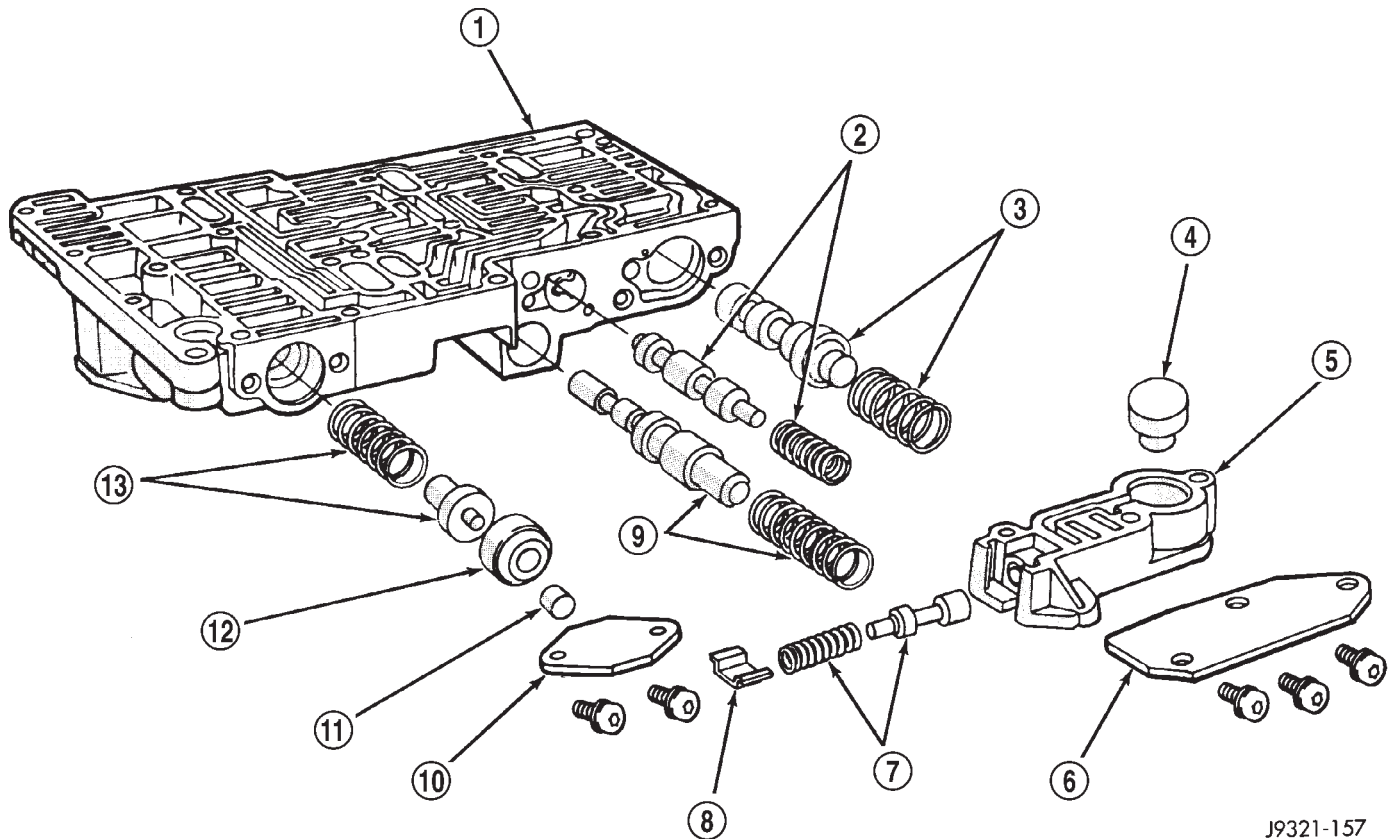
J9421-217

**Fig. 135 Shuttle And Boost Valve Components**

- |                                    |                                   |
|------------------------------------|-----------------------------------|
| 1 - SPRING                         | 8 - SHUTTLE VALVE COVER           |
| 2 - RETAINER                       | 9 - SHUTTLE VALVE                 |
| 3 - BOOST VALVE                    | 10 - SHUTTLE VALVE PRIMARY SPRING |
| 4 - BOOST VALVE PLUG               | 11 - GOVERNOR PLUG COVER          |
| 5 - SPRING GUIDES                  | 12 - THROTTLE PLUG                |
| 6 - E-CLIP                         | 13 - UPPER HOUSING                |
| 7 - SHUTTLE VALVE SECONDARY SPRING | 14 - BOOST VALVE COVER            |



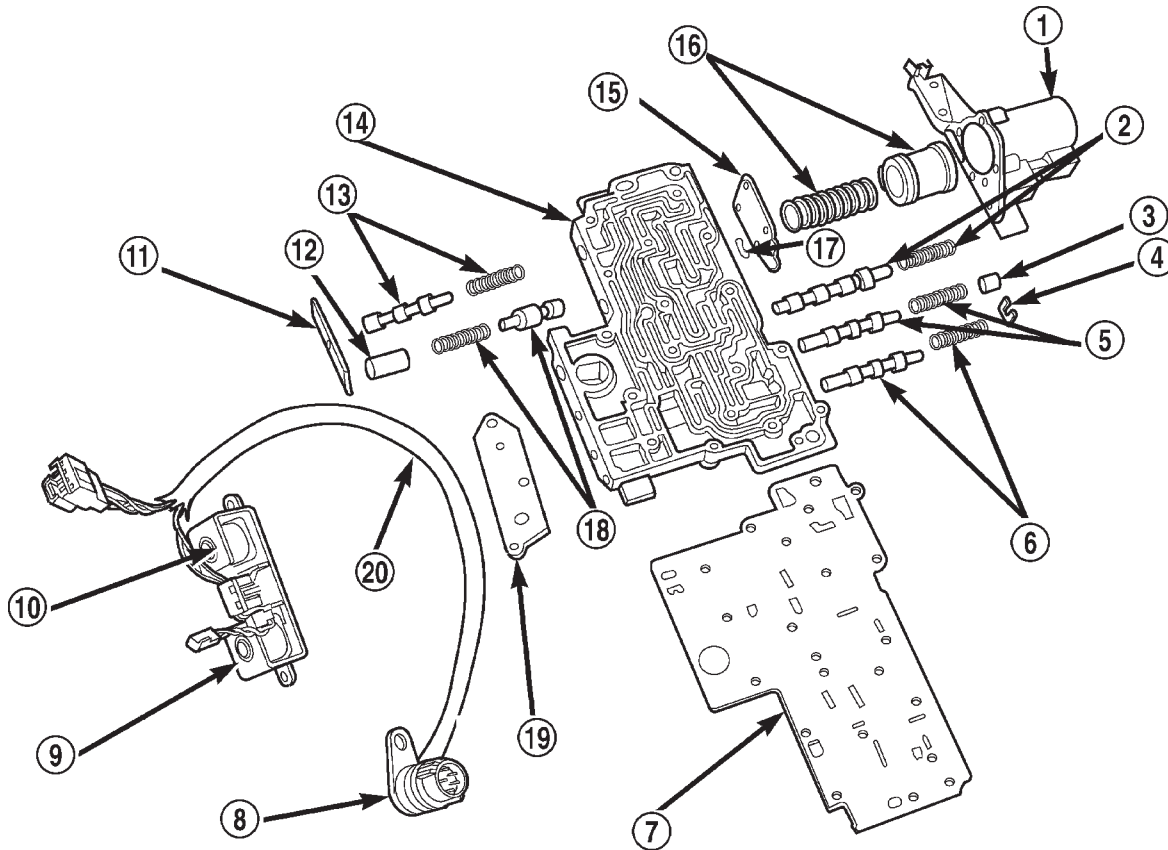
## DISASSEMBLY AND ASSEMBLY (Continued)



**Fig. 136 Upper Housing Shift Valve And Pressure Plug Locations**

- |                                |  |
|--------------------------------|--|
| 1 - UPPER HOUSING              | 8 - RETAINER                           |
| 2 - 1-2 SHIFT VALVE AND SPRING | 9 - 1-2 SHIFT CONTROL VALVE AND SPRING |
| 3 - 2-3 SHIFT VALVE AND SPRING | 10 - PRESSURE PLUG COVER               |
| 4 - 2-3 THROTTLE PLUG          | 11 - LINE PRESSURE PLUG                |
| 5 - LIMIT VALVE HOUSING        | 12 - PLUG SLEEVE                       |
| 6 - LIMIT VALVE COVER          | 13 - THROTTLE PRESSURE SPRING AND PLUG |
| 7 - LIMIT VALVE AND SPRING     |  |

DISASSEMBLY AND ASSEMBLY (Continued)



80c072b5

**Fig. 137 Lower Housing Shift Valves And Springs**

- |  |  |
|--|--|
| 1 - 3-4 ACCUMULATOR HOUSING                  | 11 - TIMING VALVE COVER                |
| 2 - 3-4 SHIFT VALVE AND SPRING               | 12 - PLUG                              |
| 3 - PLUG                                     | 13 - 3-4 TIMING VALVE AND SPRING       |
| 4 - SPRING RETAINER                          | 14 - LOWER HOUSING                     |
| 5 - CONVERTER CLUTCH VALVE AND SPRING        | 15 - ACCUMULATOR END PLATE             |
| 6 - CONVERTER CLUTCH TIMING VALVE AND SPRING | 16 - 3-4 ACCUMULATOR PISTON AND SPRING |
| 7 - OVERDRIVE SEPARATOR PLATE                | 17 - E-CLIP                            |
| 8 - CASE CONNECTOR                           | 18 - 3-4 QUICK FILL SPRING AND VALVE   |
| 9 - CONVERTER CLUTCH SOLENOID                | 19 - SOLENOID GASKET                   |
| 10 - OVERDRIVE SOLENOID                      | 20 - HARNESS                           |

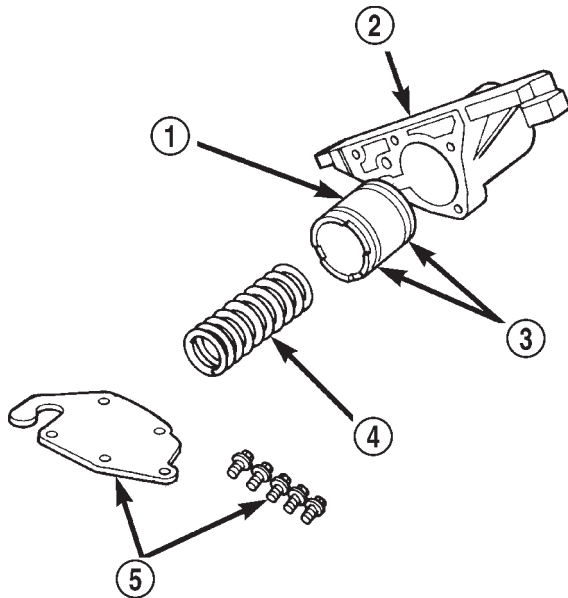
**VALVE BODY LOWER HOUSING**

- (1) Remove timing valve cover.
- (2) Remove 3-4 timing valve and spring.
- (3) Remove 3-4 quick fill valve, spring and plug.
- (4) Remove 3-4 shift valve and spring.
- (5) Remove converter clutch valve, spring and plug (Fig. 137).
- (6) Remove converter clutch timing valve, retainer and valve spring.

## DISASSEMBLY AND ASSEMBLY (Continued)

## 3-4 ACCUMULATOR HOUSING

- (1) Remove end plate from housing.
- (2) Remove piston spring.
- (3) Remove piston. Remove and discard piston seals (Fig. 138).



804d8eb9

**Fig. 138 Accumulator Housing Components**

- 1 - ACCUMULATOR PISTON
- 2 - 3-4 ACCUMULATOR HOUSING
- 3 - TEFLON SEALS
- 4 - PISTON SPRING
- 5 - COVER PLATE AND SCREWS

## ASSEMBLY

**CAUTION:** Do not force valves or plugs into place during reassembly. If the valve body bores, valves and plugs are free of distortion or burrs, the valve body components should all slide into place easily. In addition, do not overtighten the transfer plate and valve body screws during reassembly. Overtightening can distort the housings resulting in valve sticking, cross leakage and unsatisfactory operation. Tighten valve body screws to recommended torque only.

## LOWER HOUSING

- (1) Lubricate valves, springs, and the housing valve and plug bores with clean transmission fluid (Fig. 137).

- (2) Install 3-4 timing valve spring and valve in lower housing.

- (3) Install 3-4 quick fill valve in lower housing.
- (4) Install 3-4 quick fill valve spring and plug in housing.

- (5) Install timing valve end plate. Tighten end plate screws to 4 N·m (35 in. lbs.) torque.

## 3-4 ACCUMULATOR

- (1) Lubricate accumulator piston, seals and housing piston bore with clean transmission fluid (Fig. 138).

- (2) Install new seal rings on accumulator piston.
- (3) Install piston and spring in housing.
- (4) Install end plate on housing.

## TRANSFER PLATE

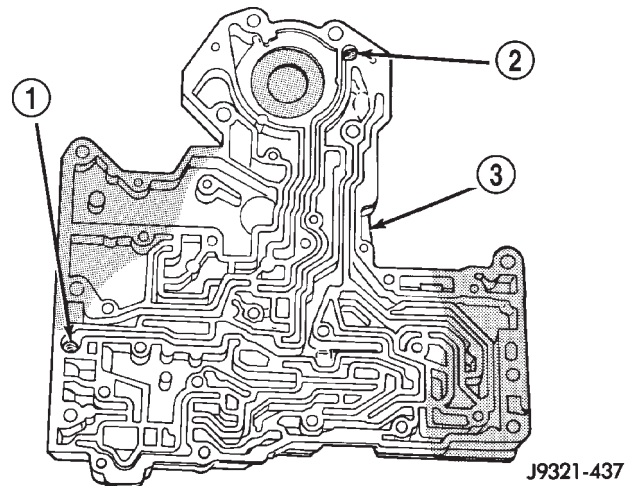
- (1) Install rear clutch and rear servo check balls in transfer plate (Fig. 139).

- (2) Install filter screen in upper housing separator plate (Fig. 140).

- (3) Align and position upper housing separator plate on transfer plate (Fig. 141).

- (4) Install brace plate (Fig. 141). Tighten brace attaching screws to 4 N·m (35 in. lbs.) torque.

- (5) Install remaining separator plate attaching screws. Tighten screws to 4 N·m (35 in. lbs.) torque.

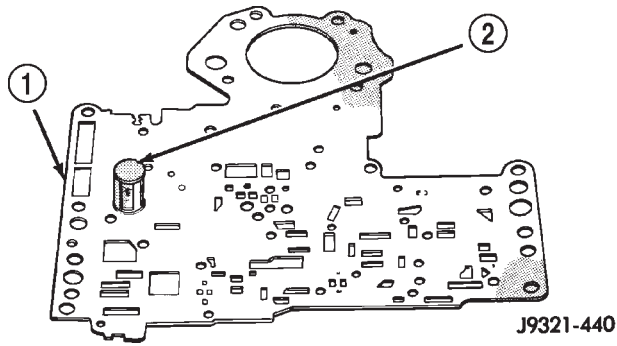


J9321-437

**Fig. 139 Rear Clutch And Rear Servo Check Ball Locations**

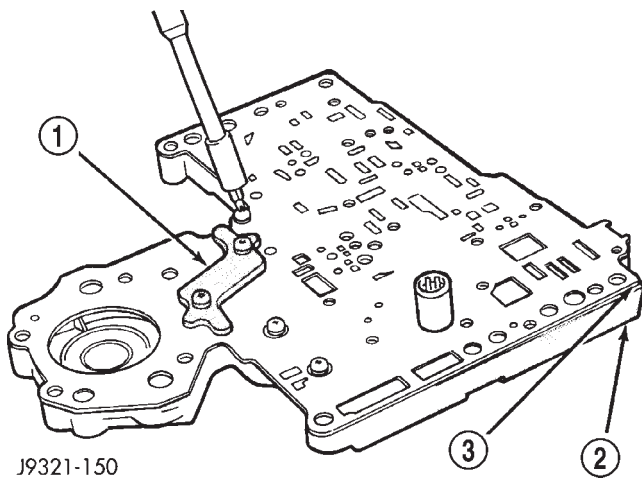
- 1 - REAR CLUTCH CHECK BALL
- 2 - REAR SERVO CHECK BALL
- 3 - TRANSFER PLATE

DISASSEMBLY AND ASSEMBLY (Continued)



**Fig. 140 Separator Plate Filter Screen Installation**

- 1 - UPPER HOUSING SEPARATOR PLATE
- 2 - FILTER SCREEN



**Fig. 141 Brace Plate**

- 1 - BRACE
- 2 - TRANSFER PLATE
- 3 - SEPARATOR PLATE

UPPER AND LOWER HOUSING

(1) Position upper housing so internal passages and check ball seats are facing upward. Then install check balls in housing (Fig. 142). Eight check balls are used. The single large check ball is approximately 8.7 mm (11/32 in.) diameter. The single small check ball is approximately 4.8 mm (3/16 in.) in diameter. The remaining 6 check balls are approximately 6.3 mm (1/4 in.) in diameter.

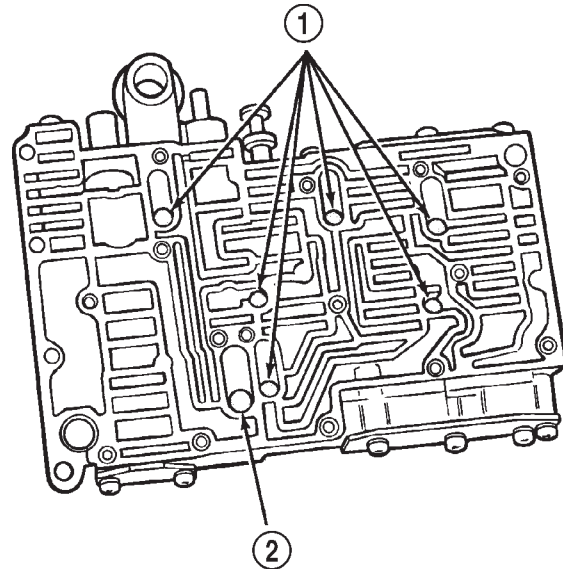
(2) Position assembled transfer plate and upper housing separator plate on upper housing (Fig. 143). Be sure filter screen is seated in proper housing recess.

(3) Install the ECE check ball into the transfer plate (Fig. 129). The ECE check ball is approximately 4.8 mm (3/16 in.) in diameter.

(4) Position lower housing separator plate on transfer plate (Fig. 144).

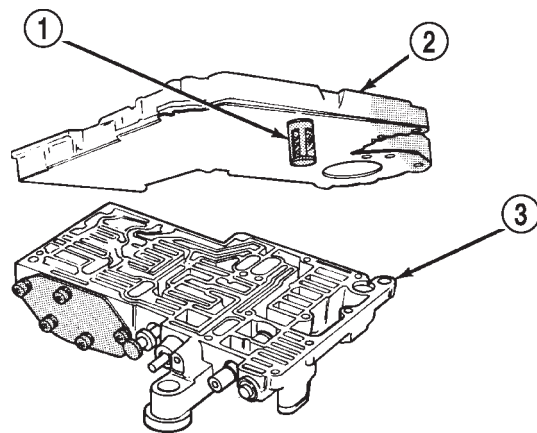
(5) Install lower housing on assembled transfer plate and upper housing (Fig. 145).

(6) Install and start all valve body screws by hand except for the screws to hold the boost valve tube brace. Save those screws for later installation. Then tighten screws evenly to 4 N·m (35 in. lbs.) torque. Start at center and work out to sides when tightening screws (Fig. 145).



**Fig. 142 Check Ball Locations In Upper Housing**

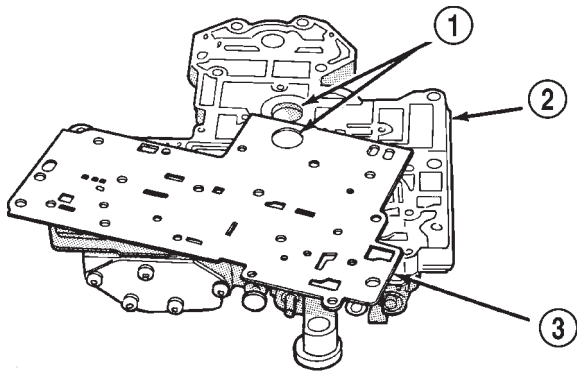
- 1 - SMALL DIAMETER CHECK BALLS (6)
- 2 - LARGE DIAMETER CHECK BALL (1)



**Fig. 143 Installing Transfer Plate On Upper Housing**

- 1 - FILTER SCREEN
- 2 - TRANSFER PLATE/SEPARATOR PLATE ASSEMBLY
- 3 - UPPER HOUSING

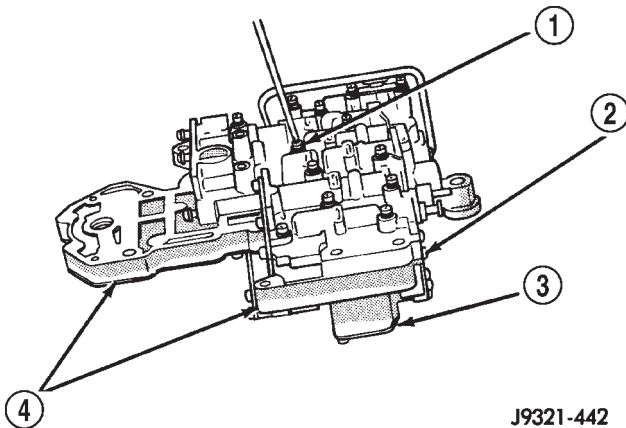
## DISASSEMBLY AND ASSEMBLY (Continued)



J9321-441

**Fig. 144 Lower Housing Separator Plate**

- 1 - BE SURE TO ALIGN BORES
- 2 - TRANSFER PLATE
- 3 - LOWER HOUSING (OVERDRIVE) SEPARATOR PLATE



J9321-442

**Fig. 145 Installing Lower Housing On Transfer Plate And Upper Housing**

- 1 - VALVE BODY SCREWS (13)
- 2 - LOWER HOUSING
- 3 - UPPER HOUSING
- 4 - TRANSFER PLATE

**UPPER HOUSING VALVE AND PLUG**

Refer to (Fig. 146), (Fig. 147) and (Fig. 148) to perform the following steps.

(1) Lubricate valves, plugs, springs with clean transmission fluid.

(2) Assemble regulator valve line pressure plug, sleeve, throttle plug and spring. Insert assembly in upper housing and install cover plate. Tighten cover plate screws to 4 N·m (35 in. lbs.) torque.

(3) Install 1-2 and 2-3 shift valves and springs.

(4) Install 1-2 shift control valve and spring.

(5) Install retainer, spring, limit valve, and 2-3 throttle plug from limit valve housing.

(6) Install limit valve housing and cover plate. Tighten screws to 4 N·m (35 in. lbs.).

(7) Install shuttle valve as follows:

(a) Insert plastic guides in shuttle valve secondary spring and install spring on end of valve.

(b) Install shuttle valve into housing.

(c) Hold shuttle valve in place.

(d) Compress secondary spring and install E-clip in groove at end of shuttle valve.

(e) Verify that spring and E-clip are properly seated before proceeding.

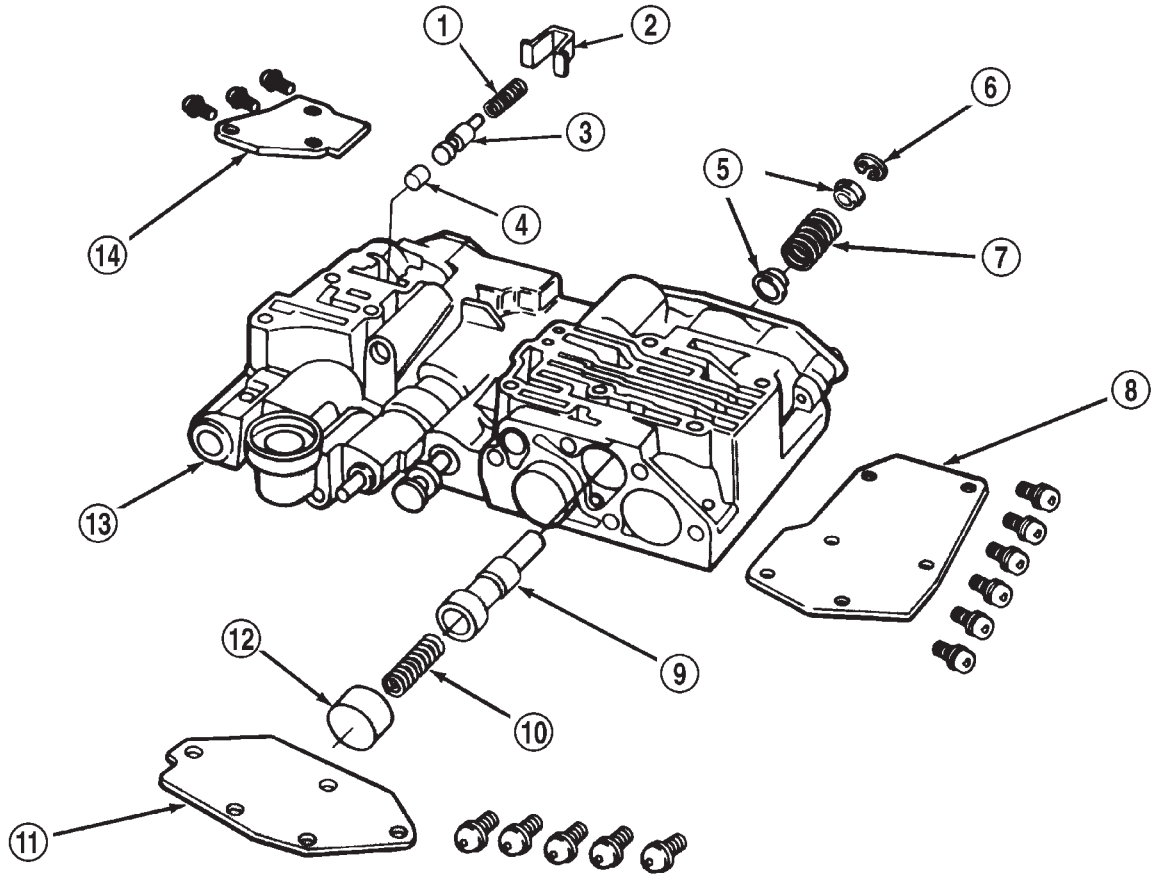
(8) Install shuttle valve cover plate. Tighten cover plate screws to 4 N·m (35 in. lbs.) torque.

(9) Install 1-2 and 2-3 valve governor plugs in valve body.

(10) Install shuttle valve primary spring and throttle plug.

(11) Align and install governor plug cover. Tighten cover screws to 4 N·m (35 in. lbs.) torque.

DISASSEMBLY AND ASSEMBLY (Continued)



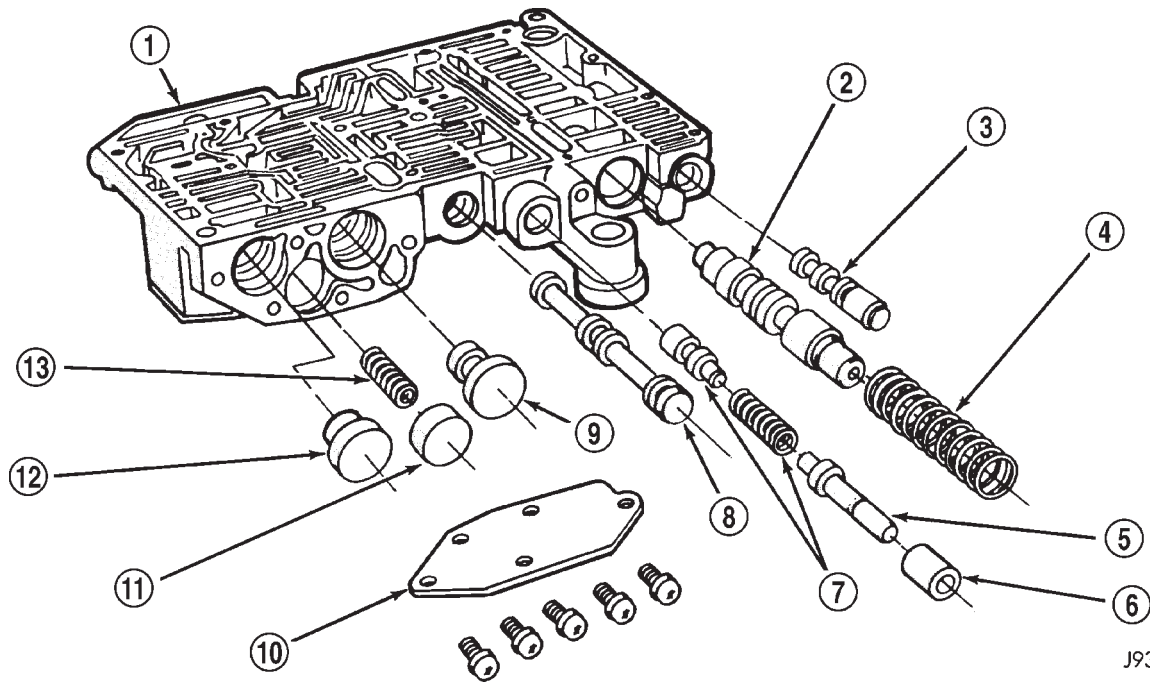
J9421-217

**Fig. 146 Shuttle And Boost Valve Components**

- |                                    |                                   |
|------------------------------------|-----------------------------------|
| 1 - SPRING                         | 8 - SHUTTLE VALVE COVER           |
| 2 - RETAINER                       | 9 - SHUTTLE VALVE                 |
| 3 - BOOST VALVE                    | 10 - SHUTTLE VALVE PRIMARY SPRING |
| 4 - BOOST VALVE PLUG               | 11 - GOVERNOR PLUG COVER          |
| 5 - SPRING GUIDES                  | 12 - THROTTLE PLUG                |
| 6 - E-CLIP                         | 13 - UPPER HOUSING                |
| 7 - SHUTTLE VALVE SECONDARY SPRING | 14 - BOOST VALVE COVER            |



DISASSEMBLY AND ASSEMBLY (Continued)

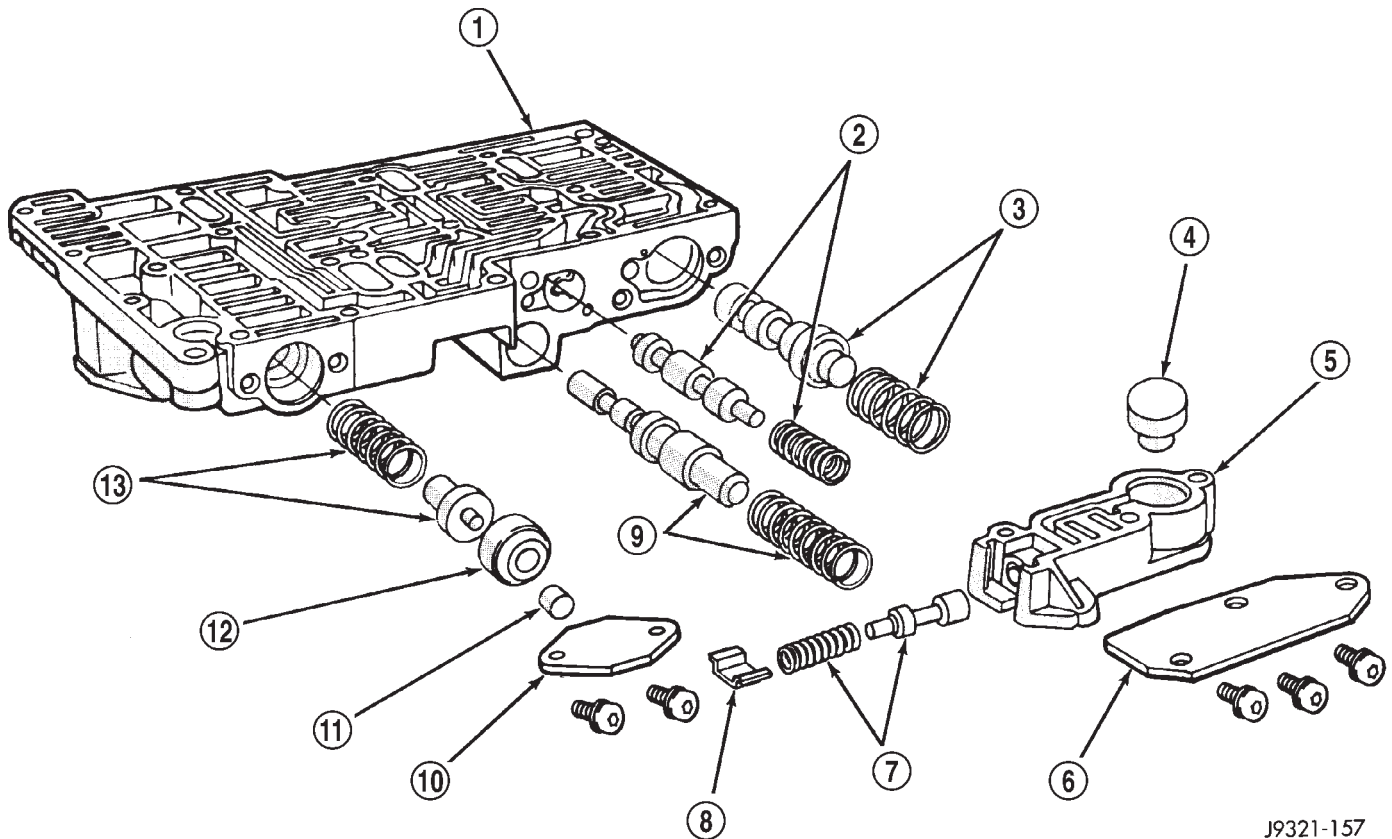


J9321-155

**Fig. 147 Upper Housing Control Valve Locations**

- |                               |                                   |
|-------------------------------|-----------------------------------|
| 1 - UPPER HOUSING             | 8 - MANUAL VALVE                  |
| 2 - REGULATOR VALVE           | 9 - 1-2 GOVERNOR PLUG             |
| 3 - SWITCH VALVE              | 10 - GOVERNOR PLUG COVER          |
| 4 - REGULATOR VALVE SPRING    | 11 - THROTTLE PLUG                |
| 5 - KICKDOWN VALVE            | 12 - 2-3 GOVERNOR PLUG            |
| 6 - KICKDOWN DETENT           | 13 - SHUTTLE VALVE PRIMARY SPRING |
| 7 - THROTTLE VALVE AND SPRING |                                   |

DISASSEMBLY AND ASSEMBLY (Continued)



J9321-157

**Fig. 148 Upper Housing Shift Valve And Pressure Plug Locations**

- |                                |  |
|--------------------------------|--|
| 1 - UPPER HOUSING              | 8 - RETAINER                           |
| 2 - 1-2 SHIFT VALVE AND SPRING | 9 - 1-2 SHIFT CONTROL VALVE AND SPRING |
| 3 - 2-3 SHIFT VALVE AND SPRING | 10 - PRESSURE PLUG COVER               |
| 4 - 2-3 THROTTLE PLUG          | 11 - LINE PRESSURE PLUG                |
| 5 - LIMIT VALVE HOUSING        | 12 - PLUG SLEEVE                       |
| 6 - LIMIT VALVE COVER          | 13 - THROTTLE PRESSURE SPRING AND PLUG |
| 7 - LIMIT VALVE AND SPRING     |  |

## DISASSEMBLY AND ASSEMBLY (Continued)

## BOOST VALVE TUBE AND BRACE

(1) Position valve body assembly so lower housing is facing upward (Fig. 149).

(2) Lubricate tube ends and housing ports with transmission fluid or petroleum jelly.

(3) Start tube in lower housing port first. Then swing tube downward and work opposite end of tube into upper housing port (Fig. 149).

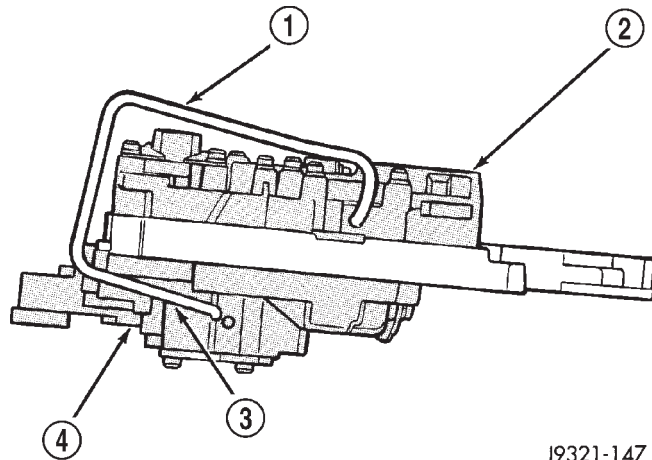
(4) Insert and seat each end of tube in housings.

(5) Slide tube brace under tube and into alignment with valve body screw holes (Fig. 150).

(6) Install and finger tighten three screws that secure tube brace to valve body housings (Fig. 150).

(7) Bend tube brace tabs up and against tube to hold it in position (Fig. 151).

(8) Tighten all valve body housing screws to 4 N·m (35 in. lbs.) torque after tube and brace are installed. Tighten screws in diagonal pattern starting at center and working outward.



J9321-147

**Fig. 149 Boost Valve Tube**

- 1 - BOOST VALVE TUBE
- 2 - LOWER HOUSING
- 3 - DISENGAGE THIS END OF TUBE FIRST
- 4 - UPPER HOUSING

## 3-4 ACCUMULATOR

(1) Position converter clutch valve and 3-4 shift valve springs in housing (Fig. 152).

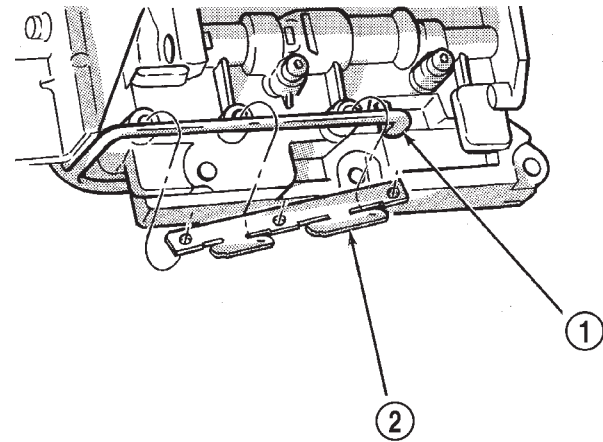
(2) Loosely attach accumulator housing with right-side screw (Fig. 152). Install only one screw at this time as accumulator must be free to pivot upward for ease of installation.

(3) Install 3-4 shift valve and spring.

(4) Install converter clutch timing valve and spring.

(5) Position plug on end of converter clutch valve spring. Then compress and hold springs and plug in place with fingers of one hand.

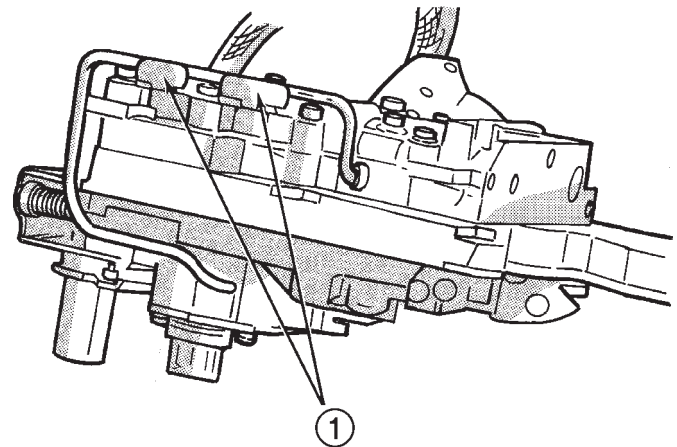
(6) Swing accumulator housing upward over valve springs and plug.



J9521-107

**Fig. 150 Boost Valve Tube And Brace**

- 1 - BOOST VALVE TUBE
- 2 - TUBE BRACE



J9521-108

**Fig. 151 Securing Boost Valve Tube With Brace Tabs**

- 1 - BEND TABS UP AGAINST TUBE AS SHOWN

(7) Hold accumulator housing firmly in place and install remaining two attaching screws. Be sure springs and clutch valve plug are properly seated (Fig. 153). Tighten screws to 4 N·m (35 in. lbs.).

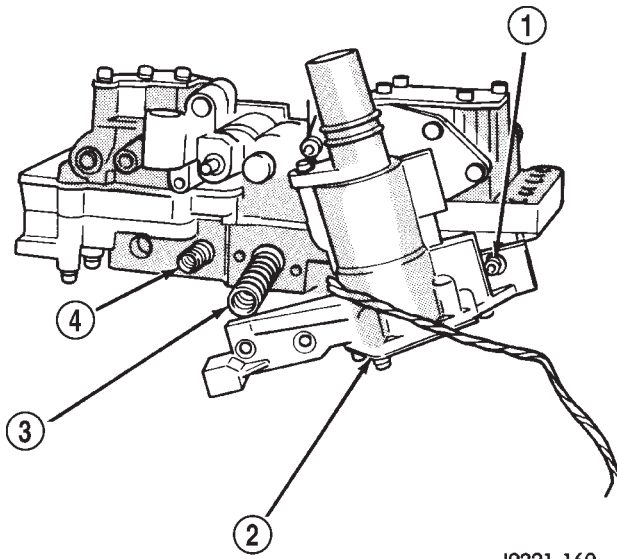
## VALVE BODY FINAL

(1) Install boost valve, valve spring, retainer and cover plate. Tighten cover plate screws to 4 N·m (35 in. lbs.) torque.

(2) Insert manual lever detent spring in upper housing.

(3) Position detent ball on end of spring. Then hold detent ball and spring in detent housing with Retainer Tool 6583 (Fig. 154).

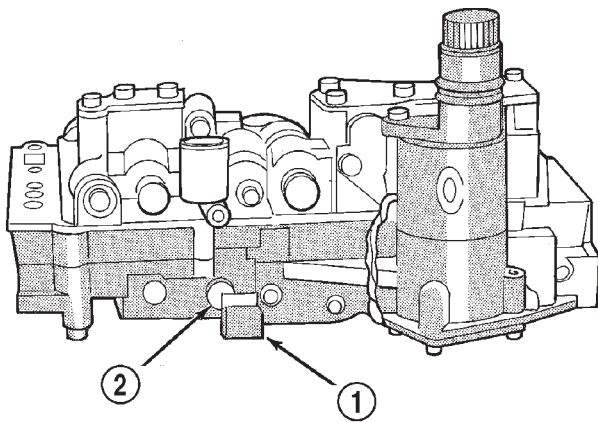
DISASSEMBLY AND ASSEMBLY (Continued)



J9321-160

**Fig. 152 Converter Clutch And 3-4 Shift Valve Springs**

- 1 - RIGHT-SIDE SCREW
- 2 - 3-4 ACCUMULATOR
- 3 - 3-4 SHIFT VALVE SPRING
- 4 - CONVERTER CLUTCH VALVE SPRING



J9521-180

**Fig. 153 Seating 3-4 Accumulator On Lower Housing**

- 1 - ACCUMULATOR BOX
- 2 - CONVERTER CLUTCH VALVE PLUG

(4) Install throttle lever in upper housing. Then install manual lever over throttle lever and start manual lever into housing.

(5) Align manual lever with detent ball and manual valve. Hold throttle lever upward. Then press down on manual lever until fully seated. Remove detent ball retainer tool after lever is seated.

(6) Then install manual lever seal, washer and E-clip.

(7) Verify that throttle lever is aligned with end of kickdown valve stem and that manual lever arm is engaged in manual valve (Fig. 155).

(8) Position line pressure adjusting screw in adjusting screw bracket.

(9) Install spring on end of line pressure regulator valve.

(10) Install switch valve spring on tang at end of adjusting screw bracket.

(11) Install manual valve.

(12) Install throttle valve and spring.

(13) Install kickdown valve and detent.

(14) Install pressure regulator valve.

(15) Install switch valve.

(16) Position adjusting screw bracket on valve body. Align valve springs and press bracket into place. Install short, upper bracket screws first and long bottom screw last. Verify that valve springs and bracket are properly aligned. Then tighten all three bracket screws to 4 N-m (35 in. lbs.) torque.

(17) Perform Line Pressure and Throttle Pressure adjustments. Refer to adjustment section of this group for proper procedures.

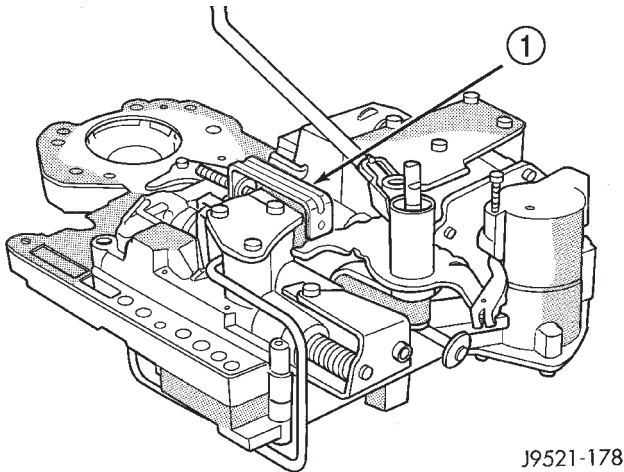
(18) Lubricate solenoid case connector O-rings and shaft of manual lever with light coat of petroleum jelly.

(19) Attach solenoid case connector to 3-4 accumulator with shoulder-type screw. Connector has small locating tang that fits in dimple at top of accumulator housing (Fig. 156). Seat tang in dimple before tightening connector screw.

(20) Install solenoid assembly and gasket. Tighten solenoid attaching screws to 8 N-m (72 in. lbs.) torque.

(21) Verify that solenoid wire harness is properly routed (Fig. 157). **Solenoid harness must be clear of manual lever and park rod and not be pinched between accumulator housing and cover.**

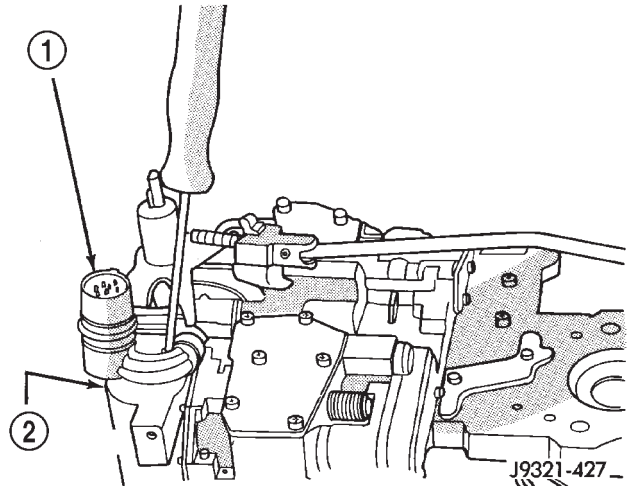
## DISASSEMBLY AND ASSEMBLY (Continued)



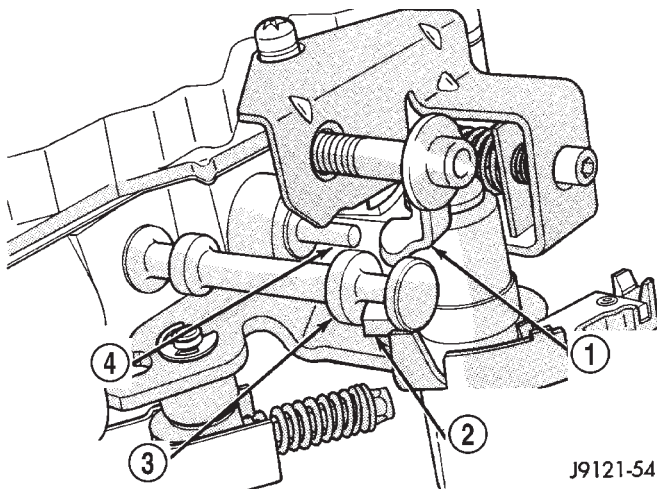
J9521-178

**Fig. 154 Detent Ball Spring**

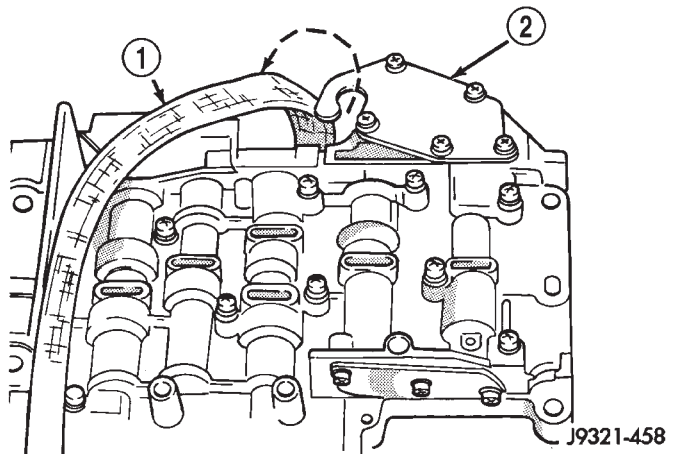
1 - SPECIAL TOOL 6583 POSITIONED ON DETENT HOUSING



J9321-427

**Fig. 156 Solenoid Harness Case Connector Shoulder Bolt**1 - SOLENOID HARNESS CASE CONNECTOR  
2 - 3-4 ACCUMULATOR HOUSING

J9121-54

**Fig. 155 Manual And Throttle Lever Alignment**1 - THROTTLE LEVER  
2 - MANUAL LEVER VALVE ARM  
3 - MANUAL VALVE  
4 - KICKDOWN VALVE

J9321-458

**Fig. 157 Solenoid Harness Routing**1 - OVERDRIVE/CONVERTER SOLENOID WIRE HARNESS  
2 - 3-4 ACCUMULATOR COVER PLATE**GOVERNOR BODY, SENSOR AND SOLENOID**

(1) Turn valve body assembly over so accumulator side of transfer plate is facing down.

(2) Install new O-rings on governor pressure solenoid and sensor.

(3) Lubricate solenoid and sensor O-rings with clean transmission fluid.

(4) Install governor pressure sensor in governor body.

(5) Install governor pressure solenoid in governor body. Push solenoid in until it snaps into place in body.

(6) Position governor body gasket on transfer plate.

(7) Install retainer plate on governor body and around solenoid. Be sure solenoid connector is positioned in retainer cutout.

(8) Align screw holes in governor body and transfer plate. Then install and tighten governor body screws to 4 N·m (35 in. lbs.) torque.

(9) Connect harness wires to governor pressure solenoid and governor pressure sensor.

(10) Install fluid filter and pan.

(11) Lower vehicle.

(12) Fill transmission with recommended fluid and road test vehicle to verify repair.



DISASSEMBLY AND ASSEMBLY (Continued)

**TRANSMISSION**

**DISASSEMBLY**

(1) Clean transmission exterior with steam gun or with solvent. Wear eye protection during cleaning operations.

(2) Place transmission in a vertical position.

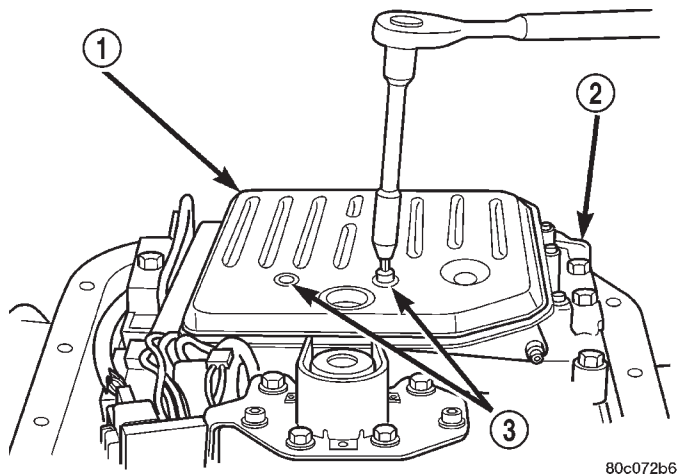
(3) Measure and record input shaft end play readings.

(4) Remove shift and throttle levers from valve body manual lever shaft.

(5) Place transmission in horizontal position.

(6) Remove transmission oil pan and gasket.

(7) Remove filter from valve body (Fig. 158). Keep filter screws separate from other valve body screws. Filter screws are longer and should be kept with filter.



**Fig. 158 Oil Filter Removal**

- 1 - OIL FILTER
- 2 - VALVE BODY
- 3 - FILTER SCREWS (2)

(8) Remove park/neutral position switch.

(9) Remove hex head bolts attaching valve body to transmission case (Fig. 159). A total of 10 bolts are used. Note different bolt lengths for assembly reference.

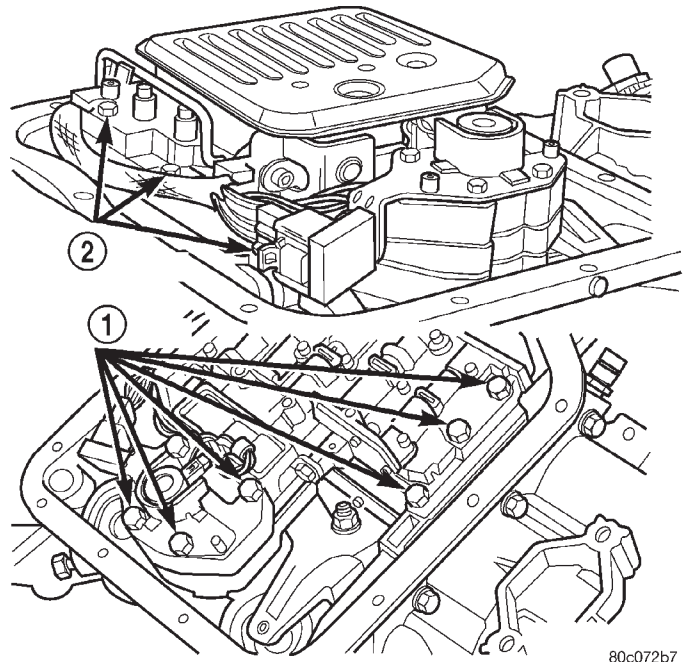
(10) Remove valve body assembly. Push valve body harness connector out of case. Then work park rod and valve body out of case (Fig. 160).

(11) Remove accumulator piston and inner and outer springs (Fig. 161).

(12) Remove pump oil seal with suitable pry tool or slide-hammer mounted screw.

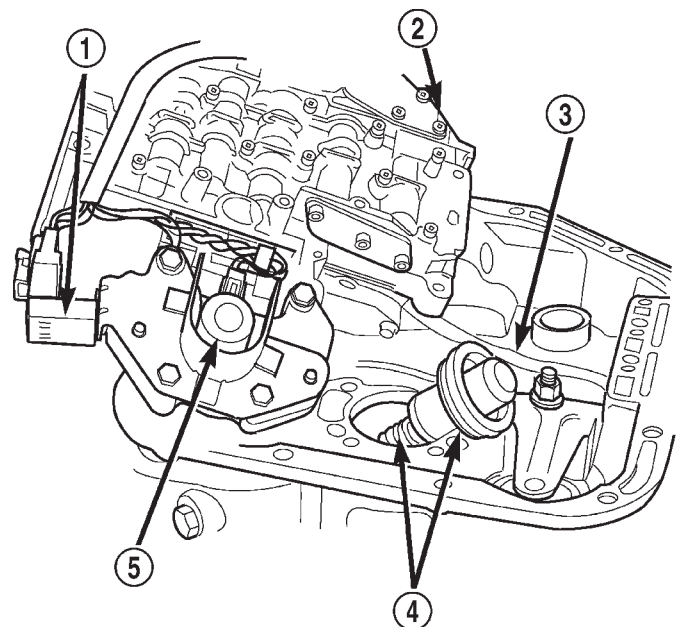
(13) Loosen front band adjusting screw locknut 4-5 turns. Then tighten band adjusting screw until band is tight around front clutch retainer. This prevents front/rear clutches from coming out with pump and possibly damaging clutch or pump components.

(14) Remove oil pump bolts.



**Fig. 159 Valve Body Bolt Locations**

- 1 - VALVE BODY BOLTS
- 2 - VALVE BODY BOLTS



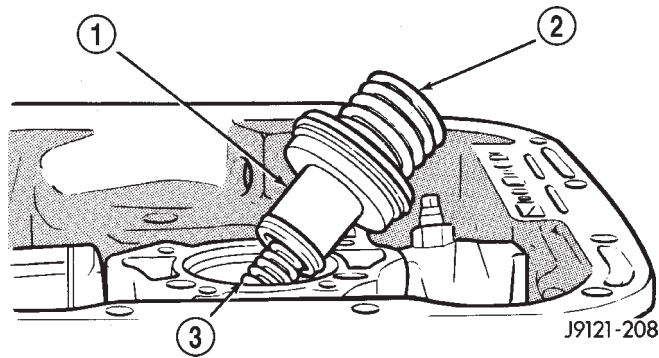
**Fig. 160 Valve Body Removal**

- 1 - GOVERNOR PRESSURE SENSOR
- 2 - VALVE BODY
- 3 - PARK ROD
- 4 - ACCUMULATOR PISTON
- 5 - GOVERNOR PRESSURE SOLENOID

(15) Thread bolts of Slide Hammer Tools C-3752 into threaded holes in pump body flange (Fig. 162).



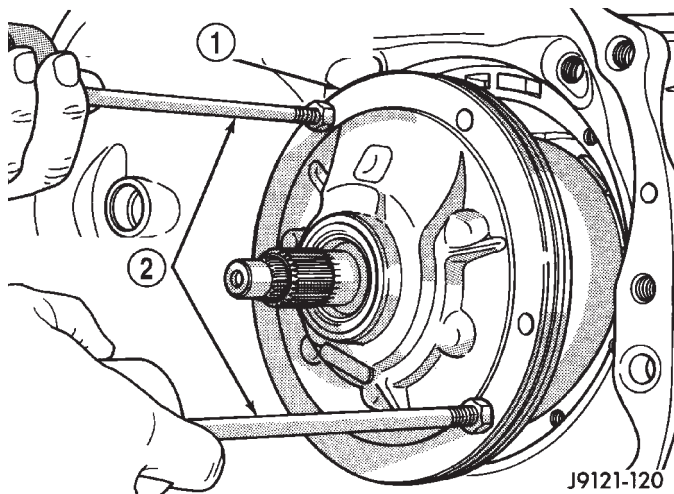
DISASSEMBLY AND ASSEMBLY (Continued)



**Fig. 161 Accumulator Piston And Springs**

- 1 - ACCUMULATOR PISTON
- 2 - OUTER SPRING
- 3 - INNER SPRING

(16) Bump slide hammer weights outward to remove pump and reaction shaft support assembly from case (Fig. 162).



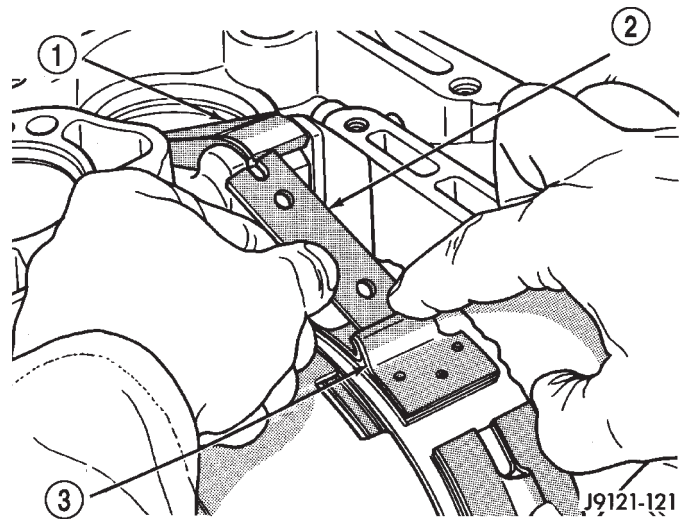
**Fig. 162 Removing Oil Pump And Reaction Shaft Support Assembly**

- 1 - OIL PUMP AND REACTION SHAFT SUPPORT ASSEMBLY
- 2 - SLIDE HAMMER TOOLS C-3752

(17) Loosen front band adjusting screw until band is completely loose.

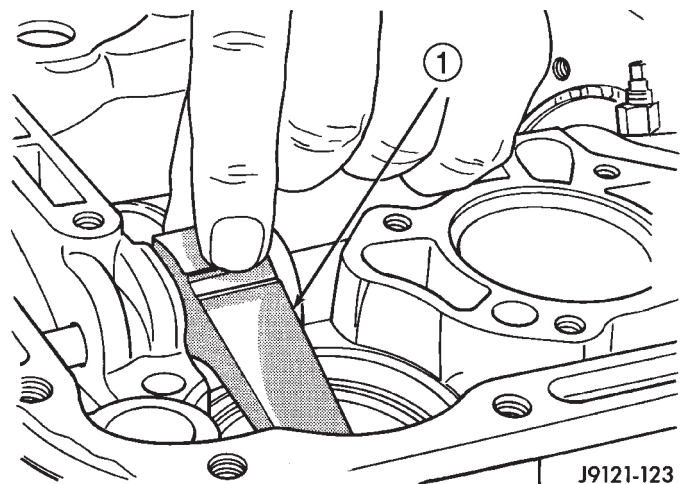
(18) Squeeze front band together and remove band strut (Fig. 163).

- (19) Remove front band lever (Fig. 164).
- (20) Remove front band lever shaft plug, if necessary, from converter housing.
- (21) Remove front band lever shaft.



**Fig. 163 Removing/Installing Front Band Strut**

- 1 - BAND LEVER
- 2 - BAND STRUT
- 3 - FRONT BAND



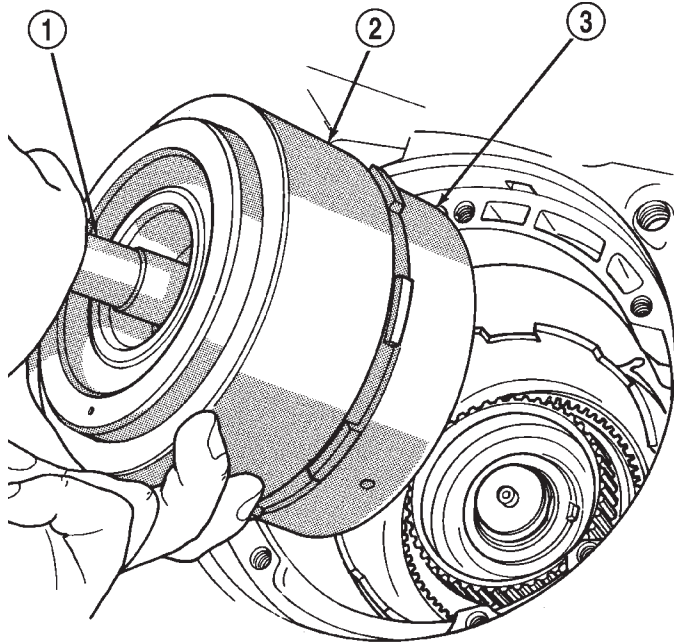
**Fig. 164 Removing/Installing Front Band Lever**

- 1 - FRONT BAND LEVER

DISASSEMBLY AND ASSEMBLY (Continued)

(22) Remove front and rear clutch units as assembly. Grasp input shaft, hold clutch units together and remove them from case (Fig. 165).

(23) Lift front clutch off rear clutch (Fig. 166). Set clutch units aside for overhaul.



J9121-124

**Fig. 165 Removing Front/Rear Clutch Assemblies**

- 1 - INPUT SHAFT
- 2 - FRONT CLUTCH
- 3 - REAR CLUTCH

(24) Remove intermediate shaft thrust washer from front end of shaft or from rear clutch hub (Fig. 167).

(25) Remove output shaft thrust plate from intermediate shaft hub (Fig. 168).

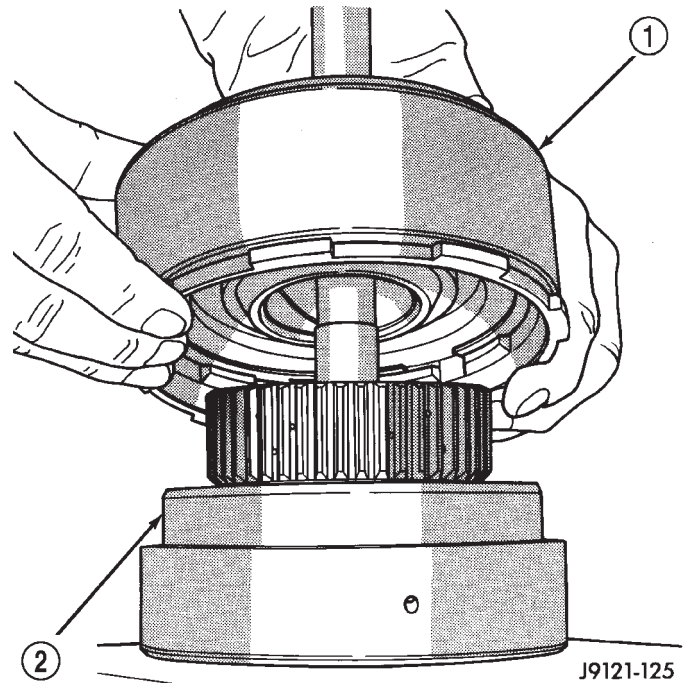
(26) Slide front band off driving shell (Fig. 169) and remove band from case.

(27) Remove planetary geartrain as assembly (Fig. 170). Support geartrain with both hands during removal. Do not allow machined surfaces on intermediate shaft or overdrive piston retainer to become nicked or scratched.

(28) If overdrive unit is not to be serviced, install Alignment Shaft 6227-2 into the overdrive unit to prevent misalignment of the overdrive clutches during service of main transmission components.

(29) Loosen rear band adjusting screw 4-5 turns.

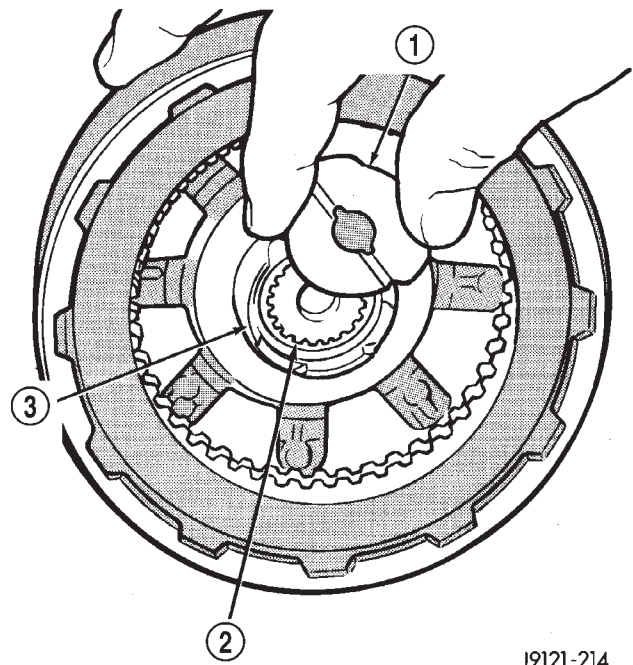
(30) Remove low-reverse drum snap ring (Fig. 171).



J9121-125

**Fig. 166 Separating Front/Rear Clutch Assemblies**

- 1 - FRONT CLUTCH
- 2 - REAR CLUTCH

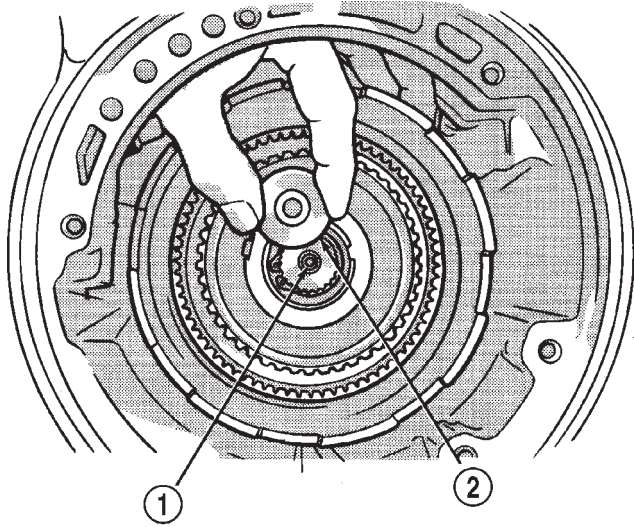


J9121-214

**Fig. 167 Removing Intermediate Shaft Thrust Washer**

- 1 - INTERMEDIATE SHAFT THRUST WASHER
- 2 - INPUT SHAFT
- 3 - REAR CLUTCH RETAINER HUB

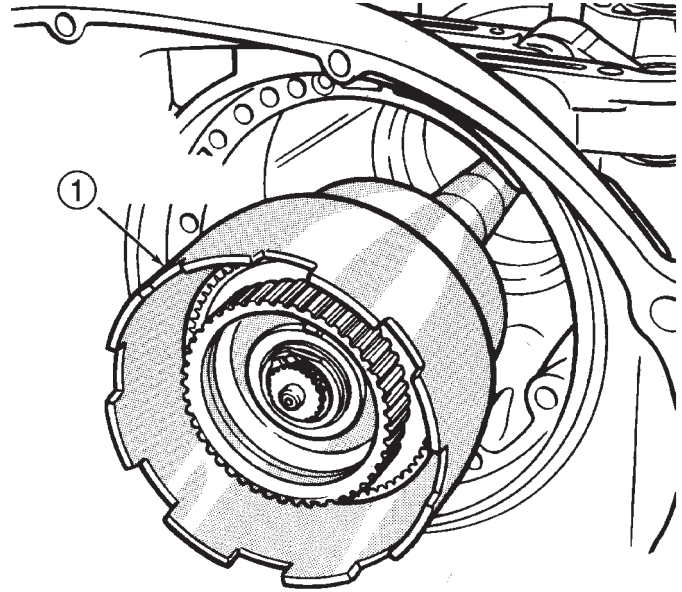
DISASSEMBLY AND ASSEMBLY (Continued)



J9121-215

**Fig. 168 Removing Intermediate Shaft Thrust Plate**

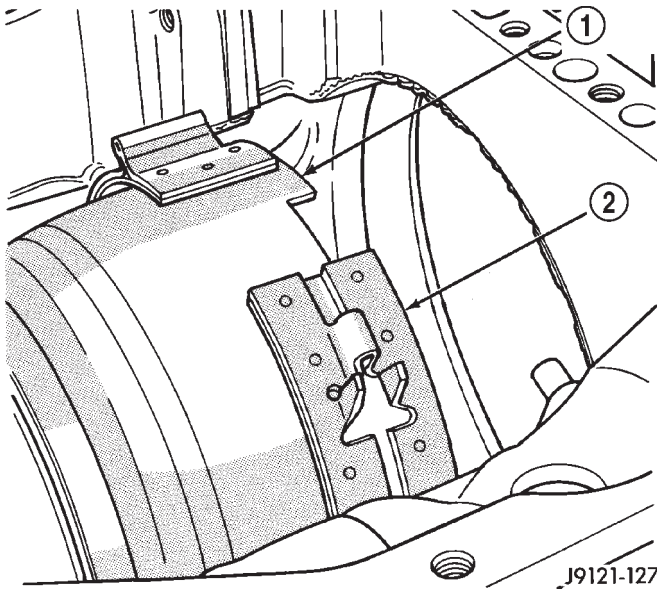
- 1 - INTERMEDIATE SHAFT HUB
- 2 - INTERMEDIATE SHAFT THRUST PLATE



J9121-217

**Fig. 170 Removing Planetary Geartrain And Intermediate Shaft Assembly**

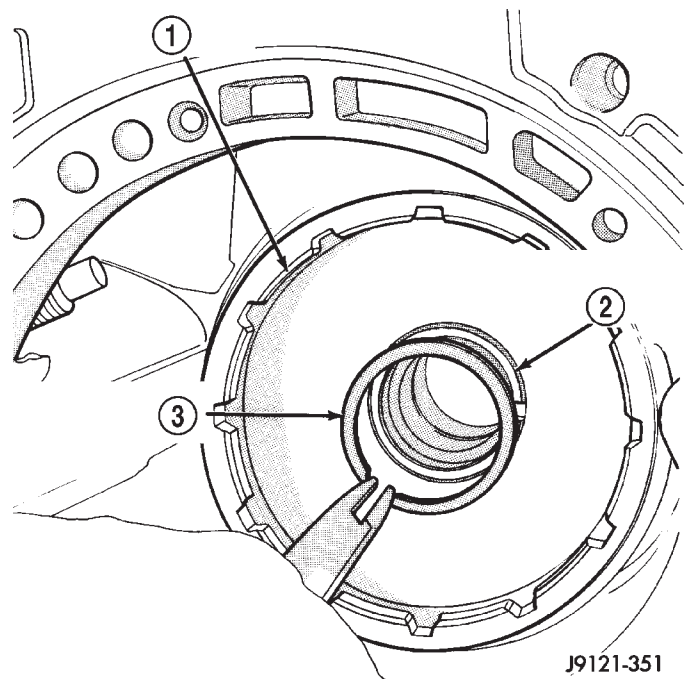
- 1 - PLANETARY GEARTRAIN AND INTERMEDIATE SHAFT ASSEMBLY



J9121-127

**Fig. 169 Front Band Removal/Installation**

- 1 - DRIVING SHELL
- 2 - FRONT BAND



J9121-351

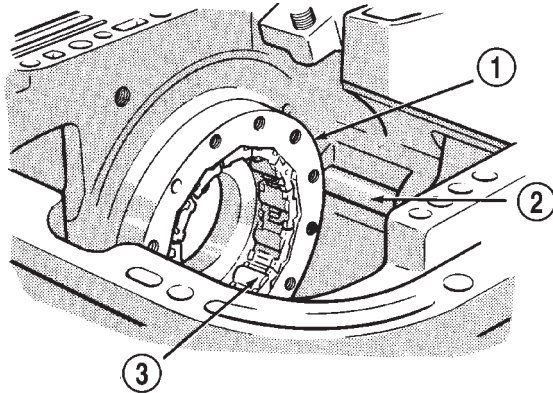
**Fig. 171 Removing Low-Reverse Drum Snap Ring**

- 1 - LOW-REVERSE DRUM
- 2 - HUB OF OVERDRIVE PISTON RETAINER
- 3 - LOW-REVERSE DRUM SNAP RING



DISASSEMBLY AND ASSEMBLY (Continued)

- (31) Remove low-reverse drum and reverse band.
  - (32) Remove overrunning clutch roller and spring assembly as a unit (Fig. 172).
  - (33) Compress front servo rod guide about 1/8 inch with Valve Spring Compressor C-3422-B (Fig. 173).
  - (34) Remove front servo rod guide snap ring.
- Exercise caution when removing snap ring. Servo bore can be scratched or nicked if care is not exercised.**
- (35) Remove compressor tools and remove front servo rod guide, spring and servo piston.



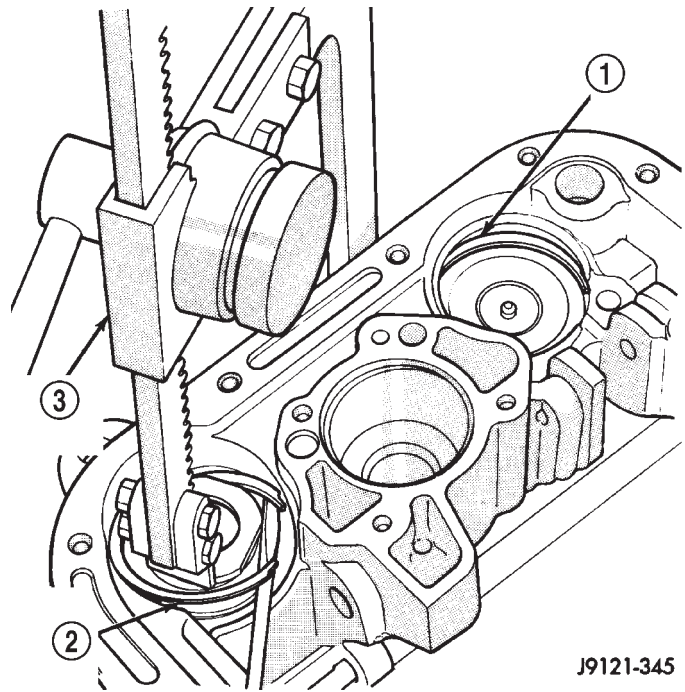
J9121-222

**Fig. 172 Overrunning Clutch Assembly Removal**

- 1 - OVERRUNNING CLUTCH CAM
- 2 - REAR BAND REACTION PIN
- 3 - OVERRUNNING CLUTCH ASSEMBLY

- (36) Compress rear servo spring retainer about 1/16 inch with Valve Spring Compressor C-3422-B (Fig. 174).
- (37) Remove rear servo spring retainer snap ring. Then remove compressor tools and remove rear servo spring and piston.
- (38) Inspect transmission components.

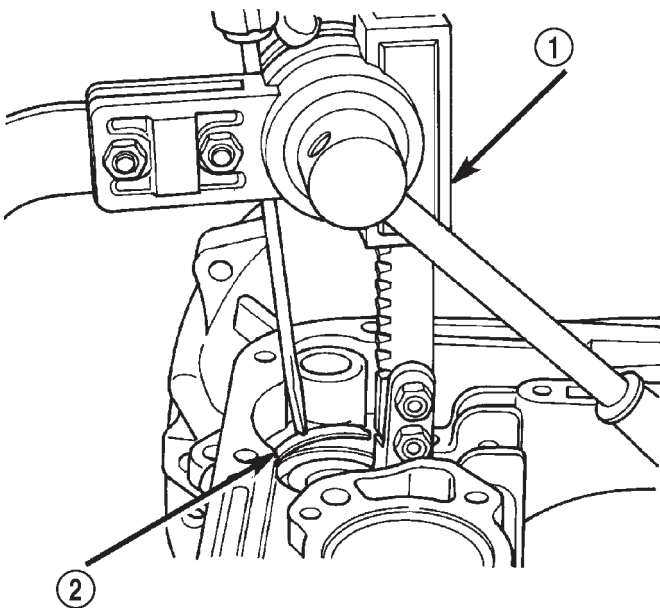
**NOTE: TO SERVICE THE OVERRUNNING CLUTCH CAM OR OVERDRIVE PISTON RETAINER, REFER TO OVERRUNNING CLUTCH CAM SERVICE IN THIS SECTION.**



J9121-345

**Fig. 174 Compressing Rear Servo Spring**

- 1 - FRONT SERVO SNAP RING
- 2 - REAR SERVO SNAP RING
- 3 - SPECIAL TOOL



80be44b7

**Fig. 173 Compressing Front Servo Rod Guide**

- 1 - SPRING COMPRESSOR TOOL C-3422-B
- 2 - ROD GUIDE SNAP RING

**ASSEMBLY**

Do not allow dirt, grease, or foreign material to enter the case or transmission components during assembly. Keep the transmission case and components clean. Also make sure the tools and workbench area used for assembly operations are equally clean.

Shop towels used for wiping off tools and hands must be made from **lint free** material. Lint will stick to transmission parts and could interfere with valve operation, or even restrict fluid passages.

Lubricate the transmission components with Mopar® transmission fluid during reassembly. Use Mopar® Door Ease, or Ru-Glyde on seals and O-rings to ease installation.

Petroleum jelly can also be used to hold thrust washers, thrust plates and gaskets in position during

DISASSEMBLY AND ASSEMBLY (Continued)

assembly. However, **do not** use chassis grease, bearing grease, white grease, or similar lubricants on any transmission part. These types of lubricants can eventually block or restrict fluid passages and interfere with valve operation. Use petroleum jelly only.

Do not force parts into place. The transmission components and subassemblies are easily installed by hand when properly aligned.

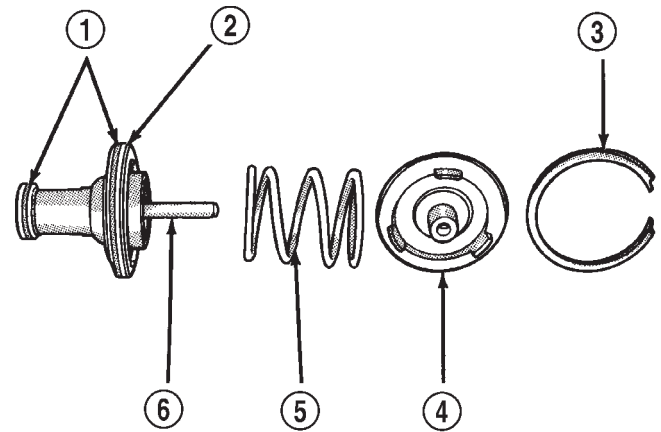
If a part seems extremely difficult to install, it is either misaligned or incorrectly assembled. Also verify that thrust washers, thrust plates and seal rings are correctly positioned before assembly. These parts can interfere with proper assembly if mis-positioned.

The planetary geartrain, front/rear clutch assemblies and oil pump are all much easier to install when the transmission case is upright.

(1) Install rear servo piston, spring and retainer (Fig. 175). Install spring on top of servo piston and install retainer on top of spring.

(2) Install front servo piston assembly, servo spring and rod guide (Fig. 176).

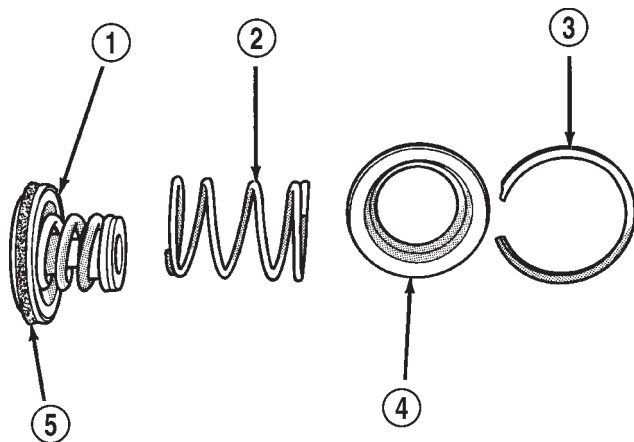
(3) Compress front/rear servo springs with Valve Spring Compressor C-3422-B and install each servo snap ring (Fig. 177).



J9121-344

**Fig. 176 Front Servo Components**

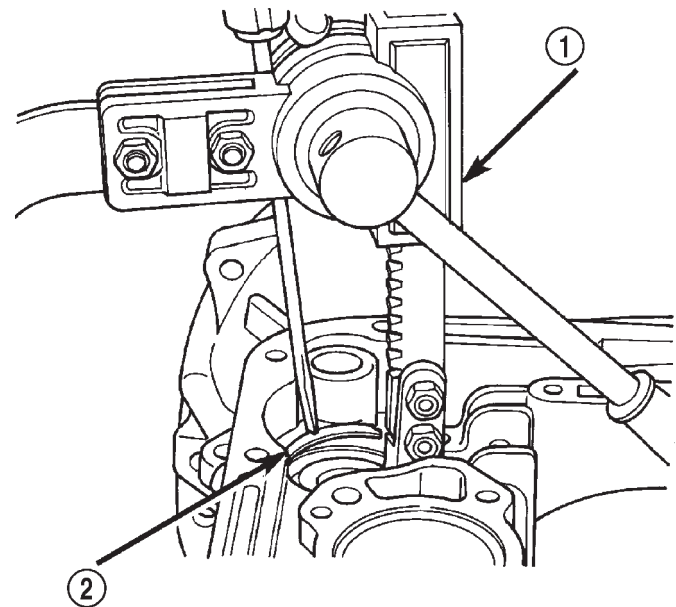
- 1 - PISTON SEAL RINGS
- 2 - SERVO PISTON
- 3 - SNAP RING
- 4 - ROD GUIDE
- 5 - SPRING
- 6 - ROD



J9121-343

**Fig. 175 Rear Servo Components**

- 1 - SERVO PISTON
- 2 - PISTON SPRING
- 3 - SNAP RING
- 4 - RETAINER
- 5 - PISTON SEAL



80be44b7

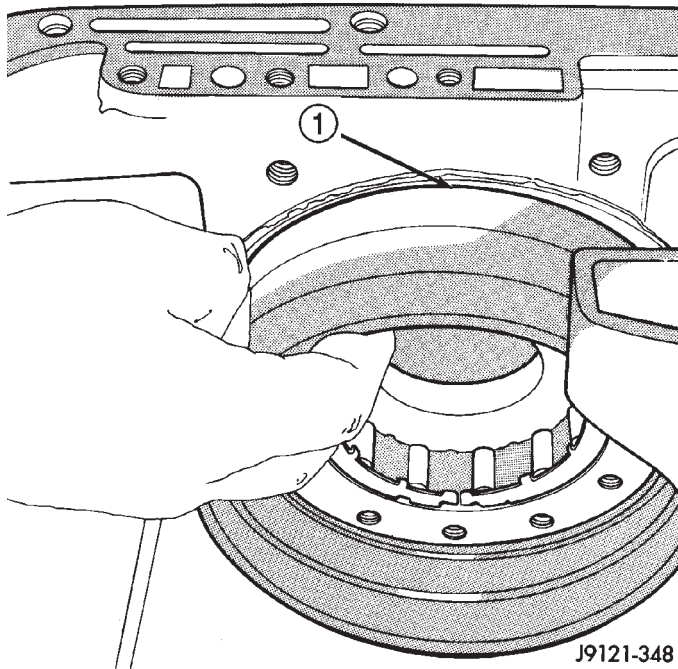
**Fig. 177 Compressing Front/Rear Servo Springs**

- 1 - SPRING COMPRESSOR TOOL C-3422-B
- 2 - ROD GUIDE SNAP RING

DISASSEMBLY AND ASSEMBLY (Continued)

(4) Lubricate clutch cam rollers with transmission fluid.

(5) Install rear band in case (Fig. 178). Be sure twin lugs on band are seated against reaction pin.



**Fig. 178 Rear Band Installation**

1 - REAR BAND

(6) Install low-reverse drum and check overrunning clutch operation as follows:

(a) Lubricate overrunning clutch race (on drum hub) with transmission fluid.

(b) Guide drum through rear band.

(c) Tilt drum slightly and start race (on drum hub) into overrunning clutch rollers.

(d) Press drum rearward and turn it in clockwise direction until drum seats in overrunning clutch (Fig. 179).

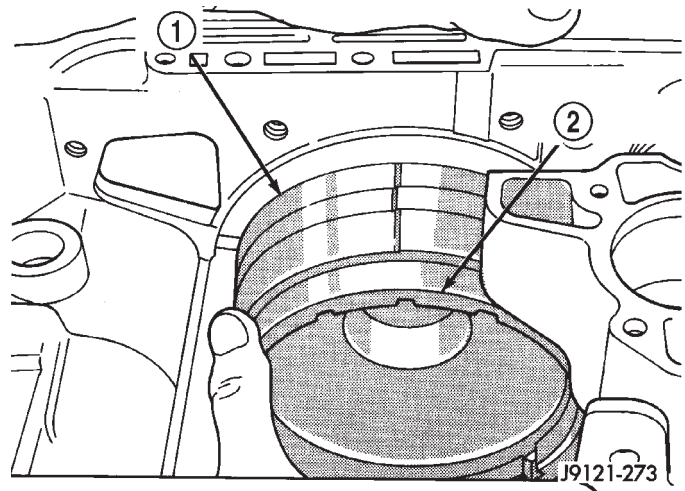
(e) Turn drum back and forth. **Drum should rotate freely in clockwise direction and lock in counterclockwise direction (as viewed from front of case).**

(7) Install snap ring that secures low-reverse drum to hub of overdrive piston retainer (Fig. 180).

(8) Install rear band lever and pivot pin (Fig. 181). Align lever with pin bores in case and push pivot pin into place.

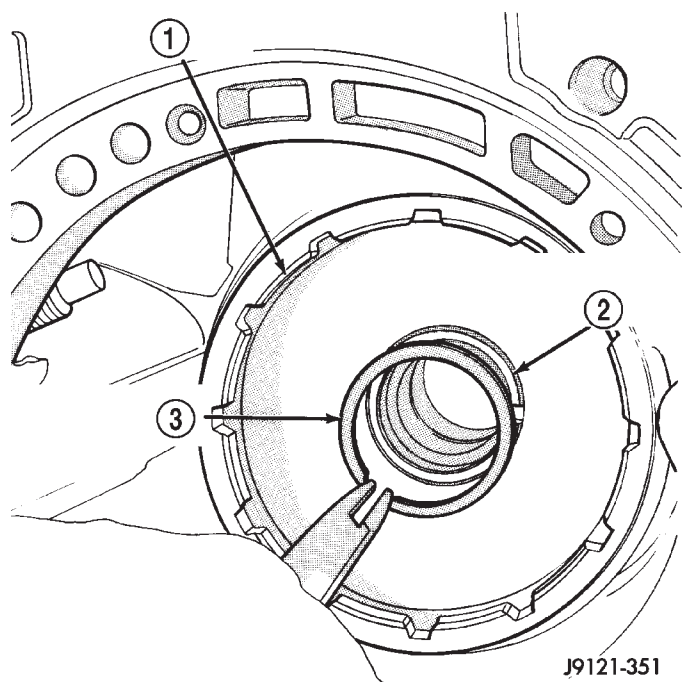
(9) Install planetary geartrain assembly (Fig. 182).

(10) Install thrust plate on intermediate shaft hub (Fig. 183). Use petroleum jelly to hold thrust plate in place.



**Fig. 179 Installing Low-Reverse Drum**

1 - REAR BAND  
2 - LOW-REVERSE DRUM

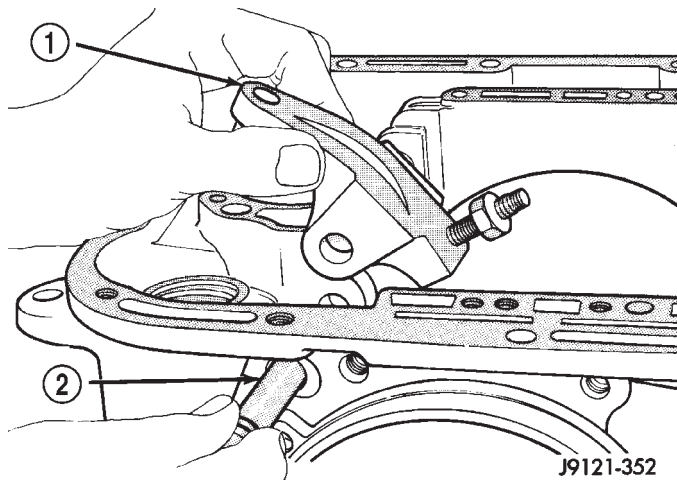


**Fig. 180 Installing Low-Reverse Drum Retaining Snap Ring**

1 - LOW-REVERSE DRUM  
2 - HUB OF OVERDRIVE PISTON RETAINER  
3 - LOW-REVERSE DRUM SNAP RING



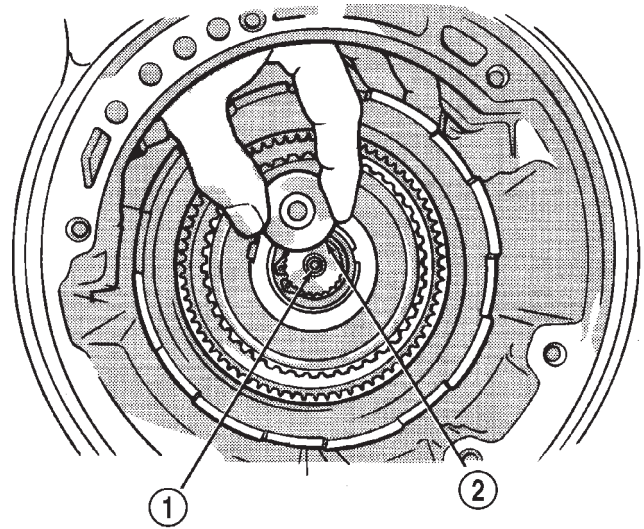
DISASSEMBLY AND ASSEMBLY (Continued)



**Fig. 181 Rear Band Lever And Pivot Pin Installation**

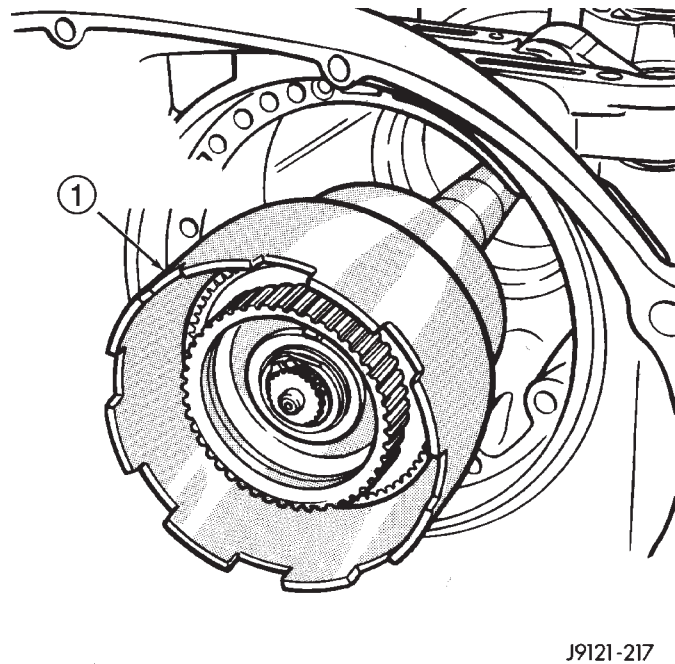
- 1 - REAR BAND LEVER
- 2 - LEVER PIVOT PIN

(12) Install rear clutch thrust washer (Fig. 185). Use additional petroleum jelly to hold washer in place if necessary.



**Fig. 183 Installing Intermediate Shaft Thrust Plate**

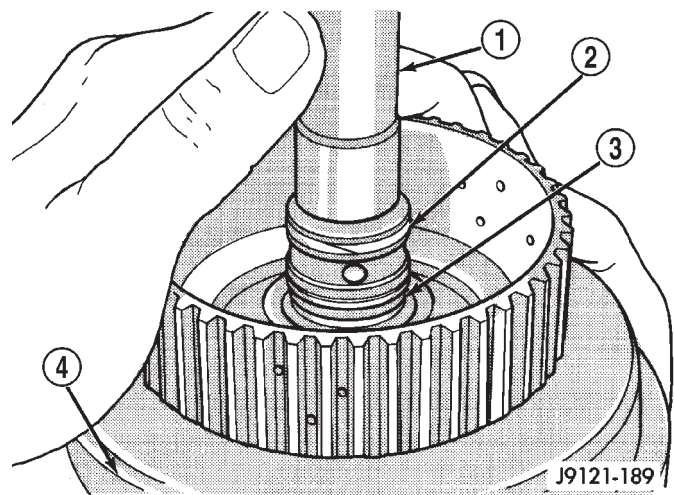
- 1 - INTERMEDIATE SHAFT HUB
- 2 - INTERMEDIATE SHAFT THRUST PLATE



**Fig. 182 Installing Planetary Geartrain**

- 1 - PLANETARY GEARTRAIN AND INTERMEDIATE SHAFT ASSEMBLY

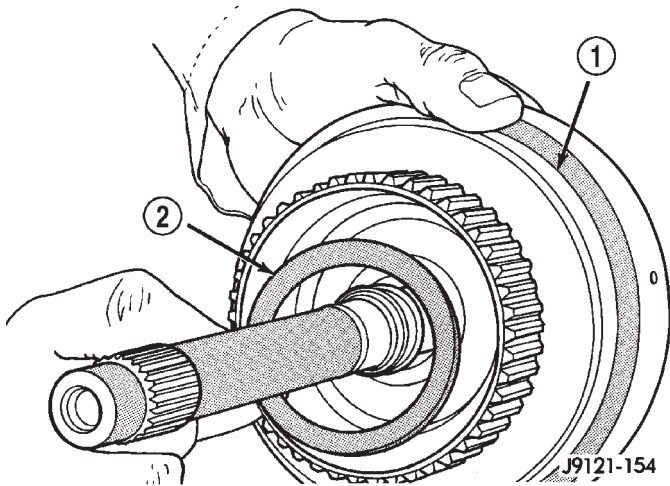
(11) Check seal ring on rear clutch retainer hub and seal rings on input shaft (Fig. 184). Also verify that shaft seal rings are installed in sequence shown.



**Fig. 184 Input Shaft Seal Ring Location**

- 1 - INPUT SHAFT
- 2 - TEFLON SEAL RING
- 3 - METAL SEAL RING
- 4 - REAR CLUTCH RETAINER

DISASSEMBLY AND ASSEMBLY (Continued)

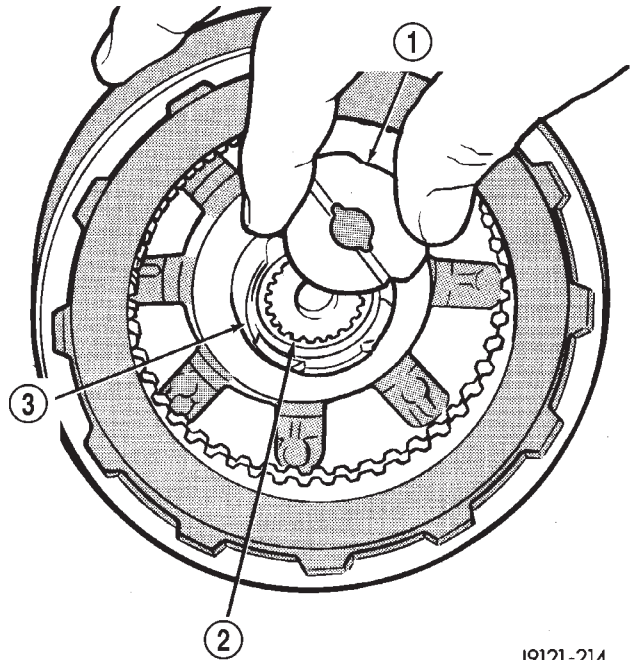


**Fig. 185 Installing Rear Clutch Thrust Washer**

- 1 - REAR CLUTCH RETAINER
- 2 - REAR CLUTCH THRUST WASHER (FIBER)

(13) Align clutch discs in front clutch and install front clutch on rear clutch (Fig. 186). Rotate front clutch retainer back and forth until completely seated on rear clutch retainer.

(14) Coat intermediate shaft thrust washer with petroleum jelly. Then install washer in rear clutch hub (Fig. 187). Use enough petroleum jelly to hold washer in place. **Be sure grooved side of washer faces rearward (toward output shaft) as shown.** Also note that washer only fits one way in clutch hub. Note thickness of this washer. It is a select fit part and is used to control transmission end play.



**Fig. 187 Installing Intermediate Shaft Thrust Plate**

- 1 - INTERMEDIATE SHAFT THRUST WASHER
- 2 - INPUT SHAFT
- 3 - REAR CLUTCH RETAINER HUB

(15) Align drive teeth on rear clutch discs with small screwdriver (Fig. 188). This makes installation on front planetary easier.

(16) Raise front end of transmission upward as far as possible and support case with wood blocks. Front/rear clutch and oil pump assemblies are easier to install if transmission is as close to upright position as possible.

(17) Slide front band into case.

(18) Install front and rear clutch units as assembly (Fig. 189). Align rear clutch with front annulus gear and install assembly in driving shell. **Be sure output shaft thrust washer and thrust plate are not displaced during installation.**

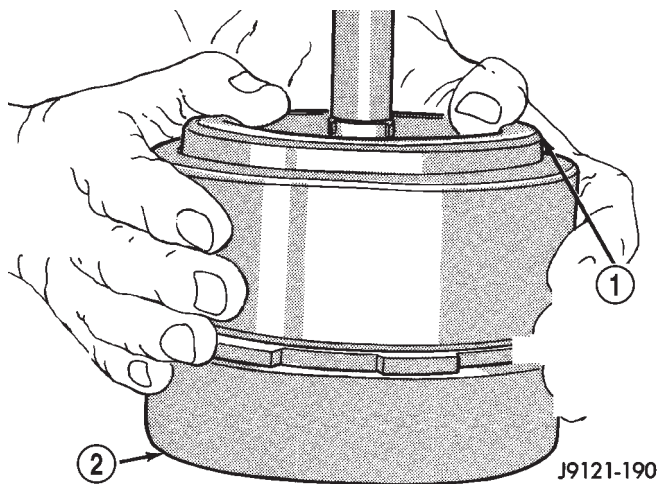
(19) Carefully work assembled clutches back and forth to engage and seat rear clutch discs on front annulus gear. Also be sure front clutch drive lugs are fully engaged in slots of driving shell after installation.

(20) Assemble front band strut.

(21) Install front band adjuster, strut and adjusting screw (Fig. 190).

(22) Tighten band adjusting screw until band just grips clutch retainer. Verify that front/rear clutches are still seated before continuing.

(23) Check seal rings on reaction shaft support hub. Verify that seal rings are hooked together and that front clutch thrust washer is properly positioned

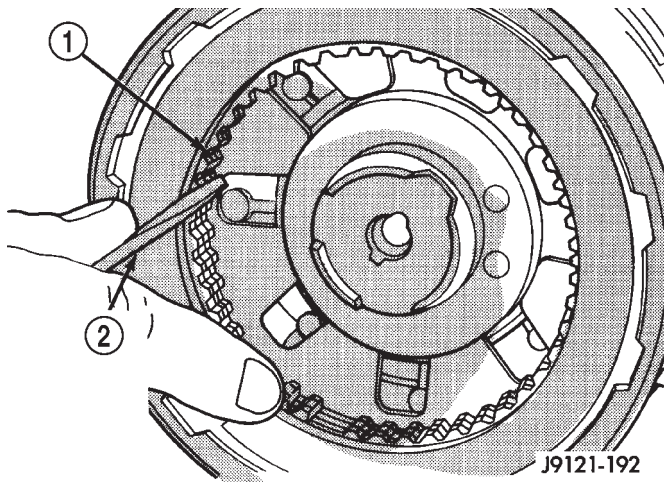


**Fig. 186 Assembling Front And Rear Clutch Units**

- 1 - TURN FRONT CLUTCH BACK & FORTH UNTIL SEATED
- 2 - REAR CLUTCH ASSEMBLY

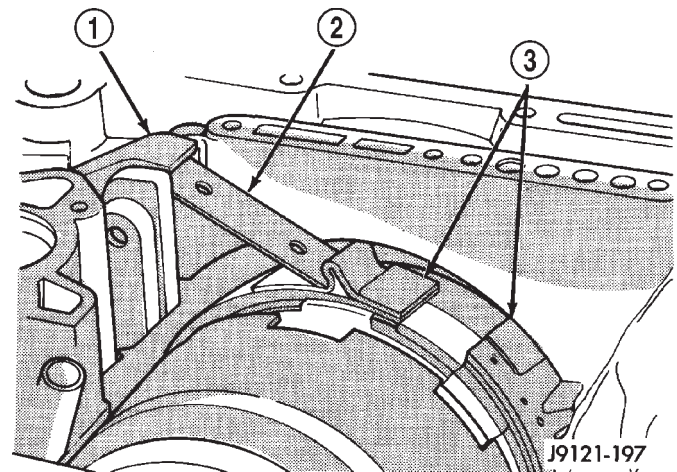


## DISASSEMBLY AND ASSEMBLY (Continued)



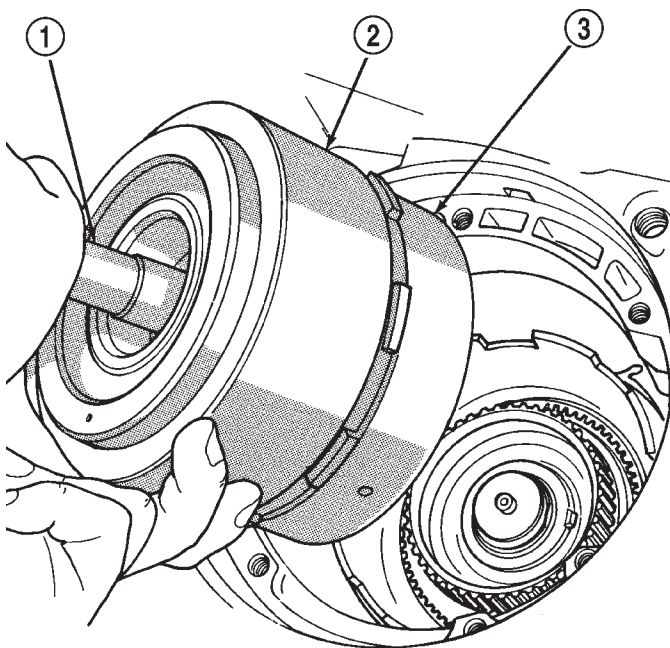
**Fig. 188 Aligning Rear Clutch Disc Lugs**

- 1 - REAR CLUTCH DISCS
- 2 - USE SMALL SCREWDRIVER TO ALIGN CLUTCH DISC TEETH



**Fig. 190 Front Band Linkage Installation**

- 1 - BAND LEVER
- 2 - BAND STRUT
- 3 - FRONT BAND



**Fig. 189 Installing Front/Rear Clutch Assemblies**

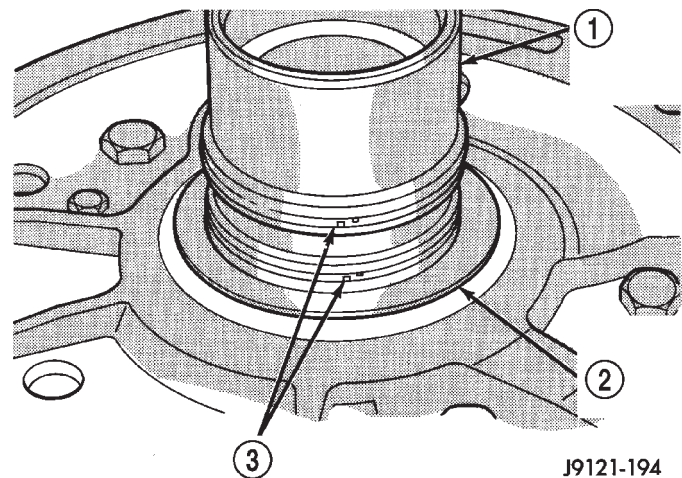
- 1 - INPUT SHAFT
- 2 - FRONT CLUTCH
- 3 - REAR CLUTCH

(Fig. 191). Use petroleum jelly to hold thrust washer in place if necessary.

(24) Lubricate oil pump body seal with petroleum jelly. Lubricate pump shaft seal lip with petroleum jelly.

(25) Thread two Pilot Stud Tools C-3288-B into bolt holes in oil pump bore flange (Fig. 192).

(26) Align and install oil pump gasket (Fig. 192).



**Fig. 191 Reaction Shaft Support Seal Rings And Front Clutch Thrust Washer**

- 1 - REACTION SHAFT SUPPORT HUB
- 2 - FRONT CLUTCH THRUST WASHER
- 3 - SEAL RINGS

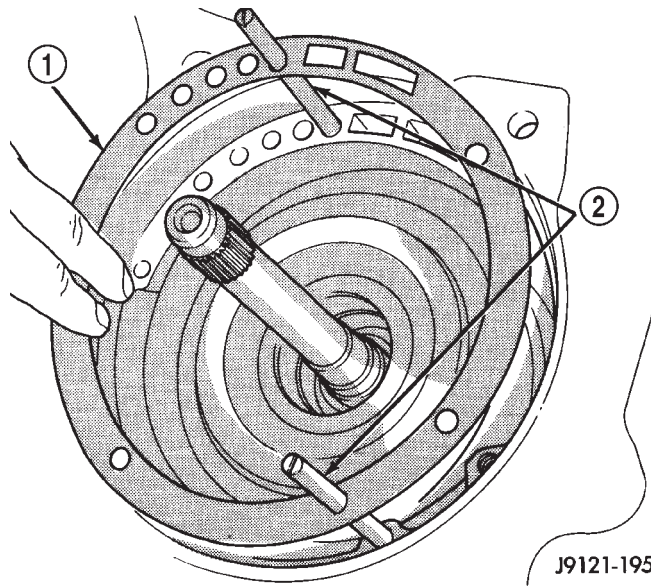
(27) Install oil pump (Fig. 193). Align and position pump on pilot studs. Slide pump down studs and work it into front clutch hub and case by hand. Then install 2 or 3 pump bolts to hold pump in place.

(28) Remove pilot stud tools and install remaining oil pump bolts. Tighten bolts alternately in diagonal pattern to 20 N·m (15 ft. lbs.).

(29) Measure input shaft end play (Fig. 194).

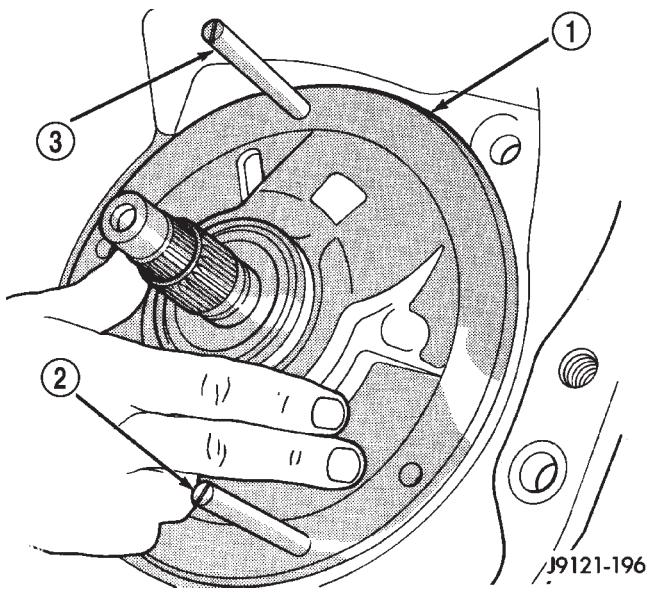
**NOTE:** If end play is incorrect, transmission is incorrectly assembled, or the intermediate shaft thrust washer is incorrect. The intermediate shaft thrust washer is selective.

DISASSEMBLY AND ASSEMBLY (Continued)



**Fig. 192 Installing Pilot Studs And Oil Pump Gasket**

- 1 - OIL PUMP GASKET
- 2 - PILOT STUD TOOLS C-3288-B



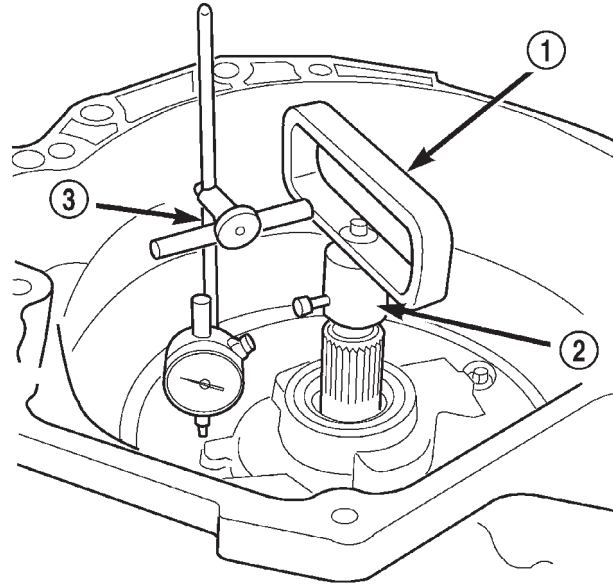
**Fig. 193 Installing Oil Pump Assembly In Case**

- 1 - OIL PUMP
- 2 - PILOT STUD TOOL
- 3 - PILOT STUD TOOL

- (a) Attach Adapter 8266-6 to Handle 8266-8.
- (b) Attach dial indicator C-3339 to Handle 8266-8.
- (c) Install the assembled tool onto the input shaft of the transmission and tighten the retaining screw on Adapter 8266-6 to secure it to the input shaft.

(d) Position the dial indicator plunger against a flat spot on the oil pump and zero the dial indicator.

(e) Move input shaft in and out and record reading. End play should be 0.56 - 2.31 mm (0.022 - 0.091 in.). Adjust as necessary.



**Fig. 194 Checking Input Shaft End Play**

- 1 - TOOL 8266-8
- 2 - TOOL 8266-6
- 3 - TOOL C-3339

(30) Install accumulator piston and inner and outer springs (Fig. 195).

(31) Verify that valve body solenoid harness is secured in 3-4 accumulator housing cover plate.

(32) Install valve body as follows:

(a) Align and carefully insert park rod into pawl. Rod will make click noise as it enters pawl. Move rod slightly to check engagement.

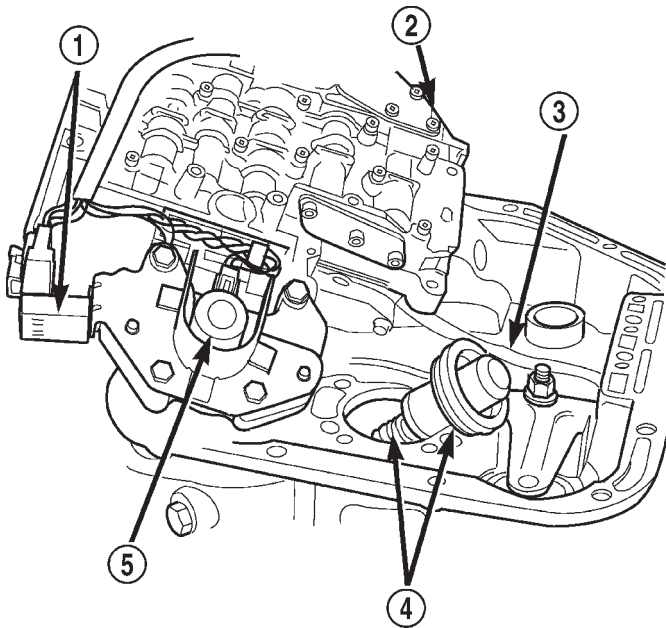
(b) Align and seat valve body on case. Be sure manual lever shaft and overdrive connector are fully seated in case. Also be sure valve body wiring is not pinched or kinked.

(c) Install and start all valve body attaching bolts by hand. Then tighten bolts evenly, in a diagonal pattern to 12 N·m (105 in. lbs.) torque. **Do not overtighten valve body bolts. This could result in distortion and cross leakage after installation.**

**CAUTION:** It is possible for the park rod to displace into a cavity just above the pawl sprag during installation. Make sure the rod is actually engaged in the pawl and has not displaced into the cavity.



## DISASSEMBLY AND ASSEMBLY (Continued)



80c072b8

**Fig. 195 Accumulator Piston And Springs**

- 1 - GOVERNOR PRESSURE SENSOR
- 2 - VALVE BODY
- 3 - PARK ROD
- 4 - ACCUMULATOR PISTON
- 5 - GOVERNOR PRESSURE SOLENOID

(33) Install new filter on valve body. Tighten filter screws to 4 N·m (35 in. lbs.).

(34) Adjust front and rear bands.

(35) Install seal on park/neutral position switch. Then install and tighten switch to 34 N·m (25 ft. lbs.).

(36) Install magnet in oil pan. Magnet goes on small protrusion at corner of pan.

(37) Position new oil pan gasket on case and install oil pan. Tighten pan bolts to 17 N·m (13 ft. lbs.).

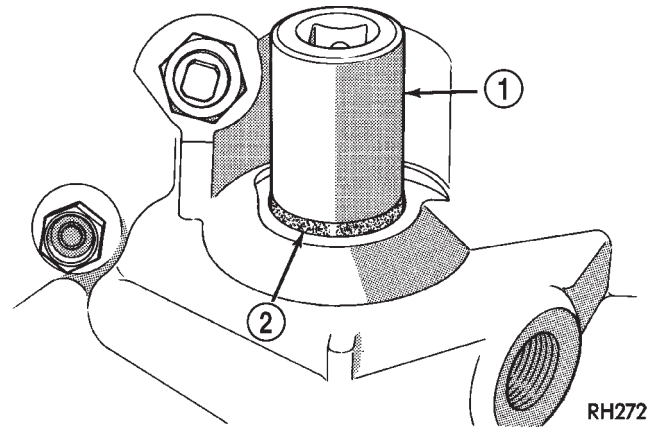
(38) Install new valve body manual shaft seal in case (Fig. 196). Lubricate seal lip and manual shaft with petroleum jelly. Start seal over shaft and into case. Seat seal with 15/16 inch, deep well socket.

(39) Install throttle valve and shift selector levers on valve body manual lever shaft.

## OVERRUNNING CLUTCH CAM/OVERDRIVE PISTON RETAINER

### DISASSEMBLY

**NOTE: TO SERVICE THE OVERRUNNING CLUTCH CAM AND THE OVERDRIVE PISTON RETAINER, THE TRANSMISSION GEARTRAIN AND OVERDRIVE UNIT MUST BE REMOVED FROM THE TRANSMISSION.**

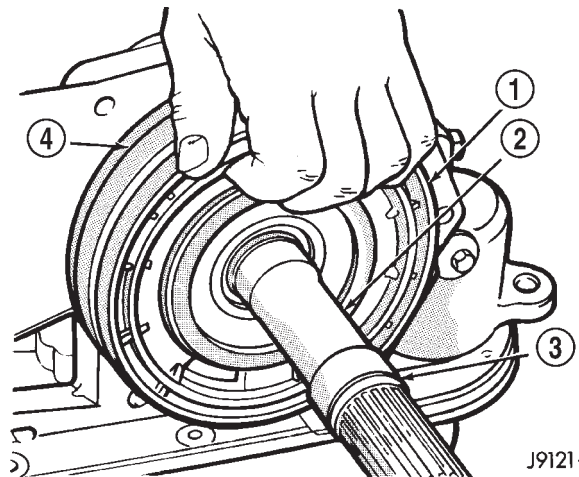


RH272

**Fig. 196 Installing Manual Lever Shaft Seal**

- 1 - 15/16" SOCKET
- 2 - SEAL

- (1) Remove the overdrive piston (Fig. 197).
- (2) Remove the overdrive piston retainer bolts.
- (3) Remove overdrive piston retainer.
- (4) Remove case gasket.
- (5) Mark the position of the overrunning clutch cam in the case (Fig. 198).
- (6) Remove the overrunning clutch cam bolts.
- (7) Remove the overrunning clutch cam.



J9121-210

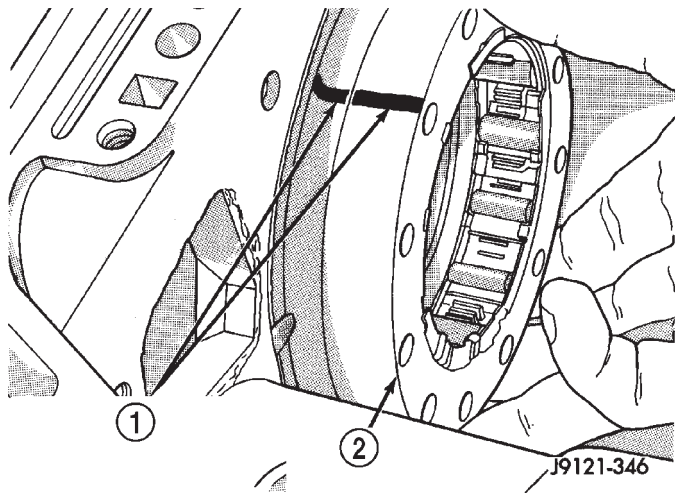
**Fig. 197 Overdrive Piston Removal**

- 1 - OVERDRIVE CLUTCH PISTON
- 2 - INTERMEDIATE SHAFT
- 3 - SELECTIVE SPACER
- 4 - PISTON RETAINER

### ASSEMBLY

(1) Examine bolt holes in overrunning clutch cam. Note that one hole is **not threaded** (Fig. 199). This hole must align with blank area in clutch cam bolt circle (Fig. 200). Mark hole location on clutch cam and blank area in case with grease pencil, paint stripe, or scribe mark for assembly reference.

DISASSEMBLY AND ASSEMBLY (Continued)

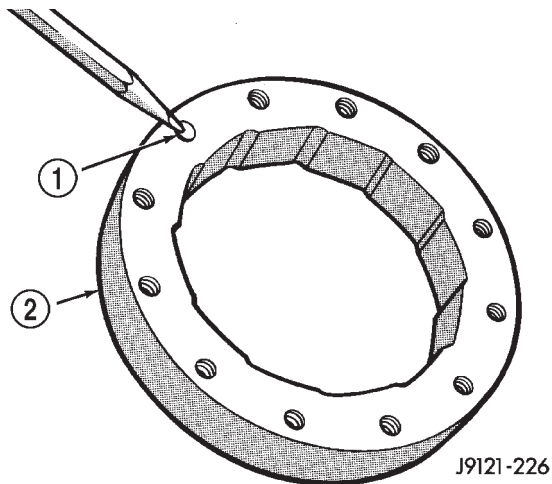


**Fig. 198 Overrunning Clutch Cam Removal**

- 1 - ALIGN MARKS IDENTIFYING NON-THREADED HOLE IN CAM AND CASE
- 2 - OVERRUNNING CLUTCH ASSEMBLY

(2) Mark location of non-threaded hole in clutch cam and blank area in bolt circle with grease pencil.

(3) Align and install overrunning clutch and cam in case (Fig. 201). **Be sure cam is correctly installed. Bolt holes in cam are slightly counter-sunk on one side. Be sure this side of cam faces rearward (toward piston retainer).**

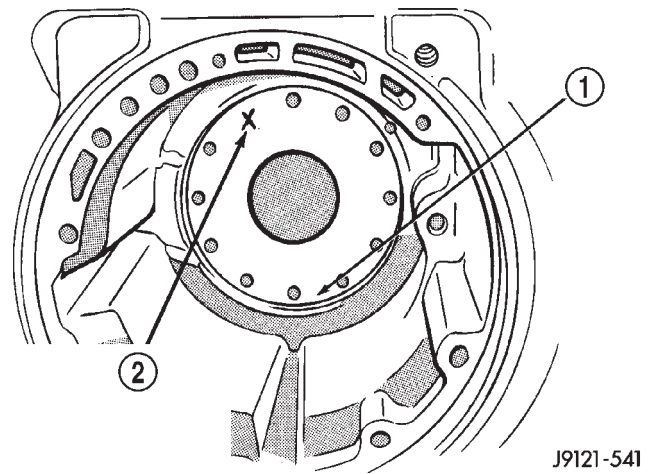


**Fig. 199 Location Of Non-Threaded Hole In Clutch Cam**

- 1 - NON-THREADED HOLE
- 2 - OVERRUNNING CLUTCH CAM

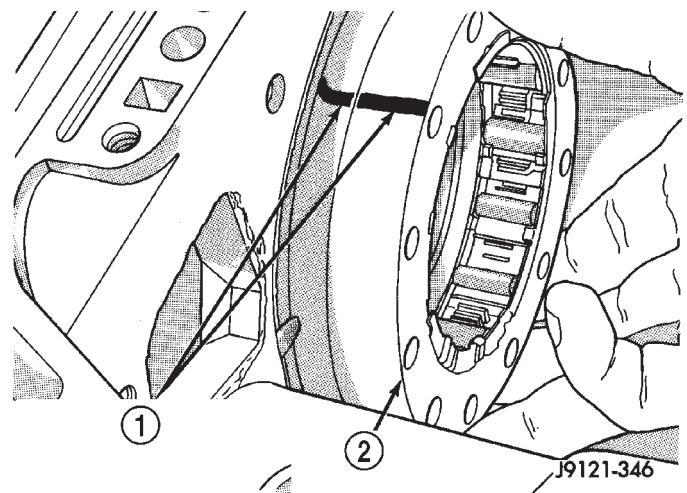
(4) Verify that non-threaded hole in clutch cam is properly aligned. Check alignment by threading a bolt into each bolt hole. Adjust clutch cam position if necessary.

(5) Install and tighten overrunning clutch cam bolts to 17 N·m (13 ft. lbs.) torque. Note that clutch cam bolts are shorter than piston retainer bolts.



**Fig. 200 Location Of Blank Area In Clutch Cam Bolt Circle**

- 1 - OVERRUNNING CLUTCH CAM SEAT IN CASE
- 2 - NON-THREADED HOLE IN CLUTCH CAM ALIGNS HERE (BLANK AREA) OF SEAT



**Fig. 201 Overrunning Clutch Installation**

- 1 - ALIGN MARKS IDENTIFYING NON-THREADED HOLE IN CAM AND CASE
- 2 - OVERRUNNING CLUTCH ASSEMBLY

(6) Install new gasket at rear of transmission case. Use petroleum jelly to hold gasket in place. Be sure to align governor feed holes in gasket with feed passages in case (Fig. 202). Also install gasket before overdrive piston retainer. Center hole in gasket is smaller than retainer and cannot be installed over retainer.

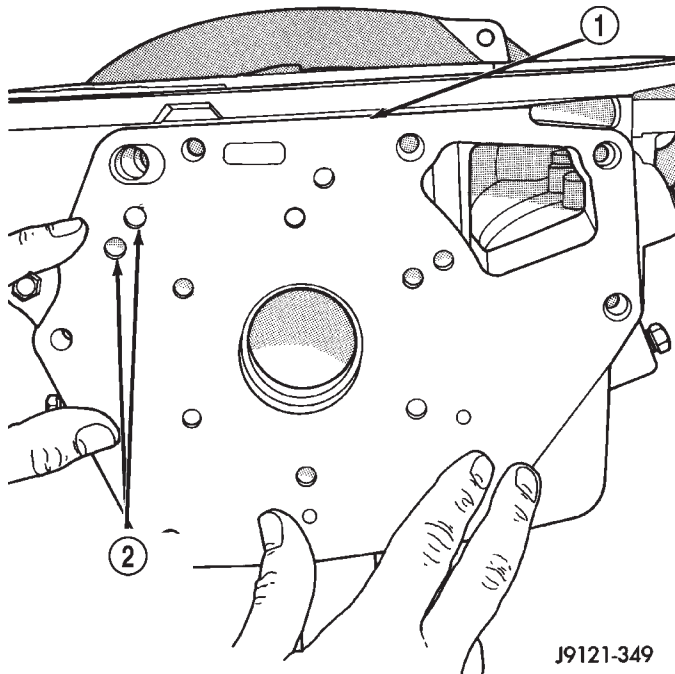
(7) Position overdrive piston retainer on transmission case and align bolt holes in retainer, gasket and case (Fig. 203). Then install and tighten retainer bolts to 17 N·m (13 ft. lbs.) torque.

(8) Install new seals on over drive piston.

(9) Stand transmission case upright on bellhousing.

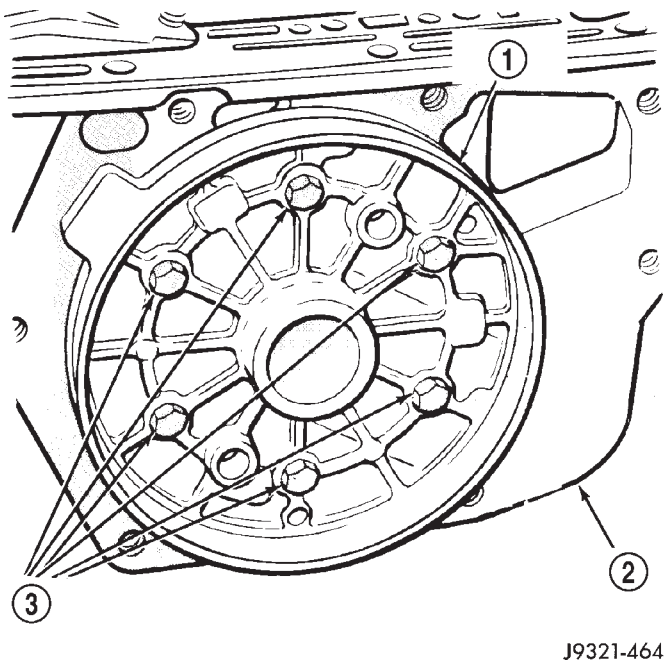


## DISASSEMBLY AND ASSEMBLY (Continued)



**Fig. 202 Installing/Aligning Case Gasket**

- 1 - CASE GASKET  
2 - BE SURE GOVERNOR TUBE FEED HOLES IN CASE AND GASKET ARE ALIGNED



**Fig. 203 Aligning Overdrive Piston Retainer**

- 1 - PISTON RETAINER  
2 - GASKET  
3 - RETAINER BOLTS

(10) Position Guide Ring 8114-1 on outer edge of overdrive piston retainer.

(11) Position Seal Guide 8114-2 on inner edge of overdrive piston retainer.

(12) Install overdrive piston in overdrive piston retainer by: aligning locating lugs on overdrive piston to the two mating holes in retainer.

(a) Aligning locating lugs on overdrive piston to the two mating holes in retainer.

(b) Lubricate overdrive piston seals with Mopar® Door Ease, or equivalent.

(c) Install piston over Seal Guide 8114-2 and inside Guide Ring 8114-1.

(d) Push overdrive piston into position in retainer.

(e) Verify that the locating lugs entered the lug bores in the retainer.

**NOTE: INSTALL THE REMAINING TRANSMISSION COMPONENTS AND OVERDRIVE UNIT.**

## FRONT SERVO PISTON

### DISASSEMBLY

- (1) Remove seal ring from rod guide (Fig. 204).
- (2) Remove small snap ring from servo piston rod. Then remove piston rod, spring and washer from piston.
- (3) Remove and discard servo component O-ring and seal rings.

### ASSEMBLY

Clean and inspect front servo components.

(1) Lubricate new O-ring and seal rings with petroleum jelly and install them on piston, guide and rod.

(2) Install rod in piston. Install spring and washer on rod. Compress spring and install snap ring (Fig. 204).

(3) Set servo components aside for installation during transmission reassembly.

## REAR SERVO PISTON

### DISASSEMBLY

(1) Remove small snap ring and remove plug and spring from servo piston (Fig. 205).

(2) Remove and discard servo piston seal ring.

### ASSEMBLY

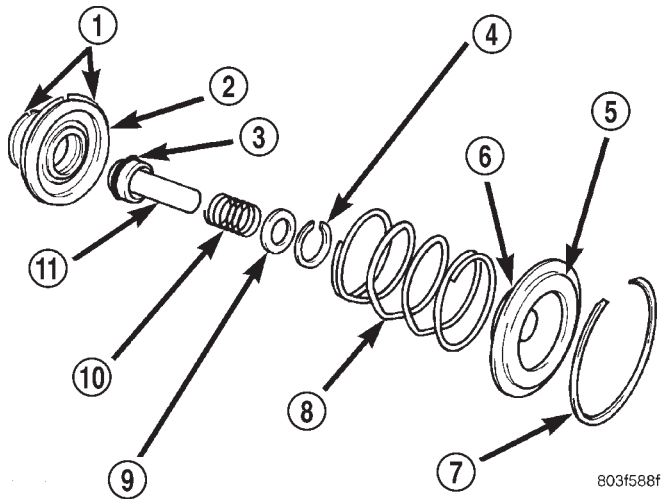
(1) Lubricate piston and guide seals with petroleum jelly. Lubricate other servo parts with Mopar® ATF Plus 3, Type 7176, transmission fluid.

(2) Install new seal ring on servo piston.

(3) Assemble piston, plug, spring and new snap ring.

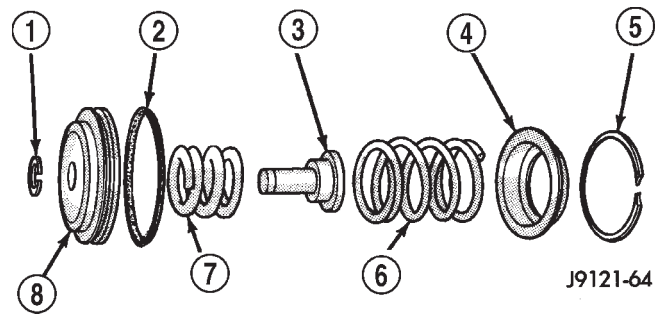
(4) Lubricate piston seal lip with petroleum jelly.

DISASSEMBLY AND ASSEMBLY (Continued)



**Fig. 204 Front Servo**

- 1 - PISTON RINGS
- 2 - SERVO PISTON
- 3 - O-RING
- 4 - SNAP RING
- 5 - PISTON ROD GUIDE
- 6 - SEAL RING
- 7 - SNAP RING
- 8 - SERVO SPRING
- 9 - WASHER
- 10 - SPRING
- 11 - PISTON ROD



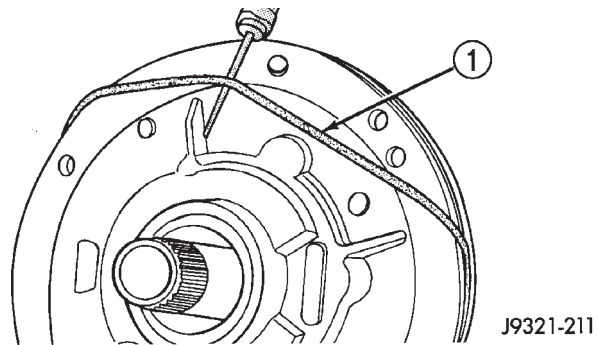
**Fig. 205 Rear Servo Components**

- 1 - SNAP RING
- 2 - PISTON SEAL
- 3 - PISTON PLUG
- 4 - SPRING RETAINER
- 5 - SNAP RING
- 6 - PISTON SPRING
- 7 - CUSHION SPRING
- 8 - PISTON

**OIL PUMP AND REACTION SHAFT SUPPORT**

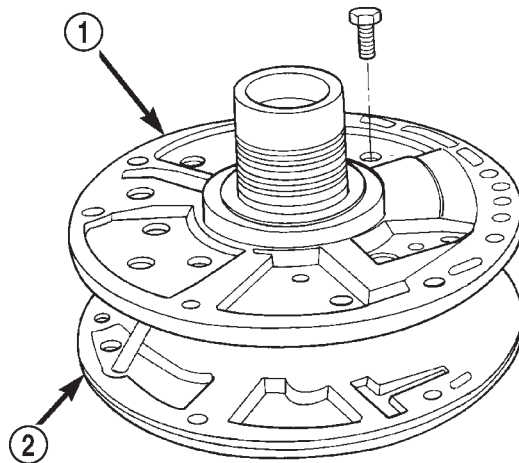
**DISASSEMBLY**

- (1) Remove seal ring from housing and reaction shaft support (Fig. 206).
- (2) Mark pump housing and support assembly for alignment reference.
- (3) Remove bolts attaching pump body to support (Fig. 207).



**Fig. 206 Removing Pump Seal Ring**

- 1 - PUMP HOUSING SEAL RING



**Fig. 207 Pump Support Bolts**

- 1 - REACTION SHAFT SUPPORT
- 2 - PUMP

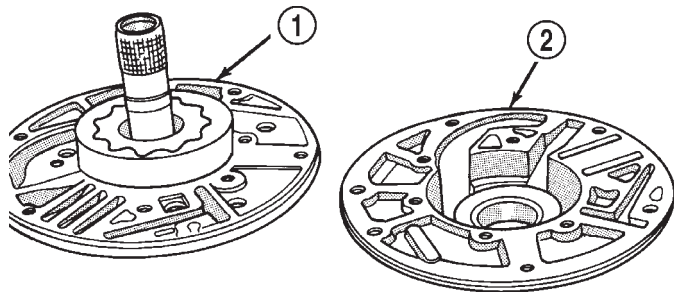
DISASSEMBLY AND ASSEMBLY (Continued)

(4) Separate support from pump housing (Fig. 208).

(5) Remove inner and outer gears from reaction shaft support (Fig. 209).

(6) If pump seal was not removed during transmission disassembly, remove seal with punch and hammer.

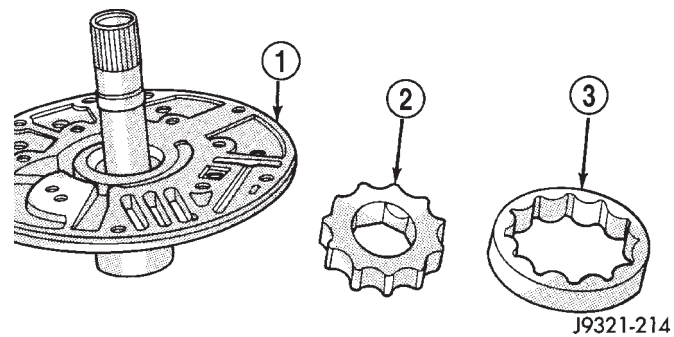
(7) Remove front clutch thrust washer from support hub (Fig. 210).



J9321-213

**Fig. 208 Separating Pump Housing From Reaction Shaft Support**

- 1 - REACTION SHAFT SUPPORT
- 2 - PUMP HOUSING



J9321-214

**Fig. 209 Pump Gear Removal**

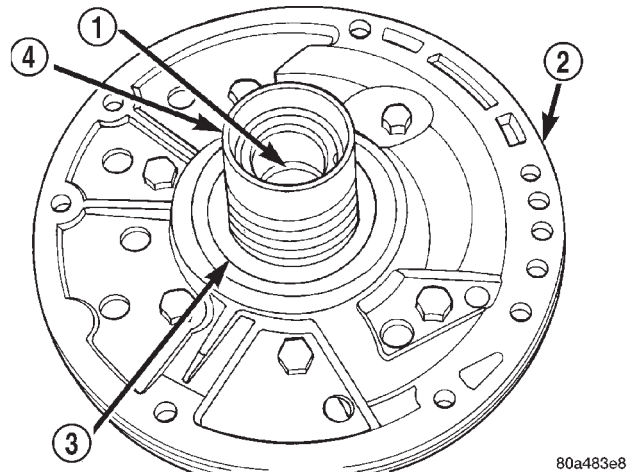
- 1 - REACTION SHAFT SUPPORT
- 2 - INNER GEAR
- 3 - OUTER GEAR

**OIL PUMP BUSHING REPLACEMENT**

(1) Remove pump bushing with Tool Handle C-4171 and Bushing Remover SP-3551 from Tool Set C-3887-J (Fig. 211).

(2) Install new pump bushing with Tool Handle C-4171 and Bushing Installer SP-5117 (Fig. 211). Bushing should be flush with pump housing bore.

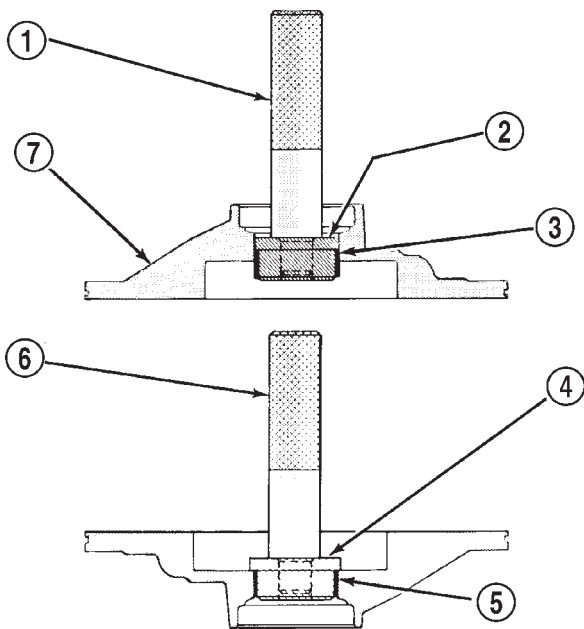
(3) Stake new pump bushing in two places with blunt punch (Fig. 212). Remove burrs from stake points with knife blade afterward.



80a483e8

**Fig. 210 Support Hub Thrust Washer**

- 1 - BUSHING
- 2 - REACTION SHAFT SUPPORT
- 3 - THRUST WASHER
- 4 - HUB



J9221-242

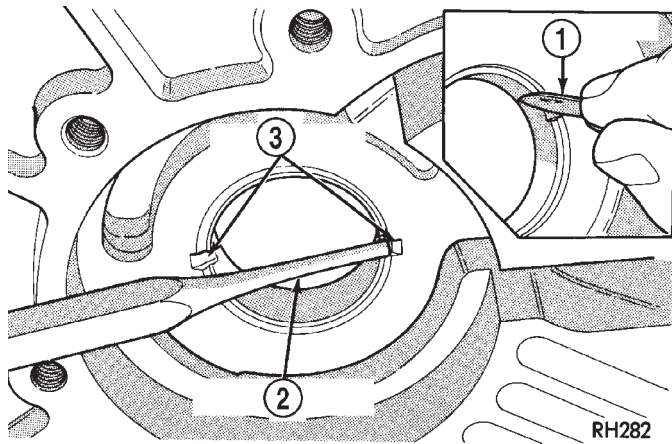
**Fig. 211 Removing Oil Pump Bushing**

- 1 - SPECIAL TOOL C-4171
- 2 - SPECIAL TOOL SP-3551
- 3 - BUSHING
- 4 - SPECIAL TOOL SP-5117
- 5 - BUSHING
- 6 - SPECIAL TOOL C-4171
- 7 - PUMP HOUSING

**REACTION SHAFT SUPPORT BUSHING REMOVAL**

(1) Assemble Bushing Remover Tools SP-1191, 3633 and 5324 (Fig. 213). **Do not clamp any part of reaction shaft or support in vise.**

DISASSEMBLY AND ASSEMBLY (Continued)



**Fig. 212 Staking Oil Pump Bushing**

- 1 - NARROW BLADE
- 2 - BLUNT PUNCH
- 3 - TWO STAKES

(2) Hold Cup Tool SP-3633 firmly against reaction shaft and thread remover SP-5324 into bushing as far as possible by hand. Then thread remover tool 3-4 additional turns into bushing with a wrench.

(3) Turn remover tool hex nut down against remover cup to pull bushing from shaft. Clean all chips from shaft after bushing removal.

(4) Lightly grip old bushing in vise or with pliers and back remover tool out of bushing.

(5) Assemble Bushing Installer Tools C-4171 and SP-5325 (Fig. 213).

(6) Slide new bushing onto Installer Tool SP-5325.

(7) Position reaction shaft support upright on a clean smooth surface.

(8) Align bushing in bore. Then tap bushing into place until Bushing Installer SP-5325 bottoms.

(9) Clean reaction shaft support thoroughly after installing bushing.

**ASSEMBLY**

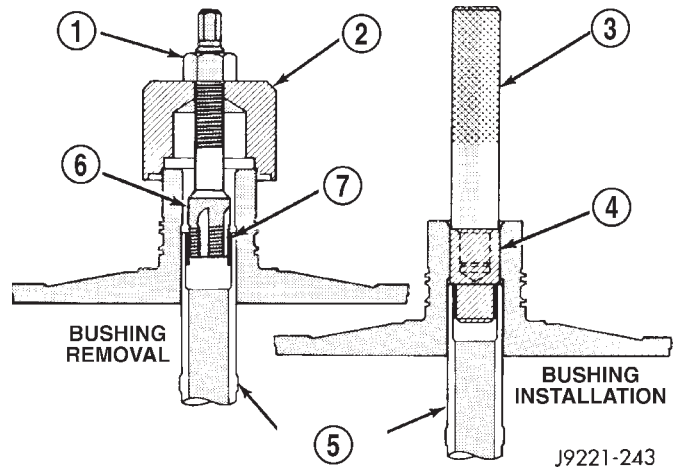
(1) Lubricate gear bore in pump housing with transmission fluid.

(2) Lubricate pump gears with transmission fluid.

(3) Support pump housing on wood blocks (Fig. 214).

(4) Install outer gear in pump housing (Fig. 214). Gear can be installed either way (it is not a one-way fit).

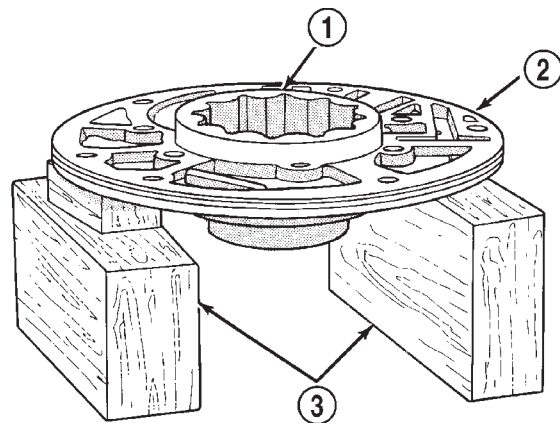
(5) Install pump inner gear (Fig. 215).



**Fig. 213 Replacing Reaction Shaft Support Bushing**

- 1 - SPECIAL TOOL SP-1191
- 2 - SPECIAL TOOL SP-3633
- 3 - SPECIAL TOOL C-4171
- 4 - SPECIAL TOOL SP-5325
- 5 - REACTION SHAFT
- 6 - SPECIAL TOOL SP-5324
- 7 - BUSHING

**CAUTION:** The pump inner gear is a one way fit. The bore on one side of the gear inside diameter (I.D.) is chamfered. Be sure the chamfered side faces forward (to front of pump).

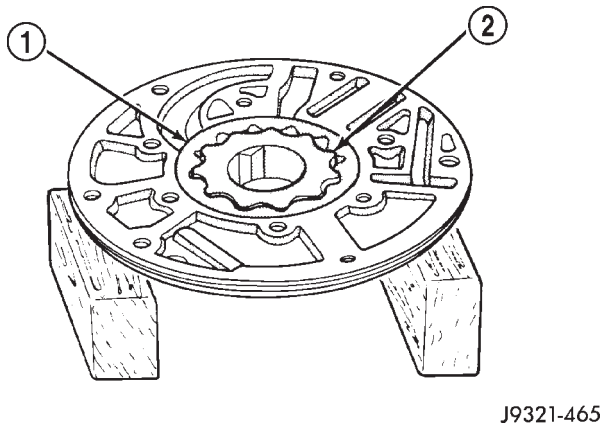


**Fig. 214 Supporting Pump And Installing Outer Gear**

- 1 - OUTER GEAR
- 2 - PUMP HOUSING
- 3 - WOOD BLOCKS



## DISASSEMBLY AND ASSEMBLY (Continued)

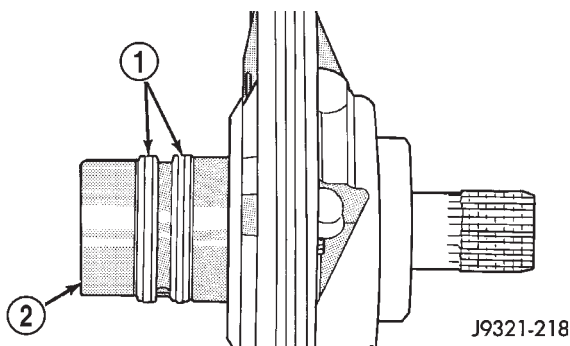
**Fig. 215 Pump Inner Gear Installation**

- 1 - OUTER GEAR  
2 - INNER GEAR

(6) Install new thrust washer on hub of reaction shaft support. Lubricate washer with transmission fluid or petroleum jelly.

(7) If reaction shaft seal rings are being replaced, install new seal rings on support hub (Fig. 216). Lubricate seal rings with transmission fluid or petroleum jelly after installation. Squeeze each ring until ring ends are securely hooked together.

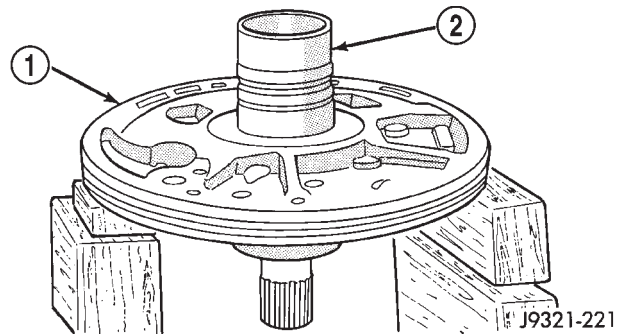
**CAUTION:** The reaction shaft support seal rings will break if overspread, or twisted. If new rings are being installed, spread them only enough for installation. Also be very sure the ring ends are securely hooked together after installation. Otherwise, the rings will either prevent pump installation, or break during installation.

**Fig. 216 Hub Seal Ring Position**

- 1 - SEAL RINGS  
2 - SUPPORT HUB

(8) Install reaction shaft support on pump housing (Fig. 217).

(9) Align reaction support on pump housing. Use alignment marks made at disassembly. Or, rotate support until bolt holes in support and pump housing are all aligned (holes are offset for one-way fit).

**Fig. 217 Assembling Reaction Shaft Support And Pump Housing**

- 1 - PUMP HOUSING  
2 - REACTION SHAFT SUPPORT

(10) Install all bolts that attach support to pump housing. Then tighten bolts finger tight.

(11) Tighten support-to-pump bolts to required torque as follows:

(a) Reverse pump assembly and install it in transmission case. Position pump so bolts are facing out and are accessible.

(b) Secure pump assembly in case with 2 or 3 bolts, or with pilot studs.

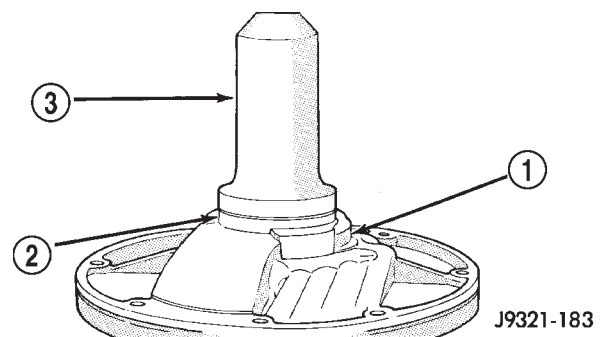
(c) Tighten support-to-pump bolts to 20 N·m (15 ft. lbs.).

(d) Remove pump assembly from transmission case.

(12) Install new oil seal in pump with Special Tool C-4193 and Tool Handle C-4171 (Fig. 218). Be sure seal lip faces inward.

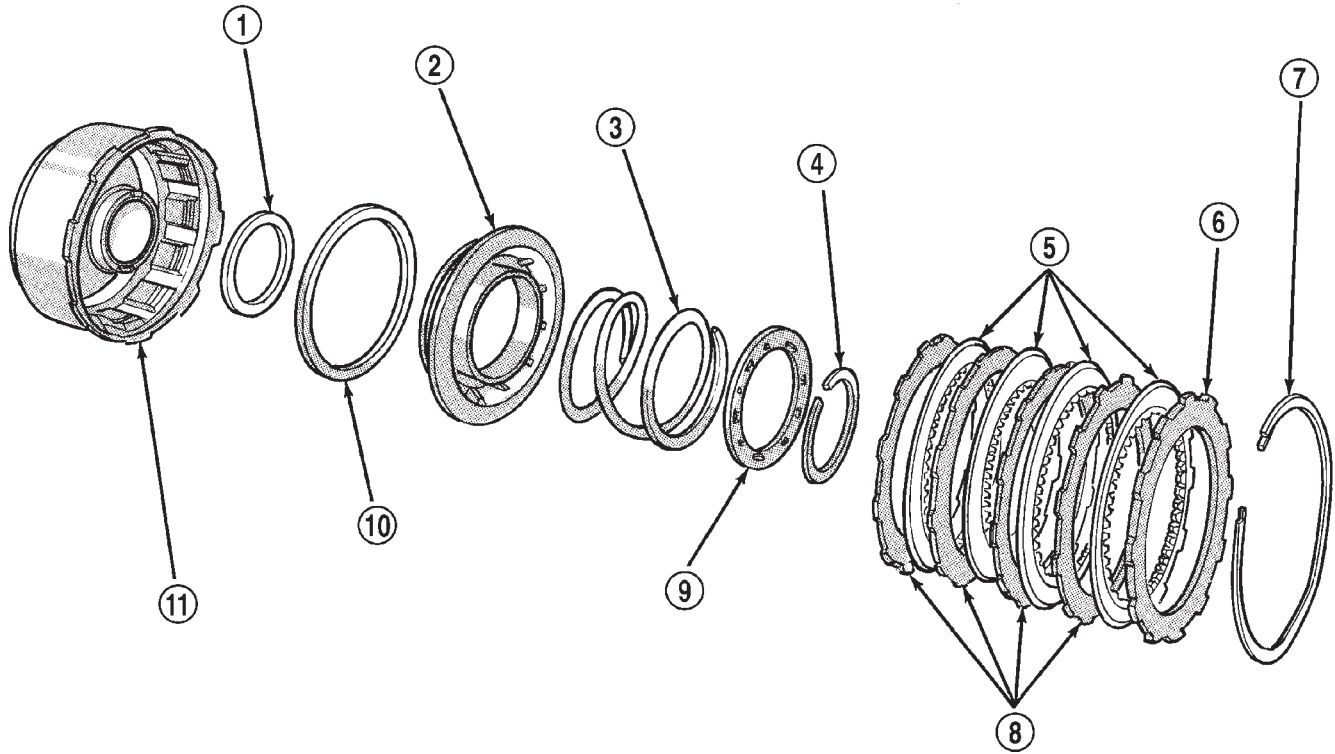
(13) Install new seal ring around pump housing. Be sure seal is properly seated in groove.

(14) Lubricate lip of pump oil seal and O-ring seal with transmission fluid.

**Fig. 218 Pump Oil Seal Installation**

- 1 - PUMP BODY  
2 - PUMP SEAL  
3 - SPECIAL TOOL C-4193

DISASSEMBLY AND ASSEMBLY (Continued)



J9321-222

**Fig. 219 42RE Front Clutch Components**

- |                               |                            |
|-------------------------------|----------------------------|
| 1 - RETAINER HUB SEAL         | 7 - SNAP RING (WAVED)      |
| 2 - CLUTCH PISTON             | 8 - CLUTCH PLATES          |
| 3 - PISTON SPRING             | 9 - SPRING RETAINER        |
| 4 - SPRING RETAINER SNAP RING | 10 - PISTON SEAL           |
| 5 - CLUTCH DISCS              | 11 - FRONT CLUTCH RETAINER |
| 6 - PRESSURE PLATE            |                            |

**FRONT CLUTCH**

**NOTE:** The 42RE transmission uses four plates and discs for the front clutch.

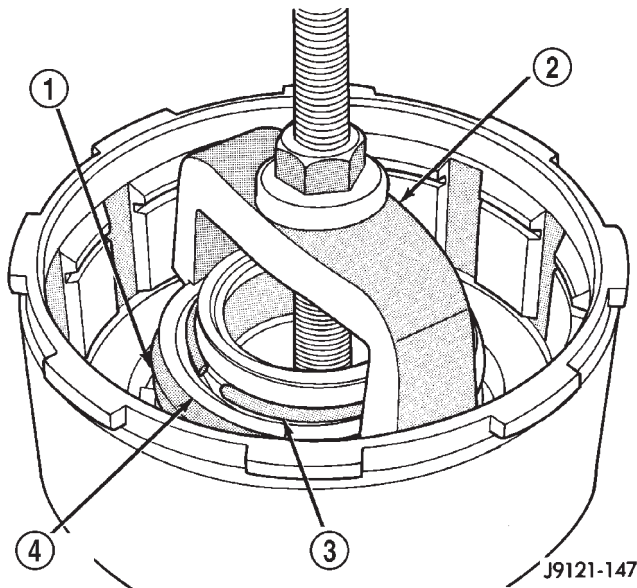
**DISASSEMBLY**

- (1) Remove waved snap ring and remove pressure plate, clutch plates and clutch discs (Fig. 219).
- (2) Compress clutch piston spring with Compressor Tool C-3575-A (Fig. 220). Be sure legs of tool are seated squarely on spring retainer before compressing spring.

- (3) Remove retainer snap ring and remove compressor tool.
- (4) Remove spring retainer and clutch spring. Note position of retainer on spring for assembly reference.
- (5) Remove clutch piston from clutch retainer. Remove piston by rotating it up and out of retainer.
- (6) Remove seals from clutch piston and clutch retainer hub. Discard both seals as they are not reusable.

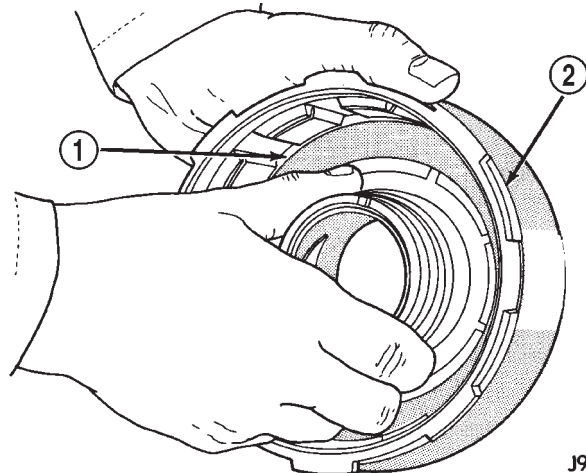


## DISASSEMBLY AND ASSEMBLY (Continued)



**Fig. 220 Compressing Front Clutch Piston Spring**

- 1 - FRONT CLUTCH SPRING
- 2 - COMPRESSOR TOOL C-3575-A
- 3 - RETAINER SNAP RING
- 4 - SPRING RETAINER



J9121-146

**Fig. 221 Front Clutch Piston Installation**

- 1 - CLUTCH PISTON
- 2 - FRONT CLUTCH RETAINER

## ASSEMBLY

(1) Soak clutch discs in transmission fluid while assembling other clutch parts.

(2) Install new seals on piston and in hub of retainer. Be sure lip of each seal faces interior of clutch retainer.

(3) Lubricate lips of piston and retainer seals with liberal quantity of Mopar® Door Ease. Then lubricate retainer hub, bore and piston with light coat of transmission fluid.

(4) Install clutch piston in retainer (Fig. 221). Use twisting motion to seat piston in bottom of retainer.

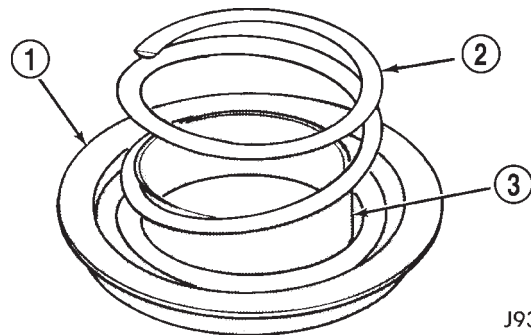
**CAUTION: Never push the clutch piston straight in. This will fold the seals over causing leakage and clutch slip.**

(5) Position spring in clutch piston (Fig. 222).

(6) Position spring retainer on top of piston spring (Fig. 223). **Make sure retainer is properly installed. Small raised tabs should be facing upward. Semicircular lugs on underside of retainer are for positioning retainer in spring.**

(7) Compress piston spring and retainer with Compressor Tool C-3575-A (Fig. 220). Then install new snap ring to secure spring retainer and spring.

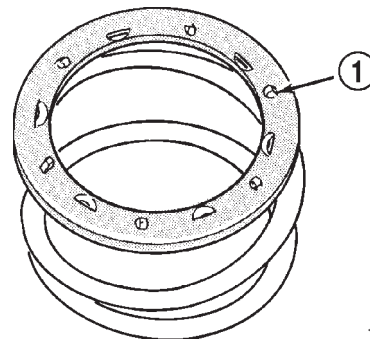
(8) Install clutch plates and discs (Fig. 219). Install steel plate then disc until all plates and discs are installed. The front clutch uses 4 clutch discs and plates in a 42RE transmission.



J9321-466

**Fig. 222 Clutch Piston Spring Installation**

- 1 - RETAINER
- 2 - CLUTCH SPRING
- 3 - PISTON



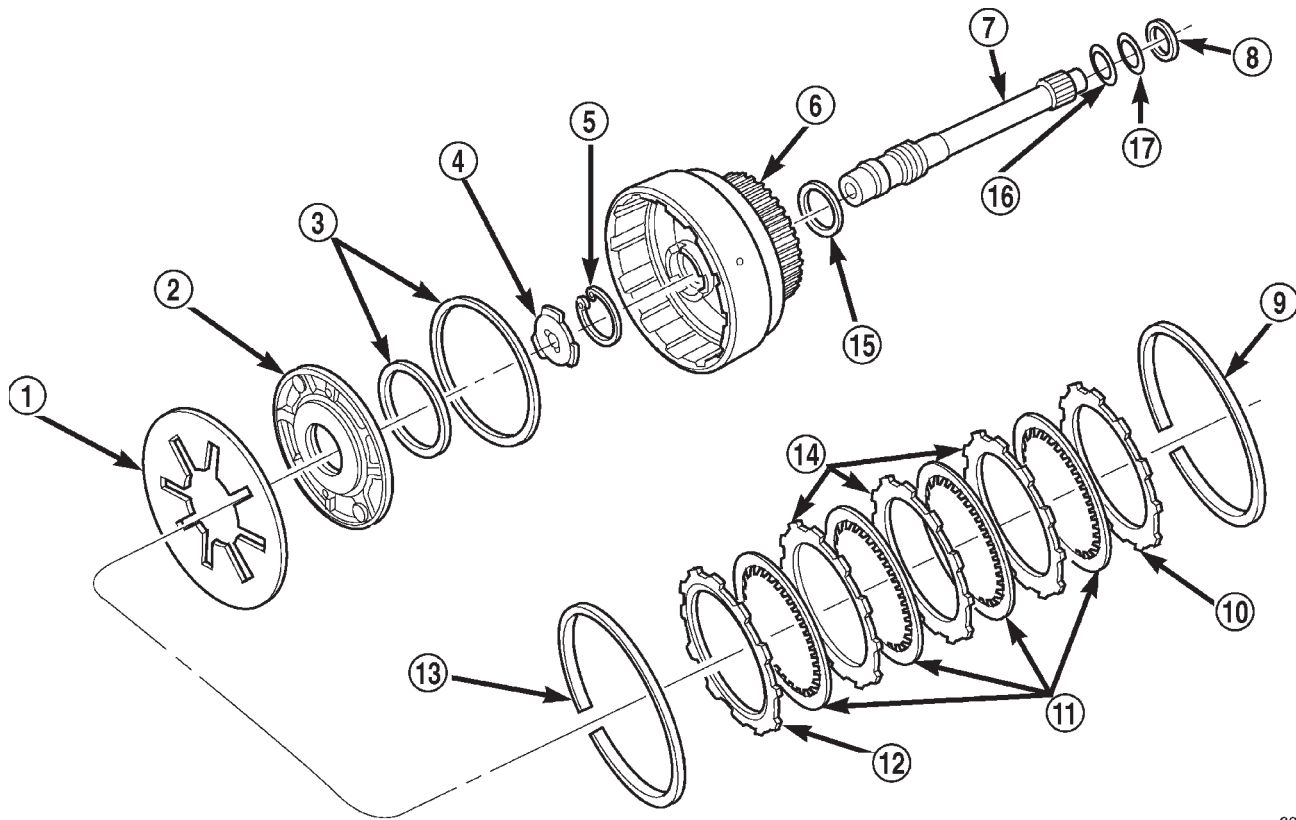
J9321-224

**Fig. 223 Correct Spring Retainer Installed Position**

- 1 - SMALL TABS ON RETAINER FACE UPWARD

(9) Install pressure plate and waved snap ring (Fig. 219).

DISASSEMBLY AND ASSEMBLY (Continued)



80c070a4

**Fig. 224 Rear Clutch Components**

- |  |                                     |
|--|-------------------------------------|
| 1 - PISTON SPRING                      | 10 - TOP PRESSURE PLATE             |
| 2 - REAR CLUTCH PISTON                 | 11 - CLUTCH DISCS (4)               |
| 3 - CLUTCH PISTON SEALS                | 12 - BOTTOM PRESSURE PLATE          |
| 4 - OUTPUT SHAFT THRUST WASHER (METAL) | 13 - WAVE SPRING                    |
| 5 - INPUT SHAFT SNAP RING              | 14 - CLUTCH PLATES (3)              |
| 6 - REAR CLUTCH RETAINER               | 15 - RETAINER SEAL RING             |
| 7 - INPUT SHAFT                        | 16 - SHAFT REAR SEAL RING (PLASTIC) |
| 8 - REAR CLUTCH THRUST WASHER (FIBER)  | 17 - SHAFT FRONT SEAL RING (TEFLON) |
| 9 - CLUTCH PACK SNAP RING (SELECTIVE)  |                                     |

Clearance should be 1.70 to 3.40 mm (0.067 to 0.134 in.). If clearance is incorrect, clutch discs, plates, pressure plates and snap ring may have to be changed.

**REAR CLUTCH**

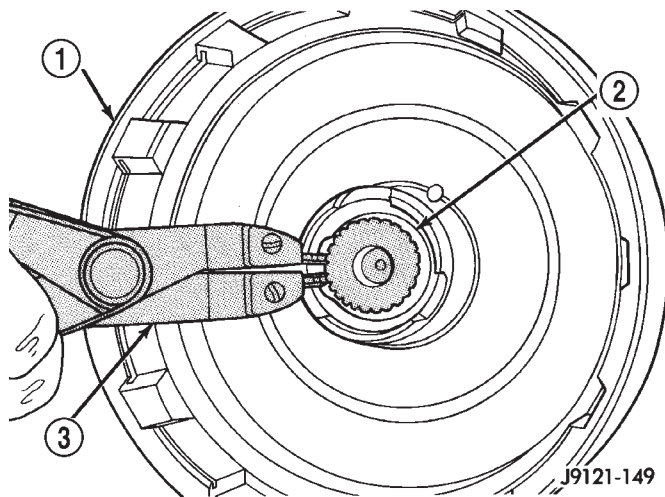
**DISASSEMBLY**

- (1) Remove fiber thrust washer from forward side of clutch retainer.
- (2) Remove input shaft front/rear seal rings.
- (3) Remove selective clutch pack snap ring (Fig. 224).

(4) Remove top pressure plate, clutch discs, steel plates, bottom pressure plate and wave snap ring and wave spring (Fig. 224).

- (5) Remove clutch piston with rotating motion.
- (6) Remove and discard piston seals.
- (7) Remove input shaft snap-ring (Fig. 225). It may be necessary to press the input shaft in slightly to relieve tension on the snap-ring
- (8) Press input shaft out of retainer with shop press and suitable size press tool. Use a suitably sized press tool to support the retainer as close to the input shaft as possible.

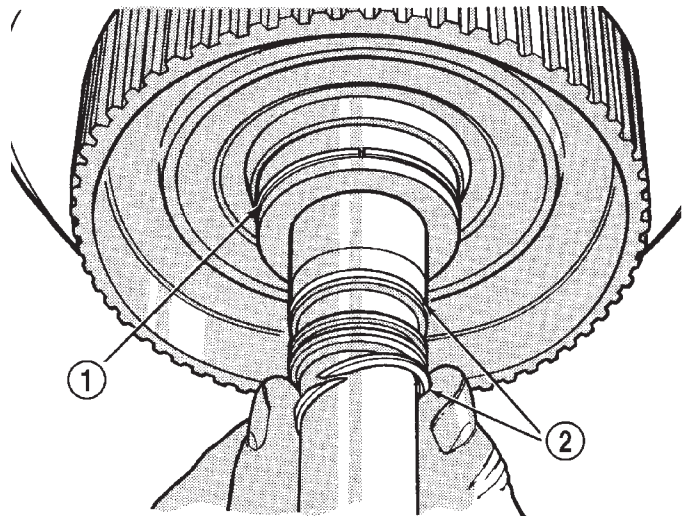
## DISASSEMBLY AND ASSEMBLY (Continued)



**Fig. 225 Removing/Installing Input Shaft Snap-Ring**

- 1 - REAR CLUTCH RETAINER
- 2 - INPUT SHAFT SNAP RING
- 3 - SNAP RING PLIERS

(10) Install wave spring in retainer (Fig. 229). Be sure spring is completely seated in retainer groove.



**Fig. 226 Rear Clutch Retainer And Input Shaft Seal Ring Installation**

- 1 - REAR CLUTCH RETAINER HUB SEAL RING
- 2 - INPUT SHAFT SEAL RINGS

## ASSEMBLY

(1) Soak clutch discs in transmission fluid while assembling other clutch parts.

(2) Install new seal rings on clutch retainer hub and input shaft if necessary (Fig. 226).

(a) Be sure clutch hub seal ring is fully seated in groove and is not twisted.

(3) Lubricate splined end of input shaft and clutch retainer with transmission fluid. Then press input shaft into retainer. Use a suitably sized press tool to support retainer as close to input shaft as possible.

(4) Install input shaft snap-ring (Fig. 225).

(5) Invert retainer and press input shaft in opposite direction until snap-ring is seated.

(6) Install new seals on clutch piston. Be sure lip of each seal faces interior of clutch retainer.

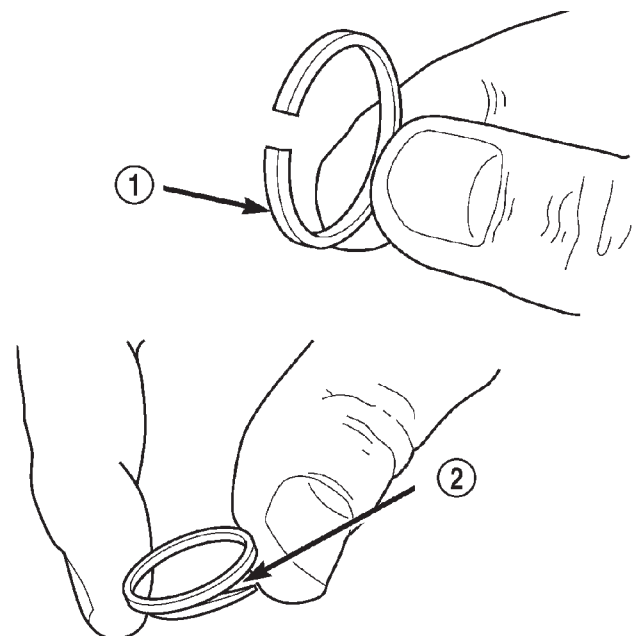
(7) Lubricate lip of piston seals with generous quantity of Mopar® Door Ease. Then lubricate retainer hub and bore with light coat of transmission fluid.

(8) Install clutch piston in retainer. Use twisting motion to seat piston in bottom of retainer. A thin strip of plastic (about 0.020" thick), can be used to guide seals into place if necessary.

**CAUTION:** Never push the clutch piston straight in. This will fold the seals over causing leakage and clutch slip. In addition, never use any type of metal tool to help ease the piston seals into place. Metal tools will cut, shave, or score the seals.

(9) Install piston spring in retainer and on top of piston (Fig. 229). Concave side of spring faces downward (toward piston).

J9121-538

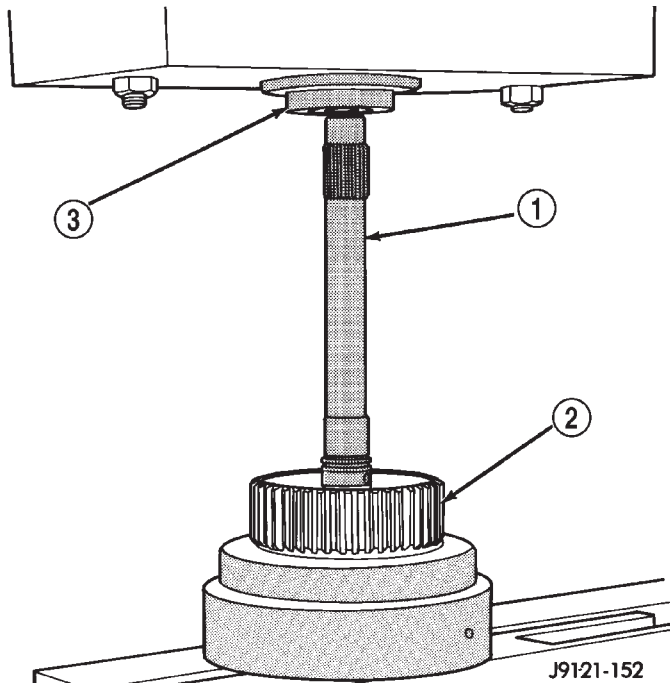


**Fig. 227 Input Shaft Seal Ring Identification**

- 1 - PLASTIC REAR SEAL RING
- 2 - TEFLON FRONT SEAL RING (SQUEEZE RING TOGETHER SLIGHTLY BEFORE INSTALLATION FOR BETTER FIT)

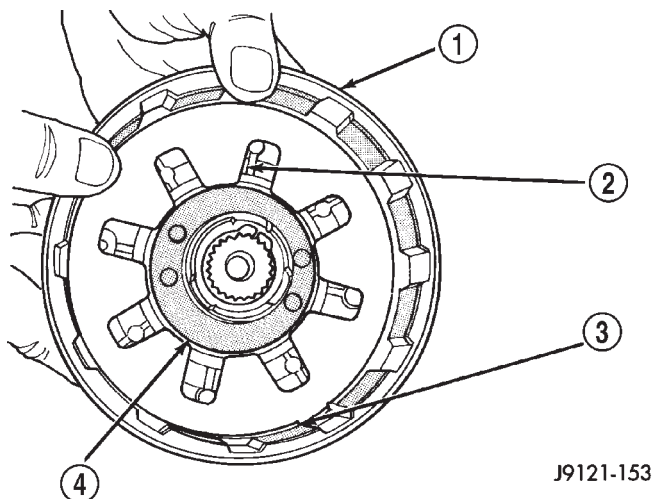
80c070a5

DISASSEMBLY AND ASSEMBLY (Continued)



**Fig. 228 Pressing Input Shaft Into Rear Clutch Retainer**

- 1 - INPUT SHAFT
- 2 - REAR CLUTCH RETAINER
- 3 - PRESS RAM



**Fig. 229 Piston Spring/Wave Spring Position**

- 1 - REAR CLUTCH RETAINER
- 2 - PISTON SPRING
- 3 - WAVE SPRING
- 4 - CLUTCH PISTON

(11) Install bottom pressure plate (Fig. 224). Ridged side of plate faces downward (toward piston) and flat side toward clutch pack.

(12) Install first clutch disc in retainer on top of bottom pressure plate. Then install a clutch plate followed by a clutch disc until entire clutch pack is

installed (4 discs and 3 plates are required) (Fig. 224).

(13) Install top pressure plate.

(14) Install selective snap ring. Be sure snap ring is fully seated in retainer groove.

(15) Using a suitable gauge bar and dial indicator, measure clutch pack clearance (Fig. 230).

(a) Position gauge bar across the clutch drum with the dial indicator pointer on the pressure plate (Fig. 230).

(b) Using two small screw drivers, lift the pressure plate and release it.

(c) Zero the dial indicator.

(d) Lift the pressure plate until it contacts the snap-ring and record the dial indicator reading.

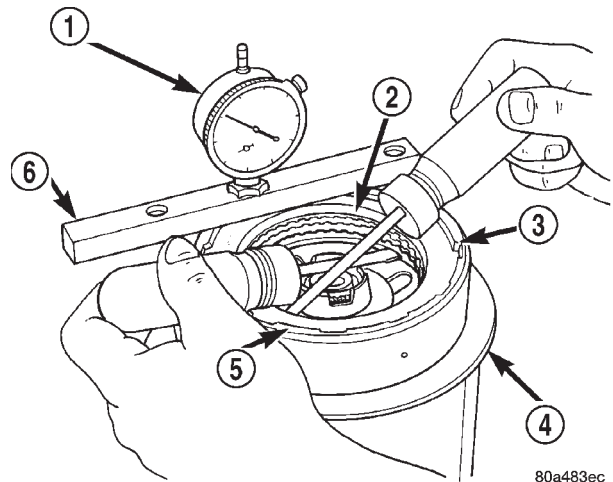
Clearance should be 0.559 - 0.914 mm (0.022 - 0.036 in.). If clearance is incorrect, steel plates, discs, selective snap ring and pressure plates may have to be changed.

The selective snap ring thicknesses are:

- .107-.109 in.
- .098-.100 in.
- .095-.097 in.
- .083-.085 in.
- .076-.078 in.
- .071-.073 in.
- .060-.062 in.

(16) Coat rear clutch thrust washer with petroleum jelly and install washer over input shaft and into clutch retainer (Fig. 231). Use enough petroleum jelly to hold washer in place.

(17) Set rear clutch aside for installation during final assembly.

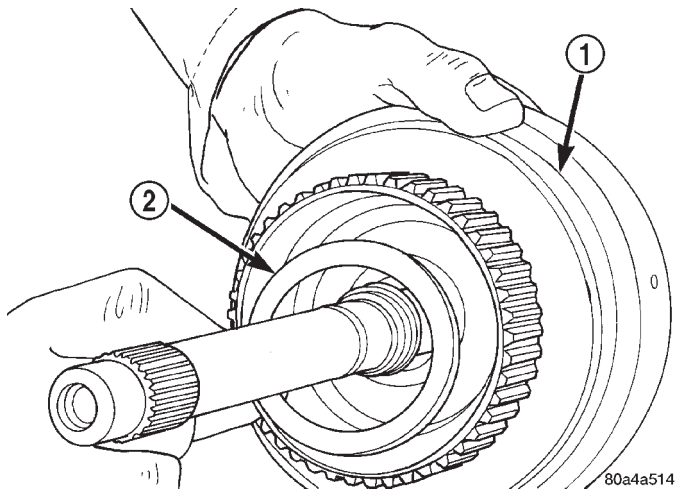


**Fig. 230 Checking Rear Clutch Pack Clearance**

- 1 - DIAL INDICATOR
- 2 - PRESSURE PLATE
- 3 - SNAP RING
- 4 - STAND
- 5 - REAR CLUTCH
- 6 - GAUGE BAR

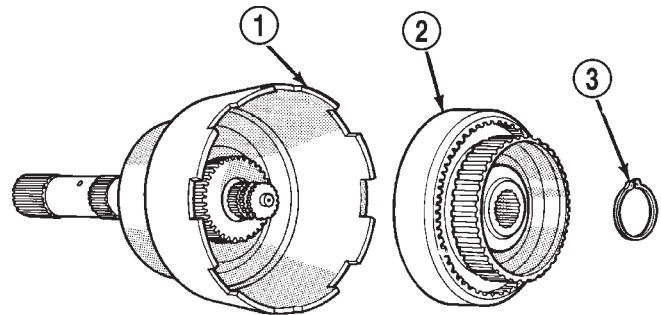


## DISASSEMBLY AND ASSEMBLY (Continued)



**Fig. 231 Installing Rear Clutch Thrust Washer**

- 1 - REAR CLUTCH RETAINER  
2 - REAR CLUTCH THRUST WASHER



J9421-175

**Fig. 232 Front Annulus And Planetary Assembly Removal**

- 1 - DRIVING SHELL  
2 - FRONT ANNULUS AND PLANETARY ASSEMBLY  
3 - PLANETARY SNAP RING

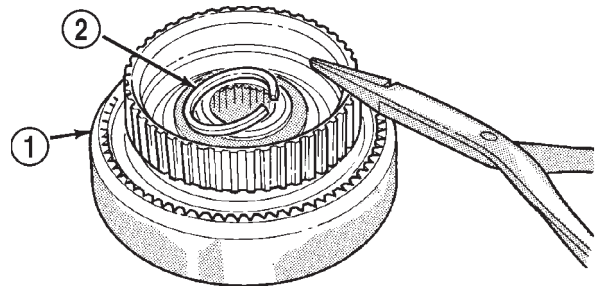
## PLANETARY GEARTRAIN/OUTPUT SHAFT

### DISASSEMBLY

- (1) Remove planetary snap ring (Fig. 232).
- (2) Remove front annulus and planetary assembly from driving shell (Fig. 232).
- (3) Remove snap ring that retains front planetary gear in annulus gear (Fig. 233).
- (4) Remove tabbed thrust washer and tabbed thrust plate from hub of front annulus (Fig. 234).
- (5) Separate front annulus and planetary gears (Fig. 234).
- (6) Remove front planetary gear front thrust washer from annulus gear hub.
- (7) Separate and remove driving shell, rear planetary and rear annulus from output shaft (Fig. 235).
- (8) Remove front planetary rear thrust washer from driving shell.
- (9) Remove tabbed thrust washers from rear planetary gear.
- (10) Remove lock ring that retains sun gear in driving shell. Then remove sun gear, spacer and thrust plates.

### ASSEMBLY

- (1) Lubricate output shaft and planetary components with transmission fluid. Use petroleum jelly to lubricate and hold thrust washers and plates in position.



J9421-176

**Fig. 233 Front Planetary Snap Ring Removal**

- 1 - FRONT ANNULUS GEAR  
2 - PLANETARY SNAP RING

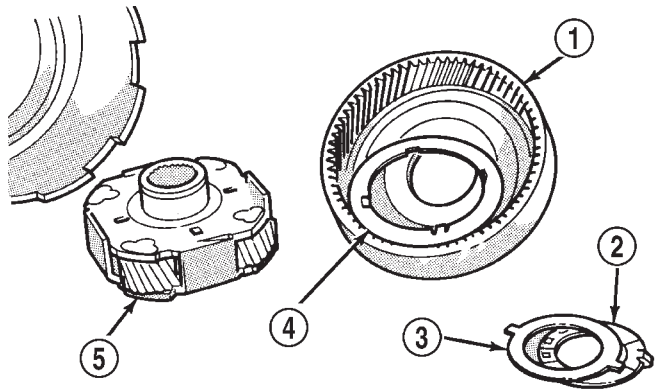
(2) Assemble rear annulus gear and support if disassembled. Be sure support snap ring is seated and that shoulder-side of support faces rearward (Fig. 236).

(3) Install rear thrust washer on rear planetary gear. Use enough petroleum jelly to hold washer in place. Also be sure all four washer tabs are properly engaged in gear slots.

(4) Install rear annulus over and onto rear planetary gear (Fig. 236).

(5) Install assembled rear planetary and annulus gear on output shaft (Fig. 237). Verify that assembly is fully seated on shaft.

DISASSEMBLY AND ASSEMBLY (Continued)

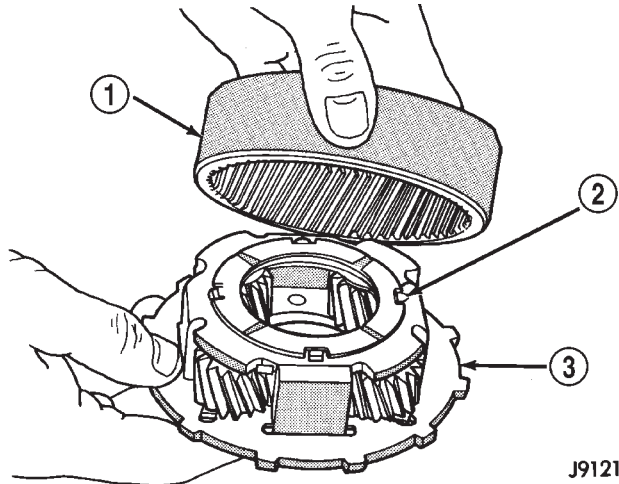


J9421-177

**Fig. 234 Front Planetary And Annulus Gear Disassembly**

- 1 - FRONT ANNULUS
- 2 - THRUST WASHER
- 3 - THRUST PLATE
- 4 - FRONT THRUST WASHER
- 5 - FRONT PLANETARY

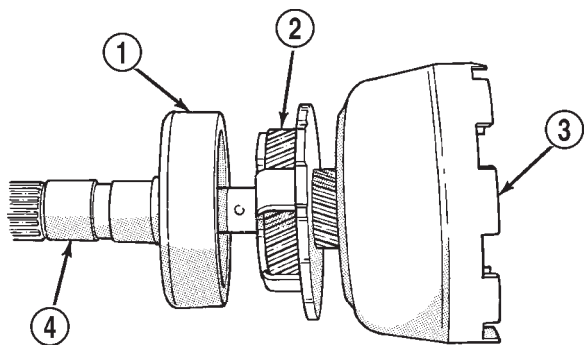
(7) Install spacer on sun gear (Fig. 239).  
 (8) Install thrust plate on sun gear (Fig. 240). Note that driving shell thrust plates are interchangeable. Use either plate on sun gear and at front/rear of shell.



J9121-156

**Fig. 236 Assembling Rear Annulus And Planetary Gear**

- 1 - REAR ANNULUS GEAR
- 2 - TABBED THRUST WASHER
- 3 - REAR PLANETARY

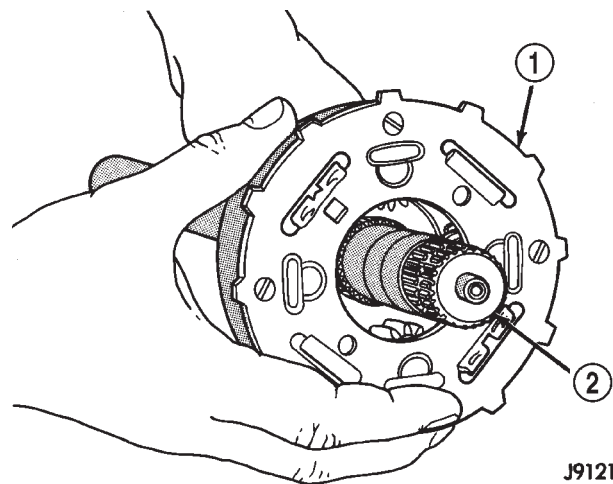


J9421-178

**Fig. 235 Removing Driving Shell, Rear Planetary And Rear Annulus**

- 1 - REAR ANNULUS
- 2 - REAR PLANETARY
- 3 - DRIVING SHELL
- 4 - OUTPUT SHAFT

(6) Install front thrust washer on rear planetary gear (Fig. 238). Use enough petroleum jelly to hold washer on gear. Be sure all four washer tabs are seated in slots.



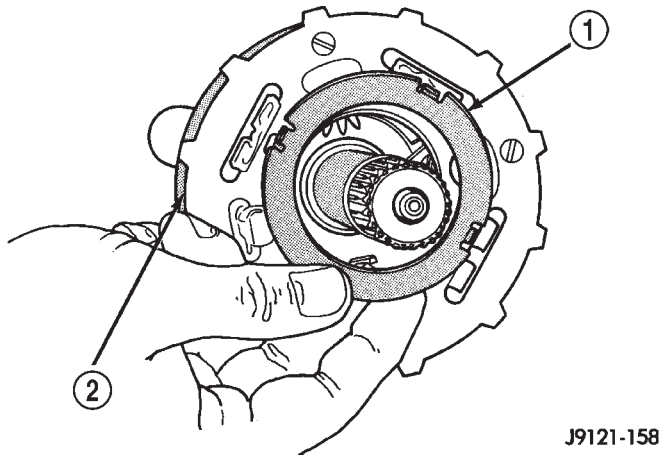
J9121-157

**Fig. 237 Installing Rear Annulus And Planetary On Output Shaft**

- 1 - REAR ANNULUS AND PLANETARY GEAR ASSEMBLY
- 2 - OUTPUT SHAFT



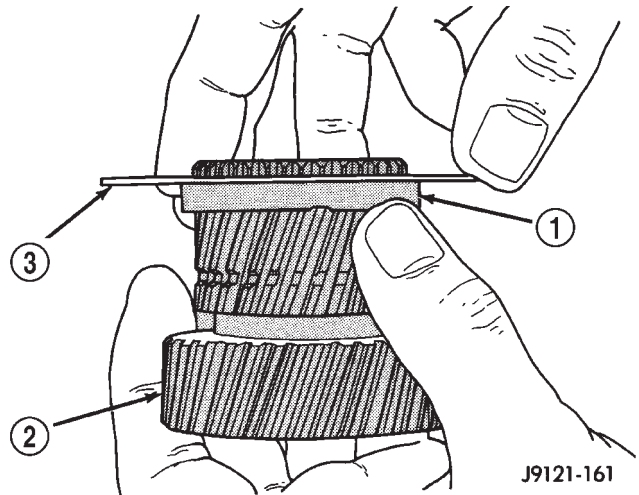
DISASSEMBLY AND ASSEMBLY (Continued)



J9121-158

**Fig. 238 Installing Rear Planetary Front Thrust Washer**

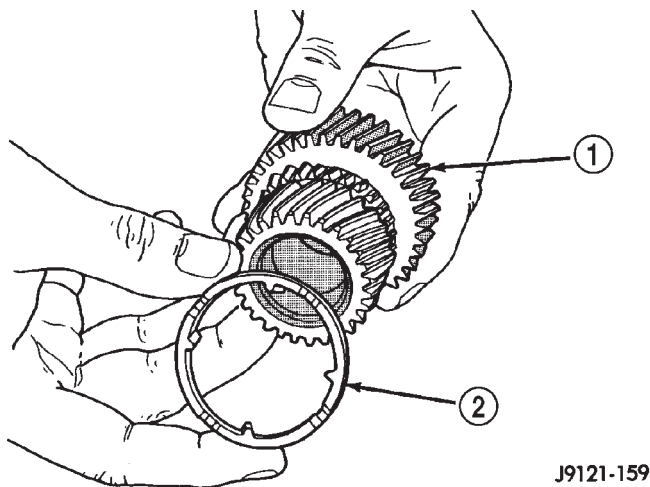
- 1 - FRONT TABBED THRUST WASHER
- 2 - REAR PLANETARY GEAR



J9121-161

**Fig. 240 Installing Driving Shell Front Thrust Plate On Sun Gear**

- 1 - SPACER
- 2 - SUN GEAR
- 3 - THRUST PLATE



J9121-159

**Fig. 239 Installing Spacer On Sun Gear**

- 1 - SUN GEAR
- 2 - SUN GEAR SPACER

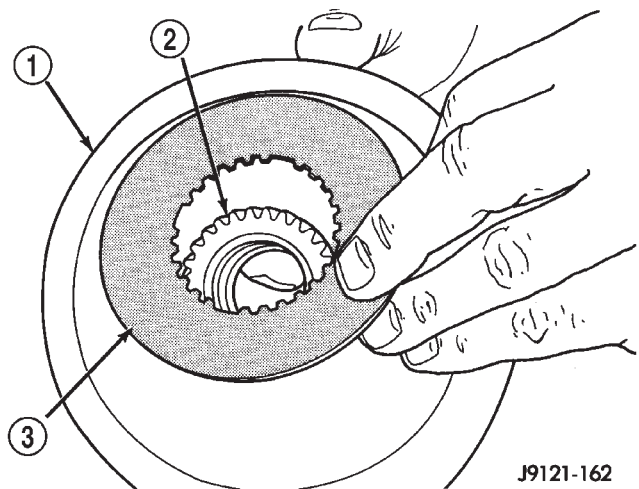
(9) Hold sun gear in place and install thrust plate over sun gear at rear of driving shell (Fig. 241).

(10) Position wood block on bench and support sun gear on block (Fig. 242). This makes it easier to align and install sun gear lock ring. Keep wood block handy as it will also be used for geartrain end play check.

(11) Align rear thrust plate on driving shell and install sun gear lock ring. Be sure ring is fully seated in sun gear ring groove (Fig. 243).

(12) Install assembled driving shell and sun gear on output shaft (Fig. 244).

(13) Install rear thrust washer on front planetary gear (Fig. 245). Use enough petroleum jelly to hold washer in place and be sure all four washer tabs are seated.

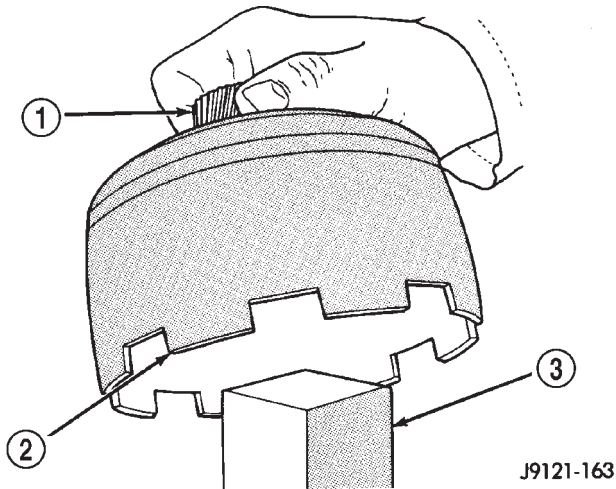


J9121-162

**Fig. 241 Installing Driving Shell Rear Thrust Plate**

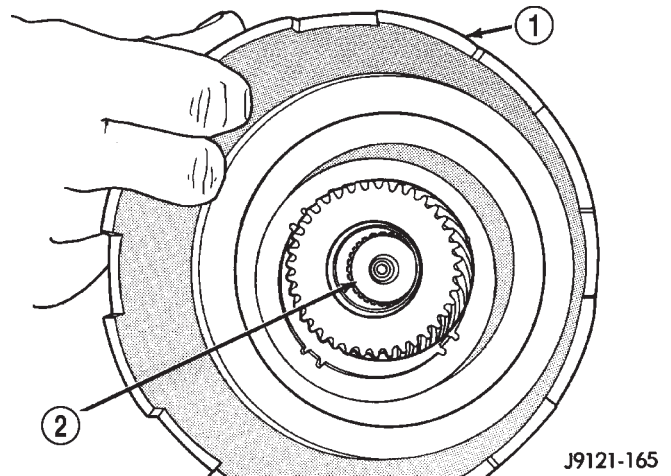
- 1 - DRIVING SHELL
- 2 - SUN GEAR
- 3 - REAR THRUST PLATE

DISASSEMBLY AND ASSEMBLY (Continued)



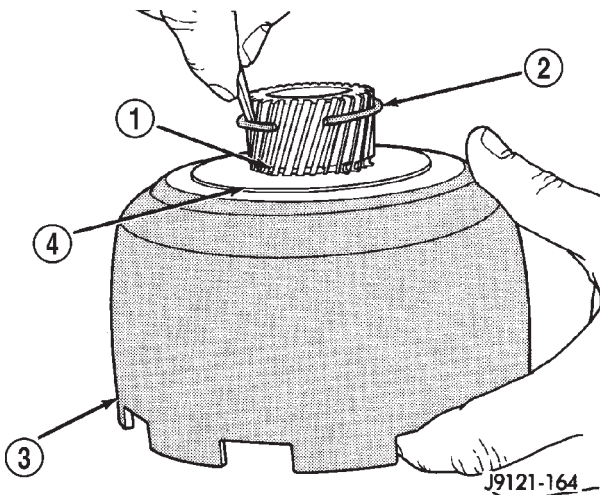
**Fig. 242 Supporting Sun Gear On Wood Block**

- 1 - SUN GEAR
- 2 - DRIVING SHELL
- 3 - WOOD BLOCK



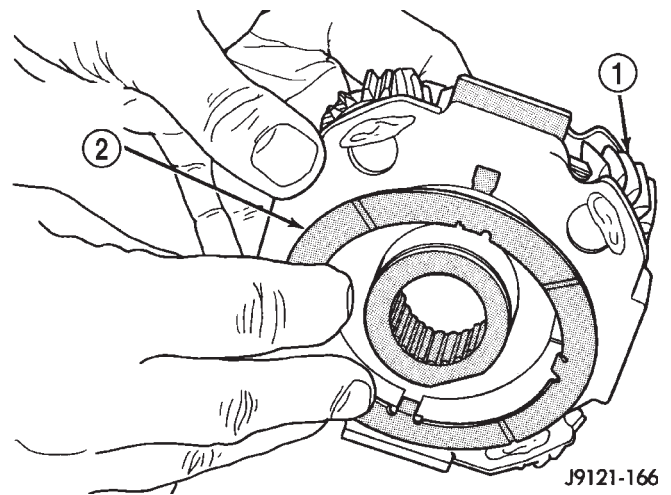
**Fig. 244 Installing Assembled Sun Gear And Driving Shell On Output Shaft**

- 1 - SUN GEAR/DRIVING SHELL ASSEMBLY
- 2 - OUTPUT SHAFT



**Fig. 243 Installing Sun Gear Lock Ring**

- 1 - LOCK RING GROOVE
- 2 - SUN GEAR LOCK RING
- 3 - DRIVING SHELL
- 4 - REAR THRUST PLATE



**Fig. 245 Installing Rear Thrust Washer On Front Planetary Gear**

- 1 - FRONT PLANETARY GEAR
- 2 - REAR TABBED THRUST WASHER

## DISASSEMBLY AND ASSEMBLY (Continued)

(14) Install front planetary gear on output shaft and in driving shell (Fig. 246).

(15) Install front thrust washer on front planetary gear. Use enough petroleum jelly to hold washer in place and be sure all four washer tabs are seated.

(16) Assemble front annulus gear and support, if necessary. Be sure support snap ring is seated.

(17) Install front annulus on front planetary (Fig. 246).

(18) Position thrust plate on front annulus gear support (Fig. 247). **Note that plate has two tabs on it. These tabs fit in notches of annulus hub.**

(19) Install thrust washer in front annulus (Fig. 248). **Align flat on washer with flat on planetary hub. Also be sure washer tab is facing up.**

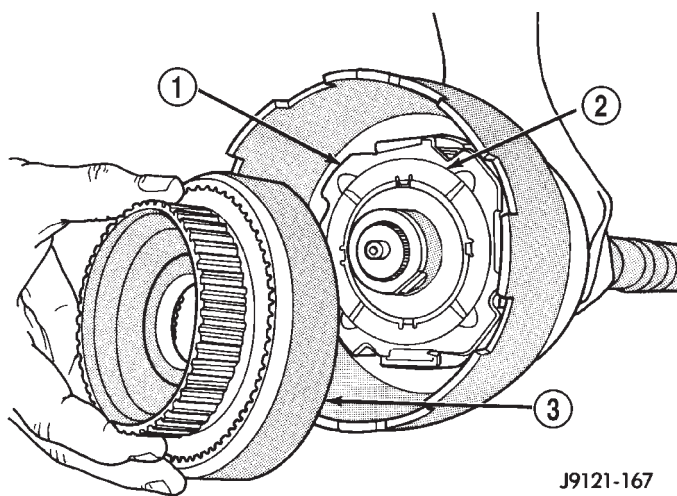
(20) Install front annulus snap ring (Fig. 249). Use snap ring pliers to avoid distorting ring during installation. Also be sure ring is fully seated.

(21) Install planetary selective snap ring with snap ring pliers (Fig. 250). Be sure ring is fully seated.

(22) Turn planetary geartrain assembly over so driving shell is facing workbench. Then support geartrain on wood block positioned under forward end of output shaft. This allows geartrain components to move forward for accurate end play check.

(23) Check planetary geartrain end play with feeler gauge (Fig. 251). Gauge goes between shoulder on output shaft and end of rear annulus support.

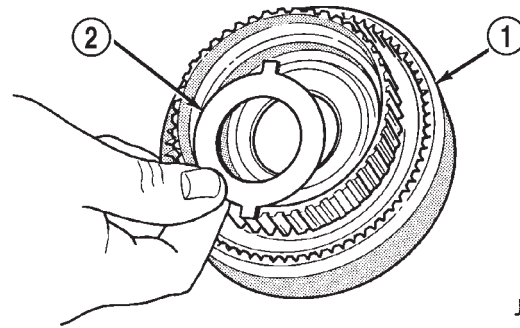
(24) Geartrain end play should be 0.12 to 1.22 mm (0.005 to 0.048 in.). If end play is incorrect, snap ring (or thrust washers) may have to be replaced. Snap ring is available in three different thicknesses for adjustment purposes.



J9121-167

**Fig. 246 Installing Front Planetary And Annulus Gears**

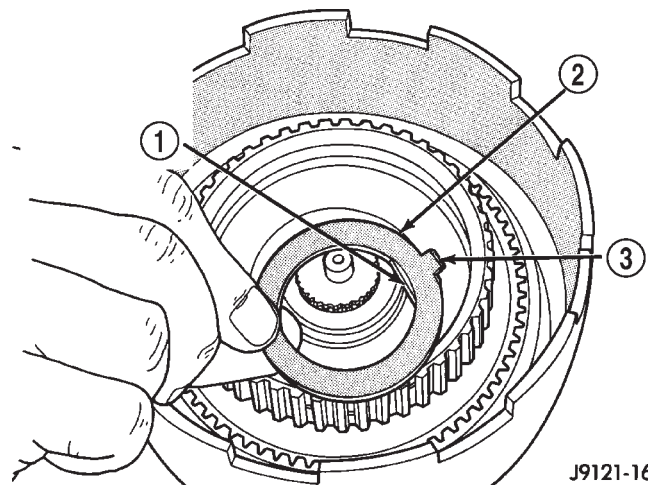
- 1 - FRONT PLANETARY GEAR
- 2 - FRONT THRUST WASHER
- 3 - FRONT ANNULUS GEAR



J9421-179

**Fig. 247 Positioning Thrust Plate On Front Annulus Support**

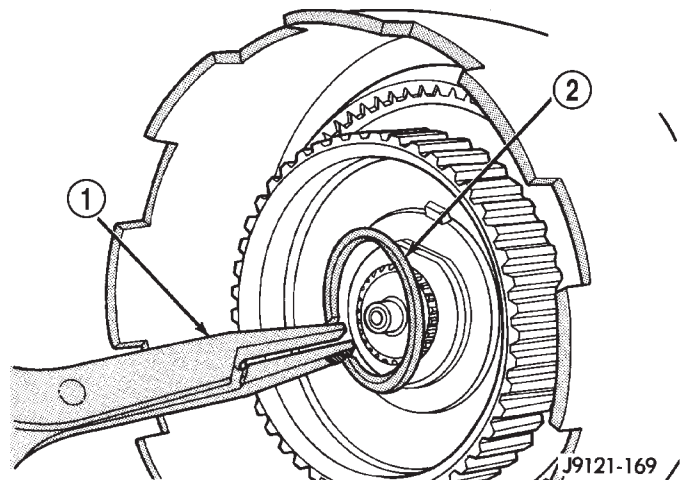
- 1 - FRONT ANNULUS
- 2 - THRUST PLATE



J9121-168

**Fig. 248 Installing Front Annulus Thrust Washer**

- 1 - WASHER FLAT ALIGNS WITH FLAT ON PLANETARY HUB
- 2 - FRONT ANNULUS THRUST WASHER
- 3 - TAB FACES FRONT



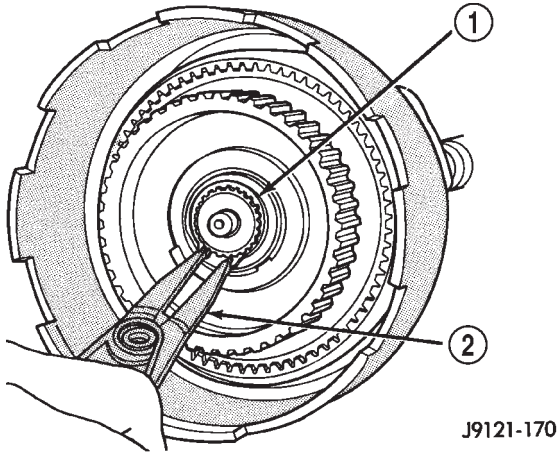
J9121-169 /

**Fig. 249 Installing Front Annulus Snap Ring**

- 1 - SNAP RING PLIERS
- 2 - FRONT ANNULUS SNAP RING

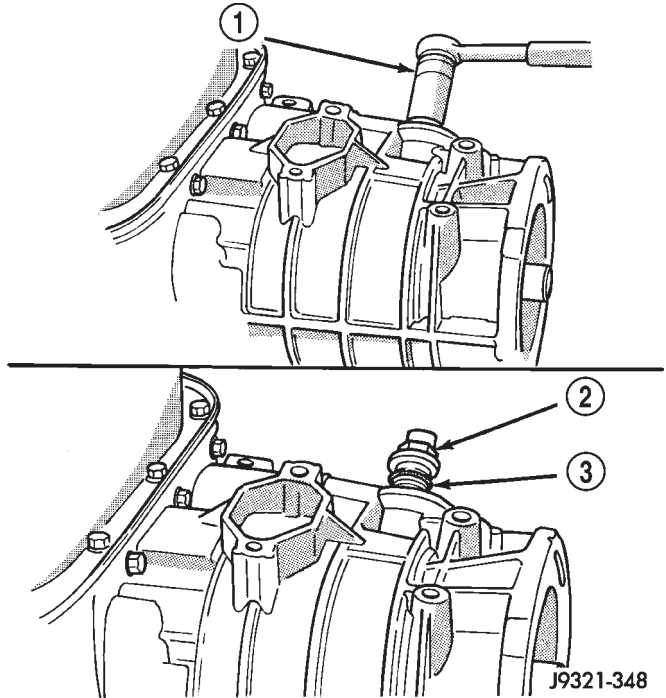


DISASSEMBLY AND ASSEMBLY (Continued)



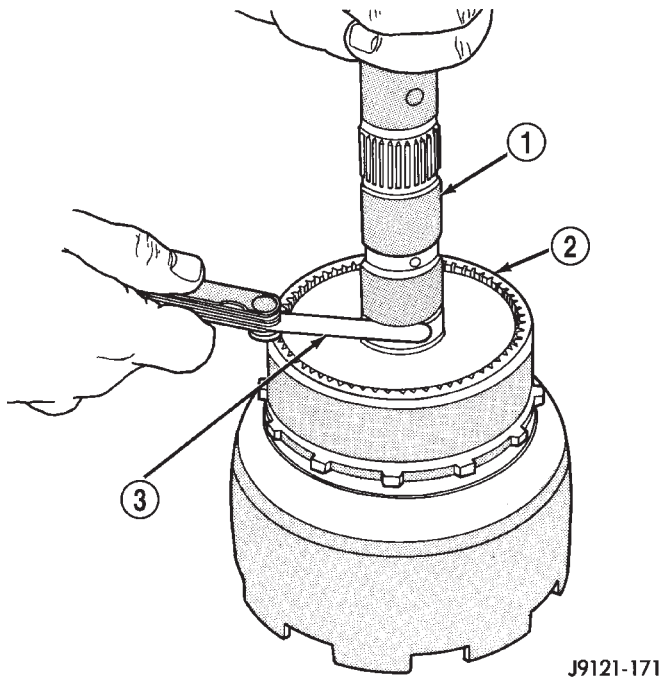
**Fig. 250 Installing Planetary Selective Snap Ring**

- 1 - SELECTIVE SNAP RING
- 2 - SNAP RING PLIERS



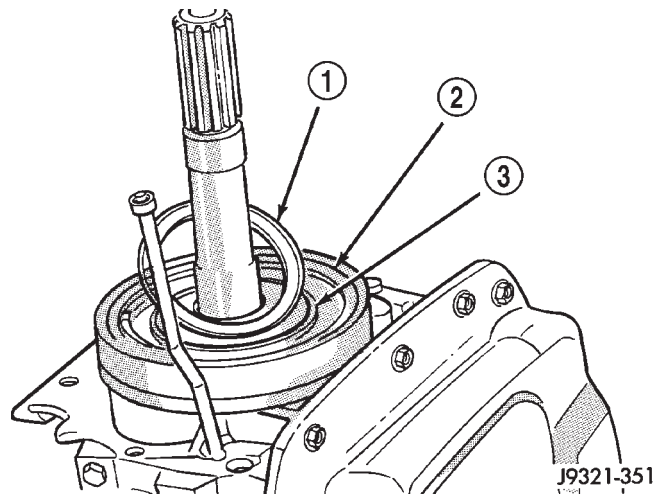
**Fig. 252 Transmission Speed Sensor Removal/Installation**

- 1 - SOCKET AND WRENCH
- 2 - SPEED SENSOR
- 3 - O-RING



**Fig. 251 Checking Planetary Geartrain End Play**

- 1 - OUTPUT SHAFT
- 2 - REAR ANNULUS GEAR
- 3 - FEELER GAUGE



**Fig. 253 Overdrive Piston Thrust Bearing Removal/Installation**

- 1 - THRUST BEARING
- 2 - OVERDRIVE PISTON
- 3 - THRUST PLATE

**OVERDRIVE UNIT**

**DISASSEMBLY**

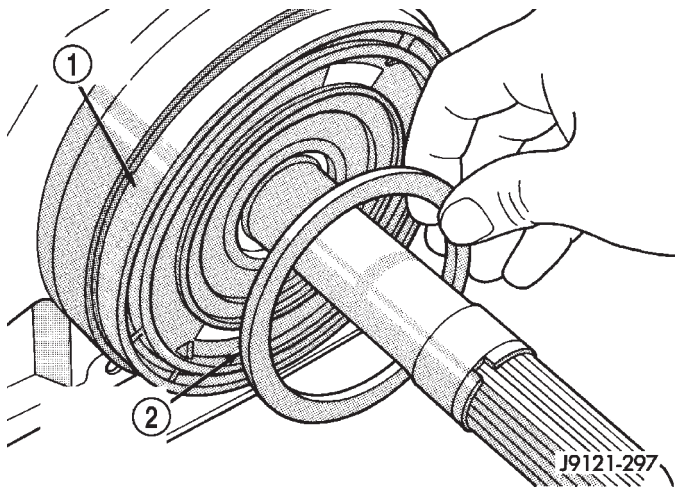
(1) Remove transmission speed sensor and O-ring seal from overdrive case (Fig. 252).

(2) Remove overdrive piston thrust bearing (Fig. 253).

DISASSEMBLY AND ASSEMBLY (Continued)

OVERDRIVE PISTON DISASSEMBLY

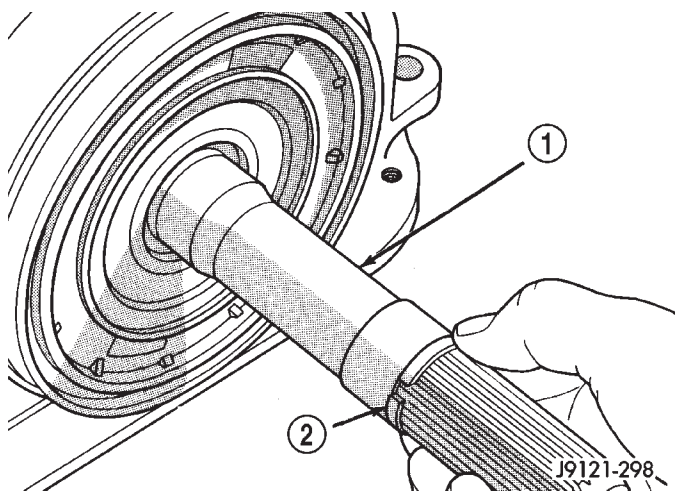
(1) Remove overdrive piston thrust plate (Fig. 254). Retain thrust plate. It is a select fit part and may possibly be reused.



**Fig. 254 Overdrive Piston Thrust Plate Removal/ Installation**

- 1 - OVERDRIVE PISTON
- 2 - OVERDRIVE PISTON SPACER (SELECT FIT)

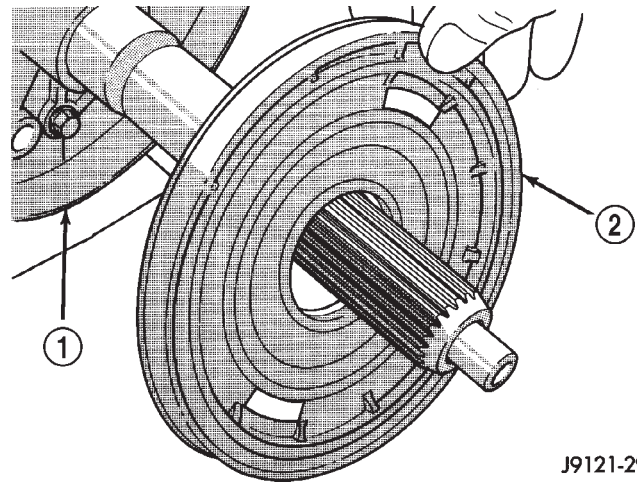
(2) Remove intermediate shaft spacer (Fig. 255). Retain spacer. It is a select fit part and may possibly be reused.



**Fig. 255 Intermediate Shaft Spacer Location**

- 1 - INTERMEDIATE SHAFT
- 2 - INTERMEDIATE SHAFT SPACER (SELECT FIT)

(3) Remove overdrive piston from retainer (Fig. 256).



**Fig. 256 Overdrive Piston Removal**

- 1 - PISTON RETAINER
- 2 - OVERDRIVE PISTON

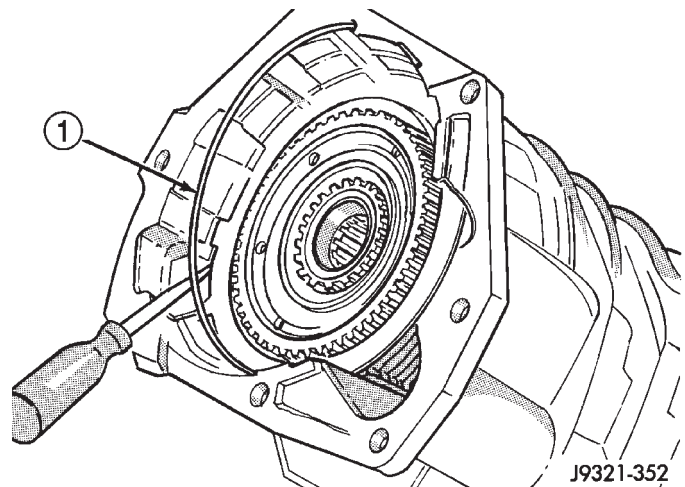
OVERDRIVE CLUTCH PACK DISASSEMBLY

(1) Remove overdrive clutch pack wire retaining ring (Fig. 257).

(2) Remove overdrive clutch pack (Fig. 258).

**NOTE:** The 42RE transmission has three clutch discs and two clutch plates.

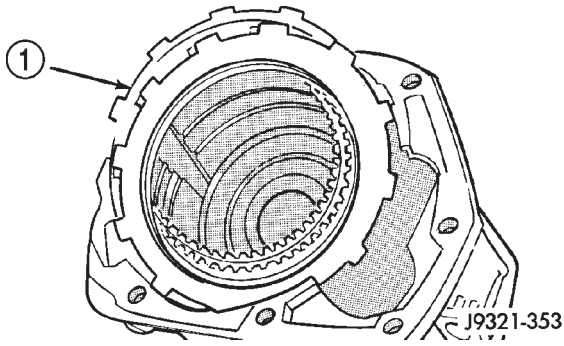
(3) Note position of clutch pack components for assembly reference (Fig. 259).



**Fig. 257 Removing Overdrive Clutch Pack Retaining Ring**

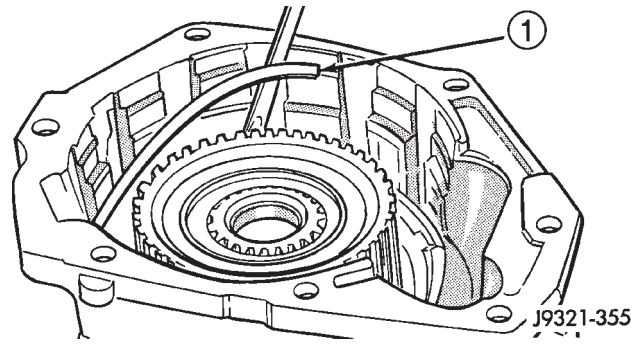
- 1 - OVERDRIVE CLUTCH PACK RETAINING RING

DISASSEMBLY AND ASSEMBLY (Continued)



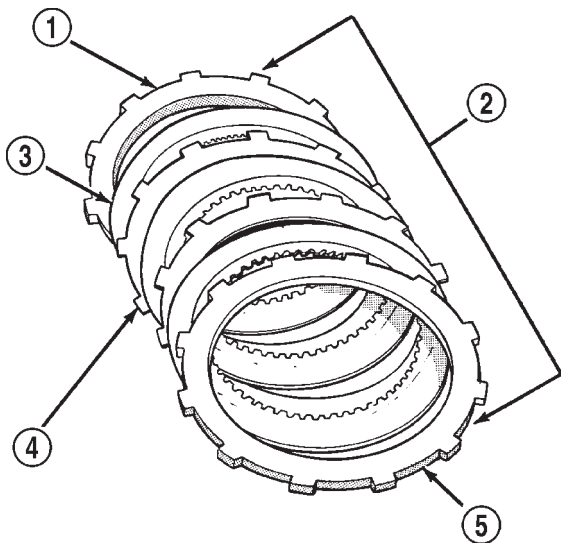
**Fig. 258 Overdrive Clutch Pack Removal**

1 - OVERDRIVE CLUTCH PACK



**Fig. 260 Overdrive Clutch Wave Spring Removal/Installation**

1 - WAVE SPRING



J9321-354

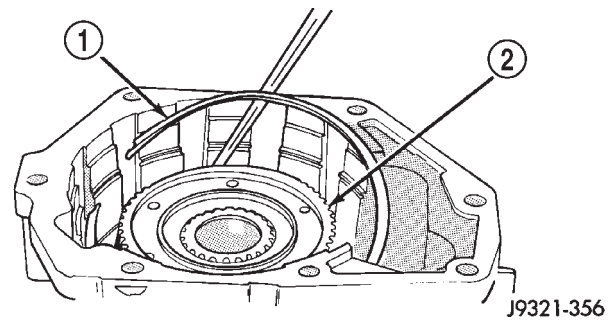
**Fig. 259 42RE Overdrive Clutch Component Position**

- 1 - PRESSURE PLATE (TO FRONT)
- 2 - OVERDRIVE CLUTCH PACK
- 3 - CLUTCH DISC (3)
- 4 - CLUTCH PLATE (2)
- 5 - REACTION PLATE (TO REAR)

**OVERDRIVE GEARTRAIN DISASSEMBLY**

(1) Remove overdrive clutch wave spring (Fig. 260).

(2) Remove overdrive clutch reaction snap ring (Fig. 261). Note that snap ring is located in same groove as wave spring.

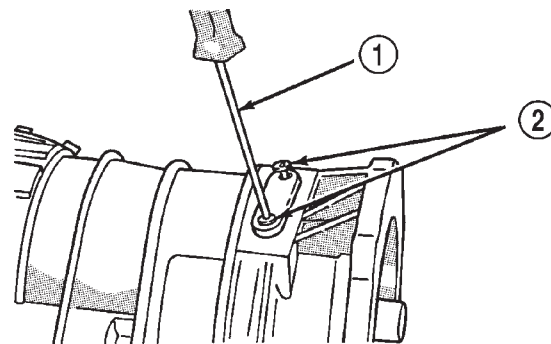


J9321-356

**Fig. 261 Overdrive Clutch Reaction Snap Ring Removal/Installation**

- 1 - REACTION RING
- 2 - CLUTCH HUB

- (3) Remove Torx head screws that attach access cover and gasket to overdrive case (Fig. 262).
- (4) Remove access cover and gasket (Fig. 263).



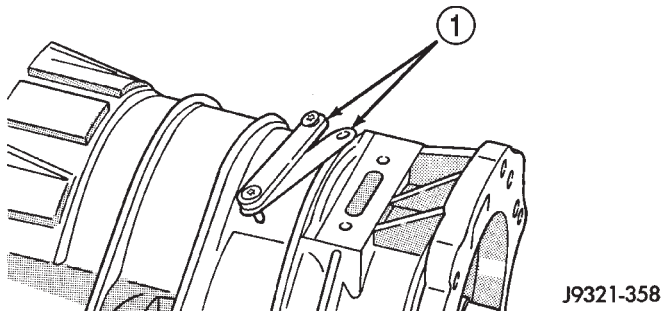
J9321-357

**Fig. 262 Access Cover Screw Removal/Installation**

- 1 - TORX SCREWDRIVER (T25)
- 2 - ACCESS COVER SCREWS



## DISASSEMBLY AND ASSEMBLY (Continued)

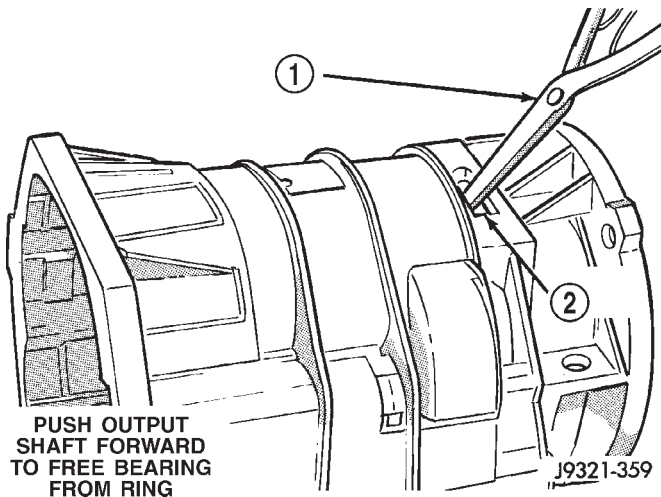


J9321-358

**Fig. 263 Access Cover And Gasket Removal/Installation**

1 - ACCESS COVER AND GASKET

(5) Expand output shaft bearing snap ring with expanding-type snap ring pliers. Then push output shaft forward to release shaft bearing from locating ring (Fig. 264).



J9321-359

**Fig. 264 Releasing Bearing From Locating Ring**

1 - EXPAND BEARING LOCATING RING WITH SNAP RING PLIERS

2 - ACCESS HOLE

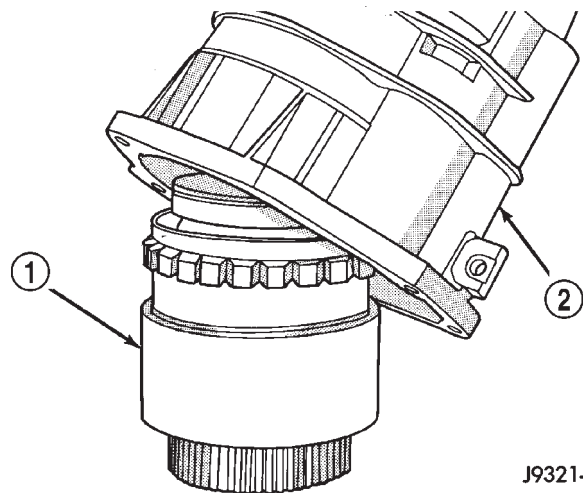
(6) Lift gear case up and off geartrain assembly (Fig. 265).

(7) Remove snap ring that retains rear bearing on output shaft.

(8) Remove rear bearing from output shaft (Fig. 266).

## DIRECT CLUTCH, HUB AND SPRING DISASSEMBLY

**WARNING: THE NEXT STEP IN DISASSEMBLY INVOLVES COMPRESSING THE DIRECT CLUTCH SPRING. IT IS EXTREMELY IMPORTANT THAT PROPER EQUIPMENT BE USED TO COMPRESS THE SPRING AS SPRING FORCE IS APPROXIMATELY 830 POUNDS. USE SPRING COMPRESSOR TOOL 6227-1 AND A HYDRAULIC SHOP PRESS WITH A MINIMUM RAM TRAVEL OF 5-6 INCHES. THE PRESS MUST ALSO HAVE A BED THAT CAN BE ADJUSTED UP OR DOWN AS REQUIRED. RELEASE CLUTCH SPRING TENSION SLOWLY AND COMPLETELY TO AVOID PERSONAL INJURY.**

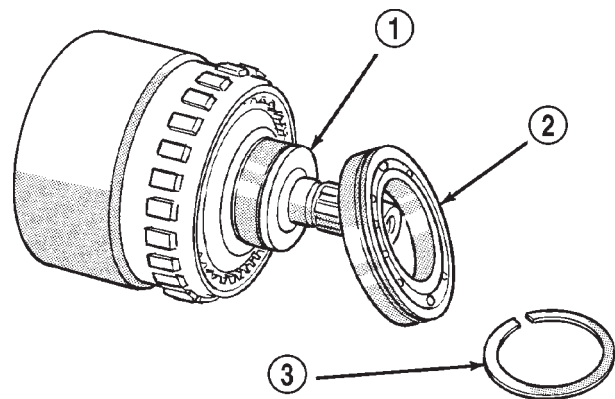


J9321-360

**Fig. 265 Removing Gear Case From Geartrain Assembly**

1 - GEARTRAIN ASSEMBLY

2 - GEAR CASE



J9321-362

**Fig. 266 Rear Bearing Removal**

1 - OUTPUT SHAFT

2 - REAR BEARING

3 - SNAP RING

**MATELY 830 POUNDS. USE SPRING COMPRESSOR TOOL 6227-1 AND A HYDRAULIC SHOP PRESS WITH A MINIMUM RAM TRAVEL OF 5-6 INCHES. THE PRESS MUST ALSO HAVE A BED THAT CAN BE ADJUSTED UP OR DOWN AS REQUIRED. RELEASE CLUTCH SPRING TENSION SLOWLY AND COMPLETELY TO AVOID PERSONAL INJURY.**

(1) Mount geartrain assembly in shop press (Fig. 267).

(2) Position Compressor Tool 6227-1 on clutch hub (Fig. 267). Support output shaft flange with steel press plates as shown and center assembly under press ram.

DISASSEMBLY AND ASSEMBLY (Continued)

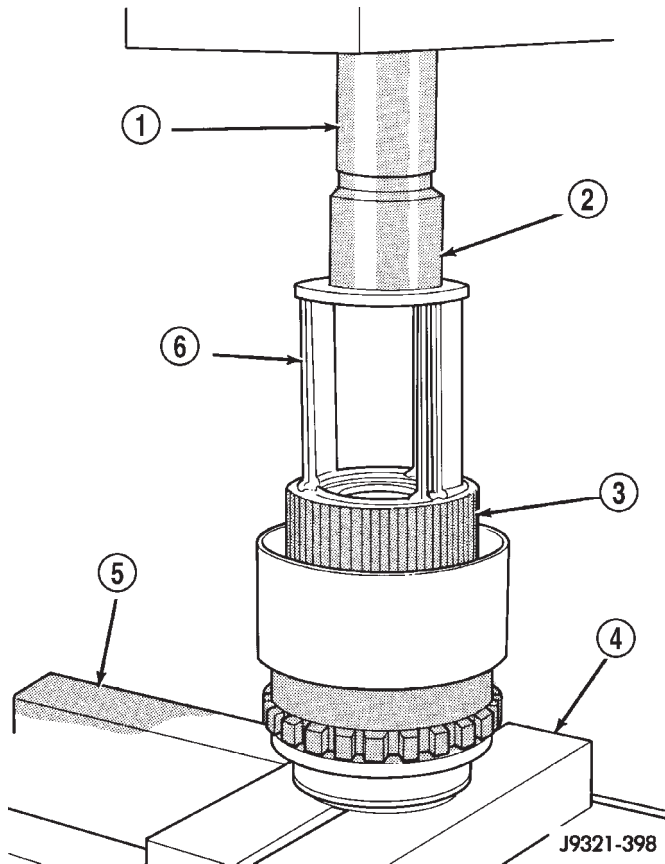
(3) Apply press pressure slowly. Compress hub and spring far enough to expose clutch hub retaining ring and relieve spring pressure on clutch pack snap ring (Fig. 267).

(4) Remove direct clutch pack snap ring (Fig. 268).

(5) Remove direct clutch hub retaining ring (Fig. 269).

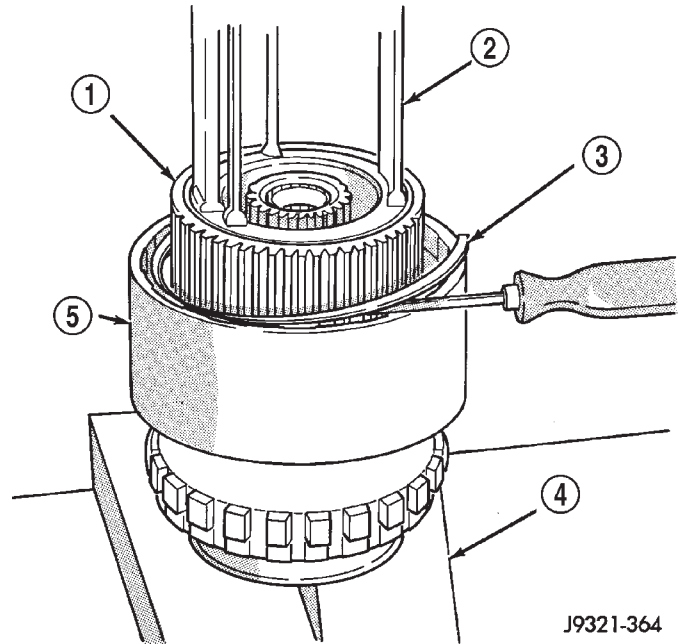
(6) Release press load slowly and completely (Fig. 270).

(7) Remove Special Tool 6227-1. Then remove clutch pack from hub (Fig. 270).



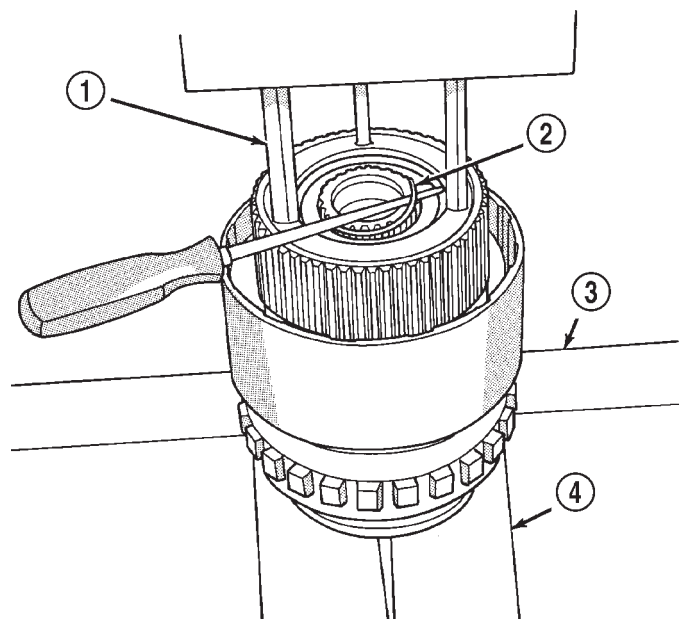
**Fig. 267 Geartrain Mounted In Shop Press**

- 1 - PRESS RAM
- 2 - SPECIAL TOOL C-3995-A (OR SIMILAR TOOL)
- 3 - CLUTCH HUB
- 4 - PLATES
- 5 - PRESS BED
- 6 - SPECIAL TOOL 6227-1



**Fig. 268 Direct Clutch Pack Snap Ring Removal**

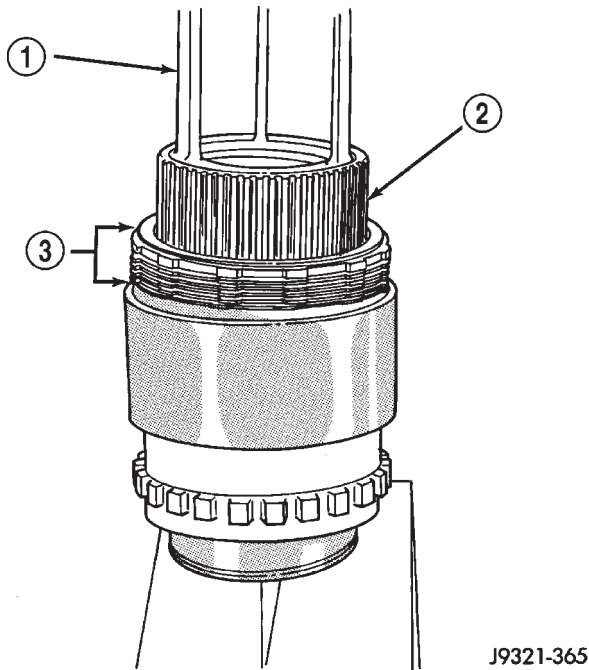
- 1 - CLUTCH HUB
- 2 - SPECIAL TOOL 6227-1
- 3 - DIRECT CLUTCH PACK SNAP RING
- 4 - PRESS PLATES
- 5 - CLUTCH DRUM



**Fig. 269 Direct Clutch Hub Retaining Ring Removal**

- 1 - SPECIAL TOOL 6227-1
- 2 - CLUTCH HUB RETAINING RING
- 3 - PRESS BED
- 4 - PRESS PLATES

DISASSEMBLY AND ASSEMBLY (Continued)

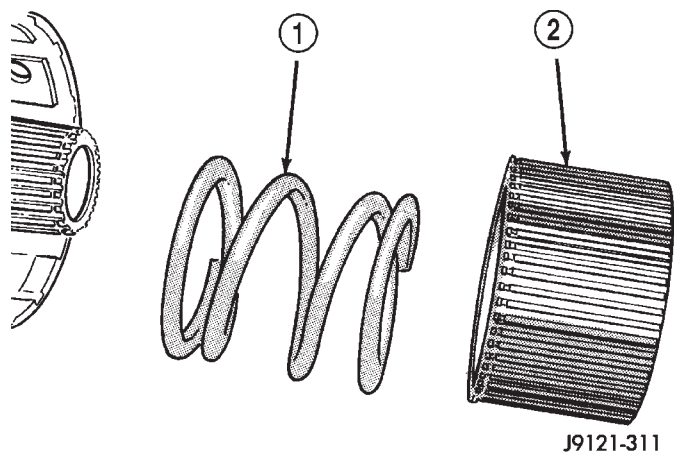


**Fig. 270 Direct Clutch Pack Removal**

- 1 - SPECIAL TOOL 6227-1
- 2 - DIRECT CLUTCH HUB
- 3 - DIRECT CLUTCH PACK

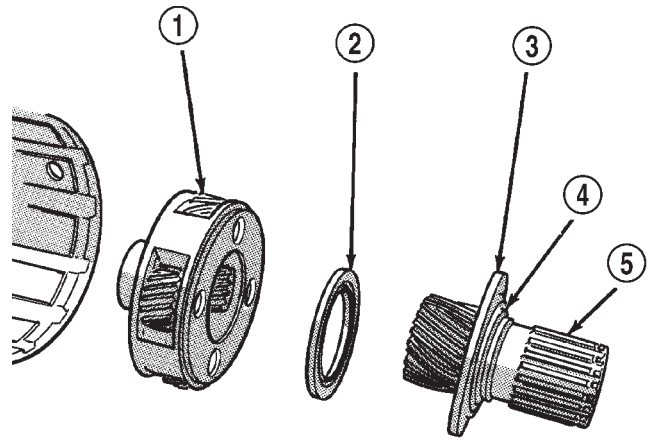
**Geartrain Disassembly**

- (1) Remove direct clutch hub and spring (Fig. 271).
- (2) Remove sun gear and spring plate. Then remove planetary thrust bearing and planetary gear (Fig. 272).



**Fig. 271 Direct Clutch Hub And Spring Removal**

- 1 - DIRECT CLUTCH SPRING
- 2 - DIRECT CLUTCH HUB



**Fig. 272 Removing Sun Gear, Thrust Bearing And Planetary Gear**

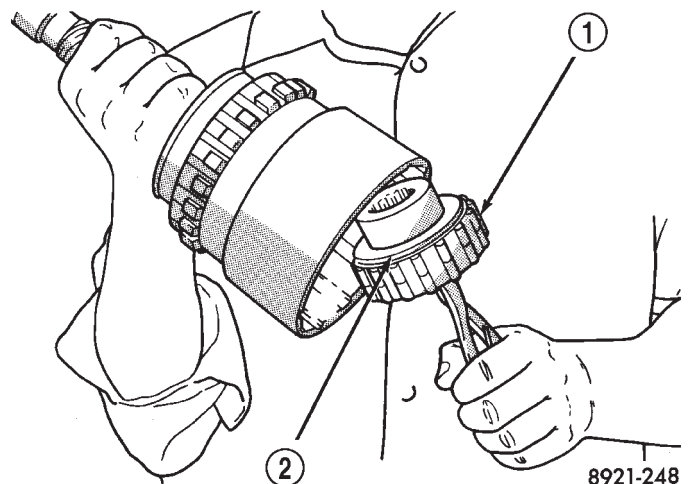
- 1 - PLANETARY GEAR
- 2 - PLANETARY THRUST BEARING
- 3 - CLUTCH SPRING PLATE
- 4 - SPRING PLATE SNAP RING
- 5 - SUN GEAR

(3) Remove overrunning clutch assembly with expanding type snap ring pliers (Fig. 273). Insert pliers into clutch hub. Expand pliers to grip hub splines and remove clutch with counterclockwise, twisting motion.

(4) Remove thrust bearing from overrunning clutch hub.

(5) Remove overrunning clutch from hub.

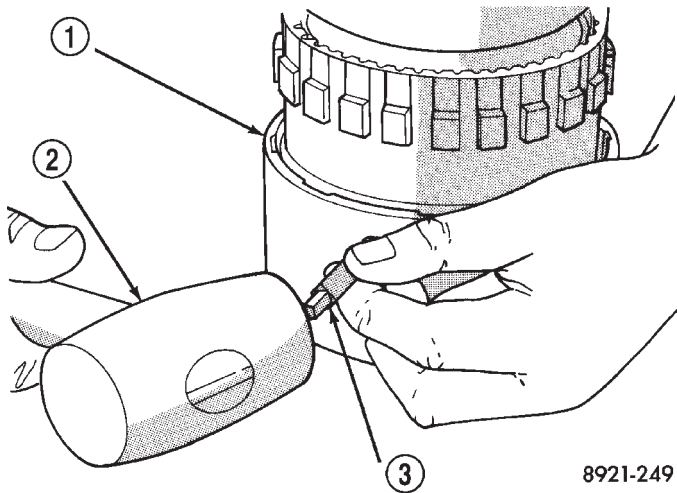
(6) Mark position of annulus gear and direct clutch drum for assembly alignment reference (Fig. 274). Use small center punch or scribe to make alignment marks.



**Fig. 273 Overrunning Clutch Assembly Removal/Installation**

- 1 - OVERRUNNING CLUTCH
- 2 - NEEDLE BEARING

DISASSEMBLY AND ASSEMBLY (Continued)



8921-249

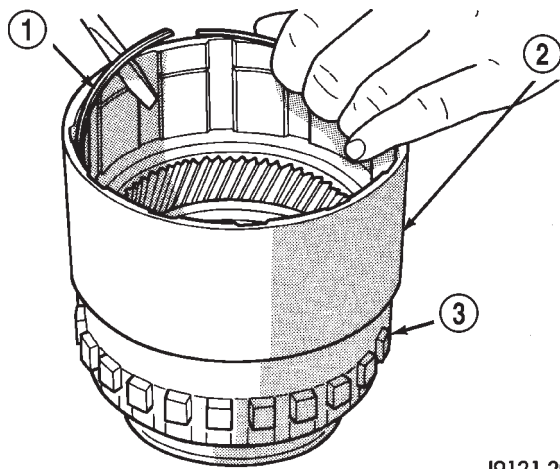
**Fig. 274 Marking Direct Clutch Drum And Annulus Gear For Assembly Alignment**

- 1 - DIRECT CLUTCH DRUM
- 2 - HAMMER
- 3 - PUNCH

(7) Remove direct clutch drum rear retaining ring (Fig. 275).

(8) Remove direct clutch drum outer retaining ring (Fig. 276).

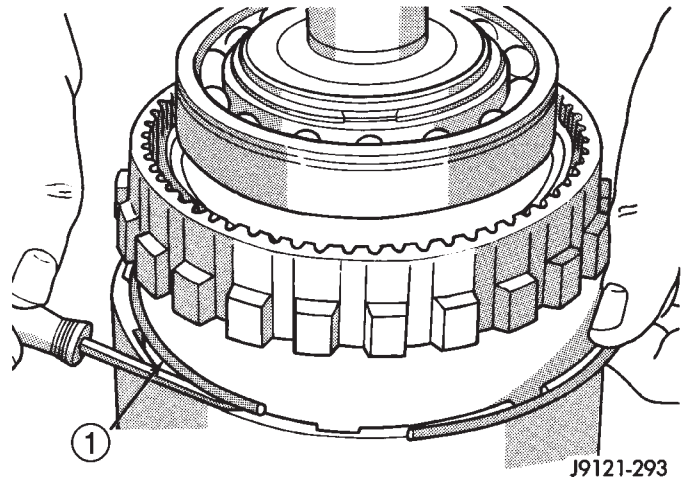
(9) Mark annulus gear and output shaft for assembly alignment reference (Fig. 277). Use punch or scriber to mark gear and shaft.



J9121-292

**Fig. 275 Clutch Drum Inner Retaining Ring Removal**

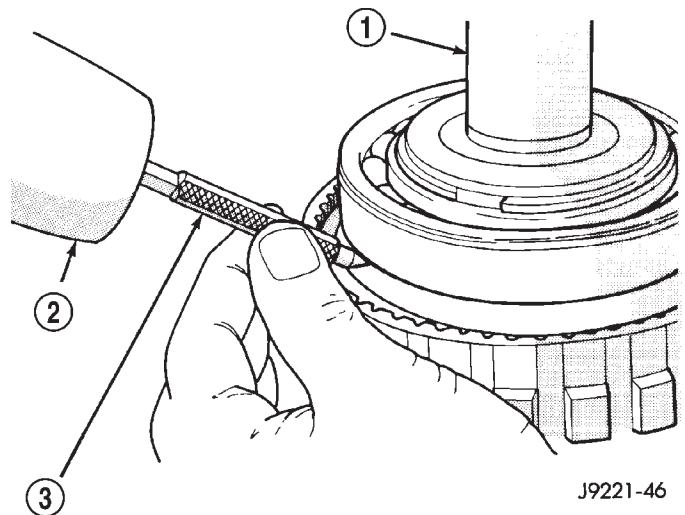
- 1 - INNER RETAINING RING
- 2 - DIRECT CLUTCH DRUM
- 3 - ANNULUS GEAR



J9121-293

**Fig. 276 Clutch Drum Outer Retaining Ring Removal**

- 1 - OUTER RETAINING RING



J9221-46

**Fig. 277 Marking Annulus Gear And Output Shaft For Assembly Alignment**

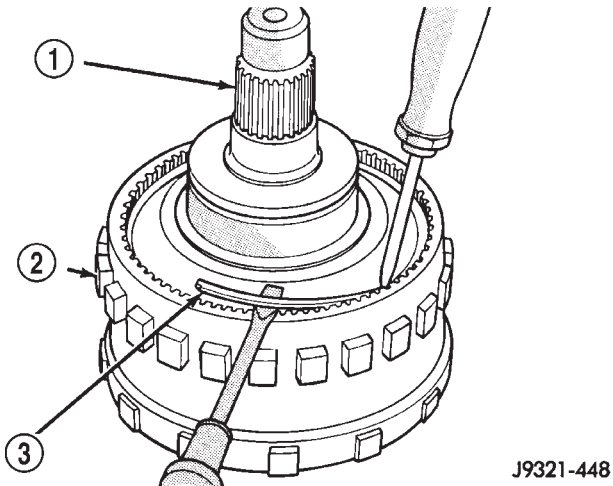
- 1 - OUTPUT SHAFT
- 2 - HAMMER
- 3 - PUNCH



## DISASSEMBLY AND ASSEMBLY (Continued)

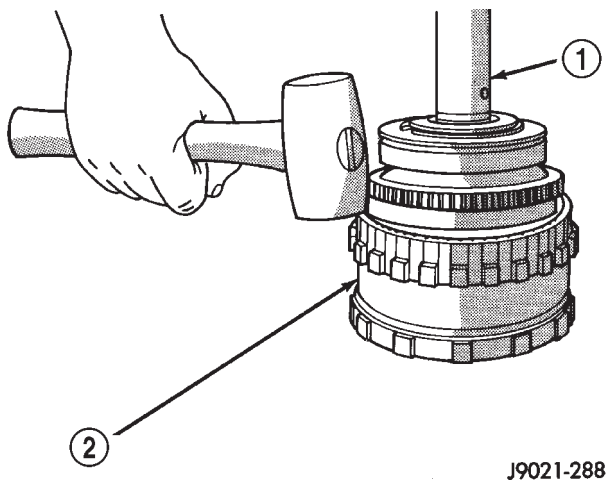
(10) Remove snap ring that secures annulus gear on output shaft (Fig. 278). Use two screwdrivers to unseat and work snap ring out of groove as shown.

(11) Remove annulus gear from output shaft (Fig. 279). Use rawhide or plastic mallet to tap gear off shaft.



**Fig. 278 Annulus Gear Snap Ring Removal**

- 1 - OUTPUT SHAFT
- 2 - ANNULUS GEAR
- 3 - SNAP RING



**Fig. 279 Annulus Gear Removal**

- 1 - OUTPUT SHAFT
- 2 - ANNULUS GEAR

## GEAR CASE AND PARK LOCK DISASSEMBLY

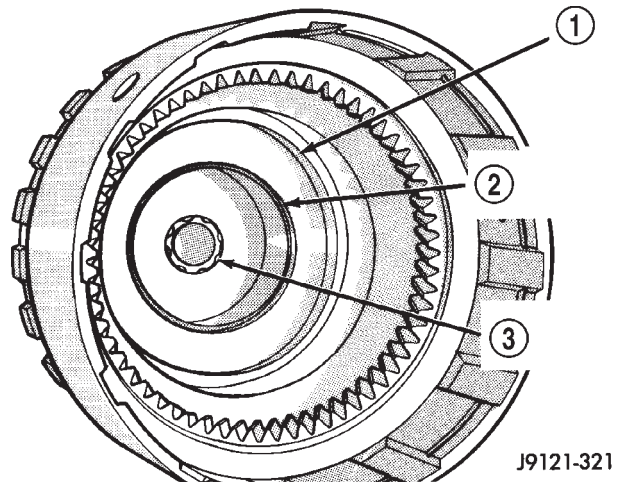
- (1) Remove locating ring from gear case.
- (2) Remove park pawl shaft retaining bolt and remove shaft, pawl and spring.
- (3) Remove reaction plug snap ring and remove reaction plug.
- (4) Remove output shaft seal.

## ASSEMBLY

## GEARTRAIN AND DIRECT CLUTCH ASSEMBLY

(1) Soak direct clutch and overdrive clutch discs in Mopar® ATF Plus 3, type 7176, transmission fluid. Allow discs to soak for 10-20 minutes.

(2) Install new pilot bushing and clutch hub bushing in output shaft if necessary (Fig. 280). Lubricate bushings with petroleum jelly, or transmission fluid.



**Fig. 280 Output Shaft Pilot Bushing**

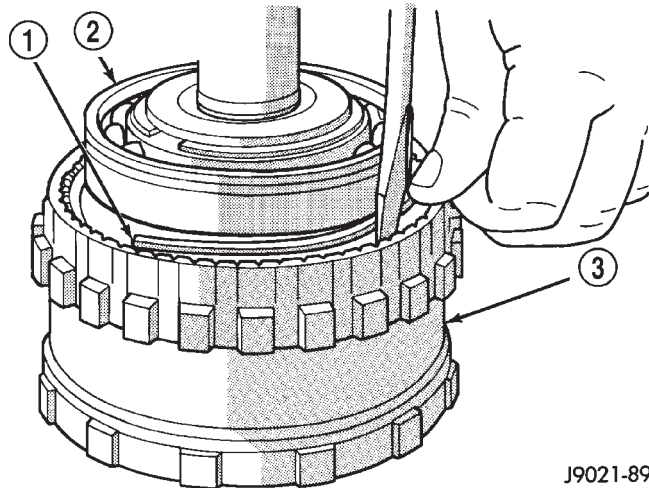
- 1 - OUTPUT SHAFT HUB
- 2 - OVERRUNNING CLUTCH HUB BUSHING
- 3 - INTERMEDIATE SHAFT PILOT BUSHING

(3) Install annulus gear on output shaft, if removed. Then install annulus gear retaining snap ring (Fig. 281).

(4) Align and install clutch drum on annulus gear (Fig. 282). Be sure drum is engaged in annulus gear lugs.

(5) Install clutch drum outer retaining ring (Fig. 282).

DISASSEMBLY AND ASSEMBLY (Continued)



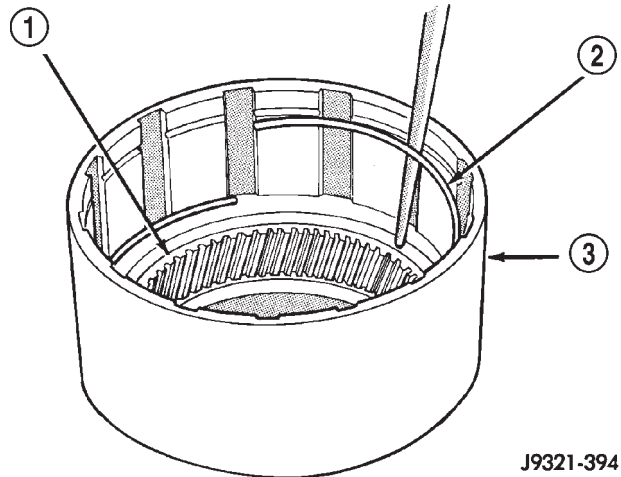
J9021-89

**Fig. 281 Annulus Gear Installation**

- 1 - SNAP RING
- 2 - OUTPUT SHAFT FRONT BEARING
- 3 - ANNULUS GEAR

(6) Slide clutch drum forward and install inner retaining ring (Fig. 283).

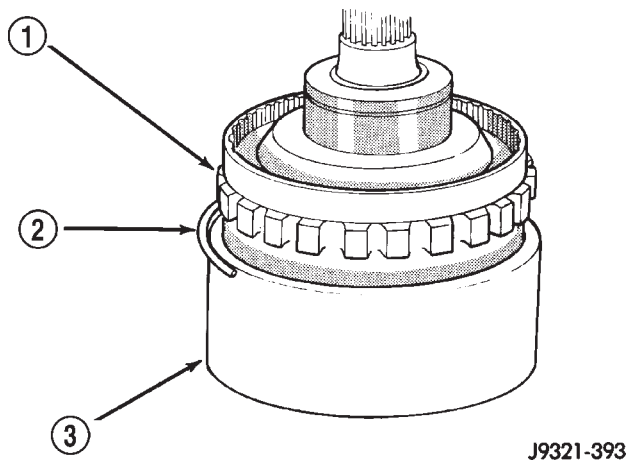
(7) Install rear bearing and snap ring on output shaft (Fig. 284). Be sure locating ring groove in bearing is toward rear.



J9321-394

**Fig. 283 Clutch Drum Inner Retaining Ring Installation**

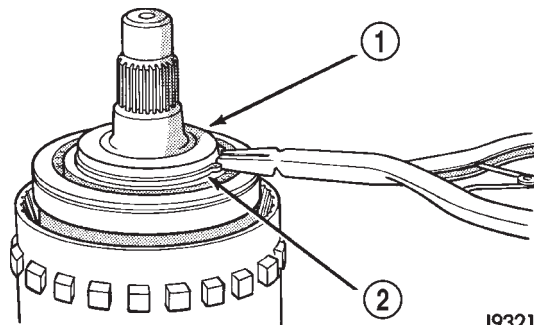
- 1 - ANNULUS GEAR
- 2 - INNER SNAP RING
- 3 - CLUTCH DRUM



J9321-393

**Fig. 282 Clutch Drum And Outer Retaining Ring Installation**

- 1 - ANNULUS GEAR
- 2 - OUTER SNAP RING
- 3 - CLUTCH DRUM



J9321-370

**Fig. 284 Rear Bearing And Snap Ring Installation**

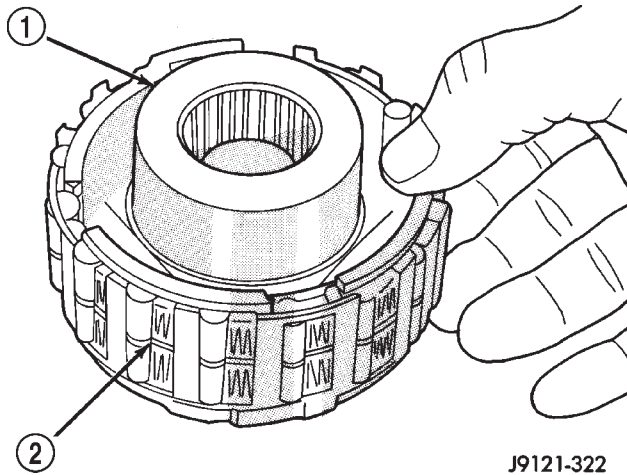
- 1 - REAR BEARING
- 2 - SNAP RING



## DISASSEMBLY AND ASSEMBLY (Continued)

(8) Install overrunning clutch on hub (Fig. 285). **Note that clutch only fits one way. Shoulder on clutch should seat in small recess at edge of hub.**

(9) Install thrust bearing on overrunning clutch hub. Use generous amount of petroleum jelly to hold bearing in place for installation. **Bearing fits one way only. Be sure bearing is seated squarely against hub. Reinstall bearing if it does not seat squarely.**



J9121-322

**Fig. 285 Assembling Overrunning Clutch And Hub**

- 1 - CLUTCH HUB
- 2 - OVERRUNNING CLUTCH

(10) Install overrunning clutch in output shaft (Fig. 286). Insert snap ring pliers in hub splines. Expand pliers to grip hub. Then install assembly with counterclockwise, twisting motion.

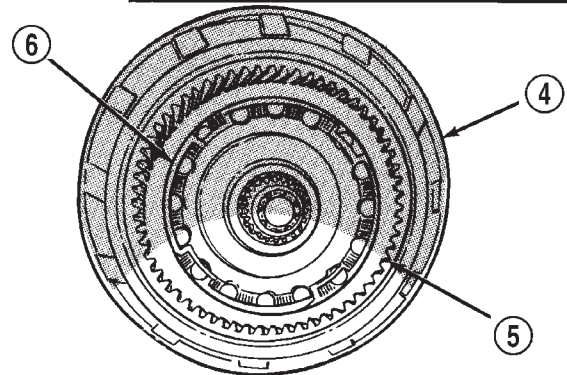
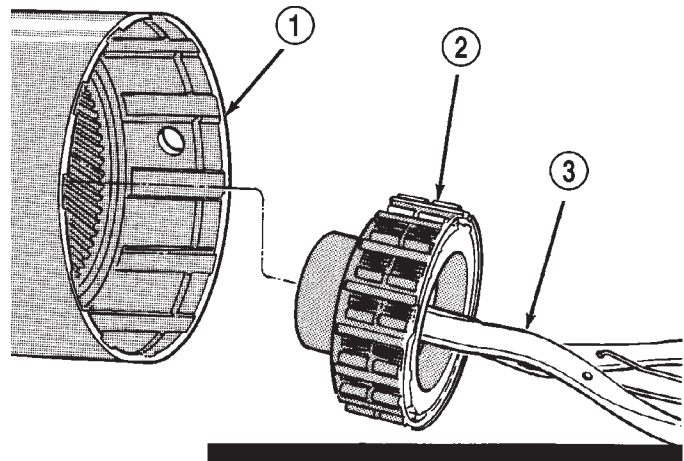
(11) Install planetary gear in annulus gear (Fig. 287). **Be sure planetary pinions are fully seated in annulus gear before proceeding.**

(12) Coat planetary thrust bearing and bearing contact surface of spring plate with generous amount of petroleum jelly. This will help hold bearing in place during installation.

(13) Install planetary thrust bearing on sun gear (Fig. 288). Slide bearing onto gear and seat it against spring plate as shown. **Bearing fits one way only. If it does not seat squarely against spring plate, remove and reposition bearing.**

(14) Install assembled sun gear, spring plate and thrust bearing (Fig. 289). Be sure sun gear and thrust bearing are fully seated before proceeding.

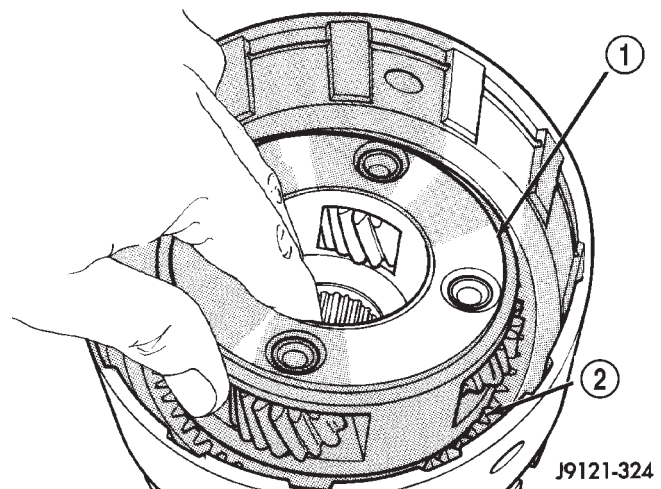
(15) Mount assembled output shaft, annulus gear, and clutch drum in shop press. Direct clutch spring, hub and clutch pack are easier to install with assembly mounted in press.



J9121-314

**Fig. 286 Overrunning Clutch Installation**

- 1 - CLUTCH DRUM
- 2 - OVERRUNNING CLUTCH ASSEMBLY
- 3 - EXPANDING-TYPE SNAP RING PLIERS
- 4 - CLUTCH DRUM
- 5 - ANNULUS GEAR
- 6 - OVERRUNNING CLUTCH ASSEMBLY SEATED IN OUTPUT SHAFT

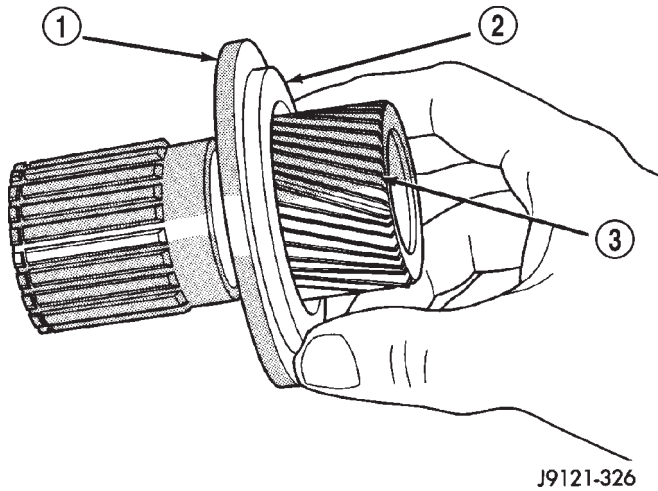


J9121-324

**Fig. 287 Planetary Gear Installation**

- 1 - PLANETARY GEAR
- 2 - ANNULUS GEAR

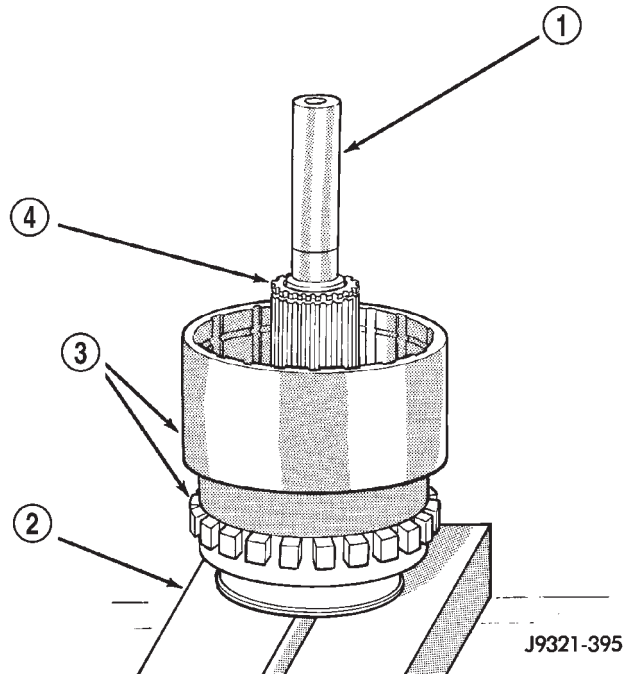
DISASSEMBLY AND ASSEMBLY (Continued)



J9121-326

**Fig. 288 Planetary Thrust Bearing Installation**

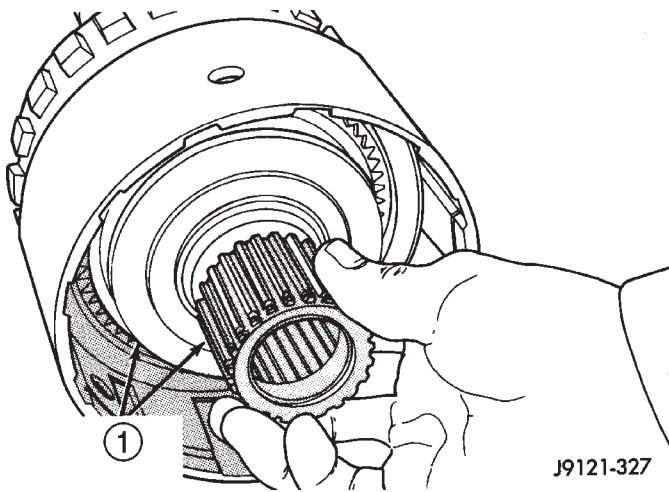
- 1 - SPRING PLATE
- 2 - PLANETARY THRUST BEARING
- 3 - SUN GEAR



J9321-395

**Fig. 290 Alignment Tool Installation**

- 1 - SPECIAL TOOL 6227-2
- 2 - PRESS PLATES
- 3 - ASSEMBLED DRUM AND ANNULUS GEAR
- 4 - SUN GEAR



J9121-327

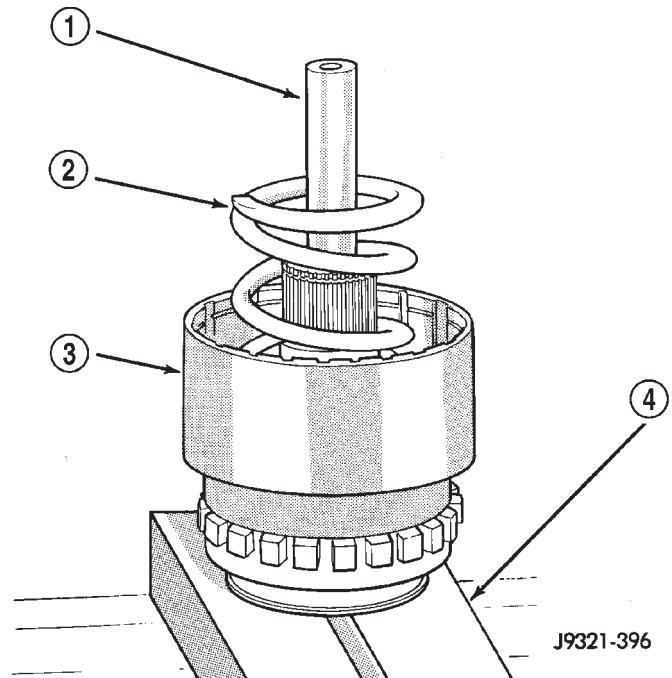
**Fig. 289 Sun Gear Installation**

- 1 - SUN GEAR AND SPRING PLATE ASSEMBLY

(16) Align splines in hubs of planetary gear and overrunning clutch with Alignment tool 6227-2 (Fig. 290). Insert tool through sun gear and into splines of both hubs. Be sure alignment tool is fully seated before proceeding.

(17) Install direct clutch spring (Fig. 291). Be sure spring is properly seated on spring plate.

**NOTE:** The 42RE transmission has 6 direct clutch discs and 5 clutch plates.

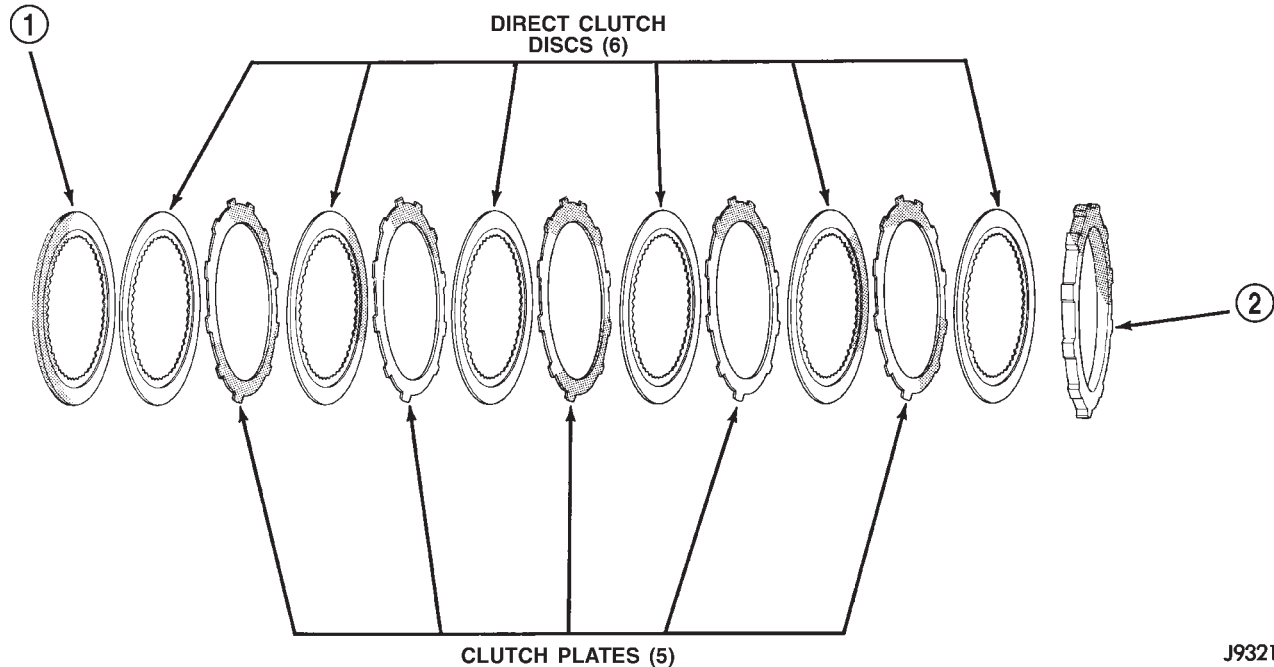


J9321-396

**Fig. 291 Direct Clutch Spring Installation**

- 1 - SPECIAL TOOL 6227-2
- 2 - DIRECT CLUTCH SPRING
- 3 - CLUTCH HUB
- 4 - PRESS PLATES

## DISASSEMBLY AND ASSEMBLY (Continued)



J9321-368

**Fig. 292 42RE Direct Clutch Pack Components**

1 - REACTION PLATE

2 - PRESSURE PLATE

(18) Assemble and install direct clutch pack on hub as follows:

(a) Assemble clutch pack components (Fig. 292).

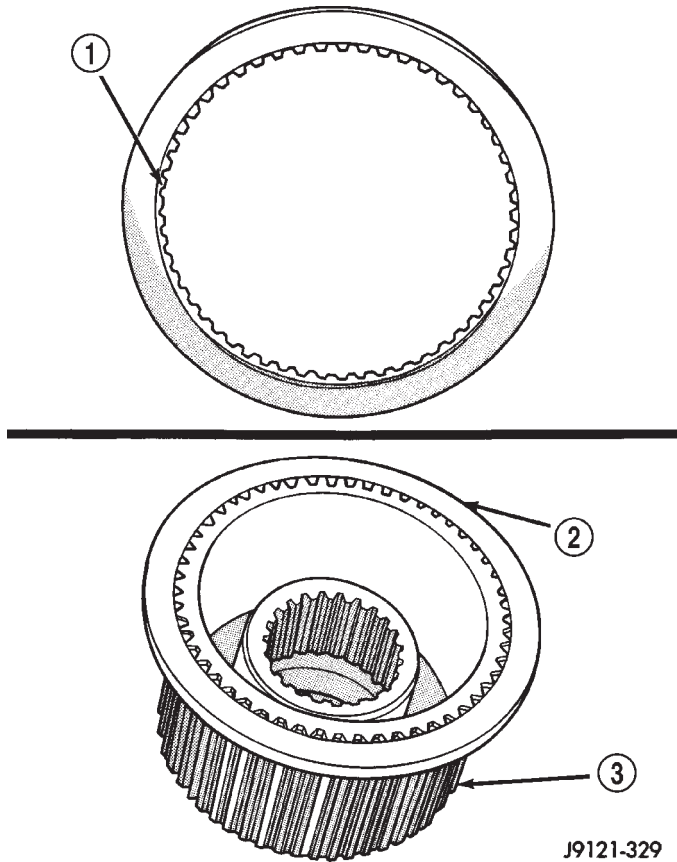
(b) Install direct clutch reaction plate on clutch hub first. **Note that one side of reaction plate is counterbored. Be sure this side faces rearward. Splines at rear of hub are raised slightly. Counterbore in plate fits over raised splines. Plate should be flush with this end of hub (Fig. 293).**

(c) Install first clutch disc followed by a steel plate until all discs and plates have been installed.

(d) Install pressure plate. This is last clutch pack item to be installed. **Be sure plate is installed with shoulder side facing upward (Fig. 294).**

(19) Install clutch hub and clutch pack on direct clutch spring (Fig. 295). **Be sure hub is started on sun gear splines before proceeding.**

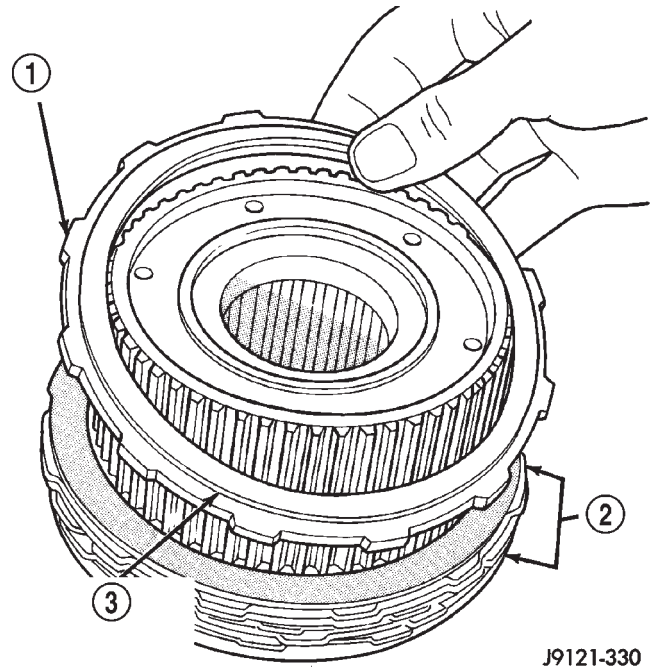
DISASSEMBLY AND ASSEMBLY (Continued)



**Fig. 293 Correct Position Of Direct Clutch Reaction Plate**

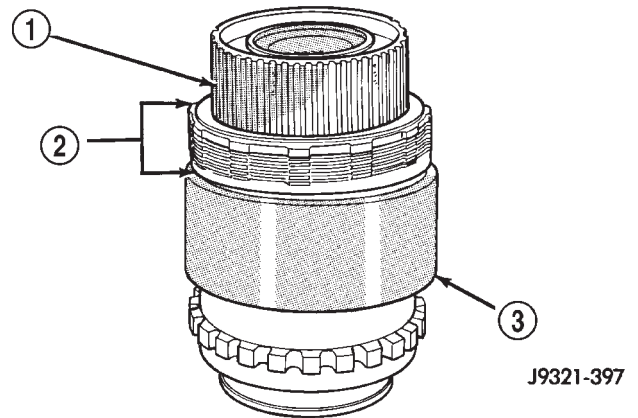
- 1 - REACTION PLATE COUNTERBORE
- 2 - DIRECT CLUTCH REACTION PLATE (FLUSH WITH END OF HUB)
- 3 - CLUTCH HUB

**WARNING: THE NEXT STEP IN GEARTRAIN ASSEMBLY INVOLVES COMPRESSING THE DIRECT CLUTCH HUB AND SPRING. IT IS EXTREMELY IMPORTANT THAT PROPER EQUIPMENT BE USED TO COMPRESS THE SPRING AS SPRING FORCE IS APPROXIMATELY 830 POUNDS. USE COMPRESSOR TOOL C-6227-1 AND A HYDRAULIC-TYPE SHOP PRESS WITH A MINIMUM RAM TRAVEL OF 6 INCHES. THE PRESS MUST ALSO HAVE A BED THAT CAN BE ADJUSTED UP OR DOWN AS REQUIRED. RELEASE CLUTCH SPRING TENSION SLOWLY AND COMPLETELY TO AVOID PERSONAL INJURY.**



**Fig. 294 Correct Position Of Direct Clutch Pressure Plate**

- 1 - DIRECT CLUTCH PRESSURE PLATE
- 2 - CLUTCH PACK
- 3 - BE SURE SHOULDER SIDE OF PLATE FACES UPWARD



**Fig. 295 Direct Clutch Pack And Clutch Hub Installation**

- 1 - CLUTCH HUB
- 2 - DIRECT CLUTCH PACK
- 3 - CLUTCH DRUM



## DISASSEMBLY AND ASSEMBLY (Continued)

(20) Position Compressor Tool 6227-1 on clutch hub.

(21) Compress clutch hub and spring just enough to place tension on hub and hold it in place.

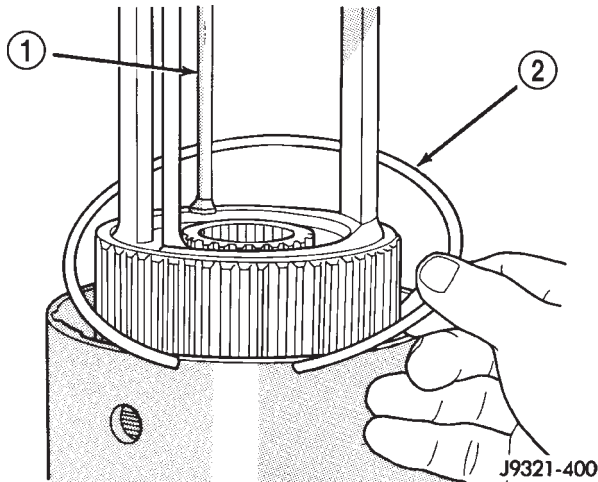
(22) Slowly compress clutch hub and spring. Compress spring and hub only enough to expose ring grooves for clutch pack snap ring and clutch hub retaining ring.

(23) Realign clutch pack on hub and seat clutch discs and plates in clutch drum.

(24) Install direct clutch pack snap ring (Fig. 296). **Be very sure snap ring is fully seated in clutch drum ring groove.**

(25) Install clutch hub retaining ring (Fig. 297). **Be very sure retaining ring is fully seated in sun gear ring groove.**

(26) Slowly release press ram, remove compressor tools and remove geartrain assembly.



**Fig. 296 Direct Clutch Pack Snap Ring Installation**

- 1 - SPECIAL TOOL 6227-1  
2 - DIRECT CLUTCH PACK SNAP RING

## GEAR CASE ASSEMBLY

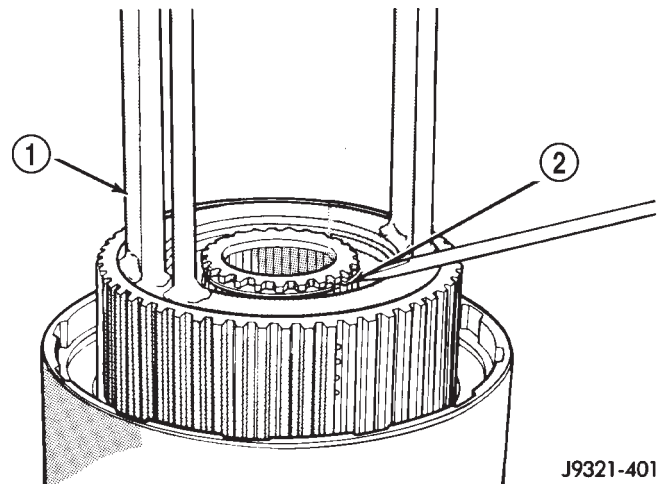
(1) Position park pawl and spring in case and install park pawl shaft. Verify that end of spring with 90° bend is hooked to pawl and straight end of spring is seated against case.

(2) Install pawl shaft retaining bolt. Tighten bolt to 27 N·m (20 ft. lbs.) torque.

(3) Install park lock reaction plug. **Note that plug has locating pin at rear (Fig. 298). Be sure pin is seated in hole in case before installing snap ring.**

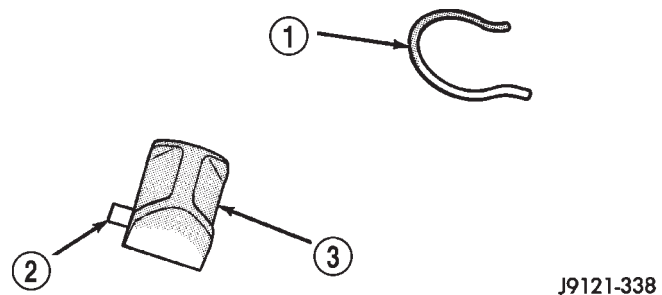
(4) Install reaction plug snap-ring (Fig. 299). **Compress snap ring only enough for installation; do not distort it.**

(5) Install new seal in gear case. On 4x4 gear case, use Tool Handle C-4171 and Installer C-3860-A to seat seal in case. On 4 x 2 gear case, use same Handle C-4171 and Installer C-3995-A to seat seal in case.



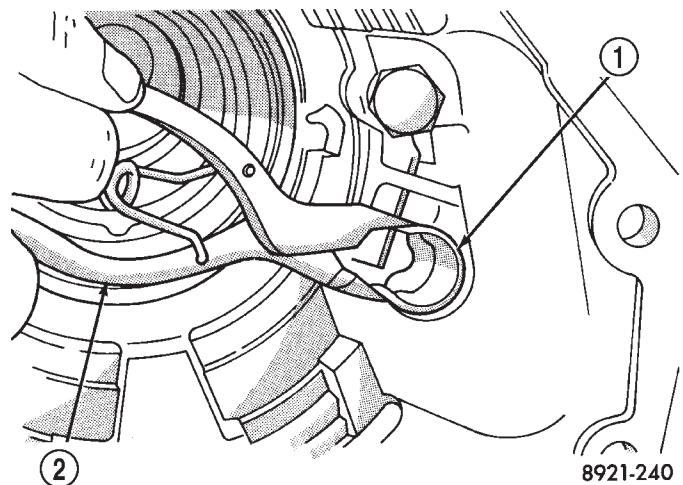
**Fig. 297 Clutch Hub Retaining Ring Installation**

- 1 - SPECIAL TOOL 6227-1  
2 - CLUTCH HUB RETAINING RING



**Fig. 298 Reaction Plug Locating Pin And Snap-Ring**

- 1 - REACTION PLUG SNAP RING (DO NOT OVERCOMPRESS TO INSTALL)  
2 - LOCATING PIN  
3 - PARK LOCK REACTION PLUG



**Fig. 299 Reaction Plug And Snap-Ring Installation**

- 1 - REACTION PLUG SNAP RING  
2 - SNAP RING PLIERS

DISASSEMBLY AND ASSEMBLY (Continued)

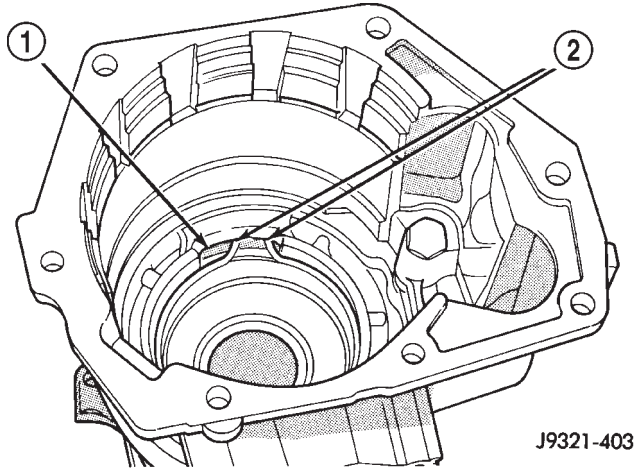
(6) Verify that tab ends of rear bearing locating ring extend into access hole in gear case (Fig. 300).

(7) Support geartrain on Tool 6227-1 (Fig. 301). Be sure tool is securely seated in clutch hub.

(8) Install overdrive gear case on geartrain (Fig. 301).

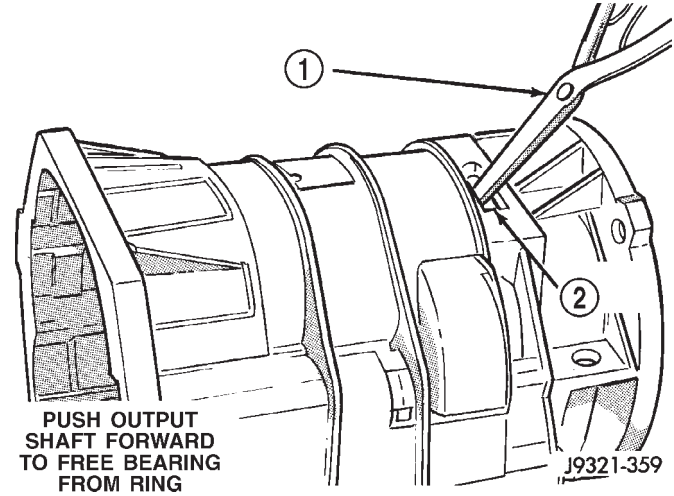
(9) Expand front bearing locating ring with snap ring pliers (Fig. 302). Then slide case downward until locating ring locks in bearing groove and release snap ring.

(10) Install locating ring access cover and gasket in overdrive unit case (Fig. 303).



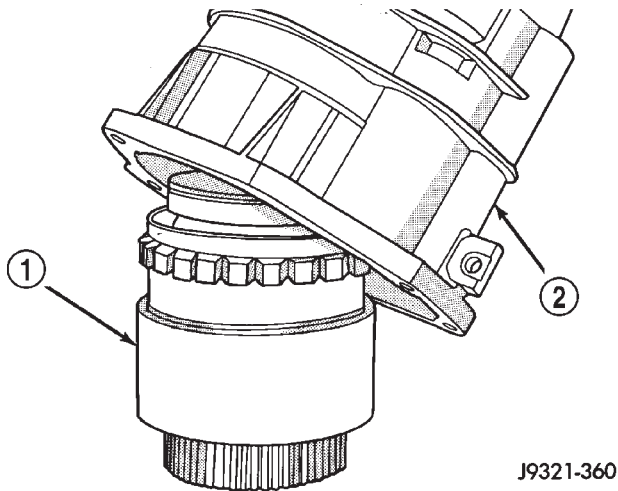
**Fig. 300 Correct Rear Bearing Locating Ring Position**

- 1 - CASE ACCESS HOLE
- 2 - TAB ENDS OF LOCATING RING



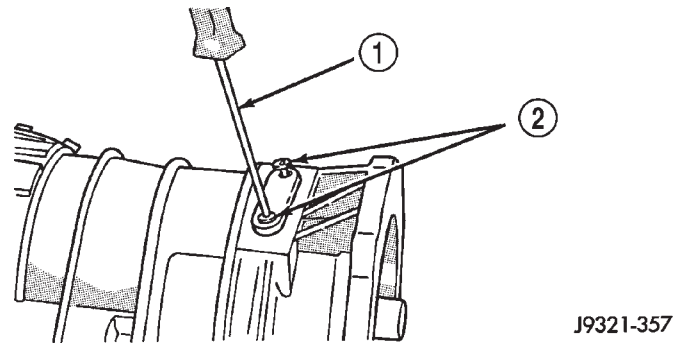
**Fig. 302 Seating Locating Ring In Rear Bearing**

- 1 - EXPAND BEARING LOCATING RING WITH SNAP RING PLIERS
- 2 - ACCESS HOLE



**Fig. 301 Overdrive Gear Case Installation**

- 1 - GEARTRAIN ASSEMBLY
- 2 - GEAR CASE



**Fig. 303 Locating Ring Access Cover And Gasket Installation**

- 1 - TORX SCREWDRIVER (T25)
- 2 - ACCESS COVER SCREWS



DISASSEMBLY AND ASSEMBLY (Continued)

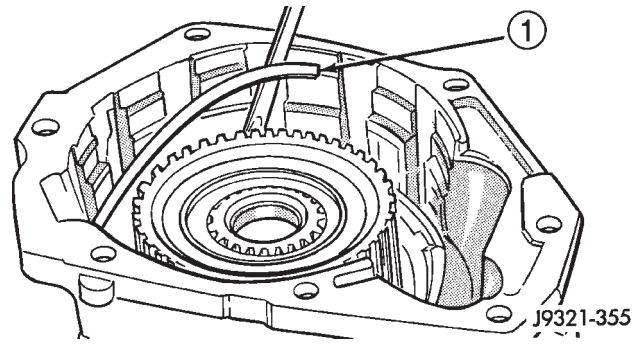
OVERDRIVE CLUTCH ASSEMBLY

(1) Install overdrive clutch reaction ring first. Reaction ring is flat with notched ends (Fig. 304).

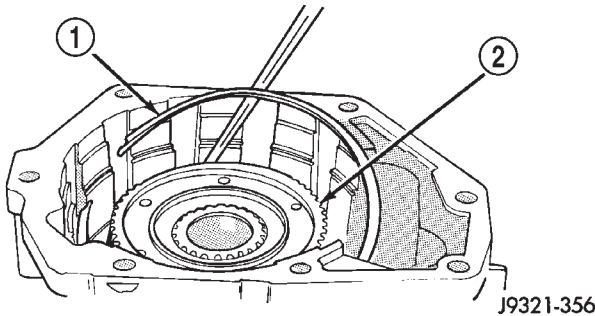
(2) Install wave spring on top of reaction ring (Fig. 305). **Reaction ring and wave ring both fit in same ring groove.** Use screwdriver to seat each ring securely in groove. Also ensure that the ends of the two rings are offset from each other.

**NOTE:** The 42RE transmission has 3 overdrive clutch discs and 2 plates.

(3) Assemble overdrive clutch pack (Fig. 306).

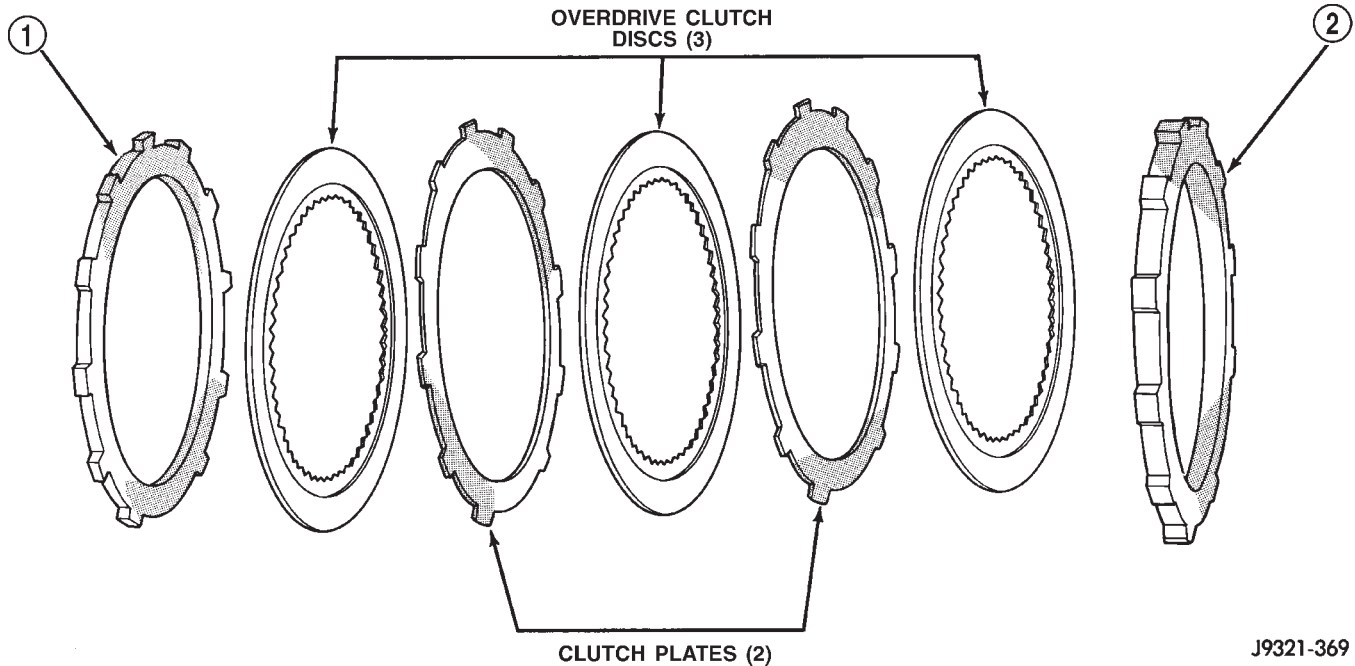


**Fig. 305 Overdrive Clutch Wave Spring Installation**  
1 - WAVE SPRING



**Fig. 304 Overdrive Clutch Reaction Ring Installation**

- 1 - REACTION RING
- 2 - CLUTCH HUB



**Fig. 306 42RE Overdrive Clutch Components**

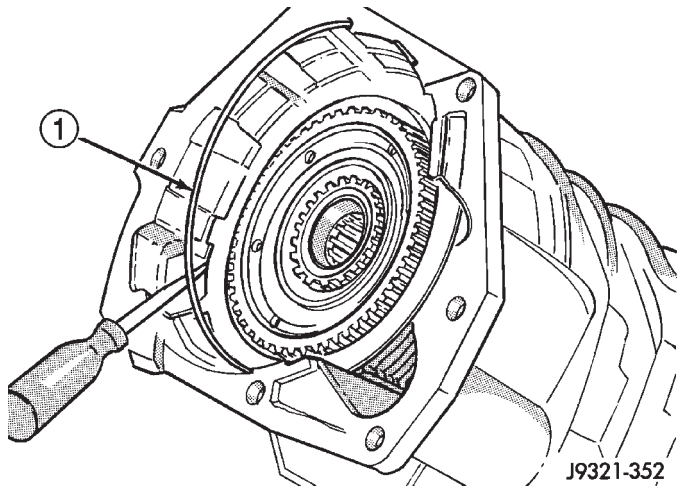
- 1 - REACTION PLATE

- 2 - PRESSURE PLATE

J9321-369

DISASSEMBLY AND ASSEMBLY (Continued)

- (4) Install overdrive clutch reaction plate first.
- (5) Install first clutch disc followed by first clutch plate. Then install remaining clutch discs and plates in same order.
- (6) Install clutch pack pressure plate.
- (7) Install clutch pack wire-type retaining ring (Fig. 307).



**Fig. 307 Overdrive Clutch Pack Retaining Ring Installation**

1 - OVERDRIVE CLUTCH PACK RETAINING RING

INTERMEDIATE SHAFT SPACER SELECTION

(1) Place overdrive unit in vertical position. Mount it on blocks, or in workbench with appropriate size mounting hole cut into it. Be sure unit is facing upward for access to direct clutch hub. Also be sure output shaft is not loaded and internal components are moved rearward for accurate measurement.

(2) Determine correct thickness intermediate shaft spacer as follows:

(a) Insert Special Tool 6312 through sun gear, planetary gear and into pilot bushing in output shaft. Be sure tool bottoms against planetary shoulder.

(b) Position Gauge Tool 6311 across face of overdrive case (Fig. 308). Then position Dial Caliper C-4962 over gauge tool.

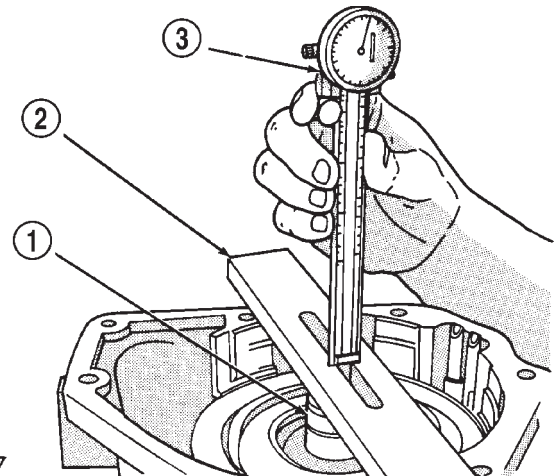
(c) Extend sliding scale of dial caliper downward through gauge tool slot until scale contacts end of Gauge Alignment Tool 6312. Lock scale in place. Remove dial caliper tool and note distance measured (Fig. 308).

(d) Select proper thickness end play spacer from spacer chart based on distance measured (Fig. 309).

(e) Remove Gauge Alignment Tool 6312.

OD THRUST PLATE SELECTION

(1) Place overdrive unit in vertical position. Mount it on blocks, or in workbench with appropriate size



**Fig. 308 Shaft End Play Measurement**

- 1 - SPECIAL TOOL 6312
- 2 - SPECIAL TOOL 6311
- 3 - SPECIAL TOOL C-4962

End Play Measurement (Inches)	Spacer Thickness (Inches)
.7336 - .7505	.158 - .159
.7506 - .7675	.175 - .176
.7676 - .7855	.193 - .194
.7856 - .8011	.211 - .212

J9121-341

**Fig. 309 Intermediate Shaft End Play Spacer Selection**

mounting hole cut into it. Be sure unit is facing upward for access to direct clutch hub. Also be sure output shaft is not loaded and internal components are moved rearward for accurate measurement.

(2) Determine correct thickness overdrive piston thrust plate as follows:

(a) Position Gauge Tool 6311 across face of overdrive case. Then position Dial Caliper C-4962 over gauge tool (Fig. 310).

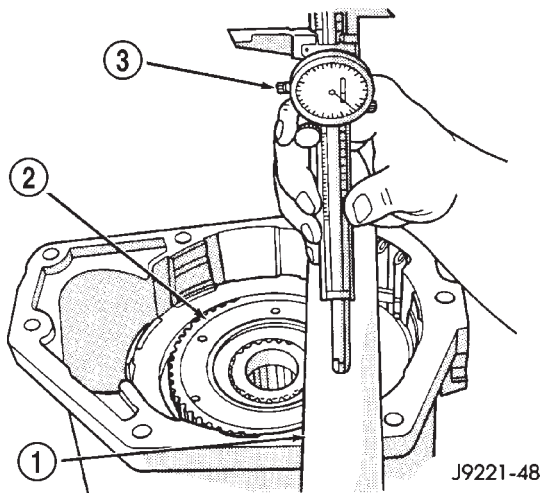
(b) Measure distance to clutch hub thrust bearing seat at four points 90° apart. Then average measurements by adding them and dividing by 4.

(c) Select and install required thrust plate from information in thrust plate chart (Fig. 311).

(3) Leave Alignment Tool 6227-2 in place. Tool will keep planetary and clutch hub splines in alignment until overdrive unit is ready for installation on transmission.

(4) Transmission speed sensor can be installed at this time if desired. However, it is recommended that sensor not be installed until after overdrive unit is secured to transmission.

## DISASSEMBLY AND ASSEMBLY (Continued)



**Fig. 310 Overdrive Piston Thrust Plate Measurement**

- 1 - SPECIAL TOOL 6311  
 2 - DIRECT CLUTCH HUB THRUST BEARING SEAT  
 3 - SPECIAL TOOL C-4962

End Play Measurement (Inches)	Spacer Thickness (Inches)
1.7500 - 1.7649	.108 - .110
1.7650 - 1.7799	.123 - .125
1.7800 - 1.7949	.138 - .140
1.7950 - 1.8099	.153 - .155
1.8100 - 1.8249	.168 - .170
1.8250 - 1.8399	.183 - .185
1.8400 - 1.8549	.198 - .200
1.8550 - 1.8699	.213 - .215
1.8700 - 1.8849	.228 - .230
1.8850 - 1.8999	.243 - .245

J9121-342

**Fig. 311 Overdrive Piston Thrust Plate Selection**

#### OVERDRIVE PISTON ASSEMBLY

- (1) Install new seals on over drive piston.
- (2) Stand transmission case upright on bellhousing.
- (3) Position Guide Ring 8114-1 on outer edge of overdrive piston retainer.
- (4) Position Seal Guide 8114-2 on inner edge of overdrive piston retainer.
- (5) Install overdrive piston in overdrive piston retainer by: aligning locating lugs on overdrive piston to the two mating holes in retainer.
  - (a) Aligning locating lugs on overdrive piston to the two mating holes in retainer.
  - (b) Lubricate overdrive piston seals with Mopar® Door Ease, or equivalent.
  - (c) Install piston over Seal Guide 8114-2 and inside Guide Ring 8114-1.
  - (d) Push overdrive piston into position in retainer.

(e) Verify that the locating lugs entered the lug bores in the retainer.

(6) Install intermediate shaft spacer on intermediate shaft.

(7) Install overdrive piston thrust plate on overdrive piston.

(8) Install overdrive piston thrust bearing on overdrive piston.

(9) Install transmission speed sensor and O-ring seal in overdrive case (Fig. 252).

## CLEANING AND INSPECTION

### VALVE BODY

Clean the valve housings, valves, plugs, springs, and separator plates with a standard parts cleaning solution only. Do not use gasoline, kerosene, or any type of caustic solution.

Do not immerse any of the electrical components in cleaning solution. Clean the governor solenoid and sensor and the dual solenoid and harness assembly by wiping them off with dry shop towels only.

Dry all except the electrical parts with compressed air. Make sure all passages are clean and free from obstructions. **Do not use rags or shop towels to dry or wipe off valve body components. Lint from these materials can stick to valve body parts, interfere with valve operation, and clog filters and fluid passages.**

Wipe the governor pressure sensor and solenoid valve with dry, lint free shop towels only. The O-rings on the sensor and solenoid valve are the only serviceable components. Be sure the vent ports in the solenoid valve are open and not blocked by dirt or debris. Replace the valve and/or sensor only when DRB scan tool diagnosis indicates this is necessary. Or, if either part has sustained physical damage (dented, deformed, broken, etc.).

**CAUTION: Do not turn the small screw at the end of the solenoid valve for any reason. Turning the screw in either direction will ruin solenoid calibration and result in solenoid failure. In addition, the filter on the solenoid valve is NOT serviceable. Do not try to remove the filter as this will damage the valve housing.**

Inspect the throttle and manual valve levers and shafts. Do not attempt to straighten a bent shaft or correct a loose lever. Replace these components if worn, bent, loose or damaged in any way.

Inspect all of the valve body mating surfaces for scratches, nicks, burrs, or distortion. Use a straight-edge to check surface flatness. Minor scratches may be removed with crocus cloth using only very light pressure.

## CLEANING AND INSPECTION (Continued)

Minor distortion of a valve body mating surface may be corrected by smoothing the surface with a sheet of crocus cloth. Position the crocus cloth on a surface plate, sheet of plate glass or equally flat surface. If distortion is severe or any surfaces are heavily scored, the valve body will have to be replaced.

**CAUTION:** Many of the valves and plugs, such as the throttle valve, shuttle valve plug, 1-2 shift valve and 1-2 governor plug, are made of coated aluminum. Aluminum components are identified by the dark color of the special coating applied to the surface (or by testing with a magnet). Do not sand aluminum valves or plugs under any circumstances. This practice could damage the special coating causing the valves/plugs to stick and bind.

Inspect the valves and plugs for scratches, burrs, nicks, or scores. Minor surface scratches on steel valves and plugs can be removed with crocus cloth but **do not round off the edges of the valve or plug lands**. Maintaining sharpness of these edges is vitally important. The edges prevent foreign matter from lodging between the valves and plugs and the bore.

Inspect all the valve and plug bores in the valve body. Use a penlight to view the bore interiors. Replace the valve body if any bores are distorted or scored. Inspect all of the valve body springs. The springs must be free of distortion, warpage or broken coils.

Check the two separator plates for distortion or damage of any kind. Inspect the upper housing, lower housing, 3-4 accumulator housing, and transfer plate carefully. Be sure all fluid passages are clean and clear. Check condition of the upper housing and transfer plate check balls as well. The check balls and ball seats must not be worn or damaged.

Trial fit each valve and plug in its bore to check freedom of operation. When clean and dry, the valves and plugs should drop freely into the bores.

Valve body bores do not change dimensionally with use. If the valve body functioned correctly when new, it will continue to operate properly after cleaning and inspection. It should not be necessary to replace a valve body assembly unless it is damaged in handling.

The only serviceable valve body components are listed below. The remaining valve body components are serviced only as part of a complete valve body assembly. Serviceable parts are:

- dual solenoid and harness assembly
- solenoid gasket
- solenoid case connector O-rings and shoulder bolt
- switch valve and spring

- pressure adjusting screw and bracket assembly
- throttle lever
- manual lever and shaft seal
- throttle lever shaft seal, washer, and E-clip
- fluid filter and screws
- detent ball and spring
- valve body screws
- governor pressure solenoid
- governor pressure sensor and retaining clip
- park lock rod and E-clip

## TRANSMISSION

## GENERAL INFORMATION

Inspect the transmission bushings during overhaul. Bushing condition is important as worn, scored bushings contribute to low pressures, clutch slip and accelerated wear of other components. However, do not replace bushings as a matter of course. Replace bushings only when they are actually worn, or scored.

Use recommended tools to replace bushings. The tools are sized and designed to remove, install, and seat bushings correctly. The bushing replacement tools are included in Bushing Tool Set C-3887-B.

Pre-sized service bushings are available for replacement purposes. Only the sun gear bushings are not serviced. Low cost of the sun gear assembly makes it easier to simply replace the gear and bushings as an assembly.

Heli-Coil inserts can be used to repair damaged, stripped or worn threads in aluminum parts. These inserts are available from most automotive parts suppliers. Stainless steel inserts are recommended.

The use of crocus cloth is permissible where necessary, providing it is used carefully. When used on shafts, or valves, use extreme care to avoid rounding off sharp edges. Sharp edges are vital as they prevent foreign matter from getting between the valve and valve bore.

Do not reuse oil seals, gaskets, seal rings, or O-rings during overhaul. Replace these parts as a matter of course. Also do not reuse snap rings or E-clips that are bent or distorted. Replace these parts as well.

Lubricate transmission parts with Mopar® ATF Plus 3, Type 7176, transmission fluid during overhaul and assembly. Use petroleum jelly, Mopar® Door Ease, or Ru-Glyde to prelubricate seals, O-rings, and thrust washers. Petroleum jelly can also be used to hold parts in place during reassembly.

## TRANSMISSION CASE CLEANING AND INSPECTION

Clean the case in a solvent tank. Flush the case bores and fluid passages thoroughly with solvent.



## CLEANING AND INSPECTION (Continued)

Dry the case and all fluid passages with compressed air. Be sure all solvent is removed from the case and that all fluid passages are clear.

**NOTE:** Do not use shop towels or rags to dry the case (or any other transmission component) unless they are made from lint-free materials. Lint will stick to case surfaces and transmission components and circulate throughout the transmission after assembly. A sufficient quantity of lint can block fluid passages and interfere with valve body operation.

Inspect the case for cracks, porous spots, worn bores, or damaged threads. Damaged threads can be repaired with Helicoil thread inserts. However, the case will have to be replaced if it exhibits any type of damage or wear.

Lubricate the front band adjusting screw threads with petroleum jelly and thread the screw part-way into the case. Be sure the screw turns freely.

### OVERRUNNING CLUTCH/LOW-REVERSE DRUM/OVERDRIVE PISTON RETAINER

Clean the overrunning clutch assembly, clutch cam, low-reverse drum, and overdrive piston retainer in solvent. Dry them with compressed air after cleaning.

Inspect condition of each clutch part after cleaning. Replace the overrunning clutch roller and spring assembly if any rollers or springs are worn or damaged, or if the roller cage is distorted, or damaged. Replace the cam if worn, cracked or damaged.

Replace the low-reverse drum if the clutch race, roller surface or inside diameter is scored, worn or damaged. **Do not remove the clutch race from the low-reverse drum under any circumstances. Replace the drum and race as an assembly if either component is damaged.**

Examine the overdrive piston retainer carefully for wear, cracks, scoring or other damage. Be sure the retainer hub is a snug fit in the case and drum. Replace the retainer if worn or damaged.

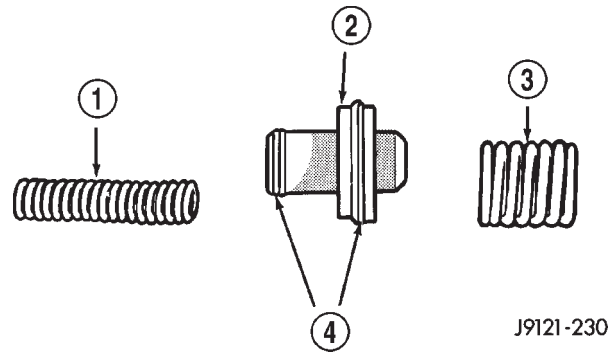
### ACCUMULATOR

Inspect the accumulator piston and seal rings (Fig. 312). Replace the seal rings if worn or cut. Replace the piston if chipped or cracked.

Check condition of the accumulator inner and outer springs (Fig. 312). Replace the springs if the coils are cracked, distorted or collapsed.

### FRONT SERVO

Clean the servo piston components with solvent and dry them with compressed air. Wipe the band clean with lint free shop towels.



**Fig. 312 Accumulator Components**

- 1 - INNER SPRING
- 2 - ACCUMULATOR PISTON
- 3 - OUTER SPRING
- 4 - SEAL RINGS

Replace the front band if distorted, lining is burned, flaking off, or worn to the point where the grooves in the lining material are no longer visible.

Inspect the servo components. Replace the springs if collapsed, distorted or broken. Replace the guide, rod and piston if cracked, bent, or worn. Discard the servo snap ring if distorted or warped.

Check the servo piston bore for wear. If the bore is severely scored, or damaged, it will be necessary to replace the case.

Replace any servo component if doubt exists about condition. Do not reuse suspect parts.

### REAR SERVO

Remove and discard the servo piston seal ring (Fig. 313). Then clean the servo components with solvent and dry with compressed air. Replace either spring if collapsed, distorted or broken. Replace the plug and piston if cracked, bent, or worn. Discard the servo snap rings and use a new ones at assembly.

### OIL PUMP AND REACTION SHAFT SUPPORT

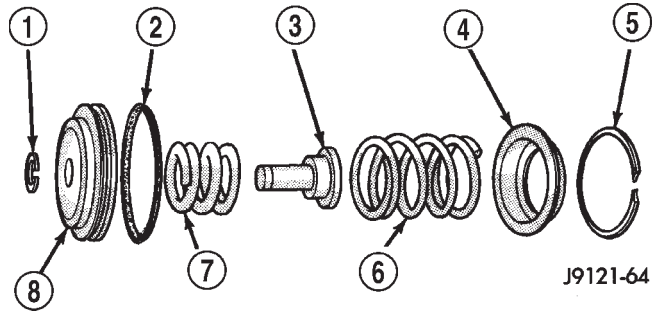
(1) Clean pump and support components with solvent and dry them with compressed air.

(2) Check condition of the seal rings and thrust washer on the reaction shaft support. The seal rings do not need to be replaced unless cracked, broken, or severely worn.

(3) Inspect the pump and support components. Replace the pump or support if the seal ring grooves or machined surfaces are worn, scored, pitted, or damaged. Replace the pump gears if pitted, worn chipped, or damaged.

(4) Inspect the pump bushing. Then check the reaction shaft support bushing. Replace either bushing only if heavily worn, scored or damaged. It is not necessary to replace the bushings unless they are actually damaged.

CLEANING AND INSPECTION (Continued)



**Fig. 313 Rear Servo Components**

- 1 - SNAP RING
- 2 - PISTON SEAL
- 3 - PISTON PLUG
- 4 - SPRING RETAINER
- 5 - SNAP RING
- 6 - PISTON SPRING
- 7 - CUSHION SPRING
- 8 - PISTON

(5) Install the gears in the pump body and measure pump component clearances as follows:

(a) Clearance between outer gear and reaction shaft housing should be 0.010 to 0.063 mm (0.0004 to 0.0025 in.). Clearance between inner gear and reaction shaft housing should be 0.010 to 0.063 mm (0.0004 to 0.0025 in.). Both clearances can be measured at the same time by:

(I) Installing the pump gears in the pump housing.

(II) Position an appropriate piece of Plastigage<sup>™</sup> across both gears.

(III) Align the plastigage to a flat area on the reaction shaft housing.

(IV) Install the reaction shaft to the pump housing.

(V) Separate the reaction shaft housing from the pump housing and measure the Plastigage<sup>™</sup> following the instructions supplied with it.

(b) Clearance between inner gear tooth and outer gear should be 0.08 to 0.19 mm (0.0035 to 0.0075 in.). Measure clearance with an appropriate feeler gauge.

(c) Clearance between outer gear and pump housing should also be 0.010 to 0.19 mm (0.0035 to 0.0075 in.). Measure clearance with an appropriate feeler gauge.

**FRONT CLUTCH**

Clean and inspect the front clutch components. Replace the clutch discs if warped, worn, scored, burned or charred, or if the facing is flaking off. Replace the steel plates if heavily scored, warped, or broken. Be sure the driving lugs on the plates are in good condition. The lugs must not be bent, cracked or damaged in any way.

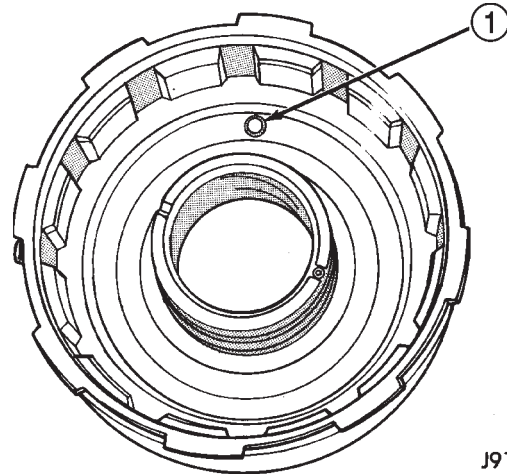
Replace the clutch spring and spring retainer if either is distorted, warped or broken.

Check the lug grooves in the clutch retainer. The steel plates should slide freely in the slots. Replace the retainer if the grooves are worn or damaged.

Check action of the check ball in the retainer (Fig. 314). The ball must move freely and not stick.

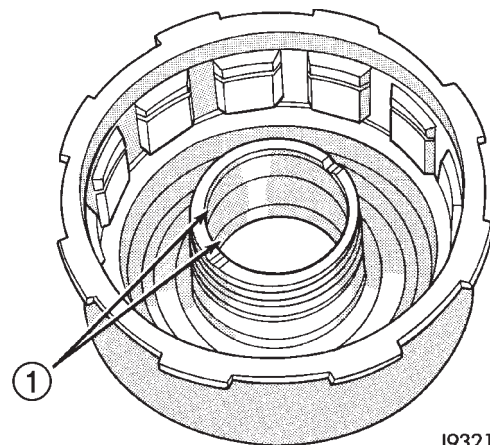
**NOTE:** Inspect the clutch retainer bushings carefully (Fig. 315). The retainer bushings are NOT serviceable. It will be necessary to replace the retainer if either bushing is scored, or worn.

Inspect the piston and retainer seal surfaces for nicks or scratches. Minor scratches can be removed with crocus cloth. However, replace the piston and/or retainer if the seal surfaces are seriously scored.



**Fig. 314 Front Clutch Piston Retainer Check Ball Location**

- 1 - RETAINER CHECK BALL



**Fig. 315 Retainer Bushing Location/Inspection**  
1 - FRONT CLUTCH RETAINER BUSHINGS (NON-SERVICEABLE)



## CLEANING AND INSPECTION (Continued)

**REAR CLUTCH**

Clean the clutch components with solvent and dry them with compressed air. Do not use rags or shop towels to dry any of the clutch parts. Lint from such materials will adhere to component surfaces and could restrict or block fluid passages after assembly.

Replace the clutch discs if warped, worn, scored, burned/charred, the lugs are damaged, or if the facing is flaking off. Replace the top and bottom pressure plates if scored, warped, or cracked. Be sure the driving lugs on the pressure and clutch plates are also in good condition. The lugs must not be bent, cracked or damaged in any way.

Replace the piston spring and wave spring if either part is distorted, warped or broken.

Check the lug grooves in the clutch retainer. The clutch and pressure plates should slide freely in the slots. Replace the retainer if the grooves are worn or damaged. Also check action of the check balls in the retainer and piston. Each check ball must move freely and not stick.

Replace the retainer bushing if worn, scored, or doubt exists about bushing condition.

Inspect the piston and retainer seal surfaces for nicks or scratches. Minor scratches can be removed with crocus cloth. However, replace the piston and/or retainer if the seal surfaces are seriously scored.

Check condition of the fiber thrust washer and metal output shaft thrust washer. Replace either washer if worn or damaged.

Check condition of the seal rings on the input shaft and clutch retainer hub. Replace the seal rings only if worn, distorted, or damaged. The input shaft front seal ring is teflon with chamfered ends. The rear ring is metal with interlocking ends.

Check the input shaft for wear, or damage. Replace the shaft if worn, scored or damaged in any way.

**PLANETARY GEARTRAIN**

Clean the planetary components in solvent and dry them with compressed air.

Check sun gear and driving shell condition. Replace the gear if damaged or if the bushings are scored or worn. The bushings are not serviceable. Replace the driving shell if worn, cracked or damaged.

Replace planetary gear sets if gears, pinion pins, or carrier are damaged in any way. Replace the annulus gears and supports if either component is worn or damaged.

Inspect the geartrain spacers, thrust plates, snap rings, and thrust washers. Replace any of these parts that are worn, distorted or damaged. Do not attempt to reuse these parts.

The planetary gear thrust washers are different sizes. The large diameter washers go on the front

planetary and the smaller washers go on the rear planetary. All the washers have four locating tabs on them. These tabs fit in the holes or slots provided in each planetary gear.

Inspect the output shaft carefully. Pay particular attention to the machined bushing/bearing surfaces on the shaft and the governor valve shaft bore at the shaft rear.

Replace the output shaft if the machined surfaces are scored, pitted, or damaged in any way. Also replace the shaft if the splines are damaged, or exhibits cracks at any location (especially at the governor valve shaft bore).

The annulus gears can be removed from their supports if necessary. Just remove the snap rings and separate the two parts when replacement is necessary. In addition, the annulus gear bushings can be replaced if severely worn, or scored. However it is not necessary to replace the bushings if they only exhibit normal wear. Check bushing fit on the output shaft to be sure.

**OVERDRIVE UNIT**

Clean the geartrain and case components with solvent. Dry all parts except the bearings with compressed air. Allow bearings to air dry.

Do not use shop towels for wiping parts dry unless the towels are made from a lint-free material. A sufficient quantity of lint (from shop towels, cloths, rags, etc.) could plug the transmission filter and fluid passages.

Discard the old case gasket and seals. Do not attempt to salvage these parts. They are not reusable. Replace any of the overdrive unit snap rings if distorted or damaged.

Minor nicks or scratches on components can be smoothed with crocus cloth. However, do not attempt to reduce severe scoring on any components with abrasive materials. Replace severely scored components; do not try to salvage them.

Check condition of the park lock components and the overdrive case.

Replace the case if cracked, scored, or damaged. Replace the park lock pawl, plug, or spring if worn or damaged. Be sure the bullet at the end of the park lock rod is in good condition. Replace the rod if the bullet is worn or the rod itself is bent or distorted. Do not attempt to straighten the rod.

Check the bushings in the overdrive case. Replace the bushings if severely scored or worn. Also replace the case seal if loose, distorted, or damaged.

Examine the overdrive and direct clutch discs and plates. Replace the discs if the facing is worn, severely scored, or burned and flaking off. Replace the clutch plates if worn, heavily scored, or cracked. Check the lugs on the clutch plates for wear. The

## CLEANING AND INSPECTION (Continued)

plates should slide freely in the drum. Replace the plates or drum if binding occurs.

Check condition of the annulus gear, direct clutch hub, clutch drum and clutch spring. Replace the gear, hub and drum if worn or damaged. Replace the spring if collapsed, distorted, or cracked.

Be sure the splines and lugs on the gear, drum and hub are in good condition. The clutch plates and discs should slide freely in these components.

Inspect the thrust bearings and spring plate. Replace the plate if worn or scored. Replace the bearings if rough, noisy, brinnelled, or worn.

Inspect the planetary gear assembly and the sun gear and bushings. If either the sun gear or the bushings are damaged, replace the gear and bushings as an assembly. The gear and bushings are not serviced separately.

The planetary carrier and pinions must be in good condition. Also be sure the pinion pins are secure and in good condition. Replace the carrier if worn or damaged.

Inspect the overrunning clutch and race. The race surface should be smooth and free of scores. Replace the overrunning clutch assembly or the race if either assembly is worn or damaged in any way.

Inspect the output shaft and governor components. Replace the shaft pilot bushing and inner bushing if damaged. Replace either shaft bearing if rough or noisy. Replace the bearing snap rings if distorted or cracked.

Check the machined surfaces on the output shaft. These surfaces should be clean and smooth. Very minor nicks or scratches can be smoothed with crocus cloth. Replace the shaft if worn, scored or damaged in any way.

Inspect the output shaft bushings. The small bushing is the intermediate shaft pilot bushing. The large bushing is the overrunning clutch hub bushing. Replace either bushing if scored, pitted, cracked, or worn.

## ADJUSTMENTS

## BRAKE TRANSMISSION SHIFT INTERLOCK

The park interlock cable is part of the brake/shift lever interlock system. Correct cable adjustment is important to proper interlock operation. The gear shift and park lock cables must both be correctly adjusted in order to shift out of Park.

## Park Interlock Cable Adjustment Procedure

- (1) Shift the transmission into the PARK position.
- (2) Turn ignition switch to LOCK position. **Be sure ignition key cylinder is in the LOCK position. Cable will not adjust correctly in any other position.**

(3) Remove shift lever bezel and floor console as necessary for access to the brake transmission shift interlock cable.

(4) Pull cable lock button up to release cable (Fig. 316).

(5) Pull cable rearward. Then release cable and press lock button down until it snaps in place.

## BTSI FUNCTION CHECK

(1) Verify removal of ignition key allowed in park position only.

(2) When the shift lever is in park, and the shift handle push-button is in the out position, the ignition key cylinder should rotate freely from off to lock. When the shifter is in any other position, the ignition key should not rotate from off to lock.

(3) Shifting out of park should be possible when the ignition key cylinder is in the off position.

(4) Shifting out of park should not be possible while applying 25 lb. max. handle push-button force, and ignition key cylinder is in the run or start positions, unless the foot brake pedal is depressed approximately 1/2 inch (12 mm).

(5) Shifting out of park should not be possible when the ignition key cylinder is in the accessory or lock position.

(6) Shifting between any gears neutral or park may be done without depressing foot brake with ignition switch in run or start positions and vehicle stationary or in motion.

(7) The floor shifter lever and gate positions should be in alignment with all transmission detent positions.

(8) Engine starts must be possible with shifter lever in park or neutral gate positions only. Engine starts must not be possible in any other gate positions other than park or neutral.

(9) With shifter lever handle push-button not depressed and lever detent in:

- PARK POSITION- apply forward force on center of handle and remove pressure. Engine start must be possible.

- PARK POSITION- apply rearward force on center of handle and remove pressure. Engine start must be possible.

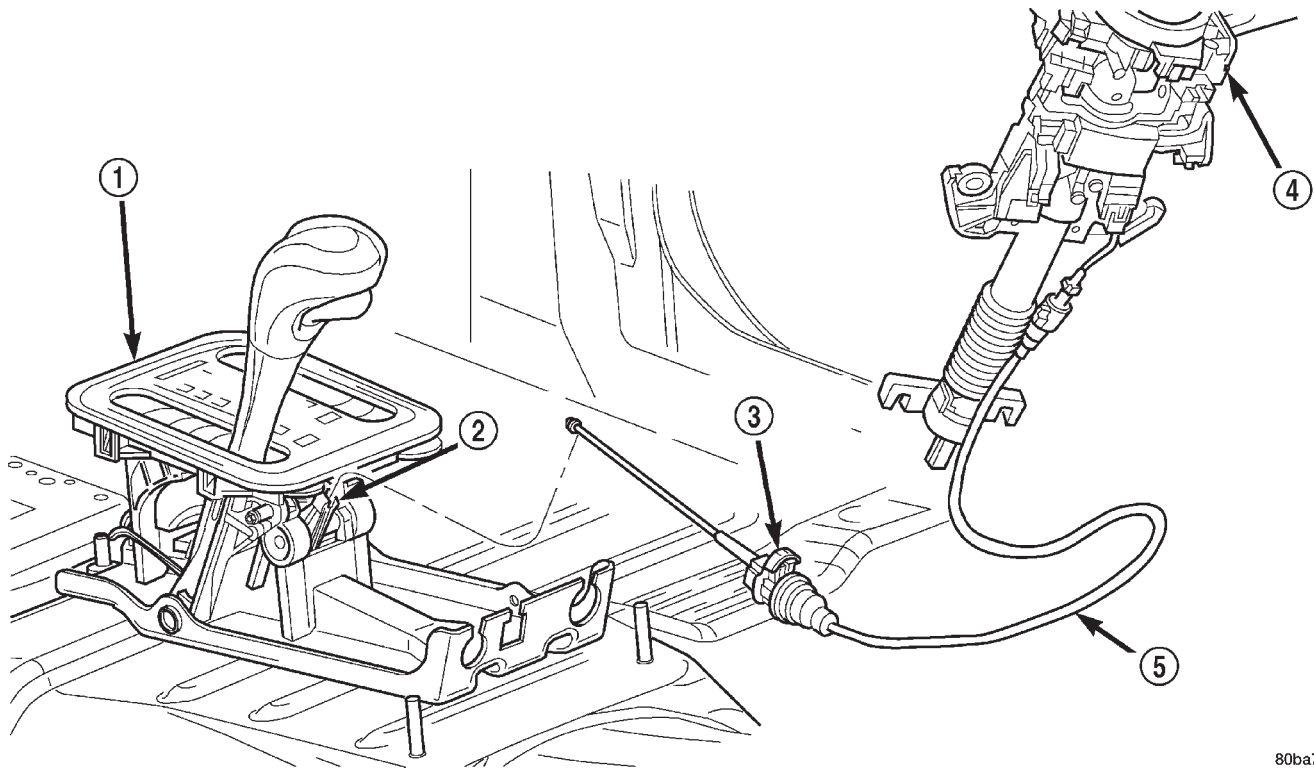
- NEUTRAL POSITION- engine start must be possible.

- NEUTRAL POSITION, ENGINE RUNNING AND BRAKES APPLIED- Apply forward force on center of shift handle. Transmission should not be able to shift into reverse detent.

## TRANSMISSION THROTTLE VALVE CABLE ADJUSTMENT

The transmission throttle valve is operated by a cam on the throttle lever. The throttle lever is oper-

## ADJUSTMENTS (Continued)



80ba79c2

**Fig. 316 Brake Transmission Shift Interlock Cable**

- 1 - SHIFT MECHANISM  
2 - SHIFTER BTSI LEVER  
3 - ADJUSTMENT CLIP

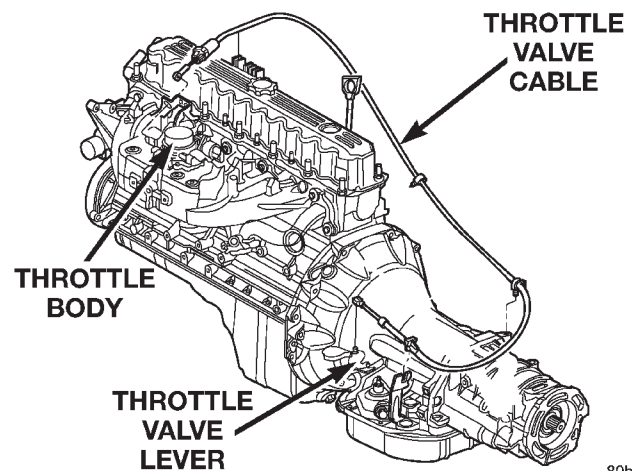
- 4 - STEERING COLUMN ASSEMBLY  
5 - INTERLOCK CABLE

ated by an adjustable cable (Fig. 317). The cable is attached to an arm mounted on the throttle lever shaft. A retaining clip at the engine-end of the cable is removed to provide for cable adjustment. The retaining clip is then installed back onto the throttle valve cable to lock in the adjustment.

A correctly adjusted throttle valve cable will cause the throttle lever on the transmission to move simultaneously with the throttle body lever from the idle position. Proper adjustment will allow simultaneous movement without causing the transmission throttle lever to either move ahead of, or lag behind the lever on the throttle body.

**Checking Throttle Valve Cable Adjustment**

- (1) Turn ignition key to OFF position.
- (2) Remove air cleaner.
- (3) Verify that lever on throttle body is at curb idle position. Then verify that transmission throttle lever (Fig. 317) is also at idle (fully forward) position.
- (4) Slide cable off attachment stud on throttle body lever.
- (5) Compare position of cable end to attachment stud on throttle body lever:



80ba79c5

**Fig. 317 Throttle Valve Cable**

- Cable end and attachment stud should be aligned (or centered on one another) to within 1 mm (0.039 in.) in either direction.
- If cable end and attachment stud are misaligned (off center), cable will have to be adjusted as described in Throttle Valve Cable Adjustment procedure.

ADJUSTMENTS (Continued)

(6) Reconnect cable end to attachment stud. Then with aid of a helper, observe movement of transmission throttle lever and lever on throttle body.

- If both levers move simultaneously from idle to half-throttle and back to idle position, adjustment is correct.

- If transmission throttle lever moves ahead of, or lags behind throttle body lever, cable adjustment will be necessary. Or, if throttle body lever prevents transmission lever from returning to closed position, cable adjustment will be necessary.

**Throttle Valve Cable Adjustment Procedure**

- (1) Turn ignition switch to OFF position.
- (2) Remove air cleaner if necessary.
- (3) Disconnect cable end from attachment stud.

**Carefully slide cable off stud. Do not pry or pull cable off.**

(4) Verify that transmission throttle lever is in fully closed position. Then be sure lever on throttle body is at curb idle position.

(5) Insert a small screwdriver under edge of retaining clip and remove retaining clip.

(6) Center cable end on attachment stud to within 1 mm (0.039 in.).

**NOTE: Be sure that as the cable is pulled forward and centered on the throttle lever stud, the cable housing moves smoothly with the cable. Due to the angle at which the cable housing enters the spring housing, the cable housing may bind slightly and create an incorrect adjustment.**

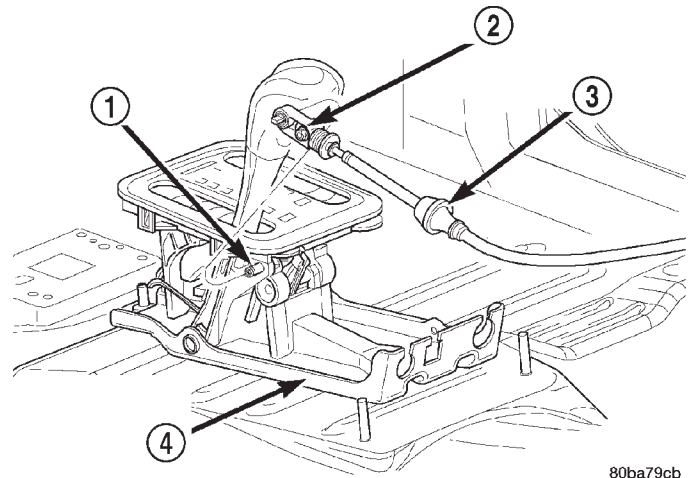
- (7) Install retaining clip onto cable housing.
- (8) Check cable adjustment. Verify transmission throttle lever and lever on throttle body move simultaneously.

**GEARSHIFT CABLE**

Check adjustment by starting the engine in Park and Neutral. Adjustment is OK if the engine starts only in these positions. Adjustment is incorrect if the engine starts in one but not both positions. If the engine starts in any position other than Park or Neutral, or if the engine will not start at all, the park/neutral position switch or TRS may be faulty.

**Gearshift Adjustment Procedure**

- (1) Shift transmission into Park.
- (2) Remove shift lever bezel and floor console as necessary for access to the shift cable adjustment.
- (3) Loosen the shift cable adjustment screw (Fig. 318).
- (4) Raise vehicle.



80ba79cb

**Fig. 318 Shift Cable at the Shifter**

- 1 - SHIFT LEVER PIN
- 2 - ADJUSTMENT SCREW
- 3 - SHIFT CABLE
- 4 - SHIFTER ASSEMBLY BRACKET

(5) Unsnap cable eyelet from transmission shift lever (Fig. 319).

(6) Verify transmission shift lever is in Park detent by moving lever fully rearward. Last rearward detent is Park position.

(7) Verify positive engagement of transmission park lock by attempting to rotate propeller shaft. Shaft will not rotate when park lock is engaged.

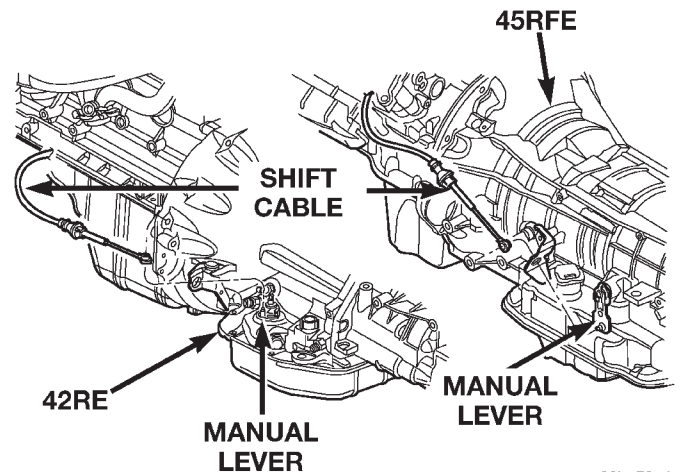
(8) Snap cable eyelet onto transmission shift lever.

(9) Lower vehicle

(10) Tighten the shift cable adjustment screw to 7 N·m (65 in. lbs.).

(11) Verify correct operation.

(12) Install the shifter bezel and any floor console components removed for access.



80ba79c4

**Fig. 319 Shift Cable Attachment At Transmission**



## ADJUSTMENTS (Continued)

## BAND ADJUSTMENTS

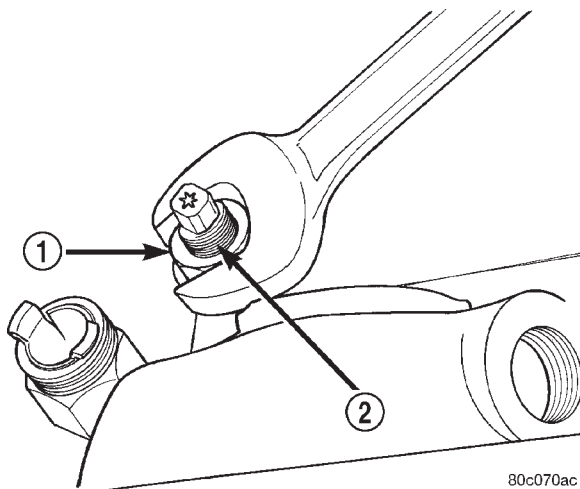
## FRONT BAND ADJUSTMENT

The front (kickdown) band adjusting screw is located on the left side of the transmission case above the manual valve and throttle valve levers.

- (1) Raise vehicle.
- (2) Loosen band adjusting screw locknut (Fig. 320). Then back locknut off 3-5 turns. Be sure adjusting screw turns freely in case. Apply lubricant to screw threads if necessary.
- (3) Tighten band adjusting screw to 8 N·m (72 in. lbs.) torque with Inch Pound Torque Wrench C-3380-A, a 3-in. extension and appropriate Torx™ socket.

**CAUTION:** If Adapter C-3705 is needed to reach the adjusting screw, tighten the screw to only 5 N·m (47-50 in. lbs.) torque.

- (4) Back off front band adjusting screw 3 turns.
- (5) Hold adjuster screw in position and tighten locknut to 41 N·m (30 ft. lbs.) torque.
- (6) Lower vehicle.



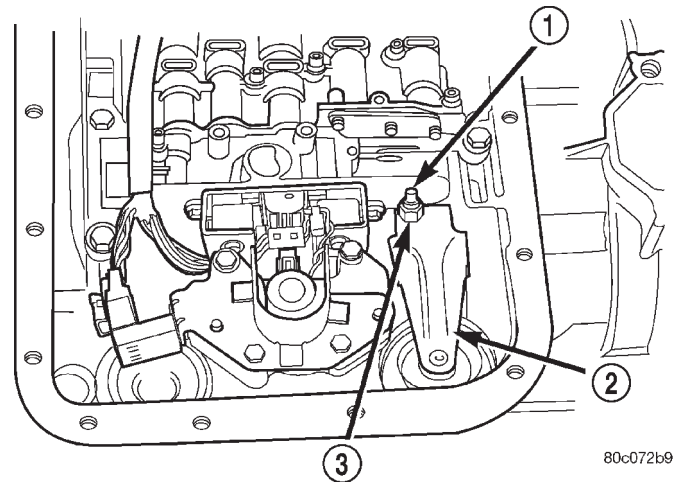
**Fig. 320 Front Band Adjustment Screw Location**

- 1 - LOCK-NUT
- 2 - FRONT BAND ADJUSTER

## REAR BAND ADJUSTMENT

The transmission oil pan must be removed for access to the rear band adjusting screw.

- (1) Raise vehicle.
- (2) Remove transmission oil pan and drain fluid.
- (3) Loosen band adjusting screw locknut 5-6 turns (Fig. 321). Be sure adjusting screw turns freely in lever.
- (4) Tighten adjusting screw to 8 N·m (72 in. lbs.) torque.
- (5) Back off adjusting screw 4 turns.



**Fig. 321 Rear Band Adjusting Screw Location**

- 1 - ADJUSTING SCREW
- 2 - REAR BAND LEVER
- 3 - LOCKNUT

- (6) Hold adjusting screw in place and tighten locknut to 34 N·m (25 ft. lbs.) torque.

(7) Position new gasket on oil pan and install pan on transmission. Tighten pan bolts to 17 N·m (13 ft. lbs.) torque.

(8) Lower vehicle and refill transmission with Mopar® ATF Plus 3, Type 7176 fluid.

## VALVE BODY

## CONTROL PRESSURE ADJUSTMENTS

There are two control pressure adjustments on the valve body;

- Line Pressure
- Throttle Pressure

Line and throttle pressures are interdependent because each affects shift quality and timing. As a result, both adjustments must be performed properly and in the correct sequence. Adjust line pressure first and throttle pressure last.

## LINE PRESSURE ADJUSTMENT

Measure distance from the valve body to the inner edge of the adjusting screw with an accurate steel scale (Fig. 322).

Distance should be 33.4 mm (1-5/16 in.).

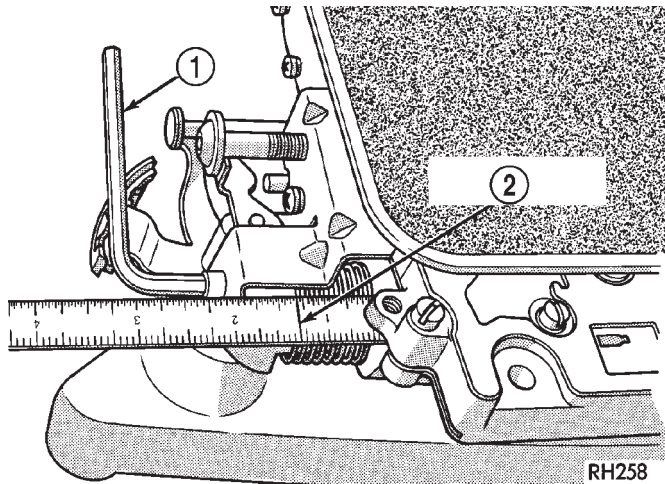
If adjustment is required, turn the adjusting screw in, or out, to obtain required distance setting.

**NOTE:** The 33.4 mm (1-5/16 in.) setting is an approximate setting. Manufacturing tolerances may make it necessary to vary from this dimension to obtain desired pressure.

One complete turn of the adjusting screw changes line pressure approximately 1-2/3 psi (9 kPa).

ADJUSTMENTS (Continued)

Turning the adjusting screw counterclockwise increases pressure while turning the screw clockwise decreases pressure.



**Fig. 322 Line Pressure Adjustment**

- 1 - WRENCH
- 2 - 1-5/16 INCH

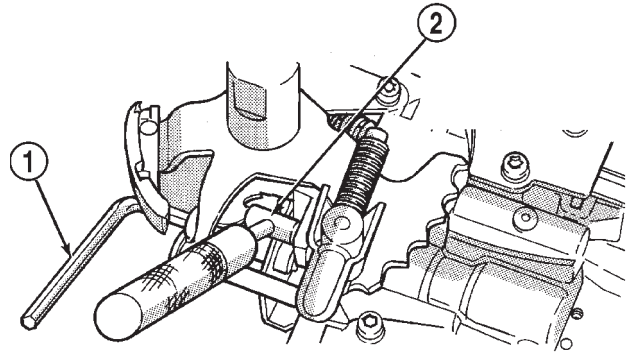
THROTTLE PRESSURE ADJUSTMENT

Insert Gauge Tool C-3763 between the throttle lever cam and the kickdown valve stem (Fig. 323).

Push the gauge tool inward to compress the kickdown valve against the spring and bottom the throttle valve.

Maintain pressure against kickdown valve spring. Turn throttle lever stop screw until the screw head touches throttle lever tang and the throttle lever cam touches gauge tool.

**NOTE:** The kickdown valve spring must be fully compressed and the kickdown valve completely bottomed to obtain correct adjustment.



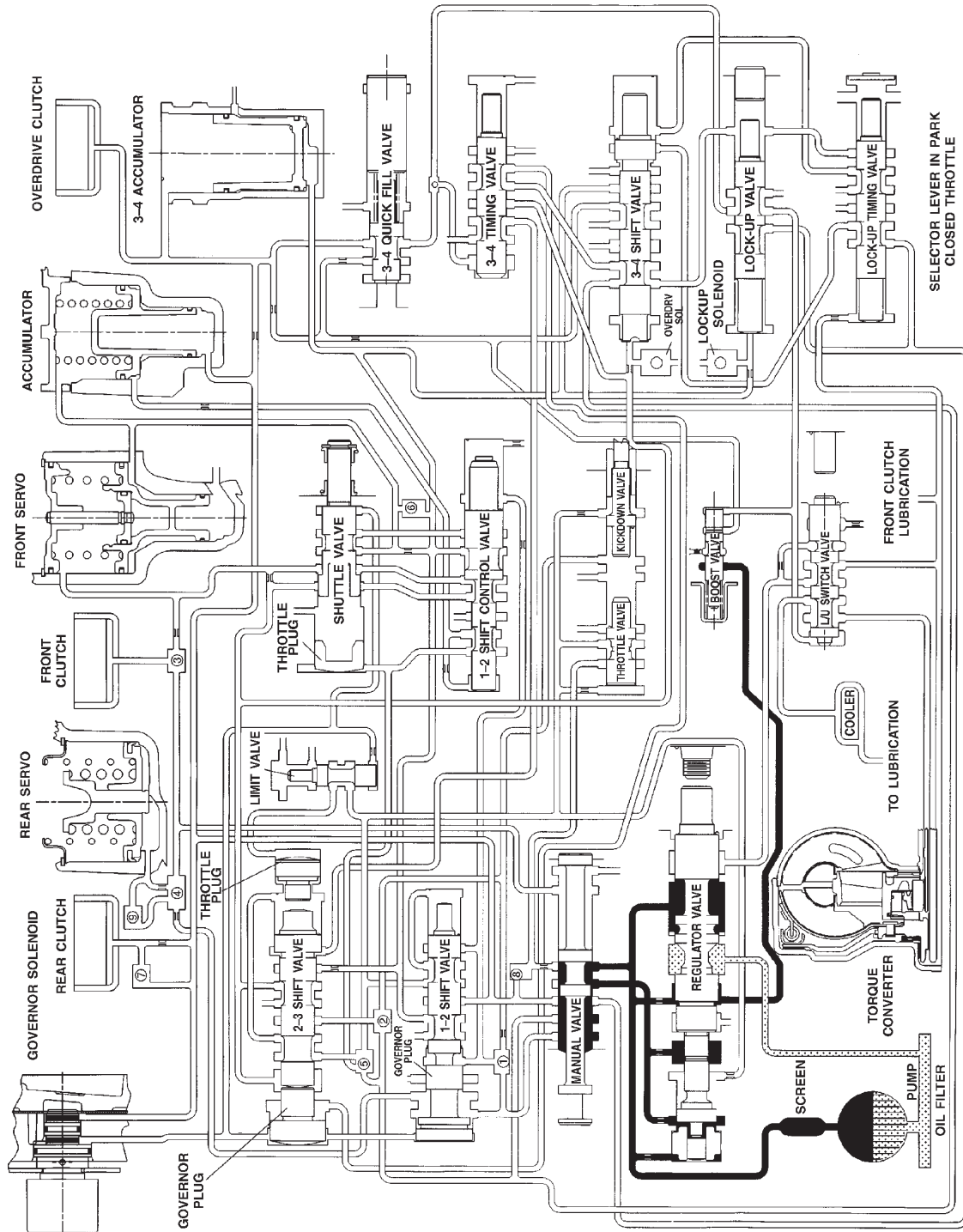
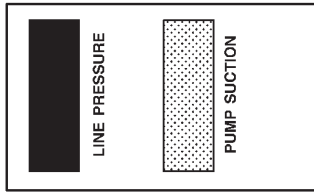
**Fig. 323 Throttle Pressure Adjustment**

- 1 - HEX WRENCH (IN THROTTLE LEVER ADJUSTING SCREW)
- 2 - SPECIAL TOOL C-3763 (POSITIONED BETWEEN THROTTLE LEVER AND KICKDOWN VALVE)



SCHEMATICS AND DIAGRAMS

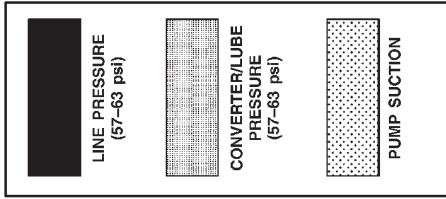
HYDRAULIC SCHEMATICS



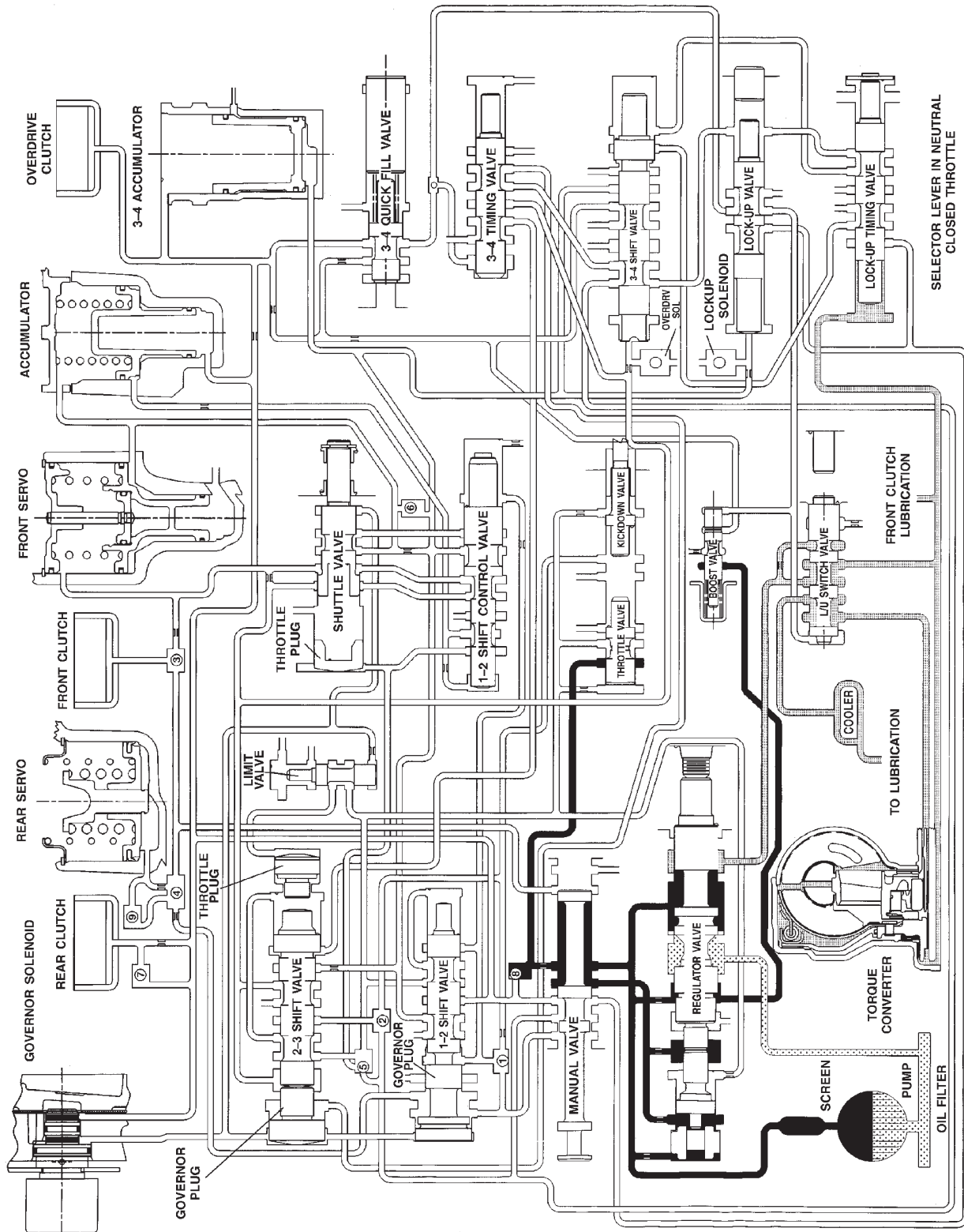
80abfd7e

HYDRAULIC FLOW IN PARK

SCHEMATICS AND DIAGRAMS (Continued)

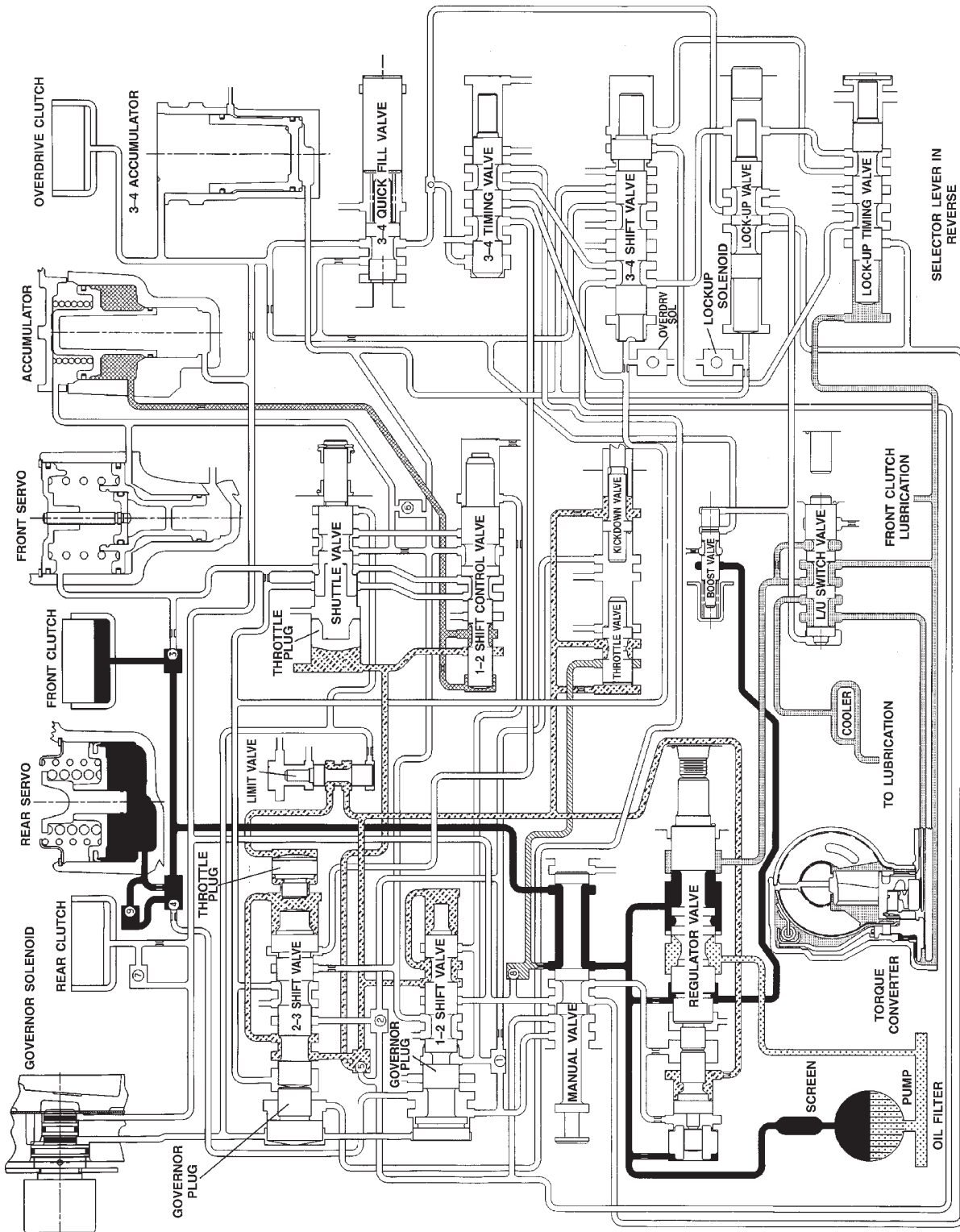
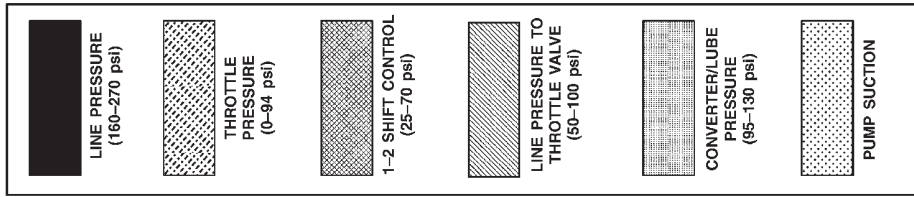


80abrd7f



HYDRAULIC FLOW IN NEUTRAL

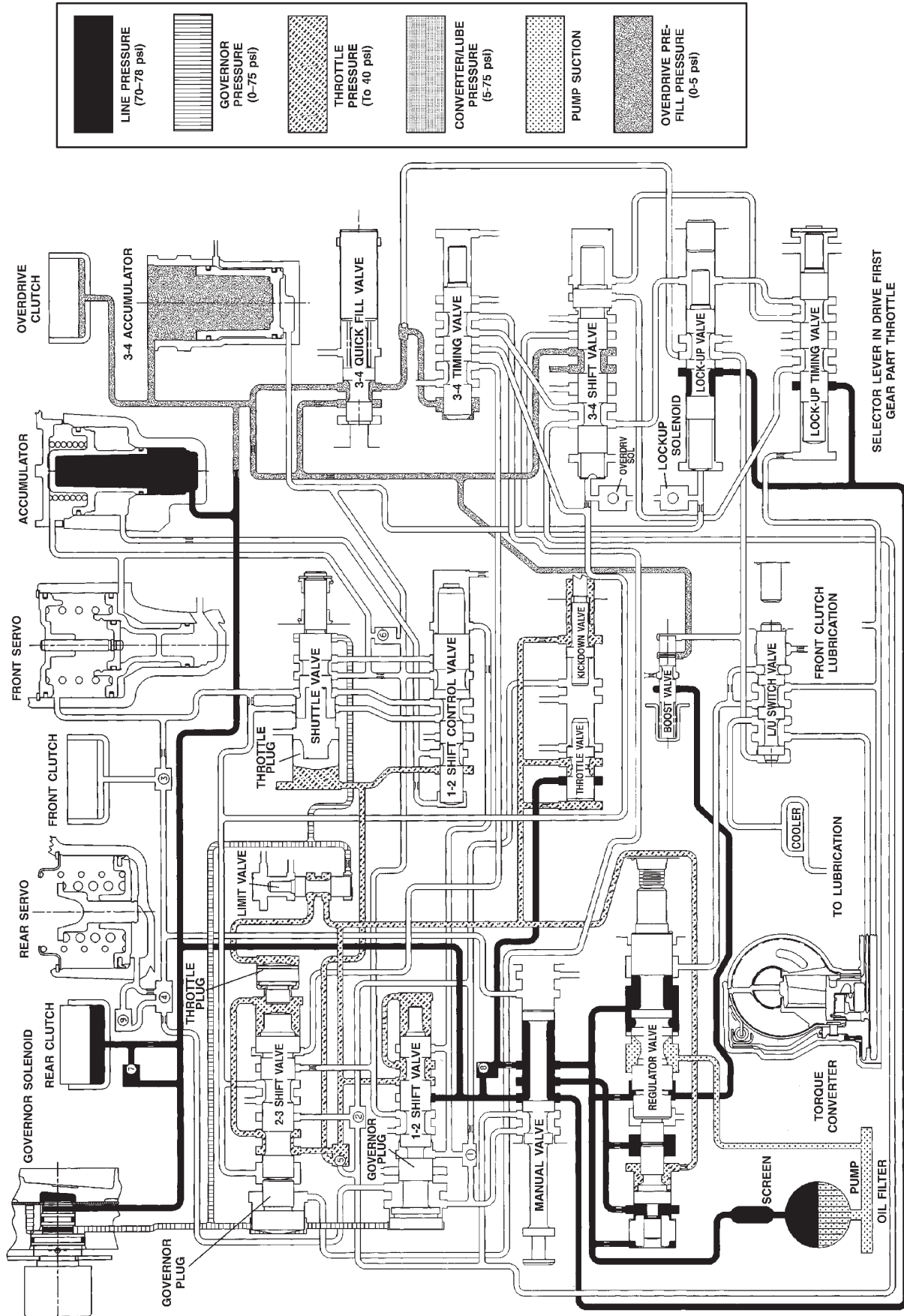
SCHEMATICS AND DIAGRAMS (Continued)



80abfd80

HYDRAULIC FLOW IN REVERSE

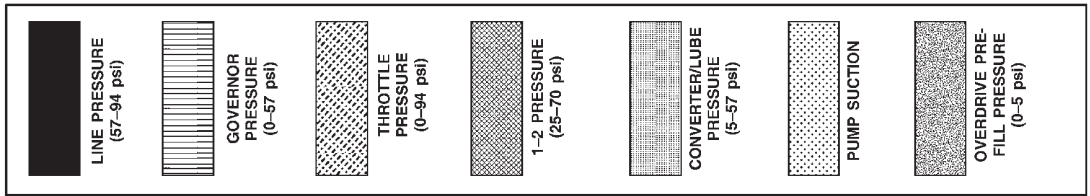
SCHEMATICS AND DIAGRAMS (Continued)



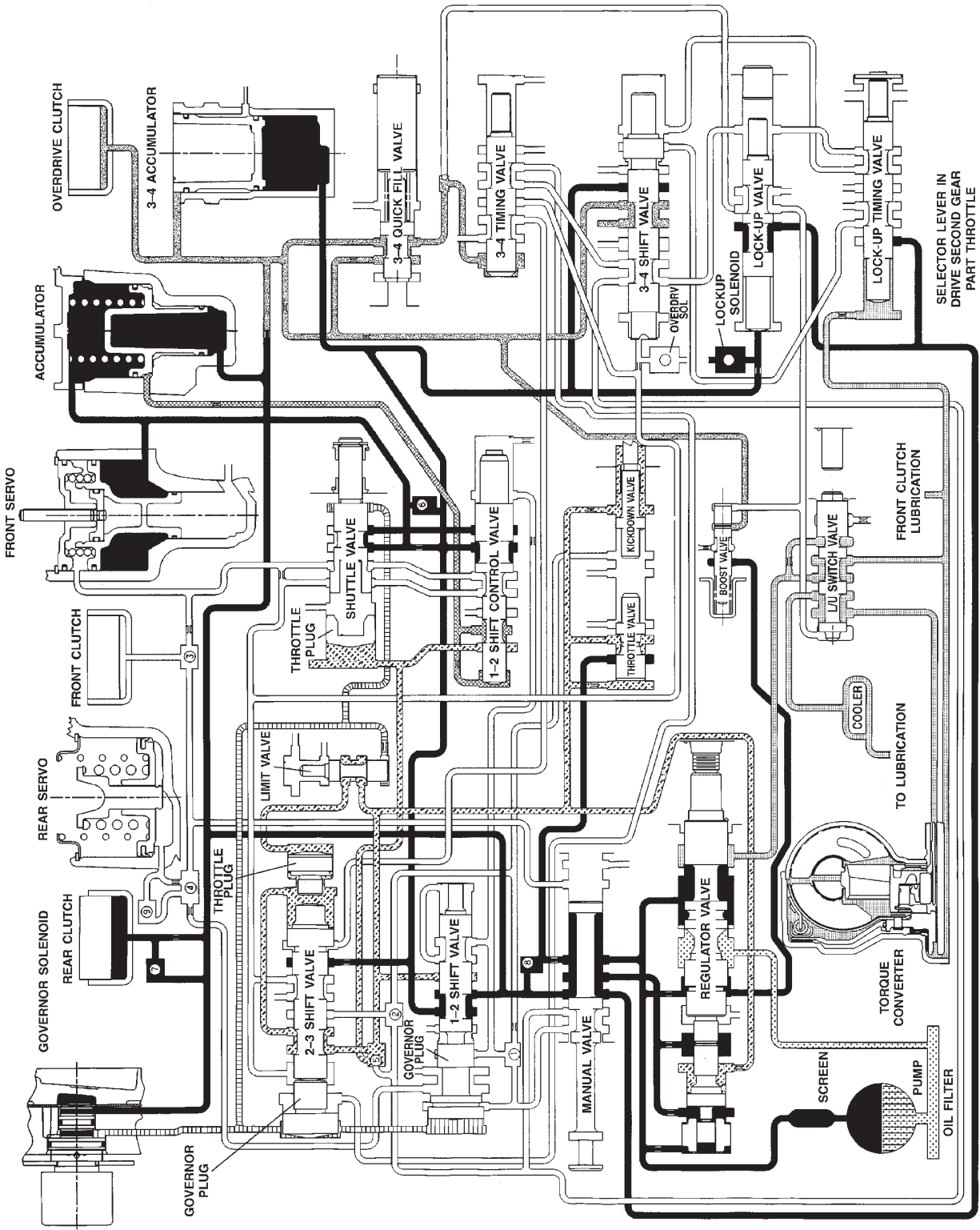
80ab683

HYDRAULIC FLOW IN DRIVE FIRST GEAR

SCHEMATICS AND DIAGRAMS (Continued)



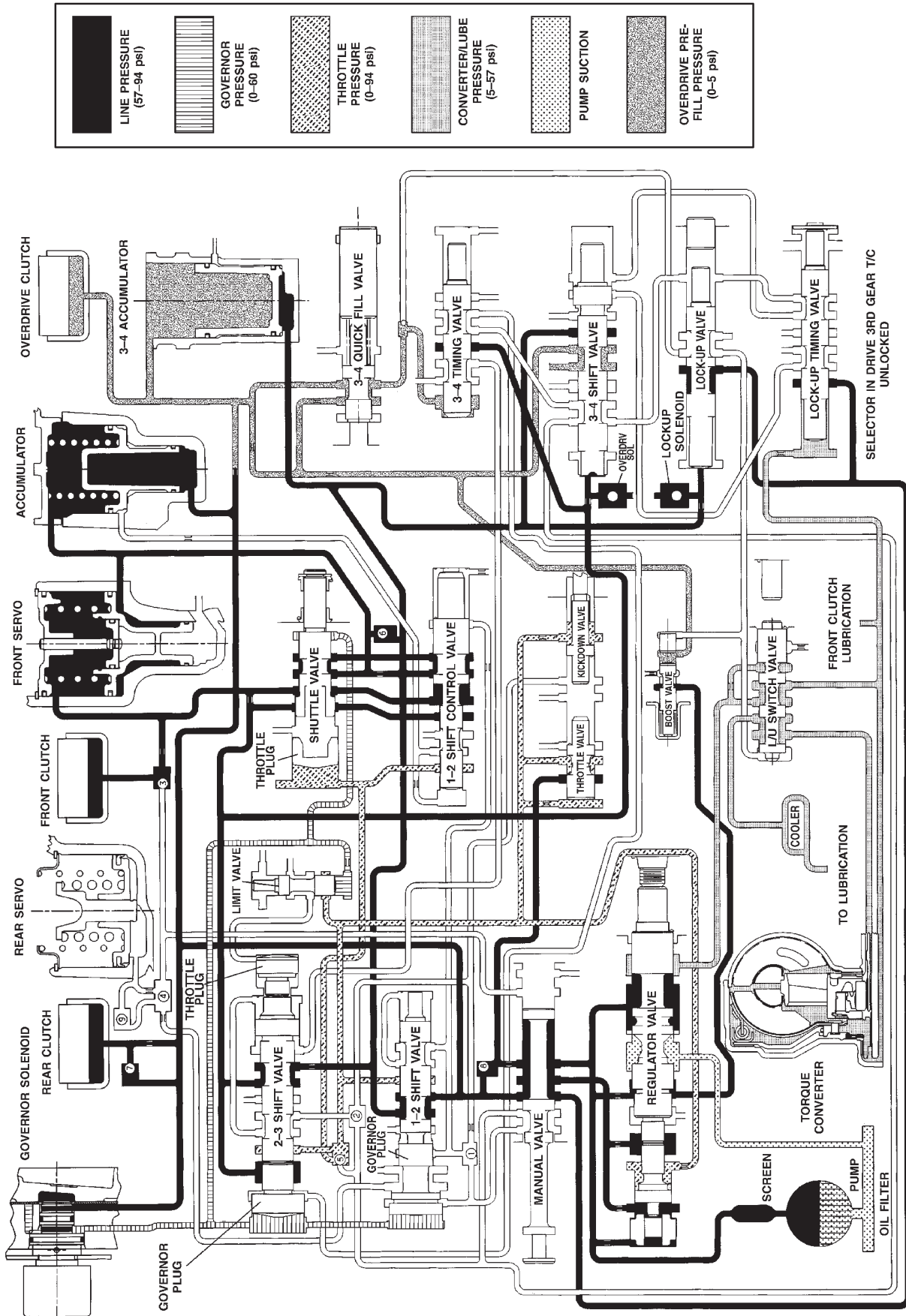
80cabf84



HYDRAULIC FLOW IN DRIVE SECOND GEAR



SCHEMATICS AND DIAGRAMS (Continued)

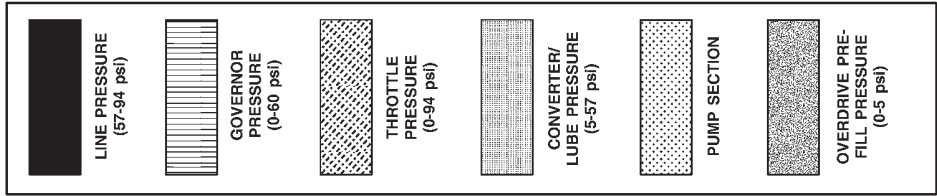


80abfc85

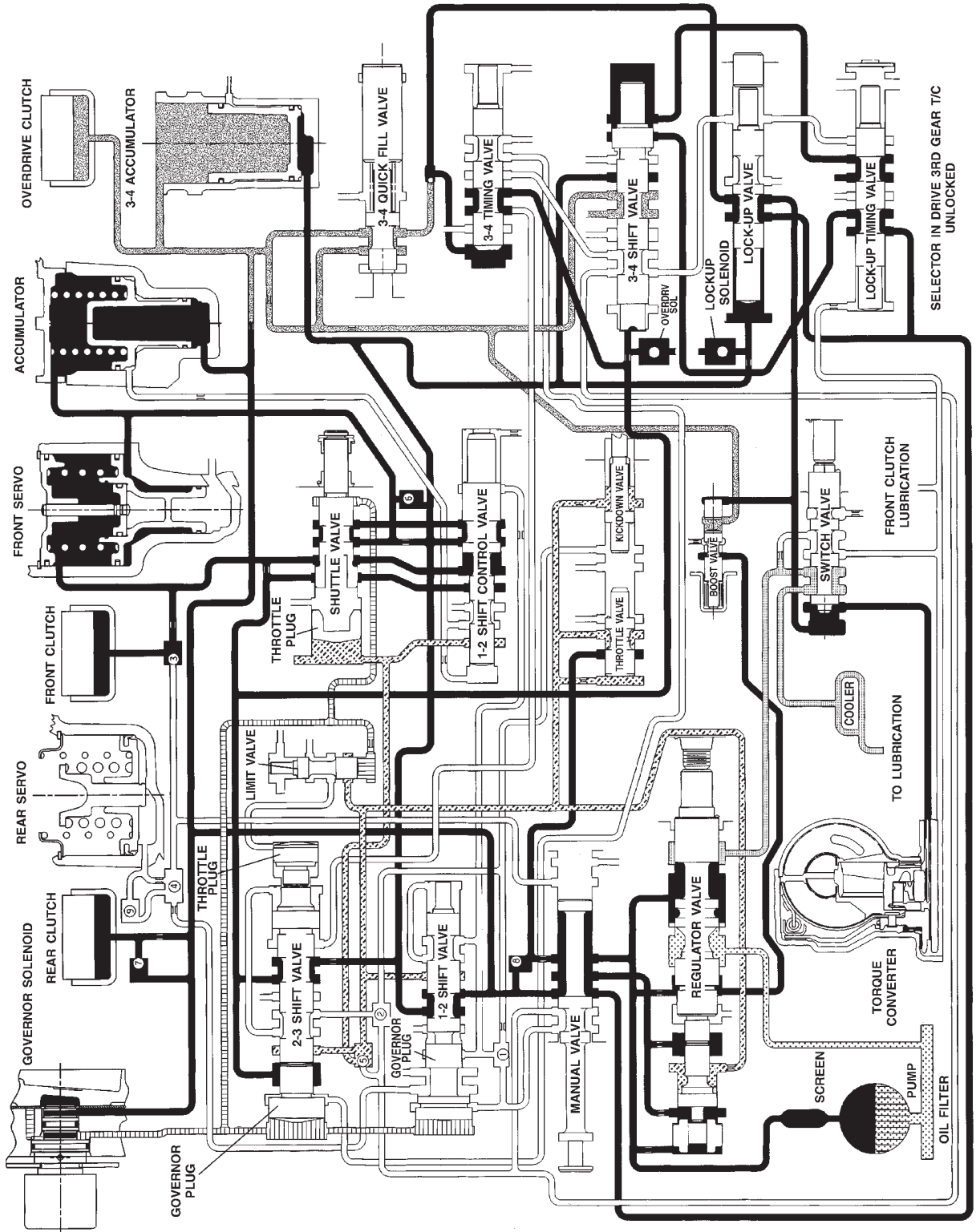
HYDRAULIC FLOW IN DRIVE THIRD GEAR (CONVERTER CLUTCH NOT APPLIED)



SCHEMATICS AND DIAGRAMS (Continued)



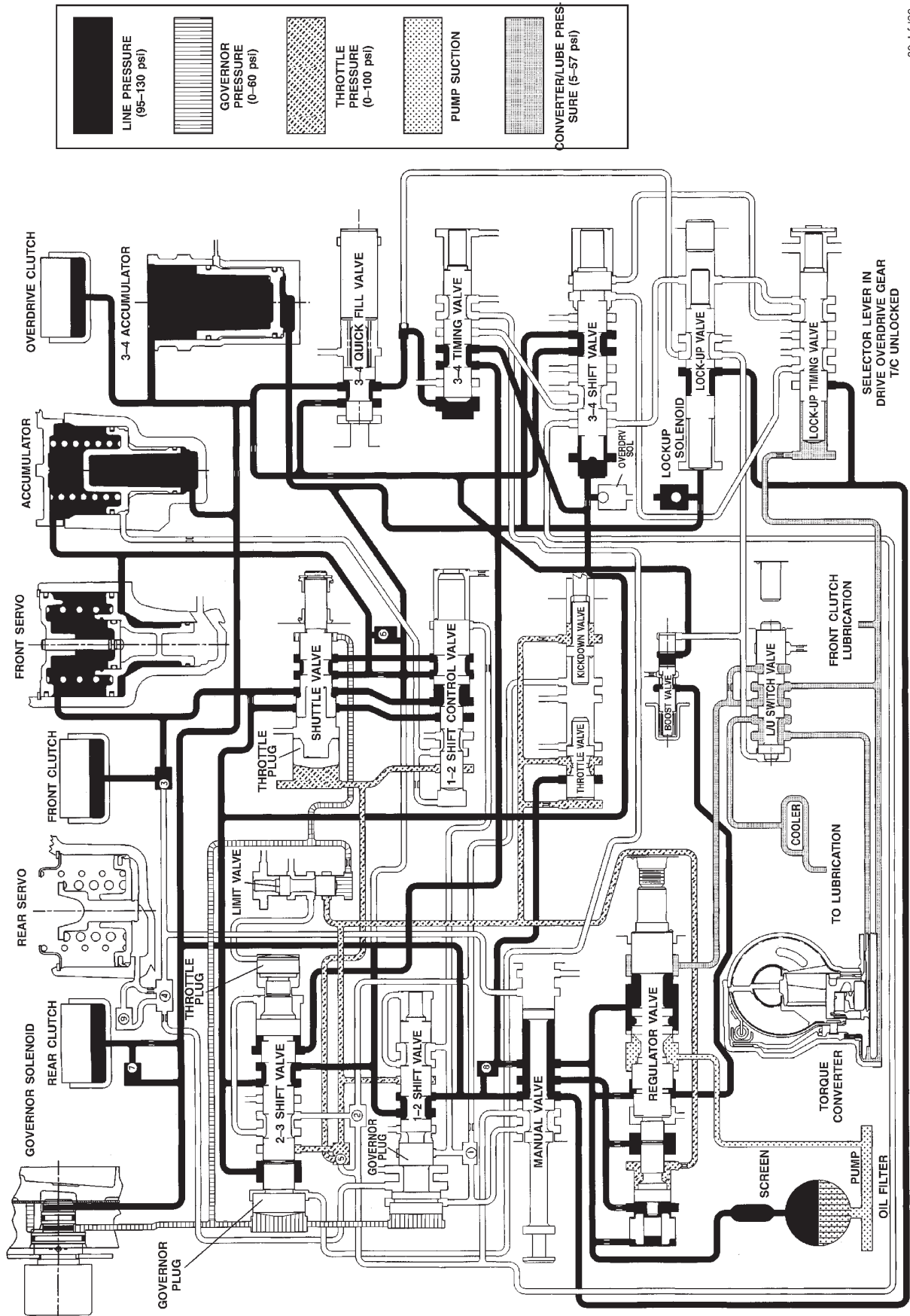
80abfd8c



**HYDRAULIC FLOW IN DRIVE THIRD GEAR (CONVERTER CLUTCH APPLIED)**

SELECTOR IN DRIVE 3RD GEAR T/C UNLOCKED

SCHEMATICS AND DIAGRAMS (Continued)

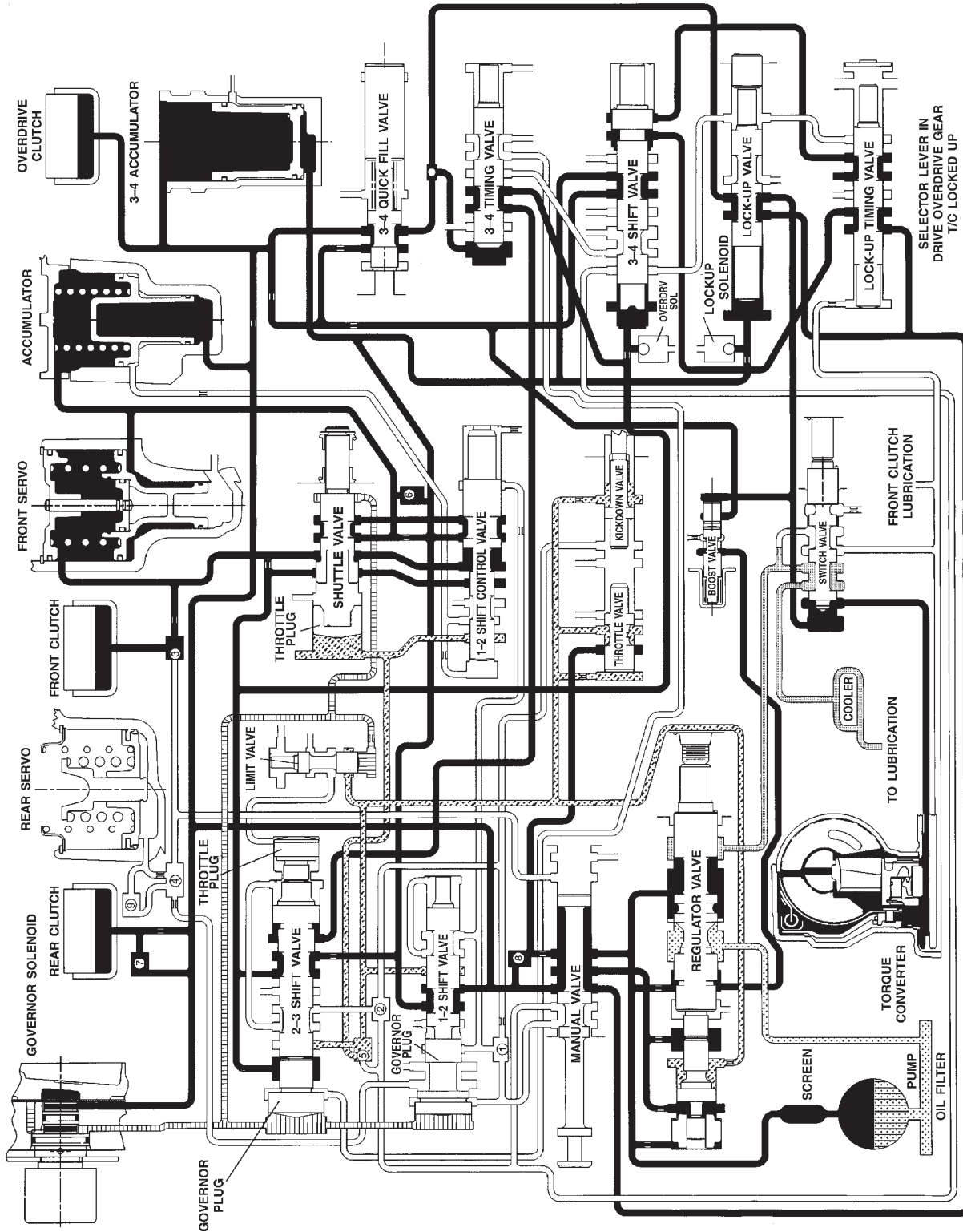
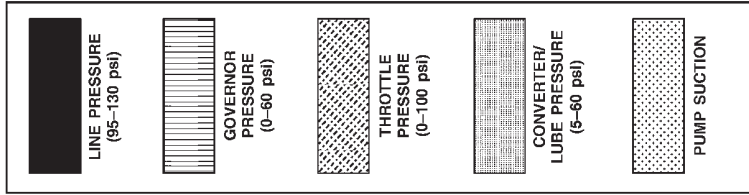


80abfg86

HYDRAULIC FLOW IN DRIVE FOURTH GEAR (CONVERTER CLUTCH NOT APPLIED)

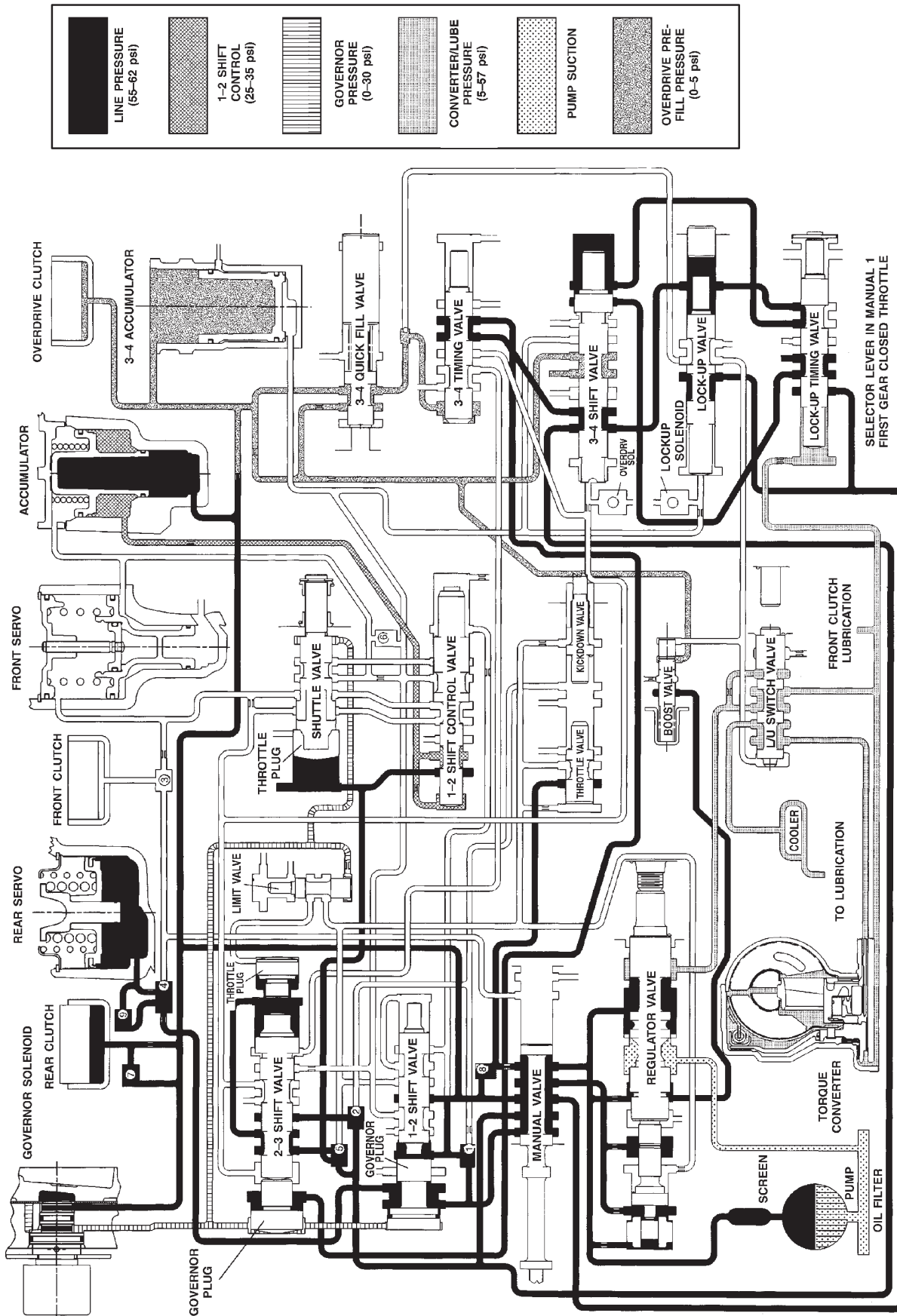
SCHEMATICS AND DIAGRAMS (Continued)

80abfd87



HYDRAULIC FLOW IN DRIVE FOURTH GEAR (CONVERTER CLUTCH APPLIED)

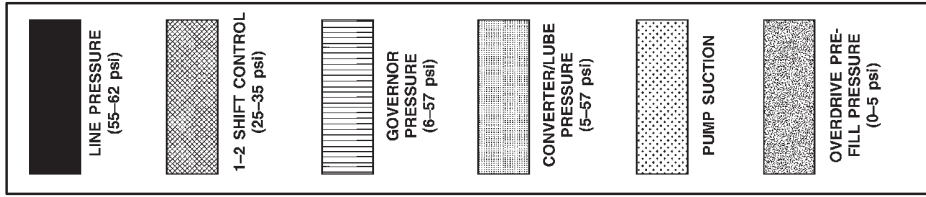
SCHEMATICS AND DIAGRAMS (Continued)



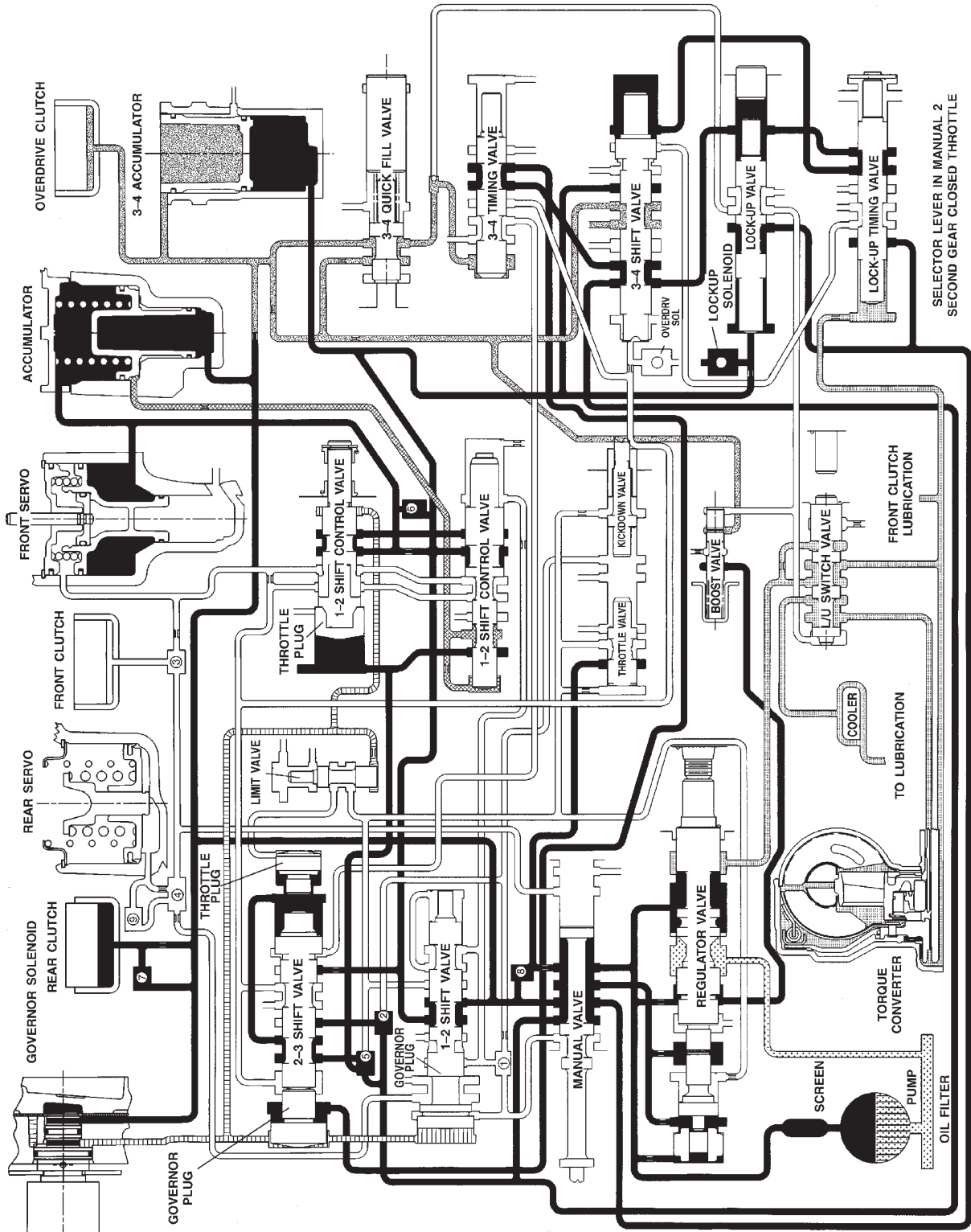
80abfd88

HYDRAULIC FLOW IN MANUAL LOW (1)

SCHEMATICS AND DIAGRAMS (Continued)



80abrd89

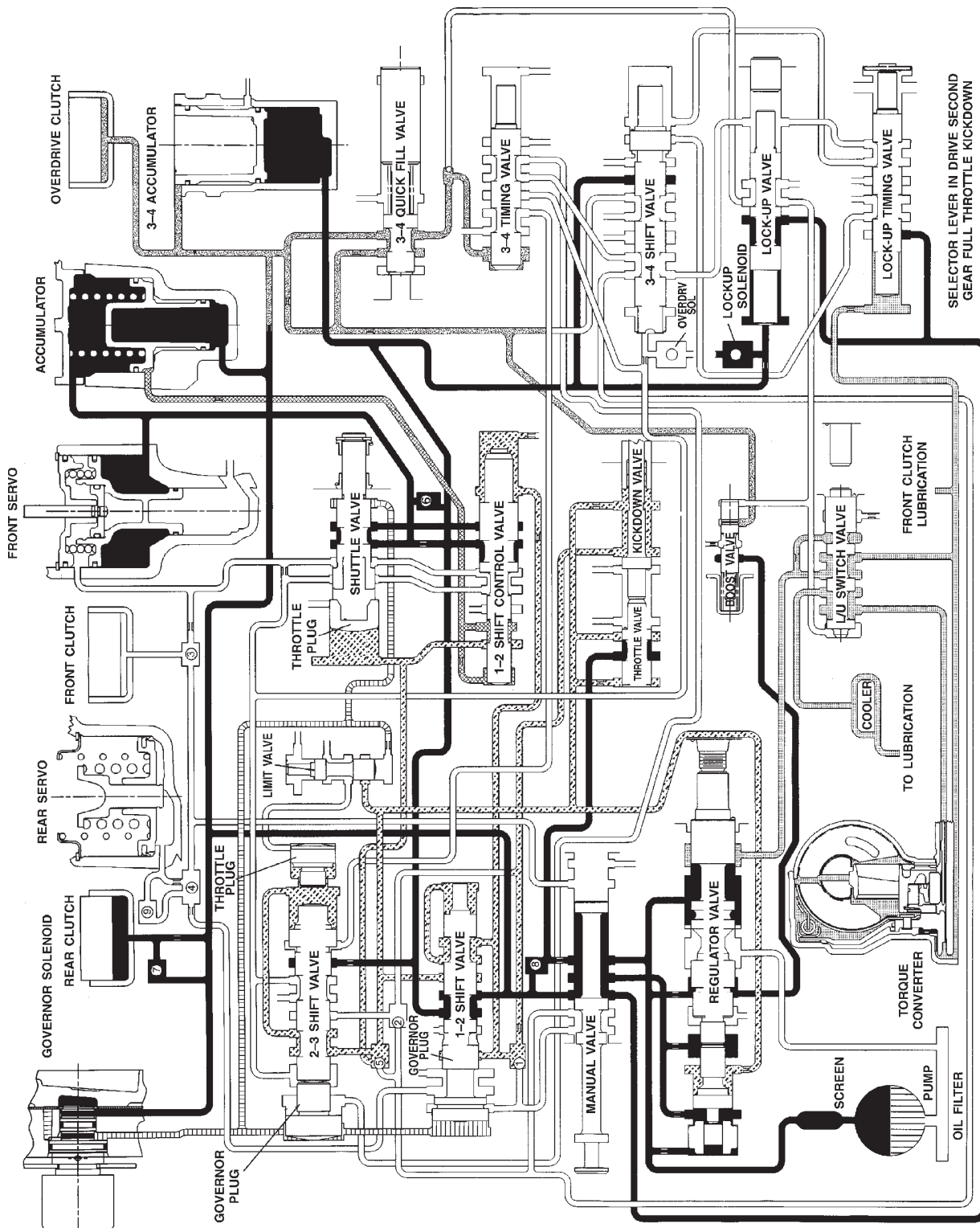
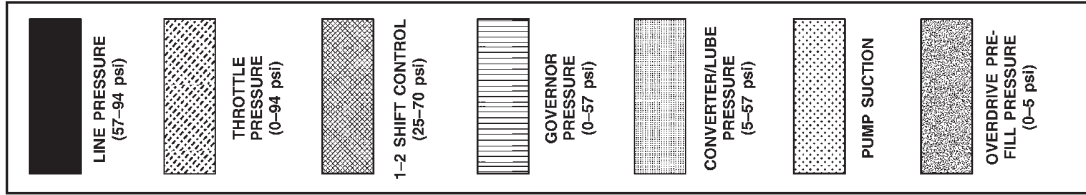


SELECTOR LEVER IN MANUAL 2  
SECOND GEAR CLOSED THROTTLE

HYDRAULIC FLOW IN MANUAL SECOND (2)



SCHEMATICS AND DIAGRAMS (Continued)



80acdf8a

HYDRAULIC FLOW DURING FULL THROTTLE 3-2 DOWNSHIFT (PASSING GEAR)

SELECTOR LEVER IN DRIVE SECOND GEAR FULL THROTTLE KICKDOWN



**SPECIFICATIONS**

**TRANSMISSION**

**GENERAL**

Component	Metric	Inch
Planetary end play	0.127-1.22 mm	0.005-0.048 in.
Input shaft end play	0.56-2.31 mm	0.022-0.091 in.
Clutch pack clearance/ Front.	1.70-3.40 mm	0.067-0.134 in.
Clutch pack clearance/ Rear.	0.559-0.914 mm	0.022-0.036 in.
Front clutch	4 discs	
Rear clutch	4 discs	
Overdrive clutch	3 discs	
Direct clutch	6 discs	
42RE Band adjustment from 72 in. lbs.		
Front band	Back off 3 turns	
Rear band	Back off 4 turns	
Recommended fluid	Mopar® ATF Plus 3,type 7176	

**GEAR RATIOS**

- 1ST GEAR-2.74
- 2ND GEAR-1.54
- 3RD GEAR-1.00
- 4TH GEAR-0.69
- REV. GEAR-2.21

**TORQUE**

<b>DESCRIPTION</b>	<b>TORQUE</b>
Fitting, cooler line at trans . . . .	18 N·m (13 ft. lbs.)
Bolt, torque convertor . . . . .	31 N·m (23 ft. lbs.)
Bolt/nut, crossmember . . . . .	68 N·m (50 ft. lbs.)
Bolt, driveplate to crankshaft . .	75 N·m (55 ft. lbs.)
Plug, front band reaction . . . . .	17 N·m (13 ft. lbs.)
Locknut, front band adj. . . . .	34 N·m (25 ft. lbs.)
Switch, park/neutral . . . . .	34 N·m (25 ft. lbs.)
Bolt, fluid pan . . . . .	17 N·m (13 ft. lbs.)
Screws, fluid filter . . . . .	4 N·m (35 in. lbs.)
Bolt, oil pump . . . . .	20 N·m (15 ft. lbs.)
Bolt, overrunning clutch cam . .	17 N·m (13 ft. lbs.)
Bolt, O/D to trans. . . . .	34 N·m (25 ft. lbs.)
Bolt, O/D piston retainer . . . . .	17 N·m (13 ft. lbs.)
Plug, pressure test port . . . . .	14 N·m (10 ft. lbs.)
Bolt, reaction shaft support . . . .	20 N·m (15 ft. lbs.)
Locknut, rear band . . . . .	41 N·m (30 ft. lbs.)
Bolt, speedometer adapter . . . . .	11 N·m (8 ft. lbs.)
Bolt, valve body to case . . . . .	12 N·m (100 in. lbs.)
Sensor, trans speed . . . . .	27 N·m (20 ft. lbs.)
Screw, solenoid wiring connector . . . . .	4 N·m (35 in. lbs.)
Screw, solenoid to transfer plate . . . . .	4 N·m (35 in. lbs.)

SPECIFICATIONS (Continued)

**THRUST WASHER/SPACER/SNAP RING DIMENSIONS**

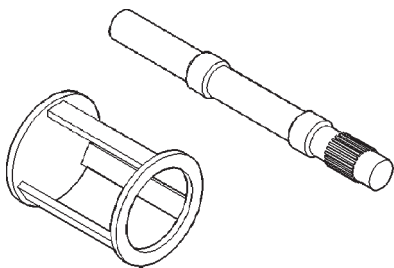
Component	Metric	Inch
Front clutch thrust washer (reaction shaft support hub)	1.55 mm	0.061 in.
Rear clutch thrust washer (clutch retainer)	1.55 mm	0.061 in.
Intermediate shaft thrust plate (shaft hub pilot)	1.5-1.6 mm	0.060-0.063 in.
Output shaft thrust washer (rear clutch hub)	Select fit to set end play	
Rear clutch pack snap ring	1.5 mm	0.060 in.
	1.95 mm	0.076 in.
	2.45 mm	0.098 in.
Planetary geartrain snap ring (at front of output shaft)	Select fit (three thicknesses available)	
Overdrive piston thrust plate	Thrust plate and spacer are select fit. Refer to size charts and selection procedures in Overdrive Unit D&A procedures	
Intermediate shaft spacer		

**PRESSURE TEST**

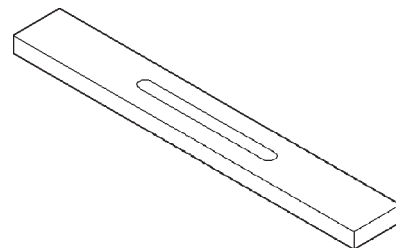
Overdrive clutch	Fourth gear only	Pressure should be 469-496 kPa (68-72 psi) with closed throttle and increase to 620-896 kPa (90-130 psi) at 1/2 to 3/4 throttle.
Line pressure (at accumulator)	Closed throttle	372-414 kPa (54-60 psi).
Front servo	Third gear only	No more than 21 kPa (3 psi) lower than line pressure.
Rear servo	1 range R range	No more than 21 kPa (3 psi) lower than line pressure. 1103 kPa (160 psi) at idle, builds to 1862 kPa (270 psi) at 1600 rpm.
Governor	D range closed throttle	Pressure should respond smoothly to changes in mph and return to 0-7 kPa (0-1.5 psi) when stopped with transmission in D, 1, 2. Pressure above 7 kPa (1.5 psi) at stand still will prevent transmission from downshifting.

**SPECIAL TOOLS**

**RE TRANSMISSIONS**

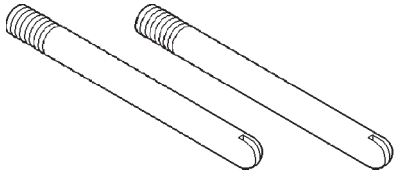


**Spring Compressor and Alignment Shaft—6227**

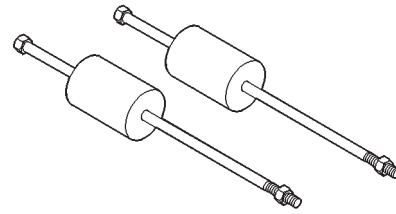


**Gauge Bar—6311**

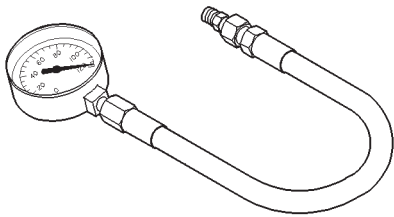
SPECIAL TOOLS (Continued)



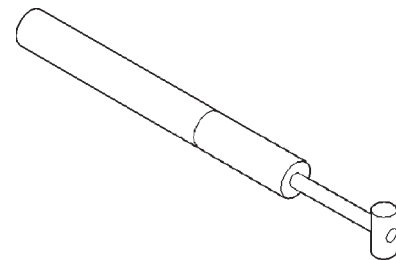
**Extension Housing Pilot—C-3288-B**



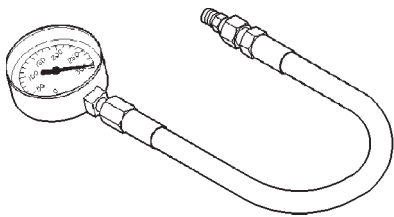
**Puller, Slide Hammer—C-3752**



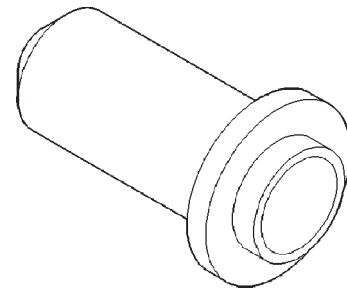
**Pressure Gauge—C-3292**



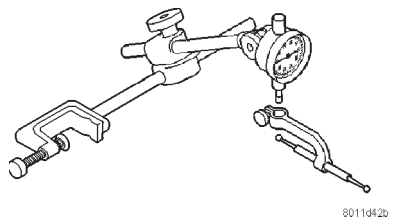
**Gauge, Throttle Setting—C-3763**



**Pressure Gauge—C-3293SP**

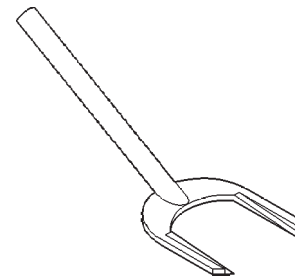


**Seal Installer—C-3860-A**

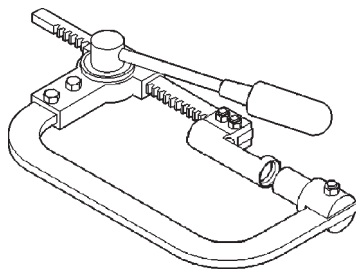


8011d42b

**Dial Indicator—C-3339**

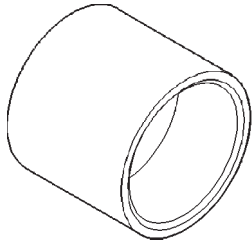


**Seal Remover—C-3985-B**

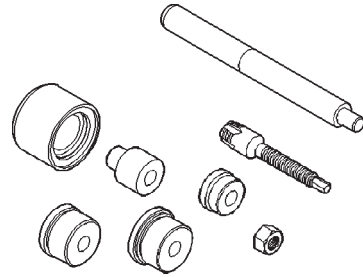


**Spring Compressor—C-3422-B**

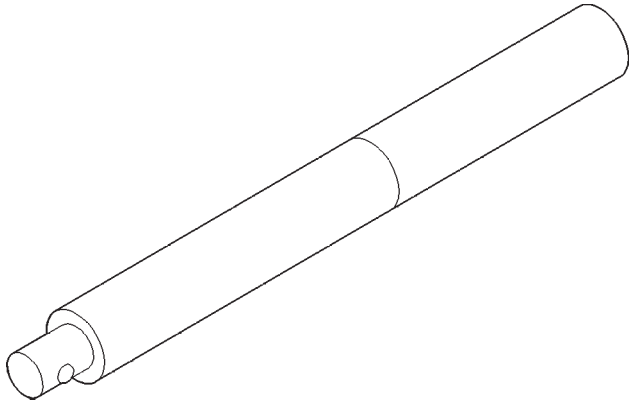
SPECIAL TOOLS (Continued)



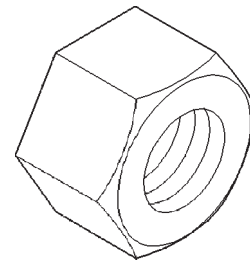
**Installer—C-3995-A**



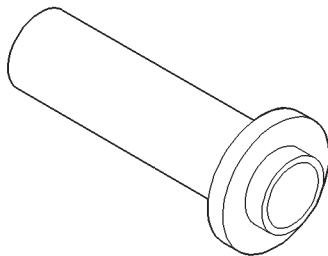
**Bushing Remover/Installer Set—C-3887-J**



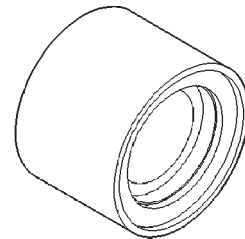
**Universal Handle—C-4171**



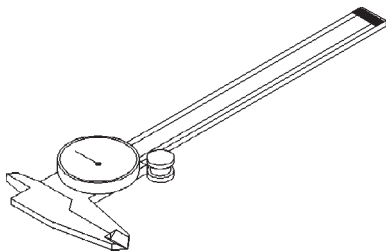
**Nut, Bushing Remover—SP-1191, From kit C-3887-J**



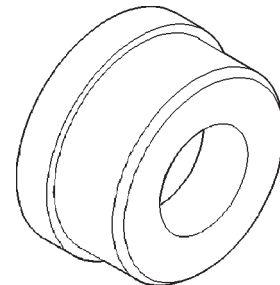
**Seal Installer—C-4193-A**



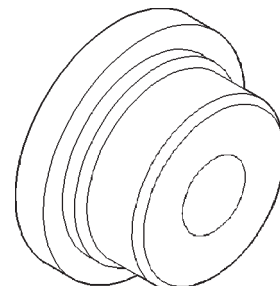
**Cup, Bushing Remover—SP-3633, From kit C-3887-J**



**Dial Caliper—C-4962**

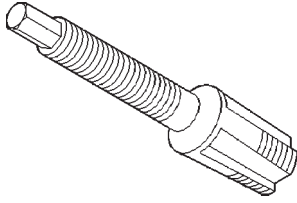


**Remover, Bushing—SP-3551**

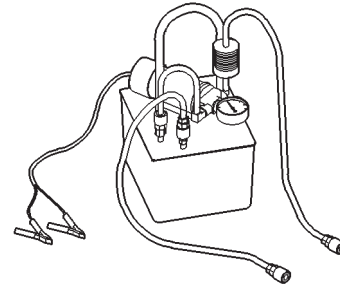


**Installer, Bushing—SP-5117**

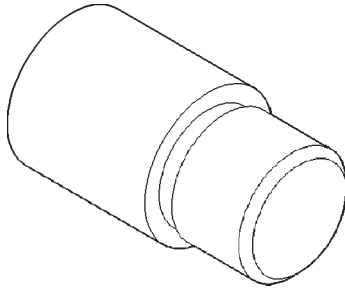
SPECIAL TOOLS (Continued)



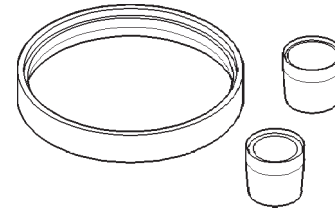
**Remover, Bushing—SP-5324**



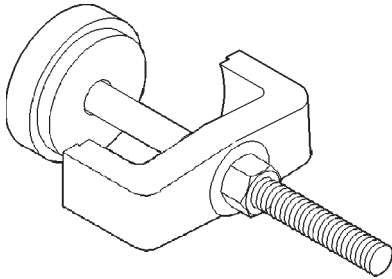
**Flusher—6906**



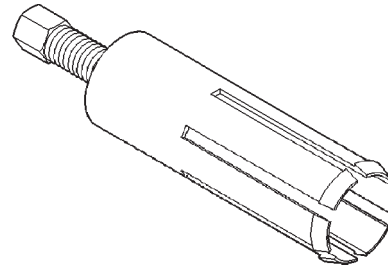
**Installer, Bushing—SP-5325**



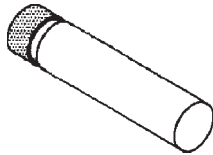
**Installer—8114**



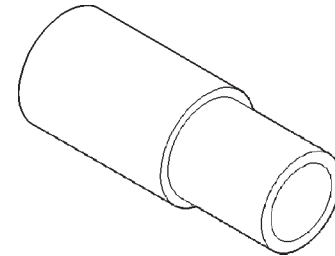
**Compressor, Spring—C-3575-A**



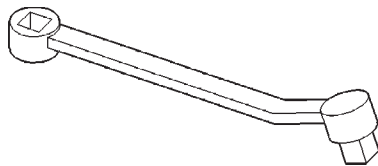
**Remover—6957**



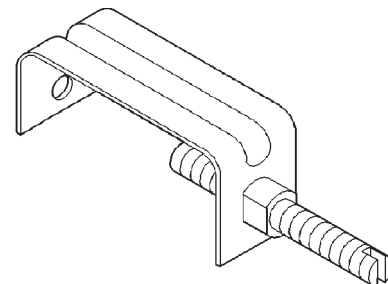
**Gauge—6312**



**Installer—6951**



**Adapter—C-3705**



**Retainer—6583**

# 45RFE AUTOMATIC TRANSMISSION

## TABLE OF CONTENTS

	page		page
<b>DESCRIPTION AND OPERATION</b>			
45RFE AUTOMATIC TRANSMISSION . . . . .	182	FLUID AND FILTER REPLACEMENT . . . . .	211
FLUID . . . . .	183	TRANSMISSION FILL PROCEDURE . . . . .	212
TORQUE CONVERTER . . . . .	183	OIL PUMP VOLUME CHECK . . . . .	212
ELECTRONICALLY MODULATED		FLUSHING COOLERS AND TUBES . . . . .	212
CONVERTER CLUTCH ENGAGEMENT . . . . .	188	TRANSMISSION QUICK LEARN	
OIL PUMP . . . . .	188	PROCEDURE . . . . .	213
VALVE BODY . . . . .	190	ALUMINUM THREAD REPAIR . . . . .	213
PISTONS . . . . .	192	<b>REMOVAL AND INSTALLATION</b>	
INPUT CLUTCHES . . . . .	194	INPUT SPEED SENSOR . . . . .	213
HOLDING CLUTCHES . . . . .	196	OUTPUT SPEED SENSOR . . . . .	214
PLANETARY GEARTRAIN . . . . .	198	LINE PRESSURE SENSOR . . . . .	214
GEARSHIFT MECHANISM . . . . .	198	VALVE BODY . . . . .	214
OVERDRIVE OFF SWITCH . . . . .	199	SOLENOID AND PRESSURE SWITCH	
BRAKE TRANSMISSION SHIFT INTERLOCK		ASSEMBLY . . . . .	215
MECHANISM . . . . .	199	TRANSMISSION . . . . .	216
TRANSMISSION CONTROL MODULE . . . . .	200	TORQUE CONVERTER . . . . .	218
SOLENOID AND PRESSURE SWITCH		OIL PUMP FRONT SEAL . . . . .	219
ASSEMBLY . . . . .	203	ADAPTER HOUSING SEAL . . . . .	219
BATTERY FEED (TCM) . . . . .	203	GEARSHIFT CABLE . . . . .	219
TRANSMISSION CONTROL RELAY . . . . .	203	SHIFTER . . . . .	221
PRESSURE SWITCHES . . . . .	203	BRAKE TRANSMISSION SHIFT INTERLOCK . . . . .	222
INPUT AND OUTPUT SPEED SENSORS . . . . .	204	<b>DISASSEMBLY AND ASSEMBLY</b>	
LINE PRESSURE CONTROL . . . . .	204	TRANSMISSION . . . . .	223
THROTTLE POSITION SENSOR . . . . .	204	VALVE BODY . . . . .	233
TRANSMISSION RANGE SENSOR . . . . .	204	OIL PUMP . . . . .	235
TRANSMISSION TEMPERATURE SENSOR . . . . .	205	INPUT CLUTCH ASSEMBLY . . . . .	238
SOLENOIDS . . . . .	205	4C RETAINER/BULKHEAD . . . . .	242
SOLENOID SWITCH VALVE . . . . .	205	PLANETARY GEAR SET . . . . .	244
<b>DIAGNOSIS AND TESTING</b>		LOW/REVERSE CLUTCH . . . . .	245
EFFECTS OF INCORRECT FLUID LEVEL . . . . .	205	<b>CLEANING AND INSPECTION</b>	
CAUSES OF BURNT FLUID . . . . .	206	VALVE BODY . . . . .	247
FLUID CONTAMINATION . . . . .	206	TRANSMISSION . . . . .	248
45RFE AUTOMATIC TRANSMISSION		LOW/REVERSE CLUTCH ASSEMBLY . . . . .	249
GENERAL DIAGNOSIS . . . . .	206	ACCUMULATOR . . . . .	249
PRELIMINARY DIAGNOSIS . . . . .	206	OIL PUMP AND REACTION SHAFT SUPPORT . . . . .	249
BRAKE TRANSMISSION SHIFT INTERLOCK . . . . .	207	PLANETARY GEARTRAIN . . . . .	249
GEARSHIFT CABLE . . . . .	207	<b>ADJUSTMENTS</b>	
ROAD TESTING . . . . .	207	BRAKE TRANSMISSION SHIFT INTERLOCK . . . . .	249
HYDRAULIC PRESSURE TEST . . . . .	208	GEARSHIFT CABLE . . . . .	250
AIR TESTING TRANSMISSION CLUTCH		<b>SCHEMATICS AND DIAGRAMS</b>	
OPERATION . . . . .	209	HYDRAULIC SCHEMATICS . . . . .	252
CONVERTER HOUSING FLUID LEAK		<b>SPECIFICATIONS</b>	
DIAGNOSIS . . . . .	210	TRANSMISSION . . . . .	271
<b>SERVICE PROCEDURES</b>		<b>SPECIAL TOOLS</b>	
FLUID LEVEL CHECK . . . . .	210	45RFE TRANSMISSION . . . . .	271



DESCRIPTION AND OPERATION

45RFE AUTOMATIC TRANSMISSION

DESCRIPTION

The 45RFE automatic transmission is a sophisticated, multi-range, electronically controlled transmission which combines optimized gear ratios for responsive performance, state of the art efficiency features and low NVH. Other features include driver adaptive shifting and three planetary gear sets to provide wide ratio capability with precise ratio steps for optimum driveability. The three planetary gear sets also make available a unique alternate second gear ratio. The primary 2nd gear ratio fits between 1st and 3rd gears for normal through-gear accelerations. The alternate second gear ratio (2 prime) allows smoother 4-2 kickdowns at high speeds to provide 2nd gear passing performance over a wider highway cruising range.

The hydraulic portion of the transmission consists of the transmission fluid, fluid passages, hydraulic valves, and various line pressure control components.

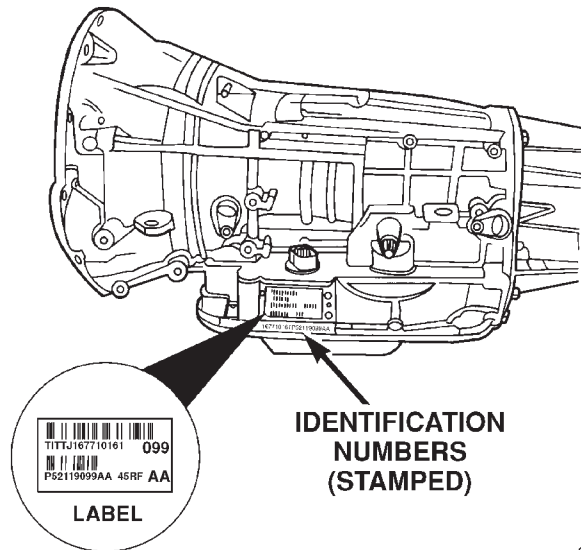
The primary mechanical components of the transmission consist of the following:

- Three multiple disc input clutches
- Three multiple disc holding clutches
- Five hydraulic accumulators
- Three planetary gear sets
- Dual Stage Hydraulic oil pump
- Valve body
- Solenoid pack

The TCM is the “heart” or “brain” of the electronic control system and relies on information from various direct and indirect inputs (sensors, switches, etc.) to determine driver demand and vehicle operating conditions. With this information, the TCM can calculate and perform timely and quality shifts through various output or control devices (solenoid pack, transmission control relay, etc.).

TRANSMISSION IDENTIFICATION

Transmission identification numbers are stamped on the left side of the case just above the oil pan gasket surface (Fig. 1). Refer to this information when ordering replacement parts. A label is attached to the transmission case above the stamped numbers. The label gives additional information which may also be necessary for identification purposes.



80b9a596

Fig. 1 Transmission Part And Serial Number Location

GEAR RATIOS

The 45RFE gear ratios are:

1st .....	3.00:1
2nd .....	1.67:1
2nd Prime .....	1.50:1
3rd .....	1.00:1
4th .....	0.75:1
Reverse .....	3.00:1

OPERATION

The 45RFE offers full electronic control of all automatic up and downshifts, and features real-time adaptive closed-loop shift and pressure control. Electronic shift and torque converter clutch controls help protect the transmission from damage due to high temperatures, which can occur under severe operating conditions. By altering shift schedules, line pressure, and converter clutch control, these controls reduce heat generation and increase transmission cooling.

To help reduce efficiency-robbing parasitic losses, the transmission includes a dual-stage transmission fluid pump with electronic output pressure control. Under most driving conditions, pump output pressure greatly exceeds that which is needed to keep the clutches applied. The 45RFE pump-pressure control system monitors input torque and adjusts the pump pressure accordingly. The primary stage of the pump works continuously; the second stage is bypassed when demand is low. The control system also monitors input and output speed and, if incipient clutch slip is observed, the pressure control solenoid duty cycle is varied, increasing pressure in proportion to demand.

## DESCRIPTION AND OPERATION (Continued)

A high-travel torque converter damper assembly allow earlier torque converter clutch engagement to reduce slippage. Needle-type thrust bearings reduce internal friction. The 45RFE is packaged in a one-piece die-cast aluminum case. To reduce NVH, the case has high lateral, vertical and torsional stiffness. It is also designed to maximize the benefit of the structural dust cover that connects the bottom of the bell housing to the engine bedplate, enhancing overall power train stiffness. Dual filters protect the pump and other components. A pump return filter is added to the customary main sump filter. Independent lubrication and cooler circuits assure ample pressure for normal transmission operation even if the cooler is obstructed or the fluid cannot flow due to extremely low temperatures.

The hydraulic control system design (without electronic assist) provides the transmission with PARK, REVERSE, NEUTRAL, SECOND, and THIRD gears, based solely on driver shift lever selection. This design allows the vehicle to be driven (in "limp-in" mode) in the event of a electronic control system failure, or a situation that the Transmission Control Module (TCM) recognizes as potentially damaging to the transmission.

The TCM also performs certain self-diagnostic functions and provides comprehensive information (sensor data, DTC's, etc.) which is helpful in proper diagnosis and repair. This information can be viewed with the DRB scan tool.

## FLUID

**NOTE: Refer to the maintenance schedules in Group 0, Lubrication and Maintenance for the recommended maintenance (fluid/filter change) intervals for this transmission.**

**NOTE: Refer to Service Procedures in this group for fluid level checking procedures.**

## DESCRIPTION

Mopar® ATF Plus 3, Type 7176, automatic transmission fluid is the recommended fluid for DaimlerChrysler automatic transmissions.

**Dexron II fluid IS NOT recommended. Clutch chatter can result from the use of improper fluid.**

Mopar® ATF Plus 3, Type 7176, automatic transmission fluid when new is red in color. The ATF is dyed red so it can be identified from other fluids used in the vehicle such as engine oil or antifreeze. The red color is not permanent and is not an indicator of fluid condition. As the vehicle is driven, the ATF will begin to look darker in color and may eventually

become brown. **This is normal.** A dark brown/black fluid accompanied with a burnt odor and/or deterioration in shift quality may indicate fluid deterioration or transmission component failure.

## FLUID ADDITIVES

DaimlerChrysler strongly recommends against the addition of any fluids to the transmission, other than those automatic transmission fluids listed above. Exceptions to this policy are the use of special dyes to aid in detecting fluid leaks.

Various "special" additives and supplements exist that claim to improve shift feel and/or quality. These additives and others also claim to improve converter clutch operation and inhibit overheating, oxidation, varnish, and sludge. These claims have not been supported to the satisfaction of DaimlerChrysler and these additives **must not be used**. The use of transmission "sealers" should also be avoided, since they may adversely affect the integrity of transmission seals.

## OPERATION

The automatic transmission fluid is selected based upon several qualities. The fluid must provide a high level of protection for the internal components by providing a lubricating film between adjacent metal components. The fluid must also be thermally stable so that it can maintain a consistent viscosity through a large temperature range. If the viscosity stays constant through the temperature range of operation, transmission operation and shift feel will remain consistent. Transmission fluid must also be a good conductor of heat. The fluid must absorb heat from the internal transmission components and transfer that heat to the transmission case.

## TORQUE CONVERTER

### DESCRIPTION

The torque converter (Fig. 2) is a hydraulic device that couples the engine crankshaft to the transmission. The torque converter consists of an outer shell with an internal turbine, a stator, an overrunning clutch, an impeller and an electronically applied converter clutch. The converter clutch provides reduced engine speed and greater fuel economy when engaged. Clutch engagement also provides reduced transmission fluid temperatures. The converter clutch engages in third gear. The torque converter hub drives the transmission oil (fluid) pump and contains an o-ring seal to better control oil flow.

The torque converter is a sealed, welded unit that is not repairable and is serviced as an assembly.

DESCRIPTION AND OPERATION (Continued)

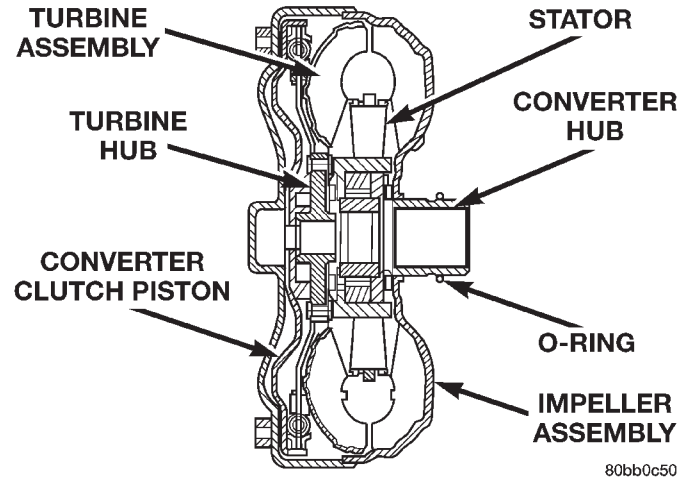
**CAUTION:** The torque converter must be replaced if a transmission failure resulted in large amounts of metal or fiber contamination in the fluid. If the fluid is contaminated, flush the fluid cooler and lines.

**IMPELLER**

The impeller (Fig. 3) is an integral part of the converter housing. The impeller consists of curved blades placed radially along the inside of the housing on the transmission side of the converter. As the converter housing is rotated by the engine, so is the impeller, because they are one and the same and are the driving member of the system.

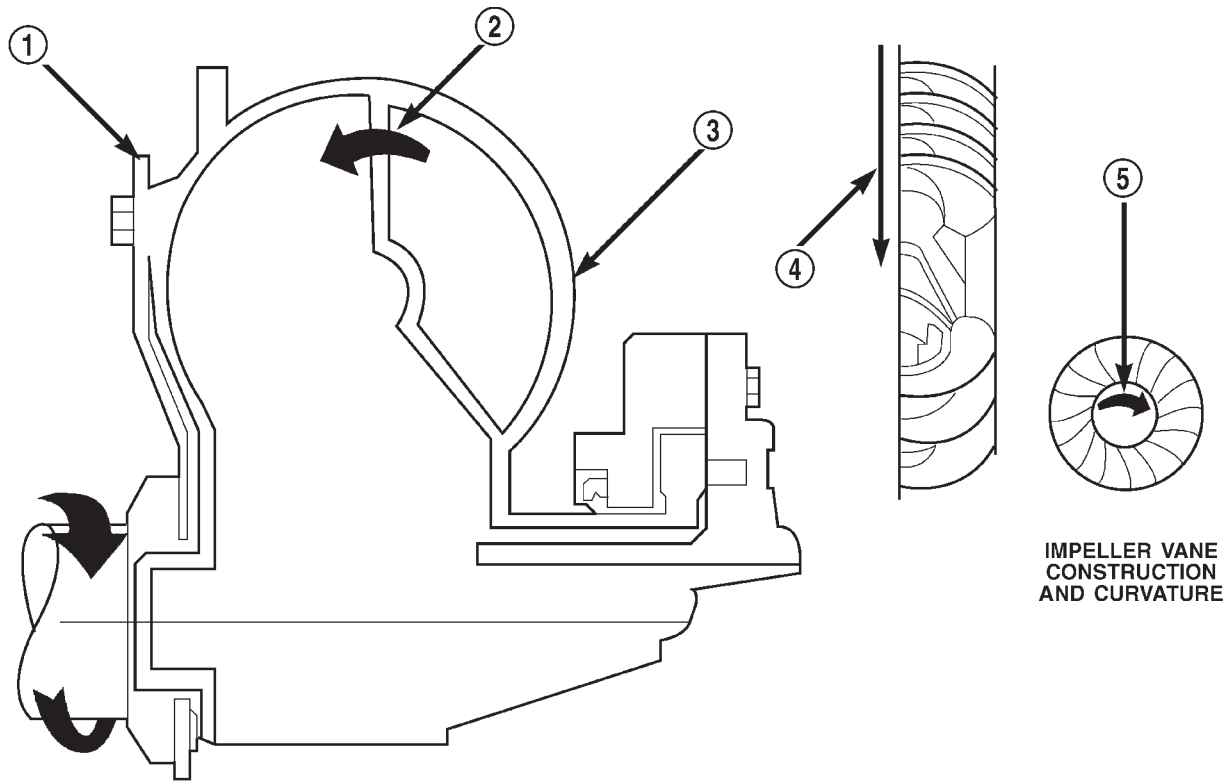
**TURBINE**

The turbine (Fig. 4) is the output, or driven, member of the converter. The turbine is mounted within the housing opposite the impeller, but is not attached to the housing. The input shaft is inserted through the center of the impeller and splined into the turbine. The design of the turbine is similar to the



**Fig. 2 Torque Converter Assembly**

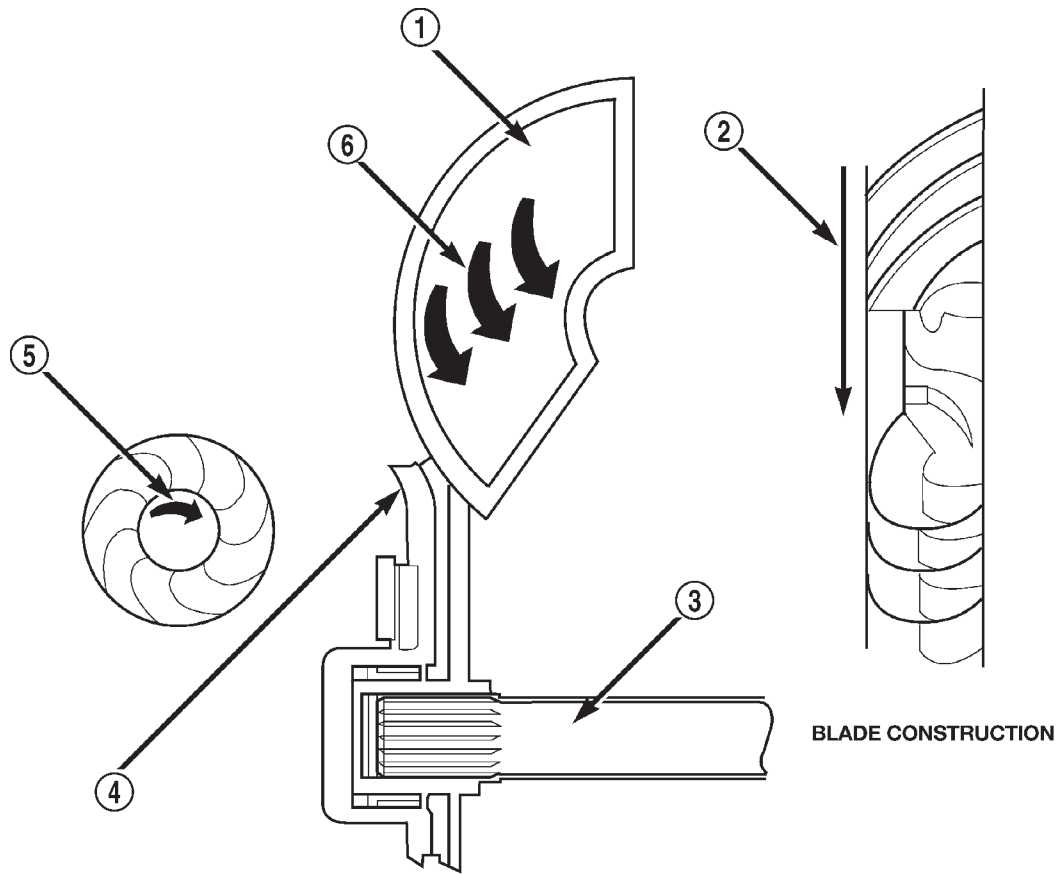
impeller, except the blades of the turbine are curved in the opposite direction.



**Fig. 3 Impeller**

- 1 - ENGINE FLEXPLATE
- 2 - OIL FLOW FROM IMPELLER SECTION INTO TURBINE SECTION
- 3 - IMPELLER VANES AND COVER ARE INTEGRAL
- 4 - ENGINE ROTATION
- 5 - ENGINE ROTATION

DESCRIPTION AND OPERATION (Continued)



80bfe26b

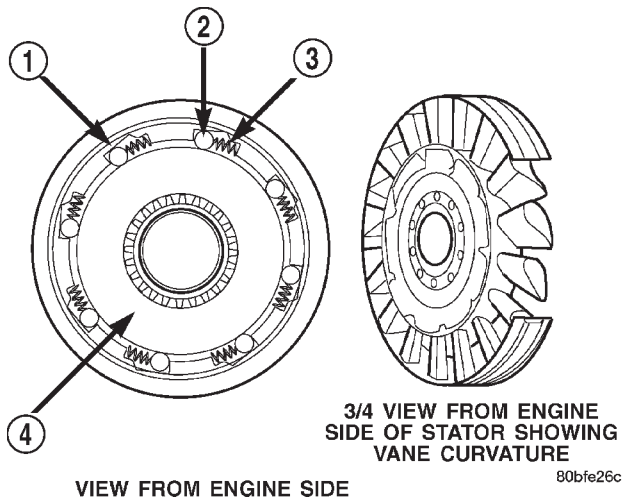
**Fig. 4 Turbine**

- 1 - TURBINE VANE
- 2 - ENGINE ROTATION
- 3 - INPUT SHAFT
- 4 - PORTION OF TORQUE CONVERTER COVER
- 5 - ENGINE ROTATION
- 6 - OIL FLOW WITHIN TURBINE SECTION

DESCRIPTION AND OPERATION (Continued)

STATOR

The stator assembly (Fig. 5) is mounted on a stationary shaft which is an integral part of the oil pump. The stator is located between the impeller and turbine within the torque converter case (Fig. 6). The stator contains an over-running clutch, which allows the stator to rotate only in a clockwise direction. When the stator is locked against the over-running clutch, the torque multiplication feature of the torque converter is operational.



**Fig. 5 Stator Components**

- 1 - CAM (OUTER RACE)
- 2 - ROLLER
- 3 - SPRING
- 4 - INNER RACE

TORQUE CONVERTER CLUTCH (TCC)

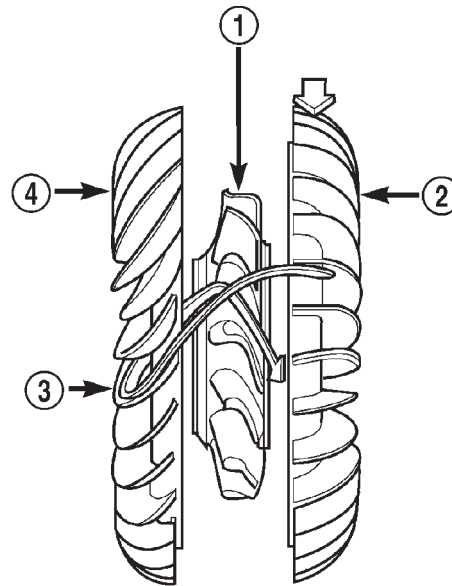
The TCC (Fig. 7) was installed to improve the efficiency of the torque converter that is lost to the slippage of the fluid coupling. Although the fluid coupling provides smooth, shock-free power transfer, it is natural for all fluid couplings to slip. If the impeller and turbine were mechanically locked together, a zero slippage condition could be obtained. A hydraulic piston was added to the turbine, and a friction material was added to the inside of the front cover to provide this mechanical lock-up.

OPERATION

The converter impeller (Fig. 8) (driving member), which is integral to the converter housing and bolted to the engine drive plate, rotates at engine speed. The converter turbine (driven member), which reacts from fluid pressure generated by the impeller, rotates and turns the transmission input shaft.

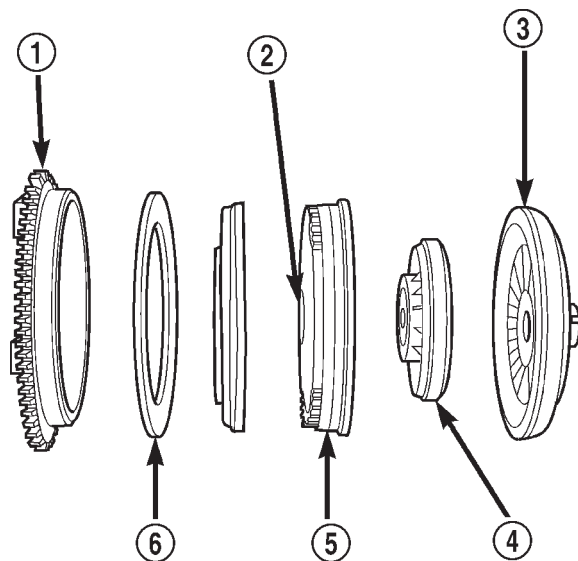
TURBINE

As the fluid that was put into motion by the impeller blades strikes the blades of the turbine, some of



**Fig. 6 Stator Location**

- 1 - STATOR
- 2 - IMPELLER
- 3 - FLUID FLOW
- 4 - TURBINE



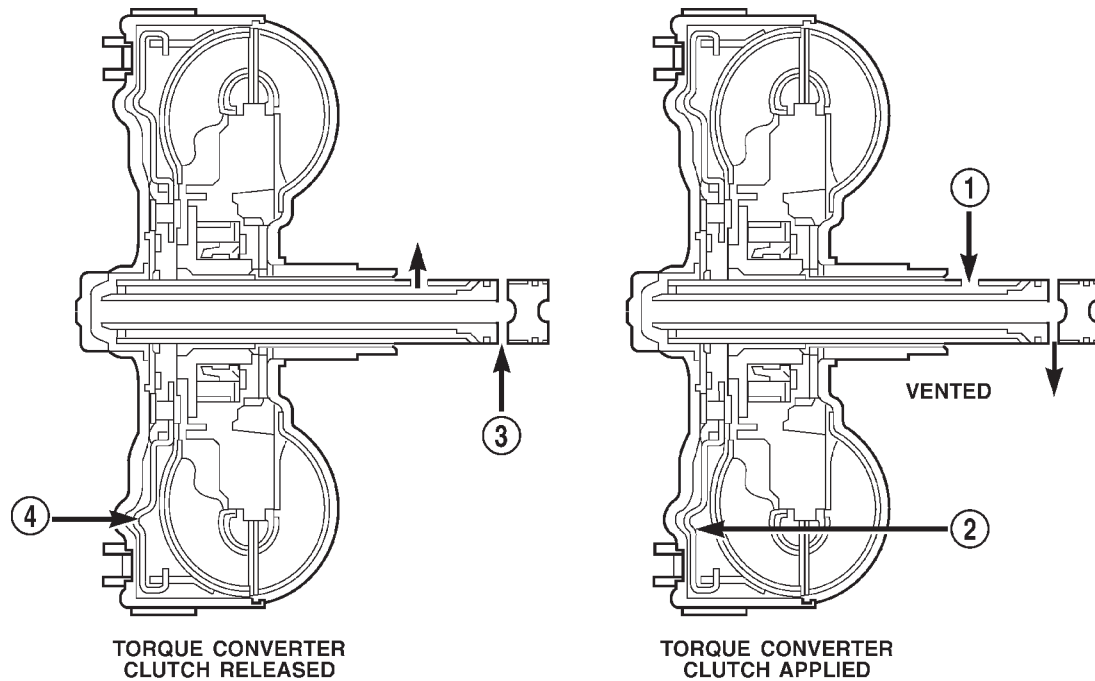
**Fig. 7 Torque Converter Clutch (TCC)**

- 1 - IMPELLER FRONT COVER
- 2 - THRUST WASHER ASSEMBLY
- 3 - IMPELLER
- 4 - STATOR
- 5 - TURBINE
- 6 - FRICTION DISC

80bfe26c

80bfe26f

DESCRIPTION AND OPERATION (Continued)



80bfe276

**Fig. 8 Torque Converter Fluid Operation**

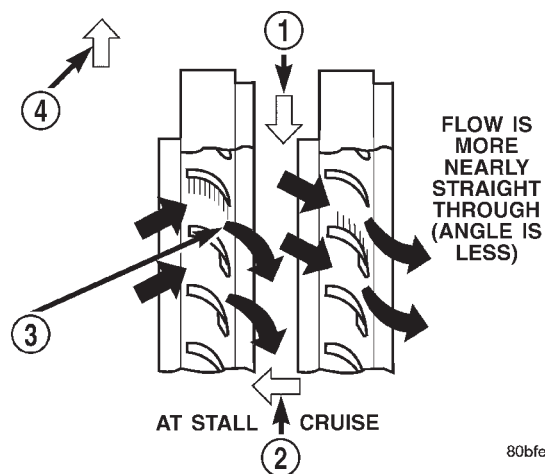
- |                                       |  |
|---------------------------------------|--|
| 1 - APPLY PRESSURE                    | 3 - RELEASE PRESSURE                   |
| 2 - THE PISTON MOVES SLIGHTLY FORWARD | 4 - THE PISTON MOVES SLIGHTLY REARWARD |

the energy and rotational force is transferred into the turbine and the input shaft. This causes both of them (turbine and input shaft) to rotate in a clockwise direction following the impeller. As the fluid is leaving the trailing edges of the turbine's blades it continues in a "hindering" direction back toward the impeller. If the fluid is not redirected before it strikes the impeller, it will strike the impeller in such a direction that it would tend to slow it down.

**STATOR**

Torque multiplication is achieved by locking the stator's over-running clutch to its shaft (Fig. 9). Under stall conditions (the turbine is stationary), the oil leaving the turbine blades strikes the face of the stator blades and tries to rotate them in a counter-clockwise direction. When this happens the over-running clutch of the stator locks and holds the stator from rotating. With the stator locked, the oil strikes the stator blades and is redirected into a "helping" direction before it enters the impeller. This circulation of oil from impeller to turbine, turbine to stator, and stator to impeller, can produce a maximum torque multiplication of about 2.4:1. As the turbine begins to match the speed of the impeller, the fluid that was hitting the stator in such a way as to cause it to lock-up is no longer doing so. In this con-

dition of operation, the stator begins to free wheel and the converter acts as a fluid coupling.



80bfe26e

**Fig. 9 Stator Operation**

- |  |
|--|
| 1 - DIRECTION STATOR WILL FREE WHEEL DUE TO OIL PUSHING ON BACKSIDE OF VANES |
| 2 - FRONT OF ENGINE  |
| 3 - INCREASED ANGLE AS OIL STRIKES VANES                                     |
| 4 - DIRECTION STATOR IS LOCKED UP DUE TO OIL PUSHING AGAINST STATOR VANES    |



## DESCRIPTION AND OPERATION (Continued)

## TORQUE CONVERTER CLUTCH (TCC)

In a standard torque converter, the impeller and turbine are rotating at about the same speed and the stator is freewheeling, providing no torque multiplication. By applying the turbine's piston to the front cover's friction material, a total converter engagement can be obtained. The result of this engagement is a direct 1:1 mechanical link between the engine and the transmission.

Converter clutch engagement in third or fourth gear range is controlled by sensor inputs to the powertrain control module. Inputs that determine clutch engagement are: coolant temperature, engine rpm, vehicle speed, throttle position, and manifold vacuum. The torque converter clutch is engaged by the clutch solenoid on the valve body. The clutch can be engaged in third and fourth gear ranges depending on overdrive control switch position. If the overdrive control switch is in the normal ON position, the clutch will engage after the shift to fourth gear, and above approximately 72 km/h (45 mph). If the control switch is in the OFF position, the clutch will engage after the shift to third gear, at approximately 56 km/h (35 mph) at light throttle.

## ELECTRONICALLY MODULATED CONVERTER CLUTCH ENGAGEMENT

## DESCRIPTION

In order to reduce heat build-up in the transmission and buffer the powertrain against torsional vibrations, the TCM can duty cycle the L/R-CC Solenoid to achieve a smooth application of the torque converter clutch. This function, referred to as Electronically Modulated Converter Clutch (EMCC) can occur at various times depending on the following variables:

- Shift lever position
- Current gear range
- Transmission fluid temperature
- Engine coolant temperature
- Input speed
- Throttle angle
- Engine speed

## OPERATION

The TCM controls the torque converter by way of internal logic software. The programming of the software provides the TCM with control over the L/R-CC Solenoid. There are four output logic states that can be applied as follows:

- No EMCC
- Partial EMCC
- Full EMCC
- Gradual-to-no EMCC

## NO EMCC

Under No EMCC conditions, the L/R Solenoid is OFF. There are several conditions that can result in NO EMCC operations. No EMCC can be initiated due to a fault in the transmission or because the TCM does not see the need for EMCC under current driving conditions.

## PARTIAL EMCC

Partial EMCC operation modulates the L/R Solenoid (duty cycle) to obtain partial torque converter clutch application. Partial EMCC operation is maintained until Full EMCC is called for and actuated. During Partial EMCC some slip does occur. Partial EMCC will usually occur at low speeds, low load and light throttle situations.

## FULL EMCC

During Full EMCC operation, the TCM increases the L/R Solenoid duty cycle to full ON after Partial EMCC control brings the engine speed within the desired slip range of transmission input speed relative to engine rpm.

## GRADUAL-TO-NO EMCC

This operation is to soften the change from Full or Partial EMCC to No EMCC. This is done at mid-throttle by decreasing the L/R Solenoid duty cycle.

## OIL PUMP

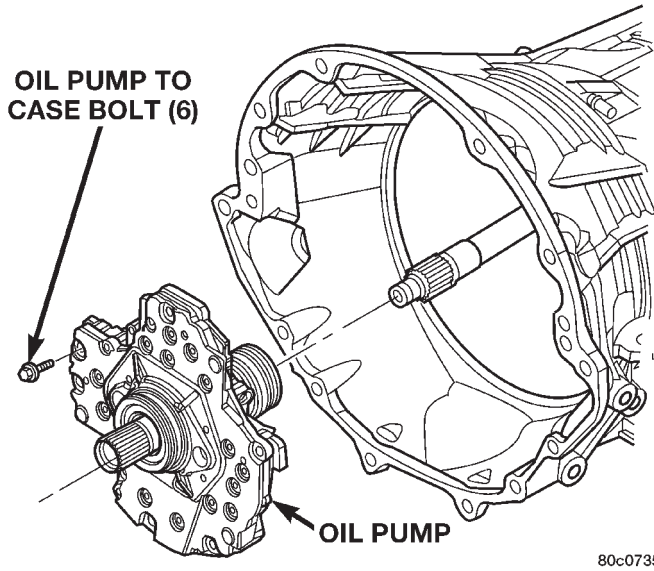
## DESCRIPTION

The oil pump (Fig. 10) is located at the front of the transmission inside the bell housing and behind the transmission front cover. The oil pump consists of two independent pumps (Fig. 11), a number of valves (Fig. 12), a front seal (Fig. 13), and a bolt on reaction shaft. The converter clutch switch and regulator valves, pressure regulator valve, and converter pressure limit valve are all located in the oil pump housing.

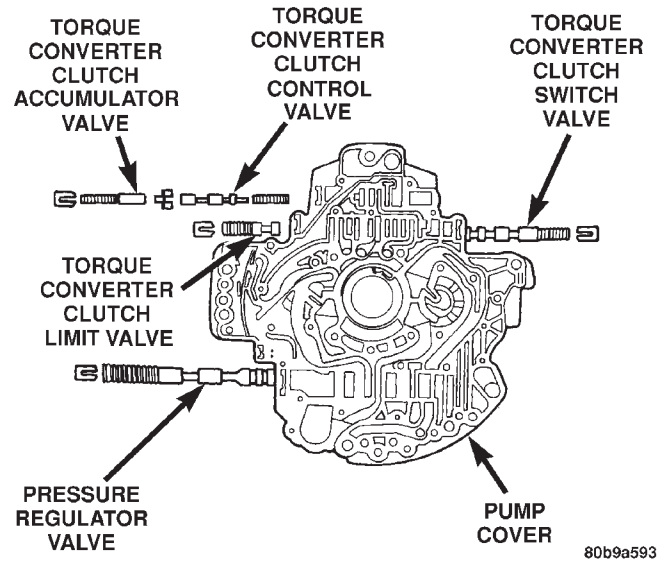
## OPERATION

As the torque converter rotates, the converter hub rotates the oil pump drive gear. As the drive gear rotates both driven gears, the clearance between the gear teeth increases in the crescent area, and creates a suction at the inlet side of the pump. This suction draws fluid through the pump inlet from the oil pan. As the clearance between the gear teeth in the crescent area decreases, it forces pressurized fluid into the pump outlet and to the oil pump valves.

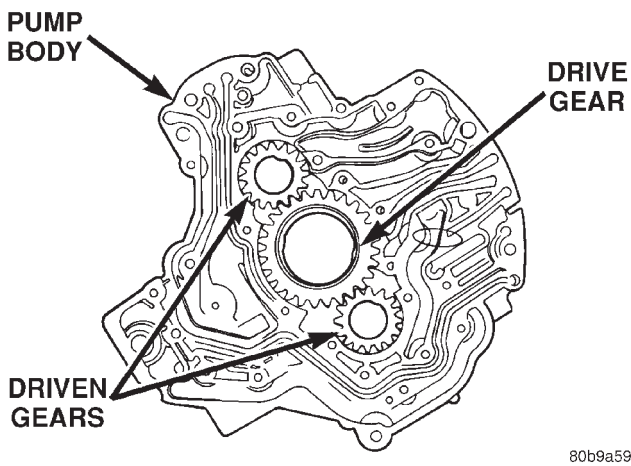
DESCRIPTION AND OPERATION (Continued)



**Fig. 10 Oil Pump**



**Fig. 12 Oil Pump Valves**



**Fig. 11 Oil Pump Gears**

At low speeds, both pumps supply fluid to the transmission. As the speed of the torque converter increases, the pressure output of both pumps increases until the primary pump pressure reaches the point where it can close off the check valve located between the two pumps. When the check valve is closed, the secondary pump is shut down and the primary pump supplies all the fluid to the transmission.

**CONVERTER CLUTCH SWITCH VALVE**

The converter clutch switch valve is used to control the hydraulic pressure supplied to the front (OFF) side of the torque converter clutch.

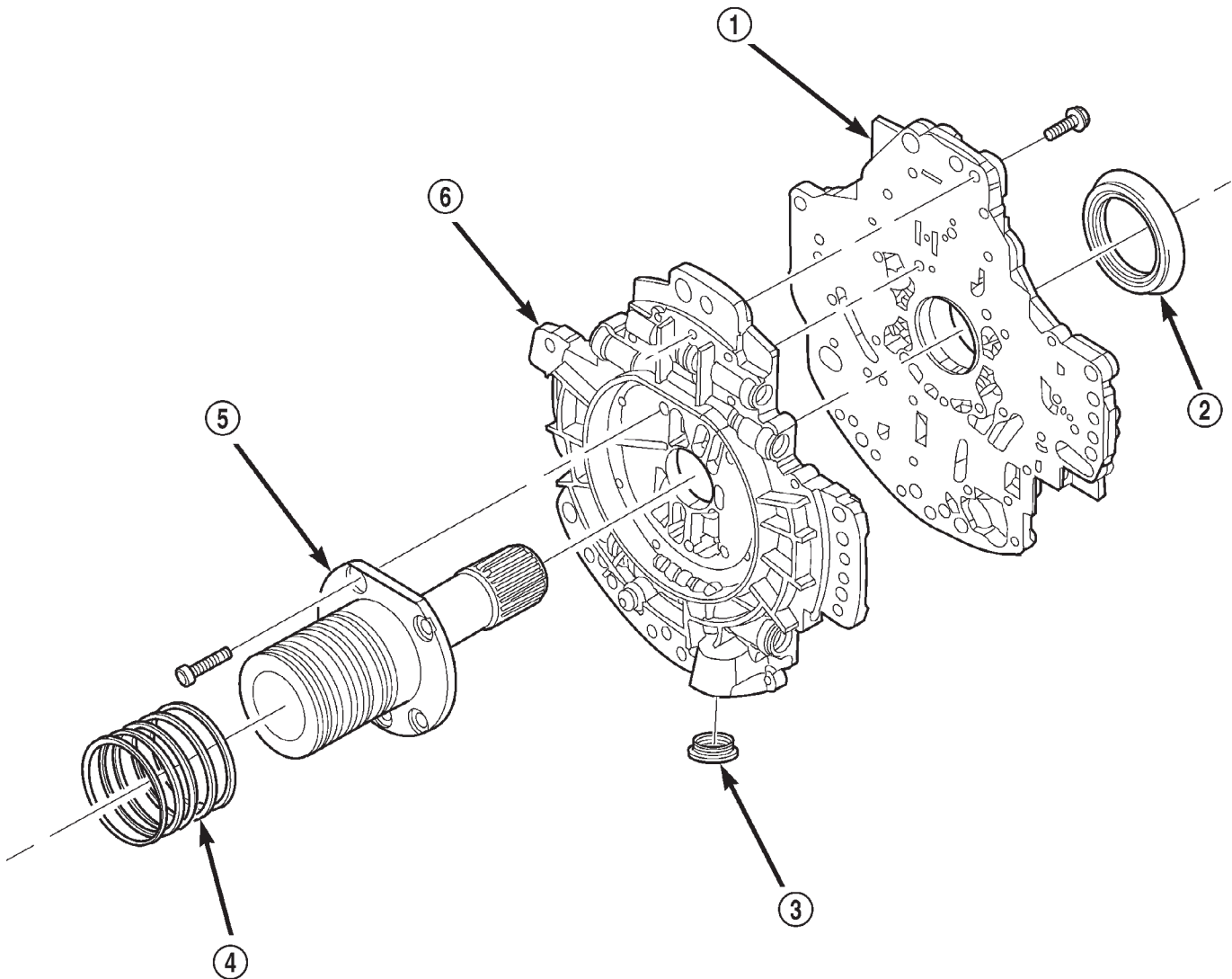
**CONVERTER CLUTCH REGULATOR VALVE**

The converter clutch regulator valve is used to control the hydraulic pressure supplied to the back (ON) side of the torque converter clutch.

**TORQUE CONVERTER LIMIT VALVE**

The torque converter limit valve serves to limit the available line pressure to the torque converter clutch to approximately 120 psi.

## DESCRIPTION AND OPERATION (Continued)



80c07011

**Fig. 13 Oil Pump Reaction Shaft and Seal**

## VALVE BODY

### DESCRIPTION

The valve body consists of a cast aluminum valve body, a separator plate, and a transfer plate. The valve body contains valves and check balls that control fluid delivery to the torque converter clutch, bands, and frictional clutches. The valve body contains the following components (Fig. 14) and (Fig. 15):

- Solenoid switch valve
- Manual valve
- Low/reverse switch valve
- 5 Accumulators
- 7 check balls

## OPERATION

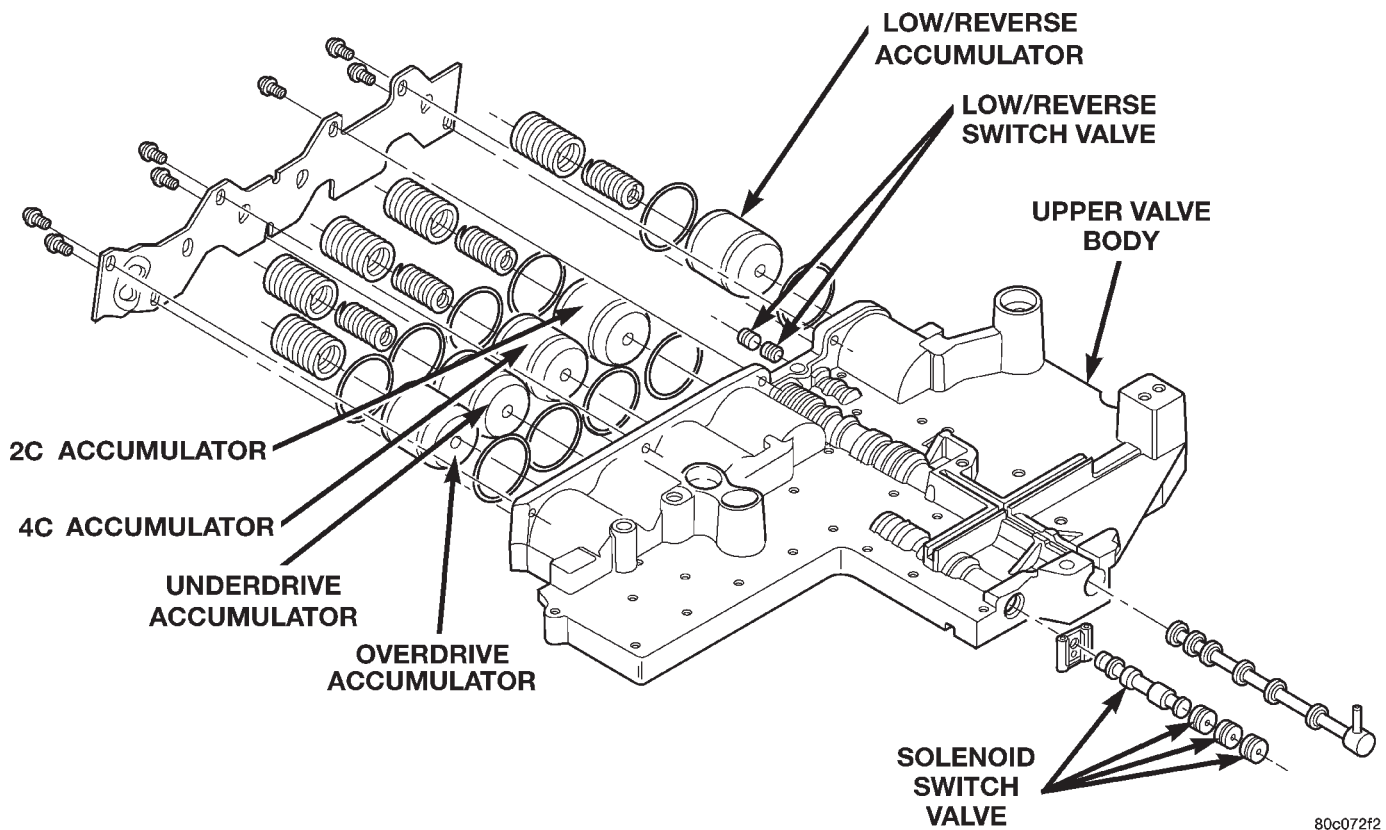
**NOTE:** Refer to the Hydraulic Schematics for a visual aid in determining valve location, operation and design.

### SOLENOID SWITCH VALVE

The Solenoid Switch Valve (SSV) controls the direction of the transmission fluid when the L/R-TCC solenoid is energized.

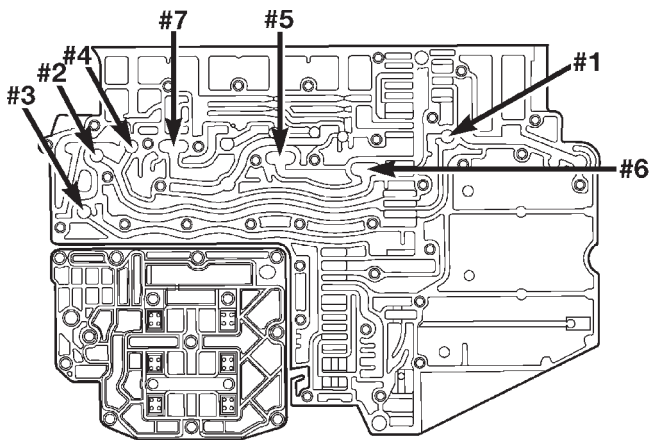
The Solenoid Switch Valve controls line pressure from the LR-TCC solenoid. In 1st gear, the SSV will be in the downshifted position, thus directing fluid to the L/R clutch circuit. In 2nd, 3rd, and 4th, it will be in the upshifted position and directs the fluid into the torque converter clutch (TCC) circuit.

DESCRIPTION AND OPERATION (Continued)



80c072f2

**Fig. 14 Valve Body Components**



80c072f1

**Fig. 15 Check Ball Locations**

When shifting into 1st gear, a special hydraulic sequence is performed to ensure SSV movement into the downshifted position. The L/R pressure switch is monitored to confirm SSV movement. If the movement is not confirmed (the L/R pressure switch does not close), 2nd gear is substituted for 1st. A DTC will be set after three unsuccessful attempts are made to get into 1st gear in one given key start.

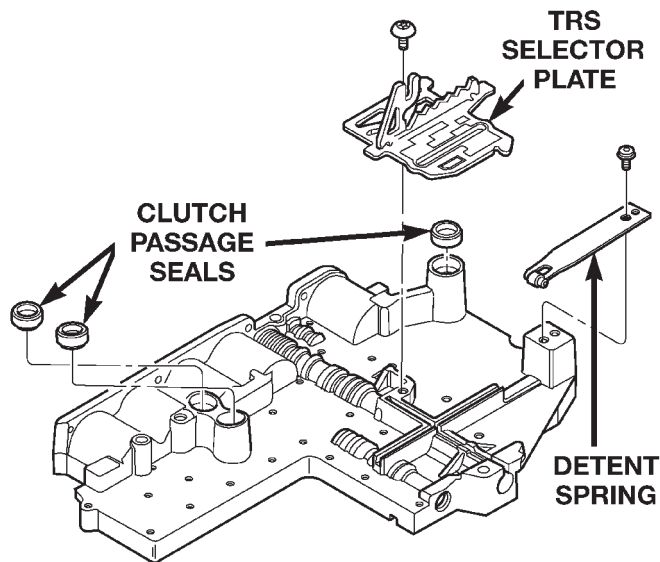
**MANUAL VALVE**

The manual valve is a relay valve. The purpose of the manual valve is to direct fluid to the correct circuit needed for a specific gear or driving range. The manual valve, as the name implies, is manually operated by the driver with a lever located on the top of the valve body. The valve is connected mechanically by a cable to the gearshift mechanism. The valve is held in each of its positions by a roller detent spring (Fig. 16) that engages the “roostercomb” of the TRS selector plate.

**LOW/REVERSE SWITCH VALVE**

Allows the low/reverse clutch to be operated by either the LR/CC solenoid or the MS solenoid.

## DESCRIPTION AND OPERATION (Continued)



80c072f3

Fig. 16 TRS Selector Plate and Detent Spring

## PISTONS

## DESCRIPTION

There are several sizes and types of pistons used in an automatic transmission. Some pistons are used to apply clutches, while others are used to apply bands. They all have in common the fact that they are round or circular in shape, located within a smooth walled cylinder, which is closed at one end and converts fluid pressure into mechanical movement. The fluid pressure exerted on the piston is contained within the system through the use of piston rings or seals.

## OPERATION

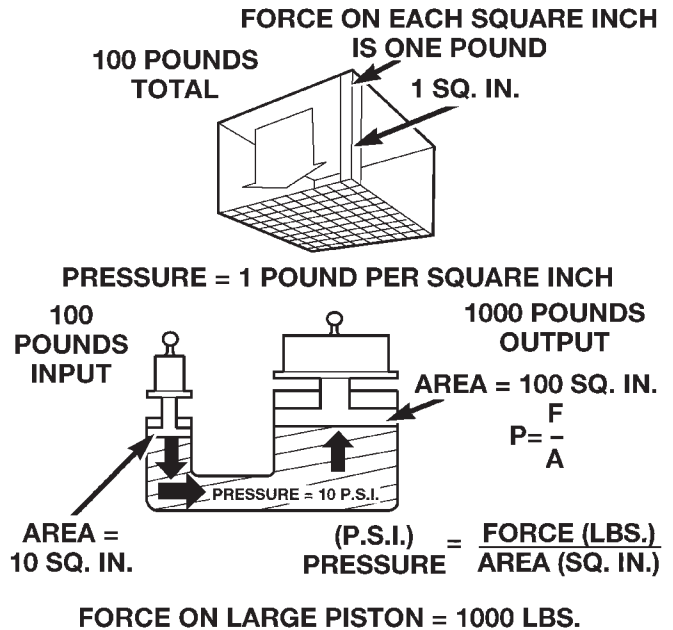
The principal which makes this operation possible is known as Pascal's Law. Pascal's Law can be stated as: "Pressure on a confined fluid is transmitted equally in all directions and acts with equal force on equal areas".

## PRESSURE

Pressure (Fig. 17) is nothing more than force (lbs.) divided by area (in. or ft.), or force per unit area. Given a 100 lb. block and an area of 100 sq. in. on the floor, the pressure exerted by the block is: 100 lbs. / 100 in. or 1 pound per square inch, or PSI as it is commonly referred to.

## PRESSURE ON A CONFINED FLUID

Pressure is exerted on a confined fluid (Fig. 18) by applying a force to some given area in contact with the fluid. A good example of this is a cylinder filled



80bfe272

Fig. 17 Force and Pressure Relationship

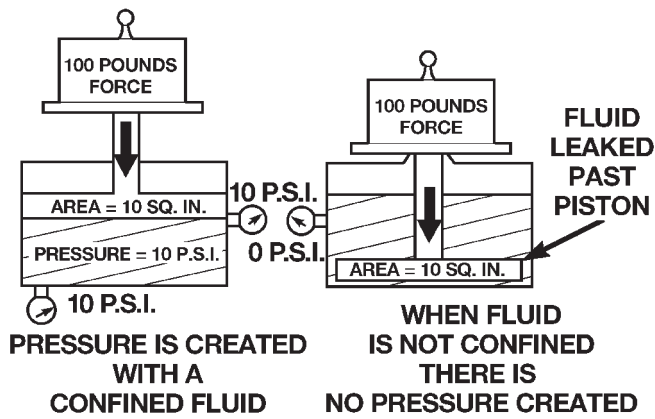
with fluid and equipped with a piston that is closely fitted to the cylinder wall. If a force is applied to the piston, pressure will be developed in the fluid. Of course, no pressure will be created if the fluid is not confined. It will simply "leak" past the piston. There must be a resistance to flow in order to create pressure. Piston sealing is extremely important in hydraulic operation. Several kinds of seals are used to accomplish this within a transmission. These include but are not limited to O-rings, D-rings, lip seals, sealing rings, or extremely close tolerances between the piston and the cylinder wall. The force exerted is downward (gravity), however, the principle remains the same no matter which direction is taken. The pressure created in the fluid is equal to the force applied, divided by the piston area. If the force is 100 lbs., and the piston area is 10 sq. in., then the pressure created equals 10 PSI. Another interpretation of Pascal's Law is that regardless of container shape or size, the pressure will be maintained throughout, as long as the fluid is confined. In other words, the pressure in the fluid is the same everywhere within the container.

## FORCE MULTIPLICATION

Using the 10 PSI example used in the illustration (Fig. 19), a force of 1000 lbs. can be moved with a force of only 100 lbs. The secret of force multiplication in hydraulic systems is the total fluid contact area employed. The illustration, (Fig. 19), shows an area that is ten times larger than the original area. The pressure created with the smaller 100 lb. input is 10 PSI. The concept "pressure is the same every-



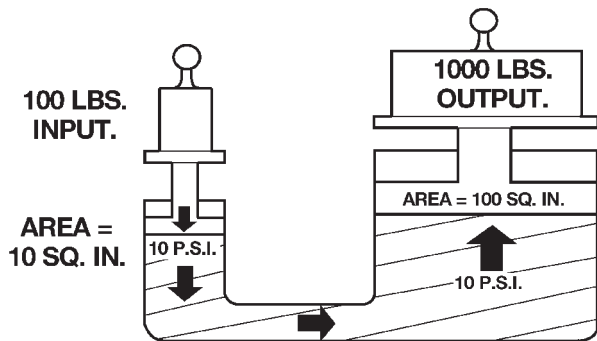
DESCRIPTION AND OPERATION (Continued)



80bfe273

**Fig. 18 Pressure on a Confined Fluid**

where” means that the pressure underneath the larger piston is also 10 PSI. Pressure is equal to the force applied divided by the contact area. Therefore, by means of simple algebra, the output force may be found. This concept is extremely important, as it is also used in the design and operation of all shift valves and limiting valves in the valve body, as well as the pistons, of the transmission, which activate the clutches and bands. It is nothing more than using a difference of area to create a difference in pressure to move an object.

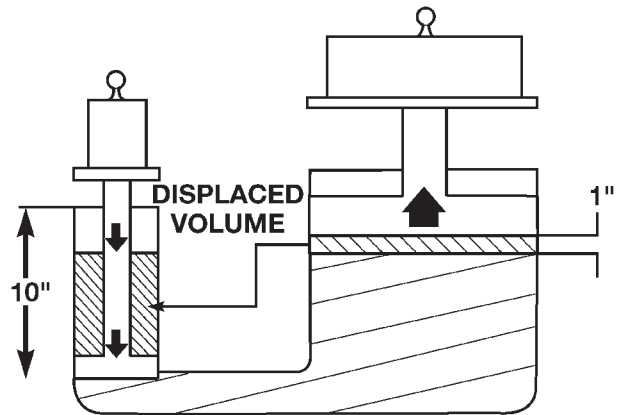


80bfe274

**Fig. 19 Force Multiplication**

**PISTON TRAVEL**

The relationship between hydraulic lever and a mechanical lever is the same. With a mechanical lever it's a weight-to-distance output rather than a pressure-to-area output. Using the same forces and areas as in the previous example, the smaller piston (Fig. 20) has to move ten times the distance required to move the larger piston one inch. Therefore, for every inch the larger piston moves, the smaller piston moves ten inches. This principle is true in other instances also. A common garage floor jack is a good example. To raise a car weighing 2000 lbs., an effort of only 100 lbs. may be required. For every inch the car moves upward, the input piston at the jack handle must move 20 inches downward.

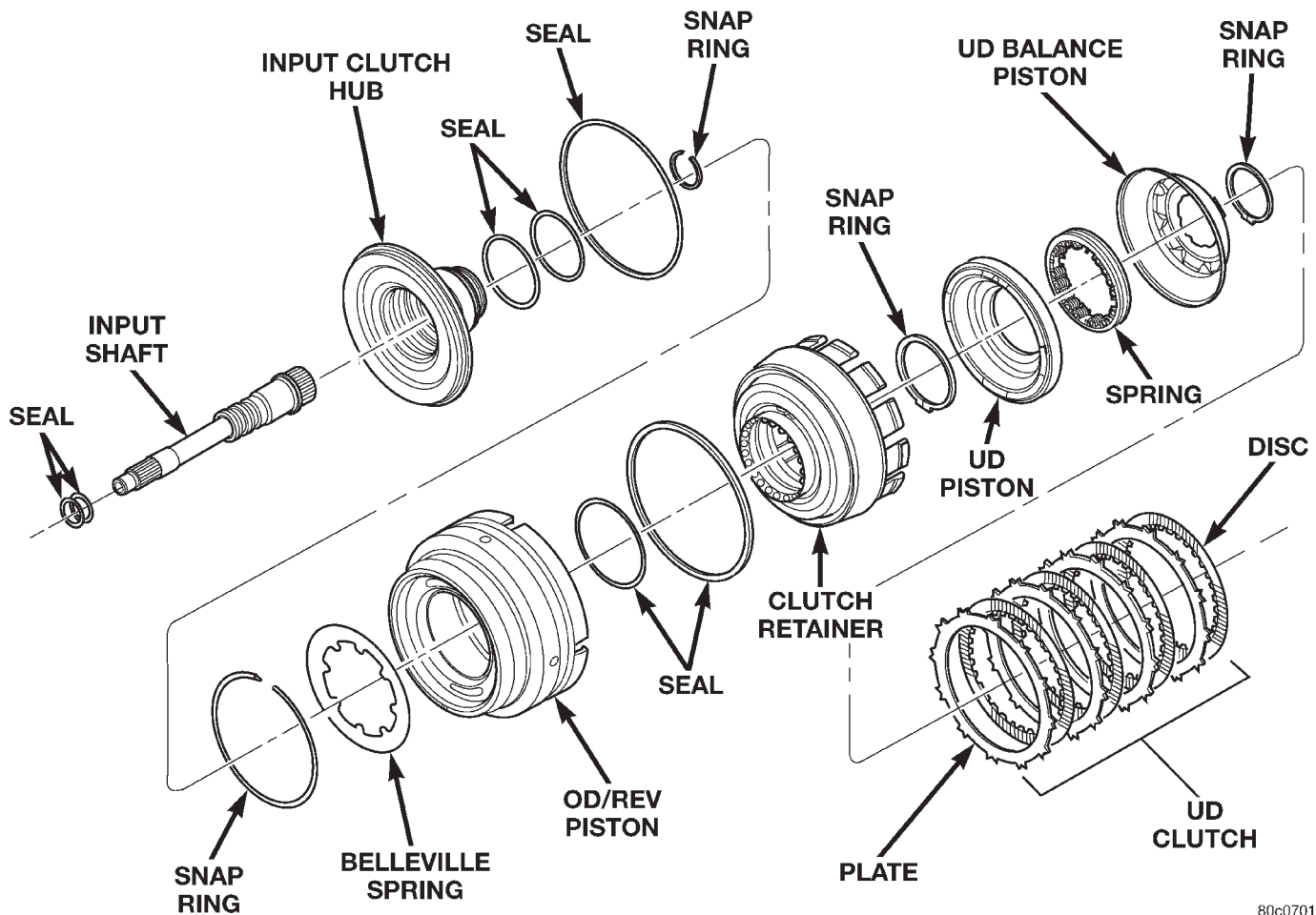


80bfe275

**Fig. 20 Piston Travel**



## DESCRIPTION AND OPERATION (Continued)



80c07013

*Fig. 21 Input Clutch Assembly-Part 1*

## INPUT CLUTCHES

### DESCRIPTION

Three hydraulically applied input clutches are used to drive planetary components. The underdrive, overdrive, and reverse clutches are considered input clutches and are contained within the input clutch assembly (Fig. 21) and (Fig. 22). The input clutch assembly also contains:

- Input shaft
- Input hub
- Clutch retainer
- Underdrive piston
- Overdrive/reverse piston
- Overdrive hub
- Underdrive hub

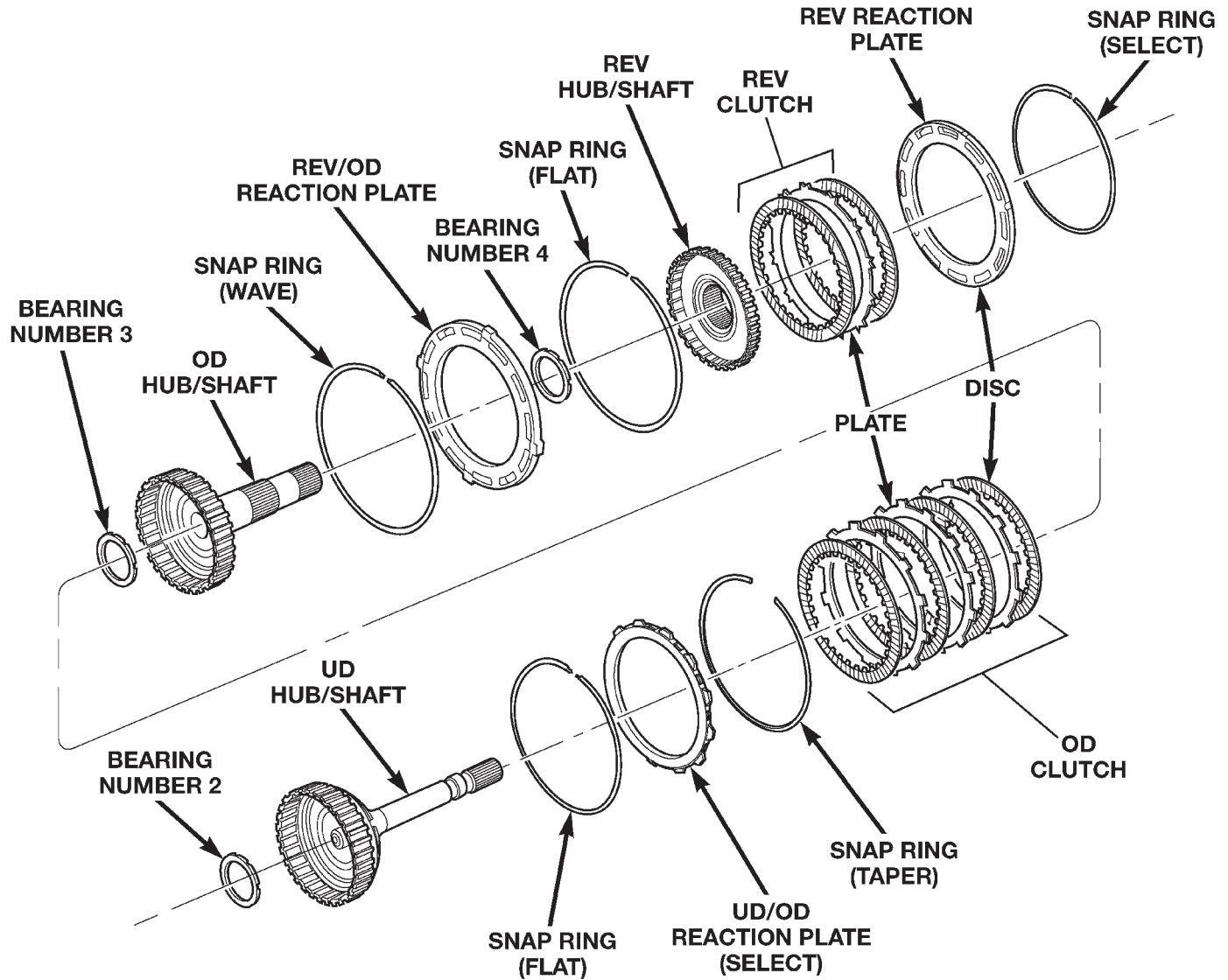
### OPERATION

The three input clutches are responsible for driving different components of the planetary geartrain.

#### UNDERDRIVE CLUTCH

The underdrive clutch is hydraulically applied in first, second, and third (direct) gears by pressurized fluid against the underdrive piston. When the underdrive clutch is applied, the underdrive hub drives the input sun gear.

DESCRIPTION AND OPERATION (Continued)



80c07014

**Fig. 22 Input Clutch Assembly-Part 2**

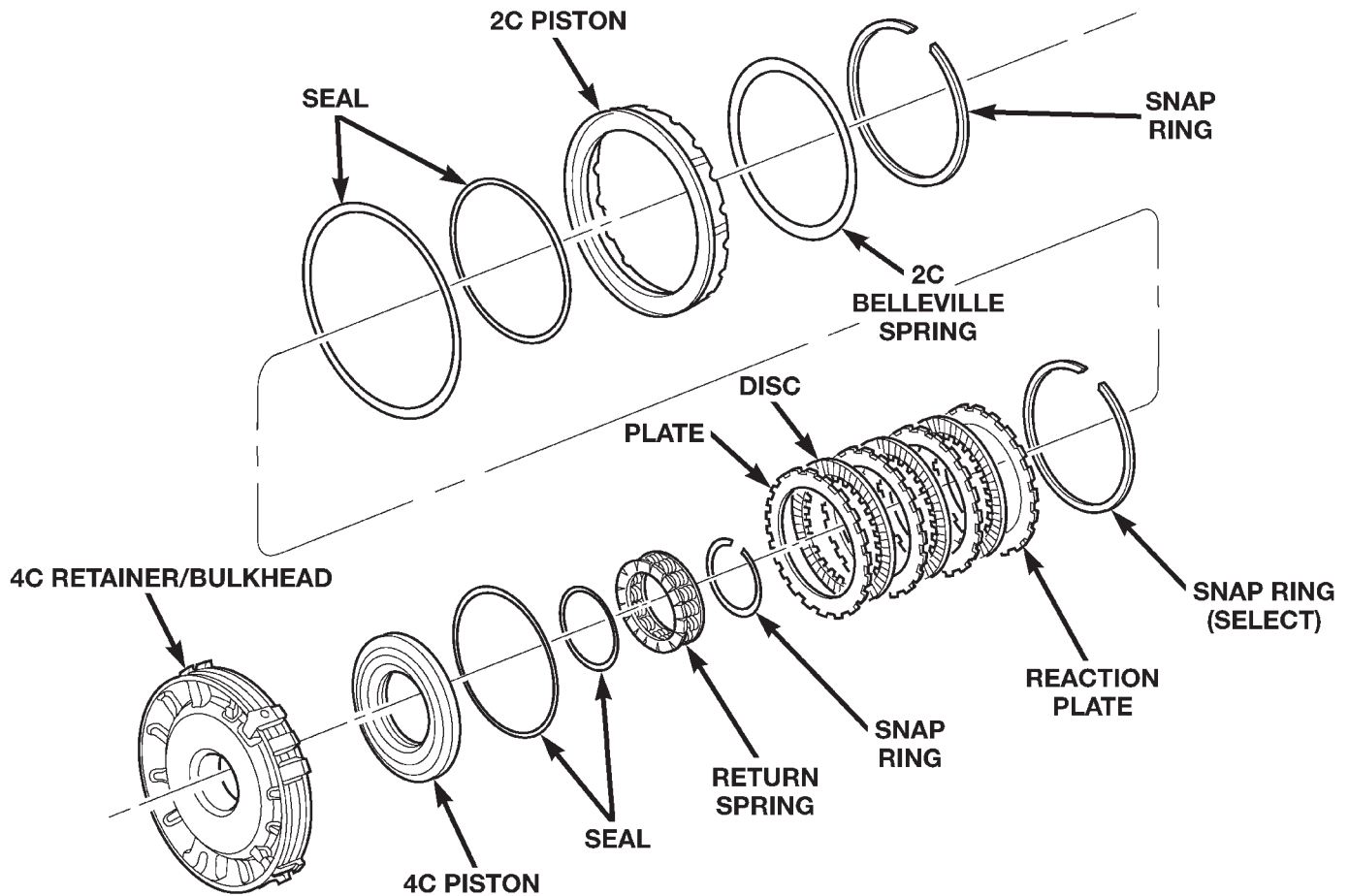
**OVERDRIVE CLUTCH**

The overdrive clutch is hydraulically applied in third (direct) and overdrive gears by pressurized fluid against the overdrive/reverse piston. When the overdrive clutch is applied, the overdrive hub drives the reverse carrier/input annulus assembly.

**REVERSE CLUTCH**

The reverse clutch is hydraulically applied in reverse gear by pressurized fluid against the overdrive/reverse piston. When the reverse clutch is applied, the reaction annulus gear is driven.

DESCRIPTION AND OPERATION (Continued)



80c07032

Fig. 23 2C and 4C Clutches

**HOLDING CLUTCHES**

**DESCRIPTION**

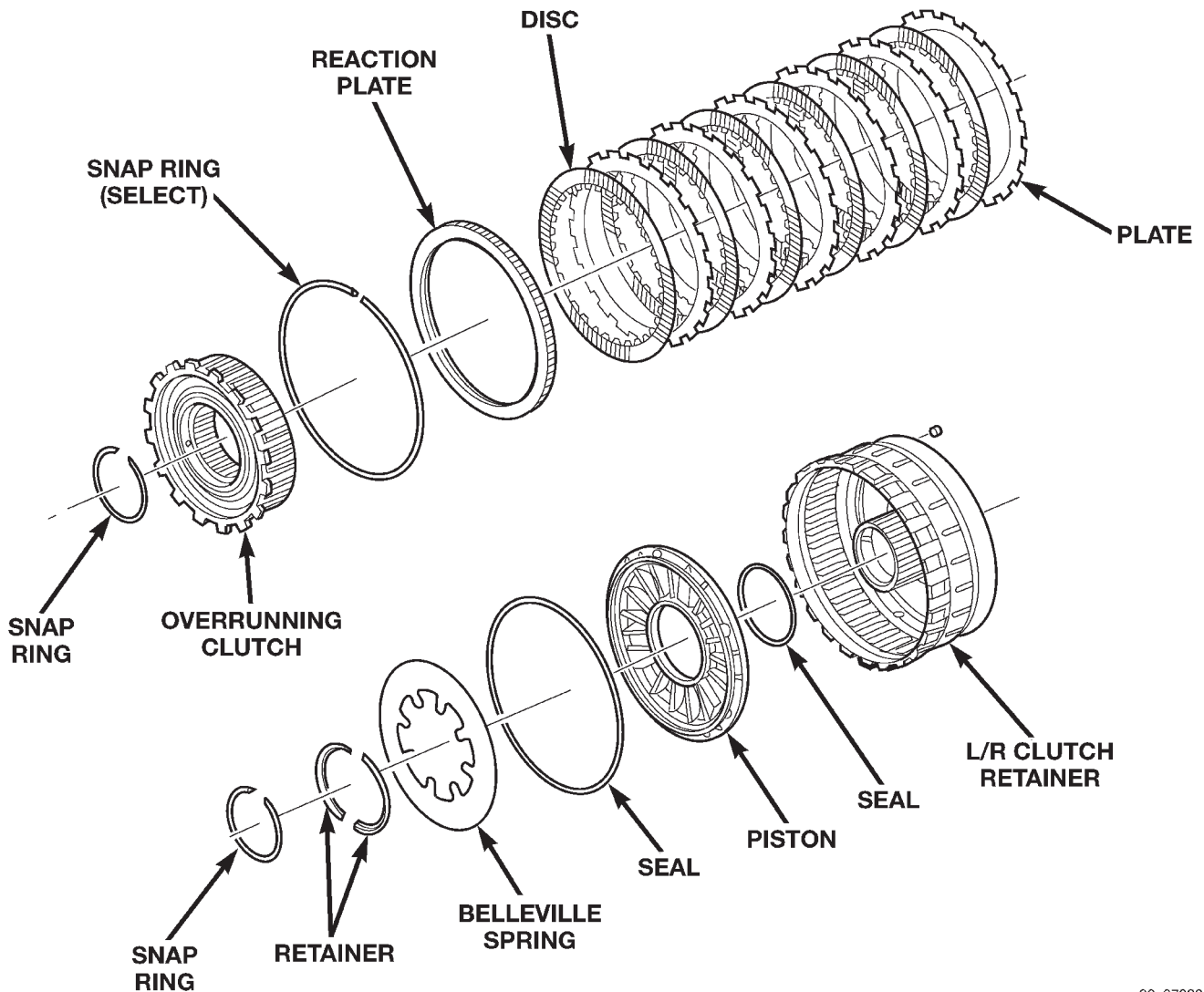
Three hydraulically applied multi-disc clutches are used to hold planetary geartrain components stationary while the input clutches drive others. The 2C, 4C, and Low/Reverse clutches are considered holding clutches. The 2C and 4C clutches are located in the 4C retainer/bulkhead (Fig. 23), while the Low/Reverse clutch is located at the rear of the transmission case (Fig. 24).

**OPERATION**

**2C CLUTCH**

The 2C clutch is hydraulically applied in second gear by pressurized fluid against the 2C piston. When the 2C clutch is applied, the reverse sun gear assembly is held or grounded to the transmission case by holding the reaction planetary carrier.

DESCRIPTION AND OPERATION (Continued)



80c07033

**Fig. 24 Low/Reverse Clutch**

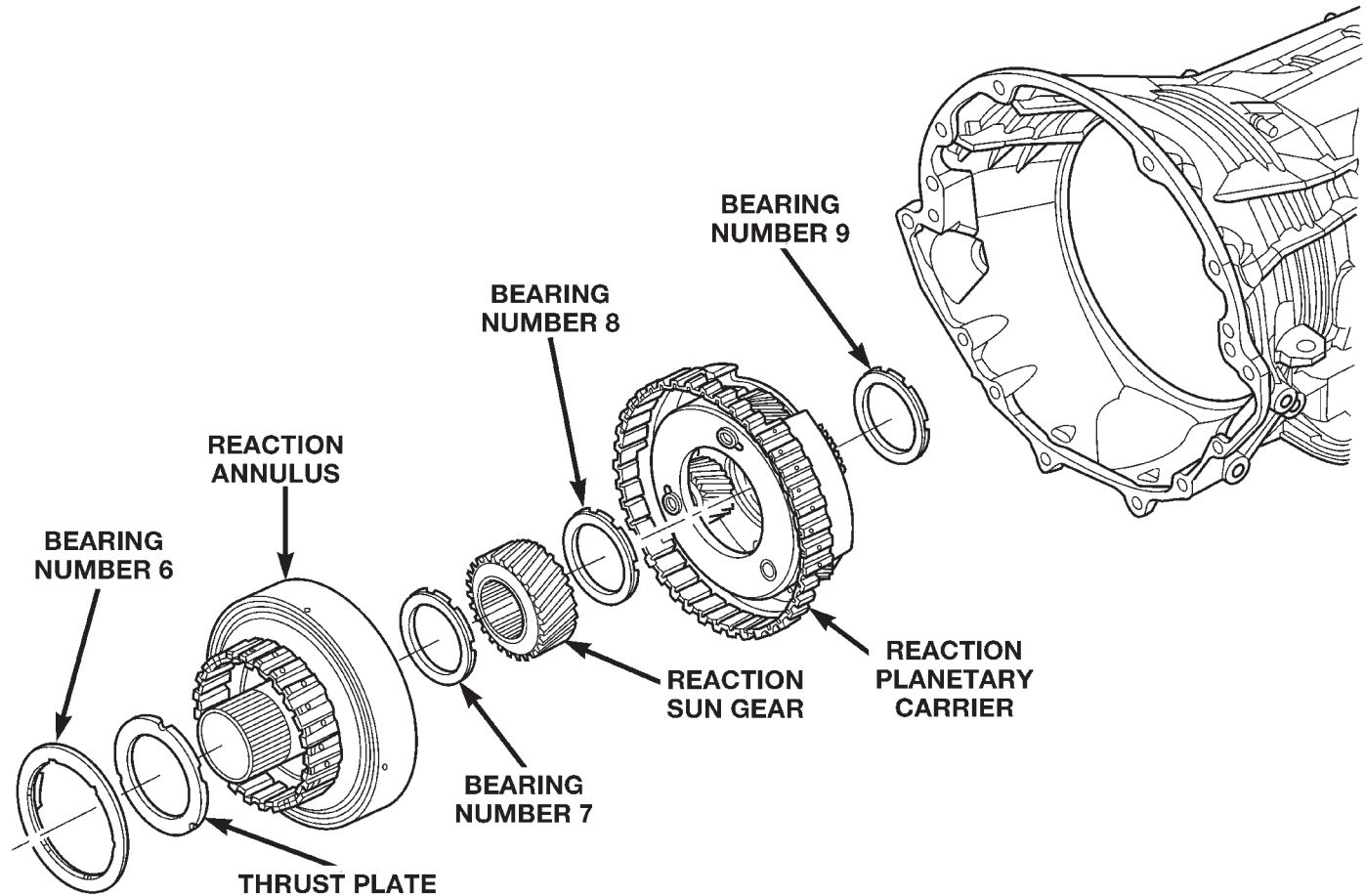
**4C CLUTCH**

The 4C clutch is hydraulically applied in fourth gear by pressurized fluid against the 4C clutch piston. When the 4C clutch is applied, the reaction annulus gear is held or grounded to the transmission case.

**LOW/REVERSE CLUTCH**

The Low/Reverse clutch is hydraulically applied in park, reverse, neutral, and first gears by pressurized fluid against the Low/Reverse clutch piston. When the Low/Reverse clutch is applied, the input annulus assembly is held or grounded to the transmission case.

## DESCRIPTION AND OPERATION (Continued)



80c07031

**Fig. 25 Reaction Planetary Geartrain**

## PLANETARY GEARTRAIN

### DESCRIPTION

The planetary geartrain is located behind the 4C retainer/bulkhead, toward the rear of the transmission. The planetary geartrain consists of three primary assemblies:

- Reaction (Fig. 25).
- Reverse (Fig. 26).
- Input (Fig. 26).

### OPERATION

#### REACTION PLANETARY GEARTRAIN

The reaction planetary carrier and reverse sun gear of the reaction planetary geartrain are a single component which is held by the 2C clutch when required. The reaction annulus gear is a stand alone component that can be driven by the reverse clutch or held by the 4C clutch. The reaction sun gear is driven by the overdrive clutch.

#### REVERSE PLANETARY GEARTRAIN

The reverse planetary geartrain is the middle of the three planetary sets. The reverse planetary carrier can be driven by the overdrive clutch as required. The reverse planetary carrier is also splined to the input annulus gear, which can be held by the low/reverse clutch. The reverse planetary annulus, input planetary carrier, and output shaft are all one piece.

#### INPUT PLANETARY GEARTRAIN

The input sun gear of the input planetary geartrain is driven by the underdrive clutch.

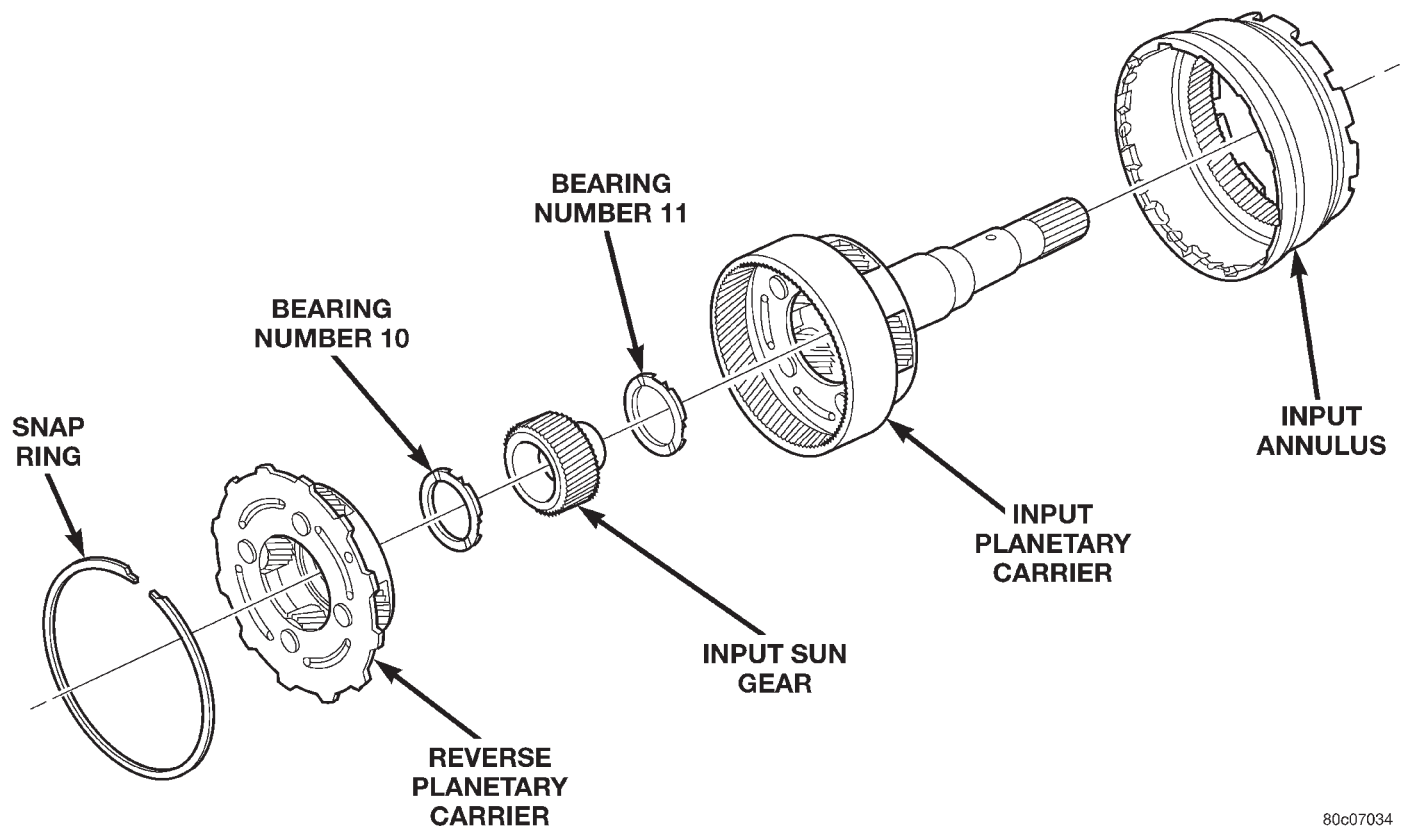
## GEARSHIFT MECHANISM

### DESCRIPTION

The gear shift mechanism provides six shift positions which are:

- Park (P)
- Reverse (R)
- Neutral (N)
- Drive (D)
- Manual second (2)
- Manual low (1)

## DESCRIPTION AND OPERATION (Continued)



80c07034

**Fig. 26 Reverse/Input Planetary Geartrain**

### OPERATION

Manual low (1) range provides first gear only. Overrun braking is also provided in this range. Manual second (2) range provides first and second gear only.

Drive range provides first, second third and overdrive fourth gear ranges. The shift into overdrive fourth gear range occurs only after the transmission has completed the shift into D third gear range. No further movement of the shift mechanism is required to complete the 3-4 shift.

The fourth gear upshift occurs automatically when the overdrive selector switch is in the ON position. An upshift to fourth gear may not occur or may be delayed in some of the possible shift schedules. Refer to the Transmission Control Module information for further details.

### OVERDRIVE OFF SWITCH

#### DESCRIPTION

The overdrive OFF (control) switch is located in the shifter handle. The switch is a momentary contact device that signals the PCM to toggle current status of the overdrive function.

### OPERATION

At key-on, overdrive operation is allowed. Pressing the switch once causes the overdrive OFF mode to be entered and the overdrive OFF switch lamp to be illuminated. Pressing the switch a second time causes normal overdrive operation to be restored and the overdrive lamp to be turned off. The overdrive OFF mode defaults to ON after the ignition switch is cycled OFF and ON. The normal position for the control switch is the ON position. The switch must be in this position to energize the solenoid and allow a 3-4 upshift. The control switch indicator light illuminates only when the overdrive switch is turned to the OFF position, or when illuminated by the transmission control module.

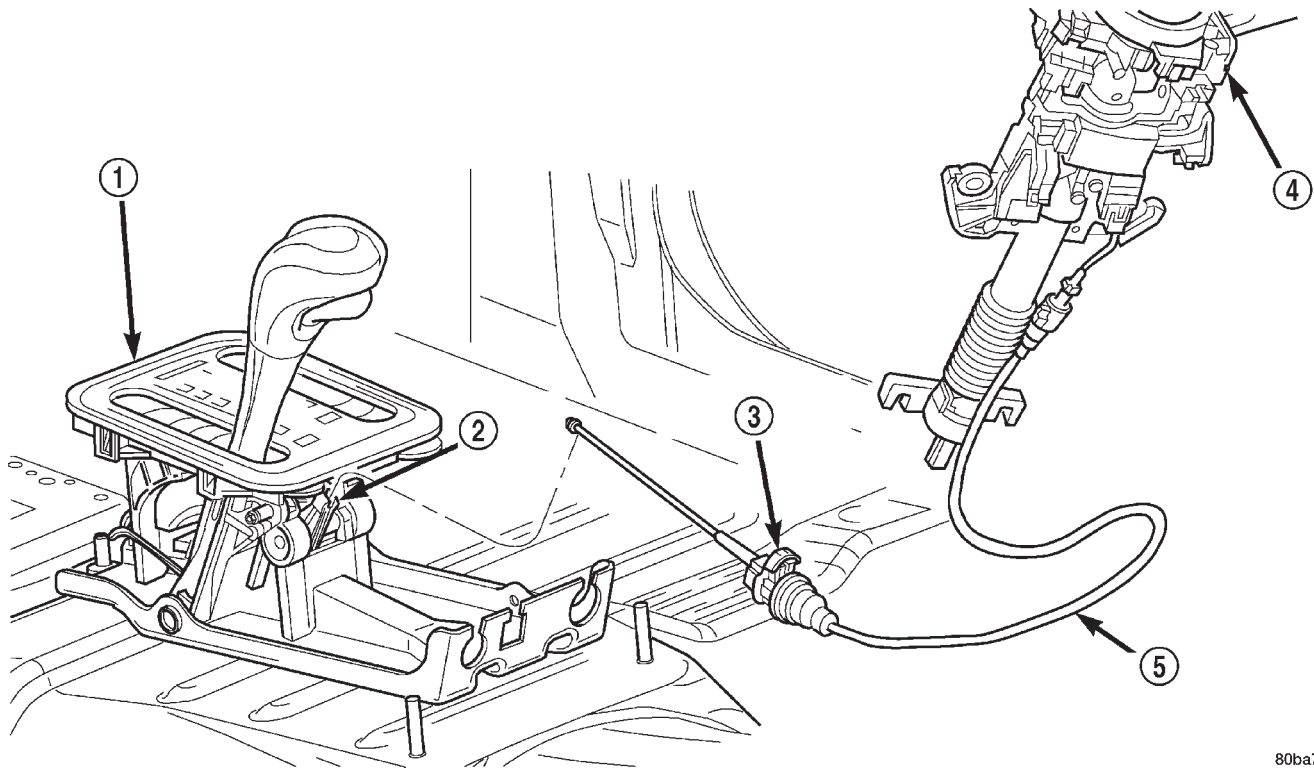
### BRAKE TRANSMISSION SHIFT INTERLOCK MECHANISM

#### DESCRIPTION

The Brake Transmission Shifter/Ignition Interlock (BTSI), is a cable and solenoid operated system. It interconnects the automatic transmission floor mounted shifter to the steering column ignition switch (Fig. 27).



## DESCRIPTION AND OPERATION (Continued)



80ba79c2

**Fig. 27 Ignition Interlock Cable**

- 1 - SHIFT MECHANISM
- 2 - SHIFTER BTSI LEVER
- 3 - ADJUSTMENT CLIP

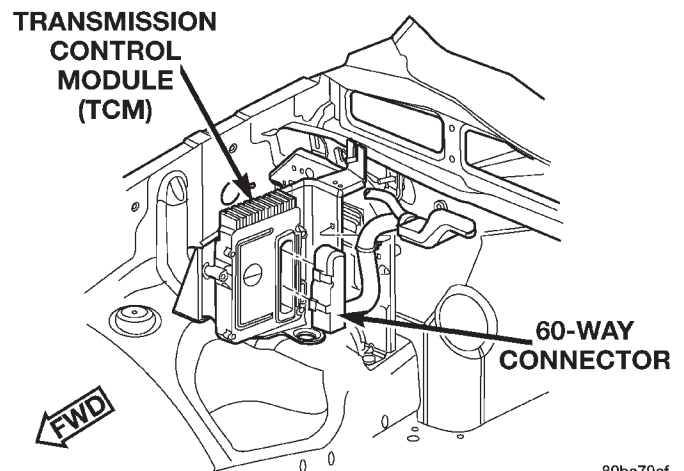
- 4 - STEERING COLUMN ASSEMBLY
- 5 - INTERLOCK CABLE

**OPERATION**

The system locks the shifter into the PARK position. The interlock system is engaged whenever the ignition switch is in the LOCK or ACCESSORY position. An additional electrically activated feature will prevent shifting out of the PARK position unless the brake pedal is depressed at least one-half an inch. A magnetic holding device in line with the park lock cable is energized when the ignition is in the RUN position. When the key is in the RUN position and the brake pedal is depressed, the shifter is unlocked and will move into any position. The interlock system also prevents the ignition switch from being turned to the LOCK or ACCESSORY position, unless the shifter is fully locked into the PARK position.

**TRANSMISSION CONTROL MODULE****DESCRIPTION**

The Transmission Control Module (TCM) is located in the engine compartment on the right (passenger) side and is mounted to the inner fender (Fig. 28).



80ba79cf

**Fig. 28 Transmission Control Module Location****OPERATION**

The TCM is the controlling unit for all electronic operations of the transmission. The TCM receives information regarding vehicle operation from both direct and indirect inputs, and selects the operational mode of the transmission. Direct inputs are hard-wired to, and used specifically by the TCM. Indirect inputs originate from other components/modules, and

DESCRIPTION AND OPERATION (Continued)

are shared with the TCM via the vehicle communication bus.

Some examples of **direct inputs** to the TCM are:

- Battery (B+) voltage
- Ignition "ON" voltage
- Transmission Control Relay (Switched B+)
- Throttle Position Sensor
- Crankshaft Position Sensor
- Transmission Range Sensor
- Pressure Switches
- Transmission Temperature Sensor
- Input Shaft Speed Sensor
- Output Shaft Speed Sensor
- Line Pressure Sensor

Some examples of **indirect inputs** to the TCM are:

- Engine/Body Identification
- Manifold Pressure
- Target Idle
- Torque Reduction Confirmation
- Engine Coolant Temperature
- Ambient/Battery Temperature
- DRB Scan Tool Communication

Based on the information received from these various inputs, the TCM determines the appropriate shift schedule and shift points, depending on the present operating conditions and driver demand. This is possible through the control of various direct and indirect outputs.

Some examples of TCM **direct outputs** are:

- Transmission Control Relay
- Solenoids
- Torque Reduction Request

Some examples of TCM **indirect outputs** are:

- Transmission Temperature (to PCM)
- PRNDL Position (to BCM)

In addition to monitoring inputs and controlling outputs, the TCM has other important responsibilities and functions:

- Storing and maintaining Clutch Volume Indexes (CVI)
- Storing and selecting appropriate Shift Schedules
- System self-diagnostics
- Diagnostic capabilities (with DRB scan tool)

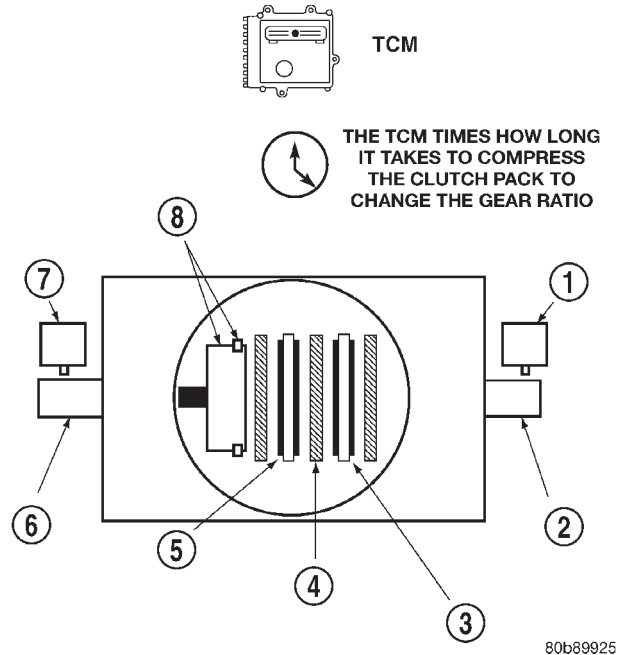
**NOTE:** If the TCM has been replaced, the "Quick Learn Procedure" must be performed. Refer to "Quick Learn Procedure" in Service Procedures of this group.

**CLUTCH VOLUME INDEXES**

An important function of the TCM is to monitor Clutch Volume Indexes (CVI). CVIs represent the volume of fluid needed to compress a clutch pack.

The TCM monitors gear ratio changes by monitoring the Input and Output Speed Sensors. The Input, or Turbine Speed Sensor sends an electrical signal to the TCM that represents input shaft rpm. The Output Speed Sensor provides the TCM with output shaft speed information.

By comparing the two inputs, the TCM can determine transmission gear position. This is important to the CVI calculation because the TCM determines CVIs by monitoring how long it takes for a gear change to occur (Fig. 29).



**Fig. 29 Example of CVI Calculation**

- 1 - OUTPUT SPEED SENSOR
- 2 - OUTPUT SHAFT
- 3 - CLUTCH PACK
- 4 - SEPARATOR PLATE
- 5 - FRICTION DISCS
- 6 - INPUT SHAFT
- 7 - INPUT SPEED SENSOR
- 8 - PISTON AND SEAL

Gear ratios can be determined by using the DRB Scan Tool and reading the Input/Output Speed Sensor values in the "Monitors" display. Gear ratio can be obtained by dividing the Input Speed Sensor value by the Output Speed Sensor value.

For example, if the input shaft is rotating at 1000 rpm and the output shaft is rotating at 500 rpm, then the TCM can determine that the gear ratio is 2:1. In direct drive (3rd gear), the gear ratio changes to 1:1. The gear ratio changes as clutches are applied and released. By monitoring the length of time it takes for the gear ratio to change following a shift request, the TCM can determine the volume of fluid used to apply or release a friction element.

## DESCRIPTION AND OPERATION (Continued)

The volume of transmission fluid needed to apply the friction elements are continuously updated for adaptive controls. As friction material wears, the volume of fluid need to apply the element increases.

Certain mechanical problems within the input clutch assembly (broken return springs, out of position snap rings, excessive clutch pack clearance, improper assembly, etc.) can cause inadequate or out-of-range element volumes. Also, defective Input/Output Speed Sensors and wiring can cause these conditions. The following chart identifies the appropriate clutch volumes and when they are monitored/updated:

CLUTCH VOLUMES		
Clutch	When Updated	Proper Clutch Volume
L/R	2-1 or 3-1 downshift	45 to 134
2C	3-2 kickdown shift	25 to 85
OD	2-3 upshift	30 to 100
4C	3-4 upshift	30 to 85
UD	4-3 kickdown shift	30 to 100

## SHIFT SCHEDULES

As mentioned earlier, the TCM has programming that allows it to select a variety of shift schedules. Shift schedule selection is dependent on the following:

- Shift lever position
- Throttle position
- Engine load

- Fluid temperature
- Software level

As driving conditions change, the TCM appropriately adjusts the shift schedule. Refer to the following chart to determine the appropriate operation expected, depending on driving conditions.

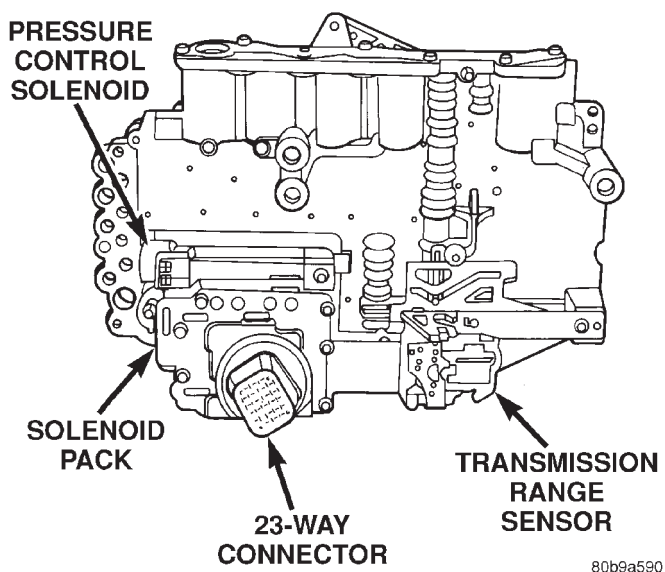
Schedule	Condition	Expected Operation
<b>Extreme Cold</b>	Oil temperature below -16° F	–Park, Reverse, Neutral and 1st and 3rd gear only in D position, 2nd gear only in Manual 2 or L –No EMCC
<b>Super Cold</b>	Oil temperature between -12° F and 10° F	– Delayed 2-3 upshift – Delayed 3-4 upshift – Early 4-3 coastdown shift – High speed 4-2, 3-2, 2-1 kickdown shifts are prevented – Shifts at high throttle openings will be early. – No EMCC
<b>Cold</b>	Oil temperature between 10° F and 36° F	– Shift schedule is the same as Super Cold except that the 2-3 upshifts are not delayed.
<b>Warm</b>	Oil temperature 40° F and 80° F	– Normal operation (upshift, kickdowns, and coastdowns) – No EMCC
<b>Hot</b>	Oil temperature above 80° F and 240° F	– Normal operation (upshift, kickdowns, and coastdowns) – Normal EMCC operation
<b>Overheat</b>	Oil temperature above 240° F or engine coolant temperature above 244° F	– Delayed 2-3 upshift – Delayed 3-4 upshift – 3rd gear FEMCC from 30-48 mph – 3rd gear PEMCC above 35 mph – Above 25 mph the torque converter will not unlock unless the throttle is closed or if a wide open throttle 2nd PEMCC to 1 kickdown is made

DESCRIPTION AND OPERATION (Continued)

**SOLENOID AND PRESSURE SWITCH ASSEMBLY**

**DESCRIPTION**

The solenoid and pressure switch assembly is internal to the transmission and mounted on the valve body assembly (Fig. 30). The assembly consists of six solenoids that control hydraulic pressure to the six friction elements (transmission clutches), and the torque converter clutch. The pressure control solenoid is located on the side of the solenoid and pressure switch assembly. The solenoid assembly also contains five pressure switches that feed information to the TCM.



**Fig. 30 SOLENOID AND PRESSURE SWITCH ASSEMBLY**

**OPERATION**

The solenoids within the assembly are supplied voltage by the Transmission Control Relay. The solenoids are energized when the TCM grounds the return wire for the solenoid that is needed. The pressure switches simply tell the TCM whether or not pressure exists within a clutch circuit.

**BATTERY FEED (TCM)**

**DESCRIPTION**

A fused, direct battery feed to the TCM is used for continuous power.

**OPERATION**

This battery voltage is necessary to retain adaptive learn values in the TCM's RAM (Random Access Memory). When the battery (B+) is disconnected, this memory is lost. When the battery (B+) is restored,

this memory loss is detected by the TCM and a Diagnostic Trouble Code (DTC) is set.

**TRANSMISSION CONTROL RELAY**

**DESCRIPTION**

The relay is supplied fused B+ voltage, energized by the TCM, and is used to supply power to the solenoid pack when the transmission is in normal operating mode.

**OPERATION**

When the relay is "off", no power is supplied to the solenoid pack and the transmission is in "limp-in" mode. After a controller reset, the TCM energizes the relay. Prior to this, the TCM verifies that the contacts are open by checking for no voltage at the switched battery terminals. After this is verified, the voltage at the solenoid pack pressure switches is checked. After the relay is energized, the TCM monitors the terminals to verify that the voltage is greater than 3 volts.

**PRESSURE SWITCHES**

**DESCRIPTION**

The pressure switches are located inside the solenoid and pressure switch assembly and are only serviced by replacing the assembly.

**OPERATION**

The TCM relies on five pressure switches to monitor fluid pressure in the L/R, 2C, 4C, UD, and OD hydraulic circuits. The primary purpose of these switches is to help the TCM detect when clutch circuit hydraulic failures occur. The switches close at 23 psi and open at 11 psi, and simply indicate whether or not pressure exists. The switches are continuously monitored by the TCM for the correct states (open or closed) in each gear as shown in the following chart:

GEAR	L/R	2C	4C	UD	OD
R	OP	OP	OP	OP	OP
P/N	CL	OP	OP	OP	OP
1ST	CL*	OP	OP	CL	OP
2ND	OP	CL	OP	CL	OP
2ND PRIME	OP	OP	CL	CL	OP
D	OP	OP	OP	CL	CL
OD	OP	OP	CL	OP	CL

\*L/R is closed if output speed is below 100 rpm in Drive and Manual 2. L/R is open in Manual 1.

## DESCRIPTION AND OPERATION (Continued)

A Diagnostic Trouble Code (DTC) will set if the TCM senses any switch open or closed at the wrong time in a given gear.

## INPUT AND OUTPUT SPEED SENSORS

### DESCRIPTION

The Input and Output Speed Sensors are two-wire magnetic pickup devices that generate AC signals as rotation occurs. They are mounted in the left side of the transmission case and are considered primary inputs to the Transmission Control Module (TCM).

### OPERATION

The Input Speed Sensor provides information on how fast the input shaft is rotating. As the teeth of the input clutch hub pass by the sensor coil, an AC voltage is generated and sent to the TCM. The TCM interprets this information as input shaft rpm.

The Output Speed Sensor generates an AC signal in a similar fashion, though its coil is excited by rotation of the rear planetary carrier lugs. The TCM interprets this information as output shaft rpm.

The TCM compares the input and output speed signals to determine the following:

- Transmission gear ratio
- Speed ratio error detection
- CVI calculation

The TCM also compares the input speed signal and the engine speed signal to determine the following:

- Torque converter clutch slippage
- Torque converter element speed ratio

## LINE PRESSURE CONTROL

### DESCRIPTION

The TCM utilizes a closed-loop system to control transmission line pressure. The system contains a variable force style solenoid, the Pressure Control Solenoid, mounted on the side of the solenoid and pressure switch assembly. The solenoid is duty cycle controlled by the TCM to vent the unnecessary line pressure supplied by the oil pump back to the sump. The system also contains a variable pressure style sensor, the Line Pressure Sensor, which is a direct input to the TCM. The line pressure solenoid monitors the transmission line pressure and completes the feedback loop to the TCM. The TCM uses this information to adjust its control of the pressure control solenoid to achieve the desired line pressure.

### OPERATION

The TCM calculates the desired line pressure based upon inputs from the transmission and engine. The TCM calculates the torque input to the transmission and uses that information as the primary

input to the calculation. The line pressure is set to a predetermined value during shifts and when the transmission is in the PARK and NEUTRAL positions. This is done to ensure consistent shift quality. During all other operation, the actual line pressure is compared to the desired line pressure and adjustments are made to the pressure control solenoid duty cycle.

## THROTTLE POSITION SENSOR

### OPERATION

The Transmission Control Module (TCM) receives the throttle position signal and its ground from the Throttle Position Sensor (TPS). The TPS has a 5 volt pull up supplied by the engine controller. The throttle signal is checked by the TCM for out-of-range as well as intermittence (excessive signal changes).

## TRANSMISSION RANGE SENSOR

### DESCRIPTION

The Transmission Range Sensor (TRS) is mounted to the top of the valve body inside the transmission.

The Transmission Range Sensor (TRS) has six switch contacts that:

- Determine shift lever position
- Supply ground to the Starter Relay in Park and Neutral only.
- Supply ground to the TCM for backup lamp control in Reverse only.

The TRS also has an integrated temperature sensor (thermistor) that communicates transmission temperature to the TCM and PCM.

### OPERATION

The Transmission Range Sensor (TRS) communicates shift lever position to the TCM as a combination of open and closed switches. Each shift lever position has an assigned combination of switch states (open/closed) that the TCM receives from four sense circuits. The TCM interprets this information and determines the appropriate transmission gear position and shift schedule.

There are many possible combinations of open and closed switches (codes). Seven of these possible codes are related to gear position and five are recognized as "between gear" codes. This results in many codes which should **never occur**. These are called "invalid" codes. An invalid code will result in a DTC, and the TCM will then determine the shift lever position based on pressure switch data. This allows reasonably normal transmission operation with a TRS failure.



DESCRIPTION AND OPERATION (Continued)

GEAR	C5	C4	C3	C2	C1
Park	CL	OP	OP	CL	CL
Temp 1	CL	OP	OP	CL	OP
Reverse	OP	OP	OP	CL	OP
Temp 2	OP	OP	CL	CL	OP
Neutral 1	OP	OP	CL	CL	CL
Neutral 2	OP	CL	CL	CL	CL
Temp 3	OP	CL	CL	CL	OP
Drive	OP	CL	CL	OP	OP
Temp 4	OP	CL	OP	OP	OP
Manual 2	CL	CL	OP	OP	OP
Temp 5	CL	OP	OP	OP	OP
Manual 1	CL	OP	CL	OP	OP

**OPERATION**

The solenoids receive electrical power from the Transmission Control Relay through a single wire. The TCM energizes or operates the solenoids individually by grounding the return wire of the solenoid as necessary. When a solenoid is energized, the solenoid valve shifts, and a fluid passage is opened or closed (vented or applied), depending on its default operating state. The result is an apply or release of a frictional element.

The MS and UD solenoids are normally applied to allow transmission limp-in in the event of an electrical failure.

The continuity of the solenoids and circuits are periodically tested. Each solenoid is turned on or off depending on its current state. An inductive spike should be detected by the TCM during this test. If no spike is detected, the circuit is tested again to verify the failure. In addition to the periodic testing, the solenoid circuits are tested if a speed ratio or pressure switch error occurs.

**TRANSMISSION TEMPERATURE SENSOR**

**DESCRIPTION**

The transmission temperature sensor is a thermistor that is integral to the Transmission Range Sensor (TRS).

**OPERATION**

The transmission temperature sensor is used by the TCM to sense the temperature of the fluid in the sump. Since fluid temperature can affect transmission shift quality and convertor lock up, the TCM requires this information to determine which shift schedule to operate in.

**Calculated Temperature**

A failure in the temperature sensor or circuit will result in calculated temperature being substituted for actual temperature. Calculated temperature is a predicted fluid temperature which is calculated from a combination of inputs:

- Battery (ambient) temperature
- Engine coolant temperature
- In-gear run time since start-up

**SOLENOIDS**

**DESCRIPTION**

Solenoids are used to control the L/R, 2C, 4C, OD, and UD friction elements. The reverse clutch is controlled by line pressure and the position of the manual valve in the valve body. All the solenoids are contained within the Solenoid and Pressure Switch Assembly. The solenoid and pressure switch assembly contains one additional solenoid, Multi-Select (MS), which serves primarily to provide 2nd and 3rd gear limp-in operation.

**SOLENOID SWITCH VALVE**

**DESCRIPTION**

The Solenoid Switch Valve (SSV) is located in the valve body controls the direction of the transmission fluid when the L/R-TCC solenoid is energized.

**OPERATION**

The Solenoid Switch Valve controls line pressure from the LR-TCC solenoid. In 1st gear, the SSV will be in the downshifted position, thus directing fluid to the L/R clutch circuit. In 2nd, 3rd, and 4th, it will be in the upshifted position and directs the fluid into the torque converter clutch (TCC) circuit.

When shifting into 1st gear, a special hydraulic sequence is performed to ensure SSV movement into the downshifted position. The L/R pressure switch is monitored to confirm SSV movement. If the movement is not confirmed (the L/R pressure switch does not close), 2nd gear is substituted for 1st. A DTC will be set after three unsuccessful attempts are made to get into 1st gear in one given key start.

**DIAGNOSIS AND TESTING**

**EFFECTS OF INCORRECT FLUID LEVEL**

A low fluid level allows the pump to take in air along with the fluid. Air in the fluid will cause fluid pressures to be low and develop slower than normal. If the transmission is overfilled, the gears churn the fluid into foam. This aerates the fluid and causing the same conditions occurring with a low level. In either case, air bubbles cause fluid overheating, oxi-



## DIAGNOSIS AND TESTING (Continued)

dation and varnish buildup which interferes with valve, clutch and servo operation. Foaming also causes fluid expansion which can result in fluid overflow from the transmission vent or fill tube. Fluid overflow can easily be mistaken for a leak if inspection is not careful.

**CAUSES OF BURNT FLUID**

Burnt, discolored fluid is a result of overheating which has two primary causes.

(1) A result of restricted fluid flow through the main and/or auxiliary cooler. This condition is usually the result of a faulty or damaged main/auxiliary cooler, or severe restrictions in the coolers and lines caused by debris or kinked lines.

(2) Heavy duty operation with a vehicle not properly equipped for this type of operation. Trailer towing or similar high load operation will overheat the transmission fluid if the vehicle is improperly equipped. Such vehicles should have an auxiliary transmission fluid cooler, a heavy duty cooling system, and the engine/axle ratio combination needed to handle heavy loads.

**FLUID CONTAMINATION**

Transmission fluid contamination is generally a result of:

- adding incorrect fluid
- failure to clean dipstick and fill tube when checking level
- engine coolant entering the fluid
- internal failure that generates debris
- overheat that generates sludge (fluid breakdown)
- failure to reverse flush cooler and lines after repair
- failure to replace contaminated converter after repair

The use of non recommended fluids can result in transmission failure. The usual results are erratic shifts, slippage, abnormal wear and eventual failure due to fluid breakdown and sludge formation. Avoid this condition by using recommended fluids only.

The dipstick cap and fill tube should be wiped clean before checking fluid level. Dirt, grease and other foreign material on the cap and tube could fall into the tube if not removed beforehand. Take the time to wipe the cap and tube clean before withdrawing the dipstick.

Engine coolant in the transmission fluid is generally caused by a cooler malfunction. The only remedy is to replace the radiator as the cooler in the radiator is not a serviceable part. If coolant has circulated through the transmission for some time, an overhaul may also be necessary; especially if shift problems had developed.

The transmission cooler and lines should be reverse flushed whenever a malfunction generates sludge and/or debris. The torque converter should also be replaced at the same time.

Failure to flush the cooler and lines will result in recontamination. Flushing applies to auxiliary coolers as well. The torque converter should also be replaced whenever a failure generates sludge and debris. This is necessary because normal converter flushing procedures will not remove all contaminants.

**45RFE AUTOMATIC TRANSMISSION GENERAL DIAGNOSIS**

**CAUTION:** Before attempting any repair on a 45RFE automatic transmission, check for Diagnostic Trouble Codes with the DRB scan tool.

Transmission malfunctions may be caused by these general conditions:

- Poor engine performance
- Improper adjustments
- Hydraulic malfunctions
- Mechanical malfunctions
- Electronic malfunctions

Diagnosis of these problems should always begin by checking the easily accessible variables: fluid level and condition, gearshift cable adjustment. Then perform a road test to determine if the problem has been corrected or if more diagnosis is necessary. If the problem persists after the preliminary tests and corrections are completed, hydraulic pressure checks should be performed.

**PRELIMINARY DIAGNOSIS**

Two basic procedures are required. One procedure for vehicles that are drivable and an alternate procedure for disabled vehicles (will not back up or move forward).

**VEHICLE IS DRIVABLE**

(1) Check for transmission fault codes using DRB scan tool.

(2) Check fluid level and condition.

(3) Adjust gearshift cable if complaint was based on delayed, erratic, or harsh shifts.

(4) Road test and note how transmission upshifts, downshifts, and engages.

(5) Perform stall test if complaint is based on sluggish acceleration. Or, if abnormal throttle opening is needed to maintain normal speeds with a properly tuned engine.

(6) Perform hydraulic pressure test if shift problems were noted during road test.

## DIAGNOSIS AND TESTING (Continued)

(7) Perform air-pressure test to check clutch operation.

**VEHICLE IS DISABLED**

- (1) Check fluid level and condition.
- (2) Check for broken or disconnected gearshift cable.
- (3) Check for cracked, leaking cooler lines, or loose or missing pressure-port plugs.
- (4) Raise and support vehicle on safety stands, start engine, shift transmission into gear, and note following:
  - (a) If propeller shaft turns but wheels do not, problem is with differential or axle shafts.
  - (b) If propeller shaft does not turn and transmission is noisy, stop engine. Remove oil pan, and check for debris. If pan is clear, remove transmission and check for damaged driveplate, converter, oil pump, or input shaft.
  - (c) If propeller shaft does not turn and transmission is not noisy, perform hydraulic-pressure test to determine if problem is hydraulic or mechanical.

**BRAKE TRANSMISSION SHIFT INTERLOCK**

- (1) Verify that the key can only be removed in the PARK position
- (2) When the shift lever is in PARK And the shift handle pushbutton is in the "OUT" position, the ignition key cylinder should rotate freely from OFF to LOCK. When the shifter is in any other gear or neutral position, the ignition key cylinder should not rotate to the LOCK position.
- (3) Shifting out of PARK should be possible when the ignition key cylinder is in the OFF position.
- (4) Shifting out of PARK should not be possible while applying 25 lb. maximum handle pushbutton force and ignition key cylinder is in the RUN or START positions unless the foot brake pedal is depressed approximately 1/2 inch (12 mm).
- (5) Shifting out of PARK should not be possible when the ignition key cylinder is in the ACCESSORY or LOCK positions.
- (6) Shifting between any gears, NEUTRAL or into PARK may be done without depressing foot brake pedal with ignition switch in RUN or START positions and vehicle stationary or in motion.

**GEARSHIFT CABLE**

- (1) The floor shifter lever and gate positions should be in alignment with all transmission PARK, NEUTRAL, and gear detent positions.
- (2) Engine starts must be possible with floor shift lever in PARK or NEUTRAL gate positions only. Engine starts must not be possible in any other gear position.
- (3) With floor shift lever handle push-button not depressed and lever in:
  - (a) PARK position—Apply forward force on center of handle and remove pressure. Engine starts must be possible.
  - (b) PARK position—Apply rearward force on center of handle and remove pressure. Engine starts must be possible.
  - (c) NEUTRAL position—Normal position. Engine starts must be possible.
  - (d) NEUTRAL position—Engine running and brakes applied, apply forward force on center of shift handle. Transmission shall not be able to shift from neutral to reverse.

**ROAD TESTING**

- Before road testing, be sure the fluid level and control cable adjustments have been checked and adjusted if necessary. Verify that all diagnostic trouble codes have been resolved.
- Observe engine performance during the road test. A poorly tuned engine will not allow accurate analysis of transmission operation.
- Operate the transmission in all gear ranges. Check for shift variations and engine flare which indicates slippage. Note if shifts are harsh, spongy, delayed, early, or if part throttle downshifts are sensitive.
- Slippage indicated by engine flare, usually means clutch or overrunning clutch problems.
- A slipping clutch can often be determined by comparing which internal units are applied in the various gear ranges. The Clutch Application chart provides a basis for analyzing road test results.

DIAGNOSIS AND TESTING (Continued)

CLUTCH APPLICATION CHART

SLP	UD	OD	R	2C	4C	L/R	OVERRUNNING
P-PARK						ON	
R-REVERSE			ON			ON	
N-NEUTRAL						ON	
D-OVERDRIVE FIRST	ON					ON*	ON
SECOND	ON			ON			
SECOND PRIME	ON				ON		
THIRD	ON	ON					
FOURTH		ON			ON		
LIMP-IN	ON	ON					
2-FIRST	ON					ON*	ON
SECOND	ON			ON			
LIMP-IN	ON			ON			
1-LOW	ON					ON	ON

\*L/R clutch is on only with the output shaft speed below 150 rpm.

HYDRAULIC PRESSURE TEST

An accurate tachometer and pressure test gauges are required. Test Gauge C-3293-SP has a 300 psi range and is used at all locations where pressures exceed 100 psi.

Pressure Test Port Locations

Only two pressure ports are supplied on the transmission case. The torque converter ON and torque converter OFF ports are located on the right side of the transmission case (Fig. 31).

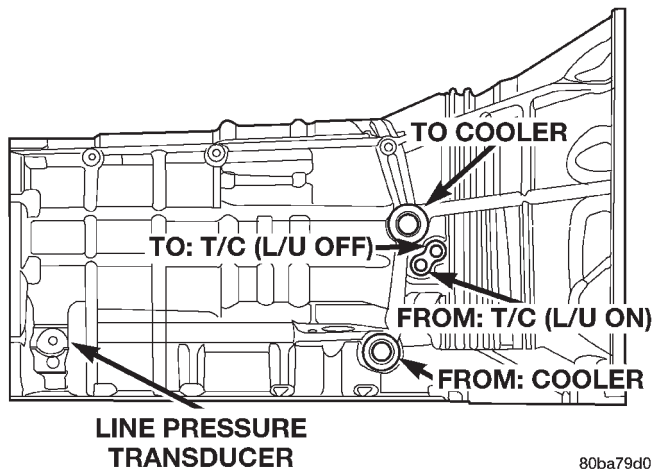


Fig. 31 Torque Converter Pressure Locations

To determine the line pressure, there are two available methods. The DRB scan tool can be used to read line pressure from the line pressure sensor. The sec-

ond method is to install Line Pressure Adapter 8259 (Fig. 33) into the transmission case and then install the pressure gauge and the original sensor into the adapter. This will allow a comparison of the DRB readings and the gauge reading to make a determination regarding the accuracy of the feedback controls.

In order to access any other pressure tap locations, the transmission oil pan must be removed, the pressure port plugs removed and Valve Body Pressure Tap Adapter 8258 (Fig. 34) installed. The extensions supplied with Adapter 8258 will allow the installation of pressure gauges to the valve body. Refer to (Fig. 32) for correct pressure tap location identification.

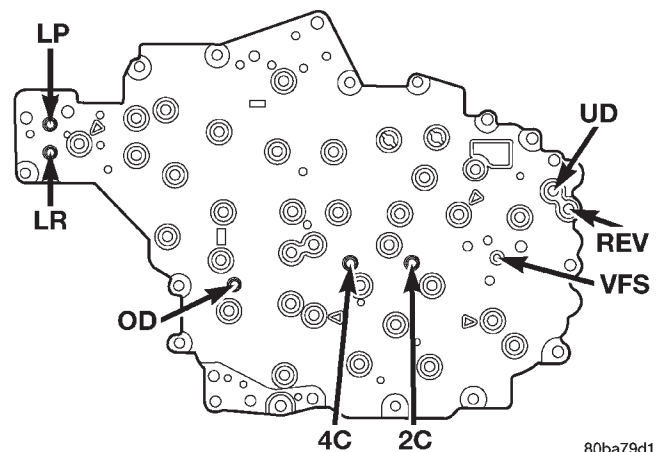


Fig. 32 Pressure Tap Locations

DIAGNOSIS AND TESTING (Continued)

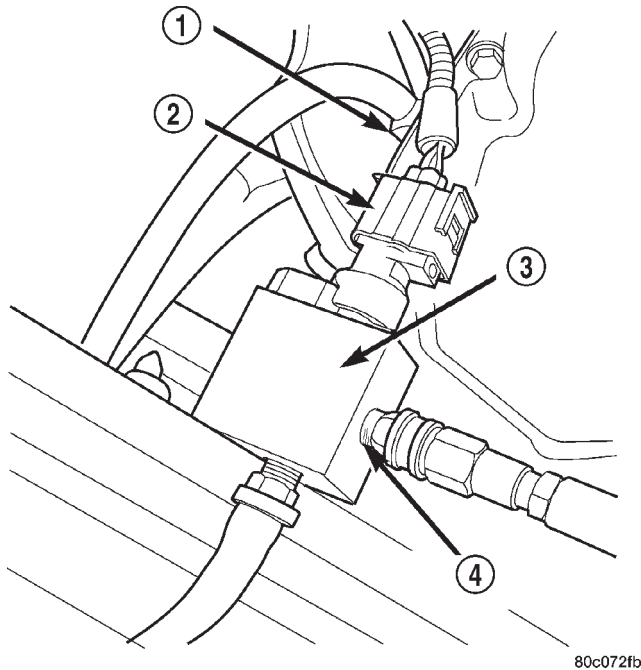


Fig. 33 Line Pressure Adapter 8259

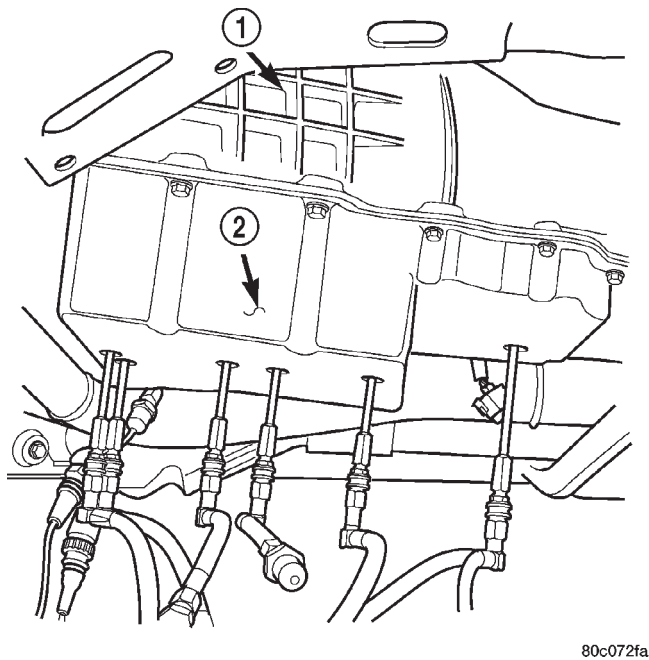


Fig. 34 Valve Body Pressure Tap Adapter 8258

TEST PROCEDURE

All pressure readings should be taken with the transmission fluid level full, transmission oil at the normal operating temperature, and the engine at 1500 rpm. Check the transmission for proper operation in each gear position that is in question or if a specific element is in question, check the pressure readings in at least two gear positions that employs that element. Refer to the Hydraulic Schematics at

the rear of this section to determine the correct pressures for each element in a given gear position.

**NOTE:** The 45RFE utilizes closed loop control of pump line pressure. The pressure readings may therefore vary greatly but should always follow line pressure.

Some common pressures that can be measured to evaluate pump and clutch performance are the upshift/downshift pressures and the garage shift pressures. The upshift/downshift pressure for all shifts except the 3-4, 4-3, and 4-2prime shifts is 120 psi. The upshift/downshift pressure for the 3-4, 4-3, and the 4-2prime shifts is 100 psi. The garage shift pressure when performing a N-R shift is 220 psi. The garage shift pressure for the R-N and N-1 shifts is 120 psi.

AIR TESTING TRANSMISSION CLUTCH OPERATION

Air-pressure testing can be used to check transmission clutch operation. The test can be conducted with the transmission either in the vehicle or on the work bench, as a final check.

Air-pressure testing requires that the oil pan and valve body be removed from the transmission. The clutch apply passages are shown (Fig. 35).

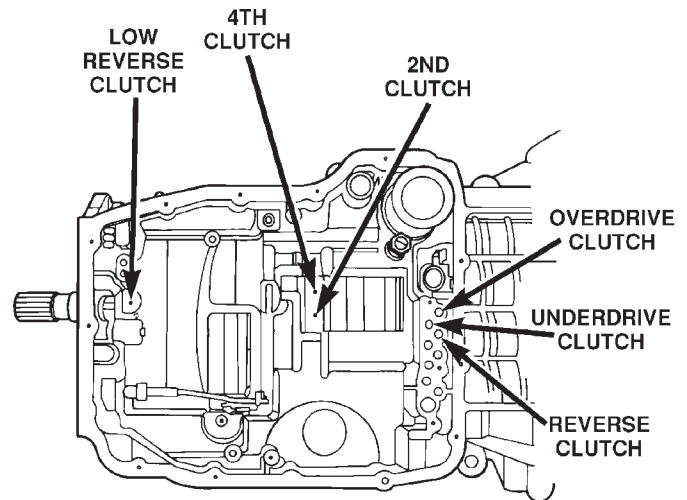


Fig. 35 Air Pressure Test Passages

**NOTE:** The air supply which is used must be free of moisture and dirt. Use a pressure of 30 psi to test clutch operation.

Apply air pressure at each port. If the clutch is functioning, a soft thump will be heard as the clutch is applied. The clutch application can also be felt by touching the appropriate element while applying air

80c072fb

80c072fa

80b9a594



## DIAGNOSIS AND TESTING (Continued)

pressure. As the air pressure is released, the clutch should also release.

## CONVERTER HOUSING FLUID LEAK DIAGNOSIS

When diagnosing converter housing fluid leaks, two items must be established before repair.

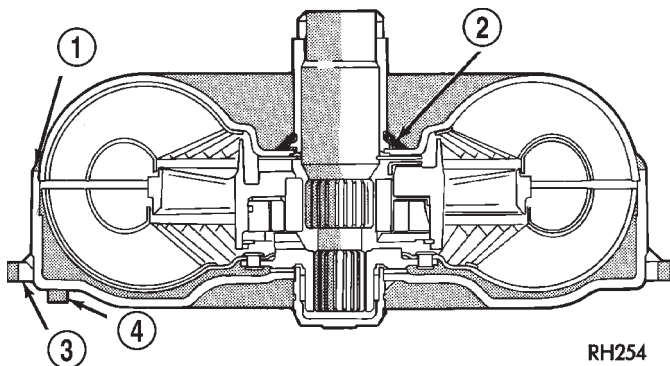
- (1) Verify that a leak condition actually exists.
- (2) Determined the true source of the leak.

Some suspected converter housing fluid leaks may not be leaks at all. They may only be the result of residual fluid in the converter housing, or excess fluid spilled during factory fill or fill after repair. Converter housing leaks have several potential sources. Through careful observation, a leak source can be identified before removing the transmission for repair. Pump seal leaks tend to move along the drive hub and onto the rear of the converter. Pump cover O-ring leaks follow the same path as a seal leak.

### TORQUE CONVERTER LEAK POINTS

Possible sources of converter leaks are:

- (1) Leaks at the weld joint around the outside diameter weld (Fig. 36).
- (2) Leaks at the converter hub weld (Fig. 36).



**Fig. 36 Converter Leak Points—Typical**

- 1 - OUTSIDE DIAMETER WELD
- 2 - TORQUE CONVERTER HUB WELD
- 3 - STARTER RING GEAR
- 4 - LUG

## SERVICE PROCEDURES

### FLUID LEVEL CHECK

Low fluid level can cause a variety of conditions because it allows the pump to take in air along with the fluid. As in any hydraulic system, air bubbles make the fluid spongy, therefore, pressures will be low and build up slowly.

Improper filling can also raise the fluid level too high. When the transmission has too much fluid, the

geartrain churns up foam and cause the same conditions which occur with a low fluid level.

In either case, air bubbles can cause overheating and/or fluid oxidation, and varnishing. This can interfere with normal valve, clutch, and accumulator operation. Foaming can also result in fluid escaping from the transmission vent where it may be mistaken for a leak.

Along with fluid level, it is important to check the condition of the fluid. When the fluid smells burned, and is contaminated with metal or friction material particles, a complete transmission recondition is needed. Be sure to examine the fluid on the dipstick closely. If there is any doubt about its condition, drain out a sample for a double check.

After the fluid has been checked, seat the dipstick fully to seal out water and dirt.

The transmission fluid level should be inspected at least every six months.

### FLUID LEVEL CHECK PROCEDURE

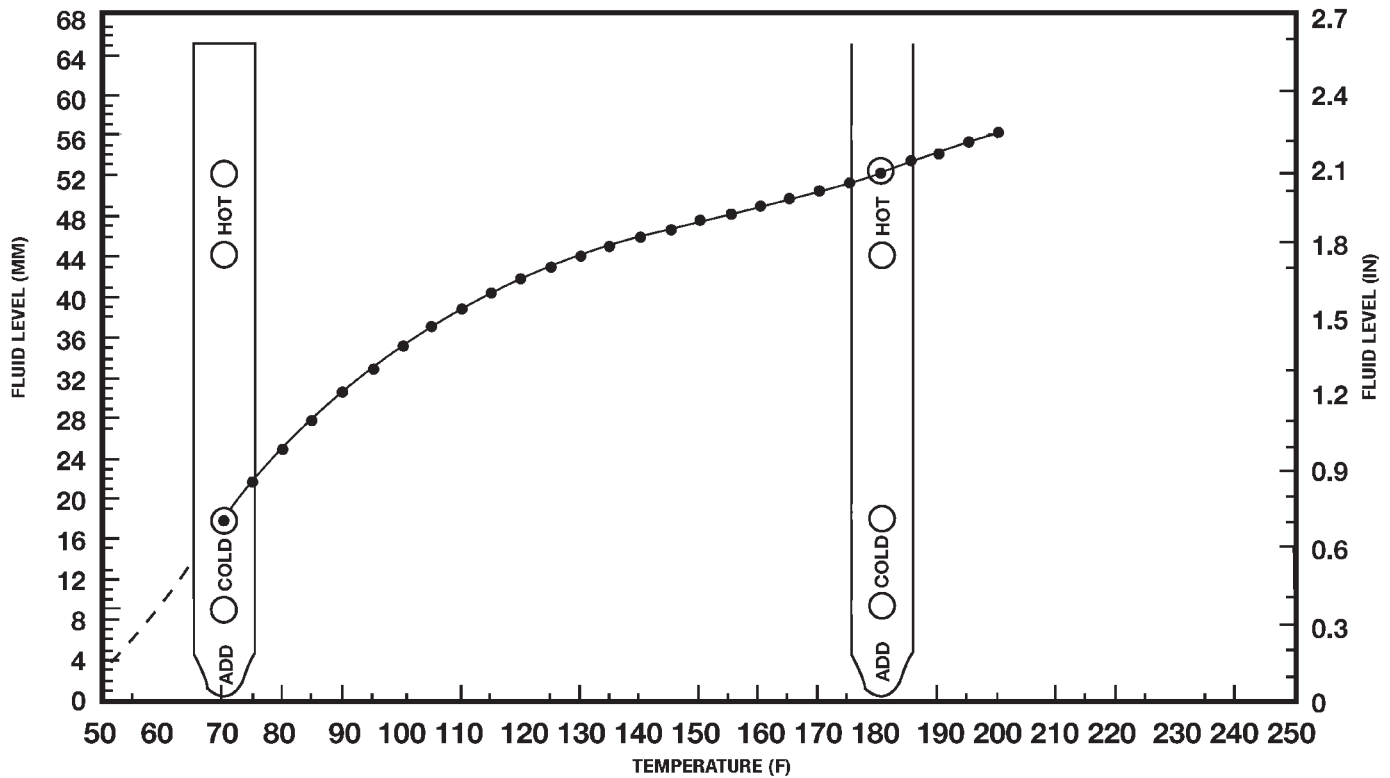
The transmission has a dipstick to check oil level. It is located on the right side of the engine. Be sure to wipe all dirt from dipstick handle before removing.

The torque converter fills in both the P Park and N Neutral positions. Place the selector lever in P Park to be sure that the fluid level check is accurate. **The engine should be running at idle speed for at least one minute, with the vehicle on level ground.** At normal operating temperature (approximately 82° C or 180° F), the fluid level is correct if it is in the HOT region (cross-hatched area) on the oil level indicator. The fluid level will be approximately at the upper COLD hole of the dipstick at 70° F fluid temperature.

**NOTE: Engine and Transmission should be at normal operating temperature before performing this procedure.**

- (1) Start engine and apply parking brake.
- (2) Shift the transmission into Drive for approximately 2 seconds.
- (3) Shift the transmission into Reverse for approximately 2 seconds.
- (4) Shift the transmission into Park.
- (5) Hook up DRB III scan tool and select transmission.
- (6) Select sensors.
- (7) Read the transmission temperature value.
- (8) Compare the fluid temperature value with the chart.
- (9) Adjust transmission fluid level shown on the dipstick according to the chart.

SERVICE PROCEDURES (Continued)



Transmission Fluid Temperature Chart

80c072fc

**NOTE:** After adding any fluid to the transmission, wait a minimum of 2 minutes for the oil to fully drain from the fill tube into the transmission before rechecking the fluid level.

- (10) Check transmission for leaks.

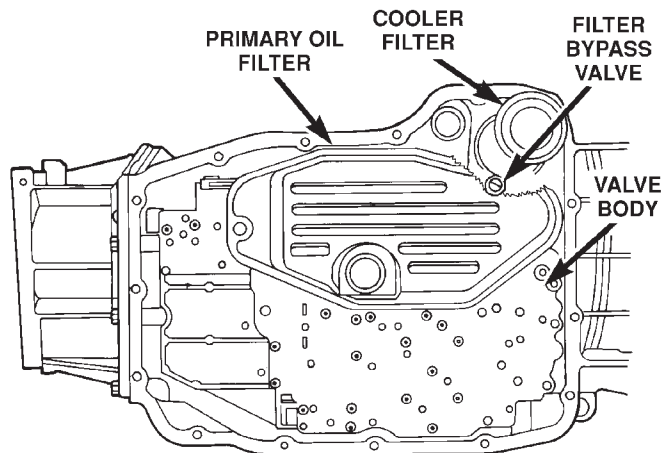
**FLUID AND FILTER REPLACEMENT**

Refer to the Maintenance Schedules in Group 0, Lubrication and Maintenance, for proper service intervals. The fluid capacity of the 45RFE is approximately 13.25 liters (14.0 quarts).

**REMOVAL**

- (1) Hoist and support vehicle on safety stands.
- (2) Place a large diameter shallow drain pan beneath the transmission pan.
- (3) Remove bolts holding front and sides of pan to transmission.
- (4) Loosen bolts holding rear of pan to transmission.
- (5) Slowly separate front of pan away from transmission allowing the fluid to drain into drain pan.
- (6) Hold up pan and remove remaining bolt holding pan to transmission.
- (7) While holding pan level, lower pan away from transmission.
- (8) Pour remaining fluid in pan into drain pan.

- (9) Remove screws holding filter to valve body (Fig. 37).
- (10) Separate filter from valve body and oil pump and pour fluid in filter into drain pan.
- (11) Remove and discard the oil filter seal from the bottom of the oil pump.
- (12) Using Oil Filter Wrench 8321, remove the cooler return filter from the transmission.
- (13) Dispose of used trans fluid and filter properly.



80b9a595

Fig. 37 Transmission Filters



## SERVICE PROCEDURES (Continued)

## INSPECTION

Inspect bottom of pan and magnet for excessive amounts of metal. A light coating of clutch material on the bottom of the pan does not indicate a problem unless accompanied by a slipping condition or shift lag. If fluid and pan are contaminated with excessive amounts or debris, refer to the diagnosis section of this group.

## CLEANING

(1) Using a suitable solvent, clean pan and magnet.

(2) Using a suitable gasket scraper, clean original sealing material from surface of transmission case and the transmission pan.

## INSTALLATION

(1) Install a new oil filter seal into the bottom of the oil pump.

**NOTE: Do not attempt to install the seal onto the oil filter first and then into the oil pump. An unsatisfactory seal between the oil pump and filter will result, allowing air to be drawn into the pump.**

(2) Place replacement filter in position on valve body and into the oil pump.

(3) Install screws to hold filter to valve body (Fig. 37). Tighten screws to 4.5 N·m (40 in. lbs.) torque.

(4) Install new cooler return filter onto the transmission. Torque the filter to 14.12 N·m (125 in. lbs.).

(5) Place bead of Mopar® RTV sealant onto the transmission case sealing surface.

(6) Place pan in position on transmission.

(7) Install screws to hold pan to transmission. Tighten bolts to 11.8 N·m (105 in. lbs.) torque.

(8) Lower vehicle and fill transmission with Mopar® ATF Plus 3, type 7176 fluid.

## TRANSMISSION FILL PROCEDURE

To avoid overfilling transmission after a fluid change or overhaul, perform the following procedure:

(1) Remove dipstick and insert clean funnel in transmission fill tube.

(2) Add following initial quantity of Mopar® ATF Plus 3 to transmission:

(a) If only fluid and filter were changed, add **10 pints (5 quarts)** of ATF Plus 3 to transmission.

(b) If transmission was completely overhauled, torque converter was replaced or drained, and cooler was flushed, add **24 pints (12 quarts)** of ATF Plus 3 to transmission.

(3) Refer to the Fluid Level Check information in this group for the proper fill procedures.

## OIL PUMP VOLUME CHECK

Measuring the oil pump output volume will determine if sufficient oil flow to the transmission oil cooler exists, and whether or not an internal transmission failure is present.

Verify that the transmission fluid is at the proper level. Refer to the Fluid Level Check procedure in this section. If necessary, fill the transmission to the proper level with Mopar® ATF+3, type 7176, Automatic Transmission Fluid.

(1) Disconnect the **To cooler** line at the cooler inlet and place a collecting container under the disconnected line.

**CAUTION: With the fluid set at the proper level, fluid collection should not exceed (1) quart or internal damage to the transmission may occur.**

(2) Run the engine **at curb idle speed**, with the shift selector in neutral.

(3) If one quart of transmission fluid is collected in the container in 20 seconds or less, oil pump flow volume is within acceptable limits. If fluid flow is intermittent, or it takes more than 20 seconds to collect one quart of fluid, refer to the Hydraulic Pressure tests in this section for further diagnosis.

(4) Re-connect the **To cooler** line to the transmission cooler inlet.

(5) Refill the transmission to proper level.

## FLUSHING COOLERS AND TUBES

When a transmission failure has contaminated the fluid, the oil cooler(s) must be flushed. The torque converter must also be replaced. This will insure that metal particles or sludged oil are not later transferred back into the reconditioned (or replaced) transmission.

The only recommended procedure for flushing coolers and lines is to use Tool 6906A Cooler Flusher.

**WARNING: WEAR PROTECTIVE EYEWEAR THAT MEETS THE REQUIREMENTS OF OSHA AND ANSI Z87.1-1968. WEAR STANDARD INDUSTRIAL RUBBER GLOVES.**

**KEEP LIGHTED CIGARETTES, SPARKS, FLAMES, AND OTHER IGNITION SOURCES AWAY FROM THE AREA TO PREVENT THE IGNITION OF COMBUSTIBLE LIQUIDS AND GASES. KEEP A CLASS (B) FIRE EXTINGUISHER IN THE AREA WHERE THE FLUSHER WILL BE USED.**

**KEEP THE AREA WELL VENTILATED.**

**DO NOT LET FLUSHING SOLVENT COME IN CONTACT WITH YOUR EYES OR SKIN: IF EYE CONTAMINATION OCCURS, FLUSH EYES WITH WATER FOR 15 TO 20 SECONDS. REMOVE CONTAMINATED CLOTHING AND WASH AFFECTED SKIN WITH SOAP AND WATER. SEEK MEDICAL ATTENTION.**

SERVICE PROCEDURES (Continued)

**COOLER FLUSH USING TOOL 6906A**

- (1) Remove cover plate filler plug on Tool 6906A. Fill reservoir 1/2 to 3/4 full of fresh flushing solution. Flushing solvents are petroleum based solutions generally used to clean automatic transmission components. **DO NOT** use solvents containing acids, water, gasoline, or any other corrosive liquids.
- (2) Reinstall filler plug on Tool 6906A.
- (3) Verify pump power switch is turned OFF. Connect red alligator clip to positive (+) battery post. Connect black (-) alligator clip to a good ground.
- (4) Disconnect the cooler lines at the transmission.

**NOTE: When flushing transmission cooler and lines, ALWAYS reverse flush.**

- (5) Connect the BLUE pressure line to the OUTLET (From) cooler line.
- (6) Connect the CLEAR return line to the INLET (To) cooler line
- (7) Turn pump ON for two to three minutes to flush cooler(s) and lines.
- (8) Turn pump OFF.
- (9) Disconnect CLEAR suction line from reservoir at cover plate. Disconnect CLEAR return line at cover plate, and place it in a drain pan.
- (10) Turn pump ON for 30 seconds to purge flushing solution from cooler and lines. Turn pump OFF.
- (11) Place CLEAR suction line into a one quart container of Mopar® ATF Plus 3, type 7176 automatic transmission fluid.
- (12) Turn pump ON until all transmission fluid is removed from the one quart container and lines. This purges any residual cleaning solvent from the transmission cooler and lines. Turn pump OFF.
- (13) Disconnect alligator clips from battery. Reconnect flusher lines to cover plate, and remove flushing adapters from cooler lines.

**TRANSMISSION QUICK LEARN PROCEDURE**

The quick learn procedure requires the use of the DRB scan tool.

This program allows the electronic transmission system to recalibrate itself. This will provide the best possible transmission operation. The quick learn procedure should be performed if any of the following procedures are performed:

- Transmission Assembly Replacement
- Transmission Control Module Replacement
- Solenoid Pack Replacement
- Clutch Plate and/or Seal Replacement
- Valve Body Replacement or Recondition

To perform the Quick Learn Procedure, the following conditions must be met:

- The brakes must be applied
- The engine speed must be above 500 rpm

- The throttle angle (TPS) must be less than 3 degrees
- The shift lever position must stay until prompted to shift to overdrive
- The shift lever position must stay in overdrive after the Shift to Overdrive prompt until the DRB indicates the procedure is complete
- The calculated oil temperature must be above 60° and below 200°

**ALUMINUM THREAD REPAIR**

Damaged or worn threads in the aluminum transmission case and valve body can be repaired by the use of Heli-Coils, or equivalent. This repair consists of drilling out the worn-out damaged threads. Then tap the hole with a special Heli-Coil tap, or equivalent, and installing a Heli-Coil insert, or equivalent, into the hole. This brings the hole back to its original thread size.

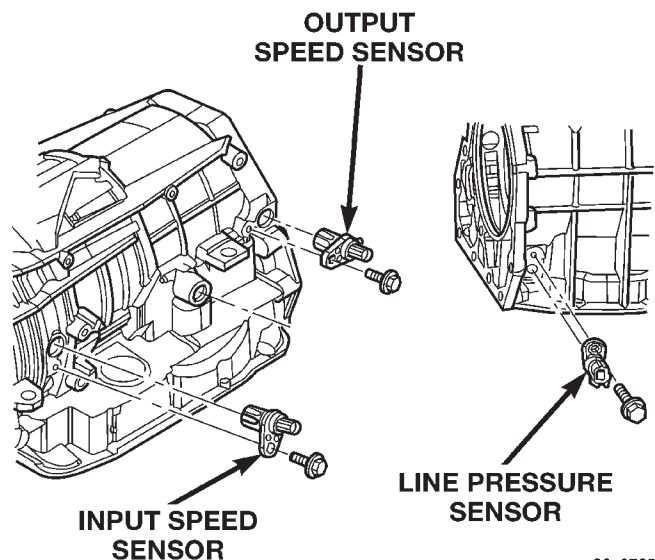
Heli-Coil, or equivalent, tools and inserts are readily available from most automotive parts suppliers.

**REMOVAL AND INSTALLATION**

**INPUT SPEED SENSOR**

**REMOVAL**

- (1) Raise vehicle.
- (2) Place a suitable fluid catch pan under the transmission.
- (3) Remove the wiring connector from the input speed sensor (Fig. 38).
- (4) Remove the bolt holding the input speed sensor to the transmission case.
- (5) Remove the input speed sensor from the transmission case.



**Fig. 38 Input Speed Sensor**

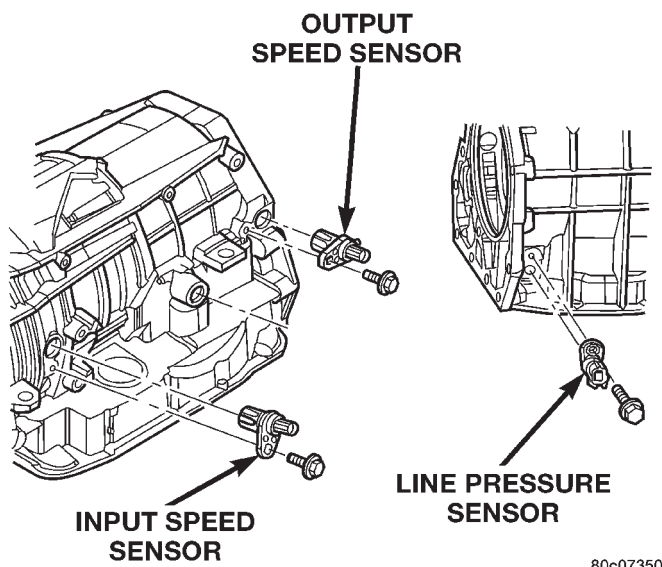
## REMOVAL AND INSTALLATION (Continued)

**INSTALLATION**

- (1) Install the input speed sensor into the transmission case.
- (2) Install the bolt to hold the input speed sensor into the transmission case. Tighten the bolt to 11.9 N·m (105 in. lbs.).
- (3) Install the wiring connector onto the input speed sensor
- (4) Verify the transmission fluid level. Add fluid as necessary.
- (5) Lower vehicle.

**OUTPUT SPEED SENSOR****REMOVAL**

- (1) Raise vehicle.
- (2) Place a suitable fluid catch pan under the transmission.
- (3) Remove the wiring connector from the output speed sensor (Fig. 39).
- (4) Remove the bolt holding the output speed sensor to the transmission case.
- (5) Remove the output speed sensor from the transmission case.

*Fig. 39 Output Speed Sensor*

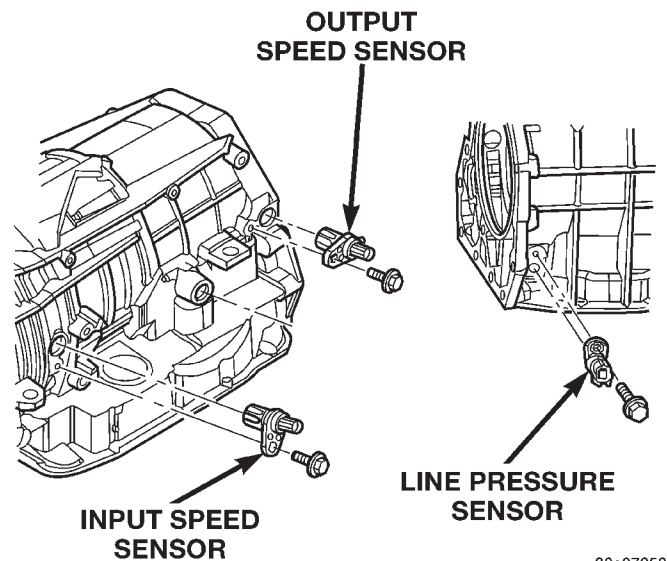
80c07350

**INSTALLATION**

- (1) Install the output speed sensor into the transmission case.
- (2) Install the bolt to hold the output speed sensor into the transmission case. Tighten the bolt to 11.9 N·m (105 in. lbs.).
- (3) Install the wiring connector onto the output speed sensor
- (4) Verify the transmission fluid level. Add fluid as necessary.
- (5) Lower vehicle.

**LINE PRESSURE SENSOR****REMOVAL**

- (1) Raise vehicle.
- (2) Place a suitable fluid catch pan under the transmission.
- (3) Remove the wiring connector from the line pressure sensor (Fig. 40).
- (4) Remove the bolt holding the line pressure sensor to the transmission case.
- (5) Remove the line pressure sensor from the transmission case.

*Fig. 40 Line Pressure Sensor*

80c07350

**INSTALLATION**

- (1) Install the line pressure sensor into the transmission case.
- (2) Install the bolt to hold the line pressure sensor into the transmission case. Tighten the bolt to 11.9 N·m (105 in. lbs.).
- (3) Install the wiring connector onto the line pressure sensor
- (4) Verify the transmission fluid level. Add fluid as necessary.
- (5) Lower vehicle.

**VALVE BODY**

The valve body can be removed for service without having to remove the transmission assembly.

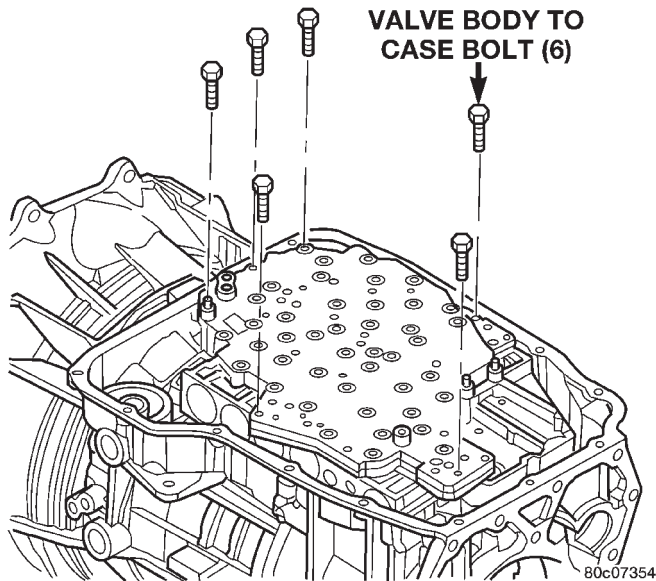
The valve body can be disassembled for cleaning and inspection of the individual components. Refer to Disassembly and Assembly section for proper procedures.

**REMOVAL**

- (1) Shift transmission into PARK.
- (2) Raise vehicle.

REMOVAL AND INSTALLATION (Continued)

- (3) Disconnect wires at the solenoid and pressure switch assembly connector.
- (4) Position drain pan under transmission oil pan.
- (5) Remove transmission oil pan.
- (6) Remove the primary oil filter from valve body.
- (7) Remove bolts attaching valve body to transmission case (Fig. 41).
- (8) Lower the valve body and work the electrical connector out of transmission case.
- (9) Separate the valve body from the transmission.



**Fig. 41 Valve Body Bolts**

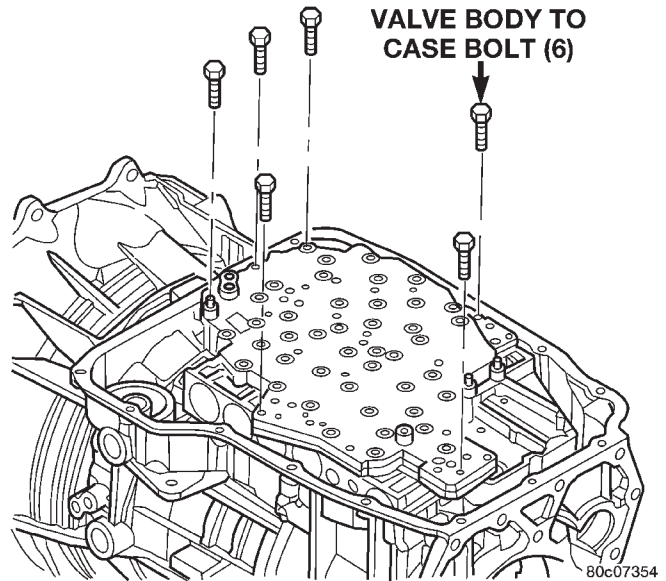
**INSTALLATION**

- (1) Check condition of seals on valve body and the solenoid and pressure switch assembly. Replace seals if cut or worn.
- (2) Place TRS selector plate in the PARK position.
- (3) Place the transmission in the PARK position.
- (4) Lubricate seal on the solenoid and pressure switch assembly connector with petroleum jelly.
- (5) Position valve body in transmission and align the manual lever on the valve body to the pin on the transmission manual shift lever.
- (6) Seat valve body in case and install one or two bolts to hold valve body in place.
- (7) Tighten valve body bolts alternately and evenly to 12 N·m (105 in. lbs.) torque.
- (8) Install new fluid filter on valve body. Tighten filter screws to 4.5 N·m (40 in. lbs.) torque.
- (9) Connect the solenoid and pressure switch assembly connector.
- (10) Install oil pan. Tighten pan bolts to 12 N·m (105 in. lbs.) torque.
- (11) Lower vehicle and fill transmission with Mopar® ATF Plus 3, type 7176 fluid.
- (12) Check and adjust gearshift cable, if necessary.

**SOLENOID AND PRESSURE SWITCH ASSEMBLY**

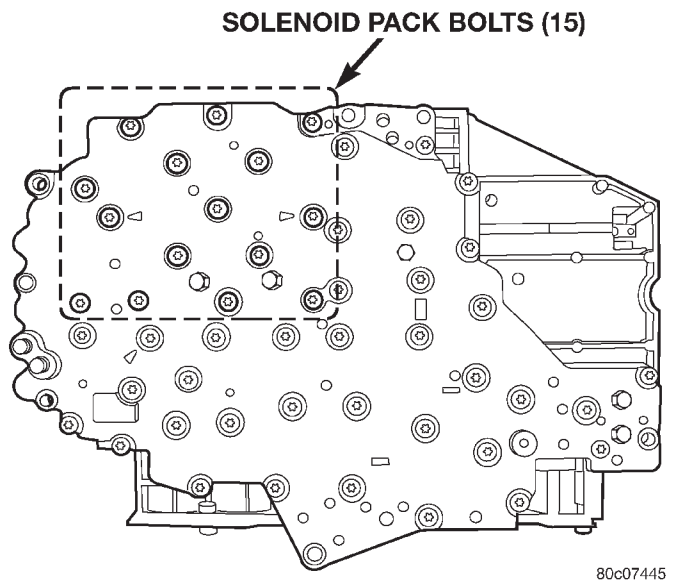
**REMOVAL**

- (1) Remove the valve body from the transmission (Fig. 42).



**Fig. 42 Valve Body Bolts**

- (2) Remove the screws holding the solenoid and pressure switch assembly onto the valve body (Fig. 43).
- (3) Separate the solenoid and pressure switch assembly from the valve body.



**Fig. 43 Solenoid and Pressure Switch Assembly Screws**

**INSTALLATION**

- (1) Place TRS selector plate in the PARK position.



## REMOVAL AND INSTALLATION (Continued)

(2) Position the solenoid and pressure switch assembly onto the valve body. Be sure that both alignment dowels are fully seated in the valve body and that the TRS switch contacts are properly positioned in the selector plate

(3) Install the screws to hold the solenoid and pressure switch assembly onto the valve body.

(4) Tighten the solenoid assembly screws adjacent to the arrows cast into the bottom of the valve body first. Tighten the screws to 5.7 N·m (50 in. lbs.).

(5) Tighten the remainder of the solenoid assembly screws to 5.7 N·m (50 in. lbs.).

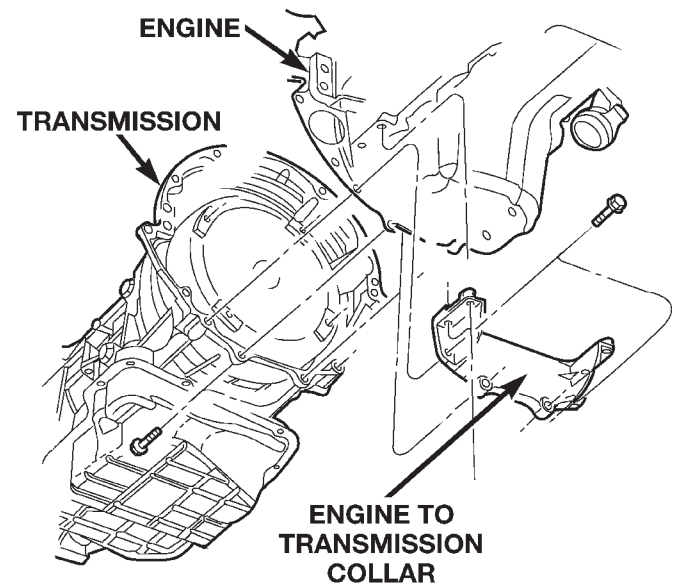
(6) Install the valve body into the transmission.

## TRANSMISSION

**CAUTION:** The transmission and torque converter must be removed as an assembly to avoid component damage. The converter driveplate, pump bushing, or oil seal can be damaged if the converter is left attached to the driveplate during removal. Be sure to remove the transmission and converter as an assembly.

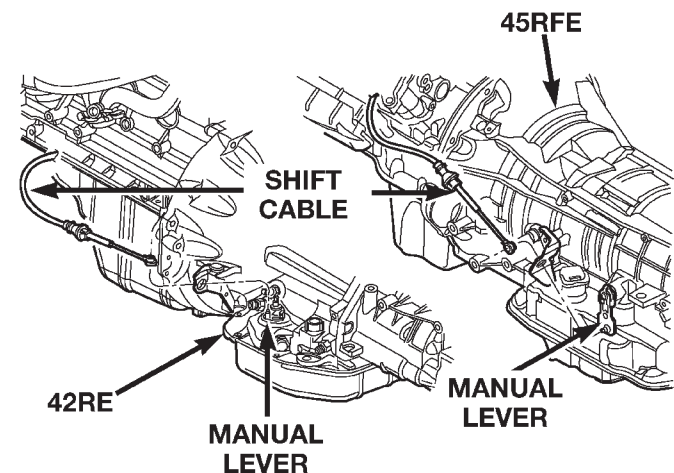
## REMOVAL

- (1) Disconnect the negative battery cable.
- (2) Raise and support the vehicle
- (3) Mark propeller shaft and axle yokes for assembly alignment.
- (4) Remove the rear propeller shaft
- (5) Remove the front propeller shaft.
- (6) Remove the engine to transmission collar (Fig. 44).
- (7) Remove the exhaust support bracket from the rear of the transmission.
- (8) Disconnect and lower or remove any necessary exhaust components.
- (9) Remove the starter motor.
- (10) Rotate crankshaft in clockwise direction until converter bolts are accessible. Then remove bolts one at a time. Rotate crankshaft with socket wrench on dampener bolt.
- (11) Disconnect wires from solenoid and pressure switch assembly, input and output speed sensors, and line pressure sensor.
- (12) Disconnect gearshift cable from transmission manual valve lever (Fig. 45).
- (13) Disconnect transfer case shift cable from the transfer case shift lever (Fig. 46).
- (14) Remove the clip securing the transfer case shift cable into the cable support bracket.
- (15) Disconnect transmission fluid cooler lines at transmission fittings and clips.
- (16) Disconnect the transmission vent hose from the transmission.



80ba79d2

Fig. 44 Transmission Collar



80ba79c4

Fig. 45 Transmission Shift Cable

- (17) Support rear of engine with safety stand or jack.
- (18) Raise transmission slightly with service jack to relieve load on crossmember and supports.
- (19) Remove bolts securing rear support and cushion to transmission and crossmember (Fig. 47).
- (20) Remove bolts attaching crossmember to frame and remove crossmember.
- (21) Remove transfer case (Fig. 48) and (Fig. 49).
- (22) Remove all remaining converter housing bolts.
- (23) Carefully work transmission and torque converter assembly rearward off engine block dowels.
- (24) Hold torque converter in place during transmission removal.
- (25) Lower transmission and remove assembly from under the vehicle.

REMOVAL AND INSTALLATION (Continued)

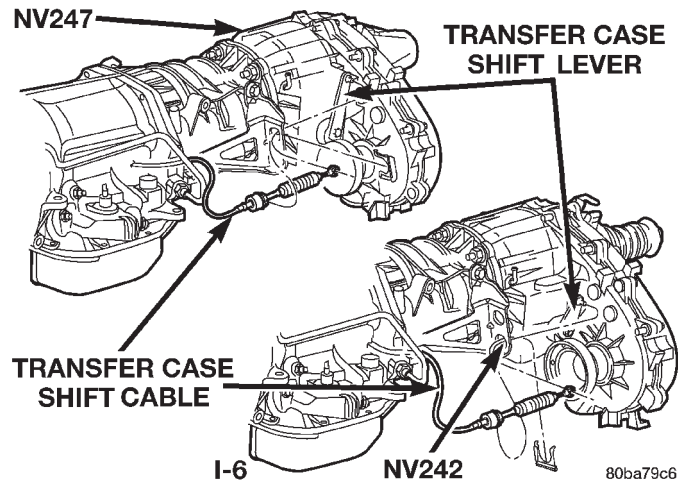


Fig. 46 Transfer Case Shift Cable

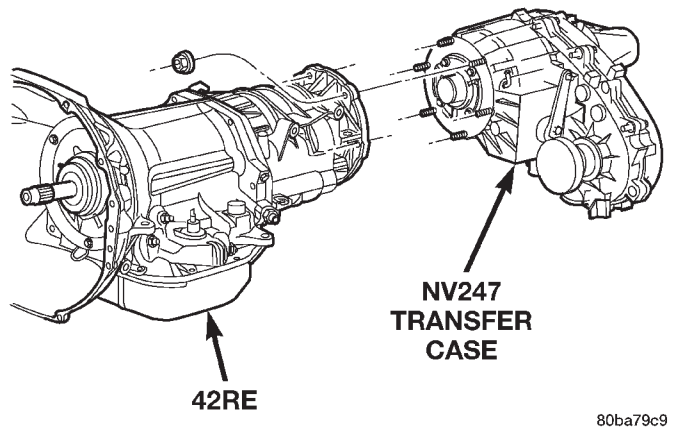


Fig. 48 Remove NV247 Transfer Case

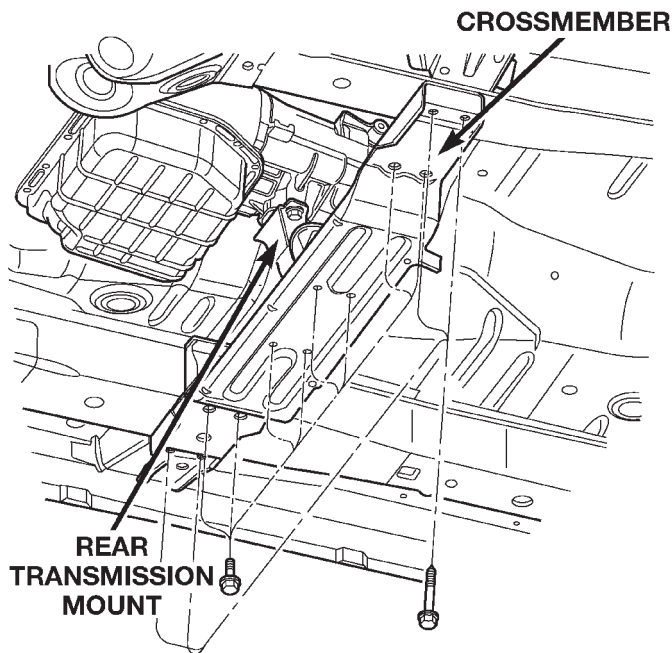


Fig. 47 Rear Transmission Crossmember

(26) To remove torque converter, carefully slide torque converter out of the transmission.

INSTALLATION

(1) Check torque converter hub and hub drive notches for sharp edges burrs, scratches, or nicks. Polish the hub and notches with 320/400 grit paper and crocus cloth if necessary. The hub must be smooth to avoid damaging pump seal at installation.

(2) If a replacement transmission is being installed, transfer any components necessary, such as the manual shift lever and shift cable bracket, from the original transmission onto the replacement transmission.

(3) Lubricate oil pump seal lip with transmission fluid.

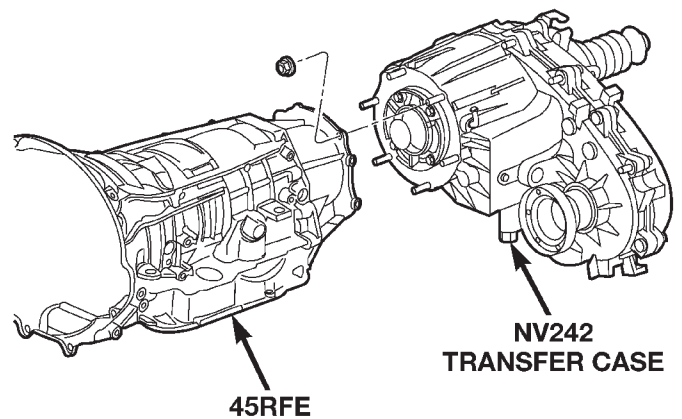


Fig. 49 Remove NV242 Transfer Case

(4) Align converter and oil pump.  
 (5) Carefully insert converter in oil pump. Then rotate converter back and forth until fully seated in pump gears.

(6) Check converter seating with steel scale and straightedge (Fig. 50). Surface of converter lugs should be 1/2 in. to rear of straightedge when converter is fully seated.

(7) Temporarily secure converter with C-clamp.  
 (8) Position transmission on jack and secure it with chains.

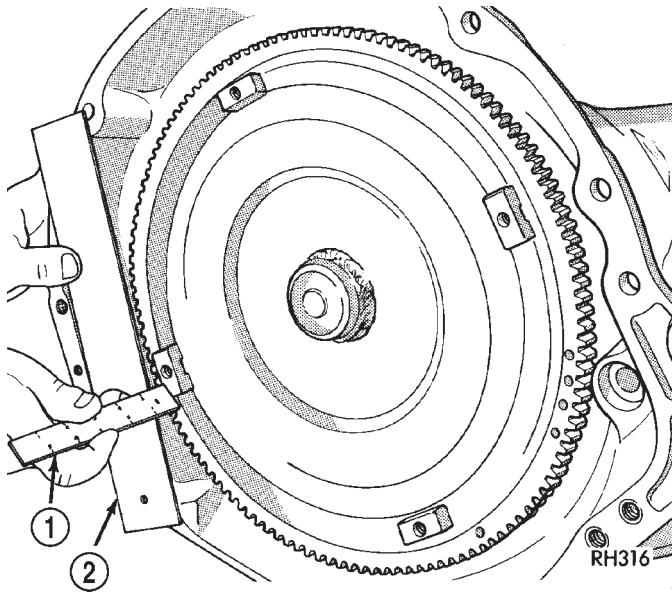
(9) Check condition of converter driveplate. Replace the plate if cracked, distorted or damaged. **Also be sure transmission dowel pins are seated in engine block and protrude far enough to hold transmission in alignment.**

(10) Apply a light coating of Mopar® High Temp Grease to the torque converter hub pocket in the rear

(11) Raise transmission and align converter with drive plate and converter housing with engine block.



## REMOVAL AND INSTALLATION (Continued)



**Fig. 50 Typical Method Of Checking Converter Seating**

- 1 - SCALE  
2 - STRAIGHTEDGE

(12) Move transmission forward. Then raise, lower or tilt transmission to align converter housing with engine block dowels.

(13) Carefully work transmission forward and over engine block dowels until converter hub is seated in crankshaft.

(14) Install two bolts to attach converter housing to engine.

(15) Install remaining torque converter housing to engine bolts. Tighten to 68 N·m (50 ft. lbs.).

(16) Install rear transmission crossmember. Tighten crossmember to frame bolts to 68 N·m (50 ft. lbs.).

(17) Install rear support to transmission. Tighten bolts to 47 N·m (35 ft. lbs.).

(18) Lower transmission onto crossmember and install bolts attaching transmission mount to crossmember. Tighten clevis bracket to crossmember bolts to 47 N·m (35 ft. lbs.). Tighten the clevis bracket to rear support bolt to 68 N·m (50 ft. lbs.).

(19) Remove engine support fixture.

(20) Install new plastic retainer grommet on any shift cable that was disconnected. Grommets should not be reused. Use pry tool to remove rod from grommet and cut away old grommet. Use pliers to snap new grommet into cable and to snap grommet onto lever.

(21) Connect gearshift cable to transmission.

(22) Connect wires to solenoid and pressure switch assembly connector, input and output speed sensors, and line pressure sensor. Be sure transmission harnesses are properly routed.

**CAUTION:** It is essential that correct length bolts be used to attach the converter to the driveplate. Bolts that are too long will damage the clutch surface inside the converter.

(23) Install torque converter-to-driveplate bolts. Tighten bolts to 31 N·m (270 in. lbs.).

(24) Install starter motor and cooler line bracket.

(25) Connect cooler lines to transmission.

(26) Install transmission fill tube.

(27) Install exhaust components.

(28) Install transfer case. Tighten transfer case nuts to 35 N·m (26 ft. lbs.).

(29) Install the transfer case shift cable to the cable support bracket and the transfer case shift lever.

(30) Install the transmission collar onto the transmission and the engine. Tighten the bolts to 54 N·m (40 ft. lbs.).

(31) Align and connect propeller shaft(s).

(32) Adjust gearshift cable if necessary.

(33) Lower vehicle.

(34) Fill transmission with Mopar® ATF Plus 3, Type 7176 fluid.

## TORQUE CONVERTER

### REMOVAL

(1) Remove transmission and torque converter from vehicle.

(2) Place a suitable drain pan under the converter housing end of the transmission.

**CAUTION:** Verify that transmission is secure on the lifting device or work surface, the center of gravity of the transmission will shift when the torque converter is removed creating an unstable condition.

The torque converter is a heavy unit. Use caution when separating the torque converter from the transmission.

(3) Pull the torque converter forward until the center hub clears the oil pump seal.

(4) Separate the torque converter from the transmission.

### INSTALLATION

Check converter hub and drive notches for sharp edges, burrs, scratches, or nicks. Polish the hub and notches with 320/400 grit paper or crocus cloth if necessary. The hub must be smooth to avoid damaging the pump seal at installation. Check that the torque converter hub o-ring on the 45RFE torque converter hub is not damaged. Replace if necessary.

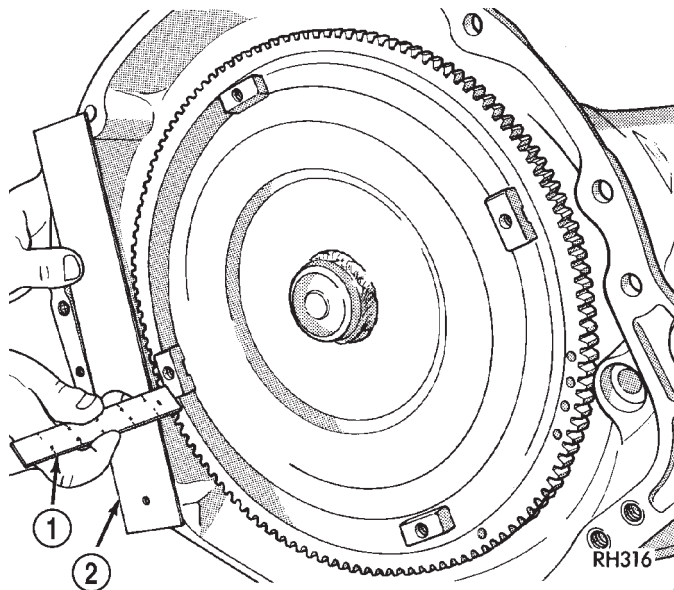
(1) Lubricate oil pump seal lip with transmission fluid.

REMOVAL AND INSTALLATION (Continued)

(2) Place torque converter in position on transmission.

**CAUTION:** Do not damage oil pump seal or bushing while inserting torque converter into the front of the transmission.

- (3) Align torque converter to oil pump seal opening.
- (4) Insert torque converter hub into oil pump.
- (5) While pushing torque converter inward, rotate converter until converter is fully seated in the oil pump gears.
- (6) Check converter seating with a scale and straightedge (Fig. 51). Surface of converter lugs should be 1/2 in. to rear of straightedge when converter is fully seated.
- (7) If necessary, temporarily secure converter with C-clamp attached to the converter housing.
- (8) Install the transmission in the vehicle.
- (9) Fill the transmission with the recommended fluid.



**Fig. 51 Checking Torque Converter Seating—Typical**  
 1 - SCALE  
 2 - STRAIGHTEDGE

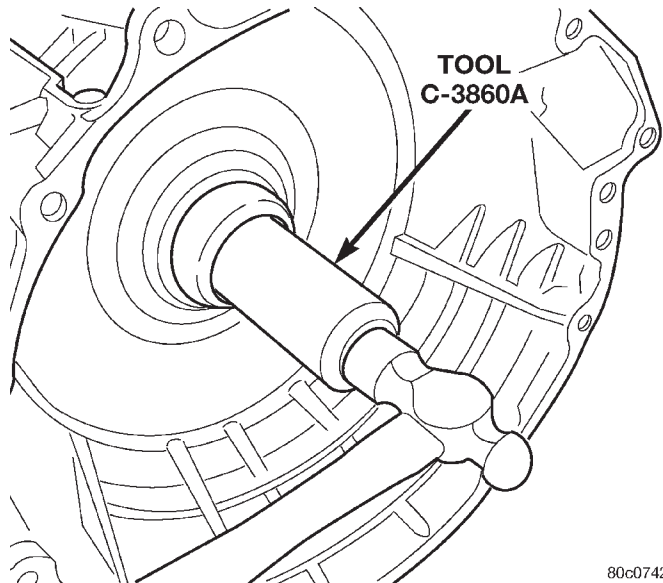
**OIL PUMP FRONT SEAL**

**REMOVAL**

- (1) Remove transmission from the vehicle.
- (2) Remove the torque converter from the transmission.
- (3) Using a screw mounted in a slide hammer, remove the oil pump front seal.

**INSTALLATION**

- (1) Clean seal bore of the oil pump of any residue or particles from the original seal.
- (2) Install new oil seal in the oil pump housing using Seal Installer C-3860-A (Fig. 52).



**Fig. 52 Install Oil Pump Front Seal**

**ADAPTER HOUSING SEAL**

**REMOVAL**

- (1) Remove the transfer case from the transmission.
- (2) Using a screw mounted on a slide hammer, remove the adapter housing seal.

**INSTALLATION**

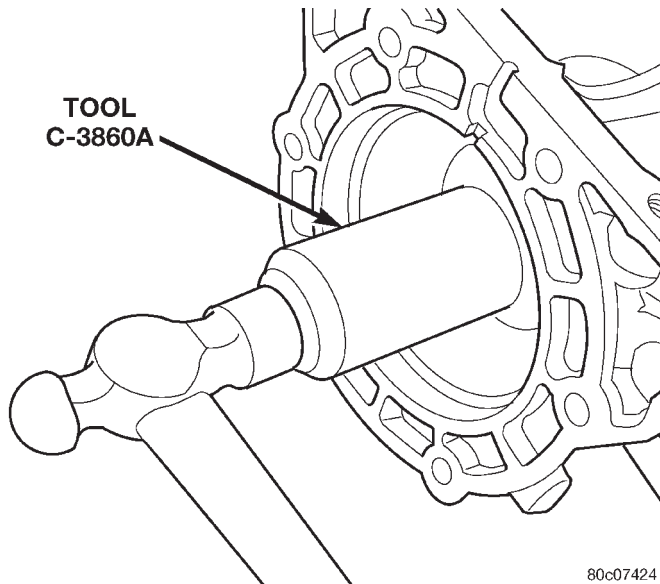
- (1) Clean the adapter seal bore in the adapter housing of any residue or particles remaining from the original seal.
- (2) Install new oil seal in the adapter housing using Seal Installer C-3860-A (Fig. 53).
- (3) Install the transfer case onto the transmission.

**GEARSHIFT CABLE**

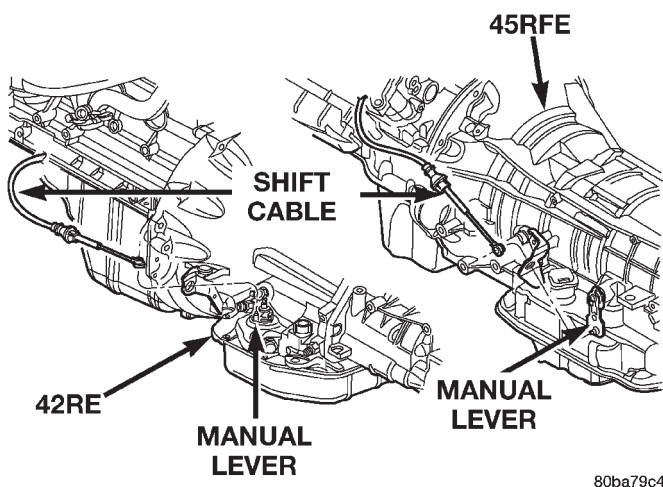
**REMOVAL**

- (1) Shift transmission into Park.
- (2) Raise vehicle.
- (3) Remove the shift cable eyelet from the transmission manual shift lever (Fig. 54).
- (4) Remove shift cable from the cable support bracket.
- (5) Lower vehicle.
- (6) Remove shift lever bezel and necessary console parts for access to shift lever assembly and shift cable.

## REMOVAL AND INSTALLATION (Continued)



**Fig. 53 Adapter Housing Seal Installation**



**Fig. 54 Remove Shift Cable From Transmission**

(7) Disconnect cable at shift lever and shifter assembly bracket (Fig. 55).

(8) Remove the nuts holding the shift cable seal plate to the floor pan (Fig. 56).

(9) Pull cable through floor panel opening.

(10) Remove shift cable from vehicle.

### INSTALLATION

(1) Route cable through hole in floor pan.

(2) Install seal plate to studs in floor pan.

(3) Install nuts to hold seal plate to floor pan. Tighten nuts to 7 N·m (65 in. lbs.).

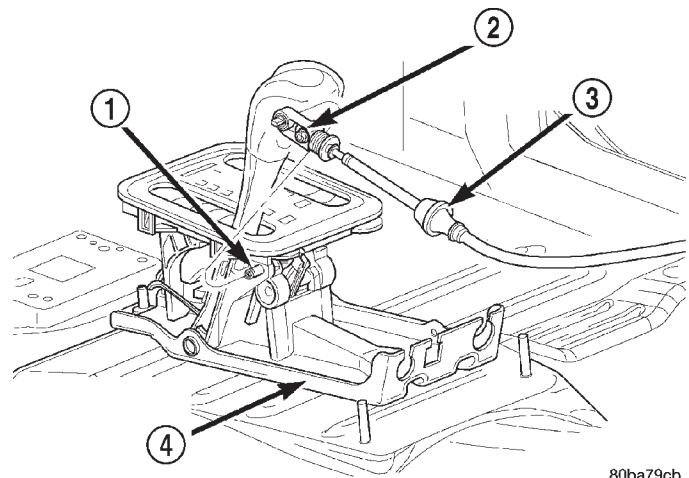
(4) Install the shift cable to the shifter assembly bracket. Push cable into the bracket until secure.

(5) Place the floor shifter lever in park position.

(6) Loosen the adjustment screw on the shift cable.

(7) Snap the shift cable onto the shift lever pin.

(8) Raise the vehicle.



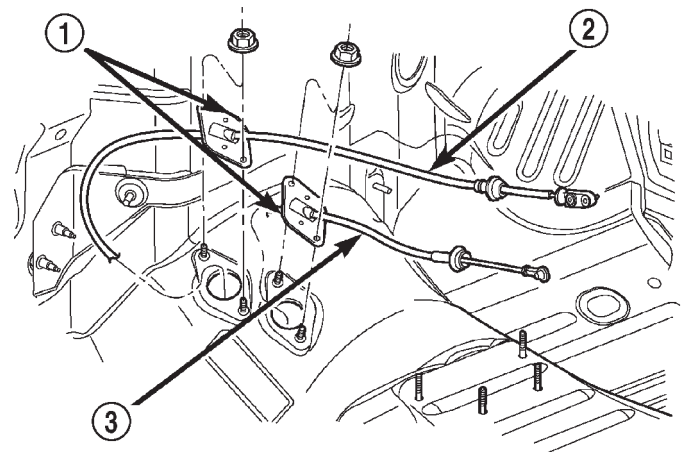
**Fig. 55 Transmission Shift Cable at Shifter**

1 - SHIFT LEVER PIN

2 - ADJUSTMENT SCREW

3 - SHIFT CABLE

4 - SHIFTER ASSEMBLY BRACKET



**Fig. 56 Shift Cables at Floor Pan**

1 - SEAL PLATES

2 - TRANSMISSION SHIFT CABLE

3 - TRANSFER CASE SHIFT CABLE

(9) Install the shift cable to the shift cable support bracket.

(10) Shift the transmission into PARK. PARK is the rearmost detent position on the transmission manual shift lever.

(11) Snap the shift cable onto the transmission manual shift lever.

(12) Lower vehicle.

(13) Verify that the shift lever is in the PARK position.

(14) Tighten the adjustment screw to 7 N·m (65 in. lbs.).

(15) Verify correct shifter operation.

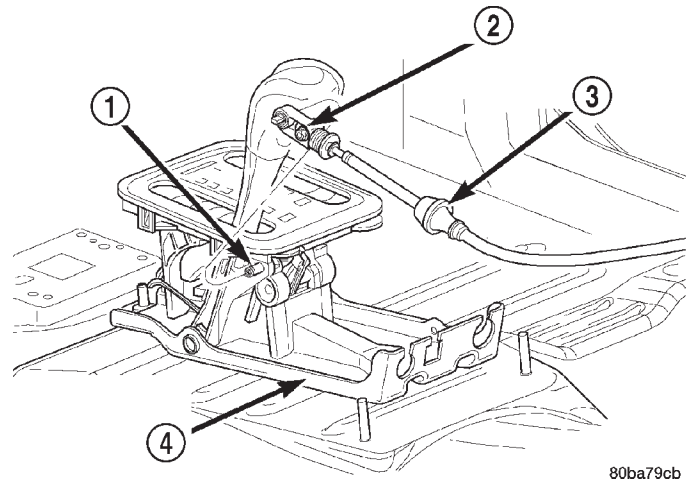
REMOVAL AND INSTALLATION (Continued)

(16) Install shift lever bezel and any console parts removed for access to shift lever assembly and shift cable.

**SHIFTER**

**REMOVAL**

- (1) Shift transmission into Park.
- (2) Remove shift lever bezel and any necessary console parts for access to shift lever assembly and shifter cables.
- (3) Disconnect the transmission shift cable at shift lever and shifter assembly bracket (Fig. 57).
- (4) Disconnect the brake transmission interlock cable from the shifter BTSI lever and the shifter assembly bracket.
- (5) Disconnect the transfer case shift cable from the transfer case shift lever pin (Fig. 59).
- (6) Remove the clip holding the transfer case shift cable to the shifter assembly bracket.
- (7) Remove the transfer case shift cable from the shifter assembly bracket.
- (8) Disengage all wiring connectors from the shifter assembly.
- (9) Remove all nuts holding the shifter assembly to the floor pan (Fig. 60).



80ba79cb

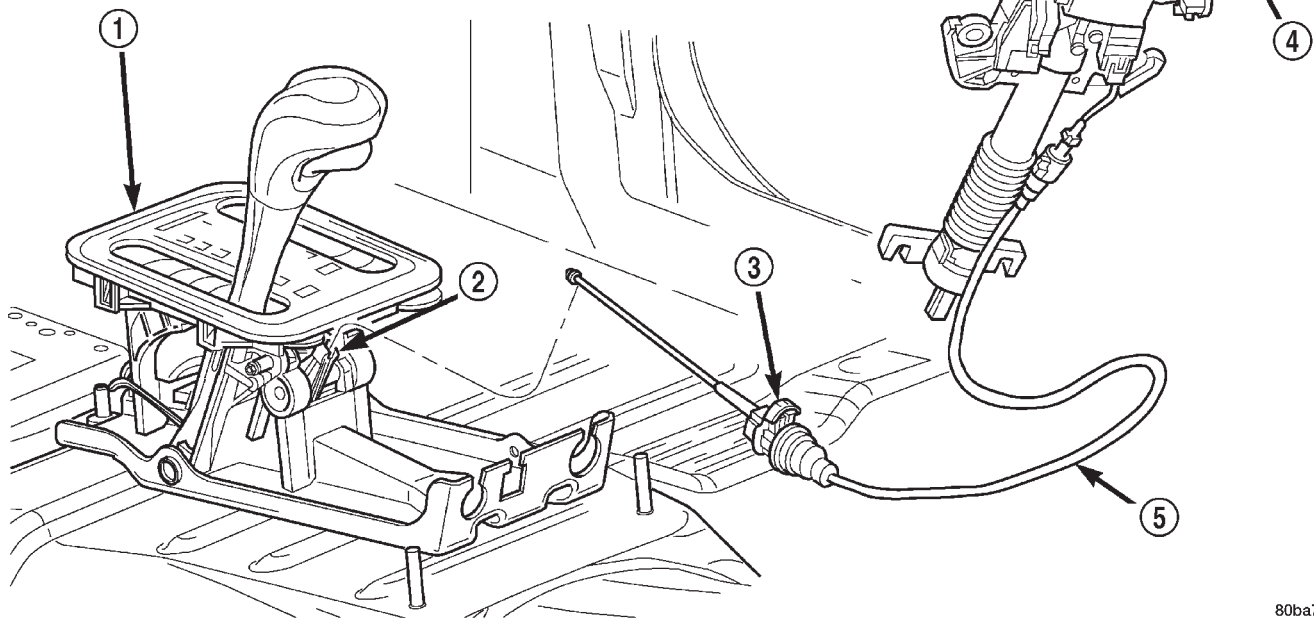
**Fig. 57 Transmission Shift Cable at Shifter**

- 1 - SHIFT LEVER PIN
- 2 - ADJUSTMENT SCREW
- 3 - SHIFT CABLE
- 4 - SHIFTER ASSEMBLY BRACKET

(10) Remove the shifter assembly from the vehicle.

**INSTALLATION**

(1) Install shifter assembly onto the shifter assembly studs on the floor pan.



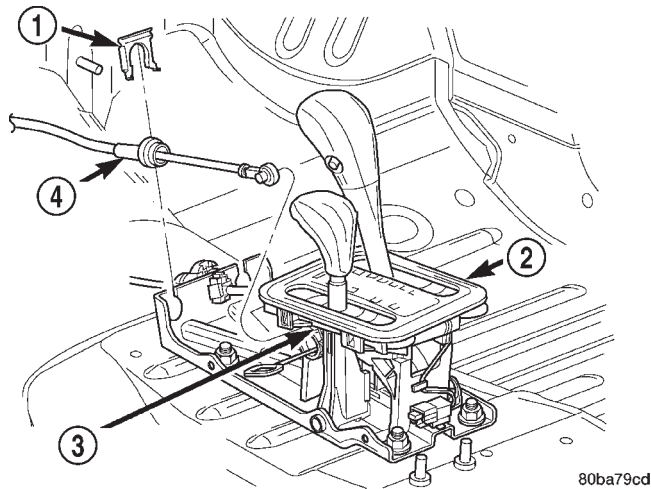
80ba79c2

**Fig. 58 Brake Transmission Interlock Cable**

- 1 - SHIFT MECHANISM
- 2 - SHIFTER BTSI LEVER
- 3 - ADJUSTMENT CLIP
- 4 - STEERING COLUMN ASSEMBLY
- 5 - INTERLOCK CABLE

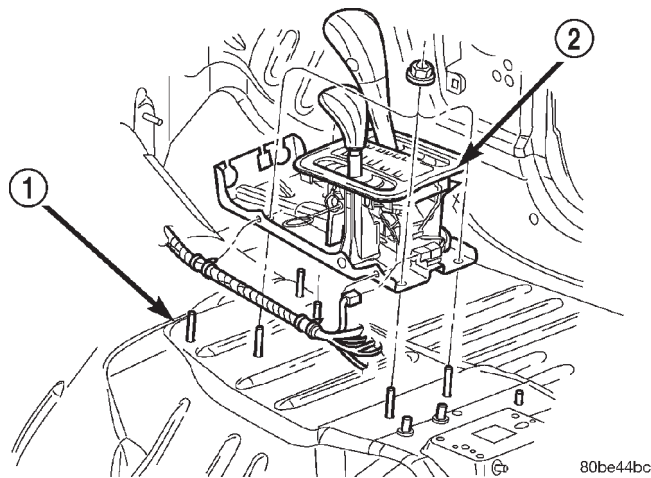


## REMOVAL AND INSTALLATION (Continued)



**Fig. 59 Transfer Case Shift Cable**

- 1 - CLIP
- 2 - SHIFTER
- 3 - TRANSFER CASE SHIFT LEVER PIN
- 4 - TRANSFER CASE SHIFT CABLE



**Fig. 60 Shifter Assembly**

- 1 - FLOOR PAN
- 2 - SHIFTER ASSEMBLY

(2) Install the nuts to hold the shifter assembly onto the floor pan. Tighten nuts to 28 N·m (250 in. lbs.).

(3) Install wiring harness to the shifter assembly bracket. Engage any wire connectors removed from the shifter assembly.

(4) Install the transfer case shift cable to the shifter assembly bracket. Install clip to hold cable to the bracket.

(5) Snap the transfer case shift cable onto the transfer case shift lever pin.

(6) Install the brake transmission interlock cable into the shifter assembly bracket and into the shifter BTSI lever.

(7) Install the shift cable to the shifter assembly bracket. Push cable into the bracket until secure.

(8) Place the floor shifter lever in park position.

(9) Loosen the adjustment screw on the shift cable.

(10) Snap the shift cable onto the shift lever pin.

(11) Verify that the shift lever is in the PARK position.

(12) Tighten the adjustment screw to 7 N·m (65 in. lbs.).

(13) Verify correct shifter operation.

(14) Install shift lever bezel and any console parts removed for access to shift lever assembly and shift cables.

## BRAKE TRANSMISSION SHIFT INTERLOCK

### REMOVAL

(1) Lower the steering column.

(2) Remove the transmission shift interlock cable from steering column (Fig. 61).

(3) Remove the center console and related trim. Refer to Group 23, Body, for proper procedures.

(4) Disconnect the BTSI cable from the shift BTSI lever and remove the cable from the shifter assembly bracket.

(5) Disengage the wire connector at the solenoid on the cable

(6) Release the BTSI cable from any remaining clips.

(7) Remove BTSI cable from the vehicle.

### INSTALLATION

**NOTE:** The gearshift cable must be secured into position and properly adjusted before the installation of the Brake Transmission Interlock Cable (BTSI).

(1) Snap the BTSI cable assembly into the steering column.

(2) Snap BTSI cable solenoid tie strap into hole in steering column tube.

(3) Engage the wiring connector from brake light switch into BTSI cable solenoid housing.

(4) Route BTSI cable to the shifter mechanism.

(5) Install the BTSI cable end fitting into shifter BTSI lever.

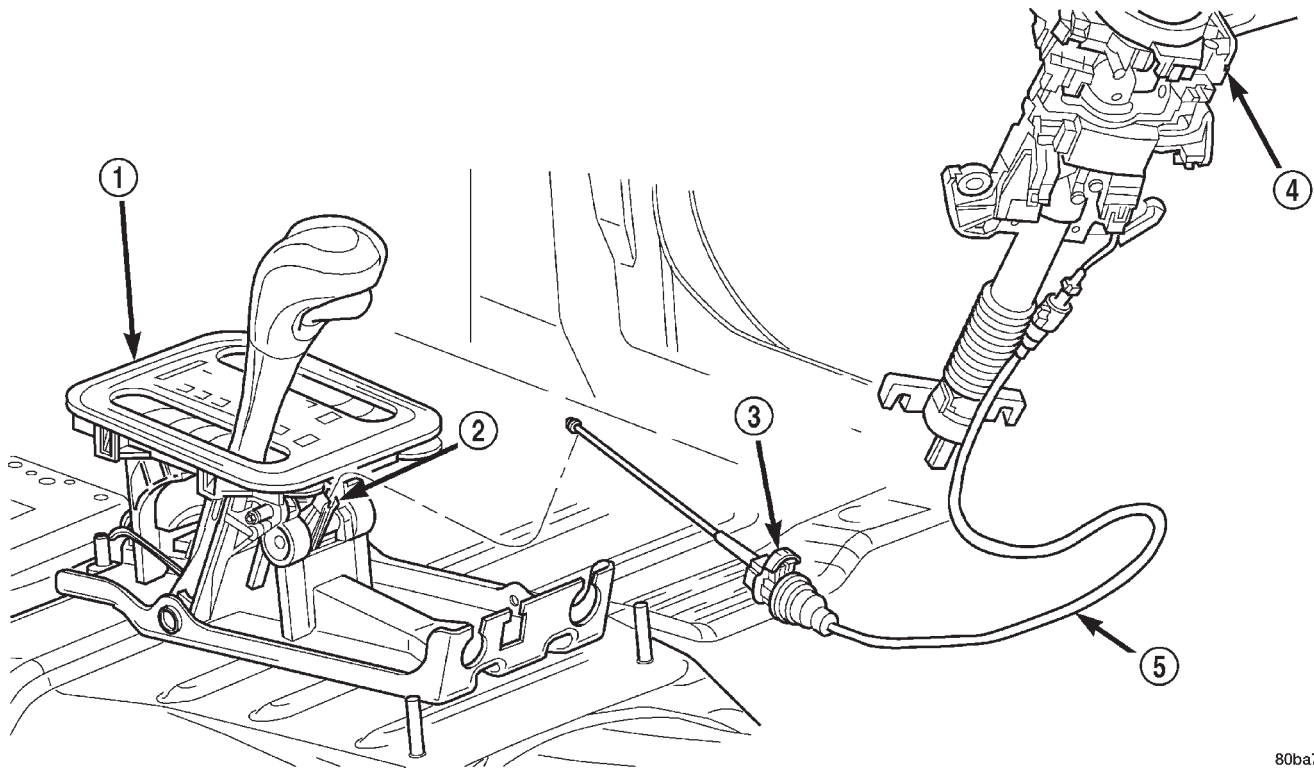
(6) Pull rearward on the BTSI cable housing and install the cable housing into the shifter assembly bracket.

(7) Place the ignition key cylinder in the LOCK position.

(8) Snap BTSI cable adjuster ears into floor shifter bracket and

(9) Push the cable adjuster lock clamp downward to lock it.

REMOVAL AND INSTALLATION (Continued)



**Fig. 61 Brake Transmission Shift Interlock**

- 1 - SHIFT MECHANISM
- 2 - SHIFTER BTSI LEVER
- 3 - ADJUSTMENT CLIP
- 4 - STEERING COLUMN ASSEMBLY
- 5 - INTERLOCK CABLE

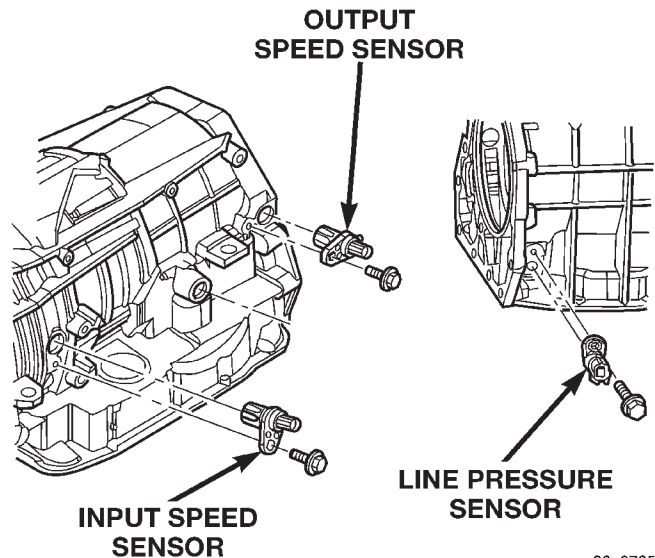
80ba79c2

- (10) Install the center console and related trim. Refer to Group 23, Body, for proper procedures.
- (11) Test the BTSI cable operation.

**DISASSEMBLY AND ASSEMBLY  
TRANSMISSION**

**DISASSEMBLY**

- (1) Drain fluid from transmission.
- (2) Clean exterior of transmission with suitable solvent or pressure washer.
- (3) Remove the torque converter from the transmission.
- (4) Remove the manual shift lever from the transmission.
- (5) Remove the input, output, and line pressure sensors from the transmission case (Fig. 62).
- (6) Inspect the ends of the sensors for debris, which may indicate the nature of the transmission failure.
- (7) Install Support Stand 8257 onto the transmission case (Fig. 63).



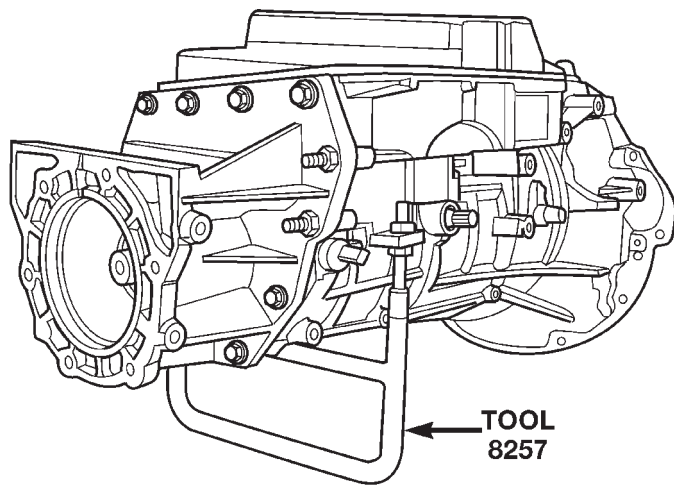
**Fig. 62 Remove Input, Output, and Line Pressure Sensors**

80c07350

- (8) Using Adapter 8266-1 from End-Play Tool Set 8266 and Dial Indicator C-3339, measure and record the input shaft end-play (Fig. 64).

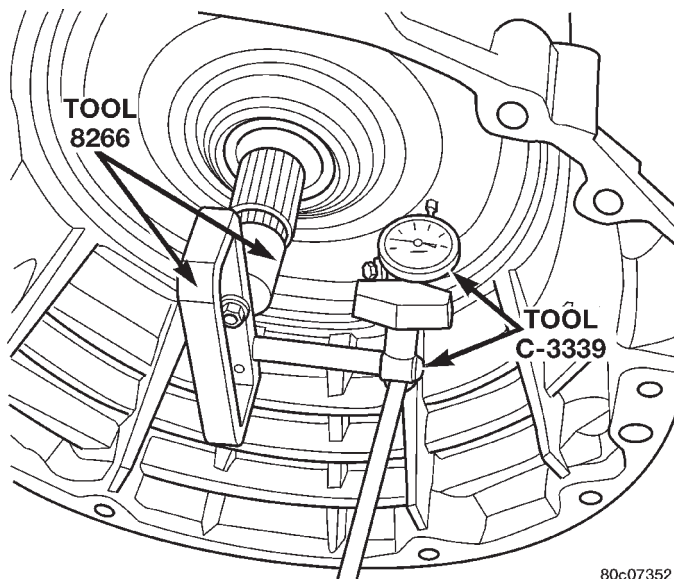


## DISASSEMBLY AND ASSEMBLY (Continued)



80c07351

**Fig. 63 Install Support Stand—Tool 8257**



80c07352

**Fig. 64 Measure Input Shaft End Play**

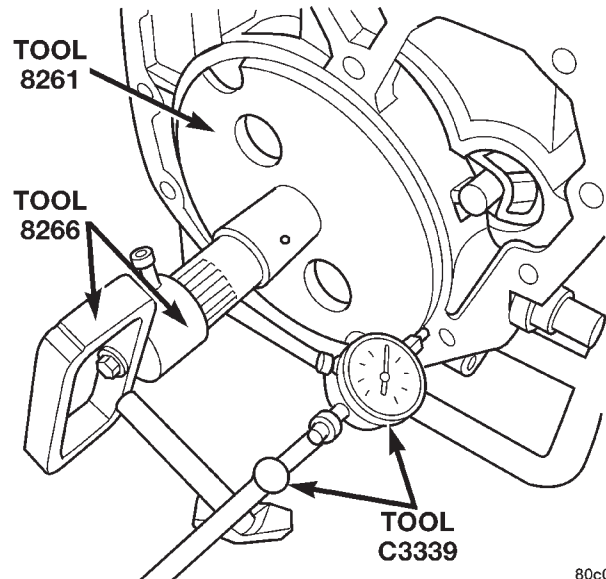
**NOTE:** When measuring the input shaft end-play, two “stops” will be felt. When the input shaft is pushed inward and the dial indicator zeroed, the first “stop” felt when the input shaft is pulled outward is the movement of the input shaft in the input clutch housing hub. This value should not be included in the end-play measured value and therefore must be recorded and subtracted from the dial indicator reading.

(9) Remove the bolts holding the transmission extension/adaptor housing to the transmission case.

(10) Remove the extension/adaptor housing from the transmission case.

(11) Using Alignment Plate 8261, Adapter 8266-17 from End-Play Tool Set 8266 and Dial Indicator

C-3339, measure and record the output shaft end-play (Fig. 65).



80c07353

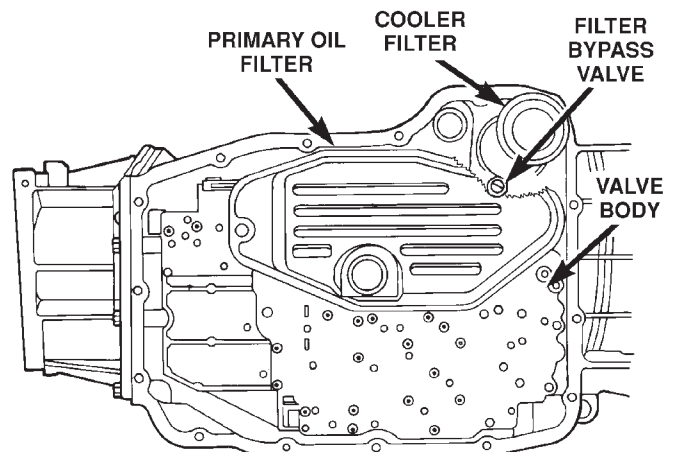
**Fig. 65 Measure Output Shaft End Play**

(12) Remove the bolts holding the transmission oil pan to the transmission case.

(13) Remove the transmission oil pan from the transmission case.

(14) Remove the primary oil filter and the oil cooler filter (Fig. 66).

(15) Remove the cooler bypass valve.



80b9a595

**Fig. 66 Remove Primary Oil and Cooler Filters**

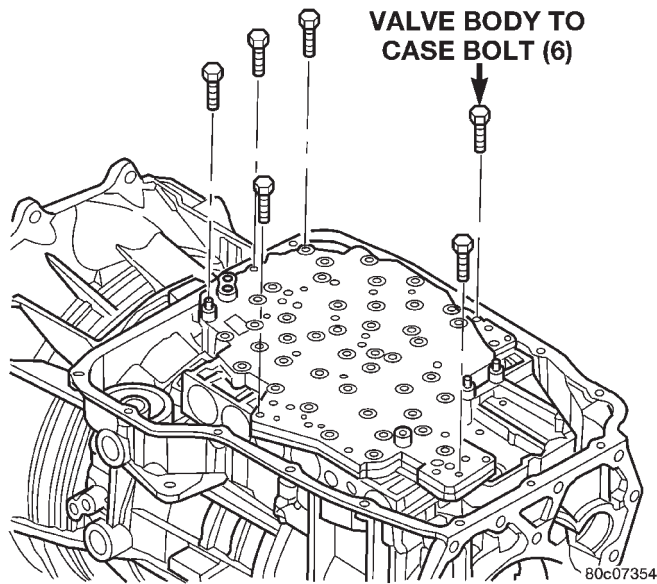
(16) Remove the bolts holding the valve body to the transmission case (Fig. 67).

(17) Remove the valve body from the transmission case.

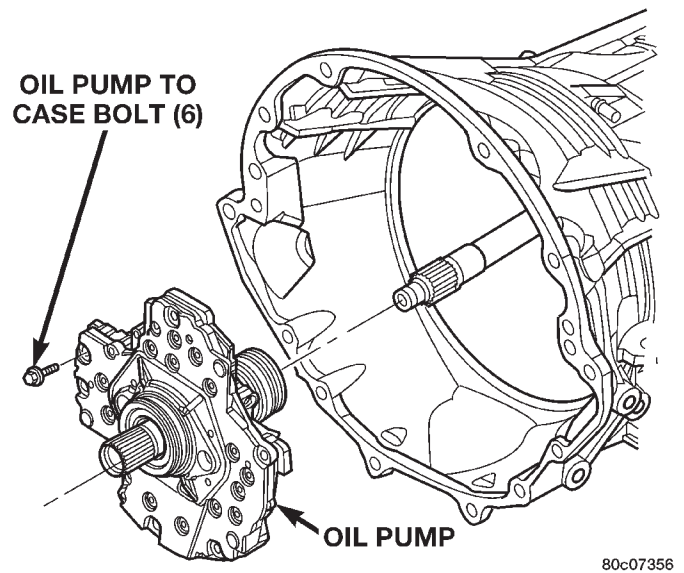
(18) Remove the outer snap-ring securing the transmission front cover into the transmission case (Fig. 68).

(19) Remove the inner snap-ring securing the transmission front cover to the oil pump (Fig. 68).

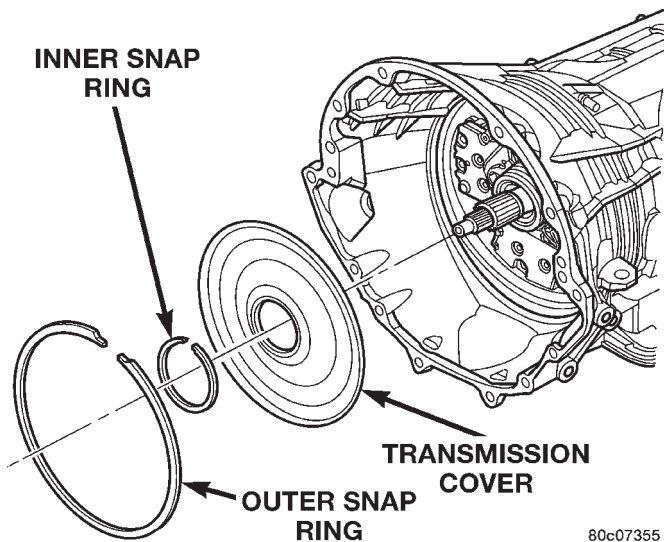
DISASSEMBLY AND ASSEMBLY (Continued)



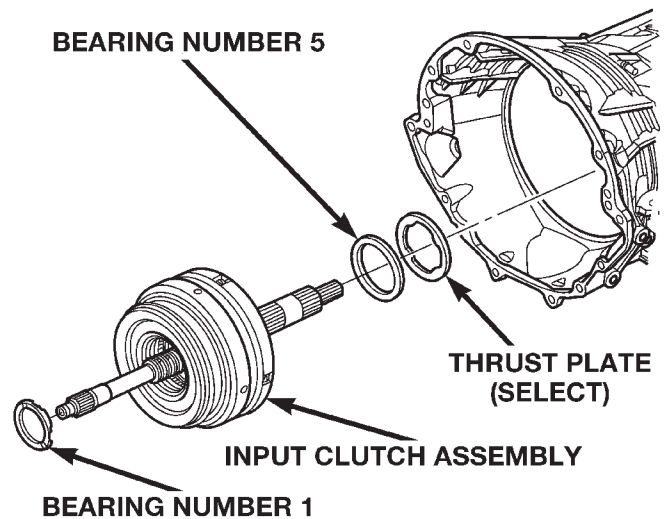
**Fig. 67 Remove Valve Body Assembly**



**Fig. 69 Remove Oil Pump**



**Fig. 68 Remove Transmission Front Cover**



**Fig. 70 Remove Input Clutch Assembly**

(20) Reaching through a case opening in the valve body area with a long blunted tool, remove the transmission front cover from the transmission case.

(21) Remove the bolts holding the oil pump into the transmission case (Fig. 69).

(22) Remove the oil pump. Hold inward on the input shaft to prevent pulling the input clutch assembly with the oil pump (Fig. 69).

(23) Remove the number 1 bearing from the input clutch assembly (Fig. 70).

(24) Remove the input clutch assembly from the transmission case (Fig. 70).

(25) Remove the number 5 bearing and selective thrust plate from the input clutch assembly (Fig. 70), or the 4C clutch retainer/bulkhead.

(26) Remove the 4C clutch retainer/bulkhead tapered snap-ring from the transmission case (Fig. 71).

(27) Remove the 4C clutch retainer/bulkhead from the transmission case (Fig. 71).

(28) Remove the front 2C clutch pack snap-ring from the transmission case (Fig. 72).

(29) Remove the 2C clutch pack from the transmission case (Fig. 72).

(30) Remove the rear selective plate and number 6 bearing from the reaction annulus (Fig. 73).

(31) Remove the reaction annulus from the reaction planetary carrier (Fig. 73).

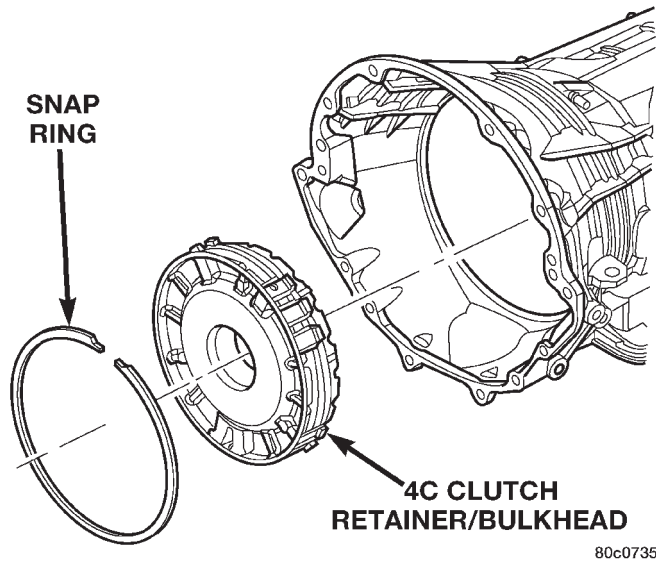
(32) Remove the number 7 bearing (Fig. 73).

(33) Remove the reaction sun gear (Fig. 73).

(34) Remove the number 8 bearing from the reaction planetary carrier (Fig. 73).

(35) Remove the reaction planetary carrier (Fig. 73). Note that this planetary gear set has three pinion gears.

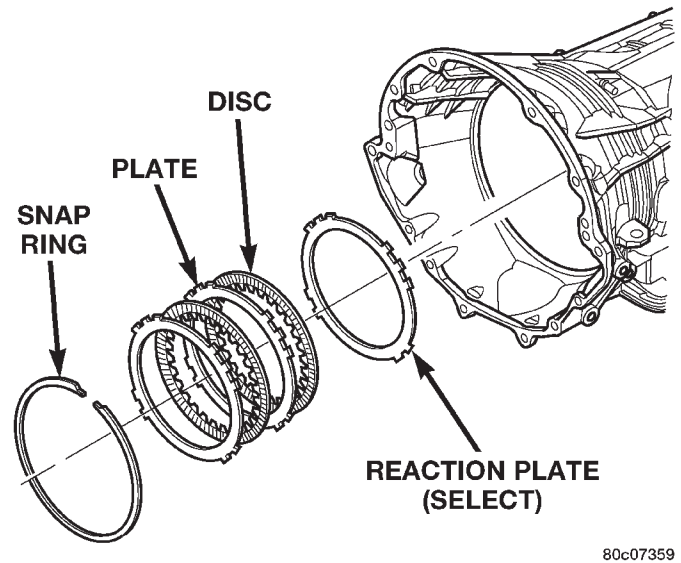
DISASSEMBLY AND ASSEMBLY (Continued)



**Fig. 71 Remove 4C Clutch Retainer/Bulkhead**

(36) Remove the number 9 bearing from the reverse planetary gear set (Fig. 73).

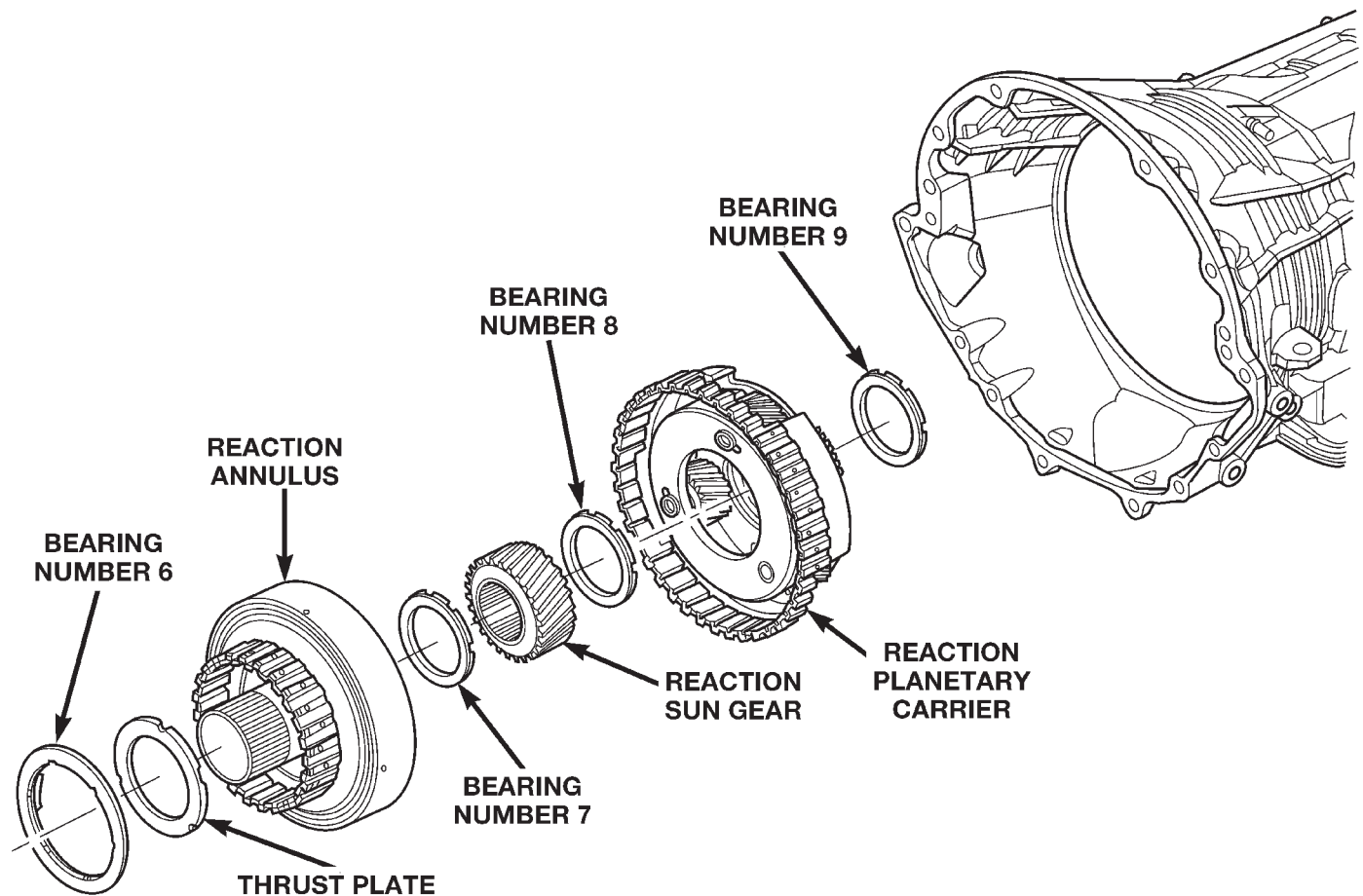
(37) Remove the snap-ring holding the park sprag gear onto the output shaft (Fig. 74).



**Fig. 72 Remove 2C Clutch Pack**

(38) Remove the park sprag gear from the output shaft (Fig. 75).

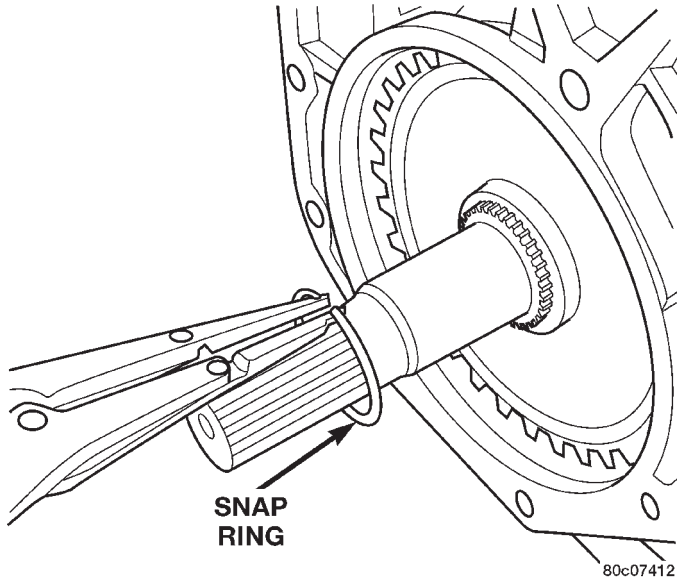
(39) Remove the input/reverse planetary assembly (Fig. 76).



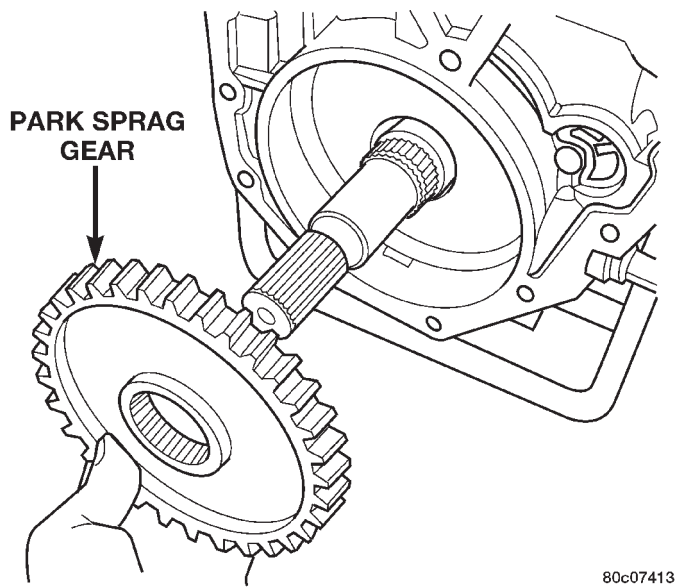
**Fig. 73 Remove Reaction Annulus and Carrier**



DISASSEMBLY AND ASSEMBLY (Continued)

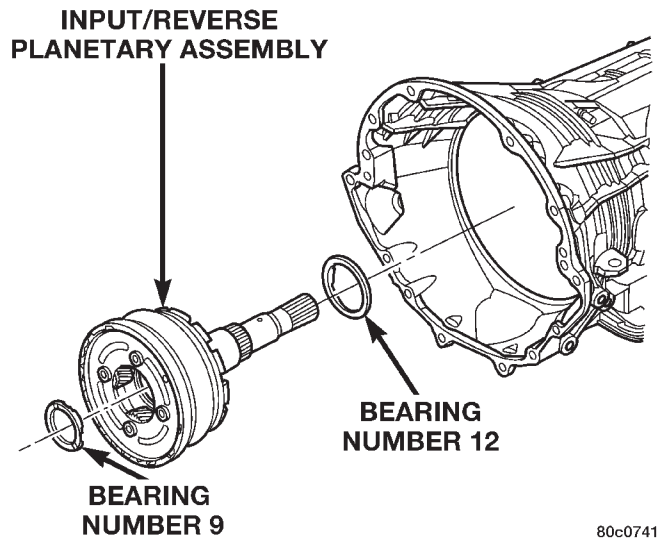


**Fig. 74 Remove Park Sprag Snap Ring**

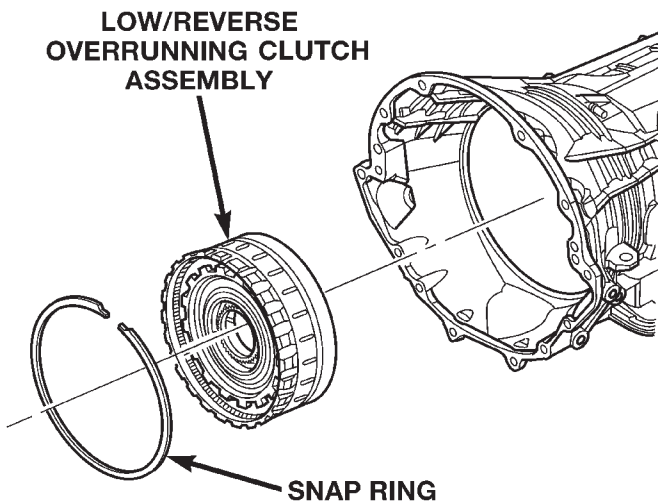


**Fig. 75 Remove Park Sprag Gear**

- (40) Remove the number 12 bearing from the input/reverse planetary assembly (Fig. 76).
- (41) Remove the snap-ring holding the low/reverse clutch retainer into the transmission case (Fig. 77).
- (42) Remove the low/reverse clutch retainer from the transmission case (Fig. 77).
- (43) Remove the park pawl rod and e-clip (Fig. 78).
- (44) Remove the park pawl rod guide snap-ring (Fig. 78).
- (45) Remove the park pawl rod guide (Fig. 78).
- (46) Remove the park pawl pivot shaft, park pawl, and spring (Fig. 78).
- (47) Remove the manual selector shaft (Fig. 78).
- (48) Remove the manual selector shaft seal.
- (49) Remove the dipstick tube seal.



**Fig. 76 Remove Input/Reverse Planetary Assembly**

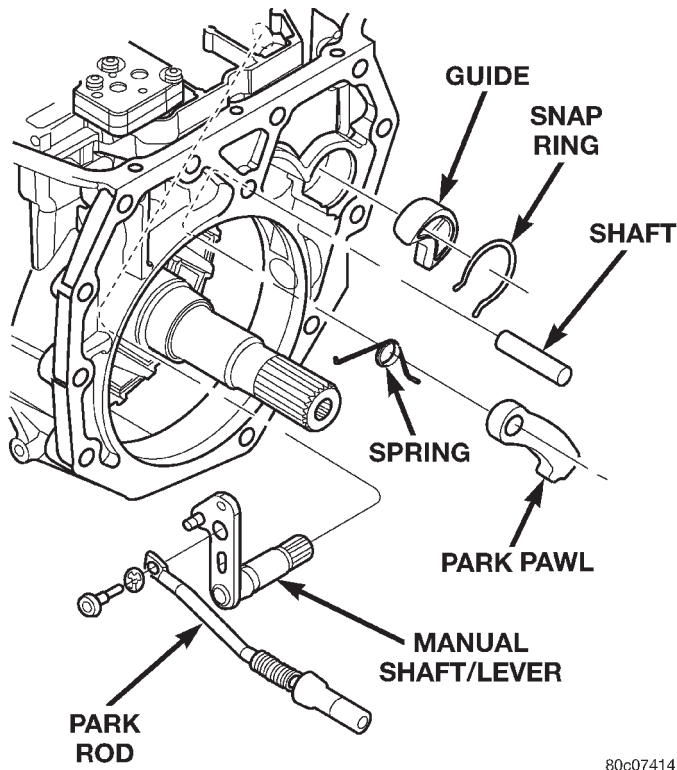


**Fig. 77 Remove Low/Reverse Clutch Retainer**

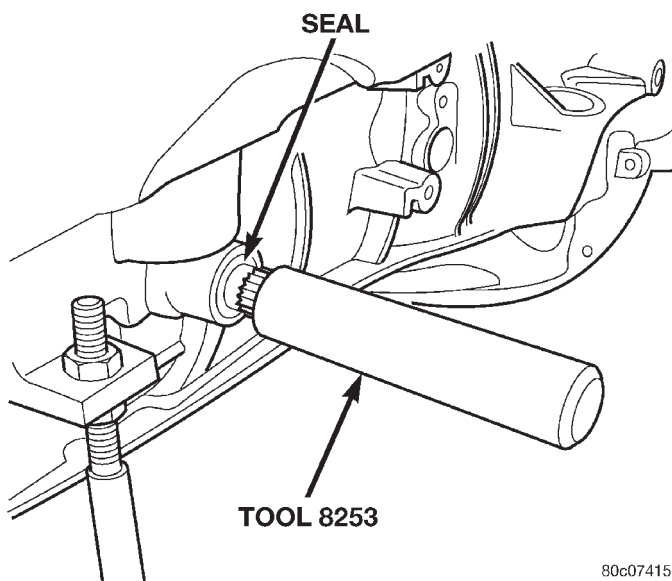
**ASSEMBLY**

- (1) Clean and inspect all components. Replace any components which show evidence of excessive wear or scoring.
- (2) Install the cooler filter bypass valve.
- (3) Torque the bypass valve to specification. The valve uses a tapered pipe thread and excessive torque can damage the transmission case. Tighten the cooler filter bypass valve to 11.3 N·m (100 in. lbs.).
- (4) Install a new selector shaft seal using Seal Installer 8253 (Fig. 79).
- (5) Install the manual selector shaft and retaining screw. Tighten the manual selector shaft retaining screw to 28 N·m (250 in. lbs.).
- (6) Install the park pawl, spring, and shaft (Fig. 78).

## DISASSEMBLY AND ASSEMBLY (Continued)



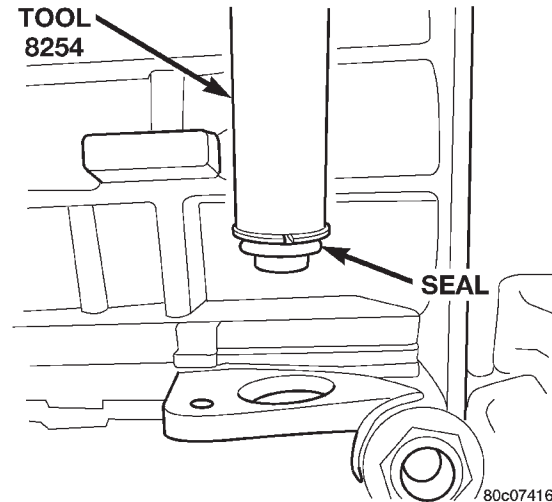
**Fig. 78 Manual Shaft/Park Lock Components**



**Fig. 79 Install Selector Shaft Seal Using Tool 8253**

- (7) Install the park rod and e-clip (Fig. 78).
- (8) Install the park rod guide and snap-ring (Fig. 78).
- (9) Install a new dipstick tube seal using Seal Installer 8254 (Fig. 80).

**NOTE:** Before final assembly of transmission centerline, the 2C/4C clutch components should be installed into position and measured/adjusted as follows:



**Fig. 80 Install Dipstick Tube Seal Using Tool 8254**

(10) Install the 2C reaction plate into the transmission case (Fig. 72). The reaction plate is selective and directional. The plate must be installed with the flat side toward the front.

(11) Install the 2C clutch pack into the transmission case (Fig. 72).

(12) Install the flat 2C clutch snap-ring into the transmission case (Fig. 72).

(13) Install the 4C retainer/bulkhead into the transmission case. Make sure that the oil feed holes are pointing toward the valve body area.

(14) Install the 4C retainer/bulkhead tapered snap-ring into the transmission case. Make sure that the open ends of the snap-ring are located in the case opening toward the valve body area.

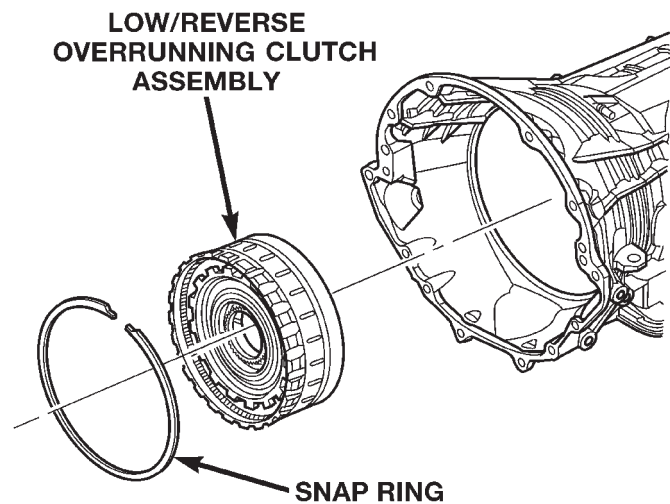
(15) Using a feeler gauge through the opening in the rear of the transmission case, measure the 2C clutch pack clearance between the 2C reaction plate and the transmission case at four different points. The average of these measurements is the 2C clutch pack clearance. Adjust the clearance as necessary. The correct clutch clearance is 0.533–1.27 mm (0.021–0.050 in.). The reaction plate is selective. Install the chosen reaction plate and re-measure the clutch clearance to verify the selection.

(16) Remove the 4C retainer/bulkhead and all of the 2C clutch components from the transmission case.

(17) Install the low/reverse clutch assembly (Fig. 81). Make sure that the oil feed hole points toward the valve body area and that the bleed orifice is aligned with the notch in the rear of the transmission case.

(18) Install the snap-ring to hold the low/reverse clutch retainer into the transmission case (Fig. 81). The snap-ring is tapered and must be installed with the tapered side forward. Once installed, verify that the snap-ring is fully seated in the snap-ring groove.

DISASSEMBLY AND ASSEMBLY (Continued)



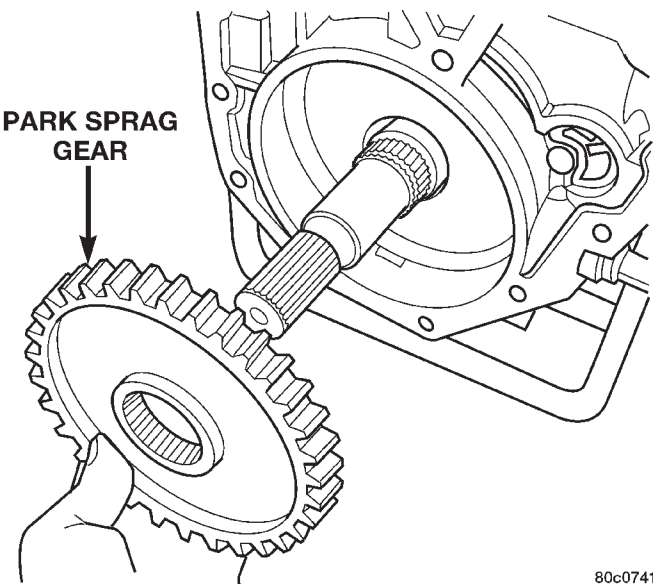
80c07411

**Fig. 81 Install Low/Reverse Clutch Retainer**

(19) Air check the low/reverse clutch and verify correct overrunning clutch operation.

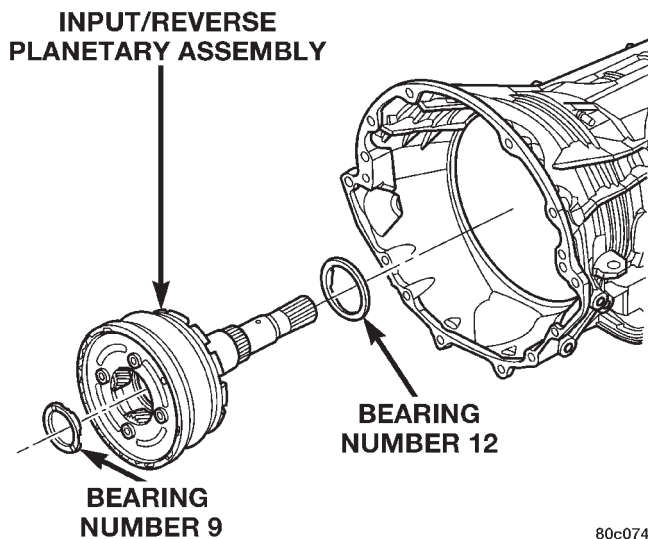
(20) Install the reverse/input planetary assembly through the low/reverse clutch assembly (Fig. 82).

(21) Install the number 12 bearing over the output shaft of the rear planetary gear set and onto the low/reverse clutch assembly. The flat side of the bearing goes toward the clutch assembly.



80c07413

**Fig. 83 Install Park Sprag Gear**



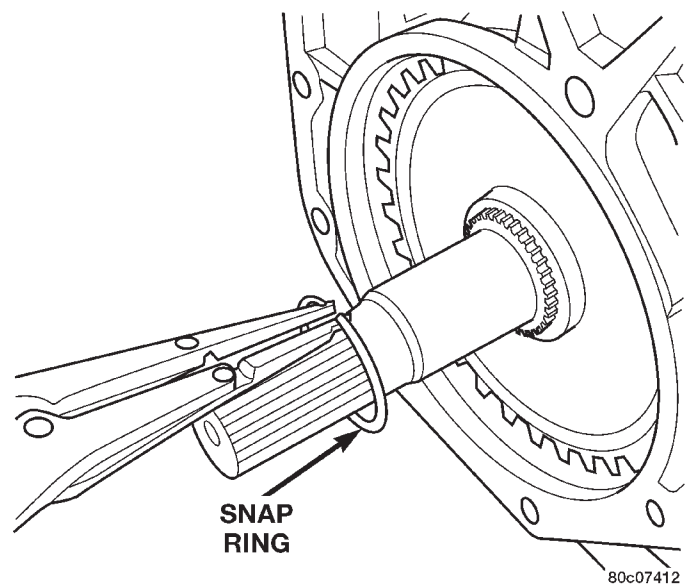
80c07410

**Fig. 82 Install Input/Reverse Planetary Assembly**

(22) Install the park sprag onto the output shaft (Fig. 83).

(23) Install the snap-ring to hold the park sprag onto the output shaft (Fig. 84).

(24) Install the 2C reaction plate into the transmission case (Fig. 85). The reaction plate is selective



80c07412

**Fig. 84 Install Park Sprag Snap Ring**

and directional. The plate must be installed with the flat side toward the front.

(25) Install the 2C clutch pack into the transmission case (Fig. 85).

(26) Install the number 8 bearing inside the reaction carrier with the round side against the planetary carrier.

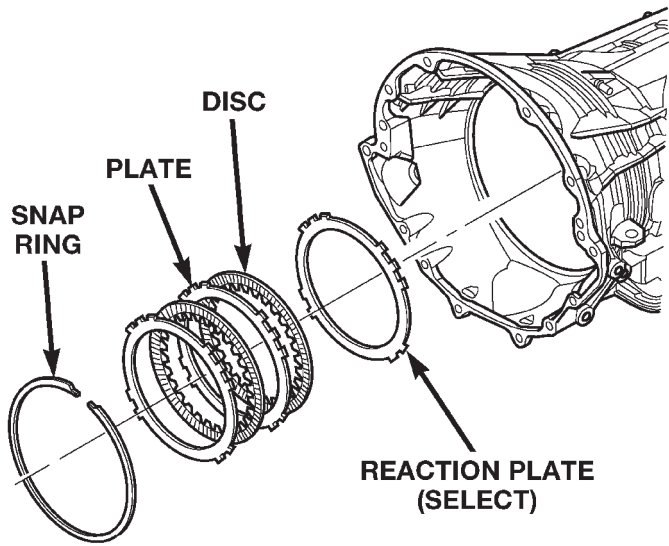
(27) Install the reaction planetary gear set and the number 9 bearing into the transmission case (Fig. 86).

(28) Install the flat 2C clutch snap-ring into the transmission case (Fig. 85).

(29) Install the reaction sun gear into the reaction planetary gear set with the small shoulder facing the front of the transmission (Fig. 86).



DISASSEMBLY AND ASSEMBLY (Continued)



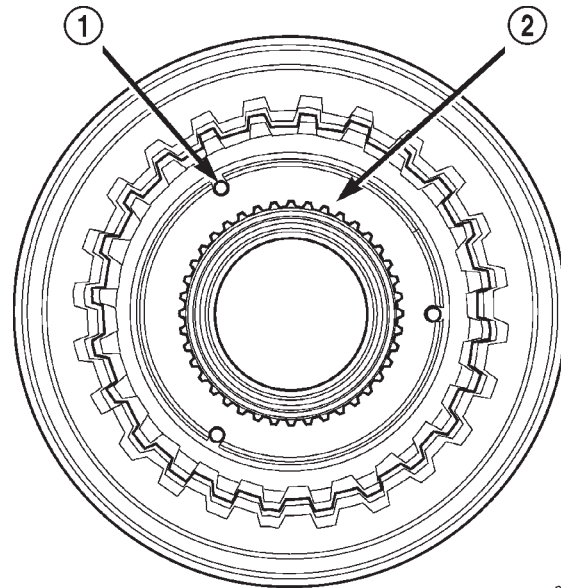
80c07359

**Fig. 85 Install 2C Clutch Pack**

(30) Install the number 7 bearing onto the reaction sun gear with the flat side against the sun gear (Fig. 86).

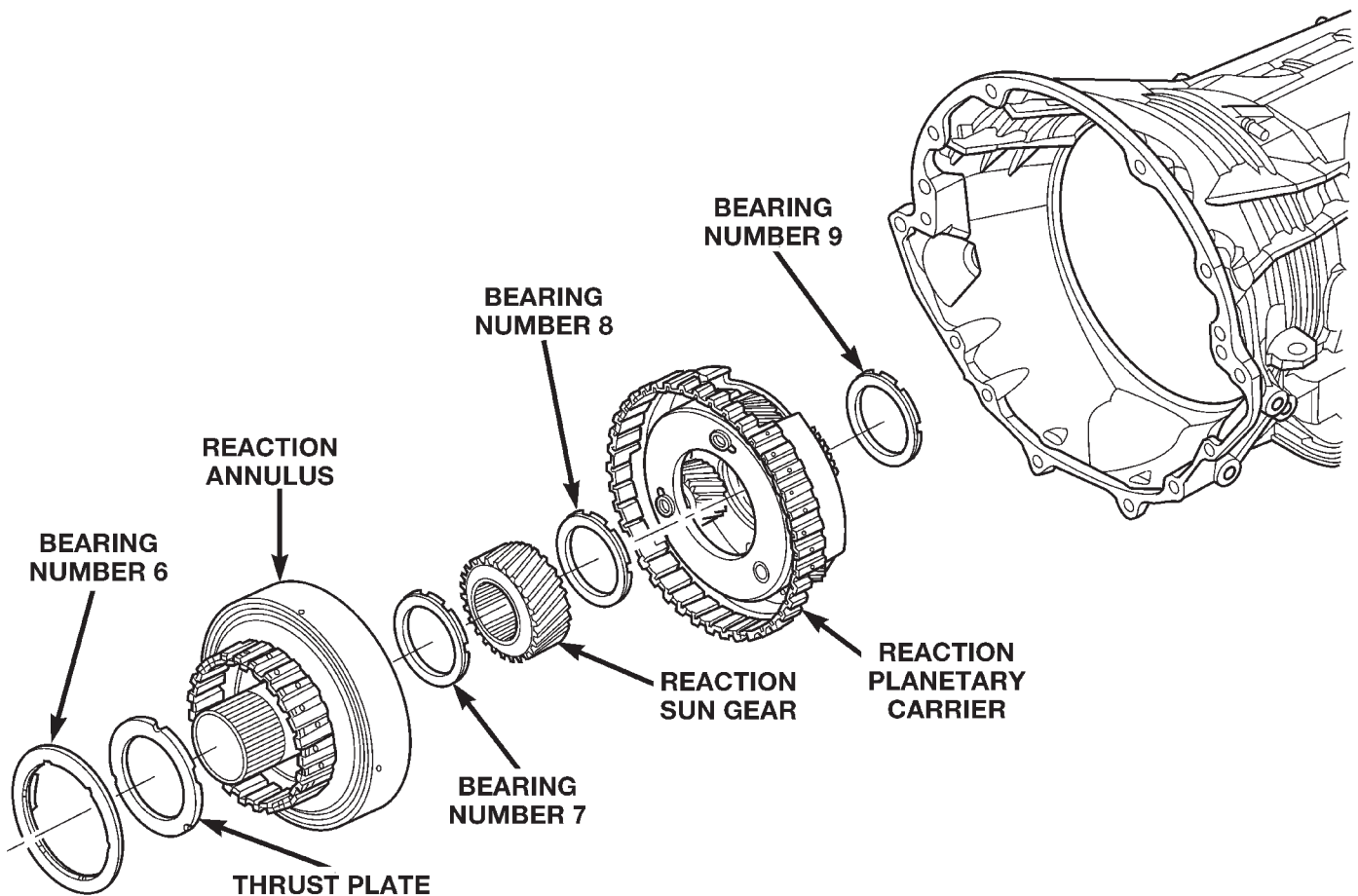
(31) Install the output shaft selective thrust plate onto the reaction annulus with the oil grooves facing

the annulus gear and the tabs and notches aligned as shown in (Fig. 87).



80c07425

**Fig. 87 Thrust Plate Alignment**



**Fig. 86 Install Reaction Annulus and Carrier**

80c07031

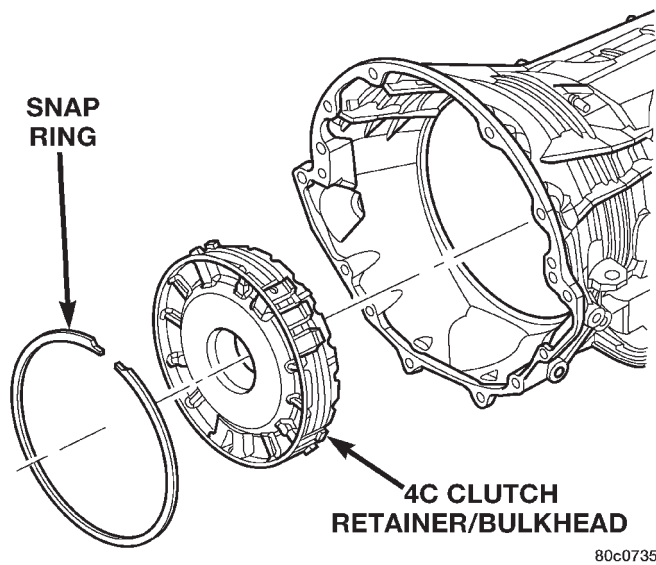
DISASSEMBLY AND ASSEMBLY (Continued)

(32) Install the number 6 bearing against the output shaft selective spacer with the flat side against the spacer (Fig. 86).

(33) Install the reaction annulus into the reaction planetary gear set (Fig. 86).

(34) Install the 4C retainer/bulkhead into the transmission case. Make sure that the oil feed holes are pointing toward the valve body area. Rotate the reaction annulus during the installation of the 4C retainer/bulkhead to ease installation.

(35) Install the 4C retainer/bulkhead tapered snap-ring into the transmission case (Fig. 88). Make sure that the open ends of the snap-ring are located in the case opening toward the valve body area.



**Fig. 88 Install 4C Clutch Retainer/Bulkhead**

(36) Air check the 2C and 4C clutch operation.

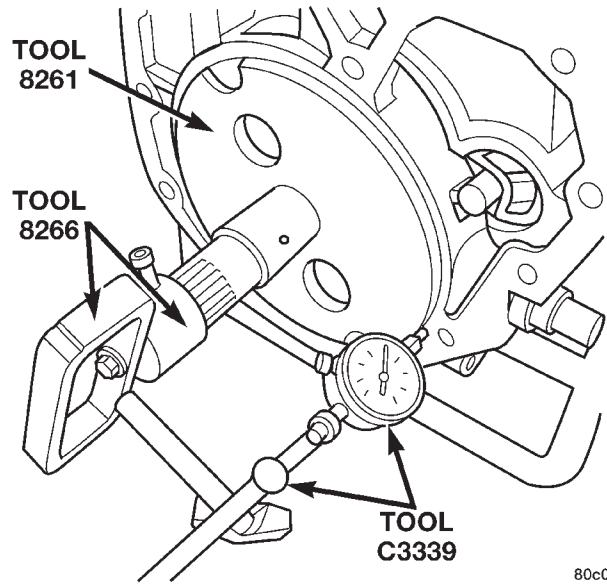
(37) Using Alignment Plate 8261, Adapter 8266-17 from End-Play Tool Set 8266 and Dial Indicator C-3339, measure and record the output shaft end-play (Fig. 89). The correct output shaft end-play is 0.53–0.78 mm (0.021–0.031 in.). Adjust as necessary. Install the chosen output shaft selective spacer and re-measure end-play to verify selection.

(38) Apply a bead of RTV silicone and install the extension/adaptor housing onto the transmission case.

(39) Install and torque the bolts to hold the extension/adaptor housing onto the transmission case. The correct torque is 54 N·m (40 ft. lbs.).

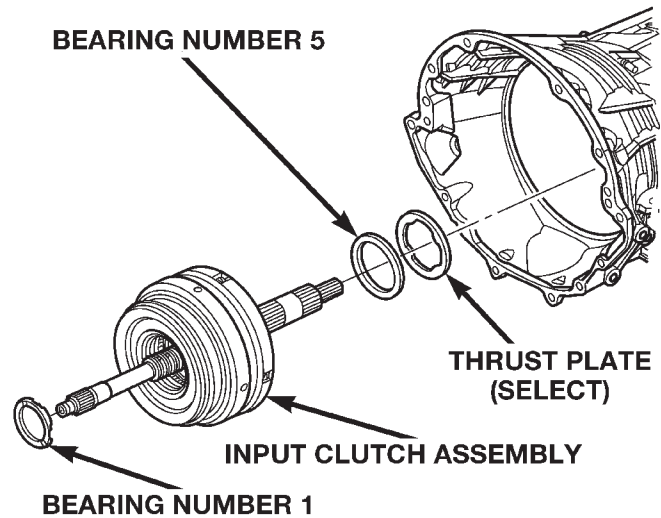
(40) Install the number 5 bearing and spacer onto the 4C retainer/bulkhead (Fig. 90).

(41) Install the input clutch assembly into the transmission case (Fig. 90). Make sure that the input clutch assembly is fully installed by performing a visual inspection through the input speed sensor hole. If the tone wheel on the input clutch assembly is visible, the assembly is fully installed.



**Fig. 89 Measure Output Shaft End Play**

(42) Install the number 1 bearing with the flat side down in the pocket of the input clutch assembly (Fig. 90).



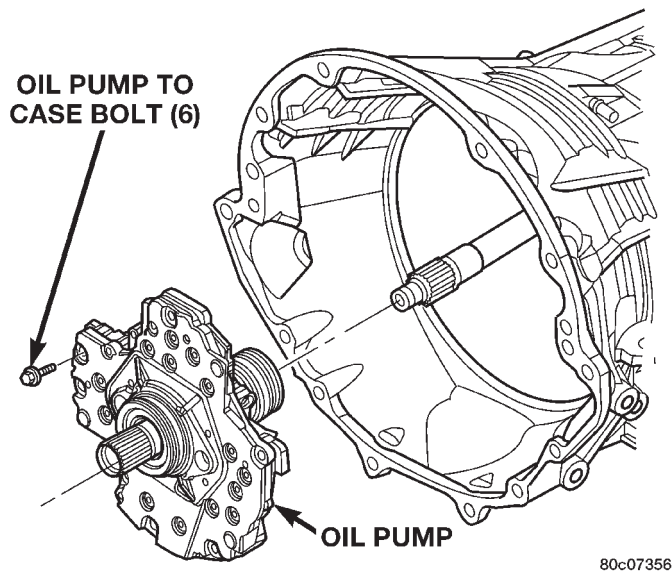
**Fig. 90 Install Input Clutch Assembly**

(43) Install the oil pump into the transmission case (Fig. 91).

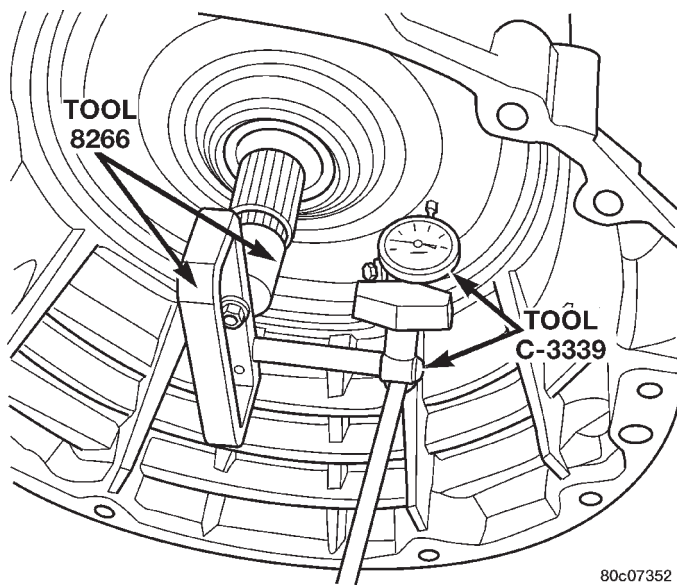
(44) Install the bolts to hold the oil pump into the transmission case. Tighten the oil pump bolts to 28 N·m (250 in. lbs.).

(45) Using Adapter 8266-1 from End-Play Tool Set 8266 and Dial Indicator C-3339, measure and record the input shaft end-play (Fig. 92). The correct end-play is 0.79–1.07 mm (0.031–0.042 in.). Adjust as necessary. Install the chosen spacer on the number 5 bearing and re-measure end-play to verify selection.

## DISASSEMBLY AND ASSEMBLY (Continued)



**Fig. 91 Install Oil Pump**



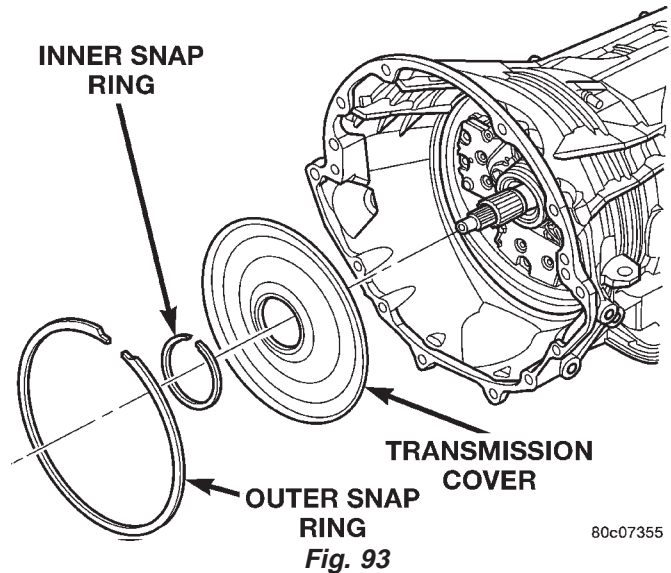
**Fig. 92 Measure Input Shaft End Play**

**NOTE:** When measuring the input shaft end-play, two “stops” will be felt. When the input shaft is pushed inward and the dial indicator zeroed, the first “stop” felt when the input shaft is pulled outward is the movement of the input shaft in the input clutch housing hub. This value should not be included in the end-play measured value and therefore must be recorded and subtracted from the dial indicator reading.

(46) Install the transmission front cover into the transmission case (Fig. 93).

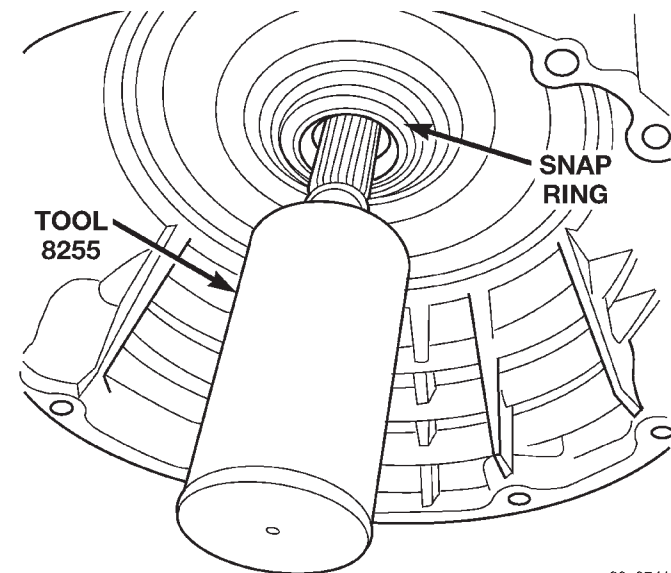
(47) Install the outer snap-ring to hold the transmission front cover into the transmission case (Fig. 93).

(48) Partially install the inner transmission front cover snap-ring onto the oil pump (Fig. 93).



**Fig. 93**

(49) Using Installer 8255, install the inner transmission front cover snap-ring the remainder of the way onto the oil pump (Fig. 94).



**Fig. 94 Seat Snap Ring Using Tool 8255**

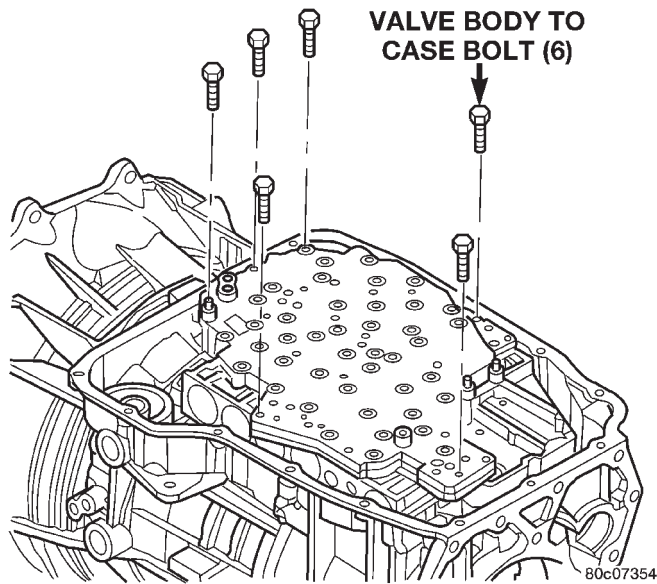
(50) Install the valve body (Fig. 95). Tighten the valve body to transmission case bolts to 12 N·m (105 in. lbs.).

(51) Install the primary oil filter and the oil cooler filter (Fig. 96). Tighten the screws to hold the primary oil filter to the valve body to 4.5 N·m (40 in. lbs.). Using Oil Filter Wrench 8321, tighten the cooler return oil filter to the transmission case to 14 N·m (125 in. lbs.).

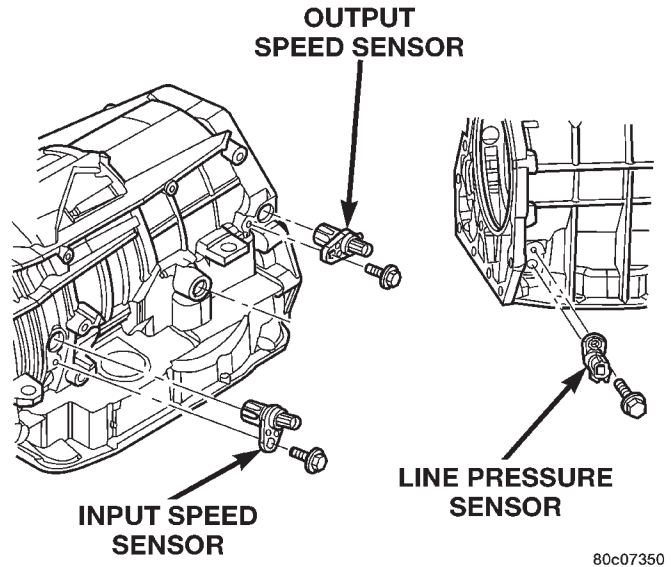
(52) Apply RTV silicone to the oil pan and install the transmission oil pan. Tighten the bolts to 12 N·m (105 in. lbs.).



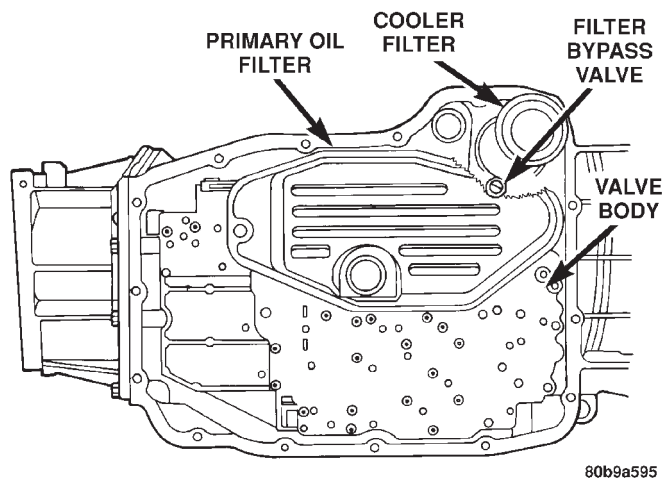
DISASSEMBLY AND ASSEMBLY (Continued)



**Fig. 95 Install Valve Body Assembly**



**Fig. 97 Install Input, Output, and Line Pressure Sensors**



**Fig. 96 Install Primary Oil and Cooler Filters**

(53) Install the input, output, and line pressure sensors (Fig. 97). Tighten the bolts to 12 N·m (105 in. lbs.).

(54) Install the manual shift lever from the transmission. Torque the retaining cross-bolt to 16 N·m (140 in. lbs.).

**VALVE BODY**

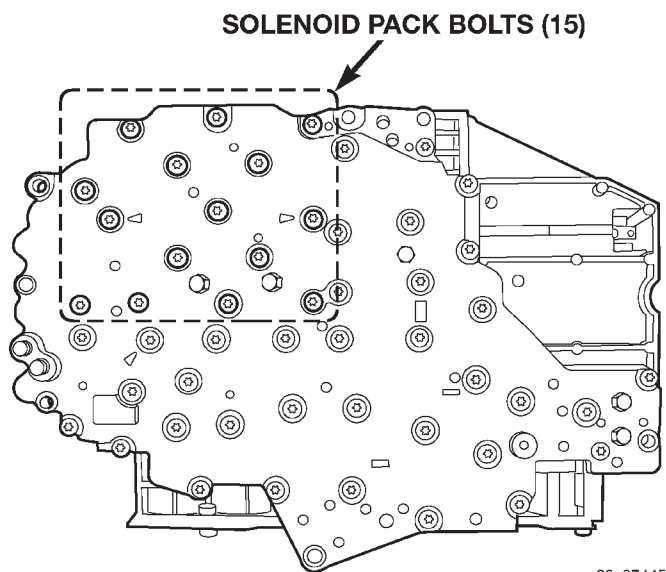
**DISASSEMBLY**

(1) Remove the screws holding the solenoid and pressure switch assembly to the valve body (Fig. 98). Do not remove the screws on the top of the solenoid and pressure switch assembly.

(2) Separate the solenoid and pressure switch assembly from the valve body.

(3) Remove the screw holding the detent spring (Fig. 99) onto the valve body.

(4) Remove the detent spring from the valve body.



**Fig. 98 Solenoid and Pressure Switch Assembly Screws**

(5) Remove the TRS selector plate from the valve body and the manual valve.

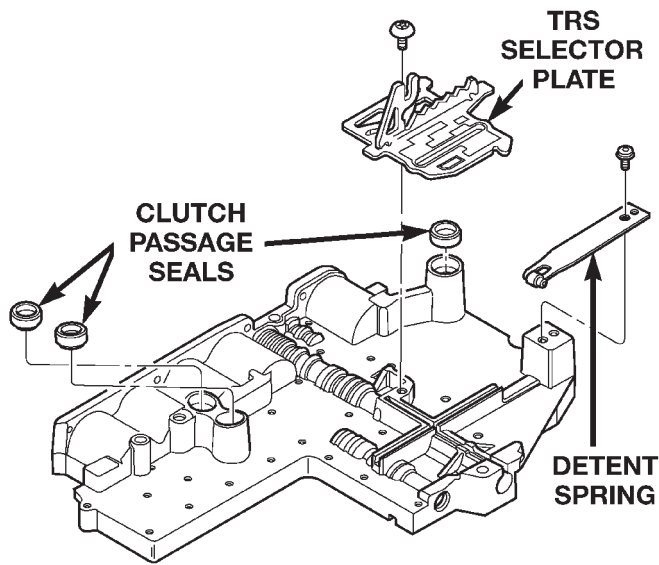
(6) Remove the clutch passage seals from the valve body, if necessary.

(7) Remove the screws holding the accumulator cover onto the valve body (Fig. 100).

(8) Remove the accumulator springs and pistons from the valve body. Note which accumulator piston and spring belong in each location.

(9) Place the valve body on the bench with the transfer plate upward.

DISASSEMBLY AND ASSEMBLY (Continued)

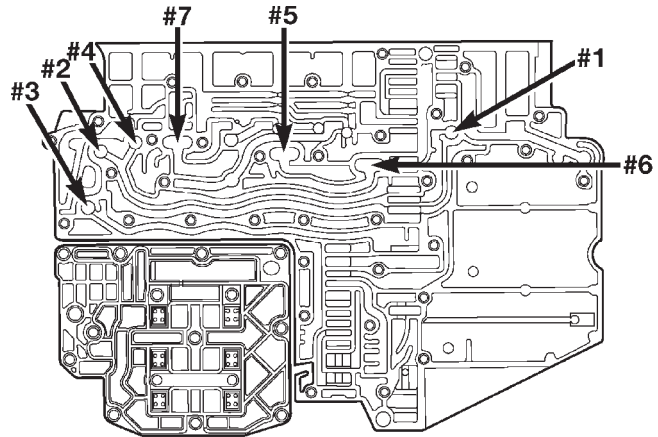


80c072f3

**Fig. 99 Valve Body External Components**

**NOTE:** The valve body contains seven check balls. The transfer plate must be placed upward to prevent losing the check balls when the transfer plate is removed from the valve body.

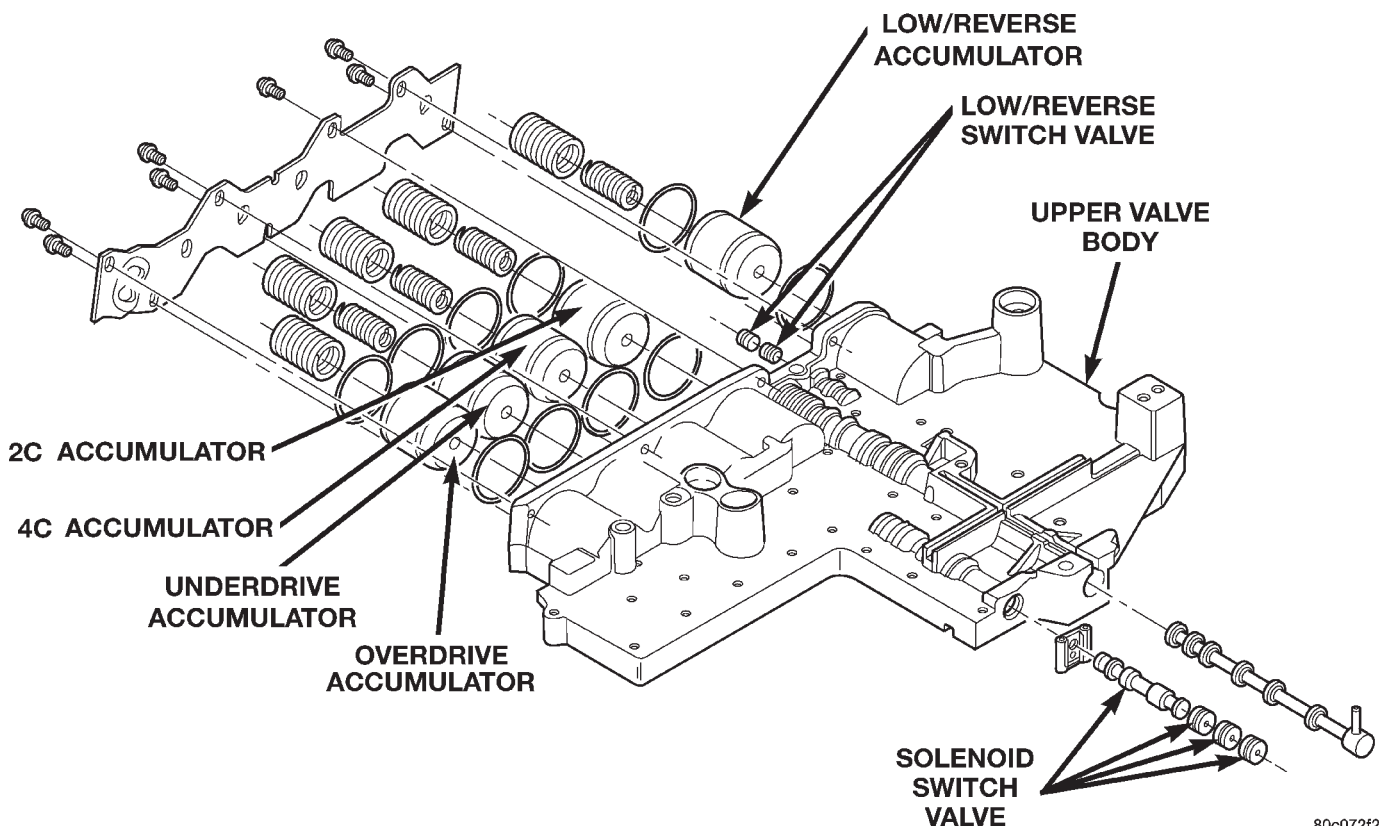
- (10) Remove the screws holding the valve body to the valve body transfer plate.
- (11) Remove the transfer plate from the valve body. Note the location of all check balls (Fig. 101).
- (12) Remove the check balls from the valve body.



80c072f1

**Fig. 101 Check Ball Locations**

- (13) Remove the retainers securing the solenoid switch valve, manual valve, and the low/reverse switch valve into the valve body and remove the associated valve and spring. Tag each valve and

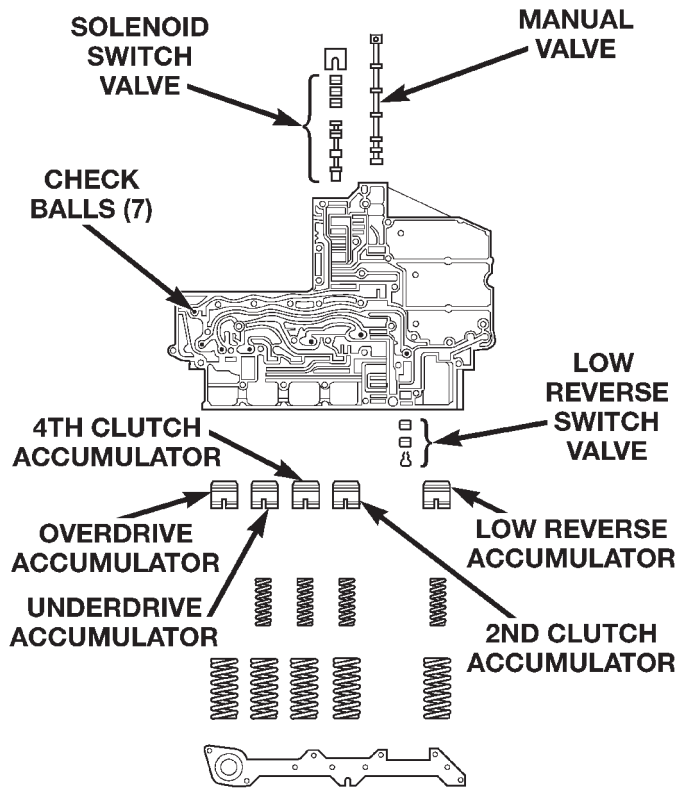


80c072f2

**Fig. 100 Valve Body Components**

DISASSEMBLY AND ASSEMBLY (Continued)

spring combination with location information to aid in assembly.



80b9a599

**Fig. 102 Valve Body Components**

**ASSEMBLY**

- (1) Lubricate valves, springs, and the housing valve bores with clean transmission fluid.
- (2) Install solenoid switch valve, manual valve, and the low/reverse switch valve into the valve body.
- (3) Install the retainers to hold each valve into the valve body.
- (4) Install the valve body check balls into their proper locations.
- (5) Position the transfer plate onto the valve body.

(6) Install the screws to hold the transfer plate to the valve body. Tighten the screws to 4.5 N·m (40 in. lbs.).

(7) Install the accumulator pistons and springs into the valve body in the location from which they were removed. Note that all accumulators except the overdrive have two springs. The overdrive accumulator piston has only one spring.

(8) Position the accumulator cover onto the valve body.

(9) Install the screws to hold the accumulator cover onto the valve body. Tighten the screws to 4.5 N·m (40 in. lbs.).

(10) Install the TRS selector plate onto the valve body and the manual valve.

(11) Install the solenoid and pressure switch assembly onto the valve body.

(12) Install the screws to hold the solenoid and pressure switch assembly onto the valve body. Tighten the screws to 5.7 N·m (50 in. lbs.). Tighten the screws adjacent to the arrows cast into the bottom of the transfer plate first.

(13) Position the detent spring onto the valve body.

(14) Install the screw to hold the detent spring onto the valve body. Tighten the screw to 4.5 N·m (40 in. lbs.).

(15) Install new clutch passage seals onto the valve body, if necessary

**OIL PUMP**

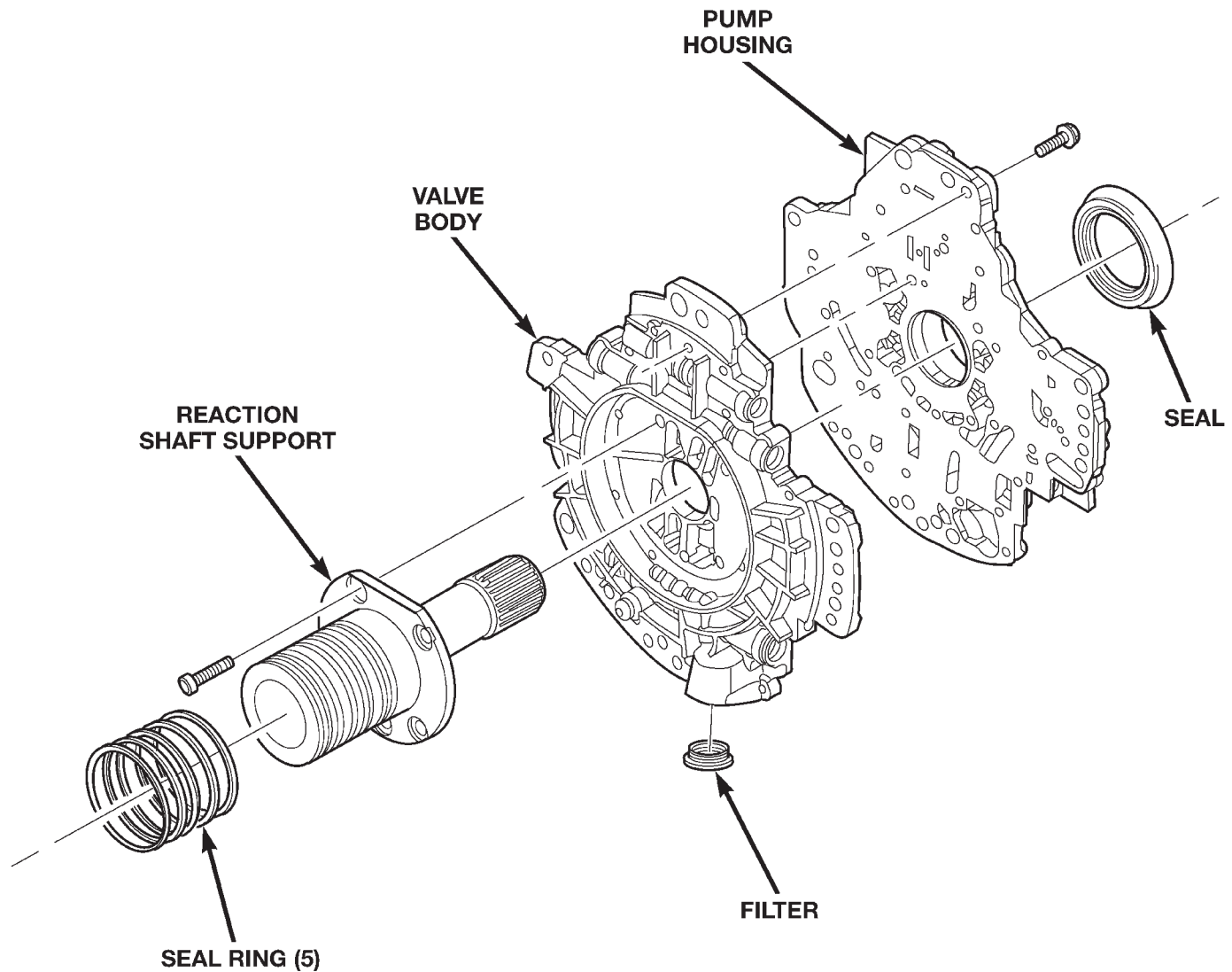
**DISASSEMBLY**

- (1) Remove the bolts holding the reaction shaft support to the oil pump (Fig. 103).
- (2) Remove the reaction shaft support from the oil pump (Fig. 103).
- (3) Remove all bolts holding the oil pump halves together (Fig. 103).
- (4) Using suitable prying tools, separate the oil pump sections by inserting the tools in the supplied areas and prying the halves apart.

**NOTE:** The oil pump halves are aligned to each other through the use of two dowels. Be sure to pry upward evenly to prevent damage to the oil pump components.



## DISASSEMBLY AND ASSEMBLY (Continued)



**Fig. 103 Oil Pump Assembly**

80c07011

(5) Remove the screws holding the separator plate onto the oil pump body (Fig. 104).

(6) Remove the separator plate from the oil pump body (Fig. 104).

(7) Mark all gears for location. The gears are select fit and if the oil pump is to be reused, the gears must be returned to their original locations.

(8) Remove the oil pump gears from the oil pump case (Fig. 104).

(9) Remove the oil pump valve retainers and associated valve and spring one at a time (Fig. 105) (Fig. 106). Mark the combination of components as a group and tag them as to the location from which they were removed.

### ASSEMBLY

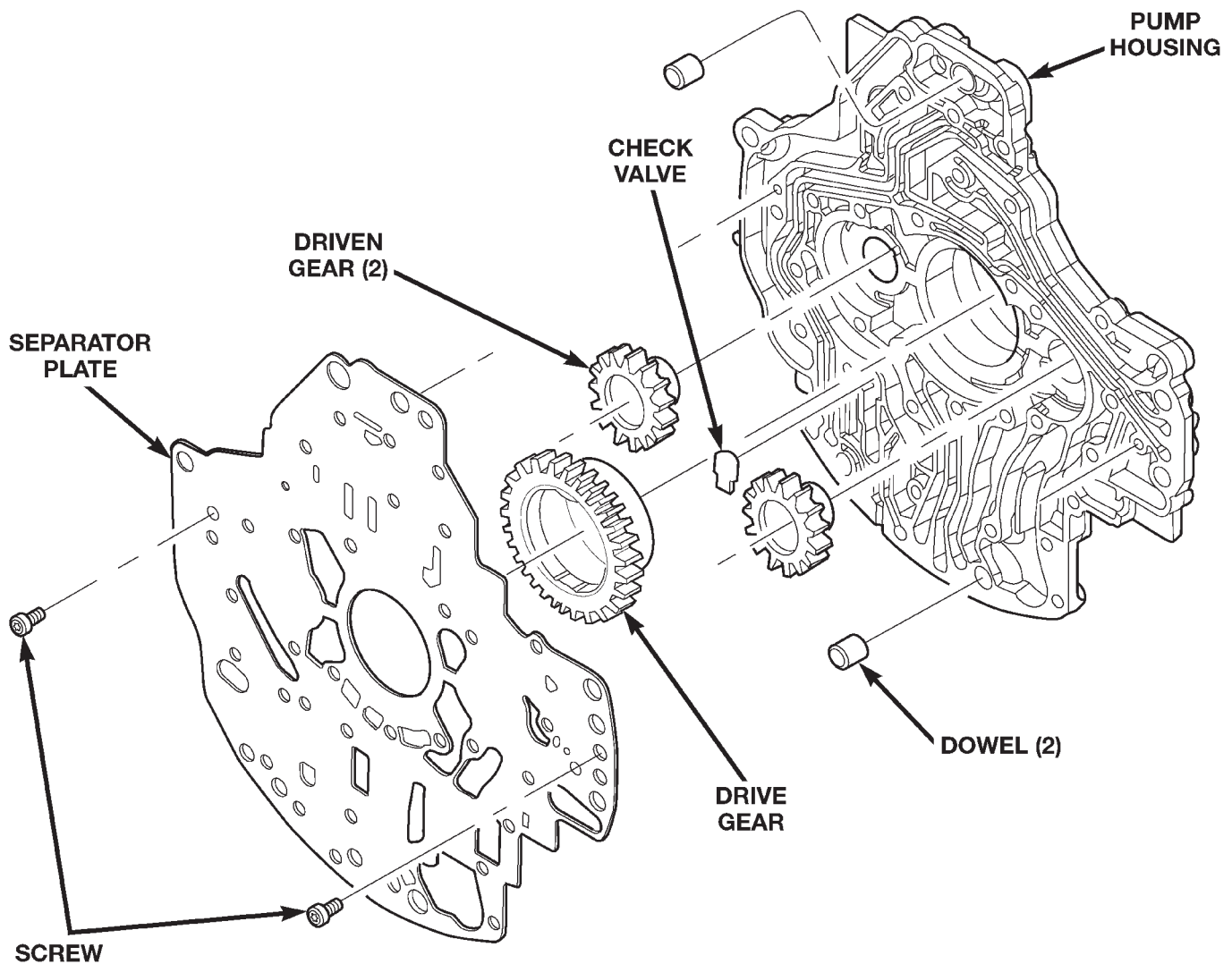
(1) Clean and inspect all components. Make sure that all passages are thoroughly cleaned and are free from dirt or debris. Make sure that all valves move freely in their proper bore. Make sure that all gear pockets and bushings are free from excessive wear and scoring. Replace the oil pump if any excessive wear or scoring is found.

(2) Coat the gears with Mopar® ATF+3, type 7176 and install into their original locations.

(3) Lubricate the oil pump valves with Mopar® ATF+3, type 7176 and install the valve, spring and retainer into the appropriate oil pump valve bore (Fig. 105) (Fig. 106).

(4) Place the separator plate onto the oil pump body (Fig. 104).

## DISASSEMBLY AND ASSEMBLY (Continued)



80c07012

**Fig. 104 Oil Pump Housing and Gears**

(5) Install the screws to hold the separator plate onto the oil pump body (Fig. 104). Tighten the screws to 4.5 N·m (40 in. lbs.).

(6) Position the oil pump cover onto the locating dowels (Fig. 103).

(7) Seat the two oil pump halves together and install all bolts finger tight.

(8) Torque all bolts down slowly starting in the center and working outward. The correct torque is 4.5 N·m (40 in. lbs.).

(9) Verify that the oil pump gears rotate freely and smoothly.

(10) Position the reaction shaft support into the oil pump (Fig. 103).

(11) Install and torque the bolts to hold the reaction shaft support to the oil pump (Fig. 103). The correct torque is 12 N·m (105 in. lbs.).

## DISASSEMBLY AND ASSEMBLY (Continued)

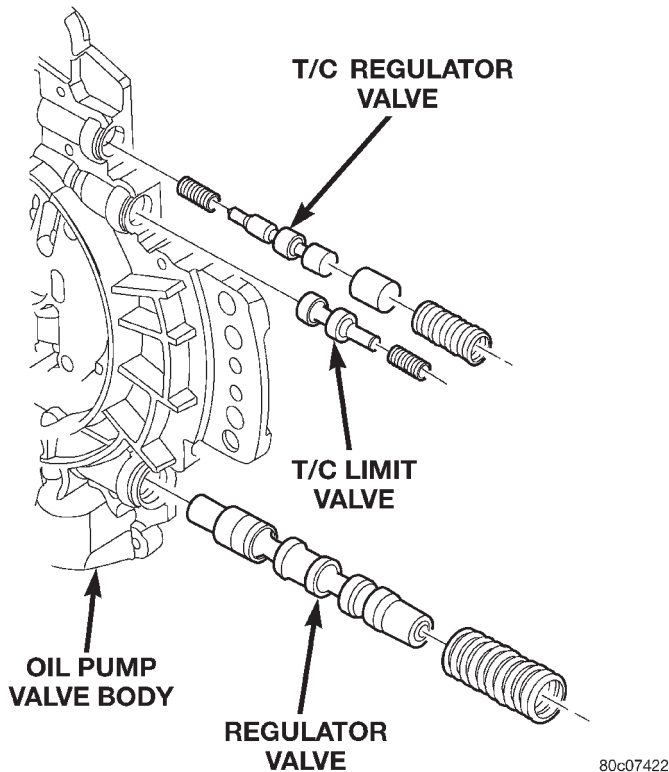


Fig. 105 Oil Pump Valve Body

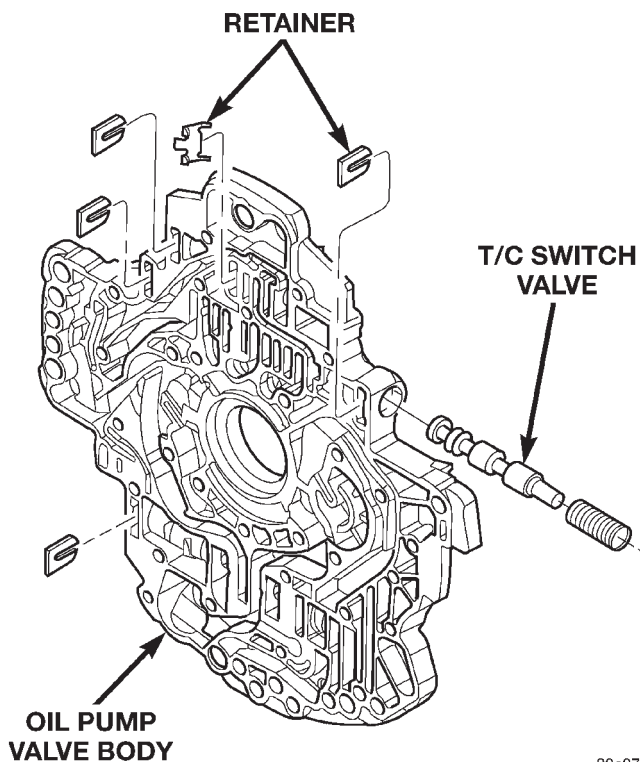


Fig. 106 T/C Switch Valve

## INPUT CLUTCH ASSEMBLY

## DISASSEMBLY

(1) Remove the reverse reaction plate selective snap-ring from the input clutch retainer (Fig. 107).

(2) Remove the reverse reaction plate from the input clutch retainer.

(3) Remove the reverse hub and reverse clutch pack from the input clutch retainer.

(4) Remove the number 4 bearing from the overdrive hub.

(5) Remove the overdrive hub from the input clutch retainer (Fig. 107).

(6) Remove the number 3 bearing from the underdrive hub.

(7) Remove the OD/reverse reaction plate snap-ring from the input clutch retainer.

(8) Remove the underdrive hub, overdrive clutch, and overdrive reaction plate from the input clutch retainer (Fig. 107).

**NOTE:** The overdrive friction discs and steel discs are thicker than the matching components in the underdrive and reverse clutches.

(9) Remove the number 2 bearing from the input clutch hub.

(10) Remove the overdrive clutch wave snap-ring from the input clutch retainer.

(11) Remove the UD/OD reaction plate tapered snap-ring from the input clutch retainer.

(12) Remove the UD/OD reaction plate from the input clutch retainer.

(13) Remove the UD/OD reaction plate flat snap-ring from the input clutch retainer (Fig. 107).

(14) Remove the underdrive clutch pack from the input clutch retainer (Fig. 109).

(15) Using Spring Compressor 8251, compress the UD/OD balance piston and remove the snap-ring from the input clutch hub (Fig. 108).

(16) Remove the UD/OD balance piston and piston return spring from the input clutch retainer (Fig. 109).

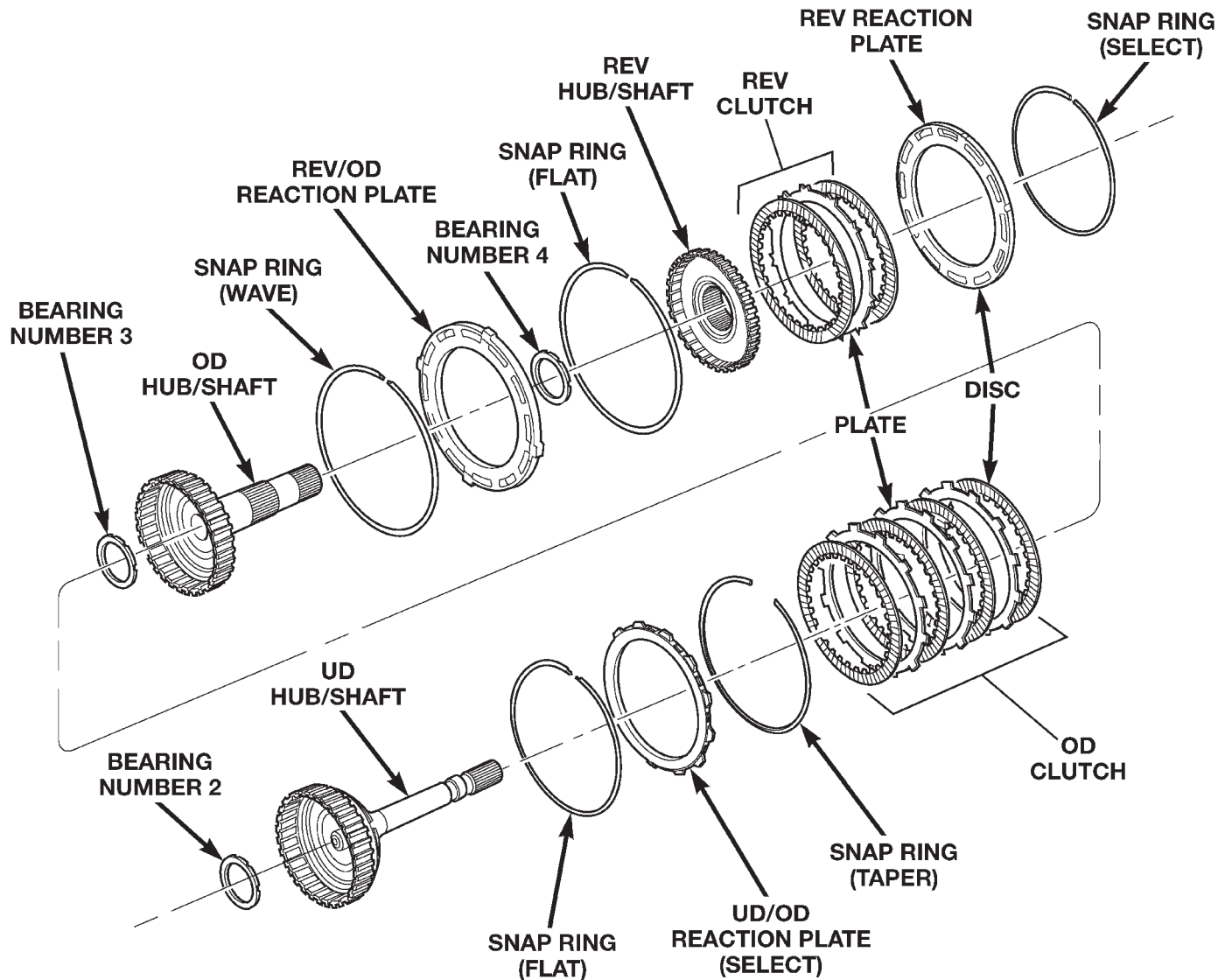
(17) Remove the underdrive piston from the input clutch retainer (Fig. 109).

**NOTE:** Both the UD/OD balance piston and the underdrive piston have seals molded onto them. If the seal is damaged, do not attempt to install a new seal onto the piston. The piston/seal must be replaced as an assembly.

(18) Remove the input clutch retainer tapered snap-ring.

(19) Separate input clutch retainer from input clutch hub.

## DISASSEMBLY AND ASSEMBLY (Continued)



80c07014

**Fig. 107 Input Clutch Assembly—Part I**

(20) Separate OD/reverse piston from input clutch hub retainer (Fig. 109).

(21) Remove all seals and o-rings from the input shaft and input hub. The o-rings on the input hub are color coded. Be sure to make note of which o-ring belongs in which location.

### ASSEMBLY

(1) Install all new seals and o-rings onto the input shaft and input hub. The o-rings on the input hub are color coded. Be sure to install the correct o-ring in the correct location.

(2) Lubricate all seals with Mopar® ATF+3, type 7176 prior to installation.

(3) Assemble the OD/reverse piston onto the input clutch hub (Fig. 109).

(4) Assemble the input clutch retainer onto the input clutch hub.

(5) Install the input clutch retainer tapered snapping with tapered side up onto the input clutch hub.

(6) Install Piston Guides 8504 into the input clutch retainer (Fig. 110) and onto the input clutch hub to guide the inner and outer underdrive piston seals into position.

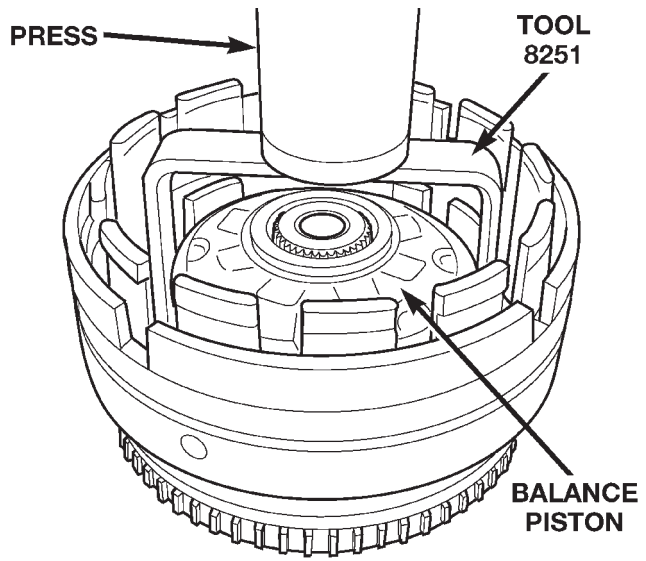
(7) Install the underdrive piston into the input clutch retainer and over the input clutch hub (Fig. 109).

(8) Install the UD/OD balance piston return spring pack into the input clutch retainer.

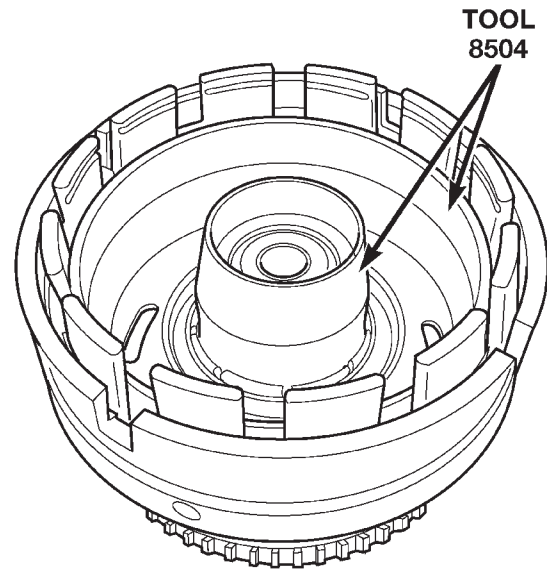
(9) Install Piston Guide 8252 into the input clutch retainer (Fig. 111) to guide the UD/OD balance piston seal into position inside the underdrive piston.

(10) Install the UD/OD balance piston into the input clutch retainer and the underdrive piston.

DISASSEMBLY AND ASSEMBLY (Continued)



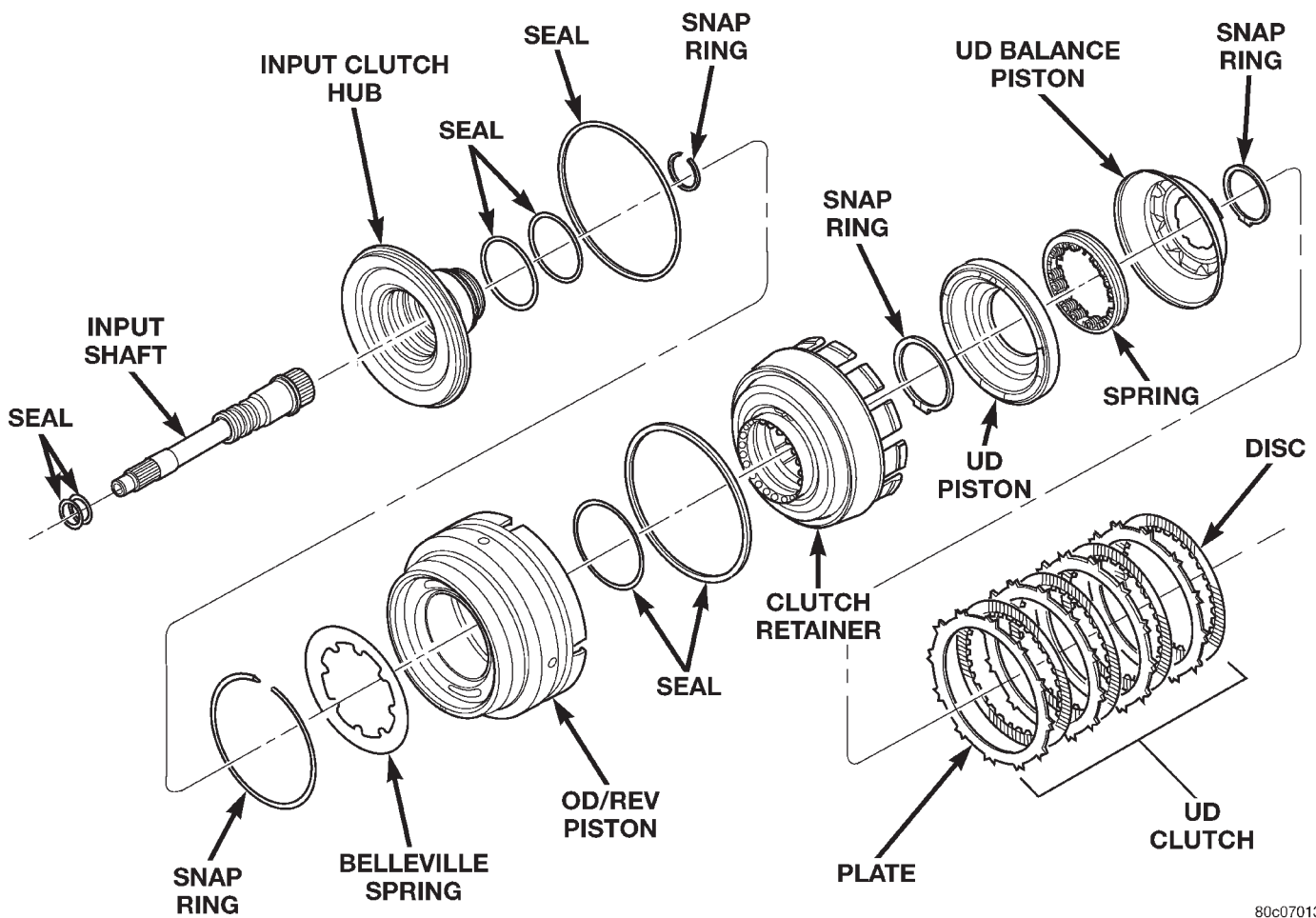
80c07426



80c07427

Fig. 108 Compressing UD/OD Balance Piston Using Tool 8251

Fig. 110 Install Underdrive Piston Using Tool 8504

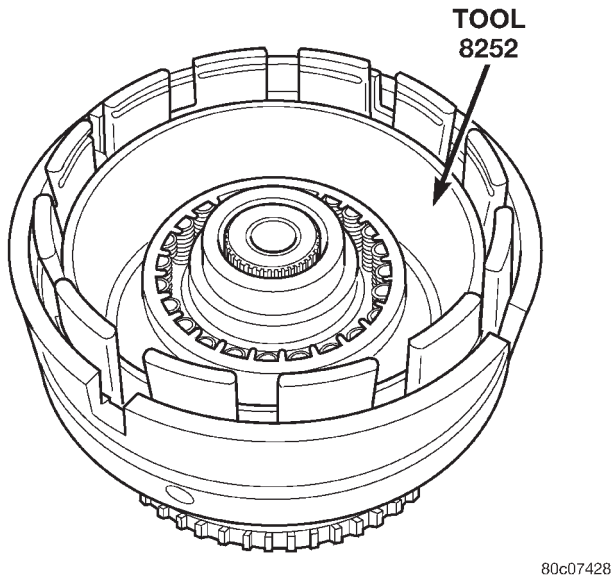


80c07013

Fig. 109 Input Clutch Assembly—Part II



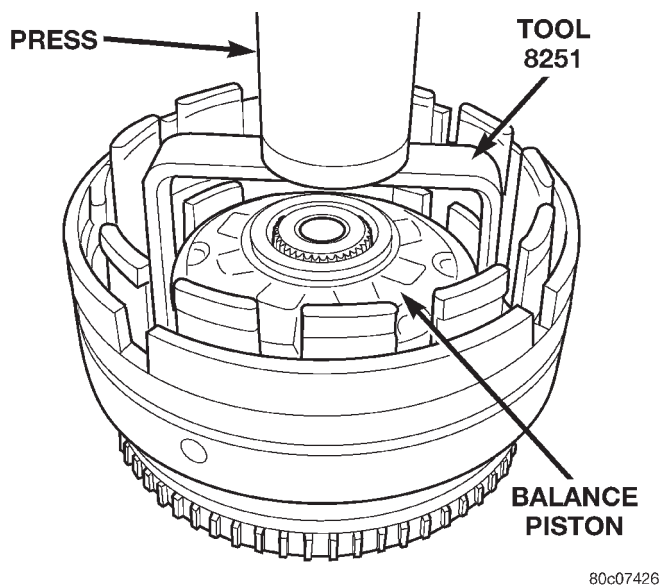
DISASSEMBLY AND ASSEMBLY (Continued)



80c07428

**Fig. 111 Install Balance Piston Using Tool 8252**

(11) Using Spring Compressor 8251, compress the UD/OD return spring pack and secure the piston in place with the snap-ring (Fig. 112).



80c07426

**Fig. 112 Compressing UD/OD Balance Piston Using Tool 8251**

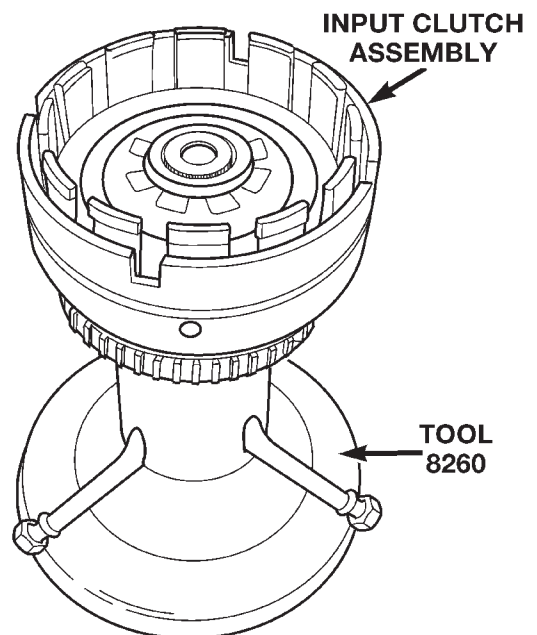
(12) Install the underdrive clutch pack into the input clutch retainer (Fig. 109).

(13) Install the UD/OD reaction plate lower flat snap-ring (Fig. 107). The correct snap-ring can be identified by the two tabbed ears.

(14) Install the UD/OD reaction plate into the input clutch retainer. The reaction plate is to be installed with the big step down. The reaction plate is also selectable and should be changed to achieve the correct clutch clearances.

(15) Install the UD/OD reaction plate upper tapered snap-ring with tapered side up.

(16) Install the input clutch assembly into Input Clutch Pressure Fixture 8260 (Fig. 113). Mount a dial indicator to the assembly, push down on the clutch discs and zero the indicator against the underdrive clutch discs (Fig. 114). Apply 20 psi of air pressure to the underdrive clutch and record the dial indicator reading. Measure and record UD clutch pack measurement in four (4) places, 90° apart. Take average of four measurements and compare with UD clutch pack clearance specification. The correct clutch clearance is 0.76–1.16 mm (0.030–0.063 in.). Adjust as necessary. Install the chosen reaction plate and re-measure to verify selection.



80c07429

**Fig. 113 Input Clutch Assembly Mounted on Tool 8260**

(17) Install the overdrive clutch pack into the input clutch retainer (Fig. 107). The overdrive steel separator plates can be identified by the lack of the half-moon cuts in the locating tabs.

(18) Install the overdrive clutch wavy snap-ring with the two tabbed ears into the input clutch retainer.

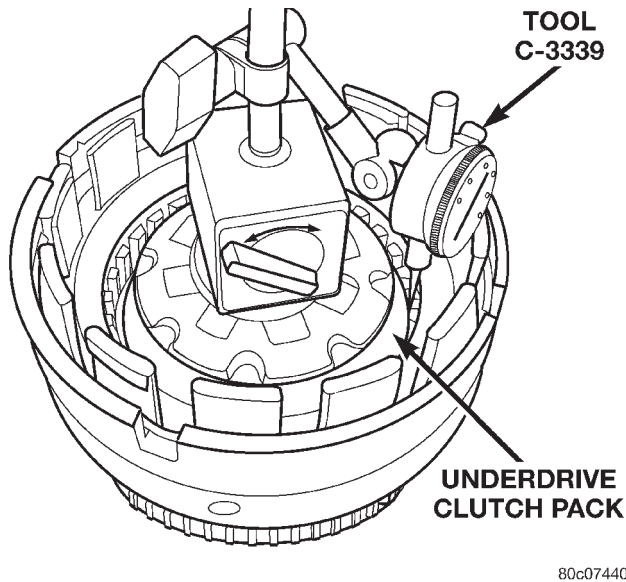
(19) Install the OD/reverse reaction plate into the input clutch retainer. The reaction plate is non-directional (Fig. 107).

(20) Install the OD/reverse reaction plate flat snap-ring into the input clutch retainer.

(21) Mount a dial indicator to the assembly and zero the indicator against the OD/reverse reaction plate (Fig. 115). Apply 20 psi of air pressure to the overdrive clutch and record the dial indicator reading. Measure and record OD clutch pack measure-

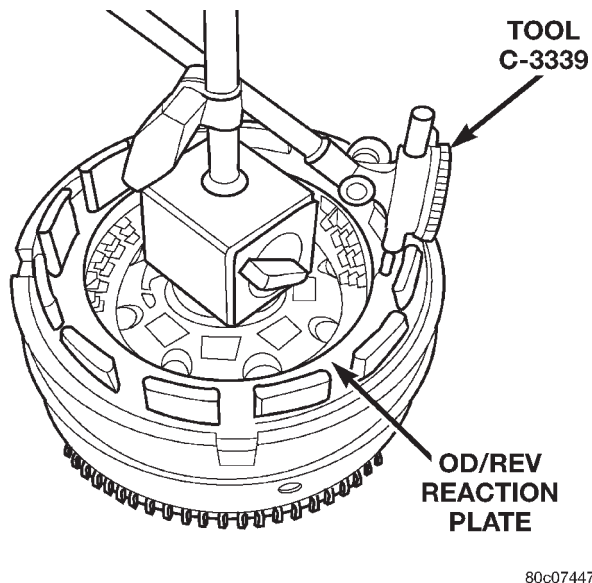


## DISASSEMBLY AND ASSEMBLY (Continued)



**Fig. 114 Measuring UD Clutch Clearance**

ment in four (4) places, 90° apart. Take average of four measurements and compare with OD clutch pack clearance specification. Verify that the clutch clearance is 1.016–1.65 mm (0.040–0.065 in.).



**Fig. 115 Measuring OD Clutch Clearance**

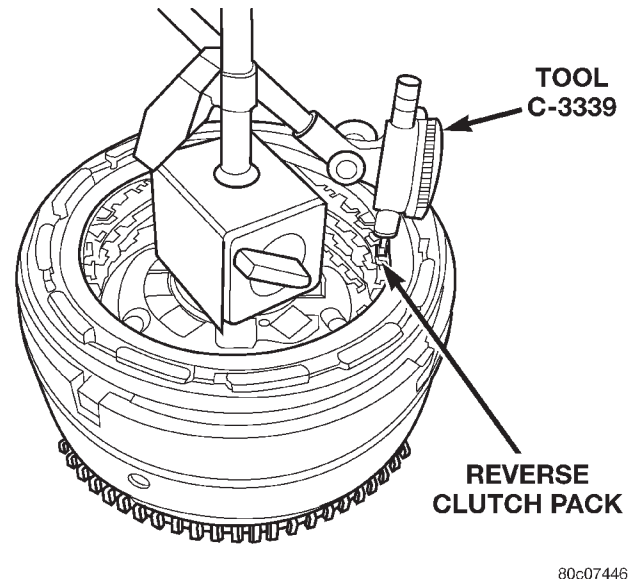
(22) Install the reverse clutch pack into the input clutch retainer (Fig. 107).

(23) Install the reverse reaction plate into the input clutch retainer.

(24) Install the reverse reaction plate selective snap-ring into the input clutch retainer.

(25) Mount a dial indicator to the assembly, push down on the clutch discs, pull up on the reaction planetary plate to ensure the plate is properly seated and zero the indicator against the reverse clutch discs (Fig. 116). Apply 20 psi of air pressure to the

reverse clutch and record the dial indicator reading. Measure and record Reverse clutch pack measurement in four (4) places, 90° apart. Take average of four measurements and compare with Reverse clutch pack clearance specification. The correct clutch clearance is 0.81–1.24 mm (0.032–0.049 in.). Adjust as necessary. Install the chosen snap-ring and re-measure to verify selection.



**Fig. 116 Measuring Reverse Clutch Clearance**

(26) Remove the reverse clutch pack from the input clutch retainer.

(27) Install the number 2 bearing onto the underdrive hub with flat side up/forward with petroleum jelly.

(28) Install the underdrive hub into the input clutch retainer.

(29) Install the number 3 bearing into the overdrive hub with the flat side up/forward with petroleum jelly.

(30) Install the overdrive hub into the input clutch retainer.

(31) Install the number 4 bearing into the reverse hub with flat side up/forward with petroleum jelly.

(32) Install the reverse hub into the input clutch retainer.

(33) Install the complete reverse clutch pack.

(34) Install the reverse reaction plate and snap-ring.

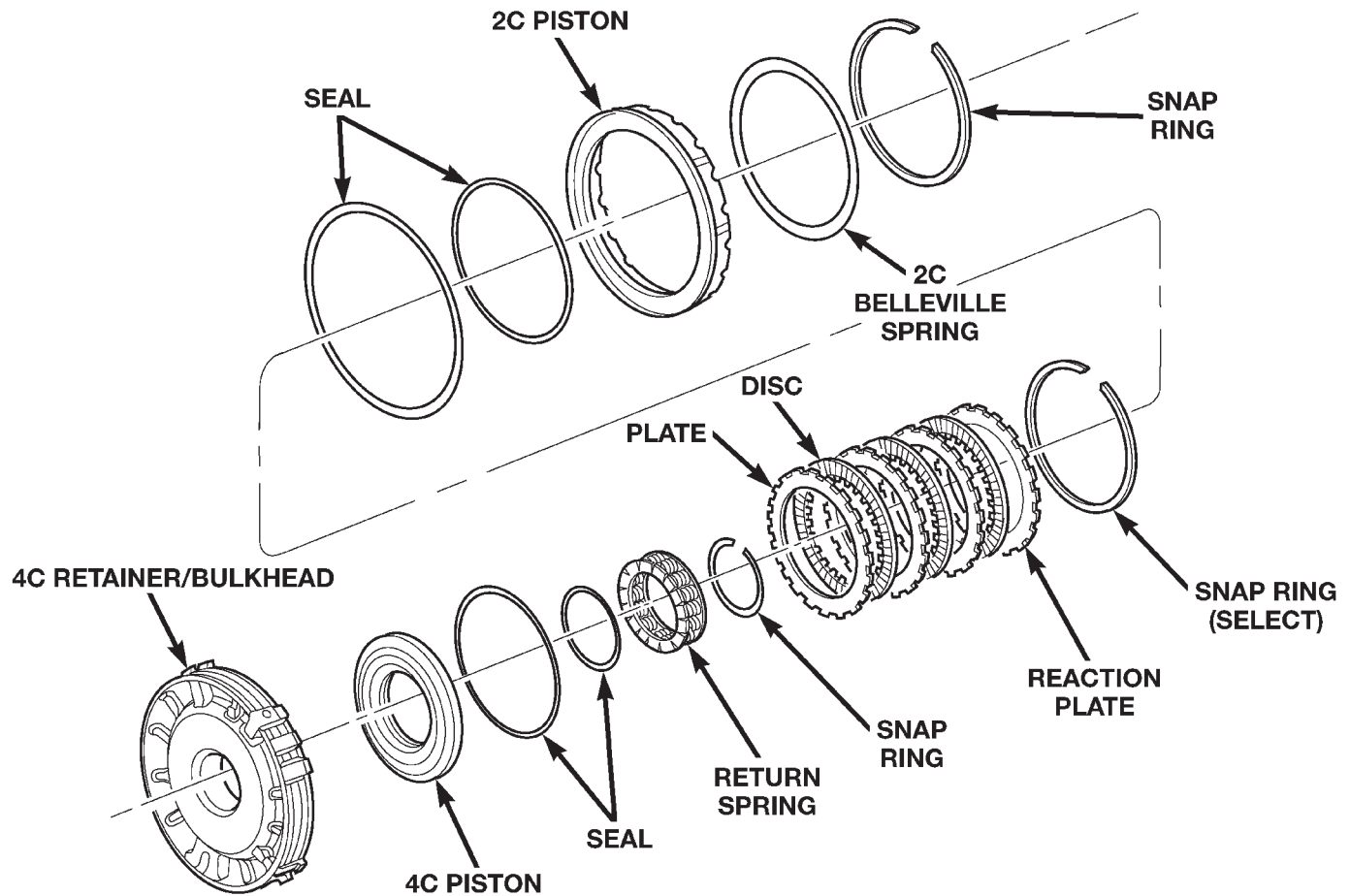
(35) Push up on reaction plate to allow reverse clutch to move freely.

## 4C RETAINER/BULKHEAD

### DISASSEMBLY

(1) Remove the 2C piston belleville spring snap-ring from the 4C retainer/bulkhead (Fig. 117).

## DISASSEMBLY AND ASSEMBLY (Continued)



80c07032

**Fig. 117 4C Retainer/Bulkhead Components**

(2) Remove the 2C piston Belleville spring from the retainer/bulkhead (Fig. 117).

(3) Remove the 2C piston from the retainer/bulkhead. Use 20 psi of air pressure to remove the piston if necessary.

(4) Remove the 4C clutch snap-ring from the retainer/bulkhead (Fig. 117).

(5) Remove the 4C clutch pack from the retainer/bulkhead (Fig. 117).

(6) Using Spring Compressor 8250 and a suitable shop press, compress the 4C piston return spring and remove the snap-ring (Fig. 117).

(7) Remove the 4C piston return spring and piston from the retainer/bulkhead (Fig. 117). Use 20 psi of air pressure to remove the piston if necessary.

#### ASSEMBLY

(1) Clean and inspect all components. Replace any components which show evidence of excessive wear or scoring.

(2) Install new seals on the 2C and 4C pistons (Fig. 117).

(3) Lubricate all seals with Mopar® ATF+3, type 7176 prior to installation.

(4) Install the 4C piston into the 4C retainer/bulkhead (Fig. 117).

(5) Position the 4C piston return spring onto the 4C piston.

(6) Using Spring Compressor 8250 and a suitable shop press, compress the 4C piston return spring and install the snap-ring (Fig. 118).

(7) Assemble and install the 4C clutch pack into the retainer/bulkhead (Fig. 117).

(8) Install the 4C reaction plate and snap-ring into the retainer/bulkhead (Fig. 117). The 4C reaction plate is non-directional.

(9) Measure the 4C clutch clearance. The correct clutch clearance is 0.81–1.35 mm (0.032–0.053 in.). The snap-ring is selectable. Install the chosen snap-ring and re-measure to verify the selection.

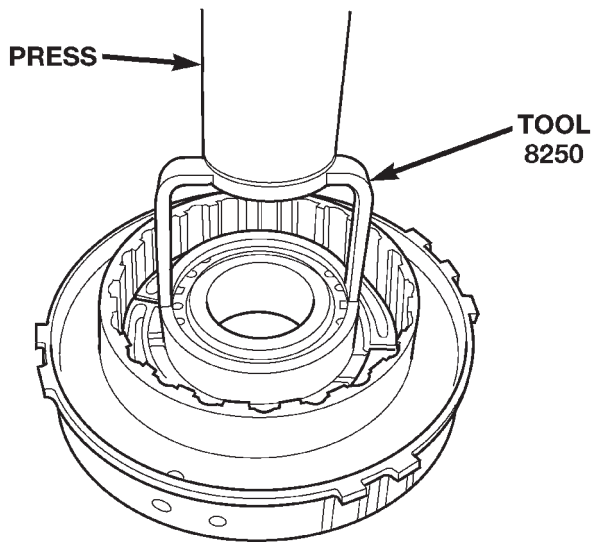
(10) Install the 2C piston into the retainer/bulkhead (Fig. 117).

(11) Position the 2C Belleville spring onto the 2C piston.

(12) Position the 2C Belleville spring snap-ring onto the 2C Belleville spring (Fig. 117).

(13) Using Spring Compressor 8249 and a suitable shop press (Fig. 119), compress the belleville spring

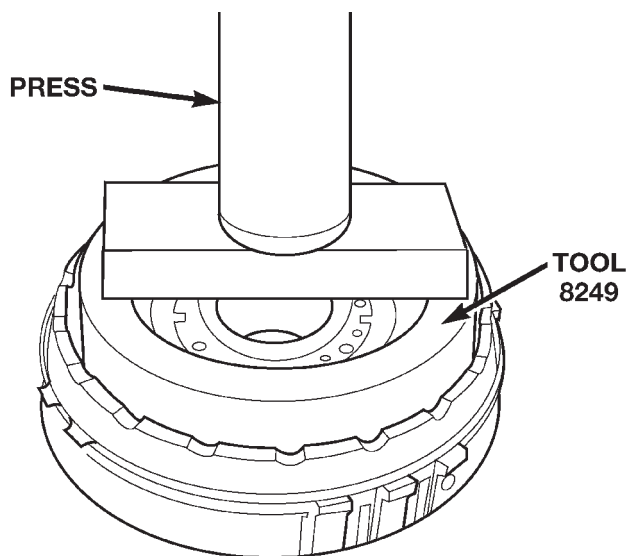
## DISASSEMBLY AND ASSEMBLY (Continued)



80c07419

**Fig. 118 Compress 4C Piston Return Spring Using Tool 8250**

until the snap-ring is engaged with the snap-ring groove in the retainer/bulkhead.



80c07418

**Fig. 119 Compress 2C Belleville Spring Using Tool 8249**

## PLANETARY GEAR SET

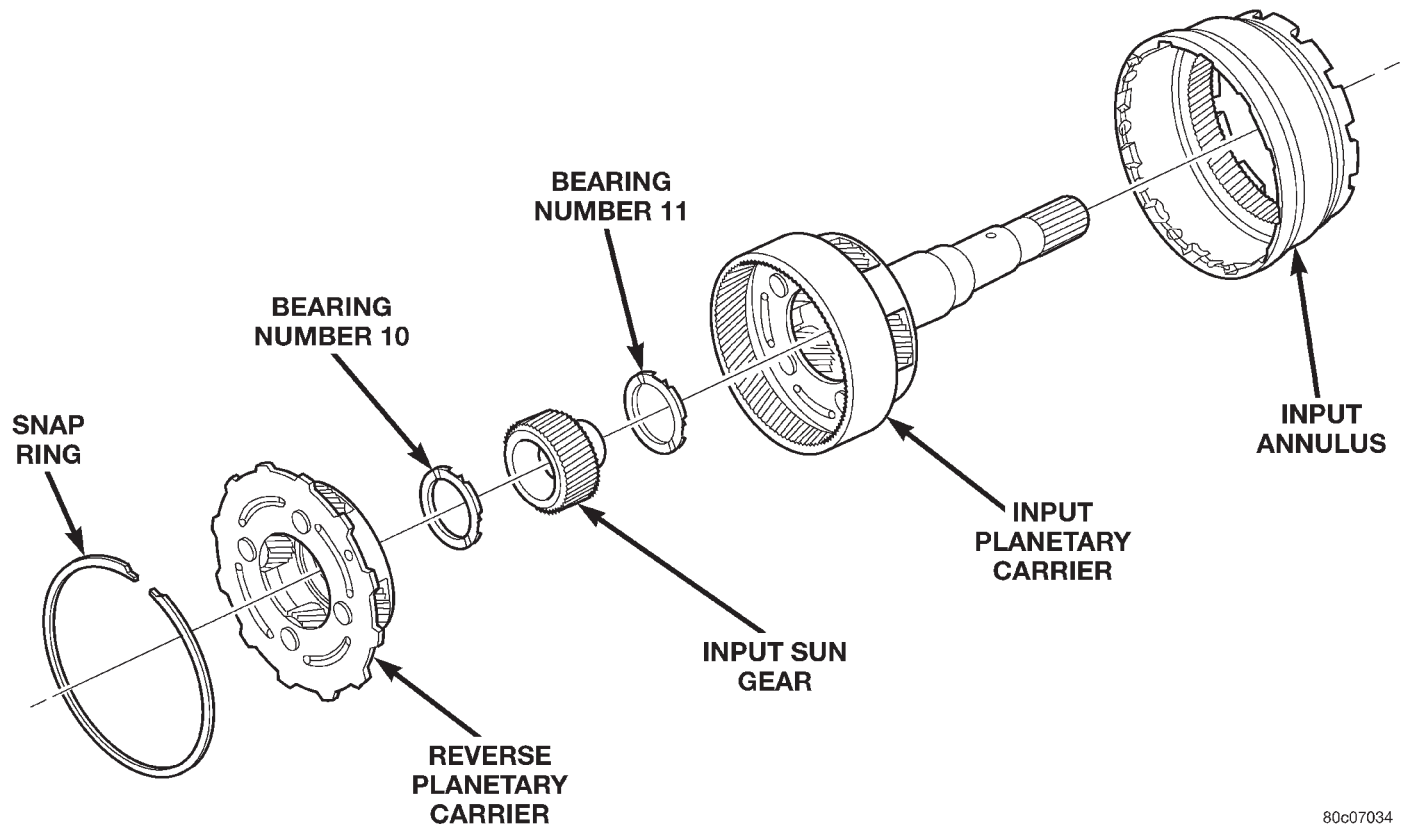
## DISASSEMBLY

- (1) Remove the snap-ring holding the input annulus into the input carrier (Fig. 120).
- (2) Remove the input annulus from the input carrier (Fig. 120).
- (3) Remove the number 9 bearing from the reverse planetary carrier. Note that this planetary carrier has four pinion gears.
- (4) Remove the reverse planetary gear carrier (Fig. 120).
- (5) Remove the number 10 bearing from the input sun gear (Fig. 120).
- (6) Remove the input sun gear from the input carrier (Fig. 120).
- (7) Remove the number 11 bearing from the input carrier (Fig. 120).

## ASSEMBLY

- (1) Clean and inspect all components. Replace any components which show evidence of excessive wear or scoring.
- (2) Install the number 11 bearing into the input planetary carrier with the flat side up and facing forward (Fig. 120).
- (3) Install the input sun gear into the input carrier (Fig. 120).
- (4) Install the number 10 bearing onto the rear of the reverse planetary carrier with the flat side toward the carrier (Fig. 120).
- (5) Install the number 9 bearing onto the front of the reverse planetary carrier with the rounded side toward the carrier and the flat side facing upward (Fig. 120).
- (6) Install the reverse planetary gear carrier into the input carrier (Fig. 120).
- (7) Install the input annulus gear into the input carrier (Fig. 120).
- (8) Install the snap-ring to hold the input annulus gear into the input carrier (Fig. 120).

DISASSEMBLY AND ASSEMBLY (Continued)



80c07034

**Fig. 120 Reverse/Input Planetary Carrier Assembly**

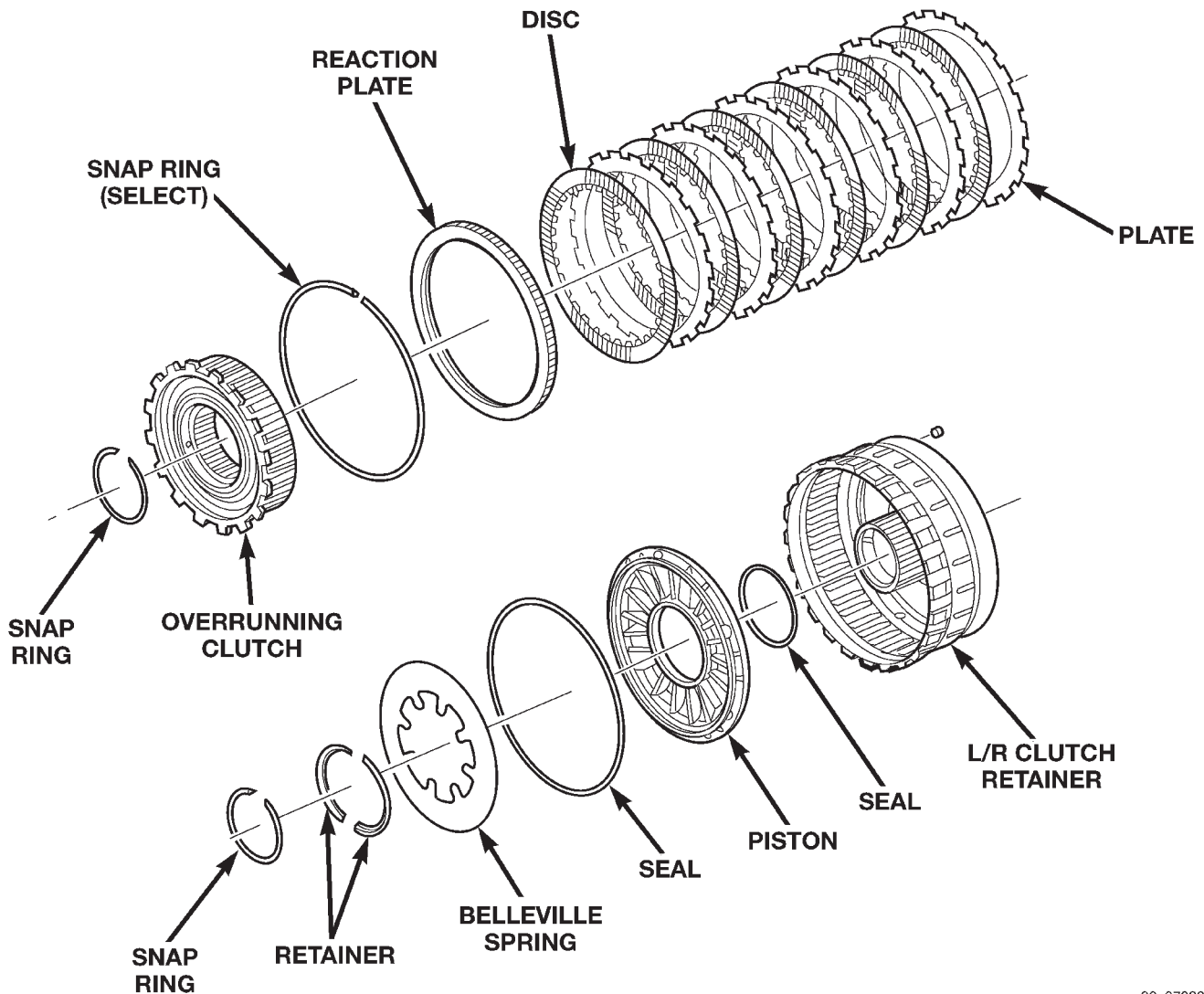
**LOW/REVERSE CLUTCH**

**DISASSEMBLY**

- (1) Remove the inner overrunning clutch snap-ring from the low/reverse clutch retainer (Fig. 121).
- (2) Remove the outer low/reverse reaction plate flat snap-ring (Fig. 121).
- (3) Remove the low/reverse clutch and the over-running clutch from the low/reverse clutch retainer as an assembly (Fig. 121).

- (4) Separate the low/reverse clutch from the over-running clutch.
- (5) Remove the overrunning clutch snap-ring (Fig. 122).
- (6) Remove the spacer from the overrunning clutch (Fig. 122).
- (7) Separate the inner and outer races of the over-running clutch (Fig. 122).

## DISASSEMBLY AND ASSEMBLY (Continued)



**Fig. 121 Low/Reverse Clutch Assembly**

80c07033

(8) Remove the overrunning clutch lower snap-ring (Fig. 122).

(9) Using Spring Compressor 8285 and a suitable shop press (Fig. 123), compress the low/reverse piston Belleville spring and remove the split retaining ring holding the Belleville spring into the low/reverse clutch retainer.

(10) Remove the low/reverse clutch Belleville spring and piston from the low/reverse clutch retainer. Use 20 psi of air pressure to remove the piston if necessary.

### ASSEMBLY

(1) Clean and inspect all components. Replace any components which show evidence of excessive wear or scoring.

(2) Check the bleed orifice to ensure that it is not plugged or restricted.

(3) Install a new seal on the low/reverse piston. Lubricate the seal with Mopar® ATF+3, type 7176 prior to installation.

(4) Install the low/reverse piston into the low/reverse clutch retainer.

(5) Position the low/reverse piston Belleville spring on the low/reverse piston.

(6) Using Spring Compressor 8285 and a suitable shop press (Fig. 123), compress the low/reverse piston Belleville spring and install the split retaining ring to hold the Belleville spring into the low/reverse clutch retainer.

(7) Install the lower overrunning clutch snap-ring (Fig. 122).

(8) Assemble the inner and outer races of the overrunning clutch (Fig. 122).

(9) Position the overrunning clutch spacer on the overrunning clutch.



DISASSEMBLY AND ASSEMBLY (Continued)

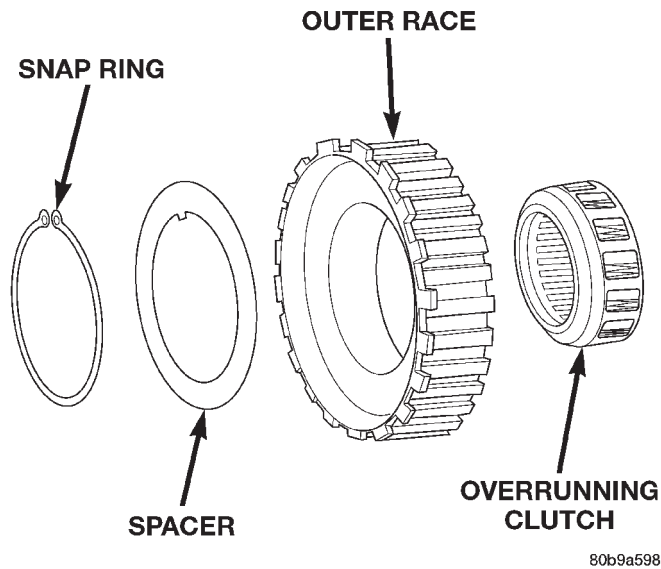


Fig. 122 Overrunning Clutch

80b9a598

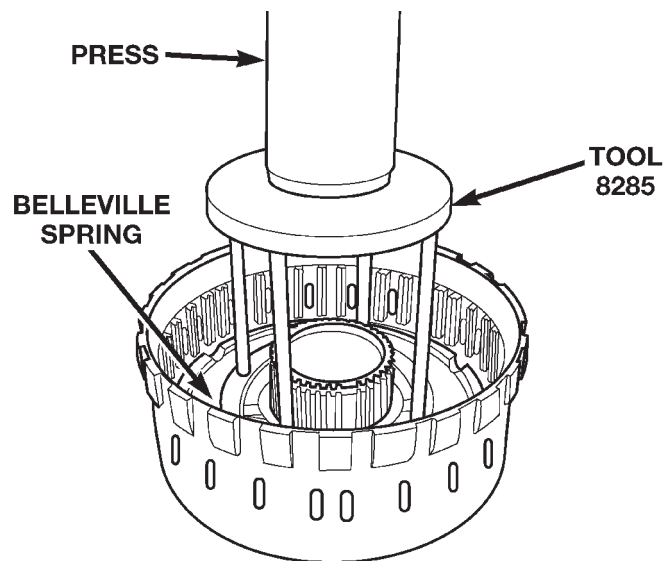


Fig. 123 Compress Low/Reverse Belleville Spring Using Tool 8285

80c07420

(10) Install the upper overrunning clutch snap-ring (Fig. 122).

(11) Assemble and install the low/reverse clutch pack into the low/reverse clutch retainer (Fig. 121).

(12) Install the low/reverse reaction plate into the low/reverse clutch retainer (Fig. 121). The reaction plate is directional and must be installed with the flat side down.

(13) Install the low/reverse clutch pack snap-ring (Fig. 121). The snap-ring is selectable and should be chosen to give the correct clutch pack clearance.

(14) Measure the low/reverse clutch pack clearance and adjust as necessary. The correct clutch clearance is 1.14–1.91 mm (0.045–0.05 in.).

(15) Install the overrunning clutch into the low/reverse clutch retainer making sure that the index splines are aligned with the retainer.

(16) Install the overrunning clutch inner snap-ring.

CLEANING AND INSPECTION

VALVE BODY

Clean the valve housings, valves, plugs, springs, and separator plates with a standard parts cleaning solution only. Do not use gasoline, kerosene, or any type of caustic solution.

Do not immerse any of the electrical components in cleaning solution. Clean the electrical components by wiping them off with dry shop towels only.

Dry all except the electrical parts with compressed air. Make sure all passages are clean and free from obstructions. **Do not use rags or shop towels to dry or wipe off valve body components. Lint from these materials can stick to valve body parts, interfere with valve operation, and clog filters and fluid passages.**

Inspect all of the valve body mating surfaces for scratches, nicks, burrs, or distortion. Use a straight-edge to check surface flatness. Minor scratches may be removed with crocus cloth using only very light pressure.

Minor distortion of a valve body mating surface may be corrected by smoothing the surface with a sheet of crocus cloth. Position the crocus cloth on a surface plate, sheet of plate glass or equally flat surface. If distortion is severe or any surfaces are heavily scored, the valve body will have to be replaced.

Inspect the valves and plugs (Fig. 124) for scratches, burrs, nicks, or scores. Minor surface scratches on steel valves and plugs can be removed with crocus cloth but **do not round off the edges of the valve or plug lands**. Maintaining sharpness of these edges is vitally important. The edges prevent foreign matter from lodging between the valves and plugs and the bore.

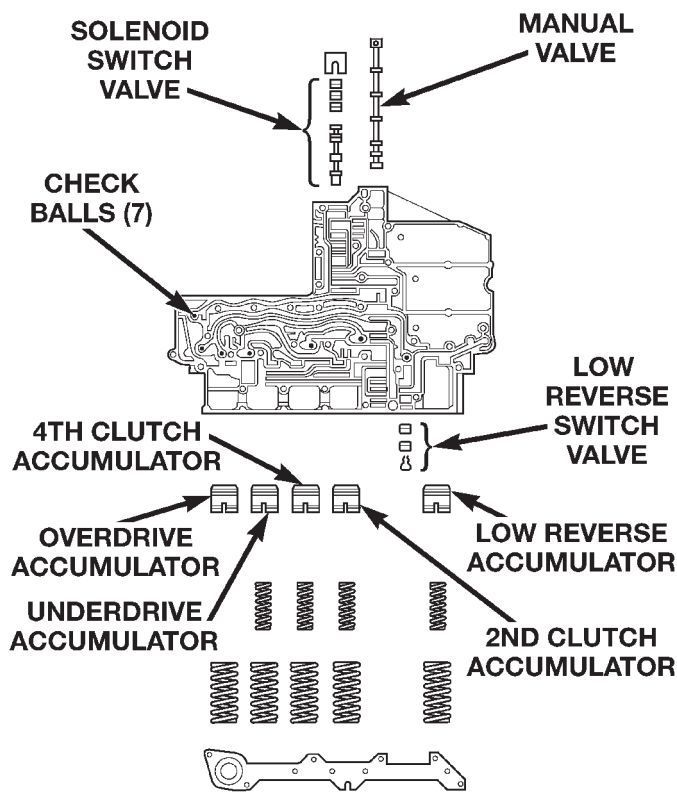
Inspect all the valve and plug bores in the valve body. Use a penlight to view the bore interiors. Replace the valve body if any bores are distorted or scored. Inspect all of the valve body springs. The springs must be free of distortion, warpage or broken coils.

Trial fit each valve and plug in its bore to check freedom of operation. When clean and dry, the valves and plugs should drop freely into the bores.

Valve body bores do not change dimensionally with use. If the valve body functioned correctly when new, it will continue to operate properly after cleaning and inspection. It should not be necessary to replace a



## CLEANING AND INSPECTION (Continued)



80b9a599

Fig. 124 Valve Body Components

valve body assembly unless it is damaged in handling.

Inspect all the accumulator bores in the valve body. Use a penlight to view the bore interiors. Replace the valve body if any bores are distorted or scored. Inspect all of the accumulator springs. The springs must be free of distortion, warpage or broken coils.

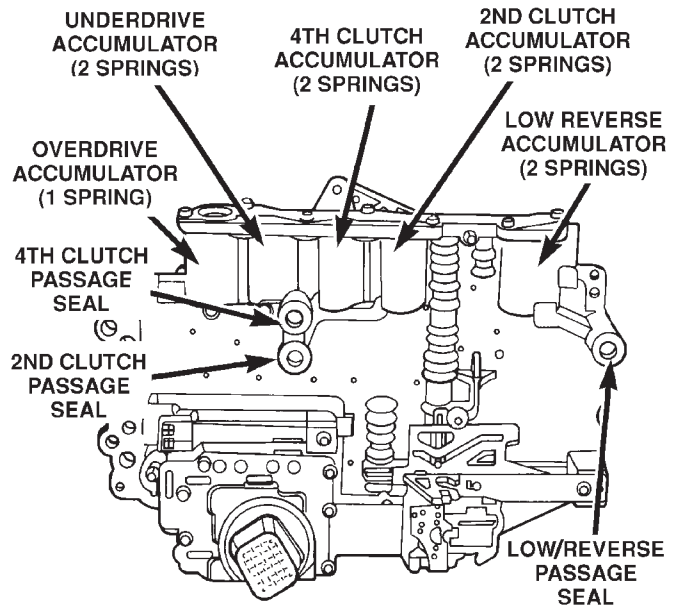
Inspect all the fluid seals on the valve body (Fig. 125). Replace any seals that are cracked, distorted, or damaged in any way. These seals pass fluid pressure directly to the clutches. Any pressure leak at these points, may cause transmission performance problems.

## TRANSMISSION

### GENERAL INFORMATION

Heli-Coil inserts can be used to repair damaged, stripped or worn threads in aluminum parts. These inserts are available from most automotive parts suppliers. Stainless steel inserts are recommended.

The use of crocus cloth is permissible where necessary, providing it is used carefully. When used on shafts, or valves, use extreme care to avoid rounding off sharp edges. Sharp edges are vital as they prevent foreign matter from getting between the valve and valve bore.



80b9a591

Fig. 125 Valve Body Seals

Do not reuse oil seals, gaskets, seal rings, or O-rings during overhaul. Replace these parts as a matter of course. Also do not reuse snap rings or E-clips that are bent or distorted. Replace these parts as well.

Lubricate transmission parts with Mopar® ATF Plus 3, Type 7176, transmission fluid during overhaul and assembly. Use petroleum jelly, Mopar® Door Ease, or Ru-Glyde to prelubricate seals, O-rings, and thrust washers. Petroleum jelly can also be used to hold parts in place during reassembly.

### TRANSMISSION CASE CLEANING AND INSPECTION

Clean the case in a solvent tank. Flush the case bores and fluid passages thoroughly with solvent. Dry the case and all fluid passages with compressed air. Be sure all solvent is removed from the case and that all fluid passages are clear.

**NOTE:** Do not use shop towels or rags to dry the case (or any other transmission component) unless they are made from lint-free materials. Lint will stick to case surfaces and transmission components and circulate throughout the transmission after assembly. A sufficient quantity of lint can block fluid passages and interfere with valve body operation.

Inspect the case for cracks, porous spots, worn bores, or damaged threads. Damaged threads can be repaired with Helicoil thread inserts. However, the case will have to be replaced if it exhibits any type of damage or wear.

## CLEANING AND INSPECTION (Continued)

**LOW/REVERSE CLUTCH ASSEMBLY**

Clean the overrunning clutch assembly, clutch cam, and low-reverse clutch retainer. Dry them with compressed air after cleaning.

Inspect condition of each clutch part after cleaning. Replace the overrunning clutch roller and spring assembly if any rollers or springs are worn or damaged, or if the roller cage is distorted, or damaged. Replace the cam if worn, cracked or damaged.

Replace the low-reverse clutch retainer if the clutch race, roller surface or inside diameter is scored, worn or damaged.

**ACCUMULATOR**

Inspect the accumulator piston and seal rings. Replace the seal rings if worn or cut. Replace the piston if chipped or cracked.

Check condition of the accumulator inner and outer springs. Replace the springs if the coils are cracked, distorted or collapsed.

**OIL PUMP AND REACTION SHAFT SUPPORT**

Clean pump and support components with solvent and dry them with compressed air.

Check condition of the seal rings and thrust washer on the reaction shaft support. The seal rings do not need to be replaced unless cracked, broken, or severely worn.

Inspect the pump and support components. Replace the pump or support if the seal ring grooves or machined surfaces are worn, scored, pitted, or damaged. Replace the pump gears if pitted, worn chipped, or damaged.

Inspect the pump bushing. Then check the reaction shaft support bushing. Replace either bushing only if heavily worn, scored or damaged. It is not necessary to replace the bushings unless they are actually damaged.

Inspect the valves and plugs for scratches, burrs, nicks, or scores. Minor surface scratches on steel valves and plugs can be removed with crocus cloth but **do not round off the edges of the valve or plug lands**. Maintaining sharpness of these edges is vitally important. The edges prevent foreign matter from lodging between the valves and plugs and the bore.

Inspect all the valve and plug bores in the oil pump cover. Use a penlight to view the bore interiors. Replace the oil pump if any bores are distorted or scored. Inspect all of the valve springs. The springs must be free of distortion, warpage or broken coils.

Trial fit each valve and plug in its bore to check freedom of operation. When clean and dry, the valves and plugs should drop freely into the bores.

**PLANETARY GEARTRAIN**

Clean the planetary components in solvent and dry them with compressed air.

Check sun gear and driving shell condition. Replace the gear if damaged or if the bushings are scored or worn. The bushings are not serviceable. Replace the driving shell if worn, cracked or damaged.

Replace planetary gear sets if gears, pinion pins, or carrier are damaged in any way. Replace the annulus gears and supports if either component is worn or damaged.

Replace the output shaft if the machined surfaces are scored, pitted, or damaged in any way. Also replace the shaft if the splines are damaged, or exhibits cracks at any location.

**ADJUSTMENTS****BRAKE TRANSMISSION SHIFT INTERLOCK**

The park interlock cable is part of the brake/shift lever interlock system. Correct cable adjustment is important to proper interlock operation. The gear shift and park lock cables must both be correctly adjusted in order to shift out of Park.

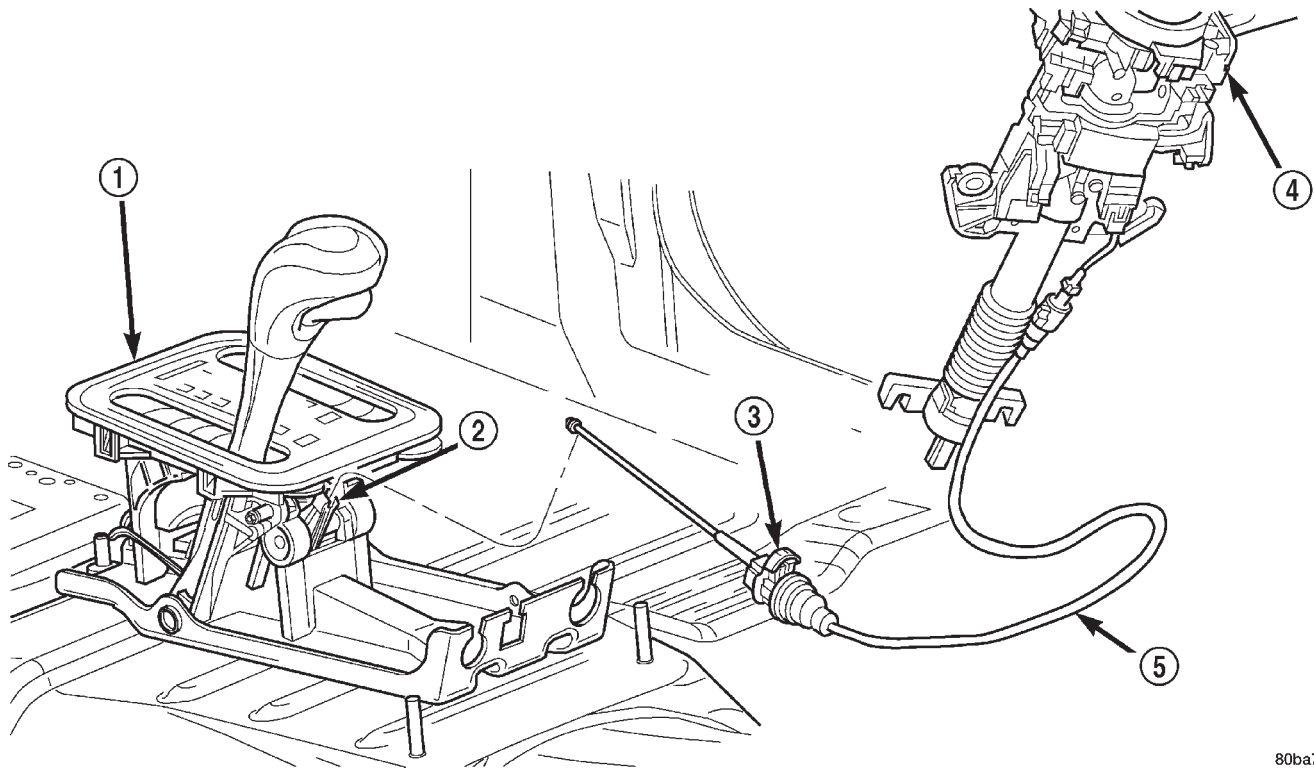
**Park Interlock Cable Adjustment Procedure**

- (1) Shift the transmission into the PARK position.
- (2) Turn ignition switch to LOCK position. **Be sure ignition key cylinder is in the LOCK position. Cable will not adjust correctly in any other position.**
- (3) Remove shift lever bezel and floor console as necessary for access to the brake transmission shift interlock cable.
- (4) Pull cable lock button up to release cable (Fig. 126).
- (5) Pull cable rearward. Then release cable and press lock button down until it snaps in place.

**BTSI FUNCTION CHECK**

- (1) Verify removal of ignition key allowed in park position only.
- (2) When the shift lever is in park, and the shift handle push-button is in the out position, the ignition key cylinder should rotate freely from off to lock. When the shifter is in any other position, the ignition key should not rotate from off to lock.
- (3) Shifting out of park should be possible when the ignition key cylinder is in the off position.
- (4) Shifting out of park should not be possible while applying 25 lb. max. handle push-button force, and ignition key cylinder is in the run or start positions, unless the foot brake pedal is depressed approximately 1/2 inch (12 mm).

## ADJUSTMENTS (Continued)



80ba79c2

**Fig. 126 Brake Transmission Shift Interlock Cable**

- 1 - SHIFT MECHANISM  
2 - SHIFTER BTSI LEVER  
3 - ADJUSTMENT CLIP

- 4 - STEERING COLUMN ASSEMBLY  
5 - INTERLOCK CABLE

(5) Shifting out of park should not be possible when the ignition key cylinder is in the accessory or lock position.

(6) Shifting between any gears neutral or park may be done without depressing foot brake with ignition switch in run or start positions and vehicle stationary or in motion.

(7) The floor shifter lever and gate positions should be in alignment with all transmission detent positions.

(8) Engine starts must be possible with shifter lever in park or neutral gate positions only. Engine starts must not be possible in any other gate positions other than park or neutral.

(9) With shifter lever handle push-button not depressed and lever detent in:

- PARK POSITION- apply forward force on center of handle and remove pressure. Engine start must be possible.

- PARK POSITION- apply rearward force on center of handle and remove pressure. Engine start must be possible.

- NEUTRAL POSITION- engine start must be possible.

- NEUTRAL POSITION, ENGINE RUNNING AND BRAKES APPLIED- Apply forward force on center of shift handle. Transmission should not be able to shift into reverse detent.

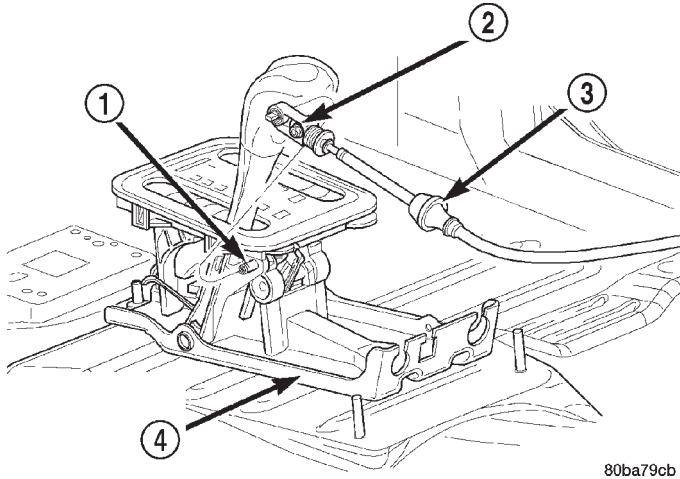
### GEARSHIFT CABLE

Check adjustment by starting the engine in Park and Neutral. Adjustment is OK if the engine starts only in these positions. Adjustment is incorrect if the engine starts in one but not both positions. If the engine starts in any position other than Park or Neutral, or if the engine will not start at all, the park/neutral position switch or TRS may be faulty.

### Gearshift Adjustment Procedure

- (1) Shift transmission into Park.
- (2) Remove shift lever bezel and floor console as necessary for access to the shift cable adjustment.
- (3) Loosen the shift cable adjustment screw (Fig. 127).
- (4) Raise vehicle.
- (5) Unsnap cable eyelet from transmission shift lever (Fig. 128).

ADJUSTMENTS (Continued)



80ba79cb

**Fig. 127 Shift Cable at the Shifter**

- 1 - SHIFT LEVER PIN
- 2 - ADJUSTMENT SCREW
- 3 - SHIFT CABLE
- 4 - SHIFTER ASSEMBLY BRACKET

(6) Verify transmission shift lever is in Park detent by moving lever fully rearward. Last rearward detent is Park position.

(7) Verify positive engagement of transmission park lock by attempting to rotate propeller shaft. Shaft will not rotate when park lock is engaged.

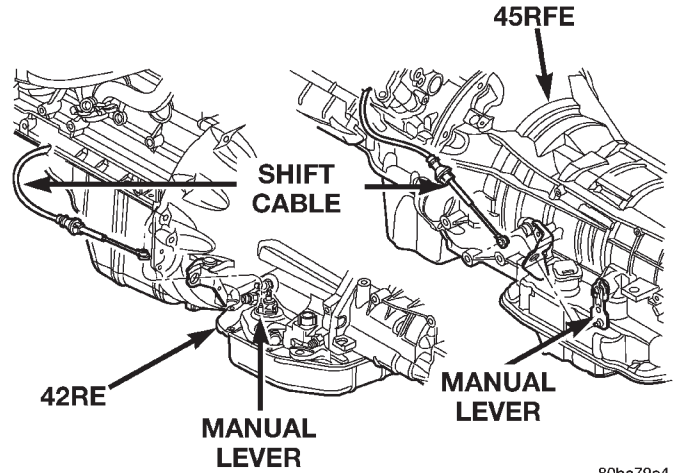
(8) Snap cable eyelet onto transmission shift lever.

(9) Lower vehicle

(10) Tighten the shift cable adjustment screw to 7 N·m (65 in. lbs.).

(11) Verify correct operation.

(12) Install the shifter bezel and any floor console components removed for access.



80ba79c4

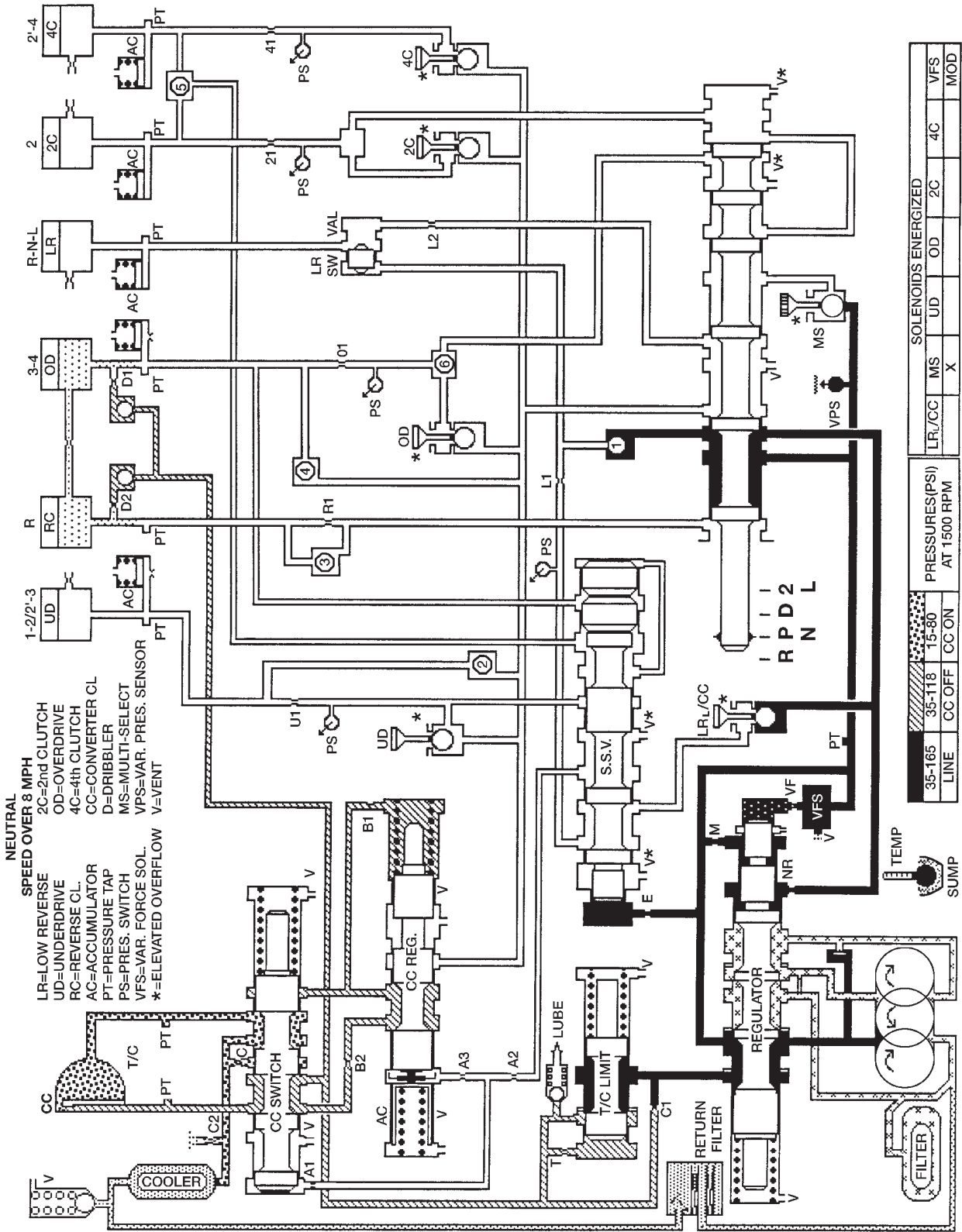
**Fig. 128 Shift Cable Attachment At Transmission**





SCHEMATICS AND DIAGRAMS (Continued)

80ba79c4

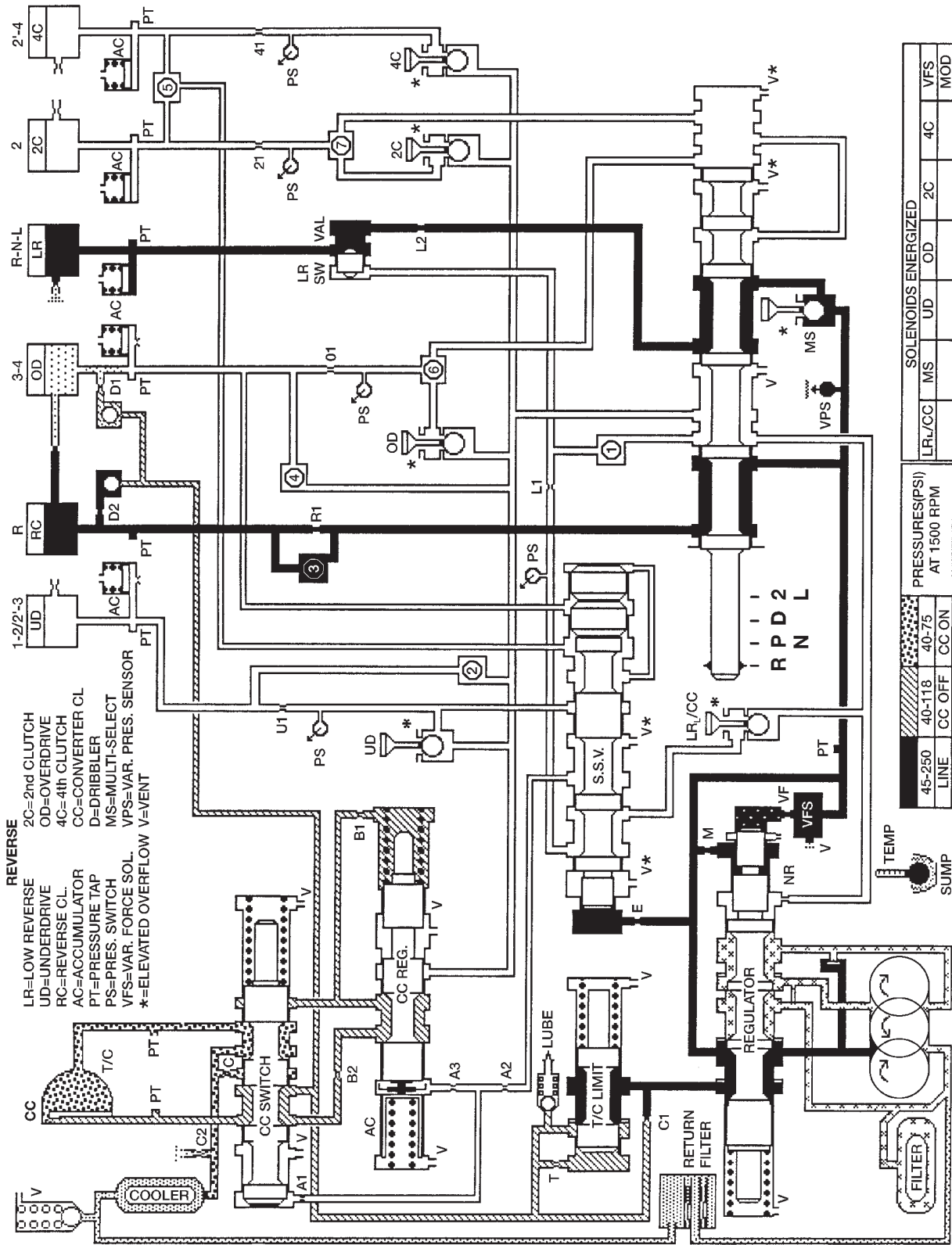


45RFE HYDRAULIC SCHEMATIC



SCHEMATICS AND DIAGRAMS (Continued)

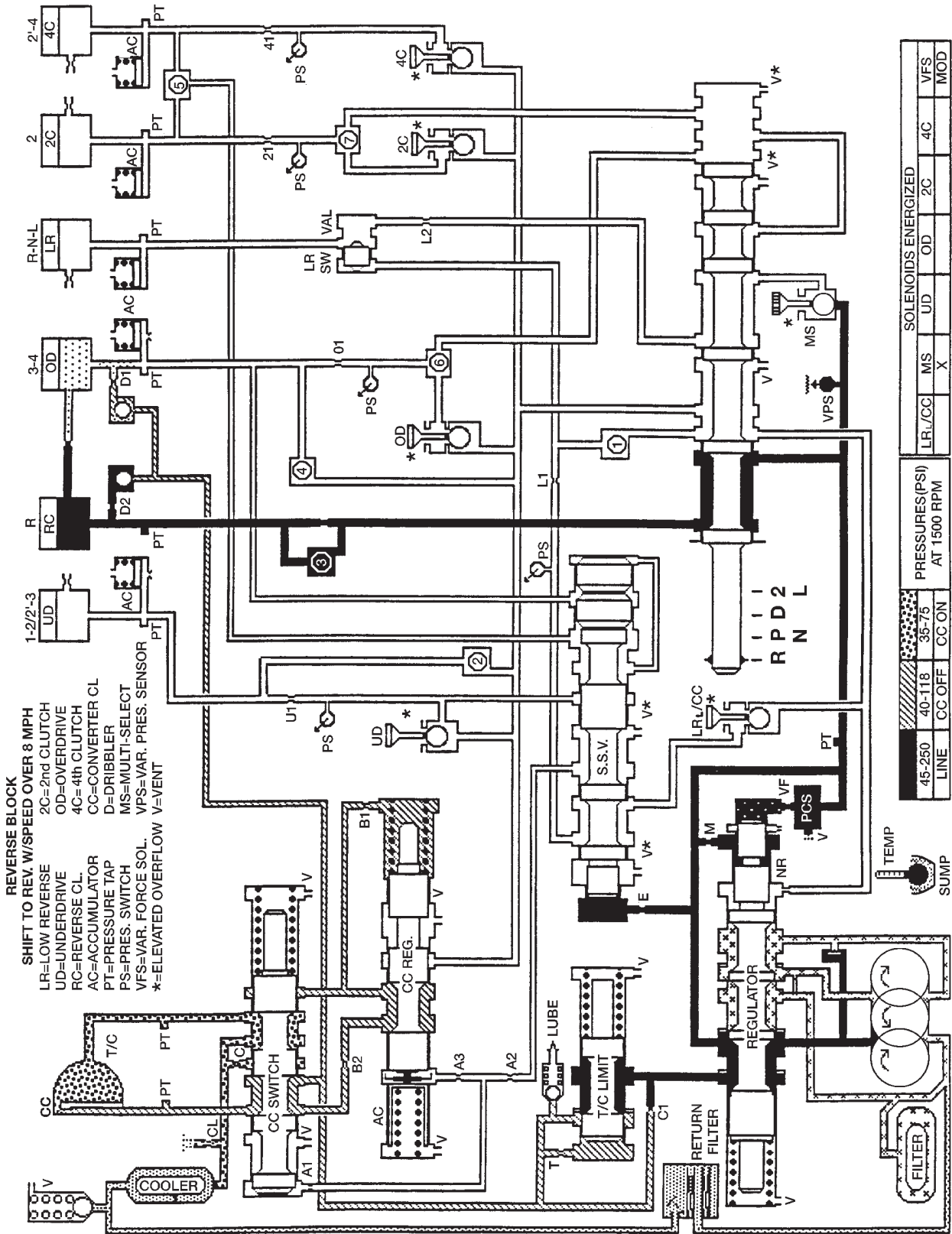
80bar79d5



45RFE HYDRAULIC SCHEMATIC

SCHEMATICS AND DIAGRAMS (Continued)

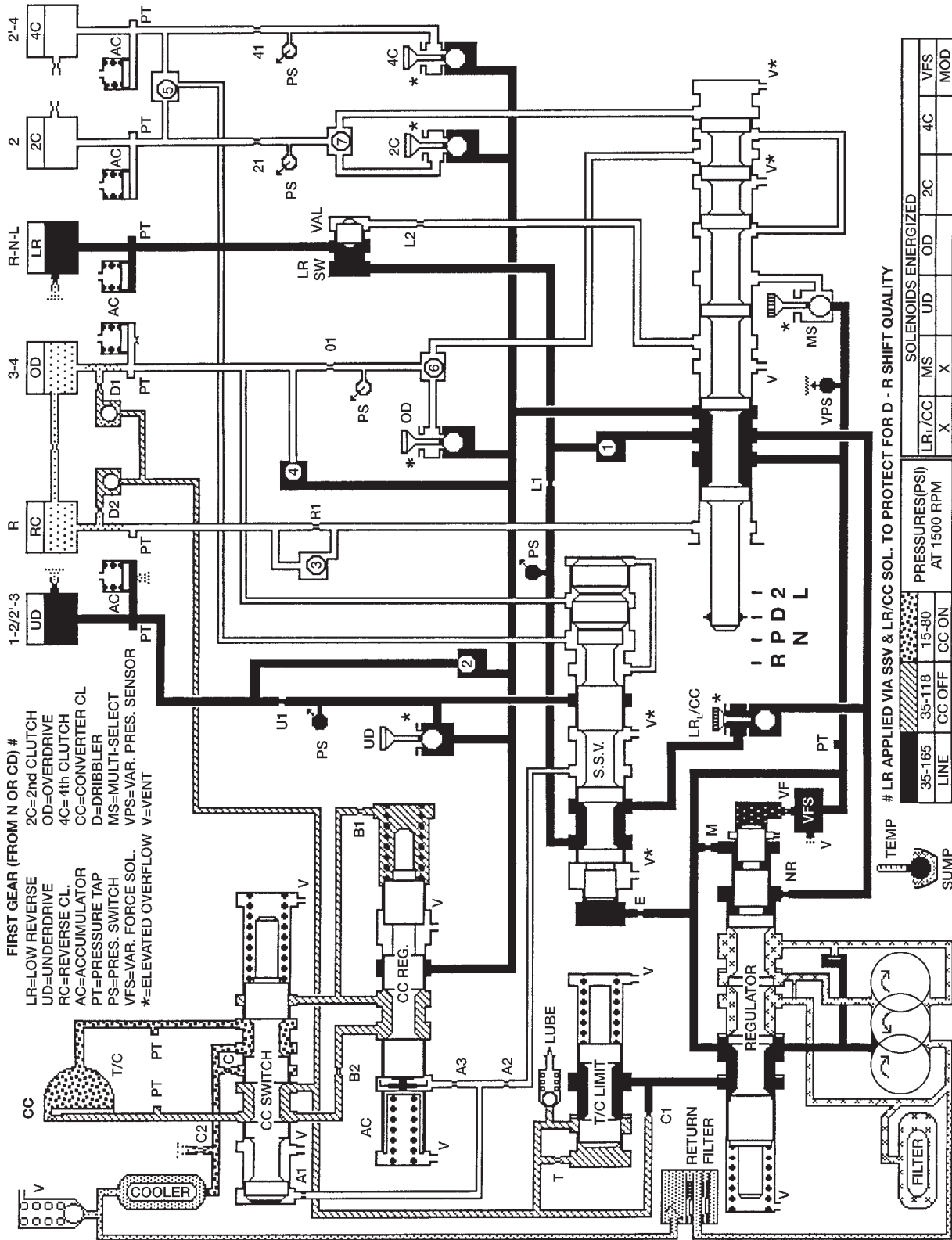
80ba79d6



45RFE HYDRAULIC SCHEMATIC

SCHEMATICS AND DIAGRAMS (Continued)

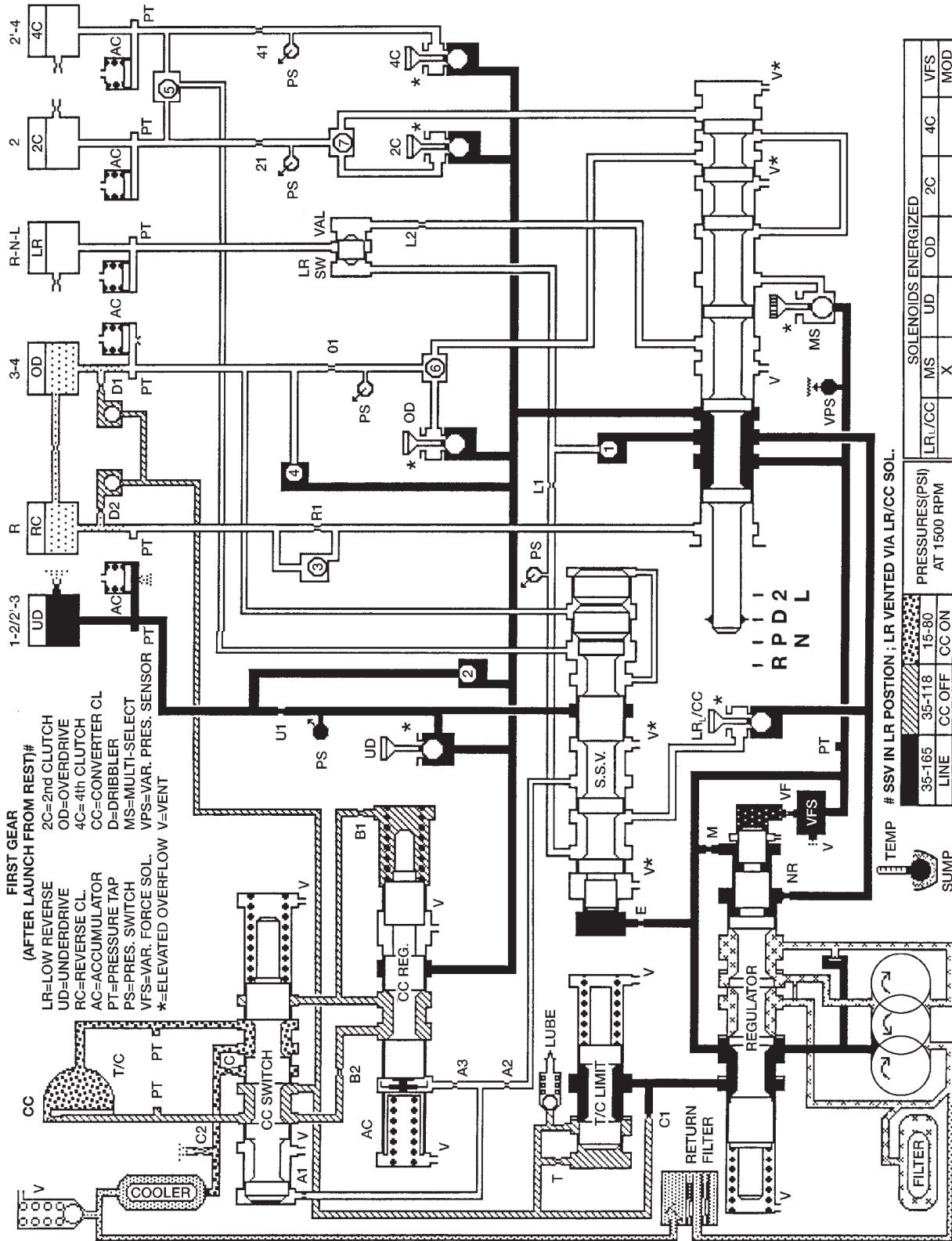
80ba7967



45RFE HYDRAULIC SCHEMATIC

SCHEMATICS AND DIAGRAMS (Continued)

80ba7948



**FIRST GEAR (AFTER LAUNCH FROM REST)#**  
 LR=LOW REVERSE  
 UD=UNDERDRIVE  
 RC=REVERSE CL.  
 AC=ACCUMULATOR  
 PT=PRESSURE TAP  
 PS=PRES. SWITCH  
 VFS=VAR. FORCE SOL.  
 \*=ELEVATED OVERFLOW  
 V=VENT

2C=2nd CLUTCH  
 OD=OVERDRIVE  
 4C=4th CLUTCH  
 CC=CONVERTER CL  
 D=DRIBBLER  
 MS=MULTI-SELECT  
 VPS=VAR. FORCE SOL.  
 V=VENT

# SSV IN LR POSITION ; LR VENTED VIA LR/CC SOL.

LINE	35-165	35-118	15-80
	CC OFF	CC ON	

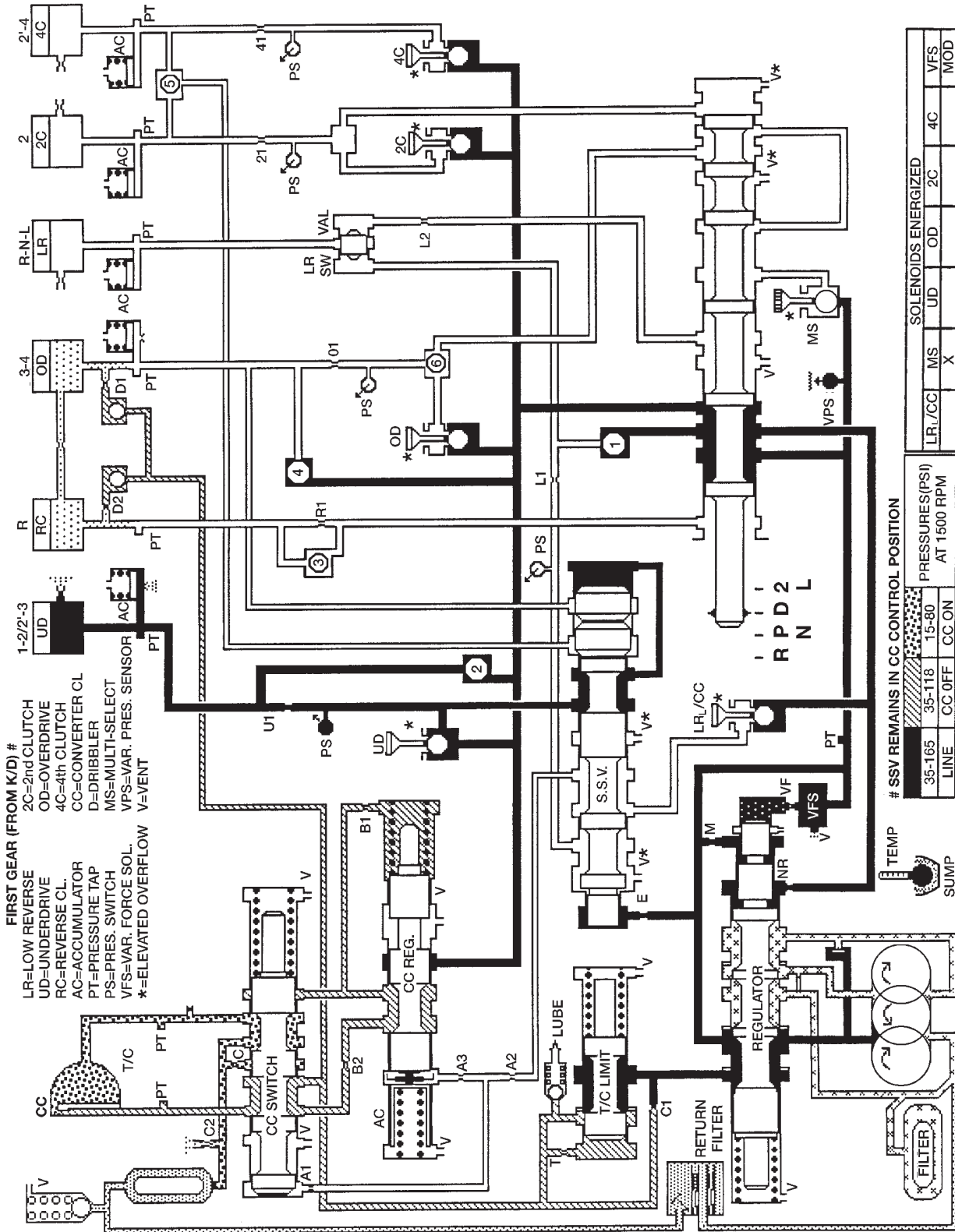
TEMP SUMP

SOLENOIDS ENERGIZED	LR/CC	MS	UD	OD	2C	4C	VFS	MOD
		X						

45RFE HYDRAULIC SCHEMATIC

SCHEMATICS AND DIAGRAMS (Continued)

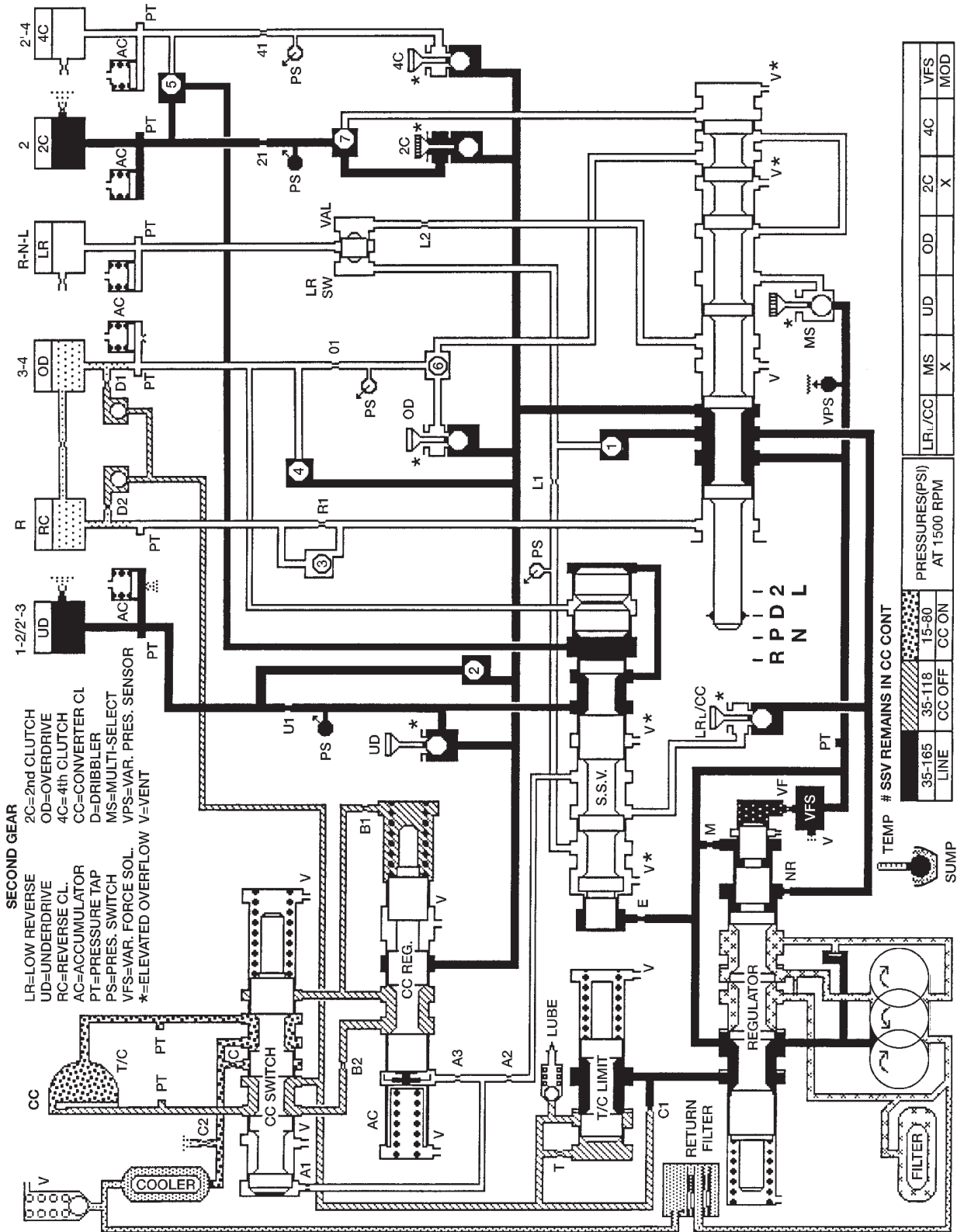
80ba79d9



45RFE HYDRAULIC SCHEMATIC

SCHEMATICS AND DIAGRAMS (Continued)

80ba79da



45RFE HYDRAULIC SCHEMATIC

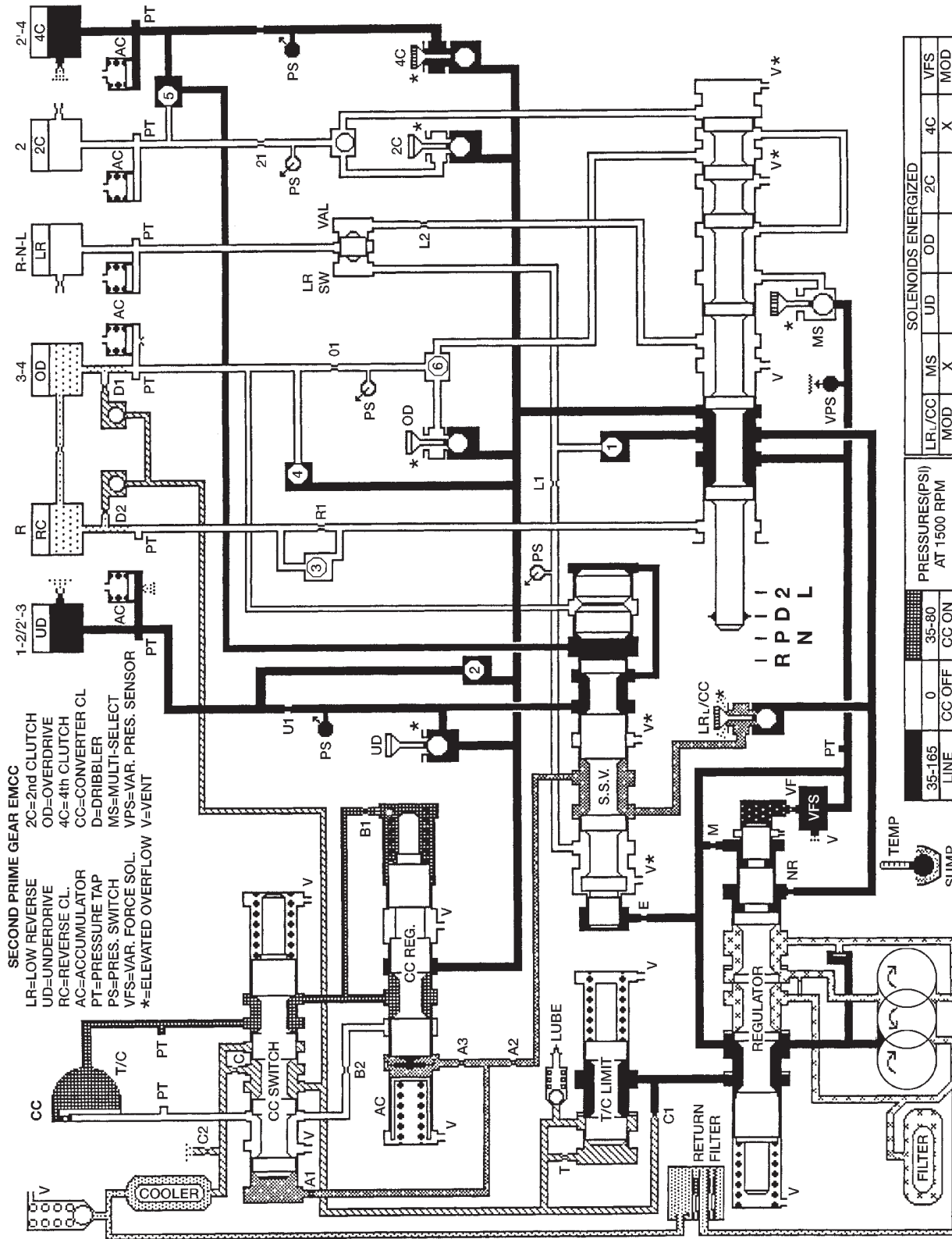






SCHEMATICS AND DIAGRAMS (Continued)

80bar79de



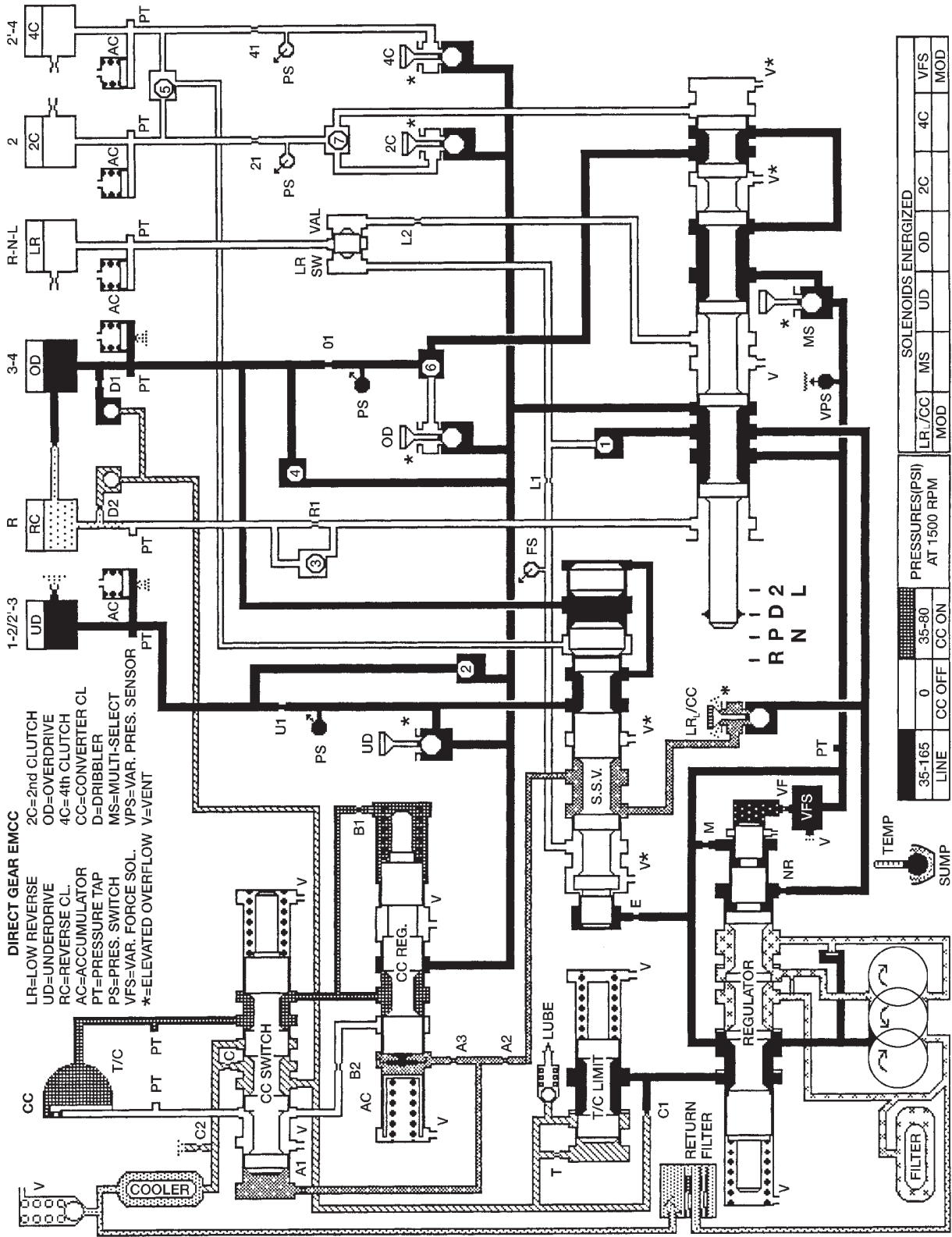
45RFE HYDRAULIC SCHEMATIC





SCHEMATICS AND DIAGRAMS (Continued)

80c07265

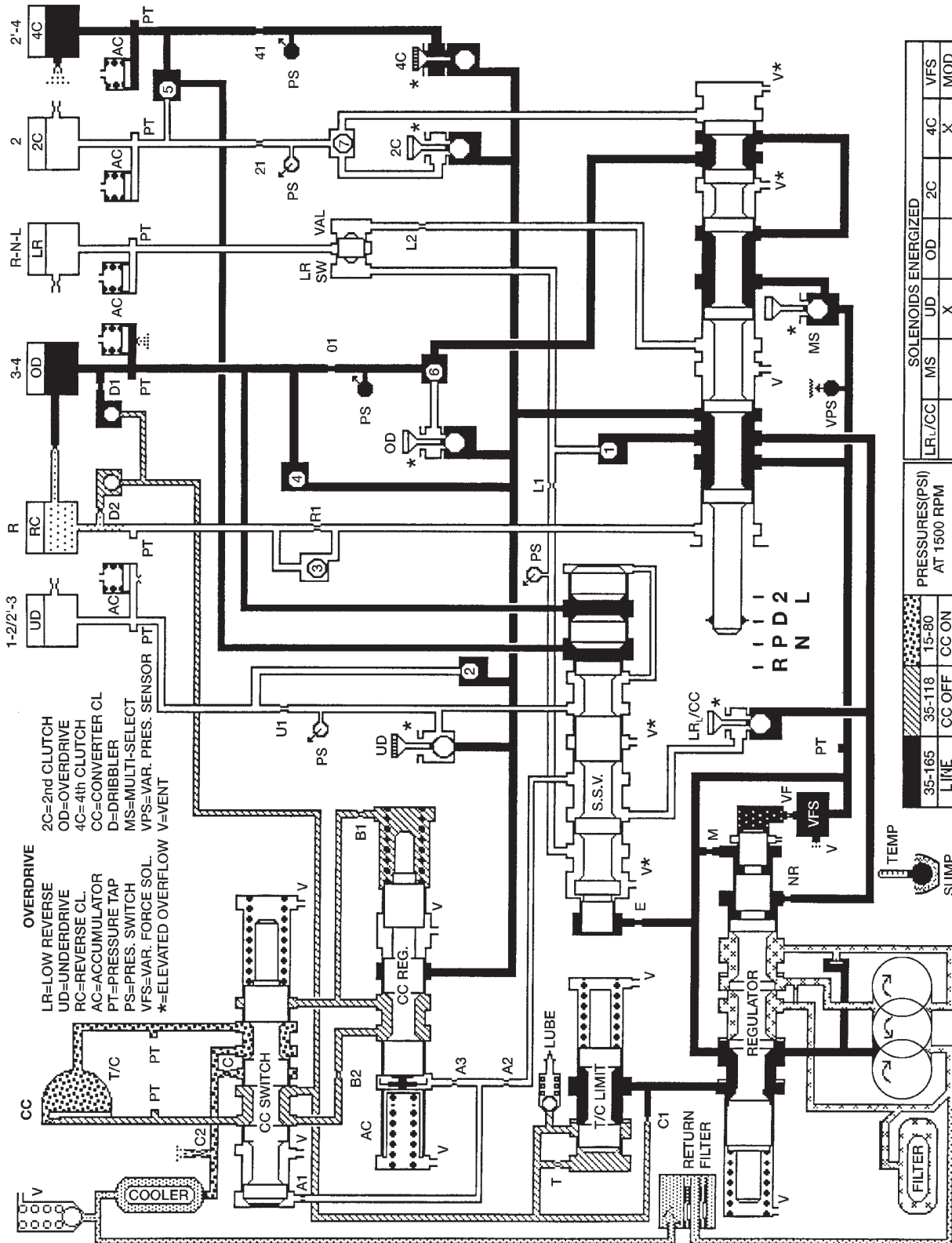


45RFE HYDRAULIC SCHEMATIC



SCHEMATICS AND DIAGRAMS (Continued)

80c07216



OVERDRIVE  
 LR=LOW REVERSE  
 UD=UNDERDRIVE  
 RC=REVERSE CL.  
 AC=ACCUMULATOR  
 PT=PRESSURE TAP  
 PS=PRESS. SWITCH  
 VFS=VAR. FORCE SOL.  
 \*=ELEVATED OVERFLOW V=VENT

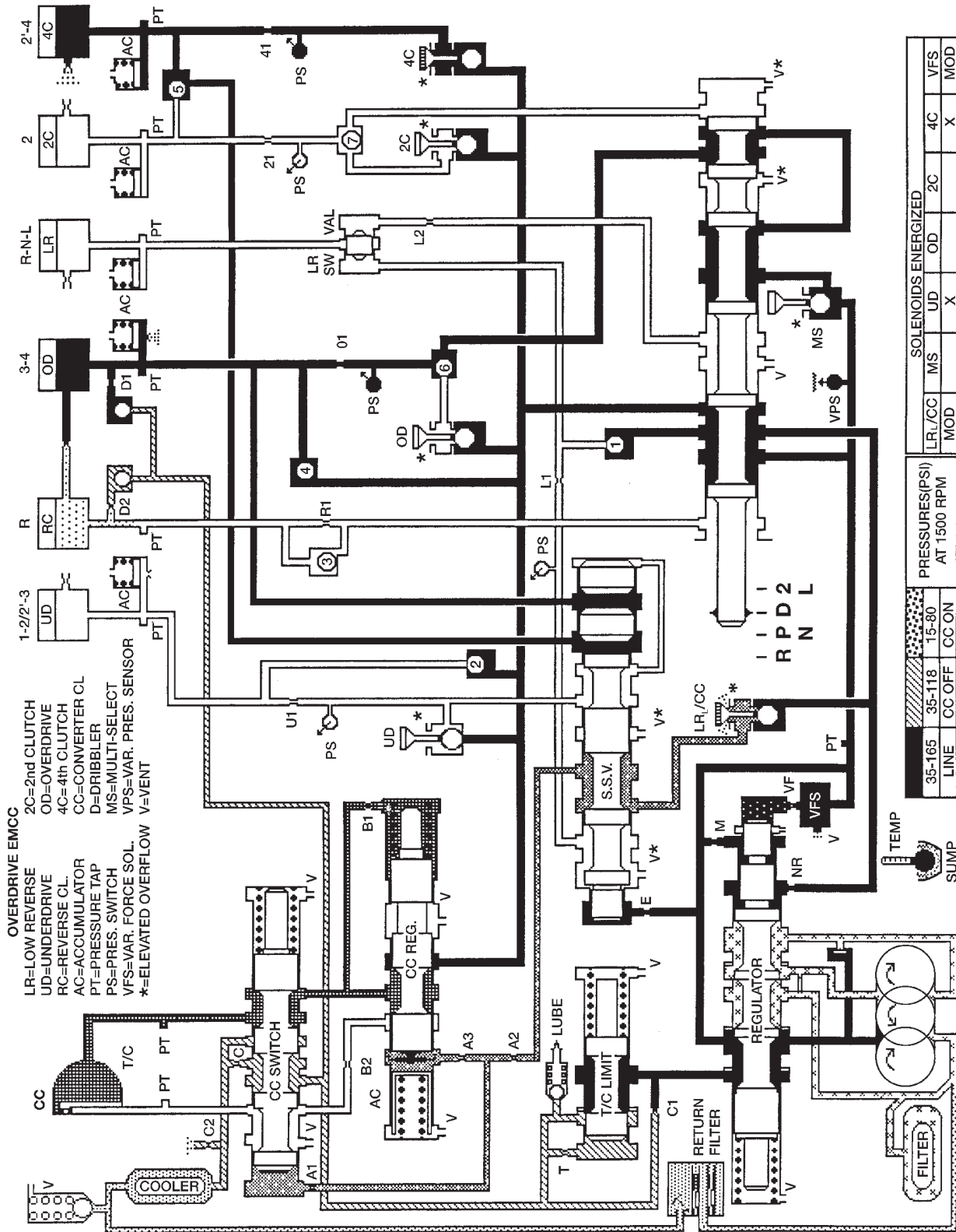
2C=2nd CLUTCH  
 OD=OVERDRIVE  
 4C=4th CLUTCH  
 CC=CONVERTER CL.  
 D=DRIBBLER  
 MS=MULTI-SELECT  
 VPS=VAR. PRES. SENSOR  
 V=VENT

PRESSURES(PS) AT 1500 RPM	SOLENOIDS ENERGIZED					
	LR./CC	MS	UD	OD	2C	4C
35-165 LINE	CC OFF	CC ON				
35-118						
15-80						
			X			
				X		
					X	
						X
						MOD.

45RFE HYDRAULIC SCHEMATIC

SCHEMATICS AND DIAGRAMS (Continued)

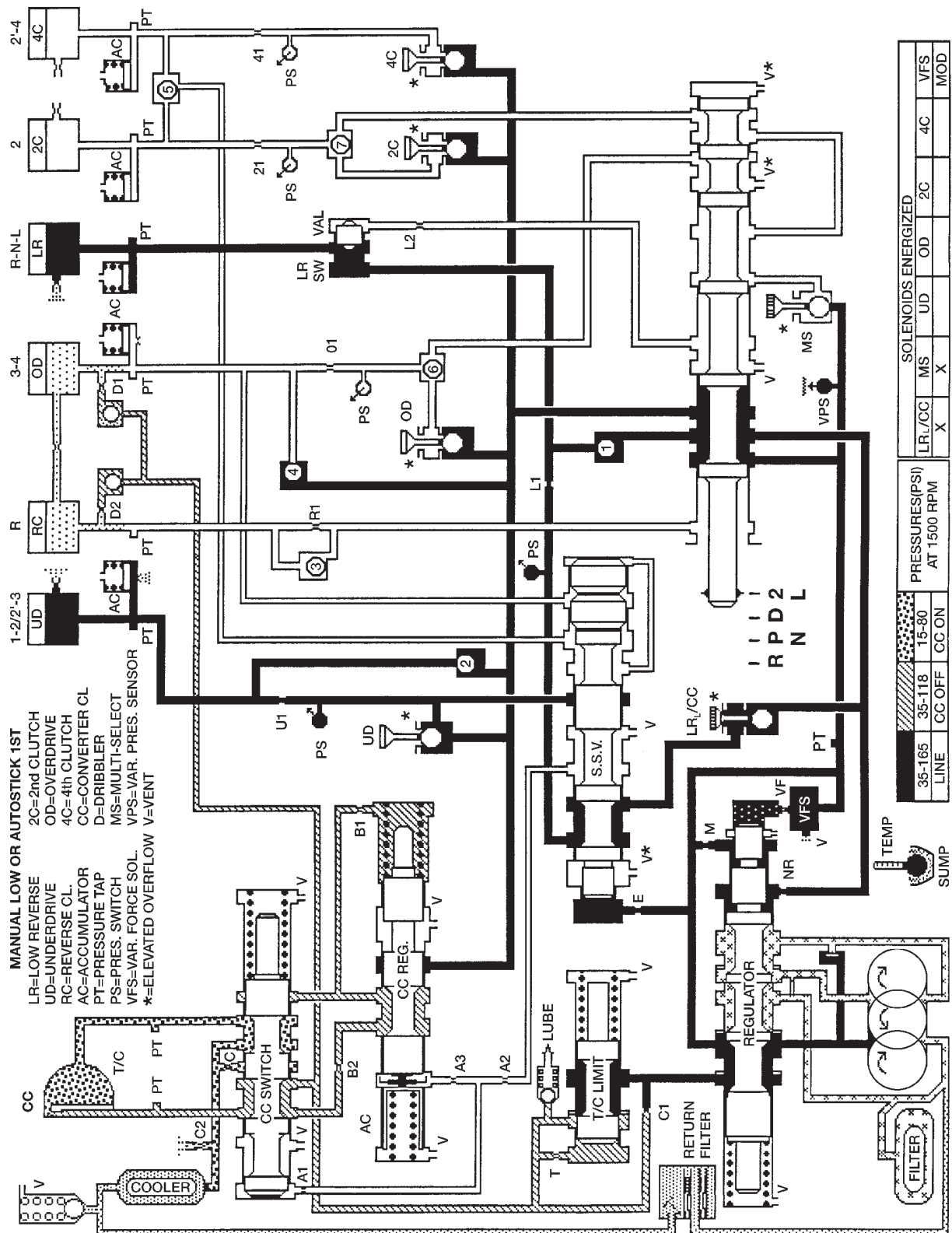
80c07217



45RFE HYDRAULIC SCHEMATIC

SCHEMATICS AND DIAGRAMS (Continued)

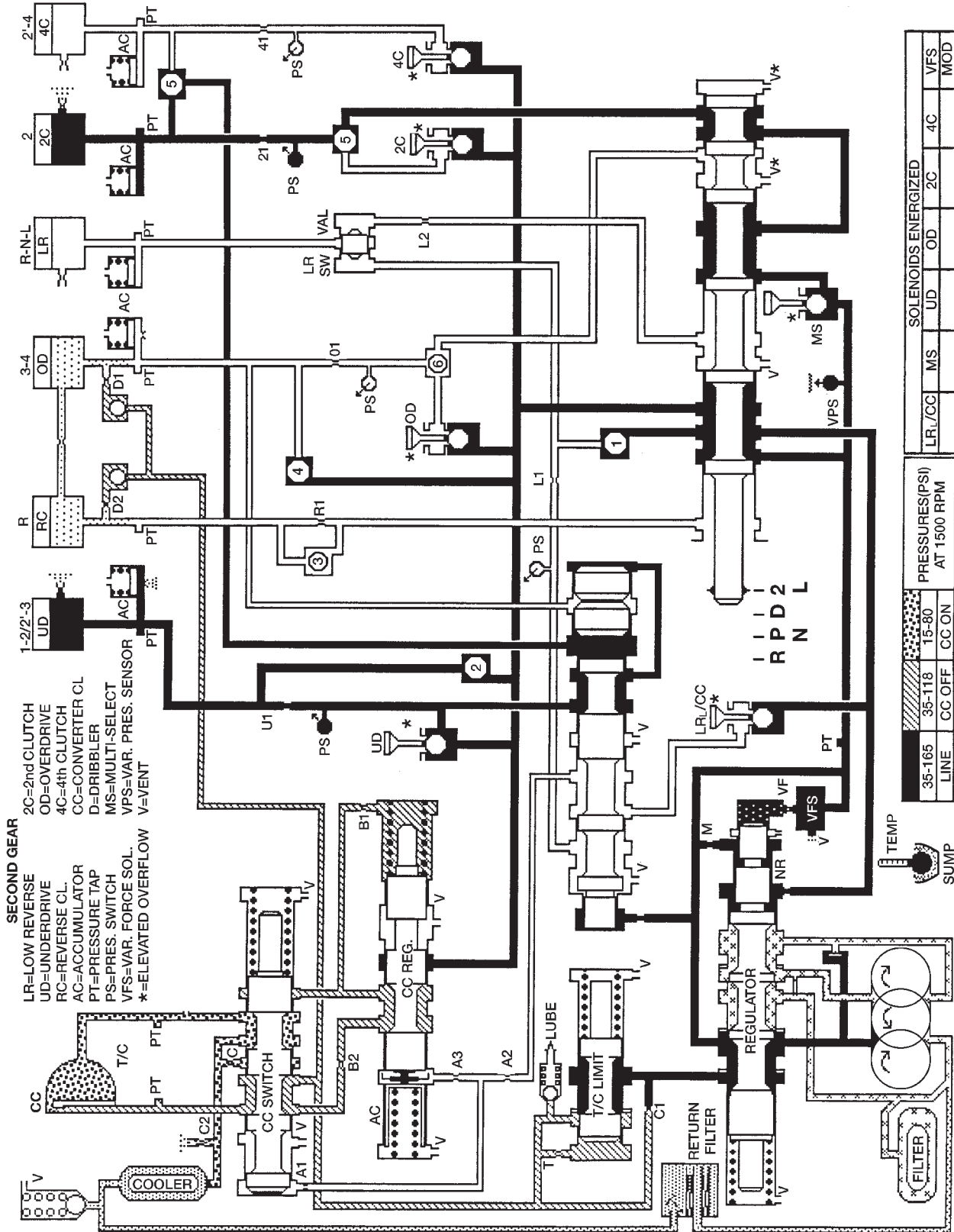
80ba79e4



45RFE HYDRAULIC SCHEMATIC

SCHEMATICS AND DIAGRAMS (Continued)

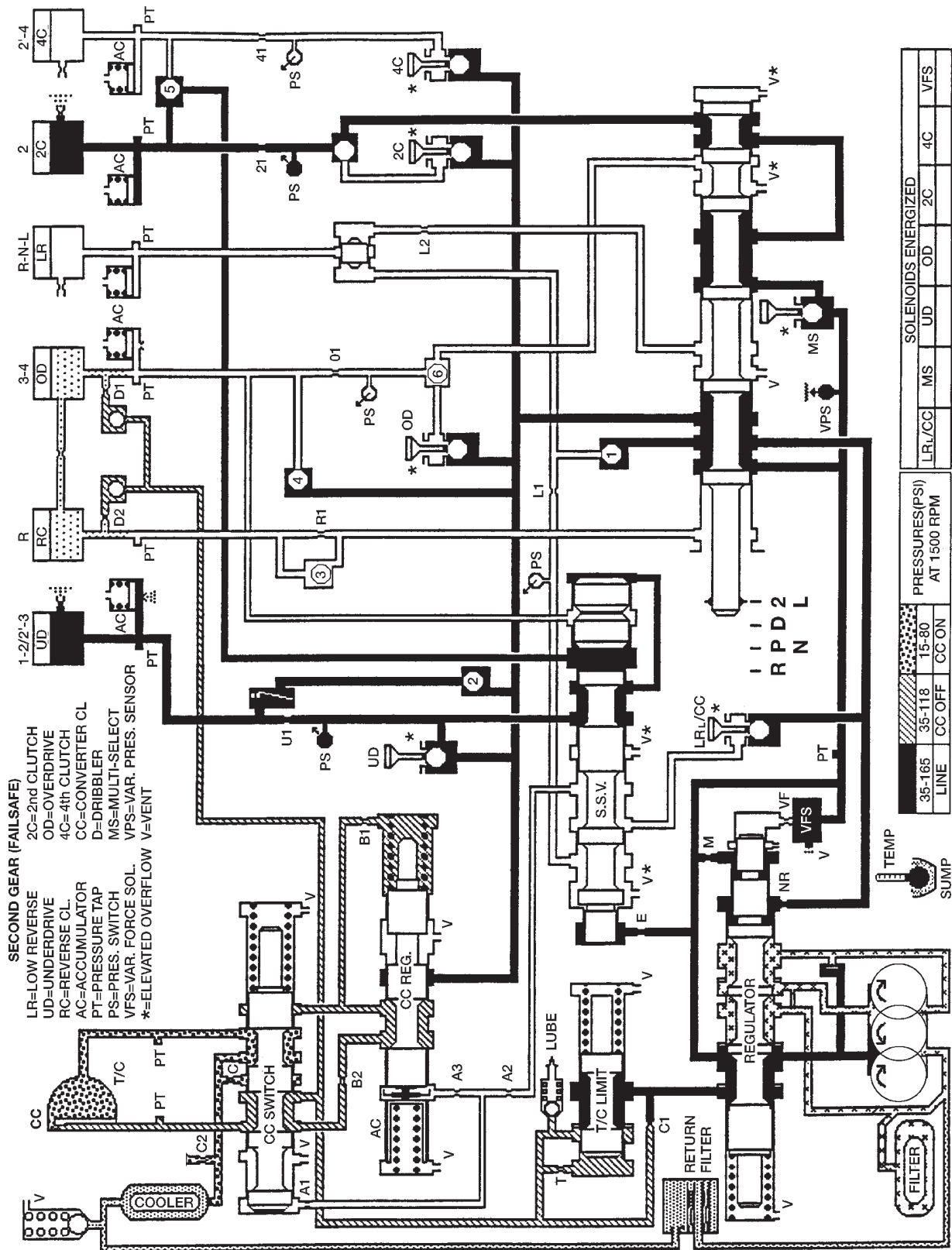
80c072f8



45RFE HYDRAULIC SCHEMATIC

SCHEMATICS AND DIAGRAMS (Continued)

80c0729



**SECOND GEAR (FAILSAFE)**  
 2C=2nd CLUTCH  
 OD=OVERDRIVE  
 4C=4th CLUTCH  
 CC=CONVERTER CL  
 AC=ACCUMULATOR  
 D=DRIBBLER  
 MS=MULTI-SELECT  
 VFS=VAR. PRES. SENSOR  
 \* =ELEVATED OVERFLOW V=VENT

LR=LOW REVERSE  
 UD=UNDERDRIVE  
 RC=REVERSE CL.  
 AC=ACCUMULATOR  
 PT=PRESSURE TAP  
 PS=PRES. SWITCH  
 VFS=VAR. FORCE SOL.  
 \* =ELEVATED OVERFLOW V=VENT

LINE	PRESSURES (PSI) AT 1500 RPM		SOLENOIDS ENERGIZED			
	CC OFF	CC ON	LR/L/CC	MS	2C	4C
35-118	15-80	15-80				
VFS						

45RFE HYDRAULIC SCHEMATIC

**SPECIFICATIONS**

**TRANSMISSION**

**GENERAL**

Component	Metric	Inch
Output Shaft End Play	0.53-0.78 mm	0.021-0.031 in.
Input Shaft End Play	0.79-1.07 mm	0.031-0.042 in.
2C Clutch Pack Clearance	0.53-1.27 mm	0.021-0.050 in.
4C Clutch Pack Clearance	0.81-1.35 mm	0.032-0.053 in.
L/R Clutch Pack Clearance	1.14-1.91 mm	0.045-0.075 in.
OD Clutch Pack Clearance	1.016-1.65 mm	0.040-0.065 in.
UD Clutch Pack Clearance	0.76-1.160 mm	0.030-0.063 in.
Reverse Clutch Pack Clearance	0.81-1.24 mm	0.032-0.049 in.
Recommended fluid	Mopar® ATF Plus 3, type 7176	

**GEAR RATIOS**

<b>GEAR</b>	<b>RATIO</b>
1ST	3.00:1
2ND	1.67:1
2ND PRIME	1.50:1
3RD	1.00:1
4TH	0.75:1
REVERSE	3.00:1

**TORQUE**

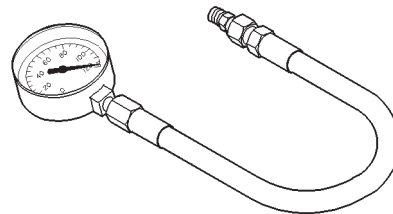
<b>DESCRIPTION</b>	<b>TORQUE</b>
Fitting, Cooler Line	17.5 N·m (155 in. lbs.)
Bolt, Torque Convertor	31 N·m (23 ft. lbs.)
Bolt, Driveplate	75 N·m (55 ft. lbs.)
Bolt/nut, Crossmember	68 N·m (50 ft. lbs.)
Bolt, Oil Pan	11.8 N·m (105 in. lbs.)
Screw, Primary Oil Filter	4.5 N·m (40 in. lbs.)
Filter, Cooler Return	14 N·m (125 in. lbs.)
Bolt, Oil Pump	28.2 N·m (250 in. lbs.)
Bolt, Oil Pump Body to Cover	4.5 N·m (40 in. lbs.)
Screw, Plate to Oil Pump Body	4.5 N·m (40 in. lbs.)
Plug, Pressure Test Port	5.1 N·m (45 in. lbs.)

**DESCRIPTION** **TORQUE**

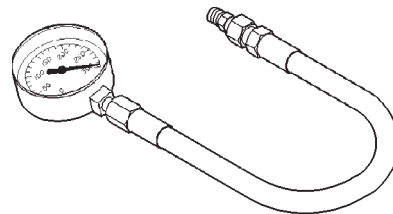
Bolt, Reaction Shaft Support	11.8 N·m (105 in. lbs.)
Bolt, Valve Body	11.8 N·m (105 in. lbs.)
Screw, Valve Body to Transfer Plate	4.5 N·m (40 in. lbs.)
Screw, Solenoid Module to Transfer Plate	5.7 N·m (50 in. lbs.)
Screw, Accumulator Cover	4.5 N·m (40 in. lbs.)
Screw, Detent Spring	4.5 N·m (40 in. lbs.)
Bolt, Input Speed Sensor	11.8 N·m (105 in. lbs.)
Bolt, Output Speed Sensor	11.8 N·m (105 in. lbs.)
Bolt, Line Pressure Sensor	11.8 N·m (105 in. lbs.)
Bolt, Extension Housing	54 N·m (40 ft. lbs.)
Fitting, Vent	12 N·m (100 in. lbs.)
Screw, Manual Valve Cam Retaining	4.5 N·m (40 in. lbs.)
Bolt, Manual Lever	28.2 N·m (250 in. lbs.)

**SPECIAL TOOLS**

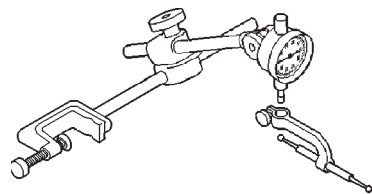
**45RFE TRANSMISSION**



**Pressure Gauge—C-3292**



**Pressure Gauge—C-3293SP**

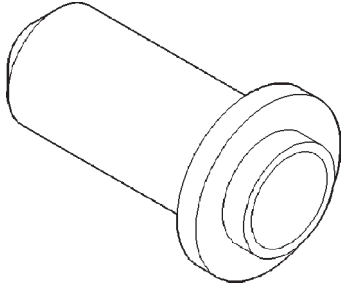


**Dial Indicator—C-3339**

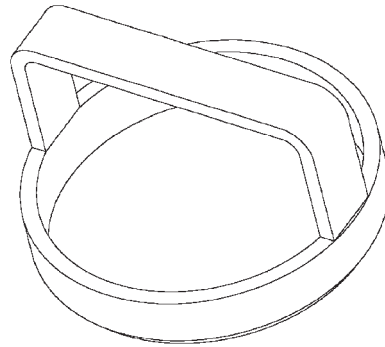
90116420



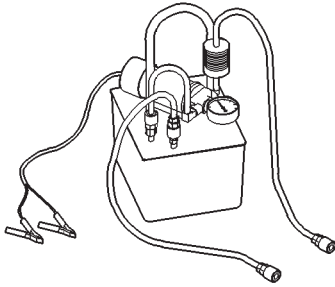
SPECIAL TOOLS (Continued)



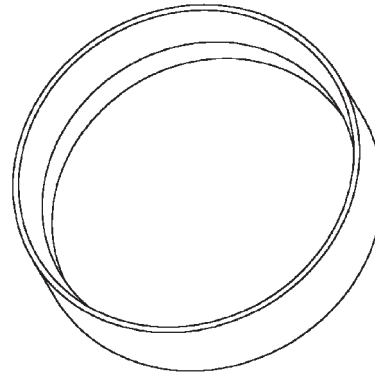
**Seal Installer—C-3860-A**



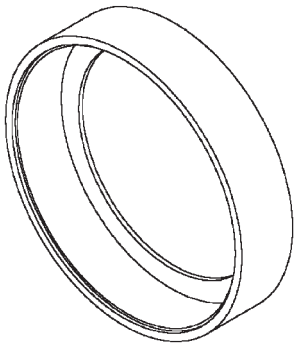
**Spring Compressor—8251**



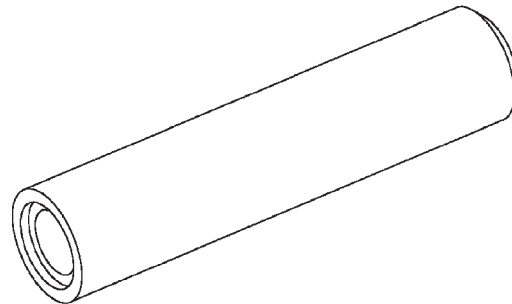
**Flusher—6906**



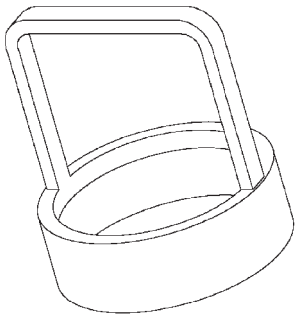
**Piston Installer—8252**



**Spring Compressor—8249**

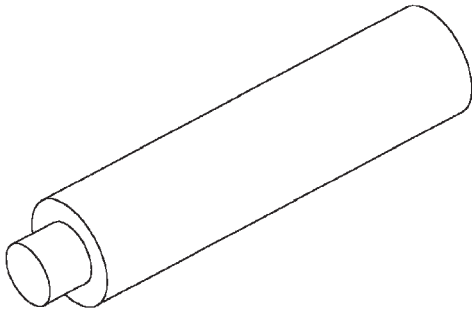


**Seal Installer—8253**

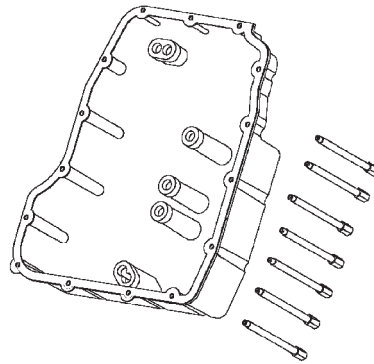


**Spring Compressor—8250**

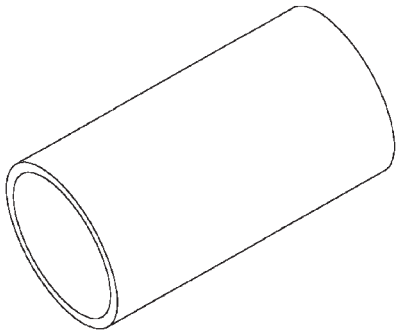
SPECIAL TOOLS (Continued)



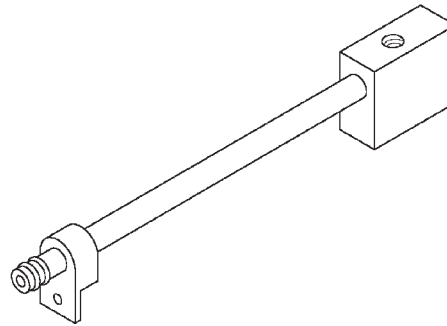
**Seal Installer—8254**



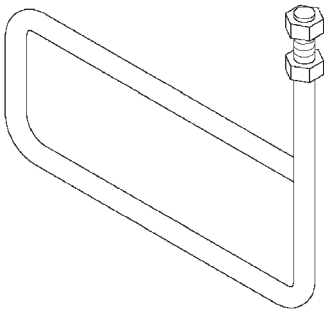
**Pressure Tap Adapter—8258**



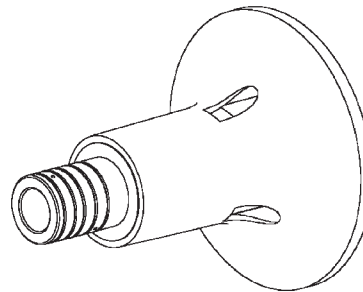
**Installer—8255**



**Line Pressure Adapter—8259**

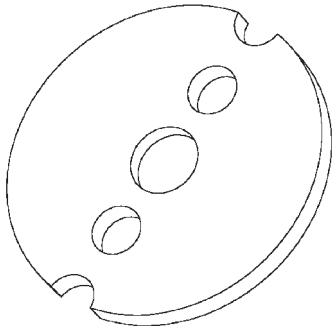


**Support Stand—8257**

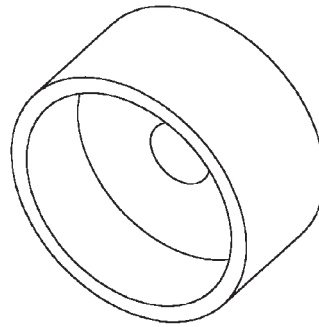


**Input Clutch Pressure Fixture—8260**

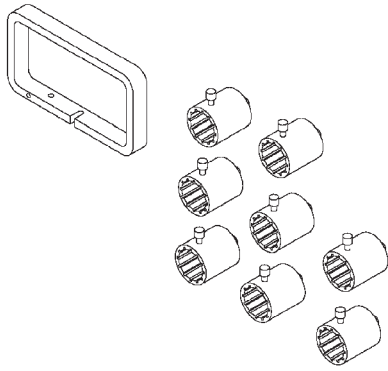
SPECIAL TOOLS (Continued)



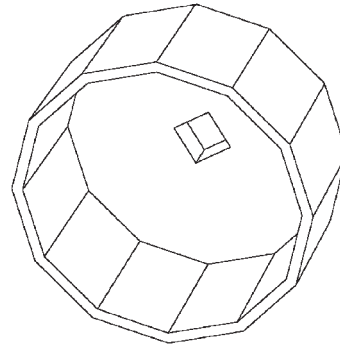
**Alignment Plate—8261**



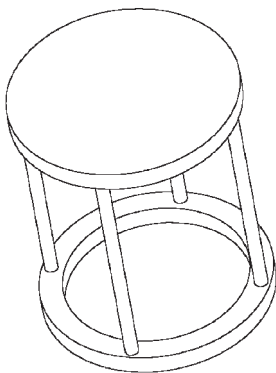
**Bearing Installer—8320**



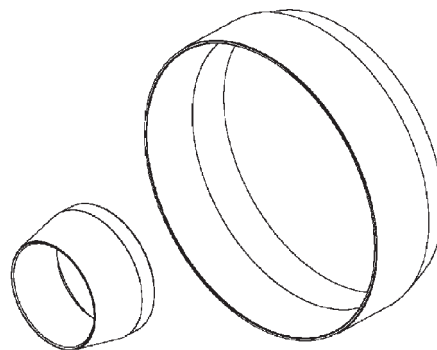
**End Play Set—8266**



**Filter Wrench—8321**



**Spring Compressor—8285**



**Piston Installer—8504**

# NV242 TRANSFER CASE

## TABLE OF CONTENTS

	page	page
<b>DESCRIPTION AND OPERATION</b>		
NV242 TRANSFER CASE.....	275	
LUBRICANT AND FILL LEVEL.....	276	
<b>DIAGNOSIS AND TESTING</b>		
NV242 DIAGNOSIS.....	276	
<b>REMOVAL AND INSTALLATION</b>		
TRANSFER CASE.....	277	
FRONT OUTPUT SHAFT SEAL.....	278	
NV242HD REAR RETAINER BUSHING AND SEAL.....	278	
		TRANSFER CASE SHIFT CABLE..... 279
		<b>DISASSEMBLY AND ASSEMBLY</b>
		NV242 TRANSFER CASE..... 280
		<b>CLEANING AND INSPECTION</b>
		NV242 TRANSFER CASE..... 303
		<b>SPECIFICATIONS</b>
		TORQUE..... 306
		<b>SPECIAL TOOLS</b>
		NV242..... 306

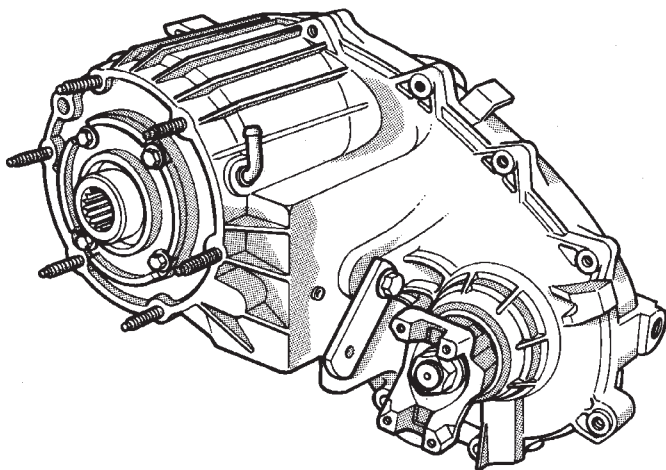
## DESCRIPTION AND OPERATION

### NV242 TRANSFER CASE

#### DESCRIPTION

The NV242 is a full transfer case (Fig. 1). It provides full time 2-wheel, or 4-wheel drive operation.

A differential in the transfer case is used to control torque transfer to the front and rear axles. A low range gear provides increased low speed torque capability for off road operation. The low range provides a 2.72:1 reduction ratio.



J8921-243

**Fig. 1 NV242 Transfer Case**

The input gear is splined to the transmission output shaft. It drives the mainshaft through the planetary gear and range hub. The front output shaft is operated by a drive chain that connects the shaft to a

drive sprocket on the mainshaft. The drive sprocket is engaged/disengaged by the mode fork, which operates the mode sleeve and hub. The sleeve and hub are not equipped with a synchro mechanism for shifting.

The geartrain is mounted in two aluminum case halves attached with bolts. The mainshaft front and rear bearings are mounted in aluminum retainer housings bolted to the case halves.

#### TRANSFER CASE IDENTIFICATION

Two versions of the NV242 are used in the WJ vehicles, NV242LD and NV242HD. The two transfer cases can be distinguished from one another by the rear output shaft retainer. The NV242LD uses a rubber boot to cover the rear output shaft, while the NV242HD uses a cast aluminum housing. Other than this difference, the two transfer cases are serviced the same.

A circular ID tag is attached to the rear case of each transfer case (Fig. 2). The ID tag provides the transfer case model number, assembly number, serial number, and low range ratio.

The transfer case serial number also represents the date of build.

#### OPERATING RANGES

NV242 operating ranges are 2WD (2-wheel drive), 4x4 part-time, 4x4 full time, and 4 Lo.

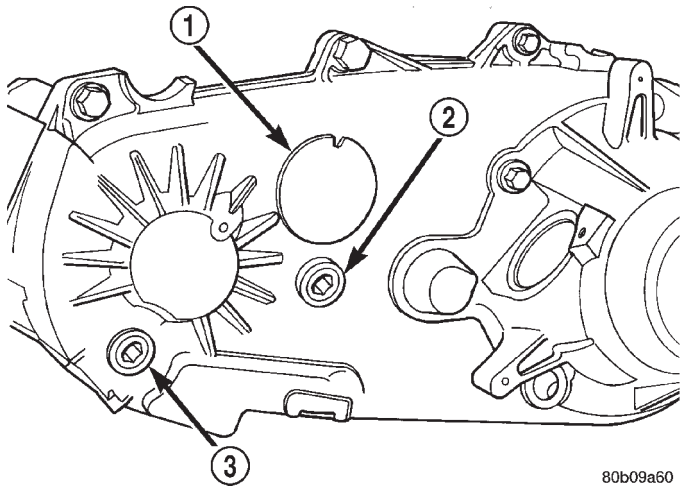
The 2WD and 4x4 full time ranges can be used at any time and on any road surface.

The 4x4 part-time and 4 Lo ranges are for off road use only. The only time these ranges can be used on hard surface roads, is when the surface is covered with snow and ice.

#### SHIFT MECHANISM

Operating ranges are selected with a lever in the floor mounted shifter assembly. The shift lever is con-

DESCRIPTION AND OPERATION (Continued)

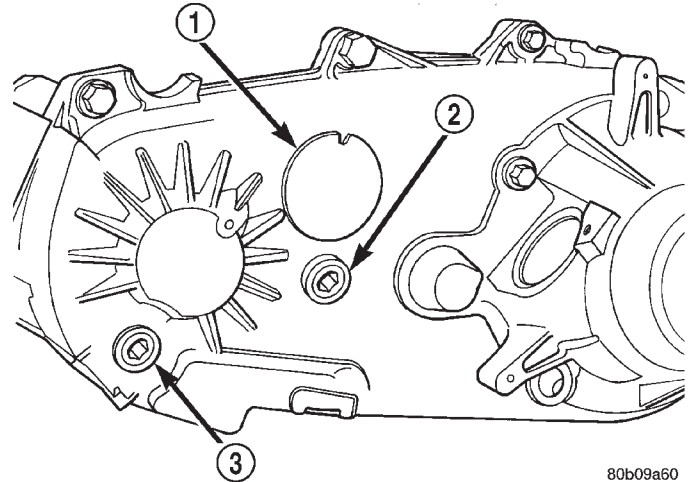


**Fig. 2 Fill/Drain Plug And I.D. Tag Locations**

- 1 - I.D. TAG
- 2 - FILL PLUG
- 3 - DRAIN PLUG

Approximate lubricant fill capacity is 1.35 liters (2.85 pints).

The fill and drain plugs are both in the rear case (Fig. 3). Correct fill level is to the bottom edge of the fill plug hole. Be sure the vehicle is level to ensure an accurate fluid level check.



**Fig. 3 Fill/Drain Plug Locations**

- 1 - I.D. TAG
- 2 - FILL PLUG
- 3 - DRAIN PLUG

nected to the transfer case range lever by an adjustable cable. A straight line shift pattern is used. Range positions are marked on the shifter bezel.

**LUBRICANT AND FILL LEVEL**

**DESCRIPTION**

Recommended lubricant for the NV242 transfer case is Mopar® Dexron II, or ATF Plus, type 7176.

**DIAGNOSIS AND TESTING**

**NV242 DIAGNOSIS**

*DIAGNOSIS CHART*

CONDITION	POSSIBLE CAUSE	CORRECTION
Transfer case difficult to shift or will not shift into desired range.	1) Transfer case shift linkage binding. 2) Insufficient or incorrect lubricant. 3) Internal transfer case components binding, worn, or damaged.	1) Repair or replace linkage as necessary. 2) Drain and refill transfer case with the correct type and quantity of lubricant. 3) Repair or replace components as necessary.
Transfer case noisy in all drive modes.	1) Insufficient or incorrect lubricant.	1) Drain and refill transfer case with the correct type and quantity of lubricant.
Lubricant leaking from transfer case seals or vent.	1) Transfer case overfilled. 2) Transfer case vent closed or restricted. 3) Transfer case seals damaged or installed incorrectly.	1) Drain lubricant to the correct level. 2) Clean or replace vent as necessary. 3) Replace suspect seal.

DIAGNOSIS AND TESTING (Continued)

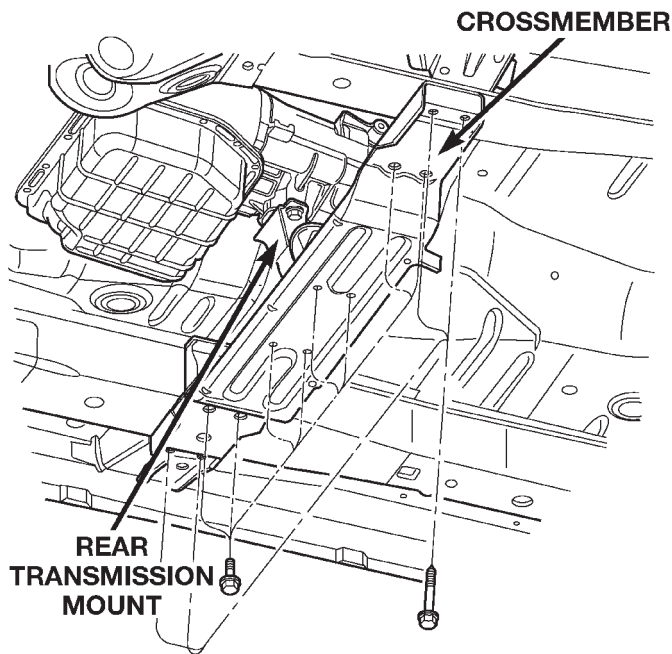
CONDITION	POSSIBLE CAUSE	CORRECTION
Transfer case will not shift through 4X4 part time range (light remains on)	1) Incomplete shift due to drivetrain torque load. 2) Incorrect tire pressure. 3) Excessive Tire wear. 4) Excessive vehicle loading.	1) Momentarily release the accelerator pedal to complete the shift. 2) Correct tire pressure as necessary. 3) Correct tire condition as necessary. 4) Correct as necessary.

REMOVAL AND INSTALLATION

TRANSFER CASE

REMOVAL

- (1) Shift transfer case into Neutral.
- (2) Raise vehicle.
- (3) Remove transfer case drain plug and drain transfer case lubricant.
- (4) Mark front and rear propeller shaft yokes for alignment reference.
- (5) Support transmission with jack stand.
- (6) Remove rear crossmember and skid plate, if equipped (Fig. 4).

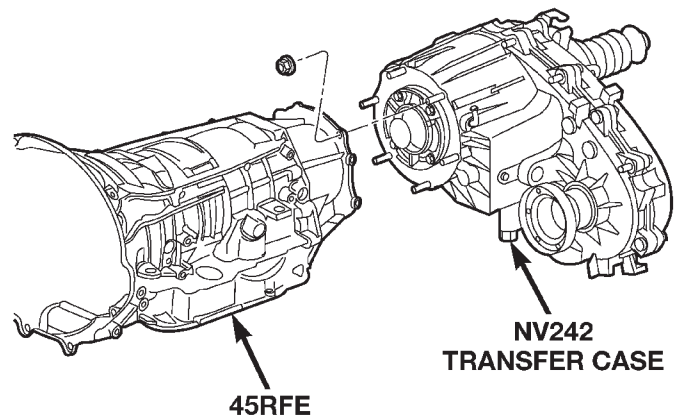


80ba79c7

**Fig. 4 Crossmember Removal/Installation**

- (7) Disconnect front/rear propeller shafts at transfer case. Refer to Group 3, Differential and Driveline for the correct procedures.
- (8) Disconnect transfer case cable from range lever.
- (9) Disconnect transfer case vent hose (Fig. 5) and indicator switch harness, if necessary.
- (10) Support transfer case with transmission jack.
- (11) Secure transfer case to jack with chains.

- (12) Remove nuts attaching transfer case to transmission.
- (13) Pull transfer case and jack rearward to disengage transfer case.
- (14) Remove transfer case from under vehicle.



80ba79c8

**Fig. 5 Transfer Case Mounting**

INSTALLATION

- (1) Mount transfer case on a transmission jack.
- (2) Secure transfer case to jack with chains.
- (3) Position transfer case under vehicle.
- (4) Align transfer case and transmission shafts and install transfer case on transmission.
- (5) Install and tighten transfer case attaching nuts to 35 N·m (26 ft. lbs.) torque (Fig. 5).
- (6) Align and connect propeller shafts. Refer to Group 3, Differential and Driveline, for proper procedures and specifications.
- (7) Fill transfer case with correct fluid. Check transmission fluid level. Correct as necessary.
- (8) Install rear crossmember and skid plate, if equipped. Tighten crossmember bolts to 41 N·m (30 ft. lbs.) torque.
- (9) Remove transmission jack and support stand.
- (10) Connect shift rod to transfer case range lever.
- (11) Adjust transfer case shift cable.



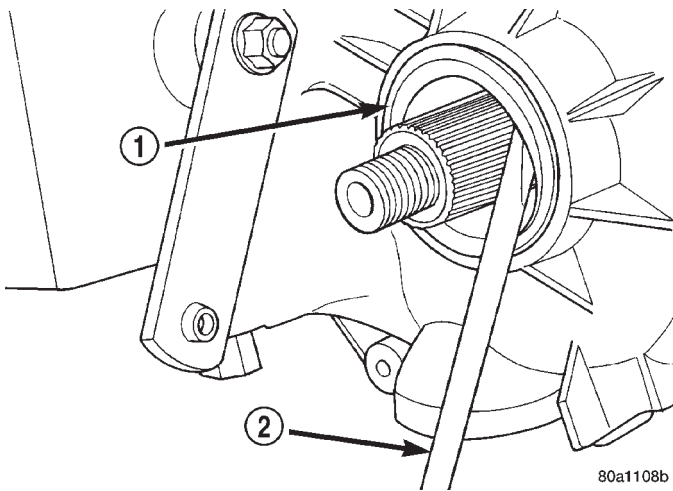
## REMOVAL AND INSTALLATION (Continued)

(12) Lower vehicle and verify transfer case shift operation.

## FRONT OUTPUT SHAFT SEAL

## REMOVAL

- (1) Raise vehicle.
- (2) Remove front propeller shaft. Refer to Group 3, Differential and Driveline, for proper procedure.
- (3) Remove front output shaft companion flange.
- (4) Remove seal from front case with pry tool (Fig. 6).



**Fig. 6 Remove Front Output Shaft Seal**

- 1 - OUTPUT SHAFT SEAL  
2 - PRYBAR

## INSTALLATION

(1) Install new front output seal in front case with Installer Tool 6952-A as follows:

(a) Place new seal on tool. Garter spring on seal goes toward interior of case.

(b) Start seal in bore with light taps from hammer (Fig. 7). Once seal is started, continue tapping seal into bore until installer tool seats against case.

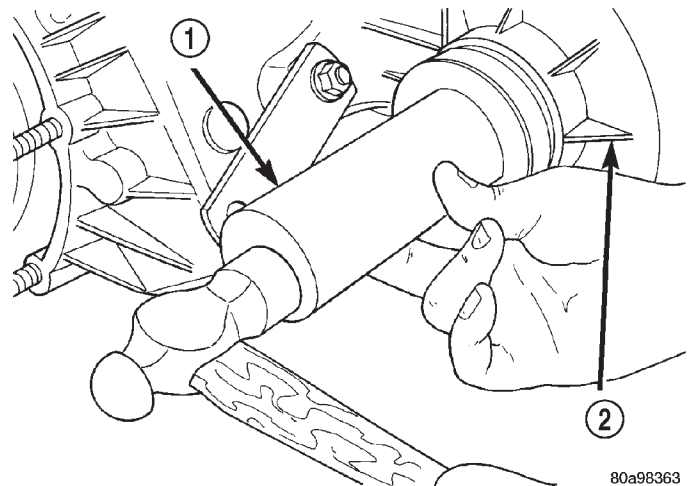
(2) Install companion flange and tighten nut to 122-176 (90-130 ft. lbs.) torque.

(3) Install front propeller shaft. Refer to Group 3, Differential and Driveline for the correct procedure and torque specification.

## NV242HD REAR RETAINER BUSHING AND SEAL

## REMOVAL

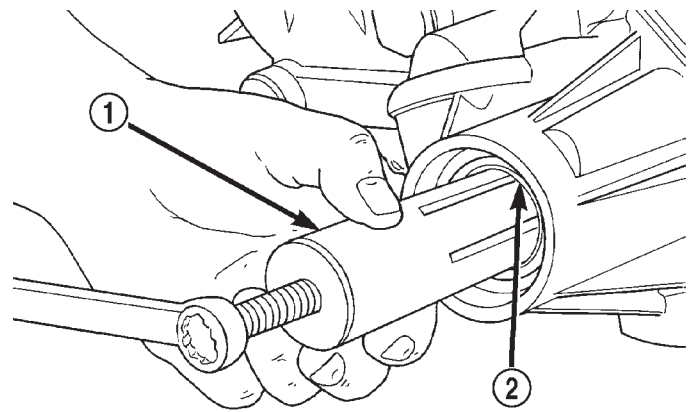
- (1) Raise vehicle.
- (2) Remove rear propeller shaft. Refer to Group 3, Differential and Driveline, for proper procedure.
- (3) Using a suitable pry tool or slide-hammer mounted screw, remove the rear retainer seal.



**Fig. 7 Front Output Seal Installation**

- 1 - INSTALLER 6952-A  
2 - TRANSFER CASE

(4) Using Remover 6957, remove bushing from rear retainer (Fig. 8).



**Fig. 8 Rear Retainer Bushing Removal**

- 1 - REMOVER 6957  
2 - REAR RETAINER BUSHING

## INSTALLATION

(1) Clean fluid residue from sealing surface and inspect for defects.

(2) Position replacement bushing in rear retainer with fluid port in bushing aligned with slot in retainer.

(3) Using Installer 8160, drive bushing into retainer until installer seats against case (Fig. 9).

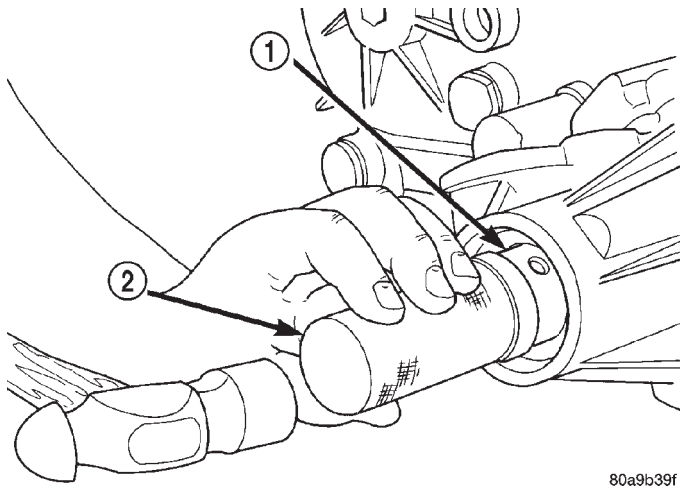
(4) Using Installer C-3995-A, install seal in rear retainer (Fig. 10).

(5) Install propeller shaft.

(6) Verify proper fluid level.

(7) Lower vehicle.

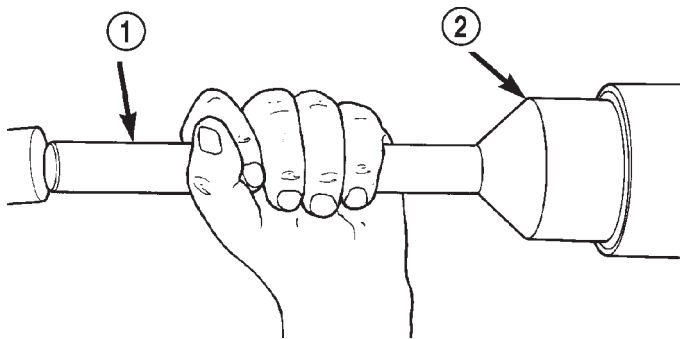
REMOVAL AND INSTALLATION (Continued)



80a9b39f

**Fig. 9 Rear Retainer Bushing Install**

- 1 - REAR RETAINER BUSHING
- 2 - INSTALLER 8160



80a983a7

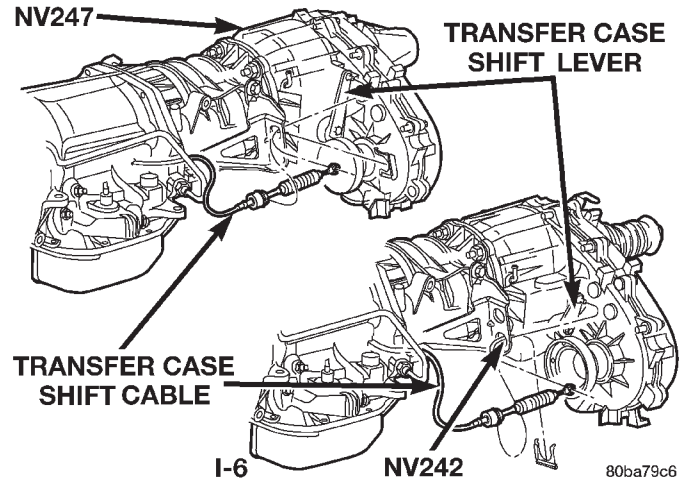
**Fig. 10 Install Rear Retainer Seal**

- 1 - SPECIAL TOOL C-4171
- 2 - SPECIAL TOOL C-3995-A

**TRANSFER CASE SHIFT CABLE**

**REMOVAL**

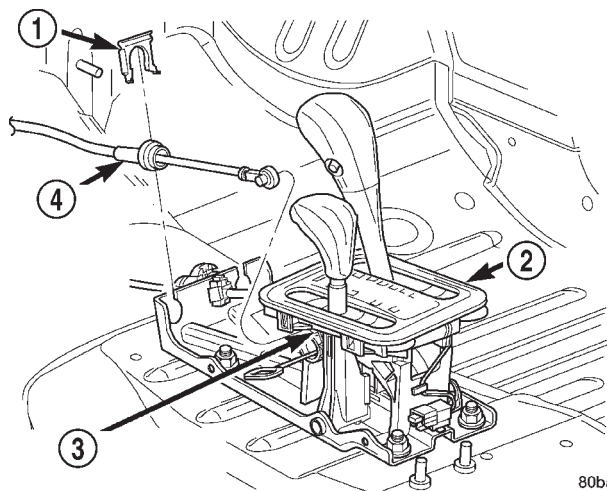
- (1) Shift transfer case into neutral.
- (2) Raise vehicle.
- (3) Disconnect the shift cable eyelet from the transfer case shift lever (Fig. 11).
- (4) Remove shift cable from the cable support bracket.
- (5) Lower vehicle.
- (6) Remove shift lever bezel and necessary console parts for access to shift lever assembly and shift cable.
- (7) Disconnect cable at shift lever and shifter assembly bracket (Fig. 12).



80ba79c6

**Fig. 11 Transfer Case Shift Cable at Transfer Case**

- (8) Remove the nuts holding the shift cable seal plate to the floor pan (Fig. 13).
- (9) Pull cable through floor panel opening.



80ba79cd

**Fig. 12 Transfer Case Shift Cable at Shifter**

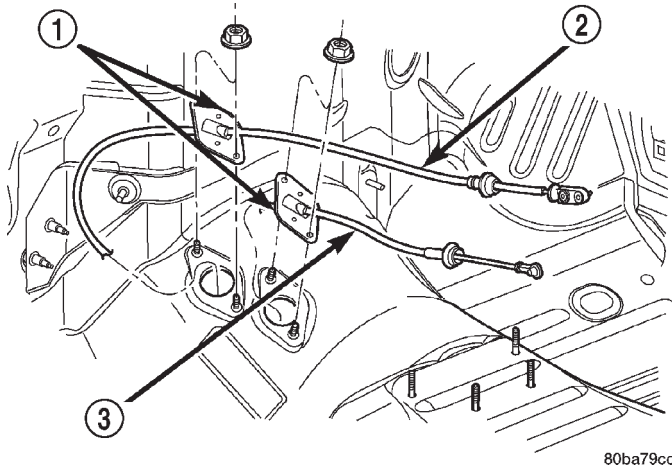
- 1 - CLIP
- 2 - SHIFTER
- 3 - TRANSFER CASE SHIFT LEVER PIN
- 4 - TRANSFER CASE SHIFT CABLE

- (10) Remove transfer case shift cable from vehicle.

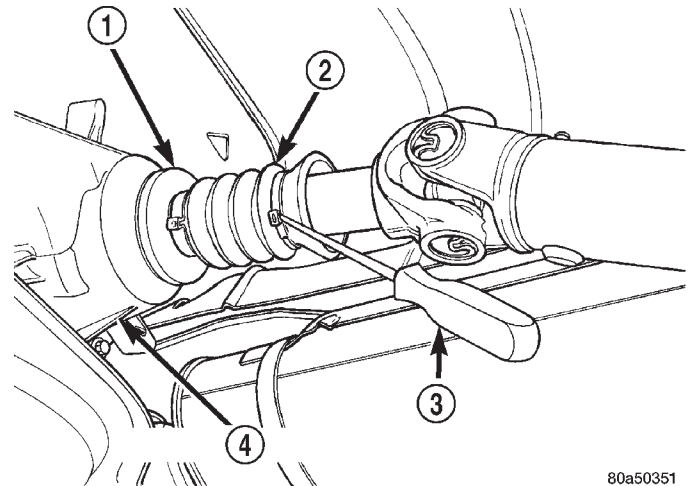
**INSTALLATION**

- (1) Route cable through hole in floor pan.
- (2) Install seal plate to studs in floor pan.
- (3) Install nuts to hold seal plate to floor pan (Fig. 13) Tighten nuts to 7 N-m (65 in. lbs.).
- (4) Install the transfer case shift cable to the shifter assembly bracket. Seat cable in bracket and install clip (Fig. 12).
- (5) Verify the transfer case shift lever (at console) is in the NEUTRAL position.

## REMOVAL AND INSTALLATION (Continued)

**Fig. 13 Shift Cables at Floor Pan**

- 1 - SEAL PLATES
- 2 - TRANSMISSION SHIFT CABLE
- 3 - TRANSFER CASE SHIFT CABLE

**Fig. 14 Output Boot—Typical**

- 1 - SLINGER
- 2 - BOOT
- 3 - AWL
- 4 - TRANSFER CASE

- (6) Snap the cable onto the shift lever pin (Fig. 12).
- (7) Raise the vehicle.
- (8) Install the shift cable to the shift cable support bracket and install clip (Fig. 11).
- (9) Verify that the transfer case is still in the NEUTRAL position.
- (10) Snap the shift cable onto the transfer case shift lever (Fig. 11).
- (11) Lower vehicle.
- (12) Verify correct transfer case operation in all ranges.
- (13) Install shift lever bezel and any console parts removed for access to transfer case shift cable.

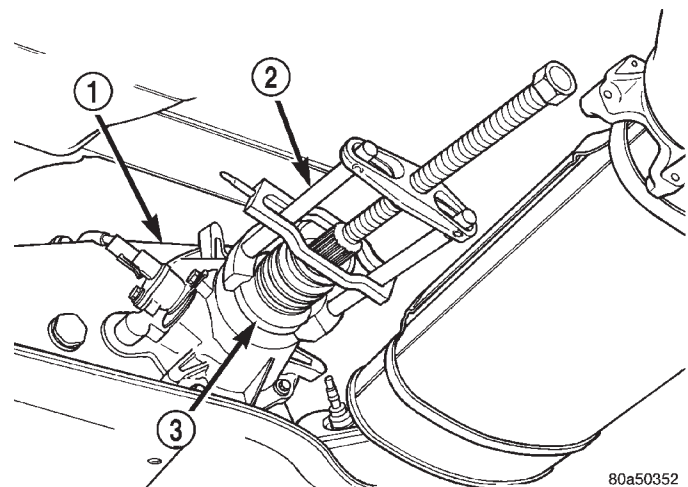
## DISASSEMBLY AND ASSEMBLY

## NV242 TRANSFER CASE

## DISASSEMBLY

## NV242LD REAR RETAINER

- (1) Remove output shaft boot. Spread band clamp that secures boot on slinger with a suitable awl. Then slide boot off shaft (Fig. 14).
- (2) Using puller MD-998056-A, remove rear slinger (Fig. 15).
- (3) Remove rear seal from retainer (Fig. 16). Use pry tool, or collapse seal with punch to remove it.
- (4) Remove rear output bearing I.D. retaining ring (Fig. 17).
- (5) Remove speedometer adapter.
- (6) Remove rear retainer bolts.

**Fig. 15 Rear Slinger Removal**

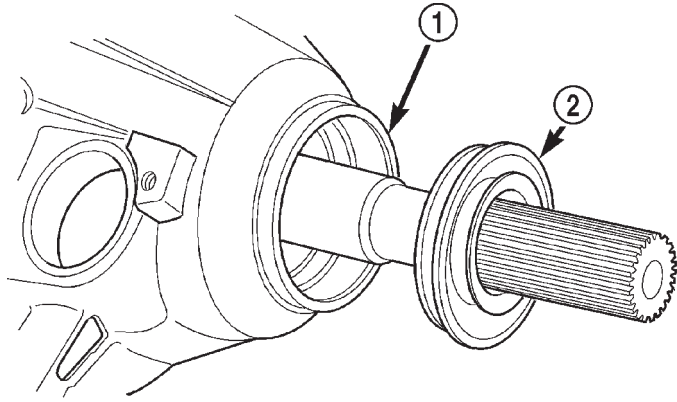
- 1 - TRANSFER CASE
- 2 - SPECIAL TOOL MD998056-A
- 3 - SLINGER

- (7) Remove rear retainer. Tap retainer with mallet and pry upward to break sealer bead. Then slide retainer off case and output shaft (Fig. 18).

## NV242HD REAR RETAINER

- (1) Remove extension housing bolts.
- (2) Tap extension housing with plastic or rawhide mallet to loosen sealer (Fig. 19).
- (3) Separate extension housing from rear retainer.
- (4) Remove rear bearing snap-ring (Fig. 20).
- (5) Remove bolts holding rear retainer to rear case half.
- (6) Remove speedometer adapter.

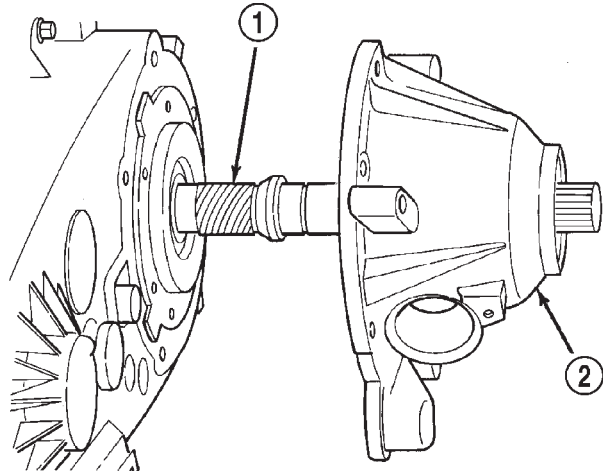
DISASSEMBLY AND ASSEMBLY (Continued)



**Fig. 16 Rear Seal Removal**

80c070b7

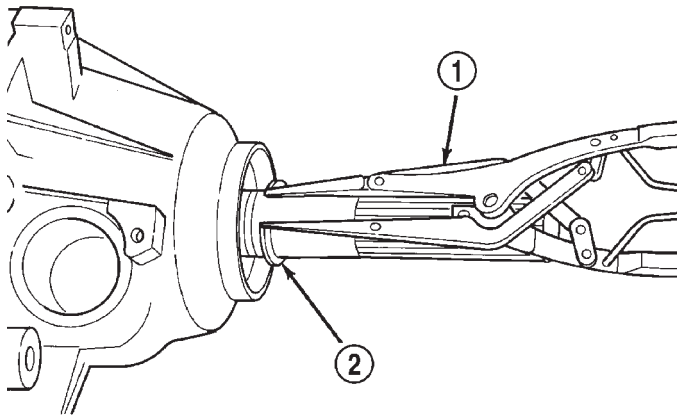
- 1 - REAR RETAINER
- 2 - OUTPUT SHAFT SEAL



**Fig. 18 Rear Retainer Removal**

80010965

- 1 - MAINSHAFT
- 2 - REAR RETAINER



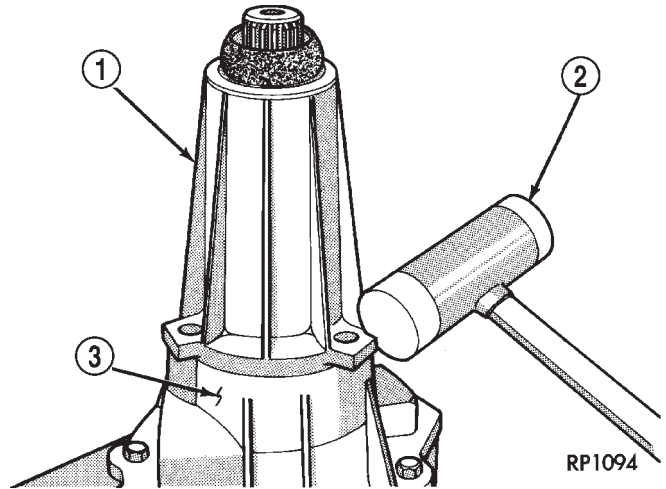
80c070b8

**Fig. 17 Rear Bearing I.D. Retaining Ring Removal**

- 1 - SNAP RING PLIERS
- 2 - REAR BEARING I.D. RETAINING RING

(7) Loosen rear retainer with pry tool to break sealer bead. Pry only against retainer boss as shown (Fig. 21).

(8) Slide retainer off case and output shaft (Fig. 22).



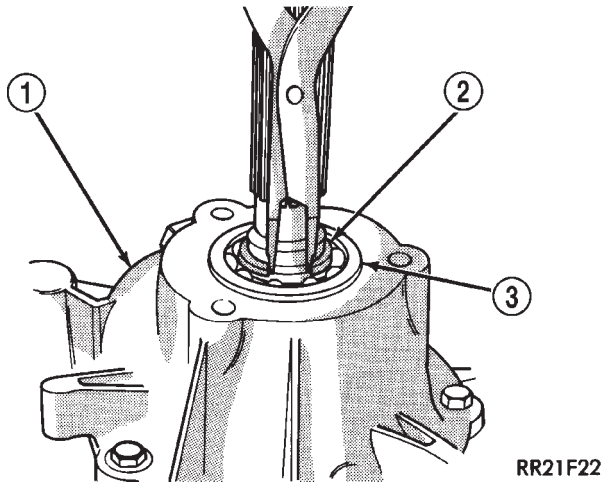
RP1094

**Fig. 19 Remove Extension Housing**

- 1 - EXTENSION HOUSING
- 2 - PLASTIC HAMMER
- 3 - REAR RETAINER



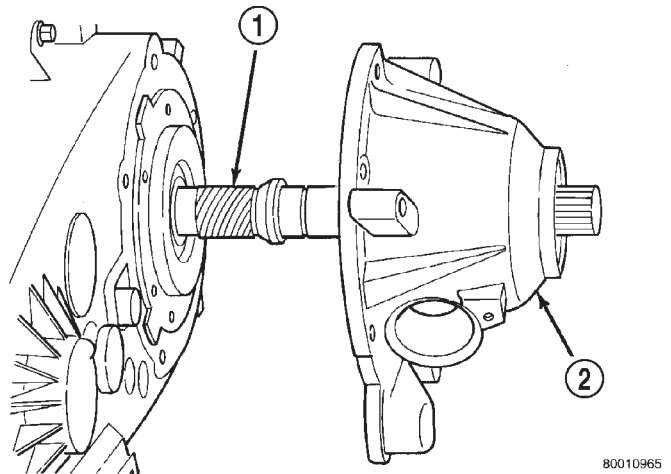
DISASSEMBLY AND ASSEMBLY (Continued)



RR21F22

**Fig. 20 Remove Rear Bearing Snap-ring**

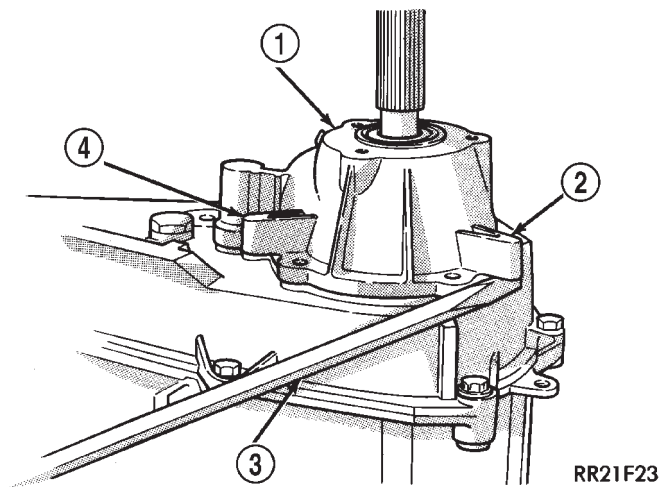
- 1 - REAR RETAINER
- 2 - SNAP RING
- 3 - REAR BEARING



80010965

**Fig. 22 Remove Rear Retainer**

- 1 - MAINSHAFT
- 2 - REAR RETAINER



RR21F23

**Fig. 21 Loosening Rear Retainer**

- 1 - REAR RETAINER
- 2 - TAB (2)
- 3 - SCREWDRIVER
- 4 - TAB

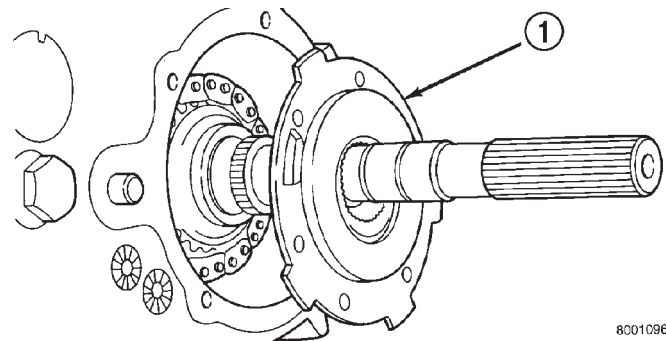
**OIL PUMP AND REAR CASE HALF**

(1) Remove rear bearing O.D. retaining ring with snap ring pliers. Then tilt pump and slide it off output shaft (Fig. 23).

(2) Remove pickup tube O-ring from pump (Fig. 24) but do not disassemble pump; it is not a repairable part.

(3) Remove seal from oil pump with pry tool.

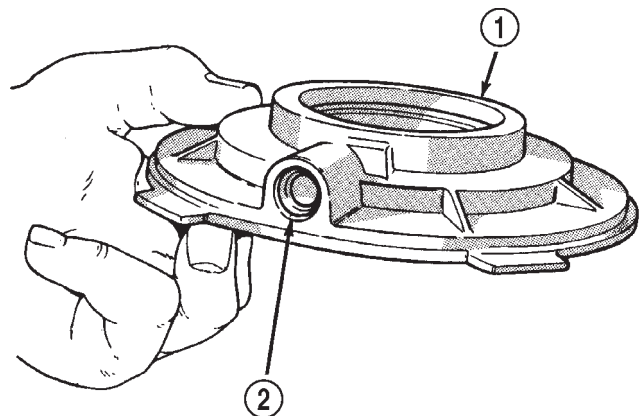
(4) Remove bolts attaching rear case to front case (Fig. 25). Note position of the two black finish bolts at each end of the case. These bolts go through the case dowels and require a washer under the bolt head.



80010966

**Fig. 23 Oil Pump Removal**

- 1 - OIL PUMP



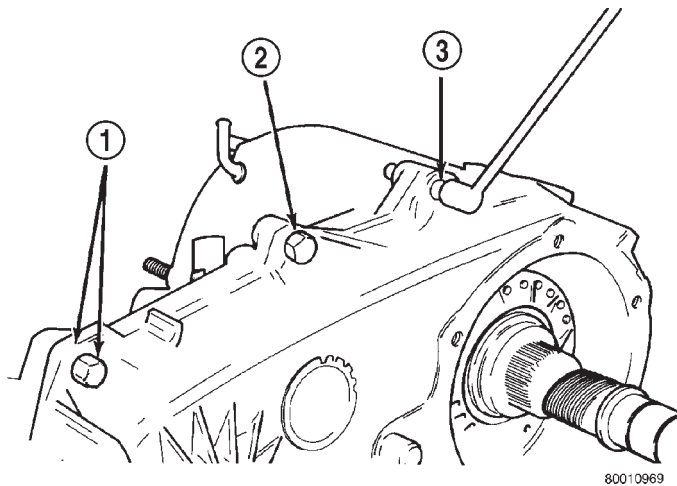
RR21F27

**Fig. 24 Pickup Tube O-Ring Location**

- 1 - OIL PUMP
- 2 - O-RING

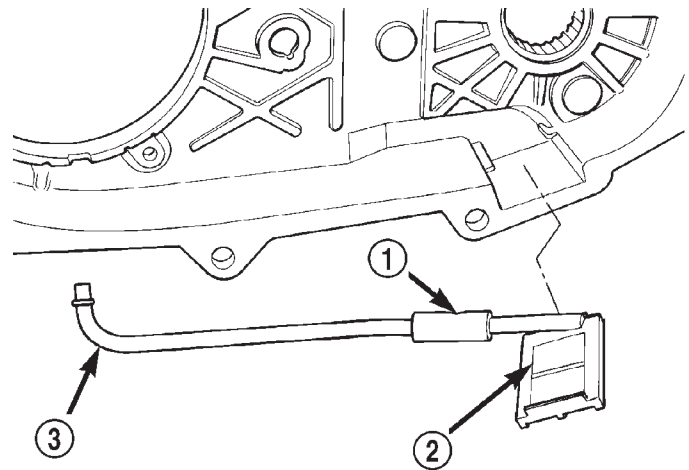
(5) Remove rear case from front case (Fig. 26). Insert screwdrivers into slots cast into each end of case. Then pry upward to break sealer bead and remove rear case.

DISASSEMBLY AND ASSEMBLY (Continued)



**Fig. 25 Spline And Dowel Bolt Locations**

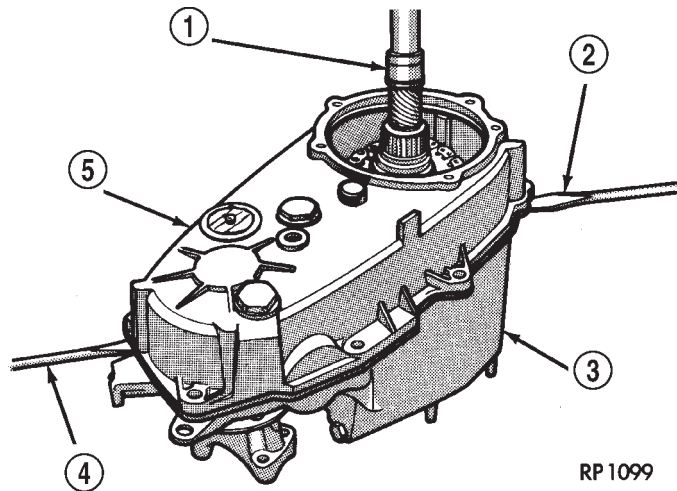
- 1 - DOWEL BOLT AND WASHER (2)
- 2 - CASE BOLT (5)
- 3 - SPLINE HEAD BOLT (1)



**Fig. 27 Oil Pickup Screen, Hose And Tube Removal**

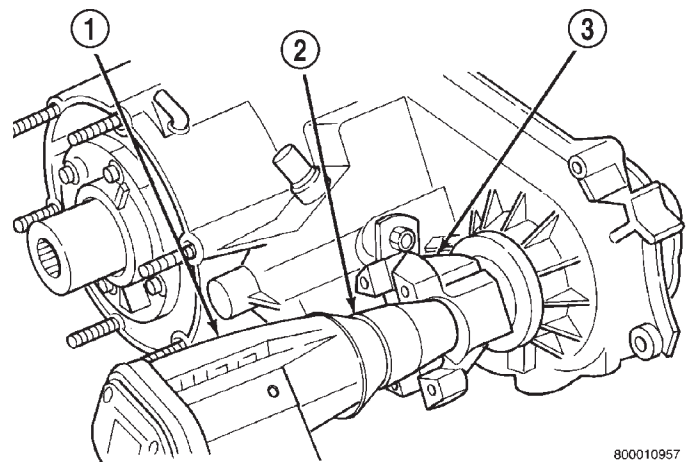
- 1 - CONNECTING HOSE
- 2 - PICKUP SCREEN
- 3 - PICKUP TUBE

**CAUTION:** Do not pry on the sealing surface of either case half as the surfaces will become damaged.



**Fig. 26 Loosening/Removing Rear case**

- 1 - MAINSHAFT
- 2 - SCREWDRIVER
- 3 - FRONT CASE
- 4 - SCREWDRIVER
- 5 - REAR CASE



**Fig. 28 Yoke Nut Removal**

- 1 - IMPACT WRENCH
- 2 - SOCKET
- 3 - YOKE

(6) Remove oil pickup tube and screen from rear case (Fig. 27).

**YOKE AND RANGE LEVER**

- (1) Remove front yoke nut:
  - (a) Move range lever to 4L position.
  - (b) Remove nut with socket and impact wrench (Fig. 28).

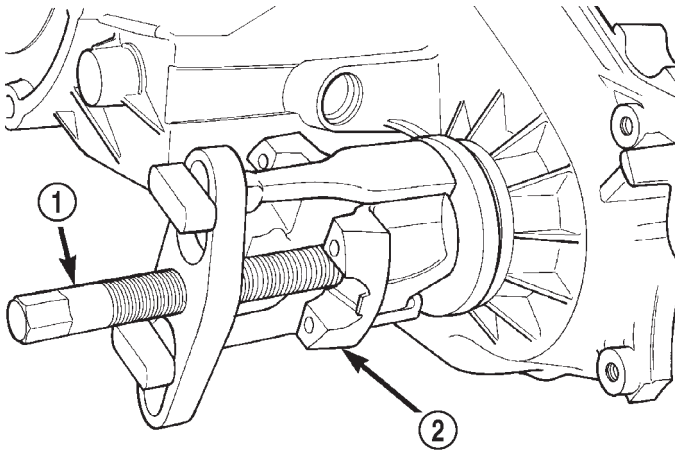
(2) Remove yoke. If yoke is difficult to remove by hand, remove it with bearing splitter, or with standard two jaw puller (Fig. 29). Be sure puller tool is positioned on yoke and not on slinger as slinger will be damaged.

(3) Remove seal washer from front output shaft. Discard washer as it should not be reused.

(4) Remove nut and washer that attach range lever to sector shaft. Then move sector to neutral position and remove range lever from shaft (Fig. 30).

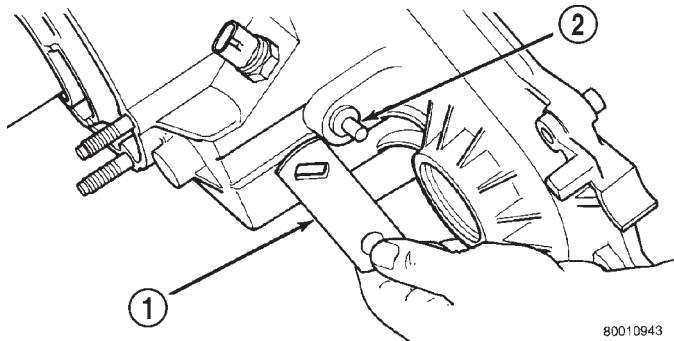


## DISASSEMBLY AND ASSEMBLY (Continued)

**Fig. 29 Yoke Removal**

80010977

- 1 - PULLER TOOL  
2 - YOKE

**Fig. 30 Range Lever Removal**

80010943

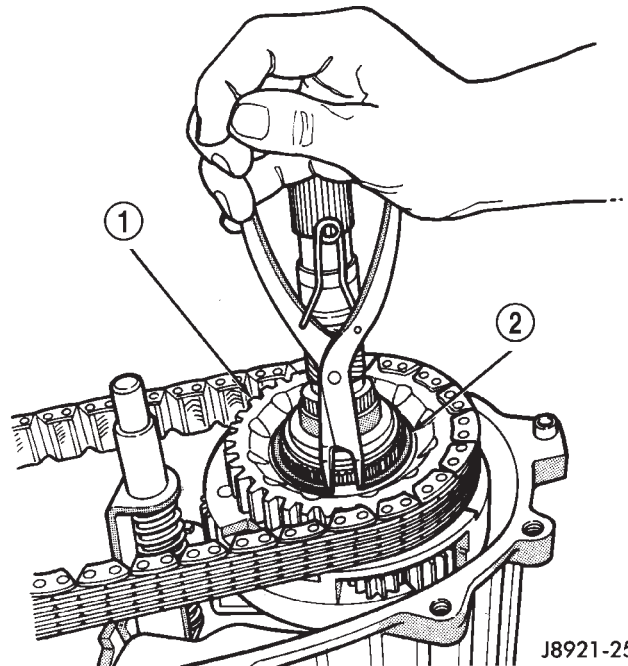
- 1 - RANGE LEVER  
2 - SECTOR SHAFT

**FRONT OUTPUT SHAFT AND DRIVE CHAIN**

- (1) Remove drive sprocket snap-ring (Fig. 31).
- (2) Remove drive sprocket and chain (Fig. 32).
- (3) Remove front output shaft (Fig. 33).

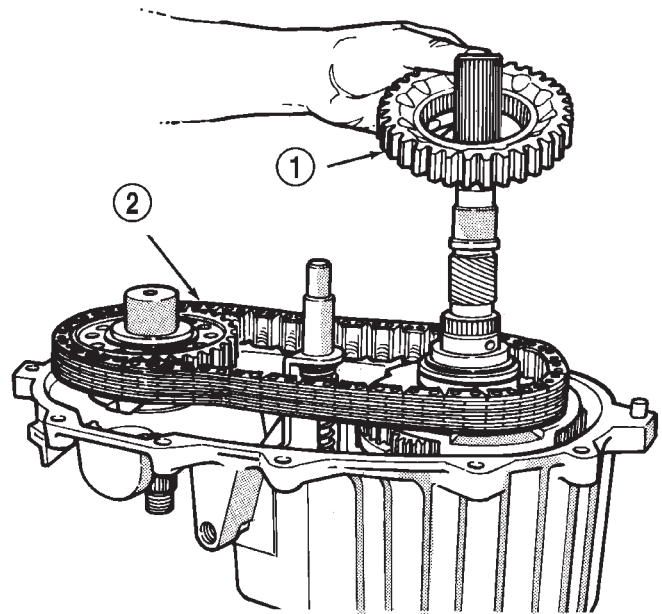
**SHIFT FORKS AND MAINSHAFT**

- (1) Remove shift detent plug, spring and pin (Fig. 34).
- (2) Remove seal plug from low range fork lockpin access hole. Then move shift sector to align low range fork lockpin with access hole.
- (3) Remove range fork lockpin with size number one easy-out tool as follows:
  - (a) Insert easy-out tool through access hole in side of transfer case and into lock-pin.
  - (b) Tap easy-out tool into lock-pin with hammer until tool is securely engaged into the lock-pin.
  - (c) Install a t-handle, such as from a tap and die set, onto the easy-out tool.
  - (d) Securely tighten the t-handle onto the tool.
  - (e) In one motion, pull upward and turn the t-handle counter-clockwise to remove the lock-pin.

**Fig. 31 Drive Sprocket Snap-Ring Removal**

J8921-251

- 1 - DRIVE SPROCKET  
2 - DRIVE SPROCKET SNAP RING

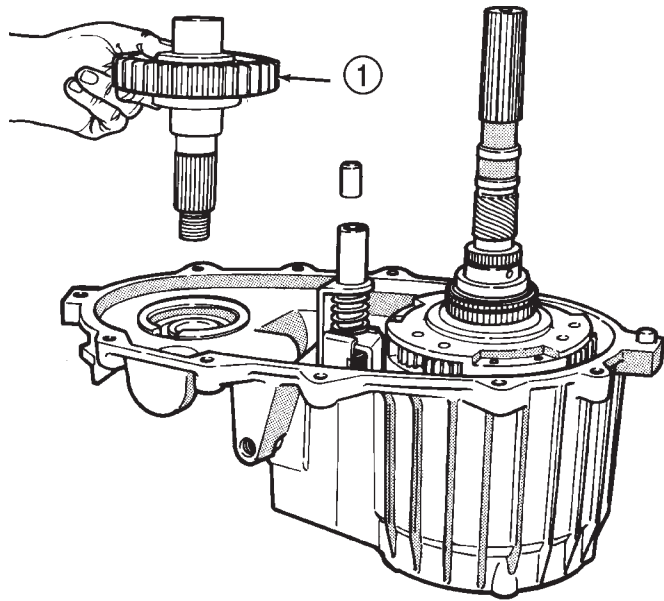
**Fig. 32 Drive Sprocket And Chain Removal**

J8921-252

- 1 - DRIVE SPROCKET  
2 - DRIVE CHAIN

- (4) Remove shift rail by pulling it straight up and out of fork (Fig. 35).
- (5) Remove mode fork and mainshaft as assembly (Fig. 36).

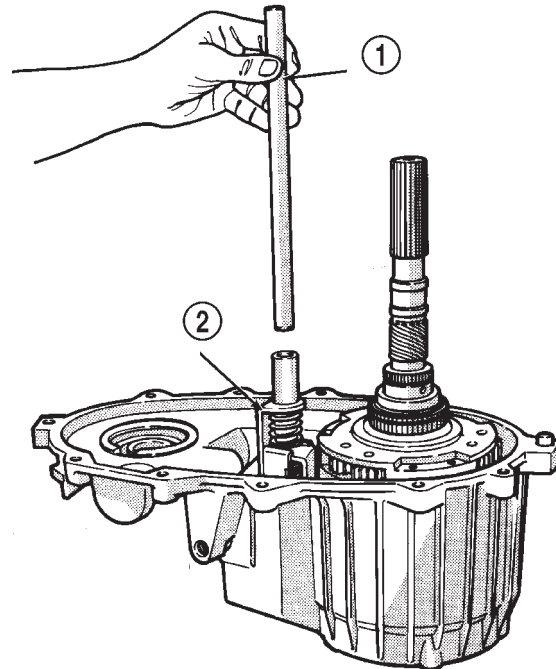
DISASSEMBLY AND ASSEMBLY (Continued)



J8921-253

**Fig. 33 Removing Front Output Shaft**

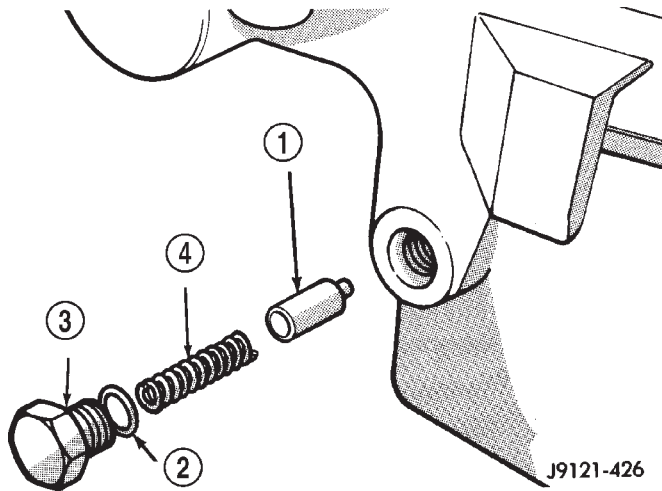
- 1 - FRONT OUTPUT SHAFT



J8921-255

**Fig. 35 Shift Rail Removal**

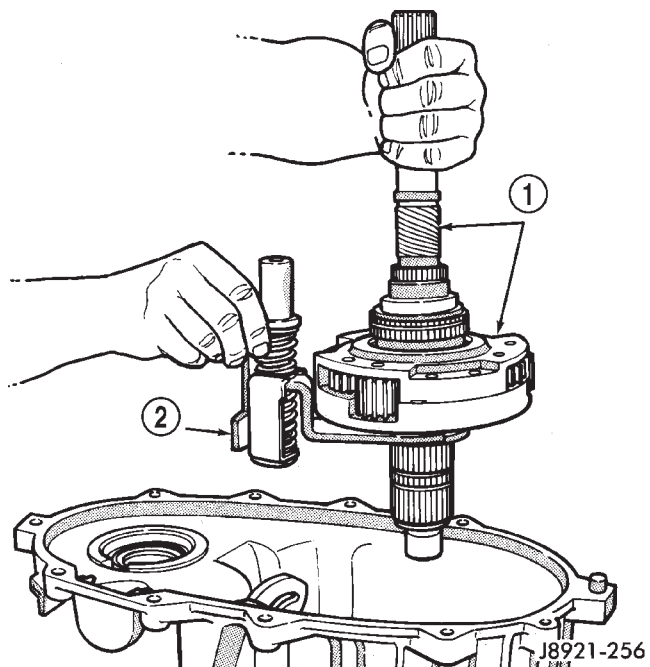
- 1 - SHIFT RAIL  
2 - MODE FORK



J9121-426

**Fig. 34 Detent Component Removal**

- 1 - PLUNGER  
2 - O-RING  
3 - PLUG  
4 - SPRING



J8921-256

**Fig. 36 Mode Fork And Mainshaft Removal**

- 1 - MAINSHAFT ASSEMBLY  
2 - MODE FORK

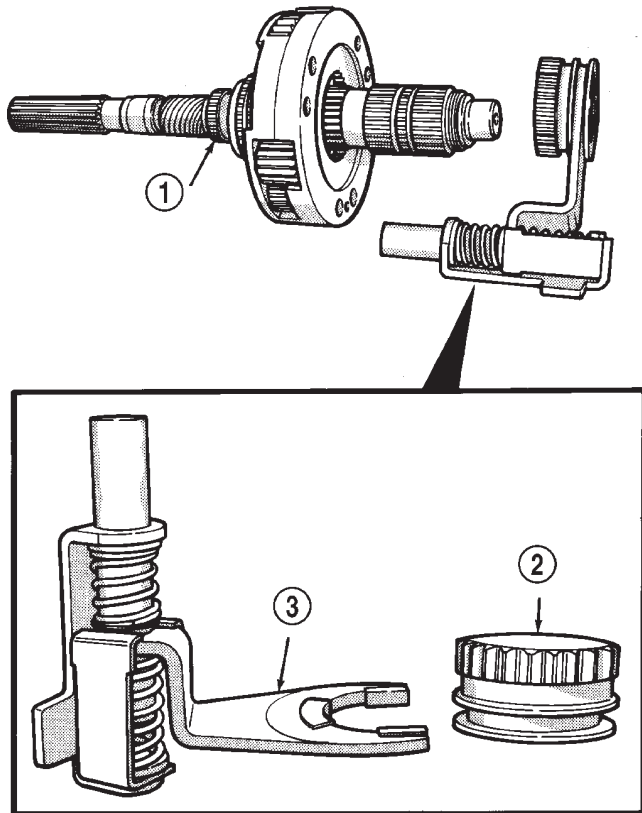
(6) Remove mode shift sleeve and mode fork assembly from mainshaft (Fig. 37). Note position of mode sleeve in fork and remove sleeve.

(7) Remove intermediate clutch shaft snap-ring (Fig. 38).

(8) Remove clutch shaft thrust ring (Fig. 39).

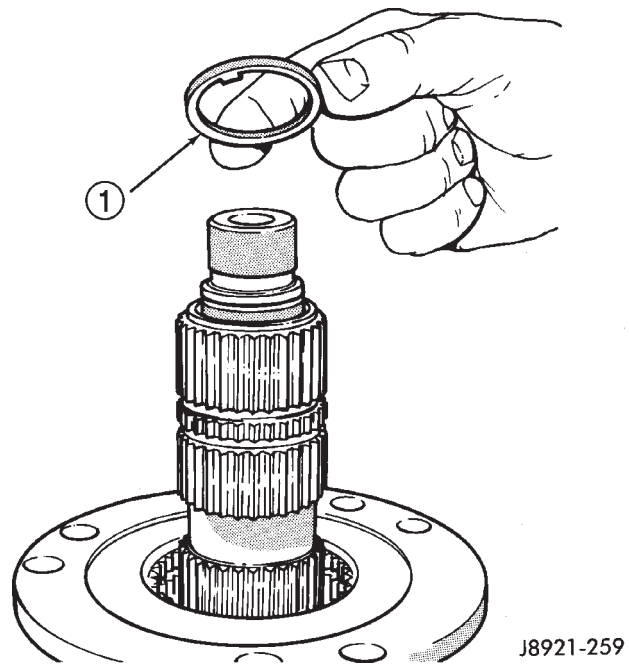
(9) Remove intermediate clutch shaft (Fig. 40).

DISASSEMBLY AND ASSEMBLY (Continued)



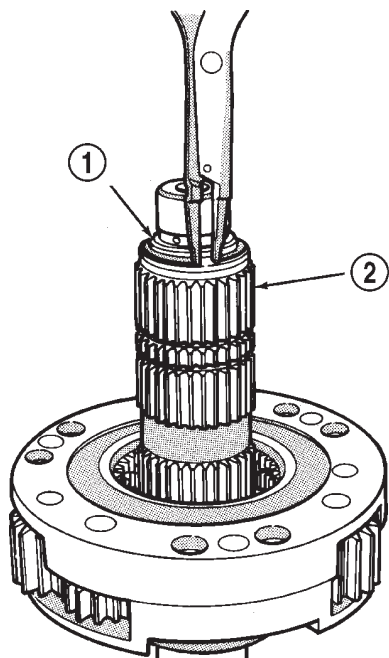
**Fig. 37 Mode Fork And Sleeve Removal**

- 1 - MAINSHAFT
- 2 - SLEEVE
- 3 - MODE FORK ASSEMBLY



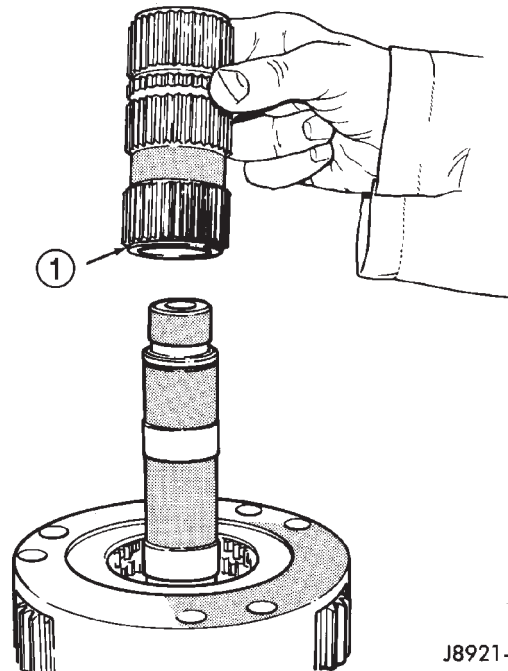
**Fig. 39 Clutch Shaft Thrust Ring Removal**

- 1 - CLUTCH SHAFT THRUST RING



**Fig. 38 Intermediate Clutch Shaft Snap-Ring Removal**

- 1 - SNAP RING
- 2 - INTERMEDIATE CLUTCH SHAFT

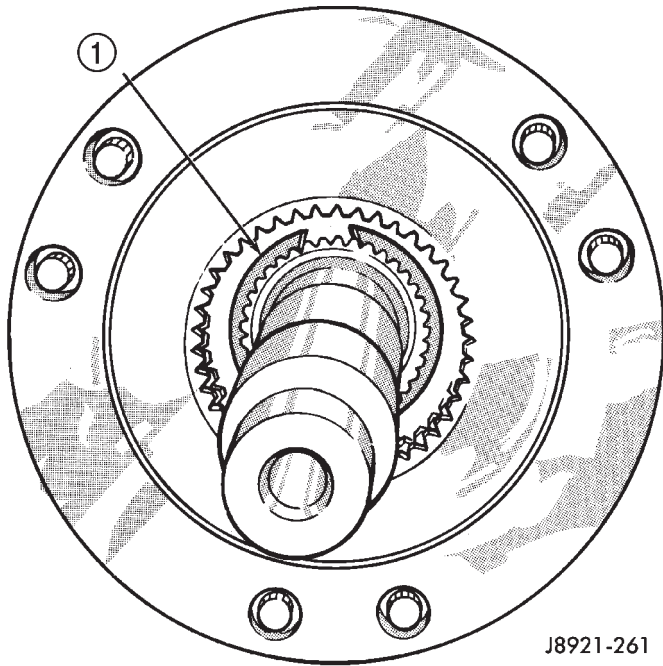


**Fig. 40 Intermediate Clutch Shaft Removal**

- 1 - INTERMEDIATE CLUTCH SHAFT

- (10) Remove differential snap-ring (Fig. 41).
- (11) Remove differential (Fig. 42).
- (12) Remove differential needle bearings and both needle bearing thrust washers from mainshaft.
- (13) Slide low range fork pin out of shift sector slot (Fig. 43).

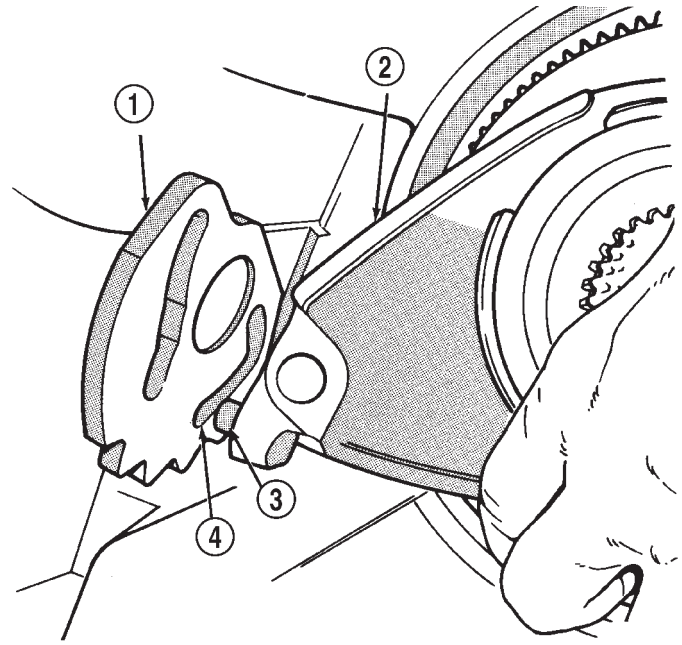
DISASSEMBLY AND ASSEMBLY (Continued)



J8921-261

**Fig. 41 Differential Snap-Ring Removal**

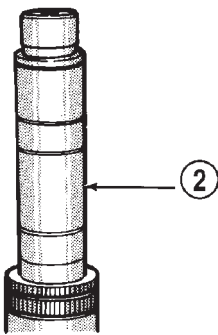
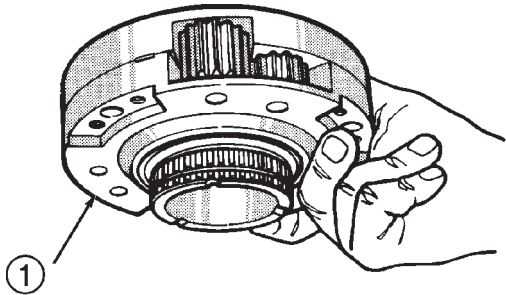
- 1 - DIFFERENTIAL SNAP RING



J8921-263

**Fig. 43 Disengaging Low Range Fork**

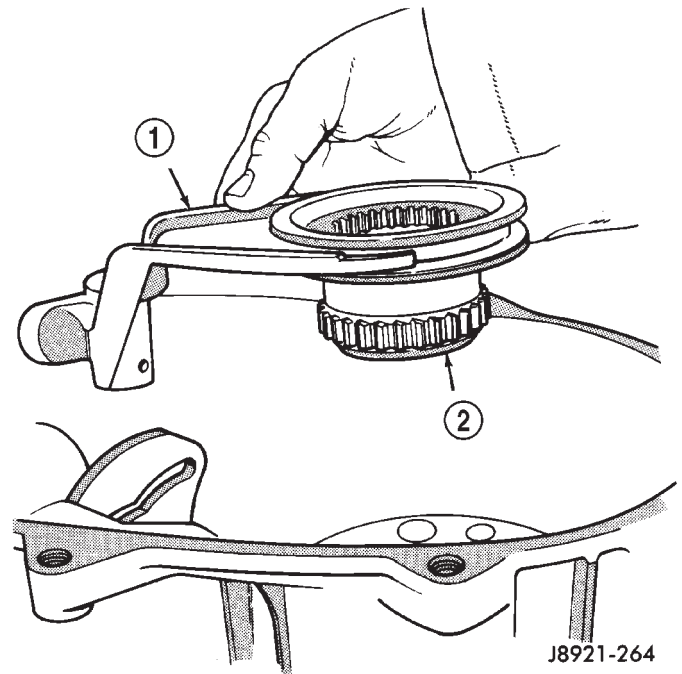
- 1 - SHIFT SECTOR  
 2 - LOW RANGE FORK  
 3 - PIN  
 4 - SLOT



J8921-262

**Fig. 42 Differential Removal**

- 1 - DIFFERENTIAL  
 2 - MAINSHAFT



J8921-264

**Fig. 44 Low Range Fork And Hub Removal**

- 1 - LOW RANGE FORK  
 2 - FORK HUB

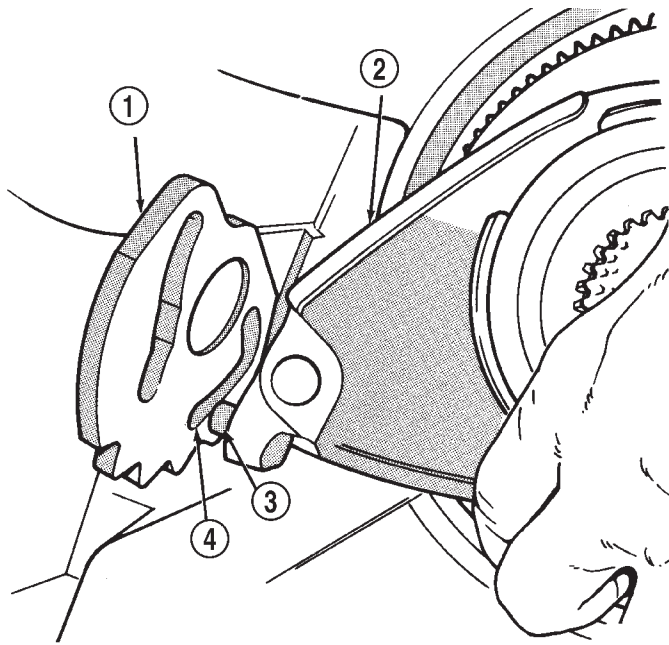
- (14) Remove low range fork and hub (Fig. 44).  
 (15) Remove shift sector (Fig. 45).  
 (16) Remove shift sector bushing and O-ring (Fig. 46).

INPUT GEAR/LOW RANGE ASSEMBLY

- (1) Remove front bearing retainer bolts.



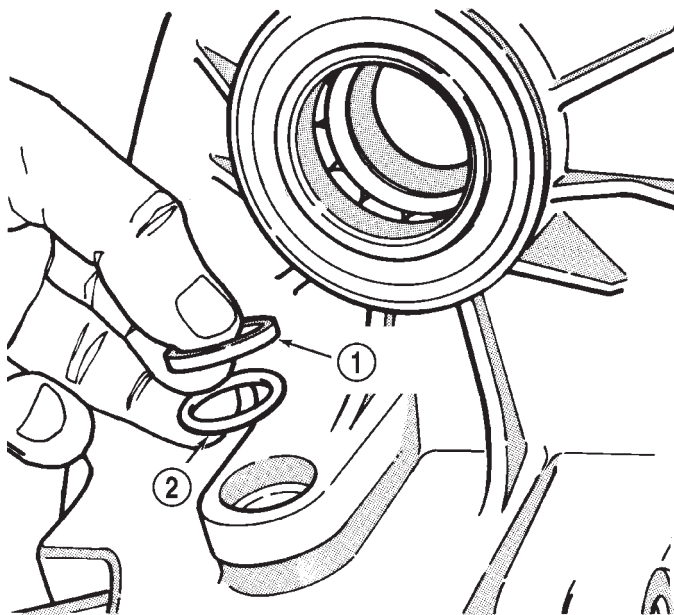
DISASSEMBLY AND ASSEMBLY (Continued)



J8921-263

**Fig. 45 Shift Sector Position**

- 1 - SHIFT SECTOR
- 2 - LOW RANGE FORK
- 3 - PIN
- 4 - SLOT



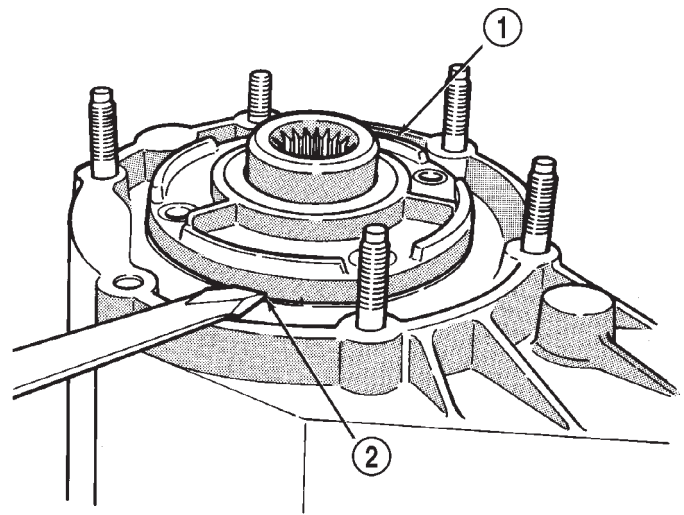
J8921-207

**Fig. 46 Sector Bushing And O-Ring Removal**

- 1 - SHIFT SECTOR BUSHING
- 2 - O-RING

(2) Remove front bearing retainer. Carefully pry retainer loose with screwdriver (Fig. 47). Position screwdriver in slots cast into retainer.

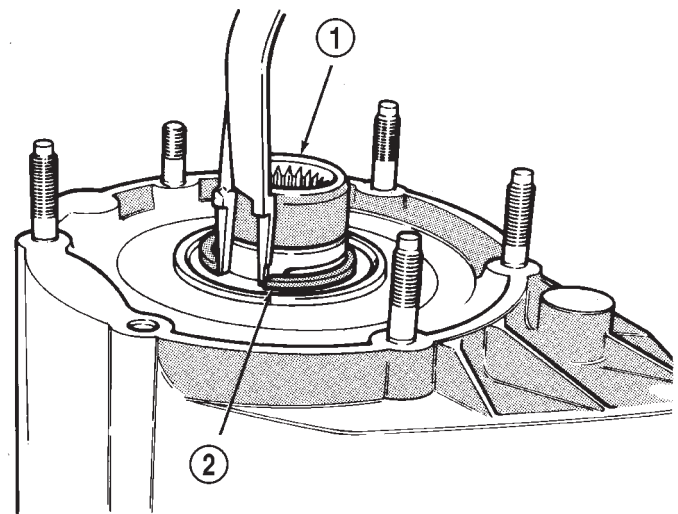
(3) Remove input gear snap-ring (Fig. 48).



J8921-266

**Fig. 47 Front Bearing Retainer Removal**

- 1 - FRONT BEARING RETAINER
- 2 - RETAINER SLOT



J8921-267

**Fig. 48 Input Gear Snap-Ring Removal**

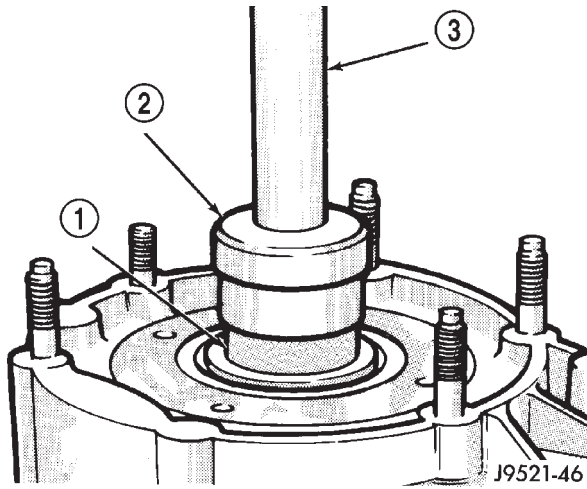
- 1 - INPUT GEAR
- 2 - SNAP RING

(4) Remove input/low range gear assembly from bearing with Tool Handle C-4171 and Tool 7829A (Fig. 49).

(5) Remove low range gear snap-ring (Fig. 50).

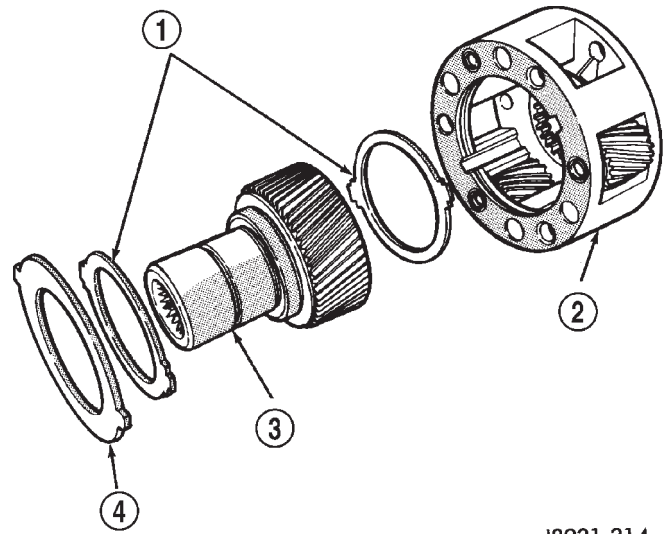
(6) Remove input gear retainer, thrust washers and input gear from low range gear (Fig. 51).

DISASSEMBLY AND ASSEMBLY (Continued)



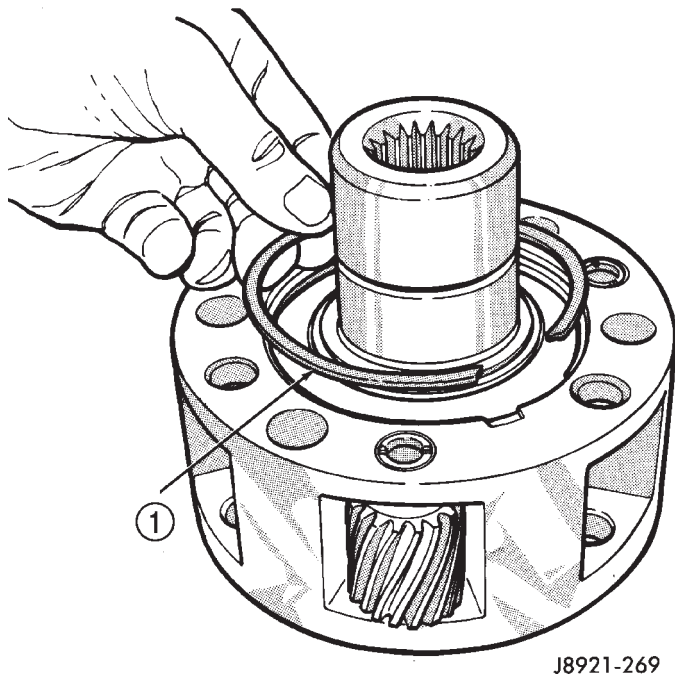
**Fig. 49 Input And Low Range Gear Assembly Removal**

- 1 - INPUT-LOW RANGE GEARS
- 2 - SPECIAL TOOL 7829A
- 3 - SPECIAL TOOL C-4171



**Fig. 51 Low Range Gear Disassembly**

- 1 - THRUST WASHERS
- 2 - LOW RANGE GEAR
- 3 - INPUT GEAR
- 4 - RETAINER



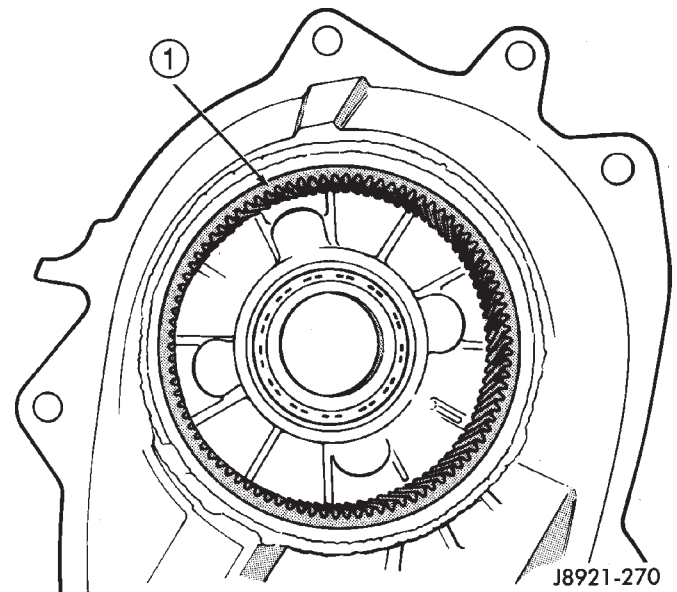
**Fig. 50 Low Range Gear Snap-Ring Removal/Installation**

- 1 - LOW RANGE GEAR SNAP RING

(7) Inspect low range annulus gear (Fig. 52). **Gear is not a serviceable component. If damaged, replace gear and front case as assembly.**

(8) Remove oil seals from following components:

- front bearing retainer.
- rear retainer.
- oil pump.
- case halves.



**Fig. 52 Inspecting Low Range Annulus Gear**

- 1 - LOW RANGE ANNULUS GEAR

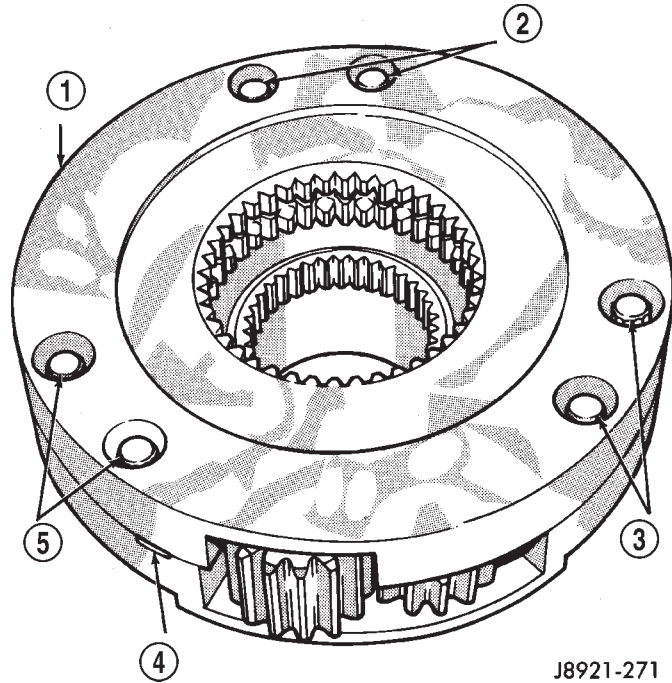
**DIFFERENTIAL**

- (1) Mark differential case halves for reference.
- (2) Remove differential case bolts.
- (3) Invert differential on workbench.
- (4) Separate top case from bottom case. Use slots in case halves to pry them apart (Fig. 53).
- (5) Remove thrust washers and planet gears from case pins (Fig. 54).



DISASSEMBLY AND ASSEMBLY (Continued)

(6) Remove mainshaft and sprocket gears from bottom case (Fig. 55). Note gear position for reference before separating them.



J8921-271

**Fig. 53 Separating Differential Case Halves**

- 1 - TOP CASE
- 2 - CASE BOLTS
- 3 - CASE BOLTS
- 4 - CASE SLOTS
- 5 - CASE BOLTS

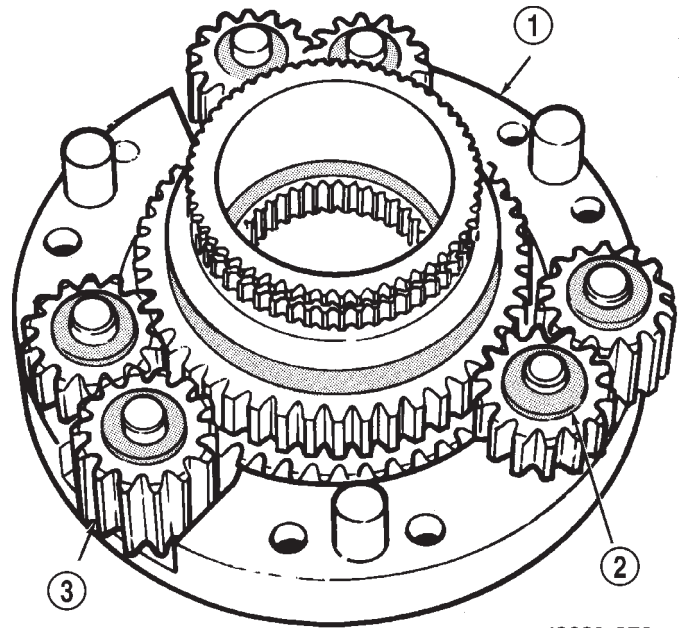
**ASSEMBLY**

Lubricate transfer case components with automatic transmission fluid or petroleum jelly (where indicated) during assembly.

**CAUTION:** The bearing bores in various transfer case components contain oil feed holes. Make sure replacement bearings do not block the holes.

**BEARING AND SEAL**

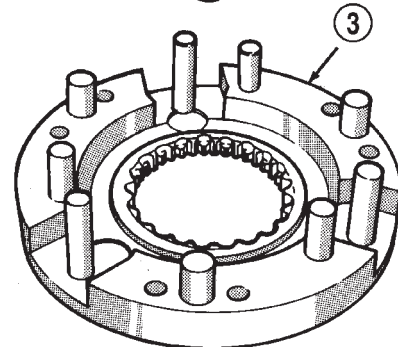
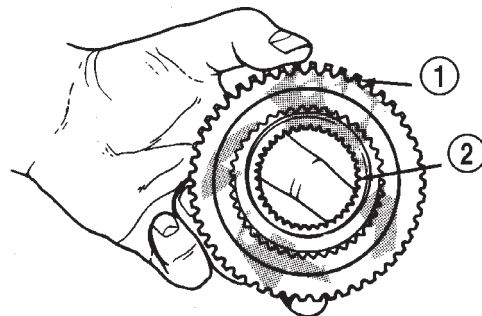
(1) Remove snap-ring that retains front output shaft front bearing in case (Fig. 56). Then remove bearing. Use hammer handle, or hammer and brass punch to tap bearing out of case.



J8921-272

**Fig. 54 Planet Gears And Thrust Washer Removal**

- 1 - BOTTOM CASE
- 2 - THRUST WASHERS (12)
- 3 - PLANET GEARS (6)



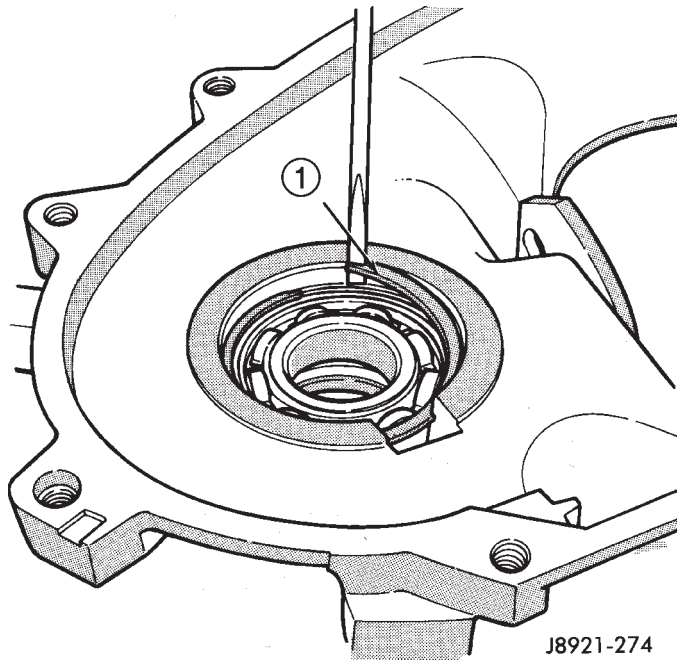
J8921-273

**Fig. 55 Mainshaft And Sprocket Gear Removal**

- 1 - MAINSHAFT GEAR
- 2 - SPROCKET GEAR
- 3 - BOTTOM CASE

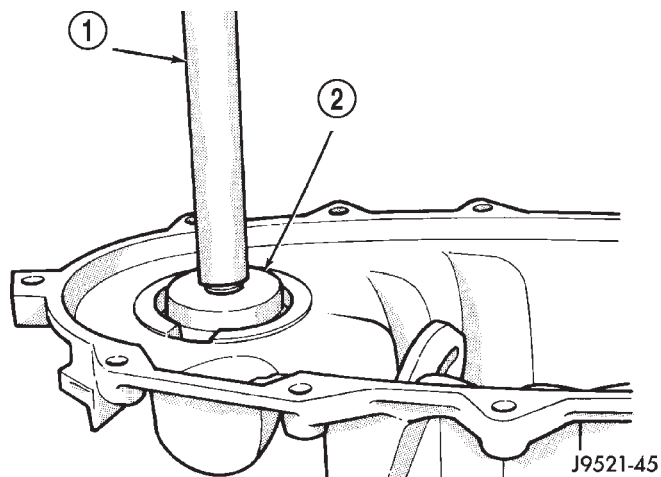
DISASSEMBLY AND ASSEMBLY (Continued)

(2) Install new front output shaft front bearing with Tool Handle C-4171 and Installer 8033A with the tapered cone upward (Fig. 57).



**Fig. 56 Front Output Shaft Front Bearing Snap-Ring Removal**

- 1 - FRONT BEARING SNAP RING



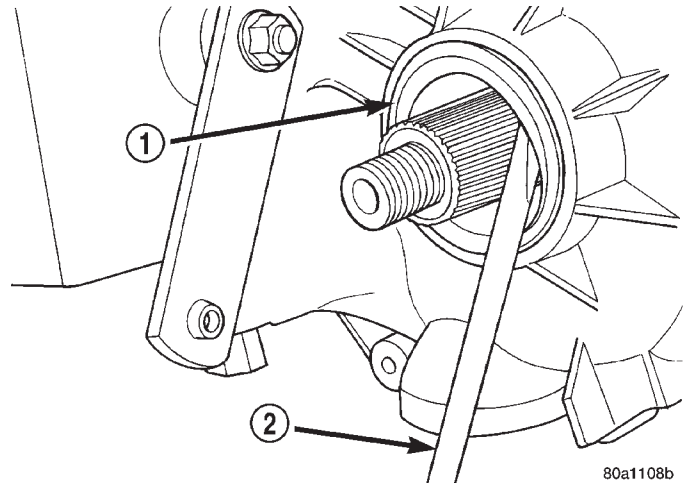
**Fig. 57 Front Output Shaft Front Bearing Installation**

- 1 - SPECIAL TOOL C-4171
- 2 - SPECIAL TOOL 8033A

(3) Install front bearing snap-ring (Fig. 56).

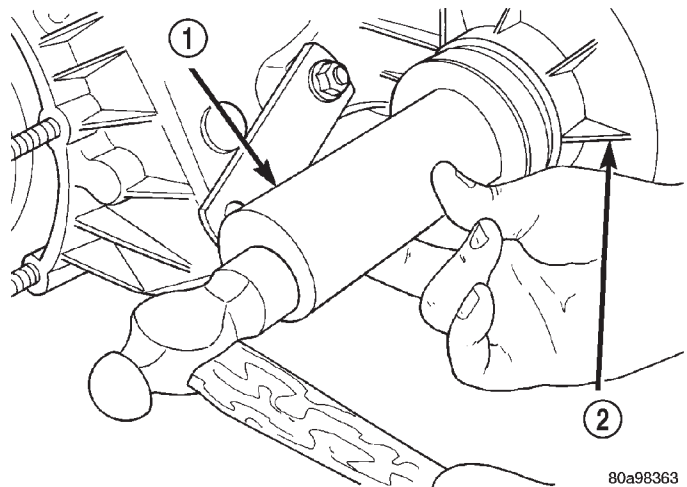
(4) Remove front output shaft seal using an appropriate pry tool (Fig. 58) or slide-hammer mounted screw.

(5) Install new front output shaft oil seal with Installer 6952-A (Fig. 59).



**Fig. 58 Remove Front Output Shaft Seal**

- 1 - OUTPUT SHAFT SEAL
- 2 - PRYBAR



**Fig. 59 Install Front Output Shaft Seal**

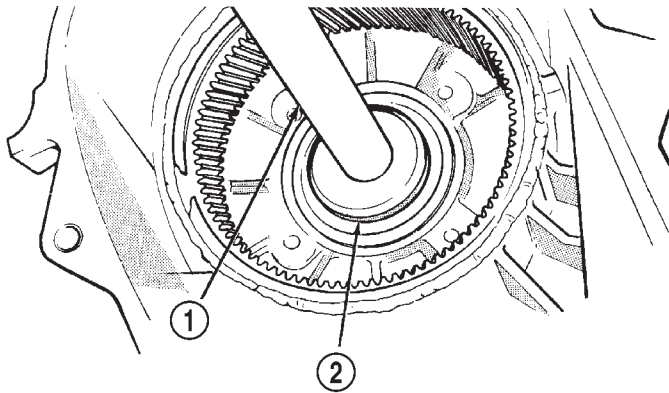
- 1 - INSTALLER 6952-A
- 2 - TRANSFER CASE

(6) Remove input gear bearing with Tool Handle C-4171 and Remover C-4210 (Fig. 60).

(7) Install snap-ring on new input gear bearing.

DISASSEMBLY AND ASSEMBLY (Continued)

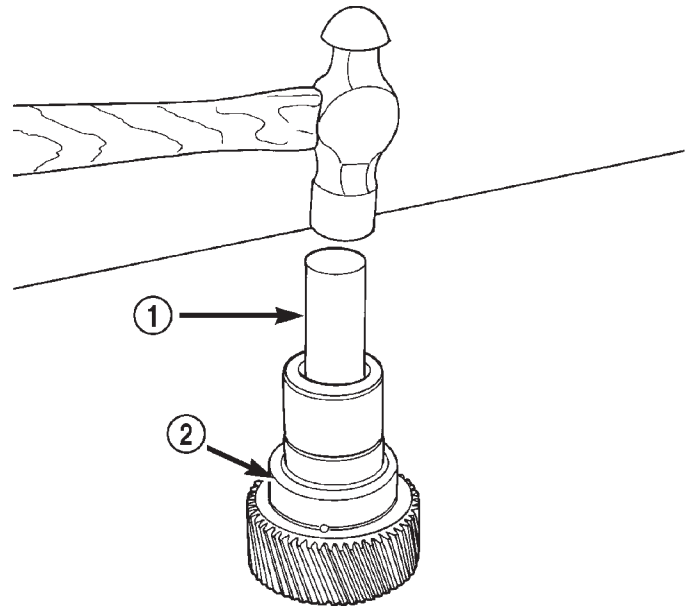
(8) Install new input gear bearing with Tool Handle C-4171 and Remover C-4210. Install bearing far enough to seat snap-ring against case (Fig. 61).



J9521-43

**Fig. 60 Input Gear Bearing Removal**

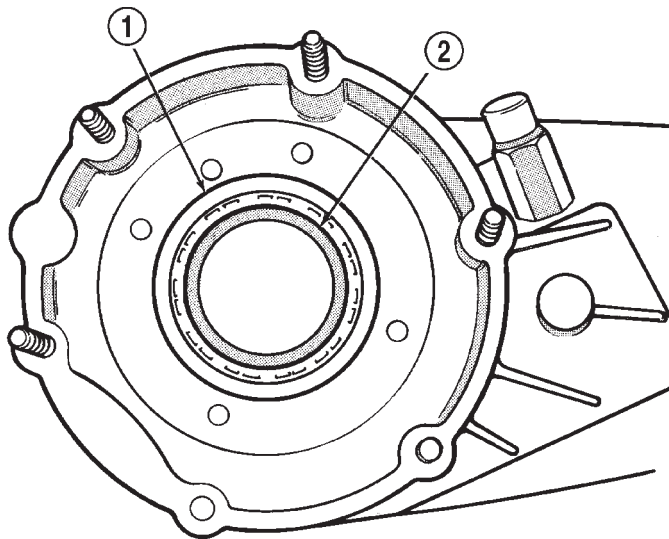
- 1 - SPECIAL TOOL C-4171
- 2 - SPECIAL TOOL C-4210



80a11090

**Fig. 62 Remove Input Gear Pilot Bearing**

- 1 - DRIFT
- 2 - INPUT GEAR



J8921-219

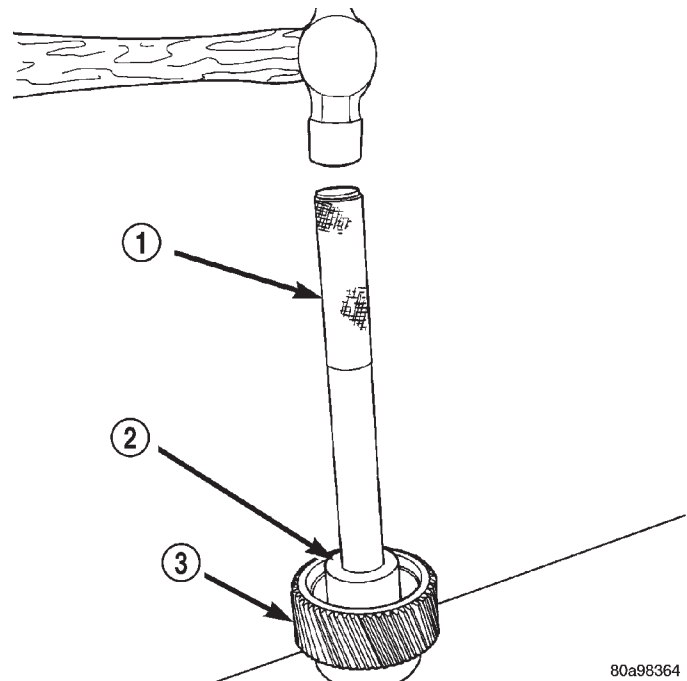
**Fig. 61 Seating Input Gear Bearing**

- 1 - SNAP RING
- 2 - INPUT SHAFT BEARING

(9) Remove the input gear pilot bearing by inserting a suitably sized drift into the splined end of the input gear and driving the bearing out with the drift and a hammer (Fig. 62).

(10) Install new pilot bearing with Installer 8128 and Handle C-4171 (Fig. 63).

(11) Install new seal in front bearing retainer with Installer 7884 (Fig. 64).



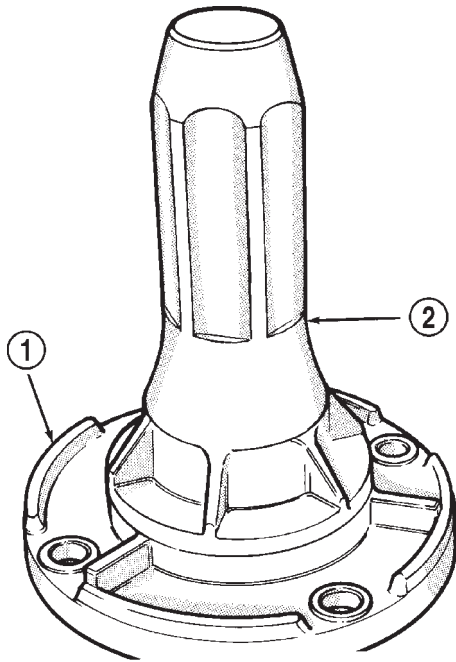
80a98364

**Fig. 63 Install Input Gear Pilot Bearing**

- 1 - HANDLE C-4171
- 2 - INSTALLER 8128
- 3 - INPUT GEAR

(12) Remove output shaft rear bearing with the screw and jaws from Remover L-4454 and Cup 8148 (Fig. 65).

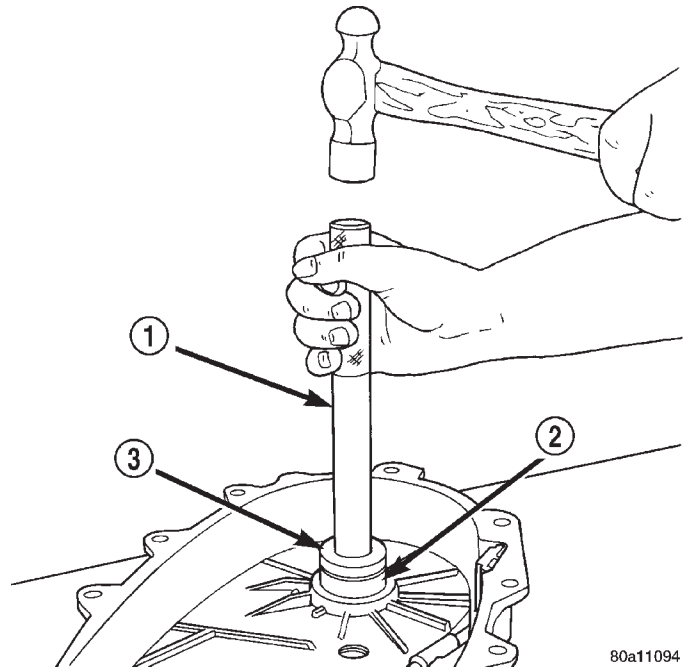
DISASSEMBLY AND ASSEMBLY (Continued)



J9521-41

**Fig. 64 Front Bearing Retainer Seal Installation**

- 1 - FRONT BEARING RETAINER
- 2 - SPECIAL TOOL 7884



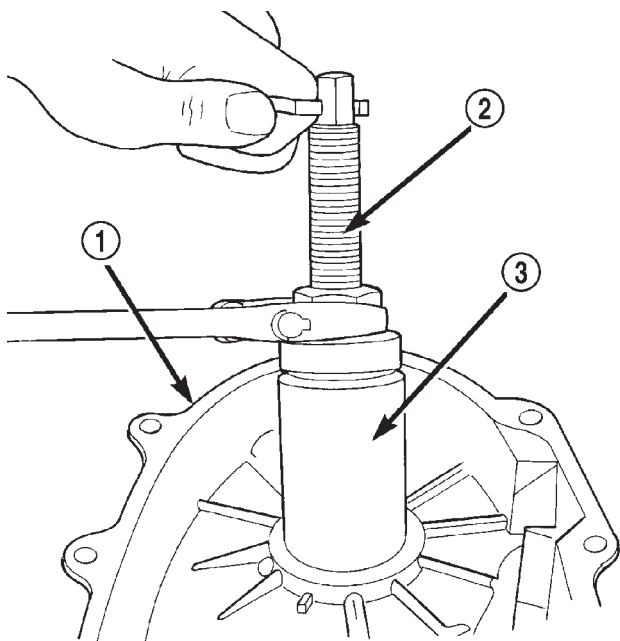
80a11094

**Fig. 66 Install Front Output Shaft Rear Bearing**

- 1 - HANDLE C-4171
- 2 - OUTPUT SHAFT INNER BEARING
- 3 - INSTALLER 5066

(13) Install new bearing with Tool Handle C-4171 and Installer 5066 (Fig. 66). Lubricate bearing after installation.

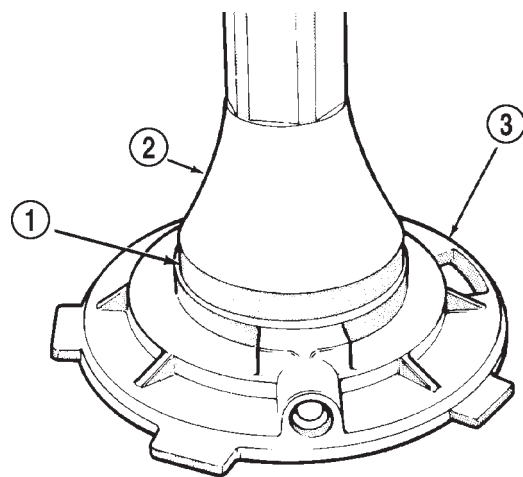
(14) Install new seal in oil pump feed housing with Special Tool 7888 (Fig. 67).



80a98366

**Fig. 65 Remove Front Output Shaft Rear Bearing**

- 1 - REAR CASE
- 2 - SPECIAL TOOL L-4454-1 AND L-4454-3
- 3 - SPECIAL TOOL 8148



J9521-35

**Fig. 67 Oil Pump Seal Installation**

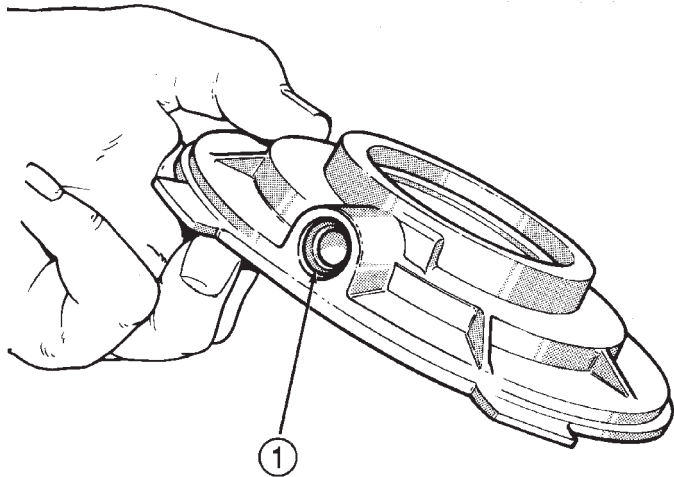
- 1 - HOUSING SEAL
- 2 - SPECIAL TOOL 7888
- 3 - OIL PUMP FEED HOUSING

(15) Install new pickup tube O-ring in oil pump (Fig. 68).

(16) Remove rear retainer bearing with Installer 8128 and Handle C-4171, NV242HD only.

(17) Install rear bearing in retainer with Handle C-4171 and Installer 5064 (Fig. 69), NV242HD only.

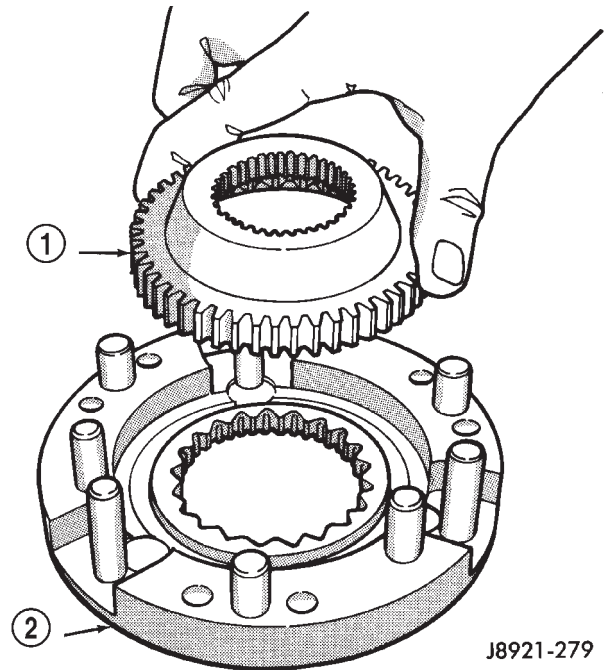




J8921-286

**Fig. 68 Pickup Tube O-Ring Installation**

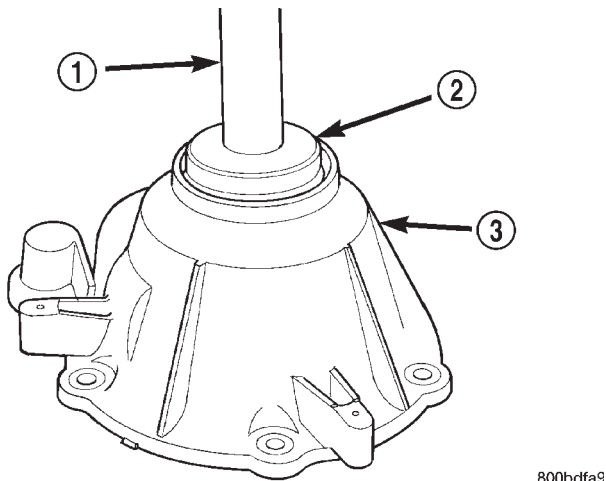
- 1 - PICKUP TUBE O-RING



J8921-279

**Fig. 70 Installing Differential Sprocket Gear**

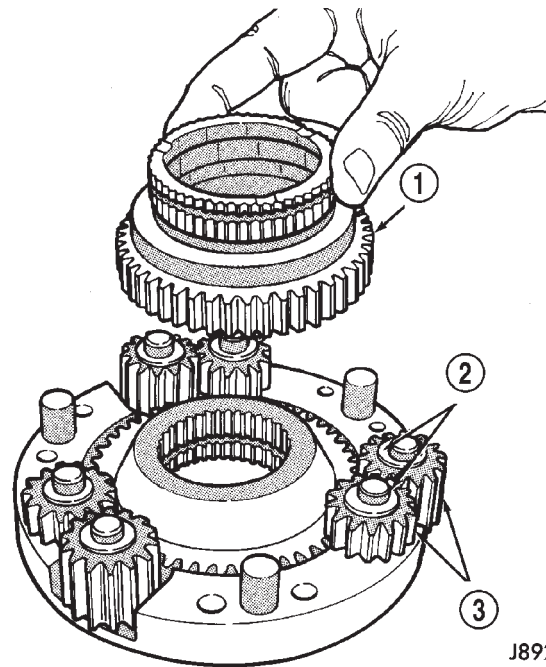
- 1 - SPROCKET GEAR  
 2 - BOTTOM CASE



800bdfa9

**Fig. 69 Installing Rear Bearing In Retainer**

- 1 - SPECIAL TOOL C-4171  
 2 - SPECIAL TOOL 5064  
 3 - REAR RETAINER



J8921-280

**Fig. 71 Installing Mainshaft And Planet Gears**

- 1 - MAINSHAFT GEAR  
 2 - THRUST WASHERS (12)  
 3 - PLANET GEARS (6)

**DIFFERENTIAL**

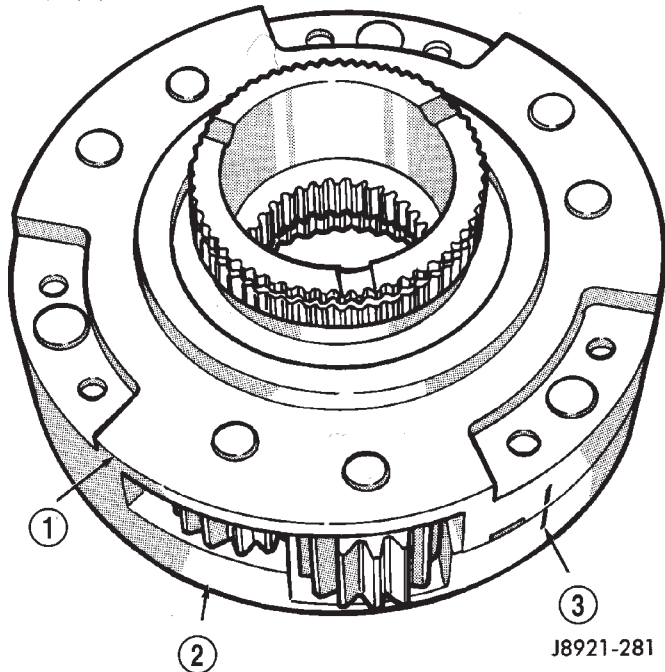
- (1) Lubricate differential components with automatic transmission fluid.
- (2) Install sprocket gear in differential bottom case (Fig. 70).
- (3) Install differential planet gears and new thrust washers (Fig. 71). **Be sure thrust washers are installed at top and bottom of each planet gear.**
- (4) Install differential mainshaft gear (Fig. 71).

- (5) Align and position differential top case on bottom case (Fig. 72). Align using scribe marks made at disassembly.

DISASSEMBLY AND ASSEMBLY (Continued)

(6) While holding differential case halves together, invert the differential and start the differential case bolts.

(7) Tighten differential case bolts to specified torque.



J8921-281

**Fig. 72 Differential Case Assembly**

- 1 - TOP CASE
- 2 - BOTTOM CASE
- 3 - CASE ALIGNMENT MARKS

INPUT GEAR/LOW RANGE ASSEMBLY

(1) Assemble low range gear, input gear thrust washers, input gear and input gear retainer (Fig. 73).

(2) Install low range gear snap ring (Fig. 74).

(3) Lubricate input gear and low range gears with automatic transmission fluid.

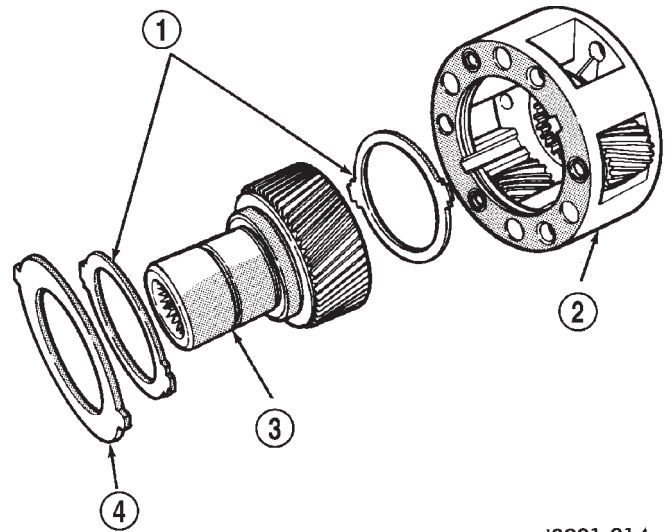
(4) Start input gear shaft into front case bearing.

(5) Press input gear shaft into front bearing.

(6) Install new input gear snap ring (Fig. 75).

(7) Apply 3 mm (1/8 in.) wide bead of Mopar® gasket maker or silicone adhesive sealer to seal surface of front bearing retainer.

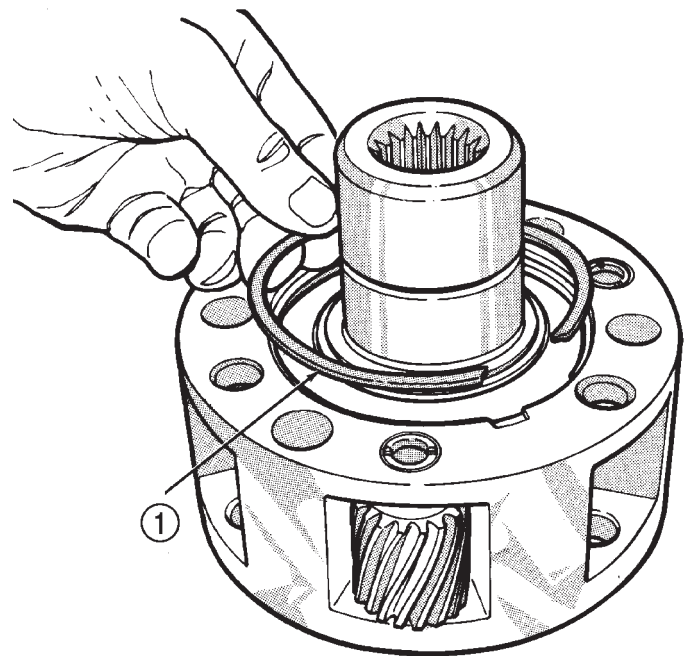
(8) Install front bearing retainer (Fig. 76). Tighten retainer bolts to 16 ft. lbs. (21 N·m) torque.



J8921-214

**Fig. 73 Low Range And Input Gear Assembly**

- 1 - THRUST WASHERS
- 2 - LOW RANGE GEAR
- 3 - INPUT GEAR
- 4 - RETAINER



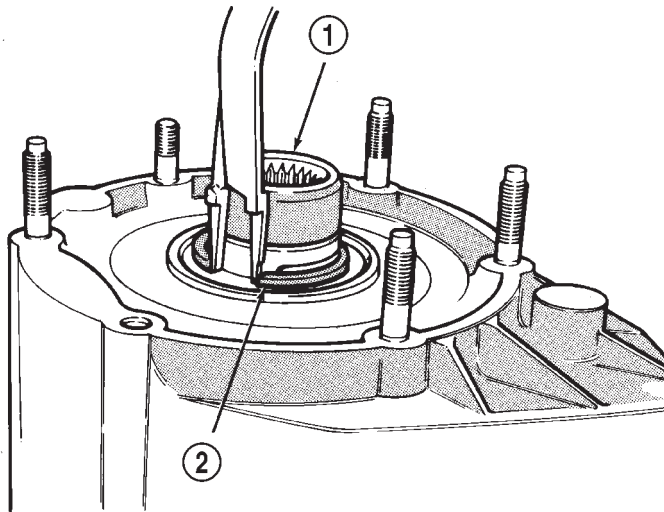
J8921-269

**Fig. 74 Install Low Range Gear Snap Ring**

- 1 - LOW RANGE GEAR SNAP RING



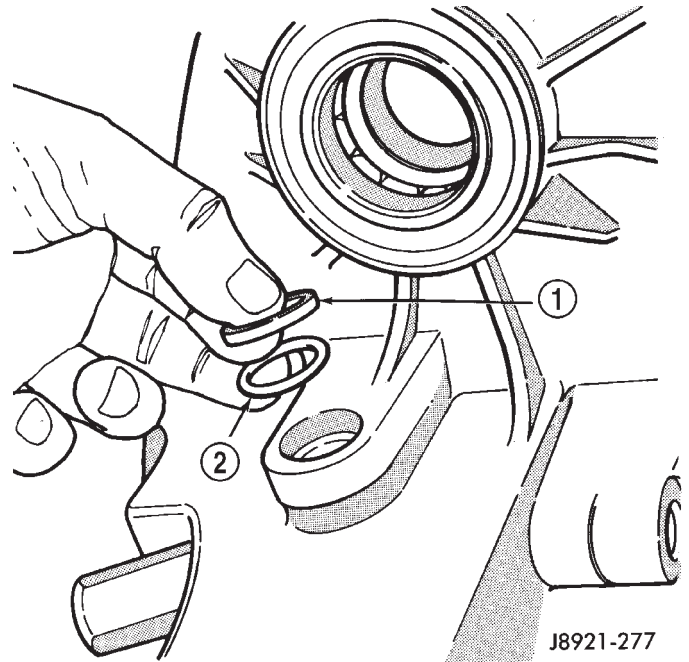
## DISASSEMBLY AND ASSEMBLY (Continued)



J8921-267

**Fig. 75 Input Gear Snap Ring Installation**

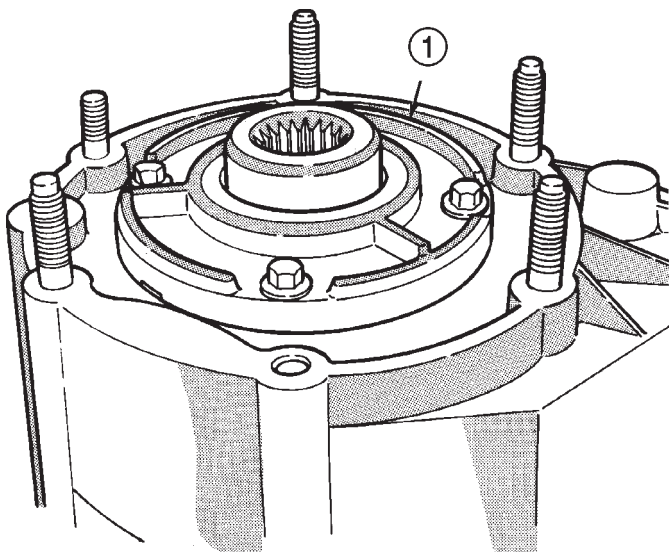
- 1 - INPUT GEAR  
2 - SNAP RING



J8921-277

**Fig. 77 Sector O-Ring And Bushing Installation**

- 1 - SECTOR BUSHING  
2 - O-RING



J8921-276

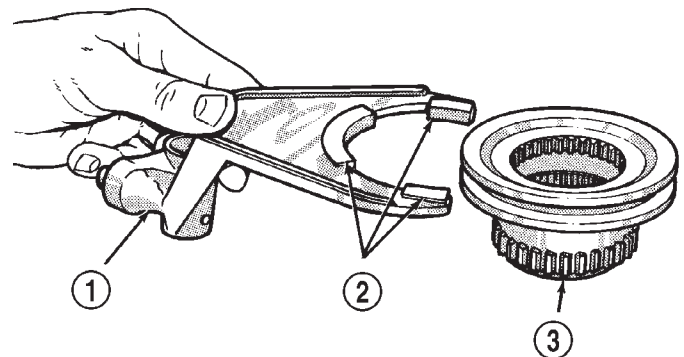
**Fig. 76 Installing Front Bearing Retainer**

- 1 - FRONT BEARING RETAINER

## SHIFT FORKS AND MAINSHAFT

- (1) Install new sector shaft O-ring and bushing (Fig. 77).
- (2) Install shift sector.
- (3) Install new pads on low range fork, if necessary, (Fig. 78).
- (4) Assemble low range fork and hub (Fig. 78).

- (5) Position low range fork and hub in case. Be sure low range fork pin is engaged in shift sector slot (Fig. 79).



J8921-278

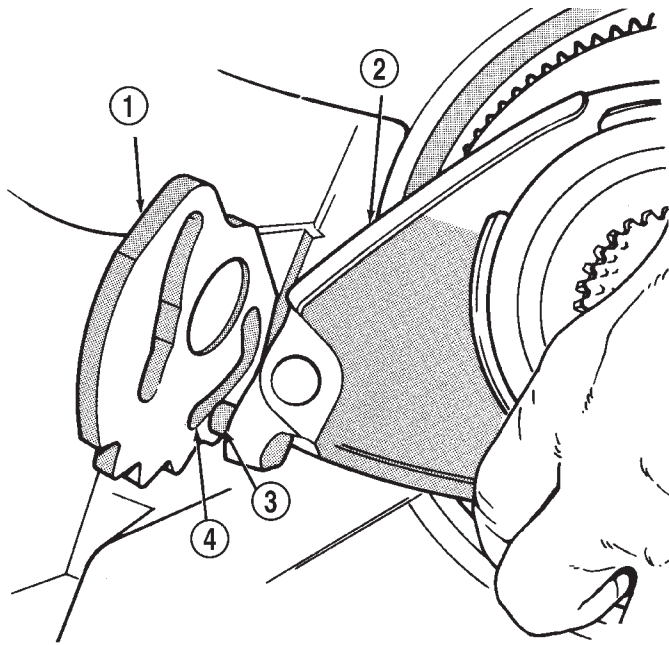
**Fig. 78 Assembling Low Range Fork And Hub**

- 1 - LOW RANGE FORK  
2 - PADS  
3 - HUB

- (6) Install first mainshaft bearing spacer on mainshaft (Fig. 80).

- (7) Install bearing rollers on mainshaft (Fig. 80). **Coat bearing rollers with generous quantity of petroleum jelly to hold them in place.**

DISASSEMBLY AND ASSEMBLY (Continued)

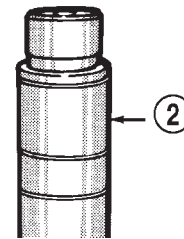
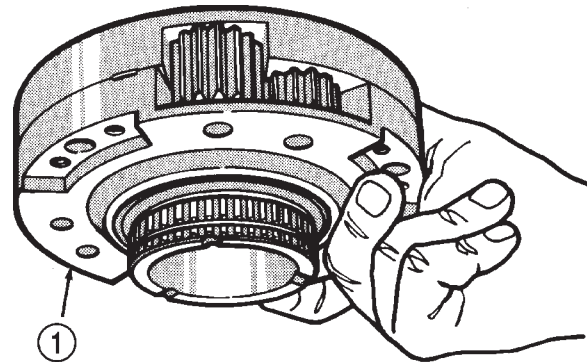


J8921-263

**Fig. 79 Positioning Low Range Fork**

- 1 - SHIFT SECTOR
- 2 - LOW RANGE FORK
- 3 - PIN
- 4 - SLOT

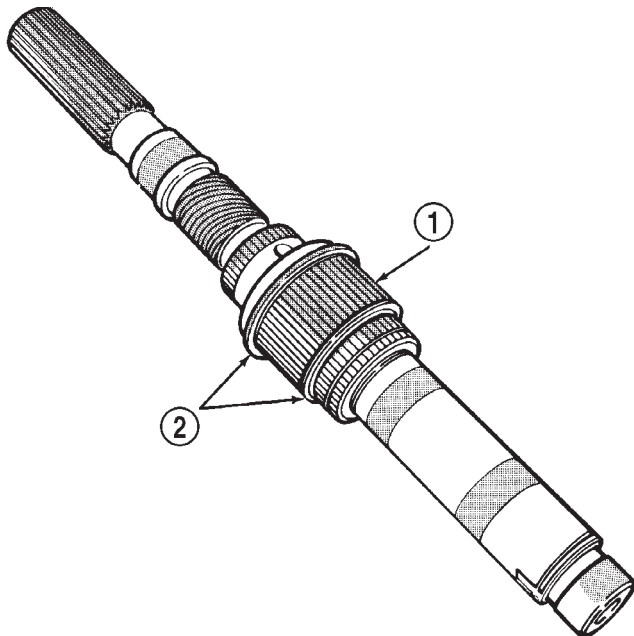
- (9) Install differential (Fig. 81). **Do not displace mainshaft bearings when installing differential.**
- (10) Install differential snap-ring (Fig. 82).
- (11) Install intermediate clutch shaft (Fig. 83).



J8921-283

**Fig. 81 Differential Installation**

- 1 - DIFFERENTIAL
- 2 - MAINSHAFT

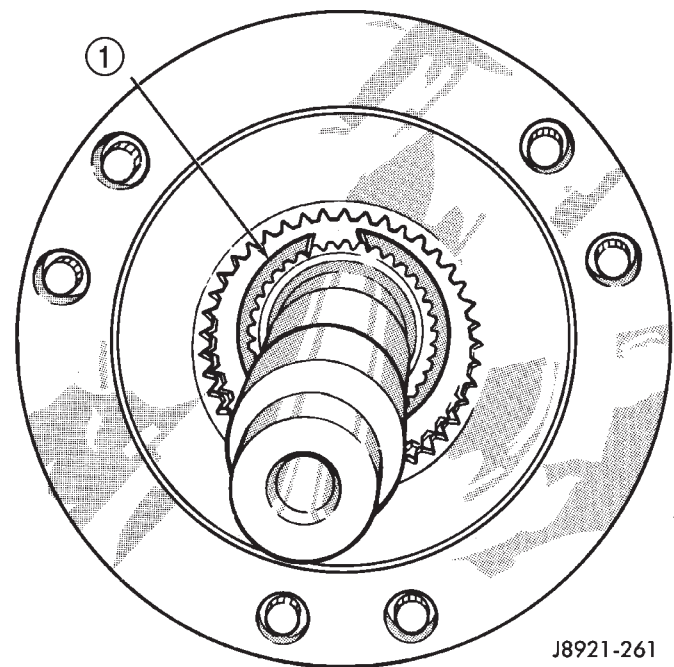


J8921-282

**Fig. 80 Installing Mainshaft Bearing Rollers and Spacers**

- 1 - MAINSHAFT BEARING ROLLERS
- 2 - BEARING SPACERS

(8) Install remaining bearing spacer on mainshaft (Fig. 80). Do not displace any bearings while installing spacer.



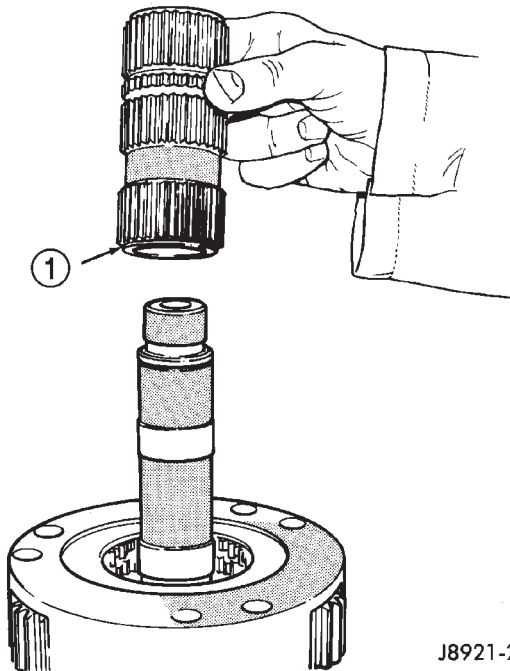
J8921-261

**Fig. 82 Installing Differential Snap-Ring**

- 1 - DIFFERENTIAL SNAP RING

- (12) Install clutch shaft thrust washer (Fig. 84).
- (13) Install clutch shaft snap-ring (Fig. 85).

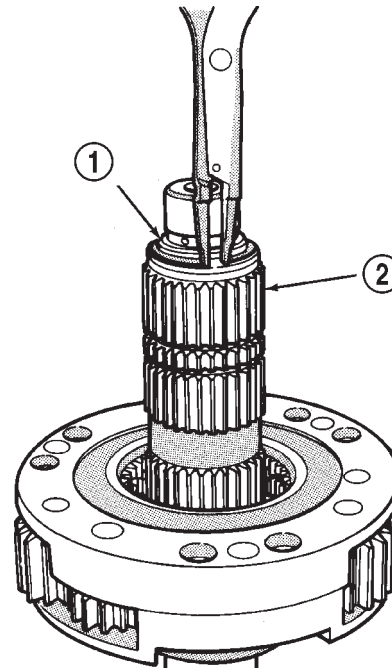
DISASSEMBLY AND ASSEMBLY (Continued)



J8921-260

**Fig. 83 Installing Intermediate Clutch Shaft**

- 1 - INTERMEDIATE CLUTCH SHAFT



J8921-258

**Fig. 85 Installing Clutch Shaft Snap-Ring**

- 1 - SNAP RING
- 2 - INTERMEDIATE CLUTCH SHAFT

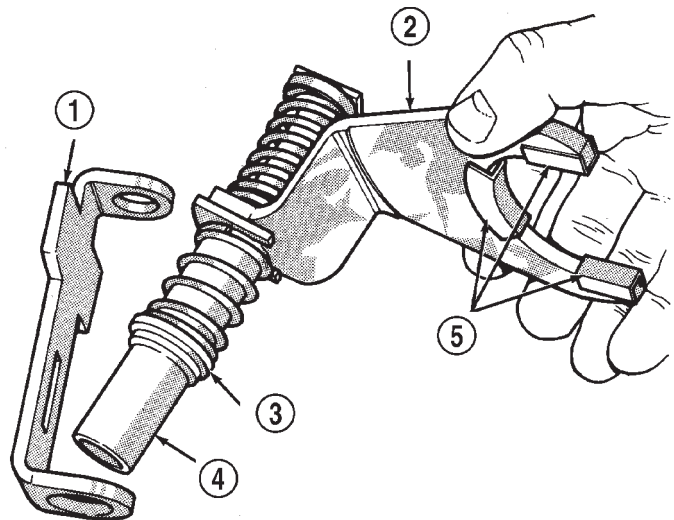
(14) Inspect mode fork assembly (Fig. 86). Replace pads and bushing if necessary. Replace fork tube if bushings inside tube are worn or damaged. Also check springs and slider bracket (Fig. 86). Replace worn, damaged components.



J8921-259

**Fig. 84 Installing Clutch Shaft Thrust Washer**

- 1 - CLUTCH SHAFT THRUST RING



J8921-284

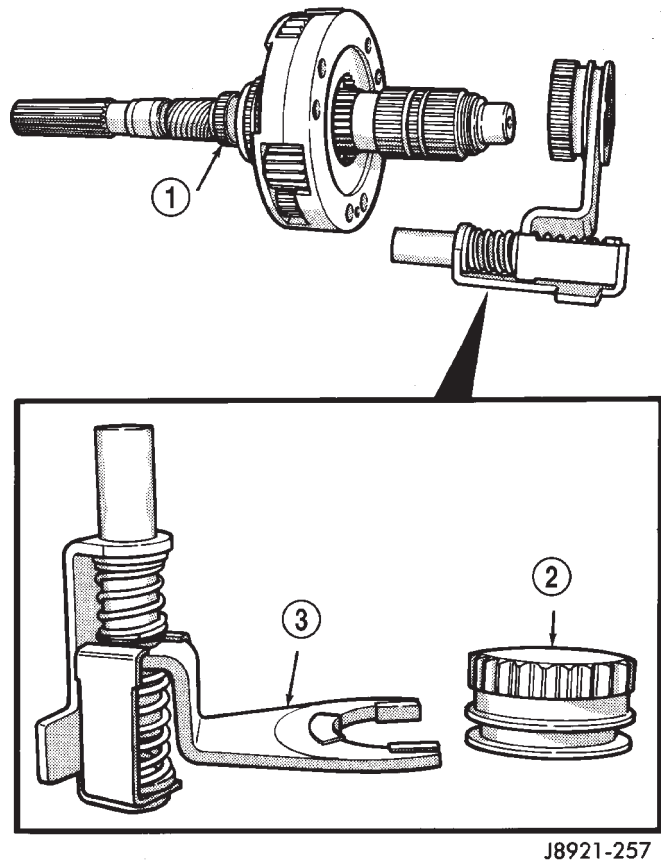
**Fig. 86 Mode Fork Assembly Inspection**

- 1 - SLIDER
- 2 - MODE FORK
- 3 - BUSHING/SPRING
- 4 - TUBE
- 5 - PADS

(15) Install mode sleeve in mode fork (Fig. 87). Then install assembled sleeve and fork on mainshaft. Be sure mode sleeve splines are engaged in differential splines.

DISASSEMBLY AND ASSEMBLY (Continued)

(16) Install mode fork and mainshaft assembly in case (Fig. 88). Rotate mainshaft slightly to engage shaft with low range gears.



**Fig. 87 Installing Mode Fork And Sleeve**

- 1 - MAINSHAFT
- 2 - SLEEVE
- 3 - MODE FORK ASSEMBLY

(17) Rotate mode fork pin into shift sector slot.  
 (18) Install shift rail (Fig. 89). **Be sure rail is seated in both shift forks.**

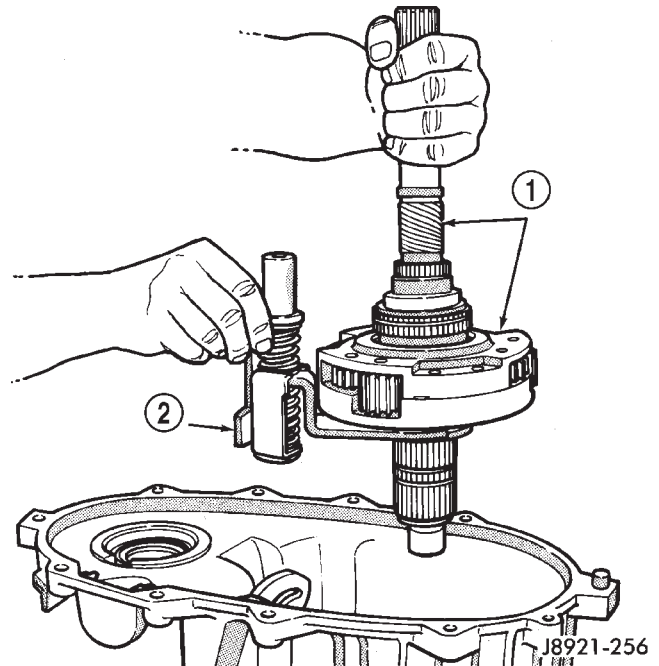
(19) Rotate shift sector to align lockpin hole in low range fork with access hole in case.

(20) Insert an easy-out in range fork lockpin to hold it securely for installation (Fig. 90). **Lockpin is slightly tapered on one end. Insert tapered end into fork and rail.**

(21) Insert lockpin through access hole and into shift fork (Fig. 90). Then remove easy-out and seat the pin with pin punch.

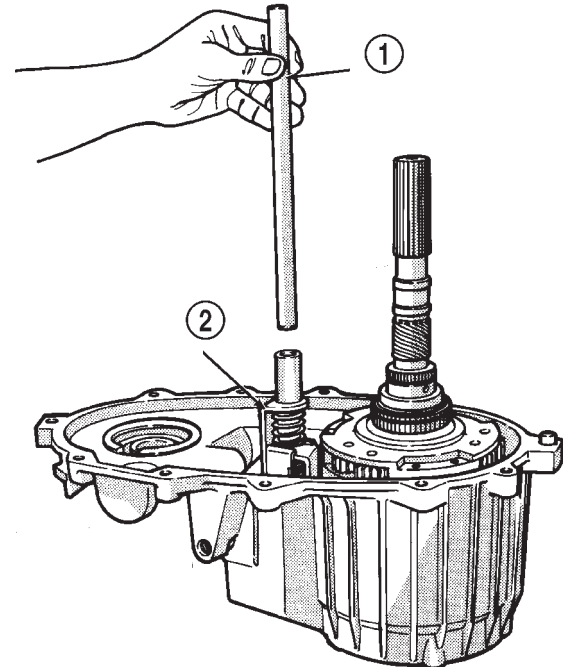
(22) Install plug in lockpin access hole.

(23) Install detent plunger, detent spring and detent plug in case (Fig. 91).



**Fig. 88 Assembled Mainshaft And Mode Fork Installation**

- 1 - MAINSHAFT ASSEMBLY
- 2 - MODE FORK

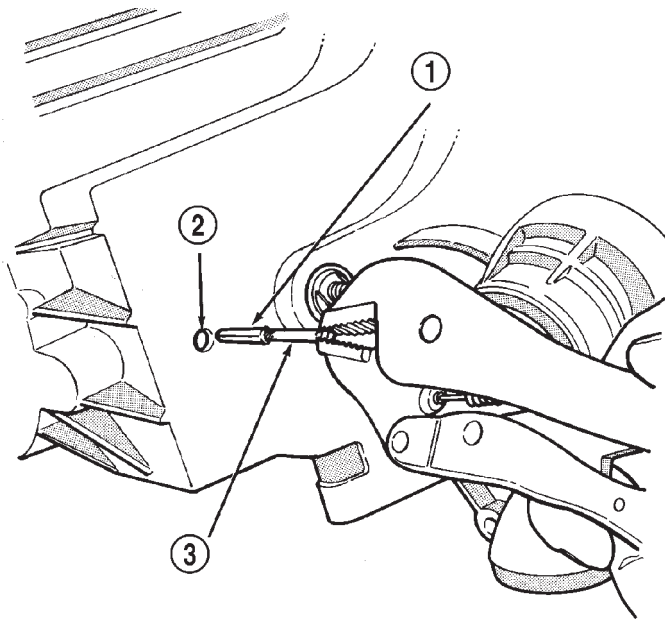


**Fig. 89 Shift Rail Installation**

- 1 - SHIFT RAIL
- 2 - MODE FORK



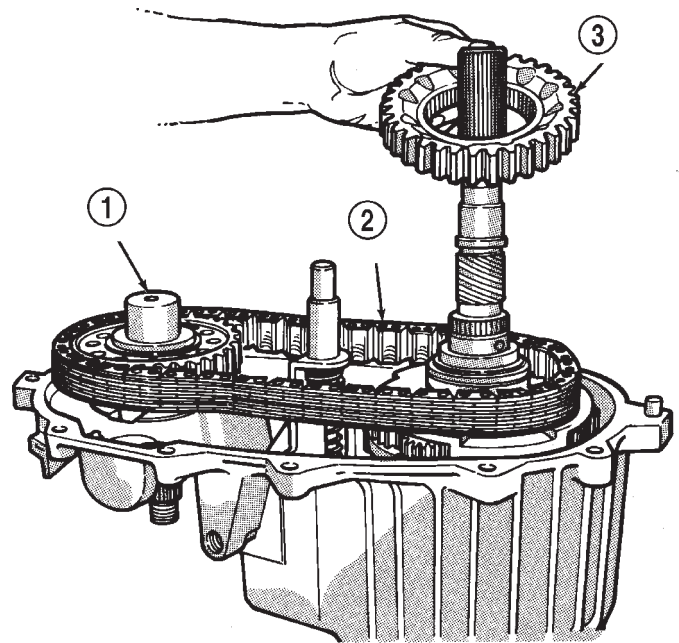
DISASSEMBLY AND ASSEMBLY (Continued)



J8921-254

**Fig. 90 Installing Low Range Fork Lockpin**

- 1 - LOW RANGE FORK LOCK PIN
- 2 - ACCESS HOLE
- 3 - EASY-OUT



J8921-285

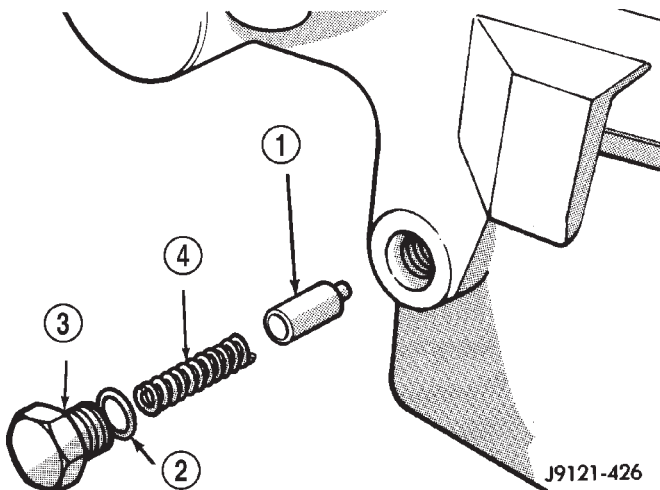
**Fig. 92 Drive Chain And Sprocket Installation**

- 1 - FRONT OUTPUT SHAFT
- 2 - DRIVE CHAIN
- 3 - DRIVE SPROCKET

**FRONT OUTPUT SHAFT AND DRIVE CHAIN**

- (1) Install front output shaft (Fig. 92).
- (2) Install drive chain (Fig. 92). Engage chain with front output shaft sprocket teeth.
- (3) Install drive sprocket (Fig. 92). Engage drive sprocket teeth with chain. Then engage sprocket splines with mainshaft splines.

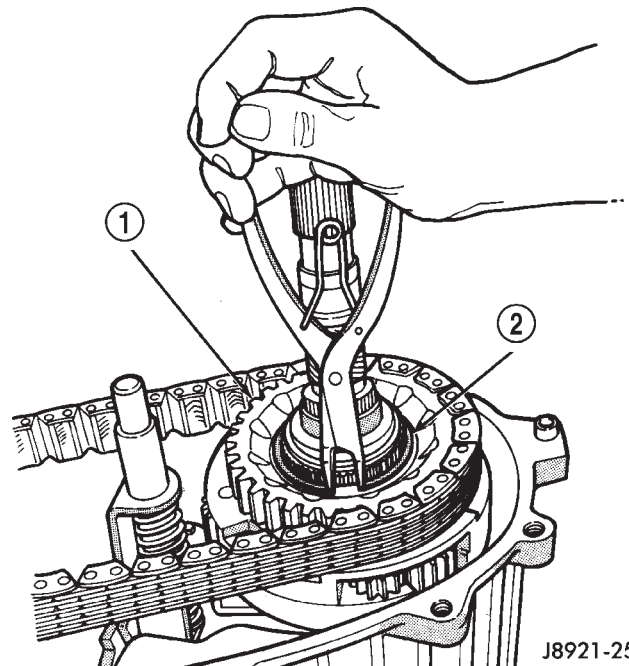
- (4) Install drive sprocket snap-ring (Fig. 93).



J9121-426

**Fig. 91 Detent Pin, Spring And Plug Installation**

- 1 - PLUNGER
- 2 - O-RING
- 3 - PLUG
- 4 - SPRING



J8921-251

**Fig. 93 Drive Sprocket Snap-Ring Installation**

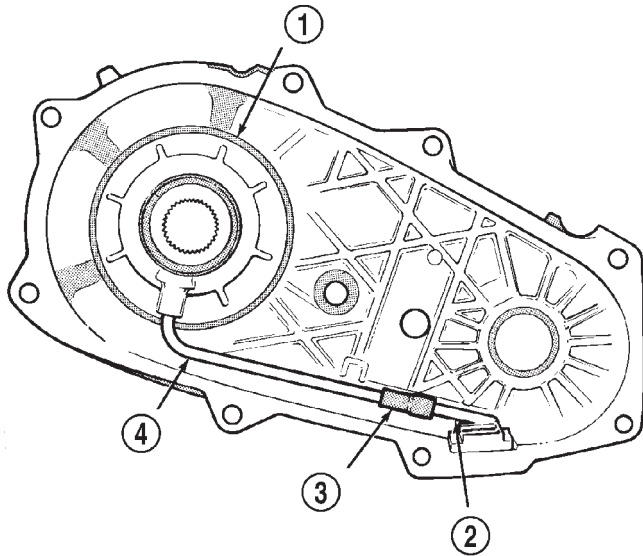
- 1 - DRIVE SPROCKET
- 2 - DRIVE SPROCKET SNAP RING

DISASSEMBLY AND ASSEMBLY (Continued)

OIL PUMP AND REAR CASE

(1) Insert oil pickup tube in oil pump and attach oil screen and connector hose to pickup tube. Then install assembled pump, tube and screen in rear case (Fig. 94). Be sure screen is seated in case slot as shown.

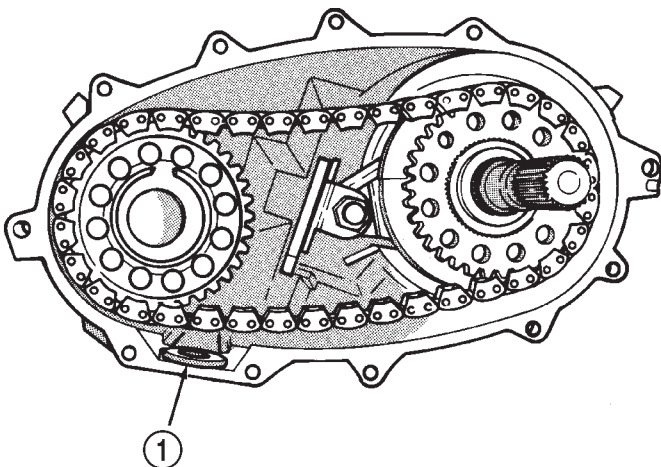
(2) Install magnet in front case pocket (Fig. 95).



J8921-287

**Fig. 94 Oil Screen And Pickup Tube Installation**

- 1 - OIL PUMP
- 2 - OIL SCREEN
- 3 - CONNECTOR
- 4 - PICKUP TUBE



J8921-288

**Fig. 95 Installing Case Magnet**

- 1 - MAGNET

(3) Apply 3 mm (1/8 in.) wide bead of Mopar gasket maker or silicone adhesive sealer to seal surface of front case.

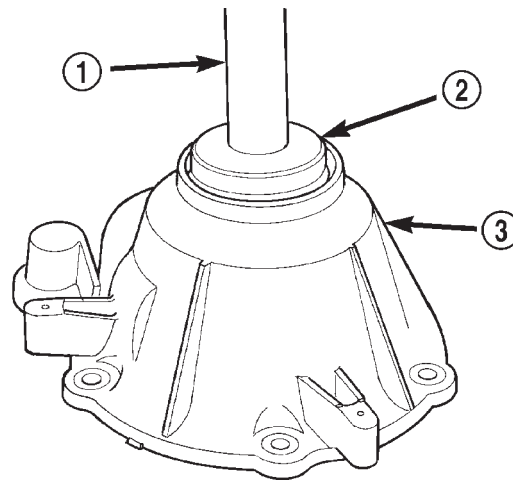
(4) Align and install rear case on front case. Be sure case locating dowels are in place and that main-shaft splines are engaged in oil pump inner gear.

(5) Install and tighten front case-to-rear case bolts to 41 N-m (30 ft. lbs.) torque. **Be sure to install a washer under each bolt used at case dowel locations.**

NV242 LD REAR RETAINER

(1) Remove rear bearing in retainer using Installer 8128 and Handle C-4171.

(2) Install rear bearing in retainer with Tools C-4171 and 5064 (Fig. 96).



800bdfa9

**Fig. 96 Installing Rear Bearing In Retainer**

- 1 - SPECIAL TOOL C-4171
- 2 - SPECIAL TOOL 5064
- 3 - REAR RETAINER

(3) Install rear bearing O.D. retaining ring with snap-ring pliers (Fig. 97). Be sure retaining ring is fully seated in retainer groove.

(4) Apply bead of Mopar® Sealer P/N 82300234, or Loctite™ Ultra Gray, to mating surface of rear retainer. Sealer bead should be a maximum of 3/16 in.

(5) Install rear retainer on rear case. Tighten retainer bolts to 20-27 N-m (15-20 ft. lbs.) torque.

(6) Install rear bearing I.D. retaining ring and spacer on output shaft.

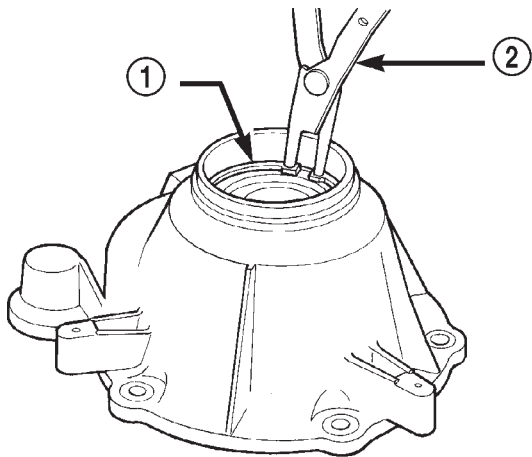
(7) Apply liberal quantity of petroleum jelly to new rear seal and to output shaft. Petroleum jelly is needed to protect seal lips during installation.

(8) Slide seal onto Seal Protector 6992 (Fig. 98). Slide seal protector and seal onto output shaft.

(9) Slide Installer C-4076-B onto seal protector with the recessed side of the tool toward the seal.



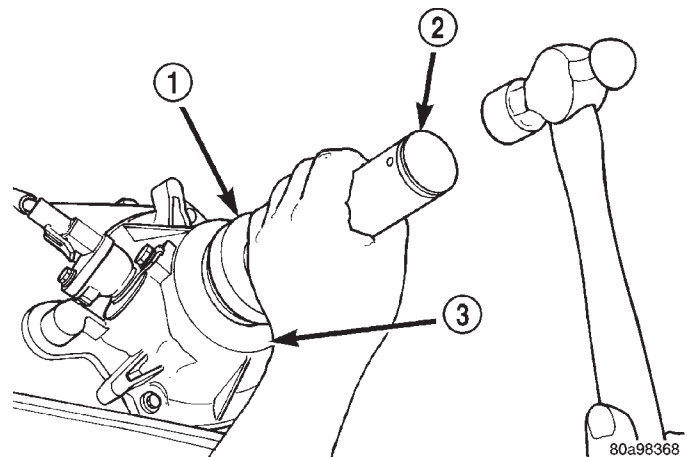
## DISASSEMBLY AND ASSEMBLY (Continued)



800bdfae

**Fig. 97 Rear Bearing Retaining Ring Installation**

- 1 - REAR BEARING O.D. RETAINING RING
- 2 - SNAP RING PLIERS

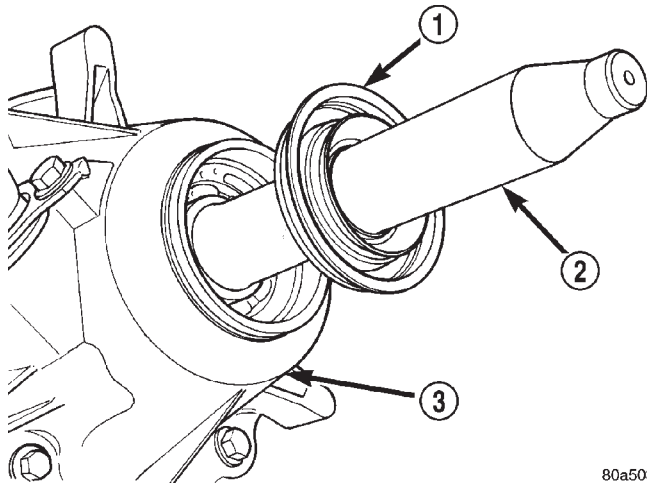


80a98368

**Fig. 99 Rear Seal Installation**

- 1 - SPECIAL TOOL C-4076-B
- 2 - SPECIAL TOOL MD998323
- 3 - TRANSFER CASE

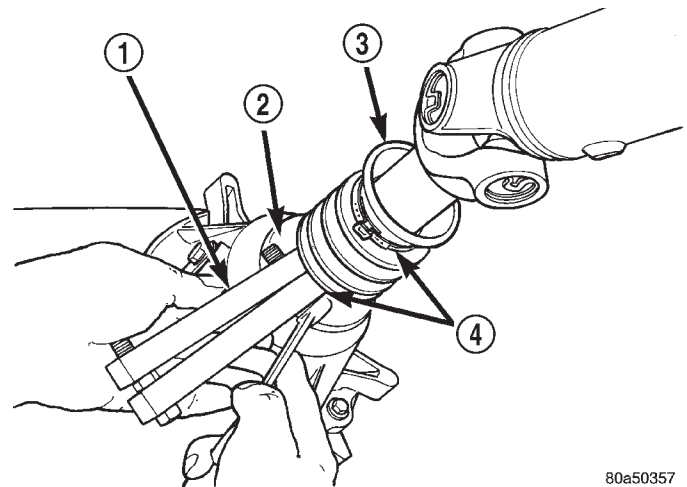
Drive seal into rear bearing retainer with Installer C-4076-B and Handle MD-998323 (Fig. 99).



80a50355

**Fig. 98 Output Shaft Seal and Protector**

- 1 - OUTPUT SHAFT SEAL
- 2 - SPECIAL TOOL 6992
- 3 - TRANSFER CASE



80a50357

**Fig. 100 Slinger Boot Installation**

- 1 - SPECIAL TOOL C-4975-A
- 2 - SLINGER
- 3 - BOOT
- 4 - CLAMP

- (10) Install rear slinger with Installer 8408.
- (11) Install boot on output shaft slinger and crimp retaining clamp with tool C-4975-A (Fig. 100).

**NV242HD REAR RETAINER**

(1) Install rear bearing O.D. retaining ring with snap-ring pliers (Fig. 101). Be sure retaining ring is fully seated in retainer groove.

(2) Apply bead of Mopar® Sealer P/N 82300234, or Loctite™ Ultra Gray, to mating surface of rear retainer. Sealer bead should be a maximum of 3/16 in.

(3) Install rear retainer on rear case. Tighten retainer bolts to 20–27 N·m (15–20 ft. lbs.) torque.

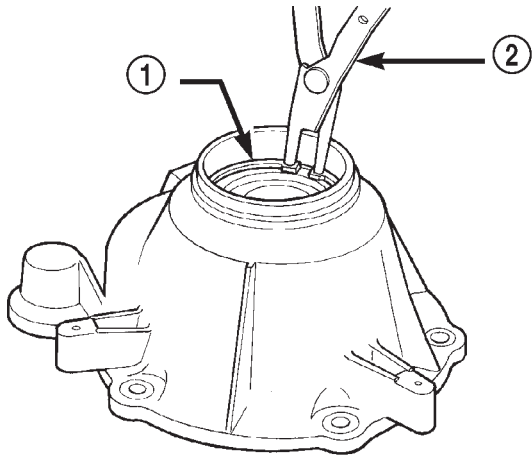
(4) Install new output shaft bearing snap-ring (Fig. 102). Lift mainshaft slightly to seat snap-ring in shaft groove, if necessary.

(5) Apply 3 mm (1/8 in.) wide bead of Mopar® gasket maker or silicone adhesive sealer to mounting surface of extension housing. Allow sealer to set-up slightly before proceeding.

(6) Install extension housing on rear retainer.

(7) Install extension housing bolts and tighten to 35–46 N·m (26–34 ft. lbs.).

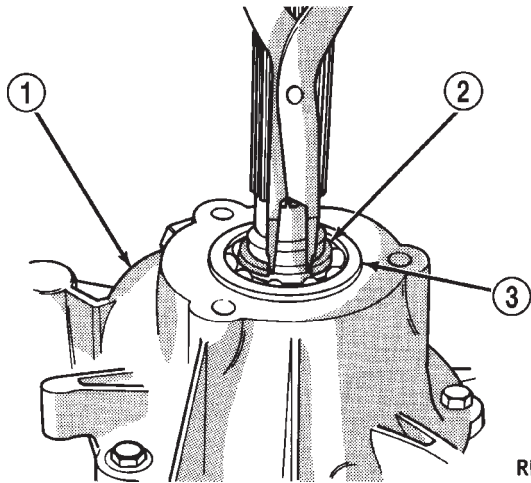
DISASSEMBLY AND ASSEMBLY (Continued)



800bdfae

**Fig. 101 Rear Bearing Retaining Ring Installation**

- 1 - REAR BEARING O.D. RETAINING RING
- 2 - SNAP RING PLIERS



RR21F22

**Fig. 102 Install Output Bearing Snap-ring**

- 1 - REAR RETAINER
- 2 - SNAP RING
- 3 - REAR BEARING

**COMPANION FLANGE INSTALLATION**

- (1) Lubricate companion flange hub with transmission fluid and install flange on front shaft.
- (2) Install new seal washer on front shaft.
- (3) Install flange on front shaft and tighten nut to 122-176 N·m (90-130 ft. lbs.).

**CLEANING AND INSPECTION**

**NV242 TRANSFER CASE**

Clean the transfer case parts with a standard parts cleaning solvent. Remove all traces of sealer from the cases and retainers with a scraper and all purpose cleaner. Use compressed air to remove sol-

vent residue from oil feed passages in the case halves, retainers, gears, and shafts.

The oil pickup screen can be cleaned with solvent. Shake excess solvent from the screen after cleaning and allow it to air dry. Do not use compressed air.

**MAINSHAFT/SPROCKET/HUB INSPECTION**

Inspect the splines on the hub and shaft and the teeth on the sprocket. Minor nicks and scratches can be smoothed with an oilstone. However, replace any part is damaged.

Check the contact surfaces in the sprocket bore and on the mainshaft. Minor nicks and scratches can be smoothed with 320-400 grit emery cloth but do not try to salvage the shaft if nicks or wear is severe.

**INPUT GEAR AND PLANETARY CARRIER**

Check the teeth on the gear (Fig. 103). Minor nicks can be dressed off with an oilstone but replace the gear if any teeth are broken, cracked, or chipped. The bearing surface on the gear can be smoothed with 300-400 grit emery cloth if necessary.

Examine the carrier body and pinion gears for wear or damage. The carrier will have to be replaced as an assembly if the body, pinion pins, or pinion gears are damaged.

Check the lock ring and both thrust washers for wear or cracks. Replace them if necessary. Also replace the lock retaining ring if bent, distorted, or broken.

**SHIFT FORKS/HUBS/SLEEVES**

Check condition of the shift forks and mode fork shift rail (Fig. 104). Minor nicks on the shift rail can be smoothed with 320-400 grit emery cloth.

Inspect the shift fork wear pads. The mode fork pads are serviceable and can be replaced if necessary. The range fork pads are also serviceable.

Check both of the sleeves for wear or damage, especially on the interior teeth. Replace the sleeves if wear or damage is evident.

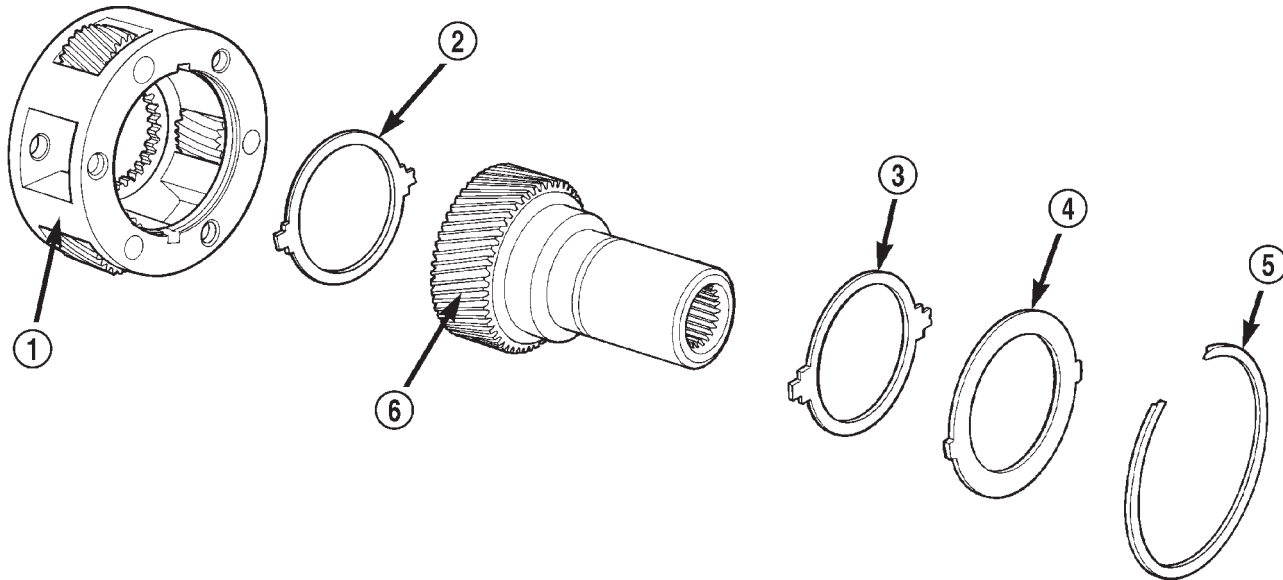
**REAR RETAINER/BEARING/ SEAL/SLINGER/BOOT**

Inspect the retainer components (Fig. 105). Replace the bearing if rough or noisy. Check the retainer for cracks or wear in the bearing bore. Clean the retainer sealing surfaces with a scraper and all purpose cleaner. This will ensure proper adhesion of the sealer during reassembly.

Replace the slinger and seal outright; do not reuse either part.

Inspect the retaining rings and washers. Replace any part if distorted, bent, or broken. Reuse is not recommended. Also replace the boot if cut or torn. Replace the boot band clamps, do not reuse them.

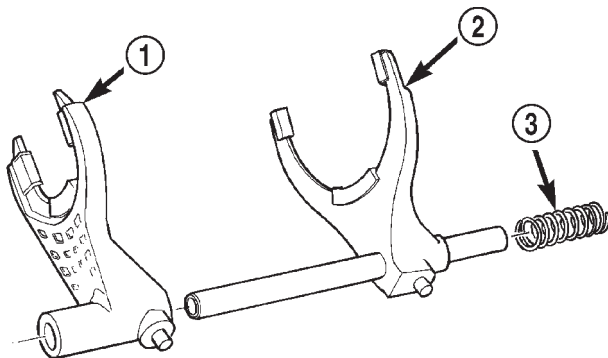
## CLEANING AND INSPECTION (Continued)

**Fig. 103 Input Gear And Carrier Components**

8001b75f

- 1 - PLANETARY CARRIER
- 2 - REAR THRUST WASHER
- 3 - FRONT THRUST WASHER

- 4 - CARRIER LOCK RING
- 5 - CARRIER LOCK RETAINING RING
- 6 - INPUT GEAR

**Fig. 104 Shift forks**

80010948

- 1 - RANGE FORK
- 2 - MODE FORK AND RAIL
- 3 - MODE SPRING

**REAR OUTPUT SHAFT/YOKE/DRIVE CHAIN**

Check condition of the seal contact surfaces of the yoke slinger (Fig. 106). This surface must be clean and smooth to ensure proper seal life. Replace the yoke nut and seal washer as neither part should be reused.

Inspect the shaft threads, sprocket teeth, and bearing surfaces. Minor nicks on the teeth can be smoothed with an oilstone. Use 320–400 grit emery to smooth minor scratches on the shaft bearing sur-

faces. Rough threads on the shaft can be chased if necessary. Replace the shaft if the threads are damaged, bearing surfaces are scored, or if any sprocket teeth are cracked or broken.

Examine the drive chain and shaft bearings. Replace the chain and both sprockets if the chain is stretched, distorted, or if any of the links bind. Replace the bearings if rough, or noisy.

**LOW RANGE ANNULUS GEAR**

Inspect annulus gear condition carefully. The gear is only serviced as part of the front case. If the gear is damaged, it will be necessary to replace the gear and front case as an assembly. Do not attempt to remove the gear (Fig. 107).

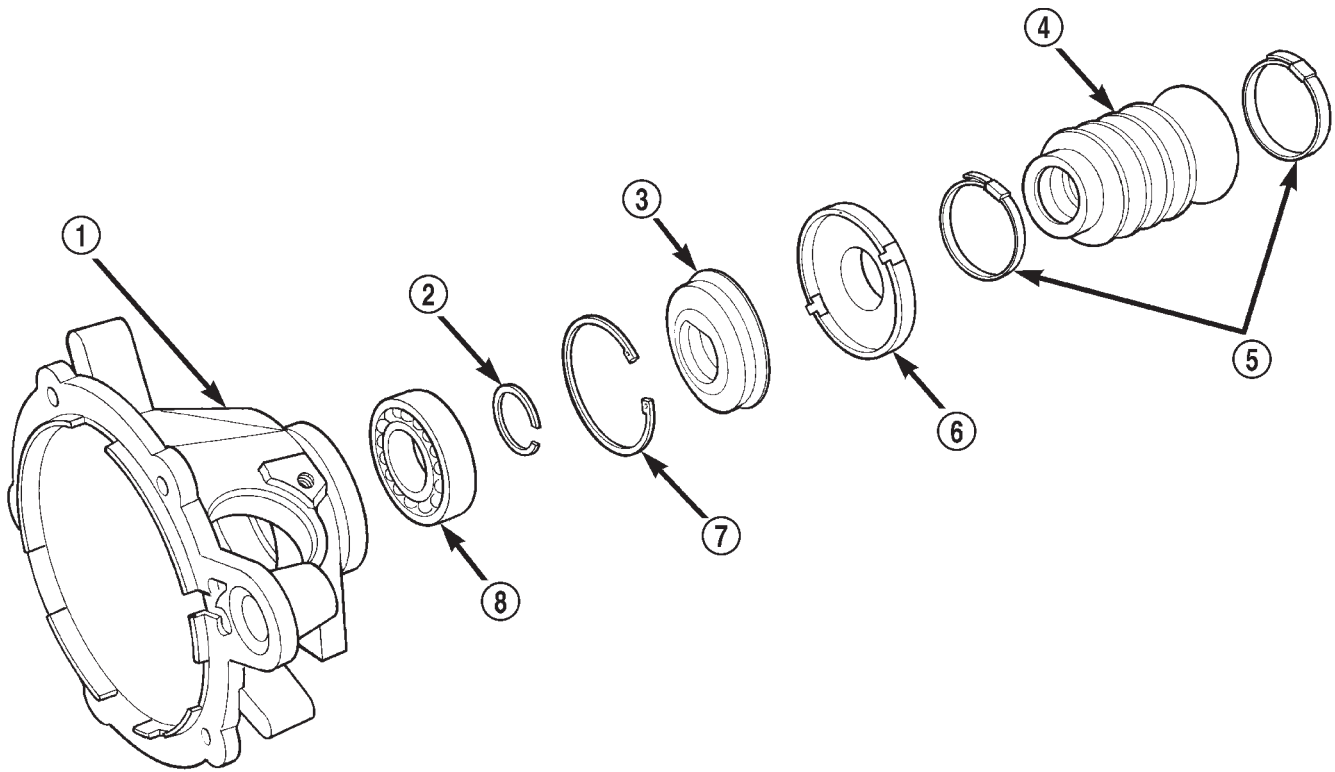
**FRONT-REAR CASES AND FRONT RETAINER**

Inspect the cases and retainer for wear and damage. Clean the sealing surfaces with a scraper and all purpose cleaner. This will ensure proper sealer adhesion at assembly. Replace the input retainer seal; do not reuse it.

Check case condition. If leaks were a problem, look for gouges and severe scoring of case sealing surfaces. Also make sure the front case mounting studs are in good condition.

Check the front case mounting studs and vent tube. The tube can be secured with Loctite™ 271 or 680 if loose. The stud threads can be cleaned up with a die if necessary. Also check condition of the fill/drain plug threads in the rear case. The threads can

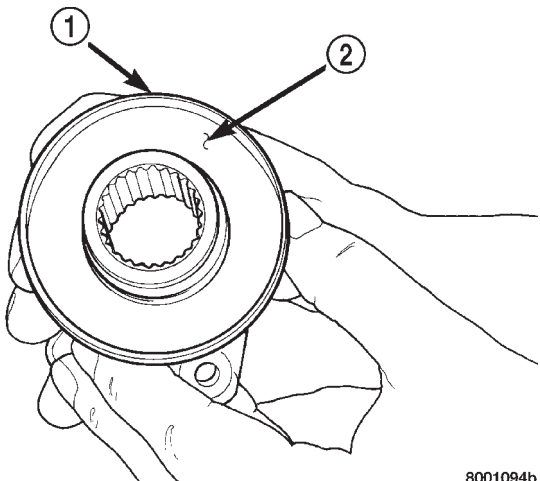
CLEANING AND INSPECTION (Continued)



**Fig. 105 Rear Retainer Components**

80c07014

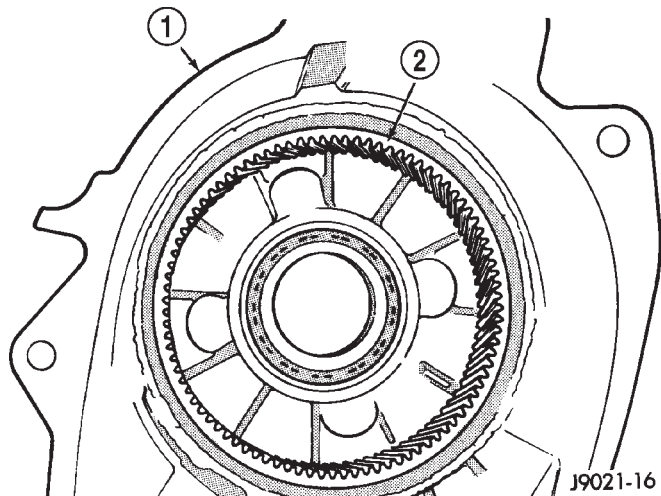
- |                                      |                                      |
|--------------------------------------|--------------------------------------|
| 1 - REAR RETAINER                    | 5 - BAND CLAMPS                      |
| 2 - REAR BEARING I.D. RETAINING RING | 6 - REAR SLINGER                     |
| 3 - REAR SEAL                        | 7 - REAR BEARING O.D. RETAINING RING |
| 4 - BOOT                             | 8 - REAR BEARING                     |



8001094b

**Fig. 106 Seal Contact Surface Of Yoke Slinger**

- 1 - FRONT SLINGER (PART OF YOKE)  
 2 - SEAL CONTACT SURFACE MUST BE CLEAN AND SMOOTH



J9021-16

**Fig. 107 Low Range Annulus Gear**

- 1 - FRONT CASE  
 2 - LOW RANGE ANNULUS GEAR

be repaired with a thread chaser or tap if necessary. Or the threads can be repaired with Helicoil stainless steel inserts if required.

**OIL PUMP/OIL PICKUP**

Examine the oil pump pickup parts. Replace the pump if any part appears to be worn or damaged. Do

CLEANING AND INSPECTION (Continued)

not disassemble the pump as individual parts are not available. The pump is only available as a complete assembly. The pickup screen, hose, and tube are the only serviceable parts and are available separately.

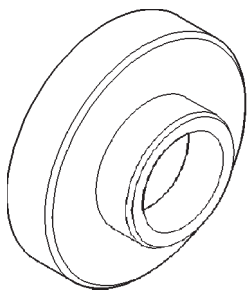
SPECIFICATIONS

TORQUE

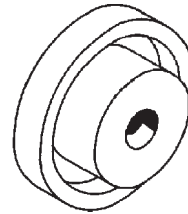
<b>DESCRIPTION</b>	<b>TORQUE</b>
Plug, Detent . . . . .	16-24 N·m (12-18 ft. lbs.)
Bolt, Diff. Case . . . . .	17-27 N·m (15-24 ft. lbs.)
Plug, Drain/Fill . . . . .	20-25 N·m (15-25 ft. lbs.)
Bolt, Front Brg. Retainer . . . . .	16-27 N·m (12-20 ft. lbs.)
Bolt, Case Half . . . . .	35-46 N·m (26-34 ft. lbs.)
Nut, Front Yoke . . . . .	122-176 N·m (90-130 ft. lbs.)
Screw, Oil Pump . . . . .	1.2-1.8 N·m (12-15 in. lbs.)
Nut, Range Lever . . . . .	27-34 N·m (20-25 ft. lbs.)
Bolt, Rear Retainer . . . . .	35-46 N·m (26-34 ft. lbs.)
Nuts, Mounting . . . . .	35 N·m (26 ft. lbs.)
Bolts, U-Joint . . . . .	19 N·m (17 ft. lbs.)

SPECIAL TOOLS

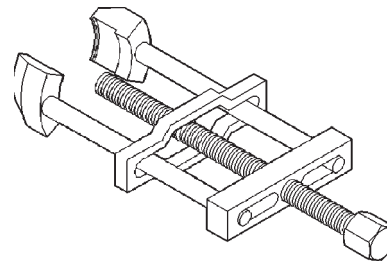
NV242



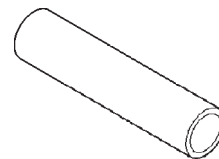
*Installer—C-4076-B*



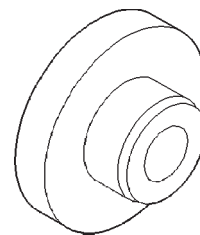
*Remover—C-4210*



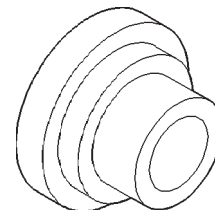
*Puller, Slinger—MD-998056-A*



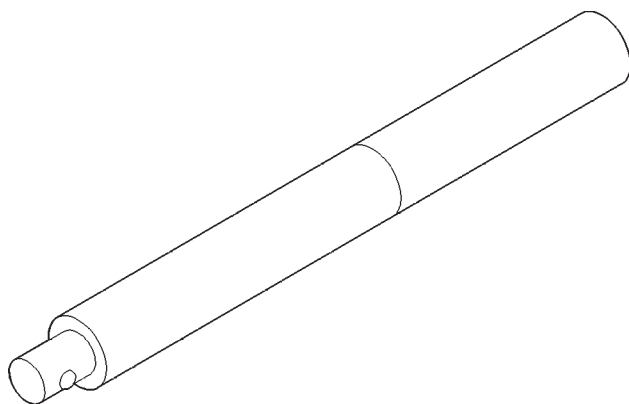
*Installer—MD-998323*



*Installer, Bearing—5064*

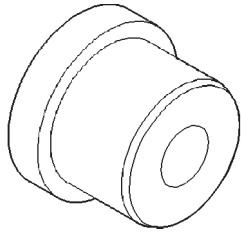


*Installer—8128*

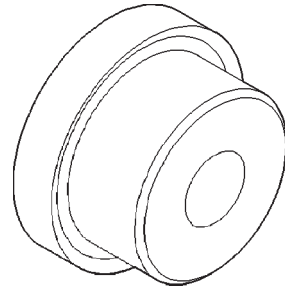


*Handle, Universal—C-4171*

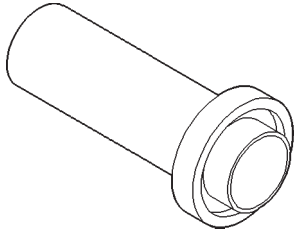
SPECIAL TOOLS (Continued)



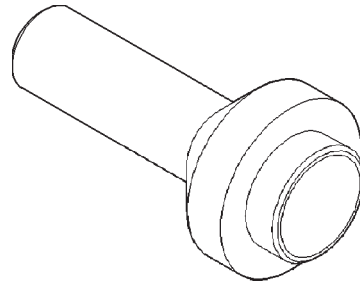
**Installer—5066**



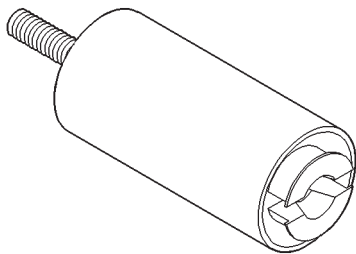
**Installer, Input Gear Bearing—7829-A**



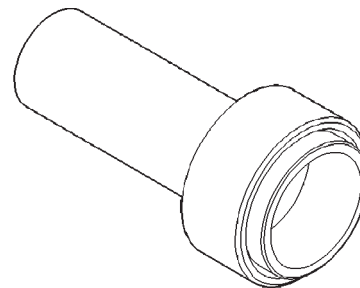
**Installer—6952-A**



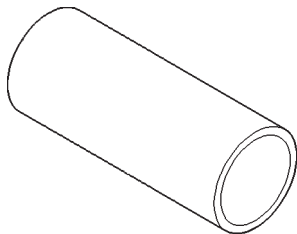
**Installer, Seal—7884**



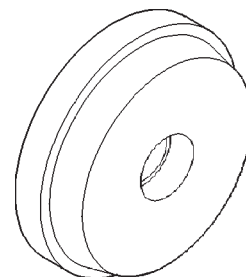
**Remover—L-4454**



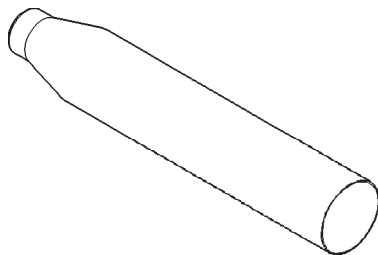
**Installer, Pump Housing Seal—7888**



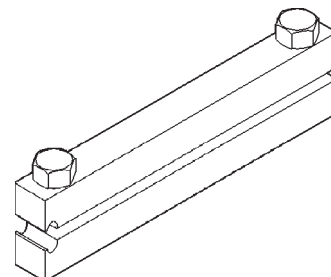
**Cup—8148**



**Installer, Bearing—8033-A**



**Seal Protector—6992**



**Installer, Boot Clamp—C-4975-A**



# NV247 TRANSFER CASE

## TABLE OF CONTENTS

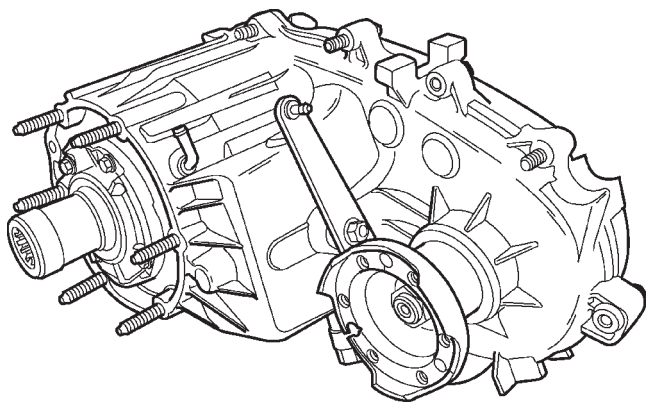
	page		page
<b>DESCRIPTION AND OPERATION</b>		FRONT OUTPUT SHAFT SEAL .....	312
NV247 TRANSFER CASE .....	308	REAR RETAINER BUSHING AND SEAL .....	313
TRANSFER CASE IDENTIFICATION .....	308	<b>DISASSEMBLY AND ASSEMBLY</b>	
RECOMMENDED LUBRICANT AND FILL LEVEL .....	309	NV247 TRANSFER CASE .....	314
<b>DIAGNOSIS AND TESTING</b>		<b>CLEANING AND INSPECTION</b>	
NV247 DIAGNOSIS .....	310	NV247 COMPONENTS .....	328
<b>REMOVAL AND INSTALLATION</b>		<b>SPECIFICATIONS</b>	
TRANSFER CASE .....	311	TORQUE .....	329
TRANSFER CASE SHIFT CABLE .....	311	<b>SPECIAL TOOLS</b>	
		NV247 TRANSFER CASE .....	330

## DESCRIPTION AND OPERATION

### NV247 TRANSFER CASE

#### DESCRIPTION

The NV247 (Fig. 1) is an on-demand 4-wheel drive transfer case with two operating ranges and a neutral position. Operating ranges are 4-high and 4-low. The 4-low range is used for extra pulling power in off-road situations.



80ba7a31

**Fig. 1 NV247 Transfer Case**

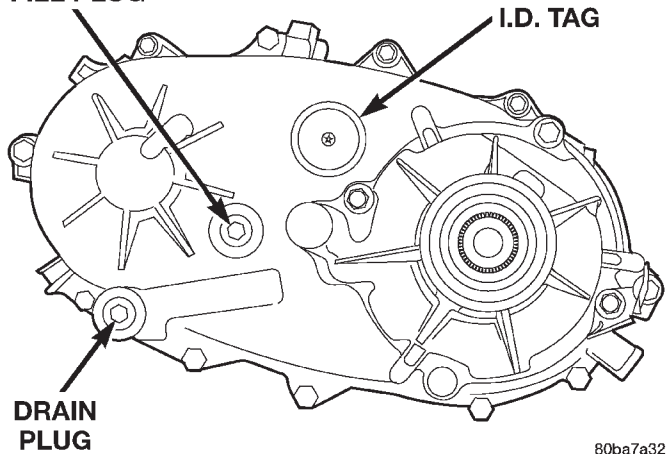
#### TRANSFER CASE IDENTIFICATION

A circular I.D. tag is attached to the rear case of each NV247 transfer case (Fig. 2). The tag indicates the following information:

- Model number
- Serial number
- Assembly number
- Gear ratio
- Location of manufacture

The transfer case serial number also represents the date of build.

#### FILL PLUG



80ba7a32

**Fig. 2 Transfer Case I.D. Tag**

#### OPERATION

Under normal driving conditions, the system operates conventionally, and the majority of available torque is applied to the rear wheels. However, when front-to-rear wheel speed variations exist, the progressive differential transfers torque to the axle with the better traction, thus minimizing wheel spin and maximizing control.

The key to this design is a progressive coupling (Fig. 3), which is supplied with pressurized oil by a gerotor style pump. The pump rotor and case are driven by the front and rear driveshafts respectively, and deliver pressurized oil flow to the coupling in proportion to their speed difference. The progressive coupling contains a multi-disc clutch pack that is alternately splined to the front and rear driveshafts, and controls torque variation between the front and rear driveshafts as dictated by the pump.

## DESCRIPTION AND OPERATION (Continued)

A set of orifices and valves control the speed-differential starting point and rate of torque transfer rise in the clutch. This allows the system to disregard the normal speed differences between axles that result from variations in front-to-rear loading and typical cornering.

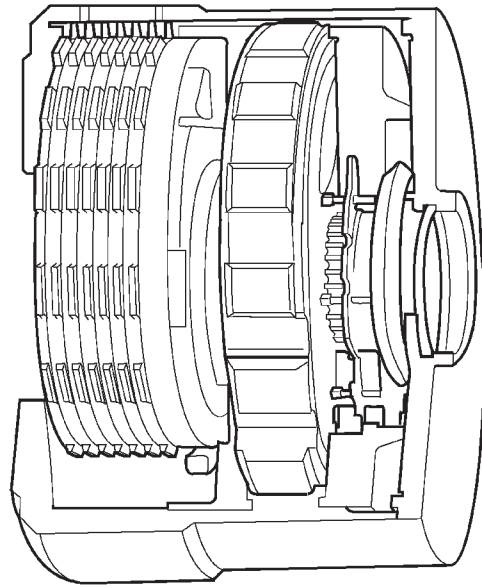
Transfer case operating ranges are selected with a floor mounted shift lever. The shift lever is connected to the transfer case range lever by an adjustable cable. Range positions are marked on the shifter bezel plate.

## RECOMMENDED LUBRICANT AND FILL LEVEL

## DESCRIPTION

Mopar® Transfer Case Lubricant is the only lubricant recommended for the NV247 transfer case. Approximate fluid refill capacity is approximately 1.6 liters (3.4 pints).

The fill and drain plugs are both in the rear case. Correct fill level is to the bottom edge of the fill plug hole. Be sure that the vehicle is level to ensure an accurate fluid level check.



80ba7a55

**Fig. 3 Progressive Coupling**

## DIAGNOSIS AND TESTING

## NV247 DIAGNOSIS

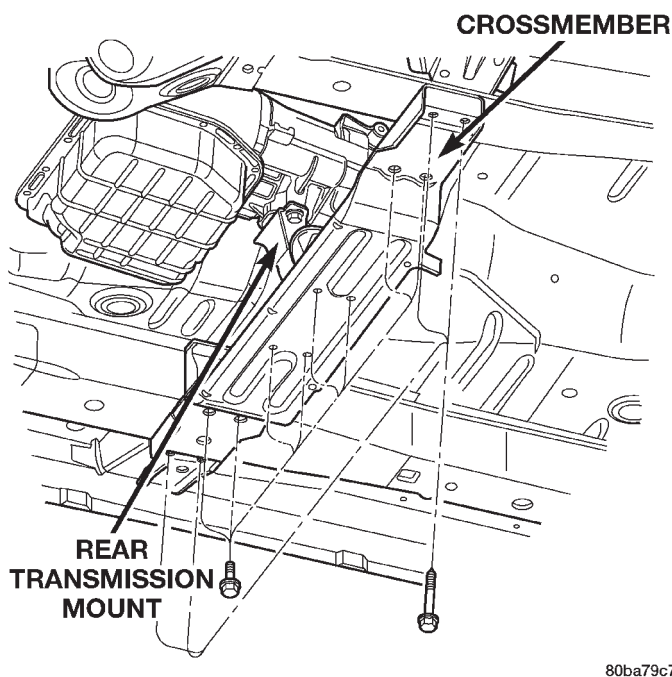
CONDITION	POSSIBLE CAUSE	CORRECTION
TRANSFER CASE DIFFICULT TO SHIFT OR WILL NOT SHIFT INTO DESIRED RANGE	<ol style="list-style-type: none"> <li>1. Vehicle speed too great to permit shifting</li> <li>2. Transfer case external shift cable binding</li> <li>3. Insufficient or incorrect lubricant</li> <li>4. Internal components binding, worn, or damaged</li> </ol>	<ol style="list-style-type: none"> <li>1. Reduce speed to 3-4 km/h (2-3 mph) before attempting to shift</li> <li>2. Lubricate, repair or replace cable, or tighten loose components as necessary</li> <li>3. Drain and refill to edge of fill hole with correct lubricant</li> <li>4. Disassemble unit and replace worn or damaged components as necessary</li> </ol>
TRANSFER CASE NOISY IN ALL MODES	<ol style="list-style-type: none"> <li>1. Insufficient or incorrect lubricant</li> </ol>	<ol style="list-style-type: none"> <li>1. Drain and refill to edge of fill hole with correct lubricant. <b>If unit is still noisy after drain and refill, disassembly and inspection may be required to locate source of noise</b></li> </ol>
NOISY IN—OR JUMPS OUT OF 4WD LOW RANGE	<ol style="list-style-type: none"> <li>1. Transfer case not completely engaged in 4WD LOW (possibly from shift to 4L while rolling)</li> <li>2. Shift linkage loose, binding, or is misadjusted</li> <li>3. Range fork cracked, inserts worn, or fork is binding on shift rail</li> <li>4. Annulus gear or lockplate worn or damaged</li> </ol>	<ol style="list-style-type: none"> <li>1. Stop vehicle, shift transfer case to neutral, then shift back to 4WD LOW</li> <li>2. Tighten, lubricate, or repair linkage as necessary. Adjust linkage if necessary</li> <li>3. Disassemble unit and repair as necessary</li> <li>4. Disassemble unit and repair as necessary</li> </ol>
LUBRICANT LEAKING FROM OUTPUT SHAFT SEALS OR FROM VENT	<ol style="list-style-type: none"> <li>1. Transfer case over filled</li> <li>2. Vent closed or restricted</li> <li>3. Output shaft seals damaged or installed correctly</li> </ol>	<ol style="list-style-type: none"> <li>1. Drain to correct level</li> <li>2. Clear or replace vent if necessary</li> <li>3. Replace seals. Be sure seal lip faces interior of case when installed. Also be sure yoke seal surfaces are not scored or nicked. Remove scores and nicks with fine sandpaper or replace yoke(s) if necessary.</li> </ol>

## REMOVAL AND INSTALLATION

### TRANSFER CASE

#### REMOVAL

- (1) Shift transfer case into Neutral.
- (2) Raise vehicle.
- (3) Remove transfer case drain plug and drain transfer case lubricant.
- (4) Mark front and rear propeller shaft yokes for alignment reference.
- (5) Support transmission with jack stand.
- (6) Remove rear crossmember and skid plate, if equipped (Fig. 4).



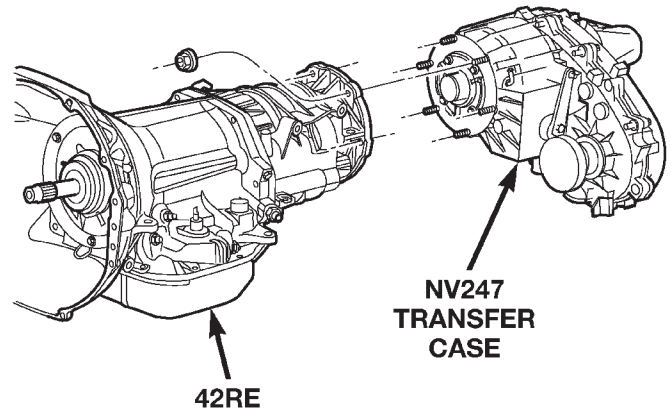
80ba79c7

**Fig. 4 Crossmember Removal/Installation**

- (7) Disconnect front propeller shaft from transfer case at companion flange. Remove rear propeller shaft from vehicle. Refer to Group 3, Differential and Driveline for the correct procedures.

**CAUTION:** Do not allow propshafts to hang at attached end. Damage to joint can result.

- (8) Disconnect transfer case cable from range lever.
- (9) Disconnect transfer case vent hose (Fig. 5).
- (10) Support transfer case with transmission jack.
- (11) Secure transfer case to jack with chains.
- (12) Remove nuts attaching transfer case to transmission.
- (13) Pull transfer case and jack rearward to disengage transfer case (Fig. 5).
- (14) Remove transfer case from under vehicle.



80ba79c9

**Fig. 5 Transfer Case Mounting**

#### INSTALLATION

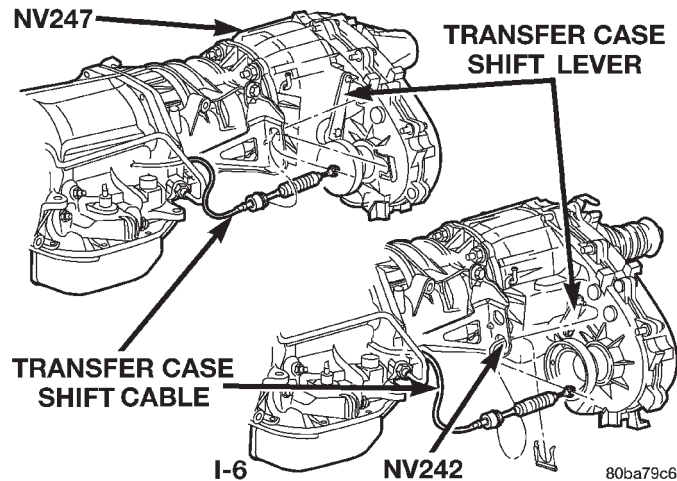
- (1) Mount transfer case on a transmission jack.
- (2) Secure transfer case to jack with chains.
- (3) Position transfer case under vehicle.
- (4) Align transfer case and transmission shafts and install transfer case on transmission.
- (5) Install and tighten transfer case attaching nuts to 35 N·m (26 ft. lbs.) torque (Fig. 5).
- (6) Connect front propeller shaft and install rear propeller shaft. Refer to Group 3, Differential and Driveline, for proper procedures and torque specifications.
- (7) Fill transfer case with correct fluid. Check transmission fluid level. Correct as necessary.
- (8) Install rear crossmember (Fig. 4) and skid plate, if equipped. Tighten crossmember bolts to 41 N·m (30 ft. lbs.) torque.
- (9) Remove transmission jack and support stand.
- (10) Verify transfer case is in Neutral. Connect shift cable to transfer case range lever.
- (11) Lower vehicle and verify transfer case shift operation.
- (12) Adjust the transfer case shift cable, if necessary.

### TRANSFER CASE SHIFT CABLE

#### REMOVAL

- (1) Shift transfer case into neutral.
- (2) Raise vehicle.
- (3) Disconnect the shift cable eyelet from the transfer case shift lever (Fig. 6).
- (4) Remove shift cable from the cable support bracket.
- (5) Lower vehicle.
- (6) Remove shift lever bezel and necessary console parts for access to shift lever assembly and shift cable.

## REMOVAL AND INSTALLATION (Continued)

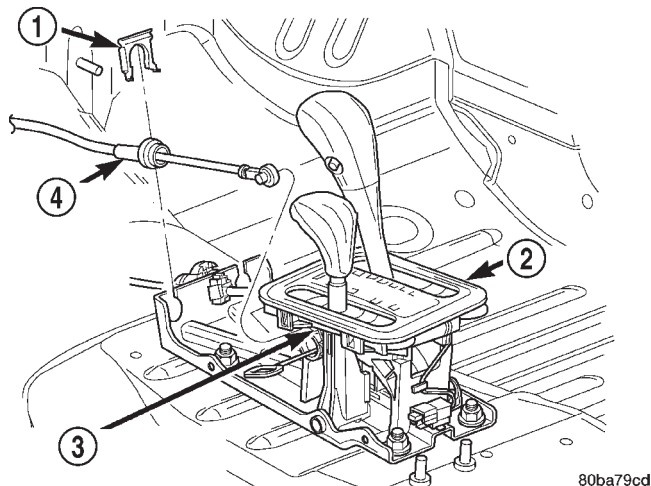


**Fig. 6 Transfer Case Shift Cable at Transfer Case**

(7) Disconnect cable at shift lever and shifter assembly bracket (Fig. 7).

(8) Remove the nuts holding the shift cable seal plate to the floor pan (Fig. 8).

(9) Pull cable through floor panel opening.



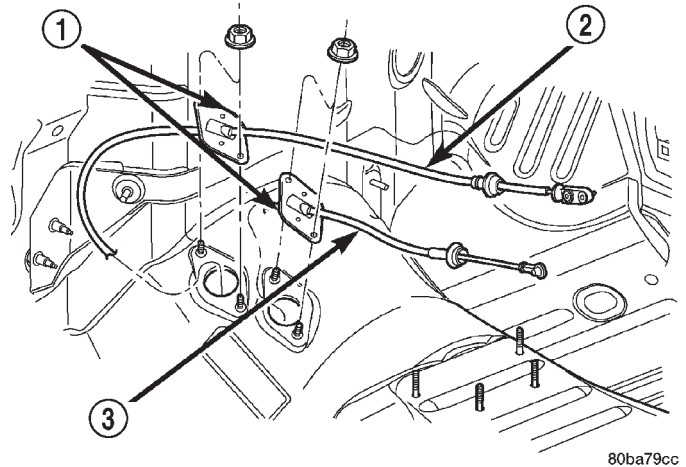
**Fig. 7 Transfer Case Shift Cable at Shifter**

- 1 - CLIP
- 2 - SHIFTER
- 3 - TRANSFER CASE SHIFT LEVER PIN
- 4 - TRANSFER CASE SHIFT CABLE

(10) Remove transfer case shift cable from vehicle.

### INSTALLATION

- (1) Route cable through hole in floor pan.
- (2) Install seal plate to studs in floor pan.
- (3) Install nuts to hold seal plate to floor pan (Fig. 8). Tighten nuts to 7 N·m (65 in. lbs.).
- (4) Install the transfer case shift cable to the shifter assembly bracket. Seat cable in bracket and install clip (Fig. 7).



**Fig. 8 Shift Cables at Floor Pan**

- 1 - SEAL PLATES
- 2 - TRANSMISSION SHIFT CABLE
- 3 - TRANSFER CASE SHIFT CABLE

(5) Verify the transfer case shift lever (at console) is in the NEUTRAL position.

(6) Snap the cable onto the shift lever pin (Fig. 7).

(7) Raise the vehicle.

(8) Install the shift cable to the shift cable support bracket and install clip (Fig. 6).

(9) Verify that the transfer case is still in the NEUTRAL position.

(10) Snap the shift cable onto the transfer case shift lever (Fig. 6).

(11) Lower vehicle.

(12) Verify correct transfer case operation in all ranges.

(13) Install shift lever bezel and any console parts removed for access to transfer case shift cable.

### FRONT OUTPUT SHAFT SEAL

#### REMOVAL

- (1) Raise vehicle on hoist.
- (2) Remove front propeller shaft. Refer to Group 3, Differential and Driveline, for proper procedure.
- (3) Remove front output shaft companion shaft.
- (4) Remove seal from front case with pry tool (Fig. 9).

#### INSTALLATION

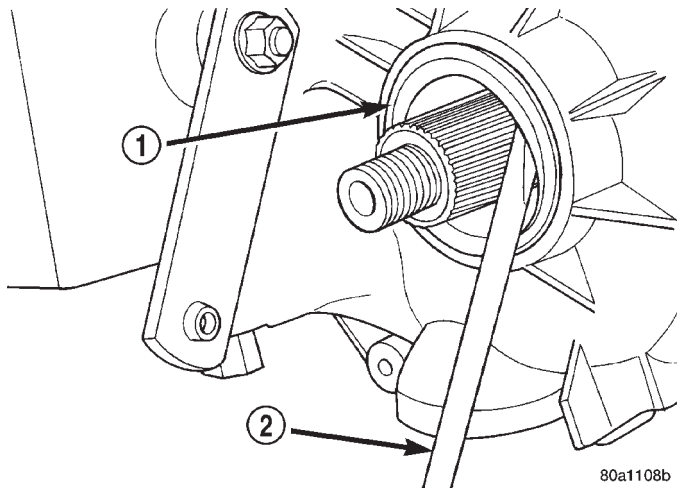
(1) Install new front output seal in front case with Installer Tool 6952-A as follows:

(a) Place new seal on tool. Garter spring on seal goes toward interior of case.

(b) Start seal in bore with light taps from hammer (Fig. 10). Once seal is started, continue tapping seal into bore until installer tool seats against case.

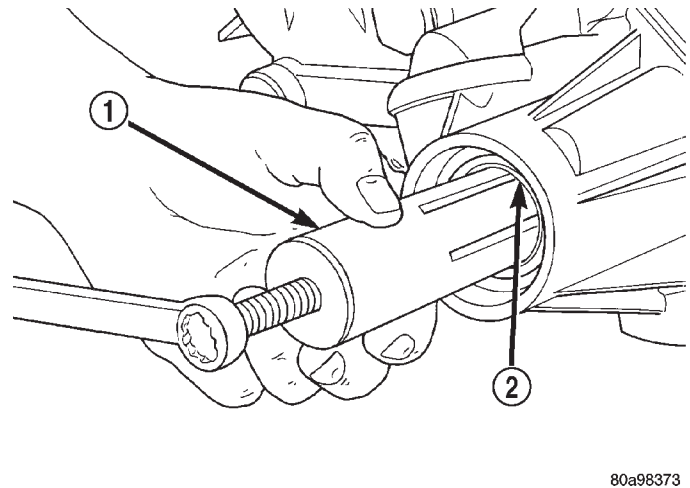


REMOVAL AND INSTALLATION (Continued)



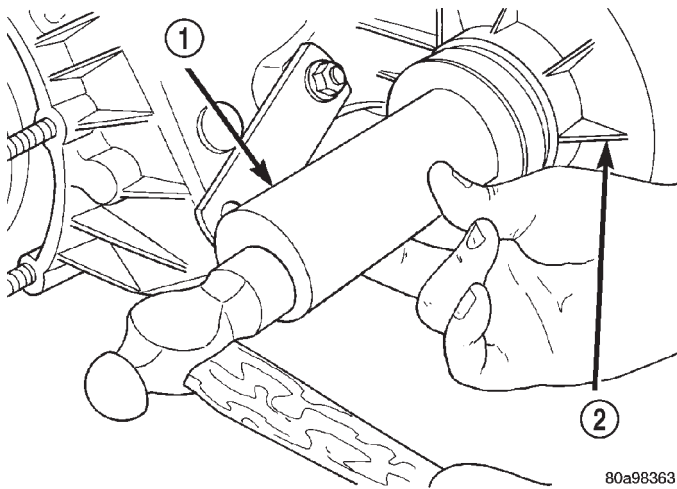
**Fig. 9 Remove Front Output Shaft Seal**

- 1 - OUTPUT SHAFT SEAL
- 2 - PRYBAR



**Fig. 11 Rear Retainer Bushing Removal**

- 1 - REMOVER 6957
- 2 - REAR RETAINER BUSHING



**Fig. 10 Front Output Seal Installation**

- 1 - INSTALLER 6952-A
- 2 - TRANSFER CASE

(2) Install companion flange and torque nut to 122-176 N·m (90-130 ft. lbs.).

(3) Install front propeller shaft. Refer to Group 3, Differential and Driveline for proper procedures and torque specifications.

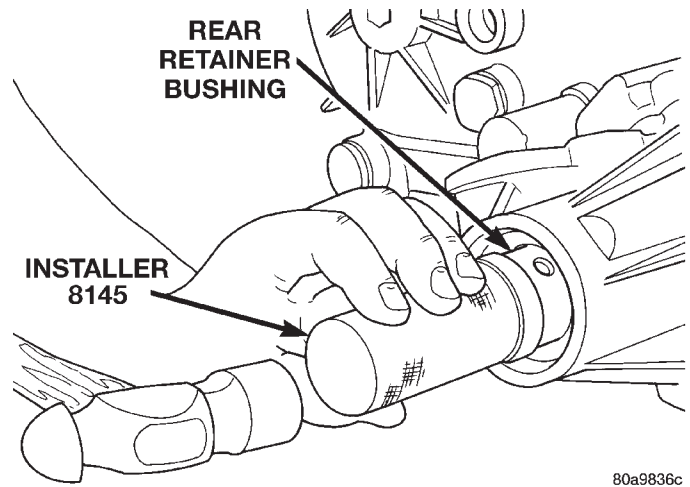
**REAR RETAINER BUSHING AND SEAL**

**REMOVAL**

- (1) Raise vehicle on hoist.
- (2) Remove rear propeller shaft. Refer to Group 3, Differential and Driveline, for proper procedure.
- (3) Using a suitable pry tool or slide-hammer mounted screw, remove the rear retainer seal.
- (4) Using Remover 6957, remove bushing from rear retainer (Fig. 11).

**INSTALLATION**

- (1) Clean fluid residue from sealing surface and inspect for defects.
- (2) Position replacement bushing in rear retainer with fluid port in bushing aligned with slot in retainer.
- (3) Using Installer 8145, drive bushing into retainer until installer seats against case (Fig. 12).
- (4) Using Installer C-3995-A, install seal in rear retainer (Fig. 13).

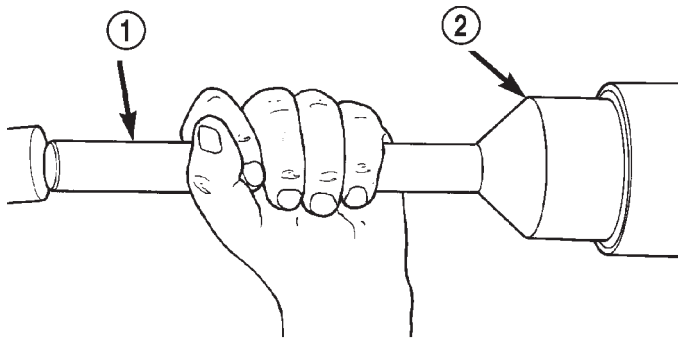


**Fig. 12 Rear Retainer Bushing Install**

- (5) Install rear propeller shaft. Refer to Group 3, Differential and Driveline for proper procedures and specifications.
- (6) Verify proper fluid level.
- (7) Lower vehicle.



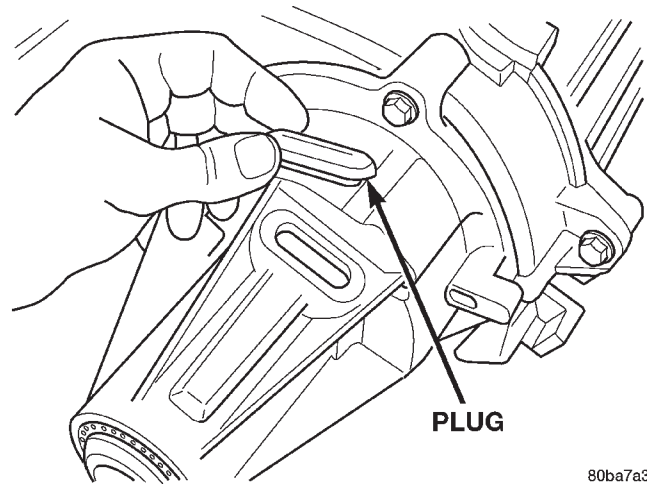
REMOVAL AND INSTALLATION (Continued)



80a983a7

**Fig. 13 Install Rear Retainer Seal**

- 1 - SPECIAL TOOL C-4171
- 2 - SPECIAL TOOL C-3995-A



80ba7a33

**Fig. 15 Remove Rubber Access Plug**

DISASSEMBLY AND ASSEMBLY

NV247 TRANSFER CASE

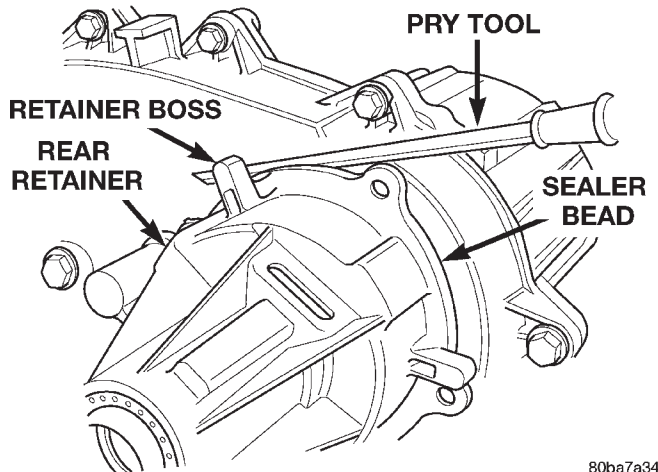
DISASSEMBLY

Position transfer case on shallow drain pan. Remove drain plug and drain lubricant remaining in case.

REAR RETAINER AND OIL PUMP REMOVAL

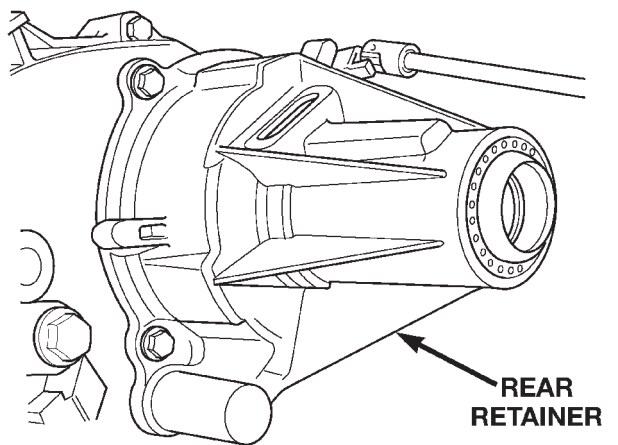
- (1) Remove rear retainer bolts (Fig. 14).
- (2) Remove rear bearing locating ring access plug (Fig. 15).

(b) Then slide retainer off mainshaft and rear bearing (Fig. 18).



80ba7a34

**Fig. 16 Loosening Rear Retainer**



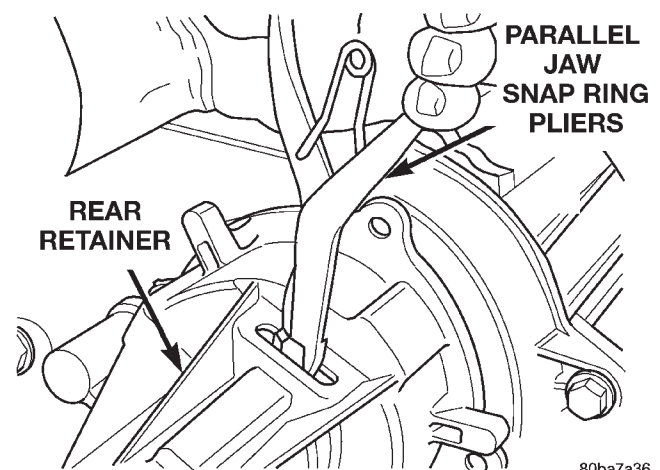
80ba7a35

**Fig. 14 Rear Retainer Bolt Removal**

(3) Loosen rear retainer with pry tool to break sealer bead. Pry only against retainer boss as shown (Fig. 16).

(4) Remove rear retainer as follows:

- (a) Spread rear bearing locating ring with snap ring pliers (Fig. 17).

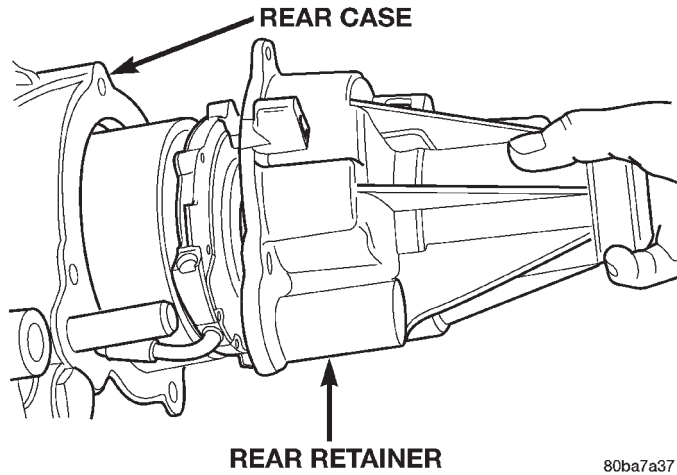


80ba7a36

**Fig. 17 Disengaging Rear Bearing Locating Ring**

(5) Remove rear bearing snap-ring.

DISASSEMBLY AND ASSEMBLY (Continued)

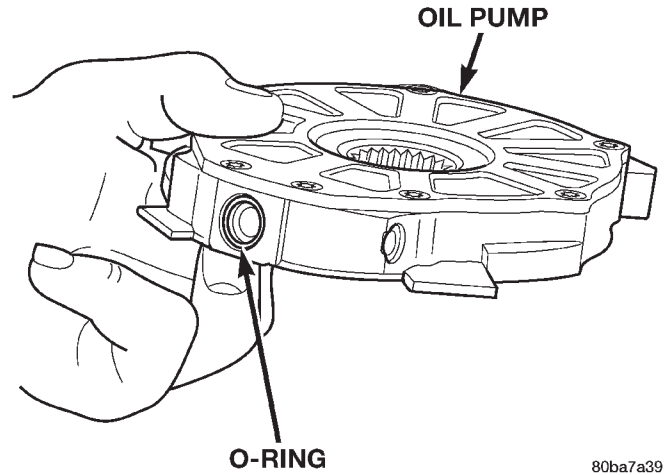


**Fig. 18 Rear Retainer Removal**

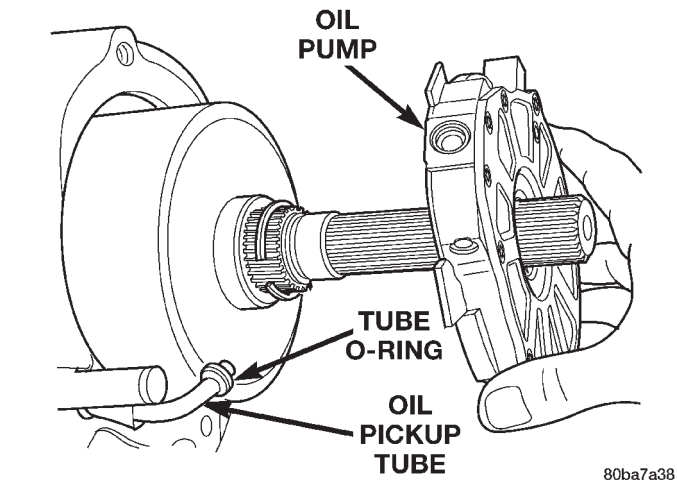
(6) Remove rear bearing. Note position of bearing locating ring groove for assembly reference.

(7) Disengage oil pickup tube from oil pump and remove oil pump assembly (Fig. 19).

(8) Remove pick-up tube o-ring from oil pump (Fig. 20), if necessary. Do not disassemble the oil pump, it is not serviceable.



**Fig. 20 Pick-up Tube O-ring Location**



**Fig. 19 Rear Bearing and Oil Pump Removal**

**PROGRESSIVE COUPLING REMOVAL**

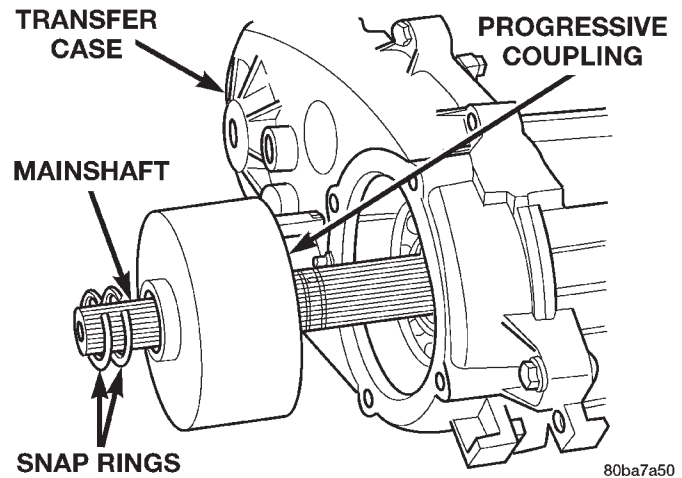
(1) Remove oil pump locating snap-ring and progressive coupling snap-ring from mainshaft (Fig. 21).

(2) Remove progressive coupling from mainshaft (Fig. 21).

**COMPANION FLANGE AND RANGE LEVER REMOVAL**

(1) Remove front companion flange nut as follows:  
 (a) Move range lever to 4L position.  
 (b) Remove nut with socket and impact wrench.

(2) Remove companion flange. If flange is difficult to remove by hand, remove it with bearing splitter, or with standard two jaw puller. Be sure puller tool is



**Fig. 21 Progressive Coupling Removal**

positioned on flange and not on slinger as slinger will be damaged.

(3) Remove seal washer from front output shaft. Discard washer as it should not be reused.

(4) Remove nut and washer that attach range lever to sector shaft. Then move sector to neutral position and remove range lever from shaft.

**NOTE:** Note position of range lever so it can be re-installed correctly.

**FRONT OUTPUT SHAFT AND DRIVE CHAIN REMOVAL**

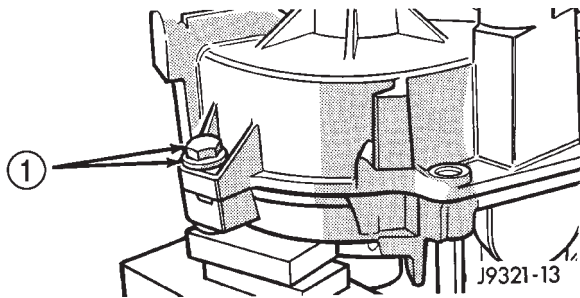
(1) Support transfer case so rear case is facing upward.

(2) Remove bolts holding front case to rear case. The case alignment bolt require flat washers (Fig. 22).

(3) Loosen rear case with flat blade screwdriver to break sealer bead. Insert screwdriver blade only into notches provided at each end of case (Fig. 23).

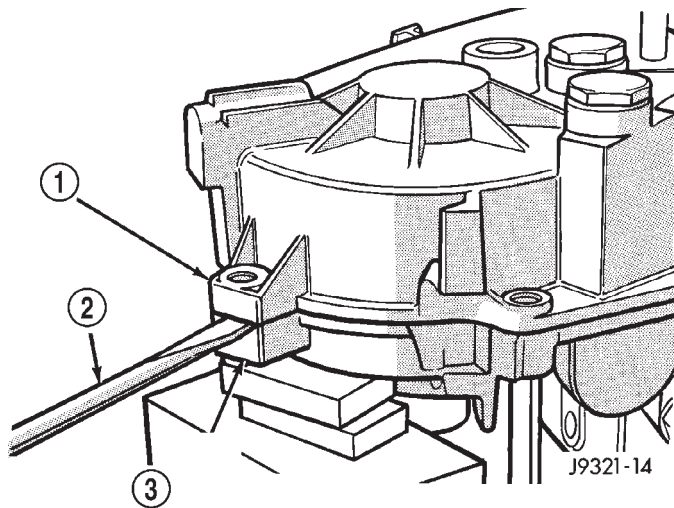
(4) Remove rear case (Fig. 24).

## DISASSEMBLY AND ASSEMBLY (Continued)



**Fig. 22 Rear Case Alignment Bolt Locations**

1 - ALIGNMENT BOLT AND WASHER (AT EACH END OF CASE)



**Fig. 23 Loosening Rear Case**

1 - REAR CASE  
2 - PRY TOOL  
(IN CASE SLOT)  
3 - FRONT CASE

(5) Remove oil pickup tube from rear case (Fig. 25).

(6) Remove drive gear snap-ring (Fig. 26).

(7) Disengage drive gear (Fig. 26). Pry gear upward and off mainshaft as shown.

(8) Remove front output shaft, drive chain and drive gear as assembly (Fig. 26).

(9) Remove output shaft drive gear snap ring.

(10) Remove output shaft drive gear from output shaft.

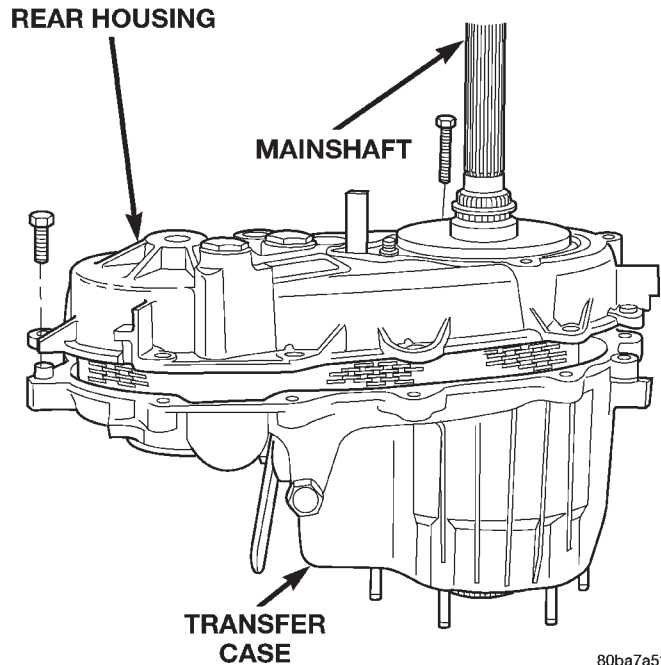
#### SHIFT FORKS AND MAINSHAFT REMOVAL

(1) Remove detent plug, O-ring, detent spring and detent plunger (Fig. 27).

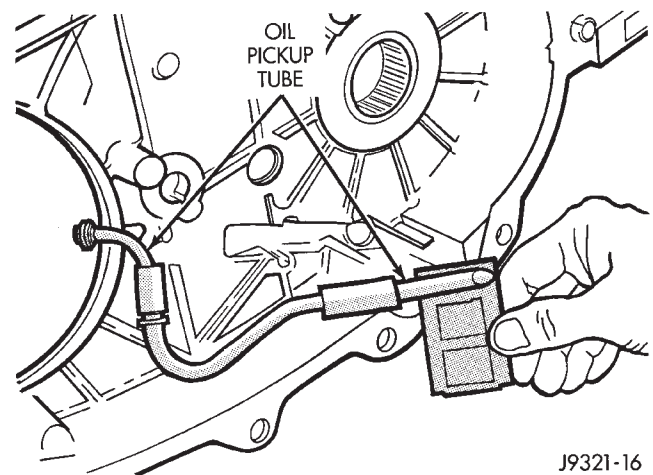
(2) Remove shift rail from shift fork and transfer case housing.

(3) Rotate range shift fork until it disengages from shift sector.

(4) Remove mainshaft and shift fork from input gear pilot bearing.



**Fig. 24 Rear Case Removal**



**Fig. 25 Oil Pickup Tube Removal**

**NOTE:** Loose needle bearings are used to support the drive sprocket hub on the mainshaft. Do not lift mainshaft by drive sprocket hub or needle bearings will become dislodged.

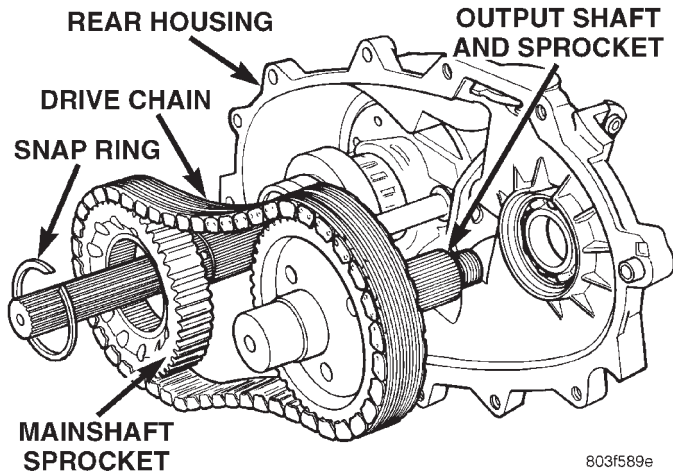
(5) Wrap rag around mainshaft underneath drive sprocket hub and remove drive sprocket hub from mainshaft. Be sure to retrieve all the drive sprocket hub needle bearings.

(6) Remove snap ring holding clutch sleeve onto mainshaft.

(7) Remove range clutch sleeve, blockout spring, locking clutch, and locking clutch spring from mainshaft (Fig. 28).

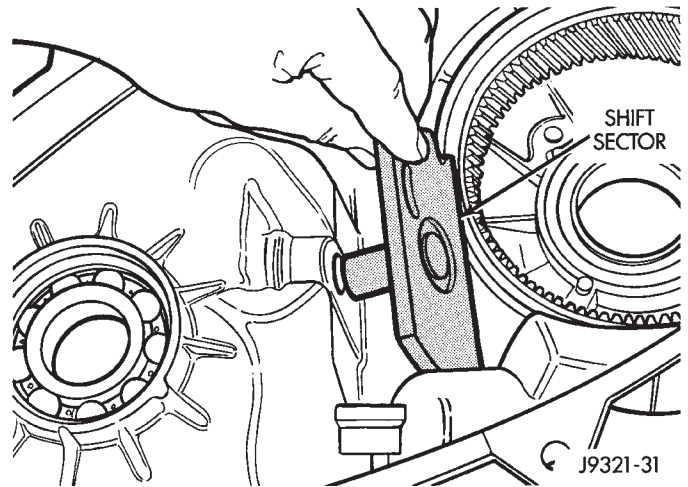
(8) Remove shift sector. Rotate and tilt sector as needed to remove it (Fig. 29).

DISASSEMBLY AND ASSEMBLY (Continued)

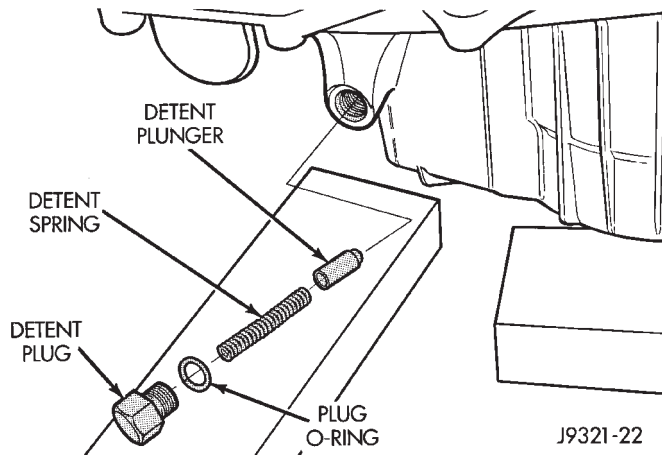


**Fig. 26 Front Output Shaft, Drive Gear And Chain Removal**

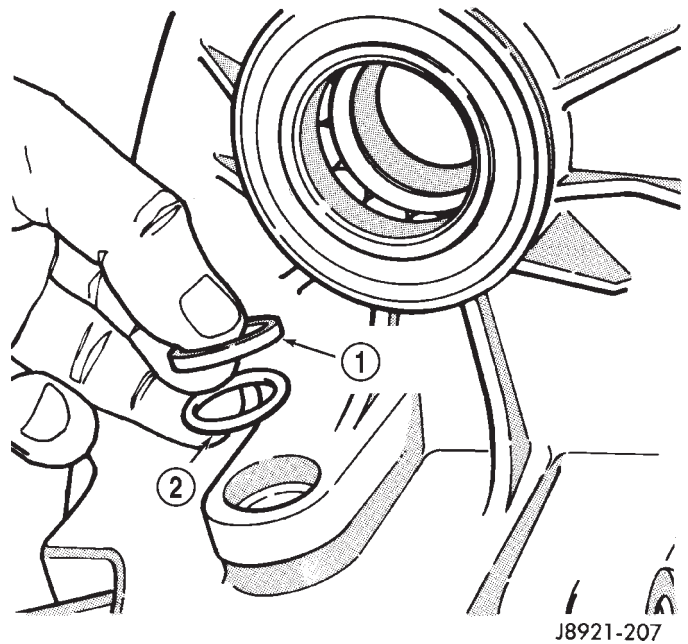
(9) Remove shift sector bushing and O-ring (Fig. 30).



**Fig. 29 Shift Sector Removal**

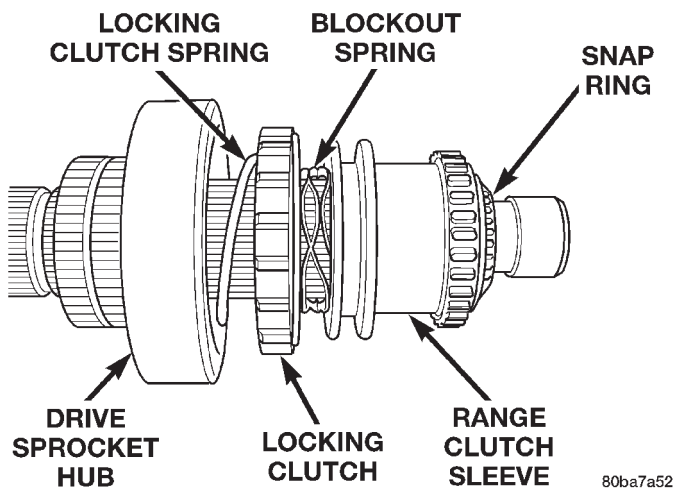


**Fig. 27 Detent Plug, Spring And Plunger Removal**



**Fig. 30 Sector Bushing And O-Ring Removal**

- 1 - SHIFT SECTOR BUSHING
- 2 - O-RING



**Fig. 28 Range Clutch Sleeve, Blockout Spring, Locking Clutch and Spring**



## DISASSEMBLY AND ASSEMBLY (Continued)

## INPUT GEAR/LOW RANGE ASSEMBLY REMOVAL

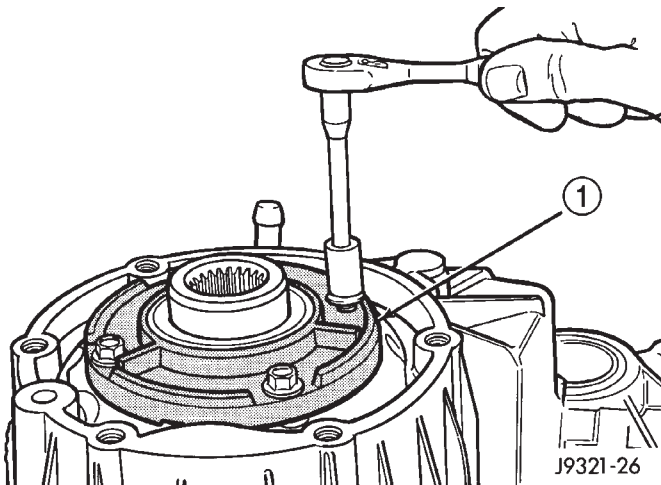
(1) Turn front case on side so front bearing retainer is accessible.

(2) Remove front bearing retainer bolts (Fig. 31).

(3) Remove front bearing retainer as follows:

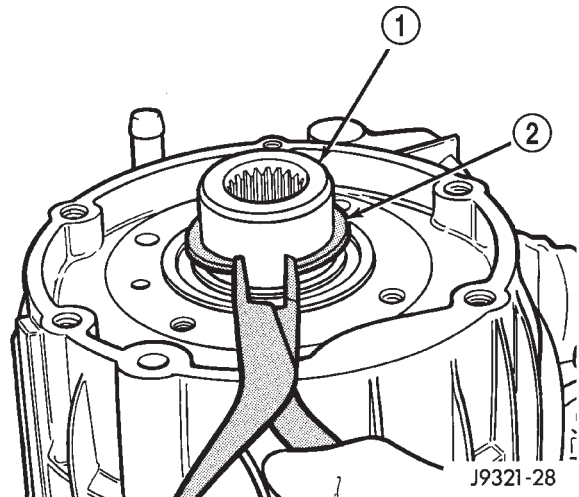
(a) Loosen retainer with flat blade screwdriver to break sealer bead. **To avoid damaging case and retainer, position screwdriver blade only in slots provided in retainer (Fig. 32).**

(b) Then remove retainer from case and gear.



**Fig. 31 Front Bearing Retainer Bolt Removal**

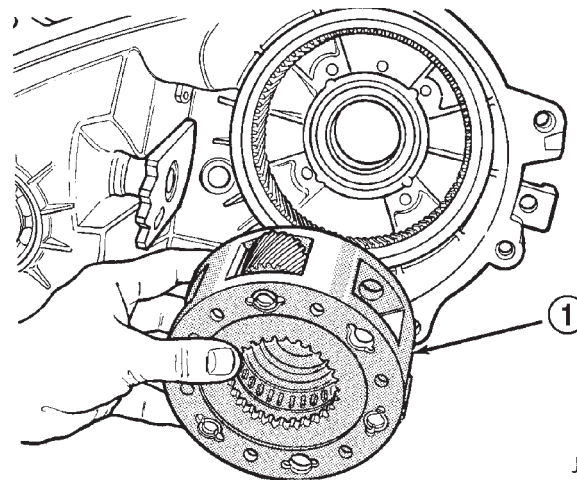
1 - FRONT BEARING RETAINER



**Fig. 33 Input Gear Snap-Ring Removal**

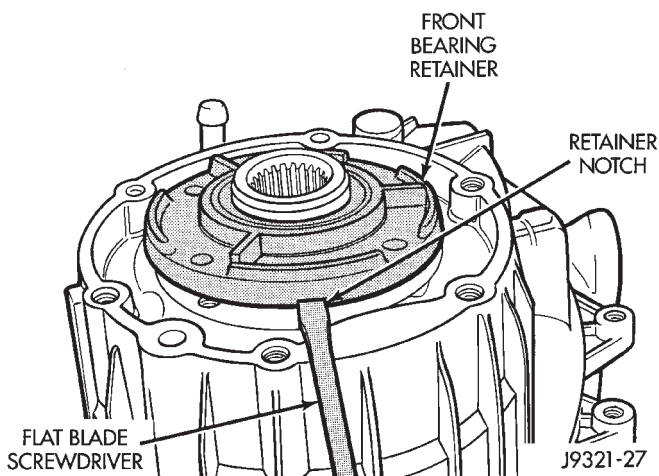
1 - INPUT GEAR

2 - SNAP RING



**Fig. 34 Input And Low Range Gear Assembly Removal**

1 - INPUT AND LOW RANGE GEAR ASSEMBLY



**Fig. 32 Front Bearing Retainer Removal**

(4) Remove snap-ring that retains input gear shaft in front bearing (Fig. 33).

(5) Remove input and low range gear assembly (Fig. 34).

(6) Remove oil seals from following components:

- front bearing retainer.
- rear retainer.
- case halves.

## INPUT AND LOW RANGE GEAR DISASSEMBLY

(1) Remove snap-ring that retains input gear in low range gear (Fig. 35).

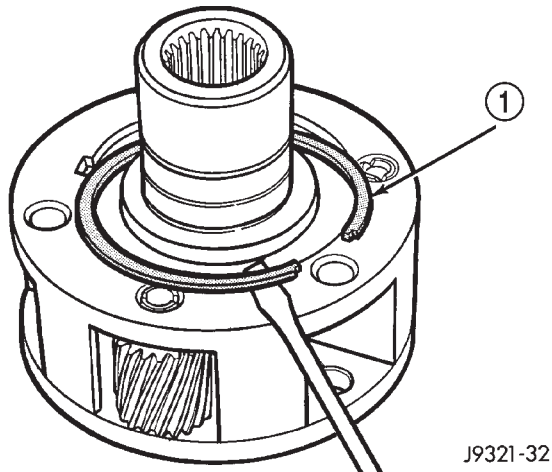
(2) Remove retainer (Fig. 36).

(3) Remove front tabbed thrust washer (Fig. 37).

(4) Remove input gear (Fig. 38).

(5) Remove rear tabbed thrust washer from low range gear (Fig. 39).

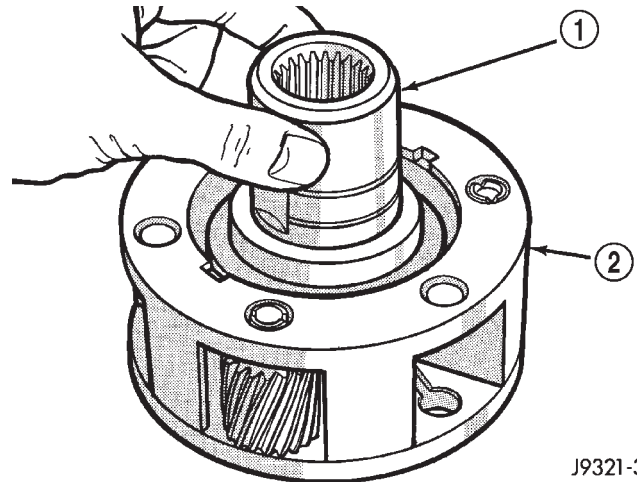
DISASSEMBLY AND ASSEMBLY (Continued)



J9321-32

**Fig. 35 Input Gear Snap-Ring Removal**

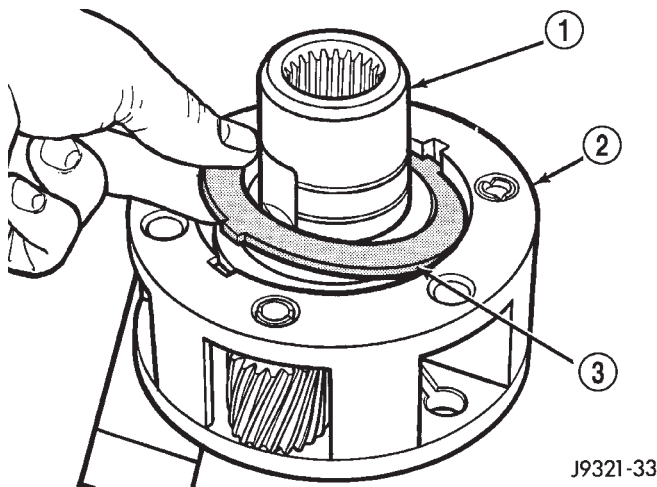
1 - INPUT GEAR SNAP RING



J9321-35

**Fig. 38 Input Gear Removal**

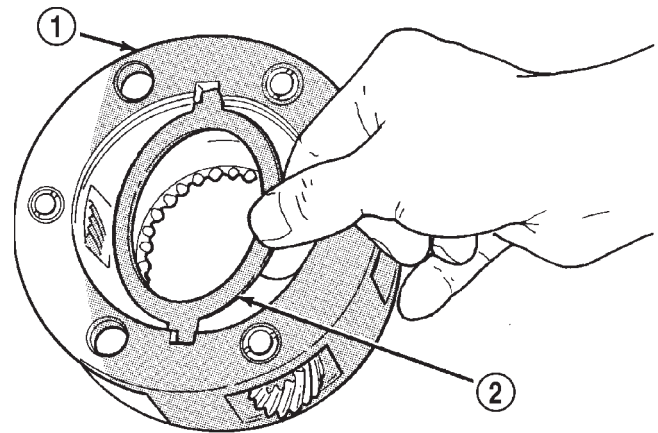
1 - INPUT GEAR  
2 - LOW RANGE GEAR



J9321-33

**Fig. 36 Input Gear Retainer Removal**

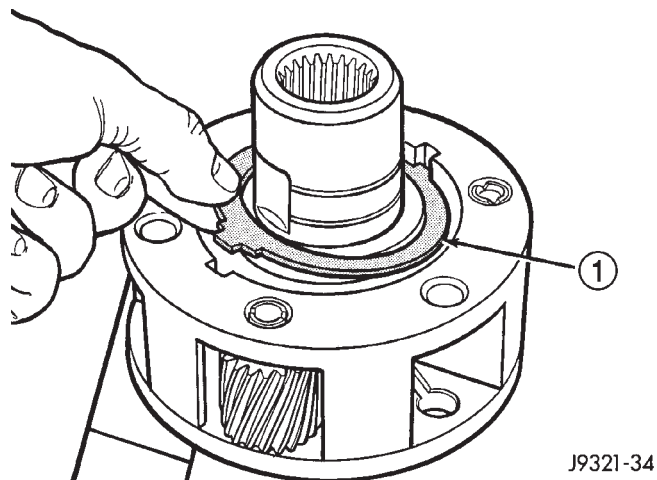
1 - INPUT GEAR  
2 - LOW RANGE GEAR  
3 - RETAINER



J9321-36

**Fig. 39 Rear Tabbed Thrust Washer Removal**

1 - LOW RANGE GEAR  
2 - REAR TABBED THRUST WASHER



J9321-34

**Fig. 37 Front Tabbed Thrust Washer Removal**

1 - FRONT TABBED THRUST WASHER

**ASSEMBLY**

Lubricate transfer case components with Mopar® Dexron II automatic transmission fluid or petroleum jelly (where indicated) during assembly.

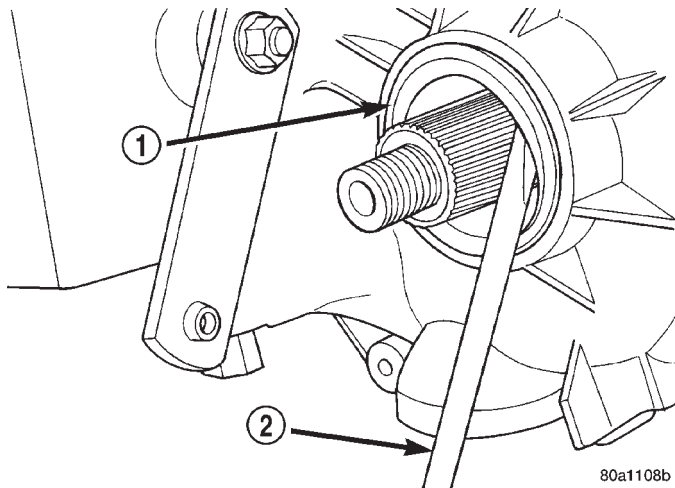
**CAUTION:** The bearing bores in various transfer case components contain oil feed holes. Make sure replacement bearings do not block the holes.

**BEARING AND SEAL INSTALLATION**

- (1) Remove front output shaft seal from front case with pry tool (Fig. 40).
- (2) Remove snap-ring that retains front output shaft bearing in front case (Fig. 41).
- (3) Using tool 6953, remove bearing from front case (Fig. 42).

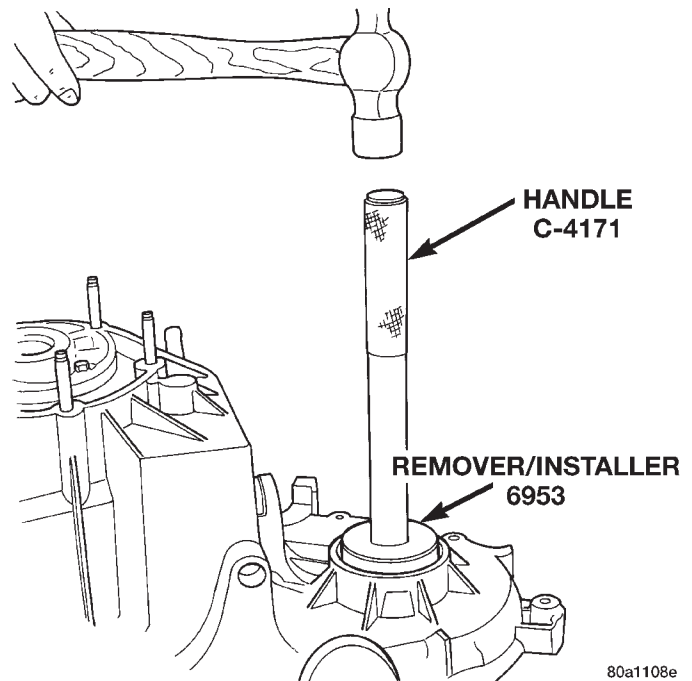


## DISASSEMBLY AND ASSEMBLY (Continued)

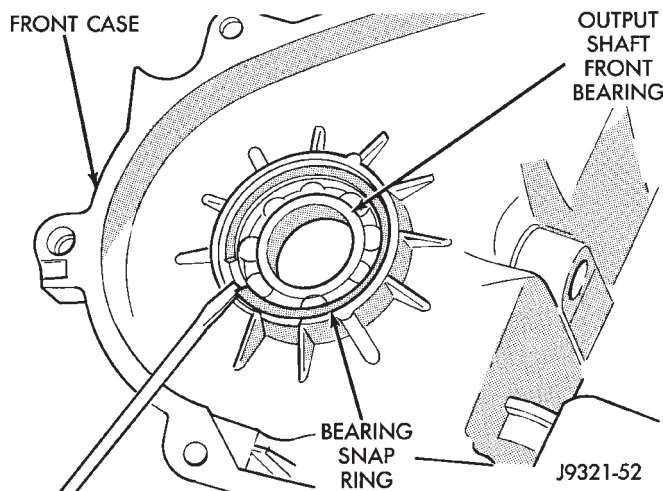


**Fig. 40 Remove Front Output Shaft Seal**

- 1 - OUTPUT SHAFT SEAL  
2 - PRYBAR



**Fig. 42 Remove Output Shaft Front Bearing**

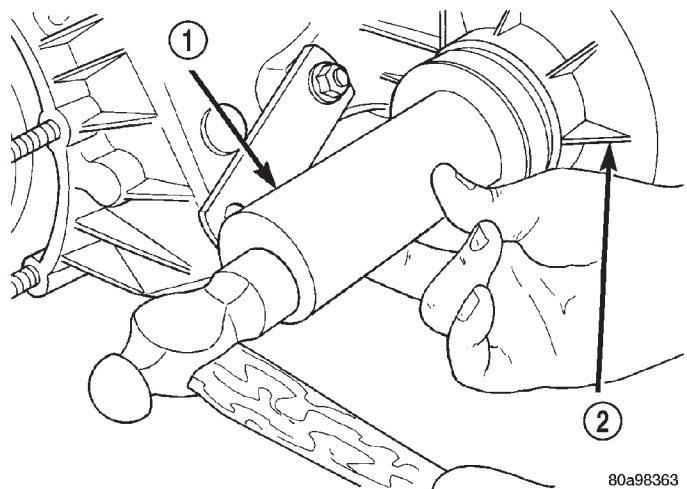


**Fig. 41 Output Shaft Front Bearing Snap-Ring Removal**

- (4) Using tool 6953, install new bearing.  
(5) Install snap-ring to hold bearing into case.  
(6) Install new front output seal in front case with Installer Tool 6952-A as follows:

(a) Place new seal on tool. **Garter spring on seal goes toward interior of case.**

(b) Start seal in bore with light taps from hammer (Fig. 43). Once seal is started, continue tapping seal into bore until installer tool bottoms against case.



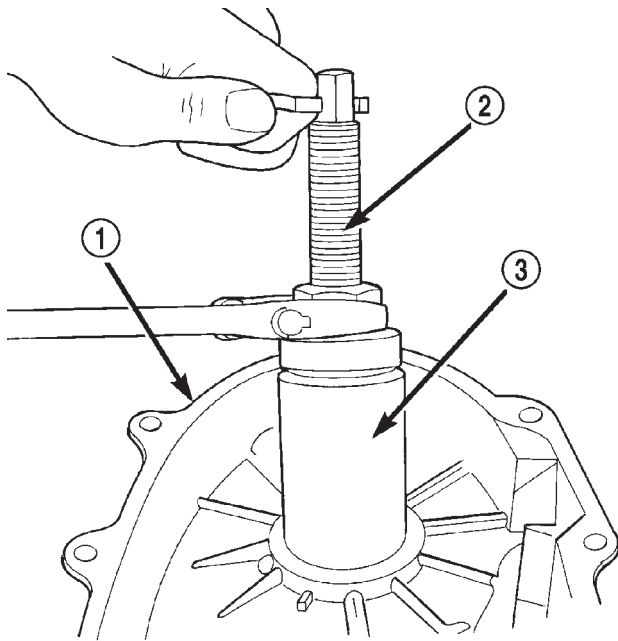
**Fig. 43 Front Output Seal Installation**

- 1 - INSTALLER 6952-A  
2 - TRANSFER CASE

(7) Remove the output shaft rear bearing with the screw and jaws from Remover L-4454 and Cup 8148 (Fig. 44).

(8) Install new bearing with Tool Handle C-4171 and Installer 5066 (Fig. 45). **The bearing bore is chamfered at the top. Install the bearing so it is flush with the lower edge of this chamfer (Fig. 46).**

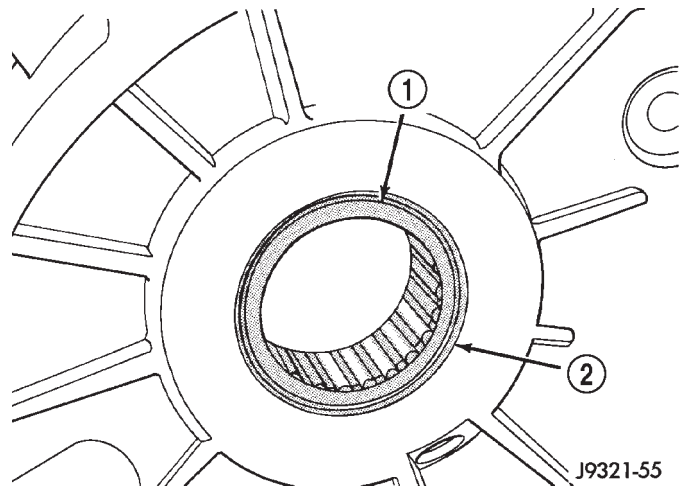
DISASSEMBLY AND ASSEMBLY (Continued)



80a98366

**Fig. 44 Output Shaft Rear Bearing Removal**

- 1 - REAR CASE
- 2 - SPECIAL TOOL L-4454-1 AND L-4454-3
- 3 - SPECIAL TOOL 8148

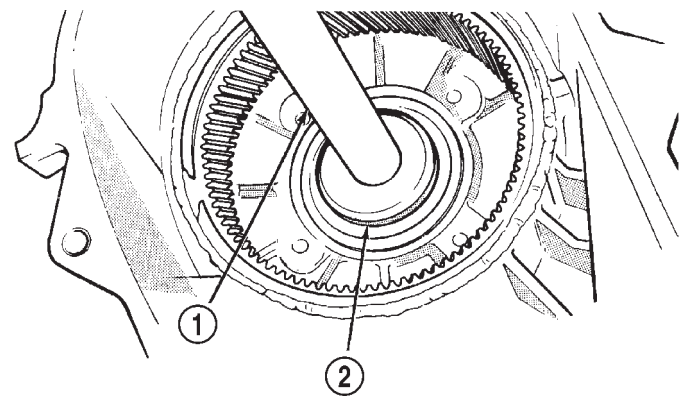


J9321-55

**Fig. 46 Output Shaft Rear Bearing Installation Depth**

- 1 - BEARING (SEATED) AT LOWER EDGE OF CHAMFER
- 2 - CHAMFER

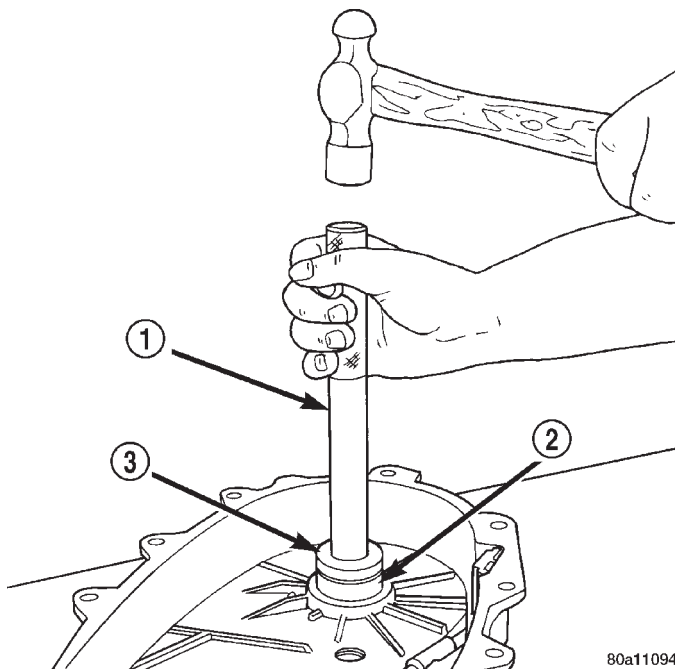
(9) Using Remover C-4210 and Handle C-4171, drive input shaft bearing from inside the annulus gear opening in the case (Fig. 47).



J9521-43

**Fig. 47 Input Shaft Bearing Removal**

- 1 - SPECIAL TOOL C-4171
- 2 - SPECIAL TOOL C-4210



80a11094

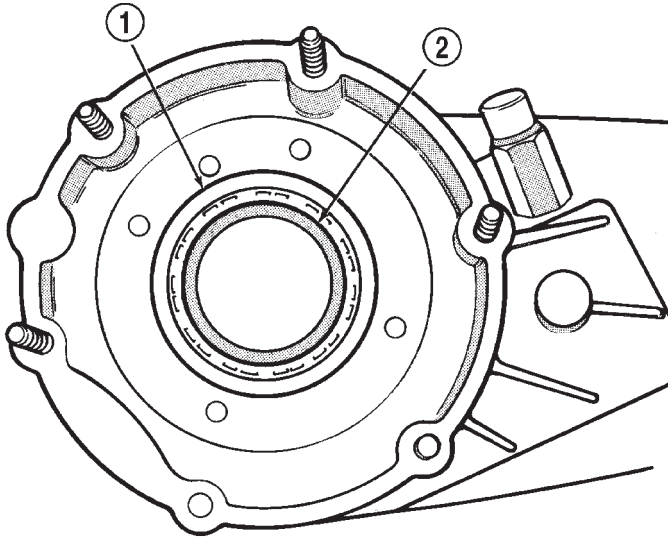
**Fig. 45 Output Shaft Rear Bearing Installation**

- 1 - HANDLE C-4171
- 2 - OUTPUT SHAFT INNER BEARING
- 3 - INSTALLER 5066

(10) Install locating ring on new bearing.  
 (11) Position case so forward end is facing upward.  
 (12) Using Remover C-4210 and Handle C-4171, drive input shaft bearing into case. The bearing locating ring must be fully seated against case surface (Fig. 48).

(13) Remove input gear pilot bearing by inserting a suitably sized drift into the splined end of the input gear and driving the bearing out with the drift and a hammer (Fig. 49).

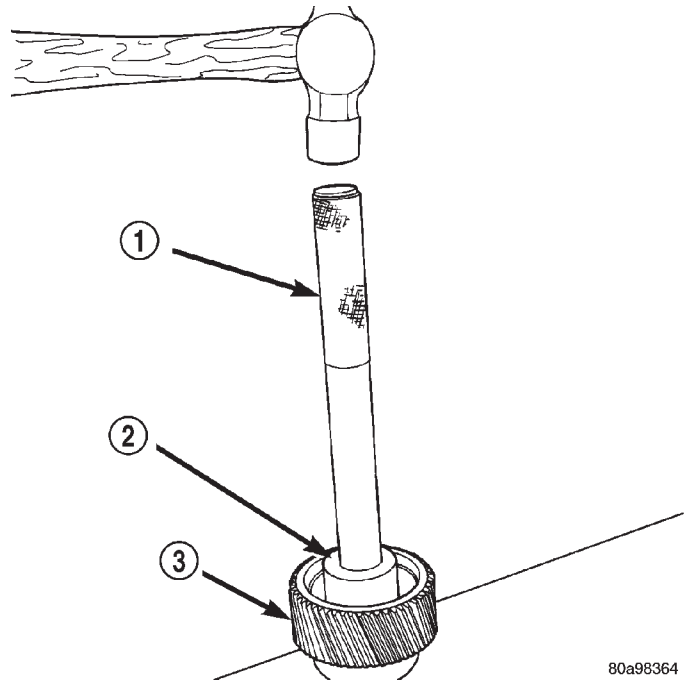
(14) Install new pilot bearing with Installer 8128 and Handle C-4171 (Fig. 50).



J8921-219

**Fig. 48 Seating Input Shaft Bearing**

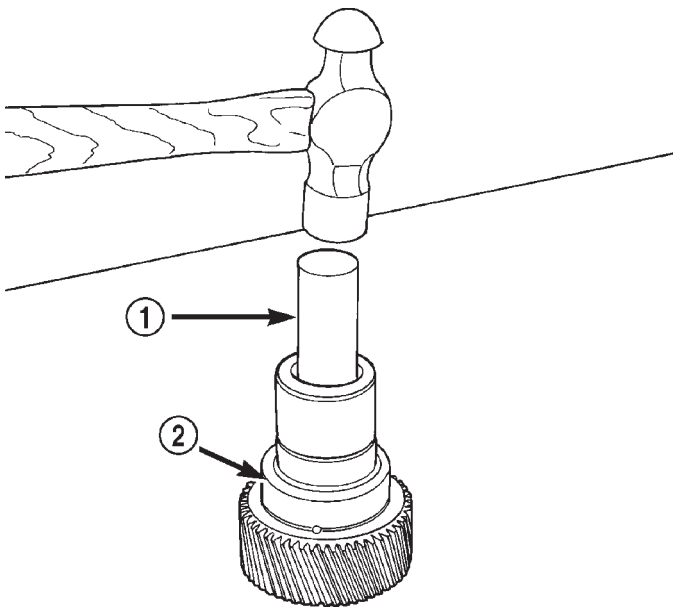
- 1 - SNAP RING
- 2 - INPUT SHAFT BEARING



80a98364

**Fig. 50 Install Input Gear Pilot Bearing**

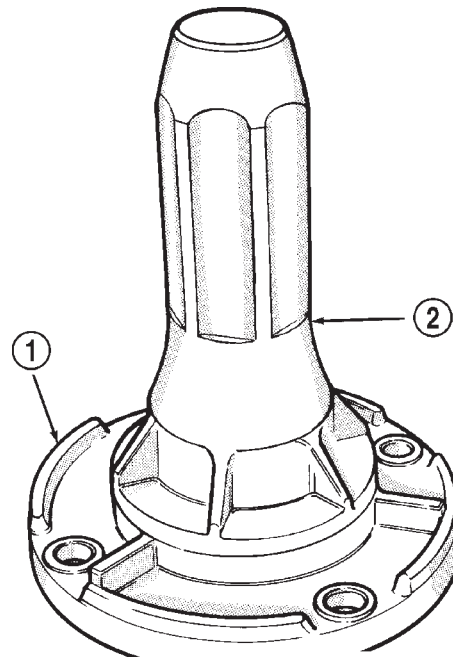
- 1 - HANDLE C-4171
- 2 - INSTALLER 8128
- 3 - INPUT GEAR



80a11090

**Fig. 49 Remove Input Gear Pilot Bearing**

- 1 - DRIFT
- 2 - INPUT GEAR



J9521-41

**Fig. 51 Install Front Bearing Retainer Seal**

- 1 - FRONT BEARING RETAINER
- 2 - SPECIAL TOOL 7884

(15) Remove front bearing retainer seal with suitable pry tool.

(16) Install new front bearing retainer with Installer 7884 (Fig. 51).

**INPUT AND LOW RANGE GEAR ASSEMBLY**

(1) Lubricate gears and thrust washers (Fig. 52) with recommended transmission fluid.

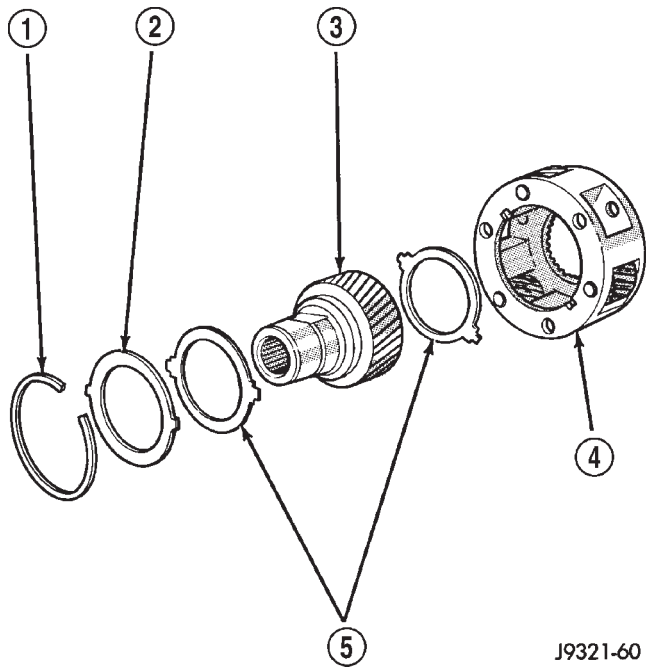
DISASSEMBLY AND ASSEMBLY (Continued)

(2) Install first thrust washer in low range gear (Fig. 52). Be sure washer tabs are properly aligned in gear notches.

(3) Install input gear in low range gear. Be sure input gear is fully seated.

(4) Install remaining thrust washer in low range gear and on top of input gear. Be sure washer tabs are properly aligned in gear notches.

(5) Install retainer on input gear and install snap-ring.



**Fig. 52 Input/Low Range Gear Components**

- 1 - SNAP RING
- 2 - RETAINER PLATE
- 3 - INPUT GEAR
- 4 - LOW RANGE GEAR
- 5 - THRUST WASHERS

**INPUT GEAR/LOW RANGE INSTALLATION**

(1) Align and install low range/input gear assembly in front case (Fig. 53). Be sure low range gear pinions are engaged in annulus gear and that input gear shaft is fully seated in front bearing.

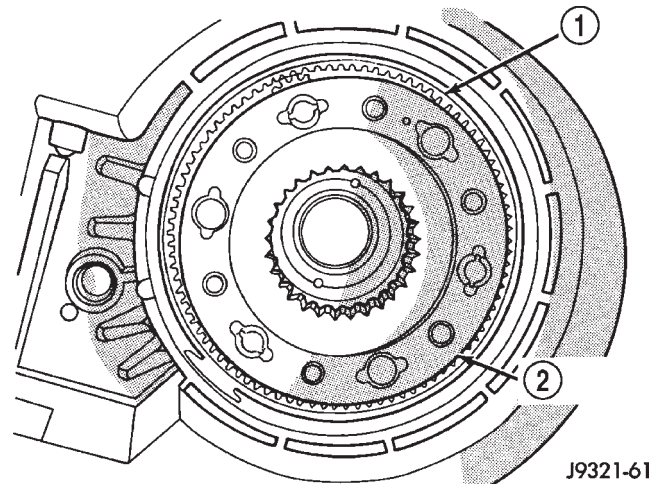
(2) Install snap-ring to hold input/low range gear into front bearing (Fig. 54).

(3) Clean gasket sealer residue from retainer and inspect retainer for cracks or other damage.

(4) Apply a 3 mm (1/8 in.) bead of Mopar® gasket maker or silicone adhesive to sealing surface of retainer.

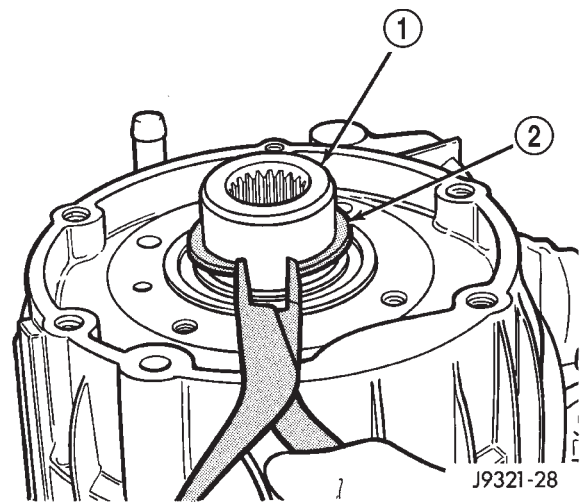
(5) Align cavity in seal retainer with fluid return hole in front of case.

**CAUTION:** Do not block fluid return cavity on sealing surface of retainer when applying Mopar® gas-



**Fig. 53 Input/Low Range Gear Installation**

- 1 - ANNULUS GEAR
- 2 - INPUT/LOW RANGE GEAR



**Fig. 54 Install Snap-Ring**

- 1 - INPUT GEAR
- 2 - SNAP RING

**ket maker or silicone adhesive sealer. Seal failure and fluid leak can result.**

(6) Install bolts to hold retainer to transfer case (Fig. 55). Tighten to 21 N·m (16 ft. lbs.) of torque.

**SHIFT FORKS AND MAINSHAFT INSTALLATION**

(1) Install new sector shaft O-ring and bushing (Fig. 56).

(2) Install shift sector (Fig. 57).

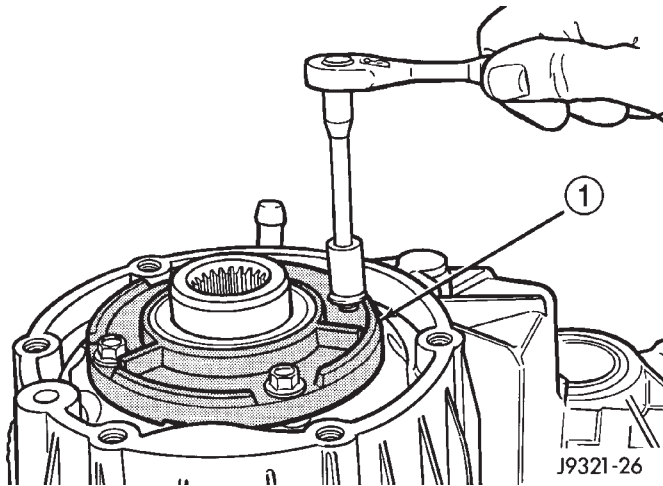
(3) Install locking clutch spring, locking clutch, blockout spring, and range clutch sleeve, to mainshaft as shown in (Fig. 58). Install snap ring.

(4) Install drive sprocket hub to mainshaft and manually load the needle bearings.

(5) Install new pads on range fork, if necessary.

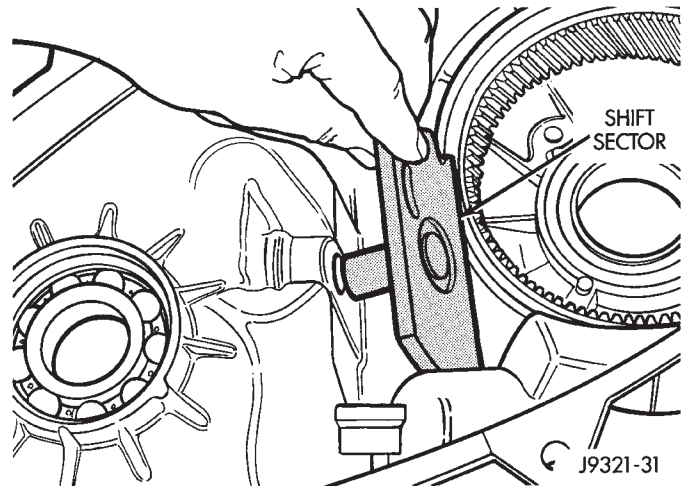


## DISASSEMBLY AND ASSEMBLY (Continued)

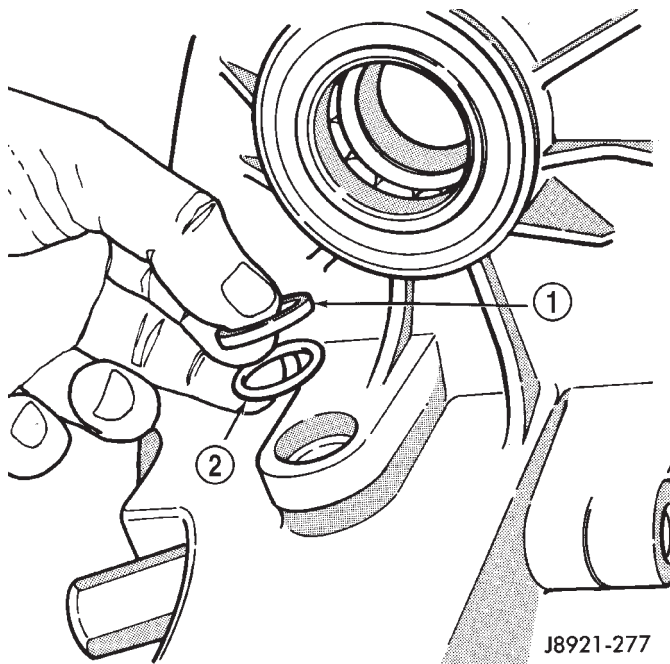


**Fig. 55 Install Front Bearing Retainer**

1 - FRONT BEARING RETAINER



**Fig. 57 Shift Sector Installation**



**Fig. 56 Sector O-Ring And Bushing Installation**

1 - SECTOR BUSHING

2 - O-RING

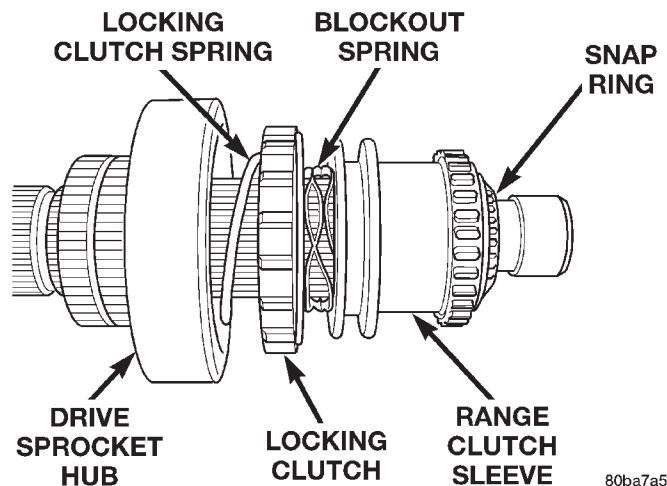
(6) Install range shift fork to range clutch sleeve. Install mainshaft/range shift fork assembly into transfer case and input planetary assembly. Rotate fork until it engages with slot in shift sector.

(7) Install shift rail to shift range fork and transfer case housing.

(8) Rotate shift sector to Neutral position.

(9) Install new O-ring on detent plug (Fig. 59).

(10) Lubricate detent plunger with transmission fluid or light coat of petroleum jelly.



**Fig. 58 Range Clutch Sleeve, Blockout Spring, Locking Clutch and Spring**

(11) Install detent plunger, spring and plug (Fig. 59).

(12) Verify that plunger is properly engaged in sector.

#### FRONT OUTPUT SHAFT AND DRIVE CHAIN INSTALLATION

(1) Lubricate front output shaft-sprocket assembly, drive chain and drive sprocket with transmission fluid.

(2) Assemble drive chain, drive sprocket and front output shaft (Fig. 60).

(3) Start drive sprocket on mainshaft.

(4) Guide front shaft into bearing and drive sprocket onto mainshaft drive gear (Fig. 60).

(5) Install drive sprocket snap-ring (Fig. 61).

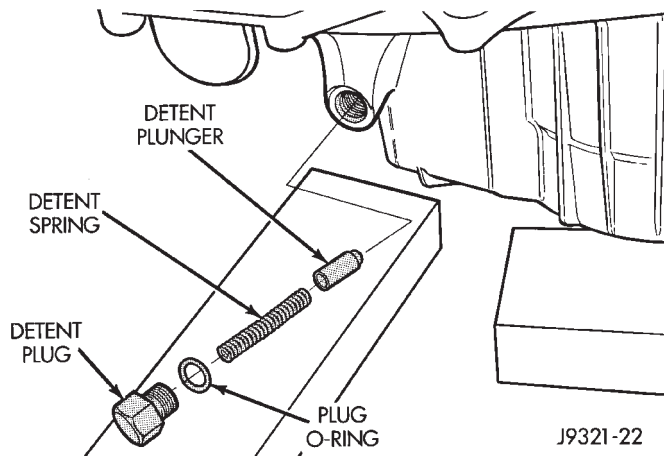
(6) Install roller bearings if removed.

(7) Install progressive coupling (Fig. 62).

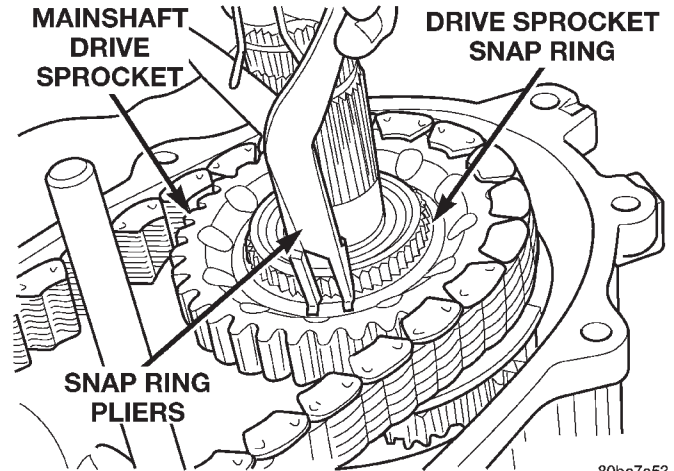
(8) Install oil pickup tube in rear case. Be sure tube is seated in case notch as shown (Fig. 63).

(9) Install magnet in front case pocket (Fig. 64).

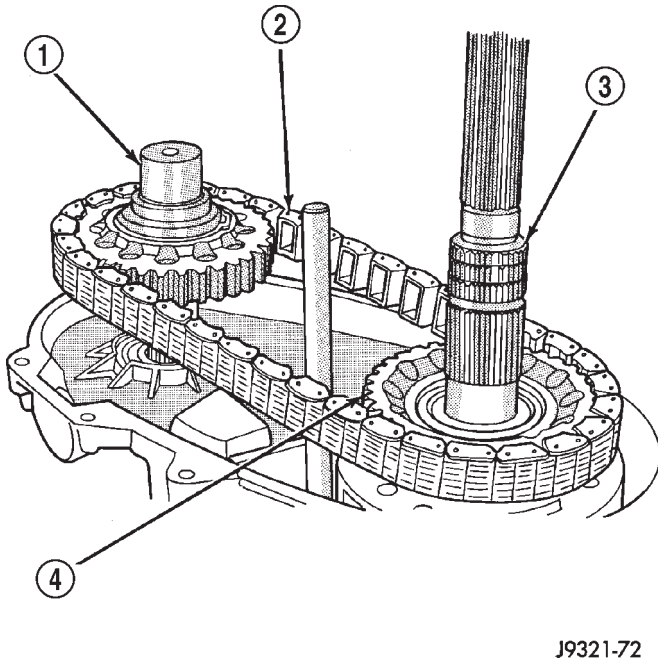
DISASSEMBLY AND ASSEMBLY (Continued)



**Fig. 59 Shift Detent Components**



**Fig. 61 Installing Drive Sprocket Snap-Ring**



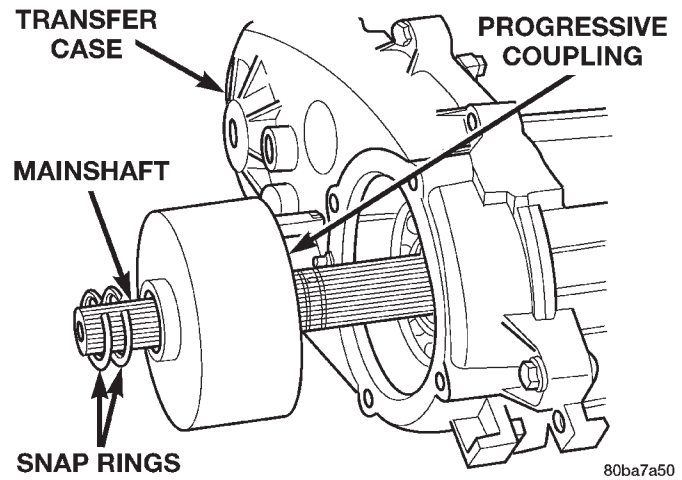
**Fig. 60 Installing Drive Chain, Front Output Shaft And Drive Sprocket**

- 1 - FRONT OUTPUT SHAFT
- 2 - DRIVE CHAIN
- 3 - MAINSHAFT
- 4 - DRIVE SPROCKET

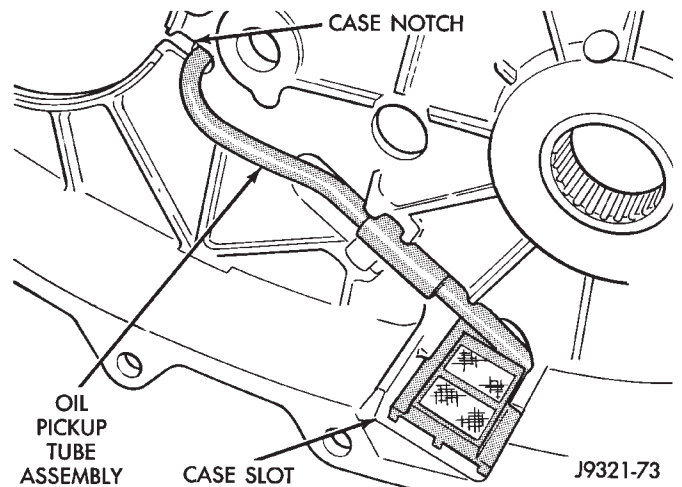
(10) Clean sealing flanges of front case and rear case with a wax and grease remover.

(11) Apply 3 mm (1/8 in.) wide bead of Mopar® gasket maker or silicone adhesive sealer to mounting flange of front case. Work sealer bead around bolt holes as shown (Fig. 65).

(12) Align and install rear case on front case (Fig. 66).



**Fig. 62 Progressive Coupling Installation**

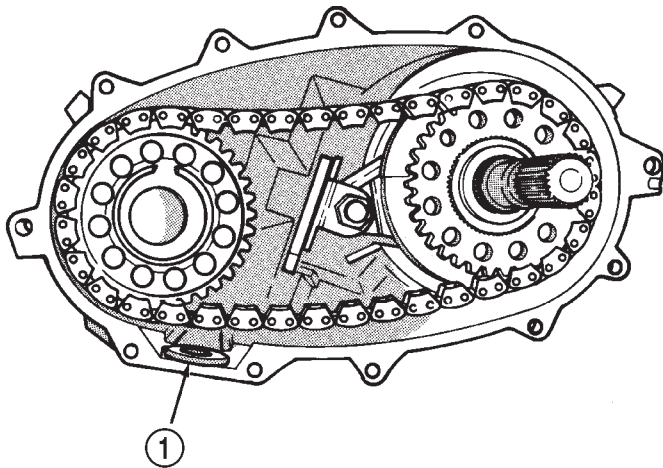


**Fig. 63 Oil Pickup Tube Installation**

(13) Verify that oil pickup tube is still seated in case notch and tube end is pointed toward mainshaft (Fig. 67).



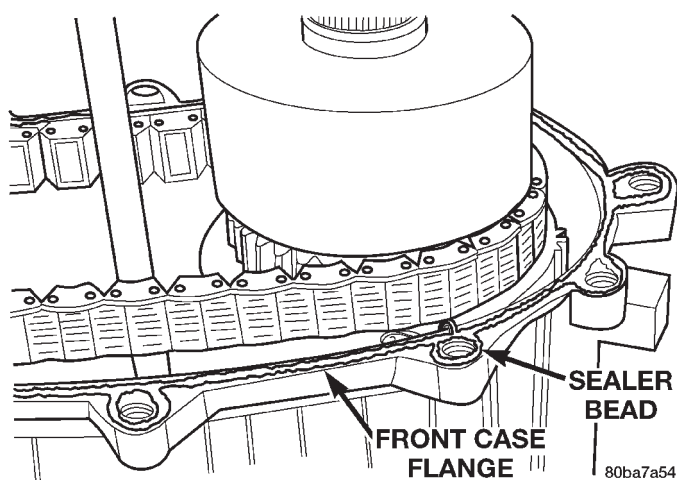
DISASSEMBLY AND ASSEMBLY (Continued)



J8921-288

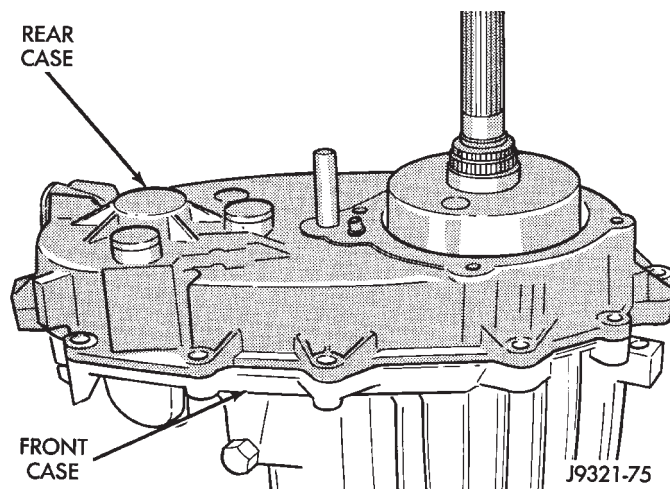
**Fig. 64 Installing Case Magnet**

1 - MAGNET



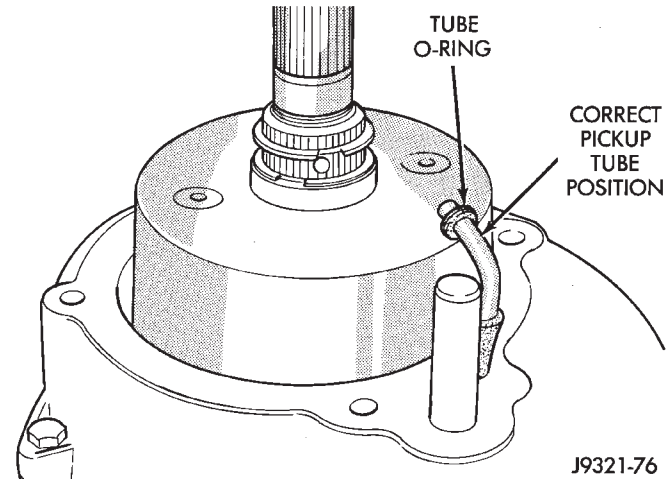
80ba7a54

**Fig. 65 Applying Sealer To Front Case Flange**



J9321-75

**Fig. 66 Rear Case Installation**

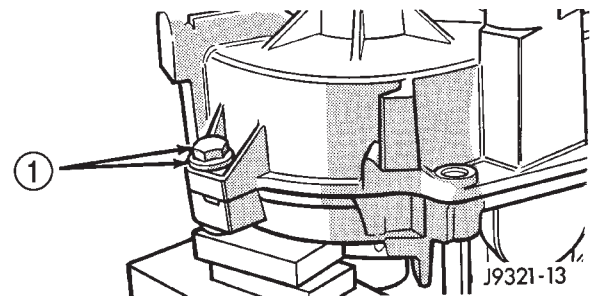


J9321-76

**Fig. 67 Checking Position Of Oil Pickup Tube**

(14) Install case attaching bolts. Alignment bolts at each end of case are only ones requiring washers (Fig. 68).

(15) Tighten case bolts to 27-34 N·m (20-25 ft. lbs.) torque.



J9321-13

**Fig. 68 Alignment Bolt Location**

1 - ALIGNMENT BOLT AND WASHER (AT EACH END OF CASE)

**COMPANION FLANGE AND RANGE LEVER INSTALLATION**

(1) Install range lever, washer and locknut on sector shaft (Fig. 69). Tighten locknut to 27-34 N·m (20-25 ft. lbs.) torque.

(2) Install new seal washer on front output shaft (Fig. 70).

(3) Lubricate flange hub with transmission fluid and install flange on front shaft.

(4) Install new seal washer on front shaft.

(5) Install companion flange and new nut on front output shaft.

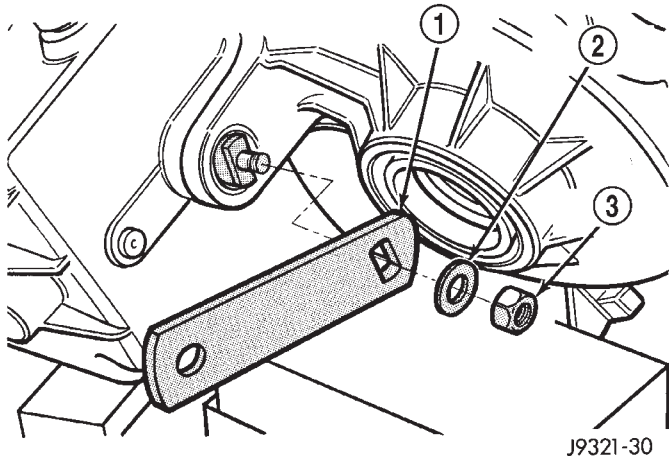
(6) Tighten flange nut to 122-176 N·m (90-130 ft. lbs.) torque. Use Tool C-3281, or similar tool to hold flange while tightening yoke nut.

**PROGRESSIVE COUPLER**

(1) Install coupler on mainshaft (Fig. 71).

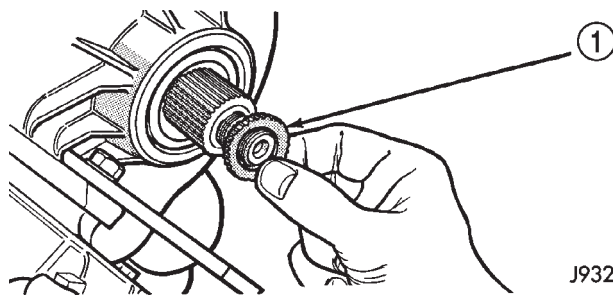
(2) Install coupler retaining snap-ring first (Fig. 71). Be sure snap ring is fully seated before proceeding.

DISASSEMBLY AND ASSEMBLY (Continued)



**Fig. 69 Range Lever Installation (Typical)**

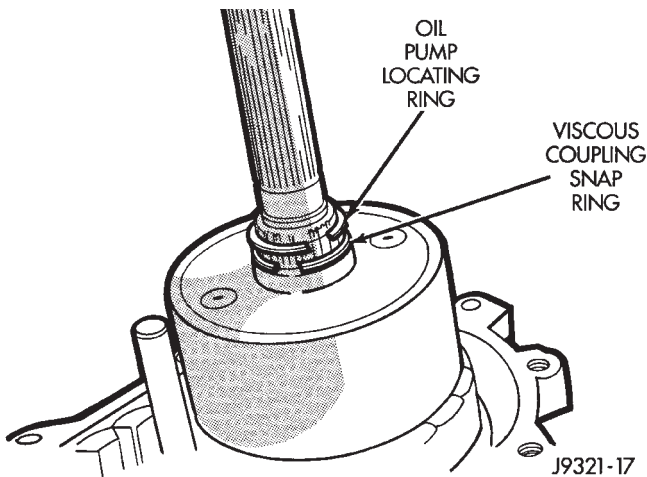
- 1 - RANGE LEVER
- 2 - WASHER
- 3 - LOCKNUT



**Fig. 70 Flange Seal Washer Installation**

- 1 - YOKE SEAL WASHER

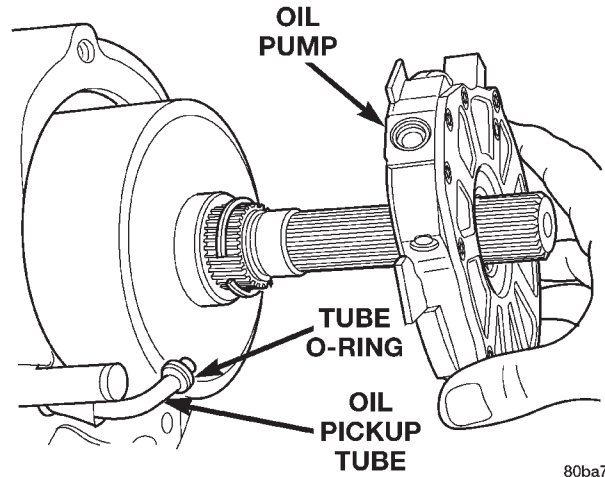
(3) Install oil pump locating snap-ring on mainshaft (Fig. 71).



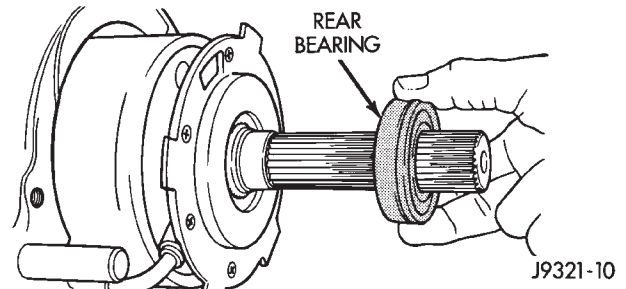
**Fig. 71 Progressive Coupling And Oil Pump Snap-Ring Installation**

**REAR RETAINER AND OIL PUMP INSTALLATION**

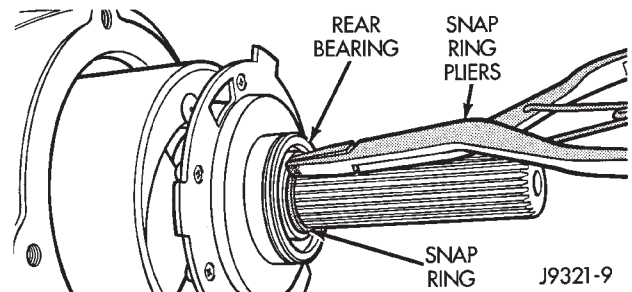
- (1) Install new O-ring on flanged end of oil pickup tube.
- (2) Install oil pump (Fig. 72).
- (3) Insert oil pickup tube in pump (Fig. 73).
- (4) Install rear bearing on mainshaft (Fig. 73). Locating ring groove in bearing goes toward end of mainshaft.
- (5) Install rear bearing retaining snap-ring (Fig. 74).



**Fig. 72 Installing Oil Pump**



**Fig. 73 Rear Bearing Installation**

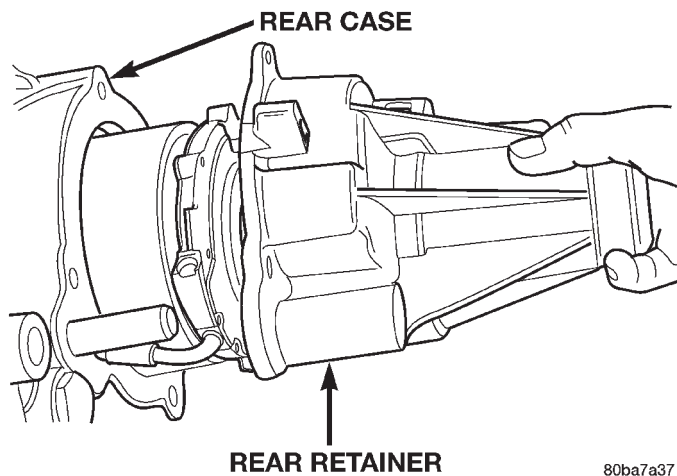


**Fig. 74 Rear Bearing Snap-Ring Installation**

- (6) Install rear bearing locating ring in rear retainer, if ring was removed during overhaul.
- (7) Apply 3 mm (1/8 in.) wide bead of Mopar® gasket maker or silicone adhesive sealer to mounting surface of rear retainer. Allow sealer to set-up slightly before proceeding.

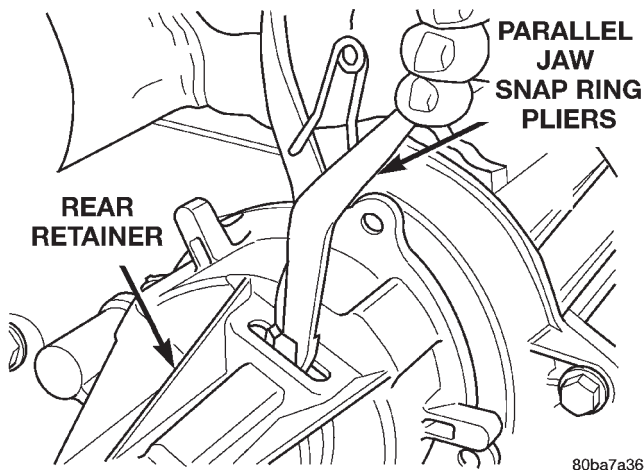
## DISASSEMBLY AND ASSEMBLY (Continued)

- (8) Slide rear retainer onto mainshaft (Fig. 75).
- (9) Spread rear bearing locating ring and slide rear retainer into place on rear case (Fig. 76).
- (10) Install and tighten rear retainer bolts to 27-34 N·m (20-25 ft. lbs.).
- (11) Install rubber access plug (Fig. 77).



**Fig. 75 Rear Retainer Installation**

80ba7a37

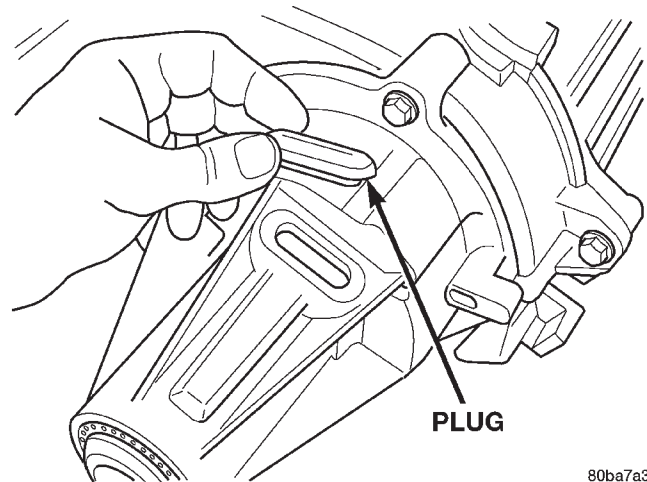


**Fig. 76 Engaging Rear Bearing Locating Ring**

80ba7a36

## FINAL ASSEMBLY

- (1) Install drain plug. Tighten plug to 41-54 N·m (30-40 ft. lbs.) torque.
- (2) Level transfer case and fill it with Mopar® Dexron II automatic transmission fluid. Correct fill level is to bottom edge of fill plug hole.
- (3) Install and tighten fill plug to 41-54 N·m (30-40 ft. lbs.) torque.



**Fig. 77 Installing Rubber Access Plug**

80ba7a33

## CLEANING AND INSPECTION

## NV247 COMPONENTS

## GENERAL

Clean the transfer case components with parts cleaning solvent. Flush the oil passages in the cases and drivetrain components with solvent. This will help remove dirt and particles from these passages.

Dry the transfer case components with compressed air or allow them to air dry on clean shop towels.

Apply compressed air through all oil passages in the cases and gear components to clear them of any residue.

## MAINSHAFT

Examine the mainshaft components carefully for evidence of wear or damage.

Replace the thrust washers if worn or damaged.

Replace the mainshaft and sprocket gears if the teeth or gear bores are worn or damaged.

Replace the mainshaft bearings if worn, flat spotted, brinelled, or damaged in any way.

Replace the mainshaft if it is bent, exhibits wear or damage to the bearing surfaces, splines or gear teeth.

## INPUT AND LOW RANGE GEARS

Inspect the low range gear pinions and pinion pins. Replace the low range gear if any of the pins or pinions are worn or damaged.

Inspect the thrust washers, retainer, and snap-ring. Replace the snap-ring if bent, or distorted. Replace the thrust washers and retainer if worn, cracked or damaged in any way.

Examine the input gear carefully. Be sure the gear teeth and bearing surfaces are in good condition. Replace the gear if wear or damage is evident.

Check the input gear pilot bearing. Rotate the bearing and check for roughness or noise. Also check bear-



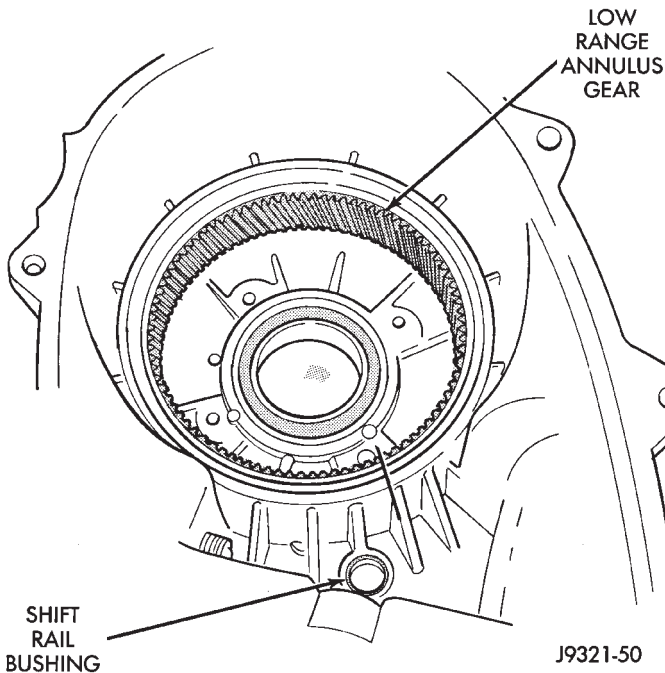
CLEANING AND INSPECTION (Continued)

ing position in the bore. The bearing should be recessed approximately 2.5 mm (0.100 in.) below the top edge of the bore. The bearing should not be seated at the bottom of the bore. Replace the bearing if worn, or roughness is evident. Replace both the gear and bearing if the bearing is a loose fit in the bore.

**GEAR CASE AND RETAINERS**

Examine both case halves and retainers carefully. Replace any retainer or case half if wear, cracks, or other damage is evident.

Check condition of the low range annulus gear and the shift rail bushing in the front case (Fig. 78). The low range annulus gear is not a serviceable part. Replace the gear and case as an assembly if the gear is loose, worn, or damaged. The shift rail bushing is a serviceable part and can be replaced if necessary.



**Fig. 78 Low Range Annulus Gear Location**

Check the bushing in the rear retainer. Replace the bushing if worn or scored.

Examine the sealing surfaces of both case halves and retainers. Small burrs, or scratches on these surfaces can be reduced with crocus cloth or a fine tooth file.

Examine condition of the shift rail bushing in the front case. If the bushing is worn or damaged, it can be removed with a blind hole type puller. A replacement bushing can be installed with a suitable size driver. Recess the bushing slightly below the edge of the bore but do not seat it all the into the case.

**GEARTRAIN**

Inspect the mainshaft splines, gear teeth and bearing surfaces carefully for evidence of wear, or dam-

age. Replace the shaft if necessary. do not attempt to salvage it if damaged.

The shift rail and range fork are an assembly. Replace both parts if either is damaged. However, the nylon pads in the fork can be replaced if worn, or cracked.

Inspect the transfer case snap rings closely. Do not attempt to salvage a distorted snap ring by straightening or reshaping it. Replace any snap ring that is distorted, or worn.

Inspect the low range gear, input gear and the gear thrust washers retainer, and snap ring. The low range gear is serviced as an assembly only. Replace the gear if the case or pinions are damaged.

During inspection, also make sure the seal surface of the input gear is in good condition. Minor nicks on this surface can be reduced with crocus cloth. However, replace the gear if the seal surface is severely scored or worn.

**OIL PUMP AND PROGRESSIVE COUPLING**

The oil pump and progressive coupling are not serviceable components. Replace the coupling as an assembly if it is leaking or damaged. Replace the oil pump as an assembly if the gear teeth are worn, or if the pump has become damaged.

**BEARINGS AND SEALS**

The transfer case seals should be replaced during overhaul. Use new seals in the input gear bearing retainer, front case and rear retainer. Also replace the yoke seal washer and the detent plug O-ring.

Check condition of each transfer case bearing. Replace any bearing exhibiting signs of roughness, wear, or damage.

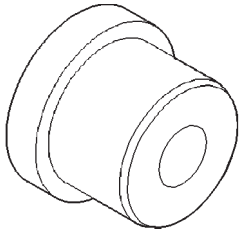
**SPECIFICATIONS**

**TORQUE**

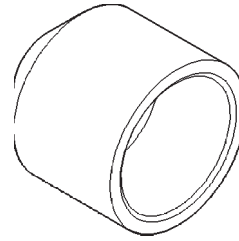
DESCRIPTION	TORQUE
<b>Bolt, crossmember</b> . . . .	41-47 N·m (30-35 ft. lbs.)
<b>Plug, Detent</b> . . . . .	16-24 N·m (12-18 ft. lbs.)
<b>Plugs, drain/fill</b> . . . . .	41-54 N·m (30-40 ft. lbs.)
<b>Bolts, front brg. retainer</b> . . . . .	16-24 N·m (12-18 ft. lbs.)
<b>Bolts, case half</b> . . . . .	27-34 N·m (20-25 ft. lbs.)
<b>Nut, companion flange</b> . . . . .	122-176 N·m (90-130 ft. lbs.)
<b>Bolts, rear extension</b> . .	27-34 N·m (20-25 ft. lbs.)
<b>Lock-nut, shift</b> . . . . .	27-34 N·m (20-25 ft. lbs.)
<b>Nuts, T-case mount stud</b> . . . . .	33-41 N·m (24-30 ft. lbs.)

SPECIAL TOOLS

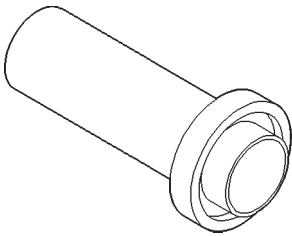
NV247 TRANSFER CASE



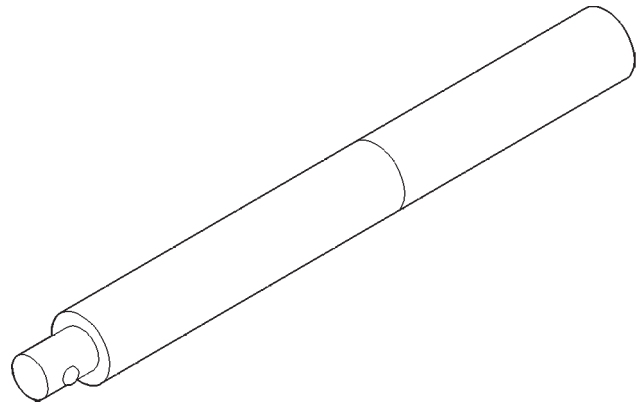
**Installer—5066**



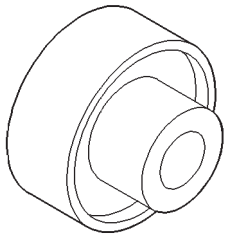
**Installer—C-3995-A**



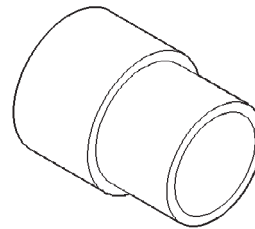
**Installer—6952-A**



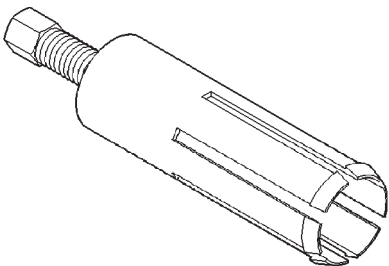
**Handle—C-4171**



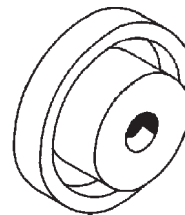
**Installer—6953**



**Installer—8145**

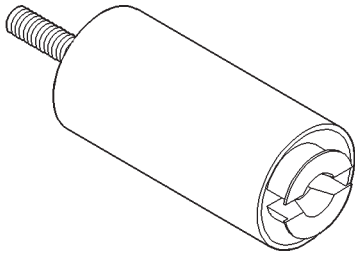


**Remover—6957**

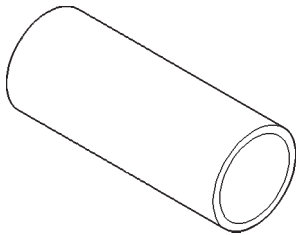


**Remover—C-4210**

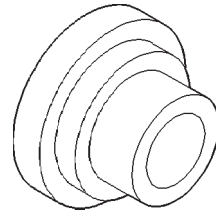
SPECIAL TOOLS (Continued)



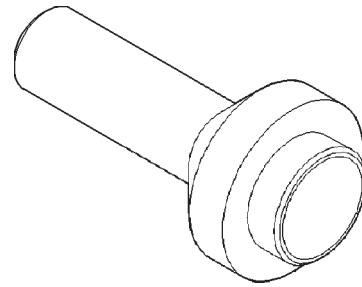
**Remover—L-4454**



**Cup—8148**



**Installer—8128**



**Installer—7884**





# TIRES AND WHEELS

## TABLE OF CONTENTS

	page		page
TIRES .....	1	WHEELS .....	7

## TIRES

### TABLE OF CONTENTS

	page		page
<b>DESCRIPTION AND OPERATION</b>			
TIRES .....	1	TIRE WEAR PATTERNS.....	4
RADIAL-PLY TIRES .....	2	TIRE NOISE OR VIBRATION .....	4
SPARE TIRE-TEMPORARY.....	2	<b>SERVICE PROCEDURES</b>	
TIRE INFLATION PRESSURES .....	2	ROTATION.....	4
TIRE PRESSURE FOR HIGH SPEED.....	3	MATCH MOUNTING.....	4
REPLACEMENT TIRES .....	3	REPAIRING LEAKS .....	6
<b>DIAGNOSIS AND TESTING</b>			
PRESSURE GAUGES .....	3	<b>CLEANING AND INSPECTION</b>	
TREAD WEAR INDICATORS .....	3	CLEANING TIRES .....	6
		<b>SPECIFICATIONS</b>	
		TIRES .....	6

### DESCRIPTION AND OPERATION

#### TIRES

##### DESCRIPTION

Tires are designed and engineered for each specific vehicle. They provide the best overall performance for normal operation. The ride and handling characteristics match the vehicle's requirements. With proper care they will give excellent reliability, traction, skid resistance, and tread life.

Driving habits have more effect on tire life than any other factor. Careful drivers will obtain in most cases, much greater mileage than severe use or careless drivers. A few of the driving habits which will shorten the life of any tire are:

- Rapid acceleration
- Severe brake applications
- High speed driving
- Excessive speeds on turns
- Striking curbs and other obstacles

Radial-ply tires are more prone to irregular tread wear. It is important to follow the tire rotation interval shown in the section on Tire Rotation. This will help to achieve a greater tread life.

##### TIRE IDENTIFICATION

Tire type, size, aspect ratio and speed rating are encoded in the letters and numbers imprinted on the side wall of the tire. Refer to the chart to decipher the tire identification code (Fig. 1).

Performance tires have a speed rating letter after the aspect ratio number. The speed rating is not always printed on the tire sidewall. These ratings are:

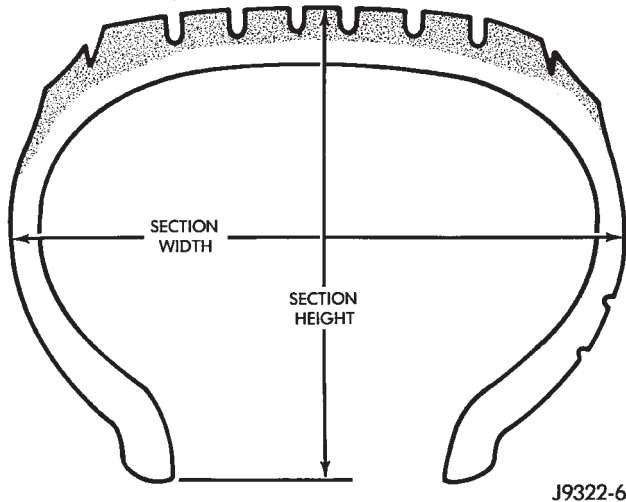
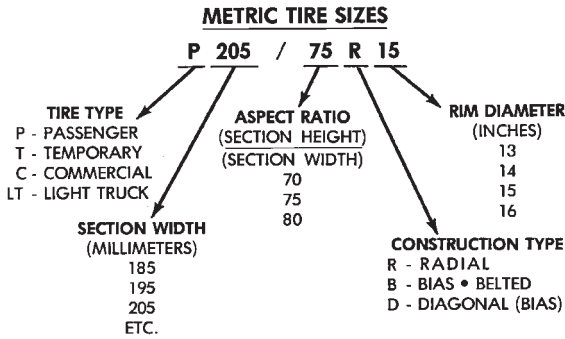
- **Q** up to 100 mph
- **S** up to 112 mph
- **T** up to 118 mph
- **U** up to 124 mph
- **H** up to 130 mph
- **V** up to 149 mph
- **Z** more than 149 mph (consult the tire manufacturer for the specific speed rating)

An All Season type tire will have either **M + S**, **M & S** or **M-S** (indicating mud and snow traction) imprinted on the side wall.

##### TIRE CHAINS

Tire snow chains may be used on **certain** models. Refer to the Owner's Manual for more information.

DESCRIPTION AND OPERATION (Continued)



**Fig. 1 Tire Identification**

**RADIAL-PLY TIRES**

**DESCRIPTION**

Radial-ply tires improve handling, tread life and ride quality, and decrease rolling resistance.

Radial-ply tires must always be used in sets of four. Under no circumstances should they be used on the front only. They may be mixed with temporary spare tires when necessary. A maximum speed of 50 MPH is recommended while a temporary spare is in use.

Radial-ply tires have the same load-carrying capacity as other types of tires of the same size. They also use the same recommended inflation pressures.

The use of oversized tires, either in the front or rear of the vehicle, can cause vehicle drive train failure. This could also cause inaccurate wheel speed signals when the vehicle is equipped with Anti-Lock Brakes.

The use of tires from different manufactures on the same vehicle is NOT recommended. The proper tire pressure should be maintained on all four tires.

**SPARE TIRE-TEMPORARY**

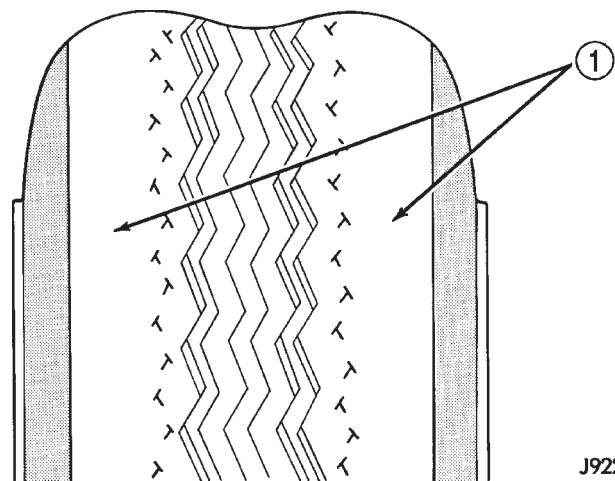
**DESCRIPTION**

The temporary spare tire is designed for emergency use only. The original tire should be repaired or replaced at the first opportunity, then reinstalled. Do not exceed speeds of 50 M. P. H. when using the temporary spare tire. Refer to Owner's Manual for complete details.

**TIRE INFLATION PRESSURES**

**DESCRIPTION**

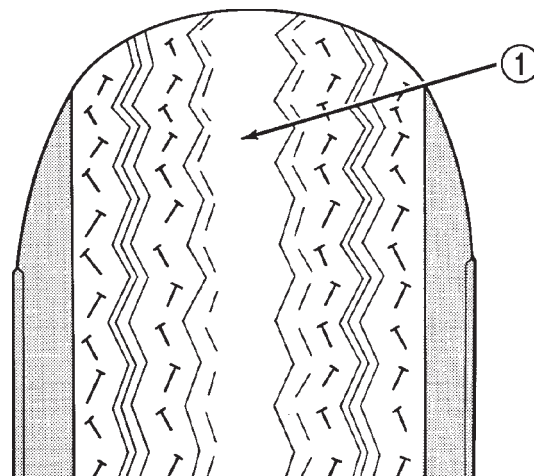
Under inflation will cause rapid shoulder wear, tire flexing, and possible tire failure (Fig. 2).



**Fig. 2 Under Inflation Wear**

1 - THIN TIRE THREAD AREAS

Over inflation will cause rapid center wear and loss of the tire's ability to cushion shocks (Fig. 3).



**Fig. 3 Over Inflation Wear**

1 - THIN TIRE THREAD AREA

## DESCRIPTION AND OPERATION (Continued)

Improper inflation can cause:

- Uneven wear patterns
- Reduced tread life
- Reduced fuel economy
- Unsatisfactory ride
- Vehicle drift

For proper tire pressure specification refer to the Tire Inflation Pressure Chart provided with the vehicles Owners Manual. A Certification Label on the drivers side door pillar provides the minimum tire and rim size for the vehicle. The label also list the cold inflation pressure for these tires at full load operation

Tire pressures have been chosen to provide safe operation, vehicle stability, and a smooth ride. Tire pressure should be checked cold once a month. Tire pressure decreases as the ambient temperature drops. Check tire pressure frequently when ambient temperature varies widely.

Tire inflation pressures are cold inflation pressure. The vehicle must sit for at least 3 hours to obtain the correct cold inflation pressure reading. Or be driven less than one mile after sitting for 3 hours. Tire inflation pressures may increase from 2 to 6 pounds per square inch (psi) during operation. Do not reduce this normal pressure build-up.

**WARNING: OVER OR UNDER INFLATED TIRES CAN AFFECT VEHICLE HANDLING AND TREAD WEAR. THIS MAY CAUSE THE TIRE TO FAIL SUDDENLY, RESULTING IN LOSS OF VEHICLE CONTROL.**

## TIRE PRESSURE FOR HIGH SPEED

### DESCRIPTION

Where speed limits allow the vehicle to be driven at high speeds, correct tire inflation pressure is very important. For speeds up to and including 120 km/h (75 mph), tires must be inflated to the pressures shown on the tire placard. For continuous speeds in excess of 120 km/h (75 mph), tires must be inflated to the maximum pressure specified on the tire sidewall.

Vehicles loaded to the maximum capacity should not be driven at continuous speeds above 75 mph (120 km/h).

For emergency vehicles that are driven at speeds over 90 mph (144 km/h), special high speed tires must be used. Consult tire manufacturer for correct inflation pressure recommendations.

## REPLACEMENT TIRES

### DESCRIPTION

The original equipment tires provide a proper balance of many characteristics such as:

- Ride
- Noise
- Handling
- Durability
- Tread life
- Traction
- Rolling resistance
- Speed capability

It is recommended that tires equivalent to the original equipment tires be used when replacement is needed.

Failure to use equivalent replacement tires may adversely affect the safety and handling of the vehicle.

The use of oversize tires may cause interference with vehicle components. Under extremes of suspension and steering travel, interference with vehicle components may cause tire damage.

**WARNING: FAILURE TO EQUIP THE VEHICLE WITH TIRES HAVING ADEQUATE SPEED CAPABILITY CAN RESULT IN SUDDEN TIRE FAILURE.**

## DIAGNOSIS AND TESTING

### PRESSURE GAUGES

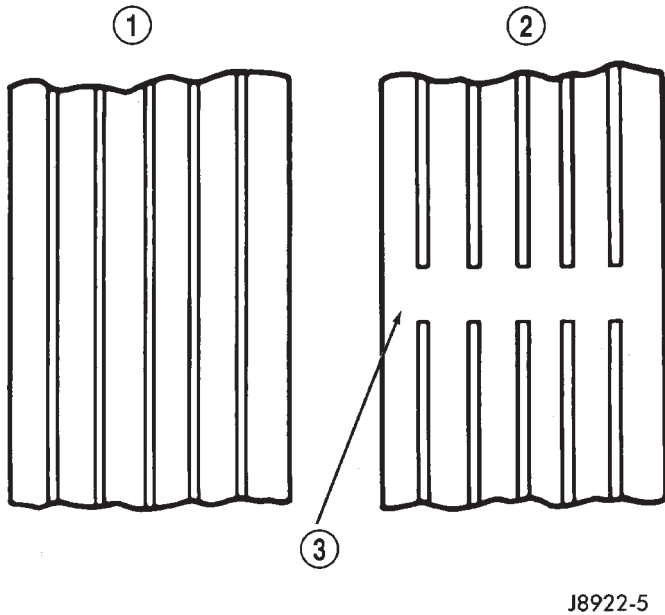
A quality air pressure gauge is recommended to check tire pressure. After checking the air pressure, replace valve cap finger tight.

### TREAD WEAR INDICATORS

Tread wear indicators are molded into the bottom of the tread grooves. When tread depth is 1.6 mm (1/16 in.), the tread wear indicators will appear as a 13 mm (1/2 in.) band (Fig. 4).

Tire replacement is necessary when indicators appear in two or more grooves or if localized balding occurs.

DIAGNOSIS AND TESTING (Continued)



**Fig. 4 Tread Wear Indicators**

- 1 - TREAD ACCEPTABLE
- 2 - TREAD UNACCEPTABLE
- 3 - WEAR INDICATOR

J8922-5

**TIRE NOISE OR VIBRATION**

Radial-ply tires are sensitive to force impulses caused by improper mounting, vibration, wheel defects, or possibly tire imbalance.

To find out if tires are causing the noise or vibration, drive the vehicle over a smooth road at varying speeds. Note the noise level during acceleration and deceleration. The engine, differential and exhaust noises will change as speed varies, while the tire noise will usually remain constant.

**SERVICE PROCEDURES**

**ROTATION**

Tires on the front and rear operate at different loads and perform different steering, driving, and braking functions. For these reasons they wear at unequal rates and tend to develop irregular wear patterns. These effects can be reduced by rotating the tires at regular intervals. The benefits of tire rotation are:

- Increase tread life
- Maintain traction levels
- A smooth, quiet ride

The suggested method of tire rotation is (Fig. 6). Other rotation methods can be used, but they will not provide all the tire longevity benefits.

**TIRE WEAR PATTERNS**

Under inflation will cause wear on the shoulders of tire. Over inflation will cause wear at the center of tire.

Excessive camber causes the tire to run at an angle to the road. One side of tread is then worn more than the other (Fig. 5).

Excessive toe-in or toe-out causes wear on the tread edges and a feathered effect across the tread (Fig. 5).

**MATCH MOUNTING**

Tires and wheels are currently not match mounted at the factory. Match mounting is a technique used to reduce runout in the wheel/tire assembly. This means that the high spot of the tire is aligned with the low spot on the wheel rim. The high spot on the tire is

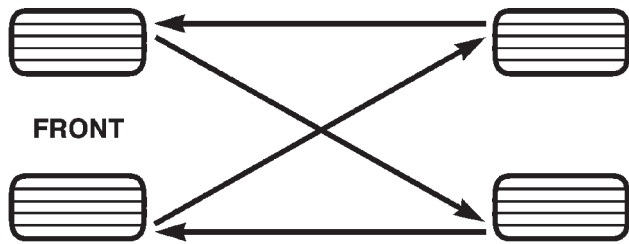
CONDITION	RAPID WEAR AT SHOULDERS	RAPID WEAR AT CENTER	CRACKED TREADS	WEAR ON ONE SIDE	FEATHERED EDGE	BALD SPOTS	SCALLOPED WEAR
EFFECT							
CAUSE	UNDER-INFLATION OR LACK OF ROTATION	OVER-INFLATION OR LACK OF ROTATION	UNDER-INFLATION OR EXCESSIVE SPEED*	EXCESSIVE CAMBER	INCORRECT TOE	UNBALANCED WHEEL	LACK OF ROTATION OF TIRES OR WORN OR OUT-OF-ALIGNMENT SUSPENSION.
CORRECTION	ADJUST PRESSURE TO SPECIFICATIONS WHEN TIRES ARE COOL ROTATE TIRES			ADJUST CAMBER TO SPECIFICATIONS	ADJUST TOE-IN TO SPECIFICATIONS	DYNAMIC OR STATIC BALANCE WHEELS	ROTATE TIRES AND INSPECT SUSPENSION SEE GROUP 2

\*HAVE TIRE INSPECTED FOR FURTHER USE.

RN797

**Fig. 5 Tire Wear Patterns**

SERVICE PROCEDURES (Continued)



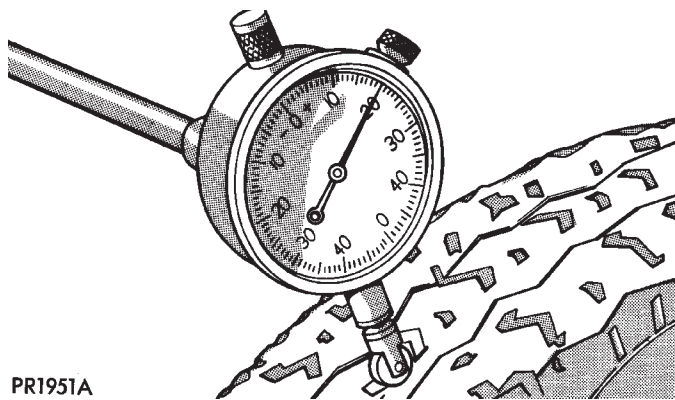
8031e864

**Fig. 6 Tire Rotation Pattern**

marked with a paint mark or a bright colored adhesive label on the outboard sidewall. The low spot on the rim is identified with a label on the outside of the rim and a dot on the inside of the rim. If the outside label has been removed the tire will have to be removed to locate the dot on the inside of the rim.

Before dismounting a tire from its wheel, a reference mark should be placed on the tire at the valve stem location. This reference will ensure that it is remounted in the original position on the wheel.

(1) Use a dial indicator to locate the high spot of the tire on the center tread rib (Fig. 7). Record the indicator reading and mark the high spot on the tire. Place a mark on the tire at the valve stem location (Fig. 8).



PR1951A

**Fig. 7 Dial Indicator**

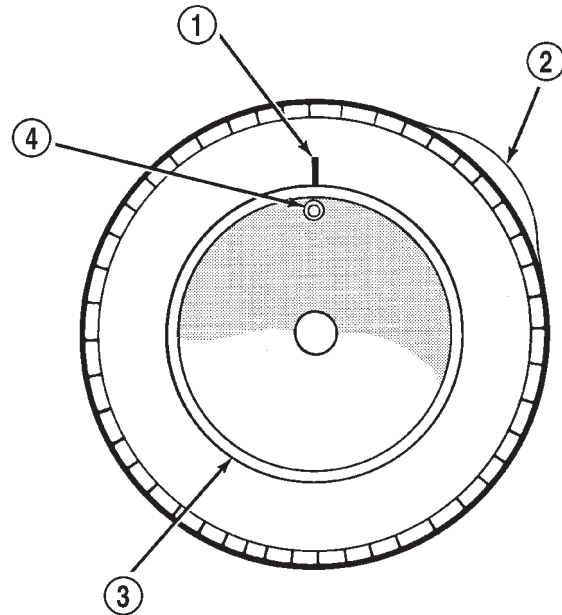
(2) Break down the tire and remount it 180 degrees on the rim (Fig. 9).

(3) Measure the total runout again and mark the tire to indicate the high spot.

(4) If runout is still excessive use the following procedures.

(a) If the high spot is within 101.6 mm (4.0 in.) of the first spot and is still excessive, replace the tire.

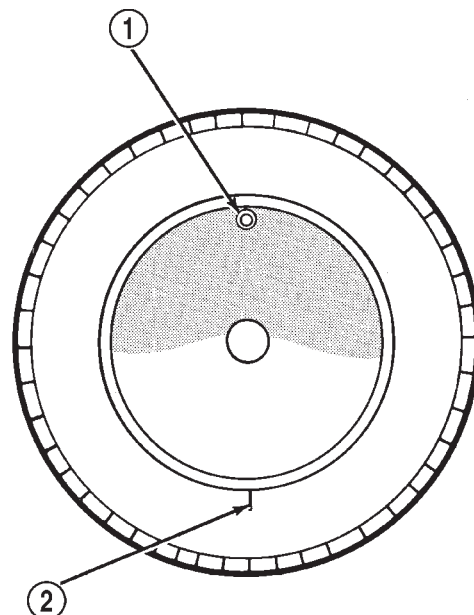
(b) If the high spot is within 101.6 mm (4.0 in.) of the first spot on the wheel, the wheel may be out of specifications. Refer to Wheel and Tire Runout.



J9322-3

**Fig. 8 First Measurement On Tire**

- 1 - REFERENCE MARK
- 2 - 1ST MEASUREMENT  
HIGH SPOT MARK TIRE AND RIM
- 3 - WHEEL
- 4 - VALVE STEM



J9322-4

**Fig. 9 Remount Tire 180 Degrees**

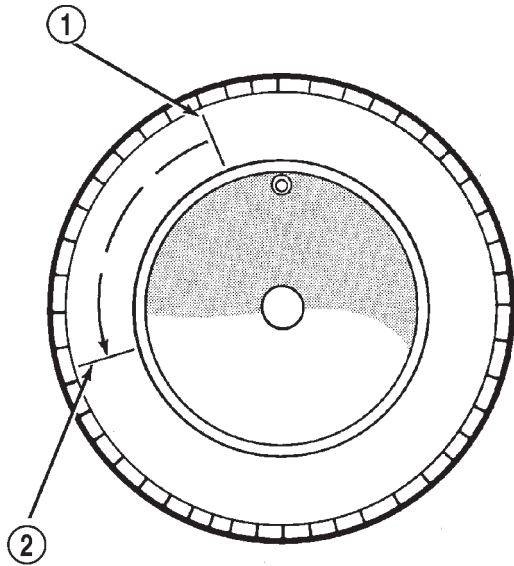
- 1 - VALVE STEM
- 2 - REFERENCE MARK

(c) If the high spot is NOT within 101.6 mm (4.0 in.) of either high spot, draw an arrow on the tread



SERVICE PROCEDURES (Continued)

from second high spot to first. Break down the tire and remount it 90 degrees on rim in that direction (Fig. 10). This procedure will normally reduce the runout to an acceptable amount.



J9322-5

**Fig. 10 Remount Tire 90 Degrees In Direction of Arrow**

- 1 - 2ND HIGH SPOT ON TIRE
- 2 - 1ST HIGH SPOT ON TIRE

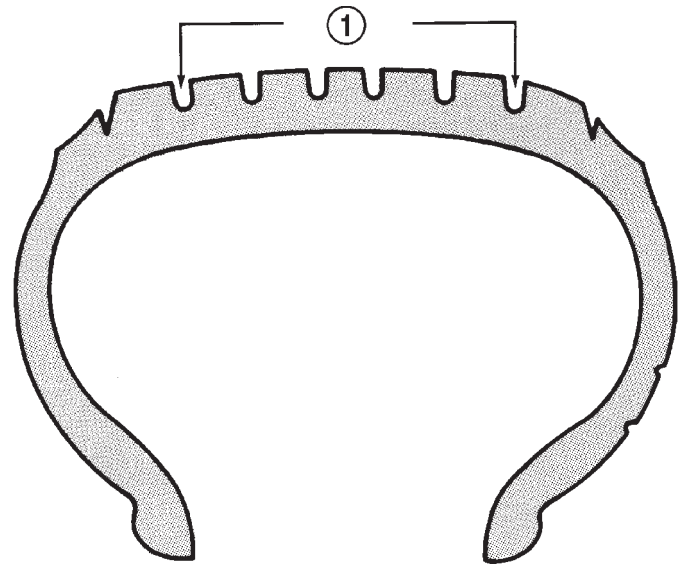
**REPAIRING LEAKS**

For proper repairing, a radial tire must be removed from the wheel. Repairs should only be made if the defect, or puncture, is in the tread area (Fig. 11). The tire should be replaced if the puncture is located in the sidewall.

Deflate tire completely before removing the tire from the wheel. Use lubrication such as a mild soap solution when dismounting or mounting tire. Use tools free of burrs or sharp edges which could damage the tire or wheel rim.

Before mounting tire on wheel, make sure all rust is removed from the rim bead and repaint if necessary.

Install wheel on vehicle, and tighten to proper torque specification.



J8922-6

**Fig. 11 Tire Repair Area**

- 1 - REPAIRABLE AREA

**CLEANING AND INSPECTION**

**CLEANING TIRES**

Remove the protective coating on the tires before delivery of a vehicle. This coating may cause deterioration of the tires.

To remove the protective coating, apply warm water and let it soak for a few minutes. Afterwards, scrub the coating away with a soft bristle brush. Steam cleaning may also be used to remove the coating.

**NOTE: DO NOT use gasoline, mineral oil, oil-based solvent or a wire brush for cleaning.**

**SPECIFICATIONS**

**TIRES**

TIRE SIZE	SUPPLIER
P225/75R16	GOODYEAR
P245/70R16	GOODYEAR

# WHEELS

## TABLE OF CONTENTS

	page		page
<b>DESCRIPTION AND OPERATION</b>		<b>SERVICE PROCEDURES</b>	
WHEEL . . . . .	7	WHEEL INSTALLATION . . . . .	9
<b>DIAGNOSIS AND TESTING</b>		TIRE AND WHEEL BALANCE . . . . .	9
WHEEL INSPECTION . . . . .	7	<b>SPECIFICATIONS</b>	
TIRE AND WHEEL RUNOUT . . . . .	7	TORQUE CHART . . . . .	10

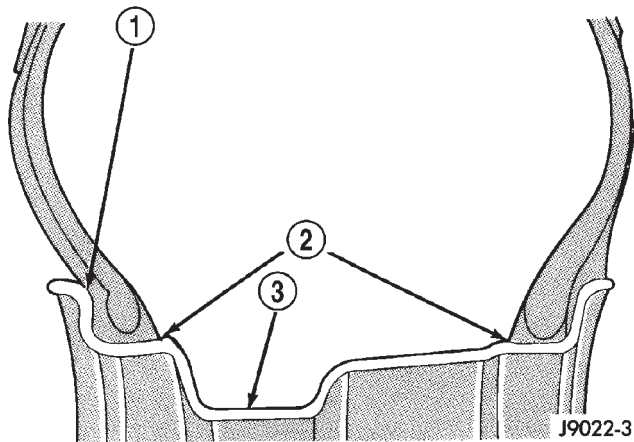
## DESCRIPTION AND OPERATION

### WHEEL

#### DESCRIPTION

The rim size is on the vehicle safety certification label located on the drivers door shut face. The size of the rim is determined by the drivetrain package. Original equipment wheels/rims are designed for operation up to the specified maximum vehicle capacity.

All models use stamped steel, cast aluminum or forged aluminum wheels. Every wheel has raised sections between the rim flanges and rim drop well called safety humps (Fig. 1).



**Fig. 1 Safety Rim**

- 1 - FLANGE
- 2 - RIDGE
- 3 - WELL

Initial inflation of the tire forces the bead over these raised sections. In case of rapid loss of air pressure, the raised sections help hold the tire on the wheel.

The wheel studs and nuts are designed for specific applications. All aluminum and some steel wheels have wheel stud nuts with an enlarged nose. This enlarged nose is necessary to ensure proper retention of the wheels. Do not use replacement studs or nuts with a different design or lesser quality.

## DIAGNOSIS AND TESTING

### WHEEL INSPECTION

Inspect wheels for:

- Excessive run out
- Dents or cracks
- Damaged wheel lug nut holes
- Air Leaks from any area or surface of the rim

**NOTE: Do not attempt to repair a wheel by hammering, heating or welding.**

If a wheel is damaged an original equipment replacement wheel should be used. When obtaining replacement wheels, they should be equivalent in load carrying capacity. The diameter, width, offset, pilot hole and bolt circle of the wheel should be the same as the original wheel.

**WARNING: FAILURE TO USE EQUIVALENT REPLACEMENT WHEELS MAY ADVERSELY AFFECT THE SAFETY AND HANDLING OF THE VEHICLE. USED WHEELS ARE NOT RECOMMENDED. THE SERVICE HISTORY OF THE WHEEL MAY HAVE INCLUDED SEVERE TREATMENT OR VERY HIGH MILEAGE. THE RIM COULD FAIL WITHOUT WARNING.**

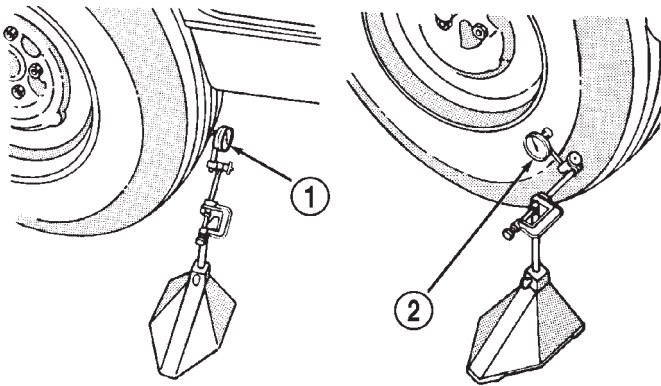
### TIRE AND WHEEL RUNOUT

Radial runout is the difference between the high and low points on the tire or wheel (Fig. 2).

Lateral runout is the **wobble** of the tire or wheel.

Radial runout of more than 1.5 mm (.060 inch) measured at the center line of the tread may cause the vehicle to shake.

DIAGNOSIS AND TESTING (Continued)



J9022-4

**Fig. 2 Checking Tire/Wheel/Hub Runout**

- 1 - RADIAL RUNOUT
- 2 - LATERAL RUNOUT

Lateral runout of more than 2.0 mm (.080 inch) measured near the shoulder of the tire may cause the vehicle to shake.

Sometimes radial runout can be reduced. Relocate the wheel and tire assembly on the mounting studs (See Method 1). If this does not reduce runout to an acceptable level, the tire can be rotated on the wheel. (See Method 2).

**METHOD 1 (RELOCATE WHEEL ON HUB)**

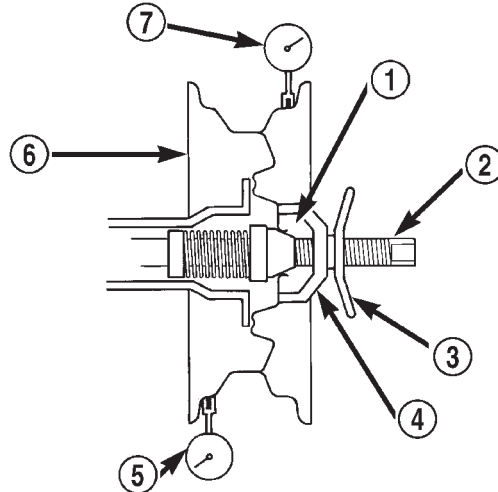
- (1) Drive vehicle a short distance to eliminate tire flat spotting from a parked position.
- (2) Check wheel bearings and adjust if adjustable or replace if necessary.
- (3) Check the wheel mounting surface.
- (4) Relocate wheel on the mounting, two studs over from the original position.
- (5) Tighten wheel nuts until all are properly torqued, to eliminate brake distortion.
- (6) Check radial runout. If still excessive, mark tire sidewall, wheel, and stud at point of maximum runout and proceed to Method 2.

**METHOD 2 (RELOCATE TIRE ON WHEEL)**

**NOTE:** Rotating the tire on wheel is particularly effective when there is runout in both tire and wheel.

- (1) Remove tire from wheel and mount wheel on service dynamic balance machine.
- (2) Check wheel radial runout (Fig. 3) and lateral runout (Fig. 4).
  - STEEL WHEELS: Radial runout 0.040 in., Lateral runout 0.045 in. (maximum)

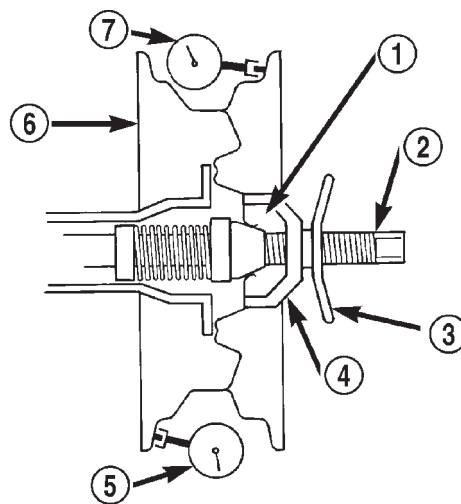
- ALUMINUM WHEELS: Radial runout 0.030 in., Lateral runout 0.035 in. (maximum)
- (3) If point of greatest wheel lateral runout is near original chalk mark, remount tire 180 degrees. Recheck runout, Refer to match mounting procedure.



80a611da

**Fig. 3 Radial Runout**

- 1 - MOUNTING CONE
- 2 - SPINDLE SHAFT
- 3 - WING NUT
- 4 - PLASTIC CUP
- 5 - DIAL INDICATOR
- 6 - WHEEL
- 7 - DIAL INDICATOR



80a611db

**Fig. 4 Lateral Runout**

- 1 - MOUNTING CONE
- 2 - SPINDLE SHAFT
- 3 - WING NUT
- 4 - PLASTIC CUP
- 5 - DIAL INDICATOR
- 6 - WHEEL
- 7 - DIAL INDICATOR

## SERVICE PROCEDURES

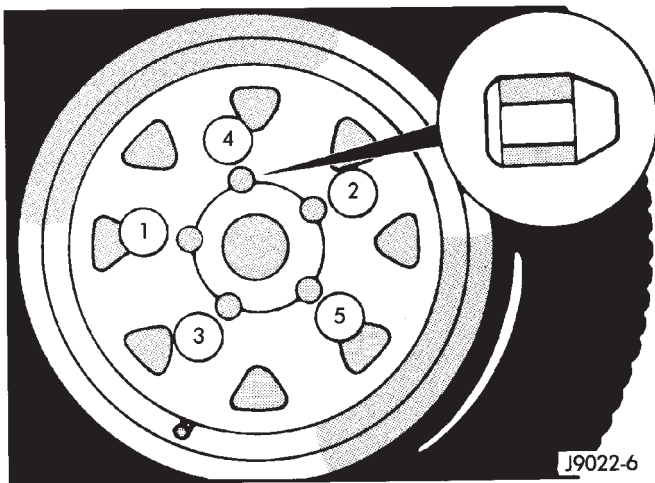
### WHEEL INSTALLATION

The wheel studs and nuts are designed for specific applications. They must be replaced with equivalent parts. Do not use replacement parts of lesser quality or a substitute design. All aluminum and some steel wheels have wheel stud nuts which feature an enlarged nose. This enlarged nose is necessary to ensure proper retention of the aluminum wheels.

**NOTE: Do not use chrome plated lug nuts with chrome plated wheels.**

Before installing the wheel, be sure to remove any build up of corrosion on the wheel mounting surfaces. Ensure wheels are installed with good metal-to-metal contact. Improper installation could cause loosening of wheel nuts. This could affect the safety and handling of your vehicle.

To install the wheel, first position it properly on the mounting surface. All wheel nuts should then be tightened just snug. Gradually tighten them in sequence to the proper torque specification (Fig. 5). **Never use oil or grease on studs or nuts.**



*Fig. 5 Lug Nut Tightening Pattern*

### WHEEL REPLACEMENT

Wheels must be replaced if they have:

- Excessive runout
- Bent or dented
- Leak air through welds
- Have damaged bolt holes

Wheel repairs employing hammering, heating, or welding are not allowed.

Original equipment wheels are available through your dealer. Replacement wheels from any other source should be equivalent in:

- Load carrying capacity
- Diameter
- Width
- Offset
- Mounting configuration

Failure to use equivalent replacement wheels may affect the safety and handling of your vehicle. Replacement with **used** wheels is not recommended. Their service history may have included severe treatment.

### TIRE AND WHEEL BALANCE

It is recommended that a two plane service dynamic balancer be used when a tire and wheel assembly require balancing. Refer to balancer operation instructions for proper cone mounting procedures. Typically use front cone mounting method for steel wheels. For aluminum wheel use back cone mounting method without cone spring.

**NOTE: Static should be used only when a two plane balancer is not available.**

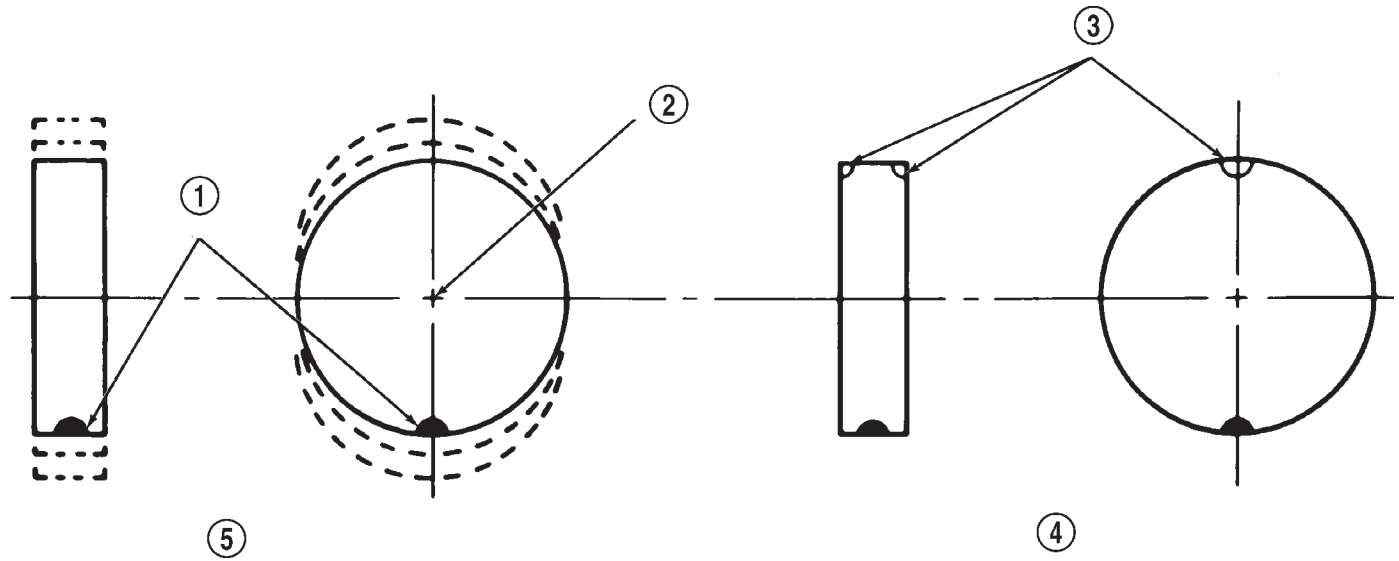
**NOTE: Cast aluminum and forged aluminum wheels require coated balance weights and special alignment equipment.**

Wheel balancing can be accomplished with either on or off vehicle equipment. When using on-vehicle balancing equipment, remove the opposite wheel/tire. Off-vehicle balancing is recommended.

For static balancing, find the location of the heavy spot causing the imbalance. Counter balance wheel directly opposite the heavy spot. Determine weight required to counter balance the area of imbalance. Place half of this weight on the **inner** rim flange and the other half on the **outer** rim flange (Fig. 6).

For dynamic balancing, the balancing equipment is designed to locate the amount of weight to be applied to both the inner and outer rim flange (Fig. 7).

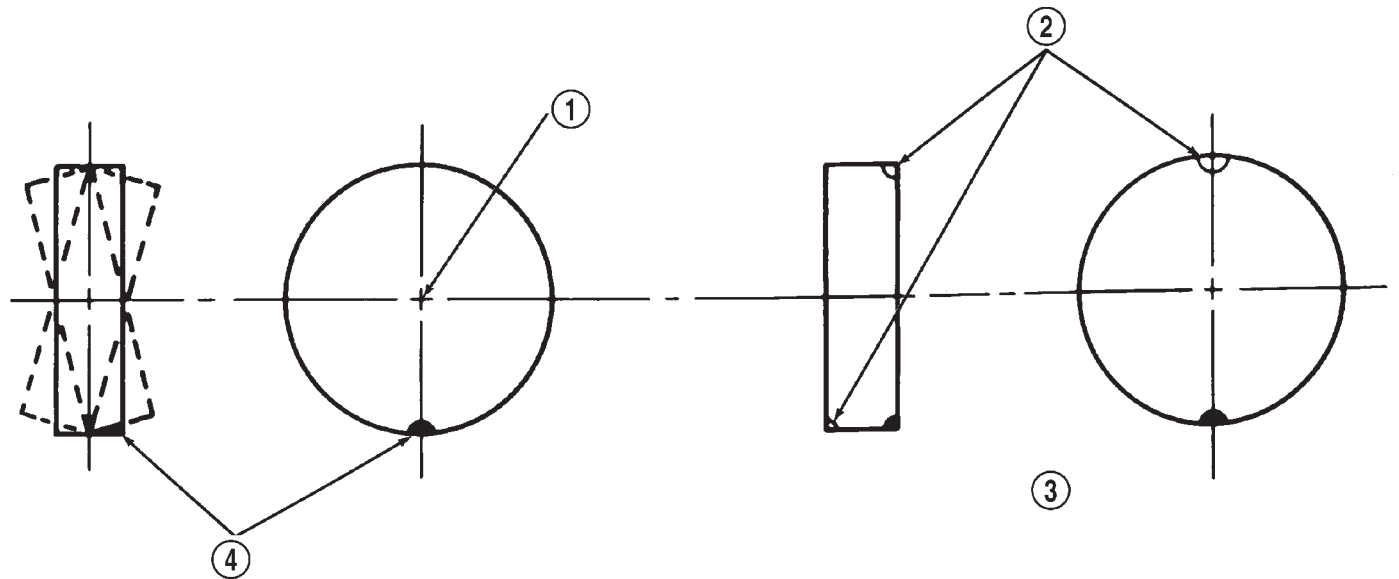
SERVICE PROCEDURES (Continued)



**Fig. 6 Static Unbalance & Balance**

J8922-8

- 1 - HEAVY SPOT
- 2 - CENTER LINE OF SPINDLE
- 3 - ADD BALANCE WEIGHTS HERE
- 4 - CORRECTIVE WEIGHT LOCATION
- 5 - TIRE OR WHEEL TRAMP, OR WHEEL HOP



**Fig. 7 Dynamic Unbalance & Balance**

J8922-9

- 1 - CENTER LINE OF SPINDLE
- 2 - ADD BALANCE WEIGHTS HERE
- 3 - CORRECTIVE WEIGHT LOCATION
- 4 - HEAVY SPOT WHEEL SHIMMY AND VIBRATION

SPECIFICATIONS

TORQUE CHART

DESCRIPTION	TORQUE
<b>Lug Nut</b>	
1/2 X 20 with 60° Cone . . . . .	115-150 N·m (85-115 ft. lbs.)

# BODY

## TABLE OF CONTENTS

	page		page
PAINT .....	1	SEATS .....	15
STATIONARY GLASS .....	4	BODY COMPONENTS .....	24
POWER SUNROOF .....	8		

# PAINT

## TABLE OF CONTENTS

	page		page
<b>DESCRIPTION AND OPERATION</b>		PAINTED SURFACE TOUCH-UP .....	2
PAINT CODE .....	1	<b>SPECIFICATIONS</b>	
BASE COAT/CLEAR COAT FINISH .....	1	AFTER MARKET PAINT REPAIR PRODUCTS .....	3
FINESSE SANDING, BUFFING, AND POLISHING .....	1		

## DESCRIPTION AND OPERATION

### PAINT CODE

#### DESCRIPTION

Exterior vehicle body colors are identified on the Body Code plate. The plate is located on the in the engine compartment and attached to the top of the right frame rail. Refer to the Introduction section at the front of this manual for body code plate description. The paint code is also identified on the Vehicle Safety Certification Label which is located on the drivers door shut face. The first digit of the paint code listed on the vehicle indicates the sequence of application, i.e.: P = primary coat, Q = secondary coat. The codes listed in the Aftermarket Paint Repair Products chart are used for manufacturing purposes. The first digit may vary from the Body Code Plate. The color names provided in the Aftermarket Paint Repair Products chart are the color names used on most repair product containers.

### BASE COAT/CLEAR COAT FINISH

#### DESCRIPTION

The original equipment finish is a multi-step process that involves cleaning, electrodeposition (e-coat), base

coat, and clear coat steps. Additionally, selected areas of the vehicle may be coated with an anti-chip finish.

#### OPERATION

On most vehicles a two-part paint application (base coat/clear coat) is used. Color paint that is applied to primer is called base coat. The clear coat protects the base coat from ultraviolet light and provides a durable high-gloss finish.

**CAUTION: Do not use abrasive chemicals or compounds on painted surfaces. Damage to finish can result.**

**Do not use harsh alkaline based cleaning solvents on painted surfaces. Damage to finish or color can result.**

### FINESSE SANDING, BUFFING, AND POLISHING

#### DESCRIPTION

Minor acid etching, orange peel, or smudging in clear coat or single-stage finishes can be reduced with light finesse sanding, hand buffing, and polishing. **If the finish has been finesse sanded in the past, it cannot be repeated. Finesse sanding operation should be performed by a trained automotive paint technician.**



## DESCRIPTION AND OPERATION (Continued)

**CAUTION: Do not remove clear coat finish, if equipped. Base coat paint must retain clear coat for durability.**

**PAINTED SURFACE TOUCH-UP****DESCRIPTION**

When a painted metal surface has been scratched or chipped, it should be touched-up as soon as possible to avoid corrosion. For best results, use Mopar® Scratch Filler/Primer, Touch-Up Paints and Clear Top Coat. Refer to Introduction group of this manual for Body Code Plate information.

**WARNING: USE A OSHA APPROVED BREATHING FILTER WHEN SPRAYING PAINT OR SOLVENTS IN A CONFINED AREA. PERSONAL INJURY CAN RESULT.**

**OPERATION**

- (1) Scrape loose paint and corrosion from inside scratch or chip.
- (2) Clean affected area with Mopar® Tar/Road Oil Remover, and allow to dry.
- (3) Fill the inside of the scratch or chip with a coat of filler/primer. Do not overlap primer onto good sur-

face finish. The applicator brush should be wet enough to puddle-fill the defect without running. Do not stroke brush applicator on body surface. Allow the filler/primer to dry hard.

(4) Cover the filler/primer with color touch-up paint. Do not overlap touch-up color onto the original color coat around the scratch or chip. Butt the new color to the original color, if possible. Do not stroke applicator brush on body surface. Allow touch-up paint to dry hard.

(5) On vehicles without clear coat, the touch-up color can be lightly finesse sanded (1500 grit) and polished with rubbing compound.

(6) On vehicles with clear coat, apply clear top coat to touch-up paint with the same technique as described in Step 4. Allow clear top coat to dry hard. If desired, Step 5 can be performed on clear top coat.

**WARNING: AVOID PROLONGED SKIN CONTACT WITH PETROLEUM OR ALCOHOL – BASED CLEANING SOLVENTS. PERSONAL INJURY CAN RESULT.**

**AVOID PROLONGED SKIN CONTACT WITH PETROLEUM OR ALCOHOL – BASED CLEANING SOLVENTS. PERSONAL INJURY CAN RESULT.**

## SPECIFICATIONS

## AFTER MARKET PAINT REPAIR PRODUCTS

## EXTERIOR COLOR

EXTERIOR COLOR	DAIMLER CHRYSLER CODE *	PPG	DuPONT	S-W** M-S**	AKZO NOBEL SIKKENS	SPIES HECKER	ICI**
Sienna Tinted Pearl Coat	WUL	5477	F7938	56687/ 56688	CHA99:WUL		LFF5B
Shale Green Metallic Clear Coat	XGR	5577	F9239	57765	CHA00:XGR	66088	PVJ8B
Flame Red Clear Coat	PR4	4679	B9326	46916	CHA93:PR4	30116	2NN6B
Champagne Pearl Coat	WTH	5475	B9882	57056	CHA99:WTH	22548	LLY7B
Everglade Pearl Coat	WPT	5472	F8200	56686	CHA99:WPT	65522	LEC8B
Silverstone Pearl Coat	XS5						
Black Clear Coat	DX8	9700	99	34858 90-5950	CHA85:DX8	73328	TC60B
Taupe Frost Pearl Coat	TTK	5244	B9750	52567	CHA97:TTK	80595	FNE5B
Stone White Clear Coat	SW1	83542	B9622	51540	CHA96:SW1	15069	8KY5B
Patriot Blue Pearl Coat	WBT	5512	F7991	56683	CHA99:WB7	56580	LEC6B

## INTERIOR COLOR

INTERIOR COLOR	DAIMLER CHRYSLER CODE	PPG	DuPONT	S-W** M-S**	AKZO NOBEL SIKKENS	SPIES HECKER	ICI**
Agate	AZ	9856/2- 1461	C9208	45994	CHALAZI	75016	7WCB
Camel	K5	27731/ 2-1584	C9603	51541	CHARK5I	81796	7VX6
Taupe	L5	28653/ 2-1652	C9873	54420	CHARL5I		KXE6

**NOTE: \*Herberts Standox and BASF use the Chrysler paint code as listed on the Body Code Plate and the Vehicle Safety Certification label. \*\***

**S-W = Sherwin-Williams, M-S = Martin Senour, ICI = ICI Autocolor.**

# STATIONARY GLASS

## TABLE OF CONTENTS

	page		page
<b>DESCRIPTION AND OPERATION</b>		<b>REMOVAL AND INSTALLATION</b>	
STATIONARY GLASS . . . . .	4	WINDSHIELD . . . . .	4
<b>SERVICE PROCEDURES</b>		QUARTER WINDOW GLASS . . . . .	6
WINDSHIELD SAFETY PRECAUTIONS . . . . .	4		

## DESCRIPTION AND OPERATION

### STATIONARY GLASS

#### DESCRIPTION

Windshields are made of two pieces of glass with a plastic inner layer. Windshields and selected stationary glass are structural members of the vehicle. The windshield glass is bonded to the windshield frame with urethane adhesive.

#### OPERATION

Windshields and other stationary glass protect the occupants from the effects of the elements. Windshields are also used to retain some airbags in position during deployment. Urethane bonded glass is difficult to salvage during removal. The urethane bonding is difficult to cut or clean from any surface. Before removing the glass, check the availability of replacement components.

### SERVICE PROCEDURES

#### WINDSHIELD SAFETY PRECAUTIONS

#### DESCRIPTION

**WARNING: DO NOT OPERATE THE VEHICLE WITHIN 24 HOURS OF WINDSHIELD INSTALLATION. IT TAKES AT LEAST 24 HOURS FOR URETHANE ADHESIVE TO CURE. IF IT IS NOT CURED, THE WINDSHIELD MAY NOT PERFORM PROPERLY IN AN ACCIDENT.**

**URETHANE ADHESIVES ARE APPLIED AS A SYSTEM. USE GLASS CLEANER, GLASS PREP SOLVENT, GLASS PRIMER, PVC (VINYL) PRIMER AND PINCH WELD (FENCE) PRIMER PROVIDED BY THE ADHESIVE MANUFACTURER. IF NOT, STRUCTURAL INTEGRITY COULD BE COMPROMISED.**

**DAIMLERCHRYSLER DOES NOT RECOMMEND GLASS ADHESIVE BY BRAND. TECHNICIANS SHOULD REVIEW PRODUCT LABELS AND TECHNICAL DATA SHEETS, AND USE ONLY ADHESIVES THAT THEIR MANUFACTURES WARRANT WILL RESTORE A VEHICLE TO THE REQUIREMENTS OF FMVSS 212. TECHNICIANS SHOULD ALSO INSURE THAT PRIMERS AND CLEANERS ARE COMPATIBLE WITH THE PARTICULAR ADHESIVE USED.**

**BE SURE TO REFER TO THE URETHANE MANUFACTURER'S DIRECTIONS FOR CURING TIME SPECIFICATIONS, AND DO NOT USE ADHESIVE AFTER ITS EXPIRATION DATE.**

**VAPORS THAT ARE EMITTED FROM THE URETHANE ADHESIVE OR PRIMER COULD CAUSE PERSONAL INJURY. USE THEM IN A WELL-VENTILATED AREA.**

**SKIN CONTACT WITH URETHANE ADHESIVE SHOULD BE AVOIDED. PERSONAL INJURY MAY RESULT.**

**ALWAYS WEAR EYE AND HAND PROTECTION WHEN WORKING WITH GLASS.**

**CAUTION: Protect all painted and trimmed surfaces from coming in contact with urethane or primers.**

**Be careful not to damage painted surfaces when removing moldings or cutting urethane around windshield.**

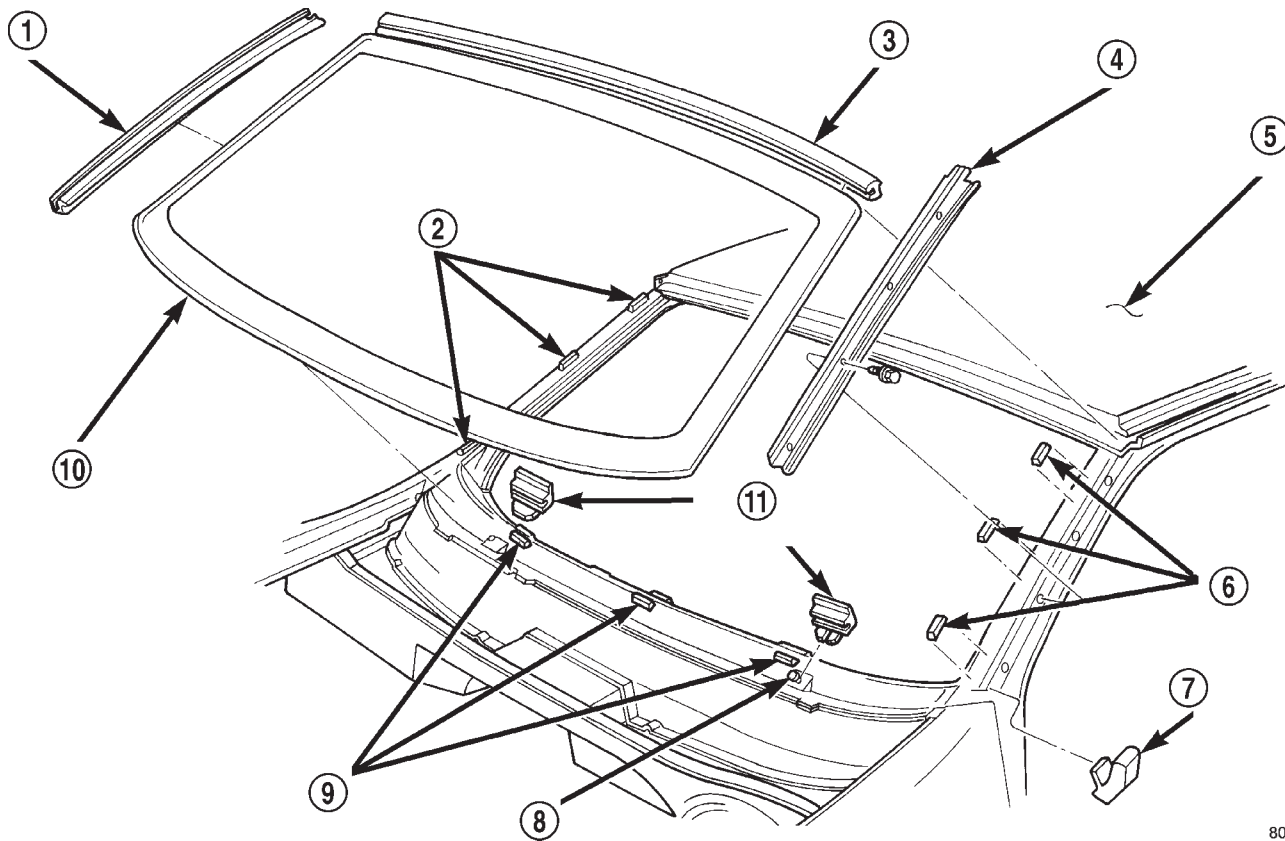
## REMOVAL AND INSTALLATION

### WINDSHIELD

#### REMOVAL

- (1) Remove inside rear view mirror.
- (2) Remove cowl cover.
- (3) Remove screws attaching windshield side molding to A-pillar (Fig. 1).
- (4) Remove upper windshield molding.
- (5) Cut urethane bonding from around windshield using a suitable sharp cold knife. A pneumatic cutting device can be used if available (Fig. 2).
- (6) Separate windshield from vehicle.

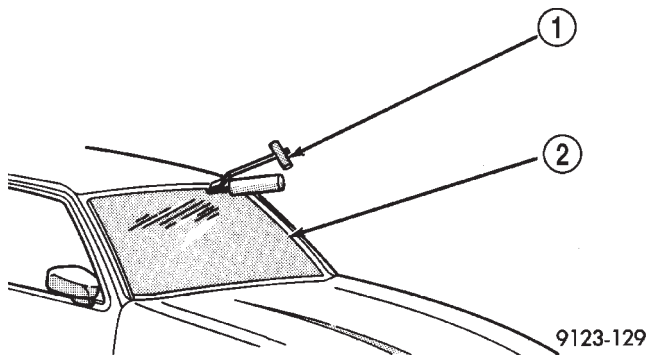
REMOVAL AND INSTALLATION (Continued)



80500535

**Fig. 1 Windshield**

- |                    |                       |
|--------------------|-----------------------|
| 1 - SIDE MOLDING   | 7 - BLOCKER           |
| 2 - SUPPORT SPACER | 8 - STUD              |
| 3 - UPPER MOLDING  | 9 - SUPPORT SPACER    |
| 4 - SIDE MOLDING   | 10 - WINDSHIELD       |
| 5 - ROOF PANEL     | 11 - ALIGNMENT SPACER |
| 6 - SUPPORT SPACER |                       |



9123-129

**Fig. 2 Cut Urethane Around Windshield—Typical**

- |                |
|----------------|
| 1 - COLD KNIFE |
| 2 - WINDSHIELD |

## REMOVAL AND INSTALLATION (Continued)

## INSTALLATION

**WARNING: REVIEW ALL WARNINGS AND CAUTIONS IN THIS GROUP BEFORE PRECEDING WITH INSTALLATION.**

**CAUTION: Open a window before installing windshield. This will avoid pressurizing the passenger compartment. If a door or liftgate is slammed before urethane is cured, water leaks can result.**

The windshield fence should be cleaned of old urethane bonding material. Support spacers should be cleaned and properly installed on weld studs or repair screws at bottom of windshield opening.

(1) Place replacement windshield into windshield opening. Position glass in the center of the opening against the support spacers. Mark the glass at the support spacers with a grease pencil or masking tape and ink pen to use as a reference for installation. Remove replacement windshield from windshield opening (Fig. 3).

(2) Position the windshield inside up on a suitable work surface with two padded, wood 10 cm by 10 cm by 50 cm (4 in. by 4 in. by 20 in.) blocks, placed parallel 75 cm (2.5 ft.) apart (Fig. 4).

(3) Clean inside of windshield with Mopar Glass Cleaner and lint-free cloth.

(4) Apply clear glass primer 25 mm (1 in.) wide around edge of windshield. Wipe with clean/dry lint-free cloth.

(5) Apply black-out primer 15 mm (.75 in.) wide on top and sides of windshield and 25 mm (1 in.) on bottom of windshield. Allow at least three minutes drying time.

(6) Position windshield spacers on lower fence above support spacers at the edge of the windshield opening (Fig. 1).

(7) Apply a 10 mm (0.4 in.) bead of urethane around perimeter of windshield along the inside of the moldings. Apply two beads along the bottom edge.

(8) Install upper molding onto windshield.

(9) Apply fence primer around the perimeter of the windshield opening fence. Allow at least 18 minutes drying time.

(10) With aid of a helper, position windshield over windshield opening. Align reference marks at bottom of windshield to support spacers.

(11) Slowly lower windshield glass to windshield opening fence. Guide top molding into proper position if necessary. Push windshield inward to fence spacers at bottom and until top molding is flush to roof line.

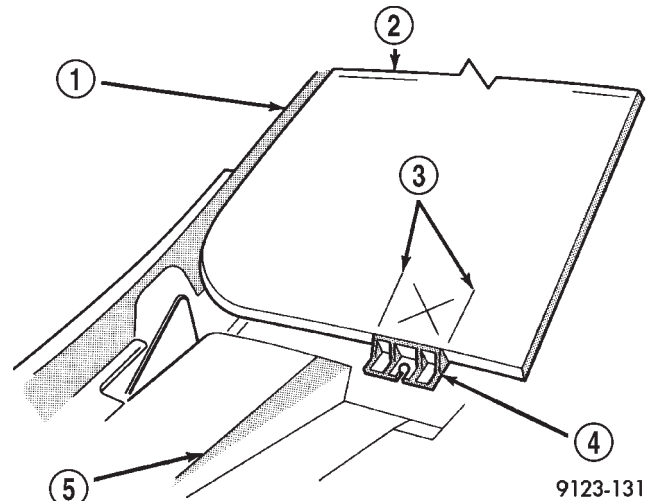
(12) Clean excess urethane from exterior with Mopar Super Clean or equivalent.

(13) Install windshield side moldings.

(14) Install cowl cover and wipers.

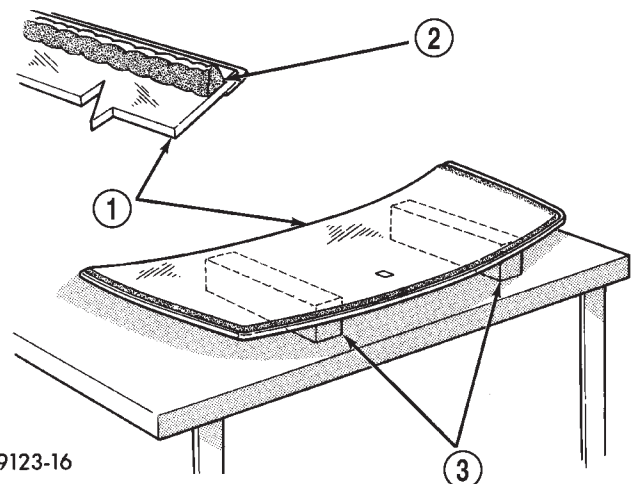
(15) Install inside rear view mirror.

(16) After urethane has cured, water test windshield to verify repair.



**Fig. 3 Center Windshield and Mark at Support Spacers**

- 1 - A-PILLAR
- 2 - WINDSHIELD
- 3 - MARKS
- 4 - SUPPORT SPACER
- 5 - COWL



**Fig. 4 Work Surface Set up and Molding Installation**

- 1 - WINDSHIELD AND MOULDINGS
- 2 - URETHANE BEAD AROUND GLASS 7mm (.3 in.) FROM EDGE
- 3 - BLOCKS

## QUARTER WINDOW GLASS

## REMOVAL

(1) Cut urethane bonding from around quarter window glass using a suitable sharp cold knife. A pneumatic cutting device can be used if available.

(2) Separate glass from vehicle.

## REMOVAL AND INSTALLATION (Continued)

## INSTALLATION

**CAUTION:** Open a window before installing glass. This will avoid pressurizing the passenger compartment. If a door or liftgate is slammed before urethane is cured, water leaks can result.

The window opening fence should be cleaned of old urethane bonding material.

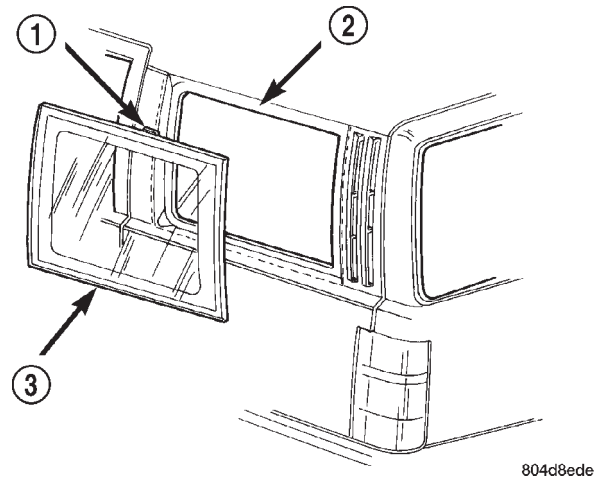
(1) Clean inside of glass with Mopar Glass Cleaner and lint-free cloth.

(2) Apply PVC (vinyl) primer 25 mm (1 in.) wide around edge of glass. Wipe with clean/dry lint-free cloth.

(3) Apply fence primer around edge of fence. Allow at least eighteen minutes drying time.

(4) Apply a 10 mm (0.4 in.) bead of urethane around window vinyl border location.

Position glass into window opening and lock clips into place (Fig. 5).



**Fig. 5 Quarter Window Glass**

- 1 - CLIP
- 2 - ROOF PANEL
- 3 - QUARTER WINDOW GLASS

804d8ede



# POWER SUNROOF

## TABLE OF CONTENTS

	page		page
<b>DESCRIPTION AND OPERATION</b>		SUNROOF EXPRESS MODULE . . . . .	12
SUNROOF OPERATION . . . . .	8	SUNROOF DRIVE MOTOR . . . . .	13
<b>DIAGNOSIS AND TESTING</b>		SUNROOF GLASS PANEL TIMING . . . . .	13
DIAGNOSTIC PROCEDURES . . . . .	8	SUNROOF SUNSHADE . . . . .	13
<b>REMOVAL AND INSTALLATION</b>		SUNROOF HOUSING ASSEMBLY . . . . .	14
SUNROOF WIND DEFLECTOR . . . . .	11	<b>ADJUSTMENTS</b>	
SUNROOF GLASS PANEL . . . . .	11	SUNROOF GLASS PANEL ADJUSTMENT . . . . .	14
DRAIN TUBE . . . . .	11		

## DESCRIPTION AND OPERATION

### SUNROOF OPERATION

**WARNING:** Keep fingers and other body parts out of sunroof opening at all times.

The sunroof features a power sliding glass panel and a sunshade which can be manually positioned anywhere along its travel, rearward of glass panel front edge.

The sunroof is electrically operated from a switch located on the mini overhead console. To operate the sunroof the ignition switch must be in the On/Run position. The sunroof has both manual and Express Open modes of operation when opening. To open the sunroof in the Express Open mode, the switch is pressed rearward for less than **1 second**. This causes the sunroof glass to automatically retract and stop at a position slightly forward of full open that reduces low speed wind buffeting. The sunroof can also be opened manually by pressing and holding the switch rearward. Once the switch is held rearward for more than **1 second**, the glass will retract in the manual mode. Releasing the switch at any time during travel will cause the sunroof to stop at the current position.

To close the sunroof from an open position, the switch must be pushed forward and held until the sunroof glass comes to a complete stop. Releasing the switch at any time in this mode will cause the sunroof to stop at the current position.

To vent the sunroof from the closed position, the switch is pushed forward and held. Releasing the switch at any time during travel will cause the sunroof to stop at the current vent position. To reach the fully vented position, continue to hold the switch forward until vent motion stops. To close the sunroof from the vent position, push and hold the switch rearward until the glass comes to a complete stop.

## DIAGNOSIS AND TESTING

### DIAGNOSTIC PROCEDURES

**CAUTION:** The sunroof motor is only to be powered through the vehicle battery and vehicle wire harness. Applying power to the sunroof motor leads will cause failure of the sunroof control unit.

Before beginning sunroof diagnostics verify that all other power accessories are in proper operating condition. Refer to Sunroof Diagnostic Chart for possible causes. If not, a common electrical problem may exist. Refer to Group 8W, Wiring Diagrams, of this publication for circuit, splice and component descriptions. Check the condition of the circuit protection (20 amp high current fuse (battery feed) located in the Power Distribution Center (PDC). Check the cover of the PDC for location of the fuse. Check for correct operation of the sunroof delay relay. Inspect all wiring connector pins for proper engagement and continuity. Check for battery voltage at battery and ignition pins of the power sunroof express module wiring connector. Refer to Group 8W, Wiring Diagrams, for circuit information. The controller will not operate at less than 10 volts. Check the ground at the sunroof express module.

Before beginning diagnosis for wind noise or water leaks, verify that the problem was not caused by releasing the control switch before the sunroof was fully closed. The sunroof module has a water-management system. During washing high-pressure water may be forced between the glass panel seal and the roof opening. Normally this water will drain. However, when some type of drying blower system is used, like those found in automatic car washes, the water may not have a chance to drain before the blower forces air between the seal and the roof opening. This causes the water to blow over the edge of the module and onto the headlining.

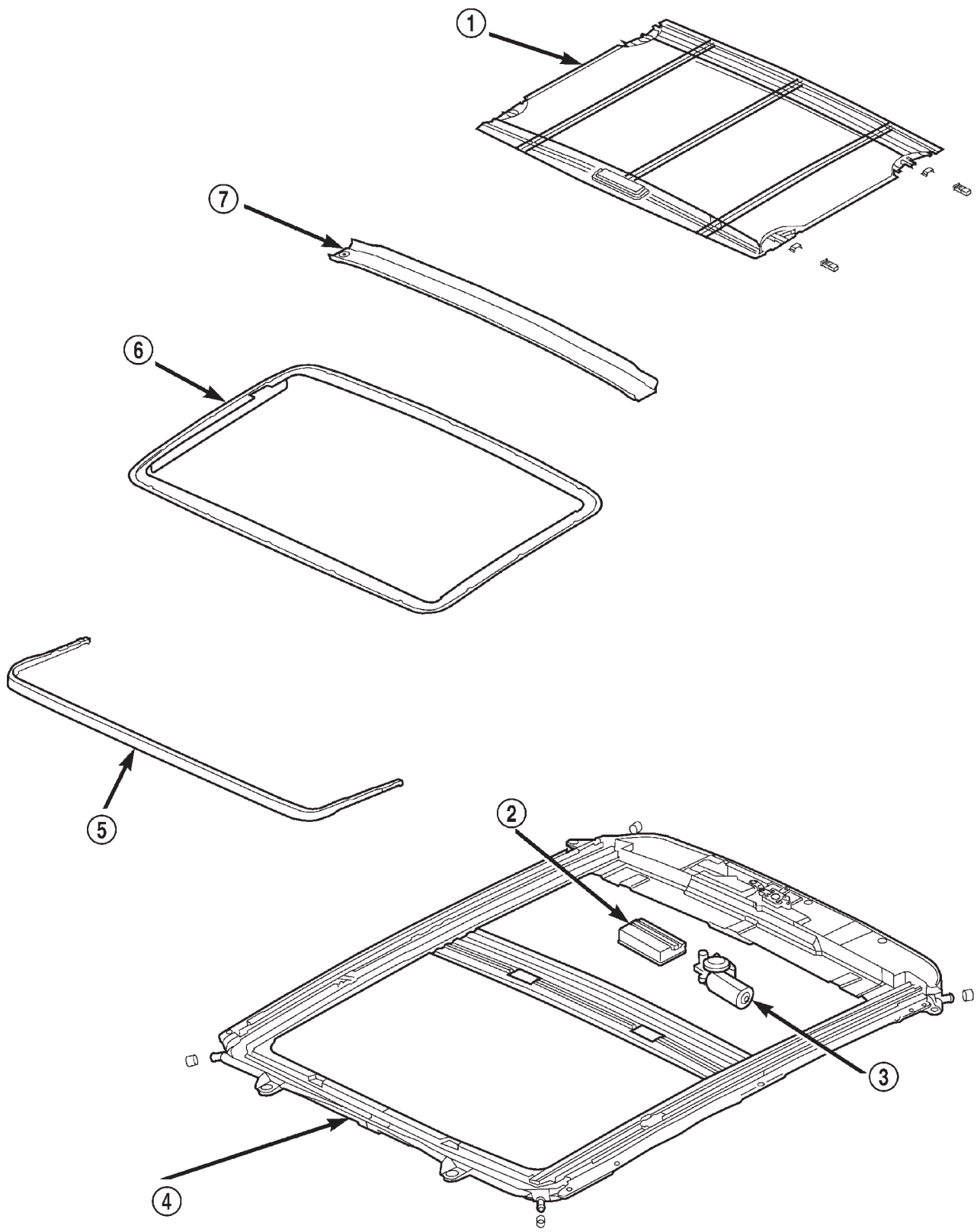
Refer to (Fig. 1) Sunroof Assembly for exploded view of the sunroof.

## DIAGNOSIS AND TESTING (Continued)

## SUNROOF DIAGNOSIS CHART

SYMPTOM	POSSIBLE CAUSE
Sunroof motor inoperative.	Faulty control switch. Faulty circuit ground between sunroof express module, drive motor, control switch, and body harness. Faulty power circuit between sunroof express module, drive motor, switch, and body harness. Faulty sunroof drive motor. Faulty sunroof express module. Faulty sunroof drive motor connector.
Audible whine when switch is depressed, sunroof does not operate.	Faulty sunroof drive motor. Binding cable.
Audible clicking or ratcheting when switch is pressed, sunroof does not operate.	Broken or worn drive cable. Worn drive motor gear. Mechanisms not synchronized.
Sunroof vents and opens, but does not close.	Binding cable. Faulty circuit. Faulty control switch. Faulty sunroof express module. Faulty drive motor.
Sunroof vents, but does not open.	Binding linkage. Faulty circuit. Faulty switch. Faulty sunroof controller. Faulty drive motor.
Sunroof does not vent	Binding cable. Faulty circuit. Faulty control switch. Faulty sunroof express module.
Sunroof water leak.	Drain tubes cut, disconnected, clogged or kinked. Drain tube grommet loose at floorpan. Glass panel improperly adjusted. Faulty glass panel seal.
Wind noise from sunroof.	Front of glass panel too high or rear too low. Glass panel not centered in opening. Faulty glass panel seal. Roof rack crossbar too close to rear of sunroof opening.
Rattles from open sunroof while driving	Loose or broken attaching hardware. Worn or broken mechanism.
Rattles from closed sunroof while driving	Loose or broken attaching hardware. Worn or broken mechanism. Loose wiring or wiring components.

# REMOVAL AND INSTALLATION



**Fig. 1 Sunroof Assembly**

REMOVAL AND INSTALLATION (Continued)

- |                    |                    |
|--------------------|--------------------|
| 1 - SUNSHADE       | 5 - WIND DEFLECTOR |
| 2 - EXPRESS MODULE | 6 - GLASS PANEL    |
| 3 - DRIVE MOTOR    | 7 - DRAIN CHANNEL  |
| 4 - FRAME ASSEMBLY |                    |

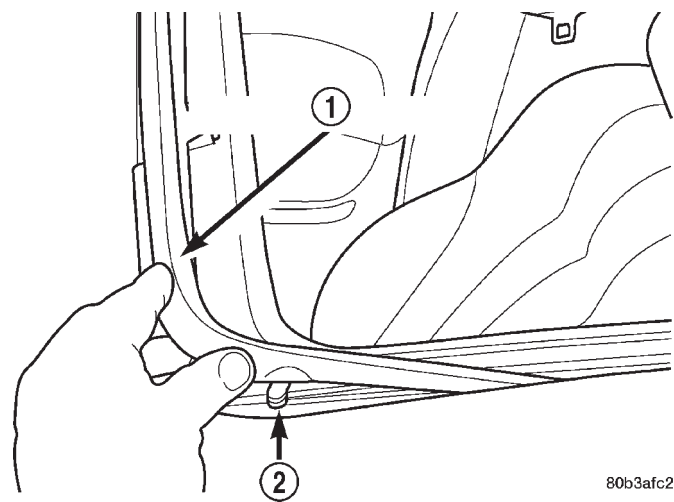
**SUNROOF WIND DEFLECTOR**

**REMOVAL**

- (1) Open sunroof glass panel.
- (2) Push down one corner of the wind deflector and let the other corner rise up (Fig. 2).
- (3) Push the low corner towards the opposite side of the vehicle until tab on sunshade clears the body. Then raise the corner up.
- (4) Repeat the procedure to the other corner.
- (5) Lift wind deflector to 90% of the way.
- (6) Push the attaching ends of the deflector to the rear of the vehicle to disengage the deflector.

**INSTALLATION**

- (1) Place wind deflector at 90% in the vertical position to the sunroof. With the sunroof open.
- (2) Push ends of the deflector towards the front of the vehicle to engage ends.
- (3) Lower wind deflector to normal position.
- (4) Push one corner to the opposite side of the vehicle until tab clears vehicle body and lower deflector for that corner.
- (5) Push the side that was just installed completely down.
- (6) Push the opposite corner cross vehicle until tab clears the body. Then lower deflector to position.
- (7) Test sunroof operation.



**Fig. 2 Wind Deflector**

- 1 - WIND DEFLECTOR  
2 - TAB

**SUNROOF GLASS PANEL**

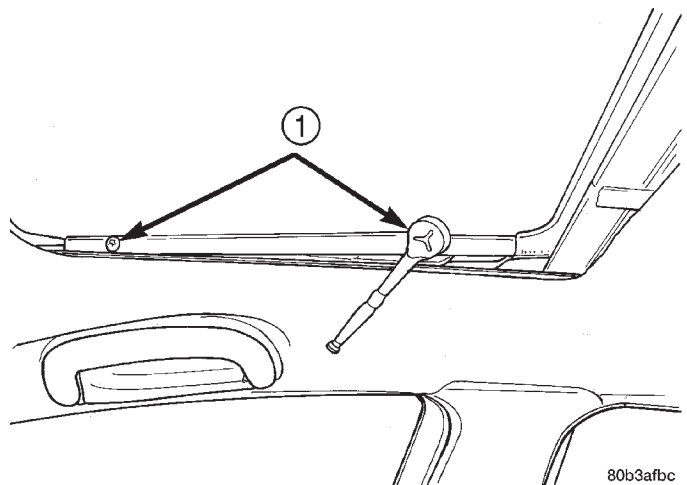
**REMOVAL**

- (1) Slide sunshade rearward to the open position.
- (2) Move the glass panel to the fully closed position.
- (3) Remove the four attaching screws (Fig. 3).
- (4) Lift off glass panel and remove from vehicle.

**INSTALLATION**

**NOTE:** Sunroof glass must be set in place and attached as close as possible to flush with the roof surface. For wind noise reasons, care must be taken to ensure that the glass is not remounted either a) Overflush to the roof surface at the front edge of the glass, or b) Underflush to the roof surface at the rear edge of the glass.

- (1) Position glass panel in to opening.
- (2) Start the four attaching screws.
- (3) Tighten screws.
- (4) Verify sunroof operation and alignment. Check fit and adjust as necessary, refer to Sunroof Glass Panel Adjustment for proper procedures.



**Fig. 3 Sunroof Glass Panel Removal**

- 1 - ATTACHING SCREW

**DRAIN TUBE**

**REMOVAL**

- (1) Remove the headliner to access clamps attaching drain tube to sunroof (Fig. 4).

## REMOVAL AND INSTALLATION (Continued)

(2) Disengage clamps attaching drain tube to sunroof.

(3) Tape the end of the old drain tube to the new drain tube. Ensure that the tape build up on the tube ends is not excessive.

(4) Remove front/rear trim panels as necessary to disengage clamps securing drain tube to body.

(5) Remove the drain tube plug from the underside of the vehicle.

(6) From the underside of the vehicle carefully, pull/route the drain tube through the body panel. Applying a soapy water solution to the new tube may aid in this procedure.

## INSTALLATION

(1) Install the plug adapter to the bottom of the drain tube.

(2) Engage clamps securing drain tube to body (Fig. 4).

(3) Install front/rear trim panels as necessary.

(4) Install drain tube to sunroof and engage clamp.

(5) Install the headliner.

## SUNROOF EXPRESS MODULE

## REMOVAL

(1) Move the glass panel to the fully closed position.

(2) Remove A-pillar trim, sun visors, and map lamp/mini console.

(3) Lower headliner as necessary to gain access to the sunroof express module.

(4) Disconnect the express module wire harness connectors.

(5) Remove express module screw.

(6) Remove express module from the keyway by sliding module towards the center of the vehicle.

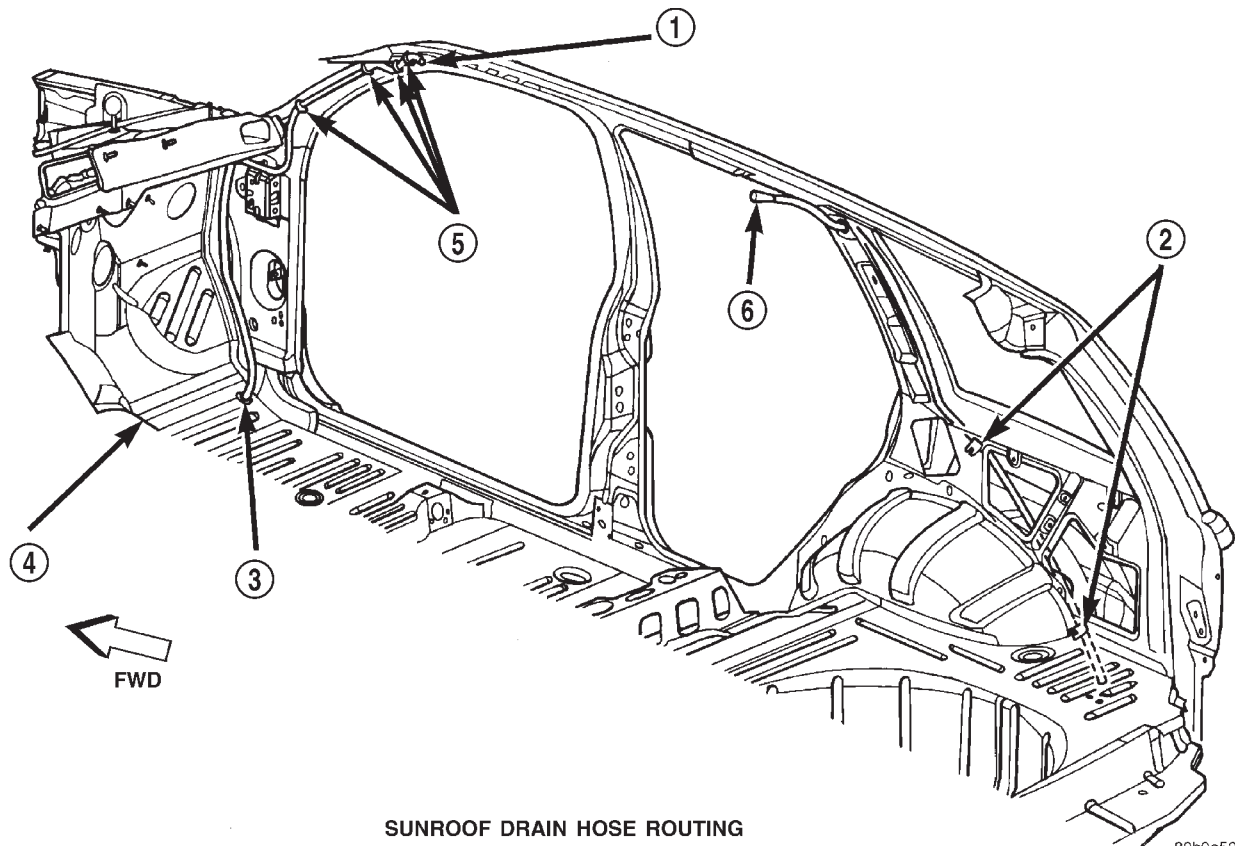
## INSTALLATION

(1) Insert sunroof express module in the keyway located in the sunroof module and slide the module outward to lock it into position.

(2) Install the sunroof express module screw.

(3) Connect the wire connectors to the sunroof express module.

(4) Install the headliner into position.



SUNROOF DRAIN HOSE ROUTING

80b9a524

Fig. 4 Sunroof Drain Hose Routing

1 - DRAIN HOSE

2 - CLAMPS

3 - PLUG

4 - FLOOR

5 - CLAMPS

6 - DRAIN HOSE



## REMOVAL AND INSTALLATION (Continued)

- (5) Install the A-pillar trim, sun visors, and map lamp/mini console.
- (6) Test sunroof operation, adjust if necessary.

## SUNROOF DRIVE MOTOR

### REMOVAL

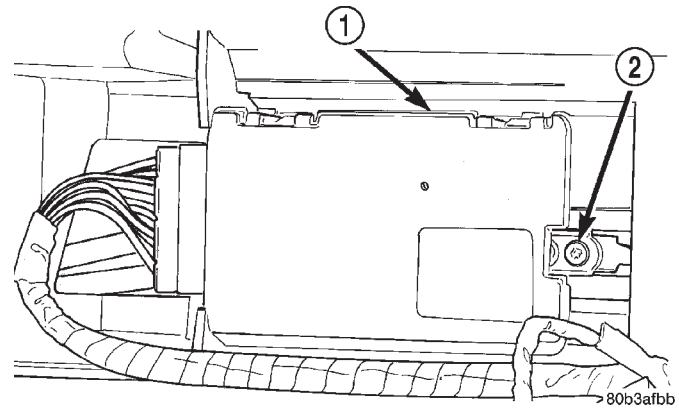
**NOTE:** The sunroof system is timed from the factory so that the motor shuts off automatically when the sunroof window reaches a certain position. Extreme care must be taken when removing the motor, timing may be thrown off causing possible damage to the sunroof system. Anytime the motor is removed from the sunroof assembly the sunroof glass panel must be in the **FULLY CLOSED POSITION** or the unit will be out of timing. The drive motor cannot be reset to the park position after being removed.

**CAUTION:** The sunroof motor should only be powered through the vehicle battery and sunroof wire harness. Applying power to the sunroof motor leads will cause failure of the control module.

- (1) Move glass panel to the fully closed position.
- (2) Remove A,B,C, and D-pillar trim, sun visors, and map lamps/mini console.
- (3) Disconnect the control switch wire connector.
- (4) Remove headliner as necessary to gain access to sunroof drive motor. Refer to Headliner Removal and Installation for proper procedures.
- (5) Disconnect the drive motor wire harness connectors (Fig. 5).
- (6) Remove drive motor fasteners and remove motor from the sunroof housing.

### INSTALLATION

- (1) Ensure that the window is in the fully closed position before mounting the motor. If motor fails with the window in the open position the sunroof glass panel timing will have to be timed. The new motor comes in the fully closed position and with a gage for setting cable timing. Refer to Sunroof Glass Panel Timing.
- (2) Place drive motor into position on the sunroof housing and install fasteners.
- (3) Connect express module, drive motor, and control switch wire connectors.
- (4) Set headliner into position.
- (5) Test sunroof operation, adjust as necessary.
- (6) Finish installing the headliner.
- (7) Connect the control switch wire connector.
- (8) Install A,B, C, and D-pillar trim, sun visors, and map lamps/mini console.



**Fig. 5 Sunroof Drive Motor and Express Module**

- 1 - EXPRESS MODULE  
2 - SCREW

## SUNROOF GLASS PANEL TIMING

### Sunroof Drive Cable Timing

**NOTE:** A gage comes with the new motor.

- (1) If the glass panel was not in the fully closed position, when the motor was removed, the sunroof glass panel needs to be timed, before the new motor is installed.
- (2) Remove sunroof glass panel.
- (3) Set gage into the track near the rear of the opening between the driver slide and the bracket (Fig. 6).
- (4) Move the driver slide forward or aft to get proper setting.
- (5) Repeat the operation on the other side.
- (6) Install drive motor.

## SUNROOF SUNSHADE

### REMOVAL

- (1) Open sunroof approximately 50% of the way.
- (2) Push sunshade down until tabs clear glass.
- (3) Move sunshade forward of glass panel.
- (4) Compress the spring loaded plungers holding the guide blocks in the track.
- (5) Slide the sunshade forward while lifting the front through the opening until the rear guide blocks are accessible.

**CAUTION:** Use care not to crease the sunshade when removing or installing.

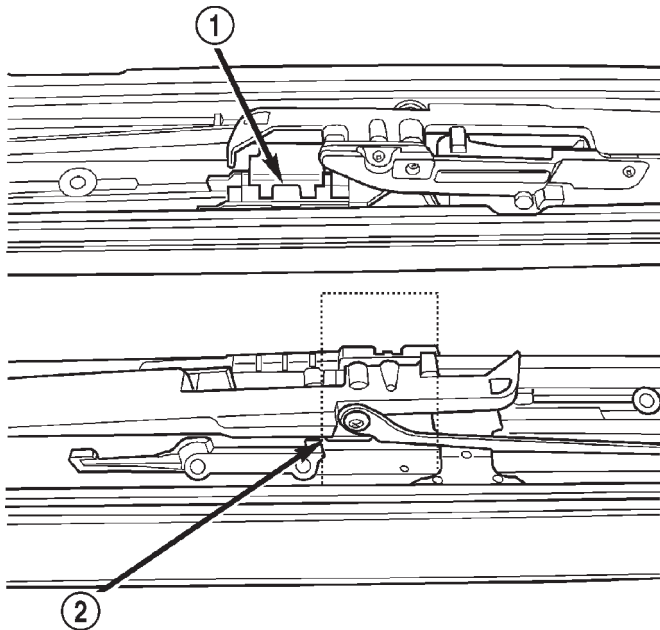
- (6) Disengage rear guide blocks from track.

### INSTALLATION

- (1) Install the sunshade from outside of the vehicle with the sunroof fully open.
- (2) Put rear guide blocks into sunshade guide track.



## REMOVAL AND INSTALLATION (Continued)



80b34e19

**Fig. 6 Sunroof Drive Cable Timing**

- 1 - MOVE DRIVER SLIDE FORWARD/AFT  
2 - GAGE

(3) Push sunshade back and down through the sunroof opening.

(4) Using a flat blade tool, put front guide blocks into the sunshade track. By pushing the block towards the center of the vehicle.

(5) Move the glass panel to approximately halfway to the fully closed position.

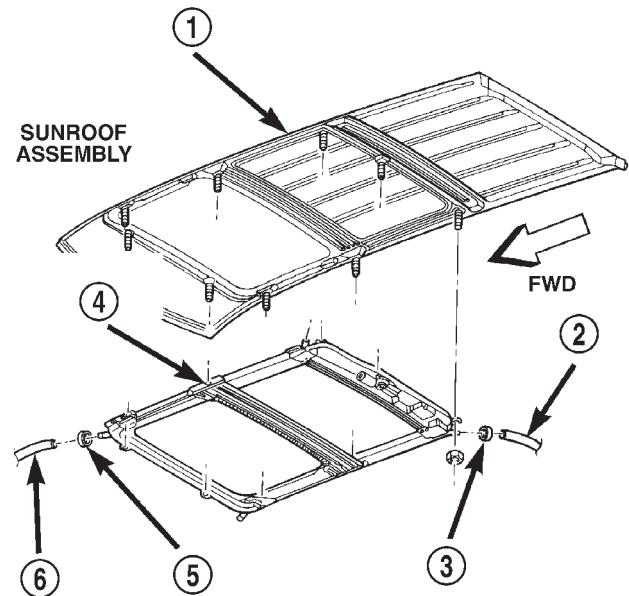
(6) Push sunshade down until the sunshade clears the glass then move sunshade rearward behind the glass panel.

**SUNROOF HOUSING ASSEMBLY****REMOVAL**

- (1) Move glass panel to the fully closed position.
- (2) Disconnect battery negative cable.
- (3) Recline both front seats.
- (4) Remove overhead console.
- (5) Remove headliner
- (6) Disconnect the drain tubes from sunroof housing (Fig. 7).
- (7) Loosen fasteners attaching sunroof housing assembly.
- (8) With the aid of a helper, remove fasteners attaching sunroof housing assembly to roof panel.

**INSTALLATION**

- (1) Raise the sunroof housing assembly and guide into position and start fasteners (Fig. 7).
- (2) Tighten the fasteners, front to rear, attaching the sunroof module to roof panel. Tighten the fasteners, front to rear, to 11 N·m (97 in. lbs.) torque.



80b9a523

**Fig. 7 SUNROOF ASSEMBLY**

- 1 - ROOF  
2 - DRAIN HOSE  
3 - CLAMP  
4 - SUNROOF ASSEMBLY  
5 - CLAMP  
6 - DRAIN HOSE

- (3) Connect the drain tubes to the sunroof housing.
- (4) Set headliner into position.
- (5) Connect express module, drive motor, and control switch wire connectors.
- (6) Test sunroof operation, adjust as necessary.
- (7) Finish installing the headliner.
- (8) Connect battery negative cable.

**ADJUSTMENTS****SUNROOF GLASS PANEL ADJUSTMENT**

- (1) Move the sunshade rearward to the open position.
- (2) Move the sunroof glass panel to the fully closed position.
- (3) Loosen the forward screws on each side enough to make the front adjustment.
- (4) Adjust the front of the sunroof glass panel 1 mm (1/32 inch) below the top surface of the roof panel.
- (5) Tighten the front two screws.
- (6) Loosen the rear screws on each side enough to make the rear adjustment.
- (7) Adjust the rear of the sunroof glass panel 1 mm (1/32 inch) above the top surface of the roof panel.
- (8) Tighten the rear two screws.
- (9) Check for proper fit. If not OK, repeat glass panel adjustment.

# SEATS

## TABLE OF CONTENTS

	page		page
<b>DESCRIPTION AND OPERATION</b>		REAR SEAT CUSHION.....	19
SEATS.....	15	REAR SEAT CUSHION COVER.....	19
<b>REMOVAL AND INSTALLATION</b>		REAR SEAT BACK LATCH RELEASE HANDLE ..	20
FRONT BUCKET SEAT.....	15	REAR SEATBACK.....	21
BUCKET SEAT SIDE SHIELD.....	16	REAR SEAT BACK LATCH/HINGE.....	21
BUCKET SEAT TRACK ADJUSTER.....	16	REAR SEAT BACK COVER.....	21
BUCKET SEAT RECLINER.....	16	REAR SEAT HEAD REST.....	22
BUCKET SEAT BACK.....	16	REAR SEAT FOLDING HEAD REST RELEASE	
BUCKET SEAT HEAD RESTRAINT.....	17	KNOB.....	22
BUCKET SEAT HEAD RESTRAINT SLEEVE.....	18	REAR SEAT HEAD REST SLEEVE.....	22
BUCKET SEAT BACK COVER.....	18	REAR SEAT HEAD REST FOLDING	
BUCKET SEAT CUSHION COVER.....	19	MECHANISM.....	22
REAR SEAT CUSHION RELEASE LATCH.....	19		

## DESCRIPTION AND OPERATION

### SEATS

#### DESCRIPTION

Seat modules are made up of a seat frame, seat cushion, seat back cushion, a covering material, and the electrical components used for power operation, if equipped. Some seat systems also contain seat belt components and supplemental restraint systems.

#### OPERATION

Seat assemblies transport the occupants in comfort and safety. Seat assemblies also help position occupants correctly in the event of airbag deployment. Seat cushions, coverings, and electrical components are serviceable. Refer to the appropriate group in this manual.

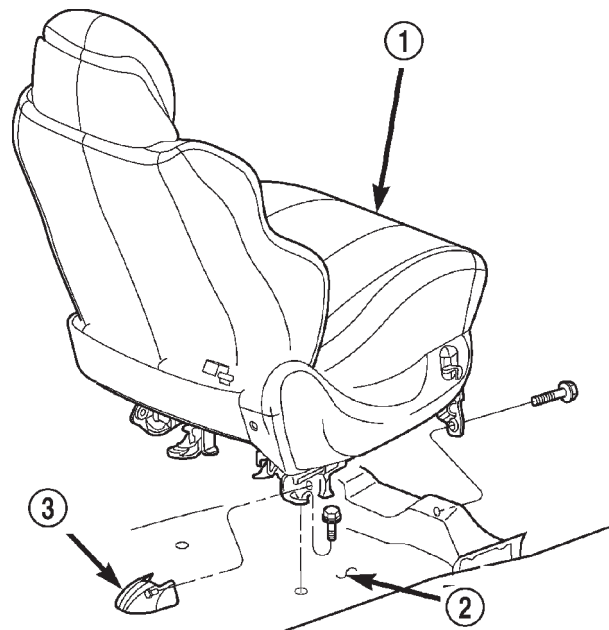
## REMOVAL AND INSTALLATION

### FRONT BUCKET SEAT

#### REMOVAL

- (1) Move seat to full rearward position.
- (2) Remove front bolts attaching seat to floor pan (Fig. 1).
- (3) Move seat to full forward position.
- (4) Using a trim stick, pry cover from seat track (power seat only).
- (5) Remove rear bolts attaching seat to floor pan.
- (6) If equipped, disconnect power seat wire harness connector.

- (7) Remove seat from vehicle.



80b5cb24

**Fig. 1 Front Bucket Seat**

- 1 - POWER BUCKET SEAT
- 2 - FLOOR PAN
- 3 - SEAT TRACK COVER

#### INSTALLATION

- (1) Position seat on floor pan.
- (2) If equipped, connect power seat wire harness connector.
- (3) Install rear bolts attaching seat to floor pan. Tighten bolts to 40 N·m (30 ft. lbs.) torque.
- (4) If equipped, install cover on seat track.

## REMOVAL AND INSTALLATION (Continued)

- (5) Move seat to full rearward position.
- (6) Install front bolts attaching seat to floor pan. Tighten bolts to 40 N·m (30 ft. lbs.) torque.

## BUCKET SEAT SIDE SHIELD

## REMOVAL

- (1) Remove screws attaching side shield to seat frame.
- (2) Disconnect wire harness connectors from power seat and power lumbar switches, if equipped.
- (3) Separate side shield from seat.

## INSTALLATION

- (1) Position side shield on seat.
- (2) Connect wire harness connectors to power seat and power lumbar switches, if equipped.
- (3) Install screws attaching side shield to seat frame.

## BUCKET SEAT TRACK ADJUSTER

## REMOVAL

- (1) Remove seat.
- (2) Remove side shield.
- (3) Remove nuts attaching seat track adjuster to seat cushion frame (Fig. 2) and (Fig. 3). Roll cushion trim cover up to access the two front nuts.
- (4) Disengage clips attaching wire harness to adjuster.
- (5) Disengage seat memory module connector, if equipped.
- (6) Separate seat track from seat cushion frame.

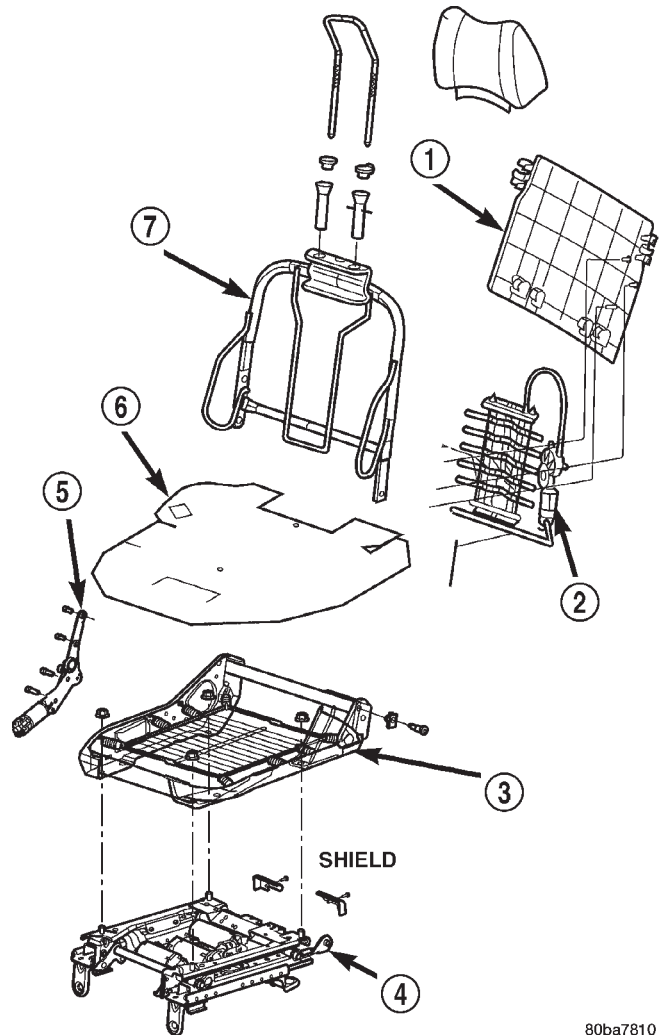
## INSTALLATION

- (1) Transfer seat memory module, if equipped.
- (2) Position seat track on seat cushion frame.
- (3) Route harness through frame and engage clips attaching wire harness to adjuster.
- (4) Engage seat memory module connector, if equipped.
- (5) Install nuts attaching seat track adjuster to seat cushion frame. Tighten nuts to 28 N·m (20 ft. lbs.) torque.
- (6) Install front edge of cushion trim cover.
- (7) Install seat.

## BUCKET SEAT RECLINER

## REMOVAL

- (1) Remove seat back.
- (2) Disengage J-strap at base of seat back.
- (3) Roll seat back cover upward to access bolts attaching recliner to seat back frame.
- (4) Remove bolts attaching recliner to seat back frame.



80ba7810

Fig. 2 Seat Track Adjuster—Power

- 1 - BACK PANEL
- 2 - LUMBAR ASSEMBLY
- 3 - SEAT CUSHION FRAME
- 4 - POWER SEAT TRACK ADJUSTER
- 5 - POWER RECLINER
- 6 - SEAT CUSHION PAD
- 7 - SEAT BACK FRAME

- (5) Separate recliner from seat back.

## INSTALLATION

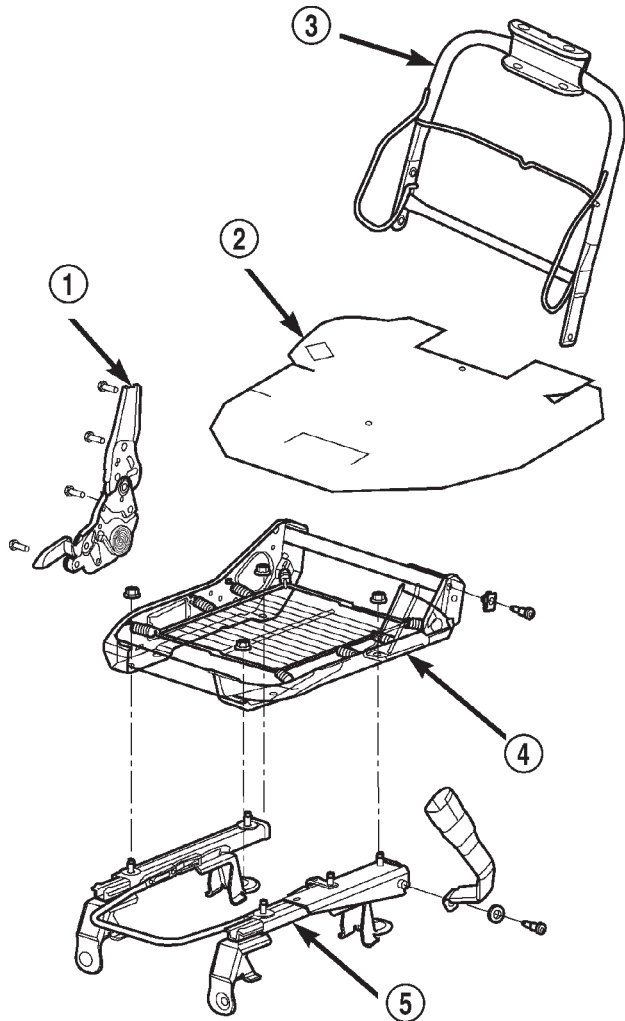
- (1) Position recliner on seat back.
- (2) Install bolts attaching recliner to seat back frame. Tighten bolts to 28 N·m (20 ft. lbs.) torque.
- (3) Roll seat back cover downward.
- (4) Engage J-strap at base of seat back.
- (5) Install seat back.

## BUCKET SEAT BACK

## REMOVAL

- (1) Move seat to full rearward position.

REMOVAL AND INSTALLATION (Continued)



80b6f0aa

**Fig. 3 Seat Track Adjuster — Manual**

- 1 - MANUAL RECLINER
- 2 - SEAT CUSHION PAD
- 3 - SEAT BACK FRAME
- 4 - SEAT CUSHION FRAME
- 5 - MANUAL SEAT TRACK ADJUSTER

- (2) Remove inboard bolt attaching seat back frame to seat cushion frame.
- (3) Move seat to full forward position.
- (4) Move seat back to full recline position.
- (5) Remove screws attaching seat side shield to seat frame.
- (6) Disconnect wire harness connector from recliner motor, if equipped.
- (7) From the underside of the seat, disconnect the wire harness connector for the power lumbar and/or heated seat, if equipped.
- (8) Remove outboard bolts attaching recliner to seat cushion frame.
- (9) Route the power lumbar and/or heated seat harness through the seat cushion cover, if equipped.

- (10) Separate seat back from seat cushion.

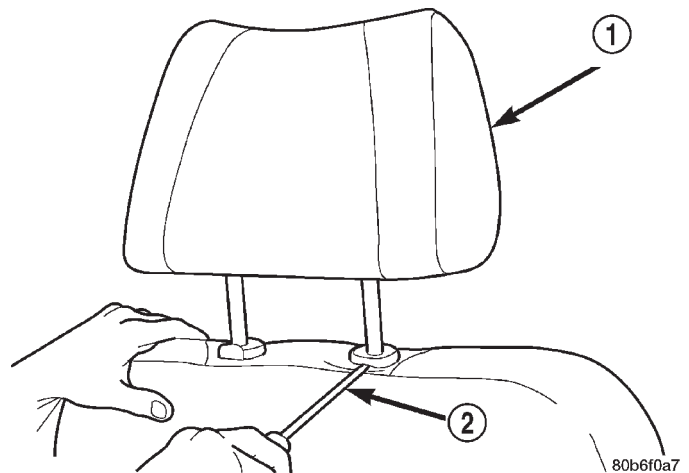
**INSTALLATION**

- (1) Position seat back on seat cushion.
- (2) Route the power lumbar and heater harness through the seat cushion cover, if equipped.
- (3) Install recliner bolts attaching seat back frame to seat cushion frame. Tighten bolts to 28 N·m (20 ft. lbs.) torque.
- (4) Install the inboard bolt attaching seat back frame to seat cushion frame. Tighten bolt to 47N·m (35 ft.lbs.).
- (5) Connect wire harness connector to recliner motor and/or heated seat, if equipped.
- (6) From the underside of the seat, connect the power lumbar and/or heated seat wire harness connector to the seat harness, if equipped.
- (7) Install screws attaching seat side shield to seat frame.

**BUCKET SEAT HEAD RESTRAINT**

**REMOVAL**

- (1) Depress head restraint release button and lift head restraint to full up position.
- (2) Using a small flat blade, depress tab on right side head restraint release button and using your hand, simultaneously press tab on left side head restraint release button (Fig. 4) and pull head restraint up to separate from seat back.



80b6f0a7

**Fig. 4 Head Restraint**

- 1 - HEAD RESTRAINT
- 2 - FLAT BLADE

**INSTALLATION**

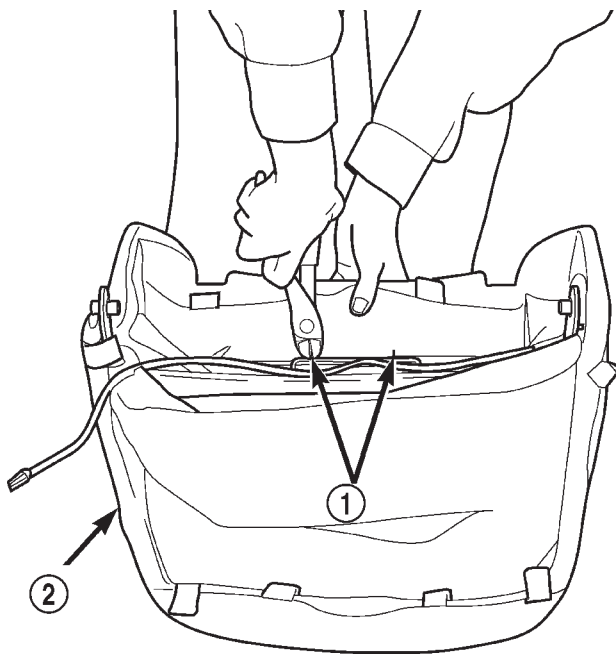
- (1) Position head restraint in seat back, press tab on left side head restraint release button and push down head restraint to secure.

## REMOVAL AND INSTALLATION (Continued)

## BUCKET SEAT HEAD RESTRAINT SLEEVE

## REMOVAL

- (1) Remove head restraint.
- (2) Remove seat back.
- (3) Remove seat back cover.
- (4) Remove hog rings attaching cushion pad to seat back frame (Fig. 5).
- (5) Remove cushion pad from seat back frame.
- (6) Rotate head restraint sleeve 1/4 turn counter-clockwise to release retaining tab.
- (7) Pull sleeve from seat back frame (Fig. 6).



80b6f0a4

Fig. 5 Cushion Pad

- 1 - HOG RING
- 2 - SEAT BACK CUSHION PAD

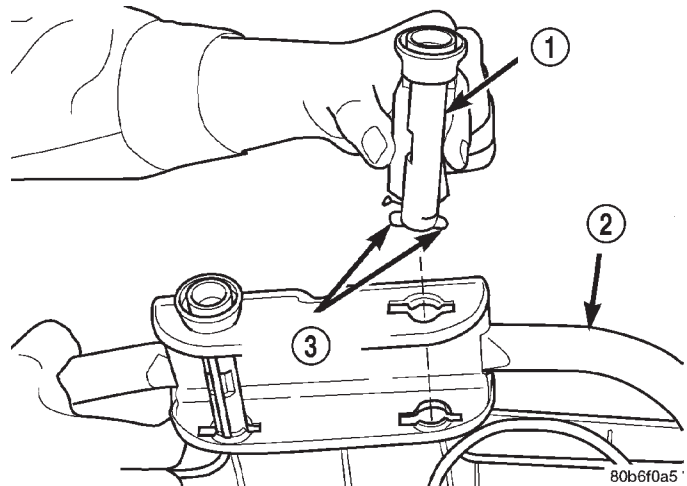
## INSTALLATION

- (1) Position sleeve in seat back frame.
- (2) Rotate head restraint sleeve 1/4 turn clockwise to engage retaining tab.
- (3) Install cushion pad onto seat back frame.
- (4) Install hog rings attaching cushion pad to seat back frame.
- (5) Install seat back cover.
- (6) Install seat back.
- (7) Install head restraint.

## BUCKET SEAT BACK COVER

## REMOVAL

- (1) Remove head restraint.
- (2) Using a trim stick, carefully pry head restraint release button caps from the top of seat back.

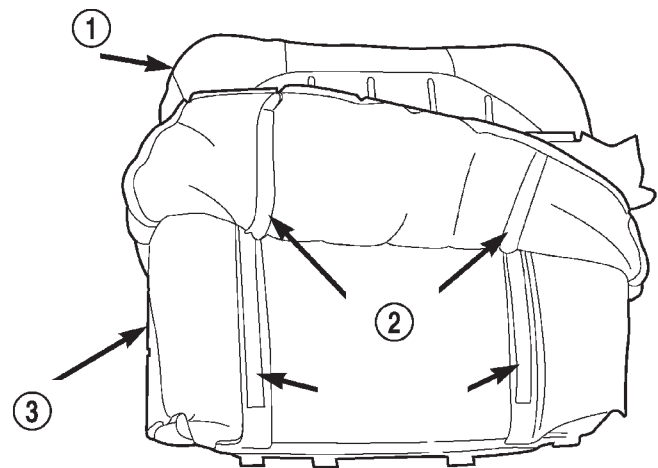


80b6f0a5

Fig. 6 Head Restraint Sleeve

- 1 - HEAD RESTRAINT SLEEVE
- 2 - SEAT BACK FRAME
- 3 - RETAINING TAB

- (3) Remove seat back.
- (4) Disengage J-strap at base of seat back.
- (5) Slide hand between the face of the seat back pad and the cushion cover and carefully separate hook and loop fastener (Fig. 7).
- (6) Roll cover upward and disengage hog rings.
- (7) Roll cover upward to top of seat back.
- (8) Separate cover from seat back.



80b6f0a8

Fig. 7 Seat Back Cover

- 1 - SEAT BACK COVER
- 2 - HOOK AND LOOP FASTENER
- 3 - SEAT BACK PAD

## INSTALLATION

- (1) Position cover inside-out at the top of seat back.
- (2) Roll cover downward.
- (3) Engage hog rings.



REMOVAL AND INSTALLATION (Continued)

- (4) Align seat back cover with hook and loop fasteners and secure.
- (5) Roll cover downward.
- (6) Engage J-strap at base of seat back.
- (7) Install seat back.

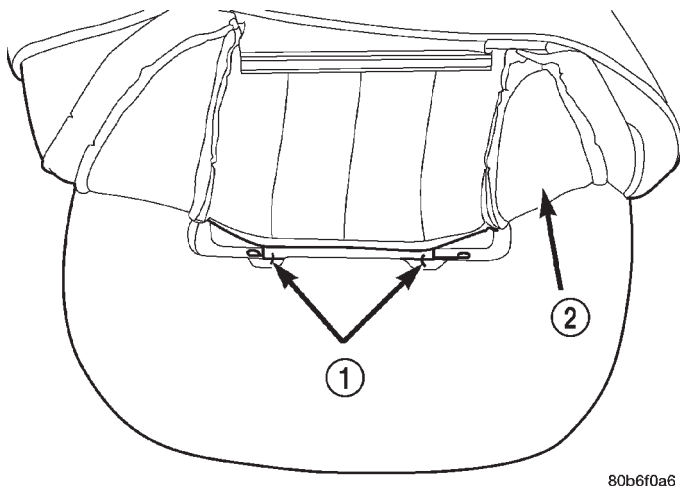
**NOTE:** The taller head restraint release button cap is positioned on the left hand side and the head restraint button cap with the hidden button is positioned on the right hand side.

- (8) Position head restraint release button caps on head restraint sleeves and press to secure.
- (9) Install head restraint.

**BUCKET SEAT CUSHION COVER**

**REMOVAL**

- (1) Remove seat from vehicle.
- (2) Remove seat back.
- (3) Disengage J-straps attaching cushion cover to seat cushion frame.
- (4) Disengage hog rings attaching cushion cover to cushion frame at rear of seat along bottom of cushion cover (Fig. 8).
- (5) Roll up edges of cover and route seat function switches through access hole on outboard side of seat cushion, if equipped.
- (6) Disengage seat cushion heater element connector, if equipped.
- (7) Disengage hog rings attaching cover to cushion along cover insert.
- (8) Separate seat cushion cover from seat cushion.



80b6f0a6

**Fig. 8 Seat Cushion Cover**

- 1 - HOG RING
- 2 - CUSHION COVER

**INSTALLATION**

- (1) Position seat cover on cushion.

- (2) Engage hog rings attaching cushion cover to cushion along insert.
- (3) Engage seat cushion heater element connector, if equipped.
- (4) Route seat function switches through access hole on outboard side of seat cushion, if equipped.
- (5) Engage J-straps attaching cushion cover to seat cushion frame.
- (6) Engage hog rings attaching cushion cover to cushion frame.
- (7) Install seat back.
- (8) Install seat.

**REAR SEAT CUSHION RELEASE LATCH**

**REMOVAL**

- (1) Unlatch seat and pivot seat upward.
- (2) Disengage J-strap at seat cushion base panel.
- (3) Roll back cushion cover.
- (4) Remove screws attaching latch to base panel.
- (5) Separate latch from base panel.

**INSTALLATION**

- (1) Position latch on base panel.
- (2) Install screws attaching latch to base panel. Tighten screws to 8 N·m (75 in. lbs.) torque.
- (3) Route the cushion release strap from the loop on the latch through the slot in the trim cover.
- (4) Engage J-strap at seat cushion base panel.
- (5) latch seat.

**REAR SEAT CUSHION**

**REMOVAL**

- (1) Disengage seat cushion at rear by pulling upward on release strap.
- (2) Remove bolts attaching seat cushion to floor pan (Fig. 9).
- (3) Remove seat cushion from vehicle.

**INSTALLATION**

- (1) Position seat cushion in vehicle.
- (2) Install bolts attaching seat cushion to floor pan. Tighten bolts to 11 N·m (8 ft. lbs.) torque.
- (3) Lock seat cushion down by pressing firmly on center of cushion until latch engages.

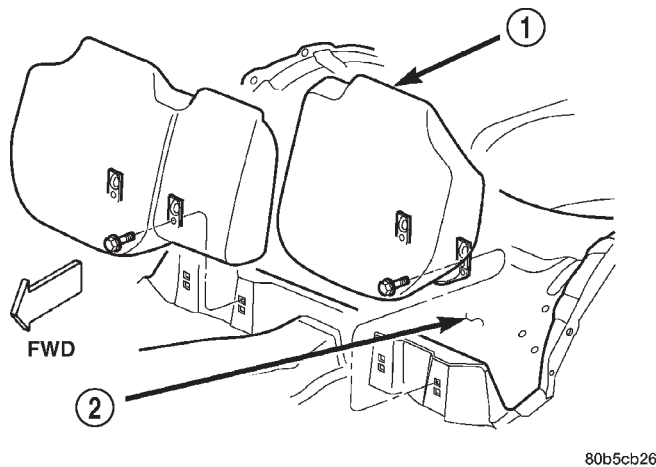
**REAR SEAT CUSHION COVER**

**REMOVAL**

- (1) Remove rear seat cushion.
- (2) From the underside of the seat, disengage J-straps attaching cover to seat cushion base panel.
- (3) Remove push-in fasteners attaching cushion cover to seat cushion base panel (Fig. 10).
- (4) Roll back cover.



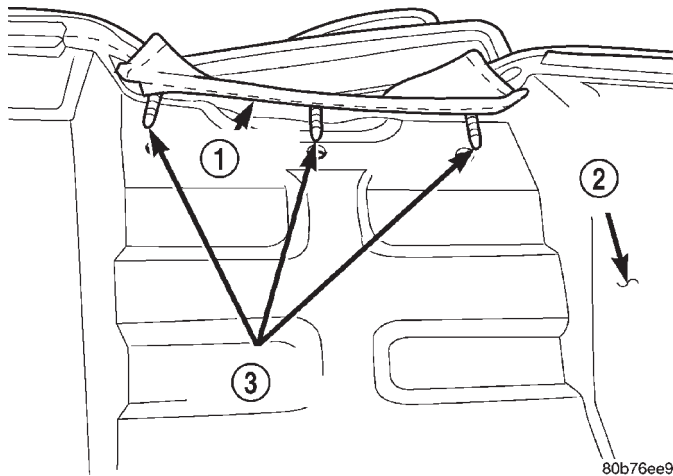
## REMOVAL AND INSTALLATION (Continued)

**Fig. 9 Rear Seat Cushion**

- 1 - SEAT CUSHION  
2 - FLOOR PAN

(5) Disengage hog rings attaching cushion cover to seat cushion foam pad.

(6) Separate cushion cover from seat cushion foam pad.

**Fig. 10 Push-in Fasteners**

- 1 - CUSHION COVER  
2 - SEAT CUSHION BASE PANEL  
3 - PUSH-IN FASTENER

**INSTALLATION**

(1) Position cushion cover on seat cushion foam pad.

(2) Engage hog rings attaching cushion cover to seat cushion foam pad.

(3) Align cushion cover and engage J-straps attaching cushion cover to seat cushion base panel.

(4) Install push-in fasteners attaching cushion cover to seat cushion base panel.

(5) Install rear seat cushion.

**REAR SEAT BACK LATCH RELEASE HANDLE****REMOVAL**

(1) Pull handle to release latch.

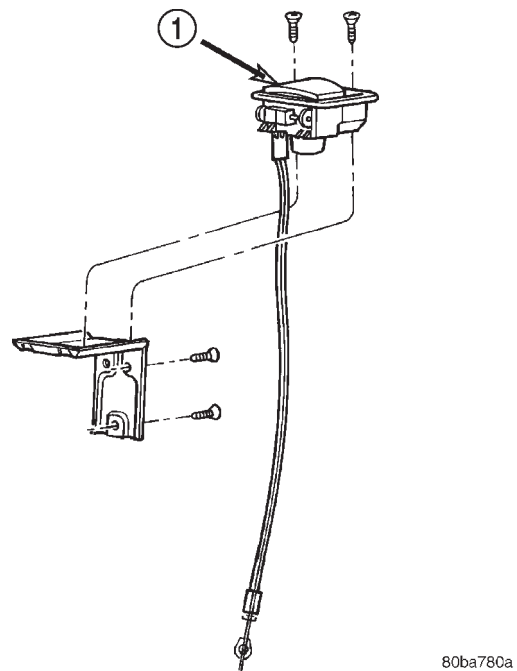
(2) Remove screws attaching release handle to seat back frame.

(3) Using a small flat blade, disengage retainers securing latch release cable housing to latch release handle.

(4) Rotate cable end until barrel end aligns with key hole slot in latch release handle.

(5) Disengage cable barrel end from release handle.

(6) Separate latch release handle from seat back (Fig. 11).

**Fig. 11 Rear Seat Release Handle**

- 1 - REAR SEAT FOLDING RELEASE HANDLE

**INSTALLATION**

(1) Route cable end into latch release handle.

(2) Rotate cable end until barrel end aligns with key hole slot in latch release handle and insert into handle.

(3) Engage retainers securing latch release cable housing to latch release handle.

(4) Position latch release handle in seat back. Ensure seat back cover is properly aligned.

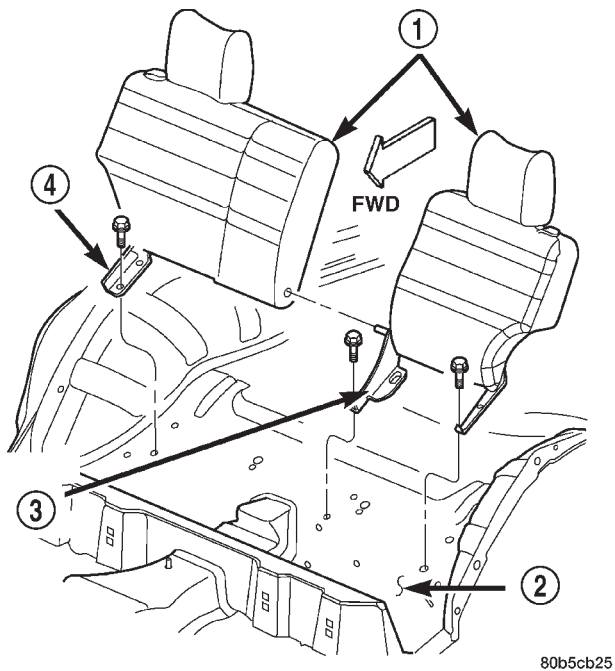
(5) Install screws attaching release handle to seat back frame.

REMOVAL AND INSTALLATION (Continued)

**REAR SEATBACK**

**REMOVAL**

- (1) Move rear seat cushions to forward cargo position.
- (2) Remove bolts attaching seatback side support bracket to floor pan (right side) (Fig. 12).
- (3) Tilt seatback forward, and slide it outboard to detach it from pin on center pivot bracket.
- (4) Remove right side (60%) seatback from vehicle.
- (5) Remove bolts attaching seatback side support bracket and center pivot bracket to floor pan (left side).
- (6) Remove left side (40%) seatback from vehicle.



**Fig. 12 Rear Seat Back**

- 1 - SEAT BACK
- 2 - FLOOR PAN
- 3 - CENTER PIVOT BRACKET
- 4 - SIDE SUPPORT BRACKET

**INSTALLATION**

- (1) Position left side (40%) seatback in vehicle.
- (2) Position left side support bracket and center pivot bracket with bolt holes aligned and install bolts. Tighten bolts to 28 N·m (20 ft. lbs.) torque.
- (3) Position right side (60%) seatback in vehicle.
- (4) Install seatback onto center pivot bracket pin. Ensure seat back is properly engaged on the center pivot pin.
- (5) Position right side support bracket with bolt holes aligned and install bolts. Tighten bolts to 28 N·m (20 ft. lbs.) torque.
- (6) Return seat cushions to seating position.

**REAR SEAT BACK LATCH/HINGE**

**REMOVAL**

- (1) Remove seat back.
- (2) Disengage J-straps on outboard side of seat back.
- (3) Disengage release cable from latch.
- (4) Remove bolts attaching latch/hinge to seat back frame.
- (5) Separate latch/hinge from seat back frame.

**INSTALLATION**

- (1) Position latch/hinge on seat back frame.
- (2) Install bolts attaching latch/hinge to seat back frame. Tighten bolts to 28 N·m (20 ft. lbs.) torque.
- (3) Engage latch release cable.
- (4) Engage J-straps on outboard side of seat back.
- (5) Install seat back.

**REAR SEAT BACK COVER**

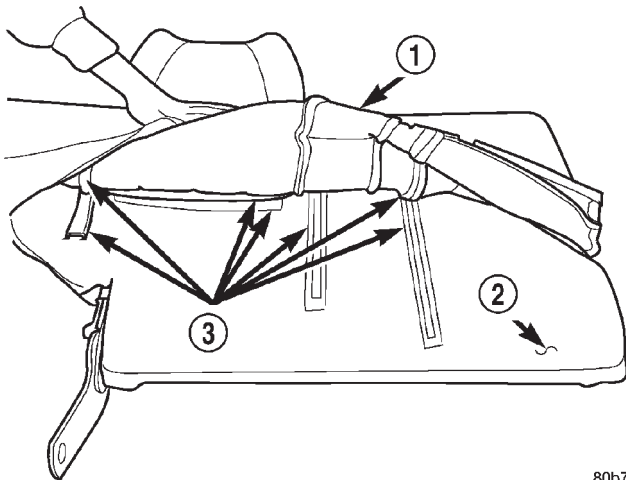
**REMOVAL**

- (1) Remove seat back.
- (2) Remove head restraint.
- (3) Remove head restraint caps.
- (4) Disengage J-straps on outboard side of seat back.
- (5) Disengage J-straps at base of seat back.
- (6) Remove screws attaching latch release handle to seat back frame.
- (7) Roll seat back cover upward.
- (8) Disengage hook and loop fasteners attaching seat back cover to seat back pad (Fig. 13).
- (9) Roll seat back cover upward and route latch release handle through seat back cover.
- (10) Separate seat back cover from seat back.
- (11) Separate seat back pad from seat back frame.

**INSTALLATION**

- (1) Position seat back cover and pad on seat back frame.
- (2) Route latch release handle through seat back cover.
- (3) Roll seat back cover partially downward aligning holes in seat back cover for head restraint and latch release handle.
- (4) Roll seat back cover downward align and engage hook and loop fasteners to seat back pad.
- (5) Engage J-straps at base of seat back.
- (6) Engage J-straps on outboard side of seat back.
- (7) Install screws attaching latch release handle to seat back frame.
- (8) Install head restraint.
- (9) Install seat back.

## REMOVAL AND INSTALLATION (Continued)



80b76ee7

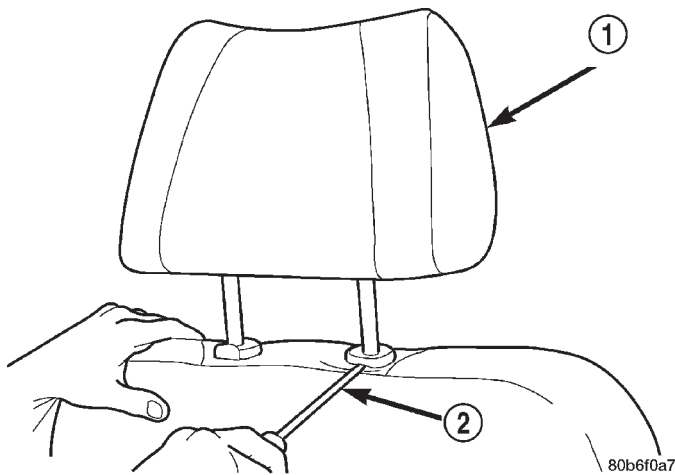
**Fig. 13 Rear Seat Back Cover**

- 1 - SEAT BACK COVER
- 2 - SEAT BACK PAD
- 3 - HOOK AND LOOP FASTENER

**REAR SEAT HEAD REST****REMOVAL**

(1) Depress head rest release button and lift head rest to full up position.

(2) Using a small flat blade, depress tab on outboard side head rest release button and using your hand, simultaneously press tab on inboard side head rest release button (Fig. 14) and pull head rest up to separate from seat back.



80b6f0a7

**Fig. 14 Head Rest**

- 1 - HEAD RESTRAINT
- 2 - FLAT BLADE

**INSTALLATION**

(1) Position head rest in seat back, press tab on inboard side head rest release button cap and push down head restraint to secure.

**REAR SEAT FOLDING HEAD REST RELEASE KNOB**

The release knob is not salvageable during the removal process. The knob should only be replaced if damaged or broken. Check availability before servicing.

**REMOVAL**

(1) Using a E-XACTO knife or equivalent, cut the release knob from the release lever.

(2) Pull the release knob from the lever (Fig. 15).

**INSTALLATION**

(1) Position the release knob on the lever and press to snap in place.

**REAR SEAT HEAD REST SLEEVE****REMOVAL**

- (1) Remove seat back.
- (2) Remove head rest.
- (3) Remove head rest caps.
- (4) Remove seat back cover.
- (5) Rotate head rest sleeve 1/4 turn counter-clockwise to release retaining tab.
- (6) Pull sleeve from seat back frame.

**INSTALLATION**

- (1) Position sleeve in seat back frame.
- (2) Rotate head rest sleeve 1/4 turn clockwise to engage retaining tab.
- (3) Install seat back cover.
- (4) Install head rest caps.

**NOTE:** The head rest cap with the taller button is always on the inboard side of the seat back.

(5) Install the head rest.

**NOTE:** The folding head rest release knob is always on the outboard side.

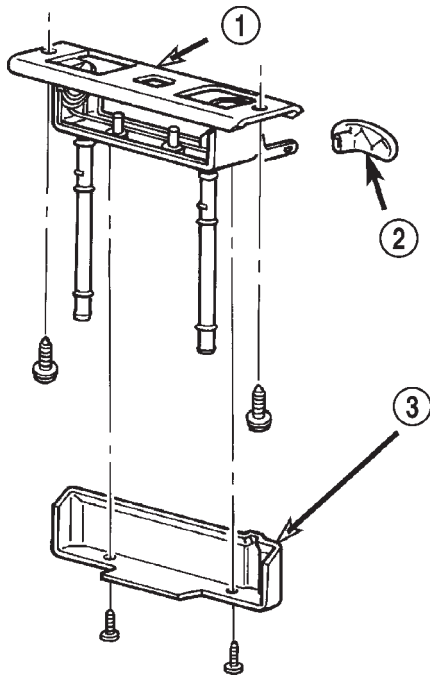
(6) Install the seat back.

**REAR SEAT HEAD REST FOLDING MECHANISM****REMOVAL**

- (1) Remove the head rest.
- (2) Remove folding mechanism cover (Fig. 15).
- (3) Remove the screws that secure the head rest bun to the folding mechanism.

**NOTE:** The folding release knob is always located on the outboard side.

## REMOVAL AND INSTALLATION (Continued)



- (2) Install the folding mechanism cover.
- (3) Install the head restraint.

80ba7809

**Fig. 15 Rear Seat Head Rest Folding Mechanism**

- 1 - REAR SEAT HEAD REST FOLDING MECHANISM
- 2 - RELEASE KNOB
- 3 - FOLDING MECHANISM COVER

---

**INSTALLATION**

- (1) Position the head rest bun on the folding mechanism and install the screws.

# BODY COMPONENTS

## TABLE OF CONTENTS

	page		page
<b>DESCRIPTION AND OPERATION</b>		REAR DOOR CHECK . . . . .	42
BODY COMPONENTS . . . . .	25	REAR DOOR . . . . .	43
COMPONENT FASTENERS . . . . .	25	REAR DOOR HINGE . . . . .	43
<b>DIAGNOSIS AND TESTING</b>		REAR DOOR OUTSIDE HANDLE . . . . .	44
WATER LEAKS . . . . .	25	REAR DOOR LATCH . . . . .	44
WIND NOISE . . . . .	26	REAR DOOR LATCH STRIKER . . . . .	44
UNIVERSAL TRANSMITTER . . . . .	27	REAR DOOR INSIDE HANDLE ACTUATOR . . . . .	44
<b>SERVICE PROCEDURES</b>		REAR DOOR INNER BELT WEATHERSTRIP . . . . .	45
BODY LUBRICATION . . . . .	27	REAR DOOR OUTER BELT WEATHERSTRIP . . . . .	45
DRILLING AND WELDING PROCEDURES . . . . .	27	REAR DOOR OPENING WEATHERSTRIP . . . . .	45
<b>REMOVAL AND INSTALLATION</b>		REAR DOOR SECONDARY WEATHERSTRIP . . . . .	46
GRILLE . . . . .	27	REAR DOOR WINDOW REGULATOR . . . . .	46
HOOD SEAL . . . . .	28	REAR DOOR WINDOW GLASS . . . . .	47
HEADLAMP MOUNTING MODULE (HMM) . . . . .	28	REAR DOOR STATIONARY GLASS . . . . .	47
HOOD . . . . .	28	ROOF RAIL WEATHERSTRIP W/RETAINER . . . . .	48
HOOD INSULATION PANEL . . . . .	29	FUEL FILL DOOR . . . . .	48
HOOD SUPPORT PROP . . . . .	29	BODY SIDE CLADDING . . . . .	48
HOOD HINGE . . . . .	29	SILL MOLDING . . . . .	49
HOOD LATCH . . . . .	30	A-PILLAR TRIM . . . . .	50
HOOD RELEASE CABLE . . . . .	30	COWL LOWER TRIM . . . . .	50
COWL PLENUM SEAL . . . . .	31	OVERHEAD ASSIST HANDLE . . . . .	51
COWL COVER . . . . .	31	FRONT DOOR SCUFF PLATE . . . . .	51
EXTERIOR NAMEPLATES . . . . .	31	B-PILLAR UPPER TRIM . . . . .	51
SIDE VIEW MIRROR . . . . .	32	B-PILLAR LOWER TRIM . . . . .	51
SIDE VIEW MIRROR GLASS . . . . .	32	REAR DOOR SCUFF PLATE . . . . .	52
FRONT FENDER . . . . .	33	C-PILLAR UPPER TRIM . . . . .	53
FRONT DOOR TRIM PANEL . . . . .	34	QUARTER PANEL TRIM . . . . .	53
FRONT DOOR WATERDAM . . . . .	34	STORAGE BIN . . . . .	54
FRONT DOOR CHECK . . . . .	34	UPPER LIFTGATE OPENING TRIM . . . . .	54
FRONT DOOR . . . . .	35	D-PILLAR TRIM . . . . .	54
FRONT DOOR HINGE . . . . .	35	FRONT SHOULDER BELT . . . . .	55
FRONT DOOR OUTSIDE HANDLE . . . . .	36	FRONT SHOULDER BELT BUCKLE . . . . .	55
FRONT DOOR LOCK CYLINDER . . . . .	36	REAR SEAT SHOULDER BELT . . . . .	55
LOCK CYLINDERS . . . . .	37	REAR SEAT BELT BUCKLE . . . . .	55
FRONT DOOR LATCH . . . . .	37	FLOOR CONSOLE . . . . .	55
FRONT DOOR LATCH STRIKER . . . . .	37	FRONT CARPET . . . . .	56
FRONT DOOR INSIDE HANDLE ACTUATOR . . . . .	38	CARGO AREA CARPET . . . . .	57
FRONT DOOR INNER BELT SEAL . . . . .	38	REARVIEW MIRROR . . . . .	58
FRONT DOOR OUTER BELT SEAL . . . . .	38	REARVIEW MIRROR SUPPORT BRACKET . . . . .	58
FRONT DOOR GLASS RUN CHANNEL WEATHERSTRIP . . . . .	38	SUNVISOR . . . . .	58
FRONT DOOR GLASS RUN CHANNEL . . . . .	39	HEADLINER . . . . .	59
FRONT DOOR OPENING WEATHERSTRIP . . . . .	39	LIFTGATE TRIM PANEL . . . . .	60
FRONT DOOR SECONDARY WEATHERSTRIP . . . . .	39	LOWER LIFTGATE OPENING TRIM PANEL . . . . .	60
FRONT DOOR WINDOW REGULATOR . . . . .	40	LIFTGATE INSULATOR . . . . .	60
FRONT DOOR GLASS . . . . .	40	LIFTGATE . . . . .	61
REAR DOOR B-PILLAR SEAL . . . . .	41	LIFTGATE HINGE . . . . .	62
REAR DOOR TRIM PANEL . . . . .	41	LIFTGATE OUTSIDE HANDLE . . . . .	62
REAR DOOR WATERDAM . . . . .	42	LIFTGATE LATCH . . . . .	62
		LIFTGATE LATCH STRIKER . . . . .	62

LIFTGATE OPENING WEATHERSTRIP ..... 63  
 FLIP UP GLASS..... 64  
 FLIP UP GLASS WEATHERSTRIP ..... 64  
 FLIP UP GLASS SWITCH..... 64  
 FLIP UP GLASS LATCH..... 64  
 FLIP UP GLASS LATCH STRIKER ..... 66  
 LICENSE PLATE LAMP HOUSING ..... 66  
 D-PILLAR APPLIQUE ..... 66  
 D-PILLAR AIR EXHAUSTER..... 66  
 TAIL LAMP AIR EXHAUSTER..... 66  
 LUGGAGE RACK..... 67  
**ADJUSTMENTS**  
 HOOD ADJUSTMENT..... 67

DOOR ADJUSTMENT..... 67  
 DOOR LATCH ..... 67  
 LIFTGATE ADJUSTMENT..... 67  
**SPECIFICATIONS**  
 BODY LUBRICANTS ..... 68  
 WELD LOCATIONS ..... 69  
 SEALER LOCATIONS..... 118  
 STRUCTURAL ADHESIVE LOCATIONS ..... 135  
 BODY GAP AND FLUSH MEASUREMENTS .... 151  
 BODY OPENING DIMENSIONS ..... 153  
 TORQUE SPECIFICATIONS..... 156  
**SPECIAL TOOLS**  
 BODY..... 156

**DESCRIPTION AND OPERATION**

**BODY COMPONENTS**

**DESCRIPTION**

Exterior sheet metal components make up the exterior of the vehicle. Some exterior metal systems are welded assemblies, such as doors and hoods. Some exterior trim items are made of composite.

**OPERATION**

The exterior is finished in various metal stampings and composite moldings. These assemblies give the vehicle a finished appearance and protect the occupants from the elements. Some components are part of the energy absorbing system used to protect the occupants in collisions. The exterior sheet metal is repairable and adjustable for fit and finish. Welded and bonded component systems are adjustable as a system. Trim components made of composite are stamped with the type of material used. Daimler-Chrysler uses various fasteners to retain trim items. At times, it is not possible to remove trim items without damaging the fastener. If it is not possible to remove an item without damaging a component, cut or break the fasteners and use new ones when installing the component.

**COMPONENT FASTENERS**

DaimlerChrysler Corporation uses many different types of push-in fasteners to secure the interior and exterior trim to the body. Most of these fasteners can be reused to assemble the trim during various repair procedures. At times, a push-in fastener cannot be removed without damaging the fastener or the component it is holding. If it is not possible to remove a fastener without damaging a component or body, cut or break the fastener and use a new one when installing the component. Never pry or pound on a plastic or pressed-board trim component. Using a suitable fork-type prying device, pry the fastener from the retaining hole behind the component being

removed. When installing, verify fastener alignment with the retaining hole by hand. Push directly on or over the fastener until it seats. Apply a low-force pull to the panel to verify that it is secure.

When it is necessary to remove components to service another, it should not be necessary to apply excessive force or bend a component to remove it. Before damaging a trim component, verify hidden fasteners or captured edges holding the component in place.

**DIAGNOSIS AND TESTING**

**WATER LEAKS**

Water leaks can be caused by poor sealing, improper body component alignment, body seam porosity, missing plugs, or blocked drain holes. Centrifugal and gravitational force can cause water to drip from a location away from the actual leak point, making leak detection difficult. All body sealing points should be water tight in normal wet-driving conditions. Water flowing downward from the front of the vehicle should not enter the passenger or luggage compartment. Moving sealing surfaces will not always seal water tight under all conditions. At times, side glass or door seals will allow water to enter the passenger compartment during high pressure washing or hard driving rain (severe) conditions. Overcompensating on door or glass adjustments to stop a water leak that occurs under severe conditions can cause premature seal wear and excessive closing or latching effort. After completing a repair, water test vehicle to verify leak has stopped before returning vehicle to use.

**VISUAL INSPECTION BEFORE WATER LEAK TESTS**

Verify that floor and body plugs are in place, body drains are clear, and body components are properly aligned and sealed. If component alignment or sealing is necessary, refer to the appropriate section of this group for proper procedures.



## DIAGNOSIS AND TESTING (Continued)

## WATER LEAK TESTS

**WARNING: DO NOT USE ELECTRIC SHOP LIGHTS OR TOOLS IN WATER TEST AREA. PERSONAL INJURY CAN RESULT.**

When the conditions causing a water leak have been determined, simulate the conditions as closely as possible.

- If a leak occurs with the vehicle parked in a steady light rain, flood the leak area with an open-ended garden hose.
- If a leak occurs while driving at highway speeds in a steady rain, test the leak area with a reasonable velocity stream or fan spray of water. Direct the spray in a direction comparable to actual conditions.
- If a leak occurs when the vehicle is parked on an incline, hoist the end or side of the vehicle to simulate this condition. This method can be used when the leak occurs when the vehicle accelerates, stops or turns. If the leak occurs on acceleration, hoist the front of the vehicle. If the leak occurs when braking, hoist the back of the vehicle. If the leak occurs on left turns, hoist the left side of the vehicle. If the leak occurs on right turns, hoist the right side of the vehicle. For hoisting recommendations refer to Group 0, Lubrication and Maintenance, General Information section.

## WATER LEAK DETECTION

To detect a water leak point-of-entry, do a water test and watch for water tracks or droplets forming on the inside of the vehicle. If necessary, remove interior trim covers or panels to gain visual access to the leak area. If the hose cannot be positioned without being held, have someone help do the water test.

Some water leaks must be tested for a considerable length of time to become apparent. When a leak appears, find the highest point of the water track or drop. The highest point usually will show the point of entry. After leak point has been found, repair the leak and water test to verify that the leak has stopped.

Locating the entry point of water that is leaking into a cavity between panels can be difficult. The trapped water may splash or run from the cavity, often at a distance from the entry point. Most water leaks of this type become apparent after accelerating, stopping, turning, or when on an incline.

## MIRROR INSPECTION METHOD

When a leak point area is visually obstructed, use a suitable mirror to gain visual access. A mirror can also be used to deflect light to a limited-access area to assist in locating a leak point.

## BRIGHT LIGHT LEAK TEST METHOD

Some water leaks in the luggage compartment can be detected without water testing. Position the vehicle in a brightly lit area. From inside the darkened luggage compartment inspect around seals and body seams. If necessary, have a helper direct a drop light over the suspected leak areas around the luggage compartment. If light is visible through a normally sealed location, water could enter through the opening.

## PRESSURIZED LEAK TEST METHOD

When a water leak into the passenger compartment cannot be detected by water testing, pressurize the passenger compartment and soap test exterior of the vehicle. To pressurize the passenger compartment, close all doors and windows, start engine, and set heater control to high blower in HEAT position. If engine can not be started, connect a charger to the battery to ensure adequate voltage to the blower. With interior pressurized, apply dish detergent solution to suspected leak area on the exterior of the vehicle. Apply detergent solution with spray device or soft bristle brush. If soap bubbles occur at a body seam, joint, seal or gasket, the leak entry point could be at that location.

## WIND NOISE

Wind noise is the result of most air leaks. Air leaks can be caused by poor sealing, improper body component alignment, body seam porosity, or missing plugs in the engine compartment or door hinge pillar areas. All body sealing points should be airtight in normal driving conditions. Moving sealing surfaces will not always seal airtight under all conditions. At times, side glass or door seals will allow wind noise to be noticed in the passenger compartment during high cross winds. Over compensating on door or glass adjustments to stop wind noise that occurs under severe conditions can cause premature seal wear and excessive closing or latching effort. After a repair procedure has been performed, test vehicle to verify noise has stopped before returning vehicle to use.

Wind noise can also be caused by improperly fitted exterior moldings or body ornamentation. Loose moldings can flutter, creating a buzzing or chattering noise. An open cavity or protruding edge can create a whistling or howling noise. Inspect the exterior of the vehicle to verify that these conditions do not exist.

## VISUAL INSPECTION BEFORE TESTS

Verify that floor and body plugs are in place and body components are aligned and sealed. If component alignment or sealing is necessary, refer to the appropriate section of this group for proper procedures.

## DIAGNOSIS AND TESTING (Continued)

### ROAD TESTING WIND NOISE

(1) Drive the vehicle to verify the general location of the wind noise.

(2) Apply 50 mm (2 in.) masking tape in 150 mm (6 in.) lengths along weatherstrips, weld seams or moldings. After each length is applied, drive the vehicle. If noise goes away after a piece of tape is applied, remove tape, locate, and repair defect.

### POSSIBLE CAUSE OF WIND NOISE

- Moldings standing away from body surface can catch wind and whistle.
- Gaps in sealed areas behind overhanging body flanges can cause wind-rushing sounds.
- Misaligned movable components.
- Missing or improperly installed plugs in pillars.
- Weld burn through holes.

### UNIVERSAL TRANSMITTER

Universal Transmitter will operate most:

- Garage door opener
- Gate opener
- Home/Office lighting and/or security system(s)

The transmitter is powered by the M1 circuit that supplies voltage to the driver side visor/vanity lamp.

### TRAINING THE UNIVERSAL TRANSMITTER

To train the transmitter refer to the Owner's Manual.

### TESTING TRANSMITTER

(1) Check for battery voltage at the Universal Transmitter by pressing a button and seeing if a red lamp comes on. If OK, go to Step 6. If not OK, go to Step 2.

(2) Check if visor/vanity lamp lights. If lamp lights, replace visor. If lamp does not light go to Step 3.

(3) Check fuse. If OK, go to Step 4. If not OK, repair as necessary.

(4) Remove visor and test M1 wire for battery voltage at the visor connector. If voltage is OK, go to Step 5. If no voltage repair wire as necessary. Refer to Group 8W, Wiring Diagrams for proper terminals.

(5) Test Z1 wire for ground at the visor connector. If ground is OK, replace visor. If no ground repair wire as necessary.

(6) Check the instructions in the Owner's Manual and retrain the transmitter. If the transmitter can not be trained replace visor.

## SERVICE PROCEDURES

### BODY LUBRICATION

All mechanisms and linkages should be lubricated when necessary. This will maintain ease of operation and provide protection against rust and excessive wear. The weatherstrip seals should be lubricated to prolong their life as well as to improve door sealing.

All applicable exterior and interior vehicle operating mechanisms should be inspected and cleaned. Pivot/sliding contact areas on the mechanisms should then be lubricated.

(1) When necessary, lubricate the operating mechanisms with the specified lubricants.

(2) Apply silicone lubricant to a cloth and wipe it on door seals to avoid over-spray that can soil passenger's clothing.

(3) Before applying lubricant, the component should be wiped clean. After lubrication, any excess lubricant should be removed.

(4) The hood latch, latch release mechanism, latch striker, and safety latch should be lubricated periodically.

(5) The door lock cylinders should be lubricated twice each year (preferably autumn and spring).

- Spray a small amount of lock cylinder lubricant directly into the lock cylinder.
- Apply a small amount to the key and insert it into the lock cylinder.
- Rotate it to the locked position and then back to the unlocked position several times.
- Remove the key. Wipe the lubricant from it with a clean cloth to avoid soiling of clothing.

### DRILLING AND WELDING PROCEDURES

When holes must be drilled or punched in an inner body panel, verify depth of space to the outer body panel, electrical wiring, or other components. Damage to vehicle can result.

Do not weld exterior panels unless combustible material on the interior of vehicle is removed from the repair area. Fire or hazardous conditions, can result.

Always have a fire extinguisher ready for use when welding.

## REMOVAL AND INSTALLATION

### GRILLE

The grille is incorporated into the fascia. To replace or service the grille, the fascia must be removed. The grille is equipped with an insert which can be serviced.

## REMOVAL AND INSTALLATION (Continued)

## REMOVAL

- (1) Remove fascia.
- (2) Disengage retainers attaching grille insert to grille/fascia.
- (3) Separate grille insert from grille/fascia (Fig. 1).

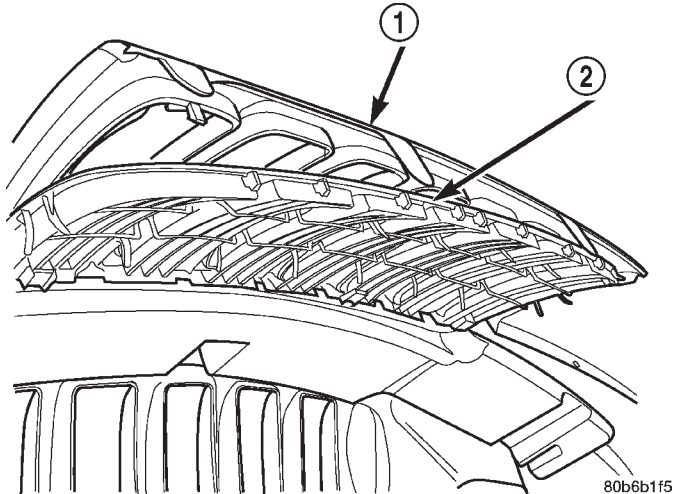
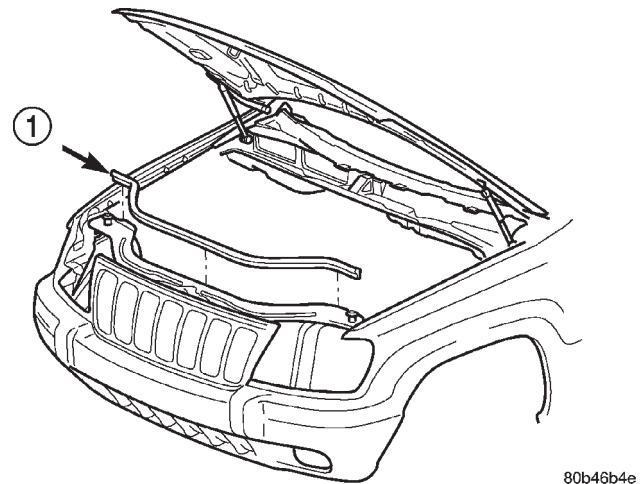


Fig. 1 Grille Insert

- 1 - GRILLE/FASCIA  
2 - INSERT



80b46b4e

Fig. 2 Hood Seal

- 1 - HOOD SEAL

## INSTALLATION

- (1) Position grille insert in grille/fascia.
- (2) Engage retainers attaching grille insert to grille/fascia.
- (3) Install fascia.

## HOOD SEAL

## REMOVAL

- (1) Raise hood.
- (2) Pull hood seal from upper radiator crossmember.
- (3) Separate seal from upper radiator crossmember (Fig. 2).

## INSTALLATION

- (1) Position seal on upper radiator crossmember.
- (2) Press seal onto upper radiator crossmember to seat.

## HEADLAMP MOUNTING MODULE (HMM)

## REMOVAL

**CAUTION:** Take special care when handling the HMM not to damage the upper mounting tabs. Step #3 must be performed prior to removing HMM from the vehicle to prevent damage to HMM.

- (1) Remove front fascia.

- (2) Remove front wheelhouse splash shields.
- (3) Reach into the wheelhouse opening and disengage the retainer attaching the HMM to each side of the body.
- (4) Remove bolts attaching headlamp mounting module to body (Fig. 3).
- (5) Disconnect headlamp wire harness connectors.
- (6) Separate headlamp mounting module from vehicle.

## INSTALLATION

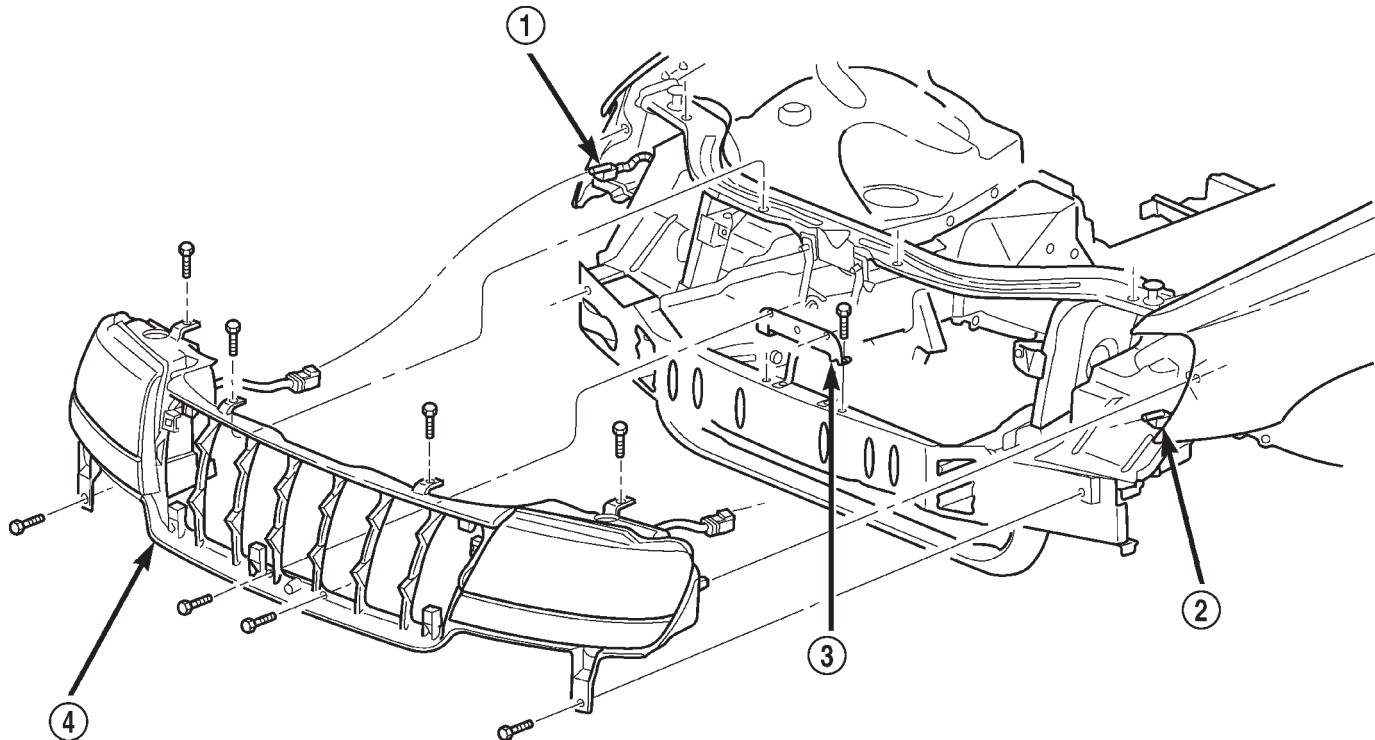
- (1) Position headlamp mounting module at vehicle.
- (2) Connect headlamp wire harness connectors.
- (3) Engage the retainer attaching the HMM to each side of the body.
- (4) Install bolts attaching headlamp mounting module to body (Fig. 3).
- (5) Install front wheelhouse splash shields.
- (6) Install front fascia.

## HOOD

## REMOVAL

- (1) Raise hood.
- (2) If equipped, disconnect underhood lamp harness connector. (Connector is located under cowl cover).
- (3) Using a wax crayon or equivalent, mark location of hood hinges on hood for installation alignment.
- (4) Support hood in the open position.
- (5) Remove hood support prop rods.
- (6) Remove bolts attaching hinges to hood.
- (7) With the aid of a helper, remove hood from vehicle.

## REMOVAL AND INSTALLATION (Continued)



80b46cd0

**Fig. 3 Headlamp Mounting Module**

1 - CONNECTOR  
2 - CONNECTOR

3 - MOUNTING BRACKET  
4 - HEADLAMP MODULE

**INSTALLATION**

- (1) Position hood on hinges.
- (2) Install bolts finger-tight.
- (3) Align hinges with installation reference marks and tighten bolts.
- (4) Install hood support prop rods.
- (5) Connect underhood lamp connector.
- (6) Inspect hood for proper alignment and adjust as necessary.

**HOOD INSULATION PANEL****REMOVAL**

- (1) Raise the hood.
- (2) Remove the insulation panel fasteners.
- (3) Remove the hood insulation panel.

**INSTALLATION**

- (1) Position the insulation panel on the underside of the hood.
- (2) Install the insulation panel fasteners.
- (3) Close the hood.

**HOOD SUPPORT PROP****REMOVAL**

- (1) Raise and support hood.
- (2) Using a small flat blade, pry the retainer attaching hood support prop to lower ball stud.
- (3) Slide retainer attaching hood support prop upper ball stud downward.
- (4) Disconnect hood support prop from lower ball stud and rotate support prop upward and disconnect from upper ball stud (Fig. 4).

**INSTALLATION**

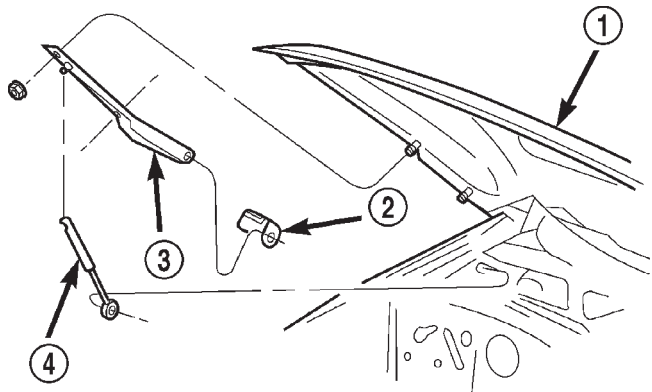
- (1) Position hood support prop on upper ball stud.
- (2) Slide retainer upward to secure support prop to upper ball stud.
- (3) Position support prop on lower ball stud and press retainer inward to secure.

**HOOD HINGE****REMOVAL**

- (1) Raise and support hood.
- (2) Using a wax crayon or equivalent, mark position of hinge.



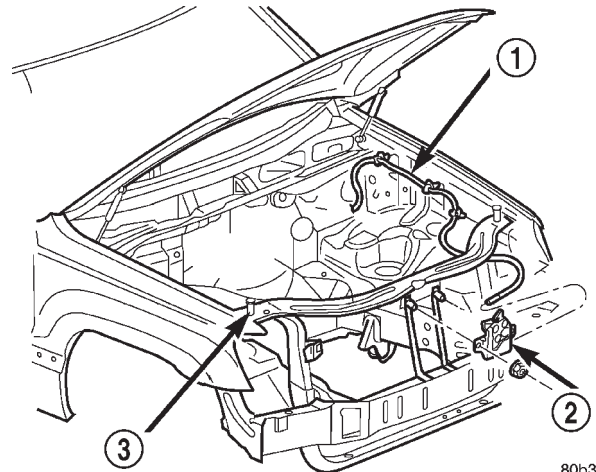
## REMOVAL AND INSTALLATION (Continued)



80b3c6fc

**Fig. 4 Hood Support Prop**

- 1 - HOOD
- 2 - COVER
- 3 - HINGE
- 4 - PROP



80b3c6ff

**Fig. 5 Hood Latch**

- 1 - HOOD RELEASE CABLE
- 2 - LATCH
- 3 - BUMPER

- (3) Remove hood hinge prop rod.
- (4) Remove nuts attaching hinge to hood (Fig. 4).
- (5) Remove bolts attaching hinge to body.
- (6) Separate hinge from vehicle.

**INSTALLATION**

- (1) Position hinge on vehicle and align reference marks.
- (2) Install bolts attaching hinge to body.
- (3) Install nuts attaching hinge to hood.
- (4) Install hood hinge prop rod.

**HOOD LATCH****REMOVAL**

- (1) Remove nuts attaching latch to radiator crossmember support (Fig. 5).
- (2) Disconnect hood release cable from latch.
- (3) Separate latch from vehicle.

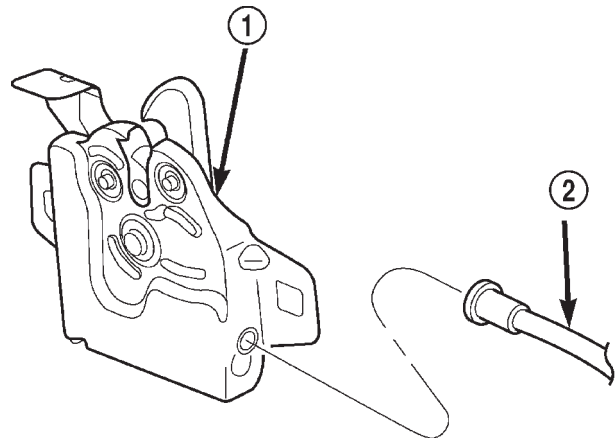
**INSTALLATION**

- (1) Connect latch release cable to latch.
- (2) Position latch on radiator crossmember support.
- (3) Install nuts attaching latch to radiator crossmember support. Tighten nuts to 11 N·m (8 ft. lbs.) torque.

**HOOD RELEASE CABLE****REMOVAL**

- (1) Disconnect cable from hood latch (Fig. 6).
- (2) Disconnect cable from retaining clips on left inner fender panel.
- (3) Remove left cowl side trim panel.

- (4) Remove fasteners attaching cable bracket to cowl side panel (Fig. 7).
- (5) Route cable through dash panel and remove it from under instrument panel.



80b3c70a

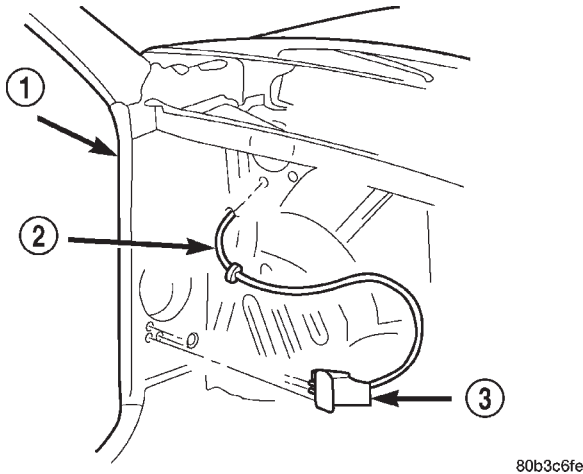
**Fig. 6 Hood Latch**

- 1 - HOOD LATCH
- 2 - HOOD RELEASE CABLE

**INSTALLATION**

- (1) Route cable through hole in dash panel into engine compartment.
- (2) Pull cable forward and seat grommet in dash panel.
- (3) Position cable bracket on cowl side panel and install fasteners.
- (4) Install left cowl side trim panel.
- (5) Route and install cable in retaining clips on left inner fender panel.
- (6) Connect cable to hood latch.

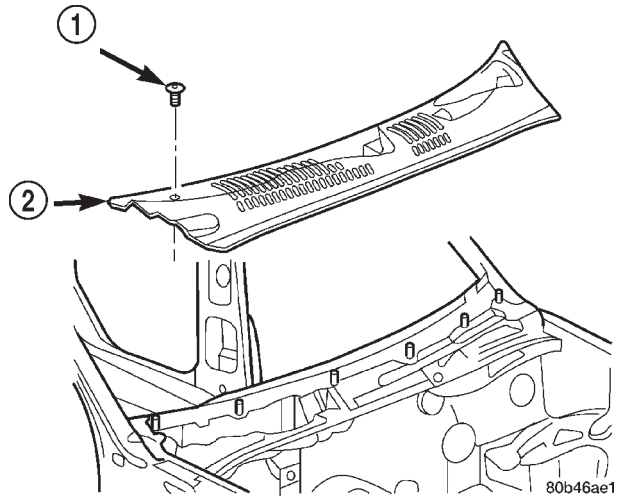
REMOVAL AND INSTALLATION (Continued)



**Fig. 7 Hood Release Cable**

- 1 - LOWER COWL
- 2 - HOOD RELEASE CABLE
- 3 - RELEASE HANDLE

- (3) Remove plastic push nuts attaching cowl cover to cowl (Fig. 9).
- (4) Remove windshield washer tubes at connector.
- (5) Remove cowl cover from cowl.



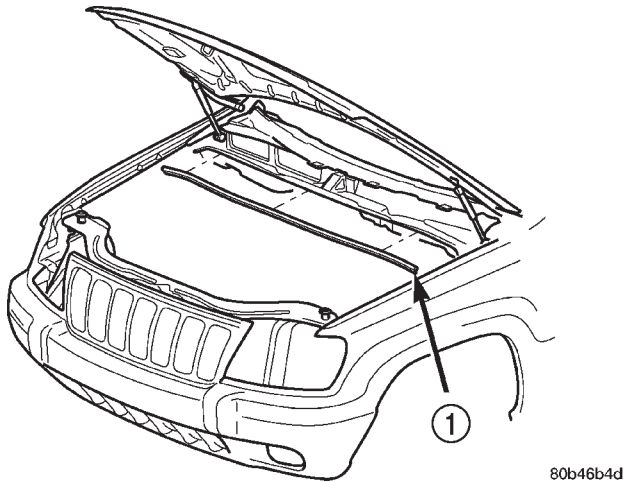
**Fig. 9 Cowl Cover**

- 1 - PLASTIC NUT
- 2 - COWL COVER

**COWL PLENUM SEAL**

**REMOVAL**

- (1) Raise hood.
- (2) Pull cowl plenum seal from cowl.
- (3) Separate cowl plenum seal from cowl (Fig. 8).



**Fig. 8 Cowl Plenum Seal**

- 1 - PLENUM SEAL

**INSTALLATION**

- (1) Position cowl cover on cowl.
- (2) Install windshield washer tubes at connector.
- (3) Install plastic push nuts attaching cowl cover to cowl.
- (4) Install plenum seal.
- (5) Install windshield wiper arms.

**EXTERIOR NAMEPLATES**

**REMOVAL**

**NOTE:** Exterior nameplates are attached to body panels with adhesive tape.

(1) Apply a length of masking tape on the body, parallel to the top edge of the nameplate to use as a guide, if necessary.

(2) If temperature is below 21°C (70°F) warm emblem with a heat lamp or gun. Do not exceed 52°C (120°F) when heating emblem.

(3) Insert a plastic trim stick or a hard wood wedge behind the emblem to separate the adhesive backing from the body.

(4) Clean adhesive residue from body with MOPAR Super Clean solvent or equivalent.

**INSTALLATION**

(1) Remove protective cover from adhesive tape on back of emblem.

(2) Position emblem properly on body (Fig. 10).

**INSTALLATION**

- (1) Position cowl plenum seal on cowl.
- (2) Press cowl plenum seal to seat.

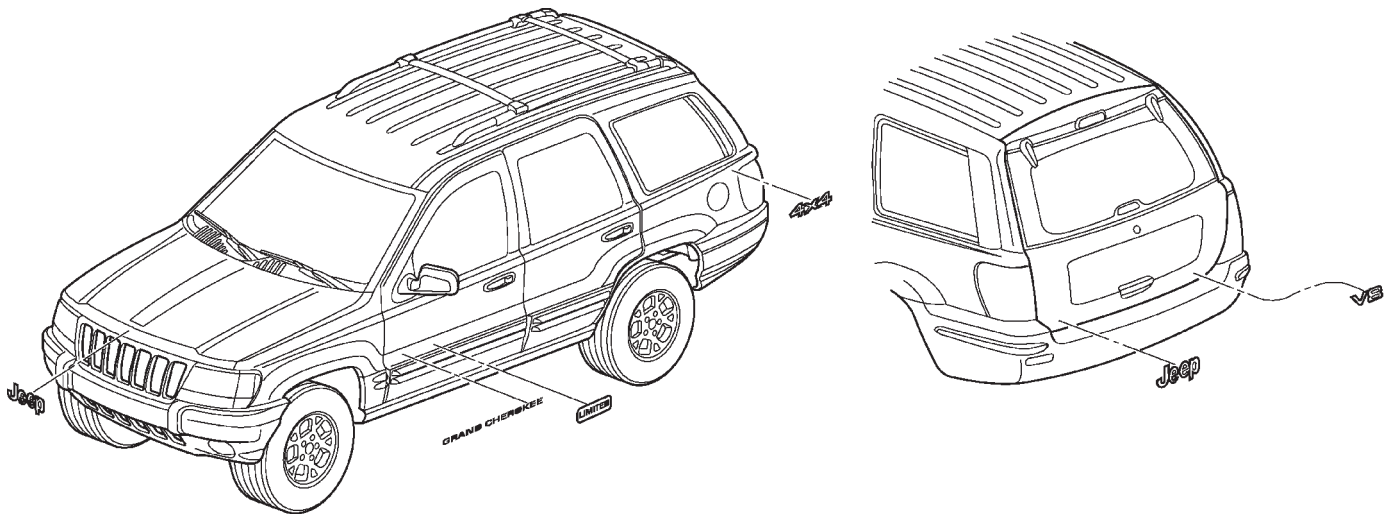
**COWL COVER**

**REMOVAL**

- (1) Remove wiper arms.
- (2) Remove plenum seal.



## REMOVAL AND INSTALLATION (Continued)



80b34e9b

**Fig. 10 Exterior Nameplates**

(3) Press emblem firmly to body with palm of hand.

(4) If temperature is below 21°C (70°F) warm emblem with a heat lamp or gun to assure adhesion. Do not exceed 52°C (120°F) when heating emblem.

**SIDE VIEW MIRROR****REMOVAL**

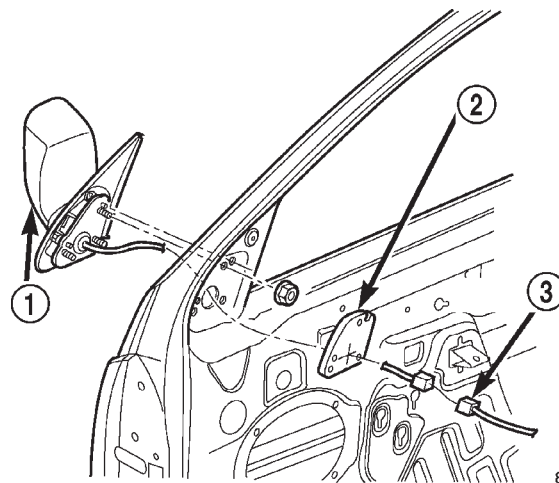
- (1) Remove door trim panel.
- (2) Disengage power mirror harness connector, if equipped.
- (3) Remove mirror flag seal.
- (4) Remove nuts attaching mirror to door (Fig. 11).
- (5) Separate mirror from door.

**INSTALLATION**

- (1) Position mirror on door. Verify that gasket seal is properly positioned.
- (2) Install nuts attaching mirror to door.
- (3) Install mirror retaining nuts.
- (4) Install mirror flag seal.
- (5) Engage power mirror harness connector, if equipped.
- (6) Install door trim panel.

**SIDE VIEW MIRROR GLASS****REMOVAL**

- (1) With damaged mirror still on vehicle, position mirror glass down and centered.
- (2) Position a wide leverage device between the bottom edge of the glass and the mirror shell.
- (3) Firmly apply pressure in an upward direction until glass assembly disengages from adapter plate.



80b46ae4

**Fig. 11 Side View Mirror**

- 1 - SIDEVIEW MIRROR  
2 - MIRROR FLAG SEAL  
3 - CONNECTOR

(4) Disconnect the heater wire terminal, if equipped, or the EC plug, if equipped.

**INSTALLATION**

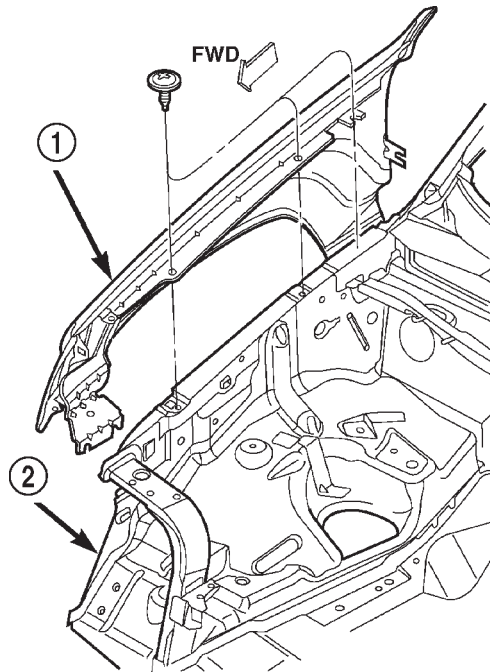
- (1) Connect the heater wire terminal or the EC plug, if equipped.
- (2) Position the replacement glass in the mirror shell and align the four snap tabs with the four cavities in the shell.
- (3) Apply firm pressure inward until the replacement glass assembly engages with the adapter plate. Correct assembly will result in a firm click. Glass assembly should exhibit even gaps to the shell when complete.
- (4) Pull lightly on corners of glass assembly to ensure all four snaps are engaged and there is no free play.

REMOVAL AND INSTALLATION (Continued)

**FRONT FENDER**

**REMOVAL**

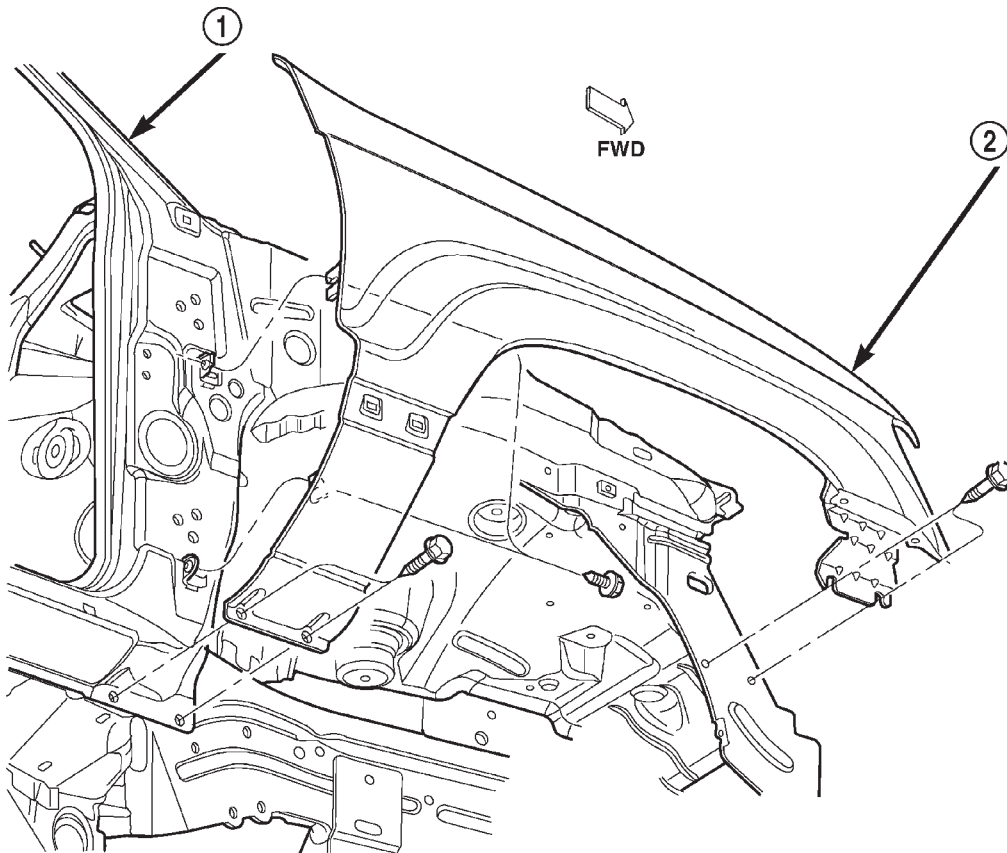
- (1) Using a wax crayon or equivalent, mark position of fender.
- (2) Remove front fender liner.
- (3) Pull back fascia and remove screws attaching fender to fascia.
- (4) Remove screws attaching lower fender bracket located behind fascia.
- (5) Remove screws attaching fender to rocker panel (Fig. 12).
- (6) Remove screws attaching rear of fender to A-pillar brackets.
- (7) Open hood.
- (8) Loosen screw under hood hinge, attaching fender to engine compartment rail.
- (9) Remove screws attaching fender to engine compartment rail (Fig. 13).
- (10) Right fender only:
  - (a) If equipped, remove radio antenna.
- (11) Separate fender from body.



80b3c70d

**Fig. 13 Upper Fender Mounting**

- 1 - FENDER
- 2 - BODY



**Fig. 12 Fender Mounting**

80b34e99

- 1 - BODY
- 2 - FENDER

## REMOVAL AND INSTALLATION (Continued)

## INSTALLATION

- (1) Position fender on body.
- (2) Right fender only:
  - (a) If equipped, install radio antenna.
- (3) Install all screws finger-tight.
- (4) Align fender with adjacent body panels and wax crayon reference marks.
- (5) Tighten all screws.
- (6) Install inner fender liner.

## FRONT DOOR TRIM PANEL

## REMOVAL

- (1) Remove trim plug from mirror flag bezel.
- (2) Remove screws attaching trim panel to door (Fig. 14).
- (3) Using trim remover (C-4829 or equivalent), detach trim panel perimeter push-in fasteners from door inner panel.
- (4) Lift trim panel upward and separate from door.
- (5) If equipped, disconnect harness connectors for power accessories.
- (6) Disconnect latch rods from inside handle actuator.
- (7) Separate trim panel from vehicle.

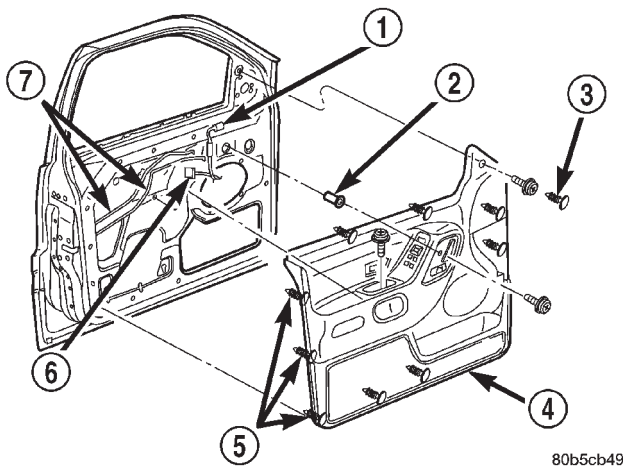


Fig. 14 Front Door Trim Panel

- 1 - HARNESS CONNECTOR
- 2 - NUTSERT
- 3 - TRIM PLUG
- 4 - TRIM PANEL
- 5 - PUSH-IN FASTENER
- 6 - HARNESS CONNECTOR
- 7 - LATCH RODS

## INSTALLATION

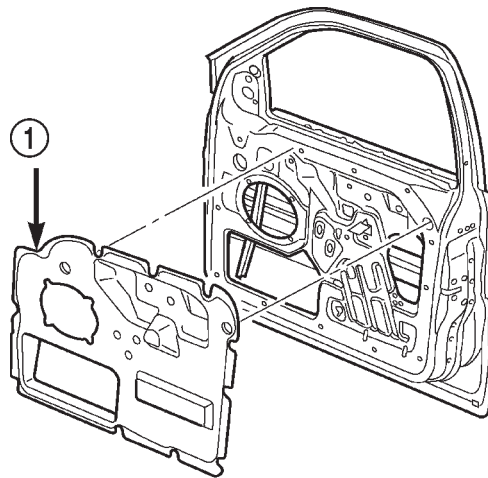
- (1) Connect latch rods to inside handle actuator.
- (2) If equipped, connect harness connectors to power accessories.
- (3) Position trim panel on door inner panel.

- (4) Press trim panel push-in fasteners inward around perimeter of door.
- (5) Install screws attaching trim panel to door.
- (6) Install trim plug in mirror flag bezel.

## FRONT DOOR WATERDAM

## REMOVAL

- (1) Remove door trim panel.
- (2) Peel the waterdam from door.
- (3) Route all harnesses and linkage rods through waterdam as necessary.
- (4) Separate waterdam from door (Fig. 15).



80b46b2f

Fig. 15 Front Door Waterdam

1 - INSULATOR PAD

## INSTALLATION

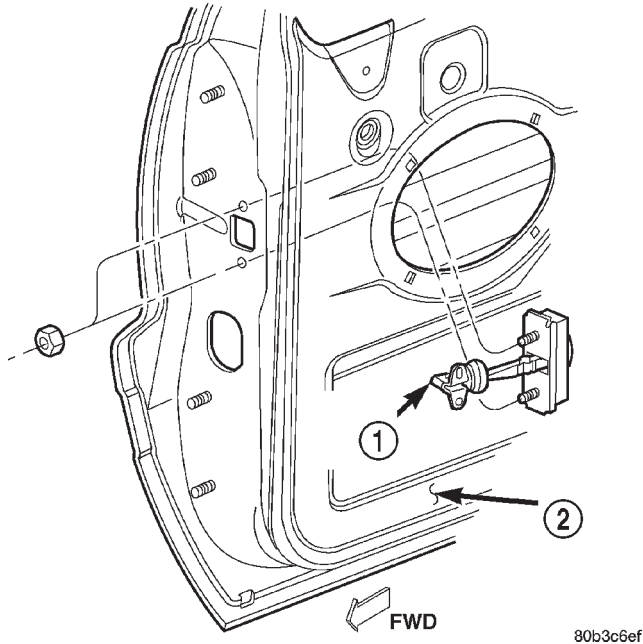
- (1) Waterdam contact surface must be free of contaminants. Clean as necessary.
- (2) Route all harnesses and linkage rods through waterdam as necessary.
- (3) Position waterdam on door and align all holes.
- (4) Press waterdam on door.
- (5) Install door trim panel.

## FRONT DOOR CHECK

## REMOVAL

- (1) Remove trim panel.
- (2) Remove waterdam.
- (3) Remove speaker.
- (4) Remove screws attaching door check to A-pillar.
- (5) Remove nuts attaching door check to door (Fig. 16).
- (6) Remove door check through speaker location hole.

REMOVAL AND INSTALLATION (Continued)



**Fig. 16 Door Check**

- 1 - DOOR CHECK
- 2 - FRONT DOOR

**INSTALLATION**

- (1) Position door check on door through speaker location hole.
- (2) Install nuts attaching door check to door.
- (3) Install screws attaching door check to A-pillar.
- (4) Install speaker.
- (5) Install waterdam.
- (6) Install trim panel.

**FRONT DOOR**

**REMOVAL**

- (1) Disconnect front door harness connector (Fig. 17).
- (2) Support door with padded floor jack.
- (3) Remove retaining clips from hinge pins.
- (4) Tap out hinge pins.
- (5) Separate door from vehicle.

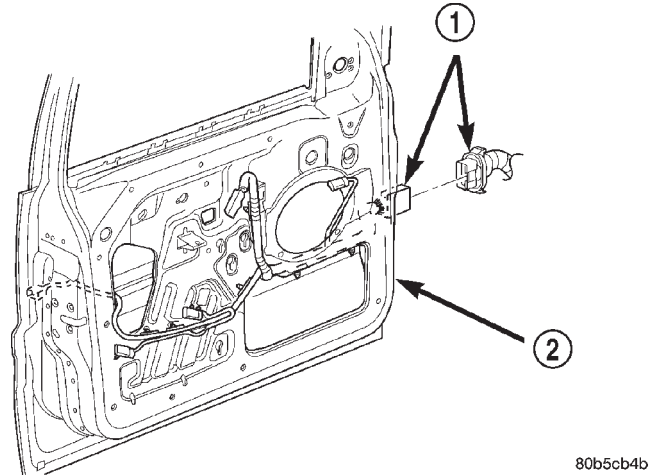
**INSTALLATION**

- (1) Position door at vehicle and align hinges.
- (2) Install hinge pins.
- (3) Install retaining clips for hinge pins.
- (4) Connect front door harness connector.

**FRONT DOOR HINGE**

**REMOVAL**

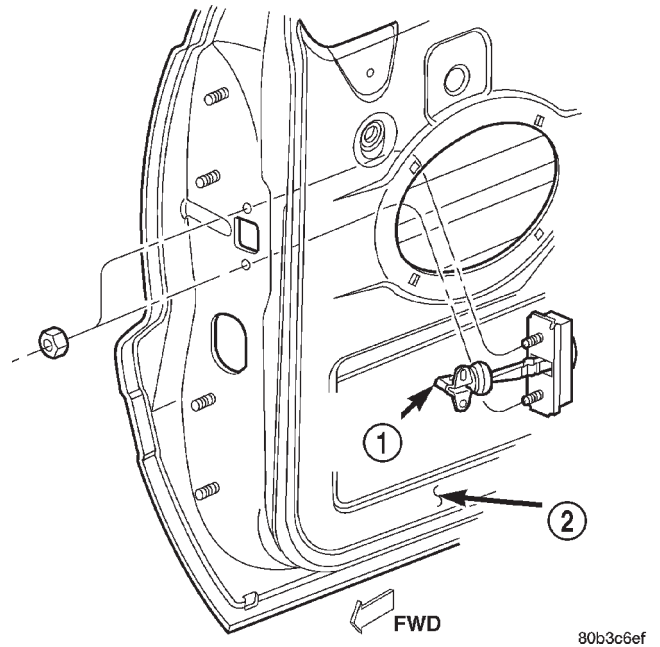
- (1) Open and support door.
- (2) Using a wax pencil, or other suitable device, reference mark the hinge placement



**Fig. 17 Front Door Harness Connector**

- 1 - HARNESS CONNECTOR
- 2 - DOOR

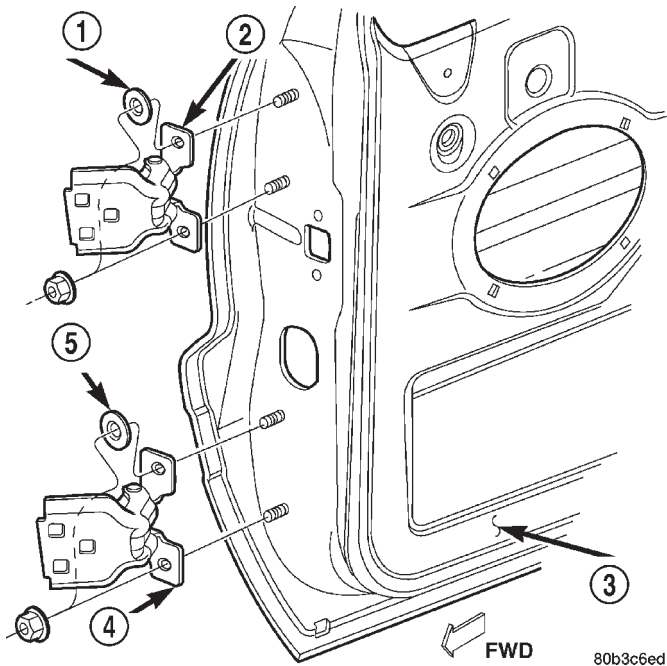
- (3) Disconnect the door wire harness.
- (4) Remove the door check from the "A" pillar (Fig. 18).
- (5) Remove the fasteners retaining the door hinge to the door (Fig. 19).
- (6) Remove the door.
- (7) Remove the hinge from the "A" pillar.



**Fig. 18 Front Door Check**

- 1 - DOOR CHECK
- 2 - FRONT DOOR

## REMOVAL AND INSTALLATION (Continued)

**Fig. 19 Front Door Hinges**

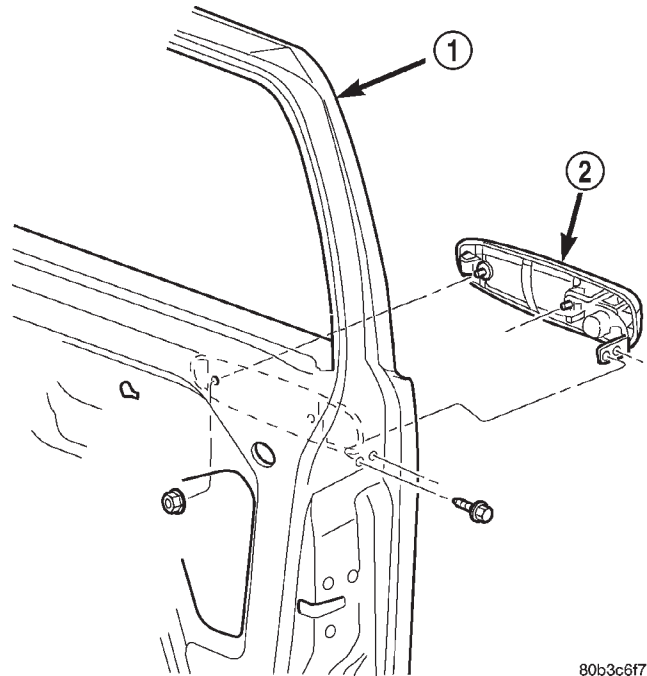
- 1 - WASHER
- 2 - UPPER HINGE
- 3 - FRONT DOOR
- 4 - LOWER HINGE
- 5 - WASHER

**INSTALLATION**

- (1) Position hinge on "A" pillar. (Use 3M<sup>®</sup> Fast and Firm or equivalent on the hinge to body mating surface as a sealant.)
- (2) Install hinge to body bolts, but do not tighten.
- (3) Align the hinge to the reference marks and torque the bolts to 35N·m (26 ft. lbs.).
- (4) Install the door on the hinge and align with the reference marks.
- (5) Tighten the door to hinge fasteners.
- (6) For adjustment see door adjustment procedure.

**FRONT DOOR OUTSIDE HANDLE****REMOVAL**

- (1) Remove door trim panel and waterdam.
- (2) Locate glass to full up position.
- (3) Remove glass run channel.
- (4) Disconnect lock cylinder to latch rod.
- (5) Disconnect outside handle to latch rod
- (6) Remove fasteners attaching outside handle to door (Fig. 20).
- (7) Remove outside handle from door.
- (8) Disconnect anti-theft harness connector, if equipped.
- (9) Separate outside handle from vehicle.

**Fig. 20 Front Door Outside Handle**

- 1 - DOOR
- 2 - OUTSIDE HANDLE

**INSTALLATION**

- (1) Position outside handle at door.
- (2) Connect anti-theft harness connector, if equipped.
- (3) Position outside handle in door.
- (4) Install fasteners attaching outside handle to door.
- (5) Connect outside handle to latch rod
- (6) Connect lock cylinder to latch rod.
- (7) Install glass run channel.
- (8) Locate glass to full down position.
- (9) Install waterdam and door trim panel.

**FRONT DOOR LOCK CYLINDER****REMOVAL**

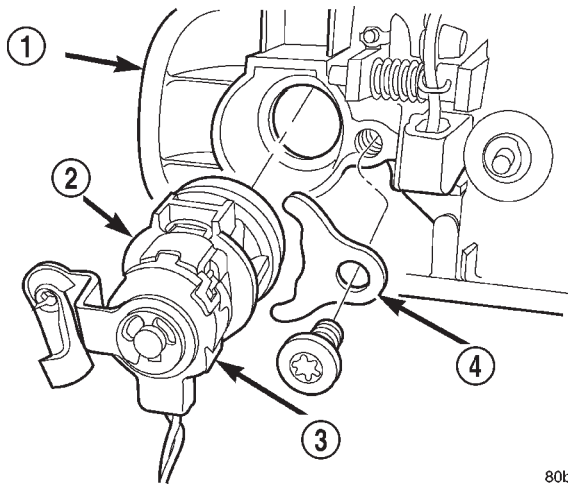
- (1) Remove door trim panel and insulator.
- (2) Remove outside door handle.
- (3) Remove screw securing lock cylinder retainer to outside door handle (Fig. 21).
- (4) Separate lock cylinder from door handle.
- (5) Disconnect lock cylinder switch, if equipped.

**INSTALLATION**

- (1) Connect lock cylinder switch, if equipped.
- (2) Position lock cylinder in door handle.
- (3) Position lock cylinder retainer and install screw.
- (4) Install outside door handle.
- (5) Install insulator and trim panel.

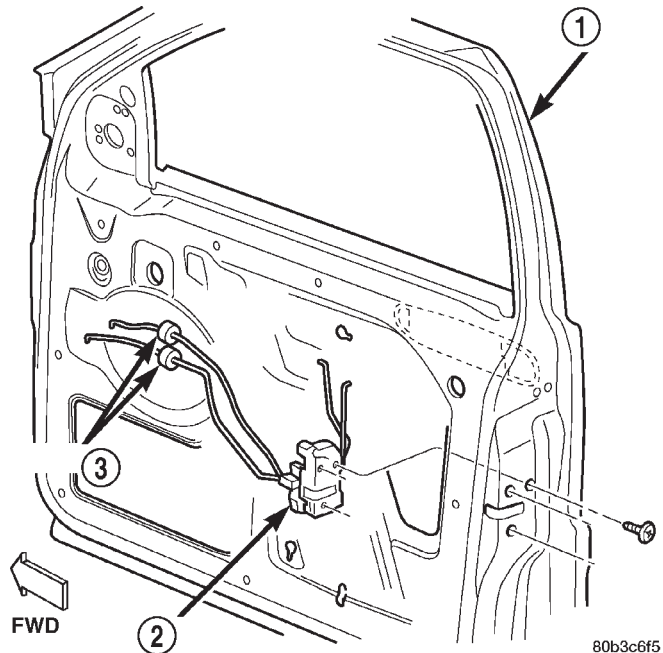


REMOVAL AND INSTALLATION (Continued)



**Fig. 21 Front Door Lock Cylinder**

- 1 - OUTSIDE DOOR HANDLE
- 2 - LOCK CYLINDER
- 3 - ANTI-THEFT SWITCH
- 4 - RETAINER



**Fig. 22 Door Latch**

- 1 - DOOR
- 2 - LATCH
- 3 - ISOLATOR

**LOCK CYLINDERS**

Ignition, door, deck lid, and rear hatch lock cylinders are all codable to the key. Lock barrels, tumblers, and tumbler springs are available to allow the technician to change replacement locks cylinders to match the customer's original key set. See the appropriate section in this manual for lock cylinder removal. See the Mopar® catalogue for part numbers and lock coding procedures.

**FRONT DOOR LATCH**

**REMOVAL**

- (1) Locate glass in full up position.
- (2) Remove door trim panel and isolator.
- (3) Remove glass run channel.
- (4) Remove screws attaching door latch to door (Fig. 22).
- (5) Disconnect all rods from door latch.
- (6) Disconnect wire harness connector, if equipped.
- (7) Separate door latch from door.

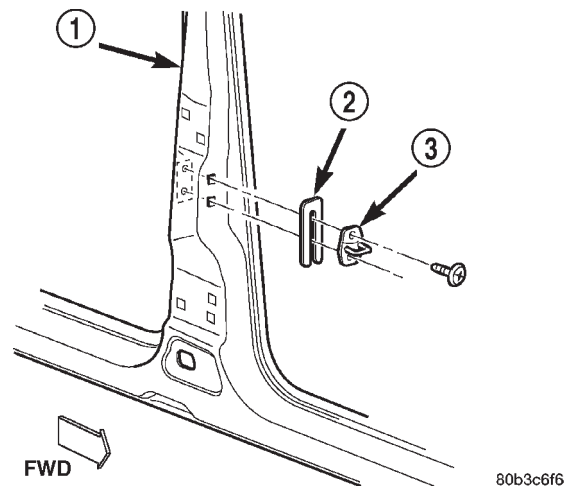
**INSTALLATION**

- (1) Position door latch at door.
- (2) Connect wire harness connector, if equipped.
- (3) Connect all rods to door latch.
- (4) Install screws attaching door latch to door. Tighten screws to 10 N·m (7 ft. lbs.) torque.
- (5) Install glass run channel.
- (6) Install isolator and door trim panel.

**FRONT DOOR LATCH STRIKER**

**REMOVAL**

- (1) Remove screws attaching striker to B-pillar.
- (2) Separate striker and spacer from B-pillar (Fig. 23).



**Fig. 23 Front Door Latch Striker**

- 1 - B-PILLAR
- 2 - SPACER
- 3 - STRIKER

**INSTALLATION**

- (1) Position striker and spacer on B-pillar.



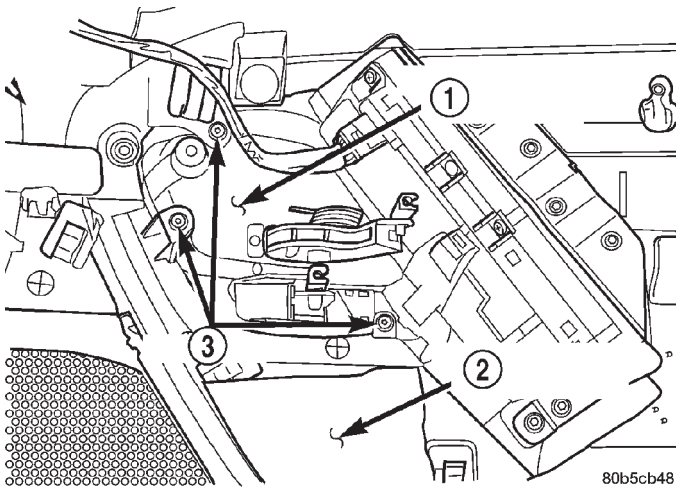
## REMOVAL AND INSTALLATION (Continued)

(2) Install screws attaching striker to B-pillar. Tighten screws to 28 N·m (20 ft. lbs.) torque.

## FRONT DOOR INSIDE HANDLE ACTUATOR

## REMOVAL

- (1) Remove door trim panel.
- (2) Disconnect latch and lock rods from inside handle actuator.
- (3) Remove screws attaching inside handle actuator to trim panel (Fig. 24).
- (4) Separate inside handle actuator from trim panel.



**Fig. 24 Front Door Inside Handle Actuator**

- 1 - INSIDE HANDLE ACTUATOR
- 2 - DRIVER'S DOOR TRIM PANEL
- 3 - SCREW

## INSTALLATION

- (1) Position inside handle actuator in trim panel.
- (2) Install screws attaching inside handle actuator to trim panel.
- (3) Connect latch and lock rods to inside handle actuator.
- (4) Install door trim panel.

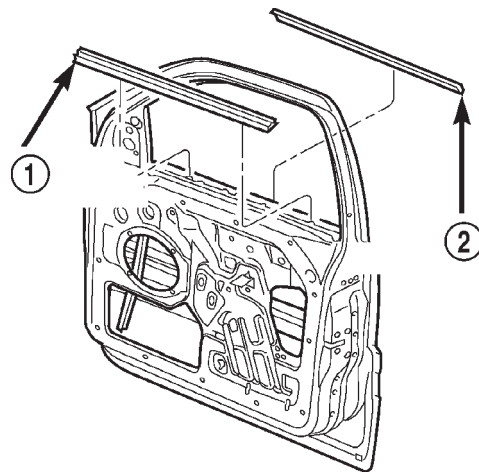
## FRONT DOOR INNER BELT SEAL

## REMOVAL

- (1) Remove door trim panel.
- (2) Using a trim stick or other suitable device, carefully pry up inner edge of seal (Fig. 25).
- (3) Grasp the edge of the seal and pull upward to remove seal from door flange.

## INSTALLATION

- (1) Position the seal on the door flange.
- (2) Firmly press downward to seat seal on the door flange.



80b46b2d

**Fig. 25 Inner/Outer Belt Weather Strip**

- 1 - INNER BELT WEATHERSTRIP
- 2 - OUTER BELT WEATHERSTRIP

- (3) Install the door trim panel.

## FRONT DOOR OUTER BELT SEAL

## REMOVAL

- (1) Lower the door glass.
- (2) Remove the screw from the inner door panel attaching the seal to outer door panel (Fig. 25).
- (3) Pull the seal rearward to release from the side view mirror bezel.
- (4) Lift seal and separate from door panel.

## INSTALLATION

- (1) Position seal on the door panel.
- (2) Push the seal forward to install under the side view mirror bezel.
- (3) Install the screw from the inner door panel attaching the seal to outer door panel.
- (4) Raise the door glass.

## FRONT DOOR GLASS RUN CHANNEL WEATHERSTRIP

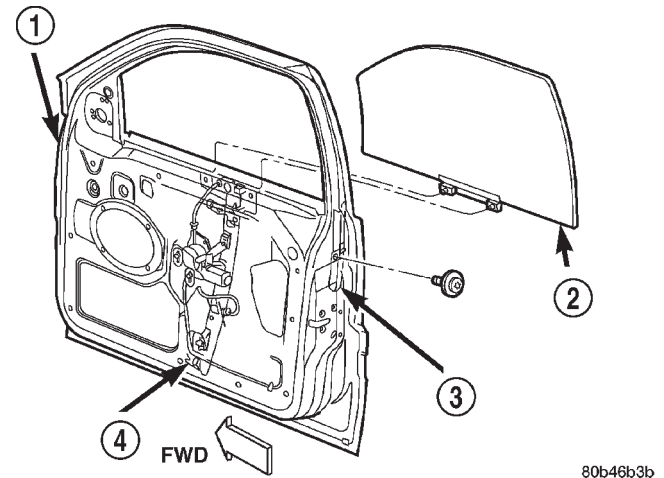
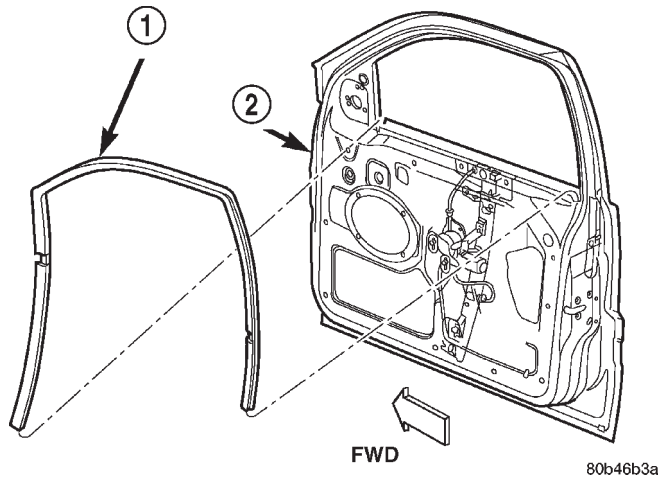
## REMOVAL

- (1) Remove trim panel.
- (2) Remove inner belt weatherstrip.
- (3) Remove outer belt weatherstrip.
- (4) Grasp seal from upper run channel corner and firmly pull weatherstrip from flange and run channel (Fig. 26).

## INSTALLATION

**NOTE:** Soapy water may be used to aid in installation.

REMOVAL AND INSTALLATION (Continued)



**Fig. 26 Front Door Glass Run Channel Weatherstrip**

- 1 - GLASS RUN CHANNEL WEATHERSTRIP
- 2 - DOOR

**Fig. 27 Front Door Glass Run Channel**

- 1 - DOOR
- 2 - GLASS
- 3 - GLASS RUN CHANNEL
- 4 - REGULATOR

- (1) Remove front door speaker.
- (2) Position weatherstrip on flange aligning each corner.
- (3) Press weatherstrip into position.
- (4) Carefully move door glass for and aft and press weatherstrip into glass run channels.
- (5) Install front door speaker.
- (6) Install outer belt weatherstrip.
- (7) Install inner belt weatherstrip.
- (8) Install trim panel.

- (5) Install inner and outer belt weatherstrip.
- (6) Install isolator.
- (7) Install door trim panel.

**FRONT DOOR GLASS RUN CHANNEL**

**FRONT DOOR OPENING WEATHERSTRIP**

**REMOVAL**

**REMOVAL**

**NOTE:** Only the rearward glass run channel is serviceable.

- (1) Remove door trim panel.
- (2) Remove isolator.
- (3) Remove inner and outer belt weatherstrip.
- (4) Remove bolt attaching run channel to inner door panel (Fig. 27).
- (5) Peel back glass run channel weatherstrip on rear run channel.
- (6) Pull glass run channel downward to separate from door.
- (7) Remove glass run channel from door.

**INSTALLATION**

- (1) Position weatherstrip at corners.
- (2) Move upward and around edge of door opening seating weatherstrip onto flange (Fig. 28).
- (3) Engage connector plug with each end of weatherstrip at bottom of door opening.
- (4) Install B-pillar lower trim.
- (5) Install B-pillar upper trim.
- (6) Install A-pillar trim.

**INSTALLATION**

**FRONT DOOR SECONDARY WEATHERSTRIP**

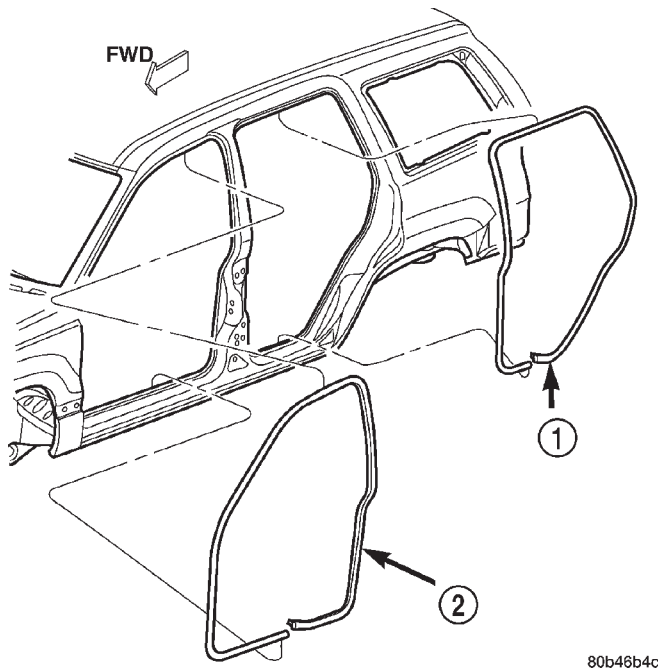
- (1) Position glass run channel in door.
- (2) Align glass run channel with door frame run channel and slide channel upward to secure door.
- (3) Press glass run channel weatherstrip into rear run channel.
- (4) Install bolt attaching run channel to inner door panel.

**REMOVAL**

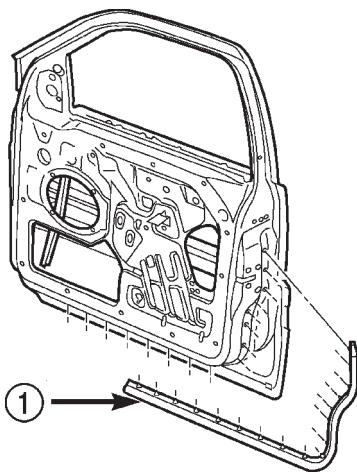
The front door secondary weatherstrip is attached to the door shutface with push-in fasteners.

- (1) Open door.
- (2) Using a trim panel removal tool, remove push-in fasteners attaching secondary weatherstrip to door shutface (Fig. 29).
- (3) Separate secondary weatherstrip from door.

## REMOVAL AND INSTALLATION (Continued)

**Fig. 28 Door Opening Weatherstrip**

- 1 - REAR DOOR OPENING WEATHERSTRIP  
2 - FRONT DOOR OPENING WEATHERSTRIP

**Fig. 29 Front Door Secondary Weatherstrip**

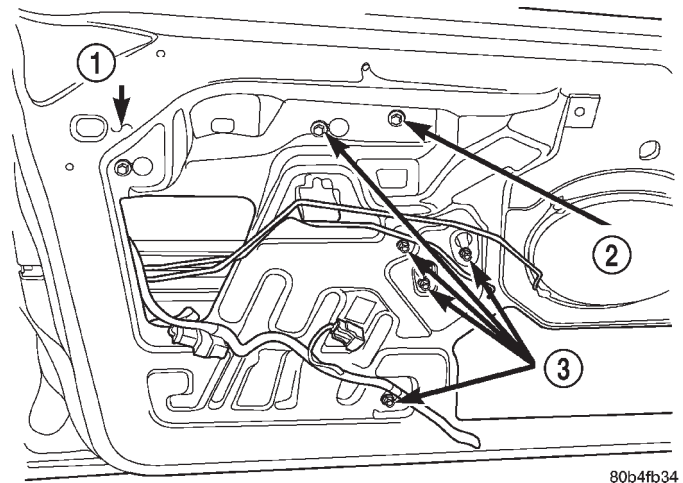
- 1 - SECONDARY WEATHERSTRIP

**INSTALLATION**

- (1) Clean contact area as necessary.
- (2) Position secondary weatherstrip on door shutface.
- (3) Install push-in fasteners attaching secondary weatherstrip to door shutface.

**FRONT DOOR WINDOW REGULATOR****REMOVAL**

- (1) Remove door trim panel.
- (2) Remove isolator.
- (3) Remove front door glass.
- (4) Loosen bolts attaching regulator to inner door panel (Fig. 30).
- (5) Remove bolt attaching regulator to inner door panel (Fig. 31).
- (6) Lift regulator upward to disengage bolts from door inner panel.
- (7) Disengage power window regulator harness connector, if equipped.
- (8) Remove regulator through access hole in door.

**Fig. 30 Front Door Regulator Bolts**

- 1 - FRONT DOOR  
2 - REMOVE BOLT  
3 - LOOSEN BOLTS

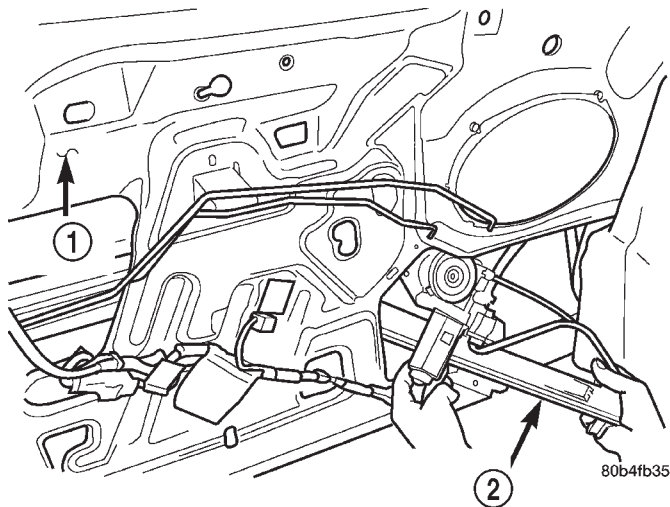
**INSTALLATION**

- (1) Position regulator in door through access hole.
- (2) Engage power window regulator harness connector, if equipped.
- (3) Lift regulator upward and engage bolts in door inner panel key hole slots.
- (4) Install bolt attaching regulator to inner door panel.
- (5) Tighten bolts attaching regulator to inner door panel.
- (6) Install front door glass.
- (7) Install isolator.
- (8) Install door trim panel.

**FRONT DOOR GLASS****REMOVAL**

- (1) Locate glass to full down position.
- (2) Remove trim panel.

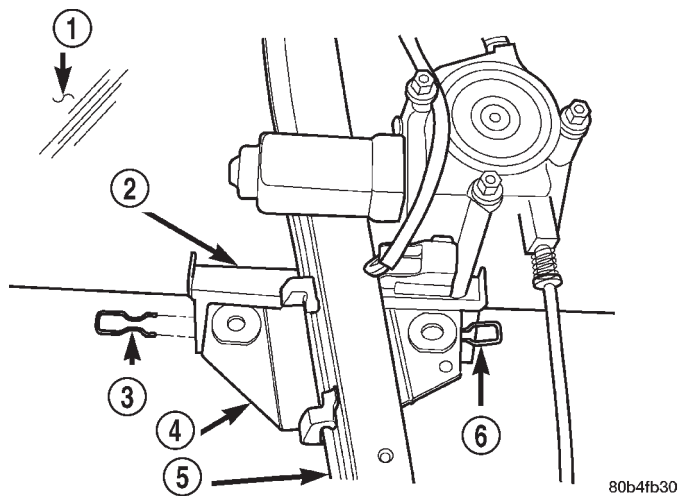
REMOVAL AND INSTALLATION (Continued)



**Fig. 31 Front Door Window Regulator**

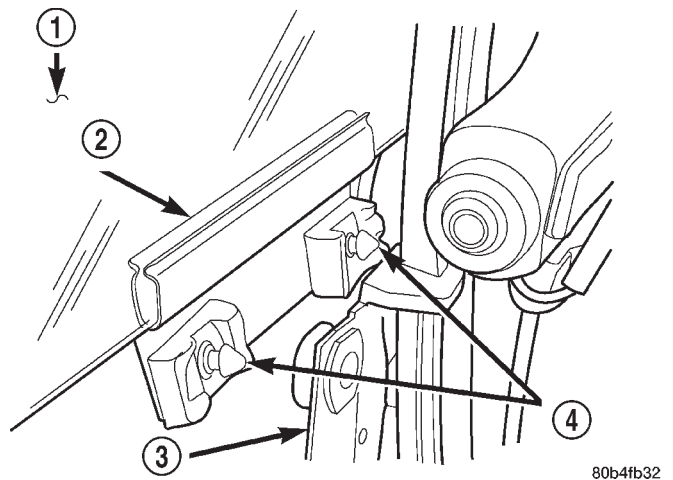
- 1 - FRONT DOOR
- 2 - REGULATOR

- (3) Remove inner belt weatherstrip.
- (4) Remove outer belt weatherstrip.
- (5) Locate glass to 3/4 up position.
- (6) Remove front door insulator.
- (7) Using a long flat blade or hook type tool, disengage clips (Fig. 32) attaching glass retainer to glass lift plate.
- (8) Carefully push bottom of glass panel outward to disengage glass retainer studs from lift plate (Fig. 33).
- (9) Lift glass upward and out of door.



**Fig. 32 Front Door Glass Clips**

- 1 - GLASS
- 2 - RETAINER
- 3 - CLIP
- 4 - LIFT PLATE
- 5 - REGULATOR
- 6 - CLIP



**Fig. 33 Front Door Glass Retainer Studs**

- 1 - GLASS
- 2 - RETAINER
- 3 - LIFT PLATE
- 4 - STUD

**INSTALLATION**

- (1) Lower glass into position.
- (2) Carefully align glass retainer studs with lift plate and insert studs into lift plate.
- (3) Engage clips attaching glass retainer to glass lift plate.
- (4) Install front door insulator.
- (5) Locate glass to full down position.
- (6) Install outer belt weatherstrip.
- (7) Install inner belt weatherstrip.
- (8) Install trim panel.

**REAR DOOR B-PILLAR SEAL**

**REMOVAL**

- The B-pillar seal is attached to the rear door with adhesive tape.
- (1) Peel seal from the door (Fig. 34).

**INSTALLATION**

- (1) Clean contact area with Mopar Super Kleen or equivalent.
- (2) Remove carrier from seal.
- (3) Align seal on door and press into place.

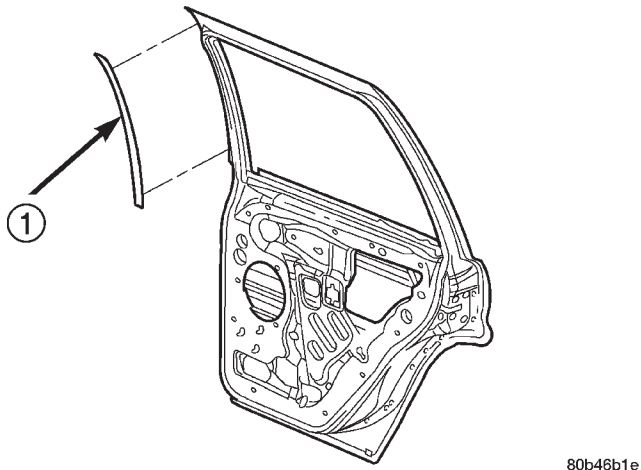
**REAR DOOR TRIM PANEL**

**REMOVAL**

- (1) Remove screws attaching trim panel to door (Fig. 35).
- (2) Using trim remover (C-4829 or equivalent), detach trim panel perimeter push-in fasteners from door inner panel.
- (3) Lift trim panel upward and separate from door.



## REMOVAL AND INSTALLATION (Continued)



80b46b1e

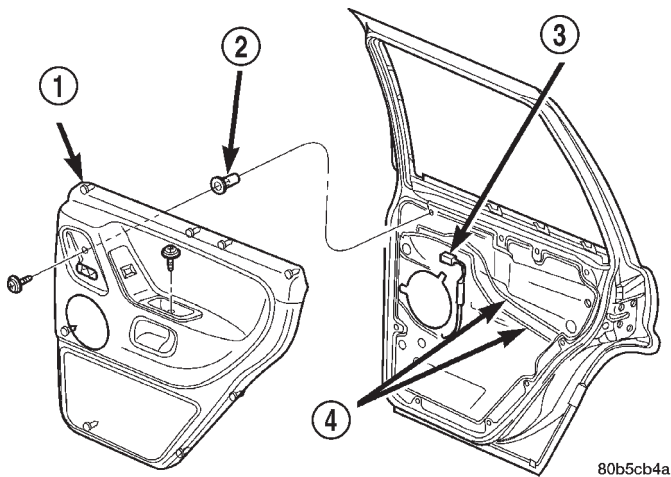
**Fig. 34 B-Pillar Seal**

1 - B-PILLAR SEAL

(4) If equipped, disconnect harness connectors for power accessories.

(5) Disconnect latch rods from inside handle actuator.

(6) Separate trim panel from vehicle.



80b5cb4a

**Fig. 35 Rear Door Trim Panel**

1 - TRIM PANEL  
2 - NUTSERT  
3 - HARNESS CONNECTOR  
4 - LATCH RODS

**INSTALLATION**

(1) Connect latch rods to inside handle actuator.

(2) If equipped, connect harness connectors to power accessories.

(3) Position trim panel on door inner panel.

(4) Press trim panel push-in fasteners inward around perimeter of door.

(5) Install screws attaching trim panel to door.

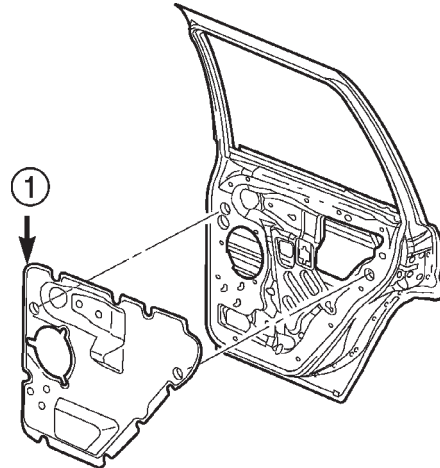
**REAR DOOR WATERDAM****REMOVAL**

(1) Remove door trim panel.

(2) Peel the waterdam from door.

(3) Route all harnesses and linkage rods through waterdam as necessary.

(4) Separate waterdam from door (Fig. 36).



80b46b0f

**Fig. 36 Rear Door Waterdam**

1 - INSULATOR PAD

**INSTALLATION**

(1) Waterdam contact surface must be free of contaminants. Clean as necessary.

(2) Route all harnesses and linkage rods through waterdam as necessary.

(3) Position waterdam on door and align all holes.

(4) Press waterdam on door.

(5) Install door trim panel.

**REAR DOOR CHECK****REMOVAL**

(1) Remove trim panel.

(2) Remove waterdam.

(3) Remove speaker.

(4) Remove screws attaching door check to B-pillar.

(5) Remove nuts attaching door check to door (Fig. 37).

(6) Remove door check through speaker location hole.

**INSTALLATION**

(1) Position door check on door through speaker location hole.

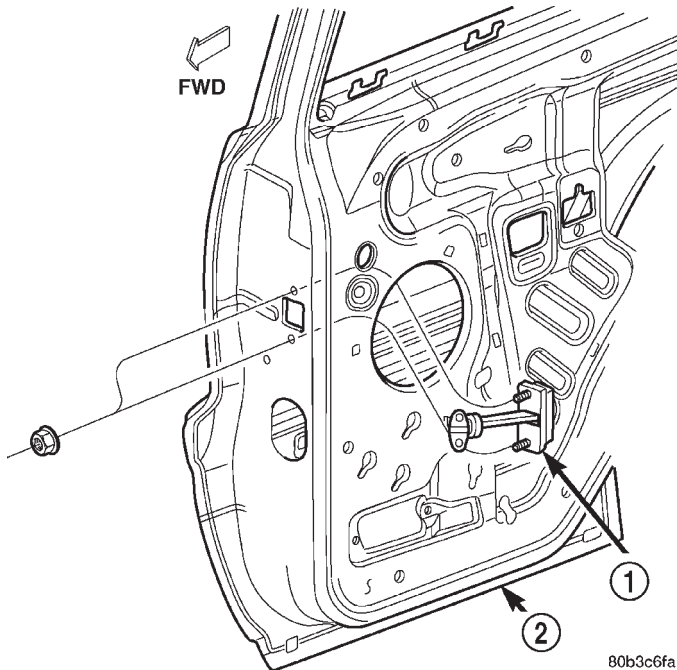
(2) Install nuts attaching door check to door.

(3) Install screws attaching door check to B-pillar.

(4) Install speaker.

(5) Install waterdam.

REMOVAL AND INSTALLATION (Continued)



**Fig. 37 Door Check**

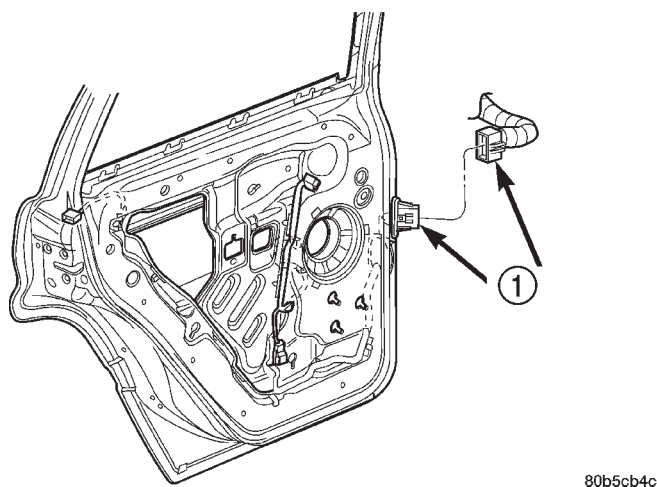
- 1 - DOOR CHECK
- 2 - REAR DOOR

(6) Install trim panel.

**REAR DOOR**

**REMOVAL**

- (1) Disconnect rear door harness connector (Fig. 38).
- (2) Support door with padded floor jack.
- (3) Remove retaining clips from hinge pins.
- (4) Tap out hinge pins.
- (5) Separate door from vehicle.



**Fig. 38 Rear Door Harness Connector**

- 1 - HARNESS CONNECTOR

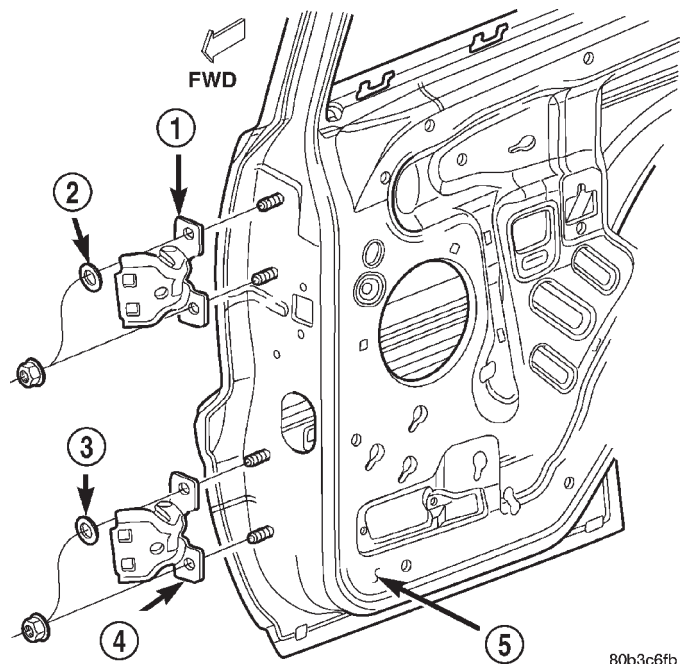
**INSTALLATION**

- (1) Position door at vehicle and align hinges.
- (2) Install hinge pins.
- (3) Install retaining clips for hinge pins.
- (4) Connect rear door harness connector.

**REAR DOOR HINGE**

**REMOVAL**

- (1) Open front door and rear door.
- (2) Reference mark hinges for installation (Fig. 39).
- (3) Support rear door for removal of hinges.
- (4) Remove B pillar trim.
- (5) Remove nuts holding door to hinge.
- (6) Remove door.
- (7) Remove bolts holding hinge to B pillar.



**Fig. 39 Rear Door Hinge**

- 1 - UPPER HINGE
- 2 - WASHER
- 3 - WASHER
- 4 - LOWER HINGE
- 5 - REAR DOOR

**INSTALLATION**

- (1) Install hinge on B pillar and align reference marks.
- (2) Install bolts holding hinge to B pillar. Tighten bolts to 35N·m (23 ft. lbs.).
- (3) Install door on hinge and align reference marks. Install bolts and tighten to 35N·m (26 ft. lbs.).
- (4) Check door for fit and ease of operation. Adjust as necessary. See adjustment section.



## REMOVAL AND INSTALLATION (Continued)

- (5) Install B pillar trim.

## REAR DOOR OUTSIDE HANDLE

## REMOVAL

- (1) Remove door trim panel and waterdam.
- (2) Locate glass to full up position.
- (3) Disconnect lock knob to latch rod.
- (4) Disconnect outside handle to latch rod.
- (5) Remove fasteners attaching outside handle to door (Fig. 40).
- (6) Remove outside handle from door.
- (7) Separate outside handle from vehicle.

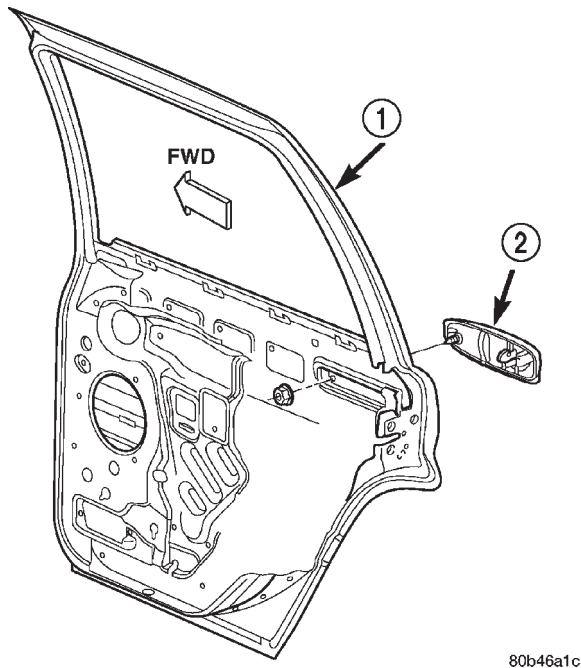


Fig. 40 Front Door Outside Handle

- 1 - DOOR
- 2 - OUTSIDE HANDLE

## INSTALLATION

- (1) Position outside handle at door.
- (2) Position outside handle in door.
- (3) Install fasteners attaching outside handle to door.
- (4) Connect outside handle to latch rod.
- (5) Connect lock knob to latch rod.
- (6) Locate glass to full down position.
- (7) Install waterdam and door trim panel.

## REAR DOOR LATCH

## REMOVAL

- (1) Remove door trim panel and waterdam.
- (2) Remove screws attaching latch to door (Fig. 41).
- (3) Disconnect rods from door latch.

- (4) Separate door latch from door.

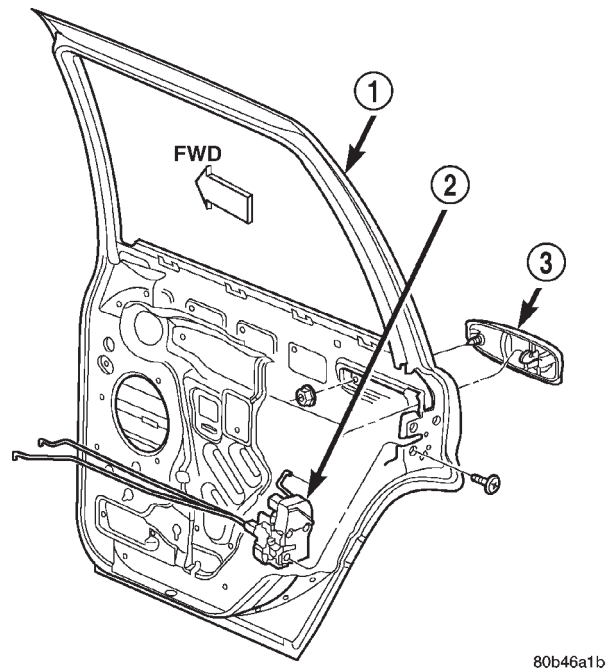


Fig. 41 Rear Door Latch

- 1 - DOOR
- 2 - LATCH
- 3 - OUTSIDE HANDLE

## INSTALLATION

- (1) position latch in door.
- (2) Connect rods to door latch.
- (3) Install screws attaching latch to door. Tighten screws to 10 N·m (95 in. lbs.) torque.
- (4) Install waterdam and door trim panel.

## REAR DOOR LATCH STRIKER

## REMOVAL

- (1) Open door.
- (2) Remove screws attaching striker to C-pillar (Fig. 42).
- (3) Separate striker and spacer from vehicle.

## INSTALLATION

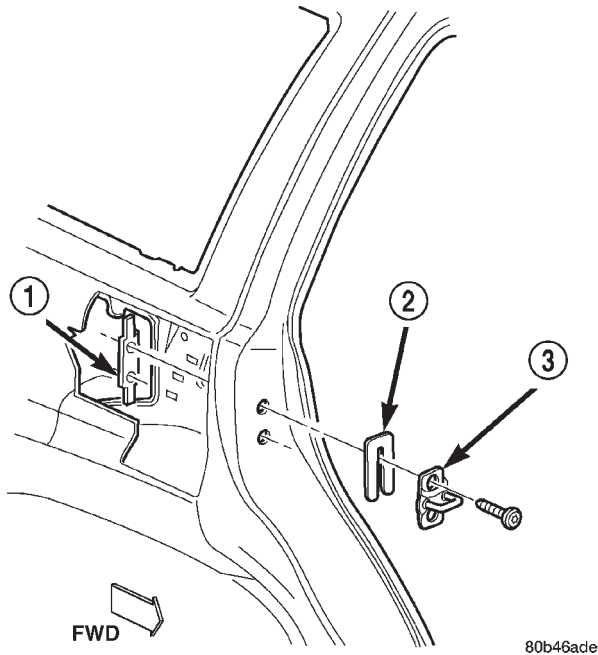
- (1) Position striker and spacer on C-pillar.
- (2) Install screws. Tighten to 28 N·m (250 in. lbs.) torque.

## REAR DOOR INSIDE HANDLE ACTUATOR

## REMOVAL

- (1) Remove door trim panel.
- (2) Disconnect latch and lock rods from inside handle actuator.
- (3) Remove screws attaching inside handle actuator to trim panel (Fig. 43).

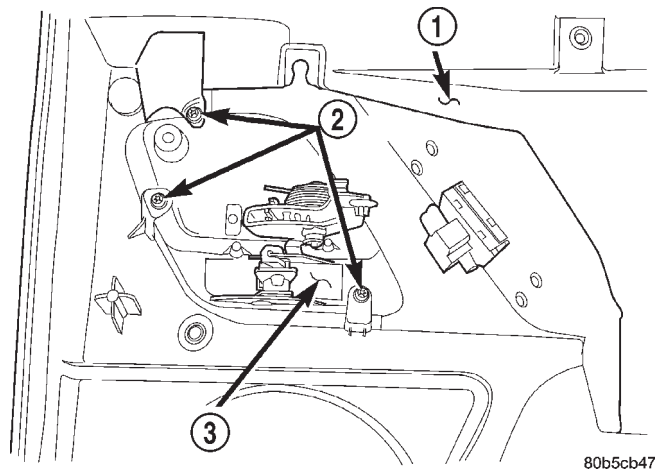
REMOVAL AND INSTALLATION (Continued)



**Fig. 42 Rear Door Latch Striker**

- 1 - TAPPING PLATE
- 2 - SPACER
- 3 - STRIKER

(4) Separate inside handle actuator from trim panel.



**Fig. 43 Rear Door Inside Handle Actuator**

- 1 - REAR DOOR TRIM PANEL
- 2 - SCREW
- 3 - INSIDE HANDLE ACTUATOR

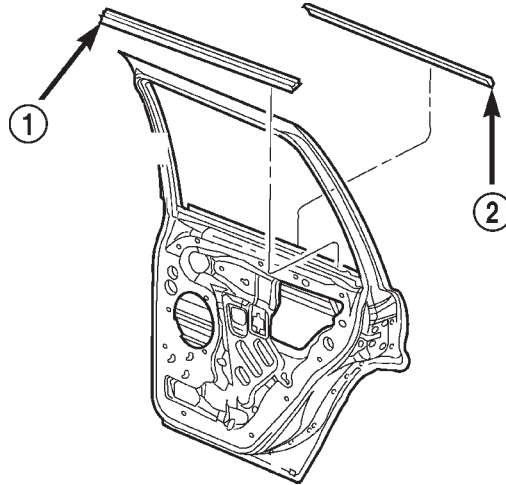
**INSTALLATION**

- (1) Position inside handle actuator in trim panel.
- (2) Install screws attaching inside handle actuator to trim panel.
- (3) Connect latch and lock rods to inside handle actuator.
- (4) Install door trim panel.

**REAR DOOR INNER BELT WEATHERSTRIP**

**REMOVAL**

- (1) Remove door trim panel.
- (2) Using a trim stick, carefully pry rear inner edge of inner belt weatherstrip upward.
- (3) Grasp weatherstrip and pull upward to separate from door flange (Fig. 44).



**Fig. 44 Rear Door Inner/Outer Belt Weatherstrip**

- 1 - INNER BELT WEATHERSTRIP
- 2 - OUTER BELT WEATHERSTRIP

**INSTALLATION**

- (1) Position weatherstrip on door flange.
- (2) Firmly press downward to seat weatherstrip on flange.
- (3) Install trim panel.

**REAR DOOR OUTER BELT WEATHERSTRIP**

**REMOVAL**

- (1) Remove trim panel.
- (2) Using a small flat blade, disengage tangs attaching outer belt weatherstrip to inner door panel.
- (3) Lift weatherstrip upward and separate from door (Fig. 44).

**INSTALLATION**

- (1) Position the weatherstrip onto the door flange.
- (2) Force the weatherstrip onto door flange and engage tangs. Continue rearward until it is seated on flange.
- (3) Instal trim panel.

**REAR DOOR OPENING WEATHERSTRIP**

**REMOVAL**

- (1) Remove C-pillar trim.
- (2) Remove B-pillar upper trim.

## REMOVAL AND INSTALLATION (Continued)

- (3) Remove B-pillar lower trim.
- (4) Remove screws at front of quarter trim panel.
- (5) Pull weatherstrip from door opening flange.

## INSTALLATION

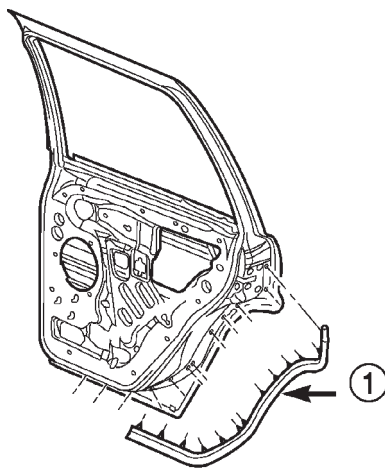
- (1) Position weatherstrip at corners.
- (2) Move upward and around edge of door opening seating weatherstrip onto flange (Fig. 28).
- (3) Engage connector plug with each end of weatherstrip at bottom of door opening.
- (4) Install screws at front of quarter trim panel.
- (5) Install B-pillar lower trim.
- (6) Install B-pillar upper trim.
- (7) Install C-pillar trim.

## REAR DOOR SECONDARY WEATHERSTRIP

## REMOVAL

The rear door secondary weatherstrip is attached to the door shutface with push-in fasteners.

- (1) Open door.
- (2) Using a trim panel removal tool, remove push-in fasteners attaching secondary weatherstrip to door shutface.
- (3) Separate secondary weatherstrip from door (Fig. 45).



80b46b1b

**Fig. 45 Rear Door Secondary Weatherstrip**

1 - SECONDARY WEATHERSTRIP

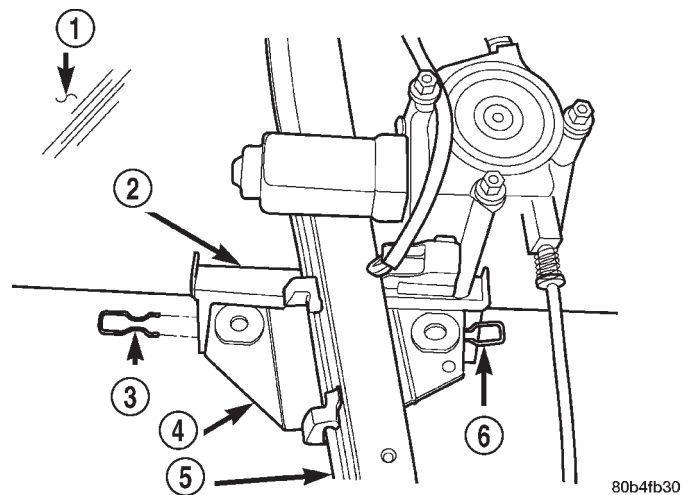
## INSTALLATION

- (1) Clean contact area as necessary.
- (2) Position secondary weatherstrip on door shutface.
- (3) Install push-in fasteners attaching secondary weatherstrip to door shutface.

## REAR DOOR WINDOW REGULATOR

## REMOVAL

- (1) Remove door trim panel and waterdam. Disconnect the speaker harness and power window harness, if equipped. If necessary, refer to removal procedure.
- (2) Lower window glass.
- (3) Pull run weatherstrip from fixed glass.
- (4) Remove fasteners retaining fixed glass module.
- (5) Remove the fixed glass module.
- (6) Raise the door glass and support.
- (7) Remove the window clips retaining regulator (Fig. 46).
- (8) Remove the door glass.
- (9) Remove the fasteners retaining the regulator (Fig. 47).
- (10) Remove the regulator.



80b4fb30

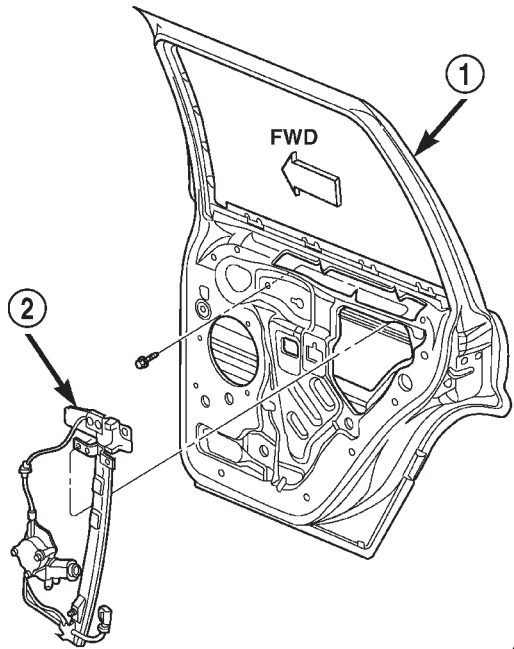
**Fig. 46 Window Regulator Retainer Clips**

- 1 - GLASS
- 2 - RETAINER
- 3 - CLIP
- 4 - LIFT PLATE
- 5 - REGULATOR
- 6 - CLIP

## INSTALLATION

- (1) Position the window regulator in the door.
- (2) Install the fasteners retaining the regulator.
- (3) Install the door glass.
- (4) Install the window clips retaining regulator.
- (5) Lower the door glass.
- (6) Install the fixed glass module. Tighten the fasteners.
- (7) Install the run weatherstrip.
- (8) Install the waterdam, door panel, and connect the power window and speaker harness if equipped.
- (9) Cycle the glass and check for proper operation.

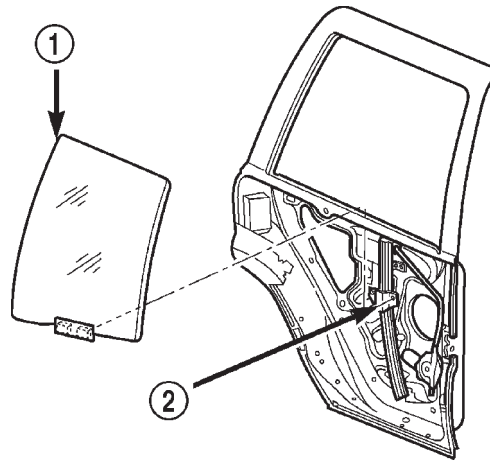
REMOVAL AND INSTALLATION (Continued)



80b3c6f8

**Fig. 47 Rear Door Window Regulator**

- 1 - DOOR
- 2 - REGULATOR



80b46b1f

**Fig. 48 Glass Channel**

- 1 - GLASS
- 2 - REGULATOR

**REAR DOOR WINDOW GLASS**

**REMOVAL**

- (1) Lower window glass.
- (2) Remove trim panel.
- (3) Remove waterdam.
- (4) Remove inner belt weatherstrip.
- (5) Remove stationary glass.
- (6) Disengage clips attaching window glass to lift plate.
- (7) Press studs out of lift plate.
- (8) Lift window glass from door (Fig. 48).

**INSTALLATION**

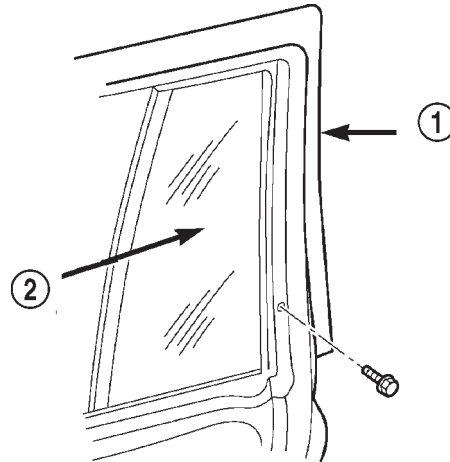
- (1) Position window glass in door.
- (2) Engage studs into lift plate.
- (3) Engage clips attaching window glass to lift plate.
- (4) Install stationary glass.
- (5) Install inner belt weatherstrip.
- (6) Install waterdam.
- (7) Install trim panel.

**REAR DOOR STATIONARY GLASS**

**REMOVAL**

- (1) Remove door trim panel.
- (2) Remove waterdam.
- (3) Remove inner belt weatherstrip.

- (4) Remove bolt attaching bottom of rear glass run channel to door.
- (5) Pull run channel downward and separate from door.
- (6) Remove screws attaching stationary door glass frame to door (Fig. 49) and (Fig. 50).
- (7) Separate stationary door glass from door.



80b46b2c

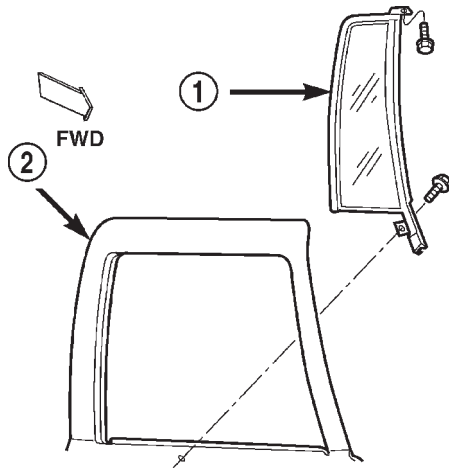
**Fig. 49 Stationary Door Glass**

- 1 - DOOR
- 2 - STATIONARY DOOR GLASS

**INSTALLATION**

- (1) Position stationary door glass in door.
- (2) Install screws attaching stationary door glass frame to door.
- (3) Install glass run channel.
- (4) Install inner belt weatherstrip.
- (5) Install waterdam.
- (6) Install door trim panel.

## REMOVAL AND INSTALLATION (Continued)



80b46b2b

**Fig. 50 Stationary Door Glass**

- 1 - STATIONARY DOOR GLASS  
2 - DOOR

## ROOF RAIL WEATHERSTRIP W/RETAINER

## REMOVAL

- (1) Open front and rear doors.
- (2) Remove secondary seal from retainer to access the screws holding the retainer to the A pillar and roof panel.
- (3) Remove the screws holding the retainer in place (Fig. 51).
- (4) Remove the retainer.

## INSTALLATION

- (1) Position the retainer on the A pillar and roof panel.
- (2) Align the screw holes and install the screws.
- (3) Install secondary seal.

## FUEL FILL DOOR

## REMOVAL

- (1) Open the fuel filler door.
- (2) Remove the screws attaching the door to the quarter panel (Fig. 52).
- (3) Remove the door from the panel.

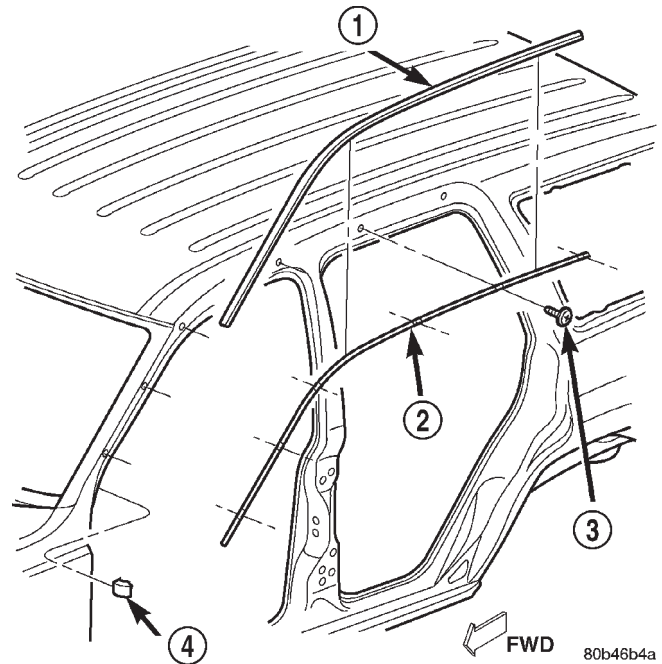
## INSTALLATION

- (1) Position the fuel filler door on the quarter panel with the screw holes aligned.
- (2) Install the screws attaching the fuel filler door to the quarter panel.

## BODY SIDE CLADDING

## REMOVAL-FENDER/QUARTER PANEL

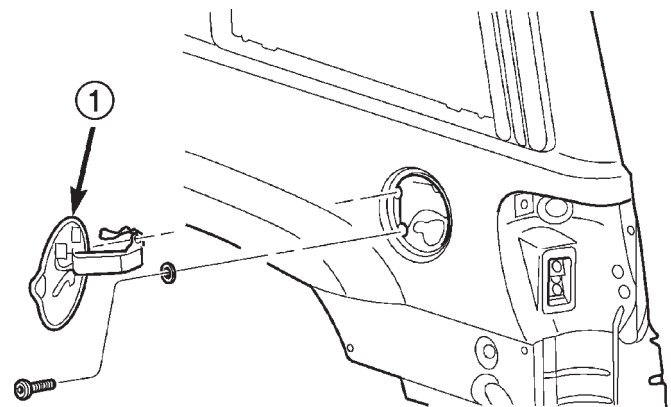
- (1) Remove the screws at wheel opening (Fig. 53).



80b46b4a

**Fig. 51 Upper Body Seal With Retainer**

- 1 - ROOF RAIL WEATHERSTRIP  
2 - RETAINER  
3 - SCREW  
4 - BLOCKER



80b46ae3

**Fig. 52 Fuel Filler Door**

- 1 - FUEL FILL DOOR

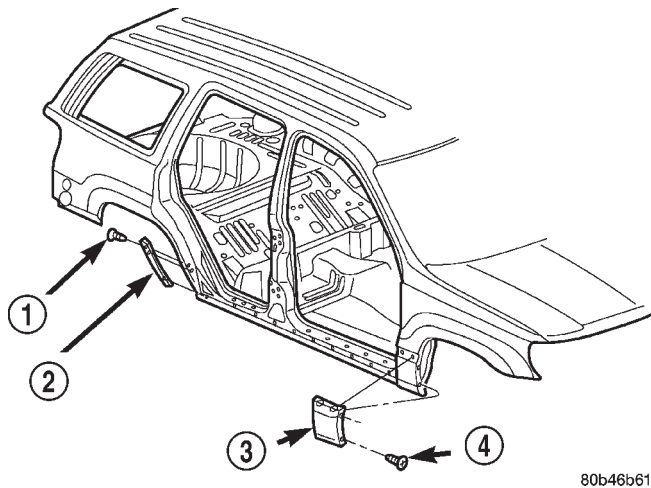
- (2) Using a trim stick, gently pry bottom of cladding up.
- (3) Lift upwards and remove cladding.

## INSTALLATION-FENDER/QUARTER PANEL

- (1) Thoroughly clean the area with Mopar Super Kleen or equivalent.
- (2) Align the cladding with the screw holes in the fender.
- (3) Press the cladding in place.
- (4) Install the screws at the wheel opening.



REMOVAL AND INSTALLATION (Continued)



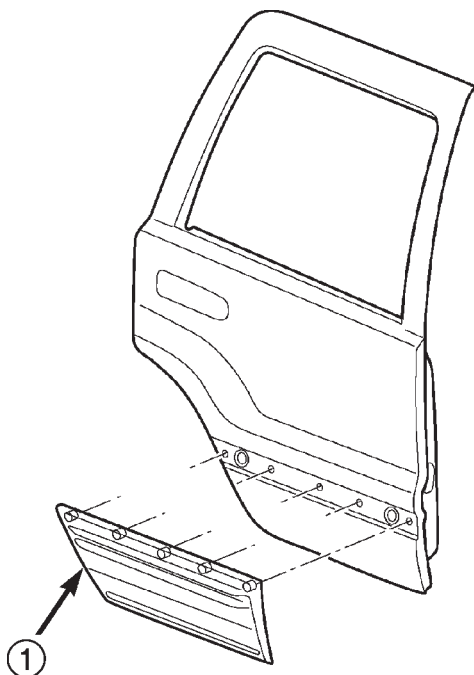
80b46b61

**Fig. 53 Front Fender/ Quarter Panel**

- 1 - SCREW
- 2 - QUARTER PANEL CLADDING
- 3 - FRONT FENDER CLADDING
- 4 - SCREW

**REMOVAL-REAR DOOR**

- (1) Open the rear door.
- (2) Using a trim stick, pry the upper rear edge off the door. Continue towards the front edge of the rear door (Fig. 54).
- (3) Using a heat gun, warm the adhesive tape on the bottom of the cladding and remove the cladding.



80b46b5f

**Fig. 54 Rear Door Cladding**

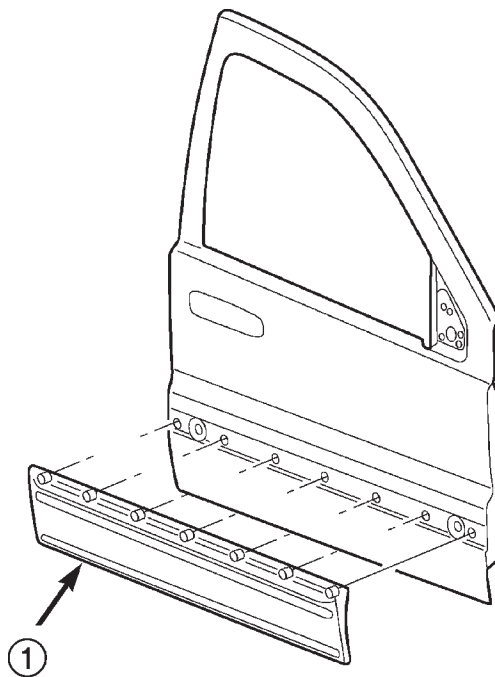
- 1 - CLADDING

**INSTALLATION-REAR DOOR**

- (1) Clean the area thoroughly with Mopar Super Kleen, or equivalent.
- (2) Align the body side cladding with the slots in the door. Press the adhesive pad to the door and snap the retainers into the slots.

**REMOVAL-FRONT DOOR**

- (1) Open the front door.
- (2) Using a trim stick, pry the upper rear edge off the door. Continue to the front edge of the front door (Fig. 55).
- (3) Using a heat gun, warm the adhesive tape on the lower edge of the cladding and pull the cladding from the door.



80b46b60

**Fig. 55 Front Door Cladding**

- 1 - CLADDING

**INSTALLATION-FRONT DOOR**

- (1) Clean the area thoroughly with Mopar Super Kleen, or equivalent.
- (2) Align the body side cladding with the slots in the door. Press the adhesive pad to the door and snap the retainers into the slots.

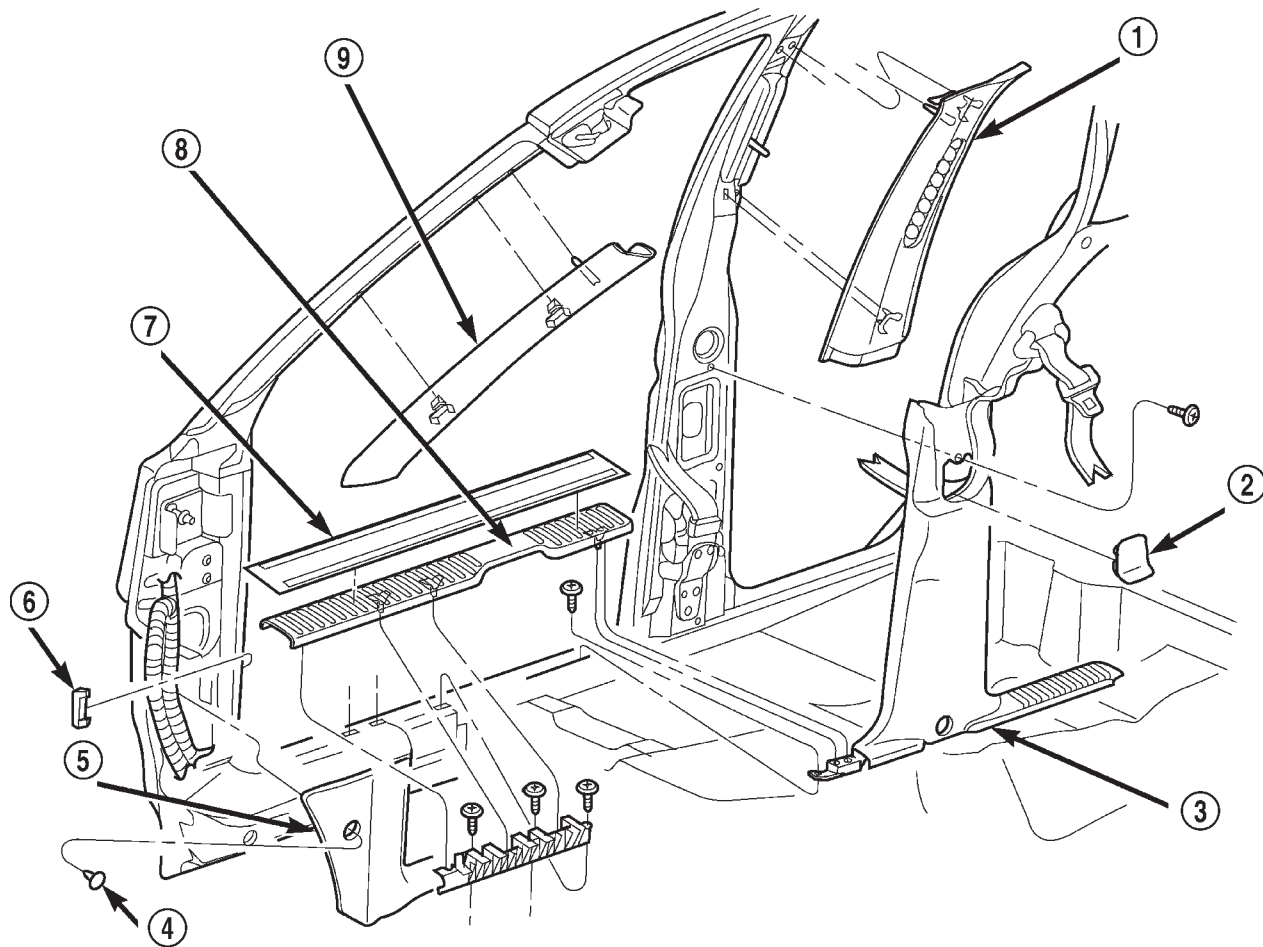
**SILL MOLDING**

**REMOVAL**

- The sill trim molding is held in place with molded in snap retainers (Fig. 56).
- (1) Using a trim stick or other suitable device, carefully pry up one corner of the sill trim.



## REMOVAL AND INSTALLATION (Continued)



80b34ee7

**Fig. 56 Sill Trim Molding**

- |                         |                   |
|-------------------------|-------------------|
| 1 - B-PILLAR UPPER TRIM | 6 - CLIP          |
| 2 - ACCESS COVER        | 7 - SCUFF PLATE   |
| 3 - B-PILLAR LOWER TRIM | 8 - SILL TRIM     |
| 4 - PLASTIC NUT         | 9 - A-PILLAR TRIM |
| 5 - COWL LOWER TRIM     |                   |

(2) Grasp the edge of the trim and pull up gently to release the snap retainers.

**INSTALLATION**

- (1) Position the sill molding on the door sill.
- (2) Press the snap retainers into place.

**A-PILLAR TRIM****REMOVAL**

The A-pillar trim is attached to the A-pillar with spring clips.

- (1) Grasp A-pillar trim and pull trim outward from A-pillar (Fig. 57).
- (2) Separate A-pillar trim from A-pillar.

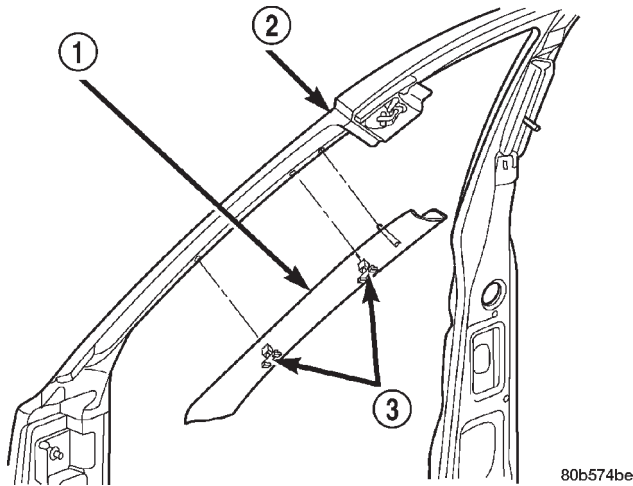
**INSTALLATION**

- (1) Position A-pillar trim on A-pillar and, starting at the bottom, press into place.
- (2) Using a trim stick or other suitable tool, carefully cover the edge of the trim with weatherstrip.

**COWL LOWER TRIM****REMOVAL**

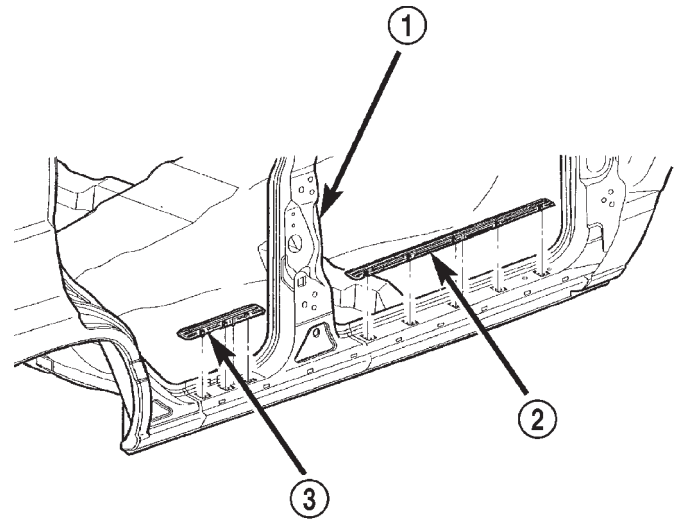
- (1) Remove front door sill trim.
- (2) Remove screws attaching cowl trim to floor.
- (3) Remove plastic nut.
- (4) Grasp cowl trim and pull outward to separate from clip.
- (5) Separate cowl trim from vehicle.

REMOVAL AND INSTALLATION (Continued)



**Fig. 57 A-Pillar Trim**

- 1 - A-PILLAR TRIM
- 2 - A-PILLAR
- 3 - SPRING CLIP



**Fig. 58 Door Sill Scuff Plates**

- 1 - B-PILLAR
- 2 - FRONT DOOR SCUFF PLATE
- 3 - REAR DOOR SCUFF PLATE

**INSTALLATION**

- (1) Position cowl trim and press into place.
- (2) Install screws attaching cowl trim to floor.
- (3) Install plastic nut.
- (4) Install front door sill trim.

**OVERHEAD ASSIST HANDLE**

**REMOVAL**

- (1) Remove the screws holding the assist handle to the roof panel.
- (2) Remove the assist handle from the roof panel.

**INSTALLATION**

- (1) Align the assist handle with the screw holes in the roof panel.
- (2) Install the screws holding the assist handle to the roof panel.

**FRONT DOOR SCUFF PLATE**

**REMOVAL**

- (1) Using a trim stick or other suitable tool, carefully pry up the scuff plate from the door sill (Fig. 58).
- (2) Remove the scuff plate.

**INSTALLATION**

- (1) Install the scuff plate on the door sill.
- (2) Press the molded in snap retainers into the door sill.

**B-PILLAR UPPER TRIM**

**REMOVAL**

- (1) Remove shoulder belt height adjustment knob.
- (2) Remove front seat belt turning loop.
- (3) Remove the screw attaching lower B pillar trim.
- (4) Pull lower B pillar trim out far enough to remove upper trim panel.
- (5) Grasp upper B-pillar trim and pull outward to detach from B-pillar (Fig. 59).

**INSTALLATION**

- (1) Position trim panel on B-pillar.
- (2) Ensure trim panel covers inner edge of door opening weatherstrip and press inward to seat.
- (3) Install screw attaching lower B pillar trim panel.
- (4) Install front seat belt turning loop.
- (5) Install shoulder belt height adjustment knob.

**B-PILLAR LOWER TRIM**

**REMOVAL**

- (1) Remove front door sill trim.
- (2) Remove front seat shoulder belt anchor bolt.
- (3) Remove front seat shoulder belt height adjustment knob and turning loop.
- (4) Remove screw attaching front of quarter panel trim to floor.

## REMOVAL AND INSTALLATION (Continued)

(5) Remove screws attaching front and rear of B-pillar lower trim to floor.

(6) Remove screw attaching B-pillar lower trim to B-pillar (Fig. 59).

(7) Grasp B-pillar lower trim and pull outward to separate from B-pillar.

(8) Route seat/shoulder belt through access slot in B-pillar lower trim.

(9) Separate B-pillar lower trim from B-pillar.

## INSTALLATION

(1) Position B-pillar lower trim panel at B-pillar.

(2) Route seat/shoulder belt through access slot in B-pillar lower trim.

(3) Press B-pillar lower trim onto B-pillar.

(4) Install screw attaching B-pillar lower trim to B-pillar.

(5) Install screw attaching front of B-pillar lower trim to floor.

(6) Install screw attaching front of quarter panel trim to floor.

(7) Install front seat shoulder belt anchor bolt.

(8) Install front seat shoulder belt height adjustment knob and turning loop.

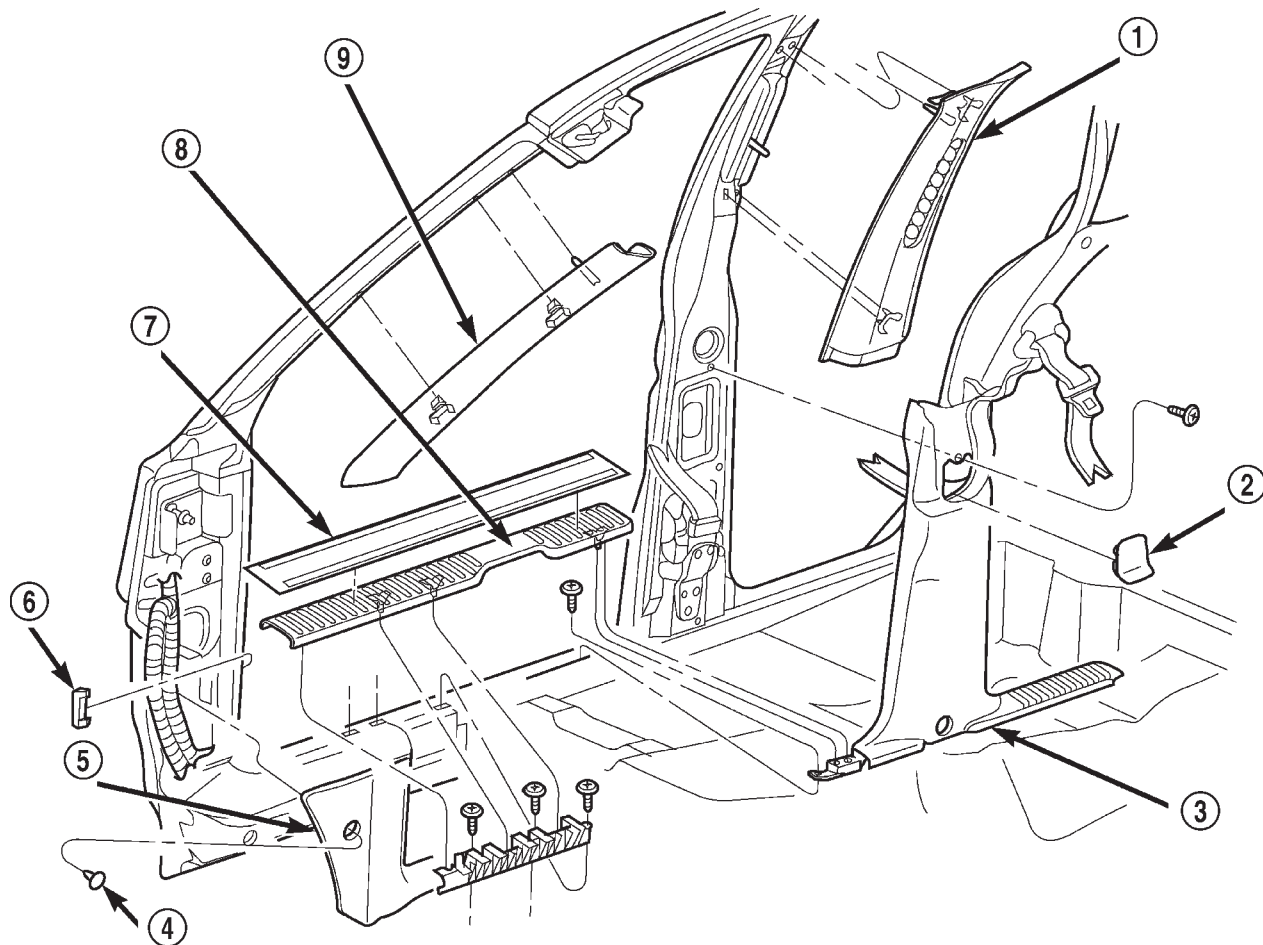
(9) Install front door sill trim.

## REAR DOOR SCUFF PLATE

## REMOVAL

(1) The rear door scuff plate is attached with molded-in snap retainers.

(2) Using a trim stick or other suitable tool, carefully pry the scuff plate from the sill (Fig. 58).



80b34ee7

**Fig. 59 B-Pillar Trim Panel**

- 1 - B-PILLAR UPPER TRIM
- 2 - ACCESS COVER
- 3 - B-PILLAR LOWER TRIM
- 4 - PLASTIC NUT
- 5 - COWL LOWER TRIM

- 6 - CLIP
- 7 - SCUFF PLATE
- 8 - SILL TRIM
- 9 - A-PILLAR TRIM

REMOVAL AND INSTALLATION (Continued)

**INSTALLATION**

- (1) Position the scuff plate on the sill and snap into place.

**C-PILLAR UPPER TRIM**

**REMOVAL**

- (1) Remove rear shoulder belt turning loop.
- (2) Remove rear shoulder belt height adjustment knob.
- (3) Remove screws attaching quarter panel trim.
- (4) Pull quarter panel trim outward as necessary.
- (5) Grasp C-pillar upper trim and pull outward to disengage from C-pillar (Fig. 60).
- (6) Route rear shoulder belt through access hole.
- (7) Separate C-pillar upper trim from vehicle.

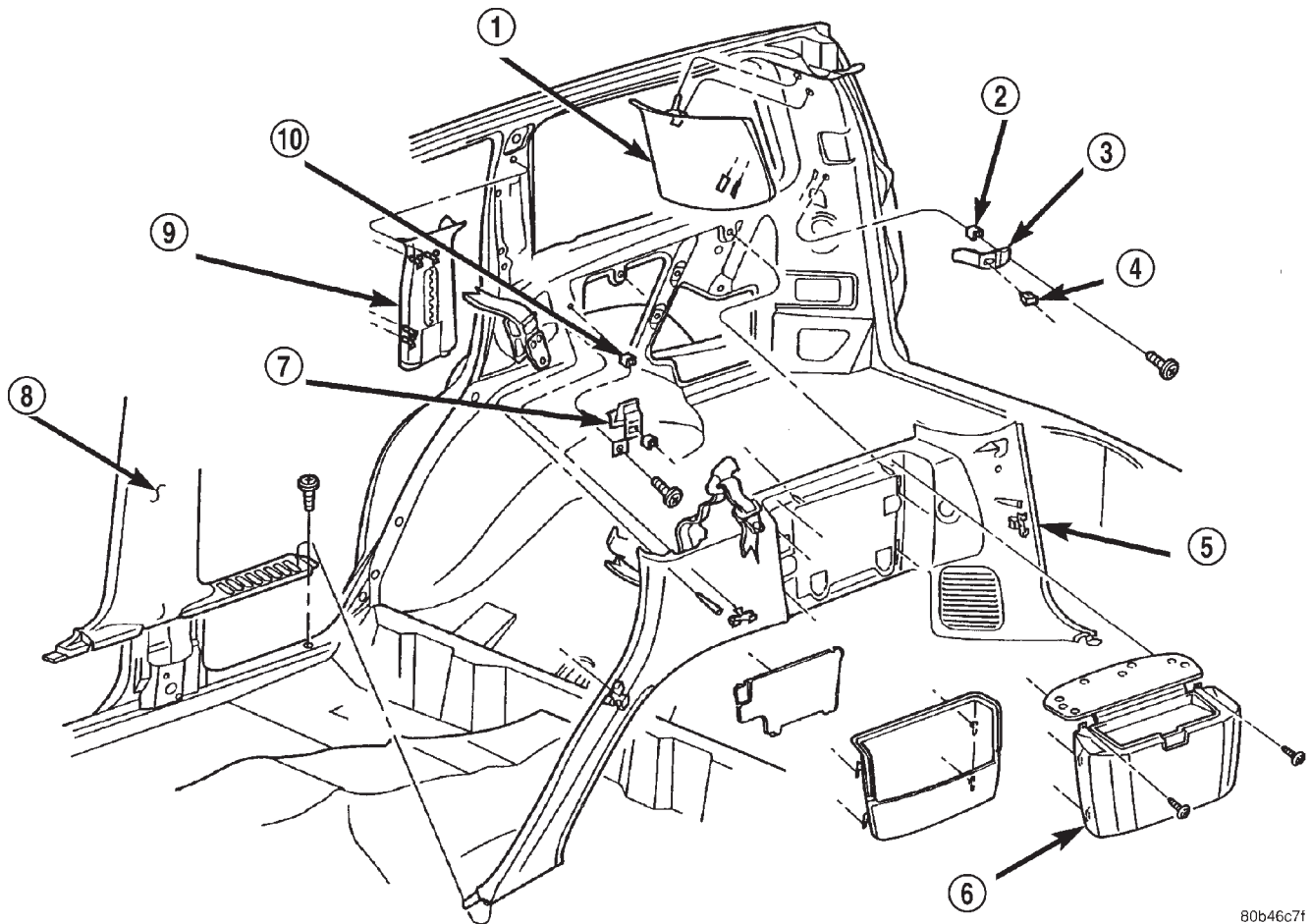
**INSTALLATION**

- (1) Position C-pillar upper trim at C-pillar.
- (2) Route rear shoulder belt through access hole.
- (3) Press C-pillar upper trim onto C-pillar.
- (4) Press quarter panel trim into place as necessary.
- (5) Ensure front edge of trim is covered by weatherstrip.
- (6) Install screws attaching quarter panel trim.
- (7) Install rear shoulder belt height adjustment knob.
- (8) Install rear shoulder belt turning loop.

**QUARTER PANEL TRIM**

**REMOVAL**

- (1) Move rear seat to cargo position.
- (2) If equipped, remove sunshade cover.



80b46c7f

**Fig. 60 Right Side Trim Panel**

- |                        |                         |
|------------------------|-------------------------|
| 1 - D-PILLAR TRIM      | 6 - STORAGE BIN         |
| 2 - SNAP-IN NUT        | 7 - BRACKET             |
| 3 - BRACKET            | 8 - B-PILLAR LOWER TRIM |
| 4 - SNAP-IN NUT        | 9 - C-PILLAR UPPER TRIM |
| 5 - QUARTER TRIM PANEL | 10 - SNAP-IN NUT        |

## REMOVAL AND INSTALLATION (Continued)

- (3) Open liftgate.
- (4) Remove upper and lower liftgate opening trim panels.
- (5) Remove D-pillar upper trim.
- (6) Remove storage bin (right side only).
- (7) Remove C-pillar upper trim panel.
- (8) Remove mounting screws.
- (9) Pull quarter trim panel forward and disengage connectors for CD player and power outlet, if equipped.
- (10) Pull quarter trim panel extension in the rear door opening upward.
- (11) Remove rear quarter trim panel.

## INSTALLATION

- (1) Position quarter trim panel, engage connectors for CD player and power outlet, if equipped, and align screw holes.
- (2) Install quarter trim panel.
- (3) Install C-pillar upper trim panel.
- (4) Install storage bin.
- (5) Install D-pillar upper trim panel.
- (6) Install upper and lower liftgate opening trim panels.
- (7) If equipped, install sunshade cover.
- (8) Install cargo loops.
- (9) Move the rear seat to the upright position.

## STORAGE BIN

## REMOVAL

- (1) Open the storage bin lid and remove screws on each side of the lid hinge.
- (2) Pull upward sharply on the bottom of the bin to disengage hooks.
- (3) Raise bin and move inboard to disengage the quarter trim panel.

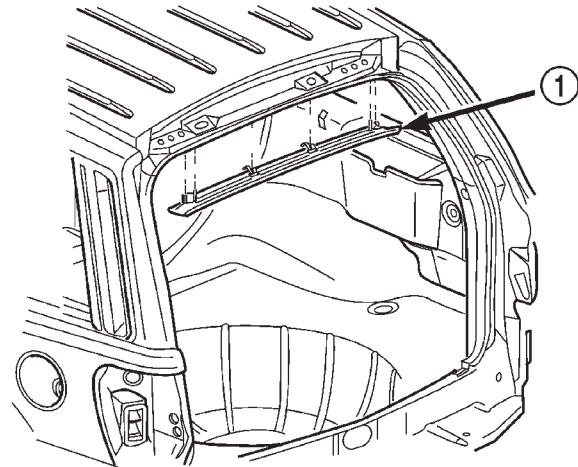
## INSTALLATION

- (1) Position the bin hooks high in the slots on the quarter trim panel.
- (2) Push downward until the bin snaps into place.
- (3) Install the hinge screws.

## UPPER LIFTGATE OPENING TRIM

## REMOVAL

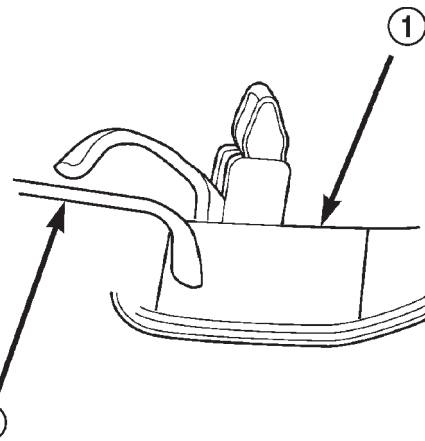
- (1) The upper liftgate opening trim is held on with spring clips.
- (2) Grasp the rear of the trim piece and pull down and back to disengage clips (Fig. 61).
- (3) Slide the trim piece to the rear to disengage headliner locating hooks.



80bdbce8

**Fig. 61 Upper Liftgate Opening Trim**

1 - UPPER LIFTGATE OPENING TRIM



80bdbce9

**Fig. 62 Headliner Locating Hooks**

1 - UPPER LIFTGATE OPENING TRIM

2 - HEADLINER

## INSTALLATION

- (1) The liftgate upper opening trim piece is equipped with headliner locating hooks (Fig. 62).
- (2) Align the locating hooks with the slots in the headliner.
- (3) Engage the spring clips and press the liftgate upper opening trim panel into place.

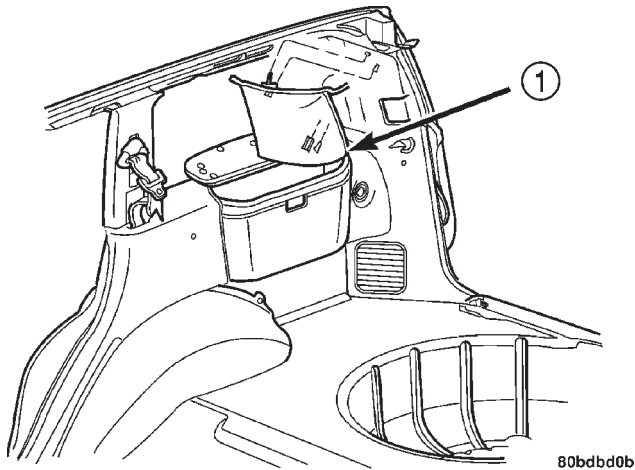
## D-PILLAR TRIM

## REMOVAL

- The D-pillar trim is attached to the D-pillar with spring clips (Fig. 63).
- (1) Remove liftgate opening upper trim panel. Consult the appropriate procedure in this section.
  - (2) Grasp D-pillar trim and pull outward from D-pillar.
  - (3) Separate D-pillar trim from D-pillar.



## REMOVAL AND INSTALLATION (Continued)

**Fig. 63 D Pillar Upper Trim**

1 - D PILLAR UPPER TRIM

**INSTALLATION**

- (1) Position D-pillar trim panel at D-pillar and press into place.
- (2) Install upper liftgate opening trim panel.

**FRONT SHOULDER BELT****REMOVAL**

- (1) Move the seat to the fully forward position.
- (2) Unsnap turning loop cover.
- (3) Remove upper anchor bolt.
- (4) Remove the B pillar trim.
- (5) Remove the bolt attaching the retractor to the B pillar.
- (6) Remove the bolt attaching the belt anchor to the B pillar.
- (7) Disengage retractor wire harness.
- (8) Remove the belt and retractor assembly.

**INSTALLATION**

- (1) Position the belt and retractor assembly on the B pillar.
- (2) Install the bolt attaching the belt anchor to the B pillar.
- (3) Install the bolt attaching the retractor to the B pillar.
- (4) Tighten the anchor bolts to 37N·m (27ft. lbs.).
- (5) Install the B pillar trim.
- (6) Install the upper anchor bolt. Tighten the anchor bolt to 37N·m (27ft. lbs.).
- (7) Close the turning loop cover.

**FRONT SHOULDER BELT BUCKLE****REMOVAL**

- (1) Move the seat to the fully forward position.

- (2) Remove the bolt holding the seat belt buckle to the floor.
- (3) Separate the seat belt buckle from the vehicle.

**INSTALLATION**

- (1) Position the seat belt buckle on the floor and install the bolt.
- (2) Tighten the anchor bolt to 37N·m (27 ft. lbs.).

**REAR SEAT SHOULDER BELT****REMOVAL**

- (1) Move lower seat to cargo position.
- (2) Remove lower seat/shoulder belt attaching bolt (Fig. 64).
- (3) Move seat back to cargo position.
- (4) Remove seat/shoulder belt upper turning loop
- (5) Remove C and D pillar trim. See appropriate procedures in this section.
- (6) Remove seat/shoulder belt reel attaching bolt.
- (7) Remove seat/shoulder belt assembly.

**INSTALLATION**

- (1) Position seat/shoulder belt reel assembly using locating pin (Fig. 65).
- (2) Install reel bolt and tighten to 37 N·m (27 ft.lbs.).
- (3) Route seat/shoulder belt through upper C pillar trim.
- (4) Install removed trim.
- (5) Install seat/shoulder belt turning loop.
- (6) Install lower seat/shoulder belt attaching bolt and tighten to 37 N·m (27ft.lbs.).
- (7) Move rear seat to upright position.

**REAR SEAT BELT BUCKLE**

The rear seat belt buckle is integral with the seat frame and not serviced as a separate part.

**FLOOR CONSOLE**

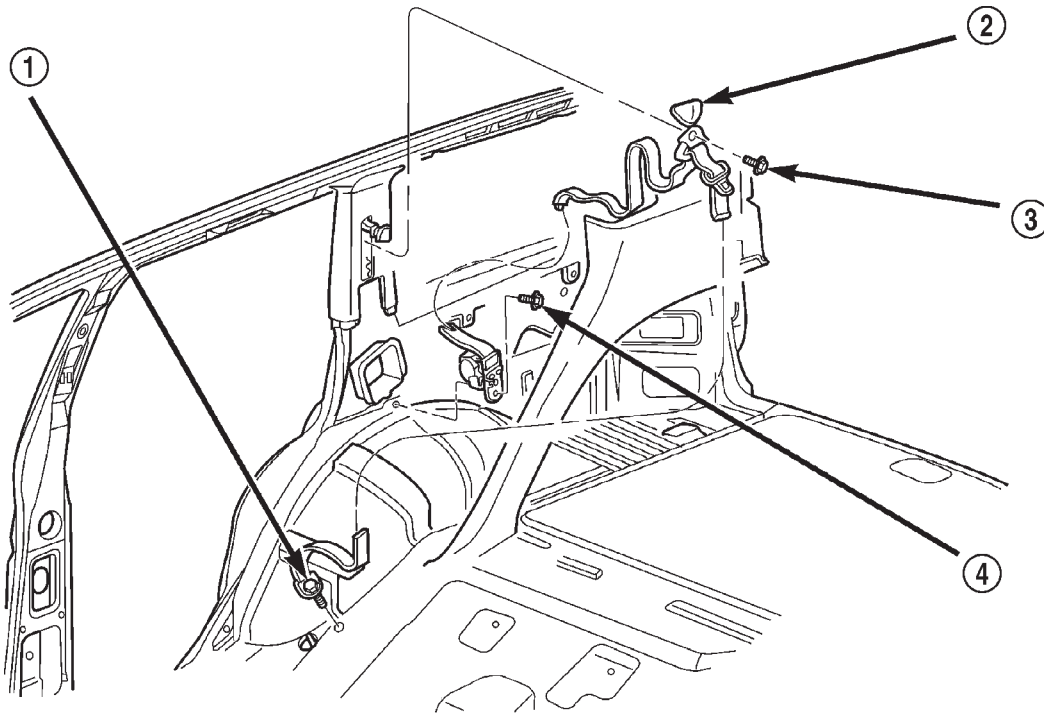
**CAUTION:** The ACM should be depowered by disconnecting the negative battery cable in any operation requiring the key to be turned "ON", while working in the console area. E.G. console, carpet, or seat removal or installation; shifter linkage adjustment or replacement; parking brake cable replacement or adjustment. Failure to take proper precautions could result in accidental airbag deployment and possible personal injury.

**REMOVAL**

- (1) Set park brake.
- (2) Place transmission shift lever and transfer case lever in full rearward position.



## REMOVAL AND INSTALLATION (Continued)



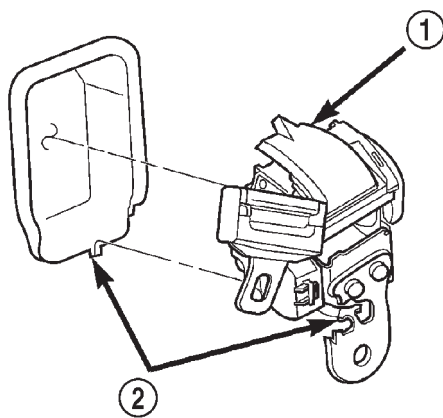
REAR SEAT/SHOULDER BELT

80bceab9

**Fig. 64 Rear Seat/Shoulder Belt**

- 1 - LOWER BELT BOLT  
2 - TURNING LOOP COVER

- 3 - TURNING LOOP BOLT  
4 - REEL BOLT



80bdbce6

**Fig. 65 Rear Seat/Shoulder Belt Reel Locator**

- 1 - SEAT/SHOULDER BELT REEL  
2 - INDEX TAB  
INDEX SLOT

- (3) Remove mat from front bin and remove screws attaching front of console to floor (Fig. 66).  
(4) Remove screws attaching rear bin to console.  
(5) Remove rear bin.

(6) Pull rear passenger cupholder outward to access screws.

(7) Remove screws attaching rear of console to floor.

(8) Lift the console upward and rearward.

(9) Remove console from vehicle.

**INSTALLATION**

(1) Position console in vehicle. Ensure rear passenger HEVAC duct is engaged.

(2) Install screws attaching rear of console to floor.

(3) Position rear bin in console.

(4) Install screws attaching rear bin to console.

(5) Install screws attaching front of console to floor and place front bin mat in front bin.

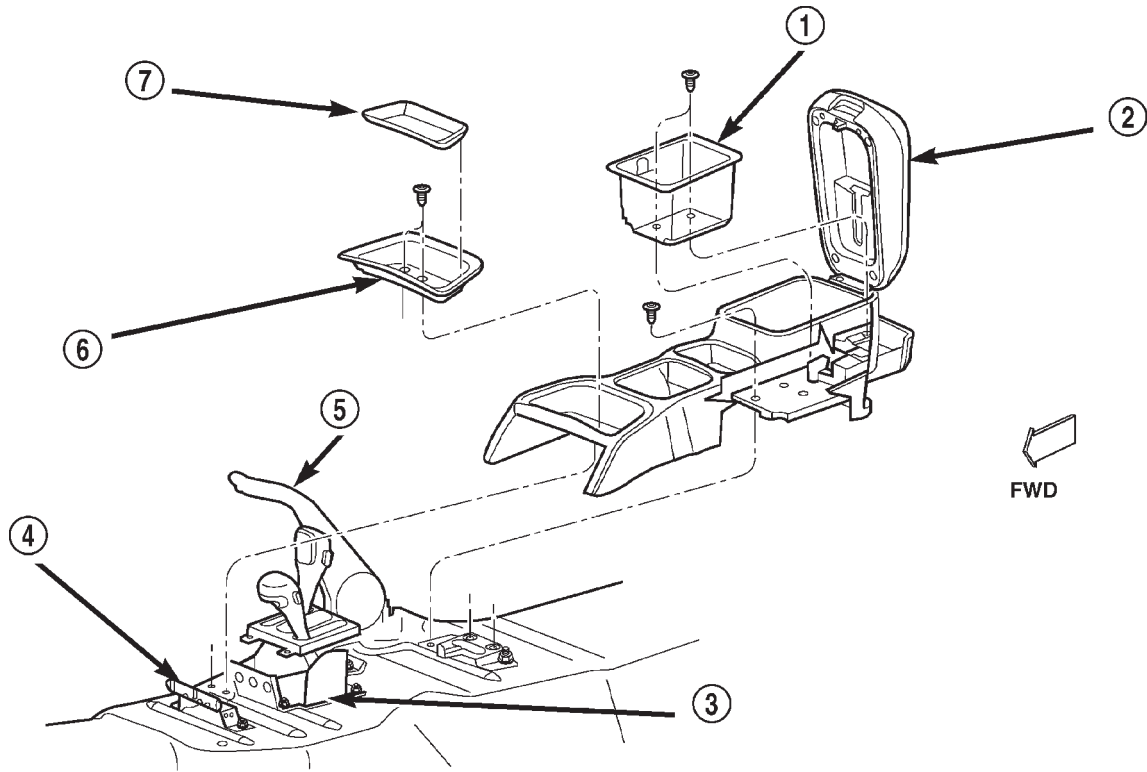
(6) Return transmission shift lever and transfer case lever to original position.

(7) Release park brake.

**FRONT CARPET****REMOVAL**

- (1) Remove door sill trim and lower "B" pillar trim.  
(2) Remove front seats and lower cushions of rear seats.  
(3) Remove center floor console.

REMOVAL AND INSTALLATION (Continued)



80b46cd1

**Fig. 66 Floor Console**

- |                     |                   |
|---------------------|-------------------|
| 1 - REAR BIN        | 5 - PARKING BRAKE |
| 2 - CONSOLE LID     | 6 - FRONT BIN     |
| 3 - SHIFTER CONSOLE | 7 - MAT           |
| 4 - BRACKET         |                   |

- (4) Remove any other interfering trim or molding.
- (5) Lift carpet and mat from floor panel.

**INSTALLATION**

- (1) Clean the floor panel area as necessary.
- (2) Carefully lay the carpet and mat on the floor panel. Align the carpet to allow installation of the components fastened to the floor panel.
- (3) Install the center console.
- (4) Install the front and rear seat units.
- (5) Install the lower "B" pillar trim and the door sill trim.
- (6) Install any other moldings or trim panels removed.

**CARGO AREA CARPET**

**REMOVAL**

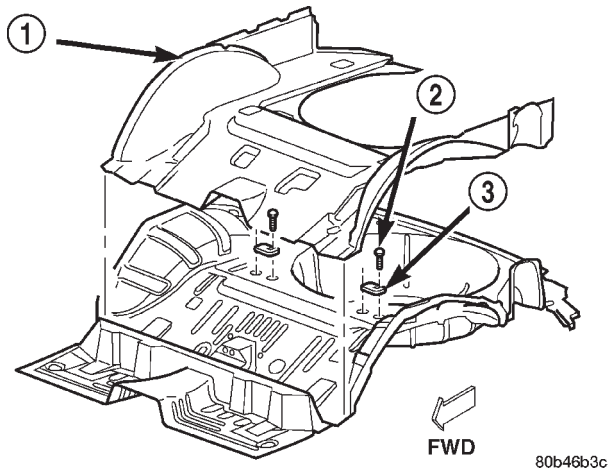
- (1) Lift tailgate.
- (2) Fold rear seat cushions forward.
- (3) Remove rear seat backs, shoulder belts and buckles.
- (4) Remove the retractable security cargo cover assembly.

- (5) Remove the spare tire cover.
- (6) Remove the rear cargo tie down footman loops. The side mounted footman loops are retained by screws. The floor footman loops are riveted (Fig. 67).
- (7) Remove the "C" pillar trim and CD changer, if equipped.
- (8) Remove the Infinity amp, if equipped.
- (9) Lift the carpet.

**INSTALLATION**

- (1) Thoroughly clean the area with Mopar Super Kleen, or equivalent.
- (2) Lay the new carpet in.
- (3) Install the "C" pillar trim and CD changer, if equipped.
- (4) Install the footman loops.
- (5) Install the seat backs, shoulder belts and buckles.
- (6) Install the Infinity amp, if equipped.
- (7) Install the spare tire cover.
- (8) Install the retractable security cover.

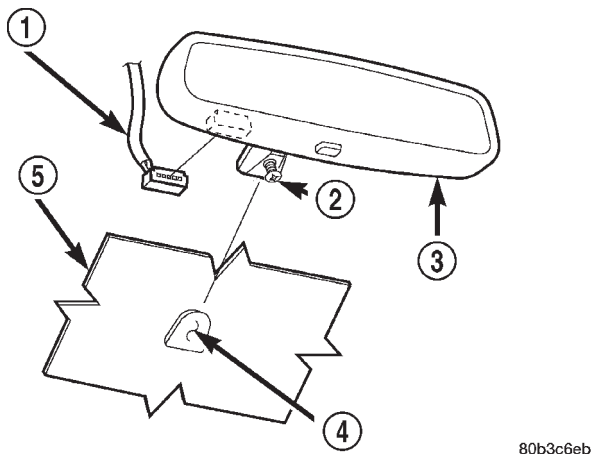
## REMOVAL AND INSTALLATION (Continued)

**Fig. 67 Cargo Area Carpet**

- 1 - CARGO AREA CARPET  
2 - RIVET  
3 - CARGO TIE-DOWN LOOP

**REARVIEW MIRROR****REMOVAL**

- (1) If equipped, disconnect mirror harness connector.
- (2) Loosen the mirror base setscrew (Fig. 68).
- (3) Slide the mirror base upward and off the bracket.

**Fig. 68 Rearview Mirror**

- 1 - CONNECTOR  
2 - SCREW  
3 - ELECTROCHROMATIC REAR VIEW MIRROR  
4 - SUPPORT BUTTON  
5 - WINDSHIELD

**INSTALLATION**

- (1) Position the mirror base at the bracket and slide it downward onto the support bracket.
- (2) Tighten the setscrew 1 N·m (15 in. lbs.) torque.
- (3) If equipped, connect mirror harness connector.

**REARVIEW MIRROR SUPPORT BRACKET****INSTALLATION**

- (1) Mark the position for the mirror bracket on the outside of the windshield glass with a wax pencil.
- (2) Clean the bracket contact area on the glass. Use a mild powdered cleanser on a cloth saturated with isopropyl (rubbing) alcohol. Finally, clean the glass with a paper towel dampened with alcohol.
- (3) Sand the surface on the support bracket with fine grit-sandpaper. Wipe the bracket surface clean with a paper towel.
- (4) Apply accelerator to the surface on the bracket according to the following instructions:
  - Crush the vial to saturate the felt applicator.
  - Remove the paper sleeve.
  - Apply accelerator to the contact surface on the bracket.
  - Allow the accelerator to dry for five minutes.
  - Do not touch the bracket contact surface after the accelerator has been applied.
- (5) Apply adhesive accelerator to the bracket contact surface on the windshield glass. Allow the accelerator to dry for one minute. Do not touch the glass contact surface after the accelerator has been applied.
- (6) Install the bracket according to the following instructions:
  - Apply one drop of adhesive at the center of the bracket contact-surface on the windshield glass.
  - Apply an even coat of adhesive to the contact surface on the bracket.
  - Align the bracket with the marked position on the windshield glass.
  - Press and hold the bracket in place for at least one minute.

**NOTE:** Verify that the mirror support bracket is correctly aligned, because the adhesive will cure rapidly.

- (7) Allow the adhesive to cure for 8-10 minutes. Remove any excess adhesive with an alcohol-dampened cloth.

- (8) Allow the adhesive to cure for an additional 8-10 minutes before installing the mirror.

**SUNVISOR****REMOVAL**

- (1) Remove screws attaching sunvisor arm support bracket to headliner and roof panel.
- (2) Disengage electrical connections for vanity mirror, if equipped.
- (3) Detach sunvisor from support bracket.
- (4) Remove sunvisor from vehicle.

REMOVAL AND INSTALLATION (Continued)

- (5) Remove retaining screw and support bracket.

**INSTALLATION**

- (1) Install the retaining screw and support bracket.
- (2) Position the sunvisor in the vehicle.
- (3) Connect the electrical harness for the lighted vanity mirror, if equipped.
- (4) Attach the sunvisor to the support bracket.
- (5) Install the support bracket w/sunvisor onto the headliner and roof panel.

**HEADLINER**

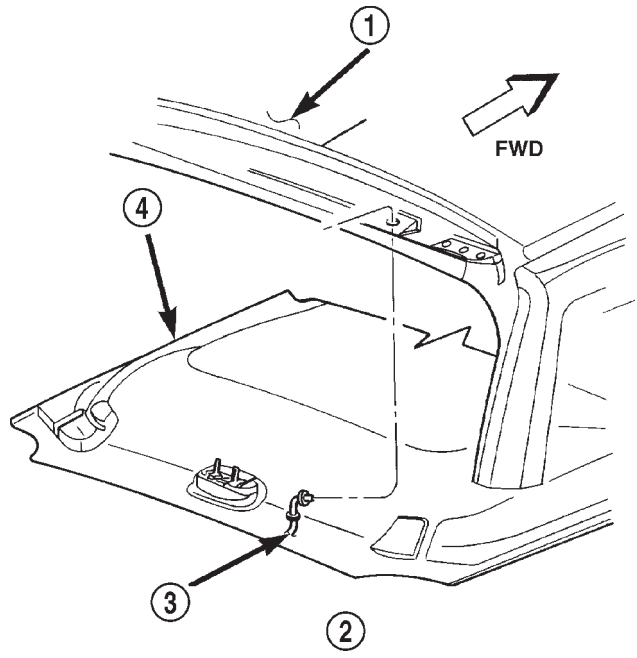
**REMOVAL**

**CAUTION:** The headliner is a one-piece, molded component. It has limited flexibility and must not be bent. Damage may possibly result.

- (1) Record radio presets and disconnect negative battery cable.
- (2) Remove "A", "B", "C", and "D" pillar trim moldings.
- (3) Remove the sun visors. Disconnect vanity lamp wiring.
- (4) Remove assist handles from roof rails.
- (5) Remove dome lamp and overhead console, if equipped.
- (6) Remove rear cargo/dome lamp.
- (7) Remove sun roof pinch welt, if equipped.
- (8) Disengage rear washer hose from liftgate (Fig. 69).
- (9) Disengage the wire harness connectors at rear of headliner.
- (10) Disconnect the rear washer hose at the left "A" pillar (Fig. 70).
- (11) Disengage the wire harness for the sunroof, if equipped.
- (12) Fold down the rear seats, move the front seats full forward, and lower the front seat backs.
- (13) Partially lower the headliner and disengage the sunroof drain hoses, if equipped (Fig. 71).
- (14) With the aid of an assistant, remove the headliner through the liftgate opening.

**INSTALLATION**

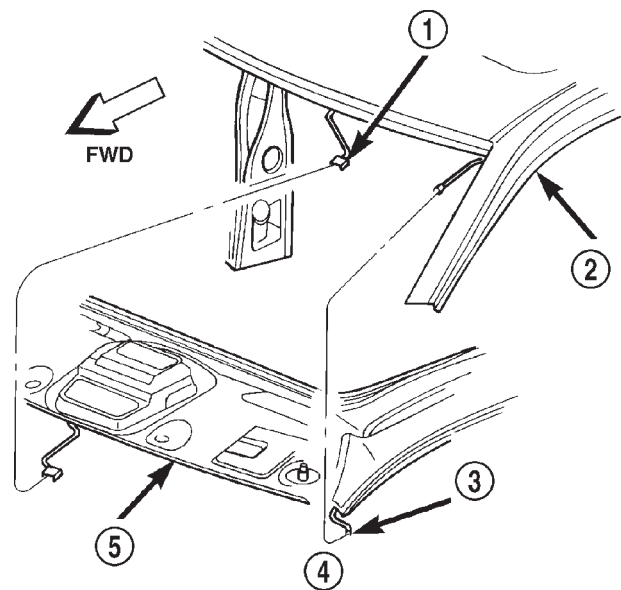
- (1) With the aid of an assistant, position the headliner in the vehicle.
- (2) Connect the sunroof drain hoses, if equipped.
- (3) Connect the sunroof harness, the rear wire harnesses, and the washer hose at the "A" pillar and at the liftgate.
- (4) Install the sunroof pinch welt, if equipped.
- (5) Install the roof rail assist handles.
- (6) Install the sun visors and overhead console.
- (7) Install the rear cargo/dome lamp.



80b9a4cf

**Fig. 69 Liftgate Washer Hose Routing at Rear of Headliner**

- 1 - ROOF
- 2 - REAR WASHER HOSE ROUTING
- 3 - REAR WASHER HOSE
- 4 - HEADLINER

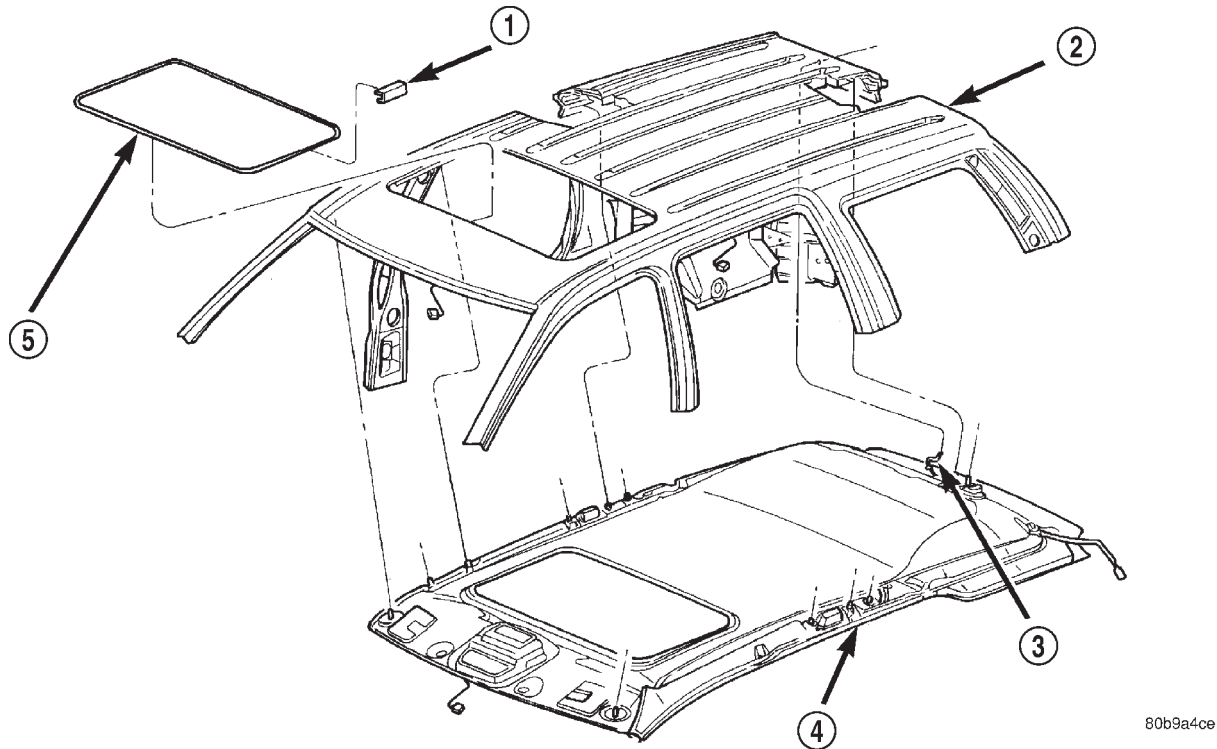


80b9a4d0

**Fig. 70 Rear Liftgate Washer Hose Routing at A Pillar**

- 1 - OVERHEAD CONSOLE WIRE HARNESS
- 2 - ROOF
- 3 - REAR WASHER HOSE
- 4 - REAR WASHER HOSE ROUTING
- 5 - HEADLINER

## REMOVAL AND INSTALLATION (Continued)

**Fig. 71 Headliner**

- 1 - SUNROOF PINCH WELT
- 2 - ROOF
- 3 - REAR WASHER HOSE

- 4 - HEADLINER
- 5 - SUNROOF

80b9a4ce

- (8) Install the "A", "B", "C", and "D" pillar trim.
- (9) Connect the negative battery cable.

**LIFTGATE TRIM PANEL**

**NOTE:** The liftgate trim panel is attached with screws and spring clips.

**REMOVAL**

- (1) Remove the screws securing the liftgate trim panel to the liftgate (Fig. 72).
- (2) Disconnect the rear window defroster wires.
- (3) Using a trim stick, or other suitable tool, pry the liftgate trim panel off the liftgate.

**INSTALLATION**

- (1) Align the liftgate trim panel spring clips and press the panel into the liftgate.
- (2) Install the trim panel screws.
- (3) Connect the rear defroster wires.

**LOWER LIFTGATE OPENING TRIM PANEL****REMOVAL**

- (1) Remove screws at outboard end of lower liftgate trim panel.
- (2) Open the spare tire cover and remove the screws near the center of the lower liftgate trim panel (Fig. 73).
- (3) Remove the lower liftgate trim panel.

**INSTALLATION**

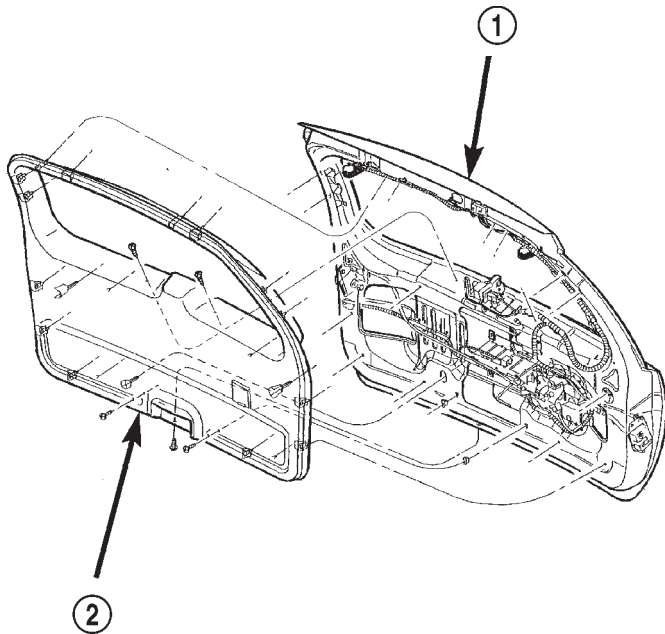
- (1) Align the screw holes and locators to the holes in the liftgate opening.
- (2) Install the screws in the liftgate opening trim panel.
- (3) Install the spare tire cover.

**LIFTGATE INSULATOR****REMOVAL**

- (1) Remove the liftgate trim panel.
- (2) Separate the liftgate insulator from the liftgate and trim panel (Fig. 74).



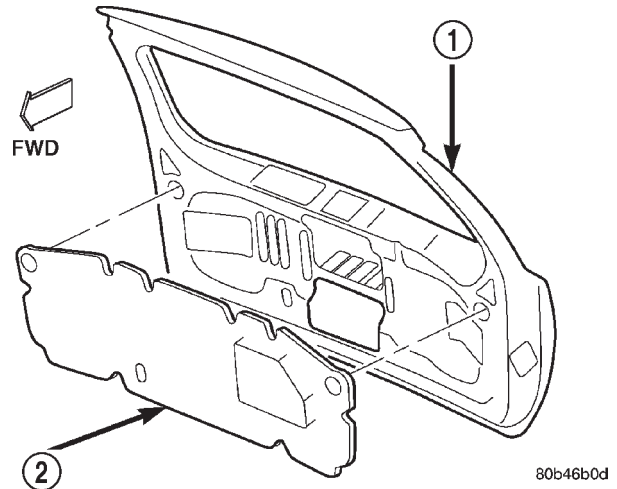
REMOVAL AND INSTALLATION (Continued)



**Fig. 72 Liftgate Trim Panel**

- 1 - LIFTGATE
- 2 - LIFTGATE TRIM PANEL

80ba7980



**Fig. 74 Liftgate Insulator Pad**

- 1 - LIFTGATE
- 2 - INSULATION PAD

**INSTALLATION**

- (1) Thoroughly clean the area of any adhesive or insulation material.
- (2) Install the insulator in the liftgate.
- (3) Install the liftgate trim panel.
- (4) Close the liftgate and check the operation of the liftgate latch and rear wiper/washer, if equipped.

**LIFTGATE**

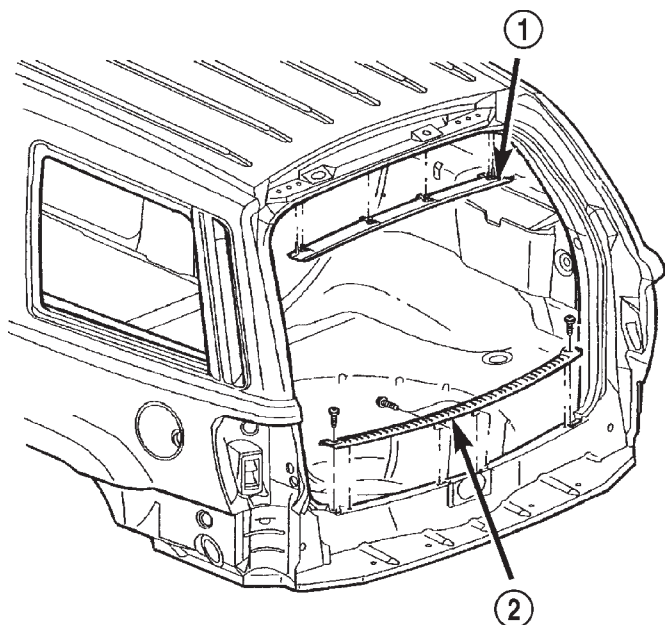
**REMOVAL**

**CAUTION: DO NOT DISCONNECT THE SUPPORT ROD CYLINDERS WITH THE LIFTGATE CLOSED. THE SUPPORT ROD PISTONS ARE OPERATED BY HIGH PRESSURE GAS. THIS PRESSURE COULD CAUSE DAMAGE AND /OR PERSONAL INJURY IF THEY ARE REMOVED WHILE THE PISTONS ARE COMPRESSED.**

- (1) Open the liftgate. Support the liftgate for ease of repair.
- (2) Remove the liftgate trim panel.
- (3) Remove the prop rods from the liftgate.
- (4) Unplug the wire harnesses and disconnect the washer hose.
- (5) Mark the hinge location with a wax pencil or other suitable device (Fig. 75).
- (6) Remove the hinge screws and remove liftgate from vehicle.

**INSTALLATION**

- (1) Position the liftgate on the vehicle and align the witness marks.
- (2) Install the hinge screws at liftgate. Tighten hinge screws to 28N·m (21ft. lbs.).



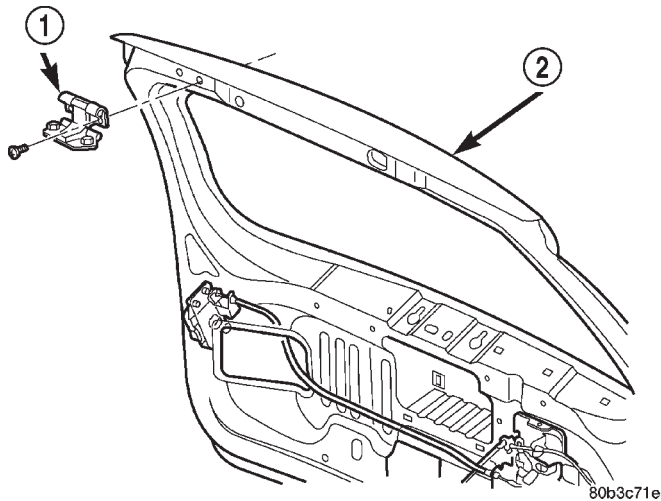
**Fig. 73 Liftgate Opening Trim Panel**

- 1 - UPPER LIFTGATE OPENING TRIM PANEL
- 2 - LOWER LIFTGATE OPENING TRIM PANEL

80ba7979



## REMOVAL AND INSTALLATION (Continued)

**Fig. 75 Liftgate**

- 1 - HINGE  
2 - LIFTGATE

(3) Connect the wire harnesses and the washer hose.

(4) Install the trim panel.

(5) Install the prop rods.

(6) Close the liftgate and check for proper latching and alignment.

**LIFTGATE HINGE**

**NOTE:** It is not necessary to remove the liftgate to replace one or both hinges. The hinges can be replaced one at a time.

**REMOVAL**

(1) Open the liftgate. Support the liftgate for ease of repair.

(2) Remove the liftgate header trim panel.

(3) Mark the hinge location with a grease pencil or other suitable device.

(4) Remove the hinge screws (Fig. 75).

(5) Remove hinge.

**INSTALLATION**

(1) Position the hinge on the roof panel and on the liftgate. (Use 3M™ Fast and Firm or equivalent on the hinge to body mating surfaces as a sealant.)

(2) Install and tighten hinge screws at roof panel to 28N·m (21 ft. lbs.).

(3) Install hinge screws at liftgate. Tighten screws to 28N·m (21 ft. lbs.).

(4) Install liftgate header trim panel.

(5) Check the liftgate for proper alignment and operation.

**LIFTGATE OUTSIDE HANDLE****REMOVAL**

(1) Raise the liftgate.

(2) Remove the liftgate trim panel (Refer to liftgate trim panel removal and installation in the Body section of this manual).

(3) Remove the latch, outside handle linkage, and power lock connector.

(4) Remove the fasteners attaching the outside handle to the liftgate.

(5) Remove the outside handle from the liftgate.

**INSTALLATION**

(1) Position the outside handle on the liftgate.

(2) Install the fasteners attaching outside handle to liftgate.

(3) Connect outside handle link and power lock connector.

(4) Install liftgate trim panel.

**LIFTGATE LATCH****REMOVAL**

(1) Raise the liftgate.

(2) Remove the liftgate trim panel (Fig. 76).

(3) Disconnect the power connector.

(4) Disconnect the outside handle link from the latch.

(5) Remove the latch screws and remove latch.

**INSTALLATION**

(1) Install the latch into the liftgate and tighten the screws to 7N·m (5 ft. lbs.).

(2) Connect the outside handle to the liftgate latch.

(3) Plug in the connector for the power.

(4) Install the liftgate trim panel.

**LIFTGATE LATCH STRIKER****REMOVAL**

(1) Raise liftgate.

(2) Remove tail lamp.

(3) Remove nuts attaching striker to D-pillar (Fig. 77).

(4) Separate striker from D-pillar.

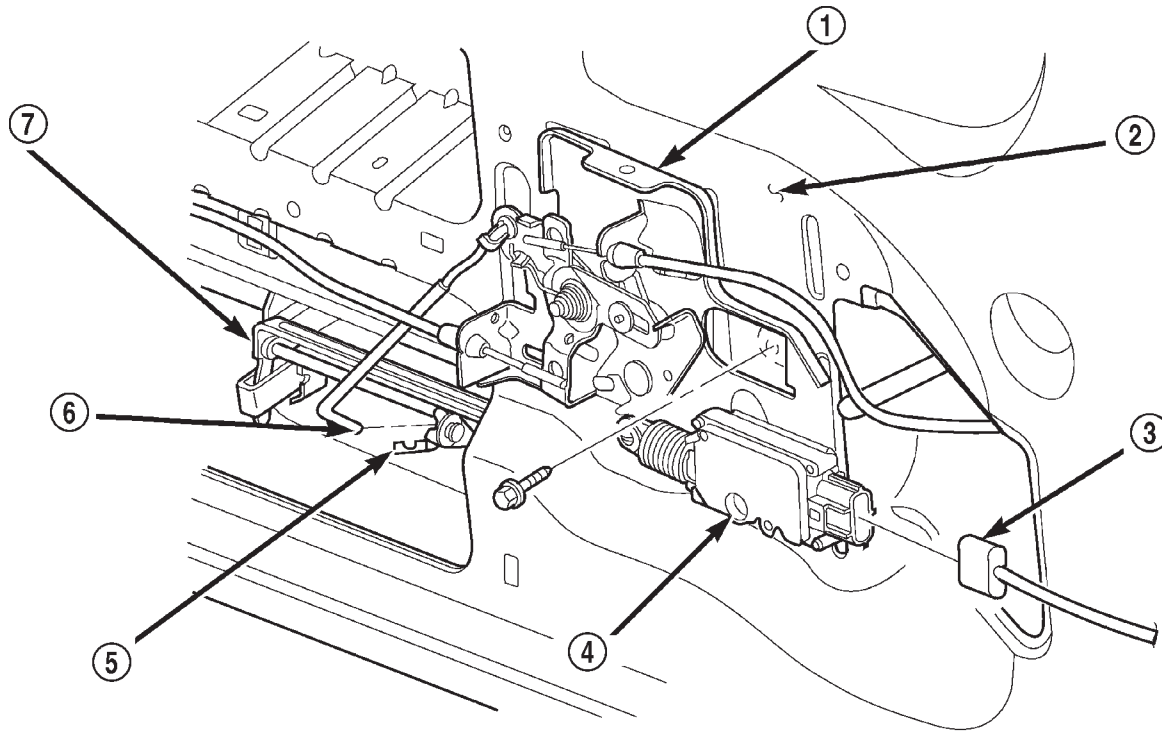
**INSTALLATION**

(1) Position striker on D-pillar.

(2) Install nuts attaching striker to D-pillar. Tighten nuts to 10 N·m (7 ft. lbs.) torque.

(3) Install tail lamp.

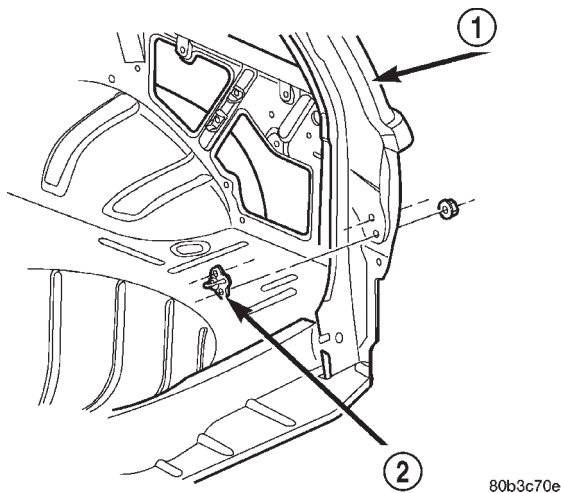
REMOVAL AND INSTALLATION (Continued)



80b34e98

**Fig. 76**

- |               |                                 |
|---------------|---------------------------------|
| 1 - LATCH     | 5 - CLIP                        |
| 2 - LIFTGATE  | 6 - OUTSIDE HANDLE TO LATCH ROD |
| 3 - CONNECTOR | 7 - OUTSIDE HANDLE              |
| 4 - ACTUATOR  |                                 |



80b3c70e

**Fig. 77 Liftgate Latch Striker**

- |              |
|--------------|
| 1 - D-PILLAR |
| 2 - STRIKER  |

**LIFTGATE OPENING WEATHERSTRIP**

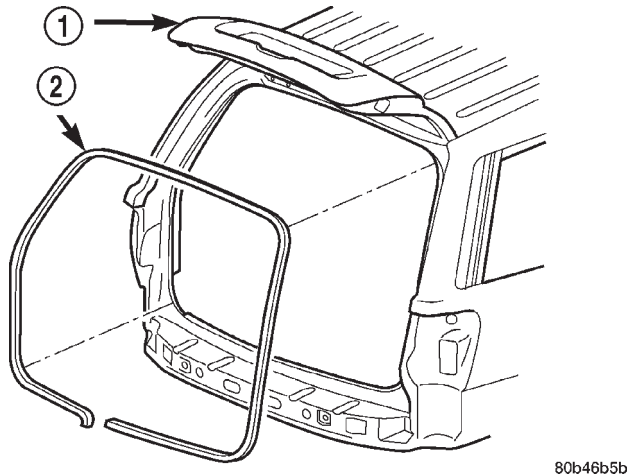
**REMOVAL**

- (1) Pull seal away from flange around edge of liftgate opening.
- (2) Separate weatherstrip from opening (Fig. 78).
- (3) Clean weatherstrip flange as necessary.

**INSTALLATION**

- (1) Position weatherstrip in opening with left end of seal at opening centerline.
- (2) Press weatherstrip onto flange in a clockwise direction.
- (3) Center and butt weatherstrip ends together at centerline.
- (4) If necessary, cut surplus from weatherstrip (non-plug end only).

## REMOVAL AND INSTALLATION (Continued)



**Fig. 78 Liftgate Opening Weatherstrip**

- 1 - LIFTGATE  
2 - WEATHERSTRIP

## FLIP UP GLASS

### REMOVAL

**CAUTION: DO NOT DISCONNECT THE PROP ROD CYLINDERS WITH THE LIFTGATE FLIP UP GLASS CLOSED. THE PROP ROD PISTONS ARE OPERATED BY HIGH PRESSURE GAS. THIS PRESSURE COULD CAUSE DAMAGE AND/OR PERSONAL INJURY IF THEY ARE REMOVED WHILE THE PISTONS ARE COMPRESSED.**

- (1) Using a trim stick or other suitable device, separate the flip up glass hinge cover from the hinge on the liftgate (Fig. 79).
- (2) Open liftgate flip up glass. Support the glass for ease of repair.
- (3) Using a small flat blade or equivalent tool, gently pry open the locking caps on the end of the prop rods.
- (4) Remove prop rod cylinders from ball studs.
- (5) Lower the flip up glass.
- (6) Remove hinge fasteners from liftgate.
- (7) Separate flip up glass from liftgate.

### INSTALLATION

- (1) Position flip up glass on liftgate.
- (2) Install hinge fasteners, hand tight only.
- (3) With the glass panel in the fully open position, fully raised position, push the glass forward to completely seat the hinges. Tighten hinge fasteners to 6N·m (60 in. lbs.).
- (4) Install prop rods on ball studs and compress locking caps to lock rods on ball studs.
- (5) Lower the flip up glass and install the flip up glass hinge cover.

- (6) Check the flip up glass for proper alignment and latching.

## FLIP UP GLASS WEATHERSTRIP

### REMOVAL

- (1) Raise flip up glass.
- (2) Carefully pull the seal away from the flange around the edge of the glass opening (Fig. 80).
- (3) Remove it from the vehicle.

### INSTALLATION

- (1) Thoroughly clean the surface of the flange as necessary.
- (2) Align the weather strip seal with the window opening corners.
- (3) Firmly seat the seal around the entire flange. But the seal ends together and smooth out any remaining length.
- (4) Weatherstrip break should be 120mm left of latch opening. Cut any surplus from non-plug end only.

## FLIP UP GLASS SWITCH

### REMOVAL

- (1) Remove license plate lamp housing/trim panel from liftgate.
- (2) Squeeze the locking tabs inward to release the switch from the housing.
- (3) Disconnect the switch harness connector, remove the switch from the housing.

### INSTALLATION

- (1) Install switch harness connector.
- (2) Position switch in housing, snap switch into place.
- (3) Install license plate lamp housing/trim panel onto liftgate.

## FLIP UP GLASS LATCH

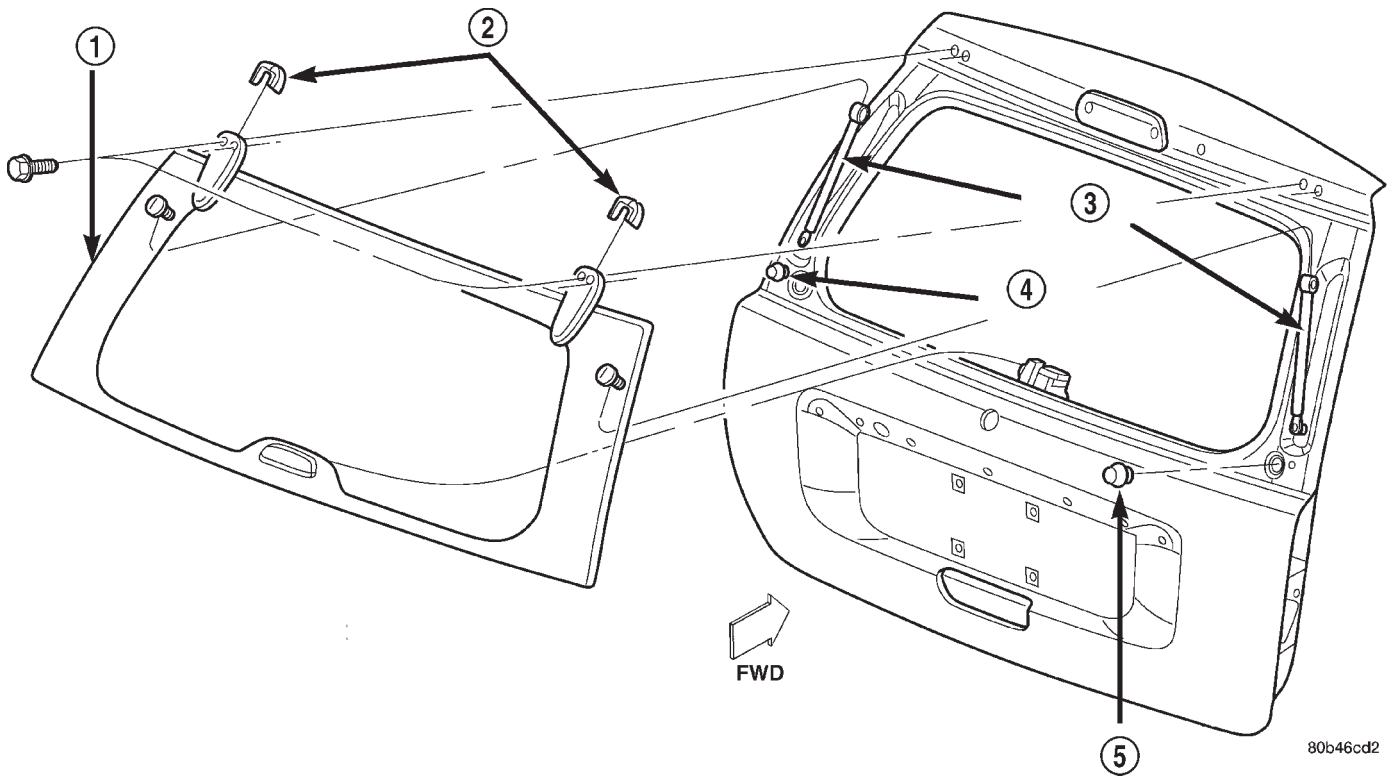
### REMOVAL

- (1) Open liftgate flip up glass.
- (2) Open liftgate and remove trim panel (Fig. 81).
- (3) Remove latch.
- (4) Disconnect switch connectors.
- (5) Remove latch from liftgate.

### INSTALLATION

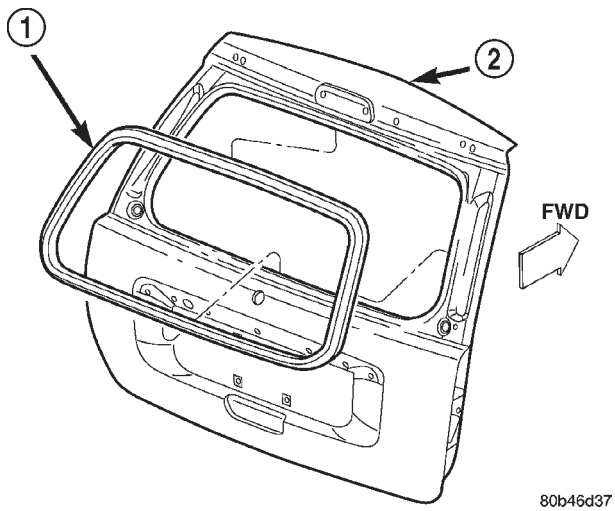
- (1) Position the latch on the liftgate.
- (2) Connect switch connectors.
- (3) Adjust latch to the proper position, and tighten the fasteners to 11 N·m (100 in. lbs.).
- (4) Close flip up glass panel and verify proper operation.

REMOVAL AND INSTALLATION (Continued)



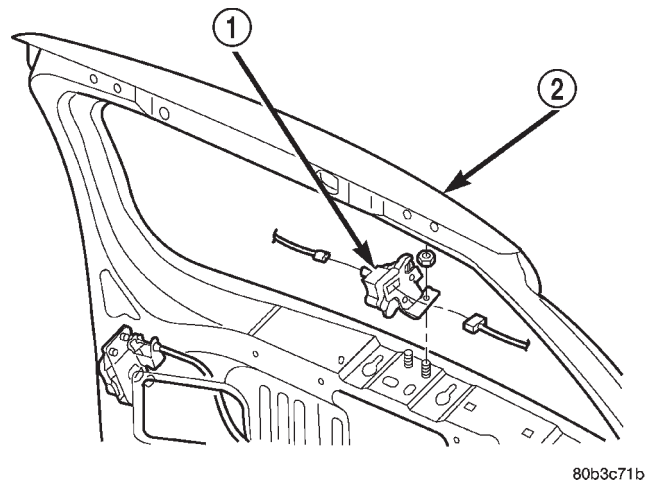
**Fig. 79 Flip-Up Glass**

- |                   |            |
|-------------------|------------|
| 1 - FLIP-UP GLASS | 4 - BUMPER |
| 2 - HINGE COVER   | 5 - BUMPER |
| 3 - SUPPORT PROP  |            |



**Fig. 80 Flip-up Glass Weatherstrip**

- |                              |
|------------------------------|
| 1 - WEATHERSTRIP             |
| 2 - LIFTGATE W/FLIP-UP GLASS |



**Fig. 81 Flip-up Glass Latch**

- |              |
|--------------|
| 1 - LATCH    |
| 2 - LIFTGATE |

(5) Install liftgate trim panel.

## REMOVAL AND INSTALLATION (Continued)

## FLIP UP GLASS LATCH STRIKER

## REMOVAL

- (1) Raise flip up glass panel.
- (2) Mark the position of the handle/striker on the glass panel.
- (3) Remove the screws attaching the handle/striker to the glass.

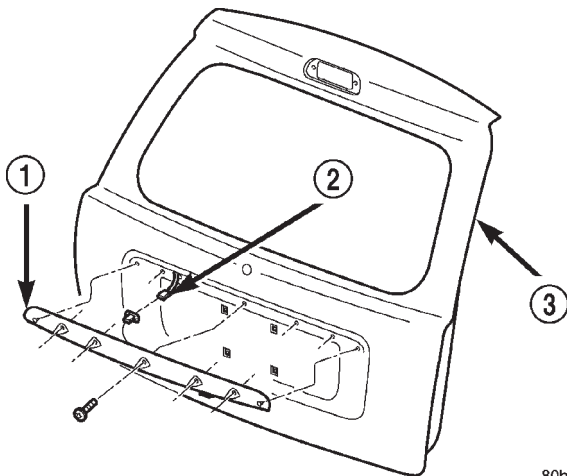
## INSTALLATION

- (1) Position the handle/striker on the glass panel and align the reference marks.
- (2) Install the screws attaching the handle/striker to the glass panel. Tighten the fasteners to 6 N·m (60 in. lbs.).

## LICENSE PLATE LAMP HOUSING

## REMOVAL

- (1) Remove the screws retaining the lamp housing/trim panel to the liftgate (Fig. 82).
- (2) Disconnect the wire harness for the license plate lamps and the flip up glass switch, if equipped.
- (3) Remove the license plate lamps and the flip up glass switch, if equipped.
- (4) Remove the license plate lamp housing.



80b46b65

Fig. 82 License Plate Lamp Housing

- 1 - LICENSE PLATE LAMP
- 2 - CONNECTOR
- 3 - LIFTGATE

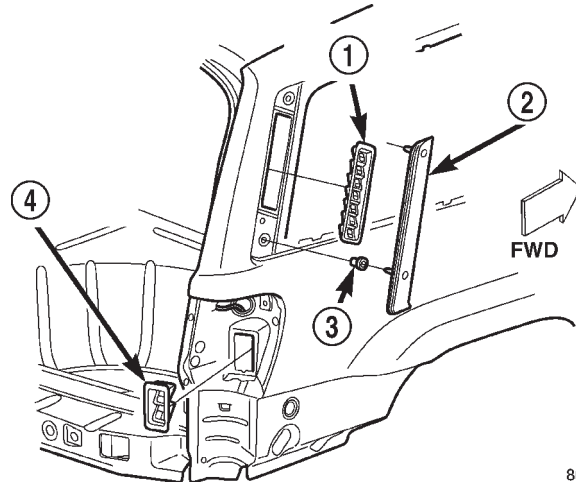
## INSTALLATION

- (1) Install the license plate lamps, and the flip up glass switch, if equipped.
- (2) Connect the wire harnesses for the license plate lamps and the flip up glass switch.
- (3) Install the lamp housing/trim panel on the liftgate.

## D-PILLAR APPLIQUE

## REMOVAL

- (1) Using a trim stick, carefully pry applique from panel (Fig. 83).



80b46ae0

Fig. 83 D-Pillar Applique &amp; Air Exhauster

- 1 - D-PILLAR EXHAUSTER
- 2 - D-PILLAR APPLIQUE
- 3 - CLIP
- 4 - TAIL LAMP EXHAUSTER

## INSTALLATION

- (1) Position applique on panel with retainers aligned.
- (2) Press applique firmly in place.

## D-PILLAR AIR EXHAUSTER

## REMOVAL

- (1) Remove D-pillar applique.
- (2) Carefully pry air exhauster from D-pillar using a flat blade screwdriver (Fig. 83).

## INSTALLATION

- (1) Reseal air exhauster using foam tape.
- (2) Install air exhauster on D-pillar.
- (3) Install D-pillar applique.

## TAIL LAMP AIR EXHAUSTER

## REMOVAL

- (1) Remove tail lamp.
- (2) Using a trim stick, pry the top of the air exhauster downward to detach the retaining clips.
- (3) Separate air exhauster from vehicle (Fig. 83).

## INSTALLATION

- (1) Position air exhauster in opening.
- (2) Press air exhauster inward to secure.



REMOVAL AND INSTALLATION (Continued)

- (3) Install tail lamp.

**LUGGAGE RACK**

**REMOVAL**

**NOTE: The skid strips are attached to the roof panel with adhesive.**

- (1) Using a trim stick, or other suitable device, pry support cover off.
- (2) If necessary, slide the crossbars to expose the screws attaching the slide rails to the supports.
- (3) Remove the screws retaining the slide rails to the supports.
- (4) Remove the screws attaching the supports to the roof panel.
- (5) Separate the supports from the roof panel.

**NOTE: If a crossbar needs to be serviced, the forward or rearward supports will have to be removed.**

**INSTALLATION**

- (1) Position the supports on the roof panel and install the screw. Be sure that the gasket is properly seated.
- (2) Position the luggage rack on the supports.
- (3) Install the screws attaching the side rails to the supports.
- (4) Position the supports covers on the supports and press into place.

**ADJUSTMENTS**

**HOOD ADJUSTMENT**

The hood attaching holes are enlarged to aid front, back and side to side adjustment.

- (1) If hood is low in relation to cowl panel, insert shims between hinge and hood.
- (2) Adjust hood bumper in or out to adjust hood-to-fender height alignment.
- (3) Adjust the hood latch as necessary. Tighten the nuts to 11N·m (8 ft. lbs.).
- (4) Align the latch striker so that striker enters the latch squarely and without binding.

**DOOR ADJUSTMENT**

Minor adjustment for alignment of the door is made by moving the latch striker.

**IN AND OUT**

- (1) Loosen the latch striker.
- (2) Tap the latch striker inward if the door character line is outboard of the body character line or tap the latch striker outward if the door character line is inboard of the body character line.

- (3) Inspect the alignment. If correct, tighten striker to 28 N·m (21 ft. lbs.).

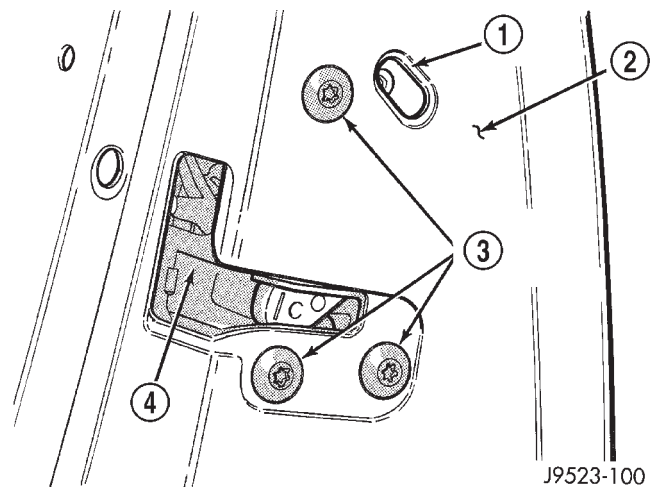
**UP AND DOWN**

- (1) Loosen the latch striker.
- (2) Tap the latch striker downward if the door character line is higher than the body character line or tap the latch striker upward if the door character line is lower than the body character line.
- (3) Inspect the alignment. If correct, tighten to 28 N·m (21 ft. lbs.).

**DOOR LATCH**

**DOOR LATCH ADJUSTMENT**

- (1) Locate access hole (Fig. 84).
- (2) Insert a 5/32-inch hex-wrench through hole and into adjustment screw. Loosen screw.
- (3) Operate outside handle button several times to release any restriction because of mis-alignment.
- (4) Tighten adjustment screw to 3 N·m (30 in-lbs) torque.
- (5) Test handle button and lock cylinder for proper operation.



**Fig. 84 Door Latch Adjustment**

- 1 - ACCESS HOLE
- 2 - DOOR
- 3 - LATCH MOUNTING BOLTS
- 4 - LATCH

**LIFTGATE ADJUSTMENT**

The position of the liftgate can be adjusted upward or downward by the use of slots in the hinge. An inward or outward adjustment is achieved by use of slots in the body. If an inward or outward adjustment is needed, use 3M<sup>®</sup> Fast and Firm or equivalent on the hinge to body mating surface as a sealant.



## SPECIFICATIONS

## BODY LUBRICANTS

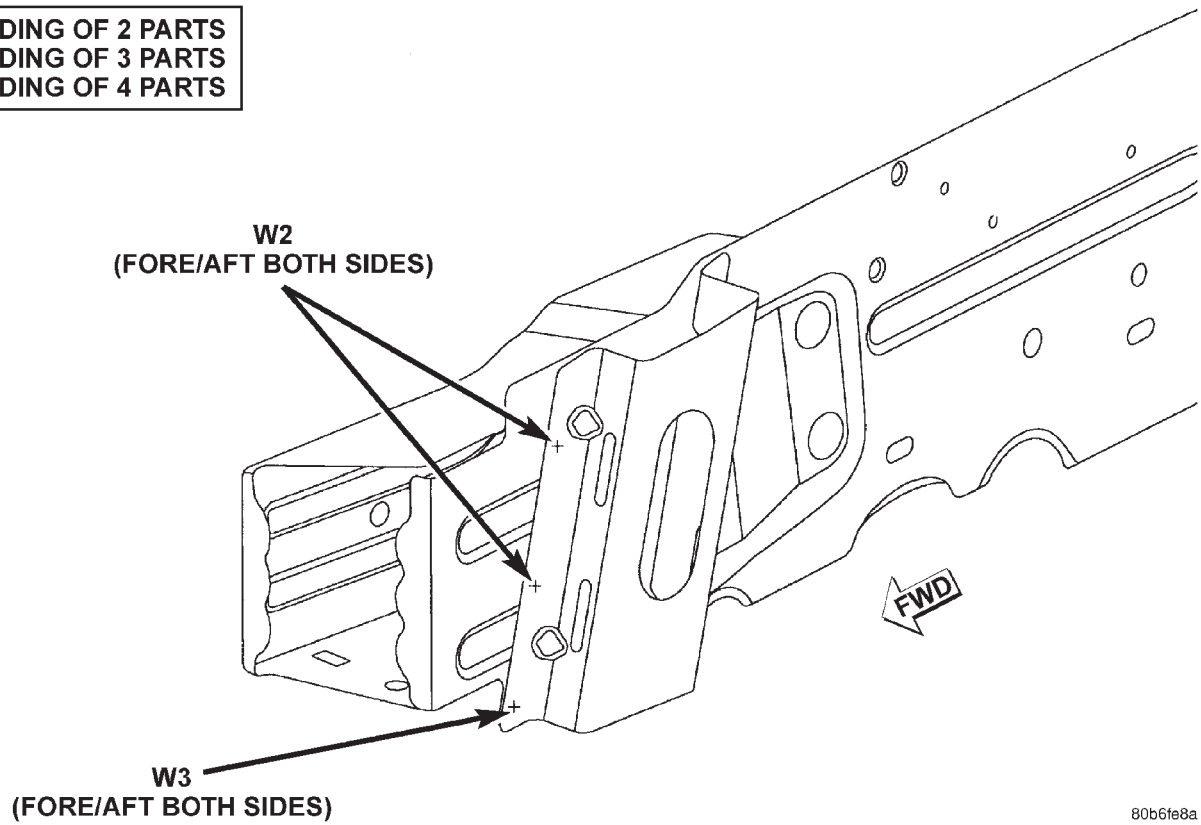
COMPONENT	SERVICE INTERVAL	LUBRICANT
Door Hinges	As Required	Multi-Purpose Grease NLGI GC-LB (Water Resistant) (1)
Door Latches	As Required	Multi-Purpose Grease NLGI GC-LB (Water Resistant) (1)
Hood Latch, Release Mechanism and Safety Latch	As Required (When Performing Other Underhood Service)	Multi-Purpose Grease NLGI GC-LB 2 EP (2)
Hood Hinges	As Required	Engine Oil
Seat Track and Release Mechanism	As Required	Multi-Purpose Grease NLGI GC-LB 2 EP (2)
Liftgate Hinge	As Required	Multi-Purpose Grease NLGI GC-LB 2 EP (2)
Liftgate Support Arms	As Required	Engine Oil
Liftgate Latches	As Required	White Spray Lubricant (3)
Liftgate Release Handle (Pivot and Slide Contact Surfaces)	As Required	Multi-Purpose Grease NLGI GC-LB 2 EP (2)
Window System Components	As Required	White Spray Lubricant (3)
Lock Cylinders	Twice a Year	Lock-Cylinder Lubricant (4)
Parking Brake Mechanism	As Required	Multi-Purpose Grease NLGI GC-LB 2 EP (1)
1 = Mopar Wheel Bearing Grease (High Temp) 2 = Mopar Multi-Mileage Lubricant 3 = Mopar Spray White Lube 4 = Mopar Lock Cylinder Lubricant		

SPECIFICATIONS (Continued)

WELD LOCATIONS

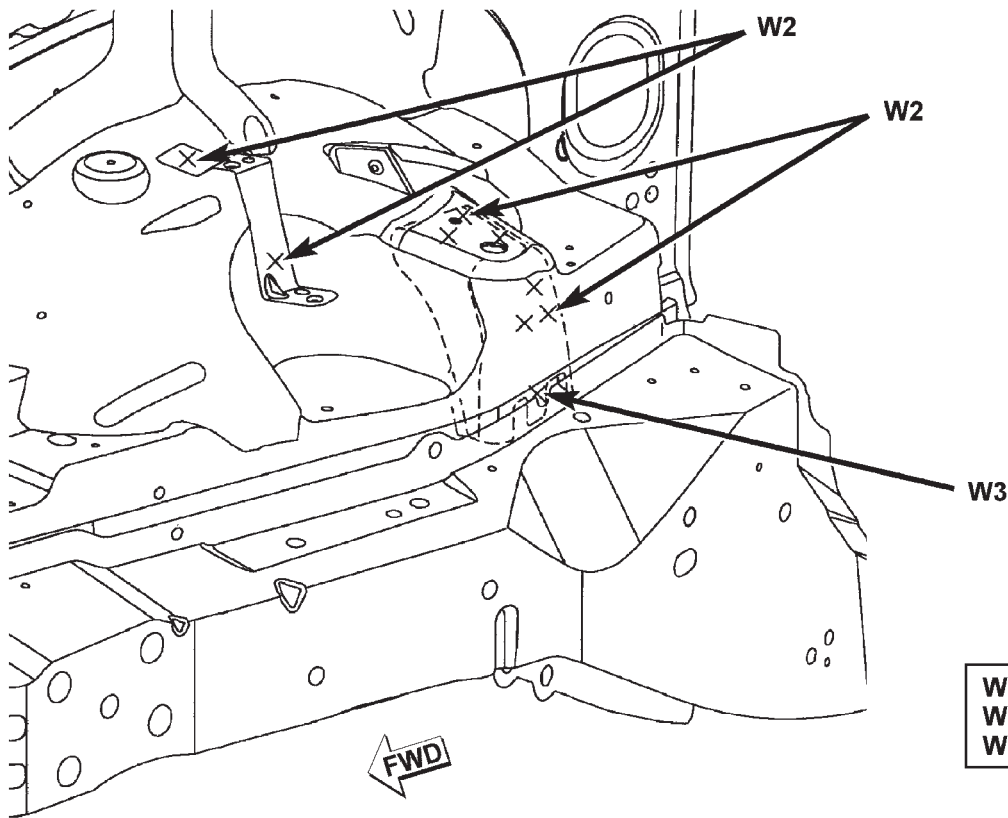
RADIATOR SUPPORT BRACKETS

W2 - WELDING OF 2 PARTS  
W3 - WELDING OF 3 PARTS  
W4 - WELDING OF 4 PARTS



SPECIFICATIONS (Continued)

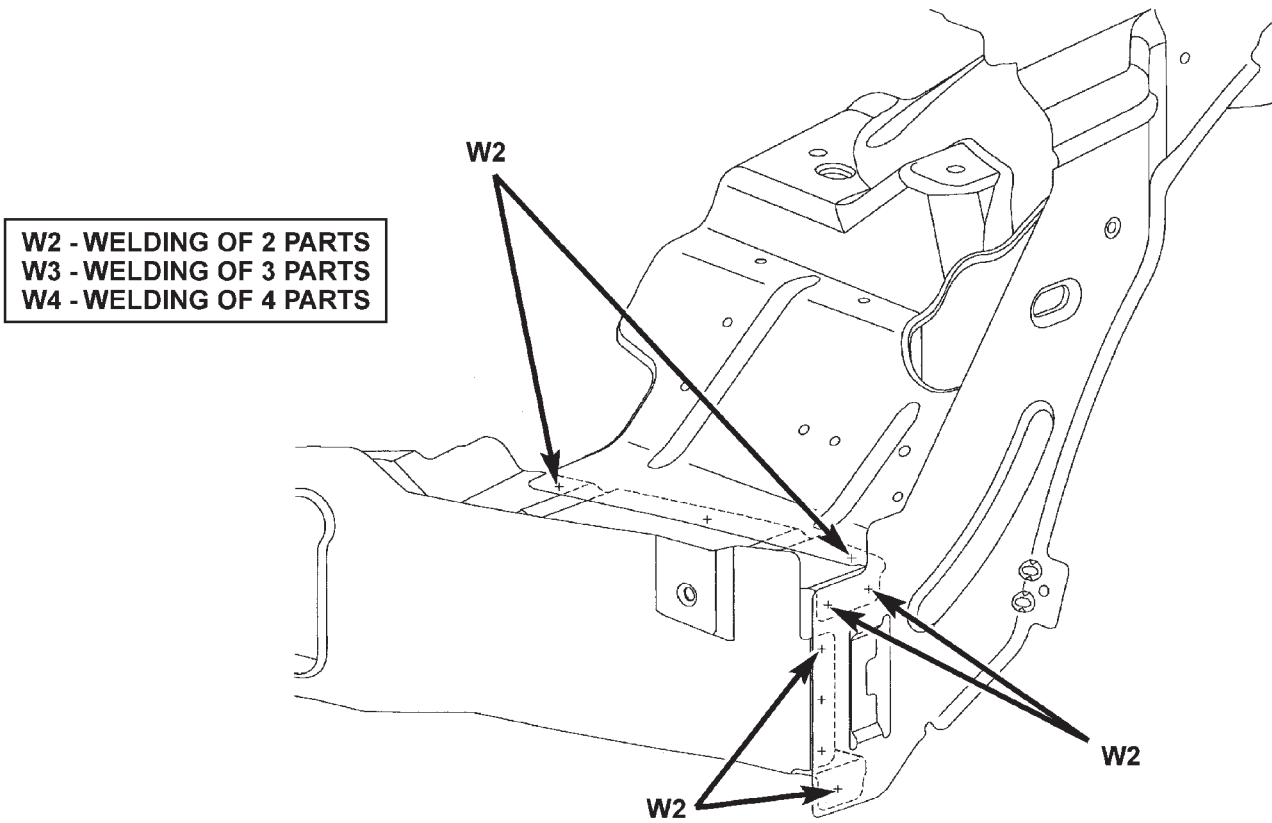
FRONT SUSPENSION SUPPORT REINFORCEMENT



**W2 - WELDING OF 2 PARTS**  
**W3 - WELDING OF 3 PARTS**  
**W4 - WELDING OF 4 PARTS**

80b6fe8b

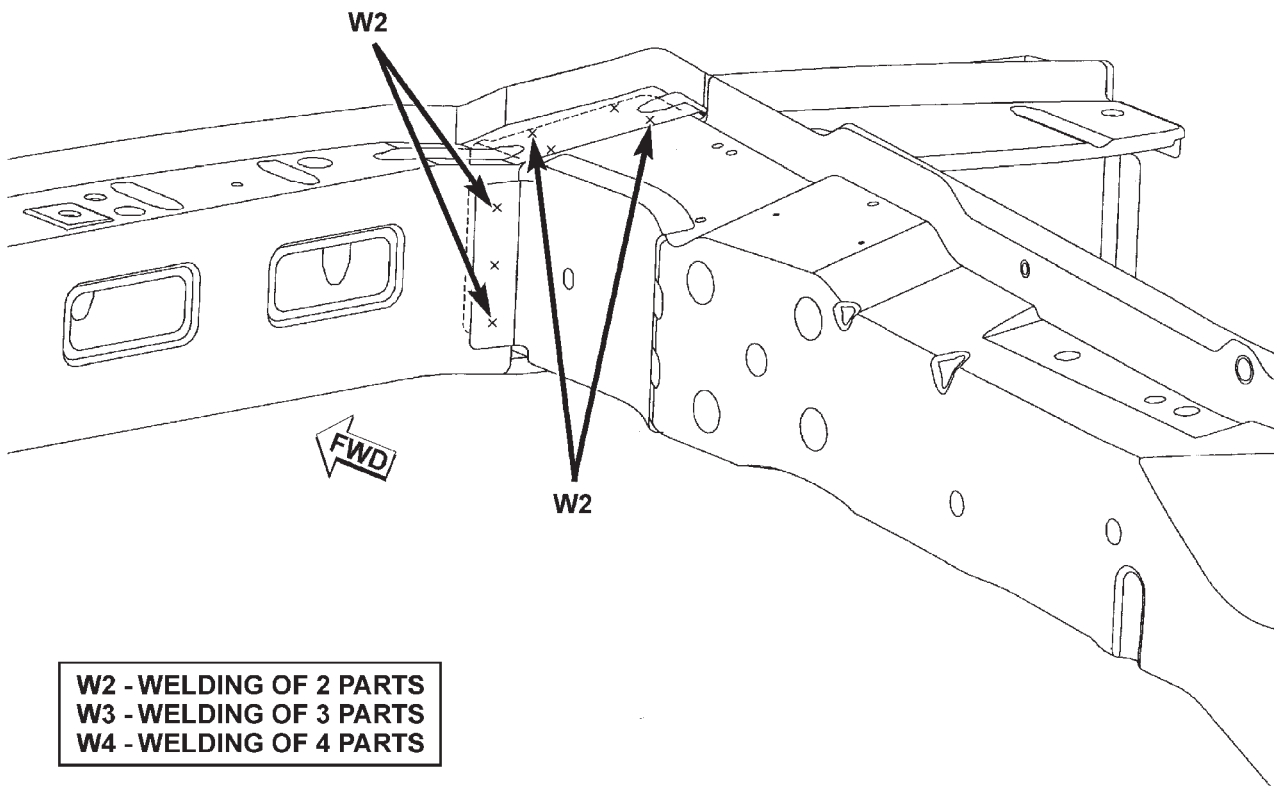
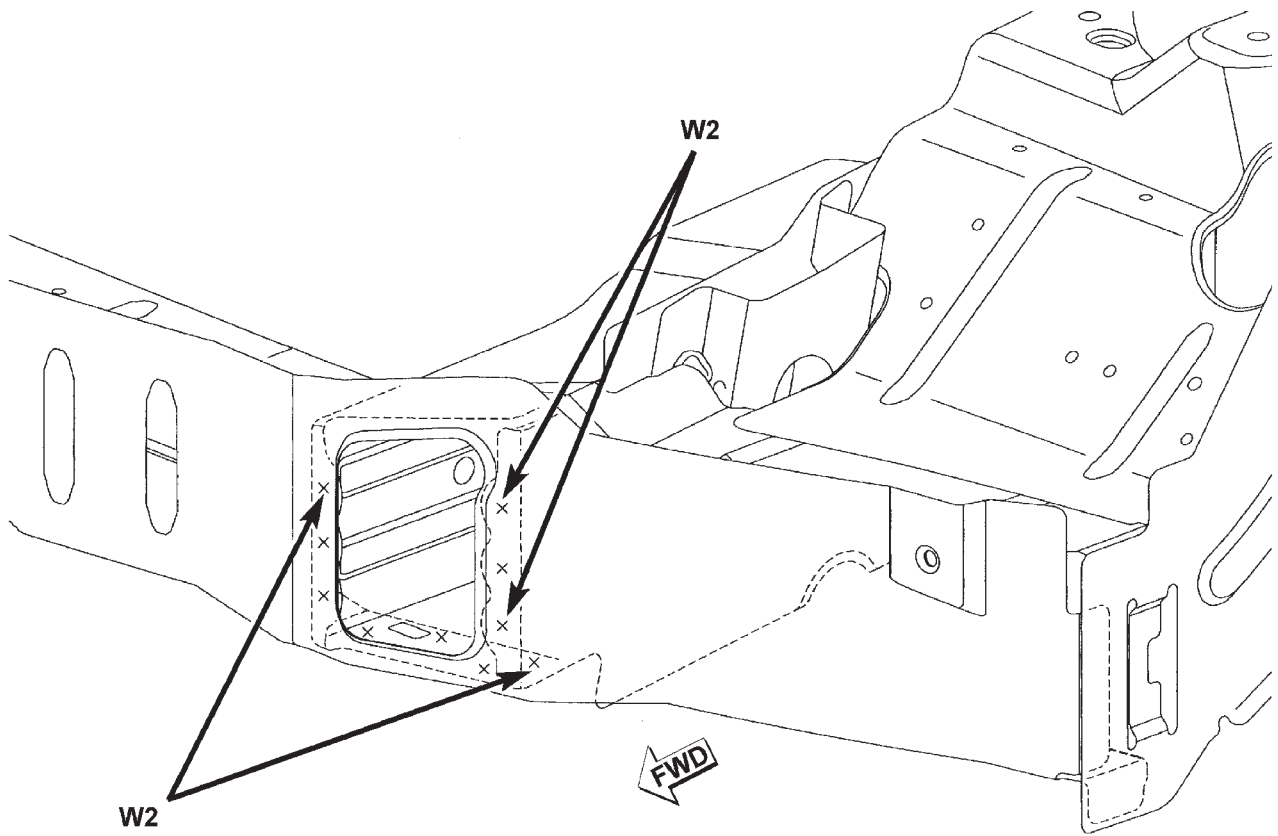
FRONT LOWER CROSSMEMBER TO COWL SIDE PANEL



80b6fe8c

SPECIFICATIONS (Continued)

FRONT SILL TO LOWER CROSSMEMBER

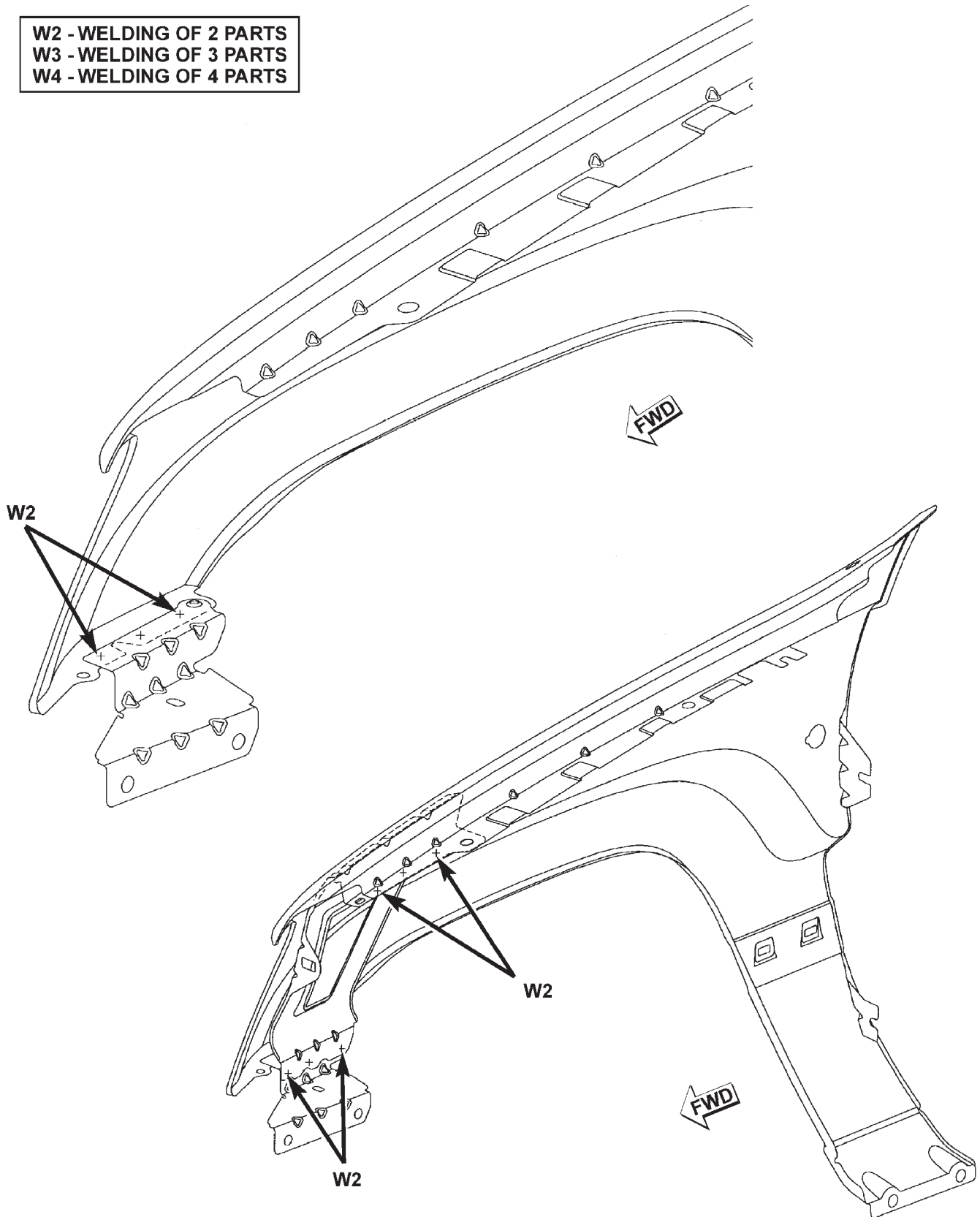


W2 - WELDING OF 2 PARTS  
W3 - WELDING OF 3 PARTS  
W4 - WELDING OF 4 PARTS

SPECIFICATIONS (Continued)

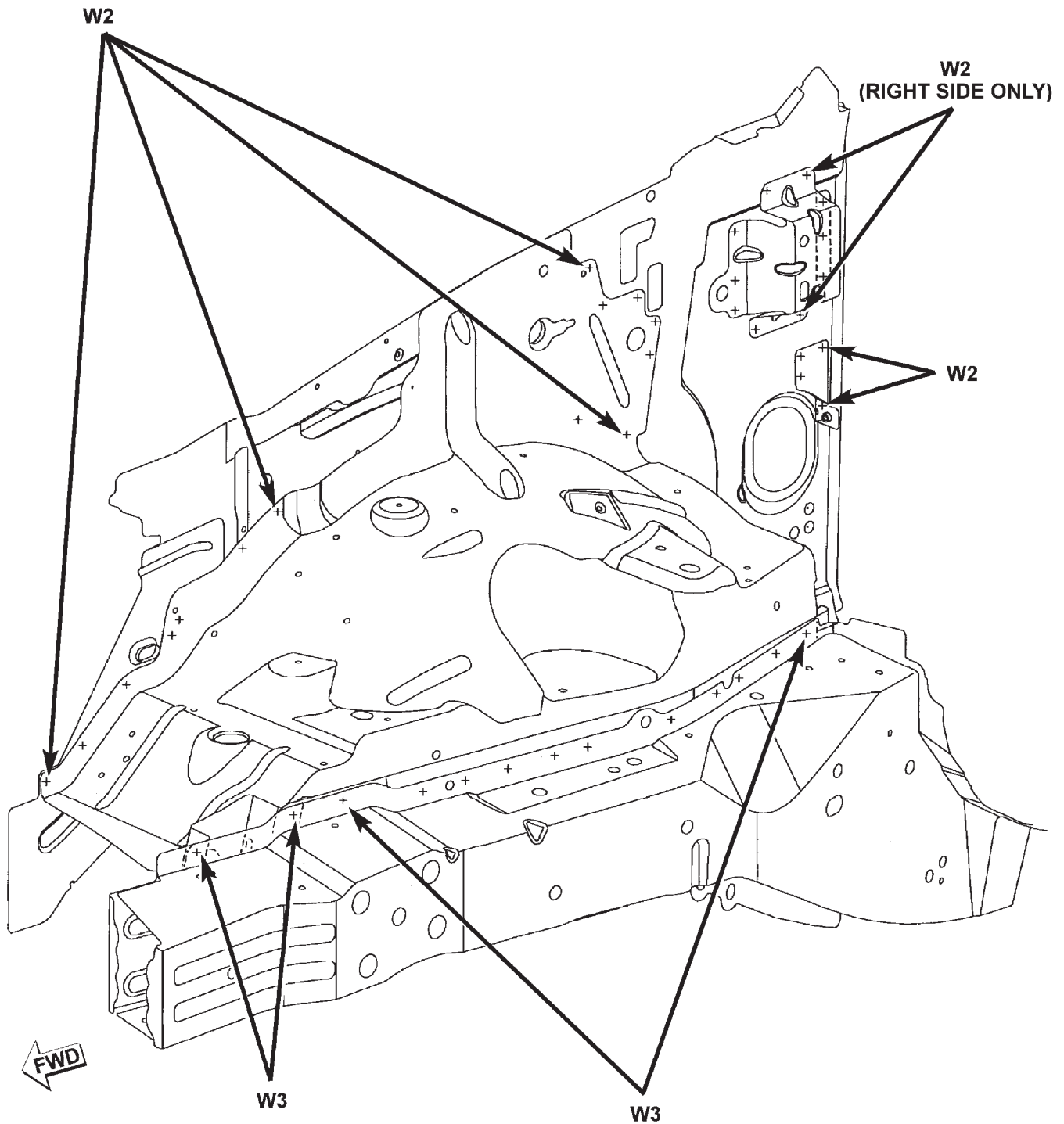
FRONT FENDER MOUNTING BRACKET AND REINFORCEMENT

W2 - WELDING OF 2 PARTS  
W3 - WELDING OF 3 PARTS  
W4 - WELDING OF 4 PARTS



SPECIFICATIONS (Continued)

FRONT SUSPENSION SUPPORT TO SILLS AND COWL SIDE PANEL

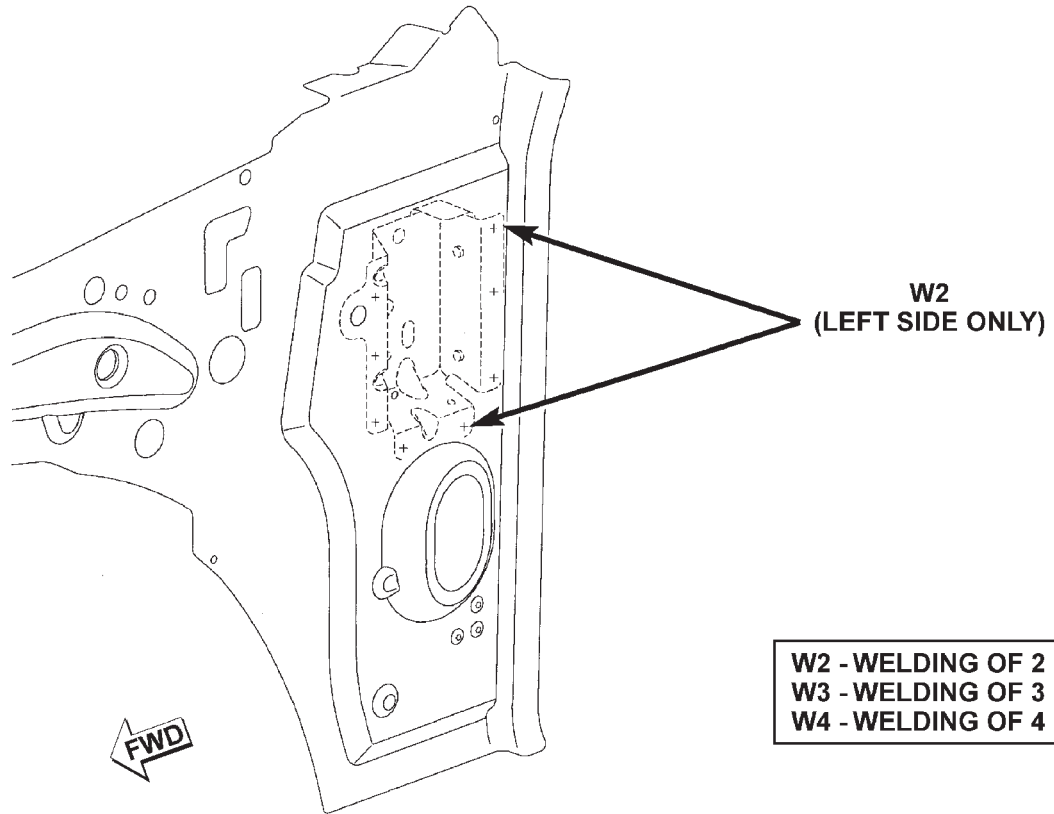


**W2 - WELDING OF 2 PARTS**  
**W3 - WELDING OF 3 PARTS**  
**W4 - WELDING OF 4 PARTS**



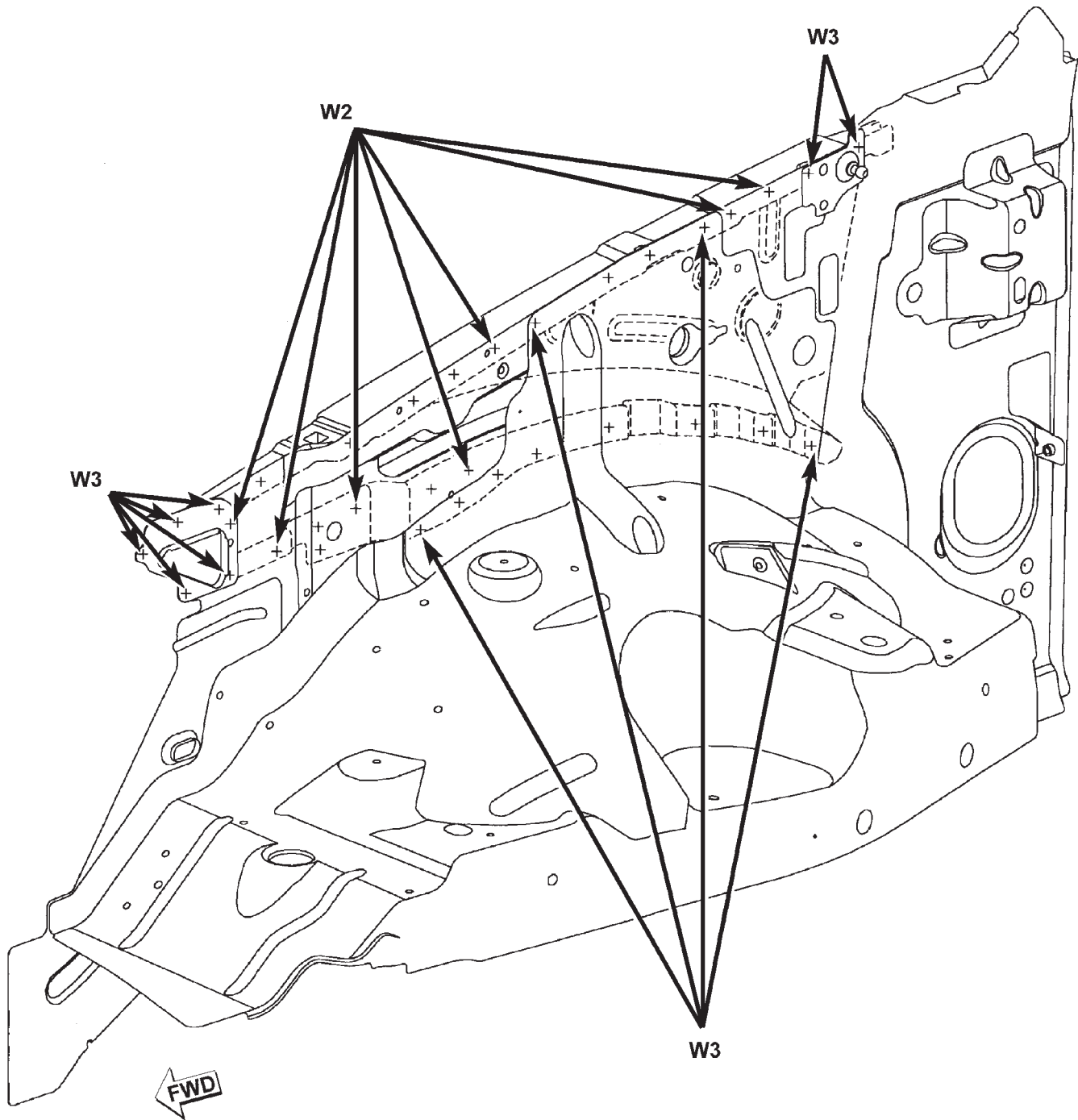
SPECIFICATIONS (Continued)

LEFT INSTRUMENT PANEL BRACKET TO COWL  
SIDE PANEL



SPECIFICATIONS (Continued)

COWL SIDE UPPER REINFORCEMENT TO COWL SIDE AND FRONT SUSPENSION SUPPORT

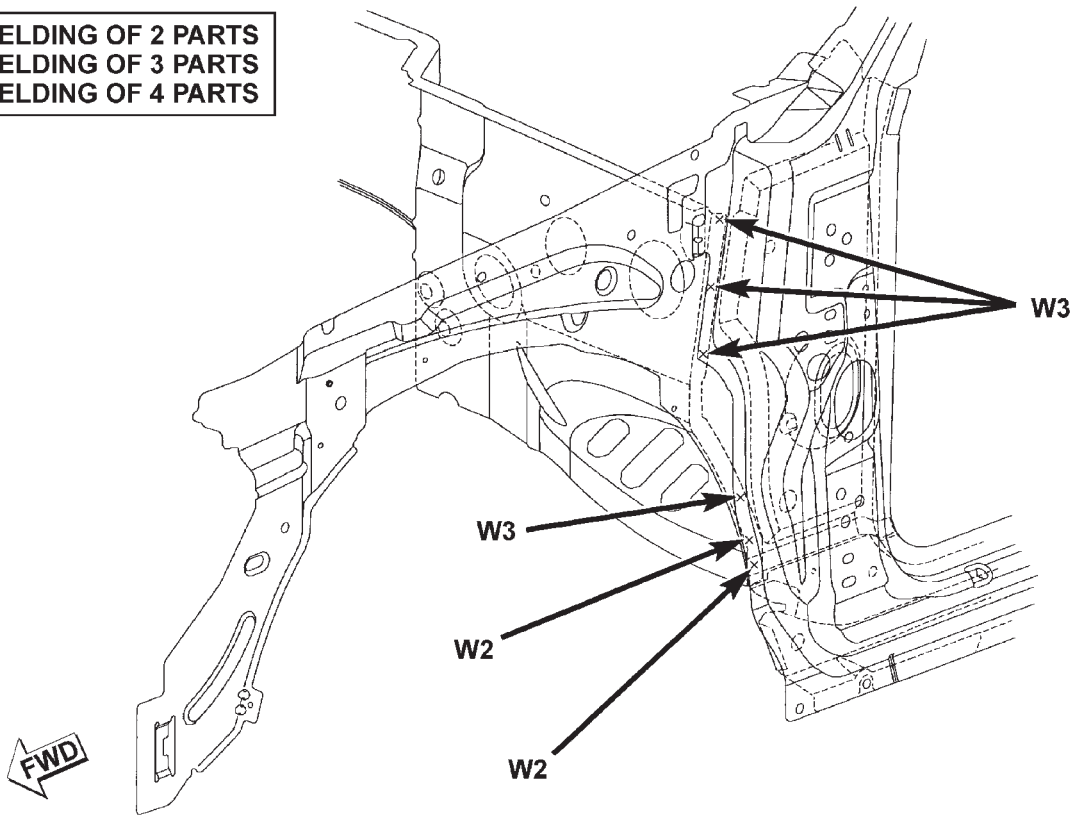


**W2 - WELDING OF 2 PARTS**  
**W3 - WELDING OF 3 PARTS**  
**W4 - WELDING OF 4 PARTS**

SPECIFICATIONS (Continued)

COWL SIDE PANEL TO DASH PANEL AND INNER BODYSIDE PANEL AND SILL

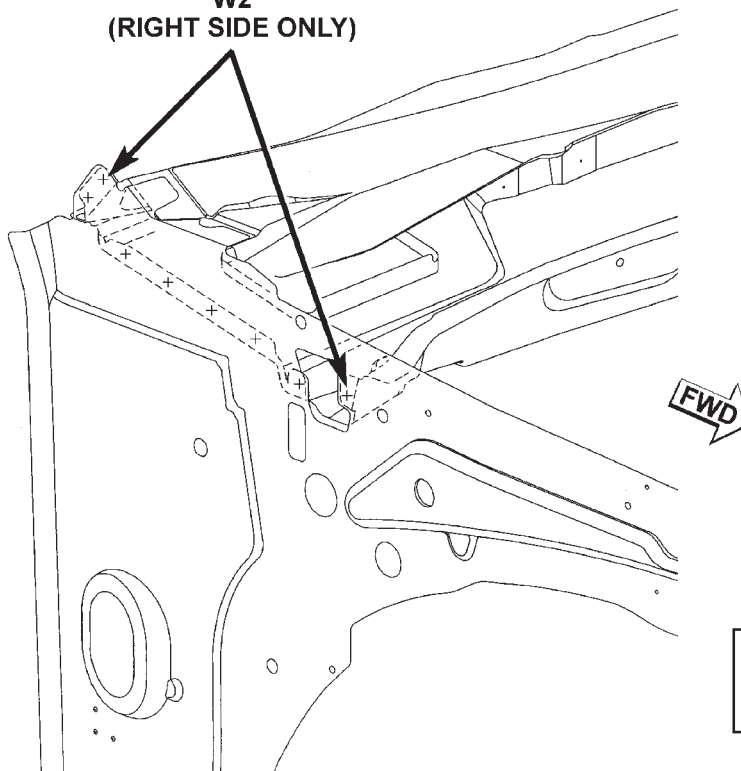
W2 - WELDING OF 2 PARTS  
W3 - WELDING OF 3 PARTS  
W4 - WELDING OF 4 PARTS



80b6feb3

PLENUM ASSEMBLY TO COWL SIDE PANEL

W2  
(RIGHT SIDE ONLY)

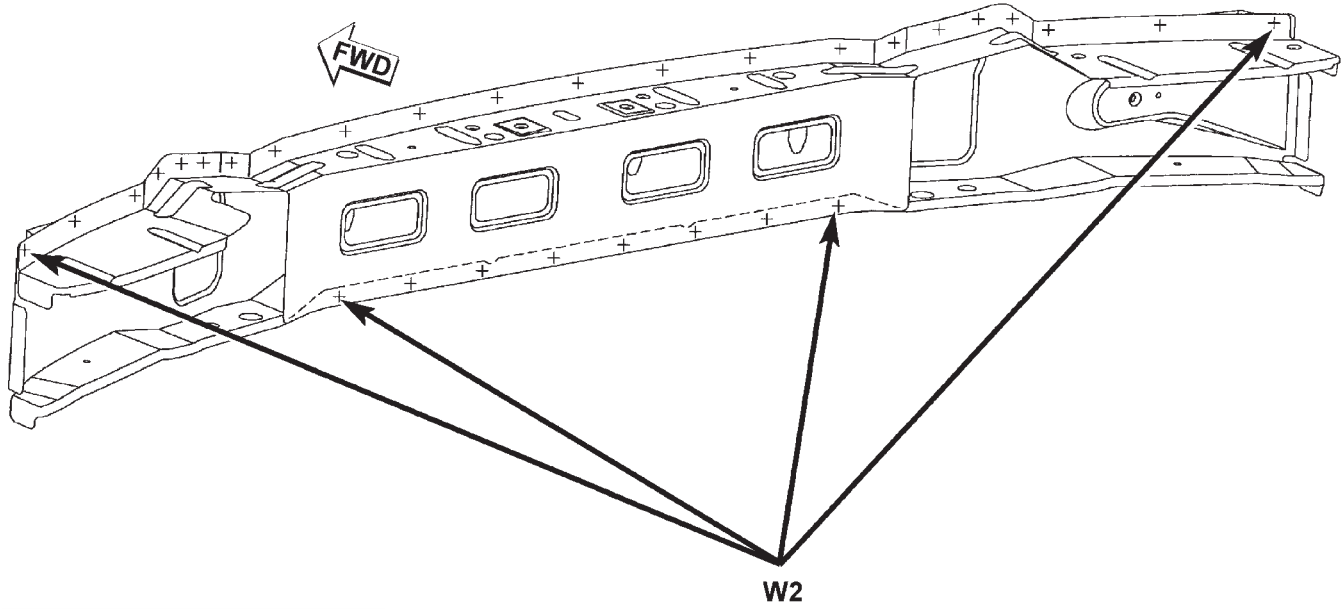


W2 - WELDING OF 2 PARTS  
W3 - WELDING OF 3 PARTS  
W4 - WELDING OF 4 PARTS

80b6fe5c

SPECIFICATIONS (Continued)

FRONT LOWER CROSSMEMBER



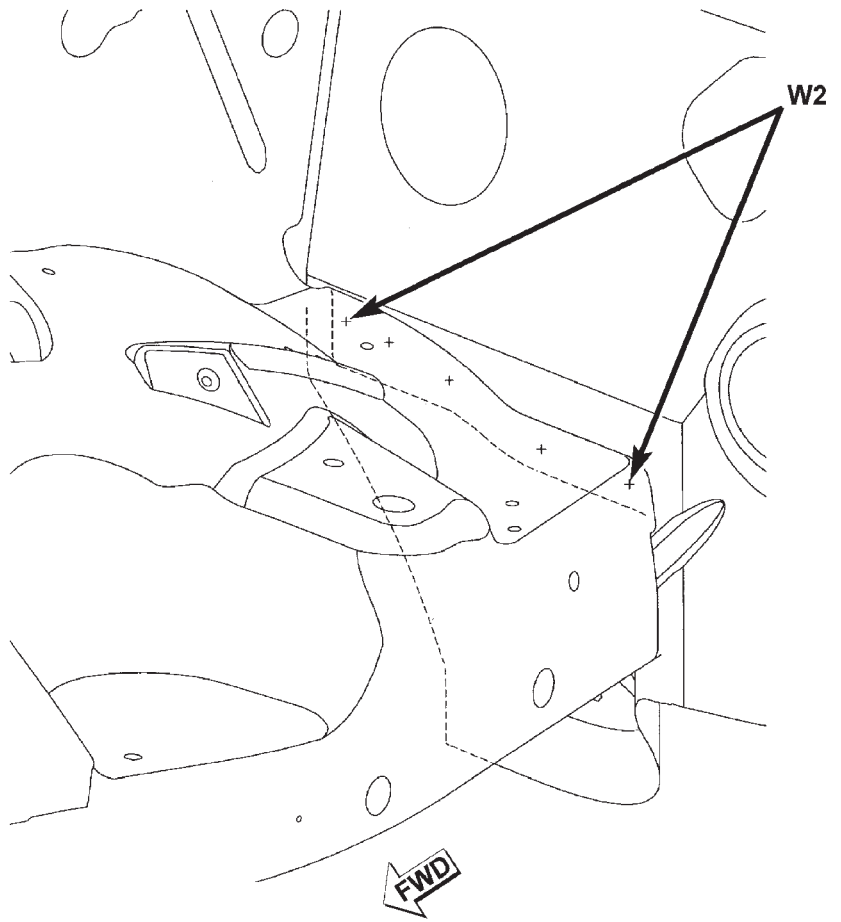
W2 - WELDING OF 2 PARTS  
W3 - WELDING OF 3 PARTS  
W4 - WELDING OF 4 PARTS

SPECIFICATIONS (Continued)

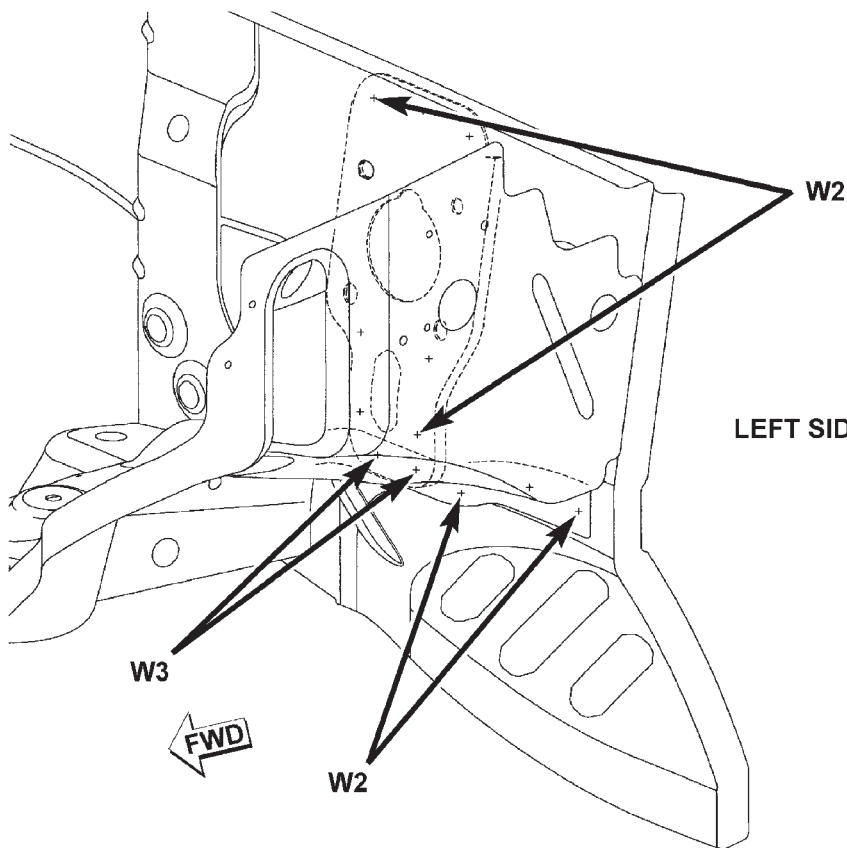
FRONT SUSPENSION SUPPORT TO DASH

W2 - WELDING OF 2 PARTS  
W3 - WELDING OF 3 PARTS  
W4 - WELDING OF 4 PARTS

RIGHT SIDE ONLY

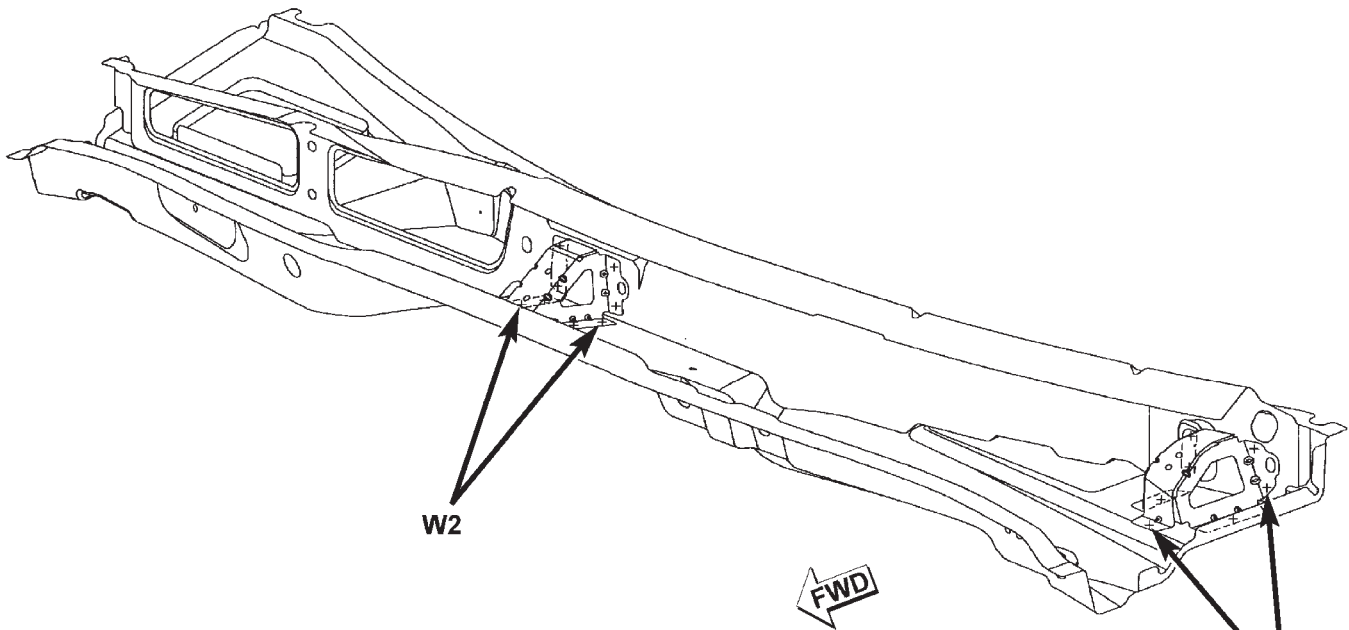


LEFT SIDE ONLY



SPECIFICATIONS (Continued)

WIPER MOUNTING BRACKETS TO PLENUM ASSEMBLY

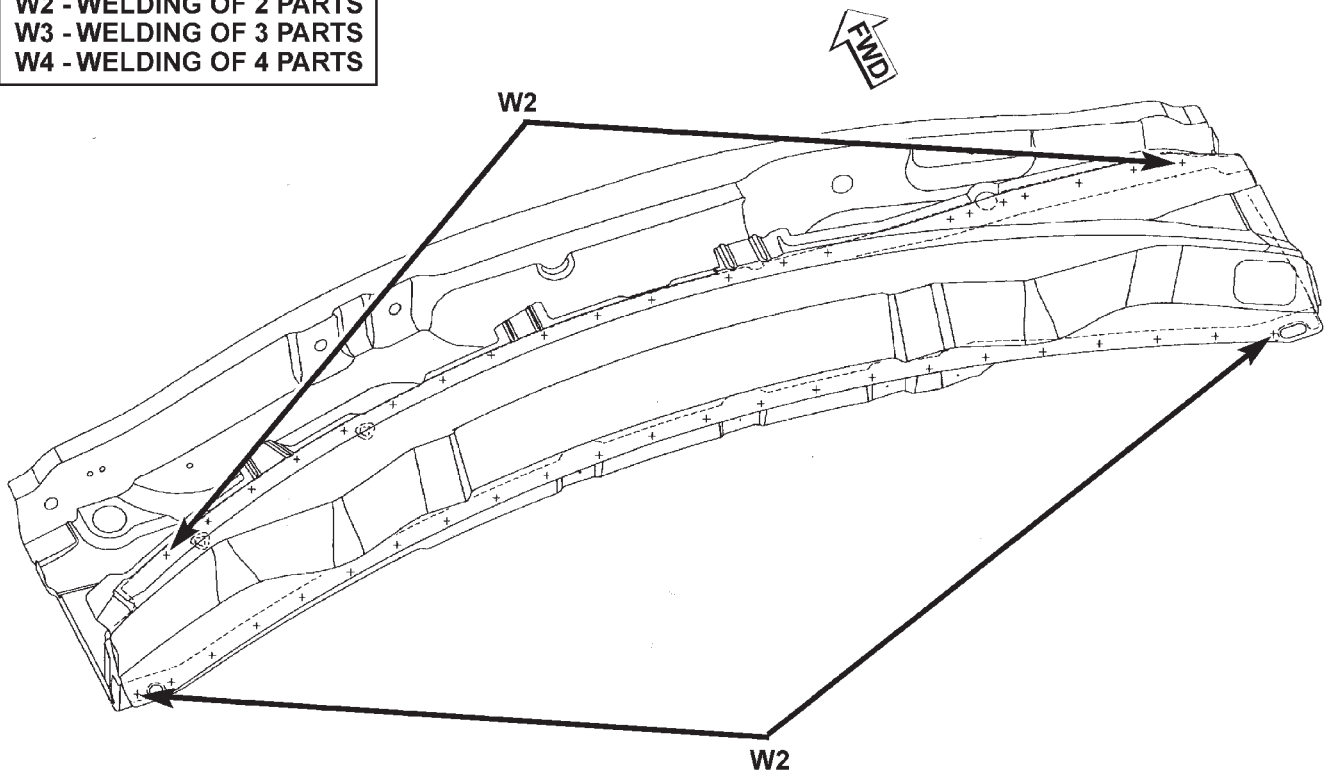


W2 - WELDING OF 2 PARTS  
W3 - WELDING OF 3 PARTS  
W4 - WELDING OF 4 PARTS

80b6fe3c

COWL TOP AND PLENUM ASSEMBLY

W2 - WELDING OF 2 PARTS  
W3 - WELDING OF 3 PARTS  
W4 - WELDING OF 4 PARTS

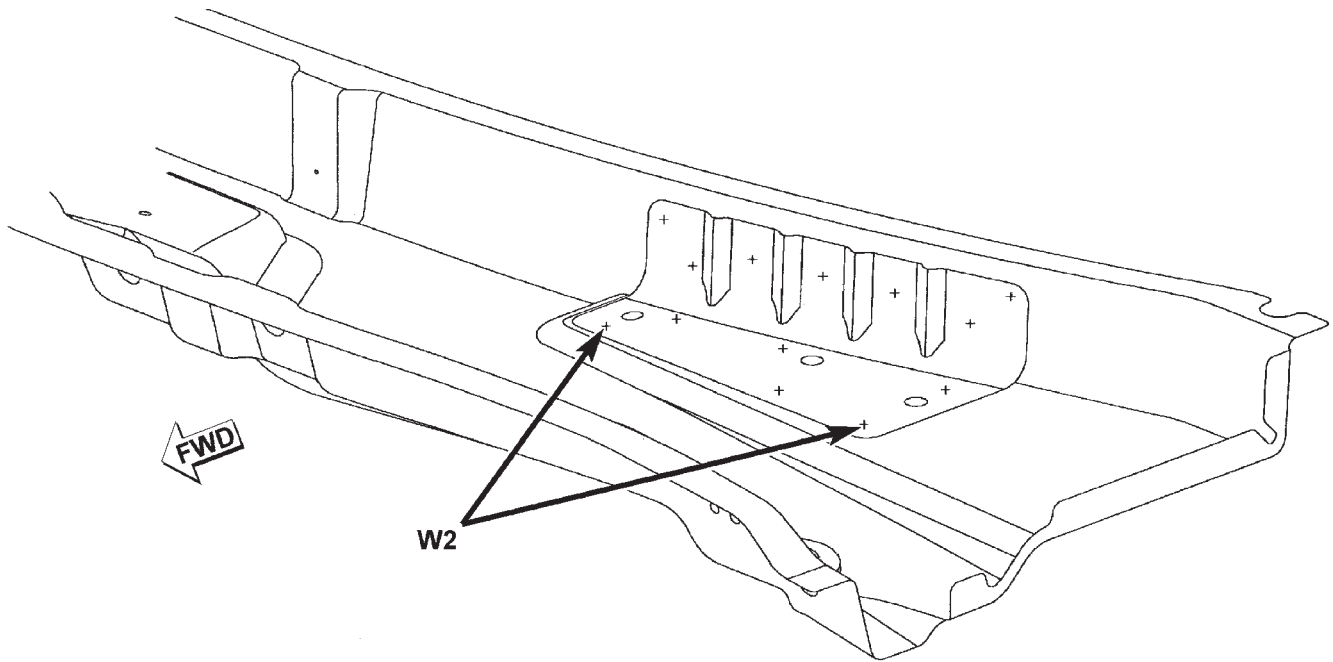


80b6fe3e



SPECIFICATIONS (Continued)

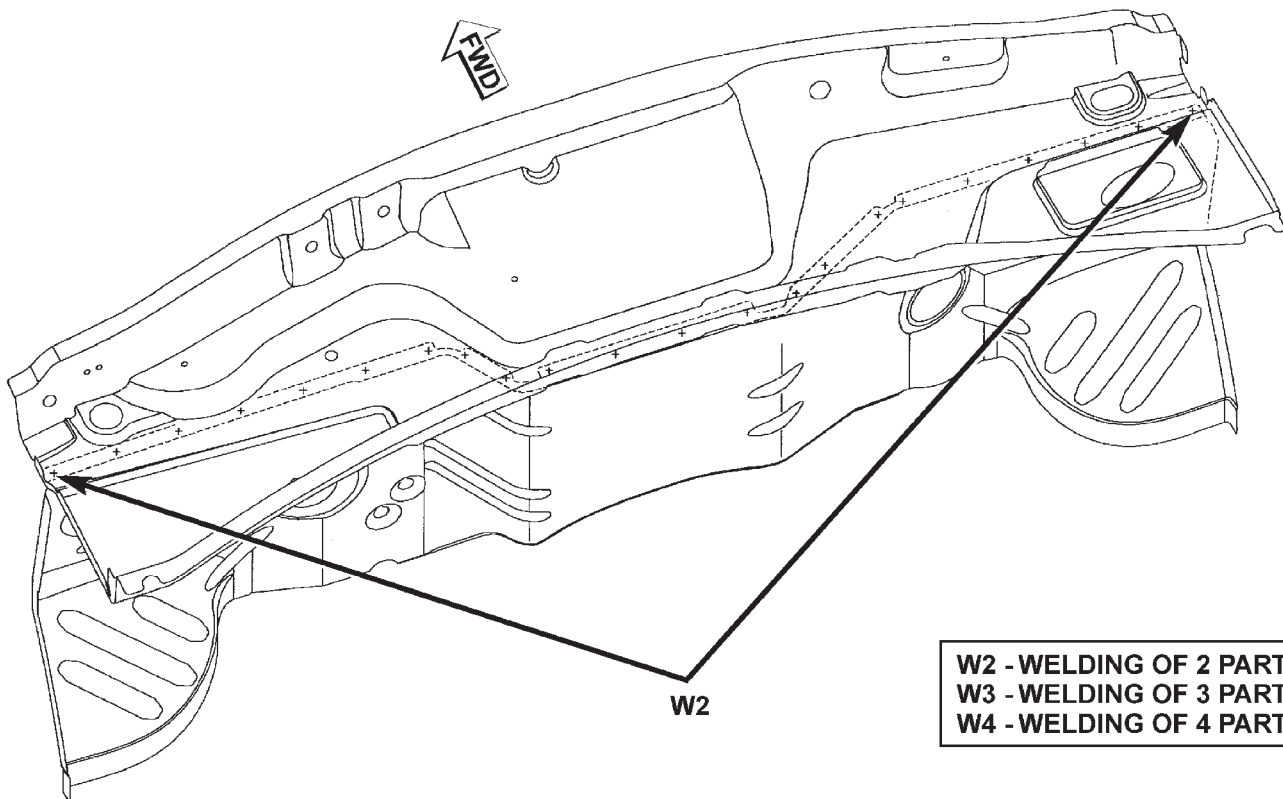
LOWER PLENUM REINFORCEMENT TO LOWER PLENUM PANEL



W2 - WELDING OF 2 PARTS  
W3 - WELDING OF 3 PARTS  
W4 - WELDING OF 4 PARTS

80b6fe3f

DASH PANEL TO LOWER PLENUM PANEL

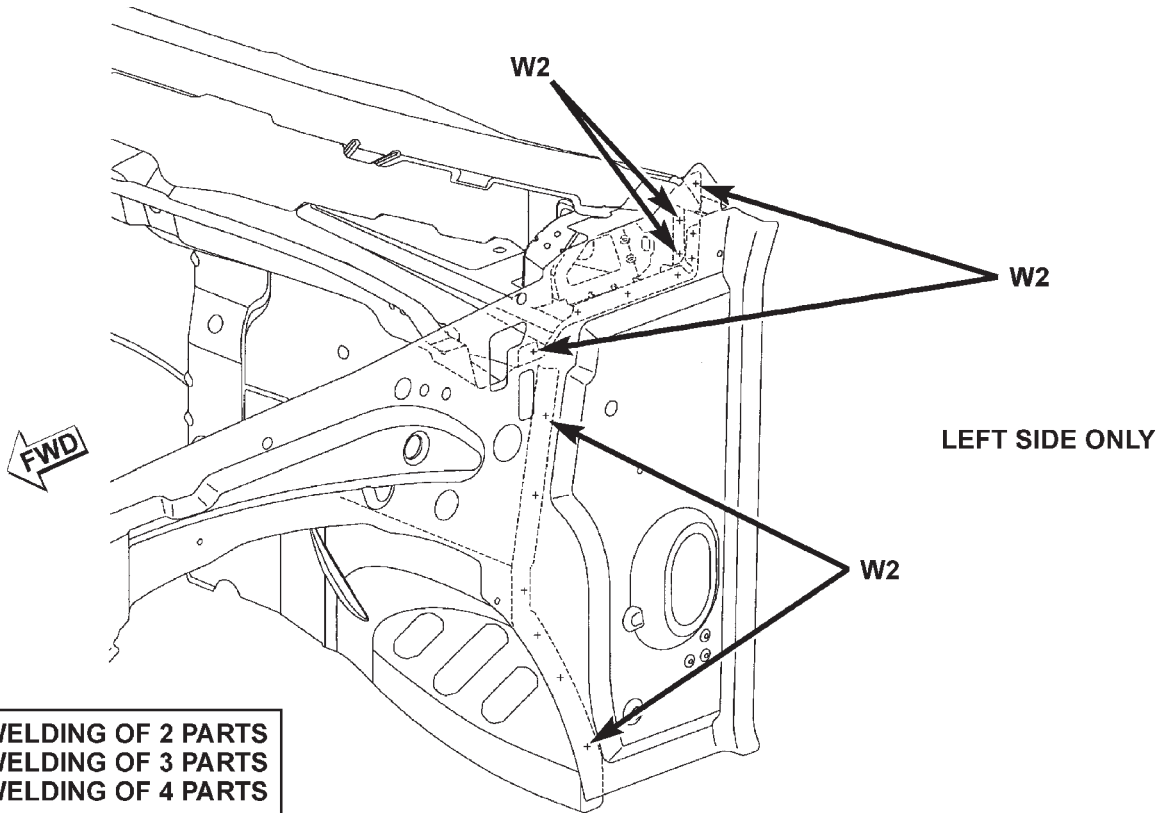


W2 - WELDING OF 2 PARTS  
W3 - WELDING OF 3 PARTS  
W4 - WELDING OF 4 PARTS

80b6fe40

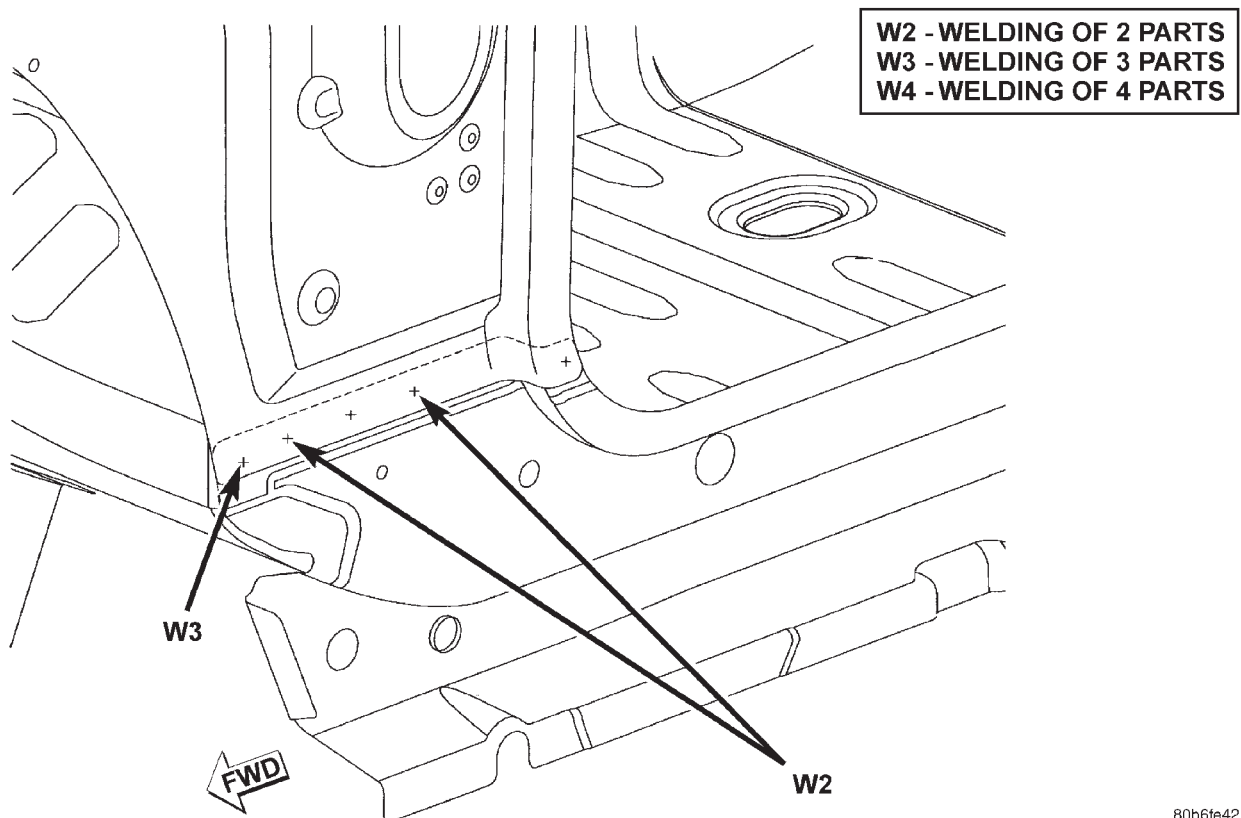
SPECIFICATIONS (Continued)

PLENUM ASSEMBLY TO COWL



80b6fe41

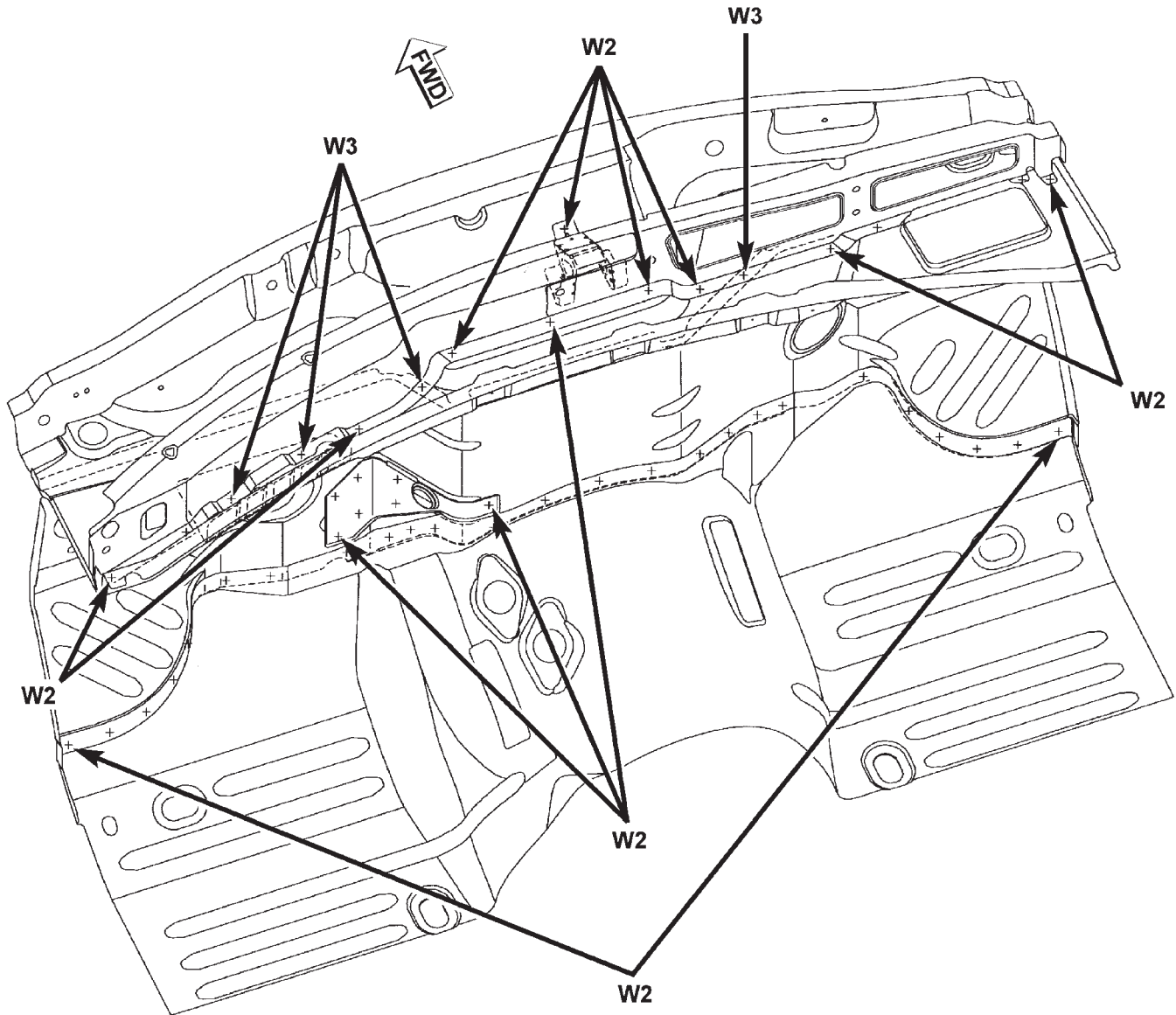
COWL PANEL TO BODYSIDE SILL



80b6fe42

SPECIFICATIONS (Continued)

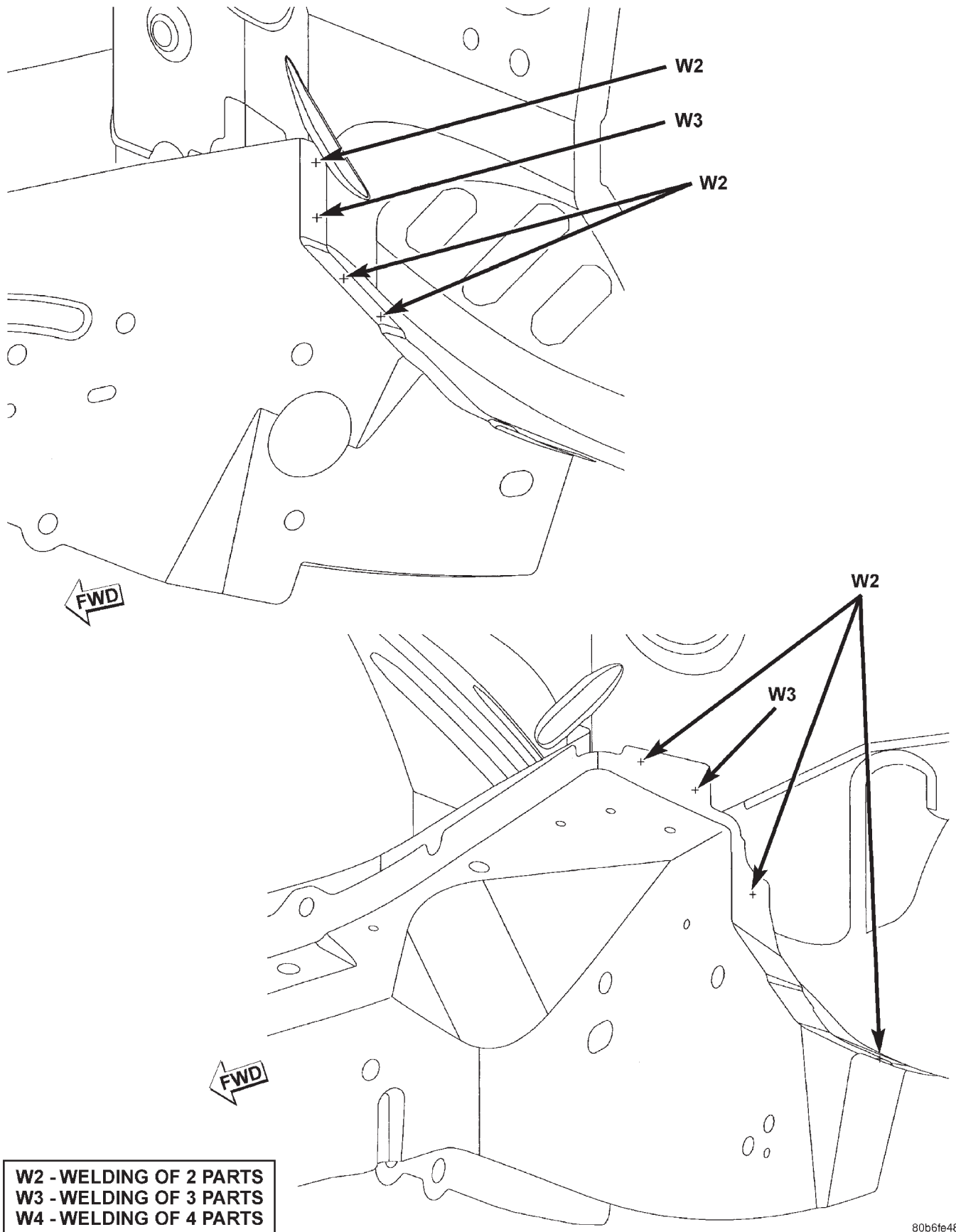
COWL PANEL TO FRONT FLOOR PAN



**W2 - WELDING OF 2 PARTS**  
**W3 - WELDING OF 3 PARTS**  
**W4 - WELDING OF 4 PARTS**

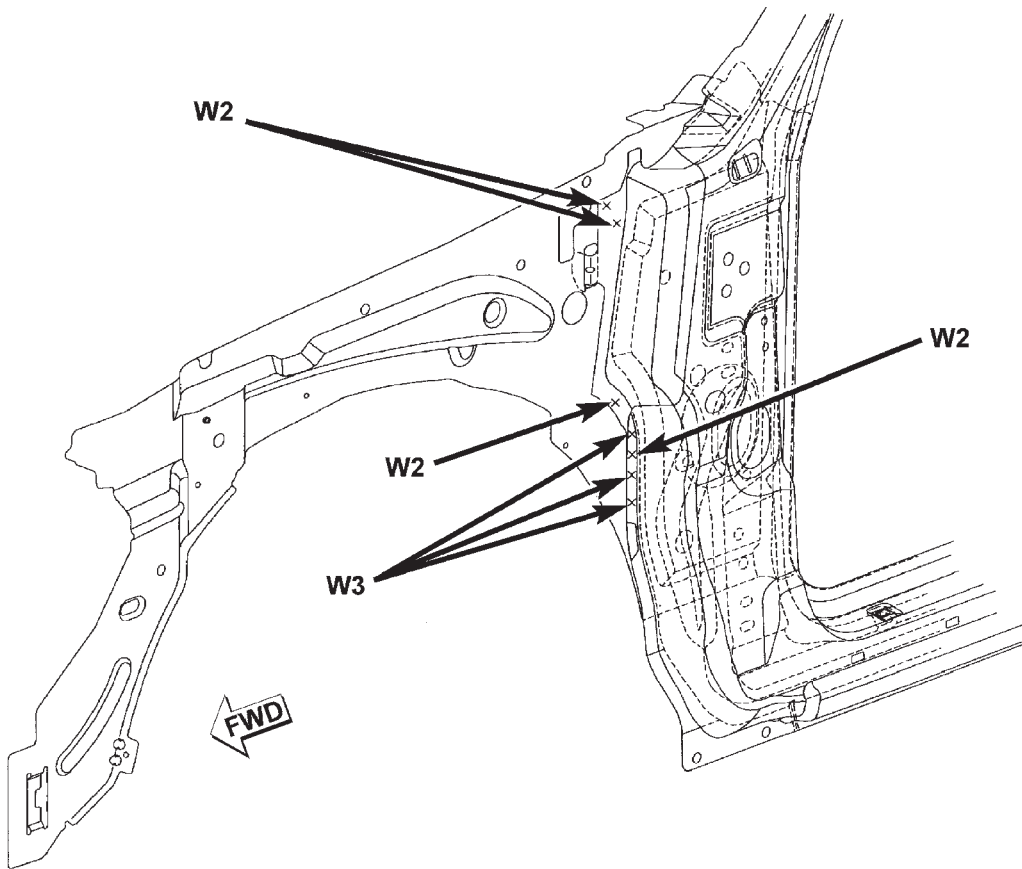
SPECIFICATIONS (Continued)

FRONT SILLS TO DASH AND FRONT FLOOR PAN

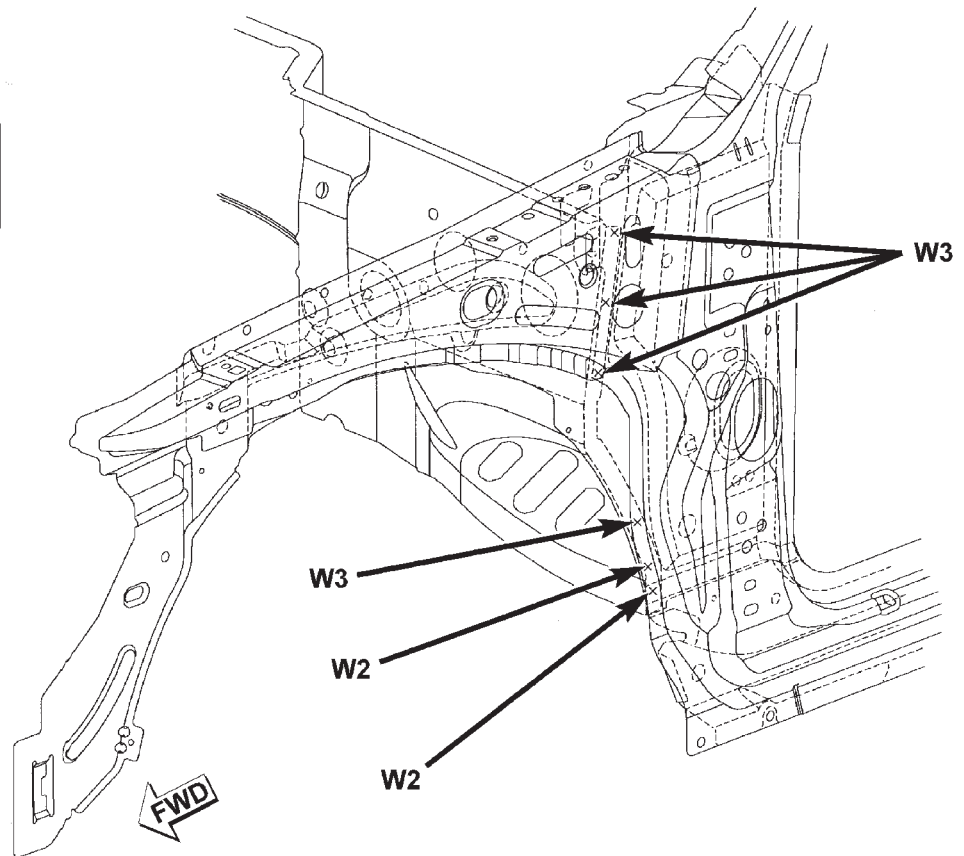


SPECIFICATIONS (Continued)

COWL SIDE PANEL DASH INNER BODYSIDE AND OUTER BODYSIDE PANELS

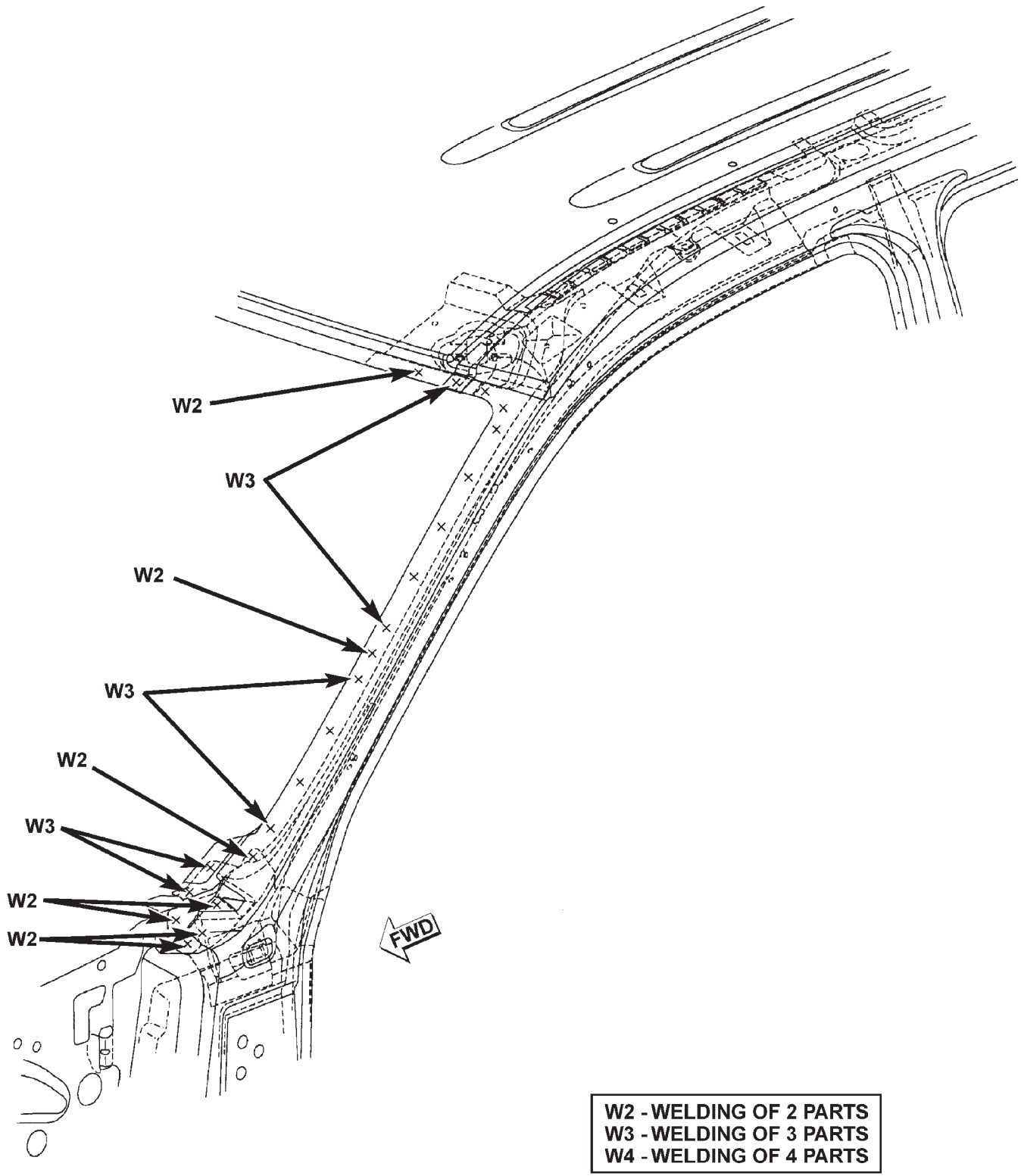


W2 - WELDING OF 2 PARTS  
W3 - WELDING OF 3 PARTS  
W4 - WELDING OF 4 PARTS



SPECIFICATIONS (Continued)

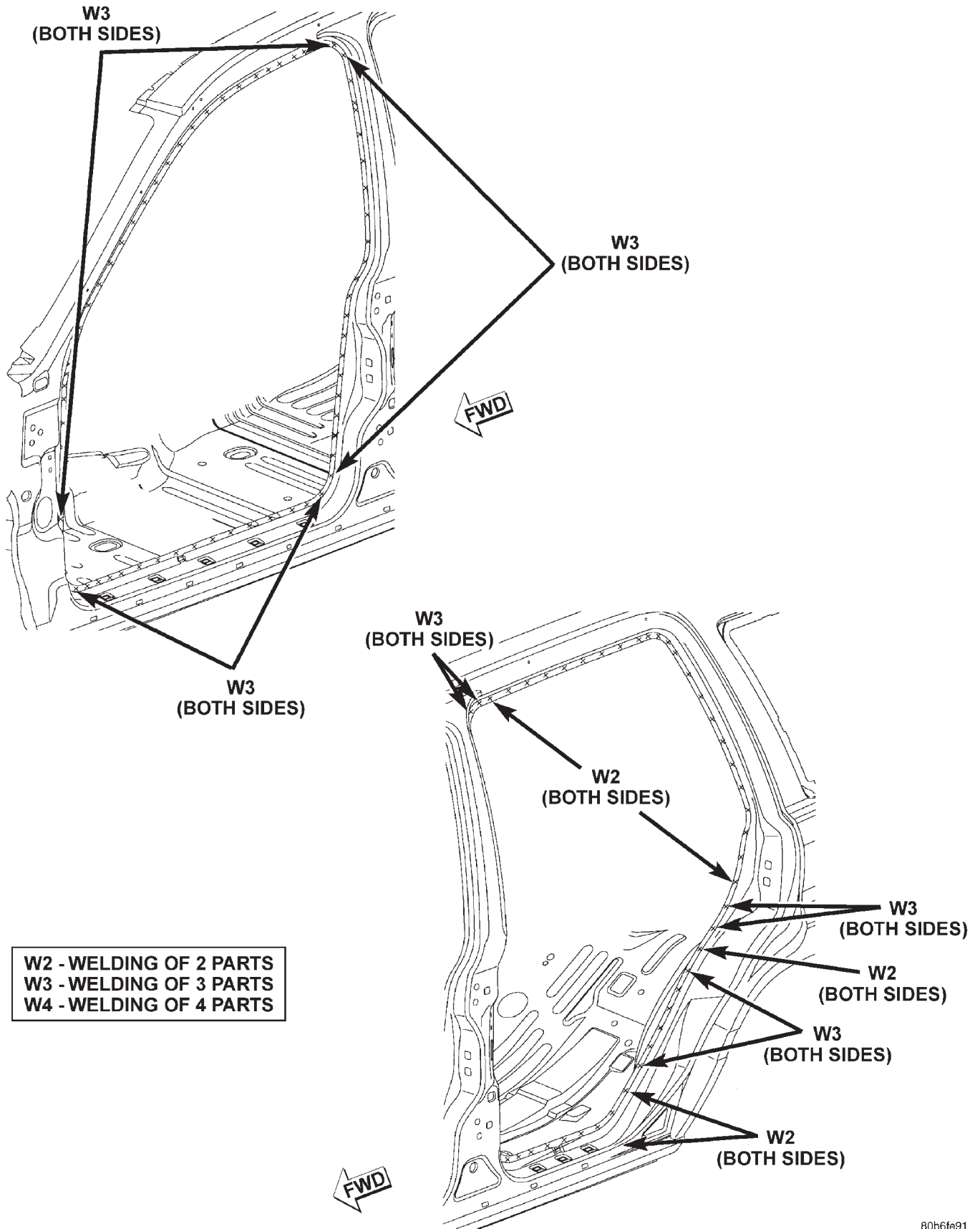
UPPER FRONT INNER PILLAR TO ROOF AND COWL





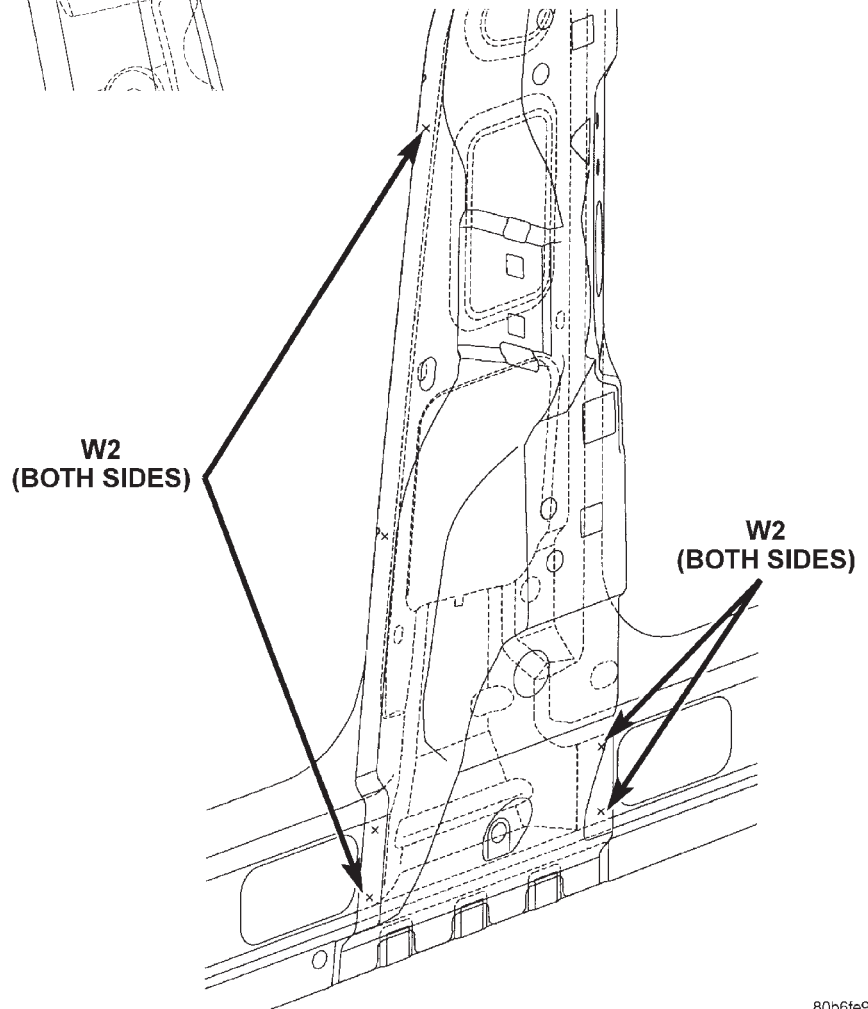
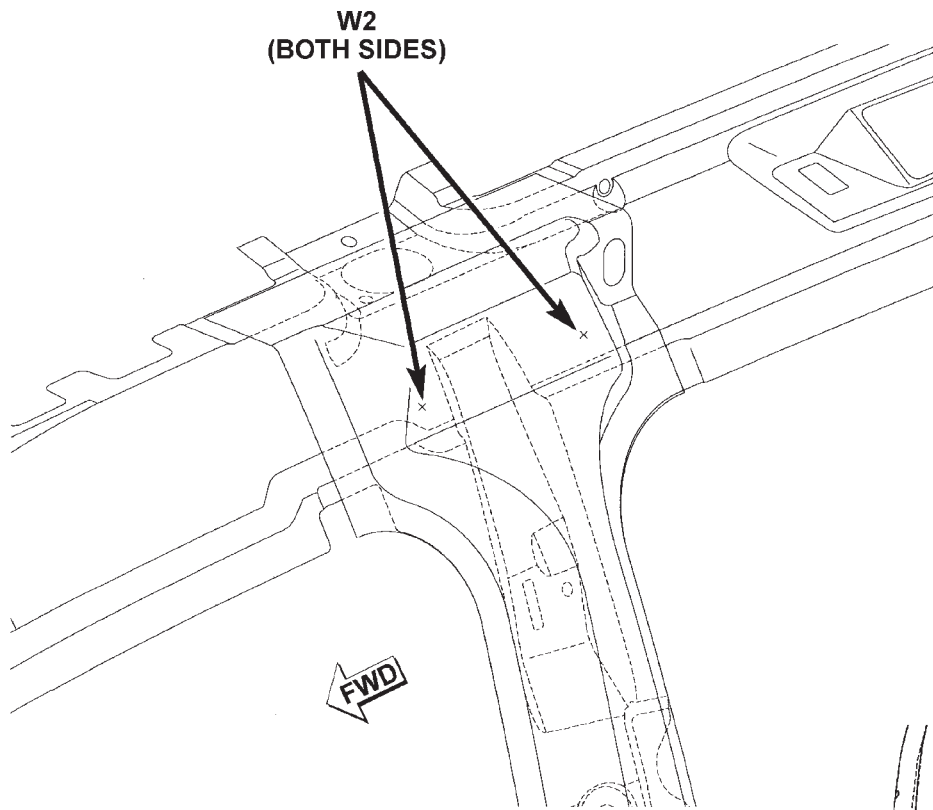
SPECIFICATIONS (Continued)

DOOR OPENINGS



SPECIFICATIONS (Continued)

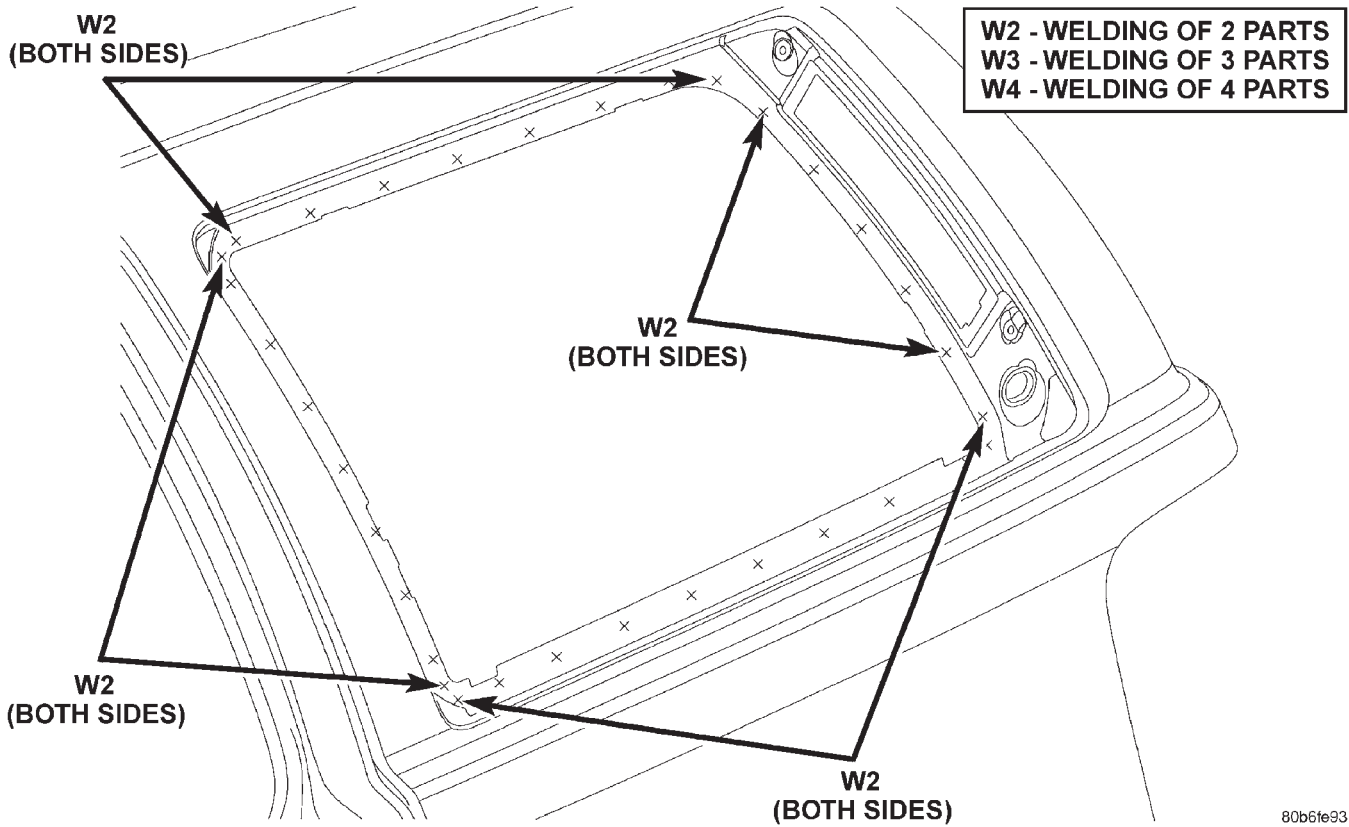
B-PILLAR REINFORCEMENT TO INNER BODYSIDE APERTURE



W2 - WELDING OF 2 PARTS  
W3 - WELDING OF 3 PARTS  
W4 - WELDING OF 4 PARTS

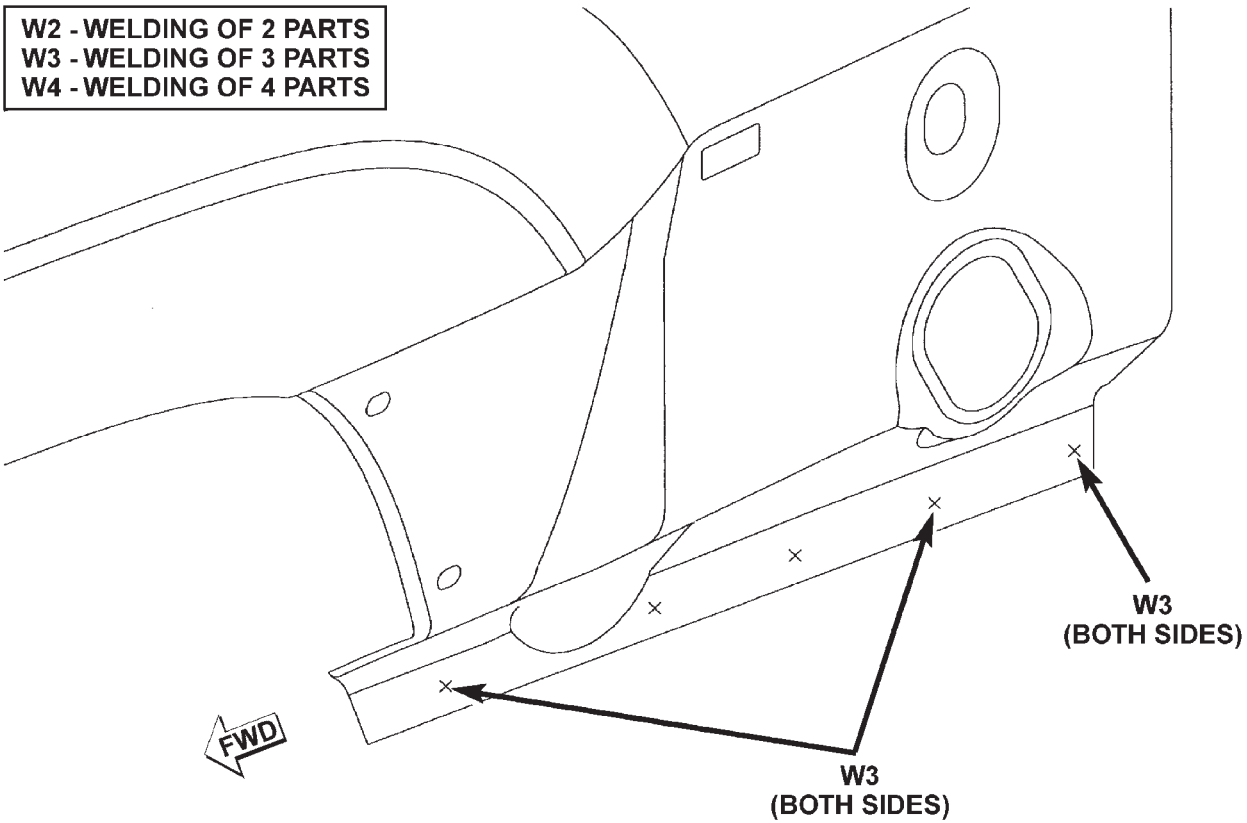
SPECIFICATIONS (Continued)

REAR QUARTER WINDOW TO BODYSIDE APERTURE INNER AND OUTER



80b6fe93

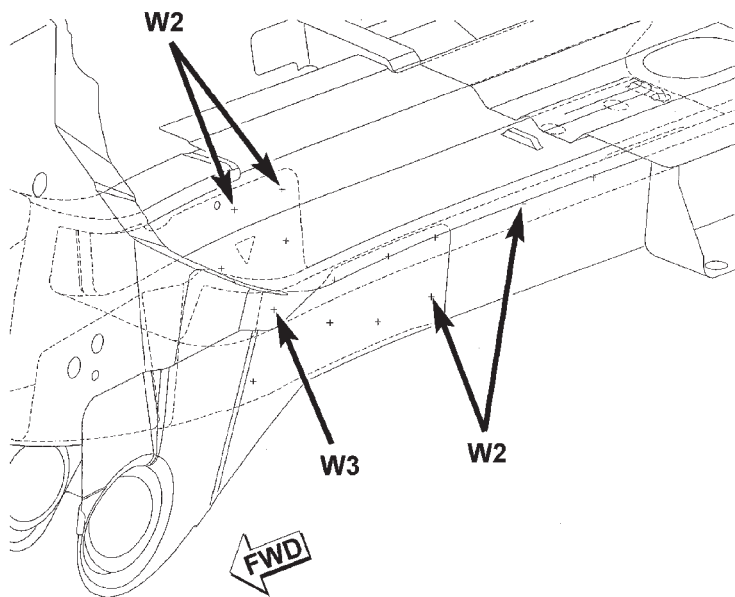
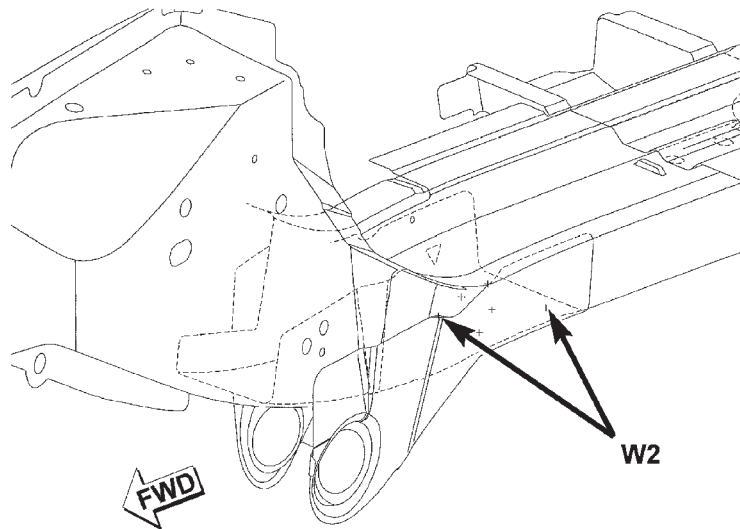
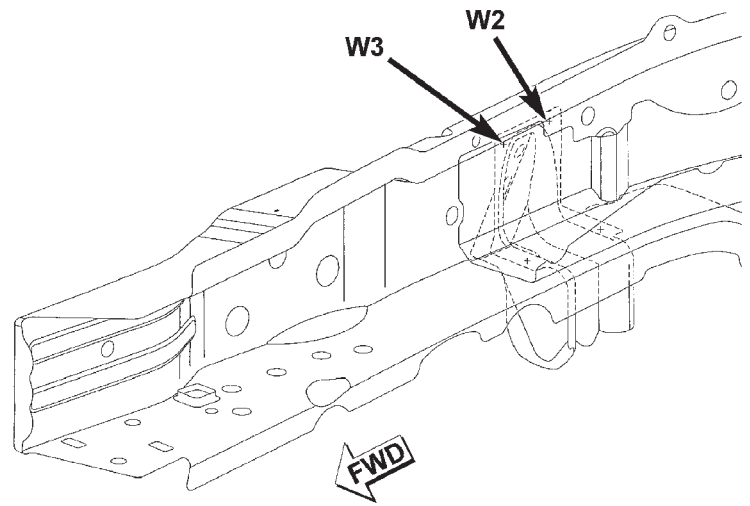
LOWER REAR QUARTER TO BODYSIDE APERTURE INNER AND OUTER



80b6fe94

SPECIFICATIONS (Continued)

INNER TRACK BAR, LOWER CONTROL ARM AND TRANSMISSION CROSSMEMBER BRACKETS TO FRONT SILLS

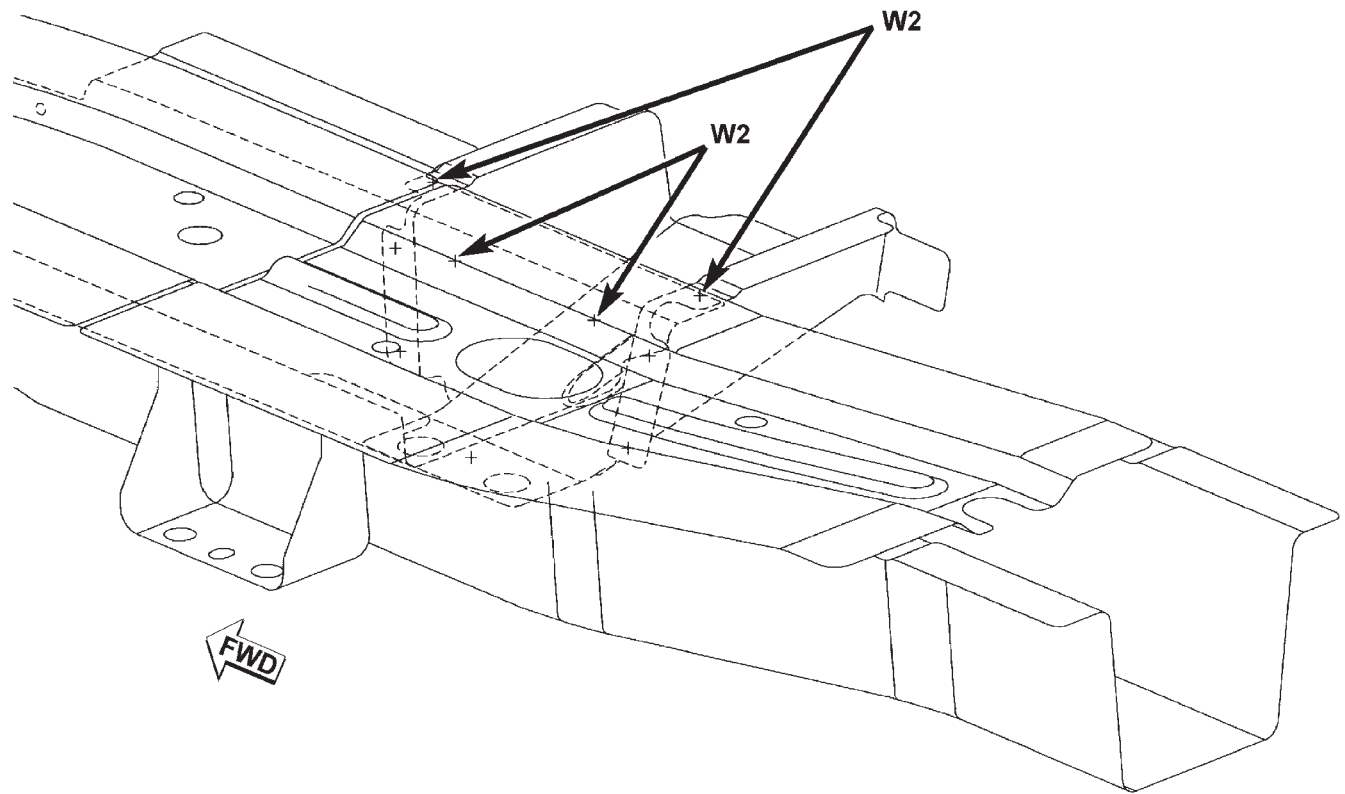
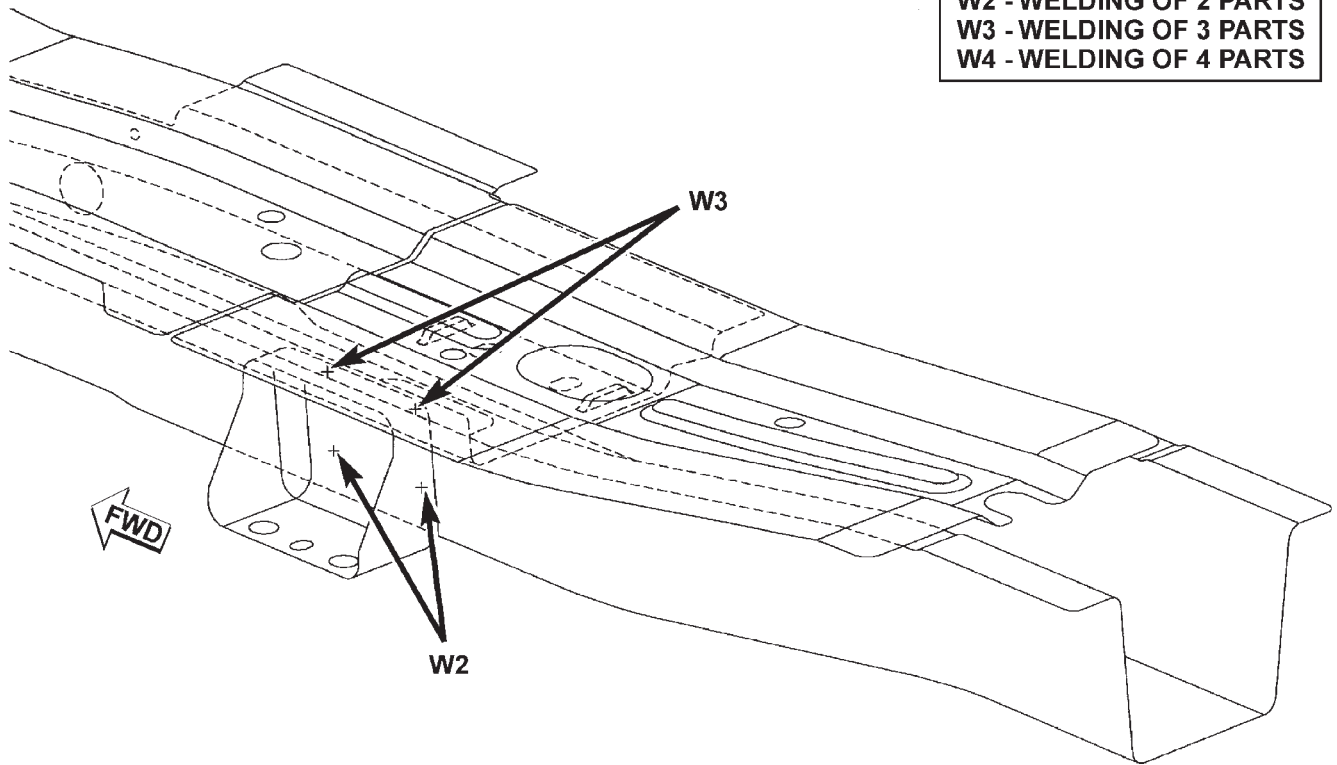


W2 - WELDING OF 2 PARTS  
W3 - WELDING OF 3 PARTS  
W4 - WELDING OF 4 PARTS

SPECIFICATIONS (Continued)

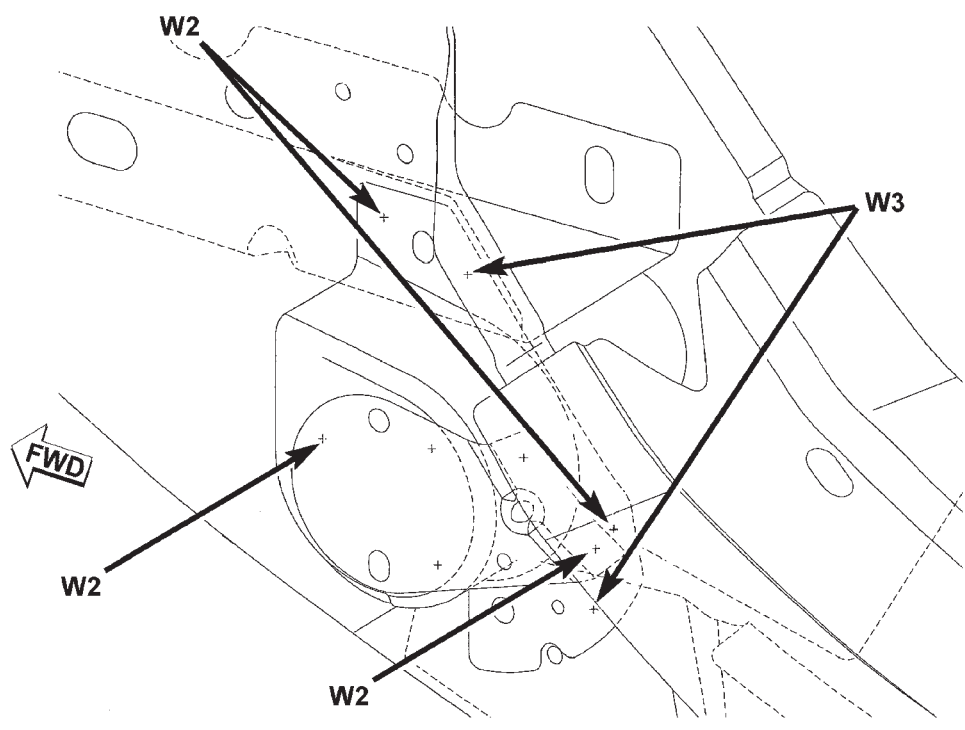
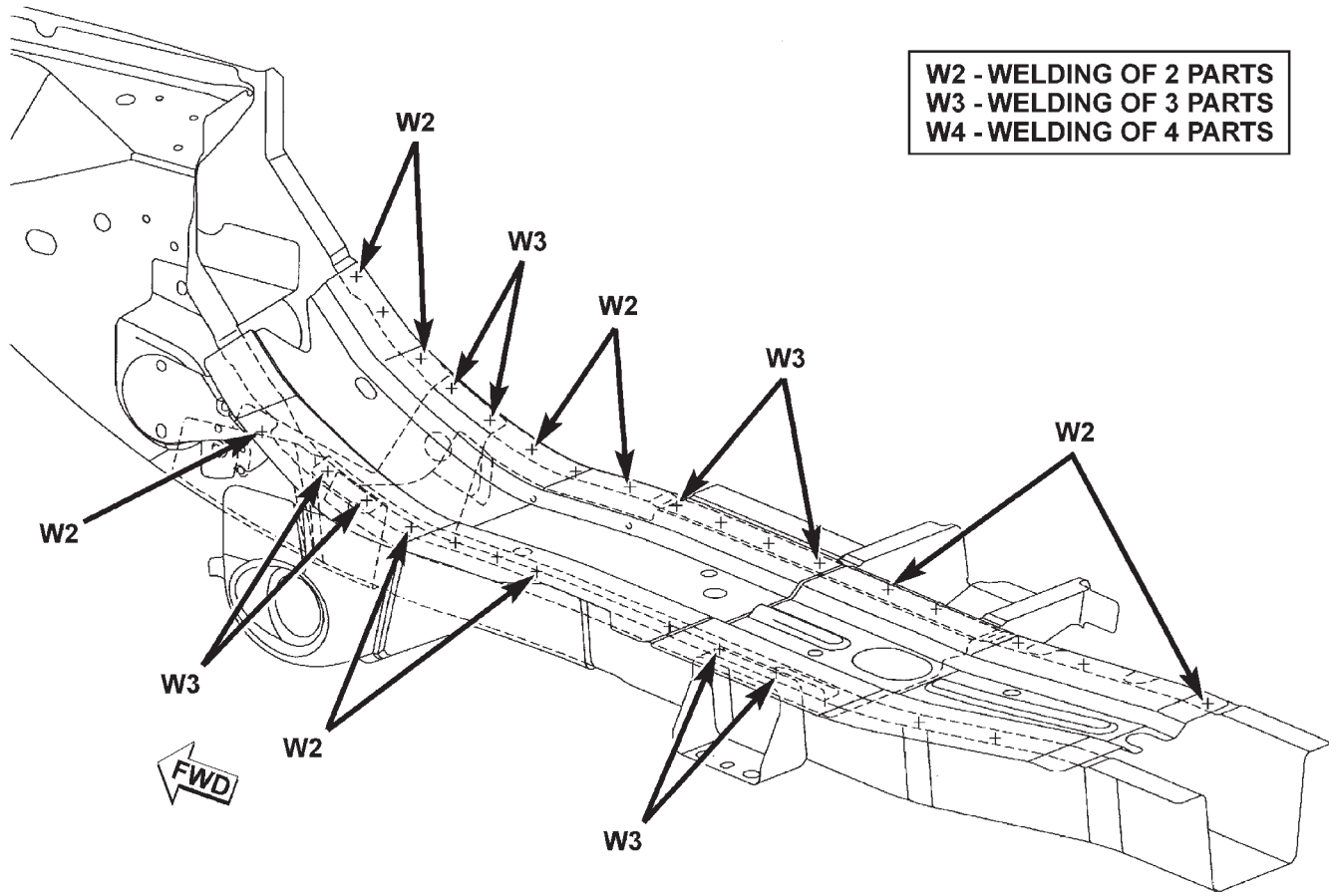
TRANSMISSION CROSSMEMBER BRACKET AND REINFORCEMENT TO FRONT SILLS

W2 - WELDING OF 2 PARTS  
W3 - WELDING OF 3 PARTS  
W4 - WELDING OF 4 PARTS



SPECIFICATIONS (Continued)

UPPER SILLS AND UPPER CONTROL ARM REINFORCEMENT AND BRACKETS TO FRONT SILLS

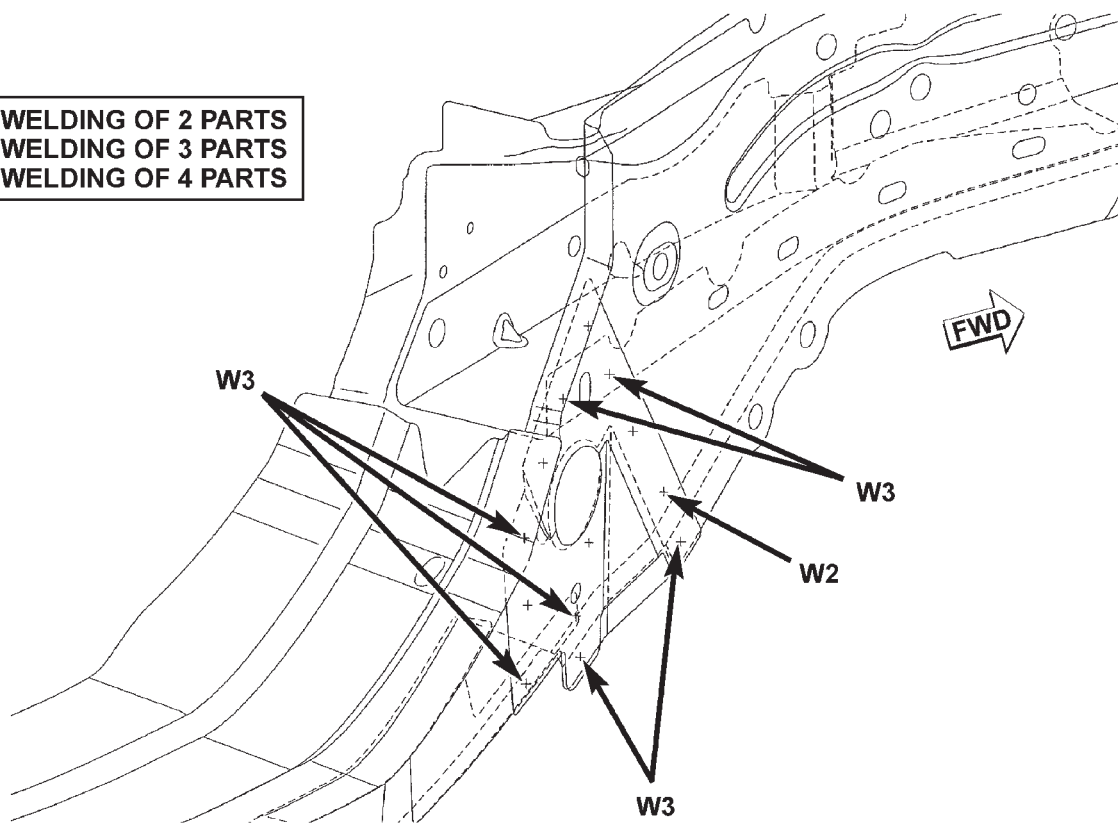




SPECIFICATIONS (Continued)

REINFORCEMENT TO FRONT OUTER SILLS

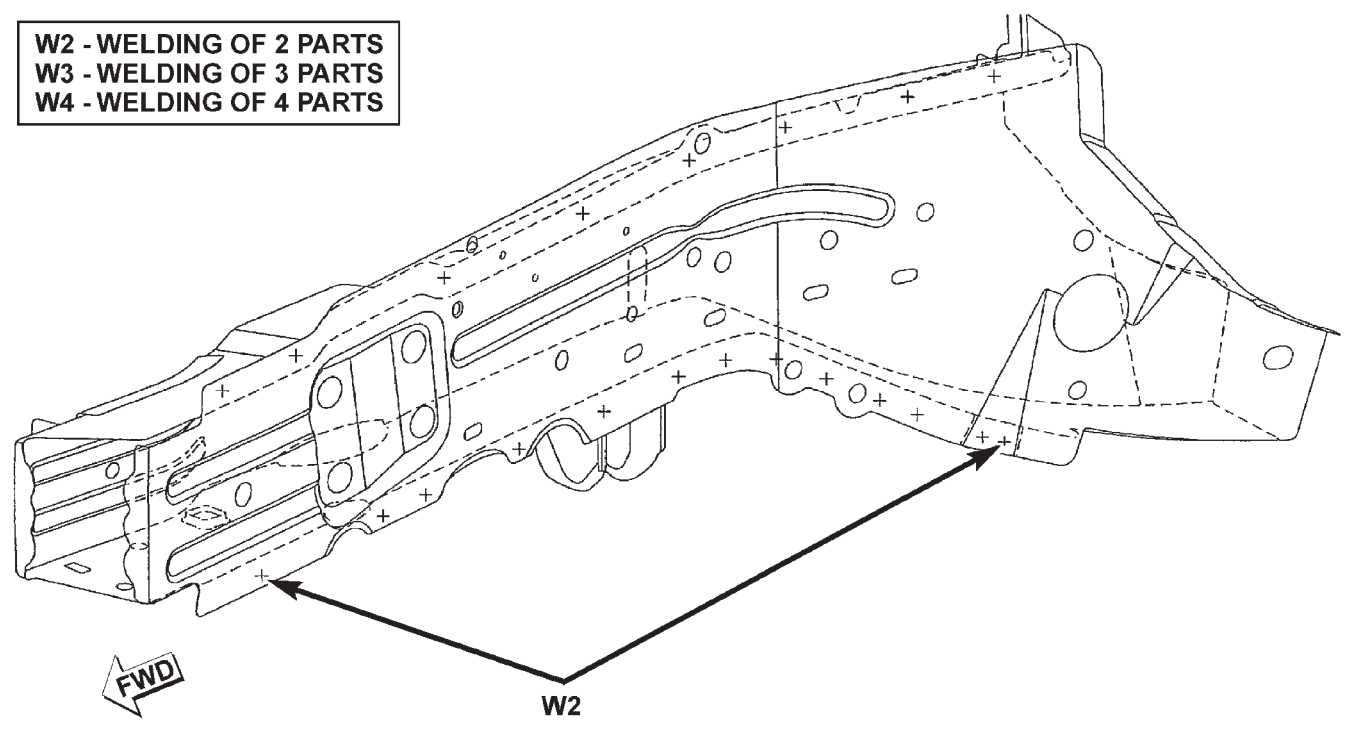
W2 - WELDING OF 2 PARTS  
W3 - WELDING OF 3 PARTS  
W4 - WELDING OF 4 PARTS



80b6fe85

FRONT INNER SILL TO FRONT OUTER SILL

W2 - WELDING OF 2 PARTS  
W3 - WELDING OF 3 PARTS  
W4 - WELDING OF 4 PARTS

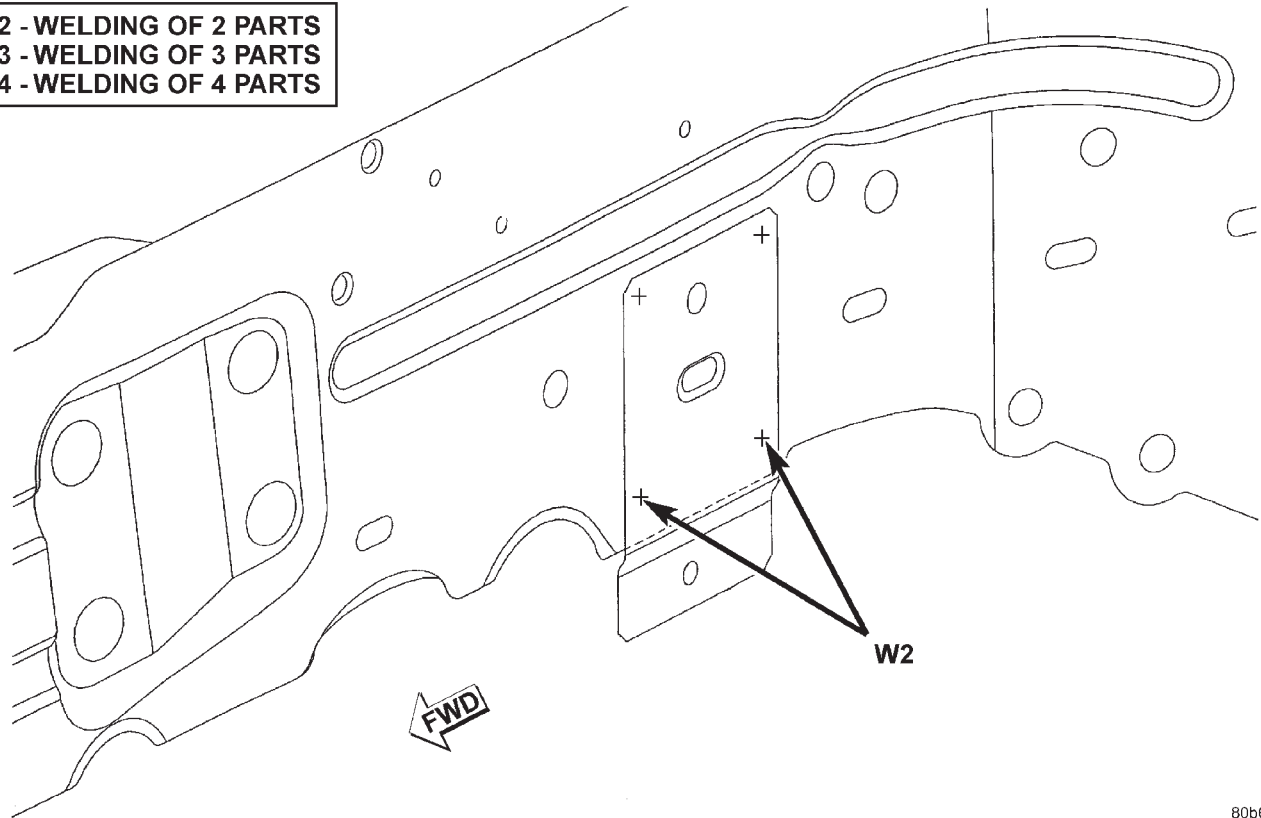


80b6fe86

SPECIFICATIONS (Continued)

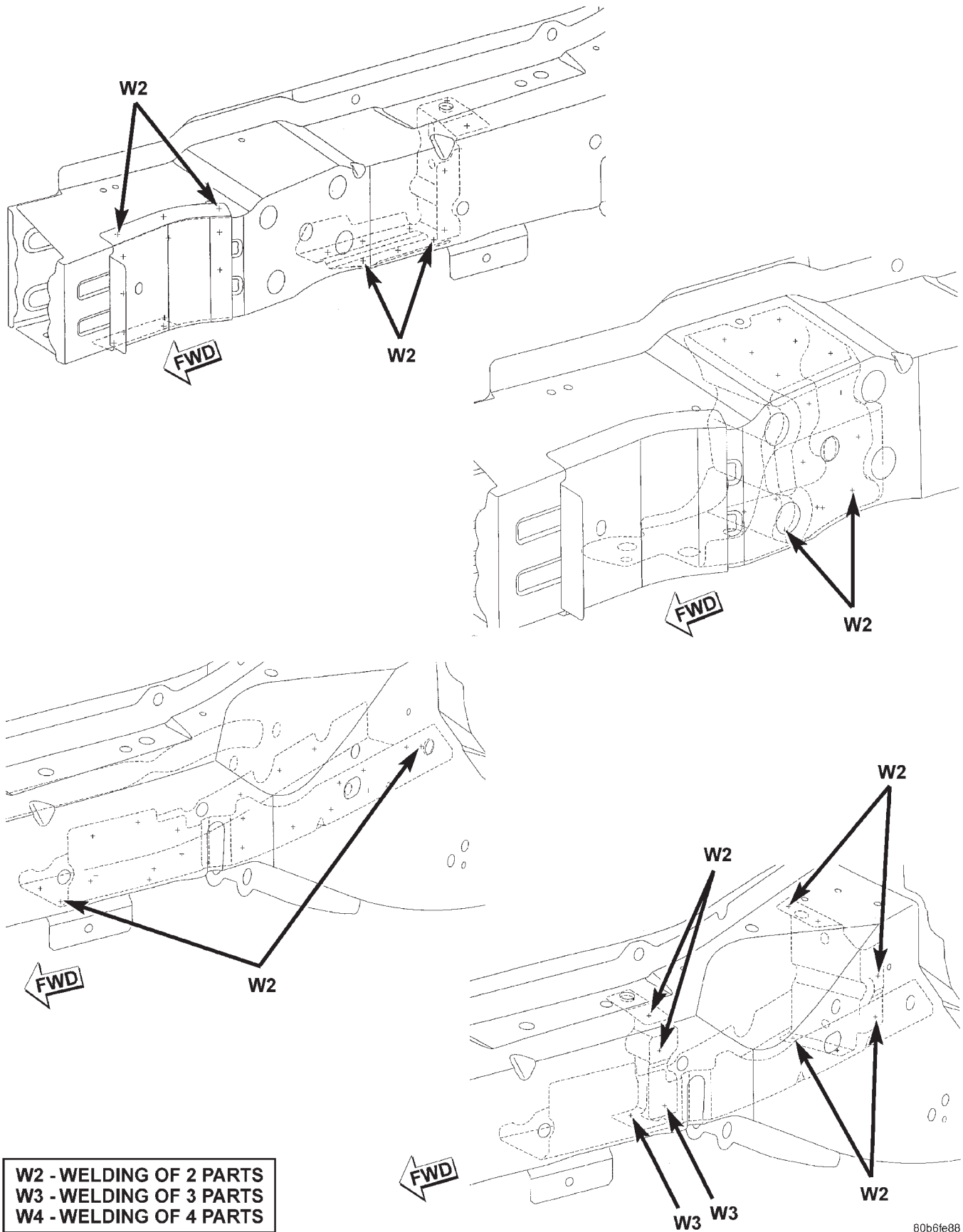
OUTER TRACK BAR BRACKET TO FRONT OUTER SILL

**W2 - WELDING OF 2 PARTS**  
**W3 - WELDING OF 3 PARTS**  
**W4 - WELDING OF 4 PARTS**



SPECIFICATIONS (Continued)

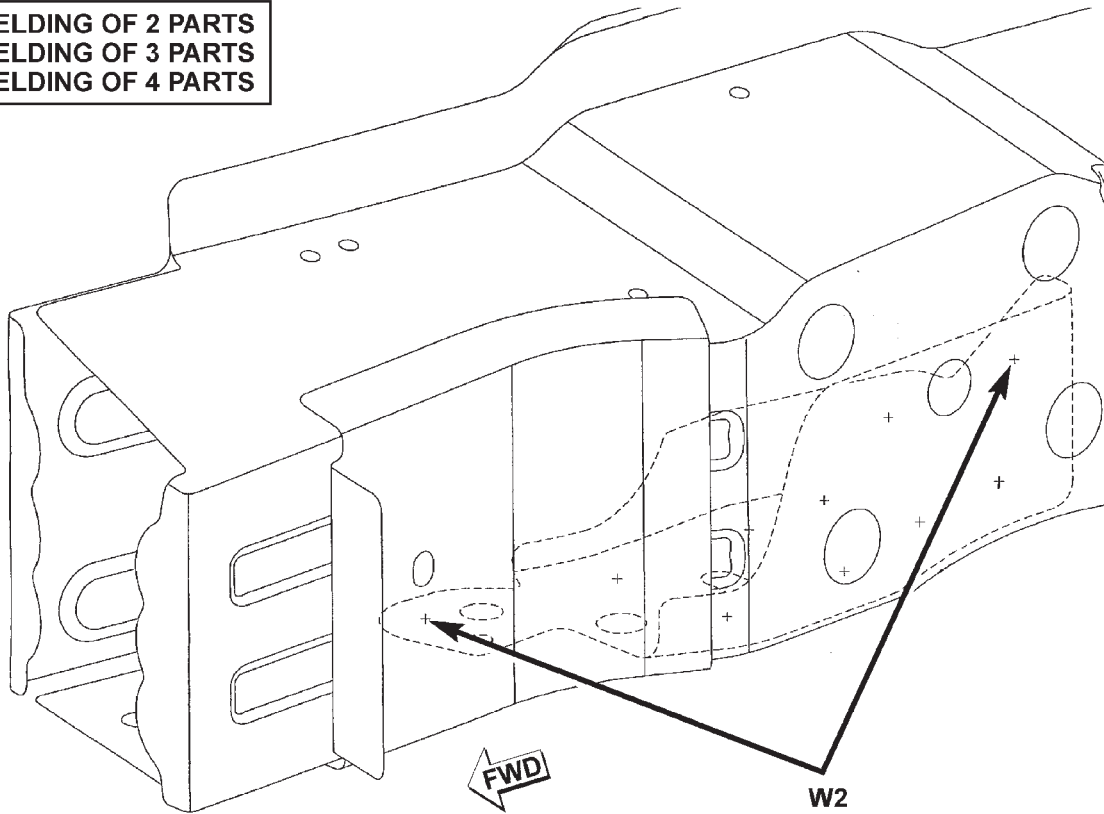
REINFORCEMENT FOR FRONT ENGINE MOUNTING AND STEERING GEAR TO FRONT INNER SILL



SPECIFICATIONS (Continued)

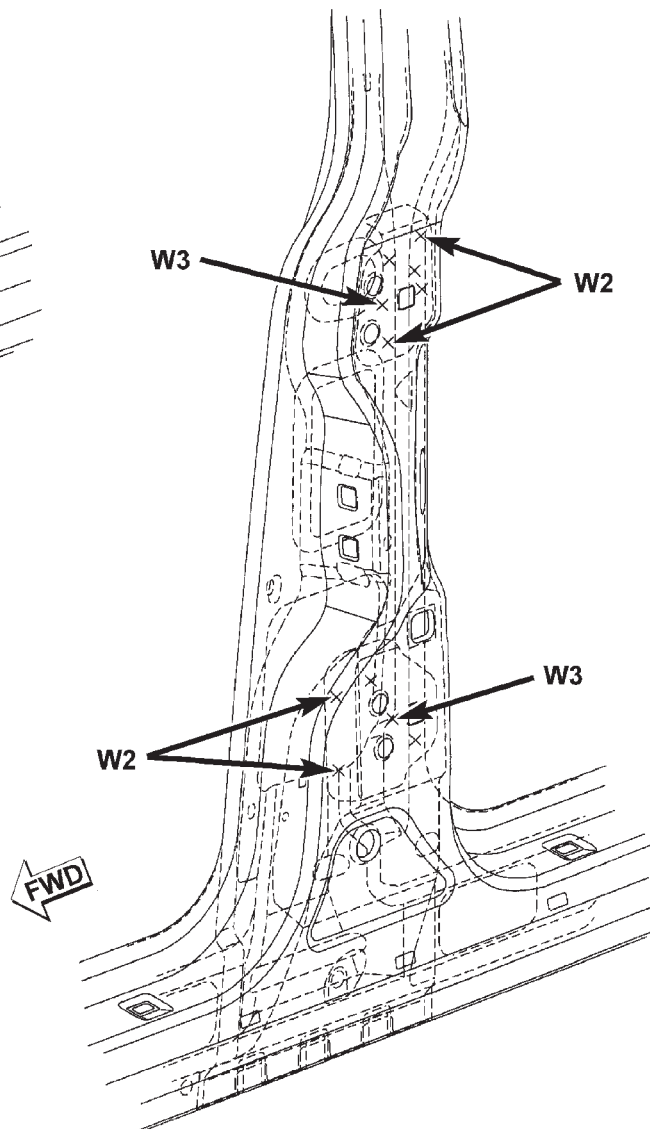
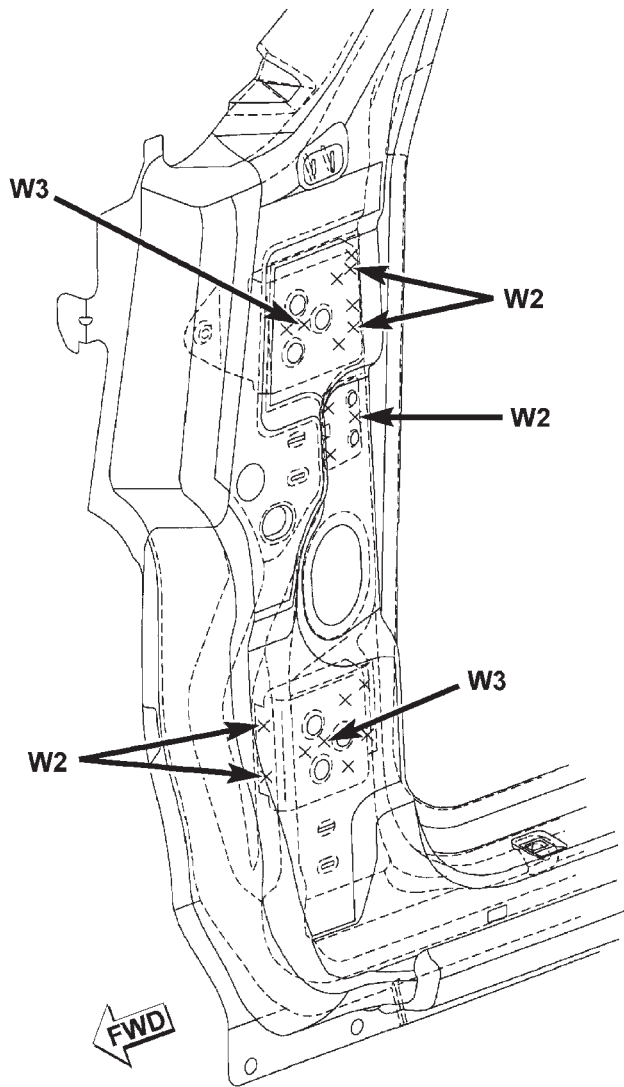
LARGE AND SMALL SWAY BAR TAPPING PLATES  
TO FRONT INNER SILLS

**W2 - WELDING OF 2 PARTS**  
**W3 - WELDING OF 3 PARTS**  
**W4 - WELDING OF 4 PARTS**



SPECIFICATIONS (Continued)

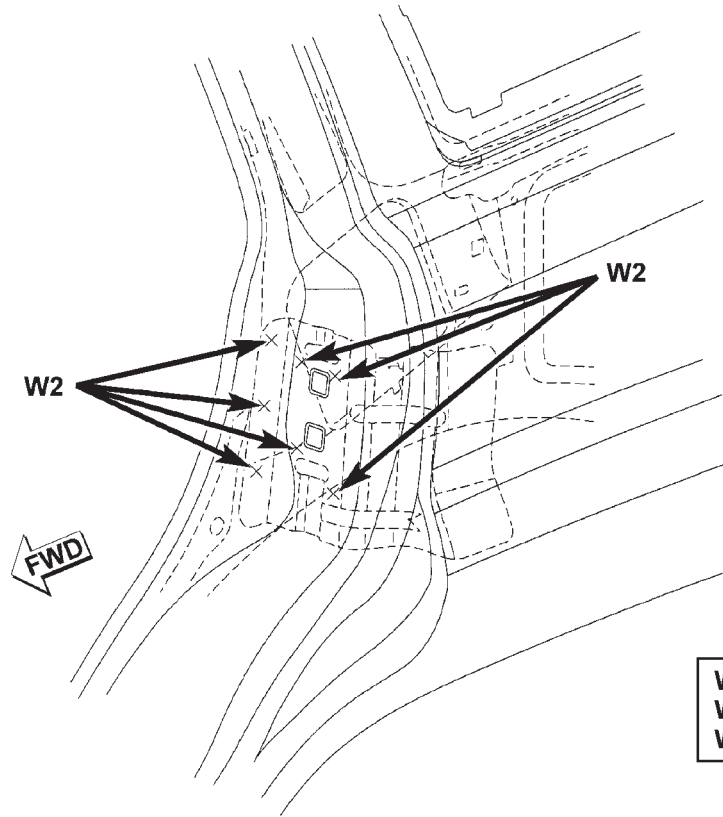
FRONT AND REAR DOOR HINGE TAPPING PLATES



**W2 - WELDING OF 2 PARTS**  
**W3 - WELDING OF 3 PARTS**  
**W4 - WELDING OF 4 PARTS**

SPECIFICATIONS (Continued)

REAR DOOR STRIKER REINFORCEMENT

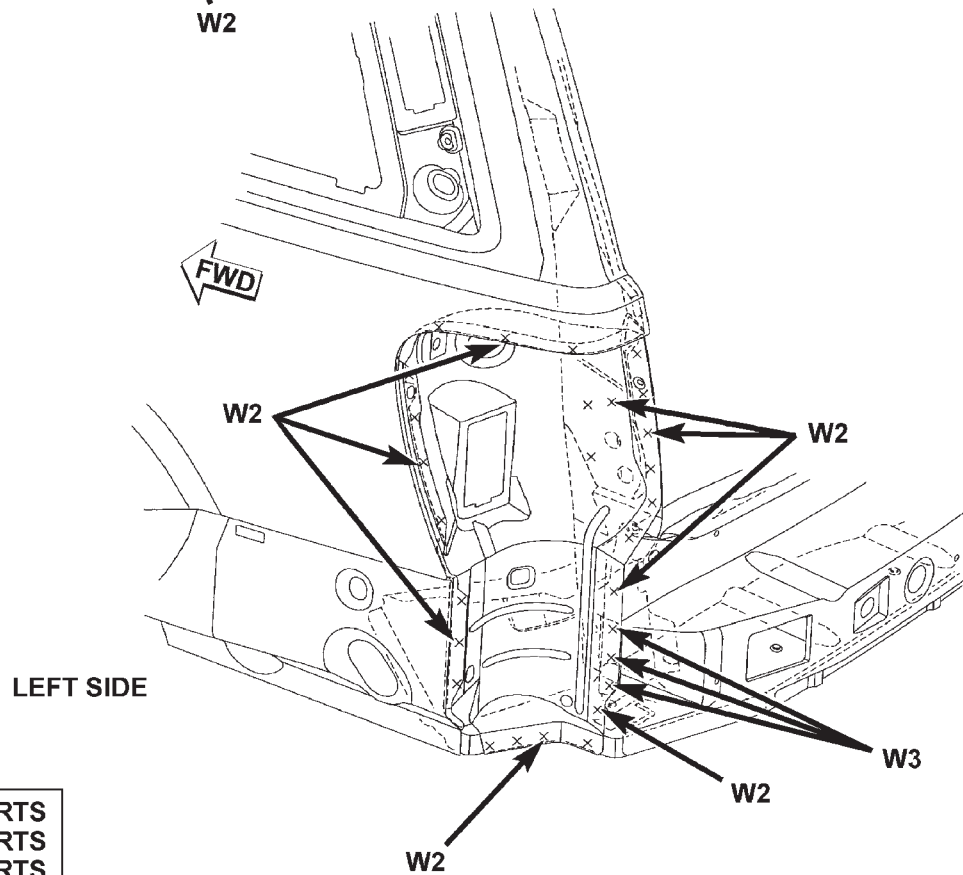
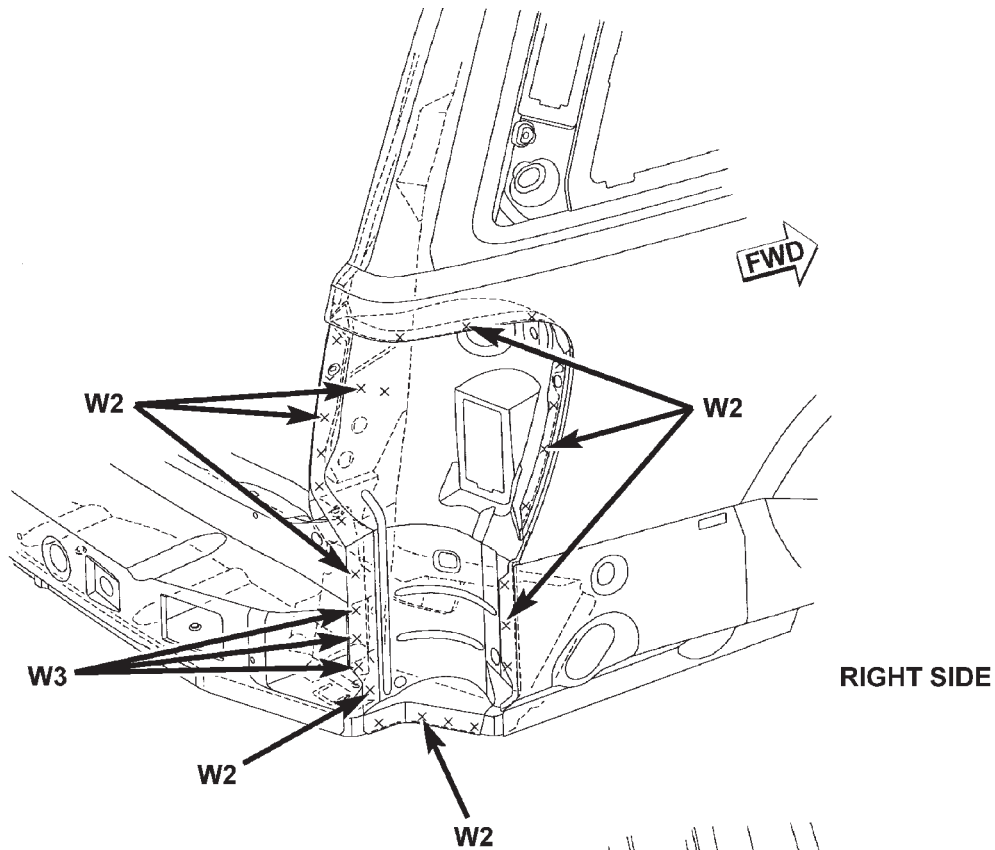


**W2 - WELDING OF 2 PARTS**  
**W3 - WELDING OF 3 PARTS**  
**W4 - WELDING OF 4 PARTS**



SPECIFICATIONS (Continued)

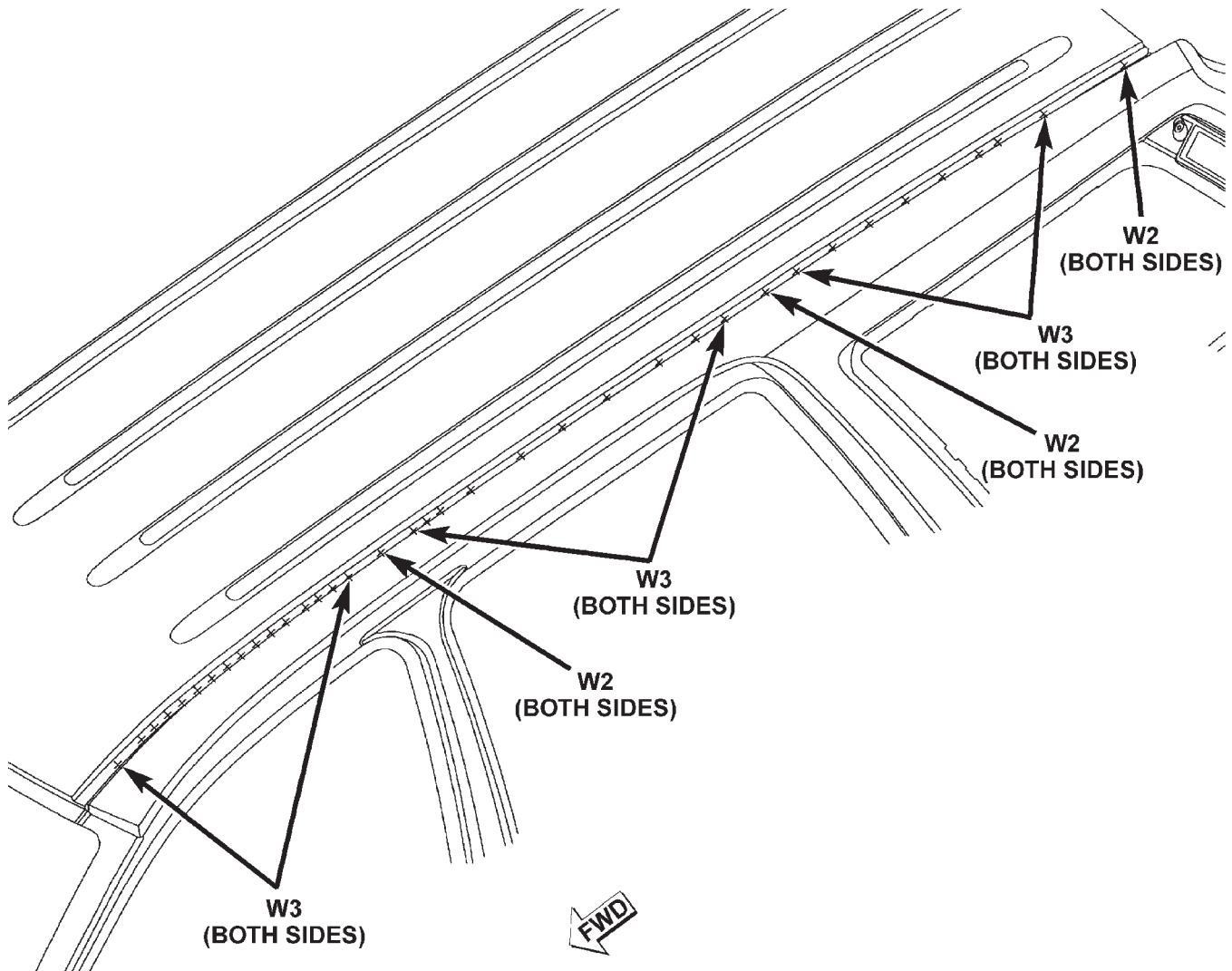
TAIL LAMP MOUNTING PANELS



W2 - WELDING OF 2 PARTS  
W3 - WELDING OF 3 PARTS  
W4 - WELDING OF 4 PARTS

SPECIFICATIONS (Continued)

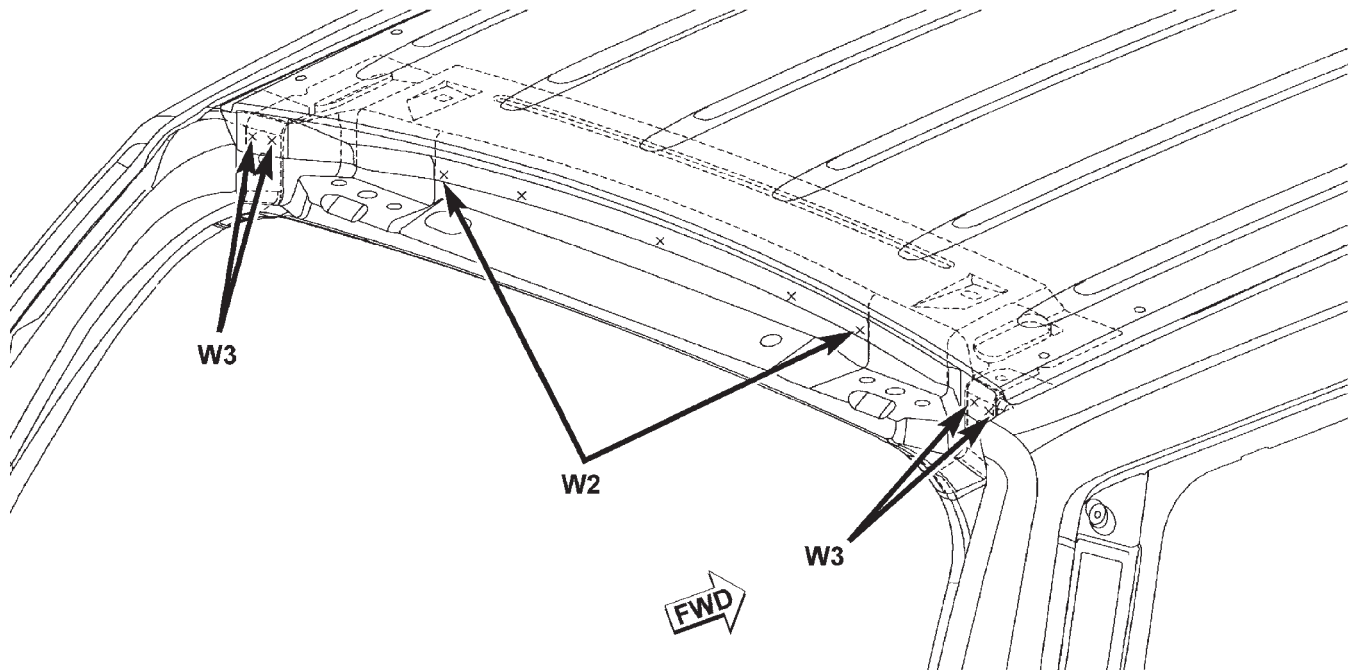
ROOF PANEL TO BODYSIDE APERTURE



<p>W2 - WELDING OF 2 PARTS W3 - WELDING OF 3 PARTS W4 - WELDING OF 4 PARTS</p>
--

SPECIFICATIONS (Continued)

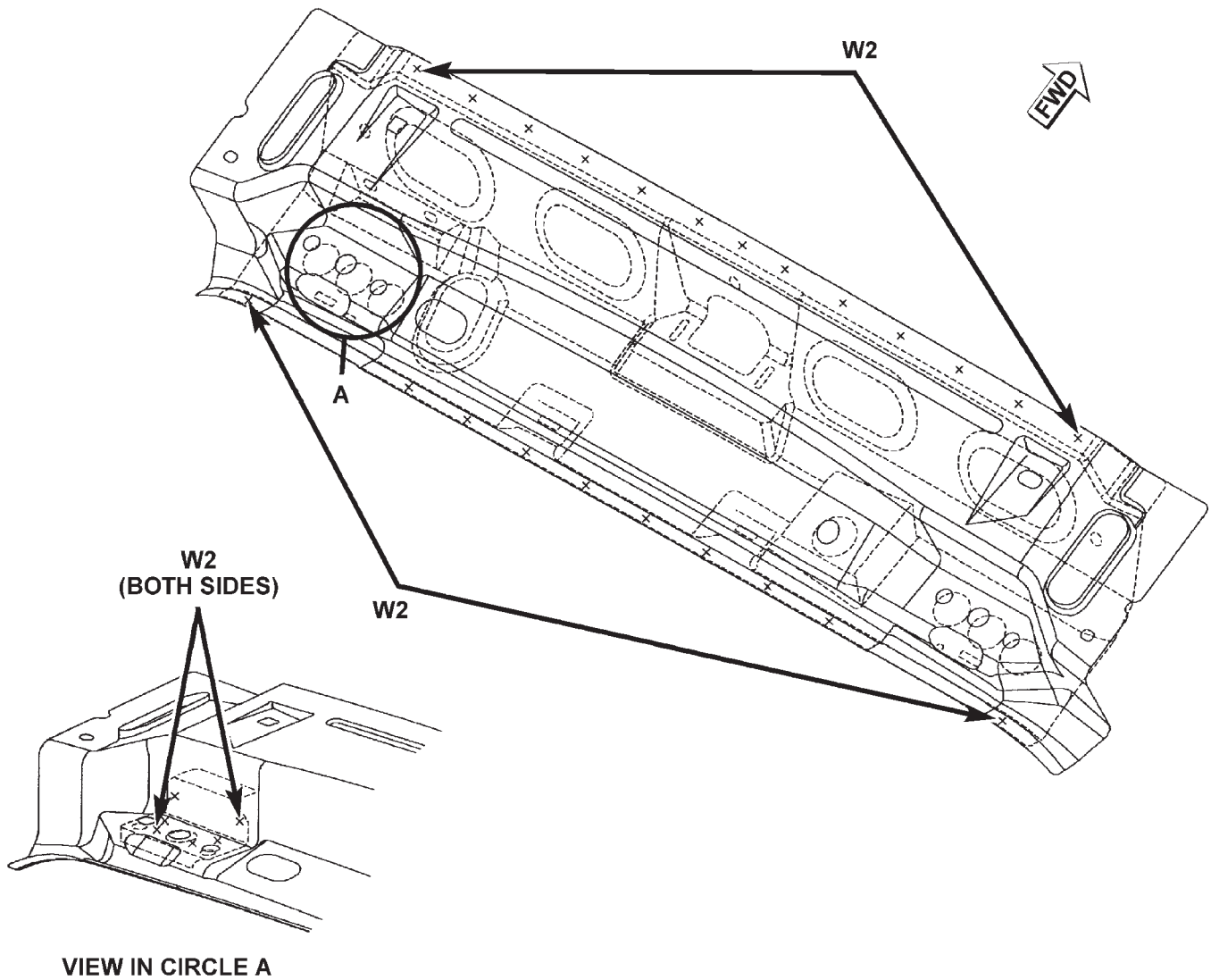
ROOF PANEL TO REAR HEADER



**W2 - WELDING OF 2 PARTS**  
**W3 - WELDING OF 3 PARTS**  
**W4 - WELDING OF 4 PARTS**

SPECIFICATIONS (Continued)

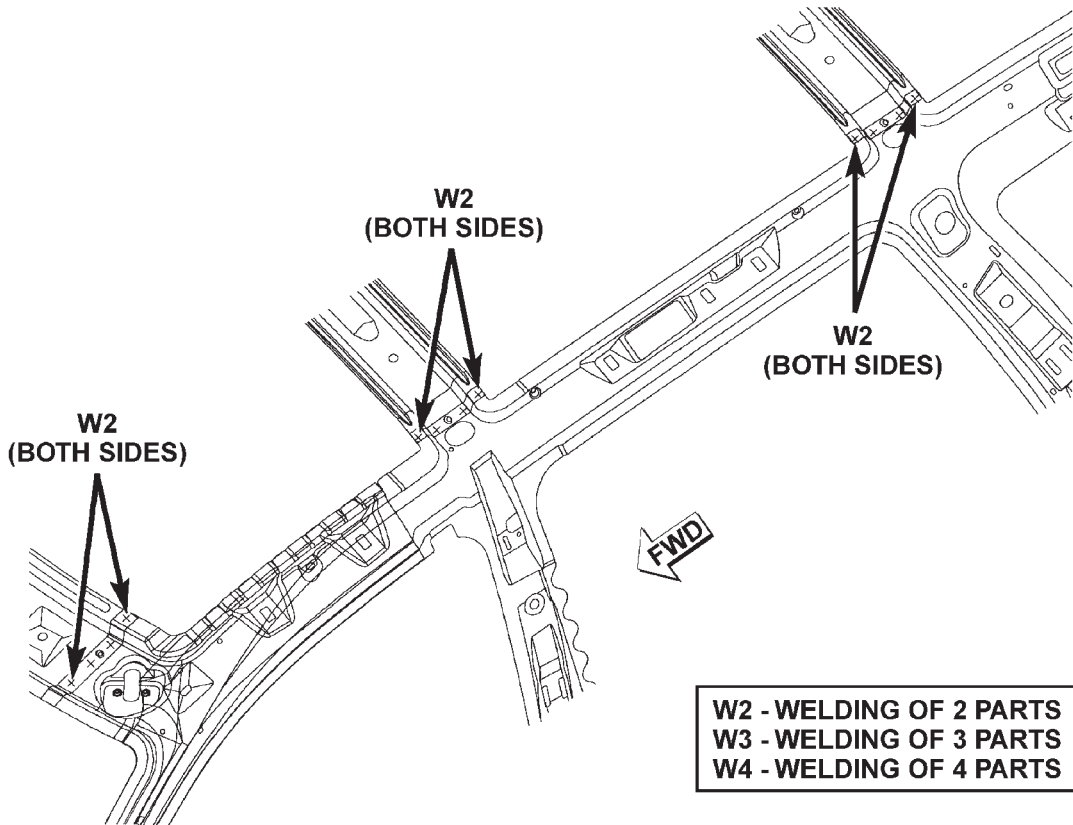
UPPER REAR HEADER TO LOWER HEADER



W2 - WELDING OF 2 PARTS  
W3 - WELDING OF 3 PARTS  
W4 - WELDING OF 4 PARTS

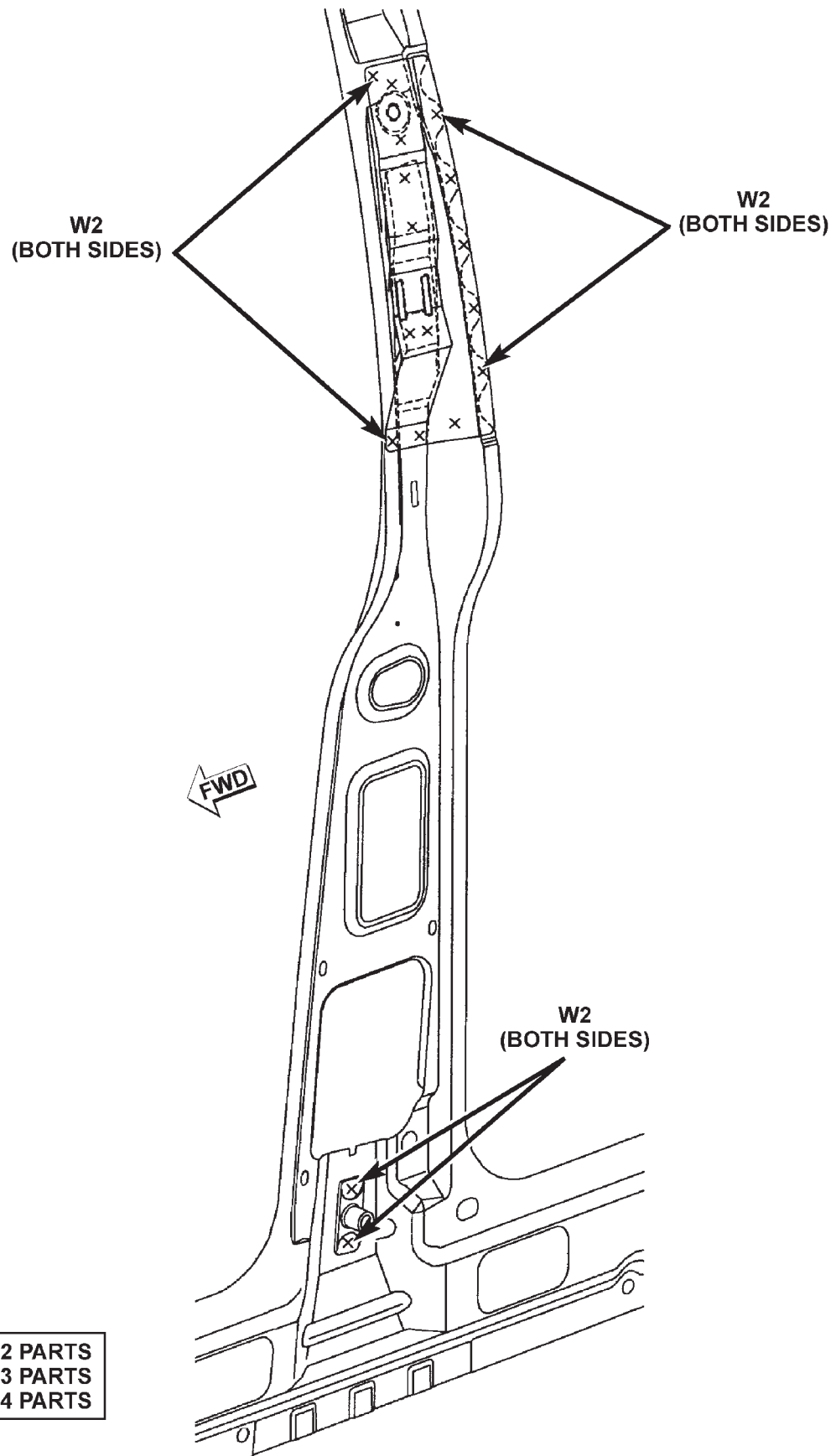
SPECIFICATIONS (Continued)

FRONT HEADER AND ROOF BOWS TO INNER  
PANEL



SPECIFICATIONS (Continued)

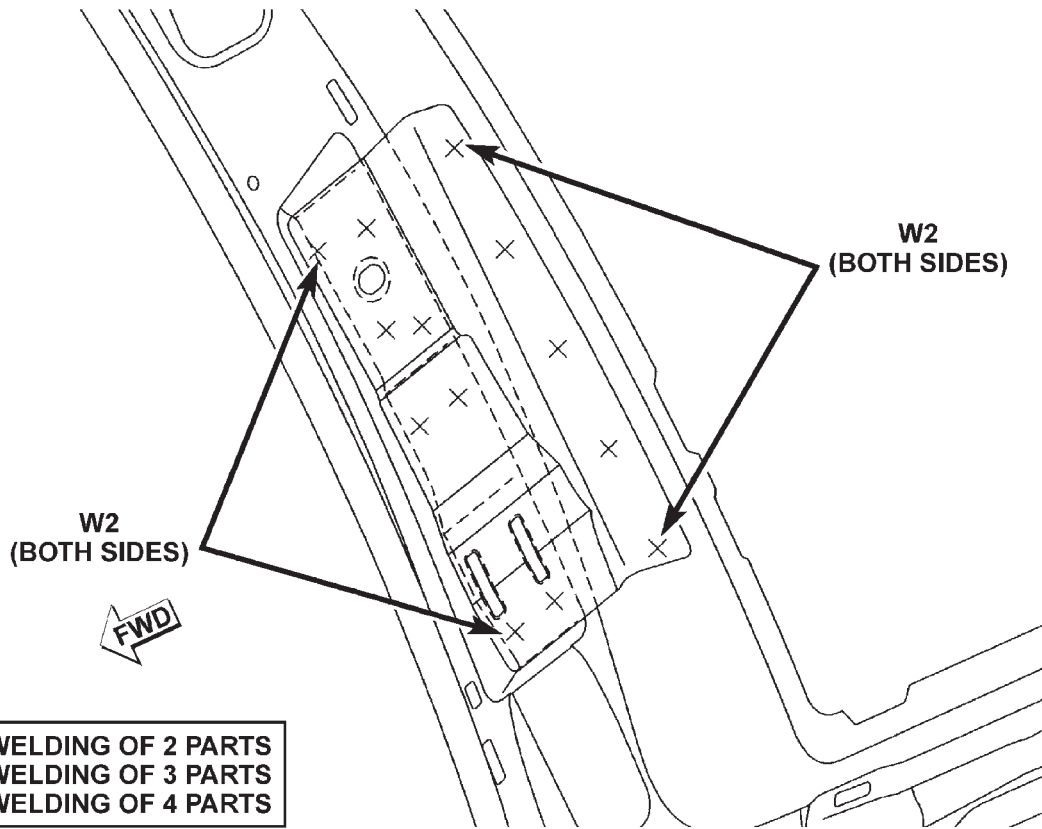
FRONT SEAT/SHOULDER BELT TO INNER PANEL REINFORCEMENT





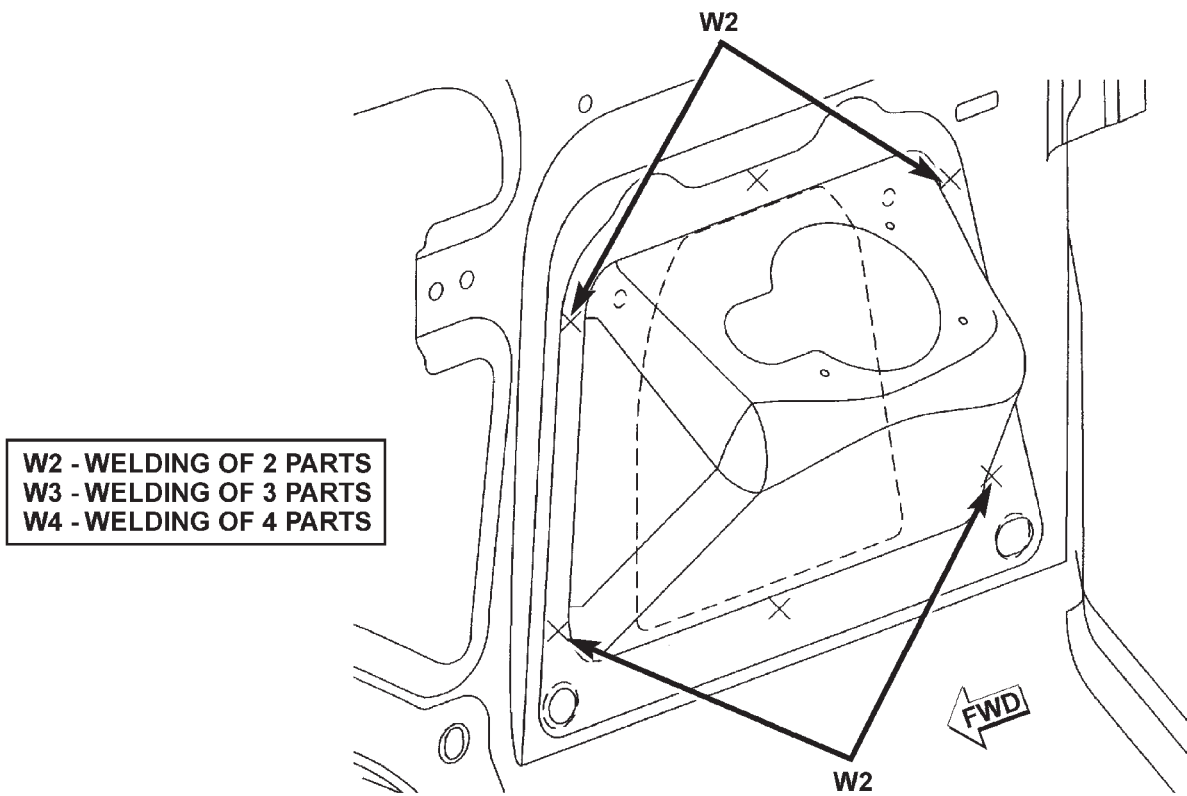
SPECIFICATIONS (Continued)

REAR SEAT/SHOULDER BELT TO INNER PANEL REINFORCEMENT



80b6fe4e

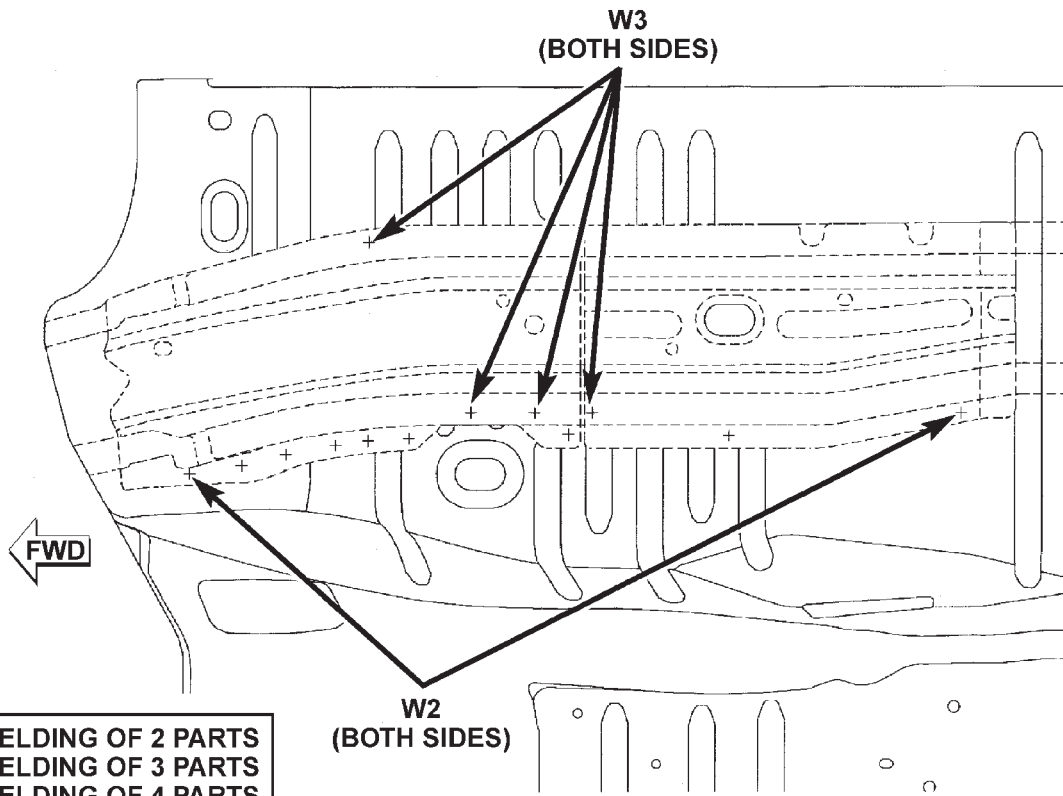
FUEL FILLER GUSSET TO INNER QUARTER PANEL



80b6fe4f

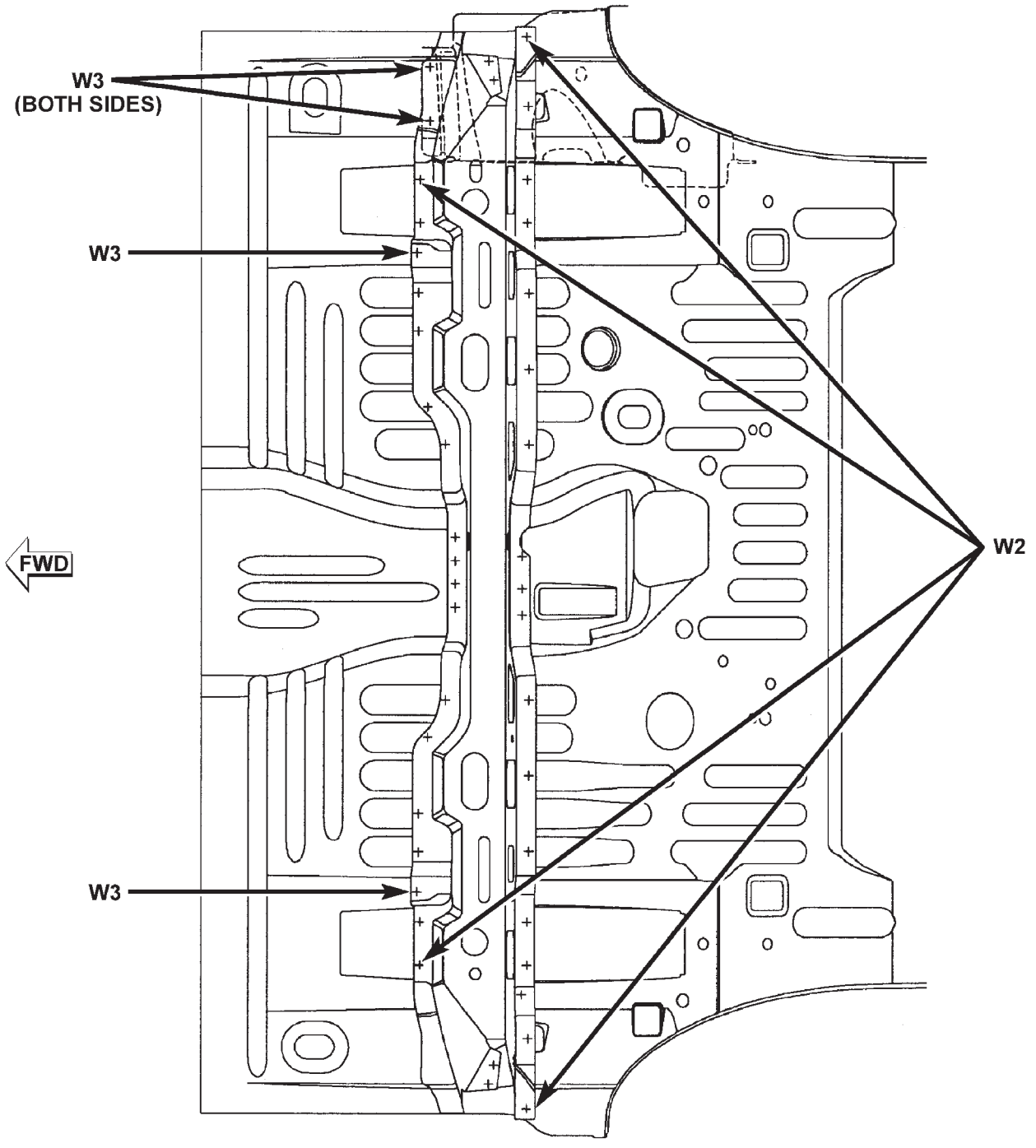
SPECIFICATIONS (Continued)

FRONT FLOOR PAN TO SILL REINFORCEMENT



SPECIFICATIONS (Continued)

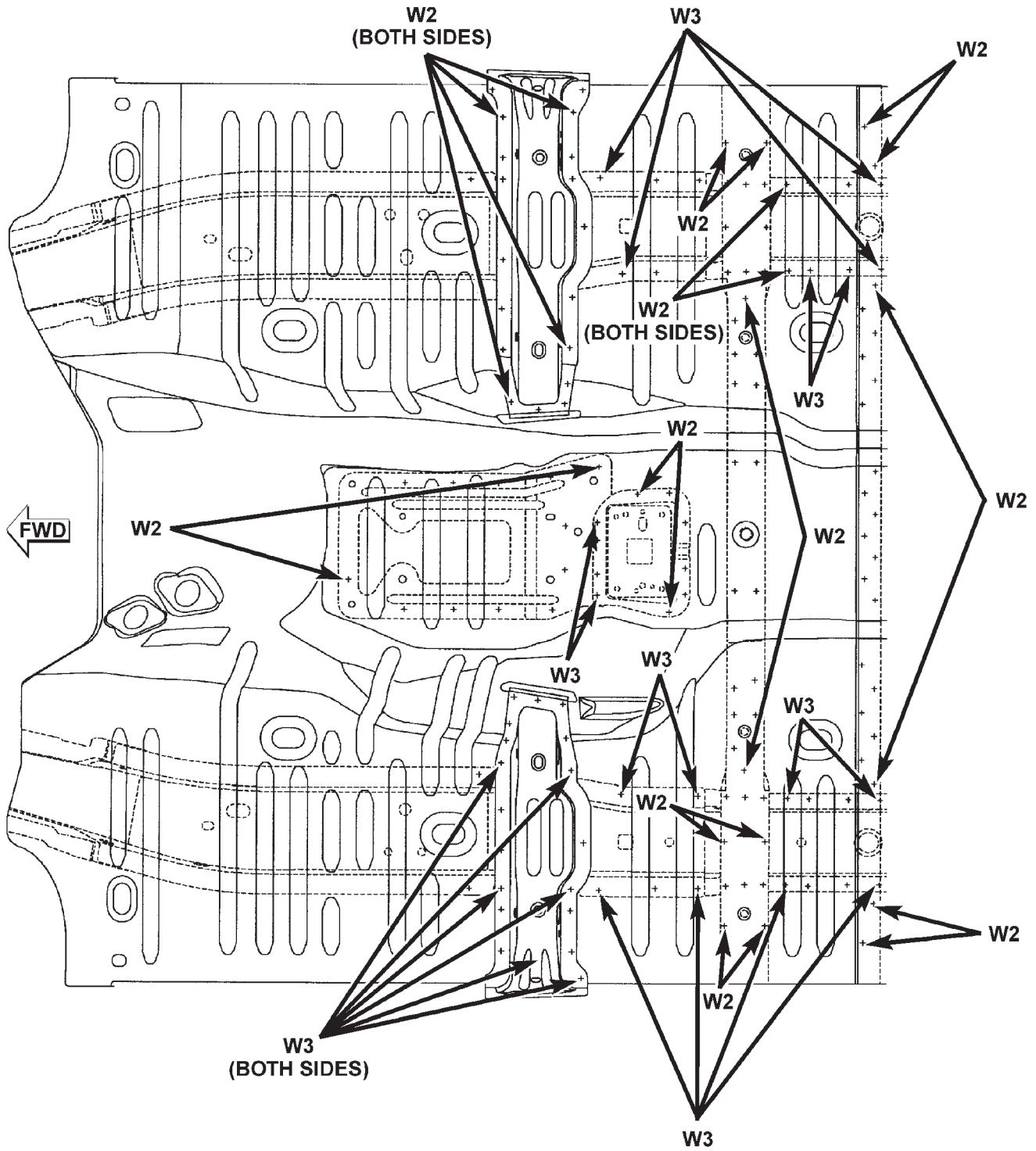
CENTER FLOOR PAN TO REAR SEAT CROSSMEMBER



**W2 - WELDING OF 2 PARTS**  
**W3 - WELDING OF 3 PARTS**  
**W4 - WELDING OF 4 PARTS**

SPECIFICATIONS (Continued)

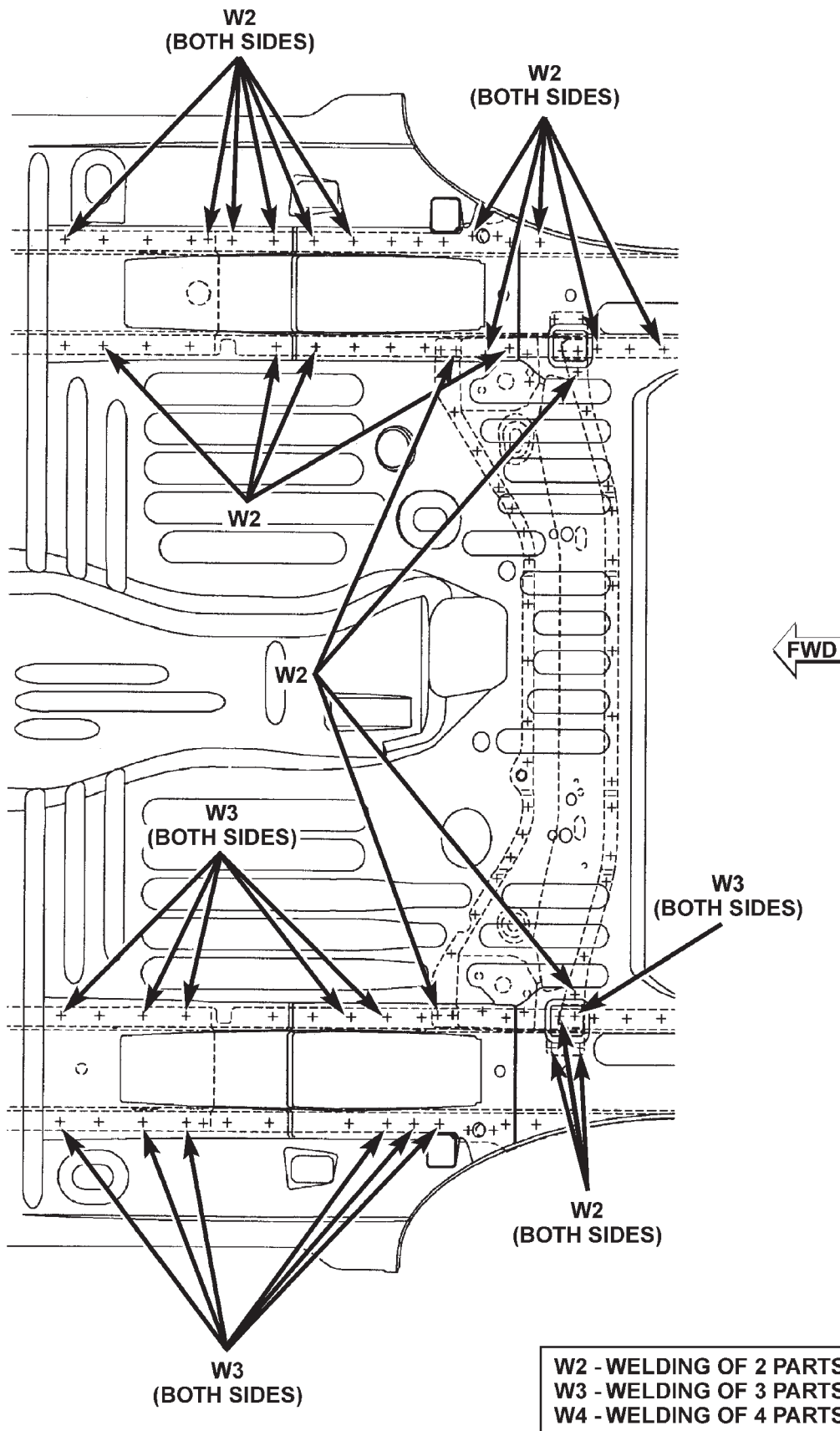
FRONT FLOOR PAN TO FRONT SEAT REINFORCEMENT AND RAILS



W2 - WELDING OF 2 PARTS  
W3 - WELDING OF 3 PARTS  
W4 - WELDING OF 4 PARTS

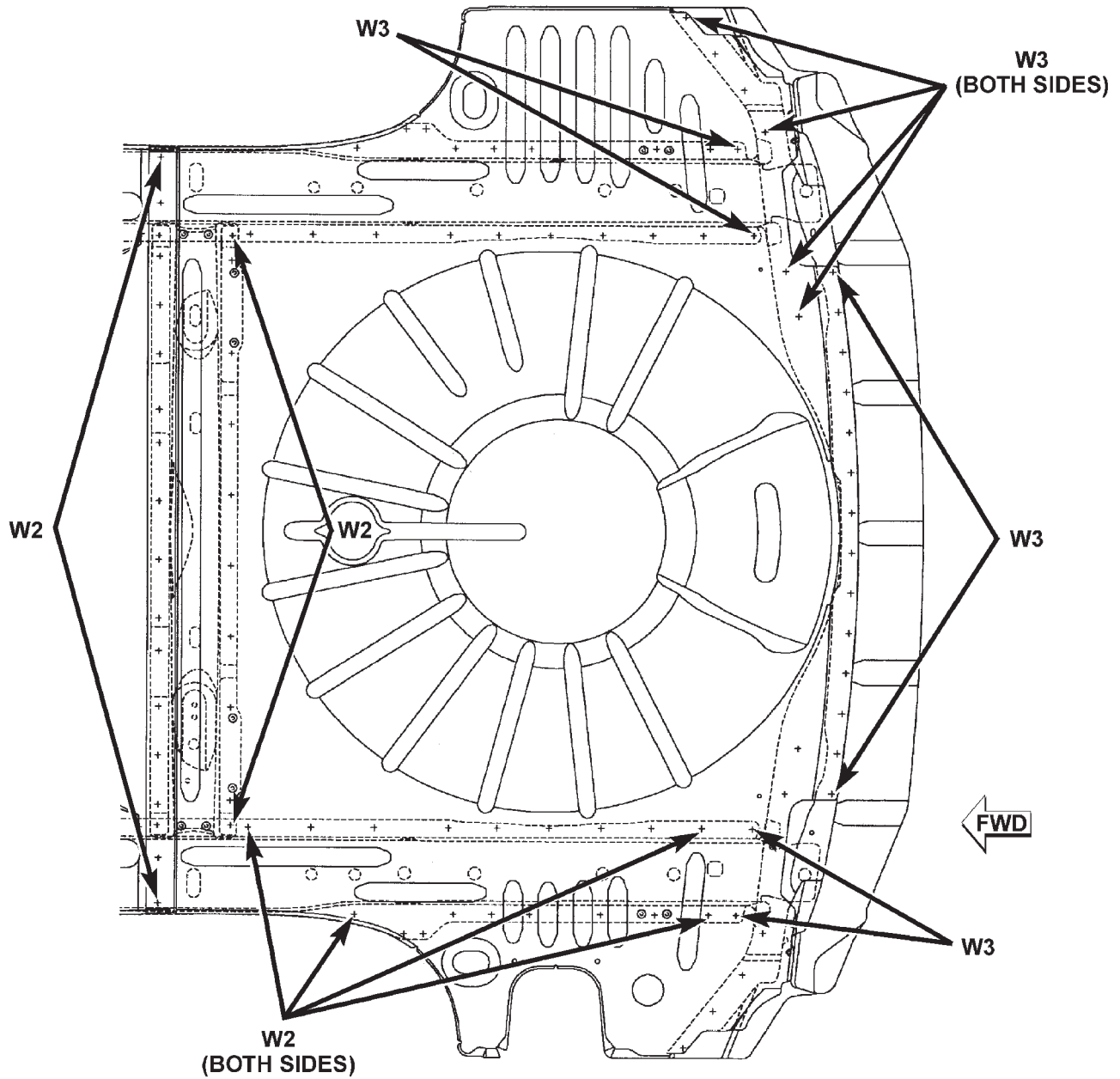
SPECIFICATIONS (Continued)

CENTER FLOOR PAN TO UPPER CONTROL ARM CROSSMEMBER AND RAILS



SPECIFICATIONS (Continued)

REAR FLOOR PAN TO RAILS AND SPRING GUIDE CROSSMEMBER

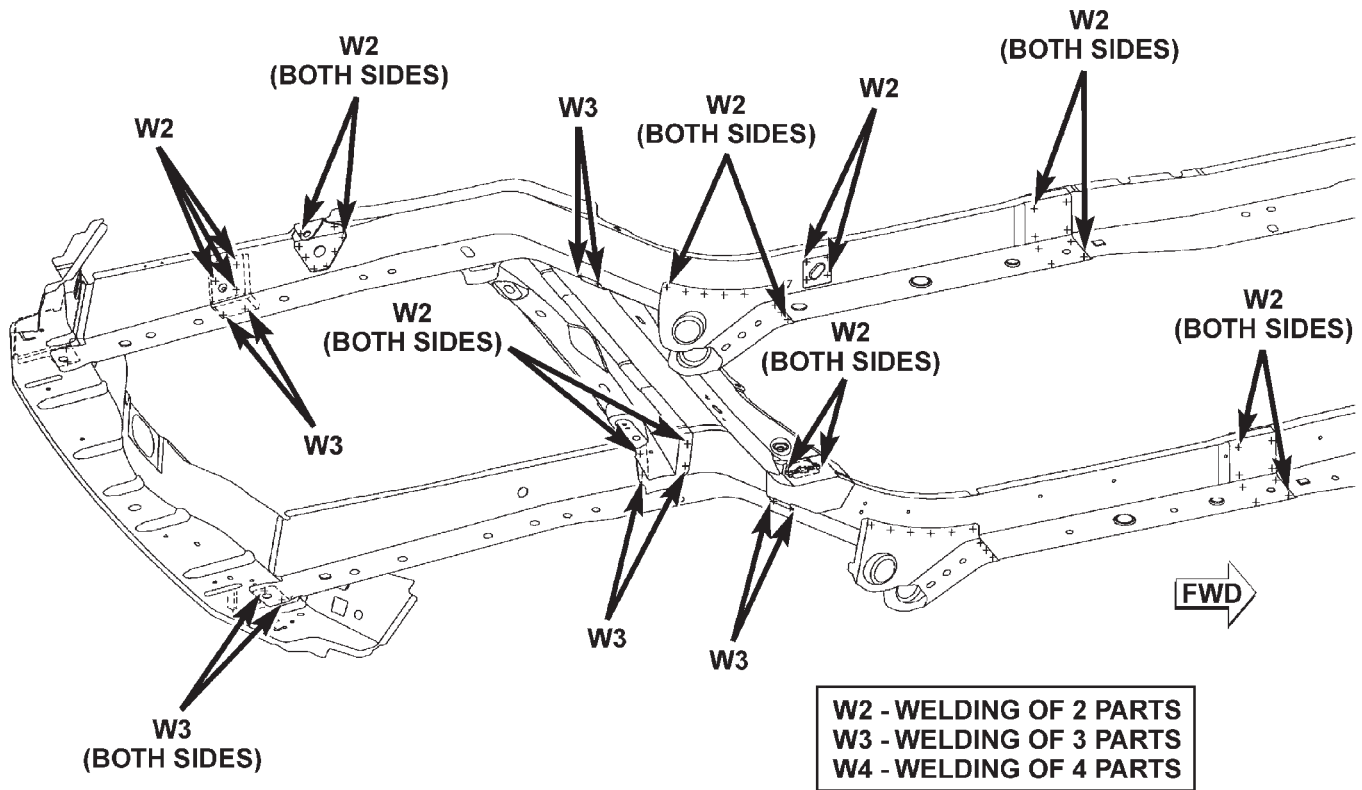


W2 - WELDING OF 2 PARTS  
W3 - WELDING OF 3 PARTS  
W4 - WELDING OF 4 PARTS



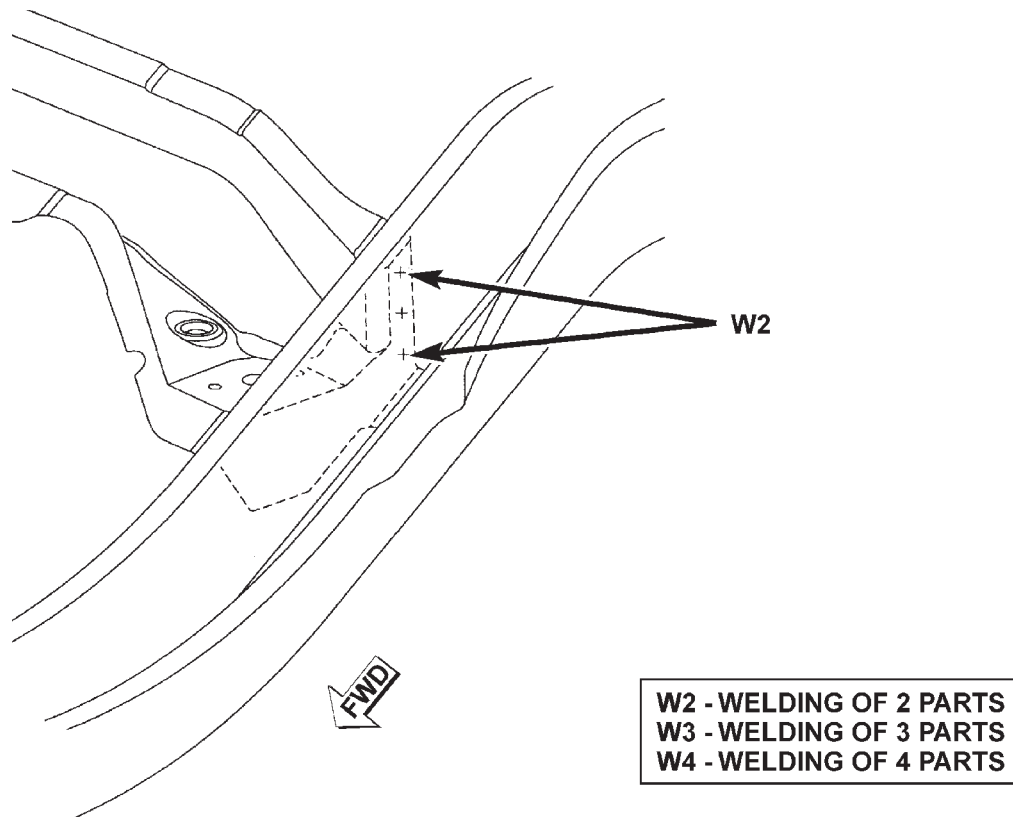
SPECIFICATIONS (Continued)

REAR RAILS



80b6fe32

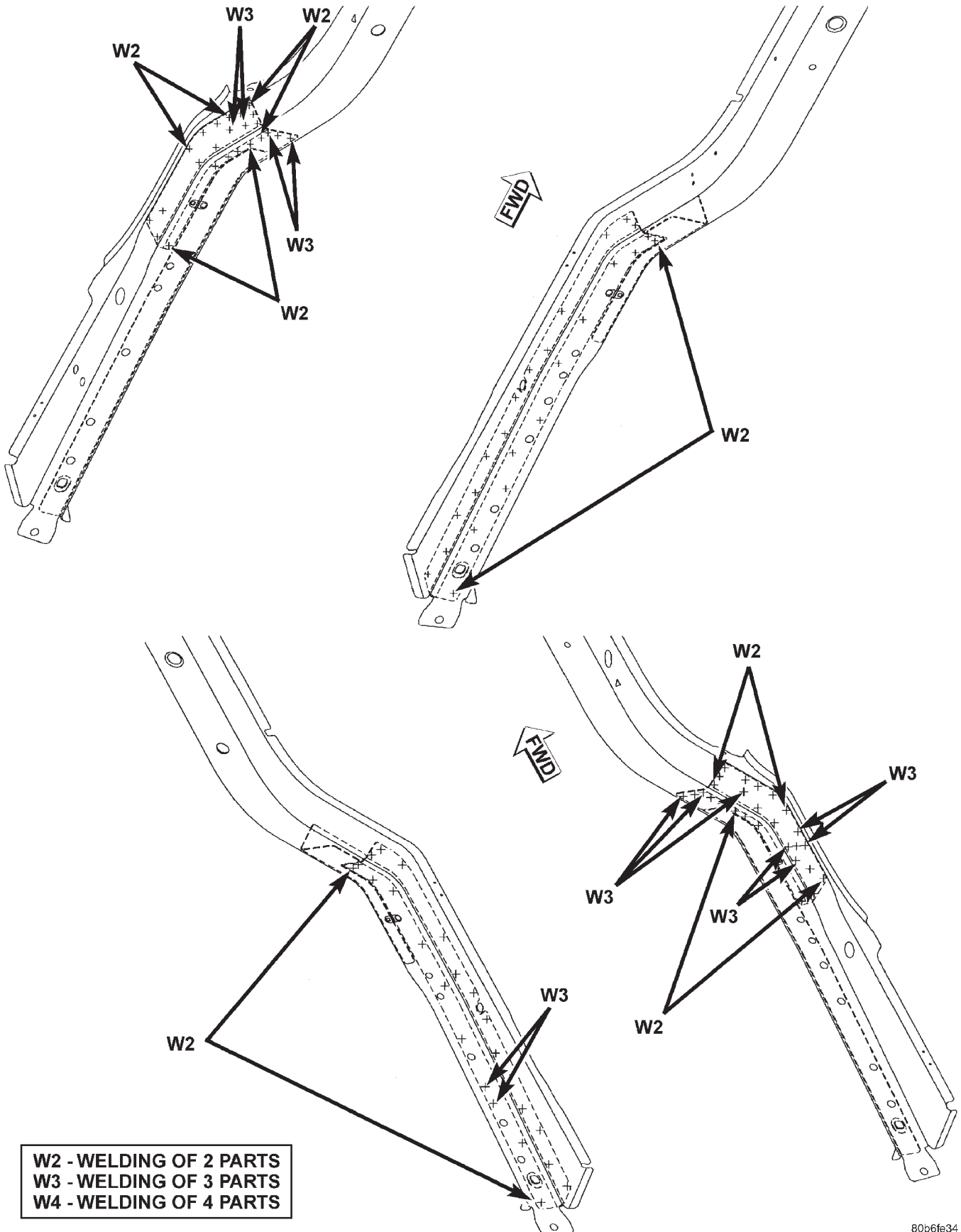
UPPER CONTROL ARM CROSSMEMBER TO REAR RAIL



80b6fe33

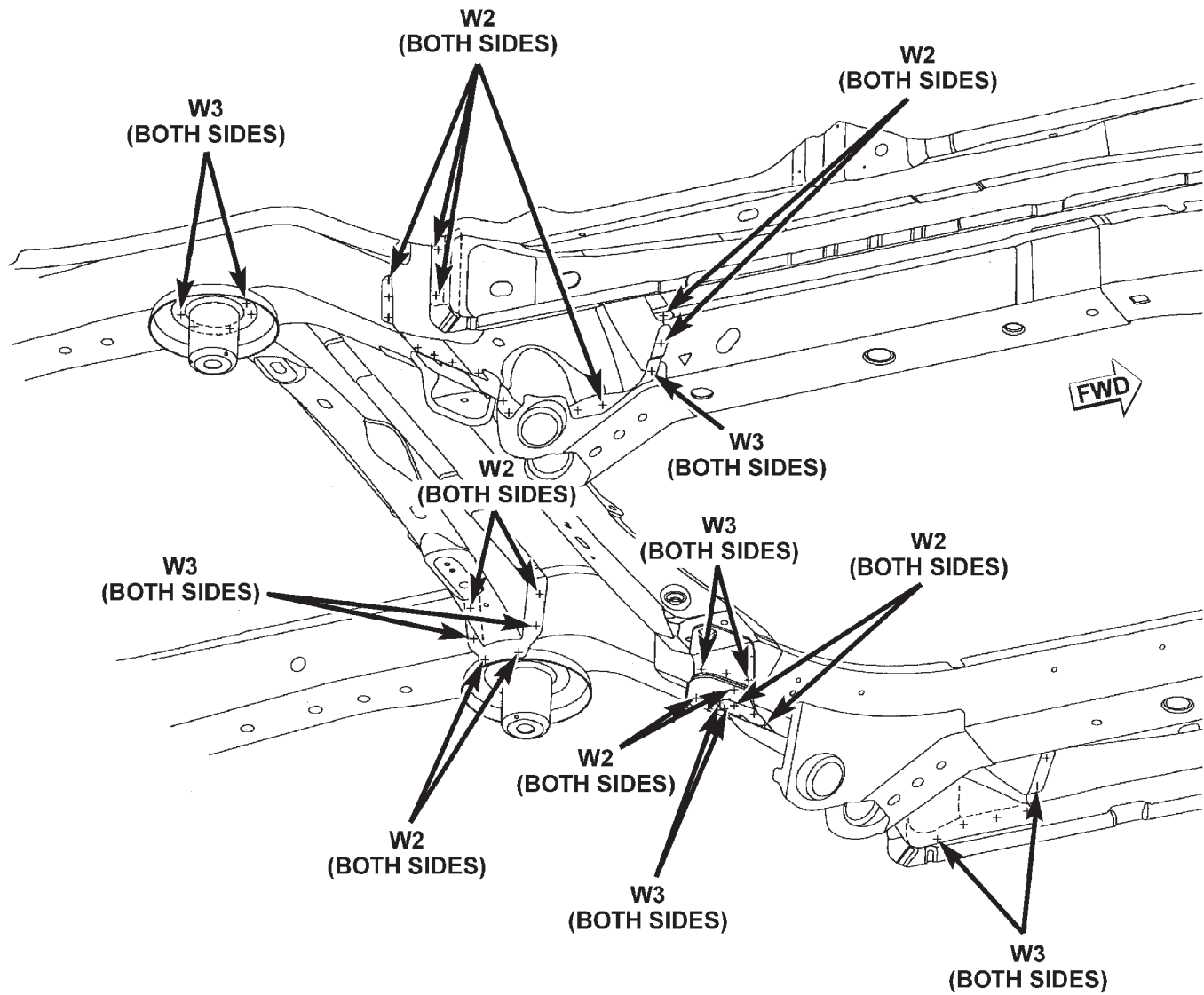
SPECIFICATIONS (Continued)

REAR RAIL REINFORCEMENT TO REAR RAILS



SPECIFICATIONS (Continued)

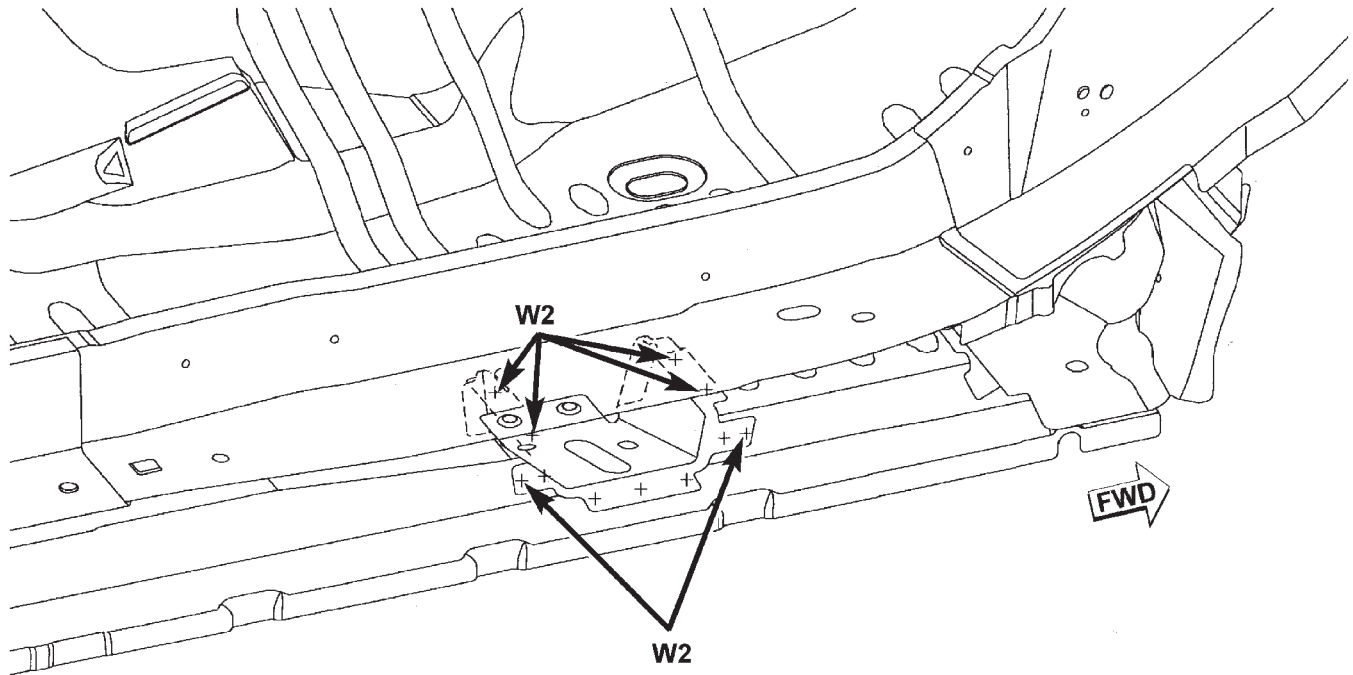
UPPER CONTROL ARM REINFORCEMENTS TO REAR RAIL



W2 - WELDING OF 2 PARTS  
W3 - WELDING OF 3 PARTS  
W4 - WELDING OF 4 PARTS

SPECIFICATIONS (Continued)

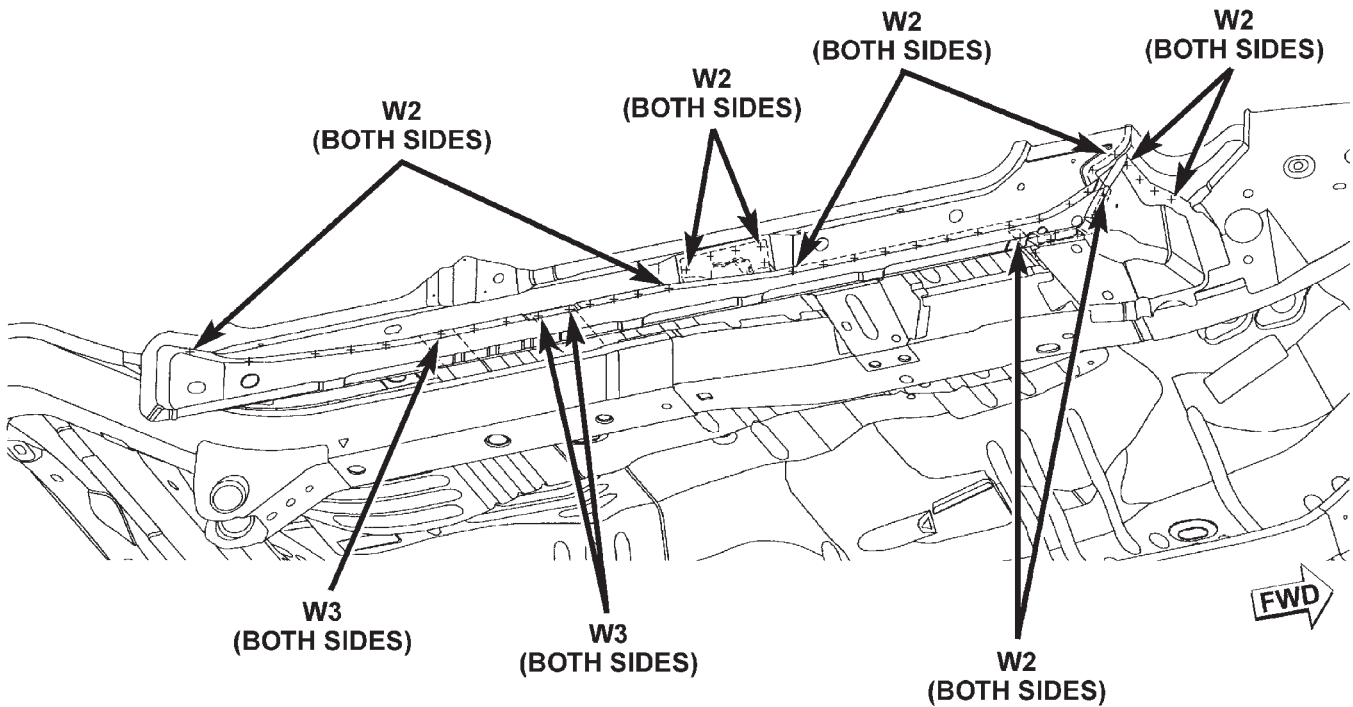
OUTER TRANSMISSION CROSSMEMBER REINFORCEMENT TO RAIL AND BODYSIDE SILL



W2 - WELDING OF 2 PARTS  
W3 - WELDING OF 3 PARTS  
W4 - WELDING OF 4 PARTS

80b6fe36

BODYSIDE SILL TO FLOOR PAN

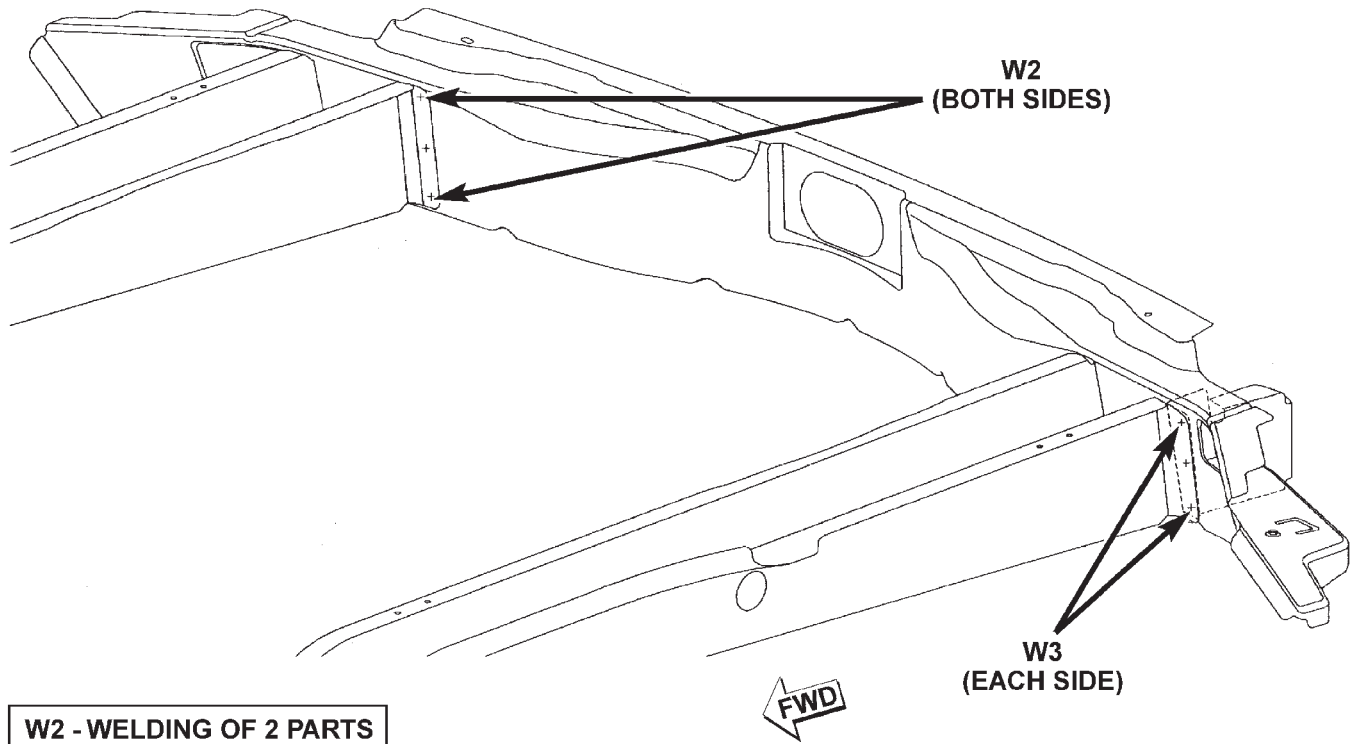


W2 - WELDING OF 2 PARTS  
W3 - WELDING OF 3 PARTS  
W4 - WELDING OF 4 PARTS

80b6fe37

SPECIFICATIONS (Continued)

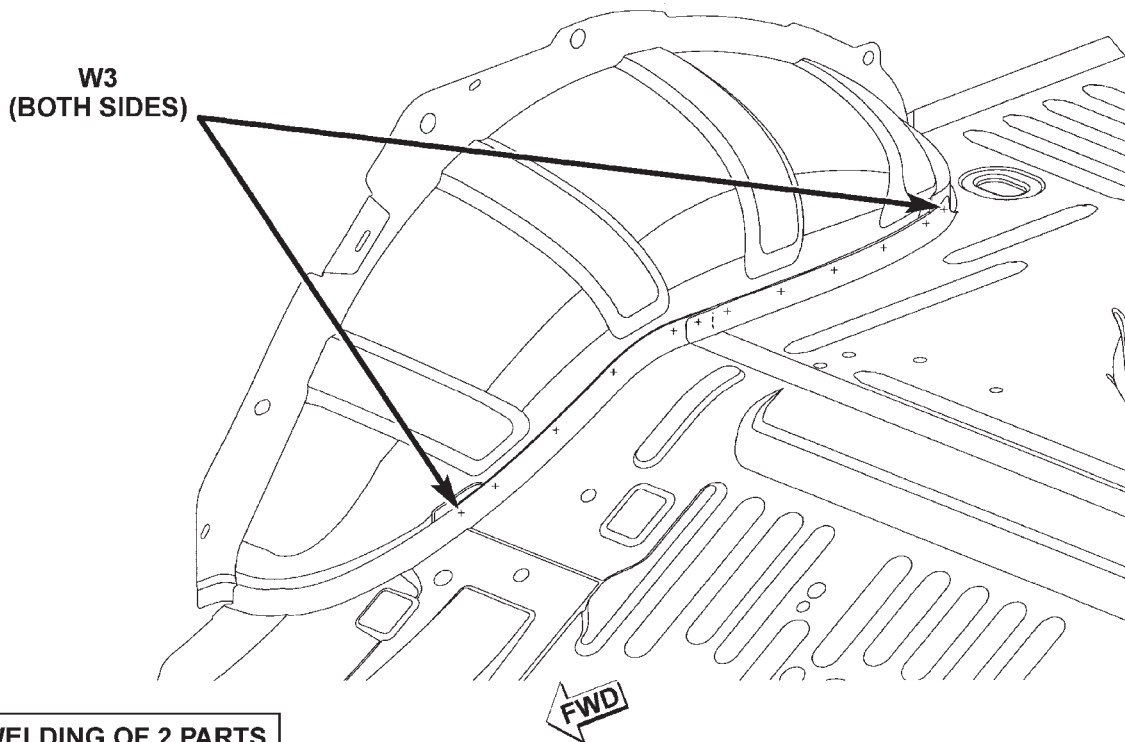
REAR RAILS TO REAR CROSSMEMBER



W2 - WELDING OF 2 PARTS  
W3 - WELDING OF 3 PARTS  
W4 - WELDING OF 4 PARTS

80b6fe38

INNER WHEELHOUSE TO FLOOR PAN



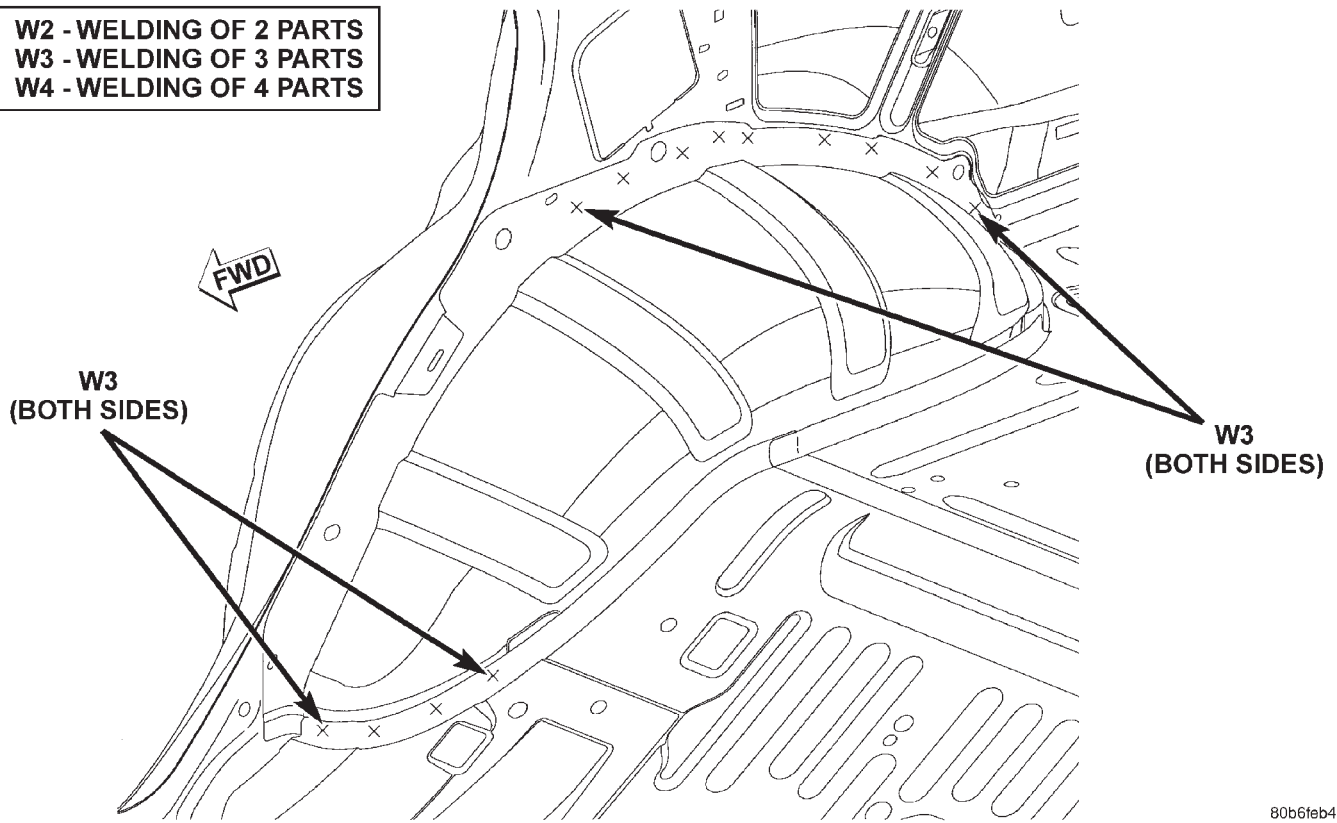
W2 - WELDING OF 2 PARTS  
W3 - WELDING OF 3 PARTS  
W4 - WELDING OF 4 PARTS

80b6fe39

SPECIFICATIONS (Continued)

INNER WHEELHOUSE TO INNER BODYSIDE APERTURE AND FLOOR PAN

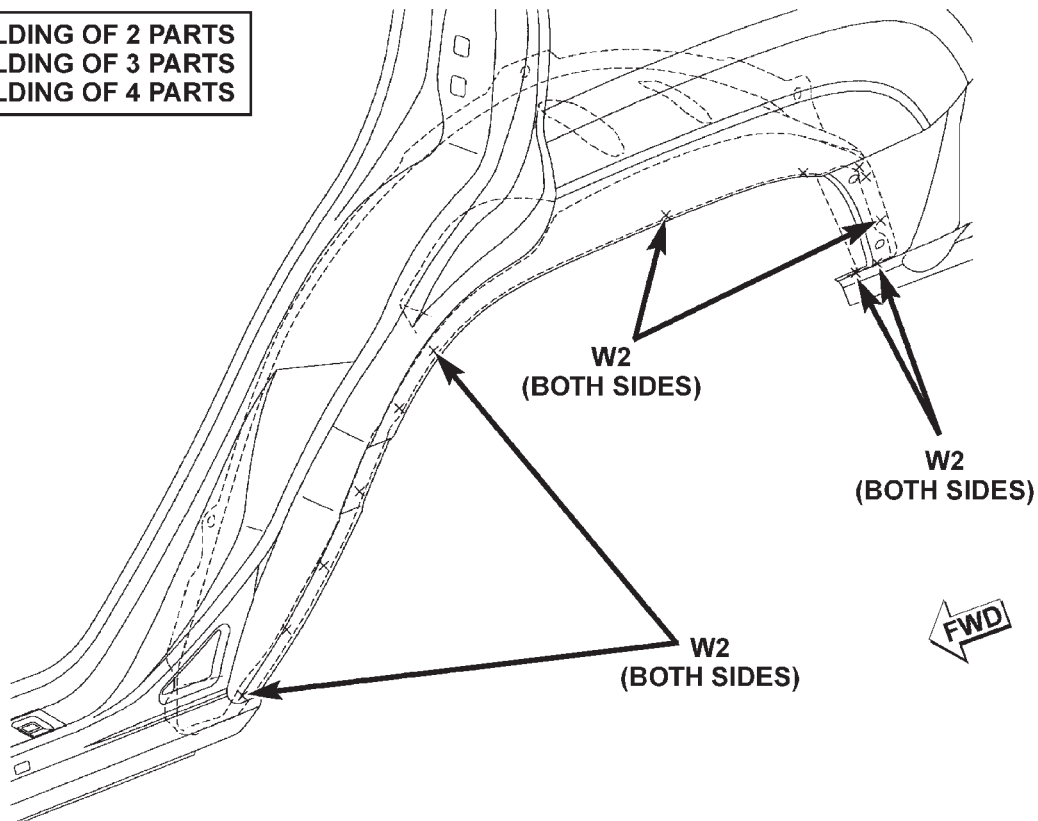
W2 - WELDING OF 2 PARTS  
W3 - WELDING OF 3 PARTS  
W4 - WELDING OF 4 PARTS



80b6feb4

OUTER WHEELHOUSE TO OUTER BODYSIDE APERTURE

W2 - WELDING OF 2 PARTS  
W3 - WELDING OF 3 PARTS  
W4 - WELDING OF 4 PARTS



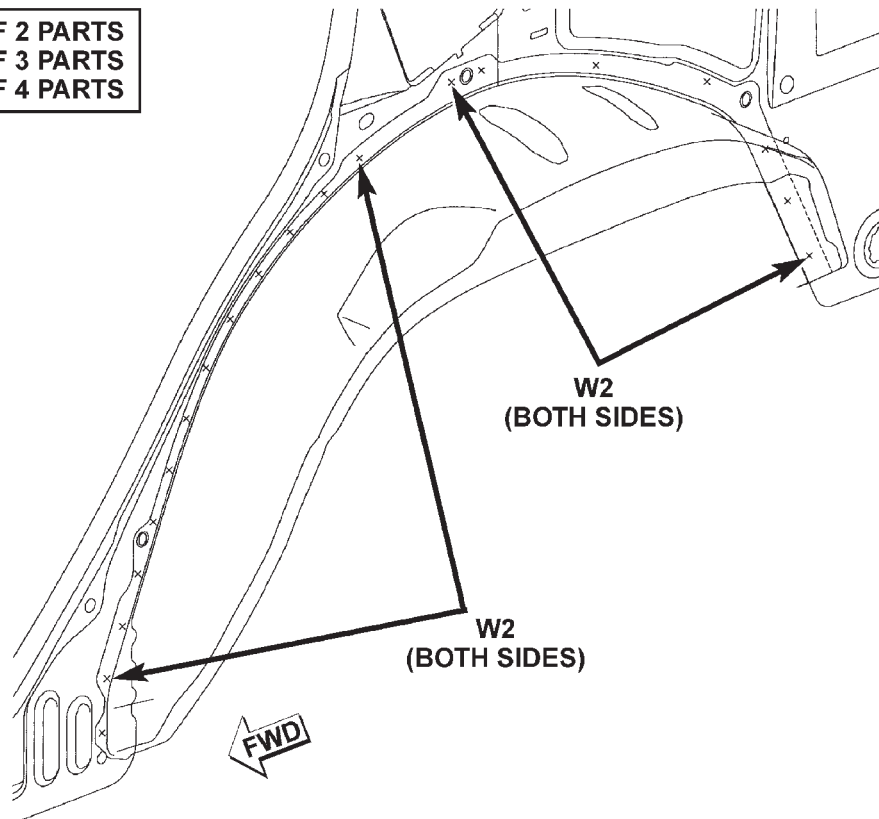
80b6feb5



SPECIFICATIONS (Continued)

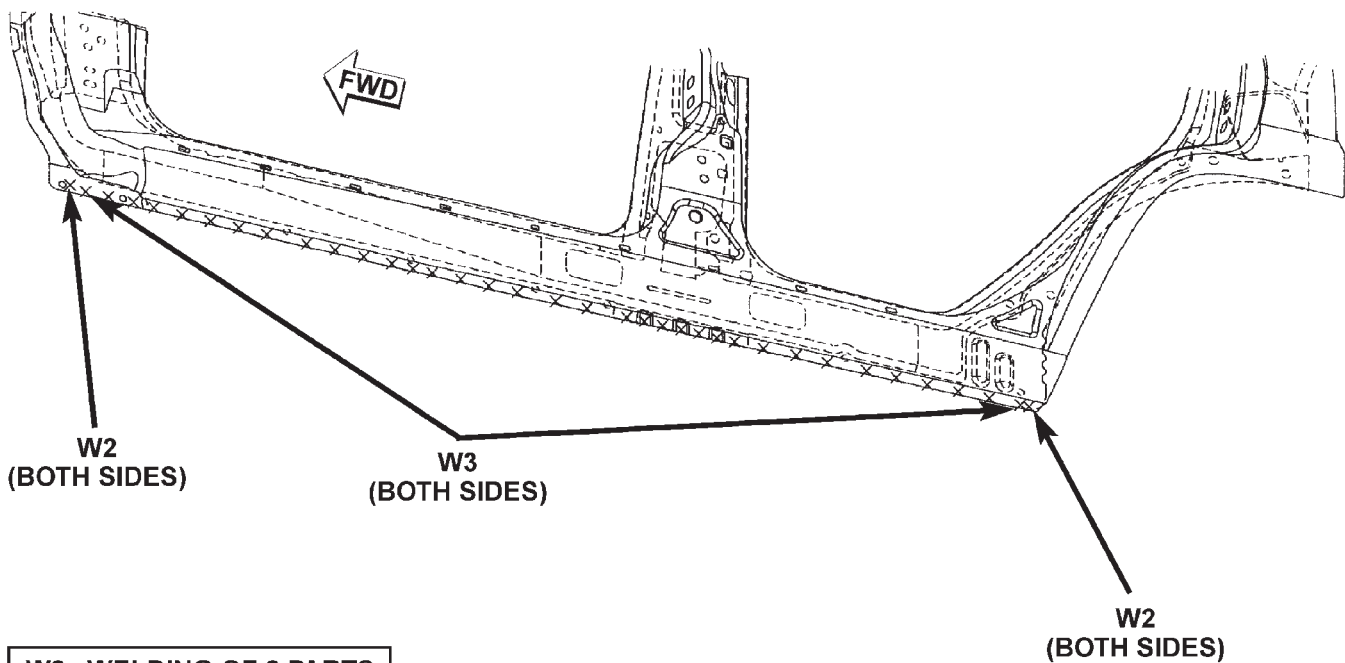
OUTER WHEELHOUSE TO INNER BODYSIDE APERTURE

W2 - WELDING OF 2 PARTS  
W3 - WELDING OF 3 PARTS  
W4 - WELDING OF 4 PARTS



80b6feb6

INNER BODYSIDE APERTURE TO OUTER BODYSIDE APERTURE

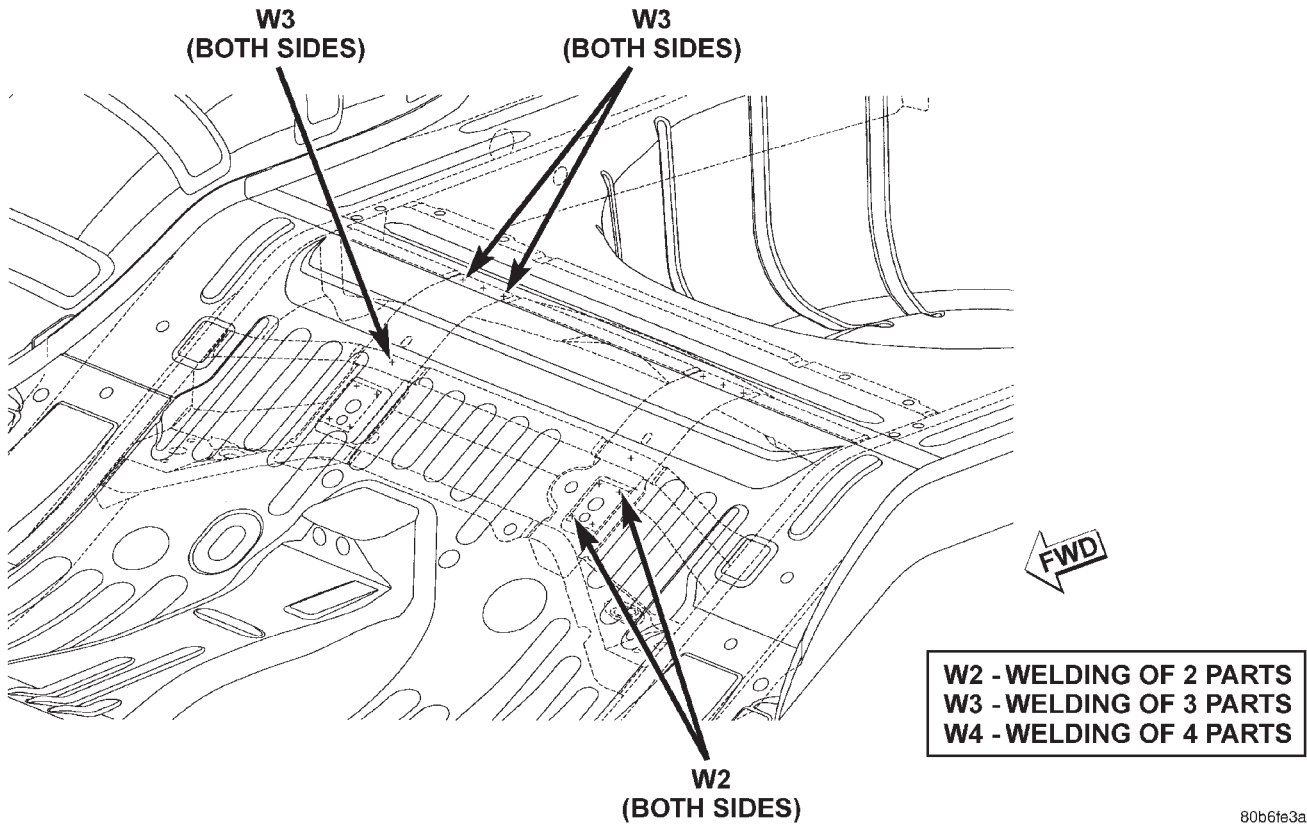


W2 - WELDING OF 2 PARTS  
W3 - WELDING OF 3 PARTS  
W4 - WELDING OF 4 PARTS

80b6feb7

SPECIFICATIONS (Continued)

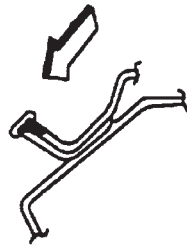
REAR INBOARD SEAT BELT REINFORCEMENT TO FLOOR PAN



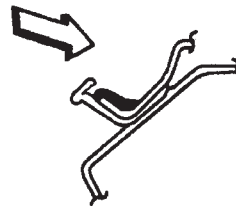
SPECIFICATIONS (Continued)

SEALER LOCATIONS

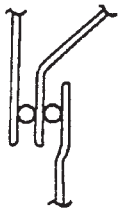
APPLICATION METHODS



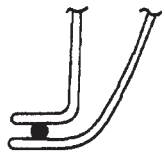
HOLD GUN NOZZLE IN DIRECTION OF ARROW IN ORDER TO EFFECTIVELY SEAL METAL JOINTS.



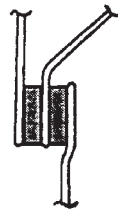
DO NOT HOLD GUN NOZZLE IN DIRECTION OF ARROW. SEALER APPLIED AS SHOWN IN INEFFECTIVE.



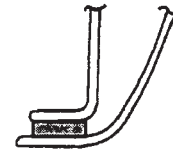
3 METAL THICKNESS



2 METAL THICKNESS

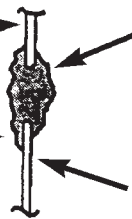


3 METAL THICKNESS



2 METAL THICKNESS

EXPOSED SURFACE →  
WORK SEAL ON METAL SURFACE TO GET GOOD ADHESIVE. EDGE MUST BE FEATHERED AS SHOWN.



SEALER MUST BE APPLIED AS ILLUSTRATED. TO LOCK SEAL IN PLACE, FORCE SEAL BEYOND HOLE.

HIDDEN SURFACE

EXPOSED SURFACE



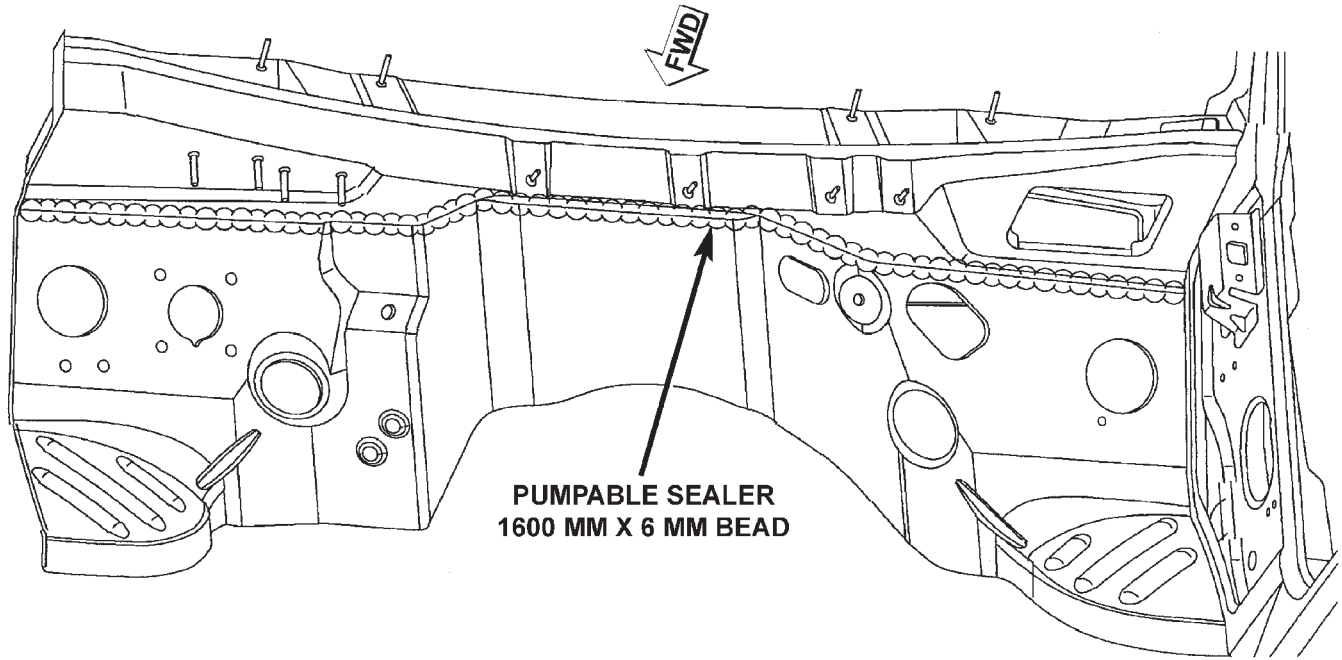
HIDDEN SURFACE

SEALER INCORRECTLY APPLIED

SYMBOLS	
	THUMBGRADEABLE SEALER
	EXTRUDABLE THERMOPLASTIC
	EXPOSED THERMOPLASTIC SEALANT
	HIDDEN SEALANT

SPECIFICATIONS (Continued)

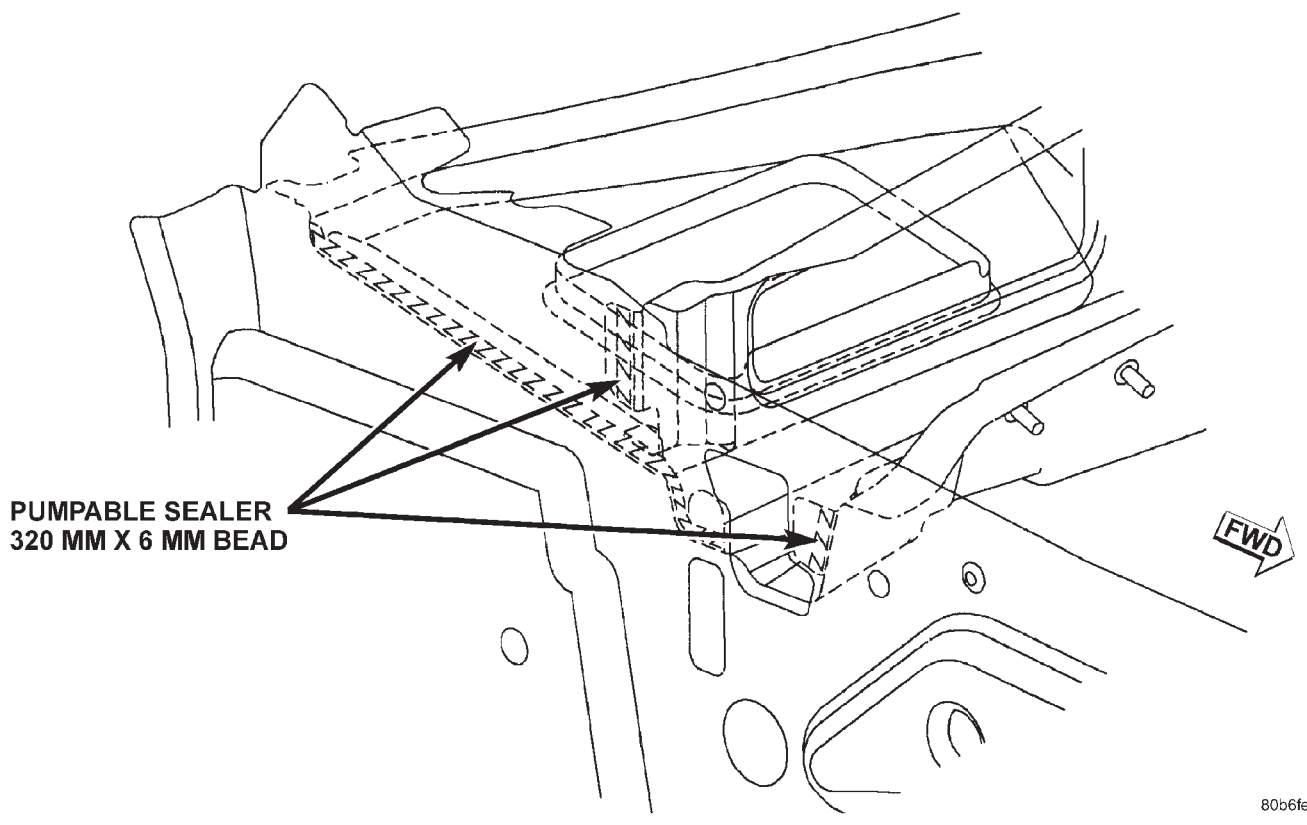
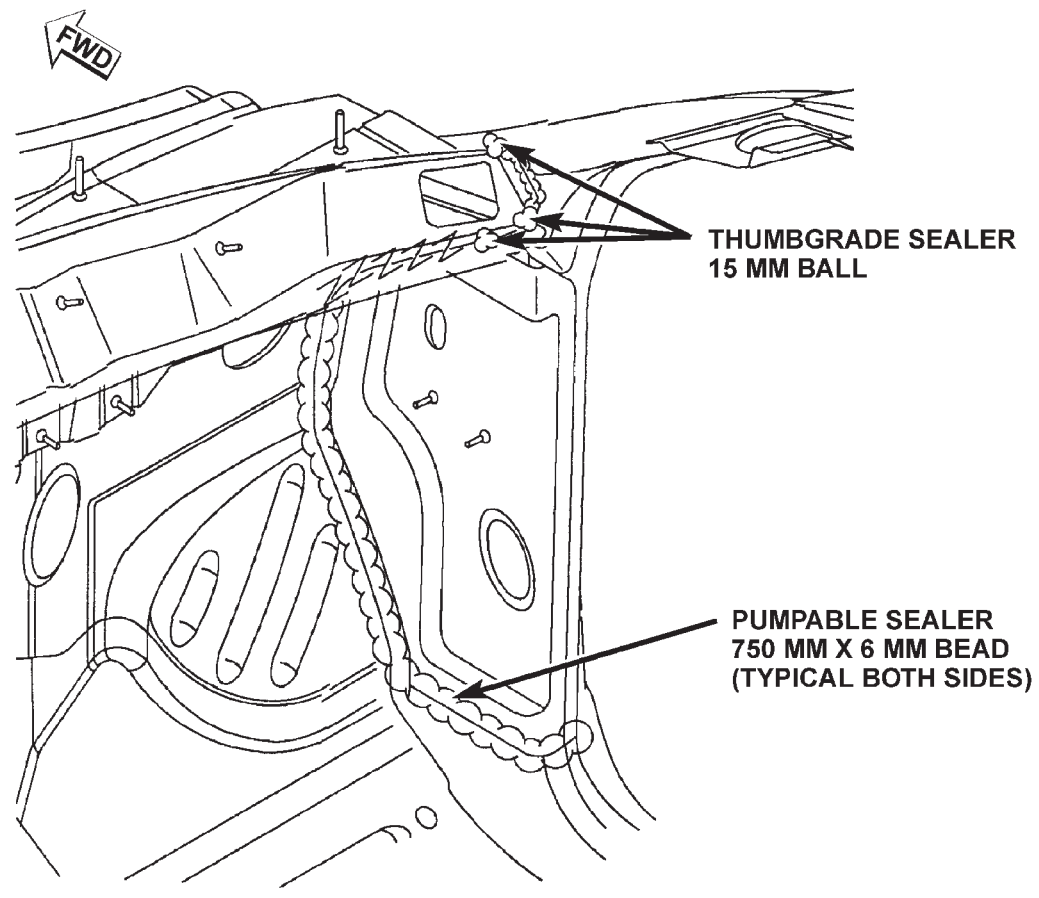
COWL PLENUM AND DASH PANEL



**PUMPABLE SEALER  
1600 MM X 6 MM BEAD**

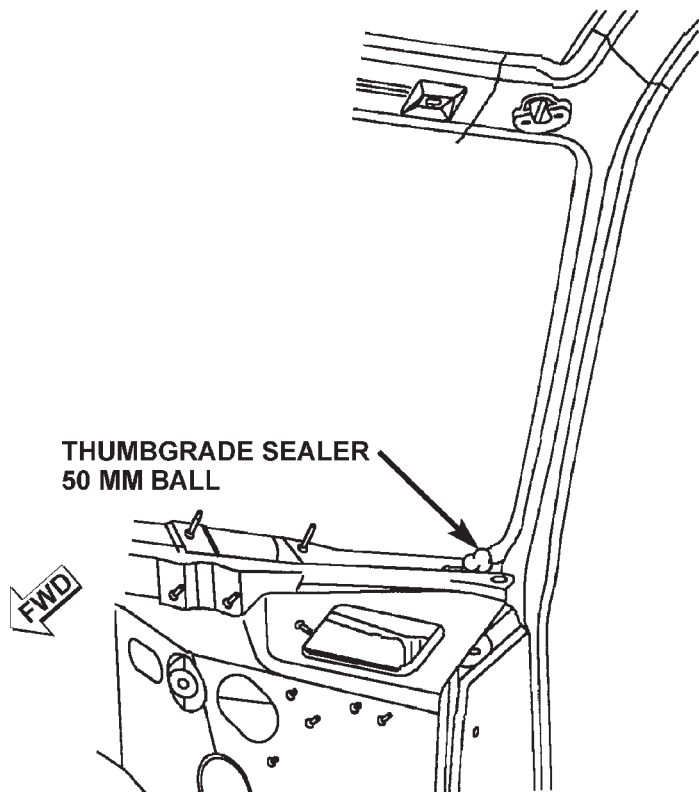
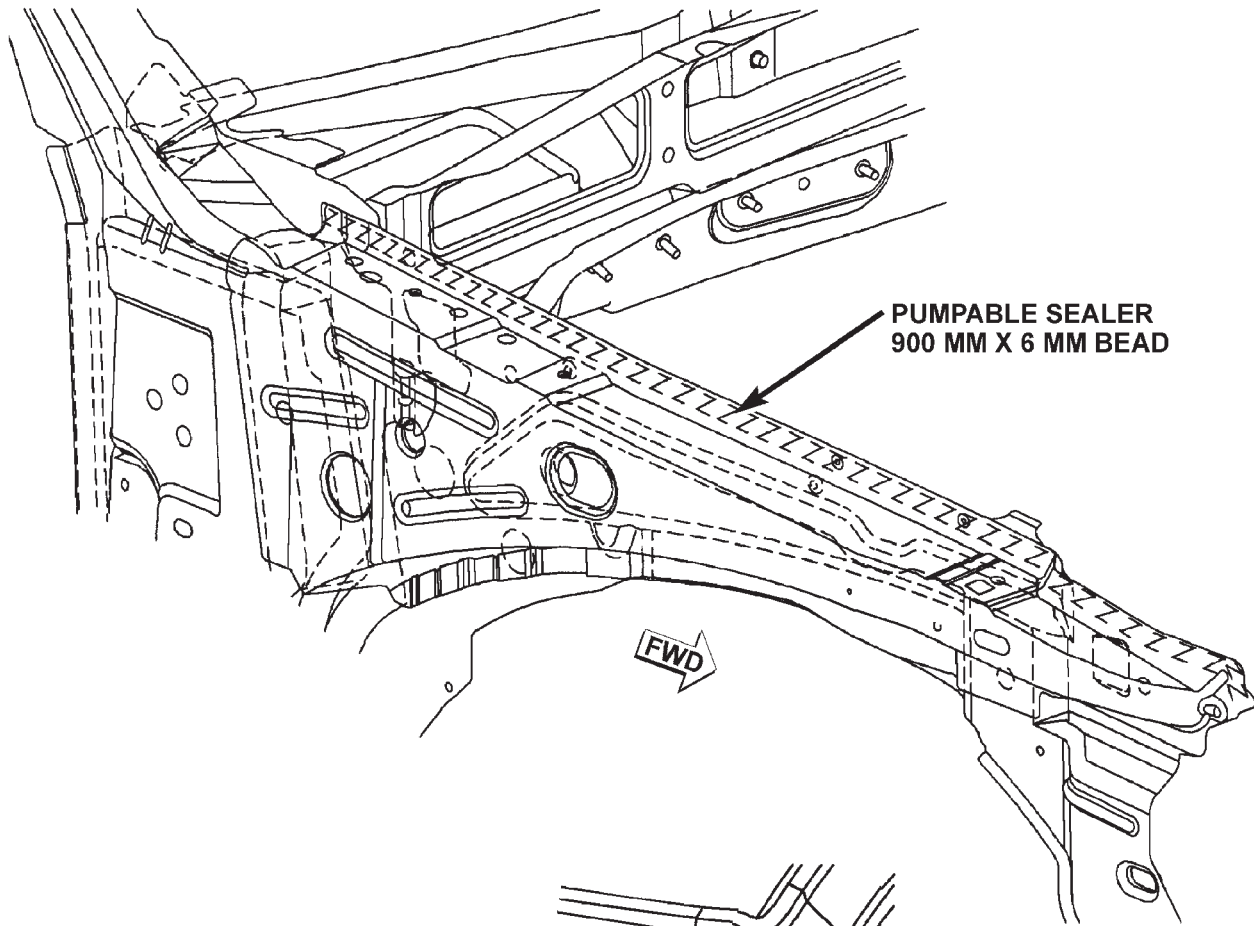
SPECIFICATIONS (Continued)

DASH, COWL AND PLENUM



SPECIFICATIONS (Continued)

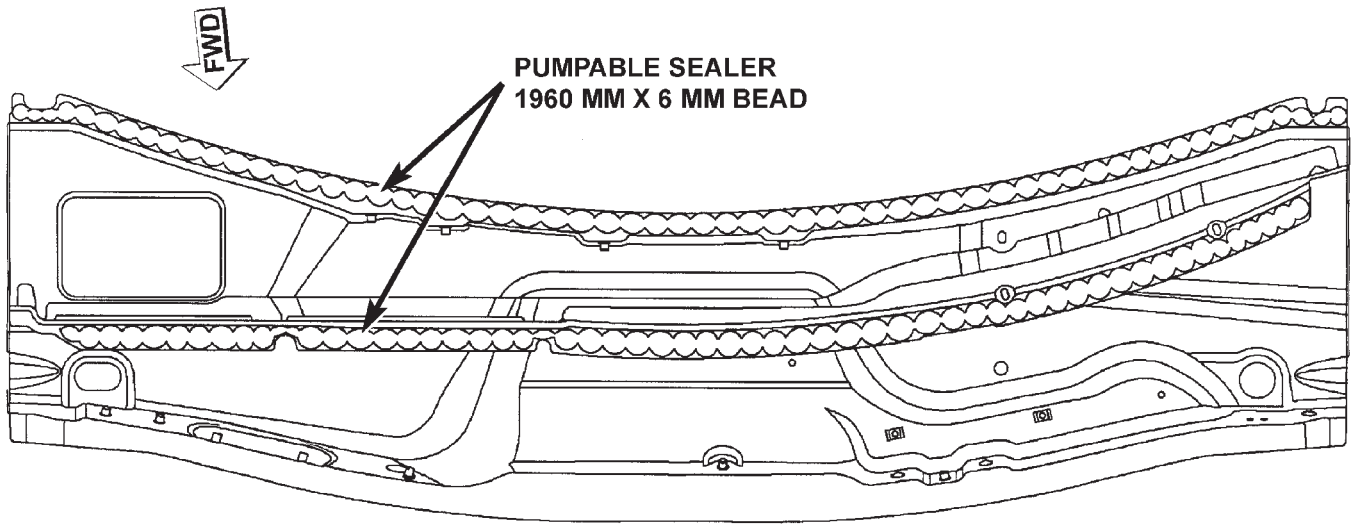
INNER FENDER AND COWL





SPECIFICATIONS (Continued)

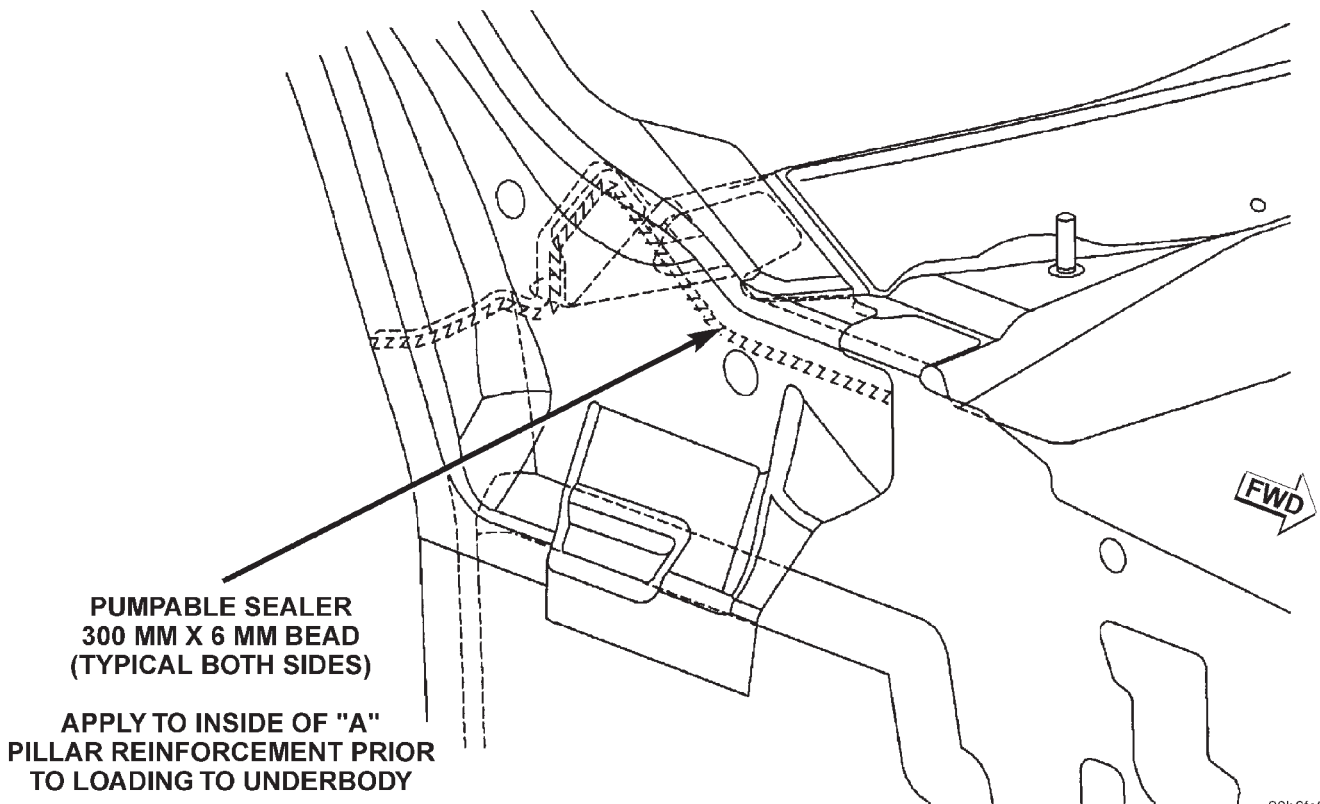
LOWER PLENUM AND BAFFLE



APPLY TO PLENUM LOWER REAR FLANGE  
AND PLENUM BAFFLE FLANGE.

80b6fe1b

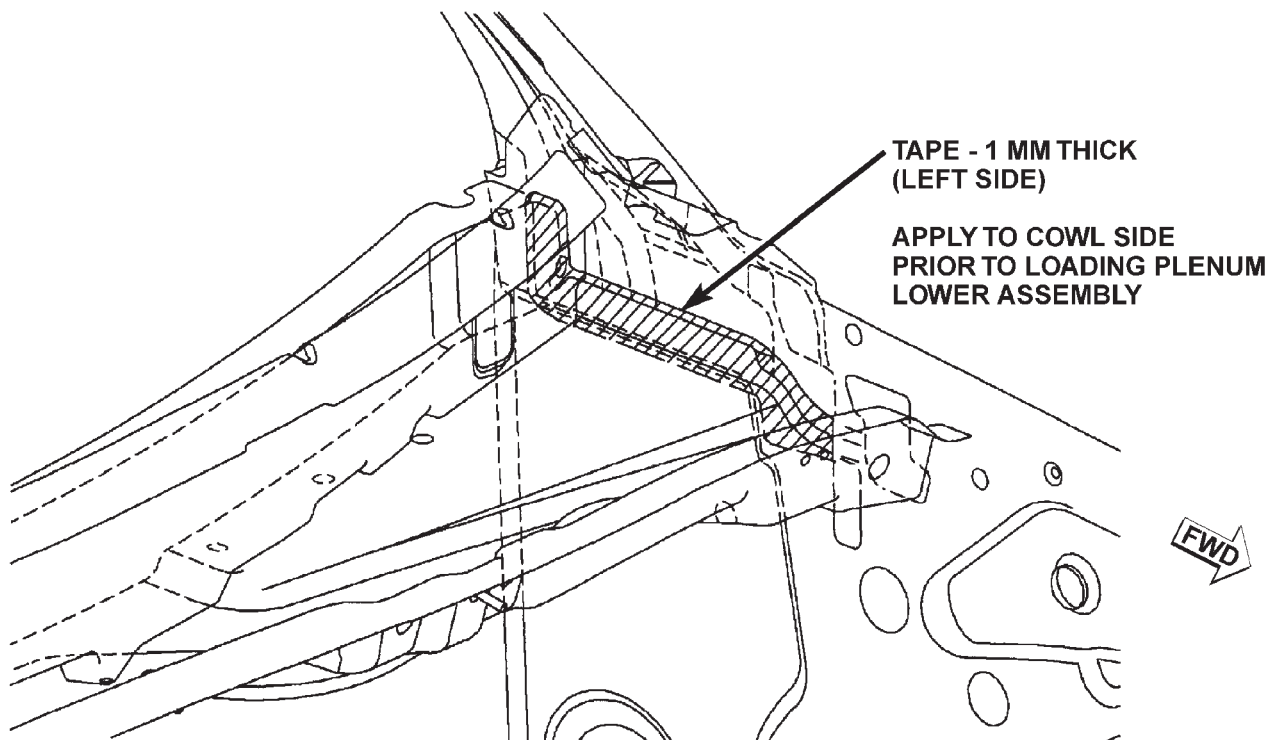
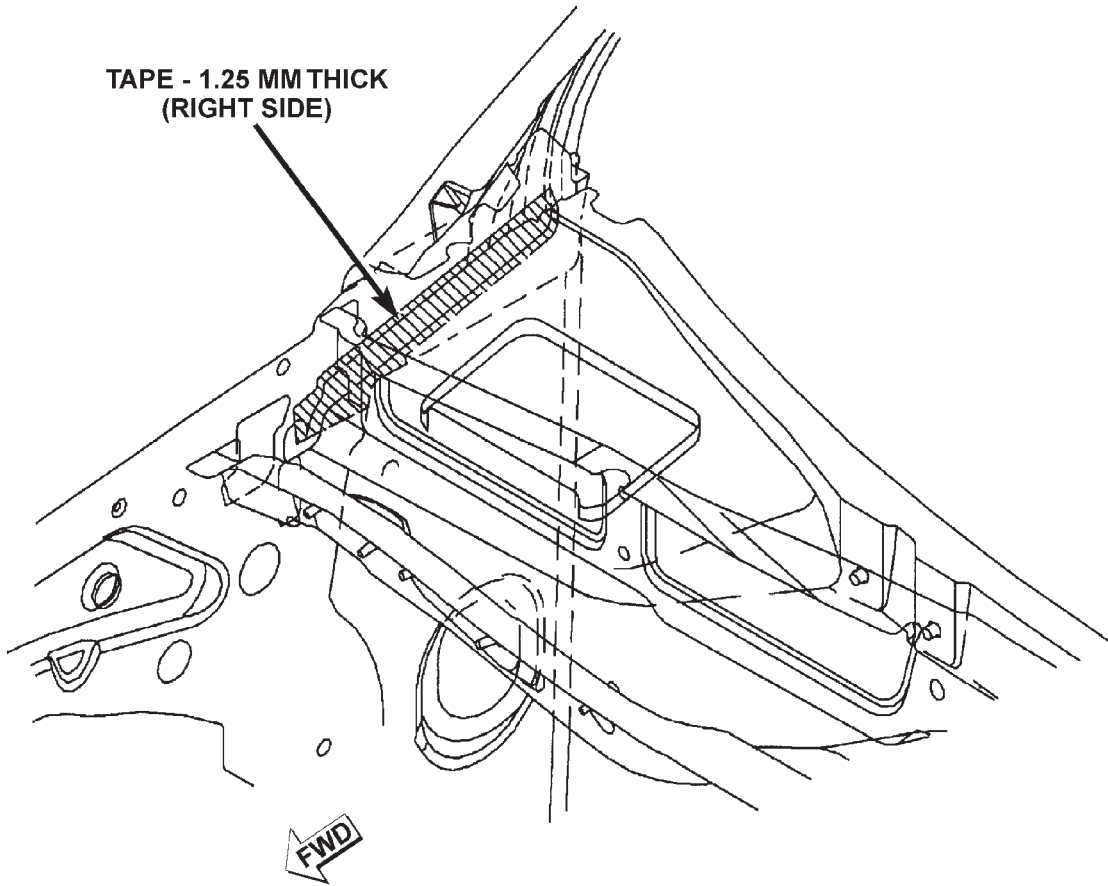
A-PILLAR



80b6fe29

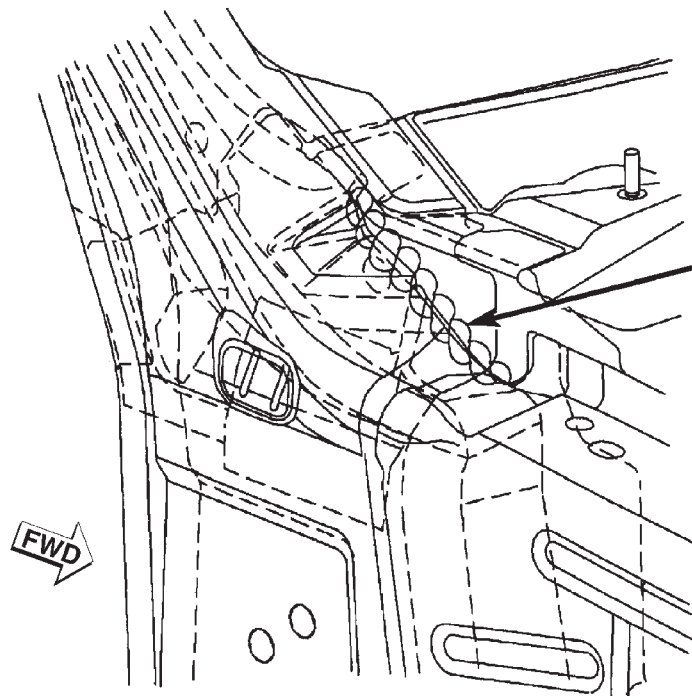
SPECIFICATIONS (Continued)

COWL SIDE ATTACHMENT



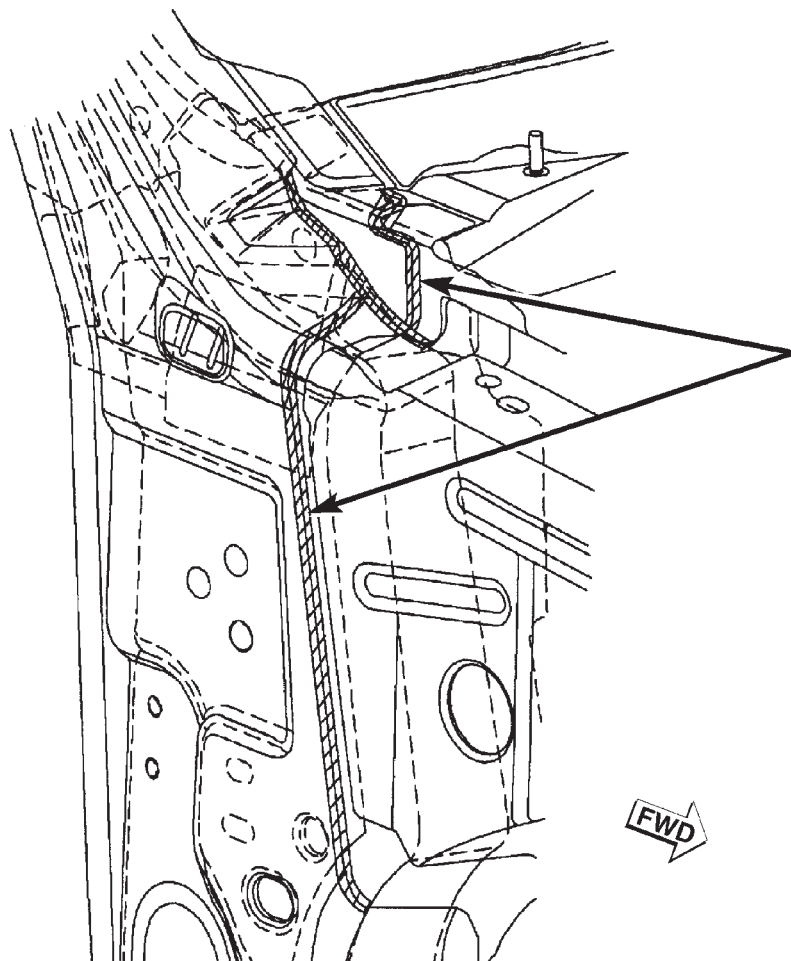
SPECIFICATIONS (Continued)

BODYSIDE ATTACHMENT



**THUMBGRADE ROPE  
150 MM X 9 MM BALL  
(TYPICAL BOTH SIDES)**

**APPLY TO BODYSIDE ASSEMBLY  
PRIOR TO SPRAY SEALER  
APPLICATION**

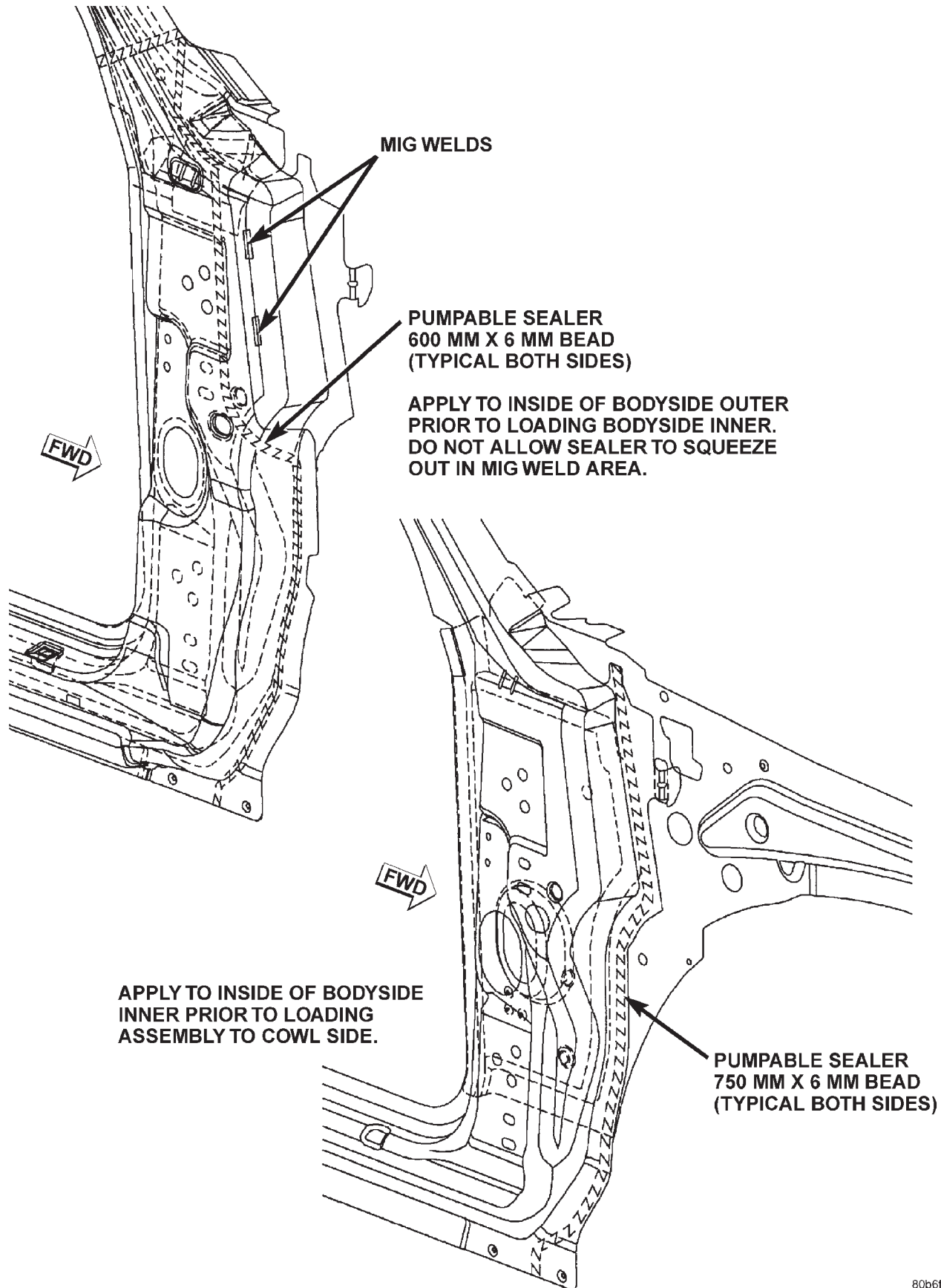


**SPRAYABLE ADHESIVE  
(TYPICAL BOTH SIDES)**

**APPLY AFTER MIG WELDS BUT  
PRIOR TO FENDER INSTALLATION**

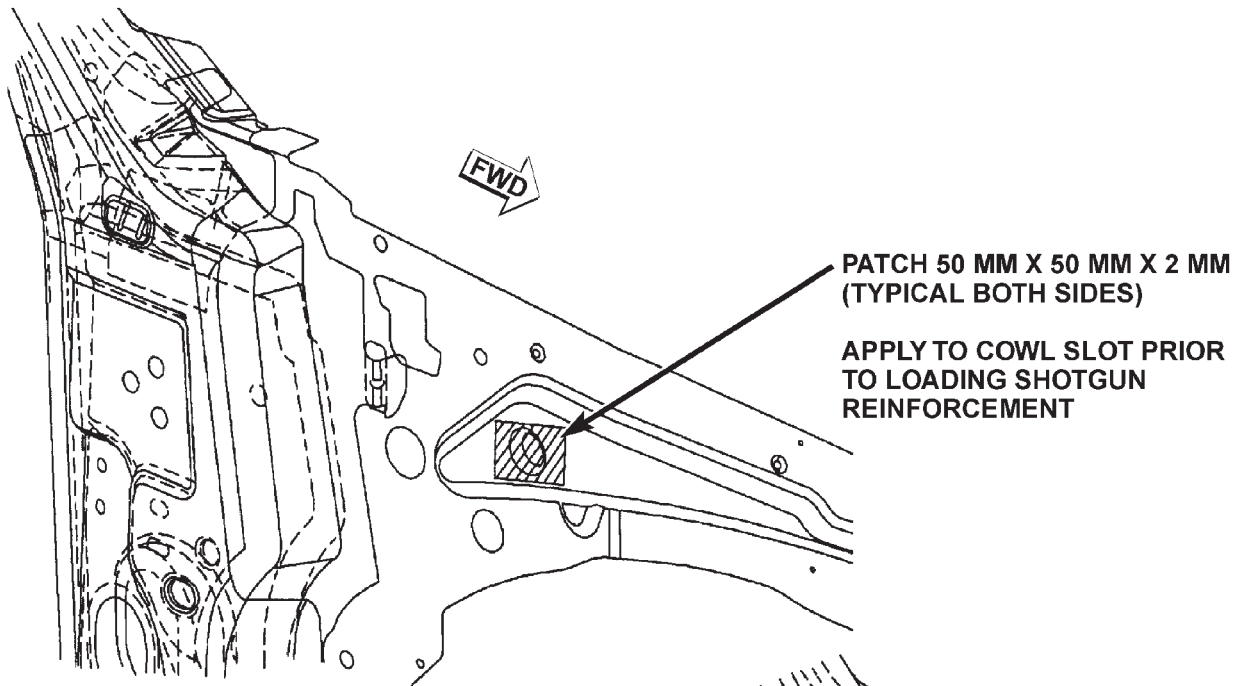
SPECIFICATIONS (Continued)

BODYSIDE INNER AND OUTER TO COWL



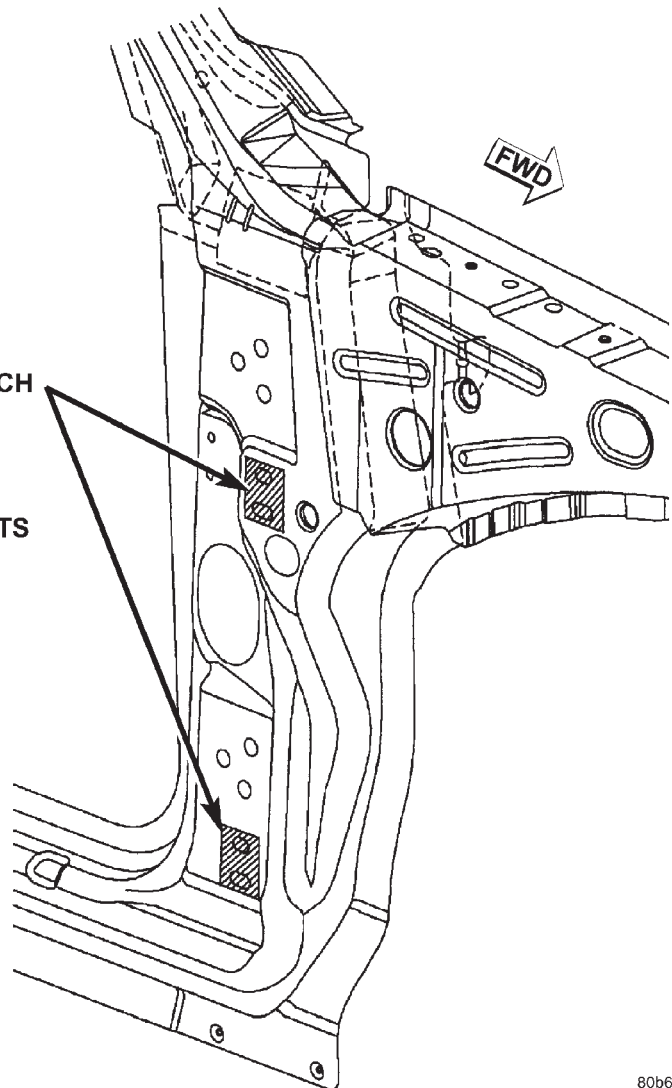
SPECIFICATIONS (Continued)

FENDER ATTACHMENT



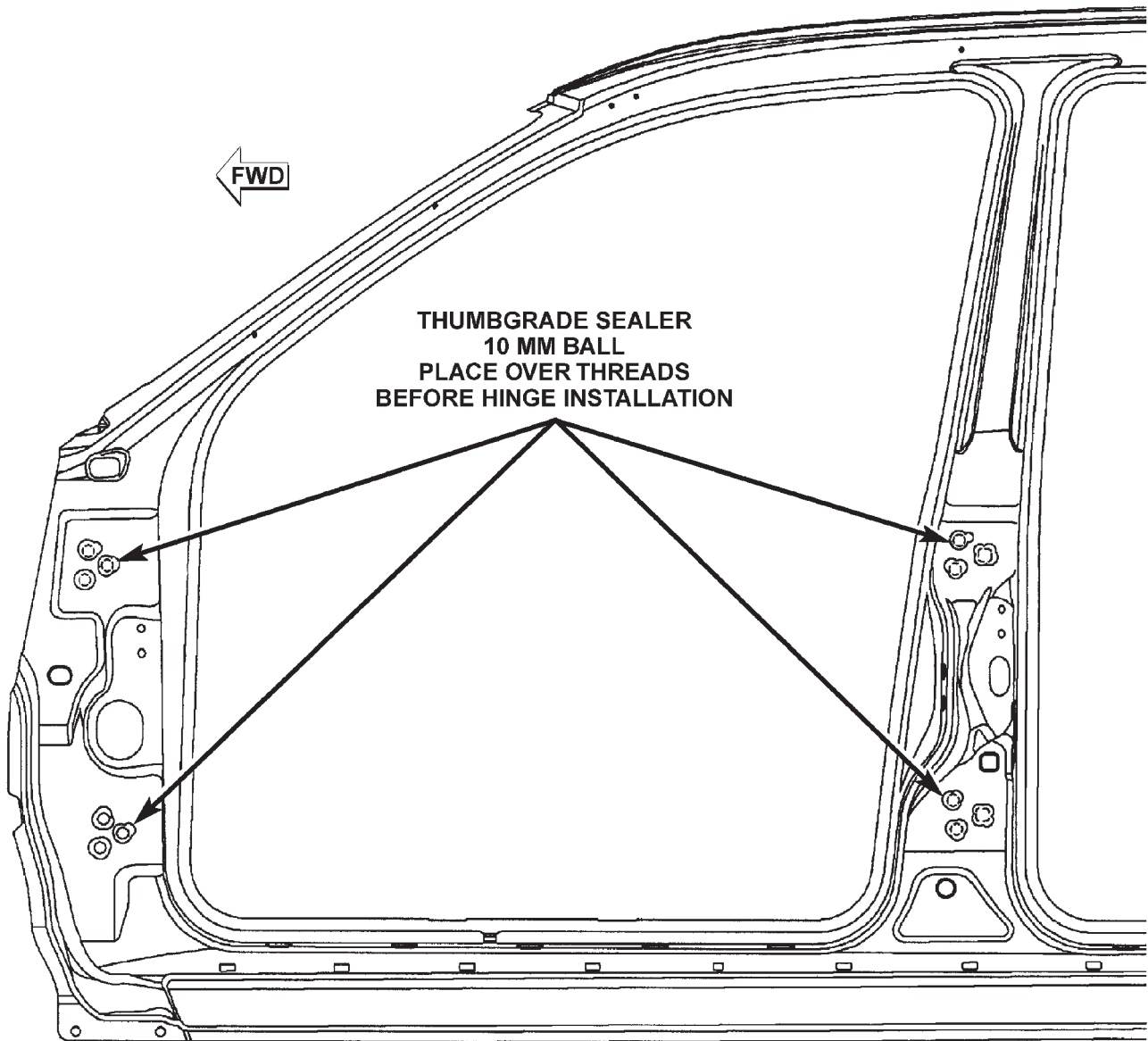
**45 MM X 30 MM X 1.25 MM PATCH  
(TYPICAL BOTH SIDES)**

**APPLY ON TOP OF FENDER  
ATTACHING SLOTS PRIOR TO  
ATTACHING FENDER BRACKETS**



SPECIFICATIONS (Continued)

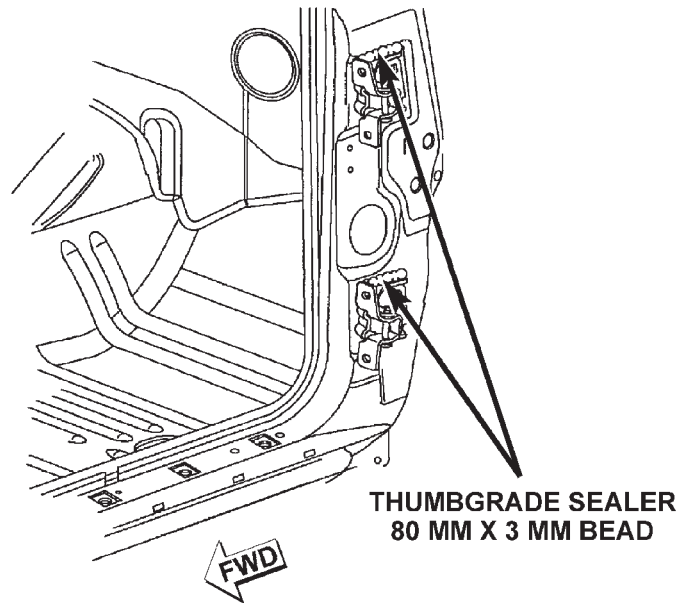
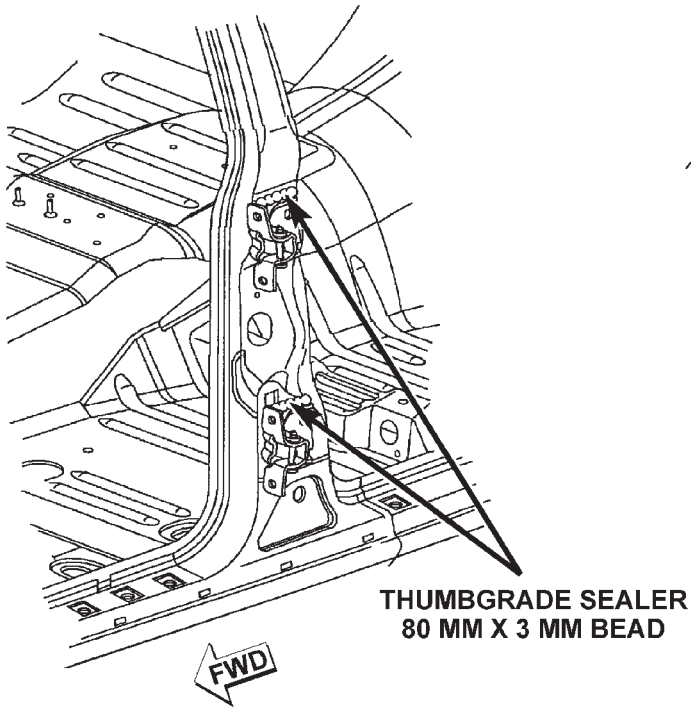
DOOR HINGE BOLT HOLES





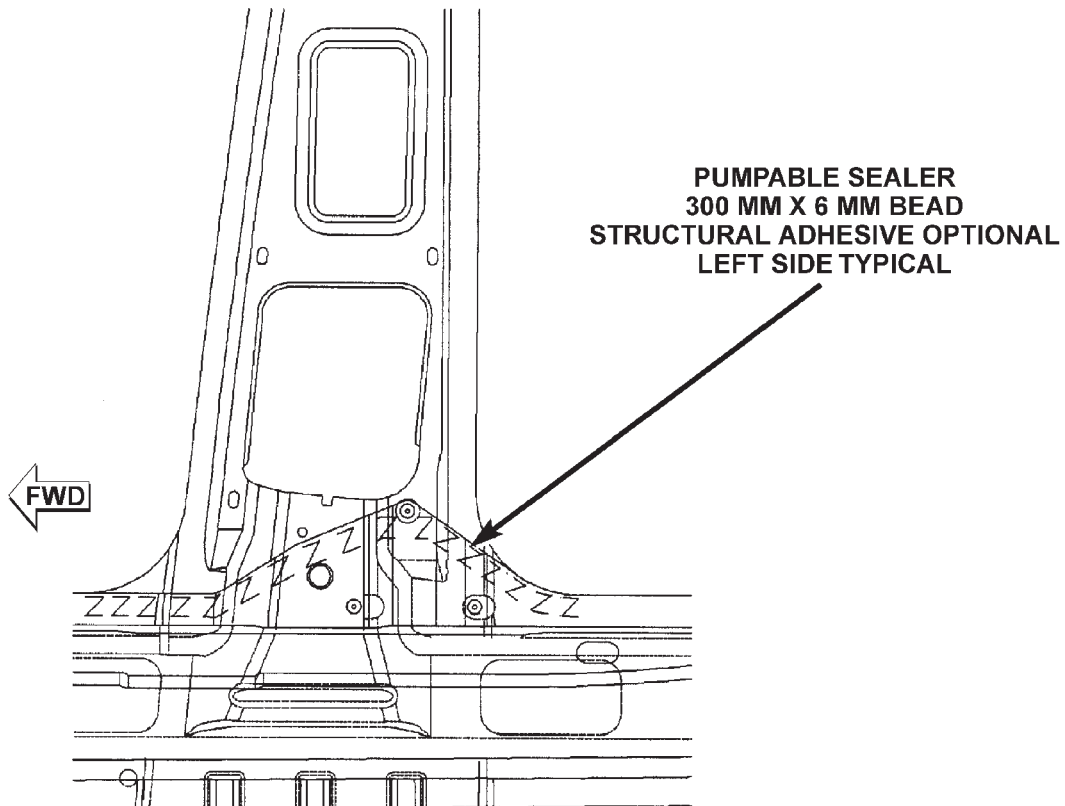
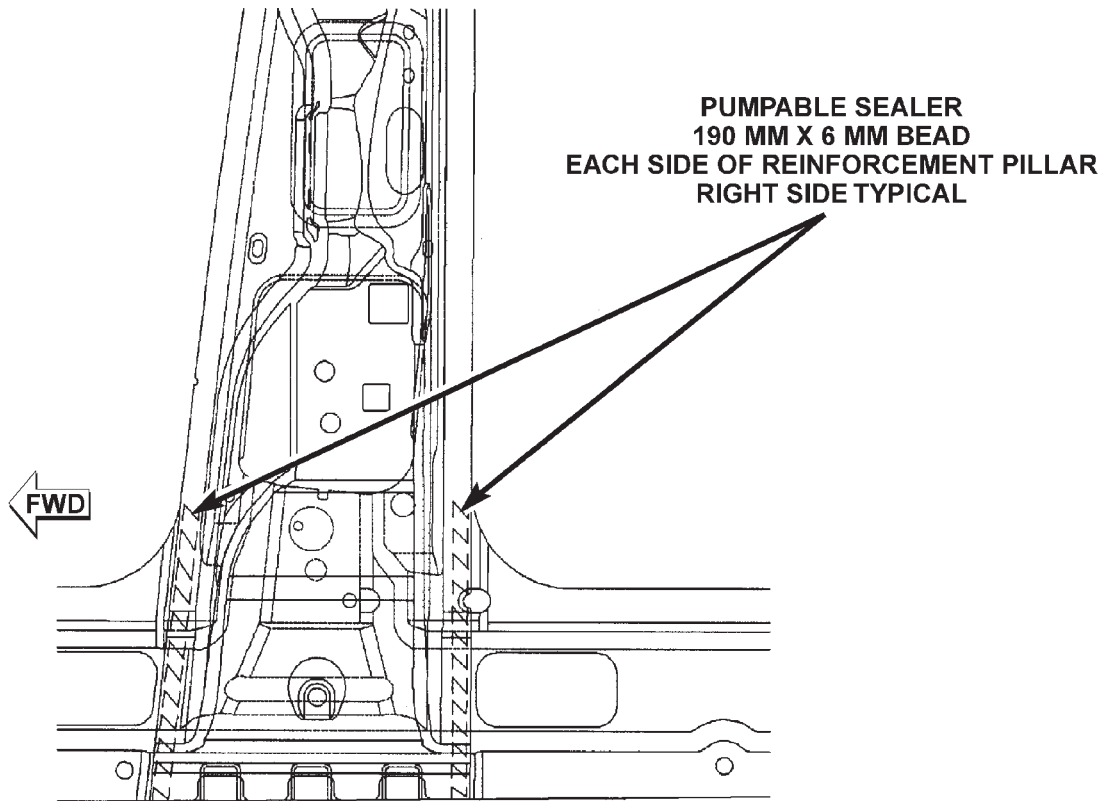
SPECIFICATIONS (Continued)

A-PILLAR AND B-PILLAR HINGE AREA



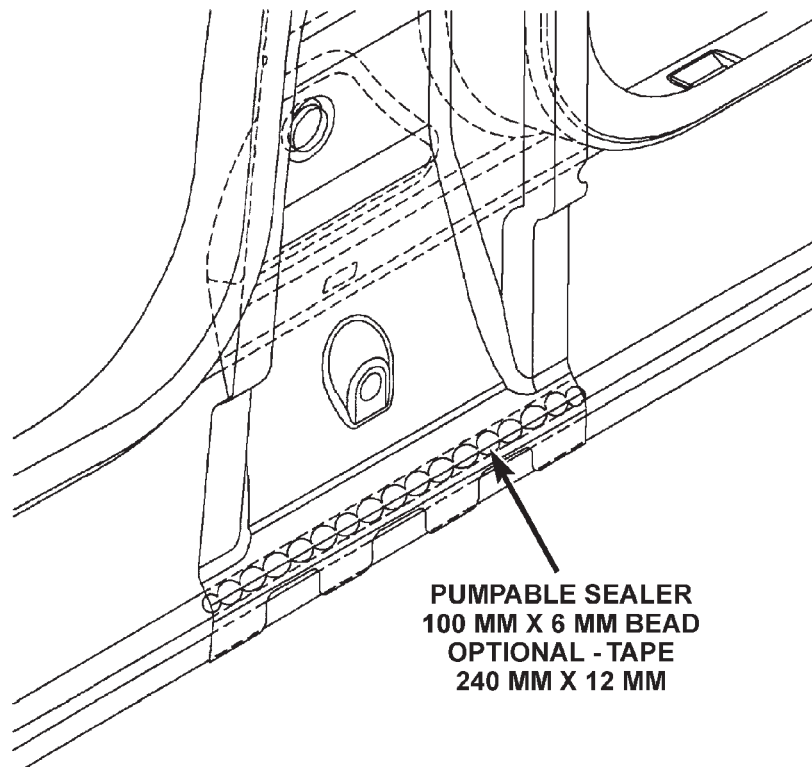
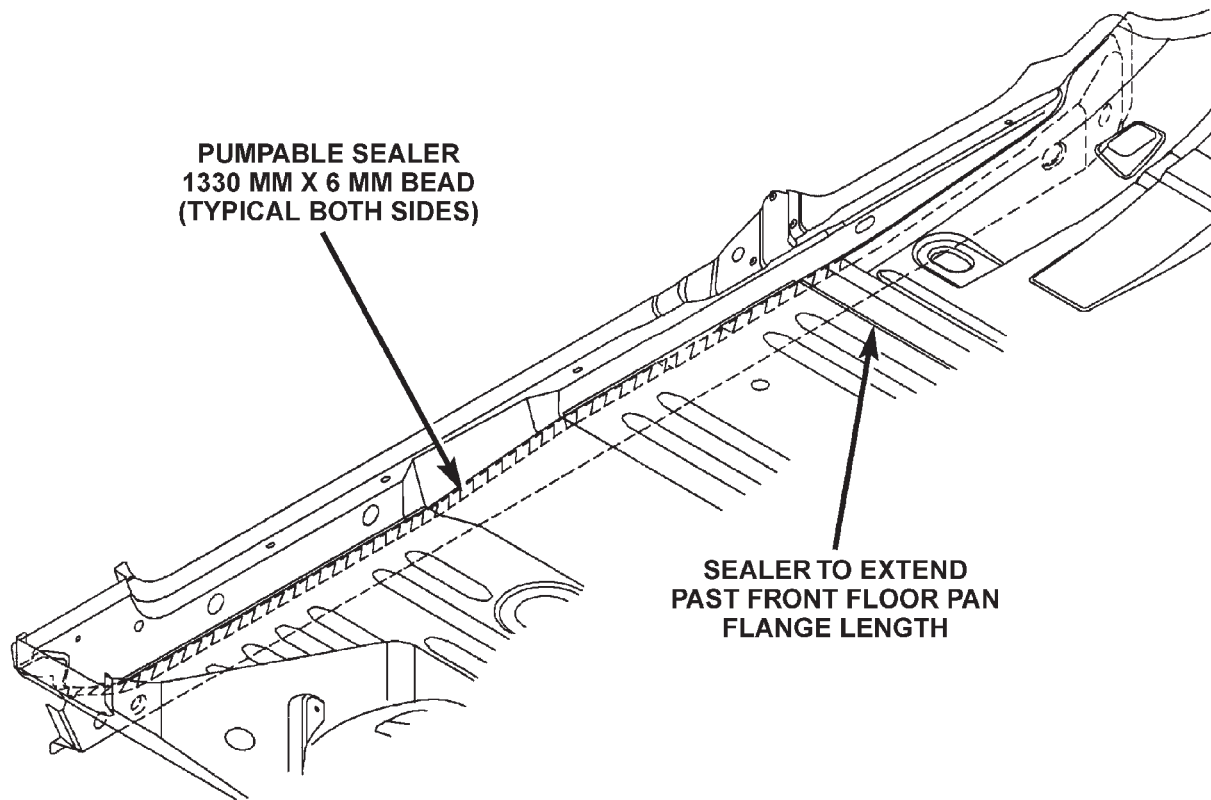
SPECIFICATIONS (Continued)

B-PILLAR AND SILL



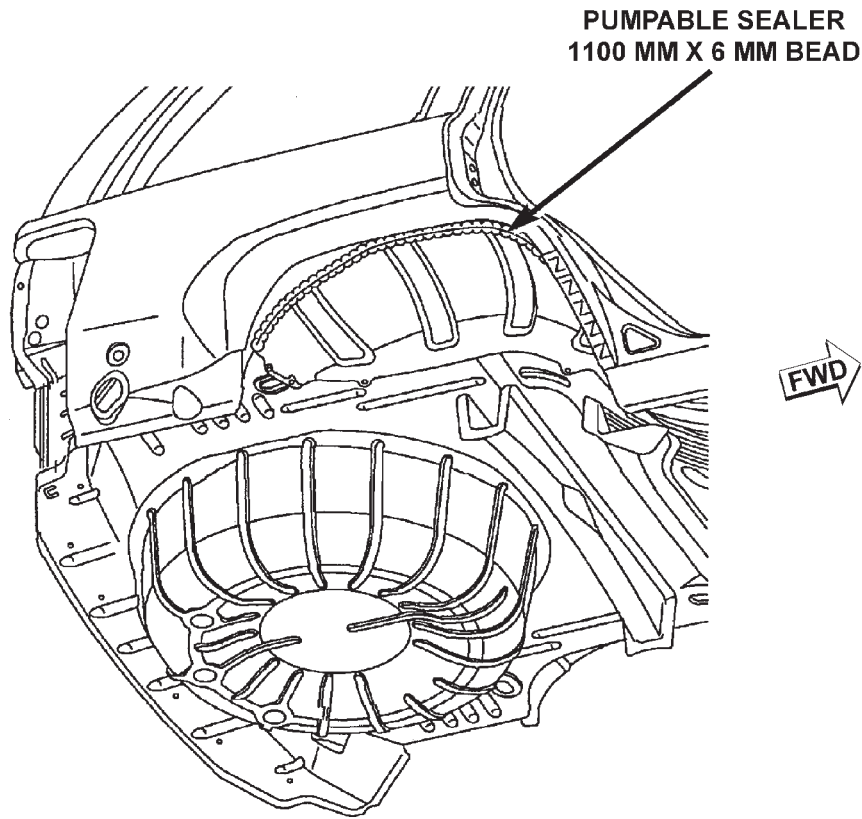
SPECIFICATIONS (Continued)

SILL AND B-PILLAR



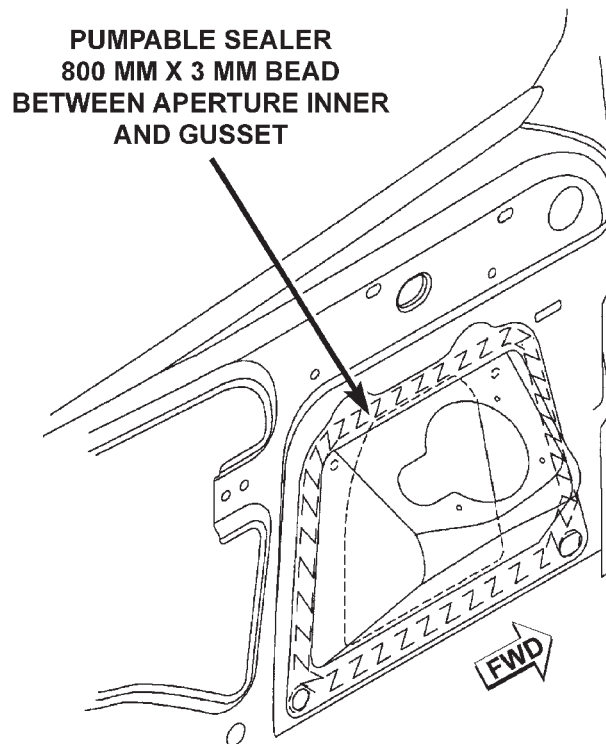
SPECIFICATIONS (Continued)

**BODYSIDE APERTURE AND REAR WHEELHOUSE**



80b6fe21

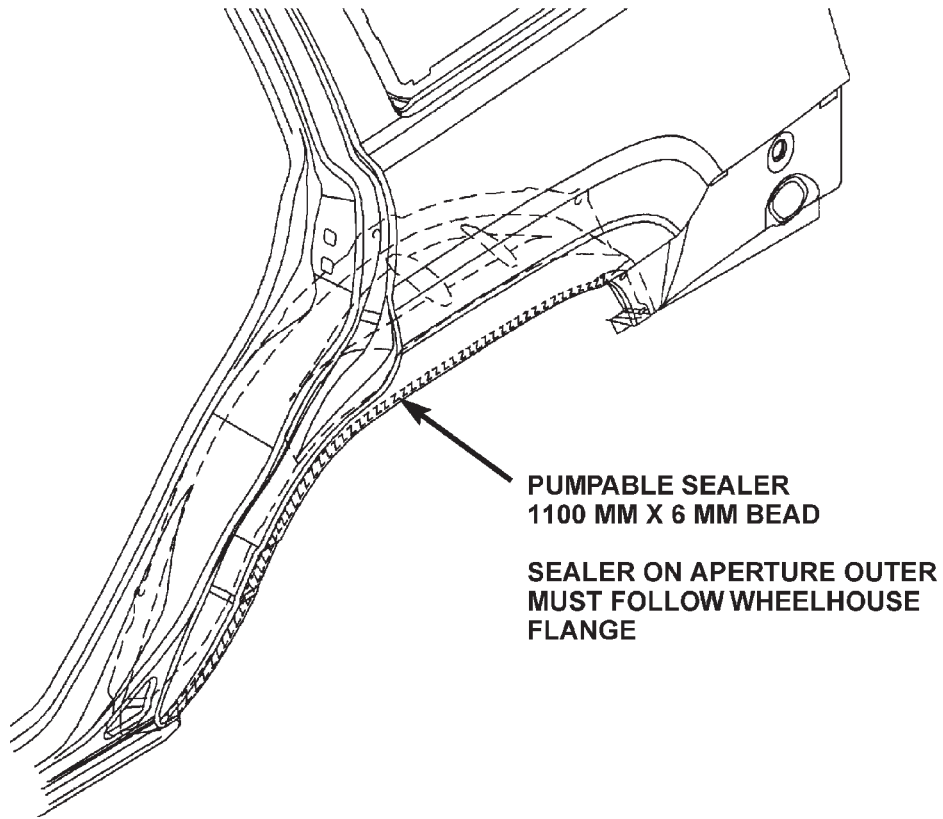
**FUEL FILLER GUSSET**



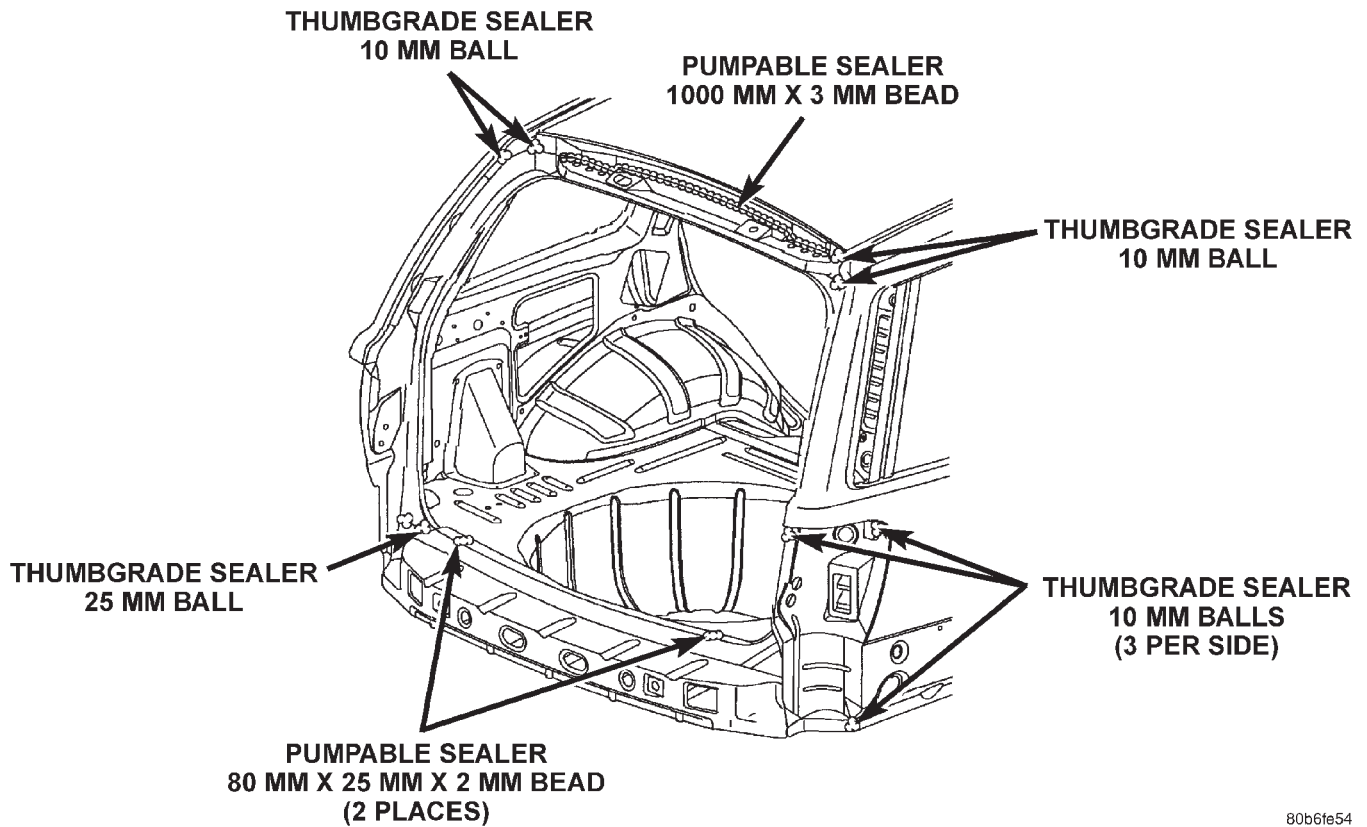
80b6fe24

SPECIFICATIONS (Continued)

OUTER WHEELHOUSE FLANGE

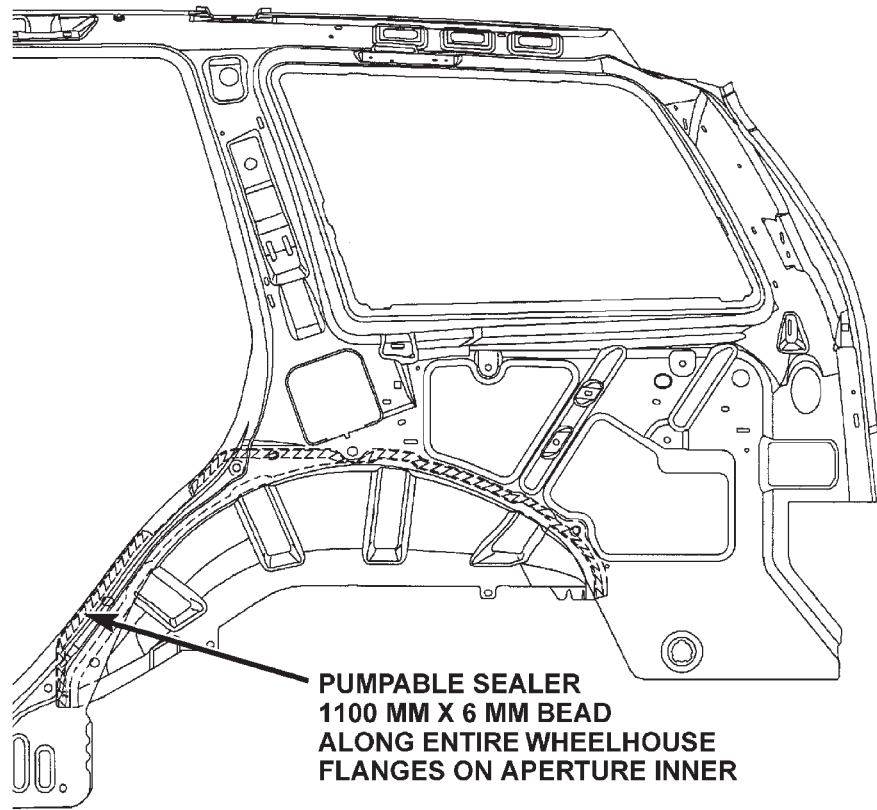


LIFTGATE OPENING



SPECIFICATIONS (Continued)

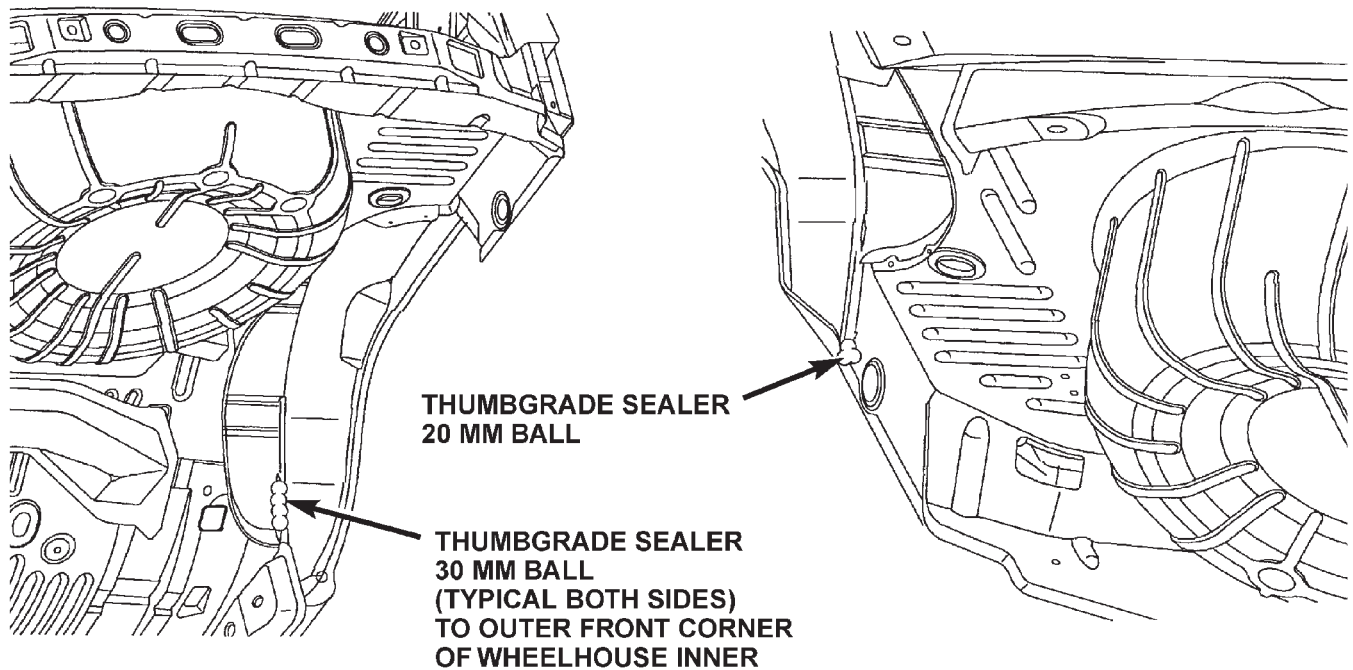
**INNER WHEELHOUSE FLANGE TO BODYSIDE APERTURE**



**PUMPABLE SEALER  
1100 MM X 6 MM BEAD  
ALONG ENTIRE WHEELHOUSE  
FLANGES ON APERTURE INNER**

80b6fe56

**WHEELHOUSE LOWER**



**THUMBGRADE SEALER  
20 MM BALL**

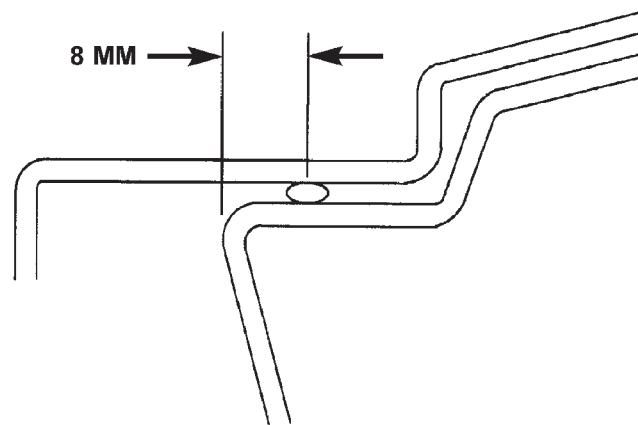
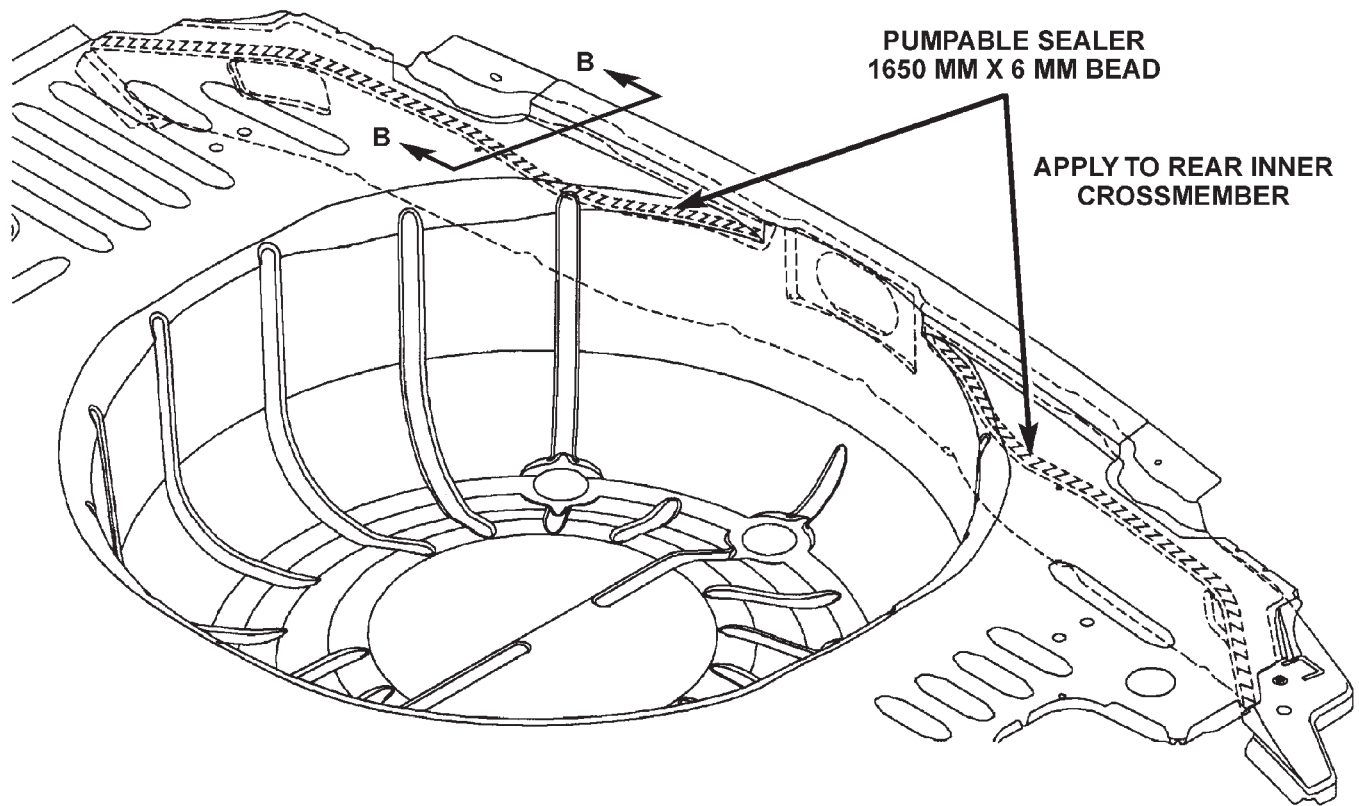
**THUMBGRADE SEALER  
30 MM BALL  
(TYPICAL BOTH SIDES)  
TO OUTER FRONT CORNER  
OF WHEELHOUSE INNER**

80b6fe57



SPECIFICATIONS (Continued)

REAR INNER CROSSMEMBER

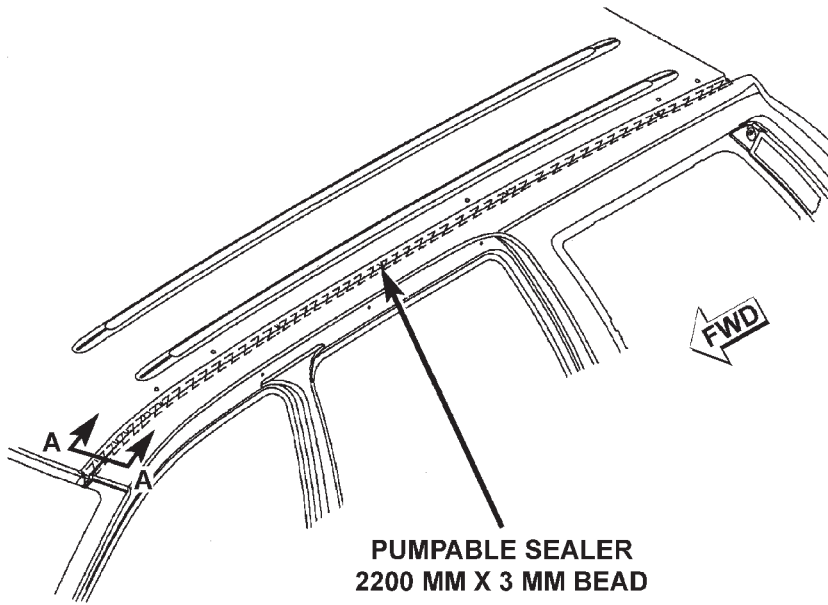


**SECTION B - B**

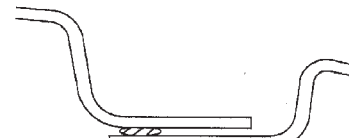
**☉ OF SEALER BEAD  
TO BE APPROXIMATELY 8 MM  
REARWARD OF FRONT EDGE  
OF REAR INNER CROSSMEMBER**

SPECIFICATIONS (Continued)

ROOF TO BODY SIDE APERTURE



PUMPABLE SEALER  
2200 MM X 3 MM BEAD

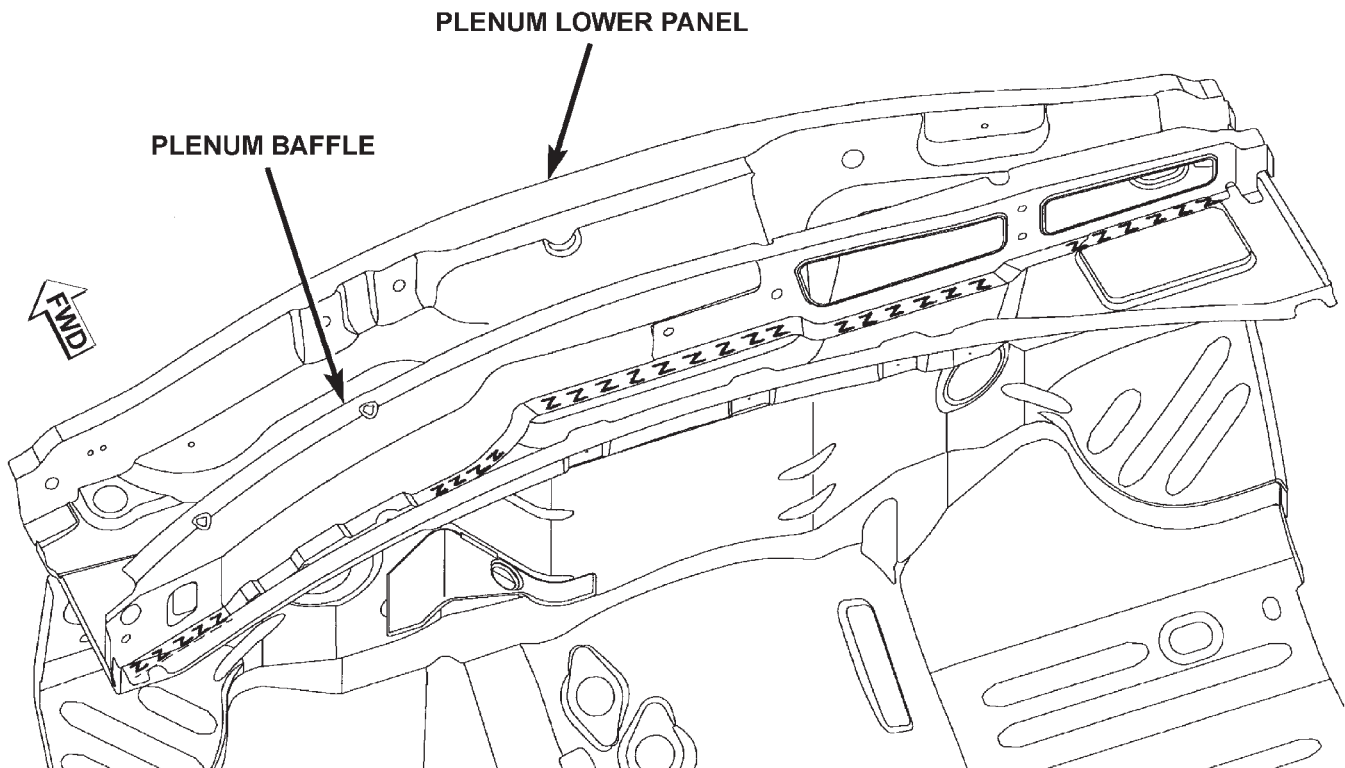


SECTION A-A  
(TYPICAL BOTH SIDES)

80b6fe25

STRUCTURAL ADHESIVE LOCATIONS

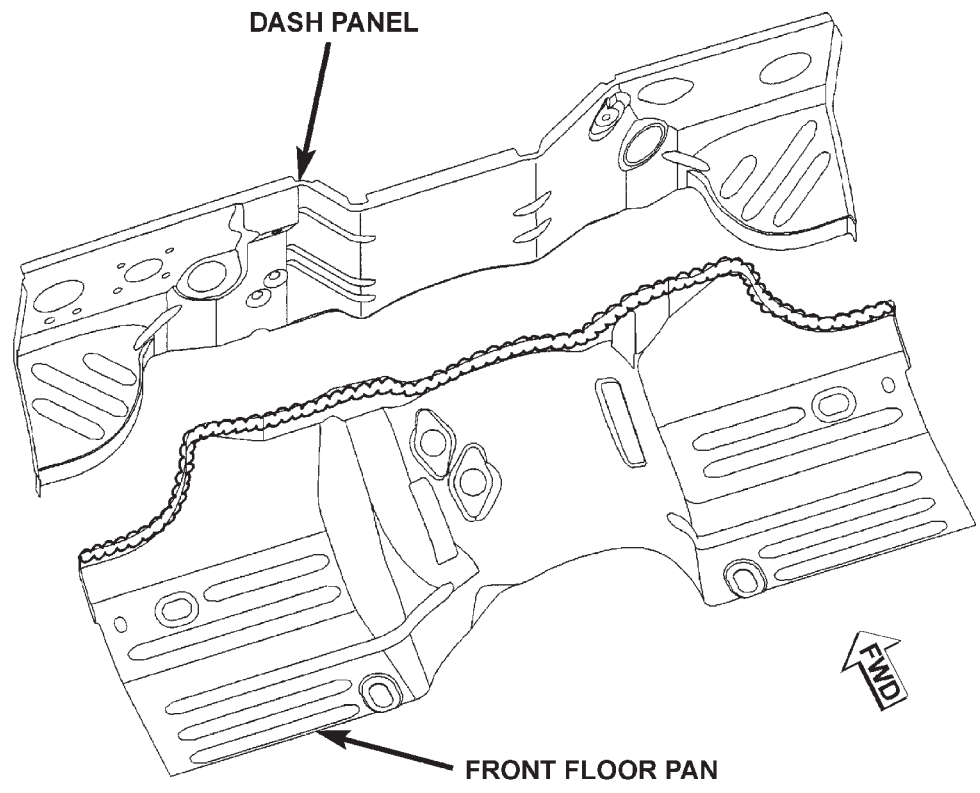
COWL PLENUM



80b6fe97

SPECIFICATIONS (Continued)

DASH PANEL AND FRONT FLOOR PAN

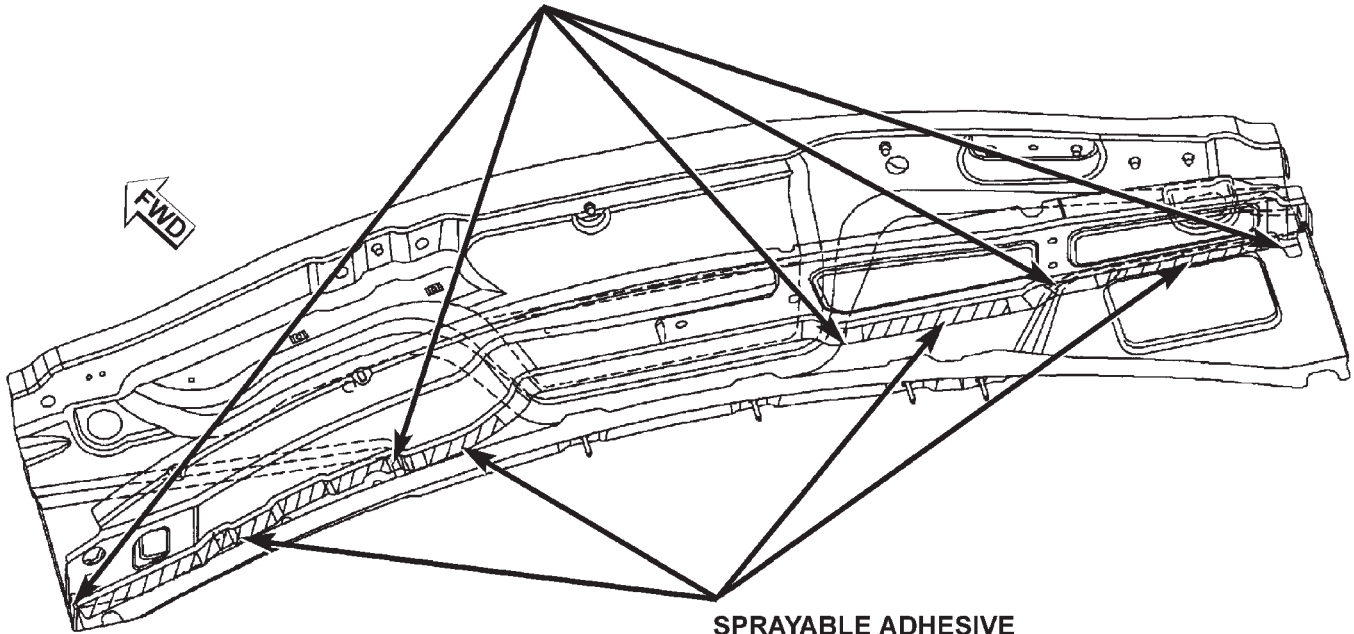


8066e98

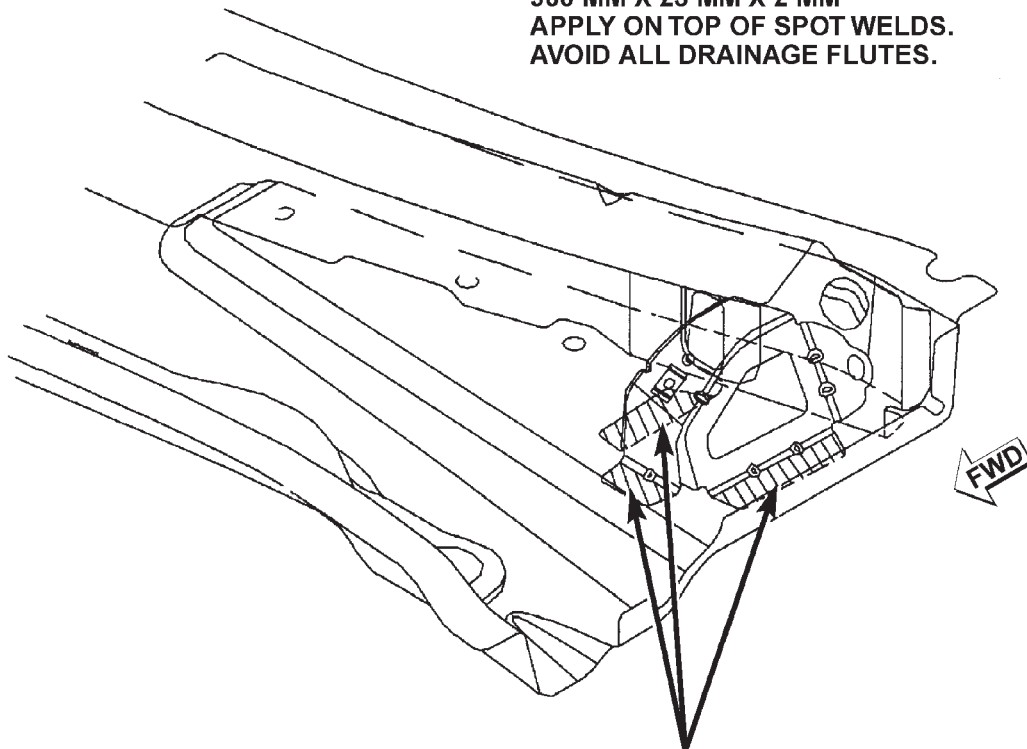
SPECIFICATIONS (Continued)

PLENUM AND WINDSHIELD WIPER MOUNTING

**DRAINAGE FLUTES**



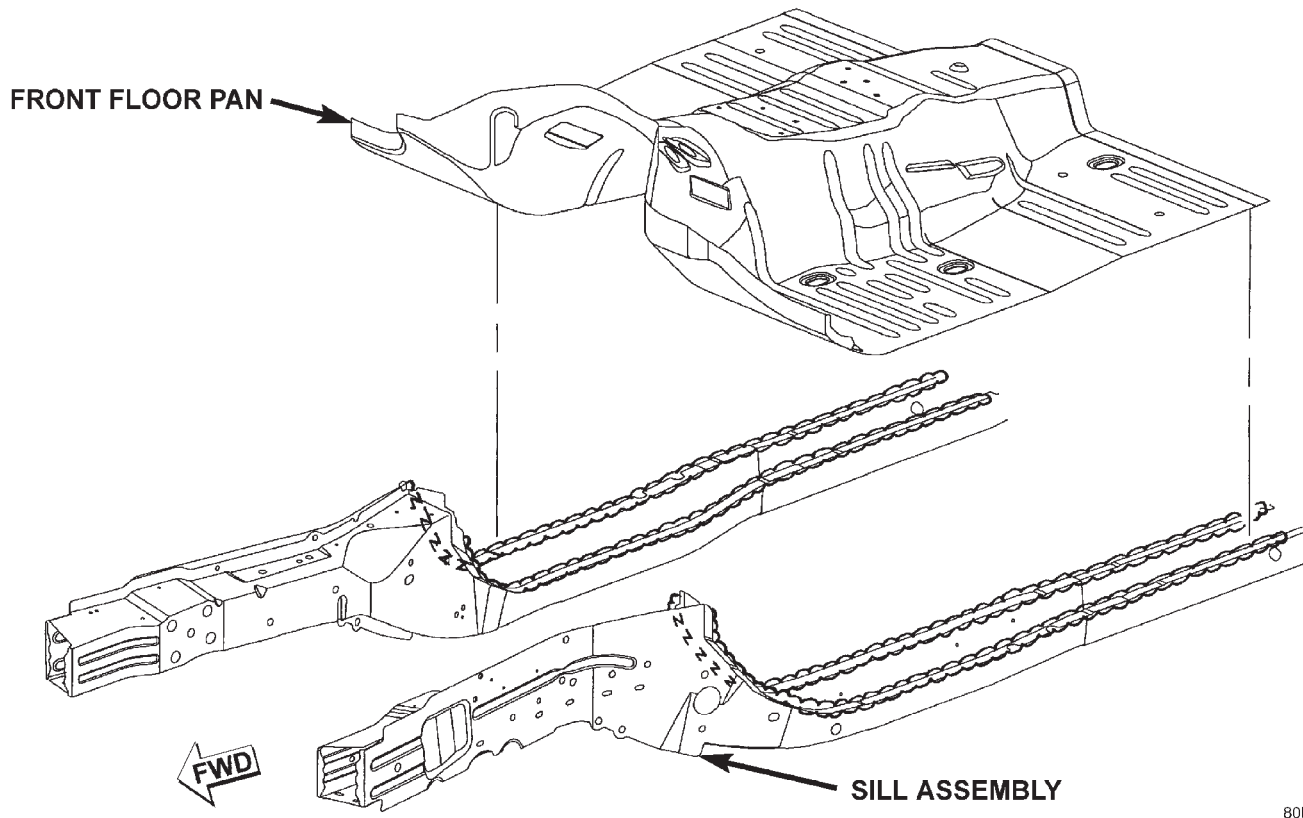
**SPRAYABLE ADHESIVE  
900 MM X 25 MM X 2 MM  
APPLY ON TOP OF SPOT WELDS.  
AVOID ALL DRAINAGE FLUTES.**



**SPRAYABLE ADHESIVE  
200 MM X 25 MM X 2 MM  
APPLY ON TOP OF SPOT WELDS  
(LEFT SIDE ONLY)**

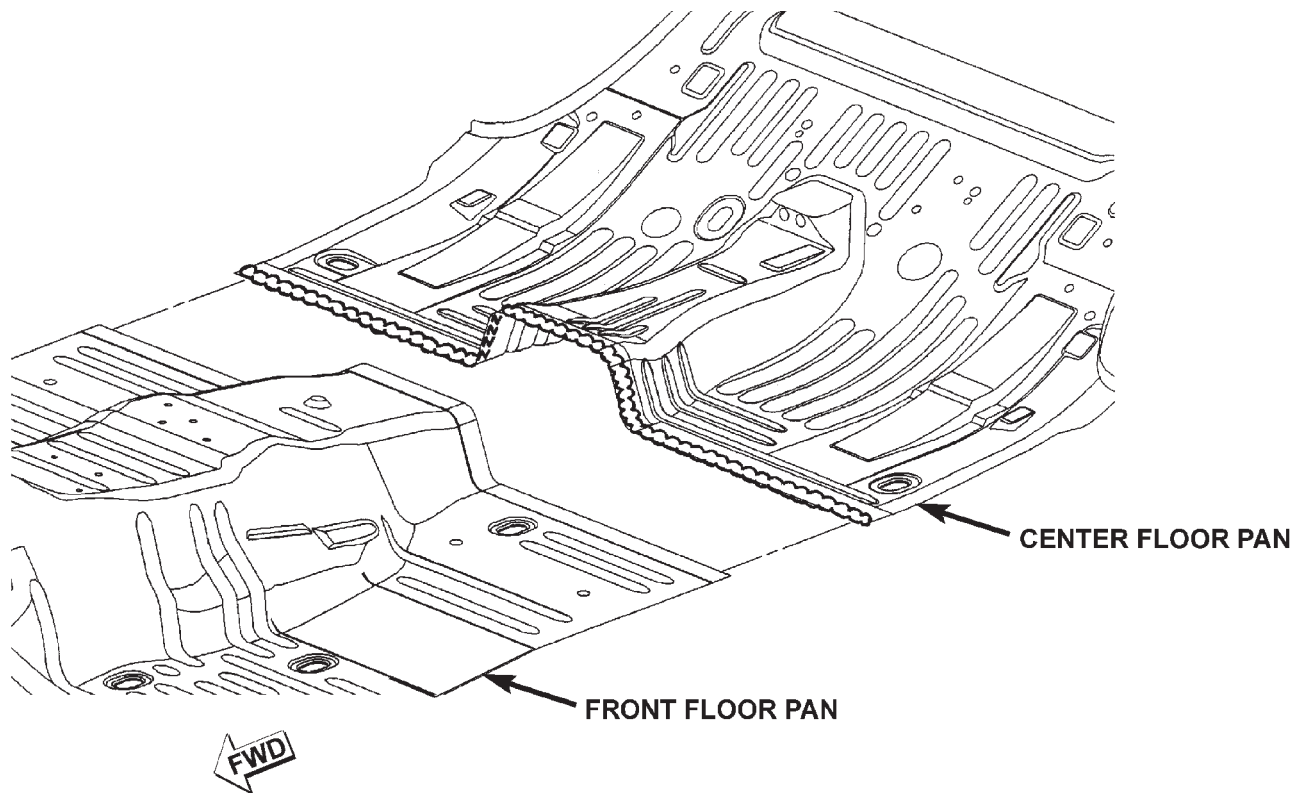
SPECIFICATIONS (Continued)

FRONT FLOOR PAN AND SILLS



80b6fe99

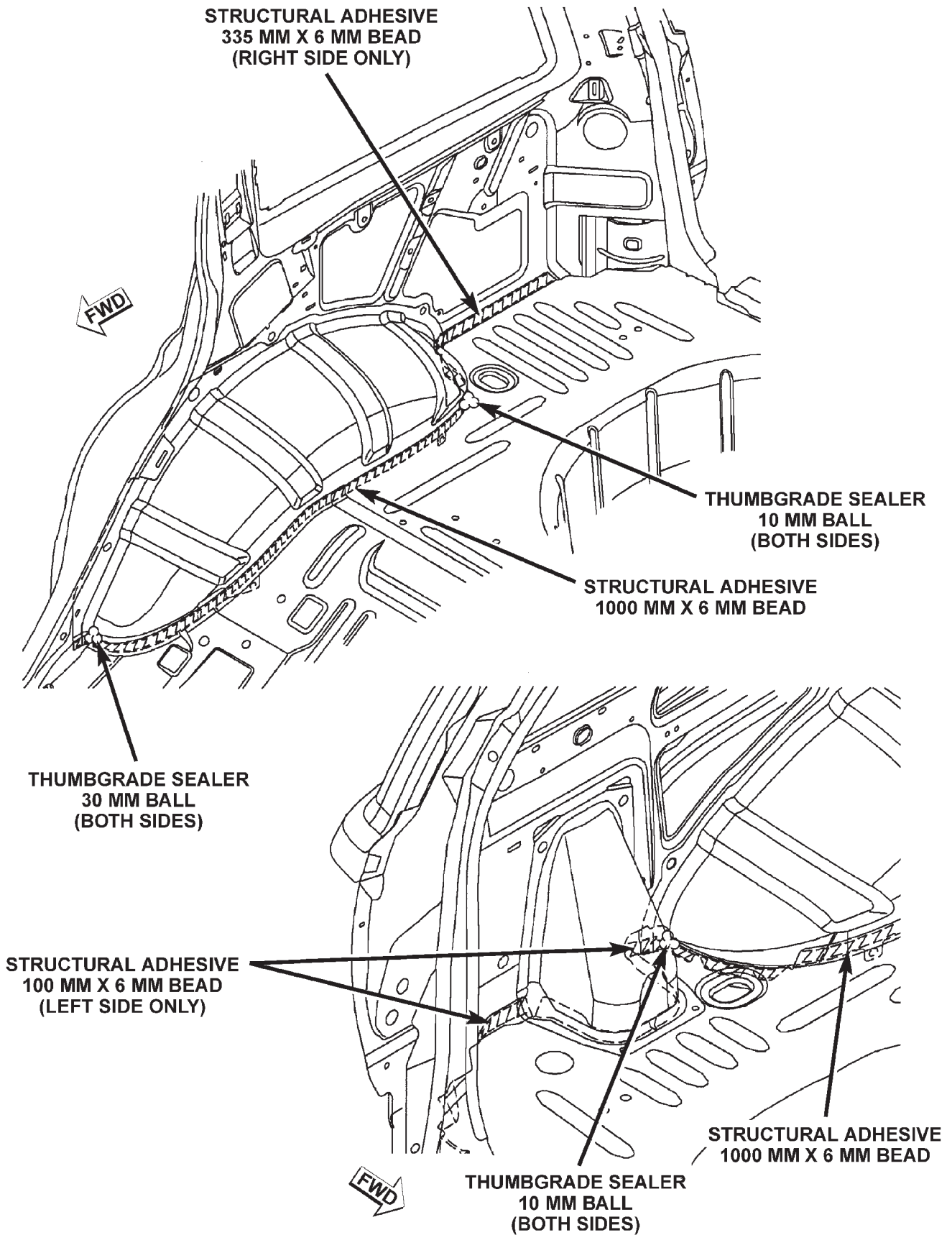
FRONT AND CENTER FLOOR PAN



80b6fe9a

SPECIFICATIONS (Continued)

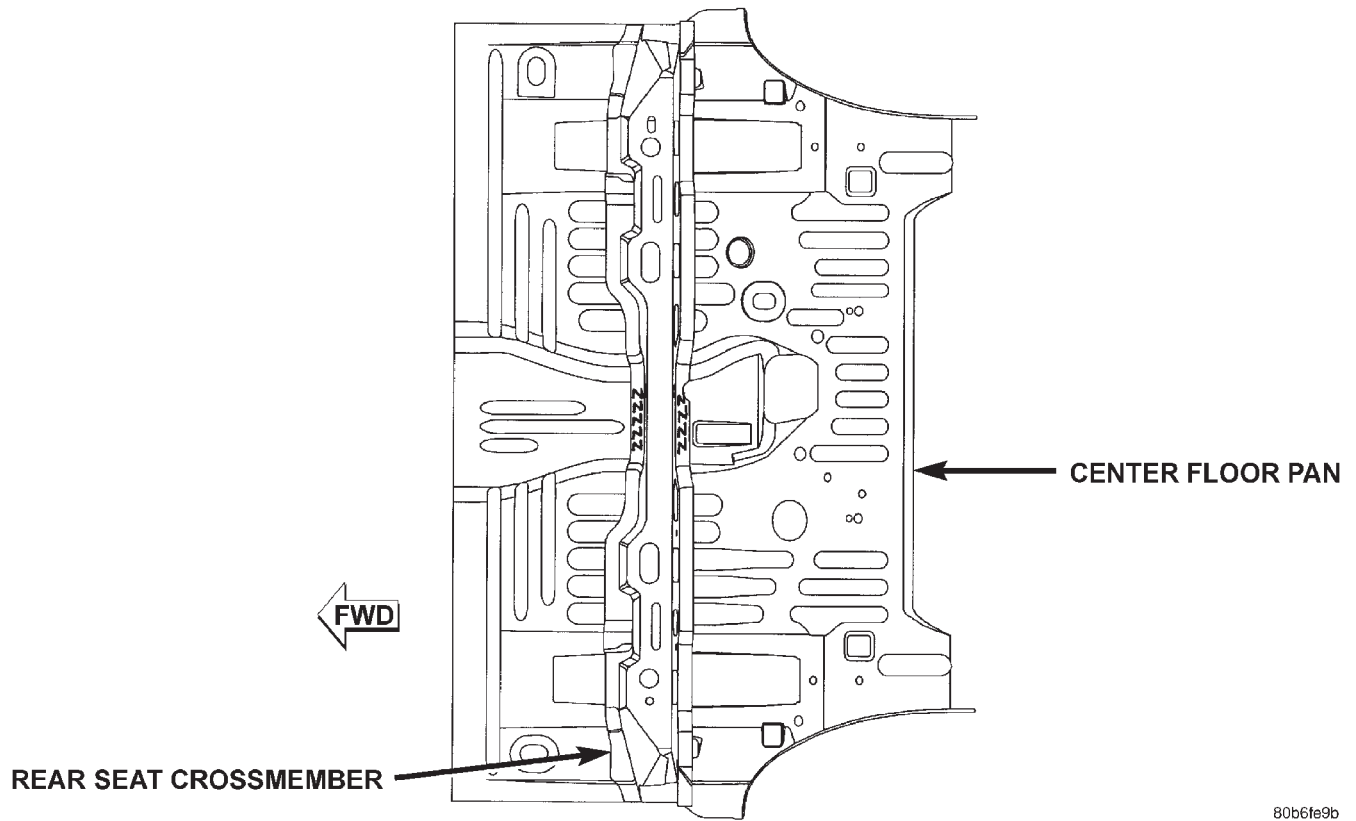
FRONT PAN AND INNER BODY SIDE APERTURE





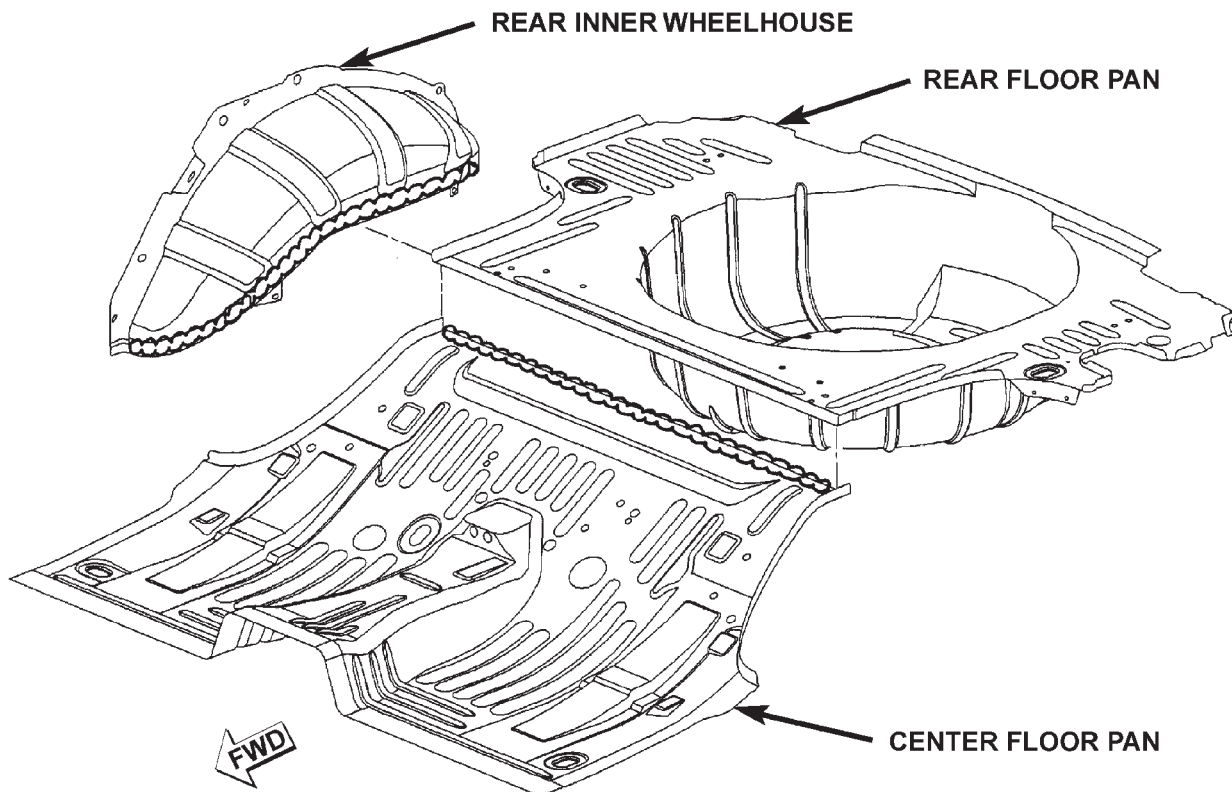
SPECIFICATIONS (Continued)

REAR SEAT CROSSMEMBER



80b6fe9b

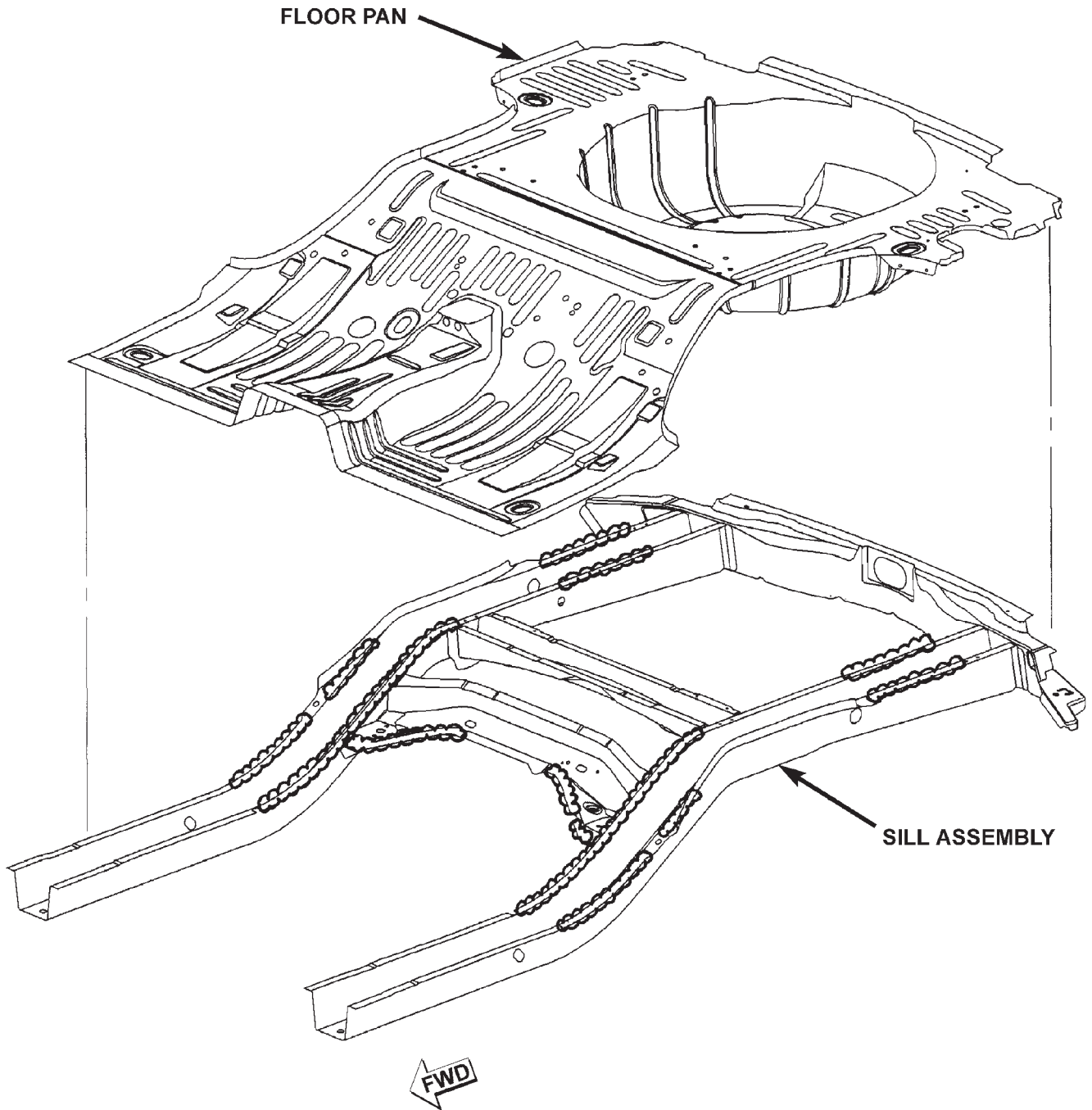
REAR INNER WHEELHOUSE



80b6fe9c

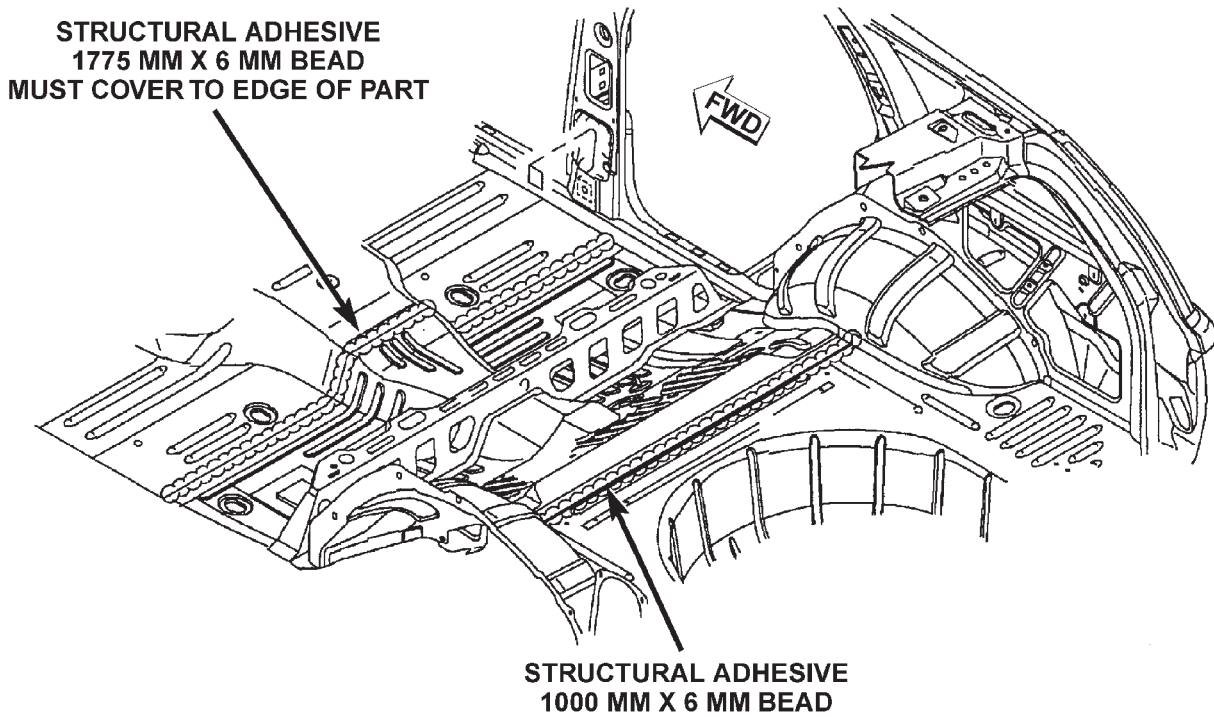
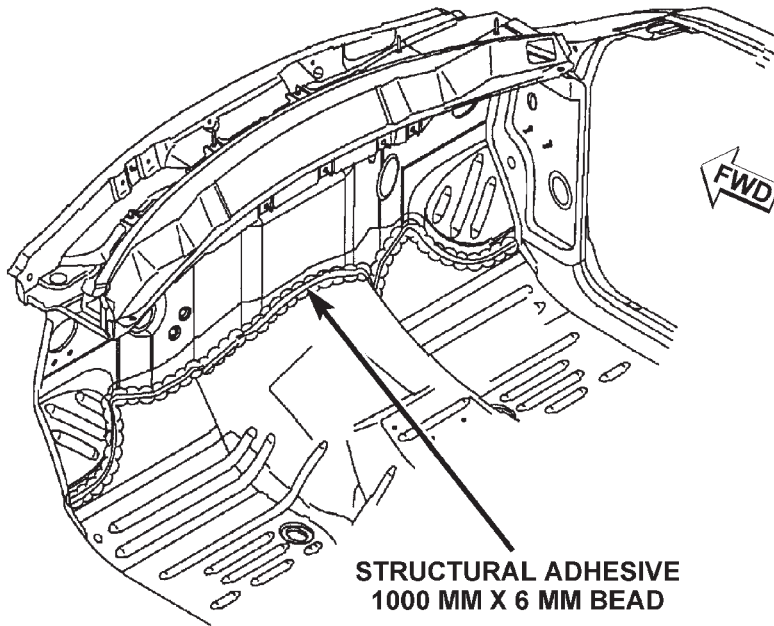
SPECIFICATIONS (Continued)

FLOOR PAN AND SILL ASSEMBLY



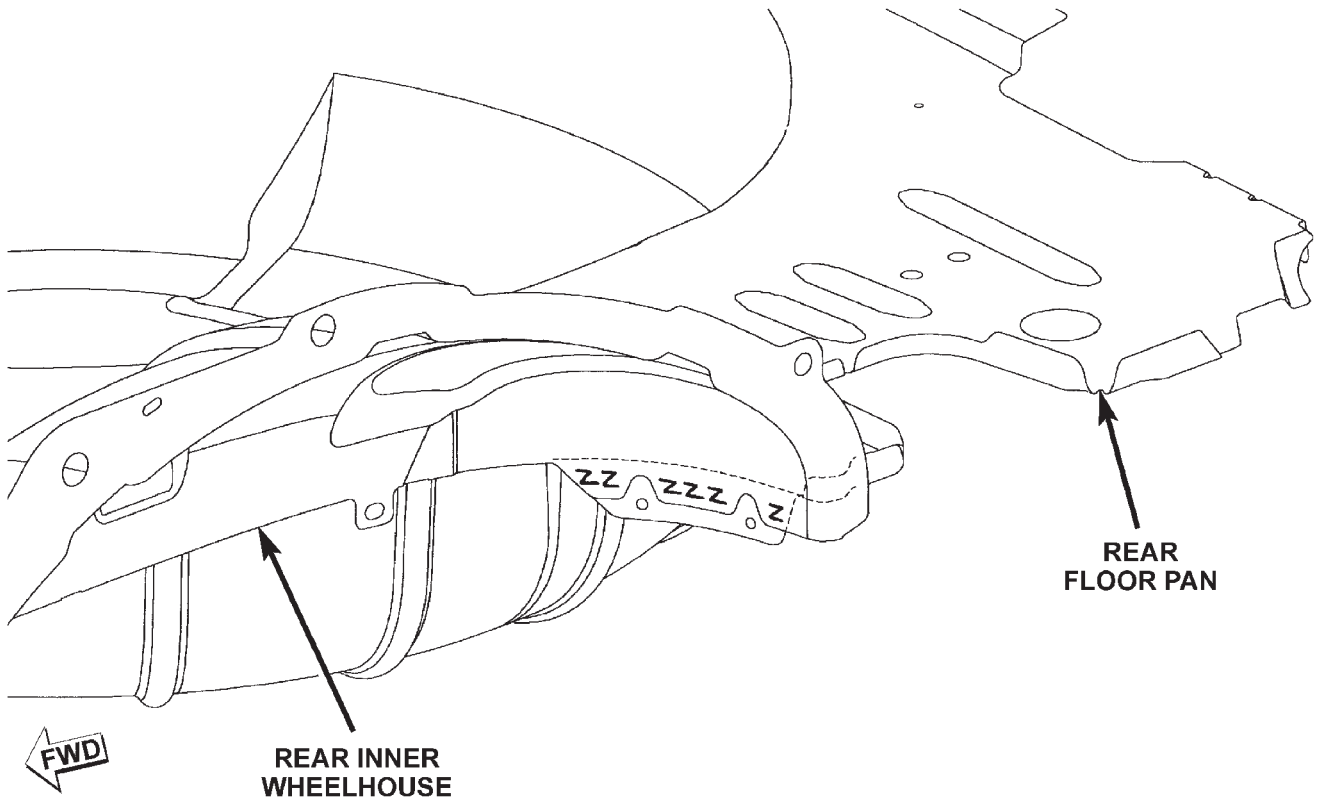
SPECIFICATIONS (Continued)

FLOOR PAN



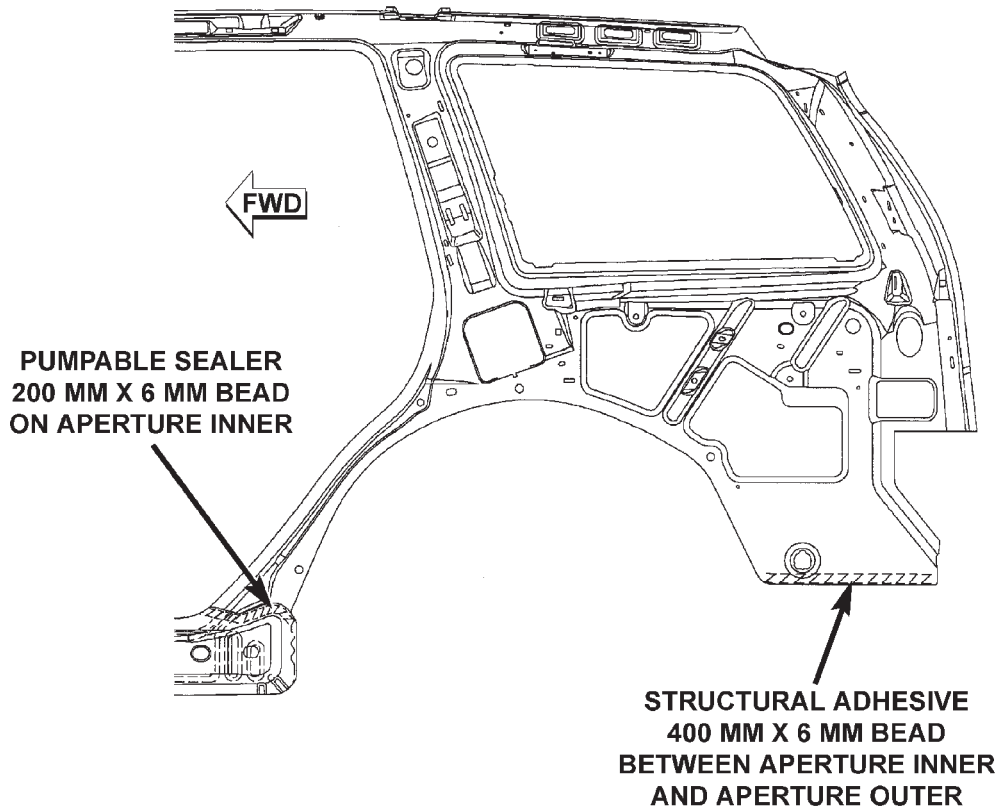
SPECIFICATIONS (Continued)

REAR INNER WHEELHOUSE AND REAR FLOOR PAN



80b6fe9f

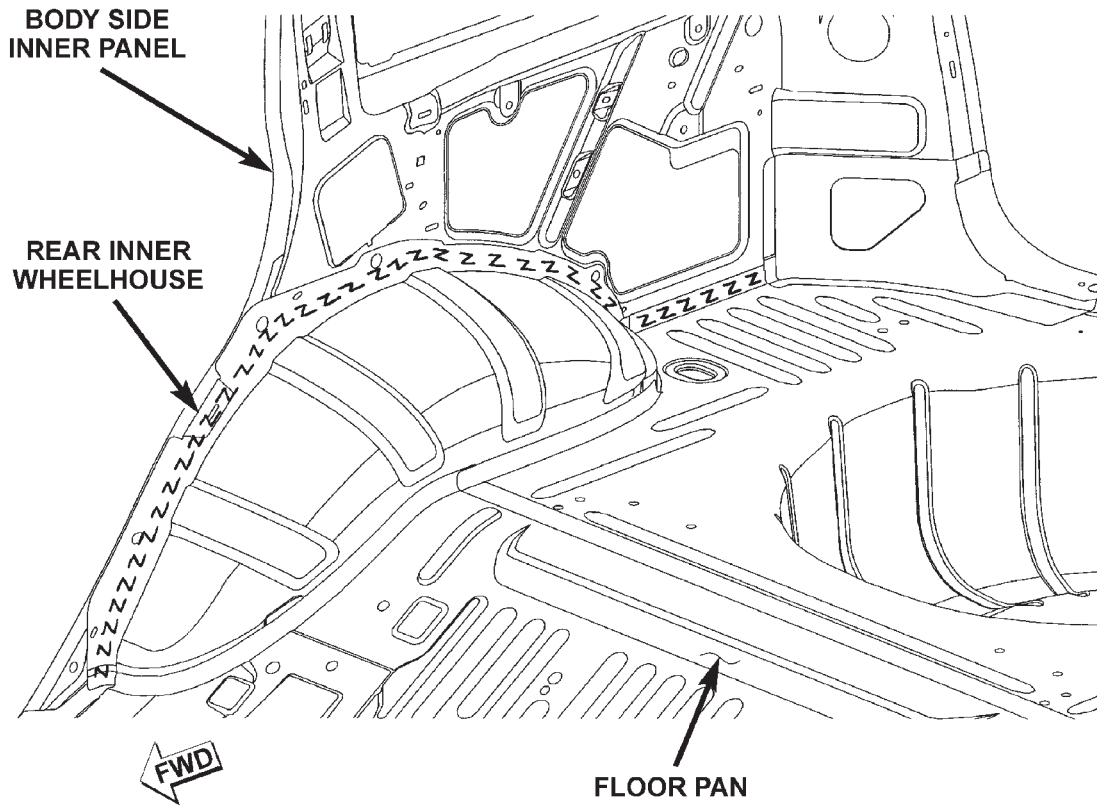
RIGHT INNER BODYSIDE APERTURE



80b6fe23

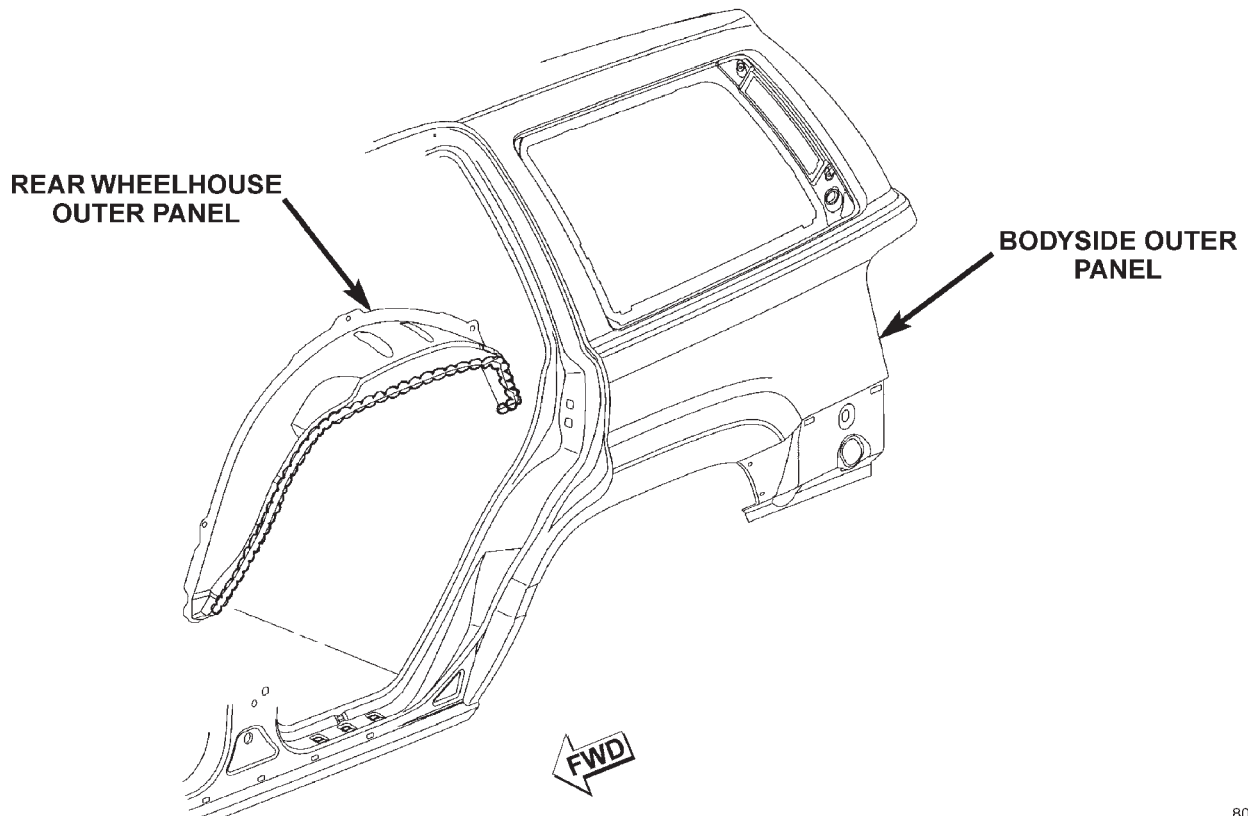
SPECIFICATIONS (Continued)

BODY SIDE INNER PANEL AND WHEELHOUSE



80b6fea0

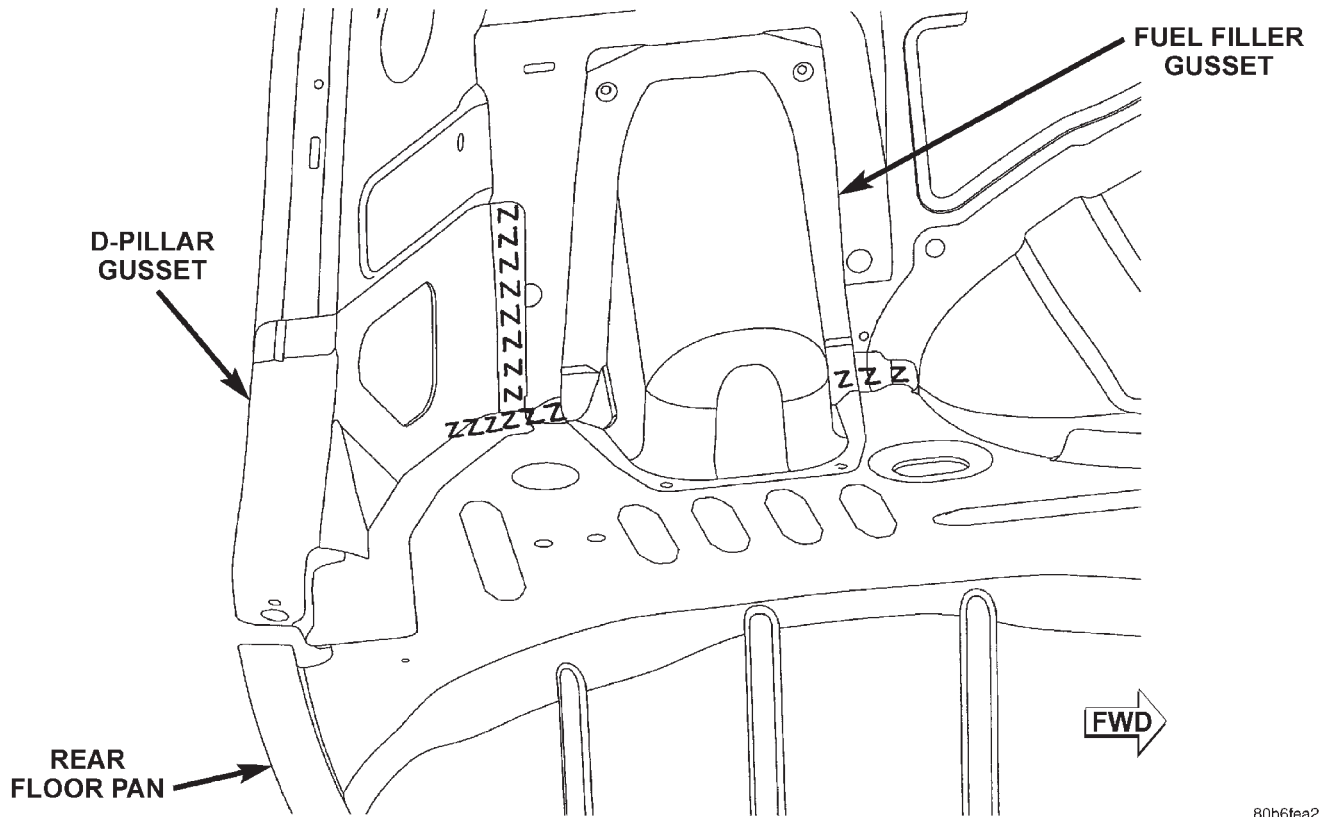
BODY SIDE OUTER PANEL AND REAR WHEELHOUSE OUTER PANEL



80b6fea1

SPECIFICATIONS (Continued)

D-PILLAR AND FUEL FILLER GUSSETS

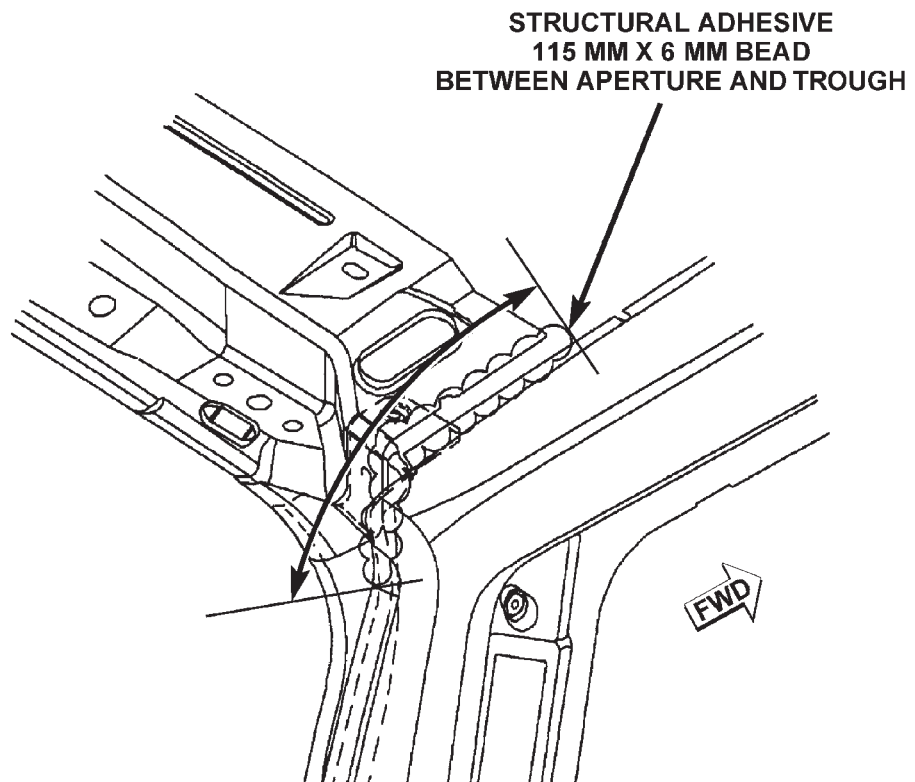
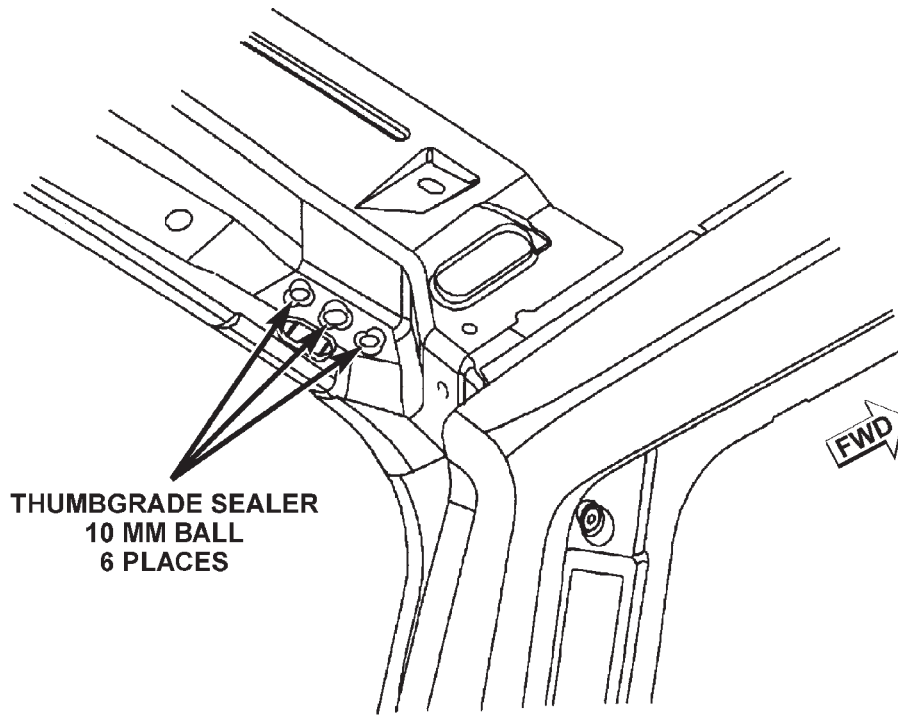


80b6fea2



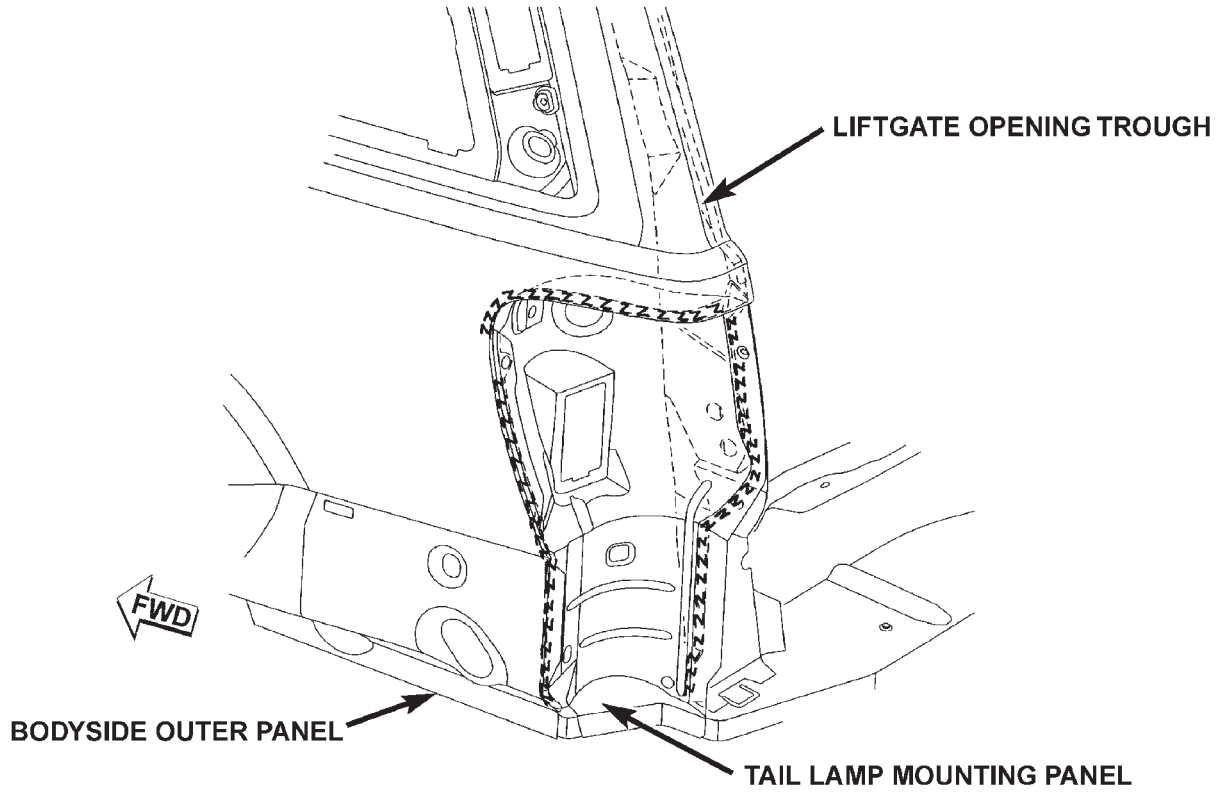
SPECIFICATIONS (Continued)

LIFTGATE



SPECIFICATIONS (Continued)

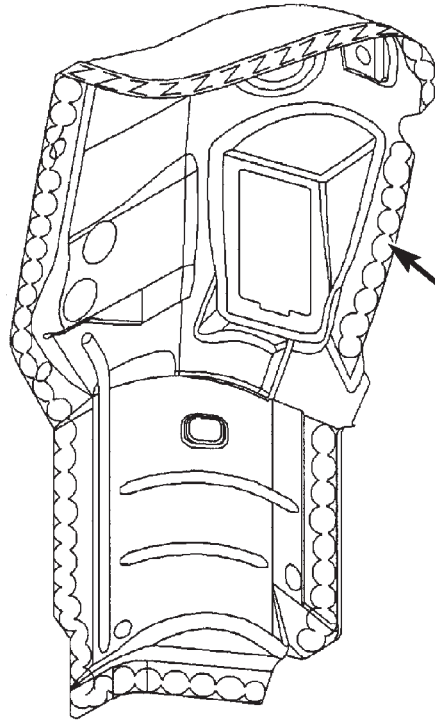
TAILLAMP MOUNTING PANEL



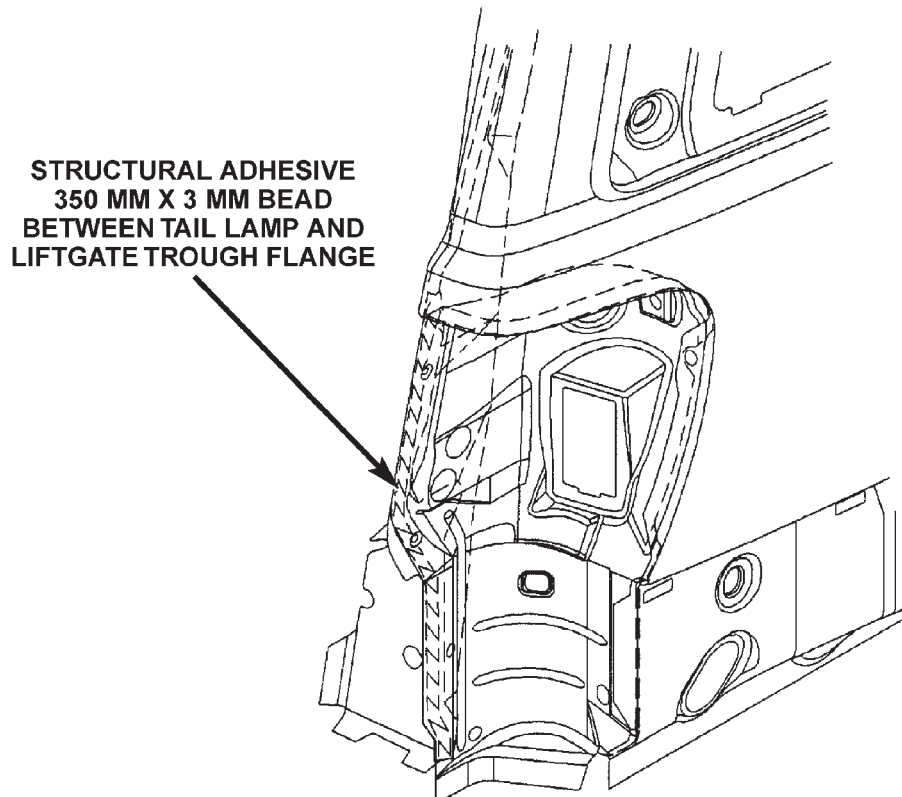
80b6fea3

SPECIFICATIONS (Continued)

TAILLAMP



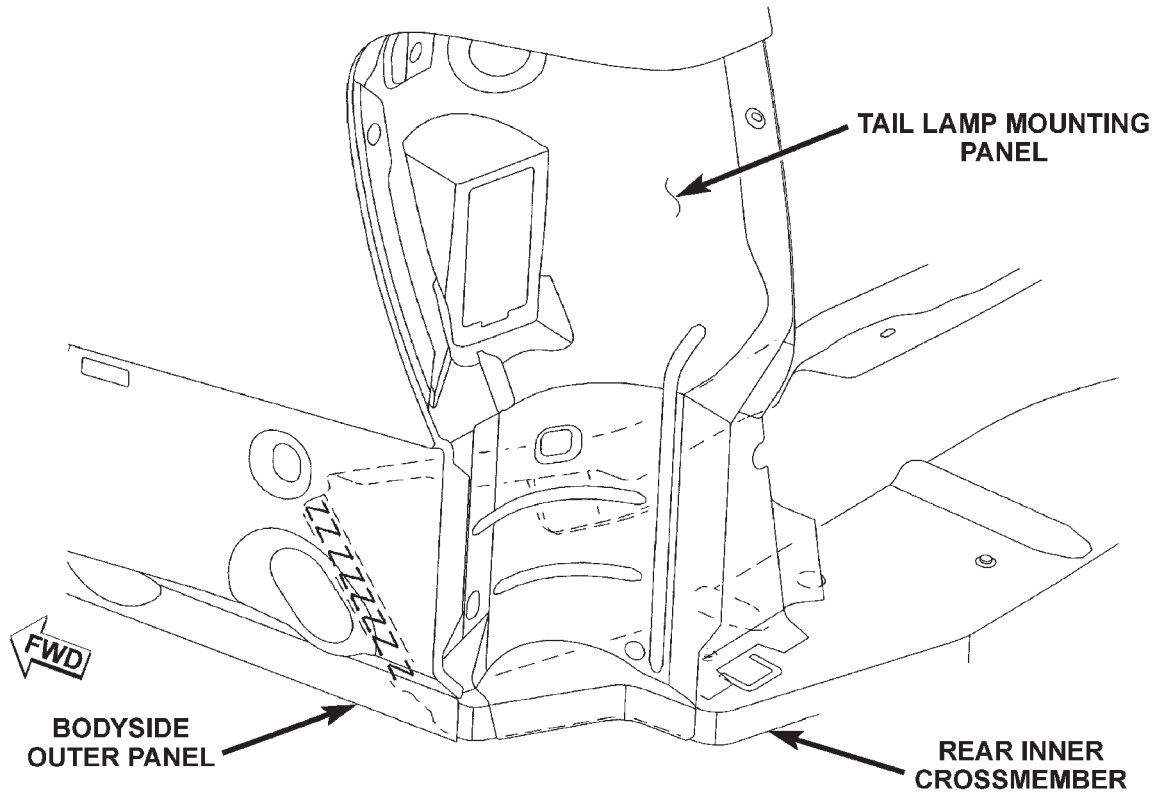
**STRUCTURAL ADHESIVE  
800 MM X 6 MM BEAD  
AROUND COMPLETE FLANGES  
OF TAIL LAMP FLANGES**



**STRUCTURAL ADHESIVE  
350 MM X 3 MM BEAD  
BETWEEN TAIL LAMP AND  
LIFTGATE TROUGH FLANGE**

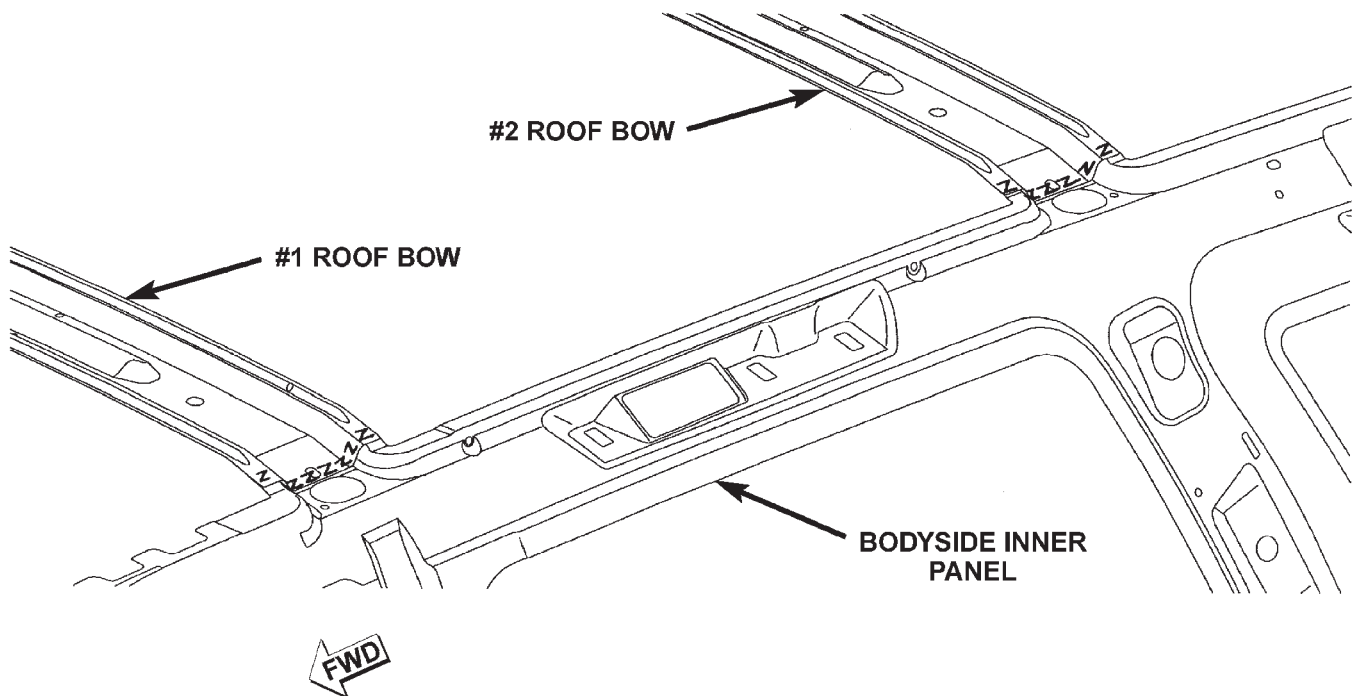
SPECIFICATIONS (Continued)

REAR INNER CROSSMEMBER



80b6faa4

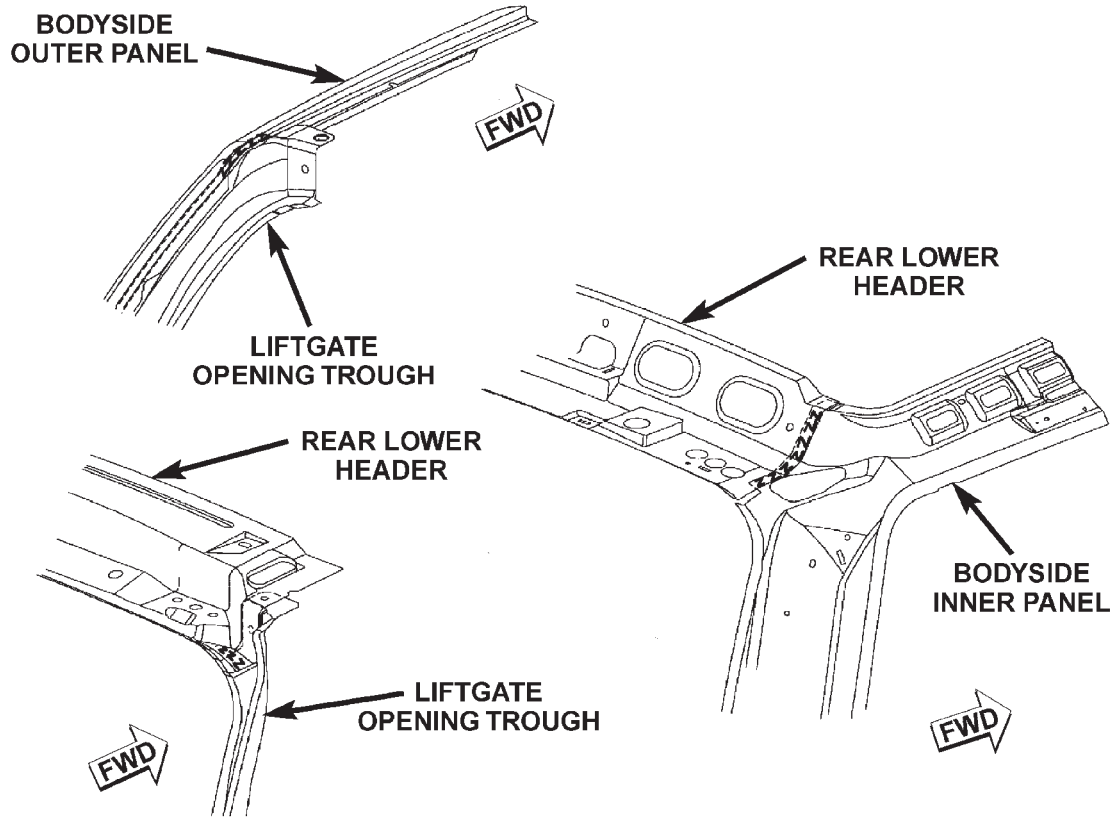
ROOF BOWS



80b6fe95

SPECIFICATIONS (Continued)

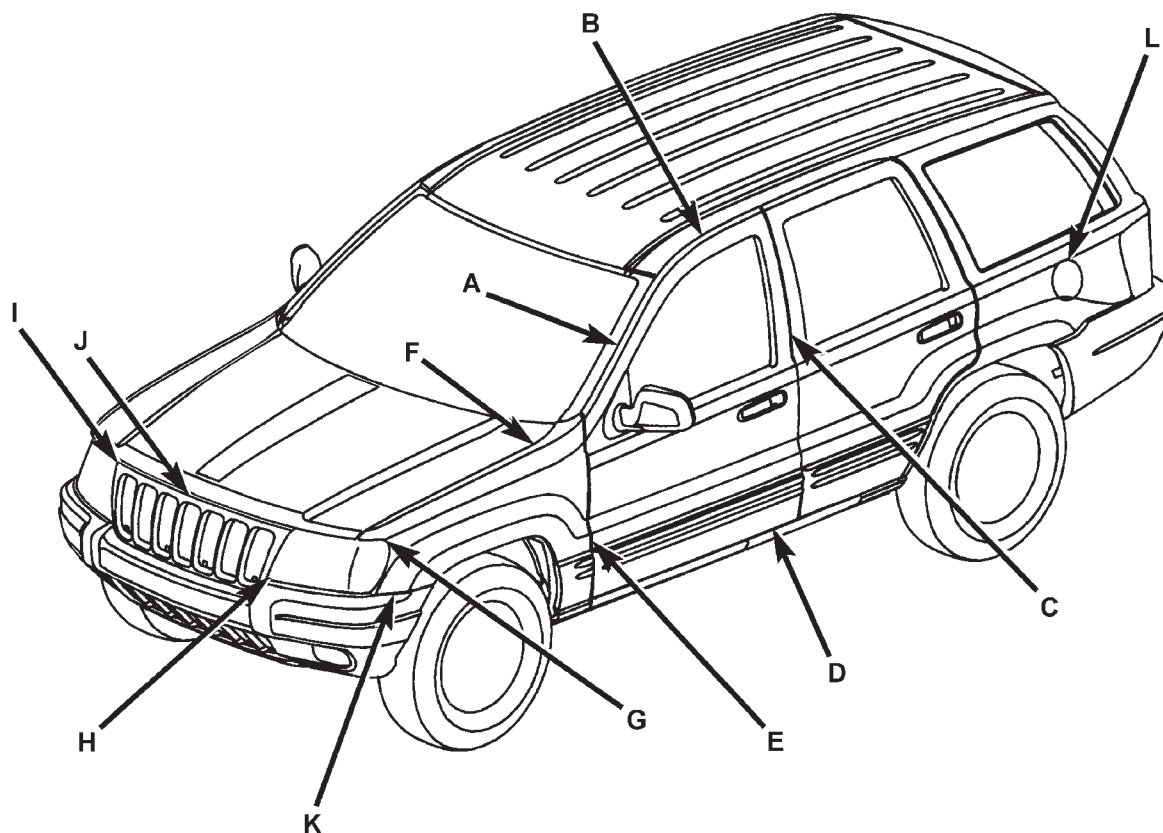
REAR LOWER HEADER



SPECIFICATIONS (Continued)

**BODY GAP AND FLUSH MEASUREMENTS**

**WJ FRONT VIEW**



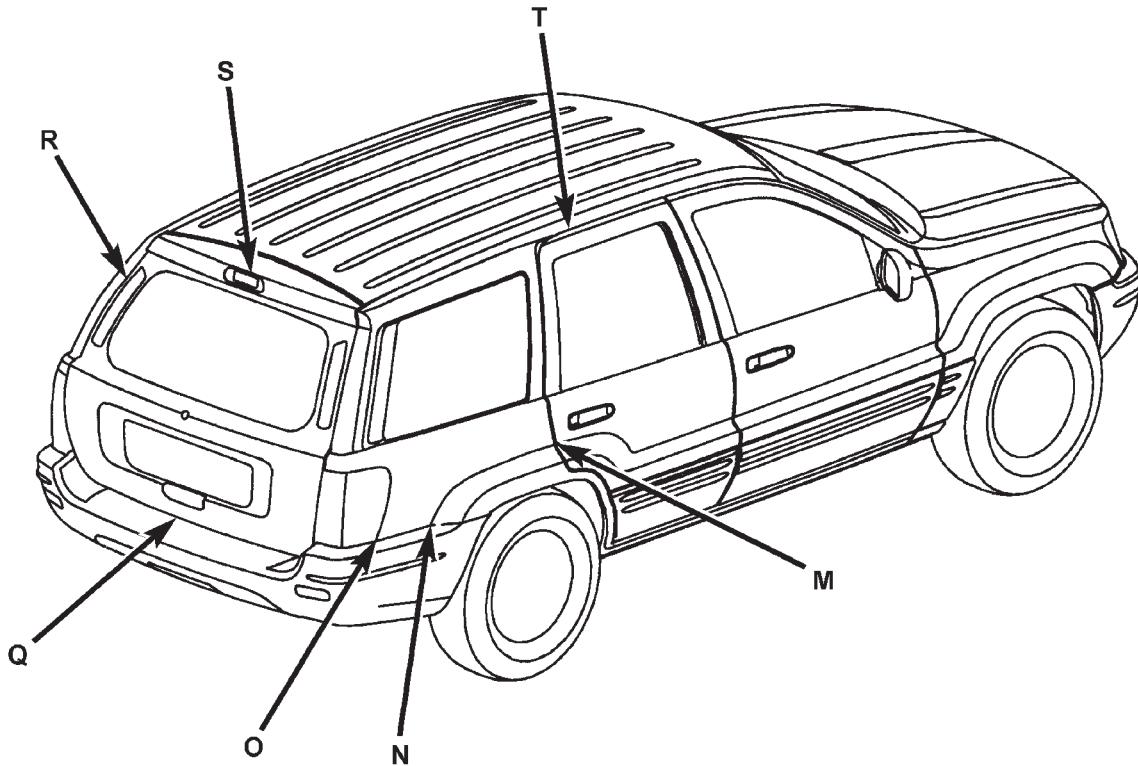
	LOCATION	GAP	FLUSH
A	Front Door to Windshield Pillar	N/A	3.0 +/- 1.0
B	Front Door Header to Aperture	6.0 +/- 1.0	1.0 +/- 1.5
C	Front Door to Rear Door	5.0 +/- 1.0	0.0 +/- 1.0
D	Front Door to Aperture at Sill	7.0 +/- 1.5	N/A
E	Front Door to Fender	5.0 +/- 1.0	0.5 +/- 1.0
F	Hood to Fender	5.0 +/- 1.0	0.0 +/- 1.0
G	Headlamp to Fender	5.0 +/- 2.0	3.0 +/- 2.0
H	Headlamp to Grille	5.5 +/- 2.0	0.0 +/- 2.0
I	Grille to Headlamp	N/A	0.0 +/- 1.0
J	Grille to Hood	10.0 +/- 2.0	0.8 +/- 2.0
K	Front Fascia to Fender	Net + 1.0 - 0.0	3.0 +/- 3.0
L	Fuel Filler Door to Bodyside	3.0 +/- 0.75	0.5 +/- 0.75

**NOTE: ALL MEASUREMENTS ARE IN MM.**



## SPECIFICATIONS (Continued)

## WJ REAR VIEW

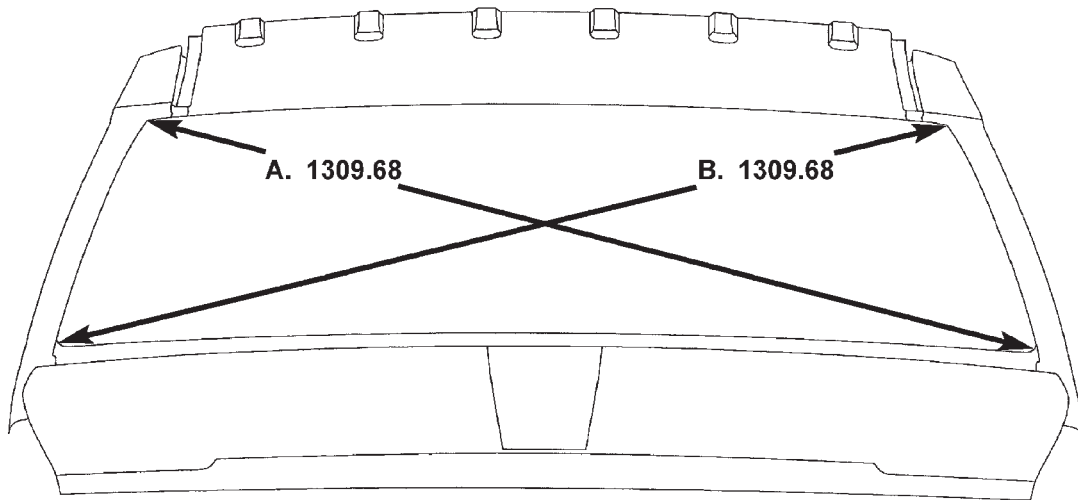


	LOCATION	GAP	FLUSH
M	Rear Door to Quarter Panel	5.0 +/- 1.0	0.0 +/- 1.0
N	Aperture to Rear Fascia	Net to 1.0	3.0 +/- 2.0
O	Taillamp to Quarter Panel	2.0 +/- 1.0	3.0 +/- 1.5
P	Taillamp to Liftgate	5.0 +/- 1.5	3.0 +/- 1.5
Q	Liftgate to Fascia	10.0 +/- 3.0	N/A
R	Liftgate to Aperture	5.0 +/- 1.5	1.0 +/- 1.0
S	Liftgate to Roof	11.0 +/- 1.5	1.0 +/- 1.0
T	Rear Door Header to Aperture	6.0 +/- 1.0	1.0 +/- 1.5

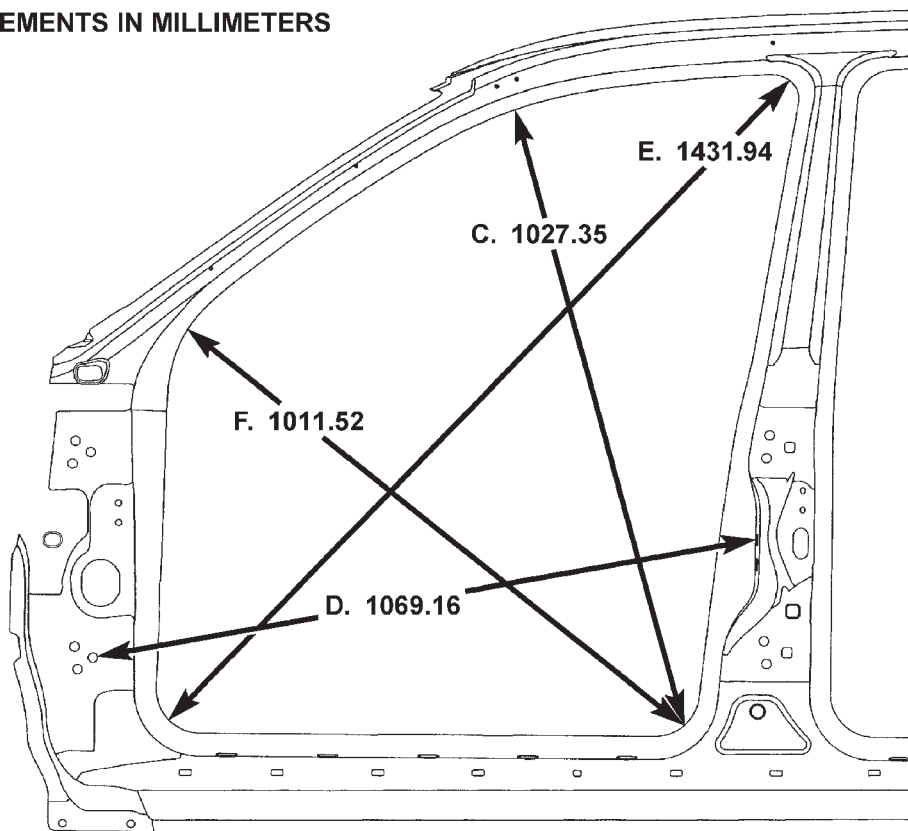
**NOTE:** ALL MEASUREMENTS ARE IN MM.

SPECIFICATIONS (Continued)

**BODY OPENING DIMENSIONS  
WINDSHIELD AND FRONT DOOR OPENING**



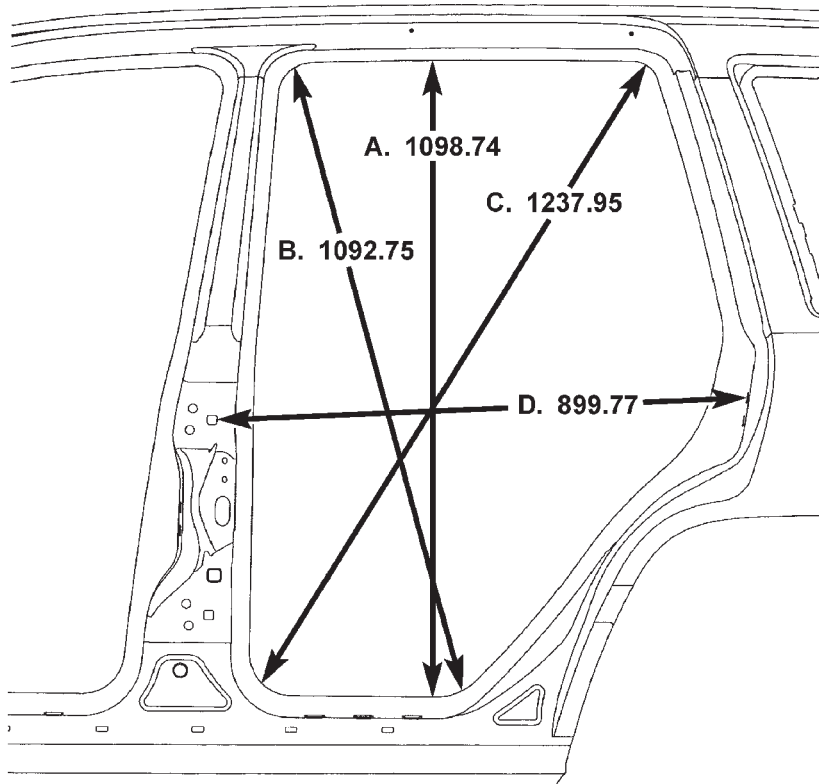
**ALL MEASUREMENTS IN MILLIMETERS**



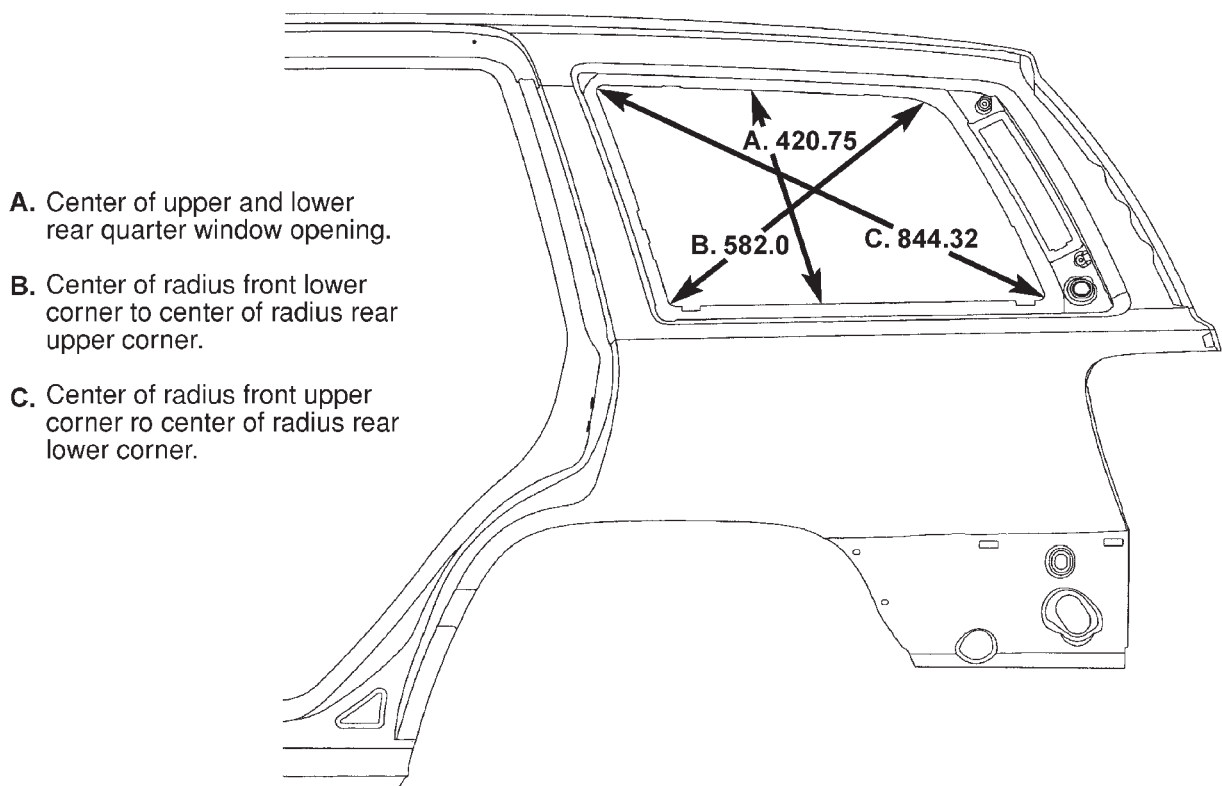
- A. & B.** Center of radius at bottom to center of radius at top.
- C.** Center of front door lower rear corner radius to center of A-pillar radius.
- D.** Center of door hinge mount to center of door striker mount.
- E.** Center of radius at bottom front to center of radius at top rear.
- F.** Center of radius at bottom rear to center of radius at lower A-pillar.

## SPECIFICATIONS (Continued)

## REAR DOOR AND QUARTER GLASS OPENING



- A. 1098.74
  - B. 1092.75
  - C. 1237.95
  - D. 899.77
- A. Quarter panel to front outer body side upper and lower seam.
  - B. Center of front upper door radius to center of rear lower door radius.
  - C. Center of front lower door radius to center of rear upper door radius.
  - D. Rear door hinge mount to rear door striker mount.

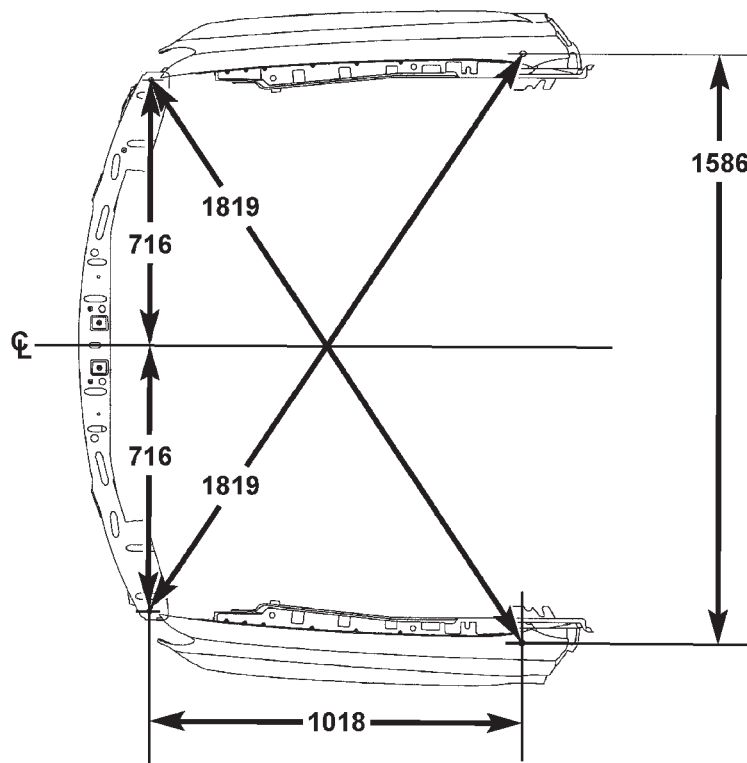
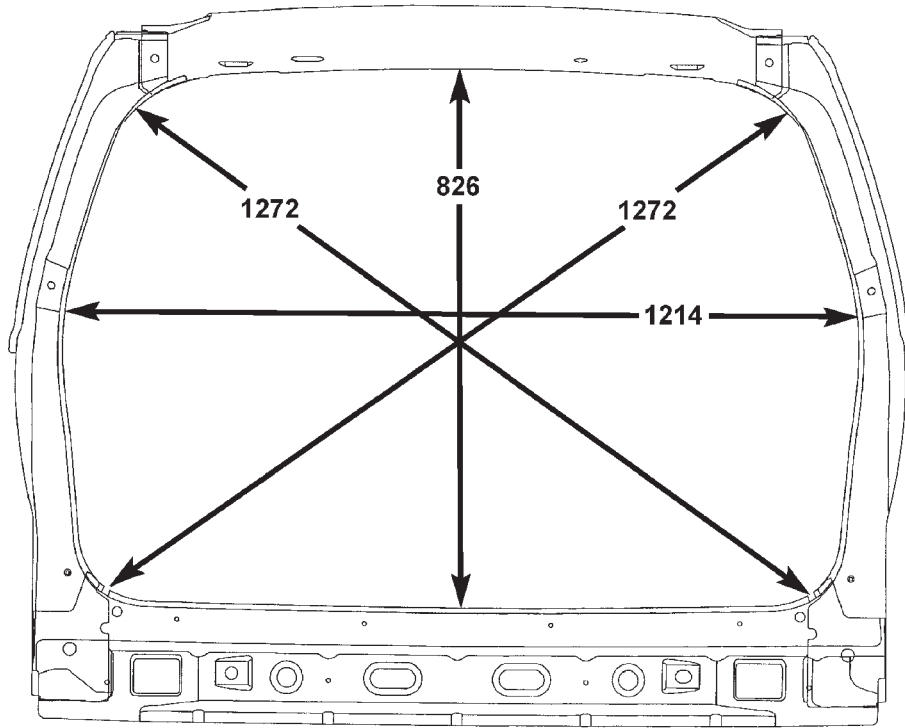


- A. 420.75
  - B. 582.0
  - C. 844.32
- A. Center of upper and lower rear quarter window opening.
  - B. Center of radius front lower corner to center of radius rear upper corner.
  - C. Center of radius front upper corner to center of radius rear lower corner.

ALL MEASUREMENTS IN MILLIMETERS

SPECIFICATIONS (Continued)

LIFTGATE OPENING AND ENGINE COMPARTMENT



ALL MEASUREMENTS IN MILLIMETERS

SPECIFICATIONS (Continued)

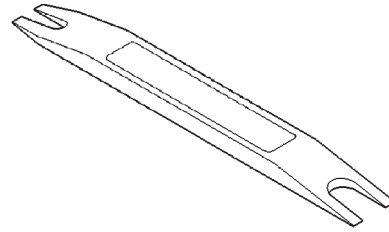
TORQUE SPECIFICATIONS

BODY COMPONENTS

<b>DESCRIPTION</b>	<b>TORQUE</b>
Sunroof module to roof panel. . . . .	11N·m (97 in. lbs.).
Front bucket seat to floor pan bolts. . . . .	40N·m (30 ft. lbs.).
Front bucket seat to floor pan front bolts. . .	40N·m (30 ft. lbs.).
Bucket seat track adjuster nuts to seat cushion frame. . . . .	28N·m (20 ft. lbs.).
Bucket seat recliner to seat back frame bolts. . . . .	28N·m (20 ft. lbs.).
Bucket seat back frame recliner bolts to seat cushion frame. . . . .	28N·m (20 ft. lbs.).
Rear seat cushion latch base panel screws. . .	8 N·m (75 in. lbs.).
Rear seat cushion to floor pan bolts. . . . .	11 N·m (8 ft. lbs.).
Rear seat back left side support bracket to center pivot bracket. . . . .	28 N·m (20 ft. lbs.).
Rear seat back right side support bracket. . .	28N·m (20 ft. lbs.).
Rear seat back latch/hinge to seat back frame. . . . .	28N·m (20 ft.lbs.).
Hood latch to radiator crossmember. . . . .	11N·m (8 ft.lbs.).
Front door hinge bolts. . . . .	35N·m (26 ft. lbs.).
Front door latch to door screws. . . . .	10N·m (7 ft. lbs.).
Front door striker to B pillar. . . . .	28N·m (20 ft. lbs.).
Rear door latch to door screws. . . . .	10N·m (95 in. lbs.).
Rear door striker to C pillar screws. . . . .	28N·m (250 in. lbs.).
Rear view mirror set screw. . . . .	1N·m (15 in. lbs.).
Lift gate latch striker to D pillar nuts. . . . .	10N·m (7 ft. lbs.).
Door latch adjustment screw. . . . .	3N·m (30 in. lbs.).

SPECIAL TOOLS

BODY



**Remover, Moldings C-4829**

# HEATING AND AIR CONDITIONING

## TABLE OF CONTENTS

	page		page
<b>DESCRIPTION AND OPERATION</b>		<b>SERVICE PROCEDURES</b>	
ACCUMULATOR .....	2	REFRIGERANT OIL LEVEL .....	28
BLOWER MOTOR .....	2	REFRIGERANT RECOVERY .....	29
BLOWER MOTOR CONTROLLER .....	2	REFRIGERANT SYSTEM CHARGE .....	29
BLOWER MOTOR RESISTOR .....	3	REFRIGERANT SYSTEM EVACUATE .....	30
BLOWER MOTOR SWITCH .....	3	REFRIGERANT SYSTEM SERVICE	
COMPRESSOR .....	3	EQUIPMENT .....	30
COMPRESSOR CLUTCH .....	3	<b>REMOVAL AND INSTALLATION</b>	
COMPRESSOR CLUTCH RELAY .....	4	SERVICE WARNINGS AND PRECAUTIONS .....	31
CONDENSER .....	4	ACCUMULATOR .....	33
EVAPORATOR COIL .....	4	BLEND-AIR DOOR(S) .....	34
FIXED ORIFICE TUBE .....	5	BLOWER MOTOR .....	36
HEATER CORE .....	5	BLOWER MOTOR RESISTOR AND	
HEATER AND AIR CONDITIONER .....	5	CONTROLLER .....	37
HEATER AND AIR CONDITIONER CONTROL .....	6	COMPRESSOR .....	38
HIGH PRESSURE RELIEF VALVE .....	7	COMPRESSOR CLUTCH .....	39
HIGH PRESSURE SWITCH .....	7	COMPRESSOR CLUTCH RELAY .....	41
INFRARED TEMPERATURE SENSOR .....	7	CONDENSER .....	42
LOW PRESSURE SWITCH .....	8	DISCHARGE LINE .....	42
REFRIGERANT .....	8	DUCTS AND OUTLETS .....	44
REFRIGERANT LINES .....	8	EVAPORATOR COIL .....	46
REFRIGERANT OIL .....	9	HEAT/DEFROST DOOR .....	47
REFRIGERANT SYSTEM SERVICE PORTS .....	9	HEATER-A/C CONTROL .....	49
VACUUM CHECK VALVE .....	9	HEATER-A/C HOUSING .....	49
VACUUM RESERVOIR .....	9	HEATER CORE AND TUBES .....	51
<b>DIAGNOSIS AND TESTING</b>		HIGH PRESSURE RELIEF VALVE .....	52
A/C PERFORMANCE .....	10	HIGH PRESSURE SWITCH .....	53
AUTOMATIC ZONE CONTROL SYSTEM .....	13	LIQUID LINE .....	54
BLOWER MOTOR .....	22	LOW PRESSURE CYCLING CLUTCH SWITCH .....	54
BLOWER MOTOR RESISTOR .....	22	MODE DOOR ACTUATORS .....	55
BLOWER MOTOR SWITCH .....	22	PANEL/DEFROST DOOR AND LEVER .....	57
COMPRESSOR .....	23	PANEL OUTLET DOOR .....	58
COMPRESSOR CLUTCH COIL .....	23	RECIRCULATION AIR DOOR .....	59
COMPRESSOR CLUTCH RELAY .....	24	VACUUM CHECK VALVE .....	59
HEATER PERFORMANCE .....	25	VACUUM RESERVOIR .....	60
HIGH PRESSURE SWITCH .....	25	VARIABLE ORIFICE VALVE .....	60
LOW PRESSURE SWITCH .....	25	<b>SPECIFICATIONS</b>	
REFRIGERANT SYSTEM LEAKS .....	26	A/C APPLICATION TABLE .....	60
VACUUM SYSTEM .....	26		



## DESCRIPTION AND OPERATION

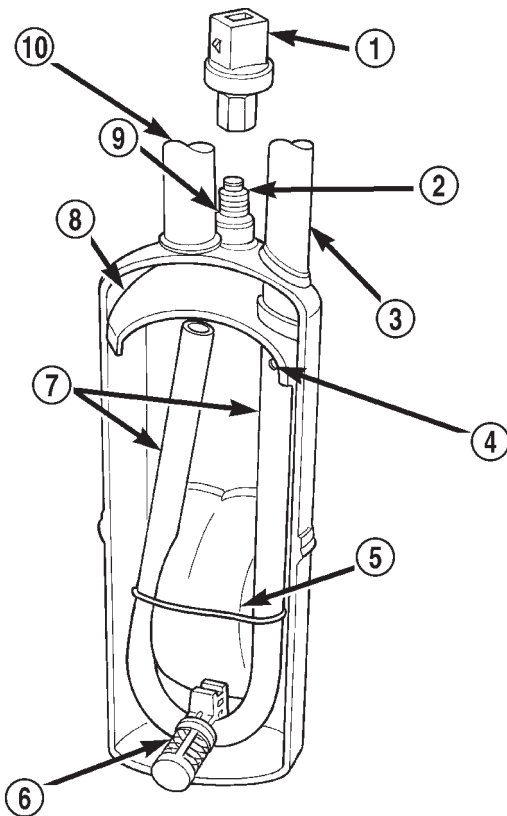
### ACCUMULATOR

#### DESCRIPTION

The accumulator is mounted in the engine compartment between the evaporator coil outlet tube and the compressor inlet.

#### OPERATION

Refrigerant enters the accumulator canister as a low pressure vapor through the inlet tube. Any liquid, oil-laden refrigerant falls to the bottom of the canister, which acts as a separator. A desiccant bag is mounted inside the accumulator canister to absorb any moisture which may have entered and become trapped within the refrigerant system (Fig. 1).



80add30t

**Fig. 1 Accumulator - Typical**

- 1 - LOW PRESSURE CYCLING CLUTCH SWITCH
- 2 - PRESSURE SWITCH FITTING
- 3 - OUTLET TO COMPRESSOR
- 4 - ANTI-SIPHON HOLE
- 5 - DESICCANT BAG
- 6 - OIL RETURN ORIFICE FILTER
- 7 - VAPOR RETURN TUBE
- 8 - ACCUMULATOR DOME
- 9 - O-RING SEAL
- 10 - INLET FROM EVAPORATOR

### BLOWER MOTOR

#### DESCRIPTION

The blower motor and blower wheel are located in the passenger side end of the heater-A/C housing, below the glove box module. The blower motor controls the velocity of the air flowing through the heater-A/C housing by spinning a squirrel cage-type blower wheel within the housing at the selected speed. The blower motor and blower wheel can be serviced from the passenger compartment side of the housing.

#### OPERATION

The blower motor will only operate when the ignition switch is in the On position, and the heater-A/C mode control switch is in any position, except Off. The blower motor circuit is protected by a fuse in the junction block. On models with the standard manual temperature control system, the blower motor speed is controlled by regulating the battery feed through the blower motor switch and the blower motor resistor. On models with the optional Automatic Zone Control (AZC) system, the blower motor speed is controlled by using Pulse Width Modulation (PWM). The power module adjusts the battery feed voltage to the blower motor, based upon an input from the blower motor switch, through the AZC control module. Pulse width modulation of blower power allows the blower to operate at any speed from stationary, to full speed.

The blower motor and blower motor wheel cannot be repaired, and if faulty or damaged, they must be replaced. The blower motor and blower wheel are each serviced separately.

### BLOWER MOTOR CONTROLLER

#### DESCRIPTION

Models equipped with the optional Automatic Zone Control (AZC) system have a blower motor controller (power module). The controller allows the selection of almost infinitely variable blower motor speeds. The controller is mounted to the heater-A/C housing, under the instrument panel and just inboard of the blower motor, in the same location used for the blower motor resistor on manual temperature control systems. It can be accessed without removing any other components.

#### OPERATION

The blower motor controller output to the blower motor can be adjusted by the blower motor speed switch knob on the AZC heater-A/C control panel, or it can be adjusted automatically by the logic circuitry and programming of the AZC control module. In either case, the AZC control module sends the correct

## DESCRIPTION AND OPERATION (Continued)

pulse width modulated signal to the power module to obtain the selected or programmed blower motor speed.

The blower motor controller cannot be repaired and, if faulty or damaged, it must be replaced.

**BLOWER MOTOR RESISTOR****DESCRIPTION**

Models with the standard manual temperature control system have a blower motor resistor. The blower motor resistor is mounted to the bottom of the heater-A/C housing, under the instrument panel and just inboard of the blower motor. It can be accessed for service without removing any other components.

**OPERATION**

The resistor has multiple resistor wires, each of which will reduce the current flow to the blower motor to change the blower motor speed by changing the resistance in the blower motor ground path. The blower motor switch directs the ground path through the correct resistor wire to obtain the selected speed.

With the blower motor switch in the lowest speed position, the ground path for the motor is applied through all of the resistor wires. Each higher speed selected with the blower motor switch applies the blower motor ground path through fewer of the resistor wires, increasing the blower motor speed. When the blower motor switch is in the highest speed position, the blower motor resistor is bypassed and the blower motor receives a direct path to ground.

The blower motor resistor cannot be repaired and, if faulty or damaged, it must be replaced.

**BLOWER MOTOR SWITCH****DESCRIPTION**

The heater-A/C blower motor is controlled by a rotary-type blower motor switch, mounted in the heater-A/C control panel. On vehicles with manual temperature control systems, the switch allows the selection of four blower motor speeds, but will only operate with the ignition switch in the On position and the heater-A/C mode control switch in any position, except Off. On vehicles with the Automatic Zone Control (AZC) systems, the switch allows the selection of Lo Auto, Hi Auto, and an ten speed settings between Lo and Hi.

**OPERATION**

On manual temperature control systems, the blower motor switch is connected in series with the blower motor ground path through the heater-A/C mode control switch. The blower motor switch directs this ground path to the blower motor through the

blower motor resistor wires, or directly to the blower motor, as required to achieve the selected blower motor speed.

On AZC systems, the blower motor switch is just one of many inputs to the AZC control module. In the manual blower modes, the AZC control module adjusts the blower motor speed through the blower motor power module as required to achieve the selected blower switch position. In the auto blower modes, the AZC controller is programmed to select and adjust the blower motor speed through the blower motor power module as required to achieve and maintain the selected comfort level.

The blower motor switch cannot be repaired and, if faulty or damaged, it must be replaced. The switch is serviced only as a part of the heater-A/C control assembly.

**COMPRESSOR****DESCRIPTION**

The air conditioning system uses a Nippondenso 10PA17 ten cylinder, double-acting swash plate-type compressor on all models. This compressor has a fixed displacement of 170 cubic centimeters (10.374 cubic inches), and has both the suction and discharge ports located on the cylinder head. A label identifying the use of R-134a refrigerant is located on the compressor.

**OPERATION**

The compressor is driven by the engine through an electric clutch, drive pulley and belt arrangement. The compressor is lubricated by refrigerant oil that is circulated throughout the refrigerant system with the refrigerant.

The compressor draws in low-pressure refrigerant vapor from the evaporator through its suction port. It then compresses the refrigerant into a high-pressure, high-temperature refrigerant vapor, which is then pumped to the condenser through the compressor discharge port.

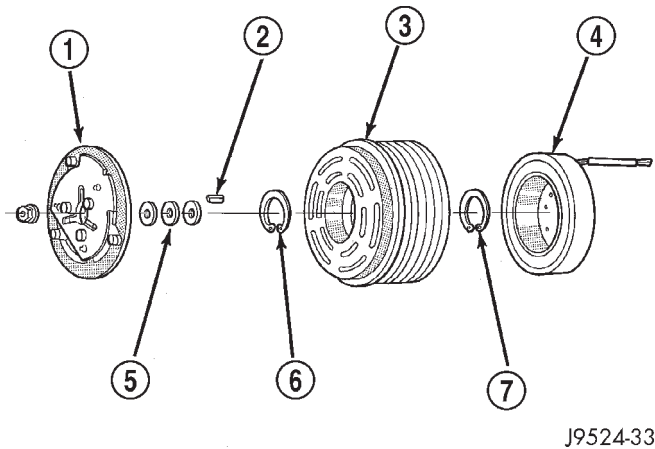
The compressor cannot be repaired. If faulty or damaged, the entire compressor assembly must be replaced. The compressor clutch, pulley and clutch coil are available for service.

**COMPRESSOR CLUTCH****DESCRIPTION**

The compressor clutch assembly consists of a stationary electromagnetic coil, a hub bearing and pulley assembly, and a clutch plate (Fig. 2). The electromagnetic coil unit and the hub bearing and pulley assembly are each retained on the nose of the compressor front housing with snap rings. The clutch

## DESCRIPTION AND OPERATION (Continued)

plate is keyed to the compressor shaft and secured with a screw.



**Fig. 2 Compressor Clutch - Typical**

- 1 - CLUTCH PLATE
- 2 - SHAFT KEY
- 3 - PULLEY
- 4 - COIL
- 5 - CLUTCH SHIMS
- 6 - SNAP RING
- 7 - SNAP RING

### OPERATION

The compressor clutch components provide the means to engage and disengage the compressor from the engine serpentine accessory drive belt. When the clutch coil is energized, it magnetically draws the clutch into contact with the pulley and drives the compressor shaft. When the coil is not energized, the pulley freewheels on the clutch hub bearing, which is part of the pulley. The compressor clutch and coil are the only serviced parts on the compressor.

The compressor clutch engagement is controlled by several components: the A/C switch on the heater-A/C control panel, the Automatic Zone Control (AZC) control module (if the vehicle is so equipped), the low pressure cycling clutch switch, the high pressure cut-off switch, the compressor clutch relay, and the Powertrain Control Module (PCM). The PCM may delay compressor clutch engagement for up to thirty seconds. Refer to Group 14 - Fuel System for more information on the PCM controls.

### COMPRESSOR CLUTCH RELAY

#### DESCRIPTION

The compressor clutch relay is a International Standards Organization (ISO) micro-relay. The terminal designations and functions are the same as a conventional ISO relay. However, the micro-relay terminal orientation (footprint) is different, the cur-

rent capacity is lower, and the relay case dimensions are smaller than those of the conventional ISO relay.

#### OPERATION

The compressor clutch relay is a electromechanical device that switches battery current to the compressor clutch coil when the Powertrain Control Module (PCM) grounds the coil side of the relay. The PCM responds to inputs from the A/C compressor switch on the heater-A/C control panel, the Automatic Zone Control (AZC) control module (if the vehicle is so equipped), the low pressure cycling clutch switch, and the high pressure cut-off switch. See Compressor Clutch Relay in the Diagnosis and Testing section of this group for more information.

The compressor clutch relay is located in the Power Distribution Center (PDC) in the engine compartment. Refer to the PDC label for relay identification and location.

The compressor clutch relay cannot be repaired and, if faulty or damaged, it must be replaced.

### CONDENSER

#### DESCRIPTION

The condenser is located in the air flow in front of the engine cooling radiator. The condenser is a heat exchanger that allows the high-pressure refrigerant gas being discharged by the compressor to give up its heat to the air passing over the condenser fins.

#### OPERATION

When the refrigerant gas gives up its heat, it condenses. When the refrigerant leaves the condenser, it has become a high-pressure liquid refrigerant. The volume of air flowing over the condenser fins is critical to the proper cooling performance of the air conditioning system. Therefore, it is important that there are no objects placed in front of the radiator grille openings in the front of the vehicle or foreign material on the condenser fins that might obstruct proper air flow. Also, any factory-installed air seals or shrouds must be properly reinstalled following radiator or condenser service.

The condenser cannot be repaired and, if faulty or damaged, it must be replaced.

### EVAPORATOR COIL

#### DESCRIPTION

The evaporator coil is located in the heater-A/C housing, under the instrument panel. The evaporator coil is positioned in the heater-A/C housing so that all air that enters the housing must pass over the fins of the evaporator before it is distributed through the system ducts and outlets. However, air passing

DESCRIPTION AND OPERATION (Continued)

over the evaporator coil fins will only be conditioned when the compressor is engaged and circulating refrigerant through the evaporator coil tubes.

**OPERATION**

Refrigerant enters the evaporator from the variable orifice tube as a low-temperature, low-pressure liquid. As air flows over the fins of the evaporator, the humidity in the air condenses on the fins, and the heat from the air is absorbed by the refrigerant. Heat absorption causes the refrigerant to boil and vaporize. The refrigerant becomes a low-pressure gas before it leaves the evaporator.

The evaporator coil cannot be repaired and, if faulty or damaged, it must be replaced.

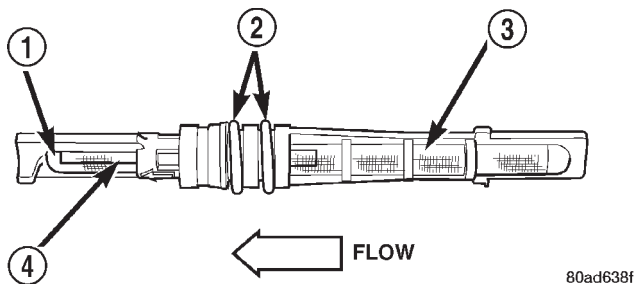
**FIXED ORIFICE TUBE**

**DESCRIPTION**

The fixed orifice tube is installed in the liquid line between the outlet of the condenser and the inlet of the evaporator. The fixed orifice tube is located in the end of the liquid line or liquid line jumper that is closest to the condenser outlet tube.

**OPERATION**

The inlet end of the fixed orifice tube has a nylon mesh filter screen, which filters the refrigerant and helps to reduce the potential for blockage of the metering orifice by refrigerant system contaminants (Fig. 3). The outlet end of the tube has a nylon mesh diffuser screen. The O-rings on the plastic body of the fixed orifice tube seal the tube to the inside of the liquid line and prevent the refrigerant from bypassing the fixed metering orifice.



**Fig. 3 Fixed Orifice Tube - Typical**

- 1 - DIFFUSER SCREEN
- 2 - "O" RINGS
- 3 - INLET FILTER SCREEN
- 4 - ORIFICE

The fixed orifice tube is used to meter the flow of liquid refrigerant into the evaporator coil. The high-pressure liquid refrigerant from the condenser expands into a low-pressure liquid as it passes

through the metering orifice and diffuser screen of the fixed orifice tube.

The fixed orifice tube cannot be repaired and, if faulty or plugged, the liquid line or liquid line jumper containing the fixed orifice tube must be replaced.

**HEATER CORE**

**DESCRIPTION**

The heater core is located in the heater-A/C housing, under the instrument panel. It is a heat exchanger made of rows of tubes and fins.

**OPERATION**

Engine coolant is circulated through heater hoses to the heater core at all times. As the coolant flows through the heater core, heat removed from the engine is transferred to the heater core fins and tubes. Air directed through the heater core picks up the heat from the heater core fins. The blend air door allows control of the heater output air temperature by controlling how much of the air flowing through the heater-A/C housing is directed through the heater core. The blower motor speed controls the volume of air flowing through the heater-A/C housing.

The heater core cannot be repaired and, if faulty or damaged, it must be replaced. Refer to Group 7 - Cooling System for more information on the engine cooling system, the engine coolant and the heater hoses.

**HEATER AND AIR CONDITIONER**

**DESCRIPTION**

A manual temperature control type heating-air conditioning system is standard factory-installed equipment on this model. An electronically controlled Automatic Zone Control (AZC) type heating-air conditioning system is an available factory-installed option.

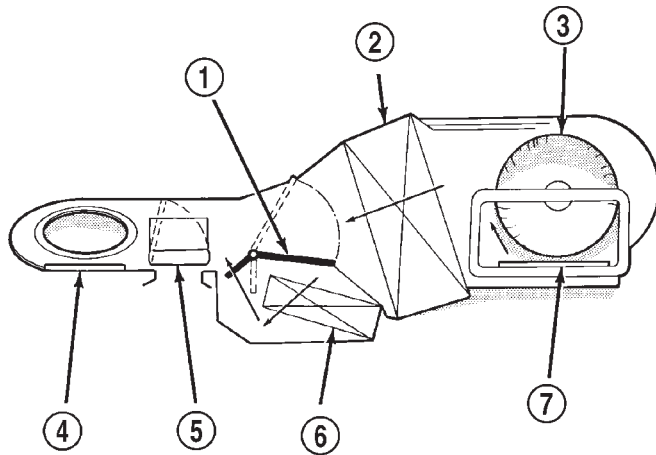
All vehicles are equipped with a common heater-A/C housing assembly (Fig. 4). The system combines air conditioning, heating, and ventilating capabilities in a single unit housing mounted under the instrument panel.

**OPERATION**

Outside fresh air enters the vehicle through the cowl top opening at the base of the windshield, and passes through a plenum chamber to the heater-A/C system blower housing. Air flow velocity can then be adjusted with the blower motor speed selector switch on the heater-A/C control panel. The air intake openings must be kept free of snow, ice, leaves, and other



## DESCRIPTION AND OPERATION (Continued)



J9324-3

**Fig. 4 Common Blend-Air Heater-Air Conditioner System**

- 1 - TEMPERATURE BLEND/AIR DOOR
- 2 - EVAPORATOR CORE
- 3 - BLOWER
- 4 - PANEL DEFROST DOOR
- 5 - HEAT DEFROST DOOR
- 6 - HEATER CORE
- 7 - RECIRCULATING AIR DOOR

obstructions for the heater-A/C system to receive a sufficient volume of outside air.

It is also important to keep the air intake openings clear of debris because leaf particles and other debris that is small enough to pass through the cowl plenum screen can accumulate within the heater-A/C housing. The closed, warm, damp and dark environment created within the heater-A/C housing is ideal for the growth of certain molds, mildews and other fungi. Any accumulation of decaying plant matter provides an additional food source for fungal spores, which enter the housing with the fresh air. Excess debris, as well as objectionable odors created by decaying plant matter and growing fungi can be discharged into the passenger compartment during heater-A/C system operation.

Both the manual and AZC heater and air conditioner are blend-air type systems. In a blend-air system, a blend-air door controls the amount of unconditioned air (or cooled air from the evaporator) that is allowed to flow through, or around, the heater core. A temperature control knob on the heater-A/C control panel determines the discharge air temperature by energizing the blend-air door motor, which operates the blend-air door. This allows an almost immediate control of the output air temperature of the system. The AZC system will have separate blend-air doors and temperature controls for each front seat occupant.

The mode control knob on the heater-A/C control panel is used to direct the conditioned air to the

selected system outlets. On manual temperature control systems, the mode control knob switches engine vacuum to control the mode doors, which are operated by vacuum actuator motors. On AZC systems, the mode control knob switches electrical current to control the mode doors, which are operated by electronic actuator motors.

The outside air intake can be shut off on manual temperature control systems by selecting the Recirculation Mode with the mode control knob. The outside air intake can be shut off on Automatic Zone Control (AZC) type system by pushing the Recirculation Mode button. This will operate the recirculating air door that closes off the outside fresh air intake and recirculates the air that is already inside the vehicle.

The air conditioner for all models is designed for the use of non-CFC, R-134a refrigerant. The air conditioning system has an evaporator to cool and dehumidify the incoming air prior to blending it with the heated air. This air conditioning system uses a variable orifice tube in the liquid line near the condenser outlet tube to meter refrigerant flow to the evaporator coil. To maintain minimum evaporator temperature and prevent evaporator freezing, a fixed pressure setting switch on the accumulator cycles the compressor clutch.

## HEATER AND AIR CONDITIONER CONTROL

### DESCRIPTION

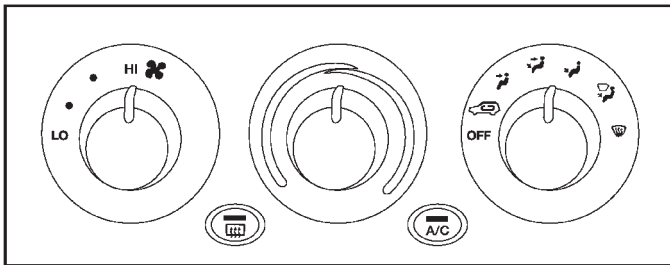
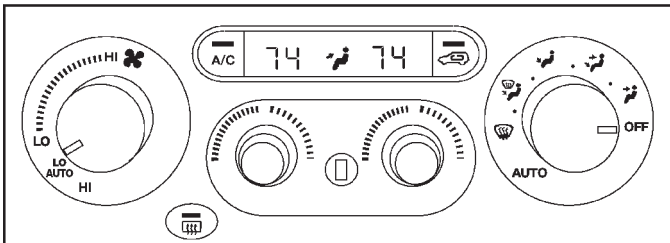
The manual temperature control heater-A/C system uses a combination of electrical, and vacuum controls. The Automatic Zone Control (AZC) heater-A/C system uses only electrical controls. These controls provide the vehicle operator with a number of setting options to help control the climate and comfort within the vehicle. Refer to the owner's manual in the vehicle glove box for more information on the suggested operation and use of these controls.

Both heater-A/C control panels are located on the instrument panel inboard of the steering column and below the radio (Fig. 5). Both control panels contain rotary-type temperature control knob(s), a rotary-type mode control switch knob, a rotary-type blower motor speed switch knob and an air conditioning compressor push button switch. The Rear Window Defogger push button switch is also located on heater-A/C control panel. The AZC control panel also features a Recirc push button switch and a vacuum fluorescent display area.

### OPERATION

The AZC control module uses infrared sensing technology to control occupant comfort levels, not the actual passenger compartment air temperature. Dual infrared sensors mounted in the face of the control

## DESCRIPTION AND OPERATION (Continued)

**MANUAL AIR CONDITIONING SYSTEM****AUTOMATIC ZONE CONTROL SYSTEM**

80b6f021

**Fig. 5 Heater-Air Conditioner Control Panels**

unit independently measure the surface temperature to maintain customer-perceived comfort temperature under changing conditions. Dual Zone temperature control provides wide side-to-side variation in comfort temperature to exceed the needs of either front seat occupant. This sensing system replaces interior air temperature and solar sensors used to approximate direct sensing control through complex control programs.

Both the manual heater-A/C control panel and the AZC control panel are serviced only as complete units and cannot be repaired. If faulty or damaged, the entire control panel unit must be replaced.

**HIGH PRESSURE RELIEF VALVE****DESCRIPTION**

A high pressure relief valve is located on the compressor manifold, which is on the side of the compressor. This mechanical valve is designed to vent refrigerant from the system to protect against damage to the compressor and other system components, caused by condenser air flow restriction or an over-charge of refrigerant.

**OPERATION**

The high pressure relief valve vents the system when a discharge pressure of 3445 to 4135 kPa (500 to 600 psi) or above is reached. The valve closes when a minimum discharge pressure of 2756 kPa (400 psi) is reached.

The high pressure relief valve vents only enough refrigerant to reduce the system pressure, and then re-seats itself. The majority of the refrigerant is con-

served in the system. If the valve vents refrigerant, it does not mean that the valve is faulty.

The high pressure relief valve is a factory-calibrated unit. The valve cannot be adjusted or repaired, and must not be removed or otherwise disturbed. The valve is only serviced as a part of the compressor assembly.

**HIGH PRESSURE SWITCH****DESCRIPTION**

The high pressure switch is located on the discharge line or discharge line block fitting near the compressor. The switch is screwed onto a fitting that contains a Schrader-type valve, which allows the switch to be serviced without discharging the refrigerant system. The discharge line fitting is equipped with an O-ring to seal the switch connection.

**OPERATION**

The high pressure switch is connected in series electrically with the low pressure switch between ground and the Powertrain Control Module (PCM). The switch contacts open and close causing the PCM to turn the compressor clutch on and off. This prevents compressor operation when the discharge line pressure approaches high levels.

The high pressure switch contacts are open when the discharge line pressure rises above 3100 to 3375 kPa (450 to 490 psi). The switch contacts will close when the discharge line pressure drops to 1860 to 2275 kPa (270 to 330 psi).

The high pressure switch is a factory-calibrated unit. The switch cannot be adjusted or repaired and, if faulty or damaged, it must be replaced.

**INFRARED TEMPERATURE SENSOR****DESCRIPTION**

Models equipped with the optional Automatic Zone Control (AZC) system use automatic dual zone temperature control with infrared sensing technology. The temperature sensor is located in the center instrument panel, between the dual temperature knobs of the AZC.

**OPERATION**

The AZC module uses infrared sensing technology to control occupant comfort levels, not the actual passenger compartment air temperature. Dual infrared sensors mounted in the face of the control unit independently measure the surface temperature to maintain customer-perceived comfort temperature under changing conditions. Dual Zone temperature control provides wide side-to-side variation in comfort temperature to exceed the needs of either front seat



## DESCRIPTION AND OPERATION (Continued)

occupant. This sensing system replaces interior air temperature and solar sensors used to approximate direct sensing control through complex control programs.

The infrared temperature sensor cannot be adjusted or repaired and, if faulty or damaged, the module must be replaced.

**NOTE: The infrared sensor window may be permanently damaged if any type of cosmetic vinyl dressings are allowed to contact the lens. Avoid spraying or wiping this area with any cleaner or conditioner. This may result in impaired temperature sensing and control.**

## LOW PRESSURE SWITCH

### DESCRIPTION

The low pressure switch is located on the top of the accumulator. The switch is screwed onto an accumulator fitting that contains a Schrader-type valve, which allows the switch to be serviced without discharging the refrigerant system. The accumulator fitting is equipped with an O-ring to seal the switch connection.

### OPERATION

The low pressure switch is connected in series electrically with the high pressure switch, between ground and the Powertrain Control Module (PCM). The switch contacts open and close causing the PCM to turn the compressor clutch on and off. This regulates the refrigerant system pressure and controls evaporator temperature. Controlling the evaporator temperature prevents condensate water on the evaporator fins from freezing and obstructing air conditioning system air flow.

The low pressure switch contacts are open when the suction pressure is approximately 152 kPa (22 psi) or lower. The switch contacts will close when the suction pressure rises to approximately 234 to 262 kPa (34 to 38 psi) or above. Lower ambient temperatures, below approximately -1° C (30° F), will also cause the switch contacts to open. This is due to the pressure/temperature relationship of the refrigerant in the system.

The low pressure switch is a factory-calibrated unit. It cannot be adjusted or repaired and, if faulty or damaged, it must be replaced.

## REFRIGERANT

### DESCRIPTION

The refrigerant used in this air conditioning system is a HydroFluoroCarbon (HFC), type R-134a. Unlike R-12, which is a ChloroFluoroCarbon (CFC), R-134a refrigerant does not contain ozone-depleting chlorine. R-134a refrigerant is a non-toxic, non-flammable, clear, and colorless liquefied gas.

Even though R-134a does not contain chlorine, it must be reclaimed and recycled just like CFC-type refrigerants. This is because R-134a is a greenhouse gas and can contribute to global warming.

### OPERATION

R-134a refrigerant is not compatible with R-12 refrigerant in an air conditioning system. Even a small amount of R-12 added to an R-134a refrigerant system will cause compressor failure, refrigerant oil sludge or poor air conditioning system performance. In addition, the PolyAlkylene Glycol (PAG) synthetic refrigerant oils used in an R-134a refrigerant system are not compatible with the mineral-based refrigerant oils used in an R-12 refrigerant system.

R-134a refrigerant system service ports, service tool couplers and refrigerant dispensing bottles have all been designed with unique fittings to ensure that an R-134a system is not accidentally contaminated with the wrong refrigerant (R-12). There are also labels posted in the engine compartment of the vehicle and on the compressor identifying to service technicians that the air conditioning system is equipped with R-134a.

## REFRIGERANT LINES

### DESCRIPTION

The refrigerant lines and hoses are used to carry the refrigerant between the various air conditioning system components. A barrier hose design with a nylon tube, which is sandwiched between rubber layers, is used for the R-134a air conditioning system on this vehicle. This nylon tube helps to further contain the R-134a refrigerant, which has a smaller molecular structure than R-12 refrigerant. The ends of the refrigerant hoses are made from lightweight aluminum or steel, and commonly use braze-less fittings.

**DESCRIPTION AND OPERATION (Continued)**

Any kinks or sharp bends in the refrigerant plumbing will reduce the capacity of the entire air conditioning system. Kinks and sharp bends reduce the flow of refrigerant in the system. A good rule for the flexible hose refrigerant lines is to keep the radius of all bends at least ten times the diameter of the hose. In addition, the flexible hose refrigerant lines should be routed so they are at least 80 millimeters (3 inches) from the exhaust manifold.

**OPERATION**

High pressures are produced in the refrigerant system when the air conditioning compressor is operating. Extreme care must be exercised to make sure that each of the refrigerant system connections is pressure-tight and leak free. It is a good practice to inspect all flexible hose refrigerant lines at least once a year to make sure they are in good condition and properly routed.

The refrigerant lines and hoses are coupled with other components of the HVAC system with peanut-block style fittings. A stat-O seal type flat steel gasket with a captured compressible O-ring, is used to mate plumbing lines with A/C components to ensure the integrity of the refrigerant system.

The refrigerant lines and hoses cannot be repaired and, if faulty or damaged, they must be replaced.

**REFRIGERANT OIL****DESCRIPTION**

The refrigerant oil used in R-134a refrigerant systems is a synthetic-based, PolyAlkylene Glycol (PAG), wax-free lubricant. Mineral-based R-12 refrigerant oils are not compatible with PAG oils, and should never be introduced to an R-134a refrigerant system.

There are different PAG oils available, and each contains a different additive package. The 10PA17 compressor used in this vehicle is designed to use an ND8 PAG refrigerant oil. Use only refrigerant oil of this same type to service the refrigerant system.

**OPERATION**

with the same amount of the recommended refrigerant oil as was removed. Too little refrigerant oil can cause compressor damage, and too much can reduce air conditioning system performance.

PAG refrigerant oil is much more hygroscopic than mineral oil, and will absorb any moisture it comes into contact with, even moisture in the air. The PAG oil container should always be kept tightly capped until it is ready to be used. After use, recap the oil container immediately to prevent moisture contamination.

After performing any refrigerant recovery or recycling operation, always replenish the refrigerant system

**REFRIGERANT SYSTEM SERVICE PORTS****DESCRIPTION**

The two refrigerant system service ports are used to charge, recover/recycle, evacuate, and test the air conditioning refrigerant system. Unique service port coupler sizes are used on the R-134a system, to ensure that the refrigerant system is not accidentally contaminated by the use of the wrong refrigerant (R-12), or refrigerant system service equipment.

**OPERATION**

The high pressure service port is located on the discharge line off the side of the compressor. The low pressure service port is located on the suction line near the evaporator at the rear of the engine compartment.

Each of the service ports has a threaded plastic protective cap installed over it from the factory. After servicing the refrigerant system, always reinstall both of the service port caps.

**VACUUM CHECK VALVE****DESCRIPTION**

Two vacuum check valves (non AZC only) are installed on the vacuum supply system. One is on the accessory vacuum supply line in the engine compartment, near the vacuum tap on the engine intake manifold. A second vacuum check valve is located on the bottom of the HVAC unit behind the passenger front floor duct on the black vacuum line. The vacuum check valves are designed to allow vacuum to flow in only one direction through the accessory vacuum supply circuits.

**OPERATION**

The use of a vacuum check valve helps to maintain the system vacuum needed to retain the selected heater-A/C mode settings. The check valve will prevent the engine from bleeding down system vacuum through the intake manifold during extended heavy engine load (low engine vacuum) operation.

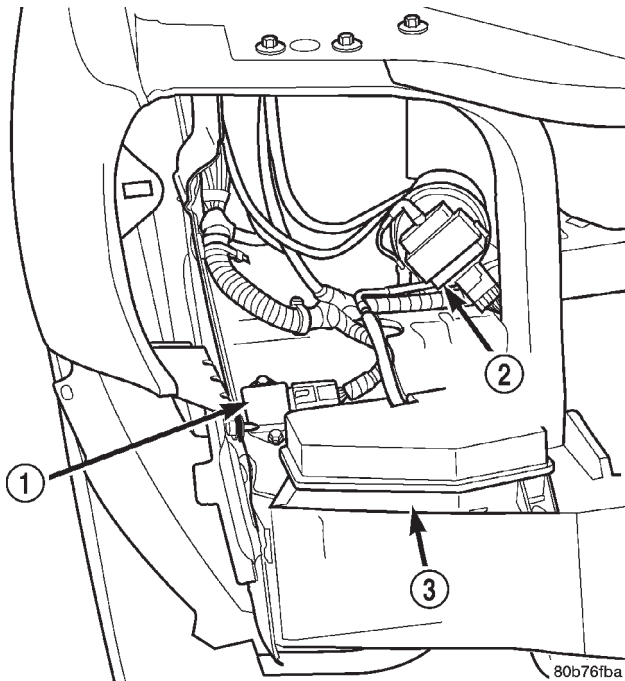
The vacuum check valve cannot be repaired and, if faulty or damaged, it must be replaced.

**VACUUM RESERVOIR****DESCRIPTION**

The vacuum reservoir is mounted in the right front of the vehicle behind the headlamp mounting module (Fig. 6). The headlamp mounting module and head-

## DESCRIPTION AND OPERATION (Continued)

lamp assembly must be removed from the vehicle to access the vacuum reservoir for service. Refer to Group 8L - Lamps for more information on component removal.



**Fig. 6 Vacuum Reservoir**

- 1 - FAN RELAY
- 2 - CRUISE SERVO
- 3 - VACUUM RESERVOIR

## OPERATION

Engine vacuum is stored in the vacuum reservoir. The stored vacuum is used to operate the vacuum-controlled vehicle accessories during periods of low engine vacuum such as when the vehicle is climbing a steep grade, or under other high engine load operating conditions.

The vacuum reservoir cannot be repaired and, if faulty or damaged, it must be replaced.

## DIAGNOSIS AND TESTING

### A/C PERFORMANCE

The air conditioning system is designed to provide the passenger compartment with low temperature and low specific humidity air. The evaporator, located in the heater-A/C housing on the dash panel below the instrument panel, is cooled to temperatures near the freezing point. As warm damp air passes through the cooled evaporator, the air transfers its heat to the refrigerant in the evaporator and the moisture in the air condenses on the evaporator fins. During periods of high heat and humidity, an air conditioning system will be more effective in the Recirculation Mode.

With the system in the Recirculation Mode, only air from the passenger compartment passes through the evaporator. As the passenger compartment air dehumidifies, the air conditioning system performance levels improve.

Humidity has an important bearing on the temperature of the air delivered to the interior of the vehicle. It is important to understand the effect that humidity has on the performance of the air conditioning system. When humidity is high, the evaporator has to perform a double duty. It must lower the air temperature, and it must lower the temperature of the moisture in the air that condenses on the evaporator fins. Condensing the moisture in the air transfers heat energy into the evaporator fins and tubing. This reduces the amount of heat the evaporator can absorb from the air. High humidity greatly reduces the ability of the evaporator to lower the temperature of the air.

However, evaporator capacity used to reduce the amount of moisture in the air is not wasted. Wringing some of the moisture out of the air entering the vehicle adds to the comfort of the passengers. Although, an owner may expect too much from their air conditioning system on humid days. A performance test is the best way to determine whether the system is performing up to standard. This test also provides valuable clues as to the possible cause of trouble with the air conditioning system.

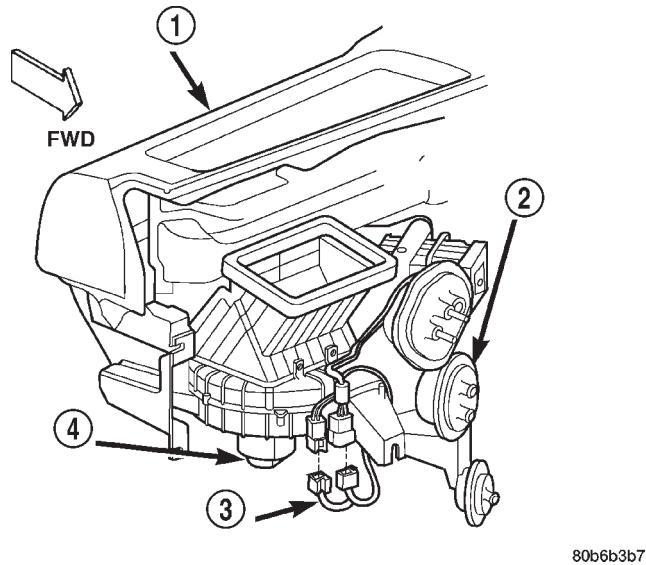
If the vehicle has the optional Automatic Zone Control (AZC) system, and has intermittent operational problems or fault codes, be certain that the 16-way wire harness connector on the heater-A/C housing is properly seated (Fig. 7). To check this condition, unplug the two wire harness connector halves, then plug them in again.

Review the Service Warnings and Precautions in the front of this group before performing this procedure. The air temperature in the test room and in the vehicle must be a minimum of 21° C (70° F) for this test.

(1) Connect a tachometer and a manifold gauge set.

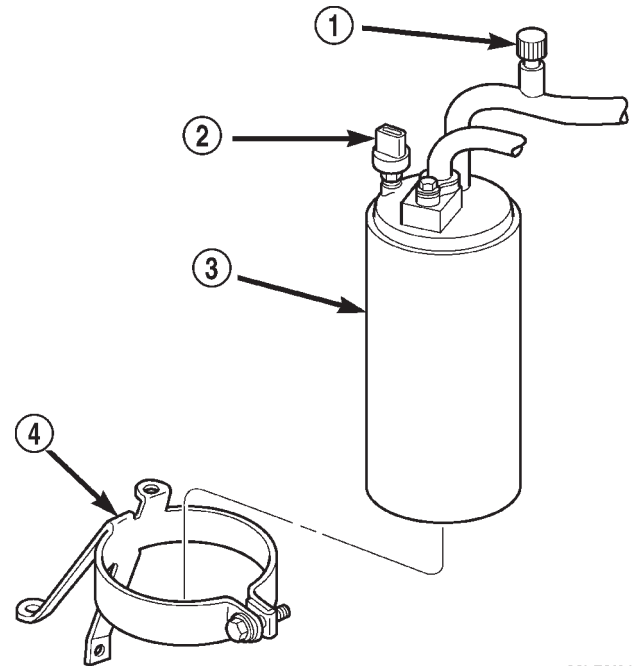
(2) If the vehicle has the standard manual temperature control, set the heater-A/C mode control switch knob in the Panel position, the temperature control knob in the full cool (Recirculation Mode) position, the A/C button in the On position, and the blower motor switch knob in the highest speed position. If the vehicle has the optional AZC, set the heater-A/C mode control switch knob in the Panel position, the temperature control knob in the full cool position, the A/C and Recirc buttons in the On position, and the blower motor switch knob in the highest (manual) speed position.

DIAGNOSIS AND TESTING (Continued)



**Fig. 7 16-Way Wire Harness Connector (AZC)**

- 1 - INSTRUMENT PANEL
- 2 - HEATER AND AIR CONDITIONER HOUSING
- 3 - INSTRUMENT PANEL WIRE HARNESS
- 4 - BLOWER MOTOR



**Fig. 8 Accumulator and Low Pressure Switch**

- 1 - SERVICE PORT
- 2 - LOW PRESSURE SWITCH
- 3 - ACCUMULATOR
- 4 - SUPPORT BRACKET

(3) Start the engine and hold the idle at 1,300 rpm with the compressor clutch engaged.

(4) The engine should be at operating temperature. The doors and windows must be open.

(5) Insert a thermometer in the driver side center A/C (panel) outlet. Operate the engine for five minutes.

(6) The compressor clutch may cycle, depending upon the ambient temperature and humidity. If the clutch cycles, unplug the low pressure switch wire harness connector from the switch located on the accumulator (Fig. 8). Place a jumper wire across the terminals of the low pressure switch wire harness connector.

(7) With the compressor clutch engaged, record the discharge air temperature and the compressor discharge pressure.

(8) Compare the discharge air temperature to the Performance Temperature and Pressure chart. If the discharge air temperature is high, see Refrigerant System Leaks and Refrigerant System Charge in this group.

Performance Temperature and Pressure					
Ambient Air Temperature and Humidity	21° C (70° F @ 80% humidity)	27° C (80° F @ 80% humidity)	32° C (90° F @ 80% humidity)	38° C (100° F @ 50% humidity)	43° C (110° F @ 20% humidity)
Air Temperature at Center Panel Outlet	0 to 9° C (32 to 48° F)	1 to 12° C (33 to 54° F)	3 to 17° C (37 to 63° F)	6 to 18° C (43 to 65° F)	10 to 18° C (50 to 65° F)
Evaporator Inlet Pressure at Charge Port	151 to 262 kPa (22 to 38 psi)	221 to 248 kPa (32 to 36 psi)	262 to 296 kPa (38 to 43 psi)	303 kPa (44 psi)	310 kPa (45 psi)
Compressor Discharge Pressure	900 to 1380 kPa (130 to 200 psi)	1380 to 2070 kPa (200 to 300 psi)	1720 to 2140 kPa (250 to 310 psi)	1860 to 2140 kPa (270 to 310 psi)	2070 to 2550 kPa (300 to 370 psi)

Note: The discharge air temperatures will be lower if the humidity is less than the percentages shown.



## DIAGNOSIS AND TESTING (Continued)

(9) Compare the compressor discharge pressure to the Performance Temperature and Pressure chart. If the compressor discharge pressure is high, see the Pressure Diagnosis chart.

Pressure Diagnosis		
Condition	Possible Causes	Correction
Rapid compressor clutch cycling (ten or more cycles per minute).	1. Low refrigerant system charge.	1. See Refrigerant System Leaks in this group. Test the refrigerant system for leaks. Repair, evacuate and charge the refrigerant system, if required.
Equal pressures, but the compressor clutch does not engage.	1. No refrigerant in the refrigerant system. 2. Faulty fuse. 3. Faulty compressor clutch coil. 4. Faulty compressor clutch relay. 5. Improperly installed or faulty low pressure switch. 6. Faulty high pressure switch. 7. Faulty Powertrain Control Module (PCM).	1. See Refrigerant System Leaks in this group. Test the refrigerant system for leaks. Repair, evacuate and charge the refrigerant system, if required. 2. Check the fuses in the Power Distribution Center and the fuseblock module. Repair the shorted circuit or component and replace the fuses, if required. 3. See Compressor Clutch Coil in this group. Test the compressor clutch coil and replace, if required. 4. See Compressor Clutch Relay in this group. Test the compressor clutch relay and relay circuits. Repair the circuits or replace the relay, if required. 5. See Low Pressure Cycling Clutch Switch in this group. Test the low pressure switch and tighten or replace, if required. 6. See High Pressure Switch in this group. Test the high pressure switch and replace, if required. 7. Refer to the proper Diagnostic Procedures manual for testing of the PCM. Test the PCM and replace, if required.
Normal pressures, but A/C Performance Test air temperatures at center panel outlet are too high.	1. Excessive refrigerant oil in system. 2. Blend-air door motor, or wire harness improperly installed or faulty. 3. Blend-air door inoperative or sealing improperly.	1. See Refrigerant Oil Level in this group. Recover the refrigerant from the refrigerant system and inspect the refrigerant oil content. Restore the refrigerant oil to the proper level, if required. 2. See Blend-air door motor in this group. Inspect the motor, and wire harness for proper installation and operation and correct, if required. 3. See Blend-Air Door under Heater-A/C Housing Door in this group. Inspect the blend-air door for proper operation and sealing. Correct if required.
The low side pressure is normal or slightly low, and the high side pressure is too low.	1. Low refrigerant system charge. 2. Refrigerant flow through the accumulator is restricted. 3. Refrigerant flow through the evaporator coil is restricted. 4. Faulty compressor.	1. See Refrigerant System Leaks in this group. Test the refrigerant system for leaks. Repair, evacuate and charge the refrigerant system, if required. 2. See Accumulator in this group. Replace the restricted accumulator, if required. 3. See Evaporator Coil in this group. Replace the restricted evaporator coil, if required. 4. See Compressor in this group. Replace the compressor, if required.

DIAGNOSIS AND TESTING (Continued)

Pressure Diagnosis		
Condition	Possible Causes	Correction
The low side pressure is normal or slightly high, and the high side pressure is too high.	<ol style="list-style-type: none"> <li>1. Condenser air flow restricted.</li> <li>2. Inoperative cooling fan.</li> <li>3. Refrigerant system overcharged.</li> <li>4. Air in the refrigerant system.</li> <li>5. Engine overheating.</li> </ol>	<ol style="list-style-type: none"> <li>1. Check the condenser for damaged fins, foreign objects obstructing air flow through the condenser fins, and missing or improperly installed air seals. Refer to Group 7 - Cooling System for more information on air seals. Clean, repair, or replace components as required.</li> <li>2. Refer to Group 7 - Cooling System for more information. Test the cooling fan and replace, if required.</li> <li>3. See Refrigerant System Charge in this group. Recover the refrigerant from the refrigerant system. Charge the refrigerant system to the proper level, if required.</li> <li>4. See Refrigerant System Leaks in this group. Test the refrigerant system for leaks. Repair, evacuate and charge the refrigerant system, if required.</li> <li>5. Refer to Group 7 - Cooling System for more information. Test the cooling system and repair, if required.</li> </ol>
The low side pressure is too high, and the high side pressure is too low.	<ol style="list-style-type: none"> <li>1. Accessory drive belt slipping.</li> <li>2. Variable orifice tube not installed.</li> <li>3. Faulty compressor.</li> </ol>	<ol style="list-style-type: none"> <li>1. Refer to Group 7 - Cooling System for more information. Inspect the accessory drive belt condition and tension. Tighten or replace the accessory drive belt, if required.</li> <li>2. See Variable Orifice Tube in this group. Install the missing orifice tube and line if required.</li> <li>3. See Compressor in this group. Replace the compressor, if required.</li> </ol>
The low side pressure is too low, and the high side pressure is too high.	<ol style="list-style-type: none"> <li>1. Restricted refrigerant flow through the refrigerant lines.</li> <li>2. Restricted refrigerant flow through the variable orifice tube.</li> <li>3. Restricted refrigerant flow through the condenser.</li> </ol>	<ol style="list-style-type: none"> <li>1. See Liquid Line and Suction and Discharge Line in this group. Inspect the refrigerant lines for kinks, tight bends or improper routing. Correct the routing or replace the refrigerant line, if required.</li> <li>2. See Variable Orifice Tube in this group. Replace the restricted fixed orifice tube, if required.</li> <li>3. See Condenser in this group. Replace the restricted condenser, if required.</li> </ol>

**AUTOMATIC ZONE CONTROL SYSTEM**

The Automatic Zone Control (AZC) control module has a system self-diagnostic mode which continuously monitors various parameters during normal system operation. If a system fault is detected, a current and historical fault is recorded. When the current fault is cleared, the historical fault remains until reset (manually or automatically). Both the current and historical fault codes can be accessed through either the front panel, or over the Programmable Communications Interface (PCI) bus using a DRBIII® scan tool, and the proper Diagnostic Procedures manual.

The AZC control module is capable of three different types of self-diagnostic tests, as follows:

- Fault Code Tests
- Input Circuit Tests
- Output Circuit/Actuator Tests

The information that follows describes:

- How to read the self-diagnostic display
- How to enter the AZC control module self-diagnostic test mode
- How to select the self-diagnostic test types
- How to perform the different tests



## DIAGNOSIS AND TESTING (Continued)

## ENTERING THE AZC SELF-DIAGNOSTIC MODE

To enter the AZC self-diagnostic mode, perform the following:

(1) Depress the A/C and Recirc buttons at the same time and hold. Rotate the left temperature control knob clockwise (CW) one detent.

(2) If you continue to hold the A/C and Recirc buttons depressed, the AZC control module will perform a Segment Test of the vacuum fluorescent (VF) display. In the Segment Test you should see all of the display segments illuminate as long as both buttons are held. If a display segment fails to illuminate, the vacuum fluorescent display is faulty and the heater-A/C control must be replaced.

(3) After viewing the Segment Test, release the A/C and Recirc buttons and the display will clear momentarily. **If a 0 is displayed, then no faults are set in the system.** Should there be any faults, either "current" or "historical", all fault codes will be displayed in ascending numerical sequence (note no effort is made to display fault codes in chronological

order). Each fault code is displayed for one second before the next code is displayed. Once all fault codes have been displayed, the system will then repeat the fault code numbers. This will continue until the left side set temperature control is moved at least one detent position in the CW direction or the ignition is turned "OFF".

## FAULT CODE TESTS

Fault codes are two-digit numbers that identify a circuit that is malfunctioning. There are two different kinds of fault codes.

1. **Current Fault Codes** - Current means the fault is present right now. There are two types of current faults: input faults, and system faults.

2. **Historical Fault Codes** - Historical or stored means that the fault occurred previously, but is not present right now. A majority of historical fault codes are caused by intermittent wire harness or wire harness connector problems.

## DIAGNOSIS AND TESTING (Continued)

CURRENT FAULT CODES	
Input faults	01 = IR thermister circuit open
	02 = IR thermister circuit shorted
	03 = Fan pot shorted
	04 = Fan pot open
	05 = Mode pot shorted
	06 = Mode pot open
	07 = IR sensor delta too large
	08 = Reserved
	09 = Reserved
	10 = Reserved
	11 = Engine air intake temperature Buss message missing
	12 = Country code Buss message missing
System Faults	13 = Mode motor not responding
	14 = AI (Recirc) motor not responding
	15 = Left temperature door not responding
	16 = Right temperature door not responding
	17 = Mode door travel range too small
	18 = Mode door travel range too large
	19 = AI (Recirc) door travel too small
	20 = AI (Recirc) door travel too large
	21 = Left temperature door travel too small
	22 = Left temperature door travel too large
	23 = Right temperature door travel too small
	24 = Right temperature door travel too large
	25 = Calibration check sum error
	26 = Engine coolant temp bus message missing
	27 = Vehicle speed bus message missing
	28 = Engine RPM bus message missing
	29 = OAT bus message missing
	30 = Display intensity bus message missing
	31 = VIN number bus message missing
	32 = Reserved

## DIAGNOSIS AND TESTING (Continued)

HISTORICAL FAULT CODES	
Input faults	33 = IR thermister circuit was open
	34 = IR thermister circuit was shorted
	35 = Fan pot was shorted
	36 = Fan pot was open
	37 = Mode pot was shorted
	38 = Mode pot was open
	39 = IR sensor delta was too large
	40 = Reserved
	41 = Reserved
	42 = Reserved
	43 = Engine air intake temperature Buss message missing
	44 = Country code Buss message missing
	System Faults
46 = AI (Recirc) motor was not responding	
47 = Left temperature door was not responding	
48 = Right temperature door was not responding	
49 = Mode door travel range too small	
50 = Mode door travel range too large	
51 = AI (Recirc) door travel range too small	
52 = AI (Recirc) door travel range too large	
53 = Left temperature door travel too small	
54 = Left temperature door travel too large	
55 = Right temperature door travel too small	
56 = Right temperature door travel too large	
57 = Calibration check sum error	
58 = Engine coolant temp bus message missing	
59 = Vehicle speed bus message missing	
60 = Engine RPM bus message missing	
61 = OAT bus message missing	
62 = Display intensity bus message missing	
63 = VIN number bus message missing	
64 = Reserved	
65 = Reserved	
66 = Reserved	
67 = Reserved	

## DIAGNOSIS AND TESTING (Continued)

**NOTE:** A battery disconnect will erase all faults stored in Random Access Memory (RAM) of the AZC control module. It is recommended that all faults be recorded before they are erased.

## RETRIEVING FAULT CODES

(1) To begin the fault code tests, depress the A/C and Recirc buttons at the same time and rotate the left temperature control knob clockwise (CW) one detent, then release the push-button.

(2) **If there are no fault codes, the "00" display value will remain in the VF window.** Should there be any codes, each will be displayed for one second in ascending numerical sequence (note: no effort is made to display faults in the order they occurred). The left side set temperature display will be blanked and the right side set temperature display will indicate current and historical codes (8 historical max) presently active. Once all codes have been displayed, the system will repeat the fault code numbers. This will continue until the left side set temperature control is moved at least one detent position in either direction, by pressing both the A/C and Recirc buttons at the same time, or the ignition is turned off. Record all of the fault codes, then see the Current and Historical Fault Code charts for the descriptions.

## CLEARING FAULT CODES

Current faults cannot be electronically cleared. Repair must be made to the system to eliminate the fault causing code. Historical fault codes can be cleared manually, or automatically. To clear a historical fault manually, depress and hold either the A/C or Recirc button for at least three seconds while the display is in the fault code mode of operation. Historical fault codes are cleared automatically when the corresponding current fault code has been cleared, and has remained cleared for a number of ignition cycles. The faults have been cleared when two horizontal bars appear in the Test Selector display.

## EXITING SELF-DIAGNOSTIC MODE

The self-diagnostic mode can be exited by pressing both the A/C and Recirc buttons at the same time, or turning off the ignition.

## MONITOR CURRENT PARAMETERS

While in the display fault code mode of operation, current system parameters can also be monitored and/or forced. Rotating the left side set temperature control clockwise will increase the pointer number while rotating the control counter clockwise will decrease the pointer number. Rotating the right set temperature control will have no impact on pointer value or the value of the parameter being monitored. Once the desired pointer number has been selected, pressing either the AC or Recirc buttons will display the current value of the selected parameter. **The right side set temperature display is only capable of displaying only values ranging from 0 to 99, the left side set temperature display is used for values greater than 99. If the value is less than 99, the left side set temperature display remains blanked.** While a parameter is being overridden, the system will continue to function normally except for the parameter which is being manually controlled.

For values  $< 0$ , the "G" segment in the left side set temperature Most Significant Digit (MSD)(or left-most number in the pair) will be used to indicate a negative number. For values between -01 to -99 the Least Significant Digit (LSD)(or right-most number of the pair) in the left side set temperature will remain blank. System control of parameter being displayed can be overridden by rotating the right set temperature control in either direction. Rotating the right temperature control in the CW direction, the selected parameter value is overridden and incremented beginning at the value which was being displayed. Rotating the right temperature control in the CCW direction, the selected parameter value is overridden and decremented beginning at the value which was being displayed. The rate at which incrementing and decrement occurs is one unit value per set temperature detent position.

## DIAGNOSIS AND TESTING (Continued)

HVAC SYSTEM POINTER		
Pointer Number	DESCRIPTION	Value Displayed
01	A/C Enable	0 or 1
		0 = disabled 1 = enabled
02	Final fan PWM duty cycle	0 to 255
	While the value of this pointer is being displayed, turning the right set temperature control either direction will manually control the value. CW = increase; CCW = decrease	
03	Left NPRG *	0 to 255
* NPRG equals a calculated number based on outside and in-vehicle conditions. This value is used by the AZC to position the Mode motor, Air Inlet motor, and control blower motor speed.		
	While the value of this pointer is being displayed, turning the right set temperature control either direction will manually control the value. CW = increase; CCW = decrease	
04	Right NPRG	0 to 255
	While the value of this pointer is being displayed, turning the right set temperature control either direction will manually control the value. CW = increase; CCW = decrease	
05	Avg NPRG	0 TO 255
	While the value of this pointer is being displayed, turning the right set temperature control either direction will manually control the value. CW = increase; CCW = decrease	
06	Primary control side	0 or 1
		0 = left 1 = right
07	EE Check sum (calculated)	0 to 255
08	Target intensity (in % ON time)	0 to 255
	While the value of this pointer is being displayed, turning the right set temperature control either direction will manually control the value. CW = increase; CCW = decrease	
09	Not Used	0 to 0
10	Not Used	0 to 0
11	Right NINC *	0 to 255
* NINC equals a calculated number based on the IR sensor and IR thermistor values used to calculate the NPRG.		
	While the value of this pointer is being displayed, turning the right set temperature control either direction will manually control the value. CW = increase; CCW = decrease	
12	Left NINC	0 to 255
	While the value of this pointer is being displayed, turning the right set temperature control either direction will manually control the value. CW = increase; CCW = decrease	
13	Right NMIX *	0 to 255
* NMIX equals a calculated number based on outside and in-vehicle conditions used by the AZC to position the Temperature motors.		
	While the value of this pointer is being displayed, turning the right set temperature control either direction will manually control the value. CW = increase; CCW = decrease	

DIAGNOSIS AND TESTING (Continued)

HVAC SYSTEM POINTER		
14	Left NMIX	0 to 255
	While the value of this pointer is being displayed, turning the right set temperature control either direction will manually control the value. CW = increase; CW = decrease	
15	Not Used	0 to 0
16	Not Used	0 to 0
17	Reserved	
18	Reserved	
19	Reserved	

MODE VALUE POINTER		
Pointer Number	DESCRIPTION	Value Displayed
20	mode range in delta counts	0 to 9999
21	Current mode position (in counts)	0 to 9999
22	mode target position in ratio	0 to 255
	While the value of this pointer is being displayed, turning the right set temperature control either direction will manually control the value. CW = increase; CCW = decrease	
23	mode target position in counts	0 to 9999
24	Not Used	0 to 0
25	number of valve moves since last index	0 to 9999
26	Not Used	0 to 0
27	Not Used	0 to 0
28	Not Used	0 to 0
29	mode motor state	0 to 5
	0 = in position, 1 = moving toward panel, 2 = moving toward defrost, 3 = searching range, 4 = stalled moving toward panel, 5 = stalled moving toward defrost	

LEFT SIDE TEMPERATURE POINTER		
Pointer Number	DESCRIPTION	Value Displayed
30	Left side temp range in delta counts	0 to 9999
31	Current left side temp position (in counts)	0 to 9999
32	Left side temp target position (in ratio)	0 to 255
	While the value of this pointer is being displayed, turning the right set temperature control either direction will manually control the value. CW = increase; CCW = decrease	
33	Left side temp target in counts	0 to 9999
34	Not used	0 to 0
35	number of valve moves since last index	0 to 9999
36	Not used	0 to 0
37	Not used	0 to 0
38	Not used	0 to 0
39	Left side temp motor state	0 to 5



## DIAGNOSIS AND TESTING (Continued)

LEFT SIDE TEMPERATURE POINTER		
	0 = in position, 1 = moving toward panel, 2 = moving toward defrost, 3 = searching range, 4 = stalled moving toward panel, 5 = stalled moving toward defrost	

RIGHT SIDE TEMPERATURE POINTER		
Pointer Number	DESCRIPTION	Value Displayed
40	Right side temp range in delta counts	0 to 9999
41	Current right side temp position (in counts)	0 to 9999
42	Right side temp target position (in ratio)	0 to 255
	While the value of this pointer is being displayed, turning the right set temperature control either direction will manually control the value. CW = increase; CCW = decrease	
43	Right side temp target in counts	0 to 9999
44	Not used	0 to 0
45	number of valve moves since last index	0 to 9999
46	Not used	0 to 0
47	Not used	0 to 0
48	Not used	0 to 0
49	Right side temp motor state	0 to 5
	0 = in position, 1 = moving toward panel, 2 = moving toward defrost, 3 = searching range, 4 = stalled moving toward panel, 5 = stalled moving toward defrost	

AIR INLET POINTER		
Pointer Number	DESCRIPTION	Value Displayed
50	Air inlet range (in counts)	0 to 9999
51	Current air inlet position (in counts)	0 to 9999
52	Air inlet target position (in ratio)	0 to 255
	While the value of this pointer is being displayed, turning the right set temperature control either direction will manually control the value. CW = increase; CCW = decrease	
53	Air inlet target in counts	0 to 9999
54	Not used	0 to 0
55	number of motor moves since last index	0 to 9999
56	Not used	0 to 0
57	Not used	0 to 0
58	Not used	0 to 0
59	Air inlet motor state	0 to 5
	0 = in position, 1 = moving toward panel, 2 = moving toward defrost, 3 = searching range, 4 = stalled moving toward panel, 5 = stalled moving toward defrost	
60	Reserved	
61	Actual Outside Air Temp (in degrees F)	-40 to 215
62	Not used	0 to 0
63	Engine Intake Air Temperature (in degrees F)	-40 to 215

## DIAGNOSIS AND TESTING (Continued)

AIR INLET POINTER		
64	Vehicle speed in MPH	0 to 255
65	Engine RPM/100	-0 to 82
66	Engine Coolant Temp - 40 (in degrees F)	-40 to 215
67	Country Code	0 to 255
68	Not used	0 to 0
69	Not used	0 to 0

IR SENSOR POINTER		
Pointer Number	DESCRIPTION	Value Displayed
70	Thermistor temp (in degrees)	-40 to 215
71	Left side sensor A/D (filtered)	0 to 255
72	Right side sensor A/D (filtered)	0 to 255
73	Left side temp (in degrees F)	-40 to 140
74	Right side temp (in degrees F)	-40 to 140
75	Not used	0 to 0
76	Not used	0 to 0
77	Not used	0 to 0
78	Not used	0 to 0
79	Not used	0 to 0

IDENTIFICATION POINTER		
Pointer Number	DESCRIPTION	Value Displayed
80	ROM bit pattern number (digits 1,2,3 & 4)	0 to 9999
81	ROM bit pattern number (digits 5,6,7 & 8)	0 to 9999
82	CAL bit pattern number (digits 1,2,3 & 4)	0 to 9999
83	CAL bit pattern number (digits 5,6,7 & 8)	0 to 9999
84	Not used	0 to 0
85	Not used	0 to 0
86	Not used	0 to 0
87	Not used	0 to 0
88	Not used	0 to 0
89	Not used	0 to 0

## DIAGNOSIS AND TESTING (Continued)

**OUTPUT CIRCUIT/ACTUATOR TESTS**

In the Output Circuit/Actuator Test mode, the output circuits can be viewed, monitored, overridden, and tested. If a failure occurs in an output circuit, test the circuit by overriding the system. Test the actuator through its full range of operation.

(1) To begin the Output Circuit/Actuator Tests you must be in the Select Test mode.

(2) With a "00" value displayed in the Test Selector and no stick man, turn the rotary temperature control knob until the test number you are looking for appears in the Test Selector display. See the Circuit Testing charts for a listing of the test numbers, test items, test types, system tested, and displayed values.

(3) To see the output value, depress the A/C or Recirc button. The values displayed will represent the output from the AZC control module.

(4) To enter the actuator test, depress the A/C or Recirc button. Then, rotate the right temperature set knob to the desired position.

**BLOWER MOTOR**

**WARNING: ON VEHICLES EQUIPPED WITH AIRBAGS, REFER TO GROUP 8M - PASSIVE RESTRAINT SYSTEMS BEFORE ATTEMPTING ANY STEERING WHEEL, STEERING COLUMN, OR INSTRUMENT PANEL COMPONENT DIAGNOSIS OR SERVICE. FAILURE TO TAKE THE PROPER PRECAUTIONS COULD RESULT IN ACCIDENTAL AIRBAG DEPLOYMENT AND POSSIBLE PERSONAL INJURY.**

For circuit descriptions and diagrams, refer to 8W-42 - Air Conditioning/Heater in Group 8W - Wiring Diagrams. Possible causes of an inoperative blower motor include:

- Faulty fuse
- Faulty blower motor circuit wiring or wire harness connections
- Faulty blower motor resistor (if the vehicle is so equipped)
- Faulty blower motor power module (if the vehicle is so equipped)
- Faulty blower motor switch
- Faulty heater-A/C mode control switch
- Faulty blower motor.

Possible causes of the blower motor not operating in all speeds include:

- Faulty fuse
- Faulty blower motor switch
- Faulty blower motor resistor (if the vehicle is so equipped)
- Faulty blower motor controller (power module) (if the vehicle is so equipped)

- Faulty AZC module (if the vehicle is so equipped)
- Faulty blower motor circuit wiring or wire harness connections.

**VIBRATION**

Possible causes of blower motor vibration include:

- Improper blower motor mounting
- Improper blower wheel mounting
- Blower wheel out of balance or bent
- Blower motor faulty.

**NOISE**

To verify that the blower is the source of the noise, unplug the blower motor wire harness connector and operate the heater-A/C system. If the noise goes away, possible causes include:

- Foreign material in the heater-A/C housing
- Improper blower motor mounting
- Improper blower wheel mounting
- Blower motor faulty.

**BLOWER MOTOR RESISTOR**

For circuit descriptions and diagrams, refer to 8W-42 - Air Conditioning/Heater in Group 8W - Wiring Diagrams.

**WARNING: ON VEHICLES EQUIPPED WITH AIRBAGS, REFER TO GROUP 8M - PASSIVE RESTRAINT SYSTEMS BEFORE ATTEMPTING ANY STEERING WHEEL, STEERING COLUMN, OR INSTRUMENT PANEL COMPONENT DIAGNOSIS OR SERVICE. FAILURE TO TAKE THE PROPER PRECAUTIONS COULD RESULT IN ACCIDENTAL AIRBAG DEPLOYMENT AND POSSIBLE PERSONAL INJURY.**

(1) Disconnect and isolate the battery negative cable.

(2) Unplug the wire harness connector from the blower motor resistor.

(3) Check for continuity between each of the blower motor switch input terminals of the resistor and the resistor output terminal. In each case there should be continuity. If OK, repair the wire harness circuits between the blower motor switch and the blower motor resistor or blower motor as required. If not OK, replace the faulty blower motor resistor.

**BLOWER MOTOR SWITCH**

For circuit descriptions and diagrams, refer to 8W-42 - Air Conditioning/Heater in Group 8W - Wiring Diagrams.

## DIAGNOSIS AND TESTING (Continued)

**WARNING: ON VEHICLES EQUIPPED WITH AIR-BAGS, REFER TO GROUP 8M - PASSIVE RESTRAINT SYSTEMS BEFORE ATTEMPTING ANY STEERING WHEEL, STEERING COLUMN, OR INSTRUMENT PANEL COMPONENT DIAGNOSIS OR SERVICE. FAILURE TO TAKE THE PROPER PRECAUTIONS COULD RESULT IN ACCIDENTAL AIR-BAG DEPLOYMENT AND POSSIBLE PERSONAL INJURY.**

(1) Check for battery voltage at the fuse in the Power Distribution Center (PDC). If OK, go to Step 2. If not OK, repair the shorted circuit or component as required and replace the faulty fuse.

(2) Turn the ignition switch to the Off position. Disconnect and isolate the battery negative cable. Remove the heater-A/C control from the instrument panel. Check for continuity between the ground circuit cavity of the heater-A/C control wire harness connector and a good ground. There should be continuity. If OK, go to Step 3. If not OK, repair the open circuit to ground as required.

(3) With the heater-A/C control wire harness connector unplugged, place the heater-A/C mode control switch knob in any position except the Off position. Check for continuity between the ground circuit terminal and each of the blower motor driver circuit terminals of the heater-A/C control as you move the blower motor switch knob to each of the four speed positions. There should be continuity at each driver circuit terminal in only one blower motor switch speed position. If OK, test and repair the blower driver circuits between the heater-A/C control connector and the blower motor resistor as required. If not OK, replace the faulty heater-A/C control unit.

## COMPRESSOR

When investigating an air conditioning related noise, you must first know the conditions under which the noise occurs. These conditions include: weather, vehicle speed, transmission in gear or neutral, engine speed, engine temperature, and any other special conditions. Noises that develop during air conditioning operation can often be misleading. For example: What sounds like a failed front bearing or connecting rod, may be caused by loose bolts, nuts, mounting brackets, or a loose compressor clutch assembly.

Drive belts are speed sensitive. At different engine speeds and depending upon belt tension, belts can develop noises that are mistaken for a compressor noise. Improper belt tension can cause a misleading noise when the compressor clutch is engaged, which may not occur when the compressor clutch is disengaged. Check the serpentine drive belt condition and

tension as described in Group 7 - Cooling System before beginning this procedure.

(1) Select a quiet area for testing. Duplicate the complaint conditions as much as possible. Switch the compressor on and off several times to clearly identify the compressor noise. Listen to the compressor while the clutch is engaged and disengaged. Probe the compressor with an engine stethoscope or a long screwdriver with the handle held to your ear to better localize the source of the noise.

(2) Loosen all of the compressor mounting hardware and retighten. Tighten the compressor clutch mounting nut. Be certain that the clutch coil is mounted securely to the compressor, and that the clutch plate and pulley are properly aligned and have the correct air gap. See Compressor and Compressor Clutch in the Removal and Installation section of this group for the procedures.

(3) To duplicate a high-ambient temperature condition (high head pressure), restrict the air flow through the condenser. Install a manifold gauge set to be certain that the discharge pressure does not exceed 2760 kPa (400 psi).

(4) Check the refrigerant system plumbing for incorrect routing, rubbing or interference, which can cause unusual noises. Also check the refrigerant lines for kinks or sharp bends that will restrict refrigerant flow, which can cause noises. See Suction and Discharge Line in the Removal and Installation section of this group for more information.

(5) If the noise is from opening and closing of the high pressure relief valve, evacuate and recharge the refrigerant system. See Refrigerant System Evacuate and Refrigerant System Charge in the Service Procedures section of this group. If the high pressure relief valve still does not seat properly, replace the compressor.

(6) If the noise is from liquid slugging on the suction line, replace the accumulator. See Accumulator in the Removal and Installation section of this group for the procedures. Check the refrigerant oil level and the refrigerant system charge. See Refrigerant Oil Level and Refrigerant System Charge in the Service Procedures section of this group. If the liquid slugging condition continues following accumulator replacement, replace the compressor.

(7) If the noise continues, replace the compressor and repeat Step 1.

## COMPRESSOR CLUTCH COIL

For circuit descriptions and diagrams, refer to 8W-42 - Air Conditioning/Heater in Group 8W - Wiring Diagrams. The battery must be fully-charged before performing the following tests. Refer to Group 8A - Battery for more information.

DIAGNOSIS AND TESTING (Continued)

(1) Connect an ammeter (0 to 10 ampere scale) in series with the clutch coil terminal. Use a voltmeter (0 to 20 volt scale) with clip-type leads for measuring the voltage across the battery and the compressor clutch coil.

(2) With the heater-A/C mode control switch in any A/C mode, the heater-A/C control A/C switch in the On position, and the blower motor switch in the lowest speed position, start the engine and run it at normal idle.

(3) The compressor clutch coil voltage should read within two volts of the battery voltage. If there is voltage at the clutch coil, but the reading is not within two volts of the battery voltage, test the clutch coil feed circuit for excessive voltage drop and repair as required. If there is no voltage reading at the clutch coil, use a DRBIII® scan tool and the proper Diagnostic Procedures manual for testing of the compressor clutch circuit. The following components must be checked and repaired as required before you can complete testing of the clutch coil:

- Fuses in the junction block and the Power Distribution Center (PDC)
- Heater-A/C mode control switch
- Compressor clutch relay
- High pressure switch
- Low pressure switch
- Powertrain Control Module (PCM)

(4) The compressor clutch coil is acceptable if the current draw measured at the clutch coil is 2.0 to 3.9 amperes with the electrical system voltage at 11.5 to 12.5 volts. This should only be checked with the work area temperature at 21° C (70° F). If system voltage is more than 12.5 volts, add electrical loads by turning on electrical accessories until the system voltage drops below 12.5 volts.

(a) If the clutch coil current reading is four amperes or more, the coil is shorted and should be replaced.

(b) If the clutch coil current reading is zero, the coil is open and should be replaced.

**COMPRESSOR CLUTCH RELAY**

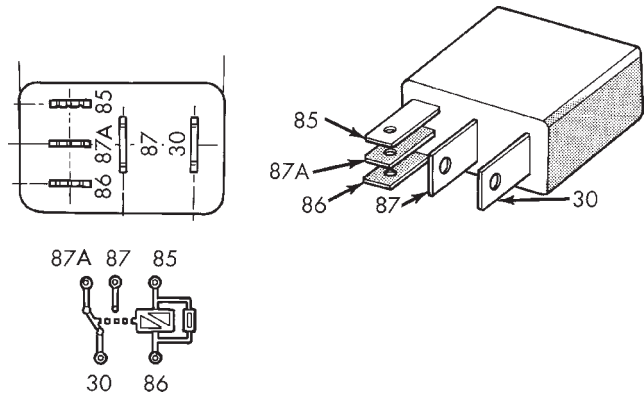
For circuit descriptions and diagrams, refer to 8W-42 - Air Conditioning/Heater in Group 8W - Wiring Diagrams.

The compressor clutch relay (Fig. 9) is located in the Power Distribution Center (PDC). Refer to the PDC label for relay identification and location. Remove the relay from the PDC to perform the following tests:

(1) A relay in the de-energized position should have continuity between terminals 87A and 30, and no continuity between terminals 87 and 30. If OK, go to Step 2. If not OK, replace the faulty relay.

(2) Resistance between terminals 85 and 86 (electromagnet) should be  $75 \pm 5$  ohms. If OK, go to Step 3. If not OK, replace the faulty relay.

(3) Connect a battery to terminals 85 and 86. There should now be continuity between terminals 30 and 87, and no continuity between terminals 87A and 30. If OK, see the Relay Circuit Test procedure in this group. If not OK, replace the faulty relay.



TERMINAL LEGEND	
NUMBER	IDENTIFICATION
30	COMMON FEED
85	COIL GROUND
86	COIL BATTERY
87	NORMALLY OPEN
87A	NORMALLY CLOSED

**Fig. 9 Compressor Clutch Relay**

**RELAY CIRCUIT TEST**

For circuit descriptions and diagrams, refer to 8W-42 - Air Conditioning/Heater in Group 8W - Wiring Diagrams.

(1) The relay common feed terminal cavity (30) is connected to fused battery feed. There should be battery voltage at the cavity for relay terminal 30 at all times. If OK, go to Step 2. If not OK, repair the open circuit to the fuse in the PDC as required.

(2) The relay normally closed terminal (87A) is not used in this application. Go to Step 3.

(3) The relay normally open terminal cavity (87) is connected to the compressor clutch coil. There should be continuity between this cavity and the A/C compressor clutch relay output circuit cavity of the compressor clutch coil wire harness connector. If OK, go to Step 4. If not OK, repair the open circuit as required.

(4) The relay coil battery terminal (86) is connected to the fused ignition switch output (run/start) circuit. There should be battery voltage at the cavity for relay terminal 86 with the ignition switch in the On position. If OK, go to Step 5. If not OK, repair the



**DIAGNOSIS AND TESTING (Continued)**

open circuit to the fuse in the junction block as required.

(5) The coil ground terminal cavity (85) is switched to ground through the Powertrain Control Module (PCM). There should be continuity between this cavity and the A/C compressor clutch relay control circuit cavity of the PCM wire harness connector C (gray) at all times. If not OK, repair the open circuit as required.

**HEATER PERFORMANCE**

Before performing the following tests, refer to Group 7 - Cooling System for the procedures to check the radiator coolant level, serpentine drive belt tension, radiator air flow and the radiator fan operation.

Temperature Reference				
Ambient Air Temperature	15.5° C (60° F)	21.1° C (70° F)	26.6° C (80° F)	32.2° C (90° F)
Minimum Air Temperature at Floor Outlet	62.2° C (144° F)	63.8° C (147° F)	65.5° C (150° F)	67.2° C (153° F)

If the floor outlet air temperature is too low, refer to Group 7 - Cooling System to check the engine coolant temperature specifications. Both of the heater hoses should be hot to the touch. The coolant return heater hose should be slightly cooler than the coolant supply heater hose. If the return hose is much cooler than the supply hose, locate and repair the engine coolant flow obstruction in the cooling system. Refer to Group 7 - Cooling System for the procedures.

**OBSTRUCTED COOLANT FLOW**

Possible locations or causes of obstructed coolant flow:

- Pinched or kinked heater hoses.
- Improper heater hose routing.
- Plugged heater hoses or supply and return ports at the cooling system connections.
- A plugged heater core.

If proper coolant flow through the cooling system is verified, and heater outlet air temperature is still low, a mechanical problem may exist.

**MECHANICAL PROBLEMS**

Possible locations or causes of insufficient heat:

- An obstructed cowl air intake.
- Obstructed heater system outlets.
- A blend-air door not functioning properly.

**TEMPERATURE CONTROL**

If the heater outlet air temperature cannot be adjusted with the temperature control knob(s) on the heater-A/C control panel, the following could require service:

Also be certain that the accessory vacuum supply line is connected at the engine intake manifold.

**MAXIMUM HEATER OUTPUT**

Engine coolant is delivered to the heater core through two heater hoses. With the engine idling at normal operating temperature, set the temperature control knob in the full hot position, the mode control switch knob in the floor heat position, and the blower motor switch knob in the highest speed position. Using a test thermometer, check the temperature of the air being discharged at the heater-A/C housing floor outlets. Compare the test thermometer reading to the Temperature Reference chart.

- The heater-A/C control.
- The blend-air door motor(s).
- The wire harness circuits for the heater-A/C control or the blend air door motor(s).
- The blend-air door(s).
- Improper engine coolant temperature.

**HIGH PRESSURE SWITCH**

Before performing diagnosis of the high pressure switch, verify that the refrigerant system has the correct refrigerant charge. See Refrigerant System Charge in the Service Procedures section of this group for more information.

For circuit descriptions and diagrams, refer to 8W-42 - Air Conditioning/Heater in Group 8W - Wiring Diagrams.

(1) Disconnect and isolate the battery negative cable.

(2) Unplug the wire harness connector from the high pressure switch on the refrigerant system fitting.

(3) Check for continuity between the two terminals of the high pressure switch. There should be continuity. If OK, test and repair the A/C switch sense circuit as required. If not OK, replace the faulty switch.

**LOW PRESSURE SWITCH**

Before performing diagnosis of the low pressure switch, be certain that the switch is properly installed on the accumulator fitting. If the switch is too loose it may not open the Schrader-type valve in the accumulator fitting, which will prevent the



## DIAGNOSIS AND TESTING (Continued)

switch from correctly monitoring the refrigerant system pressure.

Also verify that the refrigerant system has the correct refrigerant charge. See Refrigerant System Charge in this group for the procedures.

For circuit descriptions and diagrams, refer to 8W-42 - Air Conditioning/Heater in Group 8W - Wiring Diagrams.

(1) Disconnect and isolate the battery negative cable.

(2) Unplug the low pressure switch wire harness connector from the switch on the accumulator fitting.

(3) Install a jumper wire between the two cavities of the low pressure switch wire harness connector.

(4) Connect a manifold gauge set to the refrigerant system service ports. See Refrigerant System Service Equipment in this group for the procedures.

(5) Connect the battery negative cable.

(6) Place the heater-A/C mode control switch knob in any A/C position and start the engine.

(7) Check for continuity between the two terminals of the low pressure switch. There should be continuity with a suction pressure reading of 262 kPa (38 psi) or above, and no continuity with a suction pressure reading of 141 kPa (20.5 psi) or below. If OK, test and repair the A/C switch sense circuit as required. If not OK, replace the faulty switch.

## REFRIGERANT SYSTEM LEAKS

**WARNING: REVIEW THE WARNINGS AND CAUTIONS IN THE FRONT OF THIS GROUP BEFORE LEAK TESTING THE SYSTEM.**

If the air conditioning system is not cooling properly, determine if the refrigerant system is fully-charged. See A/C Performance in this group for the procedures. If the refrigerant system is low or empty; a leak at a refrigerant line, connector fitting, component, or component seal is likely.

An electronic leak detector designed for R-134a refrigerant is recommended for locating and confirming refrigerant system leaks. Refer to the operating instructions supplied by the equipment manufacturer for proper care and use of this equipment.

An oily residue on or near refrigerant system lines, connector fittings, components, or component seals can indicate the general location of a possible refrigerant leak. However, the exact leak location should be confirmed with an electronic leak detector prior to component repair or replacement.

To detect a leak in the refrigerant system, perform one of the following procedures:

## SYSTEM EMPTY

(1) Evacuate the refrigerant system. See Refrigerant System Evacuate in this group for the procedures.

(2) Connect and dispense 0.283 kilograms (0.625 pounds or 10 ounces) of R-134a refrigerant into the evacuated refrigerant system. See Refrigerant System Charge in this group for the procedures.

(3) Position the vehicle in a wind-free work area. This will aid in detecting small leaks.

(4) With the engine not running, use an electronic R-134a leak detector and search for leaks. Because R-134a refrigerant is heavier than air, the leak detector probe should be moved slowly along the bottom side of all refrigerant lines, connector fittings and components.

(5) To inspect the evaporator coil for leaks, insert the electronic leak detector probe into the center instrument panel outlet. Set the blower motor switch to the lowest speed position, the A/C button in the On position, and select the Recirculation Mode.

## SYSTEM LOW

(1) Position the vehicle in a wind-free work area. This will aid in detecting small leaks.

(2) Bring the refrigerant system up to operating temperature and pressure. This is done by allowing the engine to run with the air conditioning system turned on for five minutes.

(3) With the engine not running, use an electronic R-134a leak detector and search for leaks. Because R-134a refrigerant is heavier than air, the leak detector probe should be moved slowly along the bottom side of all refrigerant lines, connector fittings and components.

(4) To inspect the evaporator coil for leaks, insert the electronic leak detector probe into the center instrument panel outlet. Set the blower motor switch to the lowest speed position, the A/C button in the On position, and select the Recirculation Mode.

## VACUUM SYSTEM

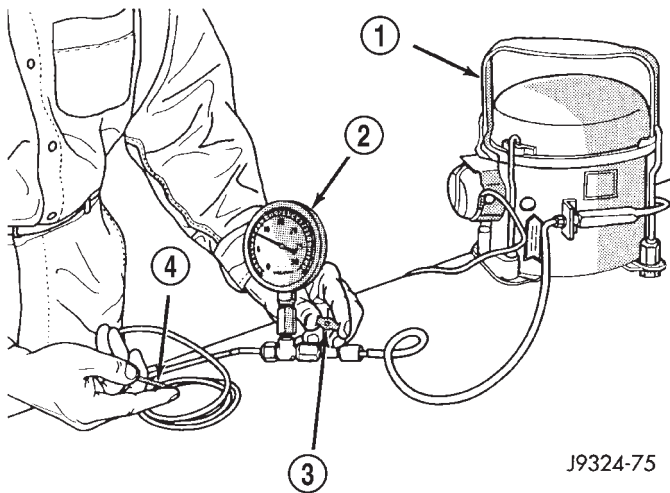
Vacuum control is used to operate the mode doors in the standard equipment manual temperature control system heater-A/C housing. Testing of the heater-A/C mode control switch operation will determine if the vacuum, and electrical controls are functioning. However, it is possible that a vacuum control system that operates perfectly at engine idle (high engine vacuum) may not function properly at high engine speeds or loads (low engine vacuum). This can be caused by leaks in the vacuum system, or a faulty vacuum check valve.

A vacuum system test will help to identify the source of poor vacuum system performance or vacuum system leaks. Before starting this test, stop the

## DIAGNOSIS AND TESTING (Continued)

engine and make certain that the problem isn't a disconnected vacuum supply tube at the engine intake manifold vacuum tap or the vacuum reservoir.

Use an adjustable vacuum test set (Special Tool C-3707-B) and a suitable vacuum pump to test the heater-A/C vacuum control system. With a finger placed over the end of the vacuum test hose probe (Fig. 10), adjust the bleed valve on the test set gauge to obtain a vacuum of exactly 27 kPa (8 in. Hg.). Release and block the end of the probe several times to verify that the vacuum reading returns to the exact 27 kPa (8 in. Hg.) setting. Otherwise, a false reading will be obtained during testing.



J9324-75

**Fig. 10 Adjust Vacuum Test Bleed Valve-Typical**

- 1 - VACUUM PUMP TOOL C-4289
- 2 - VACUUM TEST SET C-3707
- 3 - BLEED VALVE
- 4 - PROBE

## VACUUM CHECK VALVES

(1) Remove the vacuum check valve to be tested. The valves are located in the (black) vacuum supply tubes at either the engine intake manifold vacuum tap, or on the bottom of the HVAC unit behind the passenger front floor duct.

(2) Connect the test set vacuum supply hose to the heater-A/C control side of the valve. When connected to this side of the check valve, no vacuum should pass and the test set gauge should return to the 27 kPa (8 in. Hg.) setting. If OK, go to step Step 3. If not OK, replace the faulty valve.

(3) Connect the test set vacuum supply hose to the engine vacuum side of the valve. When connected to this side of the check valve, vacuum should flow through the valve without restriction. If not OK, replace the faulty valve.

## HEATER-A/C CONTROLS

(1) Connect the test set vacuum probe to the heater-A/C vacuum supply (black) tube in the engine compartment. Position the test set gauge so that it can be viewed from the passenger compartment.

(2) Place the heater-A/C mode control switch knob in each mode position, one position at a time, and pause after each selection. The test set gauge should return to the 27 kPa (8 in. Hg.) setting shortly after each selection is made. If not OK, a component or vacuum line in the vacuum circuit of the selected mode has a leak. See the procedure in Locating Vacuum Leaks.

**CAUTION:** Do not use lubricant on the switch ports or in the holes in the plug, as lubricant will ruin the vacuum valve in the switch. A drop of clean water in the connector plug holes will help the connector slide onto the switch ports.

## LOCATING VACUUM LEAKS

**WARNING:** ON VEHICLES EQUIPPED WITH AIRBAGS, REFER TO GROUP 8M - PASSIVE RESTRAINT SYSTEMS BEFORE ATTEMPTING ANY STEERING WHEEL, STEERING COLUMN, OR INSTRUMENT PANEL COMPONENT DIAGNOSIS OR SERVICE. FAILURE TO TAKE THE PROPER PRECAUTIONS COULD RESULT IN ACCIDENTAL AIRBAG DEPLOYMENT AND POSSIBLE PERSONAL INJURY.

(1) Disconnect the vacuum harness connector from the back of the heater-A/C mode control switch on the control panel.

(2) Connect the test set vacuum hose probe to each port in the vacuum harness connector, one at a time, and pause after each connection (Fig. 11). The test set gauge should return to the 27 kPa (8 in. Hg.) setting shortly after each connection is made. If OK, replace the faulty mode control switch. If not OK, go to Step 3.

(3) Determine the vacuum line color of the vacuum circuit that is leaking. To determine the vacuum line colors, refer to the Vacuum Circuits chart (Fig. 12).

(4) Disconnect and plug the vacuum line from the component (fitting, actuator, valve, switch, or reservoir) on the other end of the leaking circuit. Instrument panel disassembly or removal may be necessary to gain access to some components.

(5) Connect the test set hose or probe to the open end of the leaking circuit. The test set gauge should return to the 27 kPa (8 in. Hg.) setting shortly after each connection is made. If OK, replace the faulty disconnected component. If not OK, go to Step 6.

DIAGNOSIS AND TESTING (Continued)

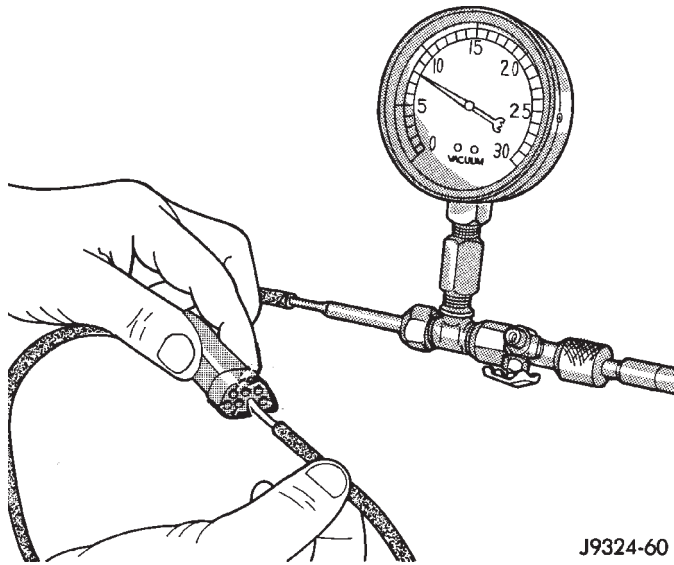


Fig. 11 Vacuum Circuit Test

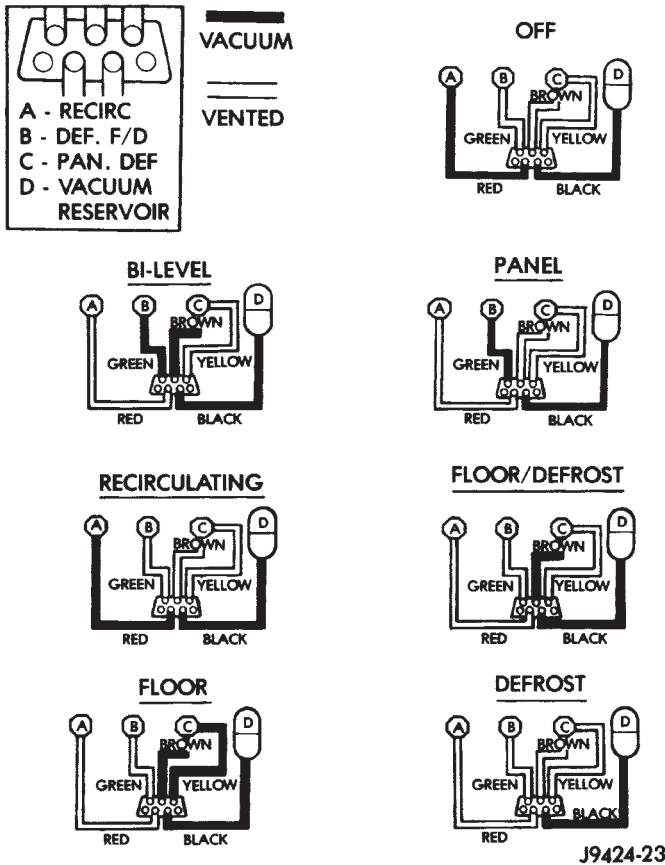


Fig. 12 Vacuum Circuits

(6) To locate a leak in a vacuum line, leave one end of the line plugged and connect the test set hose or probe to the other end. Run your fingers slowly along the line while watching the test set gauge. The vacuum reading will fluctuate when your fingers contact the source of the leak. To repair the vacuum line, cut out the leaking section of the line. Then,

insert the loose ends of the line into a suitable length of 3 millimeter (1/8-inch) inside diameter rubber hose.

SERVICE PROCEDURES

REFRIGERANT OIL LEVEL

When an air conditioning system is assembled at the factory, all components except the compressor are refrigerant oil free. After the refrigerant system has been charged and operated, the refrigerant oil in the compressor is dispersed throughout the refrigerant system. The accumulator, evaporator, condenser, and compressor will each retain a significant amount of the needed refrigerant oil.

It is important to have the correct amount of oil in the refrigerant system. This ensures proper lubrication of the compressor. Too little oil will result in damage to the compressor. Too much oil will reduce the cooling capacity of the air conditioning system.

It will not be necessary to check the oil level in the compressor or to add oil, unless there has been an oil loss. An oil loss may occur due to a rupture or leak from a refrigerant line, a connector fitting, a component, or a component seal. If a leak occurs, add 30 milliliters (1 fluid ounce) of refrigerant oil to the refrigerant system after the repair has been made. Refrigerant oil loss will be evident at the leak point by the presence of a wet, shiny surface around the leak.

Refrigerant oil must be added when an accumulator, evaporator coil, or condenser are replaced. See the Refrigerant Oil Capacities chart. When a compressor is replaced, the refrigerant oil must be drained from the old compressor and measured. Drain all of the refrigerant oil from the new compressor, then fill the new compressor with the same amount of refrigerant oil that was drained out of the old compressor.

Refrigerant Oil Capacities		
Component	ml	fl oz
A/C System	170	5.75
Accumulator	110.6	3.75
Condenser	6.5	0.22
Evaporator	62.7	2.12
Compressor	drain and measure the oil from the old compressor - see text.	

## SERVICE PROCEDURES (Continued)

**REFRIGERANT RECOVERY**

**WARNING: REVIEW THE WARNINGS AND CAUTIONS IN THE GENERAL INFORMATION SECTION NEAR THE FRONT OF THIS GROUP BEFORE RECOVERING REFRIGERANT.**

A R-134a refrigerant recovery/recycling/charging station that meets SAE Standard J2210 must be used to recover the refrigerant from an R-134a refrigerant system. Refer to the operating instructions supplied by the equipment manufacturer for the proper care and use of this equipment.

**REFRIGERANT SYSTEM CHARGE**

**WARNING: REVIEW THE WARNINGS AND CAUTIONS IN THE FRONT OF THIS GROUP BEFORE CHARGING THE REFRIGERANT SYSTEM.**

After the refrigerant system has been tested for leaks and evacuated, a refrigerant charge can be injected into the system. See Refrigerant Charge Capacity for the proper amount of the refrigerant charge.

A R-134a refrigerant recovery/recycling/charging station that meets SAE Standard J2210 must be used to charge the refrigerant system with R-134a refrigerant. Refer to the operating instructions supplied by the equipment manufacturer for proper care and use of this equipment.

**REFRIGERANT CHARGE CAPACITY**

The R-134a refrigerant system charge capacity for this vehicle is 0.680 kilograms (1.50 pounds/24 ounces).

**PARTIAL CHARGE METHOD**

**WARNING: REVIEW THE WARNINGS AND CAUTIONS IN THE FRONT OF THIS GROUP BEFORE CHARGING THE REFRIGERANT SYSTEM.**

The partial charge method is used to add a partial charge to a refrigerant system that is low on refrigerant. To perform this procedure the evaporator inlet and outlet tube temperatures are measured. The temperature difference is measured with a temperature meter with one or two clamp-on thermocouple probes. The difference between the evaporator inlet and outlet tube temperatures will determine the amount of refrigerant needed.

Before adding a partial refrigerant charge, check for refrigerant system leaks. See Refrigerant System Leaks in this group for the procedures. If a leak is found, make the necessary repairs before attempting a full or partial refrigerant charge.

(1) Attach a manifold gauge set to the refrigerant system service ports.

(2) Attach the two clamp-on thermocouple probes to the inlet and outlet tubes of the evaporator coil.

a. If a single thermocouple probe is used, attach the probe to the evaporator inlet tube just before the collar of the refrigerant line connector fitting. The probe must make contact with the bottom surface of the evaporator inlet tube.

b. If dual thermocouple probes are used, attach probe 1 to the evaporator inlet tube, and probe 2 to the evaporator outlet tube. Attach both probes to the evaporator tubes just before the collar of the refrigerant line connector fittings. The probes must make contact with the bottom surfaces of the evaporator inlet and outlet tubes.

(3) Open all of the windows or doors of the passenger compartment.

(4) Set the A/C button on the heater-A/C controls to the on position, the temperature control knob in the full cool position, select the Recirculation Mode, and place the blower motor switch in the highest speed position.

(5) Start the engine and hold the engine idle speed at 1,000 rpm. Allow the engine to warm up to normal operating temperature.

(6) The compressor clutch may cycle, depending upon ambient temperature, humidity, and the refrigerant system charge level. If the compressor clutch cycles, unplug the wire harness connector from the low pressure cycling clutch switch on the accumulator. Install a jumper wire between the two cavities of the switch wire harness connector.

(7) Hold the engine idle speed at 1,000 rpm.

(8) Allow three to five minutes for the refrigerant system to stabilize, then record the temperatures of the evaporator inlet and outlet tubes.

a. If a single probe is used, record the temperature of the evaporator inlet tube. Then remove the probe from the inlet tube and attach it to the evaporator outlet tube just before the collar of the refrigerant line connector fitting. The probe must make contact with the bottom surface of the evaporator outlet tube. Allow the thermocouple and meter time to stabilize, then record the temperature of the evaporator outlet tube. Subtract the inlet tube temperature reading from the outlet tube temperature reading.

b. If dual probes are used, record the temperatures of both the evaporator inlet and outlet tubes. Then subtract the inlet tube temperature reading from the outlet tube temperature reading.

(9) If the measured temperature differential is higher than 22° C to 26° C (40° F to 47° F), add 0.4 kilograms (14 ounces) of refrigerant.

(10) Allow three to five minutes for the refrigerant system to stabilize, then take a second set of thermo-



## SERVICE PROCEDURES (Continued)

couple measurements. Record the temperature difference to determine if an additional charge is required.

(11) Record the compressor discharge pressure. If the reading is higher than the pressure shown in the Compressor Discharge Pressure chart (Fig. 13), the system could be overcharged. If the reading is equal to, or lower, than the pressure shown in the chart, continue with this procedure.

Ambient Temperature	16°C (60°F)	21°C (70°F)	27°C (80°F)	32°C (90°F)	38°C (100°F)	43°C (110°F)
Compressor Discharge Pressure	1515 kPa (220 psi)	1655 kPa (240 psi)	1790 kPa (260 psi)	2070 kPa (300 psi)	2345 kPa (340 psi)	2690 kPa (390 psi)

**Fig. 13 Compressor Discharge Pressure**

(12) **EXAMPLE:** The ambient temperature is 21° C (70° F). The evaporator inlet tube temperature is 12° C (54° F) and the evaporator outlet tube temperature is 10° C (50° F). Subtract the inlet tube temperature from the outlet tube temperature. The difference is -2° C (-4° F). With a -2° C (-4° F) temperature differential at 21° C (70° F) ambient temperature, the system is fully charged.

(13) Add enough refrigerant to bring the refrigerant system up to a full charge.

(14) Remove the jumper wire from the low pressure cycling clutch switch wire harness connector and plug the connector back into the switch.

## REFRIGERANT SYSTEM EVACUATE

**WARNING: REVIEW THE WARNINGS AND CAUTIONS IN THE GENERAL INFORMATION SECTION NEAR THE FRONT OF THIS GROUP BEFORE EVACUATING THE SYSTEM.**

If the refrigerant system has been open to the atmosphere, it must be evacuated before the system can be charged. If moisture and air enters the system and becomes mixed with the refrigerant, the compressor head pressure will rise above acceptable operating levels. This will reduce the performance of the air conditioner and damage the compressor. Evacuating the refrigerant system will remove the air and boil the moisture out of the system at near room temperature. To evacuate the refrigerant system, use the following procedure:

(1) Connect a R-134a refrigerant recovery/recycling/charging station that meets SAE Standard J2210 and a manifold gauge set to the refrigerant system of the vehicle.

(2) Open the low and high side valves and start the charging station vacuum pump. When the suc-

tion gauge reads 88 kPa (26 in. Hg.) vacuum or greater, close all of the valves and turn off the vacuum pump.

(a) If the refrigerant system fails to reach the specified vacuum, the system has a leak that must be corrected. See Refrigerant System Leaks in the Diagnosis and Testing section of this group for the procedures.

(b) If the refrigerant system maintains the specified vacuum for five minutes, restart the vacuum pump, open the suction and discharge valves and evacuate the system for an additional ten minutes.

(3) Close all of the valves, and turn off the charging station vacuum pump.

(4) The refrigerant system is now ready to be charged with R-134a refrigerant. See Refrigerant System Charge in the Service Procedures section of this group.

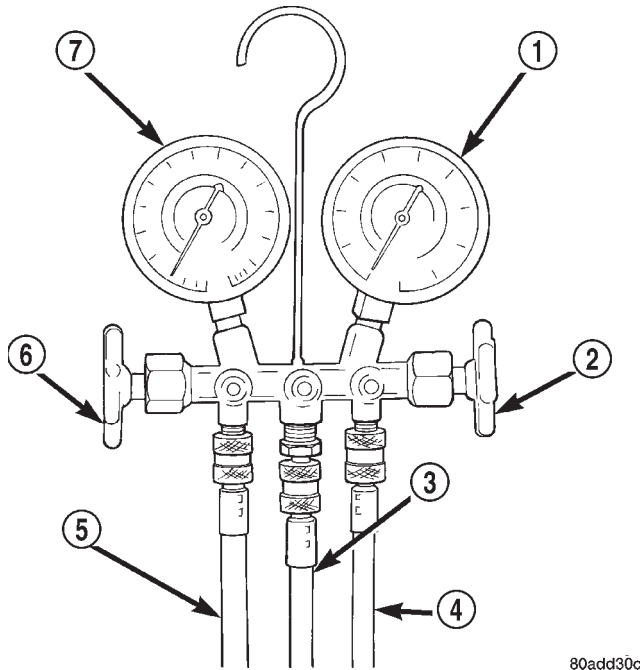
## REFRIGERANT SYSTEM SERVICE EQUIPMENT

**WARNING: EYE PROTECTION MUST BE WORN WHEN SERVICING AN AIR CONDITIONING REFRIGERANT SYSTEM. TURN OFF (ROTATE CLOCKWISE) ALL VALVES ON THE EQUIPMENT BEING USED BEFORE CONNECTING TO, OR DISCONNECTING FROM THE REFRIGERANT SYSTEM. FAILURE TO OBSERVE THESE WARNINGS MAY RESULT IN PERSONAL INJURY.**

When servicing the air conditioning system, a R-134a refrigerant recovery/recycling/charging station that meets SAE Standard J2210 must be used. Contact an automotive service equipment supplier for refrigerant recovery/recycling/charging equipment. Refer to the operating instructions supplied by the equipment manufacturer for proper care and use of this equipment.

A manifold gauge set may be needed with some recovery/recycling/charging equipment (Fig. 14). The service hoses on the gauge set being used should have manual (turn wheel), or automatic back-flow valves at the service port connector ends. This will prevent refrigerant from being released into the atmosphere.

SERVICE PROCEDURES (Continued)



80acd30c

**Fig. 14 Manifold Gauge Set - Typical**

- 1 - HIGH PRESSURE GAUGE
- 2 - VALVE
- 3 - VACUUM/REFRIGERANT HOSE (YELLOW W/BLACK STRIPE)
- 4 - HIGH PRESSURE HOSE (RED W/BLACK STRIPE)
- 5 - LOW PRESSURE HOSE (BLUE W/BLACK STRIPE)
- 6 - VALVE
- 7 - LOW PRESSURE GAUGE

**MANIFOLD GAUGE SET CONNECTIONS**

**CAUTION:** Do not use an R-12 manifold gauge set on an R-134a system. The refrigerants are not compatible and system damage will result.

**LOW PRESSURE GAUGE HOSE** The low pressure hose (Blue with Black stripe) attaches to the suction service port. This port is located on the liquid line, near the evaporator at the rear of the engine compartment.

**HIGH PRESSURE GAUGE HOSE** The high pressure hose (Red with Black stripe) attaches to the discharge service port. This port is located on the compressor manifold on the side of the compressor.

**RECOVERY/RECYCLING/EVACUATION/CHARGING HOSE** The center manifold hose (Yellow, or White, with Black stripe) is used to recover, evacuate, and charge the refrigerant system. When the low or high pressure valves on the manifold gauge set are opened, the refrigerant in the system will escape through this hose.

**REMOVAL AND INSTALLATION**

**SERVICE WARNINGS AND PRECAUTIONS**

**WARNING:**

- THE AIR CONDITIONING SYSTEM CONTAINS REFRIGERANT UNDER HIGH PRESSURE. SEVERE PERSONAL INJURY MAY RESULT FROM IMPROPER SERVICE PROCEDURES. REPAIRS SHOULD ONLY BE PERFORMED BY QUALIFIED SERVICE PERSONNEL.

- AVOID BREATHING THE REFRIGERANT AND REFRIGERANT OIL VAPOR OR MIST. EXPOSURE MAY IRRITATE THE EYES, NOSE, AND/OR THROAT. WEAR EYE PROTECTION WHEN SERVICING THE AIR CONDITIONING REFRIGERANT SYSTEM. SERIOUS EYE INJURY CAN RESULT FROM DIRECT CONTACT WITH THE REFRIGERANT. IF EYE CONTACT OCCURS, SEEK MEDICAL ATTENTION IMMEDIATELY.

- DO NOT EXPOSE THE REFRIGERANT TO OPEN FLAME. POISONOUS GAS IS CREATED WHEN REFRIGERANT IS BURNED. AN ELECTRONIC LEAK DETECTOR IS RECOMMENDED.

- IF ACCIDENTAL SYSTEM DISCHARGE OCCURS, VENTILATE THE WORK AREA BEFORE RESUMING SERVICE. LARGE AMOUNTS OF REFRIGERANT RELEASED IN A CLOSED WORK AREA WILL DISPLACE THE OXYGEN AND CAUSE SUFFOCATION.

- THE EVAPORATION RATE OF R-134a REFRIGERANT AT AVERAGE TEMPERATURE AND ALTITUDE IS EXTREMELY HIGH. AS A RESULT, ANYTHING THAT COMES IN CONTACT WITH THE REFRIGERANT WILL FREEZE. ALWAYS PROTECT THE SKIN OR DELICATE OBJECTS FROM DIRECT CONTACT WITH THE REFRIGERANT.

- THE R-134a SERVICE EQUIPMENT OR THE VEHICLE REFRIGERANT SYSTEM SHOULD NOT BE PRESSURE TESTED OR LEAK TESTED WITH COMPRESSED AIR. SOME MIXTURES OF AIR AND R-134a HAVE BEEN SHOWN TO BE COMBUSTIBLE AT ELEVATED PRESSURES. THESE MIXTURES ARE POTENTIALLY DANGEROUS, AND MAY RESULT IN FIRE OR EXPLOSION CAUSING INJURY OR PROPERTY DAMAGE.



## REMOVAL AND INSTALLATION (Continued)

**CAUTION:**

- Liquid refrigerant is corrosive to metal surfaces. Follow the operating instructions supplied with the service equipment being used.
- Never add R-12 to a refrigerant system designed to use R-134a. Damage to the system will result.
- R-12 refrigerant oil must not be mixed with R-134a refrigerant oil. They are not compatible.
- Do not use R-12 equipment or parts on the R-134a system. Damage to the system will result.
- Do not overcharge the refrigerant system. This will cause excessive compressor head pressure and can cause noise and system failure.
- Recover the refrigerant before opening any fitting or connection. Open the fittings with caution, even after the system has been discharged. Never open or loosen a connection before recovering the refrigerant.
- Do not remove the secondary retention clip from any spring-lock coupler connection while the refrigerant system is under pressure. Recover the refrigerant before removing the secondary retention clip. Open the fittings with caution, even after the system has been discharged. Never open or loosen a connection before recovering the refrigerant.
- The refrigerant system must always be evacuated before charging.
- Do not open the refrigerant system or uncap a replacement component until you are ready to service the system. This will prevent contamination in the system.
- Before disconnecting a component, clean the outside of the fittings thoroughly to prevent contamination from entering the refrigerant system.
- Immediately after disconnecting a component from the refrigerant system, seal the open fittings with a cap or plug.
- Before connecting an open refrigerant fitting, always install a new seal or gasket. Coat the fitting and seal with clean refrigerant oil before connecting.
- Do not remove the sealing caps from a replacement component until it is to be installed.
- When installing a refrigerant line, avoid sharp bends that may restrict refrigerant flow. Position the refrigerant lines away from exhaust system components or any sharp edges, which may damage the line.
- Tighten refrigerant fittings only to the specified torque. The aluminum fittings used in the refrigerant system will not tolerate overtightening.
- When disconnecting a refrigerant fitting, use a wrench on both halves of the fitting. This will prevent twisting of the refrigerant lines or tubes.

- Refrigerant oil will absorb moisture from the atmosphere if left uncapped. Do not open a container of refrigerant oil until you are ready to use it. Replace the cap on the oil container immediately after using. Store refrigerant oil only in a clean, airtight, and moisture-free container.

- Keep service tools and the work area clean. Contamination of the refrigerant system through careless work habits must be avoided.

**COOLING SYSTEM REQUIREMENTS**

To maintain the performance level of the heating-air conditioning system, the engine cooling system must be properly maintained. The use of a bug screen is not recommended. Any obstructions in front of the radiator or condenser will reduce the performance of the air conditioning and engine cooling systems.

The engine cooling system includes the heater core and the heater hoses. Refer to Group 7 - Cooling System for more information before the opening of, or attempting any service to the engine cooling system.

**REFRIGERANT HOSES/LINES/TUBES PRECAUTIONS**

Kinks or sharp bends in the refrigerant plumbing will reduce the capacity of the entire system. High pressures are produced in the system when it is operating. Extreme care must be exercised to make sure that all refrigerant system connections are pressure tight.

A good rule for the flexible hose refrigerant lines is to keep the radius of all bends at least ten times the diameter of the hose. Sharp bends will reduce the flow of refrigerant. The flexible hose lines should be routed so they are at least 80 millimeters (3 inches) from the exhaust manifold. It is a good practice to inspect all flexible refrigerant system hose lines at least once a year to make sure they are in good condition and properly routed.

There are two types of refrigerant fittings:

- All fittings with O-rings need to be coated with refrigerant oil before installation. Use only O-rings that are the correct size and approved for use with R-134a refrigerant. Failure to do so may result in a leak.

- Refrigerant line connections with Stat-O seal type gaskets cannot be serviced with O-rings. The gaskets are not reusable and should be replaced any time the connection has been opened for service.

Using the proper tools when making a refrigerant plumbing connection is very important. Improper tools or improper use of the tools can damage the refrigerant fittings. Always use two wrenches when loosening or tightening tube fittings. Use one wrench

REMOVAL AND INSTALLATION (Continued)

to hold one side of the connection stationary, while loosening or tightening the other side of the connection with a second wrench.

The refrigerant must be recovered completely from the system before opening any fitting or connection. Open the fittings with caution, even after the refrigerant has been recovered. If any pressure is noticed as a fitting is loosened, tighten the fitting and recover the refrigerant from the system again.

Do not discharge refrigerant into the atmosphere. Use an R-134a refrigerant recovery/recycling device that meets SAE Standard J2210.

The refrigerant system will remain chemically stable as long as pure, moisture-free R-134a refrigerant and refrigerant oil is used. Dirt, moisture, or air can upset this chemical stability. Operational troubles or serious damage can occur if foreign material is present in the refrigerant system.

When it is necessary to open the refrigerant system, have everything needed to service the system ready. The refrigerant system should not be left open to the atmosphere any longer than necessary. Cap or plug all lines and fittings as soon as they are opened to prevent the entrance of dirt and moisture. All lines and components in parts stock should be capped or sealed until they are to be installed.

All tools, including the refrigerant recycling equipment, the manifold gauge set, and test hoses should be kept clean and dry. All tools and equipment must be designed for R-134a refrigerant.

ACCUMULATOR

**WARNING: REVIEW THE WARNINGS AND CAUTIONS IN THE FRONT OF THIS GROUP BEFORE PERFORMING THE FOLLOWING OPERATION.**

The suction lines from the evaporator outlet tube to the accumulator, and from the accumulator to the suction port of the compressor manifold are integral to the accumulator. If either suction line or the accumulator is faulty or damaged, the accumulator assembly must be replaced.

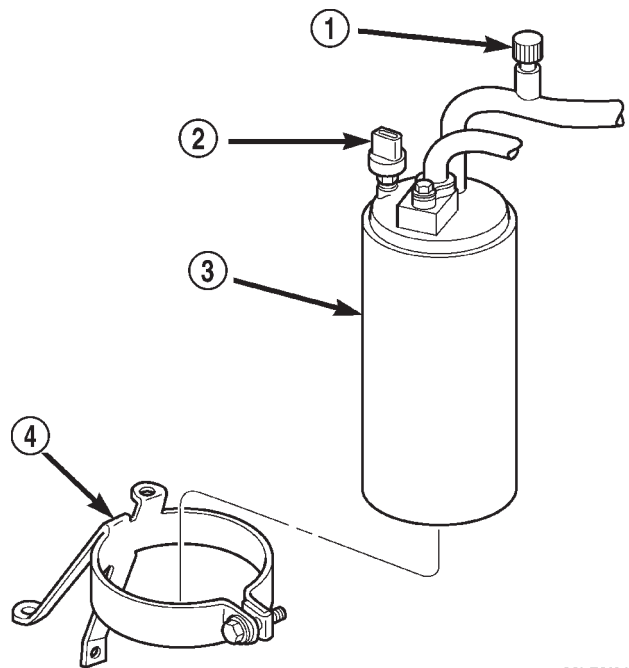
Any kinks or sharp bends in the refrigerant plumbing will reduce the capacity of the entire air conditioning system. Kinks and sharp bends reduce the flow of refrigerant in the system. A good rule for the flexible hose refrigerant lines is to keep the radius of all bends at least ten times the diameter of the hose. In addition, the flexible hose refrigerant lines should be routed so they are at least 80 millimeters (3 inches) from the exhaust manifold.

High pressures are produced in the refrigerant system when the air conditioning compressor is operating. Extreme care must be exercised to make sure that each of the refrigerant system connections is pressure-tight and leak free. It is a good practice to

inspect all flexible hose refrigerant lines at least once a year to make sure they are in good condition and properly routed.

REMOVAL

- (1) Disconnect and isolate the battery negative cable.
- (2) Remove the low pressure cycling clutch switch from the accumulator. See Low Pressure Cycling Clutch Switch in this group for the procedures.
- (3) Recover the refrigerant from the refrigerant system. See Refrigerant Recovery in this group for the procedures.
- (4) Disconnect the suction line refrigerant line fitting from the evaporator outlet tube. Install plugs in, or tape over all of the opened refrigerant line fittings.
- (5) Remove the screw that secures the suction line block fitting to the manifold on the compressor. Install plugs in, or tape over all of the opened refrigerant line fittings.
- (6) Loosen the screw that clamps the band of the accumulator support bracket around the accumulator (Fig. 15).



80b76f91

**Fig. 15 Accumulator and Support Bracket**

- 1 - SERVICE PORT
- 2 - LOW PRESSURE SWITCH
- 3 - ACCUMULATOR
- 4 - SUPPORT BRACKET

- (7) Remove the accumulator from the support bracket.

## REMOVAL AND INSTALLATION (Continued)

## INSTALLATION

(1) Install the accumulator through the band of the support bracket. Be certain that the index tab on the side of the accumulator is aligned with the notch in the support bracket band.

(2) Tighten the clamp screw in the support bracket band to 12 N·m (105 in. lbs.).

(3) Remove the tape or plugs from the suction line block fitting and the manifold on the compressor. Install the suction line block fitting to the manifold on the compressor. Tighten the mounting screw to 28 N·m (250 in. lbs.).

(4) Remove the tape or plugs from the refrigerant line fittings on the suction line and the evaporator outlet tube.

(5) Install the low pressure cycling clutch switch onto the accumulator fitting. See Low Pressure Cycling Clutch Switch in this group for the procedures.

(6) Connect the battery negative cable.

(7) Evacuate the refrigerant system. See Refrigerant System Evacuate in this group for the procedures.

(8) Charge the refrigerant system. See Refrigerant System Charge in this group for the procedures.

**NOTE:** If the accumulator is replaced, add 120 milliliters (4 fluid ounces) of refrigerant oil to the refrigerant system. Use only refrigerant oil of the type recommended for the compressor in the vehicle.

## BLEND-AIR DOOR(S)

**WARNING:** ON VEHICLES EQUIPPED WITH AIRBAGS, REFER TO GROUP 8M - PASSIVE RESTRAINT SYSTEMS BEFORE ATTEMPTING ANY STEERING WHEEL, STEERING COLUMN, OR INSTRUMENT PANEL COMPONENT DIAGNOSIS OR SERVICE. FAILURE TO TAKE THE PROPER PRECAUTIONS COULD RESULT IN ACCIDENTAL AIRBAG DEPLOYMENT AND POSSIBLE PERSONAL INJURY.

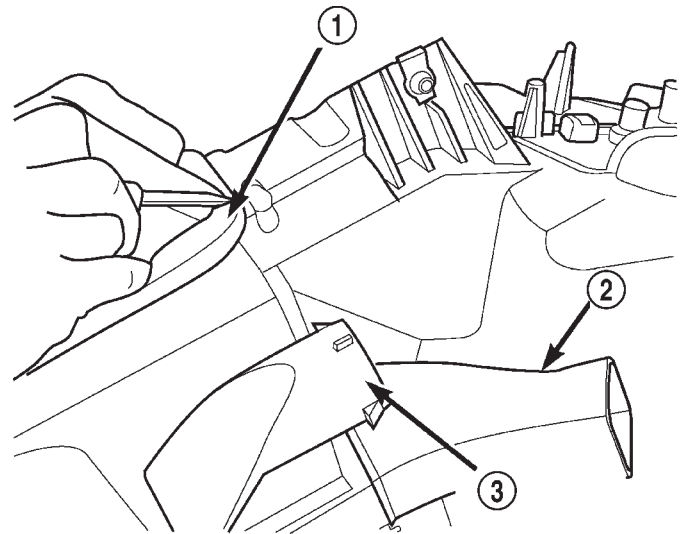
## REMOVAL

(1) Remove the heater-A/C housing from the vehicle. See Heater-A/C Housing in this group for the procedures.

(2) Place the heater-A/C housing with the tubing side down on a work bench, making allowance for leakage of fluids.

(3) Using a sharp knife, split the foam seal surrounding the panel outlet opening, at the dividing line of the upper and lower cases (Fig. 16).

(4) Place the heater-A/C housing in the upright position on the work bench.

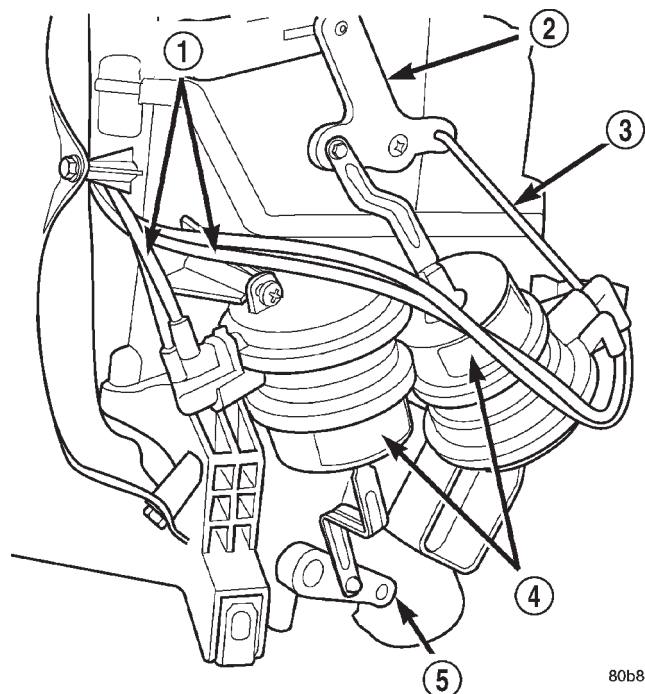


80b897ca

**Fig. 16 Split Foam Seal at Panel Outlet**

- 1 - ONE PIECE FOAM SEAL
- 2 - FLOOR DUCT
- 3 - TO REAR PASSENGER FLOOR AIR DUCT

(5) Remove the mode door actuator on the left side of the housing, controlling the mode door in the top of the case (Fig. 17) (Fig. 18).

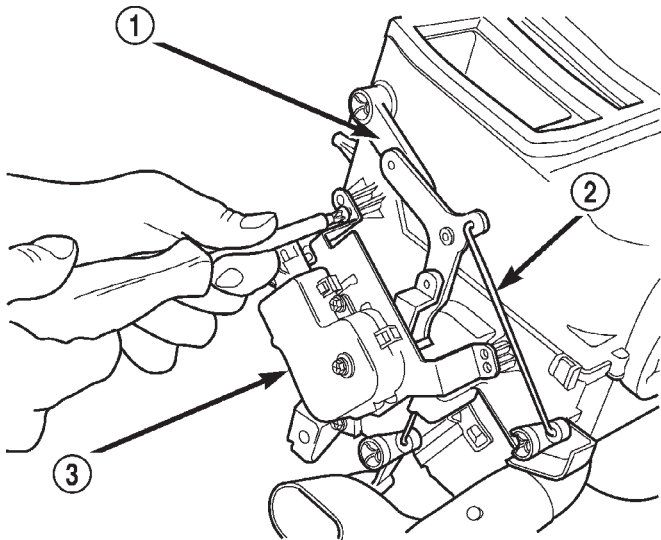


80b897c5

**Fig. 17 Mode Door Actuators-Manual System**

- 1 - VACUUM LINES
- 2 - ACTUATING LEVERS
- 3 - LINKAGE
- 4 - VACUUM ACTUATORS
- 5 - ACTUATING LEVER

REMOVAL AND INSTALLATION (Continued)

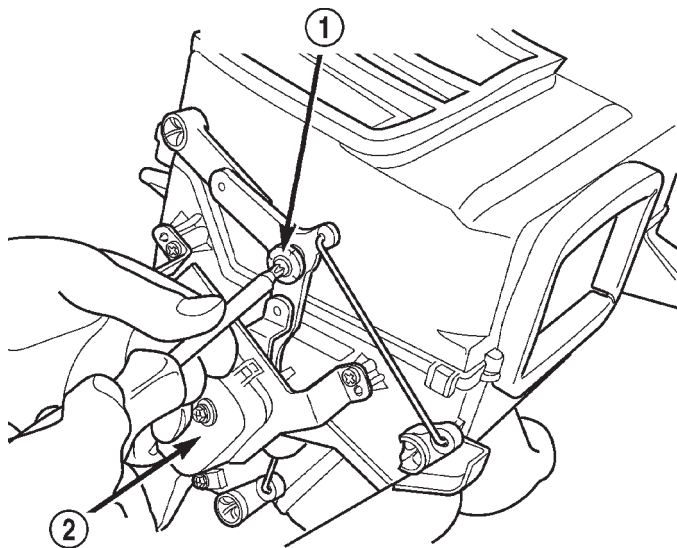


80b897c8

**Fig. 18 Mode Door Actuator-AZC System**

- 1 - LEVER ASSEMBLY
- 2 - LINKAGE
- 3 - ELECTRIC ACTUATOR

(6) Remove the screw with plastic washer holding the lever assembly to the upper case section, and move aside (Fig. 19).

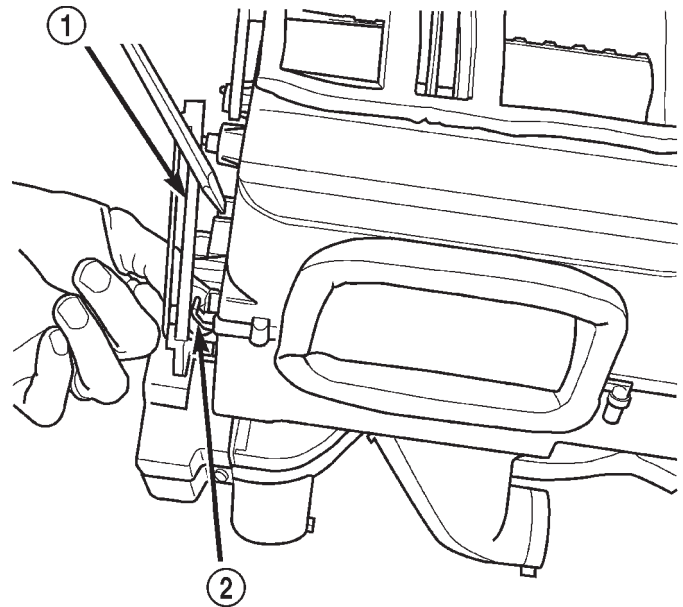


80b897cc

**Fig. 19 Remove Screw with Plastic Washer**

- 1 - SCREW WITH PLASTIC WASHER
- 2 - ELECTRIC ACTUATOR

(7) Remove the 5 clips that secure the two housing halves to each other. There are 2 on either side at the center, and 1 located at the forward end of the mode door side of the case (Fig. 20).

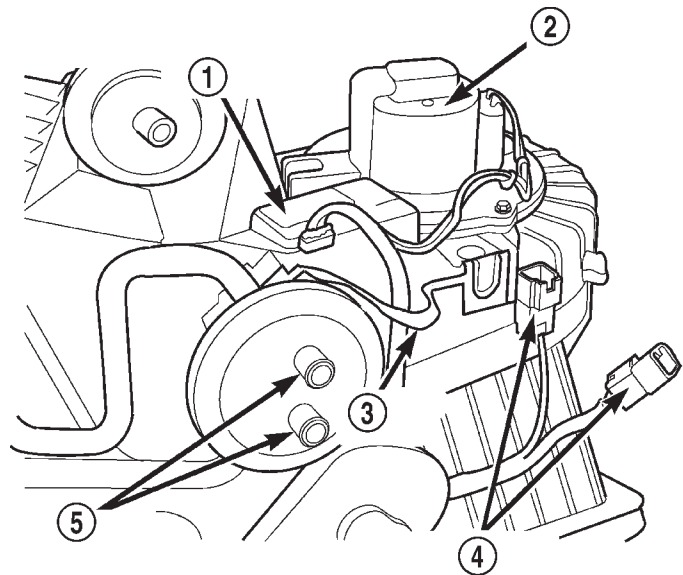


80b897cb

**Fig. 20 HVAC Housing Clips**

- 1 - ACTUATING LEVERS AND LINKAGE
- 2 - HOUSING CLIP

(8) Release the wire harness electrical connector(s) from the mounts on the lower case at the blower motor end of the unit (Fig. 21).



80b897c7

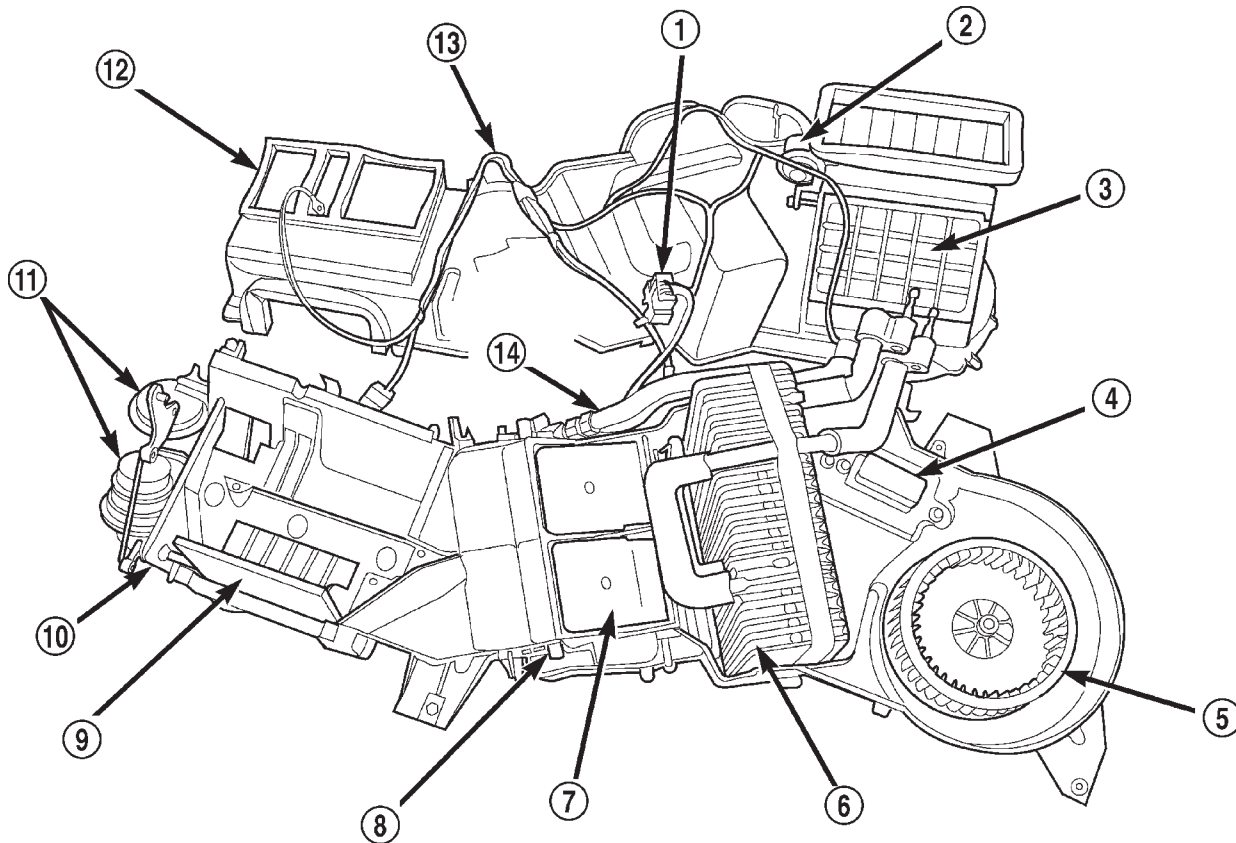
**Fig. 21 Wire Harness Electrical Connector(s)**

- 1 - BLOWER MOTOR CONTROLLER/POWER MODULE
- 2 - BLOWER MOTOR
- 3 - GROUND STRAP
- 4 - ELECTRICAL CONNECTORS
- 5 - HEATER CORE TUBES

(9) Remove the 10 screws that secure the two housing halves to each other.



## REMOVAL AND INSTALLATION (Continued)



80b3c695

**Fig. 22 Upper and Lower HVAC Housing-Separated**

- |                            |                                 |
|----------------------------|---------------------------------|
| 1 - ELECTRICAL CONNECTORS  | 8 - PIVOT SHAFT (MOTOR REMOVED) |
| 2 - VACUUM ACTUATOR        | 9 - PANEL/OUTLET DOOR           |
| 3 - RECIRCULATION AIR DOOR | 10 - LOWER HOUSING              |
| 4 - BLOWER MOTOR RESISTOR  | 11 - VACUUM ACTUATORS           |
| 5 - BLOWER WHEEL           | 12 - UPPER HOUSING              |
| 6 - EVAPORATOR AND TUBES   | 13 - VACUUM HARNESS             |
| 7 - BLEND-AIR DOOR         | 14 - HEATER CORE AND TUBES      |

(10) Separate the top half of the heater-A/C housing from the bottom half (Fig. 22).

(11) Remove evaporator from lower case to ease access to plastic door shaft bushing.

(12) Pinch the retention tabs holding the blend-air door pivot shaft bushing to the case. The 3 plastic tabs, located on the inside of the case, are part of the shaft retainer.

(13) Remove door(s).

**NOTE:** The blend-air door sub-assembly is attached to the housing with 2 screws, and may be removed for service (Fig. 23).

## INSTALLATION

Reverse the removal procedures to install.

- Be certain that each of the door pivot pins align with the pivot holes in the heater-A/C housing.

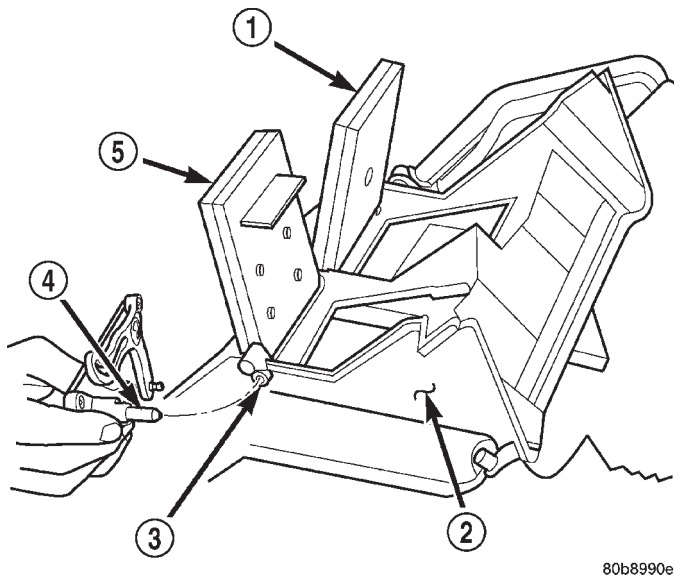
- Tighten the heater-A/C housing screws to 2.2 N·m (20 in. lbs.).

- Check doors for binding after replacement, and after assembly of housing.

## BLOWER MOTOR

**WARNING: ON VEHICLES EQUIPPED WITH AIRBAGS, REFER TO GROUP 8M - PASSIVE RESTRAINT SYSTEMS BEFORE ATTEMPTING ANY STEERING WHEEL, STEERING COLUMN, OR INSTRUMENT PANEL COMPONENT DIAGNOSIS OR SERVICE. FAILURE TO TAKE THE PROPER PRECAUTIONS COULD RESULT IN ACCIDENTAL AIRBAG DEPLOYMENT AND POSSIBLE PERSONAL INJURY.**

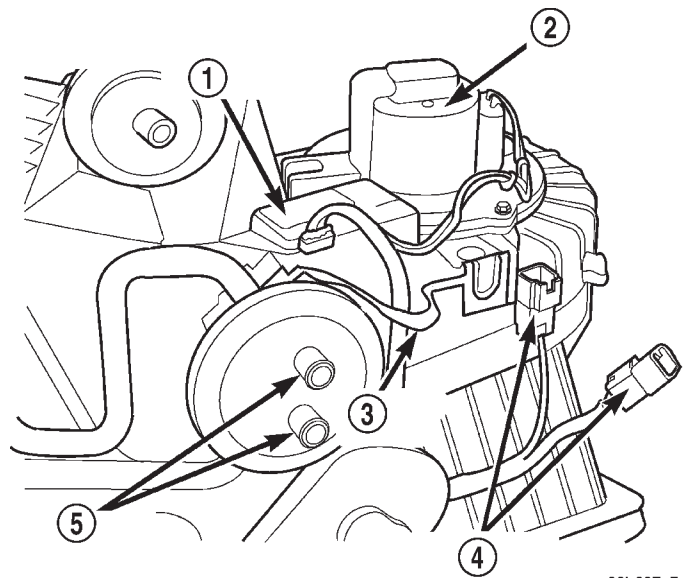
REMOVAL AND INSTALLATION (Continued)



80b8990e

**Fig. 23 Blend-Air Doors Sub-Assembly (AZC)**

- 1 - PASSENGER SIDE BLEND-AIR DOOR
- 2 - BLEND-AIR DOORS SUB-ASSEMBLY
- 3 - DOOR PIVOT SHAFT BUSHING
- 4 - DOOR SHAFT LEVER
- 5 - DRIVER SIDE BLEND-AIR DOOR



80b897c7

**Fig. 24 Blower Motor (housing removed from vehicle)**

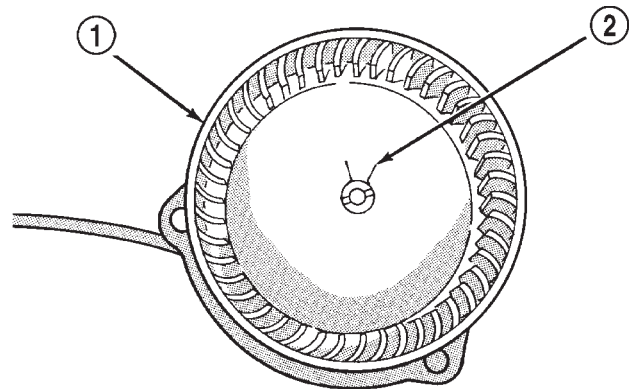
- 1 - BLOWER MOTOR CONTROLLER/POWER MODULE
- 2 - BLOWER MOTOR
- 3 - GROUND STRAP
- 4 - ELECTRICAL CONNECTORS
- 5 - HEATER CORE TUBES

**REMOVAL**

- (1) Disconnect and isolate the battery negative cable.
- (2) Pinch the connector retainer and unplug the blower motor wire harness from the heater-A/C blower motor (Fig. 24).
- (3) Remove the three screws that secure the blower motor and blower wheel assembly to the heater-A/C housing, using either a T-25 Torx® head or flat-bladed screwdriver.
- (4) Lower the blower motor and wheel from the heater-A/C housing.
- (5) Remove the blower wheel retainer clip (Fig. 25).
- (6) Remove the wheel from the blower motor shaft.

**INSTALLATION**

- (1) Press the blower wheel hub onto the blower motor shaft. Be sure the flat on the blower motor shaft is indexed to the flat on the inside of the blower wheel hub.
- (2) Install the retainer clip over the blower wheel hub.
- (3) Install the blower motor in the heater-A/C housing with three mounting screws. Tighten the mounting screws to 2.2 N·m (20 in. lbs.).
- (4) Plug the blower motor wire harness connector into the blower motor socket.
- (5) Connect the battery negative cable.



J9324-92

**Fig. 25 Blower Motor Wheel Remove/Install**

- 1 - BLOWER MOTOR WHEEL
- 2 - RETAINER CLIP

**BLOWER MOTOR RESISTOR AND CONTROLLER**

**REMOVAL**

- (1) Disconnect and isolate the battery negative cable.
- (2) Depress locking tab and unplug the wire harness connector from the blower motor resistor or controller (power module).

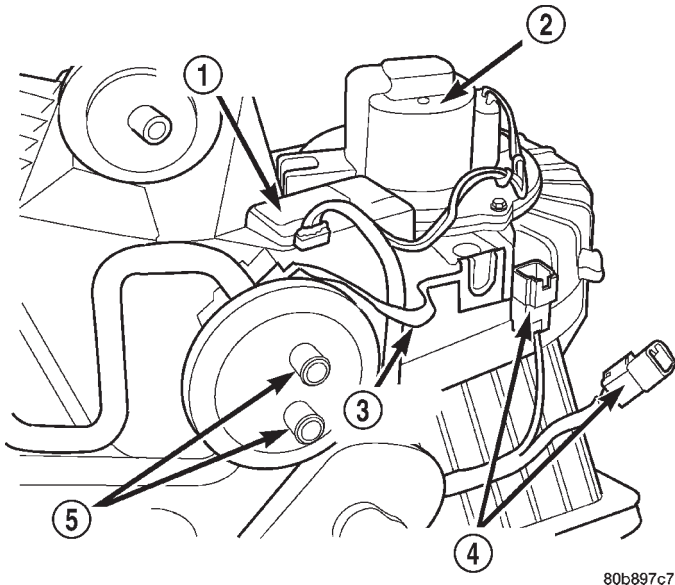


## REMOVAL AND INSTALLATION (Continued)

(3) Depress locking tab and unplug the resistor or controller connector from the blower motor.

(4) Remove the 2 screws that secure the blower motor resistor or controller to the heater-A/C housing.

(5) Remove the blower motor resistor or controller from the heater-A/C housing (Fig. 26).



80b897c7

**Fig. 26 Blower Motor Resistor or Controller/Power Module Remove/Install**

- 1 - BLOWER MOTOR CONTROLLER/POWER MODULE
- 2 - BLOWER MOTOR
- 3 - GROUND STRAP
- 4 - ELECTRICAL CONNECTORS
- 5 - HEATER CORE TUBES

## INSTALLATION

(1) Install the blower motor resistor or controller to the heater-A/C housing. The housing is indexed to allow (controller/power module) mounting in only one position. Tighten the mounting screws to 2.2 N·m (20 in. lbs.).

(2) Plug in the wire harness connector to the blower motor resistor or controller.

(3) Plug in the connector from the blower motor resistor or controller to the blower motor.

(4) Connect the battery negative cable.

## COMPRESSOR

The compressor may be removed and repositioned without disconnecting the refrigerant lines or discharging the refrigerant system. Discharging is not necessary if servicing the compressor clutch or clutch coil, the engine, the cylinder head, or the generator.

**WARNING: REVIEW THE WARNINGS AND CAUTIONS IN THE FRONT OF THIS GROUP BEFORE PERFORMING THE FOLLOWING OPERATION.**

## REMOVAL

(1) Recover the refrigerant from the refrigerant system. See Refrigerant Recovery in this group for the procedures.

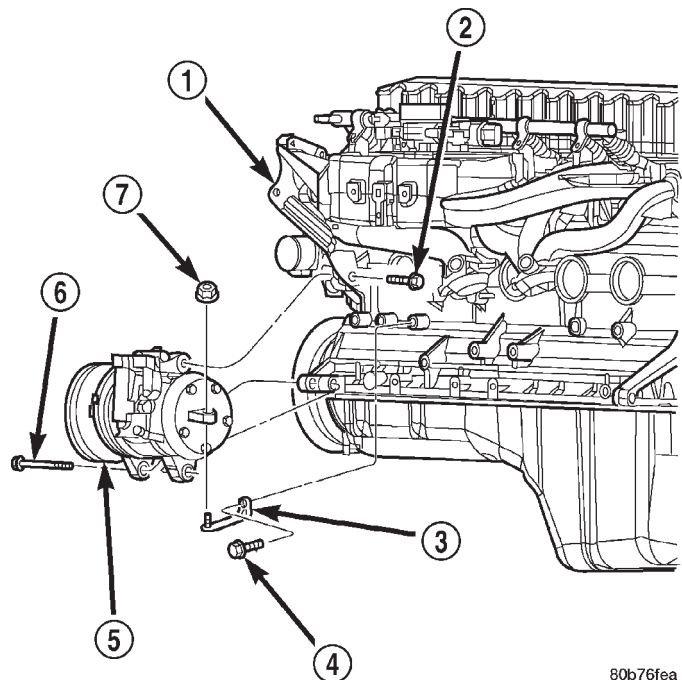
(2) Disconnect and isolate the battery negative cable.

(3) Remove the serpentine drive belt. Refer to Group 7 - Cooling System for the procedures.

(4) Unplug the compressor clutch coil wire harness connector.

(5) Remove the screws that secure the suction line and discharge line block fittings to the manifold on the compressor. Install plugs in, or tape over all of the opened refrigerant fittings.

(6) Remove the screws that secure the compressor (Fig. 27) or (Fig. 28) and (Fig. 29).



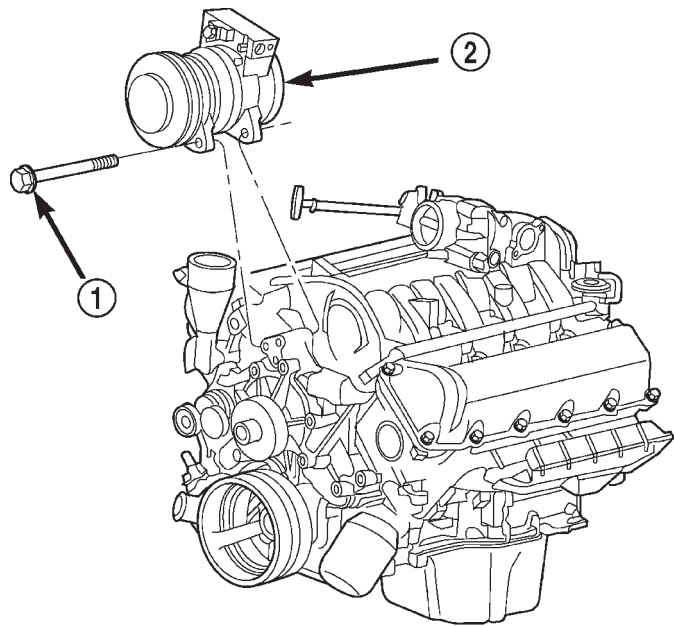
80b76fea

**Fig. 27 Compressor Remove/Install - 6 Cylinder Engine**

- 1 - POWER STEERING PUMP MOUNTING BRACKET
- 2 - BOLT
- 3 - BRACE
- 4 - BOLT
- 5 - A/C COMPRESSOR
- 6 - BOLT
- 7 - NUT

(7) Remove the compressor.

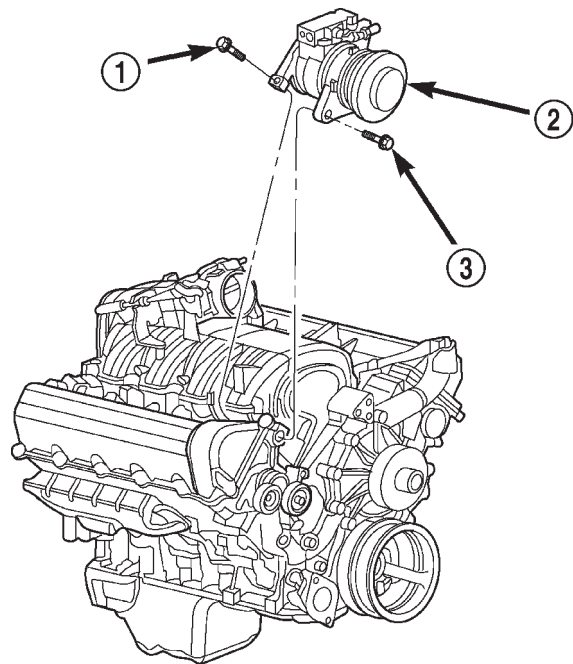
REMOVAL AND INSTALLATION (Continued)



80b76fec

**Fig. 28 Compressor Remove/Install - V8 Engine - Left View**

- 1 - BOLT
- 2 - A/C COMPRESSOR



80b76feb

**Fig. 29 Compressor Remove/Install - V8 Engine - Right View**

- 1 - BOLT
- 2 - A/C COMPRESSOR
- 3 - BOLT

**INSTALLATION**

**NOTE:** If a replacement compressor is being installed, be certain to check the refrigerant oil level. See Refrigerant Oil Level in this group for the procedures. Use only refrigerant oil of the type recommended for the compressor in the vehicle.

(1) Install the compressor. Tighten the 4.0L mounting screws fastening the compressor to the block to 45-65 N·m (35-50 ft. lbs.). Tighten the mounting screws holding the rear brace to the compressor and block to 40-55 N·m (30-40 ft. lbs.). Tighten the 4.7L compressor front mounting screws to 45-65 N·m (35-50 ft. lbs.), and the rear mounting screws to 35-45 N·m (25-35 ft. lbs.).

(2) Remove the tape or plugs from all of the opened refrigerant line fittings. Install the suction line and discharge line block fittings to the manifold on the compressor. Tighten the mounting screws to 25.4 N·m (20 ft. lbs.).

(3) Install the serpentine drive belt. Refer to Group 7 - Cooling System for the procedures.

(4) Plug in the compressor clutch coil wire harness connector.

(5) Connect the battery negative cable.

(6) Evacuate the refrigerant system. See Refrigerant System Evacuate in this group for the procedures.

(7) Charge the refrigerant system. See Refrigerant System Charge in this group for the procedures.

**COMPRESSOR CLUTCH**

The refrigerant system can remain fully-charged during compressor clutch, pulley, or coil replacement. The compressor clutch can be serviced in the vehicle.

**REMOVAL**

(1) Disconnect and isolate the battery negative cable.

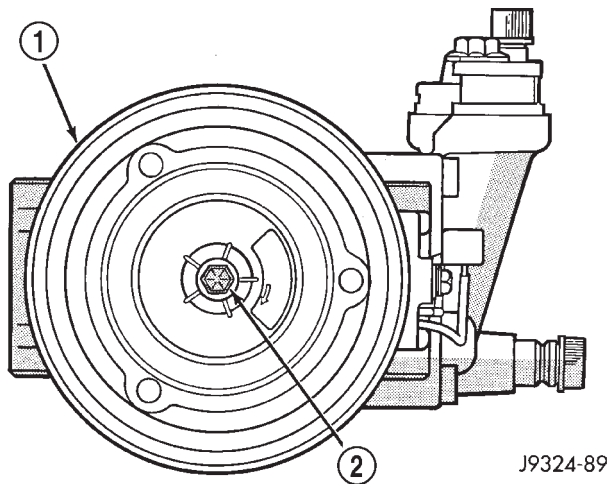
(2) Remove the serpentine drive belt. Refer to Group 7 - Cooling System for the procedures.

(3) Remove the bolt that secures the compressor clutch to the compressor shaft (Fig. 30). A band-type oil filter wrench may be used to secure the clutch during bolt removal.

(4) Tap the clutch plate with a plastic mallet to release it from the splines on the compressor shaft. Remove the clutch plate and shim(s) from the compressor shaft (Fig. 31).

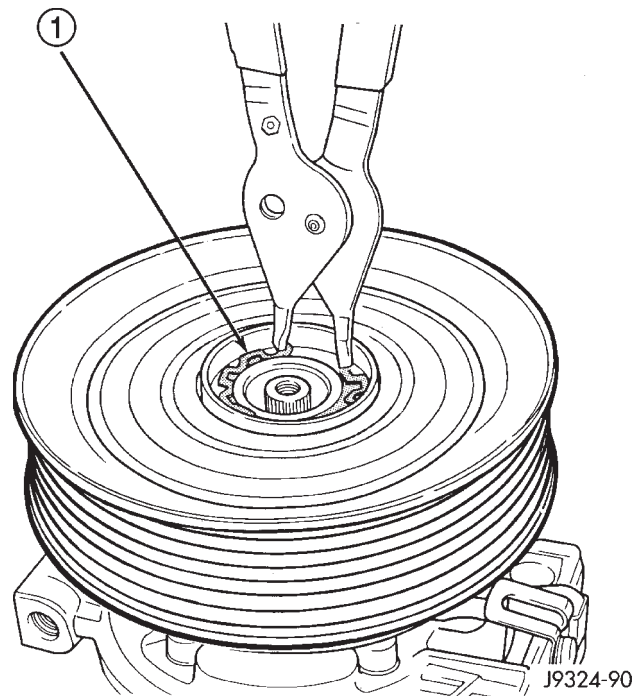
**CAUTION:** Do not pry between the clutch plate assembly and the pulley to remove it from the compressor shaft. Prying may damage the clutch plate assembly.

REMOVAL AND INSTALLATION (Continued)



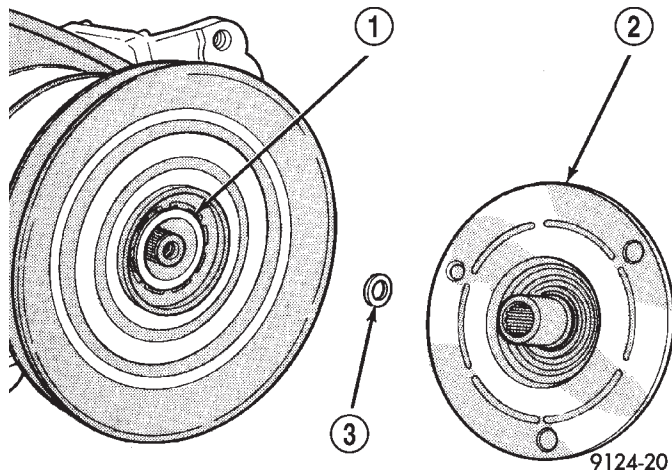
**Fig. 30 Compressor Shaft Bolt**

- 1 - COMPRESSOR CLUTCH PLATE
- 2 - COMPRESSOR SHAFT BOLT



**Fig. 32 Pulley Snap Ring**

- 1 - SNAP RING



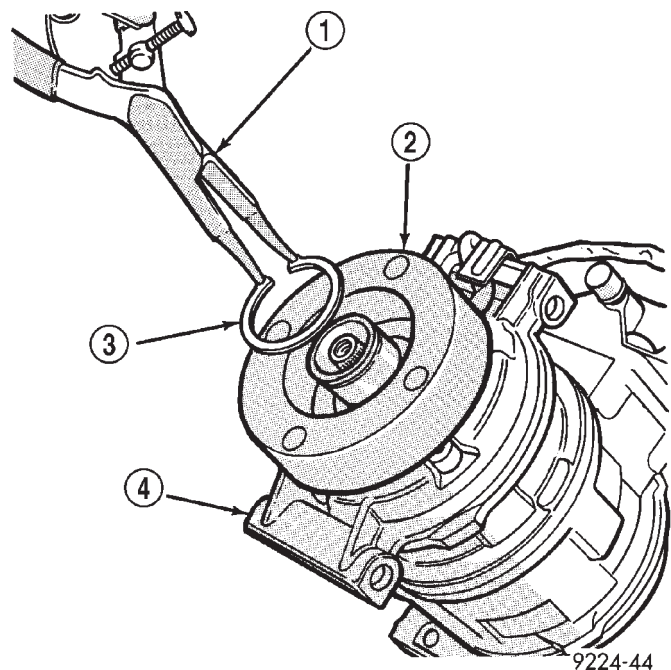
**Fig. 31 Clutch Plate and Shim**

- 1 - COMPRESSOR SHAFT
- 2 - CLUTCH PLATE
- 3 - CLUTCH PLATE SHIM

(5) Remove the external snap ring that secures the compressor clutch pulley to the nose of the compressor front housing with snap ring pliers (Special Tool C-4574) and slide the pulley assembly off of the compressor (Fig. 32).

(6) Remove the screw and retainer from the clutch coil lead wire harness on the compressor front housing.

(7) Remove the external snap ring that secures the compressor clutch coil to the nose of the compressor front housing with snap ring pliers and slide the coil assembly off of the compressor (Fig. 33).



**Fig. 33 Clutch Coil Snap Ring**

- 1 - SNAP RING PLIERS
- 2 - CLUTCH COIL
- 3 - SNAP RING
- 4 - COMPRESSOR



## REMOVAL AND INSTALLATION (Continued)

## INSPECTION

Examine the friction surfaces of the clutch pulley and the clutch plate for wear. The pulley and plate should be replaced if there is excessive wear or scoring.

If the friction surfaces are oily, inspect the shaft and nose area of the compressor for refrigerant oil. Remove the felt wick from around the shaft inside the nose of the compressor front housing. If the felt is saturated with refrigerant oil, the compressor shaft seal is leaking and the compressor must be replaced.

Check the clutch pulley bearing for roughness or excessive leakage of grease. Replace the bearing, if required.

## INSTALLATION

(1) Align the dowel pin on the back of the clutch field coil with the hole in the compressor front housing and press the field coil into place over the nose of the compressor.

(2) Install the clutch coil lead wire harness retaining clip on the compressor front housing and tighten the retaining screw.

(3) Install the clutch field coil and snap ring with snap ring pliers (Special Tool C-4574). The bevel side of the snap ring must be facing outward. Also, both eyelets of the snap ring must be to the right or left of the pin on the compressor. Press in on the snap ring to be certain that it is properly seated in the groove.

**CAUTION:** If the snap ring is not fully seated in the groove it will vibrate out, resulting in a clutch failure and severe damage to the front housing of the compressor.

(4) Install the pulley assembly onto the compressor. If necessary, place a block of wood on the friction surface and tap gently with a hammer (Fig. 34).

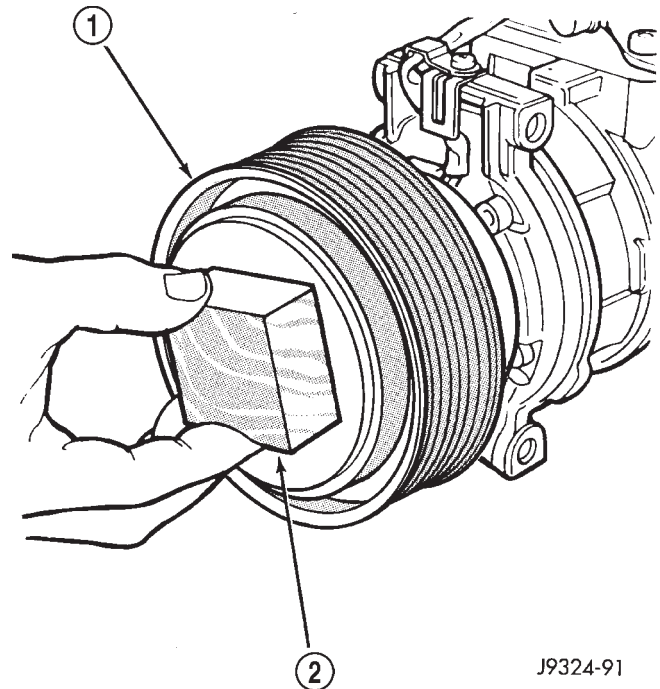
**CAUTION:** Do not mar the pulley friction surface.

(5) Install the pulley assembly retaining snap ring (bevel side outward) with snap ring pliers (Special Tool C-4574). Press in on the snap ring to be certain that it is properly seated in the groove.

(6) If the original clutch plate assembly and pulley assembly are to be reused, the old shim(s) can be used. If not, place a stack of shim(s) equal to the old shim(s) on the shaft against the shoulder.

(7) Install the clutch plate assembly onto the shaft.

(8) With the clutch plate assembly tight against the shim(s), measure the air gap between the clutch plate and the pulley face with feeler gauges. The air gap should be between 0.35 to 0.65 millimeter (0.014 to 0.026 inch). If the proper air gap is not obtained,



J9324-91

**Fig. 34 Pulley Assembly Install**

- 1 - PULLEY ASSEMBLY  
2 - WOOD BLOCK

add or subtract shims as needed until the desired air gap is obtained.

(9) Install the compressor shaft bolt. Tighten the bolt to 13 N·m (115 in. lbs.).

**NOTE:** The shims may compress after tightening the shaft bolt. Check the air gap in four or more places to verify the air gap is still correct. Spin the pulley before performing a final check of the air gap.

(10) Reverse the remaining removal procedures to complete the installation.

## CLUTCH BREAK-IN

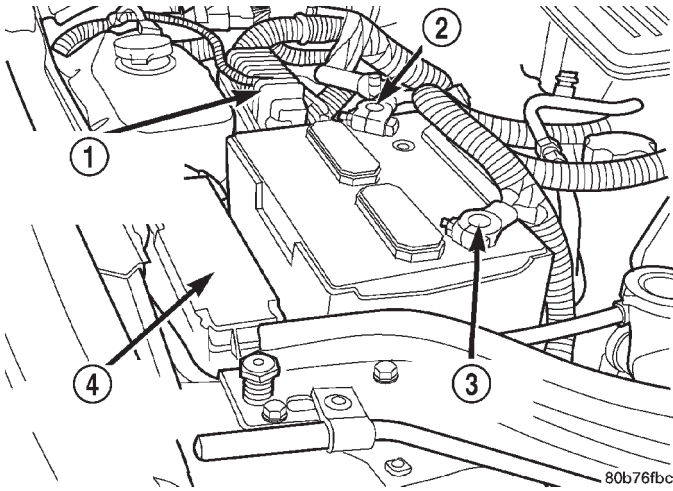
After a new compressor clutch has been installed, cycle the compressor clutch approximately twenty times (five seconds on, then five seconds off). During this procedure, set the heater-A/C control in the Recirculation Mode, the A/C button in the on position, the blower motor switch in the highest speed position, and the engine speed at 1500 to 2000 rpm. This procedure (burnishing) will seat the opposing friction surfaces and provide a higher compressor clutch torque capability.

## COMPRESSOR CLUTCH RELAY

(1) Disconnect and isolate the battery negative cable.

## REMOVAL AND INSTALLATION (Continued)

(2) Remove the cover from the Power Distribution Center (PDC) (Fig. 35).



**Fig. 35 Power Distribution Center (PDC)**

- 1 - TRANSMISSION CONTROL MODULE (TCM)
- 2 - NEGATIVE CABLE
- 3 - POSITIVE CABLE
- 4 - POWER DISTRIBUTION CENTER (PDC)

(3) Refer to the label on the PDC for compressor clutch relay identification and location.

(4) Unplug the compressor clutch relay from the PDC.

(5) Install the compressor clutch relay by aligning the relay terminals with the cavities in the PDC and pushing the relay firmly into place.

(6) Install the PDC cover.

(7) Connect the battery negative cable.

(8) Test the relay operation.

## CONDENSER

**WARNING: REVIEW THE WARNINGS AND CAUTIONS IN THE FRONT OF THIS GROUP BEFORE PERFORMING THE FOLLOWING OPERATION.**

**CAUTION:** Before removing the condenser, note the location of each of the radiator and condenser air seals. These seals are used to direct air through the condenser and radiator. The air seals must be reinstalled in their proper locations in order for the air conditioning and engine cooling systems to perform as designed (Fig. 36).

## REMOVAL

(1) Disconnect and isolate the battery negative cable.

(2) Recover the refrigerant from the refrigerant system. See Refrigerant Recovery in this group for the procedures.

(3) Remove the screws attaching the grille and headlamp mounting module to the upper crossmember of the vehicle. Refer to Group 23 - Body for this and further steps in the procedure.

(4) Remove the headlamps from their mounts.

(5) Remove the nuts that secure the hood latch and brace to the upper crossmember.

(6) The radiator upper crossmember can be adjusted left or right through the use of its slotted mounting holes. Before removal, mark the original position of the crossmember.

(7) Remove the bolts that secure the radiator to the upper crossmember and set it aside (Fig. 37).

(8) Remove the engine air filter inlet duct secured at the headlamp mounting module.

(9) Remove the headlamp mounting module and front fascia for access to the condenser and fittings.

(10) Disconnect the discharge line and liquid line refrigerant line fittings from the condenser. See Refrigerant Line Coupler in this group for the procedures. Install plugs in, or tape over all of the opened refrigerant line fittings.

(11) Remove the bolts that secure the upper condenser and transmission cooler.

(12) Carefully lift the condenser out of the vehicle.

## INSTALLATION

For installation, reverse the above procedures.

- Carefully position the condenser in the vehicle.
- Remove the tape or plugs from the refrigerant line fittings on the discharge line, liquid line and the condenser. Connect both of the refrigerant line couplers to the condenser. See Refrigerant Line Coupler in this group for the procedures.

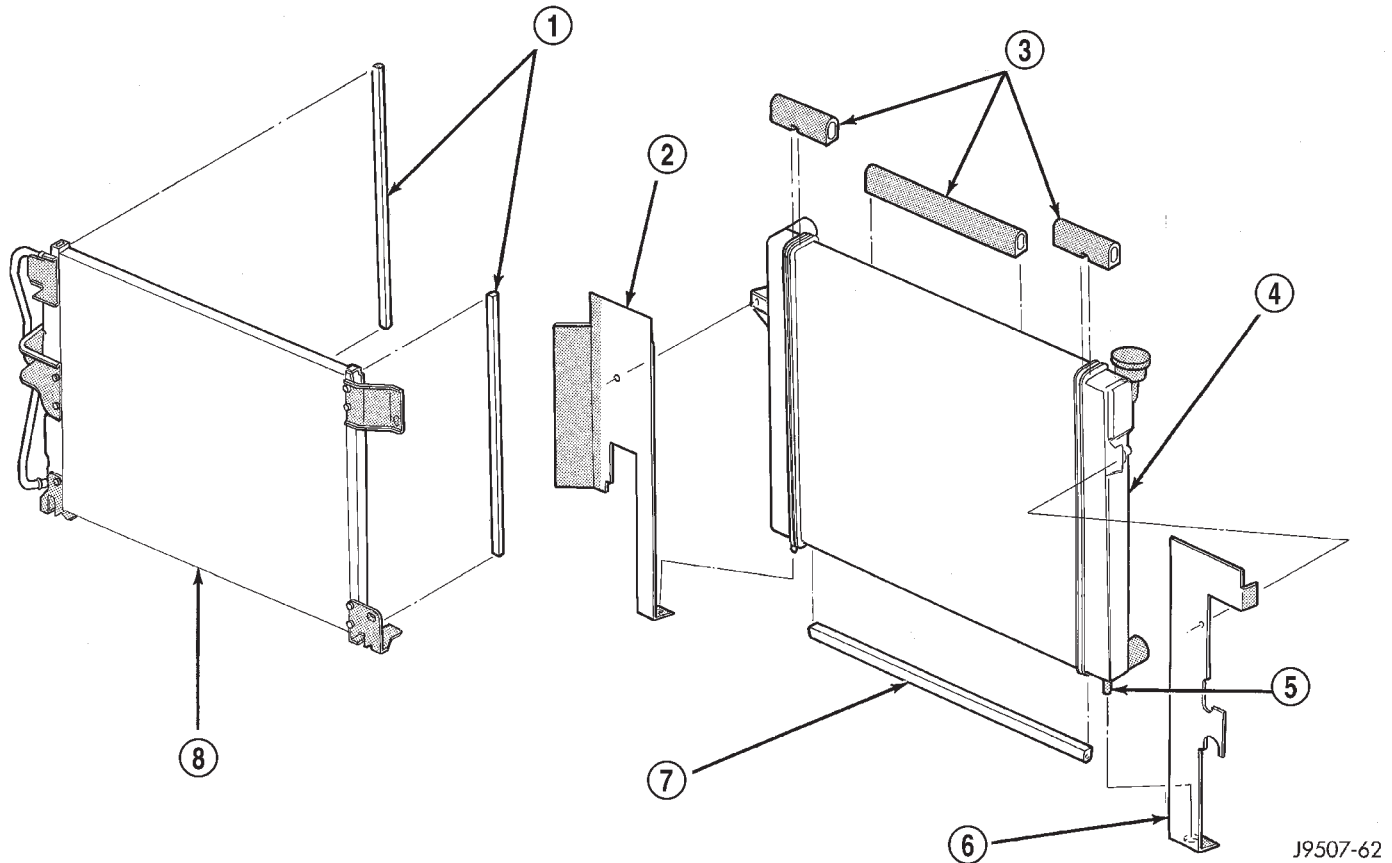
- Evacuate and charge the refrigerant system. See Refrigerant System Evacuate and Charge procedures in this group.

**NOTE:** If the condenser is replaced, add 30 milliliters (1 fluid ounce) of refrigerant oil to the refrigerant system. Use only refrigerant oil of the type recommended for the compressor in the vehicle.

## DISCHARGE LINE

Any kinks or sharp bends in the refrigerant plumbing will reduce the capacity of the entire air conditioning system. Kinks and sharp bends reduce the flow of refrigerant in the system. A good rule for the flexible hose refrigerant lines is to keep the radius of all bends at least ten times the diameter of the hose. In addition, the flexible hose refrigerant lines should be routed so they are at least 80 millimeters (3 inches) from the exhaust manifold.

REMOVAL AND INSTALLATION (Continued)



**Fig. 36 Air Seals - Typical**

- |  |                                  |
|--|----------------------------------|
| 1 - SEALS (BETWEEN A/C CONDENSER AND RADIATOR)           | 5 - ALIGNMENT DOWELS (2)         |
| 2 - RADIATOR TO BODY SEAL (RIGHT)                        | 6 - RADIATOR TO BODY SEAL (LEFT) |
| 3 - UPPER SEALS (BETWEEN RADIATOR AND UPPER CROSSMEMBER) | 7 - LOWER SEAL                   |
| 4 - RADIATOR   | 8 - A/C CONDENSER                |

High pressures are produced in the refrigerant system when the air conditioning compressor is operating. Extreme care must be exercised to make sure that each of the refrigerant system connections is pressure-tight and leak free. It is a good practice to inspect all flexible hose refrigerant lines at least once a year to make sure they are in good condition and properly routed.

**WARNING: REVIEW THE WARNINGS AND CAUTIONS IN THE FRONT OF THIS GROUP BEFORE PERFORMING THE FOLLOWING OPERATION.**

**REMOVAL**

- (1) Disconnect and isolate the battery negative cable.
- (2) Recover the refrigerant from the refrigerant system. See Refrigerant Recovery in this group for the procedures.

(3) Remove the high pressure cut-off switch. See High Pressure Cut-Off Switch in this group for the procedures.

(4) Disconnect the discharge line refrigerant line fitting from the condenser inlet tube. Install plugs in, or tape over all of the opened refrigerant line fittings.

(5) Remove the screw that secures the discharge line block fitting to the manifold on the compressor. Install plugs in, or tape over all of the opened refrigerant line fittings.

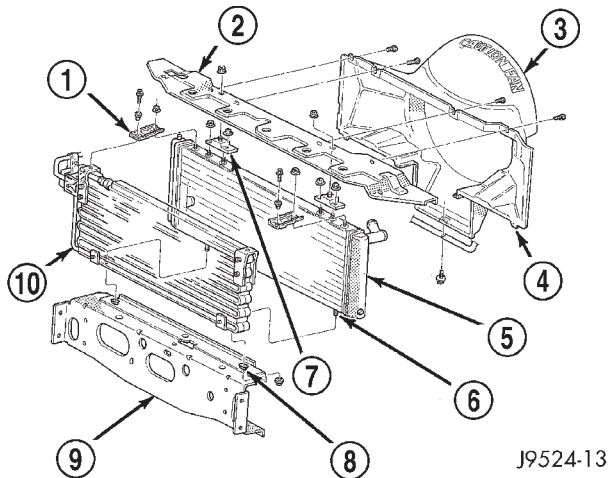
(6) Remove the discharge line assembly from the vehicle.

**INSTALLATION**

- (1) Remove the tape or plugs from the discharge line block fitting and the manifold on the compressor. Install the discharge line block fitting to the manifold on the compressor. Tighten the mounting screw to 25.4 N·m (225 in. lbs.).



## REMOVAL AND INSTALLATION (Continued)

**Fig. 37 Condenser Mounting - Typical**

- 1 - CONDENSER-TO-RADIATOR MOUNTING BRACKETS (2)
- 2 - UPPER CROSSMEMBER
- 3 - FAN SHROUD
- 4 - ALIGNMENT TABS
- 5 - RADIATOR
- 6 - ALIGNMENT DOWELS (2)
- 7 - RUBBER ISOLATORS (2)
- 8 - RUBBER GROMMETS (2)
- 9 - LOWER CROSSMEMBER
- 10 - CONDENSER

(2) Remove the tape or plugs from the refrigerant line fittings on the discharge line and the condenser inlet tube. Connect the discharge line refrigerant line coupler to the condenser inlet tube.

(3) Install the high pressure cut-off switch. See High Pressure Cut-Off Switch in this group for the procedures.

(4) Connect the battery negative cable.

(5) Evacuate the refrigerant system. See Refrigerant System Evacuate in this group for the procedures.

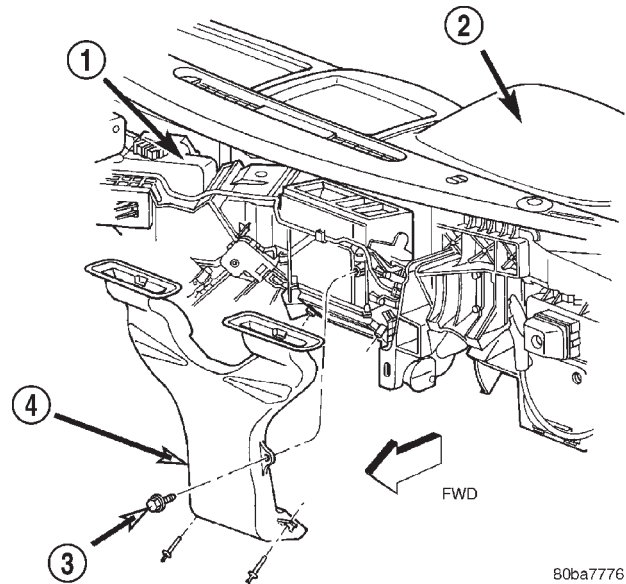
(6) Charge the refrigerant system. See Refrigerant System Charge in this group for the procedures.

## DUCTS AND OUTLETS

### DEFROSTER DUCT

(1) Remove the instrument panel assembly from the vehicle. See Instrument Panel Assembly in Group 8E - Instrument Panel Systems for the procedures.

(2) Remove the three screws that secure the defroster duct to the HVAC unit housing (Fig. 38).

**Fig. 38 HVAC Defroster Duct**

- 1 - HVAC UNIT HOUSING
- 2 - INSTRUMENT PANEL
- 3 - SCREWS
- 4 - DEFROSTER DUCT

(3) Remove the defroster duct from the HVAC unit housing.

(4) Reverse the removal procedures to install. Tighten the mounting screws to 2.2 N·m (20 in. lbs.).

### INSTRUMENT PANEL DUCT EXTENSIONS

(1) Remove the instrument panel top pad from the vehicle. See Instrument Panel Assembly in Group 8E - Instrument Panel Systems for the procedure.

(2) Unsnap the duct extension(s) from the instrument panel structural duct assembly (Fig. 39).

(3) Remove the duct extension(s) from the instrument panel (Fig. 40).

(4) Reverse the removal procedures to install.

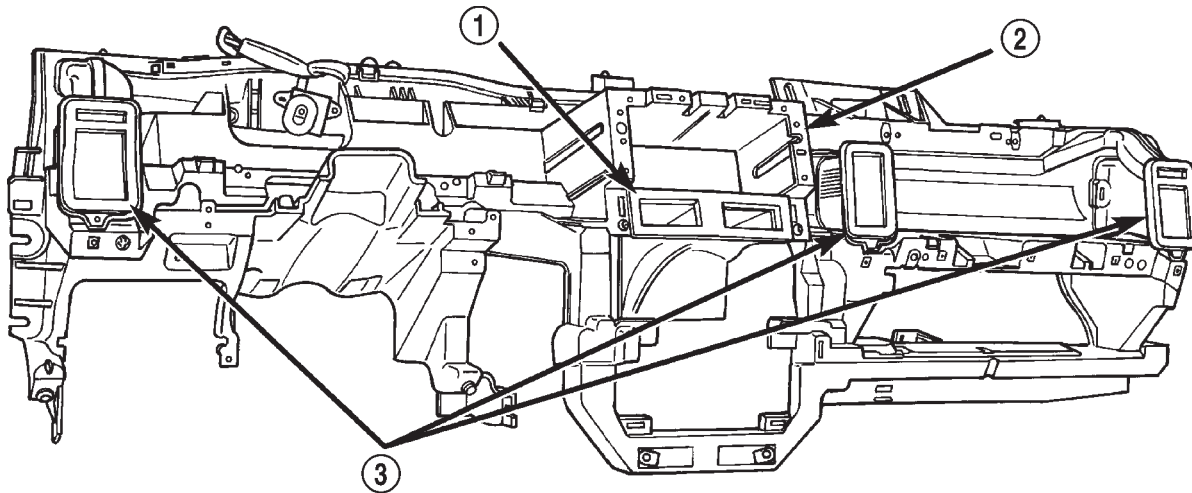
### FLOOR DUCTS

(1) To remove the driver side floor duct from the vehicle, remove the knee blocker panel for access to attaching screw. See Instrument Panel Assembly in Group 8E - Instrument Panel Systems for the procedures.

(2) The passenger side floor duct fastener can be accessed under the right-center instrument panel.

(3) Remove the screw that secures the floor duct(s) to the HVAC housing (Fig. 41).

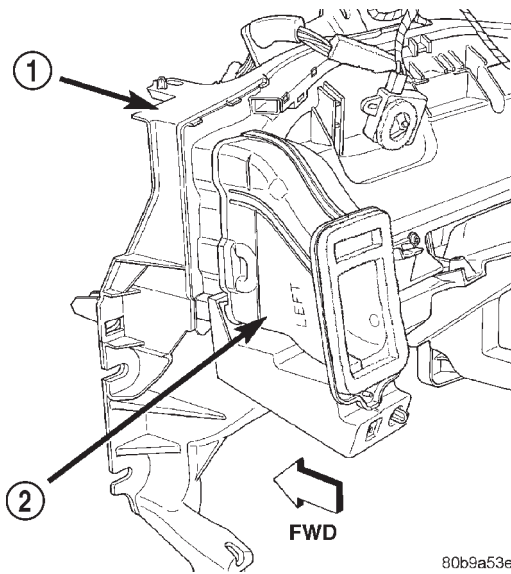
REMOVAL AND INSTALLATION (Continued)



80b46c5b

**Fig. 39 Instrument Panel Structural Duct Assembly**

- 1 - CENTER DUCT
- 2 - INSTRUMENT PANEL STRUCTURAL DUCT ASSEMBLY
- 3 - PANEL DUCT EXTENSIONS

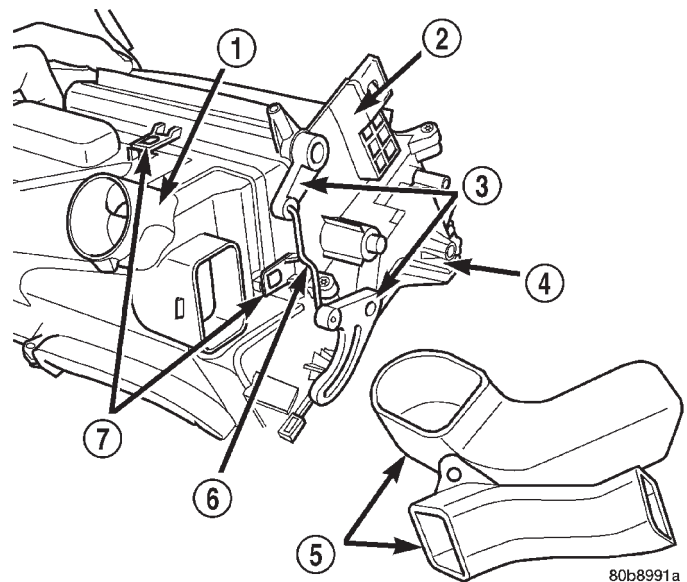


80b9a53e

**Fig. 40 Instrument Panel Duct Extension**

- 1 - INSTRUMENT PANEL STRUCTURAL DUCT ASSEMBLY
- 2 - PANEL DUCT EXTENSION

(4) Reverse the removal procedures to install. Tighten the mounting screws to 2.2 N·m (20 in. lbs.).



80b8991a

**Fig. 41 Floor Ducts (Housing Removed)**

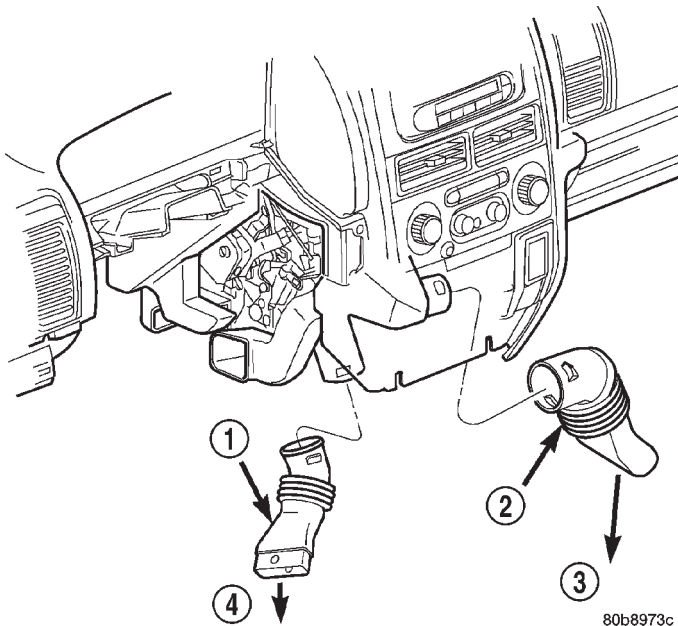
- 1 - FLOOR DUCT ADAPTER
- 2 - HEAT/DEFROST DOOR SUB-ASSEMBLY
- 3 - DOOR LEVERS
- 4 - LOWER HOUSING
- 5 - FLOOR DUCTS
- 6 - LINKAGE
- 7 - RETAINING TABS

## REMOVAL AND INSTALLATION (Continued)

## REAR FLOOR DUCTS

(1) To remove the rear floor ducts from the vehicle, remove the knee blocker panels for access, and pull carpeting back.

(2) Pull the floor ducts from the HVAC housing (Fig. 42).



**Fig. 42 Rear Floor Ducts**

- 1 - LEFT REAR PASSENGER FLOOR AIR DUCT
- 2 - RIGHT REAR PASSENGER FLOOR AIR DUCT
- 3 - TO CARPET DUCT
- 4 - TO CARPET DUCT

**NOTE:** The ductwork running from the HVAC housing rearward through the passenger compartment is molded into the carpeting, and must be replaced as a unit if damaged.

(3) Reverse the removal procedures to install.

## PANEL OUTLETS

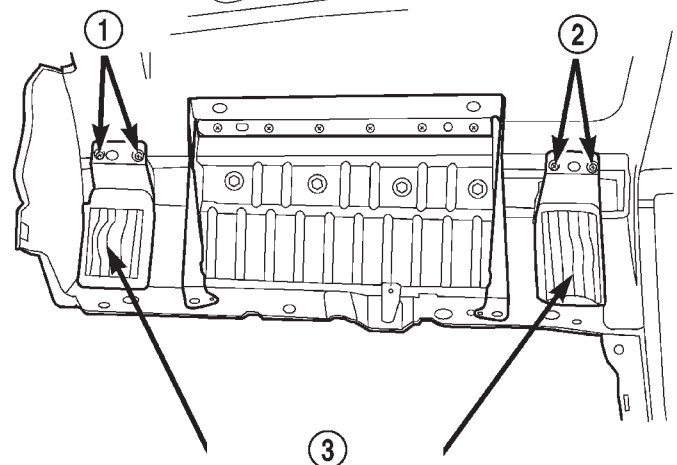
The driver side, and passenger side panel outlets are available for service. The center outlets are only serviced as part of the instrument cluster center bezel unit.

(1) Remove the instrument panel top pad from the instrument panel. Refer to Instrument Panel Top Pad in Group 8E - Instrument Panel Systems for the procedures.

(2) Remove the two screws that secure each outlet to the backside of the instrument panel top pad (Fig. 43).

(3) Remove the outlet from the top pad.

(4) Reverse the removal procedures to install. Tighten the mounting screws to 2.2 N·m (20 in. lbs.).



80ba7781

**Fig. 43 Panel Outlets (Passenger Side)**

- 1 - MOUNTING SCREWS
- 2 - MOUNTING SCREWS
- 3 - PANEL OUTLETS

## EVAPORATOR COIL

**WARNING:** ON VEHICLES EQUIPPED WITH AIR-BAGS, REFER TO GROUP 8M - PASSIVE RESTRAINT SYSTEMS BEFORE ATTEMPTING ANY STEERING WHEEL, STEERING COLUMN, OR INSTRUMENT PANEL COMPONENT DIAGNOSIS OR SERVICE. FAILURE TO TAKE THE PROPER PRECAUTIONS COULD RESULT IN ACCIDENTAL AIR-BAG DEPLOYMENT AND POSSIBLE PERSONAL INJURY.

(1) Remove the heater-A/C housing from the vehicle. See Heater-A/C Housing in this group for the procedures.

(2) Place the heater-A/C housing on the work bench.

(3) Remove the defroster duct from the heater-A/C housing.

(4) Remove the defrost door linkage from the top half the housing to enable separation of the two parts.

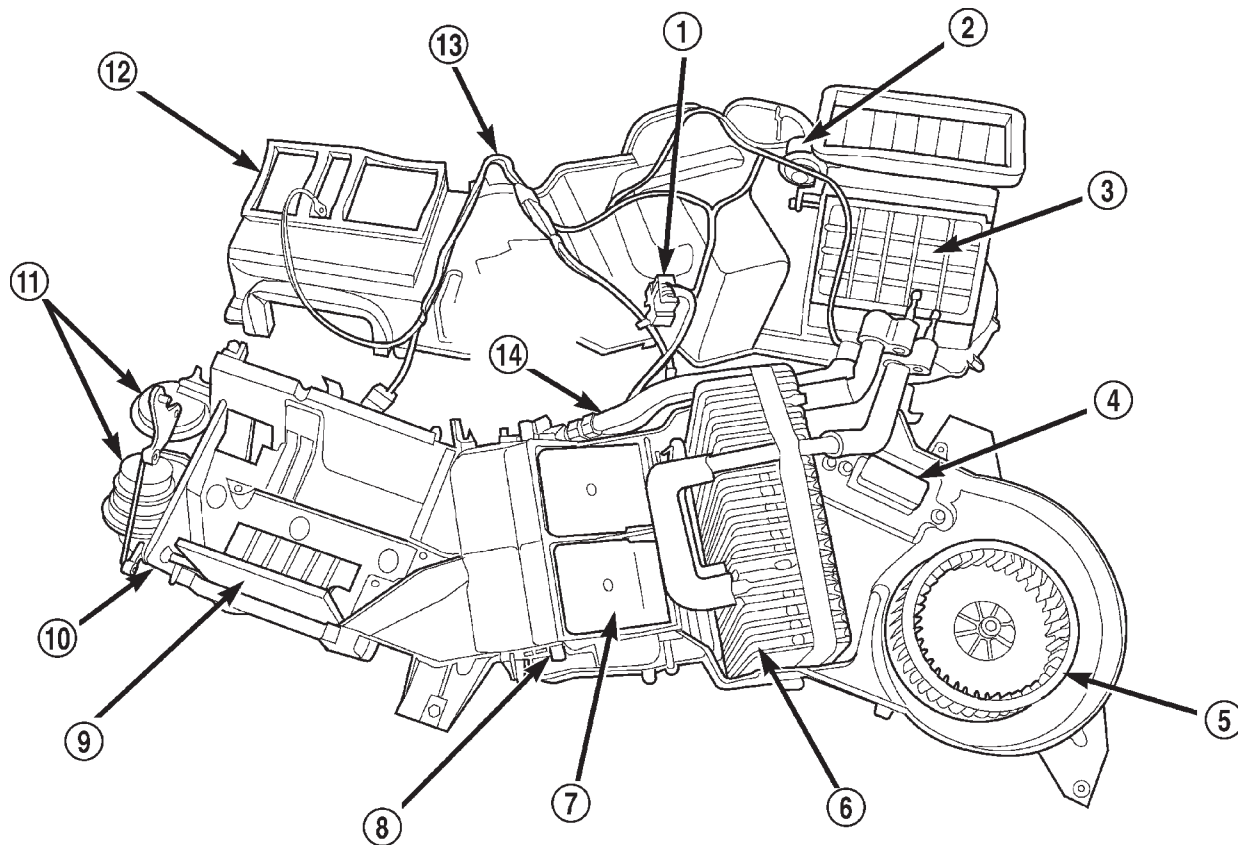
(5) Remove the screws and clips fastening the upper and lower heater-A/C housing halves.

(6) Remove the top half of the housing.

(7) Lift the evaporator coil unit out of the lower half of the heater-A/C housing (Fig. 44).

(8) Reverse the removal procedures to install. Be certain that the evaporator foam insulator wrap is reinstalled. Be certain that each of the door pivot pins align with the pivot holes in the heater-A/C housing. Tighten the heater-A/C housing screws to 2.2 N·m (20 in. lbs.).

REMOVAL AND INSTALLATION (Continued)



80b3c695

**Fig. 44 HVAC Housing and Evaporator**

- |                            |                                 |
|----------------------------|---------------------------------|
| 1 - ELECTRICAL CONNECTORS  | 8 - PIVOT SHAFT (MOTOR REMOVED) |
| 2 - VACUUM ACTUATOR        | 9 - PANEL/OUTLET DOOR           |
| 3 - RECIRCULATION AIR DOOR | 10 - LOWER HOUSING              |
| 4 - BLOWER MOTOR RESISTOR  | 11 - VACUUM ACTUATORS           |
| 5 - BLOWER WHEEL           | 12 - UPPER HOUSING              |
| 6 - EVAPORATOR AND TUBES   | 13 - VACUUM HARNESS             |
| 7 - BLEND-AIR DOOR         | 14 - HEATER CORE AND TUBES      |

**NOTE:** If the evaporator is replaced, add 60 milliliters (2 fluid ounces) of refrigerant oil to the refrigerant system.

**HEAT/DEFROST DOOR**

**WARNING:** ON VEHICLES EQUIPPED WITH AIR-BAGS, REFER TO GROUP 8M - PASSIVE RESTRAINT SYSTEMS BEFORE ATTEMPTING ANY STEERING WHEEL, STEERING COLUMN, OR INSTRUMENT PANEL COMPONENT DIAGNOSIS OR SERVICE. FAILURE TO TAKE THE PROPER PRECAUTIONS COULD RESULT IN ACCIDENTAL AIR-BAG DEPLOYMENT AND POSSIBLE PERSONAL INJURY.

**REMOVAL**

- (1) Remove the heater-A/C housing from the vehicle. See Heater-A/C Housing in this group for the procedures.
- (2) Place the heater-A/C housing with the tubing side down on a work bench, making allowance for leakage of fluids.
- (3) Using a sharp knife, split the foam seal surrounding the panel outlet opening, at the dividing line of the upper and lower cases (Fig. 16).
- (4) Place the heater-A/C housing in the upright position on the work bench.
- (5) Remove the mode door actuator on the left side of the housing, controlling the mode door in the top of the case (Fig. 17) (Fig. 18).
- (6) Remove the screw with plastic washer holding the lever assembly to the upper case section, and move aside (Fig. 19).



REMOVAL AND INSTALLATION (Continued)

(7) Remove the 5 clips that secure the two housing halves to each other. There are 2 on either side at the center, and 1 located at the forward end of the mode door side of the case (Fig. 20).

(8) Release the wire harness electrical connector(s) from the mounts on the lower case at the blower motor end of the unit (Fig. 21).

(9) Remove the 10 screws that secure the two housing halves to each other.

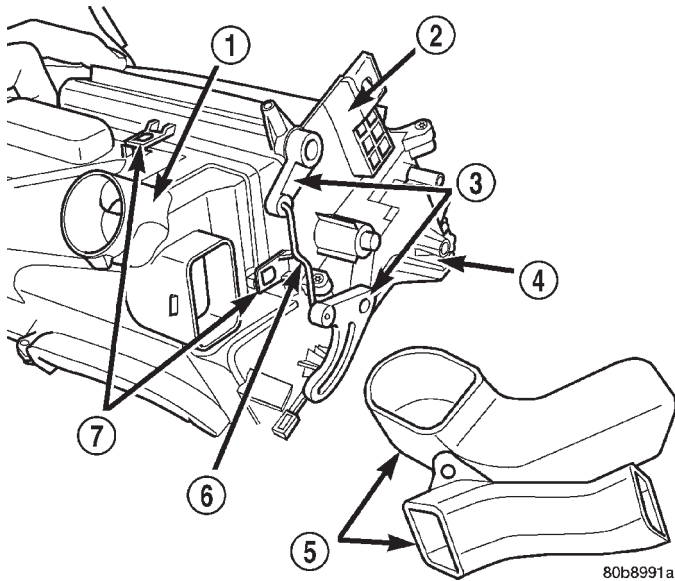
(10) Separate the top half of the heater-A/C housing from the bottom half (Fig. 22).

(11) Remove the evaporator, and styrofoam tray from the lower case.

(12) Place the heater-A/C housing upside down on a work bench.

(13) Unscrew and remove the 2 floor heat ducts.

(14) Unsnap and remove the duct adapter from the bottom of the heat/defrost door sub-assembly (Fig. 45).



**Fig. 45 Heat/Defrost Door Ducts, and Adapter**

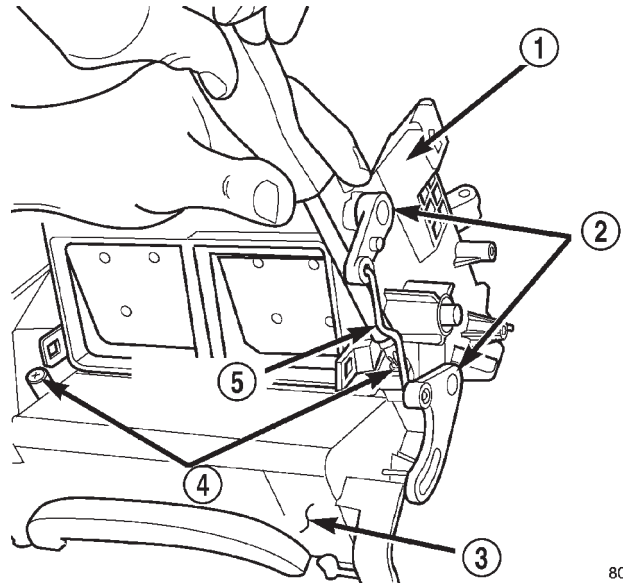
- 1 - FLOOR DUCT ADAPTER
- 2 - HEAT/DEFROST DOOR SUB-ASSEMBLY
- 3 - DOOR LEVERS
- 4 - LOWER HOUSING
- 5 - FLOOR DUCTS
- 6 - LINKAGE
- 7 - RETAINING TABS

(15) Gently pry the metal linkage from the heat/defrost door lever.

Remove the heat/defrost door sub-assembly, which is attached to the housing with 4 screws (Fig. 46).

(16) Pinch the retention tabs holding the heat/defrost door pivot shaft lever to the case. The 3 plastic tabs, located on the inside of the case, are part of the shaft retainer.

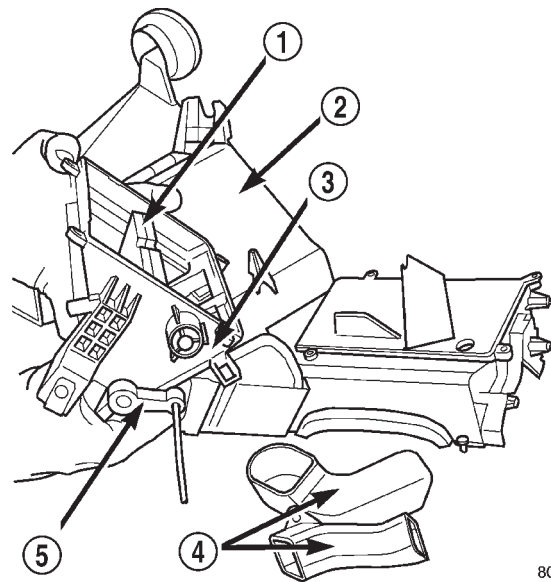
(17) Remove the heat/defrost door (Fig. 47).



80b8991b

**Fig. 46 Heat/Defrost Door Sub-Assembly Removal**

- 1 - HEAT/DEFROST DOOR SUB-ASSEMBLY
- 2 - LEVERS
- 3 - LOWER HOUSING
- 4 - SCREWS
- 5 - LINKAGE



80b8991c

**Fig. 47 Heat/Defrost Door Removal**

- 1 - HEAT/DEFROST DOOR
- 2 - LOWER HOUSING
- 3 - HEAT/DEFROST DOOR SUB-ASSEMBLY
- 4 - FLOOR DUCTS
- 5 - DOOR LEVER

**INSTALLATION**

(1) Reverse the removal procedures to install.

- Be certain that each of the door pivot pins align with the pivot holes in the heater-A/C housing.

REMOVAL AND INSTALLATION (Continued)

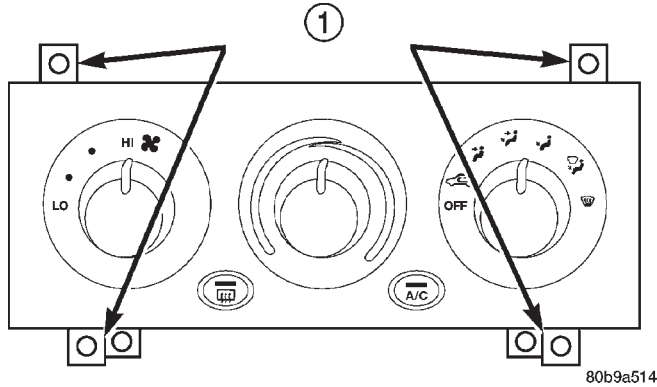
- Tighten the heater-A/C housing screws to 2.2 N·m (20 in. lbs.).
- Check door for binding after replacement, and after assembly of housing.

HEATER-A/C CONTROL

**WARNING: ON VEHICLES EQUIPPED WITH AIR-BAGS, REFER TO GROUP 8M - PASSIVE RESTRAINT SYSTEMS BEFORE ATTEMPTING ANY STEERING WHEEL, STEERING COLUMN, OR INSTRUMENT PANEL COMPONENT DIAGNOSIS OR SERVICE. FAILURE TO TAKE THE PROPER PRECAUTIONS COULD RESULT IN ACCIDENTAL AIR-BAG DEPLOYMENT AND POSSIBLE PERSONAL INJURY.**

REMOVAL

- (1) Disconnect and isolate the battery negative cable.
- (2) Remove the inboard switch pod bezel from the instrument panel. Refer to Switch Pod Bezel in Group 8E - Instrument Panel Systems for the procedures.
- (3) Remove the 4 screws that secure the heater-A/C control to the instrument panel (Fig. 48).



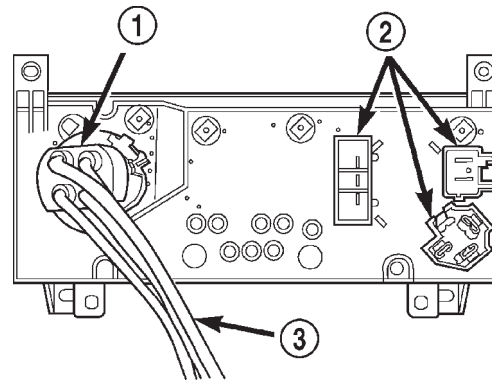
**Fig. 48 Heater-A/C Control Remove/Install**

1 - MOUNTING SCREW TABS

- (4) Pull the heater-A/C control assembly away from the instrument panel far enough to access the connections on the back of the control.
- (5) Unplug the wire and/or vacuum harness connectors from the back of the heater-A/C control (Fig. 49).
- (6) Remove the heater-A/C control from the instrument panel.

INSTALLATION

- (1) Plug the wire harness and/or vacuum harness connectors into the back of the heater-A/C control.



80b9a515

**Fig. 49 Heater-A/C Control Connections**

- 1 - MODE SWITCH
- 2 - ELECTRICAL CONNECTIONS
- 3 - VACUUM HARNESS

- (2) Position the heater-A/C control in the instrument panel and secure it with 4 screws. Tighten the screws to 2.2 N·m (20 in. lbs.).

- (3) Reinstall the inboard switch pod bezel onto the instrument panel. Refer to Switch Pod Bezel in Group 8E - Instrument Panel Systems for the procedures.

- (4) Connect the battery negative cable.

HEATER-A/C HOUSING

The heater-A/C housing assembly must be removed from the vehicle and the two halves of the housing separated for service access of the heater core, evaporator coil, blend-air door(s), and each of the various mode control doors.

**WARNING: ON VEHICLES EQUIPPED WITH AIR-BAGS, REFER TO GROUP 8M - PASSIVE RESTRAINT SYSTEMS BEFORE ATTEMPTING ANY STEERING WHEEL, STEERING COLUMN, OR INSTRUMENT PANEL COMPONENT DIAGNOSIS OR SERVICE. FAILURE TO TAKE THE PROPER PRECAUTIONS COULD RESULT IN ACCIDENTAL AIR-BAG DEPLOYMENT AND POSSIBLE PERSONAL INJURY.**

REMOVAL

- (1) Disconnect and isolate the battery negative cable.
- (2) Remove the instrument panel from the vehicle. Refer to Instrument Panel Assembly in Group 8E - Instrument Panel Systems for the procedures.
- (3) Recover the refrigerant from the refrigerant system. See Refrigerant Recovery in this group for the procedures.
- (4) Disconnect the liquid line refrigerant line from the evaporator inlet tube. Install plugs in, or tape over all of the opened refrigerant line fittings.



## REMOVAL AND INSTALLATION (Continued)

(5) Disconnect the suction line refrigerant line from the evaporator outlet tube. Install plugs in, or tape over all of the opened refrigerant line fittings.

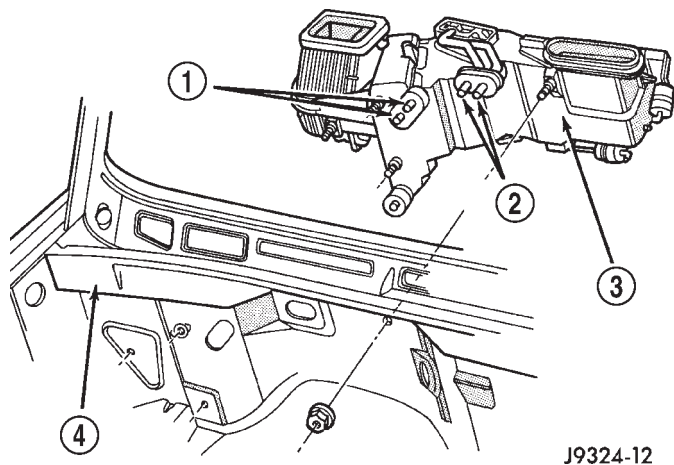
(6) Disconnect the heater hoses from the heater core tubes. Clamp off the heater hoses to prevent loss of coolant. Refer to Group 7-Cooling System for the procedures. Install plugs in, or tape over the opened heater core tubes.

(7) If the vehicle is equipped with the manual temperature control system, unplug the heater-A/C system vacuum supply line connector from the tee fitting near the heater core tubes.

(8) Remove the coolant reserve/overflow bottle from the passenger side inner fender shield. Refer to Group 7 - Cooling System for the procedures.

(9) Remove the Powertrain Control Module (PCM) from the passenger side dash panel in the engine compartment and set it aside. Do not unplug the PCM wire harness connectors. Refer to Group 14 - Fuel System for the procedures.

(10) Remove the nuts from the heater-A/C housing mounting studs on the engine compartment side of the dash panel (Fig. 50).



**Fig. 50 Heater-A/C Housing Remove/Install**

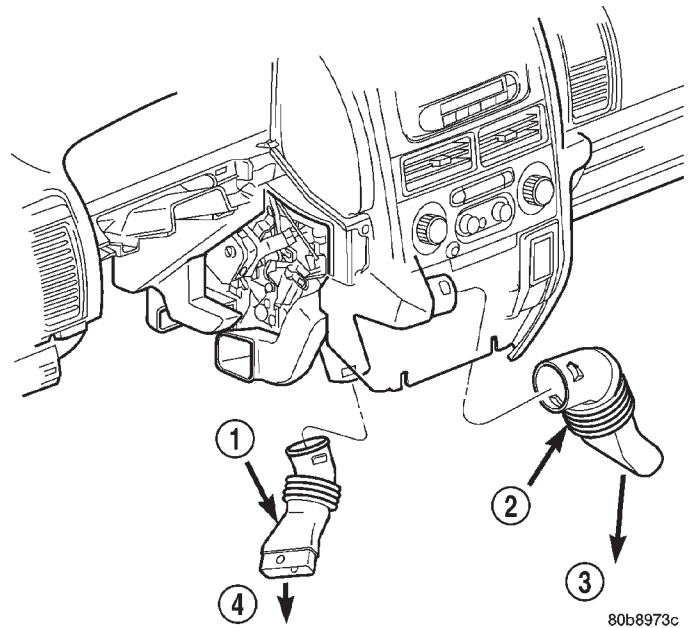
- 1 - EVAPORATOR LINES
- 2 - HEATER CORE LINES
- 3 - HEATER AND A/C UNIT
- 4 - BODY ASSEMBLY

(11) Remove the rear floor heat ducts from the floor heat duct outlets (Fig. 51).

(12) Unplug the heater-A/C housing wire harness connectors.

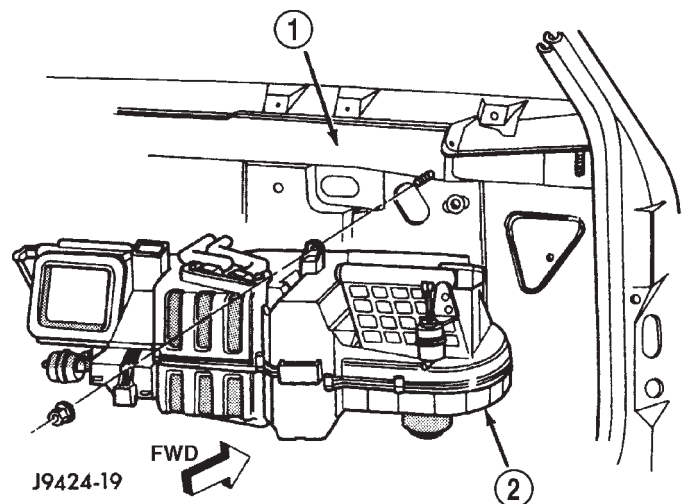
(13) Remove the heater-A/C housing mounting nuts from the studs on the passenger compartment side of the dash panel (Fig. 52).

(14) Remove the heater-A/C housing from the vehicle, ensuring that the interior is covered in case of loss of fluids.



**Fig. 51 Rear Floor Heat Ducts**

- 1 - LEFT REAR PASSENGER FLOOR AIR DUCT
- 2 - RIGHT REAR PASSENGER FLOOR AIR DUCT
- 3 - TO CARPET DUCT
- 4 - TO CARPET DUCT



**Fig. 52 Heater A/C Housing Remove/Install**

- 1 - BODY ASSEMBLY
- 2 - HEATER A/C UNIT

## INSTALLATION

(1) Position the heater-A/C housing to the dash panel. Be certain that the evaporator condensate drain tube and the housing mounting studs are inserted into their correct mounting holes.

(2) Install the heater-A/C housing mounting nuts to the studs on the passenger compartment side of the dash panel. Tighten the nuts to 4.5 N-m (40 in. lbs.).

REMOVAL AND INSTALLATION (Continued)

- (3) Connect the heater-A/C housing wire harness connectors.
- (4) Reinstall the rear floor heat ducts to the center floor heat duct outlets.
- (5) Install and tighten the nuts onto the heater-A/C housing mounting studs on the engine compartment side of the dash panel. Tighten the nuts to 7 N·m (60 in. lbs.).
- (6) Reinstall the PCM to the passenger side dash panel in the engine compartment. Refer to Group 14 - Fuel System for the procedures.
- (7) Reinstall the coolant reserve/overflow bottle to the passenger side inner fender shield. Refer to Group 7 - Cooling System for the procedures.
- (8) If the vehicle is equipped with the manual temperature control system, connect the heater-A/C system vacuum supply line connector to the tee fitting near the heater core tubes.
- (9) Unclamp/unplug the heater core hoses and tubes. Connect the heater hoses to the heater core tubes and fill the engine cooling system. Refer to Group 7-Cooling System for the procedures.
- (10) Unplug or remove the tape from the suction line and the evaporator outlet tube fittings. Connect the suction line coupler to the evaporator outlet tube. See Refrigerant Line Coupler in this group for the procedures.
- (11) Unplug or remove the tape from the liquid line and the evaporator inlet tube fittings. Connect the liquid line coupler to the evaporator inlet tube. See Refrigerant Line Coupler in this group for the procedures.
- (12) Evacuate the refrigerant system. See Refrigerant System Evacuate in this group for the procedures.
- (13) Charge the refrigerant system. See Refrigerant System Charge in this group for the procedures.
- (14) Install the instrument panel in the vehicle. Refer to Group 8E - Instrument Panel Systems for the procedures.
- (15) Connect the battery negative cable.
- (16) Start the engine and check for proper operation of the heating and air conditioning systems.

HEATER CORE AND TUBES

**WARNING: ON VEHICLES EQUIPPED WITH AIR-BAGS, REFER TO GROUP 8M - PASSIVE RESTRAINT SYSTEMS BEFORE ATTEMPTING ANY STEERING WHEEL, STEERING COLUMN, OR INSTRUMENT PANEL COMPONENT DIAGNOSIS OR SERVICE. FAILURE TO TAKE THE PROPER PRECAUTIONS COULD RESULT IN ACCIDENTAL AIR-BAG DEPLOYMENT AND POSSIBLE PERSONAL INJURY.**

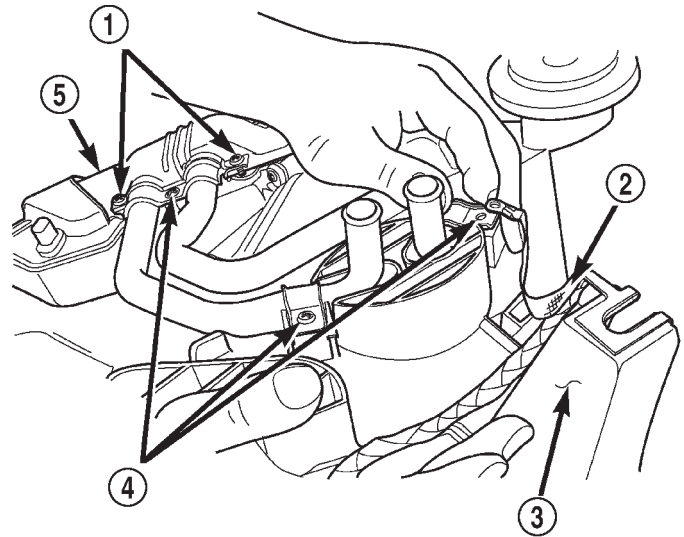
REMOVAL

(1) Remove the heater-A/C housing from the vehicle. See Heater-A/C Housing in this group for the procedures.

(2) Remove the foam gasket surrounding the core tubes.

**NOTE: Notice the orientation of the irregularly shaped gasket on the tubes. The gasket must be placed correctly to ensure proper sealing against the body during reinstallation.**

(3) Remove the screws and retainers that secure the heater core and tubes to the heater-A/C housing (Fig. 53).

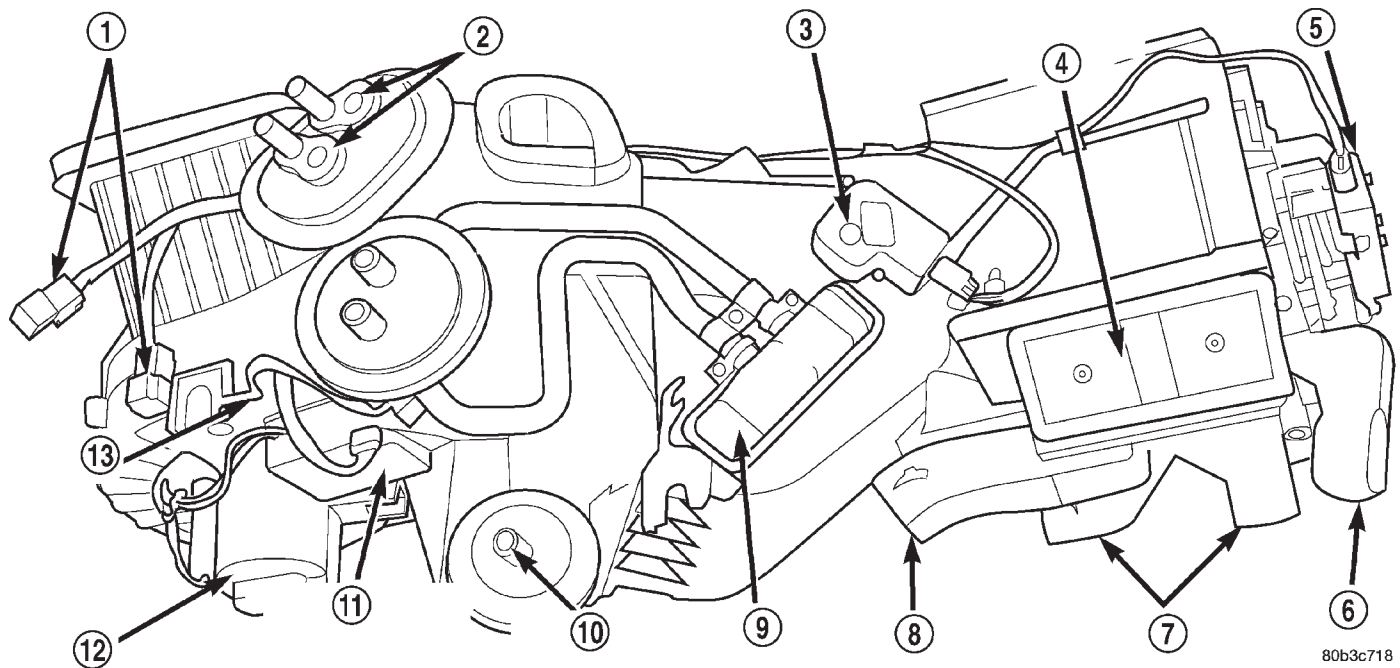


80b8989c

**Fig. 53 Heater Core, Tubes, Retainers**

- 1 - TUBE-TO-CORE CLAMPS
- 2 - GROUND STRAP
- 3 - HVAC HOUSING
- 4 - TUBE RETAINERS AND SCREWS
- 5 - HEATER CORE

## REMOVAL AND INSTALLATION (Continued)



80b3c718

**Fig. 54 Heater Core and Tubes**

- |                                       |   |
|---------------------------------------|---|
| 1 - ELECTRICAL CONNECTORS             | 8 - FLOOR DUCT                            |
| 2 - EVAPORATOR FITTINGS (CAPPED)      | 9 - HEATER CORE AND TUBES                 |
| 3 - ELECTRIC ACTUATOR                 | 10 - HOUSING DRAIN                        |
| 4 - OUTLET TO DEFROSTER DUCTS         | 11 - BLOWER MOTOR CONTROLLER/POWER MODULE |
| 5 - ELECTRIC ACTUATOR                 | 12 - BLOWER MOTOR                         |
| 6 - FLOOR DUCT                        | 13 - GROUND STRAP                         |
| 7 - TO REAR PASSENGER FLOOR AIR DUCTS |   |

(4) Remove the mode door actuator if necessary, for clearance to remove the core.

(5) Lift the heater core straight up and out of the heater-A/C housing (Fig. 54).

(6) When replacing individual tubes, loosen and remove the round tube-to-core clamp, and pull tube from core.

**INSTALLATION**

(1) When installing individual tubes, insert tube into core ensuring that tube O-ring is seated in core and not pinched. Hold tube in seated position while installing the round tube-to-core clamp (Fig. 55).

**NOTE:** The round tube-to-heater-core clamp should be left loose enough to turn the tube in the core. Position the core in the housing, and then tighten the tube-to-heater-core clamp after orienting the tubes to the molded heater-A/C housing.

(2) Lower the heater core into the heater-A/C housing.

(3) Install the mode door actuator, if removed from housing for core removal.

(4) Position the retainers over the heater core tubes. Install and tighten the screws that secure the heater core and retainers to the heater-A/C housing. Tighten the screws to 2.2 N-m (20 in. lbs.).

**NOTE:** The grounding strap is to be attached to the lower heater core tube retainer.

(5) Reinstall the heater-A/C housing to the vehicle. See Heater-A/C Housing in this group for the procedures.

**HIGH PRESSURE RELIEF VALVE**

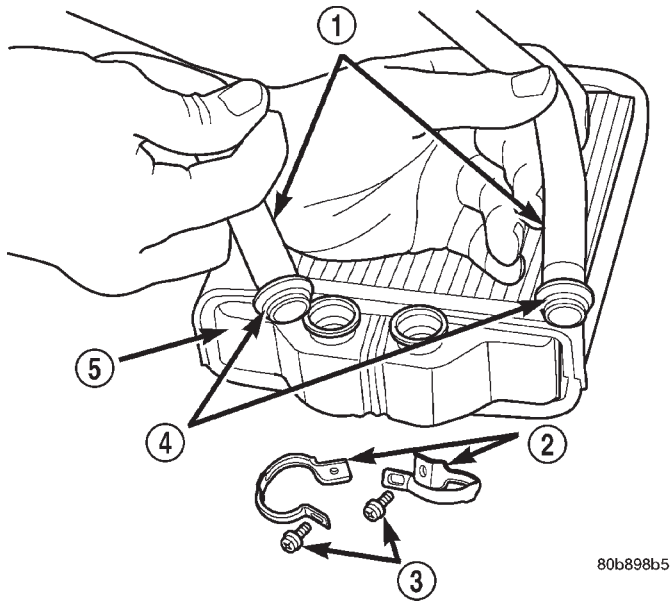
**WARNING:** REVIEW THE WARNINGS AND CAUTIONS IN THE FRONT OF THIS GROUP BEFORE PERFORMING THE FOLLOWING OPERATION.

**REMOVAL**

(1) Disconnect and isolate the battery negative cable.

(2) Recover the refrigerant from the refrigerant system. See Refrigerant Recovery in this group for the procedures.

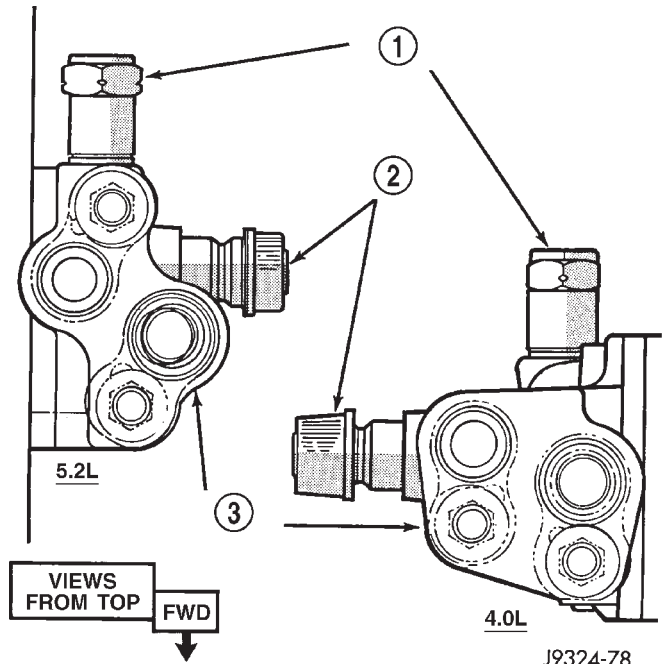
REMOVAL AND INSTALLATION (Continued)



80b898b5

**Fig. 55 Heater Core, Tubes, O-rings**

- 1 - HEATER CORE TUBES
- 2 - TUBE-TO-CORE CLAMPS
- 3 - SCREWS
- 4 - O-RINGS
- 5 - HEATER CORE



**Fig. 56 High Pressure Relief Valve - Typical**

- 1 - HIGH PRESSURE RELIEF VALVE
- 2 - HIGH PRESSURE SERVICE PORT
- 3 - COMPRESSOR MANIFOLD

(3) Turn the relief valve counterclockwise to remove it from the compressor manifold (Fig. 56). Install a plug in, or tape over the opened relief valve fitting on the compressor manifold.

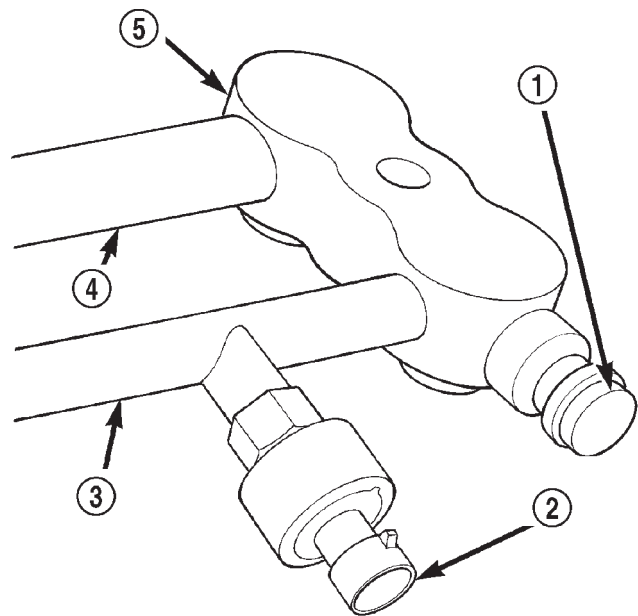
**INSTALLATION**

- (1) Remove the tape or plug from the relief valve fitting on the compressor manifold.
- (2) Install the high pressure relief valve in the compressor manifold fitting.
- (3) Connect the battery negative cable.
- (4) Evacuate the refrigerant system. See Refrigerant System Evacuate in this group for the procedures.
- (5) Charge the refrigerant system. See Refrigerant System Charge in this group for the procedures.

**HIGH PRESSURE SWITCH**

**REMOVAL**

- (1) Disconnect and isolate the battery negative cable.
- (2) Unplug the wire harness connector from the high pressure switch, which is mounted to a fitting on the discharge line between the compressor, near the condenser inlet (Fig. 57).
- (3) Unscrew the high pressure switch from the discharge line fitting.
- (4) Remove the high pressure switch from the vehicle.



80add30e

**Fig. 57 High Pressure Switch - Typical**

- 1 - HIGH PRESSURE SERVICE PORT
- 2 - HIGH PRESSURE CUT-OFF SWITCH
- 3 - DISCHARGE LINE
- 4 - SUCTION LINE
- 5 - MANIFOLD



## REMOVAL AND INSTALLATION (Continued)

(5) Remove the O-ring seal from the discharge line fitting and discard.

**INSTALLATION**

(1) Lubricate a new O-ring seal with clean refrigerant oil and install it on the discharge line fitting. Use only the specified O-rings as they are made of a special material for the R-134a system. Use only refrigerant oil of the type recommended for the compressor in the vehicle.

(2) Install and tighten the high pressure switch on the discharge line fitting.

(3) Plug the wire harness connector into the high pressure switch.

(4) Connect the battery negative cable.

**LIQUID LINE**

Any kinks or sharp bends in the refrigerant plumbing will reduce the capacity of the entire air conditioning system. Kinks and sharp bends reduce the flow of refrigerant in the system. High pressures are produced in the refrigerant system when the air conditioning compressor is operating. Extreme care must be exercised to make sure that each of the refrigerant system connections is pressure-tight and leak free.

**WARNING: REVIEW THE WARNINGS AND CAUTIONS IN THE FRONT OF THIS GROUP BEFORE PERFORMING THE FOLLOWING OPERATION.**

**REMOVAL**

(1) Disconnect and isolate the battery negative cable.

(2) Recover the refrigerant from the refrigerant system. See Refrigerant Recovery in this group for the procedures.

(3) Unsnap the plastic retainer clips that secure the liquid line to the inner fender shield and the dash panel in the engine compartment.

(4) Disengage the liquid line from the plastic retainer clips.

(5) Disconnect the liquid line refrigerant line fitting from the evaporator inlet tube. Install plugs in, or tape over all of the opened refrigerant line fittings.

(6) Disconnect the liquid line from the condenser outlet tube refrigerant line fitting. Install plugs in, or tape over all of the opened refrigerant line fittings.

(7) Remove the liquid line from the plastic clip that secures it to the right inner fender shield.

(8) Remove the liquid line from the vehicle.

**INSTALLATION**

(1) Remove the tape or plugs from the refrigerant line fittings on the condenser outlet tube and the condenser end of the liquid line.

(2) Remove the tape or plugs from the refrigerant line fittings on the evaporator end of the liquid line and from the evaporator inlet tube.

(3) Install the liquid line into the plastic retainer clips that secure it to the inner fender shield and the dash panel and snap the retainer clips closed.

(4) Connect the battery negative cable.

(5) Evacuate the refrigerant system. See Refrigerant System Evacuate in this group for the procedures.

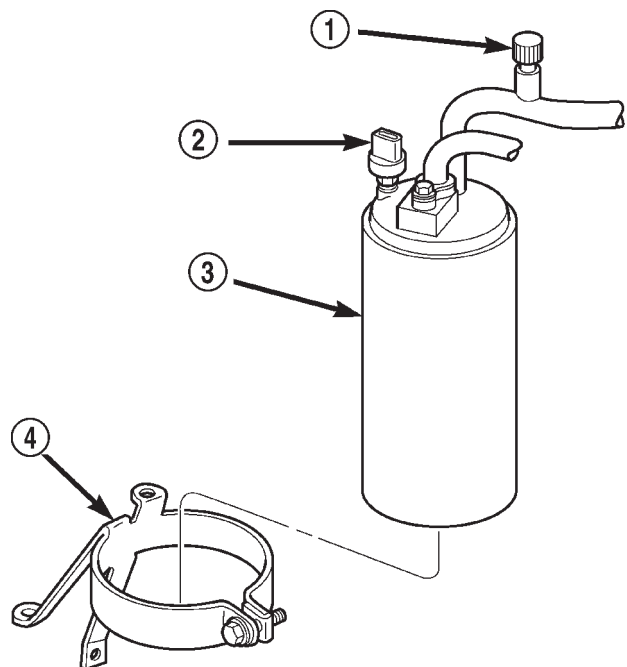
(6) Charge the refrigerant system. See Refrigerant System Charge in this group for the procedures.

**LOW PRESSURE CYCLING CLUTCH SWITCH****REMOVAL**

(1) Disconnect and isolate the battery negative cable.

(2) Unplug the wire harness connector from the low pressure cycling clutch switch on the top of the accumulator.

(3) Unscrew the low pressure cycling clutch switch from the fitting on the top of the accumulator (Fig. 58).



80b76f91

**Fig. 58 Accumulator and Support Bracket**

- 1 - SERVICE PORT
- 2 - LOW PRESSURE SWITCH
- 3 - ACCUMULATOR
- 4 - SUPPORT BRACKET

(4) Remove the O-ring seal from the accumulator fitting and discard.

REMOVAL AND INSTALLATION (Continued)

**INSTALLATION**

- (1) Lubricate a new O-ring seal with clean refrigerant oil and install it on the accumulator fitting. Use only the specified O-rings as they are made of a special material for the R-134a system. Use only refrigerant oil of the type recommended for the compressor in the vehicle.
- (2) Install and tighten the low pressure cycling clutch switch on the accumulator fitting. The switch should be hand-tightened onto the accumulator fitting.
- (3) Plug the wire harness connector into the low pressure cycling clutch switch.
- (4) Connect the battery negative cable.

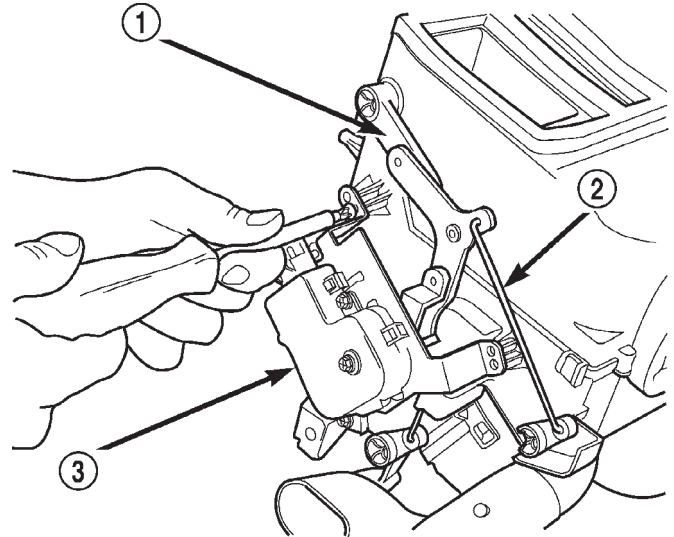
**MODE DOOR ACTUATORS**

**WARNING: ON VEHICLES EQUIPPED WITH AIR-BAGS, REFER TO GROUP 8M - PASSIVE RESTRAINT SYSTEMS BEFORE ATTEMPTING ANY STEERING WHEEL, STEERING COLUMN, OR INSTRUMENT PANEL COMPONENT DIAGNOSIS OR SERVICE. FAILURE TO TAKE THE PROPER PRECAUTIONS COULD RESULT IN ACCIDENTAL AIR-BAG DEPLOYMENT AND POSSIBLE PERSONAL INJURY.**

The mode door actuators for vehicles equipped with the standard equipment manual temperature control system are vacuum controlled. The optional Automatic Zone Control (AZC) system uses electric motors to actuate all mode doors. The temperature/blend-air door for all models is actuated by an electric motor, while the AZC system uses 2 separate motors to allow the driver and passenger to select individual comfort levels. The service procedures for both types of actuators are covered by the following procedures.

**HEAT/DEFROST - PANEL/DEFROST DOOR MOTOR**

- This motor is used only on models equipped with the optional Automatic Zone Control (AZC) system.
- (1) Disconnect and isolate the battery negative cable.
  - (2) Remove the two bolts that secure the center instrument panel support bracket to the left side of the floor panel transmission tunnel.
  - (3) Remove the two bolts that secure the center instrument panel support bracket to the instrument panel.
  - (4) Remove the center instrument panel support bracket from the vehicle.
  - (5) Unplug the wire harness connector from the heat/defrost - panel/defrost door motor (Fig. 59).
  - (6) Remove the three screws that secure the heat/defrost-panel/defrost door motor to the heater-A/C housing.



80b897c8

**Fig. 59 Heat/Defrost - Panel/Defrost Door Motor**

- 1 - LEVER ASSEMBLY
- 2 - LINKAGE
- 3 - ELECTRIC ACTUATOR

- (7) Remove the heat/defrost-panel/defrost door motor from the heater-A/C housing.
- (8) Reverse the removal procedures to install. Tighten the mounting screws to 2.2 N·m (20 in. lbs.).

**HEAT/DEFROST DOOR VACUUM ACTUATOR**

This actuator is used only on models equipped with the standard manual temperature control system.

- (1) Remove the heater-A/C housing from the vehicle. See Heater-A/C Housing in this group for the procedures.
- (2) Unplug the vacuum harness connector from the heat/defrost door vacuum actuator (Fig. 60).
- (3) Disengage the heat/defrost door pivot connection from the heat/defrost door pivot pin.
- (4) Remove the screws that secure the heat/defrost door vacuum actuator to the heater-A/C housing.
- (5) Remove the heat/defrost door vacuum actuator from the heater-A/C housing.
- (6) Reverse the removal procedures to install. Tighten the mounting screws to 2.2 N·m (20 in. lbs.).

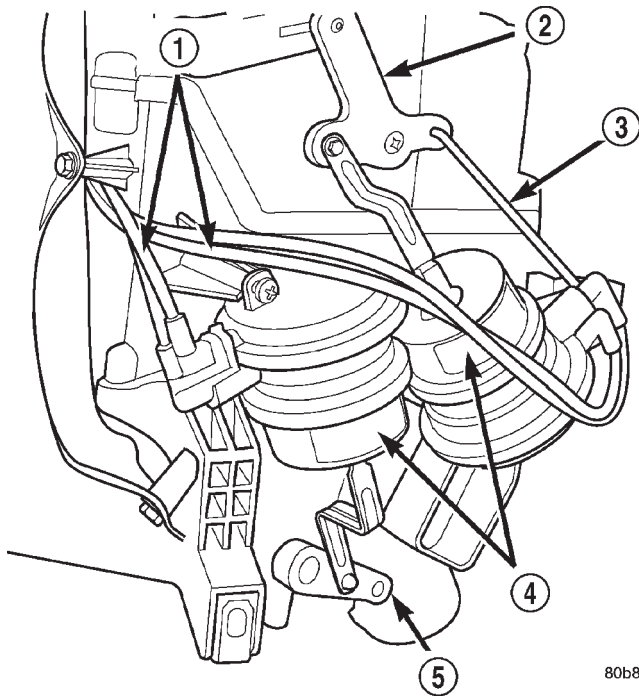
**PANEL/DEFROST DOOR VACUUM ACTUATOR**

This actuator is used only on models equipped with the standard manual temperature control system.

- (1) Remove the heater-A/C housing from the vehicle. See Heater-A/C Housing in this group for the procedures.
- (2) Unplug the vacuum harness connector from the heat/defrost door vacuum actuator (Fig. 61).



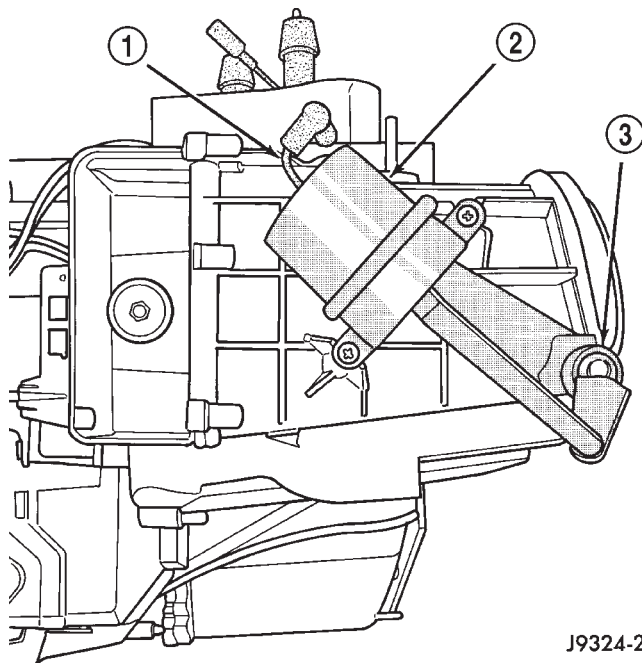
## REMOVAL AND INSTALLATION (Continued)



80b897c5

**Fig. 60 Heat/Defrost Door Vacuum Actuator**

- 1 - VACUUM LINES
- 2 - ACTUATING LEVERS
- 3 - LINKAGE
- 4 - VACUUM ACTUATORS
- 5 - ACTUATING LEVER



J9324-26

**Fig. 61 Panel/Defrost Door Vacuum Actuator**

- 1 - VACUUM LINE
- 2 - PANEL/DEFROST ACTUATOR
- 3 - SHAFT RETAINER

(3) Disengage the panel/defrost door pivot connection from the panel/defrost door pivot pin.

(4) Remove the screws that secure the panel/defrost door vacuum actuator to the heater-A/C housing.

(5) Remove the panel/defrost door vacuum actuator from the heater-A/C housing.

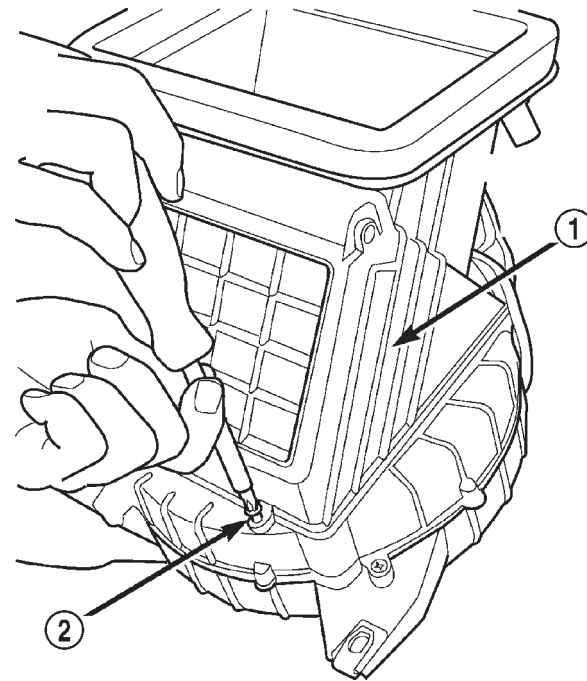
(6) Reverse the removal procedures to install. Tighten the mounting screws to 2.2 N-m (20 in. lbs.).

**RECIRCULATION AIR DOOR MOTOR**

This motor is used only on models equipped with the optional Automatic Zone Control (AZC) system.

(1) Remove the instrument panel from the vehicle. Refer to Instrument Panel Assembly in Group 8E - Instrument Panel Systems for the procedures.

(2) Unplug the wire harness connector from the recirculation air door motor.



80b897cd

**Fig. 62 Recirculation Air Door Housing**

- 1 - RECIRCULATION AIR DOOR HOUSING
- 2 - ATTACHING SCREWS

(3) Remove the 2 screws securing the recirculation air door housing to the HVAC unit (Fig. 62). Tilt the front of the housing up while reaching around the back releasing 2 tangs holding the rear of the housing down.

(4) Remove the recirculation air door housing from the HVAC unit.

(5) Remove the screws that secure the recirculation air door motor to the heater-A/C housing.

(6) Remove the recirculation air door motor from the heater-A/C housing.

## REMOVAL AND INSTALLATION (Continued)

(7) Reverse the removal procedures to install. Tighten the mounting screws to 2.2 N·m (20 in. lbs.).

**RECIRCULATION AIR DOOR VACUUM ACTUATOR**

This actuator is used only on models equipped with the standard manual temperature control system.

(1) Remove the instrument panel from the vehicle. Refer to Instrument Panel Assembly in Group 8E - Instrument Panel Systems for the procedures.

(2) Unplug the vacuum harness connector from the recirculation air door vacuum actuator.

(3) Disengage the recirculation air door pivot connection from the door pivot pin.

(4) Disengage the recirculation air door actuating rod from the recirculation air door lever.

(5) Remove the screws that secure the recirculation air door vacuum actuator to the heater-A/C housing.

(6) Remove the recirculation air door vacuum actuator from the heater-A/C housing.

(7) Reverse the removal procedures to install. Tighten the mounting screws to 2.2 N·m (20 in. lbs.).

**BLEND-AIR DOOR MOTOR(S)**

The blend-air door motor is used on all models, whether equipped with manual or Automatic Zone Control (AZC). This motor is located on the front of the heater-A/C housing to the right of the floor panel transmission tunnel, and can be removed from the passenger compartment without instrument panel or heater-A/C housing removal.

(1) Disconnect and isolate the battery negative cable.

(2) Remove the glove box door.

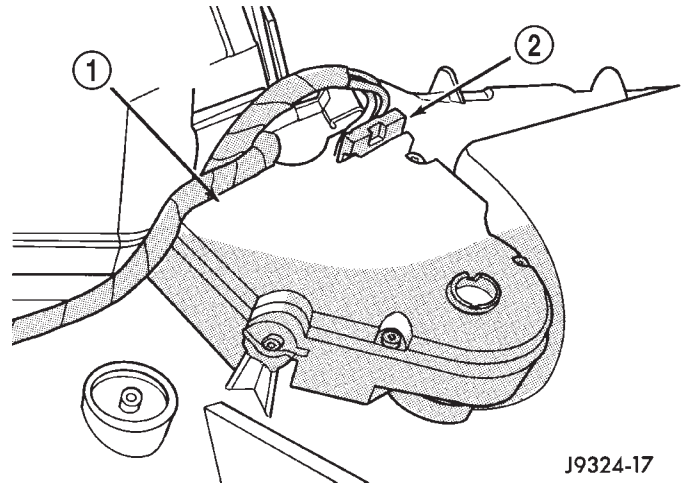
Remove the lower I/P glove box door surround panel.

(3) Unplug the wire harness connector from the temperature/blend-air door motor (Fig. 63).

(4) Remove the 2 screws that secure the blend-air door motor to the heater-A/C housing.

(5) Remove the blend-air door motor from the heater-A/C housing.

(6) Reverse the removal procedures to install. Tighten the mounting screws to 2.2 N·m (20 in. lbs.).



J9324-17

**Fig. 63 Blend-Air Door Motor-Typical**

- 1 - TEMPERATURE BLEND AIR DOOR MOTOR  
2 - ELECTRICAL CONNECTOR

**PANEL/DEFROST DOOR AND LEVER**

**WARNING: ON VEHICLES EQUIPPED WITH AIR-BAGS, REFER TO GROUP 8M - PASSIVE RESTRAINT SYSTEMS BEFORE ATTEMPTING ANY STEERING WHEEL, STEERING COLUMN, OR INSTRUMENT PANEL COMPONENT DIAGNOSIS OR SERVICE. FAILURE TO TAKE THE PROPER PRECAUTIONS COULD RESULT IN ACCIDENTAL AIR-BAG DEPLOYMENT AND POSSIBLE PERSONAL INJURY.**

**REMOVAL**

(1) Remove the heater-A/C housing from the vehicle. See Heater-A/C Housing in this group for the procedures.

(2) Place the heater-A/C housing with the tubing side down on a work bench, making allowance for leakage of fluids.

(3) Using a sharp knife, split the foam seal surrounding the panel outlet opening, at the dividing line of the upper and lower cases (Fig. 16).

(4) Place the heater-A/C housing in the upright position on the work bench.

(5) Remove the mode door actuator on the left side of the housing, controlling the mode door in the top of the case (Fig. 17) (Fig. 18).

## REMOVAL AND INSTALLATION (Continued)

(6) Remove the screw with plastic washer holding the lever assembly to the upper case section, and move aside (Fig. 19).

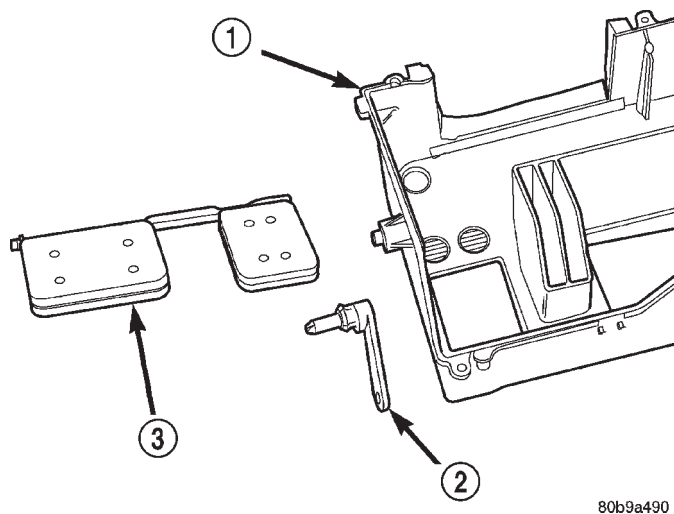
(7) Remove the 5 clips that secure the two housing halves to each other. There are 2 on either side at the center, and 1 located at the forward end of the mode door side of the case (Fig. 20).

(8) Release the wire harness electrical connector(s) from the mounts on the lower case at the blower motor end of the unit (Fig. 21).

(9) Remove the 10 screws that secure the two housing halves to each other.

(10) Separate the top half of the heater-A/C housing from the bottom half (Fig. 22).

(11) Pinch the retention tabs holding the panel/defrost door pivot shaft to the case. The 3 plastic tabs, located on the inside of the case, are part of the shaft retainer (Fig. 64).



**Fig. 64 Panel/Defrost Door**

- 1 - UPPER HOUSING  
2 - LEVER  
3 - PANEL/DEFROST MODE DOOR

(12) Using a trim stick or another suitable wide flat-bladed tool, gently pry the panel/defrost door pivot shaft retainer from the pivot shaft.

(13) Remove the panel/defrost door from the heater-A/C housing.

## INSTALLATION

Reverse the removal procedures to install.

- Be certain that each of the door pivot pins align with the pivot holes in the heater-A/C housing.
- Tighten the heater-A/C housing screws to 2.2 N·m (20 in. lbs.).
- Check door for binding after replacement, and after assembly of housing.

## PANEL OUTLET DOOR

**WARNING: ON VEHICLES EQUIPPED WITH AIR-BAGS, REFER TO GROUP 8M - PASSIVE RESTRAINT SYSTEMS BEFORE ATTEMPTING ANY STEERING WHEEL, STEERING COLUMN, OR INSTRUMENT PANEL COMPONENT DIAGNOSIS OR SERVICE. FAILURE TO TAKE THE PROPER PRECAUTIONS COULD RESULT IN ACCIDENTAL AIR-BAG DEPLOYMENT AND POSSIBLE PERSONAL INJURY.**

## REMOVAL

(1) Remove the heater-A/C housing from the vehicle. See Heater-A/C Housing in this group for the procedures.

(2) Place the heater-A/C housing with the tubing side down on a work bench, making allowance for leakage of fluids.

(3) Using a sharp knife, split the foam seal surrounding the panel outlet opening, at the dividing line of the upper and lower cases (Fig. 16).

(4) Place the heater-A/C housing in the upright position on the work bench.

(5) Remove the mode door actuator on the left side of the housing, controlling the mode door in the top of the case (Fig. 17) (Fig. 18).

(6) Remove the screw with plastic washer holding the lever assembly to the upper case section, and move aside (Fig. 19).

(7) Remove the 5 clips that secure the two housing halves to each other. There are 2 on either side at the center, and 1 located at the forward end of the mode door side of the case (Fig. 20).

(8) Release the wire harness electrical connector(s) from the mounts on the lower case at the blower motor end of the unit (Fig. 21).

(9) Remove the 10 screws that secure the two housing halves to each other.

(10) Separate the top half of the heater-A/C housing from the bottom half (Fig. 22).

(11) Pinch the retention tabs holding the panel outlet door pivot shaft to the case. The 3 plastic tabs, located on the inside of the case, are part of the shaft retainer (Fig. 65).

(12) Using a trim stick or another suitable wide flat-bladed tool, gently pry the panel outlet door pivot shaft retainer from the pivot shaft.

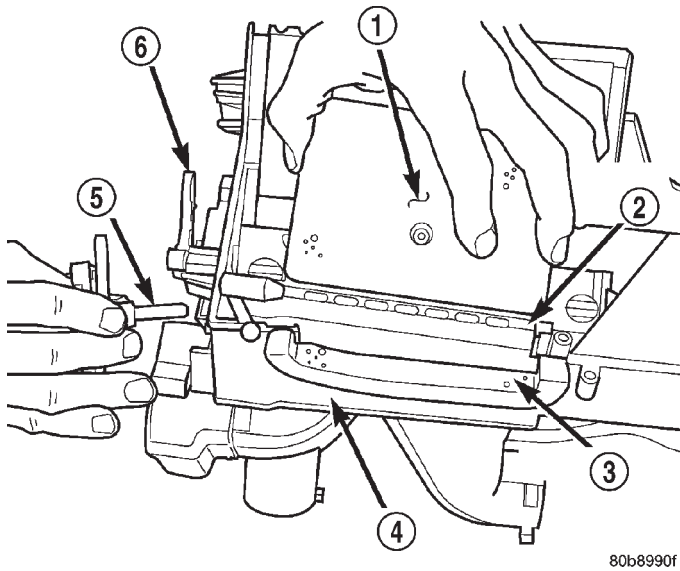
(13) Remove the panel outlet door from the heater-A/C housing.

## INSTALLATION

Reverse the removal procedures to install.

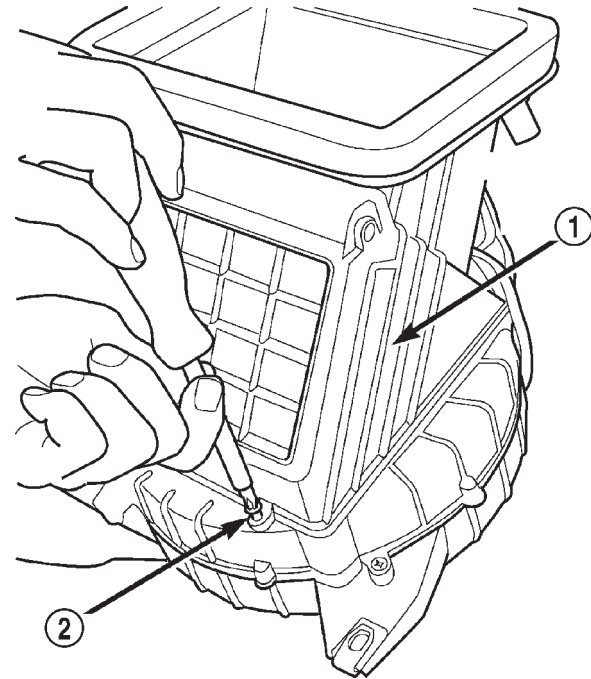
- Be certain that each of the door pivot pins align with the pivot holes in the heater-A/C housing.

REMOVAL AND INSTALLATION (Continued)



**Fig. 65 Panel Outlet Door**

- 1 - PANEL/OUTLET DOOR
- 2 - DOOR SHAFT
- 3 - FOAM SEAL (SPLIT)
- 4 - LOWER HOUSING
- 5 - PANEL OUTLET DOOR LEVER
- 6 - LEVER



**Fig. 66 Recirculation Air Door Housing**

- 1 - RECIRCULATION AIR DOOR HOUSING
- 2 - ATTACHING SCREWS

- Tighten the heater-A/C housing screws to 2.2 N·m (20 in. lbs.).
- Check door for binding after replacement, and after assembly of housing.

**RECIRCULATION AIR DOOR**

**WARNING: ON VEHICLES EQUIPPED WITH AIR-BAGS, REFER TO GROUP 8M - PASSIVE RESTRAINT SYSTEMS BEFORE ATTEMPTING ANY STEERING WHEEL, STEERING COLUMN, OR INSTRUMENT PANEL COMPONENT DIAGNOSIS OR SERVICE. FAILURE TO TAKE THE PROPER PRECAUTIONS COULD RESULT IN ACCIDENTAL AIR-BAG DEPLOYMENT AND POSSIBLE PERSONAL INJURY.**

**REMOVAL**

- (1) Remove the heater-A/C housing from the vehicle. See Heater-A/C Housing in this group for the procedures.
- (2) Place the heater-A/C housing right side up on the work bench.
- (3) Unplug the wire/vacuum connector from the recirculation air door actuator.
- (4) Remove the 2 screws fastening the recirculation air door sub-assembly to the main housing (Fig. 66).

- (5) Raise the front of the door sub-assembly while releasing the 2 tabs holding the rear to the main housing, and remove the recirculation air door housing.
- (6) Remove the electric/vacuum actuator from the recirculation air door sub-assembly and set aside.
- (7) Pinch the retention tabs holding the recirculation air door pivot shaft to the case. The 3 plastic tabs, located on the inside of the case, are part of the shaft retainer.
- (8) Remove the recirculation air door from the recirculation air door housing.

**INSTALLATION**

- Reverse the removal procedures to install.
- Be certain that each of the door pivot pins align with the pivot holes in the heater-A/C housing.
  - Tighten the heater-A/C housing screws to 2.2 N·m (20 in. lbs.).
  - Check door for binding after replacement, and after assembly of housing.

**VACUUM CHECK VALVE**

- (1) Unplug the heater-A/C vacuum supply line connector at the vacuum check valve near the engine intake manifold vacuum adapter fitting.
- (2) Note the orientation of the check valve in the vacuum supply line for correct installation.
- (3) Unplug the vacuum check valve from the vacuum supply line fittings.

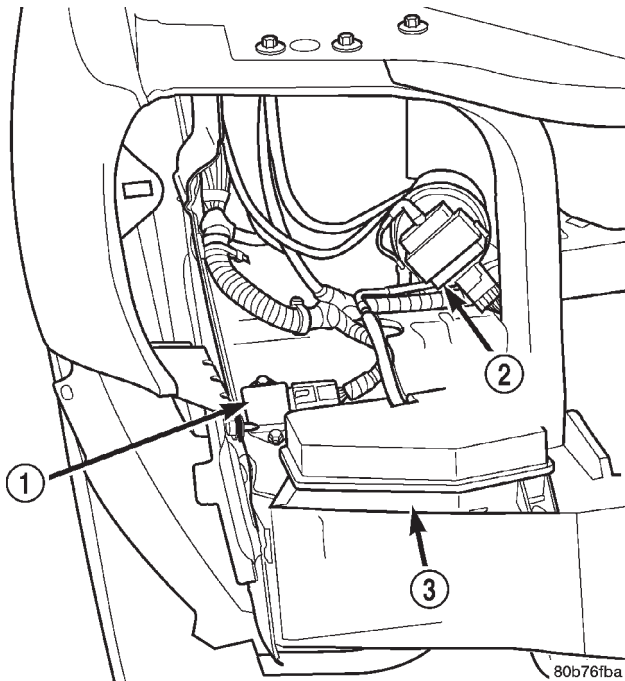


REMOVAL AND INSTALLATION (Continued)

(4) Reverse the removal procedures to install.

**VACUUM RESERVOIR**

The vacuum reservoir is mounted in the right front of the vehicle behind the headlamp mounting module. The headlamp mounting module and headlamp assembly must be removed from the vehicle to access the vacuum reservoir for service. Refer to Group 8L - Lamps for more information on component removal (Fig. 67).



**Fig. 67 Vacuum Reservoir**

- 1 - FAN RELAY
- 2 - CRUISE SERVO
- 3 - VACUUM RESERVOIR

- (1) Remove the two screws that secure the vacuum reservoir to the base of the radiator closure panel.
- (2) Remove the vacuum reservoir.
- (3) Reverse the removal procedures to install. Tighten the mounting screws to 3.4 N·m (30 in. lbs.).

**VARIABLE ORIFICE VALVE**

The Variable Orifice Valve (VOV) is located in the liquid line near the condenser. If the orifice valve is faulty or plugged, the liquid line unit must be replaced. See Liquid Line in this group for the service procedures.

**SPECIFICATIONS**

**A/C APPLICATION TABLE**

Item	Description	Notes
VEHICLE	WJ - Grand Cherokee	
SYSTEM	R134a w/fixed orifice tube	0.052" orifice
COMPRESSOR	Nippondenso 10PA17	ND-8 PAG oil
Freeze-up Control	Low Pressure Cycling Cutout Switch	accumulator mounted
Low psi Control	opens < 22 psi - resets > 34-38 psi	
High psi Control	opens > 450-490 psi - resets < 270-330 psi	line mounted
CONTROL HEAD	manual type	manual controls
	Automatic Zone Control (AZC)	Automatic Zone Control (AZC) with dual infrared sensing
Mode Doors	vacuum actuators	(electric actuator AZC)
Blend Air Door	electric actuator	(manual and AZC)
Blend Air Door (passenger)	electric actuator	(AZC only)
Fresh/Recirc door	vacuum	(electric actuator AZC)
Blower Motor	hardwired to control head	resistor block manual, power module (AZC)
COOLING FAN	Hybrid - viscous clutch/electric	PCM output
CLUTCH		
Control	relay	PCM
Draw	2.0-3.9 amps @ 12 V	± 0.5V@ 70° F
Gap	0.016"-0.031"	
DRB III®		
Reads	TPS, RPM, A/C switch	
Actuators	clutch relay	

# EMISSION CONTROL SYSTEMS

## TABLE OF CONTENTS

	page		page
ON-BOARD DIAGNOSTICS .....	1	EVAPORATIVE EMISSION CONTROLS .....	23

## ON-BOARD DIAGNOSTICS

### TABLE OF CONTENTS

	page		page
<b>DESCRIPTION AND OPERATION</b>		<b>TASK MANAGER—GASOLINE POWERED</b>	
EMISSION SYSTEM.....	1	ENGINES ONLY .....	16
MALFUNCTION INDICATOR LAMP (MIL) .....	2	MONITORED SYSTEMS.....	19
STATE DISPLAY TEST MODE .....	2	TRIP DEFINITION .....	21
CIRCUIT ACTUATION TEST MODE .....	2	COMPONENT MONITORS.....	21
DIAGNOSTIC TROUBLE CODES.....	2	NON-MONITORED CIRCUITS .....	22
DIAGNOSTIC TROUBLE CODE		HIGH AND LOW LIMITS.....	22
DESCRIPTIONS .....	3	LOAD VALUE.....	22

### DESCRIPTION AND OPERATION

#### EMISSION SYSTEM

##### OPERATION

The Powertrain Control Module (PCM) monitors many different circuits in the fuel injection, ignition, emission and engine systems. If the PCM senses a problem with a monitored circuit often enough to indicate an actual problem, it stores a Diagnostic Trouble Code (DTC) in the PCM's memory. If the code applies to a non-emissions related component or system, and the problem is repaired or ceases to exist, the PCM cancels the code after 40 warm-up cycles. Diagnostic trouble codes that affect vehicle emissions illuminate the Malfunction Indicator (check engine) Lamp. Refer to Malfunction Indicator Lamp in this section.

Certain criteria must be met before the PCM stores a DTC in memory. The criteria may be a specific range of engine RPM, engine temperature, and/or input voltage to the PCM.

The PCM might not store a DTC for a monitored circuit even though a malfunction has occurred. This may happen because one of the DTC criteria for the

circuit has not been met. **For example**, assume the diagnostic trouble code criteria requires the PCM to monitor the circuit only when the engine operates between 750 and 2000 RPM. Suppose the sensor's output circuit shorts to ground when engine operates above 2400 RPM (resulting in 0 volt input to the PCM). Because the condition happens at an engine speed above the maximum threshold (2000 rpm), the PCM will not store a DTC.

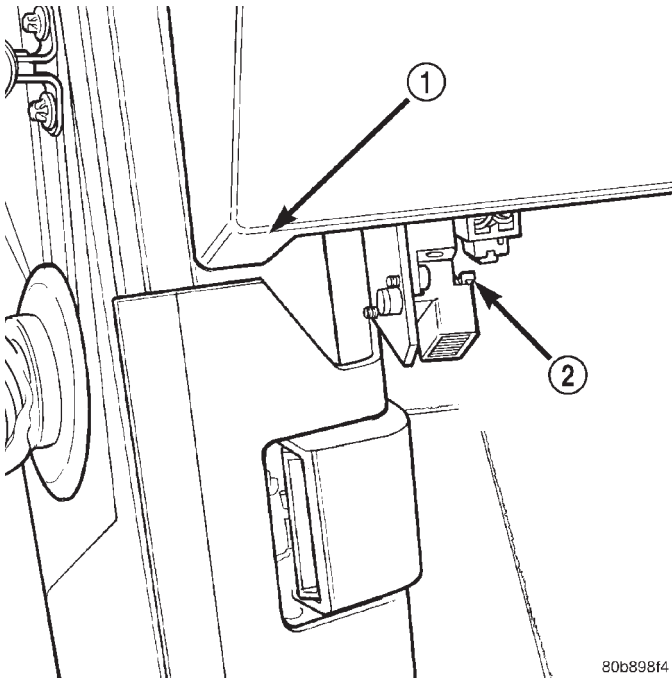
There are several operating conditions for which the PCM monitors and sets DTC's. Refer to Monitored Systems, Components, and Non-Monitored Circuits in this section.

Technicians must retrieve stored DTC's by connecting the DRB scan tool (or an equivalent scan tool) to the 16-way data link connector (Fig. 1).

**NOTE:** Various diagnostic procedures may actually cause a diagnostic monitor to set a DTC. For instance, pulling a spark plug wire to perform a spark test may set the misfire code. When a repair is completed and verified, connect the DRB scan tool to the 16-way data link connector to erase all DTC's and extinguish the MIL (check engine lamp).



## DESCRIPTION AND OPERATION (Continued)



80b89814

**Fig. 1 Data Link (Diagnostic) Connector Location**

- 1 - INSTRUMENT PANEL LOWER/LEFT EDGE  
2 - DATA LINK CONNECTOR

## MALFUNCTION INDICATOR LAMP (MIL)

### DESCRIPTION

The Malfunction Indicator Lamp (MIL) is located on the instrument panel. It is displayed as an engine icon (graphic).

### OPERATION

As a functional test, the MIL illuminates at key-on before engine cranking. Whenever the Powertrain Control Module (PCM) sets a Diagnostic Trouble Code (DTC) that affects vehicle emissions, it illuminates the MIL. If a problem is detected, the PCM sends a message to the instrument cluster to illuminate the lamp. The PCM illuminates the MIL only for DTC's that affect vehicle emissions. There are some monitors that may take two consecutive trips, with a detected fault, before the MIL is illuminated. The MIL stays on continuously when the PCM has entered a Limp-In mode or identified a failed emission component. Refer to the Diagnostic Trouble Code charts in this group for emission related codes.

Also, the MIL either flashes or illuminates continuously when the PCM detects active engine misfire. Refer to Misfire Monitoring in this section.

Additionally, the PCM may reset (turn off) the MIL when one of the following occur:

- PCM does not detect the malfunction for 3 consecutive trips (except misfire and Fuel system Monitors).

- PCM does not detect a malfunction while performing three successive engine misfire or fuel system tests. The PCM performs these tests while the engine is operating within  $\pm 375$  RPM of and within 10 % of the load of the operating condition at which the malfunction was first detected.

## STATE DISPLAY TEST MODE

### OPERATION

The switch inputs to the Powertrain Control Module (PCM) have two recognized states; HIGH and LOW. For this reason, the PCM cannot recognize the difference between a selected switch position versus an open circuit, a short circuit, or a defective switch. If the State Display screen shows the change from HIGH to LOW or LOW to HIGH, assume the entire switch circuit to the PCM functions properly. Connect the DRB scan tool to the data link connector and access the state display screen. Then access either State Display Inputs and Outputs or State Display Sensors.

## CIRCUIT ACTUATION TEST MODE

### OPERATION

The Circuit Actuation Test Mode checks for proper operation of output circuits or devices the Powertrain Control Module (PCM) may not internally recognize. The PCM attempts to activate these outputs and allow an observer to verify proper operation. Most of the tests provide an audible or visual indication of device operation (click of relay contacts, fuel spray, etc.). Except for intermittent conditions, if a device functions properly during testing, assume the device, its associated wiring, and driver circuit work correctly. Connect the DRB scan tool to the data link connector and access the Actuators screen.

## DIAGNOSTIC TROUBLE CODES

### OPERATION

A Diagnostic Trouble Code (DTC) indicates that the Powertrain Control Module (PCM) has recognized an abnormal condition in the system.

**DTC's are the results of a system or circuit failure, but do not directly identify the failed component or components.**

Technicians must retrieve stored DTC's by connecting the DRB III scan tool (or an equivalent scan tool) to the 16-way data link connector. This connector is located on the lower edge of the instrument panel near the steering column.

### OBTAINING DTC's

**WARNING: APPLY PARKING BRAKE AND/OR BLOCK WHEELS BEFORE PERFORMING ANY TEST ON AN OPERATING ENGINE.**

DESCRIPTION AND OPERATION (Continued)

- (1) Connect the DRB scan tool to data link (diagnostic) connector.
- (2) Turn the ignition switch on, access Read Fault Screen. Record all the DTC's shown on the DRB scan tool.

- (3) To erase DTC's, use the Erase Trouble Code data screen on the DRB scan tool.

**NOTE: For a list of DTC's, refer to the following charts.**

DIAGNOSTIC TROUBLE CODE DESCRIPTIONS

<b>(M) Malfunction Indicator Lamp (MIL) illuminated during engine operation if this DTC was recorded (depending if required by CARB and/or EPA). MIL is displayed as an engine icon on instrument panel.</b>		
<b>(G) Generator lamp illuminated</b>		
Generic Scan Tool P-Code	DRB Scan Tool Display	Brief Description of DTC
P0030 (M)	1/1 O2 Sensor Heater Relay Circuit	Problem detected in oxygen sensor heater relay circuit.
P0036 (M)	1/2 O2 Sensor Heater Relay Circuit	Problem detected in oxygen sensor heater relay circuit.
P0106	Barometric Pressure Out of Range	MAP sensor input voltage out of an acceptable range detected during reading of barometric pressure at key-on.
P0107 (M)	Map Sensor Voltage Too Low	MAP sensor input below minimum acceptable voltage.
P0108 (M)	Map Sensor Voltage Too High	MAP sensor input above maximum acceptable voltage.
P0112 (M)	Intake Air Temp Sensor Voltage Low	Intake air (charge) temperature sensor input below the minimum acceptable voltage.
P0113 (M)	Intake Air Temp Sensor Voltage High	Intake air (charge) temperature sensor input above the maximum acceptable voltage.
P0116		A rationally error has been detected in the coolant temp sensor.
P0117 (M)	ECT Sensor Voltage Too Low	Engine coolant temperature sensor input below the minimum acceptable voltage.
P0118 (M)	ECT Sensor Voltage Too High	Engine coolant temperature sensor input above the maximum acceptable voltage.
P0121 (M)	TPS Voltage Does Not Agree With MAP	TPS signal does not correlate to MAP sensor signal.
P0121 (M)	Accelerator Position Sensor (APPS) Signal Voltage Too Low	APPS voltage input below the minimum acceptable voltage.
P0122 (M)	Throttle Position Sensor Voltage Low	Throttle position sensor input below the acceptable voltage range.
P0122 (M)	Accelerator Position Sensor (APPS) Signal Voltage Too Low	APPS voltage input below the minimum acceptable voltage.
P0123 (M)	Throttle Position Sensor Voltage High	Throttle position sensor input above the maximum acceptable voltage.
P0123 (M)	Accelerator Position Sensor (APPS) Signal Voltage Too High	APPS voltage input above the maximum acceptable voltage.
P0125 (M)	Closed Loop Temp Not Reached	Time to enter Closed Loop Operation (Fuel Control) is excessive.
P0125 (M)	Engine is Cold Too Long	Engine does not reach operating temperature.
P0130 (M)	1/1 O2 Sensor Heater Circuit Malfunction	Oxygen sensor heater element malfunction.

## DESCRIPTION AND OPERATION (Continued)

<b>(M) Malfunction Indicator Lamp (MIL) illuminated during engine operation if this DTC was recorded (depending if required by CARB and/or EPA). MIL is displayed as an engine icon on instrument panel.</b>		
P0131 (M)	1/1 O2 Sensor Shorted To Ground	Oxygen sensor input voltage maintained below normal operating range.
P0132 (M)	1/1 O2 Sensor Shorted To Voltage	Oxygen sensor input voltage maintained above normal operating range.
P0133 (M)	1/1 O2 Sensor Slow Response	Oxygen sensor response slower than minimum required switching frequency.
P0134 (M)	1/1 O2 Sensor Stays at Center	Neither rich or lean condition is detected from the oxygen sensor input.
P0135 (M)	1/1 O2 Sensor Heater Failure	Oxygen sensor heater element malfunction.
P0136 (M)	1/2 O2 Sensor Heater Circuit Malfunction	Oxygen sensor heater element malfunction.
P0137 (M)	1/2 O2 Sensor Shorted To Ground	Oxygen sensor input voltage maintained below normal operating range.
P0138 (M)	1/2 O2 Sensor Shorted To Voltage	Oxygen sensor input voltage maintained above normal operating range.
P0139 (M)	1/2 O2 Sensor Slow Response	Oxygen sensor response not as expected.
P0140 (M)	1/2 O2 Sensor Stays at Center	Neither rich or lean condition is detected from the oxygen sensor.
P0141 (M)	1/2 O2 Sensor Heater Failure	Oxygen sensor heater element malfunction.
P0143 (M)	1/3 O2 Sensor Shorted To Ground	Oxygen sensor input voltage maintained below normal operating range.
P0144 (M)	1/3 O2 Sensor Shorted To Voltage	Oxygen sensor input voltage maintained above normal operating range.
P0145 (M)	1/3 O2 Sensor Slow Response	Oxygen sensor response slower than minimum required switching frequency.
P0146 (M)	1/3 O2 Sensor Stays at Center	Neither rich or lean condition is detected from the oxygen sensor.
P0147 (M)	1/3 O2 Sensor Heater Failure	Oxygen sensor heater element malfunction.
P0151 (M)	2/1 O2 Sensor Shorted To Ground	Oxygen sensor input voltage maintained below normal operating range.
P0152 (M)	2/1 O2 Sensor Shorted To Voltage	Oxygen sensor input voltage sustained above normal operating range.
P0153 (M)	2/1 O2 Sensor Slow Response	Oxygen sensor response slower than minimum required switching frequency.
P0154 (M)	2/1 O2 Sensor Stays at Center	Neither rich or lean condition is detected from the oxygen sensor.
P0155 (M)	2/1 O2 Sensor Heater Failure	Oxygen sensor heater element malfunction.
P0157 (M)	2/2 O2 Sensor Shorted To Ground	Oxygen sensor input voltage maintained below normal operating range.
P0158 (M)	2/2 O2 Sensor Shorted To Voltage	Oxygen sensor input voltage maintained above normal operating range.
P0159	2/2 O2 Sensor Slow Response	Oxygen sensor response slower than minimum required switching frequency.
P0160 (M)	2/2 O2 Sensor Stays at Center	Neither rich or lean condition is detected from the oxygen sensor.

## DESCRIPTION AND OPERATION (Continued)

<b>(M) Malfunction Indicator Lamp (MIL) illuminated during engine operation if this DTC was recorded (depending if required by CARB and/or EPA). MIL is displayed as an engine icon on instrument panel.</b>		
P0161 (M)	2/2 O2 Sensor Heater Failure	Oxygen sensor heater element malfunction.
P0168 (M)	Decreased Engine Performance Due To High Injection Pump Fuel Temp	Fuel temperature is above the engine protection limit. Engine power will be derated.
P0171 (M)	1/1 Fuel System Lean	A lean air/fuel mixture has been indicated by an abnormally rich correction factor.
P0172 (M)	1/1 Fuel System Rich	A rich air/fuel mixture has been indicated by an abnormally lean correction factor.
P0174 (M)	2/1 Fuel System Lean	A lean air/fuel mixture has been indicated by an abnormally rich correction factor.
P0175 (M)	2/1 Fuel System Rich	A rich air/fuel mixture has been indicated by an abnormally lean correction factor.
P0176	Loss of Flex Fuel Calibration Signal	No calibration voltage present from flex fuel sensor.
P0177	Water In Fuel Light	Excess water found in fuel by water-in-fuel sensor.
P0178	Flex Fuel Sensor Volts Too Low	Flex fuel sensor input below minimum acceptable voltage.
P0178	Water in Fuel Light—Water In Fuel Sensor Voltage Too Low	Loss of water-in-fuel circuit or sensor.
P0179	Flex Fuel Sensor Volts Too High	Flex fuel sensor input above maximum acceptable voltage.
P0180	Fuel Temperature in range error	ECM detects problem with fuel temperature circuits/sensor
P0181	Fuel Temperature in range error	ECM detects high fuel temperature with low engine coolant temperature.
P0182 (M)	CNG Temp Sensor Voltage Too Low	Compressed natural gas temperature sensor voltage below acceptable voltage.
P0183 (M)	CNG Temp Sensor Voltage Too High	Compressed natural gas temperature sensor voltage above acceptable voltage.
P0201 (M)	Injector #1 Control Circuit	An open or shorted condition detected in control circuit for injector #1 or the INJ 1 injector bank.
P0202 (M)	Injector #2 Control Circuit	An open or shorted condition detected in control circuit for injector #2 or the INJ 2 injector bank.
P0203 (M)	Injector #3 Control Circuit	An open or shorted condition detected in control circuit for injector #3 or the INJ 3 injector bank.
P0204 (M)	Injector #4 Control Circuit	Injector #4 or INJ 4 injector bank output driver stage does not respond properly to the control signal.
P0205 (M)	Injector #5 Control Circuit	Injector #5 output driver stage does not respond properly to the control signal.
P0206 (M)	Injector #6 Control Circuit	Injector #6 output driver stage does not respond properly to the control signal.
P0207 (M)	Injector #7 Control Circuit	Injector #7 output driver stage does not respond properly to the control signal.
P0208 (M)	Injector #8 Control Circuit	Injector #8 output driver stage does not respond properly to the control signal.
P0209 (M)	Injector #9 Control Circuit	Injector #9 output driver stage does not respond properly to the control signal.
P0210 (M)	Injector #10 Control Circuit	Injector #10 output driver stage does not respond properly to the control signal.

## DESCRIPTION AND OPERATION (Continued)

<b>(M) Malfunction Indicator Lamp (MIL) illuminated during engine operation if this DTC was recorded (depending if required by CARB and/or EPA). MIL is displayed as an engine icon on instrument panel.</b>		
P0215	Fuel Injection Pump Control Circuit	Failure in fuel pump relay control circuit.
P0216 (M)	Fuel Injection Pump Timing Failure	High fuel supply restriction, low fuel pressure or possible wrong or incorrectly installed pump keyway.
P0217 Check Gauges Lamp	Decreased Engine Performance Due To Engine Overheat Condition	Engine overheating. ECM will derate engine performance.
P0219	Crankshaft Position Sensor Overspeed Signal	Engine has exceeded rpm limits.
P0222 (M)	Idle Validation Signals Both Low	Problem detected with idle validation circuits within APPS.
P0223 (M)	Idle Validation Signals Both High (Above 5 Volts)	Problem detected with idle validation circuits within APPS.
P0230	Transfer Pump (Lift Pump) Circuit Out of Range	Problem detected in fuel transfer pump circuits.
P0232	Fuel Shutoff Signal Voltage Too High	Fuel shut-off signal voltage too high from ECM to fuel injection pump.
P0234 (M)	Turbo Boost Limit Exceeded	Problem detected in turbocharger wastegate.
P0236 (M)	Map Sensor Too High Too Long	Problem detected in turbocharger wastegate.
P0237 (M)	Map Sensor Voltage Too Low	MAP sensor voltage input below the minimum acceptable voltage.
P0238 (M)	Map Sensor Voltage Too High	MAP sensor voltage input above the maximum acceptable voltage.
P0251 (M)	Fuel Inj. Pump Mech. Failure Fuel Valve Feedback Circuit	Problem sensed with fuel circuit internal to fuel injection pump.
P0252 (M)	VP44 stuck fuel valve error	Fuel solenoid circuit not detecting solenoid valve movement
P0253 (M)	Fuel Injection Pump Fuel Valve Open Circuit	Problem sensed with fuel circuit internal to fuel injection pump.
P0254	Fuel Injection Pump Fuel Valve Current Too High	Problem caused by internal fuel injection pump failure.
P0300 (M)	Multiple Cylinder Mis-fire	Misfire detected in multiple cylinders.
P0301 (M)	CYLINDER #1 MISFIRE	Misfire detected in cylinder #1.
P0302 (M)	CYLINDER #2 MISFIRE	Misfire detected in cylinder #2.
P0303 (M)	CYLINDER #3 MISFIRE	Misfire detected in cylinder #3.
P0304 (M)	CYLINDER #4 MISFIRE	Misfire detected in cylinder #4.
P0305 (M)	CYLINDER #5 MISFIRE	Misfire detected in cylinder #5.
P0306 (M)	CYLINDER #6 MISFIRE	Misfire detected in cylinder #6.
P0307 (M)	CYLINDER #7 MISFIRE	Misfire detected in cylinder #7
P0308 (M)	CYLINDER #8 MISFIRE	Misfire detected in cylinder #8.
P0309 (M)	CYLINDER #9 MISFIRE	Misfire detected in cylinder #9.
P0310 (M)	CYLINDER #10 MISFIRE	Misfire detected in cylinder #10.
P0320 (M)	No Crank Reference Signal at PCM	No reference signal (crankshaft position sensor) detected during engine cranking.
P0320 (M)	No RPM Signal to PCM (Crankshaft Position Sensor Signal to JTEC)	A CKP signal has not been detected at the PCM.



## DESCRIPTION AND OPERATION (Continued)

<b>(M) Malfunction Indicator Lamp (MIL) illuminated during engine operation if this DTC was recorded (depending if required by CARB and/or EPA). MIL is displayed as an engine icon on instrument panel.</b>		
P0325	Knock Sensor #1 Circuit	Knock sensor (#1) signal above or below minimum acceptable threshold voltage at particular engine speeds.
P0330	Knock Sensor #2 Circuit	Knock sensor (#2) signal above or below minimum acceptable threshold voltage at particular engine speeds.
P0336 (M)	Crankshaft Position (CKP) Sensor Signal	Problem with voltage signal from CKP.
P0340 (M)	No Cam Signal At PCM	No fuel sync
P0341 (M)	Camshaft Position (CMP) Sensor Signal	Problem with voltage signal from CMP.
P0350	Ignition Coil Draws Too Much Current	A coil (1-5) is drawing too much current.
P0351 (M)	Ignition Coil # 1 Primary Circuit	Peak primary circuit current not achieved with maximum dwell time.
P0352 (M)	Ignition Coil # 2 Primary Circuit	Peak primary circuit current not achieved with maximum dwell time.
P0353 (M)	Ignition Coil # 3 Primary Circuit	Peak primary circuit current not achieved with maximum dwell time.
P0354 (M)	Ignition Coil # 4 Primary Circuit	Peak primary circuit current not achieved with maximum dwell time (High Impedance).
P0355 (M)	Ignition Coil # 5 Primary Circuit	Peak primary circuit current not achieved with maximum dwell time (High Impedance).
P0356 (M)	Ignition Coil # 6 Primary Circuit	Peak primary circuit current not achieved with maximum dwell time (high impedance).
P0357 (M)	Ignition Coil # 7 Primary Circuit	Peak primary circuit current not achieved with maximum dwell time (high impedance).
P0358 (M)	Ignition Coil # 8 Primary Circuit	Peak primary circuit current not achieved with maximum dwell time (high impedance).
P0370	Fuel Injection Pump Speed/Position Sensor Sig Lost	Problem caused by internal fuel injection pump failure.
P0380 (M)	Intake Air Heater Relay #1 Control Circuit	Problem detected in #1 air heater solenoid/relay circuit (not heater element)
P0381 (M)	Wait To Start Lamp Inoperative	Problem detected in wait-to-start bulb circuit.
P0382 (M)	Intake Air Heater Relay #2 Control Circuit	Problem detected in #2 air heater solenoid/relay circuit (not heater element)
P0387	Crankshaft Position Sensor Supply Voltage Too Low	CKP sensor voltage input below the minimum acceptable voltage.
P0388	Crankshaft Position Sensor Supply Voltage Too High	CKP sensor voltage input above the maximum acceptable voltage.
P0401	EGR System Failure	Required change in air/fuel ration not detected during diagnostic test.
P0403	EGR Solenoid Circuit	An open or shorted condition detected in the EGR solenoid control circuit.
P0404	EGR Position Sensor Rationality	EGR position sensor signal does not correlate to EGR duty cycle.
P0405	EGR Position Sensor Volts Too Low	EGR position sensor input below the acceptable voltage range.



## DESCRIPTION AND OPERATION (Continued)

<b>(M) Malfunction Indicator Lamp (MIL) illuminated during engine operation if this DTC was recorded (depending if required by CARB and/or EPA). MIL is displayed as an engine icon on instrument panel.</b>		
P0406	EGR Position Sensor Volts Too High	EGR position sensor input above the acceptable voltage range.
P0412	Secondary Air Solenoid Circuit	An open or shorted condition detected in the secondary air (air switching/aspirator) solenoid control circuit.
P0420 (M)	1/1 Catalytic Converter Efficiency	Catalyst 1/1 efficiency below required level.
P0432 (M)	1/2 Catalytic Converter Efficiency	Catalyst 2/1 efficiency below required level.
P0441 (M)	Evap Purge Flow Monitor	Insufficient or excessive vapor flow detected during evaporative emission system operation.
P0442 (M)	Evap Leak Monitor Medium Leak Detected	A small leak has been detected in the evaporative system.
P0443 (M)	Evap Purge Solenoid Circuit	An open or shorted condition detected in the EVAP purge solenoid control circuit.
P0455 (M)	Evap Leak Monitor Large Leak Detected	A large leak has been detected in the evaporative system.
P0456 (M)	Evap Leak Monitor Small Leak Detected	Leak has been detected in the evaporative system.
P0460	Fuel Level Unit No Change Over Miles	During low fuel
P0460	Fuel Level Unit No Change Over Miles	Fuel level sending unit voltage does not change for more than 40 miles.
P0462	Fuel Level Sending Unit Volts Too Low	Fuel level sensor input below acceptable voltage.
P0462 (M)	Fuel Level Sending Unit Volts Too Low	Open circuit between PCM and fuel gauge sending unit.
P0463	Fuel Level Sending Unit Volts Too High	Fuel level sensor input above acceptable voltage.
P0463 (M)	Fuel Level Sending Unit Volts Too High	Circuit shorted to voltage between PCM and fuel gauge sending unit.
P0500 (M)	No Vehicle Speed Sensor Signal	No vehicle speed sensor signal detected during road load conditions.
P0500 (M)	No Vehicle Speed Sensor Signal	A vehicle speed signal was not detected.
P0505 (M)	Idle Air Control Motor Circuits	SBEC II
P0522 Check Gauges Light	Oil Pressure Voltage Too Low	Oil pressure sending unit (sensor) voltage input below the minimum acceptable voltage.
P0523 Check Gauges Light	Oil Pressure Voltage Too High	Oil pressure sending unit (sensor) voltage input above the maximum acceptable voltage.
P0524 Check Gauges Light	Oil Pressure Too Low	Engine oil pressure is low. Engine power derated.
P0545	A/C Clutch Relay Circuit	Problem detected in air conditioning clutch relay control circuit.

## DESCRIPTION AND OPERATION (Continued)

<b>(M) Malfunction Indicator Lamp (MIL) illuminated during engine operation if this DTC was recorded (depending if required by CARB and/or EPA). MIL is displayed as an engine icon on instrument panel.</b>		
P0551	Power Steering Switch Failure	Incorrect input state detected for the power steering switch circuit. PL: High pressure seen at high speed.
P0562 Check Gauges Light	Charging System Voltage Too Low	Supply voltage sensed at ECM too low.
P0563 Check Gauges Light	Charging System Voltage Too High	Supply voltage sensed at ECM too high.
P0600	PCM Failure SPI Communications	No communication detected between co-processors in the control module.
P0601 (M)	Internal Controller Failure	Internal control module fault condition (check sum) detected.
P0602 (M)	ECM Fueling Calibration Error	ECM Internal fault condition detected.
P0604	RAM Check Failure	Transmission control module RAM self test fault detected. -Aisin transmission
P0605	ROM Check Failure	Transmission control module ROM self test fault detected -Aisin transmission
P0606 (M)	ECM Failure	ECM Internal fault condition detected.
P0615	Starter Relay Control Circuit	An open or shorted condition detected in the starter relay control circuit.
P0622 (G)	Generator Field Not Switching Properly	An open or shorted condition detected in the generator field control circuit.
P0645	A/C Clutch Relay Circuit	An open or shorted condition detected in the A/C clutch relay control circuit.
P0700	EATX Controller DTC Present	This SBEC III or JTEC DTC indicates that the EATX or Aisin controller has an active fault and has illuminated the MIL via a CCD (EATX) or SCI (Aisin) message. The specific fault must be acquired from the EATX via CCD or from the Aisin via ISO-9141.
P0703	Brake Switch Stuck Pressed or Released	Incorrect input state detected in the brake switch circuit. (Changed from P1595)
P0711 (M)	Trans Temp Sensor, No Temp Rise After Start	Relationship between the transmission temperature and overdrive operation and/or TCC operation indicates a failure of the Transmission Temperature Sensor. OBD II Rationality. Was MIL code 37.
P0712	Trans Temp Sensor Voltage Too Low	Transmission fluid temperature sensor input below acceptable voltage. Was MIL code 37.
P0712 (M)	Trans Temp Sensor Voltage Too Low	Voltage less than 1.55 volts (4-speed auto. trans. only).
P0713	Trans Temp Sensor Voltage Too High	Transmission fluid temperature sensor input above acceptable voltage. Was MIL code 37.
P0713 (M)	Trans Temp Sensor Voltage Too High	Voltage greater than 3.76 volts (4-speed auto. trans. only).
P0720 (M)	Low Output SPD Sensor RPM, Above 15 MPH	The relationship between the Output Shaft Speed Sensor and vehicle speed is not within acceptable limits.

## DESCRIPTION AND OPERATION (Continued)

<b>(M) Malfunction Indicator Lamp (MIL) illuminated during engine operation if this DTC was recorded (depending if required by CARB and/or EPA). MIL is displayed as an engine icon on instrument panel.</b>		
P0720 (M)	Low Output Spd Sensor RPM Above 15 mph	Output shaft speed is less than 60 rpm with vehicle speed above 15 mph (4-speed auto. trans. only).
P0740 (M)	Torq Con Clu, No RPM Drop at Lockup	Relationship between engine and vehicle speeds indicated failure of torque convertor clutch lock-up system (TCC/PTU solenoid)
P0743 (M)	Torque Converter Clutch Solenoid/ Trans Relay Circuits	An open or shorted condition detected in the torque converter clutch (part throttle unlock) solenoid control circuit. Shift solenoid C electrical fault - Aisin transmission
P0743 (M)	Torque Converter Clutch Solenoid/ Trans Relay Circuits	An open or shorted condition detected in the torque converter part throttle unlock solenoid control circuit (3 or 4-speed auto. trans. only).
P0748 (M)	Governor Pressur Sol Control/Trans Relay Circuits	An open or shorted condition detected in the Governor Pressure Solenoid circuit or Trans Relay Circuit in JTEC RE transmissions.
P0748 (M)	Governor Pressure Sol Control/ Trans Relay Circuits	An open or shorted condition detected in the governor pressure solenoid or relay circuits (4-speed auto. trans. only).
P0751 (M)	O/D Switch Pressed (Lo) More Than 5 Minutes	Overdrive override switch input is in a prolonged depressed state.
P0751 (M)	O/D Switch Pressed (LO) More Than 5 Min	Overdrive Off switch input too low for more than 5 minutes (4-speed auto. trans. only).
P0753 (M)	Trans 3-4 Shift Sol/Trans Relay Circuits	An open or shorted condition detected in the overdrive solenoid control circuit or Trans Relay Circuit in JTEC RE transmissions. Was MIL code 45.
P0753 (M)	Trans 3-4 Shift Sol/Trans Relay Circuits	An open or shorted condition detected in the transmission 2-4 shift solenoid circuit (4-speed auto. trans. only).
P0756	AW4 Shift Sol B (2-3) Functional Failure	Shift solenoid B (2-3) functional fault - Aisin transmission
P0783 (M)	3-4 Shift Sol, No RPM Drop at Lockup	The overdrive solenoid is unable to engage the gear change from 3rd gear to the overdrive gear.
P0801	Reverse Gear Lockout Circuit Open or Short	An open or shorted condition detected in the transmission reverse gear lock-out solenoid control circuit.
P0830	Clutch Depressed Switch Circuit	Problem detected in clutch switch circuit.
P0833	Clutch Released Switch Circuit	Problem detected in clutch switch circuit.
P1110	Decrease Engine Performance Due To High Intake Air Temperature	Intake manifold air temperature is above the engine protection limit. Engine power will be derated.
P1180	Decreased Engine Performance Due To High Injection Pump Fuel Temp	Fuel temperature is above the engine protection limit. Engine power will be derated.
P1195 (M)	1/1 O2 Sensor Slow During Catalyst Monitor	A slow switching oxygen sensor has been detected in bank 1/1 during catalyst monitor test. (Also see SCI DTC \$66) (was P0133)
P1196 (M)	2/1 O2 Sensor Slow During Catalyst Monitor	A slow switching oxygen sensor has been detected in bank 2/1 during catalyst monitor test. (Also see SCI DTC \$7A) (was P0153)
P1197	1/2 O2 Sensor Slow During Catalyst Monitor	A slow switching oxygen sensor has been detected in bank 1/2 during catalyst monitor test. (Also see SCI DTC \$68) (was P0139)

## DESCRIPTION AND OPERATION (Continued)

<b>(M) Malfunction Indicator Lamp (MIL) illuminated during engine operation if this DTC was recorded (depending if required by CARB and/or EPA). MIL is displayed as an engine icon on instrument panel.</b>		
P1198	Radiator Temperature Sensor Volts Too High	Radiator coolant temperature sensor input above the maximum acceptable voltage.
P1199	Radiator Temperature Sensor Volts Too Low	Radiator coolant temperature sensor input below the minimum acceptable voltage.
P1281	Engine is Cold Too Long	Engine coolant temperature remains below normal operating temperatures during vehicle travel (Thermostat).
P1282	Fuel Pump Relay Control Circuit	An open or shorted condition detected in the fuel pump relay control circuit.
P1283	Idle Select Signal Invalid	ECM or fuel injection pump module internal fault condition detected.
P1284 (M)	Fuel Injection Pump Battery Voltage Out-Of-Range	Fuel injection pump module internal fault condition detected. Engine power will be derated.
P1285 (M)	Fuel Injection Pump Controller Always On	Fuel injection pump module relay circuit failure detected. Engine power will be derated.
P1286	Accelerator Position Sensor (APPS) Supply Voltage Too High	High voltage detected at APPS.
P1287 (M)	Fuel Injection Pump Controller Supply Voltage Low	ECM or fuel injection pump module internal fault condition detected. Engine power will be derated.
P1288	Intake Manifold Short Runner Solenoid Circuit	An open or shorted condition detected in the short runner tuning valve circuit.
P1289	Manifold Tune Valve Solenoid Circuit	An open or shorted condition detected in the manifold tuning valve solenoid control circuit.
P1290	CNG Fuel System Pressure Too High	Compressed natural gas system pressure above normal operating range.
P1291 (M)	No Temp Rise Seen From Intake Heaters	Energizing Heated Air Intake does not change intake air temperature sensor an acceptable amount.
P1291 (M)	No Temperature Rise Seen From Intake Air Heaters	Problem detected in intake manifold air heating system.
P1292	CNG Pressure Sensor Voltage Too High	Compressed natural gas pressure sensor reading above acceptable voltage.
P1293	CNG Pressure Sensor Voltage Too Low	Compressed natural gas pressure sensor reading below acceptable voltage.
P1294 (M)	Target Idle Not Reached	Target RPM not achieved during drive idle condition. Possible vacuum leak or IAC (AIS) lost steps.
P1295 (M)	No 5 Volts to TP Sensor	Loss of a 5 volt feed to the Throttle Position Sensor has been detected.
P1295 (M)	Accelerator Position Sensor (APPS) Supply Voltage Too Low	APPS supply voltage input below the minimum acceptable voltage.
P1296	No 5 Volts to MAP Sensor	Loss of a 5 volt feed to the MAP Sensor has been detected.
P1297 (M)	No Change in MAP From Start To Run	No difference is recognized between the MAP reading at engine idle and the stored barometric pressure reading.
P1298	Lean Operation at Wide Open Throttle	A prolonged lean condition is detected during Wide Open Throttle
P1299	Vacuum Leak Found (IAC Fully Seated)	MAP Sensor signal does not correlate to Throttle Position Sensor signal. Possible vacuum leak.

## DESCRIPTION AND OPERATION (Continued)

<b>(M) Malfunction Indicator Lamp (MIL) illuminated during engine operation if this DTC was recorded (depending if required by CARB and/or EPA). MIL is displayed as an engine icon on instrument panel.</b>		
P1388	Auto Shutdown Relay Control Circuit	An open or shorted condition detected in the ASD or CNG shutoff relay control ckt.
P1388	Auto Shutdown Relay Control Circuit	An open or shorted condition detected in the auto shutdown relay circuit.
P1389	No ASD Relay Output Voltage At PCM	No Z1 or Z2 voltage sensed when the auto shutdown relay is energized.
P1389 (M)	No ASD Relay Output Voltage at PCM	An open condition detected In the ASD relay output circuit.
P1390	Timing Belt Skipped 1 Tooth or More	Relationship between Cam and Crank signals not correct
P1391 (M)	Intermittent Loss of CMP or CKP	Loss of the Cam Position Sensor or Crank Position sensor has occurred. For PL 2.0L
P1398 (M)	Mis-Fire Adaptive Numerator at Limit	PCM is unable to learn the Crank Sensor's signal in preparation for Misfire Diagnostics. Probable defective Crank Sensor
P1399	Wait To Start Lamp Cicut	An open or shorted condition detected in the Wait to Start Lamp circuit.
P1403	No 5V to EGR Sens	Loss of 5v feed to the EGR position sensor.
P01475	Aux 5 Volt Supply Voltage High	Sensor supply voltage for ECM sensors is too high.
P1476	Too Little Secondary Air	Insufficient flow of secondary air injection detected during aspirator test (was P0411)
P1477	Too Much Secondary Air	Excessive flow of secondary air injection detected during aspirator test (was P0411).
P1478	Battery Temp Sensor Volts Out of Limit	Internal temperature sensor input voltage out of an acceptable range.
P1479	Transmission Fan Relay Circuit	An open or shorted condition detected in the transmission fan relay circuit.
P1480	PCV Solenoid Circuit	An open or shorted condition detected in the PCV solenoid circuit.
P1481	EATX RPM Pulse Perf	EATX RPM pulse generator signal for misfire detection does not correlate with expected value.
P1482	Catalyst Temperature Sensor Circuit Shorted Low	Catalyst temperature sensor circuit shorted low.
P1483	Catalyst Temperature Sensor Circuit Shorted High.	Catalyst temperature sensor circuit shorted high.
P1484	Catalytic Converter Overheat Detected	A catalyst overheat condition has been detected by the catalyst temperature sensor.
P1485	Air Injection Solenoid Circuit	An open or shorted condition detected in the air assist solenoid circuit.
P1486	Evap Leak Monitor Pinched Hose Found	LDP has detected a pinched hose in the evaporative hose system.
P1487	Hi Speed Rad Fan CTRL Relay Circuit	An open or shorted condition detected in the control circuit of the #2 high speed radiator fan control relay.
P1488	Auxiliary 5 Volt Supply Output Too Low	Auxiliary 5 volt sensor feed is sensed to be below an acceptable limit.
P1488	5 Volt Supply Voltage Low	Sensor supply voltage for ECM sensors is too low.

## DESCRIPTION AND OPERATION (Continued)

<b>(M) Malfunction Indicator Lamp (MIL) illuminated during engine operation if this DTC was recorded (depending if required by CARB and/or EPA). MIL is displayed as an engine icon on instrument panel.</b>		
P1489	High Speed Fan CTRL Relay Circuit	An open or shorted condition detected in the control circuit of the high speed radiator fan control relay.
P1490	Low Speed Fan CTRL Relay Circuit	An open or shorted condition detected in control circuit of the low speed radiator fan control relay.
P1491	Rad Fan Control Relay Circuit	An open or shorted condition detected in the radiator fan control relay control circuit. This includes PWM solid state relays.
P1492	Ambient/Batt Temp Sen Volts Too High	External temperature sensor input above acceptable voltage.
P1492 (M)	Ambient/Batt Temp Sensor Volts Too High	Battery temperature sensor input voltage above an acceptable range.
P1493 (M)	Ambient/Batt Temp Sen Volts Too Low	External temperature sensor input below acceptable voltage.
P1493 (M)	Ambient/Batt Temp Sen Volts Too Low	Battery temperature sensor input voltage below an acceptable range.
P1494 (M)	Leak Detection Pump Sw or Mechanical Fault	Incorrect input state detected for the Leak Detection Pump (LDP) pressure switch.
P1495	Leak Detection Pump Solenoid Circuit	An open or shorted condition detected in the Leak Detection Pump (LDP) solenoid circuit.
P1496	5 Volt Supply, Output Too Low	5 volt sensor feed is sensed to be below an acceptable limit. ( less than 4v for 4 sec )
P1498	High Speed Rad Fan Ground CTRL Rly Circuit	An open or shorted condition detected in the control circuit of the #3 high speed radiator fan control relay.
P1594 (G)	Charging System Voltage Too High	Battery voltage sense input above target charging voltage during engine operation.
P1594 (G)	Charging System Voltage Too High	Battery voltage sense input above target charging voltage during engine operation.
P1595	Speed Control Solenoid Circuits	An open or shorted condition detected in either of the speed control vacuum or vent solenoid control circuits.
P1595	Speed Control Solenoid Circuits	An open or shorted condition detected in the speed control vacuum or vent solenoid circuits.
P1596	Speed Control Switch Always High	Speed control switch input above maximum acceptable voltage.
P1597	Speed Control Switch Always Low	Speed control switch input below minimum acceptable voltage.
P1597	Speed Control Switch Always Low	Speed control switch input below the minimum acceptable voltage.
P1598	A/C Pressure Sensor Volts Too High	A/C pressure sensor input above maximum acceptable voltage.
P1598	A/C Sensor Input Hi	Problem detected in air conditioning electrical circuit.
P1599	A/C Pressure Sensor Volts Too Low	A/C pressure sensor input below minimum acceptable voltage.
P1599	A/C Sensor Input Lo	Problem detected in air conditioning electrical circuit.
P1680	Clutch Released Switch Circuit	Problem detected in clutch switch electrical circuit.
P1681	No I/P Cluster CCD/J1850 Messages Received	No CCD/J1850 messages received from the cluster control module.



## DESCRIPTION AND OPERATION (Continued)

<b>(M) Malfunction Indicator Lamp (MIL) illuminated during engine operation if this DTC was recorded (depending if required by CARB and/or EPA). MIL is displayed as an engine icon on instrument panel.</b>		
P1682 (G)	Charging System Voltage Too Low	Battery voltage sense input below target charging voltage during engine operation and no significant change in voltage detected during active test of generator output circuit.
P1682	Charging System Voltage Too Low	Charging system output voltage low.
P1683	SPD CTRL PWR Relay; or S/C 12v Driver CKT	An open or shorted condition detected in the speed control servo power control circuit.
P1683	Spd ctrl pwr rly, or s/c 12v driver circuit	An open or shorted condition detected in the speed control servo power control circuit.
P1684	Batt Loss in 50 Star	The battery has been disconnected within the last 50 starts
P1685	SKIM Invalid Key	The engine controller has received an invalid key from the SKIM.
P1686	No SKIM BUS Messages Received	No CCD/J1850 messages received from the Smart Key Immobilizer Module (SKIM).
P1687	No MIC BUS Message	No CCD/J1850 messages received from the Mechanical Instrument Cluster (MIC) module.
P1688 (M)	Internal Fuel Injection Pump Controller Failure	Internal problem within the fuel injection pump. Low power, engine derated, or engine stops.
P1689 (M)	No Communication Between ECM and Injection Pump Module	Data link circuit failure between ECM and fuel injection pump. Low power, engine derated, or engine stops.
P1690 (M)	Fuel Injection Pump CKP Sensor Does Not Agree With ECM CKP Sensor	Problem in fuel sync signal. Possible injection pump timing problem. Low power, engine derated, or engine stops.
P1691	Fuel Injection Pump Controller Calibration Error	Internal fuel injection pump failure. Low power, engine derated, or engine stops.
P1692	DTC Set In ECM	A "Companion DTC" was set in both the ECM and PCM.
P1693 (M)	DTC Detected in Companion Module	A fault has been generated in the companion engine control module.
P1693 (M)	DTC Detected in PCM/ECM or DTC Detected in ECM	A "Companion DTC" was set in both the ECM and PCM.
P1694	Fault In Companion Module	No CCD/J1850 messages received from the powertrain control module-Aisin transmission
P1694 (M)	No CCD Messages received from ECM	Bus communication failure to PCM.
P1695	No CCD/J1850 Message From Body Control Module	No CCD/J1850 messages received from the body control module.
P1696	PCM Failure EEPROM Write Denied	Unsuccessful attempt to write to an EEPROM location by the control module.
P1697	PCM Failure SRI Mile Not Stored	Unsuccessful attempt to update Service Reminder Indicator (SRI or EMR) mileage in the control module EEPROM.
P1698	No CCD/J1850 Message From TCM	No CCD/J1850 messages received from the electronic transmission control module (EATX) or the Aisin transmission controller.
P1698	No CCD Messages received from PCM	Bus communication failure to PCM. A "Companion DTC" was set in both the ECM and PCM.
P1719	Skip Shift Solenoid Circuit	An open or shorted condition detected in the transmission 2-3 gear lock-out solenoid control circuit.

## DESCRIPTION AND OPERATION (Continued)

<b>(M) Malfunction Indicator Lamp (MIL) illuminated during engine operation if this DTC was recorded (depending if required by CARB and/or EPA). MIL is displayed as an engine icon on instrument panel.</b>		
P1740	TCC or OD Sol Perf	A rationality error has been detected in either the TCC solenoid or overdrive solenoid systems.
P1740 (M)	TCC OR O/D Solenoid Performance	Problem detected in transmission convertor clutch and/or overdrive circuits (diesel engine with 4-speed auto. trans. only).
P1756 (M)	GOV Press Not Equal to Target @ 15-20 PSI	The requested pressure and the actual pressure are not within a tolerance band for the Governor Control System which is used to regulate governor pressure to control shifts for 1st, 2nd, and 3rd gear. (Mid Pressure Malfunction)
P1756 (M)	Governor Pressure Not Equal to Target @ 15-20 PSI	Governor sensor input not between 10 and 25 psi when requested (4-speed auto. trans. only).
P1757	GOV Press Not Equal to Target @ 15-20 PSI	The requested pressure and the actual pressure are not within a tolerance band for the Governor Control System which is used to regulate governor pressure to control shifts for 1st, 2nd, and 3rd gear (Zero Pressure Malfunction)
P1757 (M)	Governor Pressure Above 3 PSI In Gear With 0 MPH	Governor pressure greater than 3 psi when requested to be 0 psi (4-speed auto. trans. only).
P1762 (M)	Gov Press Sen Offset Volts Too Lo or High	The Governor Pressure Sensor input is greater than a calibration limit or is less than a calibration limit for 3 consecutive park/neutral calibrations.
P1762 (M)	Governor Press Sen Offset Volts Too Low or High	Sensor input greater or less than calibration for 3 consecutive Neutral/Park occurrences (4-speed auto. trans. only).
P1763	Governor Pressure Sensor Volts Too Hi	The Governor Pressure Sensor input is above an acceptable voltage level.
P1763 (M)	Governor Pressure Sensor Volts Too HI	Voltage greater than 4.89 volts (4-speed auto. trans. only).
P1764 (M)	Governor Pressure Sensor Volts Too Low	The Governor Pressure Sensor input is below an acceptable voltage level.
P1764 (M)	Governor Pressure Sensor Volts Too Low	Voltage less than .10 volts (4-speed auto. trans. only).
P1765 (M)	Trans 12 Volt Supply Relay CTRL Circuit	An open or shorted condition is detected in the Transmission Relay control circuit. This relay supplies power to the TCC
P1765 (M)	Trans 12 Volt Supply Relay Ctrl Circuit	Current state of solenoid output port is different than expected (4-speed auto. trans. only).
P1899 (M)	P/N Switch Stuck in Park or in Gear	Incorrect input state detected for the Park/Neutral switch.
P1899 (M)	P/N Switch Stuck in Park or in Gear	Incorrect input state detected for the Park/Neutral switch (3 or 4-speed auto. trans. only).

## DESCRIPTION AND OPERATION (Continued)

**TASK MANAGER—GASOLINE POWERED ENGINES ONLY****DESCRIPTION**

The PCM is responsible for efficiently coordinating the operation of all the emissions-related components. The PCM is also responsible for determining if the diagnostic systems are operating properly. The software designed to carry out these responsibilities is called the 'Task Manager'.

**OPERATION**

The Task Manager determines which tests happen when and which functions occur when. Many of the diagnostic steps required by OBD II must be performed under specific operating conditions. The Task Manager software organizes and prioritizes the diagnostic procedures. The job of the Task Manager is to determine if conditions are appropriate for tests to be run, monitor the parameters for a trip for each test, and record the results of the test. Following are the responsibilities of the Task Manager software:

- Test Sequence
- MIL Illumination
- Diagnostic Trouble Codes (DTCs)
- Trip Indicator
- Freeze Frame Data Storage
- Similar Conditions Window

**Test Sequence**

In many instances, emissions systems must fail diagnostic tests more than once before the PCM illuminates the MIL. These tests are known as 'two trip monitors.' Other tests that turn the MIL lamp on after a single failure are known as 'one trip monitors.' A trip is defined as 'start the vehicle and operate it to meet the criteria necessary to run the given monitor.'

Many of the diagnostic tests must be performed under certain operating conditions. However, there are times when tests cannot be run because another test is in progress (conflict), another test has failed (pending) or the Task Manager has set a fault that may cause a failure of the test (suspend).

- Pending

Under some situations the Task Manager will not run a monitor if the MIL is illuminated and a fault is stored from another monitor. In these situations, the Task Manager postpones monitors **pending** resolution of the original fault. The Task Manager does not run the test until the problem is remedied.

For example, when the MIL is illuminated for an Oxygen Sensor fault, the Task Manager does not run the Catalyst Monitor until the Oxygen Sensor fault is remedied. Since the Catalyst Monitor is based on sig-

nals from the Oxygen Sensor, running the test would produce inaccurate results.

- Conflict

There are situations when the Task Manager does not run a test if another monitor is in progress. In these situations, the effects of another monitor running could result in an erroneous failure. If this **conflict** is present, the monitor is not run until the conflicting condition passes. Most likely the monitor will run later after the conflicting monitor has passed.

For example, if the Fuel System Monitor is in progress, the Task Manager does not run the EGR Monitor. Since both tests monitor changes in air/fuel ratio and adaptive fuel compensation, the monitors will conflict with each other.

- Suspend

Occasionally the Task Manager may not allow a two trip fault to mature. The Task Manager will **suspend** the maturing of a fault if a condition exists that may induce an erroneous failure. This prevents illuminating the MIL for the wrong fault and allows more precise diagnosis.

For example, if the PCM is storing a one trip fault for the Oxygen Sensor and the EGR monitor, the Task Manager may still run the EGR Monitor but will suspend the results until the Oxygen Sensor Monitor either passes or fails. At that point the Task Manager can determine if the EGR system is actually failing or if an Oxygen Sensor is failing.

**MIL Illumination**

The PCM Task Manager carries out the illumination of the MIL. The Task Manager triggers MIL illumination upon test failure, depending on monitor failure criteria.

The Task Manager Screen shows both a Requested MIL state and an Actual MIL state. When the MIL is illuminated upon completion of a test for a third trip, the Requested MIL state changes to OFF. However, the MIL remains illuminated until the next key cycle. (On some vehicles, the MIL will actually turn OFF during the third key cycle) During the key cycle for the third good trip, the Requested MIL state is OFF, while the Actual MIL state is ON. After the next key cycle, the MIL is not illuminated and both MIL states read OFF.

**Diagnostic Trouble Codes (DTCs)**

With OBD II, different DTC faults have different priorities according to regulations. As a result, the priorities determine MIL illumination and DTC erasure. DTCs are entered according to individual priority. DTCs with a higher priority overwrite lower priority DTCs.

## DESCRIPTION AND OPERATION (Continued)

**Priorities**

- Priority 0 — Non-emissions related trouble codes
- Priority 1 — One trip failure of a two trip fault for non-fuel system and non-misfire.
- Priority 2 — One trip failure of a two trip fault for fuel system (rich/lean) or misfire.
- Priority 3 — Two trip failure for a non-fuel system and non-misfire or matured one trip comprehensive component fault.
- Priority 4 — Two trip failure or matured fault for fuel system (rich/lean) and misfire or one trip catalyst damaging misfire.

Non-emissions related failures have no priority. One trip failures of two trip faults have low priority. Two trip failures or matured faults have higher priority. One and two trip failures of fuel system and misfire monitor take precedence over non-fuel system and non-misfire failures.

**DTC Self Erasure**

With one trip components or systems, the MIL is illuminated upon test failure and DTCs are stored.

Two trip monitors are components requiring failure in two consecutive trips for MIL illumination. Upon failure of the first test, the Task Manager enters a maturing code. If the component fails the test for a second time the code matures and a DTC is set.

After three good trips the MIL is extinguished and the Task Manager automatically switches the trip counter to a warm-up cycle counter. DTCs are automatically erased following 40 warm-up cycles if the component does not fail again.

For misfire and fuel system monitors, the component must pass the test under a Similar Conditions Window in order to record a good trip. A Similar Conditions Window is when engine RPM is within  $\pm 375$  RPM and load is within  $\pm 10\%$  of when the fault occurred.

**NOTE: It is important to understand that a component does not have to fail under a similar window of operation to mature. It must pass the test under a Similar Conditions Window when it failed to record a Good Trip for DTC erasure for misfire and fuel system monitors.**

DTCs can be erased anytime with a DRB III. Erasing the DTC with the DRB III erases all OBD II information. The DRB III automatically displays a warning that erasing the DTC will also erase all OBD II monitor data. This includes all counter information for warm-up cycles, trips and Freeze Frame.

**Trip Indicator**

The **Trip** is essential for running monitors and extinguishing the MIL. In OBD II terms, a trip is a set of vehicle operating conditions that must be met for a specific monitor to run. All trips begin with a key cycle.

**Good Trip**

The Good Trip counters are as follows:

- Specific Good Trip
- Fuel System Good Trip
- Misfire Good Trip
- Alternate Good Trip (appears as a Global Good Trip on DRB III)
- Comprehensive Components
- Major Monitor
- Warm-Up Cycles

**Specific Good Trip**

The term Good Trip has different meanings depending on the circumstances:

- If the MIL is OFF, a trip is defined as when the Oxygen Sensor Monitor and the Catalyst Monitor have been completed in the same drive cycle.

- If the MIL is ON and a DTC was set by the Fuel Monitor or Misfire Monitor (both continuous monitors), the vehicle must be operated in the Similar Condition Window for a specified amount of time.

- If the MIL is ON and a DTC was set by a Task Manager commanded once-per-trip monitor (such as the Oxygen Sensor Monitor, Catalyst Monitor, Purge Flow Monitor, Leak Detection Pump Monitor, EGR Monitor or Oxygen Sensor Heater Monitor), a good trip is when the monitor is passed on the next start-up.

- If the MIL is ON and any other emissions DTC was set (not an OBD II monitor), a good trip occurs when the Oxygen Sensor Monitor and Catalyst Monitor have been completed, or two minutes of engine run time if the Oxygen Sensor Monitor and Catalyst Monitor have been stopped from running.

**Fuel System Good Trip**

To count a good trip (three required) and turn off the MIL, the following conditions must occur:

- Engine in closed loop
- Operating in Similar Conditions Window
- Short Term multiplied by Long Term less than threshold

- Less than threshold for a predetermined time

If all of the previous criteria are met, the PCM will count a good trip (three required) and turn off the MIL.

**Misfire Good Trip**

If the following conditions are met the PCM will count one good trip (three required) in order to turn off the MIL:

- Operating in Similar Condition Window
- 1000 engine revolutions with no misfire

**Warm-Up Cycles**

Once the MIL has been extinguished by the Good Trip Counter, the PCM automatically switches to a Warm-Up Cycle Counter that can be viewed on the DRB III. Warm-Up Cycles are used to erase DTCs and Freeze Frames. Forty Warm-Up cycles must occur in order for the PCM to self-erase a DTC and Freeze Frame. A Warm-Up Cycle is defined as follows:



## DESCRIPTION AND OPERATION (Continued)

- Engine coolant temperature must start below and rise above 160° F
- Engine coolant temperature must rise by 40° F
- No further faults occur

## Freeze Frame Data Storage

Once a failure occurs, the Task Manager records several engine operating conditions and stores it in a Freeze Frame. The Freeze Frame is considered one frame of information taken by an on-board data recorder. When a fault occurs, the PCM stores the input data from various sensors so that technicians can determine under what vehicle operating conditions the failure occurred.

The data stored in Freeze Frame is usually recorded when a system fails the first time for two trip faults. Freeze Frame data will only be overwritten by a different fault with a higher priority.

**CAUTION: Erasing DTCs, either with the DRB III or by disconnecting the battery, also clears all Freeze Frame data.**

## Similar Conditions Window

The Similar Conditions Window displays information about engine operation during a monitor. Absolute MAP (engine load) and Engine RPM are stored in this window when a failure occurs. There are two different Similar conditions Windows: Fuel System and Misfire.

**FUEL SYSTEM**

- **Fuel System Similar Conditions Window** — An indicator that 'Absolute MAP When Fuel Sys Fail' and 'RPM When Fuel Sys Failed' are all in the same range when the failure occurred. Indicated by switching from 'NO' to 'YES'.
  - **Absolute MAP When Fuel Sys Fail** — The stored MAP reading at the time of failure. Informs the user at what engine load the failure occurred.
  - **Absolute MAP** — A live reading of engine load to aid the user in accessing the Similar Conditions Window.
  - **RPM When Fuel Sys Fail** — The stored RPM reading at the time of failure. Informs the user at what engine RPM the failure occurred.
  - **Engine RPM** — A live reading of engine RPM to aid the user in accessing the Similar Conditions Window.
  - **Adaptive Memory Factor** — The PCM utilizes both Short Term Compensation and Long Term Adaptive to calculate the Adaptive Memory Factor for total fuel correction.
  - **Upstream O<sub>2</sub>S Volts** — A live reading of the Oxygen Sensor to indicate its performance. For example, stuck lean, stuck rich, etc.

- **SCW Time in Window (Similar Conditions Window Time in Window)** — A timer used by the PCM that indicates that, after all Similar Conditions have been met, if there has been enough good engine running time in the SCW without failure detected. This timer is used to increment a Good Trip.

- **Fuel System Good Trip Counter** — A Trip Counter used to turn OFF the MIL for Fuel System DTCs. To increment a Fuel System Good Trip, the engine must be in the Similar Conditions Window, Adaptive Memory Factor must be less than calibrated threshold and the Adaptive Memory Factor must stay below that threshold for a calibrated amount of time.

- **Test Done This Trip** — Indicates that the monitor has already been run and completed during the current trip.

**MISFIRE**

- **Same Misfire Warm-Up State** — Indicates if the misfire occurred when the engine was warmed up (above 160° F).

- **In Similar Misfire Window** — An indicator that 'Absolute MAP When Misfire Occurred' and 'RPM When Misfire Occurred' are all in the same range when the failure occurred. Indicated by switching from 'NO' to 'YES'.

- **Absolute MAP When Misfire Occurred** — The stored MAP reading at the time of failure. Informs the user at what engine load the failure occurred.

- **Absolute MAP** — A live reading of engine load to aid the user in accessing the Similar Conditions Window.

- **RPM When Misfire Occurred** — The stored RPM reading at the time of failure. Informs the user at what engine RPM the failure occurred.

- **Engine RPM** — A live reading of engine RPM to aid the user in accessing the Similar Conditions Window.

- **Adaptive Memory Factor** — The PCM utilizes both Short Term Compensation and Long Term Adaptive to calculate the Adaptive Memory Factor for total fuel correction.

- **200 Rev Counter** — Counts 0–100 720 degree cycles.

- **SCW Cat 200 Rev Counter** — Counts when in similar conditions.

- **SCW FTP 1000 Rev Counter** — Counts 0–4 when in similar conditions.

- **Misfire Good Trip Counter** — Counts up to three to turn OFF the MIL.

- **Misfire Data** — Data collected during test.

- **Test Done This Trip** — Indicates YES when the test is done.

## DESCRIPTION AND OPERATION (Continued)

## MONITORED SYSTEMS

## OPERATION

There are new electronic circuit monitors that check fuel, emission, engine and ignition performance. These monitors use information from various sensor circuits to indicate the overall operation of the fuel, engine, ignition and emission systems and thus the emissions performance of the vehicle.

The fuel, engine, ignition and emission systems monitors do not indicate a specific component problem. They do indicate that there is an implied problem within one of the systems and that a specific problem must be diagnosed.

If any of these monitors detect a problem affecting vehicle emissions, the Malfunction Indicator Lamp (MIL) will be illuminated. These monitors generate Diagnostic Trouble Codes that can be displayed with the MIL or a scan tool.

The following is a list of the system monitors:

- Misfire Monitor
- Fuel System Monitor
- Oxygen Sensor Monitor
- Oxygen Sensor Heater Monitor
- Catalyst Monitor
- Leak Detection Pump Monitor (if equipped)

All these system monitors require two consecutive trips with the malfunction present to set a fault.

**Refer to the appropriate Powertrain Diagnostics Procedures manual for diagnostic procedures.**

The following is an operation and description of each system monitor :

## OXYGEN SENSOR (O2S) MONITOR

Effective control of exhaust emissions is achieved by an oxygen feedback system. The most important element of the feedback system is the O2S. The O2S is located in the exhaust path. Once it reaches operating temperature 300° to 350°C (572° to 662°F), the sensor generates a voltage that is inversely proportional to the amount of oxygen in the exhaust. The information obtained by the sensor is used to calculate the fuel injector pulse width. This maintains a 14.7 to 1 Air Fuel (A/F) ratio. At this mixture ratio, the catalyst works best to remove hydrocarbons (HC), carbon monoxide (CO) and nitrogen oxide (NOx) from the exhaust.

The O2S is also the main sensing element for the Catalyst and Fuel Monitors.

The O2S can fail in any or all of the following manners:

- slow response rate
- reduced output voltage
- dynamic shift
- shorted or open circuits

Response rate is the time required for the sensor to switch from lean to rich once it is exposed to a richer than optimum A/F mixture or vice versa. As the sensor starts malfunctioning, it could take longer to detect the changes in the oxygen content of the exhaust gas.

The output voltage of the O2S ranges from 0 to 1 volt. A good sensor can easily generate any output voltage in this range as it is exposed to different concentrations of oxygen. To detect a shift in the A/F mixture (lean or rich), the output voltage has to change beyond a threshold value. A malfunctioning sensor could have difficulty changing beyond the threshold value.

## OXYGEN SENSOR HEATER MONITOR

If there is an oxygen sensor (O2S) shorted to voltage DTC, as well as a O2S heater DTC, the O2S fault **MUST** be repaired first. Before checking the O2S fault, verify that the heater circuit is operating correctly.

Effective control of exhaust emissions is achieved by an oxygen feedback system. The most important element of the feedback system is the O2S. The O2S is located in the exhaust path. Once it reaches operating temperature 300° to 350°C (572° to 662°F), the sensor generates a voltage that is inversely proportional to the amount of oxygen in the exhaust. The information obtained by the sensor is used to calculate the fuel injector pulse width. This maintains a 14.7 to 1 Air Fuel (A/F) ratio. At this mixture ratio, the catalyst works best to remove hydrocarbons (HC), carbon monoxide (CO) and nitrogen oxide (NOx) from the exhaust.

The voltage readings taken from the O2S sensor are very temperature sensitive. The readings are not accurate below 300°C. Heating of the O2S sensor is done to allow the engine controller to shift to closed loop control as soon as possible. The heating element used to heat the O2S sensor must be tested to ensure that it is heating the sensor properly.

The O2S sensor circuit is monitored for a drop in voltage. The sensor output is used to test the heater by isolating the effect of the heater element on the O2S sensor output voltage from the other effects.

## LEAK DETECTION PUMP MONITOR (IF EQUIPPED)

The leak detection assembly incorporates two primary functions: it must detect a leak in the evaporative system and seal the evaporative system so the leak detection test can be run.

The primary components within the assembly are: A three port solenoid that activates both of the functions listed above; a pump which contains a switch, two check valves and a spring/diaphragm, a canister vent valve (CVV) seal which contains a spring loaded vent seal valve.



## DESCRIPTION AND OPERATION (Continued)

Immediately after a cold start, between predetermined temperature thresholds limits, the three port solenoid is briefly energized. This initializes the pump by drawing air into the pump cavity and also closes the vent seal. During non test conditions the vent seal is held open by the pump diaphragm assembly which pushes it open at the full travel position. The vent seal will remain closed while the pump is cycling due to the reed switch triggering of the three port solenoid that prevents the diaphragm assembly from reaching full travel. After the brief initialization period, the solenoid is de-energized allowing atmospheric pressure to enter the pump cavity, thus permitting the spring to drive the diaphragm which forces air out of the pump cavity and into the vent system. When the solenoid is energized and de energized, the cycle is repeated creating flow in typical diaphragm pump fashion. The pump is controlled in 2 modes:

**Pump Mode:** The pump is cycled at a fixed rate to achieve a rapid pressure build in order to shorten the overall test length.

**Test Mode:** The solenoid is energized with a fixed duration pulse. Subsequent fixed pulses occur when the diaphragm reaches the Switch closure point.

The spring in the pump is set so that the system will achieve an equalized pressure of about 7.5" H<sub>2</sub>O. The cycle rate of pump strokes is quite rapid as the system begins to pump up to this pressure. As the pressure increases, the cycle rate starts to drop off. If there is no leak in the system, the pump would eventually stop pumping at the equalized pressure. If there is a leak, it will continue to pump at a rate representative of the flow characteristic of the size of the leak. From this information we can determine if the leak is larger than the required detection limit (currently set at .040" orifice by CARB). If a leak is revealed during the leak test portion of the test, the test is terminated at the end of the test mode and no further system checks will be performed.

After passing the leak detection phase of the test, system pressure is maintained by turning on the LDP's solenoid until the purge system is activated. Purge activation in effect creates a leak. The cycle rate is again interrogated and when it increases due to the flow through the purge system, the leak check portion of the diagnostic is complete.

The canister vent valve will unseal the system after completion of the test sequence as the pump diaphragm assembly moves to the full travel position.

Evaporative system functionality will be verified by using the stricter evap purge flow monitor. At an appropriate warm idle the LDP will be energized to seal the canister vent. The purge flow will be clocked up from some small value in an attempt to see a shift in the O<sub>2</sub> control system. If fuel vapor, indicated

by a shift in the O<sub>2</sub> control, is present the test is passed. If not, it is assumed that the purge system is not functioning in some respect. The LDP is again turned off and the test is ended.

#### MISFIRE MONITOR

Excessive engine misfire results in increased catalyst temperature and causes an increase in HC emissions. Severe misfires could cause catalyst damage. To prevent catalytic convertor damage, the PCM monitors engine misfire.

The Powertrain Control Module (PCM) monitors for misfire during most engine operating conditions (positive torque) by looking at changes in the crankshaft speed. If a misfire occurs the speed of the crankshaft will vary more than normal.

#### FUEL SYSTEM MONITOR

To comply with clean air regulations, vehicles are equipped with catalytic converters. These converters reduce the emission of hydrocarbons, oxides of nitrogen and carbon monoxide. The catalyst works best when the Air Fuel (A/F) ratio is at or near the optimum of 14.7 to 1.

The PCM is programmed to maintain the optimum air/fuel ratio of 14.7 to 1. This is done by making short term corrections in the fuel injector pulse width based on the O<sub>2</sub>S sensor output. The programmed memory acts as a self calibration tool that the engine controller uses to compensate for variations in engine specifications, sensor tolerances and engine fatigue over the life span of the engine. By monitoring the actual fuel-air ratio with the O<sub>2</sub>S sensor (short term) and multiplying that with the program long-term (adaptive) memory and comparing that to the limit, it can be determined whether it will pass an emissions test. If a malfunction occurs such that the PCM cannot maintain the optimum A/F ratio, then the MIL will be illuminated.

#### CATALYST MONITOR

To comply with clean air regulations, vehicles are equipped with catalytic converters. These converters reduce the emission of hydrocarbons, oxides of nitrogen and carbon monoxide.

Normal vehicle miles or engine misfire can cause a catalyst to decay. A meltdown of the ceramic core can cause a reduction of the exhaust passage. This can increase vehicle emissions and deteriorate engine performance, driveability and fuel economy.

The catalyst monitor uses dual oxygen sensors (O<sub>2</sub>S's) to monitor the efficiency of the converter. The dual O<sub>2</sub>S's sensor strategy is based on the fact that as a catalyst deteriorates, its oxygen storage capacity and its efficiency are both reduced. By monitoring the oxygen storage capacity of a catalyst, its efficiency can be indirectly calculated. The upstream

## DESCRIPTION AND OPERATION (Continued)

O<sub>2</sub>S is used to detect the amount of oxygen in the exhaust gas before the gas enters the catalytic converter. The PCM calculates the A/F mixture from the output of the O<sub>2</sub>S. A low voltage indicates high oxygen content (lean mixture). A high voltage indicates a low content of oxygen (rich mixture).

When the upstream O<sub>2</sub>S detects a lean condition, there is an abundance of oxygen in the exhaust gas. A functioning converter would store this oxygen so it can use it for the oxidation of HC and CO. As the converter absorbs the oxygen, there will be a lack of oxygen downstream of the converter. The output of the downstream O<sub>2</sub>S will indicate limited activity in this condition.

As the converter loses the ability to store oxygen, the condition can be detected from the behavior of the downstream O<sub>2</sub>S. When the efficiency drops, no chemical reaction takes place. This means the concentration of oxygen will be the same downstream as upstream. The output voltage of the downstream O<sub>2</sub>S copies the voltage of the upstream sensor. The only difference is a time lag (seen by the PCM) between the switching of the O<sub>2</sub>S's.

To monitor the system, the number of lean-to-rich switches of upstream and downstream O<sub>2</sub>S's is counted. The ratio of downstream switches to upstream switches is used to determine whether the catalyst is operating properly. An effective catalyst will have fewer downstream switches than it has upstream switches i.e., a ratio closer to zero. For a totally ineffective catalyst, this ratio will be one-to-one, indicating that no oxidation occurs in the device.

The system must be monitored so that when catalyst efficiency deteriorates and exhaust emissions increase to over the legal limit, the MIL will be illuminated.

## TRIP DEFINITION

### OPERATION

The term "Trip" has different meanings depending on what the circumstances are. If the MIL (Malfunction Indicator Lamp) is OFF, a Trip is defined as when the Oxygen Sensor Monitor and the Catalyst Monitor have been completed in the same drive cycle.

When any Emission DTC is set, the MIL on the dash is turned ON. When the MIL is ON, it takes 3 good trips to turn the MIL OFF. In this case, it depends on what type of DTC is set to know what a "Trip" is.

For the Fuel Monitor or Mis-Fire Monitor (continuous monitor), the vehicle must be operated in the "Similar Condition Window" for a specified amount of time to be considered a Good Trip.

If a Non-Continuous OBDII Monitor, such as:

- Oxygen Sensor

- Catalyst Monitor
- Purge Flow Monitor
- Leak Detection Pump Monitor (if equipped)
- EGR Monitor (if equipped)
- Oxygen Sensor Heater Monitor

fails twice in a row and turns ON the MIL, re-running that monitor which previously failed, on the next start-up and passing the monitor is considered to be a Good Trip.

If any other Emission DTC is set (not an OBDII Monitor), a Good Trip is considered to be when the Oxygen Sensor Monitor and Catalyst Monitor have been completed; or 2 Minutes of engine run time if the Oxygen Sensor Monitor or Catalyst Monitor have been stopped from running.

It can take up to 2 Failures in a row to turn on the MIL. After the MIL is ON, it takes 3 Good Trips to turn the MIL OFF. After the MIL is OFF, the PCM will self-erase the DTC after 40 Warm-up cycles. A Warm-up cycle is counted when the ECT (Engine Coolant Temperature Sensor) has crossed 160°F and has risen by at least 40°F since the engine has been started.

## COMPONENT MONITORS

### OPERATION

There are several components that will affect vehicle emissions if they malfunction. If one of these components malfunctions the Malfunction Indicator Lamp (MIL) will illuminate.

Some of the component monitors are checking for proper operation of the part. Electrically operated components now have input (rationality) and output (functionality) checks. Previously, a component like the Throttle Position sensor (TPS) was checked by the PCM for an open or shorted circuit. If one of these conditions occurred, a DTC was set. Now there is a check to ensure that the component is working. This is done by watching for a TPS indication of a greater or lesser throttle opening than MAP and engine rpm indicate. In the case of the TPS, if engine vacuum is high and engine rpm is 1600 or greater and the TPS indicates a large throttle opening, a DTC will be set. The same applies to low vacuum if the TPS indicates a small throttle opening.

All open/short circuit checks or any component that has an associated limp in will set a fault after 1 trip with the malfunction present. Components without an associated limp in will take two trips to illuminate the MIL.

Refer to the Diagnostic Trouble Codes Description Charts in this section and the appropriate Powertrain Diagnostic Procedure Manual for diagnostic procedures.

## DESCRIPTION AND OPERATION (Continued)

**NON-MONITORED CIRCUITS**

The PCM does not monitor the following circuits, systems and conditions that could have malfunctions causing driveability problems. The PCM might not store diagnostic trouble codes for these conditions. However, problems with these systems may cause the PCM to store diagnostic trouble codes for other systems or components. For example, a fuel pressure problem will not register a fault directly, but could cause a rich/lean condition or misfire. This could cause the PCM to store an oxygen sensor or misfire diagnostic trouble code.

**OPERATION****FUEL PRESSURE**

The fuel pressure regulator controls fuel system pressure. The PCM cannot detect a clogged fuel pump inlet filter, clogged in-line fuel filter, or a pinched fuel supply or return line. However, these could result in a rich or lean condition causing the PCM to store an oxygen sensor or fuel system diagnostic trouble code.

**SECONDARY IGNITION CIRCUIT**

The PCM cannot detect an inoperative ignition coil, fouled or worn spark plugs, ignition cross firing, or open spark plug cables.

**CYLINDER COMPRESSION**

The PCM cannot detect uneven, low, or high engine cylinder compression.

**EXHAUST SYSTEM**

The PCM cannot detect a plugged, restricted or leaking exhaust system, although it may set a fuel system fault.

**FUEL INJECTOR MECHANICAL MALFUNCTIONS**

The PCM cannot determine if a fuel injector is clogged, the needle is sticking or if the wrong injector is installed. However, these could result in a rich or lean condition causing the PCM to store a diagnostic trouble code for either misfire, an oxygen sensor, or the fuel system.

**EXCESSIVE OIL CONSUMPTION**

Although the PCM monitors engine exhaust oxygen content when the system is in closed loop, it cannot determine excessive oil consumption.

**THROTTLE BODY AIR FLOW**

The PCM cannot detect a clogged or restricted air cleaner inlet or filter element.

**VACUUM ASSIST**

The PCM cannot detect leaks or restrictions in the vacuum circuits of vacuum assisted engine control system devices. However, these could cause the PCM to store a MAP sensor diagnostic trouble code and cause a high idle condition.

**PCM SYSTEM GROUND**

The PCM cannot determine a poor system ground. However, one or more diagnostic trouble codes may be generated as a result of this condition. The module should be mounted to the body at all times, also during diagnostic.

**PCM CONNECTOR ENGAGEMENT**

The PCM may not be able to determine spread or damaged connector pins. However, it might store diagnostic trouble codes as a result of spread connector pins.

**HIGH AND LOW LIMITS****OPERATION**

The PCM compares input signal voltages from each input device with established high and low limits for the device. If the input voltage is not within limits and other criteria are met, the PCM stores a diagnostic trouble code in memory. Other diagnostic trouble code criteria might include engine RPM limits or input voltages from other sensors or switches that must be present before verifying a diagnostic trouble code condition.

**LOAD VALUE****OPERATION**

ENGINE	IDLE/NEUTRAL	2500 RPM/ NEUTRAL
All Engines	2% to 8% of Maximum Load	9% to 17% of Maximum Load

# EVAPORATIVE EMISSION CONTROLS

## TABLE OF CONTENTS

	page		page
<b>DESCRIPTION AND OPERATION</b>			
EVAPORATION CONTROL SYSTEM .....	23	PCV VALVE/PCV SYSTEM TEST—	
ROLLOVER VALVE .....	23	4.7L V-8 ENGINE .....	29
EVAPORATION (EVAP) CANISTER .....	23	VACUUM SCHEMATICS .....	30
DUTY CYCLE EVAP CANISTER PURGE		LEAK DETECTION PUMP (LDP) .....	30
SOLENOID .....	24	<b>REMOVAL AND INSTALLATION</b>	
LEAK DETECTION PUMP (LDP) .....	24	FIXED ORIFICE FITTING—4.0L ENGINE .....	30
CRANKCASE VENTILATION (CCV) SYSTEM—		PCV VALVE—4.7L V-8 ENGINE .....	30
4.0L ENGINE .....	26	EVAPORATIVE (EVAP) CANISTER .....	31
POSITIVE CRANKCASE VENTILATION (PCV)		EVAPORATIVE CANISTER PURGE SOLENOID ..	31
SYSTEM—4.7L ENGINE .....	26	ROLLOVER VALVE(S) .....	32
VEHICLE EMISSION CONTROL		LEAK DETECTION PUMP (LDP) .....	32
INFORMATION (VECI) LABEL .....	28	<b>SPECIFICATIONS</b>	
<b>DIAGNOSIS AND TESTING</b>		TORQUE CHART .....	33
FIXED ORIFICE FITTING/CCV SYSTEM			
TEST—4.0L ENGINE .....	28		

## DESCRIPTION AND OPERATION

### EVAPORATION CONTROL SYSTEM

#### OPERATION

The evaporation control system prevents the emission of fuel tank vapors into the atmosphere. When fuel evaporates in the fuel tank, the vapors pass through vent hoses or tubes to a charcoal filled evaporative canister. The canister temporarily holds the vapors. The Powertrain Control Module (PCM) allows intake manifold vacuum to draw vapors into the combustion chambers during certain operating conditions.

All engines use a duty cycle purge system. The PCM controls vapor flow by operating the duty cycle EVAP purge solenoid. Refer to Duty Cycle EVAP Canister Purge Solenoid.

When equipped with certain emissions packages, a Leak Detection Pump (LDP) will be used as part of the evaporative system for OBD II requirements. Also refer to Leak Detection Pump.

**NOTE: The evaporative system uses specially manufactured lines/hoses. If replacement becomes necessary, only use fuel resistant hose.**

## ROLLOVER VALVE

### DESCRIPTION

The fuel tank is equipped with a rollover valve. The valve is located on the top of the fuel tank (Fig. 1).

### OPERATION

The rollover valve will prevent fuel flow through the fuel tank vent (EVAP) hoses in the event of an accidental vehicle rollover. The EVAP canister draws fuel vapors from the fuel tank through this valve.

The valve cannot be serviced separately. If replacement is necessary, the fuel tank must be replaced. Refer to Fuel Tank Removal/Installation.

## EVAPORATION (EVAP) CANISTER

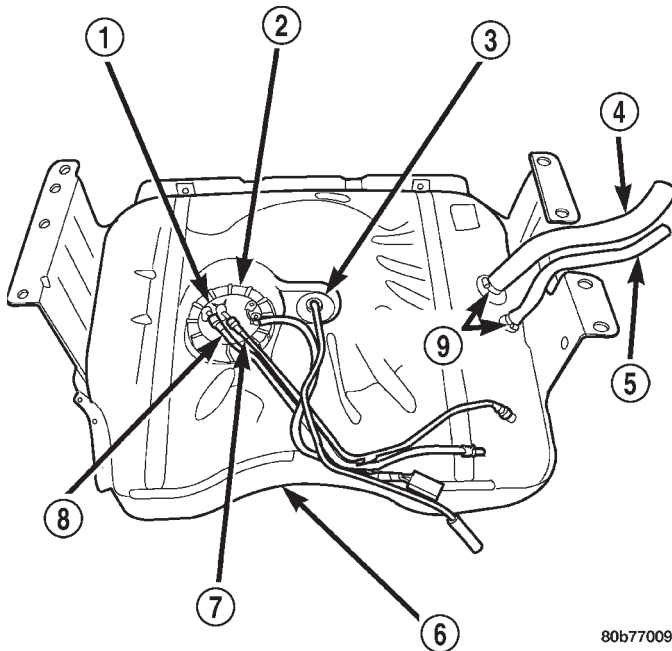
### OPERATION

A maintenance free, EVAP canister is used on all vehicles. The EVAP canister is filled with granules of an activated carbon mixture. Fuel vapors entering the EVAP canister are absorbed by the charcoal granules.

Fuel tank pressure vents into the EVAP canister. Fuel vapors are temporarily held in the canister until they can be drawn into the intake manifold. The duty cycle EVAP canister purge solenoid allows the EVAP canister to be purged at predetermined times and at certain engine operating conditions.



## DESCRIPTION AND OPERATION (Continued)



**Fig. 1 Rollover Valve Location**

- 1 - FUEL PUMP MODULE
- 2 - LOCKNUT
- 3 - ROLL OVER VALVE
- 4 - FUEL FILL HOSE
- 5 - FUEL VENT HOSE
- 6 - FUEL TANK
- 7 - FUEL SUPPLY (PRESSURE) LINE
- 8 - FUEL RETURN LINE
- 9 - CLAMPS

## DUTY CYCLE EVAP CANISTER PURGE SOLENOID

### OPERATION

The duty cycle EVAP canister purge solenoid (DCP) regulates the rate of vapor flow from the EVAP canister to the intake manifold. The Powertrain Control Module (PCM) operates the solenoid.

During the cold start warm-up period and the hot start time delay, the PCM does not energize the solenoid. When de-energized, no vapors are purged. The PCM de-energizes the solenoid during open loop operation.

The engine enters closed loop operation after it reaches a specified temperature and the time delay ends. During closed loop operation, the PCM cycles (energizes and de-energizes) the solenoid 5 or 10 times per second, depending upon operating conditions. The PCM varies the vapor flow rate by changing solenoid pulse width. Pulse width is the amount of time that the solenoid is energized. The PCM adjusts solenoid pulse width based on engine operating condition.

## LEAK DETECTION PUMP (LDP)

### OPERATION

The Leak Detection Pump (LDP) is used only with certain emission packages.

The LDP is a device used to detect a leak in the evaporative system.

The pump contains a 3 port solenoid, a pump that contains a switch, a spring loaded canister vent valve seal, 2 check valves and a spring/diaphragm.

Immediately after a cold start, engine temperature between 40°F and 86°F, the 3 port solenoid is briefly energized. This initializes the pump by drawing air into the pump cavity and also closes the vent seal. During non-test test conditions, the vent seal is held open by the pump diaphragm assembly which pushes it open at the full travel position. The vent seal will remain closed while the pump is cycling. This is due to the operation of the 3 port solenoid which prevents the diaphragm assembly from reaching full travel. After the brief initialization period, the solenoid is de-energized, allowing atmospheric pressure to enter the pump cavity. This permits the spring to drive the diaphragm which forces air out of the pump cavity and into the vent system. When the solenoid is energized and de-energized, the cycle is repeated creating flow in typical diaphragm pump fashion. The pump is controlled in 2 modes:

**PUMP MODE:** The pump is cycled at a fixed rate to achieve a rapid pressure build in order to shorten the overall test time.

**TEST MODE:** The solenoid is energized with a fixed duration pulse. Subsequent fixed pulses occur when the diaphragm reaches the switch closure point.

The spring in the pump is set so that the system will achieve an equalized pressure of about 7.5 inches of water.

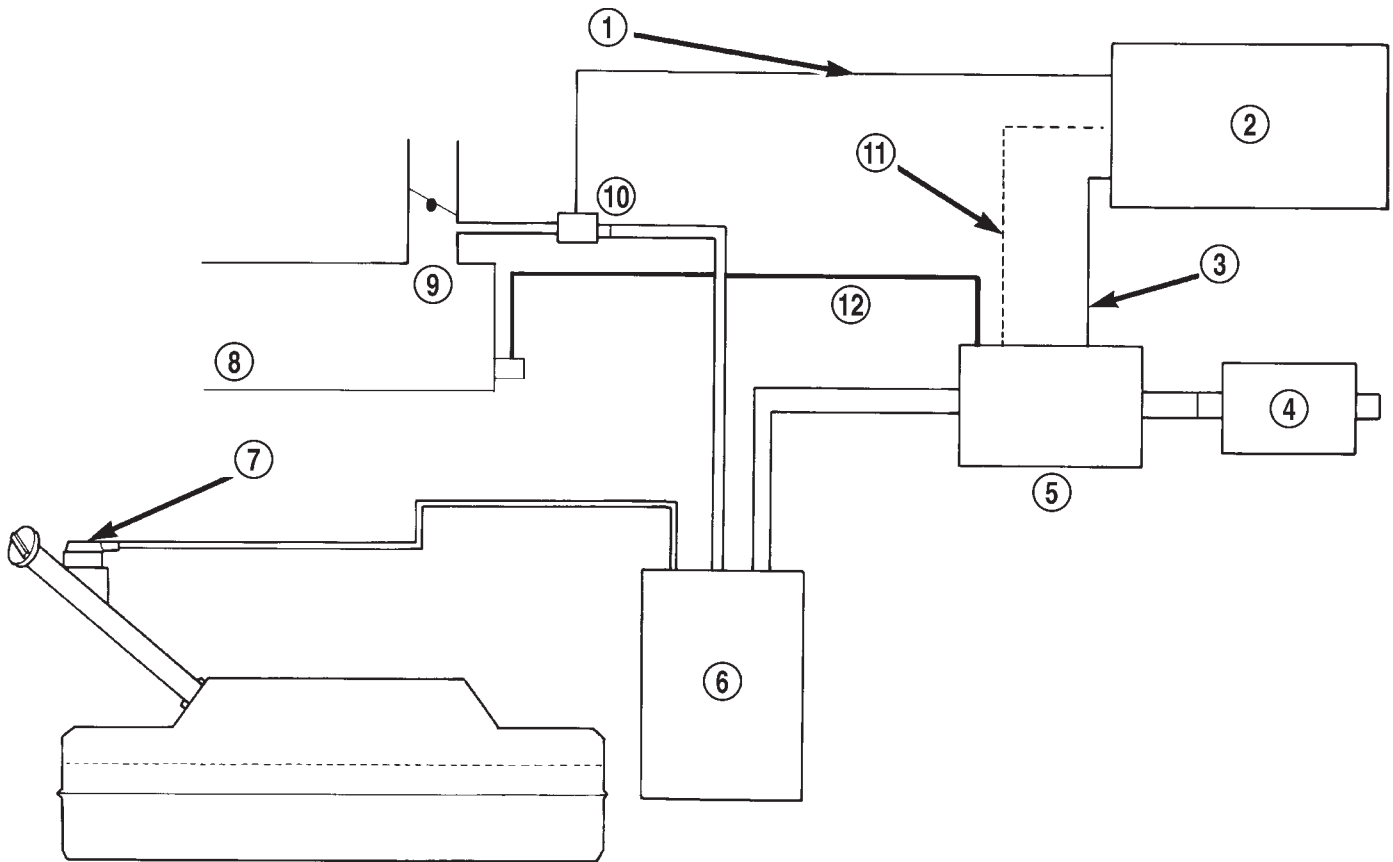
When the pump starts, the cycle rate is quite high. As the system becomes pressurized pump rate drops. If there is no leak the pump will quit. If there is a leak, the test is terminated at the end of the test mode.

If there is no leak, the purge monitor is run. If the cycle rate increases due to the flow through the purge system, the test is passed and the diagnostic is complete.

The canister vent valve will unseal the system after completion of the test sequence as the pump diaphragm assembly moves to the full travel position.

A typical system schematic is shown in (Fig. 2).

DESCRIPTION AND OPERATION (Continued)



80004293

**Fig. 2 Evaporative System Monitor Schematic—Typical**

- |  |  |
|--|--|
| 1 - DUTY CYCLE PURGE SOLENOID (DCPS) DRIVER            | 7 - TANK ROLLOVER VALVE & VAPOR FLOW CONTROL ORIFICE |
| 2 - POWERTRAIN CONTROL MODULE (PCM)                    | 8 - INTAKE MANIFOLD                                  |
| 3 - 3-PORT SOLENOID DRIVER                             | 9 - THROTTLE BODY                                    |
| 4 - REMOTE FILTER                                      | 10 - DCPS  |
| 5 - COMBINED CANISTER VENT VALVE & LEAK DETECTION PUMP | 11 - SWITCH SIGNAL INPUT TO THE PCM                  |
| 6 - CANISTER   | 12 - ENGINE VACUUM LINE                              |

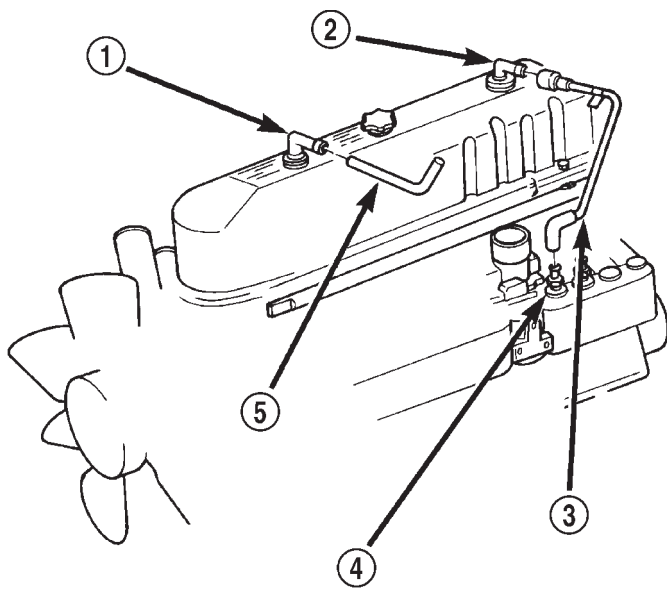


## DESCRIPTION AND OPERATION (Continued)

**CRANKCASE VENTILATION (CCV) SYSTEM—  
4.0L ENGINE****DESCRIPTION**

The 4.0L 6-cylinder engine is equipped with a Crankcase Ventilation (CCV) system. The system consists of:

- A fixed orifice fitting of a calibrated size. This fitting is pressed into a rubber grommet located on the top/rear of cylinder head (valve) cover (Fig. 3).
- a pair of breather tubes (lines) to connect the system components.
- the air cleaner housing.
- an air inlet fitting (Fig. 3).



80b89819

**Fig. 3 CCV System—4.0L Engine**

- 1 - AIR INLET FITTING
- 2 - FIXED ORIFICE FITTING
- 3 - CCV BREATHER TUBE (REAR)
- 4 - INT. MAN. FITTING
- 5 - CCV BREATHER TUBE (FRONT)

**OPERATION**

The CCV system performs the same function as a conventional PCV system, but does not use a vacuum controlled PCV valve.

The fixed orifice fitting meters the amount of crankcase vapors drawn out of the engine.

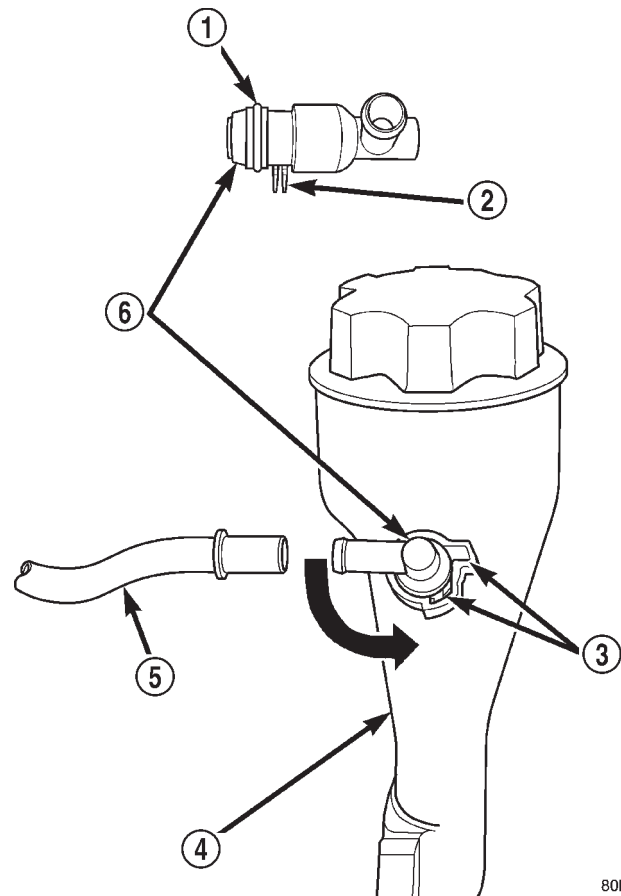
When the engine is operating, fresh air enters the engine and mixes with crankcase vapors. Engine vacuum draws the vapor/air mixture through the fixed orifice and into the intake manifold. The vapors are then consumed during engine combustion.

**POSITIVE CRANKCASE VENTILATION (PCV)  
SYSTEM—4.7L ENGINE****DESCRIPTION**

The 4.7L V-8 engine is equipped with a closed crankcase ventilation system and a Positive Crankcase Ventilation (PCV) valve.

This system consists of:

- a PCV valve mounted to the oil filler housing (Fig. 4). The PCV valve is sealed to the oil filler housing with an o-ring.
- the air cleaner housing
- two interconnected breathers threaded into the rear of each cylinder head (Fig. 5).
- tubes and hose to connect the system components.

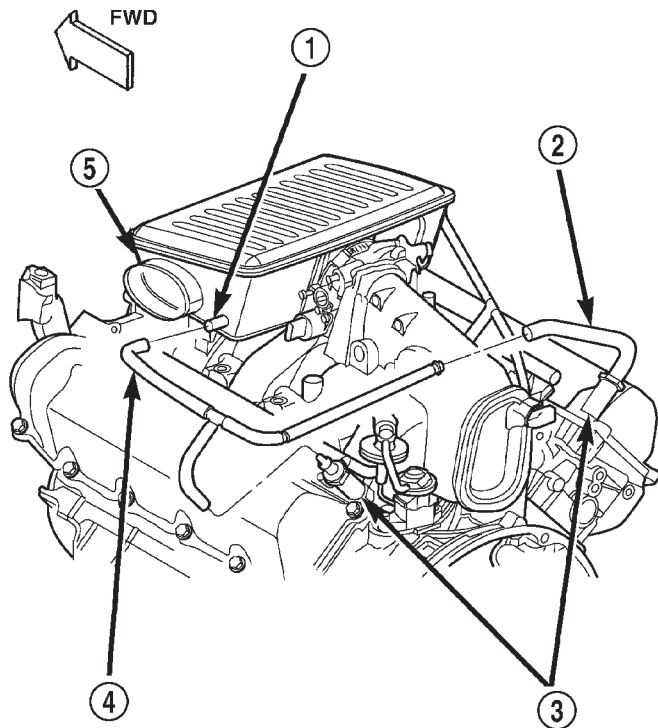


80b89905

**Fig. 4 PCV Valve/Oil Filler Tube (Housing)—4.7L  
Engine**

- 1 - O-RING
- 2 - LOCATING TABS
- 3 - CAM LOCK
- 4 - OIL FILLER TUBE
- 5 - PCV LINE/HOSE
- 6 - PCV VALVE

DESCRIPTION AND OPERATION (Continued)



80b89906

**Fig. 5 PCV System Hoses/Tubes—4.7L Engine**

- 1 - FRESH AIR FITTING
- 2 - CONNECTING TUBES/HOSES
- 3 - CRANKCASE BREATHERS (2)
- 4 - RUBBER HOSE
- 5 - AIR CLEANER RESONATOR

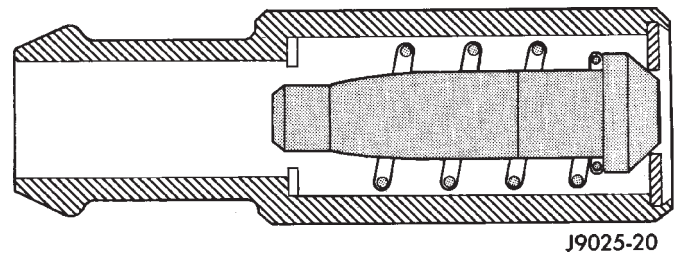
**OPERATION**

The PCV system operates by engine intake manifold vacuum. Filtered air is routed into the crankcase through the air cleaner hose and crankcase breathers. The metered air, along with crankcase vapors, are drawn through the PCV valve and into a passage in the intake manifold. The PCV system manages crankcase pressure and meters blow-by gases to the intake system, reducing engine sludge formation.

The PCV valve contains a spring loaded plunger. This plunger meters the amount of crankcase vapors routed into the combustion chamber based on intake manifold vacuum.

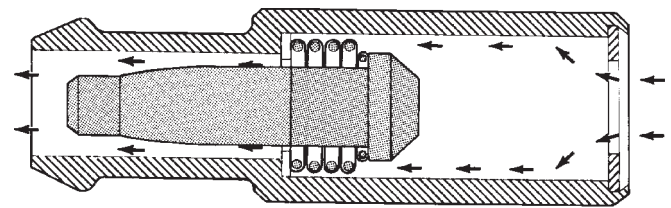
**TYPICAL** PCV valves are shown in (Fig. 6), (Fig. 7) and (Fig. 8).

When the engine is not operating, or during an engine pop-back, the spring forces the plunger back against the seat (Fig. 6). This will prevent vapors from flowing through the valve.



**Fig. 6 Engine Off or Engine Pop-Back—No Vapor Flow**

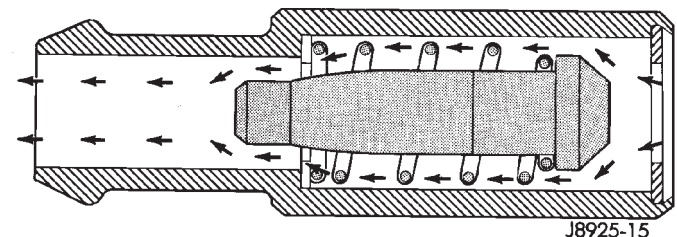
During periods of high manifold vacuum, such as idle or cruising speeds, vacuum is sufficient to completely compress spring. It will then pull the plunger to the top of the valve (Fig. 7). In this position there is minimal vapor flow through the valve.



J8925-14

**Fig. 7 High Intake Manifold Vacuum—Minimal Vapor Flow**

During periods of moderate manifold vacuum, the plunger is only pulled part way back from inlet. This results in maximum vapor flow through the valve (Fig. 8).



J8925-15

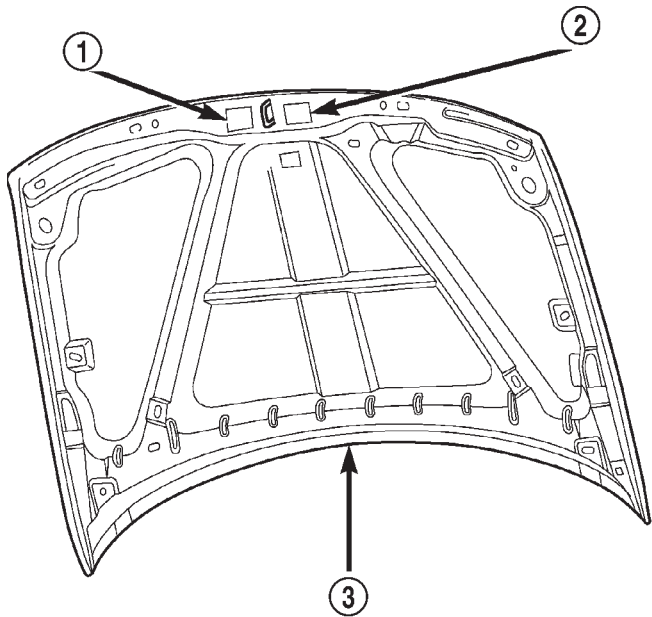
**Fig. 8 Moderate Intake Manifold Vacuum—Maximum Vapor Flow**

## DESCRIPTION AND OPERATION (Continued)

## VEHICLE EMISSION CONTROL INFORMATION (VECI) LABEL

## DESCRIPTION

All vehicles are equipped with a combined VECI label(s). The label is located in the engine compartment on the vehicle hood (Fig. 9). Two labels are used for vehicles built for sale in the country of Canada.



80b89907

**Fig. 9 VECI Label Location**

- 1 - VECI LABEL (CANADIAN)
- 2 - VECI LABEL
- 3 - HOOD

## OPERATION

The VECI label(s) contain the following:

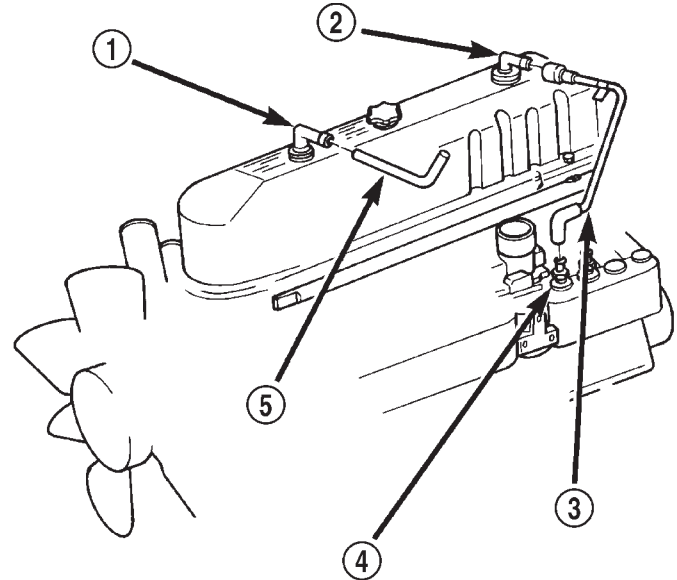
- Engine family and displacement
- Evaporative family
- Emission control system schematic
- Certification application
- Spark plug and gap

The label also contains an engine vacuum schematic. There are unique labels for vehicles built for sale in the state of California and the country of Canada. Canadian labels are written in both the English and French languages. These labels are permanently attached and cannot be removed without defacing information and destroying label.

## DIAGNOSIS AND TESTING

## FIXED ORIFICE FITTING/CCV SYSTEM TEST—4.0L ENGINE

Before attempting diagnosis, be sure locations of fixed orifice fitting and air inlet fitting (Fig. 10) have not been inadvertently exchanged. The fixed orifice fitting is light grey in color and is located at **rear** of valve cover. The air inlet fitting is black in color and is located at **front** of valve cover.



80b898f9

**Fig. 10 Fixed Orifice Fitting and CCV System—4.0L Engine**

- 1 - AIR INLET FITTING
- 2 - FIXED ORIFICE FITTING
- 3 - CCV BREATHER TUBE (REAR)
- 4 - INT. MAN. FITTING
- 5 - CCV BREATHER TUBE (FRONT)

(1) Pull fixed orifice fitting (Fig. 10) from valve cover and leave tube attached.

(2) Start engine and bring to idle speed.

(3) If fitting is not plugged, a hissing noise will be heard as air passes through fitting orifice. Also, a strong vacuum should be felt with a finger placed at fitting inlet.

(4) If vacuum is not present, remove fitting orifice fitting from tube. Start engine. If vacuum can now be felt, replace fixed orifice fitting. Do not attempt to clean plastic fitting.

(5) If vacuum is still not felt at hose, check line/hose for kinks or for obstruction. If necessary, clean out intake manifold fitting at intake manifold. Do this by turning a 1/4 inch drill (by hand) through the fitting to dislodge any solid particles. Blow out the

## DIAGNOSIS AND TESTING (Continued)

fitting with shop air. If necessary, use a smaller drill to avoid removing any metal from the fitting.

(6) Return fixed orifice fitting to valve cover and leave tube attached.

(7) Disconnect air inlet fitting and its attached hose at front of valve cover (Fig. 10). Start engine and bring to idle speed. Hold a piece of stiff paper (such as a parts tag) loosely over the rubber grommet (opening) of the disconnected air inlet fitting.

(8) The paper should be drawn against the rubber grommet with noticeable force. This will be after allowing approximately one minute for crankcase pressure to reduce.

(9) If vacuum is not present, check breather hoses/tubes/lines for obstructions or restrictions.

(10) After testing, reconnect all system hoses/tubes/lines.

### PCV VALVE/PCV SYSTEM TEST—4.7L V-8 ENGINE

(1) Disconnect PCV line/hose (Fig. 11) by disconnecting rubber connecting hose at PCV valve fitting.

(2) Remove PCV valve at oil filler tube by rotating PCV valve downward until locating tabs have been freed at cam lock (Fig. 11). After tabs have cleared, pull valve straight out from filler tube. **To prevent damage to PCV valve locating tabs, valve must be pointed downward for removal. Do not force valve from oil filler tube.**

(3) After valve is removed, check condition of valve o-ring (Fig. 11). Also, PCV valve should rattle when shaken.

(4) Reconnect PCV valve to its connecting line/hose.

(5) Start engine and bring to idle speed.

(6) If valve is not plugged, a hissing noise will be heard as air passes through valve. Also, a strong vacuum should be felt with a finger placed at valve inlet.

(7) If vacuum is not felt at valve inlet, check line/hose for kinks or for obstruction. If necessary, clean out intake manifold fitting at rear of manifold. Do this by turning a 1/4 inch drill (by hand) through the fitting to dislodge any solid particles. Blow out the fitting with shop air. If necessary, use a smaller drill to avoid removing any metal from the fitting.

(8) **Do not attempt to clean the old PCV valve.**

(9) Return PCV valve back to oil filler tube by placing valve locating tabs (Fig. 11) into cam lock. Press PCV valve in and rotate valve upward. A slight click will be felt when tabs have engaged cam lock. Valve should be pointed towards rear of vehicle.

(10) Connect PCV line/hose and connecting rubber hose to PCV valve.

(11) Disconnect rubber hose from fresh air fitting at left side of air cleaner resonator box (Fig. 12).

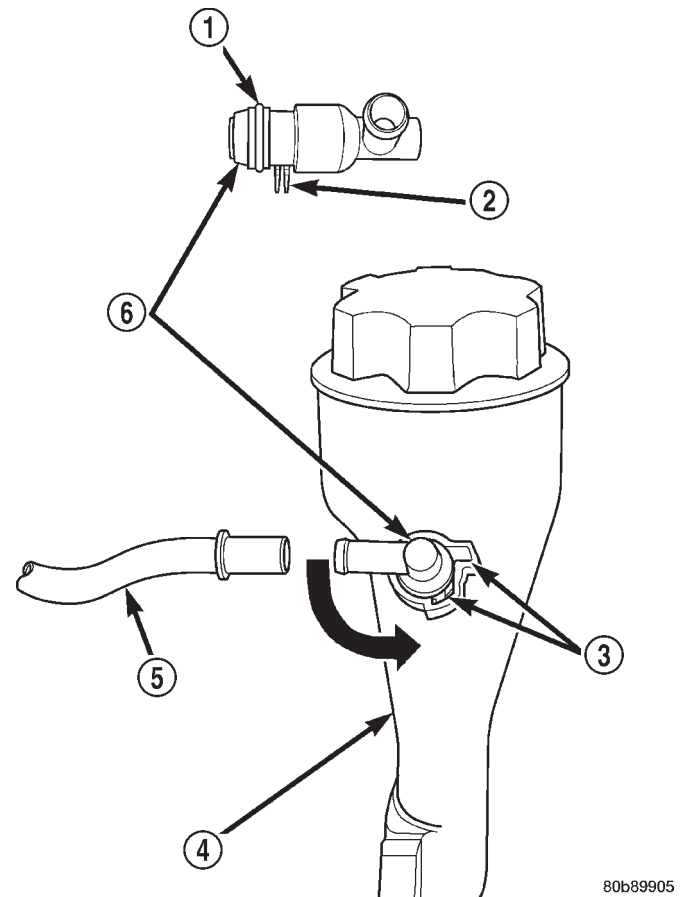


Fig. 11 PCV Valve/Oil Filler Tube—4.7L V-8 Engine

- 1 - O-RING
- 2 - LOCATING TABS
- 3 - CAM LOCK
- 4 - OIL FILLER TUBE
- 5 - PCV LINE/HOSE
- 6 - PCV VALVE

Start engine and bring to idle speed. Hold a piece of stiff paper (such as a parts tag) loosely over the opening of the disconnected rubber hose.

(12) The paper should be drawn against the hose opening with noticeable force. This will be after allowing approximately one minute for crankcase pressure to reduce.

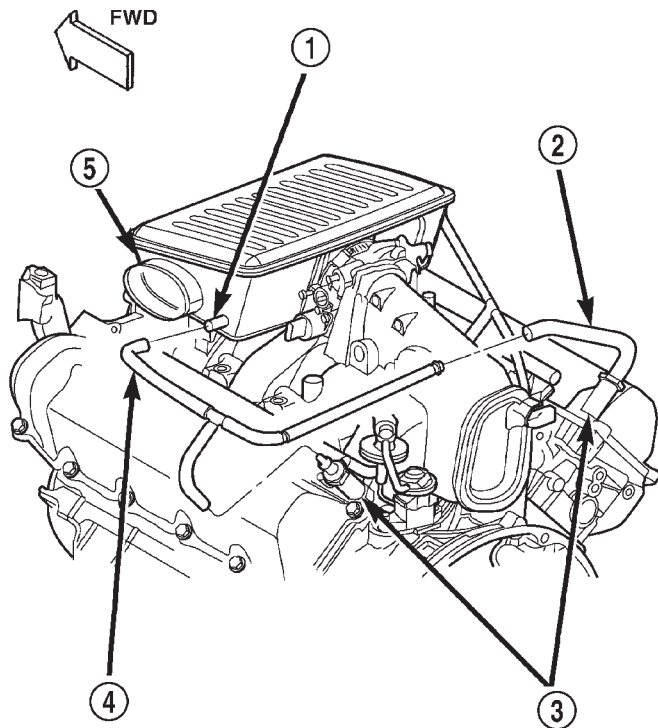
(13) If vacuum is not present, disconnect each PCV system hose at top of each breather (Fig. 12). Check for obstructions or restrictions.

(14) If vacuum is still not present, remove each PCV system breather (Fig. 12) from each cylinder head. Check for obstructions or restrictions. If plugged, replace breather. Tighten breather to 12 N·m (106 in. lbs.) torque. Do not attempt to clean breather

(15) If vacuum is still not present, disconnect each PCV system hose at each fitting and check for obstructions or restrictions.



## DIAGNOSIS AND TESTING (Continued)



80b89906

**Fig. 12 PCV Breathers/Tubes/Hoses—4.7L V-8 Engine**

- 1 - FRESH AIR FITTING
- 2 - CONNECTING TUBES/HOSES
- 3 - CRANKCASE BREATHERS (2)
- 4 - RUBBER HOSE
- 5 - AIR CLEANER RESONATOR

## VACUUM SCHEMATICS

A vacuum schematic for emission related items can be found on the Vehicle Emission Control Information (VECI) label. For label location, refer to Vehicle Emission Control Information (VECI) Label.

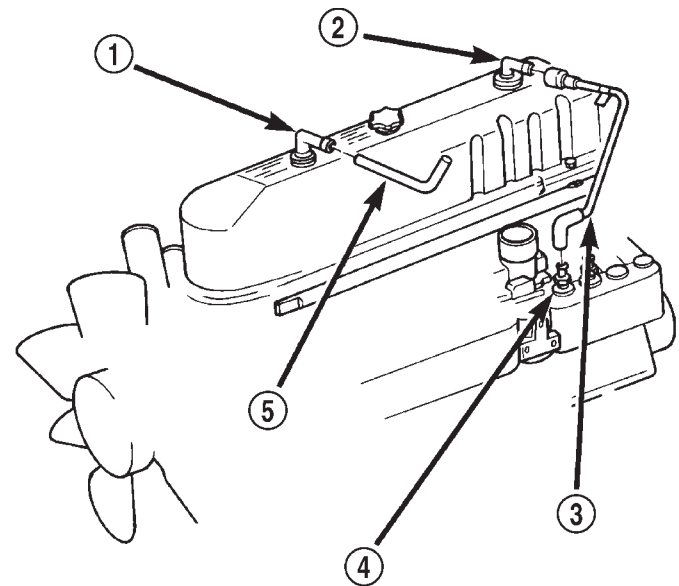
## LEAK DETECTION PUMP (LDP)

Refer to the appropriate Powertrain Diagnostic Procedures service manual for LDP testing procedures.

## REMOVAL AND INSTALLATION

### FIXED ORIFICE FITTING—4.0L ENGINE

When installing fixed orifice fitting, be sure locations of fixed orifice fitting and air inlet fitting (Fig. 13) have not been inadvertently exchanged. The fixed orifice fitting is light grey in color and is located at **rear** of valve cover. The air inlet fitting is black in color and is located at **front** of valve cover.



80b898f9

**Fig. 13 Fixed Orifice Fitting—4.0L Engine**

- 1 - AIR INLET FITTING
- 2 - FIXED ORIFICE FITTING
- 3 - CCV BREATHER TUBE (REAR)
- 4 - INT. MAN. FITTING
- 5 - CCV BREATHER TUBE (FRONT)

## REMOVAL

- (1) Pull fixed orifice fitting (Fig. 13) from valve cover grommet.
- (2) Separate fitting from CCV breather tube.

## INSTALLATION

- (1) Connect fitting to CCV breather tube.
- (2) Return fixed orifice fitting to valve cover grommet.

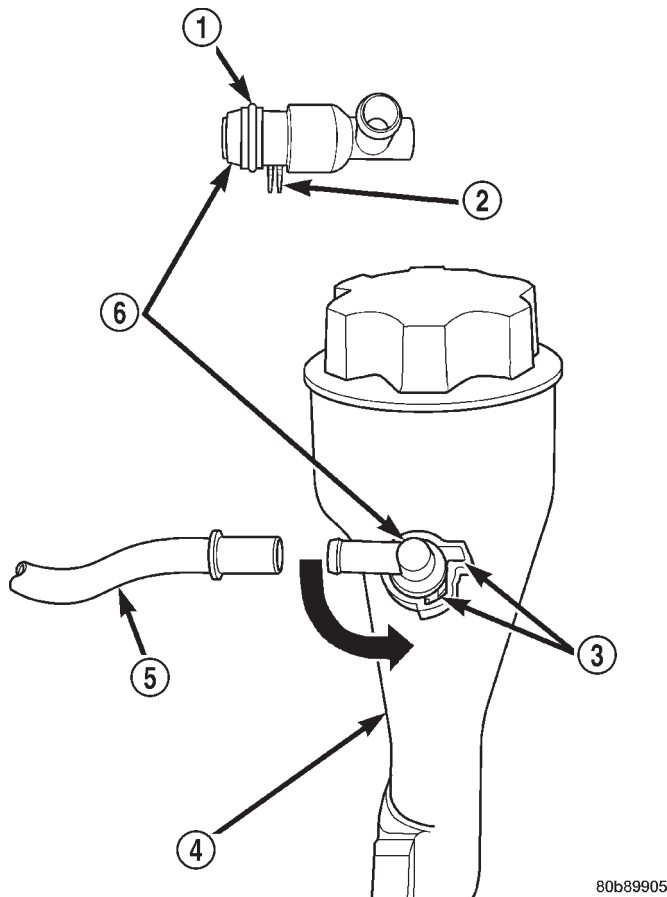
## PCV VALVE—4.7L V-8 ENGINE

The PCV valve is located on the oil filler tube (Fig. 14). Two locating tabs are located on the side of the valve (Fig. 14). These 2 tabs fit into a cam lock in the oil filler tube. An o-ring seals the valve to the filler tube.

## REMOVAL

- (1) Disconnect PCV line/hose (Fig. 14) by disconnecting rubber hose at PCV valve fitting.
- (2) Remove PCV valve at oil filler tube by rotating PCV valve downward (counter-clockwise) until locating tabs have been freed at cam lock (Fig. 14). After tabs have cleared, pull valve straight out from filler tube. **To prevent damage to PCV valve locating tabs, valve must be pointed downward for removal. Do not force valve from oil filler tube.**
- (3) After valve is removed, check condition of valve o-ring (Fig. 14).

REMOVAL AND INSTALLATION (Continued)



**Fig. 14 PCV Valve/Oil Filler Tube Location**

- 1 - O-RING
- 2 - LOCATING TABS
- 3 - CAM LOCK
- 4 - OIL FILLER TUBE
- 5 - PCV LINE/HOSE
- 6 - PCV VALVE

**INSTALLATION**

(1) Return PCV valve back to oil filler tube by placing valve locating tabs (Fig. 14) into cam lock. Press PCV valve in and rotate valve upward. A slight click will be felt when tabs have engaged cam lock. Valve should be pointed towards rear of vehicle.

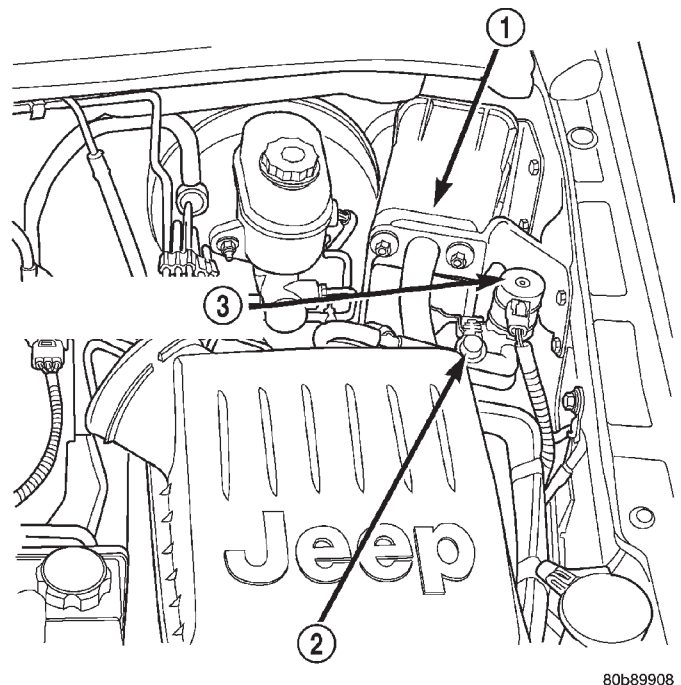
(2) Connect PCV line/hose and rubber hose to PCV valve.

**EVAPORATIVE (EVAP) CANISTER**

The EVAP canister is located in the engine compartment near the brake power booster (Fig. 15).

**REMOVAL**

- (1) Remove duty cycle EVAP canister purge solenoid and its mounting bracket at front of EVAP canister (2 nuts).
- (2) Disconnect vacuum lines at EVAP canister.



**Fig. 15 EVAP Canister, EVAP Solenoid, LDP Test Port Locations**

- 1 - EVAP CANISTER
- 2 - LDP TEST PORT
- 3 - EVAP CANISTER PURGE SOLENOID

(3) Remove 2 canister mounting bolts at front mounting bracket (Fig. 16).

(4) Remove canister from rear mounting bracket (2 pins are used (Fig. 16) to align canister to rear bracket)

**INSTALLATION**

(1) Position canister to body. Guide pins into rear bracket.

(2) Install canister mounting bolts. Tighten bolts to 11 N·m (100 in. lbs.) torque.

(3) Connect vacuum lines. Be sure vacuum lines are firmly connected and not leaking or damaged. If leaking, a Diagnostic Trouble Code (DTC) may be set with certain emission packages.

(4) Install duty cycle EVAP canister purge solenoid and its mounting bracket to front of EVAP canister (2 nuts). Tighten nuts to 9 N·m (80 in. lbs.) torque.

**EVAPORATIVE CANISTER PURGE SOLENOID**

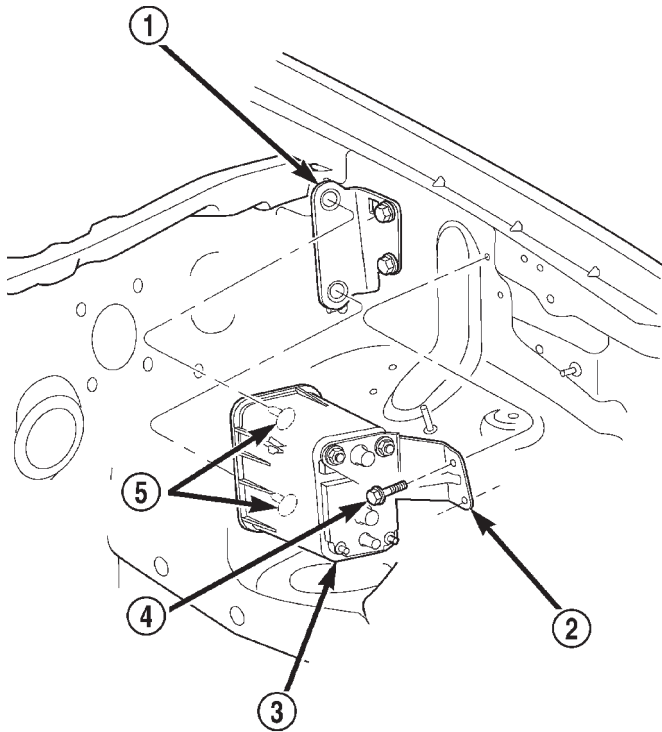
**REMOVAL**

The duty cycle evaporative (EVAP) canister purge solenoid is located in the engine compartment in front of the EVAP canister (Fig. 15).

- (1) Disconnect electrical connector at solenoid.
- (2) Disconnect vacuum lines at solenoid.



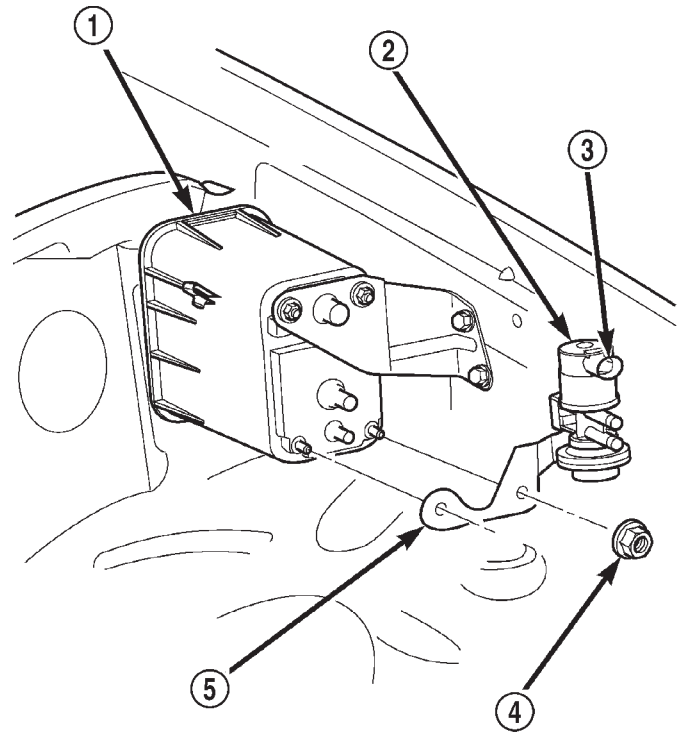
## REMOVAL AND INSTALLATION (Continued)



80b89909

**Fig. 16 EVAP Canister Removal/Installation**

- 1 - REAR BRACKET
- 2 - FRONT BRACKET
- 3 - EVAP CANISTER
- 4 - CANISTER MOUNTING BOLTS
- 5 - ALIGNMENT PINS



80ba7720

**Fig. 17 EVAP Canister Purge Solenoid Removal/Installation**

- 1 - EVAP CANISTER
- 2 - EVAP CANISTER PURGE SOLENOID
- 3 - ELECTRIC CONNECTOR
- 4 - MOUNTING BRACKET NUTS (2)
- 5 - SOLENOID BRACKET

(3) Remove two bracket mounting nuts (Fig. 17) and remove solenoid/solenoid bracket.

**INSTALLATION**

- (1) Position solenoid/solenoid bracket to vehicle.
- (2) Install and tighten 2 bracket mounting nuts to 9 N·m (80 in. lbs.) torque.
- (3) Connect vacuum lines to solenoid. Be sure vacuum lines are firmly connected and not leaking or damaged. If leaking, a Diagnostic Trouble Code (DTC) may be set with certain emission packages.
- (4) Connect electrical connector to solenoid.

**ROLLOVER VALVE(S)**

The rollover valve(s) are/is molded into the fuel tank and are not serviced separately. If replacement is necessary, the fuel tank must be replaced. Refer to Fuel Tank Removal/Installation.

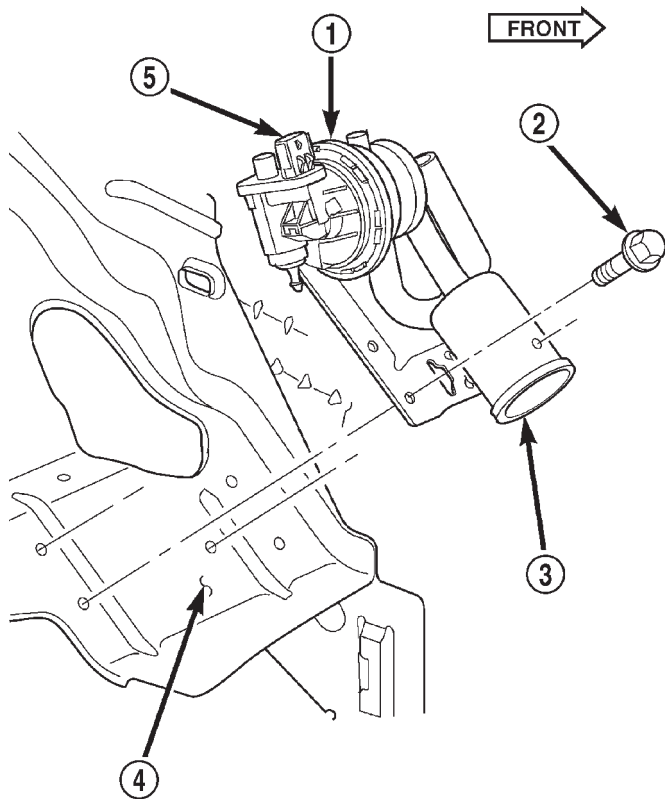
**LEAK DETECTION PUMP (LDP)**

The LDP is located in the left/front corner of engine compartment below air cleaner housing (Fig. 18). It is mounted to left/front inner fender sheet metal. The LDP and LDP filter are replaced (serviced) as one unit.

**REMOVAL**

- (1) Remove air cleaner housing. Refer to Air Cleaner Housing/Resonator/Ducts Removal/Installation.
- (2) Disconnect electrical connector at LDP.
- (3) Carefully remove vapor/vacuum lines at LDP.
- (4) Remove 3 LDP mounting bolts (Fig. 18).
- (5) Remove LDP from inner fender.

REMOVAL AND INSTALLATION (Continued)



80ba7721

**Fig. 18 Leak Detection Pump (LDP) Removal/Installation**

- 1 - LEAK DETECTION PUMP (LDP)
- 2 - MOUNTING BOLTS (3)
- 3 - LDP FILTER
- 4 - LEFT/FRONT INNER FENDER
- 5 - ELEC. CONN.

**INSTALLATION**

(1) Install LDP assembly to inner fender. Install 3 bolts and tighten to 2 N·m (20 in. lbs.) torque.

(2) Carefully install vapor/vacuum lines to LDP and LDP filter. **The vapor/vacuum lines and hoses must be firmly connected. Check the vapor/vacuum lines at the LDP, LDP filter and EVAP canister purge solenoid for damage or leaks. If a leak is present, a Diagnostic Trouble Code (DTC) may be set.**

(3) Connect electrical connector to LDP.

(4) Install air cleaner housing. Refer to Air Cleaner Housing/Resonator/Ducts Removal/Installation.

**SPECIFICATIONS**

**TORQUE CHART**

<b>Description</b>	<b>Torque</b>
Crankcase Breathers . . . . .	12 N·m (106 in. lbs.)
EVAP Canister Mounting Bolts . . . . .	11 N·m (100 in. lbs.)
EVAP Canister Purge Solenoid	
Mounting Nuts . . . . .	9 N·m (80 in. lbs.)
LDP Pump Bracket Bolts . . . . .	2 N·m (20 in. lbs.)



Description	Group-Page	Description	Group-Page	Description	Group-Page
ABS BRAKE SYSTEM, BLEEDING	5-41	ALIGNMENT SCREEN PREPARATION, LAMP	8L-5	AXLE BUSHING, FRONT	2-12
ABS WARNING LAMP	5-40	ALIGNMENT, VEHICLE PREPARATION FOR LAMP	8L-4	AXLE BUSHING REPLACEMENT	3-29
ABSOLUTE PRESSURE (MAP) SENSOR—4.0L ENGINE, MANIFOLD	14-54	ALIGNMENT, WHEEL	2-1,2-4	AXLE COMPONENTS	3-126,3-40,3-82
ABSOLUTE PRESSURE (MAP) SENSOR—4.7L V-8 ENGINE, MANIFOLD	14-54	ALUMINUM THREAD REPAIR	21-213,21-75	AXLE CONSTANT-VELOCITY (C/V) JOINT BOOT	3-20
ABSOLUTE PRESSURE (MAP) SENSOR—PCM INPUT, MANIFOLD	14-36	AMBIENT TEMPERATURE SENSOR	8V-12,8V-5	AXLE, REAR	3-103,3-60
ABSORBER, FRONT	13-2	AMPERAGE TEST, FUEL PUMP	14-11	AXLE SHAFT	3-109,3-66
ABSORBER, REAR	13-4	AMPLIFIER, POWER	8F-10,8F-16,8F-4	AXLE SHAFT, HUB BEARING	3-25
ABSORBER, SHOCK	2-18,2-9	ANALYSIS, GEAR CONTACT PATTERN	3-47,3-89	AXLE SHAFT OIL SEAL	3-33
ABSORBERS, SHOCK	2-16,2-7	ANALYZING ROAD TEST	21-55	AXLE SHAFT SEAL AND BEARING	3-110,3-66
A/C APPLICATION TABLE	24-60	ANGLE MEASUREMENT PREPARATION, DRIVELINE	3-5	AXLE SHAFT—CARDAN U-JOINT	3-19
A/C PERFORMANCE	24-10	ANGLE MEASUREMENT, PROPELLER SHAFT	3-6	AXLE, TUBE AND 186 FBI	3-11
ACCELERATOR PEDAL	14-25	ANGLE, PROPELLER SHAFT JOINT	3-2	BACK, BUCKET SEAT	23-16
ACCUMULATOR: HEATING AND AIR CONDITIONING	24-2,24-33	ANTENNA	8F-10,8F-17,8F-4	BACK COVER, BUCKET SEAT	23-18
ACCUMULATOR: TRANSMISSION AND TRANSFER CASE	21-156,21-249,21-38	ANTILOCK BRAKE SYSTEM	5-38	BACK COVER, REAR SEAT	23-21
ACTION TEST MODE, CIRCUIT	25-2	ANTILOCK BRAKES	5-38,5-41	BACK LATCH RELEASE HANDLE, REAR SEAT	23-20
ACTUATOR, FRONT DOOR INSIDE HANDLE	23-38	ANTI-LOCK BRAKES, 8W-35	8W-1	BACK LATCH/HINGE, REAR SEAT	23-21
ACTUATOR, REAR DOOR INSIDE HANDLE	23-44	ANTILOCK BRAKES, CONTROLLER	5-39,5-41	BACKLASH, DIFFERENTIAL BEARING PRELOAD AND GEAR	3-129,3-42,3-85
ACTUATORS, MODE DOOR	24-55	ANTILOCK BRAKES, HYDRAULIC CONTROL UNIT/CONTROLLER	5-42	BACK-UP AND SIDE MARKER LAMP, TAIL, BRAKE, TURN SIGNAL	8L-13
ADAPTER HOUSING SEAL	21-219	A-PILLAR TRIM	23-50	BACK-UP LAMP	8L-13
ADDITIONAL, COOLANT—ADDING	7-24	APPLICATION, BULB	8L-18	BACK-UP LAMP BULB	8L-9
ADDITIVES, COOLANT SELECTION	7-24	APPLICATION TABLE, A/C	24-60	BACK-UP LAMP BULBS, TAIL, BRAKE, TURN SIGNAL	8L-9
ADHESIVE LOCATIONS, STRUCTURAL	23-135	APPLIQUE, D-PILLAR	23-66	BALANCE, TIRE AND WHEEL	22-9
ADJUSTER, BUCKET SEAT TRACK	23-16	AREA CARPET, CARGO	23-57	BALL JOINT	2-21
ADJUSTER, HYDRAULIC LASH	9-105,9-66	ARM AND BLADE, REAR WIPER	8K-3	BALL JOINT, UPPER SUSPENSION ARM, BUSHINGS	2-17
ADJUSTER NOISE DIAGNOSIS, HYDRAULIC LASH	9-71	ARM AND BLADE, WINDSHIELD WIPER	8K-6	BALL STUDS, STEERING KNUCKLE	3-27
ADJUSTER, POWER LUMBAR	8R-2,8R-5	ARM, BUSHINGS, AND BALL JOINT, UPPER SUSPENSION	2-17	BAND ADJUSTMENTS	21-162
ADJUSTMENT, COMPASS VARIATION	8V-8	ARM, LOWER SUSPENSION	2-11,2-19	BAND OPERATION, AIR TESTING TRANSMISSION CLUTCH	21-57
ADJUSTMENT, DOOR	23-67	ARM PARK RAMP, REAR WIPER	8K-17	BANDS	21-45
ADJUSTMENT, FOG LAMP	8L-6	ARM, PITMAN	19-22,19-23	BAR, STABILIZER	2-12,2-17,2-21,2-7
ADJUSTMENT, HEADLAMP	8L-6	ARM, ROCKER	9-6,9-67	BAR, TRACK	2-12,2-7
ADJUSTMENT, HOOD	23-67	ARM, UPPER SUSPENSION	2-11,2-19	BASE BRAKE BLEEDING	5-12
ADJUSTMENT, LIFTGATE	23-67	ARM, WIPER	8K-15	BASE BRAKE SYSTEM	5-1,5-6
ADJUSTMENT, SUNROOF GLASS PANEL	23-14	ARMS AND BUSHINGS, LOWER SUSPENSION	2-17,2-7	BASE BRAKES	5-37
ADJUSTMENT, TRANSMISSION THROTTLE VALVE CABLE	21-159	ARMS AND BUSHINGS, UPPER SUSPENSION	2-7	BASE COAT/CLEAR COAT FINISH	23-1
ADJUSTMENTS, BAND	21-162	ARMS AND PUSH RODS, ROCKER	9-35,9-54	BATTERY	8A-1,8A-21,8A-23,8A-25,8A-6
AFTER MARKET PAINT REPAIR PRODUCTS	23-3	ARMS, ROCKER	9-98	BATTERY CABLES	8A-15,8A-18,8A-3
AIR CLEANER ELEMENT (FILTER)	14-58	ASSEMBLY, DRIVE AXLE	3-18	BATTERY CHARGING	8A-16
AIR CLEANER HOUSING/RESONATOR/DUCTS	14-59	ASSEMBLY, ENGINE	9-31	BATTERY FEED (TCM)	21-203
AIR CONDITIONER CONTROL, HEATER	24-6	ASSEMBLY, FINAL	3-120,3-39,3-77	BATTERY HOLD DOWNS	8A-20,8A-4
AIR CONDITIONER, HEATER	24-5	ASSEMBLY, INPUT CLUTCH	21-238	BATTERY REPLACEMENT, REMOTE KEYLESS ENTRY TRANSMITTER	8P-12
AIR CONDITIONING-HEATER, 8W-42	8W-1	ASSEMBLY, INSTRUMENT PANEL	8E-34	BATTERY TEMPERATURE SENSOR	8C-2,8C-4
AIR CONTROL (IAC) MOTOR—4.0L ENGINE, IDLE	14-52	ASSEMBLY, LOW/REVERSE CLUTCH	21-249	BATTERY THERMOGUARD	8A-22,8A-5
AIR CONTROL (IAC) MOTOR—4.7L V-8 ENGINE, IDLE	14-53	ASSEMBLY, RACK PISTON/VALVE	19-16	BATTERY TRAY	8A-22,8A-5
AIR CONTROL (IAC) MOTOR—PCM OUTPUT, IDLE	14-40	ASSEMBLY, SOLENOID AND PRESSURE SWITCH	21-203,21-215	BATTERY VOLTAGE—PCM INPUT	14-34
AIR DOOR, RECIRCULATION	24-59	ASSEMBLY, SUNROOF HOUSING	23-14	BEARING AND AXLE SHAFT, HUB	3-25
AIR EXHAUSTER, D-PILLAR	23-66	ASSEMBLY, TUBE AXLE	3-19	BEARING, AXLE SHAFT SEAL	3-110,3-66
AIR EXHAUSTER, TAIL LAMP	23-66	ASSIST HANDLE, OVERHEAD	23-51	BEARING, HUB	2-13
AIR FLOW CHECK PROCEDURE, THROTTLE BODY MINIMUM	14-49	AUDIO SYSTEM	8F-1,8F-5	BEARING NOISE	3-101,3-16,3-58
AIR TEMPERATURE SENSOR—4.0L ENGINE, INTAKE MANIFOLD	14-61	AUDIO SYSTEM, 8W-47	8W-1	BEARING, OUTPUT SHAFT FRONT	21-89
AIR TEMPERATURE SENSOR—4.7L V-8 ENGINE, INTAKE MANIFOLD	14-61	AUDIO SYSTEMS	8F-20	BEARING, OUTPUT SHAFT REAR	21-88
AIR TEMPERATURE SENSOR—PCM INPUT, INTAKE MANIFOLD	14-35	AUTO HEADLAMP SENSOR	8L-16	BEARING PRELOAD AND GEAR BACKLASH, DIFFERENTIAL	3-129,3-42,3-85
AIR TESTING TRANSMISSION CLUTCH AND BAND OPERATION	21-57	AUTO HEADLAMP SENSOR (AHL)	8L-4	BEARINGS, CAMSHAFT	9-43
AIR TESTING TRANSMISSION CLUTCH OPERATION	21-209	AUTO SHUTDOWN (ASD) RELAY—PCM OUTPUT	14-39	BEARINGS, CRANKSHAFT MAIN	9-120,9-44,9-81
AIRBAG CONTROL MODULE	8M-10,8M-3	AUTOMATIC BELT TENSIONER	7-41	BEARINGS, DIFFERENTIAL SIDE	3-114,3-32,3-70
AIRBAG MODULE, DRIVER SIDE	8M-2,8M-6	AUTOMATIC DAY/NIGHT MIRROR	8T-7,8T-8	BEARINGS, FITTING CONNECTING ROD	9-23
AIRBAG MODULE, PASSENGER SIDE	8M-3,8M-9	AUTOMATIC DAY/NIGHT MIRROR SYSTEM	8T-6	BEARINGS, FITTING CRANKSHAFT MAIN	9-26
AIRBAG MODULE TRIM COVER, DRIVER SIDE	8M-7	AUTOMATIC DIMMING OUTSIDE MIRROR	8T-6	BEARINGS—FITTING, CONNECTING ROD	9-80
AIRBAG SYSTEM	8M-1,8M-4,8M-5	AUTOMATIC SHUTDOWN (ASD) RELAY	14-49	BELT BUCKLE, FRONT SHOULDER	23-55
AIRBAG SYSTEM, 8W-43	8W-1	AUTOMATIC SHUTDOWN (ASD) RELAY SENSE—PCM INPUT	14-34	BELT BUCKLE, REAR SEAT	23-55
AJAR SWITCH, DOOR	8Q-3	AUTOMATIC TRANSMISSION, 42RE	21-1,21-2	BELT DIAGNOSIS, SERPENTINE DRIVE	7-11
AJAR SWITCH, DRIVER DOOR	8U-3,8U-4	AUTOMATIC TRANSMISSION, 45RFE	21-181,21-182	BELT, FRONT SHOULDER	23-55
AJAR SWITCH, LIFTGATE	8Q-4	AUTOMATIC TRANSMISSION DIAGNOSIS	21-51	BELT, REAR SEAT SHOULDER	23-55
AJAR SWITCH, LIFTGATE FLIP-UP GLASS	8Q-4	AUTOMATIC TRANSMISSION GENERAL DIAGNOSIS, 45RFE	21-206	BELT REPLACEMENT/ADJUSTMENT	7-39
ALIGNMENT	2-1,2-5	AUTOMATIC TRANSMISSION OIL COOLER	7-4	BELT SEAL, FRONT DOOR INNER	23-38
		AUTOMATIC ZONE CONTROL SYSTEM	24-13	BELT SEAL, FRONT DOOR OUTER	23-38
		AXLE, 186 FBI	3-11,3-49	BELT SWITCH, DRIVER SEAT	8U-3,8U-5
		AXLE, 198 FBI	3-53,3-91	BELT TENSION, DRIVE	7-44
		AXLE, 226 RBA	3-135,3-95	BELT TENSIONER, AUTOMATIC	7-41
		AXLE ASSEMBLY, DRIVE	3-18	BELT WEATHERSTRIP, REAR DOOR INNER	23-45
		AXLE ASSEMBLY, TUBE	3-19	BELT WEATHERSTRIP, REAR DOOR OUTER	23-45
				BENDING BRACES, ENGINE	9-31
				BETTS CONNECTORS, TERMINAL/CONNECTOR REPAIR—THOMAS	8W-10
				BEZEL, CLUSTER	8E-14
				BEZEL, INSTRUMENT PANEL CENTER LOWER	8E-21

Description	Group-Page	Description	Group-Page	Description	Group-Page
BEZEL, INSTRUMENT PANEL CENTER UPPER	8E-20	BRAKE LAMP SWITCH; SPEED CONTROL SYSTEM	8H-3	BYPASS HOSE—4.0L ENGINE, WATER PUMP	7-37
BEZEL, INSTRUMENT PANEL DRIVER SIDE	8E-13	BRAKE LEVER, PARKING	5-25	BYPASS—4.7L, WATER PUMP	7-3
BEZEL, INSTRUMENT PANEL LOWER RIGHT CENTER	8E-27	BRAKE LINE AND HOSES	5-11	CABLE ADJUSTMENT, TRANSMISSION THROTTLE VALVE	21-159
BEZEL, INSTRUMENT PANEL PASSENGER SIDE	8E-33	BRAKE, PARKING	5-11	CABLE, FRONT PARKING BRAKE	5-26
BIN, STORAGE	23-54	BRAKE PEDAL	5-15,5-2	CABLE, GEARSHIFT	21-161,21-207,21-219,21-250,21-54,21-79
BLADE, FAN	7-43	BRAKE ROTOR, FRONT DISC	5-21,5-9	CABLE, HOOD RELEASE	23-30
BLADE, REAR WIPER ARM	8K-3	BRAKE ROTOR MATCH MOUNTING, FRONT	5-13	CABLE, SERVO	8H-3
BLADE, WINDSHIELD WIPER ARM	8K-6	BRAKE ROTOR, REAR DISC	5-10,5-25	CABLE, THROTTLE VALVE	21-54
BLADE, WIPER	8K-15	BRAKE SHOE, PARKING	5-36	CABLE, TRANSFER CASE SHIFT	21-279,21-311
BLEEDING ABS BRAKE SYSTEM	5-41	BRAKE SHOES, FRONT DISC	5-19	CABLE—4.0L ENGINE, SERVO	8H-6
BLEEDING, BASE BRAKE	5-12	BRAKE SHOES, PARKING	5-29	CABLE—4.0L ENGINE, THROTTLE	14-25
BLEEDING, MASTER CYLINDER	5-12	BRAKE SHOES, REAR DISC	5-23	CABLE—4.7L V-8 ENGINE, SERVO	8H-7
BLEND-AIR DOOR(S)	24-34	BRAKE SWITCH—PCM INPUT	14-34	CABLE—4.7L V-8 ENGINE, THROTTLE	14-26
BLOCK, 8W-12 JUNCTION	8W-1	BRAKE SYSTEM	5-2	CABLES, BATTERY	8A-15,8A-18,8A-3
BLOCK, CYLINDER	9-137,9-5,9-53,9-55,9-65	BRAKE SYSTEM, ANTILOCK	5-38	CABLES, REAR PARKING BRAKE	5-27
BLOCK HEATER, ENGINE	7-23,7-38,7-4	BRAKE SYSTEM, BASE	5-1,5-6	CALIBRATION, COMPASS	8V-9
BLOCK, JUNCTION	80-3,80-7	BRAKE SYSTEM, BLEEDING ABS	5-41	CALIPER	5-35
BLOWER MOTOR	24-2,24-22,24-36	BRAKE TRANSMISSION SHIFT INTERLOCK	21-159,21-207,21-222,21-249,21-53,21-83	CALIPER, FRONT DISC BRAKE	5-18,5-31
BLOWER MOTOR CONTROLLER	24-2	BRAKE TRANSMISSION SHIFT INTERLOCK MECHANISM	21-199,21-51	CALIPER, REAR DISC BRAKE	5-22,5-33
BLOWER MOTOR RESISTOR	24-22,24-3	BRAKE TUBE FLARING	5-13	CAM, TURN SIGNAL CANCELLING	8J-10,8J-4
BLOWER MOTOR RESISTOR AND CONTROLLER	24-37	BRAKE, TURN SIGNAL AND BACK-UP LAMP BULBS, TAIL	8L-9	CAM/OVERDRIVE PISTON RETAINER, OVERRUNNING CLUTCH	21-120
BLOWER MOTOR SWITCH	24-22,24-3	BRAKE, TURN SIGNAL, BACK-UP, AND SIDE MARKER LAMP, TAIL	8L-13	CAMSHAFT	9-42,9-6,9-67
BODY	23-156	BRAKE WARNING LAMP, RED	5-3,5-9	CAMSHAFT BEARINGS	9-43
BODY CODE PLATE	Intro-2	BRAKES, 8W-35 ANTI-LOCK	8W-1	CAMSHAFT POSITION SENSOR—4.0L ENGINE	8D-15,8D-6
BODY COMPONENTS	23-24,23-25	BRAKES, ANTILOCK	5-38,5-41	CAMSHAFT POSITION SENSOR—4.7L ENGINE	8D-18,8D-6
BODY CONTROL MODULE	8E-12,8E-5,8E-9	BRAKES, BASE	5-37	CAMSHAFTS—IN VEHICLE	9-115
BODY CONTROL MODULE, 8W-45	8W-1	BRAKES, CONTROLLER ANTILOCK	5-39,5-41	CANCELLING CAM, TURN SIGNAL	8J-10,8J-4
BODY GAP AND FLUSH MEASUREMENTS	23-151	BRAKES, FRONT DISC	5-4	CANISTER, EVAPORATION (EVAP)	25-23
BODY LUBRICANTS	23-68	BRAKES, HYDRAULIC CONTROL UNIT/CONTROLLER ANTILOCK	5-42	CANISTER, EVAPORATIVE (EVAP)	25-31
BODY LUBRICATION	23-27	BRAKES, PARKING	5-6	CANISTER PURGE SOLENOID, DUTY CYCLE EVAP	25-24
BODY MINIMUM AIR FLOW CHECK PROCEDURE, THROTTLE	14-49	BRAKES, REAR DISC	5-5	CANISTER PURGE SOLENOID, EVAPORATIVE	25-31
BODY OPENING DIMENSIONS	23-153	BUCKET SEAT BACK	23-16	CAP, FUEL TANK FILLER TUBE	14-25,14-6
BODY SIDE CLADDING	23-48	BUCKET SEAT BACK COVER	23-18	CAP, INSTRUMENT PANEL END	8E-26
BODY, THROTTLE	14-41	BUCKET SEAT CUSHION COVER	23-19	CAP, RADIATOR PRESSURE	7-43,7-6
BODY, VALVE	21-154,21-162,21-17,21-190,21-214,21-233,21-247,21-84,21-89	BUCKET SEAT, FRONT	23-15	CAP TO FILLER NECK SEAL—PRESSURE RELIEF CHECK, RADIATOR	7-22
BODY—4.0L ENGINE, THROTTLE	14-50	BUCKET SEAT HEAD RESTRAINT	23-17	CAPACITIES, COOLING SYSTEM	7-44
BODY—4.7L V-8 ENGINE, THROTTLE	14-50	BUCKET SEAT HEAD RESTRAINT SLEEVE	23-18	CAPACITIES, FLUID	0-2
BOOSTER, MASTER CYLINDER/POWER	5-9	BUCKET SEAT RECLINER	23-16	CAPACITORS, COIL	8D-14,8D-4
BOOSTER, POWER BRAKE	5-17,5-3	BUCKET SEAT SIDE SHIELD	23-16	CAPACITY, FUEL TANK	14-27
BOOT, AXLE CONSTANT-VELOCITY (CV) JOINT	3-20	BUCKET SEAT TRACK ADJUSTER	23-16	CAPACITY TEST, FUEL PUMP	14-9
BORES, HONING CYLINDER	9-17,9-85	BUCKLE, FRONT SHOULDER BELT	23-55	CAP—PRESSURE TESTING, RADIATOR	7-22
BOX, GLOVE	8E-24	BUCKLE, REAR SEAT BELT	23-55	CARDAN JOINT, SINGLE	3-10
BOX LAMP AND SWITCH, GLOVE	8E-28	BUFFING, AND POLISHING, FINESSE SANDING	23-1	CARDAN U-JOINT	3-40
BOX LATCH, GLOVE	8E-26	BULB APPLICATION	8L-18	CARDAN UNIVERSAL JOINT, SINGLE	3-8
BOX LATCH STRIKER, GLOVE	8E-28	BULB, BACK-UP LAMP	8L-9	CARGO AREA CARPET	23-57
B-PILLAR LOWER TRIM	23-51	BULB, CARGO LAMP	8L-11	CARGO LAMP	8L-15
B-PILLAR SEAL, REAR DOOR	23-41	BULB, CENTER HIGH MOUNTED STOP LAMP (CHMSL)	8L-10	CARGO LAMP BULB	8L-11
B-PILLAR UPPER TRIM	23-51	BULB, DOME/READING LAMP	8L-11	CARPET, CARGO AREA	23-57
BRACES, ENGINE BENDING	9-31	BULB, DOOR COURTESY LAMP	8L-10	CARPET, FRONT	23-56
BRACKET, INSTRUMENT PANEL C-CHANNEL COVER	8E-41	BULB, FOG LAMP	8L-8	CASE COVER OIL SEAL, TIMING	9-50
BRACKET, INSTRUMENT PANEL DRIVER SIDE COURTESY LAMP	8E-13	BULB, FRONT SIDE MARKER LAMP	8L-9	CASE COVER, TIMING	9-40
BRACKET, INSTRUMENT PANEL INTERMEDIATE	8E-42	BULB, FRONT TURN SIGNAL	8L-9	CASE IDENTIFICATION, TRANSFER	21-308
BRACKET, INSTRUMENT PANEL PLENUM	8E-43	BULB, HEADLAMP	8L-8	CASE, NV242 TRANSFER	21-275,21-280,21-303
BRACKET, INSTRUMENT PANEL STEERING COLUMN	8E-15	BULB, LICENSE PLATE LAMP	8L-10	CASE, NV247 TRANSFER	21-308,21-314,21-330
BRACKET, INSTRUMENT PANEL STEERING COLUMN SUPPORT	8E-43	BULB, OVERHEAD CONSOLE READING LAMP	8L-11	CASE SHIFT CABLE, TRANSFER	21-279,21-311
BRACKET, INSTRUMENT PANEL TO CENTER FLOOR TUNNEL	8E-24	BULB, PARK LAMP	8L-9	CASE SKID PLATE, TRANSFER	13-6
BRACKET, REARVIEW MIRROR SUPPORT	23-58	BULB, REAR SIDE MARKER LAMP	8L-9	CASE, TRANSFER	21-277,21-311
BRAKE BLEEDING, BASE	5-12	BULB SERVICE, LAMP	8L-8	CATALYTIC CONVERTER	11-10,11-11,11-3
BRAKE BOOSTER, POWER	5-17,5-3	BULB, UNDERHOOD LAMP	8L-10	CAUSES OF BURNT FLUID	21-206,21-52
BRAKE CABLE, FRONT PARKING	5-26	BULB, VISOR VANITY LAMP	8L-11	CAUTIONS, AND WARNINGS, NOTES	8W-7
BRAKE CABLES, REAR PARKING	5-27	BULBS, TAIL, BRAKE, TURN SIGNAL AND BACK-UP LAMP	8L-9	CAUTIONS, SERVICE WARNINGS	2-18,2-9
BRAKE CALIPER, FRONT DISC	5-18,5-31	BUMPER, JOUNCE	2-7	CAUTIONS, SERVICE WARNINGS & C-CHANNEL COVER BRACKET, INSTRUMENT PANEL	8E-41
BRAKE CALIPER, REAR DISC	5-22,5-33	BUMPERS	13-1	CENTER BEZEL, INSTRUMENT PANEL LOWER RIGHT	8E-27
BRAKE COMPONENTS	5-37	BUMPERS, JOUNCE	2-16	CENTER, ELECTRONIC VEHICLE INFORMATION	8V-1,8V-11,8V-5
BRAKE DISTRIBUTION, ELECTRONIC	5-3,5-39	BURNT FLUID, CAUSES OF	21-206,21-52	CENTER FLOOR TUNNEL BRACKET, INSTRUMENT PANEL TO	8E-24
BRAKE FLUID	5-36	BUSHING AND SEAL, NV242HD REAR RETAINER	21-278	CENTER HIGH MOUNTED STOP LAMP (CHMSL)	8L-14
BRAKE FLUID CONTAMINATION	5-12	BUSHING AND SEAL, REAR RETAINER	21-313	CENTER HIGH MOUNTED STOP LAMP (CHMSL) BULB	8L-10
BRAKE FLUID LEVEL	5-12	BUSHING, FRONT AXLE	2-12	CENTER LOWER BEZEL, INSTRUMENT PANEL	8E-21
BRAKE FLUID LEVEL SENSOR	5-15	BUSHING, OVERDRIVE HOUSING	21-88	CENTER, POWER DISTRIBUTION	80-1,80-10,80-6
BRAKE HOSES AND LINES	5-6	BUSHING REPLACEMENT, AXLE	3-29		
BRAKE LAMP SWITCH; BRAKES	5-14,5-2,5-36,5-8	BUSHINGS, AND BALL JOINT, UPPER SUSPENSION ARM	2-17		
		BUSHINGS, LOWER SUSPENSION ARMS	2-17,2-7		
		BUSHINGS, UPPER SUSPENSION ARMS	2-7		



Description	Group-Page	Description	Group-Page	Description	Group-Page
CENTER PROGRAMMING, ELECTRONIC VEHICLE INFORMATION	8V-7	CLUTCH, COMPRESSOR	24-3,24-39	CONSOLE, OVERHEAD	8V-1,8V-10
CENTER UPPER BEZEL, INSTRUMENT PANEL	8E-20	CLUTCH ENGAGEMENT, ELECTRONICALLY MODULATED CONVERTER	21-188	CONSOLE READING AND COURTESY LAMP, OVERHEAD	8V-4
CENTERING, CLOCKSPrING	8M-14	CLUTCH, FRONT	21-127,21-157,21-42	CONSOLE READING LAMP BULB, OVERHEAD	8L-11
CERTIFICATION LABEL, VEHICLE SAFETY	Intro-1	CLUTCH, LOW/REVERSE	21-245	CONSOLE SYSTEMS, OVERHEAD	8V-12
CHAIN AND SPROCKETS, TIMING	9-108,9-41	CLUTCH OPERATION, AIR TESTING TRANSMISSION	21-209	CONSTANT-VELOCITY (CV) JOINT BOOT, AXLE	3-20
CHAIN COVER, TIMING	9-107	CLUTCH, OVERDRIVE	21-44	CONTACT PATTERN ANALYSIS, GEAR	3-133, 3-47,3-89
CHAIN—MEASURING WEAR, TIMING	9-77	CLUTCH, OVERRUNNING	21-45	CONTAMINATION, BRAKE FLUID	5-12
CHANGE, LUBRICANT	3-103,3-17,3-59	CLUTCH, REAR	21-129,21-158,21-43	CONTAMINATION, FLUID	21-206,21-52
CHANGER, COMPACT DISC	8F-13,8F-2,8F-7	CLUTCH RELAY, COMPRESSOR	24-24,24-4, 24-41	CONTROL, 8W-33 VEHICLE SPEED	8W-1
CHANNEL, FRONT DOOR GLASS RUN	23-39	CLUTCH SWITCH, LOW PRESSURE CYCLING	24-54	CONTROL, HEATER AND AIR CONDITIONER	24-6
CHANNEL WEATHERSTRIP, FRONT DOOR GLASS RUN	23-38	CLUTCHES, HOLDING	21-196	CONTROL, HEATER-A/C	24-49
CHARGE, REFRIGERANT SYSTEM	24-29	CLUTCHES, INPUT	21-194	CONTROL (IAC) MOTOR—4.0L ENGINE, IDLE AIR	14-52
CHARGING, BATTERY	8A-16	CLUTCH/LOW-REVERSE DRUM/OVERDRIVE PISTON RETAINER, OVERRUNNING	21-156	CONTROL (IAC) MOTOR—4.7L V-8 ENGINE, IDLE AIR	14-53
CHARGING SYSTEM	8C-1,8C-2	COAT FINISH, BASE COAT/CLEAR COAT/CLEAR COAT FINISH, BASE	23-1	CONTROL (IAC) MOTOR—PCM OUTPUT, IDLE AIR	14-40
CHARGING SYSTEM, 8W-20	8W-1	CODE DESCRIPTIONS, DIAGNOSTIC TROUBLE	25-3	CONTROL INFORMATION (VECI) LABEL, VEHICLE EMISSION	25-28
CHARGING SYSTEM, ON-BOARD DIAGNOSTIC TEST	8C-3	CODE, PAINT	23-1	CONTROL, LINE PRESSURE	21-204
CHART, TORQUE; BRAKES	5-37,5-45	CODE PLATE, BODY	Intro-2	CONTROL MODULE, 8W-45 BODY	8W-1
CHART, TORQUE; CHARGING SYSTEM	8C-5	CODES, DIAGNOSTIC TROUBLE	25-2	CONTROL MODULE, AIRBAG	8M-10,8M-3
CHART, TORQUE; EMISSION CONTROL SYSTEMS	25-33	COIL CAPACITORS	8D-14,8D-4	CONTROL MODULE, BODY	8E-12,8E-5,8E-9
CHART, TORQUE; FUEL SYSTEM	14-29,14-62	COIL, COMPRESSOR CLUTCH	24-23	CONTROL MODULE (PCM), POWERTRAIN; FUEL SYSTEM	14-31,14-54
CHART, TORQUE; IGNITION SYSTEM	8D-22	COIL, EVAPORATOR	24-4,24-46	CONTROL MODULE (PCM), POWERTRAIN; TRANSMISSION AND TRANSFER CASE	21-47
CHART, TORQUE; SPEED CONTROL SYSTEM	8H-9	COIL RESISTANCE—4.0L ENGINE, IGNITION	8D-22	CONTROL MODULE, TRANSMISSION	21-200
CHART, TORQUE; STEERING	19-10,19-20,19-24, 19-30	COIL RESISTANCE—4.7L V-8 ENGINE, IGNITION	8D-22	CONTROL RELAY, TRANSMISSION	21-203
CHART, TORQUE; SUSPENSION	2-14,2-22	COIL SPRING	2-18	CONTROL SERVO, SPEED	8H-2,8H-4
CHART, TORQUE; TIRES AND WHEELS	22-10	COIL SPRINGS	2-10	CONTROL SOLENOID CIRCUITS, SPEED	8H-2
CHARTS, POWER STEERING SYSTEM DIAGNOSIS	19-2	COIL SPRINGS AND ISOLATORS	2-17,2-7	CONTROL SWITCHES, SPEED	8H-2,8H-5
CHARTS—RE TRANSMISSION, DIAGNOSIS TABLES	21-59	COIL—4.0L ENGINE, IGNITION	8D-11,8D-2	CONTROL SYSTEM, 8W-31 TRANSMISSION	8W-1
CHECK, COOLANT LEVEL—ROUTINE	7-24	COIL—4.7L ENGINE, IGNITION	8D-13,8D-3	CONTROL SYSTEM, AUTOMATIC ZONE	24-13
CHECK, FLUID LEVEL	21-210,21-72	COLLAPSIBLE SPACER	3-106,3-23,3-63	CONTROL SYSTEM, EVAPORATION	25-23
CHECK, FRONT DOOR	23-34	COLUMN BRACKET, INSTRUMENT PANEL STEERING	8E-15	CONTROL SYSTEM, SPEED	8H-1
CHECK, OIL PUMP VOLUME	21-212,21-74	COLUMN OPENING COVER, STEERING	8E-15	CONTROL UNIT, HYDRAULIC	5-39
CHECK PROCEDURE, THROTTLE BODY MINIMUM AIR FLOW	14-49	COLUMN, STEERING	19-26,19-30	CONTROL UNIT/CONTROLLER ANTILOCK BRAKES, HYDRAULIC	5-42
CHECK, RADIATOR CAP TO FILLER NECK SEAL—PRESSURE RELIEF	7-22	COLUMN SUPPORT BRACKET, INSTRUMENT PANEL STEERING	8E-43	CONTROLLER ANTILOCK BRAKES	5-39,5-41
CHECK, RADIATOR COOLANT FLOW	7-20	COMBINATION FLASHER	8J-4,8J-9	CONTROLLER, BLOWER MOTOR	24-2
CHECK, REAR DOOR	23-42	COMBUSTION PRESSURE LEAKAGE TEST, CYLINDER	9-14,9-69	RESISTOR	24-37
CHECK VALVE SERVICE, CONVERTER DRAINBACK	21-74	COMPACT DISC CHANGER	8F-13,8F-2,8F-7	CONTROLS, EVAPORATIVE EMISSION	25-23
CHECK VALVE, VACUUM	24-59,24-9	COMPASS CALIBRATION	8V-9	CONTROLS, OVERDRIVE ELECTRICAL	21-53
CHECK/FILL POINTS AND LUBRICATION LOCATIONS, FLUID	0-2	COMPASS DEMAGNETIZING	8V-9	CONVERTER, CATALYTIC	11-10,11-11,11-3
CHECKING ENGINE OIL PRESSURE	9-70	COMPASS VARIATION ADJUSTMENT	8V-8	CONVERTER CLUTCH ENGAGEMENT, ELECTRONICALLY MODULATED	21-188
CHECKS, PRELIMINARY	7-13	COMPRESSION PRESSURE TEST, CYLINDER	9-13,9-68	CONVERTER DRAINBACK CHECK VALVE SERVICE	21-74
CHIME WARNING SYSTEM	8U-1,8U-4	COMPRESSOR	24-23,24-3,24-38	CONVERTER DRAINBACK VALVE	21-47
CHIME WARNING SYSTEM SWITCHES	8U-6	COMPRESSOR CLUTCH	24-3,24-39	CONVERTER HOUSING FLUID LEAK DIAGNOSIS	21-210,21-58
CIGAR LIGHTER AND POWER OUTLET, INSTRUMENT PANEL	8E-21	COMPRESSOR CLUTCH COIL	24-23	CONVERTER, TORQUE	21-11,21-183,21-218, 21-79
CIGAR LIGHTER, INSTRUMENT PANEL	8E-6, 8E-9	COMPRESSOR CLUTCH RELAY	24-24,24-4,24-41	COOLANT	7-24
CIGAR LIGHTER RELAY	8E-22,8E-6,8E-9	CONDENSER	24-4,24-42	COOLANT FLOW CHECK, RADIATOR	7-20
CIRCUIT ACTUATION TEST MODE	25-2	CONDITIONER CONTROL, HEATER AND AIR	24-6	COOLANT LEVEL, SERVICE	7-25
CIRCUIT FUNCTIONS	8W-4	CONDITIONER, HEATER AND AIR	24-5	COOLANT LEVEL—AERATION, LOW	7-23
CIRCUIT INFORMATION	8W-4	CONDITIONING-HEATER, 8W-42 AIR	8W-1	COOLANT LEVEL—ROUTINE CHECK	7-24
CIRCUIT SENSE—PCM INPUT, IGNITION	14-35	CONDITIONS, SPARK PLUG	8D-8	COOLANT RESERVOIR / OVERFLOW SYSTEM	7-4
CIRCUITS, NON-MONITORED	25-22	CONNECTING ROD BEARINGS, FITTING	9-23	COOLANT ROUTING, SYSTEM	7-2
CIRCUITS, SPEED CONTROL SOLENOID	8H-2	CONNECTING ROD BEARINGS—FITTING	9-80	COOLANT SELECTION AND ADDITIVES	7-24
CLADDING, BODY SIDE	23-48	CONNECTING ROD, PISTON	9-123,9-134,9-5, 9-66	COOLANT TEMPERATURE SENSOR—4.0L ENGINE, ENGINE	14-60
CLAMPS, COOLING SYSTEM HOSES AND HOSE	7-7	CONNECTING RODS, PISTONS	9-48	COOLANT TEMPERATURE SENSOR—4.7L V-8 ENGINE, ENGINE	14-60
CLAMPS, FUEL TUBES/LINES/HOSES	14-6	CONNECTIONS, INTERMITTENT AND POOR	8W-8	COOLANT TEMPERATURE SENSOR—PCM INPUT, ENGINE	14-35
CLASSIFICATION OF LUBRICANTS	0-1	CONNECTOR AND TERMINAL REPLACEMENT	8W-12	COOLANT—ADDING ADDITIONAL COOLER, AUTOMATIC TRANSMISSION OIL	7-4
CLEANER ELEMENT (FILTER), AIR	14-58	CONNECTOR, IGNITION-OFF DRAW	80-4	COOLERS AND TUBES, FLUSHING	21-212,21-74
CLEANER HOUSING/RESONATOR/DUCTS, AIR	14-59	CONNECTOR INFORMATION	8W-7	COOLING	7-45
CLEANING TIRES	22-6	CONNECTOR LOCATIONS, 8W-90	8W-1	COOLING FAN, ELECTRIC	7-22
CLOCKSPrING	8M-12,8M-4	CONNECTOR PIN-OUTS, 8W-80	8W-1	COOLING FAN RELAY—PCM OUTPUT, RADIATOR	14-41
CLOCKSPrING CENTERING	8M-14	CONNECTOR REPLACEMENT	8W-11	COOLING RELAY, RADIATOR FAN	14-57
CLUSTER, 8W-40 INSTRUMENT	8W-1	CONNECTOR/GROUND LOCATIONS	8W-1	COOLING SYSTEM	7-2
CLUSTER BEZEL	8E-14	CONNECTOR—PCM INPUT AND OUTPUT, DATA LINK	14-39	COOLING SYSTEM CAPACITIES	7-44
CLUSTER COMPONENTS, INSTRUMENT CLUSTER, INSTRUMENT	8E-16,8E-3,8E-7	CONNECTORS, TERMINAL/CONNECTOR REPAIR-MOLEX	8W-10		
CLUSTER AND BAND OPERATION, AIR TESTING TRANSMISSION	21-57	CONNECTORS, TERMINAL/CONNECTOR REPAIR—THOMAS AND BETTS	8W-10		
CLUTCH ASSEMBLY, INPUT	21-238	CONSOLE, 8W-49 OVERHEAD	8W-1		
CLUTCH ASSEMBLY, LOW/REVERSE	21-249	CONSOLE, FLOOR	23-55		
CLUTCH CAM/OVERDRIVE PISTON RETAINER, OVERRUNNING	21-120				
CLUTCH COIL, COMPRESSOR	24-23				



Description	Group-Page	Description	Group-Page	Description	Group-Page
COOLING SYSTEM DIAGNOSIS	7-13	CYLINDER LOCK SWITCH, DRIVER	80-3	DIODE, VEHICLE THEFT SECURITY	
COOLING SYSTEM, DRAINING AND FILLING	7-25	CYLINDER, MASTER	5-17,5-3	SYSTEM LIGHT EMITTING	80-4
COOLING SYSTEM FAN 4.0L AND 4.7L ENGINES	7-42	CYLINDER RESERVOIR, MASTER	5-16	DISC BRAKE CALIPER, FRONT	5-18,5-31
COOLING SYSTEM HOSES	7-44	CYLINDER/POWER BOOSTER, MASTER	5-9	DISC BRAKE CALIPER, REAR	5-22,5-33
COOLING SYSTEM HOSES AND HOSE CLAMPS	7-7	CYLINDERS, LOCK	23-37	DISC BRAKE ROTOR, FRONT	5-21,5-9
COOLING SYSTEM—REVERSE FLUSHING	7-26	DAMAGED OR WORN THREADS, REPAIR	9-18, 9-85	DISC BRAKE ROTOR, REAR	5-10,5-25
COOLING SYSTEM—TESTING FOR LEAKS	7-20	DAMPER, CRANKSHAFT	9-106	DISC BRAKE SHOES, FRONT	5-19
CORE AND TUBES, HEATER	24-51	DAMPER, STEERING	19-23,19-24	DISC BRAKE SHOES, REAR	5-23
CORE, HEATER	24-5	DAMPER, VIBRATION	9-40	DISC BRAKES, FRONT	5-4
CORE PLUGS, ENGINE	9-132	DAMPER—4.0L ENGINE, FUEL INJECTOR RAIL/FUEL	14-19,14-5	DISC BRAKES, REAR	5-5
COURTESY LAMP BRACKET, INSTRUMENT PANEL DRIVER SIDE	8E-13	DATA LINK CONNECTOR—PCM INPUT AND OUTPUT	14-39	DISC CHANGER, COMPACT	8F-13,8F-2,8F-7
COURTESY LAMP BULB, DOOR	8L-10	DAY/NIGHT MIRROR, AUTOMATIC	8T-7,8T-8	DISC ROTOR MACHINING	5-13
COURTESY LAMP, DOOR	8L-14	DAY/NIGHT MIRROR SYSTEM, AUTOMATIC	8T-6	DISCHARGE (ESD) SENSITIVE DEVICES, ELECTROSTATIC	8W-8
COURTESY LAMP, OVERHEAD CONSOLE READING	8V-4	DAYTIME RUNNING LAMP MODULE	8L-17	DISCHARGE LINE	24-42
COVER BRACKET, INSTRUMENT PANEL C-CHANNEL	8E-41	DEAERATION	7-23	DISPLAY TEST MODE, STATE	25-2
COVER, BUCKET SEAT BACK	23-18	DEFINITION, TRIP	25-21	DISTANCE—PCM INPUT, VEHICLE SPEED	14-39
COVER, BUCKET SEAT CUSHION	23-19	DEFLECTOR, SUNROOF WIND	23-11	DISTRIBUTION, 8W-10 POWER	8W-1
COVER, COWL	23-31	DEFOGGER, 8W-48 REAR WINDOW	8W-1	DISTRIBUTION, 8W-15 GROUND	8W-1
COVER, CYLINDER HEAD	9-35,9-54,9-67,9-7	DEFOGGER RELAY, REAR WINDOW	8N-3,8N-5, 8N-7	DISTRIBUTION CENTER, POWER	80-1,80-10, 80-6
COVER, DRIVER SIDE AIRBAG MODULE TRIM	8M-7	DEFOGGER SWITCH, REAR WINDOW	8N-3,8N-5	DISTRIBUTION, ELECTRONIC BRAKE	5-3,5-39
COVER, INSTRUMENT PANEL FUSE	8E-11	DEFOGGER SYSTEM, REAR WINDOW	8N-1,8N-3	DISTRIBUTION SYSTEM, POWER	80-1
COVER, INSTRUMENT PANEL TOP	8E-29	DELIVERY SYSTEM, FUEL	14-1	DISTRIBUTION SYSTEMS, POWER	80-15
COVER OIL SEAL, TIMING CASE	9-50	DEMAGNETIZING, COMPASS	8V-9	DOME /READING LAMP	8L-15
COVER, REAR SEAT BACK	23-21	DEPTH, PINION GEAR	3-127,3-40,3-83	DOME/READING LAMP BULB	8L-11
COVER, REAR SEAT CUSHION	23-19	DESCRIPTIONS, DIAGNOSTIC TROUBLE CODE	25-3	DOOR ACTUATORS, MODE	24-55
COVER, STEERING COLUMN OPENING	8E-15	DETECTION PUMP (LDP), LEAK	25-24,25-30, 25-32	DOOR ADJUSTMENT	23-67
COVER, STRUCTURAL	9-90	DEVICES, ELECTROSTATIC DISCHARGE (ESD) SENSITIVE	8W-8	DOOR AJAR SWITCH	80-3
COVER, STRUCTURAL DUST	9-67	DIAGNOSIS, 45RFE AUTOMATIC TRANSMISSION GENERAL	21-206	DOOR AJAR SWITCH, DRIVER	8U-3,8U-4
COVER, TIMING CASE	9-40	DIAGNOSIS, AUTOMATIC TRANSMISSION	21-51	DOOR AND LEVER, PANEL/DEFROST	24-57
COVER, TIMING CHAIN	9-107	DIAGNOSIS CHARTS, POWER STEERING SYSTEM	19-2	DOOR B-PILLAR SEAL, REAR	23-41
COVERS, CYLINDER HEAD	9-97	DIAGNOSIS, CONVERTER HOUSING FLUID LEAK	21-210,21-58	DOOR CHECK, FRONT	23-34
COWL COVER	23-31	DIAGNOSIS, COOLING SYSTEM	7-13	DOOR CHECK, REAR	23-42
COWL LOWER TRIM	23-50	DIAGNOSIS, CYLINDER HEAD GASKET FAILURE	9-13,9-68	DOOR COURTESY LAMP	8L-14
COWL PLENUM SEAL	23-31	DIAGNOSIS, EXHAUST SYSTEM	11-6	DOOR COURTESY LAMP BULB	8L-10
C-PILLAR UPPER TRIM	23-53	DIAGNOSIS, HYDRAULIC LASH ADJUSTER NOISE	9-71	DOOR, FRONT	23-35
CRANKCASE VENTILATION (CCV) SYSTEM—4.0L ENGINE	25-26	DIAGNOSIS, INTAKE MANIFOLD LEAKAGE	9-12,9-68	DOOR, FUEL FILL	23-48
CRANKCASE VENTILATION (PCV) SYSTEM—4.7L ENGINE, POSITIVE	25-26	DIAGNOSIS, NV242	21-276	DOOR GLASS, FRONT	23-40
CRANKSHAFT	9-125,9-5,9-65	DIAGNOSIS, NV247	21-310	DOOR GLASS RUN CHANNEL, FRONT	23-39
CRANKSHAFT DAMPER	9-106	DIAGNOSIS, PRELIMINARY	21-206,21-53	DOOR GLASS RUN CHANNEL WEATHERSTRIP, FRONT	23-38
CRANKSHAFT JOURNALS	9-135	DIAGNOSIS, PUMP LEAKAGE	19-7	DOOR, HEAT/DEFROST	24-47
CRANKSHAFT MAIN BEARINGS	9-120,9-44,9-81	DIAGNOSIS, SERPENTINE DRIVE BELT	7-11	DOOR HINGE, FRONT	23-35
CRANKSHAFT MAIN BEARINGS, FITTING	9-26	DIAGNOSIS, SYSTEM	8L-2	DOOR HINGE, REAR	23-43
CRANKSHAFT OIL SEAL—FRONT	9-129	DIAGNOSIS TABLES AND CHARTS—RE TRANSMISSION	21-59	DOOR INNER BELT SEAL, FRONT	23-38
CRANKSHAFT OIL SEAL—REAR	9-131	DIAGNOSIS—INTRODUCTION, ENGINE	9-67,9-8	DOOR INNER BELT WEATHERSTRIP, REAR	23-45
CRANKSHAFT OIL SEALS—REAR	9-49	DIAGNOSIS—MECHANICAL, SERVICE	9-10	DOOR INSIDE HANDLE ACTUATOR, FRONT	23-38
CRANKSHAFT POSITION SENSOR—4.0L ENGINE	8D-14,8D-4	DIAGNOSIS—PERFORMANCE, ENGINE	9-71	DOOR INSIDE HANDLE ACTUATOR, REAR	23-44
CRANKSHAFT POSITION SENSOR—4.7L ENGINE	8D-5	DIAGNOSIS—PERFORMANCE, SERVICE	9-9	DOOR, INSTRUMENT PANEL POWER OUTLET	8E-23
CRANKSHAFT POSITION SENSOR—4.7L V-8 ENGINE	8D-15	DIAGNOSTIC PROCEDURES; BODY	23-8	DOOR LATCH	23-67
CURVES, GOVERNOR PRESSURE	21-50	DIAGNOSTIC PROCEDURES; LAMPS	8L-1	DOOR LATCH, FRONT	23-37
CUSHION COVER, BUCKET SEAT	23-19	DIAGNOSTIC TEST FOR CHARGING SYSTEM, ON-BOARD	8C-3	DOOR LATCH, REAR	23-44
CUSHION COVER, REAR SEAT	23-19	DIAGNOSTIC TROUBLE CODE DESCRIPTIONS	25-3	DOOR LATCH STRIKER, FRONT	23-37
CUSHION, REAR SEAT	23-19	DIAGNOSTIC TROUBLE CODES	25-2	DOOR LATCH STRIKER, REAR	23-44
CUSHION RELEASE LATCH, REAR SEAT	23-19	DIAGNOSTICS (OBD), ON-BOARD	7-9	DOOR LOCK CYLINDER, FRONT	23-36
CYCLE EVAP CANISTER PURGE SOLENOID, DUTY	25-24	DIAGNOSTICS, ON-BOARD	25-1	DOOR MODULE	8P-3,8P-4,8P-5
CYCLING CLUTCH SWITCH, LOW PRESSURE	24-54	DIFFERENTIAL	3-112,3-29,3-68	DOOR OPENER, UNIVERSAL GARAGE	8V-4,8V-6
CYLINDER BLEEDING, MASTER	5-12	DIFFERENTIAL BEARING PRELOAD AND GEAR BACKLASH	3-129,3-42,3-85	DOOR OPENING WEATHERSTRIP, FRONT	23-39
CYLINDER BLOCK	9-137,9-5,9-53,9-55,9-65	DIFFERENTIAL NOISE, TRAC-LOK™	3-102,3-59	DOOR OPENING WEATHERSTRIP, REAR	23-45
CYLINDER BORES, HONING	9-17,9-85	DIFFERENTIAL SIDE BEARINGS	3-114,3-32,3-70	DOOR OUTER BELT SEAL, FRONT	23-38
CYLINDER COMBUSTION PRESSURE LEAKAGE TEST	9-14,9-69	DIFFERENTIAL, STANDARD	3-12,3-121,3-38, 3-54,3-77,3-96	DOOR OUTER BELT WEATHERSTRIP, REAR	23-45
CYLINDER COMPRESSION PRESSURE TEST	9-13,9-68	DIFFERENTIAL, TRAC-LOK™	3-122,3-55,3-78, 3-98	DOOR OUTSIDE HANDLE, FRONT	23-36
CYLINDER, FRONT DOOR LOCK	23-36	DIFFERENTIAL, VARI-LOK™	3-13,3-97	DOOR OUTSIDE HANDLE, REAR	23-44
CYLINDER HEAD	9-37,9-5,9-54,9-66	DIMENSIONS, BODY OPENING	23-153	DOOR, PANEL OUTLET	24-58
CYLINDER HEAD COVER	9-35,9-54,9-67,9-7	DIMENSIONS, FRAME	13-7	DOOR POWER WINDOW SWITCH, REAR	8S-5, 8S-6
CYLINDER HEAD COVERS	9-97	DIMMING OUTSIDE MIRROR, AUTOMATIC	8T-6	DOOR, REAR	23-43
CYLINDER HEAD GASKET FAILURE DIAGNOSIS	9-13,9-68	DIODE REPLACEMENT	8W-14	DOOR RECIRCULATION AIR	24-59
CYLINDER HEADS	9-134,9-99			DOOR SCUFF PLATE, FRONT	23-51
CYLINDER, IGNITION SWITCH AND KEY	8D-18			DOOR SCUFF PLATE, REAR	23-52
CYLINDER, IGNITION SWITCH AND KEY LOCK	8D-10,8D-7			DOOR SECONDARY WEATHERSTRIP, FRONT	23-39

Description	Group-Page	Description	Group-Page	Description	Group-Page
DOOR WINDOW REGULATOR, REAR	23-46	ENGINE COOLANT TEMPERATURE		ENGINE—MECHANICAL	9-73
DOOR(S), BLEND-AIR	24-34	SENSOR—4.7L V-8 ENGINE	14-60	ENGINES, COOLING SYSTEM FAN 4.0L	
DOWN(S), BATTERY HOLD	8A-20,8A-4	ENGINE COOLANT TEMPERATURE		AND 4.7L	7-42
D-PILLAR AIR EXHAUSTER	23-66	SENSOR—PCM INPUT	14-35	ENGINES ONLY, TASK MANAGER—	
D-PILLAR APPLIQUE	23-66	ENGINE CORE PLUGS	9-132	GASOLINE POWERED	25-16
D-PILLAR TRIM	23-54	ENGINE, CRANKCASE VENTILATION		ENGINES, WATER PUMP 4.7L	7-29
DRAG LINK	19-24	(CCV) SYSTEM—4.0L	25-26	ENTRY RECEIVER, REMOTE KEYLESS	8P-11
DRAG LINK AND ENDS	19-22	ENGINE, CRANKSHAFT POSITION		ENTRY SYSTEM, REMOTE KEYLESS	8P-11,8P-9
DRAIN TUBE	23-11	SENSOR—4.0L	8D-14,8D-4	ENTRY TRANSMITTER BATTERY	
DRAINBACK CHECK VALVE SERVICE,		ENGINE, CRANKSHAFT POSITION		REPLACEMENT, REMOTE KEYLESS	8P-12
CONVERTER	21-74	SENSOR—4.7L	8D-5	ENTRY TRANSMITTER PROGRAMMING,	
DRAINBACK VALVE, CONVERTER	21-47	ENGINE, CRANKSHAFT POSITION		REMOTE KEYLESS	8P-13
DRAINING AND FILLING COOLING		SENSOR—4.7L V-8	8D-15	ENTRY TRANSMITTER, REMOTE	
SYSTEM	7-25	ENGINE DIAGNOSIS—INTRODUCTION	9-67,9-8	KEYLESS	8P-11,8P-12
DRAW CONNECTOR, IGNITION-OFF	80-4	ENGINE DIAGNOSIS—PERFORMANCE	9-71	EQUIPMENT, REFRIGERANT SYSTEM	
DRAW FUSE, IGNITION-OFF	80-2,80-7	ENGINE, ENGINE COOLANT		SERVICE	24-30
DRB SCAN TOOL	7-10	TEMPERATURE SENSOR—4.0L	14-60	EVACUATE, REFRIGERANT SYSTEM	24-30
DRILLING AND WELDING PROCEDURES	23-27	ENGINE, ENGINE COOLANT		EVAP CANISTER PURGE SOLENOID,	
DRIVE AXLE ASSEMBLY	3-18	TEMPERATURE SENSOR—4.7L V-8	14-60	DUTY CYCLE	25-24
DRIVE BELT DIAGNOSIS, SERPENTINE	7-11	ENGINE, ENGINE FIRING ORDER—4.0L		EVAPORATION CONTROL SYSTEM	25-23
DRIVE BELT TENSION	7-44	6-CYLINDER	8D-21	EVAPORATION (EVAP) CANISTER	25-23
DRIVE, IDLER SHAFT—TIMING	9-114	ENGINE, ENGINE FIRING ORDER—4.7L		EVAPORATIVE CANISTER PURGE	
DRIVE MOTOR, SUNROOF	23-13	V-8	8D-21	SOLENOID	25-31
DRIVE SYSTEM, TIMING	9-66	ENGINE FIRING ORDER—4.0L		EVAPORATIVE EMISSION CONTROLS	25-23
DRIVE, VISCOUS FAN	7-21,7-43,7-8	6-CYLINDER ENGINE	8D-21	EVAPORATIVE (EVAP) CANISTER	25-31
DRIVELINE ANGLE MEASUREMENT		ENGINE FIRING ORDER—4.7L V-8		EVAPORATOR COIL	24-4,24-46
PREPARATION	3-5	ENGINE	8D-21	EXHAUST MANIFOLD	9-134,9-67,9-8
DRIVELINE SNAP	3-102,3-17,3-59	ENGINE, FIXED ORIFICE FITTING/CCV		EXHAUST MANIFOLD, INTAKE	9-34,9-54
DRIVER CYLINDER LOCK SWITCH	80-3	SYSTEM TEST—4.0L	25-28	EXHAUST MANIFOLDS	9-94
DRIVER DOOR AJAR SWITCH	8U-3,8U-4	ENGINE, FIXED ORIFICE FITTING—4.0L	25-30	EXHAUST PIPE	11-11,11-7
DRIVER SEAT BELT SWITCH	8U-3,8U-5	ENGINE, FUEL INJECTOR RAIL/FUEL		EXHAUST SYSTEM	11-1
DRIVER SIDE AIRBAG MODULE	8M-2,8M-6	DAMPER—4.0L	14-19,14-5	EXHAUST SYSTEM DIAGNOSIS	11-6
DRIVER SIDE AIRBAG MODULE TRIM		ENGINE, FUEL INJECTOR RAIL—4.7L	14-5	EXHAUSTER, D-PILLAR AIR	23-66
COVER	8M-7	ENGINE, FUEL INJECTOR RAIL—4.7L		EXHAUSTER, TAIL LAMP AIR	23-66
DRIVER SIDE BEZEL, INSTRUMENT		V-8	14-20	EXPRESS MODULE, SUNROOF	23-12
PANEL	8E-13	ENGINE GASKET SURFACE		EXTERIOR LAMPS	8L-18
DRIVER SIDE COURTESY LAMP		PREPARATION	9-16,9-84	EXTERIOR NAMEPLATES	23-31
BRACKET, INSTRUMENT PANEL	8E-13	ENGINE IDENTIFICATION	9-62	FAILURE DIAGNOSIS, CYLINDER HEAD	
DRL MODULE	8L-16	ENGINE, IDLE AIR CONTROL (IAC)		GASKET	9-13,9-68
DRUM/OVERDRIVE PISTON RETAINER,		MOTOR—4.0L	14-52	FAN 4.0L AND 4.7L ENGINES, COOLING	
OVERRUNNING CLUTCH/LOW-		ENGINE, IDLE AIR CONTROL (IAC)		SYSTEM	7-42
REVERSE	21-156	MOTOR—4.7L V-8	14-53	FAN BLADE	7-43
DUCT, INSTRUMENT PANEL		ENGINE, IGNITION COIL RESISTANCE—		FAN COOLING RELAY, RADIATOR	14-57
STRUCTURAL	8E-44	4.0L	8D-22	FAN DRIVE, VISCOUS	7-21,7-43,7-8
DUCTS AND OUTLETS	24-44	ENGINE, IGNITION COIL RESISTANCE—		FAN, ELECTRIC COOLING	7-22
DUST COVER, STRUCTURAL	9-67	4.7L V-8	8D-22	FAN RELAY—PCM OUTPUT, RADIATOR	
DUTY CYCLE EVAP CANISTER PURGE		ENGINE, IGNITION COIL—4.0L	8D-11,8D-2	COOLING	14-41
SOLENOID	25-24	ENGINE, IGNITION COIL—4.7L	8D-13,8D-3	FAN SHROUD, RADIATOR	7-33
EFFECTS OF INCORRECT FLUID LEVEL	21-205,	ENGINE, INTAKE MANIFOLD AIR		FASCIA, FRONT	13-1
	21-51	TEMPERATURE SENSOR—4.0L	14-61	FASCIA, REAR	13-2
ELECTRIC COOLING FAN	7-22	ENGINE, INTAKE MANIFOLD AIR		FASTENER IDENTIFICATION	Intro-2
ELECTRICAL CONTROLS, OVERDRIVE	21-53	TEMPERATURE SENSOR—4.7L V-8	14-61	FASTENER USAGE	Intro-2
ELECTRONIC BRAKE DISTRIBUTION	5-3,5-39	ENGINE LUBRICATION SYSTEM	9-63	FASTENERS, COMPONENT	23-25
ELECTRONIC GOVERNOR	21-49	ENGINE, MANIFOLD ABSOLUTE		FBI AXLE, 186	3-11,3-49
ELECTRONIC VEHICLE INFORMATION		PRESSURE (MAP) SENSOR—4.0L	14-54	FBI AXLE, TUBE AND 186	3-11
CENTER	8V-1,8V-11,8V-5	ENGINE, MANIFOLD ABSOLUTE		FEED (TCM), BATTERY	21-203
ELECTRONIC VEHICLE INFORMATION		PRESSURE (MAP) SENSOR—4.7L V-8	14-54	FENDER, FRONT	23-33
CENTER PROGRAMMING	8V-7	ENGINE MOUNT—REAR	9-29,9-89	FILL DOOR, FUEL	23-48
ELECTRONIC VOLTAGE REGULATOR	8C-2	ENGINE MOUNTS—FRONT	9-29	FILL LEVEL, LUBRICANT	21-276
ELECTRONICALLY MODULATED		ENGINE MOUNTS—LEFT AND RIGHT	9-88	FILL LEVEL, RECOMMENDED	
CONVERTER CLUTCH ENGAGEMENT	21-188	ENGINE OIL	9-18,9-86	LUBRICANT	21-309
ELECTROSTATIC DISCHARGE (ESD)		ENGINE OIL LEAK INSPECTION	9-14,9-69	FILL PROCEDURE, TRANSMISSION	21-212,
SENSITIVE DEVICES	8W-8	ENGINE OIL PRESSURE	9-15		21-73
ELEMENT AND SENSOR, HEATED SEAT	8N-10	ENGINE OIL PRESSURE, CHECKING	9-70	FILLER NECK SEAL—PRESSURE RELIEF	
ELEMENT (FILTER), AIR CLEANER	14-58	ENGINE OIL PRESSURE, SENDING UNIT	9-129	CHECK, RADIATOR CAP TO	7-22
ELEMENT, HEATED SEAT	8N-12	ENGINE, PCV VALVE—4.7L V-8	25-30	FILLER TUBE CAP, FUEL TANK	14-25,14-6
EMERGENCY TOW HOOKS	0-12	ENGINE, PCV VALVE/PCV SYSTEM		FILLING COOLING SYSTEM, DRAINING	7-25
EMISSION CONTROL INFORMATION		TEST—4.7L V-8	25-29	FILTER, FUEL PUMP INLET	14-17
(VECI) LABEL, VEHICLE	25-28	ENGINE PERFORMANCE	9-16,9-84	FILTER REPLACEMENT, FLUID	21-211,21-72
EMISSION CONTROLS, EVAPORATIVE	25-23	ENGINE, POSITIVE CRANKCASE		FILTER/FUEL PRESSURE REGULATOR,	
EMISSION SYSTEM	25-1	VENTILATION (PCV) SYSTEM—4.7L	25-26	FUEL	14-15,14-3
EMITTING DIODE, VEHICLE THEFT		ENGINE, SERVO CABLE—4.0L	8H-6	FINAL ASSEMBLY	3-120,3-39,3-77
SECURITY SYSTEM LIGHT	80-4	ENGINE, SERVO CABLE—4.7L V-8	8H-7	FINESSE SANDING, BUFFING, AND	
END CAP, INSTRUMENT PANEL	8E-26	ENGINE, THERMOSTAT—4.7L	7-32	POLISHING	23-1
ENGAGEMENT, ELECTRONICALLY		ENGINE, THERMOSTAT—4.0L	7-31	FINISH, BASE COAT/CLEAR COAT	23-1
MODULATED CONVERTER CLUTCH	21-188	ENGINE, THROTTLE BODY—4.0L	14-50	FIRING ORDER—4.0L 6-CYLINDER	
ENGINE	9-2,9-62,9-90	ENGINE, THROTTLE BODY—4.7L V-8	14-50	ENGINE, ENGINE	8D-21
ENGINE, 4.0L	9-1,9-60	ENGINE, THROTTLE CABLE—4.0L	14-25	FIRING ORDER—4.7L V-8 ENGINE,	
ENGINE, 4.7L	9-137,9-141,9-61	ENGINE, THROTTLE CABLE—4.7L V-8	14-26	ENGINE	8D-21
ENGINE ASSEMBLY	9-31	ENGINE, THROTTLE POSITION SENSOR		FITTING CONNECTING ROD BEARINGS	9-23
ENGINE BENDING BRACES	9-31	(TPS)—4.0L	14-51	FITTING CRANKSHAFT MAIN BEARINGS	9-26
ENGINE BLOCK HEATER	7-23,7-38,7-4	ENGINE, THROTTLE POSITION SENSOR		FITTING, PISTON	9-20
ENGINE, CAMSHAFT POSITION		(TPS)—4.7L V-8	14-52	FITTING/CCV SYSTEM TEST—4.0L	
SENSOR—4.0L	8D-15,8D-6	ENGINE TIMING—VERIFICATION	9-75	ENGINE, FIXED ORIFICE	25-28
ENGINE, CAMSHAFT POSITION		ENGINE, WATER PUMP BYPASS		FITTING—4.0L ENGINE, FIXED ORIFICE	25-30
SENSOR—4.7L	8D-18,8D-6	HOSE—4.0L	7-37	FITTINGS, QUICK-CONNECT	14-13,14-7
ENGINE COOLANT TEMPERATURE		ENGINE, WATER PUMP—4.0L	7-27		
SENSOR—4.0L ENGINE	14-60	ENGINE—LUBRICATION	9-74		

Description	Group-Page	Description	Group-Page	Description	Group-Page
FIVE VOLT SENSOR SUPPLIES— PRIMARY AND SECONDARY	14-35	FRONT DOOR OUTER BELT SEAL	23-38	GEAR, STEERING	19-12,19-20
FIXED ORIFICE FITTING/CCV SYSTEM TEST—4.0L ENGINE	25-28	FRONT DOOR OUTSIDE HANDLE	23-36	GEARSET, PLANETARY	21-45
FIXED ORIFICE FITTING—4.0L ENGINE	25-30	FRONT DOOR SCUFF PLATE	23-51	GEARSHIFT CABLE	21-161,21-207,21-219, 21-250,21-54,21-79
FIXED ORIFICE TUBE	24-5	FRONT DOOR SECONDARY WEATHERSTRIP	23-39	GEARSHIFT MECHANISM	21-198,21-47
FLARING, BRAKE TUBE	5-13	FRONT DOOR TRIM PANEL	23-34	GEARTRAIN, PLANETARY	21-158,21-198,21-249
FLASHER, COMBINATION	8J-4,8J-9	FRONT DOOR WATERDAM	23-34	GEARTRAIN/OUTPUT SHAFT, PLANETARY	21-132
FLEXPLATE	9-127	FRONT DOOR WINDOW REGULATOR	23-40	GENERAL DIAGNOSIS, 45RFE AUTOMATIC TRANSMISSION	21-206
FLIP UP GLASS	23-64	FRONT FASCIA	13-1	GENERAL INFORMATION	3-13,3-55,3-98
FLIP UP GLASS LATCH	23-64	FRONT FENDER	23-33	GENERAL INFORMATION, 8W-01	8W-1
FLIP UP GLASS LATCH STRIKER	23-66	FRONT LIGHTING, 8W-50	8W-1	GENERATOR	8C-1,8C-3
FLIP UP GLASS SWITCH	23-64	FRONT OUTPUT SHAFT SEAL	21-278,21-312	GENERATOR RATINGS	8C-5
FLIP UP GLASS WEATHERSTRIP	23-64	FRONT PARKING BRAKE CABLE	5-26	GLASS AJAR SWITCH, LIFTGATE FLIP-UP	80-4
FLIP-UP GLASS AJAR SWITCH, LIFTGATE	80-4	FRONT PROPELLER SHAFT	3-6	GLASS, FLIP UP	23-64
FLIP-UP GLASS POWER RELEASE SYSTEM COMPONENTS, LIFTGATE	8P-8	FRONT PROPELLER SHAFT MEASUREMENT	3-10	GLASS, FRONT DOOR	23-40
FLIP-UP GLASS POWER RELEASE SYSTEM, LIFTGATE	8P-7	FRONT SEAL, OIL PUMP	21-219	GLASS HEATING GRID, REAR	8N-2,8N-4
FLOOR CONSOLE	23-55	FRONT SERVO	21-156	GLASS HEATING GRID REPAIR, REAR	8N-6
FLOOR TUNNEL BRACKET, INSTRUMENT PANEL TO CENTER	8E-24	FRONT SERVO PISTON	21-122	GLASS LATCH, FLIP UP	23-64
FLOW AND PRESSURE, STEERING	19-4	FRONT SHOULDER BELT	23-55	GLASS LATCH STRIKER, FLIP UP	23-66
FLOW CHECK PROCEDURE, THROTTLE BODY MINIMUM AIR	14-49	FRONT SHOULDER BELT BUCKLE	23-55	GLASS PANEL ADJUSTMENT, SUNROOF	23-14
FLOW CHECK, RADIATOR COOLANT	7-20	FRONT SIDE MARKER LAMP	8L-13	GLASS PANEL, SUNROOF	23-11
FLUID	21-10,21-183	FRONT SIDE MARKER LAMP BULB	8L-9	GLASS PANEL TIMING, SUNROOF	23-13
FLUID AND FILTER REPLACEMENT	21-211,21-72	FRONT SKID PLATE	13-5	GLASS POWER RELEASE SYSTEM COMPONENTS, LIFTGATE FLIP-UP	8P-8
FLUID, BRAKE	5-36	FRONT SUSPENSION	2-15,2-6	GLASS POWER RELEASE SYSTEM, LIFTGATE FLIP-UP	8P-7
FLUID CAPACITIES	0-2	FRONT TOW HOOK	13-5	GLASS, QUARTER WINDOW	23-6
FLUID, CAUSES OF BURNT	21-206,21-52	FRONT TURN SIGNAL BULB	8L-9	GLASS, REAR DOOR STATIONARY	23-47
FLUID CHECK/FILL POINTS AND LUBRICATION LOCATIONS	0-2	FRONT TURN SIGNAL LAMP	8L-13	GLASS, REAR DOOR WINDOW	23-47
FLUID CONTAMINATION	21-206,21-52	FRONT WHEEL SPEED SENSOR	5-42	GLASS RUN CHANNEL, FRONT DOOR	23-39
FLUID CONTAMINATION, BRAKE	5-12	FUEL DELIVERY SYSTEM	14-1	GLASS RUN CHANNEL WEATHERSTRIP, FRONT DOOR	23-38
FLUID LEAK DIAGNOSIS, CONVERTER HOUSING	21-210,21-58	FUEL FILL DOOR	23-48	GLASS, SIDE VIEW MIRROR	23-32
FLUID LEVEL, BRAKE	5-12	FUEL FILTER/FUEL PRESSURE REGULATOR	14-15,14-3	GLASS, STATIONARY	23-4
FLUID LEVEL CHECK	21-210,21-72	FUEL GAUGE SENDING UNIT	14-11,14-18,14-3	GLASS SWITCH, FLIP UP	23-64
FLUID LEVEL, EFFECTS OF INCORRECT	21-205, 21-51	FUEL INJECTION SYSTEM	14-30	GLASS WEATHERSTRIP, FLIP UP	23-64
FLUID LEVEL SENSOR, BRAKE	5-15	FUEL INJECTOR RAIL/FUEL DAMPER— 4.0L ENGINE	14-19,14-5	GLOVE BOX	8E-24
FLUID LEVEL SENSOR, WASHER	8K-25,8K-4	FUEL INJECTOR RAIL—4.7L ENGINE	14-5	GLOVE BOX LAMP AND SWITCH	8E-28
FLUID, RECOMMENDED	21-10	FUEL INJECTOR RAIL—4.7L V-8 ENGINE	14-20	GLOVE BOX LATCH	8E-26
FLUSH MEASUREMENTS, BODY GAP	23-151	FUEL INJECTOR TEST	14-12	GLOVE BOX LATCH STRIKER	8E-28
FLUSHING COOLERS AND TUBES	21-212,21-74	FUEL INJECTORS	14-21,14-4	GOVERNOR, ELECTRONIC	21-49
FLUSHING, COOLING SYSTEM— REVERSE	7-26	FUEL INJECTORS—PCM OUTPUT	14-40	GOVERNOR PRESSURE CURVES	21-50
FOG LAMP	8L-13	FUEL LEVEL SENSOR—PCM INPUT	14-35	GOVERNOR SOLENOID AND PRESSURE SENSOR	21-84
FOG LAMP ADJUSTMENT	8L-6	FUEL PRESSURE LEAK DOWN TEST	14-9	GRID, OUTSIDE MIRROR HEATING	8N-2
FOG LAMP BULB	8L-8	FUEL PUMP	14-2	GRID, REAR GLASS HEATING	8N-2,8N-4
FOLDING HEAD REST RELEASE KNOB, REAR SEAT	23-22	FUEL PUMP AMPERAGE TEST	14-11	GRID REPAIR, REAR GLASS HEATING	8N-6
FOLDING MECHANISM, REAR SEAT HEAD REST	23-22	FUEL PUMP CAPACITY TEST	14-9	GRILLE	23-27
FORM-IN-PLACE GASKETS & SEALERS	9-15, 9-83	FUEL PUMP INLET FILTER	14-17	GROUND DISTRIBUTION, 8W-15	8W-1
FOUR-WHEEL-DRIVE VEHICLE TOWING	0-11	FUEL PUMP MODULE	14-16,14-2	GROUPS, POWER	14-38
FRAME	13-5	FUEL PUMP PRESSURE TEST	14-7	G-SWITCH	5-40,5-44
FRAME DIMENSIONS	13-7	FUEL PUMP RELAY	14-50	GUIDES, VALVE	9-66
FREQUENCY INTERFERENCE, RADIO	8F-11	FUEL PUMP RELAY-PCM OUTPUT	14-40	HANDLE ACTUATOR, FRONT DOOR INSIDE	23-38
FRONT ABSORBER	13-2	FUEL REQUIREMENTS	14-27	HANDLE ACTUATOR, REAR DOOR INSIDE	23-44
FRONT AXLE BUSHING	2-12	FUEL SYSTEM	14-63	HANDLE, FRONT DOOR OUTSIDE	23-36
FRONT BEARING, OUTPUT SHAFT	21-89	FUEL SYSTEM PRESSURE	14-27	HANDLE, LIFTGATE OUTSIDE	23-62
FRONT BRAKE ROTOR MATCH MOUNTING	5-13	FUEL SYSTEM PRESSURE RELEASE PROCEDURE	14-12	HANDLE, OVERHEAD ASSIST	23-51
FRONT BUCKET SEAT	23-15	FUEL TANK	14-22,14-4	HANDLE, REAR DOOR OUTSIDE	23-44
FRONT CARPET	23-56	FUEL TANK CAPACITY	14-27	HANDLE, REAR SEAT BACK LATCH RELEASE	23-20
FRONT CLUTCH	21-127,21-157,21-42	FUEL TANK FILLER TUBE CAP	14-25,14-6	HAZARD WARNING SWITCH, TURN SIGNAL	8J-7,8J-9
FRONT DISC BRAKE CALIPER	5-18,5-31	FUEL TANK SKID PLATE	13-6	HAZARD WARNING SWITCH, TURN SIGNAL SWITCH	8J-3
FRONT DISC BRAKE ROTOR	5-21,5-9	FUEL TUBES/LINES/HOSES AND CLAMPS	14-6	HAZARD WARNING SYSTEM	8J-2
FRONT DISC BRAKE SHOES	5-19	FUEL/IGNITION SYSTEMS, 8W-30 FUNCTIONS, CIRCUIT	8W-1 8W-4	HAZARD WARNING SYSTEMS, TURN SIGNAL	8J-13,8J-6
FRONT DISC BRAKES	5-4	FUSE COVER, INSTRUMENT PANEL	8E-11	HEAD COVER, CYLINDER	9-35,9-54,9-67,9-7
FRONT DOOR	23-35	FUSE, IGNITION-OFF DRAW	80-2,80-7	HEAD COVERS, CYLINDER	9-97
FRONT DOOR CHECK	23-34	GAP AND FLUSH MEASUREMENTS, BODY	23-151	HEAD, CYLINDER	9-37,9-5,9-54,9-66
FRONT DOOR GLASS	23-40	GARAGE DOOR OPENER, UNIVERSAL	8V-4,8V-6	HEAD GASKET FAILURE DIAGNOSIS, CYLINDER	9-13,9-68
FRONT DOOR GLASS RUN CHANNEL	23-39	GASKET FAILURE DIAGNOSIS, CYLINDER HEAD	9-13,9-68	HEAD REST FOLDING MECHANISM, REAR SEAT	23-22
FRONT DOOR GLASS RUN CHANNEL WEATHERSTRIP	23-38	GASKET SURFACE PREPARATION, ENGINE	9-16,9-84	HEAD REST, REAR SEAT	23-22
FRONT DOOR HINGE	23-35	GASKETS & SEALERS, FORM-IN-PLACE	9-15, 9-83	HEAD REST RELEASE KNOB, REAR SEAT FOLDING	23-22
FRONT DOOR INNER BELT SEAL	23-38	GAUGE SENDING UNIT, FUEL	14-11,14-18,14-3	HEAD REST SLEEVE, REAR SEAT	23-22
FRONT DOOR INSIDE HANDLE ACTUATOR	23-38	GAUGES, PRESSURE	22-3	HEAD RESTRAINT, BUCKET SEAT	23-17
FRONT DOOR LATCH	23-37	GEAR BACKLASH, DIFFERENTIAL BEARING PRELOAD	3-129,3-42,3-85	HEAD RESTRAINT SLEEVE, BUCKET SEAT	23-18
FRONT DOOR LATCH STRIKER	23-37	GEAR CONTACT PATTERN ANALYSIS	3-133,3-47, 3-89	HEADLAMP	8L-12
FRONT DOOR LOCK CYLINDER	23-36	GEAR DEPTH, PINION	3-127,3-40,3-83	HEADLAMP ADJUSTMENT	8L-6
FRONT DOOR OPENING WEATHERSTRIP	23-39	GEAR LEAKAGE, POWER STEERING	19-12	HEADLAMP BULB	8L-8
		GEAR NOISE	3-101,3-16,3-58		
		GEAR, PINION	3-115,3-34,3-72		
		GEAR, POWER STEERING	19-11,19-20,19-21		
		GEAR, RING	3-115,3-38,3-71		
		GEAR SET, PLANETARY	21-244		



Description	Group-Page	Description	Group-Page	Description	Group-Page
HEADLAMP MOUNTING MODULE (HMM)	23-28	HOUSING/RESONATOR/DUCTS, AIR		INPUT, FUEL LEVEL SENSOR—PCM	14-35
HEADLAMP SENSOR (AHL), AUTO	8L-4	CLEANER	14-59	INPUT, IGNITION CIRCUIT SENSE—PCM	14-35
HEADLAMP SENSOR, AUTO	8L-16	HUB BEARING	2-13	INPUT, INTAKE MANIFOLD AIR	
HEADLAMP SERVICE	8L-1	HUB BEARING AND AXLE SHAFT	3-25	TEMPERATURE SENSOR—PCM	14-35
HEADLAMP SWITCH: CHIME/BUZZER		HUB/BEARING	2-8	INPUT, MANIFOLD ABSOLUTE	
WARNING SYSTEMS	8U-4,8U-6	HYDRAULIC CONTROL UNIT	5-39	PRESSURE (MAP) SENSOR—PCM	14-36
HEADLAMP SWITCH: LAMPS	8L-16	HYDRAULIC CONTROL UNIT/ CONTROLLER ANTILOCK BRAKES	5-42	INPUT, OIL PRESSURE SENSOR—PCM	14-37
HEADLAMPS	8L-1	HYDRAULIC LASH ADJUSTER	9-105,9-66	INPUT, OXYGEN SENSOR—PCM	14-37
HEADLINER	23-59	HYDRAULIC LASH ADJUSTER NOISE		INPUT, SENSOR RETURN—PCM	14-38
HEADS, CYLINDER	9-134,9-99	DIAGNOSIS	9-71	INPUT SPEED SENSOR	21-213
HEAT SHIELDS	11-6	HYDRAULIC PRESSURE TEST	21-208,21-55	INPUT, THROTTLE POSITION SENSOR (TPS)—PCM	14-38
HEAT/DEFROST DOOR	24-47	HYDRAULIC SCHEMATICS	21-164,21-252	INPUT, VEHICLE SPEED AND DISTANCE—PCM	14-39
HEATED SEAT ELEMENT	8N-12	HYDRAULIC TAPPETS	9-7	INPUTS/OUTPUTS, J1850—PCM	14-39
HEATED SEAT ELEMENT AND SENSOR	8N-10	HYDRAULIC TAPPETS	9-12,9-39,9-54	INSIDE HANDLE ACTUATOR, FRONT DOOR	23-38
HEATED SEAT MODULE	8N-12,8N-14,8N-9	HYDROSTATIC LOCK	9-18,9-86	INSIDE HANDLE ACTUATOR, REAR DOOR	23-44
HEATED SEAT SENSOR	8N-14	IDENTIFICATION, ENGINE	9-62	INSIDE POWER MIRRORS	8T-6
HEATED SEAT SWITCH	8N-10,8N-14,8N-9	IDENTIFICATION, FASTENER	Intro.-2	INSPECTION, ENGINE OIL LEAK	9-14,9-69
HEATED SEAT SYSTEM	8N-10,8N-8	IDENTIFICATION NUMBER (VIN), VEHICLE	Intro.-1	INSPECTION, UNSCHEDULED	0-4
HEATER AND AIR CONDITIONER	24-5	IDENTIFICATION, SECTION	8W-5	INSPECTION, VISUAL	14-42
HEATER AND AIR CONDITIONER CONTROL	24-6	IDENTIFICATION, TRANSFER CASE	21-308	INSPECTION, WHEEL	22-7
HEATER CORE	24-5	IDLE AIR CONTROL (IAC) MOTOR—4.0L ENGINE	14-52	INSTALLATION, WHEEL	22-9
HEATER CORE AND TUBES	24-51	IDLE AIR CONTROL (IAC) MOTOR—4.7L V-8 ENGINE	14-53	INSTRUMENT CLUSTER	8E-16,8E-3,8E-7
HEATER, ENGINE BLOCK	7-23,7-38,7-4	IDLE AIR CONTROL (IAC) MOTOR—PCM OUTPUT	14-40	INSTRUMENT CLUSTER, 8W-40	8W-1
HEATER PERFORMANCE	24-25	IDLER SHAFT—TIMING DRIVE	9-114	INSTRUMENT CLUSTER COMPONENTS	8E-17
HEATER RELAYS, OXYGEN SENSOR	14-50	IGNITION CIRCUIT SENSE—PCM INPUT	14-35	INSTRUMENT PANEL	8E-2
HEATER RELAYS—PCM OUTPUT, OXYGEN SENSOR	14-41	IGNITION COIL RESISTANCE—4.0L ENGINE	8D-22	INSTRUMENT PANEL ASSEMBLY	8E-34
HEATER-A/C CONTROL	24-49	IGNITION COIL RESISTANCE—4.7L V-8 ENGINE	8D-22	INSTRUMENT PANEL C-CHANNEL COVER BRACKET	8E-41
HEATER-A/C HOUSING	24-49	IGNITION COIL—4.0L ENGINE	8D-11,8D-2	INSTRUMENT PANEL CENTER LOWER BEZEL	8E-21
HEATING GRID, OUTSIDE MIRROR	8N-2	IGNITION COIL—4.7L ENGINE	8D-13,8D-3	INSTRUMENT PANEL CENTER UPPER BEZEL	8E-20
HEATING GRID, REAR GLASS	8N-2,8N-4	IGNITION SWITCH AND KEY CYLINDER	8D-18	INSTRUMENT PANEL CIGAR LIGHTER	8E-6,8E-9
HEATING GRID REPAIR, REAR GLASS	8N-6	IGNITION SWITCH AND KEY LOCK CYLINDER	8D-10,8D-7	INSTRUMENT PANEL CIGAR LIGHTER AND POWER OUTLET	8E-21
HIGH AND LOW LIMITS	25-22	IGNITION SWITCH, KEY-IN	8U-3,8U-5	INSTRUMENT PANEL DRIVER SIDE BEZEL	8E-13
HIGH MOUNTED STOP LAMP (CHMSL) BULB, CENTER	8L-10	IGNITION SYSTEM	8D-1	INSTRUMENT PANEL DRIVER SIDE COURTESY LAMP BRACKET	8E-13
HIGH MOUNTED STOP LAMP (CHMSL), CENTER	8L-14	IGNITION TIMING	8D-21	INSTRUMENT PANEL END CAP	8E-26
HIGH PRESSURE RELIEF VALVE	24-52,24-7	IGNITION-OFF DRAW CONNECTOR	8D-4	INSTRUMENT PANEL FUSE COVER	8E-11
HIGH PRESSURE SWITCH	24-25,24-53,24-7	IGNITION-OFF DRAW FUSE	8D-2,8D-7	INSTRUMENT PANEL INTERMEDIATE BRACKET	8E-42
HIGH SPEED, TIRE PRESSURE	22-3	IMMOBILIZER MODULE, SENTRY KEY	8Q-10, 8Q-7	INSTRUMENT PANEL LOWER RIGHT CENTER BEZEL	8E-27
HIGH/LOW RELAY, WIPER	8K-12,8K-7	IMMOBILIZER SYSTEM INDICATOR LAMP, SENTRY KEY	8Q-8	INSTRUMENT PANEL PASSENGER SIDE BEZEL	8E-33
HINGE, FRONT DOOR	23-35	IMMOBILIZER SYSTEM, SENTRY KEY	8Q-6,8Q-9	INSTRUMENT PANEL PLENUM BRACKET	8E-43
HINGE, HOOD	23-29	IMMOBILIZER SYSTEM TRANSPONDER PROGRAMMING, SENTRY KEY	8Q-9	INSTRUMENT PANEL POWER OUTLET	8E-10, 8E-6
HINGE, LIFTGATE	23-62	IMMOBILIZER TRANSPONDER, SENTRY KEY	8Q-8	INSTRUMENT PANEL POWER OUTLET DOOR	8E-23
HINGE, REAR DOOR	23-43	INCORRECT FLUID LEVEL, EFFECTS OF	21-205, 21-51	INSTRUMENT PANEL STEERING COLUMN BRACKET	8E-15
HITCH, TRAILER	13-6	INDICATOR LAMP (MIL), MALFUNCTION	25-2	INSTRUMENT PANEL STEERING COLUMN SUPPORT BRACKET	8E-43
HOISTING AND TOWING, JUMP STARTING	0-9	INDICATOR LAMP, SENTRY KEY IMMOBILIZER SYSTEM	8Q-8	INSTRUMENT PANEL STRUCTURAL DUCT	8E-44
HOISTING RECOMMENDATIONS	0-12	INDICATORS, TREAD WEAR	22-3	INSTRUMENT PANEL SYSTEM	8E-1
HOLD DOWNS, BATTERY	8A-20,8A-4	INFLATION PRESSURES, TIRE	22-2	INSTRUMENT PANEL TO CENTER FLOOR TUNNEL BRACKET	8E-24
HOLDING CLUTCHES	21-196	INFRARED TEMPERATURE SENSOR	24-7	INSTRUMENT PANEL TOP COVER	8E-29
HOLE REPAIR, THREADED	Intro.-2	INITIAL OPERATION, POWER STEERING PUMP	19-7	INSTRUMENT PANEL TOP PAD	8E-30
HONING CYLINDER BORES	9-17,9-85	INJECTION SYSTEM, FUEL	14-30	INSULATION PANEL, HOOD	23-29
HOOD	23-28	INJECTOR RAIL/FUEL DAMPER—4.0L ENGINE, FUEL	14-19,14-5	INSULATOR, LIFTGATE	23-60
HOOD ADJUSTMENT	23-67	INJECTOR RAIL—4.7L ENGINE, FUEL	14-5	INTAKE AND EXHAUST MANIFOLD	9-34,9-54
HOOD HINGE	23-29	INJECTOR RAIL—4.7L V-8 ENGINE, FUEL	14-20	INTAKE MANIFOLD	9-134,9-67,9-8,9-93
HOOD INSULATION PANEL	23-29	INJECTOR TEST, FUEL	14-12	INTAKE MANIFOLD AIR TEMPERATURE SENSOR—4.0L ENGINE	14-61
HOOD LATCH	23-30	INJECTORS, FUEL	14-21,14-4	INTAKE MANIFOLD AIR TEMPERATURE SENSOR—4.7L V-8 ENGINE	14-61
HOOD RELEASE CABLE	23-30	INJECTORS—PCM OUTPUT, FUEL	14-40	INTAKE MANIFOLD AIR TEMPERATURE SENSOR—PCM INPUT	14-35
HOOD SEAL	23-28	INLET FILTER, FUEL PUMP	14-17	INTAKE MANIFOLD LEAKAGE DIAGNOSIS	9-12, 9-68
HOOD SUPPORT PROP	23-29	INNER BELT SEAL, FRONT DOOR	23-38	INTERFERENCE, RADIO FREQUENCY	8F-11
HOOK, FRONT TOW	13-5	INNER BELT WEATHERSTRIP, REAR DOOR	23-45	INTERIOR LAMPS	8L-18
HOOK, REAR TOW	13-6	INPUT AND OUTPUT, DATA LINK CONNECTOR—PCM	14-39	INTERIOR LIGHTING, 8W-44	8W-1
HOOKS, EMERGENCY TOW	0-12	INPUT AND OUTPUT SPEED SENSORS	21-204	INTERLOCK, BRAKE TRANSMISSION SHIFT	21-159,21-207,21-222,21-249,21-53, 21-83
HORN	8G-3,8G-4,8G-6	INPUT, AUTOMATIC SHUTDOWN (ASD) RELAY SENSE—PCM	14-34	INTERLOCK MECHANISM, BRAKE TRANSMISSION SHIFT	21-199,21-51
HORN RELAY	8G-2,8G-3,8G-5	INPUT, BATTERY VOLTAGE—PCM	14-34	INTERLOCK, SHIFTER/IGNITION	8D-20
HORN SWITCH	8G-2,8G-3,8G-5	INPUT, BRAKE SWITCH—PCM	14-34		
HORN SYSTEM	8G-1	INPUT CLUTCH ASSEMBLY	21-238		
HORN/CIGAR LIGHTER/POWER OUTLET, 8W-41	8W-1	INPUT CLUTCHES	21-194		
HOSE CLAMPS, COOLING SYSTEM HOSES	7-7	INPUT, ENGINE COOLANT TEMPERATURE SENSOR—PCM	14-35		
HOSE—4.0L ENGINE, WATER PUMP BYPASS	7-37				
HOSES AND HOSE CLAMPS, COOLING SYSTEM	7-7				
HOSES AND LINES, BRAKE	5-6				
HOSES, BRAKE LINE	5-11				
HOSES, COOLING SYSTEM	7-44				
HOUSING ASSEMBLY, SUNROOF	23-14				
HOUSING BUSHING, OVERDRIVE	21-88				
HOUSING FLUID LEAK DIAGNOSIS, CONVERTER	21-210,21-58				
HOUSING, HEATER-A/C	24-49				
HOUSING, LICENSE PLATE LAMP	23-66				
HOUSING SEAL, ADAPTER	21-219				
HOUSING, STUB SHAFT	19-13				

Description	Group-Page	Description	Group-Page	Description	Group-Page
INTERMEDIATE BRACKET, INSTRUMENT PANEL	8E-42	LAMP (CHMSL), CENTER HIGH MOUNTED STOP	8L-14	LICENSE PLATE LAMP HOUSING	23-66
INTERMITTENT AND POOR CONNECTIONS	8W-8	LAMP, DOME /READING	8L-15	LIFTGATE	23-61
INTERNATIONAL SYMBOLS; INTRODUCTION	Intro.-2	LAMP, DOOR COURTESY	8L-14	LIFTGATE ADJUSTMENT	23-67
INTERNATIONAL SYMBOLS; LUBRICATION AND MAINTENANCE	0-2	LAMP, FOG	8L-13	LIFTGATE AJAR SWITCH	80-4
INTRODUCTION	8W-1	LAMP, FRONT SIDE MARKER	8L-13	LIFTGATE FLIP-UP GLASS AJAR SWITCH	80-4
ISOLATORS, COIL SPRINGS	2-17,2-7	LAMP, FRONT TURN SIGNAL	8L-13	LIFTGATE FLIP-UP GLASS POWER RELEASE SYSTEM	8P-7
J1850—PCM INPUTS/OUTPUTS	14-39	LAMP HOUSING, LICENSE PLATE	23-66	LIFTGATE FLIP-UP GLASS POWER RELEASE SYSTEM COMPONENTS	8P-8
JOINT ANGLE, PROPELLER SHAFT	3-2	LAMP, LICENSE PLATE	8L-13	LIFTGATE HINGE	23-62
JOINT, BALL	2-21	LAMP (MIL), MALFUNCTION INDICATOR	25-2	LIFTGATE INSULATOR	23-60
JOINT BOOT, AXLE		LAMP MODULE, DAYTIME RUNNING	8L-17	LIFTGATE LATCH	23-62
CONSTANT-VELOCITY (C/V)	3-20	LAMP, OVERHEAD CONSOLE READING AND COURTESY	8V-4	LIFTGATE LATCH STRIKER	23-62
JOINT, SINGLE CARDAN	3-10	LAMP, PARK	8L-13	LIFTGATE OPENING TRIM PANEL, LOWER	23-60
JOINT, SINGLE CARDAN UNIVERSAL	3-8	LAMP, READING	8L-15	LIFTGATE OPENING TRIM, UPPER	23-54
JOINT, UPPER SUSPENSION ARM, BUSHINGS, AND BALL	2-17	LAMP, REAR SIDE MARKER	8L-13	LIFTGATE OPENING WEATHERSTRIP	23-63
JOINTS, PROPELLER SHAFT	3-2	LAMP, RED BRAKE WARNING	5-3,5-9	LIFTGATE OUTSIDE HANDLE	23-62
JOUNCE BUMPER	2-7	LAMP, SENTRY KEY IMMOBILIZER SYSTEM INDICATOR	8Q-8	LIFTGATE TRIM PANEL	23-60
JOUNCE BUMPERS	2-16	LAMP SERVICE	8L-12	LIGHT EMITTING DIODE, VEHICLE THEFT SECURITY SYSTEM	8Q-4
JOURNALS, CRANKSHAFT	9-135	LAMP SWITCH, BRAKE; BRAKES	5-14,5-2,5-36,5-8	LIGHTER AND POWER OUTLET, INSTRUMENT PANEL CIGAR	8E-21
JUMP STARTING, HOISTING AND TOWING	0-9	LAMP SWITCH, BRAKE; SPEED CONTROL SYSTEM	8H-3	LIGHTER, INSTRUMENT PANEL CIGAR	8E-6,8E-9
JUMP STARTING PROCEDURE	0-9	LAMP SYSTEMS SERVICE	8L-16	LIGHTER RELAY, CIGAR	8E-22,8E-6,8E-9
JUNCTION BLOCK	80-3,80-7	LAMP, TAIL, BRAKE, TURN SIGNAL, BACK-UP, AND SIDE MARKER	8L-13	LIGHTER/POWER OUTLET, 8W-41 HORN/CIGAR	8W-1
JUNCTION BLOCK, 8W-12	8W-1	LAMP, TRANSMISSION SELECTOR	8L-15	LIGHTING, 8W-44 INTERIOR	8W-1
KEY CYLINDER, IGNITION SWITCH	8D-18	LAMP, UNDERHOOD	8L-14	LIGHTING, 8W-50 FRONT	8W-1
KEY IMMOBILIZER MODULE, SENTRY	8Q-10,8Q-7	LAMP, VISOR VANITY	8L-15	LIGHTING, 8W-51 REAR	8W-1
KEY IMMOBILIZER SYSTEM INDICATOR	8Q-8	LAMPS, EXTERIOR	8L-18	LIMITS, HIGH AND LOW	25-22
KEY IMMOBILIZER SYSTEM, SENTRY	8Q-6,8Q-9	LAMPS, INTERIOR	8L-18	LINE AND HOSES, BRAKE	5-11
KEY IMMOBILIZER SYSTEM TRANSPONDER PROGRAMMING, SENTRY	8Q-9	LAMPS, TAIL/STOP/TURN/BACK-UP	8L-16	LINE, DISCHARGE	24-42
KEY IMMOBILIZER TRANSPONDER, SENTRY	8Q-8	LASH ADJUSTER, HYDRAULIC LASH ADJUSTER NOISE DIAGNOSIS, HYDRAULIC	9-105,9-66,9-71	LINE, LIQUID	24-54
KEY LOCK CYLINDER, IGNITION SWITCH	8D-10,8D-7	LATCH, DOOR	23-67	LINE, POWER STEERING PRESSURE	19-6
KEY-IN IGNITION SWITCH	8U-3,8U-5	LATCH, FLIP UP GLASS	23-64	LINE, POWER STEERING RETURN	19-6
KEYLESS ENTRY RECEIVER, REMOTE	8P-11	LATCH, FRONT DOOR	23-37	LINE PRESSURE CONTROL	21-204
KEYLESS ENTRY SYSTEM, REMOTE	8P-11,8P-9	LATCH, GLOVE BOX	8E-26	LINE PRESSURE SENSOR	21-214
KEYLESS ENTRY TRANSMITTER		LATCH, HOOD	23-30	LINES, BRAKE HOSES	5-6
BATTERY REPLACEMENT, REMOTE	8P-12	LATCH, LIFTGATE	23-62	LINES, REFRIGERANT	24-8
KEYLESS ENTRY TRANSMITTER PROGRAMMING, REMOTE	8P-13	LATCH, REAR DOOR	23-44	LINK AND ENDS, DRAG	19-22
KEYLESS ENTRY TRANSMITTER, REMOTE	8P-11,8P-12	LATCH, REAR SEAT CUSHION RELEASE	23-19	LINK CONNECTOR—PCM INPUT AND OUTPUT, DATA	14-39
KNOB, REAR SEAT FOLDING HEAD REST		LATCH RELEASE HANDLE, REAR SEAT BACK	23-20	LINK, DRAG	19-24
RELEASE	23-22	LATCH STRIKER, FLIP UP GLASS	23-66	LINKAGE MODULE, WINDSHIELD WIPER MOTOR, PIVOT	8K-17,8K-6
KNOCK, LOW SPEED	3-101,3-16,3-58	LATCH STRIKER, FRONT DOOR	23-37	LINKAGE, STEERING	19-22,19-25
KNUCKLE AND BALL STUDS, STEERING	3-27	LATCH STRIKER, GLOVE BOX	8E-28	LIQUID LINE	24-54
KNUCKLE, STEERING	2-11,2-7	LATCH STRIKER, LIFTGATE	23-62	LOAD VALUE	25-22
LABEL, VEHICLE EMISSION CONTROL INFORMATION (VECI)	25-28	LATCH STRIKER, REAR DOOR	23-44	LOCATIONS, 8W-90 CONNECTOR	8W-1
LABEL, VEHICLE SAFETY CERTIFICATION	Intro.-1	LATCH/HINGE, REAR SEAT BACK	23-21	LOCATIONS, 8W-95 SPLICE	8W-1
LAMP, ABS WARNING	5-40	LEAK DETECTION PUMP (LDP)	25-24,25-30,25-32	LOCATIONS, CONNECTOR/GROUND	8W-1
LAMP ADJUSTMENT, FOG	8L-6	LEAK DIAGNOSIS, CONVERTER HOUSING FLUID	21-210,21-58	LOCATIONS, FLUID CHECK/FILL POINTS AND LUBRICATION	0-2
LAMP AIR EXHAUSTER, TAIL	23-66	LEAK DOWN TEST, FUEL PRESSURE	14-9	LOCATIONS, SEALER	23-118
LAMP ALIGNMENT SCREEN PREPARATION	8L-5	LEAK INSPECTION, ENGINE OIL	9-14,9-69	LOCATIONS, SPLICE	8W-1,8W-7
LAMP ALIGNMENT, VEHICLE PREPARATION	8L-4	LEAKAGE DIAGNOSIS, INTAKE MANIFOLD	9-12,9-68	LOCATIONS, STRUCTURAL ADHESIVE	23-135
LAMP AND SWITCH, GLOVE BOX	8E-28	LEAKAGE DIAGNOSIS, PUMP	19-7	LOCATIONS, WELD	23-69
LAMP, BACK-UP	8L-13	LEAKAGE, POWER STEERING GEAR	19-12	LOCK CYLINDER, FRONT DOOR	23-36
LAMP BRACKET, INSTRUMENT PANEL		LEAKAGE TEST, CYLINDER COMBUSTION PRESSURE	9-14,9-69	LOCK CYLINDER, IGNITION SWITCH AND KEY	8D-10,8D-7
DRIVER SIDE COURTESY	8E-13	LEAKS, COOLING SYSTEM—TESTING	7-20	LOCK CYLINDERS	23-37
LAMP BULB, BACK-UP	8L-9	LEAKS, REFRIGERANT SYSTEM	24-26	LOCK, HYDROSTATIC	9-18,9-86
LAMP BULB, CARGO	8L-11	LEAKS, REPAIRING	22-6	LOCK MOTOR, POWER	8P-3,8P-5
LAMP BULB, DOME/READING	8L-11	LEAKS, WATER	23-25	LOCK SWITCH, DRIVER CYLINDER	8Q-3
LAMP BULB, DOOR COURTESY	8L-10	LEARN PROCEDURE, TRANSMISSION QUICK	21-213	LOCK SWITCH, POWER	8P-2
LAMP BULB, FOG	8L-8	LEVEL, BRAKE FLUID	5-12	LOCK SYSTEM, POWER	8P-1,8P-4
LAMP BULB, FRONT SIDE MARKER	8L-9	LEVEL CHECK, FLUID	21-210,21-72	LOCKS, 8W-61 POWER	8W-1
LAMP BULB, LICENSE PLATE	8L-10	LEVEL, EFFECTS OF INCORRECT FLUID	21-205,21-51	LOW COOLANT LEVEL-AERATION	7-23
LAMP BULB, OVERHEAD CONSOLE READING	8L-11	LEVEL, LUBRICANT AND FILL LEVEL, RECOMMENDED LUBRICANT AND FILL	21-309	LOW LIMITS, HIGH	25-22
LAMP BULB, PARK	8L-9	LEVEL, REFRIGERANT OIL	24-28	LOW PRESSURE CYCLING CLUTCH SWITCH	24-54
LAMP BULB, REAR SIDE MARKER	8L-9	LEVEL SENSOR, BRAKE FLUID	5-15	LOW PRESSURE SWITCH	24-25,24-8
LAMP BULB SERVICE	8L-8	LEVEL SENSOR, WASHER FLUID	8K-25,8K-4	LOW SPEED KNOCK	3-101,3-16,3-58
LAMP BULB, UNDERHOOD	8L-10	LEVEL SENSOR—PCM INPUT, FUEL	14-35	LOWER BEZEL, INSTRUMENT PANEL CENTER	8E-21
LAMP BULB, VISOR VANITY	8L-11	LEVEL, SERVICE COOLANT	7-25	LOWER LIFTGATE OPENING TRIM PANEL	23-60
LAMP BULBS, TAIL, BRAKE, TURN SIGNAL AND BACK-UP	8L-9	LEVEL-AERATION, LOW COOLANT	7-23	LOWER RIGHT CENTER BEZEL, INSTRUMENT PANEL	8E-27
LAMP, CARGO	8L-15	LEVEL—ROUTINE CHECK, COOLANT	7-24	LOWER SUSPENSION ARM	2-11,2-19
LAMP (CHMSL) BULB, CENTER HIGH MOUNTED STOP	8L-10	LEVER, PANEL/DEFROST DOOR	24-57	LOWER SUSPENSION ARMS AND BUSHINGS	2-17,2-7

Description	Group-Page	Description	Group-Page	Description	Group-Page
LUBRICANT AND FILL LEVEL	21-276	MIRROR SYSTEM, POWER	8T-1,8T-3	NOTES, CAUTIONS, AND WARNINGS	8W-7
LUBRICANT AND FILL LEVEL, RECOMMENDED	21-309	MIRRORS, 8W-62 POWER	8W-1	NOZZLE AND PLUMBING, REAR WASHER	8K-4
LUBRICANT CHANGE	3-103,3-17,3-59	MIRRORS, INSIDE POWER	8T-6	NOZZLE AND PLUMBING, WASHER	8K-21
LUBRICANT RECOMMENDATIONS, PARTS	0-1	MIRRORS, OUTSIDE POWER	8T-1	NOZZLE AND PLUMBING, WINDSHIELD WASHER	8K-5
LUBRICANTS	0-1	MODE, CIRCUIT ACTUATION TEST	25-2	NUMBER (VIN), VEHICLE IDENTIFICATION	Intro.-1
LUBRICANTS, BODY	23-68	MODE DOOR ACTUATORS	24-55	NV242	21-306
LUBRICANTS, CLASSIFICATION OF LUBRICATION, BODY	0-1	MODE, STATE DISPLAY TEST	25-2	NV242 DIAGNOSIS	21-276
LUBRICATION LOCATIONS, FLUID CHECK/FILL POINTS	0-2	Modes of Operation	14-32	NV242 TRANSFER CASE	21-275,21-280,21-303
LUBRICATION SYSTEM	9-3	MODULATED CONVERTER CLUTCH ENGAGEMENT, ELECTRONICALLY	21-188	NV242HD REAR RETAINER BUSHING AND SEAL	21-278
LUBRICATION SYSTEM, ENGINE	9-63	MODULE, 8W-45 BODY CONTROL	8W-1	NV247 COMPONENTS	21-328
LUGGAGE RACK	23-67	MODULE, AIRBAG CONTROL	8M-10,8M-3	NV247 DIAGNOSIS	21-310
LUMBAR ADJUSTER, POWER	8R-2,8R-5	MODULE, BODY CONTROL	8E-12,8E-5,8E-9	NV247 TRANSFER CASE	21-308,21-314,21-330
LUMBAR SWITCH, POWER	8R-2,8R-6,8R-8	MODULE, DAYTIME RUNNING LAMP	8L-17	OFF SWITCH, OVERDRIVE	21-199,21-51
MACHINING, DISC ROTOR	5-13	MODULE, DOOR	8P-3,8P-4,8P-5	OIL COOLER, AUTOMATIC TRANSMISSION	7-4
MAIN BEARINGS, CRANKSHAFT	9-120,9-44,9-81	MODULE, DRIVER SIDE AIRBAG	8M-2,8M-6	OIL, ENGINE	9-18,9-86
MAIN BEARINGS, FITTING CRANKSHAFT	9-26	MODULE, DRL	8L-16	OIL LEAK INSPECTION, ENGINE	9-14,9-69
MAINTENANCE SCHEDULES	0-4	MODULE, FUEL PUMP	14-16,14-2	OIL LEVEL, REFRIGERANT	24-28
MALFUNCTION INDICATOR LAMP (MIL)	25-2	MODULE, HEATED SEAT	8N-12,8N-14,8N-9	OIL PAN	9-122,9-135,9-46,9-67,9-7
MANAGER—GASOLINE POWERED ENGINES ONLY, TASK	25-16	MODULE (HMM), HEADLAMP MOUNTING	23-28	OIL PRESSURE, CHECKING ENGINE	9-70
MANIFOLD ABSOLUTE PRESSURE (MAP) SENSOR—4.0L ENGINE	14-54	MODULE, MEMORY SEAT	8R-12,8R-13	OIL PRESSURE, ENGINE	9-15
MANIFOLD ABSOLUTE PRESSURE (MAP) SENSOR—4.7L V-8 ENGINE	14-54	MODULE, PASSENGER SIDE AIRBAG	8M-3,8M-9	OIL PRESSURE SENDING UNIT, ENGINE	9-129
MANIFOLD ABSOLUTE PRESSURE (MAP) SENSOR—PCM INPUT	14-36	MODULE (PCM), POWERTRAIN CONTROL: FUEL SYSTEM	14-31,14-54	OIL PRESSURE SENSOR—PCM INPUT	14-37
MANIFOLD AIR TEMPERATURE SENSOR—4.0L ENGINE, INTAKE	14-61	MODULE (PCM), POWERTRAIN CONTROL: TRANSMISSION AND TRANSFER CASE	21-47	OIL PUMP; ENGINE	9-128,9-133,9-135,9-50
MANIFOLD AIR TEMPERATURE SENSOR—4.7L V-8 ENGINE, INTAKE	14-61	MODULE, REAR WIPER MOTOR	8K-19,8K-4	OIL PUMP; TRANSMISSION AND TRANSFER CASE	21-16,21-188,21-235
MANIFOLD AIR TEMPERATURE SENSOR—PCM INPUT, INTAKE	14-35	MODULE, SENTRY KEY IMMOBILIZER	8Q-10, 8Q-7	OIL PUMP AND REACTION SHAFT SUPPORT	21-123,21-156,21-249
MANIFOLD, EXHAUST	9-134,9-67,9-8	MODULE, SUNROOF EXPRESS	23-12	OIL PUMP FRONT SEAL	21-219
MANIFOLD, INTAKE	9-134,9-67,9-8,9-93	MODULE, TRANSMISSION CONTROL	21-200	OIL PUMP VOLUME CHECK	21-212,21-74
MANIFOLD, INTAKE AND EXHAUST	9-34,9-54	MODULE TRIM COVER, DRIVER SIDE AIRBAG	8M-7	OIL, REFRIGERANT	24-9
MANIFOLD LEAKAGE DIAGNOSIS, INTAKE	9-12,9-68	MODULE, WINDSHIELD WIPER MOTOR, PIVOT AND LINKAGE	8K-17,8K-6	OIL SEAL, AXLE SHAFT	3-33
MANIFOLDS, EXHAUST	9-94	MOLDING, SILL	23-49	OIL SEAL, TIMING CASE COVER	9-50
MARKER LAMP BULB, FRONT SIDE	8L-9	MONITORED SYSTEMS	25-19	OIL SEAL—FRONT, CRANKSHAFT	9-129
MARKER LAMP BULB, REAR SIDE	8L-9	MONITORS, COMPONENT	25-21	OIL SEAL—REAR, CRANKSHAFT	9-131
MARKER LAMP, FRONT SIDE	8L-13	MOTOR, BLOWER	24-2,24-22,24-36	OIL SEALS—REAR, CRANKSHAFT	9-49
MARKER LAMP, REAR SIDE	8L-13	MOTOR CONTROLLER, BLOWER	24-2	ON-BOARD DIAGNOSTIC TEST FOR CHARGING SYSTEM	8C-3
MARKER LAMP, TAIL, BRAKE, TURN SIGNAL, BACK-UP, AND SIDE	8L-13	MOTOR MODULE, REAR WIPER	8K-19,8K-4	ON-BOARD DIAGNOSTICS	25-1
MARKET PAINT REPAIR PRODUCTS, AFTER	23-3	MOTOR, PIVOT AND LINKAGE MODULE, WINDSHIELD WIPER	8K-17,8K-6	ON-BOARD DIAGNOSTICS (OBD)	7-9
MASTER CYLINDER	5-17,5-3	MOTOR, POWER LOCK	8P-3,8P-5	ONLY, TASK MANAGER—GASOLINE POWERED ENGINES	25-16
MASTER CYLINDER BLEEDING	5-12	MOTOR, POWER WINDOW	8S-2,8S-5,8S-6	ON/OFF RELAY, WIPER	8K-14,8K-8
MASTER CYLINDER RESERVOIR	5-16	MOTOR RESISTOR AND CONTROLLER, BLOWER	24-37	OPENER, UNIVERSAL GARAGE DOOR	8V-4,8V-6
MASTER CYLINDER/POWER BOOSTER	5-9	MOTOR RESISTOR, BLOWER	24-22,24-3	OPENING COVER, STEERING COLUMN	8E-15
MATCH MOUNTING	22-4	MOTOR, STARTER	8B-2,8B-7,8B-9	OPENING DIMENSIONS, BODY	23-153
MATCH MOUNTING, FRONT BRAKE ROTOR	5-13	MOTOR, SUNROOF DRIVE	23-13	OPENING TRIM PANEL, LOWER LIFTGATE	23-60
MEASUREMENT, FRONT PROPELLER SHAFT	3-10	MOTOR SWITCH, BLOWER	24-22,24-3	OPENING TRIM, UPPER LIFTGATE	23-54
MEASUREMENT PREPARATION, DRIVELINE ANGLE	3-5	MOTOR—4.0L ENGINE, IDLE AIR CONTROL (IAC)	14-52	OPENING WEATHERSTRIP, FRONT DOOR	23-39
MEASUREMENT, PROPELLER SHAFT ANGLE	3-6	MOTOR—4.7L V-8 ENGINE, IDLE AIR CONTROL (IAC)	14-53	OPENING WEATHERSTRIP, LIFTGATE	23-63
MEASUREMENTS, BODY GAP AND FLUSH	23-151	MOTOR—PCM OUTPUT, IDLE AIR CONTROL (IAC)	14-40	OPENING WEATHERSTRIP, REAR DOOR	23-45
MECHANISM, BRAKE TRANSMISSION SHIFT INTERLOCK	21-199,21-51	MOUNTED STOP LAMP (CHMSL) BULB, CENTER HIGH	8L-10	OPERATION	0-4
MECHANISM, GEARSHIFT	21-198,21-47	MOUNTED STOP LAMP (CHMSL), CENTER HIGH	8L-14	OPERATION, AIR TESTING TRANSMISSION CLUTCH	21-209
MECHANISM, REAR SEAT HEAD REST FOLDING	23-22	MOUNTING, FRONT BRAKE ROTOR MATCH	5-13	OPERATION, AIR TESTING TRANSMISSION CLUTCH AND BAND	21-57
MEMORY SEAT MODULE	8R-12,8R-13	MOUNTING, MATCH	22-4	OPERATION, MODES OF OPERATION, POWER STEERING PUMP - INITIAL	19-7
MEMORY SWITCH	8R-13,8R-14	MOUNTING MODULE (HMM), HEADLAMP	23-28	OPERATION, SUNROOF	23-8
MEMORY SYSTEM	8R-11,8R-13	MOUNTING STUDS, WHEEL	2-14	ORDER—4.0L 6-CYLINDER ENGINE, ENGINE FIRING	8D-21
METRIC SYSTEM	Intro.-6	MOUNT—REAR, ENGINE	9-29,9-89	ORDER—4.7L V-8 ENGINE, ENGINE FIRING	8D-21
MINIMUM AIR FLOW CHECK PROCEDURE, THROTTLE BODY	14-49	MOUNTS—FRONT, ENGINE	9-29	ORIFICE FITTING/CCV SYSTEM TEST—4.0L ENGINE, FIXED	25-28
MIRROR, AUTOMATIC DAY/NIGHT	8T-7,8T-8	MOUNTS—LEFT AND RIGHT, ENGINE	9-88	ORIFICE FITTING—4.0L ENGINE, FIXED	25-30
MIRROR, AUTOMATIC DIMMING OUTSIDE	8T-6	MUFFLER	11-5	ORIFICE TUBE, FIXED	24-5
MIRROR GLASS, SIDE VIEW	23-32	MUFFLER AND TAILPIPE	11-10	ORIFICE VALVE, VARIABLE	24-60
MIRROR HEATING GRID, OUTSIDE	8N-2	NAMEPLATES, EXTERIOR	23-31	OUTER BELT SEAL, FRONT DOOR	23-38
MIRROR, POWER	8T-2,8T-3,8T-5	NECK SEAL—PRESSURE RELIEF CHECK, RADIATOR CAP TO FILLER	7-22	OUTER BELT WEATHERSTRIP, REAR DOOR	23-45
MIRROR, REARVIEW	23-58	NOISE, BEARING	3-101,3-16,3-58	OUTLET, 8W-41 HORN/CIGAR LIGHTER/POWER	8W-1
MIRROR, SIDE VIEW	23-32	NOISE DIAGNOSIS, HYDRAULIC LASH ADJUSTER	9-71	OUTLET DOOR, INSTRUMENT PANEL POWER	8E-23
MIRROR SUPPORT BRACKET, REARVIEW	23-58	NOISE, GEAR	3-101,3-16,3-58	OUTLET DOOR, PANEL	24-58
MIRROR SWITCH, POWER	8T-3	NOISE OR VIBRATION, TIRE	22-4	OUTLET, INSTRUMENT PANEL CIGAR LIGHTER AND POWER	8E-21
MIRROR SYSTEM, AUTOMATIC DAY/NIGHT	8T-6	NOISE SUPPRESSION COMPONENTS, RADIO	8F-19	OUTLET, INSTRUMENT PANEL POWER	8E-10, 8E-6
		NOISE SUPPRESSION, RADIO	8F-4	OUTLET, REAR POWER	80-5,80-9
		NOISE, TRAC-LOK™ DIFFERENTIAL	3-102,3-59		
		NOISE, WIND	23-26		
		NON-MONITORED CIRCUITS	25-22		



Description	Group-Page	Description	Group-Page	Description	Group-Page
OUTLETS, DUCTS	24-44	PANEL PASSENGER SIDE BEZEL, INSTRUMENT	8E-33	PLATE, REAR DOOR SCUFF	23-52
OUTPUT, AUTO SHUTDOWN (ASD)		PANEL PLENUM BRACKET, INSTRUMENT	8E-43	PLATE, TRANSFER CASE SKID	13-6
RELAY—PCM	14-39	PANEL POWER OUTLET DOOR, INSTRUMENT	8E-23	PLENUM BRACKET, INSTRUMENT PANEL	8E-43
OUTPUT, DATA LINK CONNECTOR—PCM		PANEL POWER OUTLET, INSTRUMENT	8E-10, 8E-6	PLENUM SEAL, COWL	23-31
INPUT	14-39	PANEL, REAR DOOR TRIM	23-41	PLENUM, VARI-LOK <sup>®</sup>	3-114,3-32
OUTPUT, FUEL INJECTORS—PCM	14-40	PANEL STEERING COLUMN BRACKET, INSTRUMENT	8E-15	PLUG CONDITIONS, SPARK	8D-8
OUTPUT, FUEL PUMP RELAY-PCM	14-40	PANEL STEERING COLUMN SUPPORT BRACKET, INSTRUMENT	8E-43	PLUGS, ENGINE CORE	9-132
OUTPUT, IDLE AIR CONTROL (IAC)		PANEL STRUCTURAL DUCT, INSTRUMENT	8E-44	PLUGS, SPARK	8D-11,8D-2,8D-22
MOTOR—PCM	14-40	PANEL, SUNROOF GLASS	23-11	PLUMBING, REAR WASHER NOZZLE	8K-4
OUTPUT, OXYGEN SENSOR HEATER RELAYS—PCM	14-41	PANEL SYSTEM, INSTRUMENT	8E-1	PLUMBING, WASHER NOZZLE	8K-21
OUTPUT, RADIATOR COOLING FAN RELAY—PCM	14-41	PANEL TIMING, SUNROOF GLASS	23-13	PLUMBING, WINDSHIELD WASHER NOZZLE	8K-5
OUTPUT SHAFT FRONT BEARING	21-89	PANEL TO CENTER FLOOR TUNNEL BRACKET, INSTRUMENT	8E-24	POINTS AND LUBRICATION LOCATIONS, FLUID CHECK/FILL	0-2
OUTPUT SHAFT REAR BEARING	21-88	PANEL TOP COVER, INSTRUMENT	8E-29	POLISHING, FINESSE SANDING, BUFFING	23-1
OUTPUT SHAFT SEAL, FRONT	21-278,21-312	PANEL TOP PAD, INSTRUMENT	8E-30	POOR CONNECTIONS, INTERMITTENT	8W-8
OUTPUT SPEED SENSOR	21-214	PANEL TRIM, QUARTER	23-53	PORTS, REFRIGERANT SYSTEM SERVICE	24-9
OUTPUT SPEED SENSORS, INPUT	21-204	PANEL/DEFROST DOOR AND LEVER	24-57	POSITION SENSOR, THROTTLE	21-204
OUTSIDE HANDLE, FRONT DOOR	23-36	PARK LAMP	8L-13	POSITION SENSOR (TPS)—4.0L ENGINE, THROTTLE	14-51
OUTSIDE HANDLE, LIFTGATE	23-62	PARK LAMP BULB	8L-9	POSITION SENSOR (TPS)—4.7L V-8 ENGINE, THROTTLE	14-52
OUTSIDE HANDLE, REAR DOOR	23-44	PARK RAMP, REAR WIPER ARM	8K-17	POSITION SENSOR (TPS)—PCM INPUT, THROTTLE	14-38
OUTSIDE MIRROR, AUTOMATIC DIMMING	8T-6	PARKING BRAKE	5-11	POSITION SENSOR—4.0L ENGINE, CAMSHAFT	8D-15,8D-6
OUTSIDE MIRROR HEATING GRID	8N-2	PARKING BRAKE CABLE, FRONT	5-26	POSITION SENSOR—4.0L ENGINE, CRANKSHAFT	8D-14,8D-4
OUTSIDE POWER MIRRORS	8T-1	PARKING BRAKE CABLES, REAR	5-27	POSITION SENSOR—4.7L ENGINE, CAMSHAFT	8D-18,8D-6
OVERDRIVE CLUTCH	21-44	PARKING BRAKE LEVER	5-25	POSITION SENSOR—4.7L ENGINE, CRANKSHAFT	8D-5
OVERDRIVE ELECTRICAL CONTROLS	21-53	PARKING BRAKE SHOE	5-36	POSITION SENSOR—4.7L V-8 ENGINE, THROTTLE	21-53,21-79
OVERDRIVE HOUSING BUSHING	21-88	PARKING BRAKE SHOES	5-29	POSITIVE CRANKCASE VENTILATION (PCV) SYSTEM—4.7L ENGINE	25-26
OVERDRIVE OFF SWITCH	21-199,21-51	PARKING BRAKES	5-6	POWER AMPLIFIER	8F-10,8F-16,8F-4
OVERDRIVE UNIT	21-137,21-158,21-86	PARK/NEUTRAL POSITION SWITCH	21-53,21-79	POWER BRAKE BOOSTER	5-17,5-3
OVERFLOW SYSTEM, COOLANT RESERVOIR /	7-4	PARTS AND LUBRICANT RECOMMENDATIONS	0-1	POWER DISTRIBUTION, 8W-10	8W-1
OVERHEAD ASSIST HANDLE	23-51	PASSENGER SIDE AIRBAG MODULE	8M-3,8M-9	POWER DISTRIBUTION CENTER	80-1,80-10, 80-6
OVERHEAD CONSOLE	8V-1,8V-10	PASSENGER SIDE BEZEL, INSTRUMENT PANEL	8E-33	POWER DISTRIBUTION SYSTEM	80-1
OVERHEAD CONSOLE, 8W-49	8W-1	PASSIVE RESTRAINT SYSTEMS	8M-15	POWER DISTRIBUTION SYSTEMS	80-15
OVERHEAD CONSOLE READING AND COURTESY LAMP	8V-4	PATTERN ANALYSIS, GEAR CONTACT	3-133, 3-47,3-89	POWER GROUNDS	14-38
OVERHEAD CONSOLE READING LAMP BULB	8L-11	PATTERNS, TIRE WEAR	22-4	POWER LOCK MOTOR	8P-3,8P-5
OVERHEAD CONSOLE SYSTEMS	8V-12	PCM VIN REPROGRAMMING	14-1	POWER LOCK SWITCH	8P-2
OVERRUNNING CLUTCH	21-45	PCV VALVE—4.7L V-8 ENGINE	25-30	POWER LOCK SYSTEM	8P-1,8P-4
OVERRUNNING CLUTCH CAM/ OVERDRIVE PISTON RETAINER	21-120	PCV VALVE/PCV SYSTEM TEST—4.7L V-8 ENGINE	25-29	POWER LOCKS, 8W-61	8W-1
OVERRUNNING CLUTCH/LOW-REVERSE DRUM/OVERDRIVE PISTON RETAINER	21-156	PEDAL, ACCELERATOR	14-25	POWER LUMBAR ADJUSTER	8R-2,8R-5
OXYGEN SENSOR	14-56	PEDAL, BRAKE	5-15,5-2	POWER LUMBAR SWITCH	8R-2,8R-6,8R-8
OXYGEN SENSOR HEATER RELAYS	14-50	PERFORMANCE, A/C	24-10	POWER MIRROR	8T-2,8T-3,8T-5
OXYGEN SENSOR HEATER RELAYS— PCM OUTPUT	14-41	PERFORMANCE, ENGINE	9-16,9-84	POWER MIRROR SWITCH	8T-3
OXYGEN SENSOR—PCM INPUT	14-37	PERFORMANCE, HEATER	24-25	POWER MIRROR SYSTEM	8T-1,8T-3
PAD, INSTRUMENT PANEL TOP	8E-30	PINION GEAR	3-115,3-34,3-72	POWER MIRRORS, 8W-62	8W-1
PAINT	23-1	PINION GEAR DEPTH	3-127,3-40,3-83	POWER MIRRORS, INSIDE	8T-6
PAINT CODE	23-1	PINION SHAFT SEAL	3-104,3-21,3-61	POWER MIRRORS, OUTSIDE	8T-1
PAINT REPAIR PRODUCTS, AFTER MARKET	23-3	PIN-OUTS, 8W-80 CONNECTOR	8W-1	POWER OUTLET DOOR, INSTRUMENT PANEL	8E-23
PAINTED SURFACE TOUCH-UP	23-2	PIPE, EXHAUST	11-11,11-7	POWER OUTLET, INSTRUMENT PANEL	8E-10, 8E-6
PAN, OIL	9-122,9-135,9-46,9-67,9-7	PISTON AND CONNECTING ROD	9-123,9-134, 9-5,9-66	POWER OUTLET, INSTRUMENT PANEL CIGAR LIGHTER	8E-21
PANEL ADJUSTMENT, SUNROOF GLASS	23-14	PISTON FITTING	9-20	POWER OUTLET, REAR	80-5,80-9
PANEL ASSEMBLY, INSTRUMENT	8E-34	PISTON, FRONT SERVO	21-122	POWER RELEASE SYSTEM	
PANEL C-CHANNEL COVER BRACKET, INSTRUMENT	8E-41	PISTON, REAR SERVO	21-122	COMPONENTS, LIFTGATE FLIP-UP GLASS	8P-8
PANEL CENTER LOWER BEZEL, INSTRUMENT	8E-21	PISTON RETAINER, OVERRUNNING CLUTCH CAM/OVERDRIVE	21-120	POWER RELEASE SYSTEM, LIFTGATE FLIP-UP GLASS	8P-7
PANEL CENTER UPPER BEZEL, INSTRUMENT	8E-20	PISTON RETAINER, OVERRUNNING CLUTCH/LOW-REVERSE DRUM/ OVERDRIVE	21-156	POWER SEAT RECLINER	8R-3,8R-6
PANEL CIGAR LIGHTER AND POWER OUTLET, INSTRUMENT	8E-21	PISTON RING—FITTING	9-21	POWER SEAT SWITCH	8R-3,8R-7,8R-9
PANEL CIGAR LIGHTER, INSTRUMENT	8E-6, 8E-9	PISTON RINGS—FITTING	9-79	POWER SEAT SYSTEM	8R-1,8R-5
PANEL DRIVER SIDE BEZEL, INSTRUMENT	8E-13	PISTONS	21-192,21-39	POWER SEAT TRACK	8R-4,8R-7
PANEL DRIVER SIDE COURTESY LAMP BRACKET, INSTRUMENT	8E-13	PISTONS AND CONNECTING RODS	9-48	POWER SEATS, 8W-63	8W-1
PANEL END CAP, INSTRUMENT	8E-26	PISTONS—FITTING	9-78	POWER STEERING	19-1
PANEL, FRONT DOOR TRIM	23-34	PISTON/VALVE ASSEMBLY, RACK	19-16	POWER STEERING GEAR	19-11,19-20,19-21
PANEL FUSE COVER, INSTRUMENT	8E-11	PITMAN ARM	19-22,19-23	POWER STEERING GEAR LEAKAGE	19-12
PANEL, HOOD INSULATION	23-29	PITMAN SHAFT/SEALS/BEARINGS	19-14	POWER STEERING PRESSURE LINE	19-6
PANEL, INSTRUMENT	8E-2	PIVOT AND LINKAGE MODULE, WINDSHIELD WIPER MOTOR	8K-17,8K-6	POWER STEERING PUMP	19-10,19-6
PANEL INTERMEDIATE BRACKET, INSTRUMENT	8E-42	PLANETARY GEAR SET	21-244	POWER STEERING PUMP - 4.7L	19-7
PANEL, LIFTGATE TRIM	23-60	PLANETARY GEARSET	21-45	OPERATION	19-7
PANEL, LOWER LIFTGATE OPENING TRIM	23-60	PLANETARY GEARTRAIN	21-158,21-198,21-249	POWER STEERING PUMP - 4.0L	19-7
PANEL LOWER RIGHT CENTER BEZEL, INSTRUMENT	8E-27	PLANETARY GEARTRAIN/OUTPUT SHAFT	21-132	POWER STEERING RETURN LINE	19-6
PANEL OUTLET DOOR	24-58	PLATE, BODY CODE	Intro.-2	POWER STEERING SYSTEM	19-1
		PLATE, FRONT DOOR SCUFF	23-51	POWER STEERING SYSTEM DIAGNOSIS CHARTS	19-2
		PLATE, FRONT SKID	13-5		
		PLATE, FUEL TANK SKID	13-6		
		PLATE LAMP BULB, LICENSE	8L-10		
		PLATE LAMP HOUSING, LICENSE	23-66		
		PLATE LAMP, LICENSE	8L-13		

Description	Group-Page	Description	Group-Page	Description	Group-Page
POWER SUNROOF	23-8	PROPELLER SHAFT MEASUREMENT, FRONT	3-10	REAR ABSORBER	13-4
POWER SUNROOF, 8W-64	8W-1	PROPELLER SHAFT, REAR	3-8	REAR AXLE	3-103,3-60
POWER WINDOW MOTOR	8S-2,8S-5,8S-6	PROPELLER SHAFTS	3-1	REAR BEARING, OUTPUT SHAFT	21-88
POWER WINDOW SWITCH	8S-2	PULLEY, PUMP	19-8	REAR CLUTCH	21-129,21-158,21-43
POWER WINDOW SWITCH, REAR DOOR	8S-5, 8S-6	PUMP - 4.7L, POWER STEERING	19-7	REAR DISC BRAKE CALIPER	5-22,5-33
POWER WINDOW SYSTEM	8S-1,8S-3	PUMP - INITIAL OPERATION, POWER STEERING	19-7	REAR DISC BRAKE ROTOR	5-10,5-25
POWER WINDOWS, 8W-60	8W-1	PUMP 4.7L ENGINES, WATER	7-29	REAR DISC BRAKE SHOES	5-23
POWERED ENGINES ONLY, TASK MANAGER—GASOLINE	25-16	PUMP AMPERAGE TEST, FUEL	14-11	REAR DISC BRAKES	5-5
POWERTRAIN CONTROL MODULE (PCM); FUEL SYSTEM	14-31,14-54	PUMP AND REACTION SHAFT SUPPORT, OIL	21-123,21-156,21-249	REAR DOOR	23-43
POWERTRAIN CONTROL MODULE (PCM); TRANSMISSION AND TRANSFER CASE	21-47	PUMP BYPASS HOSE—4.0L ENGINE, WATER	7-37	REAR DOOR B-PILLAR SEAL	23-41
PRE-ALIGNMENT	2-4	PUMP BYPASS—4.7L, WATER	7-3	REAR DOOR CHECK	23-42
PRECAUTIONS, SERVICE WARNINGS	24-31	PUMP CAPACITY TEST, FUEL	14-9	REAR DOOR HINGE	23-43
PRECAUTIONS, WINDSHIELD SAFETY	23-4	PUMP FRONT SEAL, OIL	21-219	REAR DOOR INNER BELT WEATHERSTRIP	23-45
PRELIMINARY CHECKS	7-13	PUMP FUEL	14-2	REAR DOOR INSIDE HANDLE ACTUATOR	23-44
PRELIMINARY DIAGNOSIS	21-206,21-53	PUMP INLET FILTER, FUEL	14-17	REAR DOOR LATCH	23-44
PRELOAD AND GEAR BACKLASH, DIFFERENTIAL BEARING	3-129,3-42,3-85	PUMP (LDP), LEAK DETECTION	25-24,25-30, 25-32	REAR DOOR LATCH STRIKER	23-44
PREPARATION, DRIVELINE ANGLE MEASUREMENT	3-5	PUMP LEAKAGE DIAGNOSIS	19-7	REAR DOOR OPENING WEATHERSTRIP	23-45
PREPARATION, ENGINE GASKET SURFACE	9-16,9-84	PUMP MODULE, FUEL	14-16,14-2	REAR DOOR OUTER BELT WEATHERSTRIP	23-45
PREPARATION FOR LAMP ALIGNMENT, VEHICLE	8L-4	PUMP - 4.0L, POWER STEERING	19-7	REAR DOOR OUTSIDE HANDLE	23-44
PREPARATION, LAMP ALIGNMENT SCREEN	8L-5	PUMP OIL; ENGINE	9-128,9-133,9-135,9-50	REAR DOOR POWER WINDOW SWITCH	8S-5, 8S-6
PRESSURE CAP, RADIATOR	7-43,7-6	PUMP OIL; TRANSMISSION AND TRANSFER CASE	21-16,21-188,21-235	REAR DOOR SCUFF PLATE	23-52
PRESSURE, CHECKING ENGINE OIL	9-70	PUMP, POWER STEERING	19-10,19-6	REAR DOOR SECONDARY WEATHERSTRIP	23-46
PRESSURE CONTROL, LINE	21-204	PUMP PRESSURE TEST, FUEL	14-7	REAR DOOR STATIONARY GLASS	23-47
PRESSURE CURVES, GOVERNOR	21-50	PUMP PULLEY	19-8	REAR DOOR TRIM PANEL	23-41
PRESSURE CYCLING CLUTCH SWITCH, LOW	24-54	PUMP RELAY, FUEL	14-50	REAR DOOR WATERDAM	23-42
PRESSURE, ENGINE OIL	9-15	PUMP RELAY-PCM OUTPUT, FUEL	14-40	REAR DOOR WINDOW GLASS	23-47
PRESSURE FOR HIGH SPEED, TIRE	22-3	PUMP RESERVOIR	19-9	REAR DOOR WINDOW REGULATOR	23-46
PRESSURE, FUEL SYSTEM	14-27	PUMP TESTS, WATER	7-10	REAR FASCIA	13-2
PRESSURE GAUGES	22-3	PUMP VOLUME CHECK, OIL	21-212,21-74	REAR GLASS HEATING GRID	8N-2,8N-4
PRESSURE LEAK DOWN TEST, FUEL	14-9	PUMP, WASHER	8K-23	REAR GLASS HEATING GRID REPAIR	8N-6
PRESSURE LEAKAGE TEST, CYLINDER COMBUSTION	9-14,9-69	PUMP, WASHER RESERVOIR	8K-5	REAR LIGHTING, 8W-51	8W-1
PRESSURE LINE, POWER STEERING	19-6	PUMP, WATER	7-43,7-7	REAR PARKING BRAKE CABLES	5-27
PRESSURE (MAP) SENSOR—4.0L ENGINE, MANIFOLD ABSOLUTE	14-54	PUMP—4.0L ENGINE, WATER	7-27	REAR POWER OUTLET	80-5,80-9
PRESSURE (MAP) SENSOR—4.7L V-8 ENGINE, MANIFOLD ABSOLUTE	14-54	PURGE SOLENOID, DUTY CYCLE EVAP CANISTER	25-24	REAR PROPELLER SHAFT	3-8
PRESSURE (MAP) SENSOR—PCM INPUT, MANIFOLD ABSOLUTE	14-36	PURGE SOLENOID, EVAPORATIVE CANISTER	25-31	REAR RETAINER BUSHING AND SEAL	21-313
PRESSURE REGULATOR, FUEL FILTER/FUEL	14-15,14-3	PUSH RODS, ROCKER ARMS	9-35,9-54	REAR RETAINER BUSHING AND SEAL, NV242HD	21-278
PRESSURE RELEASE PROCEDURE, FUEL SYSTEM	14-12	QUARTER PANEL TRIM	23-53	REAR SEAT BACK COVER	23-21
PRESSURE RELIEF VALVE, HIGH	24-52,24-7	QUARTER WINDOW GLASS	23-6	REAR SEAT BACK LATCH RELEASE HANDLE	23-20
PRESSURE SENDING UNIT, ENGINE OIL	9-129	QUICK LEARN PROCEDURE, TRANSMISSION	21-213	REAR SEAT BACK LATCH/HINGE	23-21
PRESSURE SENSOR, GOVERNOR SOLENOID	21-84	QUICK-CONNECT FITTINGS	14-13,14-7	REAR SEAT BELT BUCKLE	23-55
PRESSURE SENSOR, LINE	21-214	RACK, LUGGAGE	23-67	REAR SEAT CUSHION	23-19
PRESSURE SENSOR—PCM INPUT, OIL	14-37	RACK PISTON/VALVE ASSEMBLY	19-16	REAR SEAT CUSHION COVER	23-19
PRESSURE, STEERING FLOW	19-4	RADIAL-PLY TIRES	22-2	REAR SEAT CUSHION RELEASE LATCH	23-19
PRESSURE SWITCH ASSEMBLY, SOLENOID	21-203,21-215	RADIATOR	7-34,7-4,7-43	REAR SEAT FOLDING HEAD REST RELEASE KNOB	23-22
PRESSURE SWITCH, HIGH	24-25,24-53,24-7	RADIATOR CAP TO FILLER NECK SEAL—PRESSURE RELIEF CHECK	7-22	REAR SEAT HEAD REST	23-22
PRESSURE SWITCH, LOW	24-25,24-8	RADIATOR CAP—PRESSURE TESTING	7-22	REAR SEAT HEAD REST FOLDING MECHANISM	23-22
PRESSURE SWITCHES	21-203	RADIATOR COOLANT FLOW CHECK	7-20	REAR SEAT HEAD REST SLEEVE	23-22
PRESSURE TEST, CYLINDER COMPRESSION	9-13,9-68	RADIATOR COOLING FAN RELAY—PCM OUTPUT	14-41	REAR SEAT SHOULDER BELT	23-55
PRESSURE TEST, FUEL PUMP	14-7	RADIATOR FAN COOLING RELAY	14-57	REAR SEATBACK	23-21
PRESSURE TEST, HYDRAULIC	21-208,21-55	RADIATOR FAN SHROUD	7-33	REAR SEATBELT	21-156
PRESSURES, TIRE INFLATION	22-2	RADIATOR PRESSURE CAP	7-43,7-6	REAR SERVO	21-122
PROBLEMS, TROUBLESHOOTING	8W-9	RADIO FREQUENCY INTERFERENCE	8F-11	REAR SERVO PISTON	21-122
WIRING	8W-9	RADIO NOISE SUPPRESSION	8F-4	REAR SIDE MARKER LAMP	8L-13
PRODUCTS, AFTER MARKET PAINT REPAIR	23-3	RADIO NOISE SUPPRESSION COMPONENTS	8F-19	REAR SIDE MARKER LAMP BULB	8L-9
PROGRAMMING, ELECTRONIC VEHICLE INFORMATION CENTER	8V-7	RADIO RECEIVER	8F-12,8F-2,8F-6	REAR SUSPENSION	2-16,2-17,2-22
PROGRAMMING, REMOTE KEYLESS ENTRY TRANSMITTER	8P-13	RADIO SWITCH, REMOTE	8F-14,8F-3,8F-8	REAR TOW HOOK	13-6
PROGRAMMING, SENTRY KEY IMMOBILIZER SYSTEM TRANSPONDER	8Q-9	RAIL WEATHERSTRIP W/RETAINER, ROOF	23-48	REAR WASHER NOZZLE AND PLUMBING	8K-4
PROP. HOOD SUPPORT	23-29	RAIL/FUEL DAMPER—4.0L ENGINE, FUEL INJECTOR	14-19,14-5	REAR WHEEL SPEED SENSOR	5-43
PROPELLER SHAFT	3-10	RAIL—4.7L ENGINE, FUEL INJECTOR	14-5	REAR WINDOW DEFOGGER, 8W-48	8W-1
PROPELLER SHAFT ANGLE MEASUREMENT	3-6	RAIL—4.7L V-8 ENGINE, FUEL INJECTOR	14-20	REAR WINDOW DEFOGGER RELAY	8N-3,8N-5, 8N-7
PROPELLER SHAFT, FRONT	3-6	RAMP, REAR WIPER ARM PARK	8K-17	REAR WINDOW DEFOGGER SWITCH	8N-3,8N-5
PROPELLER SHAFT JOINT ANGLE	3-2	RANGE SENSOR, TRANSMISSION	21-204	REAR WINDOW DEFOGGER SYSTEM	8N-1,8N-3
PROPELLER SHAFT JOINTS	3-2	RATINGS, GENERATOR	8C-5	REAR WIPER AND WASHER SYSTEM	8K-2
		RBA AXLE, 226	3-135,3-95	REAR WIPER ARM AND BLADE	8K-3
		RBI AXLE, 198	3-53,3-91	REAR WIPER ARM PARK RAMP	8K-17
		RE TRANSMISSIONS	21-177	REAR WIPER MOTOR MODULE	8K-19,8K-4
		REACTION SHAFT SUPPORT, OIL PUMP	21-123, 21-156,21-249	REAR WIPER SYSTEM	8K-10
		READING AND COURTESY LAMP, OVERHEAD CONSOLE	8V-4	REARVIEW MIRROR	23-58
		READING LAMP	8L-15	REARVIEW MIRROR SUPPORT BRACKET	23-58
		READING LAMP BULB, OVERHEAD CONSOLE	8L-11	RECEIVER, RADIO	8F-12,8F-2,8F-6
				RECEIVER, REMOTE KEYLESS ENTRY	8P-11
				RECIRCULATION AIR DOOR	24-59
				RECLINER, BUCKET SEAT	23-16
				RECLINER, POWER SEAT	8R-3,8R-6
				RECOMMENDATIONS, HOISTING LUBRICANT	0-12
				RECOMMENDATIONS, PARTS AND LUBRICANT	0-1
				RECOMMENDATIONS, TOWING	0-10
				RECOMMENDED FLUID	21-10

Description	Group-Page	Description	Group-Page	Description	Group-Page
RECOMMENDED LUBRICANT AND FILL LEVEL	21-309	RESERVOIR / OVERFLOW SYSTEM, COOLANT	7-4	SCUFF PLATE, REAR DOOR	23-52
RECOVERY, REFRIGERANT	24-29	RESERVOIR AND PUMP, WASHER	8K-5	SEAL, ADAPTER HOUSING	21-219
RED BRAKE WARNING LAMP	5-3,5-9	RESERVOIR, MASTER CYLINDER	5-16	SEAL AND BEARING, AXLE SHAFT	3-110,3-66
REFERENCES, TORQUE	Intro-6	RESERVOIR, PUMP	19-9	SEAL AND SPRING, VALVE STEM	9-36
REFRIGERANT	24-8	RESERVOIR, VACUUM; HEATING AND AIR CONDITIONING	24-60,24-9	SEAL, AXLE SHAFT OIL	3-33
REFRIGERANT LINES	24-8	RESERVOIR, VACUUM; SPEED CONTROL SYSTEM	8H-3,8H-8	SEAL, COWL PLENUM	23-31
REFRIGERANT OIL	24-9	RESERVOIR, WASHER	8K-24	SEAL, FRONT DOOR INNER BELT	23-38
REFRIGERANT OIL LEVEL	24-28	RESISTANCE—4.0L ENGINE, IGNITION COIL	8D-22	SEAL, FRONT DOOR OUTER BELT	23-38
REFRIGERANT RECOVERY	24-29	RESISTANCE—4.7L V-8 ENGINE, IGNITION COIL	8D-22	SEAL, FRONT OUTPUT SHAFT	21-278,21-312
REFRIGERANT SYSTEM CHARGE	24-29	RESISTOR AND CONTROLLER, BLOWER MOTOR	24-37	SEAL, HOOD	23-28
REFRIGERANT SYSTEM EVACUATE	24-30	RESISTOR, BLOWER MOTOR	24-22,24-3	SEAL, NV242HD REAR RETAINER BUSHING	21-278
REFRIGERANT SYSTEM LEAKS	24-26	REST FOLDING MECHANISM, REAR SEAT HEAD	23-22	SEAL, OIL PUMP FRONT	21-219
REFRIGERANT SYSTEM SERVICE EQUIPMENT	24-30	REST, REAR SEAT HEAD	23-22	SEAL, PINION SHAFT	3-104,3-21,3-61
REFRIGERANT SYSTEM SERVICE PORTS	24-9	REST RELEASE KNOB, REAR SEAT FOLDING HEAD	23-22	SEAL, REAR DOOR B-PILLAR	23-41
REGULATOR, ELECTRONIC VOLTAGE	8C-2	REST SLEEVE, REAR SEAT HEAD	23-22	SEAL, REAR RETAINER BUSHING	21-313
REGULATOR, FRONT DOOR WINDOW	23-40	RESTRAINT, BUCKET SEAT HEAD	23-17	SEAL, TIMING CASE COVER OIL	9-50
REGULATOR, FUEL FILTER/FUEL PRESSURE	14-15,14-3	RESTRAINT SLEEVE, BUCKET SEAT HEAD	23-18	SEAL, VALVE STEM	9-66,9-7
REGULATOR, REAR DOOR WINDOW	23-46	RESTRAINT SYSTEMS, PASSIVE	8M-15	SEALER LOCATIONS	23-118
RELAY, AUTOMATIC SHUTDOWN (ASD)	14-49	RETAINER BUSHING AND SEAL, NV242HD REAR	21-278	SEALERS, FORM-IN-PLACE GASKETS & BUSHING	9-15, 9-83, 9-129
RELAY, CIGAR LIGHTER	8E-22,8E-6,8E-9	RETAINER BUSHING AND SEAL, REAR	21-313	SEAL—FRONT, CRANKSHAFT OIL	
RELAY, COMPRESSOR CLUTCH	24-24,24-4, 24-41	RETAINER, OVERRUNNING CLUTCH CAM/OVERDRIVE PISTON	21-120	SEAL—PRESSURE RELIEF CHECK, RADIATOR CAP TO FILLER NECK	7-22
RELAY, FUEL PUMP	14-50	RETAINER, OVERRUNNING CLUTCH/ LOW-REVERSE DRUM/OVERDRIVE PISTON	21-156	SEAL—REAR, CRANKSHAFT OIL	9-131
RELAY, HORN	8G-2,8G-3,8G-5	RETAINER/BULKHEAD, 4C	21-242	SEALS AND SPRINGS, VALVE STEM	9-99
RELAY, RADIATOR FAN COOLING	14-57	RETURN LINE, POWER STEERING	19-6	SEALS—REAR, CRANKSHAFT OIL	9-49
RELAY, REAR WINDOW DEFOGGER	8N-3,8N-5, 8N-7	RETURN—PCM INPUT, SENSOR	14-38	SEAT BACK, BUCKET	23-16
RELAY SENSE—PCM INPUT, AUTOMATIC SHUTDOWN (ASD)	14-34	RIGHT CENTER BEZEL, INSTRUMENT PANEL LOWER	8E-27	SEAT BACK COVER, BUCKET	23-18
RELAY, STARTER	8B-11,8B-2,8B-8	RIGHT, ENGINE MOUNTS—LEFT	9-88	SEAT BACK COVER, REAR	23-21
RELAY TESTING	14-47	RING GEAR	3-115,3-38,3-71	SEAT BACK LATCH RELEASE HANDLE, REAR	23-20
RELAY, TRANSMISSION CONTROL	21-203	RING—FITTING, PISTON	9-21	SEAT BACK LATCH/HINGE, REAR	23-21
RELAY, WIPER HIGH/LOW	8K-12,8K-7	RINGS—FITTING, PISTON	9-79	SEAT BELT BUCKLE, REAR	23-55
RELAY, WIPER ON/OFF	8K-14,8K-8	ROAD TEST	8H-3	SEAT BELT SWITCH, DRIVER	8U-3,8U-5
RELAY—PCM OUTPUT, AUTO SHUTDOWN (ASD)	14-39	ROAD TEST, ANALYZING	21-55	SEAT CUSHION COVER, BUCKET	23-19
RELAY—PCM OUTPUT, RADIATOR COOLING FAN	14-41	ROAD TESTING	21-207,21-54	SEAT CUSHION COVER, REAR	23-19
RELAY-PCM OUTPUT, FUEL PUMP	14-40	ROCKER ARM	9-6,9-67	SEAT CUSHION, REAR	23-19
RELAYS, OXYGEN SENSOR HEATER	14-50	ROCKER ARMS	9-98	SEAT CUSHION RELEASE LATCH, REAR	23-19
RELAYS, WIPER	8K-21	ROCKER ARMS AND PUSH RODS	9-35,9-54	SEAT ELEMENT AND SENSOR, HEATED	8N-10
RELAYS—PCM OUTPUT, OXYGEN SENSOR HEATER	14-41	ROD BEARINGS, FITTING CONNECTING	9-23	SEAT ELEMENT, HEATED	8N-12
RELEASE CABLE, HOOD	23-30	ROD BEARINGS—FITTING, CONNECTING	9-80	SEAT FOLDING HEAD REST RELEASE KNOB, REAR	23-22
RELEASE HANDLE, REAR SEAT BACK LATCH	23-20	ROD ENDS, TIE	19-22	SEAT, FRONT BUCKET	23-15
RELEASE KNOB, REAR SEAT FOLDING HEAD REST	23-22	ROD, PISTON AND CONNECTING	9-123,9-134, 9-5,9-66	SEAT HEAD REST FOLDING MECHANISM, REAR	23-22
RELEASE LATCH, REAR SEAT CUSHION	23-19	ROD, TIE	19-23	SEAT HEAD REST, REAR	23-22
RELEASE PROCEDURE, FUEL SYSTEM PRESSURE	14-12	RODS, PISTONS AND CONNECTING	9-48	SEAT HEAD REST SLEEVE, REAR	23-22
RELEASE SYSTEM COMPONENTS, LIFTGATE FLIP-UP GLASS POWER	8P-8	RODS, ROCKER ARMS AND PUSH ROLLER VALVE	9-35,9-54	SEAT HEAD RESTRAINT, BUCKET	23-17
RELEASE SYSTEM, LIFTGATE FLIP-UP GLASS POWER	8P-7	ROLLER VALVE(S)	25-32	SEAT HEAD RESTRAINT SLEEVE, BUCKET	23-18
RELIEF CHECK, RADIATOR CAP TO FILLER NECK SEAL—PRESSURE	7-22	ROOF RAIL WEATHERSTRIP W/ RETAINER	23-48	SEAT MODULE, HEATED	8N-12,8N-14,8N-9
RELIEF VALVE, HIGH PRESSURE	24-52,24-7	ROTATION	22-4	SEAT MODULE, MEMORY	8R-12,8R-13
REMOTE KEYLESS ENTRY RECEIVER	8P-11	ROTOR, FRONT DISC BRAKE	5-21,5-9	SEAT RECLINER, BUCKET	23-16
REMOTE KEYLESS ENTRY SYSTEM	8P-11,8P-9	ROTOR MACHINING, DISC	5-13	SEAT RECLINER, POWER	8R-3,8R-6
REMOTE KEYLESS ENTRY TRANSMITTER	8P-11,8P-12	ROTOR MATCH MOUNTING, FRONT BRAKE	5-13	SEAT SENSOR, HEATED	8N-14
REMOTE KEYLESS ENTRY TRANSMITTER BATTERY REPLACEMENT	8P-12	ROTOR, REAR DISC BRAKE	5-10,5-25	SEAT SHOULDER BELT, REAR	23-55
REMOTE KEYLESS ENTRY TRANSMITTER PROGRAMMING	8P-13	ROUTING, SYSTEM COOLANT	7-2	SEAT SIDE SHIELD, BUCKET	23-16
REMOTE RADIO SWITCH	8F-14,8F-3,8F-8	RUN CHANNEL, FRONT DOOR GLASS	23-39	SEAT SWITCH, HEATED	8N-10,8N-14,8N-9
REPAIR, ALUMINUM THREAD	21-213,21-75	RUN CHANNEL WEATHERSTRIP, FRONT DOOR GLASS	23-38	SEAT SWITCH, POWER	8R-3,8R-7,8R-9
REPAIR DAMAGED OR WORN THREADS	9-18, 9-85	RUNNING LAMP MODULE, DAYTIME RUNOUT	8L-17	SEAT SYSTEM, HEATED	8N-10,8N-8
REPAIR PRODUCTS, AFTER MARKET PAINT	23-3	RUNOUT, TIRE AND WHEEL	22-7	SEAT SYSTEM, POWER	8R-1,8R-5
REPAIR, REAR GLASS HEATING GRID	8N-6	SAFETY CERTIFICATION LABEL, VEHICLE	Intro-1	SEAT TRACK ADJUSTER, BUCKET	23-16
REPAIR, THREADED HOLE	Intro-2	SAFETY PRECAUTIONS, WINDSHIELD SANDING, BUFFING, AND POLISHING, FINESSE	23-1	SEAT TRACK, POWER	8R-4,8R-7
REPAIR, WIRING	8W-10	SCAN TOOL, DRB	7-10	SEATBACK, REAR	23-21
REPAIRING LEAKS	22-6	SCHEDULE—A	0-4	SEATS	23-15
REPAIR-MOLEX CONNECTORS, TERMINAL/CONNECTOR	8W-10	SCHEDULE—B	0-6	SEATS, 8W-63 POWER	8W-1
REPAIR—THOMAS AND BETTS CONNECTORS, TERMINAL/CONNECTOR	8W-10	SCHEDULES, MAINTENANCE	0-4	SEATS, FIVE VOLT SENSOR SUPPLIES—PRIMARY	14-35
REPLACEMENT/ADJUSTMENT, BELT	7-39	SCHEMATICS, HYDRAULIC	21-164,21-252	SECONDARY WEATHERSTRIP, FRONT DOOR	23-39
REPROGRAMMING, PCM VIN	14-1	SCHEMATICS, VACUUM	25-30	SECONDARY WEATHERSTRIP, REAR DOOR	23-46
REQUIREMENTS, FUEL	14-27	SCREEN PREPARATION, LAMP ALIGNMENT	8L-5	SECTION IDENTIFICATION	8W-5
		SCUFF PLATE, FRONT DOOR	23-51	SECURITY SYSTEM, 8W-39 VEHICLE THEFT	8W-1



Description	Group-Page	Description	Group-Page	Description	Group-Page
SENSITIVE DEVICES, ELECTROSTATIC DISCHARGE (ESD)	8W-8	SERVO	21-46	SILL MOLDING	23-49
SENSOR (AHL), AUTO HEADLAMP	8L-4	SET, PLANETARY GEAR	21-244	SINGLE CARDAN JOINT	3-10
SENSOR, AMBIENT TEMPERATURE	8V-12,8V-5,8V-6	SHAFT ANGLE MEASUREMENT, PROPELLER	3-6	SINGLE CARDAN UNIVERSAL JOINT	3-8
SENSOR, AUTO HEADLAMP	8L-16	SHAFT, AXLE	3-109,3-66	SKID PLATE, FRONT	13-5
SENSOR, BATTERY TEMPERATURE	8C-2,8C-4	SHAFT FRONT BEARING, OUTPUT	21-89	SKID PLATE, FUEL TANK	13-6
SENSOR, BRAKE FLUID LEVEL	5-15	SHAFT, FRONT PROPELLER	3-6	SKID PLATE, TRANSFER CASE	13-6
SENSOR, FRONT WHEEL SPEED	5-42	SHAFT HOUSING, STUB	19-13	SLEEVE, BUCKET SEAT HEAD RESTRAINT	23-18
SENSOR, GOVERNOR SOLENOID AND PRESSURE	21-84	SHAFT, HUB BEARING AND AXLE	3-25	SLEEVE, REAR SEAT HEAD REST	23-22
SENSOR, HEATED SEAT	8N-14	SHAFT JOINT ANGLE, PROPELLER	3-2	SNAP, DRIVELINE	3-102,3-17,3-59
SENSOR, HEATED SEAT ELEMENT	8N-10	SHAFT JOINTS, PROPELLER	3-2	SOLENOID AND PRESSURE SENSOR, GOVERNOR	21-84
SENSOR HEATER RELAYS, OXYGEN	14-50	SHAFT MEASUREMENT, FRONT PROPELLER	3-10	SOLENOID AND PRESSURE SWITCH ASSEMBLY	21-203,21-215
SENSOR HEATER RELAYS—PCM OUTPUT, OXYGEN	14-41	SHAFT OIL SEAL, AXLE	3-33	SOLENOID CIRCUITS, SPEED CONTROL	8H-2
SENSOR, INFRARED TEMPERATURE	21-247	SHAFT, PLANETARY GEARTRAIN/OUTPUT	21-132	SOLENOID, DUTY CYCLE EVAP CANISTER PURGE	25-24
SENSOR, INPUT SPEED	21-213	SHAFT, PROPELLER	3-10	SOLENOID, EVAPORATIVE CANISTER PURGE	25-31
SENSOR, LINE PRESSURE	21-214	SHAFT REAR BEARING, OUTPUT	21-88	SOLENOID SWITCH VALVE	21-205
SENSOR, OUTPUT SPEED	21-214	SHAFT, REAR PROPELLER	3-8	SOLENOIDS	21-205
SENSOR, OXYGEN	14-56	SHAFT SEAL AND BEARING, AXLE	3-110,3-66	SPACER, COLLAPSIBLE	3-106,3-23,3-63
SENSOR, REAR WHEEL SPEED	5-43	SHAFT SEAL, FRONT OUTPUT	21-278,21-312	SPARE TIRE—TEMPORARY	22-2
SENSOR RETURN—PCM INPUT	14-38	SHAFT SEAL, PINION	3-104,3-21,3-61	SPARK PLUG CONDITIONS	8D-8
SENSOR SUPPLIES—PRIMARY AND SECONDARY, FIVE VOLT	14-35	SHAFT SUPPORT, OIL PUMP AND REACTION	21-123,21-156,21-249	SPARK PLUGS	8D-11,8D-2,8D-22
SENSOR, THROTTLE POSITION	21-204	SHAFT—CARDAN U-JOINT, AXLE	3-19	SPEAKER	8F-15,8F-9
SENSOR (TPS)—4.0L ENGINE, THROTTLE POSITION	14-51	SHAFT—TIMING DRIVE, IDLER	9-114	SPEAKER SYSTEM	8F-3
SENSOR (TPS)—4.7L V-8 ENGINE, THROTTLE POSITION	14-52	SHAFTS, PROPELLER	3-1	SPECIFICATIONS	9-56
SENSOR (TPS)—PCM INPUT, THROTTLE POSITION	14-38	SHAFT/SEALS/BEARINGS, PITMAN	19-14	SPECIFICATIONS, TORQUE; BODY	23-156
SENSOR, TRANSMISSION RANGE	21-204	SHIELD, BUCKET SEAT SIDE	23-16	SPECIFICATIONS, TORQUE; COOLING SYSTEM	7-44
SENSOR, TRANSMISSION TEMPERATURE	21-205	SHIELDS, HEAT	11-6	SPECIFICATIONS, TORQUE; ENGINE	9-59
SENSOR, WASHER FLUID LEVEL	8K-25,8K-4	SHIFT CABLE, TRANSFER CASE	21-279,21-311	SPECIFICATIONS, TORQUE; FRAME AND BUMPERS	13-10
SENSOR—4.0L ENGINE, CAMSHAFT POSITION	8D-15,8D-6	SHIFT INTERLOCK, BRAKE TRANSMISSION	21-159,21-207,21-222,21-249,21-53,21-83	SPEED AND DISTANCE—PCM INPUT, VEHICLE	14-39
SENSOR—4.0L ENGINE, CRANKSHAFT POSITION	8D-14,8D-4	SHIFT INTERLOCK MECHANISM, BRAKE TRANSMISSION	21-199,21-51	SPEED CONTROL, 8W-33 VEHICLE	8W-1
SENSOR—4.0L ENGINE, ENGINE COOLANT TEMPERATURE	14-60	SHIFTER	21-221,21-81	SPEED CONTROL SERVO	8H-2,8H-4
SENSOR—4.0L ENGINE, INTAKE MANIFOLD AIR TEMPERATURE	14-61	SHIFTER/IGNITION INTERLOCK	8D-20	SPEED CONTROL SOLENOID CIRCUITS	8H-2
SENSOR—4.0L ENGINE, MANIFOLD ABSOLUTE PRESSURE (MAP)	14-54	SHOCK ABSORBER	2-18,2-9	SPEED CONTROL SWITCHES	8H-2,8H-5
SENSOR—4.7L ENGINE, CAMSHAFT POSITION	8D-18,8D-6	SHOCK ABSORBERS	2-16,2-7	SPEED CONTROL SYSTEM	8H-1
SENSOR—4.7L ENGINE, CRANKSHAFT POSITION	8D-5	SHOE, PARKING BRAKE	5-36	SPEED KNOCK, LOW	3-101,3-16,3-58
SENSOR—4.7L V-8 ENGINE, CRANKSHAFT POSITION	8D-15	SHOES, FRONT DISC BRAKE	5-19	SPEED SENSOR, FRONT WHEEL	5-42
SENSOR—4.7L V-8 ENGINE, ENGINE COOLANT TEMPERATURE	14-60	SHOES, PARKING BRAKE	5-29	SPEED SENSOR, INPUT	21-213
SENSOR—4.7L V-8 ENGINE, INTAKE MANIFOLD AIR TEMPERATURE	14-61	SHOES, REAR DISC BRAKE	5-23	SPEED SENSOR, OUTPUT	21-214
SENSOR—4.7L V-8 ENGINE, MANIFOLD ABSOLUTE PRESSURE (MAP)	14-54	SHOULDER BELT BUCKLE, FRONT	23-55	SPEED SENSOR, REAR WHEEL	5-43
SENSOR—PCM INPUT, ENGINE COOLANT TEMPERATURE	14-35	SHOULDER BELT, FRONT	23-55	SPEED SENSORS AND TONE WHEEL, WHEEL	5-40
SENSOR—PCM INPUT, FUEL LEVEL	14-35	SHOULDER BELT, REAR SEAT	23-55	SPEED SENSORS, INPUT AND OUTPUT	21-204
SENSOR—PCM INPUT, INTAKE MANIFOLD AIR TEMPERATURE	14-35	SHROUD, RADIATOR FAN	7-33	SPEED, TIRE PRESSURE FOR HIGH SPLICE INFORMATION, 8W-70	22-3
SENSOR—PCM INPUT, MANIFOLD ABSOLUTE PRESSURE (MAP)	14-36	SHUTDOWN (ASD) RELAY, AUTOMATIC INPUT, AUTOMATIC	14-49	SPLICE INFORMATION, 8W-70	8W-1
SENSOR—PCM INPUT, OIL PRESSURE	14-37	SHUTDOWN (ASD) RELAY SENSE—PCM INPUT, AUTOMATIC	14-34	SPLICE LOCATIONS	8W-1,8W-7
SENSOR—PCM INPUT, OXYGEN	14-37	SHUTDOWN (ASD) RELAY—PCM OUTPUT, AUTO	14-39	SPLICE LOCATIONS, 8W-95	8W-1
SENSORS AND TONE WHEEL, WHEEL SPEED	5-40	SIDE AIRBAG MODULE, DRIVER	8M-2,8M-6	SPRING, COIL	2-18
SENSORS, INPUT AND OUTPUT SPEED	21-204	SIDE AIRBAG MODULE, PASSENGER	8M-3,8M-9	SPRING, VALVE	9-66,9-7
SENTRY KEY IMMOBILIZER MODULE	8Q-10,8Q-7	SIDE AIRBAG MODULE TRIM COVER, DRIVER	8M-7	SPRING, VALVE STEM SEAL	9-36
SENTRY KEY IMMOBILIZER SYSTEM	8Q-6,8Q-9	SIDE BEARINGS, DIFFERENTIAL	3-114,3-32,3-70	SPRINGS AND ISOLATORS, COIL	2-17,2-7
SENTRY KEY IMMOBILIZER SYSTEM INDICATOR LAMP	8Q-8	SIDE BEZEL, INSTRUMENT PANEL DRIVER	8E-13	SPRINGS, COIL	2-10
SENTRY KEY IMMOBILIZER SYSTEM TRANSPONDER PROGRAMMING	8Q-9	SIDE BEZEL, INSTRUMENT PANEL PASSENGER	8E-33	SPRINGS, VALVE STEM SEALS	9-99
SENTRY KEY IMMOBILIZER TRANSPONDER	8Q-8	SIDE CLADDING, BODY	23-48	SPRINGS, VALVES AND VALVE	9-104,9-39
SERPENTINE DRIVE BELT DIAGNOSIS	7-11	SIDE COURTESY LAMP BRACKET, INSTRUMENT PANEL DRIVER	8E-13	SPROCKETS, TIMING CHAIN	9-108,9-41
SERVO CABLE	8H-3	SIDE MARKER LAMP BULB, FRONT	8L-9	STABILIZER BAR	2-12,2-17,2-21,2-7
SERVO CABLE—4.0L ENGINE	8H-6	SIDE MARKER LAMP BULB, REAR	8L-9	STANDARD DIFFERENTIAL	3-12,3-121,3-38,3-54,3-77,3-96
SERVO CABLE—4.7L V-8 ENGINE	8H-7	SIDE MARKER LAMP, FRONT	8L-13	STARTER MOTOR	8B-2,8B-7,8B-9
SERVO, FRONT	21-156	SIDE MARKER LAMP, REAR	8L-13	STARTER RELAY	8B-11,8B-2,8B-8
SERVO PISTON, FRONT	21-122	SIDE MARKER LAMP, TAIL, BRAKE, TURN SIGNAL, BACK-UP	8L-13	STARTING, HOISTING AND TOWING, JUMP	0-9
SERVO PISTON, REAR	21-122	SIDE SHIELD, BUCKET SEAT	23-16	STARTING PROCEDURE, JUMP	0-9
SERVO, REAR	21-156	SIDE VIEW MIRROR	23-32	STARTING SYSTEM	8B-1,8B-12,8B-3
SERVO, SPEED CONTROL	8H-2,8H-4	SIDE VIEW MIRROR GLASS	23-32	STARTING SYSTEM, 8W-21	8W-1
		SIGNAL AND BACK-UP LAMP BULBS, TAIL, BRAKE, TURN	8L-9	STATE DISPLAY TEST MODE	25-2
		SIGNAL AND HAZARD WARNING SWITCH, TURN	8J-7,8J-9	STATIONARY GLASS	23-4
		SIGNAL AND HAZARD WARNING SYSTEMS, TURN	8J-13,8J-6	STATIONARY GLASS, REAR DOOR	23-47
		SIGNAL, BACK-UP, AND SIDE MARKER LAMP, TAIL, BRAKE, TURN	8L-13	STEERING COLUMN	19-26,19-30
		SIGNAL BULB, FRONT TURN	8L-9	STEERING COLUMN BRACKET, INSTRUMENT PANEL	8E-15
		SIGNAL CANCELLING CAM, TURN	8J-10,8J-4	STEERING COLUMN OPENING COVER	8E-15
		SIGNAL LAMP, FRONT TURN	8L-13	STEERING COLUMN SUPPORT BRACKET, INSTRUMENT PANEL	8E-43
		SIGNAL SWITCH AND HAZARD WARNING SWITCH, TURN	8J-3	STEERING DAMPER	19-23,19-24
		SIGNAL SYSTEM, TURN	8J-1	STEERING FLOW AND PRESSURE	19-24
		SIGNALS, 8W-52 TURN	8W-1	STEERING GEAR	19-12,19-20
				STEERING GEAR LEAKAGE, POWER	19-12
				STEERING GEAR, POWER	19-11,19-20,19-21
				STEERING KNUCKLE	2-11,2-7
				STEERING KNUCKLE AND BALL STUDS	3-27
				STEERING LINKAGE	19-22,19-25

Description	Group-Page	Description	Group-Page	Description	Group-Page
STEERING, POWER	19-1	SWITCH, DRIVER SEAT BELT	8U-3,8U-5	SYSTEM, FUEL DELIVERY	14-1
STEERING PRESSURE LINE, POWER	19-6	SWITCH, FLIP UP GLASS	23-64	SYSTEM, FUEL INJECTION	14-30
STEERING PUMP - 4.7L, POWER	19-7	SWITCH, GLOVE BOX LAMP	8E-28	SYSTEM, HAZARD WARNING	8J-2
STEERING PUMP - INITIAL OPERATION, POWER	19-7	SWITCH, HEADLAMP: CHIME/BUZZER WARNING SYSTEMS	8U-4,8U-6	SYSTEM, HEATED SEAT	8N-10,8N-8
STEERING PUMP - 4.0L, POWER	19-7	SWITCH, HEADLAMP: LAMPS	8L-16	SYSTEM, HORN	8G-1
STEERING PUMP, POWER	19-10,19-6	SWITCH, HEATED SEAT	8N-10,8N-14,8N-9	SYSTEM HOSES AND HOSE CLAMPS, COOLING	7-7
STEERING RETURN LINE, POWER	19-6	SWITCH, HIGH PRESSURE	24-25,24-53,24-7	SYSTEM HOSES, COOLING	7-44
STEERING SYSTEM DIAGNOSIS CHARTS, POWER	19-2	SWITCH, HORN	8G-2,8G-3,8G-5	SYSTEM, IGNITION	8D-1
STEERING SYSTEM, POWER	19-1	SWITCH, KEY-IN IGNITION	8U-3,8U-5	SYSTEM INDICATOR LAMP, SENTRY KEY IMMOBILIZER	80-8
STEERING SYSTEM, SUSPENSION	2-3,2-8	SWITCH, LIFTGATE AJAR	80-4	SYSTEM, INSTRUMENT PANEL	8E-1
STEM SEAL AND SPRING, VALVE	9-36	SWITCH, LIFTGATE FLIP-UP GLASS AJAR	80-4	SYSTEM LEAKS, REFRIGERANT	24-26
STEM SEAL, VALVE	9-66,9-7	SWITCH, LOW PRESSURE	24-25,24-8	SYSTEM, LIFTGATE FLIP-UP GLASS POWER RELEASE	8P-7
STEM SEALS AND SPRINGS, VALVE	9-99	SWITCH, LOW PRESSURE CYCLING CLUTCH	24-54	SYSTEM LIGHT EMITTING DIODE, VEHICLE THEFT SECURITY	8Q-4
STOP LAMP (CHMSL) BULB, CENTER HIGH MOUNTED	8L-10	SWITCH, MEMORY	8R-13,8R-14	SYSTEM, LUBRICATION	9-3
STOP LAMP (CHMSL), CENTER HIGH MOUNTED	8L-14	SWITCH, OVERDRIVE OFF	21-199,21-51	SYSTEM, MEMORY	8R-11,8R-13
STORAGE BIN	23-54	SWITCH, PARK/NEUTRAL POSITION	21-53,21-79	SYSTEM, METRIC	Intro.-6
STRIKER, FLIP UP GLASS LATCH	23-66	SWITCH, POWER LOCK	8P-2	SYSTEM, ON-BOARD DIAGNOSTIC TEST FOR CHARGING	8C-3
STRIKER, FRONT DOOR LATCH	23-37	SWITCH, POWER LUMBAR	8R-2,8R-6,8R-8	SYSTEM, POWER DISTRIBUTION	80-1
STRIKER, GLOVE BOX LATCH	8E-28	SWITCH, POWER MIRROR	8T-3	SYSTEM, POWER LOCK	8P-1,8P-4
STRIKER, LIFTGATE LATCH	23-62	SWITCH, POWER SEAT	8R-3,8R-7,8R-9	SYSTEM, POWER MIRROR	8T-1,8T-3
STRIKER, REAR DOOR LATCH	23-44	SWITCH, POWER WINDOW	8S-2	SYSTEM, POWER SEAT	8R-1,8R-5
STRUCTURAL ADHESIVE LOCATIONS	23-135	SWITCH, REAR DOOR POWER WINDOW	8S-5	SYSTEM, POWER STEERING	19-1
STRUCTURAL COVER	9-90		8S-6	SYSTEM, POWER WINDOW	8S-1,8S-3
STRUCTURAL DUCT, INSTRUMENT PANEL	8E-44	SWITCH, REAR WINDOW DEFOGGER	8N-3,8N-5	SYSTEM PRESSURE, FUEL	14-27
STRUCTURAL DUST COVER	9-67	SWITCH, REMOTE RADIO	8F-14,8F-3,8F-8	SYSTEM PRESSURE RELEASE PROCEDURE, FUEL	14-12
STUB SHAFT HOUSING	19-13	SWITCH, TURN SIGNAL AND HAZARD WARNING	8J-7,8J-9	SYSTEM, REAR WINDOW DEFOGGER	8N-1,8N-3
STUDS, STEERING KNUCKLE AND BALL	3-27	SWITCH, TURN SIGNAL SWITCH AND HAZARD WARNING	8J-3	SYSTEM, REAR WIPER	8K-10
STUDS, WHEEL MOUNTING	2-14	SWITCH VALVE, SOLENOID	21-205	SYSTEM, REAR WIPER AND WASHER	8K-2
SUNROOF, 8W-64 POWER	8W-1	SWITCH, WIPER AND WASHER	8K-12,8K-20	SYSTEM, REMOTE KEYLESS ENTRY	8P-11,8P-9
SUNROOF DRIVE MOTOR	23-13	SWITCH, WIPER SWITCH AND WASHER	8K-7	SYSTEM, SENTRY KEY IMMOBILIZER	8Q-6,8Q-9
SUNROOF EXPRESS MODULE	23-12	SWITCHES, CHIME WARNING SYSTEM	8U-6	SYSTEM SERVICE EQUIPMENT, REFRIGERANT	24-30
SUNROOF GLASS PANEL	23-11	SWITCHES, PRESSURE	21-203	SYSTEM SERVICE PORTS, REFRIGERANT	24-9
SUNROOF GLASS PANEL ADJUSTMENT	23-14	SWITCHES, SPEED CONTROL	8H-2,8H-5	SYSTEM, SPEAKER	8F-3
SUNROOF GLASS PANEL TIMING	23-13	SWITCH—PCM INPUT, BRAKE	14-34	SYSTEM, SPEED CONTROL	8H-1
SUNROOF HOUSING ASSEMBLY	23-14	SYMBOLS	8W-5	SYSTEM, STARTING	8B-1,8B-12,8B-3
SUNROOF OPERATION	23-8	SYMBOLS, INTERNATIONAL; INTRODUCTION	Intro.-2	SYSTEM, SUSPENSION AND STEERING	2-3,2-8
SUNROOF, POWER	23-8	SYMBOLS, INTERNATIONAL; LUBRICATION AND MAINTENANCE	0-2	SYSTEM SWITCHES, CHIME WARNING	8U-6
SUNROOF SUNSHADE	23-13	SYSTEM, 8W-20 CHARGING	8W-1	SYSTEM TEST—4.0L ENGINE, FIXED ORIFICE FITTING/CCV	25-28
SUNROOF WIND DEFLECTOR	23-11	SYSTEM, 8W-21 STARTING	8W-1	SYSTEM TEST—4.7L V-8 ENGINE, PCV VALVE/PCV	25-29
SUNSHADE, SUNROOF	23-13	SYSTEM, 8W-31 TRANSMISSION CONTROL	8W-1	SYSTEM, TIMING DRIVE	9-66
SUNVISOR	23-58	SYSTEM, 8W-39 VEHICLE THEFT SECURITY	8W-1	SYSTEM TRANSDUCER PROGRAMMING, SENTRY KEY IMMOBILIZER	8Q-9
SUPPLIES—PRIMARY AND SECONDARY, FIVE VOLT SENSOR	14-35	SYSTEM, 8W-43 AIRBAG	8W-1	SYSTEM, TURN SIGNAL	8J-1
SUPPLY TEST, VACUUM	8H-4	SYSTEM, 8W-47 AUDIO	8W-1	SYSTEM, VACUUM	24-26
SUPPORT BRACKET, INSTRUMENT PANEL STEERING COLUMN	8E-43	SYSTEM, AIRBAG	8M-1,8M-4,8M-5	SYSTEM, VEHICLE THEFT SECURITY	8Q-1,8Q-5
SUPPORT BRACKET, REARVIEW MIRROR	23-58	SYSTEM, ANTILOCK BRAKE	5-38	SYSTEM, WASHER	8K-11
SUPPORT, OIL PUMP AND REACTION SHAFT	21-123,21-156,21-249	SYSTEM, AUDIO	8F-1,8F-5	SYSTEM, WINDSHIELD WIPER	8K-8
SUPPORT PROP, HOOD	23-29	SYSTEM, AUTOMATIC DAY/NIGHT MIRROR	8T-6	SYSTEM, WINDSHIELD WIPER AND WASHER	8K-1
SUPPRESSION COMPONENTS, RADIO NOISE	8F-19	SYSTEM, AUTOMATIC ZONE CONTROL	24-13	SYSTEM—4.0L ENGINE, CRANKCASE VENTILATION (CCV)	25-26
SUPPRESSION, RADIO NOISE	8F-4	SYSTEM, BASE BRAKE	5-1,5-6	SYSTEM—4.7L ENGINE, POSITIVE CRANKCASE VENTILATION (PCV)	25-26
SURFACE PREPARATION, ENGINE GASKET	9-16,9-84	SYSTEM, BLEEDING ABS BRAKE	5-41	SYSTEM—REVERSE FLUSHING, COOLING	7-26
SURFACE TOUCH-UP, PAINTED	23-2	SYSTEM, BRAKE	5-2	SYSTEM—TESTING FOR LEAKS, COOLING	7-20
SUSPENSION AND STEERING SYSTEM	2-3,2-8	SYSTEM CAPACITIES, COOLING	7-44	SYSTEMS, 8W-30 FUEL/IGNITION	8W-1
SUSPENSION ARM, BUSHINGS, AND BALL JOINT, UPPER	2-17	SYSTEM CHARGE, REFRIGERANT	24-29	SYSTEMS, AUDIO	8F-20
SUSPENSION ARM, LOWER	2-11,2-19	SYSTEM, CHARGING	8C-1,8C-2	SYSTEMS, MONITORED	25-19
SUSPENSION ARM, UPPER	2-11,2-19	SYSTEM, CHIME WARNING	8U-1,8U-4	SYSTEMS, OVERHEAD CONSOLE	8V-12
SUSPENSION ARMS AND BUSHINGS, LOWER	2-17,2-7	SYSTEM COMPONENTS, LIFTGATE FLIP-UP GLASS POWER RELEASE	8P-8	SYSTEMS, PASSIVE RESTRAINT	8M-15
SUSPENSION ARMS AND BUSHINGS, UPPER	2-7	SYSTEM COMPONENTS, VEHICLE THEFT SECURITY	8Q-5	SYSTEMS, POWER DISTRIBUTION	80-15
SUSPENSION, FRONT	2-15,2-6	SYSTEM, COOLANT RESERVOIR / OVERFLOW	7-4	SYSTEMS SERVICE, LAMP	8L-16
SUSPENSION, REAR	2-16,2-17,2-22	SYSTEM COOLANT ROUTING	7-2	SYSTEMS, TURN SIGNAL AND HAZARD WARNING	8J-13,8J-6
SWITCH AND HAZARD WARNING SWITCH, TURN SIGNAL	8J-3	SYSTEM COOLANT ROUTING	7-2	TABLE, A/C APPLICATION	24-60
SWITCH AND KEY CYLINDER, IGNITION	8D-18	SYSTEM COOLING	7-2	TABLES AND CHARTS—RE TRANSMISSION, DIAGNOSIS	21-59
SWITCH AND KEY LOCK CYLINDER, IGNITION	8D-10,8D-7	SYSTEM DIAGNOSIS	8L-2	TAIL, BRAKE, TURN SIGNAL AND BACK-UP LAMP BULBS	8L-9
SWITCH AND WASHER SWITCH, WIPER	8K-7	SYSTEM DIAGNOSIS CHARTS, POWER STEERING	19-2	TAIL, BRAKE, TURN SIGNAL, BACK-UP, AND SIDE MARKER LAMP	8L-13
SWITCH ASSEMBLY, SOLENOID AND PRESSURE	21-203,21-215	SYSTEM DIAGNOSIS, COOLING	7-13	TAIL LAMP AIR EXHAUSTER	23-66
SWITCH, BLOWER MOTOR	24-22,24-3	SYSTEM DIAGNOSIS, EXHAUST	11-6	TAILPIPE	11-5
SWITCH, BRAKE LAMP; BRAKES	5-14,5-2,5-36,5-8	SYSTEM, DRAINING AND FILLING COOLING	7-25	TAILPIPE, MUFFLER	11-10
		SYSTEM, EMISSION	25-1	TAIL/STOP/TURN/BACK-UP LAMPS	8L-16
		SYSTEM, ENGINE LUBRICATION	9-63	TAKE OUTS	8W-7
		SYSTEM EVACUATE, REFRIGERANT	24-30		
		SYSTEM, EVAPORATION CONTROL	25-23		
		SYSTEM, EXHAUST	11-1		
		SYSTEM FAN 4.0L AND 4.7L ENGINES, COOLING	7-42		
		SYSTEM, FUEL	14-63		

Description	Group-Page	Description	Group-Page	Description	Group-Page
TANK CAPACITY, FUEL	14-27	THROTTLE POSITION SENSOR	21-204	TRAC-LOK™ DIFFERENTIAL	3-122,3-55,3-78,3-98
TANK FILLER TUBE CAP, FUEL	14-25,14-6	THROTTLE POSITION SENSOR (TPS)—4.0L ENGINE	14-51	TRAC-LOK™ DIFFERENTIAL NOISE	3-102,3-59
TANK, FUEL	14-22,14-4	THROTTLE POSITION SENSOR (TPS)—4.7L V-8 ENGINE	14-52	TRAC-LOK™ TEST	3-102,3-59
TANK SKID PLATE, FUEL	13-6	THROTTLE POSITION SENSOR (TPS)—PCM INPUT	14-38	TRAILER HITCH	13-6
TAPPET, HYDRAULIC	9-7	THROTTLE VALVE CABLE	21-54	TRAILER TOW, 8W-54	8W-1
TAPPETS, HYDRAULIC	9-12,9-39,9-54	THROTTLE VALVE CABLE ADJUSTMENT, TRANSMISSION	21-159	TRANSFER CASE	21-277,21-311
TASK MANAGER—GASOLINE POWERED ENGINES ONLY	25-16	TIE ROD	19-23	TRANSFER CASE IDENTIFICATION	21-308
TEMPERATURE SENSOR, AMBIENT	8V-12,8V-5,8V-6	TIE ROD ENDS	19-22	TRANSFER CASE, NV242	21-275,21-280,21-303
TEMPERATURE SENSOR, BATTERY	8C-2,8C-4	TIMING CASE COVER	9-40	TRANSFER CASE, NV247	21-308,21-314,21-330
TEMPERATURE SENSOR, INFRARED	24-7	TIMING CASE COVER OIL SEAL	9-50	TRANSFER CASE SHIFT CABLE	21-279,21-311
TEMPERATURE SENSOR, TRANSMISSION	21-205	TIMING CHAIN AND SPROCKETS	9-108,9-41	TRANSFER CASE SKID PLATE	13-6
TEMPERATURE SENSOR—4.0L ENGINE, ENGINE COOLANT	14-60	TIMING CHAIN COVER	9-107	TRANSMISSION	21-109,21-155,21-176,21-216,21-223,21-248,21-271,21-75
TEMPERATURE SENSOR—4.0L ENGINE, INTAKE MANIFOLD AIR	14-61	TIMING CHAIN—MEASURING WEAR	9-77	TRANSMISSION, 42RE AUTOMATIC	21-1,21-2
TEMPERATURE SENSOR—4.7L V-8 ENGINE, ENGINE COOLANT	14-60	TIMING DRIVE SYSTEM	9-66	TRANSMISSION, 45RFE	21-271
TEMPERATURE SENSOR—4.7L V-8 ENGINE, INTAKE MANIFOLD AIR	14-61	TIMING, IGNITION	8D-21	TRANSMISSION, 45RFE AUTOMATIC	21-181,21-182
TEMPERATURE SENSOR—PCM INPUT, ENGINE COOLANT	14-35	TIMING, SUNROOF GLASS PANEL	23-13	TRANSMISSION CLUTCH AND BAND OPERATION, AIR TESTING	21-57
TEMPERATURE SENSOR—PCM INPUT, INTAKE MANIFOLD AIR	14-35	TIMING, VALVE	9-20	TRANSMISSION CLUTCH OPERATION, AIR TESTING	21-209
TENSION, DRIVE BELT	7-44	TIMING—VERIFICATION, ENGINE	9-75	TRANSMISSION CONTROL MODULE	21-200
TENSIONER, AUTOMATIC BELT	7-41	TIRE AND WHEEL BALANCE	22-9	TRANSMISSION CONTROL RELAY	21-203
TERMINAL REPLACEMENT	8W-13	TIRE AND WHEEL RUNOUT	22-7	TRANSMISSION CONTROL SYSTEM, 8W-31	8W-1
TERMINAL REPLACEMENT, CONNECTOR	8W-12	TIRE INFLATION PRESSURES	22-2	TRANSMISSION DIAGNOSIS, AUTOMATIC	21-51
TERMINAL/CONNECTOR REPAIR-MOLEX CONNECTORS	8W-10	TIRE NOISE OR VIBRATION	22-4	TRANSMISSION, DIAGNOSIS TABLES AND CHARTS—RE	21-59
TERMINAL/CONNECTOR REPAIR—THOMAS AND BETTS CONNECTORS	8W-10	TIRE PRESSURE FOR HIGH SPEED	22-3	TRANSMISSION FILT PROCEDURE	21-212,21-73
TEST, ANALYZING ROAD	21-55	TIRE WEAR PATTERNS	22-4	TRANSMISSION GENERAL DIAGNOSIS, 45RFE AUTOMATIC	21-206
TEST, CYLINDER COMBUSTION PRESSURE LEAKAGE	9-14,9-69	TIRE-TEMPORARY, SPARE	22-2	TRANSMISSION OIL COOLER, AUTOMATIC	7-4
TEST, CYLINDER COMPRESSION PRESSURE	9-13,9-68	TIRES	22-1,22-6	TRANSMISSION QUICK LEARN PROCEDURE	21-213
TEST FOR CHARGING SYSTEM, ON-BOARD DIAGNOSTIC	8C-3	TIRES, CLEANING	22-6	TRANSMISSION RANGE SENSOR	21-204
TEST, FUEL INJECTOR	14-12	TIRES, RADIAL-PLY	22-2	TRANSMISSION SELECTOR LAMP	8L-15
TEST, FUEL PRESSURE LEAK DOWN	14-9	TIRES, REPLACEMENT	22-3	TRANSMISSION SHIFT INTERLOCK, BRAKE	21-159,21-207,21-222,21-249,21-53,21-83
TEST, FUEL PUMP AMPERAGE	14-11	TONE WHEEL, WHEEL SPEED SENSORS	5-40	TRANSMISSION SHIFT INTERLOCK MECHANISM, BRAKE	21-199,21-51
TEST, FUEL PUMP CAPACITY	14-9	TOOL, DRB SCAN	7-10	TRANSMISSION TEMPERATURE SENSOR	21-205
TEST, FUEL PUMP PRESSURE	14-7	TOOLS, TROUBLESHOOTING	8W-8	TRANSMISSION THROTTLE VALVE CABLE ADJUSTMENT	21-159
TEST, HYDRAULIC PRESSURE	21-208,21-55	TOP COVER, INSTRUMENT PANEL	8E-29	TRANSMISSIONS, RE	21-177
TEST MODE, CIRCUIT ACTUATION	25-2	TOP PAD, INSTRUMENT PANEL	8E-30	TRANSMITTER BATTERY REPLACEMENT, REMOTE KEYLESS ENTRY	8P-12
TEST MODE, STATE DISPLAY	25-2	TORQUE; DIFFERENTIAL AND DRIVELINE	3-10	TRANSMITTER PROGRAMMING, REMOTE KEYLESS ENTRY	8P-13
TEST, ROAD	8H-3	TORQUE; ENGINE	9-140	TRANSMITTER, REMOTE KEYLESS ENTRY	8P-11,8P-12
TEST, TRAC-LOK™	3-102,3-59	TORQUE; EXHAUST SYSTEM	11-12	TRANSMITTER, UNIVERSAL	23-27
TEST, VACUUM SUPPLY	8H-4	TORQUE; TRANSMISSION AND TRANSFER CASE	21-306,21-329	TRANSPONDER PROGRAMMING, SENTRY KEY IMMOBILIZER SYSTEM	8Q-9
TEST, VARI-LOK™	3-102,3-17	TORQUE CHART; BRAKES	5-37,5-45	TRANSPONDER, SENTRY KEY IMMOBILIZER	8Q-8
TESTING, RADIATOR CAP—PRESSURE	7-22	TORQUE CHART; CHARGING SYSTEM	8C-5	TRAY, BATTERY	8A-22,8A-5
TESTING, RELAY	14-47	TORQUE CHART; EMISSION CONTROL SYSTEMS	25-33	TREAD WEAR INDICATORS	22-3
TESTING, ROAD	21-207,21-54	TORQUE CHART; FUEL SYSTEM	14-29,14-62	TRIM, A-PILLAR	23-50
TESTING TRANSMISSION CLUTCH AND BAND OPERATION, AIR	21-57	TORQUE CHART; IGNITION SYSTEM	8D-22	TRIM, B-PILLAR LOWER	23-51
TESTING TRANSMISSION CLUTCH OPERATION, AIR	21-209	TORQUE CHART; SPEED CONTROL SYSTEM	8H-9	TRIM, B-PILLAR UPPER	23-51
TEST—4.0L ENGINE, FIXED ORIFICE FITTING/CCV SYSTEM	25-28	TORQUE CHART; STEERING	19-10,19-20,19-24,19-30	TRIM COVER, DRIVER SIDE AIRBAG MODULE	8M-7
TEST—4.7L V-8 ENGINE, PCV VALVE/PCV SYSTEM	25-29	TORQUE CHART; SUSPENSION	2-14,2-22	TRIM, COWL LOWER	23-50
TESTS, TROUBLESHOOTING	8W-9	TORQUE CHART; TIRES AND WHEELS	22-10	TRIM, C-PILLAR UPPER	23-53
TESTS, WATER PUMP	7-10	TORQUE CONVERTER	21-11,21-183,21-218,21-79	TRIM, D-PILLAR	23-54
THEFT SECURITY SYSTEM, 8W-39 VEHICLE	8W-1	TORQUE REFERENCES	Intro-6	TRIM PANEL, FRONT DOOR	23-34
THEFT SECURITY SYSTEM COMPONENTS, VEHICLE	8Q-5	TORQUE SPECIFICATIONS; BODY	23-156	TRIM PANEL, LIFTGATE	23-60
THEFT SECURITY SYSTEM LIGHT EMITTING DIODE, VEHICLE	8Q-4	TORQUE SPECIFICATIONS; COOLING SYSTEM	7-44	TRIM PANEL, LOWER LIFTGATE OPENING	23-60
THEFT SECURITY SYSTEM, VEHICLE	8Q-1,8Q-5	TORQUE SPECIFICATIONS; ENGINE	9-59	TRIM PANEL, REAR DOOR	23-41
THERMOGUARD, BATTERY	8A-22,8A-5	TORQUE SPECIFICATIONS; FRAME AND BUMPERS	13-10	TRIM, QUARTER PANEL	23-53
THERMOSTAT	7-11,7-5	TOUCH-UP, PAINTED SURFACE	23-2	TRIM, UPPER LIFTGATE OPENING	23-54
THERMOSTAT—4.7L ENGINE	7-32	TOW, 8W-54 TRAILER	8W-1	TRIP DEFINITION	25-21
THERMOSTAT—4.0L ENGINE	7-31	TOW HOOK, FRONT	13-5	TROUBLE CODE DESCRIPTIONS, DIAGNOSTIC	25-3
THREAD REPAIR, ALUMINUM	21-213,21-75	TOW HOOK, REAR	13-6	TROUBLE CODES, DIAGNOSTIC	25-2
THREADED HOLE REPAIR	Intro-2	TOW HOOKS, EMERGENCY	0-12	TROUBLESHOOTING TESTS	8W-9
THREADS, REPAIR DAMAGED OR WORN	9-18,9-85	TOWING, FOUR-WHEEL-DRIVE VEHICLE	0-11	TROUBLESHOOTING TOOLS	8W-8
THROTTLE BODY	14-41	TOWING, JUMP STARTING, HOISTING	0-9	TROUBLESHOOTING WIRING PROBLEMS	8W-9
THROTTLE BODY MINIMUM AIR FLOW CHECK PROCEDURE	14-49	TOWING RECOMMENDATIONS	0-10	TUBE AND 186 FBI AXLE	3-11
THROTTLE BODY—4.0L ENGINE	14-50	TOWING, TWO-WHEEL-DRIVE VEHICLE (TPS)—4.0L ENGINE, THROTTLE POSITION SENSOR	14-51	TUBE AXLE ASSEMBLY	3-19
THROTTLE BODY—4.7L V-8 ENGINE	14-50	(TPS)—4.7L V-8 ENGINE, THROTTLE POSITION SENSOR	14-52	TUBE CAP, FUEL TANK FILLER	14-25,14-6
THROTTLE CABLE—4.0L ENGINE	14-25	(TPS)—PCM INPUT, THROTTLE POSITION SENSOR	14-38	TUBE, DRAIN	23-11
THROTTLE CABLE—4.7L V-8 ENGINE	14-26	TRACK ADJUSTER, BUCKET SEAT	23-16	TUBE, FIXED ORIFICE	24-5
		TRACK BAR	2-12,2-7		
		TRACK, POWER SEAT	8R-4,8R-7		
		TRAC-LOK™	3-126,3-82		



Description	Group-Page	Description	Group-Page	Description	Group-Page
TUBE FLARING, BRAKE	5-13	VALVE BODY	21-154,21-162,21-17,21-190, 21-214,21-233,21-247,21-84,21-89	WARNINGS AND CAUTIONS, SERVICE	2-18,2-9
TUBES, FLUSHING COOLERS	21-212,21-74	VALVE CABLE ADJUSTMENT, TRANSMISSION THROTTLE	21-159	WARNINGS AND PRECAUTIONS, SERVICE	24-31
TUBES, HEATER CORE	24-51	VALVE CABLE, THROTTLE	21-54	WARNINGS, NOTES, CAUTIONS	8W-7
TUBES/LINES/HOSES AND CLAMPS, FUEL	14-6	VALVE, CONVERTER DRAINBACK	21-47	WASHER FLUID LEVEL SENSOR	8K-25,8K-4
TUNNEL BRACKET, INSTRUMENT PANEL TO CENTER FLOOR	8E-24	VALVE GUIDES	9-66	WASHER NOZZLE AND PLUMBING	8K-21
TURN SIGNAL AND BACK-UP LAMP BULBS, TAIL, BRAKE	8L-9	VALVE, HIGH PRESSURE RELIEF	24-52,24-7	WASHER NOZZLE AND PLUMBING, REAR	8K-4
TURN SIGNAL AND HAZARD WARNING SWITCH	8J-7,8J-9	VALVE, ROLLOVER	25-23	WASHER NOZZLE AND PLUMBING, WINDSHIELD	8K-5
TURN SIGNAL AND HAZARD WARNING SYSTEMS	8J-13,8J-6	VALVE SERVICE	9-133,9-51	WASHER PUMP	8K-23
TURN SIGNAL, BACK-UP, AND SIDE MARKER LAMP, TAIL, BRAKE	8L-13	VALVE SERVICE, CONVERTER DRAINBACK CHECK	21-74	WASHER RESERVOIR	8K-24
TURN SIGNAL BULB, FRONT	8L-9	VALVE, SOLENOID SWITCH	21-205	WASHER RESERVOIR AND PUMP	8K-5
TURN SIGNAL CANCELLING CAM	8J-10,8J-4	VALVE SPRING	9-66,9-7	WASHER SWITCH, WIPER	8K-12,8K-20
TURN SIGNAL LAMP, FRONT	8L-13	VALVE SPRINGS, VALVES	9-104,9-39	WASHER SWITCH, WIPER SWITCH	8K-7
TURN SIGNAL SWITCH AND HAZARD WARNING SWITCH	8J-3	VALVE STEM SEAL	9-66,9-7	WASHER SYSTEM	8K-11
TURN SIGNAL SYSTEM	8J-1	VALVE STEM SEAL AND SPRING	9-36	WASHER SYSTEM, REAR WIPER	8K-2
TURN SIGNALS, 8W-52	8W-1	VALVE STEM SEALS AND SPRINGS	9-99	WASHER SYSTEM, WINDSHIELD WIPER	8K-1
TWO-WHEEL-DRIVE VEHICLE TOWING	0-10	VALVE TIMING	9-20	WATER LEAKS	23-25
U-JOINT, AXLE SHAFT—CARDAN	3-19	VALVE, VACUUM CHECK	24-59,24-9	WATER PUMP	7-43,7-7
U-JOINT, CARDAN	3-40	VALVE, VARIABLE ORIFICE	24-60	WATER PUMP 4.7L ENGINES	7-29
UNBALANCE	3-3	VALVE—4.7L V-8 ENGINE, PCV	25-30	WATER PUMP BYPASS HOSE—4.0L ENGINE	7-37
UNDERHOOD LAMP	8L-14	VALVE/PCV SYSTEM TEST—4.7L V-8 ENGINE, PCV	25-29	WATER PUMP BYPASS—4.7L	7-3
UNDERHOOD LAMP BULB	8L-10	VALVES	9-66,9-7	WATER PUMP TESTS	7-10
UNIT, ENGINE OIL PRESSURE SENDING	9-129	VALVES AND VALVE SPRINGS	9-104,9-39	WATER PUMP—4.0L ENGINE	7-27
UNIT, FUEL GAUGE SENDING	14-11,14-18,14-3	VALVE(S), ROLLOVER	25-32	WATERDAM, FRONT DOOR	23-34
UNIT, HYDRAULIC CONTROL	5-39	VANITY LAMP BULB, VISOR	8L-11	WATERDAM, REAR DOOR	23-42
UNIT, OVERDRIVE	21-137,21-158,21-86	VANITY LAMP, VISOR	8L-15	WEAR INDICATORS, TREAD	22-3
UNIT/CONTROLLER ANTILOCK BRAKES, HYDRAULIC CONTROL	5-42	VARIABLE ORIFICE VALVE	24-60	WEAR PATTERNS, TIRE	22-4
UNIVERSAL GARAGE DOOR OPENER	8V-4,8V-6	VARIATION ADJUSTMENT, COMPASS	8W-8	WEAR, TIMING CHAIN—MEASURING	9-77
UNIVERSAL JOINT, SINGLE CARDAN	3-8	VARI-LOK <sup>™</sup> DIFFERENTIAL	3-13,3-97	WEATHERSTRIP, FLIP UP GLASS	23-64
UNIVERSAL TRANSMITTER	23-27	VARI-LOK <sup>™</sup> PLENUM	3-114,3-32	WEATHERSTRIP, FRONT DOOR GLASS RUN CHANNEL	23-38
UNSCCHEDULED INSPECTION	0-4	VARI-LOK <sup>™</sup> TEST	3-102,3-17	WEATHERSTRIP, FRONT DOOR OPENING	23-39
UP GLASS, FLIP	23-64	VEHICLE, CAMSHAFTS—IN	9-115	WEATHERSTRIP, FRONT DOOR SECONDARY	23-39
UP GLASS LATCH, FLIP	23-64	VEHICLE EMISSION CONTROL INFORMATION (VECI) LABEL	25-28	WEATHERSTRIP, FRONT DOOR SECONDARY	23-39
UP GLASS LATCH STRIKER, FLIP	23-66	VEHICLE IDENTIFICATION NUMBER (VIN)	Intro-1	WEATHERSTRIP, LIFTGATE OPENING	23-63
UP GLASS SWITCH, FLIP	23-64	VEHICLE INFORMATION CENTER, ELECTRONIC	8V-1,8V-11,8V-5	WEATHERSTRIP, REAR DOOR INNER BELT	23-45
UP GLASS WEATHERSTRIP, FLIP	23-64	VEHICLE INFORMATION CENTER PROGRAMMING, ELECTRONIC	8V-7	WEATHERSTRIP, REAR DOOR OPENING	23-45
UPPER BEZEL, INSTRUMENT PANEL CENTER	8E-20	VEHICLE PREPARATION FOR LAMP ALIGNMENT	8L-4	WEATHERSTRIP, REAR DOOR OUTER BELT	23-45
UPPER LIFTGATE OPENING TRIM	23-54	VEHICLE SAFETY CERTIFICATION LABEL	Intro-1	WEATHERSTRIP, REAR DOOR SECONDARY	23-46
UPPER SUSPENSION ARM	2-11,2-19	VEHICLE SPEED AND DISTANCE—PCM INPUT	14-39	WEATHERSTRIP W/RETAINER, ROOF RAIL	23-48
UPPER SUSPENSION ARM, BUSHINGS, AND BALL JOINT	2-17	VEHICLE SPEED CONTROL, 8W-33	8W-1	WELD LOCATIONS	23-69
UPPER SUSPENSION ARMS AND BUSHINGS	2-7	VEHICLE THEFT SECURITY SYSTEM	8Q-1,8Q-5	WELDING PROCEDURES, DRILLING	23-27
UPPER TRIM, B-PILLAR	23-51	VEHICLE THEFT SECURITY SYSTEM, 8W-39	8W-1	WHEEL	22-7
UPPER TRIM, C-PILLAR	23-53	VEHICLE THEFT SECURITY SYSTEM COMPONENTS	8Q-5	WHEEL ALIGNMENT	2-1,2-4
USAGE, FASTENER	Intro-2	VEHICLE THEFT SECURITY SYSTEM LIGHT EMITTING DIODE	8Q-4	WHEEL BALANCE, TIRE	22-9
V-8 ENGINE, CRANKSHAFT POSITION SENSOR—4.7L	8D-15	VEHICLE TOWING, FOUR-WHEEL-DRIVE	0-11	WHEEL INSPECTION	22-7
V-8 ENGINE, ENGINE COOLANT TEMPERATURE SENSOR—4.7L	14-60	VEHICLE TOWING, TWO-WHEEL-DRIVE	0-10	WHEEL INSTALLATION	22-9
V-8 ENGINE, ENGINE FIRING ORDER— 4.7L	8D-21	VENTILATION (CCV) SYSTEM—4.0L ENGINE, CRANKCASE	25-26	WHEEL MOUNTING STUDS	2-14
V-8 ENGINE, IGNITION COIL RESISTANCE—4.7L	8D-22	VENTILATION (PCV) SYSTEM—4.7L ENGINE, POSITIVE CRANKCASE	25-26	WHEEL RUNOUT, TIRE	22-7
V-8 ENGINE, INTAKE MANIFOLD AIR TEMPERATURE SENSOR—4.7L	14-61	VIBRATION	3-101,3-16,3-2,3-58	WHEEL SPEED SENSOR, FRONT	5-42
V-8 ENGINE, PCV VALVE—4.7L	25-30	VIBRATION DAMPER	9-40	WHEEL SPEED SENSOR, REAR	5-43
V-8 ENGINE, PCV VALVE/PCV SYSTEM TEST—4.7L	25-29	VIBRATION, TIRE NOISE OR	22-4	WHEEL SPEED SENSORS AND TONE WHEEL	5-40
V-8 ENGINE, SERVO CABLE—4.7L	8H-7	VIEW MIRROR GLASS, SIDE	23-32	WHEEL, WHEEL SPEED SENSORS AND TONE	5-40
V-8 ENGINE, THROTTLE BODY—4.7L	14-50	VIEW MIRROR, SIDE	23-32	WHEELS	22-7
V-8 ENGINE, THROTTLE CABLE—4.7L	14-26	VIN REPROGRAMMING, PCM	14-1	WIND DEFLECTOR, SUNROOF	23-11
V-8 ENGINE, THROTTLE POSITION SENSOR (TPS)—4.7L	14-52	VISCOUS FAN DRIVE	7-21,7-43,7-8	WIND NOISE	23-26
V-8 ENGINE, FUEL INJECTOR RAIL—4.7L	14-20	VISOR VANITY LAMP	8L-15	WINDOW DEFOGGER, 8W-48 REAR	8W-1
V-8 ENGINE, IDLE AIR CONTROL (IAC) MOTOR—4.7L	14-53	VISOR VANITY LAMP BULB	8L-11	WINDOW DEFOGGER RELAY, REAR	8N-3,8N-5, 8N-7
V-8 ENGINE, MANIFOLD ABSOLUTE PRESSURE (MAP) SENSOR—4.7L	14-54	VISUAL INSPECTION	14-42	WINDOW DEFOGGER SWITCH, REAR	8N-3,8N-5
VACUUM CHECK VALVE	24-59,24-9	VOLT SENSOR SUPPLIES—PRIMARY AND SECONDARY, FIVE	14-35	WINDOW DEFOGGER SYSTEM, REAR	8N-1,8N-3
VACUUM RESERVOIR; HEATING AND AIR CONDITIONING	24-60,24-9	VOLTAGE REGULATOR, ELECTRONIC	8C-2	WINDOW GLASS, QUARTER	23-6
VACUUM RESERVOIR; SPEED CONTROL SYSTEM	8H-3,8H-8	VOLTAGE—PCM INPUT, BATTERY	14-34	WINDOW GLASS, REAR DOOR	23-47
VACUUM SCHEMATICS	25-30	VOLUME CHECK, OIL PUMP	21-212,21-74	WINDOW MOTOR, POWER	8S-2,8S-5,8S-6
VACUUM SUPPLY TEST	8H-4	WARNING LAMP, ABS	5-40	WINDOW REGULATOR, FRONT DOOR	23-40
VACUUM SYSTEM	24-26	WARNING LAMP, RED BRAKE	5-3,5-9	WINDOW REGULATOR, REAR DOOR	23-46
VALUE, LOAD	25-22	WARNING SWITCH, TURN SIGNAL AND HAZARD	8J-7,8J-9	WINDOW SWITCH, POWER	8S-2
		WARNING SWITCH, TURN SIGNAL AND HAZARD	8J-7,8J-9	WINDOW SWITCH, REAR DOOR POWER	8S-5, 8S-6
		WARNING SWITCH, TURN SIGNAL SWITCH AND HAZARD	8J-3	WINDOW SYSTEM, POWER	8S-1,8S-3
		WARNING SYSTEM, CHIME	8U-1,8U-4	WINDOWS, 8W-60 POWER	8W-1
		WARNING SYSTEM, HAZARD	8J-2	WINDSHIELD	23-4
		WARNING SYSTEM SWITCHES, CHIME	8U-6	WINDSHIELD SAFETY PRECAUTIONS	23-4
		WARNING SYSTEMS, TURN SIGNAL AND HAZARD	8J-13,8J-6	WINDSHIELD WASHER NOZZLE AND PLUMBING	8K-5
		WARNINGS & CAUTIONS, SERVICE	5-2	WINDSHIELD WIPER AND WASHER SYSTEM	8K-1
				WINDSHIELD WIPER ARM AND BLADE	8K-6
				WINDSHIELD WIPER MOTOR, PIVOT AND LINKAGE MODULE	8K-17,8K-6

Description	Group-Page	Description	Group-Page	Description	Group-Page
WINDSHIELD WIPER SYSTEM .....	8K-8	WIPER HIGH/LOW RELAY .....	8K-12,8K-7	WIRING PROBLEMS,	
WIPER AND WASHER SWITCH .....	8K-12,8K-20	WIPER MOTOR MODULE, REAR .....	8K-19,8K-4	TROUBLESHOOTING .....	8W-9
WIPER AND WASHER SYSTEM, REAR .....	8K-2	WIPER MOTOR, PIVOT AND LINKAGE		WIRING REPAIR .....	8W-10
WINDSHIELD .....	8K-1	MODULE, WINDSHIELD .....	8K-17,8K-6	WIRING/TERMINAL .....	8W-14
WIPER ARM .....	8K-15	WIPER ON/OFF RELAY .....	8K-14,8K-8	WORN THREADS, REPAIR DAMAGED OR .....	9-18,
WIPER ARM AND BLADE, REAR .....	8K-3	WIPER RELAYS .....	8K-21	9-85	
WIPER ARM AND BLADE, WINDSHIELD .....	8K-6	WIPER SWITCH AND WASHER SWITCH .....	8K-7	W/RETAINER, ROOF RAIL	
WIPER ARM PARK RAMP, REAR .....	8K-17	WIPER SYSTEM, REAR .....	8K-10	WEATHERSTRIP .....	23-48
WIPER BLADE .....	8K-15	WIPER SYSTEM, WINDSHIELD .....	8K-8	ZONE CONTROL SYSTEM, AUTOMATIC .....	24-13
		WIPERS, 8W-53 .....	8W-1		

# DaimlerChrysler Corporation

## UNITED STATES

The special service tools referred to herein are required for certain service operations. These special service tools or their equivalent, if not obtainable through a local source, are available through the following outlet.

28635 Mound Road, Warren, Michigan 48092, U.S.A.

### **MILLER SPECIAL TOOLS**

OTC Division, SPX Corporation

Telephone 1-800-801-5420

FAX 1-800-578-7375

---

## CANADA

The special service tools referred to herein are required for certain service operations. These special service tools or their equivalent, if not obtainable through a local source, are available through the following outlet.

C & D Riley Enterprises Ltd., P.O. Box 243, Amherstburg, Ontario N9V 2Z4

Telephone (519) 736-4600

FAX (519) 736-8433

---

## INTERNATIONAL

The special service tools referred to herein are required for certain service operations. These special service tools or their equivalent, if not obtainable through a local source, are available through the following outlet.

28635 Mound Road, Warren, Michigan 48092, U.S.A.

### **MILLER SPECIAL TOOLS**

OTC Division, SPX Corporation

Telephone 1-800-801-5420

FAX 1-800-578-7375

## CAUTION

**ALL SERVICE AND REBUILDING INSTRUCTIONS CONTAINED HEREIN ARE APPLICABLE TO, AND FOR THE CONVENIENCE OF, THE AUTOMOTIVE TRADE ONLY. All test and repair procedures on components or assemblies in non-automotive applications should be repaired in accordance with instructions supplied by the manufacturer of the total product.**

---

Proper service and repair is important to the safe, reliable, operation of all motor vehicles. The service procedures recommended and described in this publication were developed for professional service personnel and are effective methods for performing vehicle repair. Following these procedures will help assure efficient economical vehicle performance and service reliability. Some of these service procedures require the use of special tools designed for specific procedures. These special tools should be used when recommended throughout this publication.

---

**Special attention should be exercised when working with spring or tension loaded fasteners and devices such as E-Clips, Circlips, Snap rings, etc., as careless removal may cause personal injury. Always wear safety goggles whenever working on vehicles or vehicle components.**

---

It is important to note that this publication contains various **Cautions** and **Warnings**. These should be carefully read in order to minimize the risk of personal injury, or the possibility that improper service methods may damage the vehicle or render it unsafe. It is important to note that these **Cautions** and **Warnings** cover only the situations and procedures DaimlerChrysler Corporation has encountered and recommended. DaimlerChrysler Corporation could not possibly know, evaluate, and advise the service trade of all conceivable ways that service may be performed, or of the possible hazards of each. Consequently, DaimlerChrysler Corporation has not undertaken any such broad service review. Accordingly, anyone who uses a service procedure, or tool, that is not recommended in this publication must assure oneself thoroughly that neither personal safety, nor vehicle safety, be jeopardized by the service methods they select.

## SERVICE AND OWNER MANUALS

*Available for Chrysler, Plymouth, Dodge, Dodge Truck, and Jeep® vehicles.*

Telephone orders may be placed at the number below. Credit cards are accepted (no CODs). Please have your order information available at time of call.

CALL: (800) 890-4038 OR FAX: (440) 572-0815  
FOR A FREE CATALOG OR TO PLACE AN ORDER.



Welcome to the  
2000 WJ Jeep Grand Cherokee  
Electronic Service Manual

**DaimlerChrysler Corporation**

**DaimlerChrysler Corporation**

**CD-ROM Installation And Operation  
Instruction Booklet**



# DaimlerChrysler Corporation

## Table Of Contents

Section	Page
<b>1.0 Viewing A Manual In Windows98/95/NT.....</b>	2
<b>2.0 Viewing A Manual In Windows 3.1 .....</b>	3
<b>3.0 Using The CD-ROM</b>	
3.1 Welcome Page Of A Manual .....	4
3.2 Tab Page Of A Manual .....	5
3.3 Returning To The Tab Page Of A Manual .....	6
3.4 Viewing The Contents Of A Group Within A Manual .....	7
3.5 Using Electronic Bookmarks To Navigate A Manual .....	8
<b>4.0 Using The Acrobat Reader Toolbar</b>	
4.1 Acrobat Reader On-Line Help .....	9
4.2 Summary Of Acrobat Reader Toolbar Features .....	10

# DaimlerChrysler Corporation

## 1.0 Viewing A Manual In Windows98/95/NT

To view the contents of A CD-ROM, you will need to keep the CD-ROM in the CD-ROM drive. The Acrobat Reader runs off the hard drive and uses the CD-ROM drive to access the document content.

1. Click the START button, point to the Programs Group, then point to the desired DaimlerChrysler manual group. Figure 1.0-1 shows the selection for the 1995 Service Manual CD-ROM.

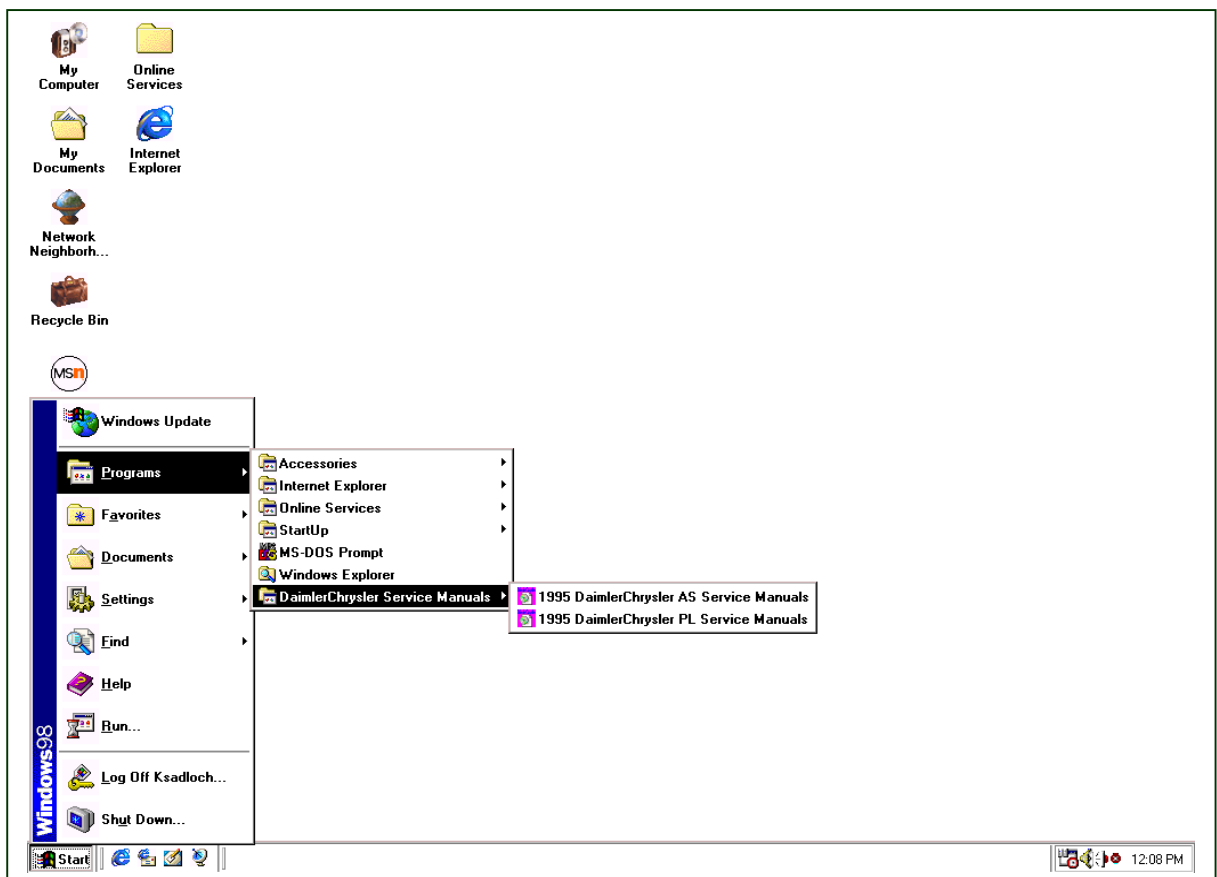


Figure 1.0-1

2. Proceed to Section 3.0 of this instruction booklet.

# DaimlerChrysler Corporation

## 2.0 Viewing A Service Manual In Windows3.1

To view the contents of A CD-ROM, you will need to keep the CD-ROM in the CD-ROM drive. The Acrobat Reader runs off the hard drive and uses the CD-ROM drive to access the document content.

1. Double click on the Program Group icon for the DaimlerChrysler Manual. Figure 3.0-1 shows the icon for the 1995 Service Manual.

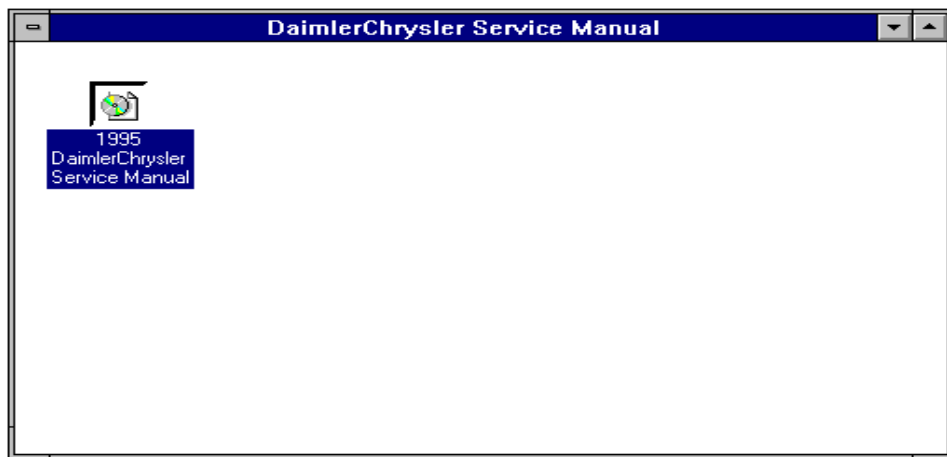


Figure 2.01-1

2. Proceed to Section 4.0 of this instruction booklet.

# DaimlerChrysler Corporation

## 3.0 Using The CD-ROM

### 3.1 Welcome Page Of A Manual

The Welcome Page is the first page that is displayed to a user after launching the Acrobat Reader application. Refer to Sections 1.0, and 2.0 of this CD-ROM Instruction Booklet. Double click on the logo to enter the Electronic Manual. Figure 3.1-1 is a Welcome Page.

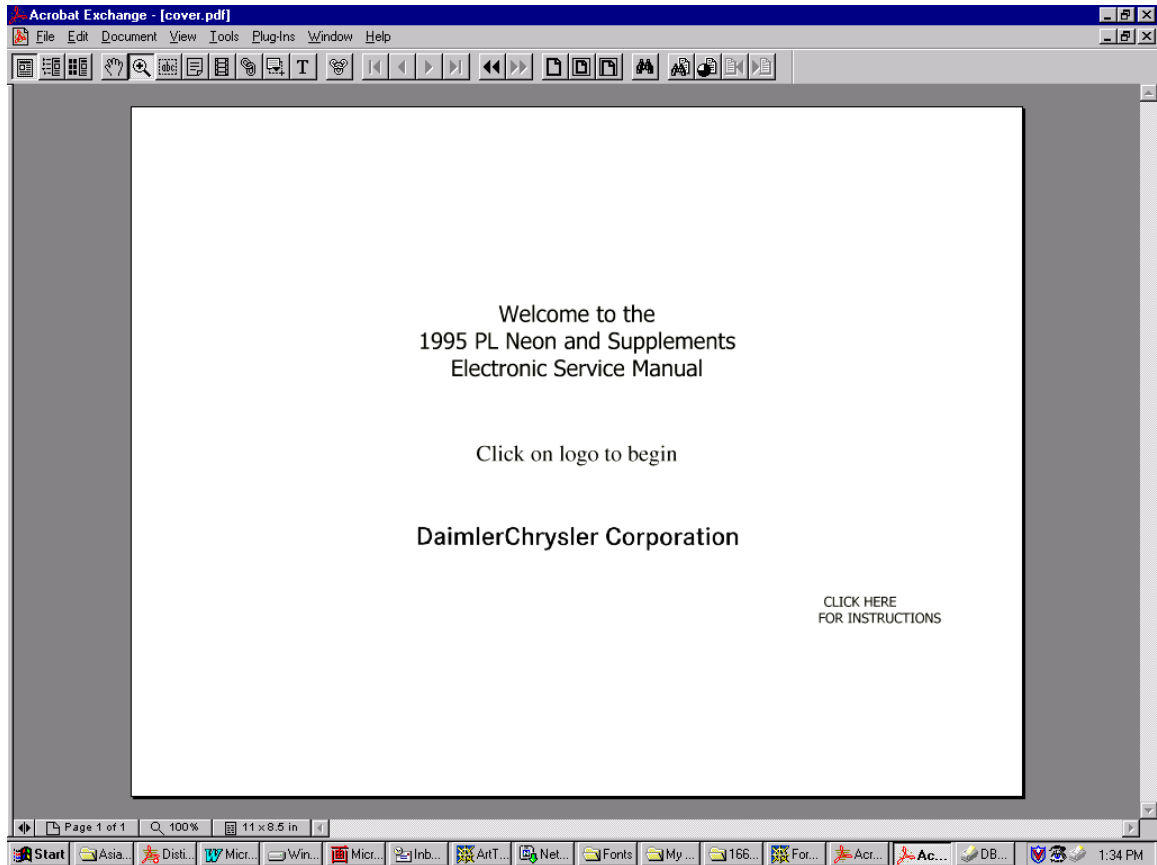


Figure 3.1-1

# DaimlerChrysler Corporation

## 3.2 Tab Page Of A Manual

The tab page contains a listing of all the groups within a manual. Point the cursor to the desired group and click to display the content for a group.

Figure 4.2-1 is a sample tab page for a manual.

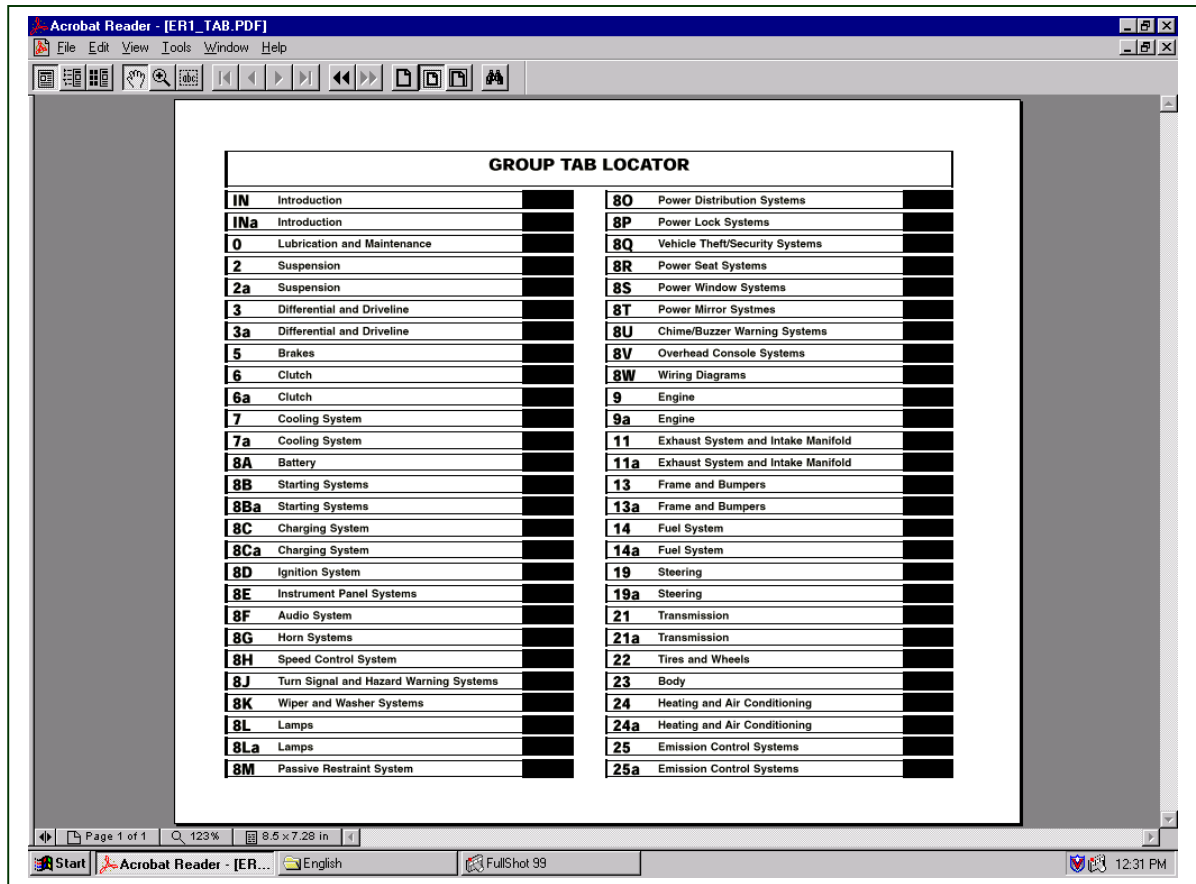


Figure 3.2-1

# DaimlerChrysler Corporation

## 3.3 Returning To The Tab Page Of A Manual

On the Acrobat Reader Toolbar, select the menu option "File" and then "xxx\_tab.pdf" to return to the Tab Page in a manual. In Figure 3.3-1 the Tab Page is "ean\_tab.pdf".

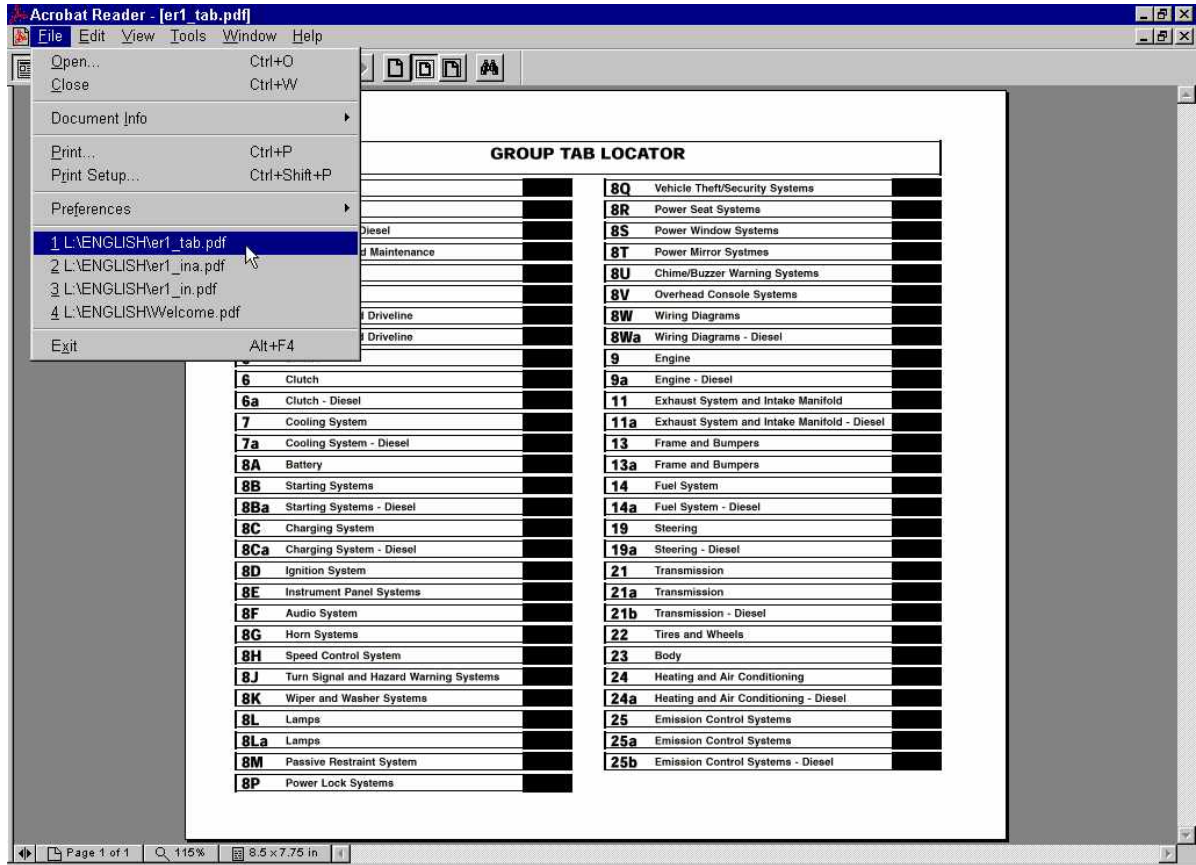


Figure 3.3-1



# DaimlerChrysler Corporation

## 3.4 Viewing The Contents Of A Group Within A Manual

Point the cursor over a desired content section and click to display the contents within a group. Figure 3.4-1 shows the electronic outline within the left hand window and the document with associated sections within the right hand window.

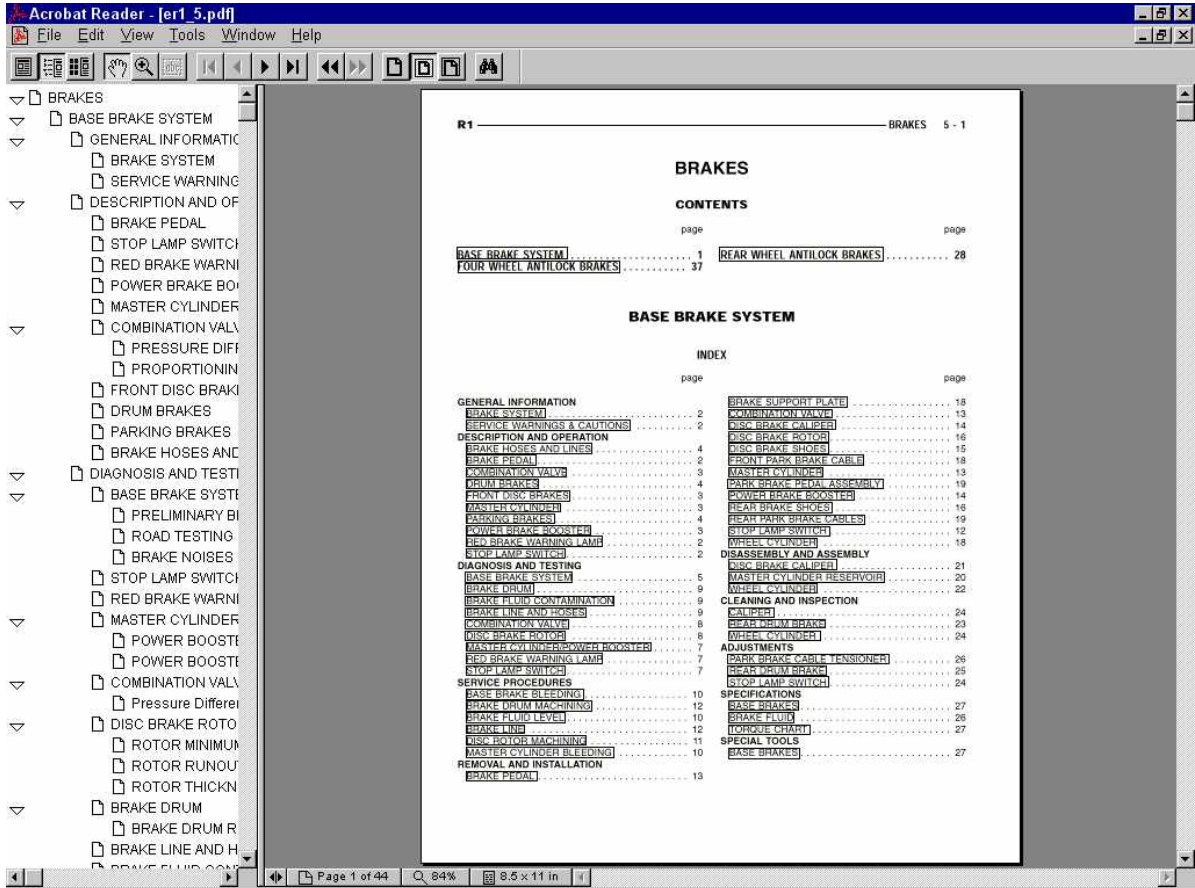


Figure 3.4-1

# DaimlerChrysler Corporation

## 3.5 Using Electronic Bookmarks For Navigation Within A Manual.

Point the cursor over an item in the electronic outline window which is located in the left window of the Acrobat Reader.

Click on an outline item to display the contents within a group.

Figure 3.5-1 is a sample document with electronic bookmarks in the left hand window and the document in the right hand window.

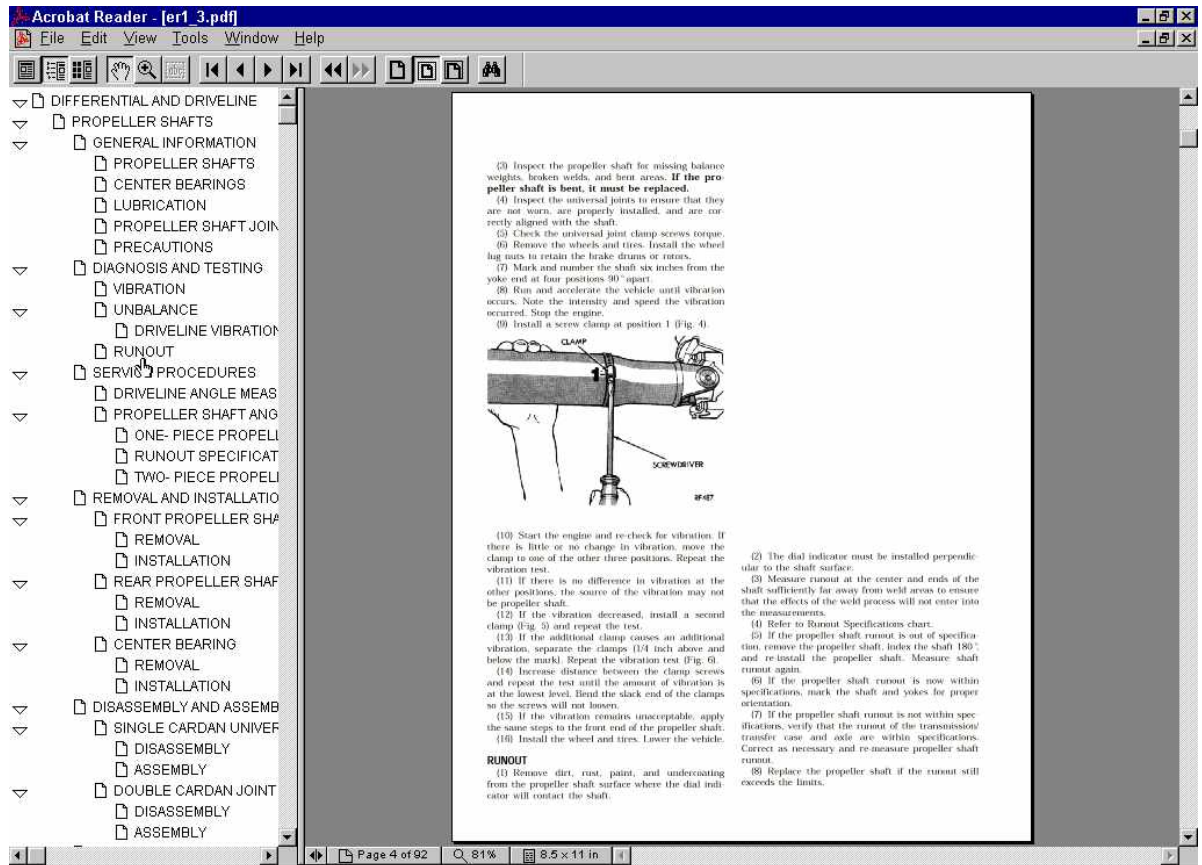


Figure 3.5-1

# DaimlerChrysler Corporation

## 4.0 Using The Acrobat Reader

### 4.1 Acrobat Reader On-Line Help

The complete user help file can be accessed by selecting the Help Menu option and then Reader Online Guide option within the Acrobat Reader application.

### 4.2 Summary Of Acrobat Reader Toolbar Features

Section 4.2 describes how to use the basic features of the Adobe Acrobat Reader to navigate the CD-ROM manual. A Quick Summary of The basic Acrobat Reader features is contained in Table 4.2-1





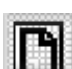





Description	Icon	Usage
Display The Previous View		Click on the icon to use the previous view function
Display The Next View		Click on the icon to use the next view function
Set Image Size To 100%		Click on the icon to set the document view image to 100%
Make The Current Page Fit Inside The Window		Click on the icon to scale a large page format to fit within the viewing window.
Make The Visible Width Of The Current Page Fit The Viewing Window		Click on the icon to make the width of a document fit the viewing window.

Table 4.2-1

# DaimlerChrysler Corporation

Description	Icon	Usage
Display The Previous View		Click on the icon to use the previous view function
Display The Next View		Click on the icon to use the next view function
Set Image Size To 100%		Click on the icon to set the document view image to 100%
Make The Current Page Fit Inside The Window		Click on the icon to scale a large page format to fit within the viewing window.
Make The Visible Width Of The Current Page Fit The Viewing Window		Click on the icon to make the width of a document fit the viewing window.

**Table 4.2-1**